

11-5102

CREATED: 10/30/2008

Jewish Home for the Aging

1885 Victory Blvd. Reseda, CA

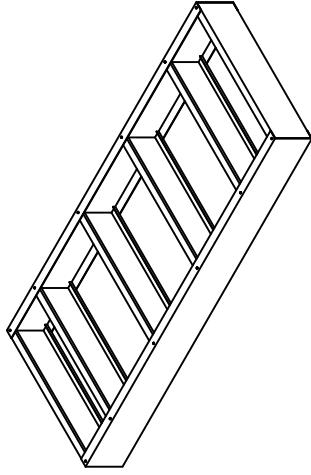
FM-07-109

CREATED BY: AMB

FrameMax, Inc.  
13915 Danielson St  
Suite 100  
Poway, CA 92064  
www.frame-max.com

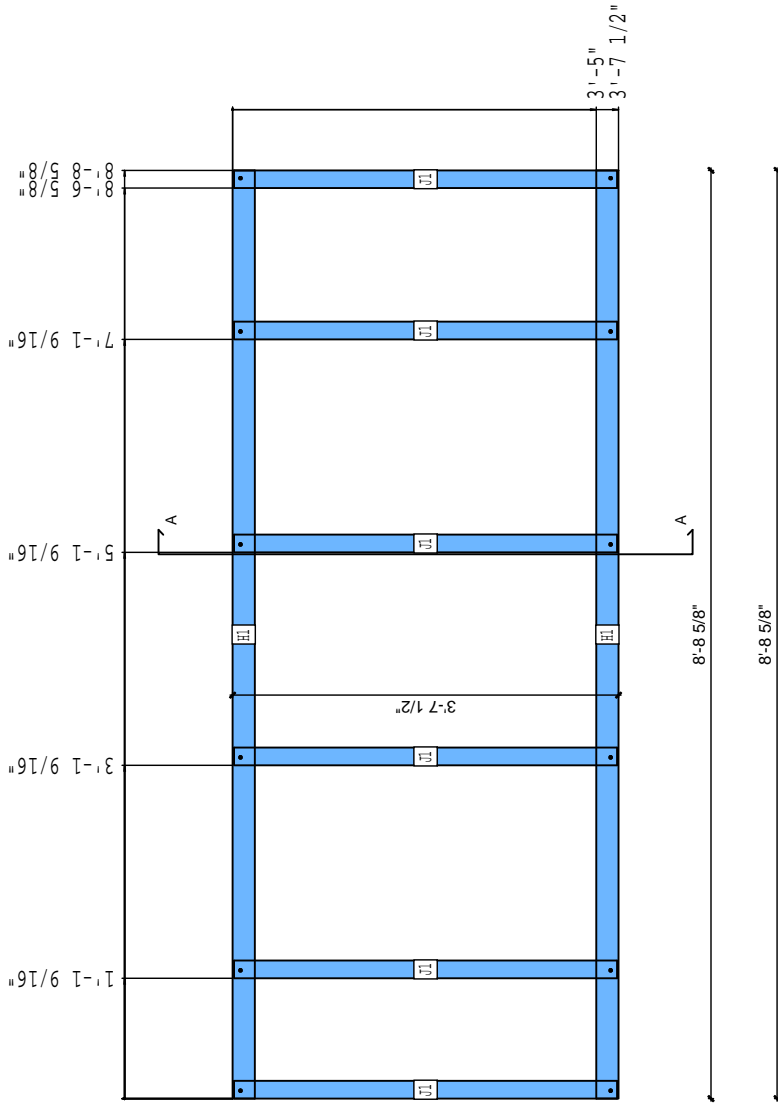
**FRAME MAX**

© FrameMax Inc.



**APPROVED**

By Ivan Juarez at 4:29 pm, Oct 30, 2008



PIECE SCHEDULE				
LAB	QTY	DESCRIPTION	LENGTH	ANGLE
HL	2	1007250-97	8'-8 5/8"	
UL	6	1005200-97	3'-7 1/2"	

11-5103

CREATED: 10/30/2008

Jewish Home for the Aging

1885 Victory Blvd. Reseda, CA

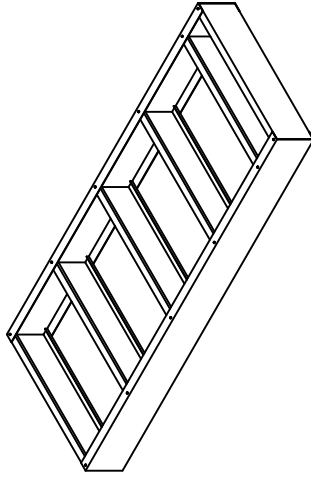
FW-07-109

CREATED BY: AMB

FrameMax, Inc.  
13915 Danielson St  
Suite 100  
Poway, CA 92064  
www.frame-max.com

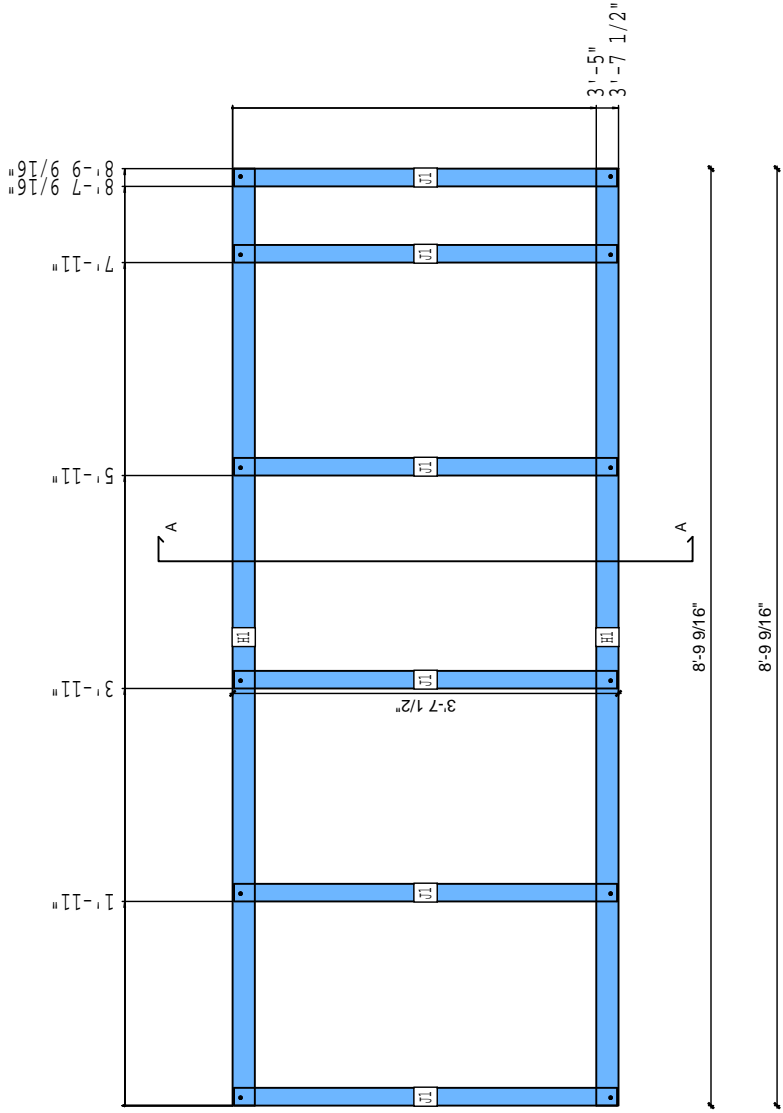
# FRAME MAX

©FrameMax Inc.



**APPROVED**

By Ivan Juarez at 4:29 pm, Oct 30, 2008



PIECE	SCHEDULE	DESCRIPTION	LENGTH	AMOUNT
H1	2	1007250-97	8'-9 9/16"	
H2	6	1007250-97	3'-7 1/2"	

11-5104

CREATED: 10/30/2008

Jewish Home for the Aging

1885 Victory Blvd. Reseda, CA

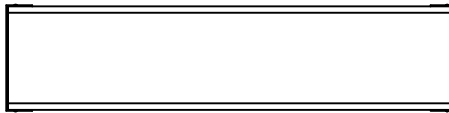
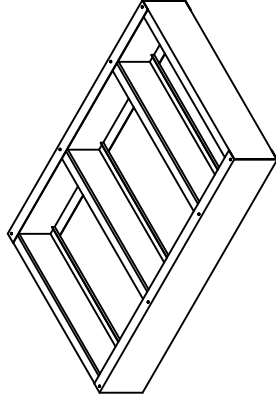
FW-07-109

CREATED BY: AMB

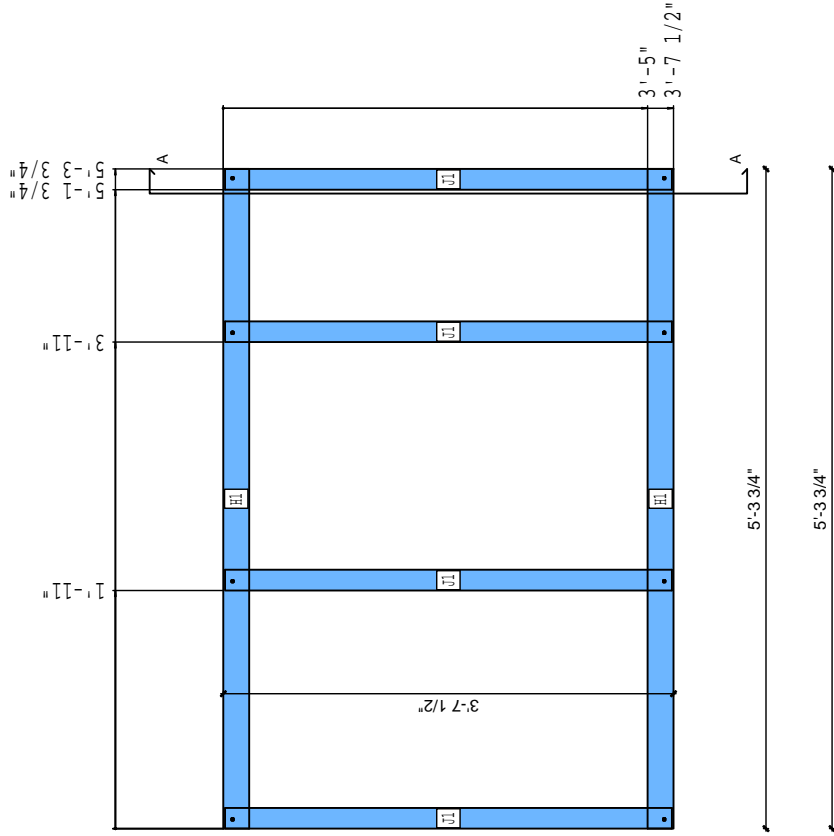
FrameMax, Inc.  
13915 Danielson St  
Suite 100  
Poway, CA 92064  
www.frame-max.com

**FRAME MAX**

© FrameMax Inc.



A-A



**APPROVED**  
By Ivan Juarez at 4:29 pm, Oct 30, 2008

PIECE SCHEDULE					
LAB	QTY	MATERIAL	DESCRIPTION	LENGTH	ANGLE
HL	2	1007250-97	FRAMER	5'-3 3/4"	
DL	4	1006200-97	POST	3'-7 1/2"	



11-5106

CREATED: 10/30/2008

Jewish Home for the Aging

1885 Victory Blvd. Reseda, CA

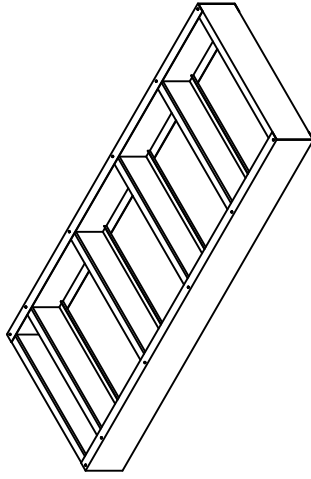
FW-07-109

CREATED BY: AMB

FrameMax, Inc.  
13915 Danielson St  
Suite 100  
Poway, CA 92064  
www.frame-max.com

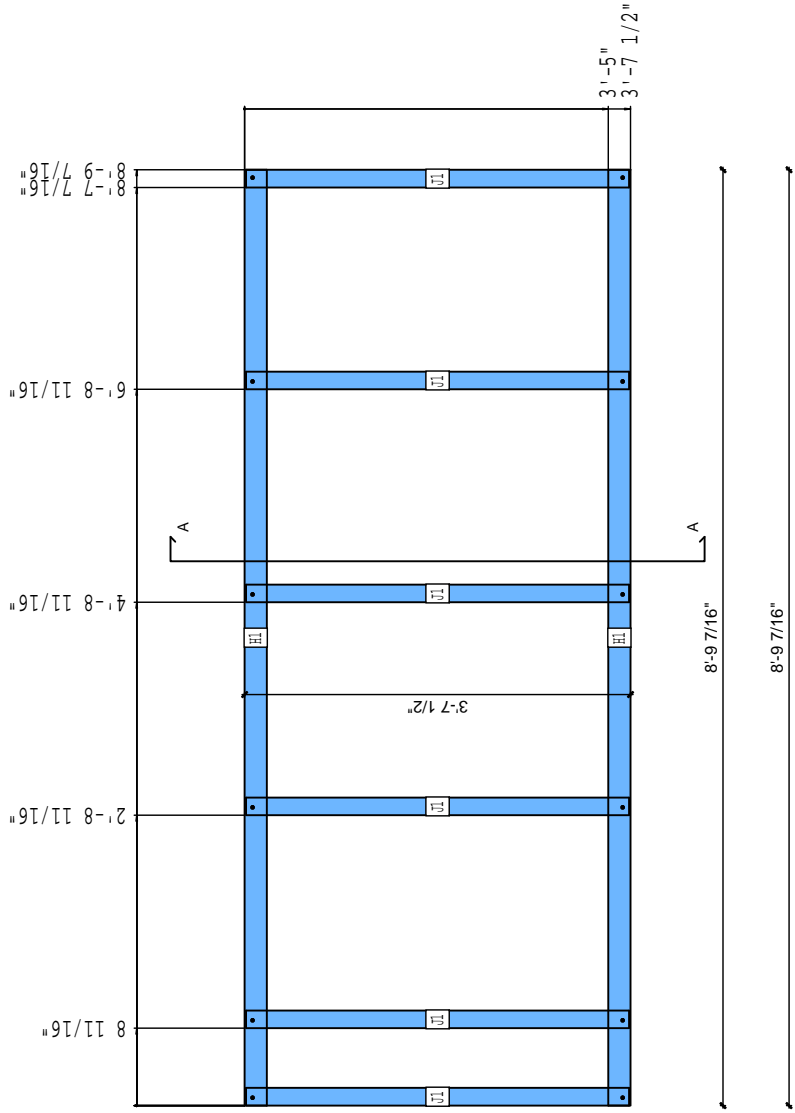
**FRAME MAX**

©FrameMax Inc.



**APPROVED**

By Ivan Juarez at 4:29 pm, Oct 30, 2008



PIECE SCHEDULE						
LAB	QTY	MATERIAL	DESCRIPTION	LENGTH	ANGLE	ANGLE
U1	2	1007250-97	FRAMER	8'-9 7/16"		
U2	6	1005200-97	POST	3'-7 3/16"		

11-5107

CREATED: 10/30/2008

Jewish Home for the Aging

1885 Victory Blvd. Reseda, CA

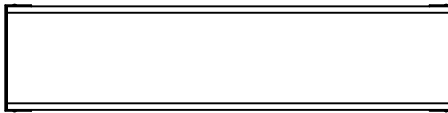
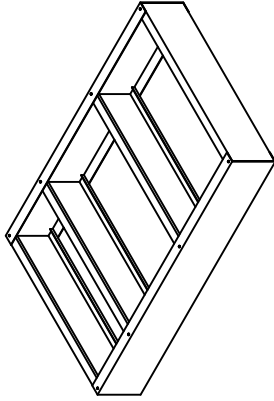
FW-07-109

CREATED BY: AMB

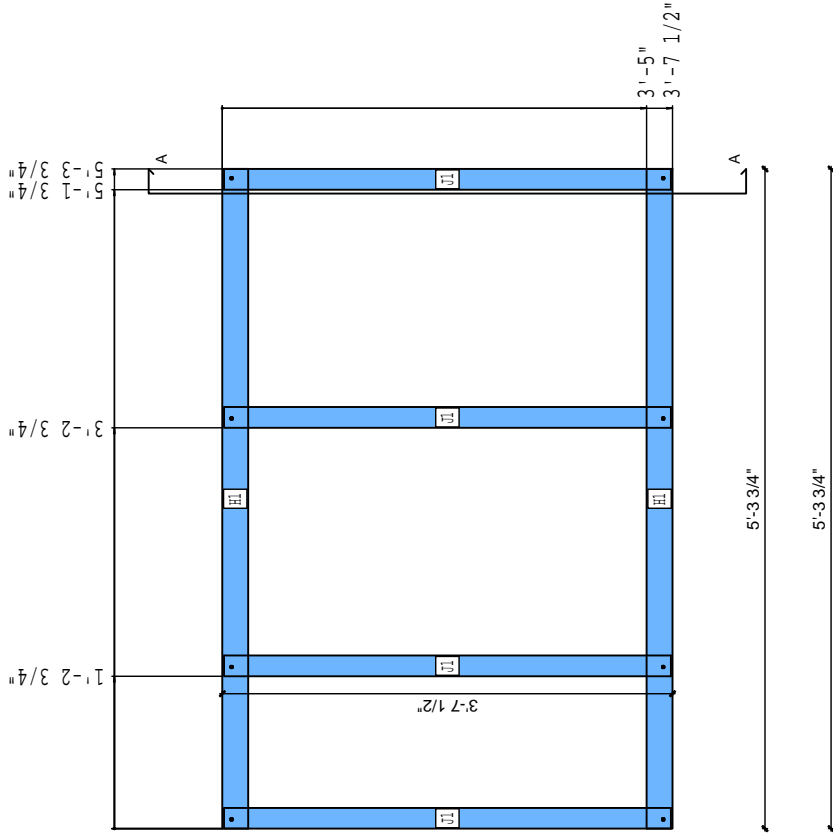
FrameMax, Inc.  
13915 Danielson St  
Suite 100  
Poway, CA 92064  
www.frame-max.com

**FRAME MAX**

©FrameMax Inc.



A-A



**APPROVED**  
By Ivan Juarez at 4:29 pm, Oct 30, 2008

PIECE SCHEDULE						
LAB	QTY	MATERIAL	DESCRIPTION	LENGTH	AREA	WGT
HL	2	1007250-97	FRAMER	5'-3 3/4"		
DL	4	1005200-97	POST	3'-7 1/2"		