

# 11-1242

Jewish Home for the Aging

1885 Victory Blvd. Reseda, CA

FM-07-109

CREATED BY: AMB

FrameMax, Inc.  
13915 Danielson St  
Suite 100  
Poway, CA 92064  
www.frame-max.com



© FrameMax Inc.

HEIGHT : 11'-9 11/16" POINTS: 2.42 Points.

SPACING : 24"

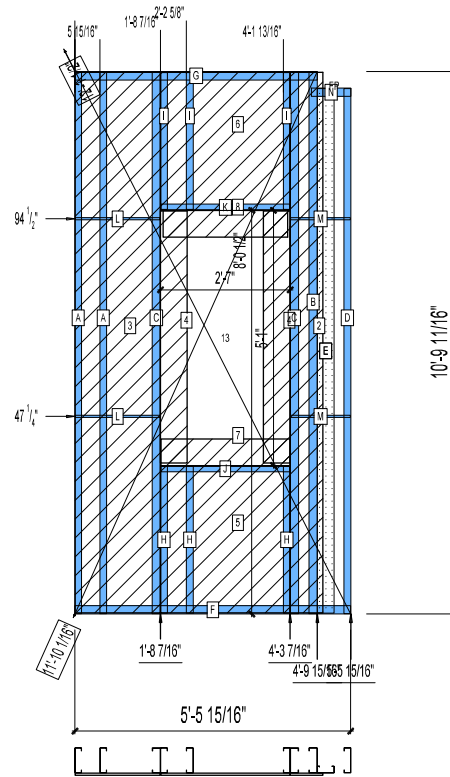
1st STUD: 24"

WEIGHTS :

FRAME : 270 lbs

SHEATHING: 134 lbs

-----  
TOTAL: 404 lbs



PIECES LIST

LABEL	QTY	SIZE	LENGTH	USE
A	2	600S162-68	10'-9 1/2"	STUD
B	1	600S200-68	10'-9 1/2"	BEAM KING
C	2	600S200-97	10'-9 1/2"	KING STUD
D	1	600S162-68	10'-5 9/16"	STUD
E	1	400S162-33	10'-5 7/16"	BACKER-U
F	1	600T200-68	5'-5 15/16"	BOTTOM TRACK
G	1	600T200-68	4'-9 15/16"	TOP TRACK
H	3	600S162-54	2'-11 1/16"	CRIPPLE
I	3	600S162-54	2'-8 3/4"	CRIPPLE
J	1	600T150-54	2'-6 3/4"	SILL
K	1	600T150-54	2'-6 3/4"	HEAD TRACK
L	2	150U50-54	1'-8 1/4"	HORIZONTAL BRACING
M	2	150U50-54	1'-2 1/4"	HORIZONTAL BRACING
N	1	600T200-68	9 7/16"	BEAM JACK

SHEATHING

LABEL	QTY	CODE	THICK	SIZE	SCREWS
1	1	DENSGLASS	1/2"	6 3/8" X 10'-9 1/4"	8 - 12
2	1	DENSGLASS	1/2"	7 3/4" X 10'-9 1/4"	8 - 12
3	1	DENSGLASS	1/2"	1'-8 3/8" X 10'-9 1/4"	8 - 12
4	2	DENSGLASS	1/2"	6 3/8" X 5'-0 1/4"	8 - 12
5	1	DENSGLASS	1/2"	2'-6 7/8" X 2'-11 1/8"	8 - 12
6	1	DENSGLASS	1/2"	2'-6 7/8" X 2'-8 15/16"	8 - 12
7	1	DENSGLASS	1/2"	2'-6 7/8" X 6 3/8"	8 - 12
8	1	DENSGLASS	1/2"	2'-5 3/4" X 6 3/8"	8 - 12