

11-1213

Jewish Home for the Aging

1885 Victory Blvd. Reseda, CA

FM-07-109

CREATED BY: HH

FrameMax, Inc.
13915 Danielson St
Suite 100
Poway, CA 92064
www.frame-max.com



© FrameMax Inc.

HEIGHT : 11'-9 11/16" POINTS: 2.42 Points.

SPACING : 24"

1st STUD: 24"

WEIGHTS :

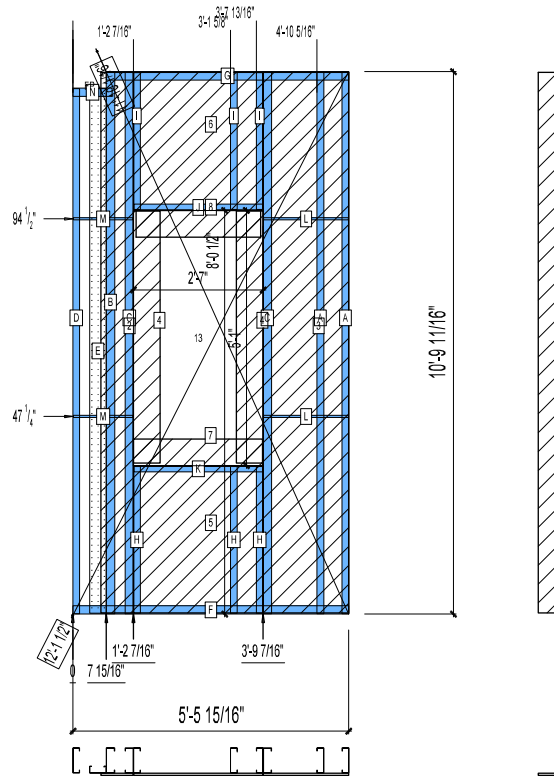
FRAME : 270 lbs

SHEATHING: 134 lbs

TOTAL: 404 lbs

APPROVED

By hhuynh at 5:23 pm, Nov 11, 2008



PIECES LIST

LABEL	QTY	SIZE	LENGTH	USE
A	2	600S162-68	10'-9 1/2"	STUD
B	1	600S200-68	10'-9 1/2"	BEAM KING
C	2	600S200-97	10'-9 1/2"	KING STUD
D	1	600S162-68	10'-5 9/16"	STUD
E	1	400S162-33	10'-5 7/16"	BACKER-U
F	1	600T200-68	5'-5 15/16"	BOTTOM TRACK
G	1	600T200-68	4'-9 15/16"	TOP TRACK
H	3	600S162-54	2'-11 1/16"	CRIPPLE
I	3	600S162-54	2'-8 3/4"	CRIPPLE
J	1	600T150-54	2'-6 3/4"	HEAD TRACK
K	1	600T150-54	2'-6 3/4"	SILL
L	2	150U50-54	1'-8 1/4"	HORIZONTAL BRACING
M	2	150U50-54	1'-2 1/4"	HORIZONTAL BRACING
N	1	600T200-68	9 7/16"	BEAM JACK

SHEATHING

LABEL	QTY	CODE	THICK	SIZE	SCREWS
1	1	DENSGLOSS	1/2"	6 3/8" X 10'-9 1/4"	8 - 12
2	1	DENSGLOSS	1/2"	7 3/4" X 10'-9 1/4"	8 - 12
3	1	DENSGLOSS	1/2"	1'-8 3/8" X 10'-9 1/4"	8 - 12
4	2	DENSGLOSS	1/2"	6 3/8" X 5'-0 1/4"	8 - 12
5	1	DENSGLOSS	1/2"	2'-6 7/8" X 2'-11 1/8"	8 - 12
6	1	DENSGLOSS	1/2"	2'-6 7/8" X 2'-8 15/16"	8 - 12
7	1	DENSGLOSS	1/2"	2'-6 7/8" X 6 3/8"	8 - 12
8	1	DENSGLOSS	1/2"	2'-5 3/4" X 6 3/8"	8 - 12

11-1214

Jewish Home for the Aging

1885 Victory Blvd. Reseda, CA

FM-07-109

CREATED BY: HH

FrameMax, Inc.
13915 Danielson St
Suite 100
Poway, CA 92064
www.frame-max.com



© FrameMax Inc.

HEIGHT : 11'-9 11/16" POINTS: 0.79 Points.

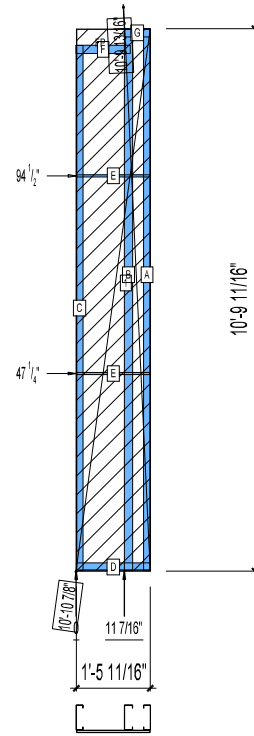
SPACING : 24"

1st STUD: 16"

APPROVED
By hhuynh at 5:23 pm, Nov 11, 2008

WEIGHTS :
FRAME : 90 lbs
SHEATHING: 39 lbs

TOTAL: 129 lbs



PIECES LIST

LABEL	QTY	SIZE	LENGTH	USE
A	1	600S162-68	10'-9 1/2"	STUD
B	1	600S200-68	10'-9 1/2"	BEAM KING
C	1	600S162-68	10'-5 9/16"	STUD
D	1	600T200-68	1'-5 11/16"	BOTTOM TRACK
E	2	150U50-54	1'-5 1/2"	HORIZONTAL BRACING
F	1	600T200-68	1'-0 15/16"	BEAM JACK
G	1	600T200-68	6 3/16"	TOP TRACK

SHEATHING

LABEL	QTY	CODE	THICK	SIZE	SCREWS
1	1	DENSGLOSS	1/2"	1'-5 1/2" X	10'-9 1/4" 8 - 12

11-1241

Jewish Home for the Aging

1885 Victory Blvd. Reseda, CA

FM-07-109

CREATED BY: HH

FrameMax, Inc.
13915 Danielson St
Suite 100
Poway, CA 92064
www.frame-max.com



© FrameMax Inc.

HEIGHT : 11'-9 11/16" POINTS: 0.80 Points.

SPACING : 24"

1st STUD: 24"

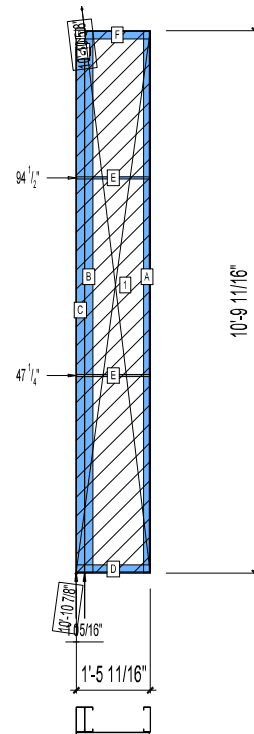
WEIGHTS :

FRAME : 92 lbs

SHEATHING: 39 lbs

TOTAL: 131 lbs

APPROVED
By hhuynh at 5:23 pm, Nov 11, 2008



PIECES LIST

LABEL	QTY	SIZE	LENGTH	USE
A	1	600S162-68	10'-9 1/2"	STUD
B	1	600S200-68	10'-9 1/2"	BEAM KING
C	1	600S200-68	10'-5 9/16"	BEAM JACK
D	1	600T200-68	1'-5 11/16"	BOTTOM TRACK
E	2	150U50-54	1'-5 1/2"	HORIZONTAL BRACING
F	1	600T200-68	1'-3 11/16"	TOP TRACK
G	1	600T200-68	3 7/16"	BEAM JACK

SHEATHING

LABEL	QTY	CODE	THICK	SIZE	SCREWS
1	1	DENSGLASS	1/2"	1'-5 1/2" X	10'-9 1/4" 8 - 12

11-1242

Jewish Home for the Aging

1885 Victory Blvd. Reseda, CA

FM-07-109

CREATED BY: HH

FrameMax, Inc.
13915 Danielson St
Suite 100
Poway, CA 92064
www.frame-max.com



© FrameMax Inc.

HEIGHT : 11'-9 11/16" POINTS: 2.42 Points.

SPACING : 24"

1st STUD: 24"

WEIGHTS :

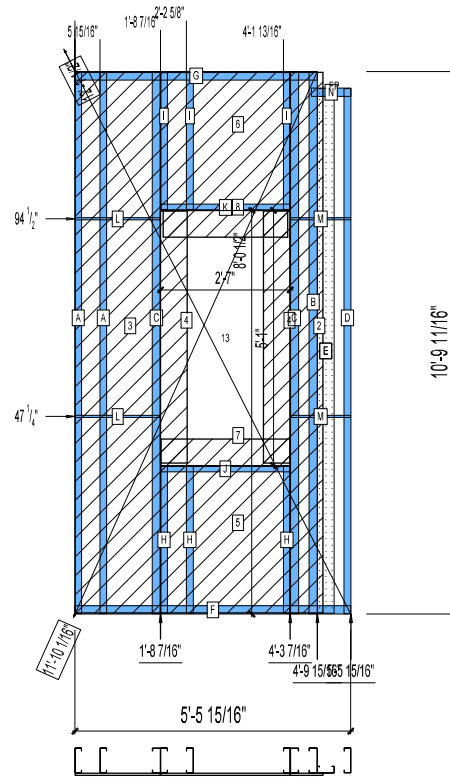
FRAME : 270 lbs

SHEATHING: 134 lbs

TOTAL: 404 lbs

APPROVED

By hhuynh at 5:23 pm, Nov 11, 2008



PIECES LIST

LABEL	QTY	SIZE	LENGTH	USE
A	2	600S162-68	10'-9 1/2"	STUD
B	1	600S200-68	10'-9 1/2"	BEAM KING
C	2	600S200-97	10'-9 1/2"	KING STUD
D	1	600S162-68	10'-5 9/16"	STUD
E	1	400S162-33	10'-5 7/16"	BACKER-U
F	1	600T200-68	5'-5 15/16"	BOTTOM TRACK
G	1	600T200-68	4'-9 15/16"	TOP TRACK
H	3	600S162-54	2'-11 1/16"	CRIPPLE
I	3	600S162-54	2'-8 3/4"	CRIPPLE
J	1	600T150-54	2'-6 3/4"	SILL
K	1	600T150-54	2'-6 3/4"	HEAD TRACK
L	2	150U50-54	1'-8 1/4"	HORIZONTAL BRACING
M	2	150U50-54	1'-2 1/4"	HORIZONTAL BRACING
N	1	600T200-68	9 7/16"	BEAM JACK

SHEATHING

LABEL	QTY	CODE	THICK	SIZE	SCREWS
1	1	DENSGLASS	1/2"	6 3/8" X 10'-9 1/4"	8 - 12
2	1	DENSGLASS	1/2"	7 3/4" X 10'-9 1/4"	8 - 12
3	1	DENSGLASS	1/2"	1'-8 3/8" X 10'-9 1/4"	8 - 12
4	2	DENSGLASS	1/2"	6 3/8" X 5'-0 1/4"	8 - 12
5	1	DENSGLASS	1/2"	2'-6 7/8" X 2'-11 1/8"	8 - 12
6	1	DENSGLASS	1/2"	2'-6 7/8" X 2'-8 15/16"	8 - 12
7	1	DENSGLASS	1/2"	2'-6 7/8" X 6 3/8"	8 - 12
8	1	DENSGLASS	1/2"	2'-5 3/4" X 6 3/8"	8 - 12

11-1276

Jewish Home for the Aging

1885 Victory Blvd. Reseda, CA

FM-07-109

CREATED BY: HH

FrameMax, Inc.
13915 Danielson St
Suite 100
Poway, CA 92064
www.frame-max.com



© FrameMax Inc.

HEIGHT : 11'-9 11/16" POINTS: 1.40 Points.

SPACING : 24"

1st STUD: 24"

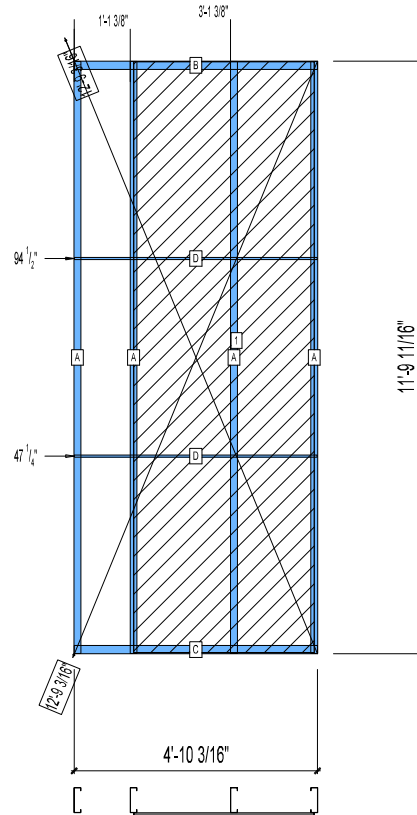
APPROVED
By hhuynh at 5:23 pm, Nov 11, 2008

WEIGHTS :

FRAME : 143 lbs

SHEATHING: 106 lbs

TOTAL: 249 lbs



KIT & BUNDLE FOR FIELD
TO STICK FRAME

PIECES LIST

LABEL	QTY	SIZE	LENGTH	USE
A	4	600S162-68	11'-9 1/2"	STUD
B	1	600T200-68	4'-10 3/16"	TOP TRACK
C	1	600T200-68	4'-10 3/16"	BOTTOM TRACK
D	2	150U50-54	4'-10"	HORIZONTAL BRACING

SHEATHING

LABEL	QTY	CODE	THICK	SIZE	SCREWS
1	1	DENSGLOSS	1/2"	3'-7 3/16" X 11'-9 1/4"	8 - 12

11-1277

Jewish Home for the Aging

1885 Victory Blvd. Reseda, CA

FM-07-109

CREATED BY: HH

FrameMax, Inc.
13915 Danielson St
Suite 100
Poway, CA 92064
www.frame-max.com



© FrameMax Inc.

HEIGHT : 11'-9 11/16" POINTS: 2.68 Points.

SPACING : 24"

1st STUD: 24"

WEIGHTS :

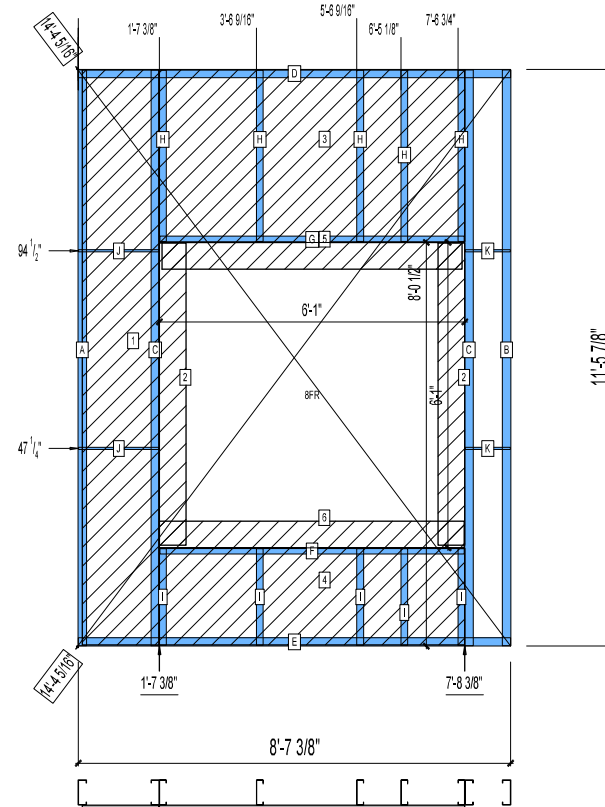
FRAME : 290 lbs

SHEATHING: 157 lbs

TOTAL: 447 lbs

APPROVED

By hhuynh at 5:23 pm, Nov 11, 2008



PIECES LIST

LABEL	QTY	SIZE	LENGTH	USE
A	1	600S200-97	11'-5 11/16"	STUD
B	1	600S200-97	11'-5 11/16"	EXTRA STUD
C	2	600S200-97	11'-5 11/16"	KING STUD
D	1	600T200-68	8'-7 3/8"	TOP TRACK
E	1	600T200-68	8'-7 3/8"	BOTTOM TRACK
F	1	600T150-54	6'-0 3/4"	SILL
G	1	600T150-54	6'-0 3/4"	HEAD TRACK
H	5	600S162-54	3'-4 15/16"	CRIPPLE
I	5	600S162-54	1'-11 1/16"	CRIPPLE
J	2	150U50-54	1'-7 3/16"	HORIZONTAL BRACING
K	2	150U50-54	10 3/4"	HORIZONTAL BRACING

SHEATHING

LABEL	QTY	CODE	THICK	SIZE	SCREWS
1	1	DENSGLASS	1/2"	1'-6 5/16" X 11'-5 7/16"	8 - 12
2	2	DENSGLASS	1/2"	6 3/8" X 6'-0 1/4"	8 - 12
3	1	DENSGLASS	1/2"	6'-1" X 3'-5 1/8"	8 - 12
4	1	DENSGLASS	1/2"	6'-1" X 1'-11 1/8"	8 - 12
5	1	DENSGLASS	1/2"	5'-11 3/4" X 6 3/8"	8 - 12
6	1	DENSGLASS	1/2"	6'-0 7/8" X 6 3/8"	8 - 12