

21-1323

Jewish Home for the Aging

1885 Victory Blvd. Reseda, CA

FrameMax, Inc.
13915 Danielson St
Suite 100
Poway, CA 92064
www.framemax.com



© FrameMax Inc.

CREATED: 11/18/2008

FM-07-109

CREATED BY: TNT

HEIGHT : 11'-9 11/16" POINTS: 2.77 Points.

SPACING : 24"

1st STUD: 24"

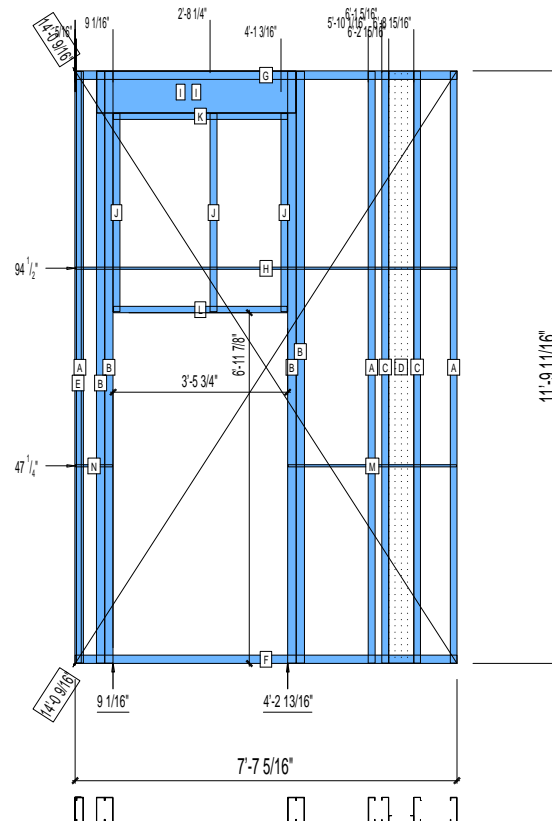
WEIGHTS :

FRAME : 467 lbs

TOTAL: 467 lbs

APPROVED

By TNT at 12:51 pm, Nov 18, 2008



PIECES LIST

LABEL	QTY	SIZE	LENGTH	USE
A	3	600S162-97	11'-9 1/2"	STUD
B	4	600S200-97	11'-9 1/2"	KING STUD
C	2	600S162-33	11'-9 1/2"	BACKER STUD
D	1	600S162-33	11'-9 1/2"	BACKER-U
E	1	600T150-54	11'-9 1/2"	CAP TRACK
F	1	600T200-68	7'-7 5/16"	BOTTOM TRACK
G	1	600T200-68	7'-7 5/16"	TOP TRACK
H	1	150U50-54	7'-7 1/8"	HORIZONTAL BRACING
I	2	1000S200-97	3'-11 5/8"	HEADER
J	3	600S162-54	3'-11 3/8"	CRIPPLE
K	1	600T150-54	3'-5 5/8"	HEADER BOTTOM TRACK
L	1	600T150-54	3'-5 1/2"	HEAD TRACK
M	1	150U50-54	3'-4 1/4"	HORIZONTAL BRACING
N	1	150U50-54	8 7/8"	HORIZONTAL BRACING