

# 22-3007

Jewish Home for the Aging

1885 Victory Blvd. Reseda, CA

FM-07-109

CREATED BY: TNT

FrameMax, Inc.  
13915 Danielson St  
Suite 100  
Poway, CA 92064  
www.frame-max.com



© FrameMax Inc.

HEIGHT : 9'-4 7/16" POINTS: 0.77 Points.

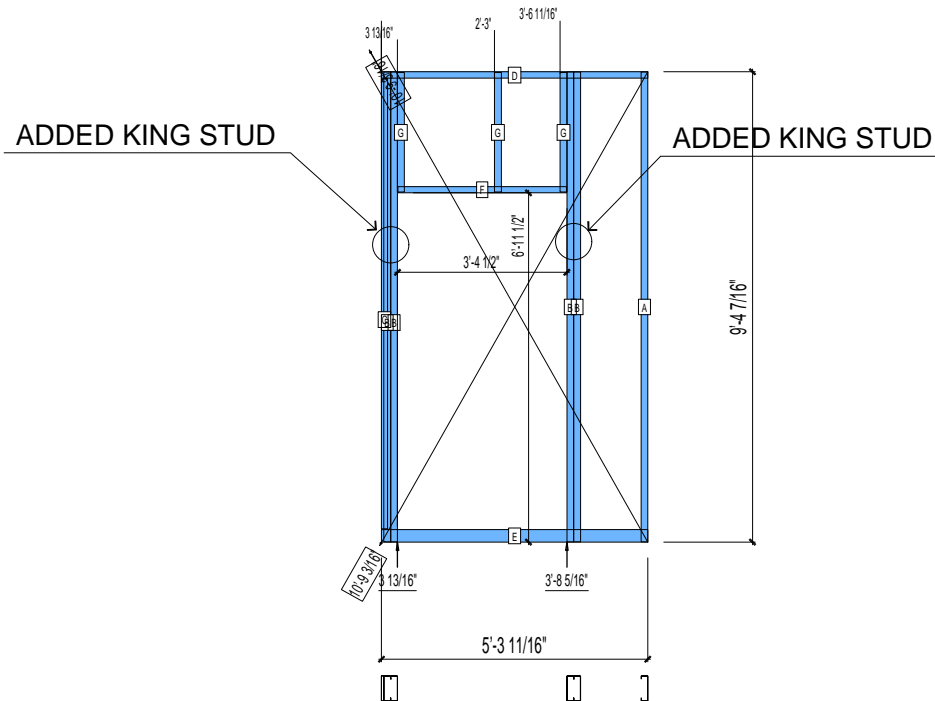
SPACING : 24"

1st STUD: 24"

WEIGHTS :

FRAME : 89 lbs

TOTAL: 89 lbs



PIECES LIST

LABEL	QTY	SIZE	LENGTH	USE
A	1	600S162-33	9'-4 5/16"	STUD
B	4	600S162-33	9'-4 5/16"	KING STUD
C	1	600T150-33	8'-11 9/16"	CAP TRACK
D	1	600T150-33	5'-3 11/16"	TOP TRACK
E	1	600T300-33	5'-3 11/16"	BOTTOM TRACK
F	1	600T150-33	3'-4 1/4"	HEAD TRACK
G	3	600S162-33	2'-4 9/16"	CRIPPLE

# 22-3011

Jewish Home for the Aging

1885 Victory Blvd. Reseda, CA

FM-07-109

CREATED BY: TNT

FrameMax, Inc.  
13915 Danielson St  
Suite 100  
Poway, CA 92064  
www.frame-max.com



© FrameMax Inc.

HEIGHT : 9'-4 7/16"      POINTS: 1.12 Points.

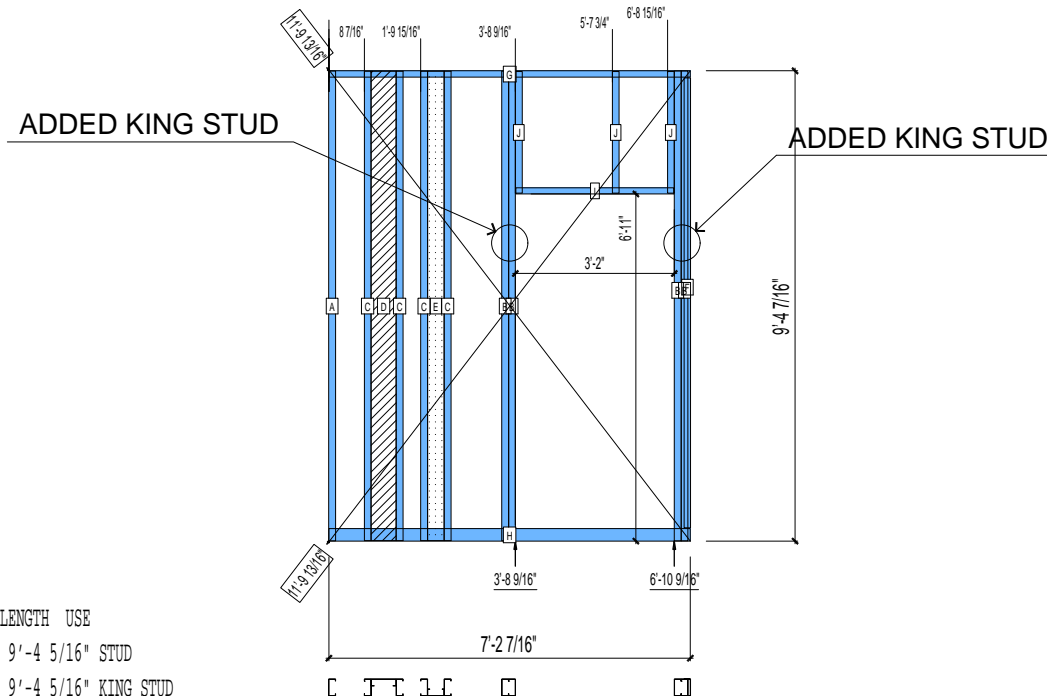
SPACING : 24"

1st STUD: 24"

WEIGHTS :

FRAME : 129 lbs

-----  
TOTAL: 129 lbs



PIECES LIST

LABEL	QTY	SIZE	LENGTH	USE
A	1	400S162-33	9'-4 5/16"	STUD
B	4	400S162-33	9'-4 5/16"	KING STUD
C	4	400S162-33	9'-4 3/16"	BACKER STUD
D	1	600S162-33	9'-4 3/16"	BACKER-U
E	1	400S162-33	9'-4 3/16"	BACKER-U
F	1	400T150-33	8'-11 9/16"	CAP TRACK
G	1	400T150-33	7'-2 7/16"	TOP TRACK
H	1	400T300-33	7'-2 7/16"	BOTTOM TRACK
I	1	400T150-33	3'-1 3/4"	HEAD TRACK
J	3	400S162-33	2'-5 1/16"	CRIPPLE

# 22-3013

Jewish Home for the Aging

1885 Victory Blvd. Reseda, CA

FM-07-109

CREATED BY: TNT

FrameMax, Inc.  
13915 Danielson St  
Suite 100  
Poway, CA 92064  
www.frame-max.com



© FrameMax Inc.

HEIGHT : 9'-4 7/16"      POINTS: 1.18 Points.

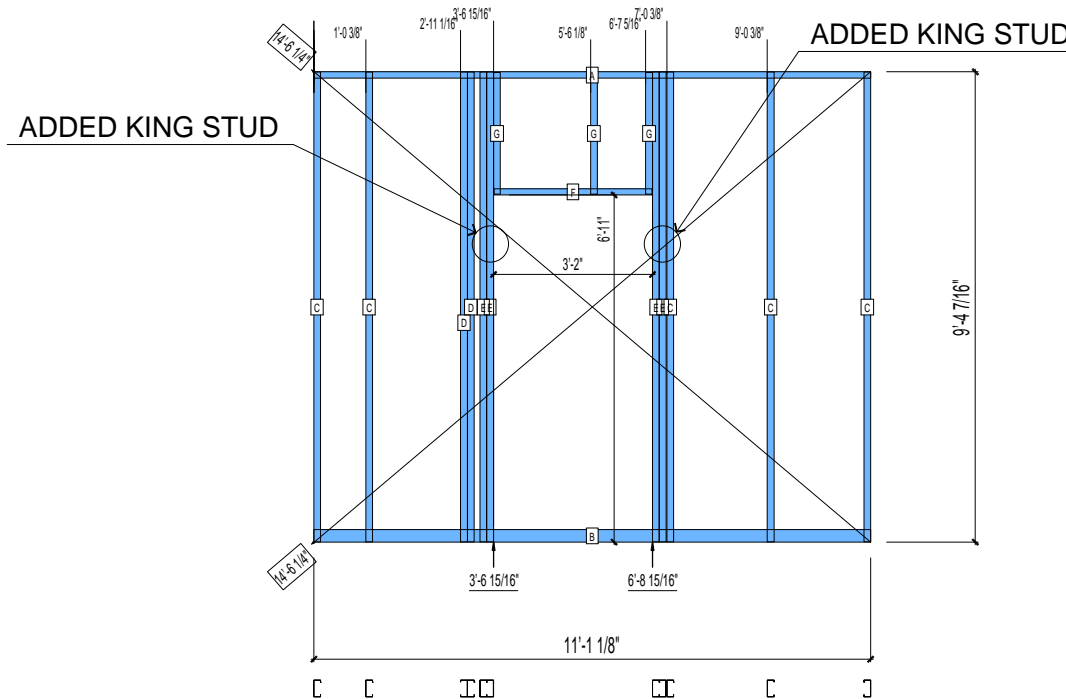
SPACING : 24"

1st STUD: 13 1/4"

WEIGHTS :

FRAME : 127 lbs

-----  
TOTAL: 127 lbs



PIECES LIST

LABEL	QTY	SIZE	LENGTH	USE
A	1	400T150-33	11'-1 1/8"	TOP TRACK
B	1	400T300-33	11'-1 1/8"	BOTTOM TRACK
C	5	400S162-33	9'-4 5/16"	STUD
D	2	400S162-33	9'-4 5/16"	EXTRA STUD
E	4	400S162-33	9'-4 5/16"	KING STUD
F	1	400T150-33	3'-1 3/4"	HEAD TRACK
G	3	400S162-33	2'-5 1/16"	CRIPPLE

# 22-3018

Jewish Home for the Aging

1885 Victory Blvd. Reseda, CA

FM-07-109

CREATED BY: TNT

FrameMax, Inc.  
13915 Danielson St  
Suite 100  
Poway, CA 92064  
www.frame-max.com



© FrameMax Inc.

HEIGHT : 9'-4 7/16" POINTS: 0.85 Points.

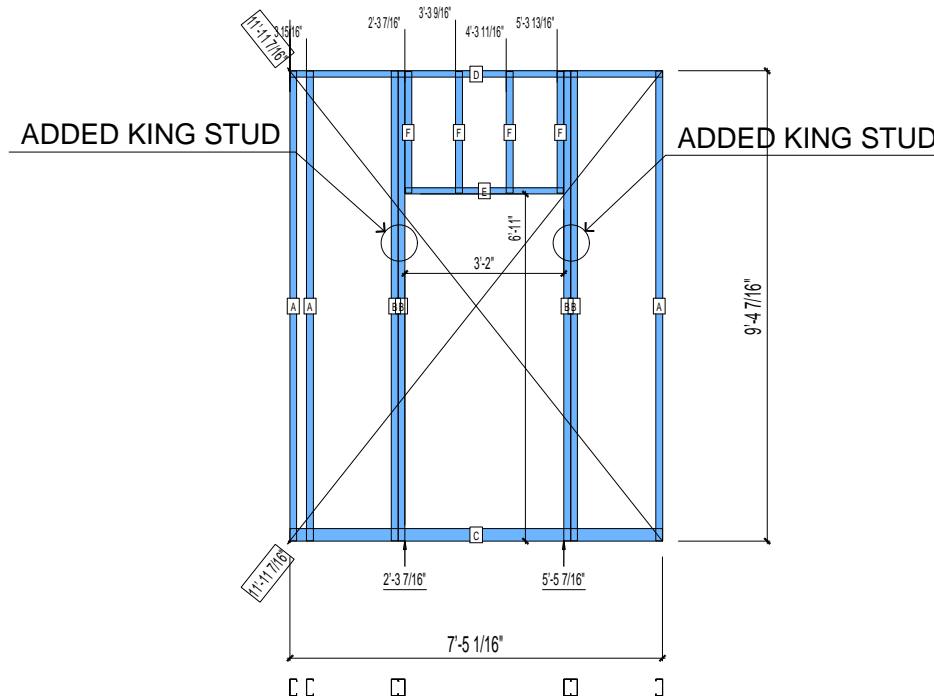
SPACING : 24"

1st STUD: 24"

WEIGHTS :

FRAME : 87 lbs

TOTAL: 87 lbs



PIECES LIST

LABEL	QTY	SIZE	LENGTH	USE
A	3	400S162-33	9'-4 5/16"	STUD
B	4	400S162-33	9'-4 5/16"	KING STUD
C	1	400T300-33	7'-5 1/16"	BOTTOM TRACK
D	1	400T150-33	7'-5 1/16"	TOP TRACK
E	1	400T150-33	3'-1 3/4"	HEAD TRACK
F	4	400S162-33	2'-5 1/16"	CRIPPLE

# 22-3058

Jewish Home for the Aging

1885 Victory Blvd. Reseda, CA

FM-07-109

CREATED BY: TNT

FrameMax, Inc.  
13915 Danielson St  
Suite 100  
Poway, CA 92064  
www.frame-max.com



© FrameMax Inc.

HEIGHT : 9'-4 7/16" POINTS: 0.83 Points.

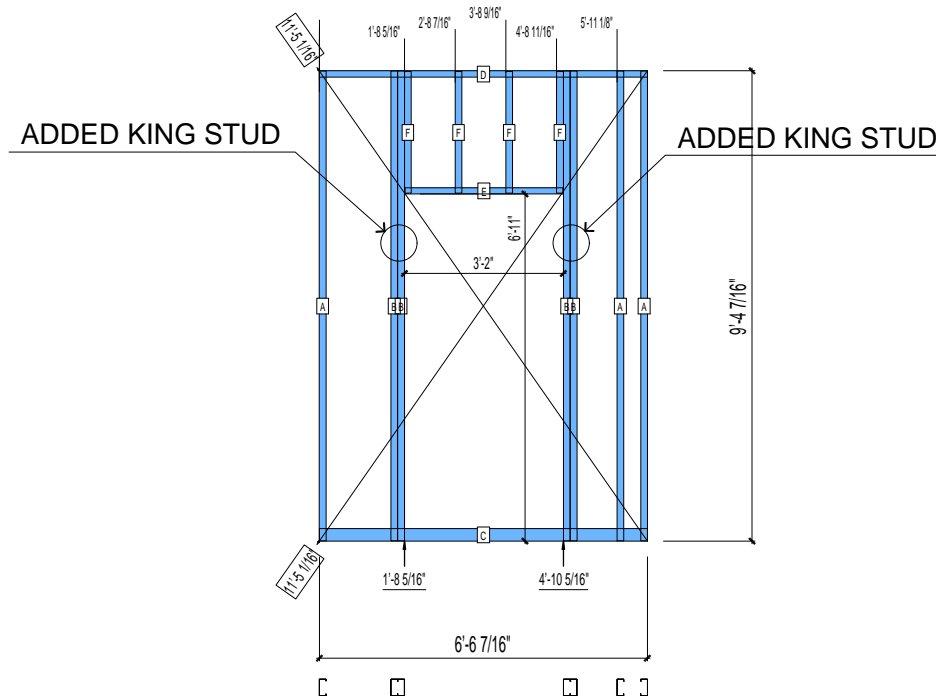
SPACING : 24"

1st STUD: 24"

WEIGHTS :

FRAME : 86 lbs

TOTAL: 86 lbs



PIECES LIST

LABEL	QTY	SIZE	LENGTH	USE
A	3	400S162-33	9'-4 5/16"	STUD
B	4	400S162-33	9'-4 5/16"	KING STUD
C	1	400T300-33	6'-6 7/16"	BOTTOM TRACK
D	1	400T150-33	6'-6 7/16"	TOP TRACK
E	1	400T150-33	3'-1 3/4"	HEAD TRACK
F	4	400S162-33	2'-5 1/16"	CRIPPLE

# 22-3065

Jewish Home for the Aging

1885 Victory Blvd. Reseda, CA

FM-07-109

CREATED BY: TNT

FrameMax, Inc.  
13915 Danielson St  
Suite 100  
Poway, CA 92064  
www.frame-max.com



© FrameMax Inc.

HEIGHT : 9'-4 7/16" POINTS: 0.77 Points.

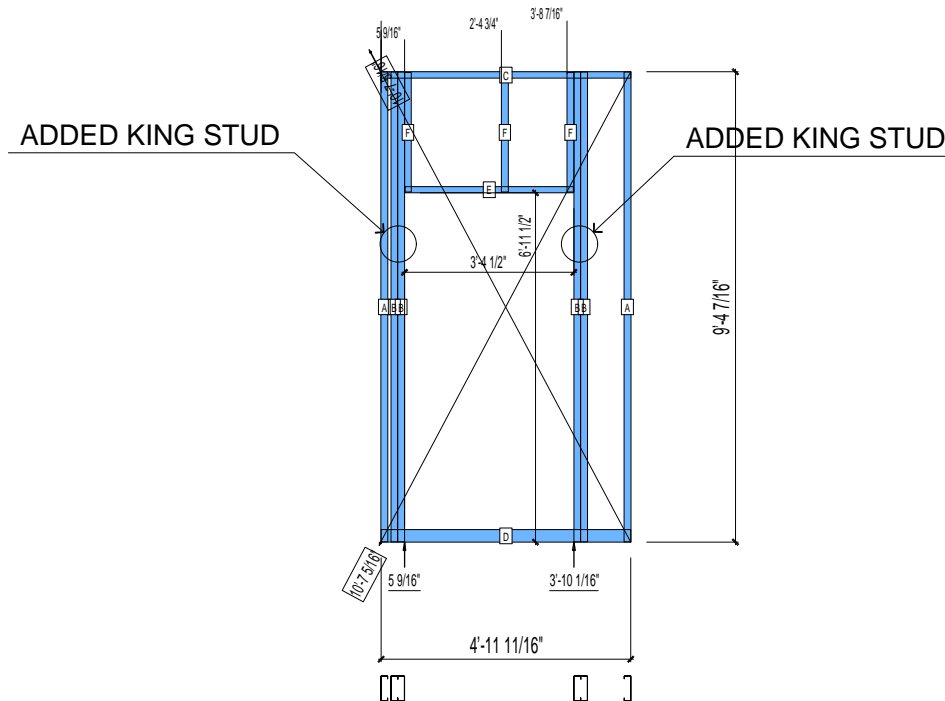
SPACING : 24"

1st STUD: 24"

WEIGHTS :

FRAME : 90 lbs

TOTAL: 90 lbs



PIECES LIST

LABEL	QTY	SIZE	LENGTH	USE
A	2	600S162-33	9'-4 5/16"	STUD
B	4	600S162-33	9'-4 5/16"	KING STUD
C	1	600T150-33	4'-11 11/16"	TOP TRACK
D	1	600T300-33	4'-11 11/16"	BOTTOM TRACK
E	1	600T150-33	3'-4 1/4"	HEAD TRACK
F	3	600S162-33	2'-4 9/16"	CRIPPLE

# 22-3073

Jewish Home for the Aging

1885 Victory Blvd. Reseda, CA

FM-07-109

CREATED BY: TNT

FrameMax, Inc.  
13915 Danielson St  
Suite 100  
Poway, CA 92064  
www.framemax.com



© FrameMax Inc.

HEIGHT : 9'-4 7/16" POINTS: 0.73 Points.

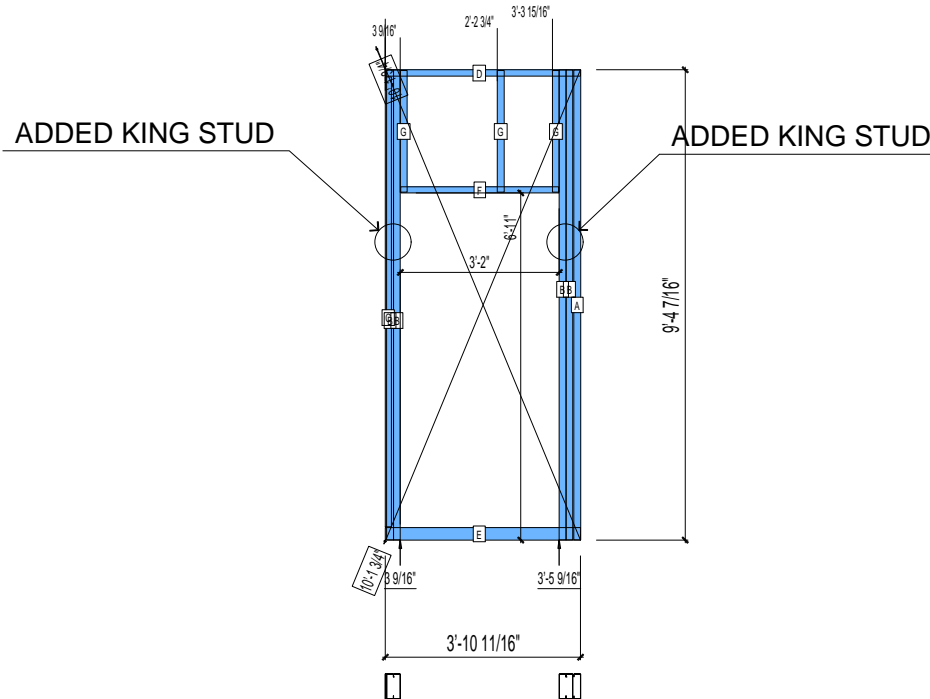
SPACING : 24"

1st STUD: 24"

WEIGHTS :

FRAME : 86 lbs

TOTAL: 86 lbs



PIECES LIST

LABEL	QTY	SIZE	LENGTH	USE
A	1	600S162-33	9'-4 5/16"	STUD
B	4	600S162-33	9'-4 5/16"	KING STUD
C	1	600T150-33	8'-11 9/16"	CAP TRACK
D	1	600T150-33	3'-10 11/16"	TOP TRACK
E	1	600T300-33	3'-10 11/16"	BOTTOM TRACK
F	1	600T150-33	3'-1 3/4"	HEAD TRACK
G	3	600S162-33	2'-5 1/16"	CRIPPLE

# 22-3075

Jewish Home for the Aging

1885 Victory Blvd. Reseda, CA

FM-07-109

CREATED BY: TNT

FrameMax, Inc.  
13915 Danielson St  
Suite 100  
Poway, CA 92064  
www.frame-max.com



© FrameMax Inc.

HEIGHT : 9'-4 7/16" POINTS: 0.72 Points.

SPACING : 24"

1st STUD: 16"

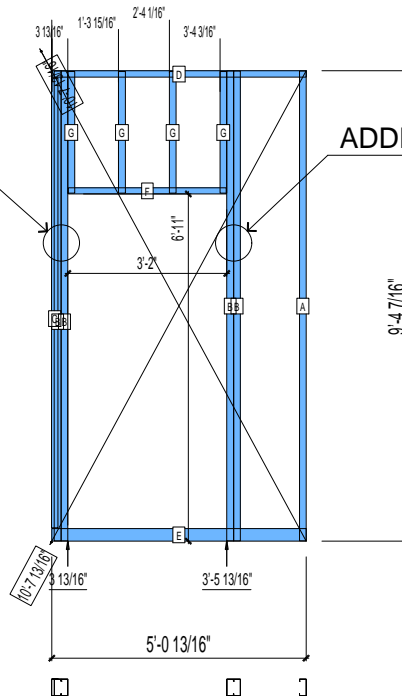
WEIGHTS :

FRAME : 73 lbs

TOTAL: 73 lbs

ADDED KING STUD  
REMOVED END STUD

ADDED KING STUD



PIECES LIST

LABEL	QTY	SIZE	LENGTH	USE
A	1	400S162-33	9'-4 5/16"	STUD
B	4	400S162-33	9'-4 5/16"	KING STUD
C	1	400T150-33	8'-11 9/16"	CAP TRACK
D	1	400T150-33	5'-0 13/16"	TOP TRACK
E	1	400T300-33	5'-0 13/16"	BOTTOM TRACK
F	1	400T150-33	3'-1 3/4"	HEAD TRACK
G	4	400S162-33	2'-5 1/16"	CRIPPLE

# 22-3101

Jewish Home for the Aging

1885 Victory Blvd. Reseda, CA

FM-07-109

CREATED BY: TNT

FrameMax, Inc.  
13915 Danielson St  
Suite 100  
Poway, CA 92064  
www.framemax.com



© FrameMax Inc.

HEIGHT : 9'-4 7/16" POINTS: 0.88 Points.

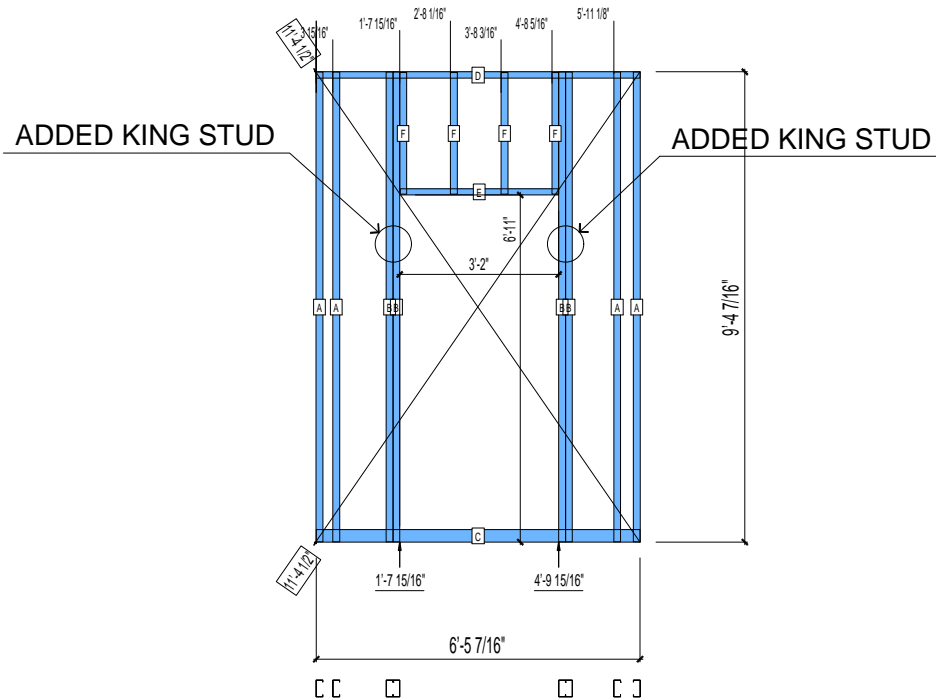
SPACING : 24"

1st STUD: 24"

WEIGHTS :

FRAME : 94 lbs

TOTAL: 94 lbs



PIECES LIST

LABEL	QTY	SIZE	LENGTH	USE
A	4	400S162-33	9'-4 5/16"	STUD
B	4	400S162-33	9'-4 5/16"	KING STUD
C	1	400T300-33	6'-5 7/16"	BOTTOM TRACK
D	1	400T150-33	6'-5 7/16"	TOP TRACK
E	1	400T150-33	3'-1 3/4"	HEAD TRACK
F	4	400S162-33	2'-5 1/16"	CRIPPLE

# 22-3115

Jewish Home for the Aging

1885 Victory Blvd. Reseda, CA

FM-07-109

CREATED BY: TNT

FrameMax, Inc.  
13915 Danielson St  
Suite 100  
Poway, CA 92064  
www.framemax.com



© FrameMax Inc.

HEIGHT : 9'-4 7/16"    POINTS: 0.77 Points.

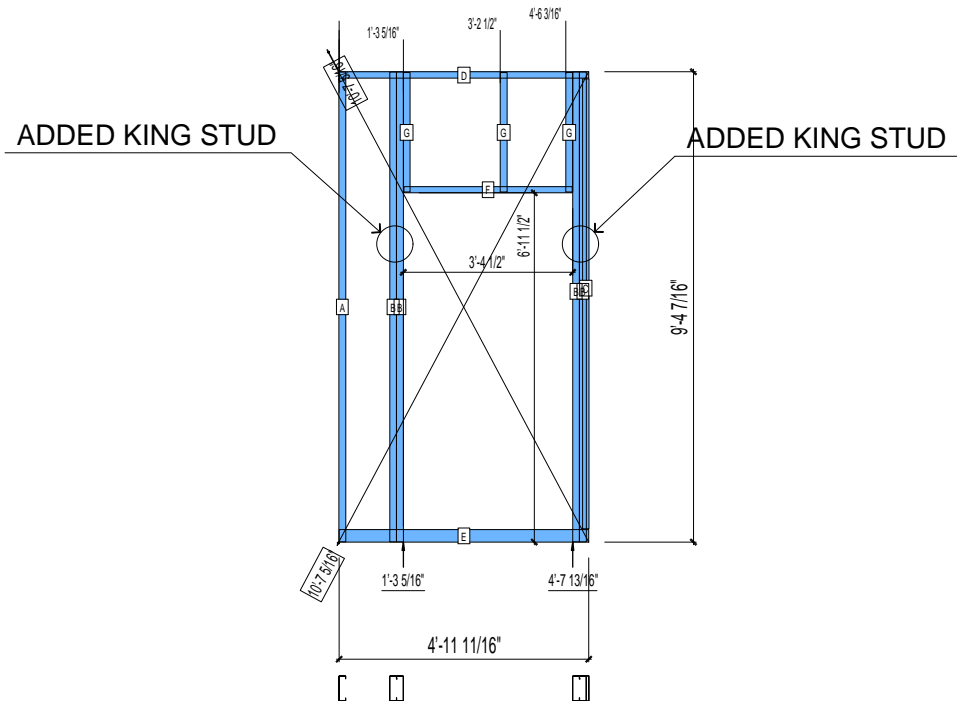
SPACING : 24"

1st STUD: 16"

WEIGHTS :

FRAME : 89 lbs

-----  
TOTAL: 89 lbs



PIECES LIST

LABEL	QTY	SIZE	LENGTH	USE
A	1	600S162-33	9'-4 5/16"	STUD
B	4	600S162-33	9'-4 5/16"	KING STUD
C	1	600T150-33	8'-11 9/16"	CAP TRACK
D	1	600T150-33	4'-11 11/16"	TOP TRACK
E	1	600T300-33	4'-11 11/16"	BOTTOM TRACK
F	1	600T150-33	3'-4 1/4"	HEAD TRACK
G	3	600S162-33	2'-4 9/16"	CRIPPLE

# 22-3125

Jewish Home for the Aging

1885 Victory Blvd. Reseda, CA

FM-07-109

CREATED BY: TNT

FrameMax, Inc.  
13915 Danielson St  
Suite 100  
Poway, CA 92064  
www.framemax.com



© FrameMax Inc.

HEIGHT : 9'-4 7/16" POINTS: 0.74 Points.

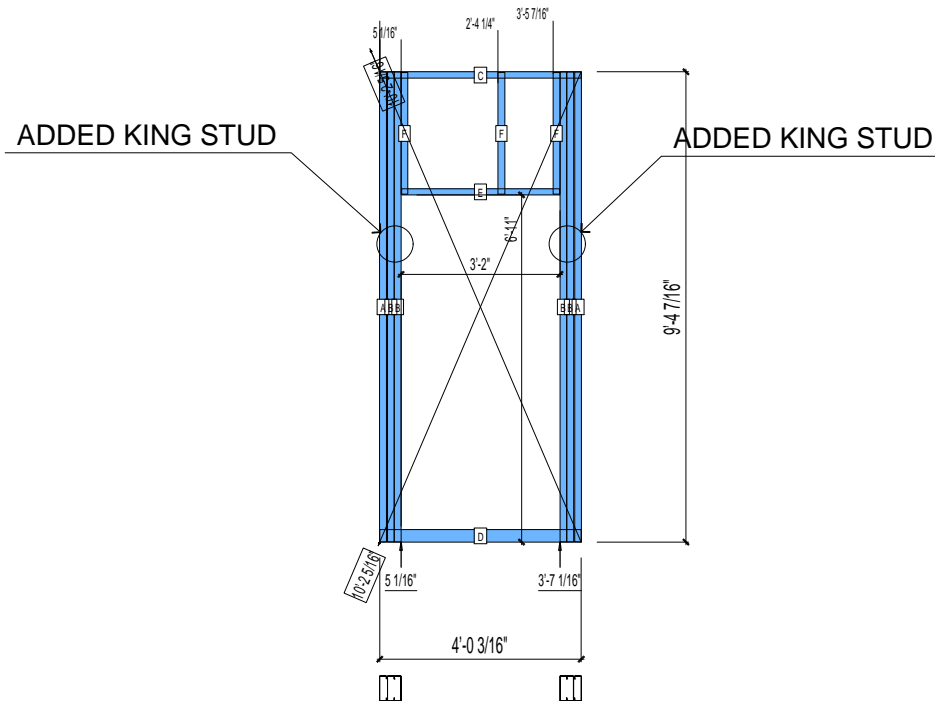
SPACING : 24"

1st STUD: 24"

WEIGHTS :

FRAME : 88 lbs

TOTAL: 88 lbs



PIECES LIST

LABEL	QTY	SIZE	LENGTH	USE
A	2	600S162-33	9'-4 5/16"	STUD
B	4	600S162-33	9'-4 5/16"	KING STUD
C	1	600T150-33	4'-0 3/16"	TOP TRACK
D	1	600T300-33	4'-0 3/16"	BOTTOM TRACK
E	1	600T150-33	3'-1 3/4"	HEAD TRACK
F	3	600S162-33	2'-5 1/16"	CRIPPLE

# 22-3127

Jewish Home for the Aging

1885 Victory Blvd. Reseda, CA

FM-07-109

CREATED BY: TNT

FrameMax, Inc.  
13915 Danielson St  
Suite 100  
Poway, CA 92064  
www.framemax.com



© FrameMax Inc.

HEIGHT : 9'-4 7/16" POINTS: 0.79 Points.

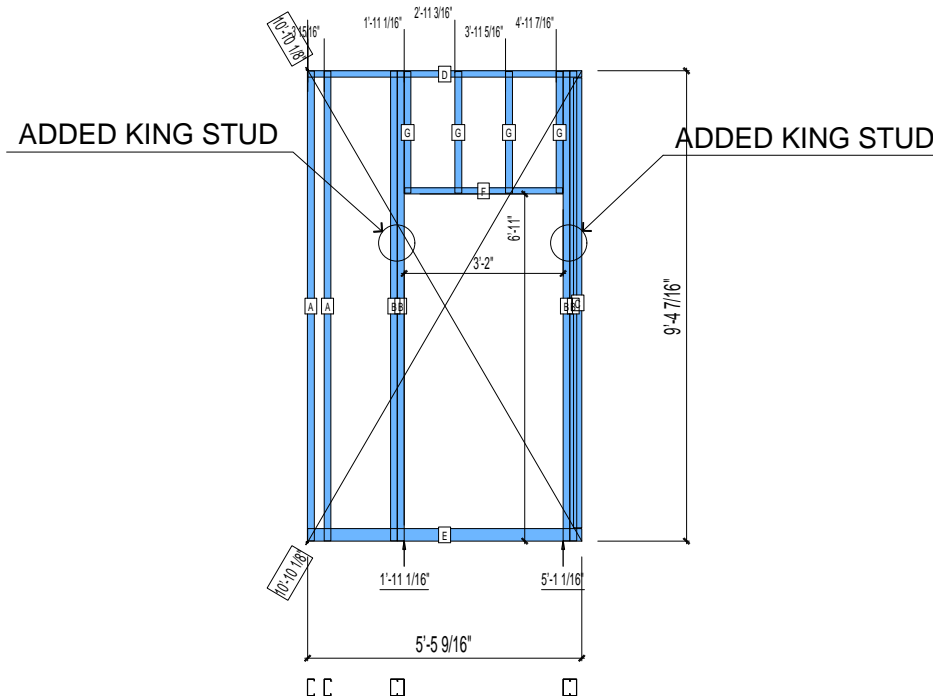
SPACING : 24"

1st STUD: 24"

WEIGHTS :

FRAME : 83 lbs

TOTAL: 83 lbs



PIECES LIST

LABEL	QTY	SIZE	LENGTH	USE
A	2	400S162-33	9'-4 5/16"	STUD
B	4	400S162-33	9'-4 5/16"	KING STUD
C	1	400T200-33	8'-11 9/16"	CAP TRACK
D	1	400T150-33	5'-5 9/16"	TOP TRACK
E	1	400T300-33	5'-5 9/16"	BOTTOM TRACK
F	1	400T150-33	3'-1 3/4"	HEAD TRACK
G	4	400S162-33	2'-5 1/16"	CRIPPLE

# 22-3162

Jewish Home for the Aging

1885 Victory Blvd. Reseda, CA

FrameMax, Inc.  
13915 Danielson St  
Suite 100  
Poway, CA 92064  
www.frame-max.com



© FrameMax Inc.

CREATED: 11/19/2008

FM-07-109

CREATED BY: TNT

HEIGHT : 9'-4 7/16"    POINTS: 0.83 Points.

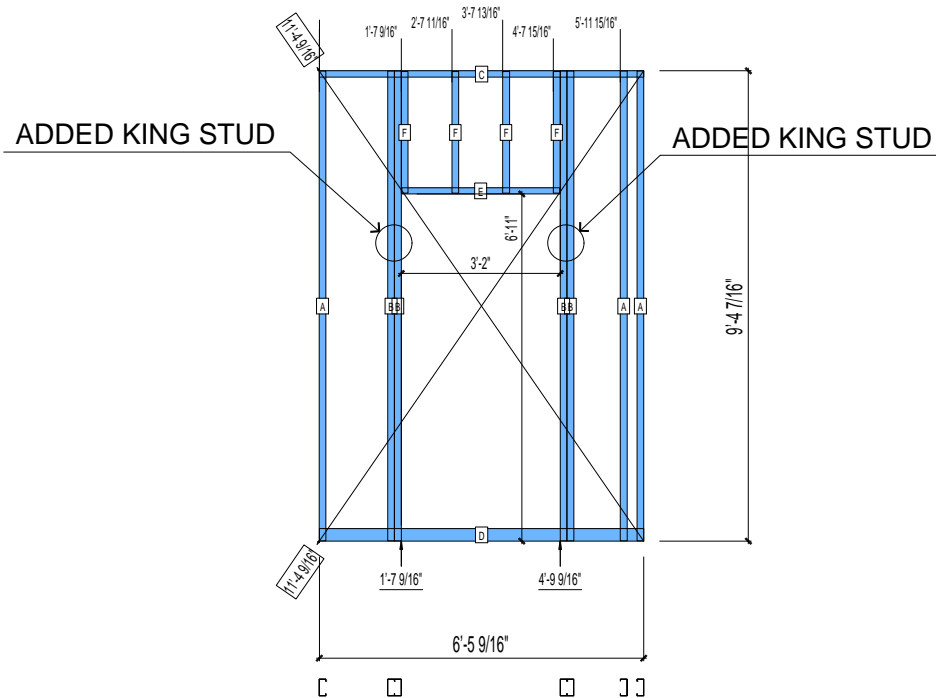
SPACING : 24"

1st STUD: 24"

WEIGHTS :

FRAME : 86 lbs

-----  
TOTAL: 86 lbs



PIECES LIST

LABEL	QTY	SIZE	LENGTH	USE
A	3	400S162-33	9'-4 5/16"	STUD
B	4	400S162-33	9'-4 5/16"	KING STUD
C	1	400T150-33	6'-5 9/16"	TOP TRACK
D	1	400T300-33	6'-5 9/16"	BOTTOM TRACK
E	1	400T150-33	3'-1 3/4"	HEAD TRACK
F	4	400S162-33	2'-5 1/16"	CRIPPLE

# 22-3165

Jewish Home for the Aging

1885 Victory Blvd. Reseda, CA

FM-07-109

CREATED BY: TNT

FrameMax, Inc.  
13915 Danielson St  
Suite 100  
Poway, CA 92064  
www.frame-max.com



© FrameMax Inc.

HEIGHT : 9'-4 7/16" POINTS: 0.77 Points.

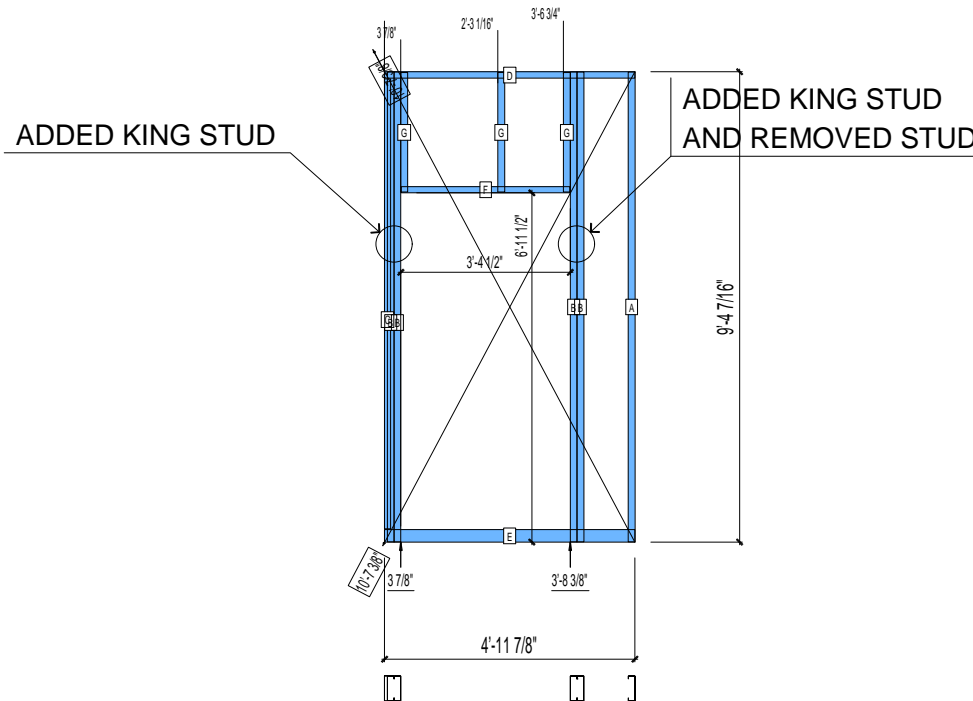
SPACING : 24"

1st STUD: 24"

WEIGHTS :

FRAME : 89 lbs

TOTAL: 89 lbs



PIECES LIST

LABEL	QTY	SIZE	LENGTH	USE
A	1	600S162-33	9'-4 5/16"	STUD
B	4	600S162-33	9'-4 5/16"	KING STUD
C	1	600T150-33	8'-11 9/16"	CAP TRACK
D	1	600T150-33	4'-11 7/8"	TOP TRACK
E	1	600T300-33	4'-11 7/8"	BOTTOM TRACK
F	1	600T150-33	3'-4 1/4"	HEAD TRACK
G	3	600S162-33	2'-4 9/16"	CRIPPLE

# 22-3175

Jewish Home for the Aging

1885 Victory Blvd. Reseda, CA

FM-07-109

CREATED BY: TNT

FrameMax, Inc.  
13915 Danielson St  
Suite 100  
Poway, CA 92064  
www.frame-max.com



© FrameMax Inc.

HEIGHT : 9'-4 7/16" POINTS: 0.88 Points.

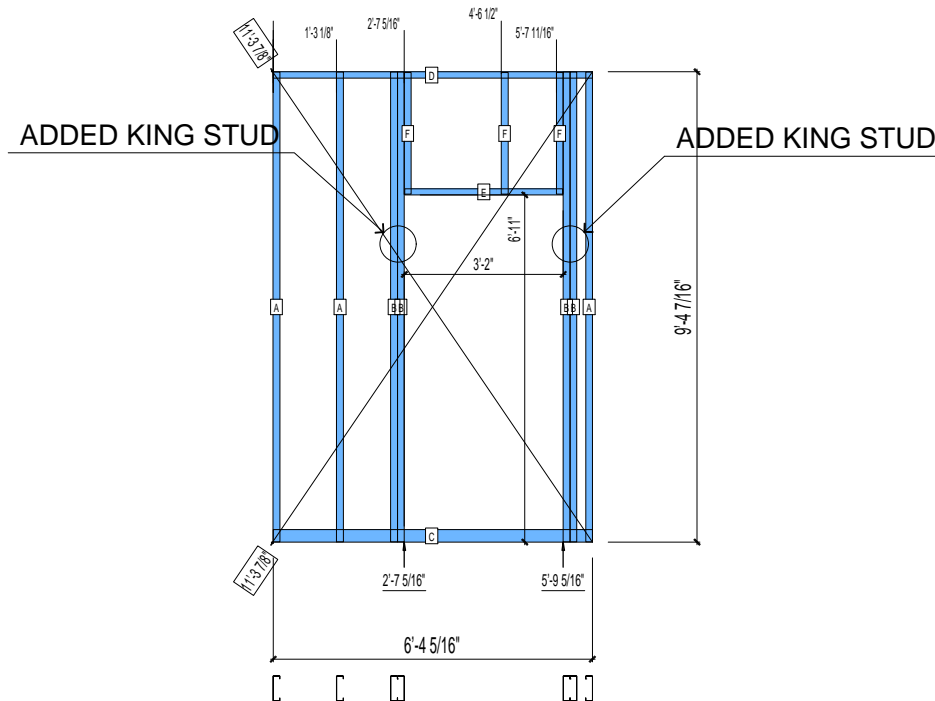
SPACING : 24"

1st STUD: 16"

WEIGHTS :

FRAME : 104 lbs

TOTAL: 104 lbs



PIECES LIST

LABEL	QTY	SIZE	LENGTH	USE
A	3	600S162-33	9'-4 5/16"	STUD
B	4	600S162-33	9'-4 5/16"	KING STUD
C	1	600T300-33	6'-4 5/16"	BOTTOM TRACK
D	1	600T150-33	6'-4 5/16"	TOP TRACK
E	1	600T150-33	3'-1 3/4"	HEAD TRACK
F	3	600S162-33	2'-5 1/16"	CRIPPLE

# 22-3177

Jewish Home for the Aging

1885 Victory Blvd. Reseda, CA

FM-07-109

CREATED BY: TNT

FrameMax, Inc.  
13915 Danielson St  
Suite 100  
Poway, CA 92064  
www.frame-max.com



© FrameMax Inc.

HEIGHT : 9'-4 7/16" POINTS: 0.72 Points.

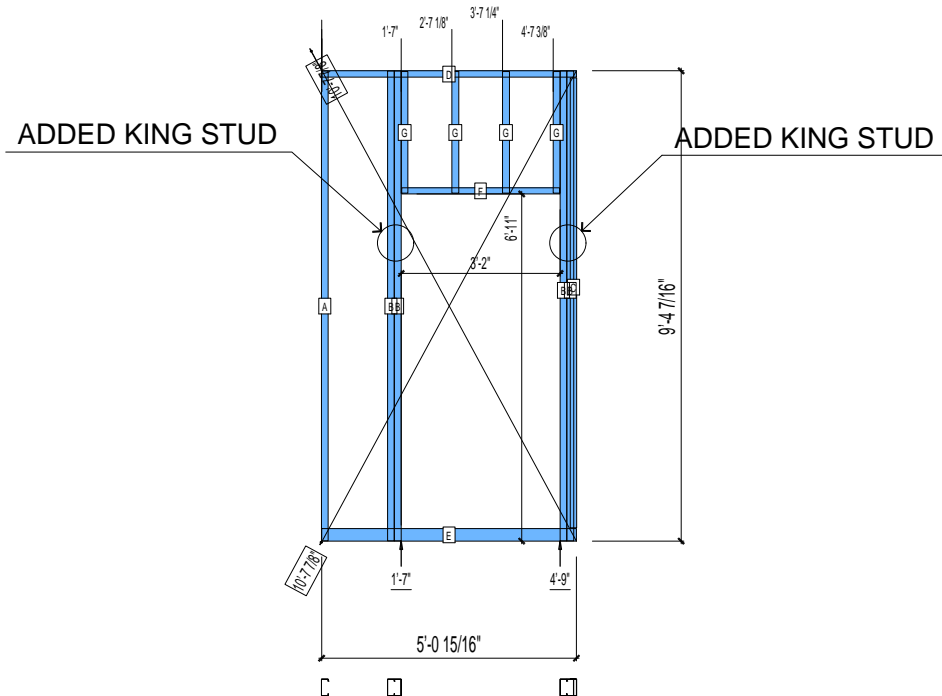
SPACING : 24"

1st STUD: 16"

WEIGHTS :

FRAME : 73 lbs

-----  
TOTAL: 73 lbs



PIECES LIST

LABEL	QTY	SIZE	LENGTH	USE
A	1	400S162-33	9'-4 5/16"	STUD
B	4	400S162-33	9'-4 5/16"	KING STUD
C	1	400T150-33	8'-11 9/16"	CAP TRACK
D	1	400T150-33	5'-0 15/16"	TOP TRACK
E	1	400T300-33	5'-0 15/16"	BOTTOM TRACK
F	1	400T150-33	3'-1 3/4"	HEAD TRACK
G	4	400S162-33	2'-5 1/16"	CRIPPLE

# 22-3201

Jewish Home for the Aging

1885 Victory Blvd. Reseda, CA

FM-07-109

CREATED BY: TNT

FrameMax, Inc.  
13915 Danielson St  
Suite 100  
Poway, CA 92064  
www.frame-max.com



© FrameMax Inc.

HEIGHT : 9'-4 7/16" POINTS: 0.90 Points.

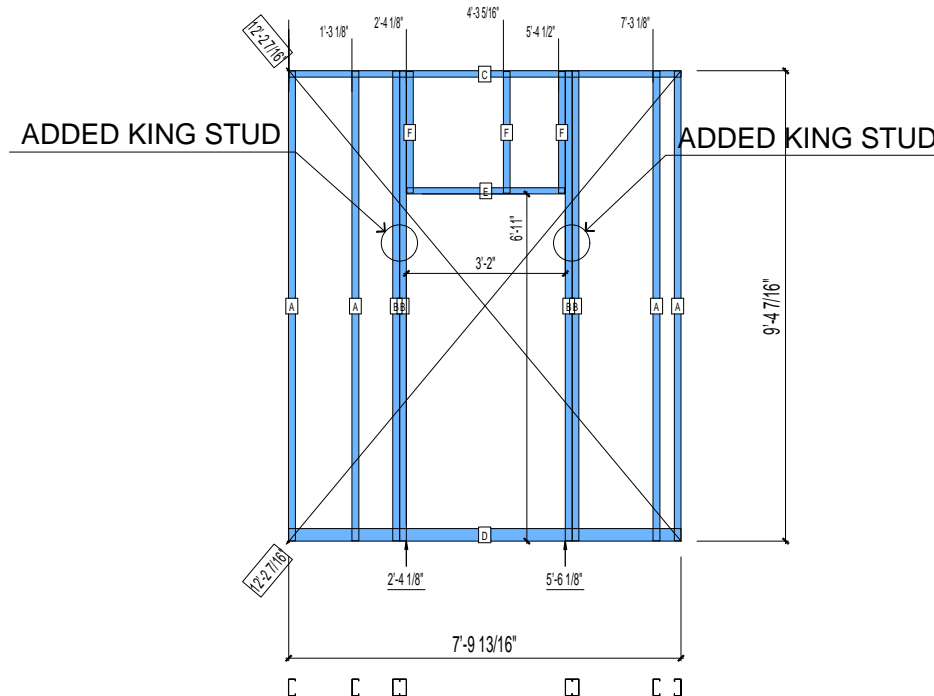
SPACING : 24"

1st STUD: 16"

WEIGHTS :

FRAME : 95 lbs

TOTAL: 95 lbs



PIECES LIST

LABEL	QTY	SIZE	LENGTH	USE
A	4	400S162-33	9'-4 5/16"	STUD
B	4	400S162-33	9'-4 5/16"	KING STUD
C	1	400T150-33	7'-9 13/16"	TOP TRACK
D	1	400T300-33	7'-9 13/16"	BOTTOM TRACK
E	1	400T150-33	3'-1 3/4"	HEAD TRACK
F	3	400S162-33	2'-5 1/16"	CRIPPLE

# 22-3208

Jewish Home for the Aging

1885 Victory Blvd. Reseda, CA

FM-07-109

CREATED BY: TNT

FrameMax, Inc.  
13915 Danielson St  
Suite 100  
Poway, CA 92064  
www.frame-max.com



© FrameMax Inc.

HEIGHT : 9'-4 7/16" POINTS: 0.78 Points.

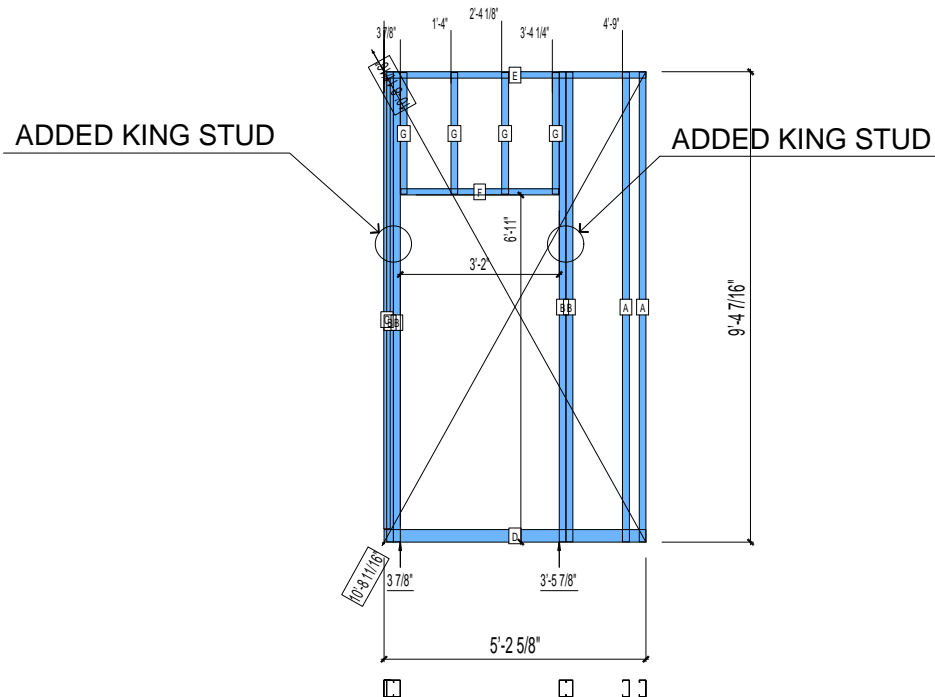
SPACING : 24"

1st STUD: 24"

WEIGHTS :

FRAME : 82 lbs

TOTAL: 82 lbs



PIECES LIST

LABEL	QTY	SIZE	LENGTH	USE
A	2	400S162-33	9'-4 5/16"	STUD
B	4	400S162-33	9'-4 5/16"	KING STUD
C	1	400T150-33	8'-11 9/16"	CAP TRACK
D	1	400T300-33	5'-2 5/8"	BOTTOM TRACK
E	1	400T150-33	5'-2 5/8"	TOP TRACK
F	1	400T150-33	3'-1 3/4"	HEAD TRACK
G	4	400S162-33	2'-5 1/16"	CRIPPLE

# 22-3214

Jewish Home for the Aging

1885 Victory Blvd. Reseda, CA

FM-07-109

CREATED BY: TNT

FrameMax, Inc.  
13915 Danielson St  
Suite 100  
Poway, CA 92064  
www.framemax.com



© FrameMax Inc.

HEIGHT : 9'-4 7/16"    POINTS: 0.59 Points.

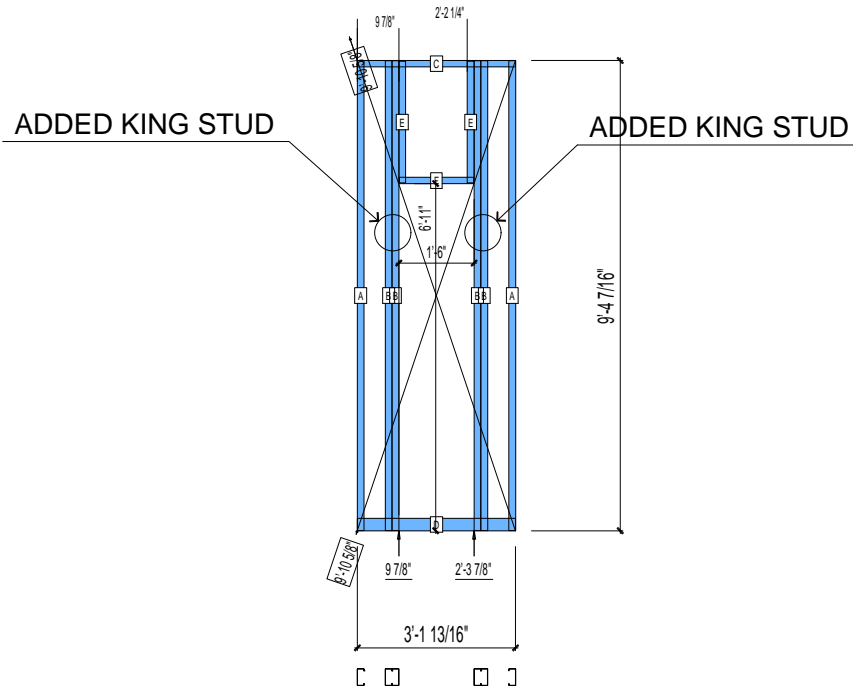
SPACING : 24"

1st STUD: 16"

WEIGHTS :

FRAME : 64 lbs

-----  
TOTAL: 64 lbs



### PIECES LIST

LABEL	QTY	SIZE	LENGTH	USE
A	2	400S162-33	9'-4 5/16"	STUD
B	4	400S162-33	9'-4 5/16"	KING STUD
C	1	400T150-33	3'-1 13/16"	TOP TRACK
D	1	400T300-33	3'-1 13/16"	BOTTOM TRACK
E	2	400S162-33	2'-5 1/16"	CRIPPLE
F	1	400T150-33	1'-5 3/4"	HEAD TRACK

# 22-3217

Jewish Home for the Aging

1885 Victory Blvd. Reseda, CA

FM-07-109

CREATED BY: TNT

FrameMax, Inc.  
13915 Danielson St  
Suite 100  
Poway, CA 92064  
www.frame-max.com



© FrameMax Inc.

HEIGHT : 9'-4 7/16" POINTS: 0.77 Points.

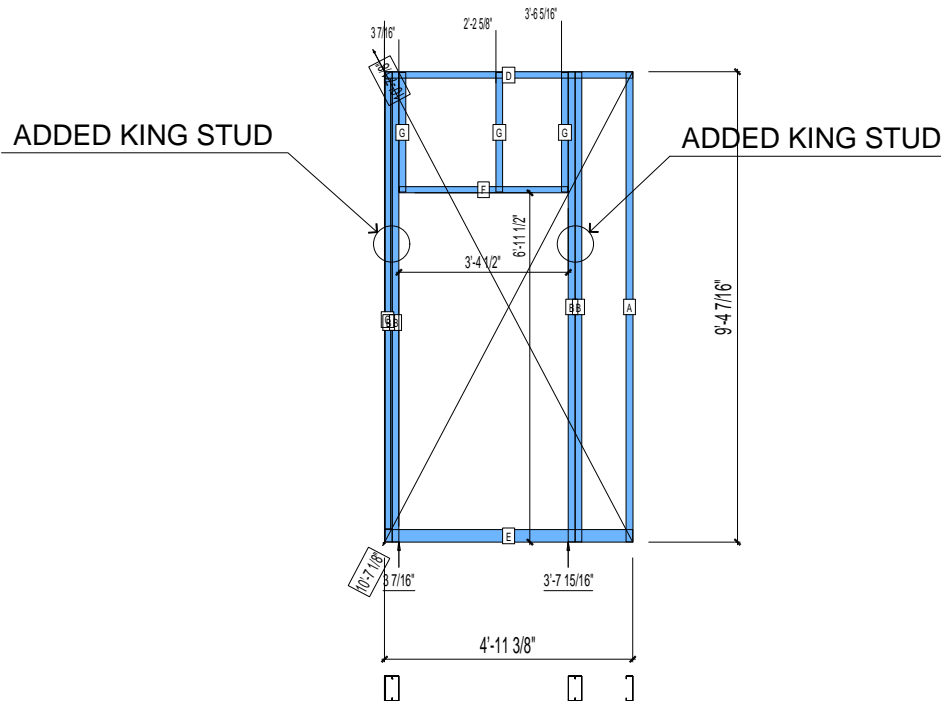
SPACING : 24"

1st STUD: 16"

WEIGHTS :

FRAME : 89 lbs

TOTAL: 89 lbs



PIECES LIST

LABEL	QTY	SIZE	LENGTH	USE
A	1	600S162-33	9'-4 5/16"	STUD
B	4	600S162-33	9'-4 5/16"	KING STUD
C	1	600T150-33	8'-11 9/16"	CAP TRACK
D	1	600T150-33	4'-11 3/8"	TOP TRACK
E	1	600T300-33	4'-11 3/8"	BOTTOM TRACK
F	1	600T150-33	3'-4 1/4"	HEAD TRACK
G	3	600S162-33	2'-4 9/16"	CRIPPLE

# 22-3230

Jewish Home for the Aging

1885 Victory Blvd. Reseda, CA

FM-07-109

CREATED BY: TNT

FrameMax, Inc.  
13915 Danielson St  
Suite 100  
Poway, CA 92064  
www.frame-max.com



© FrameMax Inc.

HEIGHT : 9'-4 7/16" POINTS: 0.80 Points.

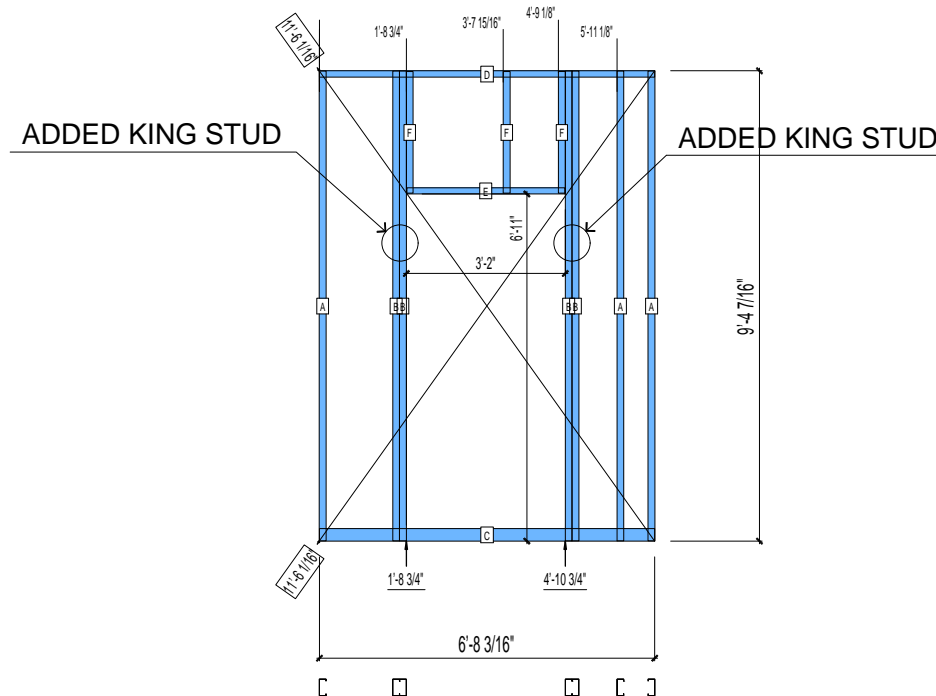
SPACING : 24"

1st STUD: 24"

WEIGHTS :

FRAME : 84 lbs

TOTAL: 84 lbs



PIECES LIST

LABEL	QTY	SIZE	LENGTH	USE
A	3	400S162-33	9'-4 5/16"	STUD
B	4	400S162-33	9'-4 5/16"	KING STUD
C	1	400T300-33	6'-8 3/16"	BOTTOM TRACK
D	1	400T150-33	6'-8 3/16"	TOP TRACK
E	1	400T150-33	3'-1 3/4"	HEAD TRACK
F	3	400S162-33	2'-5 1/16"	CRIPPLE

# 22-3253

Jewish Home for the Aging

1885 Victory Blvd. Reseda, CA

FM-07-109

CREATED BY: TNT

FrameMax, Inc.  
13915 Danielson St  
Suite 100  
Poway, CA 92064  
www.frame-max.com



© FrameMax Inc.

HEIGHT : 9'-4 7/16" POINTS: 0.96 Points.

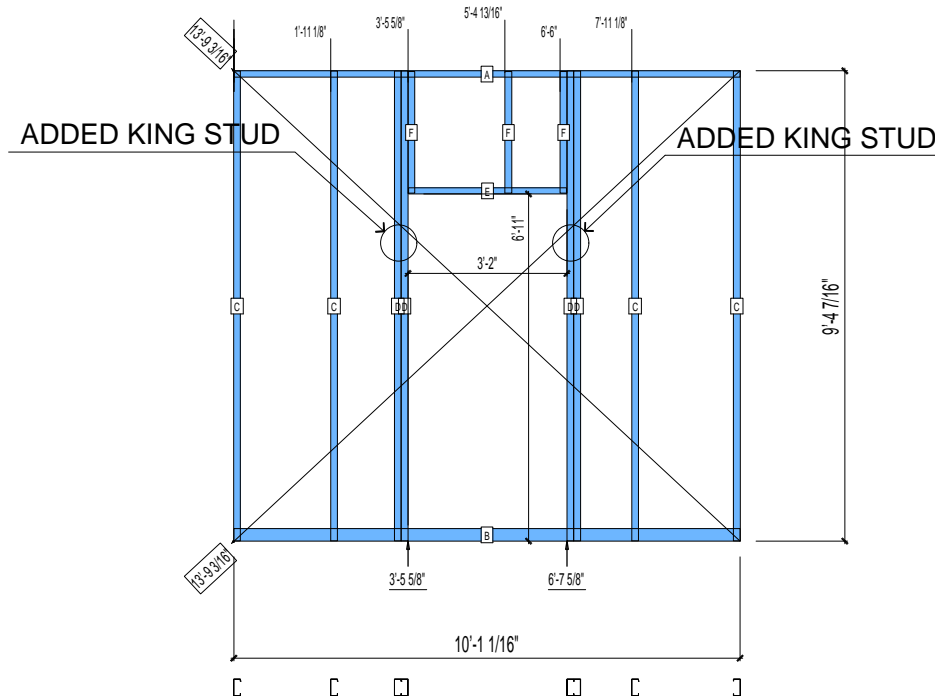
SPACING : 24"

1st STUD: 24"

WEIGHTS :

FRAME : 99 lbs

TOTAL: 99 lbs



PIECES LIST

LABEL	QTY	SIZE	LENGTH	USE
A	1	400T150-33	10'-1 1/16"	TOP TRACK
B	1	400T300-33	10'-1 1/16"	BOTTOM TRACK
C	4	400S162-33	9'-4 5/16"	STUD
D	4	400S162-33	9'-4 5/16"	KING STUD
E	1	400T150-33	3'-1 3/4"	HEAD TRACK
F	3	400S162-33	2'-5 1/16"	CRIPPLE

# 22-3261

Jewish Home for the Aging

1885 Victory Blvd. Reseda, CA

FrameMax, Inc.  
13915 Danielson St  
Suite 100  
Poway, CA 92064  
www.frame-max.com



© FrameMax Inc.

CREATED: 11/19/2008

FM-07-109

CREATED BY: TNT

HEIGHT : 9'-4 7/16" POINTS: 0.77 Points.

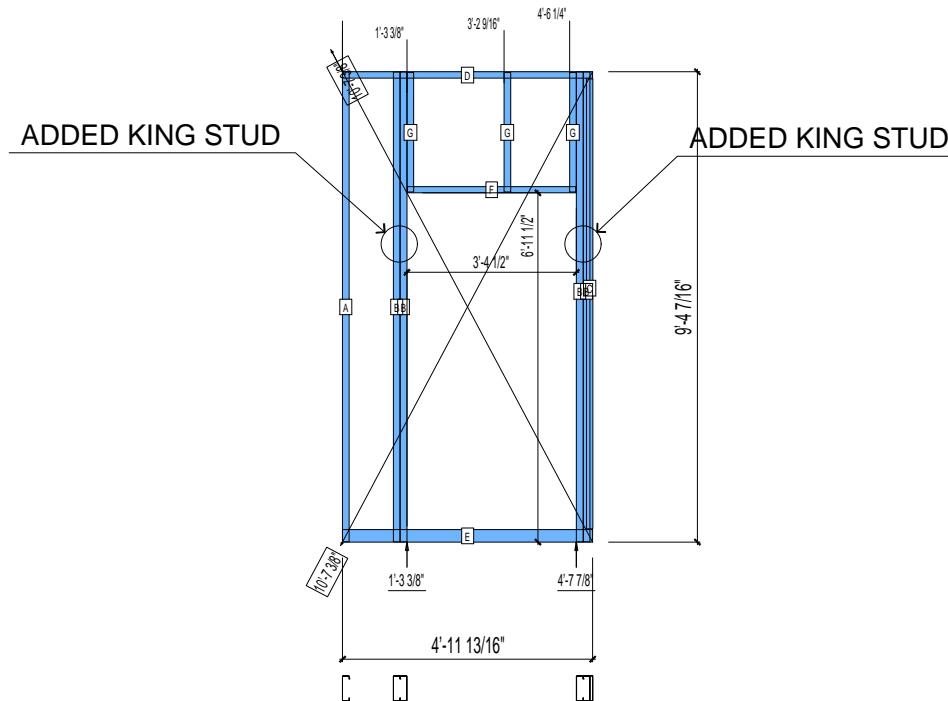
SPACING : 24"

1st STUD: 16"

WEIGHTS :

FRAME : 89 lbs

TOTAL: 89 lbs



PIECES LIST

LABEL	QTY	SIZE	LENGTH	USE
A	1	600S162-33	9'-4 5/16"	STUD
B	4	600S162-33	9'-4 5/16"	KING STUD
C	1	600T150-33	8'-11 9/16"	CAP TRACK
D	1	600T150-33	4'-11 13/16"	TOP TRACK
E	1	600T300-33	4'-11 13/16"	BOTTOM TRACK
F	1	600T150-33	3'-4 1/4"	HEAD TRACK
G	3	600S162-33	2'-4 9/16"	CRIPPLE

# 22-3302

Jewish Home for the Aging

1885 Victory Blvd. Reseda, CA

FM-07-109

CREATED BY: TNT

FrameMax, Inc.  
13915 Danielson St  
Suite 100  
Poway, CA 92064  
www.frame-max.com



© FrameMax Inc.

HEIGHT : 9'-4 7/16" POINTS: 0.59 Points.

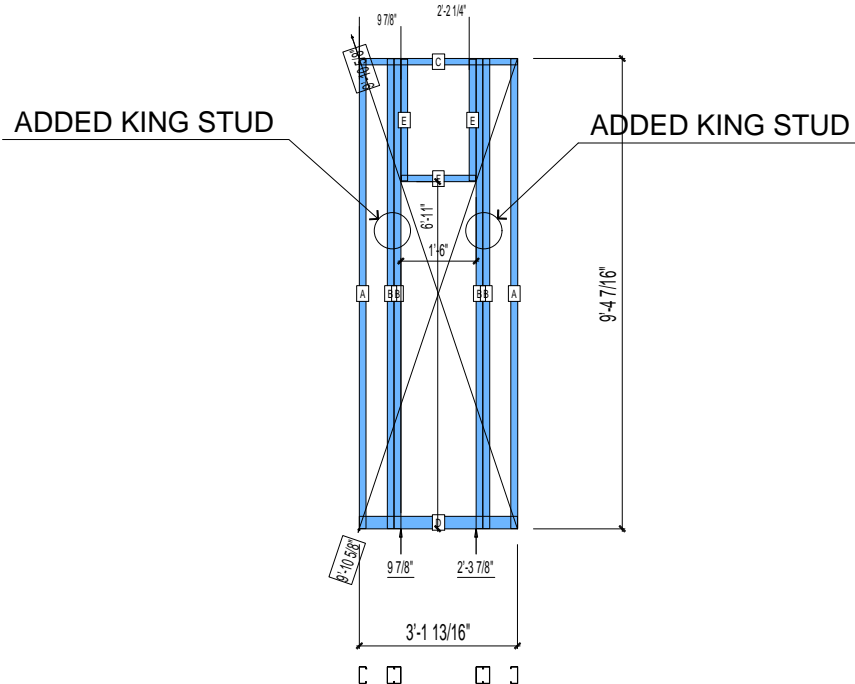
SPACING : 24"

1st STUD: 24"

WEIGHTS :

FRAME : 64 lbs

TOTAL: 64 lbs



PIECES LIST

LABEL	QTY	SIZE	LENGTH	USE
A	2	400S162-33	9'-4 5/16"	STUD
B	4	400S162-33	9'-4 5/16"	KING STUD
C	1	400T150-33	3'-1 13/16"	TOP TRACK
D	1	400T300-33	3'-1 13/16"	BOTTOM TRACK
E	2	400S162-33	2'-5 1/16"	CRIPPLE
F	1	400T150-33	1'-5 3/4"	HEAD TRACK

# 22-3308

Jewish Home for the Aging

1885 Victory Blvd. Reseda, CA

FM-07-109

CREATED BY: TNT

FrameMax, Inc.  
13915 Danielson St  
Suite 100  
Poway, CA 92064  
www.frame-max.com



© FrameMax Inc.

HEIGHT : 9'-4 7/16" POINTS: 0.78 Points.

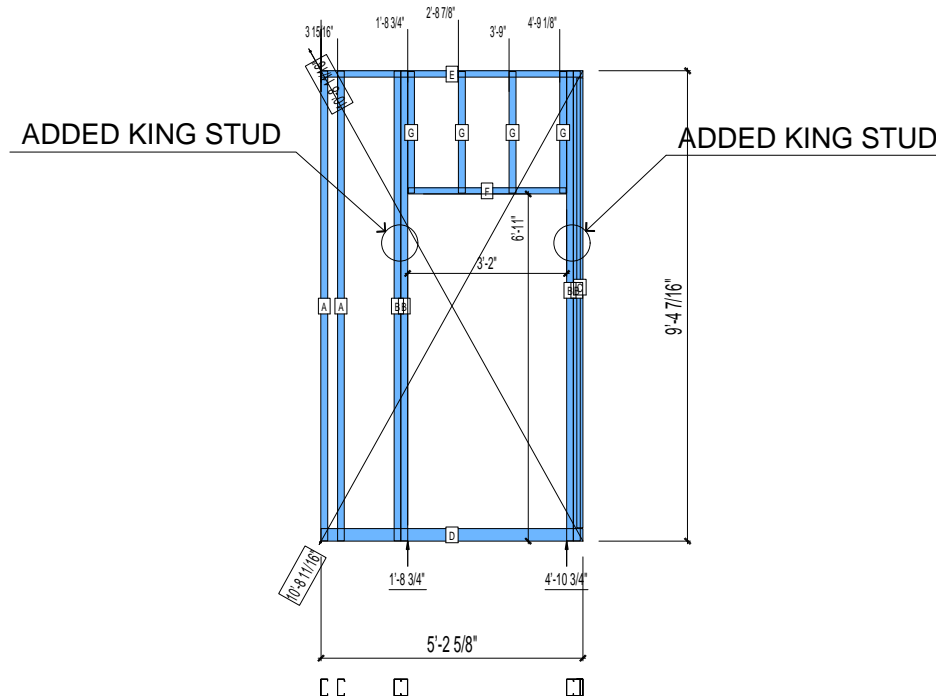
SPACING : 24"

1st STUD: 24"

WEIGHTS :

FRAME : 82 lbs

TOTAL: 82 lbs



PIECES LIST

LABEL	QTY	SIZE	LENGTH	USE
A	2	400S162-33	9'-4 5/16"	STUD
B	4	400S162-33	9'-4 5/16"	KING STUD
C	1	400T150-33	8'-11 9/16"	CAP TRACK
D	1	400T300-33	5'-2 5/8"	BOTTOM TRACK
E	1	400T150-33	5'-2 5/8"	TOP TRACK
F	1	400T150-33	3'-1 3/4"	HEAD TRACK
G	4	400S162-33	2'-5 1/16"	CRIPPLE

# 22-3315

Jewish Home for the Aging

1885 Victory Blvd. Reseda, CA

FM-07-109

CREATED BY: TNT

FrameMax, Inc.  
13915 Danielson St  
Suite 100  
Poway, CA 92064  
www.frame-max.com



© FrameMax Inc.

HEIGHT : 9'-4 7/16" POINTS: 0.90 Points.

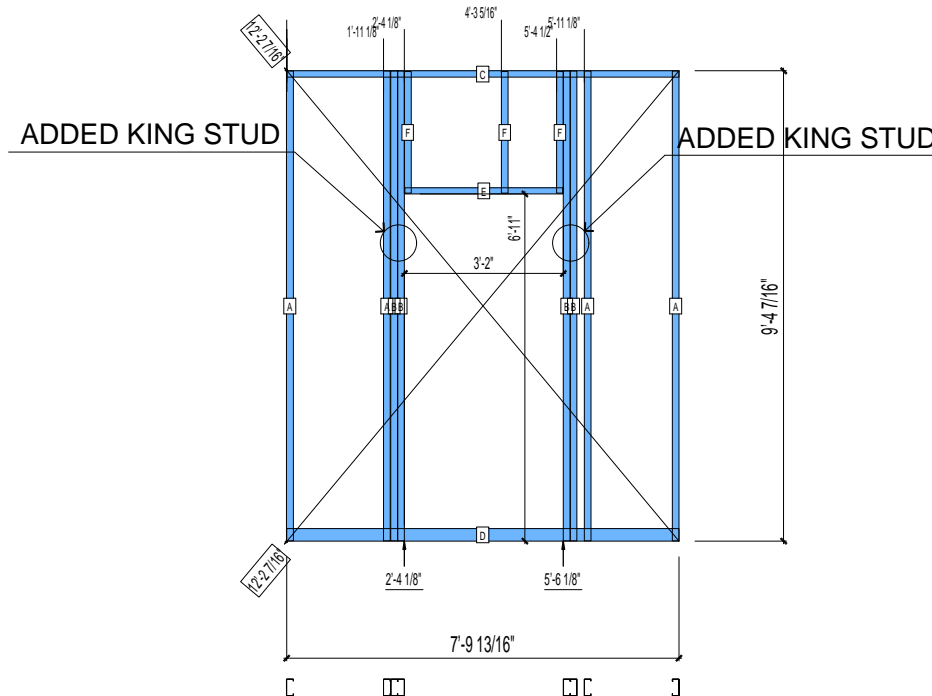
SPACING : 24"

1st STUD: 24"

WEIGHTS :

FRAME : 95 lbs

TOTAL: 95 lbs



PIECES LIST

LABEL	QTY	SIZE	LENGTH	USE
A	4	400S162-33	9'-4 5/16"	STUD
B	4	400S162-33	9'-4 5/16"	KING STUD
C	1	400T150-33	7'-9 13/16"	TOP TRACK
D	1	400T300-33	7'-9 13/16"	BOTTOM TRACK
E	1	400T150-33	3'-1 3/4"	HEAD TRACK
F	3	400S162-33	2'-5 1/16"	CRIPPLE

# 22-3317

Jewish Home for the Aging

1885 Victory Blvd. Reseda, CA

FM-07-109

CREATED BY: TNT

FrameMax, Inc.  
13915 Danielson St  
Suite 100  
Poway, CA 92064  
www.frame-max.com



© FrameMax Inc.

HEIGHT : 9'-4 7/16" POINTS: 0.77 Points.

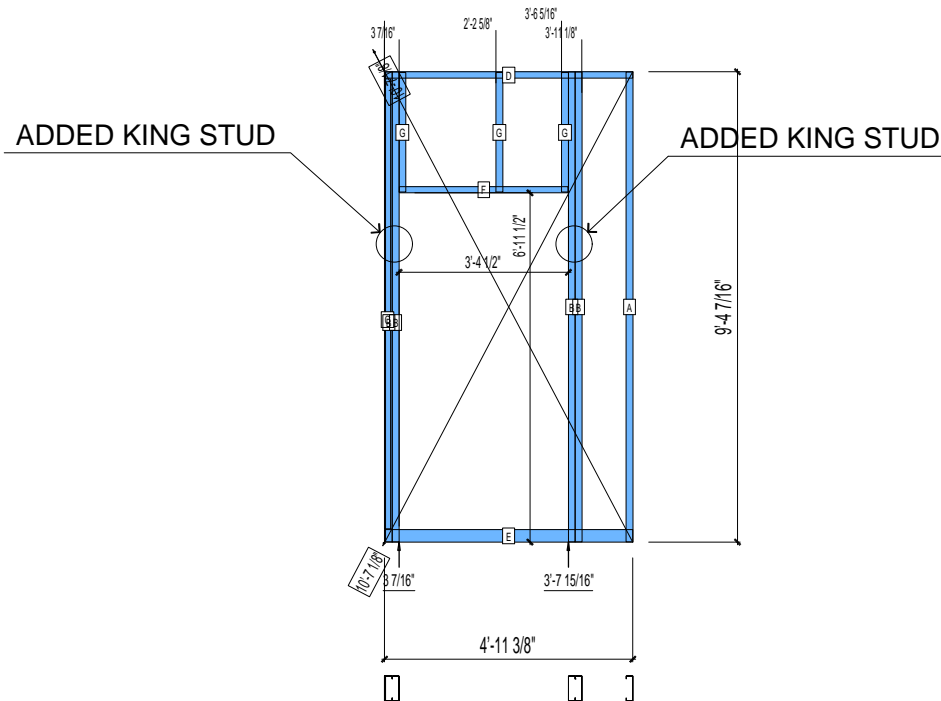
SPACING : 24"

1st STUD: 24"

WEIGHTS :

FRAME : 89 lbs

TOTAL: 89 lbs



PIECES LIST

LABEL	QTY	SIZE	LENGTH	USE
A	1	600S162-33	9'-4 5/16"	STUD
B	4	600S162-33	9'-4 5/16"	KING STUD
C	1	600T150-33	8'-11 9/16"	CAP TRACK
D	1	600T150-33	4'-11 3/8"	TOP TRACK
E	1	600T300-33	4'-11 3/8"	BOTTOM TRACK
F	1	600T150-33	3'-4 1/4"	HEAD TRACK
G	3	600S162-33	2'-4 9/16"	CRIPPLE

# 22-3333

Jewish Home for the Aging

1885 Victory Blvd. Reseda, CA

FM-07-109

CREATED BY: TNT

FrameMax, Inc.  
13915 Danielson St  
Suite 100  
Poway, CA 92064  
www.frame-max.com



© FrameMax Inc.

HEIGHT : 9'-4 7/16" POINTS: 0.86 Points.

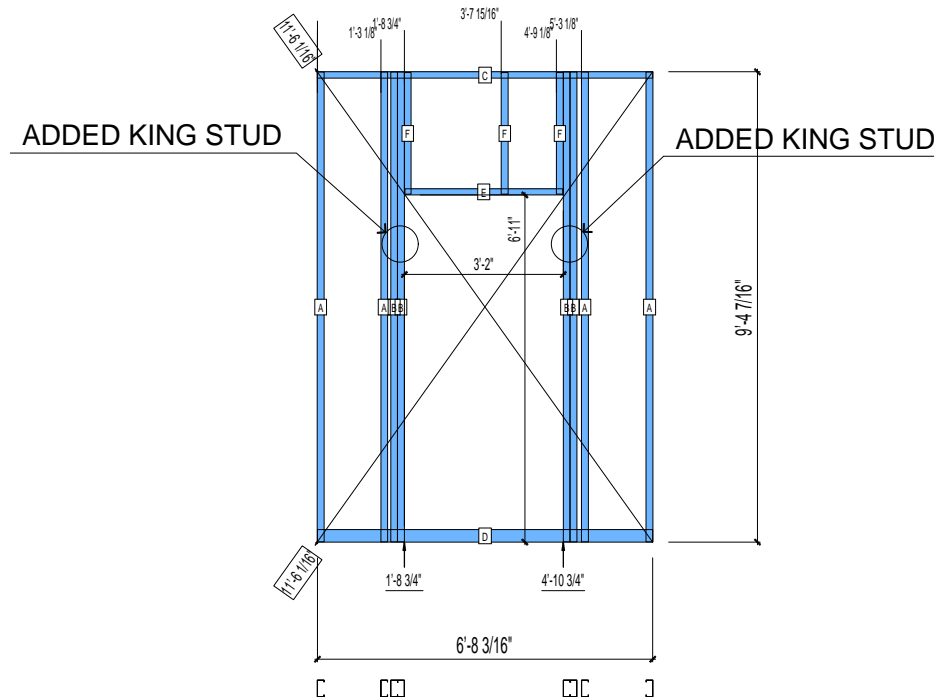
SPACING : 24"

1st STUD: 16"

WEIGHTS :

FRAME : 92 lbs

TOTAL: 92 lbs



PIECES LIST

LABEL	QTY	SIZE	LENGTH	USE
A	4	400S162-33	9'-4 5/16"	STUD
B	4	400S162-33	9'-4 5/16"	KING STUD
C	1	400T150-33	6'-8 3/16"	TOP TRACK
D	1	400T300-33	6'-8 3/16"	BOTTOM TRACK
E	1	400T150-33	3'-1 3/4"	HEAD TRACK
F	3	400S162-33	2'-5 1/16"	CRIPPLE

# 22-3369

Jewish Home for the Aging

1885 Victory Blvd. Reseda, CA

FM-07-109

CREATED BY: TNT

FrameMax, Inc.  
13915 Danielson St  
Suite 100  
Poway, CA 92064  
www.frame-max.com



© FrameMax Inc.

HEIGHT : 9'-4 7/16"    POINTS: 0.77 Points.

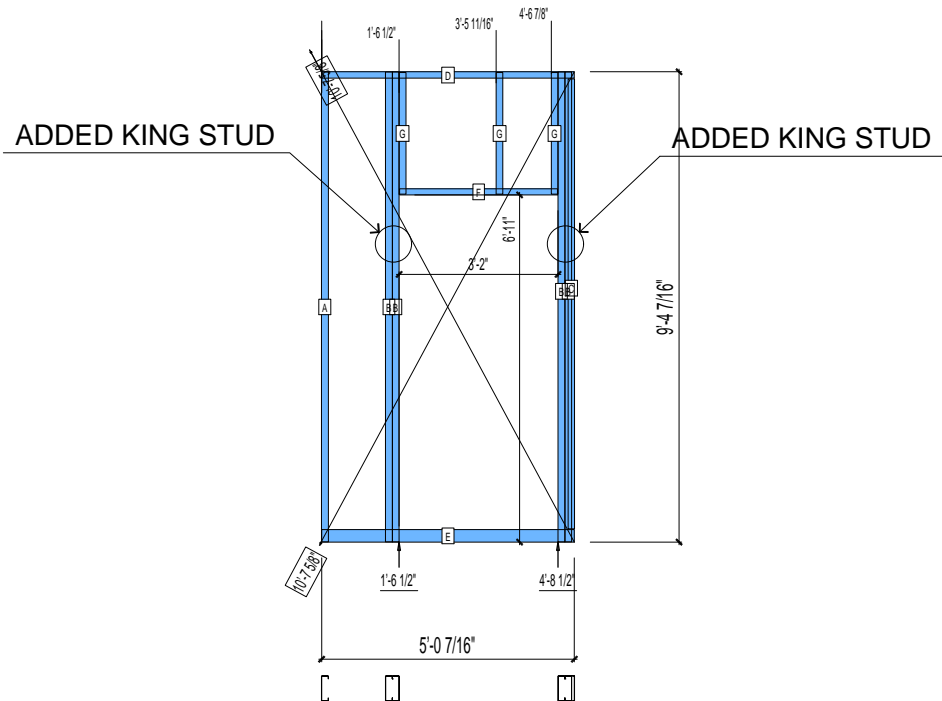
SPACING : 24"

1st STUD: 24"

WEIGHTS :

FRAME : 89 lbs

-----  
TOTAL: 89 lbs



PIECES LIST

LABEL	QTY	SIZE	LENGTH	USE
A	1	600S162-33	9'-4 5/16"	STUD
B	4	600S162-33	9'-4 5/16"	KING STUD
C	1	600T150-33	8'-11 9/16"	CAP TRACK
D	1	600T150-33	5'-0 7/16"	TOP TRACK
E	1	600T300-33	5'-0 7/16"	BOTTOM TRACK
F	1	600T150-33	3'-1 3/4"	HEAD TRACK
G	3	600S162-33	2'-5 1/16"	CRIPPLE

# 22-3401

Jewish Home for the Aging

1885 Victory Blvd. Reseda, CA

FM-07-109

CREATED BY: TNT

FrameMax, Inc.  
13915 Danielson St  
Suite 100  
Poway, CA 92064  
www.frame-max.com



© FrameMax Inc.

HEIGHT : 9'-4 7/16" POINTS: 0.85 Points.

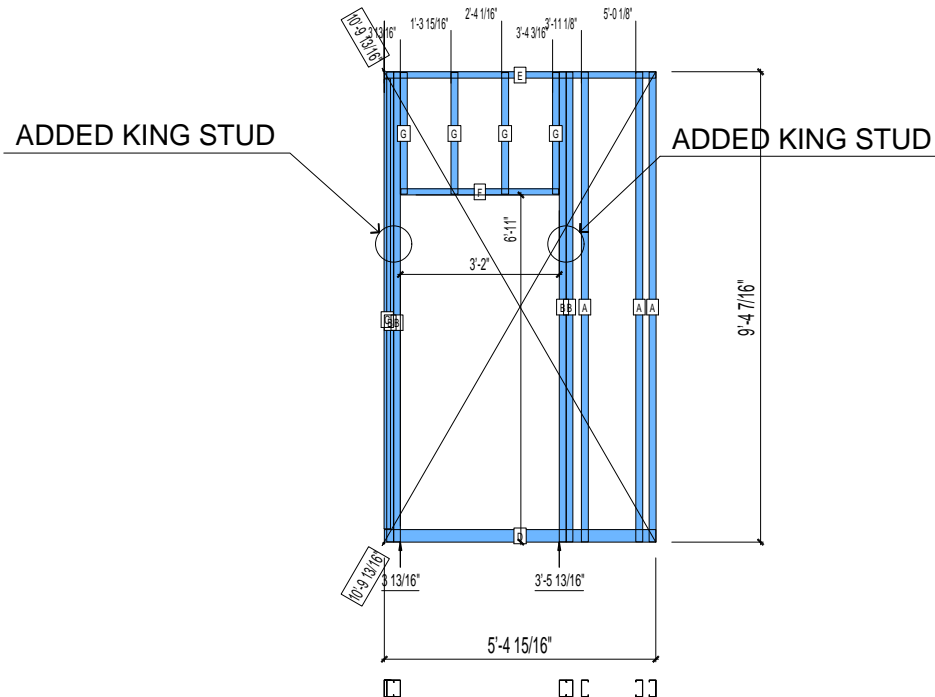
SPACING : 24"

1st STUD: 24"

WEIGHTS :

FRAME : 91 lbs

TOTAL: 91 lbs



PIECES LIST

LABEL	QTY	SIZE	LENGTH	USE
A	3	400S162-33	9'-4 5/16"	STUD
B	4	400S162-33	9'-4 5/16"	KING STUD
C	1	400T150-33	8'-11 9/16"	CAP TRACK
D	1	400T300-33	5'-4 15/16"	BOTTOM TRACK
E	1	400T150-33	5'-4 15/16"	TOP TRACK
F	1	400T150-33	3'-1 3/4"	HEAD TRACK
G	4	400S162-33	2'-5 1/16"	CRIPPLE

# 22-3269

Jewish Home for the Aging

1885 Victory Blvd. Reseda, CA

FM-07-109

CREATED BY: TNT

FrameMax, Inc.  
13915 Danielson St  
Suite 100  
Poway, CA 92064  
www.frame-max.com

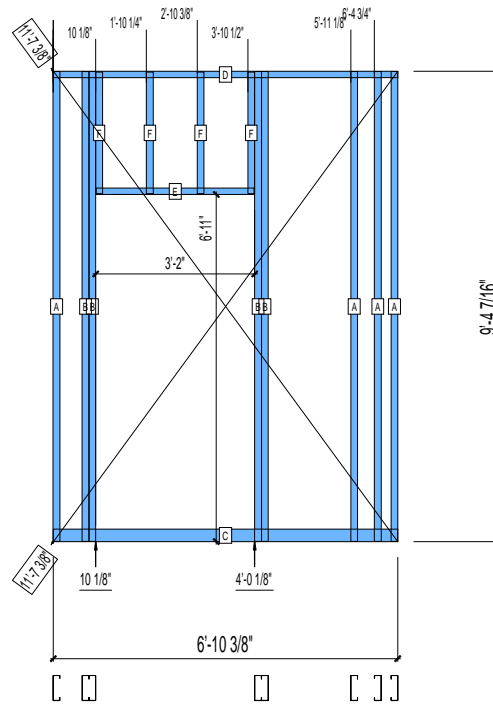


© FrameMax Inc.

HEIGHT : 9'-4 7/16"    POINTS: 1.01 Points.  
SPACING : 24"  
1st STUD: 24"

WEIGHTS :  
FRAME : 119 lbs

-----  
TOTAL: 119 lbs



PIECES LIST

LABEL	QTY	SIZE	LENGTH	USE
A	4	600S162-33	9'-4 5/16"	STUD
B	4	600S162-33	9'-4 5/16"	KING STUD
C	1	600T300-33	6'-10 3/8"	BOTTOM TRACK
D	1	600T150-33	6'-10 3/8"	TOP TRACK
E	1	600T150-33	3'-1 3/4"	HEAD TRACK
F	4	600S162-33	2'-5 1/16"	CRIPPLE

# 22-3362

Jewish Home for the Aging

1885 Victory Blvd. Reseda, CA

FM-07-109

CREATED BY: TNT

FrameMax, Inc.  
13915 Danielson St  
Suite 100  
Poway, CA 92064  
www.frame-max.com



© FrameMax Inc.

HEIGHT : 9'-4 7/16"    POINTS: 0.77 Points.

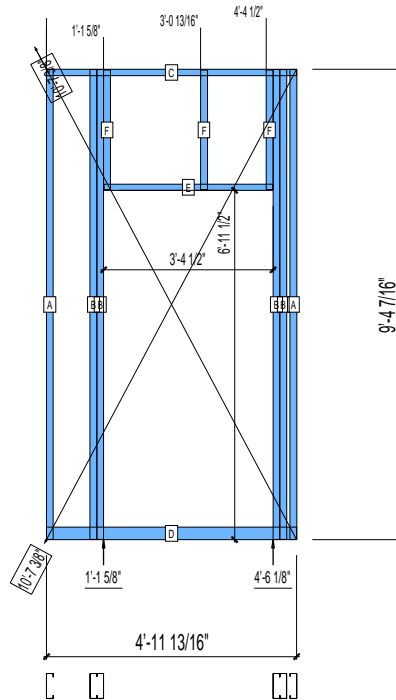
SPACING : 24"

1st STUD: 24"

WEIGHTS :

FRAME : 90 lbs

TOTAL: 90 lbs



PIECES LIST

LABEL	QTY	SIZE	LENGTH	USE
A	2	600S162-33	9'-4 5/16"	STUD
B	4	600S162-33	9'-4 5/16"	KING STUD
C	1	600T150-33	4'-11 13/16"	TOP TRACK
D	1	600T300-33	4'-11 13/16"	BOTTOM TRACK
E	1	600T150-33	3'-4 1/4"	HEAD TRACK
F	3	600S162-33	2'-4 9/16"	CRIPPLE

# 22-3373

Jewish Home for the Aging

1885 Victory Blvd. Reseda, CA

FM-07-109

CREATED BY: TNT

FrameMax, Inc.  
13915 Danielson St  
Suite 100  
Poway, CA 92064  
www.frame-max.com

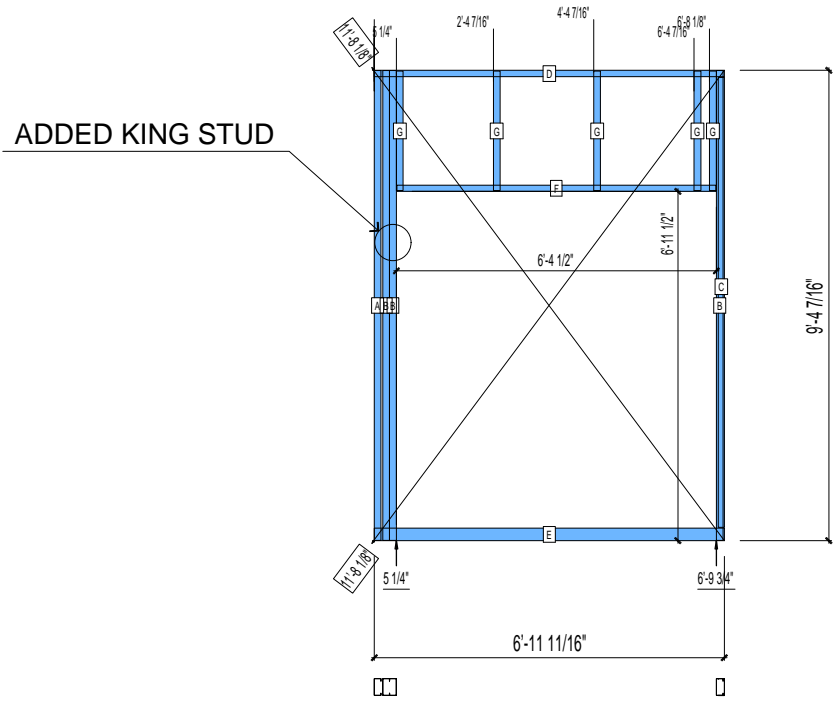


© FrameMax Inc.

HEIGHT : 9'-4 7/16"    POINTS: 0.76 Points.  
SPACING : 24"  
1st STUD: 24"

WEIGHTS :  
FRAME : 73 lbs

-----  
TOTAL: 73 lbs



PIECES LIST

LABEL	QTY	SIZE	LENGTH	USE
A	1	400S162-33	9'-4 5/16"	STUD
B	3	400S162-33	9'-4 5/16"	KING STUD
C	1	400T150-33	8'-11 9/16"	CAP TRACK
D	1	400T150-33	6'-11 11/16"	TOP TRACK
E	1	400T300-33	6'-11 11/16"	BOTTOM TRACK
F	1	400T150-33	6'-4 1/4"	HEAD TRACK
G	5	400S162-33	2'-4 9/16"	CRIPPLE

# 22-3404

Jewish Home for the Aging

1885 Victory Blvd. Reseda, CA

FrameMax, Inc.  
13915 Danielson St  
Suite 100  
Poway, CA 92064  
www.frame-max.com



© FrameMax Inc.

CREATED: 11/19/2008

FM-07-109

CREATED BY: TNT

HEIGHT : 9'-4 7/16" POINTS: 0.73 Points.

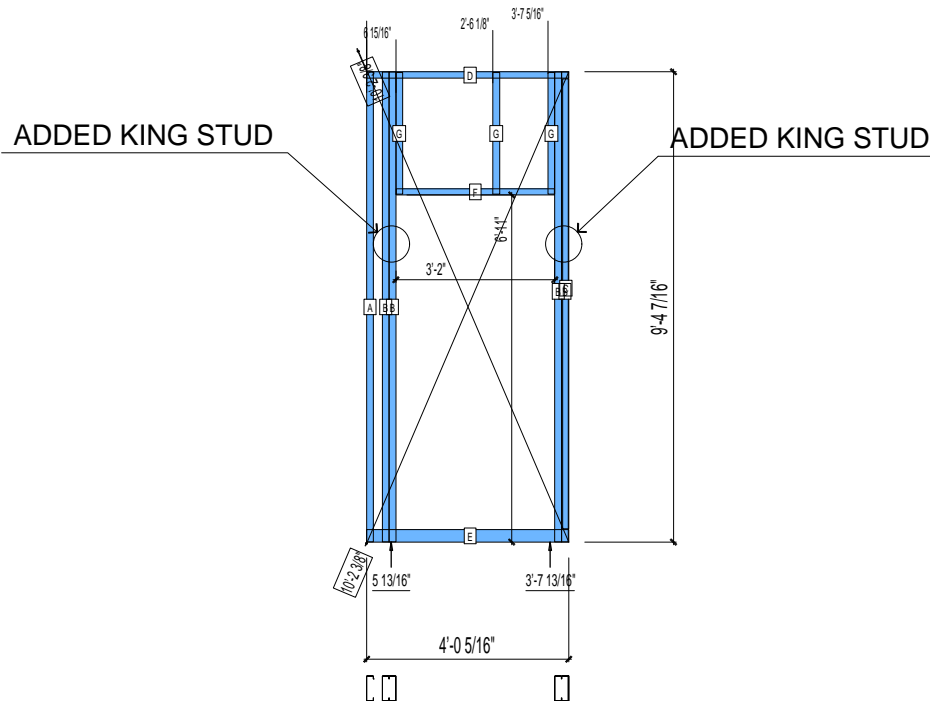
SPACING : 24"

1st STUD: 24"

WEIGHTS :

FRAME : 86 lbs

-----  
TOTAL: 86 lbs



PIECES LIST

LABEL	QTY	SIZE	LENGTH	USE
A	1	600S162-33	9'-4 5/16"	STUD
B	4	600S162-33	9'-4 5/16"	KING STUD
C	1	600T150-33	8'-11 9/16"	CAP TRACK
D	1	600T150-33	4'-0 5/16"	TOP TRACK
E	1	600T300-33	4'-0 5/16"	BOTTOM TRACK
F	1	600T150-33	3'-1 3/4"	HEAD TRACK
G	3	600S162-33	2'-5 1/16"	CRIPPLE

# 22-3415

Jewish Home for the Aging

1885 Victory Blvd. Reseda, CA

FM-07-109

CREATED BY: TNT

FrameMax, Inc.  
13915 Danielson St  
Suite 100  
Poway, CA 92064  
www.framemax.com



© FrameMax Inc.

HEIGHT : 9'-4 7/16" POINTS: 0.77 Points.

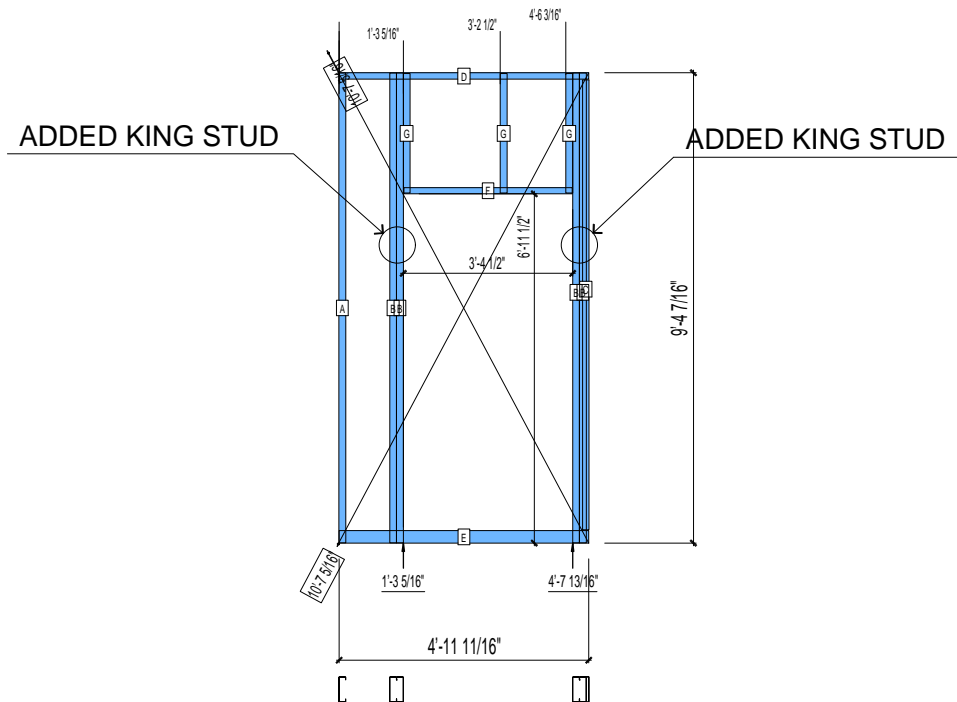
SPACING : 24"

1st STUD: 16"

WEIGHTS :

FRAME : 89 lbs

-----  
TOTAL: 89 lbs



PIECES LIST

LABEL	QTY	SIZE	LENGTH	USE
A	1	600S162-33	9'-4 5/16"	STUD
B	4	600S162-33	9'-4 5/16"	KING STUD
C	1	600T150-33	8'-11 9/16"	CAP TRACK
D	1	600T150-33	4'-11 11/16"	TOP TRACK
E	1	600T300-33	4'-11 11/16"	BOTTOM TRACK
F	1	600T150-33	3'-4 1/4"	HEAD TRACK
G	3	600S162-33	2'-4 9/16"	CRIPPLE

# 22-3430

Jewish Home for the Aging

1885 Victory Blvd. Reseda, CA

FM-07-109

CREATED BY: TNT

FrameMax, Inc.  
13915 Danielson St  
Suite 100  
Poway, CA 92064  
www.frame-max.com



© FrameMax Inc.

HEIGHT : 9'-4 7/16" POINTS: 0.88 Points.

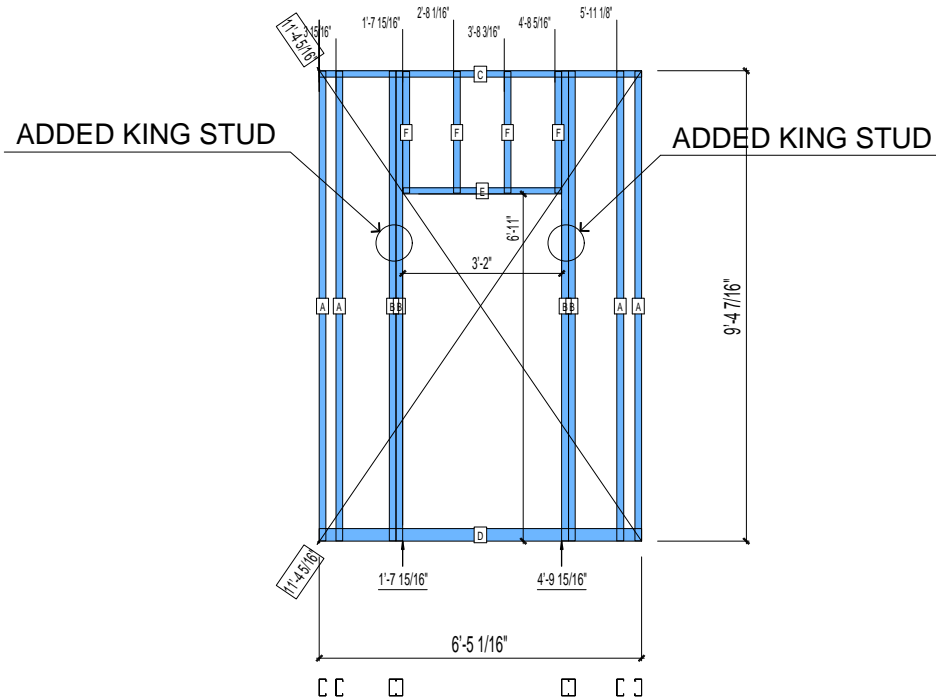
SPACING : 24"

1st STUD: 24"

WEIGHTS :

FRAME : 94 lbs

TOTAL: 94 lbs



PIECES LIST

LABEL	QTY	SIZE	LENGTH	USE
A	4	400S162-33	9'-4 5/16"	STUD
B	4	400S162-33	9'-4 5/16"	KING STUD
C	1	400T150-33	6'-5 1/16"	TOP TRACK
D	1	400T300-33	6'-5 1/16"	BOTTOM TRACK
E	1	400T150-33	3'-1 3/4"	HEAD TRACK
F	4	400S162-33	2'-5 1/16"	CRIPPLE

# 22-3456

Jewish Home for the Aging

1885 Victory Blvd. Reseda, CA

FM-07-109

CREATED BY: TNT

FrameMax, Inc.  
13915 Danielson St  
Suite 100  
Poway, CA 92064  
www.frame-max.com



© FrameMax Inc.

HEIGHT : 9'-4 7/16" POINTS: 0.93 Points.

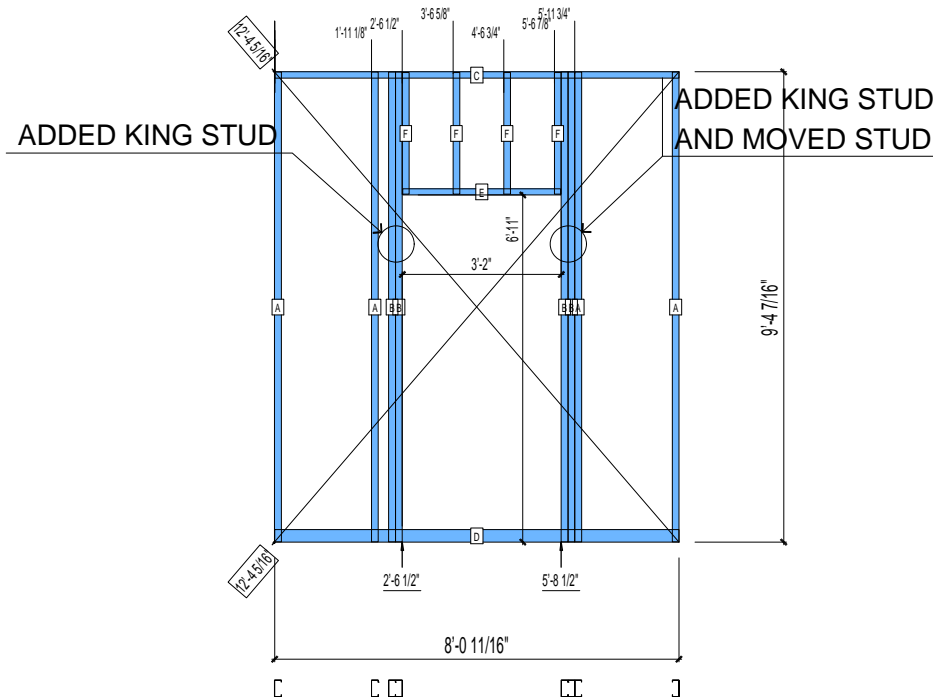
SPACING : 24"

1st STUD: 24"

WEIGHTS :

FRAME : 97 lbs

TOTAL: 97 lbs



PIECES LIST

LABEL	QTY	SIZE	LENGTH	USE
A	4	400S162-33	9'-4 5/16"	STUD
B	4	400S162-33	9'-4 5/16"	KING STUD
C	1	400T150-33	8'-0 11/16"	TOP TRACK
D	1	400T300-33	8'-0 11/16"	BOTTOM TRACK
E	1	400T150-33	3'-1 3/4"	HEAD TRACK
F	4	400S162-33	2'-5 1/16"	CRIPPLE

# 22-3463

Jewish Home for the Aging

1885 Victory Blvd. Reseda, CA

FM-07-109

CREATED BY: TNT

FrameMax, Inc.  
13915 Danielson St  
Suite 100  
Poway, CA 92064  
www.frame-max.com



© FrameMax Inc.

HEIGHT : 9'-4 7/16" POINTS: 0.77 Points.

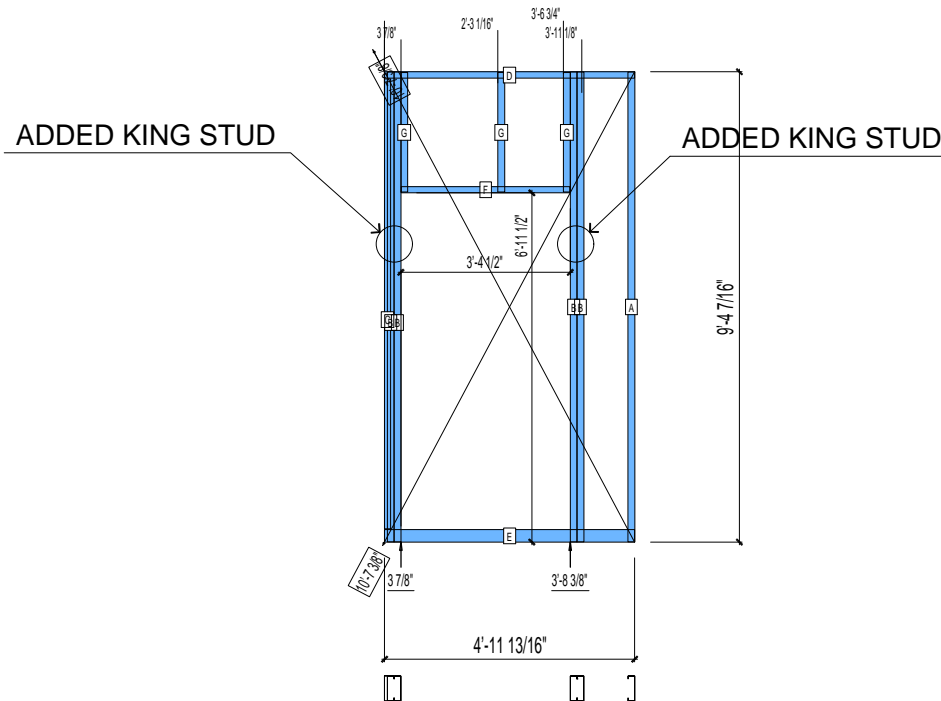
SPACING : 24"

1st STUD: 24"

WEIGHTS :

FRAME : 89 lbs

TOTAL: 89 lbs



PIECES LIST

LABEL	QTY	SIZE	LENGTH	USE
A	1	600S162-33	9'-4 5/16"	STUD
B	4	600S162-33	9'-4 5/16"	KING STUD
C	1	600T150-33	8'-11 9/16"	CAP TRACK
D	1	600T150-33	4'-11 13/16"	TOP TRACK
E	1	600T300-33	4'-11 13/16"	BOTTOM TRACK
F	1	600T150-33	3'-4 1/4"	HEAD TRACK
G	3	600S162-33	2'-4 9/16"	CRIPPLE