

22-1223

Jewish Home for the Aging

1885 Victory Blvd. Reseda, CA

FrameMax, Inc.
13915 Danielson St
Suite 100
Poway, CA 92064
www.frame-max.com



© FrameMax Inc.

CREATED: 11/11/2008

FM-07-109

CREATED BY: TNT

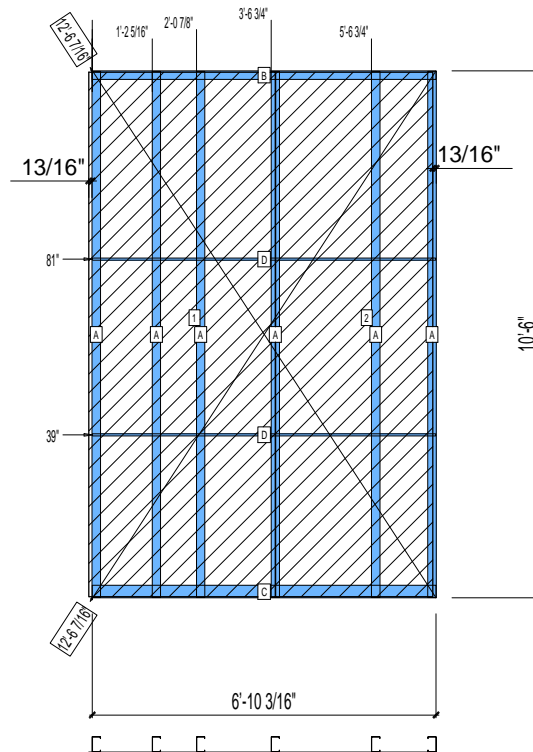
HEIGHT : 10'-6"
SPACING : 5000"
1st STUD: 5000"

POINTS: 2.30 Points.

APPROVED
By TNT at 10:10 am, Dec 10, 2008

WEIGHTS :
FRAME : 163 lbs
SHEATHING: 264 lbs

TOTAL: 427 lbs



PANEL SHEATHING REVISED FROM DENSGLASS TO SB-DENSGLASS

PIECES LIST

LABEL	QTY	SIZE	LENGTH	USE
A	6	362S200-68	10'-5 13/16"	STUD
B	1	362T200-68	6'-10 3/16"	TOP TRACK
C	1	362T300-68	6'-10 3/16"	BOTTOM TRACK
D	2	150U50-54	6'-10"	HORIZONTAL BRACING

SHEATHING

LABEL	QTY	CODE	THICK	SIZE	SCREWS
1	1	SB-DENSGLASS	1/2"	3'-8 5/8" X 10'-5 7/16"	2-12
2	1	SB-DENSGLASS	1/2"	3'-1 5/8" X 10'-5 7/16"	2-12