

22-6125

Jewish Home for the Aging

1885 Victory Blvd. Reseda, CA

FM-07-109

CREATED BY: TNT

FrameMax, Inc.
13915 Danielson St
Suite 100
Poway, CA 92064
www.frame-max.com



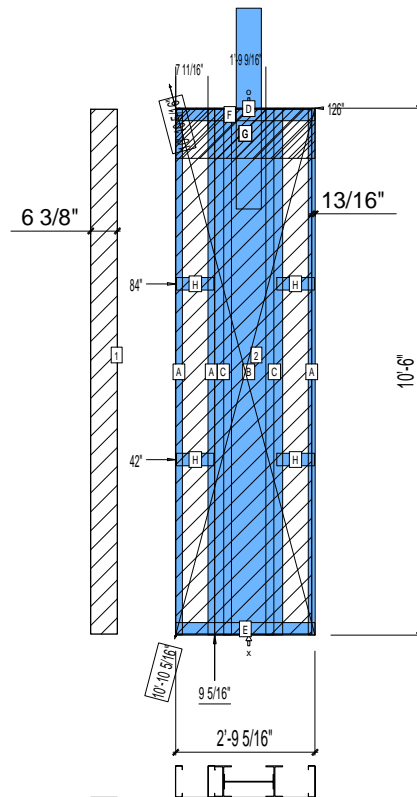
© FrameMax Inc.

HEIGHT : 10'-6"
POINTS: 3.56 Points.
SPACING : 24"
1st STUD: 24"

APPROVED
By TNT at 10:10 am, Dec 10, 2008

WEIGHTS :
FRAME : 582 lbs
SHEATHING: 125 lbs

TOTAL: 707 lbs



**PANEL SHEATHING REVISED FROM
DENSGLOSS TO SB-DENSGLOSS**

PIECES LIST

LABEL	QTY	SIZE	LENGTH	USE
A	3	750S162-54	10'-5 13/16"	STUD
B	1	1200i350p1420	10'-5 13/16"	PACO
C	2	750i400p1268	10'-5 13/16"	PACO
D	1	C	4'-0"	HOLDDOWN
E	1	750T300-68	2'-9 5/16"	BOTTOM TRACK
F	1	750T300-68	2'-9 5/16"	TOP TRACK
G	1	1200D-54	2'-9 1/4"	STRAP
H	4	750T300-68	8 15/16"	BLOCK

SHEATHING

LABEL	QTY	CODE	THICK	SIZE	SCREWS
1	1	SB-DENSGLOSS	1/2"	6 3/8" X 10'-5 7/16"	2-12
2	1	SB-DENSGLOSS	1/2"	2'-8 1/2" X 10'-5 7/16"	2-12