

FIELD SCREWING
@ FIELD STUD
Tornillos en campo

EDGE SCREWING
@ EDGES
Tornillos en las orillas

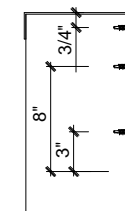
EDGE SCREWING
@ SEAMS
Tornillos en las uniones

EDGE SCREWING
@ SEAMS
Tornillos en las uniones

EDGE SCREWING
@ EDGES
Tornillos en las orillas

One (1) #8 Screw at 3" and 8" from Bottom of Strap into each Stud, Typical.

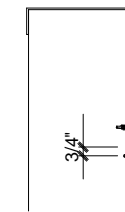
Un tornillo #8 a 3" y a 8" de la parte de abajo del strap de cada stud



Strap Attachment to Studs

Start Edge Screws at 3/4" from Top of Sureboard, Typical.

Empezar a 3/4" de la orilla de arriba del Sureboard. Tipico



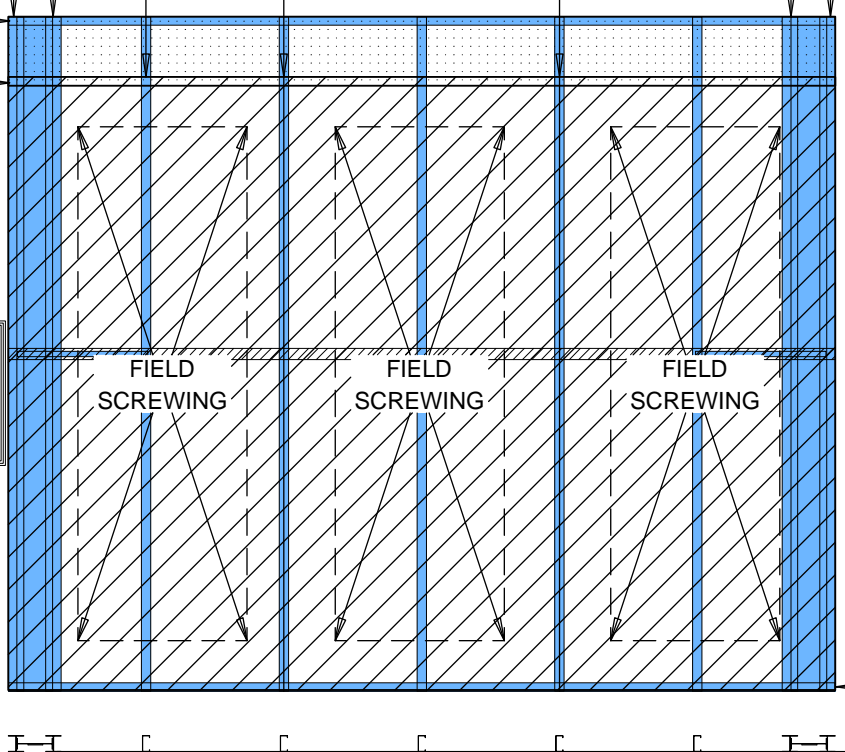
SureBoard Attachment to Strap
Sujetar strap a la pared

EDGE SCREWING
@ EDGES
Tornillos en las orillas

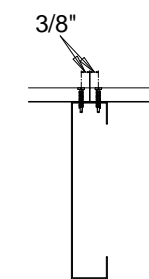
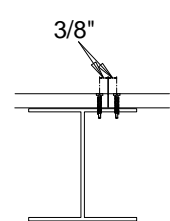
1
EDGE SCREWING
@ EDGES OF STRAP
Tornillos a las orillas del trap

EDGE SCREWING
@ SUREBOARD EDGE TO STRAP
Tornillos en la orilla del sureboard

FASTENER SPECIFICATIONS FOR SB-DENSGLOSS, SB-DENSARMOR, AND DENSGLOSS ARE PROVIDED IN EACH SHOP DRAWING.



SEE SUREBOARD.PDF FOR OFFSET VALUES



SureBoard Edge Seams Separacion de 3/8" en las orillas

REVISION	DATE
△	
△	
△	
△	

FrameMax, Inc.
13915 Danielson Street
Suite 100
Poway, CA 92064
Phone: 858 486-7200
Fax: 909 486-7220
www.frame-max.com

FRAMEMAX
FM-07-109-JHA
JEWISH HOME

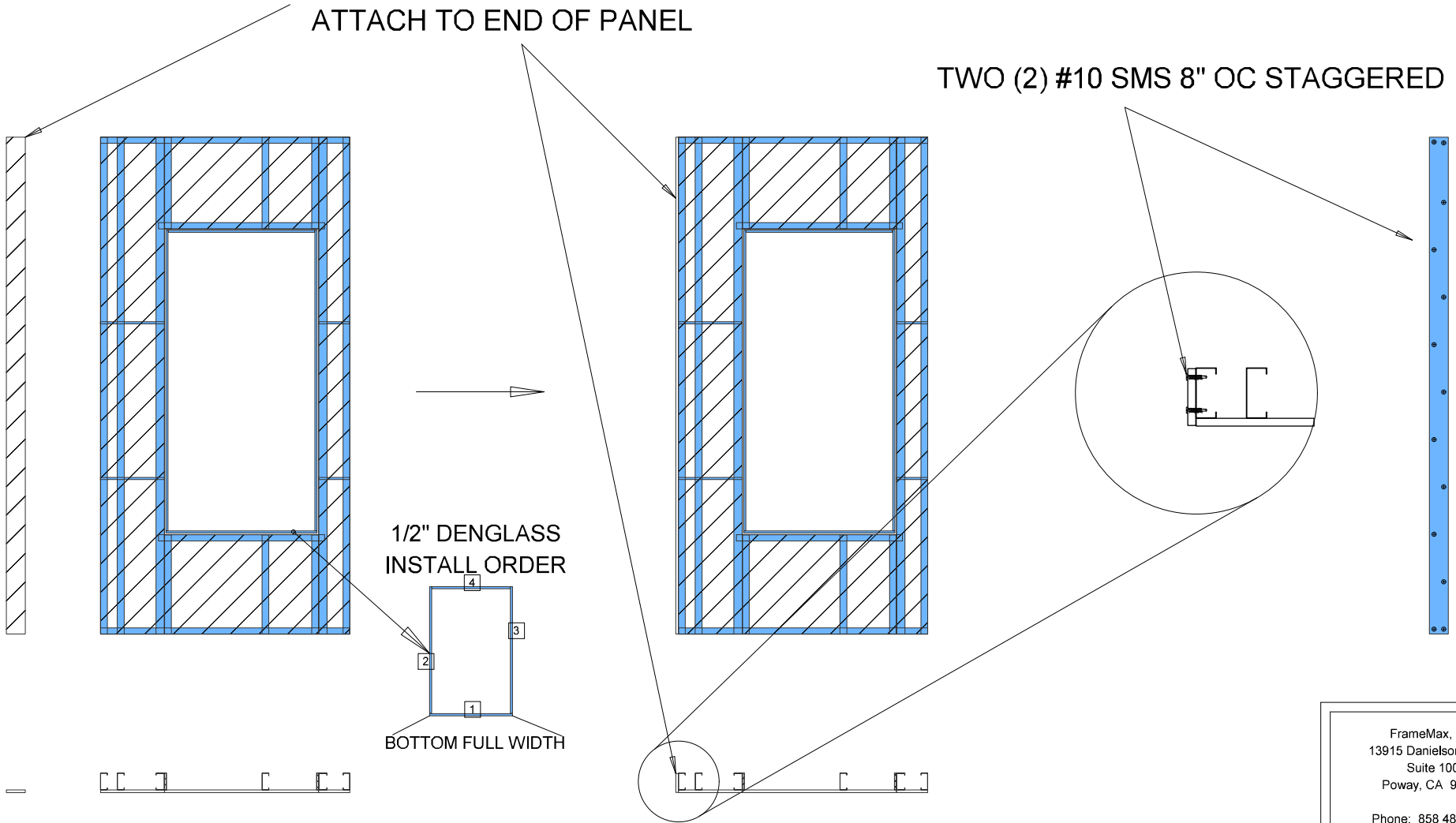
JHA-1

Sureboard / Shear Strap Attachment



IF SHEATHING IS SHOWN ON SHOP DRAWING LIKE SO ATTACH TO END OF PANEL

TWO (2) #10 SMS 8" OC STAGGERED



NOTE: INSTANCE COULD OCCUR ON LEFT, RIGHT, OR BOTH SIDES OF PANEL

Sheathing on End of Panel

FRAME MAX

FrameMax, Inc.
13915 Danielson Street
Suite 100
Poway, CA 92064

Phone: 858 486-7200
Fax: 909 486-7220
www.frame-max.com

FRAME MAX

FM-07-109-JHA

JEWISH HOME

JHA-3

1/4"Ø SCREWS @ 5" O.C. (2 ROWS)

RFI STILL PENDING

SEE DETAIL A

PACO PER PLAN

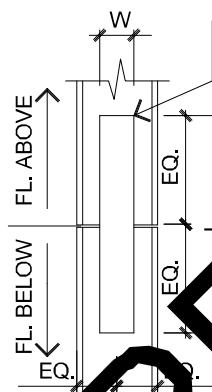
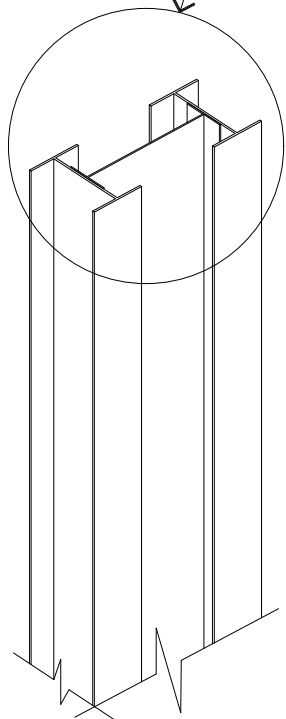
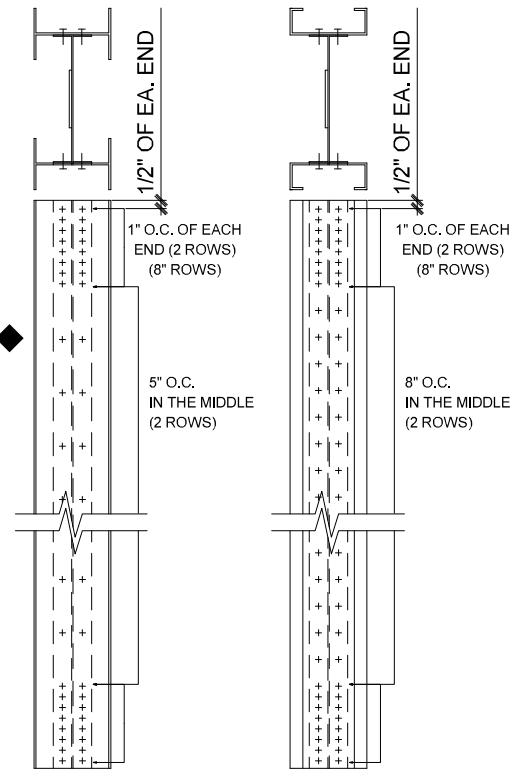
1" (TYP.)

EDGE SCREWS PER PLAN

SUREBOARD SHEAR WALL

SEE SCHEDULE B

DETAIL A



SPLIE PL. THICKNESS "T"

MARK	PLATE WIDTH W	PLATE LENGTH L	PLATE THICKNESS T	WELD SIZE S	WELD LENGTH LW
A	4 1/2"	2'-3"	1/2"	3/16"	9"
B	4 1/2"	2'-3"	1/2"	3/16"	18"
C, F, I	6"	4'-0"	3/4"	3/16"	30"
D	4 1/2"	2'-3"	1/2"	3/16"	16"
E	4 1/2"	3'-3"	3/4"	3/16"	26"
F, J	8 1/2"	3'-3"	1"	1/4"	18"
G	8 1/2"	5'-0"	1"	1/4"	28"

DETAIL B

PENDING!!!

HOLDOWN CONNECTION DETAIL



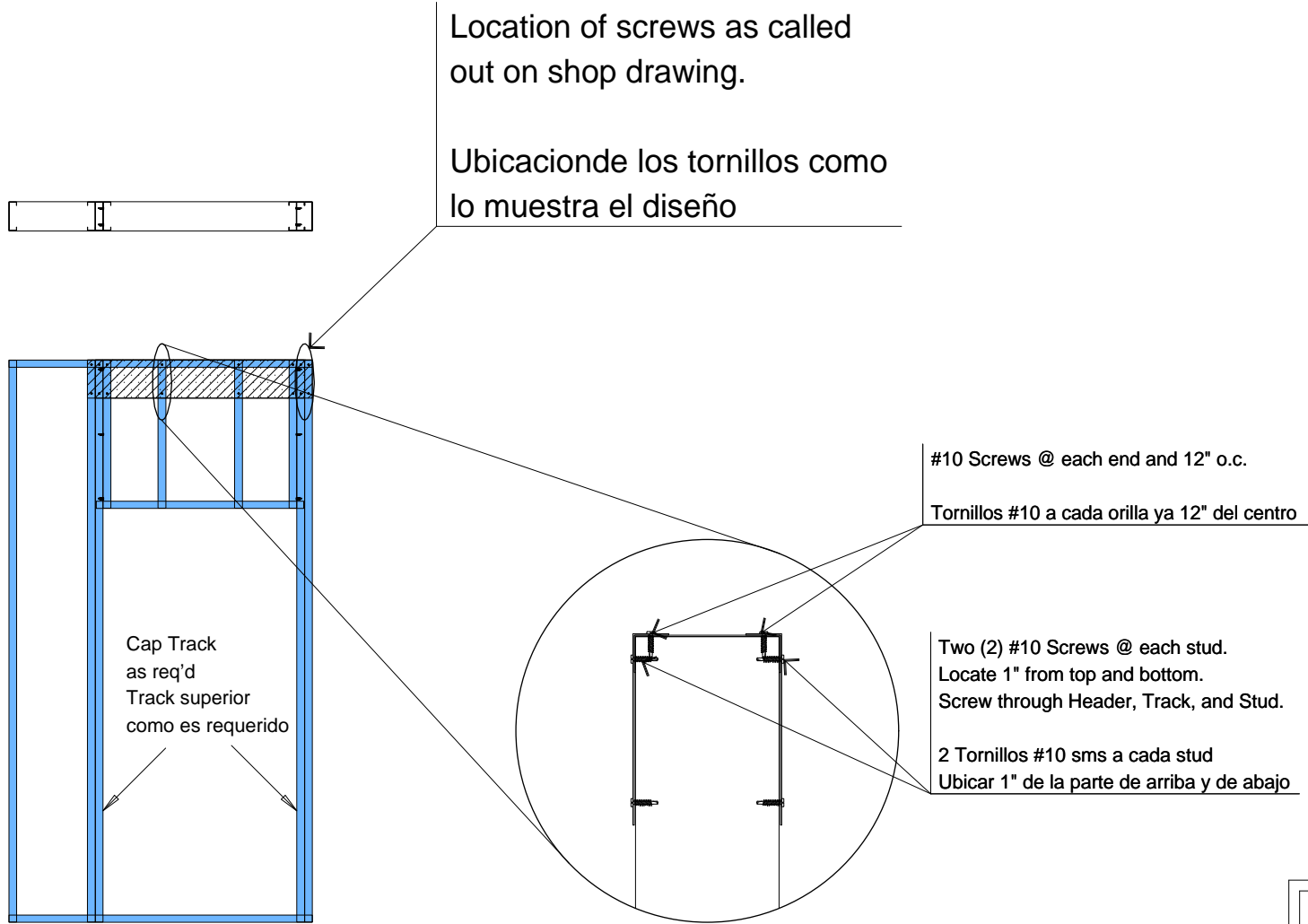
FrameMax, Inc.
 13915 Danielson Street
 Suite 100
 Poway, CA 92064

 Phone: 858 486-7200
 Fax: 909 486-7220
 www.frame-max.com



FM-07-109-JHA
 JEWISH HOME

JHA-4



FrameMax, Inc.
13915 Danielson Street
Suite 100
Poway, CA 92064

Phone: 858 486-7200
Fax: 909 486-7220
www.framemax.com



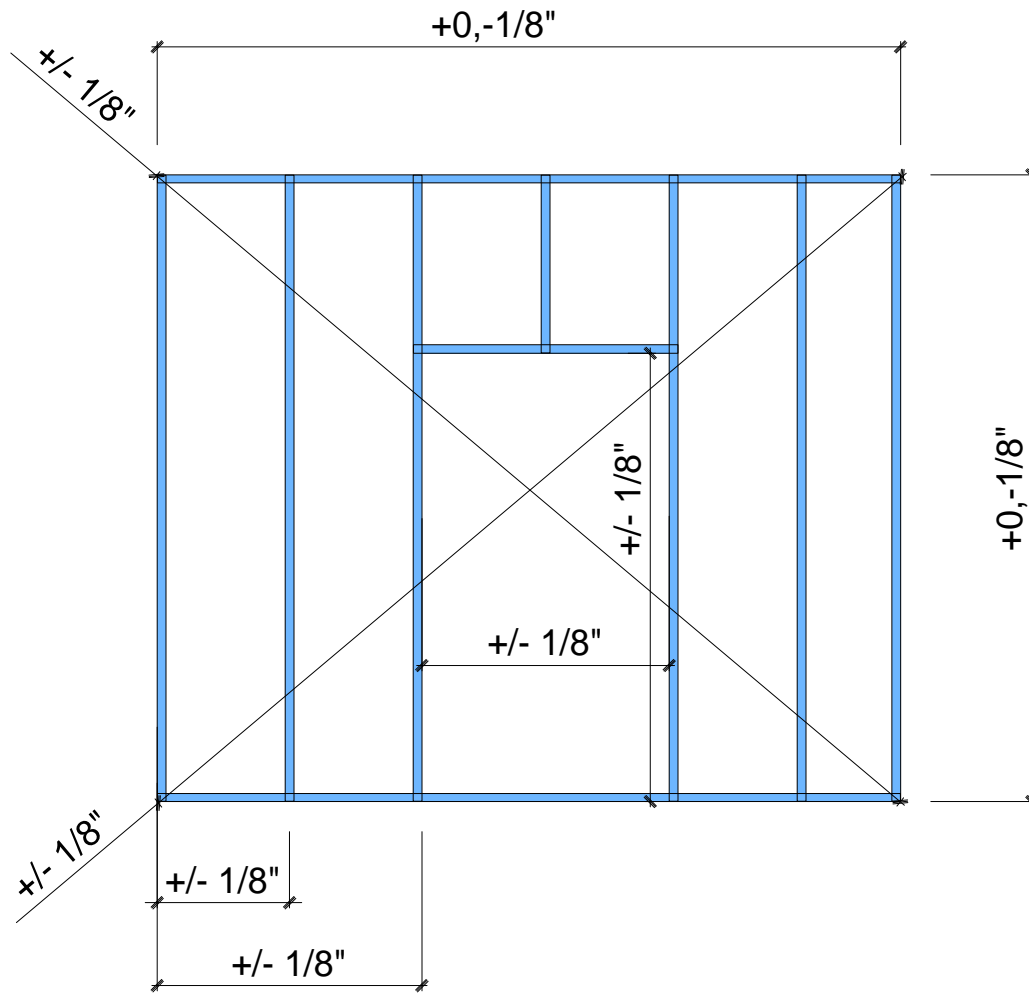
FM-07-109-JHA

JEWISH HOME

JHA-5

L-Header & Cripple Attachment





Assembly Tolerances

FRAMEMAX

FrameMax, Inc.
13915 Danielson Street
Suite 100
Poway, CA 92064

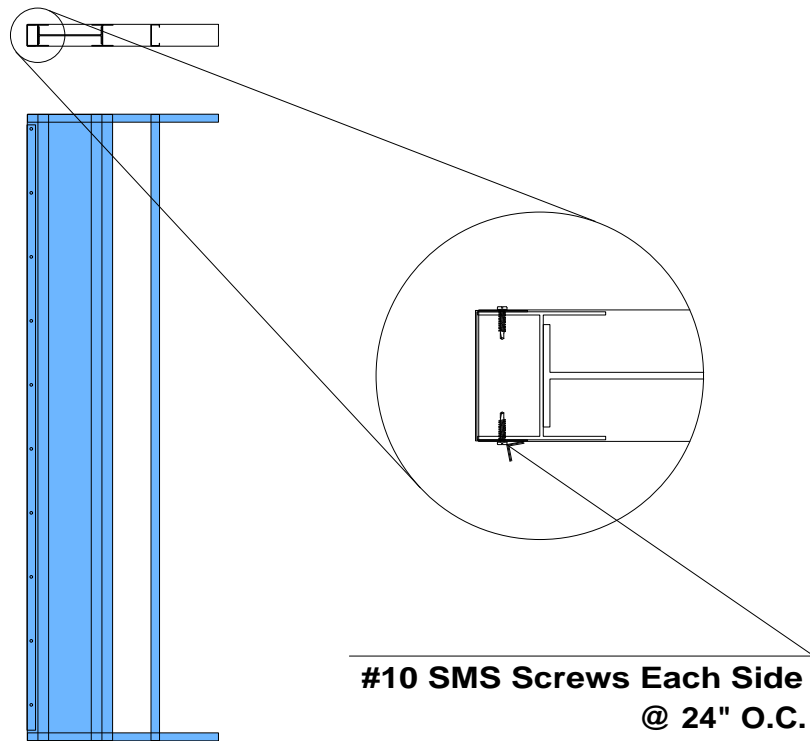
Phone: 858 486-7200
Fax: 909 486-7220
www.framemax.com

FRAMEMAX

FM-07-109-JHA

JEWISH HOME

JHA-6



#10 SMS Screws Each Side
@ 24" O.C.

Cap Track @ Open End



FrameMax, Inc.
13915 Danielson Street
Suite 100
Poway, CA 92064

Phone: 858 486-7200
Fax: 909 486-7220
www.framemax.com



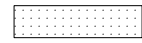
FM-07-109-JHA

JEWISH HOME

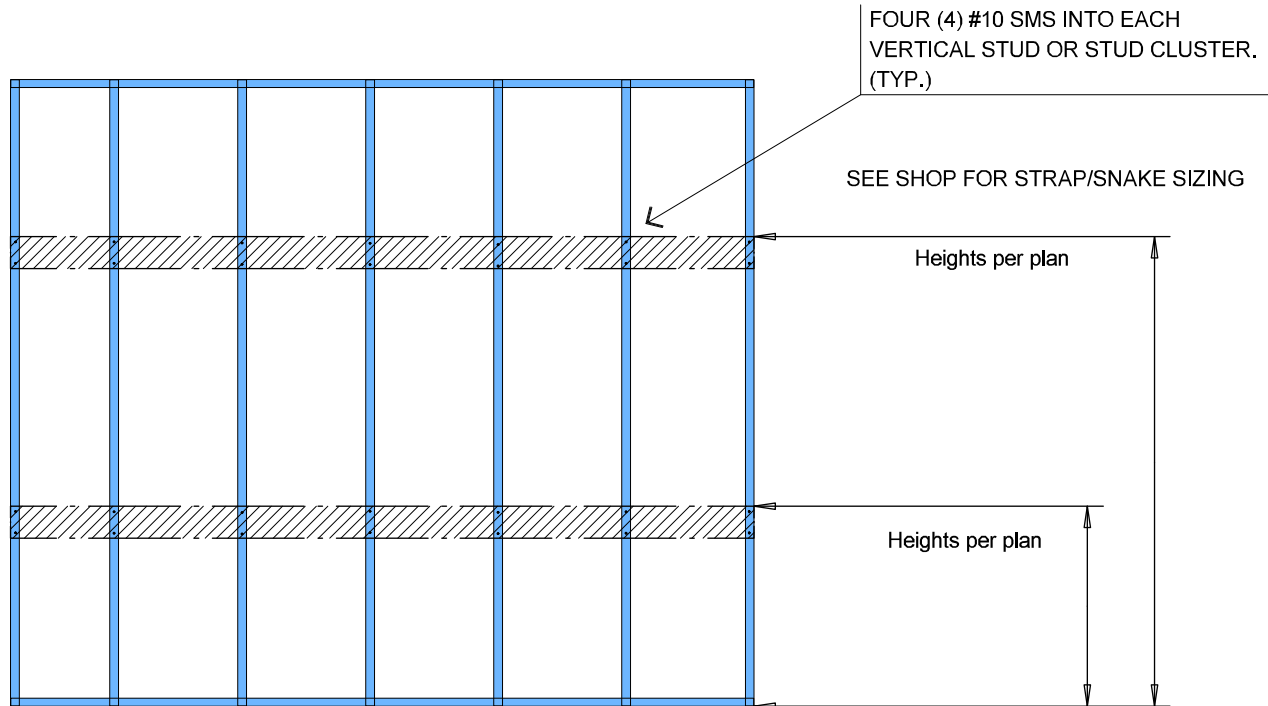
JHA-7



Installed on Opposite Side of Panel



Installed on Face of Panel



Kitchen/Bath Backing



FrameMax, Inc.
13915 Danielson Street
Suite 100
Poway, CA 92064

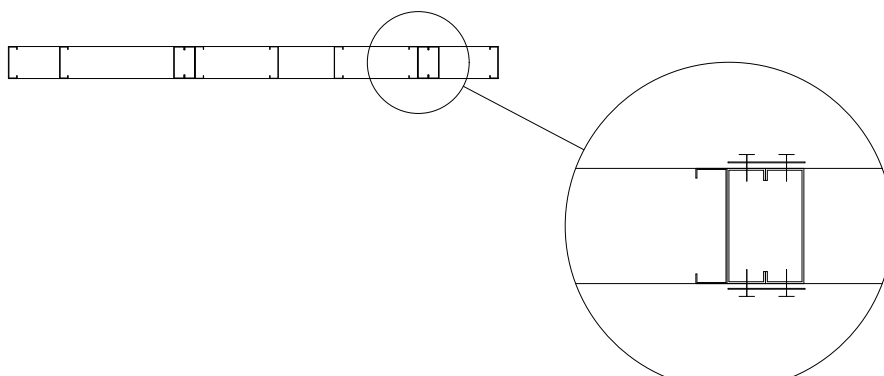
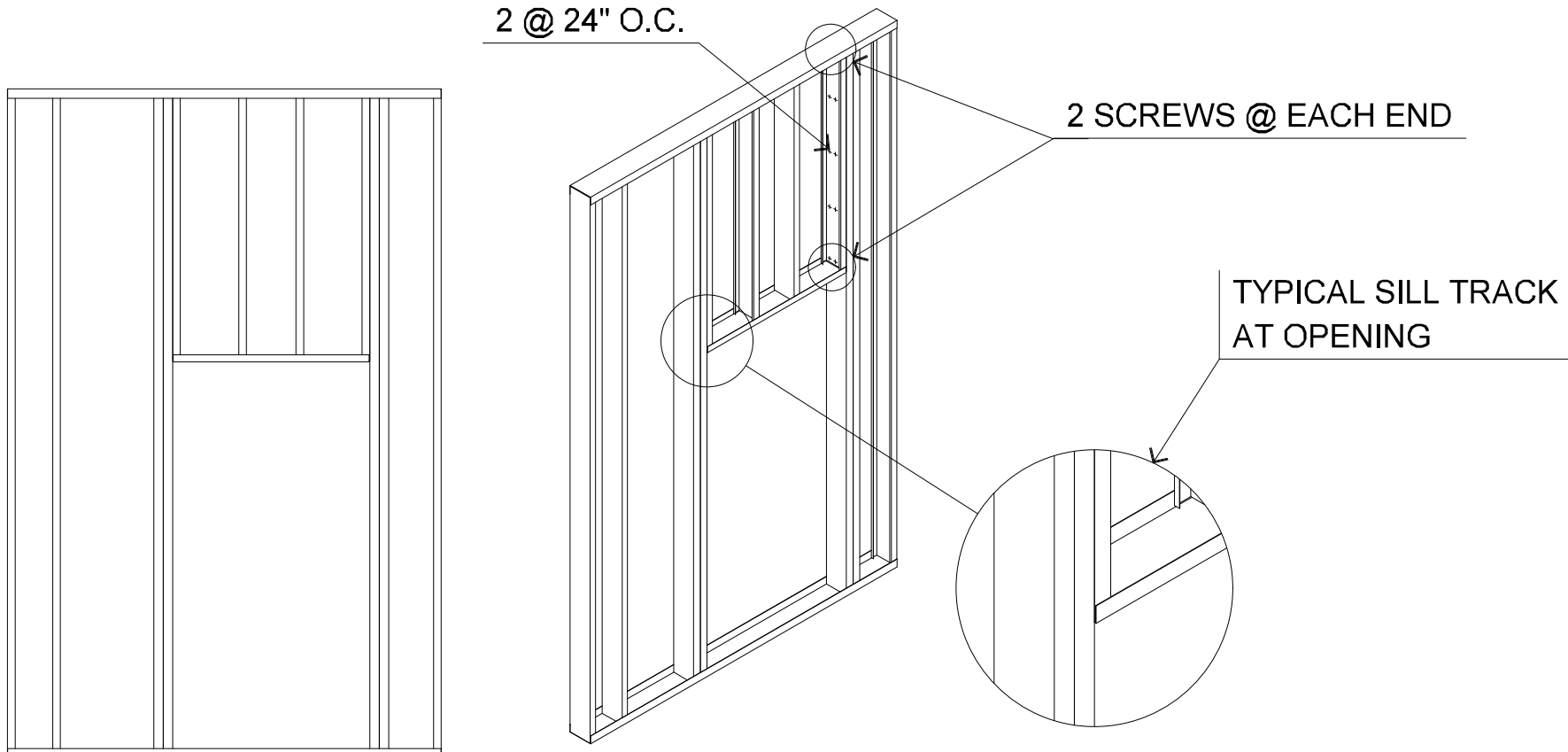
Phone: 858 486-7200
Fax: 909 486-7220
www.frame-max.com



FM-07-109-JHA

JEWISH HOME

JHA-8



PROVIDE STRAPS
 100D-33 MIN. @ 24" O.C.
 AT TOE TO TOE KING STUDS

Panel Assembly at Opening



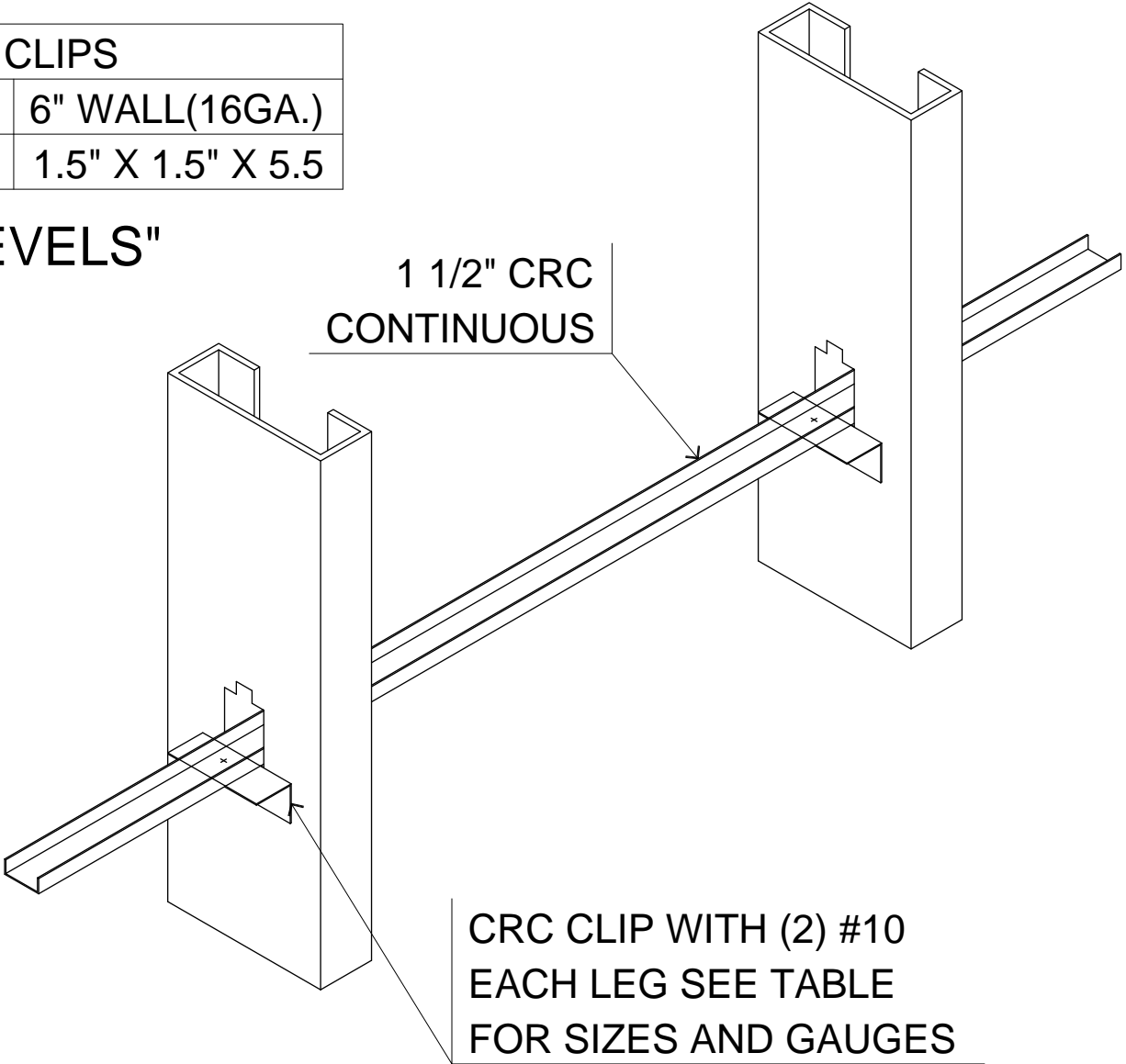
FrameMax, Inc.
 13915 Danielson Street
 Suite 100
 Poway, CA 92064
 Phone: 858 486-7200
 Fax: 909 486-7220
 www.frame-max.com

FRAME MAX
 FM-07-109-JHA
 JEWISH HOME

JHA-9

CRC CLIPS	
4" WALL(16GA.)	6" WALL(16GA.)
1.5" X 1.5" X 3.5	1.5" X 1.5" X 5.5

"ALL LEVELS"



Standard Bracing w/ Clip and Pipe at CRC Connection



FrameMax, Inc.
 13915 Danielson Street
 Suite 100
 Poway, CA 92064

Phone: 858 486-7200
 Fax: 909 486-7220
 www.framemax.com

FRAMEMAX

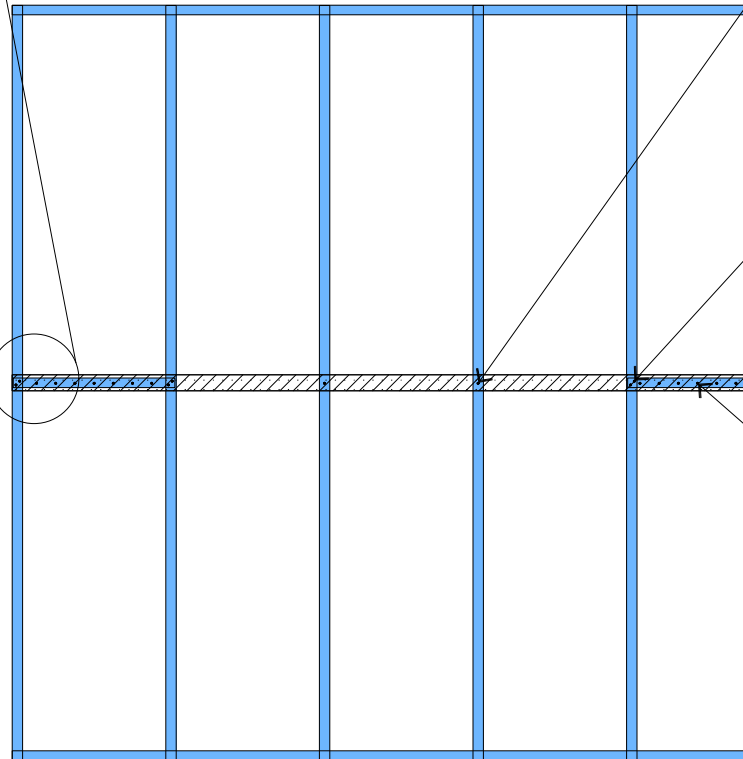
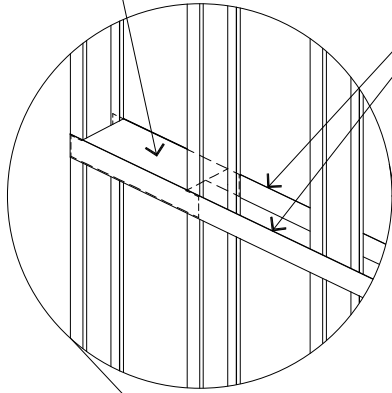
FM-07-109-JHA
 JEWISH HOME

JHA-10

BLOCKING TRACK SAME
GAUGE AS WALL TYPE.

El track del bloque sera del
mismo calibre que el de la pred

STRAP PER PLAN (TYP.)



1-#10 S.M.S. STRAP TO STUD
Tornillo de #10 sugetador a stud

2-#10 SCREW AT EACH STUD
AT EACH BLOCK
Con Tornillo de #10 atornillar a cada
Stud a cada block

#10 S.M.S. 3" O.C.
STRAP TO BLOCK
Tornillo #10, 3" del
Centro sugetador al bloque

FrameMax, Inc.
13915 Danielson Street
Suite 100
Poway, CA 92064

Phone: 858 486-7200
Fax: 909 486-7220
www.frame-max.com

FRAMEMAX

FM-07-109-JHA
JEWISH HOME

JHA-13

Standard Blocking w/ Strap

FRAMEMAX