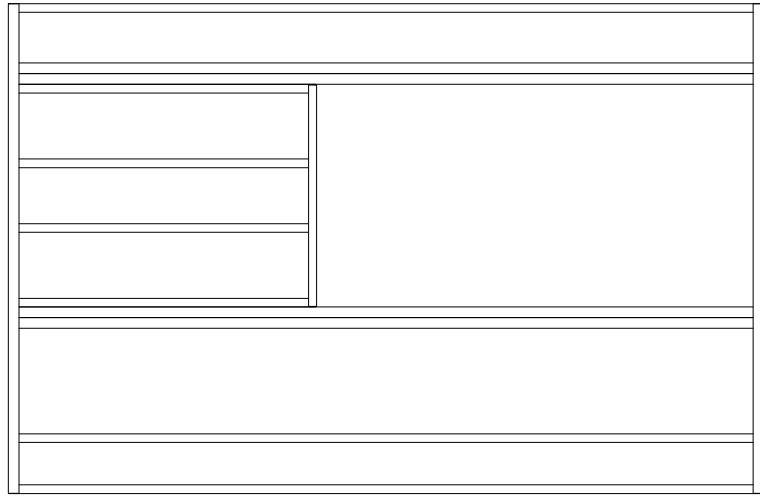
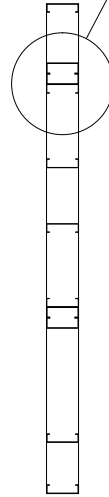
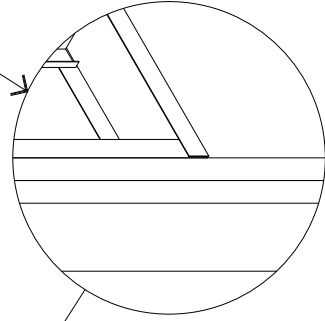


2 @ 24" O.C.



2 SCREWS @ EACH END

TYPICAL SILL TRACK  
AT OPENING



PROVIDE STRAPS  
100D-33 MIN. @ 24" O.C.  
AT TOE TO TOE KING STUDS

FrameMax, Inc.  
13915 Danielson Street  
Suite 100  
Poway, CA 92064  
Phone: 858 486-7200  
Fax: 909 486-7220  
www.frame-max.com

**FRAMEMAX**

FM-07-109-JHA

JEWISH HOME

**JHA-9**

**Panel Assembly at Opening**

**FRAMEMAX**