

11-1001

Jewish Home for the Aging

1885 Victory Blvd. Reseda, CA

FM-07-109

CREATED BY: AMB

FrameMax, Inc.
13915 Danielson St
Suite 100
Poway, CA 92064
www.frame-max.com



© FrameMax Inc.

HEIGHT : 11'-9 11/16"

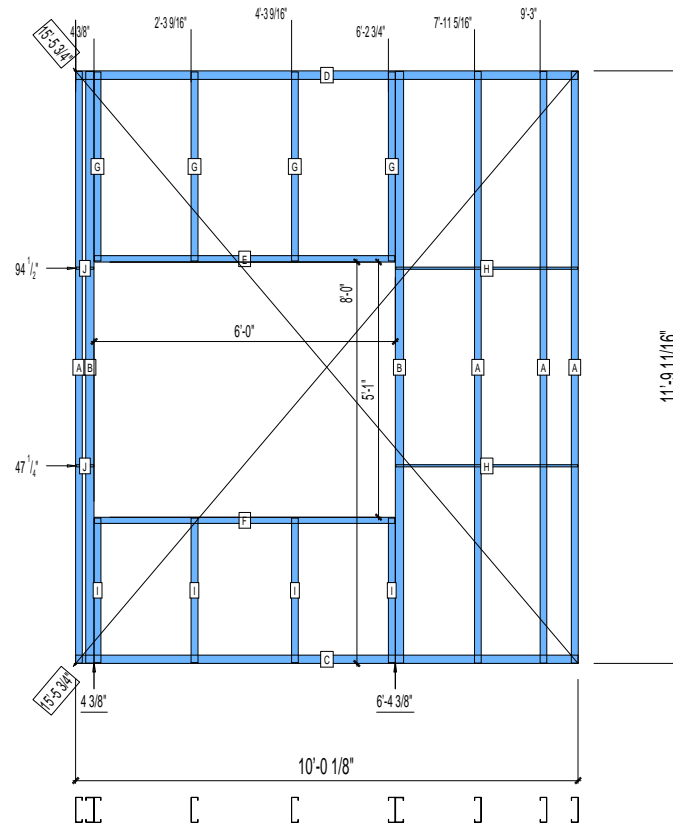
SPACING : 24"

1st STUD: 24"

WEIGHTS :

FRAME : 320 lbs

TOTAL: 320 lbs



PIECES LIST

LABEL	QTY	SIZE	LENGTH	USE
A	4	600S162-68	11'-9 1/2"	STUD
B	2	600S200-97	11'-9 1/2"	KING STUD
C	1	600T200-68	10'-0 1/8"	BOTTOM TRACK
D	1	600T200-68	10'-0 1/8"	TOP TRACK
E	1	600T150-54	5'-11 3/4"	HEAD TRACK
F	1	600T150-54	5'-11 3/4"	SILL
G	4	600S162-54	3'-9 1/4"	CRIPPLE
H	2	150U50-54	3'-7 1/2"	HORIZONTAL BRACING
I	4	600S162-54	2'-10 9/16"	CRIPPLE
J	2	150U50-54	4 3/16"	HORIZONTAL BRACING

11-1002

Jewish Home for the Aging

1885 Victory Blvd. Reseda, CA

FM-07-109

CREATED BY: AMB

FrameMax, Inc.
13915 Danielson St
Suite 100
Poway, CA 92064
www.frame-max.com

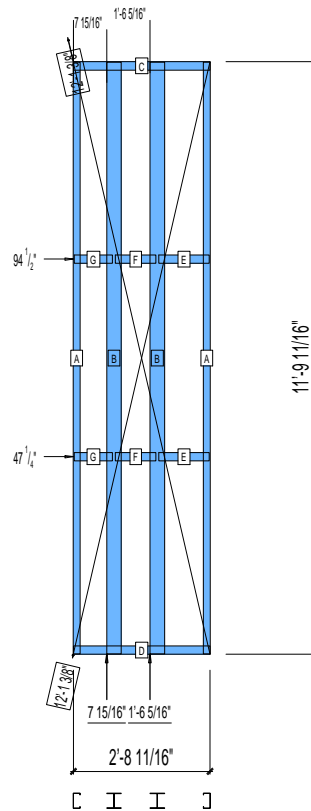


© FrameMax Inc.

HEIGHT : 11'-9 11/16"
SPACING : 24"
1st STUD: 24"

WEIGHTS :
FRAME : 184 lbs

TOTAL: 184 lbs



PIECES LIST

LABEL	QTY	SIZE	LENGTH	USE
A	2	362S162-54	11'-9 1/2"	STUD
B	2	363i350p554	11'-9 1/2"	PACO.COLUMN
C	1	362T200-68	2'-8 11/16"	TOP TRACK
D	1	362T200-68	2'-8 11/16"	BOTTOM TRACK
E	2	362T200-68	1'-0 1/16"	BLOCK
F	2	362T200-68	9 5/8"	BLOCK
G	2	362T200-68	9 3/16"	BLOCK

11-1003

Jewish Home for the Aging

1885 Victory Blvd. Reseda, CA

FM-07-109

CREATED BY: AMB

FrameMax, Inc.
13915 Danielson St
Suite 100
Poway, CA 92064
www.frame-max.com

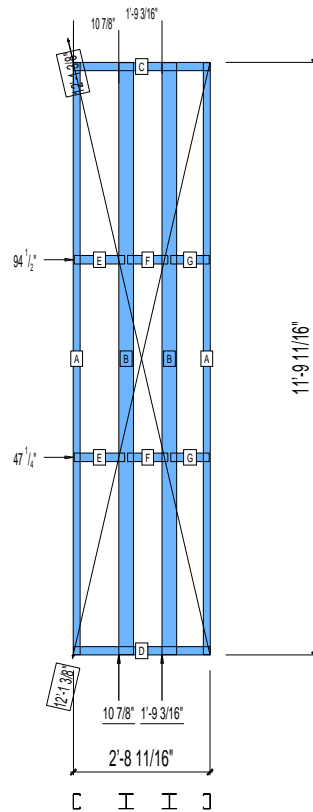


© FrameMax Inc.

HEIGHT : 11'-9 11/16"
SPACING : 24"
1st STUD: 24"

WEIGHTS :
FRAME : 184 lbs

TOTAL: 184 lbs



PIECES LIST

LABEL	QTY	SIZE	LENGTH	USE
A	2	362S162-54	11'-9 1/2"	STUD
B	2	363i350p554	11'-9 1/2"	PACO.COLUMN
C	1	362T200-68	2'-8 11/16"	TOP TRACK
D	1	362T200-68	2'-8 11/16"	BOTTOM TRACK
E	2	362T200-68	1'-0 1/16"	BLOCK
F	2	362T200-68	9 5/8"	BLOCK
G	2	362T200-68	9 3/16"	BLOCK

11-1004

Jewish Home for the Aging

1885 Victory Blvd. Reseda, CA

FrameMax, Inc.
13915 Danielson St
Suite 100
Poway, CA 92064
www.framemax.com



© FrameMax Inc.

CREATED: 09/11/2008

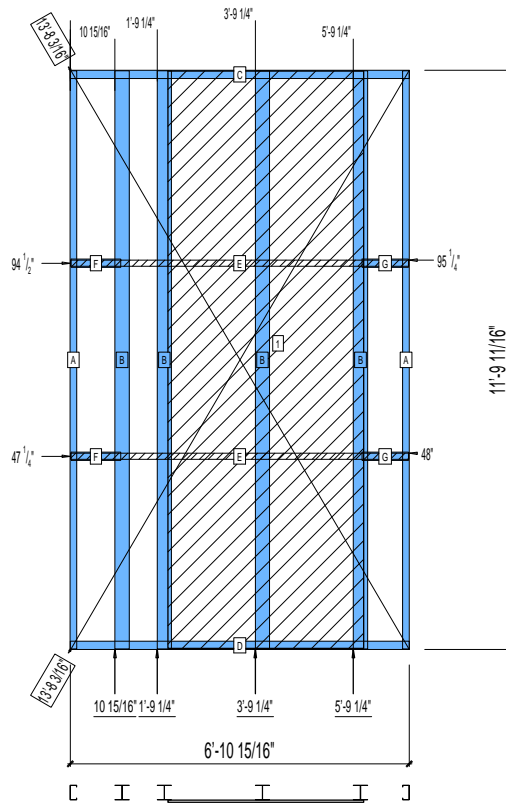
FM-07-109

CREATED BY: AMB

HEIGHT : 11'-9 11/16"
SPACING : 24"
1st STUD: 24"

WEIGHTS :
FRAME : 331 lbs
SHEATHING: 173 lbs

TOTAL: 504 lbs



PIECES LIST

LABEL	QTY	SIZE	LENGTH	USE
A	2	362S162-54	11'-9 1/2"	STUD
B	4	363i350p554	11'-9 1/2"	PACO. COLUMN
C	1	362T200-68	6'-10 15/16"	TOP TRACK
D	1	362T200-68	6'-10 15/16"	BOTTOM TRACK
E	2	150D-43	6'-10 3/4"	STRAP
F	2	362T200-68	1'-0 1/8"	BLOCK
G	2	362T200-68	11 3/8"	BLOCK

SHEATHING

LABEL	QTY	CODE	THICK	SIZE	SCREWS
1	1	SB-DENSGLOSS	1/2"	3'-11 15/16" X	11'-9 1/4"

11-1005

Jewish Home for the Aging

1885 Victory Blvd. Reseda, CA

FrameMax, Inc.
13915 Danielson St
Suite 100
Poway, CA 92064
www.framemax.com



© FrameMax Inc.

CREATED: 09/11/2008

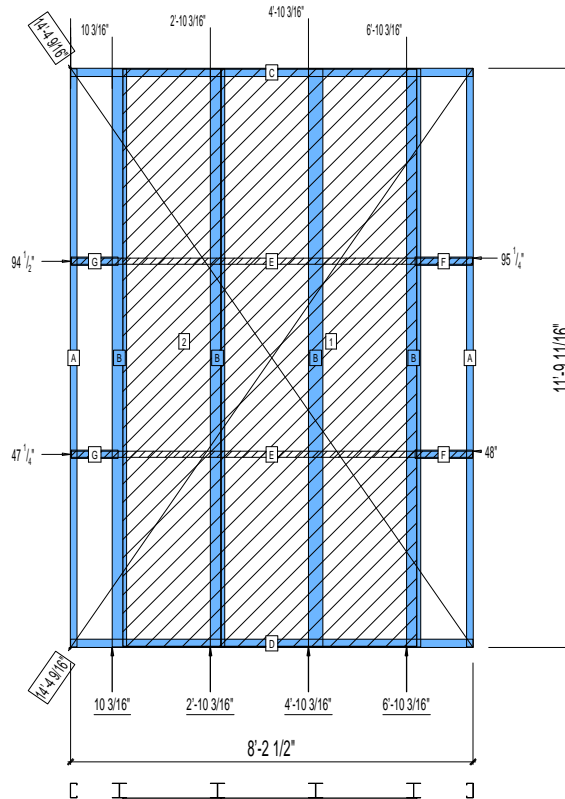
FM-07-109

CREATED BY: AMB

HEIGHT : 11'-9 11/16"
SPACING : 24"
1st STUD: 24"

WEIGHTS :
FRAME : 337 lbs
SHEATHING: 260 lbs

TOTAL: 597 lbs



PIECES LIST

LABEL	QTY	SIZE	LENGTH	USE
A	2	362S162-54	11'-9 1/2"	STUD
B	4	363i350p554	11'-9 1/2"	PACO. COLUMN
C	1	362T200-68	8'-2 1/2"	TOP TRACK
D	1	362T200-68	8'-2 1/2"	BOTTOM TRACK
E	2	150D-43	8'-2 5/16"	STRAP
F	2	362T200-68	1'-2"	BLOCK
G	2	362T200-68	11 7/16"	BLOCK

SHEATHING

LABEL	QTY	CODE	THICK	SIZE	SCREWS
1	1	SB-DENSGLOSS	1/2"	3'-11 15/16" X	11'-9 1/4"
2	1	SB-DENSGLOSS	1/2"	1'-11 15/16" X	11'-9 1/4"

11-1006

Jewish Home for the Aging

1885 Victory Blvd. Reseda, CA

FM-07-109

CREATED BY: AMB

FrameMax, Inc.
13915 Danielson St
Suite 100
Poway, CA 92064
www.frame-max.com

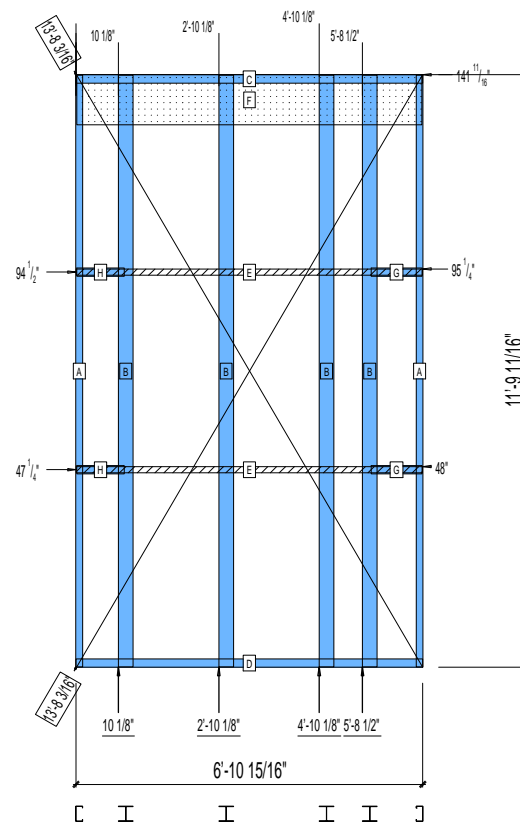


© FrameMax Inc.

HEIGHT : 11'-9 11/16"
SPACING : 24"
1st STUD: 24"

WEIGHTS :
FRAME : 348 lbs

TOTAL: 348 lbs



PIECES LIST

LABEL	QTY	SIZE	LENGTH	USE
A	2	362S162-54	11'-9 1/2"	STUD
B	4	363i350p554	11'-9 1/2"	PACO.COLUMN
C	1	362T200-68	6'-10 15/16"	TOP TRACK
D	1	362T200-68	6'-10 15/16"	BOTTOM TRACK
E	2	150D-43	6'-10 3/4"	STRAP
F	1	1200D-54	6'-10 1/2"	STRAP
G	2	362T200-68	1'-0 1/8"	BLOCK
H	2	362T200-68	11 3/8"	BLOCK

11-1007

Jewish Home for the Aging

1885 Victory Blvd. Reseda, CA

FM-07-109

CREATED BY: AMB

FrameMax, Inc.
13915 Danielson St
Suite 100
Poway, CA 92064
www.frame-max.com

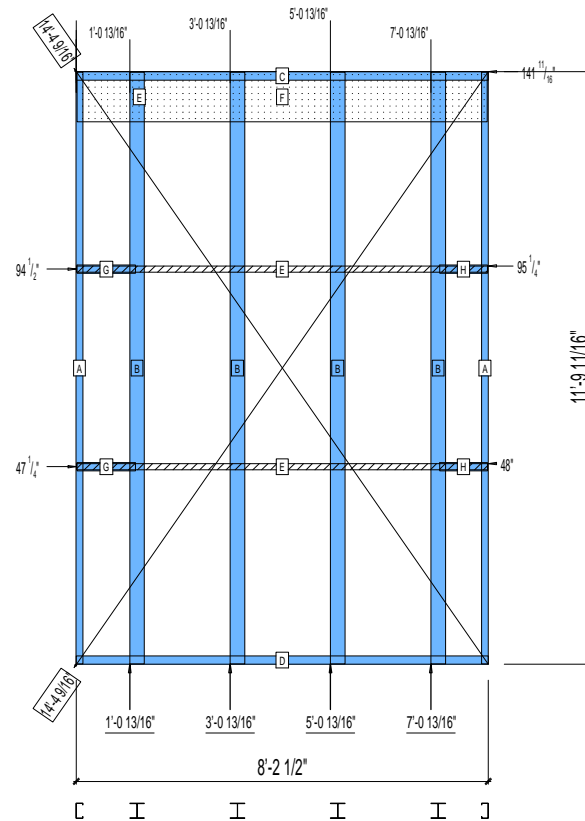


© FrameMax Inc.

HEIGHT : 11'-9 11/16"
SPACING : 24"
1st STUD: 24"

WEIGHTS :
FRAME : 357 lbs

TOTAL: 357 lbs



PIECES LIST

LABEL	QTY	SIZE	LENGTH	USE
A	2	362S162-54	11'-9 1/2"	STUD
B	4	363i350p554	11'-9 1/2"	PACO.COLUMN
C	1	362T200-68	8'-2 1/2"	TOP TRACK
D	1	362T200-68	8'-2 1/2"	BOTTOM TRACK
E	2	150D-43	8'-2 5/16"	STRAP
F	1	1200D-54	8'-2 1/16"	STRAP
G	2	362T200-68	1'-2"	BLOCK
H	2	362T200-68	11 7/16"	BLOCK

11-1008

Jewish Home for the Aging

1885 Victory Blvd. Reseda, CA

FM-07-109

CREATED BY: AMB

FrameMax, Inc.
13915 Danielson St
Suite 100
Poway, CA 92064
www.frame-max.com

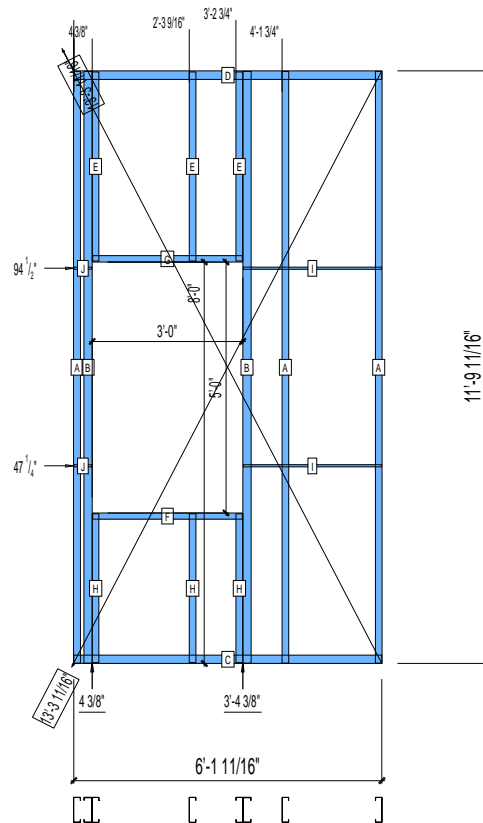


© FrameMax Inc.

HEIGHT : 11'-9 11/16"
SPACING : 24"
1st STUD: 24"

WEIGHTS :
FRAME : 250 lbs

TOTAL: 250 lbs



PIECES LIST

LABEL	QTY	SIZE	LENGTH	USE
A	3	600S162-68	11'-9 1/2"	STUD
B	2	600S200-97	11'-9 1/2"	KING STUD
C	1	600T200-68	6'-1 11/16"	BOTTOM TRACK
D	1	600T200-68	6'-1 11/16"	TOP TRACK
E	3	600S162-54	3'-9 1/4"	CRIPPLE
F	1	600T150-54	2'-11 3/4"	SILL
G	1	600T150-54	2'-11 3/4"	HEAD TRACK
H	3	600S162-54	2'-11 9/16"	CRIPPLE
I	2	150U50-54	2'-9 1/16"	HORIZONTAL BRACING
J	2	150U50-54	4 3/16"	HORIZONTAL BRACING

11-1009

Jewish Home for the Aging

1885 Victory Blvd. Reseda, CA

FM-07-109

CREATED BY: AMB

FrameMax, Inc.
13915 Danielson St
Suite 100
Poway, CA 92064
www.framemax.com



© FrameMax Inc.

HEIGHT : 11'-9 11/16"

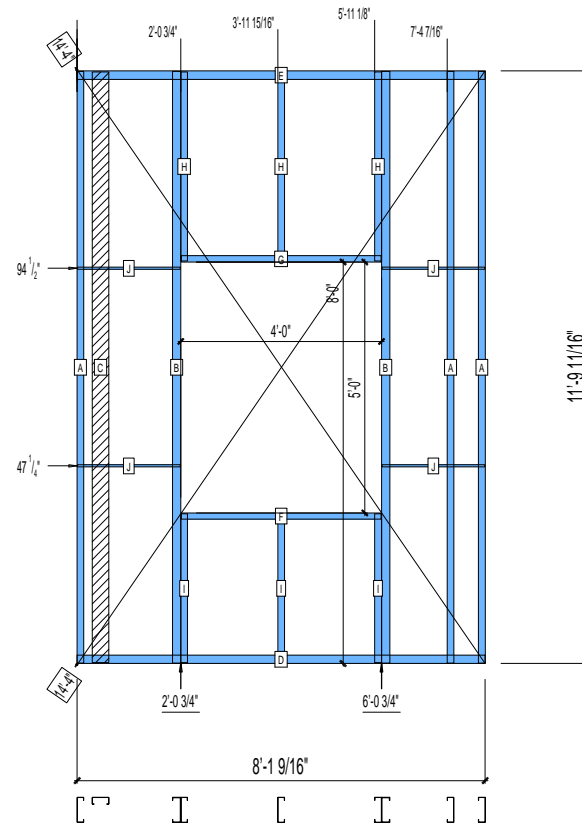
SPACING : 24"

1st STUD: 24"

WEIGHTS :

FRAME : 275 lbs

TOTAL: 275 lbs



PIECES LIST

LABEL	QTY	SIZE	LENGTH	USE
A	3	600S162-68	11'-9 1/2"	STUD
B	2	600S200-97	11'-9 1/2"	KING STUD
C	1	400S162-33	11'-9 1/4"	BACKER-U
D	1	600T200-68	8'-1 9/16"	BOTTOM TRACK
E	1	600T200-68	8'-1 9/16"	TOP TRACK
F	1	600T150-54	3'-11 3/4"	SILL
G	1	600T150-54	3'-11 3/4"	HEAD TRACK
H	3	600S162-54	3'-9 1/4"	CRIPPLE
I	3	600S162-54	2'-11 9/16"	CRIPPLE
J	4	150U50-54	2'-0 9/16"	HORIZONTAL BRACING

11-1010

Jewish Home for the Aging

1885 Victory Blvd. Reseda, CA

FrameMax, Inc.
13915 Danielson St
Suite 100
Poway, CA 92064
www.frame-max.com



© FrameMax Inc.

CREATED: 09/11/2008

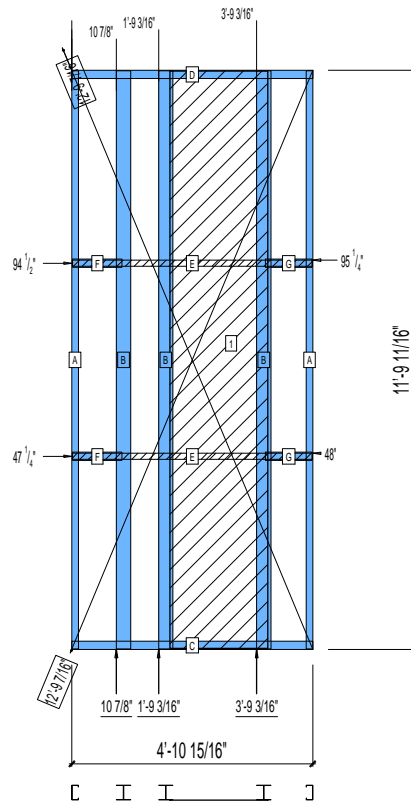
FM-07-109

CREATED BY: AMB

HEIGHT : 11'-9 11/16"
SPACING : 24"
1st STUD: 24"

WEIGHTS :
FRAME : 258 lbs
SHEATHING: 86 lbs

TOTAL: 344 lbs



PIECES LIST

LABEL	QTY	SIZE	LENGTH	USE
A	2	362S162-54	11'-9 1/2"	STUD
B	3	363i350p554	11'-9 1/2"	PACO COLUMN
C	1	362T200-68	4'-10 15/16"	BOTTOM TRACK
D	1	362T200-68	4'-10 15/16"	TOP TRACK
E	2	150D-43	4'-10 3/4"	STRAP
F	2	362T200-68	1'-0 1/16"	BLOCK
G	2	362T200-68	11 7/16"	BLOCK

SHEATHING

LABEL	QTY	CODE	THICK	SIZE	SCREWS
1	1	SB-DENSGLOSS	1/2"	1'-11 15/16" X	11'-9 1/4"

11-1012

Jewish Home for the Aging

1885 Victory Blvd. Reseda, CA

FM-07-109

CREATED BY: AMB

FrameMax, Inc.
13915 Danielson St
Suite 100
Poway, CA 92064
www.frame-max.com

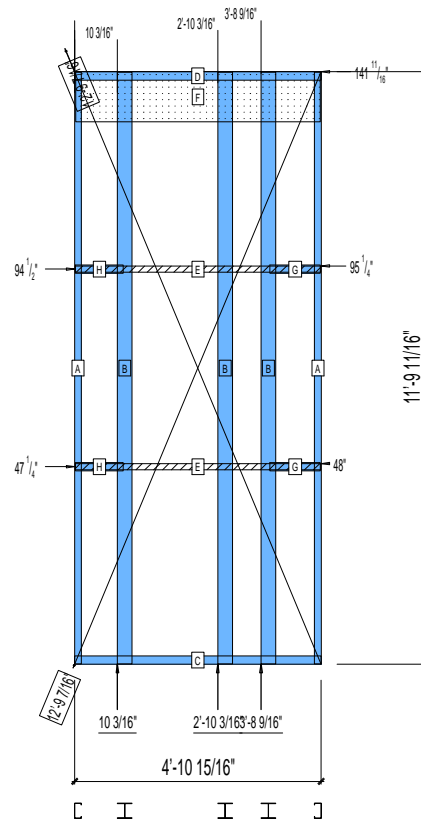


© FrameMax Inc.

HEIGHT : 11'-9 11/16"
SPACING : 24"
1st STUD: 24"

WEIGHTS :
FRAME : 269 lbs

TOTAL: 269 lbs



PIECES LIST

LABEL	QTY	SIZE	LENGTH	USE
A	2	362S162-54	11'-9 1/2"	STUD
B	3	363i350p554	11'-9 1/2"	PACO.COLUMN
C	1	362T200-68	4'-10 15/16"	BOTTOM TRACK
D	1	362T200-68	4'-10 15/16"	TOP TRACK
E	2	150D-43	4'-10 3/4"	STRAP
F	1	1200D-54	4'-10 1/2"	STRAP
G	2	362T200-68	1'-0 1/16"	BLOCK
H	2	362T200-68	11 7/16"	BLOCK

11-1013

Jewish Home for the Aging

1885 Victory Blvd. Reseda, CA

FM-07-109

CREATED BY: AMB

FrameMax, Inc.
13915 Danielson St
Suite 100
Poway, CA 92064
www.frame-max.com

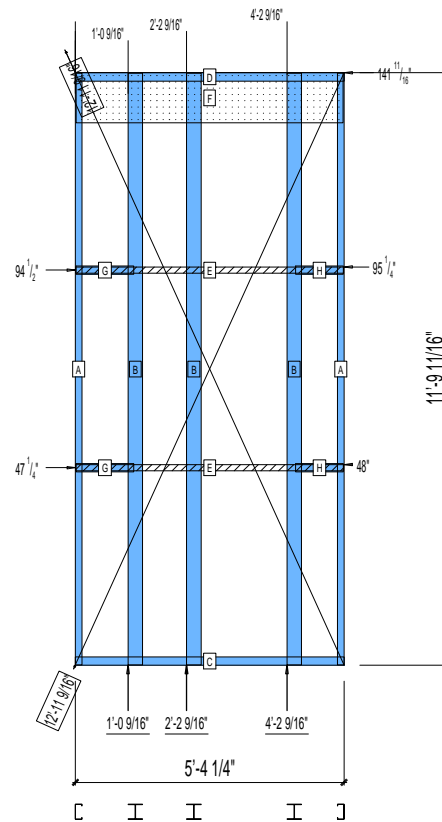


© FrameMax Inc.

HEIGHT : 11'-9 11/16"
SPACING : 24"
1st STUD: 24"

WEIGHTS :
FRAME : 273 lbs

TOTAL: 273 lbs



PIECES LIST

LABEL	QTY	SIZE	LENGTH	USE
A	2	362S162-54	11'-9 1/2"	STUD
B	3	363i350p554	11'-9 1/2"	PACO.COLUMN
C	1	362T200-68	5'-4 1/4"	BOTTOM TRACK
D	1	362T200-68	5'-4 1/4"	TOP TRACK
E	2	150D-43	5'-4 1/16"	STRAP
F	1	1200D-54	5'-3 13/16"	STRAP
G	2	362T200-68	1'-1 13/16"	BLOCK
H	2	362T200-68	11 3/8"	BLOCK

11-1014

Jewish Home for the Aging

1885 Victory Blvd. Reseda, CA

FrameMax, Inc.
13915 Danielson St
Suite 100
Poway, CA 92064
www.frame-max.com



© FrameMax Inc.

CREATED: 09/11/2008

FM-07-109

CREATED BY: AMB

HEIGHT : 11'-9 11/16"

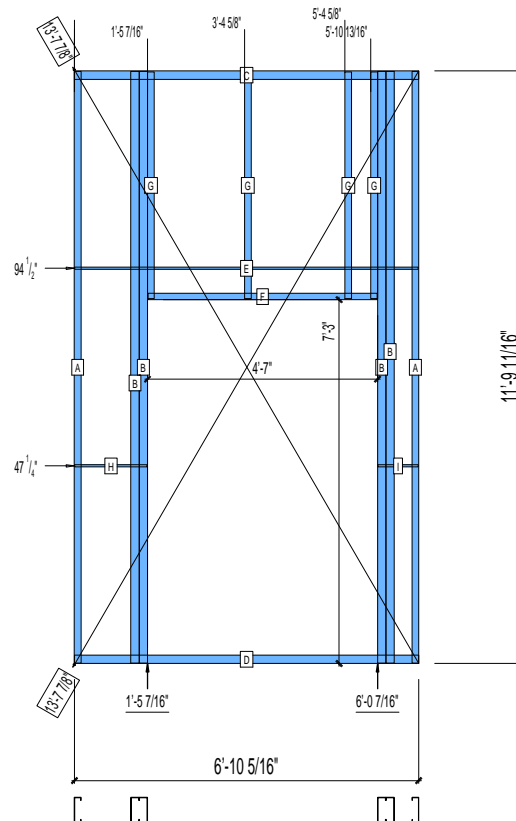
SPACING : 24"

1st STUD: 24"

WEIGHTS :

FRAME : 329 lbs

TOTAL: 329 lbs



PIECES LIST

LABEL	QTY	SIZE	LENGTH	USE
A	2	600S162-97	11'-9 1/2"	STUD
B	4	600S200-97	11'-9 1/2"	KING STUD
C	1	600T200-68	6'-10 5/16"	TOP TRACK
D	1	600T200-68	6'-10 5/16"	BOTTOM TRACK
E	1	150U50-54	6'-10 1/8"	HORIZONTAL BRACING
F	1	600T150-54	4'-6 3/4"	HEAD TRACK
G	4	600S162-54	4'-6 1/4"	CRIPPLE
H	1	150U50-54	1'-5 1/4"	HORIZONTAL BRACING
I	1	150U50-54	9 5/8"	HORIZONTAL BRACING

11-1015

Jewish Home for the Aging

1885 Victory Blvd. Reseda, CA

FrameMax, Inc.
13915 Danielson St
Suite 100
Poway, CA 92064
www.frame-max.com



© FrameMax Inc.

CREATED: 09/11/2008

FM-07-109

CREATED BY: AMB

HEIGHT : 11'-9 11/16"

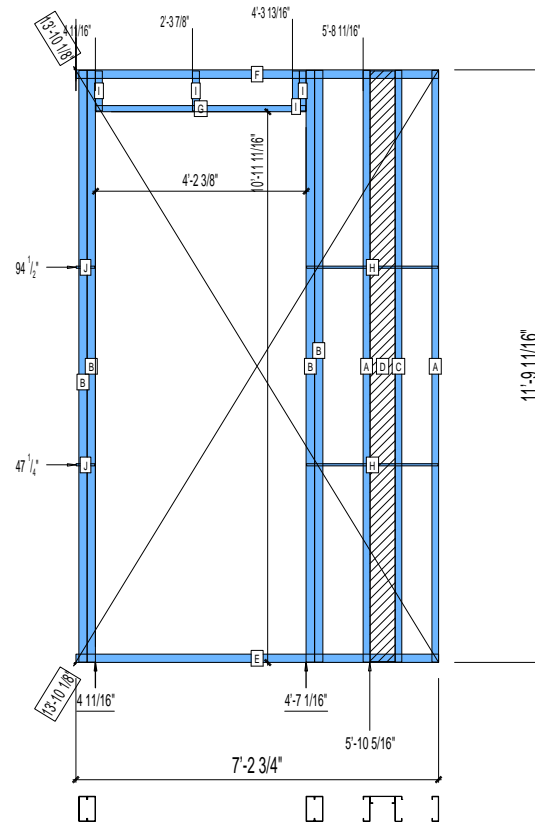
SPACING : 24"

1st STUD: 24"

WEIGHTS :

FRAME : 328 lbs

TOTAL: 328 lbs



PIECES LIST

LABEL	QTY	SIZE	LENGTH	USE
A	2	600S162-97	11'-9 1/2"	STUD
B	4	600S200-97	11'-9 1/2"	KING STUD
C	1	600S162-33	11'-9 1/2"	BACKER STUD
D	1	600S162-33	11'-9 1/4"	BACKER-U
E	1	600T200-68	7'-2 3/4"	BOTTOM TRACK
F	1	600T200-68	7'-2 3/4"	TOP TRACK
G	1	600T150-54	4'-2 1/8"	HEAD TRACK
H	2	150U50-54	2'-7 7/16"	HORIZONTAL BRACING
I	4	600S162-54	9 9/16"	CRIPPLE
J	2	150U50-54	4 1/2"	HORIZONTAL BRACING

11-1016

Jewish Home for the Aging

1885 Victory Blvd. Reseda, CA

FrameMax, Inc.
13915 Danielson St
Suite 100
Poway, CA 92064
www.frame-max.com



© FrameMax Inc.

CREATED: 09/11/2008

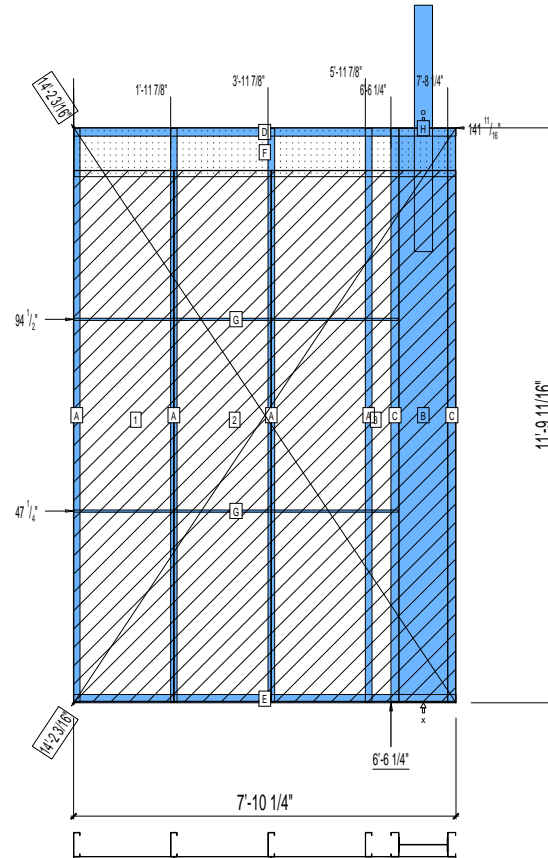
FM-07-109

CREATED BY: AMB

HEIGHT : 11'-9 11/16"
SPACING : 24"
1st STUD: 24"

WEIGHTS :
FRAME : 444 lbs
SHEATHING: 315 lbs

TOTAL: 759 lbs



PIECES LIST

LABEL	QTY	SIZE	LENGTH	USE
A	4	600S162-97	11'-9 1/2"	STUD
B	1	1200i350p1062	11'-9 1/2"	PACO
C	2	600S200-68	11'-9 1/2"	STUD
D	1	600T200-68	7'-10 1/4"	TOP TRACK
E	1	600T200-68	7'-10 1/4"	BOTTOM TRACK
F	1	1200D-54	7'-9 15/16"	STRAP
G	2	150U50-54	6'-7 7/8"	HORIZONTAL BRACING
H	1	D	5'-0 3/4"	HOLDDOWN

SHEATHING

LABEL	QTY	CODE	THICK	SIZE	SCREWS
1	1	SB-DENSARMOR	5/8"	2'-0 3/4" X 10'-10 7/8"	2 - 12
2	1	SB-DENSARMOR	5/8"	2'-0" X 10'-10 7/8"	2 - 12
3	1	SB-DENSARMOR	5/8"	3'-9 1/2" X 10'-10 7/8"	2 - 12

11-1017

Jewish Home for the Aging

1885 Victory Blvd. Reseda, CA

FrameMax, Inc.
13915 Danielson St
Suite 100
Poway, CA 92064
www.frame-max.com



© FrameMax Inc.

CREATED: 09/11/2008

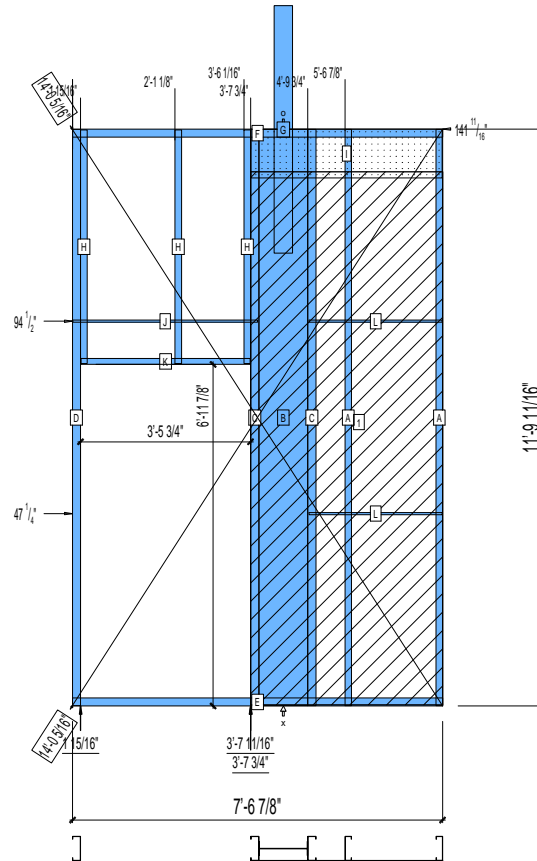
FM-07-109

CREATED BY: AMB

HEIGHT : 11'-9 11/16"
SPACING : 24"
1st STUD: 24"

WEIGHTS :
FRAME : 429 lbs
SHEATHING: 158 lbs

TOTAL: 587 lbs



PIECES LIST

LABEL	QTY	SIZE	LENGTH	USE
A	2	600S162-97	11'-9 1/2"	STUD
B	1	1200i350p1062	11'-9 1/2"	PACO
C	2	600S200-68	11'-9 1/2"	STUD
D	1	600S200-97	11'-9 1/2"	KING STUD
E	1	600T200-68	7'-6 7/8"	BOTTOM TRACK
F	1	600T200-68	7'-6 7/8"	TOP TRACK
G	1	D	5'-0 3/4"	HOLDDOWN
H	3	600S162-54	4'-9 3/8"	CRIPPLE
I	1	1200D-54	3'-10 15/16"	STRAP
J	1	150U50-54	3'-9 3/8"	HORIZONTAL BRACING
K	1	600T150-54	3'-5 1/2"	HEAD TRACK
L	2	150U50-54	2'-8 11/16"	HORIZONTAL BRACING

SHEATHING

LABEL	QTY	CODE	THICK	SIZE	SCREWS
1	1	SB-DENSARMOR	5/8"	3'-11 3/16" X 10'-10 7/8"	2 - 12

11-1018

Jewish Home for the Aging

1885 Victory Blvd. Reseda, CA

FM-07-109

CREATED BY: AMB

FrameMax, Inc.
13915 Danielson St
Suite 100
Poway, CA 92064
www.frame-max.com

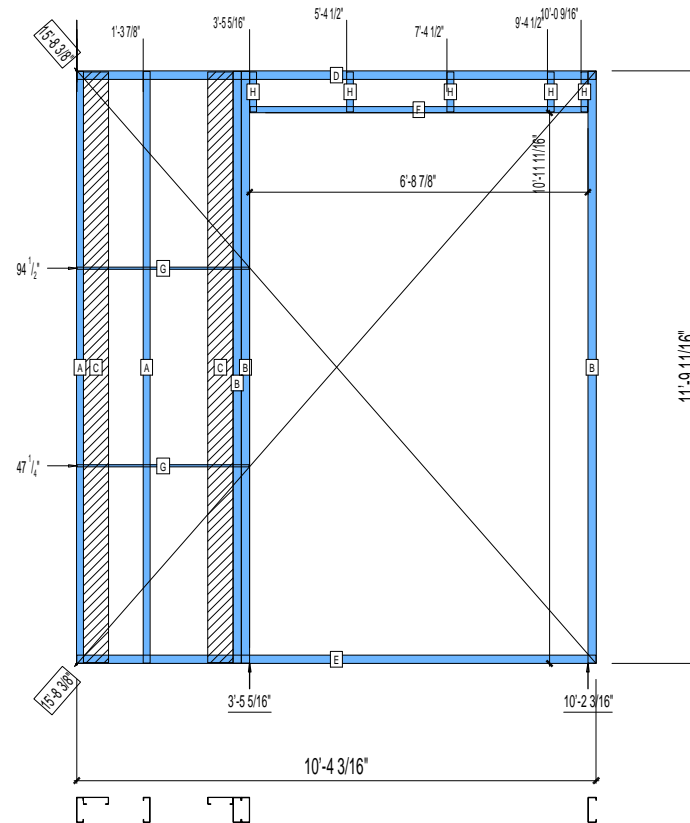


© FrameMax Inc.

HEIGHT : 11'-9 11/16"
SPACING : 24"
1st STUD: 24"

WEIGHTS :
FRAME : 306 lbs

TOTAL: 306 lbs



PIECES LIST

LABEL	QTY	SIZE	LENGTH	USE
A	2	600S162-97	11'-9 1/2"	STUD
B	3	600S200-97	11'-9 1/2"	KING STUD
C	2	600S162-33	11'-9 1/4"	BACKER-U
D	1	600T200-68	10'-4 3/16"	TOP TRACK
E	1	600T200-68	10'-4 3/16"	BOTTOM TRACK
F	1	600T150-54	6'-8 5/8"	HEAD TRACK
G	2	150U50-54	3'-5 1/8"	HORIZONTAL BRACING
H	5	600S162-54	9 9/16"	CRIPPLE

11-1019

Jewish Home for the Aging

1885 Victory Blvd. Reseda, CA

FrameMax, Inc.
13915 Danielson St
Suite 100
Poway, CA 92064
www.framemax.com



© FrameMax Inc.

CREATED: 09/11/2008

FM-07-109

CREATED BY: AMB

HEIGHT : 11'-9 11/16"

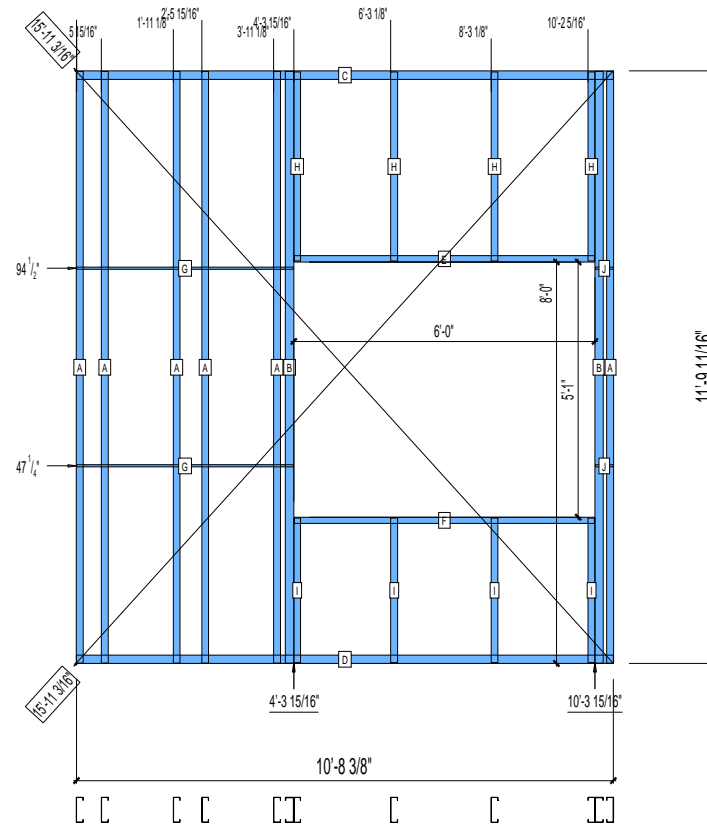
SPACING : 24"

1st STUD: 24"

WEIGHTS :

FRAME : 380 lbs

TOTAL: 380 lbs



PIECES LIST

LABEL	QTY	SIZE	LENGTH	USE
A	6	600S162-68	11'-9 1/2"	STUD
B	2	600S200-97	11'-9 1/2"	KING STUD
C	1	600T200-68	10'-8 3/8"	TOP TRACK
D	1	600T200-68	10'-8 3/8"	BOTTOM TRACK
E	1	600T150-54	5'-11 3/4"	HEAD TRACK
F	1	600T150-54	5'-11 3/4"	SILL
G	2	150U50-54	4'-3 3/4"	HORIZONTAL BRACING
H	4	600S162-54	3'-9 1/4"	CRIPPLE
I	4	600S162-54	2'-10 9/16"	CRIPPLE
J	2	150U50-54	4 3/16"	HORIZONTAL BRACING

11-1020

Jewish Home for the Aging

1885 Victory Blvd. Reseda, CA

FM-07-109

CREATED BY: AMB

FrameMax, Inc.
13915 Danielson St
Suite 100
Poway, CA 92064
www.frame-max.com

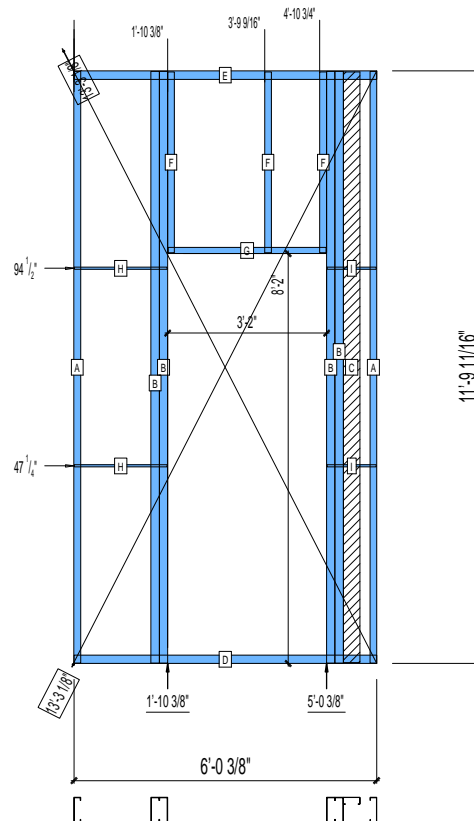


© FrameMax Inc.

HEIGHT : 11'-9 11/16"
SPACING : 24"
1st STUD: 24"

WEIGHTS :
FRAME : 318 lbs

TOTAL: 318 lbs



PIECES LIST

LABEL	QTY	SIZE	LENGTH	USE
A	2	600S162-97	11'-9 1/2"	STUD
B	4	600S200-97	11'-9 1/2"	KING STUD
C	1	400S162-33	11'-9 1/4"	BACKER-U
D	1	600T200-68	6'-0 3/8"	BOTTOM TRACK
E	1	600T200-68	6'-0 3/8"	TOP TRACK
F	3	600S162-54	3'-7 1/4"	CRIPPLE
G	1	600T150-54	3'-1 3/4"	HEAD TRACK
H	2	150U50-54	1'-10 3/16"	HORIZONTAL BRACING
I	2	150U50-54	11 3/4"	HORIZONTAL BRACING

11-1021

Jewish Home for the Aging

1885 Victory Blvd. Reseda, CA

FrameMax, Inc.
13915 Danielson St
Suite 100
Poway, CA 92064
www.frame-max.com



© FrameMax Inc.

CREATED: 09/11/2008

FM-07-109

CREATED BY: AMB

HEIGHT : 11'-9 11/16"

SPACING : 24"

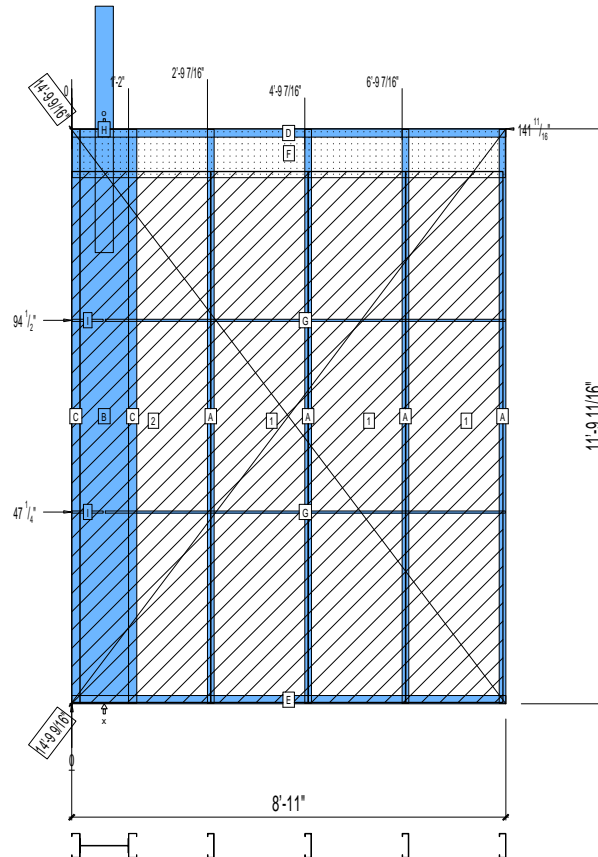
1st STUD: 24"

WEIGHTS :

FRAME : 454 lbs

SHEATHING: 355 lbs

TOTAL: 809 lbs



PIECES LIST

LABEL	QTY	SIZE	LENGTH	USE
A	4	600S162-97	11'-9 1/2"	STUD
B	1	1200i350p1062	11'-9 1/2"	PACO
C	2	600S200-68	11'-9 1/2"	STUD
D	1	600T200-68	8'-11"	TOP TRACK
E	1	600T200-68	8'-11"	BOTTOM TRACK
F	1	1200D-54	8'-10 3/4"	STRAP
G	2	150U50-54	8'-2 5/8"	HORIZONTAL BRACING
H	1	D	5'-0 3/4"	HOLDDOWN
I	2	150U50-54	7 11/16"	HORIZONTAL BRACING

SHEATHING

LABEL	QTY	CODE	THICK	SIZE	SCREWS
1	3	SB-DENSARMOR	5/8"	2'-0" X 10'-10 7/8"	2 - 12
2	1	SB-DENSARMOR	5/8"	2'-10 1/4" X 10'-10 7/8"	2 - 12

11-1022

Jewish Home for the Aging

1885 Victory Blvd. Reseda, CA

FrameMax, Inc.
13915 Danielson St
Suite 100
Poway, CA 92064
www.frame-max.com



© FrameMax Inc.

CREATED: 09/11/2008

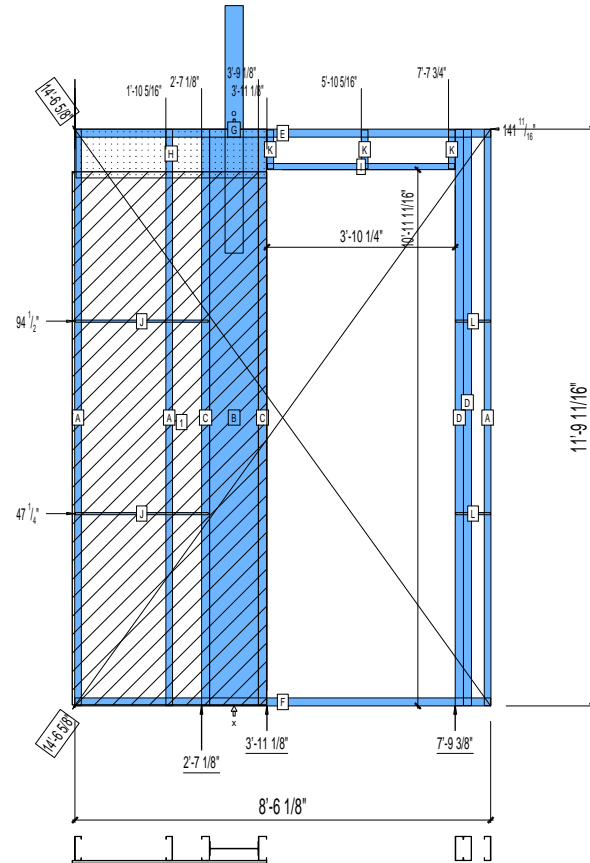
FM-07-109

CREATED BY: AMB

HEIGHT : 14'-3 15/16"
SPACING : 24"
1st STUD: 24"

WEIGHTS :
FRAME : 492 lbs
SHEATHING: 160 lbs

TOTAL: 652 lbs



PIECES LIST

LABEL	QTY	SIZE	LENGTH	USE
A	3	600S162-97	11'-9 1/2"	STUD
B	1	1200i350p1062	11'-9 1/2"	PACO
C	2	600S200-68	11'-9 1/2"	STUD
D	2	600S200-97	11'-9 1/2"	KING STUD
E	1	600T200-68	8'-6 1/8"	TOP TRACK
F	1	600T200-68	8'-6 1/8"	BOTTOM TRACK
G	1	D	5'-0 3/4"	HOLDDOWN
H	1	1200D-54	3'-10 3/4"	STRAP
I	1	600T150-54	3'-10"	HEAD TRACK
J	2	150U50-54	2'-8 11/16"	HORIZONTAL BRACING
K	3	600S162-54	9 9/16"	CRIPPLE
L	2	150U50-54	8 1/2"	HORIZONTAL BRACING

SHEATHING

LABEL	QTY	CODE	THICK	SIZE	SCREWS
1	1	SB-DENSARMOR	5/8"	3'-11 13/16" X 10'-10 7/8"	2 - 12

11-1023

Jewish Home for the Aging

1885 Victory Blvd. Reseda, CA

FrameMax, Inc.
13915 Danielson St
Suite 100
Poway, CA 92064
www.framemax.com



© FrameMax Inc.

CREATED: 09/11/2008

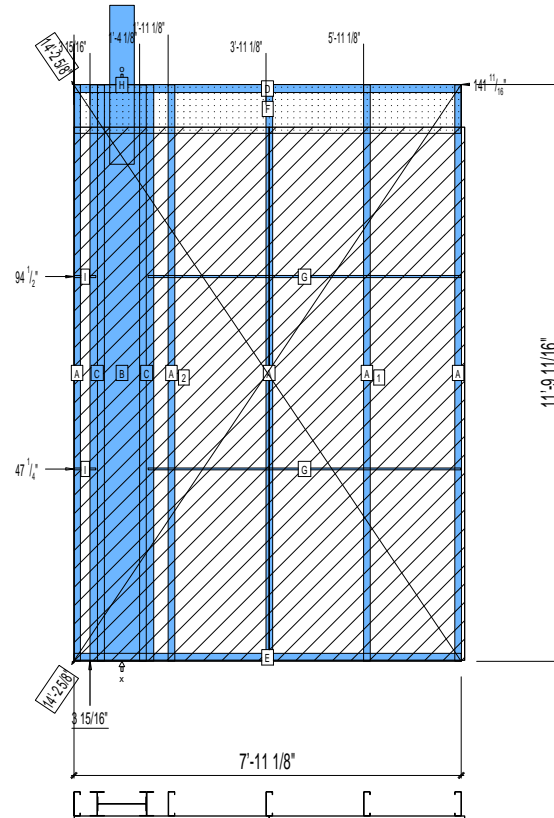
FM-07-109

CREATED BY: AMB

HEIGHT : 13'-5 1/16"
SPACING : 24"
1st STUD: 24"

WEIGHTS :
FRAME : 593 lbs
SHEATHING: 321 lbs

TOTAL: 914 lbs



PIECES LIST

LABEL	QTY	SIZE	LENGTH	USE
A	5	600S162-97	11'-9 1/2"	STUD
B	1	1200i350p1062	11'-9 1/2"	PACO
C	2	600i350p680	11'-9 1/2"	PACO
D	1	600T200-68	7'-11 1/8"	TOP TRACK
E	1	600T200-68	7'-11 1/8"	BOTTOM TRACK
F	1	1200D-54	7'-10 7/8"	STRAP
G	2	150U50-54	6'-4 13/16"	HORIZONTAL BRACING
H	1	E	3'-3"	HOLDDOWN
I	2	150U50-54	5 5/16"	HORIZONTAL BRACING

SHEATHING

LABEL	QTY	CODE	THICK	SIZE	SCREWS
1	1	SB-DENSARMOR	5/8"	4'-0" X 10'-10 7/8"	2 - 12
2	1	SB-DENSARMOR	5/8"	3'-11 7/8" X 10'-10 7/8"	2 - 12

11-1024

Jewish Home for the Aging

1885 Victory Blvd. Reseda, CA

FM-07-109

CREATED BY: AMB

FrameMax, Inc.
13915 Danielson St
Suite 100
Poway, CA 92064
www.frame-max.com

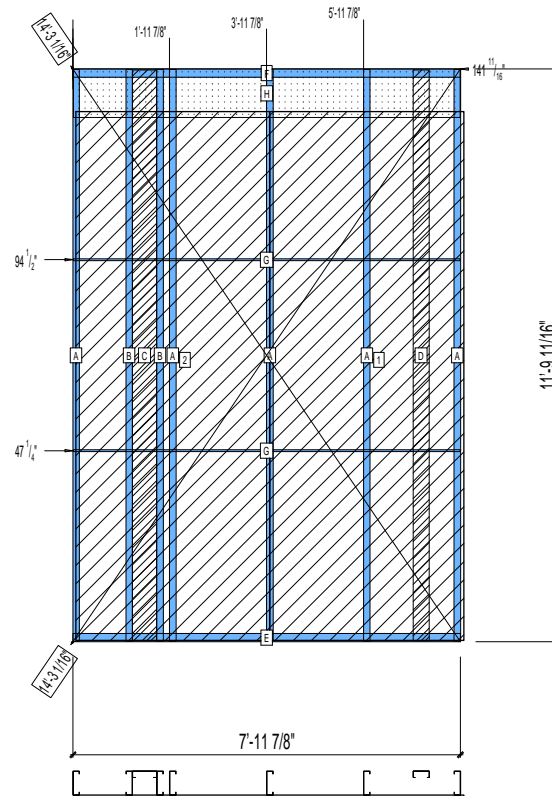


© FrameMax Inc.

HEIGHT : 11'-9 11/16"
SPACING : 24"
1st STUD: 24"

WEIGHTS :
FRAME : 312 lbs
SHEATHING: 321 lbs

TOTAL: 633 lbs



PIECES LIST

LABEL	QTY	SIZE	LENGTH	USE
A	5	600S162-97	11'-9 1/2"	STUD
B	2	600S162-33	11'-9 1/2"	BACKER STUD
C	1	600S162-33	11'-9 1/4"	BACKER-U
D	1	400S162-33	11'-9 1/4"	BACKER-U
E	1	600T200-68	7'-11 7/8"	BOTTOM TRACK
F	1	600T200-68	7'-11 7/8"	TOP TRACK
G	2	150U50-54	7'-11 11/16"	HORIZONTAL BRACING
H	1	1200D-54	7'-11 5/8"	STRAP

SHEATHING

LABEL	QTY	CODE	THICK	SIZE	SCREWS
1	1	SB-DENSARMOR	5/8"	4'-0" X 10'-10 7/8"	2 - 12
2	1	SB-DENSARMOR	5/8"	4'-0" X 10'-10 7/8"	2 - 12

11-1025

Jewish Home for the Aging

1885 Victory Blvd. Reseda, CA

FM-07-109

CREATED BY: AMB

FrameMax, Inc.
13915 Danielson St
Suite 100
Poway, CA 92064
www.frame-max.com

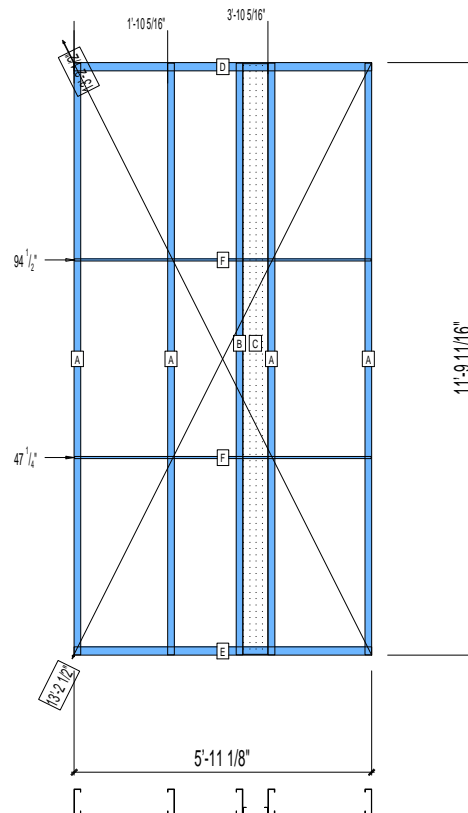


© FrameMax Inc.

HEIGHT : 11'-9 11/16"
SPACING : 24"
1st STUD: 24"

WEIGHTS :
FRAME : 217 lbs

TOTAL: 217 lbs



PIECES LIST

LABEL	QTY	SIZE	LENGTH	USE
A	4	600S162-97	11'-9 1/2"	STUD
B	1	600S162-33	11'-9 1/2"	BACKER STUD
C	1	600S162-33	11'-9 1/4"	BACKER-U
D	1	600T200-68	5'-11 1/8"	TOP TRACK
E	1	600T200-68	5'-11 1/8"	BOTTOM TRACK
F	2	150U50-54	5'-10 15/16"	HORIZONTAL BRACING

11-1026

Jewish Home for the Aging

1885 Victory Blvd. Reseda, CA

FM-07-109

CREATED BY: AMB

FrameMax, Inc.
13915 Danielson St
Suite 100
Poway, CA 92064
www.framemax.com

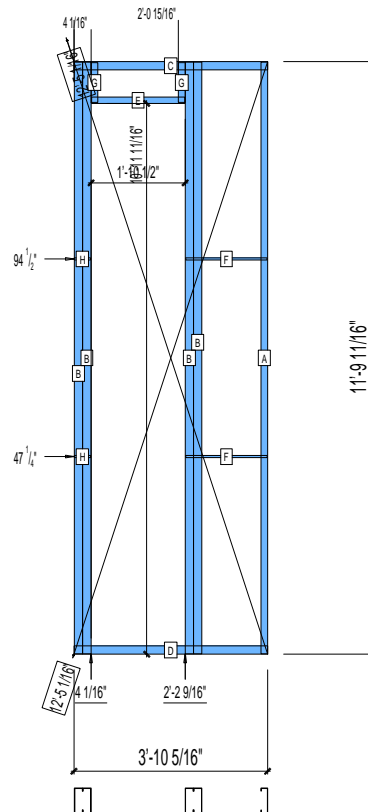


© FrameMax Inc.

HEIGHT : 11'-9 11/16"
SPACING : 24"
1st STUD: 24"

WEIGHTS :
FRAME : 237 lbs

TOTAL: 237 lbs



PIECES LIST

LABEL	QTY	SIZE	LENGTH	USE
A	1	600S162-97	11'-9 1/2"	STUD
B	4	600S200-97	11'-9 1/2"	KING STUD
C	1	600T200-68	3'-10 5/16"	TOP TRACK
D	1	600T200-68	3'-10 5/16"	BOTTOM TRACK
E	1	600T150-54	1'-10 1/4"	HEAD TRACK
F	2	150U50-54	1'-7 1/2"	HORIZONTAL BRACING
G	2	600S162-54	9 9/16"	CRIPPLE
H	2	150U50-54	3 7/8"	HORIZONTAL BRACING

11-1027

Jewish Home for the Aging

1885 Victory Blvd. Reseda, CA

FM-07-109

CREATED BY: AMB

FrameMax, Inc.
13915 Danielson St
Suite 100
Poway, CA 92064
www.frame-max.com

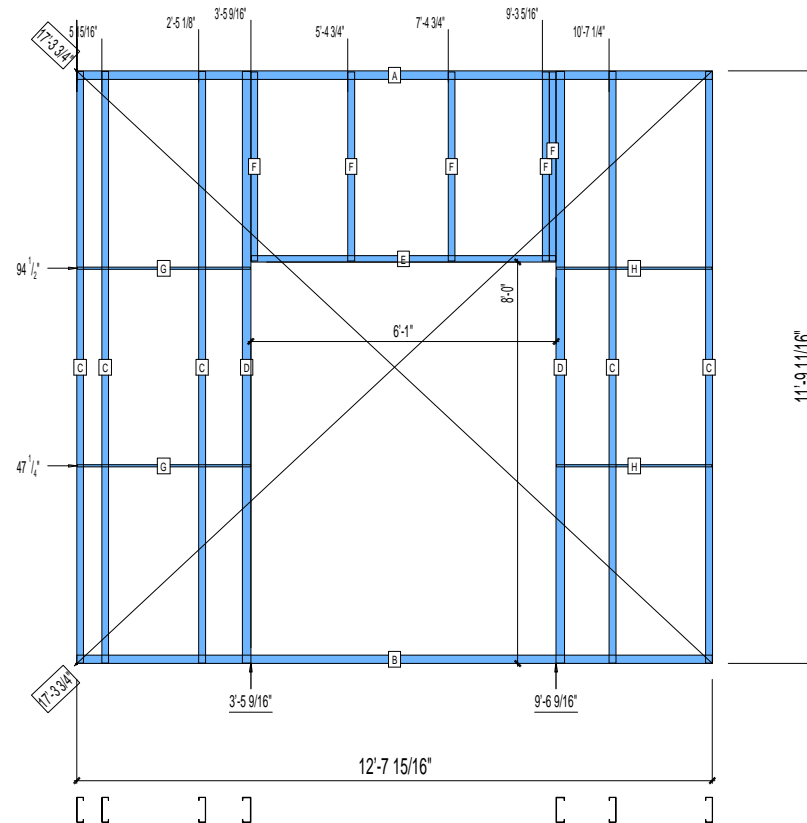


© FrameMax Inc.

HEIGHT : 11'-9 11/16"
SPACING : 24"
1st STUD: 24"

WEIGHTS :
FRAME : 339 lbs

TOTAL: 339 lbs



PIECES LIST			
LABEL	QTY	SIZE	LENGTH USE
A	1	600T200-68	12'-7 15/16" TOP TRACK
B	1	600T200-68	12'-7 15/16" BOTTOM TRACK
C	5	600S162-68	11'-9 1/2" STUD
D	2	600S200-97	11'-9 1/2" KING STUD
E	1	600T150-54	6'-0 3/4" HEAD TRACK
F	5	600S162-54	3'-9 1/4" CRIPPLE
G	2	150U50-54	3'-5 3/8" HORIZONTAL BRACING
H	2	150U50-54	3'-1 1/8" HORIZONTAL BRACING

11-1028

Jewish Home for the Aging

1885 Victory Blvd. Reseda, CA

FrameMax, Inc.
13915 Danielson St
Suite 100
Poway, CA 92064
www.frame-max.com



© FrameMax Inc.

CREATED: 09/11/2008

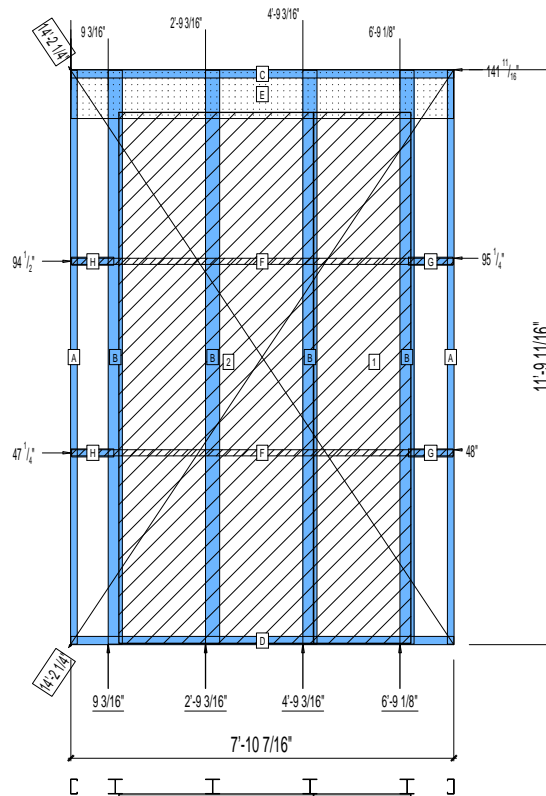
FM-07-109

CREATED BY: AMB

HEIGHT : 11'-9 11/16"
SPACING : 24"
1st STUD: 24"

WEIGHTS :
FRAME : 354 lbs
SHEATHING: 241 lbs

TOTAL: 595 lbs



PIECES LIST

LABEL	QTY	SIZE	LENGTH	USE
A	2	362S162-54	11'-9 1/2"	STUD
B	4	363i350p554	11'-9 1/2"	PACO. COLUMN
C	1	362T200-68	7'-10 7/16"	TOP TRACK
D	1	362T200-68	7'-10 7/16"	BOTTOM TRACK
E	1	1200D-54	7'-10 1/4"	STRAP
F	2	150D-43	7'-10 1/4"	STRAP
G	2	362T200-68	11"	BLOCK
H	2	362T200-68	10 7/16"	BLOCK

SHEATHING

LABEL	QTY	CODE	THICK	SIZE	SCREWS
1	1	SB-DENSARMOR	5/8"	2'-0" X 10'-10 7/8"	1 - 12
2	1	SB-DENSARMOR	5/8"	4'-0" X 10'-10 7/8"	1 - 12

11-1029

Jewish Home for the Aging

1885 Victory Blvd. Reseda, CA

FM-07-109

CREATED BY: AMB

FrameMax, Inc.
13915 Danielson St
Suite 100
Poway, CA 92064
www.frame-max.com

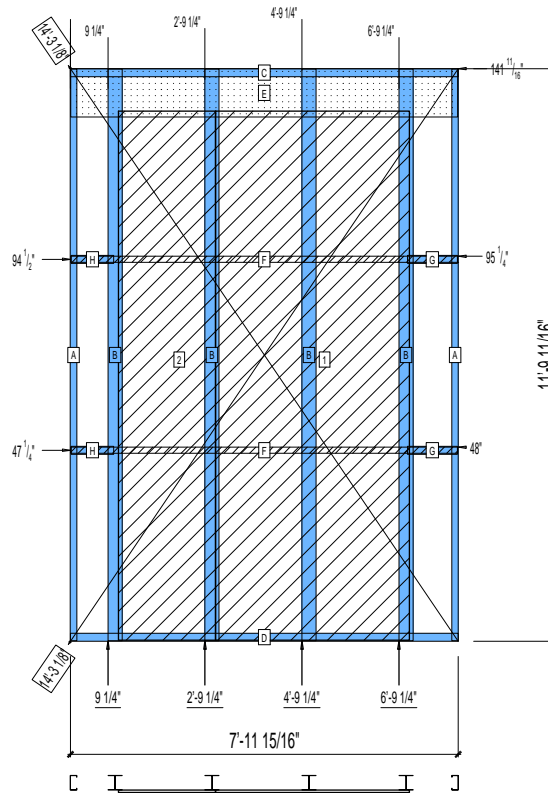


© FrameMax Inc.

HEIGHT : 11'-9 11/16"
SPACING : 24"
1st STUD: 24"

WEIGHTS :
FRAME : 355 lbs
SHEATHING: 241 lbs

TOTAL: 596 lbs



PIECES LIST

LABEL	QTY	SIZE	LENGTH	USE
A	2	362S162-54	11'-9 1/2"	STUD
B	4	363I350p554	11'-9 1/2"	PACO COLUMN
C	1	362T200-68	7'-11 15/16"	TOP TRACK
D	1	362T200-68	7'-11 15/16"	BOTTOM TRACK
E	1	1200D-54	7'-11 3/4"	STRAP
F	2	150D-43	7'-11 3/4"	STRAP
G	2	362T200-68	1'-0 3/8"	BLOCK
H	2	362T200-68	10 1/2"	BLOCK

SHEATHING

LABEL	QTY	CODE	THICK	SIZE	SCREWS
1	1	SB-DENSARMOR	5/8"	4'-0" X 10'-10 7/8"	1 - 12
2	1	SB-DENSARMOR	5/8"	2'-0" X 10'-10 7/8"	1 - 12

11-1030

Jewish Home for the Aging

1885 Victory Blvd. Reseda, CA

FrameMax, Inc.
13915 Danielson St
Suite 100
Poway, CA 92064
www.frame-max.com



© FrameMax Inc.

CREATED: 09/11/2008

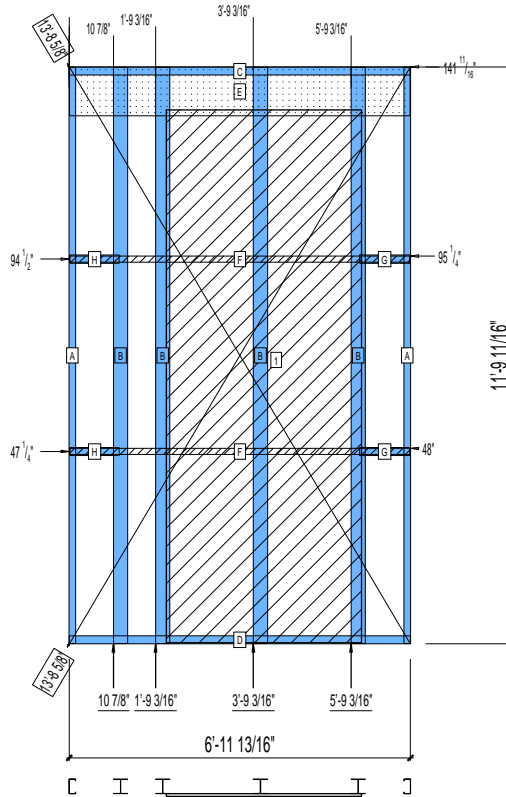
FM-07-109

CREATED BY: AMB

HEIGHT : 11'-9 11/16"
SPACING : 24"
1st STUD: 24"

WEIGHTS :
FRAME : 349 lbs
SHEATHING: 160 lbs

TOTAL: 509 lbs



PIECES LIST

LABEL	QTY	SIZE	LENGTH	USE
A	2	362S162-54	11'-9 1/2"	STUD
B	4	363i350p554	11'-9 1/2"	PACO. COLUMN
C	1	362T200-68	6'-11 13/16"	TOP TRACK
D	1	362T200-68	6'-11 13/16"	BOTTOM TRACK
E	1	1200D-54	6'-11 5/8"	STRAP
F	2	150D-43	6'-11 5/8"	STRAP
G	2	362T200-68	1'-0 5/16"	BLOCK
H	2	362T200-68	1'-0 1/16"	BLOCK

SHEATHING

LABEL	QTY	CODE	THICK	SIZE	SCREWS
1	1	SB-DENSARMOR	5/8"	3'-11 15/16" X 10'-10 7/8"	1 - 12

11-1031

Jewish Home for the Aging

1885 Victory Blvd. Reseda, CA

FM-07-109

CREATED BY: AMB

FrameMax, Inc.
13915 Danielson St
Suite 100
Poway, CA 92064
www.frame-max.com

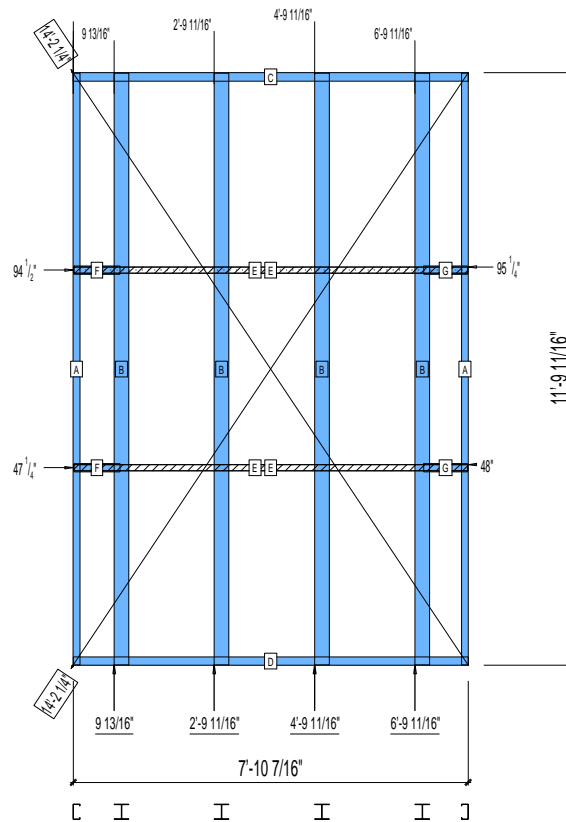


© FrameMax Inc.

HEIGHT : 11'-9 11/16"
SPACING : 24"
1st STUD: 24"

WEIGHTS :
FRAME : 338 lbs

TOTAL: 338 lbs



PIECES LIST

LABEL	QTY	SIZE	LENGTH	USE
A	2	362S162-54	11'-9 1/2"	STUD
B	4	363i350p554	11'-9 1/2"	PACO COLUMN
C	1	362T200-68	7'-10 7/16"	TOP TRACK
D	1	362T200-68	7'-10 7/16"	BOTTOM TRACK
E	4	150D-43	7'-10 1/4"	STRAP
F	2	362T200-68	11"	BLOCK
G	2	362T200-68	10 7/16"	BLOCK

11-1032

Jewish Home for the Aging

1885 Victory Blvd. Reseda, CA

FM-07-109

CREATED BY: AMB

FrameMax, Inc.
13915 Danielson St
Suite 100
Poway, CA 92064
www.frame-max.com

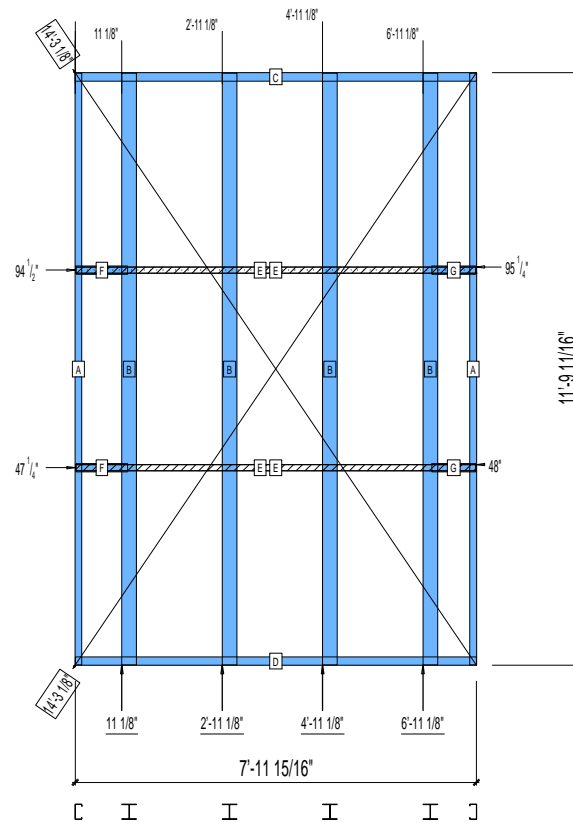


© FrameMax Inc.

HEIGHT : 11'-9 11/16"
SPACING : 24"
1st STUD: 24"

WEIGHTS :
FRAME : 339 lbs

TOTAL: 339 lbs



PIECES LIST

LABEL	QTY	SIZE	LENGTH	USE
A	2	362S162-54	11'-9 1/2"	STUD
B	4	363i350p554	11'-9 1/2"	PACO.COLUMN
C	1	362T200-68	7'-11 15/16"	TOP TRACK
D	1	362T200-68	7'-11 15/16"	BOTTOM TRACK
E	4	150D-43	7'-11 3/4"	STRAP
F	2	362T200-68	1'-0 3/8"	BLOCK
G	2	362T200-68	10 1/2"	BLOCK

11-1033

Jewish Home for the Aging

1885 Victory Blvd. Reseda, CA

FM-07-109

CREATED BY: AMB

FrameMax, Inc.
13915 Danielson St
Suite 100
Poway, CA 92064
www.framemax.com

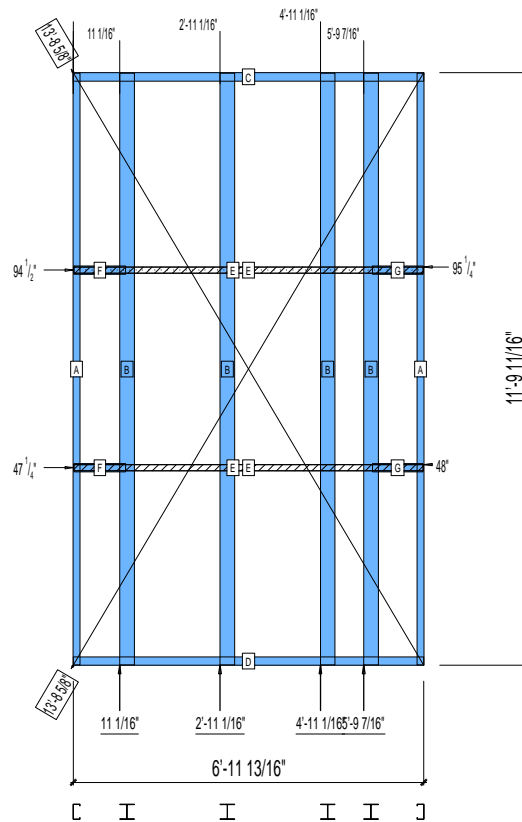


© FrameMax Inc.

HEIGHT : 11'-9 11/16"
SPACING : 24"
1st STUD: 24"

WEIGHTS :
FRAME : 335 lbs

TOTAL: 335 lbs



PIECES LIST

LABEL	QTY	SIZE	LENGTH	USE
A	2	362S162-54	11'-9 1/2"	STUD
B	4	363i350p554	11'-9 1/2"	PACO.COLUMN
C	1	362T200-68	6'-11 13/16"	TOP TRACK
D	1	362T200-68	6'-11 13/16"	BOTTOM TRACK
E	4	150D-43	6'-11 5/8"	STRAP
F	2	362T200-68	1'-0 5/16"	BLOCK
G	2	362T200-68	1'-0 1/16"	BLOCK

11-1034

Jewish Home for the Aging

1885 Victory Blvd. Reseda, CA

FM-07-109

CREATED BY: AMB

FrameMax, Inc.
13915 Danielson St
Suite 100
Poway, CA 92064
www.frame-max.com



© FrameMax Inc.

HEIGHT : 11'-9 11/16"

SPACING : 24"

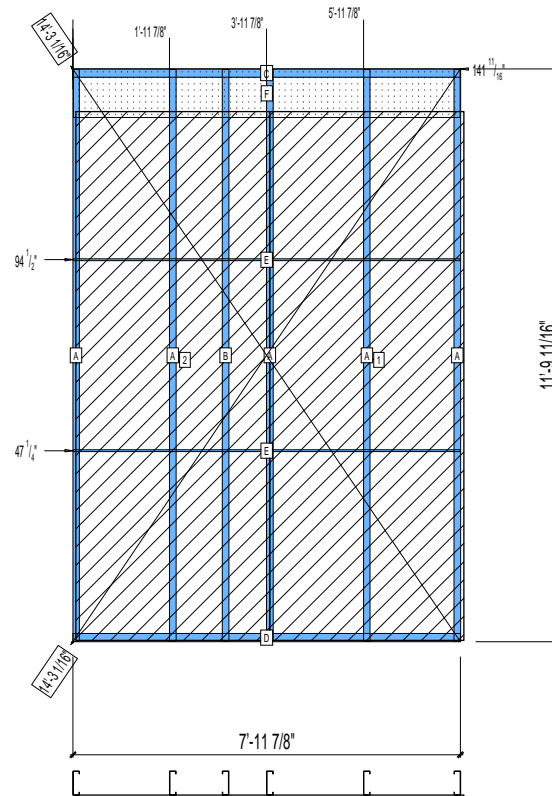
1st STUD: 24"

WEIGHTS :

FRAME : 274 lbs

SHEATHING: 321 lbs

TOTAL: 595 lbs



PIECES LIST

LABEL	QTY	SIZE	LENGTH	USE
A	5	600S162-97	11'-9 1/2"	STUD
B	1	600S162-33	11'-9 1/2"	BACKER STUD
C	1	600T200-68	7'-11 7/8"	TOP TRACK
D	1	600T200-68	7'-11 7/8"	BOTTOM TRACK
E	2	150U50-54	7'-11 11/16"	HORIZONTAL BRACING
F	1	1200D-54	7'-11 5/8"	STRAP

SHEATHING

LABEL	QTY	CODE	THICK	SIZE	SCREWS
1	1	SB-DENSARMOR	5/8"	4'-0" X 10'-10 7/8"	2 - 12
2	1	SB-DENSARMOR	5/8"	4'-0" X 10'-10 7/8"	2 - 12

11-1035

Jewish Home for the Aging

1885 Victory Blvd. Reseda, CA

FM-07-109

CREATED BY: AMB

FrameMax, Inc.
13915 Danielson St
Suite 100
Poway, CA 92064
www.frame-max.com



© FrameMax Inc.

HEIGHT : 13'-5 1/16"

SPACING : 24"

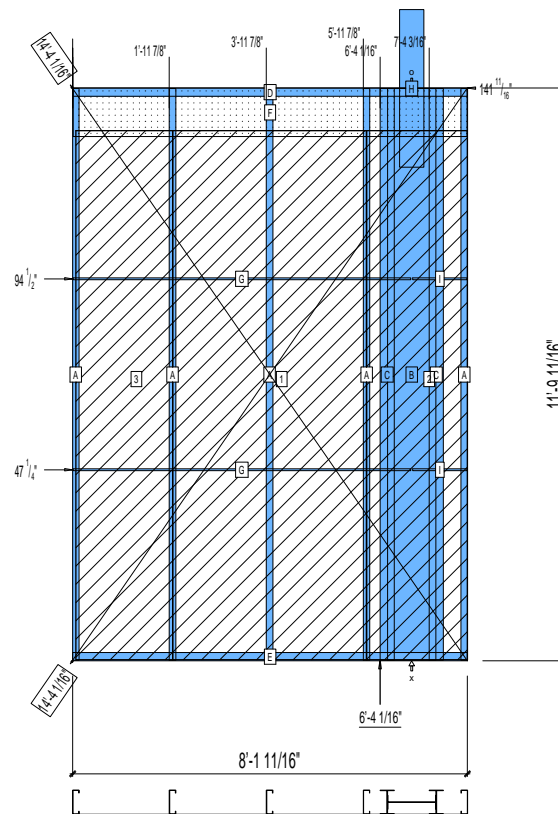
1st STUD: 24"

WEIGHTS :

FRAME : 596 lbs

SHEATHING: 324 lbs

TOTAL: 920 lbs



PIECES LIST

LABEL	QTY	SIZE	LENGTH	USE
A	5	600S162-97	11'-9 1/2"	STUD
B	1	1200i350p1062	11'-9 1/2"	PACO
C	2	600i350p680	11'-9 1/2"	PACO
D	1	600T200-68	8'-1 11/16"	TOP TRACK
E	1	600T200-68	8'-1 11/16"	BOTTOM TRACK
F	1	1200D-54	8'-1 1/2"	STRAP
G	2	150U50-54	6'-11 9/16"	HORIZONTAL BRACING
H	1	E	3'-3"	HOLDDOWN
I	2	150U50-54	1'-1 7/16"	HORIZONTAL BRACING

SHEATHING

LABEL	QTY	CODE	THICK	SIZE	SCREWS
1	1	SB-DENSARMOR	5/8"	4'-0" X 10'-10 7/8"	2 - 12
2	1	SB-DENSARMOR	5/8"	2'-0 15/16" X 10'-10 7/8"	2 - 12
3	1	SB-DENSARMOR	5/8"	1'-11 15/16" X 10'-10 7/8"	2 - 12

11-1036

Jewish Home for the Aging

1885 Victory Blvd. Reseda, CA

FM-07-109

CREATED BY: AMB

FrameMax, Inc.
13915 Danielson St
Suite 100
Poway, CA 92064
www.framemax.com

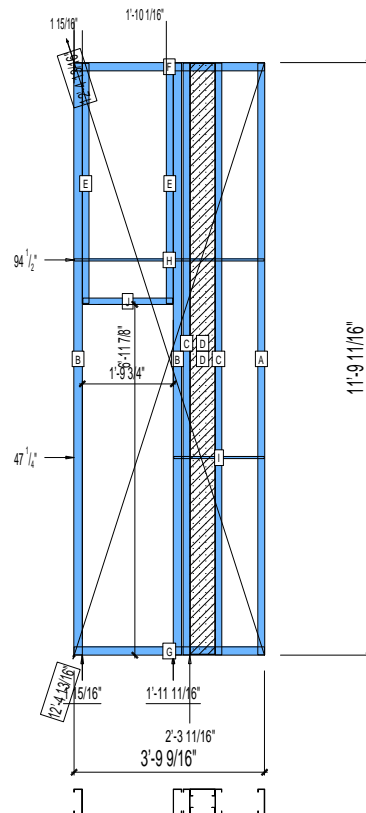


© FrameMax Inc.

HEIGHT : 11'-9 11/16"
SPACING : 24"
1st STUD: 24"

WEIGHTS :
FRAME : 222 lbs

TOTAL: 222 lbs



PIECES LIST

LABEL	QTY	SIZE	LENGTH	USE
A	1	600S162-97	11'-9 1/2"	STUD
B	2	600S200-97	11'-9 1/2"	KING STUD
C	2	600S162-33	11'-9 1/2"	BACKER STUD
D	2	600S162-33	11'-9 1/4"	BACKER-U
E	2	600S162-54	4'-9 3/8"	CRIPPLE
F	1	600T200-68	3'-9 9/16"	TOP TRACK
G	1	600T200-68	3'-9 9/16"	BOTTOM TRACK
H	1	150U50-54	3'-9 3/8"	HORIZONTAL BRACING
I	1	150U50-54	1'-9 5/8"	HORIZONTAL BRACING
J	1	600T150-54	1'-9 1/2"	HEAD TRACK

11-1037

Jewish Home for the Aging

1885 Victory Blvd. Reseda, CA

FM-07-109

CREATED BY: AMB

FrameMax, Inc.
13915 Danielson St
Suite 100
Poway, CA 92064
www.framemax.com

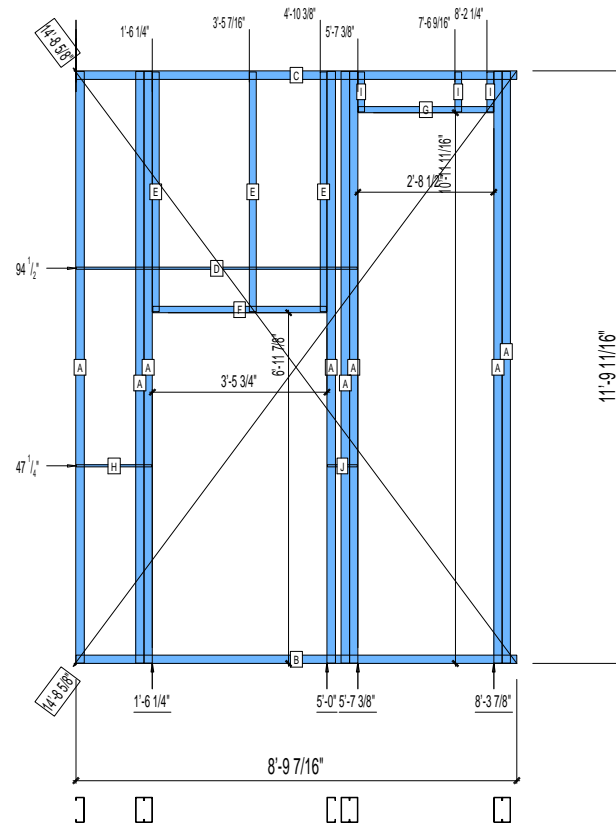


© FrameMax Inc.

HEIGHT : 11'-9 11/16"
SPACING : 24"
1st STUD: 24"

WEIGHTS :
FRAME : 431 lbs

TOTAL: 431 lbs



PIECES LIST

LABEL	QTY	SIZE	LENGTH	USE
A	8	600S200-97	11'-9 1/2"	KING STUD
B	1	600T200-68	8'-9 7/16"	BOTTOM TRACK
C	1	600T200-68	8'-9 7/16"	TOP TRACK
D	1	150U50-54	5'-7 3/16"	HORIZONTAL BRACING
E	3	600S162-54	4'-9 3/8"	CRIPPLE
F	1	600T150-54	3'-5 1/2"	HEAD TRACK
G	1	600T150-54	2'-8 1/4"	HEAD TRACK
H	1	150U50-54	1'-6 1/16"	HORIZONTAL BRACING
I	3	600S162-54	9 9/16"	CRIPPLE
J	1	150U50-54	7 1/8"	HORIZONTAL BRACING

11-1038

Jewish Home for the Aging

1885 Victory Blvd. Reseda, CA

FM-07-109

CREATED BY: AMB

FrameMax, Inc.
13915 Danielson St
Suite 100
Poway, CA 92064
www.frame-max.com



© FrameMax Inc.

HEIGHT : 11'-9 11/16"

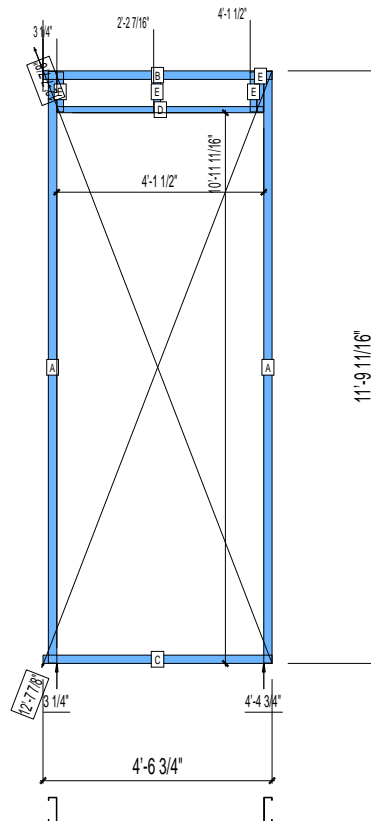
SPACING : 24"

1st STUD: 24"

WEIGHTS :

FRAME : 121 lbs

TOTAL: 121 lbs



PIECES LIST

LABEL	QTY	SIZE	LENGTH	USE
A	2	600S200-97	11'-9 1/2"	KING STUD
B	1	600T200-68	4'-6 3/4"	TOP TRACK
C	1	600T200-68	4'-6 3/4"	BOTTOM TRACK
D	1	600T150-54	4'-1 1/4"	HEAD TRACK
E	4	600S162-54	9 9/16"	CRIPPLE

11-1039

Jewish Home for the Aging

1885 Victory Blvd. Reseda, CA

FrameMax, Inc.
13915 Danielson St
Suite 100
Poway, CA 92064
www.frame-max.com



© FrameMax Inc.

CREATED: 09/11/2008

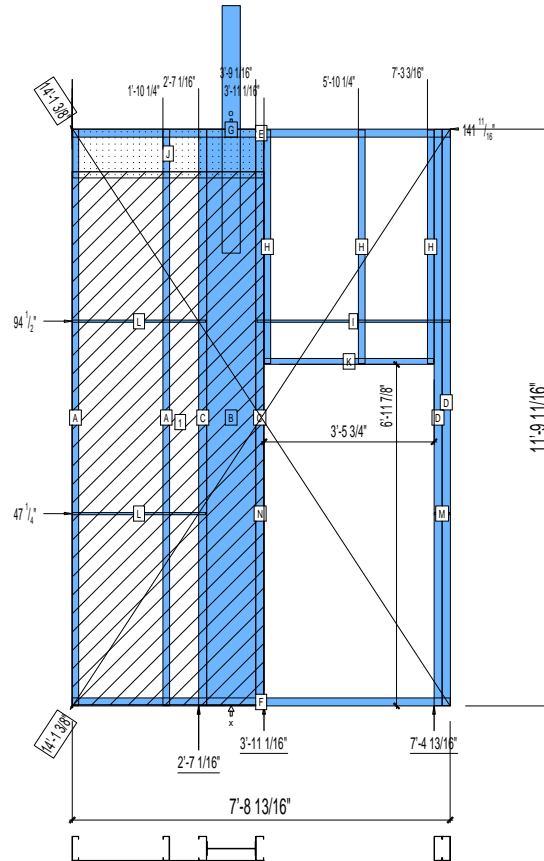
FM-07-109

CREATED BY: AMB

HEIGHT : 11'-9 11/16"
SPACING : 24"
1st STUD: 24"

WEIGHTS :
FRAME : 473 lbs
SHEATHING: 157 lbs

TOTAL: 630 lbs



PIECES LIST

LABEL	QTY	SIZE	LENGTH	USE
A	2	600S162-97	11'-9 1/2"	STUD
B	1	1200i350p1062	11'-9 1/2"	PACO
C	2	600S200-68	11'-9 1/2"	STUD
D	2	600S200-97	11'-9 1/2"	KING STUD
E	1	600T200-68	7'-8 13/16"	TOP TRACK
F	1	600T200-68	7'-8 13/16"	BOTTOM TRACK
G	1	D	5'-0 3/4"	HOLDDOWN
H	3	600S162-54	4'-9 3/8"	CRIPPLE
I	1	150U50-54	3'-11 3/8"	HORIZONTAL BRACING
J	1	1200D-54	3'-10 7/8"	STRAP
K	1	600T150-54	3'-5 1/2"	HEAD TRACK
L	2	150U50-54	2'-8 5/8"	HORIZONTAL BRACING
M	1	150U50-54	3 3/4"	HORIZONTAL BRACING
N	1	150U50-54	1 5/8"	HORIZONTAL BRACING

SHEATHING

LABEL	QTY	CODE	THICK	SIZE	SCREWS
1	1	SB-DENSARMOR	5/8"	3'-11 1/16" X 10'-10 7/8"	1 - 12

11-1040

Jewish Home for the Aging

1885 Victory Blvd. Reseda, CA

FrameMax, Inc.
13915 Danielson St
Suite 100
Poway, CA 92064
www.frame-max.com



© FrameMax Inc.

CREATED: 09/11/2008

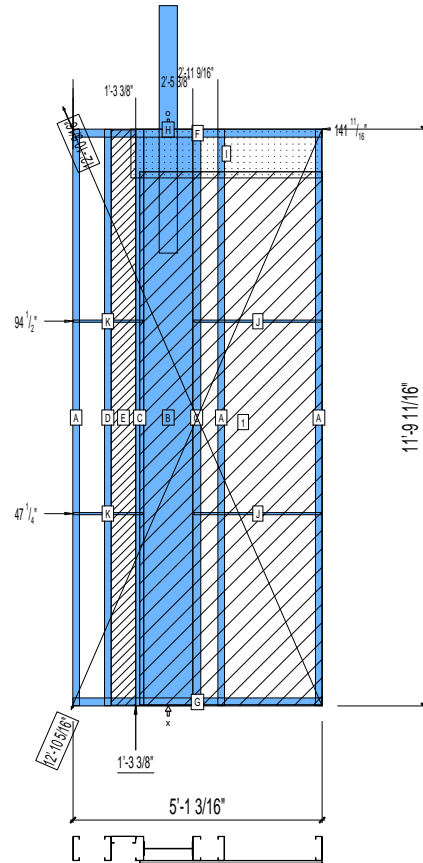
FM-07-109

CREATED BY: AMB

HEIGHT : 14'-3 15/16"
SPACING : 24"
1st STUD: 24"

WEIGHTS :
FRAME : 407 lbs
SHEATHING: 150 lbs

TOTAL: 557 lbs



PIECES LIST

LABEL	QTY	SIZE	LENGTH	USE
A	3	600S162-97	11'-9 1/2"	STUD
B	1	1200i350p1062	11'-9 1/2"	PACO
C	2	600S200-68	11'-9 1/2"	STUD
D	1	600S162-33	11'-9 1/2"	BACKER STUD
E	1	600S162-33	11'-9 1/4"	BACKER-U
F	1	600T200-68	5'-1 3/16"	TOP TRACK
G	1	600T200-68	5'-1 3/16"	BOTTOM TRACK
H	1	D	5'-0 3/4"	HOLDDOWN
I	1	1200D-54	3'-10 7/8"	STRAP
J	2	150U50-54	2'-7 3/8"	HORIZONTAL BRACING
K	2	150U50-54	1'-5"	HORIZONTAL BRACING

SHEATHING

LABEL	QTY	CODE	THICK	SIZE	SCREWS
1	1	SB-DENSARMOR	5/8"	3'-8 13/16" X 10'-10 7/8"	1 - 12

11-1041

Jewish Home for the Aging

1885 Victory Blvd. Reseda, CA

FrameMax, Inc.
13915 Danielson St
Suite 100
Poway, CA 92064
www.frame-max.com



© FrameMax Inc.

CREATED: 09/11/2008

FM-07-109

CREATED BY: AMB

HEIGHT : 11'-9 11/16"

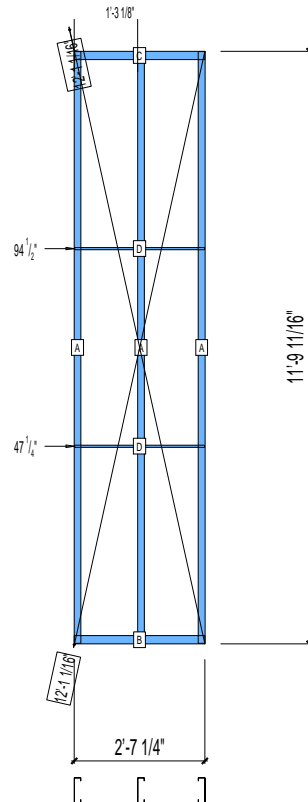
SPACING : 24"

1st STUD: 16"

WEIGHTS :

FRAME : 99 lbs

TOTAL: 99 lbs



PIECES LIST

LABEL	QTY	SIZE	LENGTH	USE
A	3	600S162-68	11'-9 1/2"	STUD
B	1	600T200-68	2'-7 1/4"	BOTTOM TRACK
C	1	600T200-68	2'-7 1/4"	TOP TRACK
D	2	150U50-54	2'-7 1/16"	HORIZONTAL BRACING

11-1042

Jewish Home for the Aging

1885 Victory Blvd. Reseda, CA

FM-07-109

CREATED BY: AMB

FrameMax, Inc.
13915 Danielson St
Suite 100
Poway, CA 92064
www.framemax.com

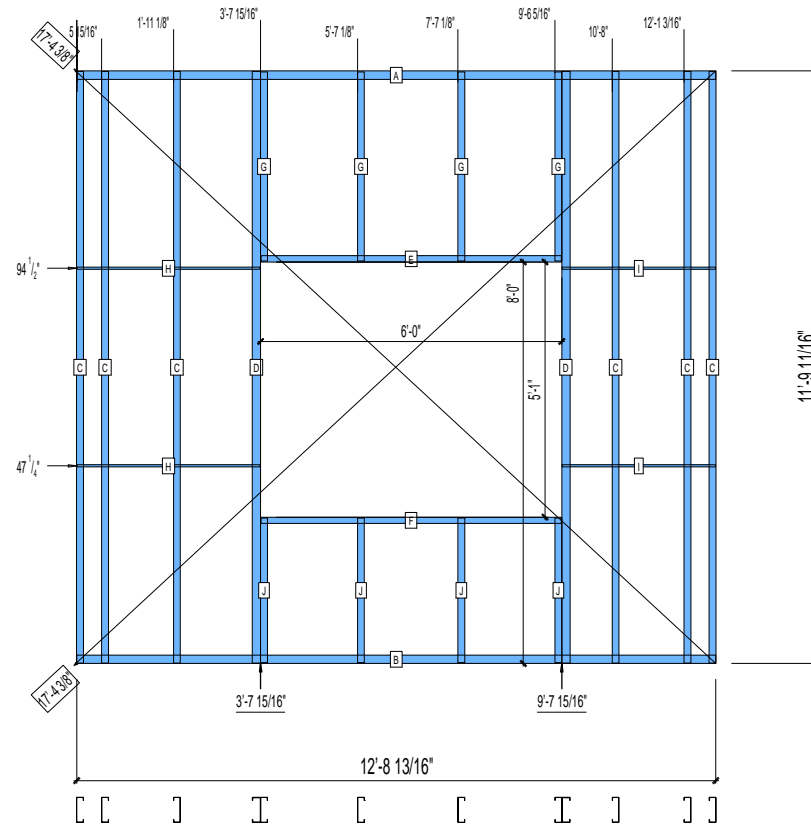


© FrameMax Inc.

HEIGHT : 11'-9 11/16"
SPACING : 24"
1st STUD: 24"

WEIGHTS :
FRAME : 392 lbs

TOTAL: 392 lbs



PIECES LIST

LABEL	QTY	SIZE	LENGTH	USE
A	1	600T200-68	12'-8 13/16"	TOP TRACK
B	1	600T200-68	12'-8 13/16"	BOTTOM TRACK
C	6	600S162-68	11'-9 1/2"	STUD
D	2	600S200-97	11'-9 1/2"	KING STUD
E	1	600T150-54	5'-11 3/4"	HEAD TRACK
F	1	600T150-54	5'-11 3/4"	SILL
G	4	600S162-54	3'-9 1/4"	CRIPPLE
H	2	150U50-54	3'-7 3/4"	HORIZONTAL BRACING
I	2	150U50-54	3'-0 5/8"	HORIZONTAL BRACING
J	4	600S162-54	2'-10 9/16"	CRIPPLE

11-1043

Jewish Home for the Aging

1885 Victory Blvd. Reseda, CA

FM-07-109

CREATED BY: AMB

FrameMax, Inc.
13915 Danielson St
Suite 100
Poway, CA 92064
www.framemax.com

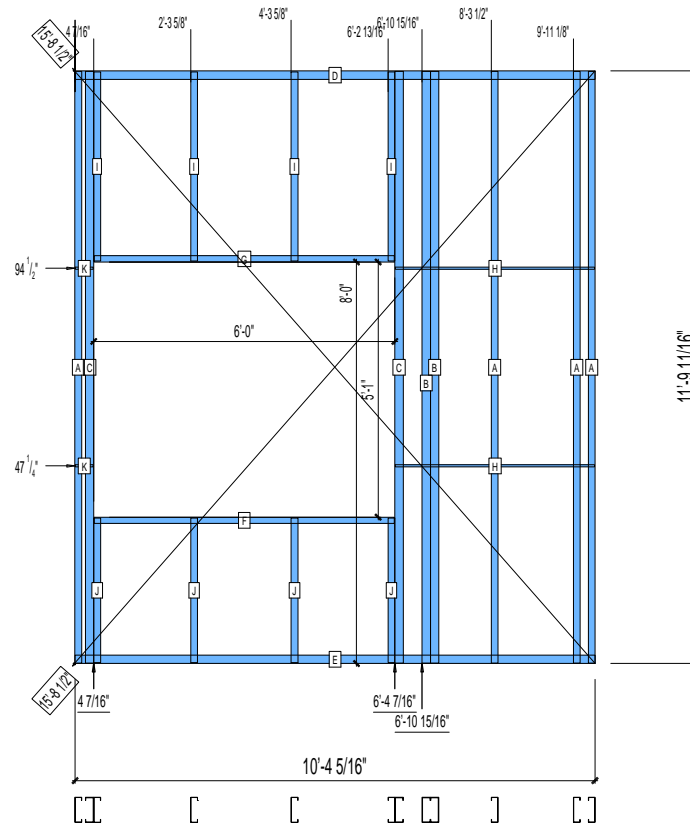


© FrameMax Inc.

HEIGHT : 11'-9 11/16"
SPACING : 24"
1st STUD: 24"

WEIGHTS :
FRAME : 408 lbs

TOTAL: 408 lbs



PIECES LIST

LABEL	QTY	SIZE	LENGTH	USE
A	4	600S162-68	11'-9 1/2"	STUD
B	2	600S200-97	11'-9 1/2"	EXTRA STUD
C	2	600S200-97	11'-9 1/2"	KING STUD
D	1	600T200-68	10'-4 5/16"	TOP TRACK
E	1	600T200-68	10'-4 5/16"	BOTTOM TRACK
F	1	600T150-54	5'-11 3/4"	SILL
G	1	600T150-54	5'-11 3/4"	HEAD TRACK
H	2	150U50-54	3'-11 5/8"	HORIZONTAL BRACING
I	4	600S162-54	3'-9 1/4"	CRIPPLE
J	4	600S162-54	2'-10 9/16"	CRIPPLE
K	2	150U50-54	4 1/4"	HORIZONTAL BRACING

11-1044

Jewish Home for the Aging

1885 Victory Blvd. Reseda, CA

FrameMax, Inc.
13915 Danielson St
Suite 100
Poway, CA 92064
www.frame-max.com



© FrameMax Inc.

CREATED: 09/11/2008

FM-07-109

CREATED BY: AMB

HEIGHT : 11'-9 11/16"

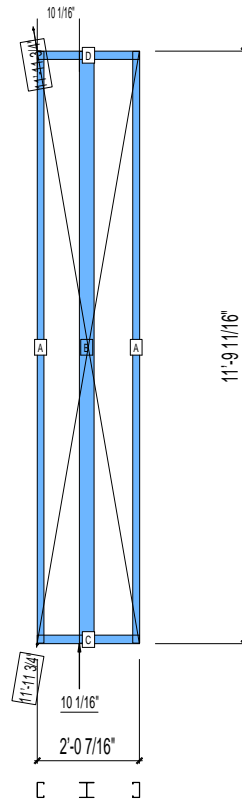
SPACING : 24"

1st STUD: 24"

WEIGHTS :

FRAME : 107 lbs

TOTAL: 107 lbs



PIECES LIST

LABEL	QTY	SIZE	LENGTH	USE
A	2	362S162-54	11'-9 1/2"	STUD
B	1	363i350p554	11'-9 1/2"	PACO.COLUMN
C	1	362T200-68	2'-0 7/16"	BOTTOM TRACK
D	1	362T200-68	2'-0 7/16"	TOP TRACK

11-1045

Jewish Home for the Aging

1885 Victory Blvd. Reseda, CA

FM-07-109

CREATED BY: AMB

FrameMax, Inc.
13915 Danielson St
Suite 100
Poway, CA 92064
www.frame-max.com

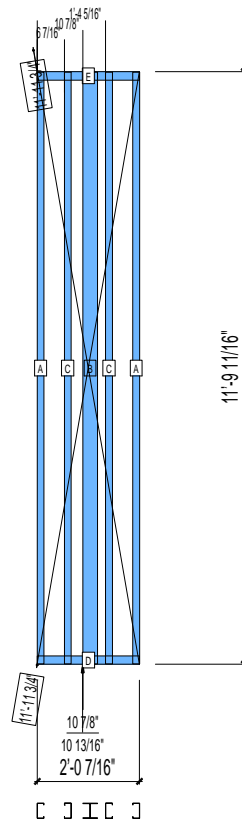


© FrameMax Inc.

HEIGHT : 11'-9 11/16"
SPACING : 24"
1st STUD: 24"

WEIGHTS :
FRAME : 128 lbs

TOTAL: 128 lbs



PIECES LIST

LABEL	QTY	SIZE	LENGTH	USE
A	2	362S162-54	11'-9 1/2"	STUD
B	1	363i350p554	11'-9 1/2"	PACO. COLUMN
C	2	362S162-33	11'-9 1/2"	BACKER STUD
D	1	362T200-68	2'-0 7/16"	BOTTOM TRACK
E	1	362T200-68	2'-0 7/16"	TOP TRACK

11-1046

Jewish Home for the Aging

1885 Victory Blvd. Reseda, CA

FrameMax, Inc.
13915 Danielson St
Suite 100
Poway, CA 92064
www.frame-max.com



© FrameMax Inc.

CREATED: 09/11/2008

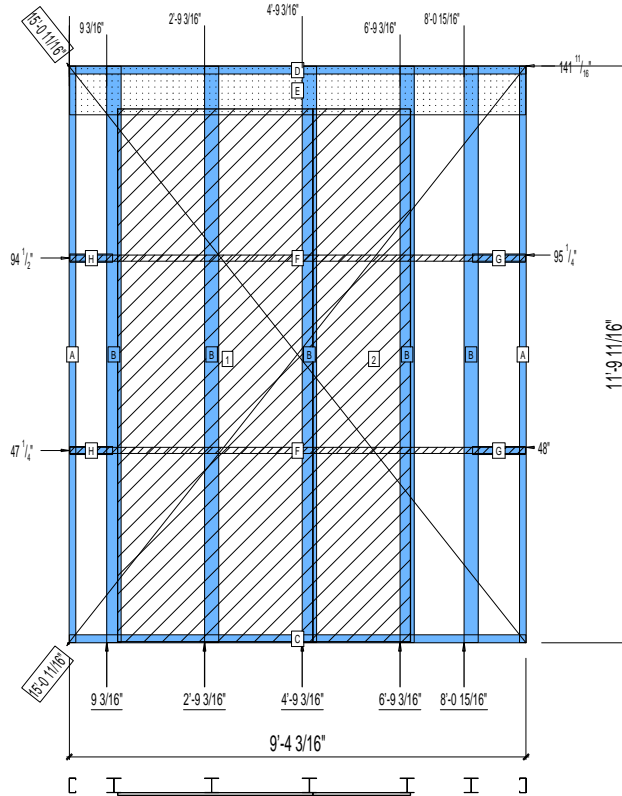
FM-07-109

CREATED BY: AMB

HEIGHT : 11'-9 11/16"
SPACING : 24"
1st STUD: 24"

WEIGHTS :
FRAME : 429 lbs
SHEATHING: 240 lbs

TOTAL: 669 lbs



PIECES LIST

LABEL	QTY	SIZE	LENGTH	USE
A	2	362S162-54	11'-9 1/2"	STUD
B	5	363i350p554	11'-9 1/2"	PACO. COLUMN
C	1	362T200-68	9'-4 3/16"	BOTTOM TRACK
D	1	362T200-68	9'-4 3/16"	TOP TRACK
E	1	1200D-54	9'-4"	STRAP
F	2	150D-43	9'-4"	STRAP
G	2	362T200-68	1'-0 15/16"	BLOCK
H	2	362T200-68	10 7/16"	BLOCK

SHEATHING

LABEL	QTY	CODE	THICK	SIZE	SCREWS
1	1	SB-DENSARMOR	5/8"	3'-11 15/16" X 10'-10 7/8"	2 - 12
2	1	SB-DENSARMOR	5/8"	1'-11 15/16" X 10'-10 7/8"	2 - 12

11-1047

Jewish Home for the Aging

1885 Victory Blvd. Reseda, CA

FrameMax, Inc.
13915 Danielson St
Suite 100
Poway, CA 92064
www.frame-max.com



© FrameMax Inc.

CREATED: 09/11/2008

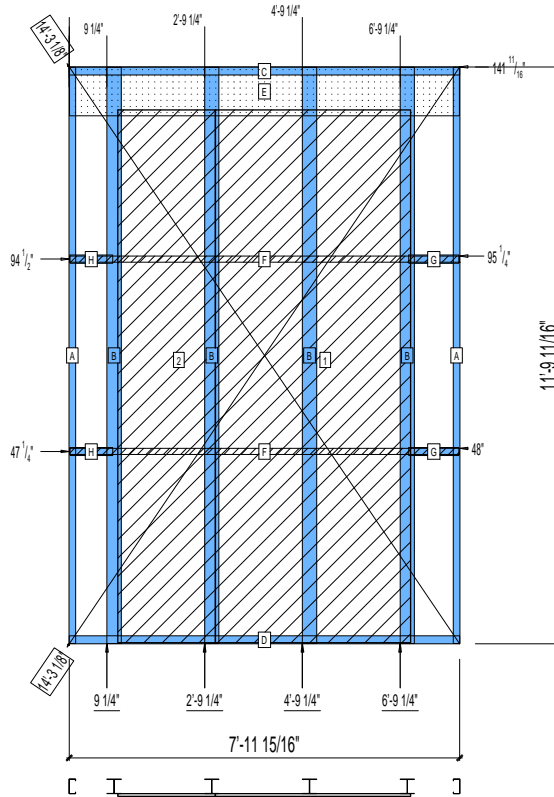
FM-07-109

CREATED BY: AMB

HEIGHT : 11'-9 11/16"
SPACING : 24"
1st STUD: 24"

WEIGHTS :
FRAME : 355 lbs
SHEATHING: 241 lbs

TOTAL: 596 lbs



PIECES LIST

LABEL	QTY	SIZE	LENGTH	USE
A	2	362S162-54	11'-9 1/2"	STUD
B	4	363i350p554	11'-9 1/2"	PACO COLUMN
C	1	362T200-68	7'-11 15/16"	TOP TRACK
D	1	362T200-68	7'-11 15/16"	BOTTOM TRACK
E	1	1200D-54	7'-11 3/4"	STRAP
F	2	150D-43	7'-11 3/4"	STRAP
G	2	362T200-68	1'-0 3/8"	BLOCK
H	2	362T200-68	10 1/2"	BLOCK

SHEATHING

LABEL	QTY	CODE	THICK	SIZE	SCREWS
1	1	SB-DENSARMOR	5/8"	3'-11 15/16" X 10'-10 7/8"	2 - 12
2	1	SB-DENSARMOR	5/8"	1'-11 15/16" X 10'-10 7/8"	2 - 12

11-1048

Jewish Home for the Aging

1885 Victory Blvd. Reseda, CA

FrameMax, Inc.
13915 Danielson St
Suite 100
Poway, CA 92064
www.frame-max.com



© FrameMax Inc.

CREATED: 09/11/2008

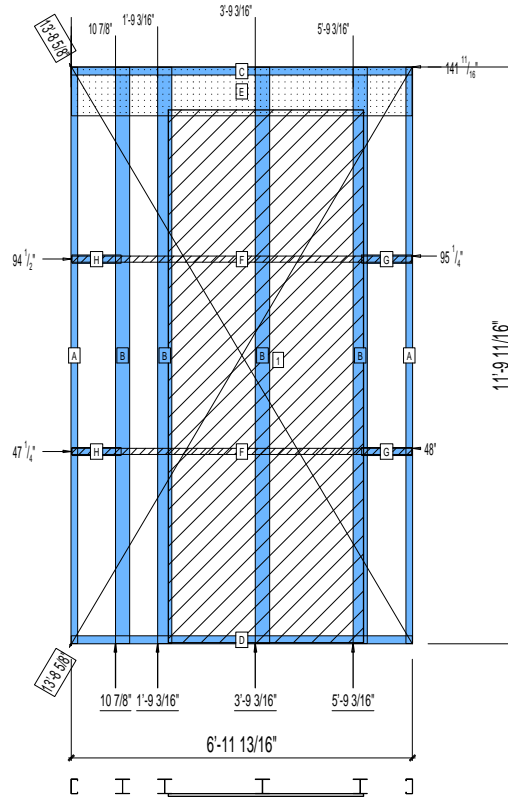
FM-07-109

CREATED BY: AMB

HEIGHT : 11'-9 11/16"
SPACING : 24"
1st STUD: 24"

WEIGHTS :
FRAME : 349 lbs
SHEATHING: 160 lbs

TOTAL: 509 lbs



PIECES LIST

LABEL	QTY	SIZE	LENGTH	USE
A	2	362S162-54	11'-9 1/2"	STUD
B	4	363i350p554	11'-9 1/2"	PACO. COLUMN
C	1	362T200-68	6'-11 13/16"	TOP TRACK
D	1	362T200-68	6'-11 13/16"	BOTTOM TRACK
E	1	1200D-54	6'-11 5/8"	STRAP
F	2	150D-43	6'-11 5/8"	STRAP
G	2	362T200-68	1'-0 5/16"	BLOCK
H	2	362T200-68	1'-0 1/16"	BLOCK

SHEATHING

LABEL	QTY	CODE	THICK	SIZE	SCREWS
1	1	SB-DENSARMOR	5/8"	3'-11 15/16" X 10'-10 7/8"	2 - 12

11-1049

Jewish Home for the Aging

1885 Victory Blvd. Reseda, CA

FM-07-109

CREATED BY: AMB

FrameMax, Inc.
13915 Danielson St
Suite 100
Poway, CA 92064
www.frame-max.com

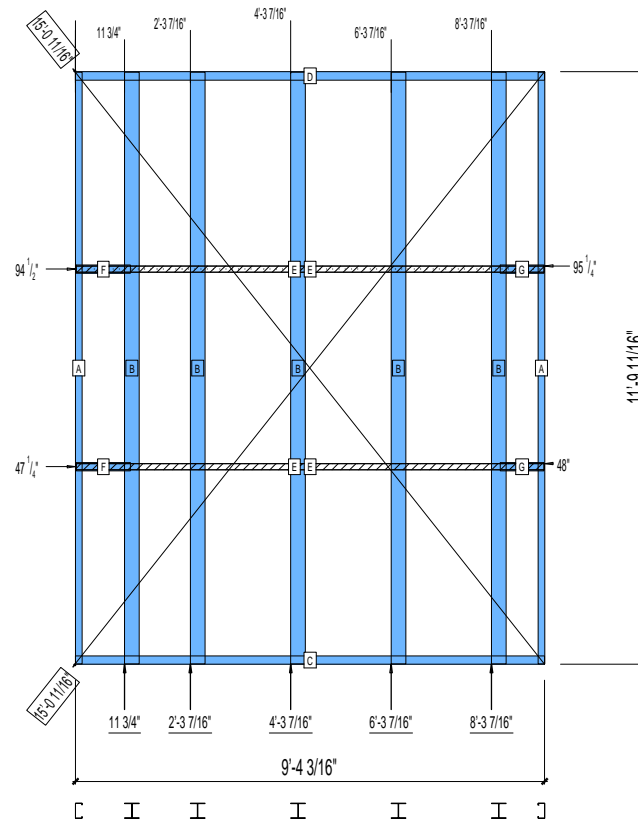


© FrameMax Inc.

HEIGHT : 11'-9 11/16"
SPACING : 24"
1st STUD: 24"

WEIGHTS :
FRAME : 411 lbs

TOTAL: 411 lbs



PIECES LIST

LABEL	QTY	SIZE	LENGTH	USE
A	2	362S162-54	11'-9 1/2"	STUD
B	5	363i350p554	11'-9 1/2"	PACO.COLUMN
C	1	362T200-68	9'-4 3/16"	BOTTOM TRACK
D	1	362T200-68	9'-4 3/16"	TOP TRACK
E	4	150D-43	9'-4"	STRAP
F	2	362T200-68	1'-0 15/16"	BLOCK
G	2	362T200-68	10 7/16"	BLOCK

11-1050

Jewish Home for the Aging

1885 Victory Blvd. Reseda, CA

FM-07-109

CREATED BY: AMB

FrameMax, Inc.
13915 Danielson St
Suite 100
Poway, CA 92064
www.frame-max.com

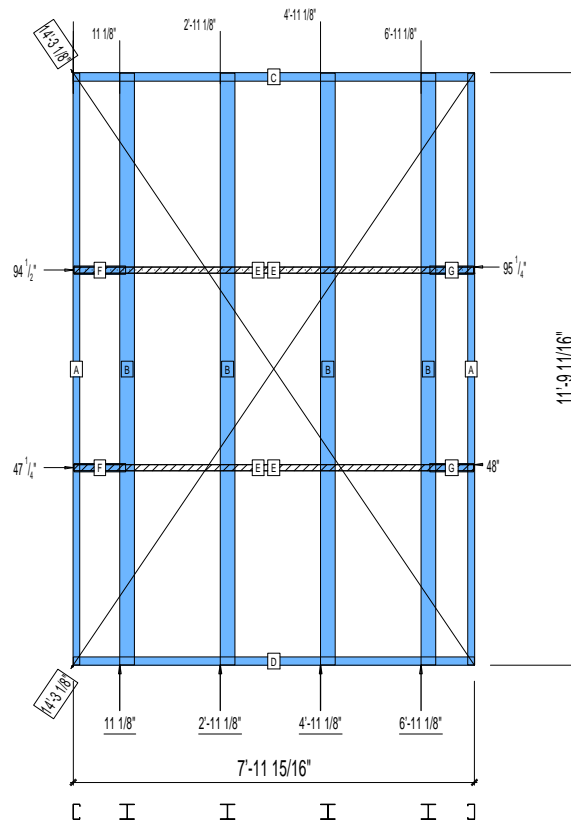


© FrameMax Inc.

HEIGHT : 11'-9 11/16"
SPACING : 24"
1st STUD: 24"

WEIGHTS :
FRAME : 339 lbs

TOTAL: 339 lbs



PIECES LIST

LABEL	QTY	SIZE	LENGTH	USE
A	2	362S162-54	11'-9 1/2"	STUD
B	4	363i350p554	11'-9 1/2"	PACO.COLUMN
C	1	362T200-68	7'-11 15/16"	TOP TRACK
D	1	362T200-68	7'-11 15/16"	BOTTOM TRACK
E	4	150D-43	7'-11 3/4"	STRAP
F	2	362T200-68	1'-0 3/8"	BLOCK
G	2	362T200-68	10 1/2"	BLOCK

11-1051

Jewish Home for the Aging

1885 Victory Blvd. Reseda, CA

FrameMax, Inc.
13915 Danielson St
Suite 100
Poway, CA 92064
www.frame-max.com



© FrameMax Inc.

CREATED: 09/11/2008

FM-07-109

CREATED BY: AMB

HEIGHT : 11'-9 11/16"

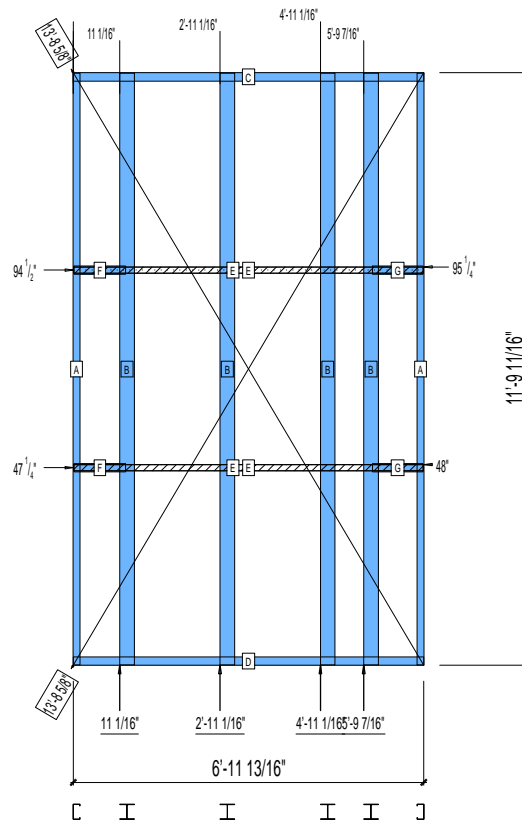
SPACING : 24"

1st STUD: 24"

WEIGHTS :

FRAME : 335 lbs

TOTAL: 335 lbs



PIECES LIST

LABEL	QTY	SIZE	LENGTH	USE
A	2	362S162-54	11'-9 1/2"	STUD
B	4	363i350p554	11'-9 1/2"	PACO.COLUMN
C	1	362T200-68	6'-11 13/16"	TOP TRACK
D	1	362T200-68	6'-11 13/16"	BOTTOM TRACK
E	4	150D-43	6'-11 5/8"	STRAP
F	2	362T200-68	1'-0 5/16"	BLOCK
G	2	362T200-68	1'-0 1/16"	BLOCK

11-1052

Jewish Home for the Aging

1885 Victory Blvd. Reseda, CA

FrameMax, Inc.
13915 Danielson St
Suite 100
Poway, CA 92064
www.frame-max.com



© FrameMax Inc.

CREATED: 09/11/2008

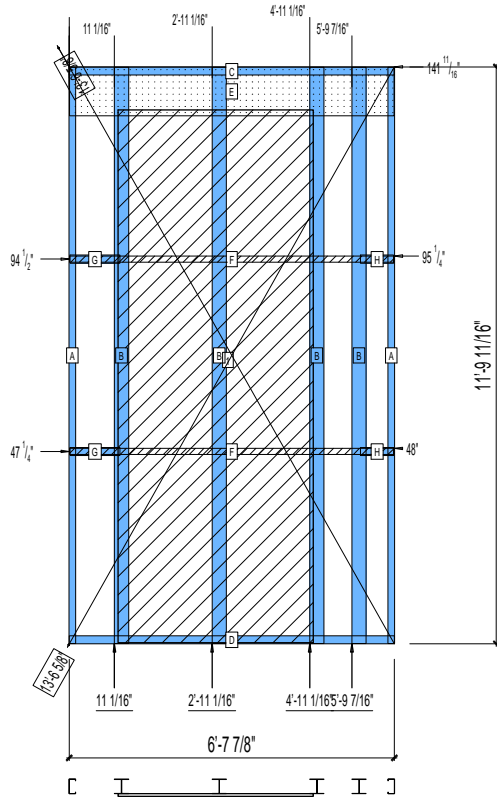
FM-07-109

CREATED BY: AMB

HEIGHT : 11'-9 11/16"
SPACING : 24"
1st STUD: 24"

WEIGHTS :
FRAME : 345 lbs
SHEATHING: 160 lbs

TOTAL: 505 lbs



PIECES LIST

LABEL	QTY	SIZE	LENGTH	USE
A	2	362S162-54	11'-9 1/2"	STUD
B	4	363i350p554	11'-9 1/2"	PACO. COLUMN
C	1	362T200-68	6'-7 7/8"	TOP TRACK
D	1	362T200-68	6'-7 7/8"	BOTTOM TRACK
E	1	1200D-54	6'-7 11/16"	STRAP
F	2	150D-43	6'-7 11/16"	STRAP
G	2	362T200-68	1'-0 5/16"	BLOCK
H	2	362T200-68	8 1/8"	BLOCK

SHEATHING

LABEL	QTY	CODE	THICK	SIZE	SCREWS
1	1	SB-DENSARMOR	5/8"	3'-11 15/16" X 10'-10 7/8"	2 - 12

11-1053

Jewish Home for the Aging

1885 Victory Blvd. Reseda, CA

FrameMax, Inc.
13915 Danielson St
Suite 100
Poway, CA 92064
www.frame-max.com



© FrameMax Inc.

CREATED: 09/11/2008

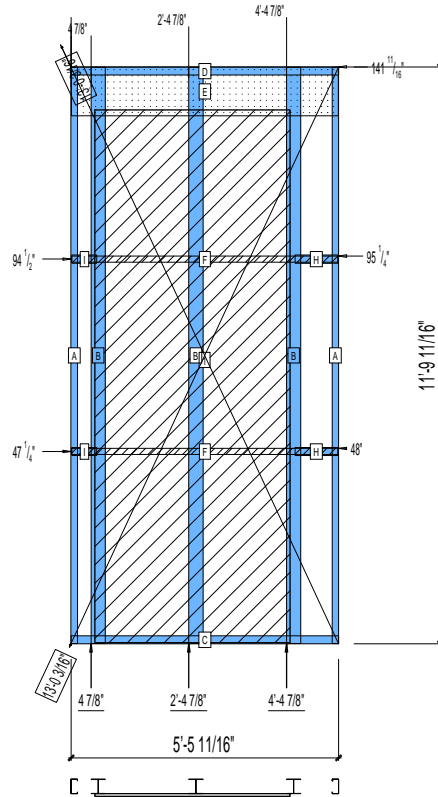
FM-07-109

CREATED BY: AMB

HEIGHT : 11'-9 11/16"
SPACING : 24"
1st STUD: 24"

WEIGHTS :
FRAME : 275 lbs
SHEATHING: 160 lbs

TOTAL: 435 lbs



PIECES LIST

LABEL	QTY	SIZE	LENGTH	USE
A	2	362S162-54	11'-9 1/2"	STUD
B	3	3631350p554	11'-9 1/2"	PACO. COLUMN
C	1	362T200-68	5'-5 11/16"	BOTTOM TRACK
D	1	362T200-68	5'-5 11/16"	TOP TRACK
E	1	1200D-54	5'-5 1/2"	STRAP
F	2	150D-43	5'-5 1/2"	STRAP
G	2	362T200-68	1'-1 15/16"	BLOCK
H	2	362T200-68	10 1/2"	BLOCK
I	2	362T200-68	6 1/8"	BLOCK

SHEATHING

LABEL	QTY	CODE	THICK	SIZE	SCREWS
1	1	SB-DENSARMOR	5/8"	3'-11 15/16" X 10'-10 7/8"	2 - 12

11-1054

Jewish Home for the Aging

1885 Victory Blvd. Reseda, CA

FM-07-109

CREATED BY: AMB

FrameMax, Inc.
13915 Danielson St
Suite 100
Poway, CA 92064
www.framemax.com

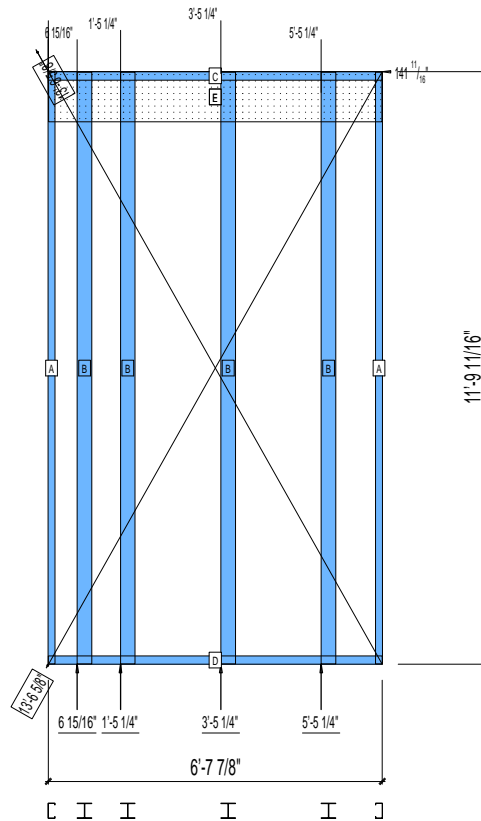


© FrameMax Inc.

HEIGHT : 11'-9 11/16"
SPACING : 24"
1st STUD: 24"

WEIGHTS :
FRAME : 336 lbs

TOTAL: 336 lbs



PIECES LIST

LABEL	QTY	SIZE	LENGTH	USE
A	2	362S162-54	11'-9 1/2"	STUD
B	4	363i350p554	11'-9 1/2"	PACO. COLUMN
C	1	362T200-68	6'-7 7/8"	TOP TRACK
D	1	362T200-68	6'-7 7/8"	BOTTOM TRACK
E	1	1200D-54	6'-7 11/16"	STRAP

11-1055

Jewish Home for the Aging

1885 Victory Blvd. Reseda, CA

FM-07-109

CREATED BY: AMB

FrameMax, Inc.
13915 Danielson St
Suite 100
Poway, CA 92064
www.frame-max.com

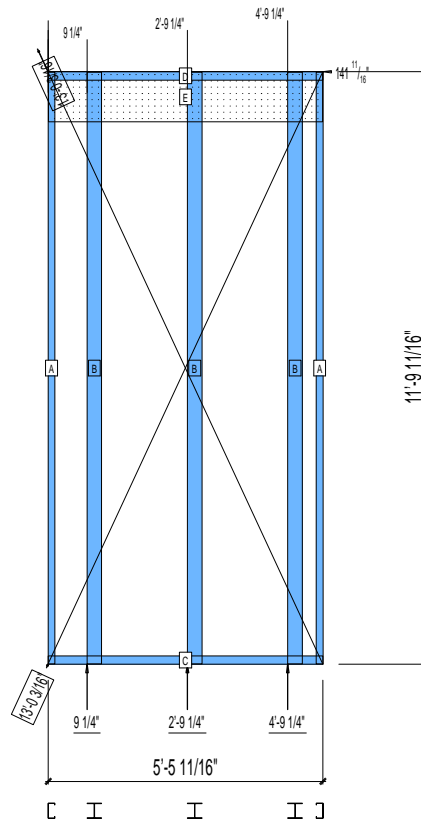


© FrameMax Inc.

HEIGHT : 11'-9 11/16"
SPACING : 24"
1st STUD: 24"

WEIGHTS :
FRAME : 264 lbs

TOTAL: 264 lbs



PIECES LIST

LABEL	QTY	SIZE	LENGTH	USE
A	2	362S162-54	11'-9 1/2"	STUD
B	3	363i350p554	11'-9 1/2"	PACO. COLUMN
C	1	362T200-68	5'-5 11/16"	BOTTOM TRACK
D	1	362T200-68	5'-5 11/16"	TOP TRACK
E	1	1200D-54	5'-5 1/2"	STRAP

11-1056

Jewish Home for the Aging

1885 Victory Blvd. Reseda, CA

FM-07-109

CREATED BY: AMB

FrameMax, Inc.
13915 Danielson St
Suite 100
Poway, CA 92064
www.framemax.com

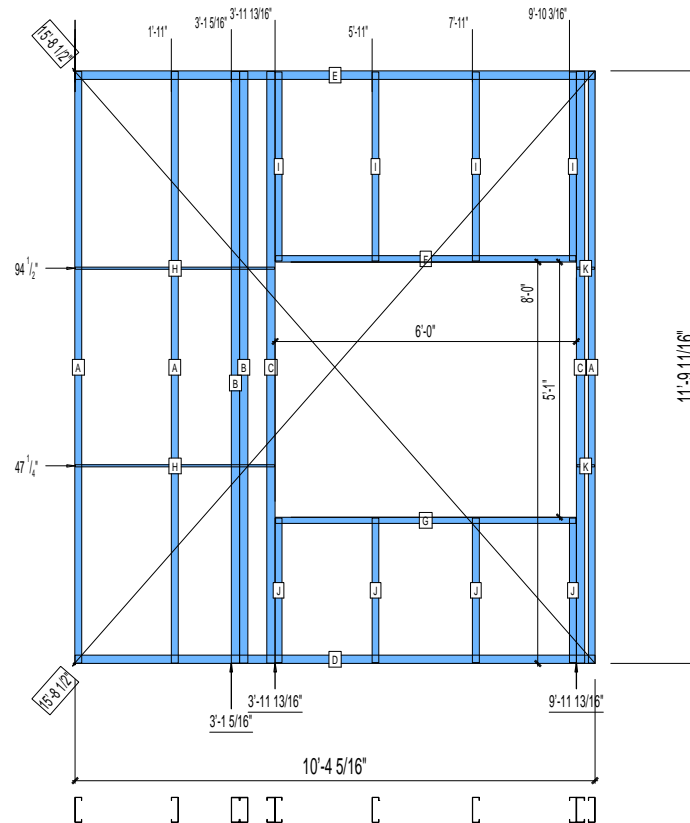


© FrameMax Inc.

HEIGHT : 11'-9 11/16"
SPACING : 24"
1st STUD: 24"

WEIGHTS :
FRAME : 380 lbs

TOTAL: 380 lbs



PIECES LIST

LABEL	QTY	SIZE	LENGTH	USE
A	3	600S162-68	11'-9 1/2"	STUD
B	2	600S200-97	11'-9 1/2"	EXTRA STUD
C	2	600S200-97	11'-9 1/2"	KING STUD
D	1	600T200-68	10'-4 5/16"	BOTTOM TRACK
E	1	600T200-68	10'-4 5/16"	TOP TRACK
F	1	600T150-54	5'-11 3/4"	HEAD TRACK
G	1	600T150-54	5'-11 3/4"	SILL
H	2	150U50-54	3'-11 5/8"	HORIZONTAL BRACING
I	4	600S162-54	3'-9 1/4"	CRIPPLE
J	4	600S162-54	2'-10 9/16"	CRIPPLE
K	2	150U50-54	4 1/4"	HORIZONTAL BRACING

11-1057

Jewish Home for the Aging

1885 Victory Blvd. Reseda, CA

FrameMax, Inc.
13915 Danielson St
Suite 100
Poway, CA 92064
www.frame-max.com



© FrameMax Inc.

CREATED: 09/11/2008

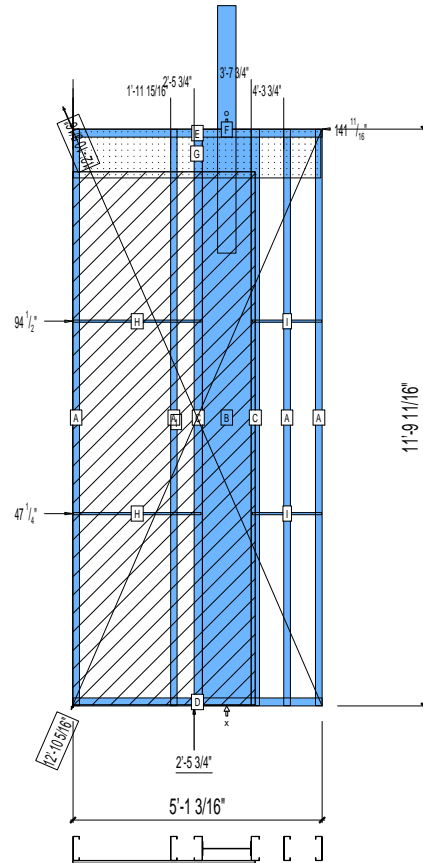
FM-07-109

CREATED BY: AMB

HEIGHT : 14'-3 15/16"
SPACING : 24"
1st STUD: 24"

WEIGHTS :
FRAME : 421 lbs
SHEATHING: 150 lbs

TOTAL: 571 lbs



PIECES LIST

LABEL	QTY	SIZE	LENGTH	USE
A	4	600S162-97	11'-9 1/2"	STUD
B	1	1200i350p1062	11'-9 1/2"	PACO
C	2	600S200-68	11'-9 1/2"	STUD
D	1	600T200-68	5'-1 3/16"	BOTTOM TRACK
E	1	600T200-68	5'-1 3/16"	TOP TRACK
F	1	D	5'-0 3/4"	HOLDDOWN
G	1	1200D-54	5'-0 3/4"	STRAP
H	2	150U50-54	2'-7 3/8"	HORIZONTAL BRACING
I	2	150U50-54	1'-5"	HORIZONTAL BRACING

SHEATHING

LABEL	QTY	CODE	THICK	SIZE	SCREWS
1	1	SB-DENSARMOR	5/8"	3'-8 13/16" X 10'-10 7/8"	1 - 12

11-1058

Jewish Home for the Aging

1885 Victory Blvd. Reseda, CA

FrameMax, Inc.
13915 Danielson St
Suite 100
Poway, CA 92064
www.frame-max.com



© FrameMax Inc.

CREATED: 09/11/2008

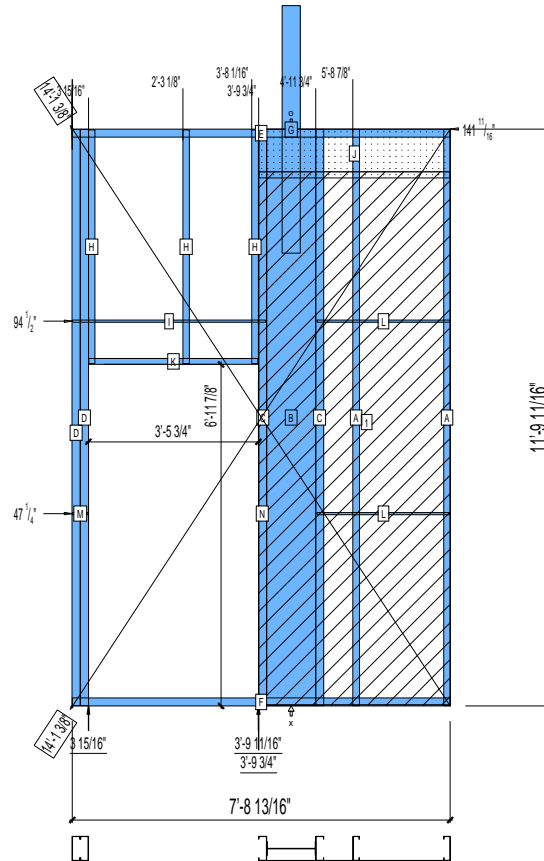
FM-07-109

CREATED BY: AMB

HEIGHT : 11'-9 11/16"
SPACING : 24"
1st STUD: 24"

WEIGHTS :
FRAME : 473 lbs
SHEATHING: 157 lbs

TOTAL: 630 lbs



PIECES LIST

LABEL	QTY	SIZE	LENGTH	USE
A	2	600S162-97	11'-9 1/2"	STUD
B	1	1200i350p1062	11'-9 1/2"	PACO
C	2	600S200-68	11'-9 1/2"	STUD
D	2	600S200-97	11'-9 1/2"	KING STUD
E	1	600T200-68	7'-8 13/16"	TOP TRACK
F	1	600T200-68	7'-8 13/16"	BOTTOM TRACK
G	1	D	5'-0 3/4"	HOLDDOWN
H	3	600S162-54	4'-9 3/8"	CRIPPLE
I	1	150U50-54	3'-11 3/8"	HORIZONTAL BRACING
J	1	1200D-54	3'-10 7/8"	STRAP
K	1	600T150-54	3'-5 1/2"	HEAD TRACK
L	2	150U50-54	2'-8 5/8"	HORIZONTAL BRACING
M	1	150U50-54	3 3/4"	HORIZONTAL BRACING
N	1	150U50-54	1 5/8"	HORIZONTAL BRACING

SHEATHING

LABEL	QTY	CODE	THICK	SIZE	SCREWS
1	1	SB-DENSARMOR	5/8"	3'-11 1/16" X 10'-10 7/8"	1 - 12

11-1059

Jewish Home for the Aging

1885 Victory Blvd. Reseda, CA

FM-07-109

CREATED BY: AMB

FrameMax, Inc.
13915 Danielson St
Suite 100
Poway, CA 92064
www.frame-max.com



© FrameMax Inc.

HEIGHT : 11'-9 11/16"

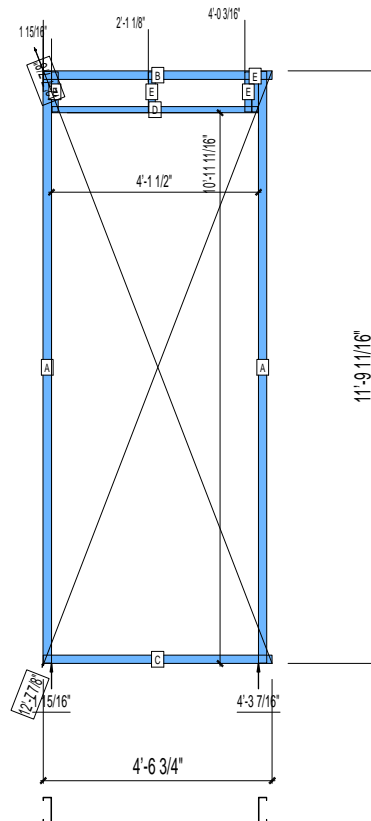
SPACING : 24"

1st STUD: 24"

WEIGHTS :

FRAME : 121 lbs

TOTAL: 121 lbs



PIECES LIST

LABEL	QTY	SIZE	LENGTH	USE
A	2	600S200-97	11'-9 1/2"	KING STUD
B	1	600T200-68	4'-6 3/4"	TOP TRACK
C	1	600T200-68	4'-6 3/4"	BOTTOM TRACK
D	1	600T150-54	4'-1 1/4"	HEAD TRACK
E	4	600S162-54	9 9/16"	CRIPPLE

11-1060

Jewish Home for the Aging

1885 Victory Blvd. Reseda, CA

FM-07-109

CREATED BY: AMB

FrameMax, Inc.
13915 Danielson St
Suite 100
Poway, CA 92064
www.framemax.com

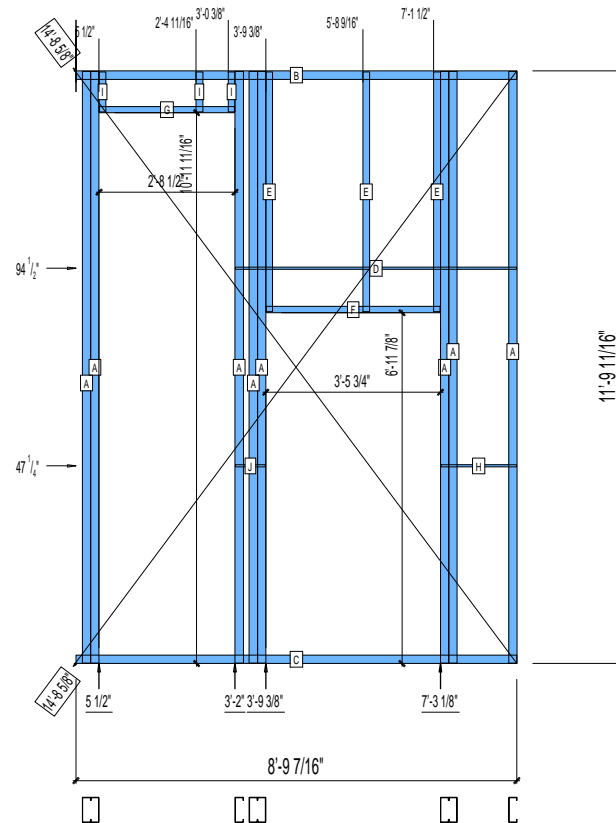


© FrameMax Inc.

HEIGHT : 11'-9 11/16"
SPACING : 24"
1st STUD: 24"

WEIGHTS :
FRAME : 431 lbs

TOTAL: 431 lbs



PIECES LIST

LABEL	QTY	SIZE	LENGTH	USE
A	8	600S200-97	11'-9 1/2"	KING STUD
B	1	600T200-68	8'-9 7/16"	TOP TRACK
C	1	600T200-68	8'-9 7/16"	BOTTOM TRACK
D	1	150U50-54	5'-7 3/16"	HORIZONTAL BRACING
E	3	600S162-54	4'-9 3/8"	CRIPPLE
F	1	600T150-54	3'-5 1/2"	HEAD TRACK
G	1	600T150-54	2'-8 1/4"	HEAD TRACK
H	1	150U50-54	1'-6 1/16"	HORIZONTAL BRACING
I	3	600S162-54	9 9/16"	CRIPPLE
J	1	150U50-54	7 1/8"	HORIZONTAL BRACING

11-1061

Jewish Home for the Aging

1885 Victory Blvd. Reseda, CA

FrameMax, Inc.
13915 Danielson St
Suite 100
Poway, CA 92064
www.frame-max.com



© FrameMax Inc.

CREATED: 09/11/2008

FM-07-109

CREATED BY: AMB

HEIGHT : 11'-9 11/16"

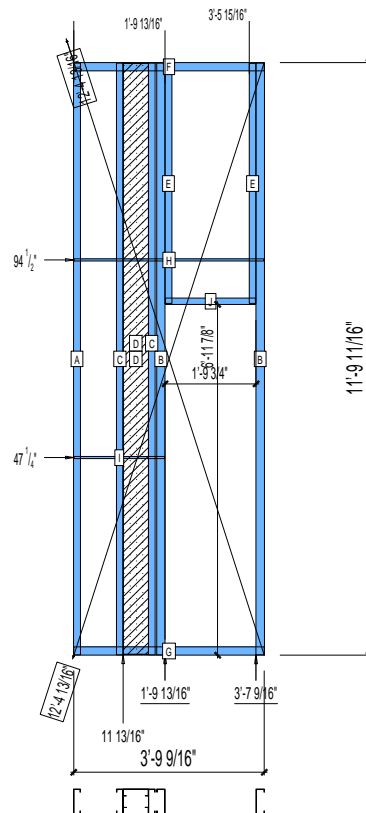
SPACING : 24"

1st STUD: 24"

WEIGHTS :

FRAME : 222 lbs

TOTAL: 222 lbs



PIECES LIST

LABEL	QTY	SIZE	LENGTH	USE
A	1	600S162-97	11'-9 1/2"	STUD
B	2	600S200-97	11'-9 1/2"	KING STUD
C	2	600S162-33	11'-9 1/2"	BACKER STUD
D	2	600S162-33	11'-9 1/4"	BACKER-U
E	2	600S162-54	4'-9 3/8"	CRIPPLE
F	1	600T200-68	3'-9 9/16"	TOP TRACK
G	1	600T200-68	3'-9 9/16"	BOTTOM TRACK
H	1	150U50-54	3'-9 3/8"	HORIZONTAL BRACING
I	1	150U50-54	1'-9 5/8"	HORIZONTAL BRACING
J	1	600T150-54	1'-9 1/2"	HEAD TRACK

11-1062

Jewish Home for the Aging

1885 Victory Blvd. Reseda, CA

FM-07-109

CREATED BY: AMB

FrameMax, Inc.
13915 Danielson St
Suite 100
Poway, CA 92064
www.framemax.com

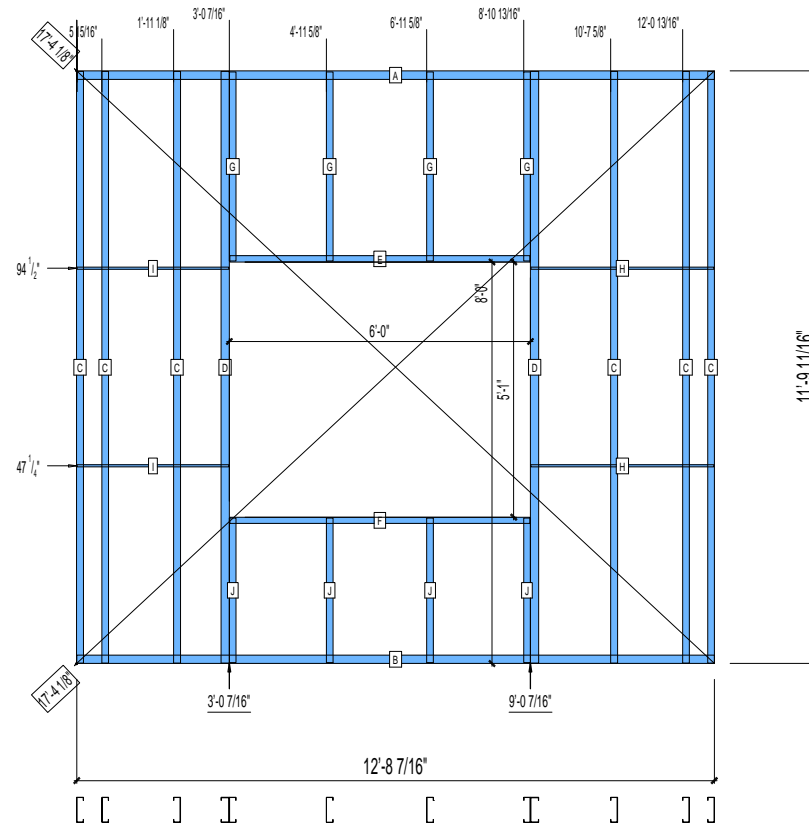


© FrameMax Inc.

HEIGHT : 11'-9 11/16"
SPACING : 24"
1st STUD: 24"

WEIGHTS :
FRAME : 392 lbs

TOTAL: 392 lbs



PIECES LIST

LABEL	QTY	SIZE	LENGTH	USE
A	1	600T200-68	12'-8 7/16"	TOP TRACK
B	1	600T200-68	12'-8 7/16"	BOTTOM TRACK
C	6	600S162-68	11'-9 1/2"	STUD
D	2	600S200-97	11'-9 1/2"	KING STUD
E	1	600T150-54	5'-11 3/4"	HEAD TRACK
F	1	600T150-54	5'-11 3/4"	SILL
G	4	600S162-54	3'-9 1/4"	CRIPPLE
H	2	150U50-54	3'-7 3/4"	HORIZONTAL BRACING
I	2	150U50-54	3'-0 1/4"	HORIZONTAL BRACING
J	4	600S162-54	2'-10 9/16"	CRIPPLE

11-1063

Jewish Home for the Aging

1885 Victory Blvd. Reseda, CA

FrameMax, Inc.
13915 Danielson St
Suite 100
Poway, CA 92064
www.frame-max.com



© FrameMax Inc.

CREATED: 09/11/2008

FM-07-109

CREATED BY: AMB

HEIGHT : 11'-9 11/16"

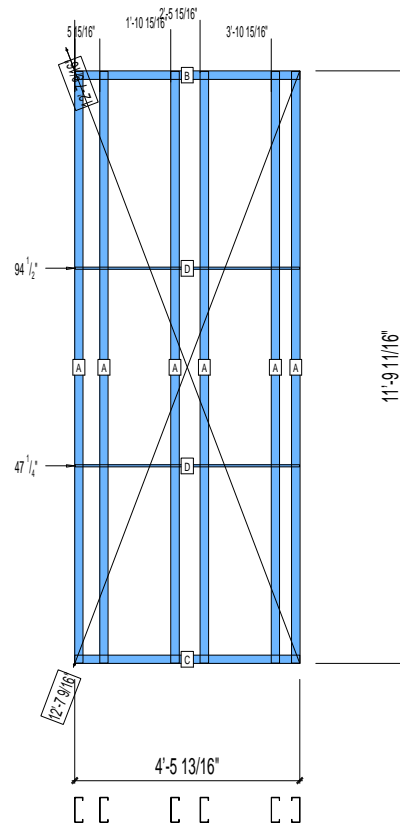
SPACING : 24"

1st STUD: 24"

WEIGHTS :

FRAME : 283 lbs

TOTAL: 283 lbs



PIECES LIST

LABEL	QTY	SIZE	LENGTH	USE
A	6	600S200-97	11'-9 1/2"	STUD
B	1	600T200-68	4'-5 13/16"	TOP TRACK
C	1	600T200-68	4'-5 13/16"	BOTTOM TRACK
D	2	150U50-54	4'-5 5/8"	HORIZONTAL BRACING

11-1064

Jewish Home for the Aging

1885 Victory Blvd. Reseda, CA

FM-07-109

CREATED BY: AMB

FrameMax, Inc.
13915 Danielson St
Suite 100
Poway, CA 92064
www.frame-max.com



© FrameMax Inc.

HEIGHT : 11'-9 11/16"

SPACING : 24"

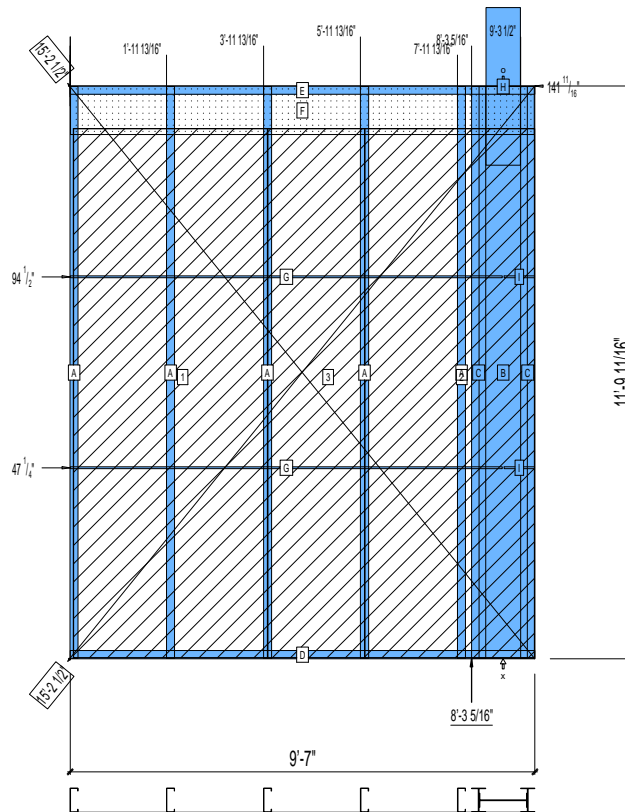
1st STUD: 24"

WEIGHTS :

FRAME : 783 lbs

SHEATHING: 382 lbs

TOTAL: 1165 lbs



PIECES LIST

LABEL	QTY	SIZE	LENGTH	USE
A	5	600S200-97	11'-9 1/2"	STUD
B	1	1200i350p1420	11'-9 1/2"	PACO
C	2	600i350p968	11'-9 1/2"	PACO
D	1	600T200-68	9'-7"	BOTTOM TRACK
E	1	600T200-68	9'-7"	TOP TRACK
F	1	1200D-54	9'-6 3/4"	STRAP
G	2	150U50-54	8'-10 13/16"	HORIZONTAL BRACING
H	1	F	3'-3"	HOLDDOWN
I	2	150U50-54	7 1/2"	HORIZONTAL BRACING

SHEATHING

LABEL	QTY	CODE	THICK	SIZE	SCREWS
1	1	SB-DENSARMOR	5/8"	4'-0" X 10'-10 7/8"	2 -12
2	1	SB-DENSARMOR	5/8"	3'-6 1/16" X 10'-10 7/8"	2 -12
3	1	SB-DENSARMOR	5/8"	2'-0" X 10'-10 7/8"	2 -12

11-1065

Jewish Home for the Aging

1885 Victory Blvd. Reseda, CA

FM-07-109

CREATED BY: AMB

FrameMax, Inc.
13915 Danielson St
Suite 100
Poway, CA 92064
www.frame-max.com

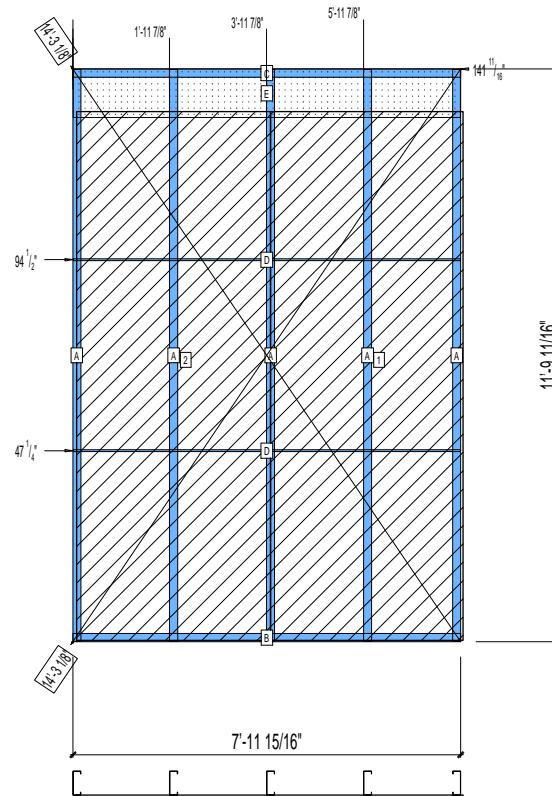


© FrameMax Inc.

HEIGHT : 11'-9 11/16"
SPACING : 24"
1st STUD: 24"

WEIGHTS :
FRAME : 280 lbs
SHEATHING: 320 lbs

TOTAL: 600 lbs



PIECES LIST

LABEL	QTY	SIZE	LENGTH	USE
A	5	600S200-97	11'-9 1/2"	STUD
B	1	600T200-68	7'-11 15/16"	BOTTOM TRACK
C	1	600T200-68	7'-11 15/16"	TOP TRACK
D	2	150U50-54	7'-11 3/4"	HORIZONTAL BRACING
E	1	1200D-54	7'-11 3/4"	STRAP

SHEATHING

LABEL	QTY	CODE	THICK	SIZE	SCREWS
1	1	SB-DENSARMOR	5/8"	3'-11 5/8" X 10'-10 7/8"	2 -12
2	1	SB-DENSARMOR	5/8"	4'-0" X 10'-10 7/8"	2 -12

11-1066

Jewish Home for the Aging

1885 Victory Blvd. Reseda, CA

FM-07-109

CREATED BY: AMB

FrameMax, Inc.
13915 Danielson St
Suite 100
Poway, CA 92064
www.frame-max.com

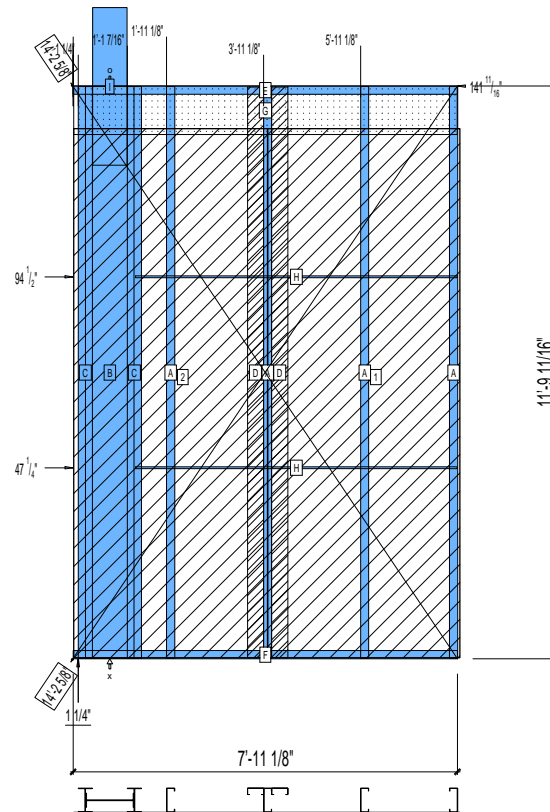


© FrameMax Inc.

HEIGHT : 11'-9 11/16"
SPACING : 24"
1st STUD: 16"

WEIGHTS :
FRAME : 747 lbs
SHEATHING: 320 lbs

TOTAL: 1067 lbs



PIECES LIST

LABEL	QTY	SIZE	LENGTH	USE
A	4	600S200-97	11'-9 1/2"	STUD
B	1	1200i350p1420	11'-9 1/2"	PACO
C	2	600i350p968	11'-9 1/2"	PACO
D	2	400S162-33	11'-9 1/4"	BACKER-U
E	1	600T200-68	7'-11 1/8"	TOP TRACK
F	1	600T200-68	7'-11 1/8"	BOTTOM TRACK
G	1	1200D-54	7'-10 7/8"	STRAP
H	2	150U50-54	6'-7 9/16"	HORIZONTAL BRACING
I	1	F	3'-3"	HOLDDOWN

SHEATHING

LABEL	QTY	CODE	THICK	SIZE	SCREWS
1	1	SB-DENSARMOR	5/8"	3'-11 9/16" X 10'-10 7/8"	2 - 12
2	1	SB-DENSARMOR	5/8"	4'-0" X 10'-10 7/8"	2 - 12

11-1067

Jewish Home for the Aging

1885 Victory Blvd. Reseda, CA

FrameMax, Inc.
13915 Danielson St
Suite 100
Poway, CA 92064
www.frame-max.com



© FrameMax Inc.

CREATED: 09/11/2008

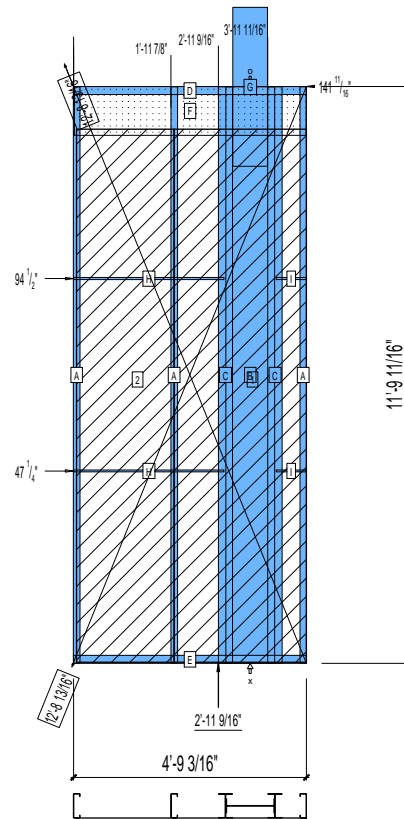
FM-07-109

CREATED BY: AMB

HEIGHT : 13'-5 1/16"
SPACING : 24"
1st STUD: 24"

WEIGHTS :
FRAME : 644 lbs
SHEATHING: 189 lbs

TOTAL: 833 lbs



PIECES LIST

LABEL	QTY	SIZE	LENGTH	USE
A	3	600S162-97	11'-9 1/2"	STUD
B	1	1200i350p1420	11'-9 1/2"	PACO
C	2	600i350p968	11'-9 1/2"	PACO
D	1	600T200-68	4'-9 3/16"	TOP TRACK
E	1	600T200-68	4'-9 3/16"	BOTTOM TRACK
F	1	1200D-54	4'-8 7/8"	STRAP
G	1	F	3'-3"	HOLDDOWN
H	2	150U50-54	3'-0 7/8"	HORIZONTAL BRACING
I	2	150U50-54	7 5/16"	HORIZONTAL BRACING

SHEATHING

LABEL	QTY	CODE	THICK	SIZE	SCREWS
1	1	SB-DENSARMOR	5/8"	2'-8 7/16" X 10'-10 7/8"	2 - 12
2	1	SB-DENSARMOR	5/8"	1'-11 15/16" X 10'-10 7/8"	2 - 12

11-1068

Jewish Home for the Aging

1885 Victory Blvd. Reseda, CA

FrameMax, Inc.
13915 Danielson St
Suite 100
Poway, CA 92064
www.frame-max.com



© FrameMax Inc.

CREATED: 09/11/2008

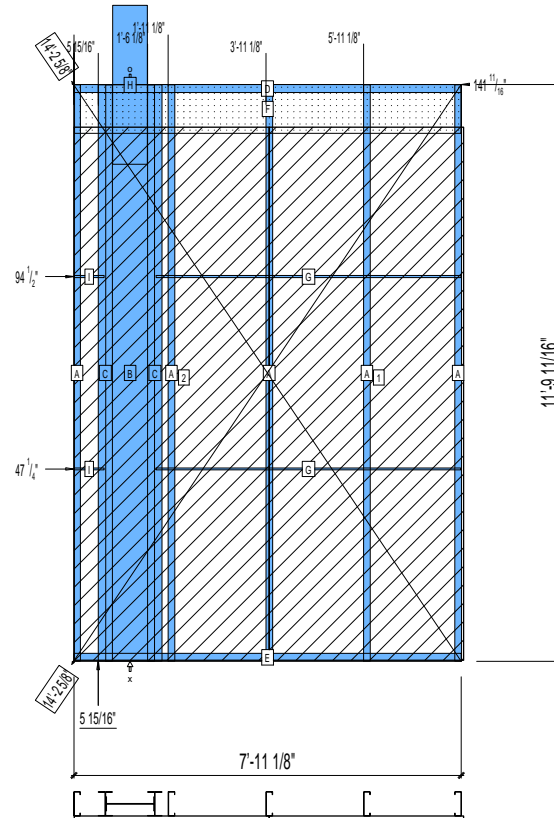
FM-07-109

CREATED BY: AMB

HEIGHT : 13'-5 1/16"
SPACING : 24"
1st STUD: 24"

WEIGHTS :
FRAME : 748 lbs
SHEATHING: 320 lbs

TOTAL: 1068 lbs



PIECES LIST

LABEL	QTY	SIZE	LENGTH	USE
A	5	600S162-97	11'-9 1/2"	STUD
B	1	1200i350p1420	11'-9 1/2"	PACO
C	2	600i350p968	11'-9 1/2"	PACO
D	1	600T200-68	7'-11 1/8"	TOP TRACK
E	1	600T200-68	7'-11 1/8"	BOTTOM TRACK
F	1	1200D-54	7'-10 7/8"	STRAP
G	2	150U50-54	6'-2 13/16"	HORIZONTAL BRACING
H	1	F	3'-3"	HOLDDOWN
I	2	150U50-54	7 5/16"	HORIZONTAL BRACING

SHEATHING

LABEL	QTY	CODE	THICK	SIZE	SCREWS
1	1	SB-DENSARMOR	5/8"	3'-11 3/4" X 10'-10 7/8"	2 - 12
2	1	SB-DENSARMOR	5/8"	3'-11 7/8" X 10'-10 7/8"	2 - 12

11-1069

Jewish Home for the Aging

1885 Victory Blvd. Reseda, CA

FrameMax, Inc.
13915 Danielson St
Suite 100
Poway, CA 92064
www.framemax.com



© FrameMax Inc.

CREATED: 09/11/2008

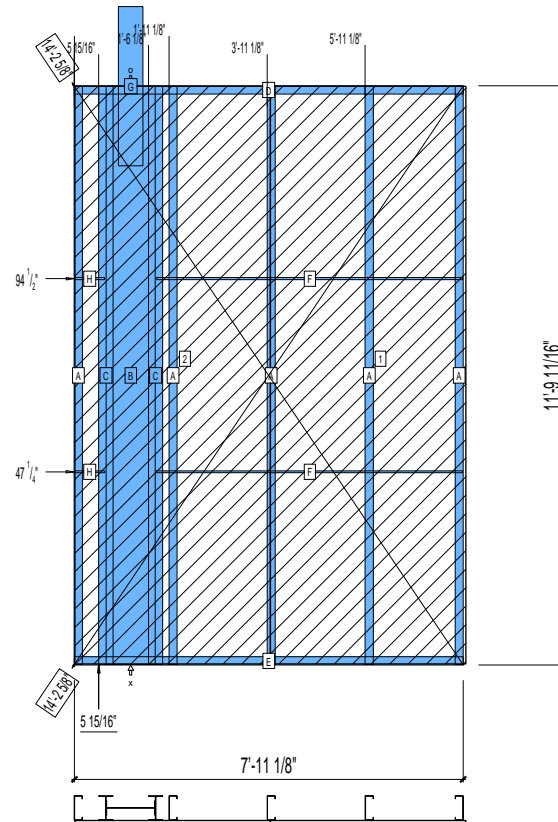
FM-07-109

CREATED BY: AMB

HEIGHT : 11'-9 11/16"
SPACING : 24"
1st STUD: 24"

WEIGHTS :
FRAME : 595 lbs
SHEATHING: 345 lbs

TOTAL: 940 lbs



PIECES LIST

LABEL	QTY	SIZE	LENGTH	USE
A	5	600S200-97	11'-9 1/2"	STUD
B	1	1200i350p1062	11'-9 1/2"	PACO
C	2	600i350p680	11'-9 1/2"	PACO
D	1	600T200-68	7'-11 1/8"	TOP TRACK
E	1	600T200-68	7'-11 1/8"	BOTTOM TRACK
F	2	150U50-54	6'-2 13/16"	HORIZONTAL BRACING
G	1	E	3'-3"	HOLDDOWN
H	2	150U50-54	7 5/16"	HORIZONTAL BRACING

SHEATHING

LABEL	QTY	CODE	THICK	SIZE	SCREWS
1	1	SB-DENSGGLASS	1/2"	3'-11 13/16" X 11'-9 1/4"	2 - 12
2	1	SB-DENSGGLASS	1/2"	3'-11 13/16" X 11'-9 1/4"	2 - 12

11-1070

Jewish Home for the Aging

1885 Victory Blvd. Reseda, CA

FrameMax, Inc.
13915 Danielson St
Suite 100
Poway, CA 92064
www.framemax.com



© FrameMax Inc.

CREATED: 09/11/2008

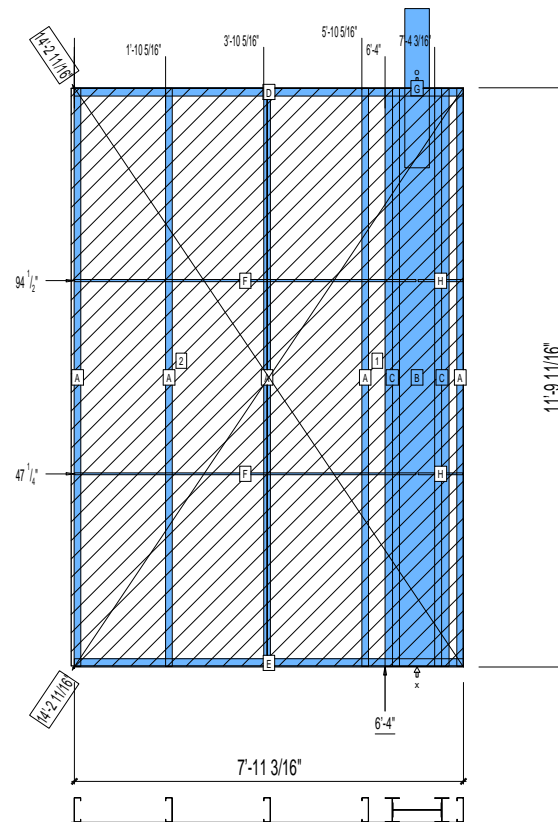
FM-07-109

CREATED BY: AMB

HEIGHT : 11'-9 11/16"
SPACING : 24"
1st STUD: 24"

WEIGHTS :
FRAME : 521 lbs
SHEATHING: 346 lbs

TOTAL: 867 lbs



PIECES LIST

LABEL	QTY	SIZE	LENGTH	USE
A	5	600S162-68	11'-9 1/2"	STUD
B	1	1200i350p1062	11'-9 1/2"	PACO
C	2	600i350p680	11'-9 1/2"	PACO
D	1	600T200-68	7'-11 3/16"	TOP TRACK
E	1	600T200-68	7'-11 3/16"	BOTTOM TRACK
F	2	150U50-54	6'-11 1/2"	HORIZONTAL BRACING
G	1	E	3'-3"	HOLDDOWN
H	2	150U50-54	11"	HORIZONTAL BRACING

SHEATHING

LABEL	QTY	CODE	THICK	SIZE	SCREWS
1	1	SB-DENSGLOSS	1/2"	3'-11 15/16" X 11'-9 1/4"	2-12
2	1	SB-DENSGLOSS	1/2"	3'-11 15/16" X 11'-9 1/4"	2-12

11-1071

Jewish Home for the Aging

1885 Victory Blvd. Reseda, CA

FrameMax, Inc.
13915 Danielson St
Suite 100
Poway, CA 92064
www.frame-max.com



© FrameMax Inc.

CREATED: 09/11/2008

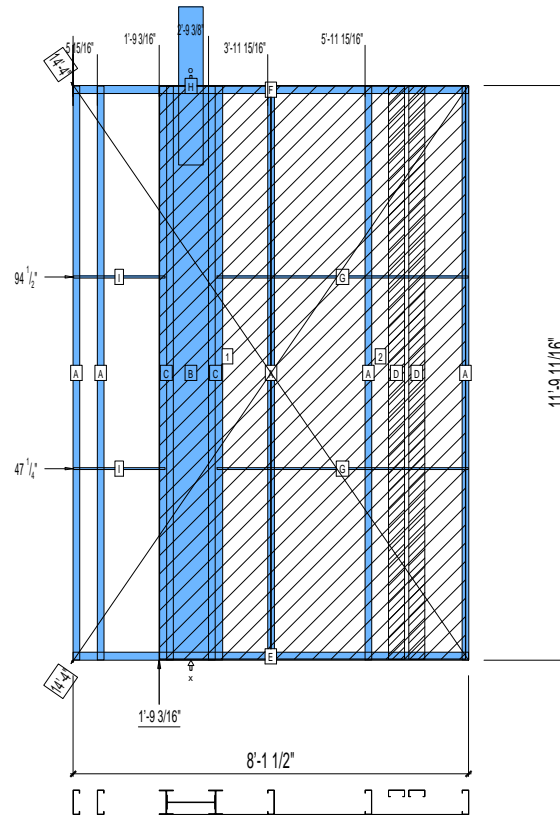
FM-07-109

CREATED BY: AMB

HEIGHT : 11'-9 11/16"
SPACING : 24"
1st STUD: 24"

WEIGHTS :
FRAME : 543 lbs
SHEATHING: 273 lbs

TOTAL: 816 lbs



PIECES LIST

LABEL	QTY	SIZE	LENGTH	USE
A	5	600S162-68	11'-9 1/2"	STUD
B	1	1200i350p1062	11'-9 1/2"	PACO
C	2	600i350p680	11'-9 1/2"	PACO
D	2	400S162-33	11'-9 1/4"	BACKER-U
E	1	600T200-68	8'-1 1/2"	BOTTOM TRACK
F	1	600T200-68	8'-1 1/2"	TOP TRACK
G	2	150U50-54	5'-1 15/16"	HORIZONTAL BRACING
H	1	E	3'-3"	HOLDDOWN
I	2	150U50-54	1'-10 9/16"	HORIZONTAL BRACING

SHEATHING

LABEL	QTY	CODE	THICK	SIZE	SCREWS
1	1	SB-DENSGLOSS	1/2"	2'-3 1/2" X 11'-9 1/4"	2 - 12
2	1	SB-DENSGLOSS	1/2"	4'-0" X 11'-9 1/4"	2 - 12

11-1072

Jewish Home for the Aging

1885 Victory Blvd. Reseda, CA

FrameMax, Inc.
13915 Danielson St
Suite 100
Poway, CA 92064
www.frame-max.com



© FrameMax Inc.

CREATED: 09/11/2008

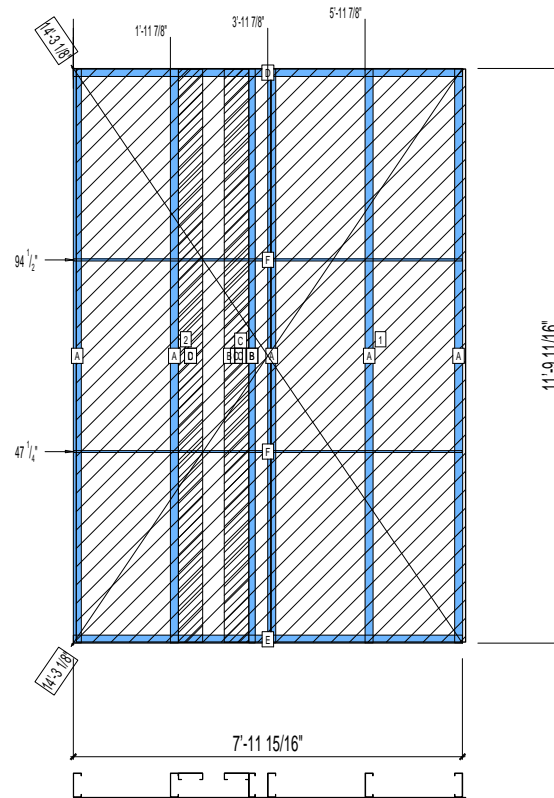
FM-07-109

CREATED BY: AMB

HEIGHT : 11'-9 11/16"
SPACING : 24"
1st STUD: 24"

WEIGHTS :
FRAME : 327 lbs
SHEATHING: 346 lbs

TOTAL: 673 lbs



PIECES LIST

LABEL	QTY	SIZE	LENGTH	USE
A	5	600S200-97	11'-9 1/2"	STUD
B	1	600S162-97	11'-9 1/2"	BACKER STUD
C	2	600S162-33	11'-9 1/4"	BACKER-U
D	1	600T200-68	7'-11 15/16"	TOP TRACK
E	1	600T200-68	7'-11 15/16"	BOTTOM TRACK
F	2	150U50-54	7'-11 3/4"	HORIZONTAL BRACING

SHEATHING

LABEL	QTY	CODE	THICK	SIZE	SCREWS
1	1	SB-DENSGLOSS	1/2"	3'-11 15/16" X 11'-9 1/4"	2 - 12
2	1	SB-DENSGLOSS	1/2"	4'-0" X 11'-9 1/4"	2 - 12

11-1073

Jewish Home for the Aging

1885 Victory Blvd. Reseda, CA

FrameMax, Inc.
13915 Danielson St
Suite 100
Poway, CA 92064
www.frame-max.com



© FrameMax Inc.

CREATED: 09/11/2008

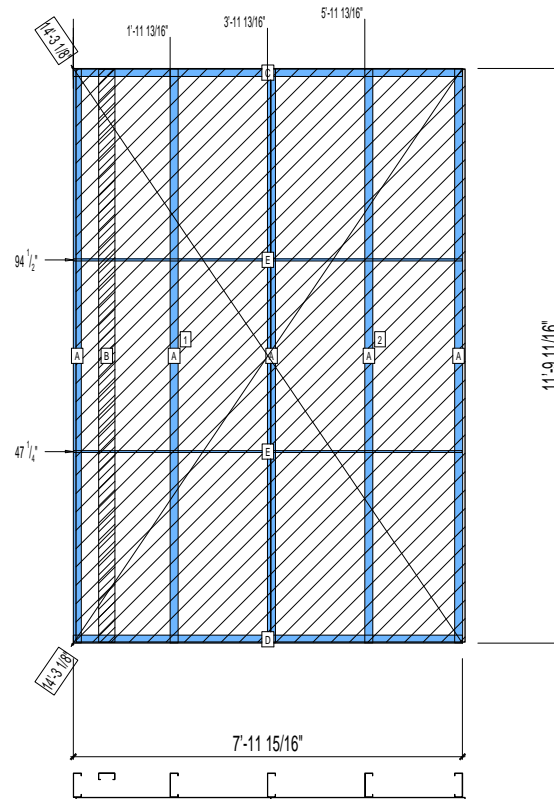
FM-07-109

CREATED BY: AMB

HEIGHT : 11'-9 11/16"
SPACING : 24"
1st STUD: 24"

WEIGHTS :
FRAME : 272 lbs
SHEATHING: 346 lbs

TOTAL: 618 lbs



PIECES LIST

LABEL	QTY	SIZE	LENGTH	USE
A	5	600S200-97	11'-9 1/2"	STUD
B	1	400S162-33	11'-9 1/4"	BACKER-U
C	1	600T200-68	7'-11 15/16"	TOP TRACK
D	1	600T200-68	7'-11 15/16"	BOTTOM TRACK
E	2	150U50-54	7'-11 3/4"	HORIZONTAL BRACING

SHEATHING

LABEL	QTY	CODE	THICK	SIZE	SCREWS
1	1	SB-DENSGLOSS	1/2"	4'-0" X 11'-9 1/4"	2 - 12
2	1	SB-DENSGLOSS	1/2"	3'-11 7/8" X 11'-9 1/4"	2 - 12

11-1074

Jewish Home for the Aging

1885 Victory Blvd. Reseda, CA

FrameMax, Inc.
13915 Danielson St
Suite 100
Poway, CA 92064
www.frame-max.com



© FrameMax Inc.

CREATED: 09/11/2008

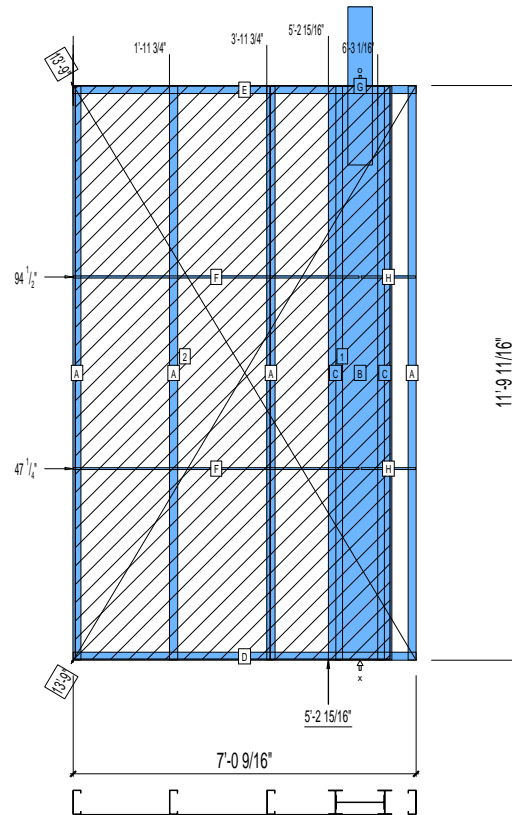
FM-07-109

CREATED BY: AMB

HEIGHT : 11'-9 11/16"
SPACING : 24"
1st STUD: 24"

WEIGHTS :
FRAME : 548 lbs
SHEATHING: 280 lbs

TOTAL: 828 lbs



PIECES LIST

LABEL	QTY	SIZE	LENGTH	USE
A	4	600S200-97	11'-9 1/2"	STUD
B	1	1200i350p1062	11'-9 1/2"	PACO
C	2	600i350p680	11'-9 1/2"	PACO
D	1	600T200-68	7'-0 9/16"	BOTTOM TRACK
E	1	600T200-68	7'-0 9/16"	TOP TRACK
F	2	150U50-54	5'-10 7/16"	HORIZONTAL BRACING
G	1	E	3'-3"	HOLDDOWN
H	2	150U50-54	1'-1 7/16"	HORIZONTAL BRACING

SHEATHING

LABEL	QTY	CODE	THICK	SIZE	SCREWS
1	1	SB-DENSGLOSS	1/2"	2'-5 1/2" X 11'-9 1/4"	2 - 12
2	1	SB-DENSGLOSS	1/2"	4'-0" X 11'-9 1/4"	2 - 12

11-1075

Jewish Home for the Aging

1885 Victory Blvd. Reseda, CA

FM-07-109

CREATED BY: AMB

FrameMax, Inc.
13915 Danielson St
Suite 100
Poway, CA 92064
www.framemax.com

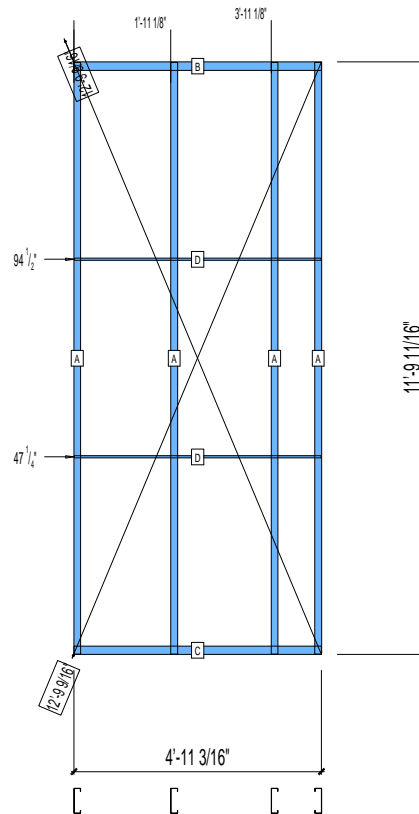


© FrameMax Inc.

HEIGHT : 11'-9 11/16"
SPACING : 24"
1st STUD: 16"

WEIGHTS :
FRAME : 140 lbs

TOTAL: 140 lbs



PIECES LIST

LABEL	QTY	SIZE	LENGTH	USE
A	4	600S162-68	11'-9 1/2"	STUD
B	1	600T200-68	4'-11 3/16"	TOP TRACK
C	1	600T200-68	4'-11 3/16"	BOTTOM TRACK
D	2	150U50-54	4'-11"	HORIZONTAL BRACING

11-1076

Jewish Home for the Aging

1885 Victory Blvd. Reseda, CA

FrameMax, Inc.
13915 Danielson St
Suite 100
Poway, CA 92064
www.frame-max.com



© FrameMax Inc.

CREATED: 09/11/2008

FM-07-109

CREATED BY: AMB

HEIGHT : 11'-9 11/16"

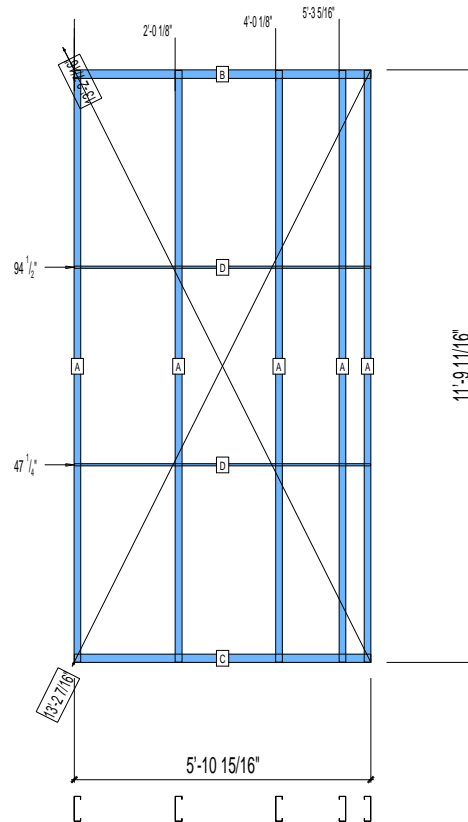
SPACING : 24"

1st STUD: 24"

WEIGHTS :

FRAME : 174 lbs

TOTAL: 174 lbs



PIECES LIST

LABEL	QTY	SIZE	LENGTH	USE
A	5	600S162-68	11'-9 1/2"	STUD
B	1	600T200-68	5'-10 15/16"	TOP TRACK
C	1	600T200-68	5'-10 15/16"	BOTTOM TRACK
D	2	150U50-54	5'-10 3/4"	HORIZONTAL BRACING

11-1077

Jewish Home for the Aging

1885 Victory Blvd. Reseda, CA

FrameMax, Inc.
13915 Danielson St
Suite 100
Poway, CA 92064
www.framemax.com



© FrameMax Inc.

CREATED: 09/11/2008

FM-07-109

CREATED BY: AMB

HEIGHT : 11'-9 11/16"

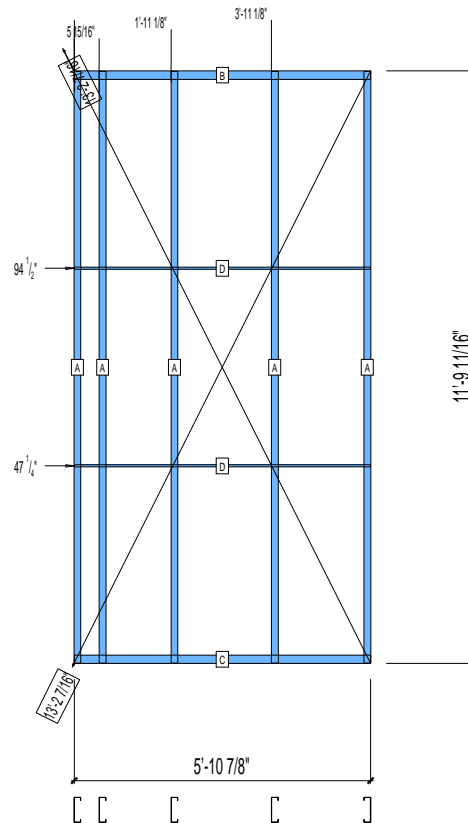
SPACING : 24"

1st STUD: 24"

WEIGHTS :

FRAME : 174 lbs

TOTAL: 174 lbs



PIECES LIST

LABEL	QTY	SIZE	LENGTH	USE
A	5	600S162-68	11'-9 1/2"	STUD
B	1	600T200-68	5'-10 7/8"	TOP TRACK
C	1	600T200-68	5'-10 7/8"	BOTTOM TRACK
D	2	150U50-54	5'-10 11/16"	HORIZONTAL BRACING

11-1078

Jewish Home for the Aging

1885 Victory Blvd. Reseda, CA

FM-07-109

CREATED BY: AMB

FrameMax, Inc.
13915 Danielson St
Suite 100
Poway, CA 92064
www.framemax.com

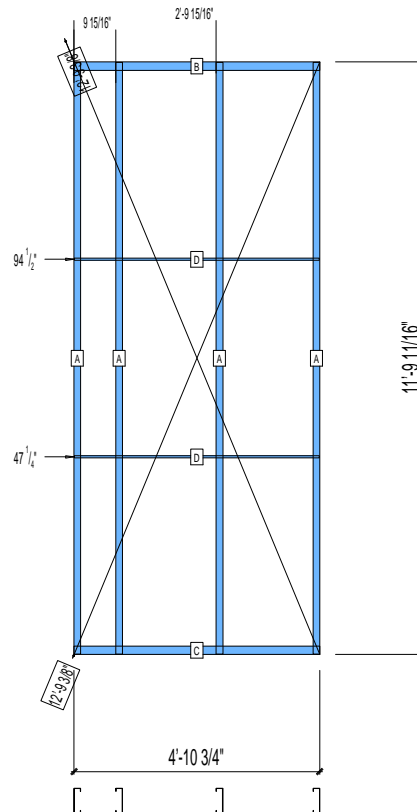


© FrameMax Inc.

HEIGHT : 11'-9 11/16"
SPACING : 24"
1st STUD: 24"

WEIGHTS :
FRAME : 140 lbs

TOTAL: 140 lbs



PIECES LIST

LABEL	QTY	SIZE	LENGTH	USE
A	4	600S162-68	11'-9 1/2"	STUD
B	1	600T200-68	4'-10 3/4"	TOP TRACK
C	1	600T200-68	4'-10 3/4"	BOTTOM TRACK
D	2	150U50-54	4'-10 9/16"	HORIZONTAL BRACING

11-1079

Jewish Home for the Aging

1885 Victory Blvd. Reseda, CA

FM-07-109

CREATED BY: AMB

FrameMax, Inc.
13915 Danielson St
Suite 100
Poway, CA 92064
www.framemax.com

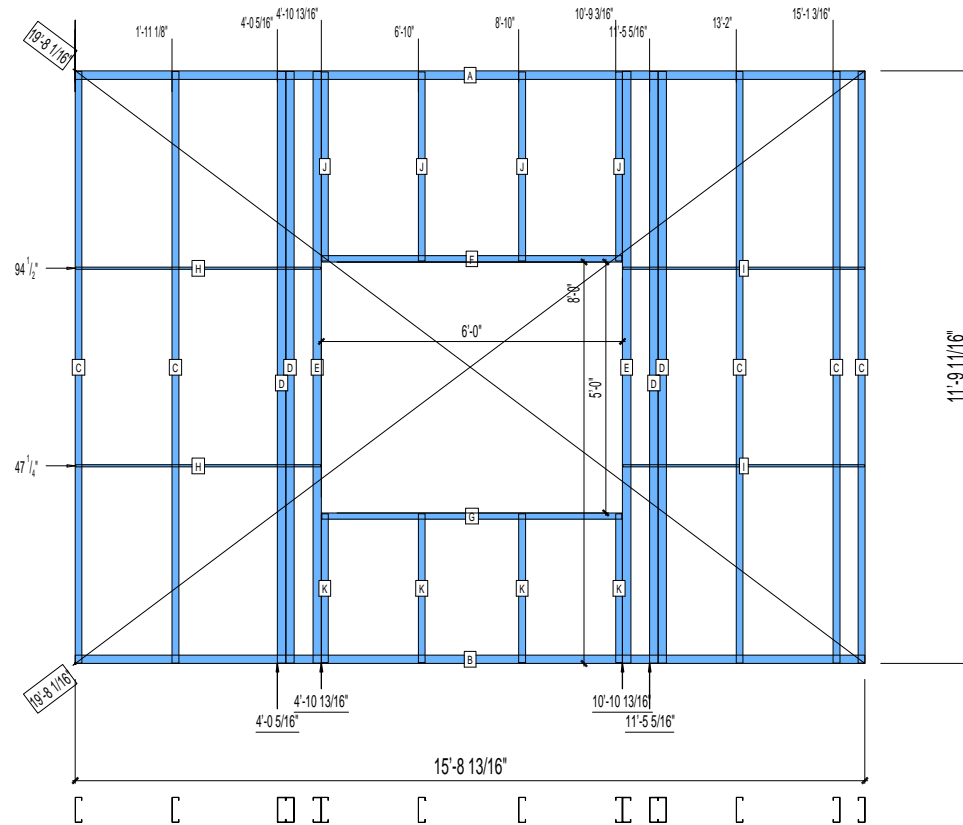


© FrameMax Inc.

HEIGHT : 11'-9 11/16"
SPACING : 24"
1st STUD: 16"

WEIGHTS :
FRAME : 553 lbs

TOTAL: 553 lbs



PIECES LIST

LABEL	QTY	SIZE	LENGTH	USE
A	1	600T200-68	15'-8 13/16"	TOP TRACK
B	1	600T200-68	15'-8 13/16"	BOTTOM TRACK
C	5	600S162-68	11'-9 1/2"	STUD
D	4	600S200-97	11'-9 1/2"	EXTRA STUD
E	2	600S200-97	11'-9 1/2"	KING STUD
F	1	600T150-54	5'-11 3/4"	HEAD TRACK
G	1	600T150-54	5'-11 3/4"	SILL
H	2	150U50-54	4'-10 5/8"	HORIZONTAL BRACING
I	2	150U50-54	4'-9 3/4"	HORIZONTAL BRACING
J	4	600S162-54	3'-9 1/4"	CRIPPLE
K	4	600S162-54	2'-11 9/16"	CRIPPLE

11-1080

Jewish Home for the Aging

1885 Victory Blvd. Reseda, CA

FrameMax, Inc.
13915 Danielson St
Suite 100
Poway, CA 92064
www.frame-max.com



© FrameMax Inc.

CREATED: 09/11/2008

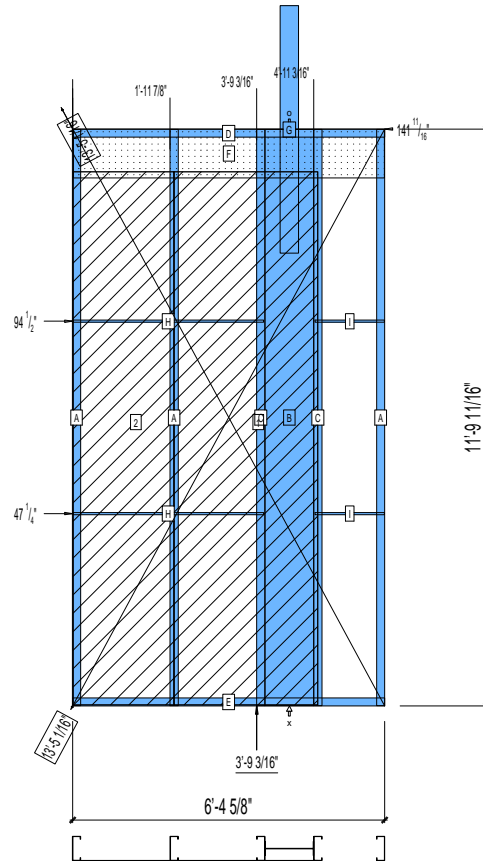
FM-07-109

CREATED BY: AMB

HEIGHT : 14'-3 15/16"
SPACING : 24"
1st STUD: 24"

WEIGHTS :
FRAME : 405 lbs
SHEATHING: 201 lbs

TOTAL: 606 lbs



PIECES LIST

LABEL	QTY	SIZE	LENGTH	USE
A	3	600S200-97	11'-9 1/2"	STUD
B	1	1200i350p1062	11'-9 1/2"	PACO
C	2	600S200-68	11'-9 1/2"	STUD
D	1	600T200-68	6'-4 5/8"	TOP TRACK
E	1	600T200-68	6'-4 5/8"	BOTTOM TRACK
F	1	1200D-54	6'-4 5/16"	STRAP
G	1	D	5'-0 3/4"	HOLDDOWN
H	2	150U50-54	3'-10 13/16"	HORIZONTAL BRACING
I	2	150U50-54	1'-5"	HORIZONTAL BRACING

SHEATHING

LABEL	QTY	CODE	THICK	SIZE	SCREWS
1	1	SB-DENSARMOR	5/8"	2'-11 5/16" X 10'-10 7/8"	2 - 12
2	1	SB-DENSARMOR	5/8"	2'-0 13/16" X 10'-10 7/8"	2 - 12

11-1081

Jewish Home for the Aging

1885 Victory Blvd. Reseda, CA

FrameMax, Inc.
13915 Danielson St
Suite 100
Poway, CA 92064
www.frame-max.com



© FrameMax Inc.

CREATED: 09/11/2008

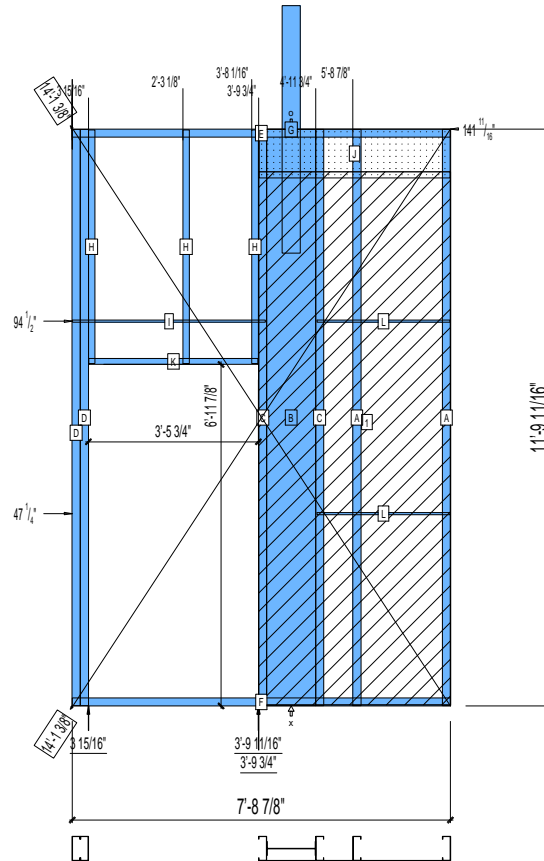
FM-07-109

CREATED BY: AMB

HEIGHT : 11'-9 11/16"
SPACING : 24"
1st STUD: 24"

WEIGHTS :
FRAME : 481 lbs
SHEATHING: 157 lbs

TOTAL: 638 lbs



PIECES LIST

LABEL	QTY	SIZE	LENGTH	USE
A	2	600S200-97	11'-9 1/2"	STUD
B	1	1200i350p1062	11'-9 1/2"	PACO
C	2	600S200-68	11'-9 1/2"	STUD
D	2	600S200-97	11'-9 1/2"	KING STUD
E	1	600T200-68	7'-8 7/8"	TOP TRACK
F	1	600T200-68	7'-8 7/8"	BOTTOM TRACK
G	1	D	5'-0 3/4"	HOLDDOWN
H	3	600S162-54	4'-9 3/8"	CRIPPLE
I	1	150U50-54	3'-11 3/8"	HORIZONTAL BRACING
J	1	1200D-54	3'-10 7/8"	STRAP
K	1	600T150-54	3'-5 1/2"	HEAD TRACK
L	2	150U50-54	2'-8 11/16"	HORIZONTAL BRACING

SHEATHING

LABEL	QTY	CODE	THICK	SIZE	SCREWS
1	1	SB-DENSARMOR	5/8"	3'-11 1/16" X 10'-10 7/8"	2 - 12

11-1082

Jewish Home for the Aging

1885 Victory Blvd. Reseda, CA

FM-07-109

CREATED BY: AMB

FrameMax, Inc.
13915 Danielson St
Suite 100
Poway, CA 92064
www.frame-max.com

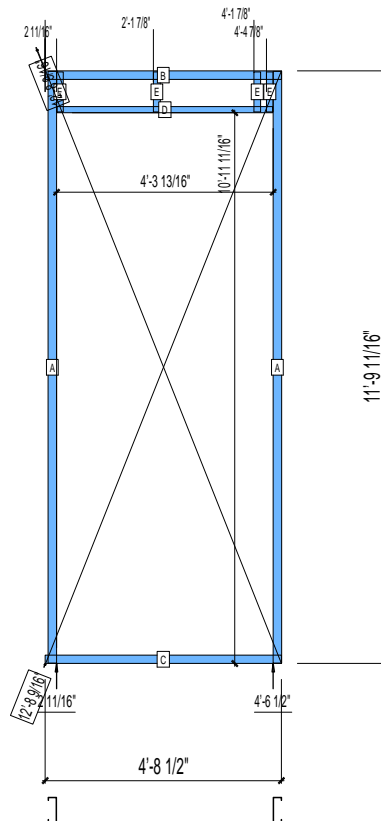


© FrameMax Inc.

HEIGHT : 11'-9 11/16"
SPACING : 24"
1st STUD: 24"

WEIGHTS :
FRAME : 122 lbs

TOTAL: 122 lbs



PIECES LIST

LABEL	QTY	SIZE	LENGTH	USE
A	2	600S200-97	11'-9 1/2"	KING STUD
B	1	600T200-68	4'-8 1/2"	TOP TRACK
C	1	600T200-68	4'-8 1/2"	BOTTOM TRACK
D	1	600T150-54	4'-3 9/16"	HEAD TRACK
E	4	600S162-54	9 9/16"	CRIPPLE

11-1083

Jewish Home for the Aging

1885 Victory Blvd. Reseda, CA

FrameMax, Inc.
13915 Danielson St
Suite 100
Poway, CA 92064
www.framemax.com



© FrameMax Inc.

CREATED: 09/11/2008

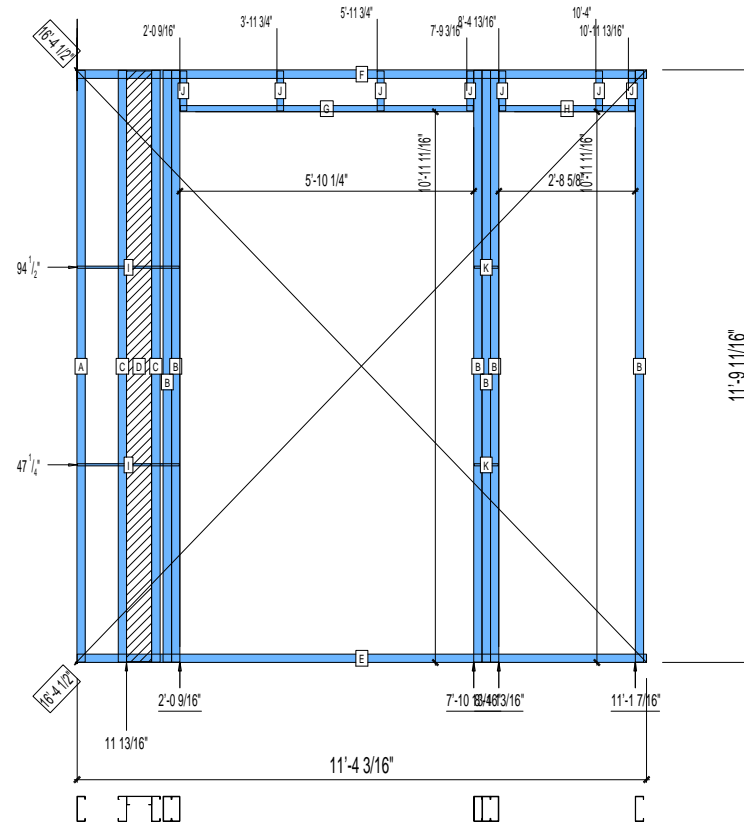
FM-07-109

CREATED BY: AMB

HEIGHT : 11'-9 11/16"
SPACING : 24"
1st STUD: 24"

WEIGHTS :
FRAME : 428 lbs

TOTAL: 428 lbs



PIECES LIST

LABEL	QTY	SIZE	LENGTH	USE
A	1	600S200-97	11'-9 1/2"	STUD
B	6	600S200-97	11'-9 1/2"	KING STUD
C	2	600S200-33	11'-9 1/2"	BACKER STUD
D	1	600S200-33	11'-9 1/4"	BACKER-U
E	1	600T200-68	11'-4 3/16"	BOTTOM TRACK
F	1	600T200-68	11'-4 3/16"	TOP TRACK
G	1	600T150-54	5'-10"	HEAD TRACK
H	1	600T150-54	2'-8 3/8"	HEAD TRACK
I	2	150U50-54	2'-0 3/8"	HORIZONTAL BRACING
J	7	600S162-54	9 9/16"	CRIPPLE
K	2	150U50-54	5 3/4"	HORIZONTAL BRACING

11-1084

Jewish Home for the Aging

1885 Victory Blvd. Reseda, CA

FM-07-109

CREATED BY: AMB

FrameMax, Inc.
13915 Danielson St
Suite 100
Poway, CA 92064
www.frame-max.com

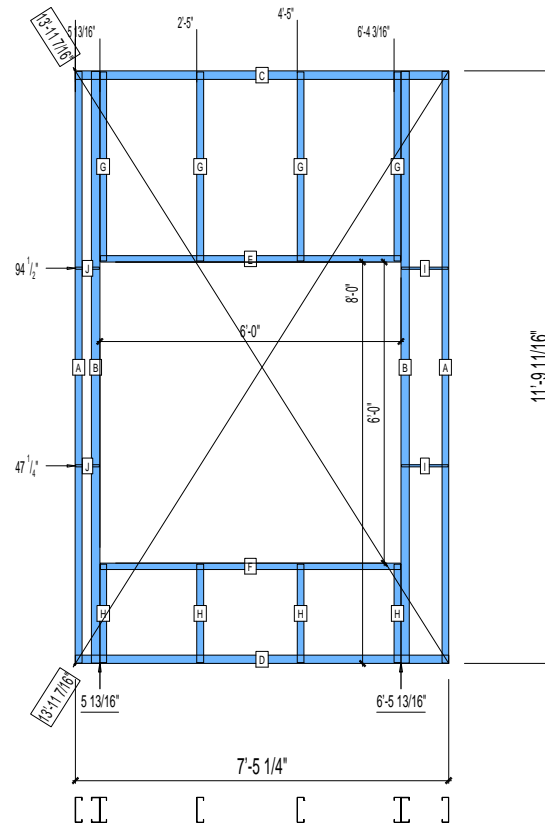


© FrameMax Inc.

HEIGHT : 11'-9 11/16"
SPACING : 24"
1st STUD: 24"

WEIGHTS :
FRAME : 243 lbs

TOTAL: 243 lbs



PIECES LIST

LABEL	QTY	SIZE	LENGTH	USE
A	2	600S162-68	11'-9 1/2"	STUD
B	2	600S200-97	11'-9 1/2"	KING STUD
C	1	600T200-68	7'-5 1/4"	TOP TRACK
D	1	600T200-68	7'-5 1/4"	BOTTOM TRACK
E	1	600T150-54	5'-11 3/4"	HEAD TRACK
F	1	600T150-54	5'-11 3/4"	SILL
G	4	600S162-54	3'-9 1/4"	CRIPPLE
H	4	600S162-54	1'-11 9/16"	CRIPPLE
I	2	150U50-54	11 3/16"	HORIZONTAL BRACING
J	2	150U50-54	5 5/8"	HORIZONTAL BRACING

11-1085

Jewish Home for the Aging

1885 Victory Blvd. Reseda, CA

FM-07-109

CREATED BY: AMB

FrameMax, Inc.
13915 Danielson St
Suite 100
Poway, CA 92064
www.framemax.com

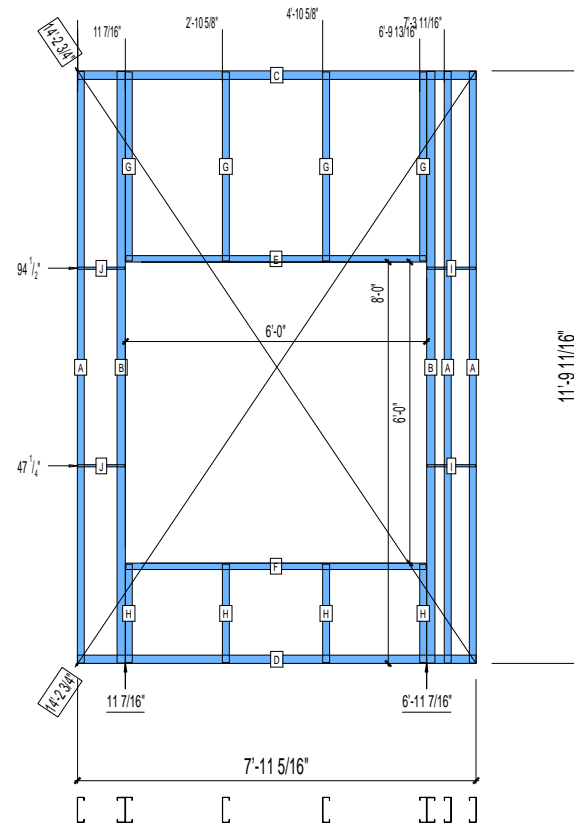


© FrameMax Inc.

HEIGHT : 11'-9 11/16"
SPACING : 24"
1st STUD: 24"

WEIGHTS :
FRAME : 273 lbs

TOTAL: 273 lbs



PIECES LIST

LABEL	QTY	SIZE	LENGTH	USE
A	3	600S162-68	11'-9 1/2"	STUD
B	2	600S200-97	11'-9 1/2"	KING STUD
C	1	600T200-68	7'-11 5/16"	TOP TRACK
D	1	600T200-68	7'-11 5/16"	BOTTOM TRACK
E	1	600T150-54	5'-11 3/4"	HEAD TRACK
F	1	600T150-54	5'-11 3/4"	SILL
G	4	600S162-54	3'-9 1/4"	CRIPPLE
H	4	600S162-54	1'-11 9/16"	CRIPPLE
I	2	150U50-54	11 5/8"	HORIZONTAL BRACING
J	2	150U50-54	11 1/4"	HORIZONTAL BRACING

11-1086

Jewish Home for the Aging

1885 Victory Blvd. Reseda, CA

FrameMax, Inc.
13915 Danielson St
Suite 100
Poway, CA 92064
www.frame-max.com



© FrameMax Inc.

CREATED: 09/11/2008

FM-07-109

CREATED BY: AMB

HEIGHT : 11'-9 11/16"

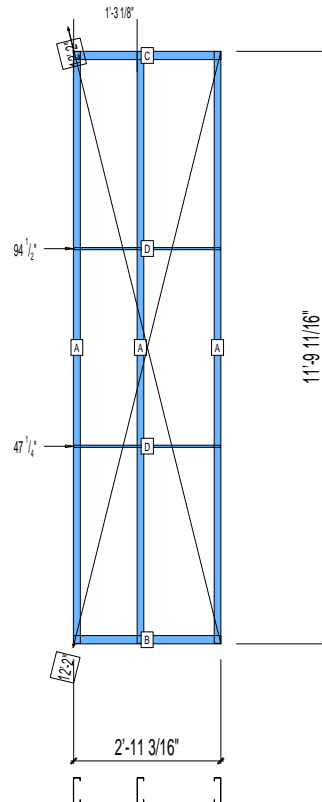
SPACING : 24"

1st STUD: 16"

WEIGHTS :

FRAME : 101 lbs

TOTAL: 101 lbs



PIECES LIST

LABEL	QTY	SIZE	LENGTH	USE
A	3	600S162-68	11'-9 1/2"	STUD
B	1	600T200-68	2'-11 3/16"	BOTTOM TRACK
C	1	600T200-68	2'-11 3/16"	TOP TRACK
D	2	150U50-54	2'-11"	HORIZONTAL BRACING

11-1087

Jewish Home for the Aging

1885 Victory Blvd. Reseda, CA

FrameMax, Inc.
13915 Danielson St
Suite 100
Poway, CA 92064
www.frame-max.com



© FrameMax Inc.

CREATED: 09/11/2008

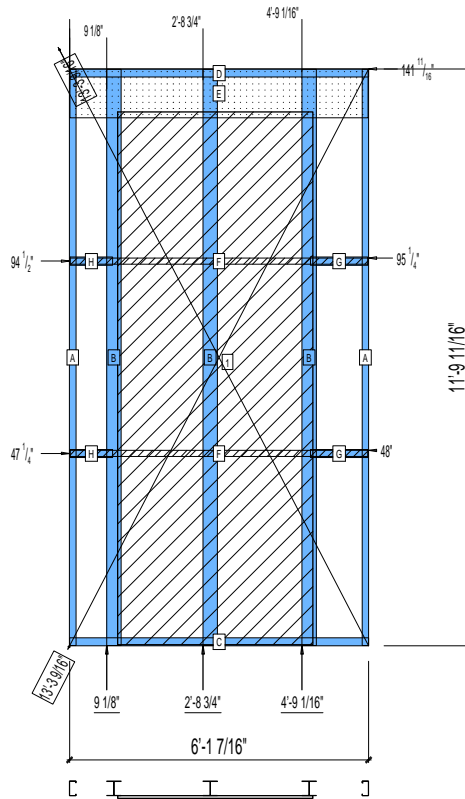
FM-07-109

CREATED BY: AMB

HEIGHT : 11'-9 11/16"
SPACING : 24"
1st STUD: 24"

WEIGHTS :
FRAME : 278 lbs
SHEATHING: 160 lbs

TOTAL: 438 lbs



PIECES LIST

LABEL	QTY	SIZE	LENGTH	USE
A	2	362S162-54	11'-9 1/2"	STUD
B	3	363i350p554	11'-9 1/2"	PACO. COLUMN
C	1	362T200-68	6'-1 7/16"	BOTTOM TRACK
D	1	362T200-68	6'-1 7/16"	TOP TRACK
E	1	1200D-54	6'-1 1/4"	STRAP
F	2	150D-43	6'-1 1/4"	STRAP
G	2	362T200-68	1'-2 1/16"	BLOCK
H	2	362T200-68	10 3/8"	BLOCK

SHEATHING

LABEL	QTY	CODE	THICK	SIZE	SCREWS
1	1	SB-DENSARMOR	5/8"	3'-11 15/16" X 10'-10 7/8"	2 - 12

11-1088

Jewish Home for the Aging

1885 Victory Blvd. Reseda, CA

FM-07-109

CREATED BY: AMB

FrameMax, Inc.
13915 Danielson St
Suite 100
Poway, CA 92064
www.frame-max.com

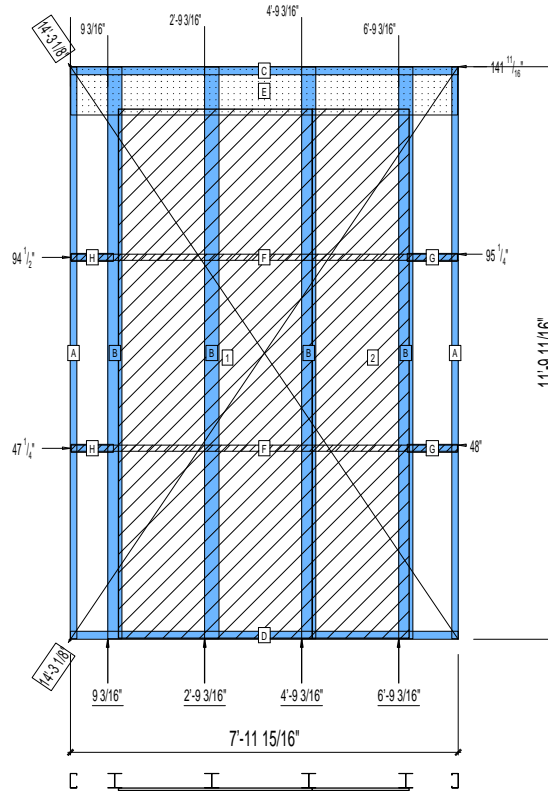


© FrameMax Inc.

HEIGHT : 11'-9 11/16"
SPACING : 24"
1st STUD: 24"

WEIGHTS :
FRAME : 355 lbs
SHEATHING: 241 lbs

TOTAL: 596 lbs



PIECES LIST

LABEL	QTY	SIZE	LENGTH	USE
A	2	362S162-54	11'-9 1/2"	STUD
B	4	363I350p554	11'-9 1/2"	PACO. COLUMN
C	1	362T200-68	7'-11 15/16"	TOP TRACK
D	1	362T200-68	7'-11 15/16"	BOTTOM TRACK
E	1	1200D-54	7'-11 3/4"	STRAP
F	2	150D-43	7'-11 3/4"	STRAP
G	2	362T200-68	1'-0 7/16"	BLOCK
H	2	362T200-68	10 7/16"	BLOCK

SHEATHING

LABEL	QTY	CODE	THICK	SIZE	SCREWS
1	1	SB-DENSARMOR	5/8"	4'-0" X 10'-10 7/8"	2 - 12
2	1	SB-DENSARMOR	5/8"	2'-0" X 10'-10 7/8"	2 - 12

11-1089

Jewish Home for the Aging

1885 Victory Blvd. Reseda, CA

FrameMax, Inc.
13915 Danielson St
Suite 100
Poway, CA 92064
www.frame-max.com



© FrameMax Inc.

CREATED: 09/11/2008

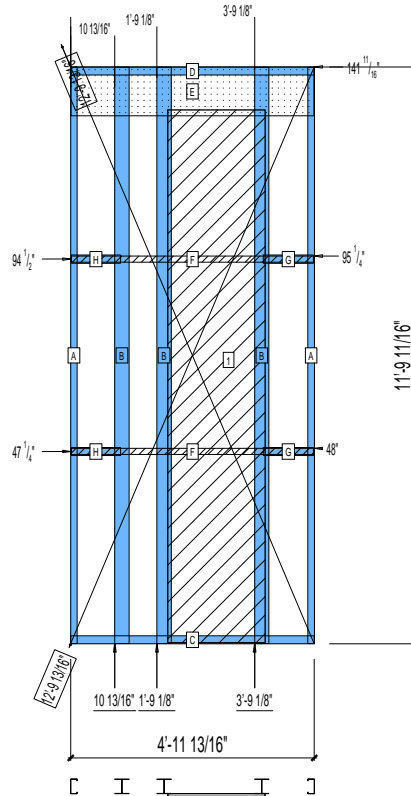
FM-07-109

CREATED BY: AMB

HEIGHT : 11'-9 11/16"
SPACING : 24"
1st STUD: 24"

WEIGHTS :
FRAME : 270 lbs
SHEATHING: 80 lbs

TOTAL: 350 lbs



PIECES LIST

LABEL	QTY	SIZE	LENGTH	USE
A	2	362S162-54	11'-9 1/2"	STUD
B	3	363i350p554	11'-9 1/2"	PACO. COLUMN
C	1	362T200-68	4'-11 13/16"	BOTTOM TRACK
D	1	362T200-68	4'-11 13/16"	TOP TRACK
E	1	1200D-54	4'-11 5/8"	STRAP
F	2	150D-43	4'-11 5/8"	STRAP
G	2	362T200-68	1'-0 3/8"	BLOCK
H	2	362T200-68	1'-0"	BLOCK

SHEATHING

LABEL	QTY	CODE	THICK	SIZE	SCREWS
1	1	SB-DENSARMOR	5/8"	1'-11 15/16" X 10'-10 7/8"	2 - 12

11-1090

Jewish Home for the Aging

1885 Victory Blvd. Reseda, CA

FrameMax, Inc.
13915 Danielson St
Suite 100
Poway, CA 92064
www.framemax.com



© FrameMax Inc.

CREATED: 09/11/2008

FM-07-109

CREATED BY: AMB

HEIGHT : 11'-9 11/16"

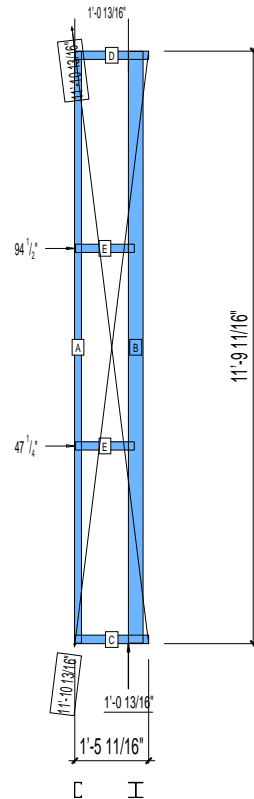
SPACING : 24"

1st STUD: 24"

WEIGHTS :

FRAME : 92 lbs

TOTAL: 92 lbs



PIECES LIST

LABEL	QTY	SIZE	LENGTH	USE
A	1	362S162-54	11'-9 1/2"	STUD
B	1	363i350p554	11'-9 1/2"	PACO. COLUMN
C	1	362T200-68	1'-5 11/16"	BOTTOM TRACK
D	1	362T200-68	1'-5 11/16"	TOP TRACK
E	2	362T200-68	1'-2 1/16"	BLOCK

11-1091

Jewish Home for the Aging

1885 Victory Blvd. Reseda, CA

FrameMax, Inc.
 13915 Danielson St
 Suite 100
 Poway, CA 92064
 www.frame-max.com



© FrameMax Inc.

CREATED: 09/11/2008

FM-07-109

CREATED BY: AMB

HEIGHT : 10'-9 1/4"

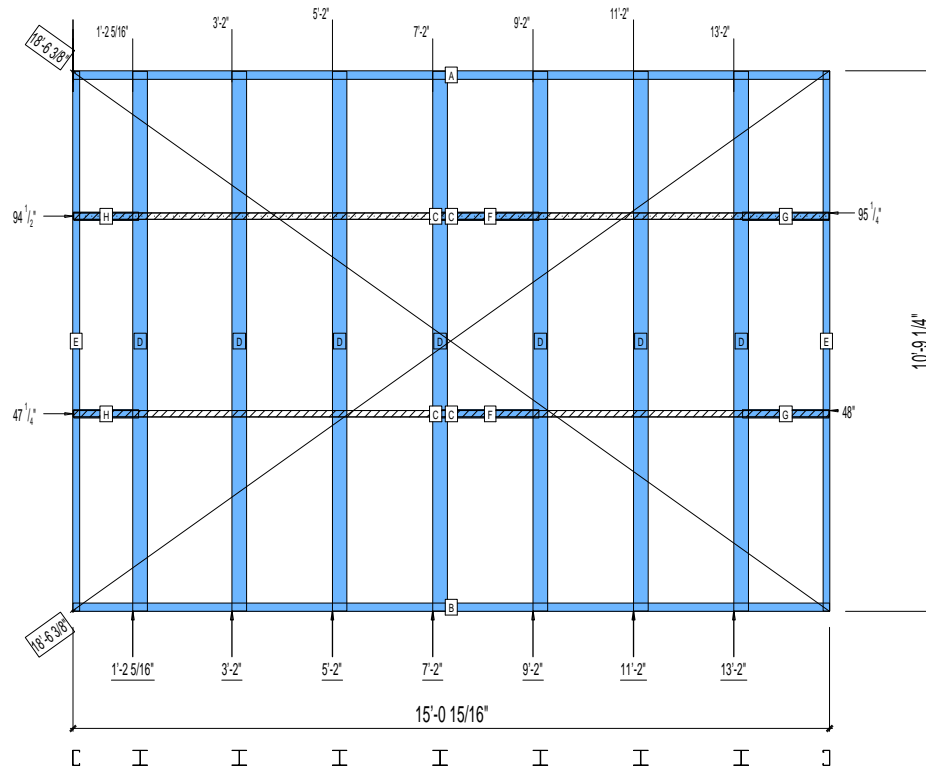
SPACING : 24"

1st STUD: 24"

WEIGHTS :

FRAME : 536 lbs

TOTAL: 536 lbs



PIECES LIST

LABEL	QTY	SIZE	LENGTH	USE
A	1	362T200-68	15'-0 15/16"	TOP TRACK
B	1	362T200-68	15'-0 15/16"	BOTTOM TRACK
C	4	150D-43	15'-0 3/4"	STRAP
D	7	363i350p554	10'-9 1/16"	PACO. COLUMN
E	2	362S162-54	10'-9 1/16"	STUD
F	2	362T200-68	1'-11 5/16"	BLOCK
G	2	362T200-68	1'-8 5/8"	BLOCK
H	2	362T200-68	1'-3 1/2"	BLOCK

11-1092

Jewish Home for the Aging

1885 Victory Blvd. Reseda, CA

FrameMax, Inc.
13915 Danielson St
Suite 100
Poway, CA 92064
www.frame-max.com



© FrameMax Inc.

CREATED: 09/11/2008

FM-07-109

CREATED BY: AMB

HEIGHT : 11'-9 11/16"

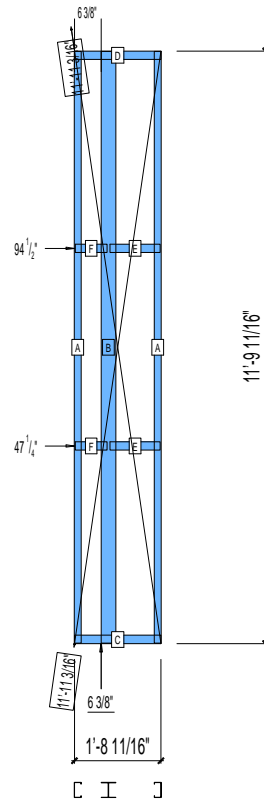
SPACING : 24"

1st STUD: 24"

WEIGHTS :

FRAME : 112 lbs

TOTAL: 112 lbs



PIECES LIST

LABEL	QTY	SIZE	LENGTH	USE
A	2	362S162-54	11'-9 1/2"	STUD
B	1	363i350p554	11'-9 1/2"	PACO. COLUMN
C	1	362T200-68	1'-8 11/16"	BOTTOM TRACK
D	1	362T200-68	1'-8 11/16"	TOP TRACK
E	2	362T200-68	1'-0"	BLOCK
F	2	362T200-68	7 9/16"	BLOCK

11-1093

Jewish Home for the Aging

1885 Victory Blvd. Reseda, CA

FrameMax, Inc.
13915 Danielson St
Suite 100
Poway, CA 92064
www.frame-max.com



© FrameMax Inc.

CREATED: 09/11/2008

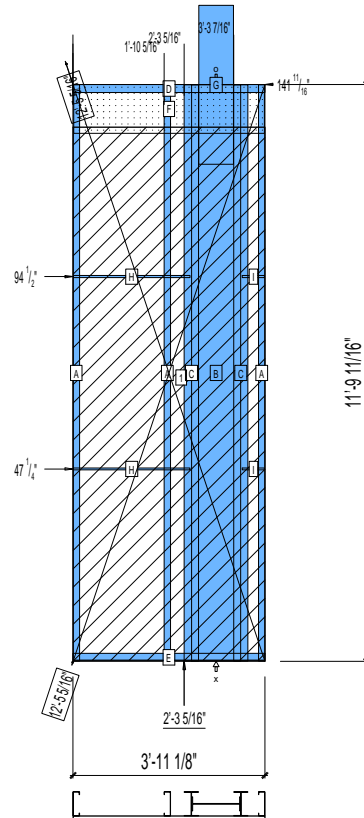
FM-07-109

CREATED BY: AMB

HEIGHT : 13'-5 1/16"
SPACING : 24"
1st STUD: 24"

WEIGHTS :
FRAME : 637 lbs
SHEATHING: 157 lbs

TOTAL: 794 lbs



PIECES LIST

LABEL	QTY	SIZE	LENGTH	USE
A	3	600S162-97	11'-9 1/2"	STUD
B	1	1200i350p1420	11'-9 1/2"	PACO
C	2	600i350p968	11'-9 1/2"	PACO
D	1	600T200-68	3'-11 1/8"	TOP TRACK
E	1	600T200-68	3'-11 1/8"	BOTTOM TRACK
F	1	1200D-54	3'-10 7/8"	STRAP
G	1	F	3'-3"	HOLDDOWN
H	2	150U50-54	2'-4 5/8"	HORIZONTAL BRACING
I	2	150U50-54	5 1/2"	HORIZONTAL BRACING

SHEATHING

LABEL	QTY	CODE	THICK	SIZE	SCREWS
1	1	SB-DENSARMOR	5/8"	3'-11 1/16" X 10'-10 7/8"	2 - 12

11-1094

Jewish Home for the Aging

1885 Victory Blvd. Reseda, CA

FrameMax, Inc.
13915 Danielson St
Suite 100
Poway, CA 92064
www.frame-max.com



© FrameMax Inc.

CREATED: 09/11/2008

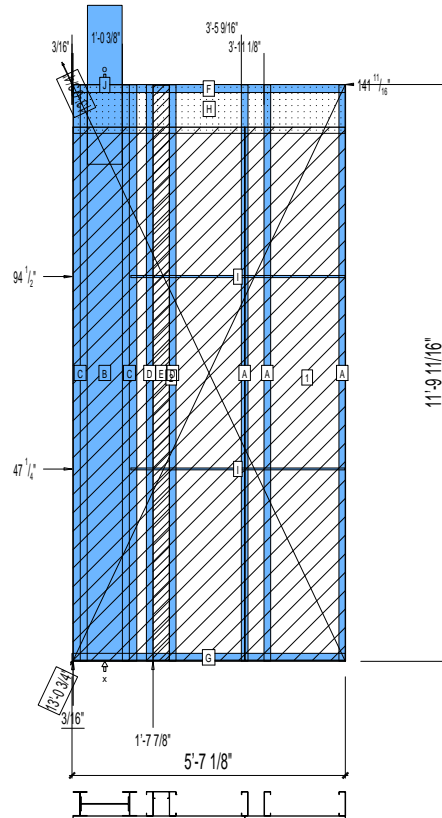
FM-07-109

CREATED BY: AMB

HEIGHT : 11'-9 11/16"
SPACING : 24"
1st STUD: 24"

WEIGHTS :
FRAME : 689 lbs
SHEATHING: 224 lbs

TOTAL: 913 lbs



PIECES LIST

LABEL	QTY	SIZE	LENGTH	USE
A	3	600S162-97	11'-9 1/2"	STUD
B	1	1200i350p1420	11'-9 1/2"	PACO
C	2	600i350p968	11'-9 1/2"	PACO
D	2	600S162-33	11'-9 1/2"	BACKER STUD
E	1	400S162-33	11'-9 1/4"	BACKER-U
F	1	600T200-68	5'-7 1/8"	TOP TRACK
G	1	600T200-68	5'-7 1/8"	BOTTOM TRACK
H	1	1200D-54	5'-6 11/16"	STRAP
I	2	150U50-54	4'-4 9/16"	HORIZONTAL BRACING
J	1	F	3'-3"	HOLDDOWN

SHEATHING

LABEL	QTY	CODE	THICK	SIZE	SCREWS
1	1	SB-DENSARMOR	5/8"	2'-0 3/4" X 10'-10 7/8"	2 - 12
2	1	SB-DENSARMOR	5/8"	3'-6 3/16" X 10'-10 7/8"	2 - 12

11-1095

Jewish Home for the Aging

1885 Victory Blvd. Reseda, CA

FrameMax, Inc.
13915 Danielson St
Suite 100
Poway, CA 92064
www.frame-max.com



© FrameMax Inc.

CREATED: 09/11/2008

FM-07-109

CREATED BY: AMB

HEIGHT : 11'-9 11/16"

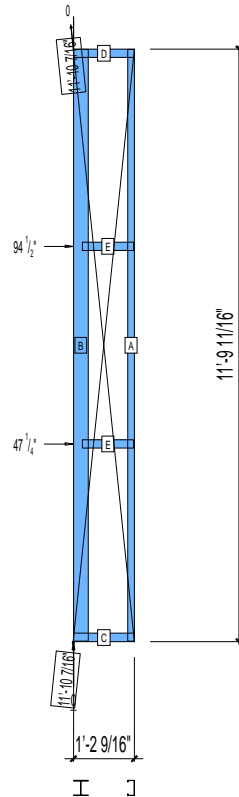
SPACING : 24"

1st STUD: 24"

WEIGHTS :

FRAME : 105 lbs

TOTAL: 105 lbs



PIECES LIST

LABEL	QTY	SIZE	LENGTH	USE
A	1	362S162-54	11'-9 1/2"	STUD
B	1	363i350p680	11'-9 1/2"	PACO. COLUMN
C	1	362T200-68	1'-2 9/16"	BOTTOM TRACK
D	1	362T200-68	1'-2 9/16"	TOP TRACK
E	2	362T200-68	1'-0 1/4"	BLOCK

11-1096

Jewish Home for the Aging

1885 Victory Blvd. Reseda, CA

FrameMax, Inc.
13915 Danielson St
Suite 100
Poway, CA 92064
www.framemax.com



© FrameMax Inc.

CREATED: 09/11/2008

FM-07-109

CREATED BY: AMB

HEIGHT : 11'-9 11/16"

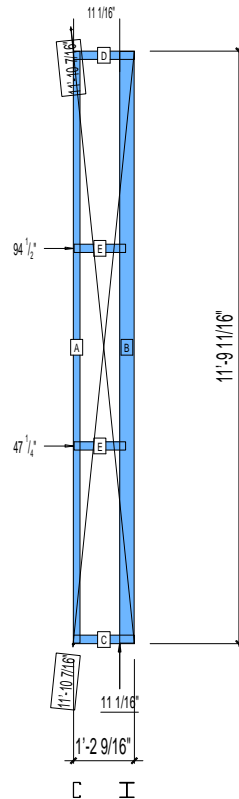
SPACING : 24"

1st STUD: 24"

WEIGHTS :

FRAME : 105 lbs

TOTAL: 105 lbs



PIECES LIST

LABEL	QTY	SIZE	LENGTH	USE
A	1	362S162-54	11'-9 1/2"	STUD
B	1	363i350p680	11'-9 1/2"	PACO.COLUMN
C	1	362T200-68	1'-2 9/16"	BOTTOM TRACK
D	1	362T200-68	1'-2 9/16"	TOP TRACK
E	2	362T200-68	1'-0 1/4"	BLOCK

11-1097

Jewish Home for the Aging

1885 Victory Blvd. Reseda, CA

FM-07-109

CREATED BY: AMB

FrameMax, Inc.
13915 Danielson St
Suite 100
Poway, CA 92064
www.framemax.com

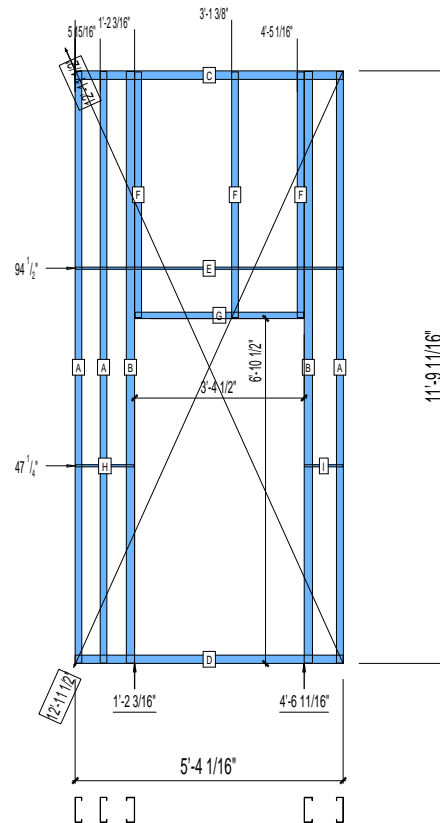


© FrameMax Inc.

HEIGHT : 11'-9 11/16"
SPACING : 24"
1st STUD: 24"

WEIGHTS :
FRAME : 232 lbs

TOTAL: 232 lbs



PIECES LIST

LABEL	QTY	SIZE	LENGTH	USE
A	3	600S162-68	11'-9 1/2"	STUD
B	2	600S200-97	11'-9 1/2"	KING STUD
C	1	600T200-68	5'-4 1/16"	TOP TRACK
D	1	600T200-68	5'-4 1/16"	BOTTOM TRACK
E	1	150U50-54	5'-3 7/8"	HORIZONTAL BRACING
F	3	600S162-54	4'-10 3/4"	CRIPPLE
G	1	600T150-54	3'-4 1/4"	HEAD TRACK
H	1	150U50-54	1'-2"	HORIZONTAL BRACING
I	1	150U50-54	9 1/8"	HORIZONTAL BRACING

11-1098

Jewish Home for the Aging

1885 Victory Blvd. Reseda, CA

FM-07-109

CREATED BY: AMB

FrameMax, Inc.
13915 Danielson St
Suite 100
Poway, CA 92064
www.frame-max.com



© FrameMax Inc.

HEIGHT : 11'-9 11/16"

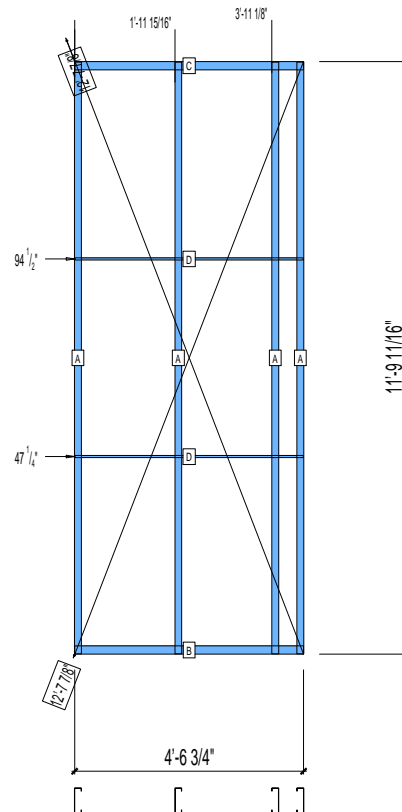
SPACING : 24"

1st STUD: 24"

WEIGHTS :

FRAME : 138 lbs

TOTAL: 138 lbs



PIECES LIST

LABEL	QTY	SIZE	LENGTH	USE
A	4	600S162-68	11'-9 1/2"	STUD
B	1	600T200-68	4'-6 3/4"	BOTTOM TRACK
C	1	600T200-68	4'-6 3/4"	TOP TRACK
D	2	150U50-54	4'-6 9/16"	HORIZONTAL BRACING

11-1099

Jewish Home for the Aging

1885 Victory Blvd. Reseda, CA

FrameMax, Inc.
13915 Danielson St
Suite 100
Poway, CA 92064
www.frame-max.com



© FrameMax Inc.

CREATED: 09/11/2008

FM-07-109

CREATED BY: AMB

HEIGHT : 11'-9 11/16"

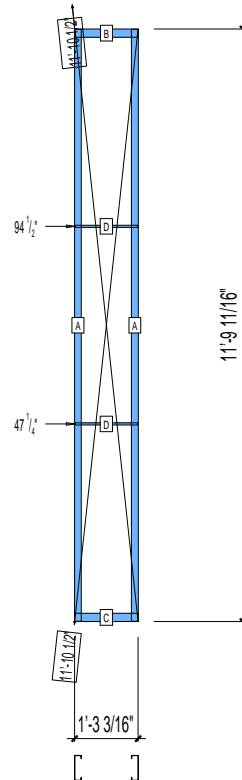
SPACING : 24"

1st STUD: 16"

WEIGHTS :

FRAME : 63 lbs

TOTAL: 63 lbs



PIECES LIST

LABEL	QTY	SIZE	LENGTH	USE
A	2	600S162-68	11'-9 1/2"	STUD
B	1	600T200-68	1'-3 3/16"	TOP TRACK
C	1	600T200-68	1'-3 3/16"	BOTTOM TRACK
D	2	150U50-54	1'-3"	HORIZONTAL BRACING

11-1100

Jewish Home for the Aging

1885 Victory Blvd. Reseda, CA

FrameMax, Inc.
13915 Danielson St
Suite 100
Poway, CA 92064
www.frame-max.com



© FrameMax Inc.

CREATED: 09/11/2008

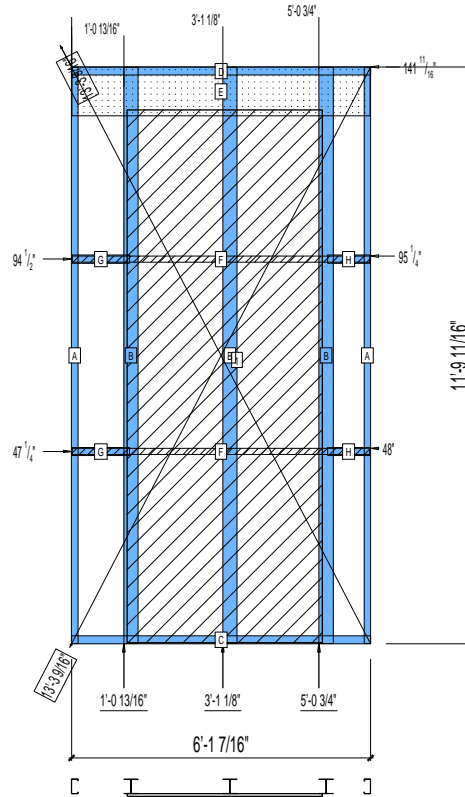
FM-07-109

CREATED BY: AMB

HEIGHT : 11'-9 11/16"
SPACING : 24"
1st STUD: 24"

WEIGHTS :
FRAME : 278 lbs
SHEATHING: 160 lbs

TOTAL: 438 lbs



PIECES LIST

LABEL	QTY	SIZE	LENGTH	USE
A	2	362S162-54	11'-9 1/2"	STUD
B	3	363i350p554	11'-9 1/2"	PACO. COLUMN
C	1	362T200-68	6'-1 7/16"	BOTTOM TRACK
D	1	362T200-68	6'-1 7/16"	TOP TRACK
E	1	1200D-54	6'-1 1/4"	STRAP
F	2	150D-43	6'-1 1/4"	STRAP
G	2	362T200-68	1'-2 1/16"	BLOCK
H	2	362T200-68	10 3/8"	BLOCK

SHEATHING

LABEL	QTY	CODE	THICK	SIZE	SCREWS
1	1	SB-DENSARMOR	5/8"	3'-11 15/16" X 10'-10 7/8"	2 - 12

11-1101

Jewish Home for the Aging

1885 Victory Blvd. Reseda, CA

FM-07-109

CREATED BY: AMB

FrameMax, Inc.
13915 Danielson St
Suite 100
Poway, CA 92064
www.frame-max.com



© FrameMax Inc.

HEIGHT : 11'-9 11/16"

SPACING : 24"

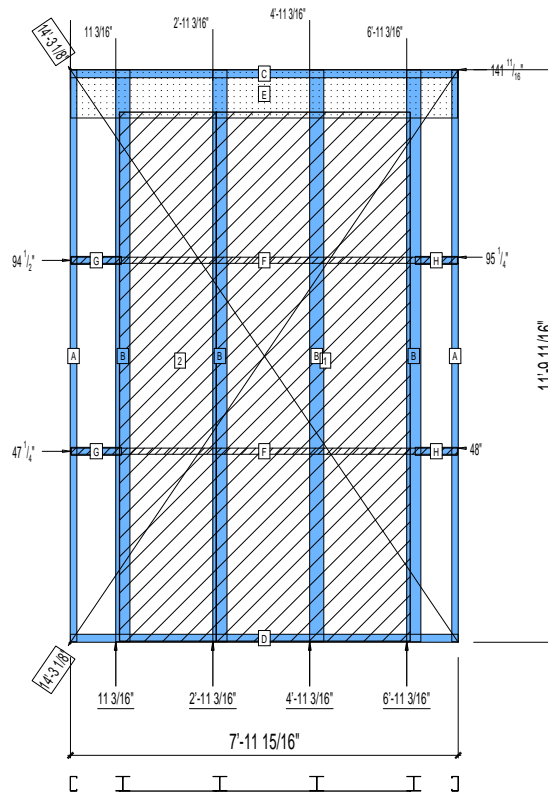
1st STUD: 24"

WEIGHTS :

FRAME : 355 lbs

SHEATHING: 241 lbs

TOTAL: 596 lbs



PIECES LIST

LABEL	QTY	SIZE	LENGTH	USE
A	2	362S162-54	11'-9 1/2"	STUD
B	4	363I350p554	11'-9 1/2"	PACO. COLUMN
C	1	362T200-68	7'-11 15/16"	TOP TRACK
D	1	362T200-68	7'-11 15/16"	BOTTOM TRACK
E	1	1200D-54	7'-11 3/4"	STRAP
F	2	150D-43	7'-11 3/4"	STRAP
G	2	362T200-68	1'-0 7/16"	BLOCK
H	2	362T200-68	10 7/16"	BLOCK

SHEATHING

LABEL	QTY	CODE	THICK	SIZE	SCREWS
1	1	SB-DENSARMOR	5/8"	4'-0" X 10'-10 7/8"	2 - 12
2	1	SB-DENSARMOR	5/8"	2'-0" X 10'-10 7/8"	2 - 12

11-1102

Jewish Home for the Aging

1885 Victory Blvd. Reseda, CA

FrameMax, Inc.
13915 Danielson St
Suite 100
Poway, CA 92064
www.frame-max.com



© FrameMax Inc.

CREATED: 09/11/2008

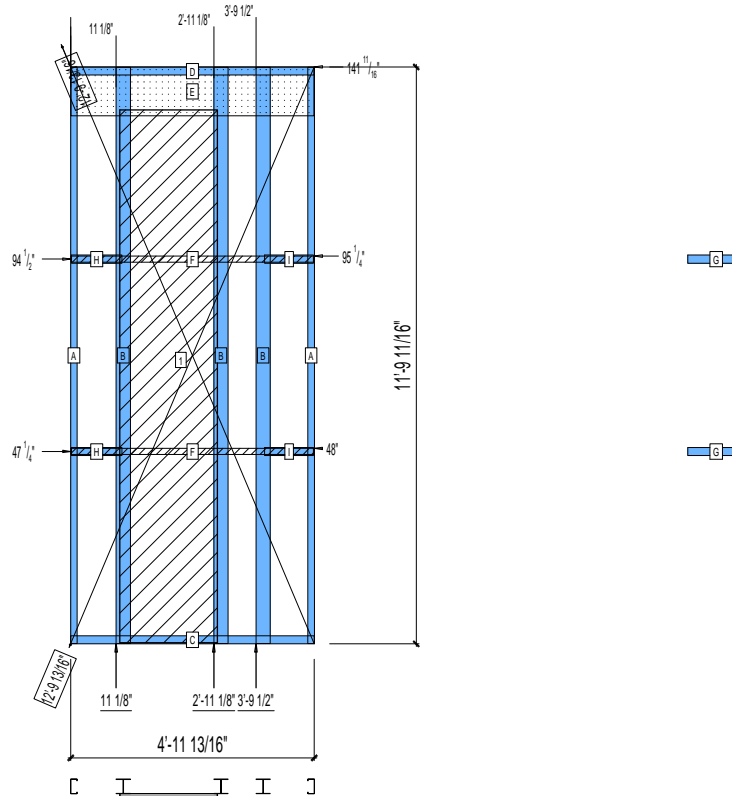
FM-07-109

CREATED BY: AMB

HEIGHT : 11'-9 11/16"
SPACING : 24"
1st STUD: 24"

WEIGHTS :
FRAME : 275 lbs
SHEATHING: 80 lbs

TOTAL: 355 lbs



PIECES LIST

LABEL	QTY	SIZE	LENGTH	USE
A	2	362S162-54	11'-9 1/2"	STUD
B	3	3631350p554	11'-9 1/2"	PACO. COLUMN
C	1	362T200-68	4'-11 13/16"	BOTTOM TRACK
D	1	362T200-68	4'-11 13/16"	TOP TRACK
E	1	1200D-54	4'-11 5/8"	STRAP
F	2	150D-43	4'-11 5/8"	STRAP
G	2	362T200-68	1'-1 15/16"	BLOCK
H	2	362T200-68	1'-0 3/8"	BLOCK
I	2	362T200-68	1'-0"	BLOCK

SHEATHING

LABEL	QTY	CODE	THICK	SIZE	SCREWS
1	1	SB-DENSARMOR	5/8"	1'-11 15/16" X 10'-10 7/8"	2 - 12

11-1103

Jewish Home for the Aging

1885 Victory Blvd. Reseda, CA

FrameMax, Inc.
13915 Danielson St
Suite 100
Poway, CA 92064
www.frame-max.com



© FrameMax Inc.

CREATED: 09/11/2008

FM-07-109

CREATED BY: AMB

HEIGHT : 11'-9 11/16"

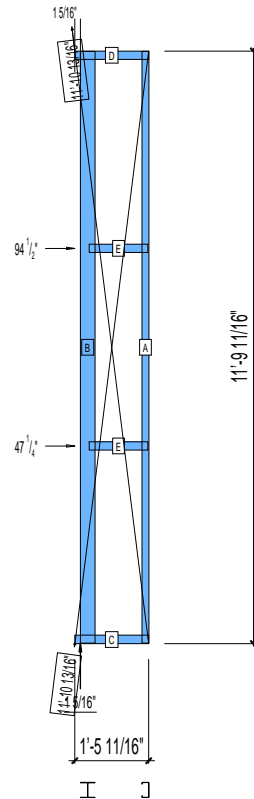
SPACING : 24"

1st STUD: 24"

WEIGHTS :

FRAME : 92 lbs

TOTAL: 92 lbs



PIECES LIST

LABEL	QTY	SIZE	LENGTH	USE
A	1	362S162-54	11'-9 1/2"	STUD
B	1	363i350p554	11'-9 1/2"	PACO. COLUMN
C	1	362T200-68	1'-5 11/16"	BOTTOM TRACK
D	1	362T200-68	1'-5 11/16"	TOP TRACK
E	2	362T200-68	1'-2 1/16"	BLOCK

11-1104

Jewish Home for the Aging

1885 Victory Blvd. Reseda, CA

FM-07-109

CREATED BY: AMB

FrameMax, Inc.
13915 Danielson St
Suite 100
Poway, CA 92064
www.frame-max.com

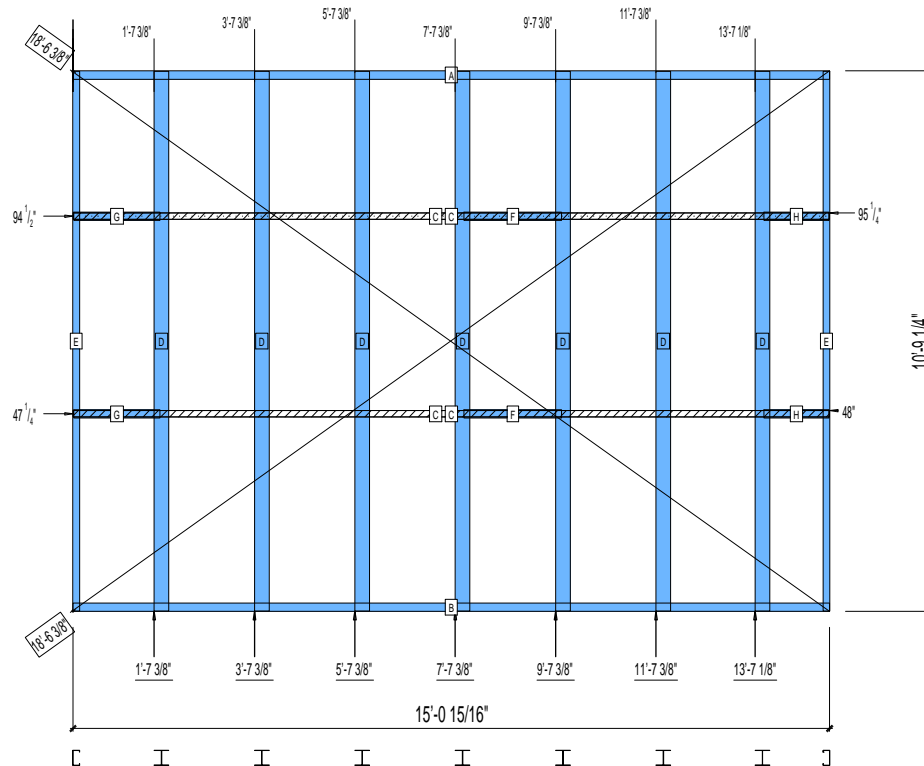


© FrameMax Inc.

HEIGHT : 10'-9 1/4"
SPACING : 24"
1st STUD: 24"

WEIGHTS :
FRAME : 536 lbs

TOTAL: 536 lbs



PIECES LIST

LABEL	QTY	SIZE	LENGTH	USE
A	1	362T200-68	15'-0 15/16"	TOP TRACK
B	1	362T200-68	15'-0 15/16"	BOTTOM TRACK
C	4	150D-43	15'-0 3/4"	STRAP
D	7	363i350p554	10'-9 1/16"	PACO. COLUMN
E	2	362S162-54	10'-9 1/16"	STUD
F	2	362T200-68	1'-11 5/16"	BLOCK
G	2	362T200-68	1'-8 5/8"	BLOCK
H	2	362T200-68	1'-3 1/2"	BLOCK

11-1105

Jewish Home for the Aging

1885 Victory Blvd. Reseda, CA

FrameMax, Inc.
13915 Danielson St
Suite 100
Poway, CA 92064
www.frame-max.com



© FrameMax Inc.

CREATED: 09/11/2008

FM-07-109

CREATED BY: AMB

HEIGHT : 11'-9 11/16"

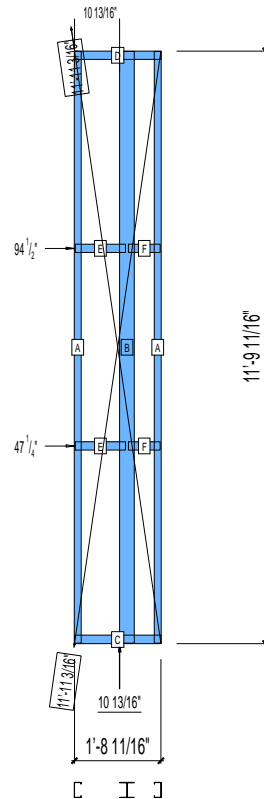
SPACING : 24"

1st STUD: 24"

WEIGHTS :

FRAME : 112 lbs

TOTAL: 112 lbs



PIECES LIST

LABEL	QTY	SIZE	LENGTH	USE
A	2	362S162-54	11'-9 1/2"	STUD
B	1	363i350p554	11'-9 1/2"	PACO. COLUMN
C	1	362T200-68	1'-8 11/16"	BOTTOM TRACK
D	1	362T200-68	1'-8 11/16"	TOP TRACK
E	2	362T200-68	1'-0"	BLOCK
F	2	362T200-68	7 9/16"	BLOCK

11-1106

Jewish Home for the Aging

1885 Victory Blvd. Reseda, CA

FrameMax, Inc.
13915 Danielson St
Suite 100
Poway, CA 92064
www.frame-max.com



© FrameMax Inc.

CREATED: 09/11/2008

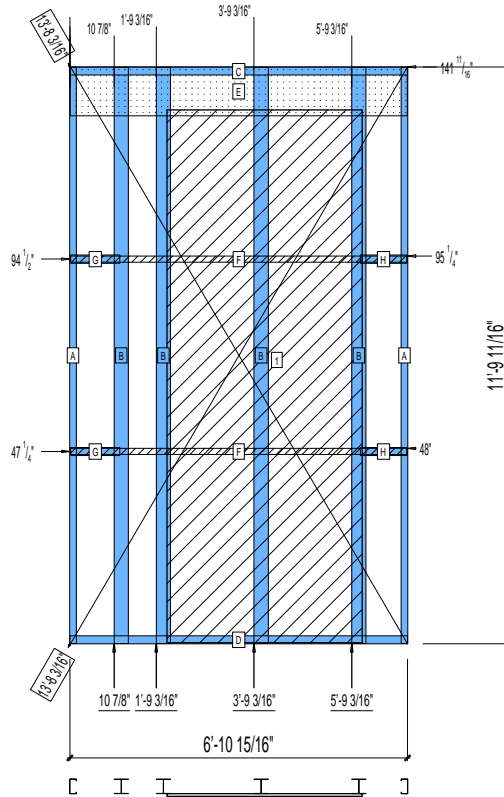
FM-07-109

CREATED BY: AMB

HEIGHT : 11'-9 11/16"
SPACING : 24"
1st STUD: 24"

WEIGHTS :
FRAME : 348 lbs
SHEATHING: 160 lbs

TOTAL: 508 lbs



PIECES LIST

LABEL	QTY	SIZE	LENGTH	USE
A	2	362S162-54	11'-9 1/2"	STUD
B	4	363i350p554	11'-9 1/2"	PACO. COLUMN
C	1	362T200-68	6'-10 15/16"	TOP TRACK
D	1	362T200-68	6'-10 15/16"	BOTTOM TRACK
E	1	1200D-54	6'-10 3/4"	STRAP
F	2	150D-43	6'-10 3/4"	STRAP
G	2	362T200-68	1'-0 1/16"	BLOCK
H	2	362T200-68	11 7/16"	BLOCK

SHEATHING

LABEL	QTY	CODE	THICK	SIZE	SCREWS
1	1	SB-DENSARMOR	5/8"	3'-11 15/16" X 10'-10 7/8"	2 - 12

11-1107

Jewish Home for the Aging

1885 Victory Blvd. Reseda, CA

FrameMax, Inc.
13915 Danielson St
Suite 100
Poway, CA 92064
www.frame-max.com



© FrameMax Inc.

CREATED: 09/11/2008

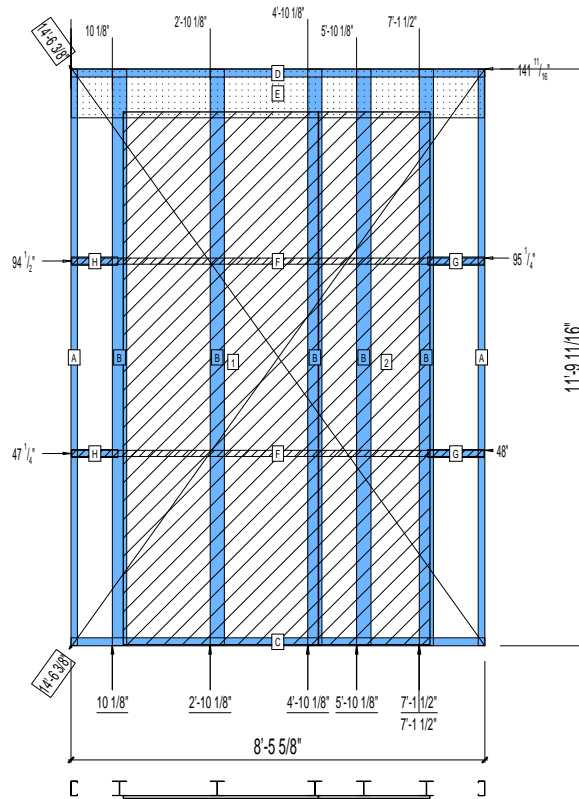
FM-07-109

CREATED BY: AMB

HEIGHT : 11'-9 11/16"
SPACING : 24"
1st STUD: 24"

WEIGHTS :
FRAME : 424 lbs
SHEATHING: 252 lbs

TOTAL: 676 lbs



PIECES LIST

LABEL	QTY	SIZE	LENGTH	USE
A	2	362S162-54	11'-9 1/2"	STUD
B	5	363i350p554	11'-9 1/2"	PACO. COLUMN
C	1	362T200-68	8'-5 5/8"	BOTTOM TRACK
D	1	362T200-68	8'-5 5/8"	TOP TRACK
E	1	1200D-54	8'-5 7/16"	STRAP
F	2	150D-43	8'-5 7/16"	STRAP
G	2	362T200-68	1'-1 13/16"	BLOCK
H	2	362T200-68	11 3/8"	BLOCK

SHEATHING

LABEL	QTY	CODE	THICK	SIZE	SCREWS
1	1	SB-DENSARMOR	5/8"	3'-11 15/16" X 10'-10 7/8"	2 - 12
2	1	SB-DENSARMOR	5/8"	2'-3 3/8" X 10'-10 7/8"	2 - 12

11-1108

Jewish Home for the Aging

1885 Victory Blvd. Reseda, CA

FM-07-109

CREATED BY: AMB

FrameMax, Inc.
13915 Danielson St
Suite 100
Poway, CA 92064
www.framemax.com

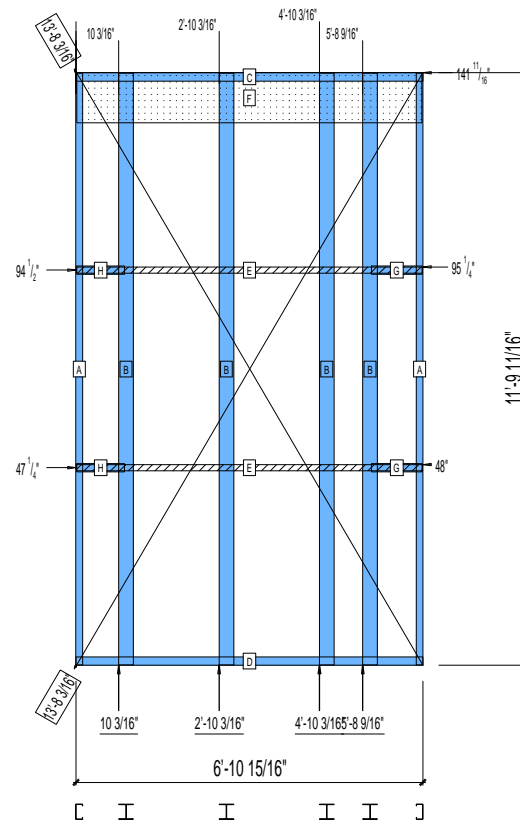


© FrameMax Inc.

HEIGHT : 11'-9 11/16"
SPACING : 24"
1st STUD: 24"

WEIGHTS :
FRAME : 348 lbs

TOTAL: 348 lbs



PIECES LIST

LABEL	QTY	SIZE	LENGTH	USE
A	2	362S162-54	11'-9 1/2"	STUD
B	4	363i350p554	11'-9 1/2"	PACO.COLUMN
C	1	362T200-68	6'-10 15/16"	TOP TRACK
D	1	362T200-68	6'-10 15/16"	BOTTOM TRACK
E	2	150D-43	6'-10 3/4"	STRAP
F	1	1200D-54	6'-10 1/2"	STRAP
G	2	362T200-68	1'-0 1/16"	BLOCK
H	2	362T200-68	11 7/16"	BLOCK

11-1109

Jewish Home for the Aging

1885 Victory Blvd. Reseda, CA

FM-07-109

CREATED BY: AMB

FrameMax, Inc.
13915 Danielson St
Suite 100
Poway, CA 92064
www.framemax.com

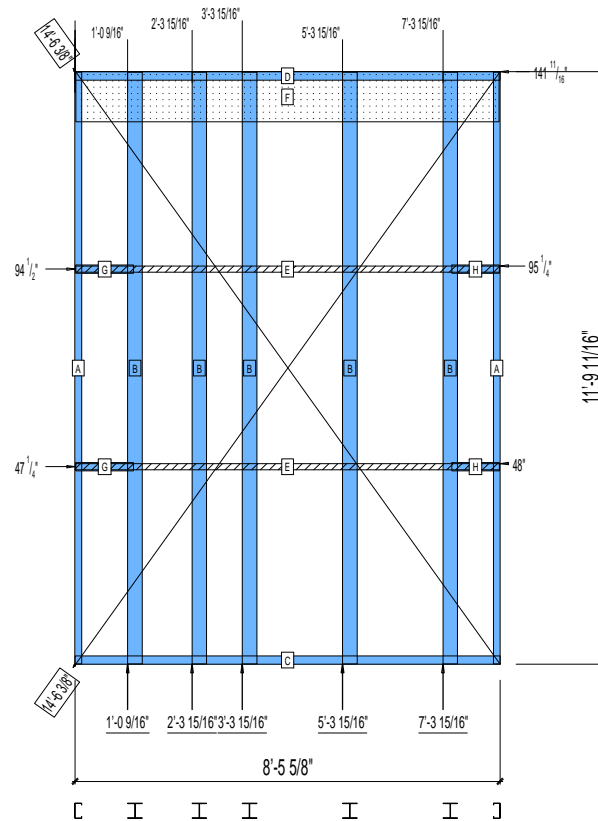


© FrameMax Inc.

HEIGHT : 11'-9 11/16"
SPACING : 24"
1st STUD: 24"

WEIGHTS :
FRAME : 424 lbs

TOTAL: 424 lbs



PIECES LIST

LABEL	QTY	SIZE	LENGTH	USE
A	2	362S162-54	11'-9 1/2"	STUD
B	5	363i350p554	11'-9 1/2"	PACO.COLUMN
C	1	362T200-68	8'-5 5/8"	BOTTOM TRACK
D	1	362T200-68	8'-5 5/8"	TOP TRACK
E	2	150D-43	8'-5 7/16"	STRAP
F	1	1200D-54	8'-5 3/16"	STRAP
G	2	362T200-68	1'-1 13/16"	BLOCK
H	2	362T200-68	11 3/8"	BLOCK

11-1110

Jewish Home for the Aging

1885 Victory Blvd. Reseda, CA

FM-07-109

CREATED BY: AMB

FrameMax, Inc.
13915 Danielson St
Suite 100
Poway, CA 92064
www.frame-max.com

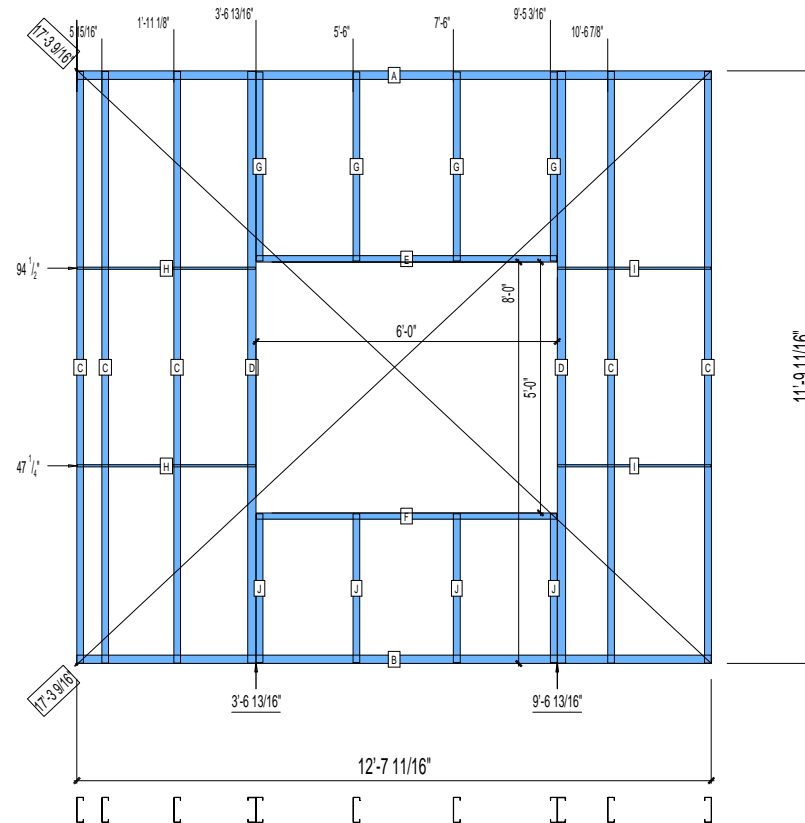


© FrameMax Inc.

HEIGHT : 11'-9 11/16"
SPACING : 24"
1st STUD: 24"

WEIGHTS :
FRAME : 364 lbs

TOTAL: 364 lbs



PIECES LIST

LABEL	QTY	SIZE	LENGTH	USE
A	1	600T200-68	12'-7 11/16"	TOP TRACK
B	1	600T200-68	12'-7 11/16"	BOTTOM TRACK
C	5	600S162-68	11'-9 1/2"	STUD
D	2	600S200-97	11'-9 1/2"	KING STUD
E	1	600T150-54	5'-11 3/4"	HEAD TRACK
F	1	600T150-54	5'-11 3/4"	SILL
G	4	600S162-54	3'-9 1/4"	CRIPPLE
H	2	150U50-54	3'-6 5/8"	HORIZONTAL BRACING
I	2	150U50-54	3'-0 5/8"	HORIZONTAL BRACING
J	4	600S162-54	2'-11 9/16"	CRIPPLE

11-1111

Jewish Home for the Aging

1885 Victory Blvd. Reseda, CA

FrameMax, Inc.
13915 Danielson St
Suite 100
Poway, CA 92064
www.frame-max.com



© FrameMax Inc.

CREATED: 09/11/2008

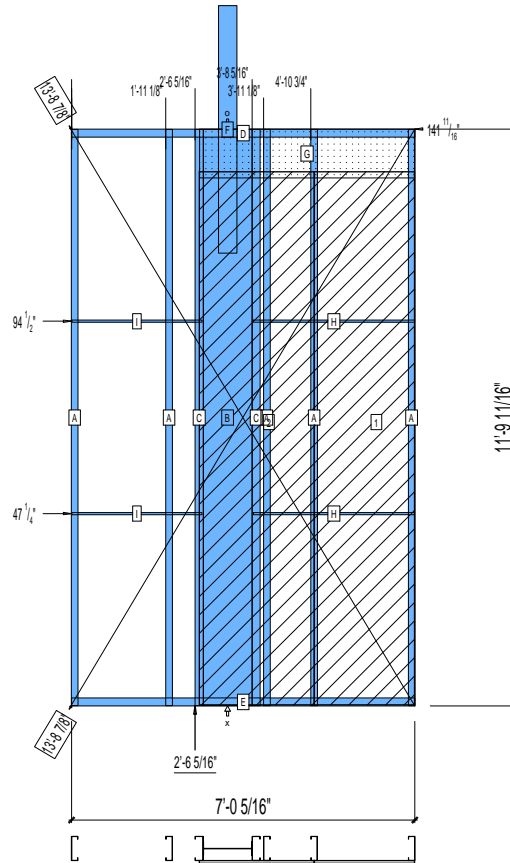
FM-07-109

CREATED BY: AMB

HEIGHT : 14'-3 15/16"
SPACING : 24"
1st STUD: 24"

WEIGHTS :
FRAME : 470 lbs
SHEATHING: 177 lbs

TOTAL: 647 lbs



PIECES LIST

LABEL	QTY	SIZE	LENGTH	USE
A	5	600S162-97	11'-9 1/2"	STUD
B	1	1200i350p1062	11'-9 1/2"	PACO
C	2	600S200-68	11'-9 1/2"	STUD
D	1	600T200-68	7'-0 5/16"	TOP TRACK
E	1	600T200-68	7'-0 5/16"	BOTTOM TRACK
F	1	D	5'-0 3/4"	HOLDDOWN
G	1	1200D-54	4'-4 3/4"	STRAP
H	2	150U50-54	3'-3 9/16"	HORIZONTAL BRACING
I	2	150U50-54	2'-7 15/16"	HORIZONTAL BRACING

SHEATHING

LABEL	QTY	CODE	THICK	SIZE	SCREWS
1	1	SB-DENSARMOR	5/8"	2'-0 5/8" X 10'-10 7/8"	2 - 12
2	1	SB-DENSARMOR	5/8"	2'-4 1/4" X 10'-10 7/8"	2 - 12

11-1112

Jewish Home for the Aging

1885 Victory Blvd. Reseda, CA

FrameMax, Inc.
13915 Danielson St
Suite 100
Poway, CA 92064
www.frame-max.com



© FrameMax Inc.

CREATED: 09/11/2008

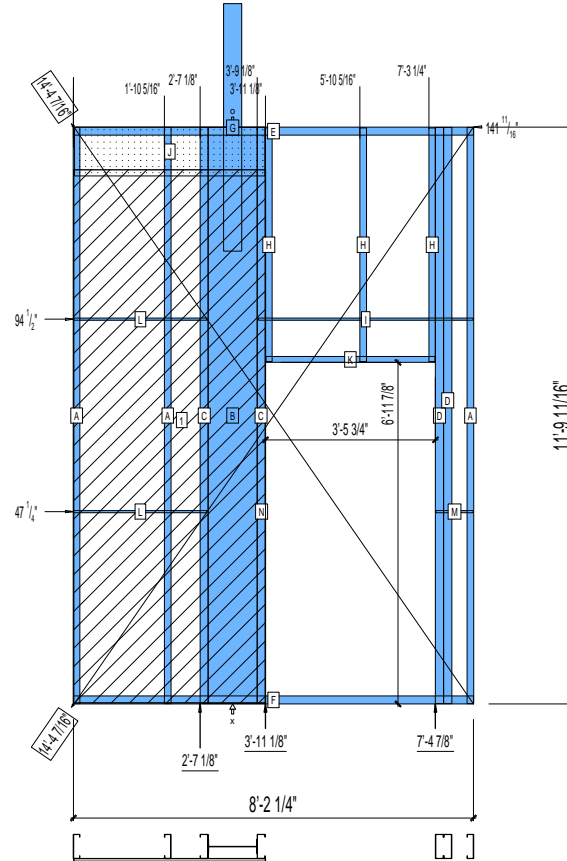
FM-07-109

CREATED BY: AMB

HEIGHT : 14'-3 15/16"
SPACING : 24"
1st STUD: 24"

WEIGHTS :
FRAME : 515 lbs
SHEATHING: 157 lbs

TOTAL: 672 lbs



PIECES LIST

LABEL	QTY	SIZE	LENGTH	USE
A	3	600S162-97	11'-9 1/2"	STUD
B	1	1200i350p1062	11'-9 1/2"	PACO
C	2	600S200-68	11'-9 1/2"	STUD
D	2	600S200-97	11'-9 1/2"	KING STUD
E	1	600T200-68	8'-2 1/4"	TOP TRACK
F	1	600T200-68	8'-2 1/4"	BOTTOM TRACK
G	1	D	5'-0 3/4"	HOLDDOWN
H	3	600S162-54	4'-9 3/8"	CRIPPLE
I	1	150U50-54	4'-4 3/4"	HORIZONTAL BRACING
J	1	1200D-54	3'-10 3/4"	STRAP
K	1	600T150-54	3'-5 1/2"	HEAD TRACK
L	2	150U50-54	2'-8 11/16"	HORIZONTAL BRACING
M	1	150U50-54	9 1/8"	HORIZONTAL BRACING
N	1	150U50-54	1 5/8"	HORIZONTAL BRACING

SHEATHING

LABEL	QTY	CODE	THICK	SIZE	SCREWS
1	1	SB-DENSARMOR	5/8"	3'-11 1/16" X 10'-10 7/8"	2 - 12

11-1113

Jewish Home for the Aging

1885 Victory Blvd. Reseda, CA

FrameMax, Inc.
13915 Danielson St
Suite 100
Poway, CA 92064
www.framemax.com



© FrameMax Inc.

CREATED: 09/11/2008

FM-07-109

CREATED BY: AMB

HEIGHT : 11'-9 11/16"

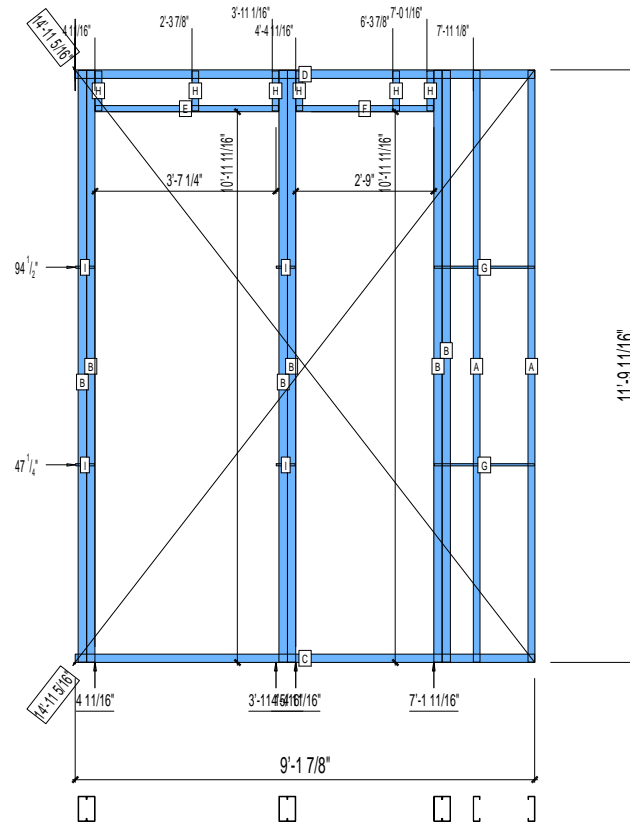
SPACING : 24"

1st STUD: 24"

WEIGHTS :

FRAME : 401 lbs

TOTAL: 401 lbs



PIECES LIST

LABEL	QTY	SIZE	LENGTH	USE
A	2	600S162-97	11'-9 1/2"	STUD
B	6	600S200-97	11'-9 1/2"	KING STUD
C	1	600T200-68	9'-1 7/8"	BOTTOM TRACK
D	1	600T200-68	9'-1 7/8"	TOP TRACK
E	1	600T150-54	3'-7 3/4"	HEAD TRACK
F	1	600T150-54	2'-8 3/4"	HEAD TRACK
G	2	150U50-54	1'-11 15/16"	HORIZONTAL BRACING
H	6	600S162-54	9 9/16"	CRIPPLE
I	4	150U50-54	4 1/2"	HORIZONTAL BRACING

11-1114

Jewish Home for the Aging

1885 Victory Blvd. Reseda, CA

FM-07-109

CREATED BY: AMB

FrameMax, Inc.
13915 Danielson St
Suite 100
Poway, CA 92064
www.framemax.com

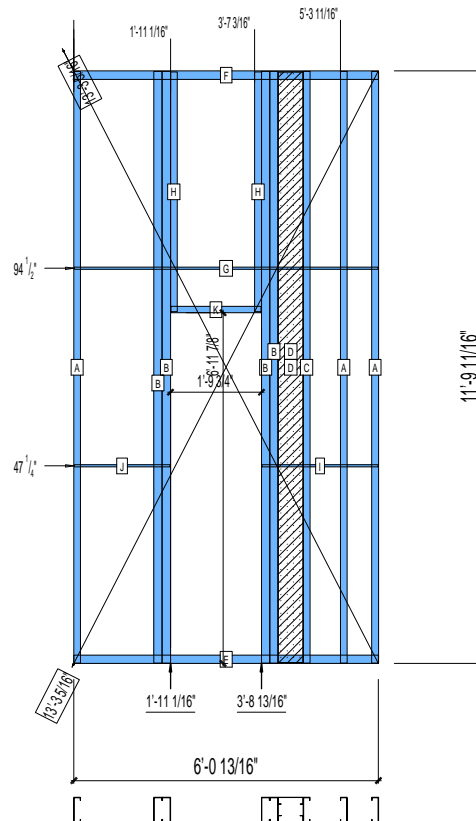


© FrameMax Inc.

HEIGHT : 11'-9 11/16"
SPACING : 24"
1st STUD: 24"

WEIGHTS :
FRAME : 410 lbs

TOTAL: 410 lbs



PIECES LIST

LABEL	QTY	SIZE	LENGTH	USE
A	3	600S162-97	11'-9 1/2"	STUD
B	4	600S200-97	11'-9 1/2"	KING STUD
C	1	600S162-97	11'-9 1/2"	BACKER STUD
D	2	600S162-33	11'-9 1/4"	BACKER-U
E	1	600T200-68	6'-0 13/16"	BOTTOM TRACK
F	1	600T200-68	6'-0 13/16"	TOP TRACK
G	1	150U50-54	6'-0 5/8"	HORIZONTAL BRACING
H	2	600S162-54	4'-9 3/8"	CRIPPLE
I	1	150U50-54	2'-3 3/4"	HORIZONTAL BRACING
J	1	150U50-54	1'-10 7/8"	HORIZONTAL BRACING
K	1	600T150-54	1'-9 1/2"	HEAD TRACK

11-1115

Jewish Home for the Aging

1885 Victory Blvd. Reseda, CA

FM-07-109

CREATED BY: AMB

FrameMax, Inc.
13915 Danielson St
Suite 100
Poway, CA 92064
www.frame-max.com

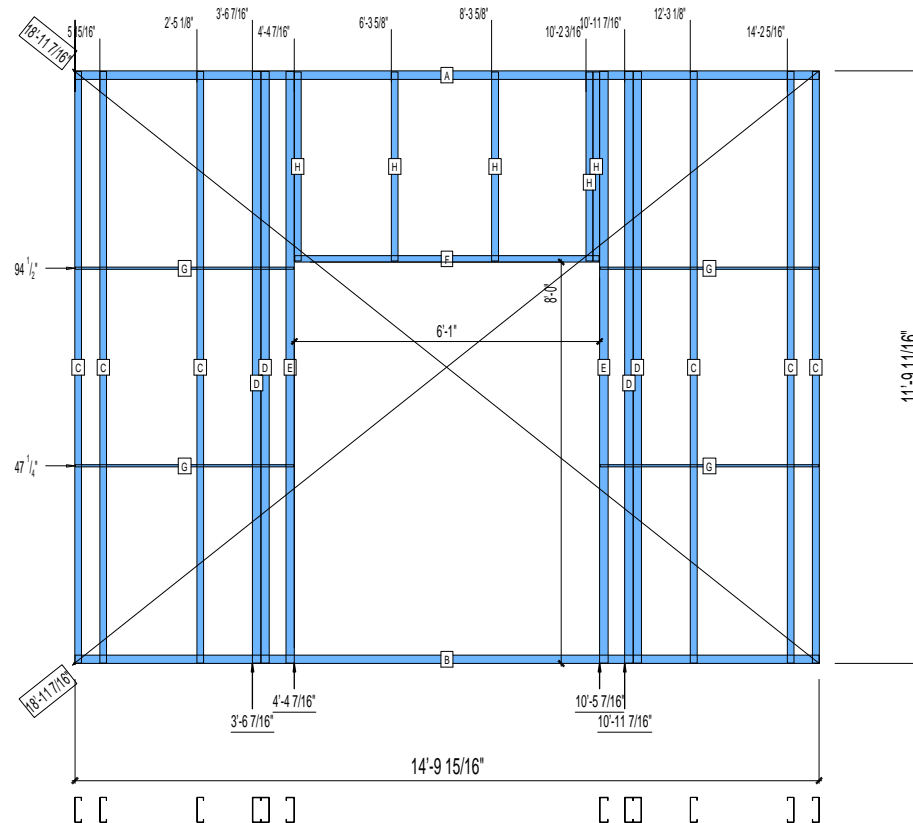


© FrameMax Inc.

HEIGHT : 11'-9 11/16"
SPACING : 24"
1st STUD: 24"

WEIGHTS :
FRAME : 550 lbs

TOTAL: 550 lbs



PIECES LIST			
LABEL	QTY	SIZE	LENGTH USE
A	1	600T200-68	14'-9 15/16" TOP TRACK
B	1	600T200-68	14'-9 15/16" BOTTOM TRACK
C	6	600S162-68	11'-9 1/2" STUD
D	4	600S200-97	11'-9 1/2" EXTRA STUD
E	2	600S200-97	11'-9 1/2" KING STUD
F	1	600T150-54	6'-0 3/4" HEAD TRACK
G	4	150U50-54	4'-4 1/4" HORIZONTAL BRACING
H	5	600S162-54	3'-9 1/4" CRIPPLE

11-1116

Jewish Home for the Aging

1885 Victory Blvd. Reseda, CA

FrameMax, Inc.
13915 Danielson St
Suite 100
Poway, CA 92064
www.frame-max.com



© FrameMax Inc.

CREATED: 09/11/2008

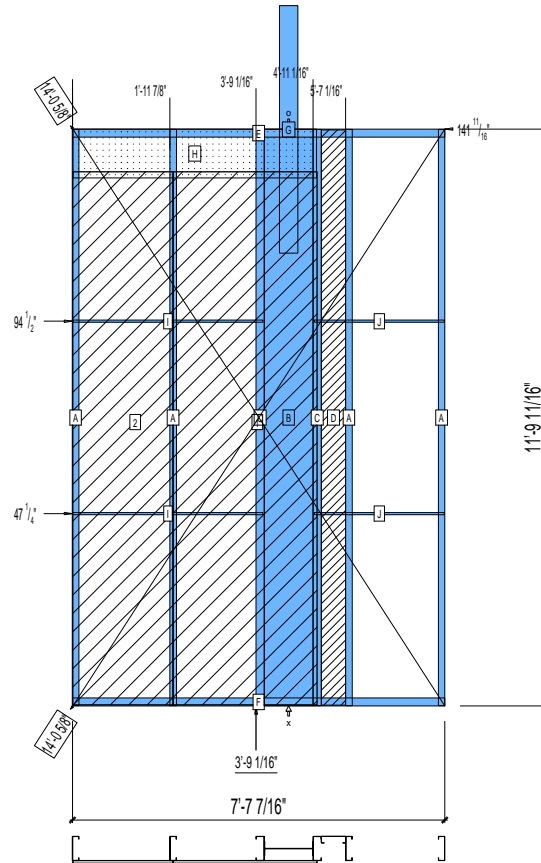
FM-07-109

CREATED BY: AMB

HEIGHT : 14'-3 15/16"
SPACING : 24"
1st STUD: 24"

WEIGHTS :
FRAME : 458 lbs
SHEATHING: 201 lbs

TOTAL: 659 lbs



PIECES LIST

LABEL	QTY	SIZE	LENGTH	USE
A	4	600S162-97	11'-9 1/2"	STUD
B	1	1200i350p1062	11'-9 1/2"	PACO
C	2	600S200-68	11'-9 1/2"	STUD
D	1	600S162-54	11'-9 1/4"	BACKER-U
E	1	600T200-68	7'-7 7/16"	TOP TRACK
F	1	600T200-68	7'-7 7/16"	BOTTOM TRACK
G	1	D	5'-0 3/4"	HOLDDOWN
H	1	1200D-54	4'-11 7/8"	STRAP
I	2	150U50-54	3'-10 11/16"	HORIZONTAL BRACING
J	2	150U50-54	2'-7 15/16"	HORIZONTAL BRACING

SHEATHING

LABEL	QTY	CODE	THICK	SIZE	SCREWS
1	1	SB-DENSARMOR	5/8"	2'-11 3/8" X 10'-10 7/8"	2 - 12
2	1	SB-DENSARMOR	5/8"	2'-0 5/8" X 10'-10 7/8"	2 - 12

11-1117

Jewish Home for the Aging

1885 Victory Blvd. Reseda, CA

FrameMax, Inc.
13915 Danielson St
Suite 100
Poway, CA 92064
www.frame-max.com



© FrameMax Inc.

CREATED: 09/11/2008

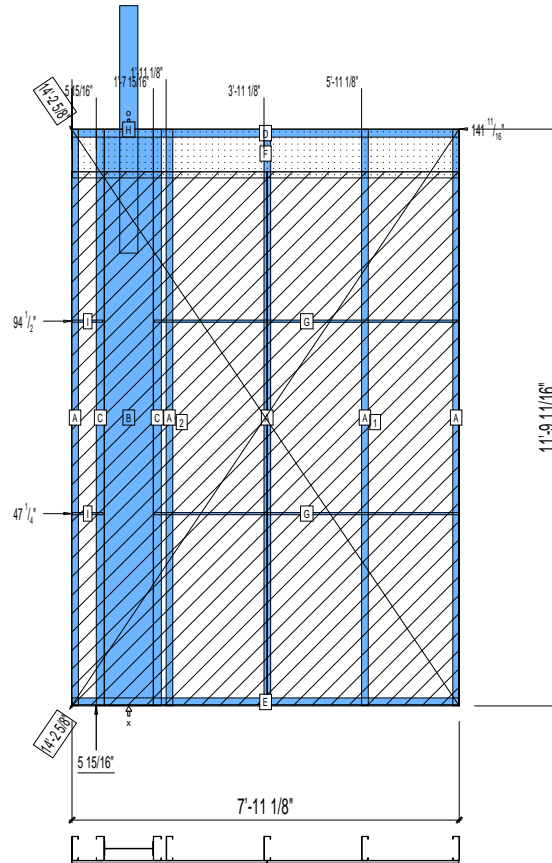
FM-07-109

CREATED BY: AMB

HEIGHT : 14'-3 15/16"
SPACING : 24"
1st STUD: 24"

WEIGHTS :
FRAME : 483 lbs
SHEATHING: 318 lbs

TOTAL: 801 lbs



PIECES LIST

LABEL	QTY	SIZE	LENGTH	USE
A	5	600S162-97	11'-9 1/2"	STUD
B	1	1200i350p1062	11'-9 1/2"	PACO
C	2	600S200-68	11'-9 1/2"	STUD
D	1	600T200-68	7'-11 1/8"	TOP TRACK
E	1	600T200-68	7'-11 1/8"	BOTTOM TRACK
F	1	1200D-54	7'-10 7/8"	STRAP
G	2	150U50-54	6'-2 3/4"	HORIZONTAL BRACING
H	1	D	5'-0 3/4"	HOLDDOWN
I	2	150U50-54	7 9/16"	HORIZONTAL BRACING

SHEATHING

LABEL	QTY	CODE	THICK	SIZE	SCREWS
1	1	SB-DENSARMOR	5/8"	3'-11 1/16" X 10'-10 7/8"	2 - 12
2	1	SB-DENSARMOR	5/8"	4'-0" X 10'-10 7/8"	2 - 12

11-1118

Jewish Home for the Aging

1885 Victory Blvd. Reseda, CA

FM-07-109

CREATED BY: AMB

FrameMax, Inc.
13915 Danielson St
Suite 100
Poway, CA 92064
www.framemax.com

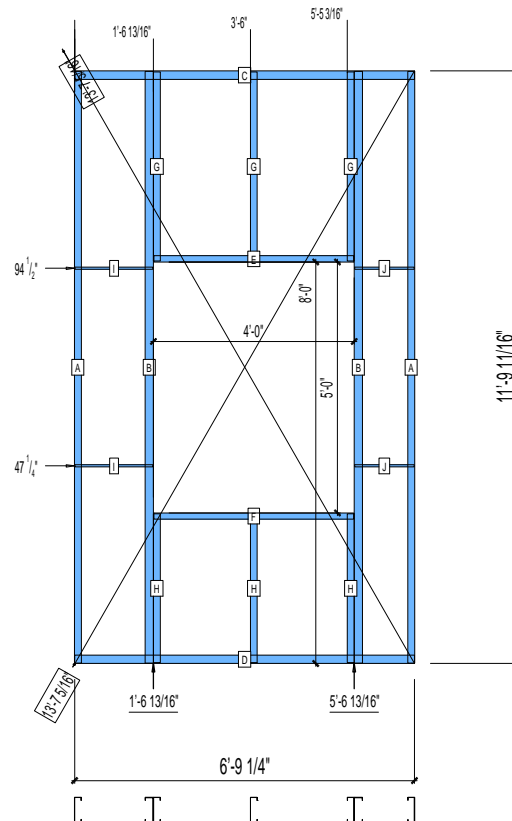


© FrameMax Inc.

HEIGHT : 11'-9 11/16"
SPACING : 24"
1st STUD: 24"

WEIGHTS :
FRAME : 229 lbs

TOTAL: 229 lbs



PIECES LIST

LABEL	QTY	SIZE	LENGTH	USE
A	2	600S162-68	11'-9 1/2"	STUD
B	2	600S200-97	11'-9 1/2"	KING STUD
C	1	600T200-68	6'-9 1/4"	TOP TRACK
D	1	600T200-68	6'-9 1/4"	BOTTOM TRACK
E	1	600T150-54	3'-11 3/4"	HEAD TRACK
F	1	600T150-54	3'-11 3/4"	SILL
G	3	600S162-54	3'-9 1/4"	CRIPPLE
H	3	600S162-54	2'-11 9/16"	CRIPPLE
I	2	150U50-54	1'-6 5/8"	HORIZONTAL BRACING
J	2	150U50-54	1'-2 3/16"	HORIZONTAL BRACING

11-1119

Jewish Home for the Aging

1885 Victory Blvd. Reseda, CA

FrameMax, Inc.
13915 Danielson St
Suite 100
Poway, CA 92064
www.framemax.com



© FrameMax Inc.

CREATED: 09/11/2008

FM-07-109

CREATED BY: AMB

HEIGHT : 11'-9 11/16"

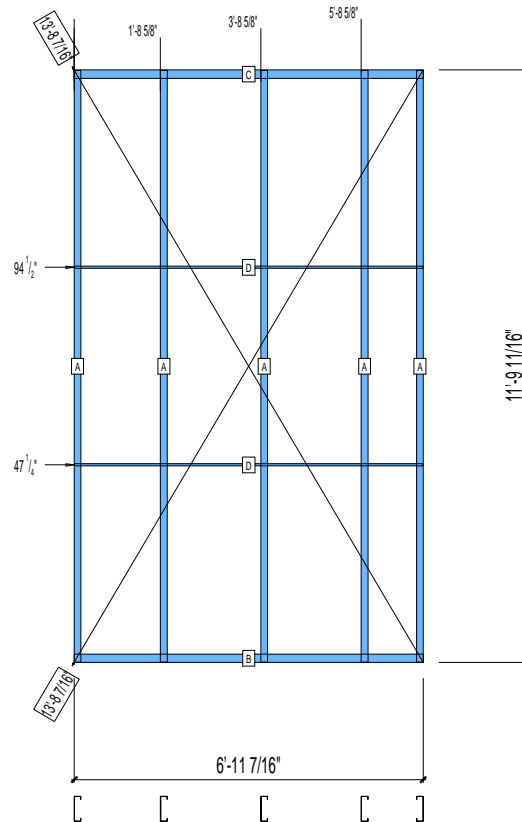
SPACING : 24"

1st STUD: 24"

WEIGHTS :

FRAME : 180 lbs

TOTAL: 180 lbs



PIECES LIST

LABEL	QTY	SIZE	LENGTH	USE
A	5	600S162-68	11'-9 1/2"	STUD
B	1	600T200-68	6'-11 7/16"	BOTTOM TRACK
C	1	600T200-68	6'-11 7/16"	TOP TRACK
D	2	150U50-54	6'-11 1/4"	HORIZONTAL BRACING

11-1120

Jewish Home for the Aging

1885 Victory Blvd. Reseda, CA

FrameMax, Inc.
13915 Danielson St
Suite 100
Poway, CA 92064
www.frame-max.com



© FrameMax Inc.

CREATED: 09/11/2008

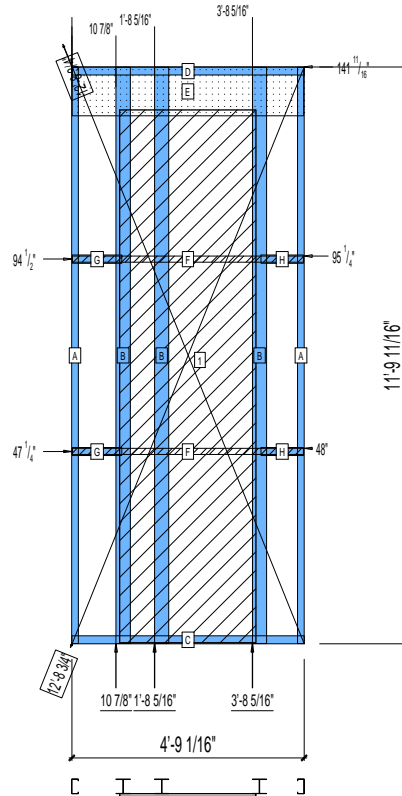
FM-07-109

CREATED BY: AMB

HEIGHT : 11'-9 11/16"
SPACING : 24"
1st STUD: 24"

WEIGHTS :
FRAME : 268 lbs
SHEATHING: 112 lbs

TOTAL: 380 lbs



PIECES LIST

LABEL	QTY	SIZE	LENGTH	USE
A	2	362S162-54	11'-9 1/2"	STUD
B	3	363i350p554	11'-9 1/2"	PACO. COLUMN
C	1	362T200-68	4'-9 1/16"	BOTTOM TRACK
D	1	362T200-68	4'-9 1/16"	TOP TRACK
E	1	1200D-54	4'-8 7/8"	STRAP
F	2	150D-43	4'-8 7/8"	STRAP
G	2	362T200-68	1'-0 1/16"	BLOCK
H	2	362T200-68	10 7/16"	BLOCK

SHEATHING

LABEL	QTY	CODE	THICK	SIZE	SCREWS
1	1	SB-DENSARMOR	5/8"	2'-9 7/16" X 10'-10 7/8"	2 - 12

11-1121

Jewish Home for the Aging

1885 Victory Blvd. Reseda, CA

FrameMax, Inc.
13915 Danielson St
Suite 100
Poway, CA 92064
www.frame-max.com



© FrameMax Inc.

CREATED: 09/11/2008

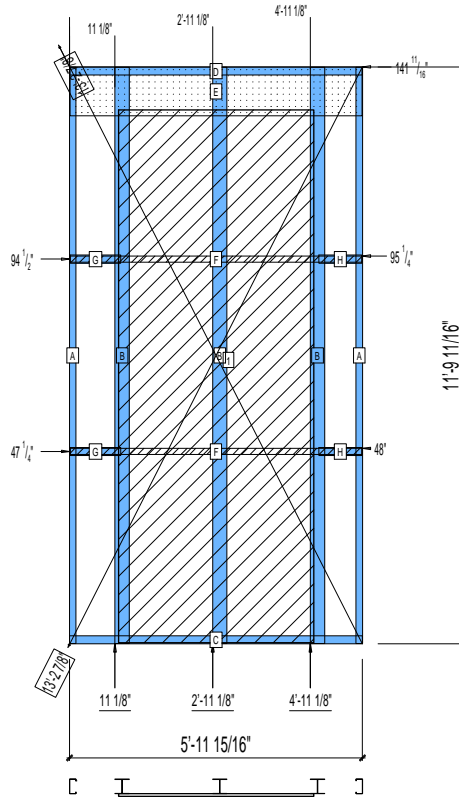
FM-07-109

CREATED BY: AMB

HEIGHT : 11'-9 11/16"
SPACING : 24"
1st STUD: 24"

WEIGHTS :
FRAME : 276 lbs
SHEATHING: 160 lbs

TOTAL: 436 lbs



PIECES LIST

LABEL	QTY	SIZE	LENGTH	USE
A	2	362S162-54	11'-9 1/2"	STUD
B	3	363i350p554	11'-9 1/2"	PACO. COLUMN
C	1	362T200-68	5'-11 15/16"	BOTTOM TRACK
D	1	362T200-68	5'-11 15/16"	TOP TRACK
E	1	1200D-54	5'-11 3/4"	STRAP
F	2	150D-43	5'-11 3/4"	STRAP
G	2	362T200-68	1'-0 3/8"	BLOCK
H	2	362T200-68	10 1/2"	BLOCK

SHEATHING

LABEL	QTY	CODE	THICK	SIZE	SCREWS
1	1	SB-DENSARMOR	5/8"	3'-11 15/16" X 10'-10 7/8"	2 - 12

11-1122

Jewish Home for the Aging

1885 Victory Blvd. Reseda, CA

FrameMax, Inc.
13915 Danielson St
Suite 100
Poway, CA 92064
www.frame-max.com



© FrameMax Inc.

CREATED: 09/11/2008

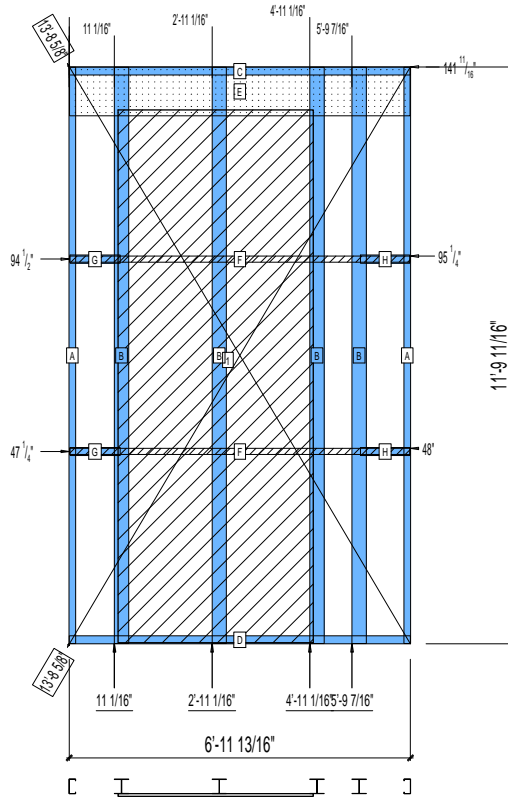
FM-07-109

CREATED BY: AMB

HEIGHT : 11'-9 11/16"
SPACING : 24"
1st STUD: 24"

WEIGHTS :
FRAME : 349 lbs
SHEATHING: 160 lbs

TOTAL: 509 lbs



PIECES LIST

LABEL	QTY	SIZE	LENGTH	USE
A	2	362S162-54	11'-9 1/2"	STUD
B	4	363i350p554	11'-9 1/2"	PACO. COLUMN
C	1	362T200-68	6'-11 13/16"	TOP TRACK
D	1	362T200-68	6'-11 13/16"	BOTTOM TRACK
E	1	1200D-54	6'-11 5/8"	STRAP
F	2	150D-43	6'-11 5/8"	STRAP
G	2	362T200-68	1'-0 5/16"	BLOCK
H	2	362T200-68	1'-0 1/16"	BLOCK

SHEATHING

LABEL	QTY	CODE	THICK	SIZE	SCREWS
1	1	SB-DENSARMOR	5/8"	3'-11 15/16" X 10'-10 7/8"	2 - 12

11-1123

Jewish Home for the Aging

1885 Victory Blvd. Reseda, CA

FM-07-109

CREATED BY: AMB

FrameMax, Inc.
13915 Danielson St
Suite 100
Poway, CA 92064
www.frame-max.com

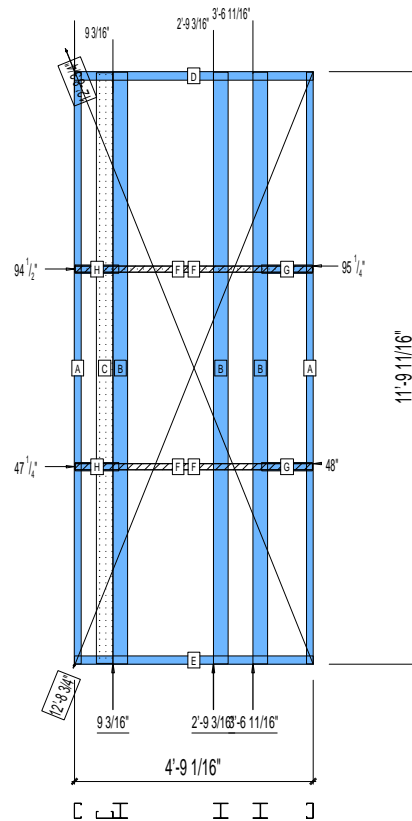


© FrameMax Inc.

HEIGHT : 11'-9 11/16"
SPACING : 24"
1st STUD: 24"

WEIGHTS :
FRAME : 270 lbs

TOTAL: 270 lbs



PIECES LIST

LABEL	QTY	SIZE	LENGTH	USE
A	2	362S162-54	11'-9 1/2"	STUD
B	3	363i350p554	11'-9 1/2"	PACO.COLUMN
C	1	400S162-33	11'-9 1/4"	BACKER-U
D	1	362T200-68	4'-9 1/16"	TOP TRACK
E	1	362T200-68	4'-9 1/16"	BOTTOM TRACK
F	4	150D-43	4'-8 7/8"	STRAP
G	2	362T200-68	1'-0 1/16"	BLOCK
H	2	362T200-68	10 7/16"	BLOCK

11-1124

Jewish Home for the Aging

1885 Victory Blvd. Reseda, CA

FrameMax, Inc.
13915 Danielson St
Suite 100
Poway, CA 92064
www.frame-max.com



© FrameMax Inc.

CREATED: 09/11/2008

FM-07-109

CREATED BY: AMB

HEIGHT : 11'-9 11/16"

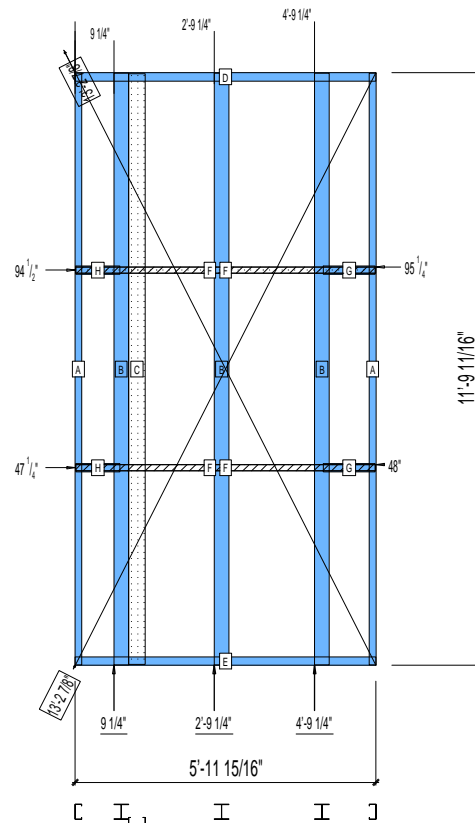
SPACING : 24"

1st STUD: 24"

WEIGHTS :

FRAME : 276 lbs

TOTAL: 276 lbs



PIECES LIST

LABEL	QTY	SIZE	LENGTH	USE
A	2	362S162-54	11'-9 1/2"	STUD
B	3	363i350p554	11'-9 1/2"	PACO.COLUMN
C	1	400S162-33	11'-9 1/4"	BACKER-U
D	1	362T200-68	5'-11 15/16"	TOP TRACK
E	1	362T200-68	5'-11 15/16"	BOTTOM TRACK
F	4	150D-43	5'-11 3/4"	STRAP
G	2	362T200-68	1'-0 3/8"	BLOCK
H	2	362T200-68	10 1/2"	BLOCK

11-1125

Jewish Home for the Aging

1885 Victory Blvd. Reseda, CA

FM-07-109

CREATED BY: AMB

FrameMax, Inc.
13915 Danielson St
Suite 100
Poway, CA 92064
www.framemax.com

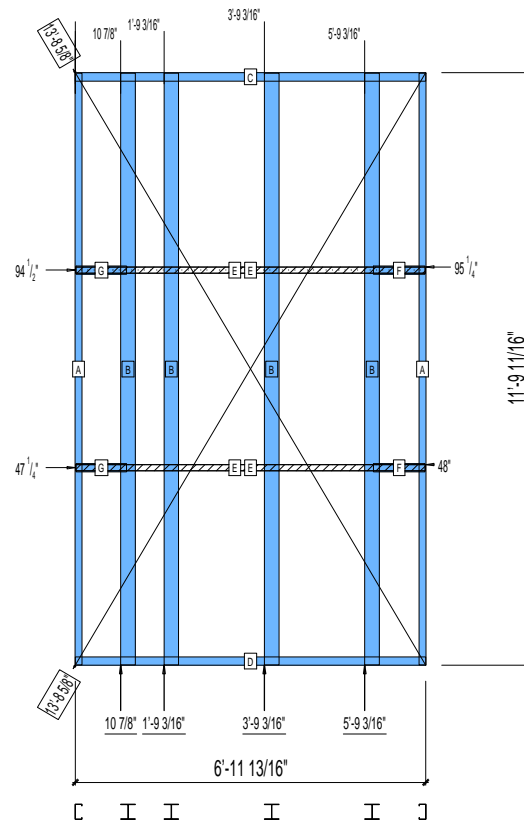


© FrameMax Inc.

HEIGHT : 11'-9 11/16"
SPACING : 24"
1st STUD: 24"

WEIGHTS :
FRAME : 335 lbs

TOTAL: 335 lbs



PIECES LIST

LABEL	QTY	SIZE	LENGTH	USE
A	2	362S162-54	11'-9 1/2"	STUD
B	4	363i350p554	11'-9 1/2"	PACO.COLUMN
C	1	362T200-68	6'-11 13/16"	TOP TRACK
D	1	362T200-68	6'-11 13/16"	BOTTOM TRACK
E	4	150D-43	6'-11 5/8"	STRAP
F	2	362T200-68	1'-0 5/16"	BLOCK
G	2	362T200-68	1'-0 1/16"	BLOCK

11-1126

Jewish Home for the Aging

1885 Victory Blvd. Reseda, CA

FM-07-109

CREATED BY: AMB

FrameMax, Inc.
13915 Danielson St
Suite 100
Poway, CA 92064
www.frame-max.com

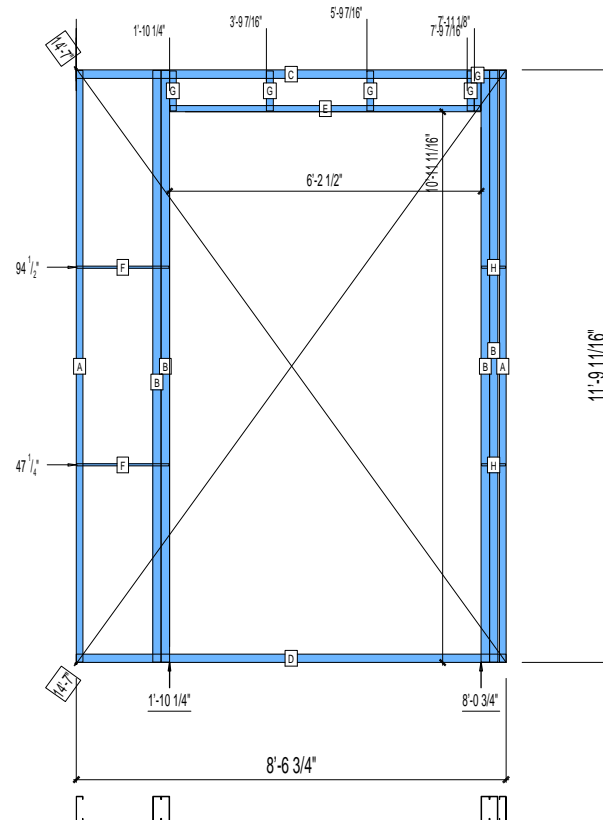


© FrameMax Inc.

HEIGHT : 11'-9 11/16"
SPACING : 24"
1st STUD: 24"

WEIGHTS :
FRAME : 311 lbs

TOTAL: 311 lbs



PIECES LIST

LABEL	QTY	SIZE	LENGTH	USE
A	2	600S162-97	11'-9 1/2"	STUD
B	4	600S200-97	11'-9 1/2"	KING STUD
C	1	600T200-68	8'-6 3/4"	TOP TRACK
D	1	600T200-68	8'-6 3/4"	BOTTOM TRACK
E	1	600T150-54	6'-2 1/4"	HEAD TRACK
F	2	150U50-54	1'-10 1/16"	HORIZONTAL BRACING
G	5	600S162-54	9 9/16"	CRIPPLE
H	2	150U50-54	5 3/4"	HORIZONTAL BRACING

11-1127

Jewish Home for the Aging

1885 Victory Blvd. Reseda, CA

FrameMax, Inc.
13915 Danielson St
Suite 100
Poway, CA 92064
www.frame-max.com



© FrameMax Inc.

CREATED: 09/11/2008

FM-07-109

CREATED BY: AMB

HEIGHT : 11'-9 11/16"

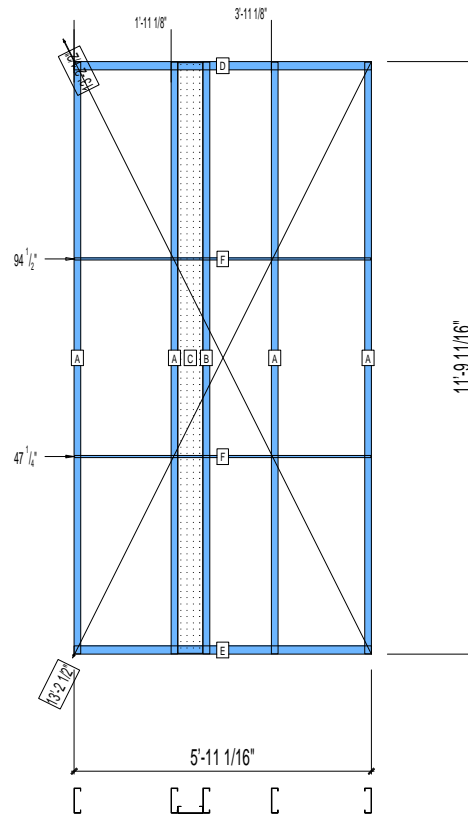
SPACING : 24"

1st STUD: 24"

WEIGHTS :

FRAME : 217 lbs

TOTAL: 217 lbs



PIECES LIST

LABEL	QTY	SIZE	LENGTH	USE
A	4	600S162-97	11'-9 1/2"	STUD
B	1	600S162-33	11'-9 1/2"	BACKER STUD
C	1	600S162-33	11'-9 1/4"	BACKER-U
D	1	600T200-68	5'-11 1/16"	TOP TRACK
E	1	600T200-68	5'-11 1/16"	BOTTOM TRACK
F	2	150U50-54	5'-10 7/8"	HORIZONTAL BRACING

11-1128

Jewish Home for the Aging

1885 Victory Blvd. Reseda, CA

FM-07-109

CREATED BY: AMB

FrameMax, Inc.
13915 Danielson St
Suite 100
Poway, CA 92064
www.frame-max.com

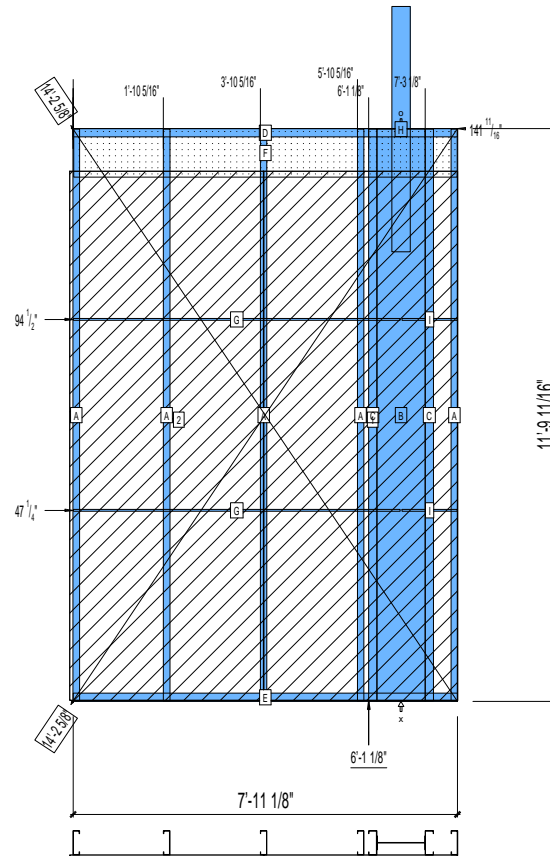


© FrameMax Inc.

HEIGHT : 14'-3 15/16"
SPACING : 24"
1st STUD: 24"

WEIGHTS :
FRAME : 484 lbs
SHEATHING: 321 lbs

TOTAL: 805 lbs



PIECES LIST

LABEL	QTY	SIZE	LENGTH	USE
A	5	600S162-97	11'-9 1/2"	STUD
B	1	1200i350p1062	11'-9 1/2"	PACO
C	2	600S200-68	11'-9 1/2"	STUD
D	1	600T200-68	7'-11 1/8"	TOP TRACK
E	1	600T200-68	7'-11 1/8"	BOTTOM TRACK
F	1	1200D-54	7'-10 7/8"	STRAP
G	2	150U50-54	6'-8 13/16"	HORIZONTAL BRACING
H	1	D	5'-0 3/4"	HOLDDOWN
I	2	150U50-54	1'-1 5/8"	HORIZONTAL BRACING

SHEATHING

LABEL	QTY	CODE	THICK	SIZE	SCREWS
1	1	SB-DENSARMOR	5/8"	4'-0" X 10'-10 7/8"	2 - 12
2	1	SB-DENSARMOR	5/8"	4'-0" X 10'-10 7/8"	2 - 12

11-1129

Jewish Home for the Aging

1885 Victory Blvd. Reseda, CA

FM-07-109

CREATED BY: AMB

FrameMax, Inc.
13915 Danielson St
Suite 100
Poway, CA 92064
www.frame-max.com

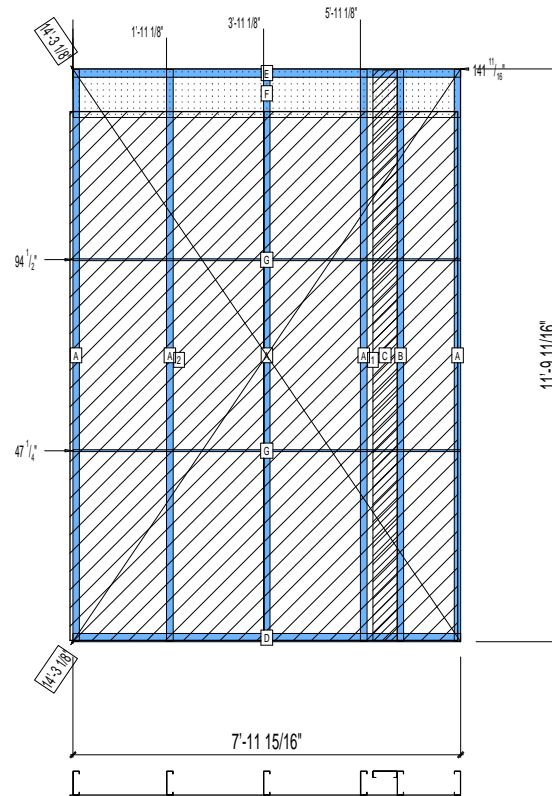


© FrameMax Inc.

HEIGHT : 11'-9 11/16"
SPACING : 24"
1st STUD: 24"

WEIGHTS :
FRAME : 304 lbs
SHEATHING: 321 lbs

TOTAL: 625 lbs



PIECES LIST

LABEL	QTY	SIZE	LENGTH	USE
A	5	600S162-97	11'-9 1/2"	STUD
B	1	600S162-54	11'-9 1/2"	BACKER STUD
C	1	600S162-54	11'-9 1/4"	BACKER-U
D	1	600T200-68	7'-11 15/16"	BOTTOM TRACK
E	1	600T200-68	7'-11 15/16"	TOP TRACK
F	1	1200D-54	7'-11 3/4"	STRAP
G	2	150U50-54	7'-11 3/4"	HORIZONTAL BRACING

SHEATHING

LABEL	QTY	CODE	THICK	SIZE	SCREWS
1	1	SB-DENSARMOR	5/8"	4'-0" X 10'-10 7/8"	2 - 12
2	1	SB-DENSARMOR	5/8"	4'-0" X 10'-10 7/8"	2 - 12

11-1130

Jewish Home for the Aging

1885 Victory Blvd. Reseda, CA

FM-07-109

CREATED BY: AMB

FrameMax, Inc.
13915 Danielson St
Suite 100
Poway, CA 92064
www.frame-max.com

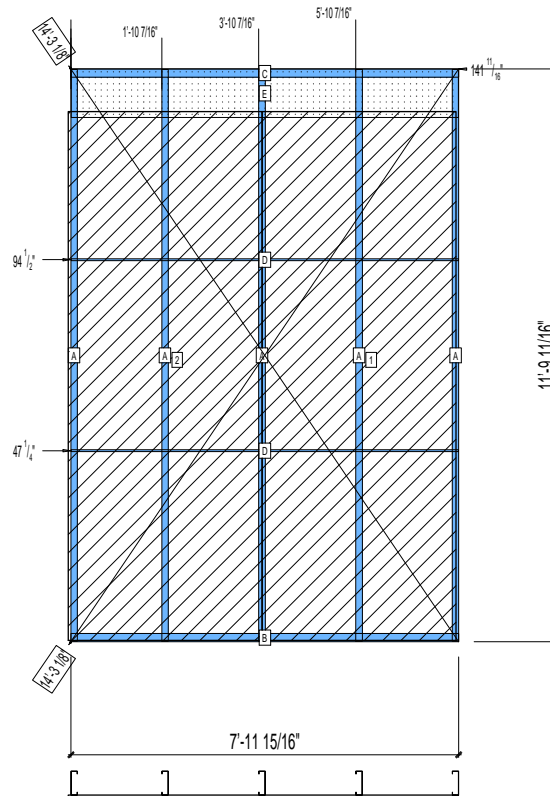


© FrameMax Inc.

HEIGHT : 11'-9 11/16"
SPACING : 24"
1st STUD: 24"

WEIGHTS :
FRAME : 260 lbs
SHEATHING: 321 lbs

TOTAL: 581 lbs



PIECES LIST

LABEL	QTY	SIZE	LENGTH	USE
A	5	600S162-97	11'-9 1/2"	STUD
B	1	600T200-68	7'-11 15/16"	BOTTOM TRACK
C	1	600T200-68	7'-11 15/16"	TOP TRACK
D	2	150U50-54	7'-11 3/4"	HORIZONTAL BRACING
E	1	1200D-54	7'-11 3/4"	STRAP

SHEATHING

LABEL	QTY	CODE	THICK	SIZE	SCREWS
1	1	SB-DENSARMOR	5/8"	4'-0" X 10'-10 7/8"	2 - 12
2	1	SB-DENSARMOR	5/8"	4'-0" X 10'-10 7/8"	2 - 12

11-1131

Jewish Home for the Aging

1885 Victory Blvd. Reseda, CA

FM-07-109

CREATED BY: AMB

FrameMax, Inc.
13915 Danielson St
Suite 100
Poway, CA 92064
www.frame-max.com

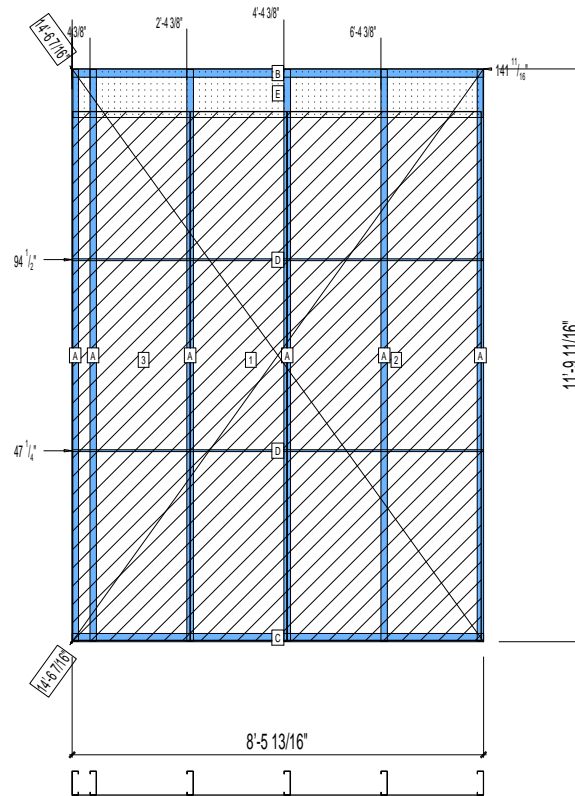


© FrameMax Inc.

HEIGHT : 11'-9 11/16"
SPACING : 24"
1st STUD: 24"

WEIGHTS :
FRAME : 303 lbs
SHEATHING: 338 lbs

TOTAL: 641 lbs



PIECES LIST

LABEL	QTY	SIZE	LENGTH	USE
A	6	600S162-97	11'-9 1/2"	STUD
B	1	600T200-68	8'-5 13/16"	TOP TRACK
C	1	600T200-68	8'-5 13/16"	BOTTOM TRACK
D	2	150U50-54	8'-5 5/8"	HORIZONTAL BRACING
E	1	1200D-54	8'-5 1/2"	STRAP

SHEATHING

LABEL	QTY	CODE	THICK	SIZE	SCREWS
1	1	SB-DENSARMOR	5/8"	2'-0" X 10'-10 7/8"	2 - 12
2	1	SB-DENSARMOR	5/8"	4'-0" X 10'-10 7/8"	2 - 12
3	1	SB-DENSARMOR	5/8"	2'-5 1/16" X 10'-10 7/8"	2 - 12

11-1132

Jewish Home for the Aging

1885 Victory Blvd. Reseda, CA

FrameMax, Inc.
13915 Danielson St
Suite 100
Poway, CA 92064
www.frame-max.com



© FrameMax Inc.

CREATED: 09/11/2008

FM-07-109

CREATED BY: AMB

HEIGHT : 11'-9 11/16"

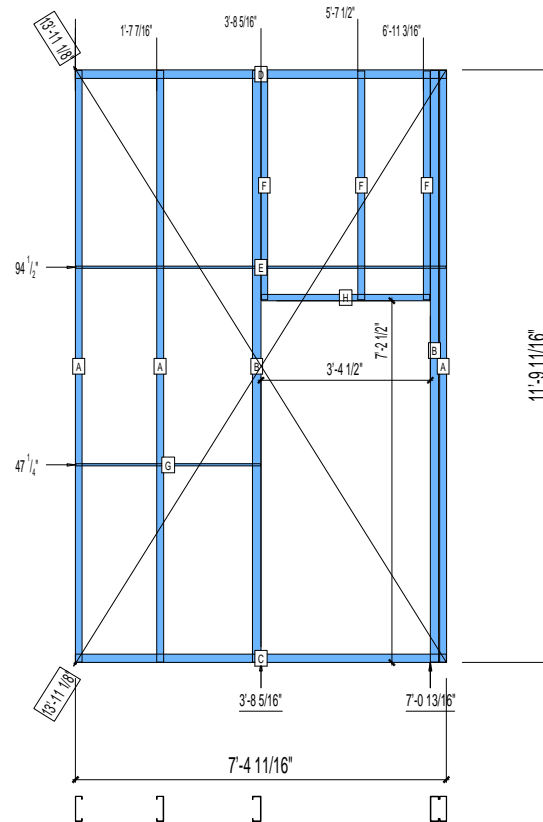
SPACING : 24"

1st STUD: 16"

WEIGHTS :

FRAME : 242 lbs

TOTAL: 242 lbs



PIECES LIST

LABEL	QTY	SIZE	LENGTH	USE
A	3	600S162-68	11'-9 1/2"	STUD
B	2	600S200-97	11'-9 1/2"	KING STUD
C	1	600T200-68	7'-4 11/16"	BOTTOM TRACK
D	1	600T200-68	7'-4 11/16"	TOP TRACK
E	1	150U50-54	7'-4 1/2"	HORIZONTAL BRACING
F	3	600S162-54	4'-6 3/4"	CRIPPLE
G	1	150U50-54	3'-8 1/8"	HORIZONTAL BRACING
H	1	600T150-54	3'-4 1/4"	HEAD TRACK

11-1133

Jewish Home for the Aging

1885 Victory Blvd. Reseda, CA

FM-07-109

CREATED BY: AMB

FrameMax, Inc.
13915 Danielson St
Suite 100
Poway, CA 92064
www.frame-max.com

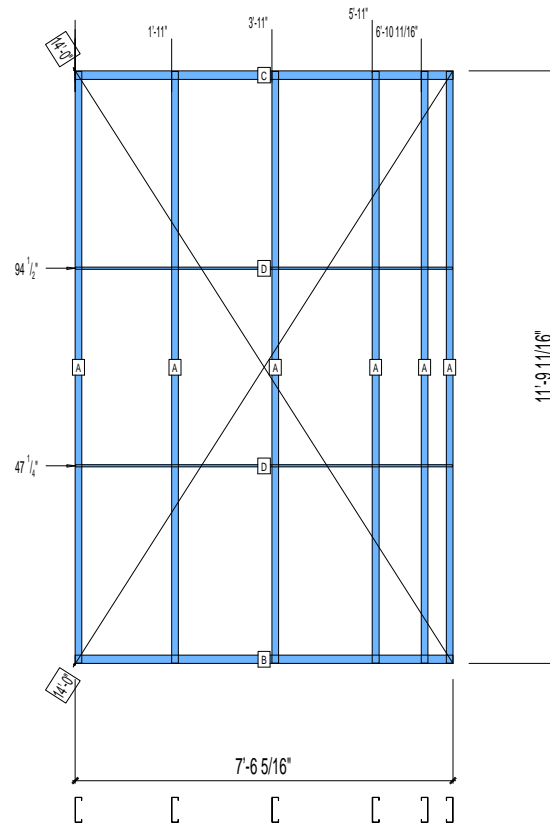


© FrameMax Inc.

HEIGHT : 11'-9 11/16"
SPACING : 24"
1st STUD: 16"

WEIGHTS :
FRAME : 211 lbs

TOTAL: 211 lbs



PIECES LIST

LABEL	QTY	SIZE	LENGTH	USE
A	6	600S162-68	11'-9 1/2"	STUD
B	1	600T200-68	7'-6 5/16"	BOTTOM TRACK
C	1	600T200-68	7'-6 5/16"	TOP TRACK
D	2	150U50-54	7'-6 1/8"	HORIZONTAL BRACING

11-1134

Jewish Home for the Aging

1885 Victory Blvd. Reseda, CA

FM-07-109

CREATED BY: AMB

FrameMax, Inc.
13915 Danielson St
Suite 100
Poway, CA 92064
www.framemax.com

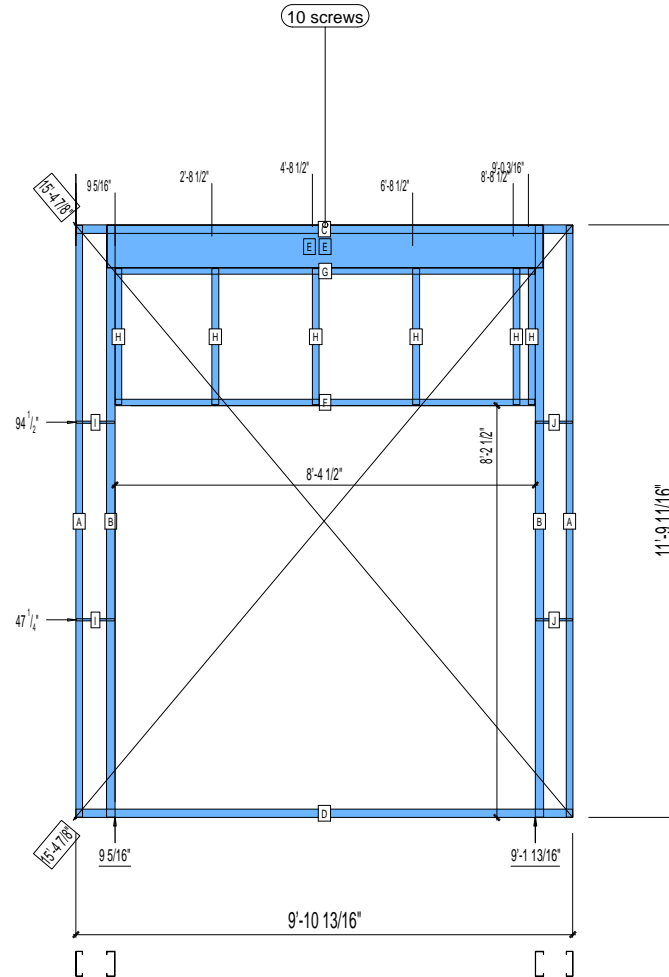


© FrameMax Inc.

HEIGHT : 11'-9 11/16"
SPACING : 24"
1st STUD: 24"

WEIGHTS :
FRAME : 335 lbs

TOTAL: 335 lbs



PIECES LIST

LABEL	QTY	SIZE	LENGTH	USE
A	2	600S162-68	11'-9 1/2"	STUD
B	2	600S200-97	11'-9 1/2"	KING STUD
C	1	600T200-68	9'-10 13/16"	TOP TRACK
D	1	600T200-68	9'-10 13/16"	BOTTOM TRACK
E	2	1000T200-97	8'-8 1/4"	HEADER
F	1	600T150-54	8'-4 1/4"	HEAD TRACK
G	1	600T150-54	8'-4 1/4"	HEADER BOTTOM TRACK
H	6	600S162-54	2'-8 1/2"	CRIPPLE
I	2	150U50-54	9 1/8"	HORIZONTAL BRACING
J	2	150U50-54	8 3/4"	HORIZONTAL BRACING

11-1135

Jewish Home for the Aging

1885 Victory Blvd. Reseda, CA

FrameMax, Inc.
13915 Danielson St
Suite 100
Poway, CA 92064
www.frame-max.com



© FrameMax Inc.

CREATED: 09/11/2008

FM-07-109

CREATED BY: AMB

HEIGHT : 11'-9 11/16"

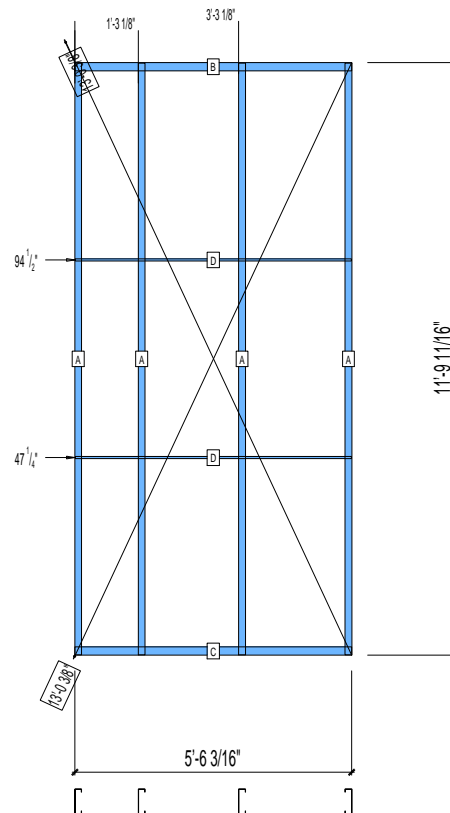
SPACING : 24"

1st STUD: 16"

WEIGHTS :

FRAME : 143 lbs

TOTAL: 143 lbs



PIECES LIST

LABEL	QTY	SIZE	LENGTH	USE
A	4	600S162-68	11'-9 1/2"	STUD
B	1	600T200-68	5'-6 3/16"	TOP TRACK
C	1	600T200-68	5'-6 3/16"	BOTTOM TRACK
D	2	150U50-54	5'-6"	HORIZONTAL BRACING

11-1136

Jewish Home for the Aging

1885 Victory Blvd. Reseda, CA

FM-07-109

CREATED BY: AMB

FrameMax, Inc.
13915 Danielson St
Suite 100
Poway, CA 92064
www.frame-max.com

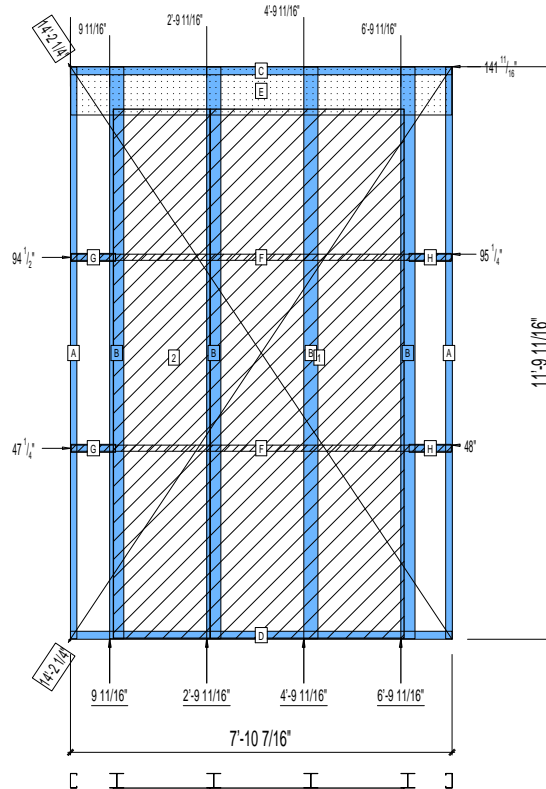


© FrameMax Inc.

HEIGHT : 11'-9 11/16"
SPACING : 24"
1st STUD: 24"

WEIGHTS :
FRAME : 354 lbs
SHEATHING: 241 lbs

TOTAL: 595 lbs



PIECES LIST

LABEL	QTY	SIZE	LENGTH	USE
A	2	362S162-54	11'-9 1/2"	STUD
B	4	363i350p554	11'-9 1/2"	PACO. COLUMN
C	1	362T200-68	7'-10 7/16"	TOP TRACK
D	1	362T200-68	7'-10 7/16"	BOTTOM TRACK
E	1	1200D-54	7'-10 1/4"	STRAP
F	2	150D-43	7'-10 1/4"	STRAP
G	2	362T200-68	10 15/16"	BLOCK
H	2	362T200-68	10 7/16"	BLOCK

SHEATHING

LABEL	QTY	CODE	THICK	SIZE	SCREWS
1	1	SB-DENSARMOR	5/8"	4'-0" X 10'-10 7/8"	2 - 12
2	1	SB-DENSARMOR	5/8"	2'-0" X 10'-10 7/8"	2 - 12

11-1137

Jewish Home for the Aging

1885 Victory Blvd. Reseda, CA

FM-07-109

CREATED BY: AMB

FrameMax, Inc.
13915 Danielson St
Suite 100
Poway, CA 92064
www.frame-max.com

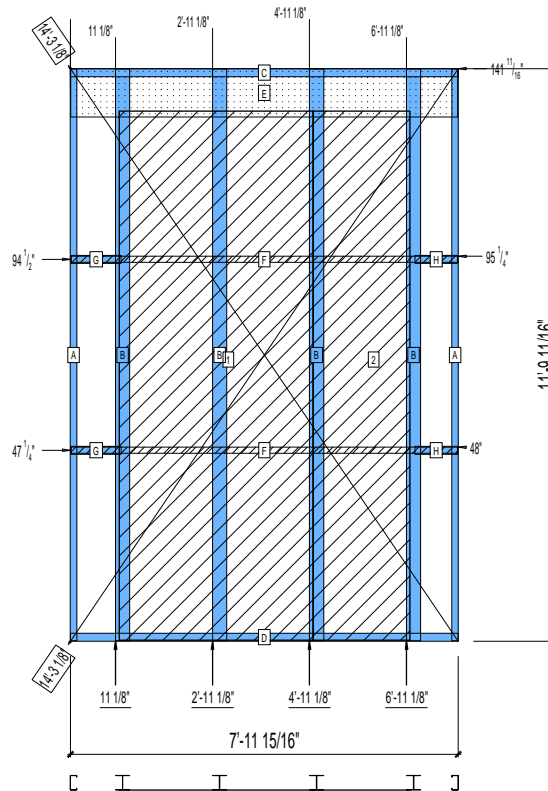


© FrameMax Inc.

HEIGHT : 11'-9 11/16"
SPACING : 24"
1st STUD: 24"

WEIGHTS :
FRAME : 355 lbs
SHEATHING: 241 lbs

TOTAL: 596 lbs



PIECES LIST

LABEL	QTY	SIZE	LENGTH	USE
A	2	362S162-54	11'-9 1/2"	STUD
B	4	363i350p554	11'-9 1/2"	PACO. COLUMN
C	1	362T200-68	7'-11 15/16"	TOP TRACK
D	1	362T200-68	7'-11 15/16"	BOTTOM TRACK
E	1	1200D-54	7'-11 3/4"	STRAP
F	2	150D-43	7'-11 3/4"	STRAP
G	2	362T200-68	1'-0 3/8"	BLOCK
H	2	362T200-68	10 1/2"	BLOCK

SHEATHING

LABEL	QTY	CODE	THICK	SIZE	SCREWS
1	1	SB-DENSARMOR	5/8"	4'-0" X 10'-10 7/8"	2 - 12
2	1	SB-DENSARMOR	5/8"	2'-0" X 10'-10 7/8"	2 - 12

11-1138

Jewish Home for the Aging

1885 Victory Blvd. Reseda, CA

FrameMax, Inc.
13915 Danielson St
Suite 100
Poway, CA 92064
www.frame-max.com



© FrameMax Inc.

CREATED: 09/11/2008

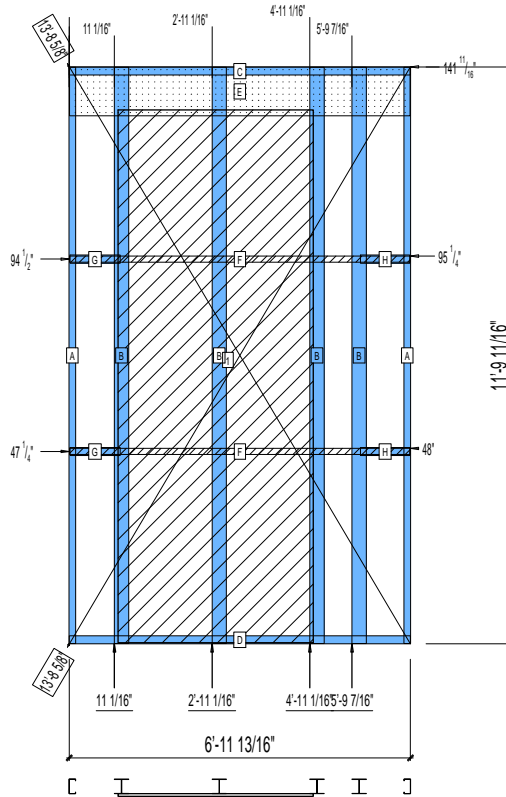
FM-07-109

CREATED BY: AMB

HEIGHT : 11'-9 11/16"
SPACING : 24"
1st STUD: 24"

WEIGHTS :
FRAME : 349 lbs
SHEATHING: 160 lbs

TOTAL: 509 lbs



PIECES LIST

LABEL	QTY	SIZE	LENGTH	USE
A	2	362S162-54	11'-9 1/2"	STUD
B	4	363i350p554	11'-9 1/2"	PACO. COLUMN
C	1	362T200-68	6'-11 13/16"	TOP TRACK
D	1	362T200-68	6'-11 13/16"	BOTTOM TRACK
E	1	1200D-54	6'-11 5/8"	STRAP
F	2	150D-43	6'-11 5/8"	STRAP
G	2	362T200-68	1'-0 5/16"	BLOCK
H	2	362T200-68	1'-0 1/16"	BLOCK

SHEATHING

LABEL	QTY	CODE	THICK	SIZE	SCREWS
1	1	SB-DENSARMOR	5/8"	3'-11 15/16" X 10'-10 7/8"	2 - 12

11-1139

Jewish Home for the Aging

1885 Victory Blvd. Reseda, CA

FM-07-109

CREATED BY: AMB

FrameMax, Inc.
13915 Danielson St
Suite 100
Poway, CA 92064
www.framemax.com

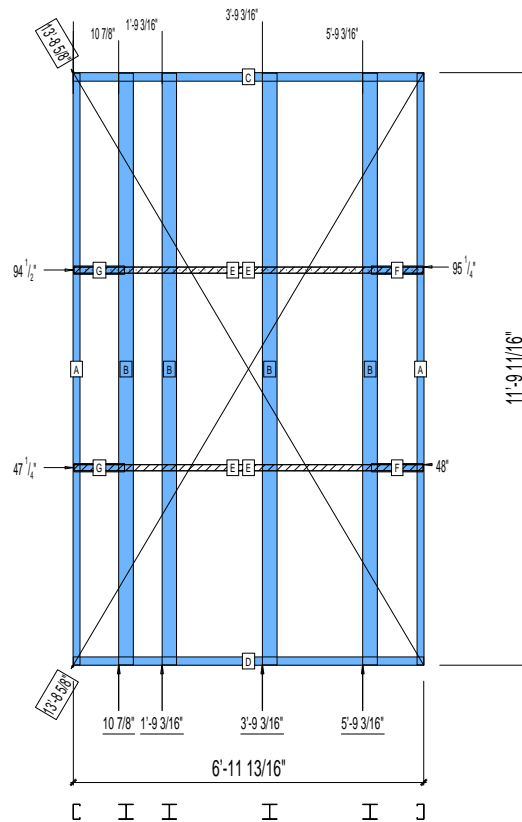


© FrameMax Inc.

HEIGHT : 11'-9 11/16"
SPACING : 24"
1st STUD: 24"

WEIGHTS :
FRAME : 335 lbs

TOTAL: 335 lbs



PIECES LIST

LABEL	QTY	SIZE	LENGTH	USE
A	2	362S162-54	11'-9 1/2"	STUD
B	4	363i350p554	11'-9 1/2"	PACO.COLUMN
C	1	362T200-68	6'-11 13/16"	TOP TRACK
D	1	362T200-68	6'-11 13/16"	BOTTOM TRACK
E	4	150D-43	6'-11 5/8"	STRAP
F	2	362T200-68	1'-0 5/16"	BLOCK
G	2	362T200-68	1'-0 1/16"	BLOCK

11-1140

Jewish Home for the Aging

1885 Victory Blvd. Reseda, CA

FM-07-109

CREATED BY: AMB

FrameMax, Inc.
13915 Danielson St
Suite 100
Poway, CA 92064
www.frame-max.com

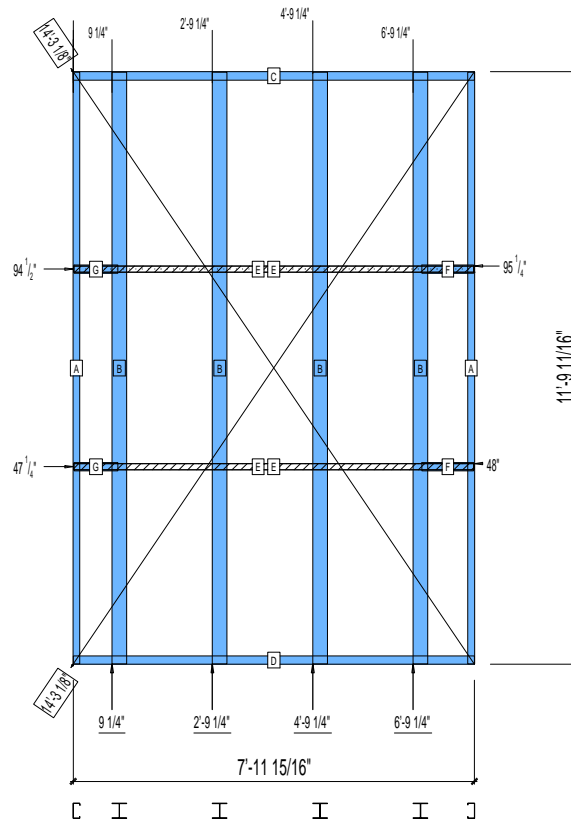


© FrameMax Inc.

HEIGHT : 11'-9 11/16"
SPACING : 24"
1st STUD: 24"

WEIGHTS :
FRAME : 339 lbs

TOTAL: 339 lbs



PIECES LIST

LABEL	QTY	SIZE	LENGTH	USE
A	2	362S162-54	11'-9 1/2"	STUD
B	4	363i350p554	11'-9 1/2"	PACO.COLUMN
C	1	362T200-68	7'-11 15/16"	TOP TRACK
D	1	362T200-68	7'-11 15/16"	BOTTOM TRACK
E	4	150D-43	7'-11 3/4"	STRAP
F	2	362T200-68	1'-0 3/8"	BLOCK
G	2	362T200-68	10 1/2"	BLOCK

11-1141

Jewish Home for the Aging

1885 Victory Blvd. Reseda, CA

FM-07-109

CREATED BY: AMB

FrameMax, Inc.
13915 Danielson St
Suite 100
Poway, CA 92064
www.frame-max.com

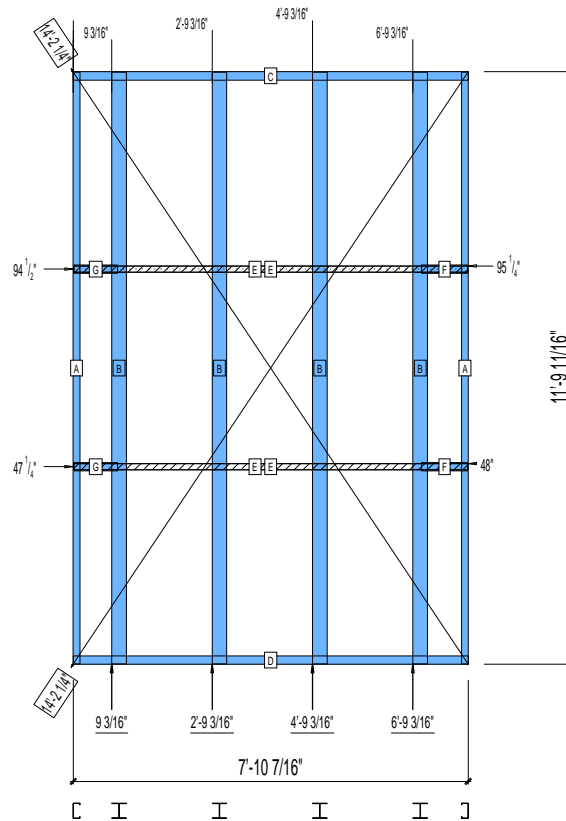


© FrameMax Inc.

HEIGHT : 11'-9 11/16"
SPACING : 24"
1st STUD: 24"

WEIGHTS :
FRAME : 338 lbs

TOTAL: 338 lbs



PIECES LIST

LABEL	QTY	SIZE	LENGTH	USE
A	2	362S162-54	11'-9 1/2"	STUD
B	4	363i350p554	11'-9 1/2"	PACO.COLUMN
C	1	362T200-68	7'-10 7/16"	TOP TRACK
D	1	362T200-68	7'-10 7/16"	BOTTOM TRACK
E	4	150D-43	7'-10 1/4"	STRAP
F	2	362T200-68	10 15/16"	BLOCK
G	2	362T200-68	10 7/16"	BLOCK

11-1142

Jewish Home for the Aging

1885 Victory Blvd. Reseda, CA

FrameMax, Inc.
13915 Danielson St
Suite 100
Poway, CA 92064
www.frame-max.com



© FrameMax Inc.

CREATED: 09/11/2008

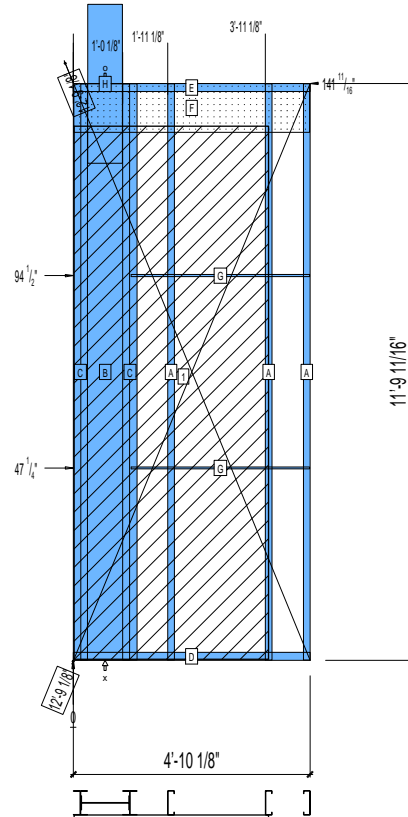
FM-07-109

CREATED BY: AMB

HEIGHT : 11'-9 11/16"
SPACING : 24"
1st STUD: 24"

WEIGHTS :
FRAME : 645 lbs
SHEATHING: 160 lbs

TOTAL: 805 lbs



PIECES LIST

LABEL	QTY	SIZE	LENGTH	USE
A	3	600S162-97	11'-9 1/2"	STUD
B	1	1200i350p1420	11'-9 1/2"	PACO
C	2	600i350p968	11'-9 1/2"	PACO
D	1	600T200-68	4'-10 1/8"	BOTTOM TRACK
E	1	600T200-68	4'-10 1/8"	TOP TRACK
F	1	1200D-54	4'-9 15/16"	STRAP
G	2	150U50-54	3'-7 13/16"	HORIZONTAL BRACING
H	1	F	3'-3"	HOLDDOWN

SHEATHING

LABEL	QTY	CODE	THICK	SIZE	SCREWS
1	1	SB-DENSARMOR	5/8"	3'-11 3/4" X 10'-10 7/8"	2 - 12

11-1143

Jewish Home for the Aging

1885 Victory Blvd. Reseda, CA

FrameMax, Inc.
13915 Danielson St
Suite 100
Poway, CA 92064
www.frame-max.com



© FrameMax Inc.

CREATED: 09/11/2008

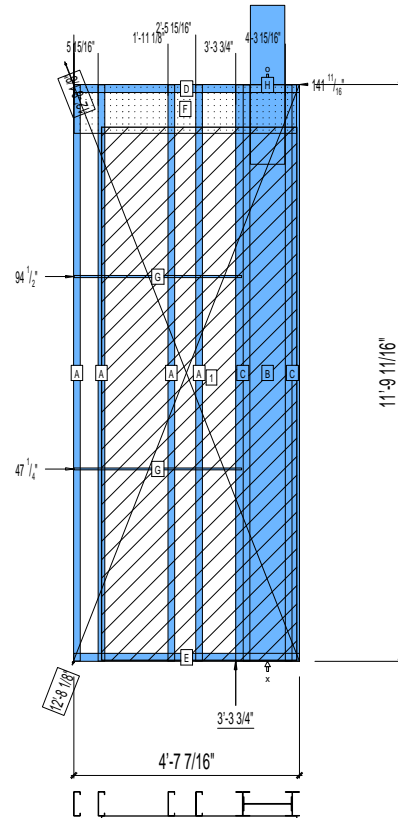
FM-07-109

CREATED BY: AMB

HEIGHT : 11'-9 11/16"
SPACING : 24"
1st STUD: 24"

WEIGHTS :
FRAME : 682 lbs
SHEATHING: 160 lbs

TOTAL: 842 lbs



PIECES LIST

LABEL	QTY	SIZE	LENGTH	USE
A	4	600S162-97	11'-9 1/2"	STUD
B	1	1200i350p1420	11'-9 1/2"	PACO
C	2	600i350p968	11'-9 1/2"	PACO
D	1	600T200-68	4'-7 7/16"	TOP TRACK
E	1	600T200-68	4'-7 7/16"	BOTTOM TRACK
F	1	1200D-54	4'-6 9/16"	STRAP
G	2	150U50-54	3'-5 1/16"	HORIZONTAL BRACING
H	1	F	3'-3"	HOLDDOWN

SHEATHING

LABEL	QTY	CODE	THICK	SIZE	SCREWS
1	1	SB-DENSARMOR	5/8"	3'-11 15/16" X 10'-10 7/8"	2 - 12

11-1144

Jewish Home for the Aging

1885 Victory Blvd. Reseda, CA

FrameMax, Inc.
13915 Danielson St
Suite 100
Poway, CA 92064
www.frame-max.com



© FrameMax Inc.

CREATED: 09/11/2008

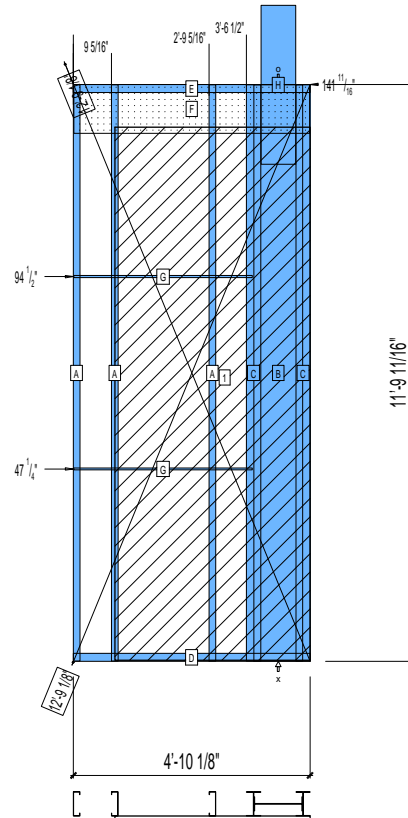
FM-07-109

CREATED BY: AMB

HEIGHT : 11'-9 11/16"
SPACING : 24"
1st STUD: 24"

WEIGHTS :
FRAME : 645 lbs
SHEATHING: 160 lbs

TOTAL: 805 lbs



PIECES LIST

LABEL	QTY	SIZE	LENGTH	USE
A	3	600S162-97	11'-9 1/2"	STUD
B	1	1200i350p1420	11'-9 1/2"	PACO
C	2	600i350p968	11'-9 1/2"	PACO
D	1	600T200-68	4'-10 1/8"	BOTTOM TRACK
E	1	600T200-68	4'-10 1/8"	TOP TRACK
F	1	1200D-54	4'-9 15/16"	STRAP
G	2	150U50-54	3'-7 13/16"	HORIZONTAL BRACING
H	1	F	3'-3"	HOLDDOWN

SHEATHING

LABEL	QTY	CODE	THICK	SIZE	SCREWS
1	1	SB-DENSARMOR	5/8"	3'-11 15/16" X 10'-10 7/8"	2 - 12

11-1145

Jewish Home for the Aging

1885 Victory Blvd. Reseda, CA

FrameMax, Inc.
13915 Danielson St
Suite 100
Poway, CA 92064
www.frame-max.com



© FrameMax Inc.

CREATED: 09/11/2008

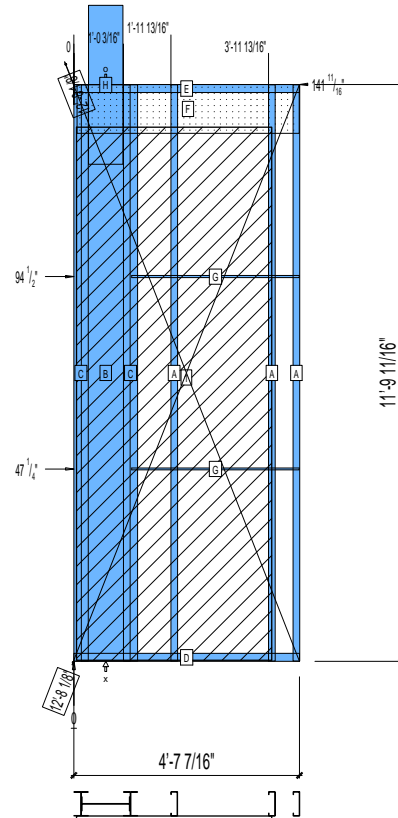
FM-07-109

CREATED BY: AMB

HEIGHT : 11'-9 11/16"
SPACING : 24"
1st STUD: 16"

WEIGHTS :
FRAME : 643 lbs
SHEATHING: 160 lbs

TOTAL: 803 lbs



PIECES LIST

LABEL	QTY	SIZE	LENGTH	USE
A	3	600S162-97	11'-9 1/2"	STUD
B	1	1200i350p1420	11'-9 1/2"	PACO
C	2	600i350p968	11'-9 1/2"	PACO
D	1	600T200-68	4'-7 7/16"	BOTTOM TRACK
E	1	600T200-68	4'-7 7/16"	TOP TRACK
F	1	1200D-54	4'-6 9/16"	STRAP
G	2	150U50-54	3'-5 1/16"	HORIZONTAL BRACING
H	1	F	3'-3"	HOLDDOWN

SHEATHING

LABEL	QTY	CODE	THICK	SIZE	SCREWS
1	1	SB-DENSARMOR	5/8"	3'-11 15/16" X 10'-10 7/8"	2 - 12

11-1146

Jewish Home for the Aging

1885 Victory Blvd. Reseda, CA

FM-07-109

CREATED BY: AMB

FrameMax, Inc.
13915 Danielson St
Suite 100
Poway, CA 92064
www.frame-max.com

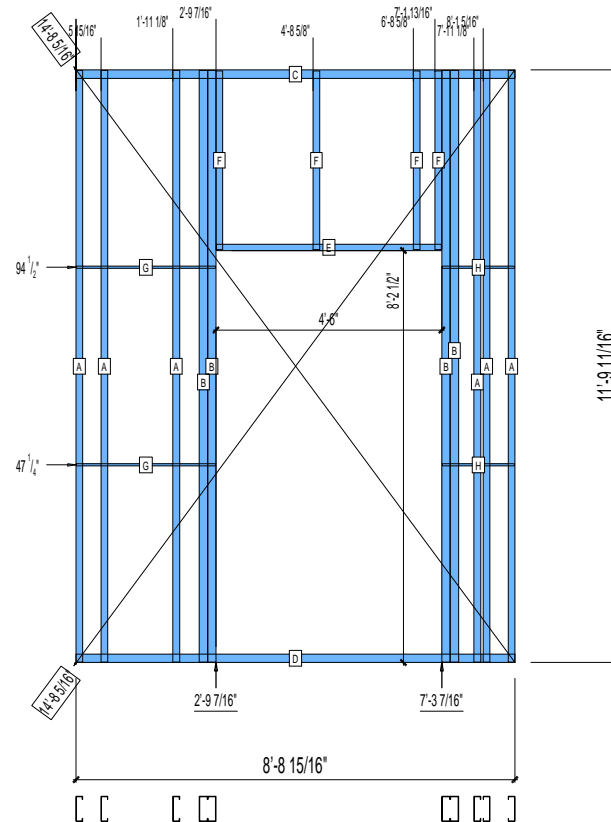


© FrameMax Inc.

HEIGHT : 11'-9 11/16"
SPACING : 24"
1st STUD: 24"

WEIGHTS :
FRAME : 485 lbs

TOTAL: 485 lbs



PIECES LIST

LABEL	QTY	SIZE	LENGTH	USE
A	6	600S162-97	11'-9 1/2"	STUD
B	4	600S200-97	11'-9 1/2"	KING STUD
C	1	600T200-68	8'-8 15/16"	TOP TRACK
D	1	600T200-68	8'-8 15/16"	BOTTOM TRACK
E	1	600T150-54	4'-5 3/4"	HEAD TRACK
F	4	600S162-54	3'-6 3/4"	CRIPPLE
G	2	150U50-54	2'-9 1/4"	HORIZONTAL BRACING
H	2	150U50-54	1'-5 1/4"	HORIZONTAL BRACING

11-1147

Jewish Home for the Aging

1885 Victory Blvd. Reseda, CA

FM-07-109

CREATED BY: AMB

FrameMax, Inc.
13915 Danielson St
Suite 100
Poway, CA 92064
www.frame-max.com

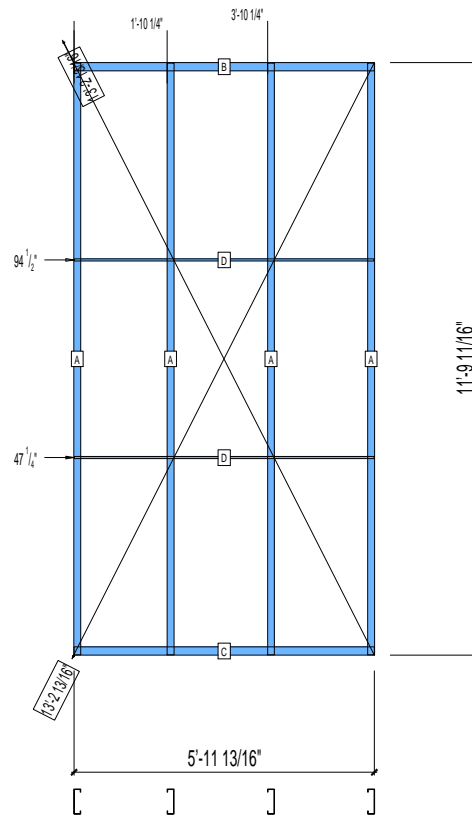


© FrameMax Inc.

HEIGHT : 11'-9 11/16"
SPACING : 24"
1st STUD: 24"

WEIGHTS :
FRAME : 190 lbs

TOTAL: 190 lbs



PIECES LIST

LABEL	QTY	SIZE	LENGTH	USE
A	4	600S162-97	11'-9 1/2"	STUD
B	1	600T200-68	5'-11 13/16"	TOP TRACK
C	1	600T200-68	5'-11 13/16"	BOTTOM TRACK
D	2	150U50-54	5'-11 5/8"	HORIZONTAL BRACING

11-1148

Jewish Home for the Aging

1885 Victory Blvd. Reseda, CA

FrameMax, Inc.
13915 Danielson St
Suite 100
Poway, CA 92064
www.frame-max.com



© FrameMax Inc.

CREATED: 09/12/2008

FM-07-109

CREATED BY: AMB

HEIGHT : 11'-9 11/16"

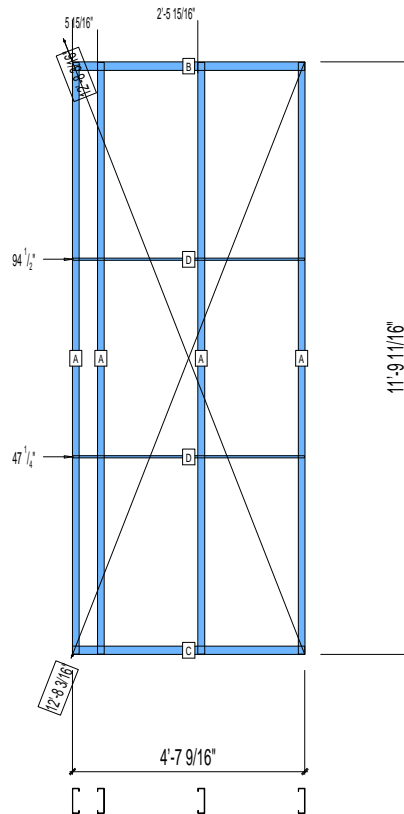
SPACING : 24"

1st STUD: 24"

WEIGHTS :

FRAME : 182 lbs

TOTAL: 182 lbs



PIECES LIST

LABEL	QTY	SIZE	LENGTH	USE
A	4	600S162-97	11'-9 1/2"	STUD
B	1	600T200-68	4'-7 9/16"	TOP TRACK
C	1	600T200-68	4'-7 9/16"	BOTTOM TRACK
D	2	150U50-54	4'-7 3/8"	HORIZONTAL BRACING

11-1149

Jewish Home for the Aging

1885 Victory Blvd. Reseda, CA

FM-07-109

CREATED BY: AMB

FrameMax, Inc.
13915 Danielson St
Suite 100
Poway, CA 92064
www.framemax.com



© FrameMax Inc.

HEIGHT : 11'-9 11/16"

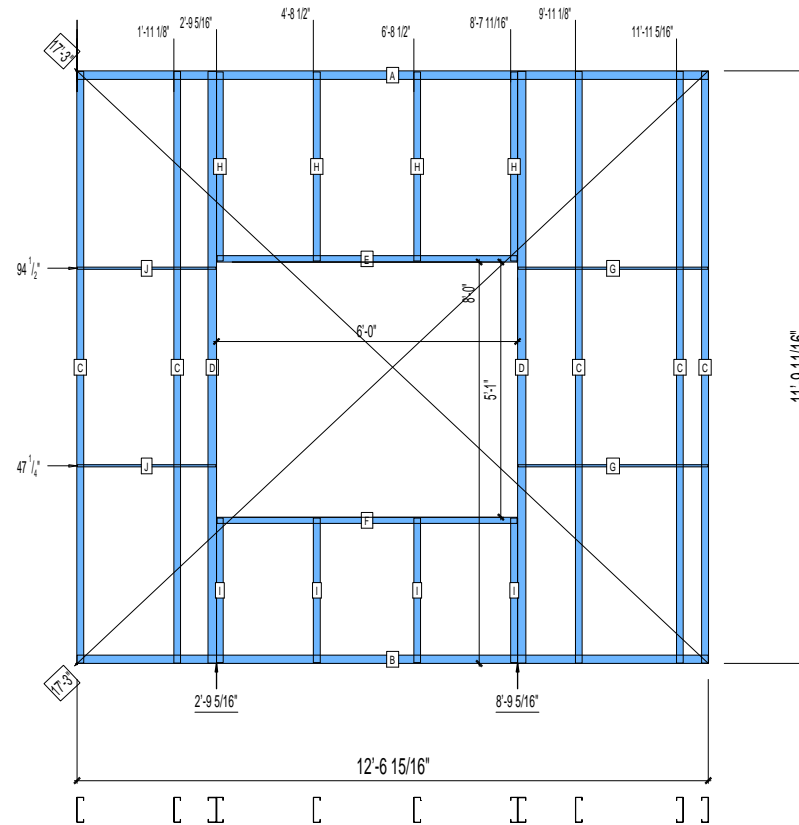
SPACING : 24"

1st STUD: 24"

WEIGHTS :

FRAME : 363 lbs

TOTAL: 363 lbs



PIECES LIST

LABEL	QTY	SIZE	LENGTH	USE
A	1	600T200-68	12'-6 15/16"	TOP TRACK
B	1	600T200-68	12'-6 15/16"	BOTTOM TRACK
C	5	600S162-68	11'-9 1/2"	STUD
D	2	600S200-97	11'-9 1/2"	KING STUD
E	1	600T150-54	5'-11 3/4"	HEAD TRACK
F	1	600T150-54	5'-11 3/4"	SILL
G	2	150U50-54	3'-9 3/8"	HORIZONTAL BRACING
H	4	600S162-54	3'-9 1/4"	CRIPPLE
I	4	600S162-54	2'-10 9/16"	CRIPPLE
J	2	150U50-54	2'-9 1/8"	HORIZONTAL BRACING

11-6001

Jewish Home for the Aging

1885 Victory Blvd. Reseda, CA

FM-07-109

CREATED BY: AMB

FrameMax, Inc.
13915 Danielson St
Suite 100
Poway, CA 92064
www.frame-max.com

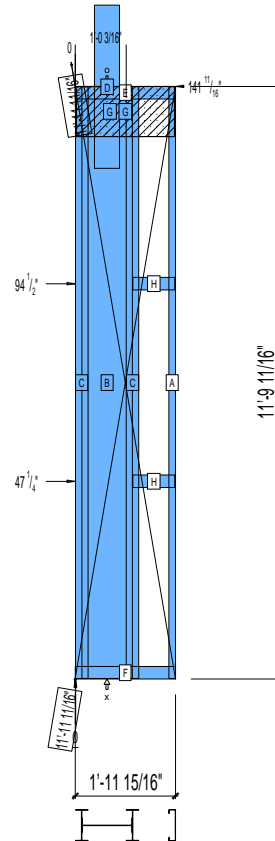


© FrameMax Inc.

HEIGHT : 11'-9 11/16"
SPACING : 24"
1st STUD: 16"

WEIGHTS :
FRAME : 396 lbs

TOTAL: 396 lbs



PIECES LIST			
LABEL	QTY	SIZE	LENGTH USE
A	1	750S162-54	11'-9 1/2" STUD
B	1	1200i350p1062	11'-9 1/2" PACO
C	2	750i300p706	11'-9 1/2" PACO
D	1	E	3'-3" HOLDDOWN
E	1	750T300-68	1'-11 15/16" TOP TRACK
F	1	750T300-68	1'-11 15/16" BOTTOM TRACK
G	2	1200D-54	1'-11 7/16" STRAP
H	2	750T300-68	10 1/16" BLOCK

11-6002

Jewish Home for the Aging

1885 Victory Blvd. Reseda, CA

FM-07-109

CREATED BY: AMB

FrameMax, Inc.
13915 Danielson St
Suite 100
Poway, CA 92064
www.frame-max.com

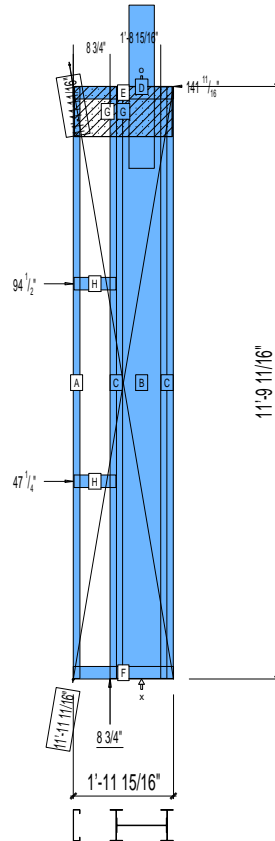


© FrameMax Inc.

HEIGHT : 11'-9 11/16"
SPACING : 24"
1st STUD: 24"

WEIGHTS :
FRAME : 396 lbs

TOTAL: 396 lbs



PIECES LIST

LABEL	QTY	SIZE	LENGTH	USE
A	1	750S162-54	11'-9 1/2"	STUD
B	1	1200i350p1062	11'-9 1/2"	PACO
C	2	750i300p706	11'-9 1/2"	PACO
D	1	E	3'-3"	HOLDDOWN
E	1	750T300-68	1'-11 15/16"	TOP TRACK
F	1	750T300-68	1'-11 15/16"	BOTTOM TRACK
G	2	1200D-54	1'-11 7/16"	STRAP
H	2	750T300-68	10"	BLOCK

11-6003

Jewish Home for the Aging

1885 Victory Blvd. Reseda, CA

FM-07-109

CREATED BY: AMB

FrameMax, Inc.
13915 Danielson St
Suite 100
Poway, CA 92064
www.frame-max.com

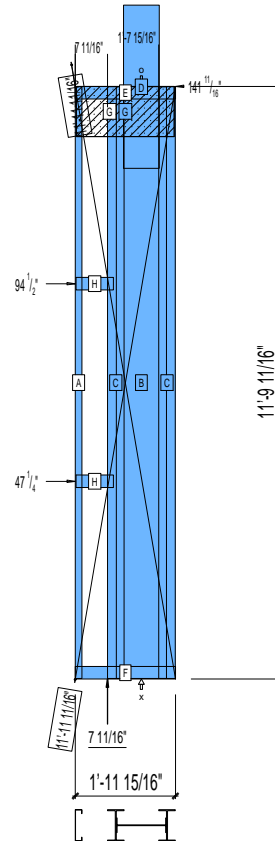


© FrameMax Inc.

HEIGHT : 11'-9 11/16"
SPACING : 24"
1st STUD: 24"

WEIGHTS :
FRAME : 615 lbs

TOTAL: 615 lbs



PIECES LIST

LABEL	QTY	SIZE	LENGTH	USE
A	1	750S162-54	11'-9 1/2"	STUD
B	1	1200i350p1420	11'-9 1/2"	PACO
C	2	750i400p1268	11'-9 1/2"	PACO
D	1	F	3'-3"	HOLDDOWN
E	1	750T300-68	1'-11 15/16"	TOP TRACK
F	1	750T300-68	1'-11 15/16"	BOTTOM TRACK
G	2	1200D-54	1'-11 7/16"	STRAP
H	2	750T300-68	8 15/16"	BLOCK

11-6006

Jewish Home for the Aging

1885 Victory Blvd. Reseda, CA

FM-07-109

CREATED BY: AMB

FrameMax, Inc.
13915 Danielson St
Suite 100
Poway, CA 92064
www.framemax.com

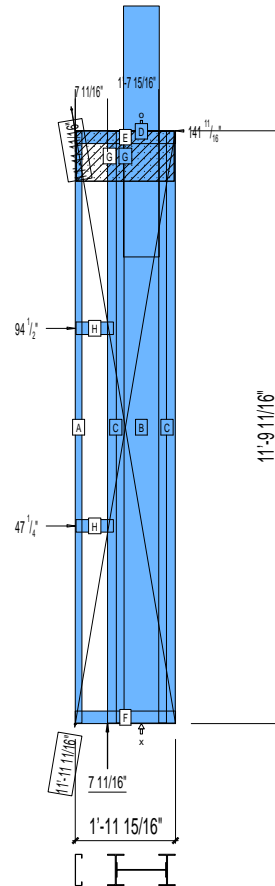


© FrameMax Inc.

HEIGHT : 11'-9 11/16"
SPACING : 24"
1st STUD: 24"

WEIGHTS :
FRAME : 665 lbs

TOTAL: 665 lbs



PIECES LIST			
LABEL	QTY	SIZE	LENGTH USE
A	1	750S162-54	11'-9 1/2" STUD
B	1	1200i350p1420	11'-9 1/2" PACO
C	2	750i400p1268	11'-9 1/2" PACO
D	1	G	5'-0" HOLDDOWN
E	1	750T300-68	1'-11 15/16" TOP TRACK
F	1	750T300-68	1'-11 15/16" BOTTOM TRACK
G	2	1200D-54	1'-11 7/16" STRAP
H	2	750T300-68	8 15/16" BLOCK

11-6007

Jewish Home for the Aging

1885 Victory Blvd. Reseda, CA

FM-07-109

CREATED BY: AMB

FrameMax, Inc.
13915 Danielson St
Suite 100
Poway, CA 92064
www.frame-max.com

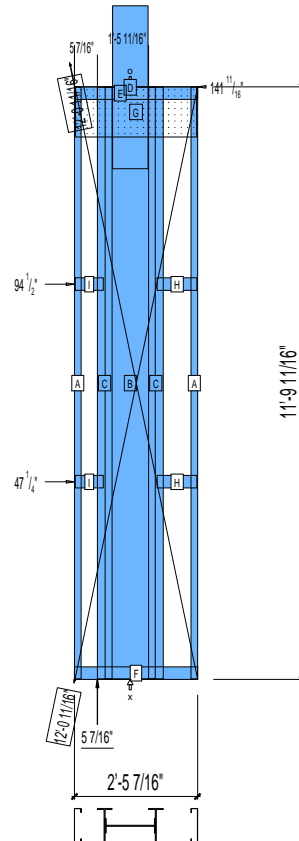


© FrameMax Inc.

HEIGHT : 11'-9 11/16"
SPACING : 24"
1st STUD: 24"

WEIGHTS :
FRAME : 643 lbs

TOTAL: 643 lbs



PIECES LIST

LABEL	QTY	SIZE	LENGTH	USE
A	2	825S162-54	11'-9 1/2"	STUD
B	1	1200i350p1420	11'-9 1/2"	PACO
C	2	825i350p1247	11'-9 1/2"	PACO
D	1	F	3'-3"	HOLDDOWN
E	1	825T300-68	2'-5 7/16"	TOP TRACK
F	1	825T300-68	2'-5 7/16"	BOTTOM TRACK
G	1	1200D-54	2'-5"	STRAP
H	2	825T300-54	9 1/2"	BLOCK
I	2	825T300-54	6 3/4"	BLOCK

11-6008

Jewish Home for the Aging

1885 Victory Blvd. Reseda, CA

FM-07-109

CREATED BY: AMB

FrameMax, Inc.
13915 Danielson St
Suite 100
Poway, CA 92064
www.frame-max.com

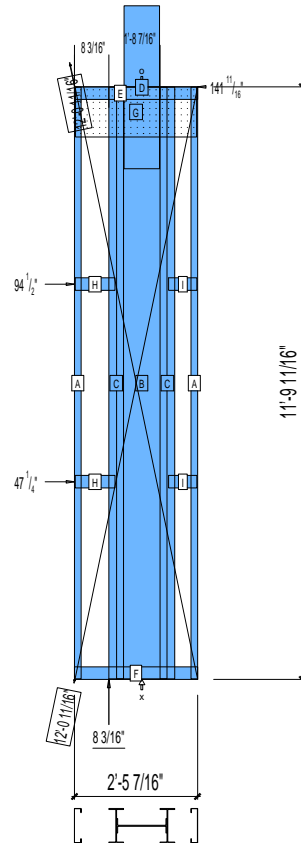


© FrameMax Inc.

HEIGHT : 11'-9 11/16"
SPACING : 24"
1st STUD: 24"

WEIGHTS :
FRAME : 643 lbs

TOTAL: 643 lbs



PIECES LIST

LABEL	QTY	SIZE	LENGTH	USE
A	2	825S162-54	11'-9 1/2"	STUD
B	1	1200i350p1420	11'-9 1/2"	PACO
C	2	825i350p1247	11'-9 1/2"	PACO
D	1	F	3'-3"	HOLDDOWN
E	1	825T300-68	2'-5 7/16"	TOP TRACK
F	1	825T300-68	2'-5 7/16"	BOTTOM TRACK
G	1	1200D-54	2'-5"	STRAP
H	2	825T300-54	9 1/2"	BLOCK
I	2	825T300-54	6 3/4"	BLOCK

11-6009

Jewish Home for the Aging

1885 Victory Blvd. Reseda, CA

FM-07-109

CREATED BY: AMB

FrameMax, Inc.
13915 Danielson St
Suite 100
Poway, CA 92064
www.frame-max.com

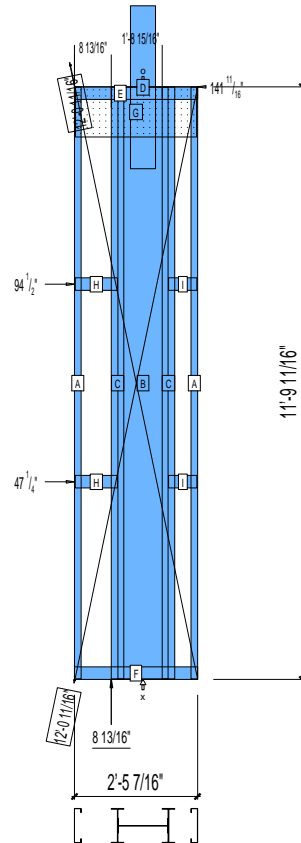


© FrameMax Inc.

HEIGHT : 11'-9 11/16"
SPACING : 24"
1st STUD: 24"

WEIGHTS :
FRAME : 439 lbs

TOTAL: 439 lbs



PIECES LIST

LABEL	QTY	SIZE	LENGTH	USE
A	2	825S162-54	11'-9 1/2"	STUD
B	1	1200i350p1062	11'-9 1/2"	PACO
C	2	825i300p746	11'-9 1/2"	PACO
D	1	E	3'-3"	HOLDDOWN
E	1	825T300-68	2'-5 7/16"	TOP TRACK
F	1	825T300-68	2'-5 7/16"	BOTTOM TRACK
G	1	1200D-54	2'-5"	STRAP
H	2	825T300-54	10 1/8"	BLOCK
I	2	825T300-54	6 3/4"	BLOCK

11-6010

Jewish Home for the Aging

1885 Victory Blvd. Reseda, CA

FM-07-109

CREATED BY: AMB

FrameMax, Inc.
13915 Danielson St
Suite 100
Poway, CA 92064
www.frame-max.com

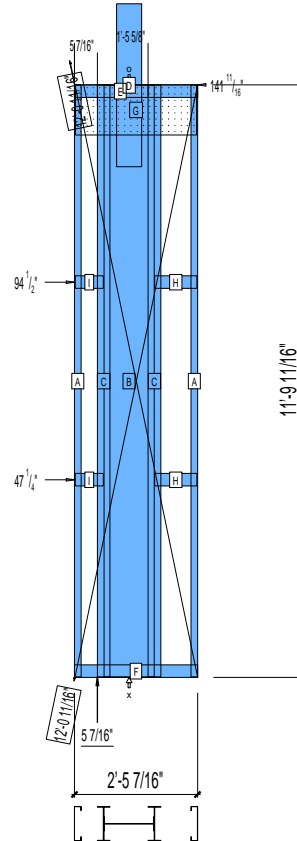


© FrameMax Inc.

HEIGHT : 11'-9 11/16"
SPACING : 24"
1st STUD: 24"

WEIGHTS :
FRAME : 439 lbs

TOTAL: 439 lbs



PIECES LIST

LABEL	QTY	SIZE	LENGTH	USE
A	2	825S162-54	11'-9 1/2"	STUD
B	1	1200i350p1062	11'-9 1/2"	PACO
C	2	825i300p746	11'-9 1/2"	PACO
D	1	E	3'-3"	HOLDDOWN
E	1	825T300-68	2'-5 7/16"	TOP TRACK
F	1	825T300-68	2'-5 7/16"	BOTTOM TRACK
G	1	1200D-54	2'-5"	STRAP
H	2	825T300-54	10 1/8"	BLOCK
I	2	825T300-54	6 3/4"	BLOCK

11-6011

Jewish Home for the Aging

1885 Victory Blvd. Reseda, CA

FM-07-109

CREATED BY: AMB

FrameMax, Inc.
13915 Danielson St
Suite 100
Poway, CA 92064
www.frame-max.com

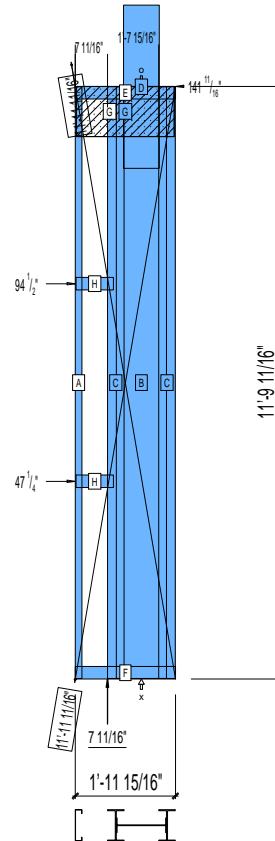


© FrameMax Inc.

HEIGHT : 11'-9 11/16"
SPACING : 24"
1st STUD: 24"

WEIGHTS :
FRAME : 615 lbs

TOTAL: 615 lbs



PIECES LIST

LABEL	QTY	SIZE	LENGTH	USE
A	1	750S162-54	11'-9 1/2"	STUD
B	1	1200i350p1420	11'-9 1/2"	PACO
C	2	750i400p1268	11'-9 1/2"	PACO
D	1	F	3'-3"	HOLDDOWN
E	1	750T300-68	1'-11 15/16"	TOP TRACK
F	1	750T300-68	1'-11 15/16"	BOTTOM TRACK
G	2	1200D-54	1'-11 7/16"	STRAP
H	2	750T300-68	8 15/16"	BLOCK

11-6012

Jewish Home for the Aging

1885 Victory Blvd. Reseda, CA

FM-07-109

CREATED BY: AMB

FrameMax, Inc.
13915 Danielson St
Suite 100
Poway, CA 92064
www.frame-max.com

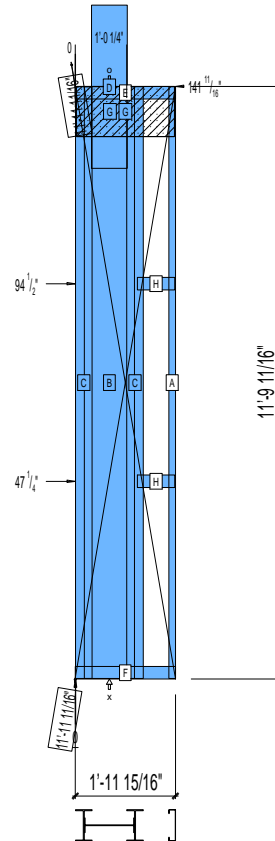


© FrameMax Inc.

HEIGHT : 11'-9 11/16"
SPACING : 24"
1st STUD: 16"

WEIGHTS :
FRAME : 615 lbs

TOTAL: 615 lbs



PIECES LIST

LABEL	QTY	SIZE	LENGTH	USE
A	1	750S162-54	11'-9 1/2"	STUD
B	1	1200i350p1420	11'-9 1/2"	PACO
C	2	750i400p1268	11'-9 1/2"	PACO
D	1	F	3'-3"	HOLDDOWN
E	1	750T300-68	1'-11 15/16"	TOP TRACK
F	1	750T300-68	1'-11 15/16"	BOTTOM TRACK
G	2	1200D-54	1'-11 7/16"	STRAP
H	2	750T300-68	8 15/16"	BLOCK

11-6014

Jewish Home for the Aging

1885 Victory Blvd. Reseda, CA

FM-07-109

CREATED BY: AMB

FrameMax, Inc.
13915 Danielson St
Suite 100
Poway, CA 92064
www.frame-max.com

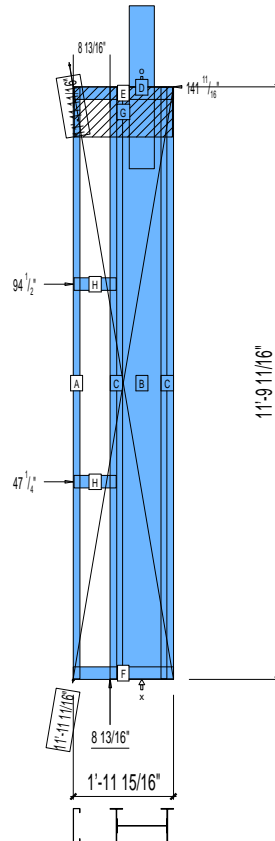


© FrameMax Inc.

HEIGHT : 11'-9 11/16"
SPACING : 24"
1st STUD: 24"

WEIGHTS :
FRAME : 403 lbs

TOTAL: 403 lbs



PIECES LIST

LABEL	QTY	SIZE	LENGTH	USE
A	1	825S162-54	11'-9 1/2"	STUD
B	1	1200i350p1062	11'-9 1/2"	PACO
C	2	825i300p746	11'-9 1/2"	PACO
D	1	E	3'-3"	HOLDDOWN
E	1	825T300-68	1'-11 15/16"	TOP TRACK
F	1	825T300-68	1'-11 15/16"	BOTTOM TRACK
G	1	1200D-54	1'-11 1/2"	STRAP
H	2	825T300-54	10 1/8"	BLOCK

11-6015

Jewish Home for the Aging

1885 Victory Blvd. Reseda, CA

FM-07-109

CREATED BY: AMB

FrameMax, Inc.
13915 Danielson St
Suite 100
Poway, CA 92064
www.frame-max.com

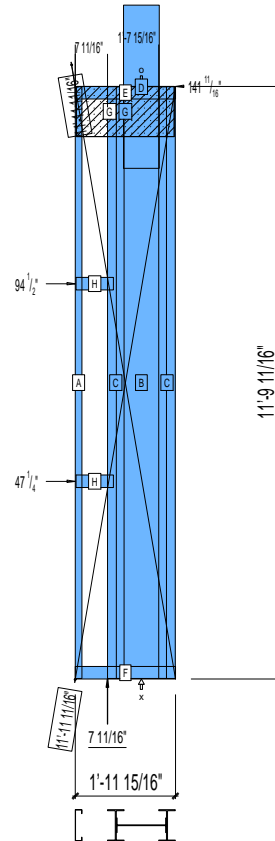


© FrameMax Inc.

HEIGHT : 11'-9 11/16"
SPACING : 24"
1st STUD: 24"

WEIGHTS :
FRAME : 615 lbs

TOTAL: 615 lbs



PIECES LIST			
LABEL	QTY	SIZE	LENGTH USE
A	1	750S162-54	11'-9 1/2" STUD
B	1	1200i350p1420	11'-9 1/2" PACO
C	2	750i400p1268	11'-9 1/2" PACO
D	1	F	3'-3" HOLDDOWN
E	1	750T300-68	1'-11 15/16" TOP TRACK
F	1	750T300-68	1'-11 15/16" BOTTOM TRACK
G	2	1200D-54	1'-11 7/16" STRAP
H	2	750T300-68	8 15/16" BLOCK

11-6016

Jewish Home for the Aging

1885 Victory Blvd. Reseda, CA

FM-07-109

CREATED BY: AMB

FrameMax, Inc.
13915 Danielson St
Suite 100
Poway, CA 92064
www.frame-max.com

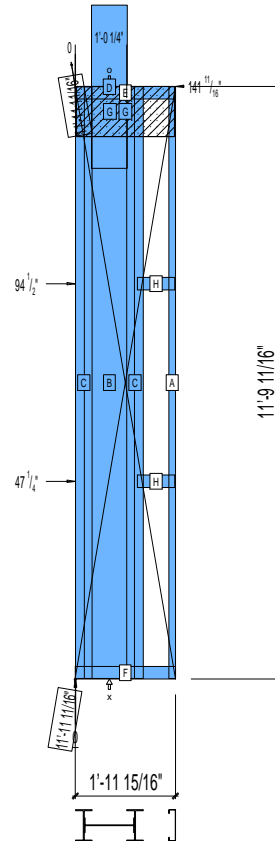


© FrameMax Inc.

HEIGHT : 11'-9 11/16"
SPACING : 24"
1st STUD: 24"

WEIGHTS :
FRAME : 615 lbs

TOTAL: 615 lbs



PIECES LIST

LABEL	QTY	SIZE	LENGTH	USE
A	1	750S162-54	11'-9 1/2"	STUD
B	1	1200i350p1420	11'-9 1/2"	PACO
C	2	750i400p1268	11'-9 1/2"	PACO
D	1	F	3'-3"	HOLDDOWN
E	1	750T300-68	1'-11 15/16"	TOP TRACK
F	1	750T300-68	1'-11 15/16"	BOTTOM TRACK
G	2	1200D-54	1'-11 7/16"	STRAP
H	2	750T300-68	8 15/16"	BLOCK

11-6017

Jewish Home for the Aging

1885 Victory Blvd. Reseda, CA

FM-07-109

CREATED BY: AMB

FrameMax, Inc.
13915 Danielson St
Suite 100
Poway, CA 92064
www.frame-max.com

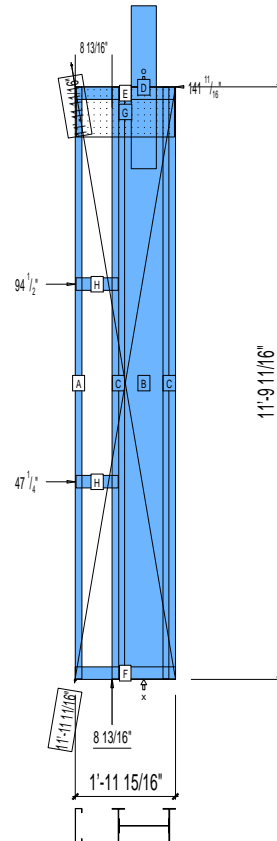


© FrameMax Inc.

HEIGHT : 11'-9 11/16"
SPACING : 24"
1st STUD: 24"

WEIGHTS :
FRAME : 403 lbs

TOTAL: 403 lbs



PIECES LIST

LABEL	QTY	SIZE	LENGTH	USE
A	1	825S162-54	11'-9 1/2"	STUD
B	1	1200i350p1062	11'-9 1/2"	PACO
C	2	825i300p746	11'-9 1/2"	PACO
D	1	E	3'-3"	HOLDDOWN
E	1	825T300-68	1'-11 15/16"	TOP TRACK
F	1	825T300-68	1'-11 15/16"	BOTTOM TRACK
G	1	1200D-54	1'-11 1/2"	STRAP
H	2	825T300-54	10 1/8"	BLOCK

11-6018

Jewish Home for the Aging

1885 Victory Blvd. Reseda, CA

FM-07-109

CREATED BY: AMB

FrameMax, Inc.
13915 Danielson St
Suite 100
Poway, CA 92064
www.frame-max.com

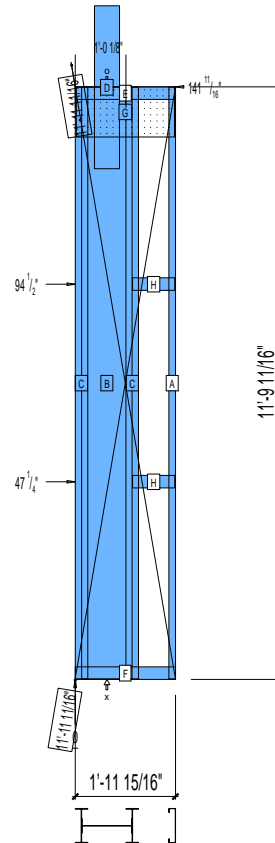


© FrameMax Inc.

HEIGHT : 11'-9 11/16"
SPACING : 24"
1st STUD: 24"

WEIGHTS :
FRAME : 403 lbs

TOTAL: 403 lbs



PIECES LIST

LABEL	QTY	SIZE	LENGTH	USE
A	1	825S162-54	11'-9 1/2"	STUD
B	1	1200i350p1062	11'-9 1/2"	PACO
C	2	825i300p746	11'-9 1/2"	PACO
D	1	E	3'-3"	HOLDDOWN
E	1	825T300-68	1'-11 15/16"	TOP TRACK
F	1	825T300-68	1'-11 15/16"	BOTTOM TRACK
G	1	1200D-54	1'-11 1/2"	STRAP
H	2	825T300-54	10 1/8"	BLOCK

11-6019

Jewish Home for the Aging

1885 Victory Blvd. Reseda, CA

FM-07-109

CREATED BY: AMB

FrameMax, Inc.
13915 Danielson St
Suite 100
Poway, CA 92064
www.frame-max.com

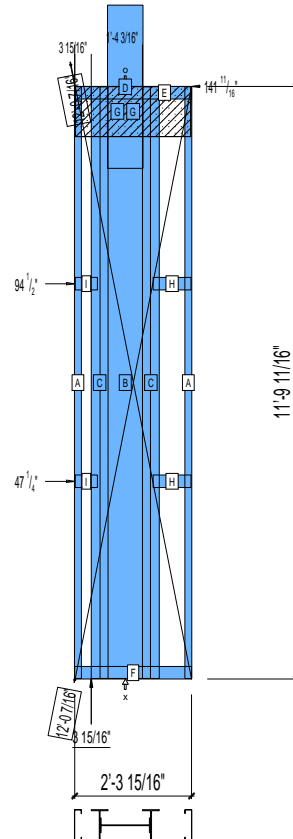


© FrameMax Inc.

HEIGHT : 11'-9 11/16"
SPACING : 24"
1st STUD: 24"

WEIGHTS :
FRAME : 648 lbs

TOTAL: 648 lbs



PIECES LIST

LABEL	QTY	SIZE	LENGTH	USE
A	2	750S162-54	11'-9 1/2"	STUD
B	1	1200i350p1420	11'-9 1/2"	PACO
C	2	750i400p1268	11'-9 1/2"	PACO
D	1	F	3'-3"	HOLDDOWN
E	1	750T300-68	2'-3 15/16"	TOP TRACK
F	1	750T300-68	2'-3 15/16"	BOTTOM TRACK
G	2	1200D-54	2'-3 1/2"	STRAP
H	2	750T300-68	9"	BLOCK
I	2	750T300-68	5 1/4"	BLOCK

11-6020

Jewish Home for the Aging

1885 Victory Blvd. Reseda, CA

FM-07-109

CREATED BY: AMB

FrameMax, Inc.
13915 Danielson St
Suite 100
Poway, CA 92064
www.frame-max.com

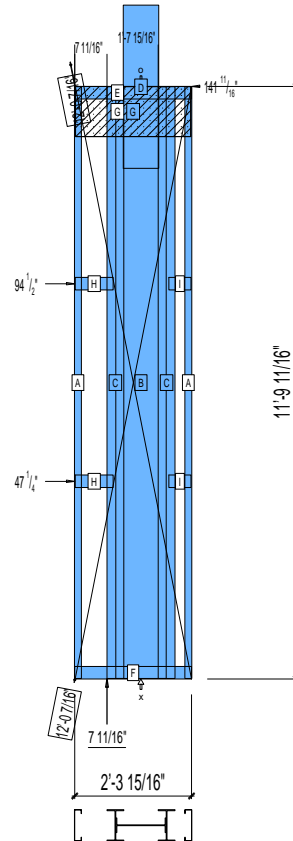


© FrameMax Inc.

HEIGHT : 11'-9 11/16"
SPACING : 24"
1st STUD: 24"

WEIGHTS :
FRAME : 648 lbs

TOTAL: 648 lbs



PIECES LIST

LABEL	QTY	SIZE	LENGTH	USE
A	2	750S162-54	11'-9 1/2"	STUD
B	1	1200i350p1420	11'-9 1/2"	PACO
C	2	750i400p1268	11'-9 1/2"	PACO
D	1	F	3'-3"	HOLDDOWN
E	1	750T300-68	2'-3 15/16"	TOP TRACK
F	1	750T300-68	2'-3 15/16"	BOTTOM TRACK
G	2	1200D-54	2'-3 1/2"	STRAP
H	2	750T300-68	9"	BLOCK
I	2	750T300-68	5 1/4"	BLOCK

11-6021

Jewish Home for the Aging

1885 Victory Blvd. Reseda, CA

FM-07-109

CREATED BY: AMB

FrameMax, Inc.
13915 Danielson St
Suite 100
Poway, CA 92064
www.frame-max.com

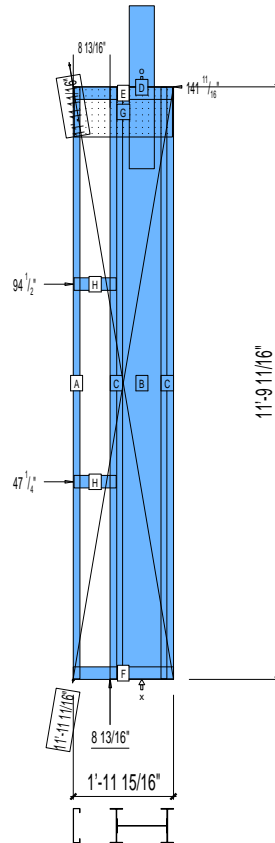


© FrameMax Inc.

HEIGHT : 11'-9 11/16"
SPACING : 24"
1st STUD: 24"

WEIGHTS :
FRAME : 403 lbs

TOTAL: 403 lbs



PIECES LIST

LABEL	QTY	SIZE	LENGTH	USE
A	1	825S162-54	11'-9 1/2"	STUD
B	1	1200i350p1062	11'-9 1/2"	PACO
C	2	825i300p746	11'-9 1/2"	PACO
D	1	E	3'-3"	HOLDDOWN
E	1	825T300-68	1'-11 15/16"	TOP TRACK
F	1	825T300-68	1'-11 15/16"	BOTTOM TRACK
G	1	1200D-54	1'-11 1/2"	STRAP
H	2	825T300-54	10 1/8"	BLOCK

11-6022

Jewish Home for the Aging

1885 Victory Blvd. Reseda, CA

FM-07-109

CREATED BY: AMB

FrameMax, Inc.
13915 Danielson St
Suite 100
Poway, CA 92064
www.frame-max.com

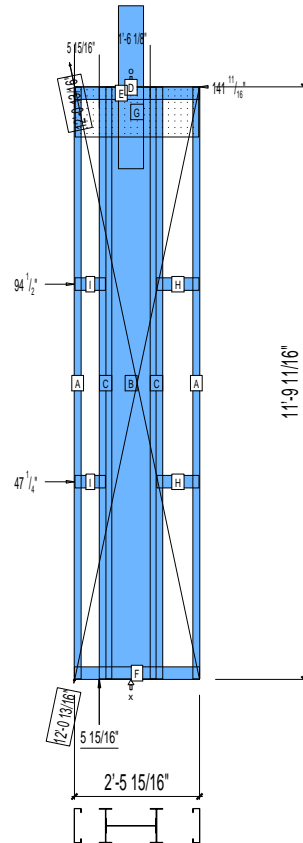


© FrameMax Inc.

HEIGHT : 11'-9 11/16"
SPACING : 24"
1st STUD: 24"

WEIGHTS :
FRAME : 439 lbs

TOTAL: 439 lbs



PIECES LIST

LABEL	QTY	SIZE	LENGTH	USE
A	2	825S162-54	11'-9 1/2"	STUD
B	1	1200i350p1062	11'-9 1/2"	PACO
C	2	825i300p746	11'-9 1/2"	PACO
D	1	E	3'-3"	HOLDDOWN
E	1	825T300-68	2'-5 15/16"	TOP TRACK
F	1	825T300-68	2'-5 15/16"	BOTTOM TRACK
G	1	1200D-54	2'-5 1/2"	STRAP
H	2	825T300-54	10 1/8"	BLOCK
I	2	825T300-54	7 1/4"	BLOCK

11-6023

Jewish Home for the Aging

1885 Victory Blvd. Reseda, CA

FM-07-109

CREATED BY: AMB

FrameMax, Inc.
13915 Danielson St
Suite 100
Poway, CA 92064
www.frame-max.com

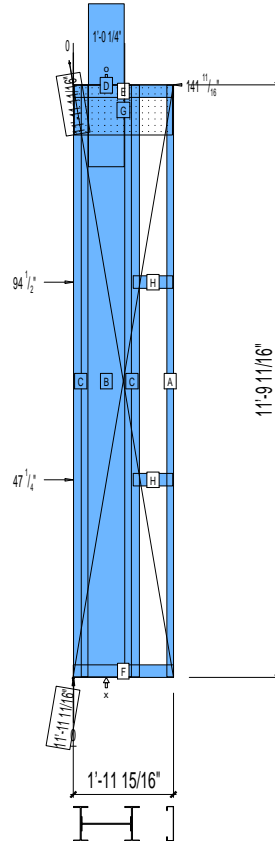


© FrameMax Inc.

HEIGHT : 11'-9 11/16"
SPACING : 24"
1st STUD: 16"

WEIGHTS :
FRAME : 607 lbs

TOTAL: 607 lbs



PIECES LIST

LABEL	QTY	SIZE	LENGTH	USE
A	1	825S162-54	11'-9 1/2"	STUD
B	1	1200i350p1420	11'-9 1/2"	PACO
C	2	825i350p1247	11'-9 1/2"	PACO
D	1	F	3'-3"	HOLDDOWN
E	1	825T300-68	1'-11 15/16"	TOP TRACK
F	1	825T300-68	1'-11 15/16"	BOTTOM TRACK
G	1	1200D-54	1'-11 7/16"	STRAP
H	2	825T300-54	9 7/16"	BLOCK

11-6024

Jewish Home for the Aging

1885 Victory Blvd. Reseda, CA

FM-07-109

CREATED BY: AMB

FrameMax, Inc.
13915 Danielson St
Suite 100
Poway, CA 92064
www.frame-max.com

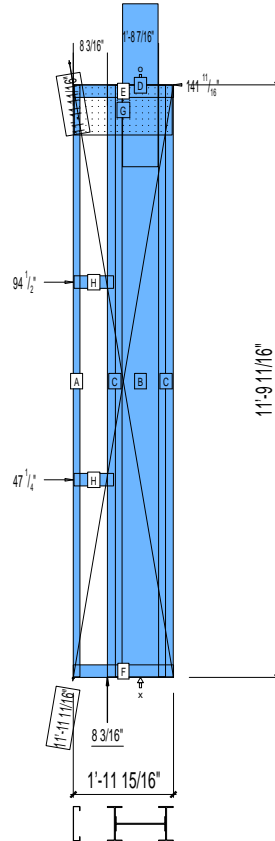


© FrameMax Inc.

HEIGHT : 11'-9 11/16"
SPACING : 24"
1st STUD: 24"

WEIGHTS :
FRAME : 607 lbs

TOTAL: 607 lbs



PIECES LIST

LABEL	QTY	SIZE	LENGTH	USE
A	1	825S162-54	11'-9 1/2"	STUD
B	1	1200i350p1420	11'-9 1/2"	PACO
C	2	825i350p1247	11'-9 1/2"	PACO
D	1	F	3'-3"	HOLDDOWN
E	1	825T300-68	1'-11 15/16"	TOP TRACK
F	1	825T300-68	1'-11 15/16"	BOTTOM TRACK
G	1	1200D-54	1'-11 7/16"	STRAP
H	2	825T300-54	9 7/16"	BLOCK

11-6025

Jewish Home for the Aging

1885 Victory Blvd. Reseda, CA

FM-07-109

CREATED BY: AMB

FrameMax, Inc.
13915 Danielson St
Suite 100
Poway, CA 92064
www.frame-max.com

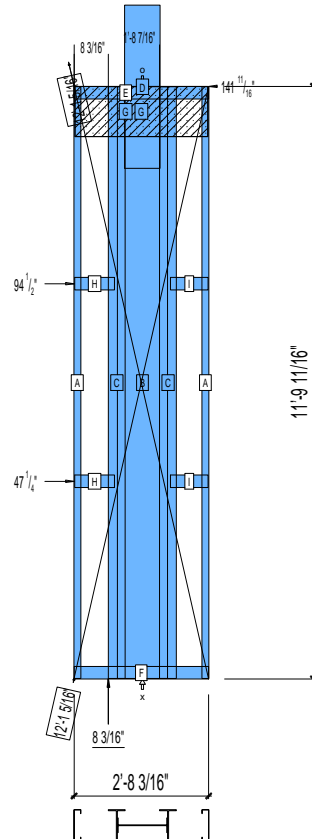


© FrameMax Inc.

HEIGHT : 11'-9 11/16"
SPACING : 24"
1st STUD: 24"

WEIGHTS :
FRAME : 655 lbs

TOTAL: 655 lbs



PIECES LIST

LABEL	QTY	SIZE	LENGTH	USE
A	2	750S162-54	11'-9 1/2"	STUD
B	1	1200i350p1420	11'-9 1/2"	PACO
C	2	750i400p1268	11'-9 1/2"	PACO
D	1	F	3'-3"	HOLDDOWN
E	1	750T300-68	2'-8 3/16"	TOP TRACK
F	1	750T300-68	2'-8 3/16"	BOTTOM TRACK
G	2	1200D-54	2'-7 3/4"	STRAP
H	2	750T300-68	9 1/2"	BLOCK
I	2	750T300-68	9"	BLOCK

