

# 11-1150

Jewish Home for the Aging

1885 Victory Blvd. Reseda, CA

FrameMax, Inc.  
13915 Danielson St  
Suite 100  
Poway, CA 92064  
www.frame-max.com



© FrameMax Inc.

CREATED: 09/18/2008

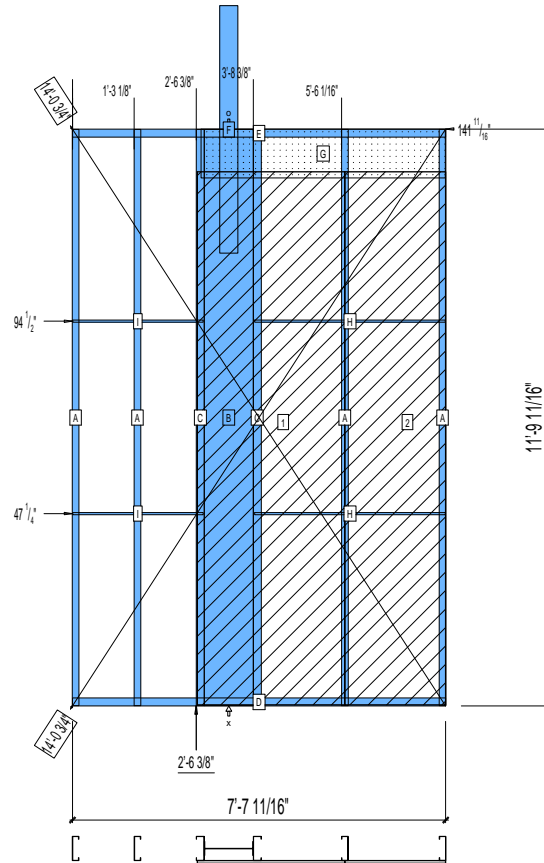
FM-07-109

CREATED BY: AMB

HEIGHT : 14'-3 15/16"  
SPACING : 24"  
1st STUD: 16"

WEIGHTS :  
FRAME : 436 lbs  
SHEATHING: 204 lbs

-----  
TOTAL: 640 lbs



PIECES LIST

LABEL	QTY	SIZE	LENGTH	USE
A	4	600S162-97	11'-9 1/2"	STUD
B	1	1200i350p1062	11'-9 1/2"	PACO
C	2	600S200-68	11'-9 1/2"	STUD
D	1	600T200-68	7'-7 11/16"	BOTTOM TRACK
E	1	600T200-68	7'-7 11/16"	TOP TRACK
F	1	D	5'-0 3/4"	HOLDDOWN
G	1	1200D-54	5'-0"	STRAP
H	2	150U50-54	3'-10 7/8"	HORIZONTAL BRACING
I	2	150U50-54	2'-8"	HORIZONTAL BRACING

SHEATHING

LABEL	QTY	CODE	THICK	SIZE	SCREWS
1	1	SB-DENSARMOR	5/8"	3'-0 1/4" X 10'-10 7/8"	1 - 12
2	1	SB-DENSARMOR	5/8"	2'-0 3/4" X 10'-10 7/8"	1 - 12

# 11-1151

Jewish Home for the Aging

1885 Victory Blvd. Reseda, CA

FrameMax, Inc.  
13915 Danielson St  
Suite 100  
Poway, CA 92064  
www.frame-max.com



© FrameMax Inc.

CREATED: 09/18/2008

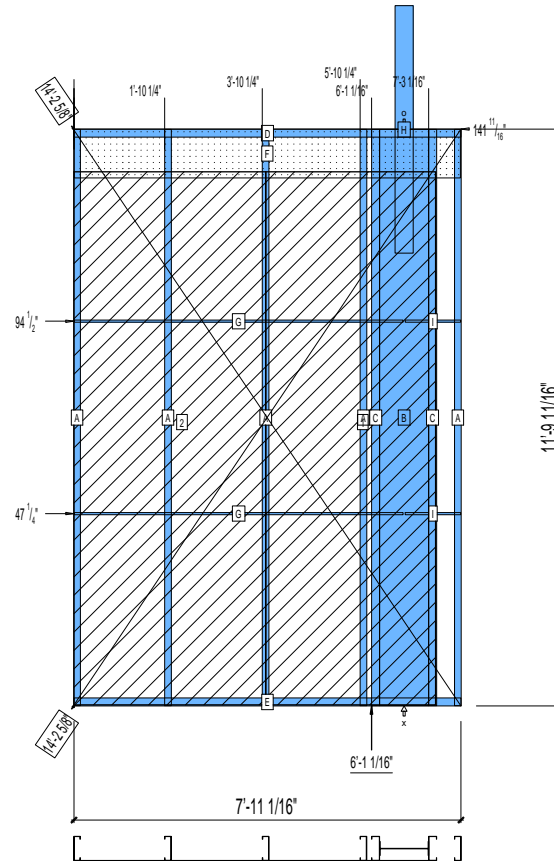
FM-07-109

CREATED BY: AMB

HEIGHT : 14'-3 15/16"  
SPACING : 24"  
1st STUD: 24"

WEIGHTS :  
FRAME : 484 lbs  
SHEATHING: 297 lbs

TOTAL: 781 lbs



PIECES LIST

LABEL	QTY	SIZE	LENGTH	USE
A	5	600S162-97	11'-9 1/2"	STUD
B	1	1200i350p1062	11'-9 1/2"	PACO
C	2	600S200-68	11'-9 1/2"	STUD
D	1	600T200-68	7'-11 1/16"	TOP TRACK
E	1	600T200-68	7'-11 1/16"	BOTTOM TRACK
F	1	1200D-54	7'-10 7/8"	STRAP
G	2	150U50-54	6'-8 3/4"	HORIZONTAL BRACING
H	1	D	5'-0 3/4"	HOLDDOWN
I	2	150U50-54	1'-1 5/8"	HORIZONTAL BRACING

SHEATHING

LABEL	QTY	CODE	THICK	SIZE	SCREWS
1	1	SB-DENSARMOR	5/8"	3'-5 3/4" X 10'-10 7/8"	1 - 12
2	1	SB-DENSARMOR	5/8"	3'-11 1/16" X 10'-10 7/8"	1 - 12

# 11-1152

Jewish Home for the Aging

1885 Victory Blvd. Reseda, CA

FrameMax, Inc.  
13915 Danielson St  
Suite 100  
Poway, CA 92064  
www.framemax.com



© FrameMax Inc.

CREATED: 09/17/2008

FM-07-109

CREATED BY: AMB

HEIGHT : 11'-9 11/16"

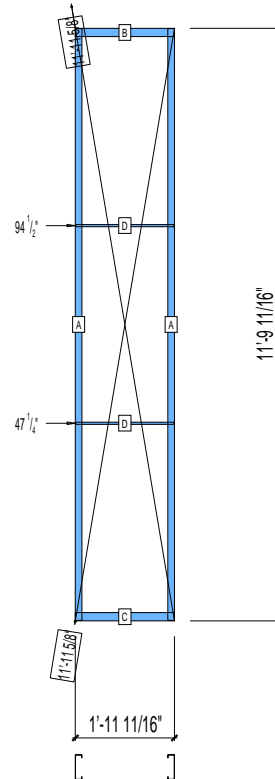
SPACING : 24"

1st STUD: 16"

WEIGHTS :

FRAME : 89 lbs

-----  
TOTAL: 89 lbs



### PIECES LIST

LABEL	QTY	SIZE	LENGTH	USE
A	2	600S162-97	11'-9 1/2"	STUD
B	1	600T200-68	1'-11 11/16"	TOP TRACK
C	1	600T200-68	1'-11 11/16"	BOTTOM TRACK
D	2	150U50-54	1'-11 1/2"	HORIZONTAL BRACING

# 11-1153

Jewish Home for the Aging

1885 Victory Blvd. Reseda, CA

FM-07-109

CREATED BY: AMB

FrameMax, Inc.  
13915 Danielson St  
Suite 100  
Poway, CA 92064  
www.frame-max.com

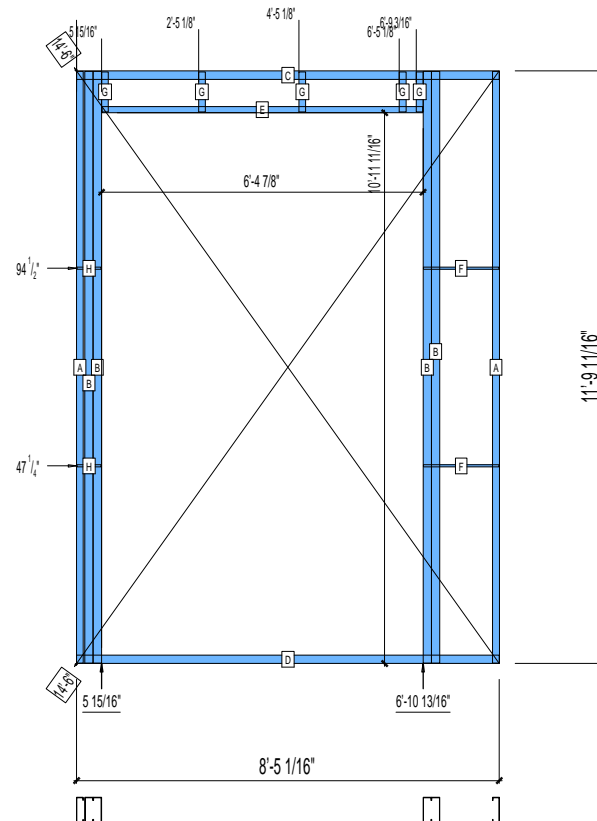


© FrameMax Inc.

HEIGHT : 11'-9 11/16"  
SPACING : 24"  
1st STUD: 24"

WEIGHTS :  
FRAME : 310 lbs

-----  
TOTAL: 310 lbs



PIECES LIST

LABEL	QTY	SIZE	LENGTH	USE
A	2	600S162-97	11'-9 1/2"	STUD
B	4	600S200-97	11'-9 1/2"	KING STUD
C	1	600T200-68	8'-5 1/16"	TOP TRACK
D	1	600T200-68	8'-5 1/16"	BOTTOM TRACK
E	1	600T150-54	6'-4 5/8"	HEAD TRACK
F	2	150U50-54	1'-6"	HORIZONTAL BRACING
G	5	600S162-54	9 9/16"	CRIPPLE
H	2	150U50-54	5 3/4"	HORIZONTAL BRACING

# 11-1154

Jewish Home for the Aging

1885 Victory Blvd. Reseda, CA

FM-07-109

CREATED BY: AMB

FrameMax, Inc.  
13915 Danielson St  
Suite 100  
Poway, CA 92064  
www.frame-max.com



© FrameMax Inc.

HEIGHT : 11'-9 11/16"

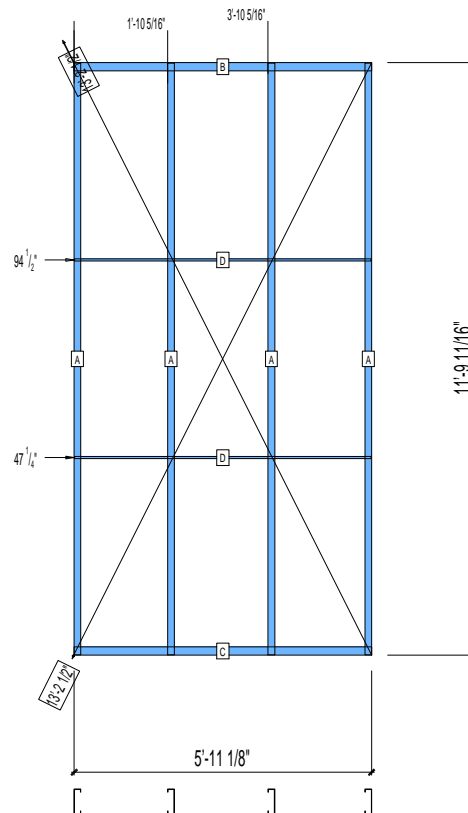
SPACING : 24"

1st STUD: 24"

WEIGHTS :

FRAME : 190 lbs

-----  
TOTAL: 190 lbs



### PIECES LIST

LABEL	QTY	SIZE	LENGTH	USE
A	4	600S162-97	11'-9 1/2"	STUD
B	1	600T200-68	5'-11 1/8"	TOP TRACK
C	1	600T200-68	5'-11 1/8"	BOTTOM TRACK
D	2	150U50-54	5'-10 15/16"	HORIZONTAL BRACING

# 11-1155

Jewish Home for the Aging

1885 Victory Blvd. Reseda, CA

FrameMax, Inc.  
13915 Danielson St  
Suite 100  
Poway, CA 92064  
www.frame-max.com



© FrameMax Inc.

CREATED: 09/17/2008

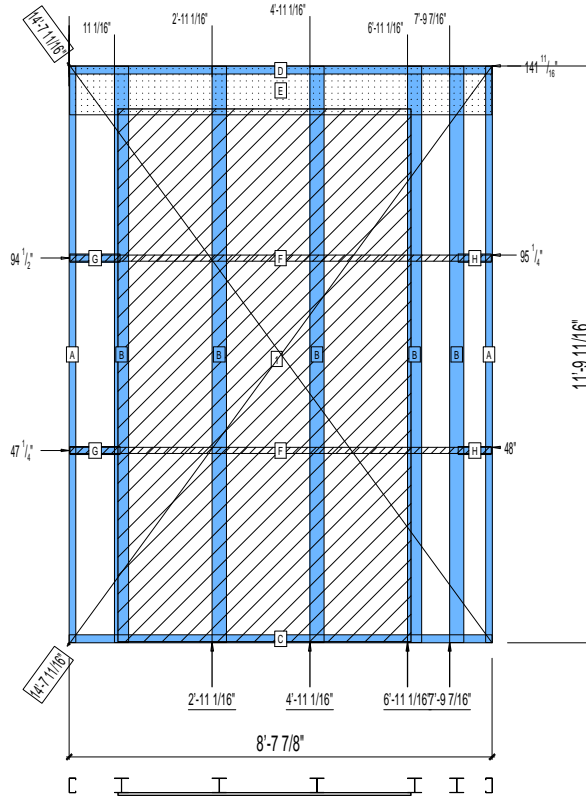
FM-07-109

CREATED BY: AMB

HEIGHT : 11'-9 11/16"  
SPACING : 24"  
1st STUD: 24"

WEIGHTS :  
FRAME : 424 lbs  
SHEATHING: 241 lbs

-----  
TOTAL: 665 lbs



PIECES LIST

LABEL	QTY	SIZE	LENGTH	USE
A	2	362S162-54	11'-9 1/2"	STUD
B	5	363i350p554	11'-9 1/2"	PACO.COLUMN
C	1	362T200-68	8'-7 7/8"	BOTTOM TRACK
D	1	362T200-68	8'-7 7/8"	TOP TRACK
E	1	1200D-54	8'-7 11/16"	STRAP
F	2	150D-43	8'-7 11/16"	STRAP
G	2	362T200-68	1'-0 5/16"	BLOCK
H	2	362T200-68	8 1/8"	BLOCK

SHEATHING

LABEL	QTY	CODE	THICK	SIZE	SCREWS
1	1	SB-DENSARMOR	5/8"	5'-11 15/16" X 10'-10 7/8"	2 - 12

# 11-1156

Jewish Home for the Aging

1885 Victory Blvd. Reseda, CA

FrameMax, Inc.  
13915 Danielson St  
Suite 100  
Poway, CA 92064  
www.frame-max.com



© FrameMax Inc.

CREATED: 09/17/2008

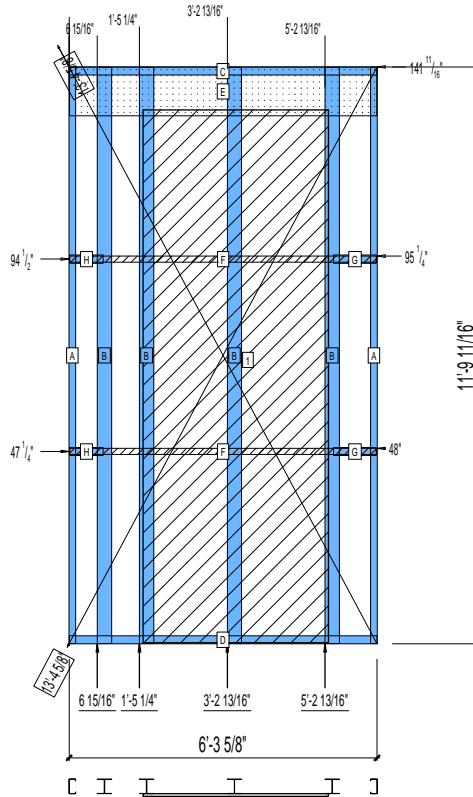
FM-07-109

CREATED BY: AMB

HEIGHT : 11'-9 11/16"  
SPACING : 24"  
1st STUD: 24"

WEIGHTS :  
FRAME : 343 lbs  
SHEATHING: 152 lbs

TOTAL: 495 lbs



PIECES LIST

LABEL	QTY	SIZE	LENGTH	USE
A	2	362S162-54	11'-9 1/2"	STUD
B	4	363i350p554	11'-9 1/2"	PACO. COLUMN
C	1	362T200-68	6'-3 5/8"	TOP TRACK
D	1	362T200-68	6'-3 5/8"	BOTTOM TRACK
E	1	1200D-54	6'-3 7/16"	STRAP
F	2	150D-43	6'-3 7/16"	STRAP
G	2	362T200-68	10 1/2"	BLOCK
H	2	362T200-68	8 1/8"	BLOCK

SHEATHING

LABEL	QTY	CODE	THICK	SIZE	SCREWS
1	1	SB-DENSARMOR	5/8"	3'-9 1/2" X 10'-10 7/8"	2 - 12

# 11-1157

Jewish Home for the Aging

1885 Victory Blvd. Reseda, CA

FM-07-109

CREATED BY: AMB

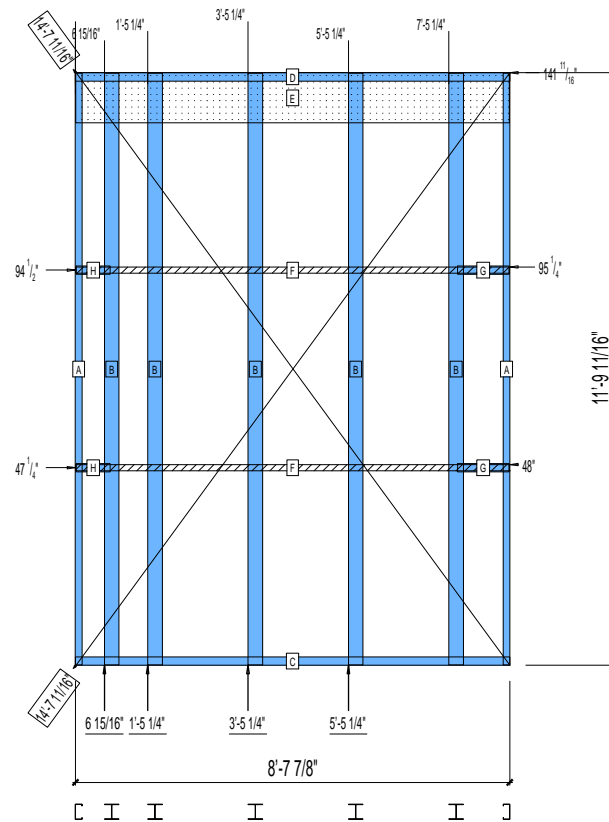
FrameMax, Inc.  
13915 Danielson St  
Suite 100  
Poway, CA 92064  
www.framemax.com



© FrameMax Inc.

HEIGHT : 11'-9 11/16"  
SPACING : 24"  
1st STUD: 24"

WEIGHTS :  
FRAME : 424 lbs  
-----  
TOTAL: 424 lbs



PIECES LIST			
LABEL	QTY	SIZE	LENGTH USE
A	2	362S162-54	11'-9 1/2" STUD
B	5	363i350p554	11'-9 1/2" PACO.COLUMN
C	1	362T200-68	8'-7 7/8" BOTTOM TRACK
D	1	362T200-68	8'-7 7/8" TOP TRACK
E	1	1200D-54	8'-7 11/16" STRAP
F	2	150D-43	8'-7 11/16" STRAP
G	2	362T200-68	1'-0 5/16" BLOCK
H	2	362T200-68	8 1/8" BLOCK

# 11-1158

Jewish Home for the Aging

1885 Victory Blvd. Reseda, CA

FrameMax, Inc.  
13915 Danielson St  
Suite 100  
Poway, CA 92064  
www.frame-max.com



© FrameMax Inc.

CREATED: 09/17/2008

FM-07-109

CREATED BY: AMB

HEIGHT : 11'-9 11/16"

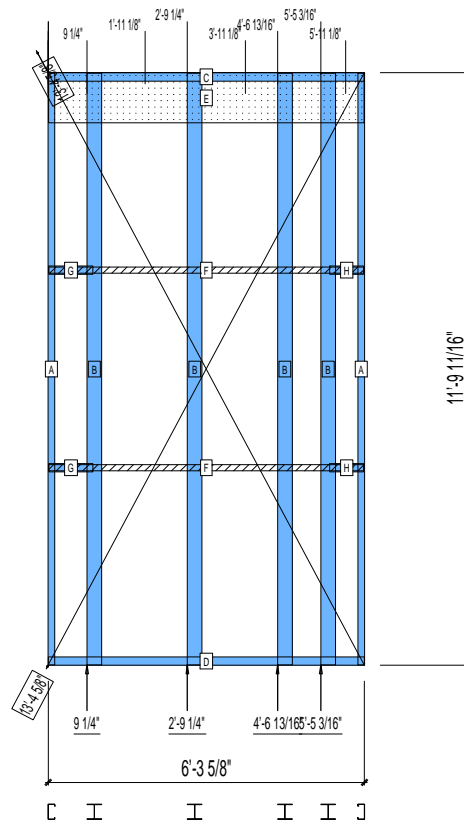
SPACING : 24"

1st STUD: 24"

WEIGHTS :

FRAME : 343 lbs

TOTAL: 343 lbs



PIECES LIST

LABEL	QTY	SIZE	LENGTH	USE
A	2	362S162-54	11'-9 1/2"	STUD
B	4	363i350p554	11'-9 1/2"	PACO.COLUMN
C	1	362T200-68	6'-3 5/8"	TOP TRACK
D	1	362T200-68	6'-3 5/8"	BOTTOM TRACK
E	1	1200D-54	6'-3 7/16"	STRAP
F	2	150D-43	6'-3 7/16"	STRAP
G	2	362T200-68	10 1/2"	BLOCK
H	2	362T200-68	8 1/8"	BLOCK

# 11-1159

Jewish Home for the Aging

1885 Victory Blvd. Reseda, CA

FM-07-109

CREATED BY: AMB

FrameMax, Inc.  
13915 Danielson St  
Suite 100  
Poway, CA 92064  
www.framemax.com

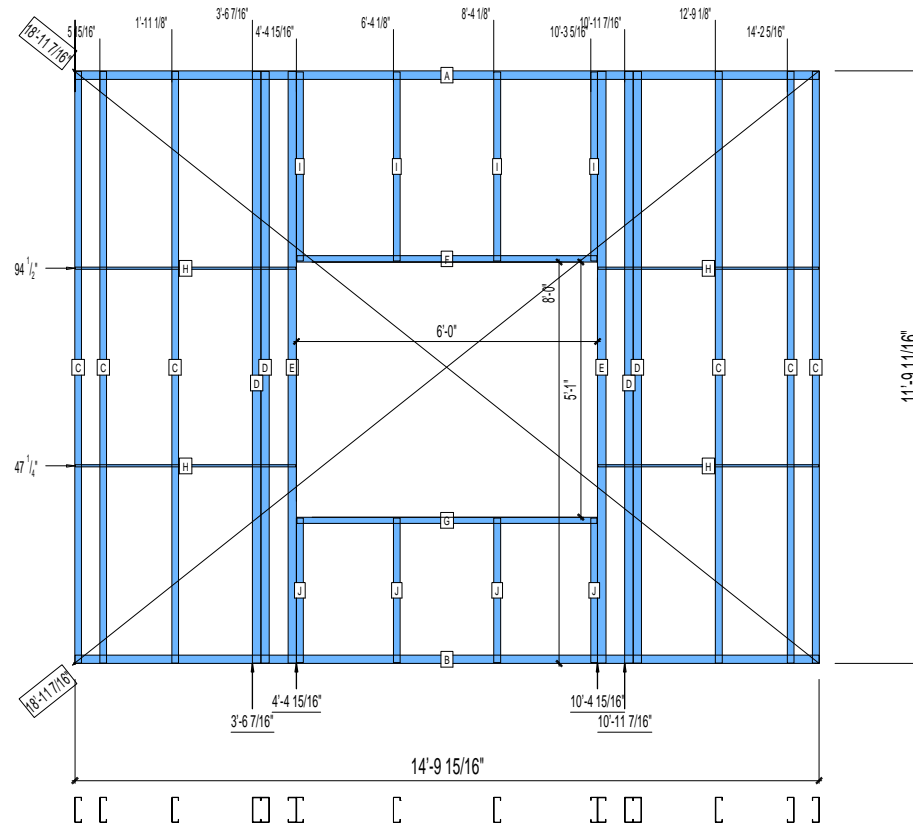


© FrameMax Inc.

HEIGHT : 11'-9 11/16"  
SPACING : 24"  
1st STUD: 24"

WEIGHTS :  
FRAME : 575 lbs

TOTAL: 575 lbs



PIECES LIST

LABEL	QTY	SIZE	LENGTH	USE
A	1	600T200-68	14'-9 15/16"	TOP TRACK
B	1	600T200-68	14'-9 15/16"	BOTTOM TRACK
C	6	600S162-68	11'-9 1/2"	STUD
D	4	600S200-97	11'-9 1/2"	EXTRA STUD
E	2	600S200-97	11'-9 1/2"	KING STUD
F	1	600T150-54	5'-11 3/4"	HEAD TRACK
G	1	600T150-54	5'-11 3/4"	SILL
H	4	150U50-54	4'-4 3/4"	HORIZONTAL BRACING
I	4	600S162-54	3'-9 1/4"	CRIPPLE
J	4	600S162-54	2'-10 9/16"	CRIPPLE

# 11-1160

Jewish Home for the Aging

1885 Victory Blvd. Reseda, CA

FrameMax, Inc.  
13915 Danielson St  
Suite 100  
Poway, CA 92064  
www.frame-max.com



© FrameMax Inc.

CREATED: 09/17/2008

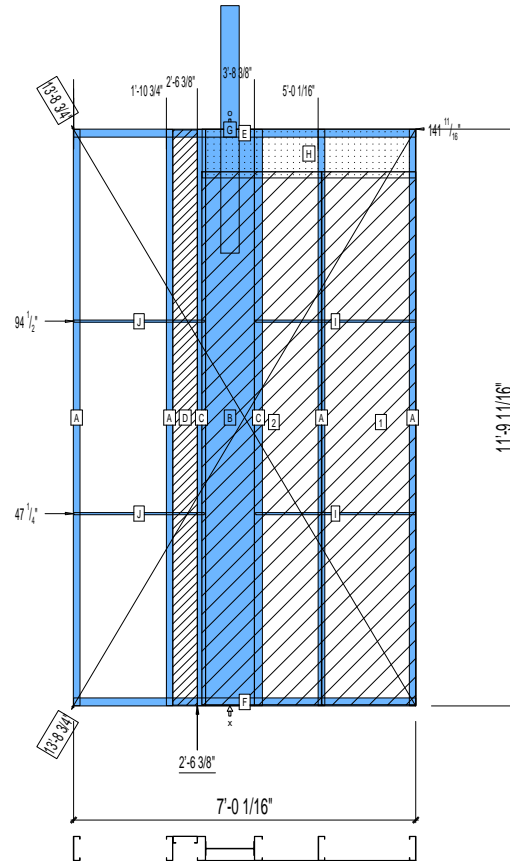
FM-07-109

CREATED BY: AMB

HEIGHT : 14'-3 15/16"  
SPACING : 24"  
1st STUD: 24"

WEIGHTS :  
FRAME : 445 lbs  
SHEATHING: 176 lbs

TOTAL: 621 lbs



PIECES LIST

LABEL	QTY	SIZE	LENGTH	USE
A	4	600S162-97	11'-9 1/2"	STUD
B	1	1200i350p1062	11'-9 1/2"	PACO
C	2	600S200-68	11'-9 1/2"	STUD
D	1	600S162-33	11'-9 1/4"	BACKER-U
E	1	600T200-68	7'-0 1/16"	TOP TRACK
F	1	600T200-68	7'-0 1/16"	BOTTOM TRACK
G	1	D	5'-0 3/4"	HOLDDOWN
H	1	1200D-54	4'-4 3/8"	STRAP
I	2	150U50-54	3'-3 1/4"	HORIZONTAL BRACING
J	2	150U50-54	2'-8"	HORIZONTAL BRACING

SHEATHING

LABEL	QTY	CODE	THICK	SIZE	SCREWS
1	1	SB-DENSARMOR	5/8"	1'-11 3/16" X 10'-10 7/8"	1 - 12
2	1	SB-DENSARMOR	5/8"	2'-5 7/16" X 10'-10 7/8"	1 - 12

# 11-1161

Jewish Home for the Aging

1885 Victory Blvd. Reseda, CA

FrameMax, Inc.  
13915 Danielson St  
Suite 100  
Poway, CA 92064  
www.frame-max.com



© FrameMax Inc.

CREATED: 09/17/2008

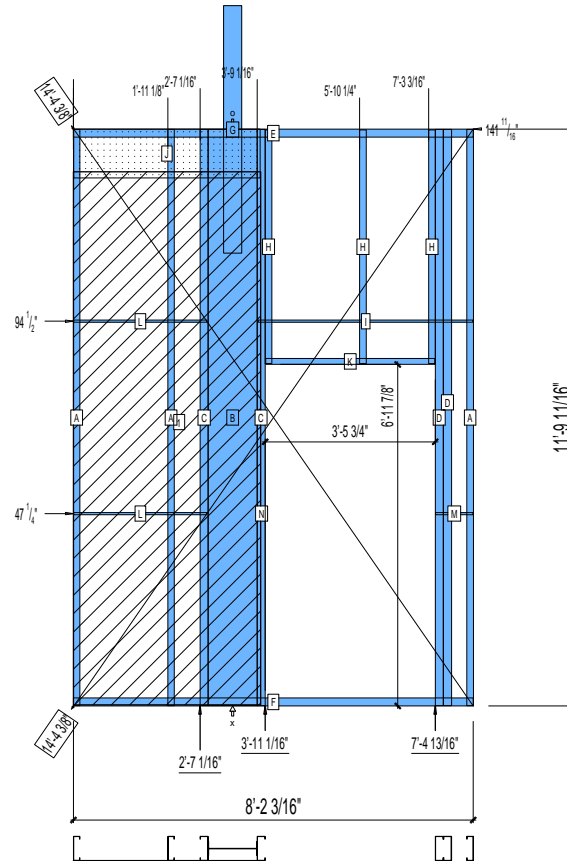
FM-07-109

CREATED BY: AMB

HEIGHT : 14'-3 15/16"  
SPACING : 24"  
1st STUD: 24"

WEIGHTS :  
FRAME : 514 lbs  
SHEATHING: 154 lbs

TOTAL: 668 lbs



PIECES LIST

LABEL	QTY	SIZE	LENGTH	USE
A	3	600S162-97	11'-9 1/2"	STUD
B	1	1200i350p1062	11'-9 1/2"	PACO
C	2	600S200-68	11'-9 1/2"	STUD
D	2	600S200-97	11'-9 1/2"	KING STUD
E	1	600T200-68	8'-2 3/16"	TOP TRACK
F	1	600T200-68	8'-2 3/16"	BOTTOM TRACK
G	1	D	5'-0 3/4"	HOLDDOWN
H	3	600S162-54	4'-9 3/8"	CRIPPLE
I	1	150U50-54	4'-4 11/16"	HORIZONTAL BRACING
J	1	1200D-54	3'-9 3/4"	STRAP
K	1	600T150-54	3'-5 1/2"	HEAD TRACK
L	2	150U50-54	2'-8 11/16"	HORIZONTAL BRACING
M	1	150U50-54	9 1/8"	HORIZONTAL BRACING
N	1	150U50-54	1 9/16"	HORIZONTAL BRACING

SHEATHING

LABEL	QTY	CODE	THICK	SIZE	SCREWS
1	1	SB-DENSARMOR	5/8"	3'-9 15/16" X 10'-10 7/8"	1 - 12

# 11-1162

Jewish Home for the Aging

1885 Victory Blvd. Reseda, CA

FM-07-109

CREATED BY: AMB

FrameMax, Inc.  
13915 Danielson St  
Suite 100  
Poway, CA 92064  
www.frame-max.com



© FrameMax Inc.

HEIGHT : 11'-9 11/16"

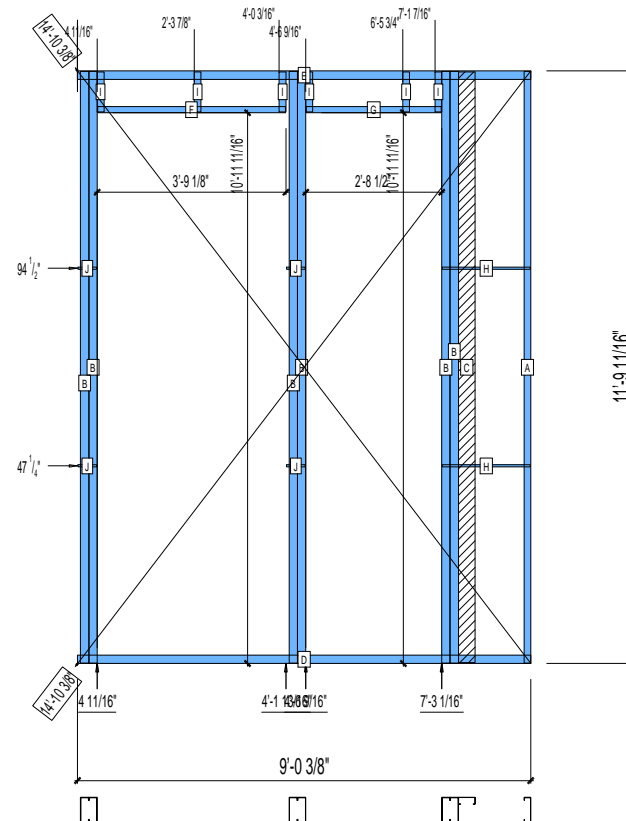
SPACING : 24"

1st STUD: 24"

WEIGHTS :

FRAME : 373 lbs

TOTAL: 373 lbs



PIECES LIST

LABEL	QTY	SIZE	LENGTH	USE
A	1	600S162-97	11'-9 1/2"	STUD
B	6	600S200-97	11'-9 1/2"	KING STUD
C	1	400S162-33	11'-9 1/4"	BACKER-U
D	1	600T200-68	9'-0 3/8"	BOTTOM TRACK
E	1	600T200-68	9'-0 3/8"	TOP TRACK
F	1	600T150-54	3'-8 7/8"	HEAD TRACK
G	1	600T150-54	2'-8 1/4"	HEAD TRACK
H	2	150U50-54	1'-9 1/16"	HORIZONTAL BRACING
I	6	600S162-54	9 9/16"	CRIPPLE
J	4	150U50-54	4 1/2"	HORIZONTAL BRACING

# 11-1163

Jewish Home for the Aging

1885 Victory Blvd. Reseda, CA

FrameMax, Inc.  
13915 Danielson St  
Suite 100  
Poway, CA 92064  
www.framemax.com



© FrameMax Inc.

CREATED: 09/17/2008

FM-07-109

CREATED BY: AMB

HEIGHT : 11'-9 11/16"

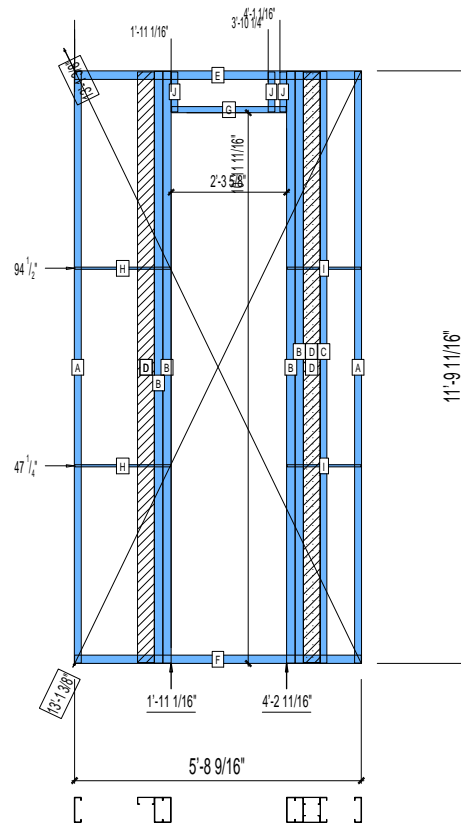
SPACING : 24"

1st STUD: 24"

WEIGHTS :

FRAME : 335 lbs

TOTAL: 335 lbs



PIECES LIST

LABEL	QTY	SIZE	LENGTH	USE
A	2	600S162-97	11'-9 1/2"	STUD
B	4	600S200-97	11'-9 1/2"	KING STUD
C	1	600S162-33	11'-9 1/2"	BACKER STUD
D	3	400S162-33	11'-9 1/4"	BACKER-U
E	1	600T200-68	5'-8 9/16"	TOP TRACK
F	1	600T200-68	5'-8 9/16"	BOTTOM TRACK
G	1	600T150-54	2'-3 3/8"	HEAD TRACK
H	2	150U50-54	1'-10 7/8"	HORIZONTAL BRACING
I	2	150U50-54	1'-5 5/8"	HORIZONTAL BRACING
J	3	600S162-54	9 9/16"	CRIPPLE

# 11-1164

Jewish Home for the Aging

1885 Victory Blvd. Reseda, CA

FrameMax, Inc.  
13915 Danielson St  
Suite 100  
Poway, CA 92064  
www.frame-max.com



© FrameMax Inc.

CREATED: 09/17/2008

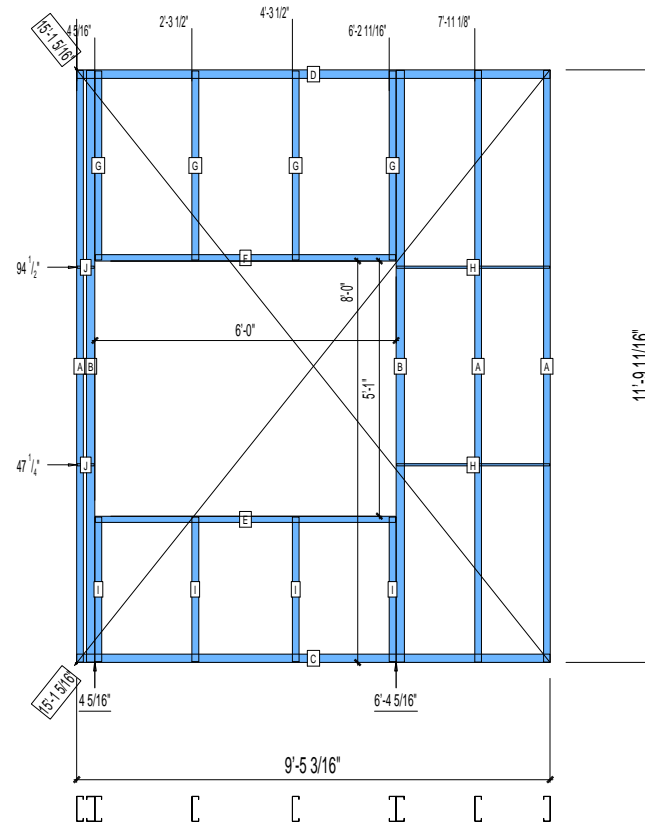
FM-07-109

CREATED BY: AMB

HEIGHT : 11'-9 11/16"  
SPACING : 24"  
1st STUD: 24"

WEIGHTS :  
FRAME : 289 lbs

-----  
TOTAL: 289 lbs



PIECES LIST

LABEL	QTY	SIZE	LENGTH	USE
A	3	600S162-68	11'-9 1/2"	STUD
B	2	600S200-97	11'-9 1/2"	KING STUD
C	1	600T200-68	9'-5 3/16"	BOTTOM TRACK
D	1	600T200-68	9'-5 3/16"	TOP TRACK
E	1	600T150-54	5'-11 3/4"	SILL
F	1	600T150-54	5'-11 3/4"	HEAD TRACK
G	4	600S162-54	3'-9 1/4"	CRIPPLE
H	2	150U50-54	3'-0 5/8"	HORIZONTAL BRACING
I	4	600S162-54	2'-10 9/16"	CRIPPLE
J	2	150U50-54	4 1/8"	HORIZONTAL BRACING

# 11-1165

Jewish Home for the Aging

1885 Victory Blvd. Reseda, CA

FM-07-109

CREATED BY: AMB

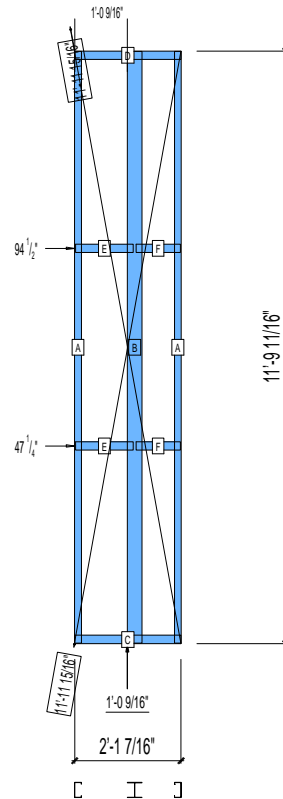
FrameMax, Inc.  
13915 Danielson St  
Suite 100  
Poway, CA 92064  
www.frame-max.com



© FrameMax Inc.

HEIGHT : 11'-9 11/16"  
SPACING : 24"  
1st STUD: 24"

WEIGHTS :  
FRAME : 115 lbs  
-----  
TOTAL: 115 lbs



PIECES LIST

LABEL	QTY	SIZE	LENGTH	USE
A	2	362S162-54	11'-9 1/2"	STUD
B	1	363i350p554	11'-9 1/2"	PACO. COLUMN
C	1	362T200-68	2'-1 7/16"	BOTTOM TRACK
D	1	362T200-68	2'-1 7/16"	TOP TRACK
E	2	362T200-68	1'-1 13/16"	BLOCK
F	2	362T200-68	10 9/16"	BLOCK

# 11-1166

Jewish Home for the Aging

1885 Victory Blvd. Reseda, CA

FM-07-109

CREATED BY: AMB

FrameMax, Inc.  
13915 Danielson St  
Suite 100  
Poway, CA 92064  
www.frame-max.com

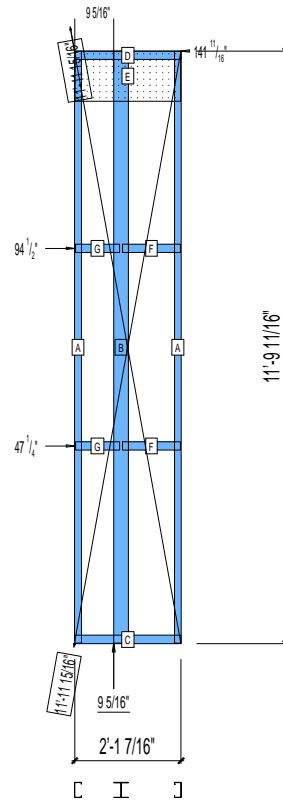


© FrameMax Inc.

HEIGHT : 11'-9 11/16"  
SPACING : 24"  
1st STUD: 24"

WEIGHTS :  
FRAME : 120 lbs

-----  
TOTAL: 120 lbs



PIECES LIST

LABEL	QTY	SIZE	LENGTH	USE
A	2	362S162-54	11'-9 1/2"	STUD
B	1	363i350p554	11'-9 1/2"	PACO.COLUMN
C	1	362T200-68	2'-1 7/16"	BOTTOM TRACK
D	1	362T200-68	2'-1 7/16"	TOP TRACK
E	1	1200D-54	2'-1 1/4"	STRAP
F	2	362T200-68	1'-1 13/16"	BLOCK
G	2	362T200-68	10 9/16"	BLOCK

# 11-1167

Jewish Home for the Aging

1885 Victory Blvd. Reseda, CA

FM-07-109

CREATED BY: AMB

FrameMax, Inc.  
13915 Danielson St  
Suite 100  
Poway, CA 92064  
www.frame-max.com

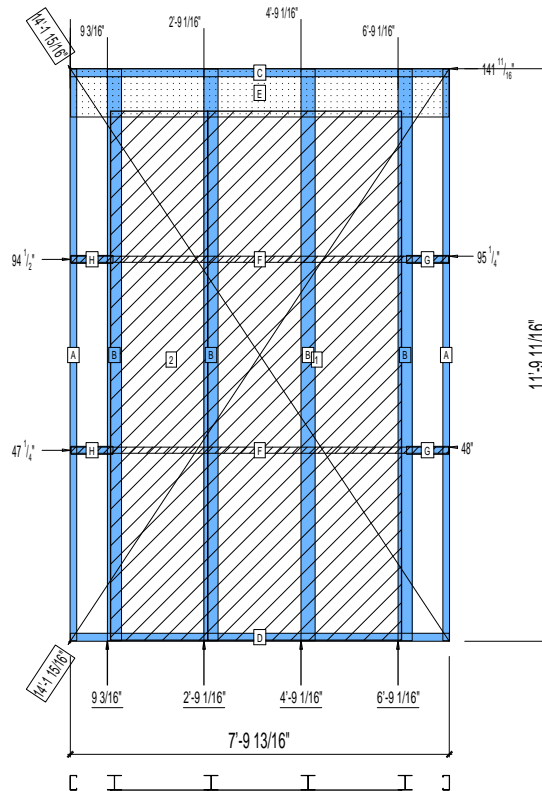


© FrameMax Inc.

HEIGHT : 11'-9 11/16"  
SPACING : 24"  
1st STUD: 24"

WEIGHTS :  
FRAME : 353 lbs  
SHEATHING: 241 lbs

TOTAL: 594 lbs



PIECES LIST

LABEL	QTY	SIZE	LENGTH	USE
A	2	362S162-54	11'-9 1/2"	STUD
B	4	363I350p554	11'-9 1/2"	PACO. COLUMN
C	1	362T200-68	7'-9 13/16"	TOP TRACK
D	1	362T200-68	7'-9 13/16"	BOTTOM TRACK
E	1	1200D-54	7'-9 5/8"	STRAP
F	2	150D-43	7'-9 5/8"	STRAP
G	2	362T200-68	10 7/16"	BLOCK
H	2	362T200-68	10 3/8"	BLOCK

SHEATHING

LABEL	QTY	CODE	THICK	SIZE	SCREWS
1	1	SB-DENSARMOR	5/8"	4'-0" X 10'-10 7/8"	2 - 12
2	1	SB-DENSARMOR	5/8"	2'-0" X 10'-10 7/8"	2 - 12

# 11-1168

Jewish Home for the Aging

1885 Victory Blvd. Reseda, CA

FM-07-109

CREATED BY: AMB

FrameMax, Inc.  
13915 Danielson St  
Suite 100  
Poway, CA 92064  
www.frame-max.com

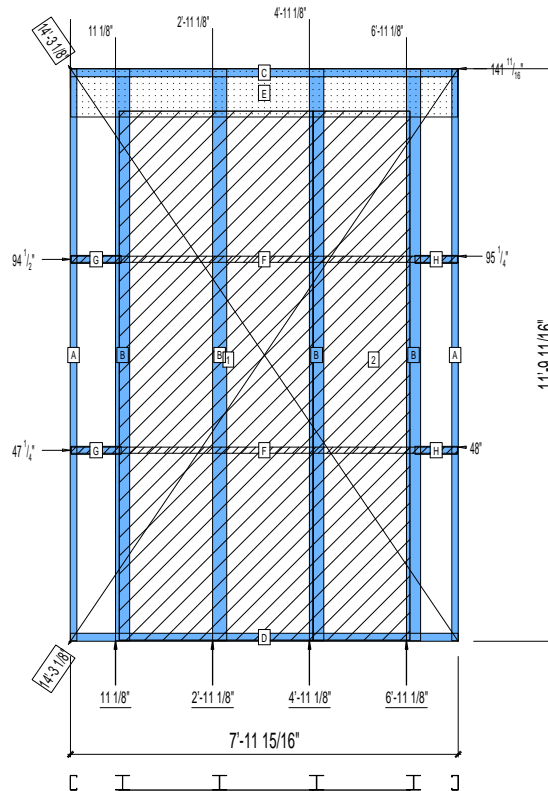


© FrameMax Inc.

HEIGHT : 11'-9 11/16"  
SPACING : 24"  
1st STUD: 24"

WEIGHTS :  
FRAME : 355 lbs  
SHEATHING: 241 lbs

TOTAL: 596 lbs



PIECES LIST

LABEL	QTY	SIZE	LENGTH	USE
A	2	362S162-54	11'-9 1/2"	STUD
B	4	363i350p554	11'-9 1/2"	PACO. COLUMN
C	1	362T200-68	7'-11 15/16"	TOP TRACK
D	1	362T200-68	7'-11 15/16"	BOTTOM TRACK
E	1	1200D-54	7'-11 3/4"	STRAP
F	2	150D-43	7'-11 3/4"	STRAP
G	2	362T200-68	1'-0 3/8"	BLOCK
H	2	362T200-68	10 1/2"	BLOCK

SHEATHING

LABEL	QTY	CODE	THICK	SIZE	SCREWS
1	1	SB-DENSARMOR	5/8"	4'-0" X 10'-10 7/8"	2 - 12
2	1	SB-DENSARMOR	5/8"	2'-0" X 10'-10 7/8"	2 - 12

# 11-1169

Jewish Home for the Aging

1885 Victory Blvd. Reseda, CA

FrameMax, Inc.  
13915 Danielson St  
Suite 100  
Poway, CA 92064  
www.frame-max.com



© FrameMax Inc.

CREATED: 09/17/2008

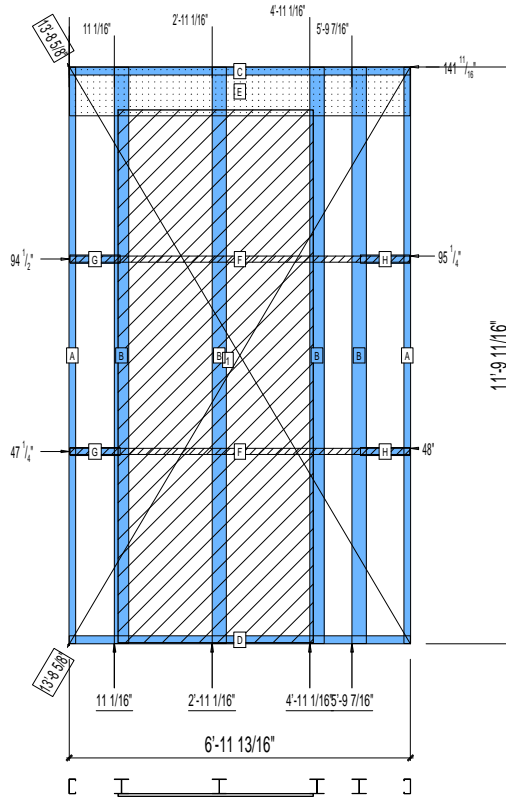
FM-07-109

CREATED BY: AMB

HEIGHT : 11'-9 11/16"  
SPACING : 24"  
1st STUD: 24"

WEIGHTS :  
FRAME : 349 lbs  
SHEATHING: 160 lbs

TOTAL: 509 lbs



PIECES LIST

LABEL	QTY	SIZE	LENGTH	USE
A	2	362S162-54	11'-9 1/2"	STUD
B	4	363i350p554	11'-9 1/2"	PACO. COLUMN
C	1	362T200-68	6'-11 13/16"	TOP TRACK
D	1	362T200-68	6'-11 13/16"	BOTTOM TRACK
E	1	1200D-54	6'-11 5/8"	STRAP
F	2	150D-43	6'-11 5/8"	STRAP
G	2	362T200-68	1'-0 5/16"	BLOCK
H	2	362T200-68	1'-0 1/16"	BLOCK

SHEATHING

LABEL	QTY	CODE	THICK	SIZE	SCREWS
1	1	SB-DENSARMOR	5/8"	3'-11 15/16" X 10'-10 7/8"	2 - 12

# 11-1170

Jewish Home for the Aging

1885 Victory Blvd. Reseda, CA

FM-07-109

CREATED BY: AMB

FrameMax, Inc.  
13915 Danielson St  
Suite 100  
Poway, CA 92064  
www.framemax.com

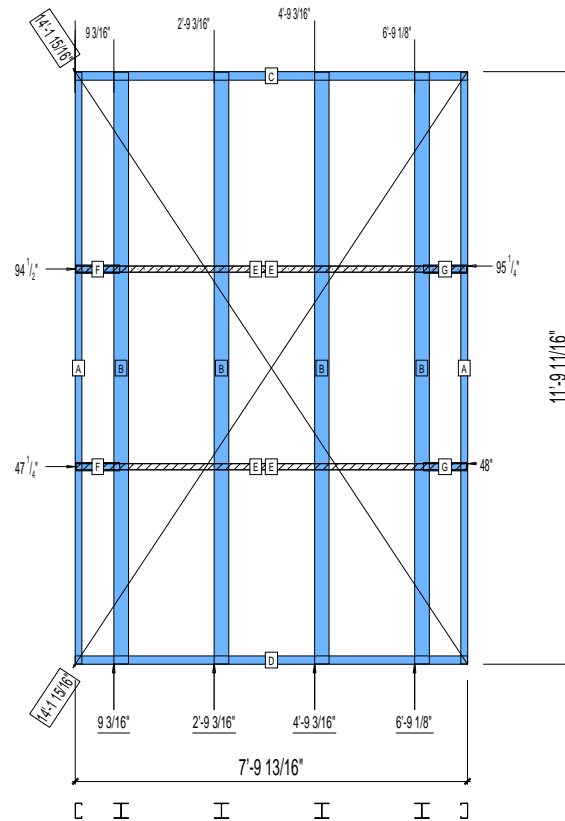


© FrameMax Inc.

HEIGHT : 11'-9 11/16"  
SPACING : 24"  
1st STUD: 24"

WEIGHTS :  
FRAME : 338 lbs

-----  
TOTAL: 338 lbs



PIECES LIST

LABEL	QTY	SIZE	LENGTH	USE
A	2	362S162-54	11'-9 1/2"	STUD
B	4	363i350p554	11'-9 1/2"	PACO.COLUMN
C	1	362T200-68	7'-9 13/16"	TOP TRACK
D	1	362T200-68	7'-9 13/16"	BOTTOM TRACK
E	4	150D-43	7'-9 5/8"	STRAP
F	2	362T200-68	10 7/16"	BLOCK
G	2	362T200-68	10 3/8"	BLOCK

# 11-1171

Jewish Home for the Aging

1885 Victory Blvd. Reseda, CA

FM-07-109

CREATED BY: AMB

FrameMax, Inc.  
13915 Danielson St  
Suite 100  
Poway, CA 92064  
www.frame-max.com

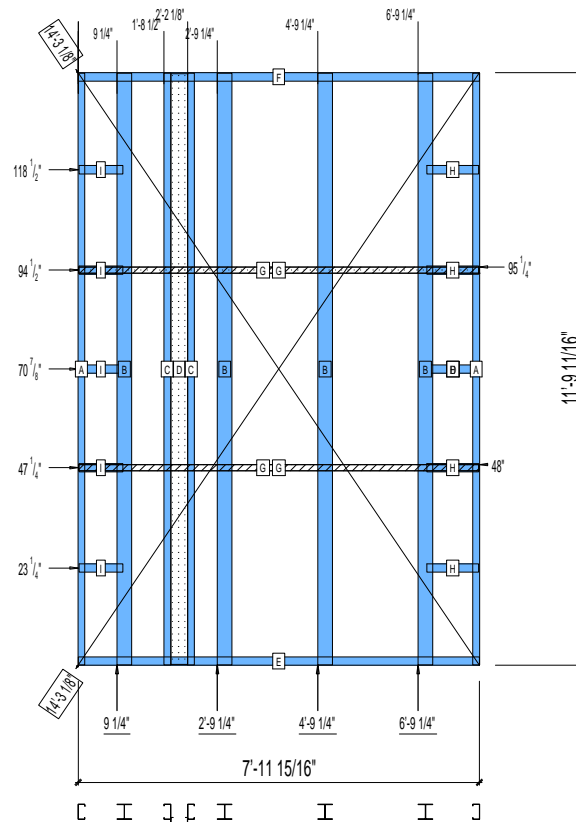


© FrameMax Inc.

HEIGHT : 11'-9 11/16"  
SPACING : 24"  
1st STUD: 24"

WEIGHTS :  
FRAME : 382 lbs

TOTAL: 382 lbs



PIECES LIST

LABEL	QTY	SIZE	LENGTH	USE
A	2	362S162-54	11'-9 1/2"	STUD
B	4	363i350p554	11'-9 1/2"	PACO.COLUMN
C	2	362S162-33	11'-9 1/2"	STUD
D	1	400S162-33	11'-9 1/4"	BACKER-U
E	1	362T200-68	7'-11 15/16"	BOTTOM TRACK
F	1	362T200-68	7'-11 15/16"	TOP TRACK
G	4	150D-43	7'-11 3/4"	STRAP
H	5	362T200-68	1'-0 3/8"	BLOCK
I	5	362T200-68	10 1/2"	BLOCK

# 11-1172

Jewish Home for the Aging

1885 Victory Blvd. Reseda, CA

FM-07-109

CREATED BY: AMB

FrameMax, Inc.  
13915 Danielson St  
Suite 100  
Poway, CA 92064  
www.framemax.com

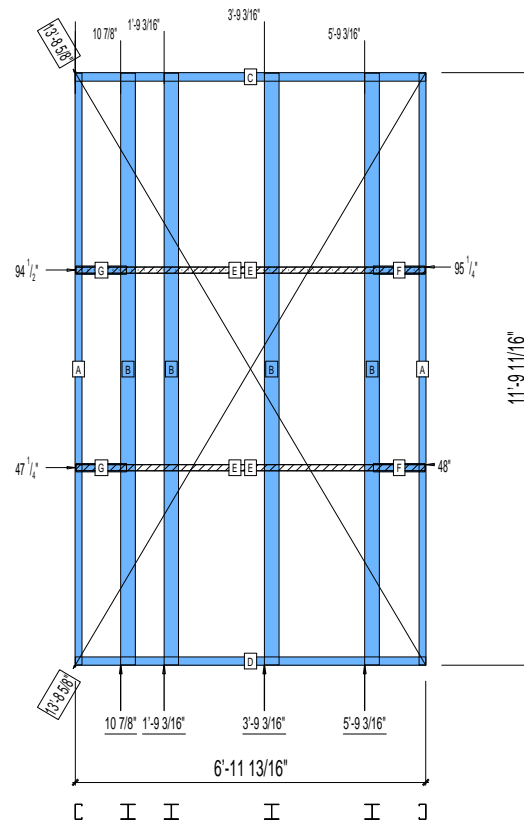


© FrameMax Inc.

HEIGHT : 11'-9 11/16"  
SPACING : 24"  
1st STUD: 24"

WEIGHTS :  
FRAME : 335 lbs

TOTAL: 335 lbs



PIECES LIST

LABEL	QTY	SIZE	LENGTH	USE
A	2	362S162-54	11'-9 1/2"	STUD
B	4	363i350p554	11'-9 1/2"	PACO.COLUMN
C	1	362T200-68	6'-11 13/16"	TOP TRACK
D	1	362T200-68	6'-11 13/16"	BOTTOM TRACK
E	4	150D-43	6'-11 5/8"	STRAP
F	2	362T200-68	1'-0 5/16"	BLOCK
G	2	362T200-68	1'-0 1/16"	BLOCK

# 11-1173

Jewish Home for the Aging

1885 Victory Blvd. Reseda, CA

FrameMax, Inc.  
13915 Danielson St  
Suite 100  
Poway, CA 92064  
www.frame-max.com



© FrameMax Inc.

CREATED: 09/17/2008

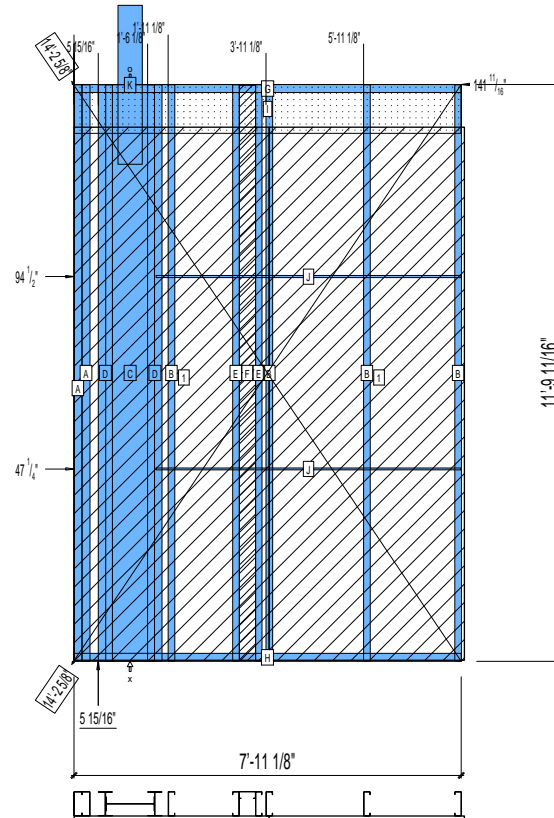
FM-07-109

CREATED BY: AMB

HEIGHT : 13'-5 1/16"  
SPACING : 24"  
1st STUD: 24"

WEIGHTS :  
FRAME : 678 lbs  
SHEATHING: 321 lbs

TOTAL: 999 lbs



PIECES LIST

LABEL	QTY	SIZE	LENGTH	USE
A	2	600S200-97	11'-9 1/2"	KING STUD
B	4	600S162-97	11'-9 1/2"	STUD
C	1	1200i350p1062	11'-9 1/2"	PACO
D	2	600i350p680	11'-9 1/2"	PACO
E	2	600S162-33	11'-9 1/2"	BACKER STUD
F	1	400S162-33	11'-9 1/4"	BACKER-U
G	1	600T200-68	7'-11 1/8"	TOP TRACK
H	1	600T200-68	7'-11 1/8"	BOTTOM TRACK
I	1	1200D-54	7'-10 7/8"	STRAP
J	2	150U50-54	6'-2 13/16"	HORIZONTAL BRACING
K	1	E	3'-3"	HOLDDOWN

SHEATHING

LABEL	QTY	CODE	THICK	SIZE	SCREWS
1	2	SB-DENSARMOR	5/8"	3'-11 15/16" X 10'-10 7/8"	2 - 12

# 11-1174

Jewish Home for the Aging

1885 Victory Blvd. Reseda, CA

FM-07-109

CREATED BY: AMB

FrameMax, Inc.  
13915 Danielson St  
Suite 100  
Poway, CA 92064  
www.frame-max.com

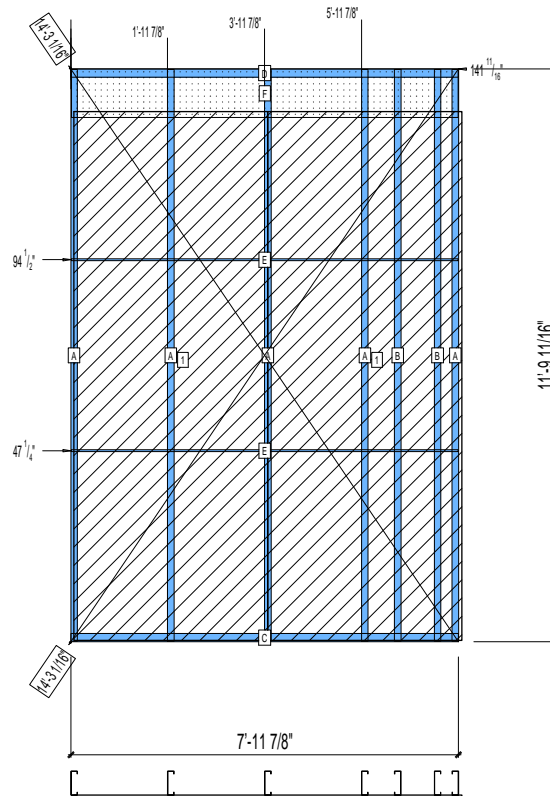


© FrameMax Inc.

HEIGHT : 11'-9 11/16"  
SPACING : 24"  
1st STUD: 24"

WEIGHTS :  
FRAME : 337 lbs  
SHEATHING: 321 lbs

TOTAL: 658 lbs



PIECES LIST

LABEL	QTY	SIZE	LENGTH	USE
A	5	600S162-97	11'-9 1/2"	STUD
B	2	600S162-97	11'-9 1/2"	BACKER STUD
C	1	600T200-68	7'-11 7/8"	BOTTOM TRACK
D	1	600T200-68	7'-11 7/8"	TOP TRACK
E	2	150U50-54	7'-11 11/16"	HORIZONTAL BRACING
F	1	1200D-54	7'-11 5/8"	STRAP

SHEATHING

LABEL	QTY	CODE	THICK	SIZE	SCREWS
1	2	SB-DENSARMOR	5/8"	4'-0" X 10'-10 7/8"	2 - 12

# 11-1175

Jewish Home for the Aging

1885 Victory Blvd. Reseda, CA

FM-07-109

CREATED BY: AMB

FrameMax, Inc.  
13915 Danielson St  
Suite 100  
Poway, CA 92064  
www.frame-max.com

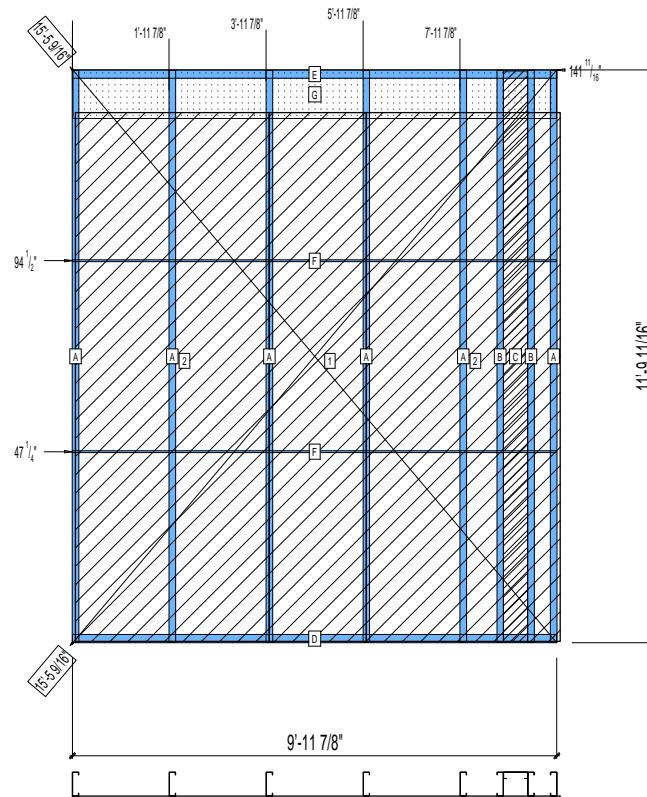


© FrameMax Inc.

HEIGHT : 11'-9 11/16"  
SPACING : 24"  
1st STUD: 24"

WEIGHTS :  
FRAME : 406 lbs  
SHEATHING: 401 lbs

TOTAL: 807 lbs



PIECES LIST

LABEL	QTY	SIZE	LENGTH	USE
A	6	600S162-97	11'-9 1/2"	STUD
B	2	600S162-97	11'-9 1/2"	BACKER STUD
C	1	600S162-33	11'-9 1/4"	BACKER-U
D	1	600T200-68	9'-11 7/8"	BOTTOM TRACK
E	1	600T200-68	9'-11 7/8"	TOP TRACK
F	2	150U50-54	9'-11 11/16"	HORIZONTAL BRACING
G	1	1200D-54	9'-11 5/8"	STRAP

SHEATHING

LABEL	QTY	CODE	THICK	SIZE	SCREWS
1	1	SB-DENSARMOR	5/8"	2'-0" X 10'-10 7/8"	2 - 12
2	2	SB-DENSARMOR	5/8"	4'-0" X 10'-10 7/8"	2 - 12

# 11-1176

Jewish Home for the Aging

1885 Victory Blvd. Reseda, CA

FM-07-109

CREATED BY: AMB

FrameMax, Inc.  
13915 Danielson St  
Suite 100  
Poway, CA 92064  
www.frame-max.com

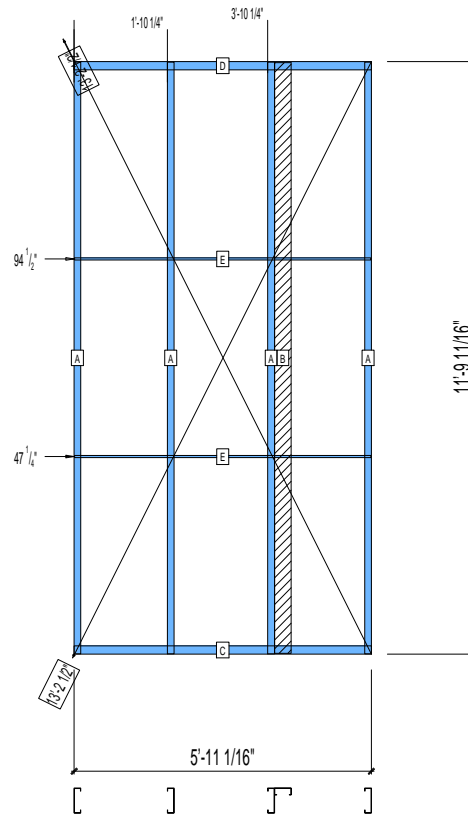


© FrameMax Inc.

HEIGHT : 11'-9 11/16"  
SPACING : 24"  
1st STUD: 24"

WEIGHTS :  
FRAME : 201 lbs

-----  
TOTAL: 201 lbs



PIECES LIST

LABEL	QTY	SIZE	LENGTH	USE
A	4	600S162-97	11'-9 1/2"	STUD
B	1	400S162-33	11'-9 1/4"	BACKER-U
C	1	600T200-68	5'-11 1/16"	BOTTOM TRACK
D	1	600T200-68	5'-11 1/16"	TOP TRACK
E	2	150U50-54	5'-10 7/8"	HORIZONTAL BRACING

# 11-1177

Jewish Home for the Aging

1885 Victory Blvd. Reseda, CA

FM-07-109

CREATED BY: AMB

FrameMax, Inc.  
13915 Danielson St  
Suite 100  
Poway, CA 92064  
www.frame-max.com



© FrameMax Inc.

HEIGHT : 11'-9 11/16"

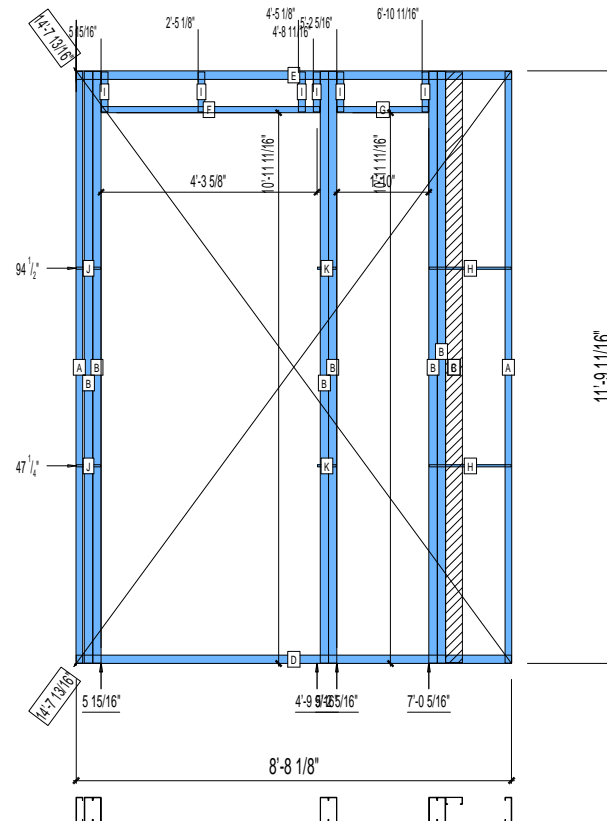
SPACING : 24"

1st STUD: 24"

WEIGHTS :

FRAME : 409 lbs

TOTAL: 409 lbs



PIECES LIST

LABEL	QTY	SIZE	LENGTH	USE
A	2	600S162-97	11'-9 1/2"	STUD
B	6	600S200-97	11'-9 1/2"	KING STUD
C	1	400S162-33	11'-9 1/4"	BACKER-U
D	1	600T200-68	8'-8 1/8"	BOTTOM TRACK
E	1	600T200-68	8'-8 1/8"	TOP TRACK
F	1	600T150-54	4'-4 1/8"	HEAD TRACK
G	1	600T150-54	1'-9 3/4"	HEAD TRACK
H	2	150U50-54	1'-7 9/16"	HORIZONTAL BRACING
I	6	600S162-54	9 9/16"	CRIPPLE
J	2	150U50-54	5 3/4"	HORIZONTAL BRACING
K	2	150U50-54	4 1/2"	HORIZONTAL BRACING

# 11-1178

Jewish Home for the Aging

1885 Victory Blvd. Reseda, CA

FrameMax, Inc.  
13915 Danielson St  
Suite 100  
Poway, CA 92064  
www.framemax.com



© FrameMax Inc.

CREATED: 09/18/2008

FM-07-109

CREATED BY: AMB

HEIGHT : 11'-9 11/16"

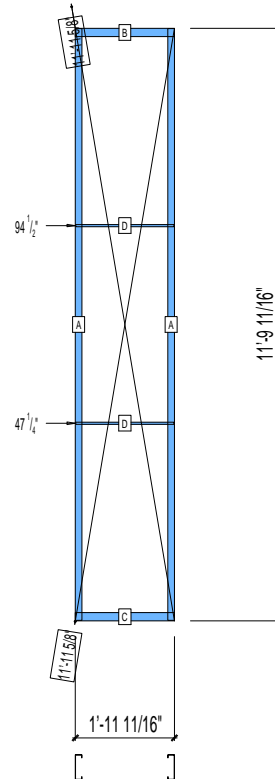
SPACING : 24"

1st STUD: 16"

WEIGHTS :

FRAME : 89 lbs

-----  
TOTAL: 89 lbs



### PIECES LIST

LABEL	QTY	SIZE	LENGTH	USE
A	2	600S162-97	11'-9 1/2"	STUD
B	1	600T200-68	1'-11 11/16"	TOP TRACK
C	1	600T200-68	1'-11 11/16"	BOTTOM TRACK
D	2	150U50-54	1'-11 1/2"	HORIZONTAL BRACING

# 11-1179

Jewish Home for the Aging

1885 Victory Blvd. Reseda, CA

FrameMax, Inc.  
13915 Danielson St  
Suite 100  
Poway, CA 92064  
www.frame-max.com



© FrameMax Inc.

CREATED: 09/18/2008

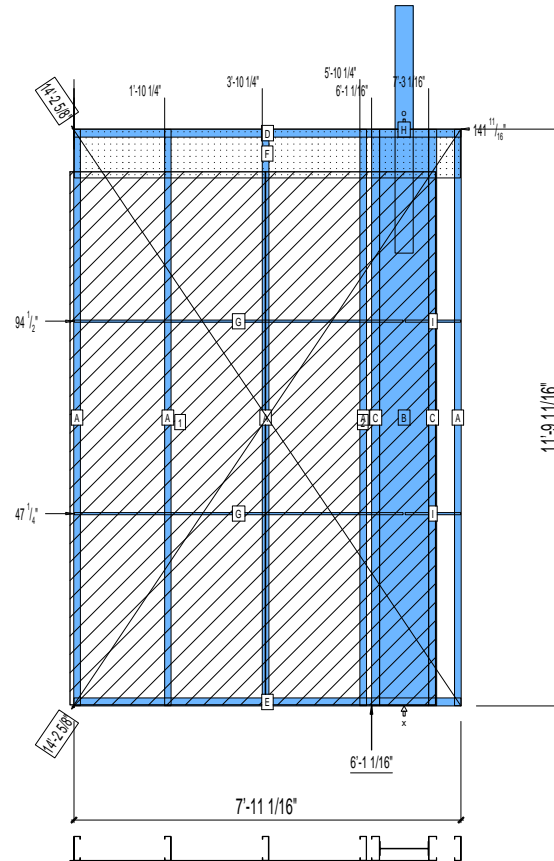
FM-07-109

CREATED BY: AMB

HEIGHT : 14'-3 15/16"  
SPACING : 24"  
1st STUD: 24"

WEIGHTS :  
FRAME : 484 lbs  
SHEATHING: 300 lbs

-----  
TOTAL: 784 lbs



PIECES LIST

LABEL	QTY	SIZE	LENGTH	USE
A	5	600S162-97	11'-9 1/2"	STUD
B	1	1200i350p1062	11'-9 1/2"	PACO
C	2	600S200-68	11'-9 1/2"	STUD
D	1	600T200-68	7'-11 1/16"	TOP TRACK
E	1	600T200-68	7'-11 1/16"	BOTTOM TRACK
F	1	1200D-54	7'-10 7/8"	STRAP
G	2	150U50-54	6'-8 3/4"	HORIZONTAL BRACING
H	1	D	5'-0 3/4"	HOLDDOWN
I	2	150U50-54	1'-1 5/8"	HORIZONTAL BRACING

SHEATHING

LABEL	QTY	CODE	THICK	SIZE	SCREWS
1	1	SB-DENSARMOR	5/8"	4'-0" X 10'-10 7/8"	2 - 12
2	1	SB-DENSARMOR	5/8"	3'-5 3/4" X 10'-10 7/8"	2 - 12

# 11-1180

Jewish Home for the Aging

1885 Victory Blvd. Reseda, CA

FrameMax, Inc.  
13915 Danielson St  
Suite 100  
Poway, CA 92064  
www.frame-max.com



© FrameMax Inc.

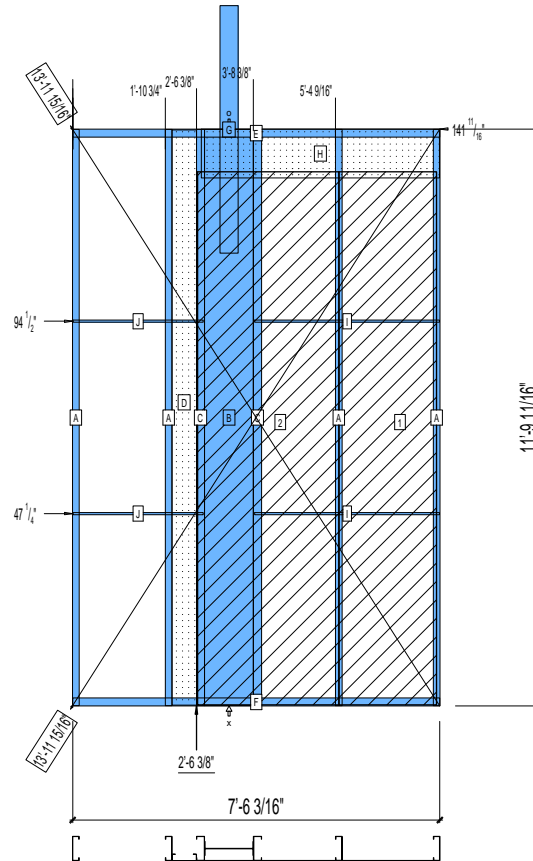
CREATED: 09/18/2008

FM-07-109

CREATED BY: AMB

HEIGHT : 14'-3 15/16"  
SPACING : 24"  
1st STUD: 16"

WEIGHTS :  
FRAME : 449 lbs  
SHEATHING: 196 lbs  
-----  
TOTAL: 645 lbs



PIECES LIST

LABEL	QTY	SIZE	LENGTH	USE
A	4	600S162-97	11'-9 1/2"	STUD
B	1	1200i350p1062	11'-9 1/2"	PACO
C	2	600S200-68	11'-9 1/2"	STUD
D	1	600S162-33	11'-9 1/4"	BACKER-U
E	1	600T200-68	7'-6 3/16"	TOP TRACK
F	1	600T200-68	7'-6 3/16"	BOTTOM TRACK
G	1	D	5'-0 3/4"	HOLDDOWN
H	1	1200D-54	4'-10 1/2"	STRAP
I	2	150U50-54	3'-9 3/8"	HORIZONTAL BRACING
J	2	150U50-54	2'-8"	HORIZONTAL BRACING

SHEATHING

LABEL	QTY	CODE	THICK	SIZE	SCREWS
1	1	SB-DENSARMOR	5/8"	2'-0" X 10'-10 7/8"	2 - 12
2	1	SB-DENSARMOR	5/8"	2'-10 3/4" X 10'-10 7/8"	2 - 12

# 11-1181

Jewish Home for the Aging

1885 Victory Blvd. Reseda, CA

FM-07-109

CREATED BY: AMB

FrameMax, Inc.  
13915 Danielson St  
Suite 100  
Poway, CA 92064  
www.frame-max.com

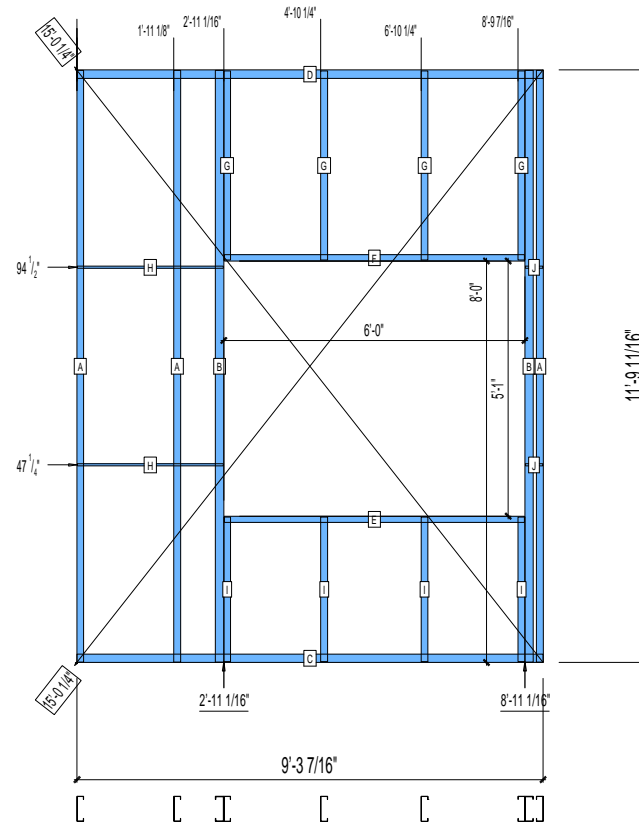


© FrameMax Inc.

HEIGHT : 11'-9 11/16"  
SPACING : 24"  
1st STUD: 24"

WEIGHTS :  
FRAME : 288 lbs

TOTAL: 288 lbs



PIECES LIST

LABEL	QTY	SIZE	LENGTH	USE
A	3	600S162-68	11'-9 1/2"	STUD
B	2	600S200-97	11'-9 1/2"	KING STUD
C	1	600T200-68	9'-3 7/16"	BOTTOM TRACK
D	1	600T200-68	9'-3 7/16"	TOP TRACK
E	1	600T150-54	5'-11 3/4"	SILL
F	1	600T150-54	5'-11 3/4"	HEAD TRACK
G	4	600S162-54	3'-9 1/4"	CRIPPLE
H	2	150U50-54	2'-10 7/8"	HORIZONTAL BRACING
I	4	600S162-54	2'-10 9/16"	CRIPPLE
J	2	150U50-54	4 1/8"	HORIZONTAL BRACING

# 11-1182

Jewish Home for the Aging

1885 Victory Blvd. Reseda, CA

FM-07-109

CREATED BY: AMB

FrameMax, Inc.  
13915 Danielson St  
Suite 100  
Poway, CA 92064  
www.frame-max.com

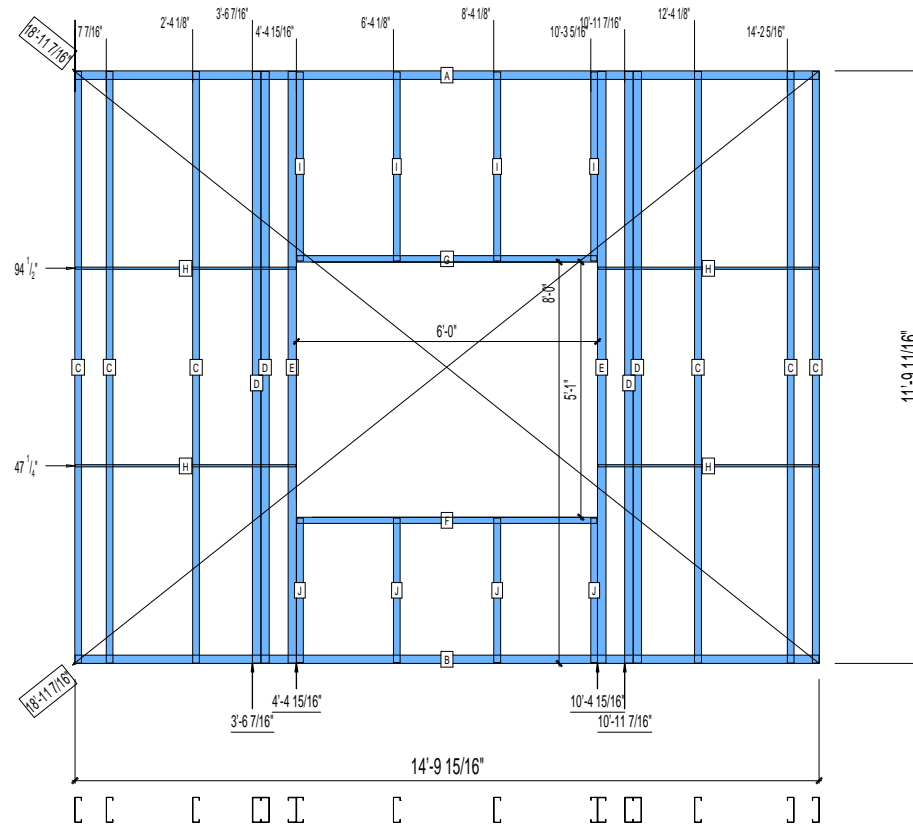


© FrameMax Inc.

HEIGHT : 11'-9 11/16"  
SPACING : 24"  
1st STUD: 24"

WEIGHTS :  
FRAME : 575 lbs

TOTAL: 575 lbs



PIECES LIST

LABEL	QTY	SIZE	LENGTH	USE
A	1	600T200-68	14'-9 15/16"	TOP TRACK
B	1	600T200-68	14'-9 15/16"	BOTTOM TRACK
C	6	600S162-68	11'-9 1/2"	STUD
D	4	600S200-97	11'-9 1/2"	EXTRA STUD
E	2	600S200-97	11'-9 1/2"	KING STUD
F	1	600T150-54	5'-11 3/4"	SILL
G	1	600T150-54	5'-11 3/4"	HEAD TRACK
H	4	150U50-54	4'-4 3/4"	HORIZONTAL BRACING
I	4	600S162-54	3'-9 1/4"	CRIPPLE
J	4	600S162-54	2'-10 9/16"	CRIPPLE

# 11-1183

Jewish Home for the Aging

1885 Victory Blvd. Reseda, CA

FM-07-109

CREATED BY: AMB

FrameMax, Inc.  
13915 Danielson St  
Suite 100  
Poway, CA 92064  
www.frame-max.com



© FrameMax Inc.

HEIGHT : 11'-9 11/16"

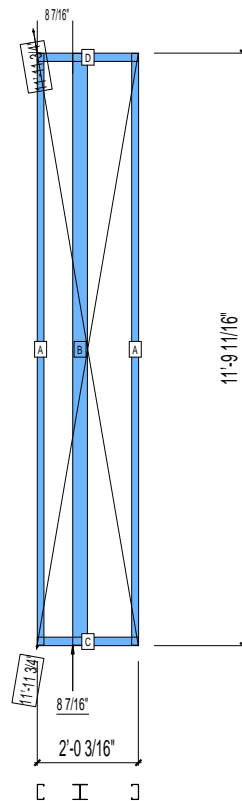
SPACING : 24"

1st STUD: 24"

WEIGHTS :

FRAME : 107 lbs

-----  
TOTAL: 107 lbs



## PIECES LIST

LABEL	QTY	SIZE	LENGTH	USE
A	2	362S162-54	11'-9 1/2"	STUD
B	1	363i350p554	11'-9 1/2"	PACO.COLUMN
C	1	362T200-68	2'-0 3/16"	BOTTOM TRACK
D	1	362T200-68	2'-0 3/16"	TOP TRACK

# 11-1184

Jewish Home for the Aging

1885 Victory Blvd. Reseda, CA

FrameMax, Inc.  
13915 Danielson St  
Suite 100  
Poway, CA 92064  
www.frame-max.com



© FrameMax Inc.

CREATED: 09/17/2008

FM-07-109

CREATED BY: AMB

HEIGHT : 11'-9 11/16"

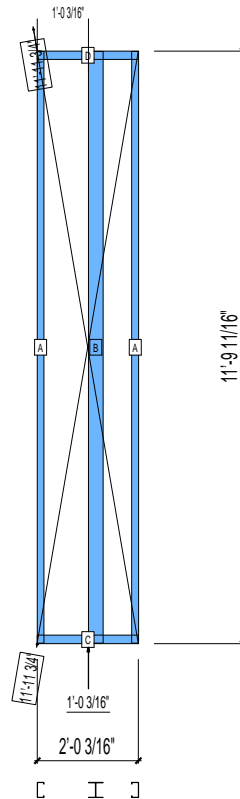
SPACING : 24"

1st STUD: 24"

WEIGHTS :

FRAME : 107 lbs

-----  
TOTAL: 107 lbs



### PIECES LIST

LABEL	QTY	SIZE	LENGTH	USE
A	2	362S162-54	11'-9 1/2"	STUD
B	1	363i350p554	11'-9 1/2"	PACO.COLUMN
C	1	362T200-68	2'-0 3/16"	BOTTOM TRACK
D	1	362T200-68	2'-0 3/16"	TOP TRACK

# 11-1185

Jewish Home for the Aging

1885 Victory Blvd. Reseda, CA

FrameMax, Inc.  
13915 Danielson St  
Suite 100  
Poway, CA 92064  
www.frame-max.com



© FrameMax Inc.

CREATED: 09/17/2008

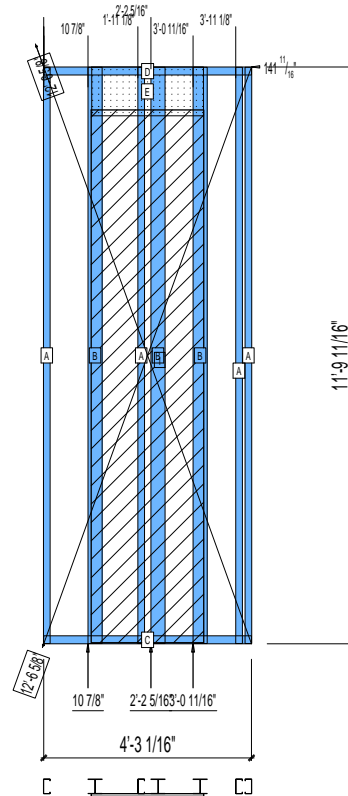
FM-07-109

CREATED BY: AMB

HEIGHT : 11'-9 11/16"  
SPACING : 24"  
1st STUD: 24"

WEIGHTS :  
FRAME : 285 lbs  
SHEATHING: 92 lbs

-----  
TOTAL: 377 lbs



PIECES LIST

LABEL	QTY	SIZE	LENGTH	USE
A	4	362S162-54	11'-9 1/2"	STUD
B	3	3631350p554	11'-9 1/2"	PACO.COLUMN
C	1	362T200-68	4'-3 1/16"	BOTTOM TRACK
D	1	362T200-68	4'-3 1/16"	TOP TRACK
E	1	1200D-54	2'-3 7/16"	STRAP

SHEATHING

LABEL	QTY	CODE	THICK	SIZE	SCREWS
1	1	SB-DENSARMOR	5/8"	2'-3 5/8" X 10'-10 7/8"	1 - 12

# 11-1186

Jewish Home for the Aging

1885 Victory Blvd. Reseda, CA

FM-07-109

CREATED BY: AMB

FrameMax, Inc.  
13915 Danielson St  
Suite 100  
Poway, CA 92064  
www.framemax.com

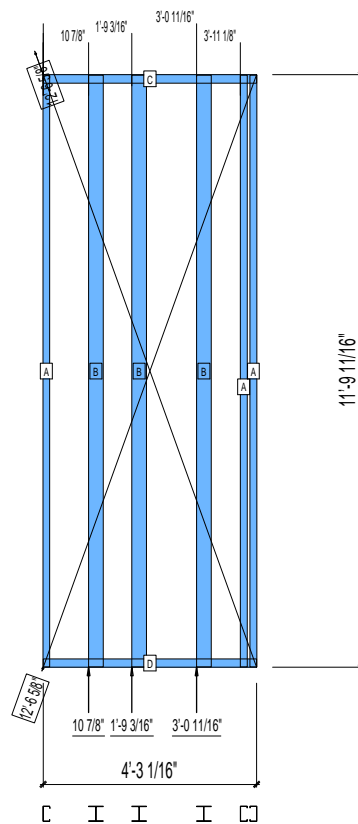


© FrameMax Inc.

HEIGHT : 11'-9 11/16"  
SPACING : 24"  
1st STUD: 24"

WEIGHTS :  
FRAME : 263 lbs

-----  
TOTAL: 263 lbs



### PIECES LIST

LABEL	QTY	SIZE	LENGTH	USE
A	3	362S162-54	11'-9 1/2"	STUD
B	3	363i350p554	11'-9 1/2"	PACO.COLUMN
C	1	362T200-68	4'-3 1/16"	TOP TRACK
D	1	362T200-68	4'-3 1/16"	BOTTOM TRACK

# 11-1187

Jewish Home for the Aging

1885 Victory Blvd. Reseda, CA

FrameMax, Inc.  
13915 Danielson St  
Suite 100  
Poway, CA 92064  
www.frame-max.com



© FrameMax Inc.

CREATED: 09/17/2008

FM-07-109

CREATED BY: AMB

HEIGHT : 11'-9 11/16"

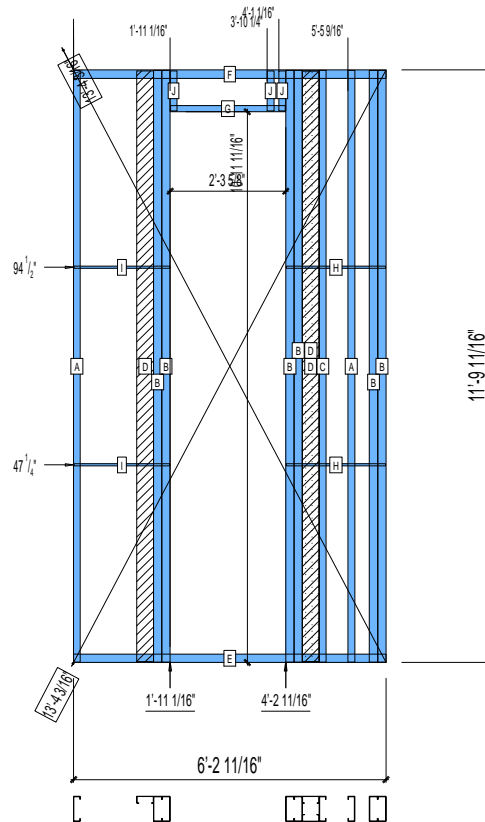
SPACING : 24"

1st STUD: 24"

WEIGHTS :

FRAME : 423 lbs

TOTAL: 423 lbs



PIECES LIST

LABEL	QTY	SIZE	LENGTH	USE
A	2	600S162-97	11'-9 1/2"	STUD
B	6	600S200-97	11'-9 1/2"	KING STUD
C	1	600S162-33	11'-9 1/2"	BACKER STUD
D	3	400S162-33	11'-9 1/4"	BACKER-U
E	1	600T200-68	6'-2 11/16"	BOTTOM TRACK
F	1	600T200-68	6'-2 11/16"	TOP TRACK
G	1	600T150-54	2'-3 3/8"	HEAD TRACK
H	2	150U50-54	1'-11 3/4"	HORIZONTAL BRACING
I	2	150U50-54	1'-10 7/8"	HORIZONTAL BRACING
J	3	600S162-54	9 9/16"	CRIPPLE

# 11-1188

Jewish Home for the Aging

1885 Victory Blvd. Reseda, CA

FM-07-109

CREATED BY: AMB

FrameMax, Inc.  
13915 Danielson St  
Suite 100  
Poway, CA 92064  
www.frame-max.com

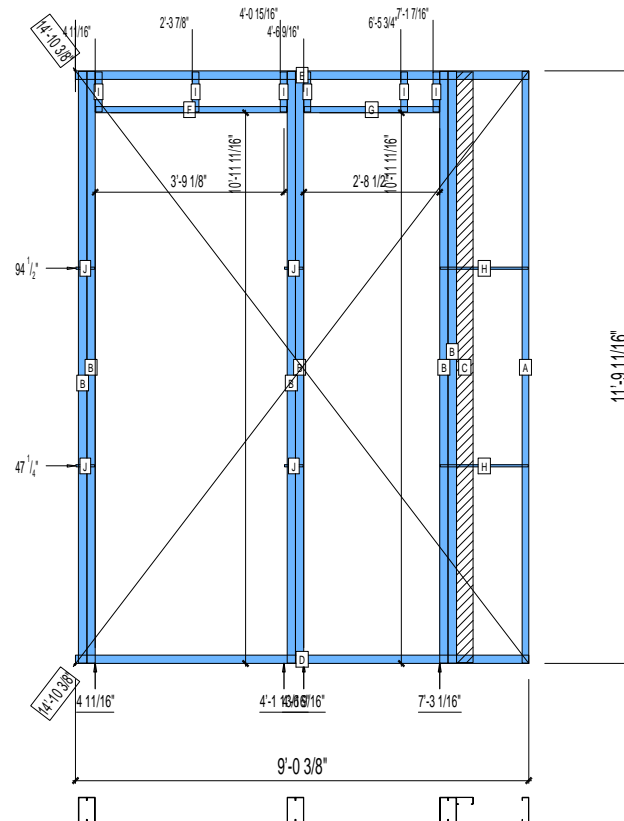


© FrameMax Inc.

HEIGHT : 11'-9 11/16"  
SPACING : 24"  
1st STUD: 24"

WEIGHTS :  
FRAME : 373 lbs

TOTAL: 373 lbs



PIECES LIST

LABEL	QTY	SIZE	LENGTH	USE
A	1	600S162-97	11'-9 1/2"	STUD
B	6	600S200-97	11'-9 1/2"	KING STUD
C	1	400S162-33	11'-9 1/4"	BACKER-U
D	1	600T200-68	9'-0 3/8"	BOTTOM TRACK
E	1	600T200-68	9'-0 3/8"	TOP TRACK
F	1	600T150-54	3'-9 5/8"	HEAD TRACK
G	1	600T150-54	2'-8 1/4"	HEAD TRACK
H	2	150U50-54	1'-9 1/16"	HORIZONTAL BRACING
I	6	600S162-54	9 9/16"	CRIPPLE
J	4	150U50-54	4 1/2"	HORIZONTAL BRACING

# 11-1189

Jewish Home for the Aging

1885 Victory Blvd. Reseda, CA

FM-07-109

CREATED BY: AMB

FrameMax, Inc.  
13915 Danielson St  
Suite 100  
Poway, CA 92064  
www.frame-max.com

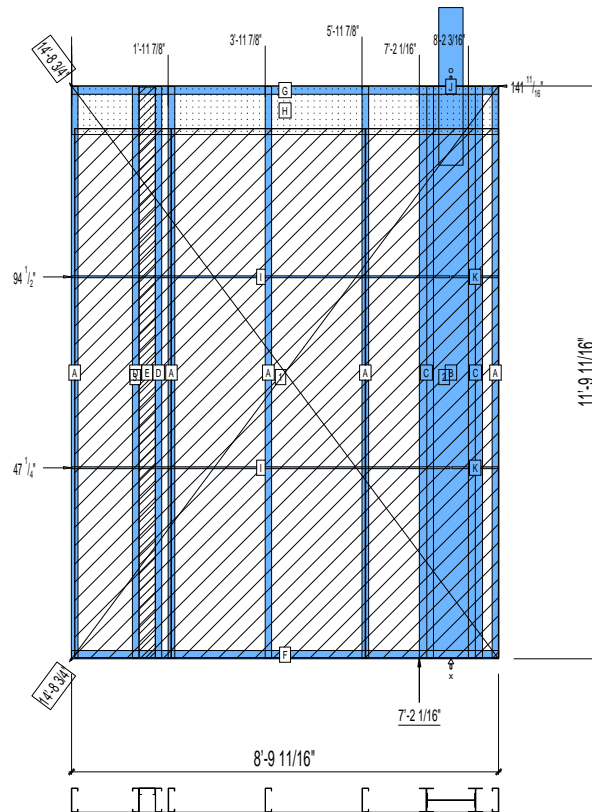


© FrameMax Inc.

HEIGHT : 13'-5 1/16"  
SPACING : 24"  
1st STUD: 24"

WEIGHTS :  
FRAME : 640 lbs  
SHEATHING: 351 lbs

TOTAL: 991 lbs



PIECES LIST

LABEL	QTY	SIZE	LENGTH	USE
A	5	600S162-97	11'-9 1/2"	STUD
B	1	1200i350p1062	11'-9 1/2"	PACO
C	2	600i350p680	11'-9 1/2"	PACO
D	2	600S162-33	11'-9 1/2"	BACKER STUD
E	1	400S162-33	11'-9 1/4"	BACKER-U
F	1	600T200-68	8'-9 11/16"	BOTTOM TRACK
G	1	600T200-68	8'-9 11/16"	TOP TRACK
H	1	1200D-54	8'-9 1/2"	STRAP
I	2	150U50-54	7'-9 9/16"	HORIZONTAL BRACING
J	1	E	3'-3"	HOLDDOWN
K	2	150U50-54	11 7/16"	HORIZONTAL BRACING

SHEATHING

LABEL	QTY	CODE	THICK	SIZE	SCREWS
1	1	SB-DENSARMOR	5/8"	4'-0" X 10'-10 7/8"	2 - 12
2	1	SB-DENSARMOR	5/8"	2'-8 15/16" X 10'-10 7/8"	2 - 12
3	1	SB-DENSARMOR	5/8"	1'-11 15/16" X 10'-10 7/8"	2 - 12

# 11-1190

Jewish Home for the Aging

1885 Victory Blvd. Reseda, CA

FM-07-109

CREATED BY: AMB

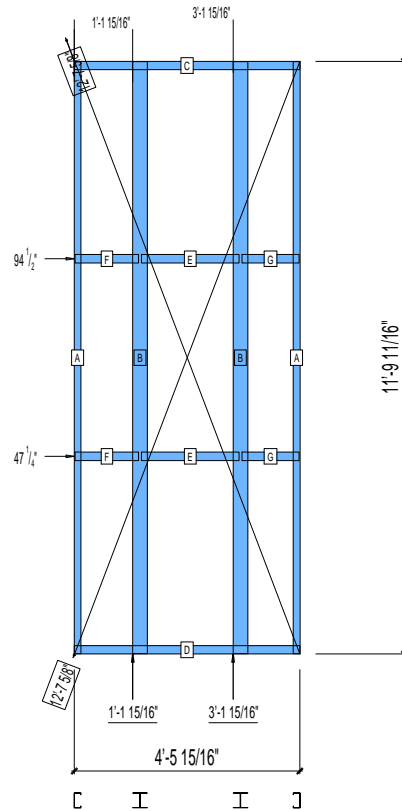
FrameMax, Inc.  
13915 Danielson St  
Suite 100  
Poway, CA 92064  
www.frame-max.com



© FrameMax Inc.

HEIGHT : 11'-9 11/16"  
SPACING : 24"  
1st STUD: 16"

WEIGHTS :  
FRAME : 198 lbs  
-----  
TOTAL: 198 lbs



PIECES LIST

LABEL	QTY	SIZE	LENGTH	USE
A	2	362S162-54	11'-9 1/2"	STUD
B	2	363i350p554	11'-9 1/2"	PACO COLUMN
C	1	362T200-68	4'-5 15/16"	TOP TRACK
D	1	362T200-68	4'-5 15/16"	BOTTOM TRACK
E	2	362T200-68	1'-11 5/16"	BLOCK
F	2	362T200-68	1'-3 3/16"	BLOCK
G	2	362T200-68	1'-1 11/16"	BLOCK

# 11-1191

Jewish Home for the Aging

1885 Victory Blvd. Reseda, CA

FrameMax, Inc.  
13915 Danielson St  
Suite 100  
Poway, CA 92064  
www.frame-max.com



© FrameMax Inc.

CREATED: 09/17/2008

FM-07-109

CREATED BY: AMB

HEIGHT : 11'-9 11/16"

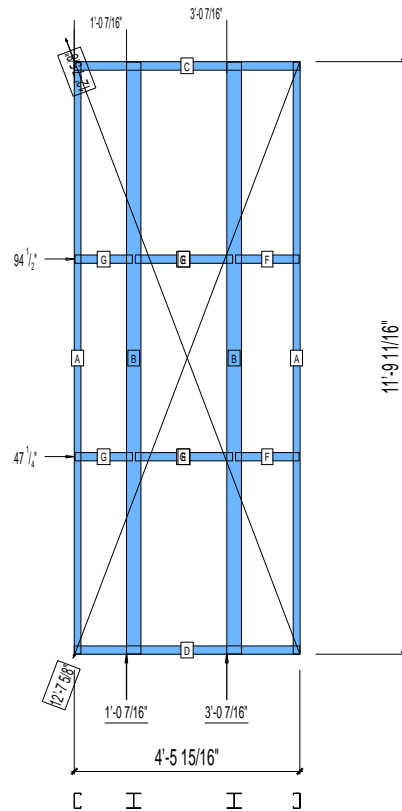
SPACING : 24"

1st STUD: 24"

WEIGHTS :

FRAME : 198 lbs

TOTAL: 198 lbs



PIECES LIST

LABEL	QTY	SIZE	LENGTH	USE
A	2	362S162-54	11'-9 1/2"	STUD
B	2	363i350p554	11'-9 1/2"	PACO.COLUMN
C	1	362T200-68	4'-5 15/16"	TOP TRACK
D	1	362T200-68	4'-5 15/16"	BOTTOM TRACK
E	2	362T200-68	1'-11 5/16"	BLOCK
F	2	362T200-68	1'-3 3/16"	BLOCK
G	2	362T200-68	1'-1 11/16"	BLOCK

# 11-1192

Jewish Home for the Aging

1885 Victory Blvd. Reseda, CA

FrameMax, Inc.  
13915 Danielson St  
Suite 100  
Poway, CA 92064  
www.framemax.com



© FrameMax Inc.

CREATED: 09/17/2008

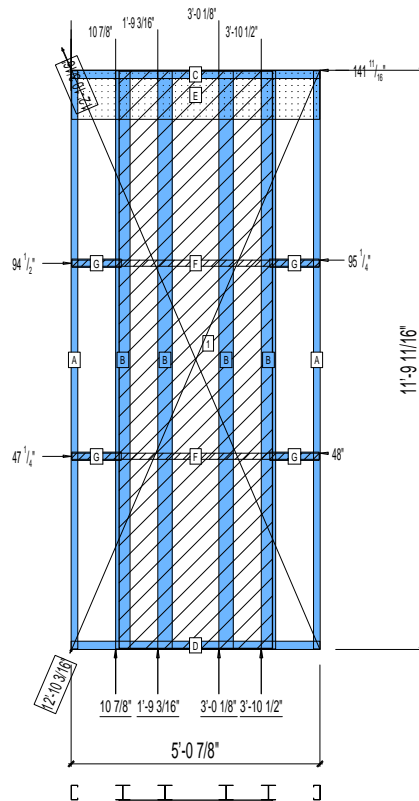
FM-07-109

CREATED BY: AMB

HEIGHT : 11'-9 11/16"  
SPACING : 24"  
1st STUD: 24"

WEIGHTS :  
FRAME : 336 lbs  
SHEATHING: 135 lbs

-----  
TOTAL: 471 lbs



PIECES LIST

LABEL	QTY	SIZE	LENGTH	USE
A	2	362S162-54	11'-9 1/2"	STUD
B	4	3631350p554	11'-9 1/2"	PACO COLUMN
C	1	362T200-68	5'-0 7/8"	TOP TRACK
D	1	362T200-68	5'-0 7/8"	BOTTOM TRACK
E	1	1200D-54	5'-0 11/16"	STRAP
F	2	150D-43	5'-0 11/16"	STRAP
G	4	362T200-68	1'-0 1/16"	BLOCK

SHEATHING

LABEL	QTY	CODE	THICK	SIZE	SCREWS
1	1	SB-DENSGLOSS	1/2"	3'-1 1/2" X 11'-9 1/4"	2 - 12

# 11-1193

Jewish Home for the Aging

1885 Victory Blvd. Reseda, CA

FM-07-109

CREATED BY: AMB

FrameMax, Inc.  
13915 Danielson St  
Suite 100  
Poway, CA 92064  
www.framemax.com

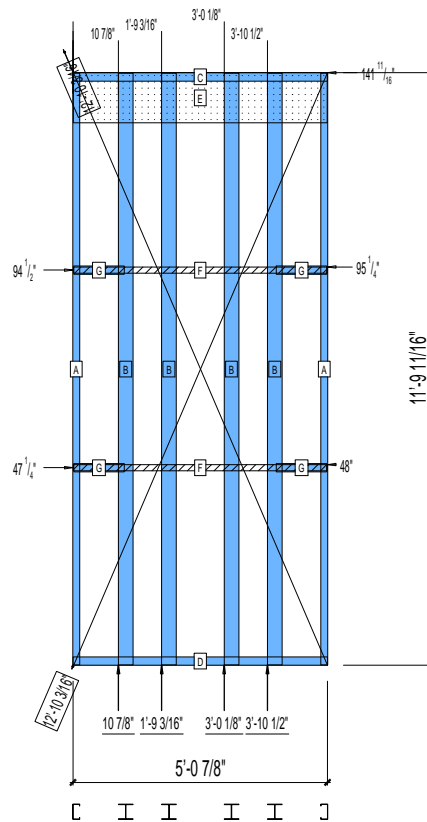


© FrameMax Inc.

HEIGHT : 11'-9 11/16"  
SPACING : 24"  
1st STUD: 24"

WEIGHTS :  
FRAME : 336 lbs

TOTAL: 336 lbs



PIECES LIST

LABEL	QTY	SIZE	LENGTH	USE
A	2	362S162-54	11'-9 1/2"	STUD
B	4	363i350p554	11'-9 1/2"	PACO.COLUMN
C	1	362T200-68	5'-0 7/8"	TOP TRACK
D	1	362T200-68	5'-0 7/8"	BOTTOM TRACK
E	1	1200D-54	5'-0 11/16"	STRAP
F	2	150D-43	5'-0 11/16"	STRAP
G	4	362T200-68	1'-0 1/16"	BLOCK

# 11-1194

Jewish Home for the Aging

1885 Victory Blvd. Reseda, CA

FrameMax, Inc.  
13915 Danielson St  
Suite 100  
Poway, CA 92064  
www.frame-max.com



© FrameMax Inc.

CREATED: 09/17/2008

FM-07-109

CREATED BY: AMB

HEIGHT : 11'-9 11/16"

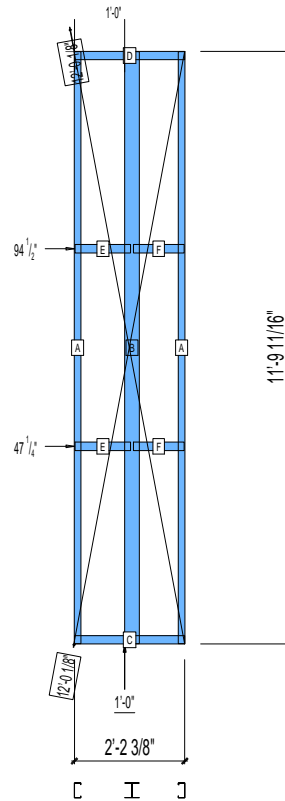
SPACING : 24"

1st STUD: 24"

WEIGHTS :

FRAME : 115 lbs

TOTAL: 115 lbs



PIECES LIST

LABEL	QTY	SIZE	LENGTH	USE
A	2	362S162-54	11'-9 1/2"	STUD
B	1	363i350p554	11'-9 1/2"	PACO. COLUMN
C	1	362T200-68	2'-2 3/8"	BOTTOM TRACK
D	1	362T200-68	2'-2 3/8"	TOP TRACK
E	2	362T200-68	1'-1 1/4"	BLOCK
F	2	362T200-68	1'-0 1/16"	BLOCK

# 11-1195

Jewish Home for the Aging

1885 Victory Blvd. Reseda, CA

FM-07-109

CREATED BY: AMB

FrameMax, Inc.  
13915 Danielson St  
Suite 100  
Poway, CA 92064  
www.frame-max.com

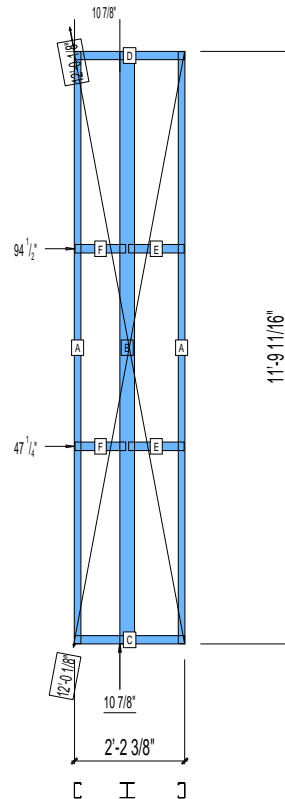


© FrameMax Inc.

HEIGHT : 11'-9 11/16"  
SPACING : 24"  
1st STUD: 24"

WEIGHTS :  
FRAME : 115 lbs

-----  
TOTAL: 115 lbs



PIECES LIST

LABEL	QTY	SIZE	LENGTH	USE
A	2	362S162-54	11'-9 1/2"	STUD
B	1	363i350p554	11'-9 1/2"	PACO. COLUMN
C	1	362T200-68	2'-2 3/8"	BOTTOM TRACK
D	1	362T200-68	2'-2 3/8"	TOP TRACK
E	2	362T200-68	1'-1 1/4"	BLOCK
F	2	362T200-68	1'-0 1/16"	BLOCK

# 11-1196

Jewish Home for the Aging

1885 Victory Blvd. Reseda, CA

FrameMax, Inc.  
13915 Danielson St  
Suite 100  
Poway, CA 92064  
www.framemax.com



© FrameMax Inc.

CREATED: 09/17/2008

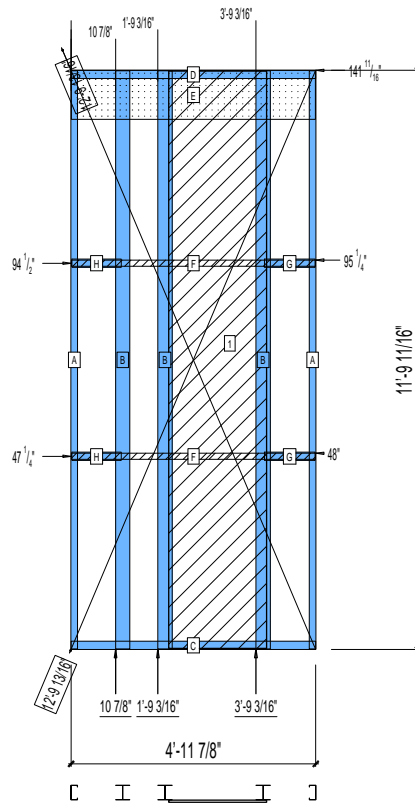
FM-07-109

CREATED BY: AMB

HEIGHT : 11'-9 11/16"  
SPACING : 24"  
1st STUD: 24"

WEIGHTS :  
FRAME : 270 lbs  
SHEATHING: 86 lbs

-----  
TOTAL: 356 lbs



PIECES LIST

LABEL	QTY	SIZE	LENGTH	USE
A	2	362S162-54	11'-9 1/2"	STUD
B	3	363i350p554	11'-9 1/2"	PACO. COLUMN
C	1	362T200-68	4'-11 7/8"	BOTTOM TRACK
D	1	362T200-68	4'-11 7/8"	TOP TRACK
E	1	1200D-54	4'-11 11/16"	STRAP
F	2	150D-43	4'-11 11/16"	STRAP
G	2	362T200-68	1'-0 3/8"	BLOCK
H	2	362T200-68	1'-0 1/16"	BLOCK

SHEATHING

LABEL	QTY	CODE	THICK	SIZE	SCREWS
1	1	SB-DENSGLOSS	1/2"	1'-11 15/16" X 11'-9 1/4"	2 - 12

# 11-1197

Jewish Home for the Aging

1885 Victory Blvd. Reseda, CA

FrameMax, Inc.  
13915 Danielson St  
Suite 100  
Poway, CA 92064  
www.frame-max.com



© FrameMax Inc.

CREATED: 09/17/2008

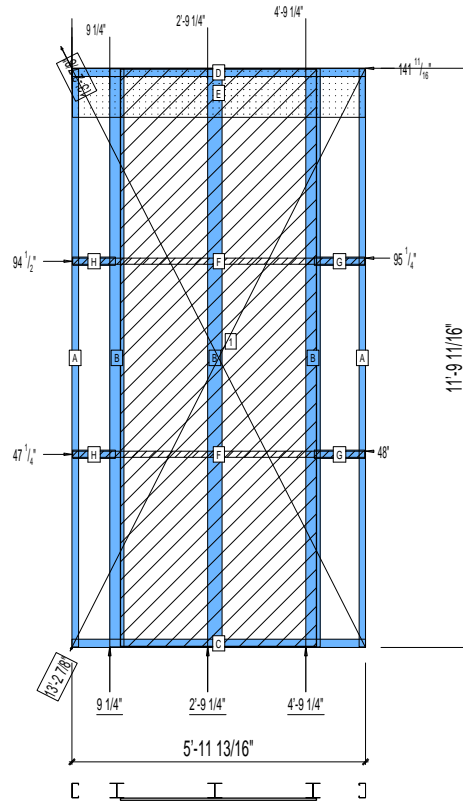
FM-07-109

CREATED BY: AMB

HEIGHT : 11'-9 11/16"  
SPACING : 24"  
1st STUD: 24"

WEIGHTS :  
FRAME : 276 lbs  
SHEATHING: 173 lbs

-----  
TOTAL: 449 lbs



PIECES LIST

LABEL	QTY	SIZE	LENGTH	USE
A	2	362S162-54	11'-9 1/2"	STUD
B	3	363i350p554	11'-9 1/2"	PACO. COLUMN
C	1	362T200-68	5'-11 13/16"	BOTTOM TRACK
D	1	362T200-68	5'-11 13/16"	TOP TRACK
E	1	1200D-54	5'-11 5/8"	STRAP
F	2	150D-43	5'-11 5/8"	STRAP
G	2	362T200-68	1'-0 5/16"	BLOCK
H	2	362T200-68	10 7/16"	BLOCK

SHEATHING

LABEL	QTY	CODE	THICK	SIZE	SCREWS
1	1	SB-DENSGLOSS	1/2"	3'-11 15/16" X 11'-9 1/4"	2 - 12

# 11-1198

Jewish Home for the Aging

1885 Victory Blvd. Reseda, CA

FM-07-109

CREATED BY: AMB

FrameMax, Inc.  
13915 Danielson St  
Suite 100  
Poway, CA 92064  
www.frame-max.com

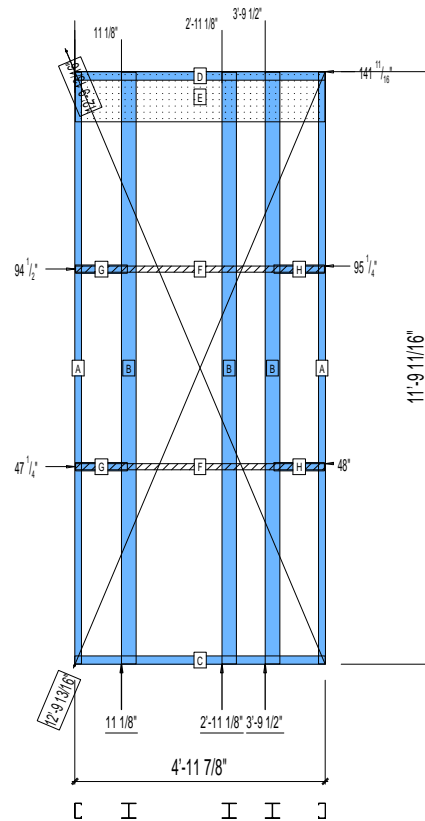


© FrameMax Inc.

HEIGHT : 11'-9 11/16"  
SPACING : 24"  
1st STUD: 24"

WEIGHTS :  
FRAME : 270 lbs

-----  
TOTAL: 270 lbs



PIECES LIST

LABEL	QTY	SIZE	LENGTH	USE
A	2	362S162-54	11'-9 1/2"	STUD
B	3	363i350p554	11'-9 1/2"	PACO.COLUMN
C	1	362T200-68	4'-11 7/8"	BOTTOM TRACK
D	1	362T200-68	4'-11 7/8"	TOP TRACK
E	1	1200D-54	4'-11 11/16"	STRAP
F	2	150D-43	4'-11 11/16"	STRAP
G	2	362T200-68	1'-0 3/8"	BLOCK
H	2	362T200-68	1'-0 1/16"	BLOCK

# 11-1199

Jewish Home for the Aging

1885 Victory Blvd. Reseda, CA

FM-07-109

CREATED BY: AMB

FrameMax, Inc.  
13915 Danielson St  
Suite 100  
Poway, CA 92064  
www.frame-max.com

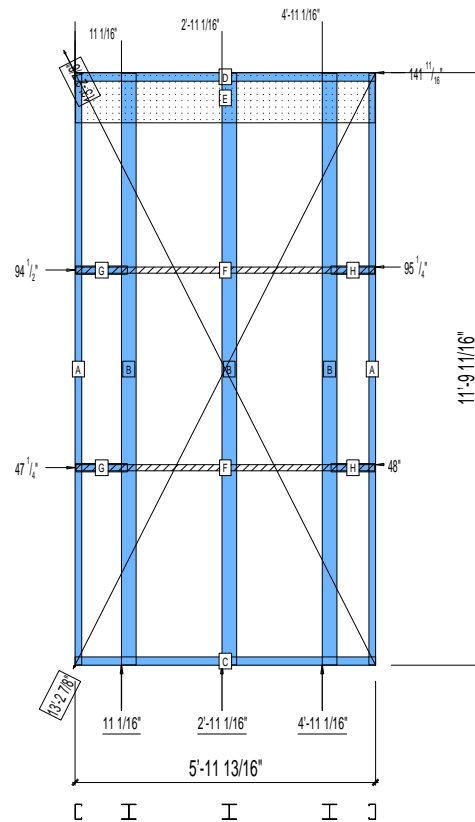


© FrameMax Inc.

HEIGHT : 11'-9 11/16"  
SPACING : 24"  
1st STUD: 24"

WEIGHTS :  
FRAME : 276 lbs

TOTAL: 276 lbs



PIECES LIST

LABEL	QTY	SIZE	LENGTH	USE
A	2	362S162-54	11'-9 1/2"	STUD
B	3	363i350p554	11'-9 1/2"	PACO.COLUMN
C	1	362T200-68	5'-11 13/16"	BOTTOM TRACK
D	1	362T200-68	5'-11 13/16"	TOP TRACK
E	1	1200D-54	5'-11 5/8"	STRAP
F	2	150D-43	5'-11 5/8"	STRAP
G	2	362T200-68	1'-0 5/16"	BLOCK
H	2	362T200-68	10 7/16"	BLOCK

# 11-1200

Jewish Home for the Aging

1885 Victory Blvd. Reseda, CA

FrameMax, Inc.  
13915 Danielson St  
Suite 100  
Poway, CA 92064  
www.frame-max.com



© FrameMax Inc.

CREATED: 09/17/2008

FM-07-109

CREATED BY: AMB

HEIGHT : 11'-9 11/16"

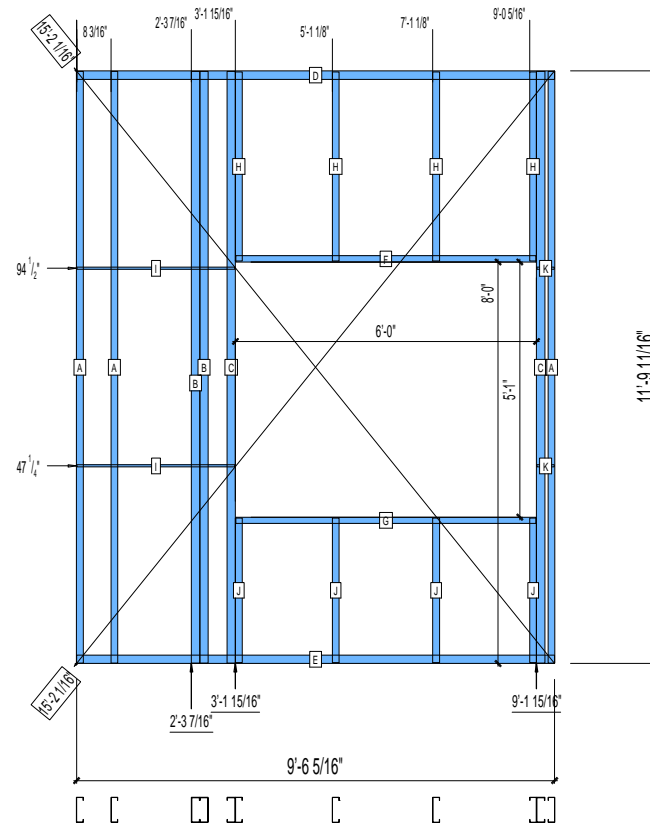
SPACING : 24"

1st STUD: 24"

WEIGHTS :

FRAME : 375 lbs

TOTAL: 375 lbs



## PIECES LIST

LABEL	QTY	SIZE	LENGTH	USE
A	3	600S162-68	11'-9 1/2"	STUD
B	2	600S200-97	11'-9 1/2"	EXTRA STUD
C	2	600S200-97	11'-9 1/2"	KING STUD
D	1	600T200-68	9'-6 5/16"	TOP TRACK
E	1	600T200-68	9'-6 5/16"	BOTTOM TRACK
F	1	600T150-54	5'-11 3/4"	HEAD TRACK
G	1	600T150-54	5'-11 3/4"	SILL
H	4	600S162-54	3'-9 1/4"	CRIPPLE
I	2	150U50-54	3'-1 3/4"	HORIZONTAL BRACING
J	4	600S162-54	2'-10 9/16"	CRIPPLE
K	2	150U50-54	4 1/8"	HORIZONTAL BRACING

# 11-1201

Jewish Home for the Aging

1885 Victory Blvd. Reseda, CA

FrameMax, Inc.  
13915 Danielson St  
Suite 100  
Poway, CA 92064  
www.frame-max.com



© FrameMax Inc.

CREATED: 09/17/2008

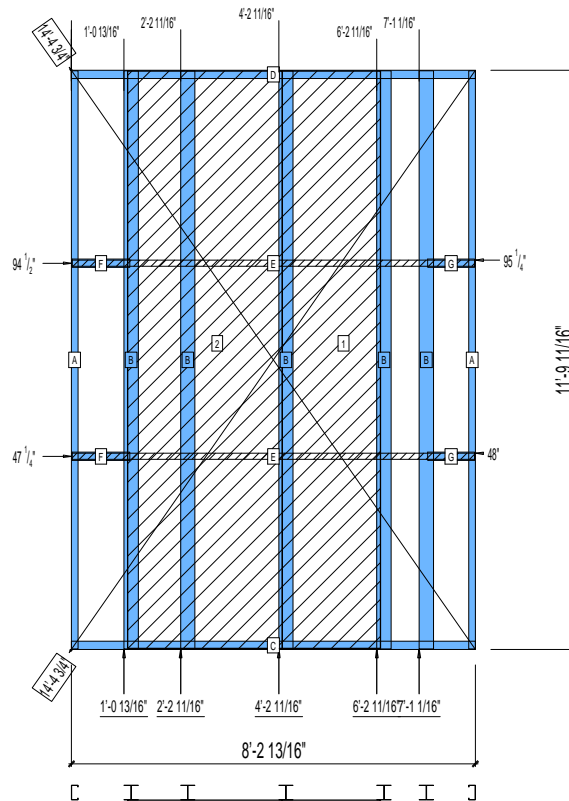
FM-07-109

CREATED BY: AMB

HEIGHT : 11'-9 11/16"  
SPACING : 24"  
1st STUD: 24"

WEIGHTS :  
FRAME : 403 lbs  
SHEATHING: 223 lbs

-----  
TOTAL: 626 lbs



PIECES LIST

LABEL	QTY	SIZE	LENGTH	USE
A	2	362S162-54	11'-9 1/2"	STUD
B	5	3631350p554	11'-9 1/2"	PACO. COLUMN
C	1	362T200-68	8'-2 13/16"	BOTTOM TRACK
D	1	362T200-68	8'-2 13/16"	TOP TRACK
E	2	150D-43	8'-2 5/8"	STRAP
F	2	362T200-68	1'-2 1/16"	BLOCK
G	2	362T200-68	11 7/16"	BLOCK

SHEATHING

LABEL	QTY	CODE	THICK	SIZE	SCREWS
1	1	SB-DENSGLOSS	1/2"	2'-0" X 11'-9 1/4"	2 - 12
2	1	SB-DENSGLOSS	1/2"	3'-1 13/16" X 11'-9 1/4"	2 - 12

# 11-1202

Jewish Home for the Aging

1885 Victory Blvd. Reseda, CA

FrameMax, Inc.  
13915 Danielson St  
Suite 100  
Poway, CA 92064  
www.frame-max.com



© FrameMax Inc.

CREATED: 09/17/2008

FM-07-109

CREATED BY: AMB

HEIGHT : 11'-9 11/16"

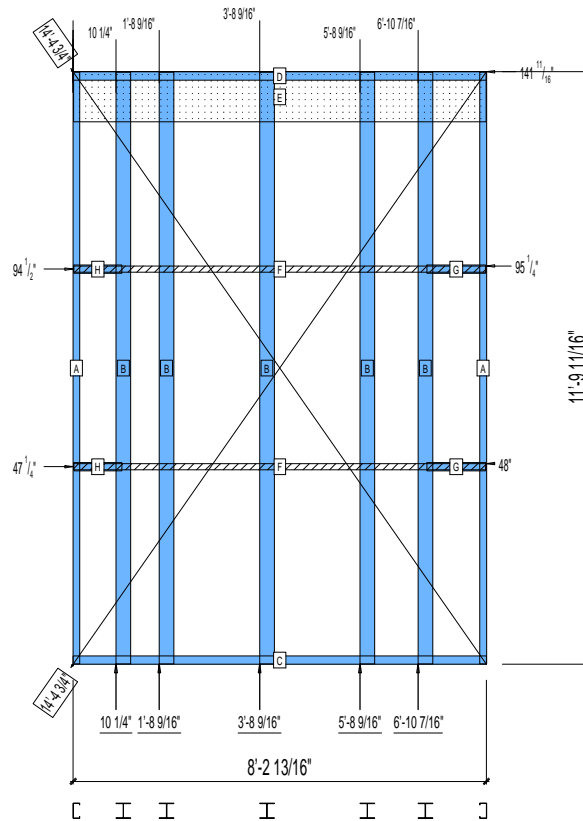
SPACING : 24"

1st STUD: 24"

WEIGHTS :

FRAME : 423 lbs

TOTAL: 423 lbs



PIECES LIST

LABEL	QTY	SIZE	LENGTH	USE
A	2	362S162-54	11'-9 1/2"	STUD
B	5	363i350p554	11'-9 1/2"	PACO.COLUMN
C	1	362T200-68	8'-2 13/16"	BOTTOM TRACK
D	1	362T200-68	8'-2 13/16"	TOP TRACK
E	1	1200D-54	8'-2 5/8"	STRAP
F	2	150D-43	8'-2 5/8"	STRAP
G	2	362T200-68	1'-2 1/16"	BLOCK
H	2	362T200-68	11 7/16"	BLOCK

# 11-1203

Jewish Home for the Aging

1885 Victory Blvd. Reseda, CA

FM-07-109

CREATED BY: AMB

FrameMax, Inc.  
13915 Danielson St  
Suite 100  
Poway, CA 92064  
www.frame-max.com

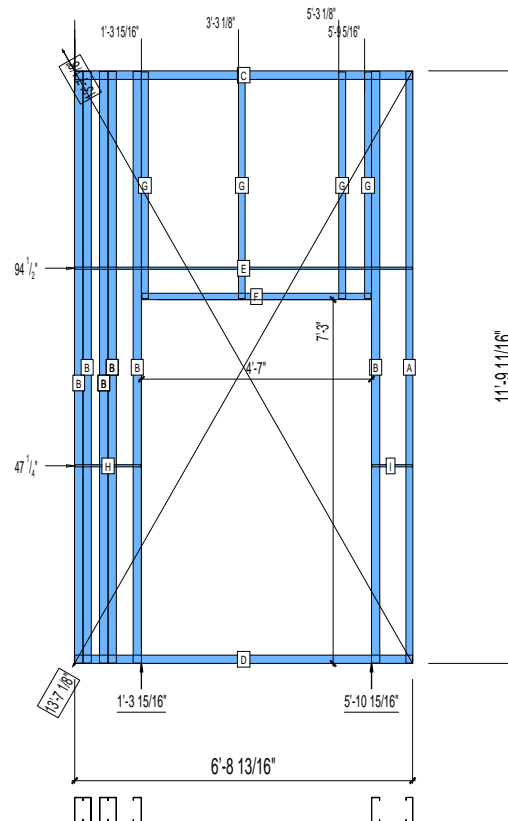


© FrameMax Inc.

HEIGHT : 11'-9 11/16"  
SPACING : 24"  
1st STUD: 24"

WEIGHTS :  
FRAME : 364 lbs

-----  
TOTAL: 364 lbs



PIECES LIST

LABEL	QTY	SIZE	LENGTH	USE
A	1	600S162-68	11'-9 1/2"	STUD
B	6	600S200-97	11'-9 1/2"	KING STUD
C	1	600T200-68	6'-8 13/16"	TOP TRACK
D	1	600T200-68	6'-8 13/16"	BOTTOM TRACK
E	1	150U50-54	6'-8 5/8"	HORIZONTAL BRACING
F	1	600T150-54	4'-6 3/4"	HEAD TRACK
G	4	600S162-54	4'-6 1/4"	CRIPPLE
H	1	150U50-54	1'-3 3/4"	HORIZONTAL BRACING
I	1	150U50-54	9 5/8"	HORIZONTAL BRACING

# 11-1204

Jewish Home for the Aging

1885 Victory Blvd. Reseda, CA

FM-07-109

CREATED BY: AMB

FrameMax, Inc.  
13915 Danielson St  
Suite 100  
Poway, CA 92064  
www.framemax.com

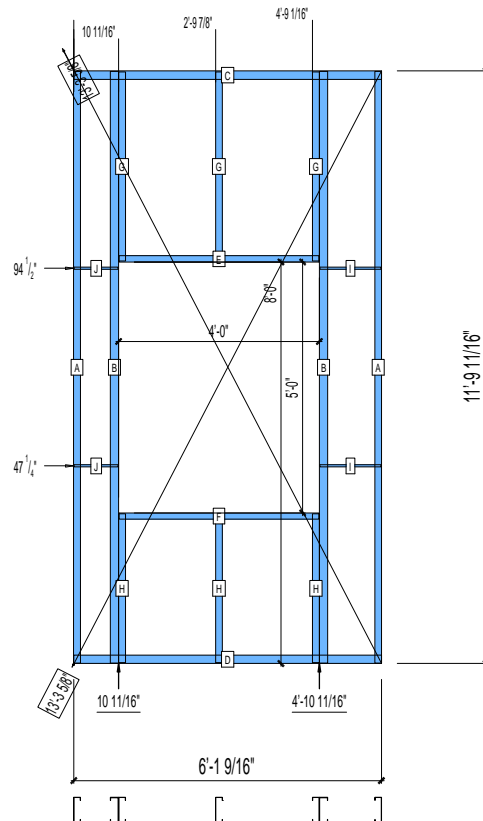


© FrameMax Inc.

HEIGHT : 11'-9 11/16"  
SPACING : 24"  
1st STUD: 24"

WEIGHTS :  
FRAME : 225 lbs

-----  
TOTAL: 225 lbs



PIECES LIST

LABEL	QTY	SIZE	LENGTH	USE
A	2	600S162-68	11'-9 1/2"	STUD
B	2	600S200-97	11'-9 1/2"	KING STUD
C	1	600T200-68	6'-1 9/16"	TOP TRACK
D	1	600T200-68	6'-1 9/16"	BOTTOM TRACK
E	1	600T150-54	3'-11 3/4"	HEAD TRACK
F	1	600T150-54	3'-11 3/4"	SILL
G	3	600S162-54	3'-9 1/4"	CRIPPLE
H	3	600S162-54	2'-11 9/16"	CRIPPLE
I	2	150U50-54	1'-2 5/8"	HORIZONTAL BRACING
J	2	150U50-54	10 1/2"	HORIZONTAL BRACING

# 11-1205

Jewish Home for the Aging

1885 Victory Blvd. Reseda, CA

FM-07-109

CREATED BY: AMB

FrameMax, Inc.  
13915 Danielson St  
Suite 100  
Poway, CA 92064  
www.frame-max.com

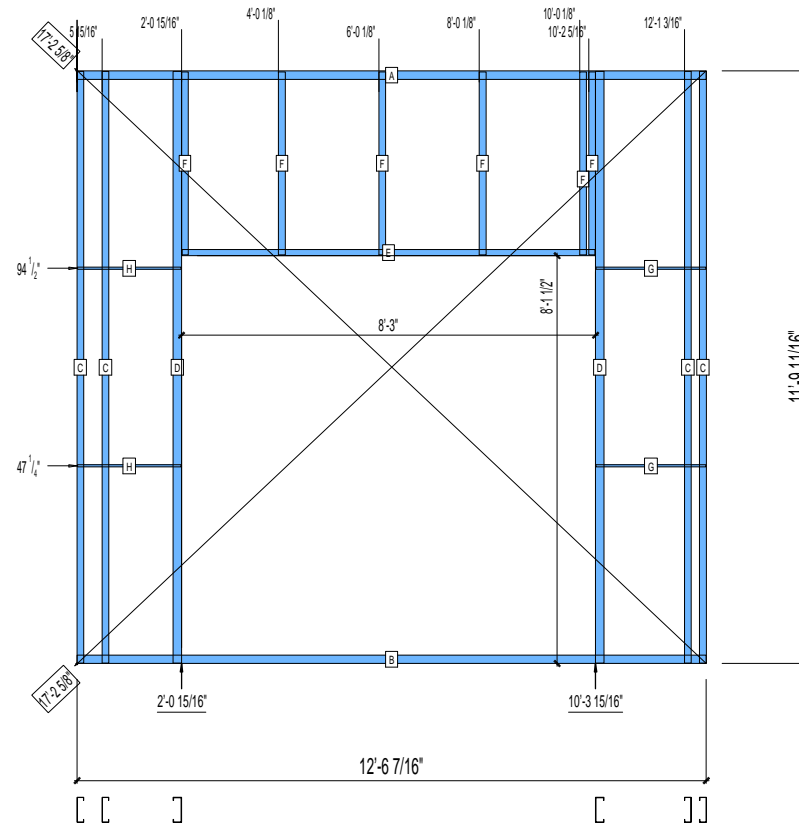


© FrameMax Inc.

HEIGHT : 11'-9 11/16"  
SPACING : 24"  
1st STUD: 24"

WEIGHTS :  
FRAME : 317 lbs

TOTAL: 317 lbs



PIECES LIST

LABEL	QTY	SIZE	LENGTH	USE
A	1	600T200-68	12'-6 7/16"	TOP TRACK
B	1	600T200-68	12'-6 7/16"	BOTTOM TRACK
C	4	600S162-68	11'-9 1/2"	STUD
D	2	600S200-97	11'-9 1/2"	KING STUD
E	1	600T150-54	8'-2 3/4"	HEAD TRACK
F	6	600S162-54	3'-7 3/4"	CRIPPLE
G	2	150U50-54	2'-2 1/4"	HORIZONTAL BRACING
H	2	150U50-54	2'-0 3/4"	HORIZONTAL BRACING

# 11-1206

Jewish Home for the Aging

1885 Victory Blvd. Reseda, CA

FrameMax, Inc.  
13915 Danielson St  
Suite 100  
Poway, CA 92064  
www.frame-max.com



© FrameMax Inc.

CREATED: 09/17/2008

FM-07-109

CREATED BY: AMB

HEIGHT : 11'-9 11/16"

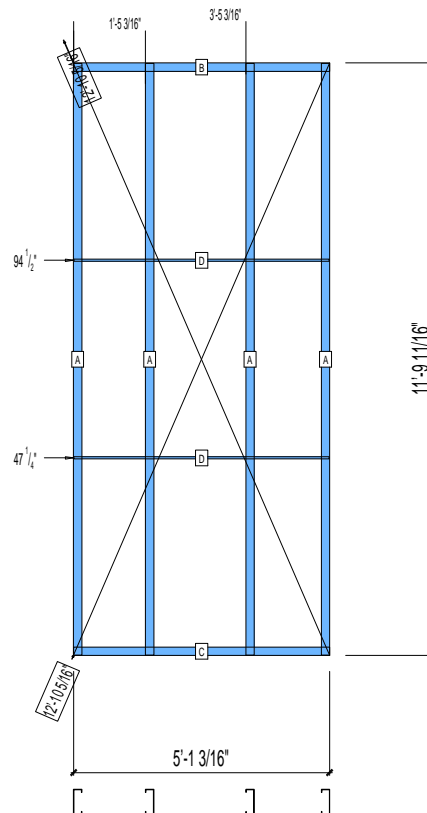
SPACING : 24"

1st STUD: 24"

WEIGHTS :

FRAME : 201 lbs

-----  
TOTAL: 201 lbs



### PIECES LIST

LABEL	QTY	SIZE	LENGTH	USE
A	4	600S200-97	11'-9 1/2"	STUD
B	1	600T200-68	5'-1 3/16"	TOP TRACK
C	1	600T200-68	5'-1 3/16"	BOTTOM TRACK
D	2	150U50-54	5'-1"	HORIZONTAL BRACING

# 11-1207

Jewish Home for the Aging

1885 Victory Blvd. Reseda, CA

FM-07-109

CREATED BY: AMB

FrameMax, Inc.  
13915 Danielson St  
Suite 100  
Poway, CA 92064  
www.frame-max.com

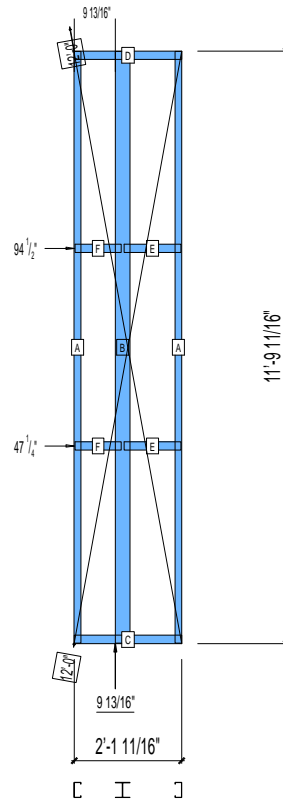


© FrameMax Inc.

HEIGHT : 11'-9 11/16"  
SPACING : 24"  
1st STUD: 24"

WEIGHTS :  
FRAME : 115 lbs

-----  
TOTAL: 115 lbs



PIECES LIST

LABEL	QTY	SIZE	LENGTH	USE
A	2	362S162-54	11'-9 1/2"	STUD
B	1	363i350p554	11'-9 1/2"	PACO. COLUMN
C	1	362T200-68	2'-1 11/16"	BOTTOM TRACK
D	1	362T200-68	2'-1 11/16"	TOP TRACK
E	2	362T200-68	1'-1 9/16"	BLOCK
F	2	362T200-68	11"	BLOCK

# 11-1208

Jewish Home for the Aging

1885 Victory Blvd. Reseda, CA

FM-07-109

CREATED BY: AMB

FrameMax, Inc.  
13915 Danielson St  
Suite 100  
Poway, CA 92064  
www.frame-max.com

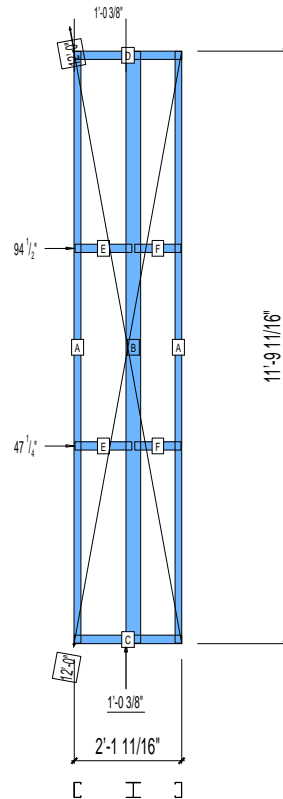


© FrameMax Inc.

HEIGHT : 11'-9 11/16"  
SPACING : 24"  
1st STUD: 24"

WEIGHTS :  
FRAME : 115 lbs

-----  
TOTAL: 115 lbs



PIECES LIST

LABEL	QTY	SIZE	LENGTH	USE
A	2	362S162-54	11'-9 1/2"	STUD
B	1	363i350p554	11'-9 1/2"	PACO. COLUMN
C	1	362T200-68	2'-1 11/16"	BOTTOM TRACK
D	1	362T200-68	2'-1 11/16"	TOP TRACK
E	2	362T200-68	1'-1 9/16"	BLOCK
F	2	362T200-68	11"	BLOCK

# 11-1209

Jewish Home for the Aging

1885 Victory Blvd. Reseda, CA

FM-07-109

CREATED BY: AMB

FrameMax, Inc.  
13915 Danielson St  
Suite 100  
Poway, CA 92064  
www.frame-max.com

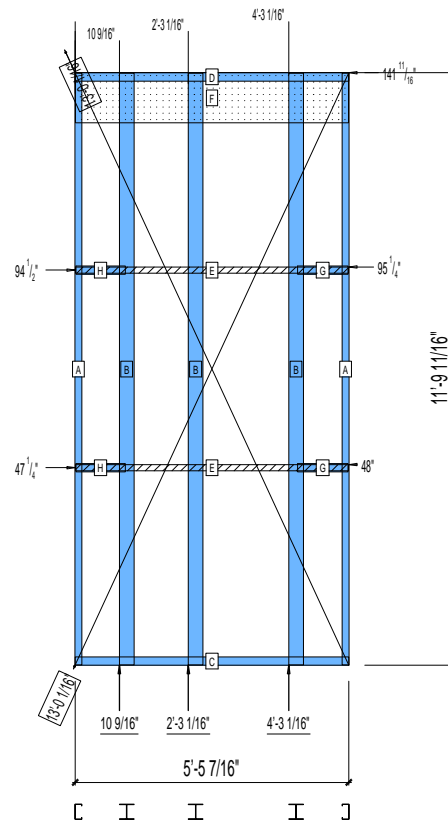


© FrameMax Inc.

HEIGHT : 11'-9 11/16"  
SPACING : 24"  
1st STUD: 24"

WEIGHTS :  
FRAME : 273 lbs

TOTAL: 273 lbs



PIECES LIST

LABEL	QTY	SIZE	LENGTH	USE
A	2	362S162-54	11'-9 1/2"	STUD
B	3	363i350p554	11'-9 1/2"	PACO.COLUMN
C	1	362T200-68	5'-5 7/16"	BOTTOM TRACK
D	1	362T200-68	5'-5 7/16"	TOP TRACK
E	2	150D-43	5'-5 1/4"	STRAP
F	1	1200D-54	5'-5 1/4"	STRAP
G	2	362T200-68	1'-0 1/16"	BLOCK
H	2	362T200-68	11 3/4"	BLOCK

# 11-1210

Jewish Home for the Aging

1885 Victory Blvd. Reseda, CA

FrameMax, Inc.  
13915 Danielson St  
Suite 100  
Poway, CA 92064  
www.frame-max.com



© FrameMax Inc.

CREATED: 09/17/2008

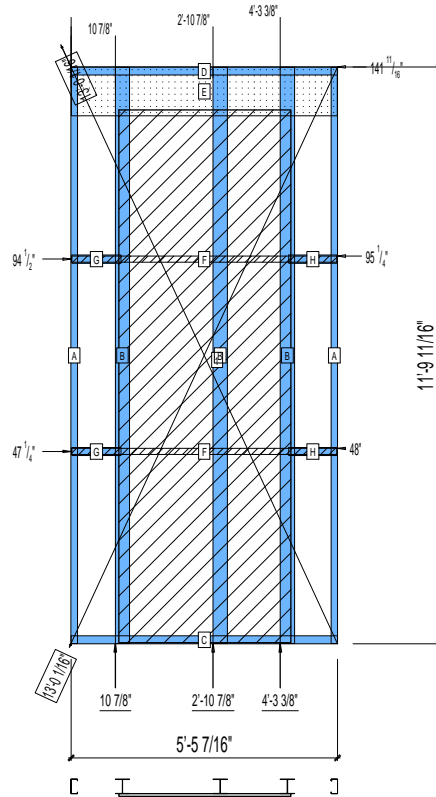
FM-07-109

CREATED BY: AMB

HEIGHT : 11'-9 11/16"  
SPACING : 24"  
1st STUD: 24"

WEIGHTS :  
FRAME : 273 lbs  
SHEATHING: 141 lbs

-----  
TOTAL: 414 lbs



PIECES LIST

LABEL	QTY	SIZE	LENGTH	USE
A	2	362S162-54	11'-9 1/2"	STUD
B	3	363i350p554	11'-9 1/2"	PACO. COLUMN
C	1	362T200-68	5'-5 7/16"	BOTTOM TRACK
D	1	362T200-68	5'-5 7/16"	TOP TRACK
E	1	1200D-54	5'-5 1/4"	STRAP
F	2	150D-43	5'-5 1/4"	STRAP
G	2	362T200-68	1'-0 1/16"	BLOCK
H	2	362T200-68	11 3/4"	BLOCK

SHEATHING

LABEL	QTY	CODE	THICK	SIZE	SCREWS
1	1	SB-DENSARMOR	5/8"	3'-6 1/4" X 10'-10 7/8"	1 - 12

# 11-1211

Jewish Home for the Aging

1885 Victory Blvd. Reseda, CA

FrameMax, Inc.  
13915 Danielson St  
Suite 100  
Poway, CA 92064  
www.framemax.com



© FrameMax Inc.

CREATED: 09/17/2008

FM-07-109

CREATED BY: AMB

HEIGHT : 11'-9 11/16"

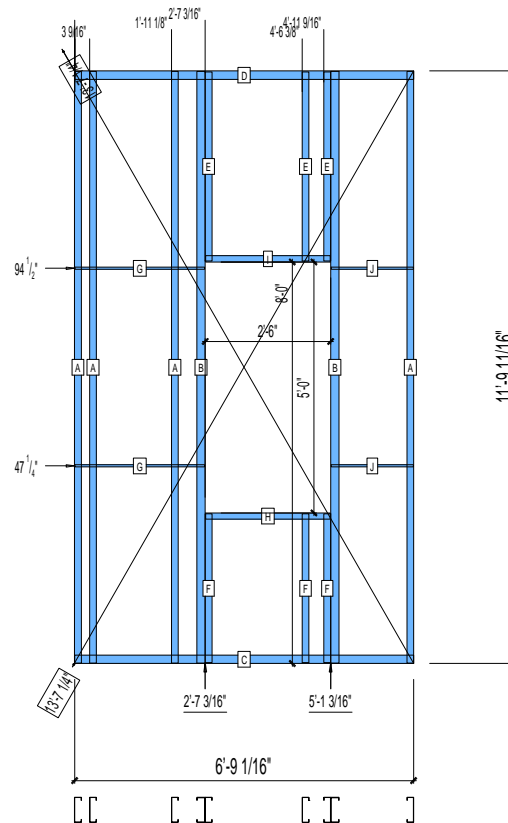
SPACING : 24"

1st STUD: 24"

WEIGHTS :

FRAME : 281 lbs

TOTAL: 281 lbs



PIECES LIST

LABEL	QTY	SIZE	LENGTH	USE
A	4	600S162-68	11'-9 1/2"	STUD
B	2	600S200-97	11'-9 1/2"	KING STUD
C	1	600T200-68	6'-9 1/16"	BOTTOM TRACK
D	1	600T200-68	6'-9 1/16"	TOP TRACK
E	3	600S162-54	3'-9 1/4"	CRIPPLE
F	3	600S162-54	2'-11 9/16"	CRIPPLE
G	2	150U50-54	2'-7"	HORIZONTAL BRACING
H	1	600T150-54	2'-5 3/4"	SILL
I	1	600T150-54	2'-5 3/4"	HEAD TRACK
J	2	150U50-54	1'-7 5/8"	HORIZONTAL BRACING

# 11-1212

Jewish Home for the Aging

1885 Victory Blvd. Reseda, CA

FrameMax, Inc.  
13915 Danielson St  
Suite 100  
Poway, CA 92064  
www.frame-max.com



© FrameMax Inc.

CREATED: 09/17/2008

FM-07-109

CREATED BY: AMB

HEIGHT : 11'-9 11/16"

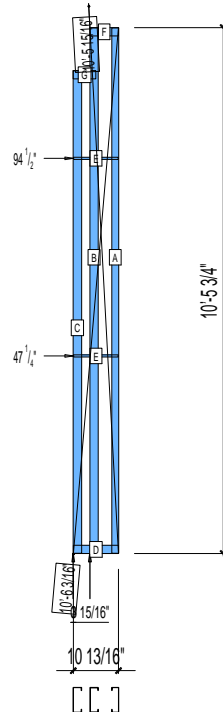
SPACING : 24"

1st STUD: 24"

WEIGHTS :

FRAME : 93 lbs

-----  
TOTAL: 93 lbs



### PIECES LIST

LABEL	QTY	SIZE	LENGTH	USE
A	1	600S162-68	10'-5 9/16"	STUD
B	1	600S200-97	10'-5 9/16"	BEAM KING
C	1	600S200-68	9'-7 5/16"	BEAM JACK
D	1	600T200-68	10 13/16"	BOTTOM TRACK
E	2	150U50-54	10 5/8"	HORIZONTAL BRACING
F	1	600T200-68	6 13/16"	TOP TRACK
G	1	600T200-68	5 7/16"	BEAM JACK

# 11-1213

Jewish Home for the Aging

1885 Victory Blvd. Reseda, CA

FrameMax, Inc.  
13915 Danielson St  
Suite 100  
Poway, CA 92064  
www.framemax.com



© FrameMax Inc.

CREATED: 09/17/2008

FM-07-109

CREATED BY: AMB

HEIGHT : 11'-9 11/16"

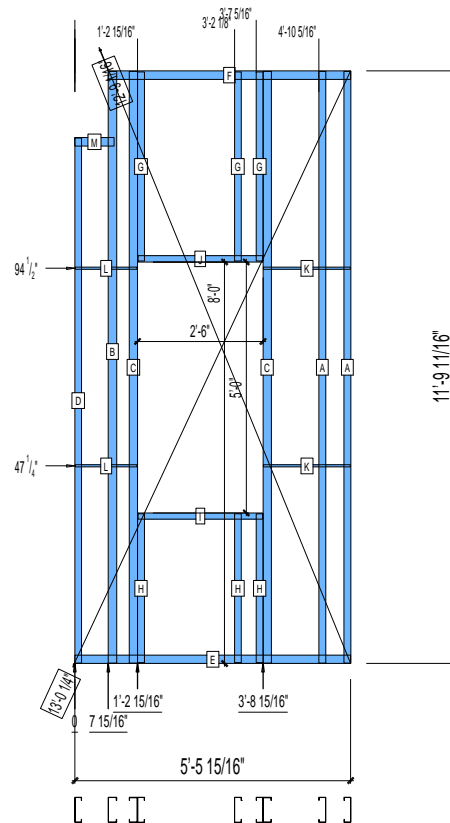
SPACING : 24"

1st STUD: 24"

WEIGHTS :

FRAME : 273 lbs

TOTAL: 273 lbs



PIECES LIST

LABEL	QTY	SIZE	LENGTH	USE
A	2	600S162-68	11'-9 1/2"	STUD
B	1	600S200-68	11'-9 1/2"	BEAM KING
C	2	600S200-97	11'-9 1/2"	KING STUD
D	1	600S162-68	10'-5 9/16"	STUD
E	1	600T200-68	5'-5 15/16"	BOTTOM TRACK
F	1	600T200-68	4'-9 15/16"	TOP TRACK
G	3	600S162-54	3'-9 1/4"	CRIPPLE
H	3	600S162-54	2'-11 9/16"	CRIPPLE
I	1	600T150-54	2'-5 3/4"	SILL
J	1	600T150-54	2'-5 3/4"	HEAD TRACK
K	2	150U50-54	1'-8 3/4"	HORIZONTAL BRACING
L	2	150U50-54	1'-2 3/4"	HORIZONTAL BRACING
M	1	600T200-68	9 7/16"	BEAM JACK

# 11-1214

Jewish Home for the Aging

1885 Victory Blvd. Reseda, CA

FrameMax, Inc.  
13915 Danielson St  
Suite 100  
Poway, CA 92064  
www.frame-max.com



© FrameMax Inc.

CREATED: 09/17/2008

FM-07-109

CREATED BY: AMB

HEIGHT : 11'-9 11/16"

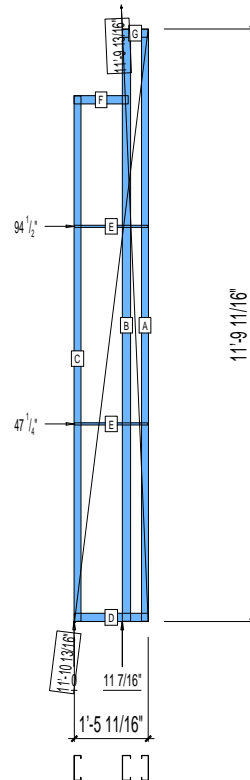
SPACING : 24"

1st STUD: 16"

WEIGHTS :

FRAME : 92 lbs

-----  
TOTAL: 92 lbs



### PIECES LIST

LABEL	QTY	SIZE	LENGTH	USE
A	1	600S162-68	11'-9 1/2"	STUD
B	1	600S200-68	11'-9 1/2"	BEAM KING
C	1	600S162-68	10'-5 9/16"	STUD
D	1	600T200-68	1'-5 11/16"	BOTTOM TRACK
E	2	150U50-54	1'-5 1/2"	HORIZONTAL BRACING
F	1	600T200-68	1'-0 15/16"	BEAM JACK
G	1	600T200-68	6 3/16"	TOP TRACK

# 11-1215

Jewish Home for the Aging

1885 Victory Blvd. Reseda, CA

FM-07-109

CREATED BY: AMB

FrameMax, Inc.  
13915 Danielson St  
Suite 100  
Poway, CA 92064  
www.frame-max.com

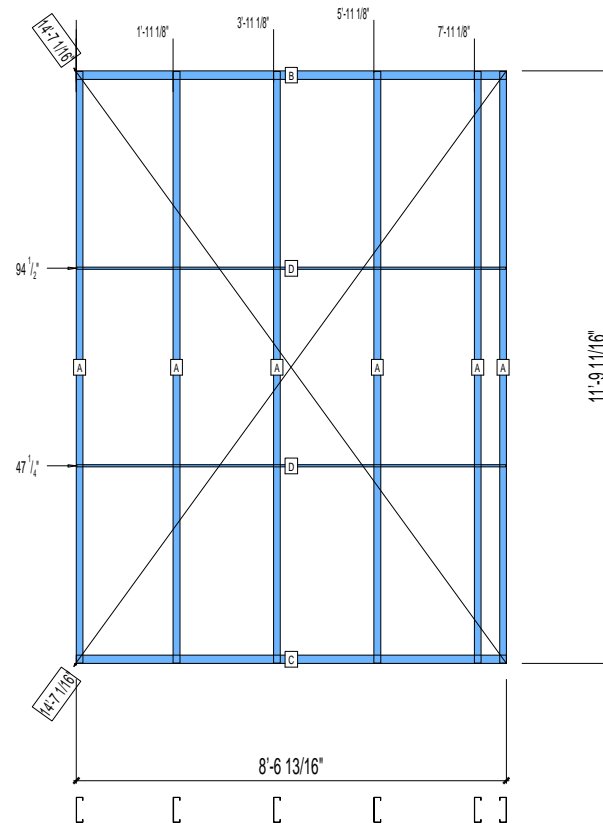


© FrameMax Inc.

HEIGHT : 11'-9 11/16"  
SPACING : 24"  
1st STUD: 24"

WEIGHTS :  
FRAME : 217 lbs

-----  
TOTAL: 217 lbs



PIECES LIST

LABEL	QTY	SIZE	LENGTH	USE
A	6	600S162-68	11'-9 1/2"	STUD
B	1	600T200-68	8'-6 13/16"	TOP TRACK
C	1	600T200-68	8'-6 13/16"	BOTTOM TRACK
D	2	150U50-54	8'-6 5/8"	HORIZONTAL BRACING

# 11-1216

Jewish Home for the Aging

1885 Victory Blvd. Reseda, CA

FrameMax, Inc.  
13915 Danielson St  
Suite 100  
Poway, CA 92064  
www.frame-max.com



© FrameMax Inc.

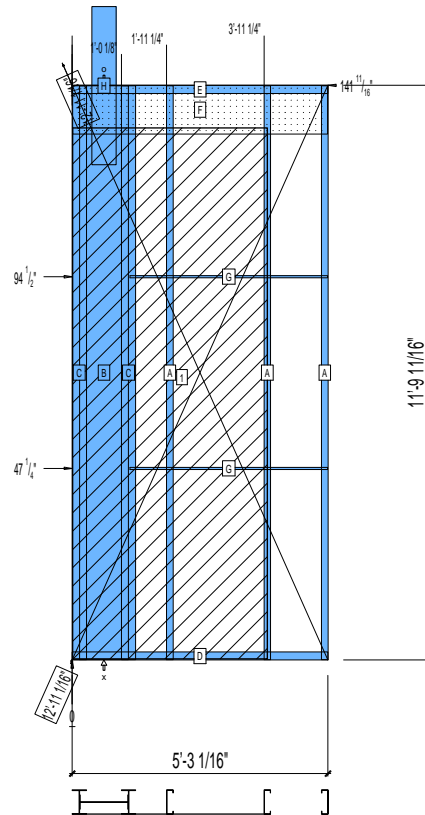
CREATED: 09/17/2008

FM-07-109

CREATED BY: AMB

HEIGHT : 11'-9 11/16"  
SPACING : 24"  
1st STUD: 24"

WEIGHTS :  
FRAME : 494 lbs  
SHEATHING: 161 lbs  
-----  
TOTAL: 655 lbs



PIECES LIST

LABEL	QTY	SIZE	LENGTH	USE
A	3	600S162-97	11'-9 1/2"	STUD
B	1	1200i350p1062	11'-9 1/2"	PACO
C	2	600i350p680	11'-9 1/2"	PACO
D	1	600T200-68	5'-3 1/16"	BOTTOM TRACK
E	1	600T200-68	5'-3 1/16"	TOP TRACK
F	1	1200D-54	5'-2 13/16"	STRAP
G	2	150U50-54	4'-0 3/4"	HORIZONTAL BRACING
H	1	E	3'-3"	HOLDDOWN

SHEATHING

LABEL	QTY	CODE	THICK	SIZE	SCREWS
1	1	SB-DENSARMOR	5/8"	4'-0" X 10'-10 7/8"	2 - 12

# 11-1217

Jewish Home for the Aging

1885 Victory Blvd. Reseda, CA

FM-07-109

CREATED BY: AMB

FrameMax, Inc.  
13915 Danielson St  
Suite 100  
Poway, CA 92064  
www.frame-max.com

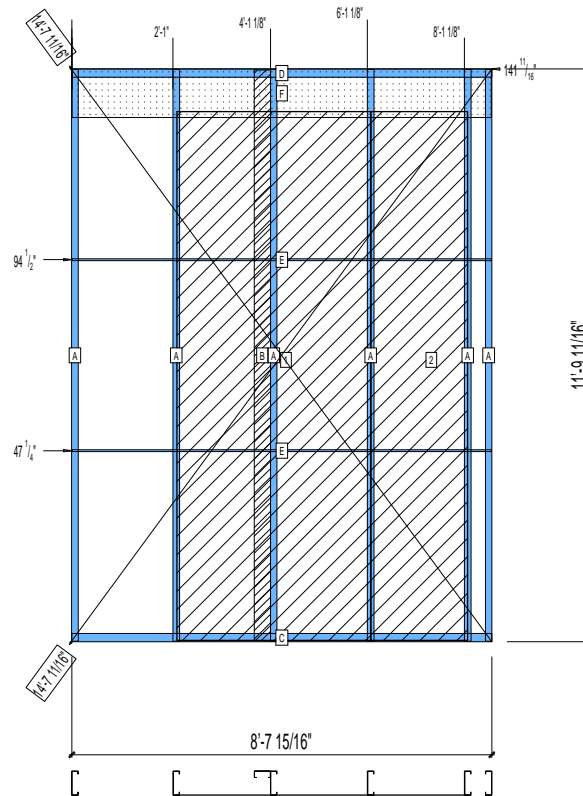


© FrameMax Inc.

HEIGHT : 11'-9 11/16"  
SPACING : 24"  
1st STUD: 24"

WEIGHTS :  
FRAME : 315 lbs  
SHEATHING: 241 lbs

TOTAL: 556 lbs



### PIECES LIST

LABEL	QTY	SIZE	LENGTH	USE
A	6	600S162-97	11'-9 1/2"	STUD
B	1	400S162-33	11'-9 1/4"	BACKER-U
C	1	600T200-68	8'-7 15/16"	BOTTOM TRACK
D	1	600T200-68	8'-7 15/16"	TOP TRACK
E	2	150U50-54	8'-7 3/4"	HORIZONTAL BRACING
F	1	1200D-54	8'-7 3/4"	STRAP

### SHEATHING

LABEL	QTY	CODE	THICK	SIZE	SCREWS
1	1	SB-DENSARMOR	5/8"	4'-0" X 10'-10 7/8"	2 - 12
2	1	SB-DENSARMOR	5/8"	2'-0" X 10'-10 7/8"	2 - 12

# 11-1218

Jewish Home for the Aging

1885 Victory Blvd. Reseda, CA

FM-07-109

CREATED BY: AMB

FrameMax, Inc.  
13915 Danielson St  
Suite 100  
Poway, CA 92064  
www.frame-max.com

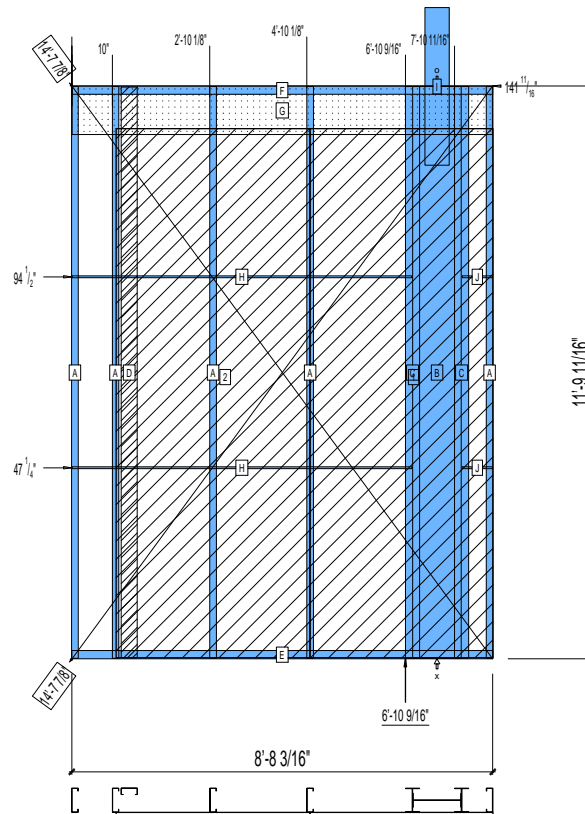


© FrameMax Inc.

HEIGHT : 13'-5 1/16"  
SPACING : 24"  
1st STUD: 24"

WEIGHTS :  
FRAME : 611 lbs  
SHEATHING: 312 lbs

TOTAL: 923 lbs



PIECES LIST

LABEL	QTY	SIZE	LENGTH	USE
A	5	600S162-97	11'-9 1/2"	STUD
B	1	1200i350p1062	11'-9 1/2"	PACO
C	2	600i350p680	11'-9 1/2"	PACO
D	1	400S162-33	11'-9 1/4"	BACKER-U
E	1	600T200-68	8'-8 3/16"	BOTTOM TRACK
F	1	600T200-68	8'-8 3/16"	TOP TRACK
G	1	1200D-54	8'-8"	STRAP
H	2	150U50-54	7'-0 1/16"	HORIZONTAL BRACING
I	1	E	3'-3"	HOLDDOWN
J	2	150U50-54	7 7/16"	HORIZONTAL BRACING

SHEATHING

LABEL	QTY	CODE	THICK	SIZE	SCREWS
1	1	SB-DENSARMOR	5/8"	3'-9 1/4" X 10'-10 7/8"	2 - 12
2	1	SB-DENSARMOR	5/8"	4'-0" X 10'-10 7/8"	2 - 12

# 11-1219

Jewish Home for the Aging

1885 Victory Blvd. Reseda, CA

FrameMax, Inc.  
13915 Danielson St  
Suite 100  
Poway, CA 92064  
www.frame-max.com



© FrameMax Inc.

CREATED: 09/17/2008

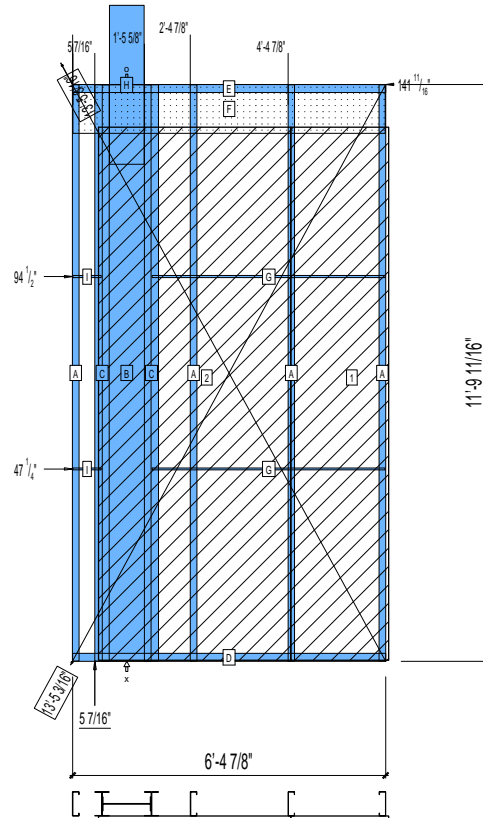
FM-07-109

CREATED BY: AMB

HEIGHT : 13'-5 1/16"  
SPACING : 24"  
1st STUD: 16"

WEIGHTS :  
FRAME : 697 lbs  
SHEATHING: 238 lbs

-----  
TOTAL: 935 lbs



PIECES LIST

LABEL	QTY	SIZE	LENGTH	USE
A	4	600S162-97	11'-9 1/2"	STUD
B	1	1200i350p1420	11'-9 1/2"	PACO
C	2	600i350p968	11'-9 1/2"	PACO
D	1	600T200-68	6'-4 7/8"	BOTTOM TRACK
E	1	600T200-68	6'-4 7/8"	TOP TRACK
F	1	1200D-54	6'-4 11/16"	STRAP
G	2	150U50-54	4'-9 1/4"	HORIZONTAL BRACING
H	1	F	3'-3"	HOLDDOWN
I	2	150U50-54	6 15/16"	HORIZONTAL BRACING

SHEATHING

LABEL	QTY	CODE	THICK	SIZE	SCREWS
1	1	SB-DENSARMOR	5/8"	2'-0" X 10'-10 7/8"	2 - 12
2	1	SB-DENSARMOR	5/8"	3'-11 1/4" X 10'-10 7/8"	2 - 12

# 11-1220

Jewish Home for the Aging

1885 Victory Blvd. Reseda, CA

FrameMax, Inc.  
13915 Danielson St  
Suite 100  
Poway, CA 92064  
www.frame-max.com



© FrameMax Inc.

CREATED: 09/17/2008

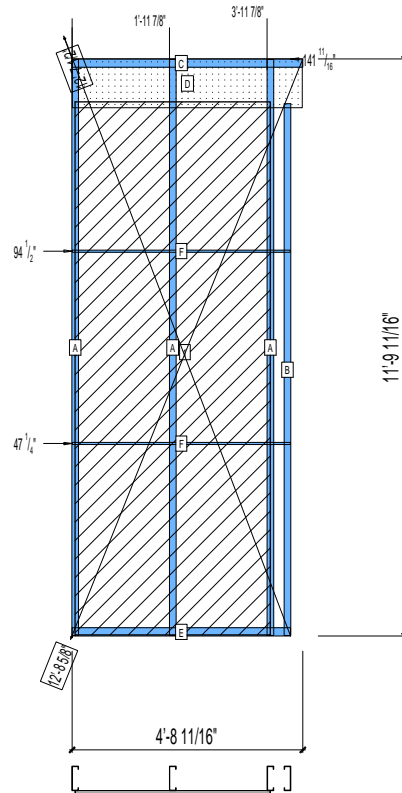
FM-07-109

CREATED BY: AMB

HEIGHT : 11'-9 11/16"  
SPACING : 24"  
1st STUD: 24"

WEIGHTS :  
FRAME : 190 lbs  
SHEATHING: 160 lbs

-----  
TOTAL: 350 lbs



PIECES LIST

LABEL	QTY	SIZE	LENGTH	USE
A	3	600S162-97	11'-9 1/2"	STUD
B	1	600S162-97	10'-10 9/16"	STUD
C	1	600T200-68	4'-8 11/16"	TOP TRACK
D	1	1200D-54	4'-8 7/16"	STRAP
E	1	600T200-68	4'-5 11/16"	BOTTOM TRACK
F	2	150U50-54	4'-5 1/2"	HORIZONTAL BRACING

SHEATHING

LABEL	QTY	CODE	THICK	SIZE	SCREWS
1	1	SB-DENSARMOR	5/8"	3'-11 15/16" X 10'-10 7/8"	2 - 12

# 11-1221

Jewish Home for the Aging

1885 Victory Blvd. Reseda, CA

FM-07-109

CREATED BY: AMB

FrameMax, Inc.  
13915 Danielson St  
Suite 100  
Poway, CA 92064  
www.frame-max.com



© FrameMax Inc.

HEIGHT : 11'-9 11/16"

SPACING : 24"

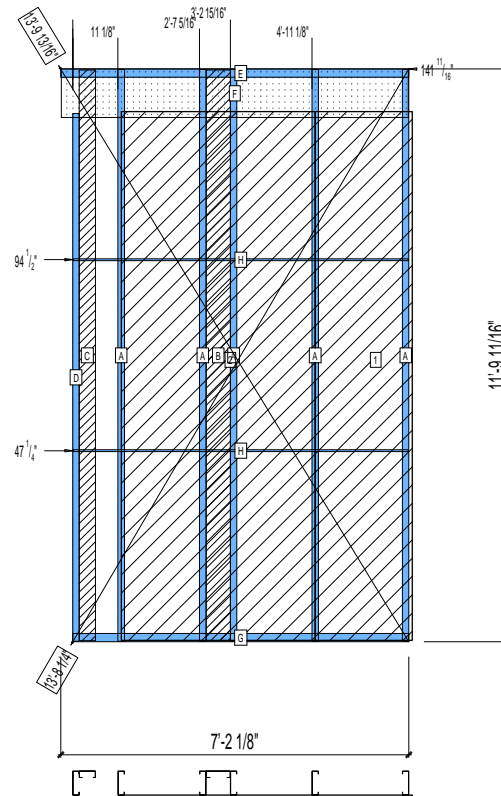
1st STUD: 24"

WEIGHTS :

FRAME : 313 lbs

SHEATHING: 241 lbs

TOTAL: 554 lbs



PIECES LIST

LABEL	QTY	SIZE	LENGTH	USE
A	5	600S162-97	11'-9 1/2"	STUD
B	1	600S162-33	11'-9 1/4"	BACKER-U
C	1	400S162-33	11'-9 1/4"	BACKER-U
D	1	600S162-97	10'-10 9/16"	STUD
E	1	600T200-68	7'-2 1/8"	TOP TRACK
F	1	1200D-54	7'-1 7/8"	STRAP
G	1	600T200-68	6'-11 1/8"	BOTTOM TRACK
H	2	150U50-54	6'-10 15/16"	HORIZONTAL BRACING

SHEATHING

LABEL	QTY	CODE	THICK	SIZE	SCREWS
1	1	SB-DENSARMOR	5/8"	2'-0" X 10'-10 7/8"	2 - 12
2	1	SB-DENSARMOR	5/8"	4'-0" X 10'-10 7/8"	2 - 12

# 11-1222

Jewish Home for the Aging

1885 Victory Blvd. Reseda, CA

FrameMax, Inc.  
13915 Danielson St  
Suite 100  
Poway, CA 92064  
www.frame-max.com



© FrameMax Inc.

CREATED: 09/17/2008

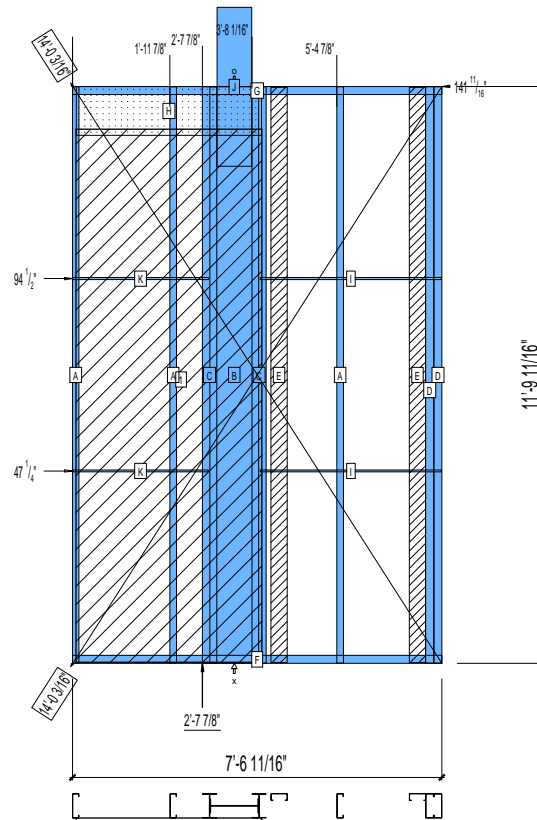
FM-07-109

CREATED BY: AMB

HEIGHT : 13'-5 1/16"  
SPACING : 24"  
1st STUD: 24"

WEIGHTS :  
FRAME : 766 lbs  
SHEATHING: 153 lbs

TOTAL: 919 lbs



PIECES LIST

LABEL	QTY	SIZE	LENGTH	USE
A	3	600S162-97	11'-9 1/2"	STUD
B	1	1200i350p1420	11'-9 1/2"	PACO
C	2	600i350p968	11'-9 1/2"	PACO
D	2	600S200-97	11'-9 1/2"	KING STUD
E	2	400S162-33	11'-9 1/4"	BACKER-U
F	1	600T200-68	7'-6 11/16"	BOTTOM TRACK
G	1	600T200-68	7'-6 11/16"	TOP TRACK
H	1	1200D-54	3'-9 1/2"	STRAP
I	2	150U50-54	3'-8 1/2"	HORIZONTAL BRACING
J	1	F	3'-3"	HOLDDOWN
K	2	150U50-54	2'-9 1/4"	HORIZONTAL BRACING

SHEATHING

LABEL	QTY	CODE	THICK	SIZE	SCREWS
1	1	SB-DENSARMOR	5/8"	3'-9 11/16" X 10'-10 7/8"	2 - 12

# 11-1223

Jewish Home for the Aging

1885 Victory Blvd. Reseda, CA

FrameMax, Inc.  
13915 Danielson St  
Suite 100  
Poway, CA 92064  
www.frame-max.com



© FrameMax Inc.

CREATED: 09/17/2008

FM-07-109

CREATED BY: AMB

HEIGHT : 11'-9 11/16"

SPACING : 24"

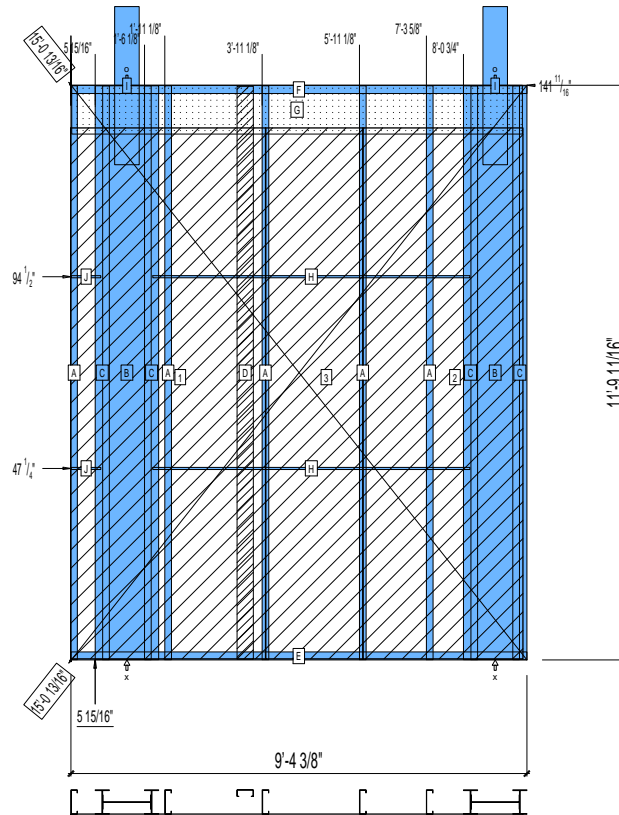
1st STUD: 24"

WEIGHTS :

FRAME : 950 lbs

SHEATHING: 373 lbs

TOTAL: 1323 lbs



PIECES LIST

LABEL	QTY	SIZE	LENGTH	USE
A	5	600S162-97	11'-9 1/2"	STUD
B	2	1200i350p1062	11'-9 1/2"	PACO
C	4	600i350p680	11'-9 1/2"	PACO
D	1	400S162-33	11'-9 1/4"	BACKER-U
E	1	600T200-68	9'-4 3/8"	BOTTOM TRACK
F	1	600T200-68	9'-4 3/8"	TOP TRACK
G	1	1200D-54	9'-3 1/8"	STRAP
H	2	150U50-54	6'-6 1/8"	HORIZONTAL BRACING
I	2	E	3'-3"	HOLDDOWN
J	2	150U50-54	7 5/16"	HORIZONTAL BRACING

SHEATHING

LABEL	QTY	CODE	THICK	SIZE	SCREWS
1	1	SB-DENSARMOR	5/8"	4'-0" X 10'-10 7/8"	2 -12
2	1	SB-DENSARMOR	5/8"	3'-3 7/16" X 10'-10 7/8"	2 -12
3	1	SB-DENSARMOR	5/8"	2'-0" X 10'-10 7/8"	2 -12

# 11-1224

Jewish Home for the Aging

1885 Victory Blvd. Reseda, CA

FrameMax, Inc.  
13915 Danielson St  
Suite 100  
Poway, CA 92064  
www.frame-max.com



© FrameMax Inc.

CREATED: 09/17/2008

FM-07-109

CREATED BY: AMB

HEIGHT : 11'-9 11/16"

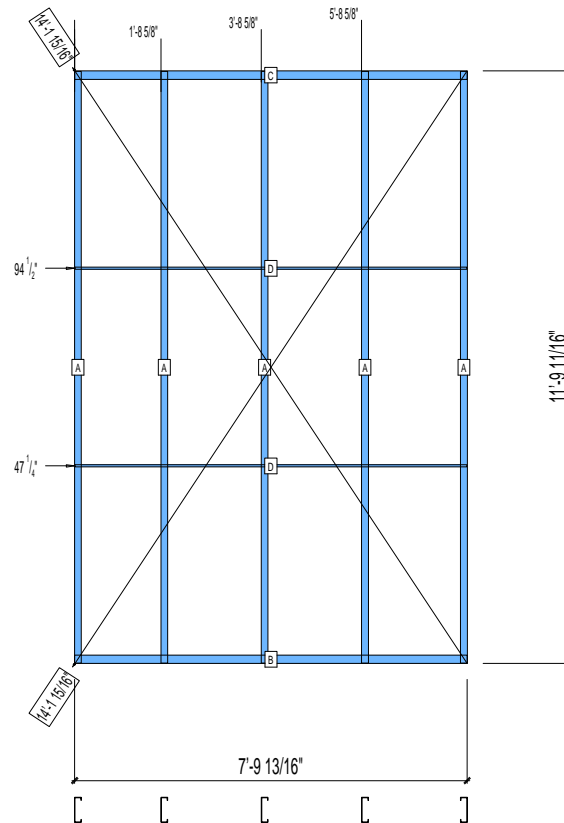
SPACING : 24"

1st STUD: 24"

WEIGHTS :

FRAME : 240 lbs

-----  
TOTAL: 240 lbs



### PIECES LIST

LABEL	QTY	SIZE	LENGTH	USE
A	5	600S162-97	11'-9 1/2"	STUD
B	1	600T200-68	7'-9 13/16"	BOTTOM TRACK
C	1	600T200-68	7'-9 13/16"	TOP TRACK
D	2	150U50-54	7'-9 5/8"	HORIZONTAL BRACING

# 11-1225

Jewish Home for the Aging

1885 Victory Blvd. Reseda, CA

FM-07-109

CREATED BY: AMB

FrameMax, Inc.  
13915 Danielson St  
Suite 100  
Poway, CA 92064  
www.frame-max.com

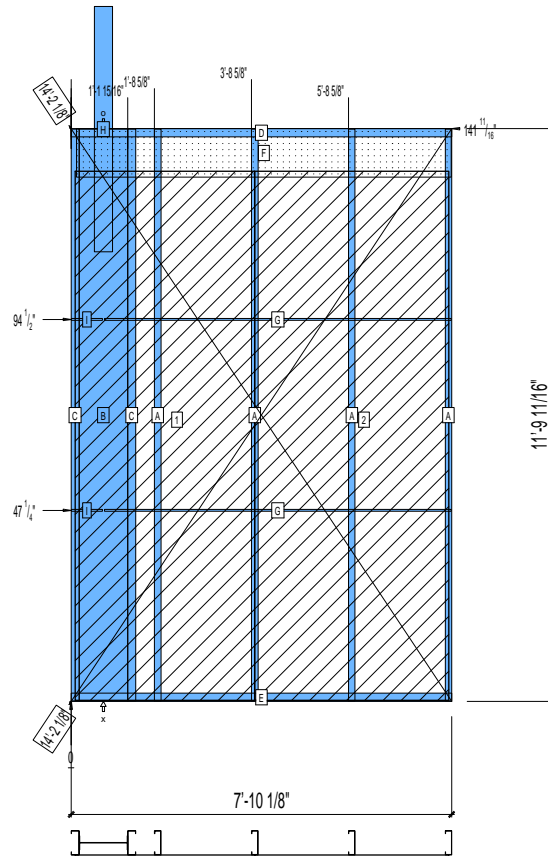


© FrameMax Inc.

HEIGHT : 11'-9 11/16"  
SPACING : 24"  
1st STUD: 24"

WEIGHTS :  
FRAME : 445 lbs  
SHEATHING: 309 lbs

TOTAL: 754 lbs



PIECES LIST

LABEL	QTY	SIZE	LENGTH	USE
A	4	600S162-97	11'-9 1/2"	STUD
B	1	1200i350p1062	11'-9 1/2"	PACO
C	2	600S200-68	11'-9 1/2"	STUD
D	1	600T200-68	7'-10 1/8"	TOP TRACK
E	1	600T200-68	7'-10 1/8"	BOTTOM TRACK
F	1	1200D-54	7'-8 3/4"	STRAP
G	2	150U50-54	7'-1 13/16"	HORIZONTAL BRACING
H	1	D	5'-0 3/4"	HOLDDOWN
I	2	150U50-54	7 5/8"	HORIZONTAL BRACING

SHEATHING

LABEL	QTY	CODE	THICK	SIZE	SCREWS
1	1	SB-DENSARMOR	5/8"	3'-8 7/16" X 10'-10 7/8"	2 - 12
2	1	SB-DENSARMOR	5/8"	4'-0" X 10'-10 7/8"	2 - 12



# 11-1227

Jewish Home for the Aging

1885 Victory Blvd. Reseda, CA

FrameMax, Inc.  
13915 Danielson St  
Suite 100  
Poway, CA 92064  
www.framemax.com



© FrameMax Inc.

CREATED: 09/17/2008

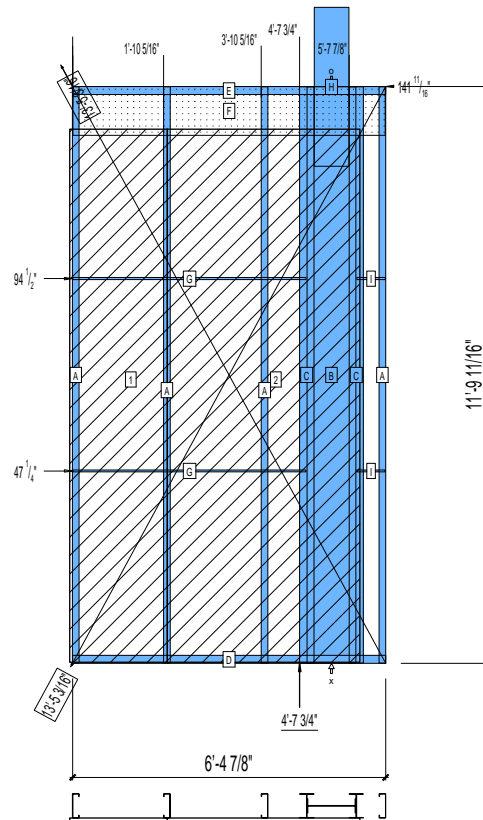
FM-07-109

CREATED BY: AMB

HEIGHT : 13'-5 1/16"  
SPACING : 24"  
1st STUD: 24"

WEIGHTS :  
FRAME : 697 lbs  
SHEATHING: 238 lbs

TOTAL: 935 lbs



PIECES LIST

LABEL	QTY	SIZE	LENGTH	USE
A	4	600S162-97	11'-9 1/2"	STUD
B	1	1200i350p1420	11'-9 1/2"	PACO
C	2	600i350p968	11'-9 1/2"	PACO
D	1	600T200-68	6'-4 7/8"	BOTTOM TRACK
E	1	600T200-68	6'-4 7/8"	TOP TRACK
F	1	1200D-54	6'-4 11/16"	STRAP
G	2	150U50-54	4'-9 1/4"	HORIZONTAL BRACING
H	1	F	3'-3"	HOLDDOWN
I	2	150U50-54	6 15/16"	HORIZONTAL BRACING

SHEATHING

LABEL	QTY	CODE	THICK	SIZE	SCREWS
1	1	SB-DENSARMOR	5/8"	2'-0" X 10'-10 7/8"	2 - 12
2	1	SB-DENSARMOR	5/8"	3'-11 1/4" X 10'-10 7/8"	2 - 12

# 11-1228

Jewish Home for the Aging

1885 Victory Blvd. Reseda, CA

FrameMax, Inc.  
13915 Danielson St  
Suite 100  
Poway, CA 92064  
www.frame-max.com



© FrameMax Inc.

CREATED: 09/17/2008

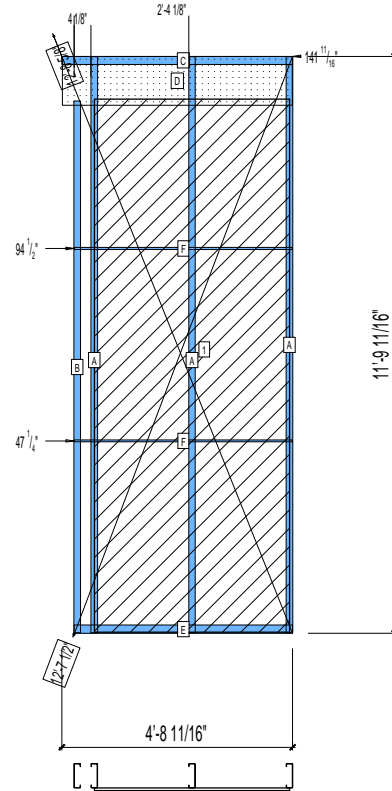
FM-07-109

CREATED BY: AMB

HEIGHT : 11'-9 11/16"  
SPACING : 24"  
1st STUD: 24"

WEIGHTS :  
FRAME : 190 lbs  
SHEATHING: 160 lbs

-----  
TOTAL: 350 lbs



PIECES LIST

LABEL	QTY	SIZE	LENGTH	USE
A	3	600S162-97	11'-9 1/2"	STUD
B	1	600S162-97	10'-10 9/16"	STUD
C	1	600T200-68	4'-8 11/16"	TOP TRACK
D	1	1200D-54	4'-8 7/16"	STRAP
E	1	600T200-68	4'-5 11/16"	BOTTOM TRACK
F	2	150U50-54	4'-5 1/2"	HORIZONTAL BRACING

SHEATHING

LABEL	QTY	CODE	THICK	SIZE	SCREWS
1	1	SB-DENSARMOR	5/8"	3'-11 15/16" X 10'-10 7/8"	2 - 12

# 11-1229

Jewish Home for the Aging

1885 Victory Blvd. Reseda, CA

FM-07-109

CREATED BY: AMB

FrameMax, Inc.  
13915 Danielson St  
Suite 100  
Poway, CA 92064  
www.frame-max.com

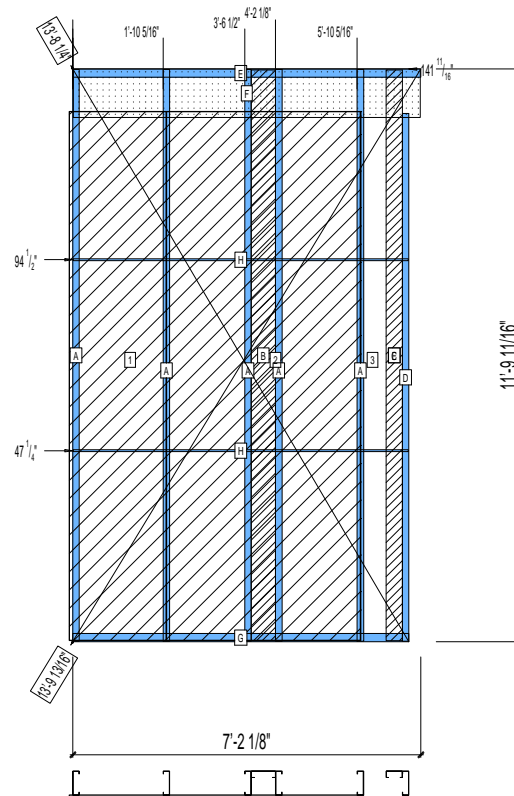


© FrameMax Inc.

HEIGHT : 11'-9 11/16"  
SPACING : 24"  
1st STUD: 24"

WEIGHTS :  
FRAME : 313 lbs  
SHEATHING: 241 lbs

TOTAL: 554 lbs



PIECES LIST

LABEL	QTY	SIZE	LENGTH	USE
A	5	600S162-97	11'-9 1/2"	STUD
B	1	600S162-33	11'-9 1/4"	BACKER-U
C	1	400S162-33	11'-9 1/4"	BACKER-U
D	1	600S162-97	10'-10 9/16"	STUD
E	1	600T200-68	7'-2 1/8"	TOP TRACK
F	1	1200D-54	7'-1 7/8"	STRAP
G	1	600T200-68	6'-11 1/8"	BOTTOM TRACK
H	2	150U50-54	6'-10 15/16"	HORIZONTAL BRACING

SHEATHING

LABEL	QTY	CODE	THICK	SIZE	SCREWS
1	1	SB-DENSARMOR	5/8"	2'-0" X 10'-10 7/8"	2 - 12
2	1	SB-DENSARMOR	5/8"	4'-0" X 10'-10 7/8"	2 - 12
3	1	SB-DENSARMOR	5/8"	0.012129 X 10'-10 7/8"	2 - 12

# 11-1230

Jewish Home for the Aging

1885 Victory Blvd. Reseda, CA

FrameMax, Inc.  
13915 Danielson St  
Suite 100  
Poway, CA 92064  
www.frame-max.com



© FrameMax Inc.

CREATED: 09/17/2008

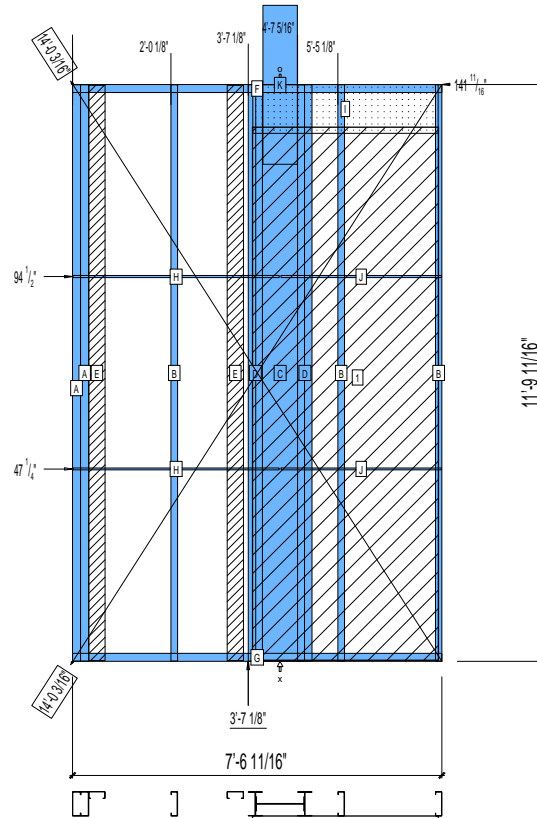
FM-07-109

CREATED BY: AMB

HEIGHT : 13'-5 1/16"  
SPACING : 24"  
1st STUD: 24"

WEIGHTS :  
FRAME : 767 lbs  
SHEATHING: 153 lbs

-----  
TOTAL: 920 lbs



PIECES LIST

LABEL	QTY	SIZE	LENGTH	USE
A	2	600S200-97	11'-9 1/2"	KING STUD
B	3	600S162-97	11'-9 1/2"	STUD
C	1	1200i350p1420	11'-9 1/2"	PACO
D	2	600i350p968	11'-9 1/2"	PACO
E	2	400S162-33	11'-9 1/4"	BACKER-U
F	1	600T200-68	7'-6 11/16"	TOP TRACK
G	1	600T200-68	7'-6 11/16"	BOTTOM TRACK
H	2	150U50-54	4'-2 5/8"	HORIZONTAL BRACING
I	1	1200D-54	3'-9 1/2"	STRAP
J	2	150U50-54	3'-3 3/8"	HORIZONTAL BRACING
K	1	F	3'-3"	HOLDDOWN

SHEATHING

LABEL	QTY	CODE	THICK	SIZE	SCREWS
1	1	SB-DENSARMOR	5/8"	3'-9 11/16" X 10'-10 7/8"	2 - 12

# 11-1231

Jewish Home for the Aging

1885 Victory Blvd. Reseda, CA

FrameMax, Inc.  
13915 Danielson St  
Suite 100  
Poway, CA 92064  
www.frame-max.com



© FrameMax Inc.

CREATED: 09/17/2008

FM-07-109

CREATED BY: AMB

HEIGHT : 11'-9 11/16"

SPACING : 24"

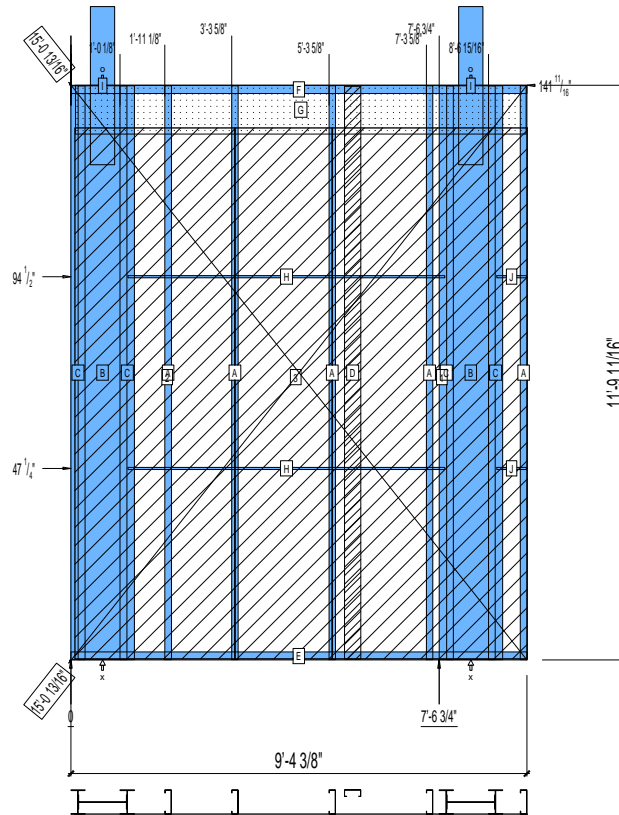
1st STUD: 24"

WEIGHTS :

FRAME : 950 lbs

SHEATHING: 373 lbs

TOTAL: 1323 lbs



PIECES LIST

LABEL	QTY	SIZE	LENGTH	USE
A	5	600S162-97	11'-9 1/2"	STUD
B	2	1200i350p1062	11'-9 1/2"	PACO
C	4	600i350p680	11'-9 1/2"	PACO
D	1	400S162-33	11'-9 1/4"	BACKER-U
E	1	600T200-68	9'-4 3/8"	BOTTOM TRACK
F	1	600T200-68	9'-4 3/8"	TOP TRACK
G	1	1200D-54	9'-3 1/8"	STRAP
H	2	150U50-54	6'-6 1/8"	HORIZONTAL BRACING
I	2	E	3'-3"	HOLDDOWN
J	2	150U50-54	7 5/16"	HORIZONTAL BRACING

SHEATHING

LABEL	QTY	CODE	THICK	SIZE	SCREWS
1	1	SB-DENSARMOR	5/8"	4'-0" X 10'-10 7/8"	2 -12
2	1	SB-DENSARMOR	5/8"	3'-3 7/16" X 10'-10 7/8"	2 -12
3	1	SB-DENSARMOR	5/8"	2'-0" X 10'-10 7/8"	2 -12

# 11-1232

Jewish Home for the Aging

1885 Victory Blvd. Reseda, CA

FrameMax, Inc.  
13915 Danielson St  
Suite 100  
Poway, CA 92064  
www.frame-max.com



© FrameMax Inc.

CREATED: 09/17/2008

FM-07-109

CREATED BY: AMB

HEIGHT : 11'-9 11/16"

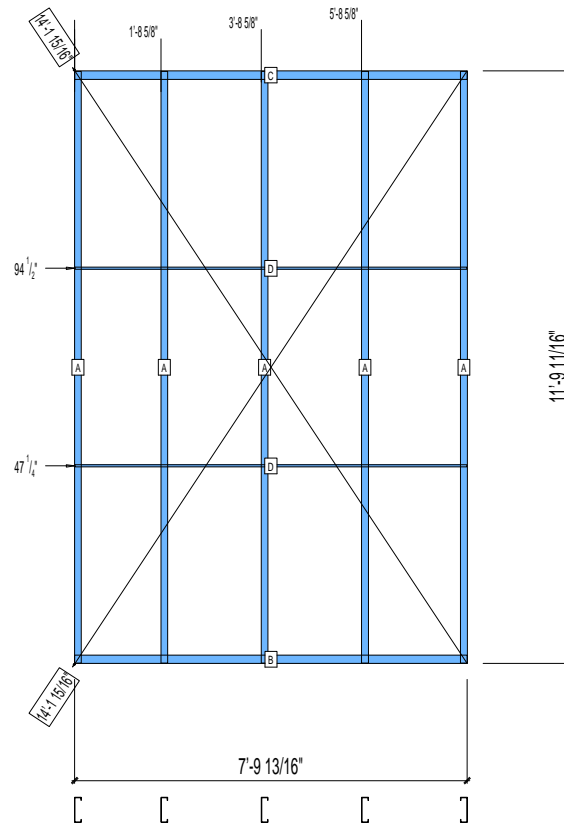
SPACING : 24"

1st STUD: 24"

WEIGHTS :

FRAME : 240 lbs

-----  
TOTAL: 240 lbs



### PIECES LIST

LABEL	QTY	SIZE	LENGTH	USE
A	5	600S162-97	11'-9 1/2"	STUD
B	1	600T200-68	7'-9 13/16"	BOTTOM TRACK
C	1	600T200-68	7'-9 13/16"	TOP TRACK
D	2	150U50-54	7'-9 5/8"	HORIZONTAL BRACING

# 11-1233

Jewish Home for the Aging

1885 Victory Blvd. Reseda, CA

FrameMax, Inc.  
13915 Danielson St  
Suite 100  
Poway, CA 92064  
www.frame-max.com



© FrameMax Inc.

CREATED: 09/17/2008

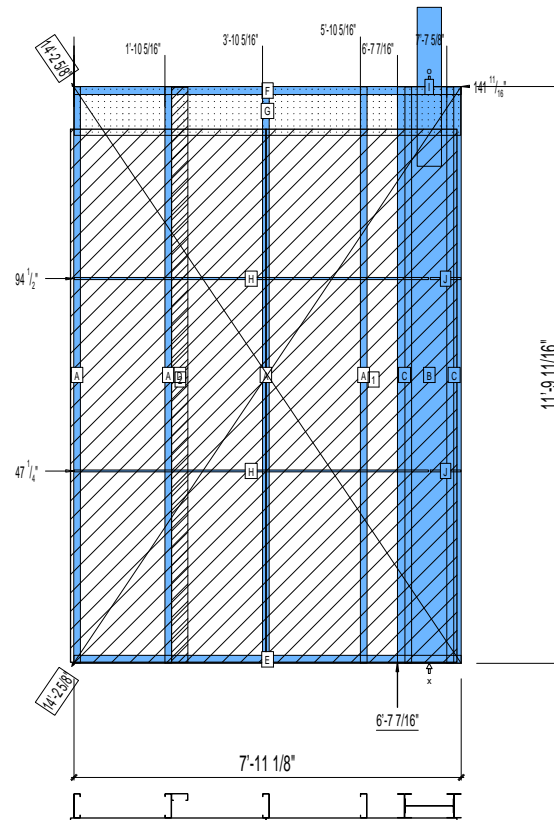
FM-07-109

CREATED BY: AMB

HEIGHT : 11'-9 11/16"  
SPACING : 24"  
1st STUD: 24"

WEIGHTS :  
FRAME : 567 lbs  
SHEATHING: 317 lbs

TOTAL: 884 lbs



### PIECES LIST

LABEL	QTY	SIZE	LENGTH	USE
A	4	600S162-97	11'-9 1/2"	STUD
B	1	1200i350p1062	11'-9 1/2"	PACO
C	2	600i350p680	11'-9 1/2"	PACO
D	1	400S162-33	11'-9 1/4"	BACKER-U
E	1	600T200-68	7'-11 1/8"	BOTTOM TRACK
F	1	600T200-68	7'-11 1/8"	TOP TRACK
G	1	1200D-54	7'-10 7/8"	STRAP
H	2	150U50-54	7'-2 15/16"	HORIZONTAL BRACING
I	1	E	3'-3"	HOLDDOWN
J	2	150U50-54	7 1/2"	HORIZONTAL BRACING

### SHEATHING

LABEL	QTY	CODE	THICK	SIZE	SCREWS
1	1	SB-DENSARMOR	5/8"	3'-10 7/8" X 10'-10 7/8"	2 - 12
2	1	SB-DENSARMOR	5/8"	4'-0" X 10'-10 7/8"	2 - 12

# 11-1234

Jewish Home for the Aging

1885 Victory Blvd. Reseda, CA

FrameMax, Inc.  
13915 Danielson St  
Suite 100  
Poway, CA 92064  
www.frame-max.com



© FrameMax Inc.

CREATED: 09/17/2008

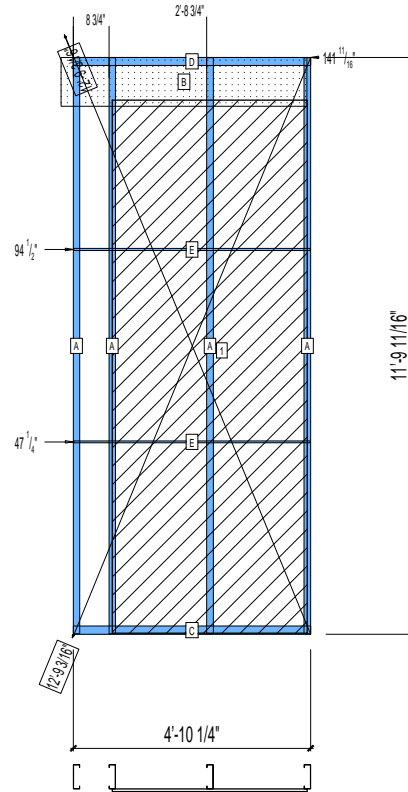
FM-07-109

CREATED BY: AMB

HEIGHT : 11'-9 11/16"  
SPACING : 24"  
1st STUD: 24"

WEIGHTS :  
FRAME : 196 lbs  
SHEATHING: 160 lbs

-----  
TOTAL: 356 lbs



PIECES LIST

LABEL	QTY	SIZE	LENGTH	USE
A	4	600S162-97	11'-9 1/2"	STUD
B	1	1200D-54	5'-0 3/8"	STRAP
C	1	600T200-68	4'-10 1/4"	BOTTOM TRACK
D	1	600T200-68	4'-10 1/4"	TOP TRACK
E	2	150U50-54	4'-10 1/16"	HORIZONTAL BRACING

SHEATHING

LABEL	QTY	CODE	THICK	SIZE	SCREWS
1	1	SB-DENSARMOR	5/8"	3'-11 7/8" X 10'-10 7/8"	2 - 12

# 11-1235

Jewish Home for the Aging

1885 Victory Blvd. Reseda, CA

FM-07-109

CREATED BY: AMB

FrameMax, Inc.  
13915 Danielson St  
Suite 100  
Poway, CA 92064  
www.frame-max.com

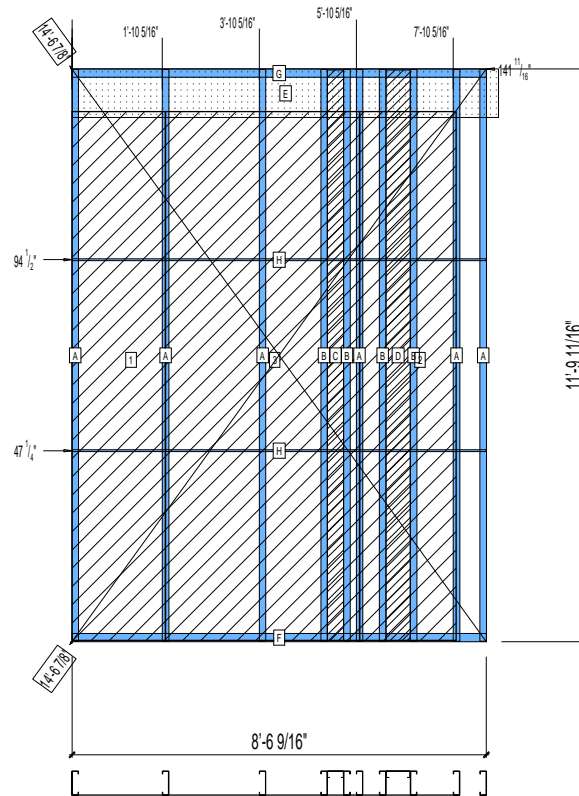


© FrameMax Inc.

HEIGHT : 11'-9 11/16"  
SPACING : 24"  
1st STUD: 24"

WEIGHTS :  
FRAME : 384 lbs  
SHEATHING: 318 lbs

TOTAL: 702 lbs



PIECES LIST

LABEL	QTY	SIZE	LENGTH	USE
A	6	600S162-97	11'-9 1/2"	STUD
B	4	600S162-33	11'-9 1/2"	BACKER STUD
C	1	400S162-33	11'-9 1/4"	BACKER-U
D	1	600S162-33	11'-9 1/4"	BACKER-U
E	1	1200D-54	8'-9 1/2"	STRAP
F	1	600T200-68	8'-6 9/16"	BOTTOM TRACK
G	1	600T200-68	8'-6 9/16"	TOP TRACK
H	2	150U50-54	8'-6 3/8"	HORIZONTAL BRACING

SHEATHING

LABEL	QTY	CODE	THICK	SIZE	SCREWS
1	1	SB-DENSARMOR	5/8"	1'-11 1/8" X 10'-10 7/8"	2 - 12
2	1	SB-DENSARMOR	5/8"	1'-11 15/16" X 10'-10 7/8"	2 - 12
3	1	SB-DENSARMOR	5/8"	4'-0" X 10'-10 7/8"	2 - 12

# 11-1236

Jewish Home for the Aging

1885 Victory Blvd. Reseda, CA

FrameMax, Inc.  
13915 Danielson St  
Suite 100  
Poway, CA 92064  
www.frame-max.com



© FrameMax Inc.

CREATED: 09/17/2008

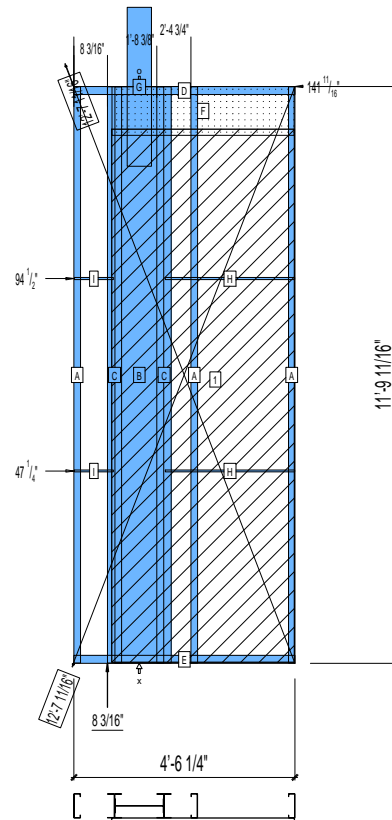
FM-07-109

CREATED BY: AMB

HEIGHT : 13'-5 1/16"  
SPACING : 24"  
1st STUD: 24"

WEIGHTS :  
FRAME : 486 lbs  
SHEATHING: 150 lbs

-----  
TOTAL: 636 lbs



PIECES LIST

LABEL	QTY	SIZE	LENGTH	USE
A	3	600S162-97	11'-9 1/2"	STUD
B	1	1200i350p1062	11'-9 1/2"	PACO
C	2	600i350p680	11'-9 1/2"	PACO
D	1	600T200-68	4'-6 1/4"	TOP TRACK
E	1	600T200-68	4'-6 1/4"	BOTTOM TRACK
F	1	1200D-54	3'-8 3/4"	STRAP
G	1	E	3'-3"	HOLDDOWN
H	2	150U50-54	2'-7 3/4"	HORIZONTAL BRACING
I	2	150U50-54	9 9/16"	HORIZONTAL BRACING

SHEATHING

LABEL	QTY	CODE	THICK	SIZE	SCREWS
1	1	SB-DENSARMOR	5/8"	3'-8 7/8" X 10'-10 7/8"	2 - 12

# 11-1237

Jewish Home for the Aging

1885 Victory Blvd. Reseda, CA

FM-07-109

CREATED BY: AMB

FrameMax, Inc.  
13915 Danielson St  
Suite 100  
Poway, CA 92064  
www.frame-max.com

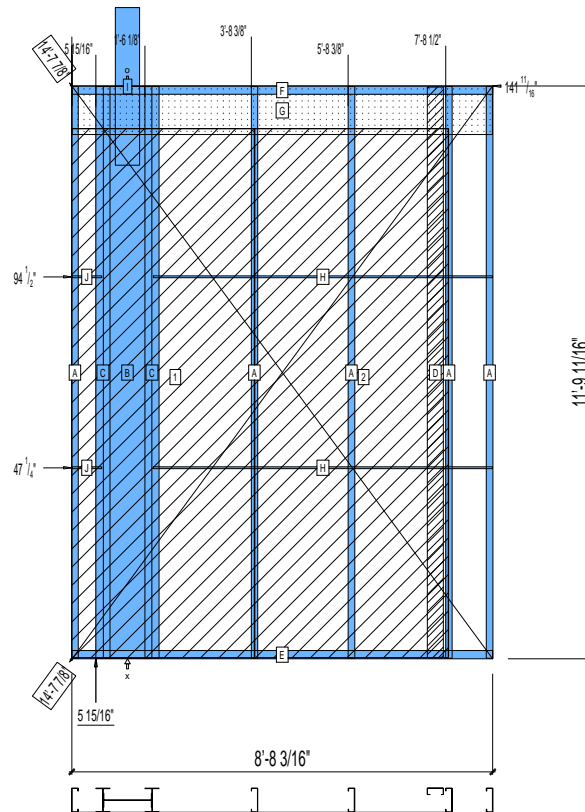


© FrameMax Inc.

HEIGHT : 13'-5 1/16"  
SPACING : 24"  
1st STUD: 16"

WEIGHTS :  
FRAME : 611 lbs  
SHEATHING: 312 lbs

TOTAL: 923 lbs



PIECES LIST

LABEL	QTY	SIZE	LENGTH	USE
A	5	600S162-97	11'-9 1/2"	STUD
B	1	1200i350p1062	11'-9 1/2"	PACO
C	2	600i350p680	11'-9 1/2"	PACO
D	1	400S162-33	11'-9 1/4"	BACKER-U
E	1	600T200-68	8'-8 3/16"	BOTTOM TRACK
F	1	600T200-68	8'-8 3/16"	TOP TRACK
G	1	1200D-54	8'-8"	STRAP
H	2	150U50-54	6'-11 7/8"	HORIZONTAL BRACING
I	1	E	3'-3"	HOLDDOWN
J	2	150U50-54	7 5/16"	HORIZONTAL BRACING

SHEATHING

LABEL	QTY	CODE	THICK	SIZE	SCREWS
1	1	SB-DENSARMOR	5/8"	3'-9 3/16" X 10'-10 7/8"	2 - 12
2	1	SB-DENSARMOR	5/8"	4'-0" X 10'-10 7/8"	2 - 12

# 11-1238

Jewish Home for the Aging

1885 Victory Blvd. Reseda, CA

FrameMax, Inc.  
13915 Danielson St  
Suite 100  
Poway, CA 92064  
www.frame-max.com



© FrameMax Inc.

CREATED: 09/17/2008

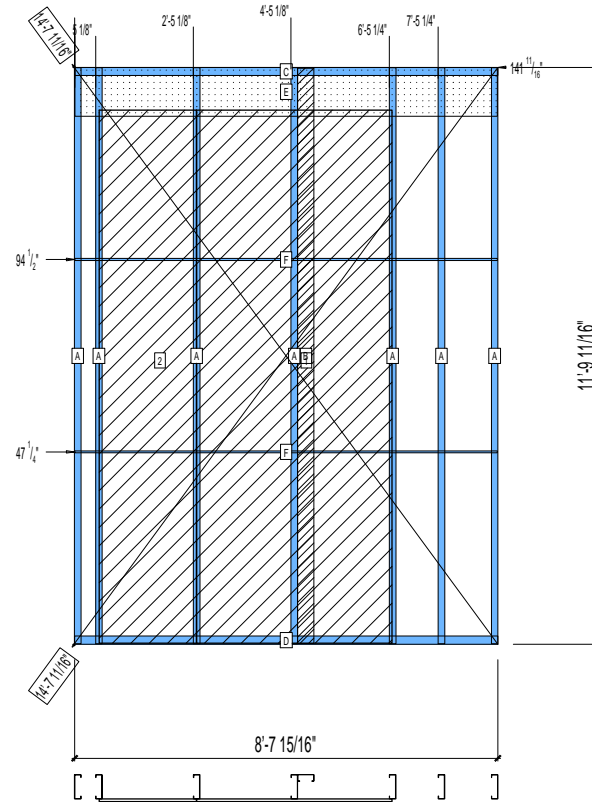
FM-07-109

CREATED BY: AMB

HEIGHT : 11'-9 11/16"  
SPACING : 24"  
1st STUD: 24"

WEIGHTS :  
FRAME : 354 lbs  
SHEATHING: 241 lbs

-----  
TOTAL: 595 lbs



PIECES LIST

LABEL	QTY	SIZE	LENGTH	USE
A	7	600S162-97	11'-9 1/2"	STUD
B	1	400S162-33	11'-9 1/4"	BACKER-U
C	1	600T200-68	8'-7 15/16"	TOP TRACK
D	1	600T200-68	8'-7 15/16"	BOTTOM TRACK
E	1	1200D-54	8'-7 3/4"	STRAP
F	2	150U50-54	8'-7 3/4"	HORIZONTAL BRACING

SHEATHING

LABEL	QTY	CODE	THICK	SIZE	SCREWS
1	1	SB-DENSARMOR	5/8"	3'-11 15/16" X 10'-10 7/8"	2 - 12
2	1	SB-DENSARMOR	5/8"	1'-11 15/16" X 10'-10 7/8"	2 - 12

# 11-1239

Jewish Home for the Aging

1885 Victory Blvd. Reseda, CA

FrameMax, Inc.  
13915 Danielson St  
Suite 100  
Poway, CA 92064  
www.frame-max.com



© FrameMax Inc.

CREATED: 09/17/2008

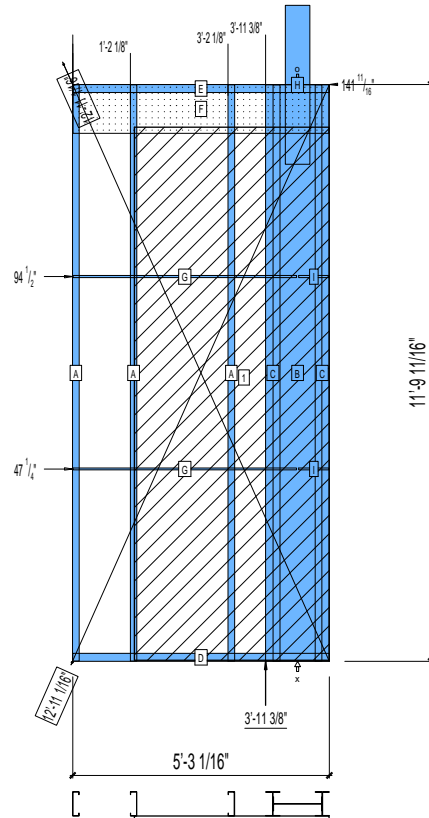
FM-07-109

CREATED BY: AMB

HEIGHT : 11'-9 11/16"  
SPACING : 24"  
1st STUD: 24"

WEIGHTS :  
FRAME : 495 lbs  
SHEATHING: 160 lbs

-----  
TOTAL: 655 lbs



PIECES LIST

LABEL	QTY	SIZE	LENGTH	USE
A	3	600S162-97	11'-9 1/2"	STUD
B	1	1200i350p1062	11'-9 1/2"	PACO
C	2	600i350p680	11'-9 1/2"	PACO
D	1	600T200-68	5'-3 1/16"	BOTTOM TRACK
E	1	600T200-68	5'-3 1/16"	TOP TRACK
F	1	1200D-54	5'-2 13/16"	STRAP
G	2	150U50-54	4'-6 7/8"	HORIZONTAL BRACING
H	1	E	3'-3"	HOLDDOWN
I	2	150U50-54	7 1/2"	HORIZONTAL BRACING

SHEATHING

LABEL	QTY	CODE	THICK	SIZE	SCREWS
1	1	SB-DENSARMOR	5/8"	3'-11 13/16" X 10'-10 7/8"	2 - 12

# 11-1240

Jewish Home for the Aging

1885 Victory Blvd. Reseda, CA

FM-07-109

CREATED BY: AMB

FrameMax, Inc.  
13915 Danielson St  
Suite 100  
Poway, CA 92064  
www.framemax.com

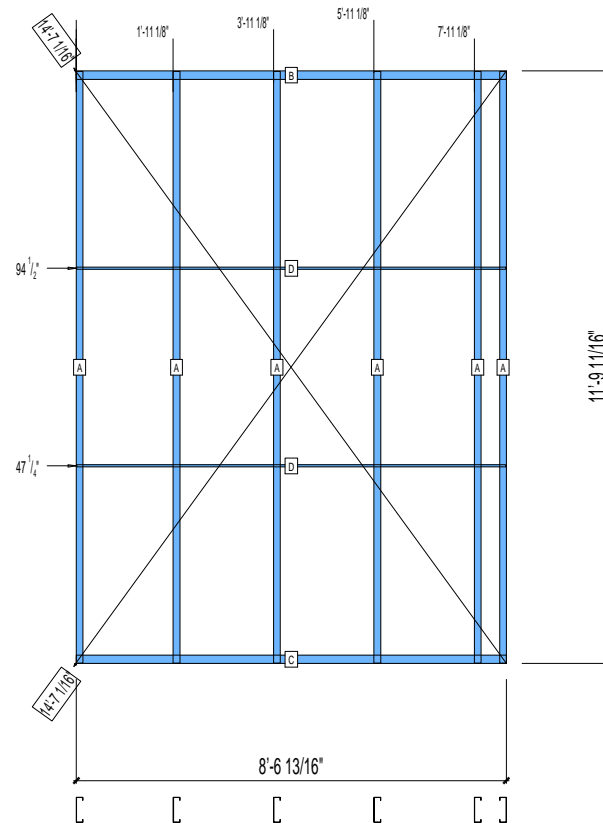


© FrameMax Inc.

HEIGHT : 11'-9 11/16"  
SPACING : 24"  
1st STUD: 24"

WEIGHTS :  
FRAME : 217 lbs

-----  
TOTAL: 217 lbs



### PIECES LIST

LABEL	QTY	SIZE	LENGTH	USE
A	6	600S162-68	11'-9 1/2"	STUD
B	1	600T200-68	8'-6 13/16"	TOP TRACK
C	1	600T200-68	8'-6 13/16"	BOTTOM TRACK
D	2	150U50-54	8'-6 5/8"	HORIZONTAL BRACING

# 11-1241

Jewish Home for the Aging

1885 Victory Blvd. Reseda, CA

FM-07-109

CREATED BY: AMB

FrameMax, Inc.  
13915 Danielson St  
Suite 100  
Poway, CA 92064  
www.frame-max.com



© FrameMax Inc.

HEIGHT : 11'-9 11/16"

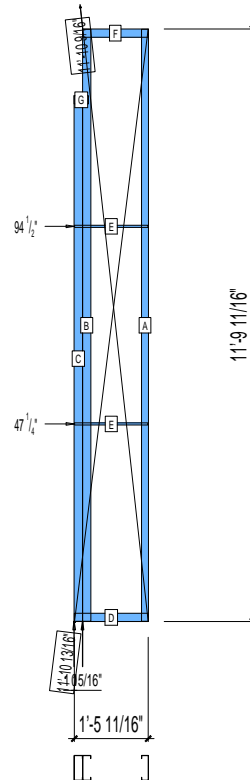
SPACING : 24"

1st STUD: 24"

WEIGHTS :

FRAME : 95 lbs

-----  
TOTAL: 95 lbs



### PIECES LIST

LABEL	QTY	SIZE	LENGTH	USE
A	1	600S162-68	11'-9 1/2"	STUD
B	1	600S200-68	11'-9 1/2"	BEAM KING
C	1	600S200-68	10'-5 9/16"	BEAM JACK
D	1	600T200-68	1'-5 11/16"	BOTTOM TRACK
E	2	150U50-54	1'-5 1/2"	HORIZONTAL BRACING
F	1	600T200-68	1'-3 11/16"	TOP TRACK
G	1	600T200-68	3 7/16"	BEAM JACK

# 11-1242

Jewish Home for the Aging

1885 Victory Blvd. Reseda, CA

FrameMax, Inc.  
13915 Danielson St  
Suite 100  
Poway, CA 92064  
www.framemax.com



© FrameMax Inc.

CREATED: 09/17/2008

FM-07-109

CREATED BY: AMB

HEIGHT : 11'-9 11/16"

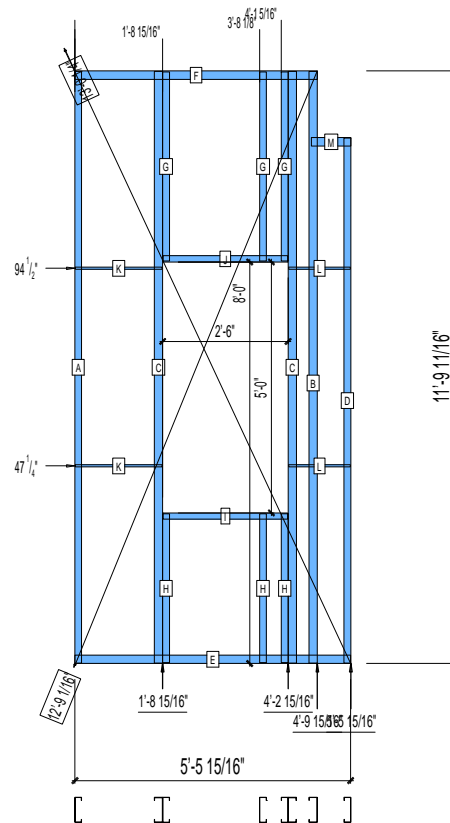
SPACING : 24"

1st STUD: 24"

WEIGHTS :

FRAME : 245 lbs

TOTAL: 245 lbs



PIECES LIST

LABEL	QTY	SIZE	LENGTH	USE
A	1	600S162-68	11'-9 1/2"	STUD
B	1	600S200-68	11'-9 1/2"	BEAM KING
C	2	600S200-97	11'-9 1/2"	KING STUD
D	1	600S162-68	10'-5 9/16"	STUD
E	1	600T200-68	5'-5 15/16"	BOTTOM TRACK
F	1	600T200-68	4'-9 15/16"	TOP TRACK
G	3	600S162-54	3'-9 1/4"	CRIPPLE
H	3	600S162-54	2'-11 9/16"	CRIPPLE
I	1	600T150-54	2'-5 3/4"	SILL
J	1	600T150-54	2'-5 3/4"	HEAD TRACK
K	2	150U50-54	1'-8 3/4"	HORIZONTAL BRACING
L	2	150U50-54	1'-2 3/4"	HORIZONTAL BRACING
M	1	600T200-68	9 7/16"	BEAM JACK



# 11-1244

Jewish Home for the Aging

1885 Victory Blvd. Reseda, CA

FrameMax, Inc.  
13915 Danielson St  
Suite 100  
Poway, CA 92064  
www.framemax.com



© FrameMax Inc.

CREATED: 09/17/2008

FM-07-109

CREATED BY: AMB

HEIGHT : 11'-9 11/16"

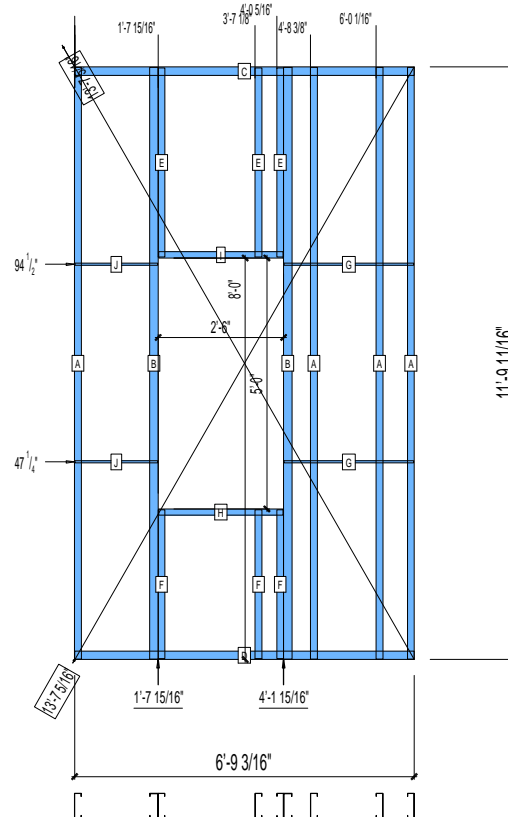
SPACING : 24"

1st STUD: 24"

WEIGHTS :

FRAME : 281 lbs

TOTAL: 281 lbs



PIECES LIST

LABEL	QTY	SIZE	LENGTH	USE
A	4	600S162-68	11'-9 1/2"	STUD
B	2	600S200-97	11'-9 1/2"	KING STUD
C	1	600T200-68	6'-9 3/16"	TOP TRACK
D	1	600T200-68	6'-9 3/16"	BOTTOM TRACK
E	3	600S162-54	3'-9 1/4"	CRIPPLE
F	3	600S162-54	2'-11 9/16"	CRIPPLE
G	2	150U50-54	2'-7"	HORIZONTAL BRACING
H	1	600T150-54	2'-5 3/4"	SILL
I	1	600T150-54	2'-5 3/4"	HEAD TRACK
J	2	150U50-54	1'-7 3/4"	HORIZONTAL BRACING

# 11-1245

Jewish Home for the Aging

1885 Victory Blvd. Reseda, CA

FM-07-109

CREATED BY: AMB

FrameMax, Inc.  
13915 Danielson St  
Suite 100  
Poway, CA 92064  
www.framemax.com

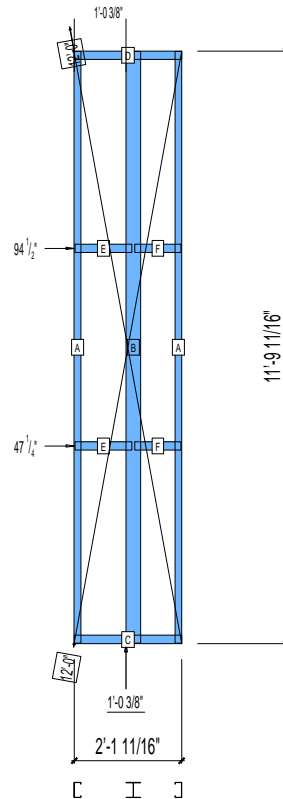


© FrameMax Inc.

HEIGHT : 11'-9 11/16"  
SPACING : 24"  
1st STUD: 24"

WEIGHTS :  
FRAME : 115 lbs

-----  
TOTAL: 115 lbs



PIECES LIST

LABEL	QTY	SIZE	LENGTH	USE
A	2	362S162-54	11'-9 1/2"	STUD
B	1	363i350p554	11'-9 1/2"	PACO. COLUMN
C	1	362T200-68	2'-1 11/16"	BOTTOM TRACK
D	1	362T200-68	2'-1 11/16"	TOP TRACK
E	2	362T200-68	1'-1 9/16"	BLOCK
F	2	362T200-68	11"	BLOCK

# 11-1246

Jewish Home for the Aging

1885 Victory Blvd. Reseda, CA

FM-07-109

CREATED BY: AMB

FrameMax, Inc.  
13915 Danielson St  
Suite 100  
Poway, CA 92064  
www.framemax.com

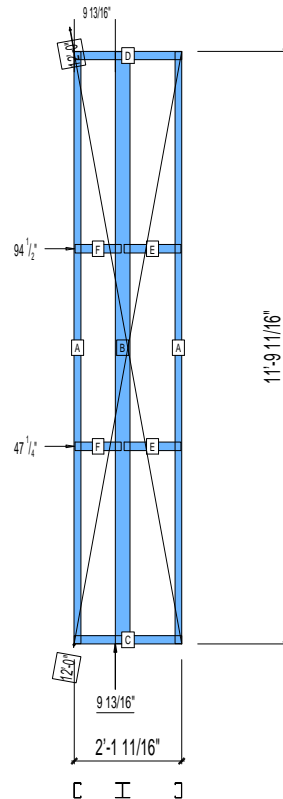


© FrameMax Inc.

HEIGHT : 11'-9 11/16"  
SPACING : 24"  
1st STUD: 16"

WEIGHTS :  
FRAME : 115 lbs

-----  
TOTAL: 115 lbs



PIECES LIST

LABEL	QTY	SIZE	LENGTH	USE
A	2	362S162-54	11'-9 1/2"	STUD
B	1	363i350p554	11'-9 1/2"	PACO COLUMN
C	1	362T200-68	2'-1 11/16"	BOTTOM TRACK
D	1	362T200-68	2'-1 11/16"	TOP TRACK
E	2	362T200-68	1'-1 9/16"	BLOCK
F	2	362T200-68	11"	BLOCK

# 11-1247

Jewish Home for the Aging

1885 Victory Blvd. Reseda, CA

FM-07-109

CREATED BY: AMB

FrameMax, Inc.  
13915 Danielson St  
Suite 100  
Poway, CA 92064  
www.frame-max.com

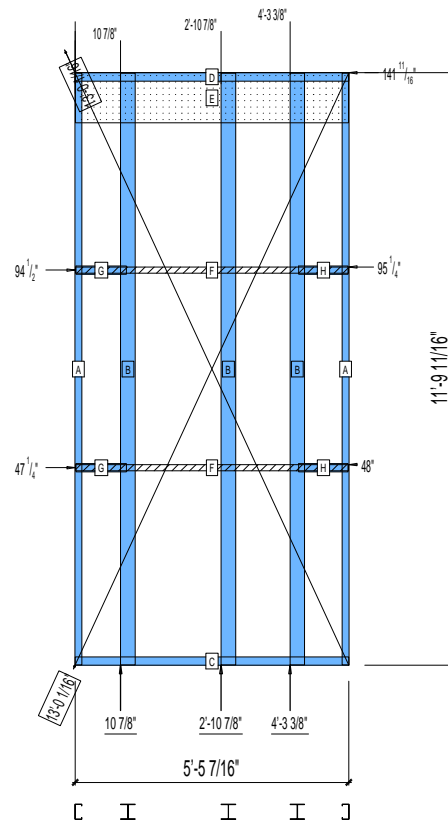


© FrameMax Inc.

HEIGHT : 11'-9 11/16"  
SPACING : 24"  
1st STUD: 24"

WEIGHTS :  
FRAME : 273 lbs

TOTAL: 273 lbs



PIECES LIST

LABEL	QTY	SIZE	LENGTH	USE
A	2	362S162-54	11'-9 1/2"	STUD
B	3	363i350p554	11'-9 1/2"	PACO.COLUMN
C	1	362T200-68	5'-5 7/16"	BOTTOM TRACK
D	1	362T200-68	5'-5 7/16"	TOP TRACK
E	1	1200D-54	5'-5 1/4"	STRAP
F	2	150D-43	5'-5 1/4"	STRAP
G	2	362T200-68	1'-0 1/16"	BLOCK
H	2	362T200-68	11 3/4"	BLOCK

# 11-1248

Jewish Home for the Aging

1885 Victory Blvd. Reseda, CA

FrameMax, Inc.  
13915 Danielson St  
Suite 100  
Poway, CA 92064  
www.frame-max.com



© FrameMax Inc.

CREATED: 09/17/2008

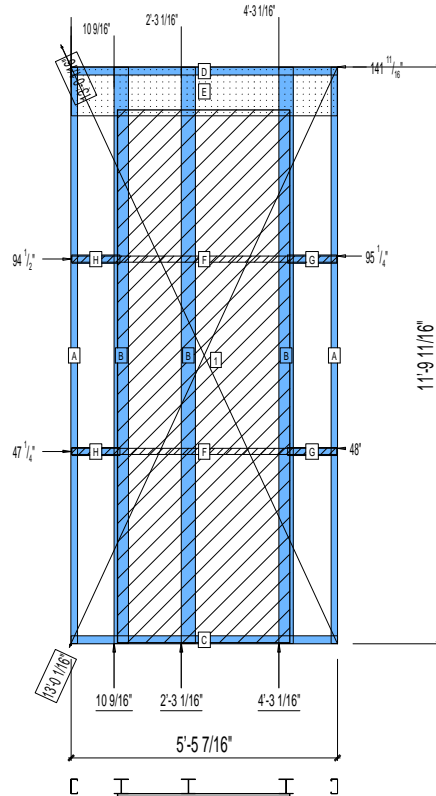
FM-07-109

CREATED BY: AMB

HEIGHT : 11'-9 11/16"  
SPACING : 24"  
1st STUD: 24"

WEIGHTS :  
FRAME : 273 lbs  
SHEATHING: 141 lbs

-----  
TOTAL: 414 lbs



PIECES LIST

LABEL	QTY	SIZE	LENGTH	USE
A	2	362S162-54	11'-9 1/2"	STUD
B	3	363i350p554	11'-9 1/2"	PACO COLUMN
C	1	362T200-68	5'-5 7/16"	BOTTOM TRACK
D	1	362T200-68	5'-5 7/16"	TOP TRACK
E	1	1200D-54	5'-5 1/4"	STRAP
F	2	150D-43	5'-5 1/4"	STRAP
G	2	362T200-68	1'-0 1/16"	BLOCK
H	2	362T200-68	11 3/4"	BLOCK

SHEATHING

LABEL	QTY	CODE	THICK	SIZE	SCREWS
1	1	SB-DENSARMOR	5/8"	3'-6 1/4" X 10'-10 7/8"	1 - 12

# 11-1249

Jewish Home for the Aging

1885 Victory Blvd. Reseda, CA

FrameMax, Inc.  
13915 Danielson St  
Suite 100  
Poway, CA 92064  
www.framemax.com



© FrameMax Inc.

CREATED: 09/17/2008

FM-07-109

CREATED BY: AMB

HEIGHT : 11'-9 11/16"

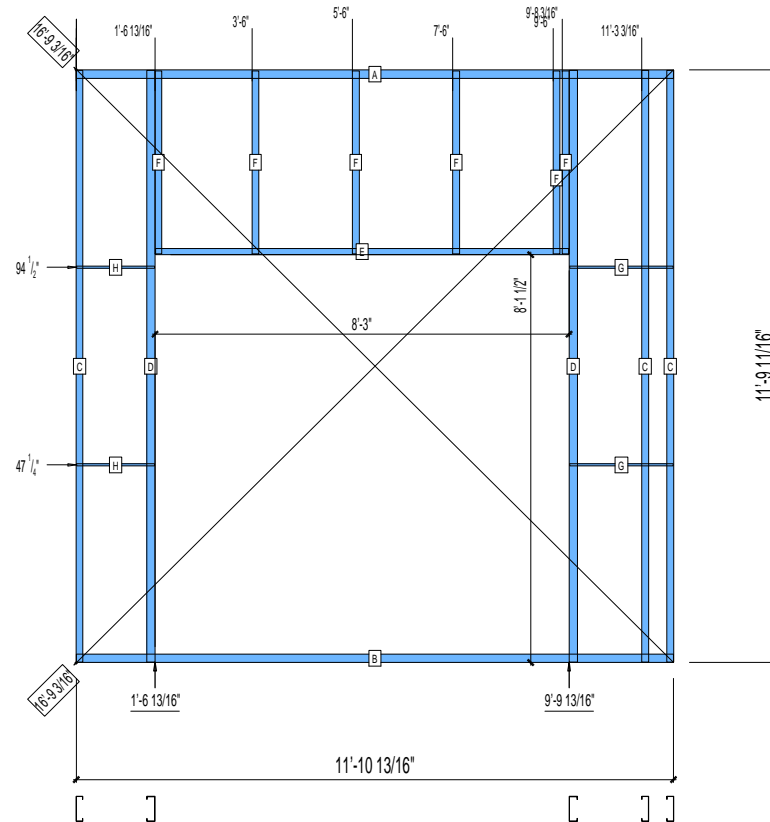
SPACING : 24"

1st STUD: 16"

WEIGHTS :

FRAME : 286 lbs

TOTAL: 286 lbs



PIECES LIST

LABEL	QTY	SIZE	LENGTH	USE
A	1	600T200-68	11'-10 13/16"	TOP TRACK
B	1	600T200-68	11'-10 13/16"	BOTTOM TRACK
C	3	600S162-68	11'-9 1/2"	STUD
D	2	600S200-97	11'-9 1/2"	KING STUD
E	1	600T150-54	8'-2 3/4"	HEAD TRACK
F	6	600S162-54	3'-7 3/4"	CRIPPLE
G	2	150U50-54	2'-0 3/4"	HORIZONTAL BRACING
H	2	150U50-54	1'-6 5/8"	HORIZONTAL BRACING

# 11-1250

Jewish Home for the Aging

1885 Victory Blvd. Reseda, CA

FrameMax, Inc.  
13915 Danielson St  
Suite 100  
Poway, CA 92064  
www.frame-max.com



© FrameMax Inc.

CREATED: 09/17/2008

FM-07-109

CREATED BY: AMB

HEIGHT : 11'-9 11/16"

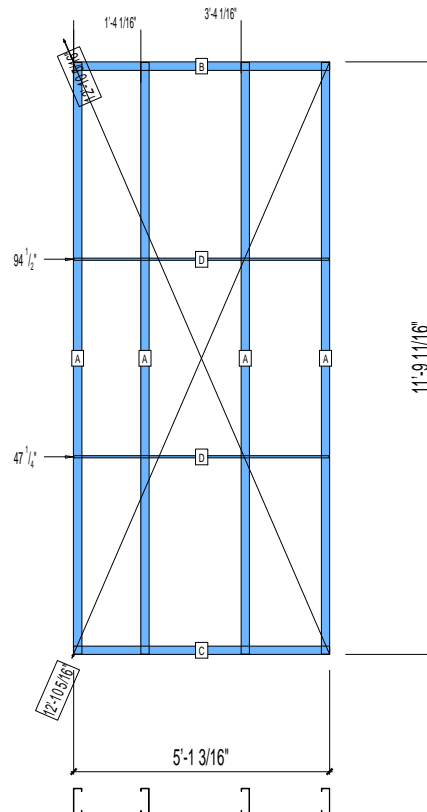
SPACING : 24"

1st STUD: 24"

WEIGHTS :

FRAME : 201 lbs

-----  
TOTAL: 201 lbs



### PIECES LIST

LABEL	QTY	SIZE	LENGTH	USE
A	4	600S200-97	11'-9 1/2"	STUD
B	1	600T200-68	5'-1 3/16"	TOP TRACK
C	1	600T200-68	5'-1 3/16"	BOTTOM TRACK
D	2	150U50-54	5'-1"	HORIZONTAL BRACING

# 11-1251

Jewish Home for the Aging

1885 Victory Blvd. Reseda, CA

FrameMax, Inc.  
13915 Danielson St  
Suite 100  
Poway, CA 92064  
www.frame-max.com



© FrameMax Inc.

CREATED: 09/17/2008

FM-07-109

CREATED BY: AMB

HEIGHT : 11'-9 11/16"

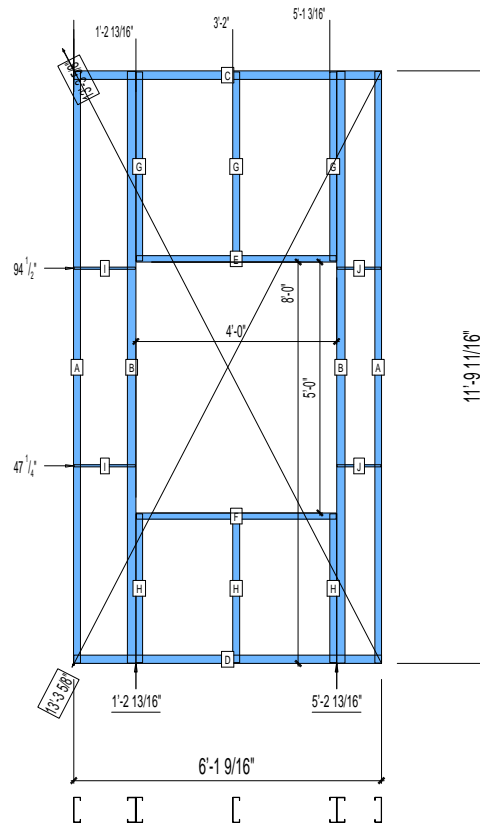
SPACING : 24"

1st STUD: 16"

WEIGHTS :

FRAME : 225 lbs

TOTAL: 225 lbs



PIECES LIST

LABEL	QTY	SIZE	LENGTH	USE
A	2	600S162-68	11'-9 1/2"	STUD
B	2	600S200-97	11'-9 1/2"	KING STUD
C	1	600T200-68	6'-1 9/16"	TOP TRACK
D	1	600T200-68	6'-1 9/16"	BOTTOM TRACK
E	1	600T150-54	3'-11 3/4"	HEAD TRACK
F	1	600T150-54	3'-11 3/4"	SILL
G	3	600S162-54	3'-9 1/4"	CRIPPLE
H	3	600S162-54	2'-11 9/16"	CRIPPLE
I	2	150U50-54	1'-2 5/8"	HORIZONTAL BRACING
J	2	150U50-54	10 1/2"	HORIZONTAL BRACING

# 11-1252

Jewish Home for the Aging

1885 Victory Blvd. Reseda, CA

FM-07-109

CREATED BY: AMB

FrameMax, Inc.  
13915 Danielson St  
Suite 100  
Poway, CA 92064  
www.frame-max.com



© FrameMax Inc.

HEIGHT : 11'-9 11/16"

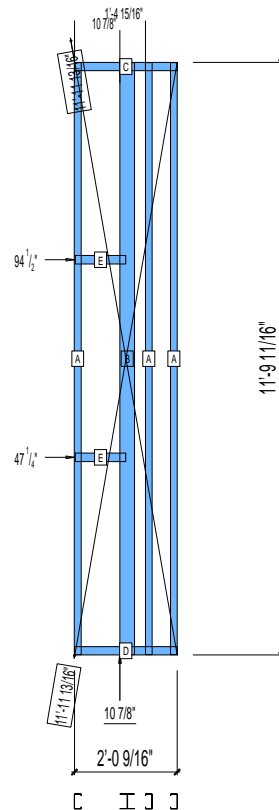
SPACING : 24"

1st STUD: 24"

WEIGHTS :

FRAME : 128 lbs

TOTAL: 128 lbs



### PIECES LIST

LABEL	QTY	SIZE	LENGTH	USE
A	3	362S162-54	11'-9 1/2"	STUD
B	1	363i350p554	11'-9 1/2"	PACO. COLUMN
C	1	362T200-68	2'-0 9/16"	TOP TRACK
D	1	362T200-68	2'-0 9/16"	BOTTOM TRACK
E	2	362T200-68	1'-0 1/16"	BLOCK

# 11-1253

Jewish Home for the Aging

1885 Victory Blvd. Reseda, CA

FM-07-109

CREATED BY: AMB

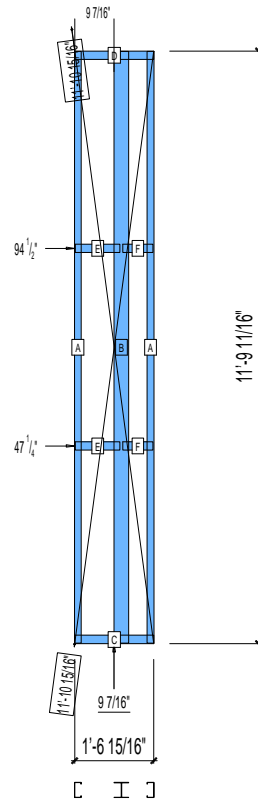
FrameMax, Inc.  
13915 Danielson St  
Suite 100  
Poway, CA 92064  
www.frame-max.com



© FrameMax Inc.

HEIGHT : 11'-9 11/16"  
SPACING : 24"  
1st STUD: 24"

WEIGHTS :  
FRAME : 111 lbs  
-----  
TOTAL: 111 lbs



PIECES LIST

LABEL	QTY	SIZE	LENGTH	USE
A	2	362S162-54	11'-9 1/2"	STUD
B	1	363i350p554	11'-9 1/2"	PACO. COLUMN
C	1	362T200-68	1'-6 15/16"	BOTTOM TRACK
D	1	362T200-68	1'-6 15/16"	TOP TRACK
E	2	362T200-68	10 5/8"	BLOCK
F	2	362T200-68	7 3/16"	BLOCK

# 11-1254

Jewish Home for the Aging

1885 Victory Blvd. Reseda, CA

FM-07-109

CREATED BY: AMB

FrameMax, Inc.  
13915 Danielson St  
Suite 100  
Poway, CA 92064  
www.framemax.com

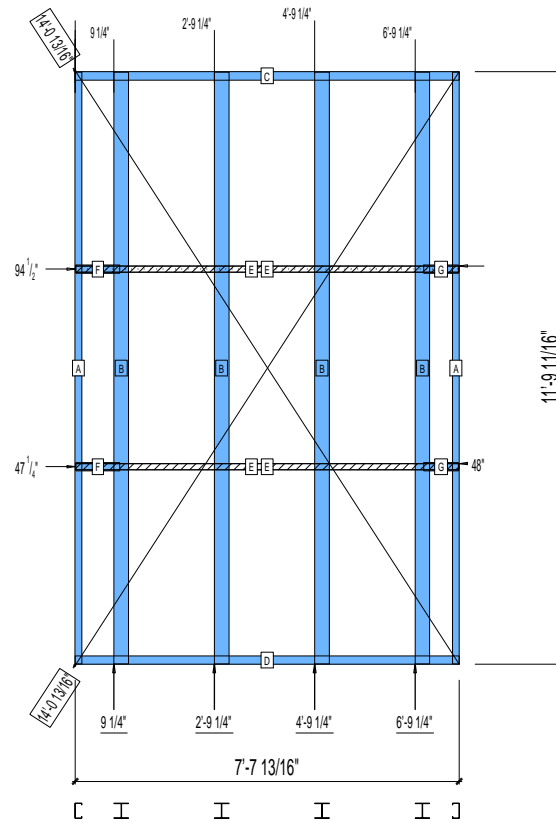


© FrameMax Inc.

HEIGHT : 11'-9 11/16"  
SPACING : 24"  
1st STUD: 24"

WEIGHTS :  
FRAME : 336 lbs

TOTAL: 336 lbs



PIECES LIST

LABEL	QTY	SIZE	LENGTH	USE
A	2	362S162-54	11'-9 1/2"	STUD
B	4	363i350p554	11'-9 1/2"	PACO.COLUMN
C	1	362T200-68	7'-7 13/16"	TOP TRACK
D	1	362T200-68	7'-7 13/16"	BOTTOM TRACK
E	4	150D-43	7'-7 5/8"	STRAP
F	2	362T200-68	10 1/2"	BLOCK
G	2	362T200-68	8 1/4"	BLOCK

# 11-1255

Jewish Home for the Aging

1885 Victory Blvd. Reseda, CA

FM-07-109

CREATED BY: AMB

FrameMax, Inc.  
13915 Danielson St  
Suite 100  
Poway, CA 92064  
www.framemax.com

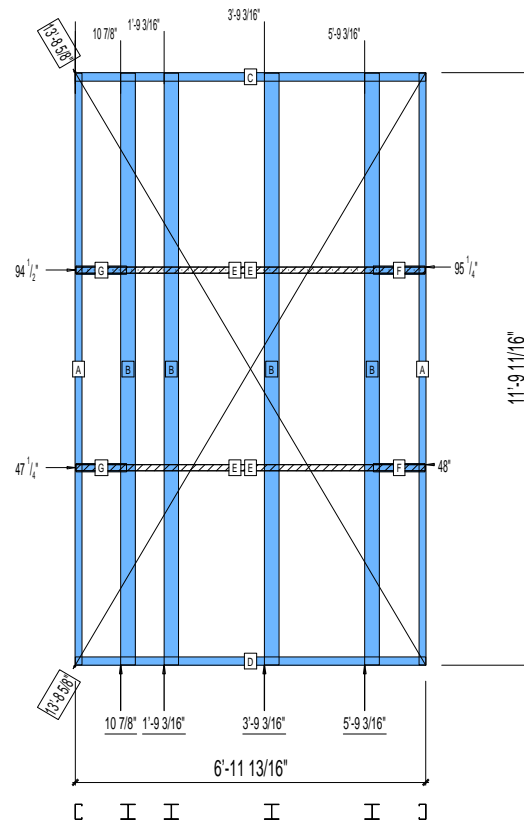


© FrameMax Inc.

HEIGHT : 11'-9 11/16"  
SPACING : 24"  
1st STUD: 24"

WEIGHTS :  
FRAME : 335 lbs

-----  
TOTAL: 335 lbs



PIECES LIST

LABEL	QTY	SIZE	LENGTH	USE
A	2	362S162-54	11'-9 1/2"	STUD
B	4	363i350p554	11'-9 1/2"	PACO.COLUMN
C	1	362T200-68	6'-11 13/16"	TOP TRACK
D	1	362T200-68	6'-11 13/16"	BOTTOM TRACK
E	4	150D-43	6'-11 5/8"	STRAP
F	2	362T200-68	1'-0 5/16"	BLOCK
G	2	362T200-68	1'-0 1/16"	BLOCK

# 11-1256

Jewish Home for the Aging

1885 Victory Blvd. Reseda, CA

FM-07-109

CREATED BY: AMB

FrameMax, Inc.  
13915 Danielson St  
Suite 100  
Poway, CA 92064  
www.frame-max.com

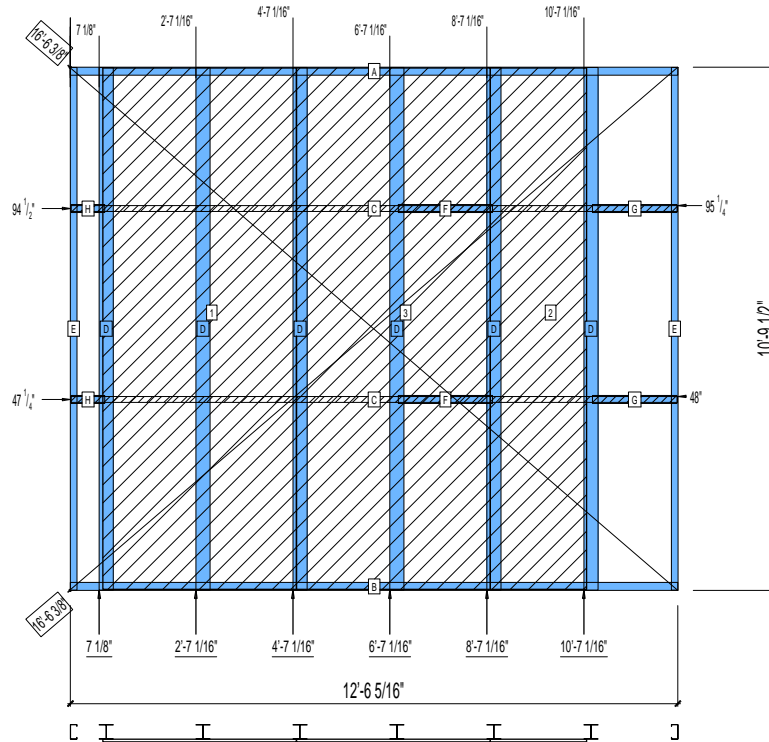


© FrameMax Inc.

HEIGHT : 10'-9 1/2"  
SPACING : 24"  
1st STUD: 24"

WEIGHTS :  
FRAME : 458 lbs  
SHEATHING: 395 lbs

TOTAL: 853 lbs



PIECES LIST

LABEL	QTY	SIZE	LENGTH	USE
A	1	362T200-68	12'-6 5/16"	TOP TRACK
B	1	362T200-68	12'-6 5/16"	BOTTOM TRACK
C	2	150D-43	12'-6 1/8"	STRAP
D	6	3631350p554	10'-9 5/16"	PACO COLUMN
E	2	362S162-54	10'-9 5/16"	STUD
F	2	362T200-68	1'-11 5/16"	BLOCK
G	2	362T200-68	1'-9"	BLOCK
H	2	362T200-68	8 5/16"	BLOCK

SHEATHING

LABEL	QTY	CODE	THICK	SIZE	SCREWS
1	1	SB-DENSARMOR	5/8"	3'-11 7/8" X	10'-9" 2 - 12
2	1	SB-DENSARMOR	5/8"	1'-11 13/16" X	10'-9" 2 - 12
3	1	SB-DENSARMOR	5/8"	4'-0" X	10'-9" 2 - 12

# 11-1257

Jewish Home for the Aging

1885 Victory Blvd. Reseda, CA

FM-07-109

CREATED BY: AMB

FrameMax, Inc.  
13915 Danielson St  
Suite 100  
Poway, CA 92064  
www.frame-max.com

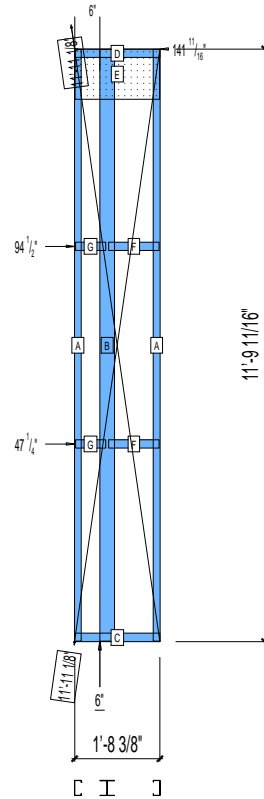


© FrameMax Inc.

HEIGHT : 11'-9 11/16"  
SPACING : 24"  
1st STUD: 24"

WEIGHTS :  
FRAME : 116 lbs

-----  
TOTAL: 116 lbs



PIECES LIST

LABEL	QTY	SIZE	LENGTH	USE
A	2	362S162-54	11'-9 1/2"	STUD
B	1	363i350p554	11'-9 1/2"	PACO COLUMN
C	1	362T200-68	1'-8 3/8"	BOTTOM TRACK
D	1	362T200-68	1'-8 3/8"	TOP TRACK
E	1	1200D-54	1'-8 3/16"	STRAP
F	2	362T200-68	1'-0 1/16"	BLOCK
G	2	362T200-68	7 1/4"	BLOCK

# 11-1258

Jewish Home for the Aging

1885 Victory Blvd. Reseda, CA

FM-07-109

CREATED BY: AMB

FrameMax, Inc.  
13915 Danielson St  
Suite 100  
Poway, CA 92064  
www.frame-max.com

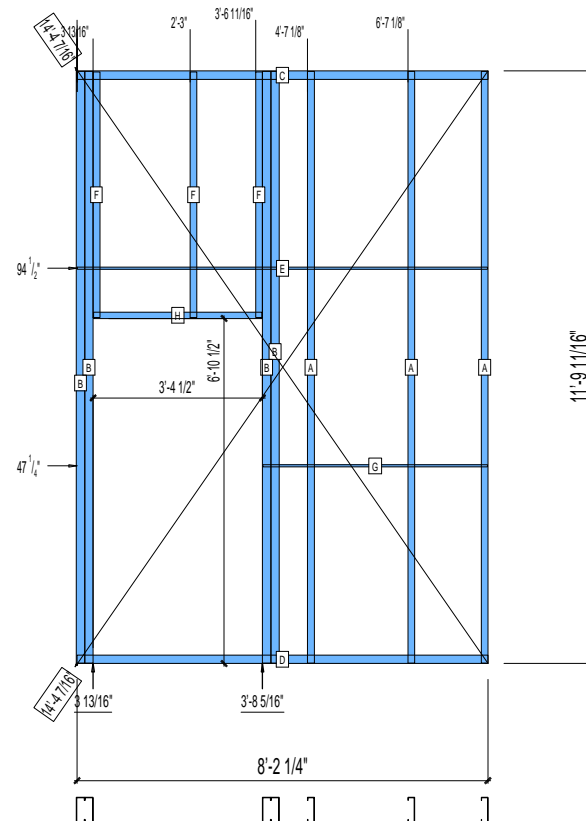


© FrameMax Inc.

HEIGHT : 11'-9 11/16"  
SPACING : 24"  
1st STUD: 24"

WEIGHTS :  
FRAME : 367 lbs

-----  
TOTAL: 367 lbs



PIECES LIST

LABEL	QTY	SIZE	LENGTH	USE
A	3	600S162-97	11'-9 1/2"	STUD
B	4	600S200-97	11'-9 1/2"	KING STUD
C	1	600T200-68	8'-2 1/4"	TOP TRACK
D	1	600T200-68	8'-2 1/4"	BOTTOM TRACK
E	1	150U50-54	8'-2 1/16"	HORIZONTAL BRACING
F	3	600S162-54	4'-10 3/4"	CRIPPLE
G	1	150U50-54	4'-5 11/16"	HORIZONTAL BRACING
H	1	600T150-54	3'-4 1/4"	HEAD TRACK

# 11-1259

Jewish Home for the Aging

1885 Victory Blvd. Reseda, CA

FM-07-109

CREATED BY: AMB

FrameMax, Inc.  
13915 Danielson St  
Suite 100  
Poway, CA 92064  
www.frame-max.com

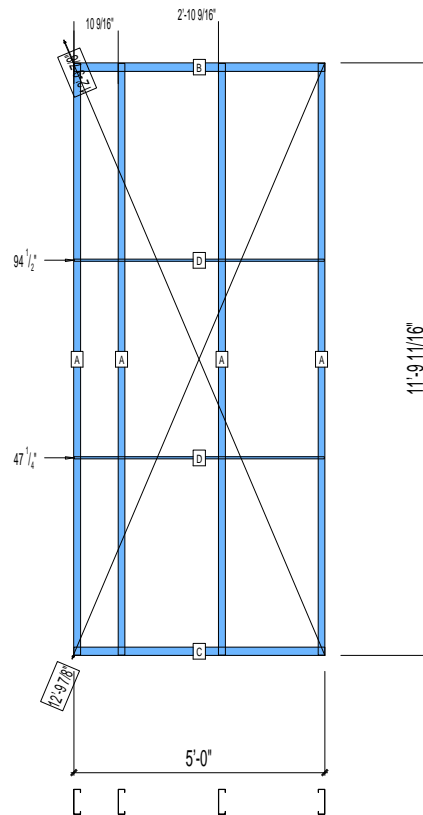


© FrameMax Inc.

HEIGHT : 11'-9 11/16"  
SPACING : 24"  
1st STUD: 24"

WEIGHTS :  
FRAME : 140 lbs

-----  
TOTAL: 140 lbs



### PIECES LIST

LABEL	QTY	SIZE	LENGTH	USE
A	4	600S162-68	11'-9 1/2"	STUD
B	1	600T200-68	5'-0"	TOP TRACK
C	1	600T200-68	5'-0"	BOTTOM TRACK
D	2	150U50-54	4'-11 13/16"	HORIZONTAL BRACING

# 11-1260

Jewish Home for the Aging

1885 Victory Blvd. Reseda, CA

FM-07-109

CREATED BY: AMB

FrameMax, Inc.  
13915 Danielson St  
Suite 100  
Poway, CA 92064  
www.framemax.com

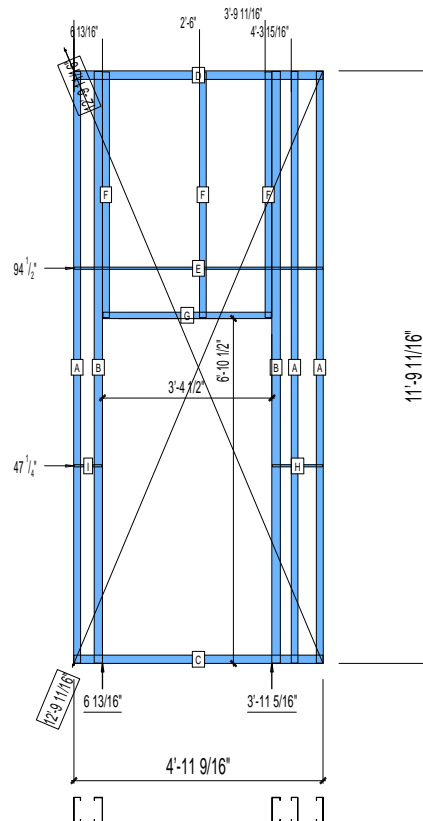


© FrameMax Inc.

HEIGHT : 11'-9 11/16"  
SPACING : 24"  
1st STUD: 24"

WEIGHTS :  
FRAME : 230 lbs

-----  
TOTAL: 230 lbs



PIECES LIST

LABEL	QTY	SIZE	LENGTH	USE
A	3	600S162-68	11'-9 1/2"	STUD
B	2	600S200-97	11'-9 1/2"	KING STUD
C	1	600T200-68	4'-11 9/16"	BOTTOM TRACK
D	1	600T200-68	4'-11 9/16"	TOP TRACK
E	1	150U50-54	4'-11 3/8"	HORIZONTAL BRACING
F	3	600S162-54	4'-10 3/4"	CRIPPLE
G	1	600T150-54	3'-4 1/4"	HEAD TRACK
H	1	150U50-54	1'-0"	HORIZONTAL BRACING
I	1	150U50-54	6 5/8"	HORIZONTAL BRACING

# 11-1261

Jewish Home for the Aging

1885 Victory Blvd. Reseda, CA

FM-07-109

CREATED BY: AMB

FrameMax, Inc.  
13915 Danielson St  
Suite 100  
Poway, CA 92064  
www.frame-max.com

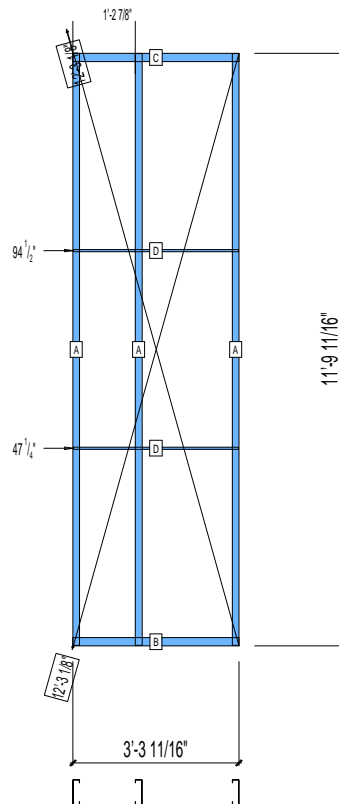


© FrameMax Inc.

HEIGHT : 11'-9 11/16"  
SPACING : 24"  
1st STUD: 16"

WEIGHTS :  
FRAME : 103 lbs

-----  
TOTAL: 103 lbs



### PIECES LIST

LABEL	QTY	SIZE	LENGTH	USE
A	3	600S162-68	11'-9 1/2"	STUD
B	1	600T200-68	3'-3 11/16"	BOTTOM TRACK
C	1	600T200-68	3'-3 11/16"	TOP TRACK
D	2	150U50-54	3'-3 1/2"	HORIZONTAL BRACING

# 11-1262

Jewish Home for the Aging

1885 Victory Blvd. Reseda, CA

FM-07-109

CREATED BY: AMB

FrameMax, Inc.  
13915 Danielson St  
Suite 100  
Poway, CA 92064  
www.frame-max.com

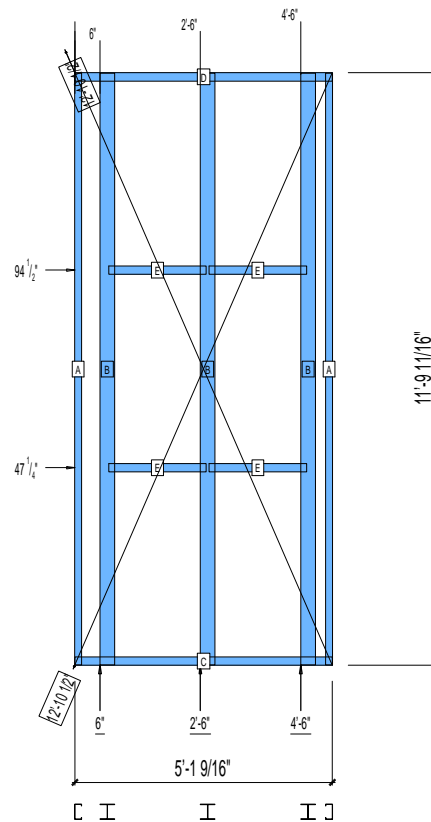


© FrameMax Inc.

HEIGHT : 11'-9 11/16"  
SPACING : 24"  
1st STUD: 24"

WEIGHTS :  
FRAME : 264 lbs

-----  
TOTAL: 264 lbs



PIECES LIST

LABEL	QTY	SIZE	LENGTH	USE
A	2	362S162-54	11'-9 1/2"	STUD
B	3	363i350p554	11'-9 1/2"	PACO. COLUMN
C	1	362T200-68	5'-1 9/16"	BOTTOM TRACK
D	1	362T200-68	5'-1 9/16"	TOP TRACK
E	4	362T200-68	1'-11 5/16"	BLOCK

# 11-1263

Jewish Home for the Aging

1885 Victory Blvd. Reseda, CA

FM-07-109

CREATED BY: AMB

FrameMax, Inc.  
13915 Danielson St  
Suite 100  
Poway, CA 92064  
www.framemax.com

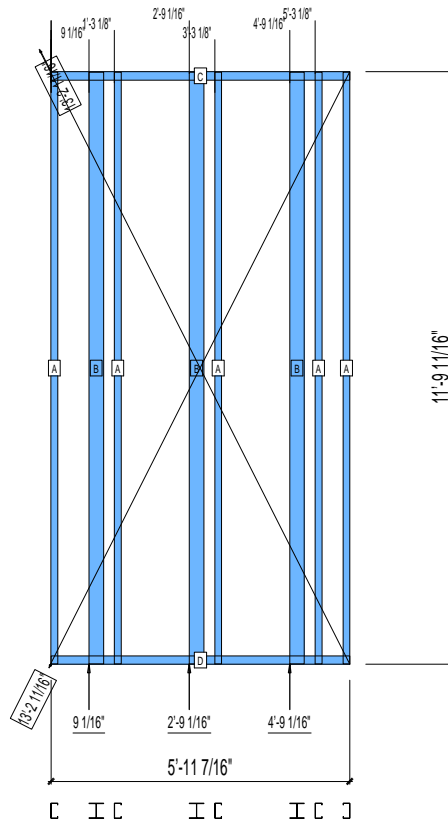


© FrameMax Inc.

HEIGHT : 11'-9 11/16"  
SPACING : 24"  
1st STUD: 16"

WEIGHTS :  
FRAME : 303 lbs

TOTAL: 303 lbs



PIECES LIST

LABEL	QTY	SIZE	LENGTH	USE
A	5	362S162-54	11'-9 1/2"	STUD
B	3	363i350p554	11'-9 1/2"	PACO.COLUMN
C	1	362T200-68	5'-11 7/16"	TOP TRACK
D	1	362T200-68	5'-11 7/16"	BOTTOM TRACK

# 11-1264

Jewish Home for the Aging

1885 Victory Blvd. Reseda, CA

FM-07-109

CREATED BY: AMB

FrameMax, Inc.  
13915 Danielson St  
Suite 100  
Poway, CA 92064  
www.frame-max.com

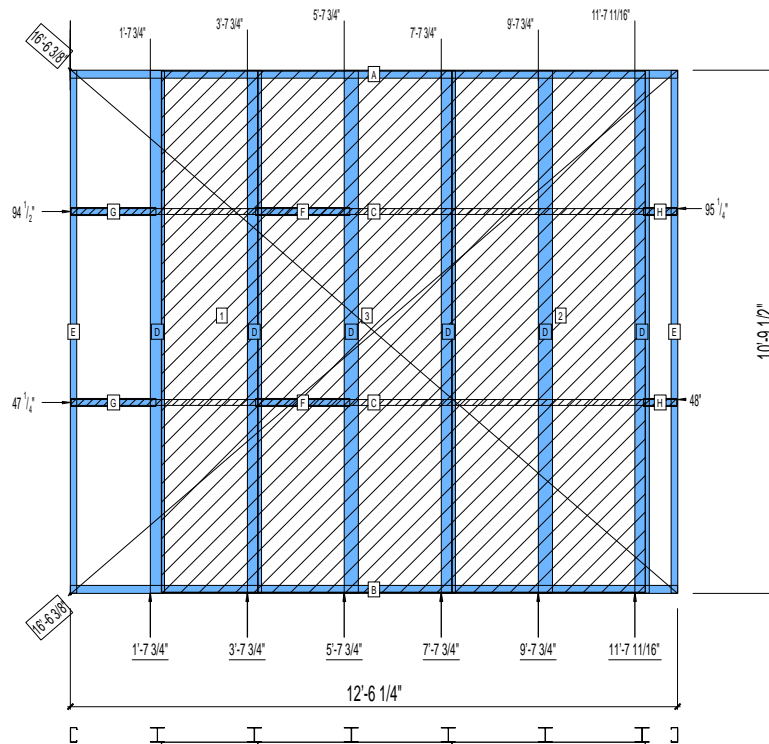


© FrameMax Inc.

HEIGHT : 10'-9 1/2"  
SPACING : 24"  
1st STUD: 24"

WEIGHTS :  
FRAME : 458 lbs  
SHEATHING: 395 lbs

TOTAL: 853 lbs



PIECES LIST

LABEL	QTY	SIZE	LENGTH	USE
A	1	362T200-68	12'-6 1/4"	TOP TRACK
B	1	362T200-68	12'-6 1/4"	BOTTOM TRACK
C	2	150D-43	12'-6 1/16"	STRAP
D	6	3631350p554	10'-9 5/16"	PACO COLUMN
E	2	362S162-54	10'-9 5/16"	STUD
F	2	362T200-68	1'-11 5/16"	BLOCK
G	2	362T200-68	1'-9"	BLOCK
H	2	362T200-68	8 1/4"	BLOCK

SHEATHING

LABEL	QTY	CODE	THICK	SIZE	SCREWS
1	1	SB-DENSARMOR	5/8"	1'-11 13/16" X	10'-9" 2 - 12
2	1	SB-DENSARMOR	5/8"	3'-11 7/8" X	10'-9" 2 - 12
3	1	SB-DENSARMOR	5/8"	4'-0" X	10'-9" 2 - 12

# 11-1265

Jewish Home for the Aging

1885 Victory Blvd. Reseda, CA

FM-07-109

CREATED BY: AMB

FrameMax, Inc.  
13915 Danielson St  
Suite 100  
Poway, CA 92064  
www.frame-max.com



© FrameMax Inc.

HEIGHT : 11'-9 11/16"

SPACING : 24"

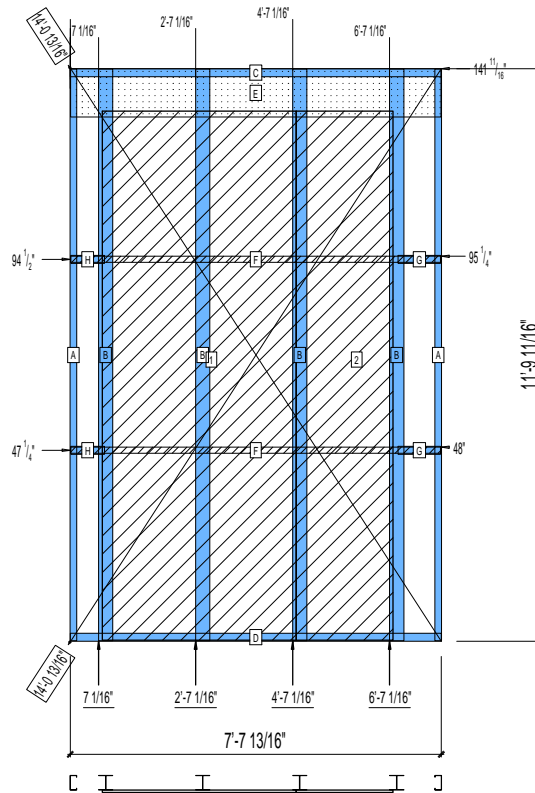
1st STUD: 24"

WEIGHTS :

FRAME : 351 lbs

SHEATHING: 241 lbs

TOTAL: 592 lbs



PIECES LIST

LABEL	QTY	SIZE	LENGTH	USE
A	2	362S162-54	11'-9 1/2"	STUD
B	4	363i350p554	11'-9 1/2"	PACO. COLUMN
C	1	362T200-68	7'-7 13/16"	TOP TRACK
D	1	362T200-68	7'-7 13/16"	BOTTOM TRACK
E	1	1200D-54	7'-7 5/8"	STRAP
F	2	150D-43	7'-7 5/8"	STRAP
G	2	362T200-68	10 1/2"	BLOCK
H	2	362T200-68	8 1/4"	BLOCK

SHEATHING

LABEL	QTY	CODE	THICK	SIZE	SCREWS
1	1	SB-DENSARMOR	5/8"	4'-0" X 10'-10 7/8"	2 - 12
2	1	SB-DENSARMOR	5/8"	2'-0" X 10'-10 7/8"	2 - 12

# 11-1266

Jewish Home for the Aging

1885 Victory Blvd. Reseda, CA

FrameMax, Inc.  
13915 Danielson St  
Suite 100  
Poway, CA 92064  
www.frame-max.com



© FrameMax Inc.

CREATED: 09/17/2008

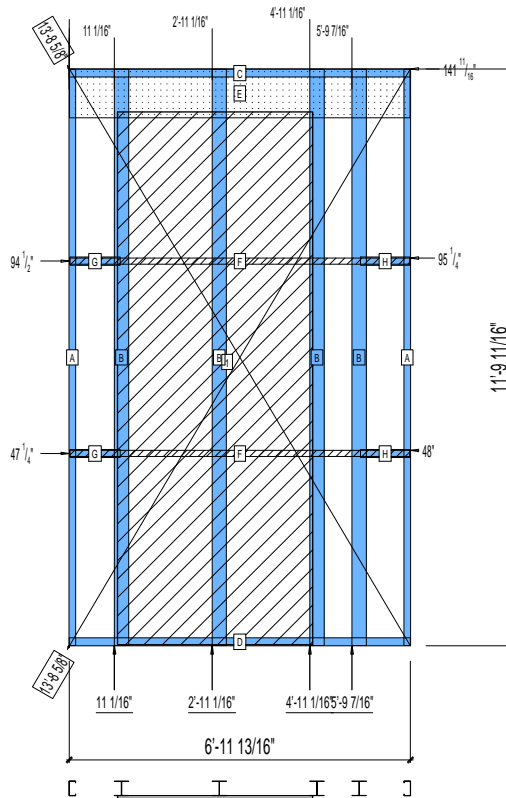
FM-07-109

CREATED BY: AMB

HEIGHT : 11'-9 11/16"  
SPACING : 24"  
1st STUD: 24"

WEIGHTS :  
FRAME : 349 lbs  
SHEATHING: 160 lbs

TOTAL: 509 lbs



PIECES LIST

LABEL	QTY	SIZE	LENGTH	USE
A	2	362S162-54	11'-9 1/2"	STUD
B	4	363i350p554	11'-9 1/2"	PACO. COLUMN
C	1	362T200-68	6'-11 13/16"	TOP TRACK
D	1	362T200-68	6'-11 13/16"	BOTTOM TRACK
E	1	1200D-54	6'-11 5/8"	STRAP
F	2	150D-43	6'-11 5/8"	STRAP
G	2	362T200-68	1'-0 5/16"	BLOCK
H	2	362T200-68	1'-0 1/16"	BLOCK

SHEATHING

LABEL	QTY	CODE	THICK	SIZE	SCREWS
1	1	SB-DENSARMOR	5/8"	3'-11 15/16" X 10'-10 7/8"	2 - 12

# 11-1267

Jewish Home for the Aging

1885 Victory Blvd. Reseda, CA

FM-07-109

CREATED BY: AMB

FrameMax, Inc.  
13915 Danielson St  
Suite 100  
Poway, CA 92064  
www.frame-max.com

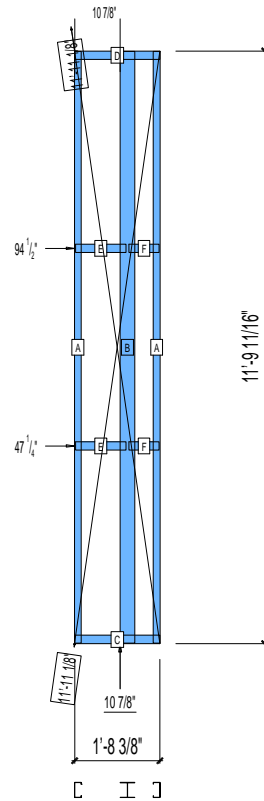


© FrameMax Inc.

HEIGHT : 11'-9 11/16"  
SPACING : 24"  
1st STUD: 24"

WEIGHTS :  
FRAME : 112 lbs

-----  
TOTAL: 112 lbs



PIECES LIST

LABEL	QTY	SIZE	LENGTH	USE
A	2	362S162-54	11'-9 1/2"	STUD
B	1	363i350p554	11'-9 1/2"	PACO. COLUMN
C	1	362T200-68	1'-8 3/8"	BOTTOM TRACK
D	1	362T200-68	1'-8 3/8"	TOP TRACK
E	2	362T200-68	1'-0 1/16"	BLOCK
F	2	362T200-68	7 1/4"	BLOCK

# 11-1268

Jewish Home for the Aging

1885 Victory Blvd. Reseda, CA

FrameMax, Inc.  
13915 Danielson St  
Suite 100  
Poway, CA 92064  
www.frame-max.com



© FrameMax Inc.

CREATED: 09/17/2008

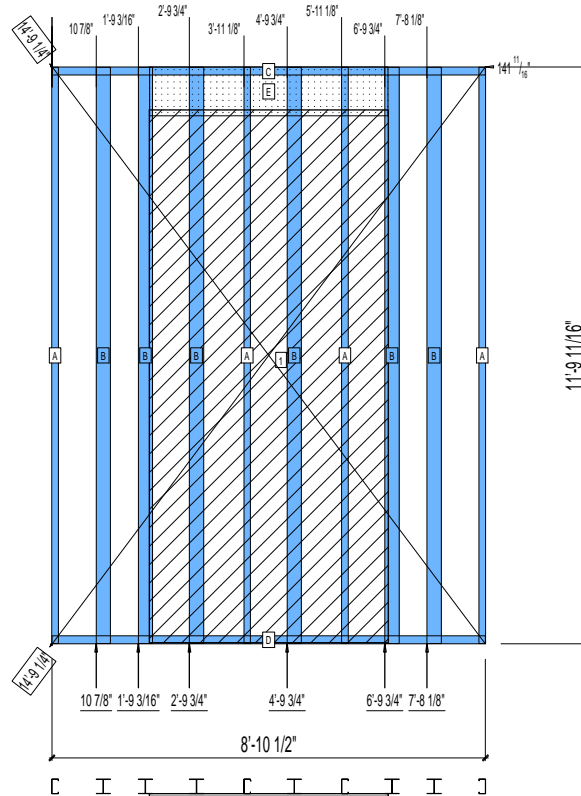
FM-07-109

CREATED BY: AMB

HEIGHT : 11'-9 11/16"  
SPACING : 24"  
1st STUD: 24"

WEIGHTS :  
FRAME : 505 lbs  
SHEATHING: 196 lbs

TOTAL: 701 lbs



PIECES LIST

LABEL	QTY	SIZE	LENGTH	USE
A	4	362S162-54	11'-9 1/2"	STUD
B	6	3631350p554	11'-9 1/2"	PACO.COLUMN
C	1	362T200-68	8'-10 1/2"	TOP TRACK
D	1	362T200-68	8'-10 1/2"	BOTTOM TRACK
E	1	1200D-54	4'-10 1/2"	STRAP

SHEATHING

LABEL	QTY	CODE	THICK	SIZE	SCREWS
1	1	SB-DENSARMOR	5/8"	4'-10 11/16" X 10'-10 7/8"	2 - 12

# 11-1269

Jewish Home for the Aging

1885 Victory Blvd. Reseda, CA

FM-07-109

CREATED BY: AMB

FrameMax, Inc.  
13915 Danielson St  
Suite 100  
Poway, CA 92064  
www.framemax.com

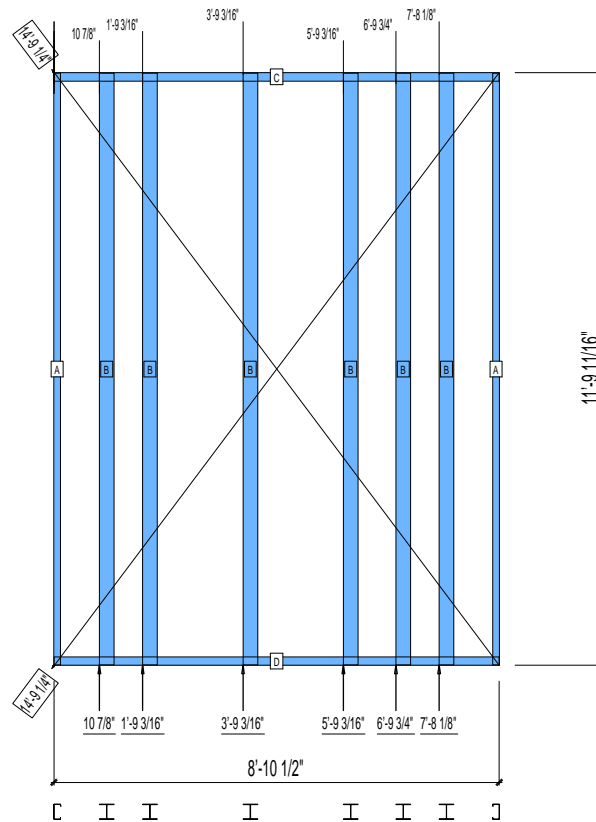


© FrameMax Inc.

HEIGHT : 11'-9 11/16"  
SPACING : 24"  
1st STUD: 24"

WEIGHTS :  
FRAME : 459 lbs

TOTAL: 459 lbs



### PIECES LIST

LABEL	QTY	SIZE	LENGTH	USE
A	2	362S162-54	11'-9 1/2"	STUD
B	6	363i350p554	11'-9 1/2"	PACO.COLUMN
C	1	362T200-68	8'-10 1/2"	TOP TRACK
D	1	362T200-68	8'-10 1/2"	BOTTOM TRACK

# 11-1270

Jewish Home for the Aging

1885 Victory Blvd. Reseda, CA

FM-07-109

CREATED BY: AMB

FrameMax, Inc.  
13915 Danielson St  
Suite 100  
Poway, CA 92064  
www.frame-max.com

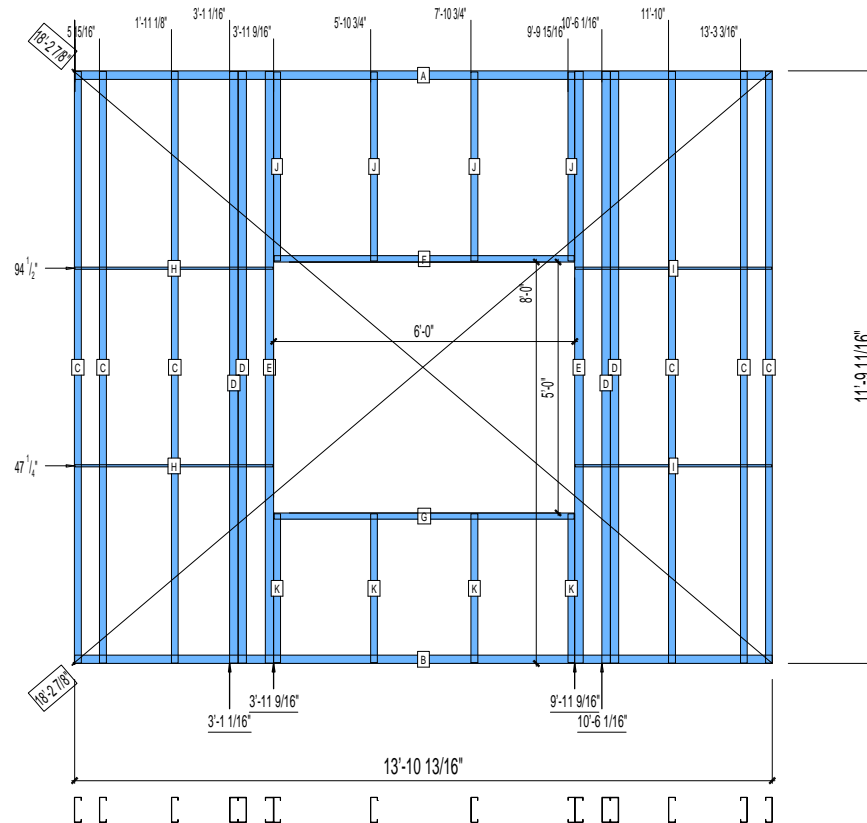


© FrameMax Inc.

HEIGHT : 11'-9 11/16"  
SPACING : 24"  
1st STUD: 24"

WEIGHTS :  
FRAME : 570 lbs

TOTAL: 570 lbs



PIECES LIST

LABEL	QTY	SIZE	LENGTH	USE
A	1	600T200-68	13'-10 13/16"	TOP TRACK
B	1	600T200-68	13'-10 13/16"	BOTTOM TRACK
C	6	600S162-68	11'-9 1/2"	STUD
D	4	600S200-97	11'-9 1/2"	EXTRA STUD
E	2	600S200-97	11'-9 1/2"	KING STUD
F	1	600T150-54	5'-11 3/4"	HEAD TRACK
G	1	600T150-54	5'-11 3/4"	SILL
H	2	150U50-54	3'-11 3/8"	HORIZONTAL BRACING
I	2	150U50-54	3'-11"	HORIZONTAL BRACING
J	4	600S162-54	3'-9 1/4"	CRIPPLE
K	4	600S162-54	2'-11 9/16"	CRIPPLE

# 11-1271

Jewish Home for the Aging

1885 Victory Blvd. Reseda, CA

FrameMax, Inc.  
13915 Danielson St  
Suite 100  
Poway, CA 92064  
www.framemax.com



© FrameMax Inc.

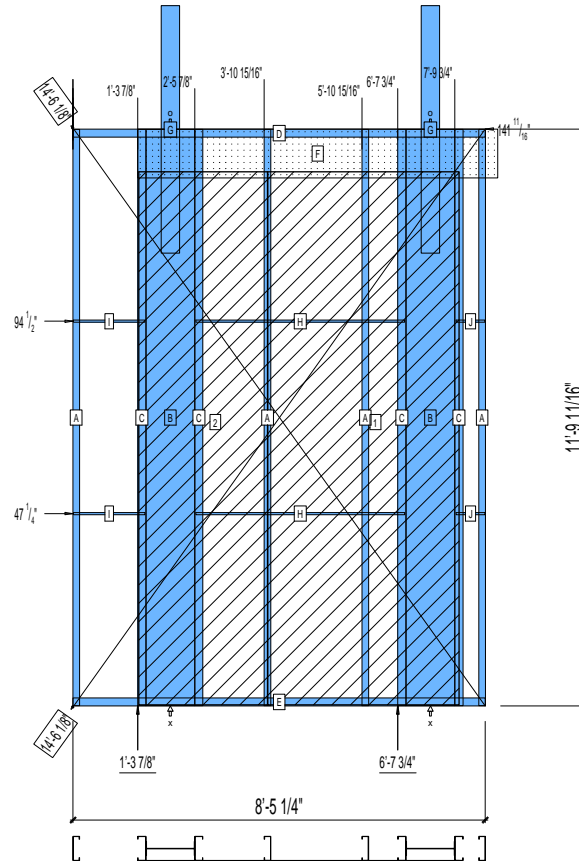
CREATED: 09/17/2008

FM-07-109

CREATED BY: AMB

HEIGHT : 14'-3 15/16"  
SPACING : 24"  
1st STUD: 16"

WEIGHTS :  
FRAME : 671 lbs  
SHEATHING: 263 lbs  
-----  
TOTAL: 934 lbs



PIECES LIST

LABEL	QTY	SIZE	LENGTH	USE
A	4	600S162-97	11'-9 1/2"	STUD
B	2	1200i350p1062	11'-9 1/2"	PACO
C	4	600S200-68	11'-9 1/2"	STUD
D	1	600T200-68	8'-5 1/4"	TOP TRACK
E	1	600T200-68	8'-5 1/4"	BOTTOM TRACK
F	1	1200D-54	7'-4 3/8"	STRAP
G	2	D	5'-0 3/4"	HOLDDOWN
H	2	150U50-54	4'-3 5/16"	HORIZONTAL BRACING
I	2	150U50-54	1'-5 9/16"	HORIZONTAL BRACING
J	2	150U50-54	7 1/16"	HORIZONTAL BRACING

SHEATHING

LABEL	QTY	CODE	THICK	SIZE	SCREWS
1	1	SB-DENSARMOR	5/8"	3'-11" X 10'-10 7/8"	2 - 12
2	1	SB-DENSARMOR	5/8"	2'-7 5/8" X 10'-10 7/8"	2 - 12

# 11-1272

Jewish Home for the Aging

1885 Victory Blvd. Reseda, CA

FrameMax, Inc.  
13915 Danielson St  
Suite 100  
Poway, CA 92064  
www.frame-max.com



© FrameMax Inc.

CREATED: 09/17/2008

FM-07-109

CREATED BY: AMB

HEIGHT : 11'-9 11/16"

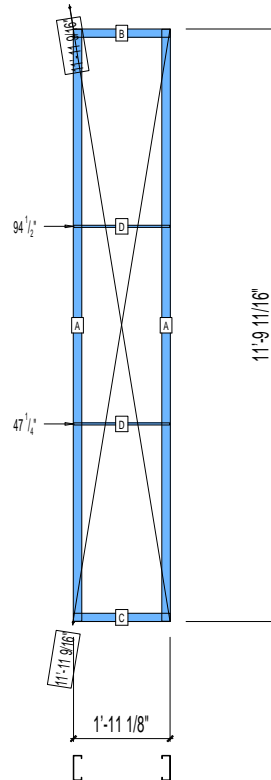
SPACING : 24"

1st STUD: 24"

WEIGHTS :

FRAME : 97 lbs

-----  
TOTAL: 97 lbs



### PIECES LIST

LABEL	QTY	SIZE	LENGTH	USE
A	2	600S200-97	11'-9 1/2"	STUD
B	1	600T200-68	1'-11 1/8"	TOP TRACK
C	1	600T200-68	1'-11 1/8"	BOTTOM TRACK
D	2	150U50-54	1'-10 15/16"	HORIZONTAL BRACING

# 11-1273

Jewish Home for the Aging

1885 Victory Blvd. Reseda, CA

FM-07-109

CREATED BY: AMB

FrameMax, Inc.  
13915 Danielson St  
Suite 100  
Poway, CA 92064  
www.frame-max.com

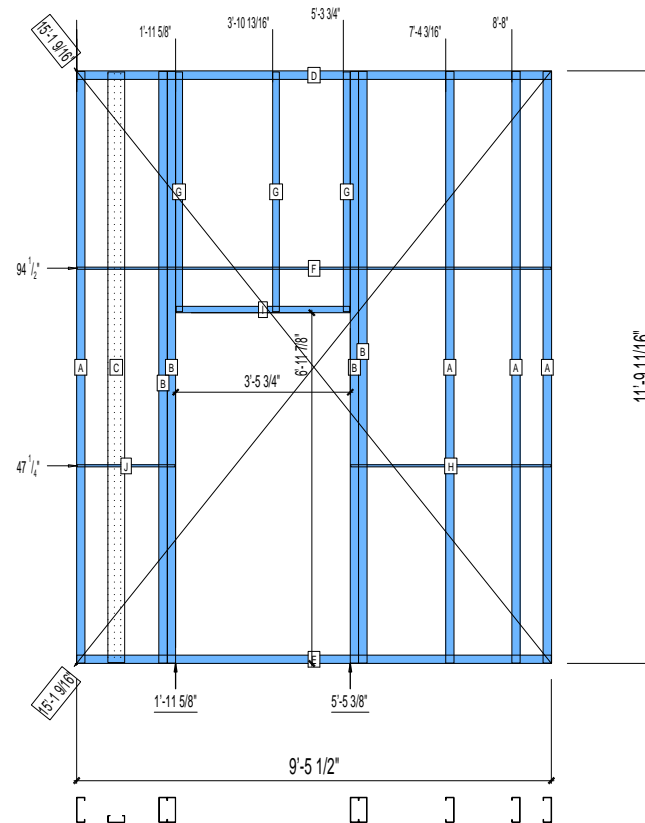


© FrameMax Inc.

HEIGHT : 11'-9 11/16"  
SPACING : 24"  
1st STUD: 24"

WEIGHTS :  
FRAME : 440 lbs

TOTAL: 440 lbs



PIECES LIST

LABEL	QTY	SIZE	LENGTH	USE
A	4	600S200-97	11'-9 1/2"	STUD
B	4	600S200-97	11'-9 1/2"	KING STUD
C	1	400S162-33	11'-9 1/4"	BACKER-U
D	1	600T200-68	9'-5 1/2"	TOP TRACK
E	1	600T200-68	9'-5 1/2"	BOTTOM TRACK
F	1	150U50-54	9'-5 5/16"	HORIZONTAL BRACING
G	3	600S162-54	4'-9 3/8"	CRIPPLE
H	1	150U50-54	3'-11 7/8"	HORIZONTAL BRACING
I	1	600T150-54	3'-5 1/2"	HEAD TRACK
J	1	150U50-54	1'-11 7/16"	HORIZONTAL BRACING

# 11-1274

Jewish Home for the Aging

1885 Victory Blvd. Reseda, CA

FM-07-109

CREATED BY: AMB

FrameMax, Inc.  
13915 Danielson St  
Suite 100  
Poway, CA 92064  
www.framemax.com

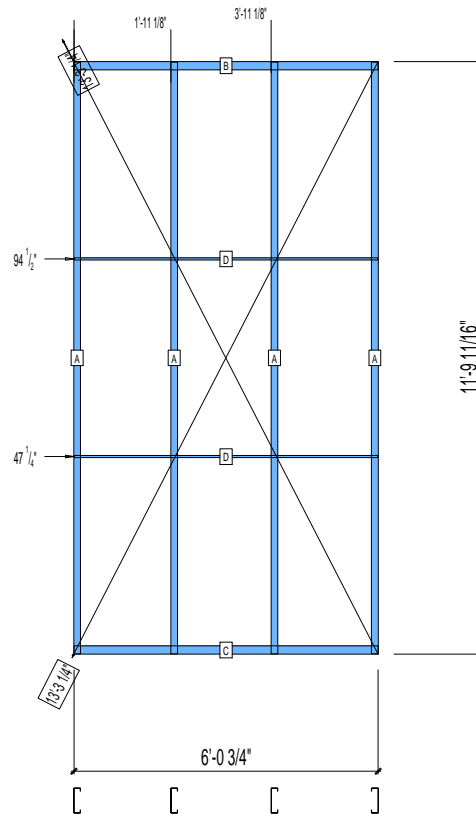


© FrameMax Inc.

HEIGHT : 11'-9 11/16"  
SPACING : 24"  
1st STUD: 24"

WEIGHTS :  
FRAME : 147 lbs

-----  
TOTAL: 147 lbs



### PIECES LIST

LABEL	QTY	SIZE	LENGTH	USE
A	4	600S162-68	11'-9 1/2"	STUD
B	1	600T200-68	6'-0 3/4"	TOP TRACK
C	1	600T200-68	6'-0 3/4"	BOTTOM TRACK
D	2	150U50-54	6'-0 9/16"	HORIZONTAL BRACING

# 11-1275

Jewish Home for the Aging

1885 Victory Blvd. Reseda, CA

FM-07-109

CREATED BY: AMB

FrameMax, Inc.  
13915 Danielson St  
Suite 100  
Poway, CA 92064  
www.framemax.com

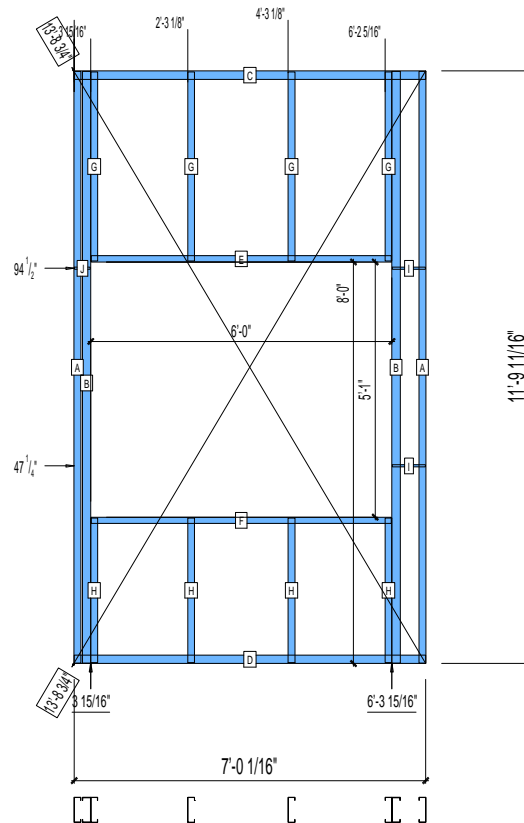


© FrameMax Inc.

HEIGHT : 11'-9 11/16"  
SPACING : 24"  
1st STUD: 24"

WEIGHTS :  
FRAME : 247 lbs

-----  
TOTAL: 247 lbs



PIECES LIST

LABEL	QTY	SIZE	LENGTH	USE
A	2	600S162-68	11'-9 1/2"	STUD
B	2	600S200-97	11'-9 1/2"	KING STUD
C	1	600T200-68	7'-0 1/16"	TOP TRACK
D	1	600T200-68	7'-0 1/16"	BOTTOM TRACK
E	1	600T150-54	5'-11 3/4"	HEAD TRACK
F	1	600T150-54	5'-11 3/4"	SILL
G	4	600S162-54	3'-9 1/4"	CRIPPLE
H	4	600S162-54	2'-10 9/16"	CRIPPLE
I	2	150U50-54	7 7/8"	HORIZONTAL BRACING
J	1	150U50-54	3 3/4"	HORIZONTAL BRACING

# 11-1276

Jewish Home for the Aging

1885 Victory Blvd. Reseda, CA

FM-07-109

CREATED BY: AMB

FrameMax, Inc.  
13915 Danielson St  
Suite 100  
Poway, CA 92064  
www.framemax.com

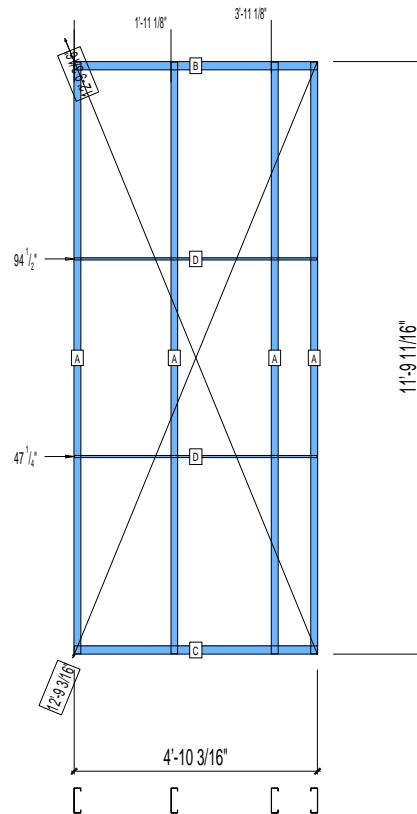


© FrameMax Inc.

HEIGHT : 11'-9 11/16"  
SPACING : 24"  
1st STUD: 24"

WEIGHTS :  
FRAME : 140 lbs

-----  
TOTAL: 140 lbs



### PIECES LIST

LABEL	QTY	SIZE	LENGTH	USE
A	4	600S162-68	11'-9 1/2"	STUD
B	1	600T200-68	4'-10 3/16"	TOP TRACK
C	1	600T200-68	4'-10 3/16"	BOTTOM TRACK
D	2	150U50-54	4'-10"	HORIZONTAL BRACING

# 11-1277

Jewish Home for the Aging

1885 Victory Blvd. Reseda, CA

FM-07-109

CREATED BY: AMB

FrameMax, Inc.  
13915 Danielson St  
Suite 100  
Poway, CA 92064  
www.framemax.com

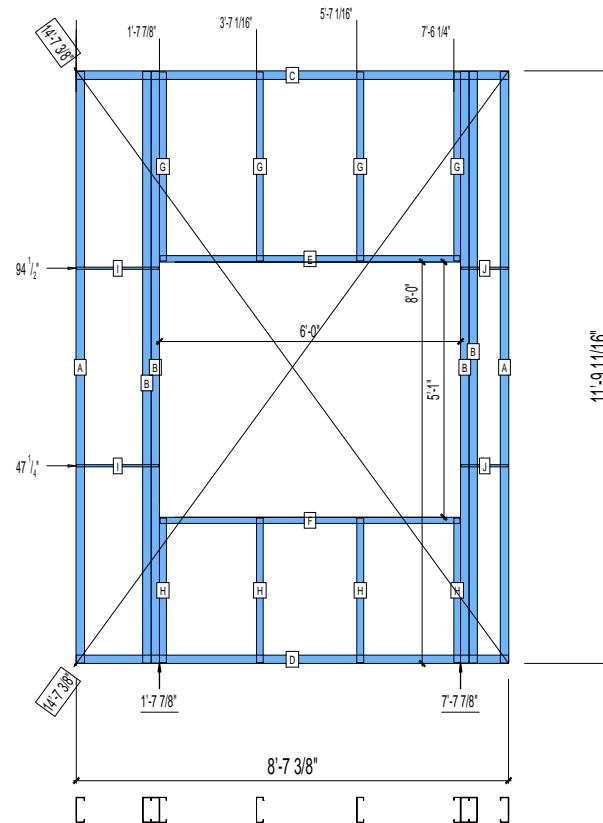


© FrameMax Inc.

HEIGHT : 11'-9 11/16"  
SPACING : 24"  
1st STUD: 16"

WEIGHTS :  
FRAME : 372 lbs

TOTAL: 372 lbs



PIECES LIST

LABEL	QTY	SIZE	LENGTH	USE
A	2	600S200-97	11'-9 1/2"	STUD
B	4	600S200-97	11'-9 1/2"	KING STUD
C	1	600T200-68	8'-7 3/8"	TOP TRACK
D	1	600T200-68	8'-7 3/8"	BOTTOM TRACK
E	1	600T150-54	5'-11 3/4"	HEAD TRACK
F	1	600T150-54	5'-11 3/4"	SILL
G	4	600S162-54	3'-9 1/4"	CRIPPLE
H	4	600S162-54	2'-10 9/16"	CRIPPLE
I	2	150U50-54	1'-7 11/16"	HORIZONTAL BRACING
J	2	150U50-54	11 1/4"	HORIZONTAL BRACING

# 11-1278

Jewish Home for the Aging

1885 Victory Blvd. Reseda, CA

FM-07-109

CREATED BY: AMB

FrameMax, Inc.  
13915 Danielson St  
Suite 100  
Poway, CA 92064  
www.frame-max.com

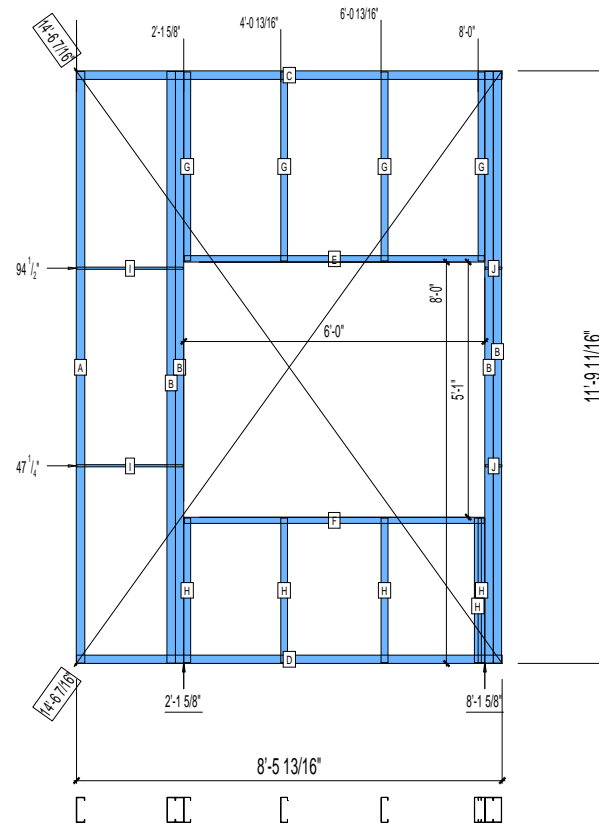


© FrameMax Inc.

HEIGHT : 11'-9 11/16"  
SPACING : 24"  
1st STUD: 24"

WEIGHTS :  
FRAME : 334 lbs

TOTAL: 334 lbs



PIECES LIST

LABEL	QTY	SIZE	LENGTH	USE
A	1	600S200-97	11'-9 1/2"	STUD
B	4	600S200-97	11'-9 1/2"	KING STUD
C	1	600T200-68	8'-5 13/16"	TOP TRACK
D	1	600T200-68	8'-5 13/16"	BOTTOM TRACK
E	1	600T150-54	5'-11 3/4"	HEAD TRACK
F	1	600T150-54	5'-11 3/4"	SILL
G	4	600S162-54	3'-9 1/4"	CRIPPLE
H	5	600S162-54	2'-10 9/16"	CRIPPLE
I	2	150U50-54	2'-1 7/16"	HORIZONTAL BRACING
J	2	150U50-54	3 15/16"	HORIZONTAL BRACING

# 11-1279

Jewish Home for the Aging

1885 Victory Blvd. Reseda, CA

FrameMax, Inc.  
13915 Danielson St  
Suite 100  
Poway, CA 92064  
www.framemax.com



© FrameMax Inc.

CREATED: 09/17/2008

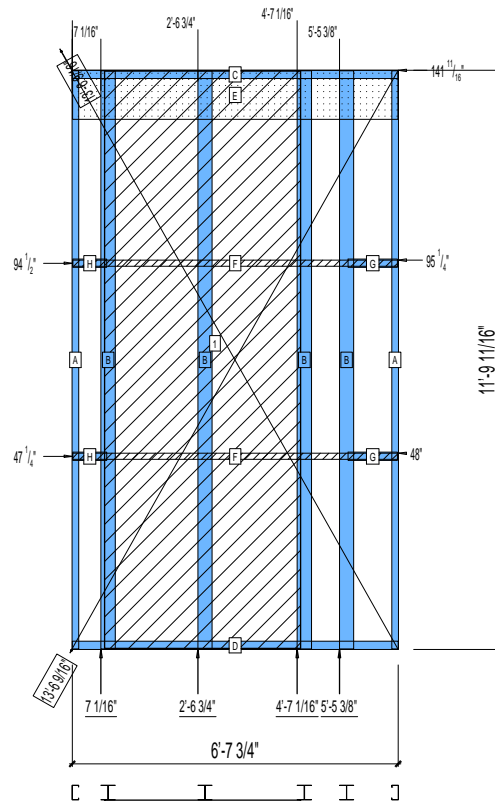
FM-07-109

CREATED BY: AMB

HEIGHT : 11'-9 11/16"  
SPACING : 24"  
1st STUD: 24"

WEIGHTS :  
FRAME : 345 lbs  
SHEATHING: 173 lbs

-----  
TOTAL: 518 lbs



PIECES LIST

LABEL	QTY	SIZE	LENGTH	USE
A	2	362S162-54	11'-9 1/2"	STUD
B	4	363i350p554	11'-9 1/2"	PACO. COLUMN
C	1	362T200-68	6'-7 3/4"	TOP TRACK
D	1	362T200-68	6'-7 3/4"	BOTTOM TRACK
E	1	1200D-54	6'-7 9/16"	STRAP
F	2	150D-43	6'-7 9/16"	STRAP
G	2	362T200-68	1'-0 1/16"	BLOCK
H	2	362T200-68	8 1/4"	BLOCK

SHEATHING

LABEL	QTY	CODE	THICK	SIZE	SCREWS
1	1	SB-DENSGLOSS	1/2"	3'-11 15/16" X	11'-9 1/4" 2 - 12

# 11-1280

Jewish Home for the Aging

1885 Victory Blvd. Reseda, CA

FM-07-109

CREATED BY: AMB

FrameMax, Inc.  
13915 Danielson St  
Suite 100  
Poway, CA 92064  
www.framemax.com

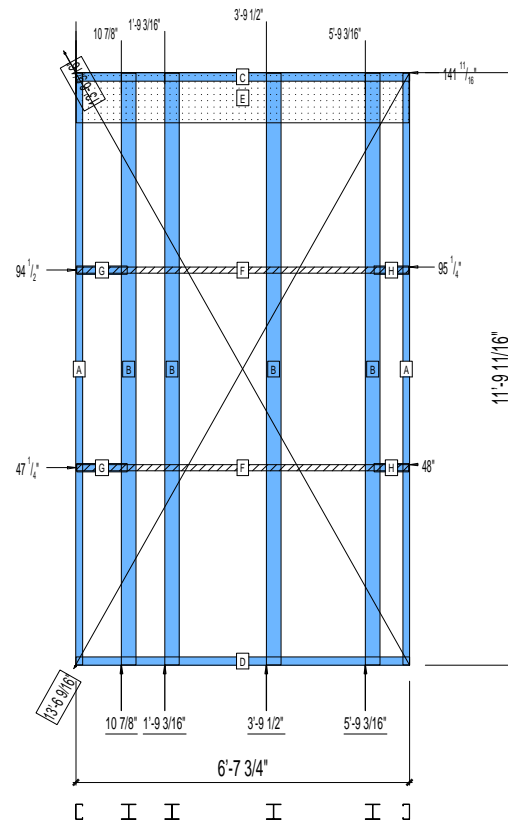


© FrameMax Inc.

HEIGHT : 11'-9 11/16"  
SPACING : 24"  
1st STUD: 24"

WEIGHTS :  
FRAME : 345 lbs

TOTAL: 345 lbs



PIECES LIST

LABEL	QTY	SIZE	LENGTH	USE
A	2	362S162-54	11'-9 1/2"	STUD
B	4	363i350p554	11'-9 1/2"	PACO.COLUMN
C	1	362T200-68	6'-7 3/4"	TOP TRACK
D	1	362T200-68	6'-7 3/4"	BOTTOM TRACK
E	1	1200D-54	6'-7 9/16"	STRAP
F	2	150D-43	6'-7 9/16"	STRAP
G	2	362T200-68	1'-0 1/16"	BLOCK
H	2	362T200-68	8 1/4"	BLOCK

# 11-1281

Jewish Home for the Aging

1885 Victory Blvd. Reseda, CA

FrameMax, Inc.  
13915 Danielson St  
Suite 100  
Poway, CA 92064  
www.frame-max.com



© FrameMax Inc.

CREATED: 09/17/2008

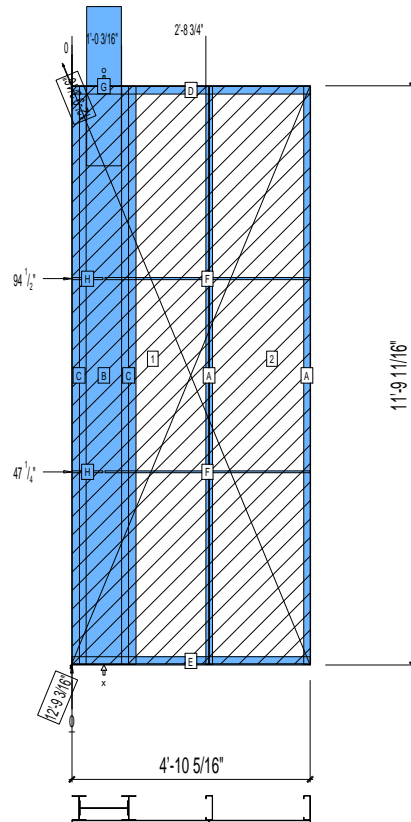
FM-07-109

CREATED BY: AMB

HEIGHT : 11'-9 11/16"  
SPACING : 24"  
1st STUD: 16"

WEIGHTS :  
FRAME : 574 lbs  
SHEATHING: 211 lbs

-----  
TOTAL: 785 lbs



PIECES LIST

LABEL	QTY	SIZE	LENGTH	USE
A	2	600S162-68	11'-9 1/2"	STUD
B	1	1200i350p1420	11'-9 1/2"	PACO
C	2	600i350p968	11'-9 1/2"	PACO
D	1	600T200-68	4'-10 5/16"	TOP TRACK
E	1	600T200-68	4'-10 5/16"	BOTTOM TRACK
F	2	150U50-54	4'-2 1/8"	HORIZONTAL BRACING
G	1	F	3'-3"	HOLDDOWN
H	2	150U50-54	7 1/2"	HORIZONTAL BRACING

SHEATHING

LABEL	QTY	CODE	THICK	SIZE	SCREWS
1	1	SB-DENSGLOSS	1/2"	2'-9 9/16" X 11'-9 1/4"	2 - 12
2	1	SB-DENSGLOSS	1/2"	2'-0 3/4" X 11'-9 1/4"	2 - 12

# 11-1282

Jewish Home for the Aging

1885 Victory Blvd. Reseda, CA

FrameMax, Inc.  
13915 Danielson St  
Suite 100  
Poway, CA 92064  
www.frame-max.com



© FrameMax Inc.

CREATED: 09/17/2008

FM-07-109

CREATED BY: AMB

HEIGHT : 11'-9 11/16"

SPACING : 24"

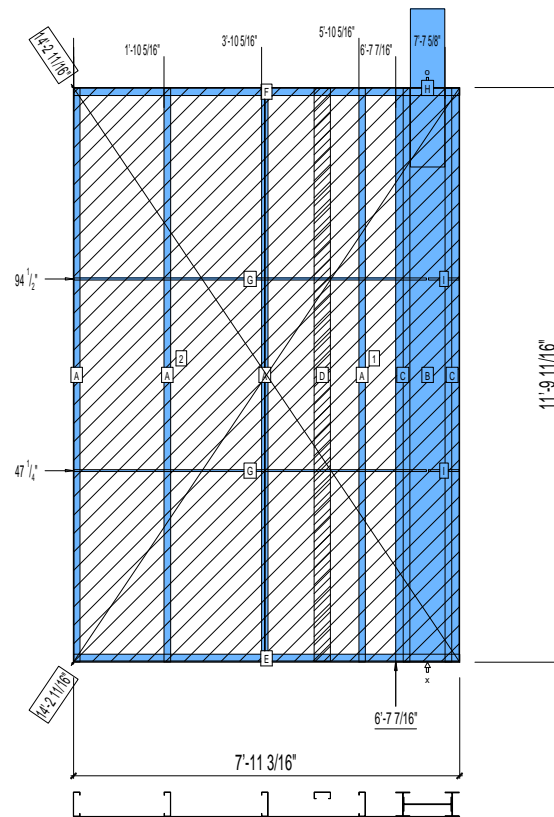
1st STUD: 24"

WEIGHTS :

FRAME : 658 lbs

SHEATHING: 343 lbs

-----  
TOTAL: 1001 lbs



PIECES LIST

LABEL	QTY	SIZE	LENGTH	USE
A	4	600S162-68	11'-9 1/2"	STUD
B	1	1200i350p1420	11'-9 1/2"	PACO
C	2	600i350p968	11'-9 1/2"	PACO
D	1	400S162-33	11'-9 1/4"	BACKER-U
E	1	600T200-68	7'-11 3/16"	BOTTOM TRACK
F	1	600T200-68	7'-11 3/16"	TOP TRACK
G	2	150U50-54	7'-2 15/16"	HORIZONTAL BRACING
H	1	F	3'-3"	HOLDDOWN
I	2	150U50-54	7 9/16"	HORIZONTAL BRACING

SHEATHING

LABEL	QTY	CODE	THICK	SIZE	SCREWS
1	1	SB-DENSGLOSS	1/2"	4'-0" X 11'-9 1/4"	2-12
2	1	SB-DENSGLOSS	1/2"	3'-11 1/16" X 11'-9 1/4"	2-12

# 11-6025

Jewish Home for the Aging

1885 Victory Blvd. Reseda, CA

FM-07-109

CREATED BY: AMB

FrameMax, Inc.  
13915 Danielson St  
Suite 100  
Poway, CA 92064  
www.frame-max.com

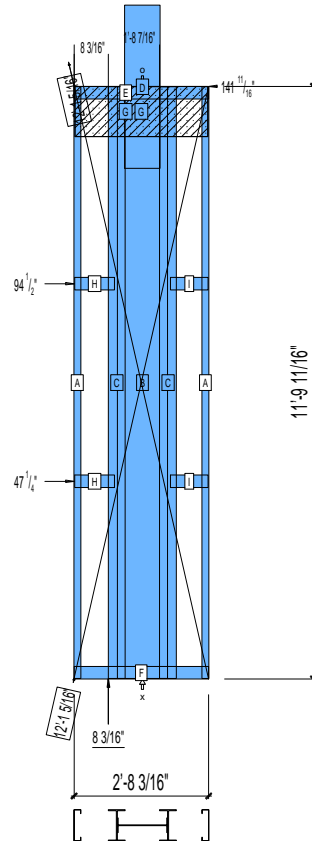


© FrameMax Inc.

HEIGHT : 11'-9 11/16"  
SPACING : 24"  
1st STUD: 24"

WEIGHTS :  
FRAME : 655 lbs

-----  
TOTAL: 655 lbs



PIECES LIST

LABEL	QTY	SIZE	LENGTH	USE
A	2	750S162-54	11'-9 1/2"	STUD
B	1	1200i350p1420	11'-9 1/2"	PACO
C	2	750i400p1268	11'-9 1/2"	PACO
D	1	F	3'-3"	HOLDDOWN
E	1	750T300-68	2'-8 3/16"	TOP TRACK
F	1	750T300-68	2'-8 3/16"	BOTTOM TRACK
G	2	1200D-54	2'-7 3/4"	STRAP
H	2	750T300-68	9 1/2"	BLOCK
I	2	750T300-68	9"	BLOCK



# 11-6027

Jewish Home for the Aging

1885 Victory Blvd. Reseda, CA

FM-07-109

CREATED BY: AMB

FrameMax, Inc.  
13915 Danielson St  
Suite 100  
Poway, CA 92064  
www.frame-max.com

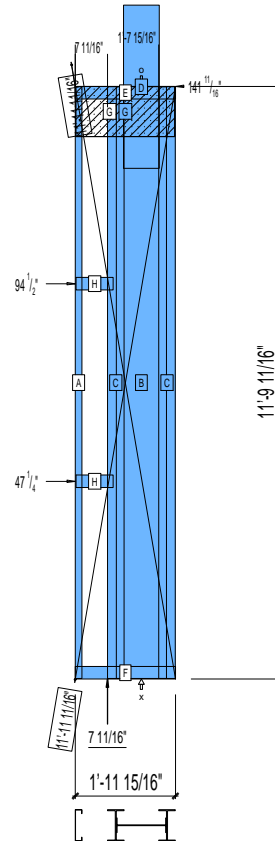


© FrameMax Inc.

HEIGHT : 11'-9 11/16"  
SPACING : 24"  
1st STUD: 24"

WEIGHTS :  
FRAME : 615 lbs

-----  
TOTAL: 615 lbs



PIECES LIST

LABEL	QTY	SIZE	LENGTH	USE
A	1	750S162-54	11'-9 1/2"	STUD
B	1	1200i350p1420	11'-9 1/2"	PACO
C	2	750i400p1268	11'-9 1/2"	PACO
D	1	F	3'-3"	HOLDDOWN
E	1	750T300-68	1'-11 15/16"	TOP TRACK
F	1	750T300-68	1'-11 15/16"	BOTTOM TRACK
G	2	1200D-54	1'-11 11/16"	STRAP
H	2	750T300-68	8 7/8"	BLOCK

# 11-6028

Jewish Home for the Aging

1885 Victory Blvd. Reseda, CA

FM-07-109

CREATED BY: AMB

FrameMax, Inc.  
13915 Danielson St  
Suite 100  
Poway, CA 92064  
www.frame-max.com

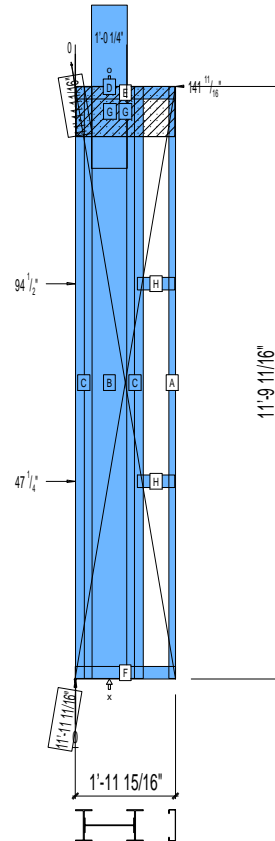


© FrameMax Inc.

HEIGHT : 11'-9 11/16"  
SPACING : 24"  
1st STUD: 24"

WEIGHTS :  
FRAME : 615 lbs

TOTAL: 615 lbs



PIECES LIST

LABEL	QTY	SIZE	LENGTH	USE
A	1	750S162-54	11'-9 1/2"	STUD
B	1	1200i350p1420	11'-9 1/2"	PACO
C	2	750i400p1268	11'-9 1/2"	PACO
D	1	F	3'-3"	HOLDDOWN
E	1	750T300-68	1'-11 15/16"	TOP TRACK
F	1	750T300-68	1'-11 15/16"	BOTTOM TRACK
G	2	1200D-54	1'-11 11/16"	STRAP
H	2	750T300-68	8 7/8"	BLOCK

# 11-6029

Jewish Home for the Aging

1885 Victory Blvd. Reseda, CA

FM-07-109

CREATED BY: AMB

FrameMax, Inc.  
13915 Danielson St  
Suite 100  
Poway, CA 92064  
www.frame-max.com

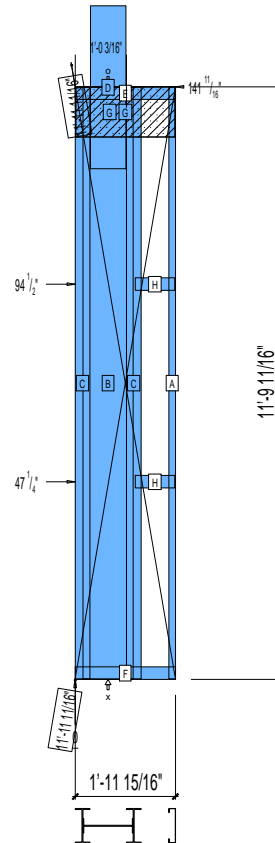


© FrameMax Inc.

HEIGHT : 11'-9 11/16"  
SPACING : 24"  
1st STUD: 24"

WEIGHTS :  
FRAME : 612 lbs

-----  
TOTAL: 612 lbs



PIECES LIST			
LABEL	QTY	SIZE	LENGTH USE
A	1	825S162-54	11'-9 1/2" STUD
B	1	1200i350p1420	11'-9 1/2" PACO
C	2	825i350p1247	11'-9 1/2" PACO
D	1	F	3'-3" HOLDDOWN
E	1	825T300-68	1'-11 15/16" TOP TRACK
F	1	825T300-68	1'-11 15/16" BOTTOM TRACK
G	2	1200D-54	1'-11 3/4" STRAP
H	2	825T300-54	9 7/16" BLOCK

# 11-6030

Jewish Home for the Aging

1885 Victory Blvd. Reseda, CA

FM-07-109

CREATED BY: AMB

FrameMax, Inc.  
13915 Danielson St  
Suite 100  
Poway, CA 92064  
www.frame-max.com

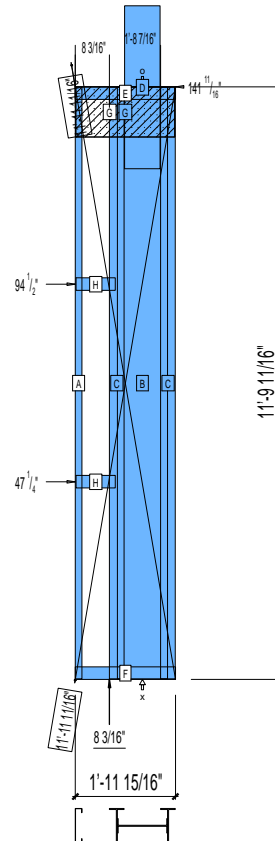


© FrameMax Inc.

HEIGHT : 11'-9 11/16"  
SPACING : 24"  
1st STUD: 24"

WEIGHTS :  
FRAME : 612 lbs

-----  
TOTAL: 612 lbs



PIECES LIST

LABEL	QTY	SIZE	LENGTH	USE
A	1	825S162-54	11'-9 1/2"	STUD
B	1	1200i350p1420	11'-9 1/2"	PACO
C	2	825i350p1247	11'-9 1/2"	PACO
D	1	F	3'-3"	HOLDDOWN
E	1	825T300-68	1'-11 15/16"	TOP TRACK
F	1	825T300-68	1'-11 15/16"	BOTTOM TRACK
G	2	1200D-54	1'-11 11/16"	STRAP
H	2	825T300-54	9 3/8"	BLOCK

# 11-6031

Jewish Home for the Aging

1885 Victory Blvd. Reseda, CA

FM-07-109

CREATED BY: AMB

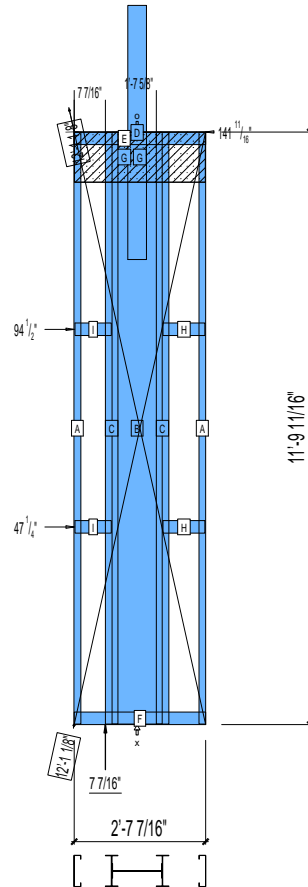
FrameMax, Inc.  
13915 Danielson St  
Suite 100  
Poway, CA 92064  
www.frame-max.com



© FrameMax Inc.

HEIGHT : 11'-9 11/16"  
SPACING : 24"  
1st STUD: 24"

WEIGHTS :  
FRAME : 424 lbs  
-----  
TOTAL: 424 lbs



PIECES LIST

LABEL	QTY	SIZE	LENGTH	USE
A	2	750S162-54	11'-9 1/2"	STUD
B	1	1200i350p1062	11'-9 1/2"	PACO
C	2	750i300p706	11'-9 1/2"	PACO
D	1	D	5'-0 3/4"	HOLDDOWN
E	1	750T300-68	2'-7 7/16"	TOP TRACK
F	1	750T300-68	2'-7 7/16"	BOTTOM TRACK
G	2	1200D-54	2'-7 1/4"	STRAP
H	2	750T300-68	10"	BLOCK
I	2	750T300-68	8 11/16"	BLOCK

# 11-6032

Jewish Home for the Aging

1885 Victory Blvd. Reseda, CA

FM-07-109

CREATED BY: AMB

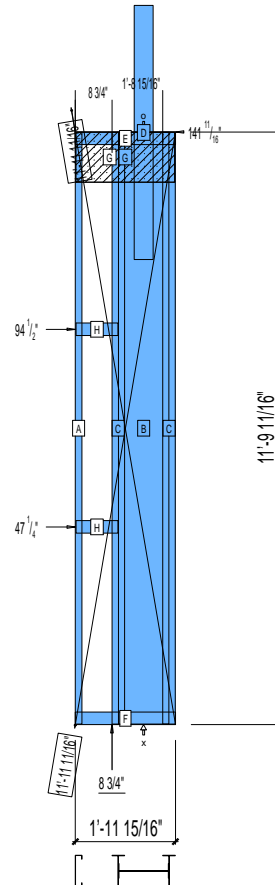
FrameMax, Inc.  
13915 Danielson St  
Suite 100  
Poway, CA 92064  
www.frame-max.com



© FrameMax Inc.

HEIGHT : 11'-9 11/16"  
SPACING : 24"  
1st STUD: 24"

WEIGHTS :  
FRAME : 386 lbs  
-----  
TOTAL: 386 lbs



PIECES LIST

LABEL	QTY	SIZE	LENGTH	USE
A	1	750S162-54	11'-9 1/2"	STUD
B	1	1200i350p1062	11'-9 1/2"	PACO
C	2	750i300p706	11'-9 1/2"	PACO
D	1	D	5'-0 3/4"	HOLDDOWN
E	1	750T300-68	1'-11 15/16"	TOP TRACK
F	1	750T300-68	1'-11 15/16"	BOTTOM TRACK
G	2	1200D-54	1'-11 11/16"	STRAP
H	2	750T300-68	9 15/16"	BLOCK

# 11-6033

Jewish Home for the Aging

1885 Victory Blvd. Reseda, CA

FM-07-109

CREATED BY: AMB

FrameMax, Inc.  
13915 Danielson St  
Suite 100  
Poway, CA 92064  
www.frame-max.com

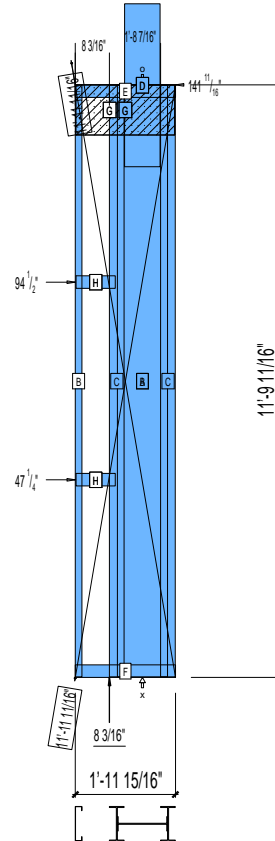


© FrameMax Inc.

HEIGHT : 11'-9 11/16"  
SPACING : 24"  
1st STUD: 24"

WEIGHTS :  
FRAME : 612 lbs

-----  
TOTAL: 612 lbs



PIECES LIST

LABEL	QTY	SIZE	LENGTH	USE
A	1	1200i350p1420	11'-9 1/2"	PACO
B	1	825S162-54	11'-9 1/2"	STUD
C	2	825i350p1247	11'-9 1/2"	PACO
D	1	F	3'-3"	HOLDDOWN
E	1	825T300-68	1'-11 15/16"	TOP TRACK
F	1	825T300-68	1'-11 15/16"	BOTTOM TRACK
G	2	1200D-54	1'-11 11/16"	STRAP
H	2	825T300-54	9 3/8"	BLOCK

# 11-6034

Jewish Home for the Aging

1885 Victory Blvd. Reseda, CA

FM-07-109

CREATED BY: AMB

FrameMax, Inc.  
13915 Danielson St  
Suite 100  
Poway, CA 92064  
www.frame-max.com

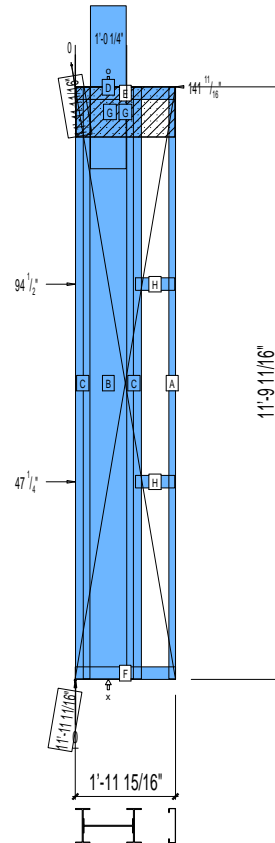


© FrameMax Inc.

HEIGHT : 11'-9 11/16"  
SPACING : 24"  
1st STUD: 24"

WEIGHTS :  
FRAME : 612 lbs

-----  
TOTAL: 612 lbs



PIECES LIST

LABEL	QTY	SIZE	LENGTH	USE
A	1	825S162-54	11'-9 1/2"	STUD
B	1	1200i350p1420	11'-9 1/2"	PACO
C	2	825i350p1247	11'-9 1/2"	PACO
D	1	F	3'-3"	HOLDDOWN
E	1	825T300-68	1'-11 15/16"	TOP TRACK
F	1	825T300-68	1'-11 15/16"	BOTTOM TRACK
G	2	1200D-54	1'-11 11/16"	STRAP
H	2	825T300-54	9 3/8"	BLOCK

# 11-6035

Jewish Home for the Aging

1885 Victory Blvd. Reseda, CA

FM-07-109

CREATED BY: AMB

FrameMax, Inc.  
13915 Danielson St  
Suite 100  
Poway, CA 92064  
www.frame-max.com

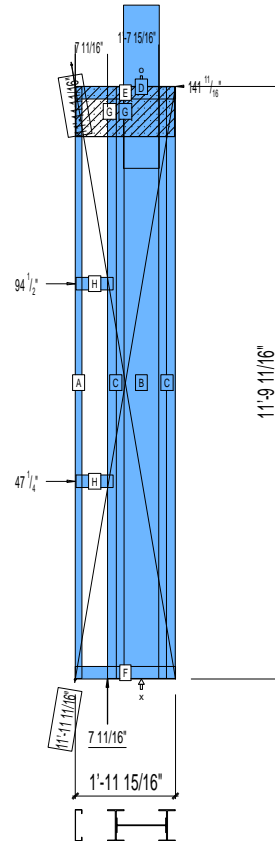


© FrameMax Inc.

HEIGHT : 11'-9 11/16"  
SPACING : 24"  
1st STUD: 24"

WEIGHTS :  
FRAME : 615 lbs

-----  
TOTAL: 615 lbs



PIECES LIST

LABEL	QTY	SIZE	LENGTH	USE
A	1	750S162-54	11'-9 1/2"	STUD
B	1	1200i350p1420	11'-9 1/2"	PACO
C	2	750i400p1268	11'-9 1/2"	PACO
D	1	F	3'-3"	HOLDDOWN
E	1	750T300-68	1'-11 15/16"	TOP TRACK
F	1	750T300-68	1'-11 15/16"	BOTTOM TRACK
G	2	1200D-54	1'-11 11/16"	STRAP
H	2	750T300-68	8 7/8"	BLOCK

# 11-6036

Jewish Home for the Aging

1885 Victory Blvd. Reseda, CA

FM-07-109

CREATED BY: AMB

FrameMax, Inc.  
13915 Danielson St  
Suite 100  
Poway, CA 92064  
www.frame-max.com

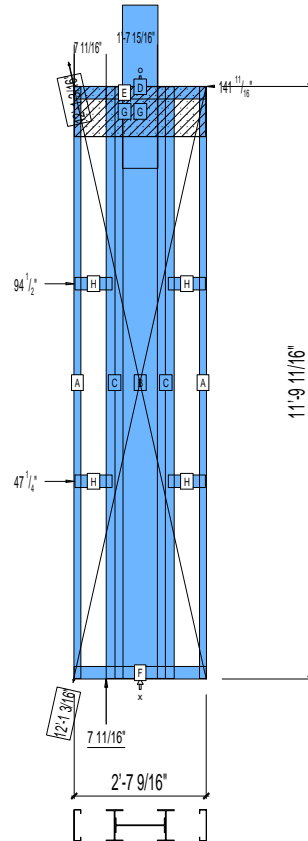


© FrameMax Inc.

HEIGHT : 11'-9 11/16"  
SPACING : 24"  
1st STUD: 24"

WEIGHTS :  
FRAME : 654 lbs

-----  
TOTAL: 654 lbs



PIECES LIST			
LABEL	QTY	SIZE	LENGTH USE
A	2	750S162-54	11'-9 1/2" STUD
B	1	1200i350p1420	11'-9 1/2" PACO
C	2	750i400p1268	11'-9 1/2" PACO
D	1	F	3'-3" HOLDDOWN
E	1	750T300-68	2'-7 9/16" TOP TRACK
F	1	750T300-68	2'-7 9/16" BOTTOM TRACK
G	2	1200D-54	2'-7 3/8" STRAP
H	4	750T300-68	8 7/8" BLOCK

# 11-6037

Jewish Home for the Aging

1885 Victory Blvd. Reseda, CA

FM-07-109

CREATED BY: AMB

FrameMax, Inc.  
13915 Danielson St  
Suite 100  
Poway, CA 92064  
www.frame-max.com

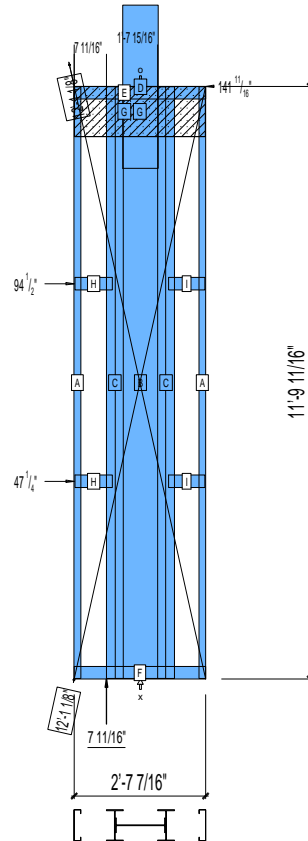


© FrameMax Inc.

HEIGHT : 11'-9 11/16"  
SPACING : 24"  
1st STUD: 24"

WEIGHTS :  
FRAME : 654 lbs

-----  
TOTAL: 654 lbs



PIECES LIST

LABEL	QTY	SIZE	LENGTH	USE
A	2	750S162-54	11'-9 1/2"	STUD
B	1	1200i350p1420	11'-9 1/2"	PACO
C	2	750i400p1268	11'-9 1/2"	PACO
D	1	F	3'-3"	HOLDDOWN
E	1	750T300-68	2'-7 7/16"	TOP TRACK
F	1	750T300-68	2'-7 7/16"	BOTTOM TRACK
G	2	1200D-54	2'-7 1/4"	STRAP
H	2	750T300-68	8 15/16"	BLOCK
I	2	750T300-68	8 11/16"	BLOCK



# 11-6039

Jewish Home for the Aging

1885 Victory Blvd. Reseda, CA

FM-07-109

CREATED BY: AMB

FrameMax, Inc.  
13915 Danielson St  
Suite 100  
Poway, CA 92064  
www.frame-max.com

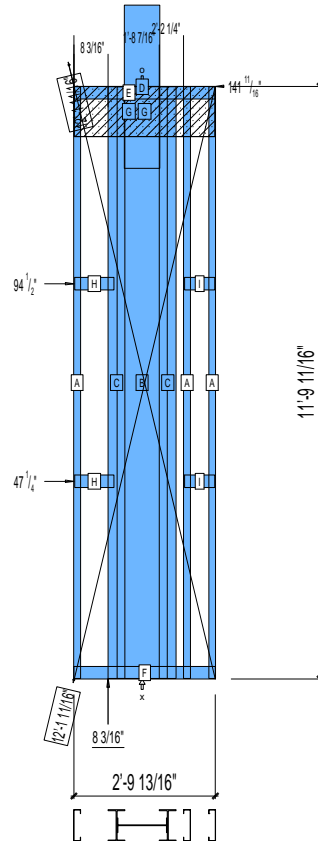


© FrameMax Inc.

HEIGHT : 11'-9 11/16"  
SPACING : 24"  
1st STUD: 24"

WEIGHTS :  
FRAME : 682 lbs

TOTAL: 682 lbs



PIECES LIST

LABEL	QTY	SIZE	LENGTH	USE
A	3	750S162-54	11'-9 1/2"	STUD
B	1	1200i350p1420	11'-9 1/2"	PACO
C	2	750i400p1268	11'-9 1/2"	PACO
D	1	F	3'-3"	HOLDDOWN
E	1	750T300-68	2'-9 13/16"	TOP TRACK
F	1	750T300-68	2'-9 13/16"	BOTTOM TRACK
G	2	1200D-54	2'-9 11/16"	STRAP
H	2	750T300-68	9 7/16"	BLOCK
I	2	750T300-68	7 3/16"	BLOCK





# 11-6042

Jewish Home for the Aging

1885 Victory Blvd. Reseda, CA

FM-07-109

CREATED BY: AMB

FrameMax, Inc.  
13915 Danielson St  
Suite 100  
Poway, CA 92064  
www.frame-max.com

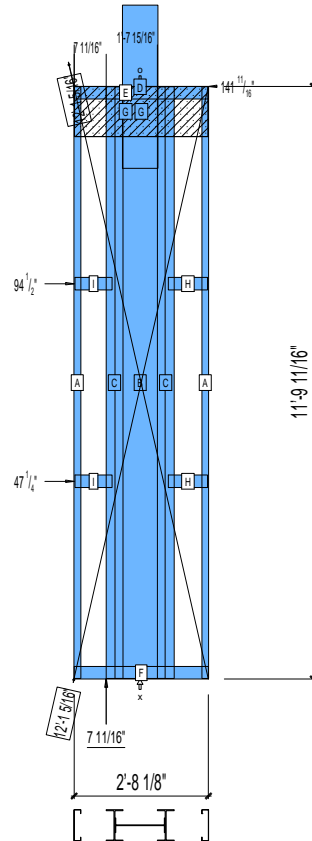


© FrameMax Inc.

HEIGHT : 11'-9 11/16"  
SPACING : 24"  
1st STUD: 24"

WEIGHTS :  
FRAME : 655 lbs

TOTAL: 655 lbs



PIECES LIST

LABEL	QTY	SIZE	LENGTH	USE
A	2	750S162-54	11'-9 1/2"	STUD
B	1	1200i350p1420	11'-9 1/2"	PACO
C	2	750i400p1268	11'-9 1/2"	PACO
D	1	F	3'-3"	HOLDDOWN
E	1	750T300-68	2'-8 1/8"	TOP TRACK
F	1	750T300-68	2'-8 1/8"	BOTTOM TRACK
G	2	1200D-54	2'-7 15/16"	STRAP
H	2	750T300-68	9 7/16"	BLOCK
I	2	750T300-68	8 7/8"	BLOCK

# 11-6043

Jewish Home for the Aging

1885 Victory Blvd. Reseda, CA

FM-07-109

CREATED BY: AMB

FrameMax, Inc.  
13915 Danielson St  
Suite 100  
Poway, CA 92064  
www.framemax.com

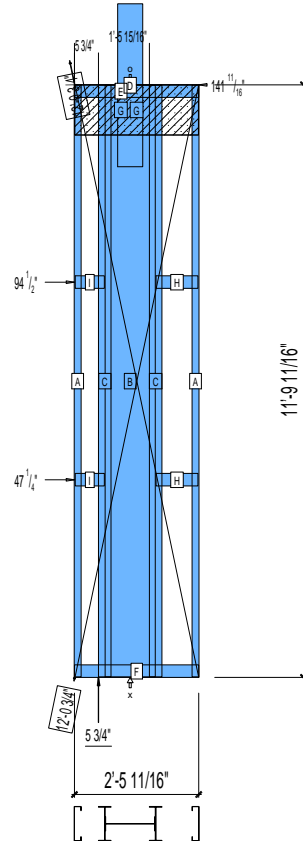


© FrameMax Inc.

HEIGHT : 11'-9 11/16"  
SPACING : 24"  
1st STUD: 24"

WEIGHTS :  
FRAME : 445 lbs

-----  
TOTAL: 445 lbs



PIECES LIST

LABEL	QTY	SIZE	LENGTH	USE
A	2	825S162-54	11'-9 1/2"	STUD
B	1	1200i350p1062	11'-9 1/2"	PACO
C	2	825i300p746	11'-9 1/2"	PACO
D	1	E	3'-3"	HOLDDOWN
E	1	825T300-68	2'-5 11/16"	TOP TRACK
F	1	825T300-68	2'-5 11/16"	BOTTOM TRACK
G	2	1200D-54	2'-5 9/16"	STRAP
H	2	825T300-54	10"	BLOCK
I	2	825T300-54	7"	BLOCK

# 11-6044

Jewish Home for the Aging

1885 Victory Blvd. Reseda, CA

FM-07-109

CREATED BY: AMB

FrameMax, Inc.  
13915 Danielson St  
Suite 100  
Poway, CA 92064  
www.frame-max.com

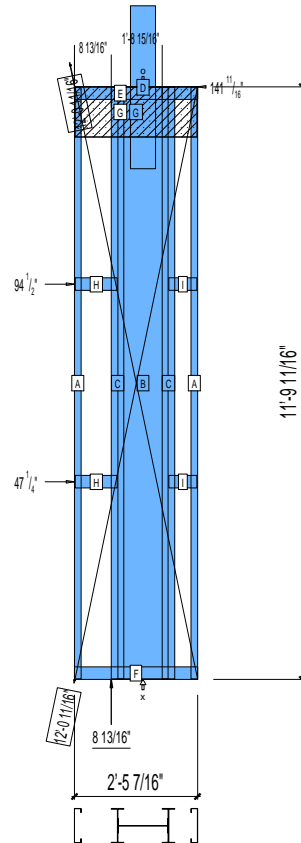


© FrameMax Inc.

HEIGHT : 11'-9 11/16"  
SPACING : 24"  
1st STUD: 24"

WEIGHTS :  
FRAME : 445 lbs

-----  
TOTAL: 445 lbs



PIECES LIST

LABEL	QTY	SIZE	LENGTH	USE
A	2	825S162-54	11'-9 1/2"	STUD
B	1	1200i350p1062	11'-9 1/2"	PACO
C	2	825i300p746	11'-9 1/2"	PACO
D	1	E	3'-3"	HOLDDOWN
E	1	825T300-68	2'-5 7/16"	TOP TRACK
F	1	825T300-68	2'-5 7/16"	BOTTOM TRACK
G	2	1200D-54	2'-5 1/4"	STRAP
H	2	825T300-54	10"	BLOCK
I	2	825T300-54	6 11/16"	BLOCK

# 11-6045

Jewish Home for the Aging

1885 Victory Blvd. Reseda, CA

FM-07-109

CREATED BY: AMB

FrameMax, Inc.  
13915 Danielson St  
Suite 100  
Poway, CA 92064  
www.framemax.com

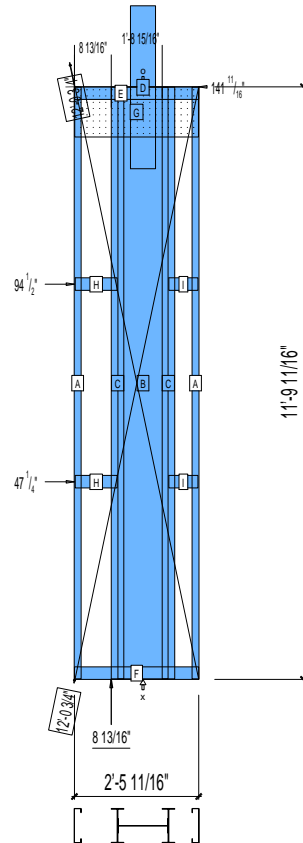


© FrameMax Inc.

HEIGHT : 11'-9 11/16"  
SPACING : 24"  
1st STUD: 24"

WEIGHTS :  
FRAME : 439 lbs

TOTAL: 439 lbs



PIECES LIST

LABEL	QTY	SIZE	LENGTH	USE
A	2	825S162-54	11'-9 1/2"	STUD
B	1	1200i350p1062	11'-9 1/2"	PACO
C	2	825i300p746	11'-9 1/2"	PACO
D	1	E	3'-3"	HOLDDOWN
E	1	825T300-68	2'-5 11/16"	TOP TRACK
F	1	825T300-68	2'-5 11/16"	BOTTOM TRACK
G	1	1200D-54	2'-5 9/16"	STRAP
H	2	825T300-54	10"	BLOCK
I	2	825T300-54	7"	BLOCK

# 11-6046

Jewish Home for the Aging

1885 Victory Blvd. Reseda, CA

FM-07-109

CREATED BY: AMB

FrameMax, Inc.  
13915 Danielson St  
Suite 100  
Poway, CA 92064  
www.frame-max.com

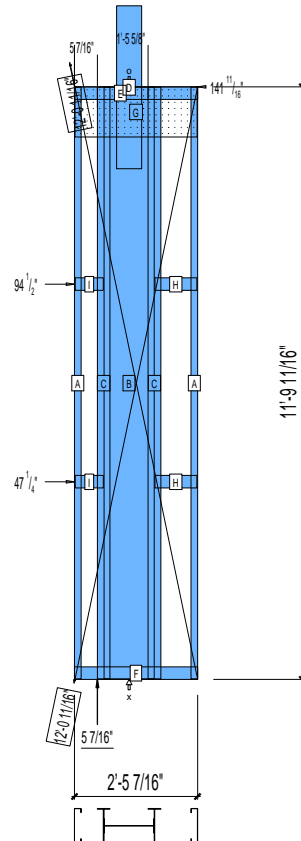


© FrameMax Inc.

HEIGHT : 11'-9 11/16"  
SPACING : 24"  
1st STUD: 24"

WEIGHTS :  
FRAME : 439 lbs

TOTAL: 439 lbs



PIECES LIST

LABEL	QTY	SIZE	LENGTH	USE
A	2	825S162-54	11'-9 1/2"	STUD
B	1	1200i350p1062	11'-9 1/2"	PACO
C	2	825i300p746	11'-9 1/2"	PACO
D	1	E	3'-3"	HOLDDOWN
E	1	825T300-68	2'-5 7/16"	TOP TRACK
F	1	825T300-68	2'-5 7/16"	BOTTOM TRACK
G	1	1200D-54	2'-5 1/4"	STRAP
H	2	825T300-54	10"	BLOCK
I	2	825T300-54	6 11/16"	BLOCK



# 11-6048

Jewish Home for the Aging

1885 Victory Blvd. Reseda, CA

FM-07-109

CREATED BY: AMB

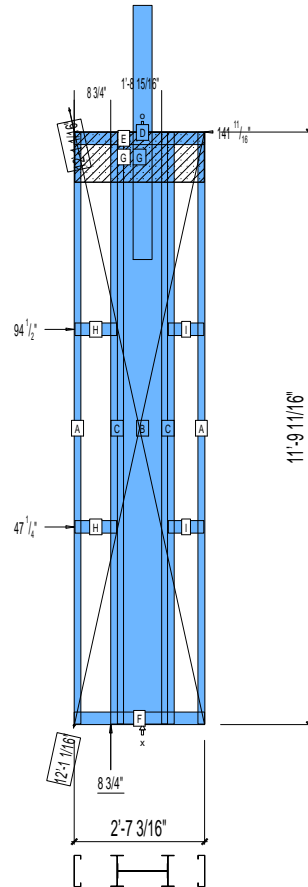
FrameMax, Inc.  
13915 Danielson St  
Suite 100  
Poway, CA 92064  
www.frame-max.com



© FrameMax Inc.

HEIGHT : 11'-9 11/16"  
SPACING : 24"  
1st STUD: 24"

WEIGHTS :  
FRAME : 424 lbs  
-----  
TOTAL: 424 lbs



PIECES LIST

LABEL	QTY	SIZE	LENGTH	USE
A	2	750S162-54	11'-9 1/2"	STUD
B	1	1200i350p1062	11'-9 1/2"	PACO
C	2	750i300p706	11'-9 1/2"	PACO
D	1	D	5'-0 3/4"	HOLDDOWN
E	1	750T300-68	2'-7 3/16"	TOP TRACK
F	1	750T300-68	2'-7 3/16"	BOTTOM TRACK
G	2	1200D-54	2'-7"	STRAP
H	2	750T300-68	9 15/16"	BLOCK
I	2	750T300-68	8 1/2"	BLOCK

# 11-6049

Jewish Home for the Aging

1885 Victory Blvd. Reseda, CA

FM-07-109

CREATED BY: AMB

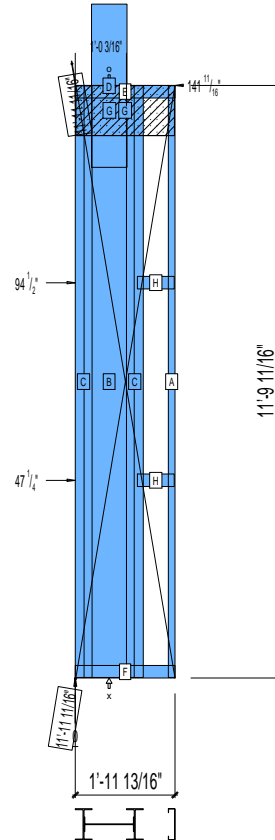
FrameMax, Inc.  
13915 Danielson St  
Suite 100  
Poway, CA 92064  
www.frame-max.com



© FrameMax Inc.

HEIGHT : 11'-9 11/16"  
SPACING : 24"  
1st STUD: 16"

WEIGHTS :  
FRAME : 615 lbs  
-----  
TOTAL: 615 lbs



PIECES LIST			
LABEL	QTY	SIZE	LENGTH USE
A	1	750S162-54	11'-9 1/2" STUD
B	1	1200i350p1420	11'-9 1/2" PACO
C	2	750i400p1268	11'-9 1/2" PACO
D	1	F	3'-3" HOLDDOWN
E	1	750T300-68	1'-11 13/16" TOP TRACK
F	1	750T300-68	1'-11 13/16" BOTTOM TRACK
G	2	1200D-54	1'-11 5/8" STRAP
H	2	750T300-68	8 13/16" BLOCK

# 11-6050

Jewish Home for the Aging

1885 Victory Blvd. Reseda, CA

FM-07-109

CREATED BY: AMB

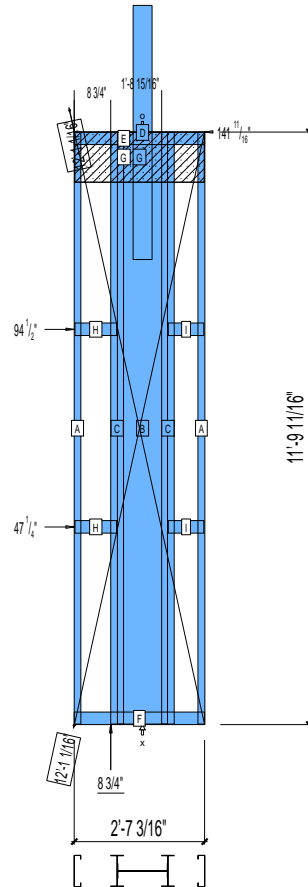
FrameMax, Inc.  
13915 Danielson St  
Suite 100  
Poway, CA 92064  
www.frame-max.com



© FrameMax Inc.

HEIGHT : 11'-9 11/16"  
SPACING : 24"  
1st STUD: 24"

WEIGHTS :  
FRAME : 424 lbs  
-----  
TOTAL: 424 lbs



PIECES LIST

LABEL	QTY	SIZE	LENGTH	USE
A	2	750S162-54	11'-9 1/2"	STUD
B	1	1200i350p1062	11'-9 1/2"	PACO
C	2	750i300p706	11'-9 1/2"	PACO
D	1	D	5'-0 3/4"	HOLDDOWN
E	1	750T300-68	2'-7 3/16"	TOP TRACK
F	1	750T300-68	2'-7 3/16"	BOTTOM TRACK
G	2	1200D-54	2'-7"	STRAP
H	2	750T300-68	9 15/16"	BLOCK
I	2	750T300-68	8 1/2"	BLOCK