

11-3001

Jewish Home for the Aging

1885 Victory Blvd. Reseda, CA

FrameMax, Inc.
13915 Danielson St
Suite 100
Poway, CA 92064
www.frame-max.com



© FrameMax Inc.

CREATED: 09/18/2008

FM-07-109

CREATED BY: AMB

HEIGHT : 10'-9 7/16"

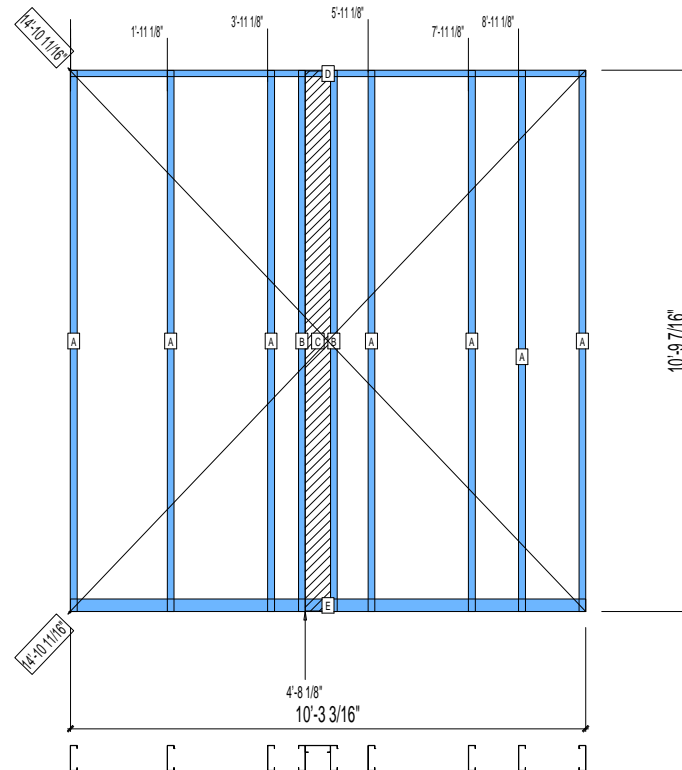
SPACING : 24"

1st STUD: 24"

WEIGHTS :

FRAME : 152 lbs

TOTAL: 152 lbs



PIECES LIST

LABEL	QTY	SIZE	LENGTH	USE
A	7	600S162-33	10'-9 3/8"	STUD
B	2	600S162-33	10'-9 3/8"	BACKER STUD
C	1	600S162-33	10'-9 1/8"	BACKER-U
D	1	600T150-33	10'-3 3/16"	TOP TRACK
E	1	600T300-33	10'-3 3/16"	BOTTOM TRACK

11-3002

Jewish Home for the Aging

1885 Victory Blvd. Reseda, CA

FrameMax, Inc.
13915 Danielson St
Suite 100
Poway, CA 92064
www.framemax.com



© FrameMax Inc.

CREATED: 09/18/2008

FM-07-109

CREATED BY: AMB

HEIGHT : 10'-9 7/16"

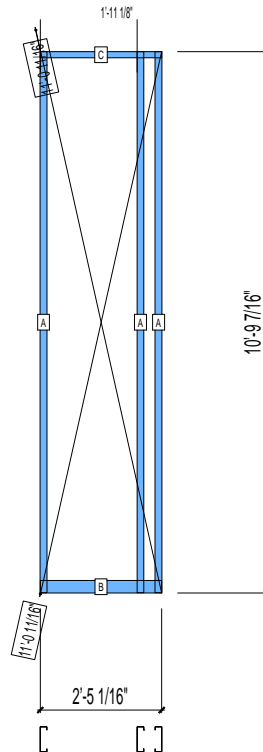
SPACING : 24"

1st STUD: 24"

WEIGHTS :

FRAME : 44 lbs

TOTAL: 44 lbs



PIECES LIST

LABEL	QTY	SIZE	LENGTH	USE
A	3	600S162-33	10'-9 3/8"	STUD
B	1	600T300-33	2'-5 1/16"	BOTTOM TRACK
C	1	600T150-33	2'-5 1/16"	TOP TRACK

11-3003

Jewish Home for the Aging

1885 Victory Blvd. Reseda, CA

FrameMax, Inc.
13915 Danielson St
Suite 100
Poway, CA 92064
www.framemax.com



© FrameMax Inc.

CREATED: 09/18/2008

FM-07-109

CREATED BY: AMB

HEIGHT : 10'-9 7/16"

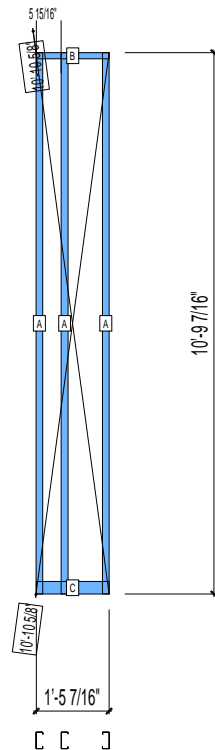
SPACING : 24"

1st STUD: 24"

WEIGHTS :

FRAME : 33 lbs

TOTAL: 33 lbs



PIECES LIST

LABEL	QTY	SIZE	LENGTH	USE
A	3	400S162-33	10'-9 3/8"	STUD
B	1	400T150-33	1'-5 7/16"	TOP TRACK
C	1	400T300-33	1'-5 7/16"	BOTTOM TRACK

11-3004

Jewish Home for the Aging

1885 Victory Blvd. Reseda, CA

FrameMax, Inc.
13915 Danielson St
Suite 100
Poway, CA 92064
www.frame-max.com



© FrameMax Inc.

CREATED: 09/18/2008

FM-07-109

CREATED BY: AMB

HEIGHT : 10'-9 7/16"

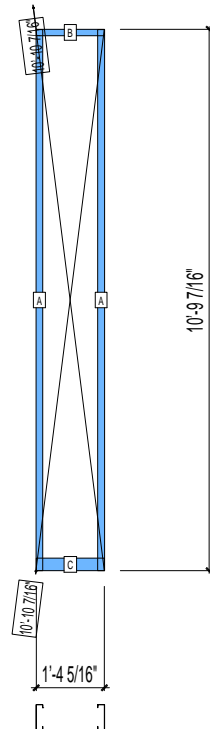
SPACING : 24"

1st STUD: 24"

WEIGHTS :

FRAME : 29 lbs

TOTAL: 29 lbs



PIECES LIST

LABEL	QTY	SIZE	LENGTH	USE
A	2	600S162-33	10'-9 3/8"	STUD
B	1	600T150-33	1'-4 5/16"	TOP TRACK
C	1	600T300-33	1'-4 5/16"	BOTTOM TRACK

11-3005

Jewish Home for the Aging

1885 Victory Blvd. Reseda, CA

FrameMax, Inc.
13915 Danielson St
Suite 100
Poway, CA 92064
www.frame-max.com



© FrameMax Inc.

CREATED: 09/18/2008

FM-07-109

CREATED BY: AMB

HEIGHT : 10'-9 7/16"

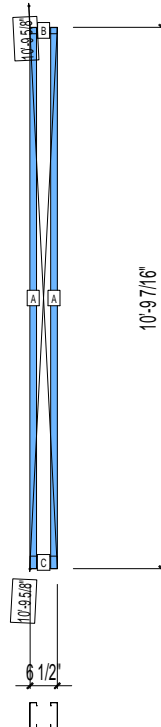
SPACING : 24"

1st STUD: 24"

WEIGHTS :

FRAME : 27 lbs

TOTAL: 27 lbs



PIECES LIST

LABEL	QTY	SIZE	LENGTH	USE
A	2	600S162-33	10'-9 3/8"	STUD
B	1	600T150-33	6 1/2"	TOP TRACK
C	1	600T300-33	6 1/2"	BOTTOM TRACK

11-3006

Jewish Home for the Aging

1885 Victory Blvd. Reseda, CA

FrameMax, Inc.
13915 Danielson St
Suite 100
Poway, CA 92064
www.framemax.com



© FrameMax Inc.

CREATED: 09/18/2008

FM-07-109

CREATED BY: AMB

HEIGHT : 10'-9 7/16"

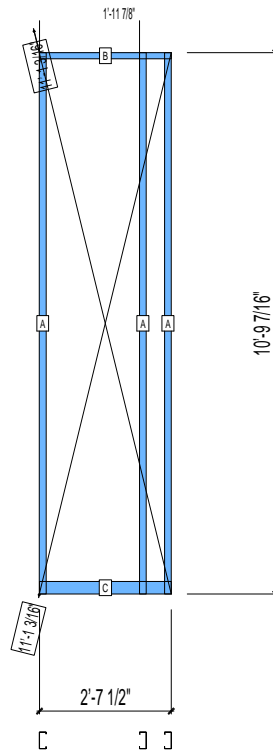
SPACING : 24"

1st STUD: 24"

WEIGHTS :

FRAME : 35 lbs

TOTAL: 35 lbs



PIECES LIST

LABEL	QTY	SIZE	LENGTH	USE
A	3	400S162-33	10'-9 3/8"	STUD
B	1	400T150-33	2'-7 1/2"	TOP TRACK
C	1	400T300-33	2'-7 1/2"	BOTTOM TRACK

11-3007

Jewish Home for the Aging

1885 Victory Blvd. Reseda, CA

FrameMax, Inc.
13915 Danielson St
Suite 100
Poway, CA 92064
www.frame-max.com



© FrameMax Inc.

CREATED: 09/18/2008

FM-07-109

CREATED BY: AMB

HEIGHT : 10'-9 7/16"

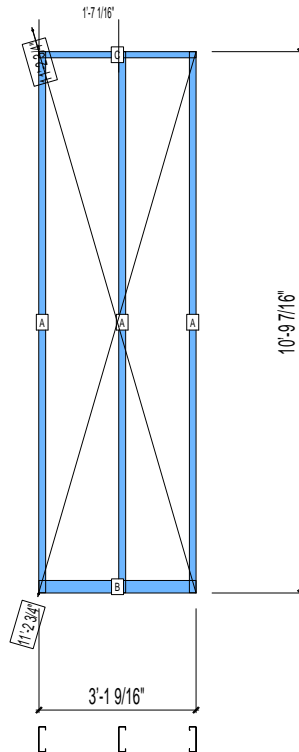
SPACING : 24"

1st STUD: 19 15/16"

WEIGHTS :

FRAME : 46 lbs

TOTAL: 46 lbs



PIECES LIST

LABEL	QTY	SIZE	LENGTH	USE
A	3	600S162-33	10'-9 3/8"	STUD
B	1	600T300-33	3'-1 9/16"	BOTTOM TRACK
C	1	600T150-33	3'-1 9/16"	TOP TRACK

11-3008

Jewish Home for the Aging

1885 Victory Blvd. Reseda, CA

FrameMax, Inc.
13915 Danielson St
Suite 100
Poway, CA 92064
www.frame-max.com



© FrameMax Inc.

CREATED: 09/18/2008

FM-07-109

CREATED BY: AMB

HEIGHT : 10'-9 7/16"

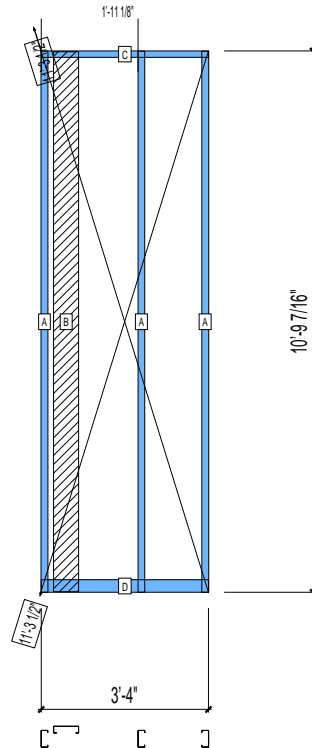
SPACING : 24"

1st STUD: 24"

WEIGHTS :

FRAME : 49 lbs

TOTAL: 49 lbs



PIECES LIST

LABEL	QTY	SIZE	LENGTH	USE
A	3	400S162-33	10'-9 3/8"	STUD
B	1	600S162-33	10'-9 1/8"	BACKER-U
C	1	400T150-33	3'-4"	TOP TRACK
D	1	400T300-33	3'-4"	BOTTOM TRACK

11-3009

Jewish Home for the Aging

1885 Victory Blvd. Reseda, CA

FM-07-109

CREATED BY: AMB

FrameMax, Inc.
13915 Danielson St
Suite 100
Poway, CA 92064
www.frame-max.com



© FrameMax Inc.

HEIGHT : 10'-9 7/16"

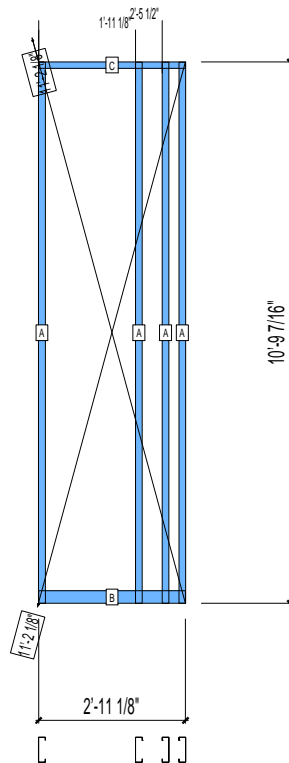
SPACING : 24"

1st STUD: 24"

WEIGHTS :

FRAME : 58 lbs

TOTAL: 58 lbs



PIECES LIST

LABEL	QTY	SIZE	LENGTH	USE
A	4	600S162-33	10'-9 3/8"	STUD
B	1	600T300-33	2'-11 1/8"	BOTTOM TRACK
C	1	600T150-33	2'-11 1/8"	TOP TRACK

11-3010

Jewish Home for the Aging

1885 Victory Blvd. Reseda, CA

FM-07-109

CREATED BY: AMB

FrameMax, Inc.
13915 Danielson St
Suite 100
Poway, CA 92064
www.framemax.com

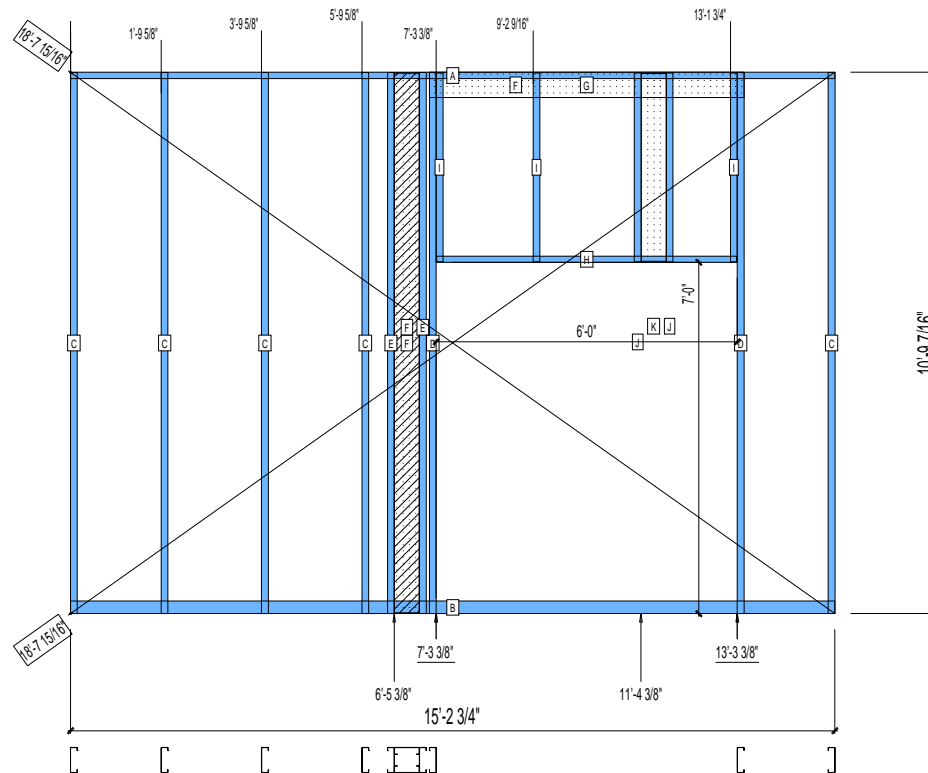


© FrameMax Inc.

HEIGHT : 10'-9 7/16"
SPACING : 24"
1st STUD: 22 1/2"

WEIGHTS :
FRAME : 216 lbs

TOTAL: 216 lbs



PIECES LIST

LABEL	QTY	SIZE	LENGTH	USE
A	1	600T150-33	15'-2 3/4"	TOP TRACK
B	1	600T300-33	15'-2 3/4"	BOTTOM TRACK
C	5	600S162-33	10'-9 3/8"	STUD
D	2	600S162-33	10'-9 3/8"	KING STUD
E	2	600S162-33	10'-9 3/8"	BACKER STUD
F	2	600S162-33	10'-9 1/8"	BACKER-U
G	1	600L150-33	6'-3 1/4"	L-HEADER
H	1	600T150-33	5'-11 3/4"	HEAD TRACK
I	3	600S162-33	3'-9 1/8"	CRIPPLE
J	2	600S162-33	3'-9 1/8"	BACKER STUD
K	1	600S162-33	3'-8 7/8"	BACKER-U

11-3011

Jewish Home for the Aging

1885 Victory Blvd. Reseda, CA

FM-07-109

CREATED BY: AMB

FrameMax, Inc.
13915 Danielson St
Suite 100
Poway, CA 92064
www.frame-max.com



© FrameMax Inc.

HEIGHT : 10'-9 7/16"

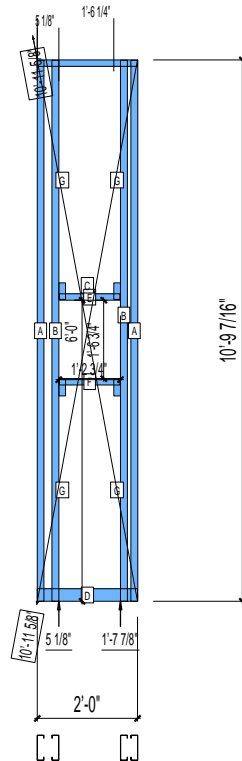
SPACING : 24"

1st STUD: 24"

WEIGHTS :

FRAME : 60 lbs

TOTAL: 60 lbs



PIECES LIST

LABEL	QTY	SIZE	LENGTH	USE
A	2	600S162-33	10'-9 3/8"	STUD
B	2	600S162-33	10'-9 3/8"	KING STUD
C	1	600T150-33	2'-0"	TOP TRACK
D	1	600T300-33	2'-0"	BOTTOM TRACK
E	1	600T150-33	1'-2 1/2"	HEAD TRACK
F	1	600T150-33	1'-2 1/2"	SILL
G	4	600S162-33	4"	CRIPPLE

11-3012

Jewish Home for the Aging

1885 Victory Blvd. Reseda, CA

FrameMax, Inc.
13915 Danielson St
Suite 100
Poway, CA 92064
www.frame-max.com



© FrameMax Inc.

CREATED: 09/18/2008

FM-07-109

CREATED BY: AMB

HEIGHT : 10'-9 7/16"

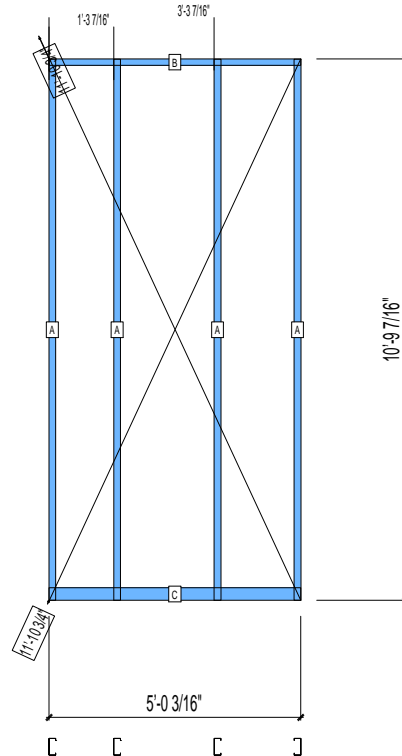
SPACING : 24"

1st STUD: 16 5/16"

WEIGHTS :

FRAME : 50 lbs

TOTAL: 50 lbs



PIECES LIST

LABEL	QTY	SIZE	LENGTH	USE
A	4	400S162-33	10'-9 3/8"	STUD
B	1	400T150-33	5'-0 3/16"	TOP TRACK
C	1	400T300-33	5'-0 3/16"	BOTTOM TRACK

11-3013

Jewish Home for the Aging

1885 Victory Blvd. Reseda, CA

FrameMax, Inc.
13915 Danielson St
Suite 100
Poway, CA 92064
www.framemax.com



© FrameMax Inc.

CREATED: 09/18/2008

FM-07-109

CREATED BY: AMB

HEIGHT : 10'-9 7/16"

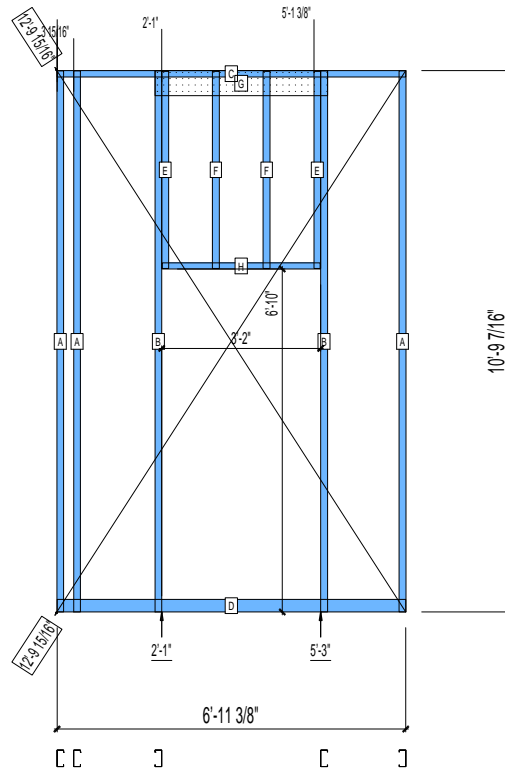
SPACING : 24"

1st STUD: 24"

WEIGHTS :

FRAME : 85 lbs

TOTAL: 85 lbs



PIECES LIST

LABEL	QTY	SIZE	LENGTH	USE
A	3	400S162-33	10'-9 3/8"	STUD
B	2	400S162-33	10'-9 3/8"	KING STUD
C	1	400T150-33	6'-11 3/8"	TOP TRACK
D	1	400T300-33	6'-11 3/8"	BOTTOM TRACK
E	2	400S162-33	3'-11 1/8"	CRIPPLE
F	2	400S162-33	3'-11 1/8"	KING STUD
G	1	600L150-33	3'-5 1/4"	L-HEADER
H	1	400T150-33	3'-1 3/4"	HEAD TRACK

11-3014

Jewish Home for the Aging

1885 Victory Blvd. Reseda, CA

FrameMax, Inc.
13915 Danielson St
Suite 100
Poway, CA 92064
www.frame-max.com



© FrameMax Inc.

CREATED: 09/18/2008

FM-07-109

CREATED BY: AMB

HEIGHT : 10'-9 7/16"

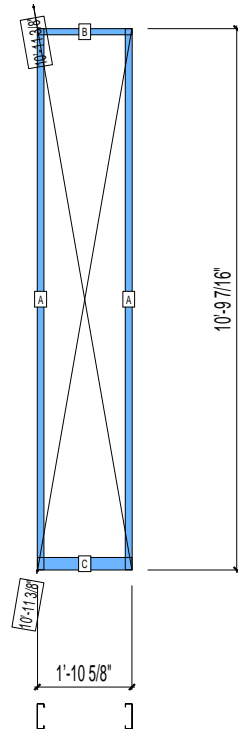
SPACING : 24"

1st STUD: 16"

WEIGHTS :

FRAME : 30 lbs

TOTAL: 30 lbs



PIECES LIST

LABEL	QTY	SIZE	LENGTH	USE
A	2	600S162-33	10'-9 3/8"	STUD
B	1	600T150-33	1'-10 5/8"	TOP TRACK
C	1	600T300-33	1'-10 5/8"	BOTTOM TRACK

11-3015

Jewish Home for the Aging

1885 Victory Blvd. Reseda, CA

FM-07-109

CREATED BY: AMB

FrameMax, Inc.
13915 Danielson St
Suite 100
Poway, CA 92064
www.frame-max.com



© FrameMax Inc.

HEIGHT : 2'-11 1/2"

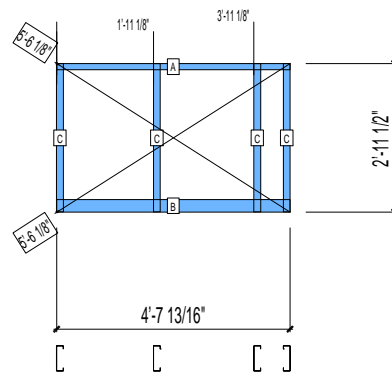
SPACING : 24"

1st STUD: 24"

WEIGHTS :

FRAME : 25 lbs

TOTAL: 25 lbs



PIECES LIST

LABEL	QTY	SIZE	LENGTH	USE
A	1	600T150-33	4'-7 13/16"	TOP TRACK
B	1	600T300-33	4'-7 13/16"	BOTTOM TRACK
C	4	600S162-33	2'-11 7/16"	STUD

11-3016

Jewish Home for the Aging

1885 Victory Blvd. Reseda, CA

FrameMax, Inc.
13915 Danielson St
Suite 100
Poway, CA 92064
www.frame-max.com



© FrameMax Inc.

CREATED: 09/18/2008

FM-07-109

CREATED BY: AMB

HEIGHT : 2'-11 1/2"

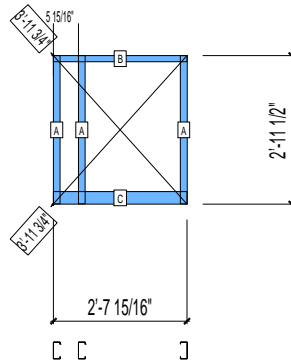
SPACING : 24"

1st STUD: 24"

WEIGHTS :

FRAME : 14 lbs

TOTAL: 14 lbs



PIECES LIST

LABEL	QTY	SIZE	LENGTH	USE
A	3	400S162-33	2'-11 7/16"	STUD
B	1	400T150-33	2'-7 15/16"	TOP TRACK
C	1	400T300-33	2'-7 15/16"	BOTTOM TRACK

11-3017

Jewish Home for the Aging

1885 Victory Blvd. Reseda, CA

FrameMax, Inc.
13915 Danielson St
Suite 100
Poway, CA 92064
www.frame-max.com



© FrameMax Inc.

CREATED: 09/18/2008

FM-07-109

CREATED BY: AMB

HEIGHT : 10'-9 7/16"

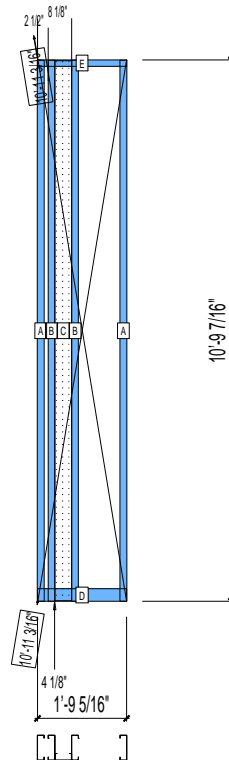
SPACING : 24"

1st STUD: 24"

WEIGHTS :

FRAME : 65 lbs

TOTAL: 65 lbs



PIECES LIST

LABEL	QTY	SIZE	LENGTH	USE
A	2	600S162-33	10'-9 3/8"	STUD
B	2	600S162-33	10'-9 3/8"	BACKER STUD
C	1	400S162-33	10'-9 1/8"	BACKER-U
D	1	600T300-33	1'-9 5/16"	BOTTOM TRACK
E	1	600T150-33	1'-9 5/16"	TOP TRACK

11-3018

Jewish Home for the Aging

1885 Victory Blvd. Reseda, CA

FrameMax, Inc.
13915 Danielson St
Suite 100
Poway, CA 92064
www.frame-max.com



© FrameMax Inc.

CREATED: 09/18/2008

FM-07-109

CREATED BY: AMB

HEIGHT : 10'-9 7/16"

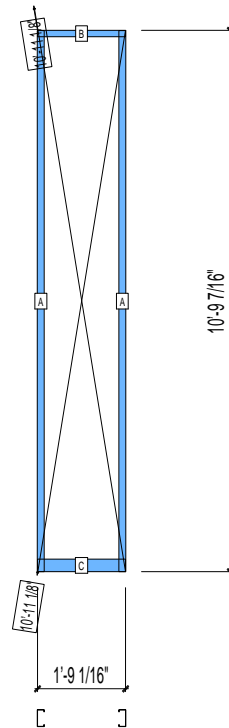
SPACING : 24"

1st STUD: 24"

WEIGHTS :

FRAME : 24 lbs

TOTAL: 24 lbs



PIECES LIST

LABEL	QTY	SIZE	LENGTH	USE
A	2	400S162-33	10'-9 3/8"	STUD
B	1	400T150-33	1'-9 1/16"	TOP TRACK
C	1	400T300-33	1'-9 1/16"	BOTTOM TRACK

11-3019

Jewish Home for the Aging

1885 Victory Blvd. Reseda, CA

FrameMax, Inc.
13915 Danielson St
Suite 100
Poway, CA 92064
www.frame-max.com



© FrameMax Inc.

CREATED: 09/18/2008

FM-07-109

CREATED BY: AMB

HEIGHT : 10'-9 7/16"

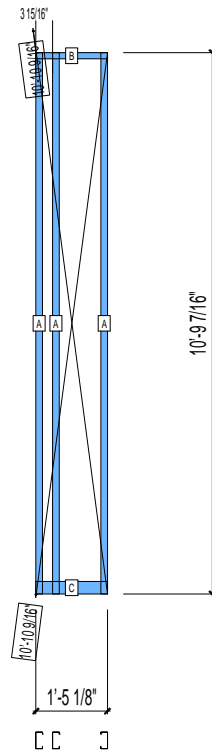
SPACING : 24"

1st STUD: 24"

WEIGHTS :

FRAME : 33 lbs

TOTAL: 33 lbs



PIECES LIST

LABEL	QTY	SIZE	LENGTH	USE
A	3	400S162-33	10'-9 3/8"	STUD
B	1	400T150-33	1'-5 1/8"	TOP TRACK
C	1	400T300-33	1'-5 1/8"	BOTTOM TRACK

11-3020

Jewish Home for the Aging

1885 Victory Blvd. Reseda, CA

FM-07-109

CREATED BY: AMB

FrameMax, Inc.
13915 Danielson St
Suite 100
Poway, CA 92064
www.frame-max.com

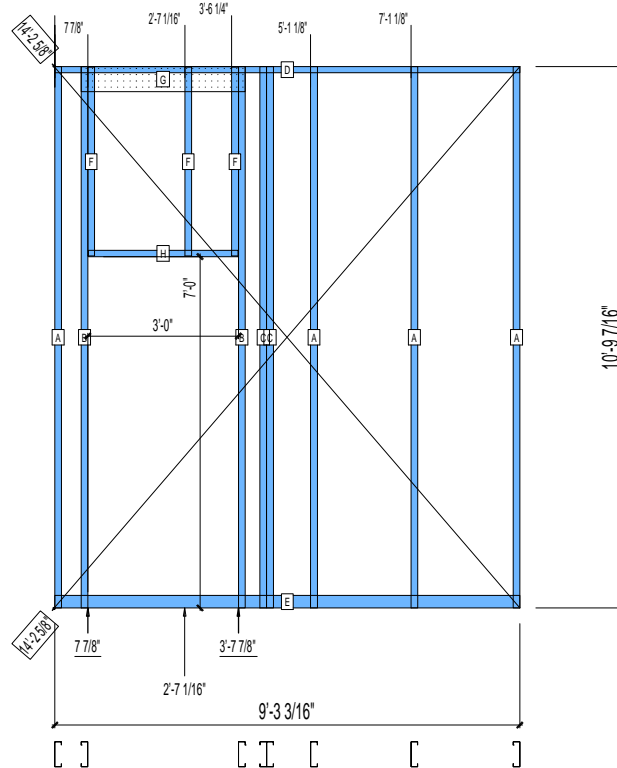


© FrameMax Inc.

HEIGHT : 10'-9 7/16"
SPACING : 24"
1st STUD: 14"

WEIGHTS :
FRAME : 144 lbs

TOTAL: 144 lbs



PIECES LIST

LABEL	QTY	SIZE	LENGTH	USE
A	4	600S162-33	10'-9 3/8"	STUD
B	2	600S162-33	10'-9 3/8"	KING STUD
C	2	600S162-33	10'-9 3/8"	BACKER STUD
D	1	600T150-33	9'-3 3/16"	TOP TRACK
E	1	600T300-33	9'-3 3/16"	BOTTOM TRACK
F	3	600S162-33	3'-9 1/8"	CRIPPLE
G	1	600L150-33	3'-3 1/4"	L-HEADER
H	1	600T150-33	2'-11 3/4"	HEAD TRACK

11-3021

Jewish Home for the Aging

1885 Victory Blvd. Reseda, CA

FM-07-109

CREATED BY: AMB

FrameMax, Inc.
13915 Danielson St
Suite 100
Poway, CA 92064
www.frame-max.com



© FrameMax Inc.

HEIGHT : 10'-9 7/16"

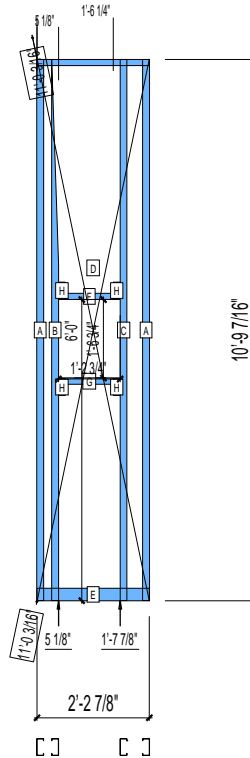
SPACING : 24"

1st STUD: 24"

WEIGHTS :

FRAME : 48 lbs

TOTAL: 48 lbs



PIECES LIST

LABEL	QTY	SIZE	LENGTH	USE
A	2	400S162-33	10'-9 3/8"	STUD
B	1	400S162-33	10'-9 3/8"	KING STUD
C	1	400S162-33	10'-9 3/8"	KING STUD
D	1	400T150-33	2'-2 7/8"	TOP TRACK
E	1	400T300-33	2'-2 7/8"	BOTTOM TRACK
F	1	400T150-33	1'-2 1/2"	HEAD TRACK
G	1	400T150-33	1'-2 1/2"	SILL
H	4	400S162-33	4"	CRIPPLE

11-3022

Jewish Home for the Aging

1885 Victory Blvd. Reseda, CA

FM-07-109

CREATED BY: AMB

FrameMax, Inc.
13915 Danielson St
Suite 100
Poway, CA 92064
www.framemax.com



© FrameMax Inc.

HEIGHT : 10'-9 7/16"

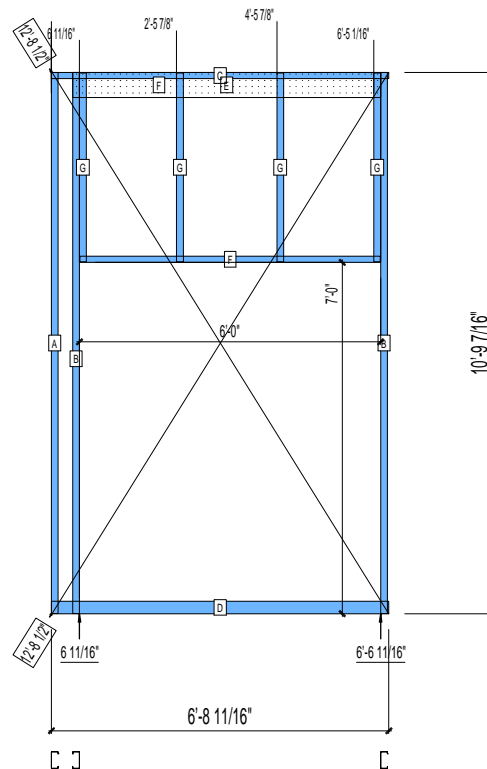
SPACING : 24"

1st STUD: 24"

WEIGHTS :

FRAME : 25 lbs

TOTAL: 25 lbs



PIECES LIST

LABEL	QTY	SIZE	LENGTH	USE
A	1	400S162-33	10'-9 3/8"	STUD
B	2	400S162-33	10'-9 3/8"	KING STUD
C	1	400T150-33	6'-8 11/16"	TOP TRACK
D	1	400T300-33	6'-8 11/16"	BOTTOM TRACK
E	1	600L150-33	6'-1 5/8"	L-HEADER
F	1	400T150-33	5'-11 3/4"	HEAD TRACK
G	4	400S162-33	3'-9 1/8"	CRIPPLE

11-3023

Jewish Home for the Aging

1885 Victory Blvd. Reseda, CA

FM-07-109

CREATED BY: AMB

FrameMax, Inc.
13915 Danielson St
Suite 100
Poway, CA 92064
www.frame-max.com



© FrameMax Inc.

HEIGHT : 10'-9 7/16"

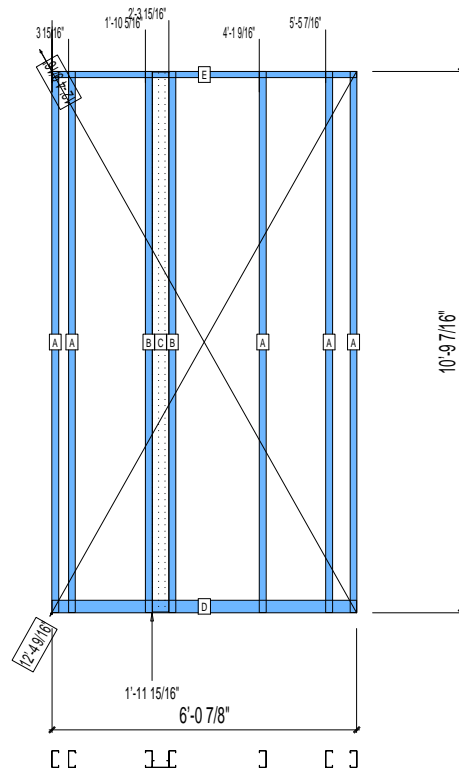
SPACING : 24"

1st STUD: 24"

WEIGHTS :

FRAME : 92 lbs

TOTAL: 92 lbs



PIECES LIST

LABEL	QTY	SIZE	LENGTH	USE
A	5	400S162-33	10'-9 3/8"	STUD
B	2	400S162-33	10'-9 3/8"	BACKER STUD
C	1	400S162-33	10'-9 1/8"	BACKER-U
D	1	400T300-33	6'-0 7/8"	BOTTOM TRACK
E	1	400T150-33	6'-0 7/8"	TOP TRACK

11-3024

Jewish Home for the Aging

1885 Victory Blvd. Reseda, CA

FM-07-109

CREATED BY: AMB

FrameMax, Inc.
13915 Danielson St
Suite 100
Poway, CA 92064
www.framemax.com



© FrameMax Inc.

HEIGHT : 10'-9 7/16"

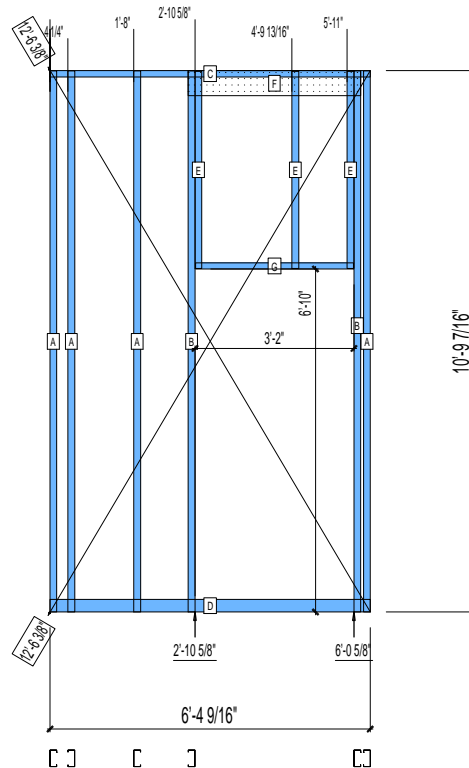
SPACING : 24"

1st STUD: 24"

WEIGHTS :

FRAME : 19 lbs

TOTAL: 19 lbs



PIECES LIST

LABEL	QTY	SIZE	LENGTH	USE
A	4	400S162-33	10'-9 3/8"	STUD
B	2	400S162-33	10'-9 3/8"	KING STUD
C	1	400T150-33	6'-4 9/16"	TOP TRACK
D	1	400T300-33	6'-4 9/16"	BOTTOM TRACK
E	3	400S162-33	3'-11 1/8"	CRIPPLE
F	1	600L150-33	3'-5 1/4"	L-HEADER
G	1	400T150-33	3'-1 3/4"	HEAD TRACK

11-3025

Jewish Home for the Aging

1885 Victory Blvd. Reseda, CA

FM-07-109

CREATED BY: AMB

FrameMax, Inc.
13915 Danielson St
Suite 100
Poway, CA 92064
www.frame-max.com



© FrameMax Inc.

HEIGHT : 10'-9 7/16"

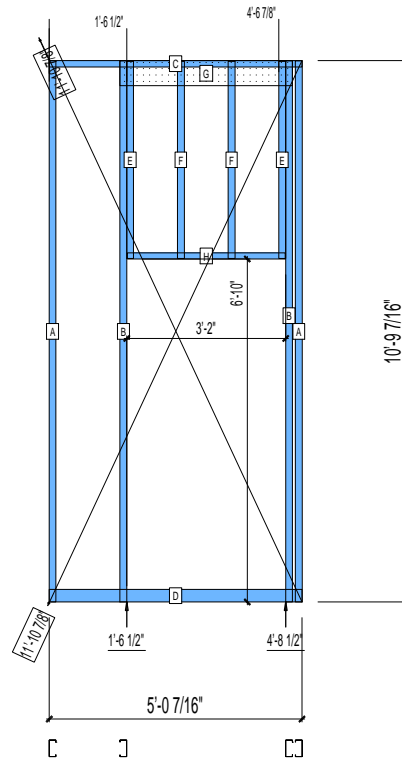
SPACING : 24"

1st STUD: 24"

WEIGHTS :

FRAME : 16 lbs

TOTAL: 16 lbs



PIECES LIST

LABEL	QTY	SIZE	LENGTH	USE
A	2	400S162-33	10'-9 3/8"	STUD
B	2	400S162-33	10'-9 3/8"	KING STUD
C	1	400T150-33	5'-0 7/16"	TOP TRACK
D	1	400T300-33	5'-0 7/16"	BOTTOM TRACK
E	2	400S162-33	3'-11 1/8"	CRIPPLE
F	2	400S162-33	3'-11 1/8"	KING STUD
G	1	600L150-33	3'-5 1/4"	L-HEADER
H	1	400T150-33	3'-1 3/4"	HEAD TRACK

11-3026

Jewish Home for the Aging

1885 Victory Blvd. Reseda, CA

FM-07-109

CREATED BY: AMB

FrameMax, Inc.
13915 Danielson St
Suite 100
Poway, CA 92064
www.framemax.com



© FrameMax Inc.

HEIGHT : 10'-9 7/16"

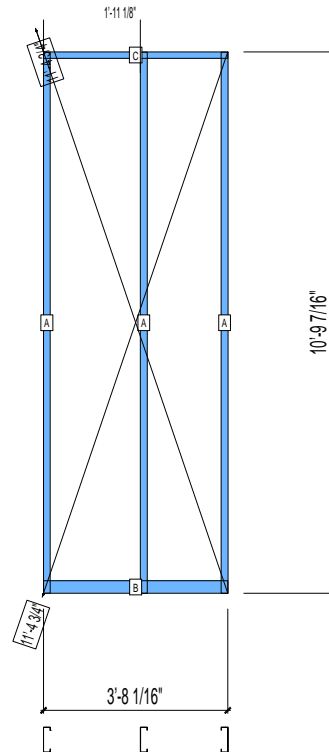
SPACING : 24"

1st STUD: 16"

WEIGHTS :

FRAME : 47 lbs

TOTAL: 47 lbs



PIECES LIST

LABEL	QTY	SIZE	LENGTH	USE
A	3	600S162-33	10'-9 3/8"	STUD
B	1	600T300-33	3'-8 1/16"	BOTTOM TRACK
C	1	600T150-33	3'-8 1/16"	TOP TRACK

11-3027

Jewish Home for the Aging

1885 Victory Blvd. Reseda, CA

FM-07-109

CREATED BY: AMB

FrameMax, Inc.
13915 Danielson St
Suite 100
Poway, CA 92064
www.framemax.com



© FrameMax Inc.

HEIGHT : 10'-9 7/16"

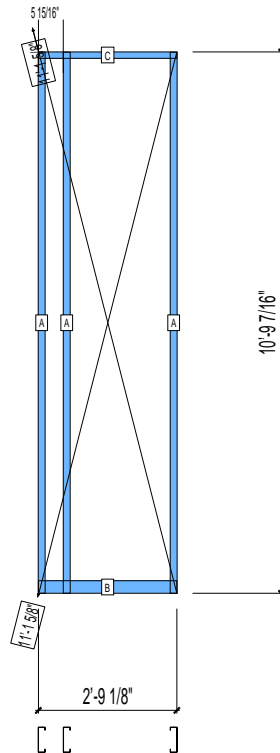
SPACING : 24"

1st STUD: 24"

WEIGHTS :

FRAME : 45 lbs

TOTAL: 45 lbs



PIECES LIST

LABEL	QTY	SIZE	LENGTH	USE
A	3	600S162-33	10'-9 3/8"	STUD
B	1	600T300-33	2'-9 1/8"	BOTTOM TRACK
C	1	600T150-33	2'-9 1/8"	TOP TRACK

11-3028

Jewish Home for the Aging

1885 Victory Blvd. Reseda, CA

FrameMax, Inc.
13915 Danielson St
Suite 100
Poway, CA 92064
www.framemax.com



© FrameMax Inc.

CREATED: 09/18/2008

FM-07-109

CREATED BY: AMB

HEIGHT : 10'-9 7/16"

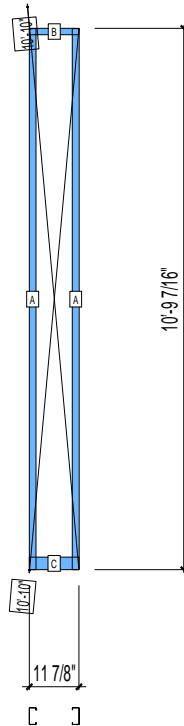
SPACING : 24"

1st STUD: 16"

WEIGHTS :

FRAME : 22 lbs

TOTAL: 22 lbs



PIECES LIST

LABEL	QTY	SIZE	LENGTH	USE
A	2	400S162-33	10'-9 3/8"	STUD
B	1	400T150-33	11 7/8"	TOP TRACK
C	1	400T300-33	11 7/8"	BOTTOM TRACK

11-3029

Jewish Home for the Aging

1885 Victory Blvd. Reseda, CA

FM-07-109

CREATED BY: AMB

FrameMax, Inc.
13915 Danielson St
Suite 100
Poway, CA 92064
www.frame-max.com



© FrameMax Inc.

HEIGHT : 10'-9 7/16"

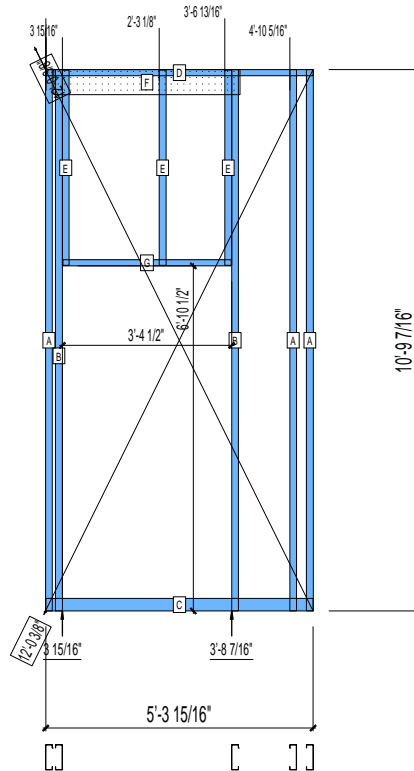
SPACING : 24"

1st STUD: 24"

WEIGHTS :

FRAME : 21 lbs

TOTAL: 21 lbs



PIECES LIST

LABEL	QTY	SIZE	LENGTH	USE
A	3	600S162-33	10'-9 3/8"	STUD
B	2	600S162-33	10'-9 3/8"	KING STUD
C	1	600T300-33	5'-3 15/16"	BOTTOM TRACK
D	1	600T150-33	5'-3 15/16"	TOP TRACK
E	3	600S162-33	3'-10 5/8"	CRIPPLE
F	1	600L150-33	3'-8 1/2"	L-HEADER
G	1	600T150-33	3'-4 1/4"	HEAD TRACK

11-3051

Jewish Home for the Aging

1885 Victory Blvd. Reseda, CA

FM-07-109

CREATED BY: AMB

FrameMax, Inc.
13915 Danielson St
Suite 100
Poway, CA 92064
www.framemax.com



© FrameMax Inc.

HEIGHT : 10'-9 7/16"

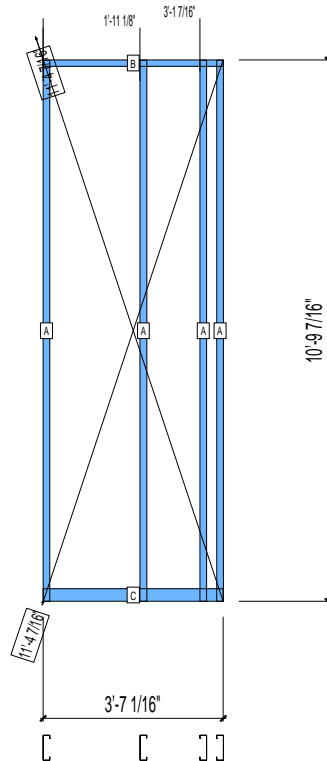
SPACING : 24"

1st STUD: 24"

WEIGHTS :

FRAME : 59 lbs

TOTAL: 59 lbs



PIECES LIST

LABEL	QTY	SIZE	LENGTH	USE
A	4	600S162-33	10'-9 3/8"	STUD
B	1	600T150-33	3'-7 1/16"	TOP TRACK
C	1	600T300-33	3'-7 1/16"	BOTTOM TRACK

11-3052

Jewish Home for the Aging

1885 Victory Blvd. Reseda, CA

FM-07-109

CREATED BY: AMB

FrameMax, Inc.
13915 Danielson St
Suite 100
Poway, CA 92064
www.frame-max.com



© FrameMax Inc.

HEIGHT : 10'-9 7/16"

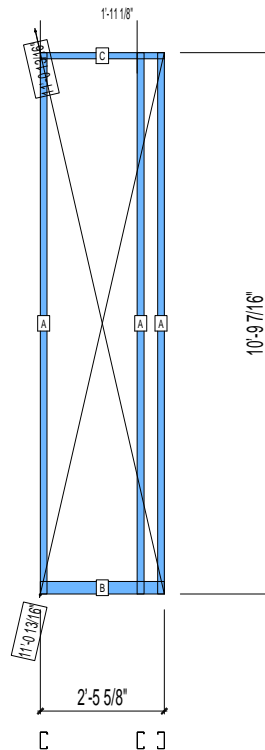
SPACING : 24"

1st STUD: 16"

WEIGHTS :

FRAME : 35 lbs

TOTAL: 35 lbs



PIECES LIST

LABEL	QTY	SIZE	LENGTH	USE
A	3	400S162-33	10'-9 3/8"	STUD
B	1	400T300-33	2'-5 5/8"	BOTTOM TRACK
C	1	400T150-33	2'-5 5/8"	TOP TRACK

11-3053

Jewish Home for the Aging

1885 Victory Blvd. Reseda, CA

FrameMax, Inc.
13915 Danielson St
Suite 100
Poway, CA 92064
www.frame-max.com



© FrameMax Inc.

CREATED: 09/19/2008

FM-07-109

CREATED BY: AMB

HEIGHT : 10'-9 7/16"

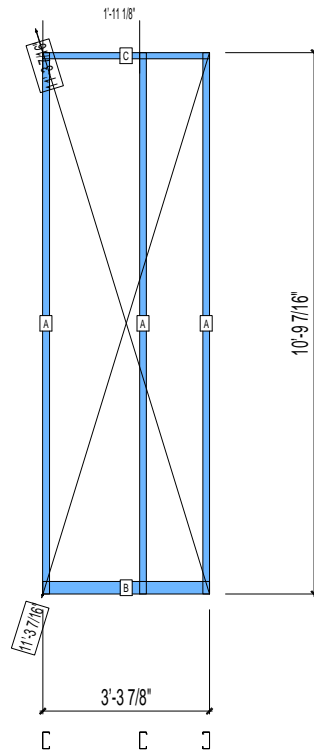
SPACING : 24"

1st STUD: 24"

WEIGHTS :

FRAME : 37 lbs

TOTAL: 37 lbs



PIECES LIST

LABEL	QTY	SIZE	LENGTH	USE
A	3	400S162-33	10'-9 3/8"	STUD
B	1	400T300-33	3'-3 7/8"	BOTTOM TRACK
C	1	400T150-33	3'-3 7/8"	TOP TRACK

11-3054

Jewish Home for the Aging

1885 Victory Blvd. Reseda, CA

FrameMax, Inc.
13915 Danielson St
Suite 100
Poway, CA 92064
www.frame-max.com



© FrameMax Inc.

CREATED: 09/19/2008

FM-07-109

CREATED BY: AMB

HEIGHT : 10'-9 7/16"

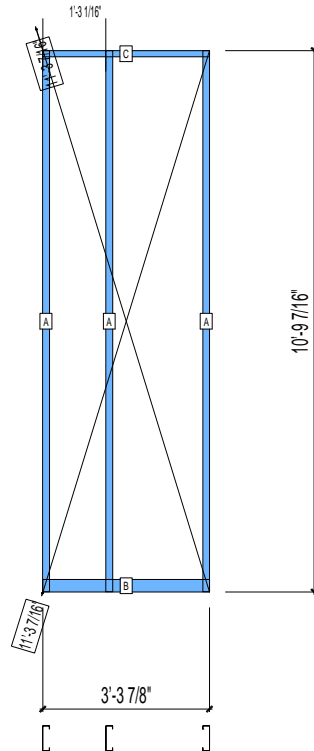
SPACING : 24"

1st STUD: 24"

WEIGHTS :

FRAME : 46 lbs

TOTAL: 46 lbs



PIECES LIST

LABEL	QTY	SIZE	LENGTH	USE
A	3	600S162-33	10'-9 3/8"	STUD
B	1	600T300-33	3'-3 7/8"	BOTTOM TRACK
C	1	600T150-33	3'-3 7/8"	TOP TRACK

11-3055

Jewish Home for the Aging

1885 Victory Blvd. Reseda, CA

FrameMax, Inc.
13915 Danielson St
Suite 100
Poway, CA 92064
www.frame-max.com



© FrameMax Inc.

CREATED: 09/19/2008

FM-07-109

CREATED BY: AMB

HEIGHT : 10'-9 7/16"

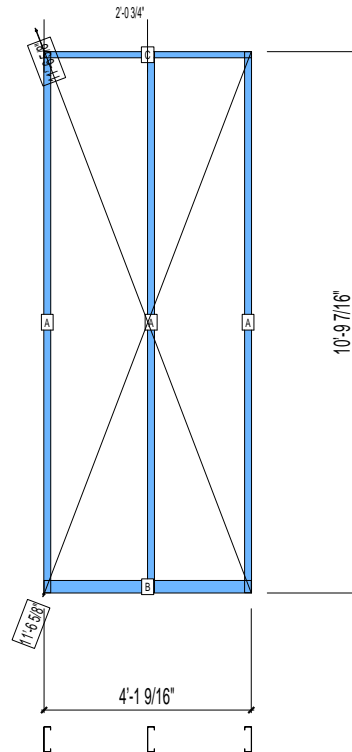
SPACING : 24"

1st STUD: 24"

WEIGHTS :

FRAME : 48 lbs

TOTAL: 48 lbs



PIECES LIST

LABEL	QTY	SIZE	LENGTH	USE
A	3	600S162-33	10'-9 3/8"	STUD
B	1	600T300-33	4'-1 9/16"	BOTTOM TRACK
C	1	600T150-33	4'-1 9/16"	TOP TRACK

11-3056

Jewish Home for the Aging

1885 Victory Blvd. Reseda, CA

FM-07-109

CREATED BY: AMB

FrameMax, Inc.
13915 Danielson St
Suite 100
Poway, CA 92064
www.frame-max.com



© FrameMax Inc.

HEIGHT : 10'-9 7/16"

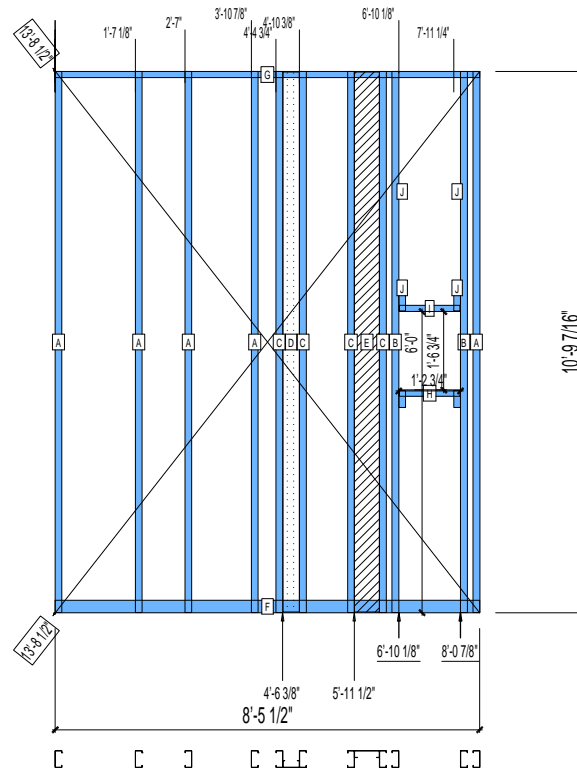
SPACING : 24"

1st STUD: 16"

WEIGHTS :

FRAME : 153 lbs

TOTAL: 153 lbs



PIECES LIST

LABEL	QTY	SIZE	LENGTH	USE
A	5	400S162-33	10'-9 3/8"	STUD
B	2	400S162-33	10'-9 3/8"	KING STUD
C	4	400S162-33	10'-9 3/8"	BACKER STUD
D	1	400S162-33	10'-9 1/8"	BACKER-U
E	1	600S162-33	10'-9 1/8"	BACKER-U
F	1	400T300-33	8'-5 1/2"	BOTTOM TRACK
G	1	400T150-33	8'-5 1/2"	TOP TRACK
H	1	400T150-33	1'-2 1/2"	SILL
I	1	400T150-33	1'-2 1/2"	HEAD TRACK
J	4	400S162-33	4"	CRIPPLE

11-3057

Jewish Home for the Aging

1885 Victory Blvd. Reseda, CA

FrameMax, Inc.
13915 Danielson St
Suite 100
Poway, CA 92064
www.frame-max.com



© FrameMax Inc.

CREATED: 09/19/2008

FM-07-109

CREATED BY: AMB

HEIGHT : 10'-9 7/16"

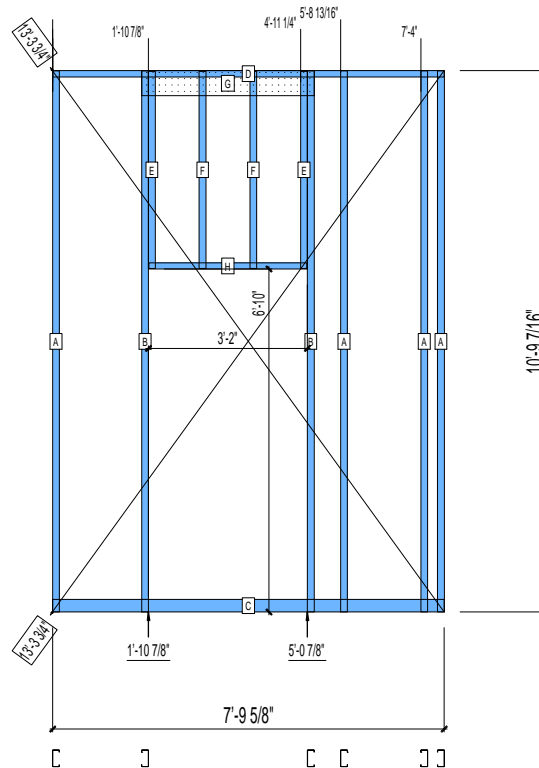
SPACING : 24"

1st STUD: 24"

WEIGHTS :

FRAME : 97 lbs

TOTAL: 97 lbs



PIECES LIST

LABEL	QTY	SIZE	LENGTH	USE
A	4	400S162-33	10'-9 3/8"	STUD
B	2	400S162-33	10'-9 3/8"	KING STUD
C	1	400T300-33	7'-9 5/8"	BOTTOM TRACK
D	1	400T150-33	7'-9 5/8"	TOP TRACK
E	2	400S162-33	3'-11 1/8"	CRIPPLE
F	2	400S162-33	3'-11 1/8"	KING STUD
G	1	600L150-33	3'-5 1/4"	L-HEADER
H	1	400T150-33	3'-1 3/4"	HEAD TRACK

11-3058

Jewish Home for the Aging

1885 Victory Blvd. Reseda, CA

FrameMax, Inc.
13915 Danielson St
Suite 100
Poway, CA 92064
www.framemax.com



© FrameMax Inc.

CREATED: 09/19/2008

FM-07-109

CREATED BY: AMB

HEIGHT : 10'-9 7/16"

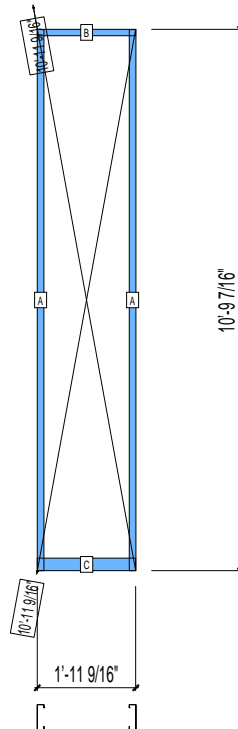
SPACING : 24"

1st STUD: 24"

WEIGHTS :

FRAME : 30 lbs

TOTAL: 30 lbs



PIECES LIST

LABEL	QTY	SIZE	LENGTH	USE
A	2	600S162-33	10'-9 3/8"	STUD
B	1	600T150-33	1'-11 9/16"	TOP TRACK
C	1	600T300-33	1'-11 9/16"	BOTTOM TRACK

11-3059

Jewish Home for the Aging

1885 Victory Blvd. Reseda, CA

FM-07-109

CREATED BY: AMB

FrameMax, Inc.
13915 Danielson St
Suite 100
Poway, CA 92064
www.frame-max.com



© FrameMax Inc.

HEIGHT : 10'-9 7/16"

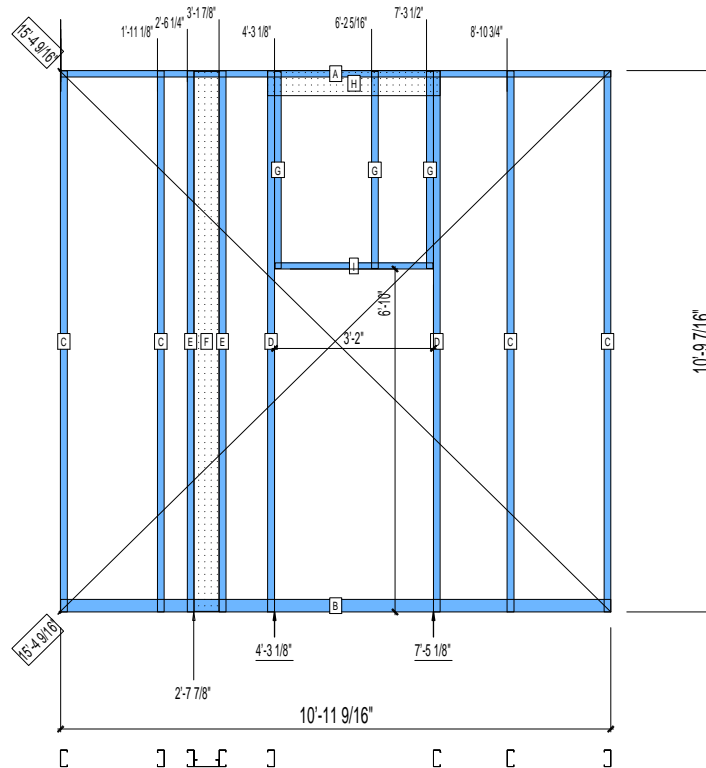
SPACING : 24"

1st STUD: 24"

WEIGHTS :

FRAME : 41 lbs

TOTAL: 41 lbs



PIECES LIST

LABEL	QTY	SIZE	LENGTH	USE
A	1	400T150-33	10'-11 9/16"	TOP TRACK
B	1	400T300-33	10'-11 9/16"	BOTTOM TRACK
C	4	400S162-33	10'-9 3/8"	STUD
D	2	400S162-33	10'-9 3/8"	KING STUD
E	2	400S162-33	10'-9 3/8"	BACKER STUD
F	1	600S162-33	10'-9 1/8"	BACKER-U
G	3	400S162-33	3'-11 1/8"	CRIPPLE
H	1	600L150-33	3'-5 1/4"	L-HEADER
I	1	400T150-33	3'-1 3/4"	HEAD TRACK

11-3060

Jewish Home for the Aging

1885 Victory Blvd. Reseda, CA

FM-07-109

CREATED BY: AMB

FrameMax, Inc.
13915 Danielson St
Suite 100
Poway, CA 92064
www.framemax.com

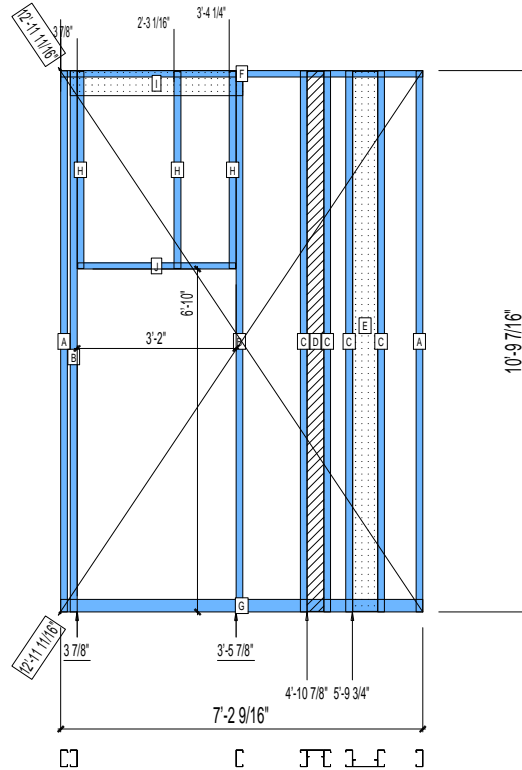


© FrameMax Inc.

HEIGHT : 10'-9 7/16"
SPACING : 24"
1st STUD: 24"

WEIGHTS :
FRAME : 134 lbs

TOTAL: 134 lbs



PIECES LIST

LABEL	QTY	SIZE	LENGTH	USE
A	2	400S162-33	10'-9 3/8"	STUD
B	2	400S162-33	10'-9 3/8"	KING STUD
C	4	400S162-33	10'-9 3/8"	BACKER STUD
D	1	400S162-33	10'-9 1/8"	BACKER-U
E	1	600S162-33	10'-9 1/8"	BACKER-U
F	1	400T150-33	7'-2 9/16"	TOP TRACK
G	1	400T300-33	7'-2 9/16"	BOTTOM TRACK
H	3	400S162-33	3'-11 1/8"	CRIPPLE
I	1	600L150-33	3'-5 1/4"	L-HEADER
J	1	400T150-33	3'-1 3/4"	HEAD TRACK

11-3061

Jewish Home for the Aging

1885 Victory Blvd. Reseda, CA

FrameMax, Inc.
13915 Danielson St
Suite 100
Poway, CA 92064
www.frame-max.com



© FrameMax Inc.

CREATED: 09/19/2008

FM-07-109

CREATED BY: AMB

HEIGHT : 10'-9 7/16"

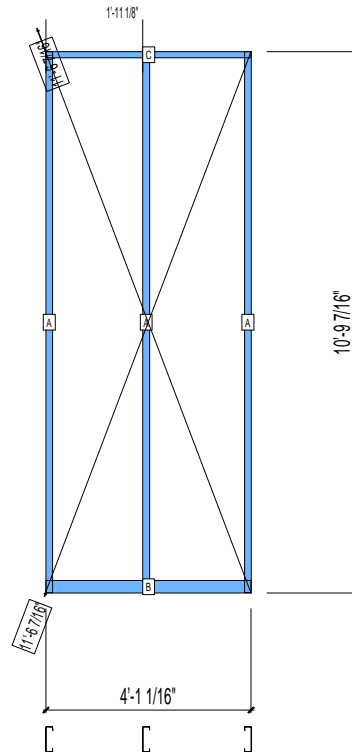
SPACING : 24"

1st STUD: 24"

WEIGHTS :

FRAME : 48 lbs

TOTAL: 48 lbs



PIECES LIST

LABEL	QTY	SIZE	LENGTH	USE
A	3	600S162-33	10'-9 3/8"	STUD
B	1	600T300-33	4'-1 1/16"	BOTTOM TRACK
C	1	600T150-33	4'-1 1/16"	TOP TRACK

11-3062

Jewish Home for the Aging

1885 Victory Blvd. Reseda, CA

FM-07-109

CREATED BY: AMB

FrameMax, Inc.
13915 Danielson St
Suite 100
Poway, CA 92064
www.framemax.com



© FrameMax Inc.

HEIGHT : 10'-9 7/16"

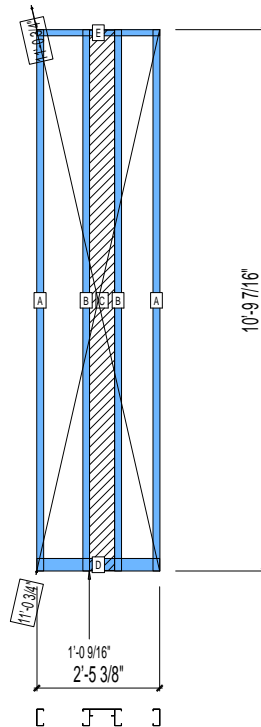
SPACING : 24"

1st STUD: 24"

WEIGHTS :

FRAME : 58 lbs

TOTAL: 58 lbs



PIECES LIST

LABEL	QTY	SIZE	LENGTH	USE
A	2	400S162-33	10'-9 3/8"	STUD
B	2	400S162-33	10'-9 3/8"	BACKER STUD
C	1	600S162-33	10'-9 1/8"	BACKER-U
D	1	400T300-33	2'-5 3/8"	BOTTOM TRACK
E	1	400T150-33	2'-5 3/8"	TOP TRACK

11-3063

Jewish Home for the Aging

1885 Victory Blvd. Reseda, CA

FrameMax, Inc.
13915 Danielson St
Suite 100
Poway, CA 92064
www.frame-max.com



© FrameMax Inc.

CREATED: 09/19/2008

FM-07-109

CREATED BY: AMB

HEIGHT : 10'-9 7/16"

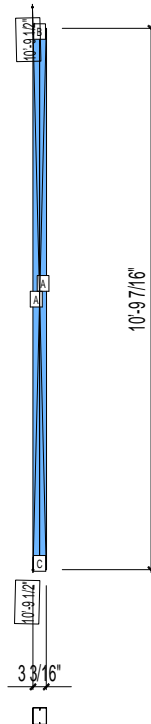
SPACING : 24"

1st STUD: 24"

WEIGHTS :

FRAME : 21 lbs

TOTAL: 21 lbs



PIECES LIST

LABEL	QTY	SIZE	LENGTH	USE
A	2	400S162-33	10'-9 3/8"	STUD
B	1	400T150-33	3 3/16"	TOP TRACK
C	1	400T300-33	3 3/16"	BOTTOM TRACK

11-3064

Jewish Home for the Aging

1885 Victory Blvd. Reseda, CA

FrameMax, Inc.
13915 Danielson St
Suite 100
Poway, CA 92064
www.frame-max.com



© FrameMax Inc.

CREATED: 09/19/2008

FM-07-109

CREATED BY: AMB

HEIGHT : 10'-9 7/16"

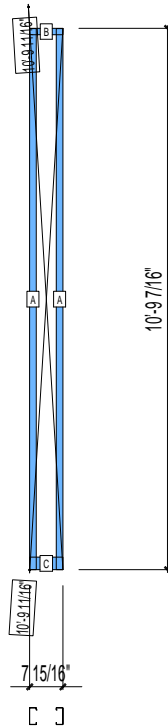
SPACING : 24"

1st STUD: 24"

WEIGHTS :

FRAME : 21 lbs

TOTAL: 21 lbs



PIECES LIST

LABEL	QTY	SIZE	LENGTH	USE
A	2	400S162-33	10'-9 3/8"	STUD
B	1	400T150-33	7 15/16"	TOP TRACK
C	1	400T300-33	7 15/16"	BOTTOM TRACK

11-3065

Jewish Home for the Aging

1885 Victory Blvd. Reseda, CA

FrameMax, Inc.
13915 Danielson St
Suite 100
Poway, CA 92064
www.frame-max.com



© FrameMax Inc.

CREATED: 09/19/2008

FM-07-109

CREATED BY: AMB

HEIGHT : 10'-9 7/16"

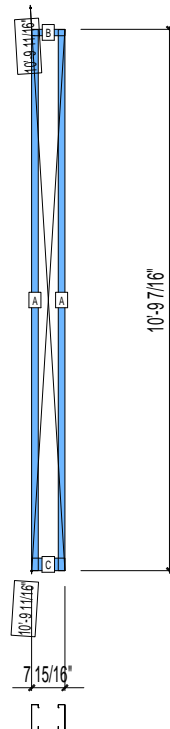
SPACING : 24"

1st STUD: 24"

WEIGHTS :

FRAME : 27 lbs

TOTAL: 27 lbs



PIECES LIST

LABEL	QTY	SIZE	LENGTH	USE
A	2	600S162-33	10'-9 3/8"	STUD
B	1	600T150-33	7 15/16"	TOP TRACK
C	1	600T300-33	7 15/16"	BOTTOM TRACK

11-3066

Jewish Home for the Aging

1885 Victory Blvd. Reseda, CA

FrameMax, Inc.
13915 Danielson St
Suite 100
Poway, CA 92064
www.frame-max.com



© FrameMax Inc.

CREATED: 09/19/2008

FM-07-109

CREATED BY: AMB

HEIGHT : 10'-9 7/16"

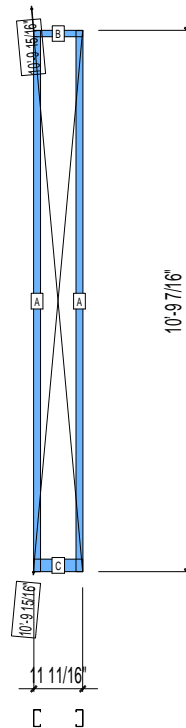
SPACING : 24"

1st STUD: 16"

WEIGHTS :

FRAME : 22 lbs

TOTAL: 22 lbs



PIECES LIST

LABEL	QTY	SIZE	LENGTH	USE
A	2	400S162-33	10'-9 3/8"	STUD
B	1	400T150-33	11 11/16"	TOP TRACK
C	1	400T300-33	11 11/16"	BOTTOM TRACK

11-3067

Jewish Home for the Aging

1885 Victory Blvd. Reseda, CA

FM-07-109

CREATED BY: AMB

FrameMax, Inc.
13915 Danielson St
Suite 100
Poway, CA 92064
www.frame-max.com



© FrameMax Inc.

HEIGHT : 10'-9 7/16"

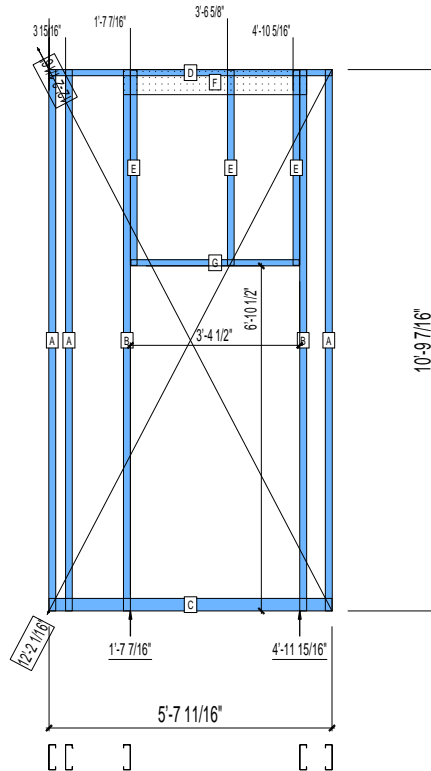
SPACING : 24"

1st STUD: 24"

WEIGHTS :

FRAME : 21 lbs

TOTAL: 21 lbs



PIECES LIST

LABEL	QTY	SIZE	LENGTH	USE
A	3	600S162-33	10'-9 3/8"	STUD
B	2	600S162-33	10'-9 3/8"	KING STUD
C	1	600T300-33	5'-7 11/16"	BOTTOM TRACK
D	1	600T150-33	5'-7 11/16"	TOP TRACK
E	3	600S162-33	3'-10 5/8"	CRIPPLE
F	1	600L150-33	3'-7 3/4"	L-HEADER
G	1	600T150-33	3'-4 1/4"	HEAD TRACK

11-3068

Jewish Home for the Aging

1885 Victory Blvd. Reseda, CA

FrameMax, Inc.
13915 Danielson St
Suite 100
Poway, CA 92064
www.framemax.com



© FrameMax Inc.

CREATED: 09/19/2008

FM-07-109

CREATED BY: AMB

HEIGHT : 10'-9 7/16"

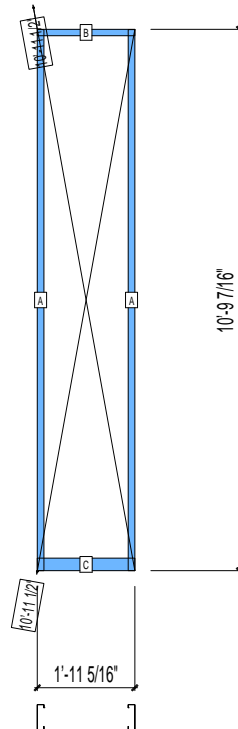
SPACING : 24"

1st STUD: 24"

WEIGHTS :

FRAME : 30 lbs

TOTAL: 30 lbs



PIECES LIST

LABEL	QTY	SIZE	LENGTH	USE
A	2	600S162-33	10'-9 3/8"	STUD
B	1	600T150-33	1'-11 5/16"	TOP TRACK
C	1	600T300-33	1'-11 5/16"	BOTTOM TRACK

11-3069

Jewish Home for the Aging

1885 Victory Blvd. Reseda, CA

FM-07-109

CREATED BY: AMB

FrameMax, Inc.
13915 Danielson St
Suite 100
Poway, CA 92064
www.framemax.com



© FrameMax Inc.

HEIGHT : 2'-11 1/2"

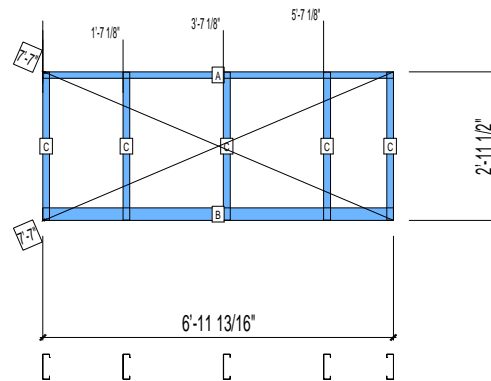
SPACING : 24"

1st STUD: 16"

WEIGHTS :

FRAME : 35 lbs

TOTAL: 35 lbs



PIECES LIST

LABEL	QTY	SIZE	LENGTH	USE
A	1	600T150-33	6'-11 13/16"	TOP TRACK
B	1	600T300-33	6'-11 13/16"	BOTTOM TRACK
C	5	600S162-33	2'-11 7/16"	STUD

11-3070

Jewish Home for the Aging

1885 Victory Blvd. Reseda, CA

FrameMax, Inc.
13915 Danielson St
Suite 100
Poway, CA 92064
www.frame-max.com



© FrameMax Inc.

CREATED: 09/19/2008

FM-07-109

CREATED BY: AMB

HEIGHT : 2'-11 1/2"

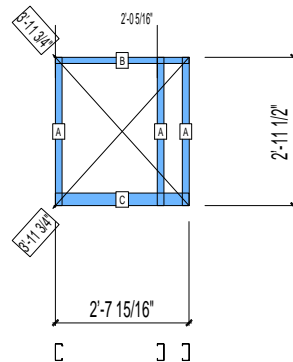
SPACING : 24"

1st STUD: 24"

WEIGHTS :

FRAME : 14 lbs

TOTAL: 14 lbs



PIECES LIST

LABEL	QTY	SIZE	LENGTH	USE
A	3	400S162-33	2'-11 7/16"	STUD
B	1	400T150-33	2'-7 15/16"	TOP TRACK
C	1	400T300-33	2'-7 15/16"	BOTTOM TRACK

11-3101

Jewish Home for the Aging

1885 Victory Blvd. Reseda, CA

FM-07-109

CREATED BY: AMB

FrameMax, Inc.
13915 Danielson St
Suite 100
Poway, CA 92064
www.framemax.com



© FrameMax Inc.

HEIGHT : 10'-9 7/16"

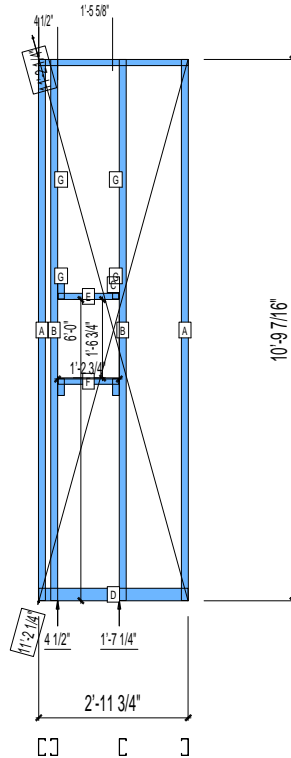
SPACING : 24"

1st STUD: 24"

WEIGHTS :

FRAME : 49 lbs

TOTAL: 49 lbs



PIECES LIST

LABEL	QTY	SIZE	LENGTH	USE
A	2	400S162-33	10'-9 3/8"	STUD
B	2	400S162-33	10'-9 3/8"	KING STUD
C	1	400T150-33	2'-11 3/4"	TOP TRACK
D	1	400T300-33	2'-11 3/4"	BOTTOM TRACK
E	1	400T150-33	1'-2 1/2"	HEAD TRACK
F	1	400T150-33	1'-2 1/2"	SILL
G	4	400S162-33	4"	CRIPPLE

11-3102

Jewish Home for the Aging

1885 Victory Blvd. Reseda, CA

FrameMax, Inc.
13915 Danielson St
Suite 100
Poway, CA 92064
www.frame-max.com



© FrameMax Inc.

CREATED: 09/19/2008

FM-07-109

CREATED BY: AMB

HEIGHT : 10'-9 7/16"

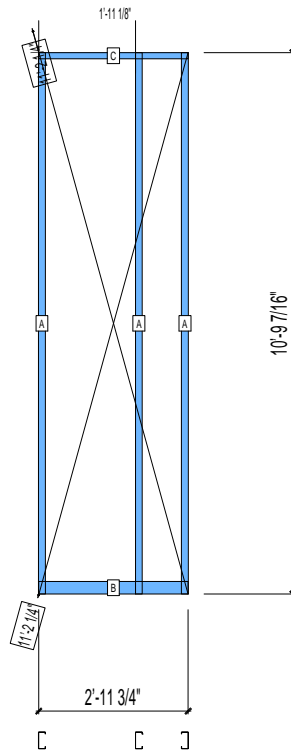
SPACING : 24"

1st STUD: 24"

WEIGHTS :

FRAME : 36 lbs

TOTAL: 36 lbs



PIECES LIST

LABEL	QTY	SIZE	LENGTH	USE
A	3	400S162-33	10'-9 3/8"	STUD
B	1	400T300-33	2'-11 3/4"	BOTTOM TRACK
C	1	400T150-33	2'-11 3/4"	TOP TRACK

11-3103

Jewish Home for the Aging

1885 Victory Blvd. Reseda, CA

FM-07-109

CREATED BY: AMB

FrameMax, Inc.
13915 Danielson St
Suite 100
Poway, CA 92064
www.frame-max.com



© FrameMax Inc.

HEIGHT : 10'-9 7/16"

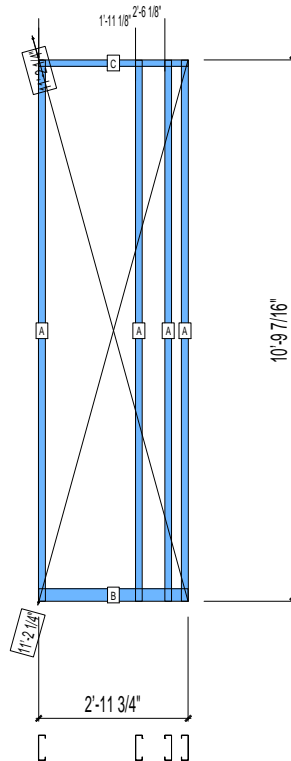
SPACING : 24"

1st STUD: 24"

WEIGHTS :

FRAME : 58 lbs

TOTAL: 58 lbs



PIECES LIST

LABEL	QTY	SIZE	LENGTH	USE
A	4	600S162-33	10'-9 3/8"	STUD
B	1	600T300-33	2'-11 3/4"	BOTTOM TRACK
C	1	600T150-33	2'-11 3/4"	TOP TRACK

11-3104

Jewish Home for the Aging

1885 Victory Blvd. Reseda, CA

FrameMax, Inc.
13915 Danielson St
Suite 100
Poway, CA 92064
www.frame-max.com



© FrameMax Inc.

CREATED: 09/19/2008

FM-07-109

CREATED BY: AMB

HEIGHT : 10'-9 7/16"

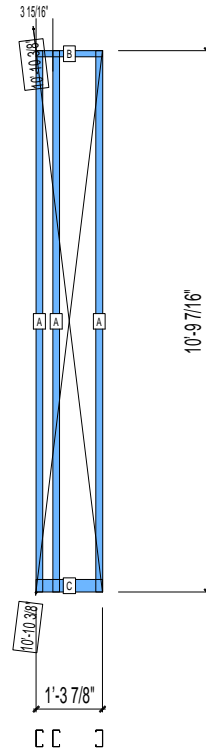
SPACING : 24"

1st STUD: 24"

WEIGHTS :

FRAME : 33 lbs

TOTAL: 33 lbs



PIECES LIST

LABEL	QTY	SIZE	LENGTH	USE
A	3	400S162-33	10'-9 3/8"	STUD
B	1	400T150-33	1'-3 7/8"	TOP TRACK
C	1	400T300-33	1'-3 7/8"	BOTTOM TRACK

11-3105

Jewish Home for the Aging

1885 Victory Blvd. Reseda, CA

FrameMax, Inc.
13915 Danielson St
Suite 100
Poway, CA 92064
www.frame-max.com



© FrameMax Inc.

CREATED: 09/19/2008

FM-07-109

CREATED BY: AMB

HEIGHT : 10'-9 7/16"

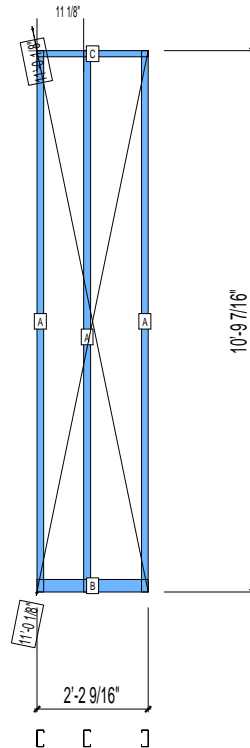
SPACING : 24"

1st STUD: 24"

WEIGHTS :

FRAME : 35 lbs

TOTAL: 35 lbs



PIECES LIST

LABEL	QTY	SIZE	LENGTH	USE
A	3	400S162-33	10'-9 3/8"	STUD
B	1	400T300-33	2'-2 9/16"	BOTTOM TRACK
C	1	400T150-33	2'-2 9/16"	TOP TRACK

11-3106

Jewish Home for the Aging

1885 Victory Blvd. Reseda, CA

FM-07-109

CREATED BY: AMB

FrameMax, Inc.
13915 Danielson St
Suite 100
Poway, CA 92064
www.frame-max.com



© FrameMax Inc.

HEIGHT : 10'-9 7/16"

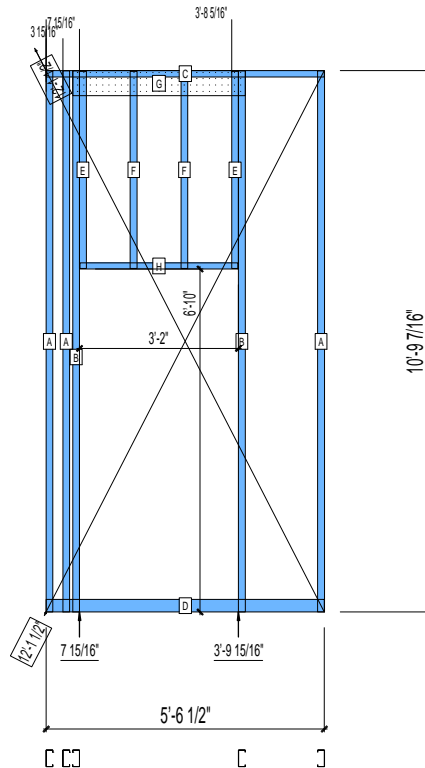
SPACING : 24"

1st STUD: 24"

WEIGHTS :

FRAME : 17 lbs

TOTAL: 17 lbs



PIECES LIST

LABEL	QTY	SIZE	LENGTH	USE
A	3	400S162-33	10'-9 3/8"	STUD
B	2	400S162-33	10'-9 3/8"	KING STUD
C	1	400T150-33	5'-6 1/2"	TOP TRACK
D	1	400T300-33	5'-6 1/2"	BOTTOM TRACK
E	2	400S162-33	3'-11 1/8"	CRIPPLE
F	2	400S162-33	3'-11 1/8"	KING STUD
G	1	600L150-33	3'-5 1/4"	L-HEADER
H	1	400T150-33	3'-1 3/4"	HEAD TRACK

11-3107

Jewish Home for the Aging

1885 Victory Blvd. Reseda, CA

FrameMax, Inc.
13915 Danielson St
Suite 100
Poway, CA 92064
www.frame-max.com



© FrameMax Inc.

CREATED: 09/19/2008

FM-07-109

CREATED BY: AMB

HEIGHT : 10'-9 7/16"

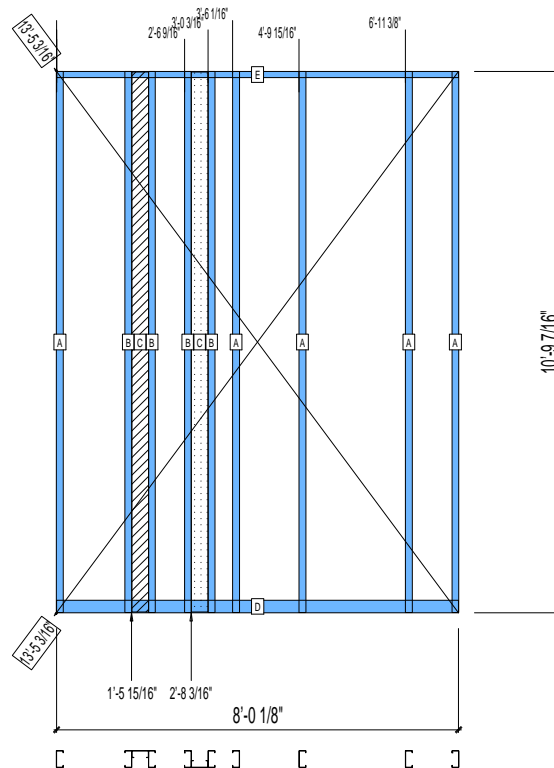
SPACING : 24"

1st STUD: 24"

WEIGHTS :

FRAME : 126 lbs

TOTAL: 126 lbs



PIECES LIST

LABEL	QTY	SIZE	LENGTH	USE
A	5	400S162-33	10'-9 3/8"	STUD
B	4	400S162-33	10'-9 3/8"	BACKER STUD
C	2	400S162-33	10'-9 1/8"	BACKER-U
D	1	400T300-33	8'-0 1/8"	BOTTOM TRACK
E	1	400T150-33	8'-0 1/8"	TOP TRACK

11-3108

Jewish Home for the Aging

1885 Victory Blvd. Reseda, CA

FM-07-109

CREATED BY: AMB

FrameMax, Inc.
13915 Danielson St
Suite 100
Poway, CA 92064
www.framemax.com



© FrameMax Inc.

HEIGHT : 10'-9 7/16"

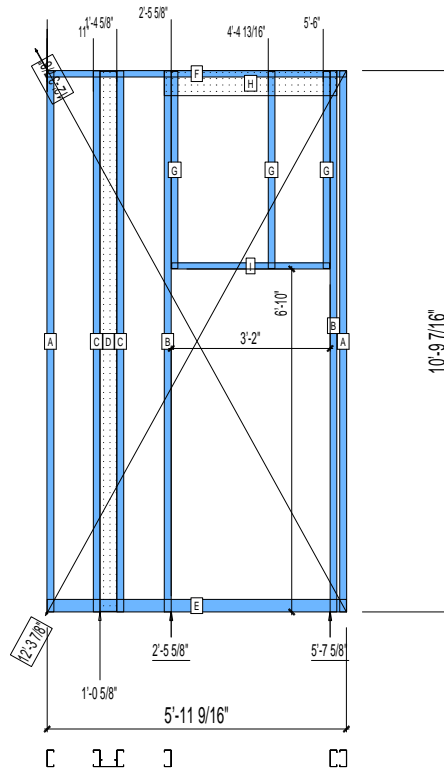
SPACING : 24"

1st STUD: 24"

WEIGHTS :

FRAME : 18 lbs

TOTAL: 18 lbs



PIECES LIST

LABEL	QTY	SIZE	LENGTH	USE
A	2	400S162-33	10'-9 3/8"	STUD
B	2	400S162-33	10'-9 3/8"	KING STUD
C	2	400S162-33	10'-9 3/8"	BACKER STUD
D	1	400S162-33	10'-9 1/8"	BACKER-U
E	1	400T300-33	5'-11 9/16"	BOTTOM TRACK
F	1	400T150-33	5'-11 9/16"	TOP TRACK
G	3	400S162-33	3'-11 1/8"	CRIPPLE
H	1	600L150-33	3'-5 1/4"	L-HEADER
I	1	400T150-33	3'-1 3/4"	HEAD TRACK

11-3109

Jewish Home for the Aging

1885 Victory Blvd. Reseda, CA

FrameMax, Inc.
13915 Danielson St
Suite 100
Poway, CA 92064
www.framemax.com



© FrameMax Inc.

CREATED: 09/19/2008

FM-07-109

CREATED BY: AMB

HEIGHT : 10'-9 7/16"

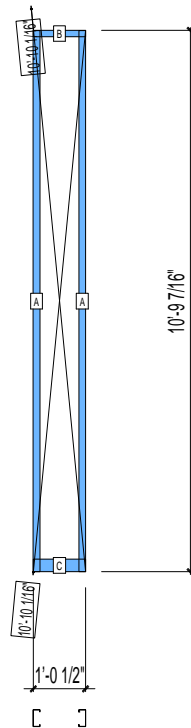
SPACING : 24"

1st STUD: 24"

WEIGHTS :

FRAME : 22 lbs

TOTAL: 22 lbs



PIECES LIST

LABEL	QTY	SIZE	LENGTH	USE
A	2	400S162-33	10'-9 3/8"	STUD
B	1	400T150-33	1'-0 1/2"	TOP TRACK
C	1	400T300-33	1'-0 1/2"	BOTTOM TRACK

11-3110

Jewish Home for the Aging

1885 Victory Blvd. Reseda, CA

FrameMax, Inc.
13915 Danielson St
Suite 100
Poway, CA 92064
www.frame-max.com



© FrameMax Inc.

CREATED: 09/19/2008

FM-07-109

CREATED BY: AMB

HEIGHT : 10'-9 7/16"

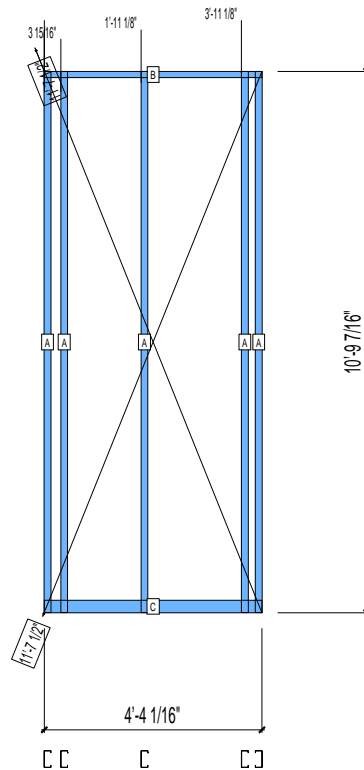
SPACING : 24"

1st STUD: 24"

WEIGHTS :

FRAME : 59 lbs

TOTAL: 59 lbs



PIECES LIST

LABEL	QTY	SIZE	LENGTH	USE
A	5	400S162-33	10'-9 3/8"	STUD
B	1	400T150-33	4'-4 1/16"	TOP TRACK
C	1	400T300-33	4'-4 1/16"	BOTTOM TRACK

11-3111

Jewish Home for the Aging

1885 Victory Blvd. Reseda, CA

FrameMax, Inc.
13915 Danielson St
Suite 100
Poway, CA 92064
www.frame-max.com



© FrameMax Inc.

CREATED: 09/19/2008

FM-07-109

CREATED BY: AMB

HEIGHT : 10'-9 7/16"

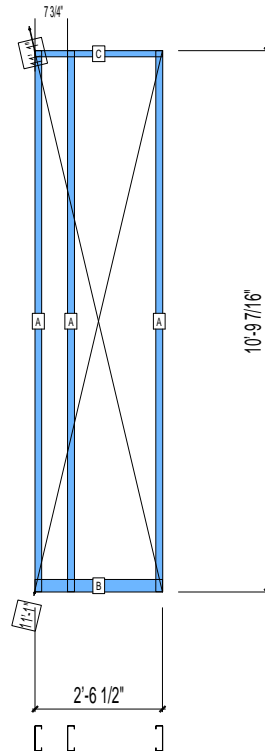
SPACING : 24"

1st STUD: 16"

WEIGHTS :

FRAME : 44 lbs

TOTAL: 44 lbs



PIECES LIST

LABEL	QTY	SIZE	LENGTH	USE
A	3	600S162-33	10'-9 3/8"	STUD
B	1	600T300-33	2'-6 1/2"	BOTTOM TRACK
C	1	600T150-33	2'-6 1/2"	TOP TRACK

11-3112

Jewish Home for the Aging

1885 Victory Blvd. Reseda, CA

FM-07-109

CREATED BY: AMB

FrameMax, Inc.
13915 Danielson St
Suite 100
Poway, CA 92064
www.frame-max.com



© FrameMax Inc.

HEIGHT : 10'-9 7/16"

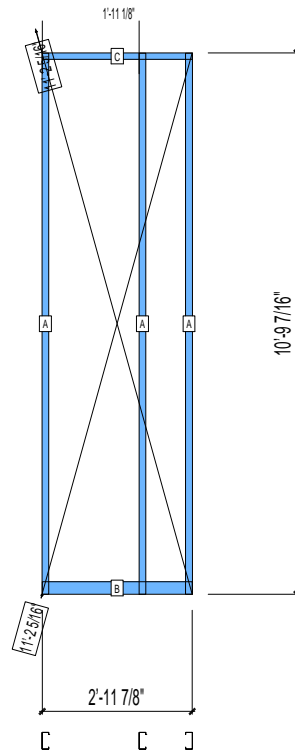
SPACING : 24"

1st STUD: 24"

WEIGHTS :

FRAME : 36 lbs

TOTAL: 36 lbs



PIECES LIST

LABEL	QTY	SIZE	LENGTH	USE
A	3	400S162-33	10'-9 3/8"	STUD
B	1	400T300-33	2'-11 7/8"	BOTTOM TRACK
C	1	400T150-33	2'-11 7/8"	TOP TRACK

11-3113

Jewish Home for the Aging

1885 Victory Blvd. Reseda, CA

FrameMax, Inc.
13915 Danielson St
Suite 100
Poway, CA 92064
www.frame-max.com



© FrameMax Inc.

CREATED: 09/19/2008

FM-07-109

CREATED BY: AMB

HEIGHT : 10'-9 7/16"

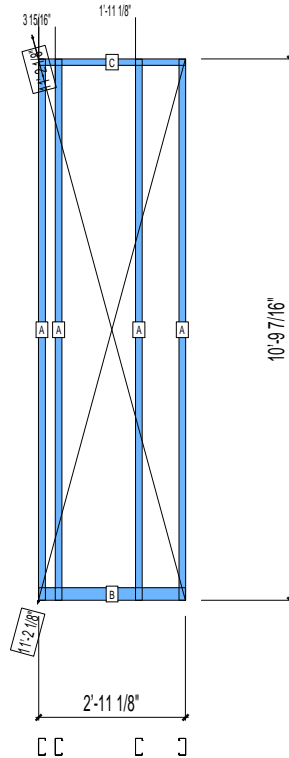
SPACING : 24"

1st STUD: 24"

WEIGHTS :

FRAME : 46 lbs

TOTAL: 46 lbs



PIECES LIST

LABEL	QTY	SIZE	LENGTH	USE
A	4	400S162-33	10'-9 3/8"	STUD
B	1	400T300-33	2'-11 1/8"	BOTTOM TRACK
C	1	400T150-33	2'-11 1/8"	TOP TRACK

11-3114

Jewish Home for the Aging

1885 Victory Blvd. Reseda, CA

FrameMax, Inc.
13915 Danielson St
Suite 100
Poway, CA 92064
www.frame-max.com



© FrameMax Inc.

CREATED: 09/19/2008

FM-07-109

CREATED BY: AMB

HEIGHT : 10'-9 7/16"

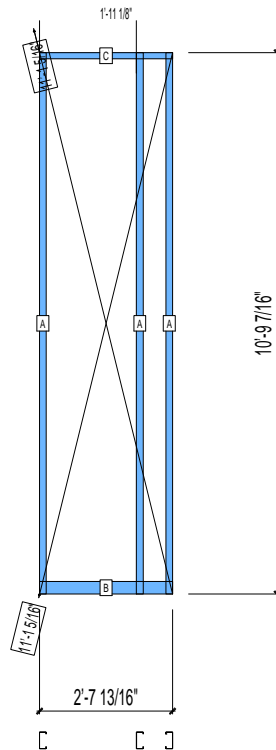
SPACING : 24"

1st STUD: 24"

WEIGHTS :

FRAME : 35 lbs

TOTAL: 35 lbs



PIECES LIST

LABEL	QTY	SIZE	LENGTH	USE
A	3	400S162-33	10'-9 3/8"	STUD
B	1	400T300-33	2'-7 13/16"	BOTTOM TRACK
C	1	400T150-33	2'-7 13/16"	TOP TRACK

11-3115

Jewish Home for the Aging

1885 Victory Blvd. Reseda, CA

FrameMax, Inc.
13915 Danielson St
Suite 100
Poway, CA 92064
www.frame-max.com



© FrameMax Inc.

CREATED: 09/19/2008

FM-07-109

CREATED BY: AMB

HEIGHT : 10'-9 7/16"

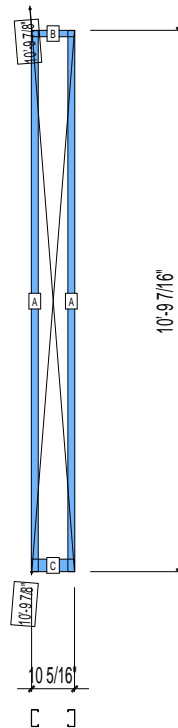
SPACING : 24"

1st STUD: 16"

WEIGHTS :

FRAME : 22 lbs

TOTAL: 22 lbs



PIECES LIST

LABEL	QTY	SIZE	LENGTH	USE
A	2	400S162-33	10'-9 3/8"	STUD
B	1	400T150-33	10 5/16"	TOP TRACK
C	1	400T300-33	10 5/16"	BOTTOM TRACK

11-3116

Jewish Home for the Aging

1885 Victory Blvd. Reseda, CA

FM-07-109

CREATED BY: AMB

FrameMax, Inc.
13915 Danielson St
Suite 100
Poway, CA 92064
www.framemax.com



© FrameMax Inc.

HEIGHT : 10'-9 7/16"

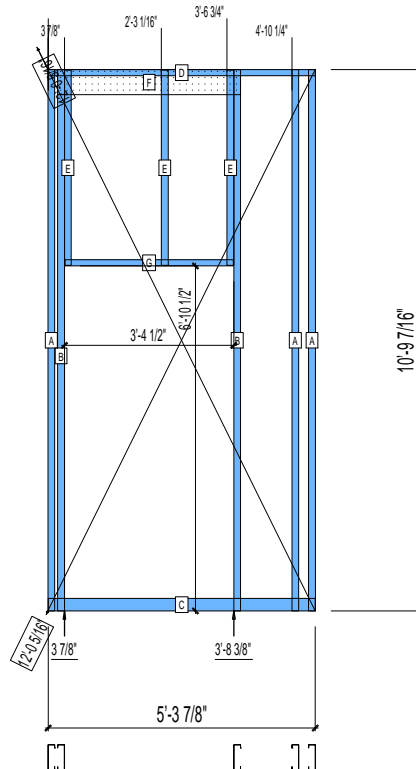
SPACING : 24"

1st STUD: 24"

WEIGHTS :

FRAME : 21 lbs

TOTAL: 21 lbs



PIECES LIST

LABEL	QTY	SIZE	LENGTH	USE
A	3	600S162-33	10'-9 3/8"	STUD
B	2	600S162-33	10'-9 3/8"	KING STUD
C	1	600T300-33	5'-3 7/8"	BOTTOM TRACK
D	1	600T150-33	5'-3 7/8"	TOP TRACK
E	3	600S162-33	3'-10 5/8"	CRIPPLE
F	1	600L150-33	3'-7 3/4"	L-HEADER
G	1	600T150-33	3'-4 1/4"	HEAD TRACK

11-3117

Jewish Home for the Aging

1885 Victory Blvd. Reseda, CA

FrameMax, Inc.
13915 Danielson St
Suite 100
Poway, CA 92064
www.framemax.com



© FrameMax Inc.

CREATED: 09/19/2008

FM-07-109

CREATED BY: AMB

HEIGHT : 10'-9 7/16"

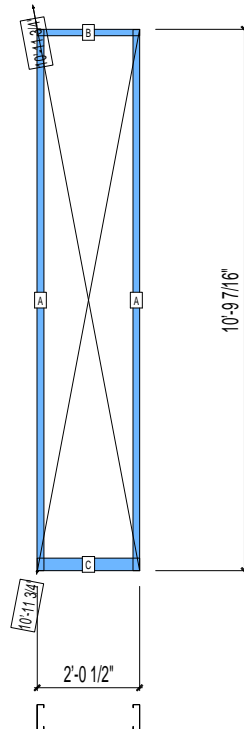
SPACING : 24"

1st STUD: 24"

WEIGHTS :

FRAME : 30 lbs

TOTAL: 30 lbs



PIECES LIST

LABEL	QTY	SIZE	LENGTH	USE
A	2	600S162-33	10'-9 3/8"	STUD
B	1	600T150-33	2'-0 1/2"	TOP TRACK
C	1	600T300-33	2'-0 1/2"	BOTTOM TRACK

11-3118

Jewish Home for the Aging

1885 Victory Blvd. Reseda, CA

FrameMax, Inc.
13915 Danielson St
Suite 100
Poway, CA 92064
www.frame-max.com



© FrameMax Inc.

CREATED: 09/19/2008

FM-07-109

CREATED BY: AMB

HEIGHT : 2'-11 1/2"

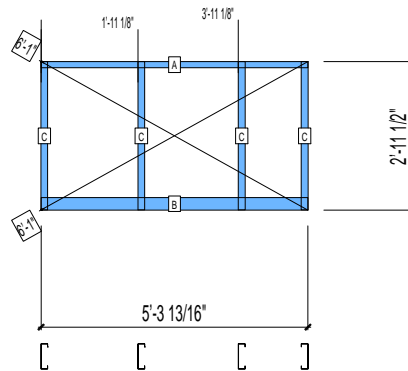
SPACING : 24"

1st STUD: 24"

WEIGHTS :

FRAME : 27 lbs

TOTAL: 27 lbs



PIECES LIST

LABEL	QTY	SIZE	LENGTH	USE
A	1	600T150-33	5'-3 13/16"	TOP TRACK
B	1	600T300-33	5'-3 13/16"	BOTTOM TRACK
C	4	600S162-33	2'-11 7/16"	STUD

11-3119

Jewish Home for the Aging

1885 Victory Blvd. Reseda, CA

FM-07-109

CREATED BY: AMB

FrameMax, Inc.
13915 Danielson St
Suite 100
Poway, CA 92064
www.frame-max.com

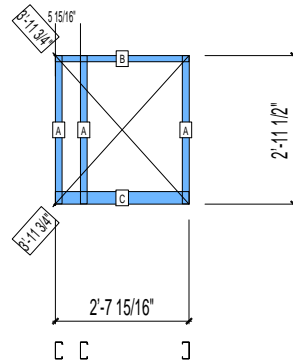


© FrameMax Inc.

HEIGHT : 2'-11 1/2"
SPACING : 24"
1st STUD: 24"

WEIGHTS :
FRAME : 14 lbs

TOTAL: 14 lbs



PIECES LIST

LABEL	QTY	SIZE	LENGTH	USE
A	3	400S162-33	2'-11 7/16"	STUD
B	1	400T150-33	2'-7 15/16"	TOP TRACK
C	1	400T300-33	2'-7 15/16"	BOTTOM TRACK

11-3151

Jewish Home for the Aging

1885 Victory Blvd. Reseda, CA

FM-07-109

CREATED BY: AMB

FrameMax, Inc.
13915 Danielson St
Suite 100
Poway, CA 92064
www.framemax.com

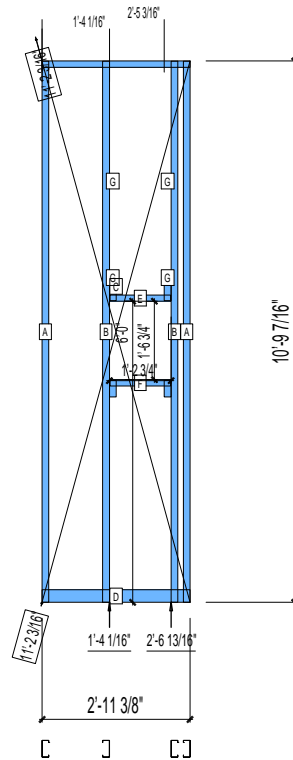


© FrameMax Inc.

HEIGHT : 10'-9 7/16"
SPACING : 24"
1st STUD: 24"

WEIGHTS :
FRAME : 49 lbs

TOTAL: 49 lbs



PIECES LIST

LABEL	QTY	SIZE	LENGTH	USE
A	2	400S162-33	10'-9 3/8"	STUD
B	2	400S162-33	10'-9 3/8"	KING STUD
C	1	400T150-33	2'-11 3/8"	TOP TRACK
D	1	400T300-33	2'-11 3/8"	BOTTOM TRACK
E	1	400T150-33	1'-2 1/2"	HEAD TRACK
F	1	400T150-33	1'-2 1/2"	SILL
G	4	400S162-33	4"	CRIPPLE

11-3152

Jewish Home for the Aging

1885 Victory Blvd. Reseda, CA

FrameMax, Inc.
13915 Danielson St
Suite 100
Poway, CA 92064
www.frame-max.com



© FrameMax Inc.

CREATED: 09/19/2008

FM-07-109

CREATED BY: AMB

HEIGHT : 10'-9 7/16"

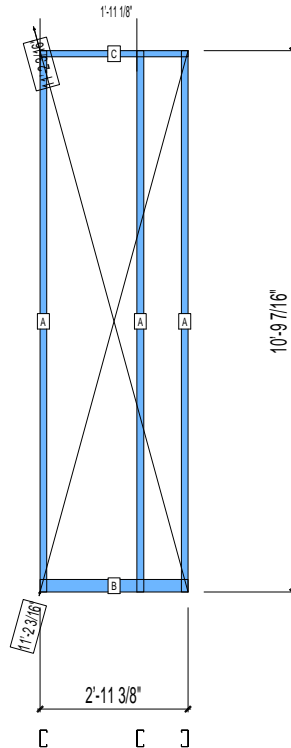
SPACING : 24"

1st STUD: 24"

WEIGHTS :

FRAME : 36 lbs

TOTAL: 36 lbs



PIECES LIST

LABEL	QTY	SIZE	LENGTH	USE
A	3	400S162-33	10'-9 3/8"	STUD
B	1	400T300-33	2'-11 3/8"	BOTTOM TRACK
C	1	400T150-33	2'-11 3/8"	TOP TRACK

11-3153

Jewish Home for the Aging

1885 Victory Blvd. Reseda, CA

FM-07-109

CREATED BY: AMB

FrameMax, Inc.
13915 Danielson St
Suite 100
Poway, CA 92064
www.framemax.com



© FrameMax Inc.

HEIGHT : 10'-9 7/16"

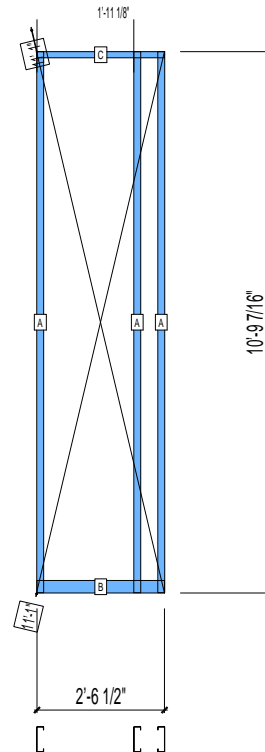
SPACING : 24"

1st STUD: 24"

WEIGHTS :

FRAME : 44 lbs

TOTAL: 44 lbs



PIECES LIST

LABEL	QTY	SIZE	LENGTH	USE
A	3	600S162-33	10'-9 3/8"	STUD
B	1	600T300-33	2'-6 1/2"	BOTTOM TRACK
C	1	600T150-33	2'-6 1/2"	TOP TRACK

11-3154

Jewish Home for the Aging

1885 Victory Blvd. Reseda, CA

FM-07-109

CREATED BY: AMB

FrameMax, Inc.
13915 Danielson St
Suite 100
Poway, CA 92064
www.frame-max.com



© FrameMax Inc.

HEIGHT : 10'-9 7/16"

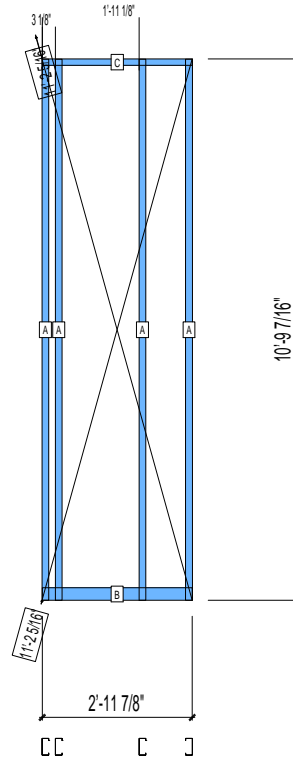
SPACING : 24"

1st STUD: 24"

WEIGHTS :

FRAME : 46 lbs

TOTAL: 46 lbs



PIECES LIST

LABEL	QTY	SIZE	LENGTH	USE
A	4	400S162-33	10'-9 3/8"	STUD
B	1	400T300-33	2'-11 7/8"	BOTTOM TRACK
C	1	400T150-33	2'-11 7/8"	TOP TRACK

11-3155

Jewish Home for the Aging

1885 Victory Blvd. Reseda, CA

FM-07-109

CREATED BY: AMB

FrameMax, Inc.
13915 Danielson St
Suite 100
Poway, CA 92064
www.frame-max.com



© FrameMax Inc.

HEIGHT : 10'-9 7/16"

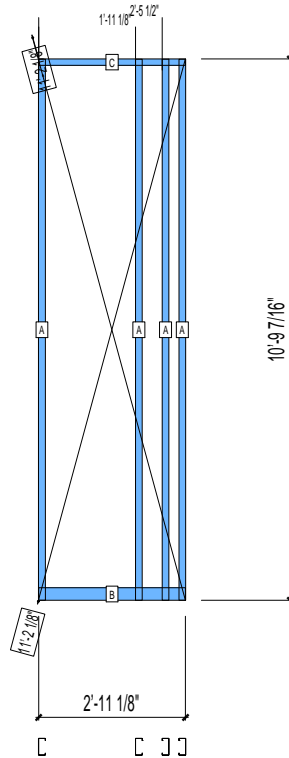
SPACING : 24"

1st STUD: 24"

WEIGHTS :

FRAME : 46 lbs

TOTAL: 46 lbs



PIECES LIST

LABEL	QTY	SIZE	LENGTH	USE
A	4	400S162-33	10'-9 3/8"	STUD
B	1	400T300-33	2'-11 1/8"	BOTTOM TRACK
C	1	400T150-33	2'-11 1/8"	TOP TRACK

11-3156

Jewish Home for the Aging

1885 Victory Blvd. Reseda, CA

FrameMax, Inc.
13915 Danielson St
Suite 100
Poway, CA 92064
www.frame-max.com



© FrameMax Inc.

CREATED: 09/19/2008

FM-07-109

CREATED BY: AMB

HEIGHT : 10'-9 7/16"

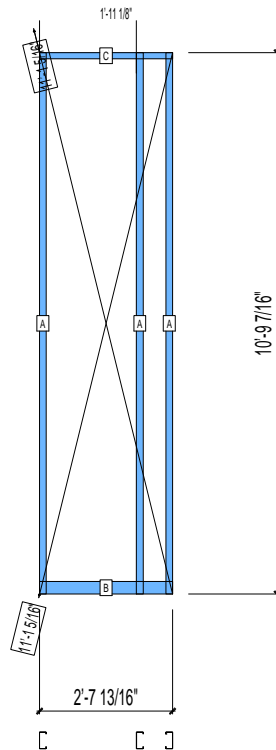
SPACING : 24"

1st STUD: 24"

WEIGHTS :

FRAME : 35 lbs

TOTAL: 35 lbs



PIECES LIST

LABEL	QTY	SIZE	LENGTH	USE
A	3	400S162-33	10'-9 3/8"	STUD
B	1	400T300-33	2'-7 13/16"	BOTTOM TRACK
C	1	400T150-33	2'-7 13/16"	TOP TRACK

11-3157

Jewish Home for the Aging

1885 Victory Blvd. Reseda, CA

FM-07-109

CREATED BY: AMB

FrameMax, Inc.
13915 Danielson St
Suite 100
Poway, CA 92064
www.framemax.com



© FrameMax Inc.

HEIGHT : 10'-9 7/16"

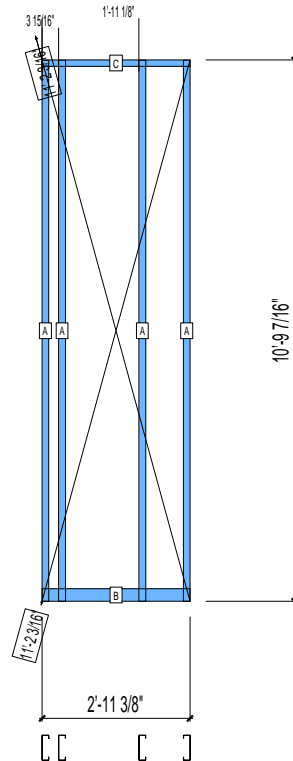
SPACING : 24"

1st STUD: 24"

WEIGHTS :

FRAME : 58 lbs

TOTAL: 58 lbs



PIECES LIST

LABEL	QTY	SIZE	LENGTH	USE
A	4	600S162-33	10'-9 3/8"	STUD
B	1	600T300-33	2'-11 3/8"	BOTTOM TRACK
C	1	600T150-33	2'-11 3/8"	TOP TRACK

11-3158

Jewish Home for the Aging

1885 Victory Blvd. Reseda, CA

FrameMax, Inc.
13915 Danielson St
Suite 100
Poway, CA 92064
www.framemax.com



© FrameMax Inc.

CREATED: 09/19/2008

FM-07-109

CREATED BY: AMB

HEIGHT : 10'-9 7/16"

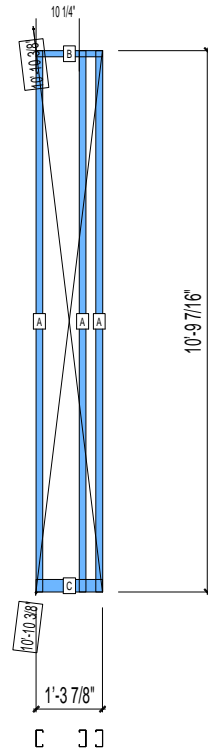
SPACING : 24"

1st STUD: 24"

WEIGHTS :

FRAME : 33 lbs

TOTAL: 33 lbs



PIECES LIST

LABEL	QTY	SIZE	LENGTH	USE
A	3	400S162-33	10'-9 3/8"	STUD
B	1	400T150-33	1'-3 7/8"	TOP TRACK
C	1	400T300-33	1'-3 7/8"	BOTTOM TRACK

11-3159

Jewish Home for the Aging

1885 Victory Blvd. Reseda, CA

FrameMax, Inc.
13915 Danielson St
Suite 100
Poway, CA 92064
www.frame-max.com



© FrameMax Inc.

CREATED: 09/19/2008

FM-07-109

CREATED BY: AMB

HEIGHT : 10'-9 7/16"

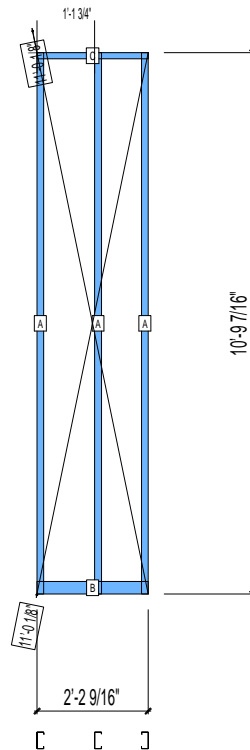
SPACING : 24"

1st STUD: 16"

WEIGHTS :

FRAME : 35 lbs

TOTAL: 35 lbs



PIECES LIST

LABEL	QTY	SIZE	LENGTH	USE
A	3	400S162-33	10'-9 3/8"	STUD
B	1	400T300-33	2'-2 9/16"	BOTTOM TRACK
C	1	400T150-33	2'-2 9/16"	TOP TRACK

11-3160

Jewish Home for the Aging

1885 Victory Blvd. Reseda, CA

FM-07-109

CREATED BY: AMB

FrameMax, Inc.
13915 Danielson St
Suite 100
Poway, CA 92064
www.frame-max.com



© FrameMax Inc.

HEIGHT : 10'-9 7/16"

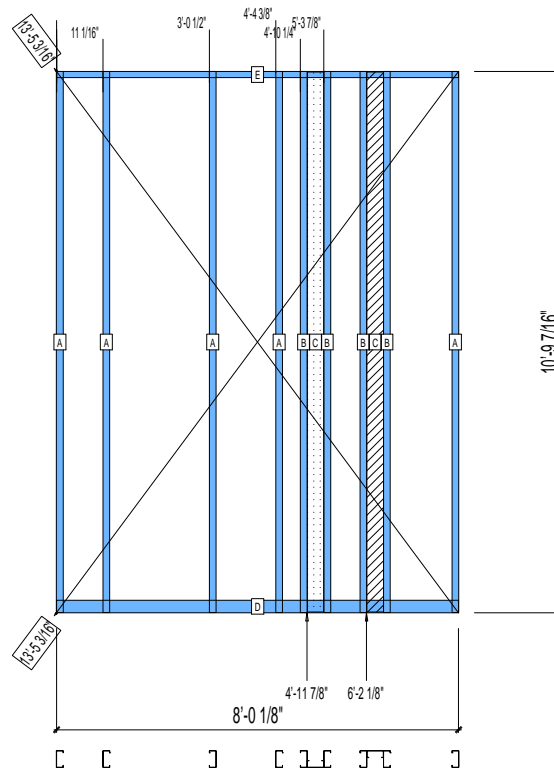
SPACING : 24"

1st STUD: 16"

WEIGHTS :

FRAME : 126 lbs

TOTAL: 126 lbs



PIECES LIST

LABEL	QTY	SIZE	LENGTH	USE
A	5	400S162-33	10'-9 3/8"	STUD
B	4	400S162-33	10'-9 3/8"	BACKER STUD
C	2	400S162-33	10'-9 1/8"	BACKER-U
D	1	400T300-33	8'-0 1/8"	BOTTOM TRACK
E	1	400T150-33	8'-0 1/8"	TOP TRACK

11-3161

Jewish Home for the Aging

1885 Victory Blvd. Reseda, CA

FM-07-109

CREATED BY: AMB

FrameMax, Inc.
13915 Danielson St
Suite 100
Poway, CA 92064
www.frame-max.com



© FrameMax Inc.

HEIGHT : 10'-9 7/16"

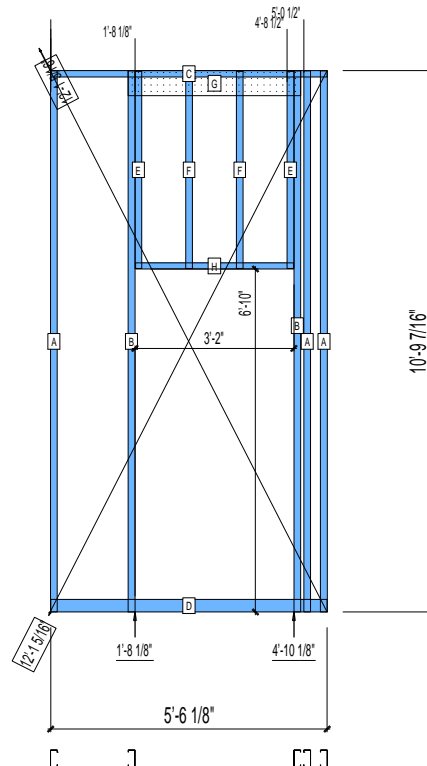
SPACING : 24"

1st STUD: 24"

WEIGHTS :

FRAME : 17 lbs

TOTAL: 17 lbs



PIECES LIST

LABEL	QTY	SIZE	LENGTH	USE
A	3	400S162-33	10'-9 3/8"	STUD
B	2	400S162-33	10'-9 3/8"	KING STUD
C	1	400T150-33	5'-6 1/8"	TOP TRACK
D	1	400T300-33	5'-6 1/8"	BOTTOM TRACK
E	2	400S162-33	3'-11 1/8"	CRIPPLE
F	2	400S162-33	3'-11 1/8"	KING STUD
G	1	600L150-33	3'-5 1/4"	L-HEADER
H	1	400T150-33	3'-1 3/4"	HEAD TRACK

11-3162

Jewish Home for the Aging

1885 Victory Blvd. Reseda, CA

FM-07-109

CREATED BY: AMB

FrameMax, Inc.
13915 Danielson St
Suite 100
Poway, CA 92064
www.framemax.com



© FrameMax Inc.

HEIGHT : 10'-9 7/16"

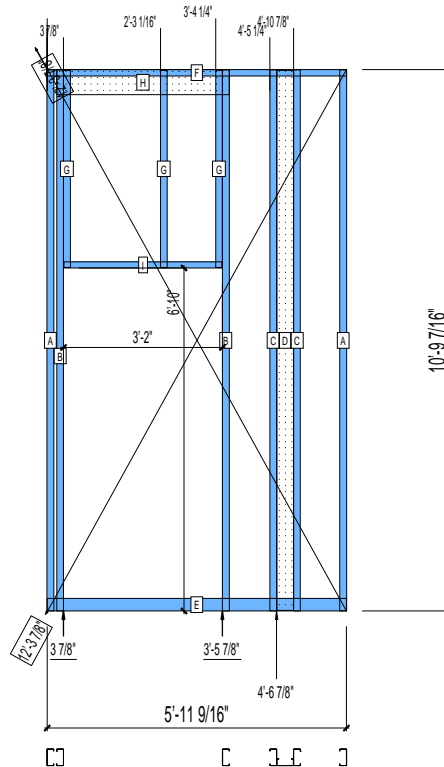
SPACING : 24"

1st STUD: 24"

WEIGHTS :

FRAME : 18 lbs

TOTAL: 18 lbs



PIECES LIST

LABEL	QTY	SIZE	LENGTH	USE
A	2	400S162-33	10'-9 3/8"	STUD
B	2	400S162-33	10'-9 3/8"	KING STUD
C	2	400S162-33	10'-9 3/8"	BACKER STUD
D	1	400S162-33	10'-9 1/8"	BACKER-U
E	1	400T300-33	5'-11 9/16"	BOTTOM TRACK
F	1	400T150-33	5'-11 9/16"	TOP TRACK
G	3	400S162-33	3'-11 1/8"	CRIPPLE
H	1	600L150-33	3'-5 1/4"	L-HEADER
I	1	400T150-33	3'-1 3/4"	HEAD TRACK

11-3163

Jewish Home for the Aging

1885 Victory Blvd. Reseda, CA

FrameMax, Inc.
13915 Danielson St
Suite 100
Poway, CA 92064
www.framemax.com



© FrameMax Inc.

CREATED: 09/19/2008

FM-07-109

CREATED BY: AMB

HEIGHT : 10'-9 7/16"

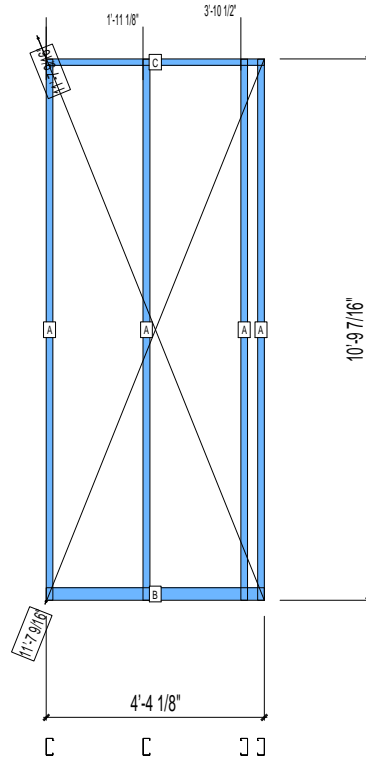
SPACING : 24"

1st STUD: 24"

WEIGHTS :

FRAME : 49 lbs

TOTAL: 49 lbs



PIECES LIST

LABEL	QTY	SIZE	LENGTH	USE
A	4	400S162-33	10'-9 3/8"	STUD
B	1	400T300-33	4'-4 1/8"	BOTTOM TRACK
C	1	400T150-33	4'-4 1/8"	TOP TRACK

11-3164

Jewish Home for the Aging

1885 Victory Blvd. Reseda, CA

FrameMax, Inc.
13915 Danielson St
Suite 100
Poway, CA 92064
www.framemax.com



© FrameMax Inc.

CREATED: 09/19/2008

FM-07-109

CREATED BY: AMB

HEIGHT : 10'-9 7/16"

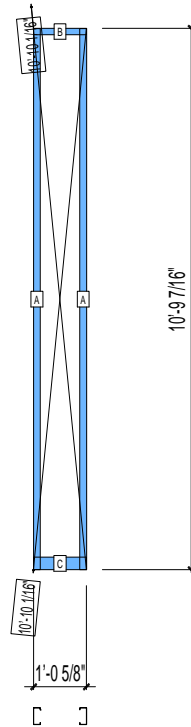
SPACING : 24"

1st STUD: 24"

WEIGHTS :

FRAME : 22 lbs

TOTAL: 22 lbs



PIECES LIST

LABEL	QTY	SIZE	LENGTH	USE
A	2	400S162-33	10'-9 3/8"	STUD
B	1	400T150-33	1'-0 5/8"	TOP TRACK
C	1	400T300-33	1'-0 5/8"	BOTTOM TRACK

11-3165

Jewish Home for the Aging

1885 Victory Blvd. Reseda, CA

FrameMax, Inc.
13915 Danielson St
Suite 100
Poway, CA 92064
www.frame-max.com



© FrameMax Inc.

CREATED: 09/19/2008

FM-07-109

CREATED BY: AMB

HEIGHT : 10'-9 7/16"

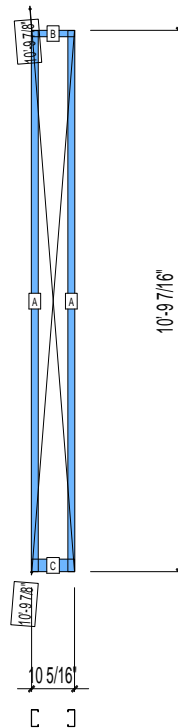
SPACING : 24"

1st STUD: 16"

WEIGHTS :

FRAME : 22 lbs

TOTAL: 22 lbs



PIECES LIST

LABEL	QTY	SIZE	LENGTH	USE
A	2	400S162-33	10'-9 3/8"	STUD
B	1	400T150-33	10 5/16"	TOP TRACK
C	1	400T300-33	10 5/16"	BOTTOM TRACK

11-3166

Jewish Home for the Aging

1885 Victory Blvd. Reseda, CA

FM-07-109

CREATED BY: AMB

FrameMax, Inc.
13915 Danielson St
Suite 100
Poway, CA 92064
www.frame-max.com



© FrameMax Inc.

HEIGHT : 10'-9 7/16"

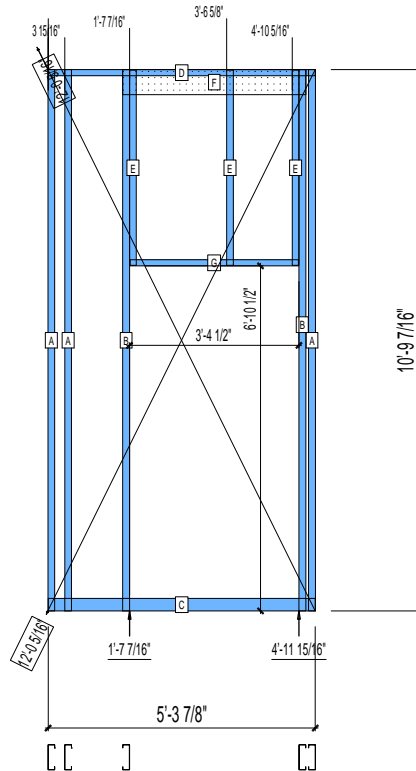
SPACING : 24"

1st STUD: 24"

WEIGHTS :

FRAME : 21 lbs

TOTAL: 21 lbs



PIECES LIST

LABEL	QTY	SIZE	LENGTH	USE
A	3	600S162-33	10'-9 3/8"	STUD
B	2	600S162-33	10'-9 3/8"	KING STUD
C	1	600T300-33	5'-3 7/8"	BOTTOM TRACK
D	1	600T150-33	5'-3 7/8"	TOP TRACK
E	3	600S162-33	3'-10 5/8"	CRIPPLE
F	1	600L150-33	3'-7 3/4"	L-HEADER
G	1	600T150-33	3'-4 1/4"	HEAD TRACK

11-3167

Jewish Home for the Aging

1885 Victory Blvd. Reseda, CA

FrameMax, Inc.
13915 Danielson St
Suite 100
Poway, CA 92064
www.framemax.com



© FrameMax Inc.

CREATED: 09/19/2008

FM-07-109

CREATED BY: AMB

HEIGHT : 10'-9 7/16"

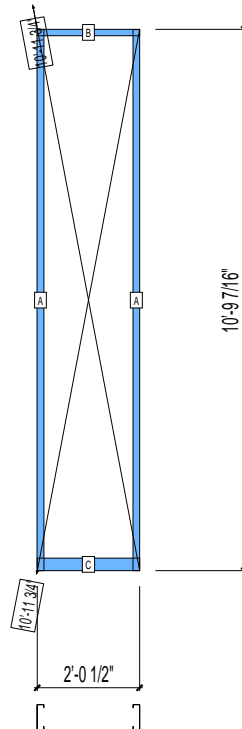
SPACING : 24"

1st STUD: 24"

WEIGHTS :

FRAME : 30 lbs

TOTAL: 30 lbs



PIECES LIST

LABEL	QTY	SIZE	LENGTH	USE
A	2	600S162-33	10'-9 3/8"	STUD
B	1	600T150-33	2'-0 1/2"	TOP TRACK
C	1	600T300-33	2'-0 1/2"	BOTTOM TRACK

11-3168

Jewish Home for the Aging

1885 Victory Blvd. Reseda, CA

FM-07-109

CREATED BY: AMB

FrameMax, Inc.
13915 Danielson St
Suite 100
Poway, CA 92064
www.frame-max.com

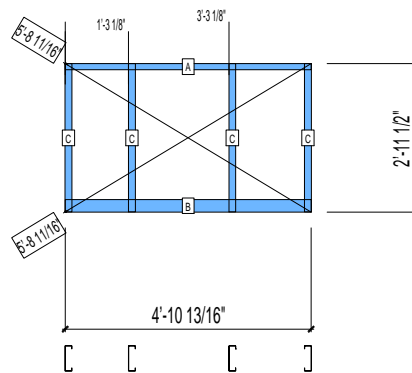


© FrameMax Inc.

HEIGHT : 2'-11 1/2"
SPACING : 24"
1st STUD: 16"

WEIGHTS :
FRAME : 26 lbs

TOTAL: 26 lbs



PIECES LIST

LABEL	QTY	SIZE	LENGTH	USE
A	1	600T150-33	4'-10 13/16"	TOP TRACK
B	1	600T300-33	4'-10 13/16"	BOTTOM TRACK
C	4	600S162-33	2'-11 7/16"	STUD

11-3169

Jewish Home for the Aging

1885 Victory Blvd. Reseda, CA

FrameMax, Inc.
13915 Danielson St
Suite 100
Poway, CA 92064
www.frame-max.com



© FrameMax Inc.

CREATED: 09/19/2008

FM-07-109

CREATED BY: AMB

HEIGHT : 2'-11 1/2"

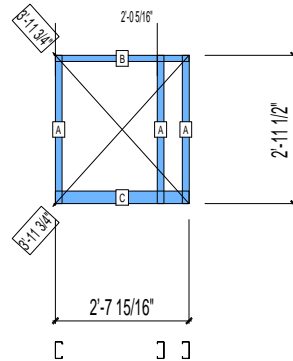
SPACING : 24"

1st STUD: 24"

WEIGHTS :

FRAME : 14 lbs

TOTAL: 14 lbs



PIECES LIST

LABEL	QTY	SIZE	LENGTH	USE
A	3	400S162-33	2'-11 7/16"	STUD
B	1	400T150-33	2'-7 15/16"	TOP TRACK
C	1	400T300-33	2'-7 15/16"	BOTTOM TRACK

11-3201

Jewish Home for the Aging

1885 Victory Blvd. Reseda, CA

FrameMax, Inc.
13915 Danielson St
Suite 100
Poway, CA 92064
www.frame-max.com



© FrameMax Inc.

CREATED: 09/19/2008

FM-07-109

CREATED BY: AMB

HEIGHT : 11'-9 11/16"

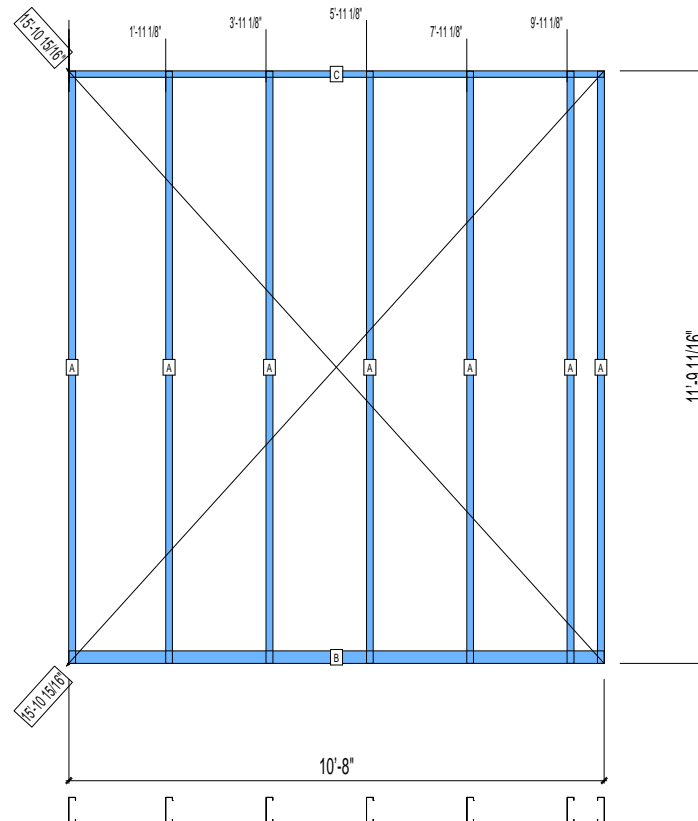
SPACING : 24"

1st STUD: 24"

WEIGHTS :

FRAME : 123 lbs

TOTAL: 123 lbs



PIECES LIST

LABEL	QTY	SIZE	LENGTH	USE
A	7	600S162-33	11'-9 5/8"	STUD
B	1	600T300-33	10'-8"	BOTTOM TRACK
C	1	600T150-33	10'-8"	TOP TRACK

11-3202

Jewish Home for the Aging

1885 Victory Blvd. Reseda, CA

FM-07-109

CREATED BY: AMB

FrameMax, Inc.
13915 Danielson St
Suite 100
Poway, CA 92064
www.frame-max.com

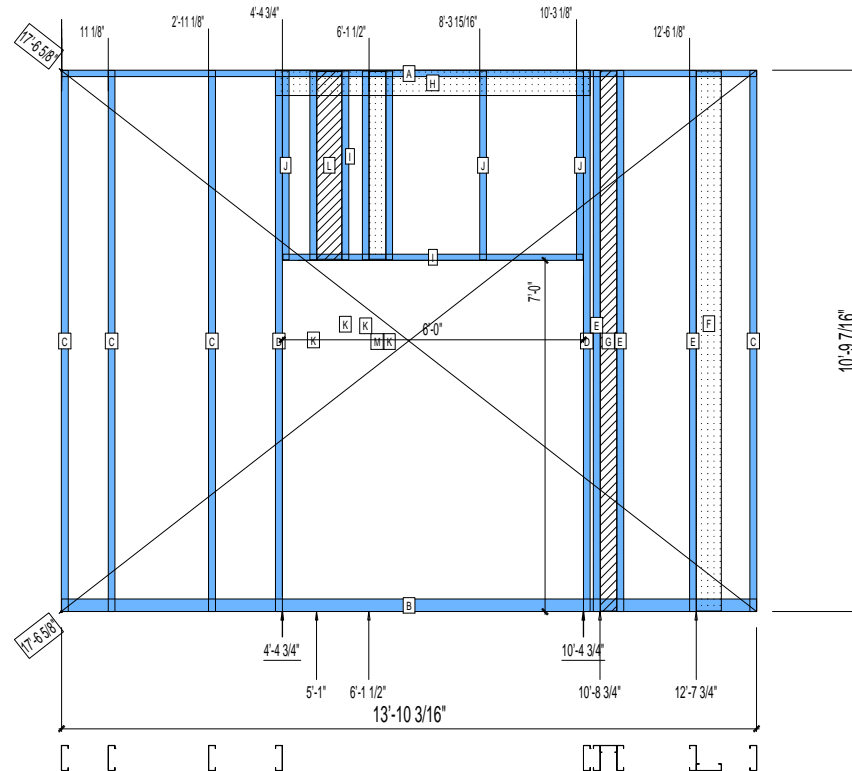


© FrameMax Inc.

HEIGHT : 10'-9 7/16"
SPACING : 24"
1st STUD: 24"

WEIGHTS :
FRAME : 222 lbs

TOTAL: 222 lbs



PIECES LIST			
LABEL	QTY	SIZE	LENGTH USE
A	1	600T150-33	13'-10 3/16" TOP TRACK
B	1	600T300-33	13'-10 3/16" BOTTOM TRACK
C	4	600S162-33	10'-9 3/8" STUD
D	2	600S162-33	10'-9 3/8" KING STUD
E	3	600S162-33	10'-9 3/8" BACKER STUD
F	1	600S162-33	10'-9 1/8" BACKER-U
G	1	400S162-33	10'-9 1/8" BACKER-U
H	1	600L150-33	6'-3 1/4" L-HEADER
I	1	600T150-33	5'-11 3/4" HEAD TRACK
J	3	600S162-33	3'-9 1/8" CRIPPLE
K	4	600S162-33	3'-9 1/8" BACKER STUD
L	1	600S162-33	3'-8 7/8" BACKER-U
M	1	400S162-33	3'-8 7/8" BACKER-U

11-3203

Jewish Home for the Aging

1885 Victory Blvd. Reseda, CA

FrameMax, Inc.
13915 Danielson St
Suite 100
Poway, CA 92064
www.frame-max.com



© FrameMax Inc.

CREATED: 09/19/2008

FM-07-109

CREATED BY: AMB

HEIGHT : 10'-9 7/16"

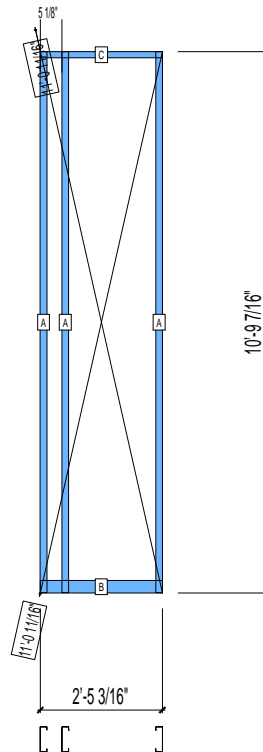
SPACING : 24"

1st STUD: 24"

WEIGHTS :

FRAME : 44 lbs

TOTAL: 44 lbs



PIECES LIST

LABEL	QTY	SIZE	LENGTH	USE
A	3	600S162-33	10'-9 3/8"	STUD
B	1	600T300-33	2'-5 3/16"	BOTTOM TRACK
C	1	600T150-33	2'-5 3/16"	TOP TRACK

11-3204

Jewish Home for the Aging

1885 Victory Blvd. Reseda, CA

FrameMax, Inc.
13915 Danielson St
Suite 100
Poway, CA 92064
www.frame-max.com



© FrameMax Inc.

CREATED: 09/19/2008

FM-07-109

CREATED BY: AMB

HEIGHT : 10'-9 7/16"

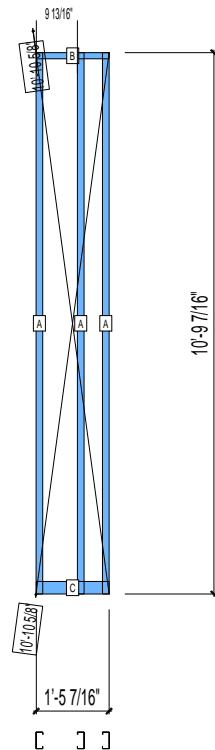
SPACING : 24"

1st STUD: 24"

WEIGHTS :

FRAME : 33 lbs

TOTAL: 33 lbs



PIECES LIST

LABEL	QTY	SIZE	LENGTH	USE
A	3	400S162-33	10'-9 3/8"	STUD
B	1	400T150-33	1'-5 7/16"	TOP TRACK
C	1	400T300-33	1'-5 7/16"	BOTTOM TRACK

11-3205

Jewish Home for the Aging

1885 Victory Blvd. Reseda, CA

FM-07-109

CREATED BY: AMB

FrameMax, Inc.
13915 Danielson St
Suite 100
Poway, CA 92064
www.frame-max.com



© FrameMax Inc.

HEIGHT : 10'-9 7/16"

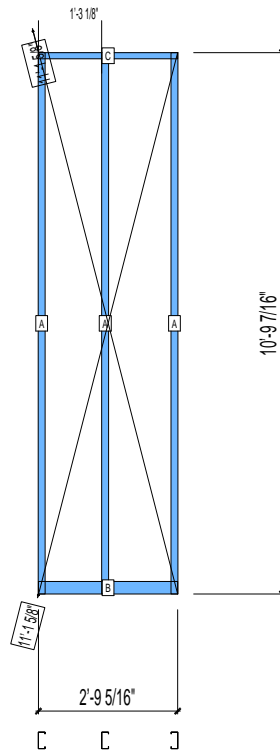
SPACING : 24"

1st STUD: 24"

WEIGHTS :

FRAME : 36 lbs

TOTAL: 36 lbs



PIECES LIST

LABEL	QTY	SIZE	LENGTH	USE
A	3	400S162-33	10'-9 3/8"	STUD
B	1	400T300-33	2'-9 5/16"	BOTTOM TRACK
C	1	400T150-33	2'-9 5/16"	TOP TRACK

11-3206

Jewish Home for the Aging

1885 Victory Blvd. Reseda, CA

FM-07-109

CREATED BY: AMB

FrameMax, Inc.
13915 Danielson St
Suite 100
Poway, CA 92064
www.framemax.com



© FrameMax Inc.

HEIGHT : 10'-9 7/16"

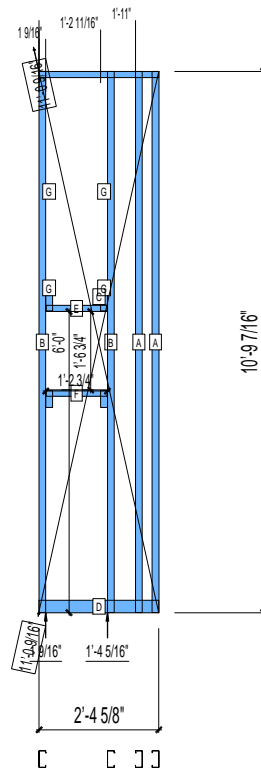
SPACING : 24"

1st STUD: 24"

WEIGHTS :

FRAME : 48 lbs

TOTAL: 48 lbs



PIECES LIST

LABEL	QTY	SIZE	LENGTH	USE
A	2	400S162-33	10'-9 3/8"	STUD
B	2	400S162-33	10'-9 3/8"	KING STUD
C	1	400T150-33	2'-4 5/8"	TOP TRACK
D	1	400T300-33	2'-4 5/8"	BOTTOM TRACK
E	1	400T150-33	1'-2 1/2"	HEAD TRACK
F	1	400T150-33	1'-2 1/2"	SILL
G	4	400S162-33	4"	CRIPPLE

11-3207

Jewish Home for the Aging

1885 Victory Blvd. Reseda, CA

FM-07-109

CREATED BY: AMB

FrameMax, Inc.
13915 Danielson St
Suite 100
Poway, CA 92064
www.frame-max.com



© FrameMax Inc.

HEIGHT : 10'-9 7/16"

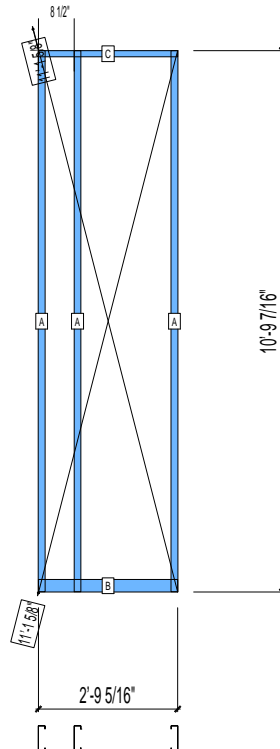
SPACING : 24"

1st STUD: 24"

WEIGHTS :

FRAME : 45 lbs

TOTAL: 45 lbs



PIECES LIST

LABEL	QTY	SIZE	LENGTH	USE
A	3	600S162-33	10'-9 3/8"	STUD
B	1	600T300-33	2'-9 5/16"	BOTTOM TRACK
C	1	600T150-33	2'-9 5/16"	TOP TRACK

11-3208

Jewish Home for the Aging

1885 Victory Blvd. Reseda, CA

FrameMax, Inc.
13915 Danielson St
Suite 100
Poway, CA 92064
www.frame-max.com



© FrameMax Inc.

CREATED: 09/19/2008

FM-07-109

CREATED BY: AMB

HEIGHT : 10'-9 7/16"

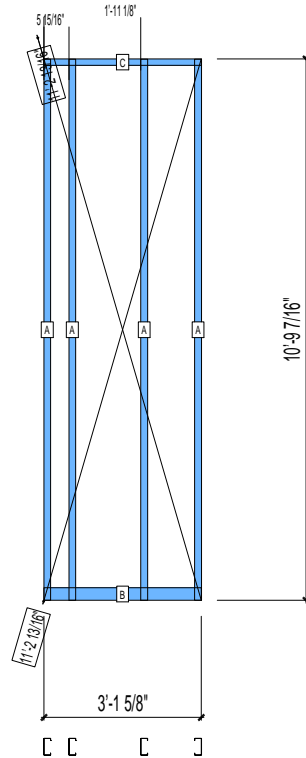
SPACING : 24"

1st STUD: 24"

WEIGHTS :

FRAME : 46 lbs

TOTAL: 46 lbs



PIECES LIST

LABEL	QTY	SIZE	LENGTH	USE
A	4	400S162-33	10'-9 3/8"	STUD
B	1	400T300-33	3'-1 5/8"	BOTTOM TRACK
C	1	400T150-33	3'-1 5/8"	TOP TRACK

11-3209

Jewish Home for the Aging

1885 Victory Blvd. Reseda, CA

FrameMax, Inc.
13915 Danielson St
Suite 100
Poway, CA 92064
www.framemax.com



© FrameMax Inc.

CREATED: 09/19/2008

FM-07-109

CREATED BY: AMB

HEIGHT : 10'-9 7/16"

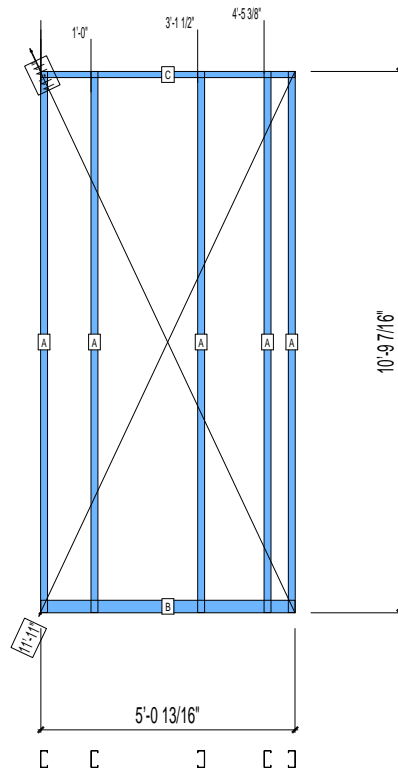
SPACING : 24"

1st STUD: 24"

WEIGHTS :

FRAME : 60 lbs

TOTAL: 60 lbs



PIECES LIST

LABEL	QTY	SIZE	LENGTH	USE
A	5	400S162-33	10'-9 3/8"	STUD
B	1	400T300-33	5'-0 13/16"	BOTTOM TRACK
C	1	400T150-33	5'-0 13/16"	TOP TRACK

11-3210

Jewish Home for the Aging

1885 Victory Blvd. Reseda, CA

FM-07-109

CREATED BY: AMB

FrameMax, Inc.
13915 Danielson St
Suite 100
Poway, CA 92064
www.framemax.com

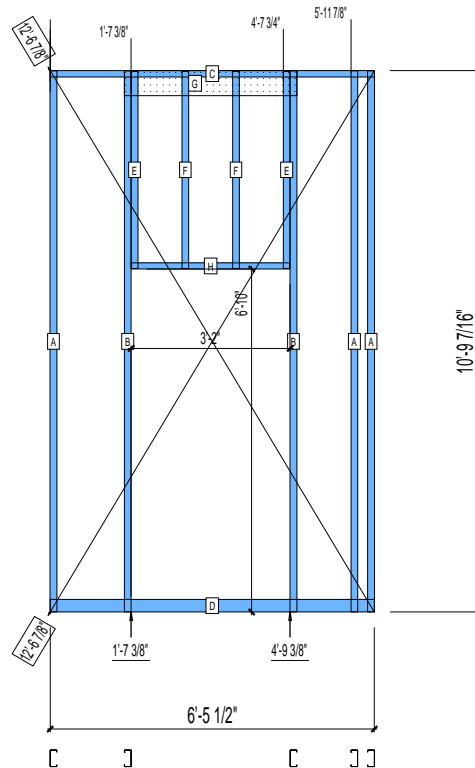


© FrameMax Inc.

HEIGHT : 10'-9 7/16"
SPACING : 24"
1st STUD: 24"

WEIGHTS :
FRAME : 84 lbs

TOTAL: 84 lbs



PIECES LIST

LABEL	QTY	SIZE	LENGTH	USE
A	3	400S162-33	10'-9 3/8"	STUD
B	2	400S162-33	10'-9 3/8"	KING STUD
C	1	400T150-33	6'-5 1/2"	TOP TRACK
D	1	400T300-33	6'-5 1/2"	BOTTOM TRACK
E	2	400S162-33	3'-11 1/8"	CRIPPLE
F	2	400S162-33	3'-11 1/8"	KING STUD
G	1	600L150-33	3'-5 1/4"	L-HEADER
H	1	400T150-33	3'-1 3/4"	HEAD TRACK

11-3211

Jewish Home for the Aging

1885 Victory Blvd. Reseda, CA

FrameMax, Inc.
13915 Danielson St
Suite 100
Poway, CA 92064
www.frame-max.com



© FrameMax Inc.

CREATED: 09/19/2008

FM-07-109

CREATED BY: AMB

HEIGHT : 10'-9 7/16"

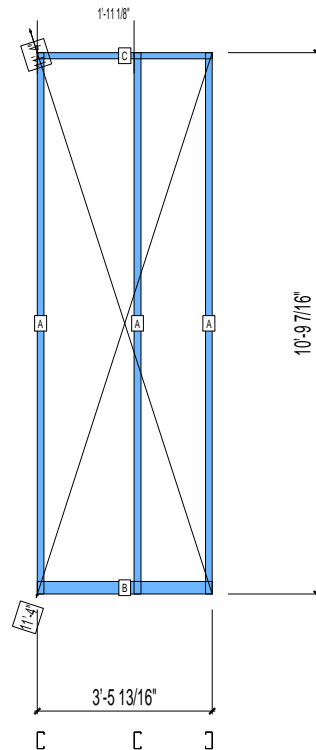
SPACING : 24"

1st STUD: 24"

WEIGHTS :

FRAME : 37 lbs

TOTAL: 37 lbs



PIECES LIST

LABEL	QTY	SIZE	LENGTH	USE
A	3	400S162-33	10'-9 3/8"	STUD
B	1	400T300-33	3'-5 13/16"	BOTTOM TRACK
C	1	400T150-33	3'-5 13/16"	TOP TRACK

11-3212

Jewish Home for the Aging

1885 Victory Blvd. Reseda, CA

FrameMax, Inc.
13915 Danielson St
Suite 100
Poway, CA 92064
www.frame-max.com



© FrameMax Inc.

CREATED: 09/19/2008

FM-07-109

CREATED BY: AMB

HEIGHT : 10'-9 7/16"

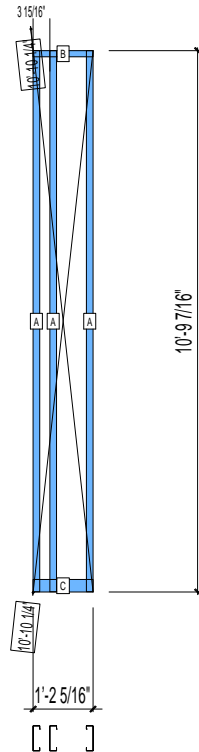
SPACING : 24"

1st STUD: 24"

WEIGHTS :

FRAME : 41 lbs

TOTAL: 41 lbs



PIECES LIST

LABEL	QTY	SIZE	LENGTH	USE
A	3	600S162-33	10'-9 3/8"	STUD
B	1	600T150-33	1'-2 5/16"	TOP TRACK
C	1	600T300-33	1'-2 5/16"	BOTTOM TRACK

11-3213

Jewish Home for the Aging

1885 Victory Blvd. Reseda, CA

FrameMax, Inc.
13915 Danielson St
Suite 100
Poway, CA 92064
www.frame-max.com



© FrameMax Inc.

CREATED: 09/19/2008

FM-07-109

CREATED BY: AMB

HEIGHT : 10'-9 7/16"

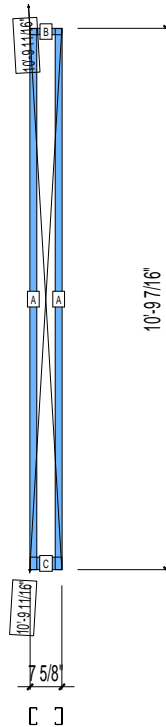
SPACING : 24"

1st STUD: 24"

WEIGHTS :

FRAME : 21 lbs

TOTAL: 21 lbs



PIECES LIST

LABEL	QTY	SIZE	LENGTH	USE
A	2	400S162-33	10'-9 3/8"	STUD
B	1	400T150-33	7 5/8"	TOP TRACK
C	1	400T300-33	7 5/8"	BOTTOM TRACK

11-3214

Jewish Home for the Aging

1885 Victory Blvd. Reseda, CA

FrameMax, Inc.
13915 Danielson St
Suite 100
Poway, CA 92064
www.frame-max.com



© FrameMax Inc.

CREATED: 09/19/2008

FM-07-109

CREATED BY: AMB

HEIGHT : 10'-9 7/16"

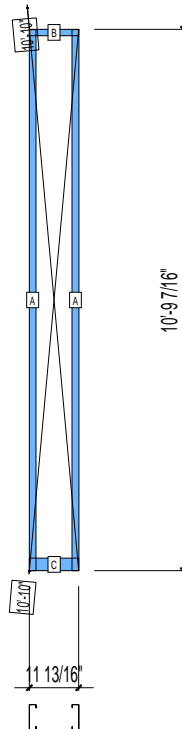
SPACING : 24"

1st STUD: 24"

WEIGHTS :

FRAME : 28 lbs

TOTAL: 28 lbs



PIECES LIST

LABEL	QTY	SIZE	LENGTH	USE
A	2	600S162-33	10'-9 3/8"	STUD
B	1	600T150-33	11 13/16"	TOP TRACK
C	1	600T300-33	11 13/16"	BOTTOM TRACK

11-3215

Jewish Home for the Aging

1885 Victory Blvd. Reseda, CA

FM-07-109

CREATED BY: AMB

FrameMax, Inc.
13915 Danielson St
Suite 100
Poway, CA 92064
www.frame-max.com



© FrameMax Inc.

HEIGHT : 10'-9 7/16"

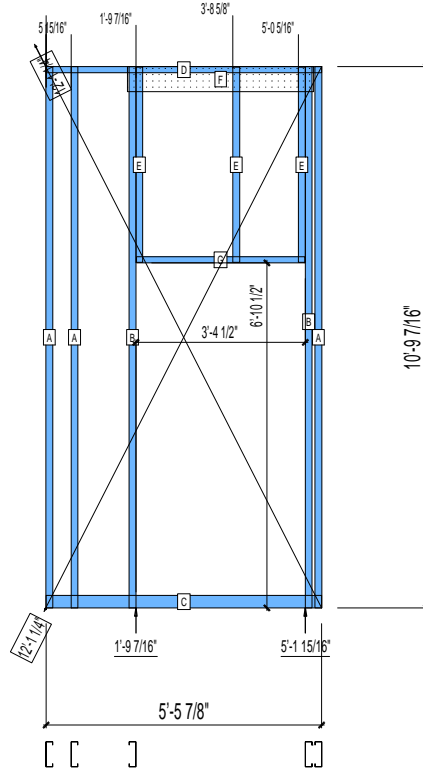
SPACING : 24"

1st STUD: 24"

WEIGHTS :

FRAME : 98 lbs

TOTAL: 98 lbs



PIECES LIST

LABEL	QTY	SIZE	LENGTH	USE
A	3	600S162-33	10'-9 3/8"	STUD
B	2	600S162-33	10'-9 3/8"	KING STUD
C	1	600T300-33	5'-5 7/8"	BOTTOM TRACK
D	1	600T150-33	5'-5 7/8"	TOP TRACK
E	3	600S162-33	3'-10 5/8"	CRIPPLE
F	1	600L150-33	3'-8 1/2"	L-HEADER
G	1	600T150-33	3'-4 1/4"	HEAD TRACK

11-3216

Jewish Home for the Aging

1885 Victory Blvd. Reseda, CA

FrameMax, Inc.
13915 Danielson St
Suite 100
Poway, CA 92064
www.framemax.com



© FrameMax Inc.

CREATED: 09/19/2008

FM-07-109

CREATED BY: AMB

HEIGHT : 10'-9 7/16"

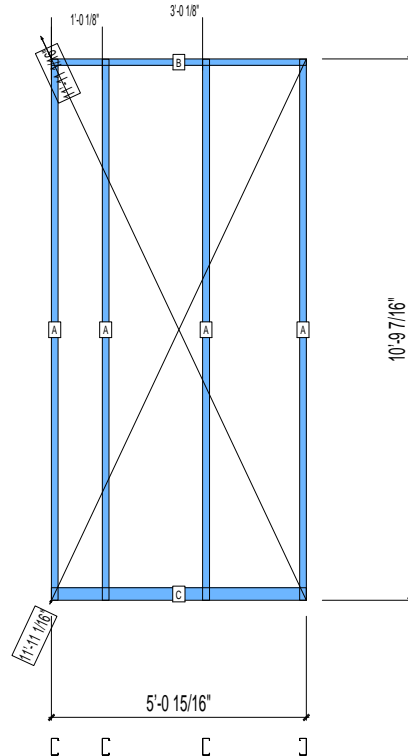
SPACING : 24"

1st STUD: 24"

WEIGHTS :

FRAME : 50 lbs

TOTAL: 50 lbs



PIECES LIST

LABEL	QTY	SIZE	LENGTH	USE
A	4	400S162-33	10'-9 3/8"	STUD
B	1	400T150-33	5'-0 15/16"	TOP TRACK
C	1	400T300-33	5'-0 15/16"	BOTTOM TRACK

11-3217

Jewish Home for the Aging

1885 Victory Blvd. Reseda, CA

FM-07-109

CREATED BY: AMB

FrameMax, Inc.
13915 Danielson St
Suite 100
Poway, CA 92064
www.framemax.com



© FrameMax Inc.

HEIGHT : 10'-9 7/16"

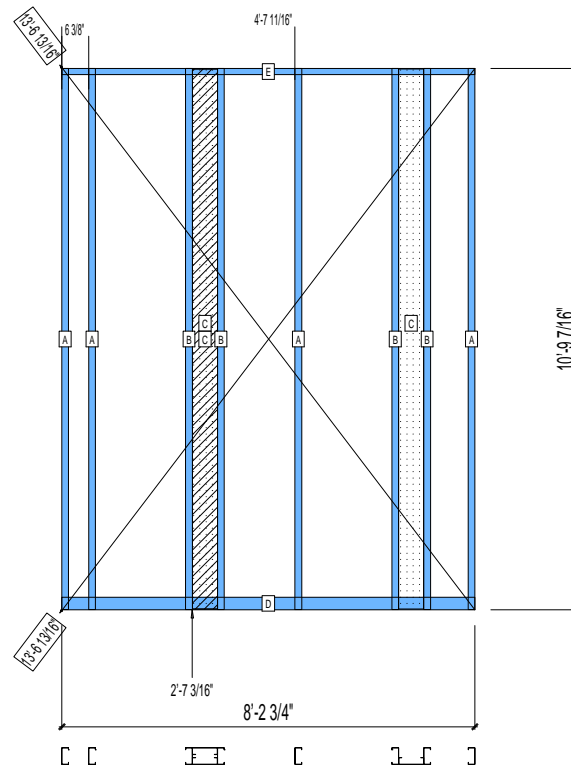
SPACING : 24"

1st STUD: 24"

WEIGHTS :

FRAME : 135 lbs

TOTAL: 135 lbs



PIECES LIST

LABEL	QTY	SIZE	LENGTH	USE
A	4	400S162-33	10'-9 3/8"	STUD
B	4	400S162-33	10'-9 3/8"	BACKER STUD
C	3	600S162-33	10'-9 1/8"	BACKER-U
D	1	400T300-33	8'-2 3/4"	BOTTOM TRACK
E	1	400T150-33	8'-2 3/4"	TOP TRACK

11-3218

Jewish Home for the Aging

1885 Victory Blvd. Reseda, CA

FM-07-109

CREATED BY: AMB

FrameMax, Inc.
13915 Danielson St
Suite 100
Poway, CA 92064
www.frame-max.com



© FrameMax Inc.

HEIGHT : 10'-9 7/16"

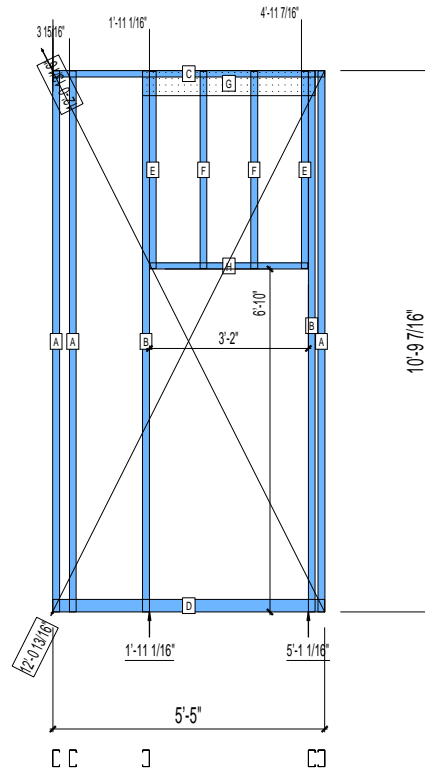
SPACING : 24"

1st STUD: 24"

WEIGHTS :

FRAME : 82 lbs

TOTAL: 82 lbs



PIECES LIST

LABEL	QTY	SIZE	LENGTH	USE
A	3	400S162-33	10'-9 3/8"	STUD
B	2	400S162-33	10'-9 3/8"	KING STUD
C	1	400T150-33	5'-5"	TOP TRACK
D	1	400T300-33	5'-5"	BOTTOM TRACK
E	2	400S162-33	3'-11 1/8"	CRIPPLE
F	2	400S162-33	3'-11 1/8"	KING STUD
G	1	600L150-33	3'-5 1/4"	L-HEADER
H	1	400T150-33	3'-1 3/4"	HEAD TRACK

11-3219

Jewish Home for the Aging

1885 Victory Blvd. Reseda, CA

FM-07-109

CREATED BY: AMB

FrameMax, Inc.
13915 Danielson St
Suite 100
Poway, CA 92064
www.framemax.com



© FrameMax Inc.

HEIGHT : 10'-9 7/16"

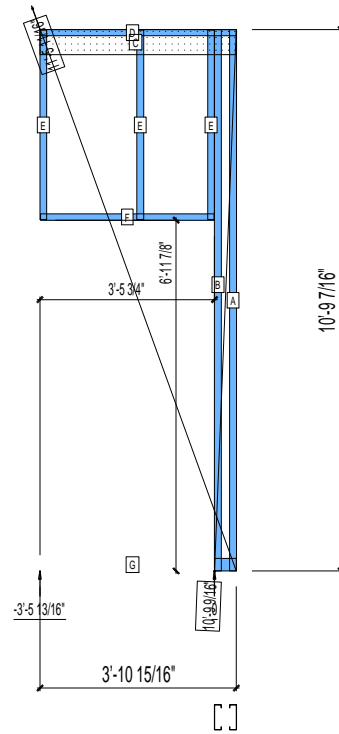
SPACING : 24"

1st STUD: 24"

WEIGHTS :

FRAME : 51 lbs

TOTAL: 51 lbs



PIECES LIST

LABEL	QTY	SIZE	LENGTH	USE
A	1	600S162-33	10'-9 3/8"	STUD
B	1	600S162-33	10'-9 3/8"	KING STUD
C	1	600L150-33	3'-11"	L-HEADER
D	1	600T150-33	3'-10 15/16"	TOP TRACK
E	3	600S162-33	3'-9 1/4"	CRIPPLE
F	1	600T150-33	3'-5 1/2"	HEAD TRACK
G	1	600T300-33	5 3/16"	BOTTOM TRACK

11-3220

Jewish Home for the Aging

1885 Victory Blvd. Reseda, CA

FrameMax, Inc.
13915 Danielson St
Suite 100
Poway, CA 92064
www.frame-max.com



© FrameMax Inc.

CREATED: 09/19/2008

FM-07-109

CREATED BY: AMB

HEIGHT : 10'-9 7/16"

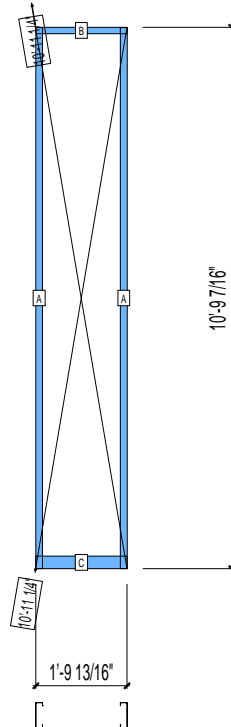
SPACING : 24"

1st STUD: 24"

WEIGHTS :

FRAME : 30 lbs

TOTAL: 30 lbs



PIECES LIST

LABEL	QTY	SIZE	LENGTH	USE
A	2	600S162-33	10'-9 3/8"	STUD
B	1	600T150-33	1'-9 13/16"	TOP TRACK
C	1	600T300-33	1'-9 13/16"	BOTTOM TRACK

11-3221

Jewish Home for the Aging

1885 Victory Blvd. Reseda, CA

FM-07-109

CREATED BY: AMB

FrameMax, Inc.
13915 Danielson St
Suite 100
Poway, CA 92064
www.frame-max.com

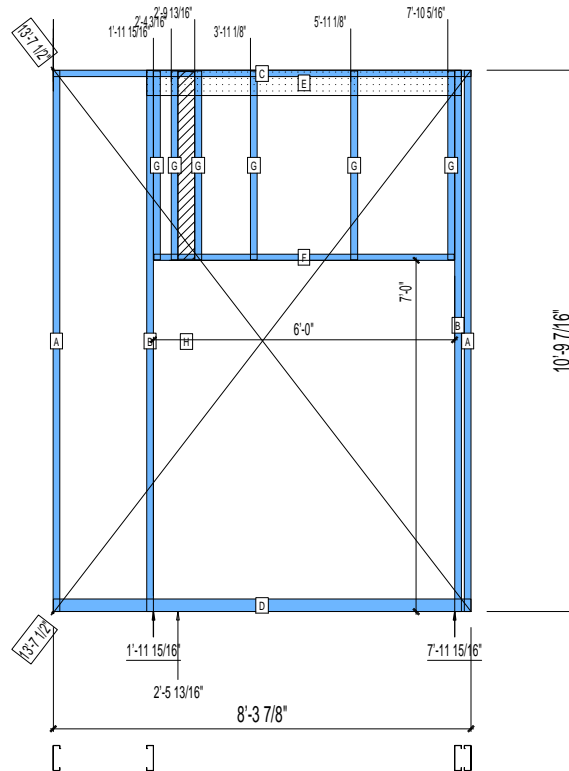


© FrameMax Inc.

HEIGHT : 10'-9 7/16"
SPACING : 24"
1st STUD: 24"

WEIGHTS :
FRAME : 114 lbs

TOTAL: 114 lbs



PIECES LIST

LABEL	QTY	SIZE	LENGTH	USE
A	2	600S162-33	10'-9 3/8"	STUD
B	2	600S162-33	10'-9 3/8"	KING STUD
C	1	600T150-33	8'-3 7/8"	TOP TRACK
D	1	600T300-33	8'-3 7/8"	BOTTOM TRACK
E	1	600L150-33	6'-3 1/4"	L-HEADER
F	1	600T150-33	5'-11 3/4"	HEAD TRACK
G	6	600S162-33	3'-9 1/8"	CRIPPLE
H	1	400S162-33	3'-8 7/8"	BACKER-U

11-3222

Jewish Home for the Aging

1885 Victory Blvd. Reseda, CA

FrameMax, Inc.
13915 Danielson St
Suite 100
Poway, CA 92064
www.frame-max.com



© FrameMax Inc.

CREATED: 09/19/2008

FM-07-109

CREATED BY: AMB

HEIGHT : 10'-9 7/16"

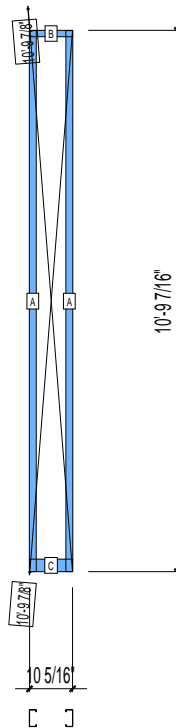
SPACING : 24"

1st STUD: 24"

WEIGHTS :

FRAME : 22 lbs

TOTAL: 22 lbs



PIECES LIST

LABEL	QTY	SIZE	LENGTH	USE
A	2	400S162-33	10'-9 3/8"	STUD
B	1	400T150-33	10 5/16"	TOP TRACK
C	1	400T300-33	10 5/16"	BOTTOM TRACK

11-3223

Jewish Home for the Aging

1885 Victory Blvd. Reseda, CA

FrameMax, Inc.
13915 Danielson St
Suite 100
Poway, CA 92064
www.frame-max.com



© FrameMax Inc.

CREATED: 09/19/2008

FM-07-109

CREATED BY: AMB

HEIGHT : 10'-9 7/16"

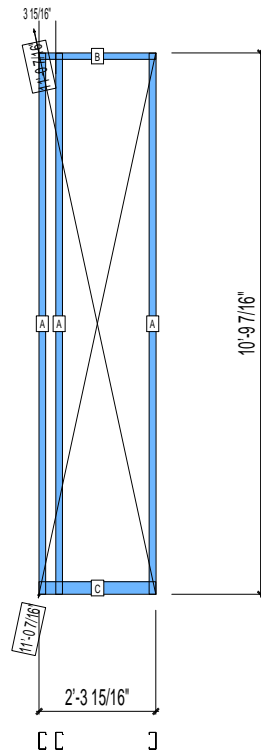
SPACING : 24"

1st STUD: 24"

WEIGHTS :

FRAME : 35 lbs

TOTAL: 35 lbs



PIECES LIST

LABEL	QTY	SIZE	LENGTH	USE
A	3	400S162-33	10'-9 3/8"	STUD
B	1	400T150-33	2'-3 15/16"	TOP TRACK
C	1	400T300-33	2'-3 15/16"	BOTTOM TRACK

11-3224

Jewish Home for the Aging

1885 Victory Blvd. Reseda, CA

FrameMax, Inc.
13915 Danielson St
Suite 100
Poway, CA 92064
www.frame-max.com



© FrameMax Inc.

CREATED: 09/19/2008

FM-07-109

CREATED BY: AMB

HEIGHT : 2'-11 1/2"

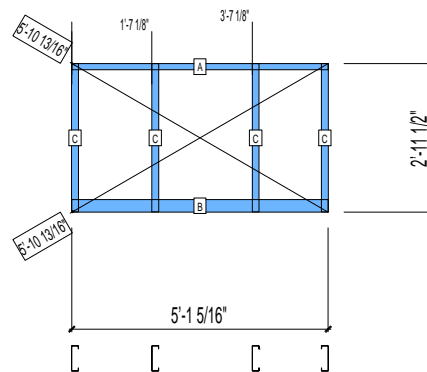
SPACING : 24"

1st STUD: 24"

WEIGHTS :

FRAME : 27 lbs

TOTAL: 27 lbs



PIECES LIST

LABEL	QTY	SIZE	LENGTH	USE
A	1	600T150-33	5'-1 5/16"	TOP TRACK
B	1	600T300-33	5'-1 5/16"	BOTTOM TRACK
C	4	600S162-33	2'-11 7/16"	STUD

11-3225

Jewish Home for the Aging

1885 Victory Blvd. Reseda, CA

FrameMax, Inc.
13915 Danielson St
Suite 100
Poway, CA 92064
www.frame-max.com



© FrameMax Inc.

CREATED: 09/19/2008

FM-07-109

CREATED BY: AMB

HEIGHT : 2'-11 1/2"

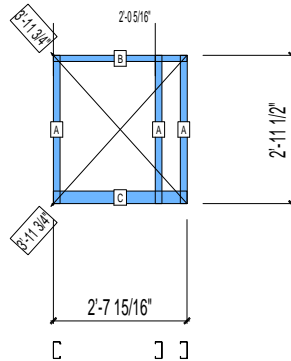
SPACING : 24"

1st STUD: 24"

WEIGHTS :

FRAME : 14 lbs

TOTAL: 14 lbs



PIECES LIST

LABEL	QTY	SIZE	LENGTH	USE
A	3	400S162-33	2'-11 7/16"	STUD
B	1	400T150-33	2'-7 15/16"	TOP TRACK
C	1	400T300-33	2'-7 15/16"	BOTTOM TRACK

11-3251

Jewish Home for the Aging

1885 Victory Blvd. Reseda, CA

FM-07-109

CREATED BY: AMB

FrameMax, Inc.
13915 Danielson St
Suite 100
Poway, CA 92064
www.frame-max.com

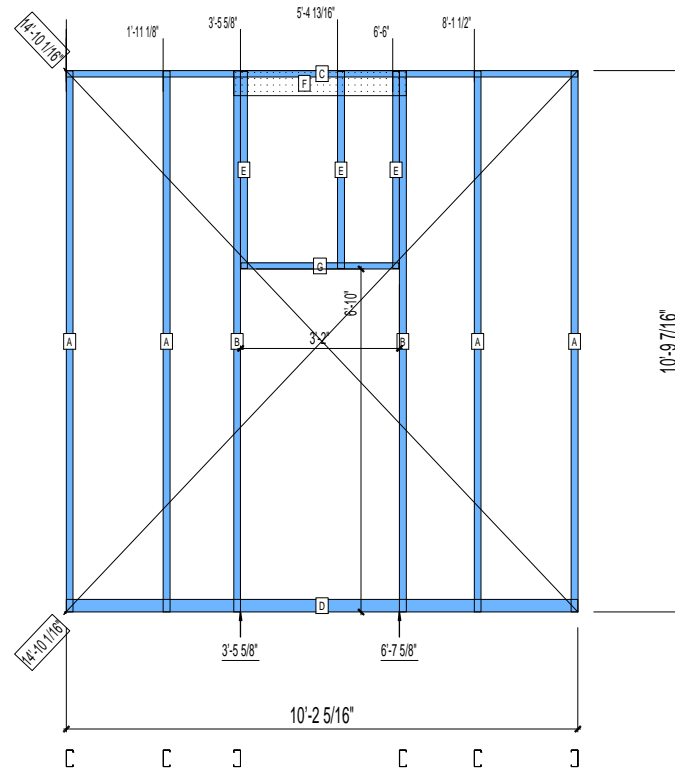


© FrameMax Inc.

HEIGHT : 10'-9 7/16"
SPACING : 24"
1st STUD: 24"

WEIGHTS :
FRAME : 27 lbs

TOTAL: 27 lbs



PIECES LIST

LABEL	QTY	SIZE	LENGTH	USE
A	4	400S162-33	10'-9 3/8"	STUD
B	2	400S162-33	10'-9 3/8"	KING STUD
C	1	400T150-33	10'-2 5/16"	TOP TRACK
D	1	400T300-33	10'-2 5/16"	BOTTOM TRACK
E	3	400S162-33	3'-11 1/8"	CRIPPLE
F	1	600L150-33	3'-5 1/4"	L-HEADER
G	1	400T150-33	3'-1 3/4"	HEAD TRACK

11-3252

Jewish Home for the Aging

1885 Victory Blvd. Reseda, CA

FM-07-109

CREATED BY: AMB

FrameMax, Inc.
13915 Danielson St
Suite 100
Poway, CA 92064
www.framemax.com

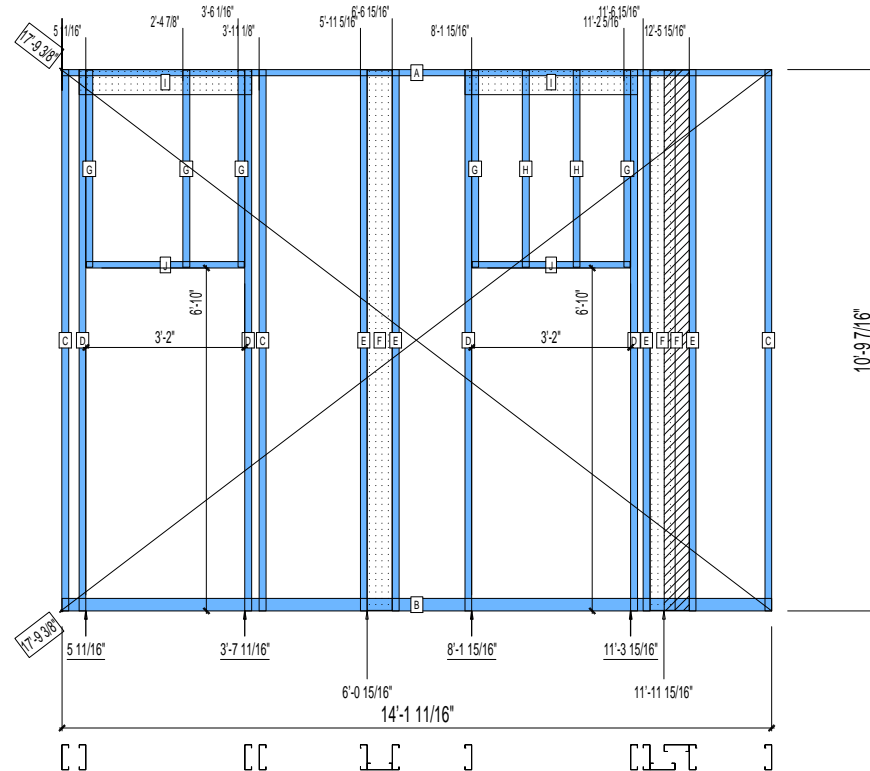


© FrameMax Inc.

HEIGHT : 10'-9 7/16"
SPACING : 24"
1st STUD: 24"

WEIGHTS :
FRAME : 56 lbs

TOTAL: 56 lbs



PIECES LIST

LABEL	QTY	SIZE	LENGTH	USE
A	1	600T150-33	14'-1 11/16"	TOP TRACK
B	1	600T300-33	14'-1 11/16"	BOTTOM TRACK
C	3	600S162-33	10'-9 3/8"	STUD
D	4	600S162-33	10'-9 3/8"	KING STUD
E	4	600S162-33	10'-9 3/8"	BACKER STUD
F	3	600S162-33	10'-9 1/8"	BACKER-U
G	5	600S162-33	3'-11 1/8"	CRIPPLE
H	2	400S162-33	3'-11 1/8"	KING STUD
I	2	600L150-33	3'-5 1/4"	L-HEADER
J	2	600T150-33	3'-1 3/4"	HEAD TRACK

11-3253

Jewish Home for the Aging

1885 Victory Blvd. Reseda, CA

FM-07-109

CREATED BY: AMB

FrameMax, Inc.
13915 Danielson St
Suite 100
Poway, CA 92064
www.framemax.com



© FrameMax Inc.

HEIGHT : 10'-9 7/16"

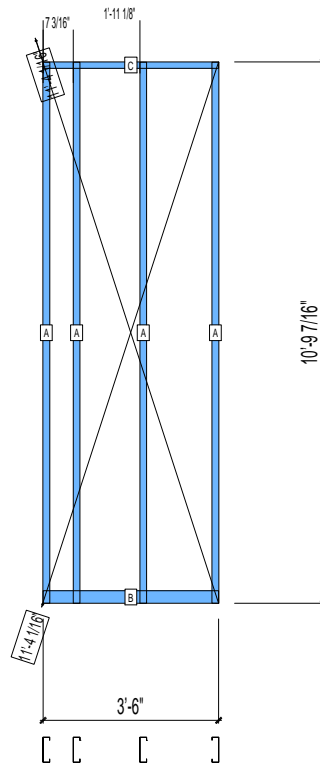
SPACING : 24"

1st STUD: 24"

WEIGHTS :

FRAME : 59 lbs

TOTAL: 59 lbs



PIECES LIST

LABEL	QTY	SIZE	LENGTH	USE
A	4	600S162-33	10'-9 3/8"	STUD
B	1	600T300-33	3'-6"	BOTTOM TRACK
C	1	600T150-33	3'-6"	TOP TRACK

11-3254

Jewish Home for the Aging

1885 Victory Blvd. Reseda, CA

FrameMax, Inc.
13915 Danielson St
Suite 100
Poway, CA 92064
www.framemax.com



© FrameMax Inc.

CREATED: 09/19/2008

FM-07-109

CREATED BY: AMB

HEIGHT : 10'-9 7/16"

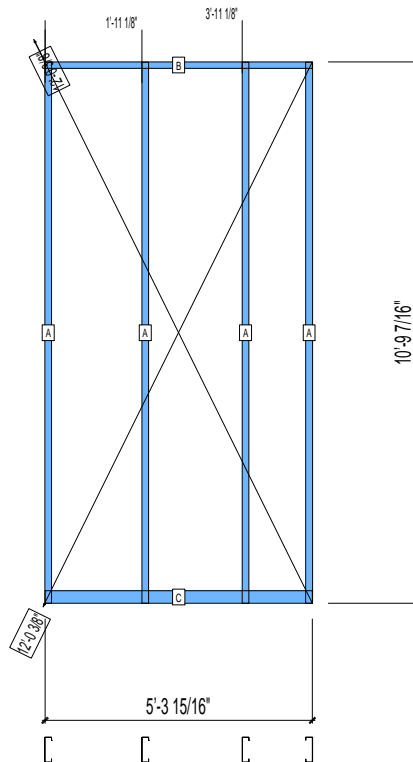
SPACING : 24"

1st STUD: 24"

WEIGHTS :

FRAME : 64 lbs

TOTAL: 64 lbs



PIECES LIST

LABEL	QTY	SIZE	LENGTH	USE
A	4	600S162-33	10'-9 3/8"	STUD
B	1	600T150-33	5'-3 15/16"	TOP TRACK
C	1	600T300-33	5'-3 15/16"	BOTTOM TRACK

11-3255

Jewish Home for the Aging

1885 Victory Blvd. Reseda, CA

FM-07-109

CREATED BY: AMB

FrameMax, Inc.
13915 Danielson St
Suite 100
Poway, CA 92064
www.frame-max.com

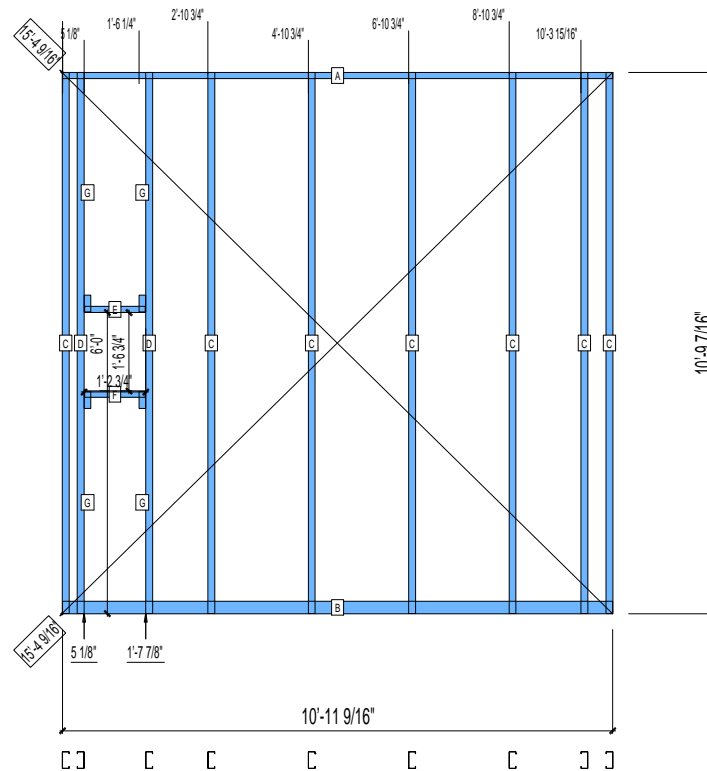


© FrameMax Inc.

HEIGHT : 10'-9 7/16"
SPACING : 24"
1st STUD: 11 5/8"

WEIGHTS :
FRAME : 116 lbs

TOTAL: 116 lbs



PIECES LIST

LABEL	QTY	SIZE	LENGTH	USE
A	1	400T150-33	10'-11 9/16"	TOP TRACK
B	1	400T300-33	10'-11 9/16"	BOTTOM TRACK
C	7	400S162-33	10'-9 3/8"	STUD
D	2	400S162-33	10'-9 3/8"	KING STUD
E	1	400T150-33	1'-2 1/2"	HEAD TRACK
F	1	400T150-33	1'-2 1/2"	SILL
G	4	400S162-33	4"	CRIPPLE

11-3256

Jewish Home for the Aging

1885 Victory Blvd. Reseda, CA

FM-07-109

CREATED BY: AMB

FrameMax, Inc.
13915 Danielson St
Suite 100
Poway, CA 92064
www.framemax.com

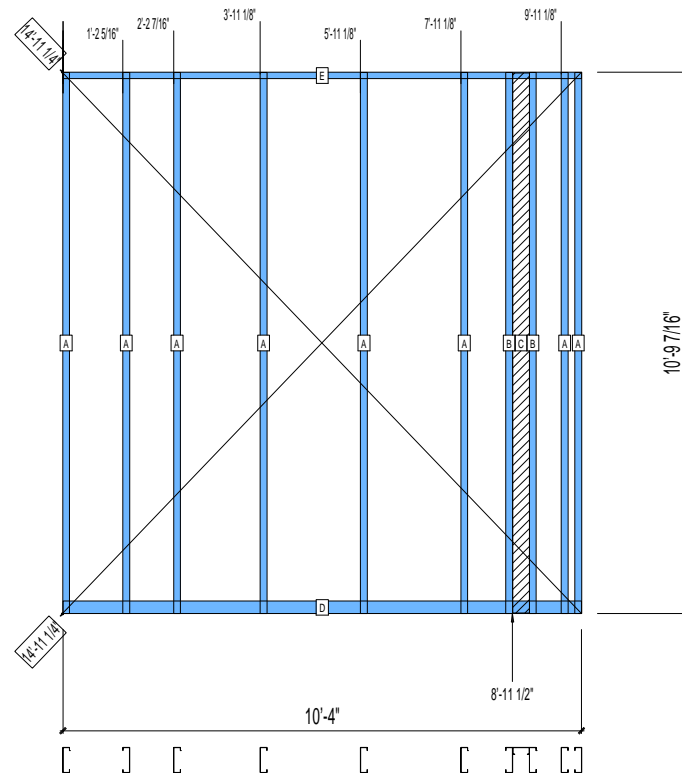


© FrameMax Inc.

HEIGHT : 10'-9 7/16"
SPACING : 24"
1st STUD: 24"

WEIGHTS :
FRAME : 162 lbs

TOTAL: 162 lbs



PIECES LIST

LABEL	QTY	SIZE	LENGTH	USE
A	8	600S162-33	10'-9 3/8"	STUD
B	2	600S162-33	10'-9 3/8"	BACKER STUD
C	1	400S162-33	10'-9 1/8"	BACKER-U
D	1	600T300-33	10'-4"	BOTTOM TRACK
E	1	600T150-33	10'-4"	TOP TRACK

11-3257

Jewish Home for the Aging

1885 Victory Blvd. Reseda, CA

FM-07-109

CREATED BY: AMB

FrameMax, Inc.
13915 Danielson St
Suite 100
Poway, CA 92064
www.framemax.com



© FrameMax Inc.

HEIGHT : 10'-9 7/16"

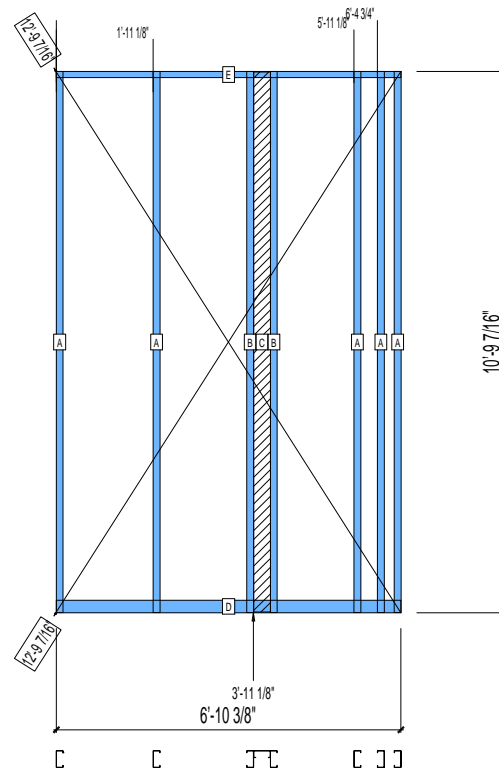
SPACING : 24"

1st STUD: 24"

WEIGHTS :

FRAME : 94 lbs

TOTAL: 94 lbs



PIECES LIST

LABEL	QTY	SIZE	LENGTH	USE
A	5	400S162-33	10'-9 3/8"	STUD
B	2	400S162-33	10'-9 3/8"	BACKER STUD
C	1	400S162-33	10'-9 1/8"	BACKER-U
D	1	400T300-33	6'-10 3/8"	BOTTOM TRACK
E	1	400T150-33	6'-10 3/8"	TOP TRACK

11-3258

Jewish Home for the Aging

1885 Victory Blvd. Reseda, CA

FrameMax, Inc.
13915 Danielson St
Suite 100
Poway, CA 92064
www.framemax.com



© FrameMax Inc.

CREATED: 09/19/2008

FM-07-109

CREATED BY: AMB

HEIGHT : 10'-9 7/16"

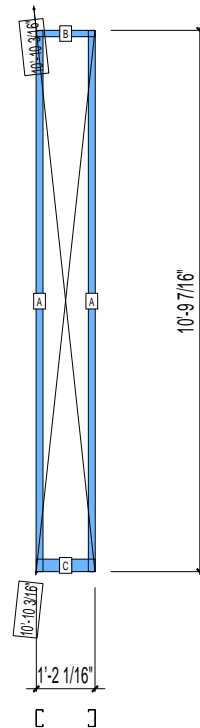
SPACING : 24"

1st STUD: 24"

WEIGHTS :

FRAME : 22 lbs

TOTAL: 22 lbs



PIECES LIST

LABEL	QTY	SIZE	LENGTH	USE
A	2	400S162-33	10'-9 3/8"	STUD
B	1	400T150-33	1'-2 1/16"	TOP TRACK
C	1	400T300-33	1'-2 1/16"	BOTTOM TRACK

11-3259

Jewish Home for the Aging

1885 Victory Blvd. Reseda, CA

FM-07-109

CREATED BY: AMB

FrameMax, Inc.
13915 Danielson St
Suite 100
Poway, CA 92064
www.framemax.com



© FrameMax Inc.

HEIGHT : 10'-9 7/16"

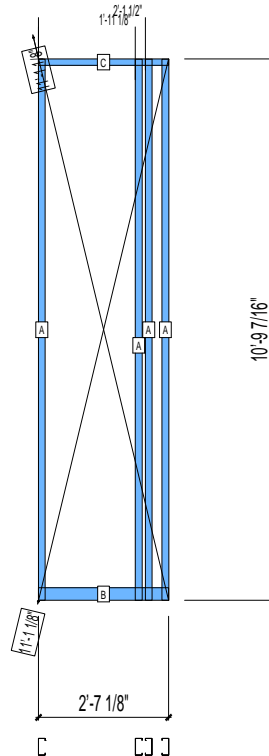
SPACING : 24"

1st STUD: 24"

WEIGHTS :

FRAME : 45 lbs

TOTAL: 45 lbs



PIECES LIST

LABEL	QTY	SIZE	LENGTH	USE
A	4	400S162-33	10'-9 3/8"	STUD
B	1	400T300-33	2'-7 1/8"	BOTTOM TRACK
C	1	400T150-33	2'-7 1/8"	TOP TRACK

11-3260

Jewish Home for the Aging

1885 Victory Blvd. Reseda, CA

FM-07-109

CREATED BY: AMB

FrameMax, Inc.
13915 Danielson St
Suite 100
Poway, CA 92064
www.frame-max.com

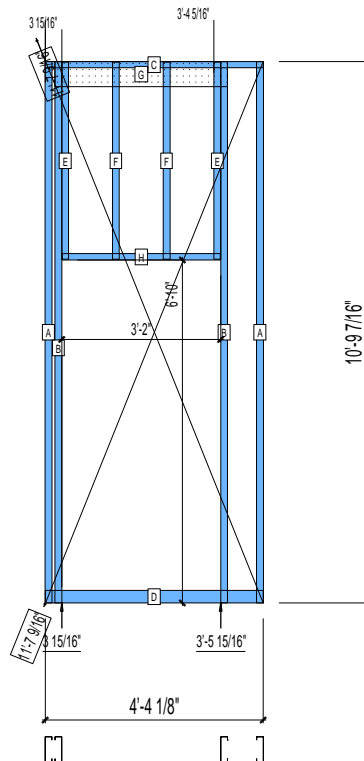


© FrameMax Inc.

HEIGHT : 10'-9 7/16"
SPACING : 24"
1st STUD: 24"

WEIGHTS :
FRAME : 25 lbs

TOTAL: 25 lbs



PIECES LIST

LABEL	QTY	SIZE	LENGTH	USE
A	2	600S162-33	10'-9 3/8"	STUD
B	2	600S162-33	10'-9 3/8"	KING STUD
C	1	600T150-33	4'-4 1/8"	TOP TRACK
D	1	600T300-33	4'-4 1/8"	BOTTOM TRACK
E	2	600S162-33	3'-11 1/8"	CRIPPLE
F	2	400S162-33	3'-11 1/8"	KING STUD
G	1	600L150-33	3'-5 1/4"	L-HEADER
H	1	600T150-33	3'-1 3/4"	HEAD TRACK

11-3261

Jewish Home for the Aging

1885 Victory Blvd. Reseda, CA

FrameMax, Inc.
13915 Danielson St
Suite 100
Poway, CA 92064
www.framemax.com



© FrameMax Inc.

CREATED: 09/19/2008

FM-07-109

CREATED BY: AMB

HEIGHT : 10'-9 7/16"

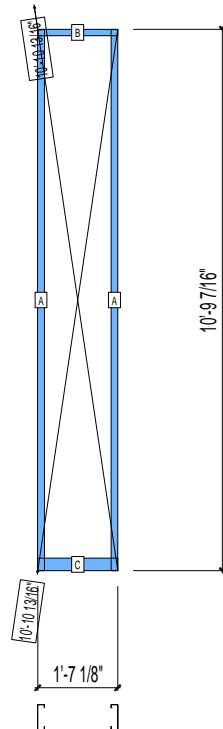
SPACING : 24"

1st STUD: 24"

WEIGHTS :

FRAME : 29 lbs

TOTAL: 29 lbs



PIECES LIST

LABEL	QTY	SIZE	LENGTH	USE
A	2	600S162-33	10'-9 3/8"	STUD
B	1	600T150-33	1'-7 1/8"	TOP TRACK
C	1	600T300-33	1'-7 1/8"	BOTTOM TRACK

11-3262

Jewish Home for the Aging

1885 Victory Blvd. Reseda, CA

FrameMax, Inc.
13915 Danielson St
Suite 100
Poway, CA 92064
www.framemax.com



© FrameMax Inc.

CREATED: 09/19/2008

FM-07-109

CREATED BY: AMB

HEIGHT : 10'-9 7/16"

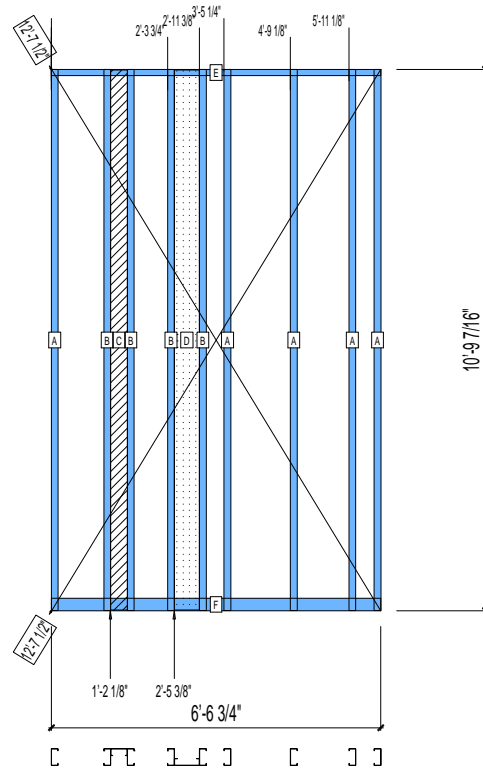
SPACING : 24"

1st STUD: 24"

WEIGHTS :

FRAME : 126 lbs

TOTAL: 126 lbs



PIECES LIST

LABEL	QTY	SIZE	LENGTH	USE
A	5	400S162-33	10'-9 3/8"	STUD
B	4	400S162-33	10'-9 3/8"	BACKER STUD
C	1	400S162-33	10'-9 1/8"	BACKER-U
D	1	600S162-33	10'-9 1/8"	BACKER-U
E	1	400T150-33	6'-6 3/4"	TOP TRACK
F	1	400T300-33	6'-6 3/4"	BOTTOM TRACK

11-3263

Jewish Home for the Aging

1885 Victory Blvd. Reseda, CA

FM-07-109

CREATED BY: AMB

FrameMax, Inc.
13915 Danielson St
Suite 100
Poway, CA 92064
www.framemax.com



© FrameMax Inc.

HEIGHT : 10'-9 7/16"

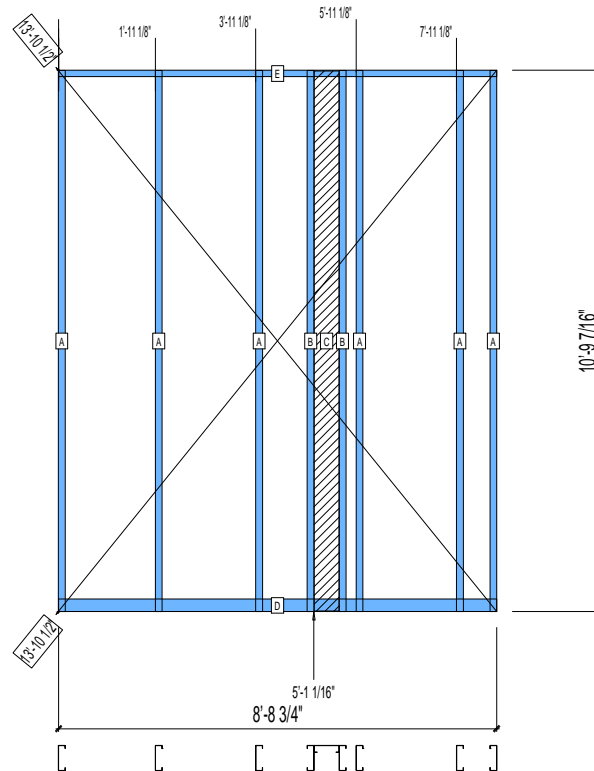
SPACING : 24"

1st STUD: 24"

WEIGHTS :

FRAME : 135 lbs

TOTAL: 135 lbs



PIECES LIST

LABEL	QTY	SIZE	LENGTH	USE
A	6	600S162-33	10'-9 3/8"	STUD
B	2	600S162-33	10'-9 3/8"	BACKER STUD
C	1	600S162-33	10'-9 1/8"	BACKER-U
D	1	600T300-33	8'-8 3/4"	BOTTOM TRACK
E	1	600T150-33	8'-8 3/4"	TOP TRACK

11-3264

Jewish Home for the Aging

1885 Victory Blvd. Reseda, CA

FrameMax, Inc.
13915 Danielson St
Suite 100
Poway, CA 92064
www.frame-max.com



© FrameMax Inc.

CREATED: 09/19/2008

FM-07-109

CREATED BY: AMB

HEIGHT : 10'-9 7/16"

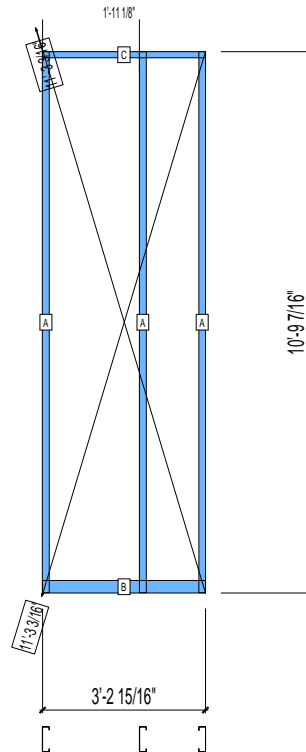
SPACING : 24"

1st STUD: 24"

WEIGHTS :

FRAME : 46 lbs

TOTAL: 46 lbs



PIECES LIST

LABEL	QTY	SIZE	LENGTH	USE
A	3	600S162-33	10'-9 3/8"	STUD
B	1	600T300-33	3'-2 15/16"	BOTTOM TRACK
C	1	600T150-33	3'-2 15/16"	TOP TRACK

11-3265

Jewish Home for the Aging

1885 Victory Blvd. Reseda, CA

FM-07-109

CREATED BY: AMB

FrameMax, Inc.
13915 Danielson St
Suite 100
Poway, CA 92064
www.frame-max.com

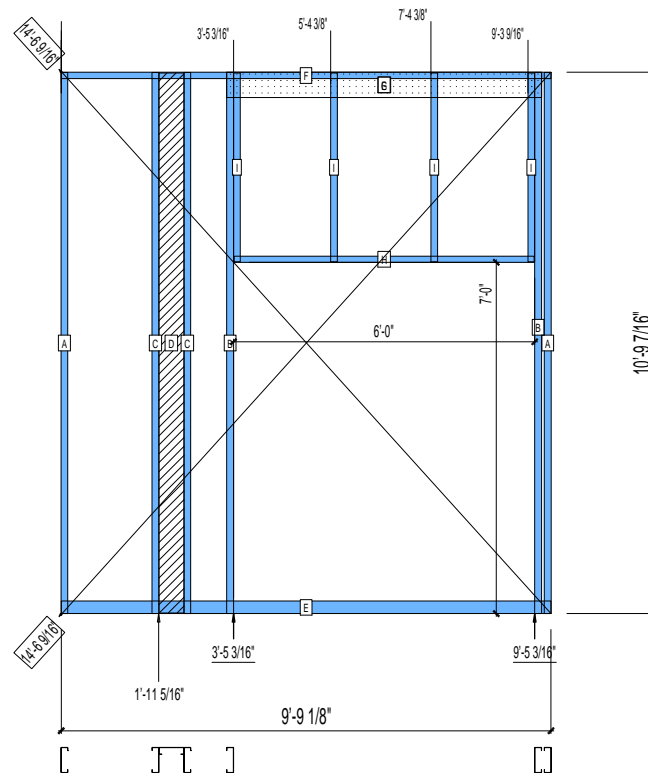


© FrameMax Inc.

HEIGHT : 10'-9 7/16"
SPACING : 24"
1st STUD: 24"

WEIGHTS :
FRAME : 37 lbs

TOTAL: 37 lbs



PIECES LIST

LABEL	QTY	SIZE	LENGTH	USE
A	2	600S162-33	10'-9 3/8"	STUD
B	2	600S162-33	10'-9 3/8"	KING STUD
C	2	600S162-33	10'-9 3/8"	BACKER STUD
D	1	600S162-33	10'-9 1/8"	BACKER-U
E	1	600T300-33	9'-9 1/8"	BOTTOM TRACK
F	1	600T150-33	9'-9 1/8"	TOP TRACK
G	1	600L150-33	6'-3 1/4"	L-HEADER
H	1	600T150-33	5'-11 3/4"	HEAD TRACK
I	4	600S162-33	3'-9 1/8"	CRIPPLE

11-3266

Jewish Home for the Aging

1885 Victory Blvd. Reseda, CA

FM-07-109

CREATED BY: AMB

FrameMax, Inc.
13915 Danielson St
Suite 100
Poway, CA 92064
www.frame-max.com



© FrameMax Inc.

HEIGHT : 2'-11 1/2"

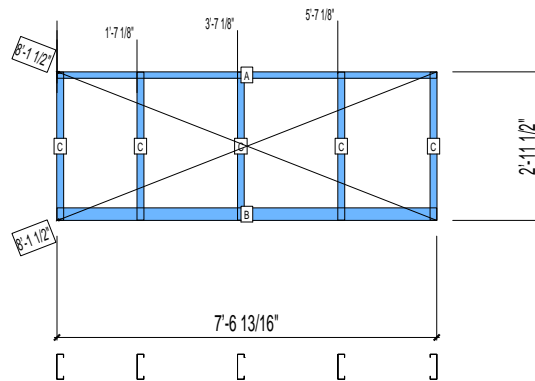
SPACING : 24"

1st STUD: 24"

WEIGHTS :

FRAME : 36 lbs

TOTAL: 36 lbs



PIECES LIST

LABEL	QTY	SIZE	LENGTH	USE
A	1	600T150-33	7'-6 13/16"	TOP TRACK
B	1	600T300-33	7'-6 13/16"	BOTTOM TRACK
C	5	600S162-33	2'-11 7/16"	STUD

11-3267

Jewish Home for the Aging

1885 Victory Blvd. Reseda, CA

FM-07-109

CREATED BY: AMB

FrameMax, Inc.
13915 Danielson St
Suite 100
Poway, CA 92064
www.framemax.com



© FrameMax Inc.

HEIGHT : 2'-11 1/2"

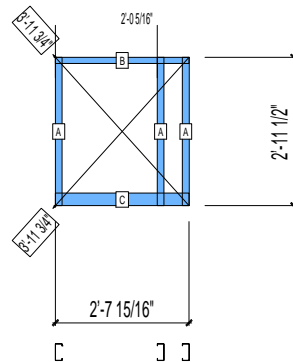
SPACING : 24"

1st STUD: 24"

WEIGHTS :

FRAME : 14 lbs

TOTAL: 14 lbs



PIECES LIST

LABEL	QTY	SIZE	LENGTH	USE
A	3	400S162-33	2'-11 7/16"	STUD
B	1	400T150-33	2'-7 15/16"	TOP TRACK
C	1	400T300-33	2'-7 15/16"	BOTTOM TRACK

11-3268

Jewish Home for the Aging

1885 Victory Blvd. Reseda, CA

FM-07-109

CREATED BY: AMB

FrameMax, Inc.
13915 Danielson St
Suite 100
Poway, CA 92064
www.frame-max.com



© FrameMax Inc.

HEIGHT : 10'-9 7/16"

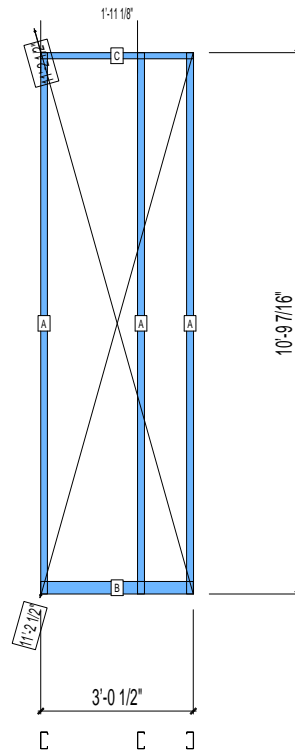
SPACING : 24"

1st STUD: 24"

WEIGHTS :

FRAME : 36 lbs

TOTAL: 36 lbs



PIECES LIST

LABEL	QTY	SIZE	LENGTH	USE
A	3	400S162-33	10'-9 3/8"	STUD
B	1	400T300-33	3'-0 1/2"	BOTTOM TRACK
C	1	400T150-33	3'-0 1/2"	TOP TRACK

11-3269

Jewish Home for the Aging

1885 Victory Blvd. Reseda, CA

FM-07-109

CREATED BY: AMB

FrameMax, Inc.
13915 Danielson St
Suite 100
Poway, CA 92064
www.frame-max.com



© FrameMax Inc.

HEIGHT : 10'-9 7/16"

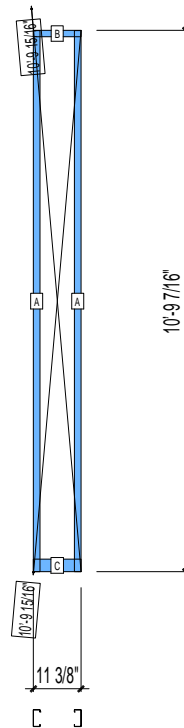
SPACING : 24"

1st STUD: 24"

WEIGHTS :

FRAME : 22 lbs

TOTAL: 22 lbs



PIECES LIST

LABEL	QTY	SIZE	LENGTH	USE
A	2	400S162-33	10'-9 3/8"	STUD
B	1	400T150-33	11 3/8"	TOP TRACK
C	1	400T300-33	11 3/8"	BOTTOM TRACK

11-3270

Jewish Home for the Aging

1885 Victory Blvd. Reseda, CA

FrameMax, Inc.
13915 Danielson St
Suite 100
Poway, CA 92064
www.frame-max.com



© FrameMax Inc.

CREATED: 09/19/2008

FM-07-109

CREATED BY: AMB

HEIGHT : 10'-9 7/16"

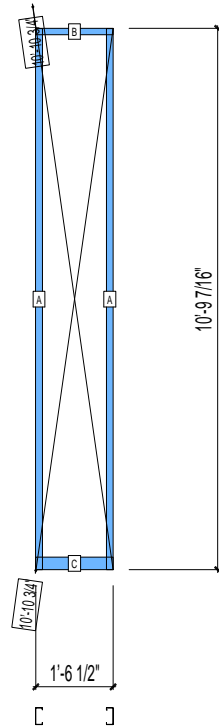
SPACING : 24"

1st STUD: 24"

WEIGHTS :

FRAME : 23 lbs

TOTAL: 23 lbs



PIECES LIST

LABEL	QTY	SIZE	LENGTH	USE
A	2	400S162-33	10'-9 3/8"	STUD
B	1	400T150-33	1'-6 1/2"	TOP TRACK
C	1	400T300-33	1'-6 1/2"	BOTTOM TRACK

11-3271

Jewish Home for the Aging

1885 Victory Blvd. Reseda, CA

FM-07-109

CREATED BY: AMB

FrameMax, Inc.
13915 Danielson St
Suite 100
Poway, CA 92064
www.framemax.com



© FrameMax Inc.

HEIGHT : 10'-9 7/16"

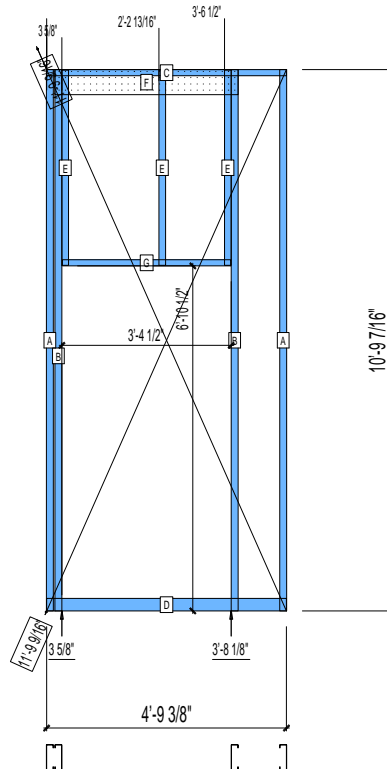
SPACING : 24"

1st STUD: 24"

WEIGHTS :

FRAME : 83 lbs

TOTAL: 83 lbs



PIECES LIST

LABEL	QTY	SIZE	LENGTH	USE
A	2	600S162-33	10'-9 3/8"	STUD
B	2	600S162-33	10'-9 3/8"	KING STUD
C	1	600T150-33	4'-9 3/8"	TOP TRACK
D	1	600T300-33	4'-9 3/8"	BOTTOM TRACK
E	3	600S162-33	3'-10 5/8"	CRIPPLE
F	1	600L150-33	3'-7 3/4"	L-HEADER
G	1	600T150-33	3'-4 1/4"	HEAD TRACK

11-3272

Jewish Home for the Aging

1885 Victory Blvd. Reseda, CA

FrameMax, Inc.
13915 Danielson St
Suite 100
Poway, CA 92064
www.framemax.com



© FrameMax Inc.

CREATED: 09/19/2008

FM-07-109

CREATED BY: AMB

HEIGHT : 10'-9 7/16"

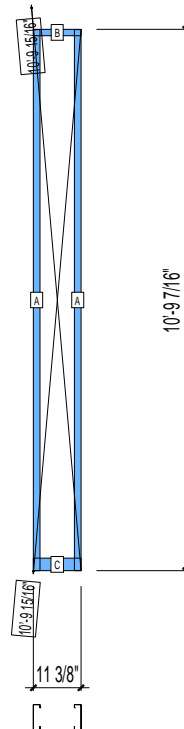
SPACING : 24"

1st STUD: 24"

WEIGHTS :

FRAME : 28 lbs

TOTAL: 28 lbs



PIECES LIST

LABEL	QTY	SIZE	LENGTH	USE
A	2	600S162-33	10'-9 3/8"	STUD
B	1	600T150-33	11 3/8"	TOP TRACK
C	1	600T300-33	11 3/8"	BOTTOM TRACK

11-3273

Jewish Home for the Aging

1885 Victory Blvd. Reseda, CA

FrameMax, Inc.
13915 Danielson St
Suite 100
Poway, CA 92064
www.frame-max.com



© FrameMax Inc.

CREATED: 09/19/2008

FM-07-109

CREATED BY: AMB

HEIGHT : 10'-9 7/16"

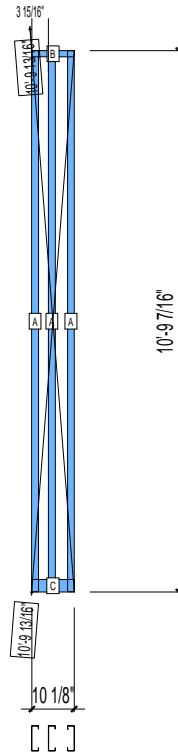
SPACING : 24"

1st STUD: 24"

WEIGHTS :

FRAME : 40 lbs

TOTAL: 40 lbs



PIECES LIST

LABEL	QTY	SIZE	LENGTH	USE
A	3	600S162-33	10'-9 3/8"	STUD
B	1	600T150-33	10 1/8"	TOP TRACK
C	1	600T300-33	10 1/8"	BOTTOM TRACK

11-3274

Jewish Home for the Aging

1885 Victory Blvd. Reseda, CA

FM-07-109

CREATED BY: AMB

FrameMax, Inc.
13915 Danielson St
Suite 100
Poway, CA 92064
www.framemax.com



© FrameMax Inc.

HEIGHT : 10'-9 7/16"

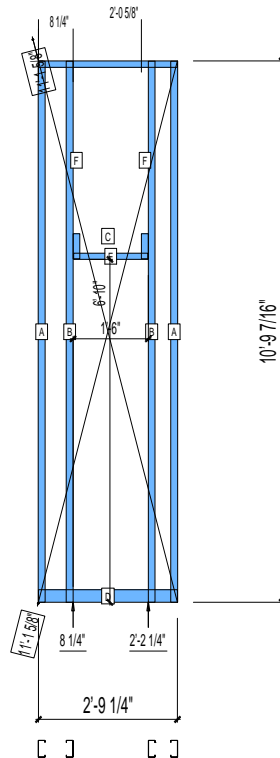
SPACING : 24"

1st STUD: 24"

WEIGHTS :

FRAME : 48 lbs

TOTAL: 48 lbs



PIECES LIST

LABEL	QTY	SIZE	LENGTH	USE
A	2	400S162-33	10'-9 3/8"	STUD
B	2	400S162-33	10'-9 3/8"	KING STUD
C	1	400T150-33	2'-9 1/4"	TOP TRACK
D	1	400T300-33	2'-9 1/4"	BOTTOM TRACK
E	1	400T150-33	1'-5 3/4"	HEAD TRACK
F	2	400S162-33	6"	CRIPPLE

11-3275

Jewish Home for the Aging

1885 Victory Blvd. Reseda, CA

FrameMax, Inc.
13915 Danielson St
Suite 100
Poway, CA 92064
www.framemax.com



© FrameMax Inc.

CREATED: 09/19/2008

FM-07-109

CREATED BY: AMB

HEIGHT : 10'-9 7/16"

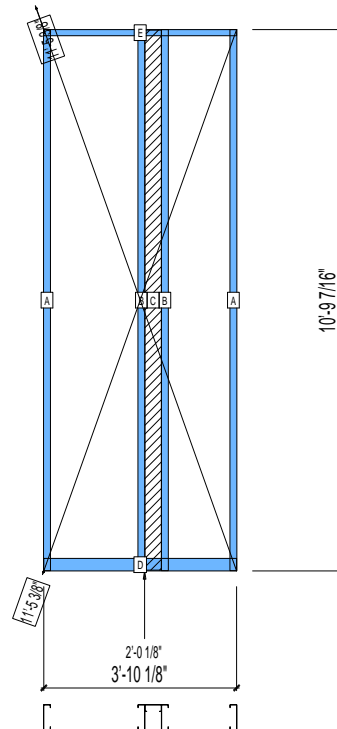
SPACING : 24"

1st STUD: 24"

WEIGHTS :

FRAME : 70 lbs

TOTAL: 70 lbs



PIECES LIST

LABEL	QTY	SIZE	LENGTH	USE
A	2	600S162-33	10'-9 3/8"	STUD
B	2	600S162-33	10'-9 3/8"	BACKER STUD
C	1	400S162-33	10'-9 1/8"	BACKER-U
D	1	600T300-33	3'-10 1/8"	BOTTOM TRACK
E	1	600T150-33	3'-10 1/8"	TOP TRACK

11-3276

Jewish Home for the Aging

1885 Victory Blvd. Reseda, CA

FM-07-109

CREATED BY: AMB

FrameMax, Inc.
13915 Danielson St
Suite 100
Poway, CA 92064
www.frame-max.com



© FrameMax Inc.

HEIGHT : 10'-9 7/16"

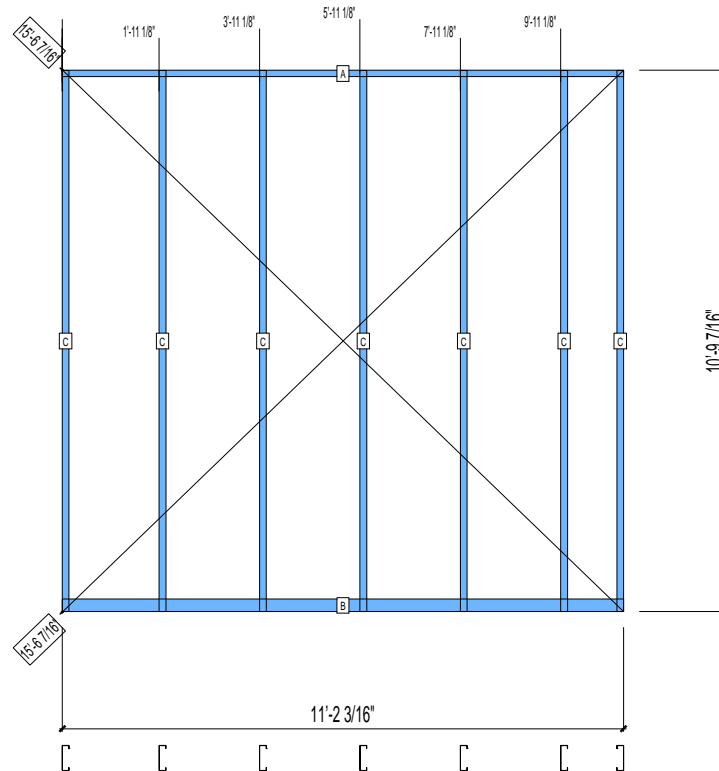
SPACING : 24"

1st STUD: 24"

WEIGHTS :

FRAME : 116 lbs

TOTAL: 116 lbs



PIECES LIST

LABEL	QTY	SIZE	LENGTH	USE
A	1	600T150-33	11'-2 3/16"	TOP TRACK
B	1	600T300-33	11'-2 3/16"	BOTTOM TRACK
C	7	600S162-33	10'-9 3/8"	STUD

11-3301

Jewish Home for the Aging

1885 Victory Blvd. Reseda, CA

FM-07-109

CREATED BY: AMB

FrameMax, Inc.
13915 Danielson St
Suite 100
Poway, CA 92064
www.frame-max.com



© FrameMax Inc.

HEIGHT : 10'-9 7/16"

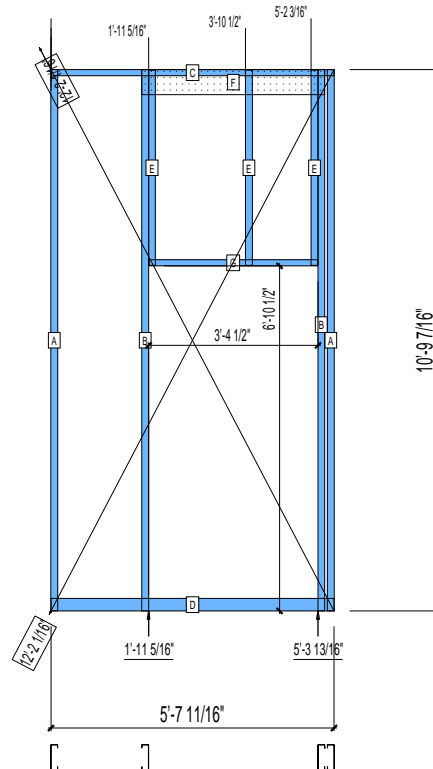
SPACING : 24"

1st STUD: 24"

WEIGHTS :

FRAME : 21 lbs

TOTAL: 21 lbs



PIECES LIST

LABEL	QTY	SIZE	LENGTH	USE
A	2	600S162-33	10'-9 3/8"	STUD
B	2	600S162-33	10'-9 3/8"	KING STUD
C	1	600T150-33	5'-7 11/16"	TOP TRACK
D	1	600T300-33	5'-7 11/16"	BOTTOM TRACK
E	3	600S162-33	3'-10 5/8"	CRIPPLE
F	1	600L150-33	3'-7 3/4"	L-HEADER
G	1	600T150-33	3'-4 1/4"	HEAD TRACK

11-3302

Jewish Home for the Aging

1885 Victory Blvd. Reseda, CA

FM-07-109

CREATED BY: AMB

FrameMax, Inc.
13915 Danielson St
Suite 100
Poway, CA 92064
www.framemax.com



© FrameMax Inc.

HEIGHT : 10'-9 7/16"

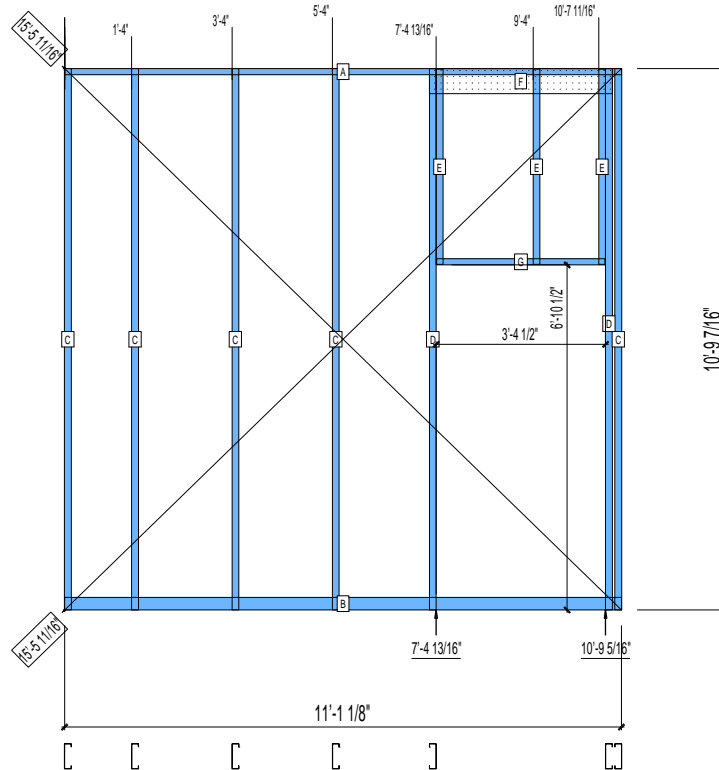
SPACING : 24"

1st STUD: 16 7/8"

WEIGHTS :

FRAME : 35 lbs

TOTAL: 35 lbs



PIECES LIST

LABEL	QTY	SIZE	LENGTH	USE
A	1	600T150-33	11'-1 1/8"	TOP TRACK
B	1	600T300-33	11'-1 1/8"	BOTTOM TRACK
C	5	600S162-33	10'-9 3/8"	STUD
D	2	600S162-33	10'-9 3/8"	KING STUD
E	3	600S162-33	3'-10 5/8"	CRIPPLE
F	1	600L150-33	3'-7 3/4"	L-HEADER
G	1	600T150-33	3'-4 1/4"	HEAD TRACK

11-3351

Jewish Home for the Aging

1885 Victory Blvd. Reseda, CA

FM-07-109

CREATED BY: AMB

FrameMax, Inc.
13915 Danielson St
Suite 100
Poway, CA 92064
www.frame-max.com



© FrameMax Inc.

HEIGHT : 10'-9 7/16"

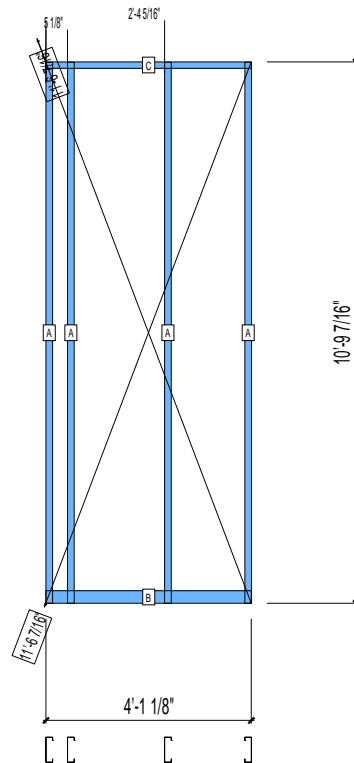
SPACING : 24"

1st STUD: 24"

WEIGHTS :

FRAME : 61 lbs

TOTAL: 61 lbs



PIECES LIST

LABEL	QTY	SIZE	LENGTH	USE
A	4	600S162-33	10'-9 3/8"	STUD
B	1	600T300-33	4'-1 1/8"	BOTTOM TRACK
C	1	600T150-33	4'-1 1/8"	TOP TRACK

11-3352

Jewish Home for the Aging

1885 Victory Blvd. Reseda, CA

FrameMax, Inc.
13915 Danielson St
Suite 100
Poway, CA 92064
www.frame-max.com



© FrameMax Inc.

CREATED: 09/19/2008

FM-07-109

CREATED BY: AMB

HEIGHT : 10'-9 7/16"

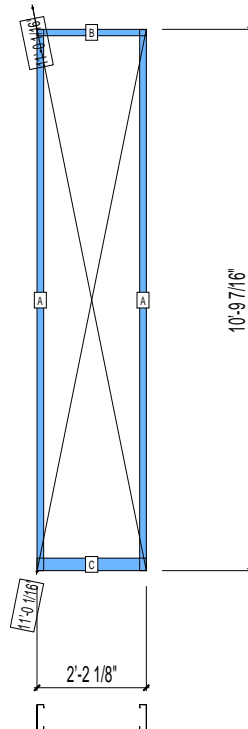
SPACING : 24"

1st STUD: 24"

WEIGHTS :

FRAME : 31 lbs

TOTAL: 31 lbs



PIECES LIST

LABEL	QTY	SIZE	LENGTH	USE
A	2	600S162-33	10'-9 3/8"	STUD
B	1	600T150-33	2'-2 1/8"	TOP TRACK
C	1	600T300-33	2'-2 1/8"	BOTTOM TRACK

11-3353

Jewish Home for the Aging

1885 Victory Blvd. Reseda, CA

FM-07-109

CREATED BY: AMB

FrameMax, Inc.
13915 Danielson St
Suite 100
Poway, CA 92064
www.frame-max.com



© FrameMax Inc.

HEIGHT : 10'-9 7/16"

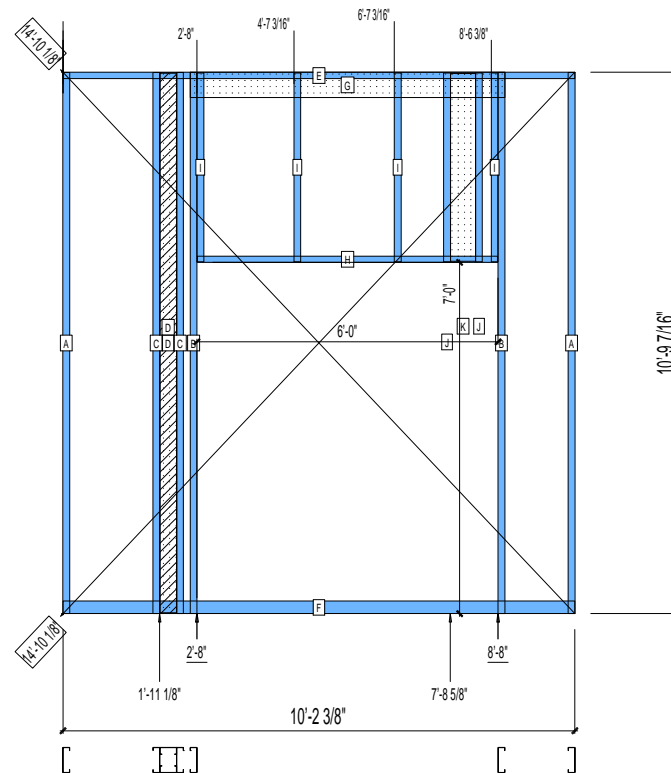
SPACING : 24"

1st STUD: 24"

WEIGHTS :

FRAME : 165 lbs

TOTAL: 165 lbs



G

PIECES LIST

LABEL	QTY	SIZE	LENGTH	USE
A	2	600S162-33	10'-9 3/8"	STUD
B	2	600S162-33	10'-9 3/8"	KING STUD
C	2	600S162-33	10'-9 3/8"	BACKER STUD
D	2	400S162-33	10'-9 1/8"	BACKER-U
E	1	600T150-33	10'-2 3/8"	TOP TRACK
F	1	600T300-33	10'-2 3/8"	BOTTOM TRACK
G	1	600L150-33	6'-3 1/4"	L-HEADER
H	1	600T150-33	5'-11 3/4"	HEAD TRACK
I	4	600S162-33	3'-9 1/8"	CRIPPLE
J	2	600S162-33	3'-9 1/8"	BACKER STUD
K	1	600S162-33	3'-8 7/8"	BACKER-U

11-3354

Jewish Home for the Aging

1885 Victory Blvd. Reseda, CA

FM-07-109

CREATED BY: AMB

FrameMax, Inc.
13915 Danielson St
Suite 100
Poway, CA 92064
www.frame-max.com



© FrameMax Inc.

HEIGHT : 10'-9 7/16"

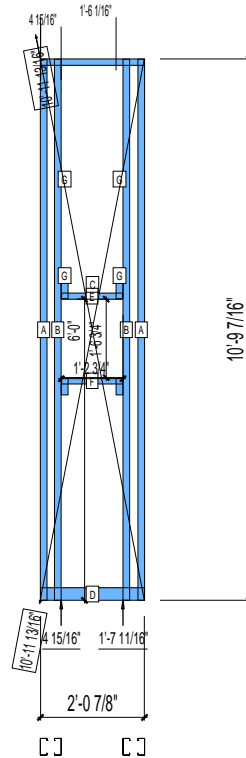
SPACING : 24"

1st STUD: 24"

WEIGHTS :

FRAME : 48 lbs

TOTAL: 48 lbs



PIECES LIST

LABEL	QTY	SIZE	LENGTH	USE
A	2	400S162-33	10'-9 3/8"	STUD
B	2	400S162-33	10'-9 3/8"	KING STUD
C	1	400T150-33	2'-0 7/8"	TOP TRACK
D	1	400T300-33	2'-0 7/8"	BOTTOM TRACK
E	1	400T150-33	1'-2 1/2"	HEAD TRACK
F	1	400T150-33	1'-2 1/2"	SILL
G	4	400S162-33	4"	CRIPPLE

11-3355

Jewish Home for the Aging

1885 Victory Blvd. Reseda, CA

FM-07-109

CREATED BY: AMB

FrameMax, Inc.
13915 Danielson St
Suite 100
Poway, CA 92064
www.framemax.com



© FrameMax Inc.

HEIGHT : 10'-9 7/16"

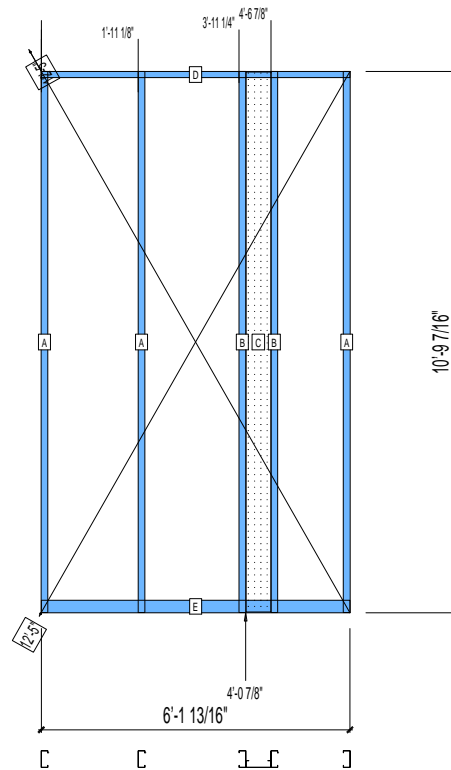
SPACING : 24"

1st STUD: 24"

WEIGHTS :

FRAME : 75 lbs

TOTAL: 75 lbs



PIECES LIST

LABEL	QTY	SIZE	LENGTH	USE
A	3	400S162-33	10'-9 3/8"	STUD
B	2	400S162-33	10'-9 3/8"	BACKER STUD
C	1	600S162-33	10'-9 1/8"	BACKER-U
D	1	400T150-33	6'-1 13/16"	TOP TRACK
E	1	400T300-33	6'-1 13/16"	BOTTOM TRACK

11-3357

Jewish Home for the Aging

1885 Victory Blvd. Reseda, CA

FM-07-109

CREATED BY: AMB

FrameMax, Inc.
13915 Danielson St
Suite 100
Poway, CA 92064
www.frame-max.com

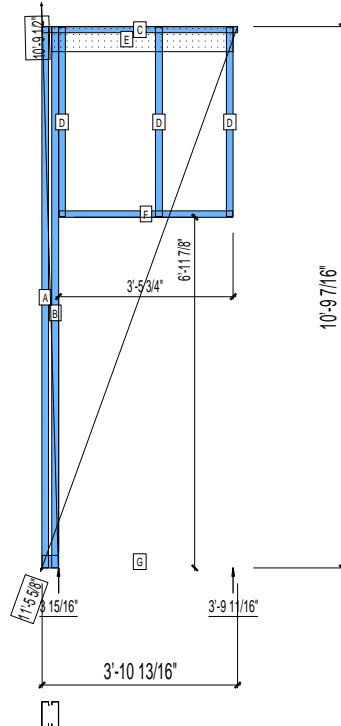


© FrameMax Inc.

HEIGHT : 10'-9 7/16"
SPACING : 24"
1st STUD: 24"

WEIGHTS :
FRAME : 12 lbs

TOTAL: 12 lbs



PIECES LIST

LABEL	QTY	SIZE	LENGTH	USE
A	1	600S162-33	10'-9 3/8"	STUD
B	1	600S162-33	10'-9 3/8"	KING STUD
C	1	600T150-33	3'-10 13/16"	TOP TRACK
D	3	600S162-33	3'-9 1/4"	CRIPPLE
E	1	600L150-33	3'-7 3/8"	L-HEADER
F	1	600T150-33	3'-5 1/2"	HEAD TRACK
G	1	600T300-33	3 15/16"	BOTTOM TRACK

11-3358

Jewish Home for the Aging

1885 Victory Blvd. Reseda, CA

FrameMax, Inc.
13915 Danielson St
Suite 100
Poway, CA 92064
www.frame-max.com



© FrameMax Inc.

CREATED: 09/19/2008

FM-07-109

CREATED BY: AMB

HEIGHT : 10'-9 7/16"

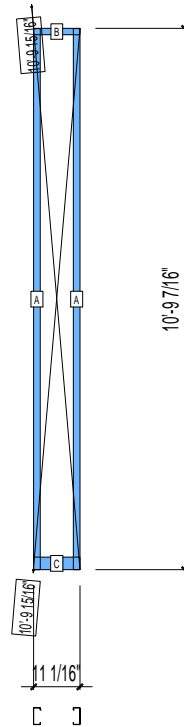
SPACING : 24"

1st STUD: 24"

WEIGHTS :

FRAME : 22 lbs

TOTAL: 22 lbs



PIECES LIST

LABEL	QTY	SIZE	LENGTH	USE
A	2	400S162-33	10'-9 3/8"	STUD
B	1	400T150-33	1 1/16"	TOP TRACK
C	1	400T300-33	1 1/16"	BOTTOM TRACK

11-3359

Jewish Home for the Aging

1885 Victory Blvd. Reseda, CA

FrameMax, Inc.
13915 Danielson St
Suite 100
Poway, CA 92064
www.frame-max.com



© FrameMax Inc.

CREATED: 09/19/2008

FM-07-109

CREATED BY: AMB

HEIGHT : 10'-9 7/16"

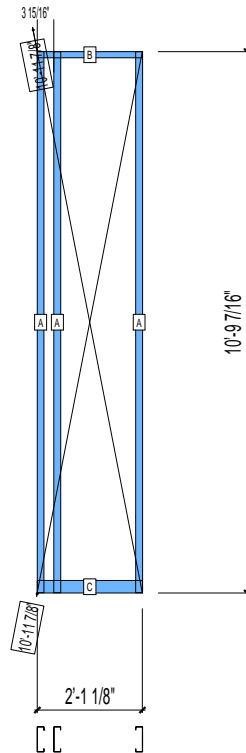
SPACING : 24"

1st STUD: 24"

WEIGHTS :

FRAME : 43 lbs

TOTAL: 43 lbs



PIECES LIST

LABEL	QTY	SIZE	LENGTH	USE
A	3	600S162-33	10'-9 3/8"	STUD
B	1	600T150-33	2'-1 1/8"	TOP TRACK
C	1	600T300-33	2'-1 1/8"	BOTTOM TRACK

11-3360

Jewish Home for the Aging

1885 Victory Blvd. Reseda, CA

FM-07-109

CREATED BY: AMB

FrameMax, Inc.
13915 Danielson St
Suite 100
Poway, CA 92064
www.frame-max.com



© FrameMax Inc.

HEIGHT : 2'-11 1/2"

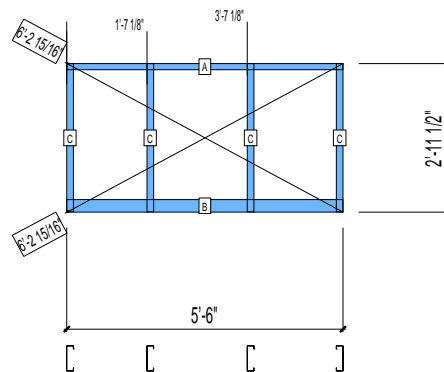
SPACING : 24"

1st STUD: 24"

WEIGHTS :

FRAME : 28 lbs

TOTAL: 28 lbs



PIECES LIST

LABEL	QTY	SIZE	LENGTH	USE
A	1	600T150-33	5'-6"	TOP TRACK
B	1	600T300-33	5'-6"	BOTTOM TRACK
C	4	600S162-33	2'-11 7/16"	STUD

11-3361

Jewish Home for the Aging

1885 Victory Blvd. Reseda, CA

FM-07-109

CREATED BY: AMB

FrameMax, Inc.
13915 Danielson St
Suite 100
Poway, CA 92064
www.frame-max.com



© FrameMax Inc.

HEIGHT : 2'-11 1/2"

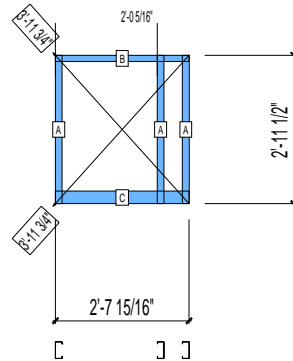
SPACING : 24"

1st STUD: 24"

WEIGHTS :

FRAME : 14 lbs

TOTAL: 14 lbs



PIECES LIST

LABEL	QTY	SIZE	LENGTH	USE
A	3	400S162-33	2'-11 7/16"	STUD
B	1	400T150-33	2'-7 15/16"	TOP TRACK
C	1	400T300-33	2'-7 15/16"	BOTTOM TRACK

11-3362

Jewish Home for the Aging

1885 Victory Blvd. Reseda, CA

FrameMax, Inc.
13915 Danielson St
Suite 100
Poway, CA 92064
www.frame-max.com



© FrameMax Inc.

CREATED: 09/19/2008

FM-07-109

CREATED BY: AMB

HEIGHT : 10'-9 7/16"

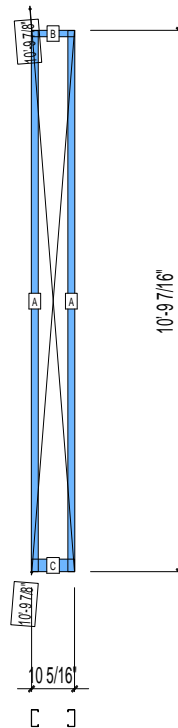
SPACING : 24"

1st STUD: 24"

WEIGHTS :

FRAME : 22 lbs

TOTAL: 22 lbs



PIECES LIST

LABEL	QTY	SIZE	LENGTH	USE
A	2	400S162-33	10'-9 3/8"	STUD
B	1	400T150-33	10 5/16"	TOP TRACK
C	1	400T300-33	10 5/16"	BOTTOM TRACK

11-3363

Jewish Home for the Aging

1885 Victory Blvd. Reseda, CA

FM-07-109

CREATED BY: AMB

FrameMax, Inc.
13915 Danielson St
Suite 100
Poway, CA 92064
www.framemax.com



© FrameMax Inc.

HEIGHT : 10'-9 7/16"

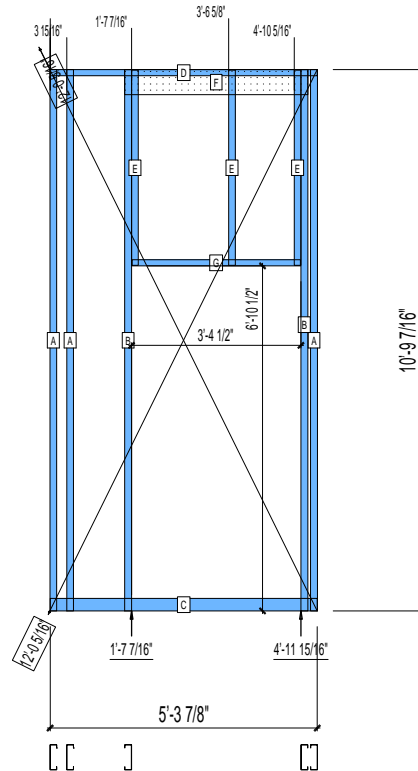
SPACING : 24"

1st STUD: 24"

WEIGHTS :

FRAME : 21 lbs

TOTAL: 21 lbs



PIECES LIST

LABEL	QTY	SIZE	LENGTH	USE
A	3	600S162-33	10'-9 3/8"	STUD
B	2	600S162-33	10'-9 3/8"	KING STUD
C	1	600T300-33	5'-3 7/8"	BOTTOM TRACK
D	1	600T150-33	5'-3 7/8"	TOP TRACK
E	3	600S162-33	3'-10 5/8"	CRIPPLE
F	1	600L150-33	3'-7 3/4"	L-HEADER
G	1	600T150-33	3'-4 1/4"	HEAD TRACK

11-3364

Jewish Home for the Aging

1885 Victory Blvd. Reseda, CA

FrameMax, Inc.
13915 Danielson St
Suite 100
Poway, CA 92064
www.frame-max.com



© FrameMax Inc.

CREATED: 09/19/2008

FM-07-109

CREATED BY: AMB

HEIGHT : 10'-9 7/16"

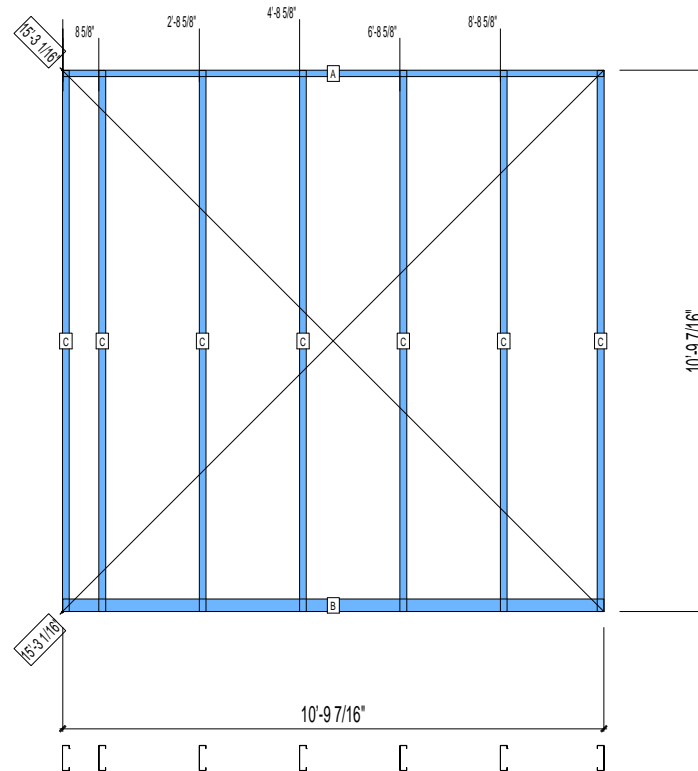
SPACING : 24"

1st STUD: 24"

WEIGHTS :

FRAME : 115 lbs

TOTAL: 115 lbs



PIECES LIST

LABEL	QTY	SIZE	LENGTH	USE
A	1	600T150-33	10'-9 7/16"	TOP TRACK
B	1	600T300-33	10'-9 7/16"	BOTTOM TRACK
C	7	600S162-33	10'-9 3/8"	STUD

11-3365

Jewish Home for the Aging

1885 Victory Blvd. Reseda, CA

FM-07-109

CREATED BY: AMB

FrameMax, Inc.
13915 Danielson St
Suite 100
Poway, CA 92064
www.framemax.com

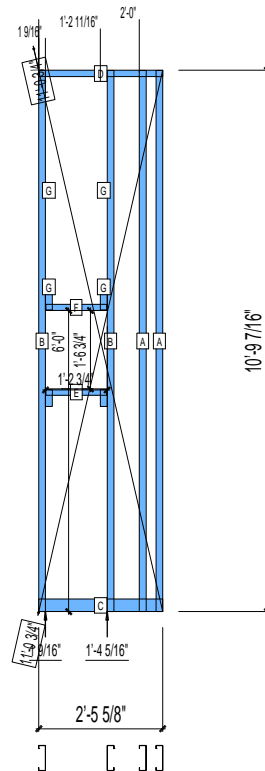


© FrameMax Inc.

HEIGHT : 10'-9 7/16"
SPACING : 24"
1st STUD: 24"

WEIGHTS :
FRAME : 61 lbs

TOTAL: 61 lbs



PIECES LIST

LABEL	QTY	SIZE	LENGTH	USE
A	2	600S162-33	10'-9 3/8"	STUD
B	2	600S162-33	10'-9 3/8"	KING STUD
C	1	600T300-33	2'-5 5/8"	BOTTOM TRACK
D	1	600T150-33	2'-5 5/8"	TOP TRACK
E	1	600T150-33	1'-2 1/2"	SILL
F	1	600T150-33	1'-2 1/2"	HEAD TRACK
G	4	600S162-33	4"	CRIPPLE

11-3366

Jewish Home for the Aging

1885 Victory Blvd. Reseda, CA

FM-07-109

CREATED BY: AMB

FrameMax, Inc.
13915 Danielson St
Suite 100
Poway, CA 92064
www.frame-max.com



© FrameMax Inc.

HEIGHT : 10'-9 7/16"

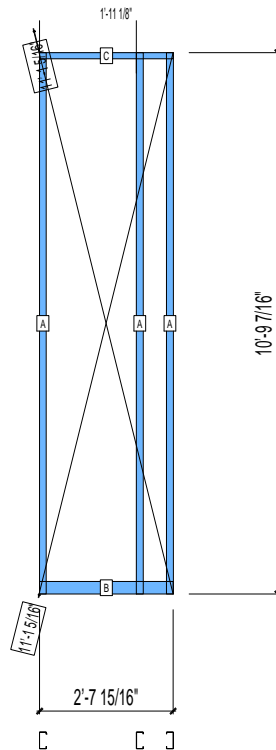
SPACING : 24"

1st STUD: 24"

WEIGHTS :

FRAME : 35 lbs

TOTAL: 35 lbs



PIECES LIST

LABEL	QTY	SIZE	LENGTH	USE
A	3	400S162-33	10'-9 3/8"	STUD
B	1	400T300-33	2'-7 15/16"	BOTTOM TRACK
C	1	400T150-33	2'-7 15/16"	TOP TRACK

11-3367

Jewish Home for the Aging

1885 Victory Blvd. Reseda, CA

FrameMax, Inc.
13915 Danielson St
Suite 100
Poway, CA 92064
www.frame-max.com



© FrameMax Inc.

CREATED: 09/19/2008

FM-07-109

CREATED BY: AMB

HEIGHT : 10'-9 7/16"

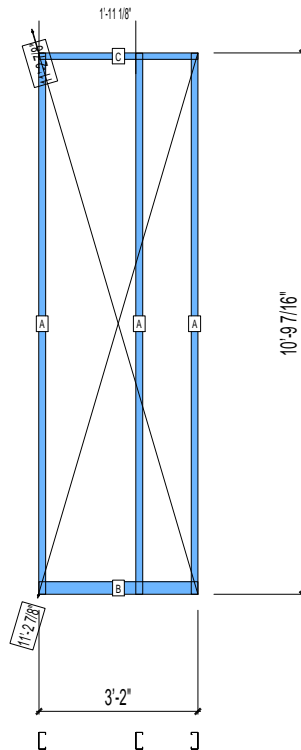
SPACING : 24"

1st STUD: 24"

WEIGHTS :

FRAME : 36 lbs

TOTAL: 36 lbs



PIECES LIST

LABEL	QTY	SIZE	LENGTH	USE
A	3	400S162-33	10'-9 3/8"	STUD
B	1	400T300-33	3'-2"	BOTTOM TRACK
C	1	400T150-33	3'-2"	TOP TRACK

11-3368

Jewish Home for the Aging

1885 Victory Blvd. Reseda, CA

FrameMax, Inc.
13915 Danielson St
Suite 100
Poway, CA 92064
www.frame-max.com



© FrameMax Inc.

CREATED: 09/19/2008

FM-07-109

CREATED BY: AMB

HEIGHT : 10'-9 7/16"

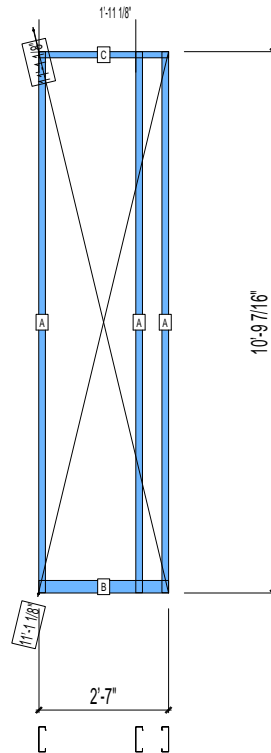
SPACING : 24"

1st STUD: 24"

WEIGHTS :

FRAME : 44 lbs

TOTAL: 44 lbs



PIECES LIST

LABEL	QTY	SIZE	LENGTH	USE
A	3	600S162-33	10'-9 3/8"	STUD
B	1	600T300-33	2'-7"	BOTTOM TRACK
C	1	600T150-33	2'-7"	TOP TRACK

11-3369

Jewish Home for the Aging

1885 Victory Blvd. Reseda, CA

FM-07-109

CREATED BY: AMB

FrameMax, Inc.
13915 Danielson St
Suite 100
Poway, CA 92064
www.frame-max.com



© FrameMax Inc.

HEIGHT : 10'-9 7/16"

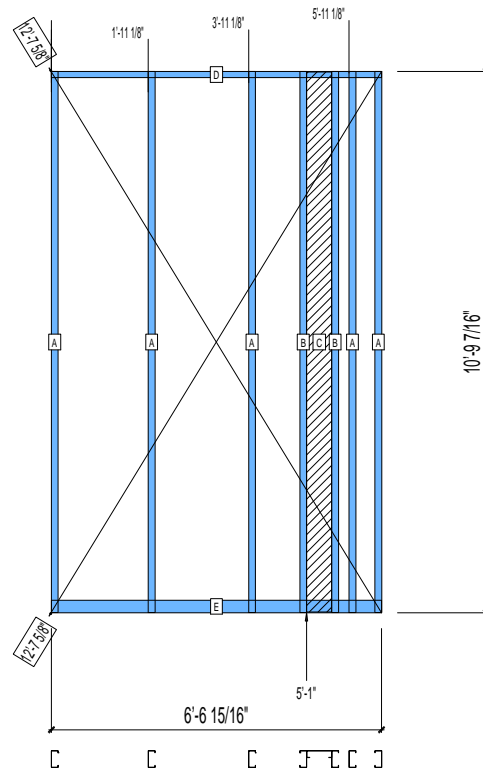
SPACING : 24"

1st STUD: 24"

WEIGHTS :

FRAME : 96 lbs

TOTAL: 96 lbs



PIECES LIST

LABEL	QTY	SIZE	LENGTH	USE
A	5	400S162-33	10'-9 3/8"	STUD
B	2	400S162-33	10'-9 3/8"	BACKER STUD
C	1	600S162-33	10'-9 1/8"	BACKER-U
D	1	400T150-33	6'-6 15/16"	TOP TRACK
E	1	400T300-33	6'-6 15/16"	BOTTOM TRACK

11-3370

Jewish Home for the Aging

1885 Victory Blvd. Reseda, CA

FrameMax, Inc.
13915 Danielson St
Suite 100
Poway, CA 92064
www.frame-max.com



© FrameMax Inc.

CREATED: 09/19/2008

FM-07-109

CREATED BY: AMB

HEIGHT : 10'-9 7/16"

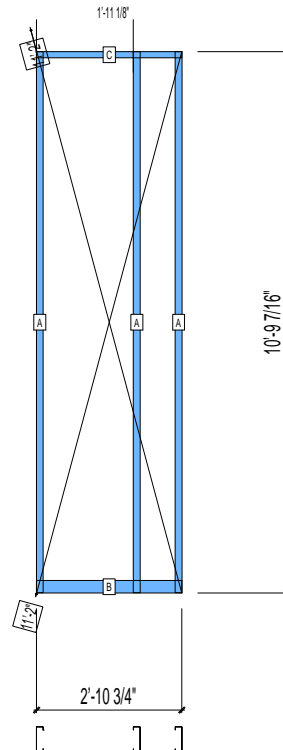
SPACING : 24"

1st STUD: 24"

WEIGHTS :

FRAME : 45 lbs

TOTAL: 45 lbs



PIECES LIST

LABEL	QTY	SIZE	LENGTH	USE
A	3	600S162-33	10'-9 3/8"	STUD
B	1	600T300-33	2'-10 3/4"	BOTTOM TRACK
C	1	600T150-33	2'-10 3/4"	TOP TRACK

11-3371

Jewish Home for the Aging

1885 Victory Blvd. Reseda, CA

FM-07-109

CREATED BY: AMB

FrameMax, Inc.
13915 Danielson St
Suite 100
Poway, CA 92064
www.frame-max.com

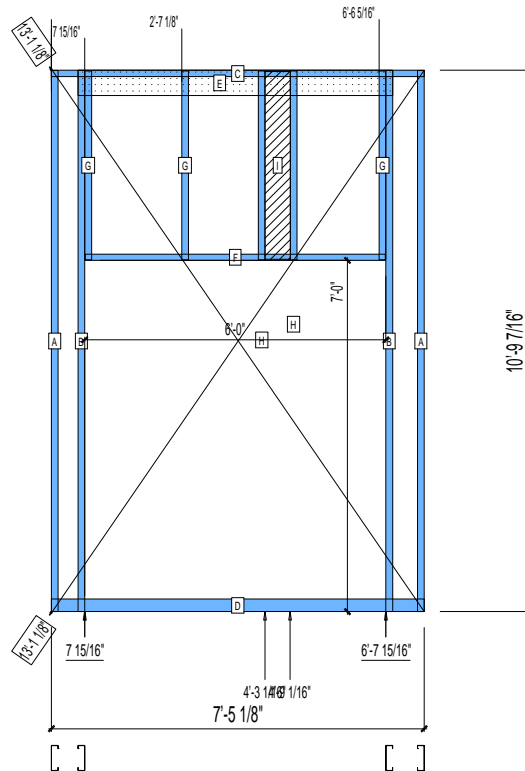


© FrameMax Inc.

HEIGHT : 10'-9 7/16"
SPACING : 24"
1st STUD: 24"

WEIGHTS :
FRAME : 31 lbs

TOTAL: 31 lbs



F

PIECES LIST

LABEL	QTY	SIZE	LENGTH	USE
A	2	600S162-33	10'-9 3/8"	STUD
B	2	600S162-33	10'-9 3/8"	KING STUD
C	1	600T150-33	7'-5 1/8"	TOP TRACK
D	1	600T300-33	7'-5 1/8"	BOTTOM TRACK
E	1	600L150-33	6'-3 1/4"	L-HEADER
F	1	600T150-33	5'-11 3/4"	HEAD TRACK
G	3	600S162-33	3'-9 1/8"	CRIPPLE
H	2	600S162-33	3'-9 1/8"	BACKER STUD
I	1	600S162-33	3'-8 7/8"	BACKER-U

11-3372

Jewish Home for the Aging

1885 Victory Blvd. Reseda, CA

FrameMax, Inc.
13915 Danielson St
Suite 100
Poway, CA 92064
www.frame-max.com



© FrameMax Inc.

CREATED: 09/19/2008

FM-07-109

CREATED BY: AMB

HEIGHT : 10'-9 7/16"

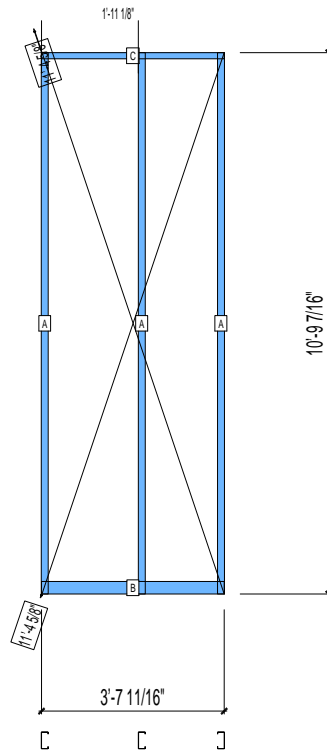
SPACING : 24"

1st STUD: 24"

WEIGHTS :

FRAME : 37 lbs

TOTAL: 37 lbs



PIECES LIST

LABEL	QTY	SIZE	LENGTH	USE
A	3	400S162-33	10'-9 3/8"	STUD
B	1	400T300-33	3'-7 11/16"	BOTTOM TRACK
C	1	400T150-33	3'-7 11/16"	TOP TRACK

11-3373

Jewish Home for the Aging

1885 Victory Blvd. Reseda, CA

FrameMax, Inc.
13915 Danielson St
Suite 100
Poway, CA 92064
www.frame-max.com



© FrameMax Inc.

CREATED: 09/19/2008

FM-07-109

CREATED BY: AMB

HEIGHT : 10'-9 7/16"

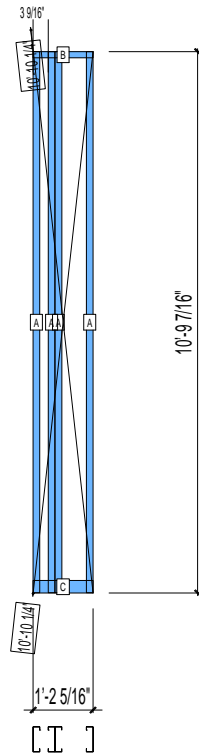
SPACING : 24"

1st STUD: 24"

WEIGHTS :

FRAME : 53 lbs

TOTAL: 53 lbs



PIECES LIST

LABEL	QTY	SIZE	LENGTH	USE
A	4	600S162-33	10'-9 3/8"	STUD
B	1	600T150-33	1'-2 5/16"	TOP TRACK
C	1	600T300-33	1'-2 5/16"	BOTTOM TRACK

11-3374

Jewish Home for the Aging

1885 Victory Blvd. Reseda, CA

FrameMax, Inc.
13915 Danielson St
Suite 100
Poway, CA 92064
www.frame-max.com



© FrameMax Inc.

CREATED: 09/19/2008

FM-07-109

CREATED BY: AMB

HEIGHT : 10'-9 7/16"

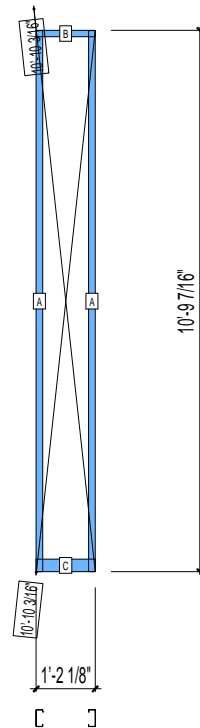
SPACING : 24"

1st STUD: 24"

WEIGHTS :

FRAME : 22 lbs

TOTAL: 22 lbs



PIECES LIST

LABEL	QTY	SIZE	LENGTH	USE
A	2	400S162-33	10'-9 3/8"	STUD
B	1	400T150-33	1'-2 1/8"	TOP TRACK
C	1	400T300-33	1'-2 1/8"	BOTTOM TRACK

11-3375

Jewish Home for the Aging

1885 Victory Blvd. Reseda, CA

FrameMax, Inc.
13915 Danielson St
Suite 100
Poway, CA 92064
www.frame-max.com



© FrameMax Inc.

CREATED: 09/19/2008

FM-07-109

CREATED BY: AMB

HEIGHT : 10'-9 7/16"

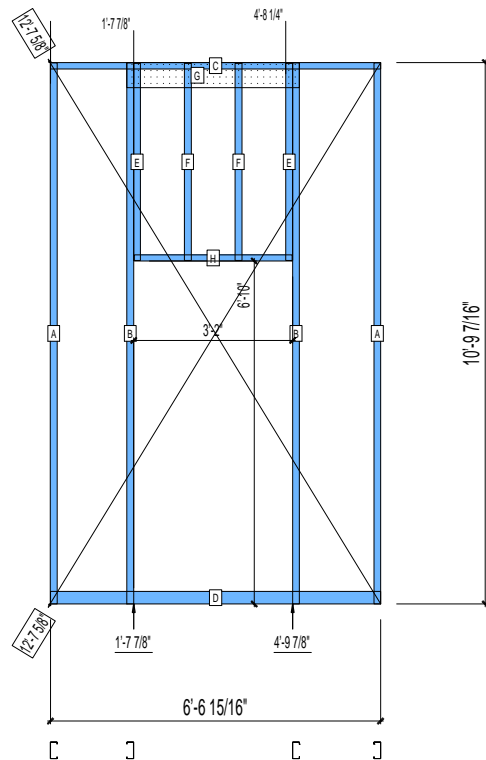
SPACING : 24"

1st STUD: 24"

WEIGHTS :

FRAME : 74 lbs

TOTAL: 74 lbs



PIECES LIST

LABEL	QTY	SIZE	LENGTH	USE
A	2	400S162-33	10'-9 3/8"	STUD
B	2	400S162-33	10'-9 3/8"	KING STUD
C	1	400T150-33	6'-6 15/16"	TOP TRACK
D	1	400T300-33	6'-6 15/16"	BOTTOM TRACK
E	2	400S162-33	3'-11 1/8"	CRIPPLE
F	2	400S162-33	3'-11 1/8"	KING STUD
G	1	600L150-33	3'-5 1/4"	L-HEADER
H	1	400T150-33	3'-1 3/4"	HEAD TRACK

11-3376

Jewish Home for the Aging

1885 Victory Blvd. Reseda, CA

FM-07-109

CREATED BY: AMB

FrameMax, Inc.
13915 Danielson St
Suite 100
Poway, CA 92064
www.frame-max.com



© FrameMax Inc.

HEIGHT : 10'-9 7/16"

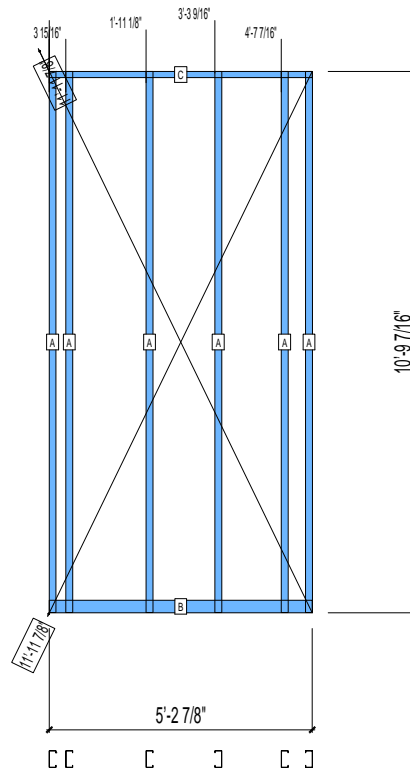
SPACING : 24"

1st STUD: 24"

WEIGHTS :

FRAME : 71 lbs

TOTAL: 71 lbs



PIECES LIST

LABEL	QTY	SIZE	LENGTH	USE
A	6	400S162-33	10'-9 3/8"	STUD
B	1	400T300-33	5'-2 7/8"	BOTTOM TRACK
C	1	400T150-33	5'-2 7/8"	TOP TRACK

11-3401

Jewish Home for the Aging

1885 Victory Blvd. Reseda, CA

FM-07-109

CREATED BY: AMB

FrameMax, Inc.
13915 Danielson St
Suite 100
Poway, CA 92064
www.frame-max.com



© FrameMax Inc.

HEIGHT : 10'-9 7/16"

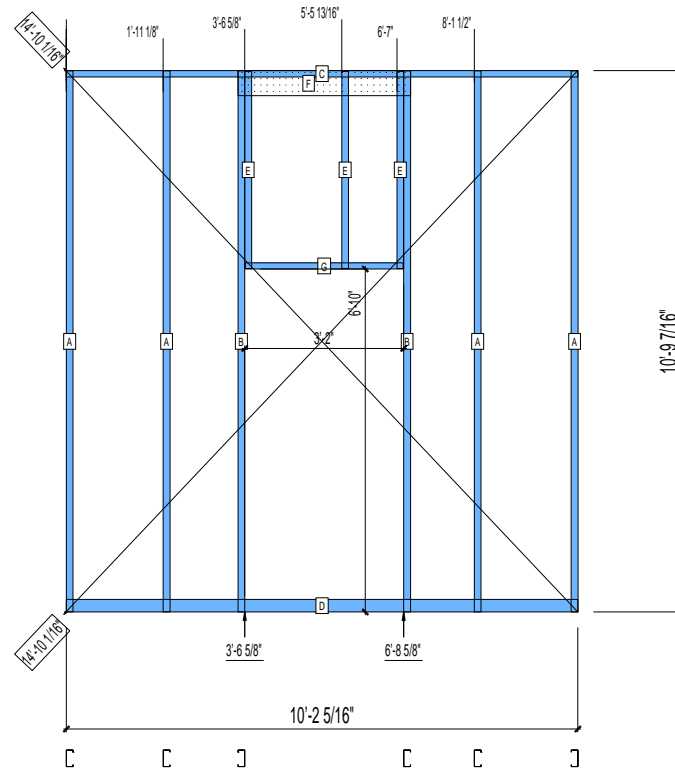
SPACING : 24"

1st STUD: 24"

WEIGHTS :

FRAME : 27 lbs

TOTAL: 27 lbs



PIECES LIST

LABEL	QTY	SIZE	LENGTH	USE
A	4	400S162-33	10'-9 3/8"	STUD
B	2	400S162-33	10'-9 3/8"	KING STUD
C	1	400T150-33	10'-2 5/16"	TOP TRACK
D	1	400T300-33	10'-2 5/16"	BOTTOM TRACK
E	3	400S162-33	3'-11 1/8"	CRIPPLE
F	1	600L150-33	3'-5 1/4"	L-HEADER
G	1	400T150-33	3'-1 3/4"	HEAD TRACK

11-3402

Jewish Home for the Aging

1885 Victory Blvd. Reseda, CA

FM-07-109

CREATED BY: AMB

FrameMax, Inc.
13915 Danielson St
Suite 100
Poway, CA 92064
www.framemax.com



© FrameMax Inc.

HEIGHT : 10'-9 7/16"

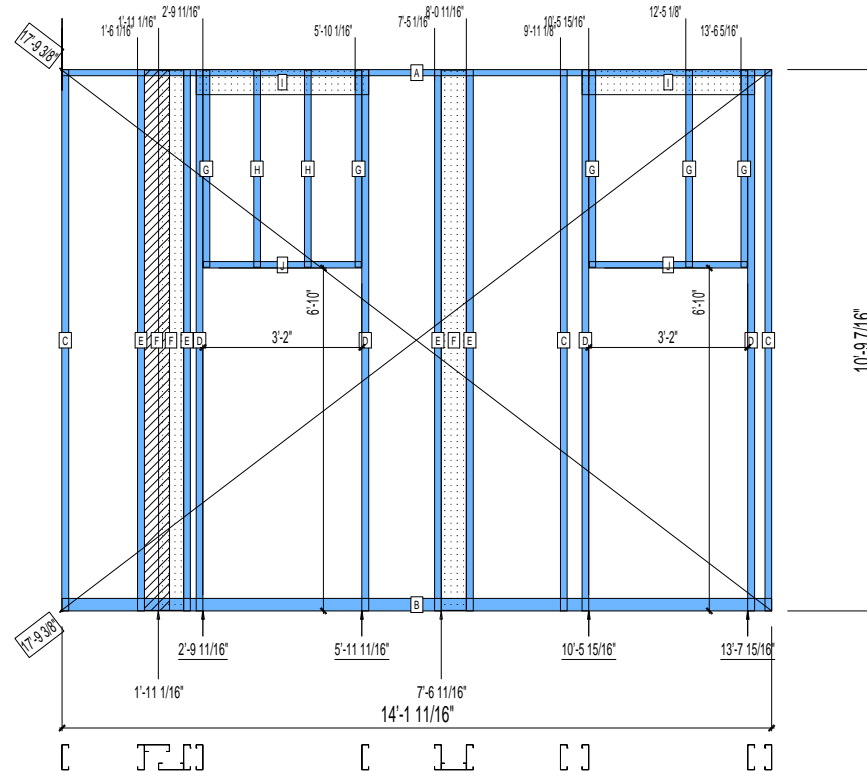
SPACING : 24"

1st STUD: 24"

WEIGHTS :

FRAME : 56 lbs

TOTAL: 56 lbs



PIECES LIST

LABEL	QTY	SIZE	LENGTH	USE
A	1	600T150-33	14'-1 11/16"	TOP TRACK
B	1	600T300-33	14'-1 11/16"	BOTTOM TRACK
C	3	600S162-33	10'-9 3/8"	STUD
D	4	600S162-33	10'-9 3/8"	KING STUD
E	4	600S162-33	10'-9 3/8"	BACKER STUD
F	3	600S162-33	10'-9 1/8"	BACKER-U
G	5	600S162-33	3'-11 1/8"	CRIPPLE
H	2	400S162-33	3'-11 1/8"	KING STUD
I	2	600L150-33	3'-5 1/4"	L-HEADER
J	2	600T150-33	3'-1 3/4"	HEAD TRACK

11-3403

Jewish Home for the Aging

1885 Victory Blvd. Reseda, CA

FrameMax, Inc.
13915 Danielson St
Suite 100
Poway, CA 92064
www.frame-max.com



© FrameMax Inc.

CREATED: 09/19/2008

FM-07-109

CREATED BY: AMB

HEIGHT : 10'-9 7/16"

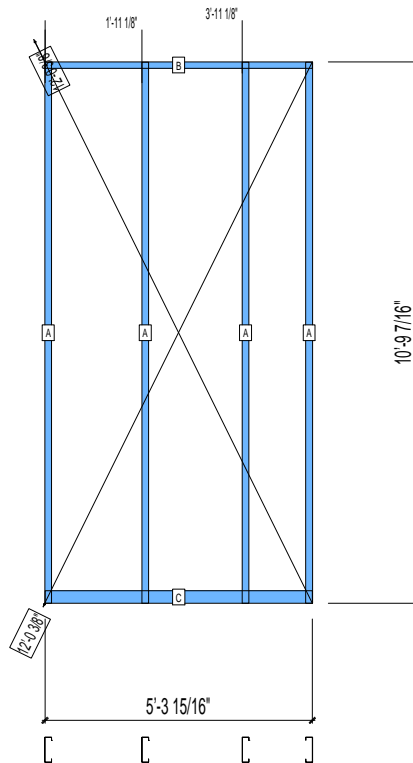
SPACING : 24"

1st STUD: 24"

WEIGHTS :

FRAME : 64 lbs

TOTAL: 64 lbs



PIECES LIST

LABEL	QTY	SIZE	LENGTH	USE
A	4	600S162-33	10'-9 3/8"	STUD
B	1	600T150-33	5'-3 15/16"	TOP TRACK
C	1	600T300-33	5'-3 15/16"	BOTTOM TRACK

11-3404

Jewish Home for the Aging

1885 Victory Blvd. Reseda, CA

FM-07-109

CREATED BY: AMB

FrameMax, Inc.
13915 Danielson St
Suite 100
Poway, CA 92064
www.frame-max.com



© FrameMax Inc.

HEIGHT : 10'-9 7/16"

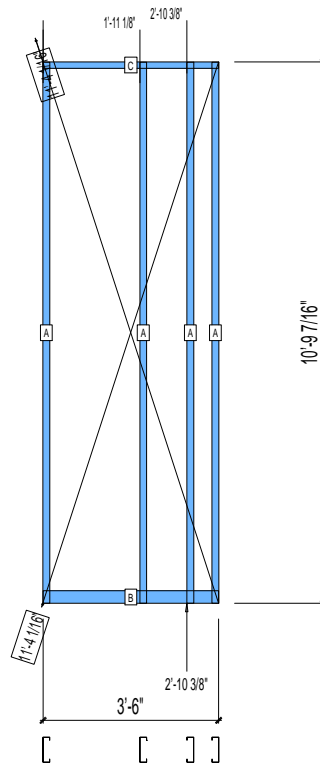
SPACING : 24"

1st STUD: 24"

WEIGHTS :

FRAME : 59 lbs

TOTAL: 59 lbs



PIECES LIST

LABEL	QTY	SIZE	LENGTH	USE
A	4	600S162-33	10'-9 3/8"	STUD
B	1	600T300-33	3'-6"	BOTTOM TRACK
C	1	600T150-33	3'-6"	TOP TRACK

11-3405

Jewish Home for the Aging

1885 Victory Blvd. Reseda, CA

FM-07-109

CREATED BY: AMB

FrameMax, Inc.
13915 Danielson St
Suite 100
Poway, CA 92064
www.frame-max.com

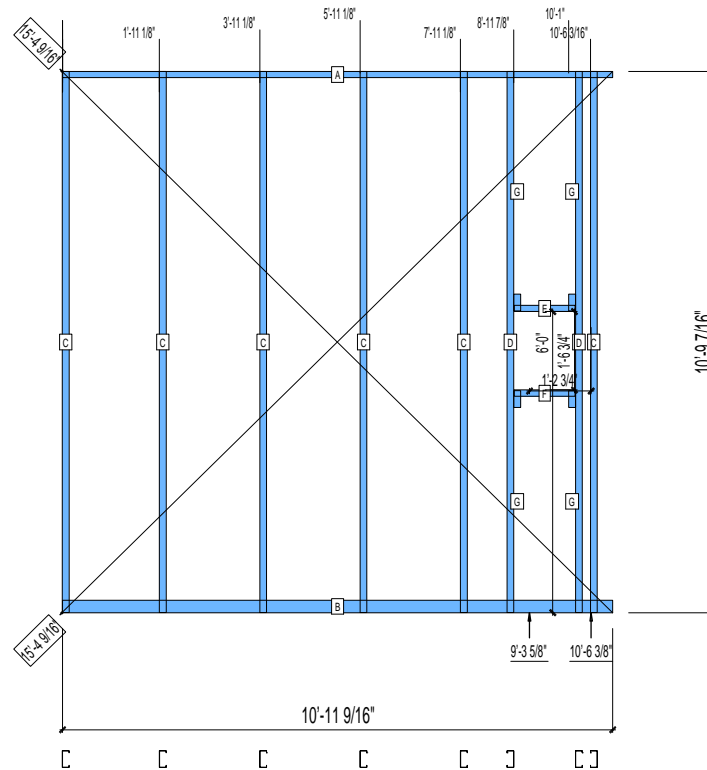


© FrameMax Inc.

HEIGHT : 10'-9 7/16"
SPACING : 24"
1st STUD: 24"

WEIGHTS :
FRAME : 106 lbs

TOTAL: 106 lbs



PIECES LIST

LABEL	QTY	SIZE	LENGTH	USE
A	1	400T150-33	10'-11 9/16"	TOP TRACK
B	1	400T300-33	10'-11 9/16"	BOTTOM TRACK
C	6	400S162-33	10'-9 3/8"	STUD
D	2	400S162-33	10'-9 3/8"	KING STUD
E	1	400T150-33	1'-2 1/2"	HEAD TRACK
F	1	400T150-33	1'-2 1/2"	SILL
G	4	400S162-33	4"	CRIPPLE

11-3406

Jewish Home for the Aging

1885 Victory Blvd. Reseda, CA

FM-07-109

CREATED BY: AMB

FrameMax, Inc.
13915 Danielson St
Suite 100
Poway, CA 92064
www.framemax.com

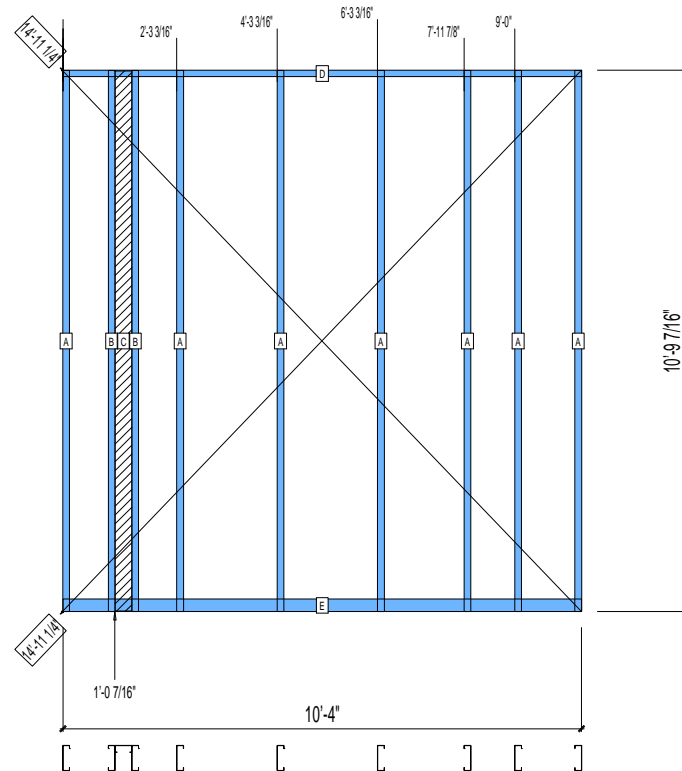


© FrameMax Inc.

HEIGHT : 10'-9 7/16"
SPACING : 24"
1st STUD: 24"

WEIGHTS :
FRAME : 149 lbs

TOTAL: 149 lbs



PIECES LIST			
LABEL	QTY	SIZE	LENGTH USE
A	7	600S162-33	10'-9 3/8" STUD
B	2	600S162-33	10'-9 3/8" BACKER STUD
C	1	400S162-33	10'-9 1/8" BACKER-U
D	1	600T150-33	10'-4" TOP TRACK
E	1	600T300-33	10'-4" BOTTOM TRACK

11-3407

Jewish Home for the Aging

1885 Victory Blvd. Reseda, CA

FM-07-109

CREATED BY: AMB

FrameMax, Inc.
13915 Danielson St
Suite 100
Poway, CA 92064
www.frame-max.com

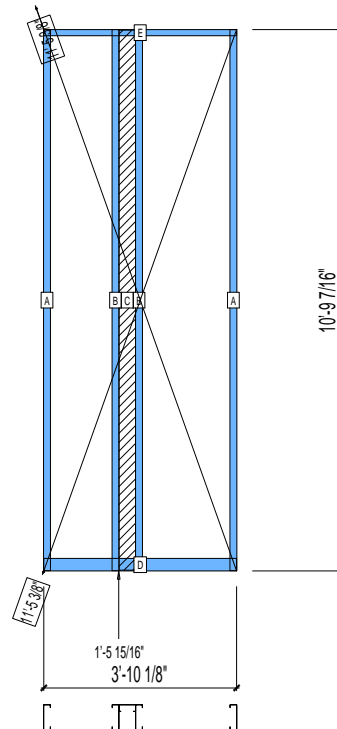


© FrameMax Inc.

HEIGHT : 10'-9 7/16"
SPACING : 24"
1st STUD: 24"

WEIGHTS :
FRAME : 70 lbs

TOTAL: 70 lbs



PIECES LIST

LABEL	QTY	SIZE	LENGTH	USE
A	2	600S162-33	10'-9 3/8"	STUD
B	2	600S162-33	10'-9 3/8"	BACKER STUD
C	1	400S162-33	10'-9 1/8"	BACKER-U
D	1	600T300-33	3'-10 1/8"	BOTTOM TRACK
E	1	600T150-33	3'-10 1/8"	TOP TRACK

11-3408

Jewish Home for the Aging

1885 Victory Blvd. Reseda, CA

FM-07-109

CREATED BY: AMB

FrameMax, Inc.
13915 Danielson St
Suite 100
Poway, CA 92064
www.frame-max.com



© FrameMax Inc.

HEIGHT : 10'-9 7/16"

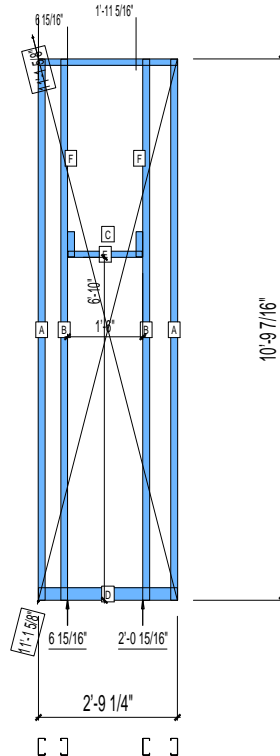
SPACING : 24"

1st STUD: 24"

WEIGHTS :

FRAME : 48 lbs

TOTAL: 48 lbs



PIECES LIST

LABEL	QTY	SIZE	LENGTH	USE
A	2	400S162-33	10'-9 3/8"	STUD
B	2	400S162-33	10'-9 3/8"	KING STUD
C	1	400T150-33	2'-9 1/4"	TOP TRACK
D	1	400T300-33	2'-9 1/4"	BOTTOM TRACK
E	1	400T150-33	1'-5 3/4"	HEAD TRACK
F	2	400S162-33	6"	CRIPPLE

11-3409

Jewish Home for the Aging

1885 Victory Blvd. Reseda, CA

FrameMax, Inc.
13915 Danielson St
Suite 100
Poway, CA 92064
www.frame-max.com



© FrameMax Inc.

CREATED: 09/19/2008

FM-07-109

CREATED BY: AMB

HEIGHT : 10'-9 7/16"

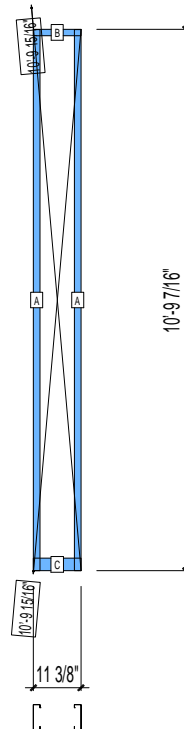
SPACING : 24"

1st STUD: 24"

WEIGHTS :

FRAME : 28 lbs

TOTAL: 28 lbs



PIECES LIST

LABEL	QTY	SIZE	LENGTH	USE
A	2	600S162-33	10'-9 3/8"	STUD
B	1	600T150-33	11 3/8"	TOP TRACK
C	1	600T300-33	11 3/8"	BOTTOM TRACK

11-3410

Jewish Home for the Aging

1885 Victory Blvd. Reseda, CA

FM-07-109

CREATED BY: AMB

FrameMax, Inc.
13915 Danielson St
Suite 100
Poway, CA 92064
www.frame-max.com



© FrameMax Inc.

HEIGHT : 10'-9 7/16"

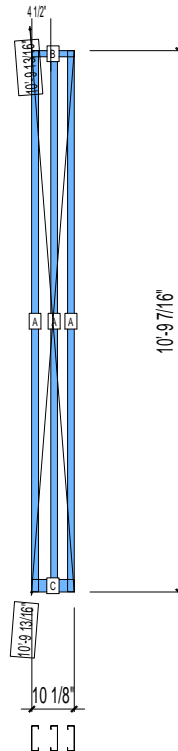
SPACING : 24"

1st STUD: 24"

WEIGHTS :

FRAME : 40 lbs

TOTAL: 40 lbs



PIECES LIST

LABEL	QTY	SIZE	LENGTH	USE
A	3	600S162-33	10'-9 3/8"	STUD
B	1	600T150-33	10 1/8"	TOP TRACK
C	1	600T300-33	10 1/8"	BOTTOM TRACK

11-3411

Jewish Home for the Aging

1885 Victory Blvd. Reseda, CA

FM-07-109

CREATED BY: AMB

FrameMax, Inc.
13915 Danielson St
Suite 100
Poway, CA 92064
www.framemax.com



© FrameMax Inc.

HEIGHT : 10'-9 7/16"

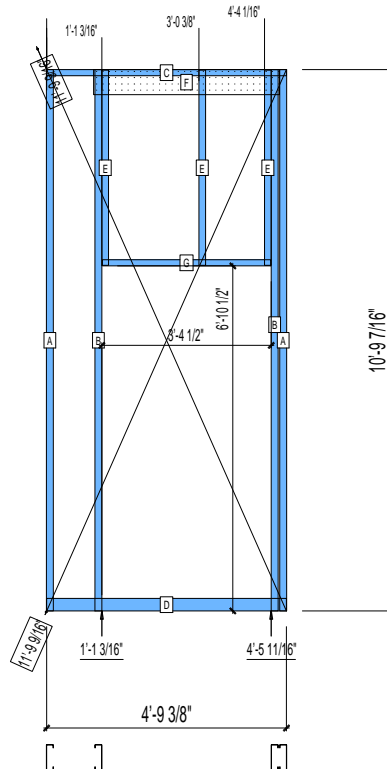
SPACING : 24"

1st STUD: 24"

WEIGHTS :

FRAME : 83 lbs

TOTAL: 83 lbs



PIECES LIST

LABEL	QTY	SIZE	LENGTH	USE
A	2	600S162-33	10'-9 3/8"	STUD
B	2	600S162-33	10'-9 3/8"	KING STUD
C	1	600T150-33	4'-9 3/8"	TOP TRACK
D	1	600T300-33	4'-9 3/8"	BOTTOM TRACK
E	3	600S162-33	3'-10 5/8"	CRIPPLE
F	1	600L150-33	3'-8 1/2"	L-HEADER
G	1	600T150-33	3'-4 1/4"	HEAD TRACK

11-3412

Jewish Home for the Aging

1885 Victory Blvd. Reseda, CA

FM-07-109

CREATED BY: AMB

FrameMax, Inc.
13915 Danielson St
Suite 100
Poway, CA 92064
www.framemax.com



© FrameMax Inc.

HEIGHT : 10'-9 7/16"

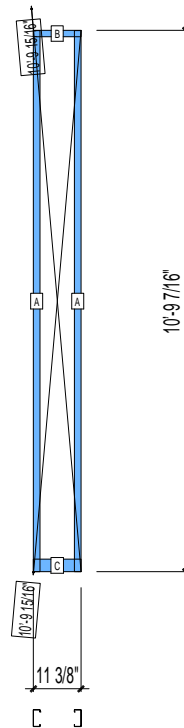
SPACING : 24"

1st STUD: 24"

WEIGHTS :

FRAME : 22 lbs

TOTAL: 22 lbs



PIECES LIST

LABEL	QTY	SIZE	LENGTH	USE
A	2	400S162-33	10'-9 3/8"	STUD
B	1	400T150-33	11 3/8"	TOP TRACK
C	1	400T300-33	11 3/8"	BOTTOM TRACK

11-3413

Jewish Home for the Aging

1885 Victory Blvd. Reseda, CA

FrameMax, Inc.
13915 Danielson St
Suite 100
Poway, CA 92064
www.framemax.com



© FrameMax Inc.

CREATED: 09/19/2008

FM-07-109

CREATED BY: AMB

HEIGHT : 10'-9 7/16"

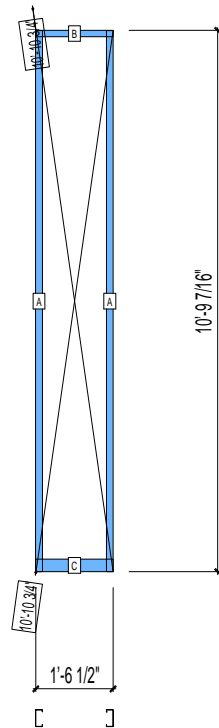
SPACING : 24"

1st STUD: 24"

WEIGHTS :

FRAME : 23 lbs

TOTAL: 23 lbs



PIECES LIST

LABEL	QTY	SIZE	LENGTH	USE
A	2	400S162-33	10'-9 3/8"	STUD
B	1	400T150-33	1'-6 1/2"	TOP TRACK
C	1	400T300-33	1'-6 1/2"	BOTTOM TRACK

11-3414

Jewish Home for the Aging

1885 Victory Blvd. Reseda, CA

FrameMax, Inc.
13915 Danielson St
Suite 100
Poway, CA 92064
www.frame-max.com



© FrameMax Inc.

CREATED: 09/19/2008

FM-07-109

CREATED BY: AMB

HEIGHT : 10'-9 7/16"

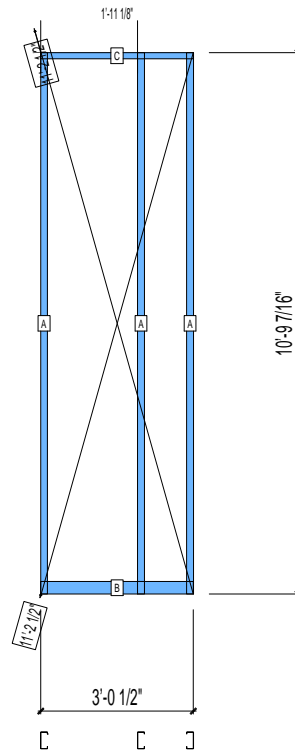
SPACING : 24"

1st STUD: 24"

WEIGHTS :

FRAME : 36 lbs

TOTAL: 36 lbs



PIECES LIST

LABEL	QTY	SIZE	LENGTH	USE
A	3	400S162-33	10'-9 3/8"	STUD
B	1	400T300-33	3'-0 1/2"	BOTTOM TRACK
C	1	400T150-33	3'-0 1/2"	TOP TRACK

11-3415

Jewish Home for the Aging

1885 Victory Blvd. Reseda, CA

FM-07-109

CREATED BY: AMB

FrameMax, Inc.
13915 Danielson St
Suite 100
Poway, CA 92064
www.frame-max.com

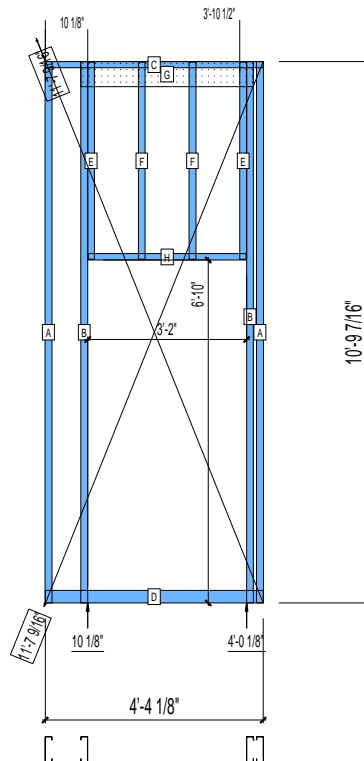


© FrameMax Inc.

HEIGHT : 10'-9 7/16"
SPACING : 24"
1st STUD: 24"

WEIGHTS :
FRAME : 85 lbs

TOTAL: 85 lbs



PIECES LIST

LABEL	QTY	SIZE	LENGTH	USE
A	2	600S162-33	10'-9 3/8"	STUD
B	2	600S162-33	10'-9 3/8"	KING STUD
C	1	600T150-33	4'-4 1/8"	TOP TRACK
D	1	600T300-33	4'-4 1/8"	BOTTOM TRACK
E	2	600S162-33	3'-11 1/8"	CRIPPLE
F	2	400S162-33	3'-11 1/8"	KING STUD
G	1	600L150-33	3'-5 1/4"	L-HEADER
H	1	600T150-33	3'-1 3/4"	HEAD TRACK

11-3416

Jewish Home for the Aging

1885 Victory Blvd. Reseda, CA

FrameMax, Inc.
13915 Danielson St
Suite 100
Poway, CA 92064
www.framemax.com



© FrameMax Inc.

CREATED: 09/19/2008

FM-07-109

CREATED BY: AMB

HEIGHT : 10'-9 7/16"

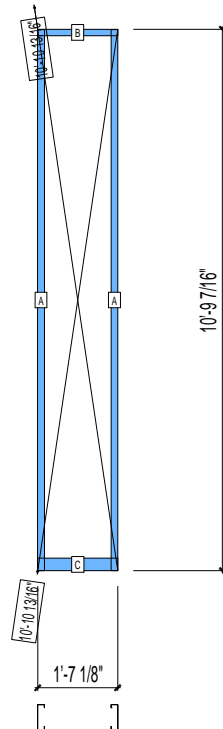
SPACING : 24"

1st STUD: 24"

WEIGHTS :

FRAME : 29 lbs

TOTAL: 29 lbs



PIECES LIST

LABEL	QTY	SIZE	LENGTH	USE
A	2	600S162-33	10'-9 3/8"	STUD
B	1	600T150-33	1'-7 1/8"	TOP TRACK
C	1	600T300-33	1'-7 1/8"	BOTTOM TRACK

11-3417

Jewish Home for the Aging

1885 Victory Blvd. Reseda, CA

FM-07-109

CREATED BY: AMB

FrameMax, Inc.
13915 Danielson St
Suite 100
Poway, CA 92064
www.frame-max.com

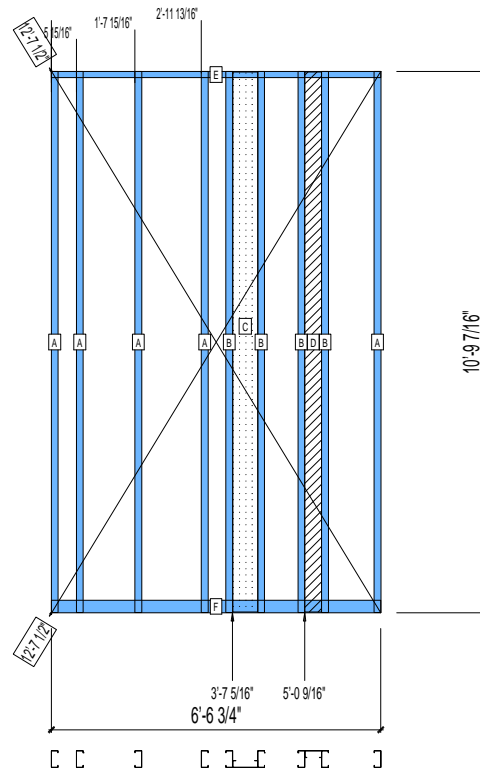


© FrameMax Inc.

HEIGHT : 10'-9 7/16"
SPACING : 24"
1st STUD: 24"

WEIGHTS :
FRAME : 126 lbs

TOTAL: 126 lbs



PIECES LIST

LABEL	QTY	SIZE	LENGTH	USE
A	5	400S162-33	10'-9 3/8"	STUD
B	4	400S162-33	10'-9 3/8"	BACKER STUD
C	1	600S162-33	10'-9 1/8"	BACKER-U
D	1	400S162-33	10'-9 1/8"	BACKER-U
E	1	400T150-33	6'-6 3/4"	TOP TRACK
F	1	400T300-33	6'-6 3/4"	BOTTOM TRACK

11-3418

Jewish Home for the Aging

1885 Victory Blvd. Reseda, CA

FrameMax, Inc.
13915 Danielson St
Suite 100
Poway, CA 92064
www.frame-max.com



© FrameMax Inc.

CREATED: 09/19/2008

FM-07-109

CREATED BY: AMB

HEIGHT : 10'-9 7/16"

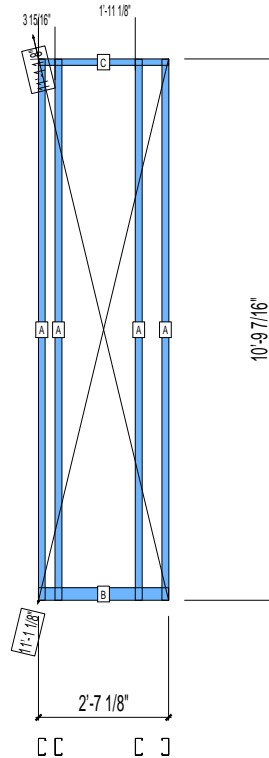
SPACING : 24"

1st STUD: 24"

WEIGHTS :

FRAME : 45 lbs

TOTAL: 45 lbs



PIECES LIST

LABEL	QTY	SIZE	LENGTH	USE
A	4	400S162-33	10'-9 3/8"	STUD
B	1	400T300-33	2'-7 1/8"	BOTTOM TRACK
C	1	400T150-33	2'-7 1/8"	TOP TRACK

11-3419

Jewish Home for the Aging

1885 Victory Blvd. Reseda, CA

FrameMax, Inc.
13915 Danielson St
Suite 100
Poway, CA 92064
www.frame-max.com



© FrameMax Inc.

CREATED: 09/19/2008

FM-07-109

CREATED BY: AMB

HEIGHT : 10'-9 7/16"

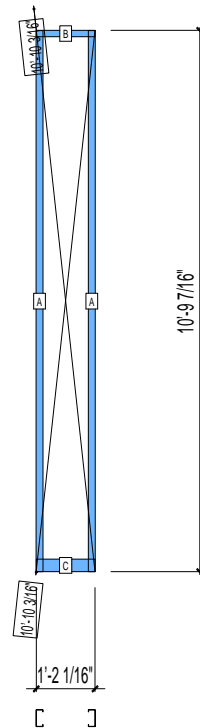
SPACING : 24"

1st STUD: 24"

WEIGHTS :

FRAME : 22 lbs

TOTAL: 22 lbs



PIECES LIST

LABEL	QTY	SIZE	LENGTH	USE
A	2	400S162-33	10'-9 3/8"	STUD
B	1	400T150-33	1'-2 1/16"	TOP TRACK
C	1	400T300-33	1'-2 1/16"	BOTTOM TRACK

11-3420

Jewish Home for the Aging

1885 Victory Blvd. Reseda, CA

FM-07-109

CREATED BY: AMB

FrameMax, Inc.
13915 Danielson St
Suite 100
Poway, CA 92064
www.framemax.com



© FrameMax Inc.

HEIGHT : 10'-9 7/16"

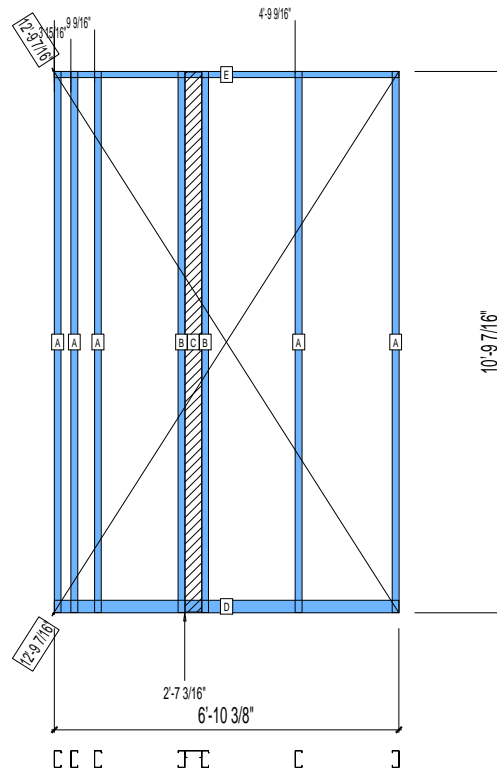
SPACING : 24"

1st STUD: 24"

WEIGHTS :

FRAME : 94 lbs

TOTAL: 94 lbs



PIECES LIST

LABEL	QTY	SIZE	LENGTH	USE
A	5	400S162-33	10'-9 3/8"	STUD
B	2	400S162-33	10'-9 3/8"	BACKER STUD
C	1	400S162-33	10'-9 1/8"	BACKER-U
D	1	400T300-33	6'-10 3/8"	BOTTOM TRACK
E	1	400T150-33	6'-10 3/8"	TOP TRACK

11-3421

Jewish Home for the Aging

1885 Victory Blvd. Reseda, CA

FM-07-109

CREATED BY: AMB

FrameMax, Inc.
13915 Danielson St
Suite 100
Poway, CA 92064
www.frame-max.com

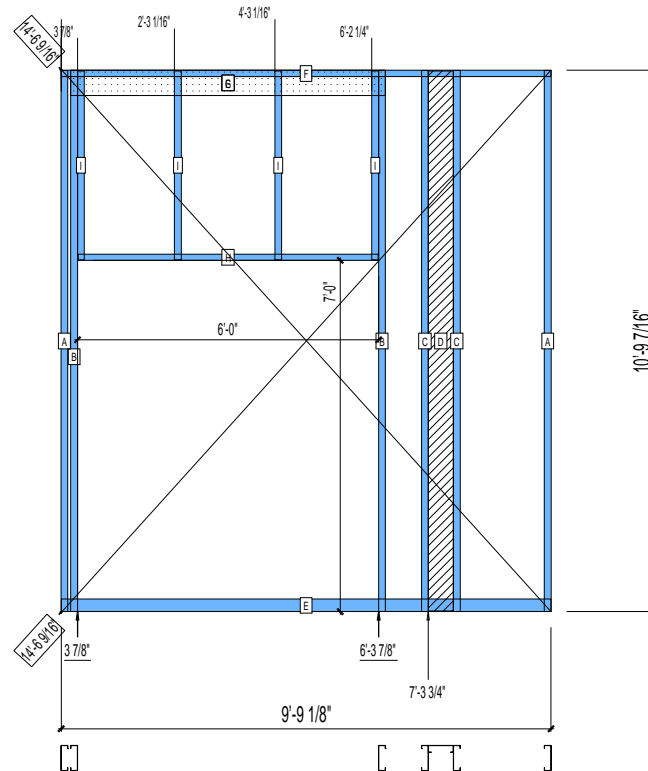


© FrameMax Inc.

HEIGHT : 10'-9 7/16"
SPACING : 24"
1st STUD: 24"

WEIGHTS :
FRAME : 37 lbs

TOTAL: 37 lbs



PIECES LIST

LABEL	QTY	SIZE	LENGTH	USE
A	2	600S162-33	10'-9 3/8"	STUD
B	2	600S162-33	10'-9 3/8"	KING STUD
C	2	600S162-33	10'-9 3/8"	BACKER STUD
D	1	600S162-33	10'-9 1/8"	BACKER-U
E	1	600T300-33	9'-9 1/8"	BOTTOM TRACK
F	1	600T150-33	9'-9 1/8"	TOP TRACK
G	1	600L150-33	6'-3 1/4"	L-HEADER
H	1	600T150-33	5'-11 3/4"	HEAD TRACK
I	4	600S162-33	3'-9 1/8"	CRIPPLE

11-3422

Jewish Home for the Aging

1885 Victory Blvd. Reseda, CA

FM-07-109

CREATED BY: AMB

FrameMax, Inc.
13915 Danielson St
Suite 100
Poway, CA 92064
www.frame-max.com

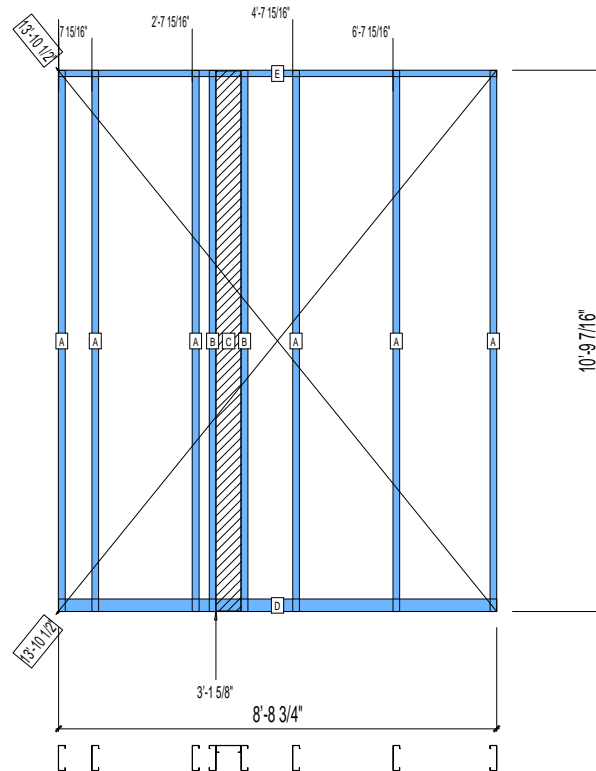


© FrameMax Inc.

HEIGHT : 10'-9 7/16"
SPACING : 24"
1st STUD: 24"

WEIGHTS :
FRAME : 135 lbs

TOTAL: 135 lbs



PIECES LIST

LABEL	QTY	SIZE	LENGTH	USE
A	6	600S162-33	10'-9 3/8"	STUD
B	2	600S162-33	10'-9 3/8"	BACKER STUD
C	1	600S162-33	10'-9 1/8"	BACKER-U
D	1	600T300-33	8'-8 3/4"	BOTTOM TRACK
E	1	600T150-33	8'-8 3/4"	TOP TRACK

11-3423

Jewish Home for the Aging

1885 Victory Blvd. Reseda, CA

FrameMax, Inc.
13915 Danielson St
Suite 100
Poway, CA 92064
www.framemax.com



© FrameMax Inc.

CREATED: 09/19/2008

FM-07-109

CREATED BY: AMB

HEIGHT : 10'-9 7/16"

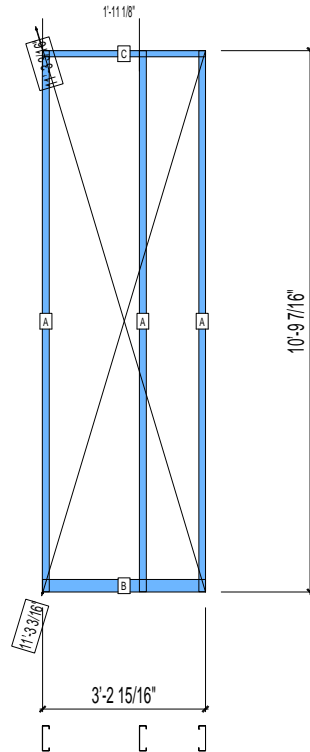
SPACING : 24"

1st STUD: 24"

WEIGHTS :

FRAME : 46 lbs

TOTAL: 46 lbs



PIECES LIST

LABEL	QTY	SIZE	LENGTH	USE
A	3	600S162-33	10'-9 3/8"	STUD
B	1	600T300-33	3'-2 15/16"	BOTTOM TRACK
C	1	600T150-33	3'-2 15/16"	TOP TRACK

11-3424

Jewish Home for the Aging

1885 Victory Blvd. Reseda, CA

FrameMax, Inc.
13915 Danielson St
Suite 100
Poway, CA 92064
www.frame-max.com



© FrameMax Inc.

CREATED: 09/19/2008

FM-07-109

CREATED BY: AMB

HEIGHT : 2'-11 1/2"

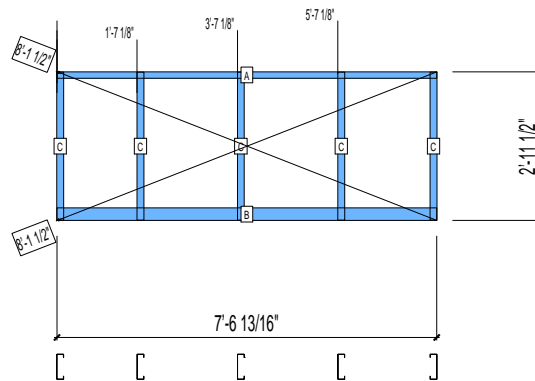
SPACING : 24"

1st STUD: 24"

WEIGHTS :

FRAME : 36 lbs

TOTAL: 36 lbs



PIECES LIST

LABEL	QTY	SIZE	LENGTH	USE
A	1	600T150-33	7'-6 13/16"	TOP TRACK
B	1	600T300-33	7'-6 13/16"	BOTTOM TRACK
C	5	600S162-33	2'-11 7/16"	STUD

11-3425

Jewish Home for the Aging

1885 Victory Blvd. Reseda, CA

FM-07-109

CREATED BY: AMB

FrameMax, Inc.
13915 Danielson St
Suite 100
Poway, CA 92064
www.frame-max.com



© FrameMax Inc.

HEIGHT : 2'-11 1/2"

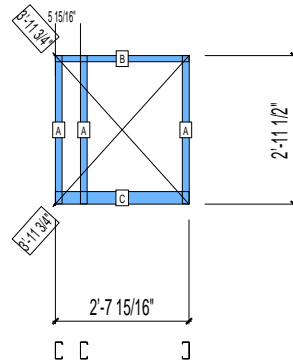
SPACING : 24"

1st STUD: 24"

WEIGHTS :

FRAME : 14 lbs

TOTAL: 14 lbs



PIECES LIST

LABEL	QTY	SIZE	LENGTH	USE
A	3	400S162-33	2'-11 7/16"	STUD
B	1	400T150-33	2'-7 15/16"	TOP TRACK
C	1	400T300-33	2'-7 15/16"	BOTTOM TRACK

11-3451

Jewish Home for the Aging

1885 Victory Blvd. Reseda, CA

FrameMax, Inc.
13915 Danielson St
Suite 100
Poway, CA 92064
www.frame-max.com



© FrameMax Inc.

CREATED: 09/19/2008

FM-07-109

CREATED BY: AMB

HEIGHT : 10'-9 7/16"

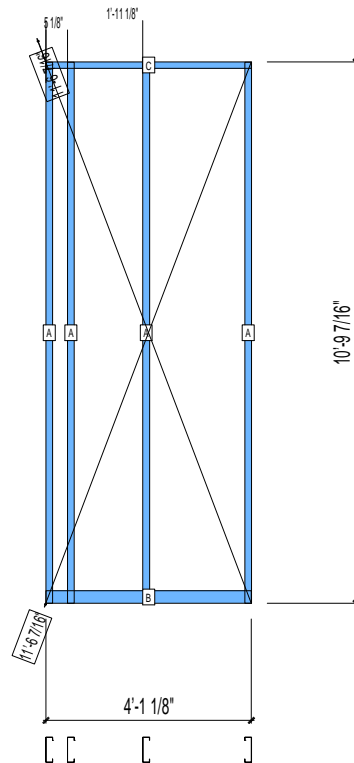
SPACING : 24"

1st STUD: 24"

WEIGHTS :

FRAME : 61 lbs

TOTAL: 61 lbs



PIECES LIST

LABEL	QTY	SIZE	LENGTH	USE
A	4	600S162-33	10'-9 3/8"	STUD
B	1	600T300-33	4'-1 1/8"	BOTTOM TRACK
C	1	600T150-33	4'-1 1/8"	TOP TRACK

11-3452

Jewish Home for the Aging

1885 Victory Blvd. Reseda, CA

FM-07-109

CREATED BY: AMB

FrameMax, Inc.
13915 Danielson St
Suite 100
Poway, CA 92064
www.frame-max.com



© FrameMax Inc.

HEIGHT : 10'-9 7/16"

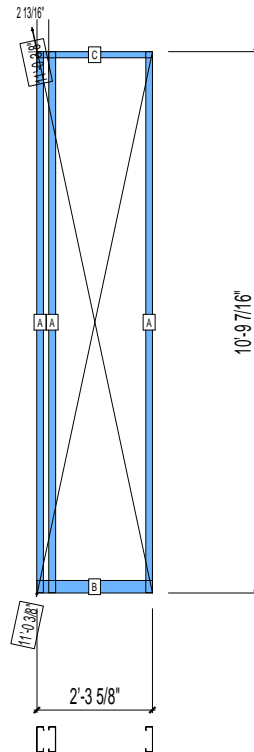
SPACING : 24"

1st STUD: 24"

WEIGHTS :

FRAME : 44 lbs

TOTAL: 44 lbs



PIECES LIST

LABEL	QTY	SIZE	LENGTH	USE
A	3	600S162-33	10'-9 3/8"	STUD
B	1	600T300-33	2'-3 5/8"	BOTTOM TRACK
C	1	600T150-33	2'-3 5/8"	TOP TRACK

11-3453

Jewish Home for the Aging

1885 Victory Blvd. Reseda, CA

FM-07-109

CREATED BY: AMB

FrameMax, Inc.
13915 Danielson St
Suite 100
Poway, CA 92064
www.frame-max.com

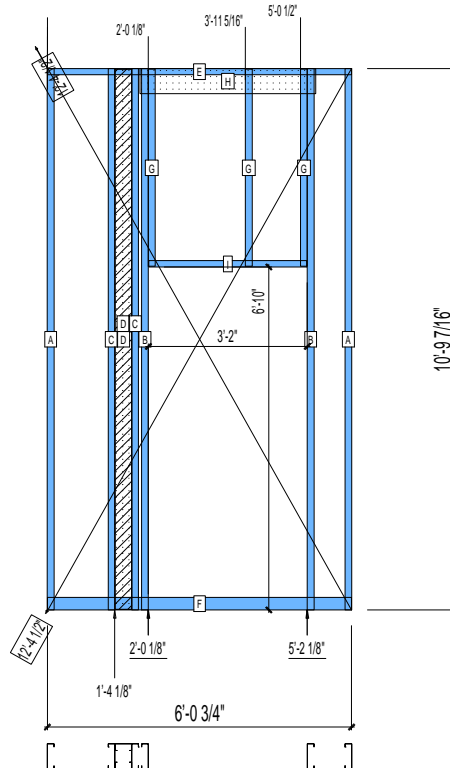


© FrameMax Inc.

HEIGHT : 10'-9 7/16"
SPACING : 24"
1st STUD: 24"

WEIGHTS :
FRAME : 131 lbs

TOTAL: 131 lbs



PIECES LIST

LABEL	QTY	SIZE	LENGTH	USE
A	2	600S162-33	10'-9 3/8"	STUD
B	2	600S162-33	10'-9 3/8"	KING STUD
C	2	600S162-33	10'-9 3/8"	BACKER STUD
D	2	400S162-33	10'-9 1/8"	BACKER-U
E	1	600T150-33	6'-0 3/4"	TOP TRACK
F	1	600T300-33	6'-0 3/4"	BOTTOM TRACK
G	3	600S162-33	3'-11 1/8"	CRIPPLE
H	1	600L150-33	3'-6"	L-HEADER
I	1	600T150-33	3'-1 3/4"	HEAD TRACK

11-3454

Jewish Home for the Aging

1885 Victory Blvd. Reseda, CA

FM-07-109

CREATED BY: AMB

FrameMax, Inc.
13915 Danielson St
Suite 100
Poway, CA 92064
www.frame-max.com



© FrameMax Inc.

HEIGHT : 10'-9 7/16"

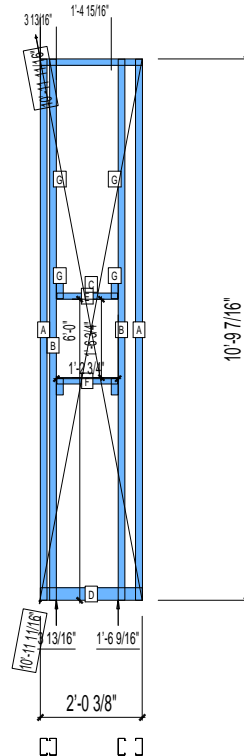
SPACING : 24"

1st STUD: 24"

WEIGHTS :

FRAME : 47 lbs

TOTAL: 47 lbs



PIECES LIST

LABEL	QTY	SIZE	LENGTH	USE
A	2	400S162-33	10'-9 3/8"	STUD
B	2	400S162-33	10'-9 3/8"	KING STUD
C	1	400T150-33	2'-0 3/8"	TOP TRACK
D	1	400T300-33	2'-0 3/8"	BOTTOM TRACK
E	1	400T150-33	1'-2 1/2"	HEAD TRACK
F	1	400T150-33	1'-2 1/2"	SILL
G	4	400S162-33	4"	CRIPPLE

11-3455

Jewish Home for the Aging

1885 Victory Blvd. Reseda, CA

FrameMax, Inc.
13915 Danielson St
Suite 100
Poway, CA 92064
www.framemax.com



© FrameMax Inc.

CREATED: 09/19/2008

FM-07-109

CREATED BY: AMB

HEIGHT : 10'-9 7/16"

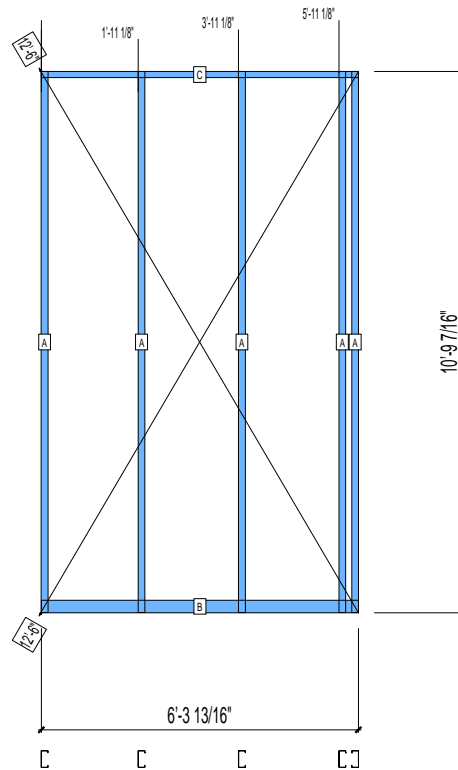
SPACING : 24"

1st STUD: 24"

WEIGHTS :

FRAME : 63 lbs

TOTAL: 63 lbs



PIECES LIST

LABEL	QTY	SIZE	LENGTH	USE
A	5	400S162-33	10'-9 3/8"	STUD
B	1	400T300-33	6'-3 13/16"	BOTTOM TRACK
C	1	400T150-33	6'-3 13/16"	TOP TRACK

11-3456

Jewish Home for the Aging

1885 Victory Blvd. Reseda, CA

FM-07-109

CREATED BY: AMB

FrameMax, Inc.
13915 Danielson St
Suite 100
Poway, CA 92064
www.frame-max.com

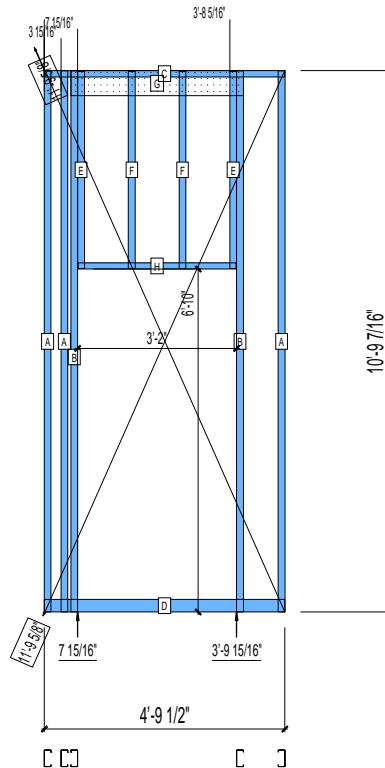


© FrameMax Inc.

HEIGHT : 10'-9 7/16"
SPACING : 24"
1st STUD: 24"

WEIGHTS :
FRAME : 80 lbs

TOTAL: 80 lbs



PIECES LIST

LABEL	QTY	SIZE	LENGTH	USE
A	3	400S162-33	10'-9 3/8"	STUD
B	2	400S162-33	10'-9 3/8"	KING STUD
C	1	400T150-33	4'-9 1/2"	TOP TRACK
D	1	400T300-33	4'-9 1/2"	BOTTOM TRACK
E	2	400S162-33	3'-11 1/8"	CRIPPLE
F	2	400S162-33	3'-11 1/8"	KING STUD
G	1	600L150-33	3'-5 1/4"	L-HEADER
H	1	400T150-33	3'-1 3/4"	HEAD TRACK

11-3457

Jewish Home for the Aging

1885 Victory Blvd. Reseda, CA

FM-07-109

CREATED BY: AMB

FrameMax, Inc.
13915 Danielson St
Suite 100
Poway, CA 92064
www.framemax.com



© FrameMax Inc.

HEIGHT : 10'-9 7/16"

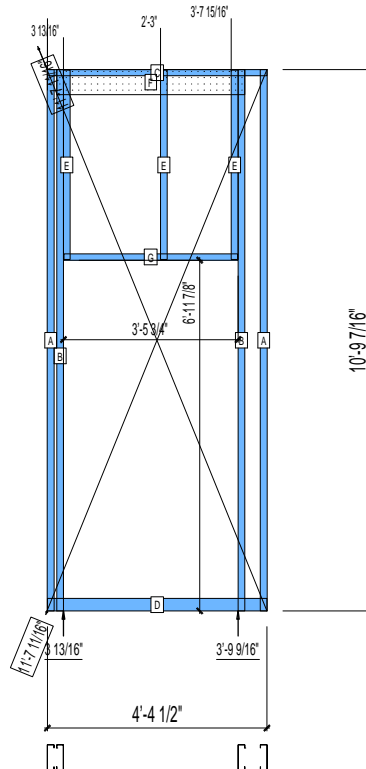
SPACING : 24"

1st STUD: 24"

WEIGHTS :

FRAME : 82 lbs

TOTAL: 82 lbs



PIECES LIST

LABEL	QTY	SIZE	LENGTH	USE
A	2	600S162-33	10'-9 3/8"	STUD
B	2	600S162-33	10'-9 3/8"	KING STUD
C	1	600T150-33	4'-4 1/2"	TOP TRACK
D	1	600T300-33	4'-4 1/2"	BOTTOM TRACK
E	3	600S162-33	3'-9 1/4"	CRIPPLE
F	1	600L150-33	3'-9"	L-HEADER
G	1	600T150-33	3'-5 1/2"	HEAD TRACK

11-3458

Jewish Home for the Aging

1885 Victory Blvd. Reseda, CA

FM-07-109

CREATED BY: AMB

FrameMax, Inc.
13915 Danielson St
Suite 100
Poway, CA 92064
www.framemax.com



© FrameMax Inc.

HEIGHT : 10'-9 7/16"

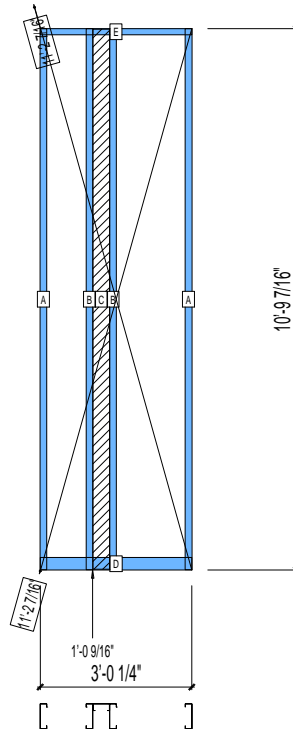
SPACING : 24"

1st STUD: 24"

WEIGHTS :

FRAME : 68 lbs

TOTAL: 68 lbs



PIECES LIST

LABEL	QTY	SIZE	LENGTH	USE
A	2	600S162-33	10'-9 3/8"	STUD
B	2	600S162-33	10'-9 3/8"	BACKER STUD
C	1	400S162-33	10'-9 1/8"	BACKER-U
D	1	600T300-33	3'-0 1/4"	BOTTOM TRACK
E	1	600T150-33	3'-0 1/4"	TOP TRACK

11-3459

Jewish Home for the Aging

1885 Victory Blvd. Reseda, CA

FrameMax, Inc.
13915 Danielson St
Suite 100
Poway, CA 92064
www.frame-max.com



© FrameMax Inc.

CREATED: 09/19/2008

FM-07-109

CREATED BY: AMB

HEIGHT : 10'-9 7/16"

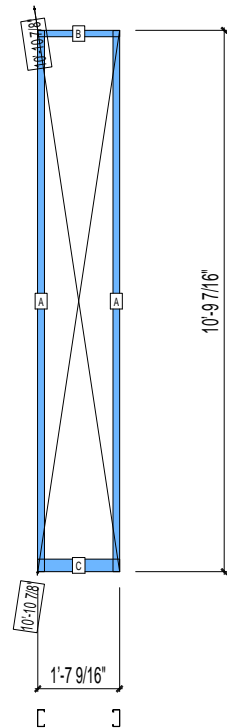
SPACING : 24"

1st STUD: 24"

WEIGHTS :

FRAME : 23 lbs

TOTAL: 23 lbs



PIECES LIST

LABEL	QTY	SIZE	LENGTH	USE
A	2	400S162-33	10'-9 3/8"	STUD
B	1	400T150-33	1'-7 9/16"	TOP TRACK
C	1	400T300-33	1'-7 9/16"	BOTTOM TRACK

11-3460

Jewish Home for the Aging

1885 Victory Blvd. Reseda, CA

FrameMax, Inc.
13915 Danielson St
Suite 100
Poway, CA 92064
www.frame-max.com



© FrameMax Inc.

CREATED: 09/19/2008

FM-07-109

CREATED BY: AMB

HEIGHT : 10'-9 7/16"

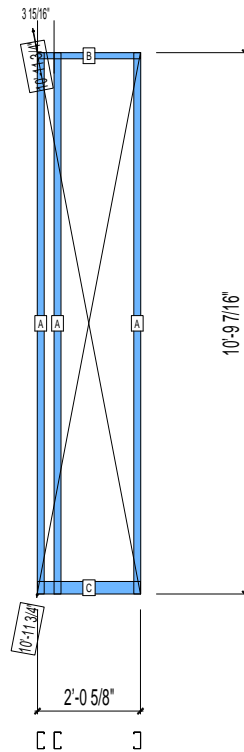
SPACING : 24"

1st STUD: 24"

WEIGHTS :

FRAME : 34 lbs

TOTAL: 34 lbs



PIECES LIST

LABEL	QTY	SIZE	LENGTH	USE
A	3	400S162-33	10'-9 3/8"	STUD
B	1	400T150-33	2'-0 5/8"	TOP TRACK
C	1	400T300-33	2'-0 5/8"	BOTTOM TRACK

11-3461

Jewish Home for the Aging

1885 Victory Blvd. Reseda, CA

FrameMax, Inc.
13915 Danielson St
Suite 100
Poway, CA 92064
www.frame-max.com



© FrameMax Inc.

CREATED: 09/19/2008

FM-07-109

CREATED BY: AMB

HEIGHT : 2'-11 1/2"

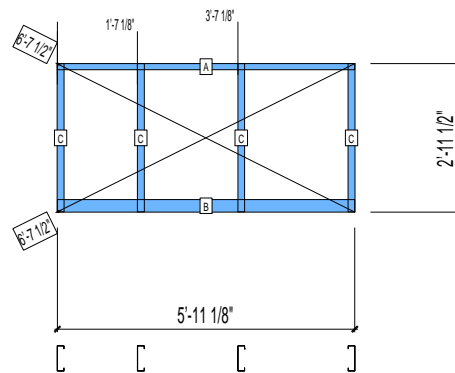
SPACING : 24"

1st STUD: 24"

WEIGHTS :

FRAME : 29 lbs

TOTAL: 29 lbs



PIECES LIST

LABEL	QTY	SIZE	LENGTH USE
A	1	600T150-33	5'-11 1/8" TOP TRACK
B	1	600T300-33	5'-11 1/8" BOTTOM TRACK
C	4	600S162-33	2'-11 7/16" STUD

11-3462

Jewish Home for the Aging

1885 Victory Blvd. Reseda, CA

FM-07-109

CREATED BY: AMB

FrameMax, Inc.
13915 Danielson St
Suite 100
Poway, CA 92064
www.framemax.com



© FrameMax Inc.

HEIGHT : 2'-11 1/2"

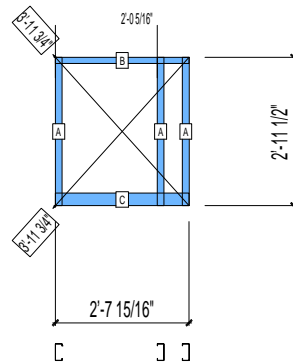
SPACING : 24"

1st STUD: 24"

WEIGHTS :

FRAME : 14 lbs

TOTAL: 14 lbs



PIECES LIST

LABEL	QTY	SIZE	LENGTH	USE
A	3	400S162-33	2'-11 7/16"	STUD
B	1	400T150-33	2'-7 15/16"	TOP TRACK
C	1	400T300-33	2'-7 15/16"	BOTTOM TRACK

11-3463

Jewish Home for the Aging

1885 Victory Blvd. Reseda, CA

FrameMax, Inc.
13915 Danielson St
Suite 100
Poway, CA 92064
www.framemax.com



© FrameMax Inc.

CREATED: 09/19/2008

FM-07-109

CREATED BY: AMB

HEIGHT : 10'-9 7/16"

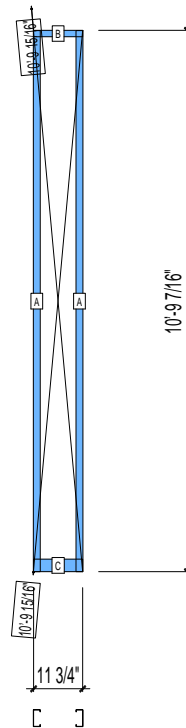
SPACING : 24"

1st STUD: 16"

WEIGHTS :

FRAME : 22 lbs

TOTAL: 22 lbs



PIECES LIST

LABEL	QTY	SIZE	LENGTH	USE
A	2	400S162-33	10'-9 3/8"	STUD
B	1	400T150-33	11 3/4"	TOP TRACK
C	1	400T300-33	11 3/4"	BOTTOM TRACK

11-3464

Jewish Home for the Aging

1885 Victory Blvd. Reseda, CA

FM-07-109

CREATED BY: AMB

FrameMax, Inc.
13915 Danielson St
Suite 100
Poway, CA 92064
www.framemax.com



© FrameMax Inc.

HEIGHT : 10'-9 7/16"

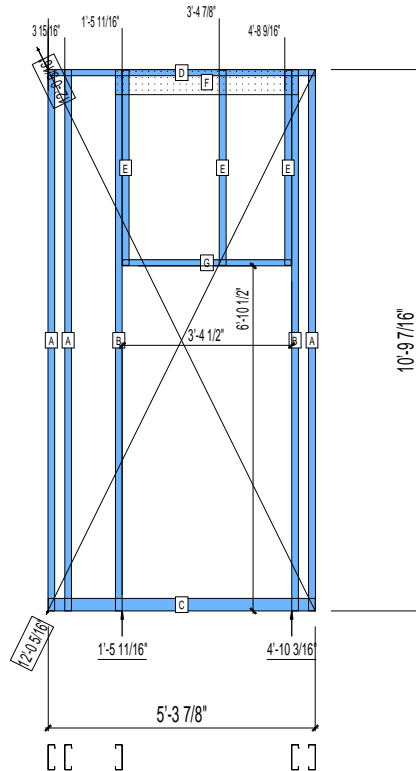
SPACING : 24"

1st STUD: 24"

WEIGHTS :

FRAME : 21 lbs

TOTAL: 21 lbs



PIECES LIST

LABEL	QTY	SIZE	LENGTH	USE
A	3	600S162-33	10'-9 3/8"	STUD
B	2	600S162-33	10'-9 3/8"	KING STUD
C	1	600T300-33	5'-3 7/8"	BOTTOM TRACK
D	1	600T150-33	5'-3 7/8"	TOP TRACK
E	3	600S162-33	3'-10 5/8"	CRIPPLE
F	1	600L150-33	3'-7 3/4"	L-HEADER
G	1	600T150-33	3'-4 1/4"	HEAD TRACK

11-3465

Jewish Home for the Aging

1885 Victory Blvd. Reseda, CA

FrameMax, Inc.
13915 Danielson St
Suite 100
Poway, CA 92064
www.frame-max.com



© FrameMax Inc.

CREATED: 09/19/2008

FM-07-109

CREATED BY: AMB

HEIGHT : 10'-9 7/16"

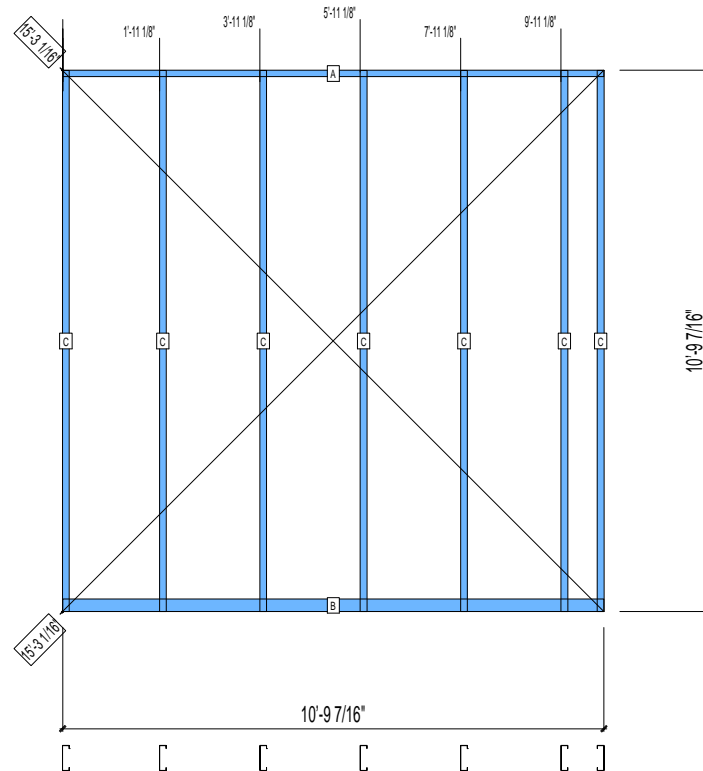
SPACING : 24"

1st STUD: 24"

WEIGHTS :

FRAME : 115 lbs

TOTAL: 115 lbs



PIECES LIST

LABEL	QTY	SIZE	LENGTH	USE
A	1	600T150-33	10'-9 7/16"	TOP TRACK
B	1	600T300-33	10'-9 7/16"	BOTTOM TRACK
C	7	600S162-33	10'-9 3/8"	STUD

11-3466

Jewish Home for the Aging

1885 Victory Blvd. Reseda, CA

FM-07-109

CREATED BY: AMB

FrameMax, Inc.
13915 Danielson St
Suite 100
Poway, CA 92064
www.frame-max.com



© FrameMax Inc.

HEIGHT : 10'-9 7/16"

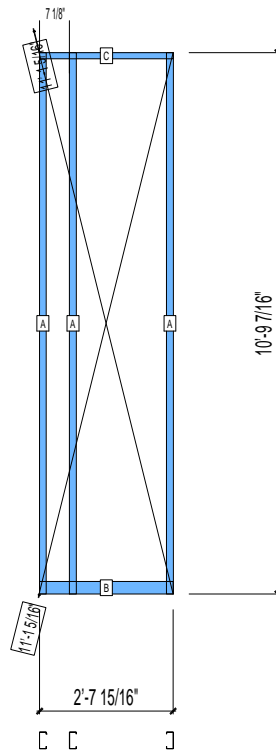
SPACING : 24"

1st STUD: 24"

WEIGHTS :

FRAME : 35 lbs

TOTAL: 35 lbs



PIECES LIST

LABEL	QTY	SIZE	LENGTH	USE
A	3	400S162-33	10'-9 3/8"	STUD
B	1	400T300-33	2'-7 15/16"	BOTTOM TRACK
C	1	400T150-33	2'-7 15/16"	TOP TRACK

11-3467

Jewish Home for the Aging

1885 Victory Blvd. Reseda, CA

FM-07-109

CREATED BY: AMB

FrameMax, Inc.
13915 Danielson St
Suite 100
Poway, CA 92064
www.framemax.com



© FrameMax Inc.

HEIGHT : 10'-9 7/16"

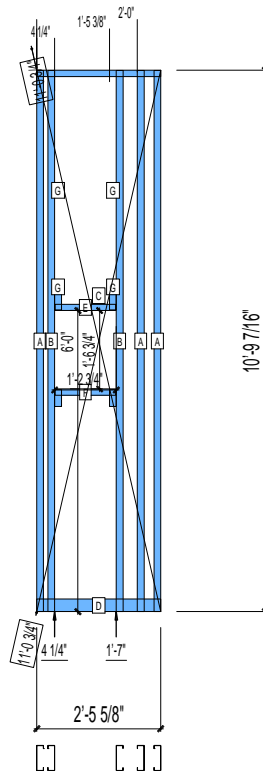
SPACING : 24"

1st STUD: 24"

WEIGHTS :

FRAME : 73 lbs

TOTAL: 73 lbs



PIECES LIST

LABEL	QTY	SIZE	LENGTH	USE
A	3	600S162-33	10'-9 3/8"	STUD
B	2	600S162-33	10'-9 3/8"	KING STUD
C	1	600T150-33	2'-5 5/8"	TOP TRACK
D	1	600T300-33	2'-5 5/8"	BOTTOM TRACK
E	1	600T150-33	1'-2 1/2"	HEAD TRACK
F	1	600T150-33	1'-2 1/2"	SILL
G	4	600S162-33	4"	CRIPPLE

11-3468

Jewish Home for the Aging

1885 Victory Blvd. Reseda, CA

FrameMax, Inc.
13915 Danielson St
Suite 100
Poway, CA 92064
www.frame-max.com



© FrameMax Inc.

CREATED: 09/19/2008

FM-07-109

CREATED BY: AMB

HEIGHT : 10'-9 7/16"

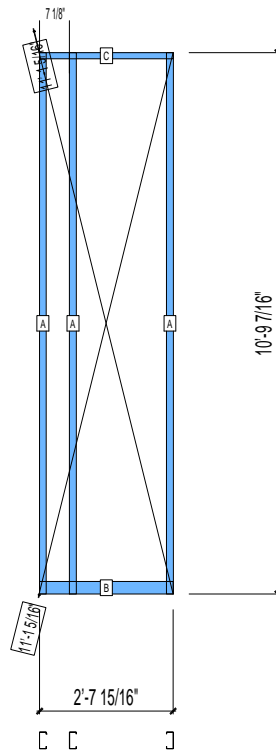
SPACING : 24"

1st STUD: 24"

WEIGHTS :

FRAME : 35 lbs

TOTAL: 35 lbs



PIECES LIST

LABEL	QTY	SIZE	LENGTH	USE
A	3	400S162-33	10'-9 3/8"	STUD
B	1	400T300-33	2'-7 15/16"	BOTTOM TRACK
C	1	400T150-33	2'-7 15/16"	TOP TRACK

11-3469

Jewish Home for the Aging

1885 Victory Blvd. Reseda, CA

FrameMax, Inc.
13915 Danielson St
Suite 100
Poway, CA 92064
www.frame-max.com



© FrameMax Inc.

CREATED: 09/19/2008

FM-07-109

CREATED BY: AMB

HEIGHT : 10'-9 7/16"

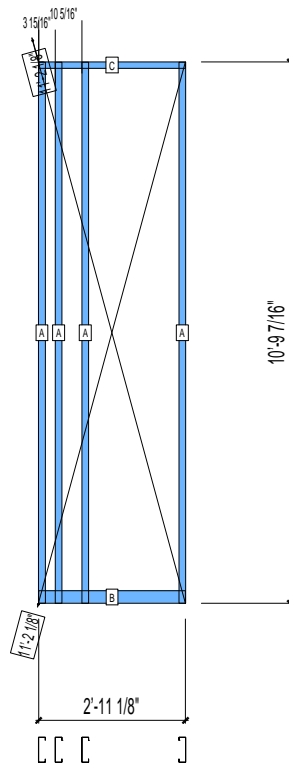
SPACING : 24"

1st STUD: 24"

WEIGHTS :

FRAME : 58 lbs

TOTAL: 58 lbs



PIECES LIST

LABEL	QTY	SIZE	LENGTH	USE
A	4	600S162-33	10'-9 3/8"	STUD
B	1	600T300-33	2'-11 1/8"	BOTTOM TRACK
C	1	600T150-33	2'-11 1/8"	TOP TRACK

11-3470

Jewish Home for the Aging

1885 Victory Blvd. Reseda, CA

FM-07-109

CREATED BY: AMB

FrameMax, Inc.
13915 Danielson St
Suite 100
Poway, CA 92064
www.framemax.com



© FrameMax Inc.

HEIGHT : 10'-9 7/16"

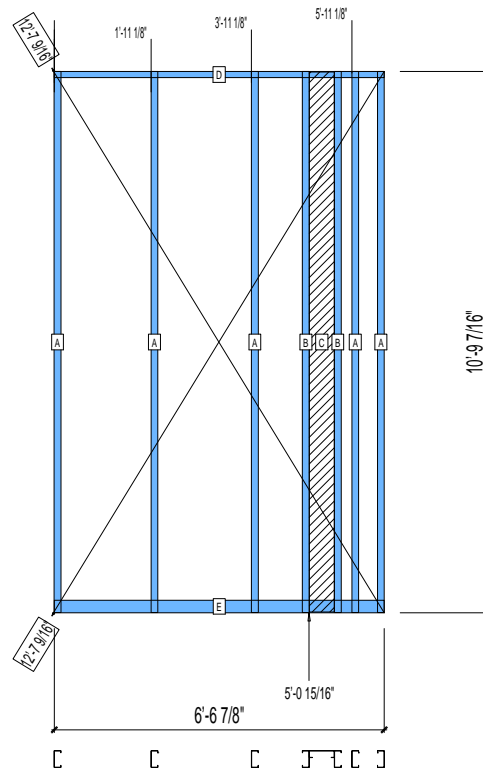
SPACING : 24"

1st STUD: 24"

WEIGHTS :

FRAME : 96 lbs

TOTAL: 96 lbs



PIECES LIST

LABEL	QTY	SIZE	LENGTH	USE
A	5	400S162-33	10'-9 3/8"	STUD
B	2	400S162-33	10'-9 3/8"	BACKER STUD
C	1	600S162-33	10'-9 1/8"	BACKER-U
D	1	400T150-33	6'-6 7/8"	TOP TRACK
E	1	400T300-33	6'-6 7/8"	BOTTOM TRACK

11-3471

Jewish Home for the Aging

1885 Victory Blvd. Reseda, CA

FrameMax, Inc.
13915 Danielson St
Suite 100
Poway, CA 92064
www.frame-max.com



© FrameMax Inc.

CREATED: 09/19/2008

FM-07-109

CREATED BY: AMB

HEIGHT : 10'-9 7/16"

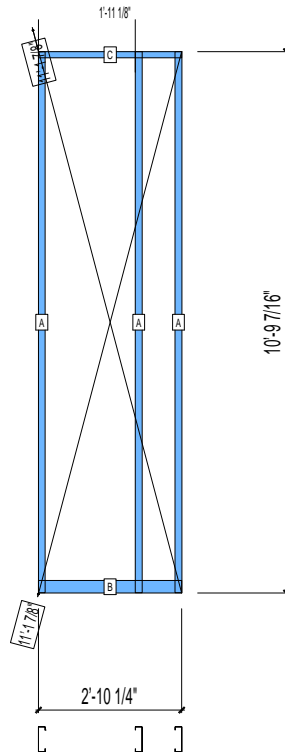
SPACING : 24"

1st STUD: 24"

WEIGHTS :

FRAME : 45 lbs

TOTAL: 45 lbs



PIECES LIST

LABEL	QTY	SIZE	LENGTH	USE
A	3	600S162-33	10'-9 3/8"	STUD
B	1	600T300-33	2'-10 1/4"	BOTTOM TRACK
C	1	600T150-33	2'-10 1/4"	TOP TRACK

11-3472

Jewish Home for the Aging

1885 Victory Blvd. Reseda, CA

FM-07-109

CREATED BY: AMB

FrameMax, Inc.
13915 Danielson St
Suite 100
Poway, CA 92064
www.frame-max.com

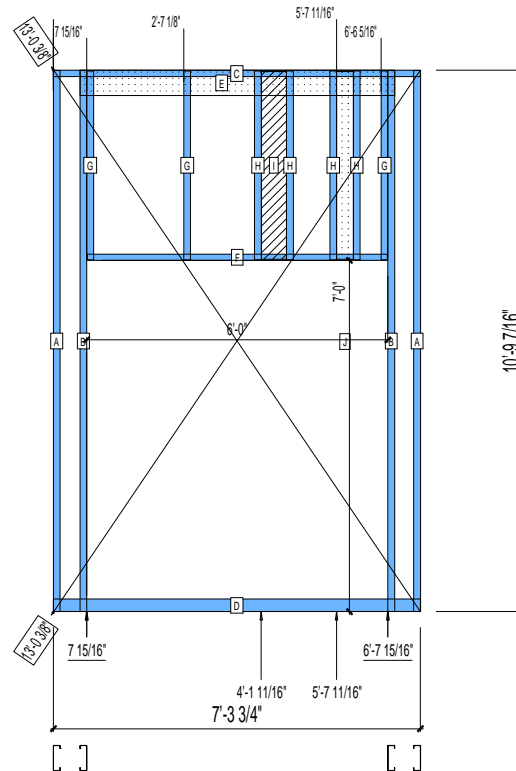


© FrameMax Inc.

HEIGHT : 10'-9 7/16"
SPACING : 24"
1st STUD: 24"

WEIGHTS :
FRAME : 120 lbs

TOTAL: 120 lbs



PIECES LIST

LABEL	QTY	SIZE	LENGTH	USE
A	2	600S162-33	10'-9 3/8"	STUD
B	2	600S162-33	10'-9 3/8"	KING STUD
C	1	600T150-33	7'-3 3/4"	TOP TRACK
D	1	600T300-33	7'-3 3/4"	BOTTOM TRACK
E	1	600L150-33	6'-3 1/4"	L-HEADER
F	1	600T150-33	5'-11 3/4"	HEAD TRACK
G	3	600S162-33	3'-9 1/8"	CRIPPLE
H	4	600S162-33	3'-9 1/8"	BACKER STUD
I	1	600S162-33	3'-8 7/8"	BACKER-U
J	1	400S162-33	3'-8 7/8"	BACKER-U

11-3473

Jewish Home for the Aging

1885 Victory Blvd. Reseda, CA

FrameMax, Inc.
13915 Danielson St
Suite 100
Poway, CA 92064
www.frame-max.com



© FrameMax Inc.

CREATED: 09/19/2008

FM-07-109

CREATED BY: AMB

HEIGHT : 10'-9 7/16"

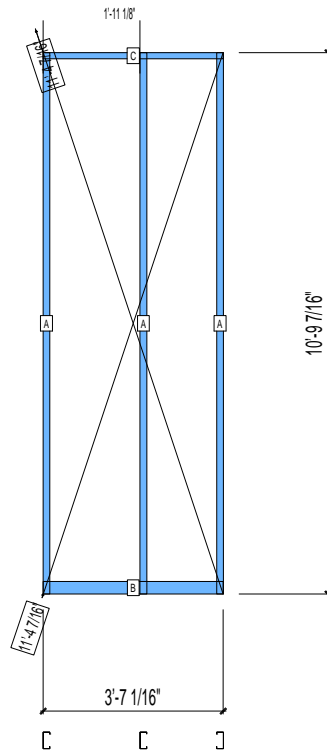
SPACING : 24"

1st STUD: 24"

WEIGHTS :

FRAME : 37 lbs

TOTAL: 37 lbs



PIECES LIST

LABEL	QTY	SIZE	LENGTH	USE
A	3	400S162-33	10'-9 3/8"	STUD
B	1	400T300-33	3'-7 1/16"	BOTTOM TRACK
C	1	400T150-33	3'-7 1/16"	TOP TRACK

11-3474

Jewish Home for the Aging

1885 Victory Blvd. Reseda, CA

FrameMax, Inc.
13915 Danielson St
Suite 100
Poway, CA 92064
www.framemax.com



© FrameMax Inc.

CREATED: 09/19/2008

FM-07-109

CREATED BY: AMB

HEIGHT : 10'-9 7/16"

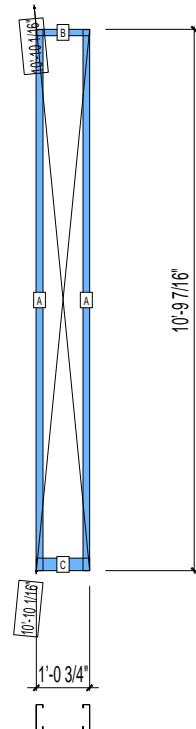
SPACING : 24"

1st STUD: 24"

WEIGHTS :

FRAME : 28 lbs

TOTAL: 28 lbs



PIECES LIST

LABEL	QTY	SIZE	LENGTH	USE
A	2	600S162-33	10'-9 3/8"	STUD
B	1	600T150-33	1'-0 3/4"	TOP TRACK
C	1	600T300-33	1'-0 3/4"	BOTTOM TRACK

11-3475

Jewish Home for the Aging

1885 Victory Blvd. Reseda, CA

FrameMax, Inc.
13915 Danielson St
Suite 100
Poway, CA 92064
www.frame-max.com



© FrameMax Inc.

CREATED: 09/19/2008

FM-07-109

CREATED BY: AMB

HEIGHT : 10'-9 7/16"

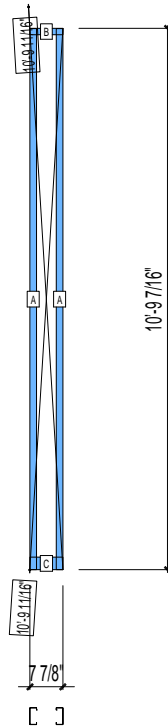
SPACING : 24"

1st STUD: 24"

WEIGHTS :

FRAME : 21 lbs

TOTAL: 21 lbs



PIECES LIST

LABEL	QTY	SIZE	LENGTH	USE
A	2	400S162-33	10'-9 3/8"	STUD
B	1	400T150-33	7 7/8"	TOP TRACK
C	1	400T300-33	7 7/8"	BOTTOM TRACK

11-3476

Jewish Home for the Aging

1885 Victory Blvd. Reseda, CA

FM-07-109

CREATED BY: AMB

FrameMax, Inc.
13915 Danielson St
Suite 100
Poway, CA 92064
www.frame-max.com

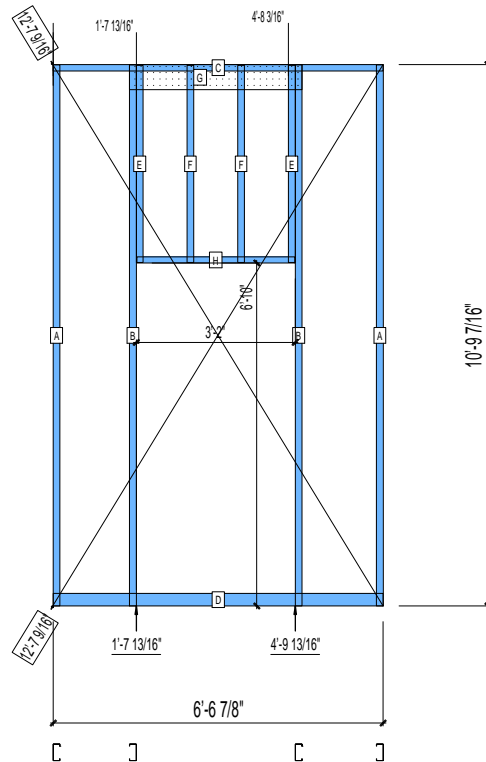


© FrameMax Inc.

HEIGHT : 10'-9 7/16"
SPACING : 24"
1st STUD: 24"

WEIGHTS :
FRAME : 74 lbs

TOTAL: 74 lbs



PIECES LIST

LABEL	QTY	SIZE	LENGTH	USE
A	2	400S162-33	10'-9 3/8"	STUD
B	2	400S162-33	10'-9 3/8"	KING STUD
C	1	400T150-33	6'-6 7/8"	TOP TRACK
D	1	400T300-33	6'-6 7/8"	BOTTOM TRACK
E	2	400S162-33	3'-11 1/8"	CRIPPLE
F	2	400S162-33	3'-11 1/8"	KING STUD
G	1	600L150-33	3'-5 1/4"	L-HEADER
H	1	400T150-33	3'-1 3/4"	HEAD TRACK

11-3477

Jewish Home for the Aging

1885 Victory Blvd. Reseda, CA

FM-07-109

CREATED BY: AMB

FrameMax, Inc.
13915 Danielson St
Suite 100
Poway, CA 92064
www.frame-max.com



© FrameMax Inc.

HEIGHT : 10'-9 7/16"

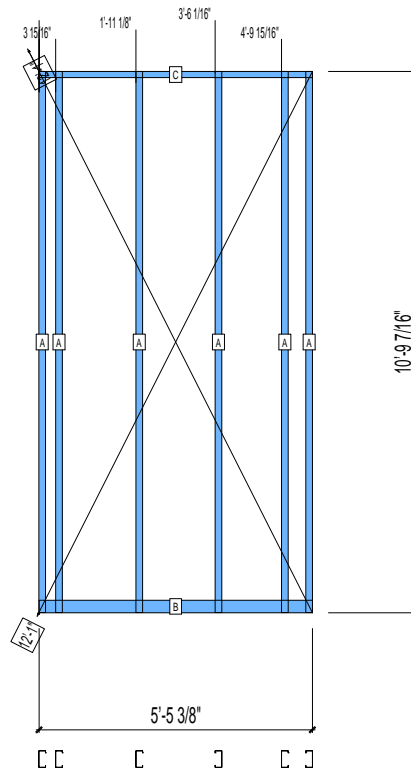
SPACING : 24"

1st STUD: 24"

WEIGHTS :

FRAME : 71 lbs

TOTAL: 71 lbs



PIECES LIST

LABEL	QTY	SIZE	LENGTH	USE
A	6	400S162-33	10'-9 3/8"	STUD
B	1	400T300-33	5'-5 3/8"	BOTTOM TRACK
C	1	400T150-33	5'-5 3/8"	TOP TRACK

11-3501

Jewish Home for the Aging

1885 Victory Blvd. Reseda, CA

FrameMax, Inc.
13915 Danielson St
Suite 100
Poway, CA 92064
www.frame-max.com



© FrameMax Inc.

CREATED: 09/19/2008

FM-07-109

CREATED BY: AMB

HEIGHT : 10'-9 7/16"

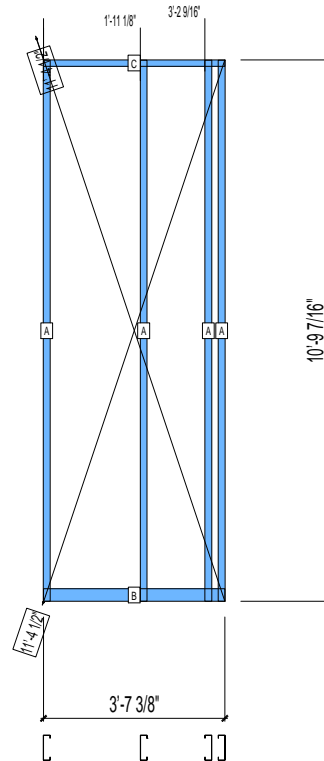
SPACING : 24"

1st STUD: 24"

WEIGHTS :

FRAME : 59 lbs

TOTAL: 59 lbs



PIECES LIST

LABEL	QTY	SIZE	LENGTH	USE
A	4	600S162-33	10'-9 3/8"	STUD
B	1	600T300-33	3'-7 3/8"	BOTTOM TRACK
C	1	600T150-33	3'-7 3/8"	TOP TRACK

11-3502

Jewish Home for the Aging

1885 Victory Blvd. Reseda, CA

FrameMax, Inc.
13915 Danielson St
Suite 100
Poway, CA 92064
www.frame-max.com



© FrameMax Inc.

CREATED: 09/19/2008

FM-07-109

CREATED BY: AMB

HEIGHT : 10'-9 7/16"

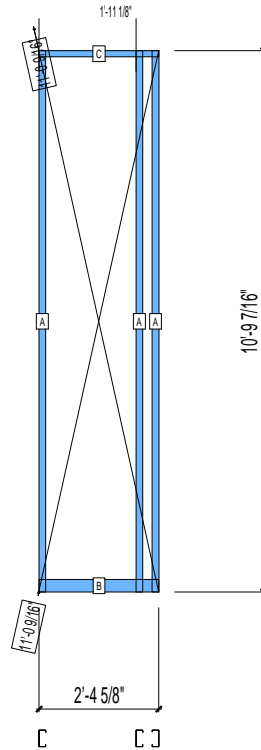
SPACING : 24"

1st STUD: 24"

WEIGHTS :

FRAME : 35 lbs

TOTAL: 35 lbs



PIECES LIST

LABEL	QTY	SIZE	LENGTH	USE
A	3	400S162-33	10'-9 3/8"	STUD
B	1	400T300-33	2'-4 5/8"	BOTTOM TRACK
C	1	400T150-33	2'-4 5/8"	TOP TRACK

11-3503

Jewish Home for the Aging

1885 Victory Blvd. Reseda, CA

FrameMax, Inc.
13915 Danielson St
Suite 100
Poway, CA 92064
www.frame-max.com



© FrameMax Inc.

CREATED: 09/19/2008

FM-07-109

CREATED BY: AMB

HEIGHT : 10'-9 7/16"

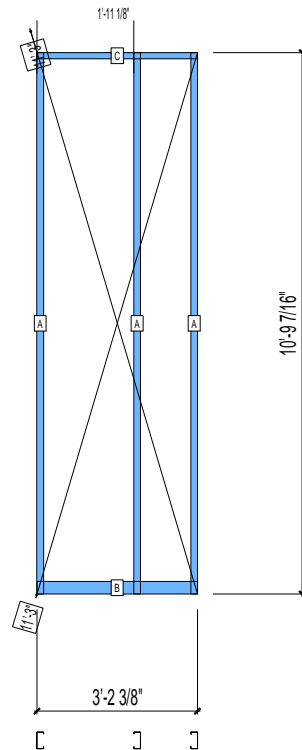
SPACING : 24"

1st STUD: 24"

WEIGHTS :

FRAME : 37 lbs

TOTAL: 37 lbs



PIECES LIST

LABEL	QTY	SIZE	LENGTH	USE
A	3	400S162-33	10'-9 3/8"	STUD
B	1	400T300-33	3'-2 3/8"	BOTTOM TRACK
C	1	400T150-33	3'-2 3/8"	TOP TRACK

11-3504

Jewish Home for the Aging

1885 Victory Blvd. Reseda, CA

FrameMax, Inc.
13915 Danielson St
Suite 100
Poway, CA 92064
www.frame-max.com



© FrameMax Inc.

CREATED: 09/19/2008

FM-07-109

CREATED BY: AMB

HEIGHT : 10'-9 7/16"

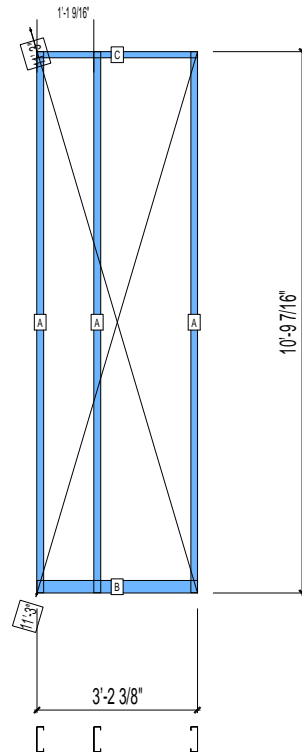
SPACING : 24"

1st STUD: 24"

WEIGHTS :

FRAME : 46 lbs

TOTAL: 46 lbs



PIECES LIST

LABEL	QTY	SIZE	LENGTH	USE
A	3	600S162-33	10'-9 3/8"	STUD
B	1	600T300-33	3'-2 3/8"	BOTTOM TRACK
C	1	600T150-33	3'-2 3/8"	TOP TRACK

11-3505

Jewish Home for the Aging

1885 Victory Blvd. Reseda, CA

FrameMax, Inc.
13915 Danielson St
Suite 100
Poway, CA 92064
www.frame-max.com



© FrameMax Inc.

CREATED: 09/19/2008

FM-07-109

CREATED BY: AMB

HEIGHT : 10'-9 7/16"

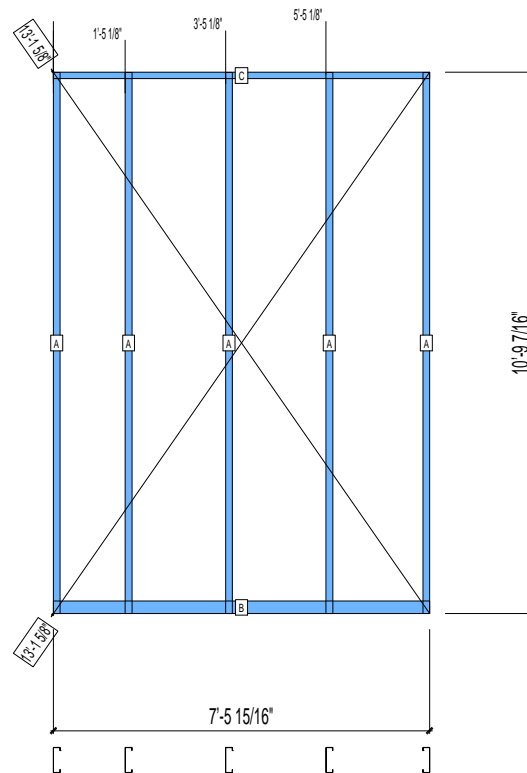
SPACING : 24"

1st STUD: 24"

WEIGHTS :

FRAME : 82 lbs

TOTAL: 82 lbs



PIECES LIST

LABEL	QTY	SIZE	LENGTH	USE
A	5	600S162-33	10'-9 3/8"	STUD
B	1	600T300-33	7'-5 15/16"	BOTTOM TRACK
C	1	600T150-33	7'-5 15/16"	TOP TRACK

11-3506

Jewish Home for the Aging

1885 Victory Blvd. Reseda, CA

FM-07-109

CREATED BY: AMB

FrameMax, Inc.
13915 Danielson St
Suite 100
Poway, CA 92064
www.frame-max.com

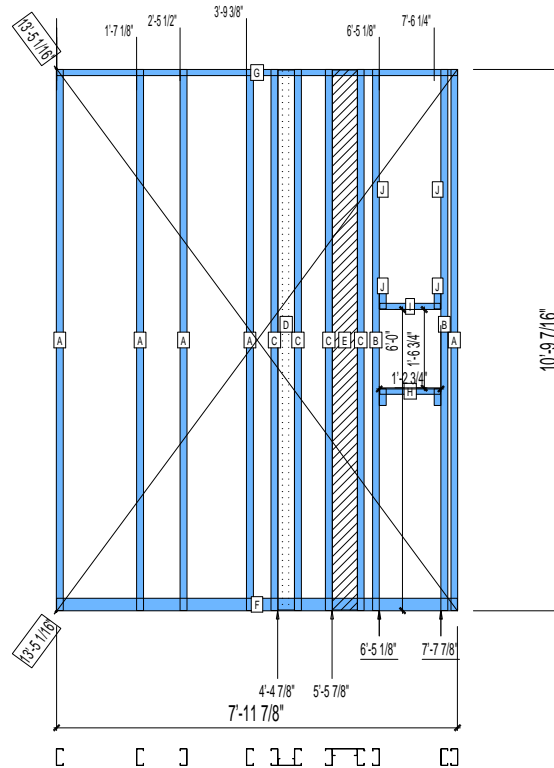


© FrameMax Inc.

HEIGHT : 10'-9 7/16"
SPACING : 24"
1st STUD: 24"

WEIGHTS :
FRAME : 152 lbs

TOTAL: 152 lbs



PIECES LIST

LABEL	QTY	SIZE	LENGTH	USE
A	5	400S162-33	10'-9 3/8"	STUD
B	2	400S162-33	10'-9 3/8"	KING STUD
C	4	400S162-33	10'-9 3/8"	BACKER STUD
D	1	400S162-33	10'-9 1/8"	BACKER-U
E	1	600S162-33	10'-9 1/8"	BACKER-U
F	1	400T300-33	7'-11 7/8"	BOTTOM TRACK
G	1	400T150-33	7'-11 7/8"	TOP TRACK
H	1	400T150-33	1'-2 1/2"	SILL
I	1	400T150-33	1'-2 1/2"	HEAD TRACK
J	4	400S162-33	4"	CRIPPLE

11-3507

Jewish Home for the Aging

1885 Victory Blvd. Reseda, CA

FM-07-109

CREATED BY: AMB

FrameMax, Inc.
13915 Danielson St
Suite 100
Poway, CA 92064
www.frame-max.com



© FrameMax Inc.

HEIGHT : 10'-9 7/16"

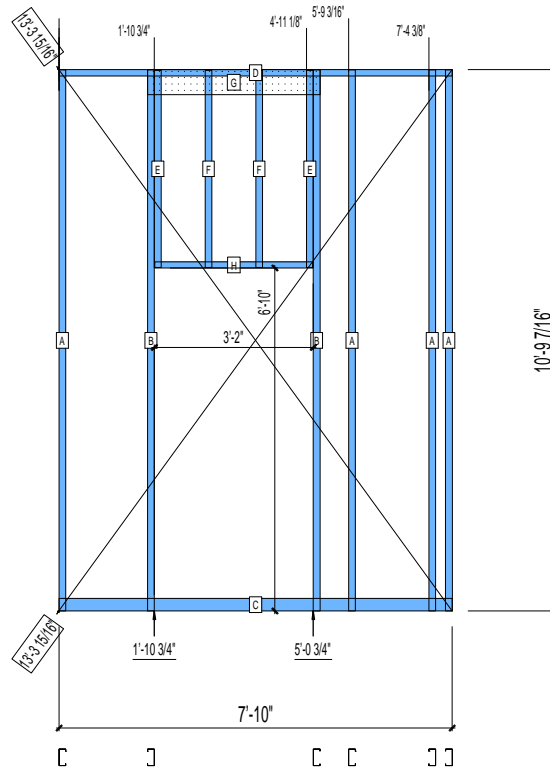
SPACING : 24"

1st STUD: 24"

WEIGHTS :

FRAME : 22 lbs

TOTAL: 22 lbs



PIECES LIST

LABEL	QTY	SIZE	LENGTH	USE
A	4	400S162-33	10'-9 3/8"	STUD
B	2	400S162-33	10'-9 3/8"	KING STUD
C	1	400T300-33	7'-10"	BOTTOM TRACK
D	1	400T150-33	7'-10"	TOP TRACK
E	2	400S162-33	3'-11 1/8"	CRIPPLE
F	2	400S162-33	3'-11 1/8"	KING STUD
G	1	600L150-33	3'-5 1/4"	L-HEADER
H	1	400T150-33	3'-1 3/4"	HEAD TRACK

11-3508

Jewish Home for the Aging

1885 Victory Blvd. Reseda, CA

FM-07-109

CREATED BY: AMB

FrameMax, Inc.
13915 Danielson St
Suite 100
Poway, CA 92064
www.framemax.com



© FrameMax Inc.

HEIGHT : 10'-9 7/16"

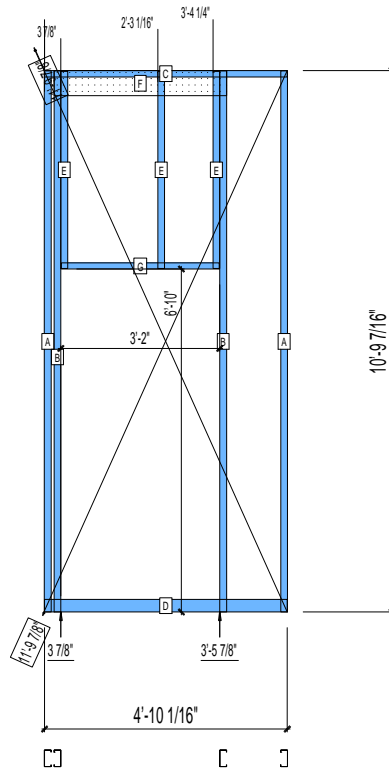
SPACING : 24"

1st STUD: 24"

WEIGHTS :

FRAME : 67 lbs

TOTAL: 67 lbs



PIECES LIST

LABEL	QTY	SIZE	LENGTH	USE
A	2	400S162-33	10'-9 3/8"	STUD
B	2	400S162-33	10'-9 3/8"	KING STUD
C	1	400T150-33	4'-10 1/16"	TOP TRACK
D	1	400T300-33	4'-10 1/16"	BOTTOM TRACK
E	3	400S162-33	3'-11 1/8"	CRIPPLE
F	1	600L150-33	3'-5 1/4"	L-HEADER
G	1	400T150-33	3'-1 3/4"	HEAD TRACK

11-3509

Jewish Home for the Aging

1885 Victory Blvd. Reseda, CA

FrameMax, Inc.
13915 Danielson St
Suite 100
Poway, CA 92064
www.frame-max.com



© FrameMax Inc.

CREATED: 09/19/2008

FM-07-109

CREATED BY: AMB

HEIGHT : 10'-9 7/16"

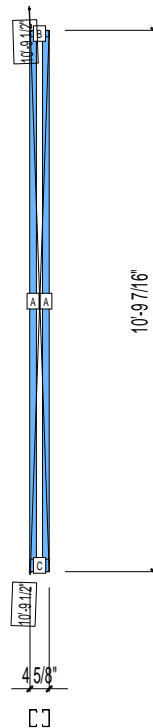
SPACING : 24"

1st STUD: 24"

WEIGHTS :

FRAME : 21 lbs

TOTAL: 21 lbs



PIECES LIST

LABEL	QTY	SIZE	LENGTH	USE
A	2	400S162-33	10'-9 3/8"	STUD
B	1	400T150-33	4 5/8"	TOP TRACK
C	1	400T300-33	4 5/8"	BOTTOM TRACK

11-3510

Jewish Home for the Aging

1885 Victory Blvd. Reseda, CA

FrameMax, Inc.
13915 Danielson St
Suite 100
Poway, CA 92064
www.framemax.com



© FrameMax Inc.

CREATED: 09/19/2008

FM-07-109

CREATED BY: AMB

HEIGHT : 10'-9 7/16"

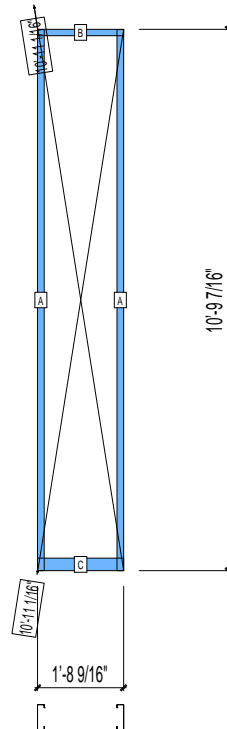
SPACING : 24"

1st STUD: 24"

WEIGHTS :

FRAME : 30 lbs

TOTAL: 30 lbs



PIECES LIST

LABEL	QTY	SIZE	LENGTH	USE
A	2	600S162-33	10'-9 3/8"	STUD
B	1	600T150-33	1'-8 9/16"	TOP TRACK
C	1	600T300-33	1'-8 9/16"	BOTTOM TRACK

11-3511

Jewish Home for the Aging

1885 Victory Blvd. Reseda, CA

FM-07-109

CREATED BY: AMB

FrameMax, Inc.
13915 Danielson St
Suite 100
Poway, CA 92064
www.frame-max.com



© FrameMax Inc.

HEIGHT : 10'-9 7/16"

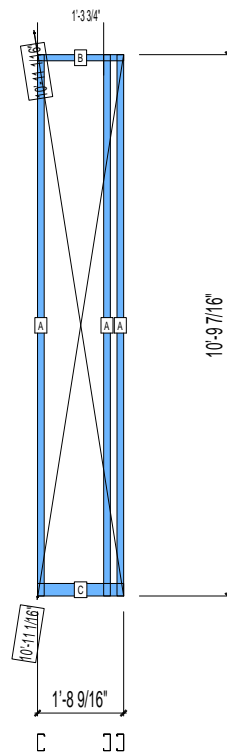
SPACING : 24"

1st STUD: 24"

WEIGHTS :

FRAME : 34 lbs

TOTAL: 34 lbs



PIECES LIST

LABEL	QTY	SIZE	LENGTH	USE
A	3	400S162-33	10'-9 3/8"	STUD
B	1	400T150-33	1'-8 9/16"	TOP TRACK
C	1	400T300-33	1'-8 9/16"	BOTTOM TRACK

11-3512

Jewish Home for the Aging

1885 Victory Blvd. Reseda, CA

FM-07-109

CREATED BY: AMB

FrameMax, Inc.
13915 Danielson St
Suite 100
Poway, CA 92064
www.frame-max.com



© FrameMax Inc.

HEIGHT : 10'-9 7/16"

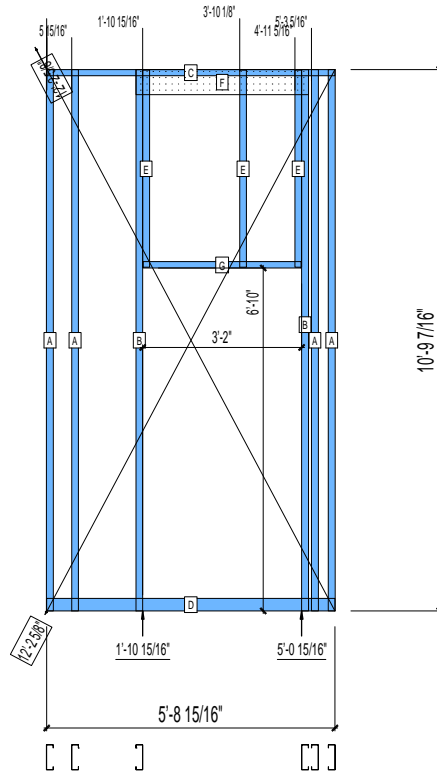
SPACING : 24"

1st STUD: 24"

WEIGHTS :

FRAME : 111 lbs

TOTAL: 111 lbs



PIECES LIST

LABEL	QTY	SIZE	LENGTH	USE
A	4	600S162-33	10'-9 3/8"	STUD
B	2	600S162-33	10'-9 3/8"	KING STUD
C	1	600T150-33	5'-8 15/16"	TOP TRACK
D	1	600T300-33	5'-8 15/16"	BOTTOM TRACK
E	3	600S162-33	3'-11 1/8"	CRIPPLE
F	1	600L150-33	3'-5 1/4"	L-HEADER
G	1	600T150-33	3'-1 3/4"	HEAD TRACK

11-3513

Jewish Home for the Aging

1885 Victory Blvd. Reseda, CA

FrameMax, Inc.
13915 Danielson St
Suite 100
Poway, CA 92064
www.frame-max.com



© FrameMax Inc.

CREATED: 09/19/2008

FM-07-109

CREATED BY: AMB

HEIGHT : 10'-9 7/16"

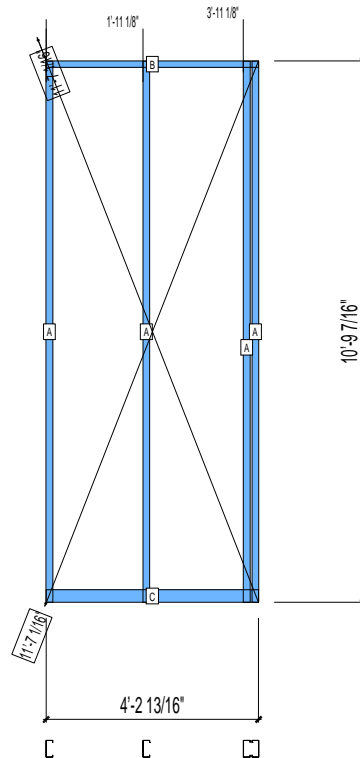
SPACING : 24"

1st STUD: 24"

WEIGHTS :

FRAME : 49 lbs

TOTAL: 49 lbs



PIECES LIST

LABEL	QTY	SIZE	LENGTH	USE
A	4	400S162-33	10'-9 3/8"	STUD
B	1	400T150-33	4'-2 13/16"	TOP TRACK
C	1	400T300-33	4'-2 13/16"	BOTTOM TRACK

11-3514

Jewish Home for the Aging

1885 Victory Blvd. Reseda, CA

FrameMax, Inc.
13915 Danielson St
Suite 100
Poway, CA 92064
www.frame-max.com



© FrameMax Inc.

CREATED: 09/19/2008

FM-07-109

CREATED BY: AMB

HEIGHT : 10'-9 7/16"

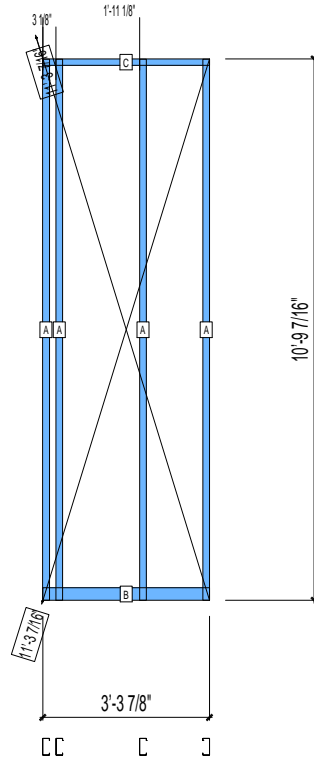
SPACING : 24"

1st STUD: 24"

WEIGHTS :

FRAME : 47 lbs

TOTAL: 47 lbs



PIECES LIST

LABEL	QTY	SIZE	LENGTH	USE
A	4	400S162-33	10'-9 3/8"	STUD
B	1	400T300-33	3'-3 7/8"	BOTTOM TRACK
C	1	400T150-33	3'-3 7/8"	TOP TRACK

11-3515

Jewish Home for the Aging

1885 Victory Blvd. Reseda, CA

FrameMax, Inc.
13915 Danielson St
Suite 100
Poway, CA 92064
www.frame-max.com



© FrameMax Inc.

CREATED: 09/19/2008

FM-07-109

CREATED BY: AMB

HEIGHT : 10'-9 7/16"

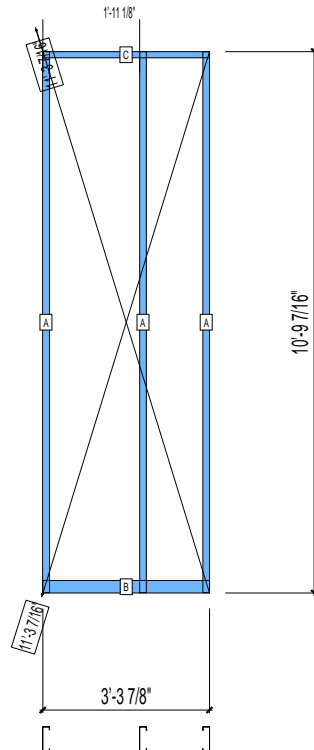
SPACING : 24"

1st STUD: 24"

WEIGHTS :

FRAME : 46 lbs

TOTAL: 46 lbs



PIECES LIST

LABEL	QTY	SIZE	LENGTH	USE
A	3	600S162-33	10'-9 3/8"	STUD
B	1	600T300-33	3'-3 7/8"	BOTTOM TRACK
C	1	600T150-33	3'-3 7/8"	TOP TRACK

11-3516

Jewish Home for the Aging

1885 Victory Blvd. Reseda, CA

FrameMax, Inc.
13915 Danielson St
Suite 100
Poway, CA 92064
www.frame-max.com



© FrameMax Inc.

CREATED: 09/19/2008

FM-07-109

CREATED BY: AMB

HEIGHT : 10'-9 7/16"

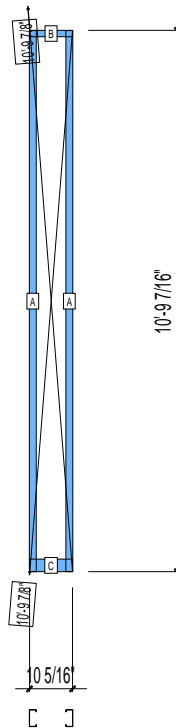
SPACING : 24"

1st STUD: 24"

WEIGHTS :

FRAME : 22 lbs

TOTAL: 22 lbs



PIECES LIST

LABEL	QTY	SIZE	LENGTH	USE
A	2	400S162-33	10'-9 3/8"	STUD
B	1	400T150-33	10 5/16"	TOP TRACK
C	1	400T300-33	10 5/16"	BOTTOM TRACK

11-3517

Jewish Home for the Aging

1885 Victory Blvd. Reseda, CA

FM-07-109

CREATED BY: AMB

FrameMax, Inc.
13915 Danielson St
Suite 100
Poway, CA 92064
www.frame-max.com

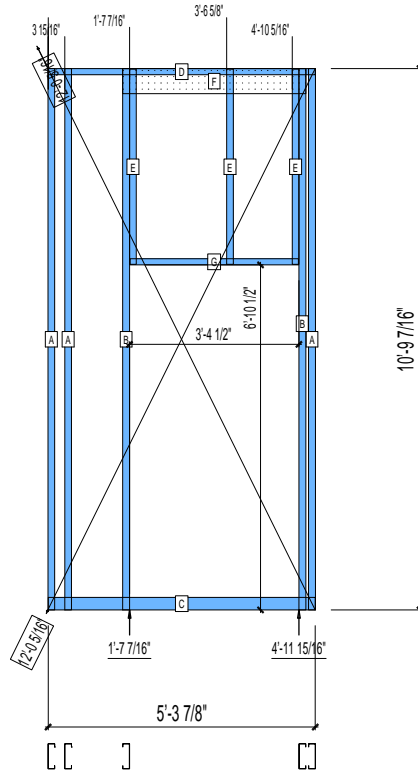


© FrameMax Inc.

HEIGHT : 10'-9 7/16"
SPACING : 24"
1st STUD: 24"

WEIGHTS :
FRAME : 21 lbs

TOTAL: 21 lbs



PIECES LIST

LABEL	QTY	SIZE	LENGTH	USE
A	3	600S162-33	10'-9 3/8"	STUD
B	2	600S162-33	10'-9 3/8"	KING STUD
C	1	600T300-33	5'-3 7/8"	BOTTOM TRACK
D	1	600T150-33	5'-3 7/8"	TOP TRACK
E	3	600S162-33	3'-10 5/8"	CRIPPLE
F	1	600L150-33	3'-7 3/4"	L-HEADER
G	1	600T150-33	3'-4 1/4"	HEAD TRACK

11-3518

Jewish Home for the Aging

1885 Victory Blvd. Reseda, CA

FrameMax, Inc.
13915 Danielson St
Suite 100
Poway, CA 92064
www.framemax.com



© FrameMax Inc.

CREATED: 09/19/2008

FM-07-109

CREATED BY: AMB

HEIGHT : 10'-9 7/16"

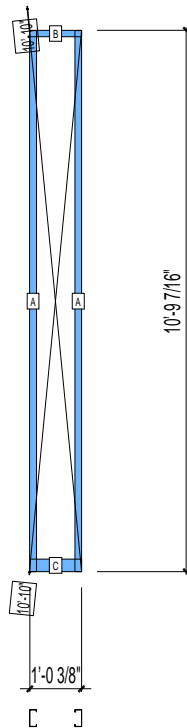
SPACING : 24"

1st STUD: 24"

WEIGHTS :

FRAME : 22 lbs

TOTAL: 22 lbs



PIECES LIST

LABEL	QTY	SIZE	LENGTH	USE
A	2	400S162-33	10'-9 3/8"	STUD
B	1	400T150-33	1'-0 3/8"	TOP TRACK
C	1	400T300-33	1'-0 3/8"	BOTTOM TRACK

11-3519

Jewish Home for the Aging

1885 Victory Blvd. Reseda, CA

FrameMax, Inc.
13915 Danielson St
Suite 100
Poway, CA 92064
www.framemax.com



© FrameMax Inc.

CREATED: 09/19/2008

FM-07-109

CREATED BY: AMB

HEIGHT : 10'-9 7/16"

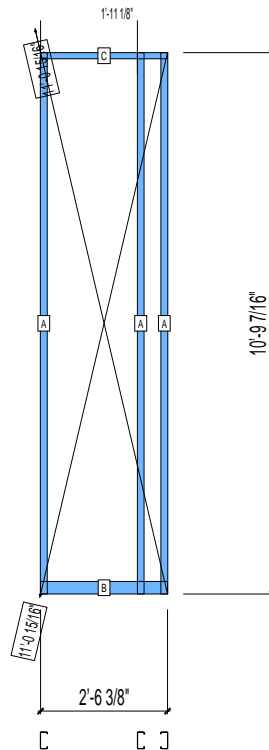
SPACING : 24"

1st STUD: 24"

WEIGHTS :

FRAME : 35 lbs

TOTAL: 35 lbs



PIECES LIST

LABEL	QTY	SIZE	LENGTH	USE
A	3	400S162-33	10'-9 3/8"	STUD
B	1	400T300-33	2'-6 3/8"	BOTTOM TRACK
C	1	400T150-33	2'-6 3/8"	TOP TRACK

11-3520

Jewish Home for the Aging

1885 Victory Blvd. Reseda, CA

FrameMax, Inc.
13915 Danielson St
Suite 100
Poway, CA 92064
www.frame-max.com



© FrameMax Inc.

CREATED: 09/19/2008

FM-07-109

CREATED BY: AMB

HEIGHT : 10'-9 7/16"

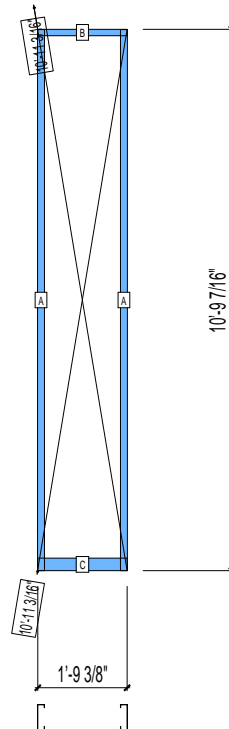
SPACING : 24"

1st STUD: 24"

WEIGHTS :

FRAME : 30 lbs

TOTAL: 30 lbs



PIECES LIST

LABEL	QTY	SIZE	LENGTH	USE
A	2	600S162-33	10'-9 3/8"	STUD
B	1	600T150-33	1'-9 3/8"	TOP TRACK
C	1	600T300-33	1'-9 3/8"	BOTTOM TRACK

11-3521

Jewish Home for the Aging

1885 Victory Blvd. Reseda, CA

FM-07-109

CREATED BY: AMB

FrameMax, Inc.
13915 Danielson St
Suite 100
Poway, CA 92064
www.frame-max.com



© FrameMax Inc.

HEIGHT : 2'-11 1/2"

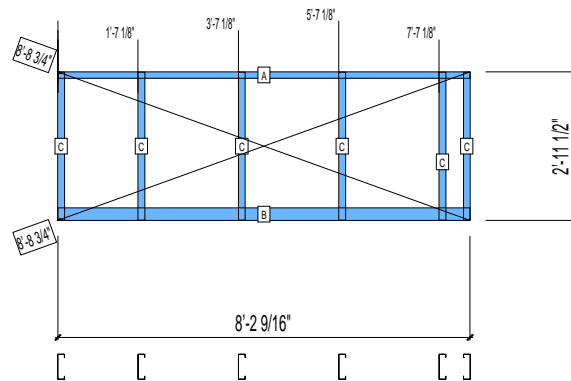
SPACING : 24"

1st STUD: 24"

WEIGHTS :

FRAME : 41 lbs

TOTAL: 41 lbs



PIECES LIST

LABEL	QTY	SIZE	LENGTH	USE
A	1	600T150-33	8'-2 9/16"	TOP TRACK
B	1	600T300-33	8'-2 9/16"	BOTTOM TRACK
C	6	600S162-33	2'-11 7/16"	STUD

11-3522

Jewish Home for the Aging

1885 Victory Blvd. Reseda, CA

FM-07-109

CREATED BY: AMB

FrameMax, Inc.
13915 Danielson St
Suite 100
Poway, CA 92064
www.frame-max.com



© FrameMax Inc.

HEIGHT : 2'-11 1/2"

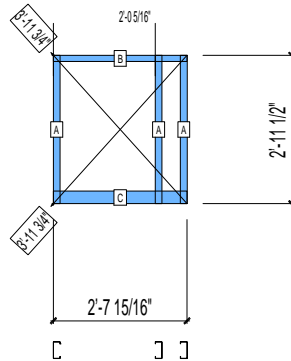
SPACING : 24"

1st STUD: 24"

WEIGHTS :

FRAME : 14 lbs

TOTAL: 14 lbs



PIECES LIST

LABEL	QTY	SIZE	LENGTH	USE
A	3	400S162-33	2'-11 7/16"	STUD
B	1	400T150-33	2'-7 15/16"	TOP TRACK
C	1	400T300-33	2'-7 15/16"	BOTTOM TRACK

11-3602

Jewish Home for the Aging

1885 Victory Blvd. Reseda, CA

FrameMax, Inc.
13915 Danielson St
Suite 100
Poway, CA 92064
www.framemax.com



© FrameMax Inc.

CREATED: 09/19/2008

FM-07-109

CREATED BY: AMB

HEIGHT : 10'-9 7/16"

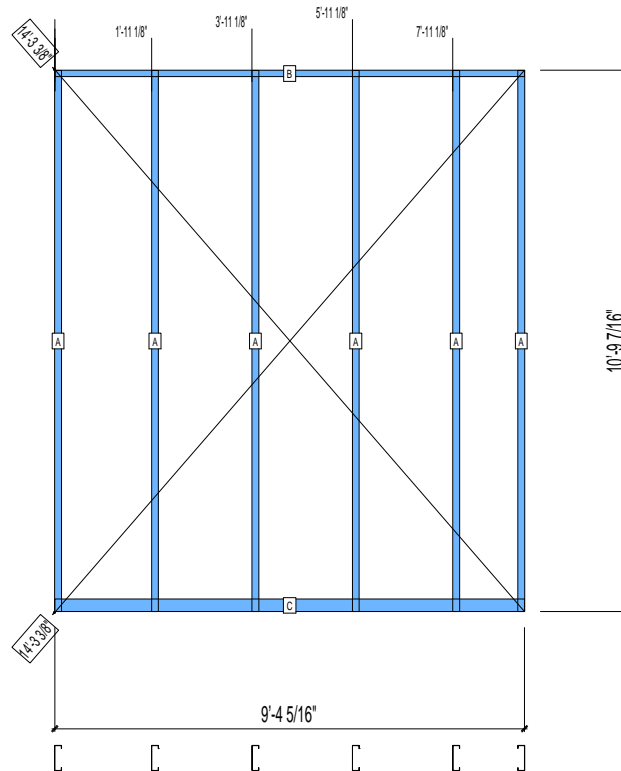
SPACING : 24"

1st STUD: 24"

WEIGHTS :

FRAME : 99 lbs

TOTAL: 99 lbs



PIECES LIST

LABEL	QTY	SIZE	LENGTH	USE
A	6	600S162-33	10'-9 3/8"	STUD
B	1	600T150-33	9'-4 5/16"	TOP TRACK
C	1	600T300-33	9'-4 5/16"	BOTTOM TRACK

11-3699

Jewish Home for the Aging

1885 Victory Blvd. Reseda, CA

FM-07-109

CREATED BY: AMB

FrameMax, Inc.
13915 Danielson St
Suite 100
Poway, CA 92064
www.frame-max.com



© FrameMax Inc.

HEIGHT : 11'-9 11/16"

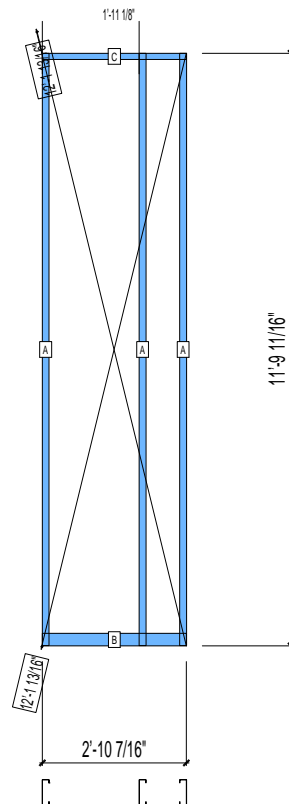
SPACING : 24"

1st STUD: 24"

WEIGHTS :

FRAME : 49 lbs

TOTAL: 49 lbs



PIECES LIST

LABEL	QTY	SIZE	LENGTH	USE
A	3	600S162-33	11'-9 5/8"	STUD
B	1	600T300-33	2'-10 7/16"	BOTTOM TRACK
C	1	600T150-33	2'-10 7/16"	TOP TRACK

11-3774

Jewish Home for the Aging

1885 Victory Blvd. Reseda, CA

FrameMax, Inc.
13915 Danielson St
Suite 100
Poway, CA 92064
www.frame-max.com



© FrameMax Inc.

CREATED: 09/19/2008

FM-07-109

CREATED BY: AMB

HEIGHT : 10'-9 7/16"

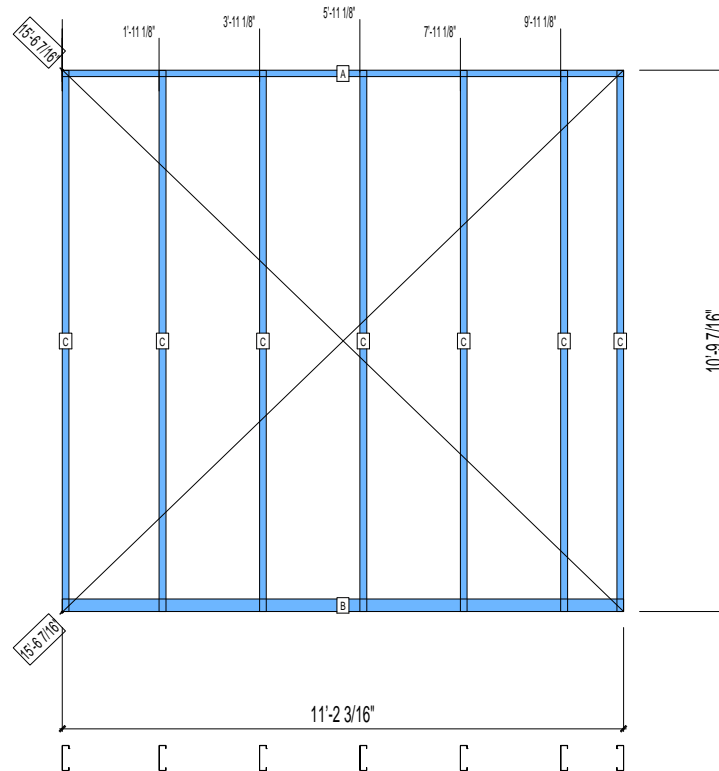
SPACING : 24"

1st STUD: 24"

WEIGHTS :

FRAME : 116 lbs

TOTAL: 116 lbs



PIECES LIST

LABEL	QTY	SIZE	LENGTH USE
A	1	600T150-33	11'-2 3/16" TOP TRACK
B	1	600T300-33	11'-2 3/16" BOTTOM TRACK
C	7	600S162-33	10'-9 3/8" STUD

11-3788

Jewish Home for the Aging

1885 Victory Blvd. Reseda, CA

FrameMax, Inc.
13915 Danielson St
Suite 100
Poway, CA 92064
www.frame-max.com



© FrameMax Inc.

CREATED: 09/19/2008

FM-07-109

CREATED BY: AMB

HEIGHT : 10'-9 7/16"

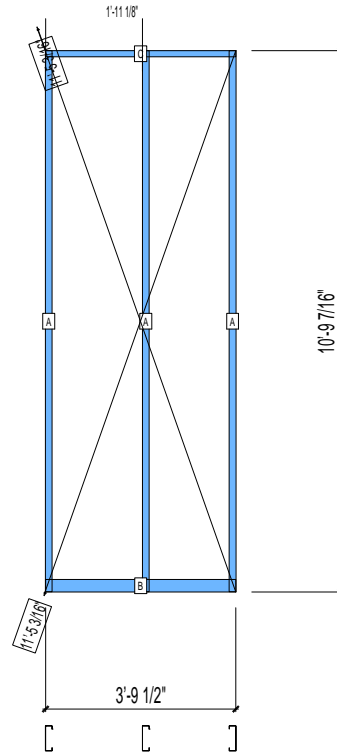
SPACING : 24"

1st STUD: 24"

WEIGHTS :

FRAME : 47 lbs

TOTAL: 47 lbs



PIECES LIST

LABEL	QTY	SIZE	LENGTH	USE
A	3	600S162-33	10'-9 3/8"	STUD
B	1	600T300-33	3'-9 1/2"	BOTTOM TRACK
C	1	600T150-33	3'-9 1/2"	TOP TRACK

11-3791

Jewish Home for the Aging

1885 Victory Blvd. Reseda, CA

FrameMax, Inc.
13915 Danielson St
Suite 100
Poway, CA 92064
www.frame-max.com



© FrameMax Inc.

CREATED: 09/19/2008

FM-07-109

CREATED BY: AMB

HEIGHT : 10'-9 7/16"

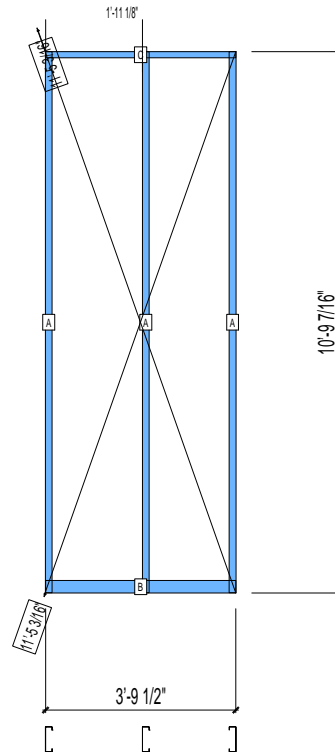
SPACING : 24"

1st STUD: 24"

WEIGHTS :

FRAME : 47 lbs

TOTAL: 47 lbs



PIECES LIST

LABEL	QTY	SIZE	LENGTH	USE
A	3	600S162-33	10'-9 3/8"	STUD
B	1	600T300-33	3'-9 1/2"	BOTTOM TRACK
C	1	600T150-33	3'-9 1/2"	TOP TRACK

11-3814

Jewish Home for the Aging

1885 Victory Blvd. Reseda, CA

FM-07-109

CREATED BY: AMB

FrameMax, Inc.
13915 Danielson St
Suite 100
Poway, CA 92064
www.framemax.com



© FrameMax Inc.

HEIGHT : 11'-9 11/16"

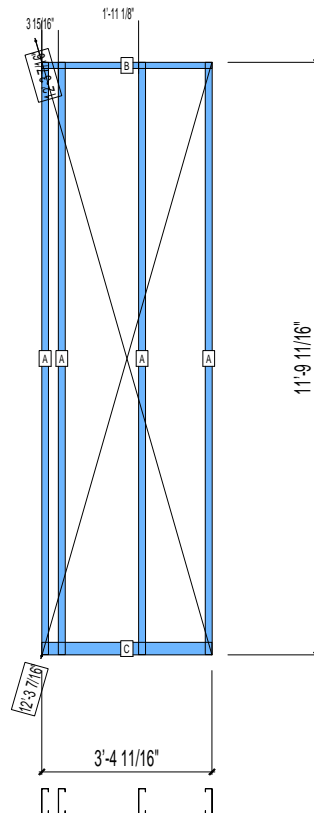
SPACING : 24"

1st STUD: 24"

WEIGHTS :

FRAME : 64 lbs

TOTAL: 64 lbs



PIECES LIST

LABEL	QTY	SIZE	LENGTH	USE
A	4	600S162-33	11'-9 5/8"	STUD
B	1	600T150-33	3'-4 11/16"	TOP TRACK
C	1	600T300-33	3'-4 11/16"	BOTTOM TRACK