

12-3001

Jewish Home for the Aging

1885 Victory Blvd. Reseda, CA

FM-07-109

CREATED BY: HH

FrameMax, Inc.
13915 Danielson St
Suite 100
Poway, CA 92064
www.framemax.com



© FrameMax Inc.

HEIGHT : 9'-4 7/16" POINTS: 0.72 Points.

SPACING : 24"

1st STUD: 24"

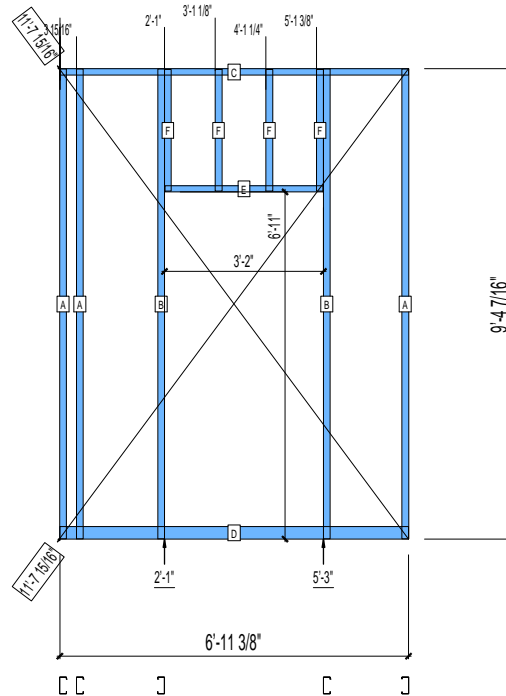
APPROVED

By hhuynh at 2:52 pm, Nov 14, 2008

WEIGHTS :

FRAME : 69 lbs

TOTAL: 69 lbs



PIECES LIST

LABEL	QTY	SIZE	LENGTH	USE
A	3	400S162-33	9'-4 5/16"	STUD
B	2	400S162-33	9'-4 5/16"	KING STUD
C	1	400T150-33	6'-11 3/8"	TOP TRACK
D	1	400T300-33	6'-11 3/8"	BOTTOM TRACK
E	1	400T150-33	3'-1 3/4"	HEAD TRACK
F	4	400S162-33	2'-5 1/16"	CRIPPLE

12-3002

Jewish Home for the Aging

1885 Victory Blvd. Reseda, CA

FM-07-109

CREATED BY: HH

FrameMax, Inc.
13915 Danielson St
Suite 100
Poway, CA 92064
www.framemax.com



© FrameMax Inc.

HEIGHT : 9'-4 7/16" POINTS: 0.44 Points.

SPACING : 24"

1st STUD: 24"

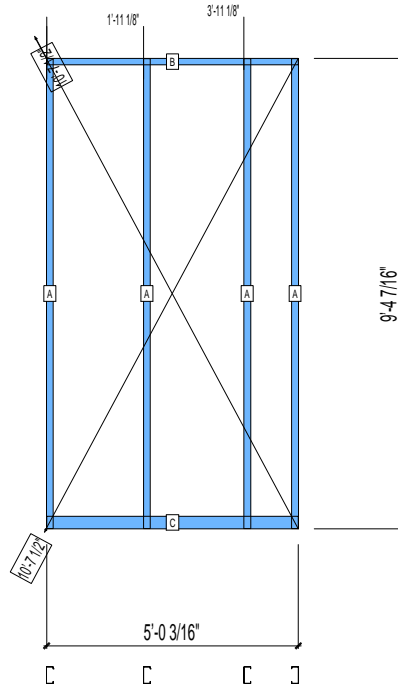
WEIGHTS :

FRAME : 45 lbs

TOTAL: 45 lbs

APPROVED

By hhuynh at 2:52 pm, Nov 14, 2008



PIECES LIST

LABEL	QTY	SIZE	LENGTH	USE
A	4	400S162-33	9'-4 5/16"	STUD
B	1	400T150-33	5'-0 3/16"	TOP TRACK
C	1	400T300-33	5'-0 3/16"	BOTTOM TRACK

12-3003

Jewish Home for the Aging

1885 Victory Blvd. Reseda, CA

FM-07-109

CREATED BY: HH

FrameMax, Inc.
13915 Danielson St
Suite 100
Poway, CA 92064
www.frame-max.com

FRAME MAX

© FrameMax Inc.

HEIGHT : 9'-4 7/16" POINTS: 1.42 Points.

SPACING : 24"

1st STUD: 24"

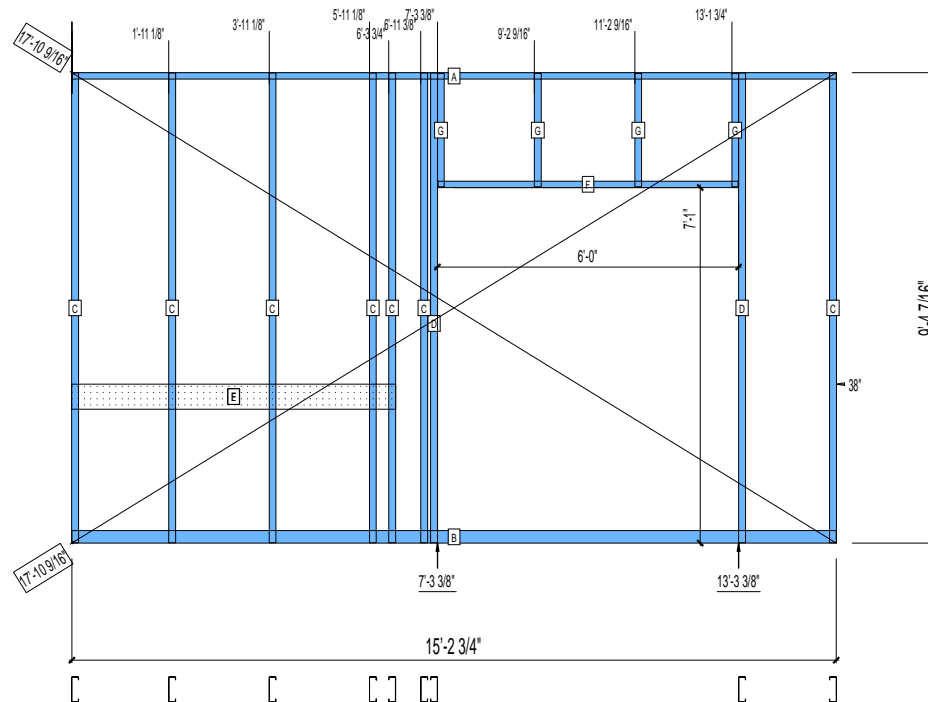
APPROVED

By hhuynh at 2:52 pm, Nov 14, 2008

WEIGHTS :

FRAME : 161 lbs

TOTAL: 161 lbs



PIECES LIST

LABEL	QTY	SIZE	LENGTH	USE
A	1	600T150-33	15'-2 3/4"	TOP TRACK
B	1	600T300-33	15'-2 3/4"	BOTTOM TRACK
C	7	600S162-33	9'-4 5/16"	STUD
D	2	600S162-33	9'-4 5/16"	KING STUD
E	1	600D-54	6'-5 7/16"	VANITY BACKING
F	1	600T150-33	5'-11 3/4"	HEAD TRACK
G	4	600S162-33	2'-3 1/16"	CRIPPLE

12-3004

Jewish Home for the Aging

1885 Victory Blvd. Reseda, CA

FM-07-109

CREATED BY: HH

FrameMax, Inc.
13915 Danielson St
Suite 100
Poway, CA 92064
www.frame-max.com

FRAME MAX

© FrameMax Inc.

HEIGHT : 9'-4 7/16" POINTS: 0.54 Points.

SPACING : 24"

1st STUD: 24"

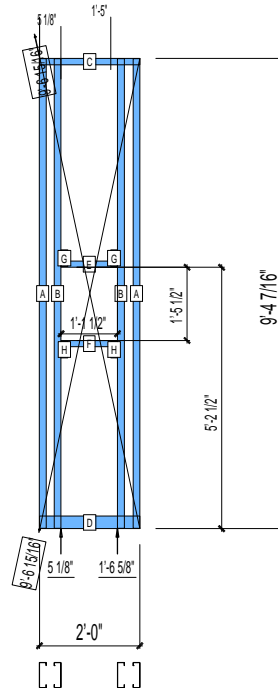
WEIGHTS :

FRAME : 53 lbs

TOTAL: 53 lbs

APPROVED

By hhuynh at 2:52 pm, Nov 14, 2008



PIECES LIST

LABEL	QTY	SIZE	LENGTH	USE
A	2	600S162-33	9'-4 5/16"	STUD
B	2	600S162-33	9'-4 5/16"	KING STUD
C	1	600T150-33	2'-0"	TOP TRACK
D	1	600T300-33	2'-0"	BOTTOM TRACK
E	1	600T150-33	1'-1 3/8"	HEAD TRACK
F	1	600T150-33	1'-1 3/8"	SILL
G	2	600S162-33	4"	CRIPPLE
H	2	600S162-33	3 15/16"	CRIPPLE

12-3005

Jewish Home for the Aging

1885 Victory Blvd. Reseda, CA

FM-07-109

CREATED BY: HH

FrameMax, Inc.
13915 Danielson St
Suite 100
Poway, CA 92064
www.framemax.com

FRAME MAX

© FrameMax Inc.

HEIGHT : 9'-4 7/16" POINTS: 0.42 Points.

SPACING : 24"

1st STUD: 24"

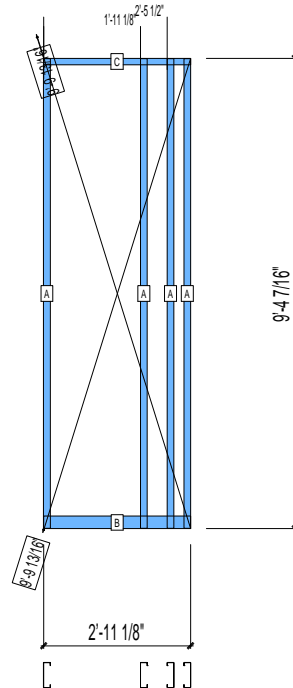
WEIGHTS :

FRAME : 51 lbs

TOTAL: 51 lbs

APPROVED

By hhuynh at 2:52 pm, Nov 14, 2008



PIECES LIST

LABEL	QTY	SIZE	LENGTH	USE
A	4	600S162-33	9'-4 5/16"	STUD
B	1	600T300-33	2'-11 1/8"	BOTTOM TRACK
C	1	600T150-33	2'-11 1/8"	TOP TRACK

12-3006

Jewish Home for the Aging

1885 Victory Blvd. Reseda, CA

FM-07-109

CREATED BY: HH

FrameMax, Inc.
13915 Danielson St
Suite 100
Poway, CA 92064
www.frame-max.com

FRAME MAX

© FrameMax Inc.

HEIGHT : 9'-4 7/16" POINTS: 0.33 Points.

SPACING : 24"

1st STUD: 20"

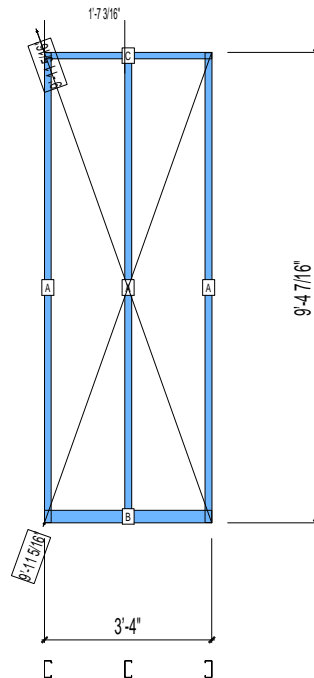
WEIGHTS :

FRAME : 33 lbs

TOTAL: 33 lbs

APPROVED

By hhuynh at 2:52 pm, Nov 14, 2008



PIECES LIST

LABEL	QTY	SIZE	LENGTH	USE
A	3	400S162-33	9'-4 5/16"	STUD
B	1	400T300-33	3'-4"	BOTTOM TRACK
C	1	400T150-33	3'-4"	TOP TRACK

12-3007

Jewish Home for the Aging

1885 Victory Blvd. Reseda, CA

FM-07-109

CREATED BY: HH

FrameMax, Inc.
13915 Danielson St
Suite 100
Poway, CA 92064
www.framemax.com

FRAME MAX

© FrameMax Inc.

HEIGHT : 9'-4 7/16" POINTS: 0.36 Points.

SPACING : 24"

1st STUD: 3/16"

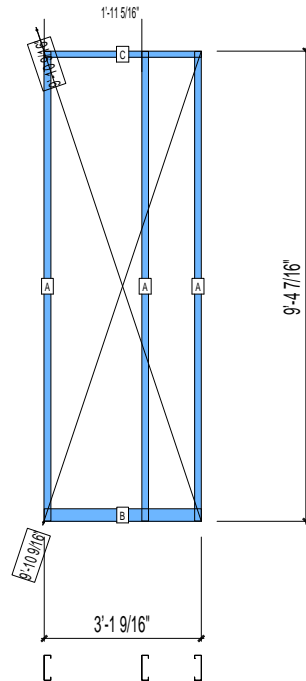
WEIGHTS :

FRAME : 41 lbs

TOTAL: 41 lbs

APPROVED

By hhuynh at 2:52 pm, Nov 14, 2008



PIECES LIST

LABEL	QTY	SIZE	LENGTH	USE
A	3	600S162-33	9'-4 5/16"	STUD
B	1	600T300-33	3'-1 9/16"	BOTTOM TRACK
C	1	600T150-33	3'-1 9/16"	TOP TRACK

12-3008

Jewish Home for the Aging

1885 Victory Blvd. Reseda, CA

FM-07-109

CREATED BY: HH

FrameMax, Inc.
13915 Danielson St
Suite 100
Poway, CA 92064
www.framemax.com



© FrameMax Inc.

HEIGHT : 9'-4 7/16" POINTS: 0.37 Points.

SPACING : 24"

1st STUD: 24"

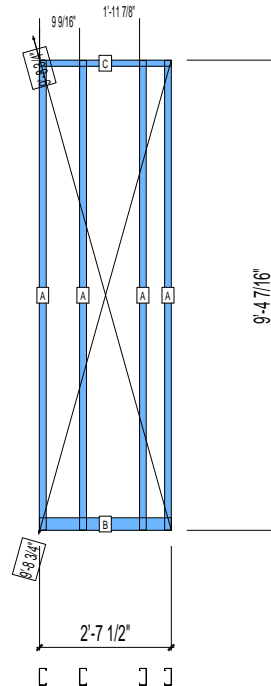
WEIGHTS :

FRAME : 40 lbs

TOTAL: 40 lbs

APPROVED

By hhuynh at 2:52 pm, Nov 14, 2008



PIECES LIST

LABEL	QTY	SIZE	LENGTH	USE
A	4	400S162-33	9'-4 5/16"	STUD
B	1	400T300-33	2'-7 1/2"	BOTTOM TRACK
C	1	400T150-33	2'-7 1/2"	TOP TRACK

12-3009

Jewish Home for the Aging

1885 Victory Blvd. Reseda, CA

FM-07-109

CREATED BY: HH

FrameMax, Inc.
13915 Danielson St
Suite 100
Poway, CA 92064
www.frame-max.com



© FrameMax Inc.

HEIGHT : 9'-4 7/16" POINTS: 0.31 Points.

SPACING : 24"

1st STUD: 24"

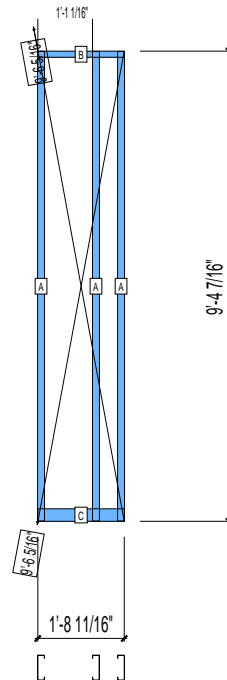
WEIGHTS :

FRAME : 37 lbs

TOTAL: 37 lbs

APPROVED

By hhuynh at 2:52 pm, Nov 14, 2008



PIECES LIST

LABEL	QTY	SIZE	LENGTH	USE
A	3	600S162-33	9'-4 5/16"	STUD
B	1	600T150-33	1'-8 11/16"	TOP TRACK
C	1	600T300-33	1'-8 11/16"	BOTTOM TRACK

12-3010

Jewish Home for the Aging

1885 Victory Blvd. Reseda, CA

FM-07-109

CREATED BY: HH

FrameMax, Inc.
13915 Danielson St
Suite 100
Poway, CA 92064
www.framemax.com

FRAME MAX

© FrameMax Inc.

HEIGHT : 9'-4 7/16" POINTS: 0.37 Points.

SPACING : 24"

1st STUD: 16"

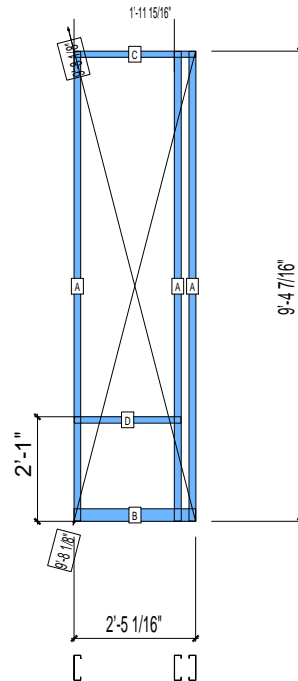
WEIGHTS :

FRAME : 41 lbs

TOTAL: 41 lbs

APPROVED

By hhuynh at 2:52 pm, Nov 14, 2008



PIECES LIST

LABEL	QTY	SIZE	LENGTH	USE
A	3	600S162-33	9'-4 5/16"	STUD
B	1	600T300-33	2'-5 1/16"	BOTTOM TRACK
C	1	600T150-33	2'-5 1/16"	TOP TRACK
D	1	600T150-33	2'-1 1/2"	SILL

12-3011

Jewish Home for the Aging

1885 Victory Blvd. Reseda, CA

FM-07-109

CREATED BY: HH

FrameMax, Inc.
13915 Danielson St
Suite 100
Poway, CA 92064
www.frame-max.com

FRAME MAX

© FrameMax Inc.

HEIGHT : 9'-4 7/16" POINTS: 0.31 Points.

SPACING : 24"

1st STUD: 24"

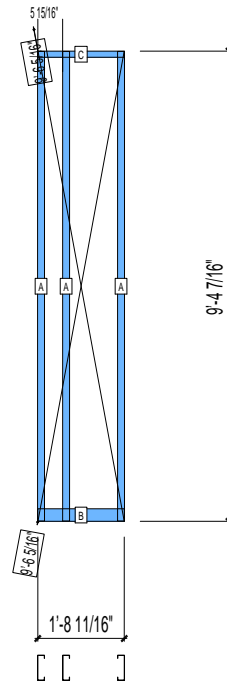
WEIGHTS :

FRAME : 37 lbs

TOTAL: 37 lbs

APPROVED

By hhuynh at 2:52 pm, Nov 14, 2008



PIECES LIST

LABEL	QTY	SIZE	LENGTH	USE
A	3	600S162-33	9'-4 5/16"	STUD
B	1	600T300-33	1'-8 11/16"	BOTTOM TRACK
C	1	600T150-33	1'-8 11/16"	TOP TRACK

12-3012

Jewish Home for the Aging

1885 Victory Blvd. Reseda, CA

FM-07-109

CREATED BY: HH

FrameMax, Inc.
13915 Danielson St
Suite 100
Poway, CA 92064
www.frame-max.com

FRAME MAX

© FrameMax Inc.

HEIGHT : 9'-4 7/16" POINTS: 1.07 Points.

SPACING : 24"

1st STUD: 11 1/16"

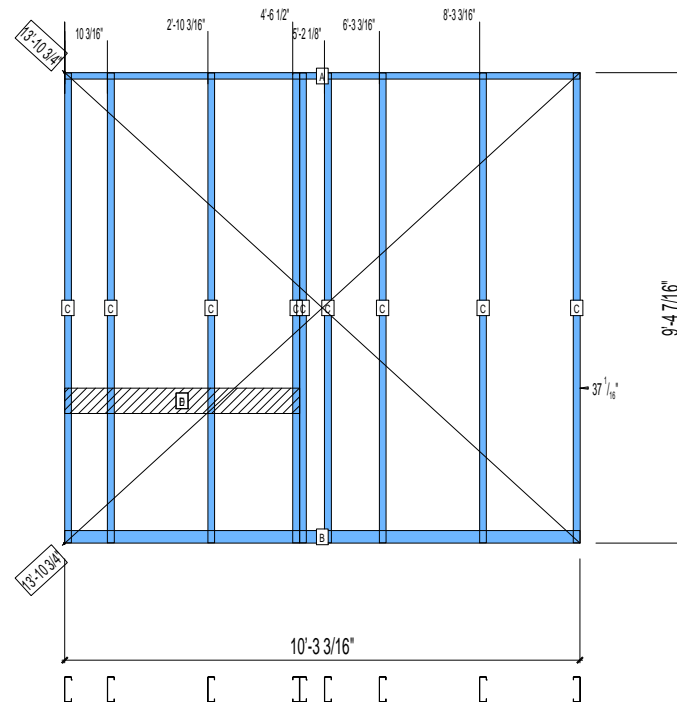
APPROVED

By hhuynh at 2:52 pm, Nov 14, 2008

WEIGHTS :

FRAME : 132 lbs

TOTAL: 132 lbs



PIECES LIST

LABEL	QTY	SIZE	LENGTH USE
A	1	600T150-33	10'-3 3/16" TOP TRACK
B	1	600T300-33	10'-3 3/16" BOTTOM TRACK
C	9	600S162-33	9'-4 5/16" STUD
D	1	600T150-54	4'-8 3/16" GRAB BAR

12-3013

Jewish Home for the Aging

1885 Victory Blvd. Reseda, CA

FM-07-109

CREATED BY: HH

FrameMax, Inc.
13915 Danielson St
Suite 100
Poway, CA 92064
www.frame-max.com



© FrameMax Inc.

HEIGHT : 9'-4 7/16" POINTS: 0.34 Points.

SPACING : 24"

1st STUD: 24"

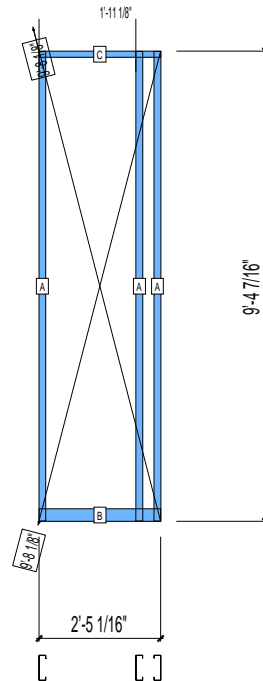
WEIGHTS :

FRAME : 39 lbs

TOTAL: 39 lbs

APPROVED

By hhuynh at 2:52 pm, Nov 14, 2008



PIECES LIST

LABEL	QTY	SIZE	LENGTH	USE
A	3	600S162-33	9'-4 5/16"	STUD
B	1	600T300-33	2'-5 1/16"	BOTTOM TRACK
C	1	600T150-33	2'-5 1/16"	TOP TRACK

12-3014

Jewish Home for the Aging

1885 Victory Blvd. Reseda, CA

FM-07-109

CREATED BY: HH

FrameMax, Inc.
13915 Danielson St
Suite 100
Poway, CA 92064
www.framemax.com

FRAME MAX

© FrameMax Inc.

HEIGHT : 9'-4 7/16" POINTS: 0.27 Points.

SPACING : 24"

1st STUD: 24"

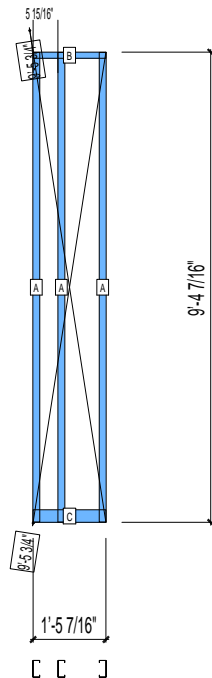
WEIGHTS :

FRAME : 29 lbs

TOTAL: 29 lbs

APPROVED

By hhuynh at 2:52 pm, Nov 14, 2008



PIECES LIST

LABEL	QTY	SIZE	LENGTH	USE
A	3	400S162-33	9'-4 5/16"	STUD
B	1	400T150-33	1'-5 7/16"	TOP TRACK
C	1	400T300-33	1'-5 7/16"	BOTTOM TRACK

12-3015

Jewish Home for the Aging

1885 Victory Blvd. Reseda, CA

FM-07-109

CREATED BY: HH

FrameMax, Inc.
13915 Danielson St
Suite 100
Poway, CA 92064
www.frame-max.com



© FrameMax Inc.

HEIGHT : 9'-4 7/16" POINTS: 0.23 Points.

SPACING : 24"

1st STUD: 24"

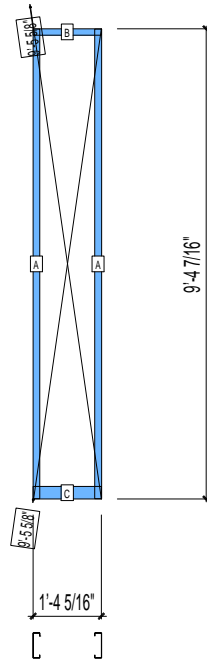
WEIGHTS :

FRAME : 25 lbs

TOTAL: 25 lbs

APPROVED

By hhuynh at 2:52 pm, Nov 14, 2008



PIECES LIST

LABEL	QTY	SIZE	LENGTH	USE
A	2	600S162-33	9'-4 5/16"	STUD
B	1	600T150-33	1'-4 5/16"	TOP TRACK
C	1	600T300-33	1'-4 5/16"	BOTTOM TRACK

12-3016

Jewish Home for the Aging

1885 Victory Blvd. Reseda, CA

FrameMax, Inc.
13915 Danielson St
Suite 100
Poway, CA 92064
www.frame-max.com



© FrameMax Inc.

CREATED: 11/10/2008

FM-07-109

CREATED BY: HH

HEIGHT : 9'-4 7/16" POINTS: 0.20 Points.

SPACING : 24"

1st STUD: 24"

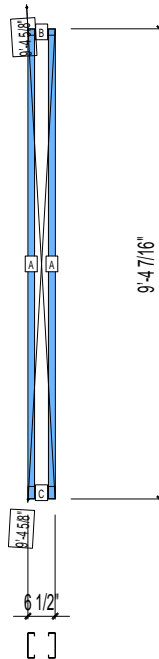
APPROVED

By hhuynh at 2:52 pm, Nov 14, 2008

WEIGHTS :

FRAME : 23 lbs

TOTAL: 23 lbs



PIECES LIST

LABEL	QTY	SIZE	LENGTH	USE
A	2	600S162-33	9'-4 5/16"	STUD
B	1	600T150-33	6 1/2"	TOP TRACK
C	1	600T300-33	6 1/2"	BOTTOM TRACK

12-3017

Jewish Home for the Aging

1885 Victory Blvd. Reseda, CA

FM-07-109

CREATED BY: HH

FrameMax, Inc.
13915 Danielson St
Suite 100
Poway, CA 92064
www.frame-max.com

FRAME MAX

© FrameMax Inc.

HEIGHT : 9'-4 7/16" POINTS: 0.71 Points.

SPACING : 24"

1st STUD: 24"

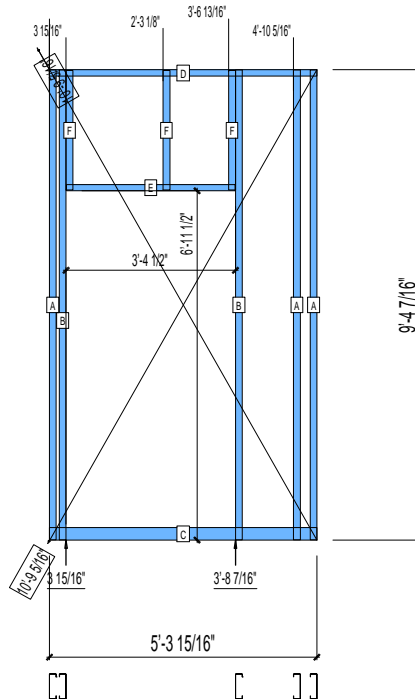
WEIGHTS :

FRAME : 80 lbs

TOTAL: 80 lbs

APPROVED

By hhuynh at 2:52 pm, Nov 14, 2008



PIECES LIST

LABEL	QTY	SIZE	LENGTH	USE
A	3	600S162-33	9'-4 5/16"	STUD
B	2	600S162-33	9'-4 5/16"	KING STUD
C	1	600T300-33	5'-3 15/16"	BOTTOM TRACK
D	1	600T150-33	5'-3 15/16"	TOP TRACK
E	1	600T150-33	3'-4 1/4"	HEAD TRACK
F	3	600S162-33	2'-4 9/16"	CRIPPLE

12-3018

Jewish Home for the Aging

1885 Victory Blvd. Reseda, CA

FM-07-109

CREATED BY: HH

FrameMax, Inc.
13915 Danielson St
Suite 100
Poway, CA 92064
www.framemax.com

FRAME MAX

© FrameMax Inc.

HEIGHT : 9'-4 7/16" POINTS: 0.19 Points.

SPACING : 24"

1st STUD: 16"

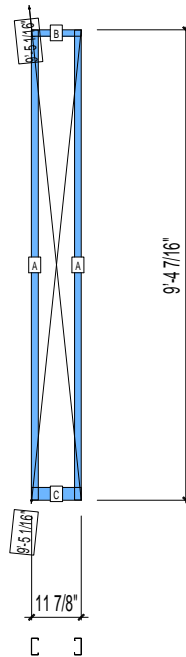
WEIGHTS :

FRAME : 19 lbs

TOTAL: 19 lbs

APPROVED

By hhuynh at 2:52 pm, Nov 14, 2008



PIECES LIST

LABEL	QTY	SIZE	LENGTH	USE
A	2	400S162-33	9'-4 5/16"	STUD
B	1	400T150-33	11 7/8"	TOP TRACK
C	1	400T300-33	11 7/8"	BOTTOM TRACK

12-3019

Jewish Home for the Aging

1885 Victory Blvd. Reseda, CA

FM-07-109

CREATED BY: HH

FrameMax, Inc.
13915 Danielson St
Suite 100
Poway, CA 92064
www.framemax.com

FRAMEMAX

© FrameMax Inc.

HEIGHT : 9'-4 7/16" POINTS: 0.60 Points.

SPACING : 24"

1st STUD: 24"

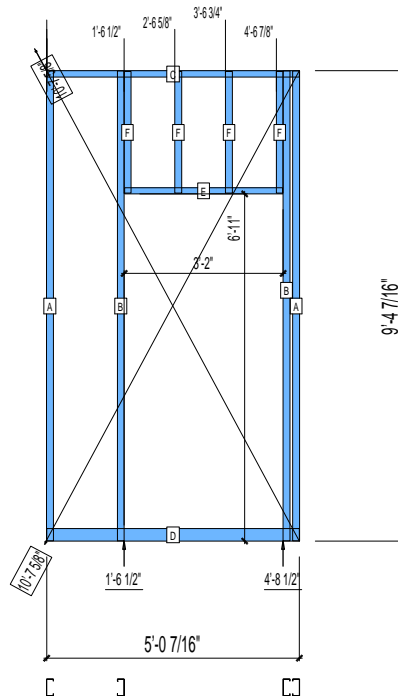
WEIGHTS :

FRAME : 57 lbs

TOTAL: 57 lbs

APPROVED

By hhuynh at 2:52 pm, Nov 14, 2008



PIECES LIST

LABEL	QTY	SIZE	LENGTH	USE
A	2	400S162-33	9'-4 5/16"	STUD
B	2	400S162-33	9'-4 5/16"	KING STUD
C	1	400T150-33	5'-0 7/16"	TOP TRACK
D	1	400T300-33	5'-0 7/16"	BOTTOM TRACK
E	1	400T150-33	3'-1 3/4"	HEAD TRACK
F	4	400S162-33	2'-5 1/16"	CRIPPLE

12-3020

Jewish Home for the Aging

1885 Victory Blvd. Reseda, CA

FM-07-109

CREATED BY: HH

FrameMax, Inc.
13915 Danielson St
Suite 100
Poway, CA 92064
www.framemax.com

FRAME MAX

© FrameMax Inc.

HEIGHT : 9'-4 7/16" POINTS: 0.60 Points.

SPACING : 24"

1st STUD: 24"

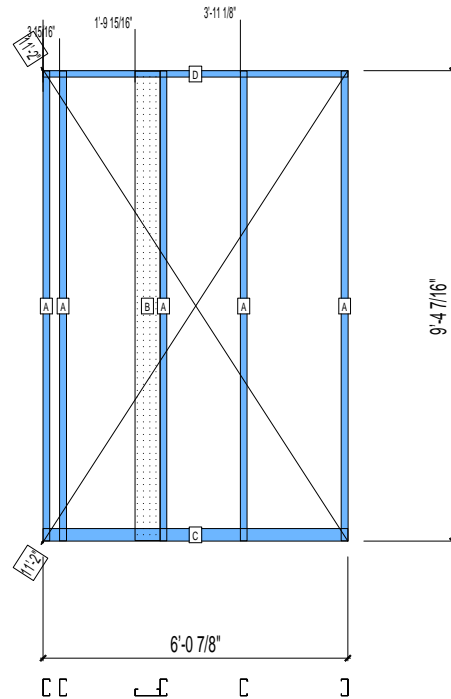
WEIGHTS :

FRAME : 67 lbs

TOTAL: 67 lbs

APPROVED

By hhuynh at 2:52 pm, Nov 14, 2008



PIECES LIST

LABEL	QTY	SIZE	LENGTH	USE
A	5	400S162-33	9'-4 5/16"	STUD
B	1	600S162-33	9'-4 3/16"	BACKER-U
C	1	400T300-33	6'-0 7/8"	BOTTOM TRACK
D	1	400T150-33	6'-0 7/8"	TOP TRACK

12-3021

Jewish Home for the Aging

1885 Victory Blvd. Reseda, CA

FM-07-109

CREATED BY: HH

FrameMax, Inc.
13915 Danielson St
Suite 100
Poway, CA 92064
www.framemax.com



© FrameMax Inc.

HEIGHT : 9'-4 7/16" POINTS: 0.73 Points.

SPACING : 24"

1st STUD: 24"

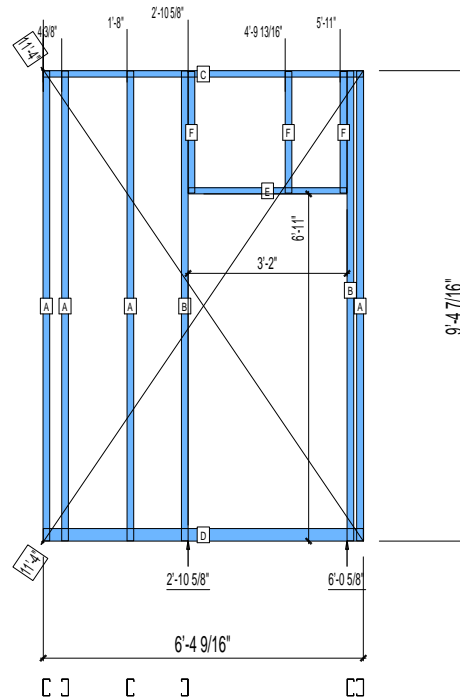
WEIGHTS :

FRAME : 74 lbs

TOTAL: 74 lbs

APPROVED

By hhuynh at 2:52 pm, Nov 14, 2008



PIECES LIST

LABEL	QTY	SIZE	LENGTH	USE
A	4	400S162-33	9'-4 5/16"	STUD
B	2	400S162-33	9'-4 5/16"	KING STUD
C	1	400T150-33	6'-4 9/16"	TOP TRACK
D	1	400T300-33	6'-4 9/16"	BOTTOM TRACK
E	1	400T150-33	3'-1 3/4"	HEAD TRACK
F	3	400S162-33	2'-5 1/16"	CRIPPLE

12-3022

Jewish Home for the Aging

1885 Victory Blvd. Reseda, CA

FM-07-109

CREATED BY: HH

FrameMax, Inc.
13915 Danielson St
Suite 100
Poway, CA 92064
www.framemax.com

FRAMEMAX

© FrameMax Inc.

HEIGHT : 9'-4 7/16" POINTS: 0.71 Points.

SPACING : 24"

1st STUD: 24"

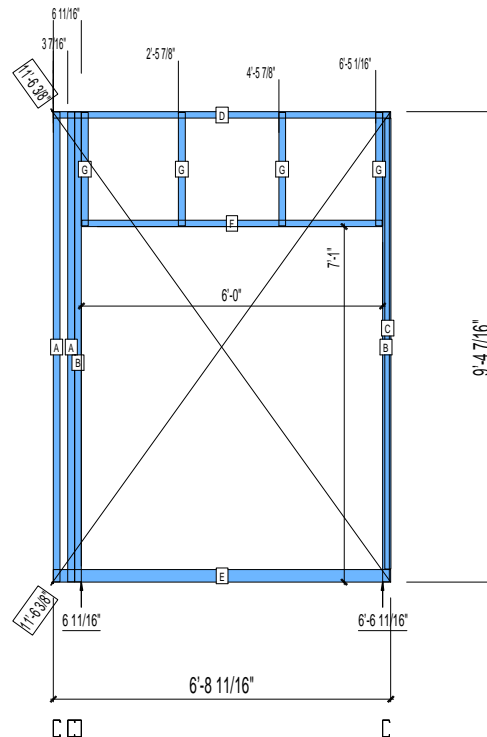
WEIGHTS :

FRAME : 69 lbs

TOTAL: 69 lbs

APPROVED

By hhuynh at 2:52 pm, Nov 14, 2008



PIECES LIST

LABEL	QTY	SIZE	LENGTH	USE
A	2	400S162-33	9'-4 5/16"	STUD
B	2	400S162-33	9'-4 5/16"	KING STUD
C	1	400T150-33	8'-11 11/16"	CAP TRACK
D	1	400T150-33	6'-8 11/16"	TOP TRACK
E	1	400T300-33	6'-8 11/16"	BOTTOM TRACK
F	1	400T150-33	5'-11 3/4"	HEAD TRACK
G	4	400S162-33	2'-3 1/16"	CRIPPLE

12-3023

Jewish Home for the Aging

1885 Victory Blvd. Reseda, CA

FM-07-109

CREATED BY: AMB

FrameMax, Inc.
13915 Danielson St
Suite 100
Poway, CA 92064
www.frame-max.com



© FrameMax Inc.

HEIGHT : 9'-5 15/16" POINTS: 0.96 Points.

CREATED BY: HH

SPACING : 24"

1st STUD: 2 13/16"

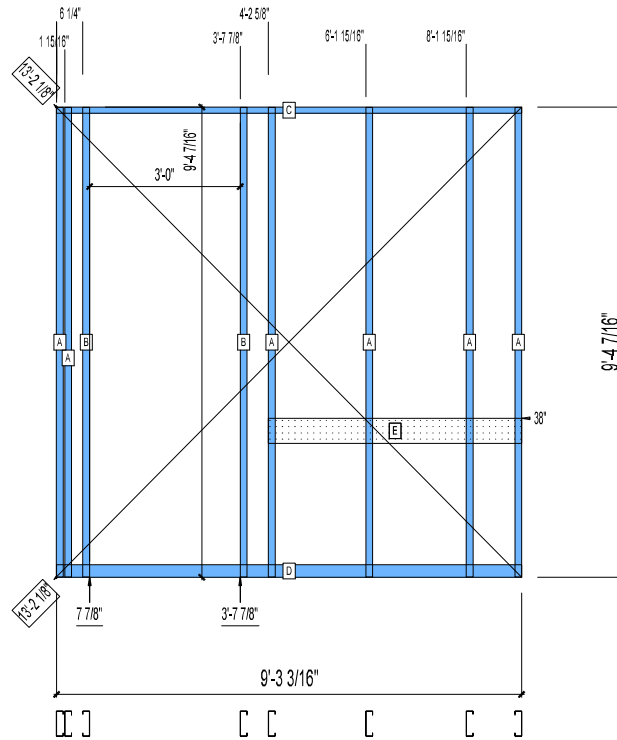
APPROVED

By hhuynh at 2:52 pm, Nov 14, 2008

WEIGHTS :

FRAME : 117 lbs

TOTAL: 117 lbs



PIECES LIST

LABEL	QTY	SIZE	LENGTH	USE
A	6	600S162-33	9'-4 5/16"	STUD
B	2	600S162-33	9'-4 5/16"	KING STUD
C	1	600T150-33	9'-3 3/16"	TOP TRACK
D	1	600T300-33	9'-3 3/16"	BOTTOM TRACK
E	1	600D-54	5'-0 9/16"	VANITY BACKING

12-3024

Jewish Home for the Aging

1885 Victory Blvd. Reseda, CA

FM-07-109

CREATED BY: HH

FrameMax, Inc.
13915 Danielson St
Suite 100
Poway, CA 92064
www.framemax.com

FRAME MAX

© FrameMax Inc.

HEIGHT : 9'-4 7/16" POINTS: 0.49 Points.

SPACING : 24"

1st STUD: 24"

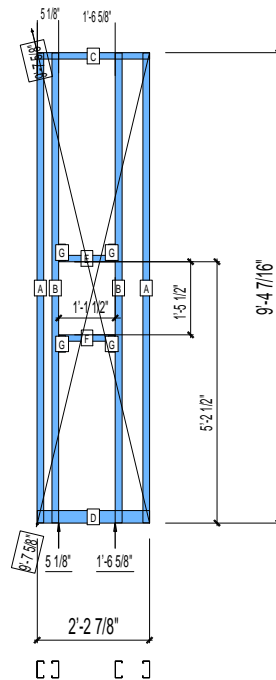
WEIGHTS :

FRAME : 42 lbs

TOTAL: 42 lbs

APPROVED

By hhuynh at 2:52 pm, Nov 14, 2008



PIECES LIST

LABEL	QTY	SIZE	LENGTH	USE
A	2	400S162-33	9'-4 5/16"	STUD
B	2	400S162-33	9'-4 5/16"	KING STUD
C	1	400T150-33	2'-2 7/8"	TOP TRACK
D	1	400T300-33	2'-2 7/8"	BOTTOM TRACK
E	1	400T150-33	1'-1 1/4"	HEAD TRACK
F	1	400T150-33	1'-1 1/4"	SILL
G	4	400S162-33	4"	CRIPPLE

12-3025

Jewish Home for the Aging

1885 Victory Blvd. Reseda, CA

FM-07-109

CREATED BY: HH

FrameMax, Inc.
13915 Danielson St
Suite 100
Poway, CA 92064
www.frame-max.com

FRAME MAX

© FrameMax Inc.

HEIGHT : 9'-4 7/16" POINTS: 0.38 Points.

SPACING : 24"

1st STUD: 24"

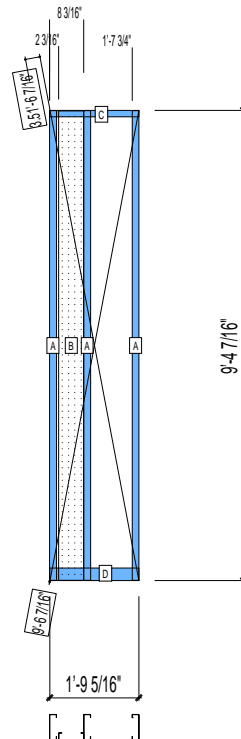
WEIGHTS :

FRAME : 48 lbs

TOTAL: 48 lbs

APPROVED

By hhuynh at 2:52 pm, Nov 14, 2008



PIECES LIST

LABEL	QTY	SIZE	LENGTH	USE
A	3	600S162-33	9'-4 5/16"	STUD
B	1	600S162-33	9'-4 3/16"	BACKER-U
C	1	600T150-33	1'-9 5/16"	TOP TRACK
D	1	600T300-33	1'-9 5/16"	BOTTOM TRACK

12-3026

Jewish Home for the Aging

1885 Victory Blvd. Reseda, CA

FM-07-109

CREATED BY: HH

FrameMax, Inc.
13915 Danielson St
Suite 100
Poway, CA 92064
www.framemax.com

FRAME MAX

© FrameMax Inc.

HEIGHT : 9'-4 7/16" POINTS: 0.22 Points.

SPACING : 24"

1st STUD: 24"

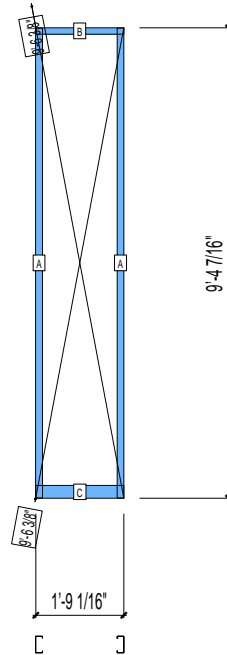
WEIGHTS :

FRAME : 21 lbs

TOTAL: 21 lbs

APPROVED

By hhuynh at 2:52 pm, Nov 14, 2008



PIECES LIST

LABEL	QTY	SIZE	LENGTH	USE
A	2	400S162-33	9'-4 5/16"	STUD
B	1	400T150-33	1'-9 1/16"	TOP TRACK
C	1	400T300-33	1'-9 1/16"	BOTTOM TRACK

12-3027

Jewish Home for the Aging

1885 Victory Blvd. Reseda, CA

FM-07-109

CREATED BY: HH

FrameMax, Inc.
13915 Danielson St
Suite 100
Poway, CA 92064
www.framemax.com

FRAME MAX

© FrameMax Inc.

HEIGHT : 9'-4 7/16" POINTS: 0.27 Points.

SPACING : 24"

1st STUD: 24"

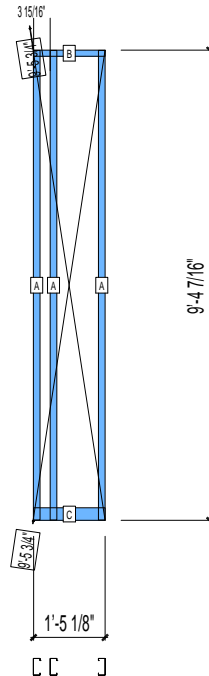
WEIGHTS :

FRAME : 29 lbs

TOTAL: 29 lbs

APPROVED

By hhuynh at 2:52 pm, Nov 14, 2008



PIECES LIST

LABEL	QTY	SIZE	LENGTH	USE
A	3	400S162-33	9'-4 5/16"	STUD
B	1	400T150-33	1'-5 1/8"	TOP TRACK
C	1	400T300-33	1'-5 1/8"	BOTTOM TRACK

12-3028

Jewish Home for the Aging

1885 Victory Blvd. Reseda, CA

FM-07-109

CREATED BY: HH

FrameMax, Inc.
13915 Danielson St
Suite 100
Poway, CA 92064
www.framemax.com

FRAME MAX

© FrameMax Inc.

HEIGHT : 9'-4 7/16" POINTS: 0.77 Points.

SPACING : 24"

1st STUD: 24"

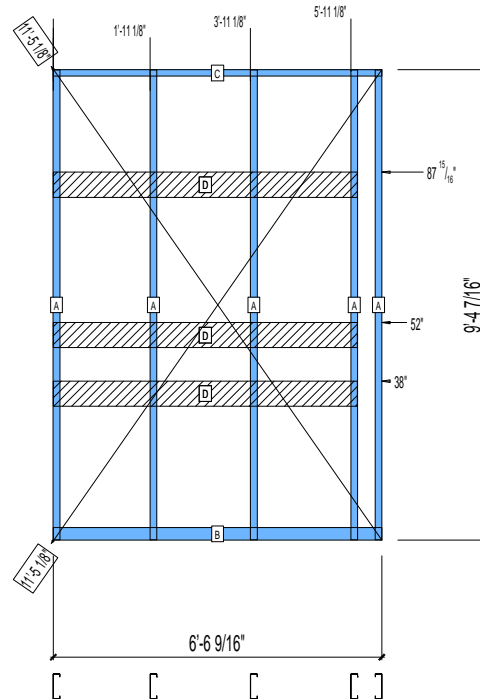
WEIGHTS :

FRAME : 93 lbs

TOTAL: 93 lbs

APPROVED

By hhuynh at 2:52 pm, Nov 14, 2008



PIECES LIST

LABEL	QTY	SIZE	LENGTH	USE
A	5	600S162-33	9'-4 5/16"	STUD
B	1	600T300-33	6'-6 9/16"	BOTTOM TRACK
C	1	600T150-33	6'-6 9/16"	TOP TRACK
D	3	600D-54	6'-0 11/16"	KITCHEN BACKING

12-3029

Jewish Home for the Aging

1885 Victory Blvd. Reseda, CA

FM-07-109

CREATED BY: HH

FrameMax, Inc.
13915 Danielson St
Suite 100
Poway, CA 92064
www.framemax.com

FRAME MAX

© FrameMax Inc.

HEIGHT : 9'-4 7/16" POINTS: 0.30 Points.

SPACING : 24"

1st STUD: 24"

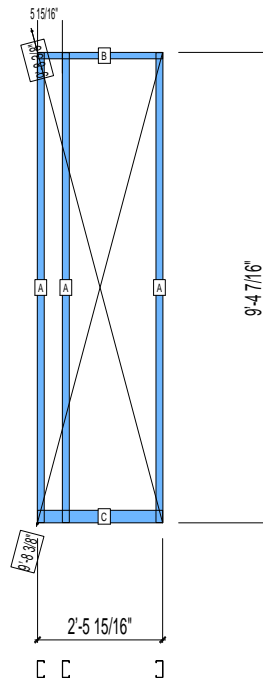
WEIGHTS :

FRAME : 31 lbs

TOTAL: 31 lbs

APPROVED

By hhuynh at 2:52 pm, Nov 14, 2008



PIECES LIST

LABEL	QTY	SIZE	LENGTH	USE
A	3	400S162-33	9'-4 5/16"	STUD
B	1	400T150-33	2'-5 15/16"	TOP TRACK
C	1	400T300-33	2'-5 15/16"	BOTTOM TRACK

12-3030

Jewish Home for the Aging

1885 Victory Blvd. Reseda, CA

FM-07-109

CREATED BY: HH

FrameMax, Inc.
13915 Danielson St
Suite 100
Poway, CA 92064
www.framemax.com

FRAMEMAX

© FrameMax Inc.

HEIGHT : 9'-4 7/16" POINTS: 0.50 Points.

SPACING : 24"

1st STUD: 8 3/8"

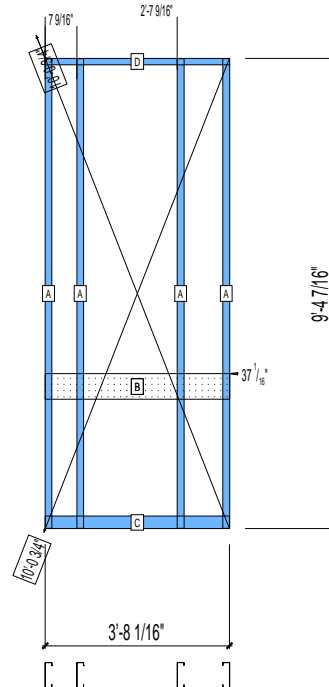
WEIGHTS :

FRAME : 59 lbs

TOTAL: 59 lbs

APPROVED

By hhuynh at 2:52 pm, Nov 14, 2008



PIECES LIST

LABEL	QTY	SIZE	LENGTH	USE
A	4	600S162-33	9'-4 5/16"	STUD
B	1	600T150-54	3'-8 1/8"	GRAB BAR
C	1	600T300-33	3'-8 1/16"	BOTTOM TRACK
D	1	600T150-33	3'-8 1/16"	TOP TRACK

12-3031

Jewish Home for the Aging

1885 Victory Blvd. Reseda, CA

FM-07-109

CREATED BY: HH

FrameMax, Inc.
13915 Danielson St
Suite 100
Poway, CA 92064
www.frame-max.com



© FrameMax Inc.

HEIGHT : 9'-4 7/16" POINTS: 0.42 Points.

SPACING : 24"

1st STUD: 1 15/16"

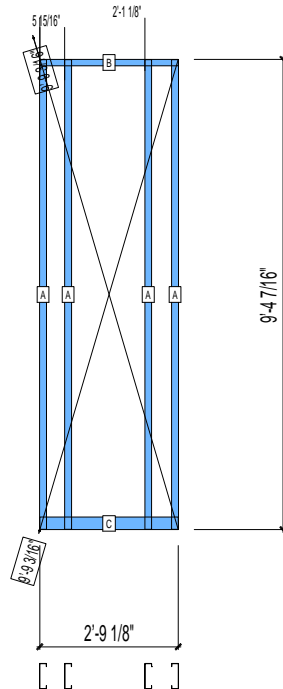
WEIGHTS :

FRAME : 51 lbs

TOTAL: 51 lbs

APPROVED

By hhuynh at 2:52 pm, Nov 14, 2008



PIECES LIST

LABEL	QTY	SIZE	LENGTH	USE
A	4	600S162-33	9'-4 5/16"	STUD
B	1	600T150-33	2'-9 1/8"	TOP TRACK
C	1	600T300-33	2'-9 1/8"	BOTTOM TRACK

12-3032

Jewish Home for the Aging

1885 Victory Blvd. Reseda, CA

FM-07-109

CREATED BY: HH

FrameMax, Inc.
13915 Danielson St
Suite 100
Poway, CA 92064
www.frame-max.com



© FrameMax Inc.

HEIGHT : 9'-4 7/16" POINTS: 0.26 Points.

SPACING : 24"

1st STUD: 24"

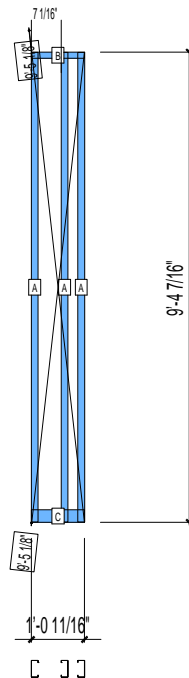
WEIGHTS :

FRAME : 28 lbs

TOTAL: 28 lbs

APPROVED

By hhuynh at 2:52 pm, Nov 14, 2008



PIECES LIST

LABEL	QTY	SIZE	LENGTH	USE
A	3	400S162-33	9'-4 5/16"	STUD
B	1	400T150-33	1'-0 11/16"	TOP TRACK
C	1	400T300-33	1'-0 11/16"	BOTTOM TRACK

12-3033

Jewish Home for the Aging

1885 Victory Blvd. Reseda, CA

FM-07-109

CREATED BY: HH

FrameMax, Inc.
13915 Danielson St
Suite 100
Poway, CA 92064
www.framemax.com

FRAME MAX

© FrameMax Inc.

HEIGHT : 9'-4 7/16" POINTS: 0.26 Points.

SPACING : 5000"

1st STUD: 16"

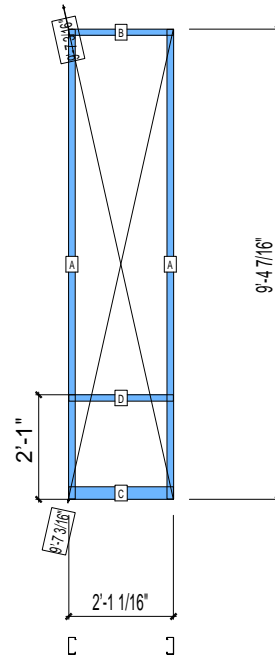
WEIGHTS :

FRAME : 23 lbs

TOTAL: 23 lbs

APPROVED

By hhuynh at 2:52 pm, Nov 14, 2008



PIECES LIST

LABEL	QTY	SIZE	LENGTH	USE
A	2	400S162-33	9'-4 5/16"	STUD
B	1	400T150-33	2'-1 1/16"	TOP TRACK
C	1	400T300-33	2'-1 1/16"	BOTTOM TRACK
D	1	400T150-33	2'-1"	SILL

12-3051

Jewish Home for the Aging

1885 Victory Blvd. Reseda, CA

FM-07-109

CREATED BY: HH

FrameMax, Inc.
13915 Danielson St
Suite 100
Poway, CA 92064
www.frame-max.com



© FrameMax Inc.

HEIGHT : 9'-4 7/16" POINTS: 0.81 Points.

SPACING : 24"

1st STUD: 24"

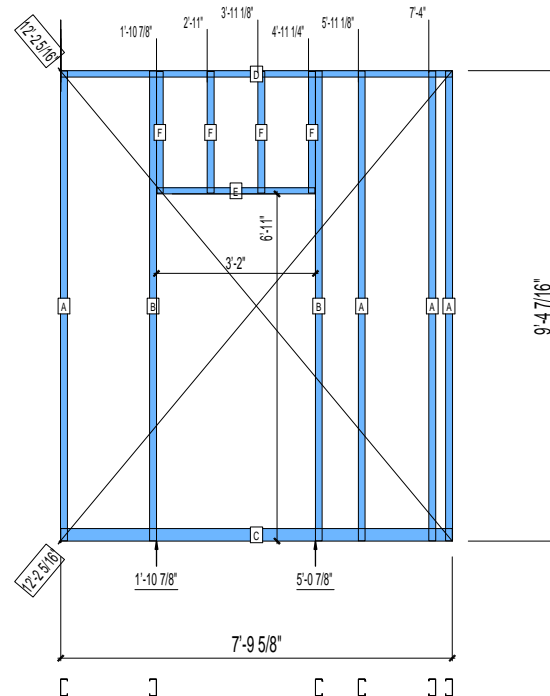
APPROVED

By hhuynh at 2:52 pm, Nov 14, 2008

WEIGHTS :

FRAME : 80 lbs

TOTAL: 80 lbs



PIECES LIST

LABEL	QTY	SIZE	LENGTH	USE
A	4	400S162-33	9'-4 5/16"	STUD
B	2	400S162-33	9'-4 5/16"	KING STUD
C	1	400T300-33	7'-9 5/8"	BOTTOM TRACK
D	1	400T150-33	7'-9 5/8"	TOP TRACK
E	1	400T150-33	3'-1 3/4"	HEAD TRACK
F	4	400S162-33	2'-5 1/16"	CRIPPLE

12-3052

Jewish Home for the Aging

1885 Victory Blvd. Reseda, CA

FM-07-109

CREATED BY: HH

FrameMax, Inc.
13915 Danielson St
Suite 100
Poway, CA 92064
www.frame-max.com

FRAME MAX

© FrameMax Inc.

HEIGHT : 9'-4 7/16" POINTS: 1.19 Points.

SPACING : 24"

1st STUD: 16"

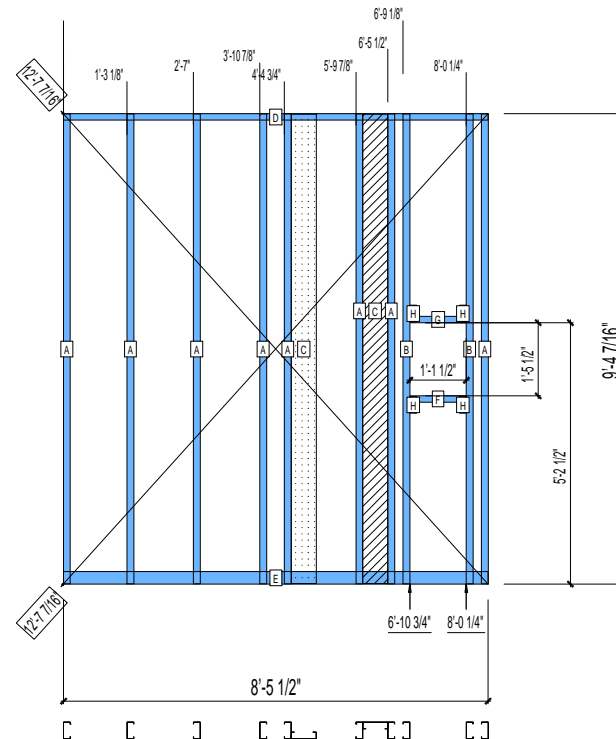
APPROVED

By hhuynh at 2:52 pm, Nov 14, 2008

WEIGHTS :

FRAME : 129 lbs

TOTAL: 129 lbs



PIECES LIST

LABEL	QTY	SIZE	LENGTH	USE
A	8	400S162-33	9'-4 5/16"	STUD
B	2	400S162-33	9'-4 5/16"	KING STUD
C	2	600S162-33	9'-4 3/16"	BACKER-U
D	1	400T150-33	8'-5 1/2"	TOP TRACK
E	1	400T300-33	8'-5 1/2"	BOTTOM TRACK
F	1	400T150-33	1'-1 1/4"	SILL
G	1	400T150-33	1'-1 1/4"	HEAD TRACK
H	4	400S162-33	4"	CRIPPLE

12-3053

Jewish Home for the Aging

1885 Victory Blvd. Reseda, CA

FM-07-109

CREATED BY: HH

FrameMax, Inc.
13915 Danielson St
Suite 100
Poway, CA 92064
www.framemax.com

FRAME MAX

© FrameMax Inc.

HEIGHT : 9'-4 7/16" POINTS: 0.39 Points.

SPACING : 24"

1st STUD: 24"

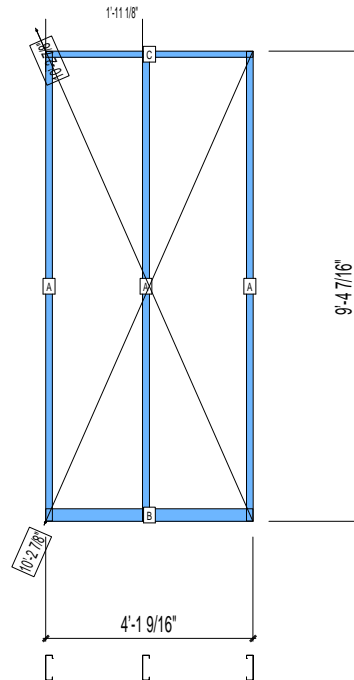
WEIGHTS :

FRAME : 43 lbs

TOTAL: 43 lbs

APPROVED

By hhuynh at 2:52 pm, Nov 14, 2008



PIECES LIST

LABEL	QTY	SIZE	LENGTH	USE
A	3	600S162-33	9'-4 5/16"	STUD
B	1	600T300-33	4'-1 9/16"	BOTTOM TRACK
C	1	600T150-33	4'-1 9/16"	TOP TRACK

12-3054

Jewish Home for the Aging

1885 Victory Blvd. Reseda, CA

FM-07-109

CREATED BY: HH

FrameMax, Inc.
13915 Danielson St
Suite 100
Poway, CA 92064
www.framemax.com

FRAMEMAX

© FrameMax Inc.

HEIGHT : 9'-4 7/16" POINTS: 0.33 Points.

SPACING : 24"

1st STUD: 24"

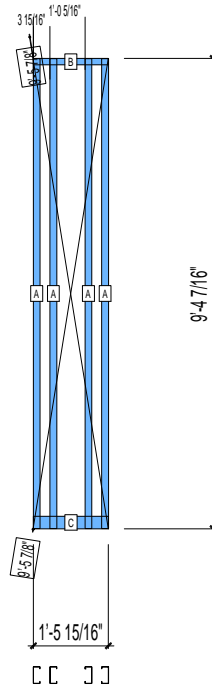
WEIGHTS :

FRAME : 38 lbs

TOTAL: 38 lbs

APPROVED

By hhuynh at 2:52 pm, Nov 14, 2008



PIECES LIST

LABEL	QTY	SIZE	LENGTH	USE
A	4	400S162-33	9'-4 5/16"	STUD
B	1	400T150-33	1'-5 15/16"	TOP TRACK
C	1	400T300-33	1'-5 15/16"	BOTTOM TRACK

12-3055

Jewish Home for the Aging

1885 Victory Blvd. Reseda, CA

FM-07-109

CREATED BY: HH

FrameMax, Inc.
13915 Danielson St
Suite 100
Poway, CA 92064
www.framemax.com

FRAMEMAX

© FrameMax Inc.

HEIGHT : 9'-4 7/16" POINTS: 0.34 Points.

SPACING : 24"

1st STUD: 24"

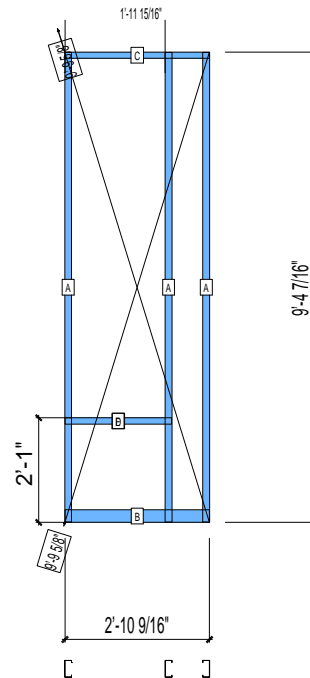
WEIGHTS :

FRAME : 34 lbs

TOTAL: 34 lbs

APPROVED

By hhuynh at 2:52 pm, Nov 14, 2008



PIECES LIST

LABEL	QTY	SIZE	LENGTH	USE
A	3	400S162-33	9'-4 5/16"	STUD
B	1	400T300-33	2'-10 9/16"	BOTTOM TRACK
C	1	400T150-33	2'-10 9/16"	TOP TRACK
D	1	400T150-33	2'-1 7/16"	SILL

12-3056

Jewish Home for the Aging

1885 Victory Blvd. Reseda, CA

FM-07-109

CREATED BY: HH

FrameMax, Inc.
13915 Danielson St
Suite 100
Poway, CA 92064
www.frame-max.com

FRAME MAX

© FrameMax Inc.

HEIGHT : 9'-4 7/16" POINTS: 0.34 Points.

SPACING : 5000"

1st STUD: 16"

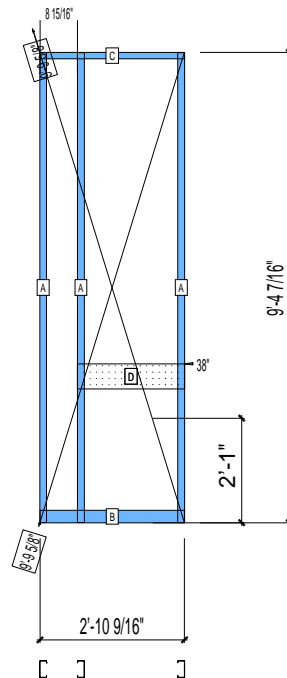
WEIGHTS :

FRAME : 34 lbs

TOTAL: 34 lbs

APPROVED

By hhuynh at 2:52 pm, Nov 14, 2008



PIECES LIST

LABEL	QTY	SIZE	LENGTH	USE
A	3	400S162-33	9'-4 5/16"	STUD
B	1	400T300-33	2'-10 9/16"	BOTTOM TRACK
C	1	400T150-33	2'-10 9/16"	TOP TRACK
D	1	600D-54	2'-1 5/8"	VANITY BACKING

12-3057

Jewish Home for the Aging

1885 Victory Blvd. Reseda, CA

FM-07-109

CREATED BY: HH

FrameMax, Inc.
13915 Danielson St
Suite 100
Poway, CA 92064
www.framemax.com

FRAMEMAX

© FrameMax Inc.

HEIGHT : 9'-4 7/16" POINTS: 0.56 Points.

SPACING : 24"

1st STUD: 8 13/16"

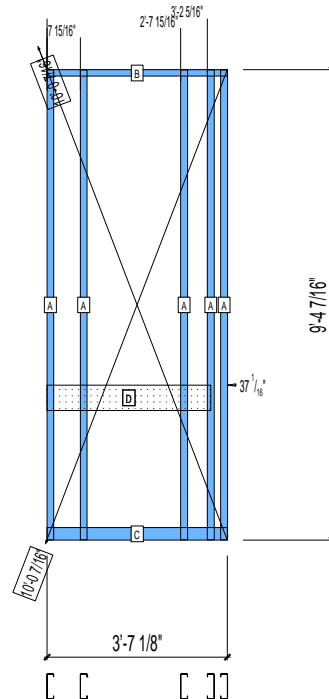
WEIGHTS :

FRAME : 69 lbs

TOTAL: 69 lbs

APPROVED

By hhuynh at 2:52 pm, Nov 14, 2008



PIECES LIST

LABEL	QTY	SIZE	LENGTH	USE
A	5	600S162-33	9'-4 5/16"	STUD
B	1	600T150-33	3'-7 1/8"	TOP TRACK
C	1	600T300-33	3'-7 1/8"	BOTTOM TRACK
D	1	600T150-54	3'-3 3/16"	GRAB BAR

12-3058

Jewish Home for the Aging

1885 Victory Blvd. Reseda, CA

FM-07-109

CREATED BY: HH

FrameMax, Inc.
13915 Danielson St
Suite 100
Poway, CA 92064
www.frame-max.com

FRAME MAX

© FrameMax Inc.

HEIGHT : 9'-4 7/16" POINTS: 0.30 Points.

SPACING : 24"

1st STUD: 7"

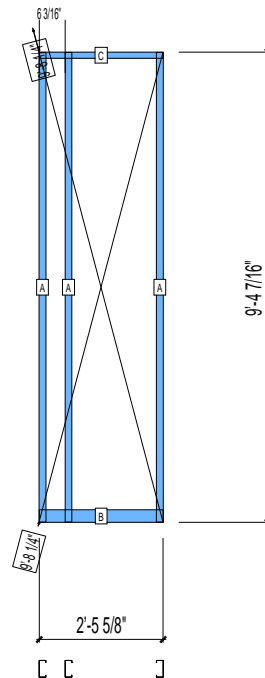
APPROVED

By hhuynh at 2:52 pm, Nov 14, 2008

WEIGHTS :

FRAME : 31 lbs

TOTAL: 31 lbs



PIECES LIST

LABEL	QTY	SIZE	LENGTH	USE
A	3	400S162-33	9'-4 5/16"	STUD
B	1	400T300-33	2'-5 5/8"	BOTTOM TRACK
C	1	400T150-33	2'-5 5/8"	TOP TRACK

12-3059

Jewish Home for the Aging

1885 Victory Blvd. Reseda, CA

FM-07-109

CREATED BY: HH

FrameMax, Inc.
13915 Danielson St
Suite 100
Poway, CA 92064
www.framemax.com

FRAME MAX

© FrameMax Inc.

HEIGHT : 9'-4 7/16" POINTS: 0.38 Points.

SPACING : 24"

1st STUD: 13 1/16"

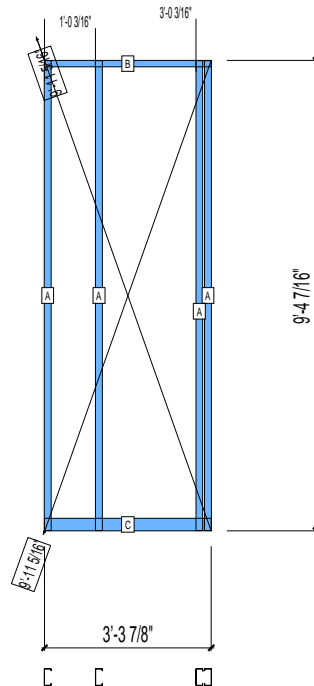
WEIGHTS :

FRAME : 41 lbs

TOTAL: 41 lbs

APPROVED

By hhuynh at 2:52 pm, Nov 14, 2008



PIECES LIST

LABEL	QTY	SIZE	LENGTH	USE
A	4	400S162-33	9'-4 5/16"	STUD
B	1	400T150-33	3'-3 7/8"	TOP TRACK
C	1	400T300-33	3'-3 7/8"	BOTTOM TRACK

12-3060

Jewish Home for the Aging

1885 Victory Blvd. Reseda, CA

FM-07-109

CREATED BY: HH

FrameMax, Inc.
13915 Danielson St
Suite 100
Poway, CA 92064
www.frame-max.com

FRAME MAX

© FrameMax Inc.

HEIGHT : 9'-4 7/16" POINTS: 0.36 Points.

SPACING : 5000"

1st STUD: 26 7/8"

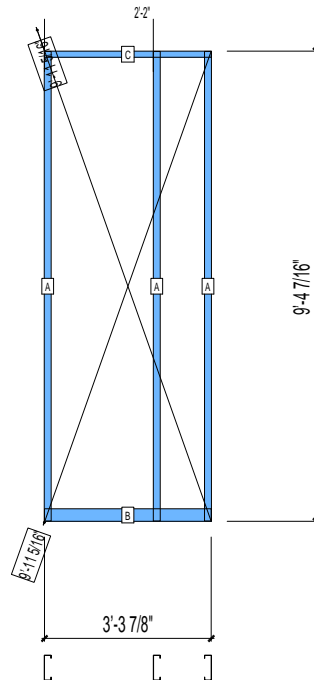
WEIGHTS :

FRAME : 41 lbs

TOTAL: 41 lbs

APPROVED

By hhuynh at 2:52 pm, Nov 14, 2008



PIECES LIST

LABEL	QTY	SIZE	LENGTH	USE
A	3	600S162-33	9'-4 5/16"	STUD
B	1	600T300-33	3'-3 7/8"	BOTTOM TRACK
C	1	600T150-33	3'-3 7/8"	TOP TRACK

12-3061

Jewish Home for the Aging

1885 Victory Blvd. Reseda, CA

FM-07-109

CREATED BY: HH

FrameMax, Inc.
13915 Danielson St
Suite 100
Poway, CA 92064
www.frame-max.com



© FrameMax Inc.

HEIGHT : 9'-4 7/16" POINTS: 0.96 Points.

SPACING : 24"

1st STUD: 24"

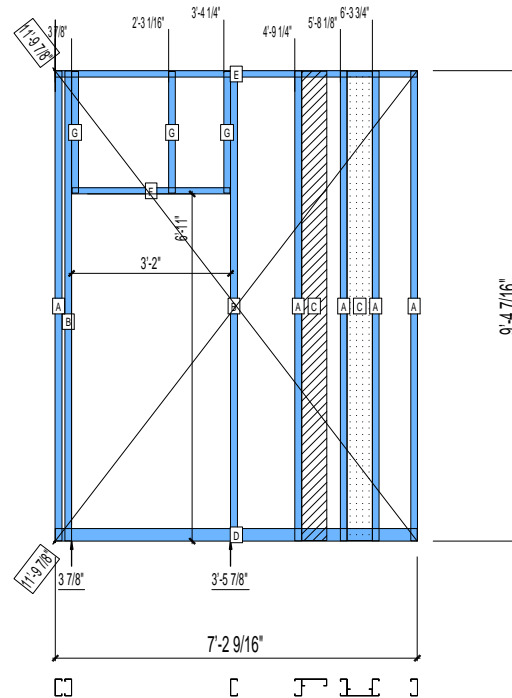
WEIGHTS :

FRAME : 107 lbs

TOTAL: 107 lbs

APPROVED

By hhuynh at 2:52 pm, Nov 14, 2008



PIECES LIST

LABEL	QTY	SIZE	LENGTH	USE
A	5	400S162-33	9'-4 5/16"	STUD
B	2	400S162-33	9'-4 5/16"	KING STUD
C	2	600S162-33	9'-4 3/16"	BACKER-U
D	1	400T300-33	7'-2 9/16"	BOTTOM TRACK
E	1	400T150-33	7'-2 9/16"	TOP TRACK
F	1	400T150-33	3'-1 3/4"	HEAD TRACK
G	3	400S162-33	2'-5 1/16"	CRIPPLE

12-3062

Jewish Home for the Aging

1885 Victory Blvd. Reseda, CA

FM-07-109

CREATED BY: HH

FrameMax, Inc.
13915 Danielson St
Suite 100
Poway, CA 92064
www.frame-max.com

FRAME MAX

© FrameMax Inc.

HEIGHT : 9'-4 7/16" POINTS: 0.39 Points.

SPACING : 24"

1st STUD: 24"

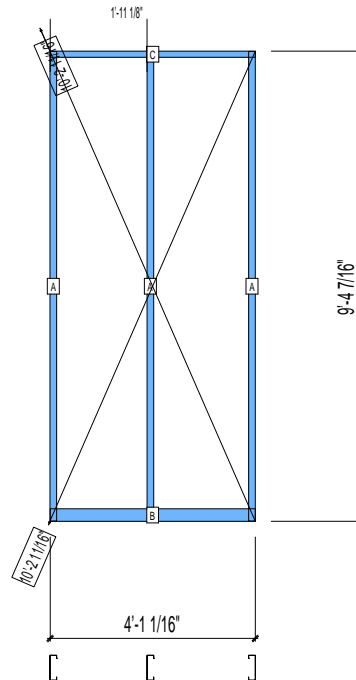
WEIGHTS :

FRAME : 43 lbs

TOTAL: 43 lbs

APPROVED

By hhuynh at 2:52 pm, Nov 14, 2008



PIECES LIST

LABEL	QTY	SIZE	LENGTH	USE
A	3	600S162-33	9'-4 5/16"	STUD
B	1	600T300-33	4'-1 1/16"	BOTTOM TRACK
C	1	600T150-33	4'-1 1/16"	TOP TRACK

12-3063

Jewish Home for the Aging

1885 Victory Blvd. Reseda, CA

FM-07-109

CREATED BY: HH

FrameMax, Inc.
13915 Danielson St
Suite 100
Poway, CA 92064
www.framemax.com

FRAME MAX

© FrameMax Inc.

HEIGHT : 9'-4 7/16" POINTS: 0.43 Points.

SPACING : 24"

1st STUD: 24"

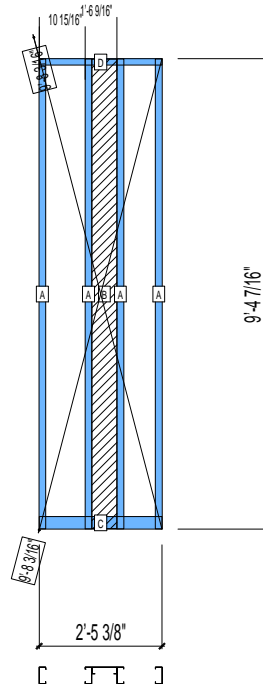
WEIGHTS :

FRAME : 51 lbs

TOTAL: 51 lbs

APPROVED

By hhuynh at 2:52 pm, Nov 14, 2008



PIECES LIST

LABEL	QTY	SIZE	LENGTH	USE
A	4	400S162-33	9'-4 5/16"	STUD
B	1	600S162-33	9'-4 3/16"	BACKER-U
C	1	400T300-33	2'-5 3/8"	BOTTOM TRACK
D	1	400T150-33	2'-5 3/8"	TOP TRACK

12-3064

Jewish Home for the Aging

1885 Victory Blvd. Reseda, CA

FM-07-109

CREATED BY: HH

FrameMax, Inc.
13915 Danielson St
Suite 100
Poway, CA 92064
www.frame-max.com



© FrameMax Inc.

HEIGHT : 9'-4 7/16" POINTS: 0.17 Points.

SPACING : 24"

1st STUD: 24"

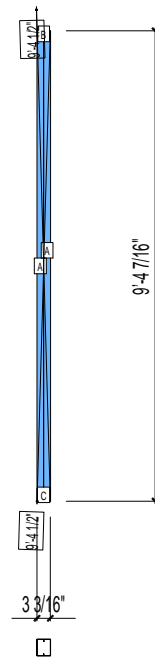
WEIGHTS :

FRAME : 18 lbs

TOTAL: 18 lbs

APPROVED

By hhuynh at 2:52 pm, Nov 14, 2008



PIECES LIST

LABEL	QTY	SIZE	LENGTH	USE
A	2	400S162-33	9'-4 5/16"	STUD
B	1	400T150-33	3 3/16"	TOP TRACK
C	1	400T300-33	3 3/16"	BOTTOM TRACK

12-3065

Jewish Home for the Aging

1885 Victory Blvd. Reseda, CA

FM-07-109

CREATED BY: HH

FrameMax, Inc.
13915 Danielson St
Suite 100
Poway, CA 92064
www.frame-max.com



© FrameMax Inc.

HEIGHT : 9'-4 7/16" POINTS: 0.19 Points.

SPACING : 24"

1st STUD: 24"

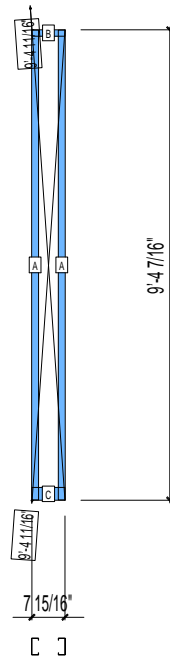
WEIGHTS :

FRAME : 19 lbs

TOTAL: 19 lbs

APPROVED

By hhuynh at 2:52 pm, Nov 14, 2008



PIECES LIST

LABEL	QTY	SIZE	LENGTH	USE
A	2	400S162-33	9'-4 5/16"	STUD
B	1	400T150-33	7 15/16"	TOP TRACK
C	1	400T300-33	7 15/16"	BOTTOM TRACK

12-3066

Jewish Home for the Aging

1885 Victory Blvd. Reseda, CA

FM-07-109

CREATED BY: HH

FrameMax, Inc.
13915 Danielson St
Suite 100
Poway, CA 92064
www.frame-max.com

FRAME MAX

© FrameMax Inc.

HEIGHT : 9'-4 7/16" POINTS: 0.99 Points.

SPACING : 24"

1st STUD: 16 3/16"

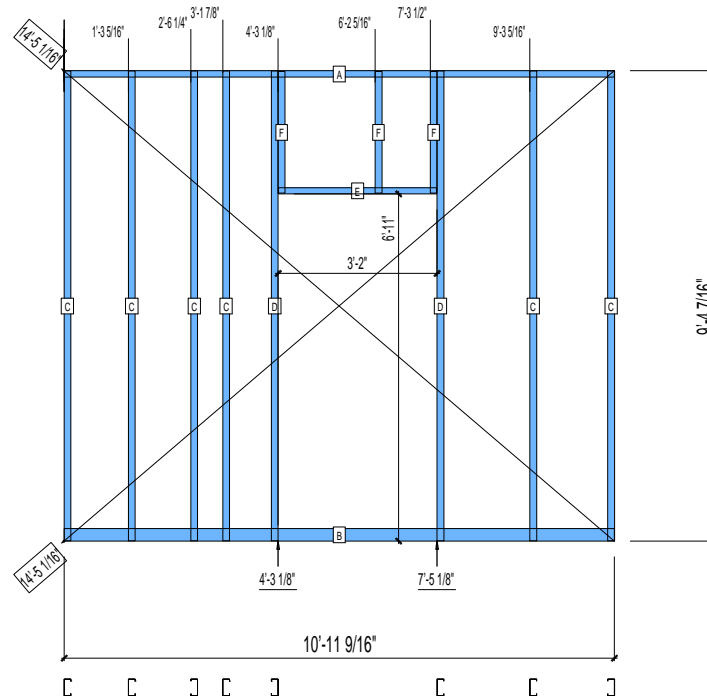
APPROVED

By hhuynh at 2:52 pm, Nov 14, 2008

WEIGHTS :

FRAME : 101 lbs

TOTAL: 101 lbs



PIECES LIST

LABEL	QTY	SIZE	LENGTH	USE
A	1	400T150-33	10'-11 9/16"	TOP TRACK
B	1	400T300-33	10'-11 9/16"	BOTTOM TRACK
C	6	400S162-33	9'-4 5/16"	STUD
D	2	400S162-33	9'-4 5/16"	KING STUD
E	1	400T150-33	3'-1 3/4"	HEAD TRACK
F	3	400S162-33	2'-5 1/16"	CRIPPLE

12-3067

Jewish Home for the Aging

1885 Victory Blvd. Reseda, CA

FM-07-109

CREATED BY: HH

FrameMax, Inc.
13915 Danielson St
Suite 100
Poway, CA 92064
www.frame-max.com



© FrameMax Inc.

HEIGHT : 9'-4 7/16" POINTS: 0.25 Points.

SPACING : 24"

1st STUD: 24"

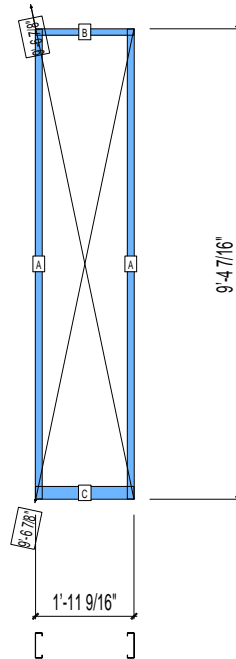
WEIGHTS :

FRAME : 27 lbs

TOTAL: 27 lbs

APPROVED

By hhuynh at 2:52 pm, Nov 14, 2008



PIECES LIST

LABEL	QTY	SIZE	LENGTH	USE
A	2	600S162-33	9'-4 5/16"	STUD
B	1	600T150-33	1'-11 9/16"	TOP TRACK
C	1	600T300-33	1'-11 9/16"	BOTTOM TRACK

12-3068

Jewish Home for the Aging

1885 Victory Blvd. Reseda, CA

FM-07-109

CREATED BY: HH

FrameMax, Inc.
13915 Danielson St
Suite 100
Poway, CA 92064
www.frame-max.com



© FrameMax Inc.

HEIGHT : 9'-4 7/16" POINTS: 0.21 Points.

SPACING : 24"

1st STUD: 24"

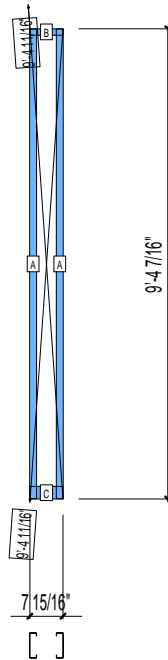
WEIGHTS :

FRAME : 24 lbs

TOTAL: 24 lbs

APPROVED

By hhuynh at 2:52 pm, Nov 14, 2008



PIECES LIST

LABEL	QTY	SIZE	LENGTH	USE
A	2	600S162-33	9'-4 5/16"	STUD
B	1	600T150-33	7 15/16"	TOP TRACK
C	1	600T300-33	7 15/16"	BOTTOM TRACK

12-3069

Jewish Home for the Aging

1885 Victory Blvd. Reseda, CA

FM-07-109

CREATED BY: HH

FrameMax, Inc.
13915 Danielson St
Suite 100
Poway, CA 92064
www.framemax.com

FRAME MAX

© FrameMax Inc.

HEIGHT : 9'-4 7/16" POINTS: 0.30 Points.

SPACING : 24"

1st STUD: 24"

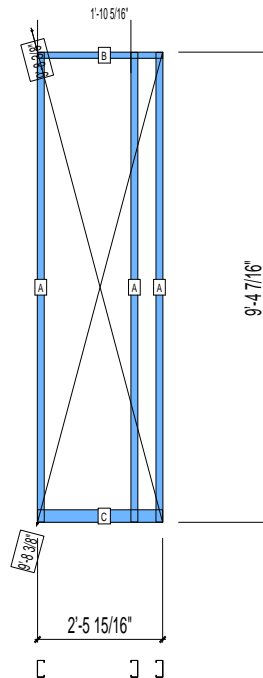
WEIGHTS :

FRAME : 31 lbs

TOTAL: 31 lbs

APPROVED

By hhuynh at 2:52 pm, Nov 14, 2008



PIECES LIST

LABEL	QTY	SIZE	LENGTH	USE
A	3	400S162-33	9'-4 5/16"	STUD
B	1	400T150-33	2'-5 15/16"	TOP TRACK
C	1	400T300-33	2'-5 15/16"	BOTTOM TRACK

12-3070

Jewish Home for the Aging

1885 Victory Blvd. Reseda, CA

FM-07-109

CREATED BY: HH

FrameMax, Inc.
13915 Danielson St
Suite 100
Poway, CA 92064
www.framemax.com

FRAME MAX

© FrameMax Inc.

HEIGHT : 9'-4 7/16" POINTS: 0.97 Points.

SPACING : 24"

1st STUD: 10 11/16"

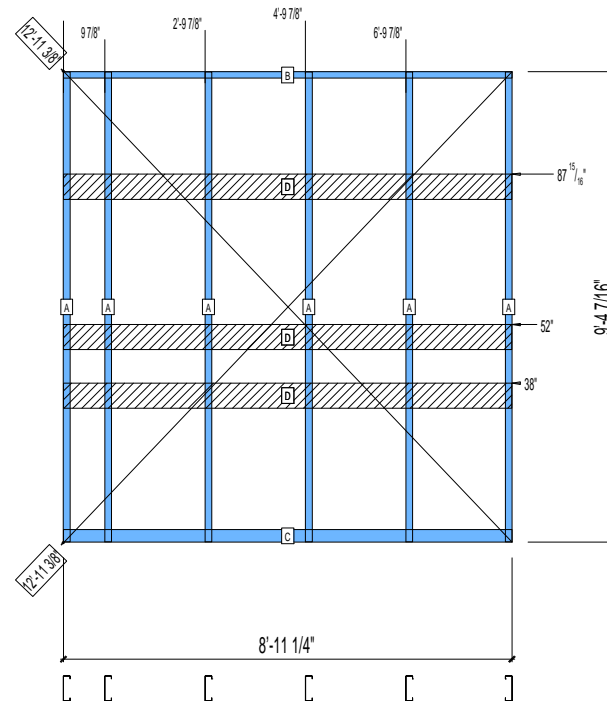
WEIGHTS :

FRAME : 120 lbs

TOTAL: 120 lbs

APPROVED

By hhuynh at 2:52 pm, Nov 14, 2008



PIECES LIST

LABEL	QTY	SIZE	LENGTH	USE
A	6	600S162-33	9'-4 5/16"	STUD
B	1	600T150-33	8'-11 1/4"	TOP TRACK
C	1	600T300-33	8'-11 1/4"	BOTTOM TRACK
D	3	600D-54	8'-11 3/16"	KITCHEN BACKING

12-3071

Jewish Home for the Aging

1885 Victory Blvd. Reseda, CA

FM-07-109

CREATED BY: HH

FrameMax, Inc.
13915 Danielson St
Suite 100
Poway, CA 92064
www.frame-max.com



© FrameMax Inc.

HEIGHT : 9'-4 7/16" POINTS: 0.21 Points.

SPACING : 24"

1st STUD: 16"

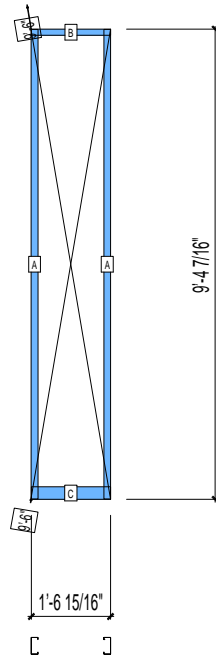
WEIGHTS :

FRAME : 21 lbs

TOTAL: 21 lbs

APPROVED

By hhuynh at 2:52 pm, Nov 14, 2008



PIECES LIST

LABEL	QTY	SIZE	LENGTH	USE
A	2	400S162-33	9'-4 5/16"	STUD
B	1	400T150-33	1'-6 15/16"	TOP TRACK
C	1	400T300-33	1'-6 15/16"	BOTTOM TRACK

12-3072

Jewish Home for the Aging

1885 Victory Blvd. Reseda, CA

FM-07-109

CREATED BY: HH

FrameMax, Inc.
13915 Danielson St
Suite 100
Poway, CA 92064
www.framemax.com

FRAME MAX

© FrameMax Inc.

HEIGHT : 9'-4 7/16" POINTS: 0.32 Points.

SPACING : 24"

1st STUD: 24"

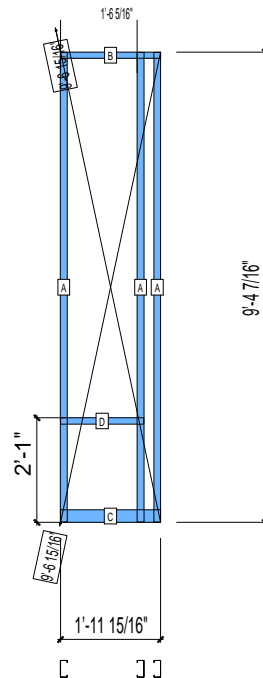
WEIGHTS :

FRAME : 32 lbs

TOTAL: 32 lbs

APPROVED

By hhuynh at 2:52 pm, Nov 14, 2008



PIECES LIST

LABEL	QTY	SIZE	LENGTH	USE
A	3	400S162-33	9'-4 5/16"	STUD
B	1	400T150-33	1'-11 15/16"	TOP TRACK
C	1	400T300-33	1'-11 15/16"	BOTTOM TRACK
D	1	400T150-33	1'-7 7/8"	SILL

12-3073

Jewish Home for the Aging

1885 Victory Blvd. Reseda, CA

FM-07-109

CREATED BY: HH

FrameMax, Inc.
13915 Danielson St
Suite 100
Poway, CA 92064
www.frame-max.com



© FrameMax Inc.

HEIGHT : 9'-4 7/16" POINTS: 0.19 Points.

SPACING : 24"

1st STUD: 24"

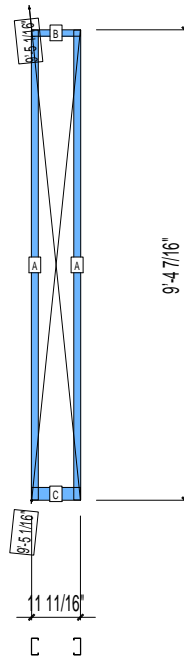
APPROVED

By hhuynh at 2:52 pm, Nov 14, 2008

WEIGHTS :

FRAME : 19 lbs

TOTAL: 19 lbs



PIECES LIST

LABEL	QTY	SIZE	LENGTH	USE
A	2	400S162-33	9'-4 5/16"	STUD
B	1	400T150-33	11 11/16"	TOP TRACK
C	1	400T300-33	11 11/16"	BOTTOM TRACK

12-3074

Jewish Home for the Aging

1885 Victory Blvd. Reseda, CA

FM-07-109

CREATED BY: HH

FrameMax, Inc.
13915 Danielson St
Suite 100
Poway, CA 92064
www.framemax.com

FRAMEMAX

© FrameMax Inc.

HEIGHT : 9'-4 7/16" POINTS: 0.72 Points.

SPACING : 24"

1st STUD: 24"

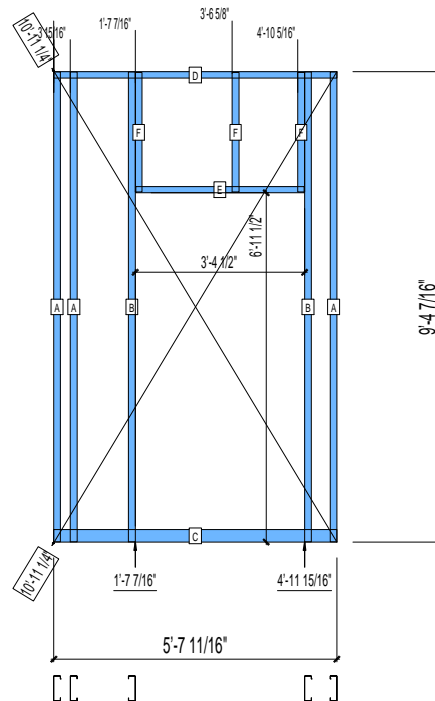
WEIGHTS :

FRAME : 81 lbs

TOTAL: 81 lbs

APPROVED

By hhuynh at 2:52 pm, Nov 14, 2008



PIECES LIST

LABEL	QTY	SIZE	LENGTH	USE
A	3	600S162-33	9'-4 5/16"	STUD
B	2	600S162-33	9'-4 5/16"	KING STUD
C	1	600T300-33	5'-7 11/16"	BOTTOM TRACK
D	1	600T150-33	5'-7 11/16"	TOP TRACK
E	1	600T150-33	3'-4 1/4"	HEAD TRACK
F	3	600S162-33	2'-4 9/16"	CRIPPLE

12-3101

Jewish Home for the Aging

1885 Victory Blvd. Reseda, CA

FM-07-109

CREATED BY: HH

FrameMax, Inc.
13915 Danielson St
Suite 100
Poway, CA 92064
www.framemax.com

FRAME MAX

© FrameMax Inc.

HEIGHT : 9'-4 7/16" POINTS: 0.52 Points.

SPACING : 24"

1st STUD: 24"

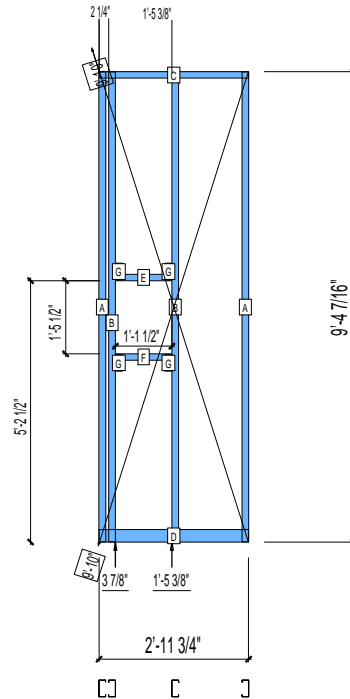
WEIGHTS :

FRAME : 44 lbs

TOTAL: 44 lbs

APPROVED

By hhuynh at 2:52 pm, Nov 14, 2008



PIECES LIST

LABEL	QTY	SIZE	LENGTH	USE
A	2	400S162-33	9'-4 5/16"	STUD
B	2	400S162-33	9'-4 5/16"	KING STUD
C	1	400T150-33	2'-11 3/4"	TOP TRACK
D	1	400T300-33	2'-11 3/4"	BOTTOM TRACK
E	1	400T150-33	1'-1 1/4"	HEAD TRACK
F	1	400T150-33	1'-1 1/4"	SILL
G	4	400S162-33	4"	CRIPPLE

12-3102

Jewish Home for the Aging

1885 Victory Blvd. Reseda, CA

FM-07-109

CREATED BY: HH

FrameMax, Inc.
13915 Danielson St
Suite 100
Poway, CA 92064
www.framemax.com



© FrameMax Inc.

HEIGHT : 9'-4 7/16" POINTS: 0.32 Points.

SPACING : 24"

1st STUD: 24"

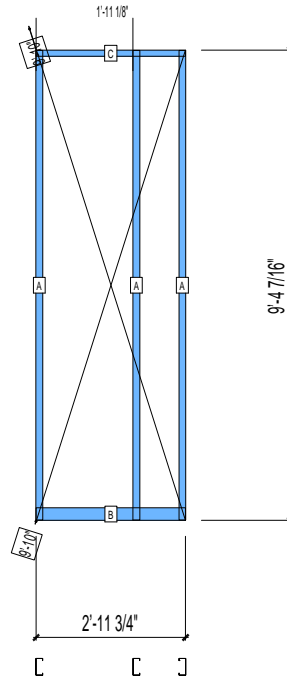
WEIGHTS :

FRAME : 32 lbs

TOTAL: 32 lbs

APPROVED

By hhuynh at 2:52 pm, Nov 14, 2008



PIECES LIST

LABEL	QTY	SIZE	LENGTH	USE
A	3	400S162-33	9'-4 5/16"	STUD
B	1	400T300-33	2'-11 3/4"	BOTTOM TRACK
C	1	400T150-33	2'-11 3/4"	TOP TRACK

12-3103

Jewish Home for the Aging

1885 Victory Blvd. Reseda, CA

FM-07-109

CREATED BY: HH

FrameMax, Inc.
13915 Danielson St
Suite 100
Poway, CA 92064
www.framemax.com



© FrameMax Inc.

HEIGHT : 9'-4 7/16" POINTS: 0.42 Points.

SPACING : 24"

1st STUD: 8 5/16"

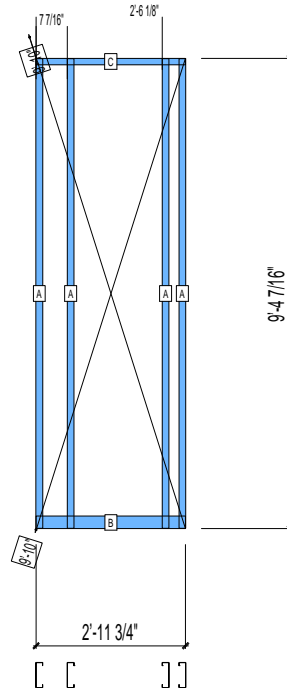
WEIGHTS :

FRAME : 51 lbs

TOTAL: 51 lbs

APPROVED

By hhuynh at 2:52 pm, Nov 14, 2008



PIECES LIST

LABEL	QTY	SIZE	LENGTH	USE
A	4	600S162-33	9'-4 5/16"	STUD
B	1	600T300-33	2'-11 3/4"	BOTTOM TRACK
C	1	600T150-33	2'-11 3/4"	TOP TRACK

12-3104

Jewish Home for the Aging

1885 Victory Blvd. Reseda, CA

FM-07-109

CREATED BY: HH

FrameMax, Inc.
13915 Danielson St
Suite 100
Poway, CA 92064
www.framemax.com



© FrameMax Inc.

HEIGHT : 9'-4 7/16" POINTS: 0.27 Points.

SPACING : 24"

1st STUD: 24"

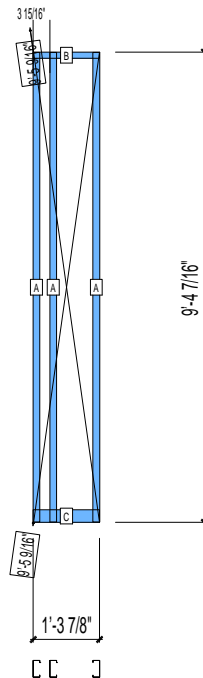
WEIGHTS :

FRAME : 29 lbs

TOTAL: 29 lbs

APPROVED

By hhuynh at 2:52 pm, Nov 14, 2008



PIECES LIST

LABEL	QTY	SIZE	LENGTH	USE
A	3	400S162-33	9'-4 5/16"	STUD
B	1	400T150-33	1'-3 7/8"	TOP TRACK
C	1	400T300-33	1'-3 7/8"	BOTTOM TRACK

12-3105

Jewish Home for the Aging

1885 Victory Blvd. Reseda, CA

FM-07-109

CREATED BY: HH

FrameMax, Inc.
13915 Danielson St
Suite 100
Poway, CA 92064
www.frame-max.com

FRAME MAX

© FrameMax Inc.

HEIGHT : 9'-4 7/16" POINTS: 0.29 Points.

SPACING : 24"

1st STUD: 24"

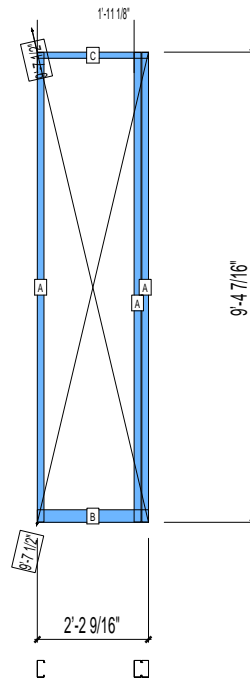
WEIGHTS :

FRAME : 31 lbs

TOTAL: 31 lbs

APPROVED

By hhuynh at 2:52 pm, Nov 14, 2008



PIECES LIST

LABEL	QTY	SIZE	LENGTH	USE
A	3	400S162-33	9'-4 5/16"	STUD
B	1	400T300-33	2'-2 9/16"	BOTTOM TRACK
C	1	400T150-33	2'-2 9/16"	TOP TRACK

12-3106

Jewish Home for the Aging

1885 Victory Blvd. Reseda, CA

FM-07-109

CREATED BY: HH

FrameMax, Inc.
13915 Danielson St
Suite 100
Poway, CA 92064
www.framemax.com

FRAME MAX

© FrameMax Inc.

HEIGHT : 9'-4 7/16" POINTS: 0.85 Points.

SPACING : 24"

1st STUD: 24"

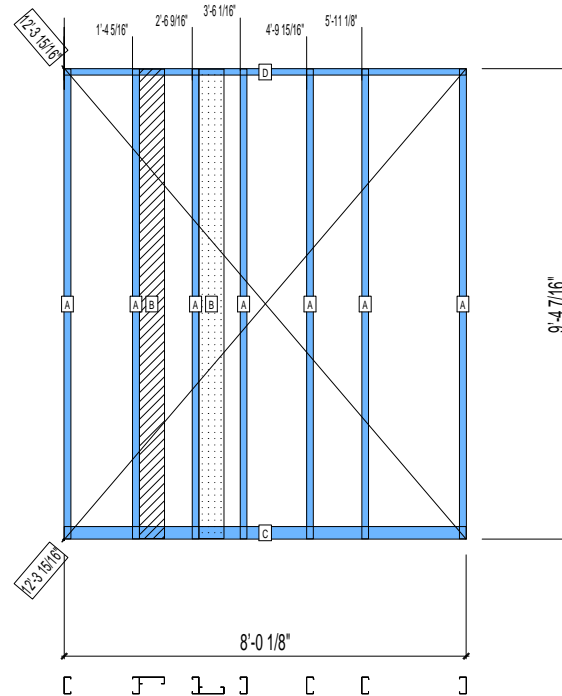
APPROVED

By hhuynh at 2:52 pm, Nov 14, 2008

WEIGHTS :

FRAME : 99 lbs

TOTAL: 99 lbs



PIECES LIST

LABEL	QTY	SIZE	LENGTH	USE
A	7	400S162-33	9'-4 5/16"	STUD
B	2	600S162-33	9'-4 3/16"	BACKER-U
C	1	400T300-33	8'-0 1/8"	BOTTOM TRACK
D	1	400T150-33	8'-0 1/8"	TOP TRACK

12-3107

Jewish Home for the Aging

1885 Victory Blvd. Reseda, CA

FM-07-109

CREATED BY: HH

FrameMax, Inc.
13915 Danielson St
Suite 100
Poway, CA 92064
www.framemax.com



© FrameMax Inc.

HEIGHT : 9'-4 7/16" POINTS: 0.67 Points.

SPACING : 24"

1st STUD: 24"

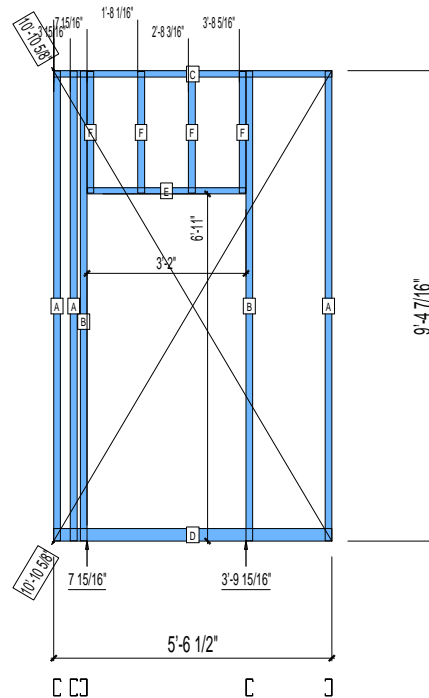
WEIGHTS :

FRAME : 66 lbs

TOTAL: 66 lbs

APPROVED

By hhuynh at 2:52 pm, Nov 14, 2008



PIECES LIST

LABEL	QTY	SIZE	LENGTH	USE
A	3	400S162-33	9'-4 5/16"	STUD
B	2	400S162-33	9'-4 5/16"	KING STUD
C	1	400T150-33	5'-6 1/2"	TOP TRACK
D	1	400T300-33	5'-6 1/2"	BOTTOM TRACK
E	1	400T150-33	3'-1 3/4"	HEAD TRACK
F	4	400S162-33	2'-5 1/16"	CRIPPLE

12-3108

Jewish Home for the Aging

1885 Victory Blvd. Reseda, CA

FM-07-109

CREATED BY: HH

FrameMax, Inc.
13915 Danielson St
Suite 100
Poway, CA 92064
www.framemax.com

FRAME MAX

© FrameMax Inc.

HEIGHT : 9'-4 7/16" POINTS: 0.73 Points.

SPACING : 24"

1st STUD: 24"

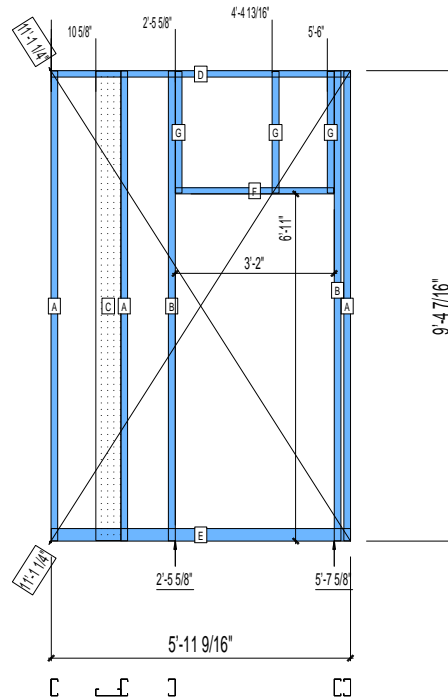
WEIGHTS :

FRAME : 76 lbs

TOTAL: 76 lbs

APPROVED

By hhuynh at 2:52 pm, Nov 14, 2008



PIECES LIST

LABEL	QTY	SIZE	LENGTH	USE
A	3	400S162-33	9'-4 5/16"	STUD
B	2	400S162-33	9'-4 5/16"	KING STUD
C	1	600S162-33	9'-4 3/16"	BACKER-U
D	1	400T150-33	5'-11 9/16"	TOP TRACK
E	1	400T300-33	5'-11 9/16"	BOTTOM TRACK
F	1	400T150-33	3'-1 3/4"	HEAD TRACK
G	3	400S162-33	2'-5 1/16"	CRIPPLE

12-3109

Jewish Home for the Aging

1885 Victory Blvd. Reseda, CA

FM-07-109

CREATED BY: HH

FrameMax, Inc.
13915 Danielson St
Suite 100
Poway, CA 92064
www.framemax.com

FRAME MAX

© FrameMax Inc.

HEIGHT : 9'-4 7/16" POINTS: 0.42 Points.

SPACING : 24"

1st STUD: 24"

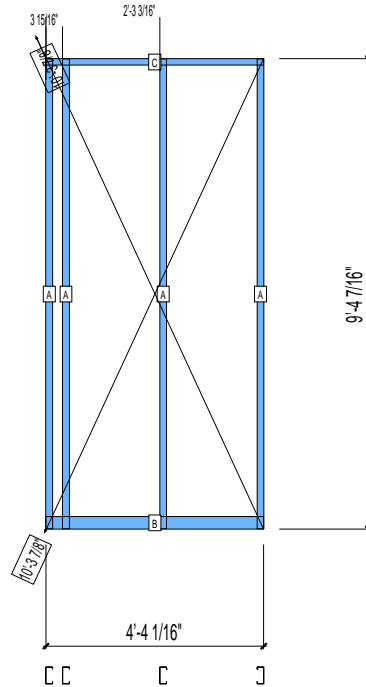
WEIGHTS :

FRAME : 44 lbs

TOTAL: 44 lbs

APPROVED

By hhuynh at 2:52 pm, Nov 14, 2008



PIECES LIST

LABEL	QTY	SIZE	LENGTH	USE
A	4	400S162-33	9'-4 5/16"	STUD
B	1	400T300-33	4'-4 1/16"	BOTTOM TRACK
C	1	400T150-33	4'-4 1/16"	TOP TRACK

12-3110

Jewish Home for the Aging

1885 Victory Blvd. Reseda, CA

FM-07-109

CREATED BY: HH

FrameMax, Inc.
13915 Danielson St
Suite 100
Poway, CA 92064
www.frame-max.com

FRAME MAX

© FrameMax Inc.

HEIGHT : 9'-4 7/16" POINTS: 0.19 Points.

SPACING : 24"

1st STUD: 24"

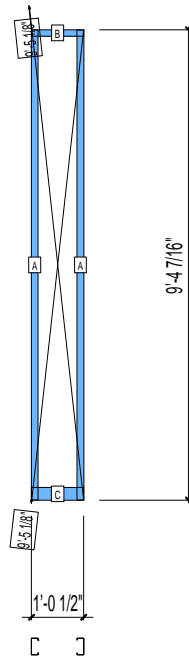
WEIGHTS :

FRAME : 19 lbs

TOTAL: 19 lbs

APPROVED

By hhuynh at 2:52 pm, Nov 14, 2008



PIECES LIST

LABEL	QTY	SIZE	LENGTH	USE
A	2	400S162-33	9'-4 5/16"	STUD
B	1	400T150-33	1'-0 1/2"	TOP TRACK
C	1	400T300-33	1'-0 1/2"	BOTTOM TRACK

12-3111

Jewish Home for the Aging

1885 Victory Blvd. Reseda, CA

FM-07-109

CREATED BY: HH

FrameMax, Inc.
13915 Danielson St
Suite 100
Poway, CA 92064
www.frame-max.com

FRAME MAX

© FrameMax Inc.

HEIGHT : 9'-4 7/16" POINTS: 0.82 Points.

SPACING : 24"

1st STUD: 24"

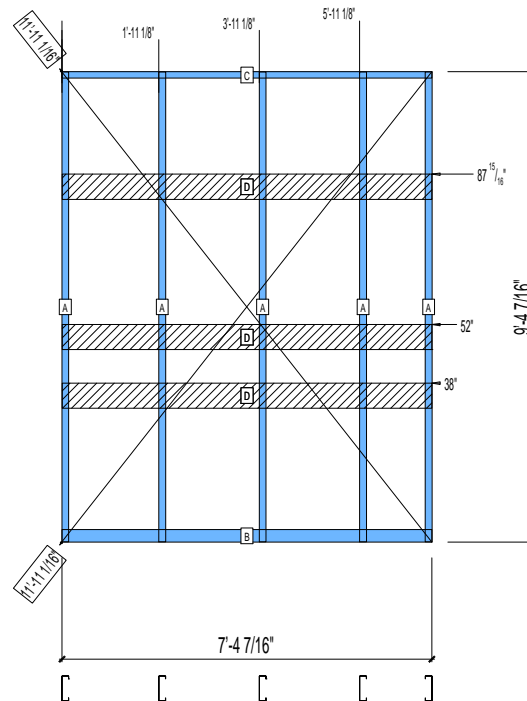
WEIGHTS :

FRAME : 100 lbs

TOTAL: 100 lbs

APPROVED

By hhuynh at 2:52 pm, Nov 14, 2008



PIECES LIST

LABEL	QTY	SIZE	LENGTH	USE
A	5	600S162-33	9'-4 5/16"	STUD
B	1	600T300-33	7'-4 7/16"	BOTTOM TRACK
C	1	600T150-33	7'-4 7/16"	TOP TRACK
D	3	600D-54	7'-4 3/8"	KITCHEN BACKING

12-3112

Jewish Home for the Aging

1885 Victory Blvd. Reseda, CA

FM-07-109

CREATED BY: HH

FrameMax, Inc.
13915 Danielson St
Suite 100
Poway, CA 92064
www.frame-max.com

FRAME MAX

© FrameMax Inc.

HEIGHT : 9'-4 7/16" POINTS: 0.30 Points.

SPACING : 24"

1st STUD: 24"

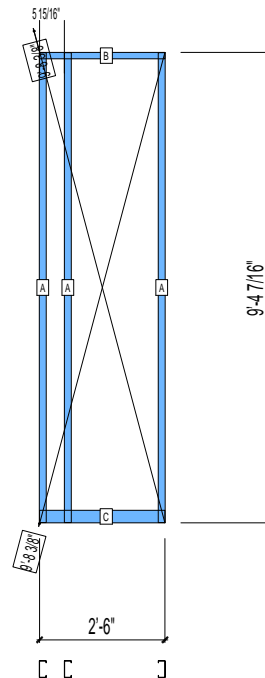
WEIGHTS :

FRAME : 31 lbs

TOTAL: 31 lbs

APPROVED

By hhuynh at 2:52 pm, Nov 14, 2008



PIECES LIST

LABEL	QTY	SIZE	LENGTH	USE
A	3	400S162-33	9'-4 5/16"	STUD
B	1	400T150-33	2'-6"	TOP TRACK
C	1	400T300-33	2'-6"	BOTTOM TRACK

12-3113

Jewish Home for the Aging

1885 Victory Blvd. Reseda, CA

FM-07-109

CREATED BY: HH

FrameMax, Inc.
13915 Danielson St
Suite 100
Poway, CA 92064
www.frame-max.com

FRAME MAX

© FrameMax Inc.

HEIGHT : 9'-4 7/16" POINTS: 0.30 Points.

SPACING : 24"

1st STUD: 24"

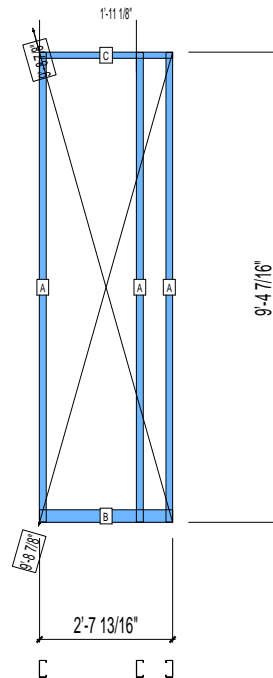
WEIGHTS :

FRAME : 31 lbs

TOTAL: 31 lbs

APPROVED

By hhuynh at 2:52 pm, Nov 14, 2008



PIECES LIST

LABEL	QTY	SIZE	LENGTH	USE
A	3	400S162-33	9'-4 5/16"	STUD
B	1	400T300-33	2'-7 13/16"	BOTTOM TRACK
C	1	400T150-33	2'-7 13/16"	TOP TRACK

12-3114

Jewish Home for the Aging

1885 Victory Blvd. Reseda, CA

FM-07-109

CREATED BY: HH

FrameMax, Inc.
13915 Danielson St
Suite 100
Poway, CA 92064
www.framemax.com

FRAME MAX

© FrameMax Inc.

HEIGHT : 9'-4 7/16" POINTS: 0.42 Points.

SPACING : 24"

1st STUD: 24"

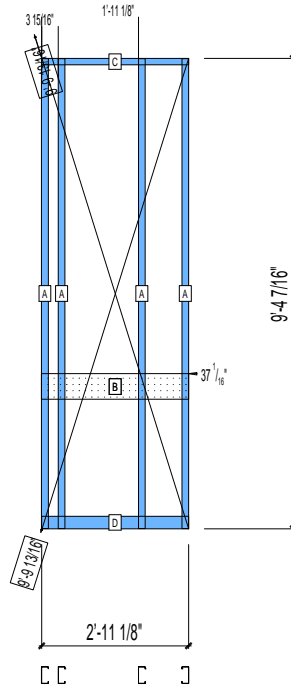
WEIGHTS :

FRAME : 46 lbs

TOTAL: 46 lbs

APPROVED

By hhuynh at 2:52 pm, Nov 14, 2008



PIECES LIST

LABEL	QTY	SIZE	LENGTH	USE
A	4	400S162-33	9'-4 5/16"	STUD
B	1	600T150-54	2'-11 3/16"	GRAB BAR
C	1	400T150-33	2'-11 1/8"	TOP TRACK
D	1	400T300-33	2'-11 1/8"	BOTTOM TRACK

12-3115

Jewish Home for the Aging

1885 Victory Blvd. Reseda, CA

FM-07-109

CREATED BY: HH

FrameMax, Inc.
13915 Danielson St
Suite 100
Poway, CA 92064
www.frame-max.com

FRAME MAX

© FrameMax Inc.

HEIGHT : 9'-4 7/16" POINTS: 0.32 Points.

SPACING : 24"

1st STUD: 24"

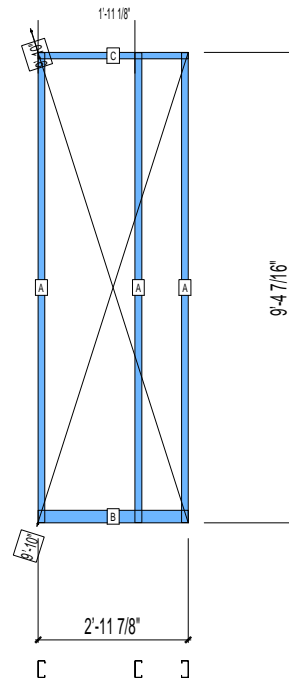
WEIGHTS :

FRAME : 32 lbs

TOTAL: 32 lbs

APPROVED

By hhuynh at 2:52 pm, Nov 14, 2008



PIECES LIST

LABEL	QTY	SIZE	LENGTH	USE
A	3	400S162-33	9'-4 5/16"	STUD
B	1	400T300-33	2'-11 7/8"	BOTTOM TRACK
C	1	400T150-33	2'-11 7/8"	TOP TRACK

12-3116

Jewish Home for the Aging

1885 Victory Blvd. Reseda, CA

FM-07-109

CREATED BY: HH

FrameMax, Inc.
13915 Danielson St
Suite 100
Poway, CA 92064
www.frame-max.com

FRAME MAX

© FrameMax Inc.

HEIGHT : 9'-4 7/16" POINTS: 0.38 Points.

SPACING : 24"

1st STUD: 16"

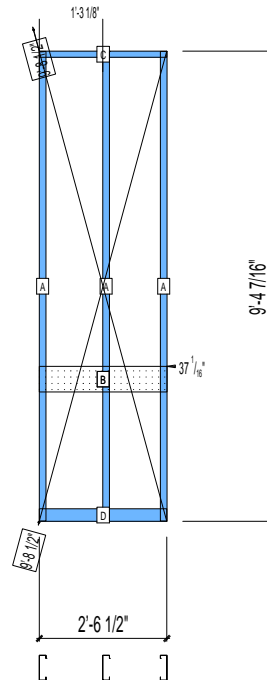
WEIGHTS :

FRAME : 44 lbs

TOTAL: 44 lbs

APPROVED

By hhuynh at 2:52 pm, Nov 14, 2008



PIECES LIST

LABEL	QTY	SIZE	LENGTH	USE
A	3	600S162-33	9'-4 5/16"	STUD
B	1	600T150-54	2'-6 9/16"	GRAB BAR
C	1	600T150-33	2'-6 1/2"	TOP TRACK
D	1	600T300-33	2'-6 1/2"	BOTTOM TRACK

12-3117

Jewish Home for the Aging

1885 Victory Blvd. Reseda, CA

FM-07-109

CREATED BY: HH

FrameMax, Inc.
13915 Danielson St
Suite 100
Poway, CA 92064
www.framemax.com

FRAME MAX

© FrameMax Inc.

HEIGHT : 9'-4 7/16" POINTS: 0.40 Points.

SPACING : 24"

1st STUD: 24"

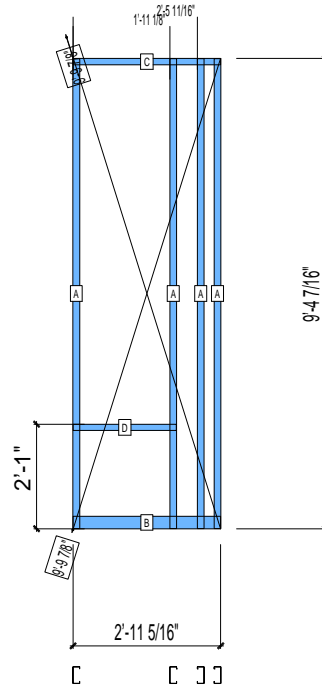
WEIGHTS :

FRAME : 42 lbs

TOTAL: 42 lbs

APPROVED

By hhuynh at 2:52 pm, Nov 14, 2008



PIECES LIST

LABEL	QTY	SIZE	LENGTH	USE
A	4	400S162-33	9'-4 5/16"	STUD
B	1	400T300-33	2'-11 5/16"	BOTTOM TRACK
C	1	400T150-33	2'-11 5/16"	TOP TRACK
D	1	400T150-33	2'-0 11/16"	SILL

12-3118

Jewish Home for the Aging

1885 Victory Blvd. Reseda, CA

FM-07-109

CREATED BY: HH

FrameMax, Inc.
13915 Danielson St
Suite 100
Poway, CA 92064
www.framemax.com

FRAME MAX

© FrameMax Inc.

HEIGHT : 9'-4 7/16" POINTS: 0.22 Points.

SPACING : 24"

1st STUD: 16"

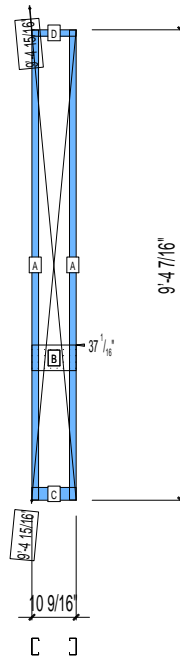
WEIGHTS :

FRAME : 21 lbs

TOTAL: 21 lbs

APPROVED

By hhuynh at 2:52 pm, Nov 14, 2008



PIECES LIST

LABEL	QTY	SIZE	LENGTH	USE
A	2	400S162-33	9'-4 5/16"	STUD
B	1	600T150-54	10 5/8"	GRAB BAR
C	1	400T300-33	10 9/16"	BOTTOM TRACK
D	1	400T150-33	10 9/16"	TOP TRACK

12-3119

Jewish Home for the Aging

1885 Victory Blvd. Reseda, CA

FM-07-109

CREATED BY: HH

FrameMax, Inc.
13915 Danielson St
Suite 100
Poway, CA 92064
www.frame-max.com

FRAME MAX

© FrameMax Inc.

HEIGHT : 9'-4 7/16" POINTS: 0.71 Points.

SPACING : 24"

1st STUD: 24"

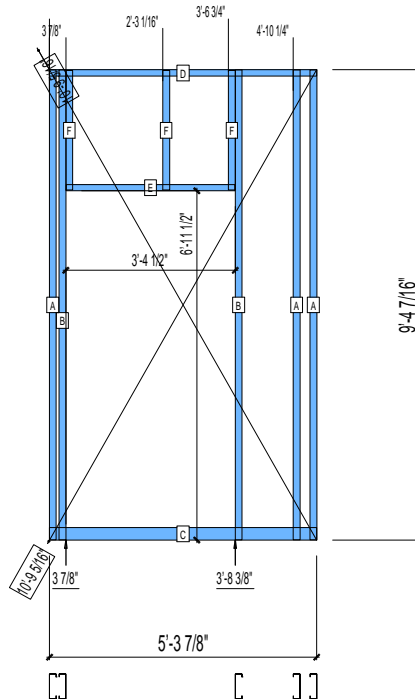
WEIGHTS :

FRAME : 80 lbs

TOTAL: 80 lbs

APPROVED

By hhuynh at 2:52 pm, Nov 14, 2008



PIECES LIST

LABEL	QTY	SIZE	LENGTH	USE
A	3	600S162-33	9'-4 5/16"	STUD
B	2	600S162-33	9'-4 5/16"	KING STUD
C	1	600T300-33	5'-3 7/8"	BOTTOM TRACK
D	1	600T150-33	5'-3 7/8"	TOP TRACK
E	1	600T150-33	3'-4 1/4"	HEAD TRACK
F	3	600S162-33	2'-4 9/16"	CRIPPLE

12-3120

Jewish Home for the Aging

1885 Victory Blvd. Reseda, CA

FM-07-109

CREATED BY: HH

FrameMax, Inc.
13915 Danielson St
Suite 100
Poway, CA 92064
www.frame-max.com

FRAME MAX

© FrameMax Inc.

HEIGHT : 9'-4 7/16" POINTS: 0.19 Points.

SPACING : 24"

1st STUD: 16"

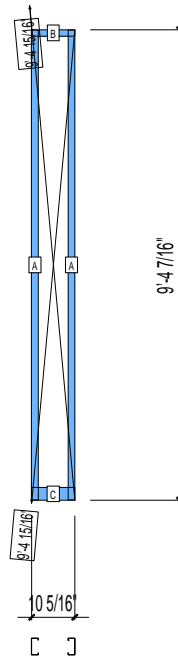
APPROVED

By hhuynh at 2:52 pm, Nov 14, 2008

WEIGHTS :

FRAME : 19 lbs

TOTAL: 19 lbs



PIECES LIST

LABEL	QTY	SIZE	LENGTH	USE
A	2	400S162-33	9'-4 5/16"	STUD
B	1	400T150-33	10 5/16"	TOP TRACK
C	1	400T300-33	10 5/16"	BOTTOM TRACK

12-3151

Jewish Home for the Aging

1885 Victory Blvd. Reseda, CA

FM-07-109

CREATED BY: HH

FrameMax, Inc.
13915 Danielson St
Suite 100
Poway, CA 92064
www.frame-max.com



© FrameMax Inc.

HEIGHT : 9'-4 7/16" POINTS: 1.00 Points.

SPACING : 24"

1st STUD: 8 3/4"

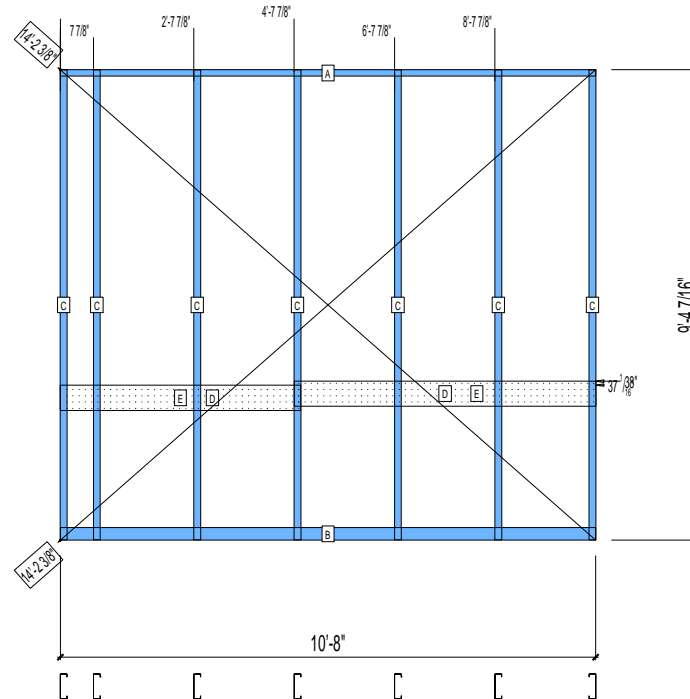
APPROVED

By hhuynh at 2:52 pm, Nov 14, 2008

WEIGHTS :

FRAME : 119 lbs

TOTAL: 119 lbs



PIECES LIST

LABEL	QTY	SIZE	LENGTH	USE
A	1	600T150-33	10'-8"	TOP TRACK
B	1	600T300-33	10'-8"	BOTTOM TRACK
C	7	600S162-33	9'-4 5/16"	STUD
D	1	600D-54	6'-0 1/16"	VANITY BACKING
E	1	600T150-54	4'-9 1/2"	GRAB BAR

12-3152

Jewish Home for the Aging

1885 Victory Blvd. Reseda, CA

FM-07-109

CREATED BY: HH

FrameMax, Inc.
13915 Danielson St
Suite 100
Poway, CA 92064
www.frame-max.com



© FrameMax Inc.

HEIGHT : 9'-4 7/16" POINTS: 0.21 Points.

SPACING : 24"

1st STUD: 24"

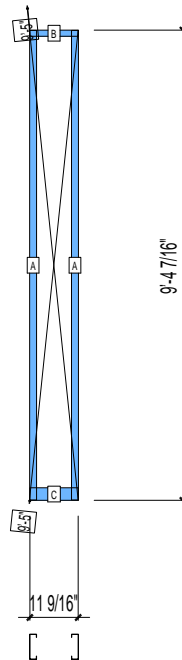
APPROVED

By hhuynh at 2:52 pm, Nov 14, 2008

WEIGHTS :

FRAME : 24 lbs

TOTAL: 24 lbs



PIECES LIST

LABEL	QTY	SIZE	LENGTH	USE
A	2	600S162-33	9'-4 5/16"	STUD
B	1	600T150-33	11 9/16"	TOP TRACK
C	1	600T300-33	11 9/16"	BOTTOM TRACK

12-3153

Jewish Home for the Aging

1885 Victory Blvd. Reseda, CA

FM-07-109

CREATED BY: HH

FrameMax, Inc.
13915 Danielson St
Suite 100
Poway, CA 92064
www.framemax.com

FRAMEMAX

© FrameMax Inc.

HEIGHT : 9'-4 7/16" POINTS: 0.41 Points.

SPACING : 5000"

1st STUD: 5000"

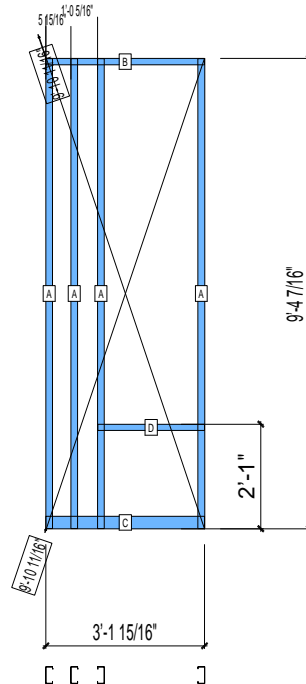
WEIGHTS :

FRAME : 43 lbs

TOTAL: 43 lbs

APPROVED

By hhuynh at 2:52 pm, Nov 14, 2008



PIECES LIST

LABEL	QTY	SIZE	LENGTH	USE
A	4	400S162-33	9'-4 5/16"	STUD
B	1	400T150-33	3'-1 15/16"	TOP TRACK
C	1	400T300-33	3'-1 15/16"	BOTTOM TRACK
D	1	400T150-33	2'-1 1/2"	SILL

12-3154

Jewish Home for the Aging

1885 Victory Blvd. Reseda, CA

FM-07-109

CREATED BY: HH

FrameMax, Inc.
13915 Danielson St
Suite 100
Poway, CA 92064
www.framemax.com

FRAME MAX

© FrameMax Inc.

HEIGHT : 9'-4 7/16" POINTS: 0.56 Points.

SPACING : 24"

1st STUD: 24"

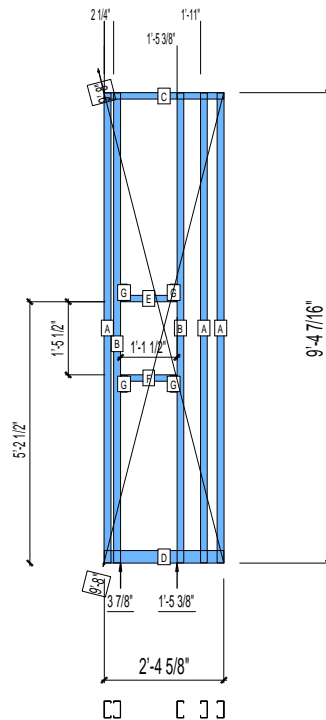
WEIGHTS :

FRAME : 51 lbs

TOTAL: 51 lbs

APPROVED

By hhuynh at 2:52 pm, Nov 14, 2008



PIECES LIST

LABEL	QTY	SIZE	LENGTH	USE
A	3	400S162-33	9'-4 5/16"	STUD
B	2	400S162-33	9'-4 5/16"	KING STUD
C	1	400T150-33	2'-4 5/8"	TOP TRACK
D	1	400T300-33	2'-4 5/8"	BOTTOM TRACK
E	1	400T150-33	1'-1 1/4"	HEAD TRACK
F	1	400T150-33	1'-1 1/4"	SILL
G	4	400S162-33	4"	CRIPPLE

12-3155

Jewish Home for the Aging

1885 Victory Blvd. Reseda, CA

FM-07-109

CREATED BY: HH

FrameMax, Inc.
13915 Danielson St
Suite 100
Poway, CA 92064
www.frame-max.com

FRAME MAX

© FrameMax Inc.

HEIGHT : 9'-4 7/16" POINTS: 0.31 Points.

SPACING : 5000"

1st STUD: 16"

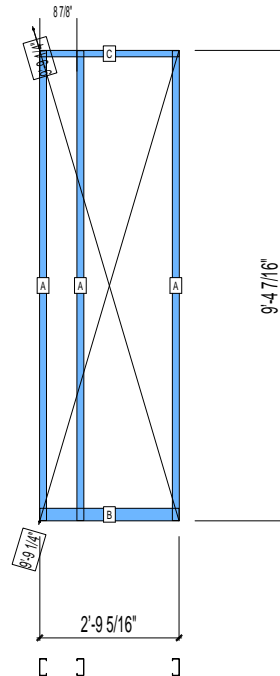
APPROVED

By hhuynh at 2:52 pm, Nov 14, 2008

WEIGHTS :

FRAME : 32 lbs

TOTAL: 32 lbs



PIECES LIST

LABEL	QTY	SIZE	LENGTH	USE
A	3	400S162-33	9'-4 5/16"	STUD
B	1	400T300-33	2'-9 5/16"	BOTTOM TRACK
C	1	400T150-33	2'-9 5/16"	TOP TRACK

12-3156

Jewish Home for the Aging

1885 Victory Blvd. Reseda, CA

FM-07-109

CREATED BY: HH

FrameMax, Inc.
13915 Danielson St
Suite 100
Poway, CA 92064
www.frame-max.com

FRAME MAX

© FrameMax Inc.

HEIGHT : 9'-4 7/16" POINTS: 0.35 Points.

SPACING : 5000"

1st STUD: 5000"

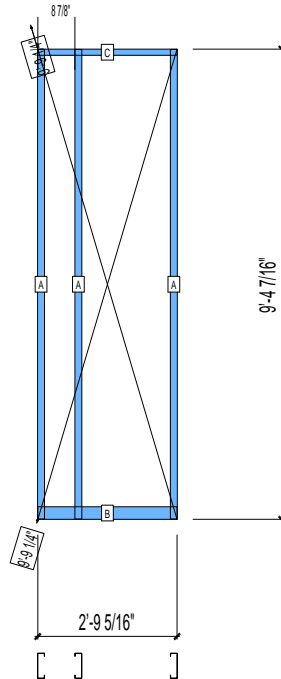
WEIGHTS :

FRAME : 40 lbs

TOTAL: 40 lbs

APPROVED

By hhuynh at 2:52 pm, Nov 14, 2008



PIECES LIST

LABEL	QTY	SIZE	LENGTH	USE
A	3	600S162-33	9'-4 5/16"	STUD
B	1	600T300-33	2'-9 5/16"	BOTTOM TRACK
C	1	600T150-33	2'-9 5/16"	TOP TRACK

12-3157

Jewish Home for the Aging

1885 Victory Blvd. Reseda, CA

FM-07-109

CREATED BY: HH

FrameMax, Inc.
13915 Danielson St
Suite 100
Poway, CA 92064
www.framemax.com

FRAME MAX

© FrameMax Inc.

HEIGHT : 9'-4 7/16" POINTS: 0.38 Points.

SPACING : 24"

1st STUD: 24"

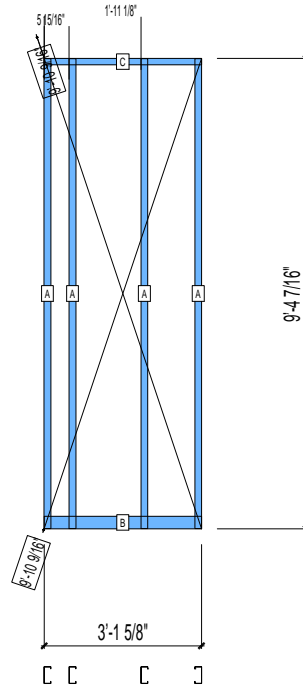
WEIGHTS :

FRAME : 41 lbs

TOTAL: 41 lbs

APPROVED

By hhuynh at 2:52 pm, Nov 14, 2008



PIECES LIST

LABEL	QTY	SIZE	LENGTH	USE
A	4	400S162-33	9'-4 5/16"	STUD
B	1	400T300-33	3'-1 5/8"	BOTTOM TRACK
C	1	400T150-33	3'-1 5/8"	TOP TRACK

12-3158

Jewish Home for the Aging

1885 Victory Blvd. Reseda, CA

FM-07-109

CREATED BY: HH

FrameMax, Inc.
13915 Danielson St
Suite 100
Poway, CA 92064
www.framemax.com

FRAME MAX

© FrameMax Inc.

HEIGHT : 9'-4 7/16" POINTS: 0.27 Points.

SPACING : 24"

1st STUD: 24"

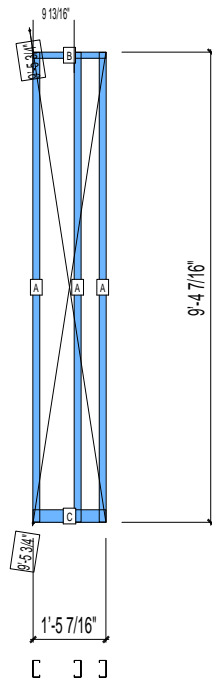
WEIGHTS :

FRAME : 29 lbs

TOTAL: 29 lbs

APPROVED

By hhuynh at 2:52 pm, Nov 14, 2008



PIECES LIST

LABEL	QTY	SIZE	LENGTH	USE
A	3	400S162-33	9'-4 5/16"	STUD
B	1	400T150-33	1'-5 7/16"	TOP TRACK
C	1	400T300-33	1'-5 7/16"	BOTTOM TRACK

12-3159

Jewish Home for the Aging

1885 Victory Blvd. Reseda, CA

FM-07-109

CREATED BY: HH

FrameMax, Inc.
13915 Danielson St
Suite 100
Poway, CA 92064
www.frame-max.com

FRAME MAX

© FrameMax Inc.

HEIGHT : 9'-4 7/16" POINTS: 0.34 Points.

SPACING : 24"

1st STUD: 24"

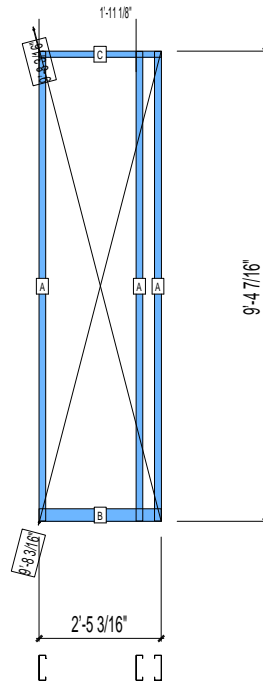
WEIGHTS :

FRAME : 39 lbs

TOTAL: 39 lbs

APPROVED

By hhuynh at 2:52 pm, Nov 14, 2008



PIECES LIST

LABEL	QTY	SIZE	LENGTH	USE
A	3	600S162-33	9'-4 5/16"	STUD
B	1	600T300-33	2'-5 3/16"	BOTTOM TRACK
C	1	600T150-33	2'-5 3/16"	TOP TRACK

12-3160

Jewish Home for the Aging

1885 Victory Blvd. Reseda, CA

FM-07-109

CREATED BY: HH

FrameMax, Inc.
13915 Danielson St
Suite 100
Poway, CA 92064
www.frame-max.com



© FrameMax Inc.

HEIGHT : 9'-4 7/16" POINTS: 1.25 Points.

SPACING : 24"

1st STUD: 8 1/2"

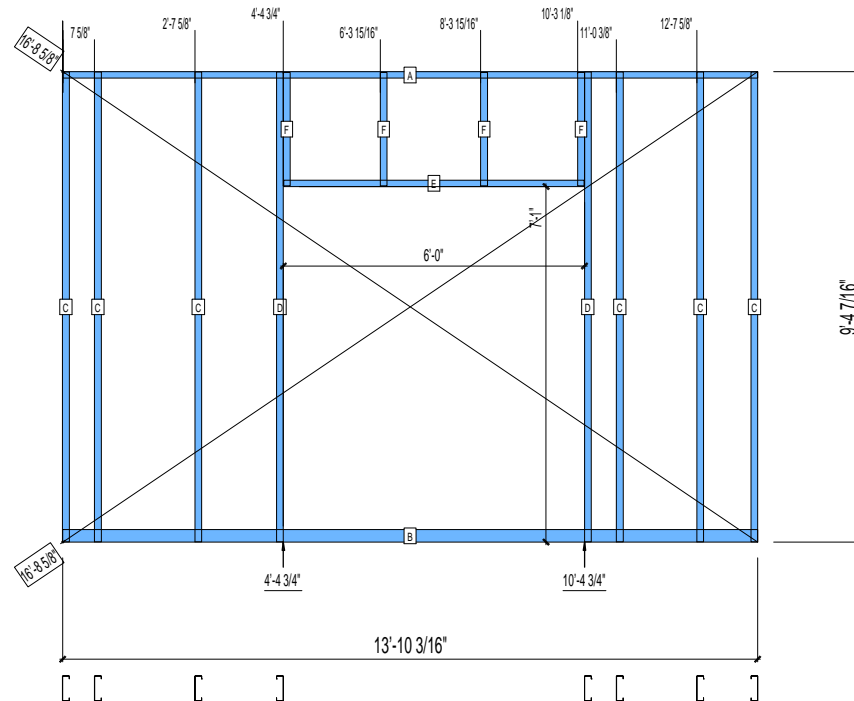
APPROVED

By hhuynh at 2:52 pm, Nov 14, 2008

WEIGHTS :

FRAME : 139 lbs

TOTAL: 139 lbs



PIECES LIST

LABEL	QTY	SIZE	LENGTH	USE
A	1	600T150-33	13'-10 3/16"	TOP TRACK
B	1	600T300-33	13'-10 3/16"	BOTTOM TRACK
C	6	600S162-33	9'-4 5/16"	STUD
D	2	600S162-33	9'-4 5/16"	KING STUD
E	1	600T150-33	5'-11 3/4"	HEAD TRACK
F	4	600S162-33	2'-3 1/16"	CRIPPLE

12-3161

Jewish Home for the Aging

1885 Victory Blvd. Reseda, CA

FM-07-109

CREATED BY: HH

FrameMax, Inc.
13915 Danielson St
Suite 100
Poway, CA 92064
www.framemax.com

FRAME MAX

© FrameMax Inc.

HEIGHT : 9'-4 7/16" POINTS: 0.50 Points.

SPACING : 24"

1st STUD: 16"

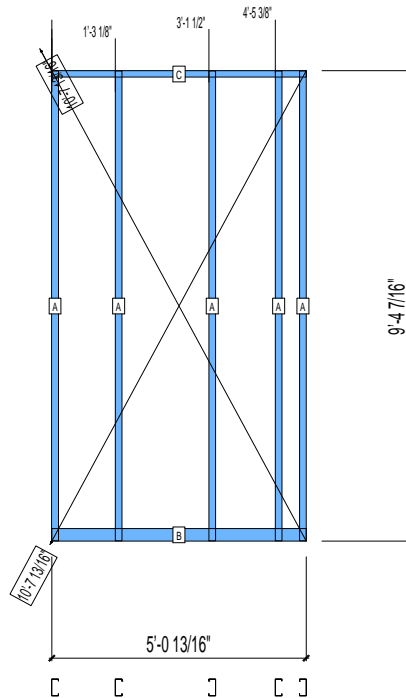
WEIGHTS :

FRAME : 54 lbs

TOTAL: 54 lbs

APPROVED

By hhuynh at 2:52 pm, Nov 14, 2008



PIECES LIST

LABEL	QTY	SIZE	LENGTH	USE
A	5	400S162-33	9'-4 5/16"	STUD
B	1	400T300-33	5'-0 13/16"	BOTTOM TRACK
C	1	400T150-33	5'-0 13/16"	TOP TRACK

12-3162

Jewish Home for the Aging

1885 Victory Blvd. Reseda, CA

FM-07-109

CREATED BY: HH

FrameMax, Inc.
13915 Danielson St
Suite 100
Poway, CA 92064
www.frame-max.com



© FrameMax Inc.

HEIGHT : 9'-4 7/16" POINTS: 0.70 Points.

SPACING : 24"

1st STUD: 24"

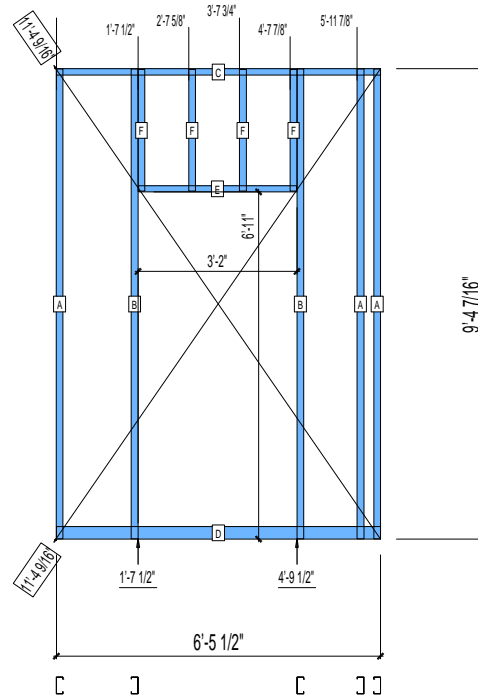
APPROVED

By hhuynh at 2:52 pm, Nov 14, 2008

WEIGHTS :

FRAME : 68 lbs

TOTAL: 68 lbs



PIECES LIST

LABEL	QTY	SIZE	LENGTH	USE
A	3	400S162-33	9'-4 5/16"	STUD
B	2	400S162-33	9'-4 5/16"	KING STUD
C	1	400T150-33	6'-5 1/2"	TOP TRACK
D	1	400T300-33	6'-5 1/2"	BOTTOM TRACK
E	1	400T150-33	3'-1 3/4"	HEAD TRACK
F	4	400S162-33	2'-5 1/16"	CRIPPLE

12-3163

Jewish Home for the Aging

1885 Victory Blvd. Reseda, CA

FM-07-109

CREATED BY: HH

FrameMax, Inc.
13915 Danielson St
Suite 100
Poway, CA 92064
www.framemax.com

FRAME MAX

© FrameMax Inc.

HEIGHT : 9'-4 7/16" POINTS: 0.33 Points.

SPACING : 24"

1st STUD: 24"

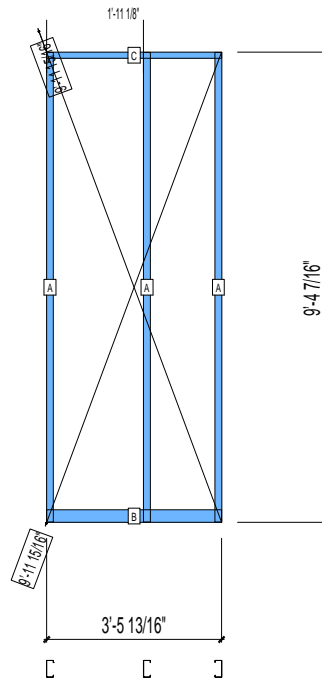
WEIGHTS :

FRAME : 33 lbs

TOTAL: 33 lbs

APPROVED

By hhuynh at 2:52 pm, Nov 14, 2008



PIECES LIST

LABEL	QTY	SIZE	LENGTH	USE
A	3	400S162-33	9'-4 5/16"	STUD
B	1	400T300-33	3'-5 13/16"	BOTTOM TRACK
C	1	400T150-33	3'-5 13/16"	TOP TRACK

12-3164

Jewish Home for the Aging

1885 Victory Blvd. Reseda, CA

FM-07-109

CREATED BY: HH

FrameMax, Inc.
13915 Danielson St
Suite 100
Poway, CA 92064
www.frame-max.com



© FrameMax Inc.

HEIGHT : 9'-4 7/16" POINTS: 0.30 Points.

SPACING : 24"

1st STUD: 24"

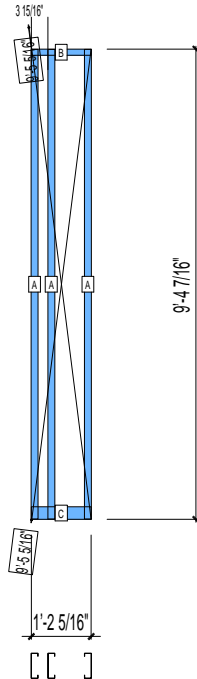
WEIGHTS :

FRAME : 36 lbs

TOTAL: 36 lbs

APPROVED

By hhuynh at 2:52 pm, Nov 14, 2008



PIECES LIST

LABEL	QTY	SIZE	LENGTH	USE
A	3	600S162-33	9'-4 5/16"	STUD
B	1	600T150-33	1'-2 5/16"	TOP TRACK
C	1	600T300-33	1'-2 5/16"	BOTTOM TRACK

12-3165

Jewish Home for the Aging

1885 Victory Blvd. Reseda, CA

FM-07-109

CREATED BY: HH

FrameMax, Inc.
13915 Danielson St
Suite 100
Poway, CA 92064
www.frame-max.com



© FrameMax Inc.

HEIGHT : 9'-4 7/16" POINTS: 0.19 Points.

SPACING : 24"

1st STUD: 24"

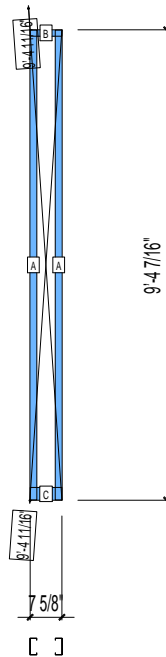
APPROVED

By hhuynh at 2:52 pm, Nov 14, 2008

WEIGHTS :

FRAME : 19 lbs

TOTAL: 19 lbs



PIECES LIST

LABEL	QTY	SIZE	LENGTH	USE
A	2	400S162-33	9'-4 5/16"	STUD
B	1	400T150-33	7 5/8"	TOP TRACK
C	1	400T300-33	7 5/8"	BOTTOM TRACK

12-3166

Jewish Home for the Aging

1885 Victory Blvd. Reseda, CA

FM-07-109

CREATED BY: HH

FrameMax, Inc.
13915 Danielson St
Suite 100
Poway, CA 92064
www.framemax.com

FRAME MAX

© FrameMax Inc.

HEIGHT : 9'-4 7/16" POINTS: 0.95 Points.

SPACING : 24"

1st STUD: 7 3/16"

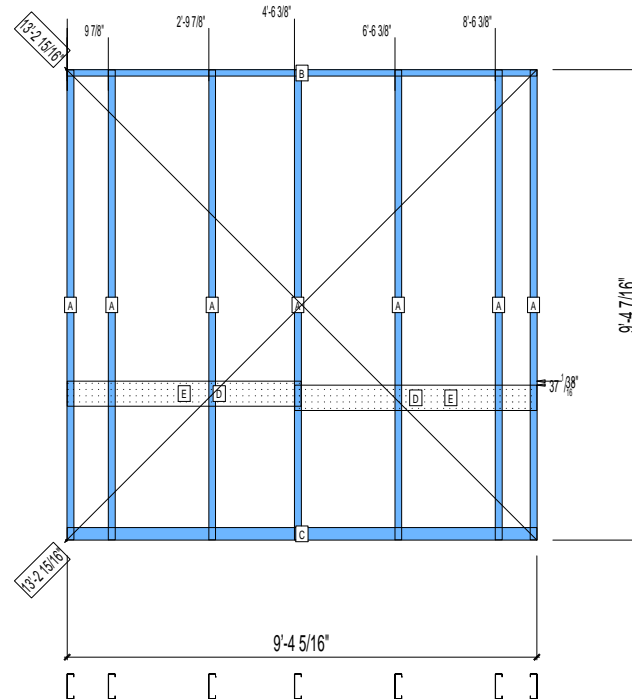
APPROVED

By hhuynh at 2:52 pm, Nov 14, 2008

WEIGHTS :

FRAME : 114 lbs

TOTAL: 114 lbs



PIECES LIST

LABEL	QTY	SIZE	LENGTH	USE
A	7	600S162-33	9'-4 5/16"	STUD
B	1	600T150-33	9'-4 5/16"	TOP TRACK
C	1	600T300-33	9'-4 5/16"	BOTTOM TRACK
D	1	600T150-54	4'-9 7/8"	GRAB BAR
E	1	600D-54	4'-7 7/8"	VANITY BACKING

12-3167

Jewish Home for the Aging

1885 Victory Blvd. Reseda, CA

FM-07-109

CREATED BY: HH

FrameMax, Inc.
13915 Danielson St
Suite 100
Poway, CA 92064
www.frame-max.com

FRAME MAX

© FrameMax Inc.

HEIGHT : 9'-4 7/16" POINTS: 0.99 Points.

SPACING : 5000"

1st STUD: 5000"

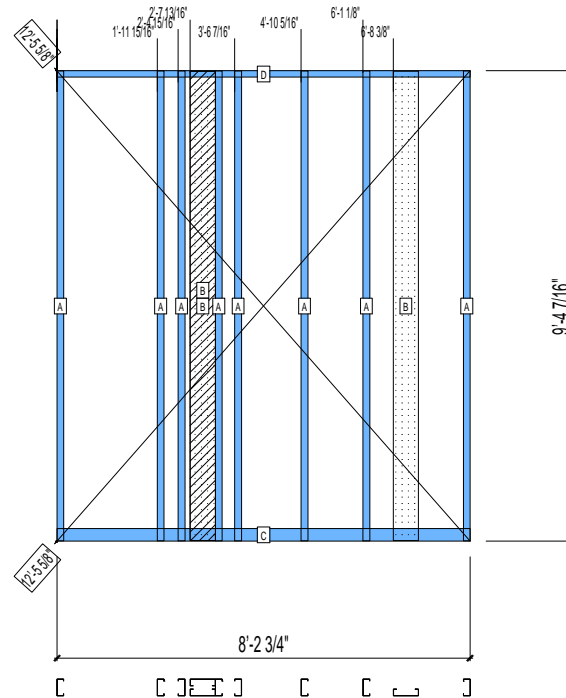
WEIGHTS :

FRAME : 119 lbs

TOTAL: 119 lbs

APPROVED

By hhuynh at 2:52 pm, Nov 14, 2008



PIECES LIST

LABEL	QTY	SIZE	LENGTH	USE
A	8	400S162-33	9'-4 5/16"	STUD
B	3	600S162-33	9'-4 3/16"	BACKER-U
C	1	400T300-33	8'-2 3/4"	BOTTOM TRACK
D	1	400T150-33	8'-2 3/4"	TOP TRACK

12-3168

Jewish Home for the Aging

1885 Victory Blvd. Reseda, CA

FM-07-109

CREATED BY: HH

FrameMax, Inc.
13915 Danielson St
Suite 100
Poway, CA 92064
www.framemax.com

FRAME MAX

© FrameMax Inc.

HEIGHT : 9'-4 7/16" POINTS: 0.50 Points.

SPACING : 24"

1st STUD: 6 1/2"

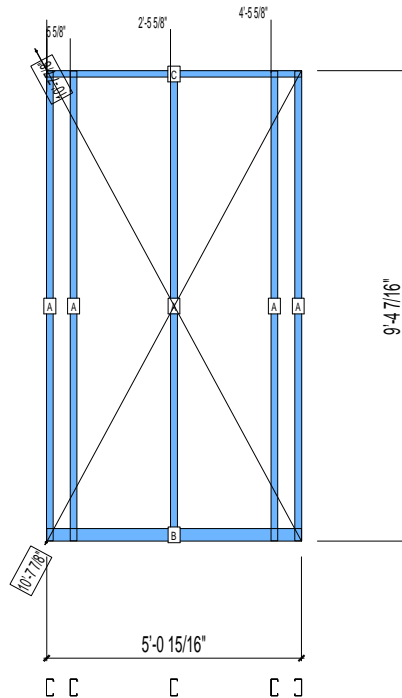
WEIGHTS :

FRAME : 54 lbs

TOTAL: 54 lbs

APPROVED

By hhuynh at 2:52 pm, Nov 14, 2008



PIECES LIST

LABEL	QTY	SIZE	LENGTH	USE
A	5	400S162-33	9'-4 5/16"	STUD
B	1	400T300-33	5'-0 15/16"	BOTTOM TRACK
C	1	400T150-33	5'-0 15/16"	TOP TRACK

12-3169

Jewish Home for the Aging

1885 Victory Blvd. Reseda, CA

FM-07-109

CREATED BY: HH

FrameMax, Inc.
13915 Danielson St
Suite 100
Poway, CA 92064
www.frame-max.com

FRAME MAX

© FrameMax Inc.

HEIGHT : 9'-4 7/16" POINTS: 0.67 Points.

SPACING : 24"

1st STUD: 24"

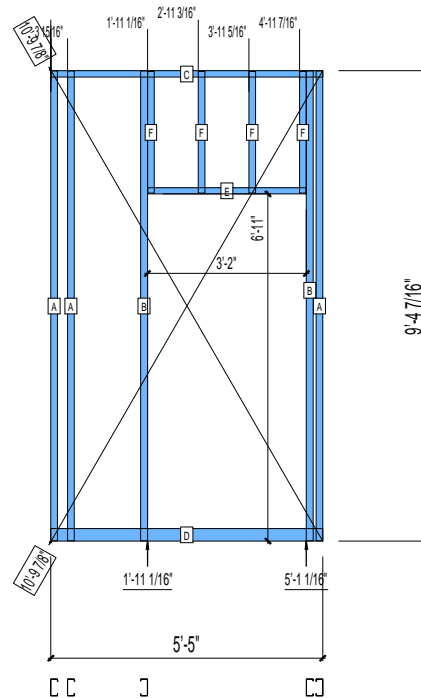
WEIGHTS :

FRAME : 66 lbs

TOTAL: 66 lbs

APPROVED

By hhuynh at 2:52 pm, Nov 14, 2008



PIECES LIST

LABEL	QTY	SIZE	LENGTH	USE
A	3	400S162-33	9'-4 5/16"	STUD
B	2	400S162-33	9'-4 5/16"	KING STUD
C	1	400T150-33	5'-5"	TOP TRACK
D	1	400T300-33	5'-5"	BOTTOM TRACK
E	1	400T150-33	3'-1 3/4"	HEAD TRACK
F	4	400S162-33	2'-5 1/16"	CRIPPLE

12-3170

Jewish Home for the Aging

1885 Victory Blvd. Reseda, CA

FM-07-109

CREATED BY: HH

FrameMax, Inc.
13915 Danielson St
Suite 100
Poway, CA 92064
www.framemax.com



© FrameMax Inc.

HEIGHT : 9'-4 7/16" POINTS: 0.59 Points.

SPACING : 24"

1st STUD: 24"

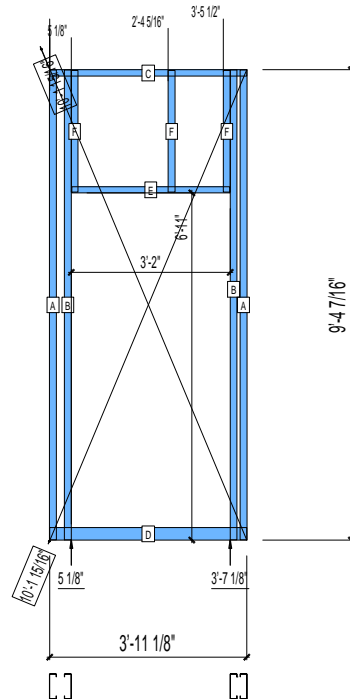
WEIGHTS :

FRAME : 65 lbs

TOTAL: 65 lbs

APPROVED

By hhuynh at 2:52 pm, Nov 14, 2008



PIECES LIST

LABEL	QTY	SIZE	LENGTH	USE
A	2	600S162-33	9'-4 5/16"	STUD
B	2	600S162-33	9'-4 5/16"	KING STUD
C	1	600T150-33	3'-11 1/8"	TOP TRACK
D	1	600T300-33	3'-11 1/8"	BOTTOM TRACK
E	1	600T150-33	3'-1 3/4"	HEAD TRACK
F	3	600S162-33	2'-5 1/16"	CRIPPLE

12-3171

Jewish Home for the Aging

1885 Victory Blvd. Reseda, CA

FrameMax, Inc.
13915 Danielson St
Suite 100
Poway, CA 92064
www.frame-max.com



© FrameMax Inc.

CREATED: 11/10/2008

FM-07-109

CREATED BY: HH

HEIGHT : 9'-4 7/16" POINTS: 0.24 Points.

SPACING : 24"

1st STUD: 24"

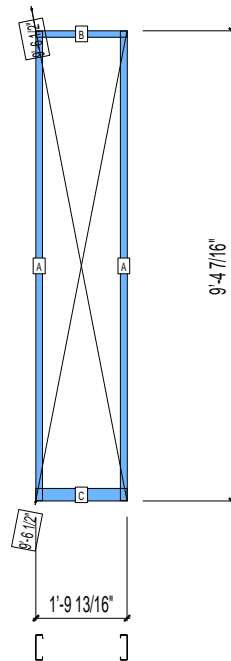
APPROVED

By hhuynh at 2:52 pm, Nov 14, 2008

WEIGHTS :

FRAME : 26 lbs

TOTAL: 26 lbs



PIECES LIST

LABEL	QTY	SIZE	LENGTH	USE
A	2	600S162-33	9'-4 5/16"	STUD
B	1	600T150-33	1'-9 13/16"	TOP TRACK
C	1	600T300-33	1'-9 13/16"	BOTTOM TRACK

12-3172

Jewish Home for the Aging

1885 Victory Blvd. Reseda, CA

FM-07-109

CREATED BY: HH

FrameMax, Inc.
13915 Danielson St
Suite 100
Poway, CA 92064
www.frame-max.com

FRAMEMAX

© FrameMax Inc.

HEIGHT : 9'-4 7/16" POINTS: 1.41 Points.

SPACING : 24"

1st STUD: 16"

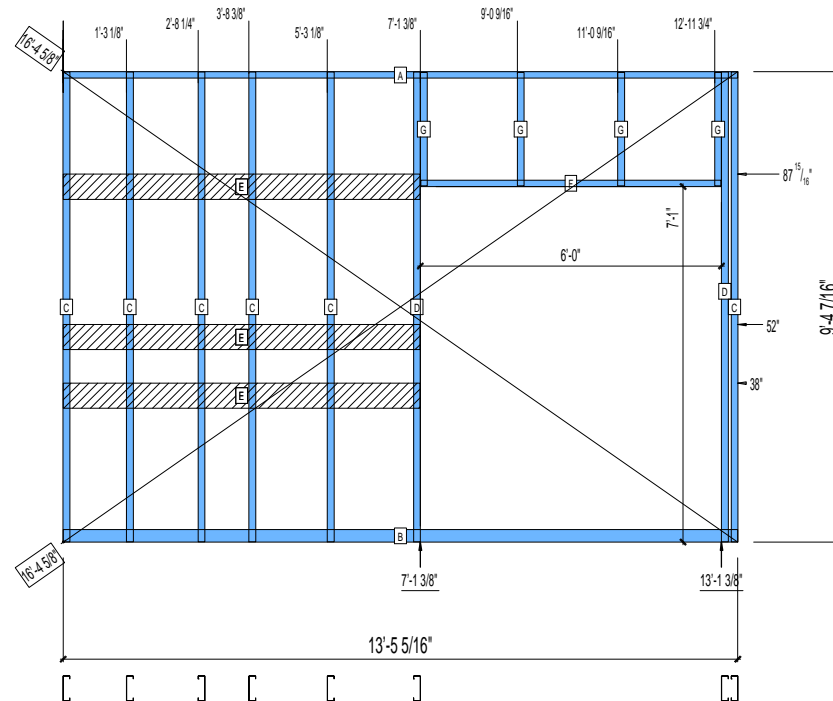
APPROVED

By hhuynh at 2:52 pm, Nov 14, 2008

WEIGHTS :

FRAME : 164 lbs

TOTAL: 164 lbs



PIECES LIST

LABEL	QTY	SIZE	LENGTH	USE
A	1	600T150-33	13'-5 5/16"	TOP TRACK
B	1	600T300-33	13'-5 5/16"	BOTTOM TRACK
C	6	600S162-33	9'-4 5/16"	STUD
D	2	600S162-33	9'-4 5/16"	KING STUD
E	3	600D-54	7'-1 5/16"	KITCHEN BACKING
F	1	600T150-33	5'-11 3/4"	HEAD TRACK
G	4	600S162-33	2'-3 1/16"	CRIPPLE

12-3173

Jewish Home for the Aging

1885 Victory Blvd. Reseda, CA

FM-07-109

CREATED BY: HH

FrameMax, Inc.
13915 Danielson St
Suite 100
Poway, CA 92064
www.frame-max.com

FRAME MAX

© FrameMax Inc.

HEIGHT : 9'-4 7/16" POINTS: 0.30 Points.

SPACING : 24"

1st STUD: 24"

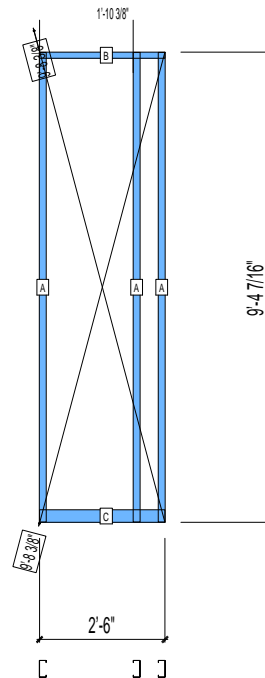
WEIGHTS :

FRAME : 31 lbs

TOTAL: 31 lbs

APPROVED

By hhuynh at 2:52 pm, Nov 14, 2008



PIECES LIST

LABEL	QTY	SIZE	LENGTH	USE
A	3	400S162-33	9'-4 5/16"	STUD
B	1	400T150-33	2'-6"	TOP TRACK
C	1	400T300-33	2'-6"	BOTTOM TRACK

12-3174

Jewish Home for the Aging

1885 Victory Blvd. Reseda, CA

FM-07-109

CREATED BY: HH

FrameMax, Inc.
13915 Danielson St
Suite 100
Poway, CA 92064
www.framemax.com

FRAME MAX

© FrameMax Inc.

HEIGHT : 9'-4 7/16" POINTS: 0.30 Points.

SPACING : 24"

1st STUD: 24"

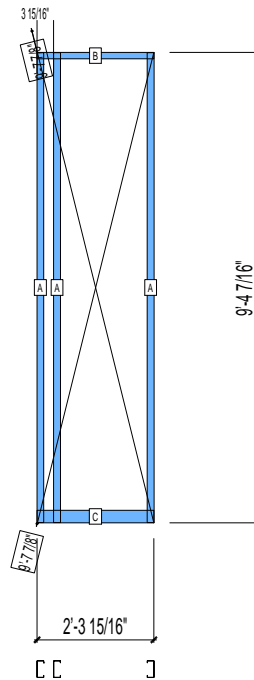
WEIGHTS :

FRAME : 31 lbs

TOTAL: 31 lbs

APPROVED

By hhuynh at 2:52 pm, Nov 14, 2008



PIECES LIST

LABEL	QTY	SIZE	LENGTH	USE
A	3	400S162-33	9'-4 5/16"	STUD
B	1	400T150-33	2'-3 15/16"	TOP TRACK
C	1	400T300-33	2'-3 15/16"	BOTTOM TRACK

12-3175

Jewish Home for the Aging

1885 Victory Blvd. Reseda, CA

FM-07-109

CREATED BY: HH

FrameMax, Inc.
13915 Danielson St
Suite 100
Poway, CA 92064
www.frame-max.com



© FrameMax Inc.

HEIGHT : 9'-4 7/16" POINTS: 0.19 Points.

SPACING : 24"

1st STUD: 24"

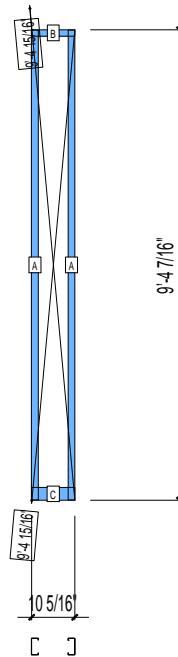
WEIGHTS :

FRAME : 19 lbs

TOTAL: 19 lbs

APPROVED

By hhuynh at 2:52 pm, Nov 14, 2008



PIECES LIST

LABEL	QTY	SIZE	LENGTH	USE
A	2	400S162-33	9'-4 5/16"	STUD
B	1	400T150-33	10 5/16"	TOP TRACK
C	1	400T300-33	10 5/16"	BOTTOM TRACK

12-3176

Jewish Home for the Aging

1885 Victory Blvd. Reseda, CA

FM-07-109

CREATED BY: HH

FrameMax, Inc.
13915 Danielson St
Suite 100
Poway, CA 92064
www.framemax.com

FRAME MAX

© FrameMax Inc.

HEIGHT : 9'-4 7/16" POINTS: 0.26 Points.

SPACING : 24"

1st STUD: 24"

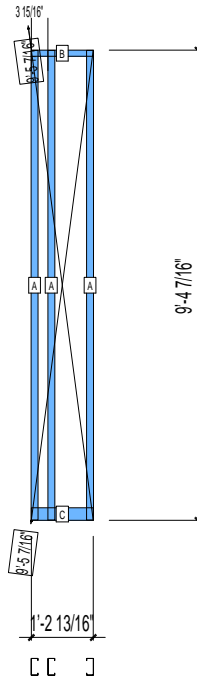
WEIGHTS :

FRAME : 29 lbs

TOTAL: 29 lbs

APPROVED

By hhuynh at 2:52 pm, Nov 14, 2008



PIECES LIST

LABEL	QTY	SIZE	LENGTH	USE
A	3	400S162-33	9'-4 5/16"	STUD
B	1	400T150-33	1'-2 13/16"	TOP TRACK
C	1	400T300-33	1'-2 13/16"	BOTTOM TRACK

12-3177

Jewish Home for the Aging

1885 Victory Blvd. Reseda, CA

FM-07-109

CREATED BY: HH

FrameMax, Inc.
13915 Danielson St
Suite 100
Poway, CA 92064
www.framemax.com

FRAME MAX

© FrameMax Inc.

HEIGHT : 9'-4 7/16" POINTS: 0.32 Points.

SPACING : 24"

1st STUD: 24"

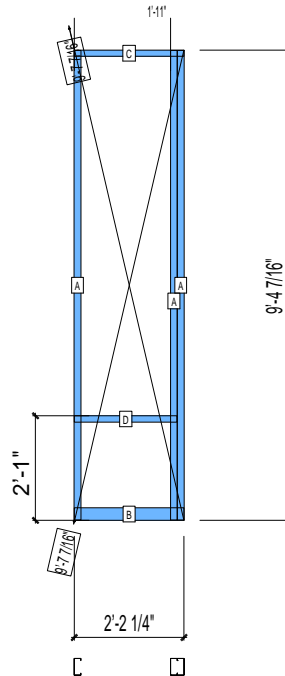
WEIGHTS :

FRAME : 32 lbs

TOTAL: 32 lbs

APPROVED

By hhuynh at 2:52 pm, Nov 14, 2008



PIECES LIST

LABEL	QTY	SIZE	LENGTH	USE
A	3	400S162-33	9'-4 5/16"	STUD
B	1	400T300-33	2'-2 1/4"	BOTTOM TRACK
C	1	400T150-33	2'-2 1/4"	TOP TRACK
D	1	400T150-33	2'-0 9/16"	SILL

12-3178

Jewish Home for the Aging

1885 Victory Blvd. Reseda, CA

FM-07-109

CREATED BY: HH

FrameMax, Inc.
13915 Danielson St
Suite 100
Poway, CA 92064
www.frame-max.com



© FrameMax Inc.

HEIGHT : 9'-4 7/16" POINTS: 0.22 Points.

SPACING : 24"

1st STUD: 24"

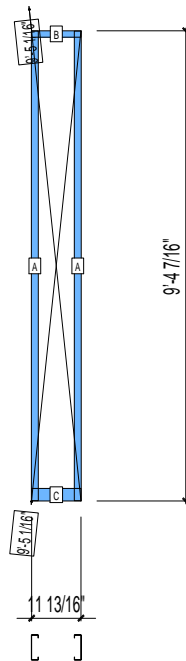
WEIGHTS :

FRAME : 24 lbs

TOTAL: 24 lbs

APPROVED

By hhuynh at 2:52 pm, Nov 14, 2008



PIECES LIST

LABEL	QTY	SIZE	LENGTH	USE
A	2	600S162-33	9'-4 5/16"	STUD
B	1	600T150-33	11 13/16"	TOP TRACK
C	1	600T300-33	11 13/16"	BOTTOM TRACK

12-3179

Jewish Home for the Aging

1885 Victory Blvd. Reseda, CA

FM-07-109

CREATED BY: HH

FrameMax, Inc.
13915 Danielson St
Suite 100
Poway, CA 92064
www.frame-max.com



© FrameMax Inc.

HEIGHT : 9'-4 7/16" POINTS: 0.71 Points.

SPACING : 24"

1st STUD: 24"

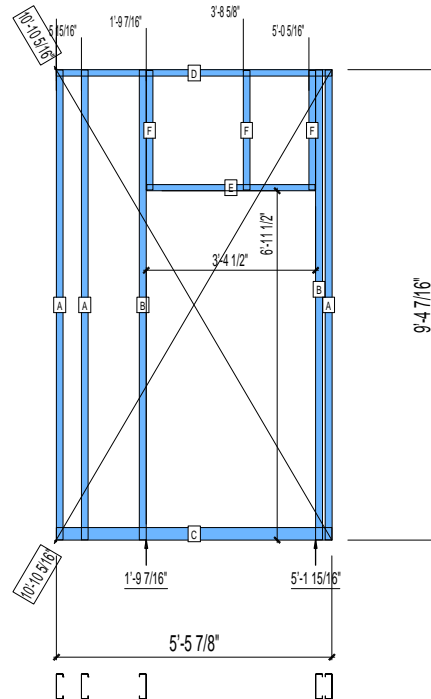
WEIGHTS :

FRAME : 80 lbs

TOTAL: 80 lbs

APPROVED

By hhuynh at 2:52 pm, Nov 14, 2008



PIECES LIST

LABEL	QTY	SIZE	LENGTH	USE
A	3	600S162-33	9'-4 5/16"	STUD
B	2	600S162-33	9'-4 5/16"	KING STUD
C	1	600T300-33	5'-5 7/8"	BOTTOM TRACK
D	1	600T150-33	5'-5 7/8"	TOP TRACK
E	1	600T150-33	3'-4 1/4"	HEAD TRACK
F	3	600S162-33	2'-4 9/16"	CRIPPLE

12-3201

Jewish Home for the Aging

1885 Victory Blvd. Reseda, CA

FM-07-109

CREATED BY: HH

FrameMax, Inc.
13915 Danielson St
Suite 100
Poway, CA 92064
www.frame-max.com



© FrameMax Inc.

HEIGHT : 9'-4 7/16" POINTS: 0.52 Points.

SPACING : 24"

1st STUD: 24"

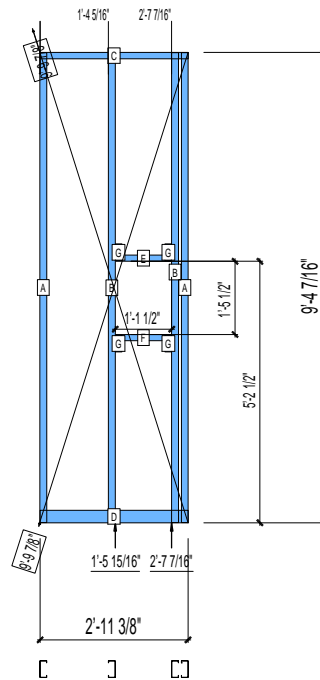
WEIGHTS :

FRAME : 44 lbs

TOTAL: 44 lbs

APPROVED

By hhuynh at 2:52 pm, Nov 14, 2008



PIECES LIST

LABEL	QTY	SIZE	LENGTH	USE
A	2	400S162-33	9'-4 5/16"	STUD
B	2	400S162-33	9'-4 5/16"	KING STUD
C	1	400T150-33	2'-11 3/8"	TOP TRACK
D	1	400T300-33	2'-11 3/8"	BOTTOM TRACK
E	1	400T150-33	1'-1 1/4"	HEAD TRACK
F	1	400T150-33	1'-1 1/4"	SILL
G	4	400S162-33	4"	CRIPPLE

12-3202

Jewish Home for the Aging

1885 Victory Blvd. Reseda, CA

FM-07-109

CREATED BY: HH

FrameMax, Inc.
13915 Danielson St
Suite 100
Poway, CA 92064
www.frame-max.com

FRAME MAX

© FrameMax Inc.

HEIGHT : 9'-4 7/16" POINTS: 0.31 Points.

SPACING : 5000"

1st STUD: 5000"

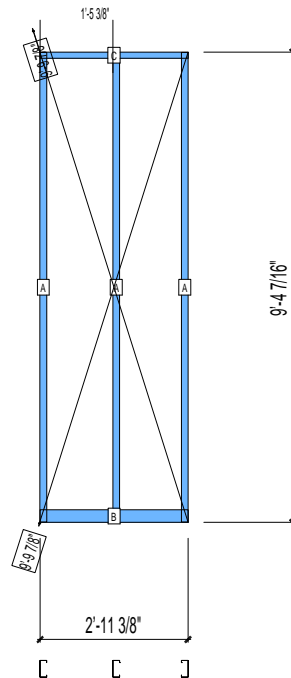
WEIGHTS :

FRAME : 32 lbs

TOTAL: 32 lbs

APPROVED

By hhuynh at 2:52 pm, Nov 14, 2008



PIECES LIST

LABEL	QTY	SIZE	LENGTH	USE
A	3	400S162-33	9'-4 5/16"	STUD
B	1	400T300-33	2'-11 3/8"	BOTTOM TRACK
C	1	400T150-33	2'-11 3/8"	TOP TRACK

12-3203

Jewish Home for the Aging

1885 Victory Blvd. Reseda, CA

FM-07-109

CREATED BY: HH

FrameMax, Inc.
13915 Danielson St
Suite 100
Poway, CA 92064
www.frame-max.com

FRAME MAX

© FrameMax Inc.

HEIGHT : 9'-4 7/16" POINTS: 0.42 Points.

SPACING : 24"

1st STUD: 24"

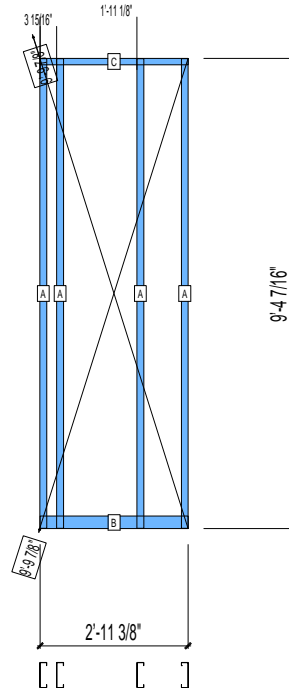
WEIGHTS :

FRAME : 51 lbs

TOTAL: 51 lbs

APPROVED

By hhuynh at 2:52 pm, Nov 14, 2008



PIECES LIST

LABEL	QTY	SIZE	LENGTH	USE
A	4	600S162-33	9'-4 5/16"	STUD
B	1	600T300-33	2'-11 3/8"	BOTTOM TRACK
C	1	600T150-33	2'-11 3/8"	TOP TRACK

12-3204

Jewish Home for the Aging

1885 Victory Blvd. Reseda, CA

FM-07-109

CREATED BY: HH

FrameMax, Inc.
13915 Danielson St
Suite 100
Poway, CA 92064
www.framemax.com

FRAME MAX

© FrameMax Inc.

HEIGHT : 9'-4 7/16" POINTS: 0.27 Points.

SPACING : 24"

1st STUD: 24"

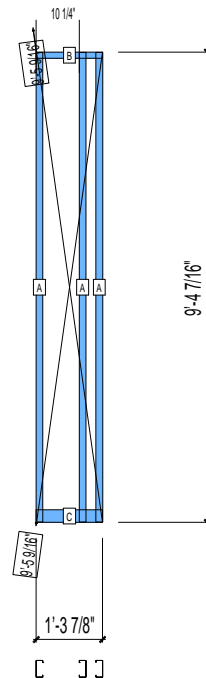
WEIGHTS :

FRAME : 29 lbs

TOTAL: 29 lbs

APPROVED

By hhuynh at 2:52 pm, Nov 14, 2008



PIECES LIST

LABEL	QTY	SIZE	LENGTH	USE
A	3	400S162-33	9'-4 5/16"	STUD
B	1	400T150-33	1'-3 7/8"	TOP TRACK
C	1	400T300-33	1'-3 7/8"	BOTTOM TRACK

12-3205

Jewish Home for the Aging

1885 Victory Blvd. Reseda, CA

FM-07-109

CREATED BY: HH

FrameMax, Inc.
13915 Danielson St
Suite 100
Poway, CA 92064
www.frame-max.com

FRAME MAX

© FrameMax Inc.

HEIGHT : 9'-4 7/16" POINTS: 0.29 Points.

SPACING : 24"

1st STUD: 16"

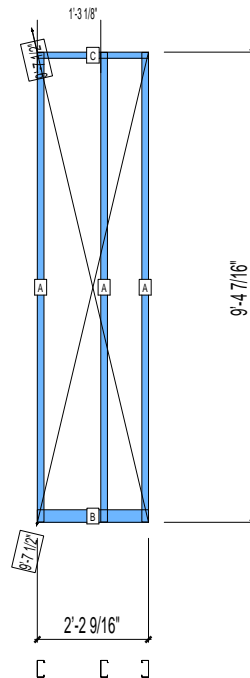
WEIGHTS :

FRAME : 31 lbs

TOTAL: 31 lbs

APPROVED

By hhuynh at 2:52 pm, Nov 14, 2008



PIECES LIST

LABEL	QTY	SIZE	LENGTH	USE
A	3	400S162-33	9'-4 5/16"	STUD
B	1	400T300-33	2'-2 9/16"	BOTTOM TRACK
C	1	400T150-33	2'-2 9/16"	TOP TRACK

12-3206

Jewish Home for the Aging

1885 Victory Blvd. Reseda, CA

FM-07-109

CREATED BY: HH

FrameMax, Inc.
13915 Danielson St
Suite 100
Poway, CA 92064
www.frame-max.com

FRAME MAX

© FrameMax Inc.

HEIGHT : 9'-4 7/16" POINTS: 0.85 Points.

SPACING : 5000"

1st STUD: 16"

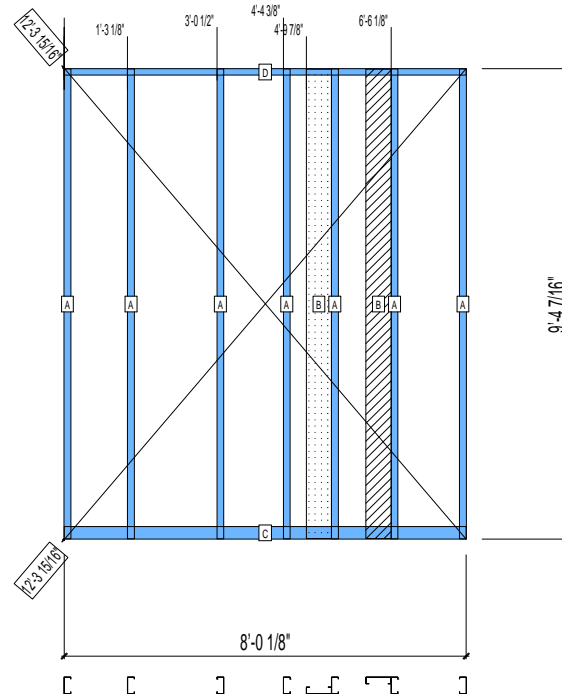
APPROVED

By hhuynh at 2:52 pm, Nov 14, 2008

WEIGHTS :

FRAME : 99 lbs

TOTAL: 99 lbs



PIECES LIST

LABEL	QTY	SIZE	LENGTH	USE
A	7	400S162-33	9'-4 5/16"	STUD
B	2	600S162-33	9'-4 3/16"	BACKER-U
C	1	400T300-33	8'-0 1/8"	BOTTOM TRACK
D	1	400T150-33	8'-0 1/8"	TOP TRACK

12-3207

Jewish Home for the Aging

1885 Victory Blvd. Reseda, CA

FM-07-109

CREATED BY: HH

FrameMax, Inc.
13915 Danielson St
Suite 100
Poway, CA 92064
www.frame-max.com



© FrameMax Inc.

HEIGHT : 9'-4 7/16" POINTS: 0.67 Points.

SPACING : 24"

1st STUD: 24"

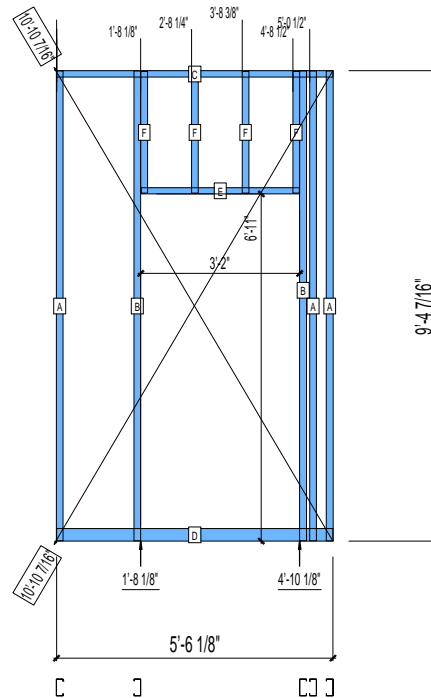
WEIGHTS :

FRAME : 66 lbs

TOTAL: 66 lbs

APPROVED

By hhuynh at 2:52 pm, Nov 14, 2008



PIECES LIST

LABEL	QTY	SIZE	LENGTH	USE
A	3	400S162-33	9'-4 5/16"	STUD
B	2	400S162-33	9'-4 5/16"	KING STUD
C	1	400T150-33	5'-6 1/8"	TOP TRACK
D	1	400T300-33	5'-6 1/8"	BOTTOM TRACK
E	1	400T150-33	3'-1 3/4"	HEAD TRACK
F	4	400S162-33	2'-5 1/16"	CRIPPLE

12-3208

Jewish Home for the Aging

1885 Victory Blvd. Reseda, CA

FM-07-109

CREATED BY: HH

FrameMax, Inc.
13915 Danielson St
Suite 100
Poway, CA 92064
www.frame-max.com

FRAMEMAX

© FrameMax Inc.

HEIGHT : 9'-4 7/16" POINTS: 0.73 Points.

SPACING : 24"

1st STUD: 24"

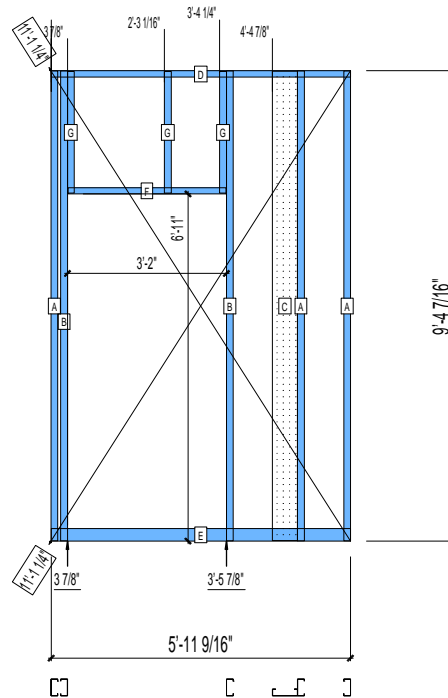
WEIGHTS :

FRAME : 76 lbs

TOTAL: 76 lbs

APPROVED

By hhuynh at 2:52 pm, Nov 14, 2008



PIECES LIST

LABEL	QTY	SIZE	LENGTH	USE
A	3	400S162-33	9'-4 5/16"	STUD
B	2	400S162-33	9'-4 5/16"	KING STUD
C	1	600S162-33	9'-4 3/16"	BACKER-U
D	1	400T150-33	5'-11 9/16"	TOP TRACK
E	1	400T300-33	5'-11 9/16"	BOTTOM TRACK
F	1	400T150-33	3'-1 3/4"	HEAD TRACK
G	3	400S162-33	2'-5 1/16"	CRIPPLE

12-3209

Jewish Home for the Aging

1885 Victory Blvd. Reseda, CA

FM-07-109

CREATED BY: HH

FrameMax, Inc.
13915 Danielson St
Suite 100
Poway, CA 92064
www.frame-max.com

FRAME MAX

© FrameMax Inc.

HEIGHT : 9'-4 7/16" POINTS: 0.42 Points.

SPACING : 24"

1st STUD: 24"

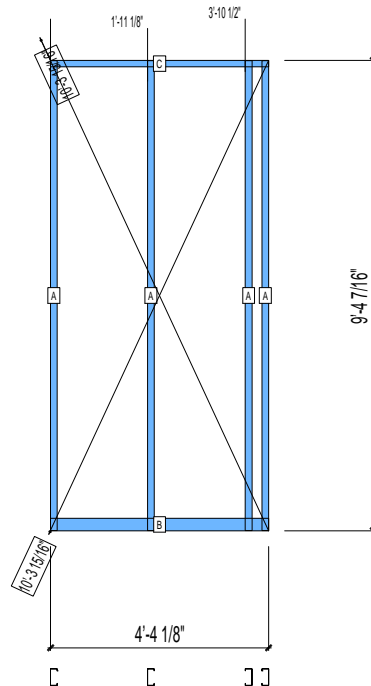
WEIGHTS :

FRAME : 44 lbs

TOTAL: 44 lbs

APPROVED

By hhuynh at 2:52 pm, Nov 14, 2008



PIECES LIST

LABEL	QTY	SIZE	LENGTH	USE
A	4	400S162-33	9'-4 5/16"	STUD
B	1	400T300-33	4'-4 1/8"	BOTTOM TRACK
C	1	400T150-33	4'-4 1/8"	TOP TRACK

12-3210

Jewish Home for the Aging

1885 Victory Blvd. Reseda, CA

FM-07-109

CREATED BY: HH

FrameMax, Inc.
13915 Danielson St
Suite 100
Poway, CA 92064
www.frame-max.com



© FrameMax Inc.

HEIGHT : 9'-4 7/16" POINTS: 0.20 Points.

SPACING : 24"

1st STUD: 24"

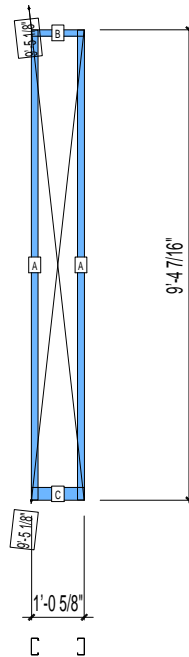
WEIGHTS :

FRAME : 20 lbs

TOTAL: 20 lbs

APPROVED

By hhuynh at 2:52 pm, Nov 14, 2008



PIECES LIST

LABEL	QTY	SIZE	LENGTH	USE
A	2	400S162-33	9'-4 5/16"	STUD
B	1	400T150-33	1'-0 5/8"	TOP TRACK
C	1	400T300-33	1'-0 5/8"	BOTTOM TRACK

12-3211

Jewish Home for the Aging

1885 Victory Blvd. Reseda, CA

FM-07-109

CREATED BY: HH

FrameMax, Inc.
13915 Danielson St
Suite 100
Poway, CA 92064
www.framemax.com

FRAME MAX

© FrameMax Inc.

HEIGHT : 9'-4 7/16" POINTS: 0.80 Points.

SPACING : 24"

1st STUD: 16 11/16"

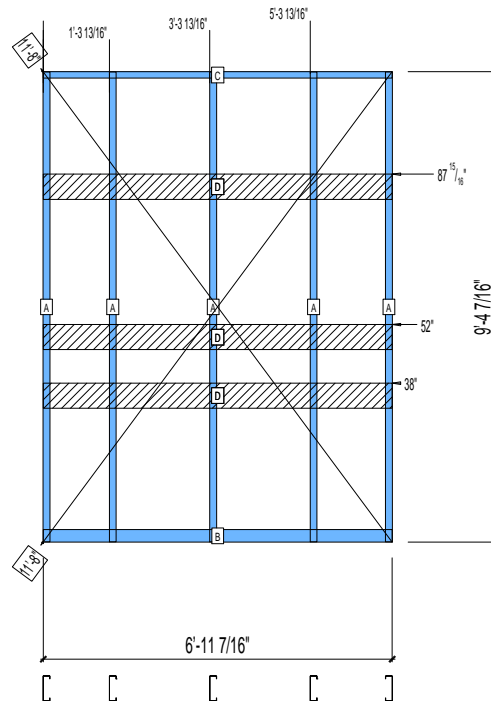
WEIGHTS :

FRAME : 97 lbs

TOTAL: 97 lbs

APPROVED

By hhuynh at 2:52 pm, Nov 14, 2008



PIECES LIST

LABEL	QTY	SIZE	LENGTH	USE
A	5	600S162-33	9'-4 5/16"	STUD
B	1	600T300-33	6'-11 7/16"	BOTTOM TRACK
C	1	600T150-33	6'-11 7/16"	TOP TRACK
D	3	600D-54	6'-11 3/8"	KITCHEN BACKING

12-3212

Jewish Home for the Aging

1885 Victory Blvd. Reseda, CA

FM-07-109

CREATED BY: HH

FrameMax, Inc.
13915 Danielson St
Suite 100
Poway, CA 92064
www.framemax.com

FRAME MAX

© FrameMax Inc.

HEIGHT : 9'-4 7/16" POINTS: 0.30 Points.

SPACING : 24"

1st STUD: 24"

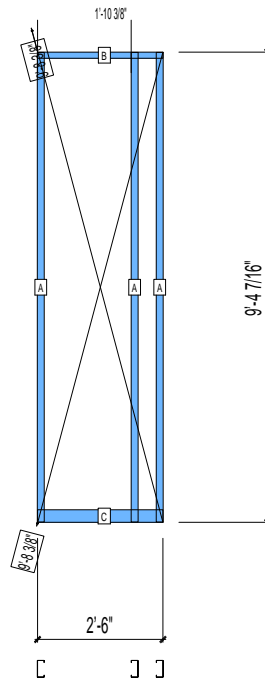
WEIGHTS :

FRAME : 31 lbs

TOTAL: 31 lbs

APPROVED

By hhuynh at 2:52 pm, Nov 14, 2008



PIECES LIST

LABEL	QTY	SIZE	LENGTH	USE
A	3	400S162-33	9'-4 5/16"	STUD
B	1	400T150-33	2'-6"	TOP TRACK
C	1	400T300-33	2'-6"	BOTTOM TRACK

12-3213

Jewish Home for the Aging

1885 Victory Blvd. Reseda, CA

FM-07-109

CREATED BY: HH

FrameMax, Inc.
13915 Danielson St
Suite 100
Poway, CA 92064
www.frame-max.com



© FrameMax Inc.

HEIGHT : 9'-4 7/16" POINTS: 0.30 Points.

SPACING : 5000"

1st STUD: 5000"

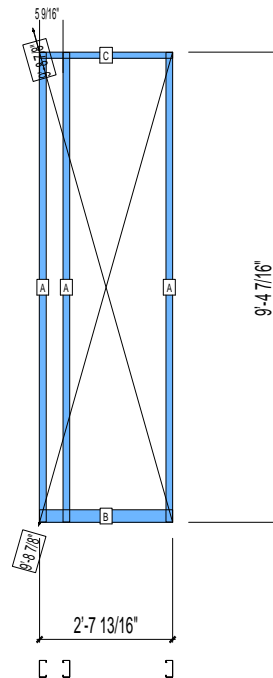
WEIGHTS :

FRAME : 31 lbs

TOTAL: 31 lbs

APPROVED

By hhuynh at 2:52 pm, Nov 14, 2008



PIECES LIST

LABEL	QTY	SIZE	LENGTH	USE
A	3	400S162-33	9'-4 5/16"	STUD
B	1	400T300-33	2'-7 13/16"	BOTTOM TRACK
C	1	400T150-33	2'-7 13/16"	TOP TRACK

12-3214

Jewish Home for the Aging

1885 Victory Blvd. Reseda, CA

FM-07-109

CREATED BY: HH

FrameMax, Inc.
13915 Danielson St
Suite 100
Poway, CA 92064
www.framemax.com

FRAMEMAX

© FrameMax Inc.

HEIGHT : 9'-4 7/16" POINTS: 0.42 Points.

SPACING : 24"

1st STUD: 24"

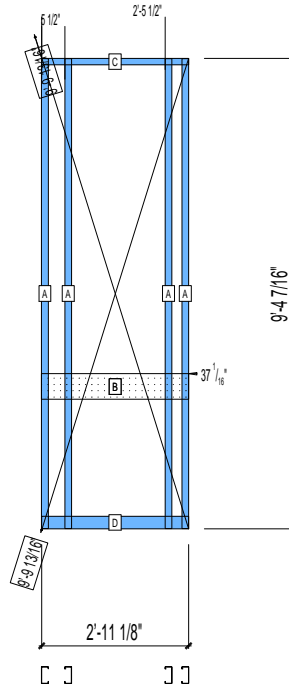
WEIGHTS :

FRAME : 46 lbs

TOTAL: 46 lbs

APPROVED

By hhuynh at 2:52 pm, Nov 14, 2008



PIECES LIST

LABEL	QTY	SIZE	LENGTH	USE
A	4	400S162-33	9'-4 5/16"	STUD
B	1	600T150-54	2'-11 3/16"	GRAB BAR
C	1	400T150-33	2'-11 1/8"	TOP TRACK
D	1	400T300-33	2'-11 1/8"	BOTTOM TRACK

12-3215

Jewish Home for the Aging

1885 Victory Blvd. Reseda, CA

FM-07-109

CREATED BY: HH

FrameMax, Inc.
13915 Danielson St
Suite 100
Poway, CA 92064
www.framemax.com



© FrameMax Inc.

HEIGHT : 9'-4 7/16" POINTS: 0.44 Points.

SPACING : 5000"

1st STUD: 5000"

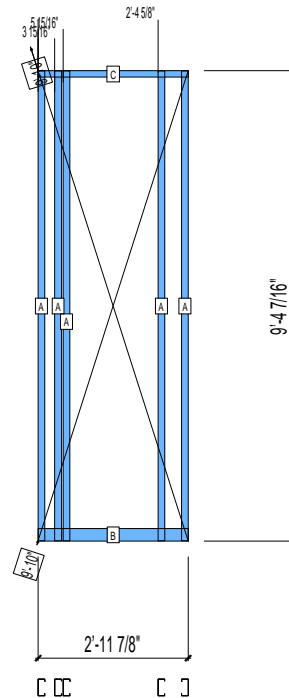
WEIGHTS :

FRAME : 50 lbs

TOTAL: 50 lbs

APPROVED

By hhuynh at 2:52 pm, Nov 14, 2008



PIECES LIST

LABEL	QTY	SIZE	LENGTH	USE
A	5	400S162-33	9'-4 5/16"	STUD
B	1	400T300-33	2'-11 7/8"	BOTTOM TRACK
C	1	400T150-33	2'-11 7/8"	TOP TRACK

12-3216

Jewish Home for the Aging

1885 Victory Blvd. Reseda, CA

FM-07-109

CREATED BY: HH

FrameMax, Inc.
13915 Danielson St
Suite 100
Poway, CA 92064
www.frame-max.com

FRAME MAX

© FrameMax Inc.

HEIGHT : 9'-4 7/16" POINTS: 0.38 Points.

SPACING : 24"

1st STUD: 24"

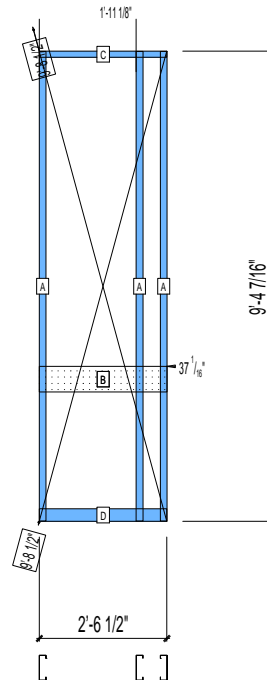
WEIGHTS :

FRAME : 44 lbs

TOTAL: 44 lbs

APPROVED

By hhuynh at 2:52 pm, Nov 14, 2008



PIECES LIST

LABEL	QTY	SIZE	LENGTH	USE
A	3	600S162-33	9'-4 5/16"	STUD
B	1	600T150-54	2'-6 9/16"	GRAB BAR
C	1	600T150-33	2'-6 1/2"	TOP TRACK
D	1	600T300-33	2'-6 1/2"	BOTTOM TRACK

12-3217

Jewish Home for the Aging

1885 Victory Blvd. Reseda, CA

FM-07-109

CREATED BY: HH

FrameMax, Inc.
13915 Danielson St
Suite 100
Poway, CA 92064
www.framemax.com

FRAME MAX

© FrameMax Inc.

HEIGHT : 9'-4 7/16" POINTS: 0.23 Points.

SPACING : 24"

1st STUD: 24"

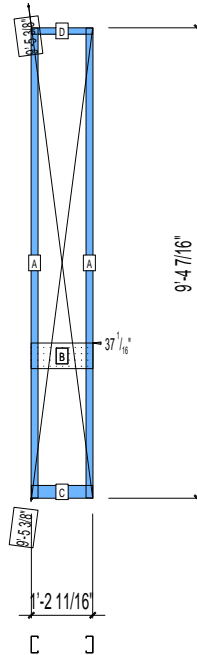
WEIGHTS :

FRAME : 22 lbs

TOTAL: 22 lbs

APPROVED

By hhuynh at 2:52 pm, Nov 14, 2008



PIECES LIST

LABEL	QTY	SIZE	LENGTH	USE
A	2	400S162-33	9'-4 5/16"	STUD
B	1	600T150-54	1'-2 3/4"	GRAB BAR
C	1	400T300-33	1'-2 11/16"	BOTTOM TRACK
D	1	400T150-33	1'-2 11/16"	TOP TRACK

12-3219

Jewish Home for the Aging

1885 Victory Blvd. Reseda, CA

FM-07-109

CREATED BY: HH

FrameMax, Inc.
13915 Danielson St
Suite 100
Poway, CA 92064
www.frame-max.com



© FrameMax Inc.

HEIGHT : 9'-4 7/16" POINTS: 0.71 Points.

SPACING : 24"

1st STUD: 24"

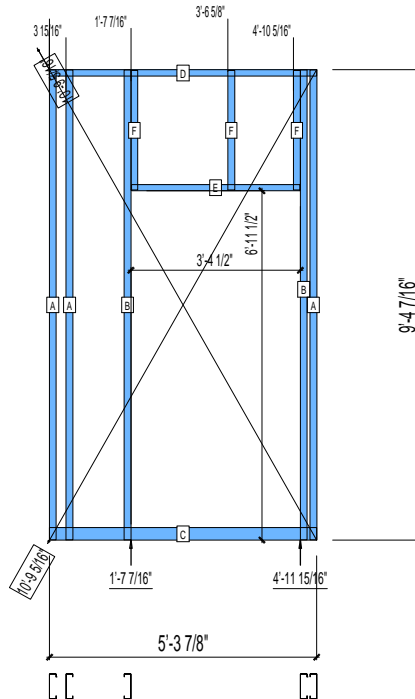
WEIGHTS :

FRAME : 80 lbs

TOTAL: 80 lbs

APPROVED

By hhuynh at 2:52 pm, Nov 14, 2008



PIECES LIST

LABEL	QTY	SIZE	LENGTH	USE
A	3	600S162-33	9'-4 5/16"	STUD
B	2	600S162-33	9'-4 5/16"	KING STUD
C	1	600T300-33	5'-3 7/8"	BOTTOM TRACK
D	1	600T150-33	5'-3 7/8"	TOP TRACK
E	1	600T150-33	3'-4 1/4"	HEAD TRACK
F	3	600S162-33	2'-4 9/16"	CRIPPLE

12-3220

Jewish Home for the Aging

1885 Victory Blvd. Reseda, CA

FM-07-109

CREATED BY: HH

FrameMax, Inc.
13915 Danielson St
Suite 100
Poway, CA 92064
www.frame-max.com



© FrameMax Inc.

HEIGHT : 9'-4 7/16" POINTS: 0.19 Points.

SPACING : 24"

1st STUD: 24"

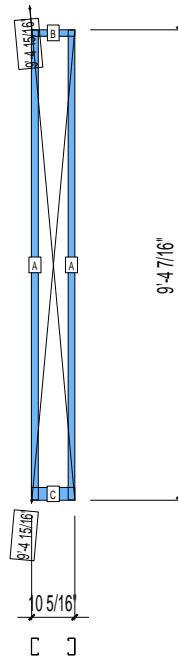
WEIGHTS :

FRAME : 19 lbs

TOTAL: 19 lbs

APPROVED

By hhuynh at 2:52 pm, Nov 14, 2008



PIECES LIST

LABEL	QTY	SIZE	LENGTH	USE
A	2	400S162-33	9'-4 5/16"	STUD
B	1	400T150-33	10 5/16"	TOP TRACK
C	1	400T300-33	10 5/16"	BOTTOM TRACK

12-3221

Jewish Home for the Aging

1885 Victory Blvd. Reseda, CA

FM-07-109

CREATED BY: HH

FrameMax, Inc.
13915 Danielson St
Suite 100
Poway, CA 92064
www.frame-max.com

FRAME MAX

© FrameMax Inc.

HEIGHT : 9'-4 7/16" POINTS: 1.19 Points.

SPACING : 24"

1st STUD: 24"

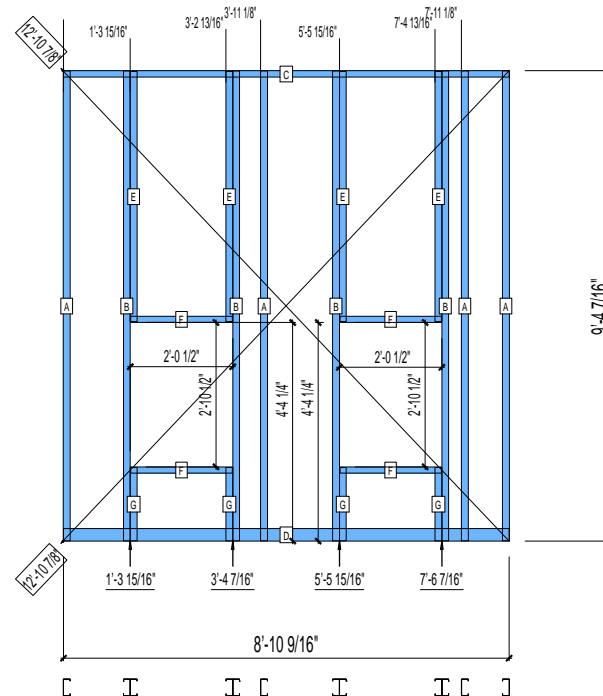
APPROVED

By hhuynh at 2:52 pm, Nov 14, 2008

WEIGHTS :

FRAME : 118 lbs

TOTAL: 118 lbs



PIECES LIST

LABEL	QTY	SIZE	LENGTH	USE
A	4	400S162-33	9'-4 5/16"	STUD
B	4	400S162-33	9'-4 5/16"	KING STUD
C	1	400T150-33	8'-10 9/16"	TOP TRACK
D	1	400T300-33	8'-10 9/16"	BOTTOM TRACK
E	4	400S162-33	4'-11 13/16"	CRIPPLE
F	4	400T150-33	2'-0 1/4"	HEAD TRACK
G	4	400S162-33	1'-5 1/2"	CRIPPLE

12-3222

Jewish Home for the Aging

1885 Victory Blvd. Reseda, CA

FM-07-109

CREATED BY: HH

FrameMax, Inc.
13915 Danielson St
Suite 100
Poway, CA 92064
www.frame-max.com

FRAME MAX

© FrameMax Inc.

HEIGHT : 9'-4 7/16" POINTS: 0.66 Points.

SPACING : 24"

1st STUD: 24"

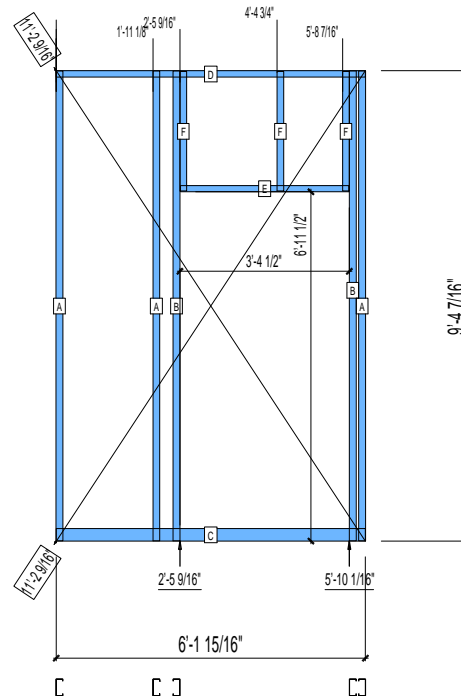
WEIGHTS :

FRAME : 65 lbs

TOTAL: 65 lbs

APPROVED

By hhuynh at 2:52 pm, Nov 14, 2008



PIECES LIST

LABEL	QTY	SIZE	LENGTH	USE
A	3	400S162-33	9'-4 5/16"	STUD
B	2	400S162-33	9'-4 5/16"	KING STUD
C	1	400T300-33	6'-1 15/16"	BOTTOM TRACK
D	1	400T150-33	6'-1 15/16"	TOP TRACK
E	1	400T150-33	3'-4 1/4"	HEAD TRACK
F	3	400S162-33	2'-4 9/16"	CRIPPLE

12-3223

Jewish Home for the Aging

1885 Victory Blvd. Reseda, CA

FM-07-109

CREATED BY: HH

FrameMax, Inc.
13915 Danielson St
Suite 100
Poway, CA 92064
www.frame-max.com

FRAME MAX

© FrameMax Inc.

HEIGHT : 9'-4 7/16" POINTS: 1.04 Points.

SPACING : 24"

1st STUD: 24"

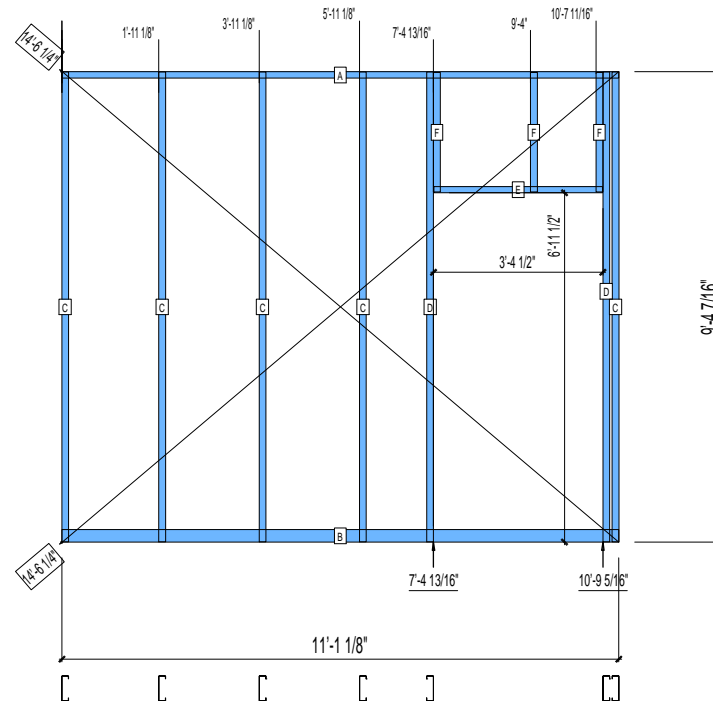
APPROVED

By hhuynh at 2:52 pm, Nov 14, 2008

WEIGHTS :

FRAME : 116 lbs

TOTAL: 116 lbs



PIECES LIST

LABEL	QTY	SIZE	LENGTH	USE
A	1	600T150-33	11'-1 1/8"	TOP TRACK
B	1	600T300-33	11'-1 1/8"	BOTTOM TRACK
C	5	600S162-33	9'-4 5/16"	STUD
D	2	600S162-33	9'-4 5/16"	KING STUD
E	1	600T150-33	3'-4 1/4"	HEAD TRACK
F	3	600S162-33	2'-4 9/16"	CRIPPLE

12-3251

Jewish Home for the Aging

1885 Victory Blvd. Reseda, CA

FM-07-109

CREATED BY: HH

FrameMax, Inc.
13915 Danielson St
Suite 100
Poway, CA 92064
www.frame-max.com

FRAME MAX

© FrameMax Inc.

HEIGHT : 9'-4 7/16" POINTS: 0.77 Points.

SPACING : 24"

1st STUD: 24"

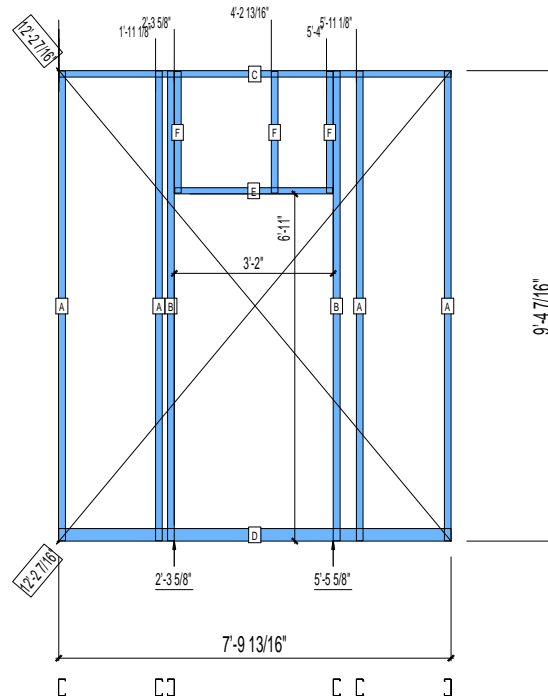
WEIGHTS :

FRAME : 77 lbs

TOTAL: 77 lbs

APPROVED

By hhuynh at 2:52 pm, Nov 14, 2008



PIECES LIST

LABEL	QTY	SIZE	LENGTH	USE
A	4	400S162-33	9'-4 5/16"	STUD
B	2	400S162-33	9'-4 5/16"	KING STUD
C	1	400T150-33	7'-9 13/16"	TOP TRACK
D	1	400T300-33	7'-9 13/16"	BOTTOM TRACK
E	1	400T150-33	3'-1 3/4"	HEAD TRACK
F	3	400S162-33	2'-5 1/16"	CRIPPLE

12-3252

Jewish Home for the Aging

1885 Victory Blvd. Reseda, CA

FM-07-109

CREATED BY: HH

FrameMax, Inc.
13915 Danielson St
Suite 100
Poway, CA 92064
www.framemax.com

FRAMEMAX

© FrameMax Inc.

HEIGHT : 9'-4 7/16" POINTS: 0.27 Points.

SPACING : 24"

1st STUD: 16"

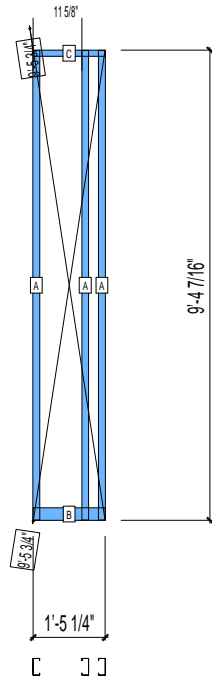
WEIGHTS :

FRAME : 29 lbs

TOTAL: 29 lbs

APPROVED

By hhuynh at 2:52 pm, Nov 14, 2008



PIECES LIST

LABEL	QTY	SIZE	LENGTH	USE
A	3	400S162-33	9'-4 5/16"	STUD
B	1	400T300-33	1'-5 1/4"	BOTTOM TRACK
C	1	400T150-33	1'-5 1/4"	TOP TRACK

12-3253

Jewish Home for the Aging

1885 Victory Blvd. Reseda, CA

FM-07-109

CREATED BY: HH

FrameMax, Inc.
13915 Danielson St
Suite 100
Poway, CA 92064
www.framemax.com

FRAME MAX

© FrameMax Inc.

HEIGHT : 9'-4 7/16" POINTS: 0.43 Points.

SPACING : 5000"

1st STUD: 5000"

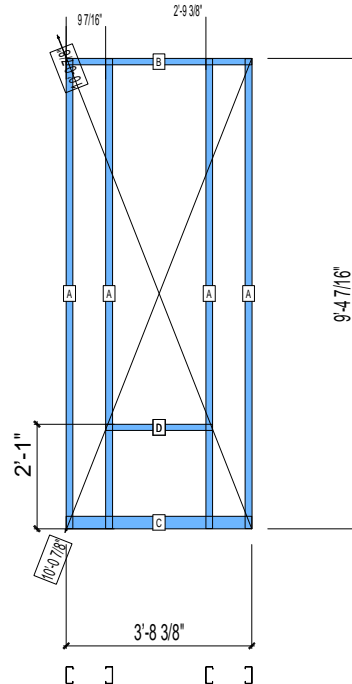
WEIGHTS :

FRAME : 44 lbs

TOTAL: 44 lbs

APPROVED

By hhuynh at 2:52 pm, Nov 14, 2008



PIECES LIST

LABEL	QTY	SIZE	LENGTH	USE
A	4	400S162-33	9'-4 5/16"	STUD
B	1	400T150-33	3'-8 3/8"	TOP TRACK
C	1	400T300-33	3'-8 3/8"	BOTTOM TRACK
D	1	600T150-33	2'-1 7/16"	SILL

12-3254

Jewish Home for the Aging

1885 Victory Blvd. Reseda, CA

FM-07-109

CREATED BY: HH

FrameMax, Inc.
13915 Danielson St
Suite 100
Poway, CA 92064
www.frame-max.com



© FrameMax Inc.

HEIGHT : 9'-4 7/16" POINTS: 0.33 Points.

SPACING : 24"

1st STUD: 24"

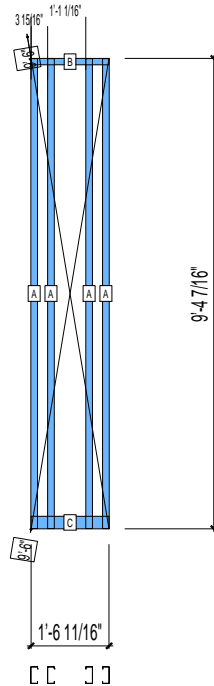
WEIGHTS :

FRAME : 38 lbs

TOTAL: 38 lbs

APPROVED

By hhuynh at 2:52 pm, Nov 14, 2008



PIECES LIST

LABEL	QTY	SIZE	LENGTH	USE
A	4	400S162-33	9'-4 5/16"	STUD
B	1	400T150-33	1'-6 11/16"	TOP TRACK
C	1	400T300-33	1'-6 11/16"	BOTTOM TRACK

12-3255

Jewish Home for the Aging

1885 Victory Blvd. Reseda, CA

FM-07-109

CREATED BY: HH

FrameMax, Inc.
13915 Danielson St
Suite 100
Poway, CA 92064
www.framemax.com

FRAME MAX

© FrameMax Inc.

HEIGHT : 9'-4 7/16" POINTS: 0.40 Points.

SPACING : 5000"

1st STUD: 17 7/16"

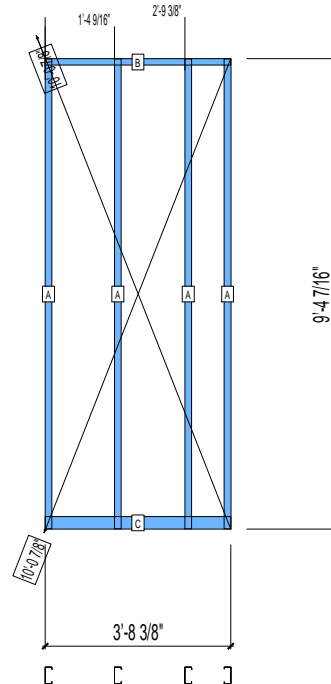
WEIGHTS :

FRAME : 42 lbs

TOTAL: 42 lbs

APPROVED

By hhuynh at 2:52 pm, Nov 14, 2008



PIECES LIST

LABEL	QTY	SIZE	LENGTH	USE
A	4	400S162-33	9'-4 5/16"	STUD
B	1	400T150-33	3'-8 3/8"	TOP TRACK
C	1	400T300-33	3'-8 3/8"	BOTTOM TRACK

12-3256

Jewish Home for the Aging

1885 Victory Blvd. Reseda, CA

FM-07-109

CREATED BY: HH

FrameMax, Inc.
13915 Danielson St
Suite 100
Poway, CA 92064
www.framemax.com

FRAME MAX

© FrameMax Inc.

HEIGHT : 9'-4 7/16" POINTS: 0.27 Points.

SPACING : 24"

1st STUD: 24"

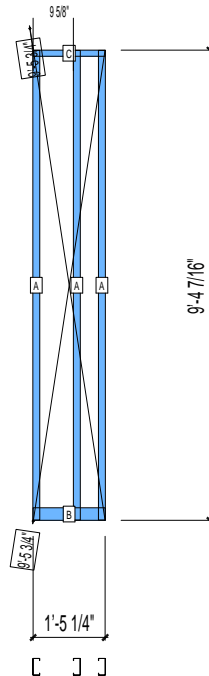
WEIGHTS :

FRAME : 29 lbs

TOTAL: 29 lbs

APPROVED

By hhuynh at 2:52 pm, Nov 14, 2008



PIECES LIST

LABEL	QTY	SIZE	LENGTH	USE
A	3	400S162-33	9'-4 5/16"	STUD
B	1	400T300-33	1'-5 1/4"	BOTTOM TRACK
C	1	400T150-33	1'-5 1/4"	TOP TRACK

12-3257

Jewish Home for the Aging

1885 Victory Blvd. Reseda, CA

FM-07-109

CREATED BY: HH

FrameMax, Inc.
13915 Danielson St
Suite 100
Poway, CA 92064
www.frame-max.com

FRAME MAX

© FrameMax Inc.

HEIGHT : 9'-4 7/16" POINTS: 0.33 Points.

SPACING : 24"

1st STUD: 16"

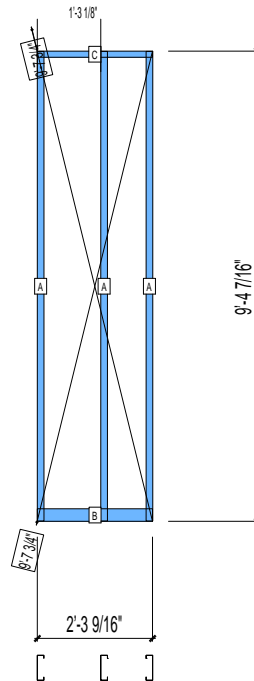
WEIGHTS :

FRAME : 39 lbs

TOTAL: 39 lbs

APPROVED

By hhuynh at 2:52 pm, Nov 14, 2008



PIECES LIST

LABEL	QTY	SIZE	LENGTH	USE
A	3	600S162-33	9'-4 5/16"	STUD
B	1	600T300-33	2'-3 9/16"	BOTTOM TRACK
C	1	600T150-33	2'-3 9/16"	TOP TRACK

12-3258

Jewish Home for the Aging

1885 Victory Blvd. Reseda, CA

FM-07-109

CREATED BY: HH

FrameMax, Inc.
13915 Danielson St
Suite 100
Poway, CA 92064
www.frame-max.com

FRAME MAX

© FrameMax Inc.

HEIGHT : 9'-4 7/16" POINTS: 0.38 Points.

SPACING : 24"

1st STUD: 24"

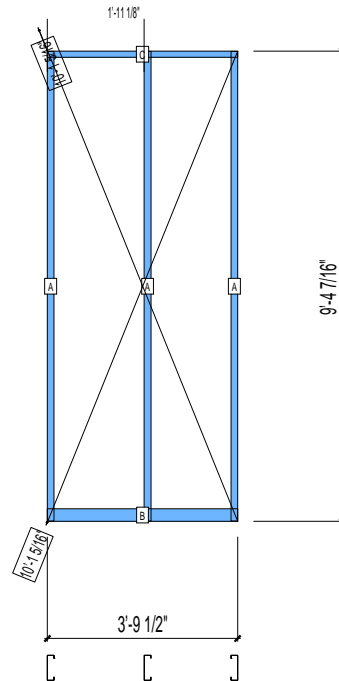
WEIGHTS :

FRAME : 42 lbs

TOTAL: 42 lbs

APPROVED

By hhuynh at 2:52 pm, Nov 14, 2008



PIECES LIST

LABEL	QTY	SIZE	LENGTH	USE
A	3	600S162-33	9'-4 5/16"	STUD
B	1	600T300-33	3'-9 1/2"	BOTTOM TRACK
C	1	600T150-33	3'-9 1/2"	TOP TRACK

12-3259

Jewish Home for the Aging

1885 Victory Blvd. Reseda, CA

FM-07-109

CREATED BY: HH

FrameMax, Inc.
13915 Danielson St
Suite 100
Poway, CA 92064
www.frame-max.com

FRAME MAX

© FrameMax Inc.

HEIGHT : 9'-4 7/16" POINTS: 1.09 Points.

SPACING : 24"

1st STUD: 11 5/8"

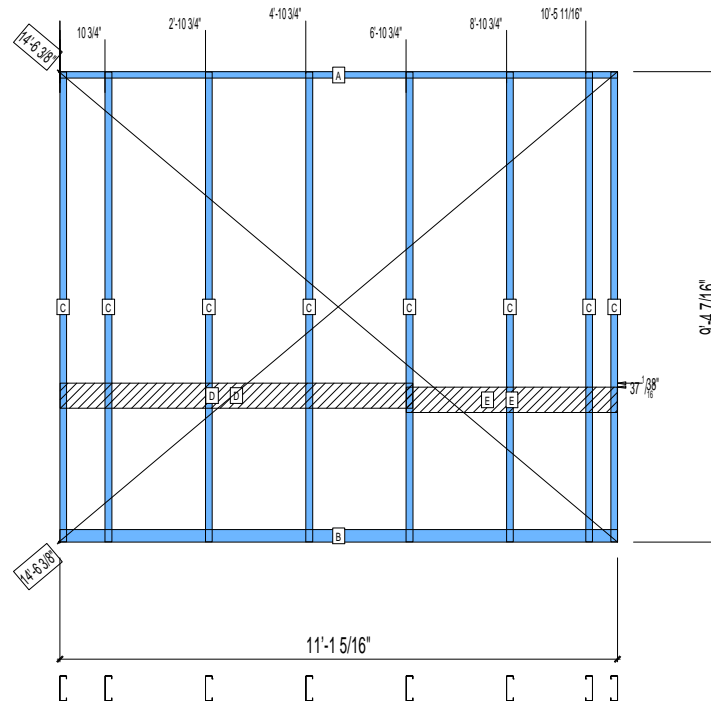
APPROVED

By hhuynh at 2:52 pm, Nov 14, 2008

WEIGHTS :

FRAME : 131 lbs

TOTAL: 131 lbs



PIECES LIST

LABEL	QTY	SIZE	LENGTH	USE
A	1	600T150-33	11'-1 5/16"	TOP TRACK
B	1	600T300-33	11'-1 5/16"	BOTTOM TRACK
C	8	600S162-33	9'-4 5/16"	STUD
D	1	600D-54	7'-0 5/16"	VANITY BACKING
E	1	600T150-54	4'-2 7/16"	GRAB BAR

12-3260

Jewish Home for the Aging

1885 Victory Blvd. Reseda, CA

FM-07-109

CREATED BY: HH

FrameMax, Inc.
13915 Danielson St
Suite 100
Poway, CA 92064
www.frame-max.com

FRAME MAX

© FrameMax Inc.

HEIGHT : 9'-4 7/16" POINTS: 0.78 Points.

SPACING : 24"

1st STUD: 24"

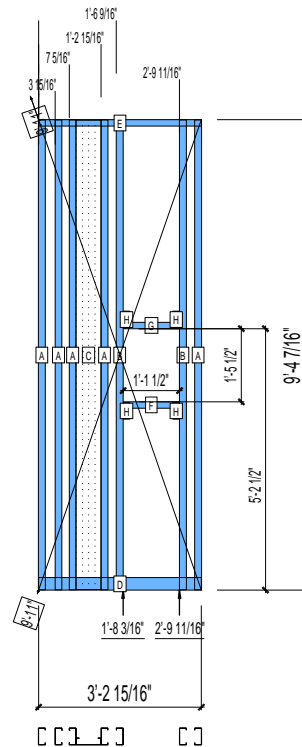
WEIGHTS :

FRAME : 81 lbs

TOTAL: 81 lbs

APPROVED

By hhuynh at 2:52 pm, Nov 14, 2008



PIECES LIST

LABEL	QTY	SIZE	LENGTH	USE
A	5	400S162-33	9'-4 5/16"	STUD
B	2	400S162-33	9'-4 5/16"	KING STUD
C	1	600S162-33	9'-4 3/16"	BACKER-U
D	1	400T300-33	3'-2 15/16"	BOTTOM TRACK
E	1	400T150-33	3'-2 15/16"	TOP TRACK
F	1	400T150-33	1'-1 1/4"	SILL
G	1	400T150-33	1'-1 1/4"	HEAD TRACK
H	4	400S162-33	4"	CRIPPLE

12-3261

Jewish Home for the Aging

1885 Victory Blvd. Reseda, CA

FM-07-109

CREATED BY: HH

FrameMax, Inc.
13915 Danielson St
Suite 100
Poway, CA 92064
www.framemax.com

FRAME MAX

© FrameMax Inc.

HEIGHT : 9'-4 7/16" POINTS: 0.20 Points.

SPACING : 24"

1st STUD: 24"

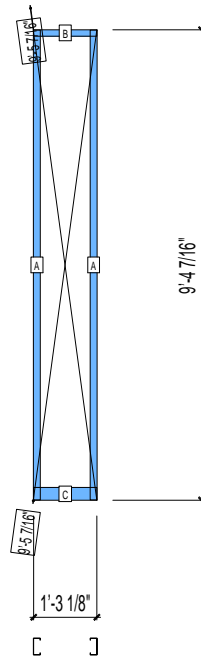
WEIGHTS :

FRAME : 20 lbs

TOTAL: 20 lbs

APPROVED

By hhuynh at 2:52 pm, Nov 14, 2008



PIECES LIST

LABEL	QTY	SIZE	LENGTH	USE
A	2	400S162-33	9'-4 5/16"	STUD
B	1	400T150-33	1'-3 1/8"	TOP TRACK
C	1	400T300-33	1'-3 1/8"	BOTTOM TRACK

12-3262

Jewish Home for the Aging

1885 Victory Blvd. Reseda, CA

FM-07-109

CREATED BY: HH

FrameMax, Inc.
13915 Danielson St
Suite 100
Poway, CA 92064
www.framemax.com

FRAME MAX

© FrameMax Inc.

HEIGHT : 9'-4 7/16" POINTS: 0.27 Points.

SPACING : 24"

1st STUD: 24"

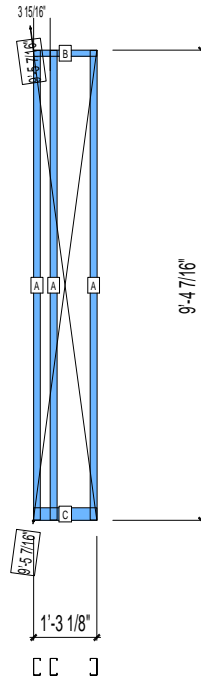
WEIGHTS :

FRAME : 29 lbs

TOTAL: 29 lbs

APPROVED

By hhuynh at 2:52 pm, Nov 14, 2008



PIECES LIST

LABEL	QTY	SIZE	LENGTH	USE
A	3	400S162-33	9'-4 5/16"	STUD
B	1	400T150-33	1'-3 1/8"	TOP TRACK
C	1	400T300-33	1'-3 1/8"	BOTTOM TRACK

12-3263

Jewish Home for the Aging

1885 Victory Blvd. Reseda, CA

FM-07-109

CREATED BY: HH

FrameMax, Inc.
13915 Danielson St
Suite 100
Poway, CA 92064
www.framemax.com

FRAMEMAX

© FrameMax Inc.

HEIGHT : 9'-4 7/16" POINTS: 0.59 Points.

SPACING : 24"

1st STUD: 24"

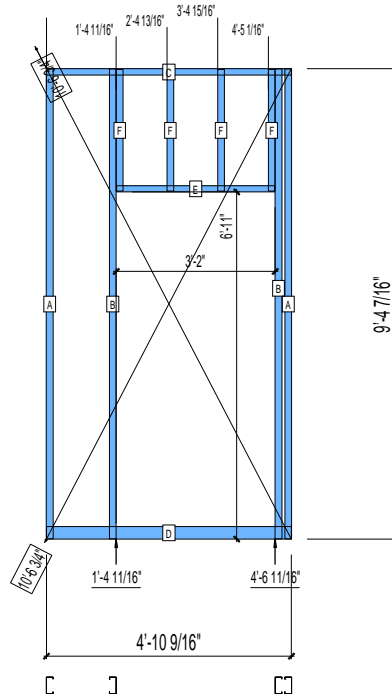
WEIGHTS :

FRAME : 56 lbs

TOTAL: 56 lbs

APPROVED

By hhuynh at 2:52 pm, Nov 14, 2008



PIECES LIST

LABEL	QTY	SIZE	LENGTH	USE
A	2	400S162-33	9'-4 5/16"	STUD
B	2	400S162-33	9'-4 5/16"	KING STUD
C	1	400T150-33	4'-10 9/16"	TOP TRACK
D	1	400T300-33	4'-10 9/16"	BOTTOM TRACK
E	1	400T150-33	3'-1 3/4"	HEAD TRACK
F	4	400S162-33	2'-5 1/16"	CRIPPLE

12-3264

Jewish Home for the Aging

1885 Victory Blvd. Reseda, CA

FM-07-109

CREATED BY: HH

FrameMax, Inc.
13915 Danielson St
Suite 100
Poway, CA 92064
www.frame-max.com

FRAME MAX

© FrameMax Inc.

HEIGHT : 9'-4 7/16" POINTS: 0.54 Points.

SPACING : 5000"

1st STUD: 5000"

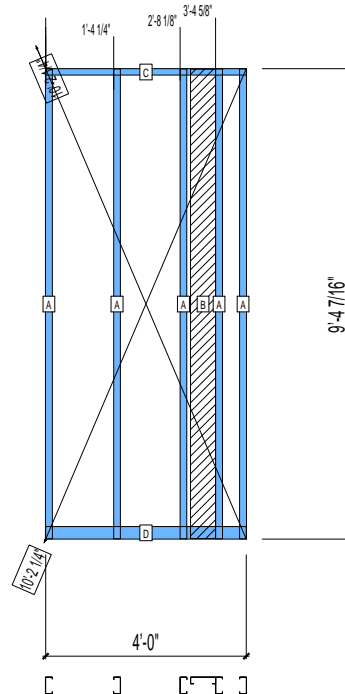
WEIGHTS :

FRAME : 62 lbs

TOTAL: 62 lbs

APPROVED

By hhuynh at 2:52 pm, Nov 14, 2008



PIECES LIST

LABEL	QTY	SIZE	LENGTH	USE
A	5	400S162-33	9'-4 5/16"	STUD
B	1	600S162-33	9'-4 3/16"	BACKER-U
C	1	400T150-33	4'-0"	TOP TRACK
D	1	400T300-33	4'-0"	BOTTOM TRACK

12-3265

Jewish Home for the Aging

1885 Victory Blvd. Reseda, CA

FM-07-109

CREATED BY: HH

FrameMax, Inc.
13915 Danielson St
Suite 100
Poway, CA 92064
www.framemax.com

FRAME MAX

© FrameMax Inc.

HEIGHT : 9'-4 7/16" POINTS: 0.47 Points.

SPACING : 24"

1st STUD: 24"

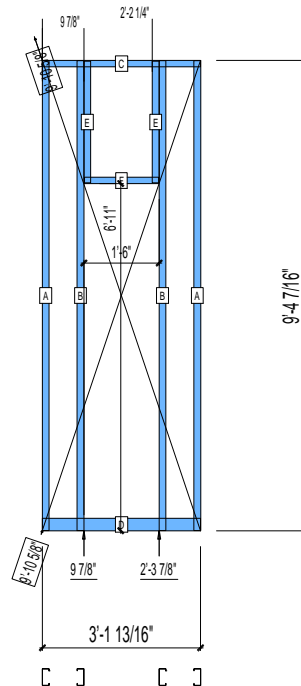
WEIGHTS :

FRAME : 47 lbs

TOTAL: 47 lbs

APPROVED

By hhuynh at 2:52 pm, Nov 14, 2008



PIECES LIST

LABEL	QTY	SIZE	LENGTH	USE
A	2	400S162-33	9'-4 5/16"	STUD
B	2	400S162-33	9'-4 5/16"	KING STUD
C	1	400T150-33	3'-1 13/16"	TOP TRACK
D	1	400T300-33	3'-1 13/16"	BOTTOM TRACK
E	2	400S162-33	2'-5 1/16"	CRIPPLE
F	1	400T150-33	1'-5 3/4"	HEAD TRACK

12-3266

Jewish Home for the Aging

1885 Victory Blvd. Reseda, CA

FM-07-109

CREATED BY: HH

FrameMax, Inc.
13915 Danielson St
Suite 100
Poway, CA 92064
www.frame-max.com

FRAME MAX

© FrameMax Inc.

HEIGHT : 9'-4 7/16" POINTS: 0.39 Points.

SPACING : 24"

1st STUD: 24"

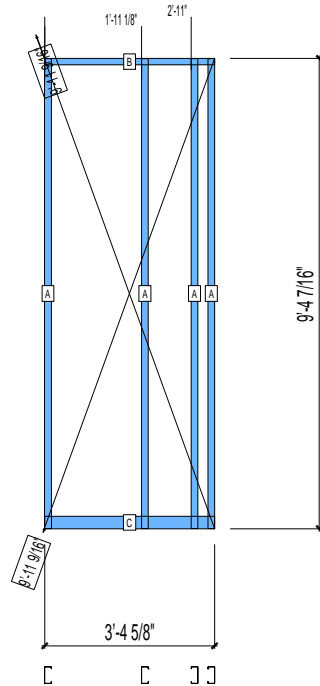
WEIGHTS :

FRAME : 42 lbs

TOTAL: 42 lbs

APPROVED

By hhuynh at 2:52 pm, Nov 14, 2008



PIECES LIST

LABEL	QTY	SIZE	LENGTH	USE
A	4	400S162-33	9'-4 5/16"	STUD
B	1	400T150-33	3'-4 5/8"	TOP TRACK
C	1	400T300-33	3'-4 5/8"	BOTTOM TRACK

12-3267

Jewish Home for the Aging

1885 Victory Blvd. Reseda, CA

FM-07-109

CREATED BY: HH

FrameMax, Inc.
13915 Danielson St
Suite 100
Poway, CA 92064
www.frame-max.com

FRAME MAX

© FrameMax Inc.

HEIGHT : 9'-4 7/16" POINTS: 1.12 Points.

SPACING : 24"

1st STUD: 14 1/16"

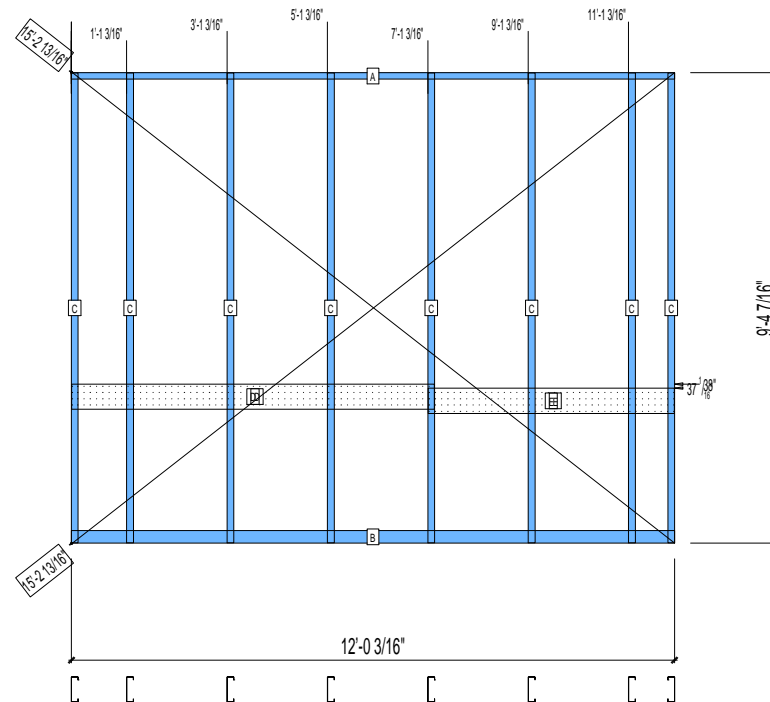
APPROVED

By hhuynh at 2:52 pm, Nov 14, 2008

WEIGHTS :

FRAME : 135 lbs

TOTAL: 135 lbs



PIECES LIST

LABEL	QTY	SIZE	LENGTH	USE
A	1	600T150-33	12'-0 3/16"	TOP TRACK
B	1	600T300-33	12'-0 3/16"	BOTTOM TRACK
C	8	600S162-33	9'-4 5/16"	STUD
D	1	600D-54	7'-2 3/4"	VANITY BACKING
E	1	600T150-54	4'-10 7/8"	GRAB BAR

12-3268

Jewish Home for the Aging

1885 Victory Blvd. Reseda, CA

FM-07-109

CREATED BY: HH

FrameMax, Inc.
13915 Danielson St
Suite 100
Poway, CA 92064
www.frame-max.com

FRAME MAX

© FrameMax Inc.

HEIGHT : 9'-4 7/16" POINTS: 0.19 Points.

SPACING : 24"

1st STUD: 16"

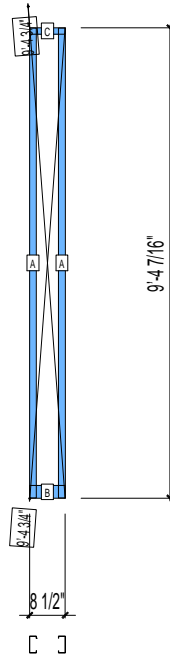
APPROVED

By hhuynh at 2:52 pm, Nov 14, 2008

WEIGHTS :

FRAME : 19 lbs

TOTAL: 19 lbs



PIECES LIST

LABEL	QTY	SIZE	LENGTH	USE
A	2	400S162-33	9'-4 5/16"	STUD
B	1	400T300-33	8 1/2"	BOTTOM TRACK
C	1	400T150-33	8 1/2"	TOP TRACK

12-3269

Jewish Home for the Aging

1885 Victory Blvd. Reseda, CA

FM-07-109

CREATED BY: HH

FrameMax, Inc.
13915 Danielson St
Suite 100
Poway, CA 92064
www.frame-max.com

FRAME MAX

© FrameMax Inc.

HEIGHT : 9'-4 7/16" POINTS: 0.38 Points.

SPACING : 24"

1st STUD: 13/16"

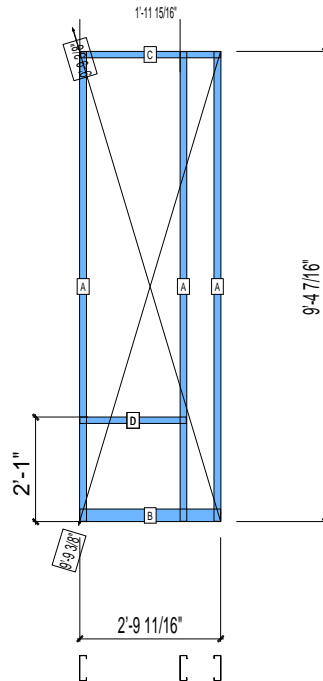
WEIGHTS :

FRAME : 42 lbs

TOTAL: 42 lbs

APPROVED

By hhuynh at 2:52 pm, Nov 14, 2008



PIECES LIST

LABEL	QTY	SIZE	LENGTH	USE
A	3	600S162-33	9'-4 5/16"	STUD
B	1	600T300-33	2'-9 11/16"	BOTTOM TRACK
C	1	600T150-33	2'-9 11/16"	TOP TRACK
D	1	600T150-33	2'-1 7/16"	SILL

12-3270

Jewish Home for the Aging

1885 Victory Blvd. Reseda, CA

FM-07-109

CREATED BY: HH

FrameMax, Inc.
13915 Danielson St
Suite 100
Poway, CA 92064
www.frame-max.com

FRAME MAX

© FrameMax Inc.

HEIGHT : 9'-4 7/16" POINTS: 0.36 Points.

SPACING : 24"

1st STUD: 24"

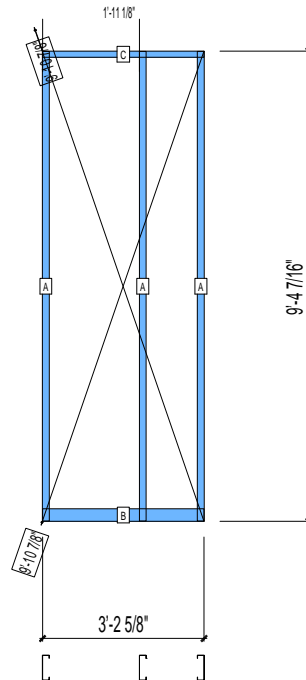
WEIGHTS :

FRAME : 41 lbs

TOTAL: 41 lbs

APPROVED

By hhuynh at 2:52 pm, Nov 14, 2008



PIECES LIST

LABEL	QTY	SIZE	LENGTH	USE
A	3	600S162-33	9'-4 5/16"	STUD
B	1	600T300-33	3'-2 5/8"	BOTTOM TRACK
C	1	600T150-33	3'-2 5/8"	TOP TRACK

12-3271

Jewish Home for the Aging

1885 Victory Blvd. Reseda, CA

FM-07-109

CREATED BY: HH

FrameMax, Inc.
13915 Danielson St
Suite 100
Poway, CA 92064
www.framemax.com



© FrameMax Inc.

HEIGHT : 9'-4 7/16" POINTS: 0.42 Points.

SPACING : 24"

1st STUD: 24"

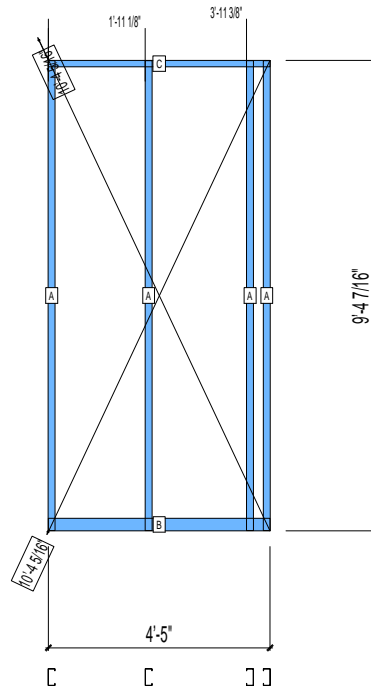
WEIGHTS :

FRAME : 44 lbs

TOTAL: 44 lbs

APPROVED

By hhuynh at 2:52 pm, Nov 14, 2008



PIECES LIST

LABEL	QTY	SIZE	LENGTH	USE
A	4	400S162-33	9'-4 5/16"	STUD
B	1	400T300-33	4'-5"	BOTTOM TRACK
C	1	400T150-33	4'-5"	TOP TRACK

12-3272

Jewish Home for the Aging

1885 Victory Blvd. Reseda, CA

FM-07-109

CREATED BY: HH

FrameMax, Inc.
13915 Danielson St
Suite 100
Poway, CA 92064
www.frame-max.com

FRAME MAX

© FrameMax Inc.

HEIGHT : 9'-4 7/16" POINTS: 0.20 Points.

SPACING : 24"

1st STUD: 16"

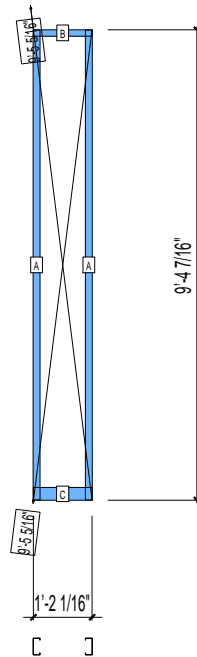
WEIGHTS :

FRAME : 20 lbs

TOTAL: 20 lbs

APPROVED

By hhuynh at 2:52 pm, Nov 14, 2008



PIECES LIST

LABEL	QTY	SIZE	LENGTH	USE
A	2	400S162-33	9'-4 5/16"	STUD
B	1	400T150-33	1'-2 1/16"	TOP TRACK
C	1	400T300-33	1'-2 1/16"	BOTTOM TRACK

12-3274

Jewish Home for the Aging

1885 Victory Blvd. Reseda, CA

FM-07-109

CREATED BY: HH

FrameMax, Inc.
13915 Danielson St
Suite 100
Poway, CA 92064
www.frame-max.com

FRAME MAX

© FrameMax Inc.

HEIGHT : 9'-4 7/16" POINTS: 0.65 Points.

SPACING : 24"

1st STUD: 24"

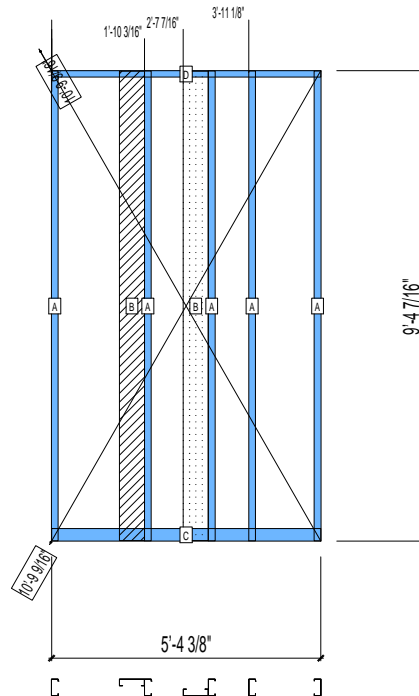
WEIGHTS :

FRAME : 76 lbs

TOTAL: 76 lbs

APPROVED

By hhuynh at 2:52 pm, Nov 14, 2008



PIECES LIST

LABEL	QTY	SIZE	LENGTH	USE
A	5	400S162-33	9'-4 5/16"	STUD
B	2	600S162-33	9'-4 3/16"	BACKER-U
C	1	400T300-33	5'-4 3/8"	BOTTOM TRACK
D	1	400T150-33	5'-4 3/8"	TOP TRACK

12-3275

Jewish Home for the Aging

1885 Victory Blvd. Reseda, CA

FM-07-109

CREATED BY: HH

FrameMax, Inc.
13915 Danielson St
Suite 100
Poway, CA 92064
www.framemax.com

FRAME MAX

© FrameMax Inc.

HEIGHT : 9'-4 7/16" POINTS: 0.75 Points.

SPACING : 24"

1st STUD: 24"

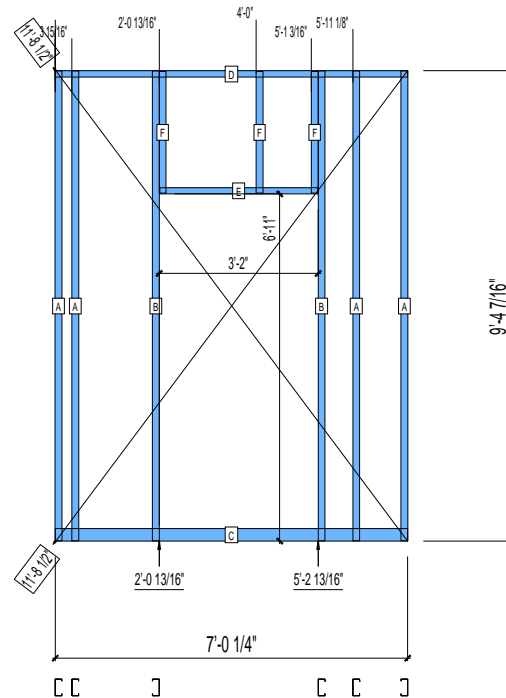
WEIGHTS :

FRAME : 76 lbs

TOTAL: 76 lbs

APPROVED

By hhuynh at 2:52 pm, Nov 14, 2008



PIECES LIST

LABEL	QTY	SIZE	LENGTH	USE
A	4	400S162-33	9'-4 5/16"	STUD
B	2	400S162-33	9'-4 5/16"	KING STUD
C	1	400T300-33	7'-0 1/4"	BOTTOM TRACK
D	1	400T150-33	7'-0 1/4"	TOP TRACK
E	1	400T150-33	3'-1 3/4"	HEAD TRACK
F	3	400S162-33	2'-5 1/16"	CRIPPLE

12-3276

Jewish Home for the Aging

1885 Victory Blvd. Reseda, CA

FM-07-109

CREATED BY: HH

FrameMax, Inc.
13915 Danielson St
Suite 100
Poway, CA 92064
www.framemax.com



© FrameMax Inc.

HEIGHT : 9'-4 7/16" POINTS: 0.32 Points.

SPACING : 24"

1st STUD: 24"

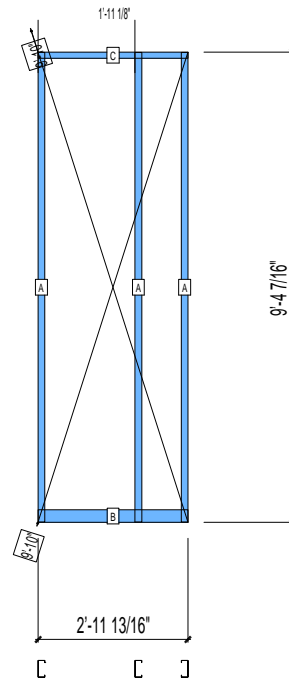
WEIGHTS :

FRAME : 32 lbs

TOTAL: 32 lbs

APPROVED

By hhuynh at 2:52 pm, Nov 14, 2008



PIECES LIST

LABEL	QTY	SIZE	LENGTH	USE
A	3	400S162-33	9'-4 5/16"	STUD
B	1	400T300-33	2'-11 13/16"	BOTTOM TRACK
C	1	400T150-33	2'-11 13/16"	TOP TRACK

12-3277

Jewish Home for the Aging

1885 Victory Blvd. Reseda, CA

FM-07-109

CREATED BY: HH

FrameMax, Inc.
13915 Danielson St
Suite 100
Poway, CA 92064
www.frame-max.com



© FrameMax Inc.

HEIGHT : 9'-4 7/16" POINTS: 0.75 Points.

SPACING : 24"

1st STUD: 24"

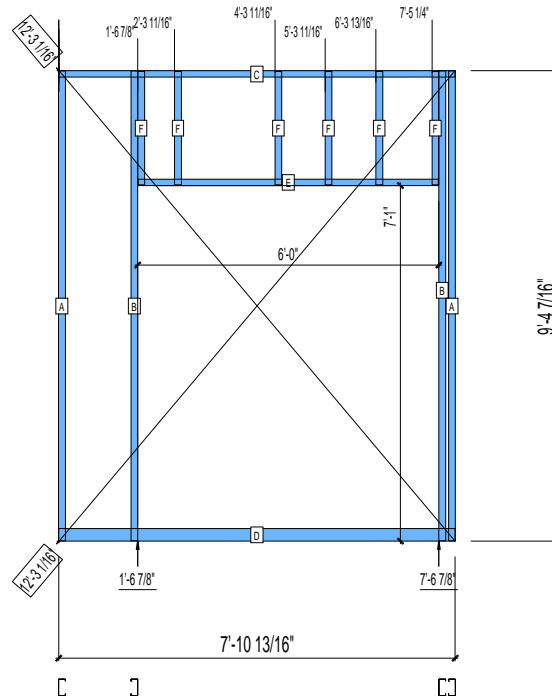
APPROVED

By hhuynh at 2:52 pm, Nov 14, 2008

WEIGHTS :

FRAME : 68 lbs

TOTAL: 68 lbs



PIECES LIST

LABEL	QTY	SIZE	LENGTH	USE
A	2	400S162-33	9'-4 5/16"	STUD
B	2	400S162-33	9'-4 5/16"	KING STUD
C	1	400T150-33	7'-10 13/16"	TOP TRACK
D	1	400T300-33	7'-10 13/16"	BOTTOM TRACK
E	1	400T150-33	5'-11 3/4"	HEAD TRACK
F	6	400S162-33	2'-3 1/16"	CRIPPLE

12-3278

Jewish Home for the Aging

1885 Victory Blvd. Reseda, CA

FM-07-109

CREATED BY: HH

FrameMax, Inc.
13915 Danielson St
Suite 100
Poway, CA 92064
www.framemax.com

FRAMEMAX

© FrameMax Inc.

HEIGHT : 9'-4 7/16" POINTS: 0.99 Points.

SPACING : 24"

1st STUD: 16"

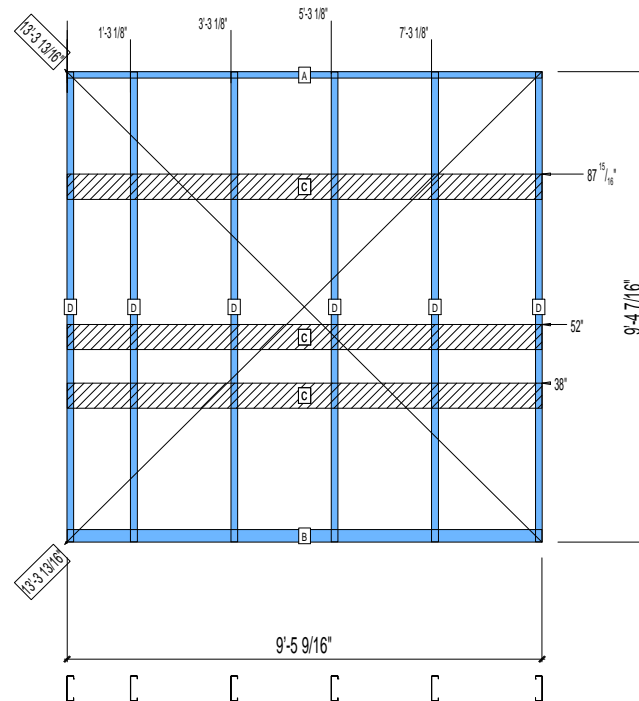
APPROVED

By hhuynh at 2:52 pm, Nov 14, 2008

WEIGHTS :

FRAME : 123 lbs

TOTAL: 123 lbs



PIECES LIST

LABEL	QTY	SIZE	LENGTH USE
A	1	600T150-33	9'-5 9/16" TOP TRACK
B	1	600T300-33	9'-5 9/16" BOTTOM TRACK
C	3	600D-54	9'-5 1/2" KITCHEN BACKING
D	6	600S162-33	9'-4 5/16" STUD

12-3279

Jewish Home for the Aging

1885 Victory Blvd. Reseda, CA

FM-07-109

CREATED BY: HH

FrameMax, Inc.
13915 Danielson St
Suite 100
Poway, CA 92064
www.framemax.com



© FrameMax Inc.

HEIGHT : 9'-4 7/16" POINTS: 0.30 Points.

SPACING : 24"

1st STUD: 24"

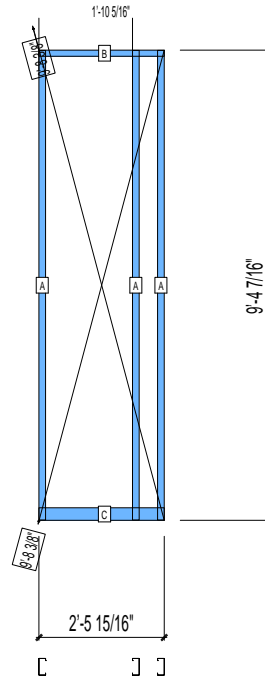
WEIGHTS :

FRAME : 31 lbs

TOTAL: 31 lbs

APPROVED

By hhuynh at 2:52 pm, Nov 14, 2008



PIECES LIST

LABEL	QTY	SIZE	LENGTH	USE
A	3	400S162-33	9'-4 5/16"	STUD
B	1	400T150-33	2'-5 15/16"	TOP TRACK
C	1	400T300-33	2'-5 15/16"	BOTTOM TRACK

12-3280

Jewish Home for the Aging

1885 Victory Blvd. Reseda, CA

FM-07-109

CREATED BY: HH

FrameMax, Inc.
13915 Danielson St
Suite 100
Poway, CA 92064
www.framemax.com

FRAME MAX

© FrameMax Inc.

HEIGHT : 9'-4 7/16" POINTS: 0.30 Points.

SPACING : 24"

1st STUD: 24"

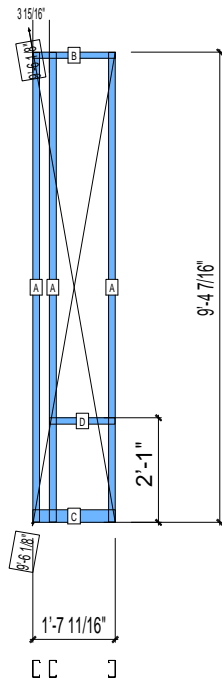
WEIGHTS :

FRAME : 31 lbs

TOTAL: 31 lbs

APPROVED

By hhuynh at 2:52 pm, Nov 14, 2008



PIECES LIST

LABEL	QTY	SIZE	LENGTH	USE
A	3	400S162-33	9'-4 5/16"	STUD
B	1	400T150-33	1'-7 11/16"	TOP TRACK
C	1	400T300-33	1'-7 11/16"	BOTTOM TRACK
D	1	400T150-33	1'-3 5/8"	SILL

12-3281

Jewish Home for the Aging

1885 Victory Blvd. Reseda, CA

FM-07-109

CREATED BY: HH

FrameMax, Inc.
13915 Danielson St
Suite 100
Poway, CA 92064
www.frame-max.com

FRAME MAX

© FrameMax Inc.

HEIGHT : 9'-4 7/16" POINTS: 0.20 Points.

SPACING : 24"

1st STUD: 24"

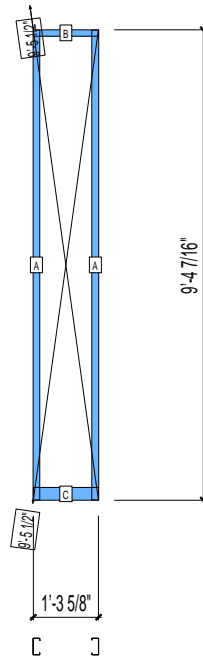
WEIGHTS :

FRAME : 20 lbs

TOTAL: 20 lbs

APPROVED

By hhuynh at 2:52 pm, Nov 14, 2008



PIECES LIST

LABEL	QTY	SIZE	LENGTH	USE
A	2	400S162-33	9'-4 5/16"	STUD
B	1	400T150-33	1'-3 5/8"	TOP TRACK
C	1	400T300-33	1'-3 5/8"	BOTTOM TRACK

12-3282

Jewish Home for the Aging

1885 Victory Blvd. Reseda, CA

FrameMax, Inc.
13915 Danielson St
Suite 100
Poway, CA 92064
www.frame-max.com



© FrameMax Inc.

CREATED: 11/10/2008

FM-07-109

CREATED BY: HH

HEIGHT : 9'-4 7/16" POINTS: 0.19 Points.

SPACING : 24"

1st STUD: 24"

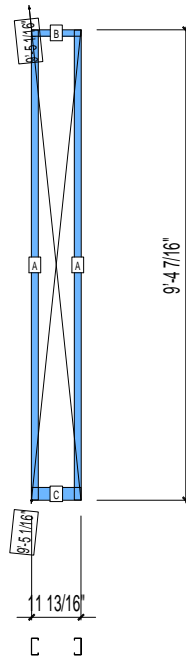
APPROVED

By hhuynh at 2:52 pm, Nov 14, 2008

WEIGHTS :

FRAME : 19 lbs

TOTAL: 19 lbs



PIECES LIST

LABEL	QTY	SIZE	LENGTH	USE
A	2	400S162-33	9'-4 5/16"	STUD
B	1	400T150-33	11 13/16"	TOP TRACK
C	1	400T300-33	11 13/16"	BOTTOM TRACK

12-3283

Jewish Home for the Aging

1885 Victory Blvd. Reseda, CA

FM-07-109

CREATED BY: HH

FrameMax, Inc.
13915 Danielson St
Suite 100
Poway, CA 92064
www.framemax.com

FRAME MAX

© FrameMax Inc.

HEIGHT : 9'-4 7/16" POINTS: 0.71 Points.

SPACING : 24"

1st STUD: 24"

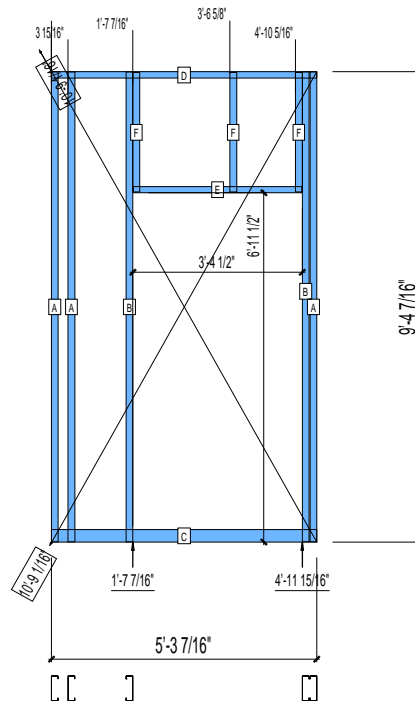
WEIGHTS :

FRAME : 80 lbs

TOTAL: 80 lbs

APPROVED

By hhuynh at 2:52 pm, Nov 14, 2008



PIECES LIST

LABEL	QTY	SIZE	LENGTH	USE
A	3	600S162-33	9'-4 5/16"	STUD
B	2	600S162-33	9'-4 5/16"	KING STUD
C	1	600T300-33	5'-3 7/16"	BOTTOM TRACK
D	1	600T150-33	5'-3 7/16"	TOP TRACK
E	1	600T150-33	3'-4 1/4"	HEAD TRACK
F	3	600S162-33	2'-4 9/16"	CRIPPLE

12-3284

Jewish Home for the Aging

1885 Victory Blvd. Reseda, CA

FM-07-109

CREATED BY: HH

FrameMax, Inc.
13915 Danielson St
Suite 100
Poway, CA 92064
www.frame-max.com

FRAME MAX

© FrameMax Inc.

HEIGHT : 9'-4 7/16" POINTS: 0.22 Points.

SPACING : 24"

1st STUD: 24"

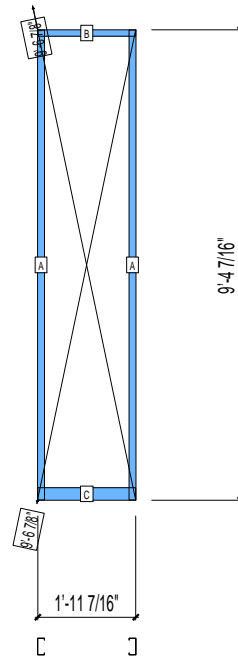
WEIGHTS :

FRAME : 21 lbs

TOTAL: 21 lbs

APPROVED

By hhuynh at 2:52 pm, Nov 14, 2008



PIECES LIST

LABEL	QTY	SIZE	LENGTH	USE
A	2	400S162-33	9'-4 5/16"	STUD
B	1	400T150-33	1'-11 7/16"	TOP TRACK
C	1	400T300-33	1'-11 7/16"	BOTTOM TRACK

12-3285

Jewish Home for the Aging

1885 Victory Blvd. Reseda, CA

FM-07-109

CREATED BY: HH

FrameMax, Inc.
13915 Danielson St
Suite 100
Poway, CA 92064
www.frame-max.com



© FrameMax Inc.

HEIGHT : 9'-4 7/16" POINTS: 0.19 Points.

SPACING : 24"

1st STUD: 16"

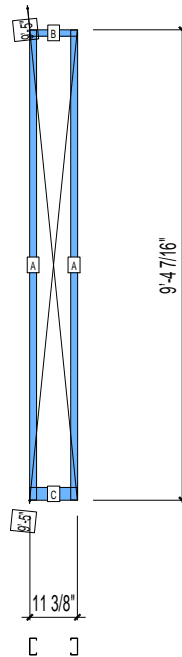
APPROVED

By hhuynh at 2:52 pm, Nov 14, 2008

WEIGHTS :

FRAME : 19 lbs

TOTAL: 19 lbs



PIECES LIST

LABEL	QTY	SIZE	LENGTH	USE
A	2	400S162-33	9'-4 5/16"	STUD
B	1	400T150-33	11 3/8"	TOP TRACK
C	1	400T300-33	11 3/8"	BOTTOM TRACK

12-3300

Jewish Home for the Aging

1885 Victory Blvd. Reseda, CA

FM-07-109

CREATED BY: HH

FrameMax, Inc.
13915 Danielson St
Suite 100
Poway, CA 92064
www.framemax.com

FRAME MAX

© FrameMax Inc.

HEIGHT : 9'-4 7/16" POINTS: 0.46 Points.

SPACING : 24"

1st STUD: 24"

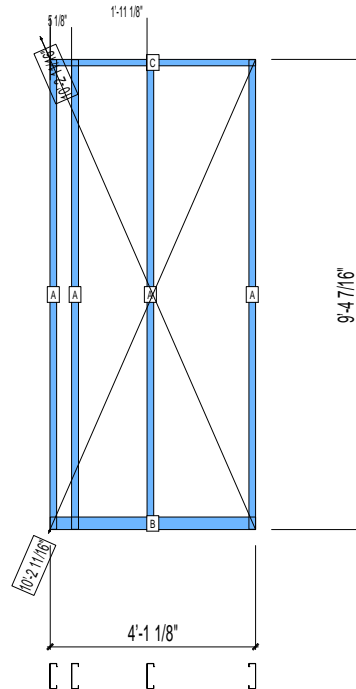
WEIGHTS :

FRAME : 54 lbs

TOTAL: 54 lbs

APPROVED

By hhuynh at 2:52 pm, Nov 14, 2008



PIECES LIST

LABEL	QTY	SIZE	LENGTH	USE
A	4	600S162-33	9'-4 5/16"	STUD
B	1	600T300-33	4'-1 1/8"	BOTTOM TRACK
C	1	600T150-33	4'-1 1/8"	TOP TRACK

12-3301

Jewish Home for the Aging

1885 Victory Blvd. Reseda, CA

FM-07-109

CREATED BY: HH

FrameMax, Inc.
13915 Danielson St
Suite 100
Poway, CA 92064
www.frame-max.com

FRAME MAX

© FrameMax Inc.

HEIGHT : 9'-4 7/16" POINTS: 0.25 Points.

SPACING : 24"

1st STUD: 24"

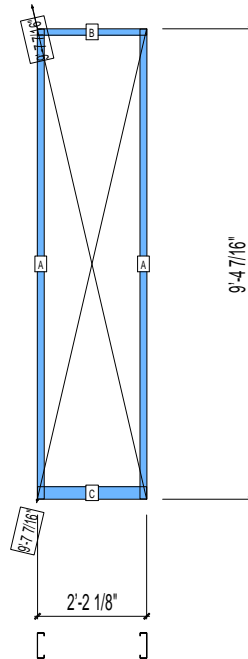
WEIGHTS :

FRAME : 27 lbs

TOTAL: 27 lbs

APPROVED

By hhuynh at 2:52 pm, Nov 14, 2008



PIECES LIST

LABEL	QTY	SIZE	LENGTH	USE
A	2	600S162-33	9'-4 5/16"	STUD
B	1	600T150-33	2'-2 1/8"	TOP TRACK
C	1	600T300-33	2'-2 1/8"	BOTTOM TRACK

12-3302

Jewish Home for the Aging

1885 Victory Blvd. Reseda, CA

FM-07-109

CREATED BY: HH

FrameMax, Inc.
13915 Danielson St
Suite 100
Poway, CA 92064
www.frame-max.com

FRAME MAX

© FrameMax Inc.

HEIGHT : 9'-4 7/16" POINTS: 0.38 Points.

SPACING : 24"

1st STUD: 24"

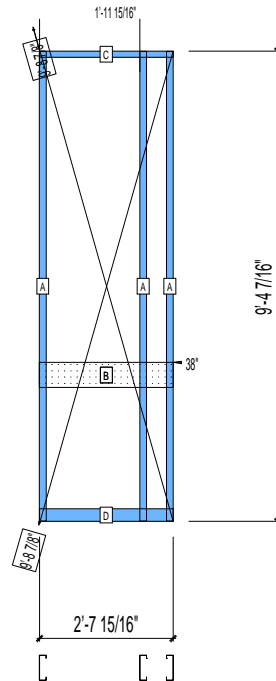
WEIGHTS :

FRAME : 43 lbs

TOTAL: 43 lbs

APPROVED

By hhuynh at 2:52 pm, Nov 14, 2008



PIECES LIST

LABEL	QTY	SIZE	LENGTH	USE
A	3	600S162-33	9'-4 5/16"	STUD
B	1	600D-54	2'-8"	VANITY BACKING
C	1	600T150-33	2'-7 15/16"	TOP TRACK
D	1	600T300-33	2'-7 15/16"	BOTTOM TRACK

12-3303

Jewish Home for the Aging

1885 Victory Blvd. Reseda, CA

FM-07-109

CREATED BY: HH

FrameMax, Inc.
13915 Danielson St
Suite 100
Poway, CA 92064
www.frame-max.com

FRAME MAX

© FrameMax Inc.

HEIGHT : 9'-4 7/16" POINTS: 0.34 Points.

SPACING : 24"

1st STUD: 16"

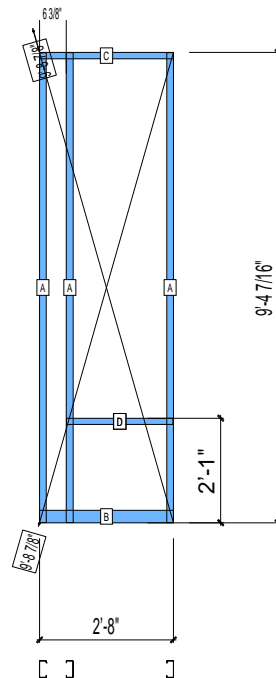
WEIGHTS :

FRAME : 34 lbs

TOTAL: 34 lbs

APPROVED

By hhuynh at 2:52 pm, Nov 14, 2008



PIECES LIST

LABEL	QTY	SIZE	LENGTH	USE
A	3	400S162-33	9'-4 5/16"	STUD
B	1	400T300-33	2'-8"	BOTTOM TRACK
C	1	400T150-33	2'-8"	TOP TRACK
D	1	600T150-33	2'-1 7/16"	SILL

12-3304

Jewish Home for the Aging

1885 Victory Blvd. Reseda, CA

FM-07-109

CREATED BY: HH

FrameMax, Inc.
13915 Danielson St
Suite 100
Poway, CA 92064
www.framemax.com

FRAME MAX

© FrameMax Inc.

HEIGHT : 9'-4 7/16" POINTS: 0.34 Points.

SPACING : 24"

1st STUD: 24"

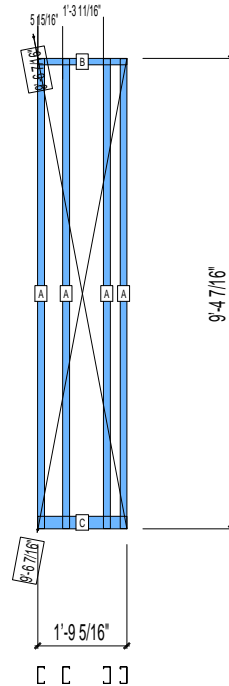
WEIGHTS :

FRAME : 38 lbs

TOTAL: 38 lbs

APPROVED

By hhuynh at 2:52 pm, Nov 14, 2008



PIECES LIST

LABEL	QTY	SIZE	LENGTH	USE
A	4	400S162-33	9'-4 5/16"	STUD
B	1	400T150-33	1'-9 5/16"	TOP TRACK
C	1	400T300-33	1'-9 5/16"	BOTTOM TRACK

12-3305

Jewish Home for the Aging

1885 Victory Blvd. Reseda, CA

FM-07-109

CREATED BY: HH

FrameMax, Inc.
13915 Danielson St
Suite 100
Poway, CA 92064
www.frame-max.com

FRAME MAX

© FrameMax Inc.

HEIGHT : 9'-4 7/16" POINTS: 1.59 Points.

SPACING : 24"

1st STUD: 24"

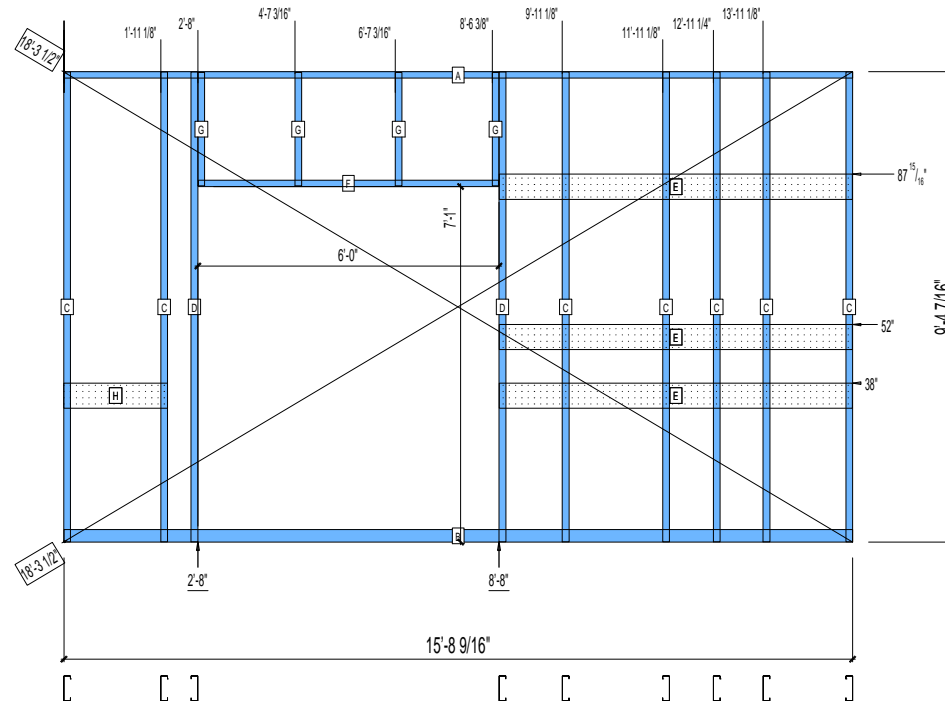
APPROVED

By hhuynh at 2:52 pm, Nov 14, 2008

WEIGHTS :

FRAME : 183 lbs

TOTAL: 183 lbs



PIECES LIST

LABEL	QTY	SIZE	LENGTH	USE
A	1	600T150-33	15'-8 9/16"	TOP TRACK
B	1	600T300-33	15'-8 9/16"	BOTTOM TRACK
C	7	600S162-33	9'-4 5/16"	STUD
D	2	600S162-33	9'-4 5/16"	KING STUD
E	3	600D-54	7'-0 7/16"	KITCHEN BACKING
F	1	600T150-33	5'-11 3/4"	HEAD TRACK
G	4	600S162-33	2'-3 1/16"	CRIPPLE
H	1	600D-54	2'-0 13/16"	VANITY BACKING

12-3306

Jewish Home for the Aging

1885 Victory Blvd. Reseda, CA

FM-07-109

CREATED BY: HH

FrameMax, Inc.
13915 Danielson St
Suite 100
Poway, CA 92064
www.frame-max.com

FRAME MAX

© FrameMax Inc.

HEIGHT : 9'-4 7/16" POINTS: 0.49 Points.

SPACING : 24"

1st STUD: 24"

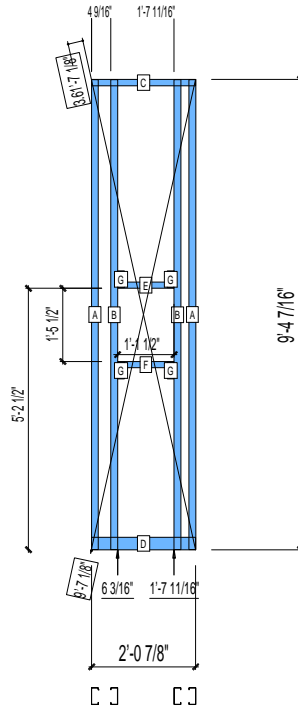
WEIGHTS :

FRAME : 42 lbs

TOTAL: 42 lbs

APPROVED

By hhuynh at 2:52 pm, Nov 14, 2008



PIECES LIST

LABEL	QTY	SIZE	LENGTH	USE
A	2	400S162-33	9'-4 5/16"	STUD
B	2	400S162-33	9'-4 5/16"	KING STUD
C	1	400T150-33	2'-0 7/8"	TOP TRACK
D	1	400T300-33	2'-0 7/8"	BOTTOM TRACK
E	1	400T150-33	1'-1 1/4"	HEAD TRACK
F	1	400T150-33	1'-1 1/4"	SILL
G	4	400S162-33	4"	CRIPPLE

12-3307

Jewish Home for the Aging

1885 Victory Blvd. Reseda, CA

FM-07-109

CREATED BY: HH

FrameMax, Inc.
13915 Danielson St
Suite 100
Poway, CA 92064
www.framemax.com

FRAME MAX

© FrameMax Inc.

HEIGHT : 9'-4 7/16" POINTS: 0.47 Points.

SPACING : 24"

1st STUD: 24"

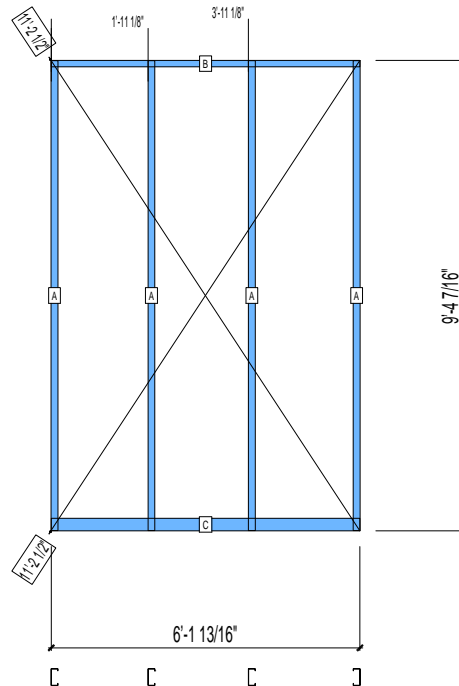
WEIGHTS :

FRAME : 47 lbs

TOTAL: 47 lbs

APPROVED

By hhuynh at 2:52 pm, Nov 14, 2008



PIECES LIST

LABEL	QTY	SIZE	LENGTH	USE
A	4	400S162-33	9'-4 5/16"	STUD
B	1	400T150-33	6'-1 13/16"	TOP TRACK
C	1	400T300-33	6'-1 13/16"	BOTTOM TRACK

12-3308

Jewish Home for the Aging

1885 Victory Blvd. Reseda, CA

FM-07-109

CREATED BY: HH

FrameMax, Inc.
13915 Danielson St
Suite 100
Poway, CA 92064
www.frame-max.com

FRAMEMAX

© FrameMax Inc.

HEIGHT : 9'-4 7/16" POINTS: 0.67 Points.

SPACING : 24"

1st STUD: 24"

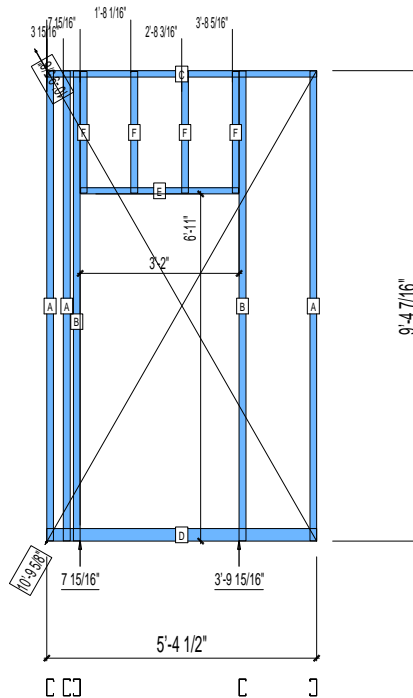
WEIGHTS :

FRAME : 66 lbs

TOTAL: 66 lbs

APPROVED

By hhuynh at 2:52 pm, Nov 14, 2008



PIECES LIST

LABEL	QTY	SIZE	LENGTH	USE
A	3	400S162-33	9'-4 5/16"	STUD
B	2	400S162-33	9'-4 5/16"	KING STUD
C	1	400T150-33	5'-4 1/2"	TOP TRACK
D	1	400T300-33	5'-4 1/2"	BOTTOM TRACK
E	1	400T150-33	3'-1 3/4"	HEAD TRACK
F	4	400S162-33	2'-5 1/16"	CRIPPLE

12-3309

Jewish Home for the Aging

1885 Victory Blvd. Reseda, CA

FM-07-109

CREATED BY: HH

FrameMax, Inc.
13915 Danielson St
Suite 100
Poway, CA 92064
www.frame-max.com

FRAME MAX

© FrameMax Inc.

HEIGHT : 9'-4 7/16" POINTS: 0.59 Points.

SPACING : 24"

1st STUD: 24"

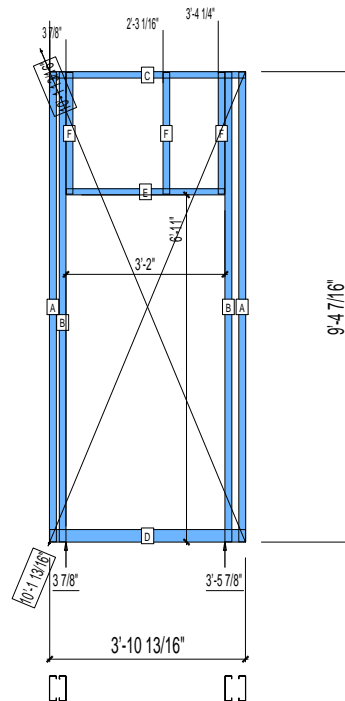
WEIGHTS :

FRAME : 65 lbs

TOTAL: 65 lbs

APPROVED

By hhuynh at 2:52 pm, Nov 14, 2008



PIECES LIST

LABEL	QTY	SIZE	LENGTH	USE
A	2	600S162-33	9'-4 5/16"	STUD
B	2	600S162-33	9'-4 5/16"	KING STUD
C	1	600T150-33	3'-10 13/16"	TOP TRACK
D	1	600T300-33	3'-10 13/16"	BOTTOM TRACK
E	1	600T150-33	3'-1 3/4"	HEAD TRACK
F	3	600S162-33	2'-5 1/16"	CRIPPLE

12-3310

Jewish Home for the Aging

1885 Victory Blvd. Reseda, CA

FM-07-109

CREATED BY: HH

FrameMax, Inc.
13915 Danielson St
Suite 100
Poway, CA 92064
www.frame-max.com



© FrameMax Inc.

HEIGHT : 9'-4 7/16" POINTS: 0.25 Points.

SPACING : 24"

1st STUD: 24"

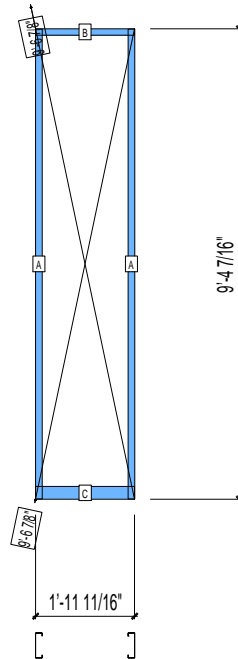
WEIGHTS :

FRAME : 27 lbs

TOTAL: 27 lbs

APPROVED

By hhuynh at 2:52 pm, Nov 14, 2008



PIECES LIST

LABEL	QTY	SIZE	LENGTH	USE
A	2	600S162-33	9'-4 5/16"	STUD
B	1	600T150-33	1'-11 11/16"	TOP TRACK
C	1	600T300-33	1'-11 11/16"	BOTTOM TRACK

12-3311

Jewish Home for the Aging

1885 Victory Blvd. Reseda, CA

FM-07-109

CREATED BY: HH

FrameMax, Inc.
13915 Danielson St
Suite 100
Poway, CA 92064
www.frame-max.com

FRAME MAX

© FrameMax Inc.

HEIGHT : 9'-4 7/16" POINTS: 0.32 Points.

SPACING : 24"

1st STUD: 24"

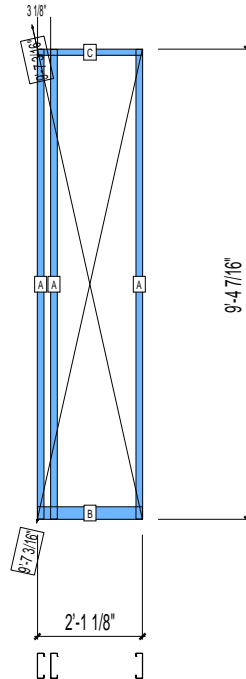
WEIGHTS :

FRAME : 38 lbs

TOTAL: 38 lbs

APPROVED

By hhuynh at 2:52 pm, Nov 14, 2008



PIECES LIST

LABEL	QTY	SIZE	LENGTH USE
A	3	600S162-33	9'-4 5/16" STUD
B	1	600T300-33	2'-1 1/8" BOTTOM TRACK
C	1	600T150-33	2'-1 1/8" TOP TRACK

12-3312

Jewish Home for the Aging

1885 Victory Blvd. Reseda, CA

FM-07-109

CREATED BY: HH

FrameMax, Inc.
13915 Danielson St
Suite 100
Poway, CA 92064
www.frame-max.com



© FrameMax Inc.

HEIGHT : 9'-4 7/16" POINTS: 0.19 Points.

SPACING : 24"

1st STUD: 24"

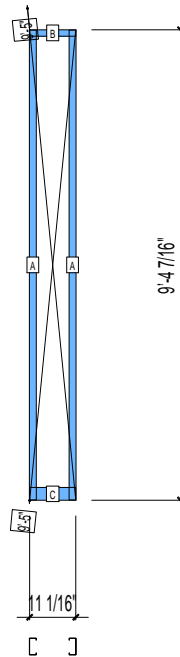
APPROVED

By hhuynh at 2:52 pm, Nov 14, 2008

WEIGHTS :

FRAME : 19 lbs

TOTAL: 19 lbs



PIECES LIST

LABEL	QTY	SIZE	LENGTH	USE
A	2	400S162-33	9'-4 5/16"	STUD
B	1	400T150-33	1 1/16"	TOP TRACK
C	1	400T300-33	1 1/16"	BOTTOM TRACK

12-3313

Jewish Home for the Aging

1885 Victory Blvd. Reseda, CA

FM-07-109

CREATED BY: HH

FrameMax, Inc.
13915 Danielson St
Suite 100
Poway, CA 92064
www.framemax.com



© FrameMax Inc.

HEIGHT : 9'-4 7/16" POINTS: 0.30 Points.

SPACING : 24"

1st STUD: 24"

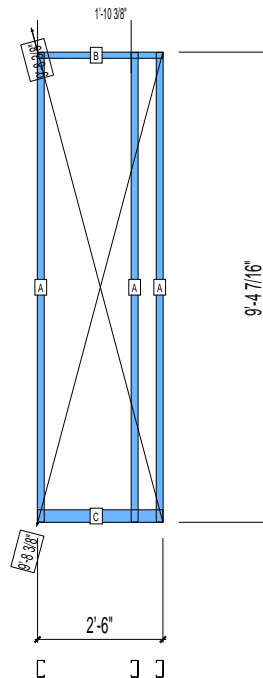
WEIGHTS :

FRAME : 31 lbs

TOTAL: 31 lbs

APPROVED

By hhuynh at 2:52 pm, Nov 14, 2008



PIECES LIST

LABEL	QTY	SIZE	LENGTH	USE
A	3	400S162-33	9'-4 5/16"	STUD
B	1	400T150-33	2'-6"	TOP TRACK
C	1	400T300-33	2'-6"	BOTTOM TRACK

12-3314

Jewish Home for the Aging

1885 Victory Blvd. Reseda, CA

FM-07-109

CREATED BY: HH

FrameMax, Inc.
13915 Danielson St
Suite 100
Poway, CA 92064
www.framemax.com

FRAME MAX

© FrameMax Inc.

HEIGHT : 9'-4 7/16" POINTS: 0.70 Points.

SPACING : 24"

1st STUD: 24"

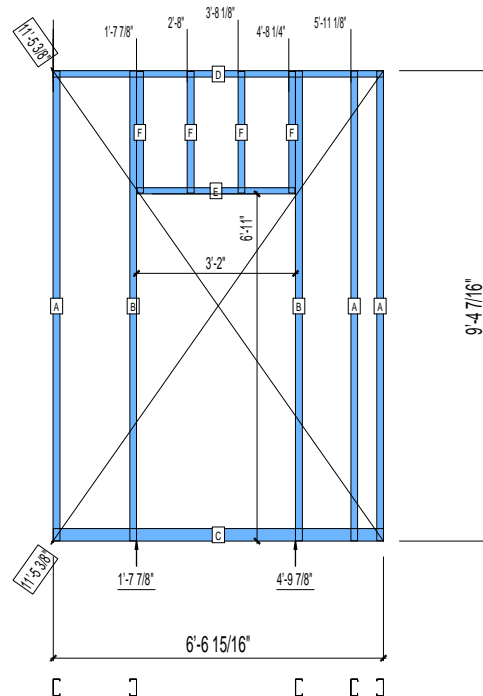
WEIGHTS :

FRAME : 68 lbs

TOTAL: 68 lbs

APPROVED

By hhuynh at 2:52 pm, Nov 14, 2008



PIECES LIST

LABEL	QTY	SIZE	LENGTH	USE
A	3	400S162-33	9'-4 5/16"	STUD
B	2	400S162-33	9'-4 5/16"	KING STUD
C	1	400T300-33	6'-6 15/16"	BOTTOM TRACK
D	1	400T150-33	6'-6 15/16"	TOP TRACK
E	1	400T150-33	3'-1 3/4"	HEAD TRACK
F	4	400S162-33	2'-5 1/16"	CRIPPLE

12-3315

Jewish Home for the Aging

1885 Victory Blvd. Reseda, CA

FM-07-109

CREATED BY: HH

FrameMax, Inc.
13915 Danielson St
Suite 100
Poway, CA 92064
www.framemax.com



© FrameMax Inc.

HEIGHT : 9'-4 7/16" POINTS: 0.63 Points.

SPACING : 24"

1st STUD: 24"

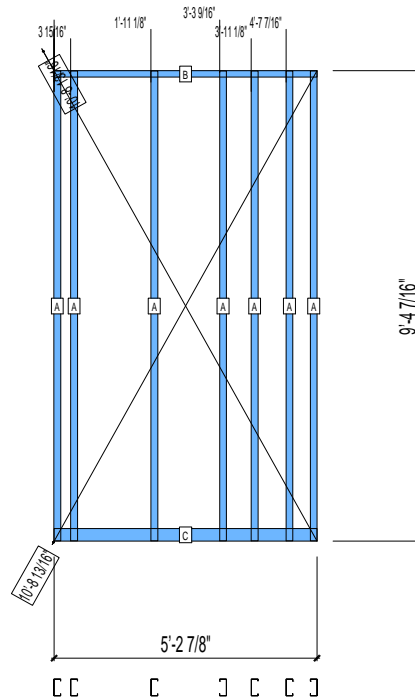
WEIGHTS :

FRAME : 71 lbs

TOTAL: 71 lbs

APPROVED

By hhuynh at 2:52 pm, Nov 14, 2008



PIECES LIST

LABEL	QTY	SIZE	LENGTH	USE
A	7	400S162-33	9'-4 5/16"	STUD
B	1	400T150-33	5'-2 7/8"	TOP TRACK
C	1	400T300-33	5'-2 7/8"	BOTTOM TRACK

12-3316

Jewish Home for the Aging

1885 Victory Blvd. Reseda, CA

FM-07-109

CREATED BY: HH

FrameMax, Inc.
13915 Danielson St
Suite 100
Poway, CA 92064
www.frame-max.com



© FrameMax Inc.

HEIGHT : 9'-4 7/16" POINTS: 0.75 Points.

SPACING : 24"

1st STUD: 24"

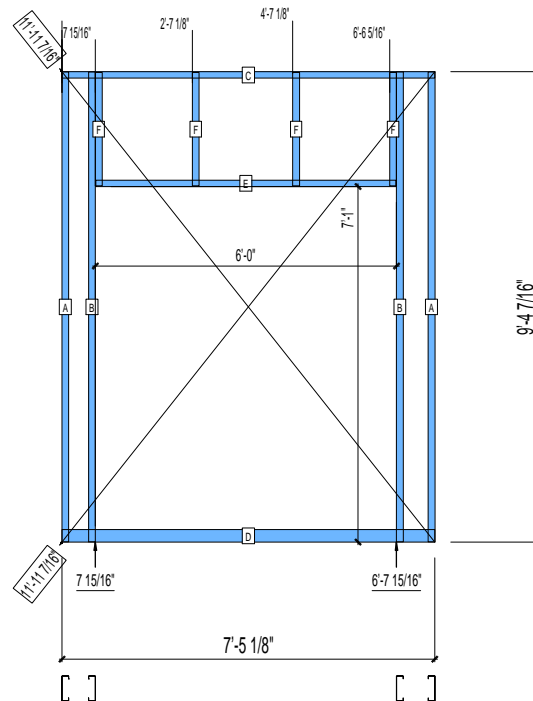
APPROVED

By hhuynh at 2:52 pm, Nov 14, 2008

WEIGHTS :

FRAME : 79 lbs

TOTAL: 79 lbs



PIECES LIST

LABEL	QTY	SIZE	LENGTH	USE
A	2	600S162-33	9'-4 5/16"	STUD
B	2	600S162-33	9'-4 5/16"	KING STUD
C	1	600T150-33	7'-5 1/8"	TOP TRACK
D	1	600T300-33	7'-5 1/8"	BOTTOM TRACK
E	1	600T150-33	5'-11 3/4"	HEAD TRACK
F	4	600S162-33	2'-3 1/16"	CRIPPLE

12-3317

Jewish Home for the Aging

1885 Victory Blvd. Reseda, CA

FM-07-109

CREATED BY: HH

FrameMax, Inc.
13915 Danielson St
Suite 100
Poway, CA 92064
www.frame-max.com



© FrameMax Inc.

HEIGHT : 9'-4 7/16" POINTS: 0.55 Points.

SPACING : 24"

1st STUD: 24"

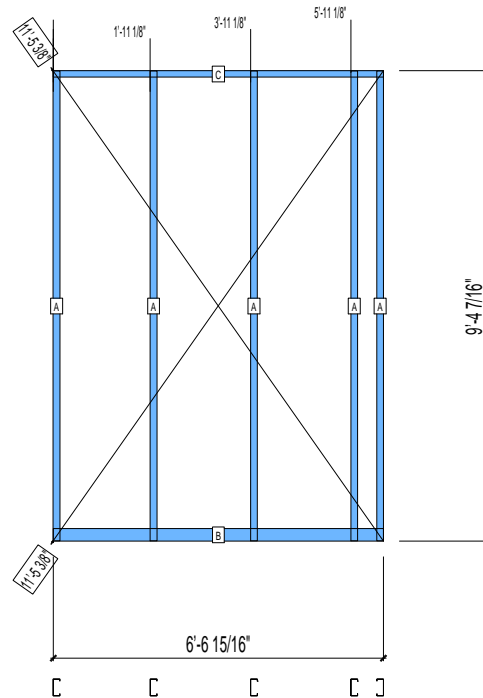
APPROVED

By hhuynh at 2:52 pm, Nov 14, 2008

WEIGHTS :

FRAME : 57 lbs

TOTAL: 57 lbs



PIECES LIST

LABEL	QTY	SIZE	LENGTH	USE
A	5	400S162-33	9'-4 5/16"	STUD
B	1	400T300-33	6'-6 15/16"	BOTTOM TRACK
C	1	400T150-33	6'-6 15/16"	TOP TRACK

12-3318

Jewish Home for the Aging

1885 Victory Blvd. Reseda, CA

FM-07-109

CREATED BY: HH

FrameMax, Inc.
13915 Danielson St
Suite 100
Poway, CA 92064
www.frame-max.com



© FrameMax Inc.

HEIGHT : 9'-4 7/16" POINTS: 0.35 Points.

SPACING : 24"

1st STUD: 17 3/8"

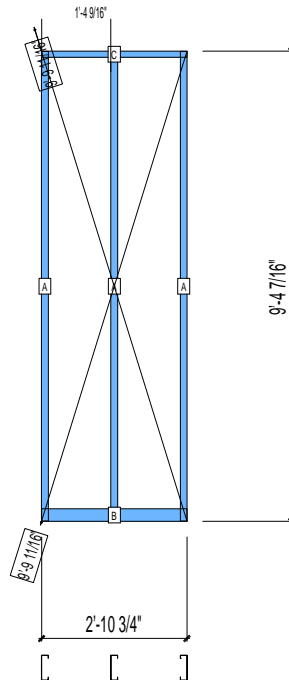
WEIGHTS :

FRAME : 40 lbs

TOTAL: 40 lbs

APPROVED

By hhuynh at 2:52 pm, Nov 14, 2008



PIECES LIST

LABEL	QTY	SIZE	LENGTH	USE
A	3	600S162-33	9'-4 5/16"	STUD
B	1	600T300-33	2'-10 3/4"	BOTTOM TRACK
C	1	600T150-33	2'-10 3/4"	TOP TRACK

12-3320

Jewish Home for the Aging

1885 Victory Blvd. Reseda, CA

FM-07-109

CREATED BY: HH

FrameMax, Inc.
13915 Danielson St
Suite 100
Poway, CA 92064
www.framemax.com



© FrameMax Inc.

HEIGHT : 9'-4 7/16" POINTS: 0.30 Points.

SPACING : 24"

1st STUD: 24"

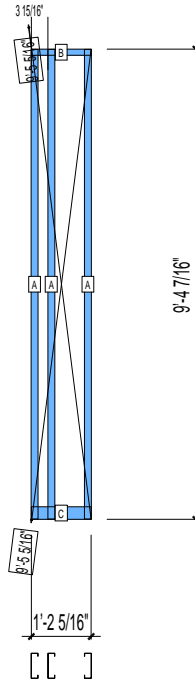
WEIGHTS :

FRAME : 36 lbs

TOTAL: 36 lbs

APPROVED

By hhuynh at 2:52 pm, Nov 14, 2008



PIECES LIST

LABEL	QTY	SIZE	LENGTH	USE
A	3	600S162-33	9'-4 5/16"	STUD
B	1	600T150-33	1'-2 5/16"	TOP TRACK
C	1	600T300-33	1'-2 5/16"	BOTTOM TRACK

12-3321

Jewish Home for the Aging

1885 Victory Blvd. Reseda, CA

FrameMax, Inc.
13915 Danielson St
Suite 100
Poway, CA 92064
www.frame-max.com



© FrameMax Inc.

CREATED: 11/10/2008

FM-07-109

CREATED BY: HH

HEIGHT : 9'-4 7/16" POINTS: 0.20 Points.

SPACING : 24"

1st STUD: 24"

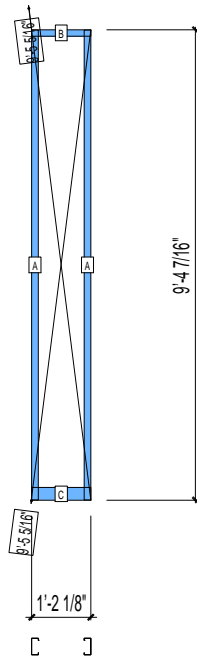
WEIGHTS :

FRAME : 20 lbs

TOTAL: 20 lbs

APPROVED

By hhuynh at 2:52 pm, Nov 14, 2008



PIECES LIST

LABEL	QTY	SIZE	LENGTH	USE
A	2	400S162-33	9'-4 5/16"	STUD
B	1	400T150-33	1'-2 1/8"	TOP TRACK
C	1	400T300-33	1'-2 1/8"	BOTTOM TRACK

12-3322

Jewish Home for the Aging

1885 Victory Blvd. Reseda, CA

FM-07-109

CREATED BY: HH

FrameMax, Inc.
13915 Danielson St
Suite 100
Poway, CA 92064
www.frame-max.com

FRAME MAX

© FrameMax Inc.

HEIGHT : 9'-4 7/16" POINTS: 0.34 Points.

SPACING : 24"

1st STUD: 24"

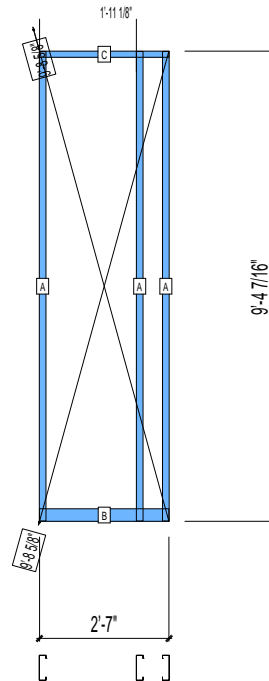
WEIGHTS :

FRAME : 39 lbs

TOTAL: 39 lbs

APPROVED

By hhuynh at 2:52 pm, Nov 14, 2008



PIECES LIST

LABEL	QTY	SIZE	LENGTH	USE
A	3	600S162-33	9'-4 5/16"	STUD
B	1	600T300-33	2'-7"	BOTTOM TRACK
C	1	600T150-33	2'-7"	TOP TRACK

12-3323

Jewish Home for the Aging

1885 Victory Blvd. Reseda, CA

FM-07-109

CREATED BY: HH

FrameMax, Inc.
13915 Danielson St
Suite 100
Poway, CA 92064
www.framemax.com

FRAME MAX

© FrameMax Inc.

HEIGHT : 9'-4 7/16" POINTS: 0.32 Points.

SPACING : 24"

1st STUD: 24"

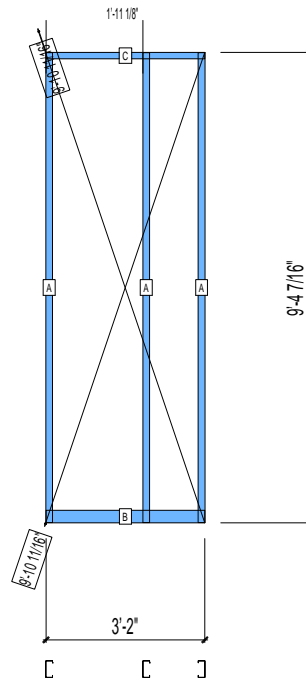
WEIGHTS :

FRAME : 32 lbs

TOTAL: 32 lbs

APPROVED

By hhuynh at 2:52 pm, Nov 14, 2008



PIECES LIST

LABEL	QTY	SIZE	LENGTH	USE
A	3	400S162-33	9'-4 5/16"	STUD
B	1	400T300-33	3'-2"	BOTTOM TRACK
C	1	400T150-33	3'-2"	TOP TRACK

12-3324

Jewish Home for the Aging

1885 Victory Blvd. Reseda, CA

FM-07-109

CREATED BY: HH

FrameMax, Inc.
13915 Danielson St
Suite 100
Poway, CA 92064
www.framemax.com

FRAME MAX

© FrameMax Inc.

HEIGHT : 9'-4 7/16" POINTS: 0.38 Points.

SPACING : 24"

1st STUD: 24"

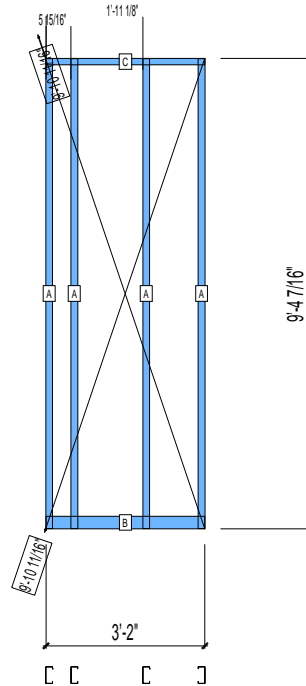
WEIGHTS :

FRAME : 41 lbs

TOTAL: 41 lbs

APPROVED

By hhuynh at 2:52 pm, Nov 14, 2008



PIECES LIST

LABEL	QTY	SIZE	LENGTH	USE
A	4	400S162-33	9'-4 5/16"	STUD
B	1	400T300-33	3'-2"	BOTTOM TRACK
C	1	400T150-33	3'-2"	TOP TRACK

12-3325

Jewish Home for the Aging

1885 Victory Blvd. Reseda, CA

FM-07-109

CREATED BY: HH

FrameMax, Inc.
13915 Danielson St
Suite 100
Poway, CA 92064
www.frame-max.com

FRAME MAX

© FrameMax Inc.

HEIGHT : 9'-4 7/16" POINTS: 0.54 Points.

SPACING : 24"

1st STUD: 24"

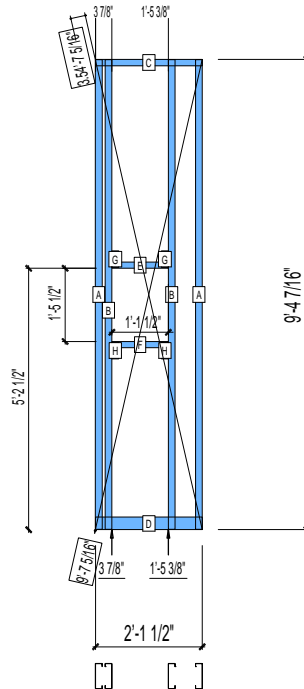
WEIGHTS :

FRAME : 53 lbs

TOTAL: 53 lbs

APPROVED

By hhuynh at 2:52 pm, Nov 14, 2008



PIECES LIST

LABEL	QTY	SIZE	LENGTH	USE
A	2	600S162-33	9'-4 5/16"	STUD
B	2	600S162-33	9'-4 5/16"	KING STUD
C	1	600T150-33	2'-1 1/2"	TOP TRACK
D	1	600T300-33	2'-1 1/2"	BOTTOM TRACK
E	1	600T150-33	1'-1 3/8"	HEAD TRACK
F	1	600T150-33	1'-1 3/8"	SILL
G	2	600S162-33	4"	CRIPPLE
H	2	600S162-33	3 15/16"	CRIPPLE

12-3326

Jewish Home for the Aging

1885 Victory Blvd. Reseda, CA

FM-07-109

CREATED BY: HH

FrameMax, Inc.
13915 Danielson St
Suite 100
Poway, CA 92064
www.framemax.com



© FrameMax Inc.

HEIGHT : 9'-4 7/16" POINTS: 0.21 Points.

SPACING : 24"

1st STUD: 24"

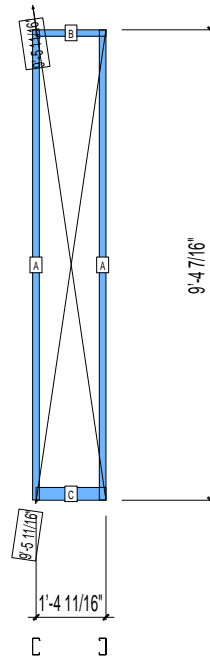
WEIGHTS :

FRAME : 20 lbs

TOTAL: 20 lbs

APPROVED

By hhuynh at 2:52 pm, Nov 14, 2008



PIECES LIST

LABEL	QTY	SIZE	LENGTH	USE
A	2	400S162-33	9'-4 5/16"	STUD
B	1	400T150-33	1'-4 11/16"	TOP TRACK
C	1	400T300-33	1'-4 11/16"	BOTTOM TRACK

12-3327

Jewish Home for the Aging

1885 Victory Blvd. Reseda, CA

FM-07-109

CREATED BY: HH

FrameMax, Inc.
13915 Danielson St
Suite 100
Poway, CA 92064
www.frame-max.com



© FrameMax Inc.

HEIGHT : 9'-4 7/16" POINTS: 1.00 Points.

SPACING : 24"

1st STUD: 8 1/2"

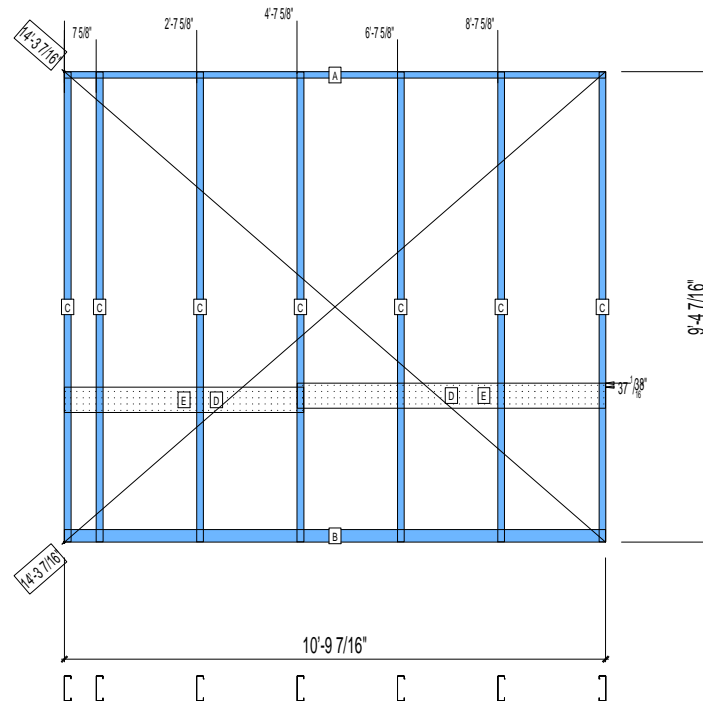
APPROVED

By hhuynh at 2:52 pm, Nov 14, 2008

WEIGHTS :

FRAME : 119 lbs

TOTAL: 119 lbs



PIECES LIST

LABEL	QTY	SIZE	LENGTH USE
A	1	600T150-33	10'-9 7/16" TOP TRACK
B	1	600T300-33	10'-9 7/16" BOTTOM TRACK
C	7	600S162-33	9'-4 5/16" STUD
D	1	600D-54	6'-1 11/16" VANITY BACKING
E	1	600T150-54	4'-9 3/16" GRAB BAR

12-3328

Jewish Home for the Aging

1885 Victory Blvd. Reseda, CA

FM-07-109

CREATED BY: HH

FrameMax, Inc.
13915 Danielson St
Suite 100
Poway, CA 92064
www.frame-max.com

FRAME MAX

© FrameMax Inc.

HEIGHT : 9'-4 7/16" POINTS: 0.38 Points.

SPACING : 24"

1st STUD: 16"

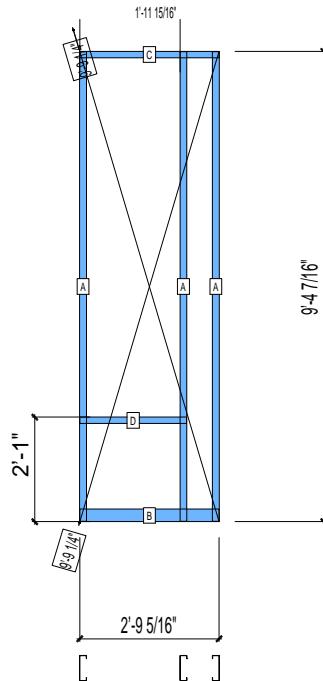
WEIGHTS :

FRAME : 42 lbs

TOTAL: 42 lbs

APPROVED

By hhuynh at 2:52 pm, Nov 14, 2008



PIECES LIST

LABEL	QTY	SIZE	LENGTH	USE
A	3	600S162-33	9'-4 5/16"	STUD
B	1	600T300-33	2'-9 5/16"	BOTTOM TRACK
C	1	600T150-33	2'-9 5/16"	TOP TRACK
D	1	600T150-33	2'-1 1/2"	SILL

12-3329

Jewish Home for the Aging

1885 Victory Blvd. Reseda, CA

FM-07-109

CREATED BY: HH

FrameMax, Inc.
13915 Danielson St
Suite 100
Poway, CA 92064
www.framemax.com

FRAME MAX

© FrameMax Inc.

HEIGHT : 9'-4 7/16" POINTS: 0.71 Points.

SPACING : 24"

1st STUD: 24"

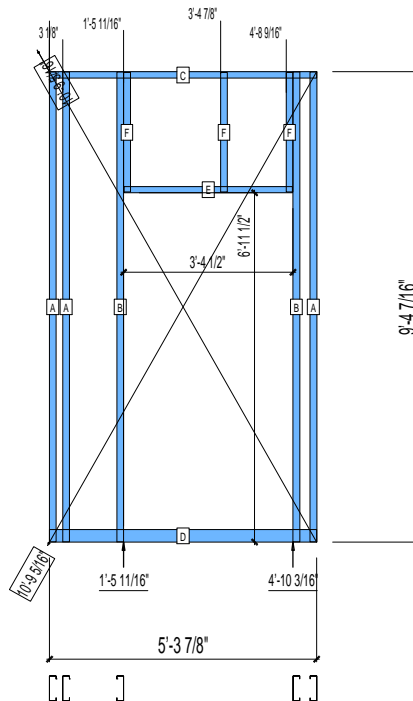
WEIGHTS :

FRAME : 80 lbs

TOTAL: 80 lbs

APPROVED

By hhuynh at 2:52 pm, Nov 14, 2008



PIECES LIST

LABEL	QTY	SIZE	LENGTH	USE
A	3	600S162-33	9'-4 5/16"	STUD
B	2	600S162-33	9'-4 5/16"	KING STUD
C	1	600T150-33	5'-3 7/8"	TOP TRACK
D	1	600T300-33	5'-3 7/8"	BOTTOM TRACK
E	1	600T150-33	3'-4 1/4"	HEAD TRACK
F	3	600S162-33	2'-4 9/16"	CRIPPLE

12-3330

Jewish Home for the Aging

1885 Victory Blvd. Reseda, CA

FM-07-109

CREATED BY: HH

FrameMax, Inc.
13915 Danielson St
Suite 100
Poway, CA 92064
www.frame-max.com

FRAME MAX

© FrameMax Inc.

HEIGHT : 9'-4 7/16" POINTS: 0.19 Points.

SPACING : 24"

1st STUD: 24"

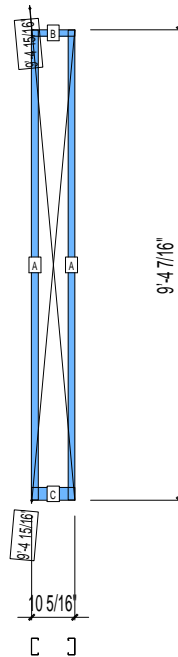
APPROVED

By hhuynh at 2:52 pm, Nov 14, 2008

WEIGHTS :

FRAME : 19 lbs

TOTAL: 19 lbs



PIECES LIST

LABEL	QTY	SIZE	LENGTH	USE
A	2	400S162-33	9'-4 5/16"	STUD
B	1	400T150-33	10 5/16"	TOP TRACK
C	1	400T300-33	10 5/16"	BOTTOM TRACK

12-3351

Jewish Home for the Aging

1885 Victory Blvd. Reseda, CA

FM-07-109

CREATED BY: HH

FrameMax, Inc.
13915 Danielson St
Suite 100
Poway, CA 92064
www.framemax.com

FRAMEMAX

© FrameMax Inc.

HEIGHT : 9'-4 7/16" POINTS: 0.51 Points.

SPACING : 24"

1st STUD: 24"

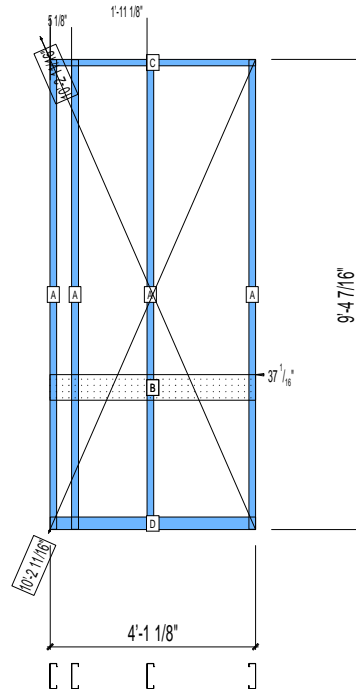
WEIGHTS :

FRAME : 61 lbs

TOTAL: 61 lbs

APPROVED

By hhuynh at 2:52 pm, Nov 14, 2008



PIECES LIST

LABEL	QTY	SIZE	LENGTH	USE
A	4	600S162-33	9'-4 5/16"	STUD
B	1	600T150-54	4'-1 3/16"	GRAB BAR
C	1	600T150-33	4'-1 1/8"	TOP TRACK
D	1	600T300-33	4'-1 1/8"	BOTTOM TRACK

12-3352

Jewish Home for the Aging

1885 Victory Blvd. Reseda, CA

FM-07-109

CREATED BY: HH

FrameMax, Inc.
13915 Danielson St
Suite 100
Poway, CA 92064
www.frame-max.com

FRAME MAX

© FrameMax Inc.

HEIGHT : 9'-4 7/16" POINTS: 0.33 Points.

SPACING : 24"

1st STUD: 17 13/16"

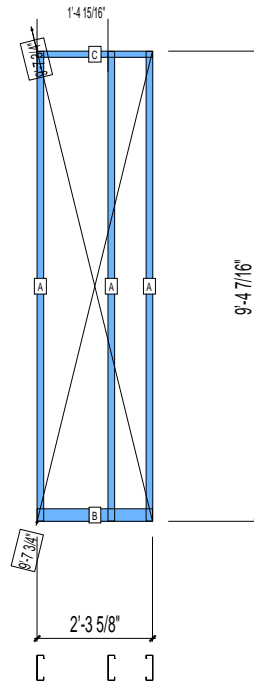
WEIGHTS :

FRAME : 39 lbs

TOTAL: 39 lbs

APPROVED

By hhuynh at 2:52 pm, Nov 14, 2008



PIECES LIST

LABEL	QTY	SIZE	LENGTH	USE
A	3	600S162-33	9'-4 5/16"	STUD
B	1	600T300-33	2'-3 5/8"	BOTTOM TRACK
C	1	600T150-33	2'-3 5/8"	TOP TRACK

12-3353

Jewish Home for the Aging

1885 Victory Blvd. Reseda, CA

FM-07-109

CREATED BY: HH

FrameMax, Inc.
13915 Danielson St
Suite 100
Poway, CA 92064
www.frame-max.com

FRAME MAX

© FrameMax Inc.

HEIGHT : 9'-4 7/16" POINTS: 0.38 Points.

SPACING : 5000"

1st STUD: 5000"

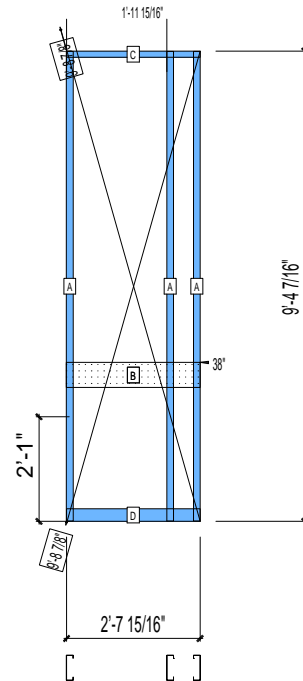
WEIGHTS :

FRAME : 43 lbs

TOTAL: 43 lbs

APPROVED

By hhuynh at 2:52 pm, Nov 14, 2008



PIECES LIST

LABEL	QTY	SIZE	LENGTH	USE
A	3	600S162-33	9'-4 5/16"	STUD
B	1	600D-54	2'-8"	VANITY BACKING
C	1	600T150-33	2'-7 15/16"	TOP TRACK
D	1	600T300-33	2'-7 15/16"	BOTTOM TRACK

12-3354

Jewish Home for the Aging

1885 Victory Blvd. Reseda, CA

FM-07-109

CREATED BY: HH

FrameMax, Inc.
13915 Danielson St
Suite 100
Poway, CA 92064
www.frame-max.com

FRAME MAX

© FrameMax Inc.

HEIGHT : 9'-4 7/16" POINTS: 0.34 Points.

SPACING : 5000"

1st STUD: 16"

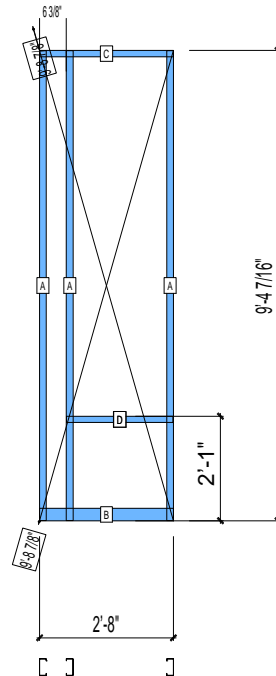
WEIGHTS :

FRAME : 34 lbs

TOTAL: 34 lbs

APPROVED

By hhuynh at 2:52 pm, Nov 14, 2008



PIECES LIST

LABEL	QTY	SIZE	LENGTH	USE
A	3	400S162-33	9'-4 5/16"	STUD
B	1	400T300-33	2'-8"	BOTTOM TRACK
C	1	400T150-33	2'-8"	TOP TRACK
D	1	600T150-33	2'-1 7/16"	SILL

12-3355

Jewish Home for the Aging

1885 Victory Blvd. Reseda, CA

FM-07-109

CREATED BY: HH

FrameMax, Inc.
13915 Danielson St
Suite 100
Poway, CA 92064
www.framemax.com

FRAME MAX

© FrameMax Inc.

HEIGHT : 9'-4 7/16" POINTS: 0.34 Points.

SPACING : 24"

1st STUD: 24"

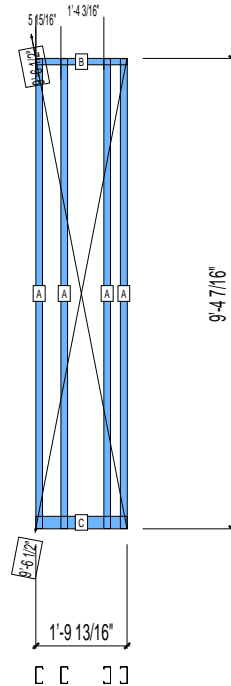
WEIGHTS :

FRAME : 38 lbs

TOTAL: 38 lbs

APPROVED

By hhuynh at 2:52 pm, Nov 14, 2008



PIECES LIST

LABEL	QTY	SIZE	LENGTH	USE
A	4	400S162-33	9'-4 5/16"	STUD
B	1	400T150-33	1'-9 13/16"	TOP TRACK
C	1	400T300-33	1'-9 13/16"	BOTTOM TRACK

12-3356

Jewish Home for the Aging

1885 Victory Blvd. Reseda, CA

FM-07-109

CREATED BY: HH

FrameMax, Inc.
13915 Danielson St
Suite 100
Poway, CA 92064
www.frame-max.com

FRAME MAX

© FrameMax Inc.

HEIGHT : 9'-4 7/16" POINTS: 0.84 Points.

SPACING : 24"

1st STUD: 21"

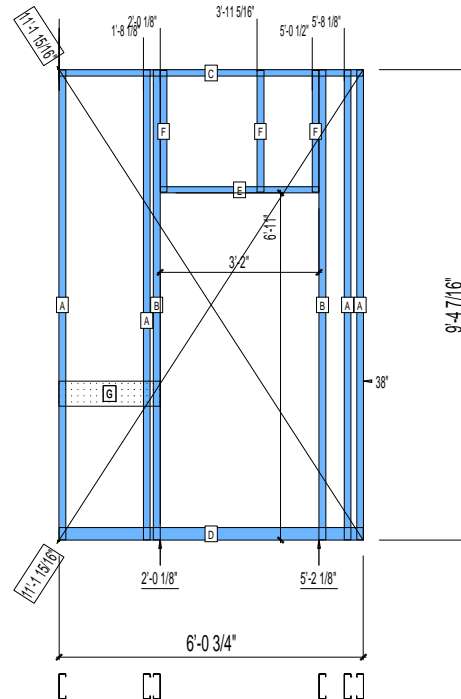
APPROVED

By hhuynh at 2:52 pm, Nov 14, 2008

WEIGHTS :

FRAME : 95 lbs

TOTAL: 95 lbs



PIECES LIST

LABEL	QTY	SIZE	LENGTH	USE
A	4	600S162-33	9'-4 5/16"	STUD
B	2	600S162-33	9'-4 5/16"	KING STUD
C	1	600T150-33	6'-0 3/4"	TOP TRACK
D	1	600T300-33	6'-0 3/4"	BOTTOM TRACK
E	1	600T150-33	3'-1 3/4"	HEAD TRACK
F	3	600S162-33	2'-5 1/16"	CRIPPLE
G	1	600D-54	2'-0 3/16"	VANITY BACKING

12-3357

Jewish Home for the Aging

1885 Victory Blvd. Reseda, CA

FM-07-109

CREATED BY: HH

FrameMax, Inc.
13915 Danielson St
Suite 100
Poway, CA 92064
www.frame-max.com

FRAME MAX

© FrameMax Inc.

HEIGHT : 9'-4 7/16" POINTS: 0.49 Points.

SPACING : 24"

1st STUD: 24"

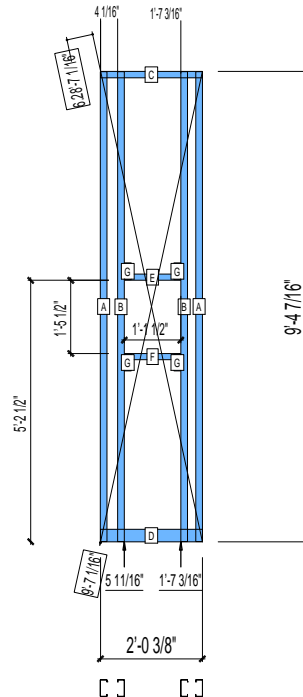
WEIGHTS :

FRAME : 42 lbs

TOTAL: 42 lbs

APPROVED

By hhuynh at 2:52 pm, Nov 14, 2008



PIECES LIST

LABEL	QTY	SIZE	LENGTH	USE
A	2	400S162-33	9'-4 5/16"	STUD
B	2	400S162-33	9'-4 5/16"	KING STUD
C	1	400T150-33	2'-0 3/8"	TOP TRACK
D	1	400T300-33	2'-0 3/8"	BOTTOM TRACK
E	1	400T150-33	1'-1 1/4"	HEAD TRACK
F	1	400T150-33	1'-1 1/4"	SILL
G	4	400S162-33	4"	CRIPPLE

12-3358

Jewish Home for the Aging

1885 Victory Blvd. Reseda, CA

FM-07-109

CREATED BY: HH

FrameMax, Inc.
13915 Danielson St
Suite 100
Poway, CA 92064
www.frame-max.com

FRAME MAX

© FrameMax Inc.

HEIGHT : 9'-4 7/16" POINTS: 0.54 Points.

SPACING : 24"

1st STUD: 24"

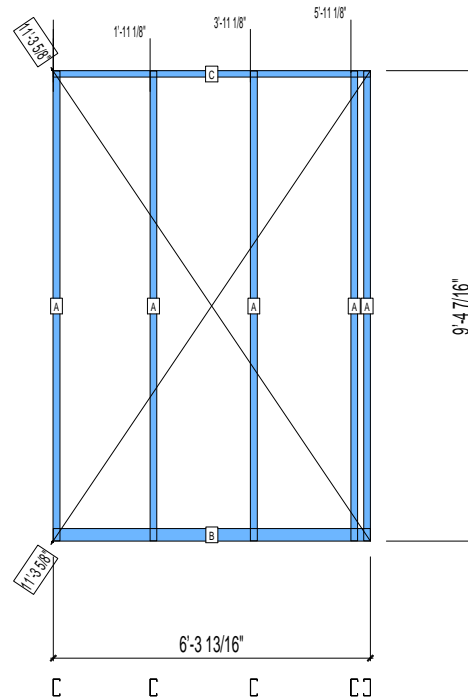
WEIGHTS :

FRAME : 56 lbs

TOTAL: 56 lbs

APPROVED

By hhuynh at 2:52 pm, Nov 14, 2008



PIECES LIST

LABEL	QTY	SIZE	LENGTH	USE
A	5	400S162-33	9'-4 5/16"	STUD
B	1	400T300-33	6'-3 13/16"	BOTTOM TRACK
C	1	400T150-33	6'-3 13/16"	TOP TRACK

12-3359

Jewish Home for the Aging

1885 Victory Blvd. Reseda, CA

FM-07-109

CREATED BY: HH

FrameMax, Inc.
13915 Danielson St
Suite 100
Poway, CA 92064
www.frame-max.com

FRAMEMAX

© FrameMax Inc.

HEIGHT : 9'-4 7/16" POINTS: 0.65 Points.

SPACING : 24"

1st STUD: 24"

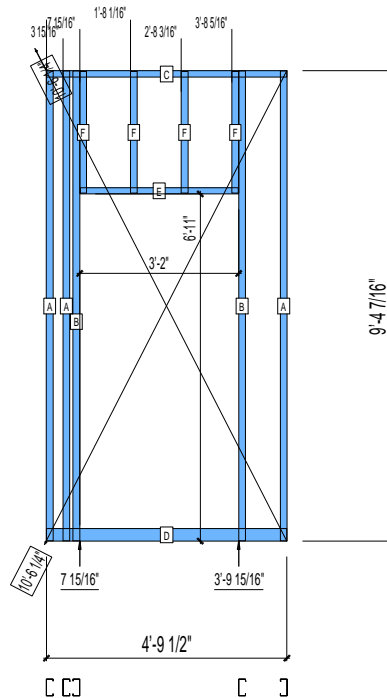
WEIGHTS :

FRAME : 65 lbs

TOTAL: 65 lbs

APPROVED

By hhuynh at 2:52 pm, Nov 14, 2008



PIECES LIST

LABEL	QTY	SIZE	LENGTH	USE
A	3	400S162-33	9'-4 5/16"	STUD
B	2	400S162-33	9'-4 5/16"	KING STUD
C	1	400T150-33	4'-9 1/2"	TOP TRACK
D	1	400T300-33	4'-9 1/2"	BOTTOM TRACK
E	1	400T150-33	3'-1 3/4"	HEAD TRACK
F	4	400S162-33	2'-5 1/16"	CRIPPLE

12-3361

Jewish Home for the Aging

1885 Victory Blvd. Reseda, CA

FM-07-109

CREATED BY: HH

FrameMax, Inc.
13915 Danielson St
Suite 100
Poway, CA 92064
www.frame-max.com



© FrameMax Inc.

HEIGHT : 9'-4 7/16" POINTS: 0.25 Points.

SPACING : 24"

1st STUD: 24"

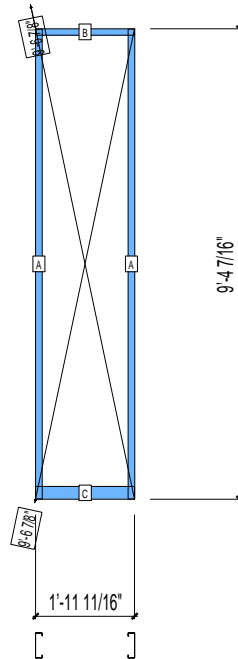
APPROVED

By hhuynh at 2:52 pm, Nov 14, 2008

WEIGHTS :

FRAME : 27 lbs

TOTAL: 27 lbs



PIECES LIST

LABEL	QTY	SIZE	LENGTH	USE
A	2	600S162-33	9'-4 5/16"	STUD
B	1	600T150-33	1'-11 11/16"	TOP TRACK
C	1	600T300-33	1'-11 11/16"	BOTTOM TRACK

12-3362

Jewish Home for the Aging

1885 Victory Blvd. Reseda, CA

FM-07-109

CREATED BY: HH

FrameMax, Inc.
13915 Danielson St
Suite 100
Poway, CA 92064
www.frame-max.com

FRAME MAX

© FrameMax Inc.

HEIGHT : 9'-4 7/16" POINTS: 1.02 Points.

SPACING : 24"

1st STUD: 16"

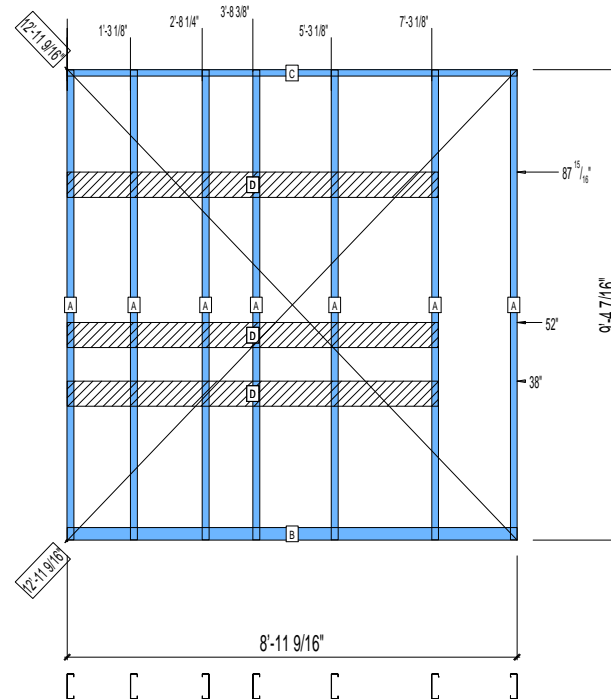
WEIGHTS :

FRAME : 126 lbs

TOTAL: 126 lbs

APPROVED

By hhuynh at 2:52 pm, Nov 14, 2008



PIECES LIST

LABEL	QTY	SIZE	LENGTH	USE
A	7	600S162-33	9'-4 5/16"	STUD
B	1	600T300-33	8'-11 9/16"	BOTTOM TRACK
C	1	600T150-33	8'-11 9/16"	TOP TRACK
D	3	600D-54	7'-4 11/16"	KITCHEN BACKING

12-3363

Jewish Home for the Aging

1885 Victory Blvd. Reseda, CA

FM-07-109

CREATED BY: HH

FrameMax, Inc.
13915 Danielson St
Suite 100
Poway, CA 92064
www.frame-max.com

FRAME MAX

© FrameMax Inc.

HEIGHT : 9'-4 7/16" POINTS: 0.29 Points.

SPACING : 24"

1st STUD: 24"

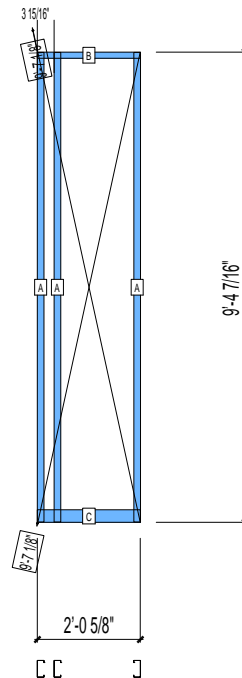
WEIGHTS :

FRAME : 30 lbs

TOTAL: 30 lbs

APPROVED

By hhuynh at 2:52 pm, Nov 14, 2008



PIECES LIST

LABEL	QTY	SIZE	LENGTH	USE
A	3	400S162-33	9'-4 5/16"	STUD
B	1	400T150-33	2'-0 5/8"	TOP TRACK
C	1	400T300-33	2'-0 5/8"	BOTTOM TRACK

12-3364

Jewish Home for the Aging

1885 Victory Blvd. Reseda, CA

FM-07-109

CREATED BY: HH

FrameMax, Inc.
13915 Danielson St
Suite 100
Poway, CA 92064
www.frame-max.com



© FrameMax Inc.

HEIGHT : 9'-4 7/16" POINTS: 0.22 Points.

SPACING : 24"

1st STUD: 24"

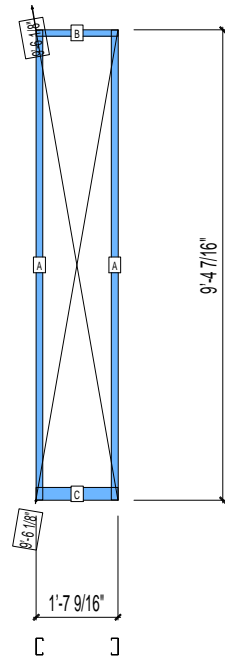
WEIGHTS :

FRAME : 21 lbs

TOTAL: 21 lbs

APPROVED

By hhuynh at 2:52 pm, Nov 14, 2008



PIECES LIST

LABEL	QTY	SIZE	LENGTH	USE
A	2	400S162-33	9'-4 5/16"	STUD
B	1	400T150-33	1'-7 9/16"	TOP TRACK
C	1	400T300-33	1'-7 9/16"	BOTTOM TRACK

12-3365

Jewish Home for the Aging

1885 Victory Blvd. Reseda, CA

FM-07-109

CREATED BY: HH

FrameMax, Inc.
13915 Danielson St
Suite 100
Poway, CA 92064
www.frame-max.com

FRAME MAX

© FrameMax Inc.

HEIGHT : 9'-4 7/16" POINTS: 0.30 Points.

SPACING : 24"

1st STUD: 24"

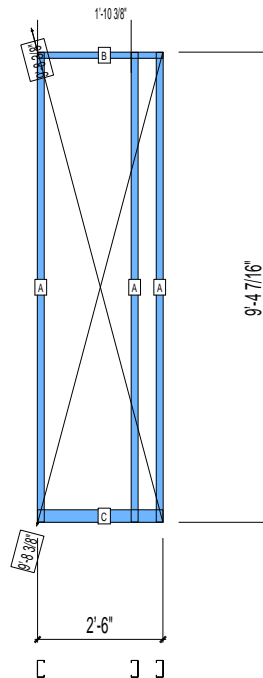
WEIGHTS :

FRAME : 31 lbs

TOTAL: 31 lbs

APPROVED

By hhuynh at 2:52 pm, Nov 14, 2008



PIECES LIST

LABEL	QTY	SIZE	LENGTH	USE
A	3	400S162-33	9'-4 5/16"	STUD
B	1	400T150-33	2'-6"	TOP TRACK
C	1	400T300-33	2'-6"	BOTTOM TRACK

12-3366

Jewish Home for the Aging

1885 Victory Blvd. Reseda, CA

FM-07-109

CREATED BY: HH

FrameMax, Inc.
13915 Danielson St
Suite 100
Poway, CA 92064
www.frame-max.com

FRAME MAX

© FrameMax Inc.

HEIGHT : 9'-4 7/16" POINTS: 0.28 Points.

SPACING : 24"

1st STUD: 16"

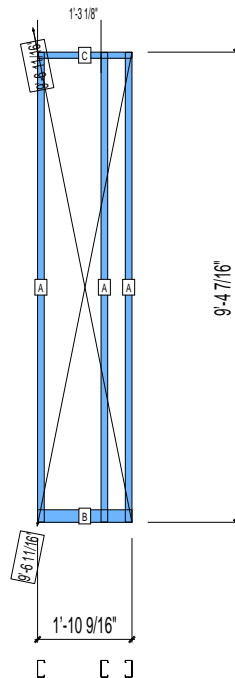
WEIGHTS :

FRAME : 30 lbs

TOTAL: 30 lbs

APPROVED

By hhuynh at 2:52 pm, Nov 14, 2008



PIECES LIST

LABEL	QTY	SIZE	LENGTH	USE
A	3	400S162-33	9'-4 5/16"	STUD
B	1	400T300-33	1'-10 9/16"	BOTTOM TRACK
C	1	400T150-33	1'-10 9/16"	TOP TRACK

12-3367

Jewish Home for the Aging

1885 Victory Blvd. Reseda, CA

FM-07-109

CREATED BY: HH

FrameMax, Inc.
13915 Danielson St
Suite 100
Poway, CA 92064
www.frame-max.com

FRAME MAX

© FrameMax Inc.

HEIGHT : 9'-4 7/16" POINTS: 0.28 Points.

SPACING : 24"

1st STUD: 24"

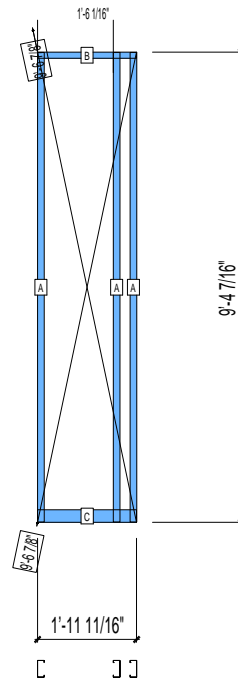
WEIGHTS :

FRAME : 30 lbs

TOTAL: 30 lbs

APPROVED

By hhuynh at 2:52 pm, Nov 14, 2008



PIECES LIST

LABEL	QTY	SIZE	LENGTH	USE
A	3	400S162-33	9'-4 5/16"	STUD
B	1	400T150-33	1'-11 11/16"	TOP TRACK
C	1	400T300-33	1'-11 11/16"	BOTTOM TRACK

12-3368

Jewish Home for the Aging

1885 Victory Blvd. Reseda, CA

FM-07-109

CREATED BY: HH

FrameMax, Inc.
13915 Danielson St
Suite 100
Poway, CA 92064
www.framemax.com



© FrameMax Inc.

HEIGHT : 9'-4 7/16" POINTS: 0.70 Points.

SPACING : 24"

1st STUD: 24"

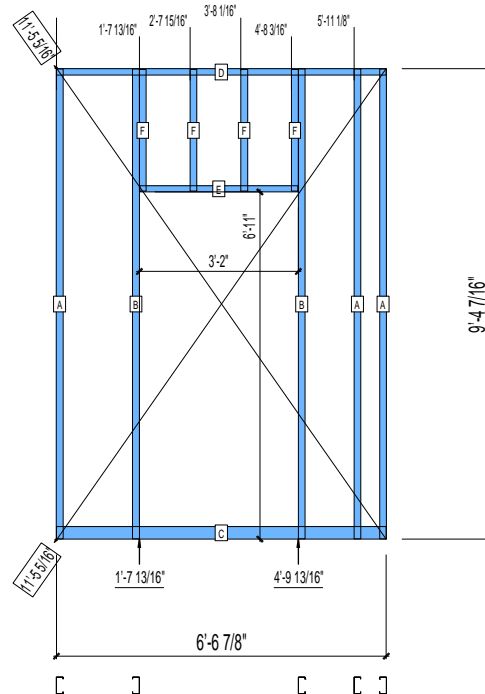
WEIGHTS :

FRAME : 68 lbs

TOTAL: 68 lbs

APPROVED

By hhuynh at 2:52 pm, Nov 14, 2008



PIECES LIST

LABEL	QTY	SIZE	LENGTH	USE
A	3	400S162-33	9'-4 5/16"	STUD
B	2	400S162-33	9'-4 5/16"	KING STUD
C	1	400T300-33	6'-6 7/8"	BOTTOM TRACK
D	1	400T150-33	6'-6 7/8"	TOP TRACK
E	1	400T150-33	3'-1 3/4"	HEAD TRACK
F	4	400S162-33	2'-5 1/16"	CRIPPLE

12-3369

Jewish Home for the Aging

1885 Victory Blvd. Reseda, CA

FM-07-109

CREATED BY: HH

FrameMax, Inc.
13915 Danielson St
Suite 100
Poway, CA 92064
www.framemax.com



© FrameMax Inc.

HEIGHT : 9'-4 7/16" POINTS: 0.63 Points.

SPACING : 24"

1st STUD: 24"

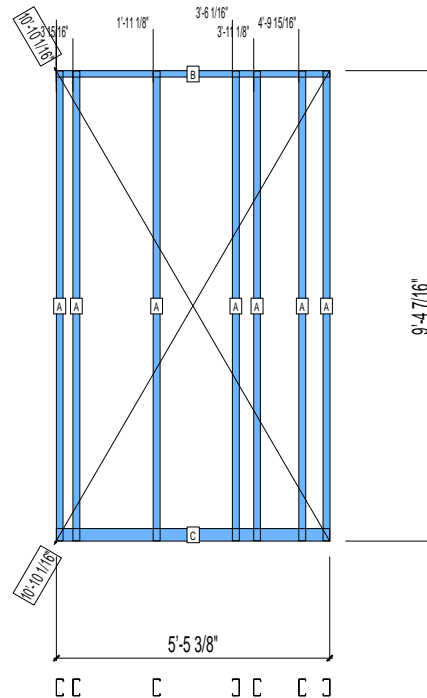
WEIGHTS :

FRAME : 72 lbs

TOTAL: 72 lbs

APPROVED

By hhuynh at 2:52 pm, Nov 14, 2008



PIECES LIST

LABEL	QTY	SIZE	LENGTH	USE
A	7	400S162-33	9'-4 5/16"	STUD
B	1	400T150-33	5'-5 3/8"	TOP TRACK
C	1	400T300-33	5'-5 3/8"	BOTTOM TRACK

12-3370

Jewish Home for the Aging

1885 Victory Blvd. Reseda, CA

FM-07-109

CREATED BY: HH

FrameMax, Inc.
13915 Danielson St
Suite 100
Poway, CA 92064
www.framemax.com

FRAMEMAX

© FrameMax Inc.

HEIGHT : 9'-4 7/16" POINTS: 0.75 Points.

SPACING : 24"

1st STUD: 24"

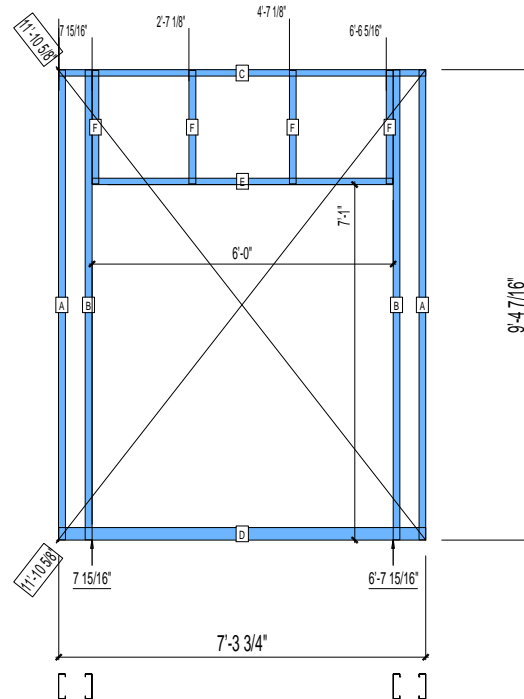
WEIGHTS :

FRAME : 79 lbs

TOTAL: 79 lbs

APPROVED

By hhuynh at 2:52 pm, Nov 14, 2008



PIECES LIST

LABEL	QTY	SIZE	LENGTH	USE
A	2	600S162-33	9'-4 5/16"	STUD
B	2	600S162-33	9'-4 5/16"	KING STUD
C	1	600T150-33	7'-3 3/4"	TOP TRACK
D	1	600T300-33	7'-3 3/4"	BOTTOM TRACK
E	1	600T150-33	5'-11 3/4"	HEAD TRACK
F	4	600S162-33	2'-3 1/16"	CRIPPLE

12-3371

Jewish Home for the Aging

1885 Victory Blvd. Reseda, CA

FM-07-109

CREATED BY: HH

FrameMax, Inc.
13915 Danielson St
Suite 100
Poway, CA 92064
www.frame-max.com



© FrameMax Inc.

HEIGHT : 9'-4 7/16" POINTS: 0.55 Points.

SPACING : 24"

1st STUD: 24"

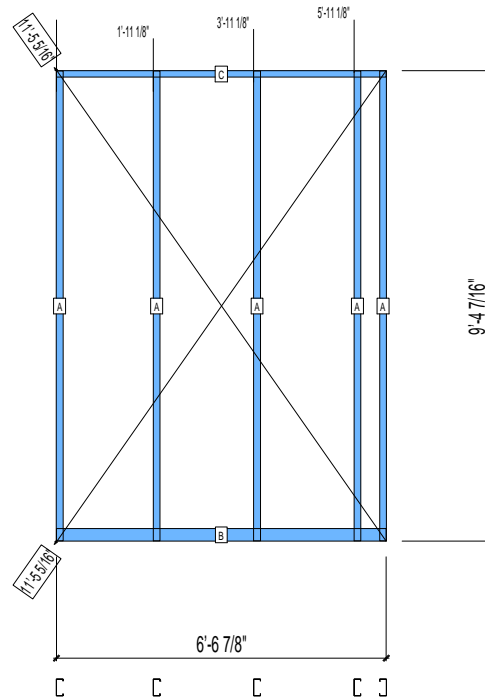
WEIGHTS :

FRAME : 57 lbs

TOTAL: 57 lbs

APPROVED

By hhuynh at 2:52 pm, Nov 14, 2008



PIECES LIST

LABEL	QTY	SIZE	LENGTH	USE
A	5	400S162-33	9'-4 5/16"	STUD
B	1	400T300-33	6'-6 7/8"	BOTTOM TRACK
C	1	400T150-33	6'-6 7/8"	TOP TRACK

12-3372

Jewish Home for the Aging

1885 Victory Blvd. Reseda, CA

FM-07-109

CREATED BY: HH

FrameMax, Inc.
13915 Danielson St
Suite 100
Poway, CA 92064
www.frame-max.com

FRAME MAX

© FrameMax Inc.

HEIGHT : 9'-4 7/16" POINTS: 0.35 Points.

SPACING : 24"

1st STUD: 17 1/8"

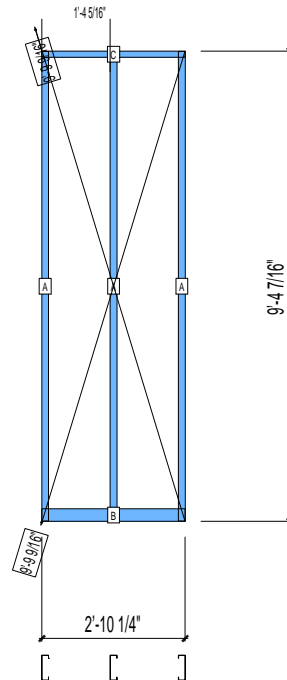
WEIGHTS :

FRAME : 40 lbs

TOTAL: 40 lbs

APPROVED

By hhuynh at 2:52 pm, Nov 14, 2008



PIECES LIST

LABEL	QTY	SIZE	LENGTH	USE
A	3	600S162-33	9'-4 5/16"	STUD
B	1	600T300-33	2'-10 1/4"	BOTTOM TRACK
C	1	600T150-33	2'-10 1/4"	TOP TRACK

12-3373

Jewish Home for the Aging

1885 Victory Blvd. Reseda, CA

FM-07-109

CREATED BY: HH

FrameMax, Inc.
13915 Danielson St
Suite 100
Poway, CA 92064
www.framemax.com



© FrameMax Inc.

HEIGHT : 9'-4 7/16" POINTS: 0.33 Points.

SPACING : 24"

1st STUD: 24"

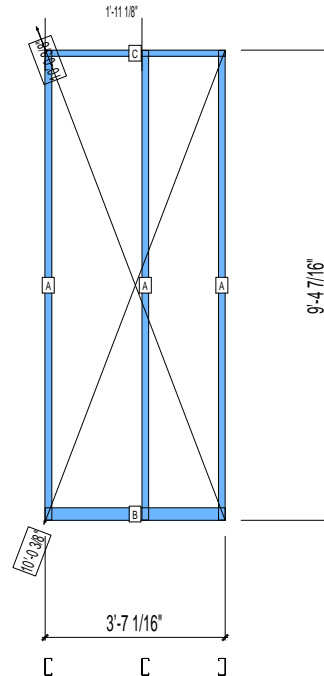
WEIGHTS :

FRAME : 33 lbs

TOTAL: 33 lbs

APPROVED

By hhuynh at 2:52 pm, Nov 14, 2008



PIECES LIST

LABEL	QTY	SIZE	LENGTH	USE
A	3	400S162-33	9'-4 5/16"	STUD
B	1	400T300-33	3'-7 1/16"	BOTTOM TRACK
C	1	400T150-33	3'-7 1/16"	TOP TRACK

12-3374

Jewish Home for the Aging

1885 Victory Blvd. Reseda, CA

FM-07-109

CREATED BY: HH

FrameMax, Inc.
13915 Danielson St
Suite 100
Poway, CA 92064
www.framemax.com



© FrameMax Inc.

HEIGHT : 9'-4 7/16" POINTS: 0.22 Points.

SPACING : 24"

1st STUD: 16"

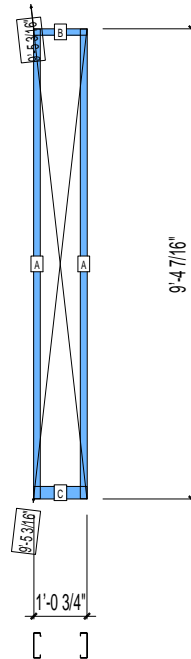
APPROVED

By hhuynh at 2:52 pm, Nov 14, 2008

WEIGHTS :

FRAME : 25 lbs

TOTAL: 25 lbs



PIECES LIST

LABEL	QTY	SIZE	LENGTH	USE
A	2	600S162-33	9'-4 5/16"	STUD
B	1	600T150-33	1'-0 3/4"	TOP TRACK
C	1	600T300-33	1'-0 3/4"	BOTTOM TRACK

12-3375

Jewish Home for the Aging

1885 Victory Blvd. Reseda, CA

FM-07-109

CREATED BY: HH

FrameMax, Inc.
13915 Danielson St
Suite 100
Poway, CA 92064
www.frame-max.com



© FrameMax Inc.

HEIGHT : 9'-4 7/16" POINTS: 0.19 Points.

SPACING : 24"

1st STUD: 24"

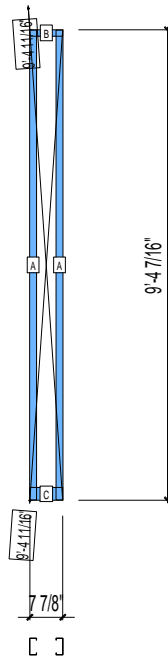
APPROVED

By hhuynh at 2:52 pm, Nov 14, 2008

WEIGHTS :

FRAME : 19 lbs

TOTAL: 19 lbs



PIECES LIST

LABEL	QTY	SIZE	LENGTH	USE
A	2	400S162-33	9'-4 5/16"	STUD
B	1	400T150-33	7 7/8"	TOP TRACK
C	1	400T300-33	7 7/8"	BOTTOM TRACK

12-3376

Jewish Home for the Aging

1885 Victory Blvd. Reseda, CA

FM-07-109

CREATED BY: HH

FrameMax, Inc.
13915 Danielson St
Suite 100
Poway, CA 92064
www.framemax.com



© FrameMax Inc.

HEIGHT : 9'-4 7/16" POINTS: 0.42 Points.

SPACING : 24"

1st STUD: 1 3/4"

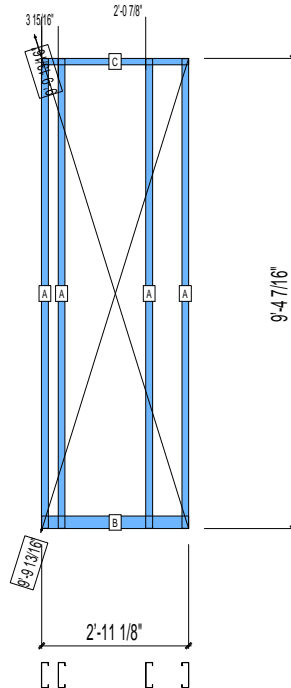
WEIGHTS :

FRAME : 51 lbs

TOTAL: 51 lbs

APPROVED

By hhuynh at 2:52 pm, Nov 14, 2008



PIECES LIST

LABEL	QTY	SIZE	LENGTH	USE
A	4	600S162-33	9'-4 5/16"	STUD
B	1	600T300-33	2'-11 1/8"	BOTTOM TRACK
C	1	600T150-33	2'-11 1/8"	TOP TRACK

12-3377

Jewish Home for the Aging

1885 Victory Blvd. Reseda, CA

FM-07-109

CREATED BY: HH

FrameMax, Inc.
13915 Danielson St
Suite 100
Poway, CA 92064
www.frame-max.com

FRAME MAX

© FrameMax Inc.

HEIGHT : 9'-4 7/16" POINTS: 0.30 Points.

SPACING : 24"

1st STUD: 16"

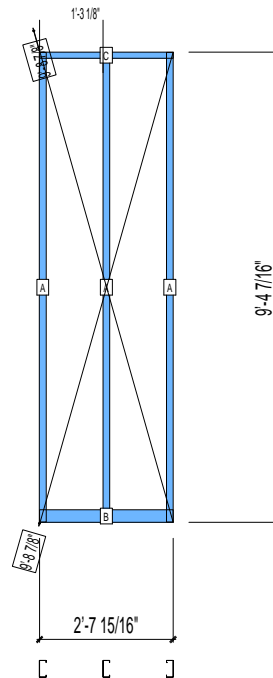
WEIGHTS :

FRAME : 31 lbs

TOTAL: 31 lbs

APPROVED

By hhuynh at 2:52 pm, Nov 14, 2008



PIECES LIST

LABEL	QTY	SIZE	LENGTH	USE
A	3	400S162-33	9'-4 5/16"	STUD
B	1	400T300-33	2'-7 15/16"	BOTTOM TRACK
C	1	400T150-33	2'-7 15/16"	TOP TRACK

12-3379

Jewish Home for the Aging

1885 Victory Blvd. Reseda, CA

FM-07-109

CREATED BY: HH

FrameMax, Inc.
13915 Danielson St
Suite 100
Poway, CA 92064
www.frame-max.com



© FrameMax Inc.

HEIGHT : 9'-4 7/16" POINTS: 0.62 Points.

SPACING : 24"

1st STUD: 24"

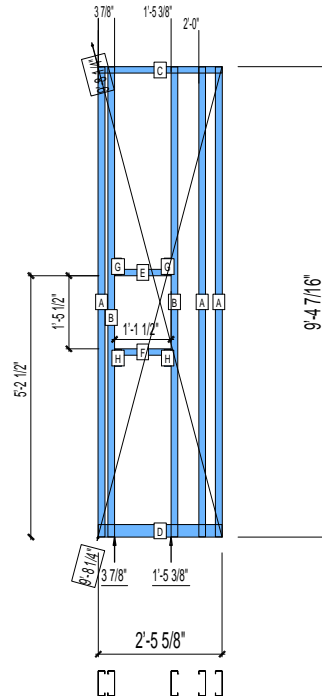
WEIGHTS :

FRAME : 65 lbs

TOTAL: 65 lbs

APPROVED

By hhuynh at 2:52 pm, Nov 14, 2008



PIECES LIST

LABEL	QTY	SIZE	LENGTH	USE
A	3	600S162-33	9'-4 5/16"	STUD
B	2	600S162-33	9'-4 5/16"	KING STUD
C	1	600T150-33	2'-5 5/8"	TOP TRACK
D	1	600T300-33	2'-5 5/8"	BOTTOM TRACK
E	1	600T150-33	1'-1 3/8"	HEAD TRACK
F	1	600T150-33	1'-1 3/8"	SILL
G	2	600S162-33	4"	CRIPPLE
H	2	600S162-33	3 15/16"	CRIPPLE

12-3380

Jewish Home for the Aging

1885 Victory Blvd. Reseda, CA

FM-07-109

CREATED BY: HH

FrameMax, Inc.
13915 Danielson St
Suite 100
Poway, CA 92064
www.frame-max.com

FRAME MAX

© FrameMax Inc.

HEIGHT : 9'-4 7/16" POINTS: 0.23 Points.

SPACING : 24"

1st STUD: 24"

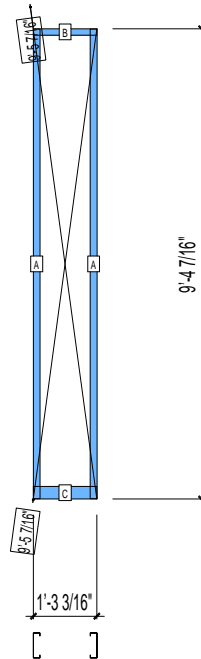
WEIGHTS :

FRAME : 25 lbs

TOTAL: 25 lbs

APPROVED

By hhuynh at 2:52 pm, Nov 14, 2008



PIECES LIST

LABEL	QTY	SIZE	LENGTH	USE
A	2	600S162-33	9'-4 5/16"	STUD
B	1	600T150-33	1'-3 3/16"	TOP TRACK
C	1	600T300-33	1'-3 3/16"	BOTTOM TRACK

12-3381

Jewish Home for the Aging

1885 Victory Blvd. Reseda, CA

FM-07-109

CREATED BY: HH

FrameMax, Inc.
13915 Danielson St
Suite 100
Poway, CA 92064
www.framemax.com



© FrameMax Inc.

HEIGHT : 9'-4 7/16" POINTS: 1.08 Points.

SPACING : 24"

1st STUD: 5"

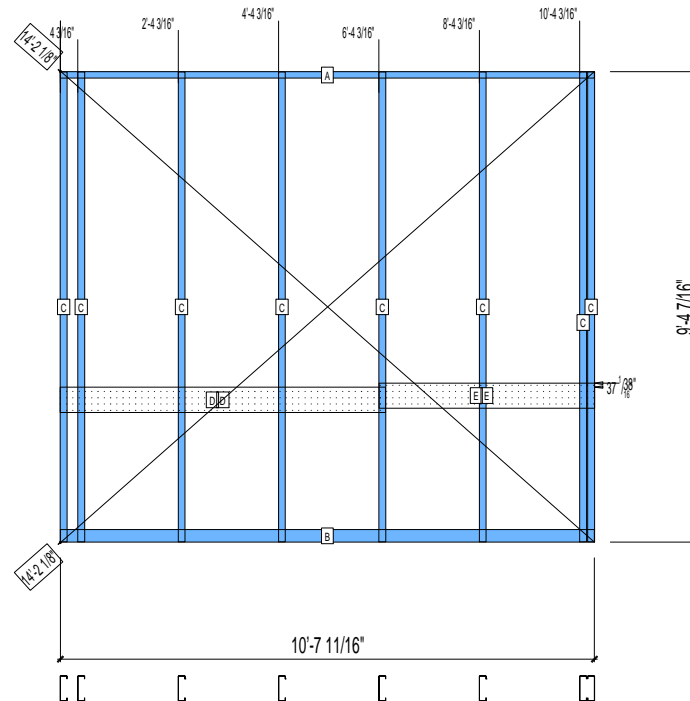
APPROVED

By hhuynh at 2:52 pm, Nov 14, 2008

WEIGHTS :

FRAME : 131 lbs

TOTAL: 131 lbs



PIECES LIST

LABEL	QTY	SIZE	LENGTH	USE
A	1	600T150-33	10'-7 11/16"	TOP TRACK
B	1	600T300-33	10'-7 11/16"	BOTTOM TRACK
C	8	600S162-33	9'-4 5/16"	STUD
D	1	600T150-54	6'-5 3/4"	GRAB BAR
E	1	600D-54	4'-3 1/2"	VANITY BACKING

12-3382

Jewish Home for the Aging

1885 Victory Blvd. Reseda, CA

FM-07-109

CREATED BY: HH

FrameMax, Inc.
13915 Danielson St
Suite 100
Poway, CA 92064
www.framemax.com

FRAME MAX

© FrameMax Inc.

HEIGHT : 9'-4 7/16" POINTS: 0.38 Points.

SPACING : 24"

1st STUD: 16"

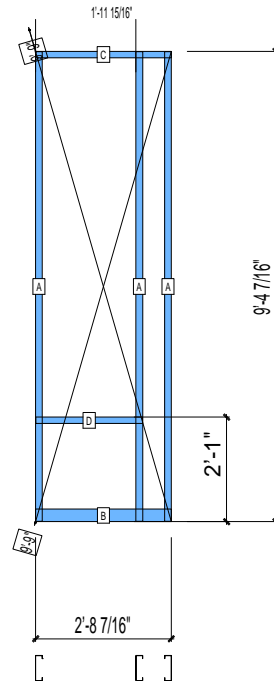
WEIGHTS :

FRAME : 42 lbs

TOTAL: 42 lbs

APPROVED

By hhuynh at 2:52 pm, Nov 14, 2008



PIECES LIST

LABEL	QTY	SIZE	LENGTH	USE
A	3	600S162-33	9'-4 5/16"	STUD
B	1	600T300-33	2'-8 7/16"	BOTTOM TRACK
C	1	600T150-33	2'-8 7/16"	TOP TRACK
D	1	600T150-33	2'-1 1/2"	SILL

12-3383

Jewish Home for the Aging

1885 Victory Blvd. Reseda, CA

FM-07-109

CREATED BY: HH

FrameMax, Inc.
13915 Danielson St
Suite 100
Poway, CA 92064
www.framemax.com

FRAME MAX

© FrameMax Inc.

HEIGHT : 9'-4 7/16" POINTS: 0.71 Points.

SPACING : 24"

1st STUD: 24"

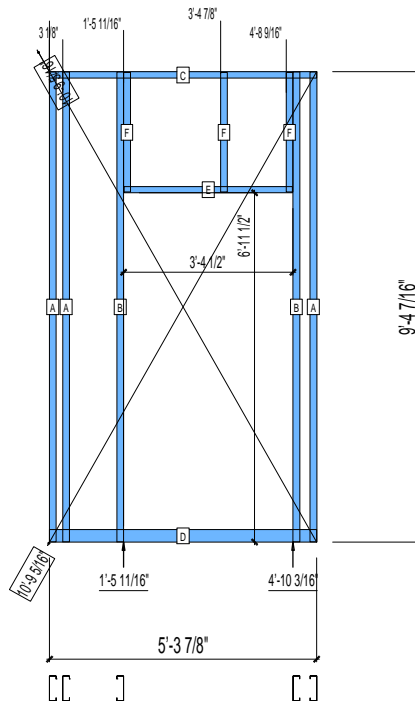
WEIGHTS :

FRAME : 80 lbs

TOTAL: 80 lbs

APPROVED

By hhuynh at 2:52 pm, Nov 14, 2008



PIECES LIST

LABEL	QTY	SIZE	LENGTH	USE
A	3	600S162-33	9'-4 5/16"	STUD
B	2	600S162-33	9'-4 5/16"	KING STUD
C	1	600T150-33	5'-3 7/8"	TOP TRACK
D	1	600T300-33	5'-3 7/8"	BOTTOM TRACK
E	1	600T150-33	3'-4 1/4"	HEAD TRACK
F	3	600S162-33	2'-4 9/16"	CRIPPLE

12-3384

Jewish Home for the Aging

1885 Victory Blvd. Reseda, CA

FM-07-109

CREATED BY: HH

FrameMax, Inc.
13915 Danielson St
Suite 100
Poway, CA 92064
www.frame-max.com



© FrameMax Inc.

HEIGHT : 9'-4 7/16" POINTS: 0.19 Points.

SPACING : 24"

1st STUD: 24"

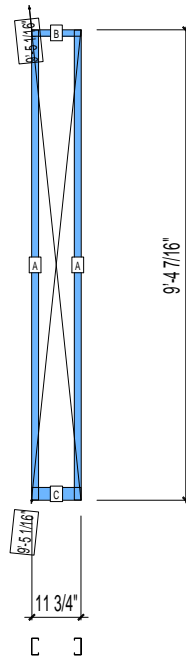
WEIGHTS :

FRAME : 19 lbs

TOTAL: 19 lbs

APPROVED

By hhuynh at 2:52 pm, Nov 14, 2008



PIECES LIST

LABEL	QTY	SIZE	LENGTH	USE
A	2	400S162-33	9'-4 5/16"	STUD
B	1	400T150-33	11 3/4"	TOP TRACK
C	1	400T300-33	11 3/4"	BOTTOM TRACK

12-3401

Jewish Home for the Aging

1885 Victory Blvd. Reseda, CA

FM-07-109

CREATED BY: HH

FrameMax, Inc.
13915 Danielson St
Suite 100
Poway, CA 92064
www.frame-max.com



© FrameMax Inc.

HEIGHT : 9'-4 7/16" POINTS: 1.04 Points.

SPACING : 24"

1st STUD: 8 5/16"

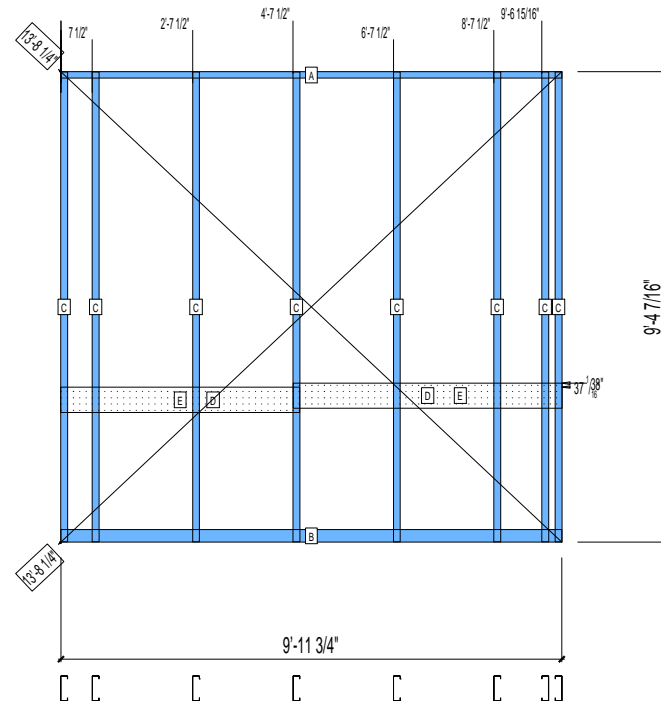
APPROVED

By hhuynh at 2:52 pm, Nov 14, 2008

WEIGHTS :

FRAME : 127 lbs

TOTAL: 127 lbs



PIECES LIST

LABEL	QTY	SIZE	LENGTH	USE
A	1	600T150-33	9'-11 3/4"	TOP TRACK
B	1	600T300-33	9'-11 3/4"	BOTTOM TRACK
C	8	600S162-33	9'-4 5/16"	STUD
D	1	600D-54	5'-4 1/4"	VANITY BACKING
E	1	600T150-54	4'-9 1/16"	GRAB BAR

12-3402

Jewish Home for the Aging

1885 Victory Blvd. Reseda, CA

FM-07-109

CREATED BY: HH

FrameMax, Inc.
13915 Danielson St
Suite 100
Poway, CA 92064
www.frame-max.com

FRAME MAX

© FrameMax Inc.

HEIGHT : 9'-4 7/16" POINTS: 0.51 Points.

SPACING : 24"

1st STUD: 16"

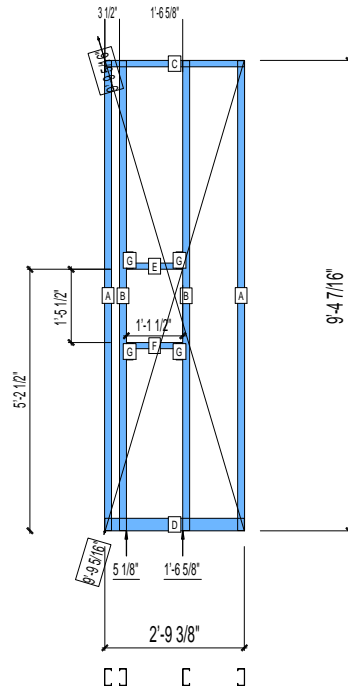
WEIGHTS :

FRAME : 44 lbs

TOTAL: 44 lbs

APPROVED

By hhuynh at 2:52 pm, Nov 14, 2008



PIECES LIST

LABEL	QTY	SIZE	LENGTH	USE
A	2	400S162-33	9'-4 5/16"	STUD
B	2	400S162-33	9'-4 5/16"	KING STUD
C	1	400T150-33	2'-9 3/8"	TOP TRACK
D	1	400T300-33	2'-9 3/8"	BOTTOM TRACK
E	1	400T150-33	1'-1 1/4"	HEAD TRACK
F	1	400T150-33	1'-1 1/4"	SILL
G	4	400S162-33	4"	CRIPPLE

12-3403

Jewish Home for the Aging

1885 Victory Blvd. Reseda, CA

FM-07-109

CREATED BY: HH

FrameMax, Inc.
13915 Danielson St
Suite 100
Poway, CA 92064
www.framemax.com

FRAME MAX

© FrameMax Inc.

HEIGHT : 9'-4 7/16" POINTS: 0.26 Points.

SPACING : 24"

1st STUD: 24"

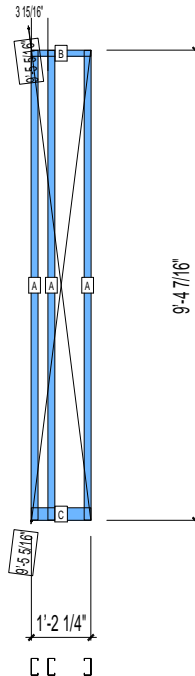
WEIGHTS :

FRAME : 28 lbs

TOTAL: 28 lbs

APPROVED

By hhuynh at 2:52 pm, Nov 14, 2008



PIECES LIST

LABEL	QTY	SIZE	LENGTH	USE
A	3	400S162-33	9'-4 5/16"	STUD
B	1	400T150-33	1'-2 1/4"	TOP TRACK
C	1	400T300-33	1'-2 1/4"	BOTTOM TRACK

12-3404

Jewish Home for the Aging

1885 Victory Blvd. Reseda, CA

FM-07-109

CREATED BY: HH

FrameMax, Inc.
13915 Danielson St
Suite 100
Poway, CA 92064
www.frame-max.com

FRAME MAX

© FrameMax Inc.

HEIGHT : 9'-4 7/16" POINTS: 0.33 Points.

SPACING : 24"

1st STUD: 24"

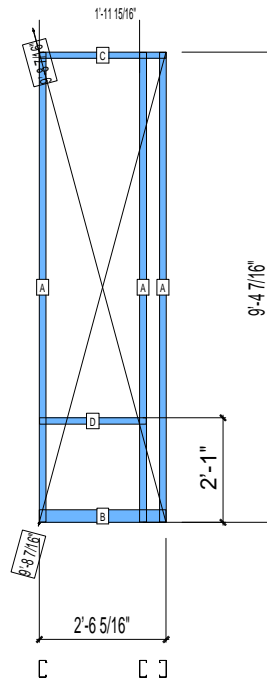
WEIGHTS :

FRAME : 33 lbs

TOTAL: 33 lbs

APPROVED

By hhuynh at 2:52 pm, Nov 14, 2008



PIECES LIST

LABEL	QTY	SIZE	LENGTH	USE
A	3	400S162-33	9'-4 5/16"	STUD
B	1	400T300-33	2'-6 5/16"	BOTTOM TRACK
C	1	400T150-33	2'-6 5/16"	TOP TRACK
D	1	400T150-33	2'-1 1/2"	SILL

12-3405

Jewish Home for the Aging

1885 Victory Blvd. Reseda, CA

FM-07-109

CREATED BY: HH

FrameMax, Inc.
13915 Danielson St
Suite 100
Poway, CA 92064
www.frame-max.com



© FrameMax Inc.

HEIGHT : 9'-4 7/16" POINTS: 0.20 Points.

SPACING : 24"

1st STUD: 24"

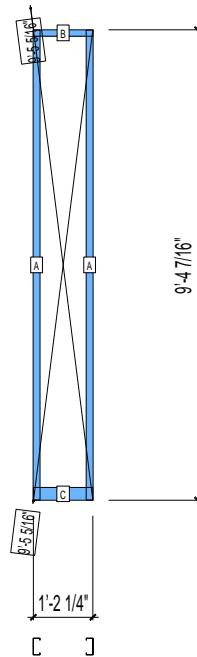
WEIGHTS :

FRAME : 20 lbs

TOTAL: 20 lbs

APPROVED

By hhuynh at 2:52 pm, Nov 14, 2008



PIECES LIST

LABEL	QTY	SIZE	LENGTH	USE
A	2	400S162-33	9'-4 5/16"	STUD
B	1	400T150-33	1'-2 1/4"	TOP TRACK
C	1	400T300-33	1'-2 1/4"	BOTTOM TRACK

12-3406

Jewish Home for the Aging

1885 Victory Blvd. Reseda, CA

FM-07-109

CREATED BY: HH

FrameMax, Inc.
13915 Danielson St
Suite 100
Poway, CA 92064
www.frame-max.com

FRAME MAX

© FrameMax Inc.

HEIGHT : 9'-4 7/16" POINTS: 0.55 Points.

SPACING : 24"

1st STUD: 23 3/16"

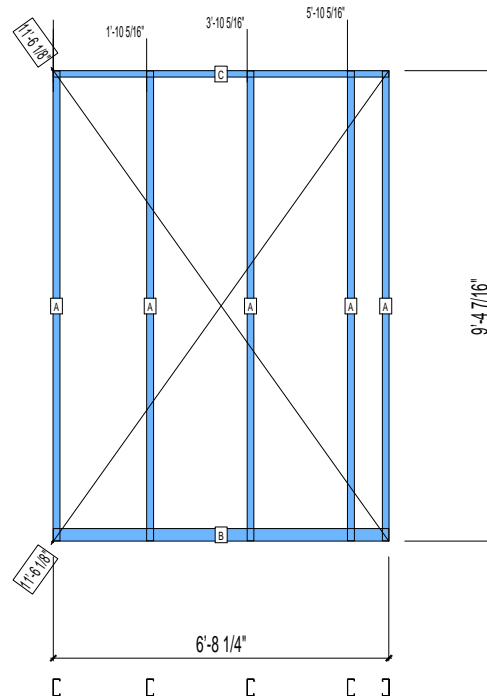
WEIGHTS :

FRAME : 57 lbs

TOTAL: 57 lbs

APPROVED

By hhuynh at 2:52 pm, Nov 14, 2008



PIECES LIST

LABEL	QTY	SIZE	LENGTH	USE
A	5	400S162-33	9'-4 5/16"	STUD
B	1	400T300-33	6'-8 1/4"	BOTTOM TRACK
C	1	400T150-33	6'-8 1/4"	TOP TRACK

12-3407

Jewish Home for the Aging

1885 Victory Blvd. Reseda, CA

FM-07-109

CREATED BY: HH

FrameMax, Inc.
13915 Danielson St
Suite 100
Poway, CA 92064
www.frame-max.com



© FrameMax Inc.

HEIGHT : 9'-4 7/16" POINTS: 0.51 Points.

SPACING : 24"

1st STUD: 16"

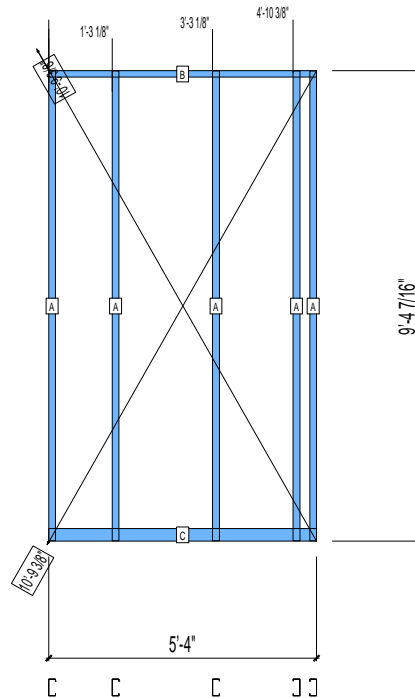
WEIGHTS :

FRAME : 54 lbs

TOTAL: 54 lbs

APPROVED

By hhuynh at 2:52 pm, Nov 14, 2008



PIECES LIST

LABEL	QTY	SIZE	LENGTH	USE
A	5	400S162-33	9'-4 5/16"	STUD
B	1	400T150-33	5'-4"	TOP TRACK
C	1	400T300-33	5'-4"	BOTTOM TRACK

12-3408

Jewish Home for the Aging

1885 Victory Blvd. Reseda, CA

FM-07-109

CREATED BY: HH

FrameMax, Inc.
13915 Danielson St
Suite 100
Poway, CA 92064
www.framemax.com

FRAME MAX

© FrameMax Inc.

HEIGHT : 9'-4 7/16" POINTS: 0.94 Points.

SPACING : 24"

1st STUD: 24"

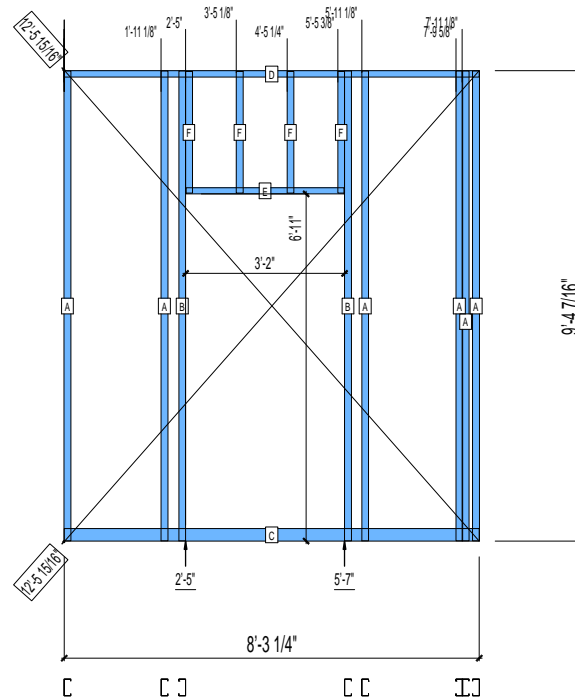
WEIGHTS :

FRAME : 98 lbs

TOTAL: 98 lbs

APPROVED

By hhuynh at 2:52 pm, Nov 14, 2008



PIECES LIST

LABEL	QTY	SIZE	LENGTH	USE
A	6	400S162-33	9'-4 5/16"	STUD
B	2	400S162-33	9'-4 5/16"	KING STUD
C	1	400T300-33	8'-3 1/4"	BOTTOM TRACK
D	1	400T150-33	8'-3 1/4"	TOP TRACK
E	1	400T150-33	3'-1 3/4"	HEAD TRACK
F	4	400S162-33	2'-5 1/16"	CRIPPLE

12-3409

Jewish Home for the Aging

1885 Victory Blvd. Reseda, CA

FM-07-109

CREATED BY: HH

FrameMax, Inc.
13915 Danielson St
Suite 100
Poway, CA 92064
www.framemax.com



© FrameMax Inc.

HEIGHT : 9'-4 7/16" POINTS: 0.31 Points.

SPACING : 24"

1st STUD: 24"

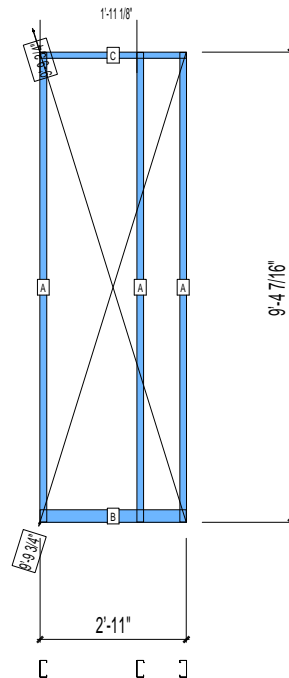
WEIGHTS :

FRAME : 32 lbs

TOTAL: 32 lbs

APPROVED

By hhuynh at 2:52 pm, Nov 14, 2008



PIECES LIST

LABEL	QTY	SIZE	LENGTH	USE
A	3	400S162-33	9'-4 5/16"	STUD
B	1	400T300-33	2'-11"	BOTTOM TRACK
C	1	400T150-33	2'-11"	TOP TRACK

12-3410

Jewish Home for the Aging

1885 Victory Blvd. Reseda, CA

FM-07-109

CREATED BY: HH

FrameMax, Inc.
13915 Danielson St
Suite 100
Poway, CA 92064
www.frame-max.com



© FrameMax Inc.

HEIGHT : 9'-4 7/16" POINTS: 0.79 Points.

SPACING : 24"

1st STUD: 24"

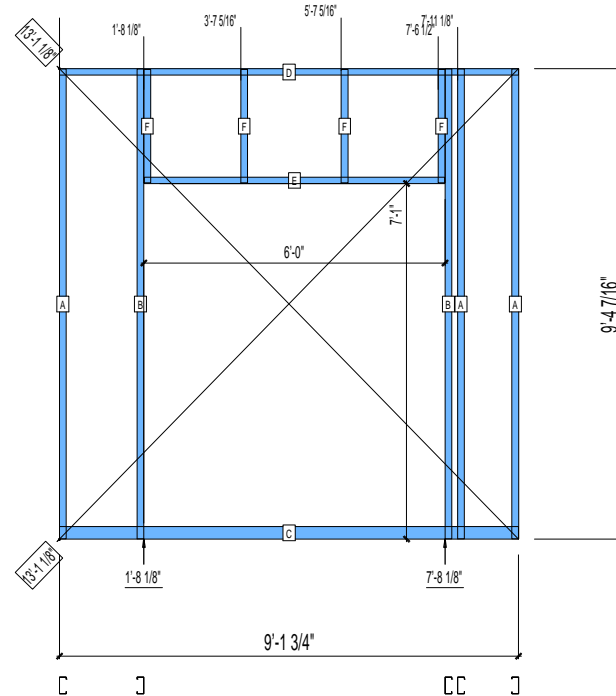
APPROVED

By hhuynh at 2:52 pm, Nov 14, 2008

WEIGHTS :

FRAME : 75 lbs

TOTAL: 75 lbs



PIECES LIST

LABEL	QTY	SIZE	LENGTH	USE
A	3	400S162-33	9'-4 5/16"	STUD
B	2	400S162-33	9'-4 5/16"	KING STUD
C	1	400T300-33	9'-1 3/4"	BOTTOM TRACK
D	1	400T150-33	9'-1 3/4"	TOP TRACK
E	1	400T150-33	5'-11 3/4"	HEAD TRACK
F	4	400S162-33	2'-3 1/16"	CRIPPLE

12-3411

Jewish Home for the Aging

1885 Victory Blvd. Reseda, CA

FM-07-109

CREATED BY: HH

FrameMax, Inc.
13915 Danielson St
Suite 100
Poway, CA 92064
www.frame-max.com

FRAME MAX

© FrameMax Inc.

HEIGHT : 9'-4 7/16" POINTS: 0.41 Points.

SPACING : 24"

1st STUD: 24"

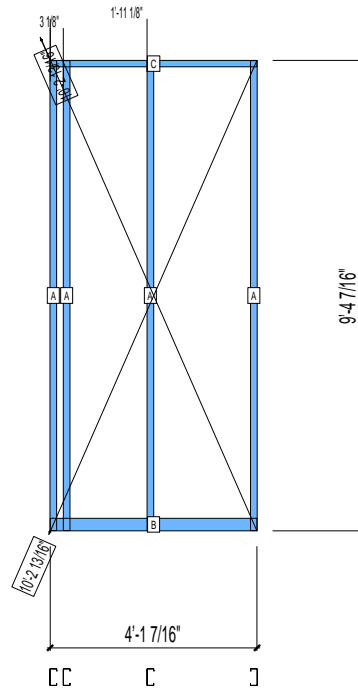
WEIGHTS :

FRAME : 43 lbs

TOTAL: 43 lbs

APPROVED

By hhuynh at 2:52 pm, Nov 14, 2008



PIECES LIST

LABEL	QTY	SIZE	LENGTH	USE
A	4	400S162-33	9'-4 5/16"	STUD
B	1	400T300-33	4'-1 7/16"	BOTTOM TRACK
C	1	400T150-33	4'-1 7/16"	TOP TRACK

12-3412

Jewish Home for the Aging

1885 Victory Blvd. Reseda, CA

FM-07-109

CREATED BY: HH

FrameMax, Inc.
13915 Danielson St
Suite 100
Poway, CA 92064
www.framemax.com



© FrameMax Inc.

HEIGHT : 9'-4 7/16" POINTS: 0.22 Points.

SPACING : 24"

1st STUD: 24"

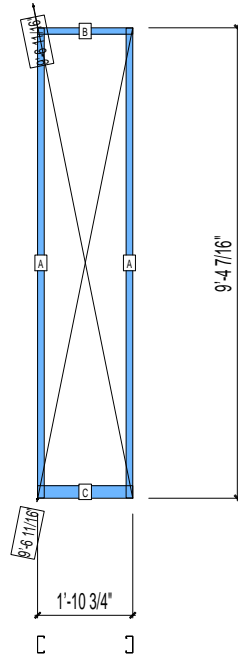
WEIGHTS :

FRAME : 21 lbs

TOTAL: 21 lbs

APPROVED

By hhuynh at 2:52 pm, Nov 14, 2008



PIECES LIST

LABEL	QTY	SIZE	LENGTH	USE
A	2	400S162-33	9'-4 5/16"	STUD
B	1	400T150-33	1'-10 3/4"	TOP TRACK
C	1	400T300-33	1'-10 3/4"	BOTTOM TRACK

12-3413

Jewish Home for the Aging

1885 Victory Blvd. Reseda, CA

FrameMax, Inc.
13915 Danielson St
Suite 100
Poway, CA 92064
www.frame-max.com



© FrameMax Inc.

CREATED: 11/10/2008

FM-07-109

CREATED BY: HH

HEIGHT : 9'-4 7/16" POINTS: 0.17 Points.

SPACING : 24"

1st STUD: 24"

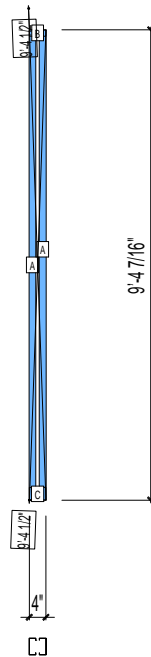
APPROVED

By hhuynh at 2:52 pm, Nov 14, 2008

WEIGHTS :

FRAME : 18 lbs

TOTAL: 18 lbs



PIECES LIST

LABEL	QTY	SIZE	LENGTH	USE
A	2	400S162-33	9'-4 5/16"	STUD
B	1	400T150-33	4"	TOP TRACK
C	1	400T300-33	4"	BOTTOM TRACK

12-3414

Jewish Home for the Aging

1885 Victory Blvd. Reseda, CA

FM-07-109

CREATED BY: HH

FrameMax, Inc.
13915 Danielson St
Suite 100
Poway, CA 92064
www.frame-max.com

FRAME MAX

© FrameMax Inc.

HEIGHT : 9'-4 7/16" POINTS: 0.30 Points.

SPACING : 24"

1st STUD: 24"

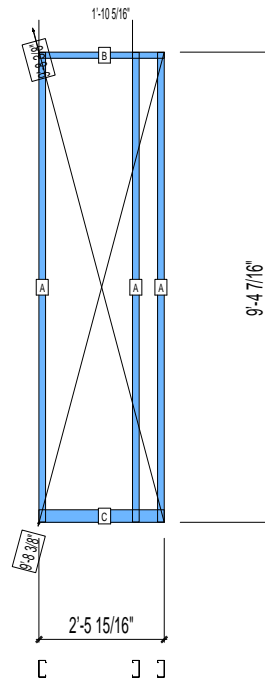
WEIGHTS :

FRAME : 31 lbs

TOTAL: 31 lbs

APPROVED

By hhuynh at 2:52 pm, Nov 14, 2008



PIECES LIST

LABEL	QTY	SIZE	LENGTH	USE
A	3	400S162-33	9'-4 5/16"	STUD
B	1	400T150-33	2'-5 15/16"	TOP TRACK
C	1	400T300-33	2'-5 15/16"	BOTTOM TRACK

12-3415

Jewish Home for the Aging

1885 Victory Blvd. Reseda, CA

FM-07-109

CREATED BY: HH

FrameMax, Inc.
13915 Danielson St
Suite 100
Poway, CA 92064
www.framemax.com



© FrameMax Inc.

HEIGHT : 9'-4 7/16" POINTS: 1.10 Points.

SPACING : 24"

1st STUD: 14 5/8"

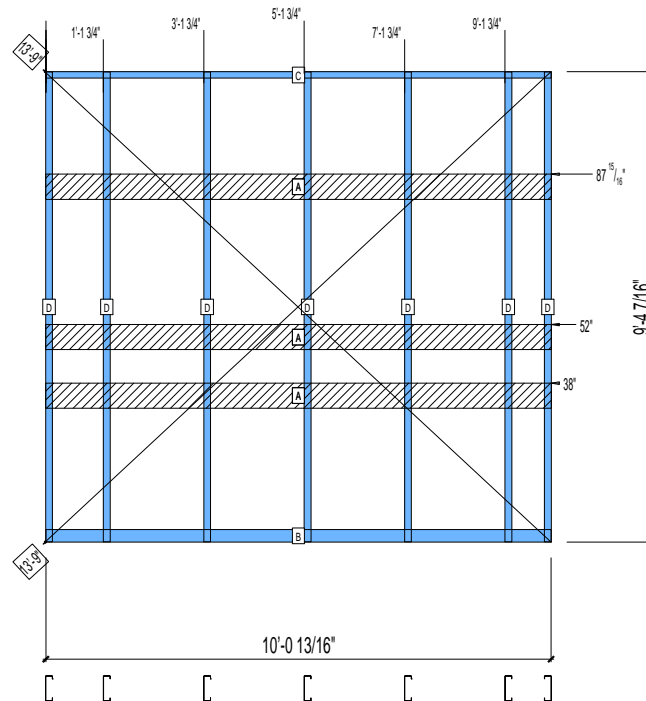
APPROVED

By hhuynh at 2:52 pm, Nov 14, 2008

WEIGHTS :

FRAME : 138 lbs

TOTAL: 138 lbs



PIECES LIST

LABEL	QTY	SIZE	LENGTH	USE
A	3	600D-54	10'-0 7/8"	KITCHEN BACKING
B	1	600T300-33	10'-0 13/16"	BOTTOM TRACK
C	1	600T150-33	10'-0 13/16"	TOP TRACK
D	7	600S162-33	9'-4 5/16"	STUD

12-3416

Jewish Home for the Aging

1885 Victory Blvd. Reseda, CA

FM-07-109

CREATED BY: HH

FrameMax, Inc.
13915 Danielson St
Suite 100
Poway, CA 92064
www.framemax.com

FRAMEMAX

© FrameMax Inc.

HEIGHT : 9'-4 7/16" POINTS: 0.30 Points.

SPACING : 24"

1st STUD: 24"

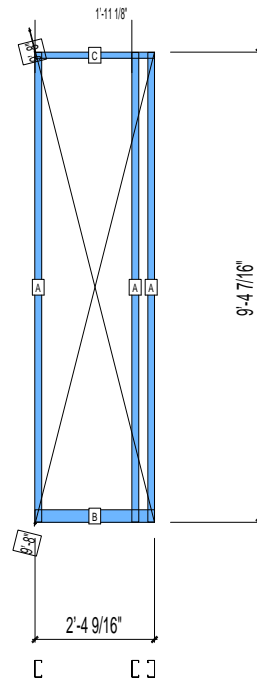
WEIGHTS :

FRAME : 31 lbs

TOTAL: 31 lbs

APPROVED

By hhuynh at 2:52 pm, Nov 14, 2008



PIECES LIST

LABEL	QTY	SIZE	LENGTH	USE
A	3	400S162-33	9'-4 5/16"	STUD
B	1	400T300-33	2'-4 9/16"	BOTTOM TRACK
C	1	400T150-33	2'-4 9/16"	TOP TRACK

12-3417

Jewish Home for the Aging

1885 Victory Blvd. Reseda, CA

FM-07-109

CREATED BY: HH

FrameMax, Inc.
13915 Danielson St
Suite 100
Poway, CA 92064
www.framemax.com

FRAME MAX

© FrameMax Inc.

HEIGHT : 9'-4 7/16" POINTS: 0.19 Points.

SPACING : 24"

1st STUD: 24"

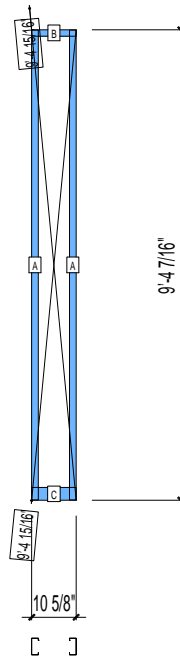
WEIGHTS :

FRAME : 19 lbs

TOTAL: 19 lbs

APPROVED

By hhuynh at 2:52 pm, Nov 14, 2008



PIECES LIST

LABEL	QTY	SIZE	LENGTH	USE
A	2	400S162-33	9'-4 5/16"	STUD
B	1	400T150-33	10 5/8"	TOP TRACK
C	1	400T300-33	10 5/8"	BOTTOM TRACK

12-3418

Jewish Home for the Aging

1885 Victory Blvd. Reseda, CA

FM-07-109

CREATED BY: HH

FrameMax, Inc.
13915 Danielson St
Suite 100
Poway, CA 92064
www.frame-max.com

FRAME MAX

© FrameMax Inc.

HEIGHT : 9'-4 7/16" POINTS: 0.71 Points.

SPACING : 24"

1st STUD: 24"

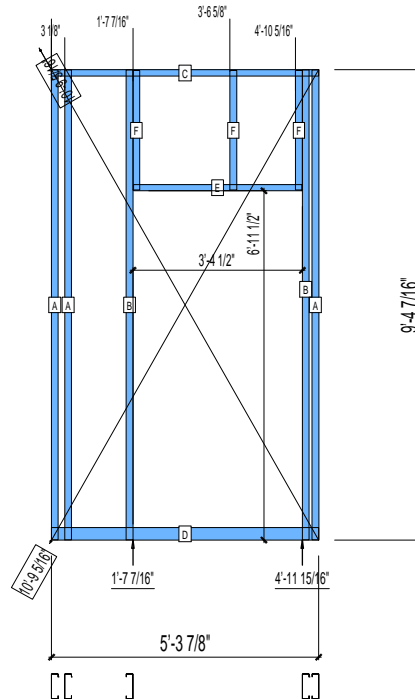
WEIGHTS :

FRAME : 80 lbs

TOTAL: 80 lbs

APPROVED

By hhuynh at 2:52 pm, Nov 14, 2008



PIECES LIST

LABEL	QTY	SIZE	LENGTH	USE
A	3	600S162-33	9'-4 5/16"	STUD
B	2	600S162-33	9'-4 5/16"	KING STUD
C	1	600T150-33	5'-3 7/8"	TOP TRACK
D	1	600T300-33	5'-3 7/8"	BOTTOM TRACK
E	1	600T150-33	3'-4 1/4"	HEAD TRACK
F	3	600S162-33	2'-4 9/16"	CRIPPLE

12-3419

Jewish Home for the Aging

1885 Victory Blvd. Reseda, CA

FM-07-109

CREATED BY: HH

FrameMax, Inc.
13915 Danielson St
Suite 100
Poway, CA 92064
www.framemax.com

FRAME MAX

© FrameMax Inc.

HEIGHT : 9'-4 7/16" POINTS: 0.19 Points.

SPACING : 24"

1st STUD: 24"

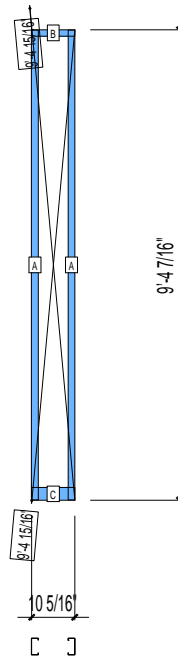
WEIGHTS :

FRAME : 19 lbs

TOTAL: 19 lbs

APPROVED

By hhuynh at 2:52 pm, Nov 14, 2008



PIECES LIST

LABEL	QTY	SIZE	LENGTH	USE
A	2	400S162-33	9'-4 5/16"	STUD
B	1	400T150-33	10 5/16"	TOP TRACK
C	1	400T300-33	10 5/16"	BOTTOM TRACK

12-3451

Jewish Home for the Aging

1885 Victory Blvd. Reseda, CA

FM-07-109

CREATED BY: HH

FrameMax, Inc.
13915 Danielson St
Suite 100
Poway, CA 92064
www.frame-max.com

FRAME MAX

© FrameMax Inc.

HEIGHT : 9'-4 7/16" POINTS: 0.77 Points.

SPACING : 24"

1st STUD: 24"

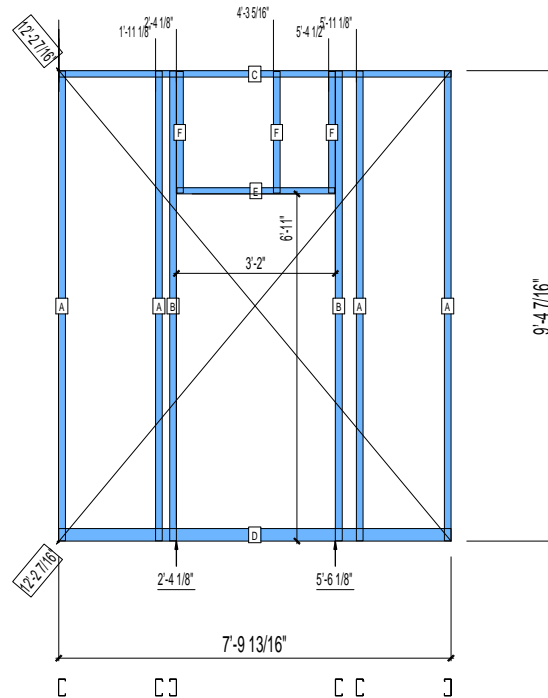
WEIGHTS :

FRAME : 77 lbs

TOTAL: 77 lbs

APPROVED

By hhuynh at 2:52 pm, Nov 14, 2008



PIECES LIST

LABEL	QTY	SIZE	LENGTH	USE
A	4	400S162-33	9'-4 5/16"	STUD
B	2	400S162-33	9'-4 5/16"	KING STUD
C	1	400T150-33	7'-9 13/16"	TOP TRACK
D	1	400T300-33	7'-9 13/16"	BOTTOM TRACK
E	1	400T150-33	3'-1 3/4"	HEAD TRACK
F	3	400S162-33	2'-5 1/16"	CRIPPLE

12-3452

Jewish Home for the Aging

1885 Victory Blvd. Reseda, CA

FM-07-109

CREATED BY: HH

FrameMax, Inc.
13915 Danielson St
Suite 100
Poway, CA 92064
www.frame-max.com

FRAME MAX

© FrameMax Inc.

HEIGHT : 9'-4 7/16" POINTS: 0.27 Points.

SPACING : 24"

1st STUD: 24"

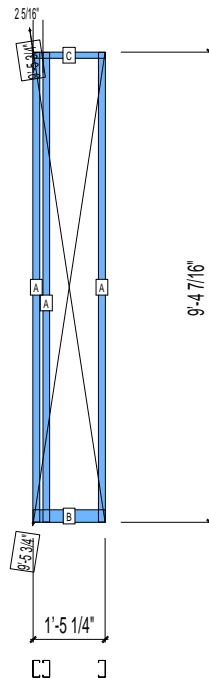
WEIGHTS :

FRAME : 29 lbs

TOTAL: 29 lbs

APPROVED

By hhuynh at 2:52 pm, Nov 14, 2008



PIECES LIST

LABEL	QTY	SIZE	LENGTH	USE
A	3	400S162-33	9'-4 5/16"	STUD
B	1	400T300-33	1'-5 1/4"	BOTTOM TRACK
C	1	400T150-33	1'-5 1/4"	TOP TRACK

12-3453

Jewish Home for the Aging

1885 Victory Blvd. Reseda, CA

FM-07-109

CREATED BY: HH

FrameMax, Inc.
13915 Danielson St
Suite 100
Poway, CA 92064
www.framemax.com



© FrameMax Inc.

HEIGHT : 9'-4 7/16" POINTS: 0.43 Points.

SPACING : 5000"

1st STUD: 5000"

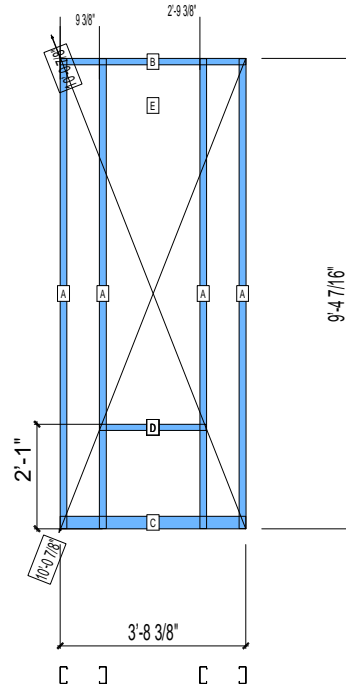
WEIGHTS :

FRAME : 44 lbs

TOTAL: 44 lbs

APPROVED

By hhuynh at 2:52 pm, Nov 14, 2008



PIECES LIST

LABEL	QTY	SIZE	LENGTH	USE
A	4	400S162-33	9'-4 5/16"	STUD
B	1	400T150-33	3'-8 3/8"	TOP TRACK
C	1	400T300-33	3'-8 3/8"	BOTTOM TRACK
D	1	600T150-33	2'-1 7/16"	SILL

12-3454

Jewish Home for the Aging

1885 Victory Blvd. Reseda, CA

FM-07-109

CREATED BY: HH

FrameMax, Inc.
13915 Danielson St
Suite 100
Poway, CA 92064
www.framemax.com

FRAME MAX

© FrameMax Inc.

HEIGHT : 9'-4 7/16" POINTS: 0.33 Points.

SPACING : 24"

1st STUD: 24"

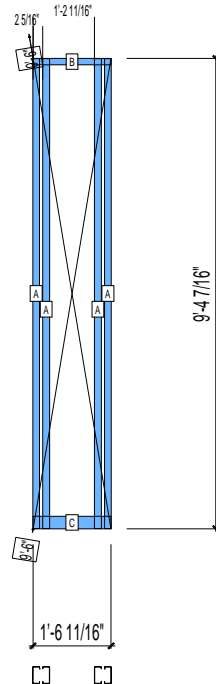
WEIGHTS :

FRAME : 38 lbs

TOTAL: 38 lbs

APPROVED

By hhuynh at 2:52 pm, Nov 14, 2008



PIECES LIST

LABEL	QTY	SIZE	LENGTH	USE
A	4	400S162-33	9'-4 5/16"	STUD
B	1	400T150-33	1'-6 11/16"	TOP TRACK
C	1	400T300-33	1'-6 11/16"	BOTTOM TRACK

12-3455

Jewish Home for the Aging

1885 Victory Blvd. Reseda, CA

FM-07-109

CREATED BY: HH

FrameMax, Inc.
13915 Danielson St
Suite 100
Poway, CA 92064
www.framemax.com

FRAME MAX

© FrameMax Inc.

HEIGHT : 9'-4 7/16" POINTS: 0.46 Points.

SPACING : 5000"

1st STUD: 16"

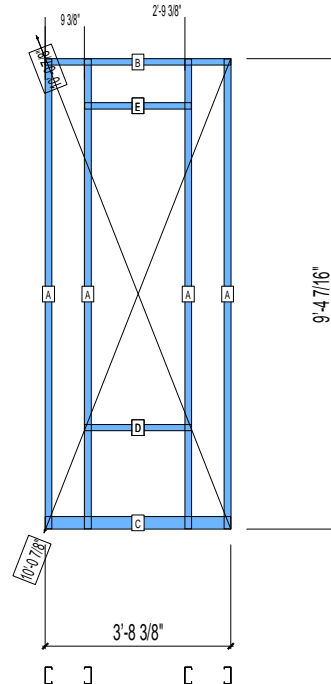
WEIGHTS :

FRAME : 46 lbs

TOTAL: 46 lbs

APPROVED

By hhuynh at 2:52 pm, Nov 14, 2008



PIECES LIST

LABEL	QTY	SIZE	LENGTH	USE
A	4	400S162-33	9'-4 5/16"	STUD
B	1	400T150-33	3'-8 3/8"	TOP TRACK
C	1	400T300-33	3'-8 3/8"	BOTTOM TRACK
D	1	400T150-33	2'-1 1/2"	SILL
E	1	400T150-33	2'-1 1/2"	HEAD TRACK

12-3456

Jewish Home for the Aging

1885 Victory Blvd. Reseda, CA

FM-07-109

CREATED BY: HH

FrameMax, Inc.
13915 Danielson St
Suite 100
Poway, CA 92064
www.framemax.com

FRAME MAX

© FrameMax Inc.

HEIGHT : 9'-4 7/16" POINTS: 0.27 Points.

SPACING : 24"

1st STUD: 24"

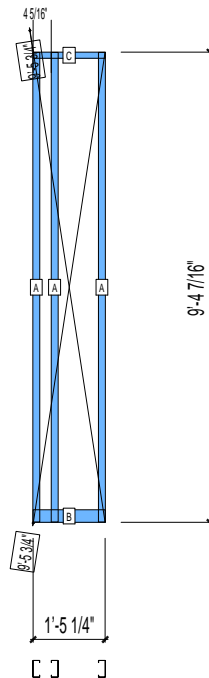
WEIGHTS :

FRAME : 29 lbs

TOTAL: 29 lbs

APPROVED

By hhuynh at 2:52 pm, Nov 14, 2008



PIECES LIST

LABEL	QTY	SIZE	LENGTH	USE
A	3	400S162-33	9'-4 5/16"	STUD
B	1	400T300-33	1'-5 1/4"	BOTTOM TRACK
C	1	400T150-33	1'-5 1/4"	TOP TRACK

12-3457

Jewish Home for the Aging

1885 Victory Blvd. Reseda, CA

FM-07-109

CREATED BY: HH

FrameMax, Inc.
13915 Danielson St
Suite 100
Poway, CA 92064
www.frame-max.com

FRAME MAX

© FrameMax Inc.

HEIGHT : 9'-4 7/16" POINTS: 0.33 Points.

SPACING : 24"

1st STUD: 24"

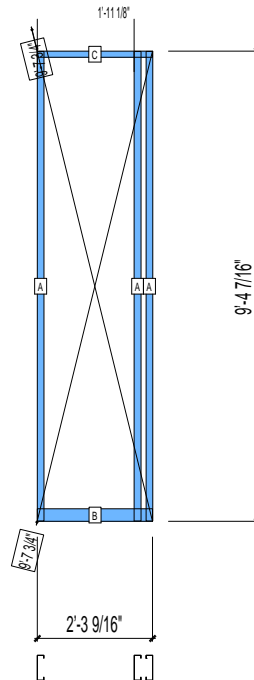
WEIGHTS :

FRAME : 39 lbs

TOTAL: 39 lbs

APPROVED

By hhuynh at 2:52 pm, Nov 14, 2008



PIECES LIST

LABEL	QTY	SIZE	LENGTH	USE
A	3	600S162-33	9'-4 5/16"	STUD
B	1	600T300-33	2'-3 9/16"	BOTTOM TRACK
C	1	600T150-33	2'-3 9/16"	TOP TRACK

12-3458

Jewish Home for the Aging

1885 Victory Blvd. Reseda, CA

FM-07-109

CREATED BY: HH

FrameMax, Inc.
13915 Danielson St
Suite 100
Poway, CA 92064
www.framemax.com

FRAME MAX

© FrameMax Inc.

HEIGHT : 9'-4 7/16" POINTS: 0.65 Points.

SPACING : 24"

1st STUD: 24"

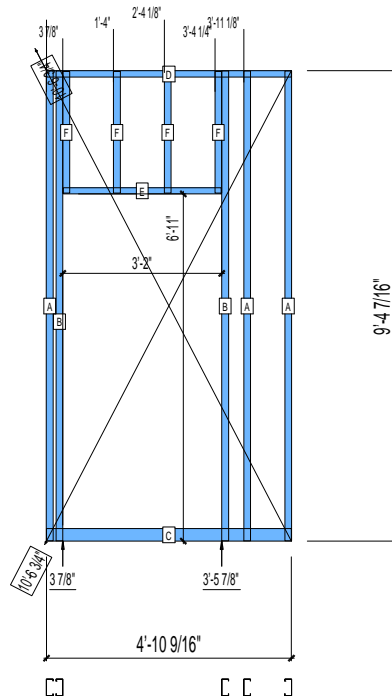
WEIGHTS :

FRAME : 65 lbs

TOTAL: 65 lbs

APPROVED

By hhuynh at 2:52 pm, Nov 14, 2008



PIECES LIST

LABEL	QTY	SIZE	LENGTH	USE
A	3	400S162-33	9'-4 5/16"	STUD
B	2	400S162-33	9'-4 5/16"	KING STUD
C	1	400T300-33	4'-10 9/16"	BOTTOM TRACK
D	1	400T150-33	4'-10 9/16"	TOP TRACK
E	1	400T150-33	3'-1 3/4"	HEAD TRACK
F	4	400S162-33	2'-5 1/16"	CRIPPLE

12-3459

Jewish Home for the Aging

1885 Victory Blvd. Reseda, CA

FM-07-109

CREATED BY: HH

FrameMax, Inc.
13915 Danielson St
Suite 100
Poway, CA 92064
www.framemax.com

FRAME MAX

© FrameMax Inc.

HEIGHT : 9'-4 7/16" POINTS: 0.27 Points.

SPACING : 24"

1st STUD: 24"

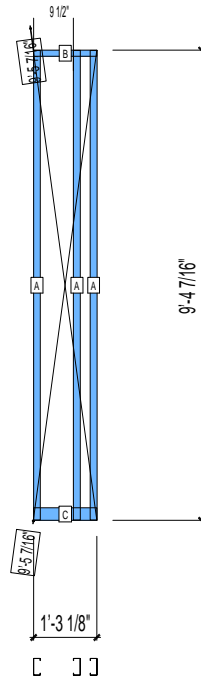
WEIGHTS :

FRAME : 29 lbs

TOTAL: 29 lbs

APPROVED

By hhuynh at 2:52 pm, Nov 14, 2008



PIECES LIST

LABEL	QTY	SIZE	LENGTH	USE
A	3	400S162-33	9'-4 5/16"	STUD
B	1	400T150-33	1'-3 1/8"	TOP TRACK
C	1	400T300-33	1'-3 1/8"	BOTTOM TRACK

12-3460

Jewish Home for the Aging

1885 Victory Blvd. Reseda, CA

FM-07-109

CREATED BY: HH

FrameMax, Inc.
13915 Danielson St
Suite 100
Poway, CA 92064
www.framemax.com

FRAME MAX

© FrameMax Inc.

HEIGHT : 9'-4 7/16" POINTS: 0.65 Points.

SPACING : 24"

1st STUD: 24"

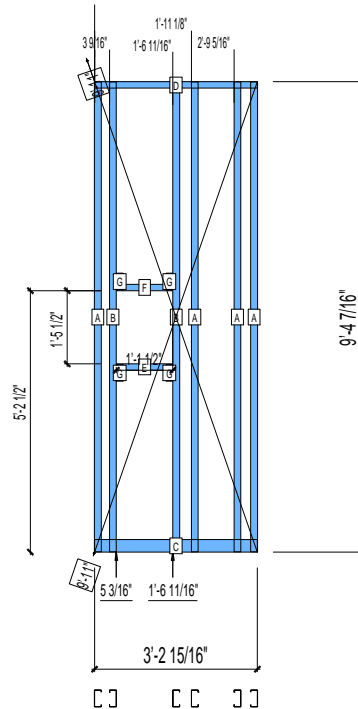
WEIGHTS :

FRAME : 62 lbs

TOTAL: 62 lbs

APPROVED

By hhuynh at 2:52 pm, Nov 14, 2008



PIECES LIST

LABEL	QTY	SIZE	LENGTH	USE
A	4	400S162-33	9'-4 5/16"	STUD
B	2	400S162-33	9'-4 5/16"	KING STUD
C	1	400T300-33	3'-2 15/16"	BOTTOM TRACK
D	1	400T150-33	3'-2 15/16"	TOP TRACK
E	1	400T150-33	1'-1 1/4"	SILL
F	1	400T150-33	1'-1 1/4"	HEAD TRACK
G	4	400S162-33	4"	CRIPPLE

12-3461

Jewish Home for the Aging

1885 Victory Blvd. Reseda, CA

FM-07-109

CREATED BY: HH

FrameMax, Inc.
13915 Danielson St
Suite 100
Poway, CA 92064
www.frame-max.com

FRAME MAX

© FrameMax Inc.

HEIGHT : 9'-4 7/16" POINTS: 0.20 Points.

SPACING : 24"

1st STUD: 16"

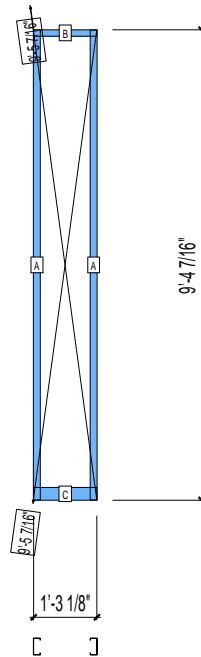
WEIGHTS :

FRAME : 20 lbs

TOTAL: 20 lbs

APPROVED

By hhuynh at 2:52 pm, Nov 14, 2008



PIECES LIST

LABEL	QTY	SIZE	LENGTH	USE
A	2	400S162-33	9'-4 5/16"	STUD
B	1	400T150-33	1'-3 1/8"	TOP TRACK
C	1	400T300-33	1'-3 1/8"	BOTTOM TRACK

12-3462

Jewish Home for the Aging

1885 Victory Blvd. Reseda, CA

FM-07-109

CREATED BY: HH

FrameMax, Inc.
13915 Danielson St
Suite 100
Poway, CA 92064
www.frame-max.com



© FrameMax Inc.

HEIGHT : 9'-4 7/16" POINTS: 0.97 Points.

SPACING : 24"

1st STUD: 8 1/2"

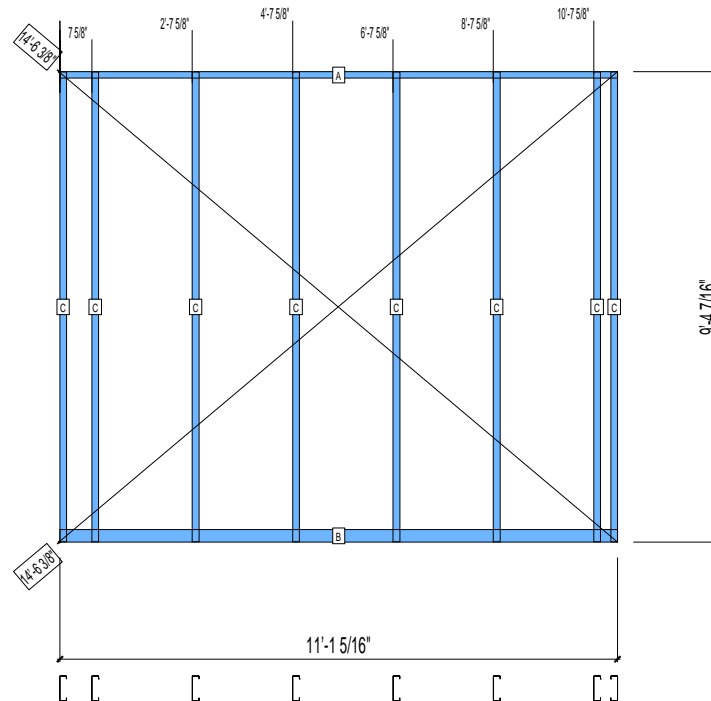
APPROVED

By hhuynh at 2:52 pm, Nov 14, 2008

WEIGHTS :

FRAME : 115 lbs

TOTAL: 115 lbs



PIECES LIST

LABEL	QTY	SIZE	LENGTH	USE
A	1	600T150-33	11'-1 5/16"	TOP TRACK
B	1	600T300-33	11'-1 5/16"	BOTTOM TRACK
C	8	600S162-33	9'-4 5/16"	STUD

12-3463

Jewish Home for the Aging

1885 Victory Blvd. Reseda, CA

FM-07-109

CREATED BY: HH

FrameMax, Inc.
13915 Danielson St
Suite 100
Poway, CA 92064
www.frame-max.com

FRAME MAX

© FrameMax Inc.

HEIGHT : 9'-4 7/16" POINTS: 0.54 Points.

SPACING : 5000"

1st STUD: 5000"

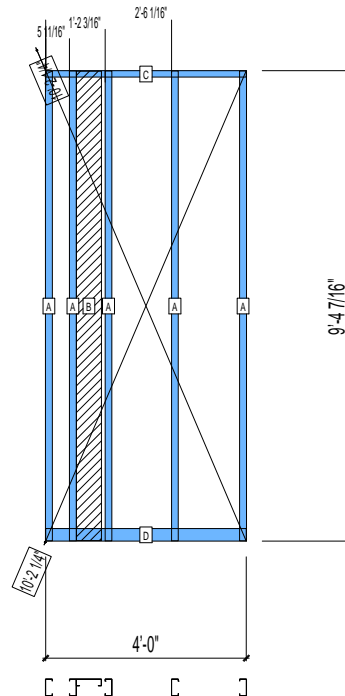
WEIGHTS :

FRAME : 62 lbs

TOTAL: 62 lbs

APPROVED

By hhuynh at 2:52 pm, Nov 14, 2008



PIECES LIST

LABEL	QTY	SIZE	LENGTH	USE
A	5	400S162-33	9'-4 5/16"	STUD
B	1	600S162-33	9'-4 3/16"	BACKER-U
C	1	400T150-33	4'-0"	TOP TRACK
D	1	400T300-33	4'-0"	BOTTOM TRACK

12-3464

Jewish Home for the Aging

1885 Victory Blvd. Reseda, CA

FM-07-109

CREATED BY: HH

FrameMax, Inc.
13915 Danielson St
Suite 100
Poway, CA 92064
www.frame-max.com

FRAME MAX

© FrameMax Inc.

HEIGHT : 9'-4 7/16" POINTS: 0.47 Points.

SPACING : 24"

1st STUD: 24"

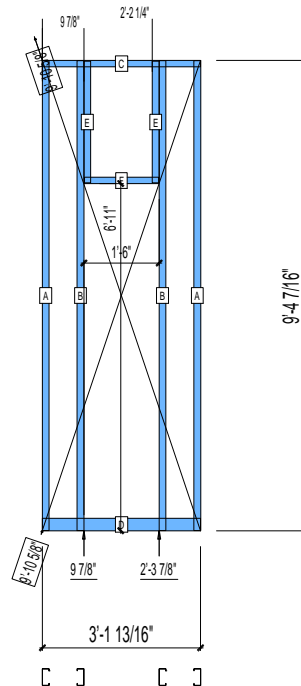
WEIGHTS :

FRAME : 47 lbs

TOTAL: 47 lbs

APPROVED

By hhuynh at 2:52 pm, Nov 14, 2008



PIECES LIST

LABEL	QTY	SIZE	LENGTH	USE
A	2	400S162-33	9'-4 5/16"	STUD
B	2	400S162-33	9'-4 5/16"	KING STUD
C	1	400T150-33	3'-1 13/16"	TOP TRACK
D	1	400T300-33	3'-1 13/16"	BOTTOM TRACK
E	2	400S162-33	2'-5 1/16"	CRIPPLE
F	1	400T150-33	1'-5 3/4"	HEAD TRACK

12-3465

Jewish Home for the Aging

1885 Victory Blvd. Reseda, CA

FM-07-109

CREATED BY: HH

FrameMax, Inc.
13915 Danielson St
Suite 100
Poway, CA 92064
www.frame-max.com



© FrameMax Inc.

HEIGHT : 9'-4 7/16" POINTS: 0.39 Points.

SPACING : 24"

1st STUD: 24"

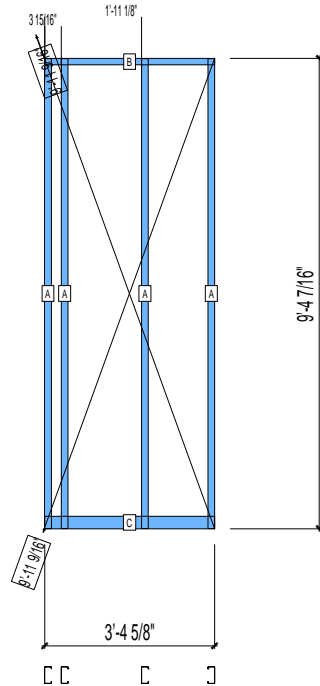
WEIGHTS :

FRAME : 42 lbs

TOTAL: 42 lbs

APPROVED

By hhuynh at 2:52 pm, Nov 14, 2008



PIECES LIST

LABEL	QTY	SIZE	LENGTH	USE
A	4	400S162-33	9'-4 5/16"	STUD
B	1	400T150-33	3'-4 5/8"	TOP TRACK
C	1	400T300-33	3'-4 5/8"	BOTTOM TRACK

12-3466

Jewish Home for the Aging

1885 Victory Blvd. Reseda, CA

FM-07-109

CREATED BY: HH

FrameMax, Inc.
13915 Danielson St
Suite 100
Poway, CA 92064
www.framemax.com

FRAME MAX

© FrameMax Inc.

HEIGHT : 9'-4 7/16" POINTS: 1.05 Points.

SPACING : 24"

1st STUD: 24"

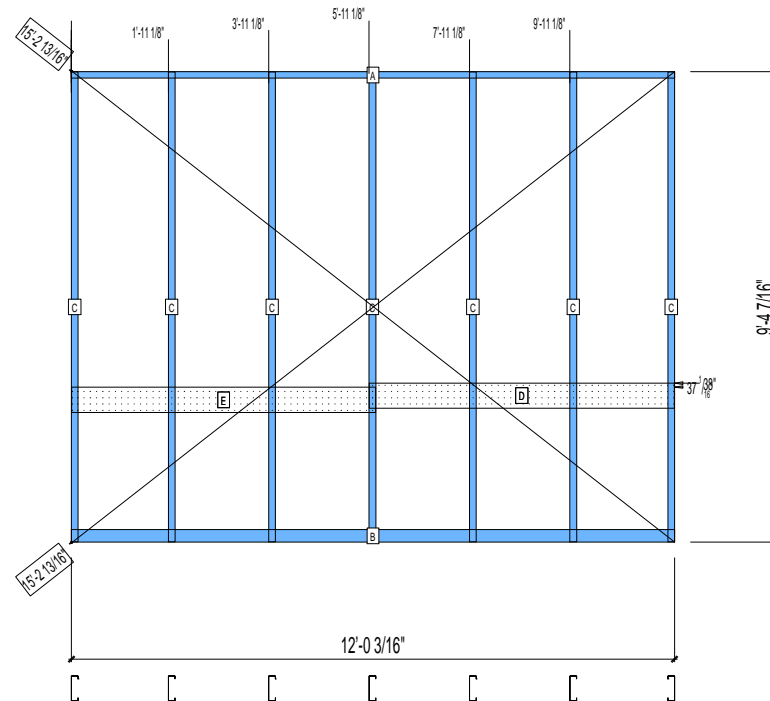
APPROVED

By hhuynh at 2:52 pm, Nov 14, 2008

WEIGHTS :

FRAME : 124 lbs

TOTAL: 124 lbs



PIECES LIST

LABEL	QTY	SIZE	LENGTH	USE
A	1	600T150-33	12'-0 3/16"	TOP TRACK
B	1	600T300-33	12'-0 3/16"	BOTTOM TRACK
C	7	600S162-33	9'-4 5/16"	STUD
D	1	600D-54	6'-0 15/16"	VANITY BACKING
E	1	600T150-54	6'-0 11/16"	GRAB BAR

12-3467

Jewish Home for the Aging

1885 Victory Blvd. Reseda, CA

FM-07-109

CREATED BY: HH

FrameMax, Inc.
13915 Danielson St
Suite 100
Poway, CA 92064
www.frame-max.com



© FrameMax Inc.

HEIGHT : 9'-4 7/16" POINTS: 0.19 Points.

SPACING : 24"

1st STUD: 24"

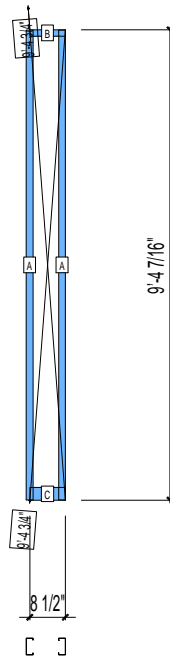
APPROVED

By hhuynh at 2:52 pm, Nov 14, 2008

WEIGHTS :

FRAME : 19 lbs

TOTAL: 19 lbs



PIECES LIST

LABEL	QTY	SIZE	LENGTH	USE
A	2	400S162-33	9'-4 5/16"	STUD
B	1	400T150-33	8 1/2"	TOP TRACK
C	1	400T300-33	8 1/2"	BOTTOM TRACK

12-3468

Jewish Home for the Aging

1885 Victory Blvd. Reseda, CA

FM-07-109

CREATED BY: HH

FrameMax, Inc.
13915 Danielson St
Suite 100
Poway, CA 92064
www.framemax.com

FRAME MAX

© FrameMax Inc.

HEIGHT : 9'-4 7/16" POINTS: 0.45 Points.

SPACING : 5000"

1st STUD: 5000"

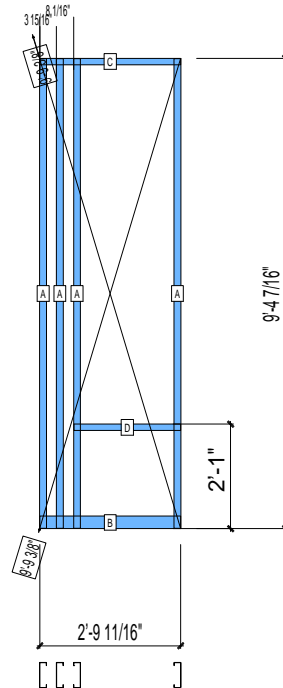
WEIGHTS :

FRAME : 53 lbs

TOTAL: 53 lbs

APPROVED

By hhuynh at 2:52 pm, Nov 14, 2008



PIECES LIST

LABEL	QTY	SIZE	LENGTH	USE
A	4	600S162-33	9'-4 5/16"	STUD
B	1	600T300-33	2'-9 11/16"	BOTTOM TRACK
C	1	600T150-33	2'-9 11/16"	TOP TRACK
D	1	600T150-33	2'-1 1/2"	SILL

12-3469

Jewish Home for the Aging

1885 Victory Blvd. Reseda, CA

FM-07-109

CREATED BY: HH

FrameMax, Inc.
13915 Danielson St
Suite 100
Poway, CA 92064
www.frame-max.com

FRAME MAX

© FrameMax Inc.

HEIGHT : 9'-4 7/16" POINTS: 0.36 Points.

SPACING : 24"

1st STUD: 24"

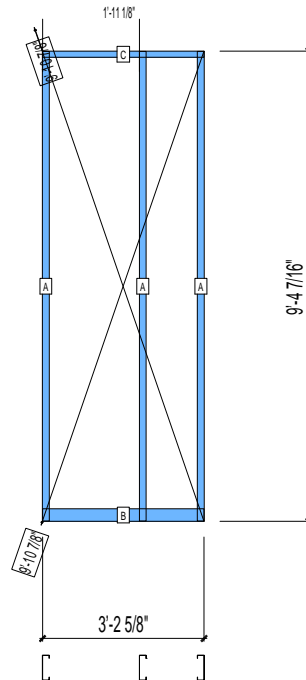
WEIGHTS :

FRAME : 41 lbs

TOTAL: 41 lbs

APPROVED

By hhuynh at 2:52 pm, Nov 14, 2008



PIECES LIST

LABEL	QTY	SIZE	LENGTH	USE
A	3	600S162-33	9'-4 5/16"	STUD
B	1	600T300-33	3'-2 5/8"	BOTTOM TRACK
C	1	600T150-33	3'-2 5/8"	TOP TRACK

12-3470

Jewish Home for the Aging

1885 Victory Blvd. Reseda, CA

FM-07-109

CREATED BY: HH

FrameMax, Inc.
13915 Danielson St
Suite 100
Poway, CA 92064
www.framemax.com

FRAMEMAX

© FrameMax Inc.

HEIGHT : 9'-4 7/16" POINTS: 0.42 Points.

SPACING : 24"

1st STUD: 24"

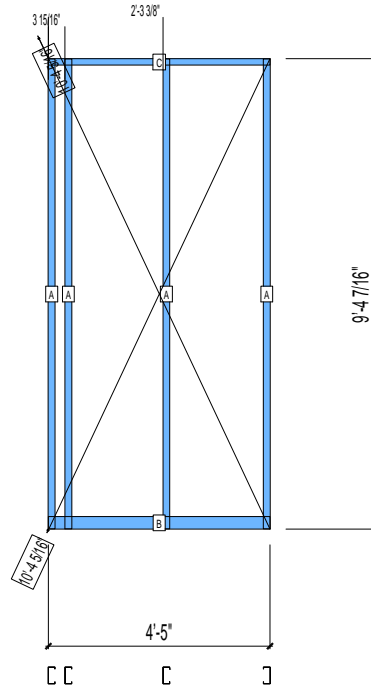
WEIGHTS :

FRAME : 44 lbs

TOTAL: 44 lbs

APPROVED

By hhuynh at 2:52 pm, Nov 14, 2008



PIECES LIST

LABEL	QTY	SIZE	LENGTH	USE
A	4	400S162-33	9'-4 5/16"	STUD
B	1	400T300-33	4'-5"	BOTTOM TRACK
C	1	400T150-33	4'-5"	TOP TRACK

12-3471

Jewish Home for the Aging

1885 Victory Blvd. Reseda, CA

FM-07-109

CREATED BY: HH

FrameMax, Inc.
13915 Danielson St
Suite 100
Poway, CA 92064
www.frame-max.com

FRAME MAX

© FrameMax Inc.

HEIGHT : 9'-4 7/16" POINTS: 0.20 Points.

SPACING : 24"

1st STUD: 24"

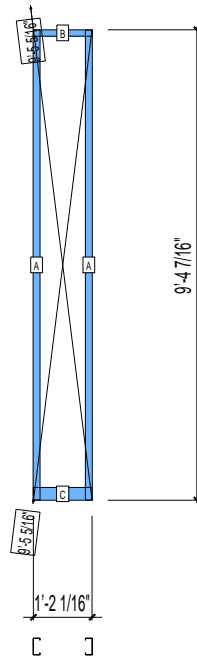
WEIGHTS :

FRAME : 20 lbs

TOTAL: 20 lbs

APPROVED

By hhuynh at 2:52 pm, Nov 14, 2008



PIECES LIST

LABEL	QTY	SIZE	LENGTH	USE
A	2	400S162-33	9'-4 5/16"	STUD
B	1	400T150-33	1'-2 1/16"	TOP TRACK
C	1	400T300-33	1'-2 1/16"	BOTTOM TRACK

12-3472

Jewish Home for the Aging

1885 Victory Blvd. Reseda, CA

FM-07-109

CREATED BY: HH

FrameMax, Inc.
13915 Danielson St
Suite 100
Poway, CA 92064
www.frame-max.com

FRAME MAX

© FrameMax Inc.

HEIGHT : 9'-4 7/16" POINTS: 0.36 Points.

SPACING : 24"

1st STUD: 24"

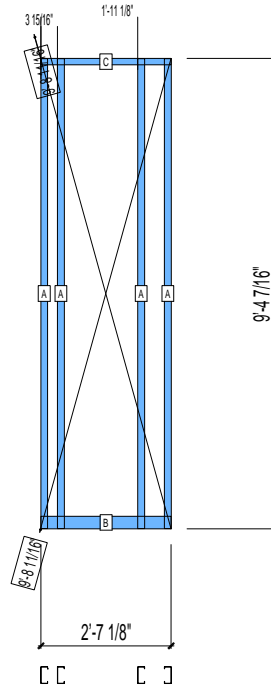
WEIGHTS :

FRAME : 40 lbs

TOTAL: 40 lbs

APPROVED

By hhuynh at 2:52 pm, Nov 14, 2008



PIECES LIST

LABEL	QTY	SIZE	LENGTH	USE
A	4	400S162-33	9'-4 5/16"	STUD
B	1	400T300-33	2'-7 1/8"	BOTTOM TRACK
C	1	400T150-33	2'-7 1/8"	TOP TRACK

12-3474

Jewish Home for the Aging

1885 Victory Blvd. Reseda, CA

FM-07-109

CREATED BY: HH

FrameMax, Inc.
13915 Danielson St
Suite 100
Poway, CA 92064
www.frame-max.com



© FrameMax Inc.

HEIGHT : 9'-4 7/16" POINTS: 0.75 Points.

SPACING : 24"

1st STUD: 24"

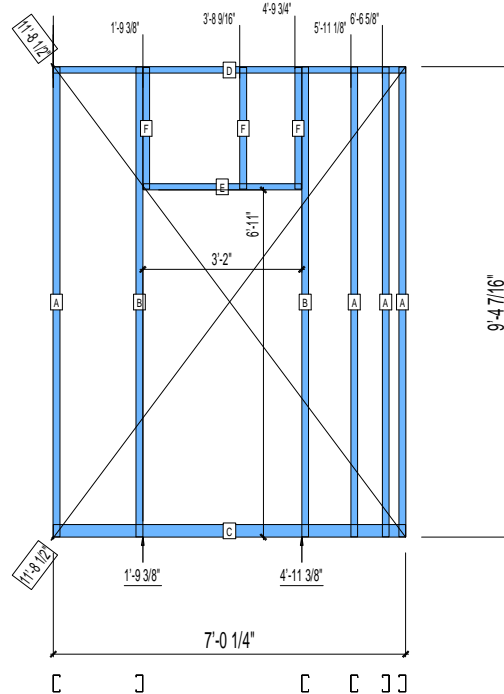
APPROVED

By hhuynh at 2:52 pm, Nov 14, 2008

WEIGHTS :

FRAME : 76 lbs

TOTAL: 76 lbs



PIECES LIST

LABEL	QTY	SIZE	LENGTH	USE
A	4	400S162-33	9'-4 5/16"	STUD
B	2	400S162-33	9'-4 5/16"	KING STUD
C	1	400T300-33	7'-0 1/4"	BOTTOM TRACK
D	1	400T150-33	7'-0 1/4"	TOP TRACK
E	1	400T150-33	3'-1 3/4"	HEAD TRACK
F	3	400S162-33	2'-5 1/16"	CRIPPLE

12-3475

Jewish Home for the Aging

1885 Victory Blvd. Reseda, CA

FM-07-109

CREATED BY: HH

FrameMax, Inc.
13915 Danielson St
Suite 100
Poway, CA 92064
www.frame-max.com

FRAME MAX

© FrameMax Inc.

HEIGHT : 9'-4 7/16" POINTS: 0.32 Points.

SPACING : 24"

1st STUD: 24"

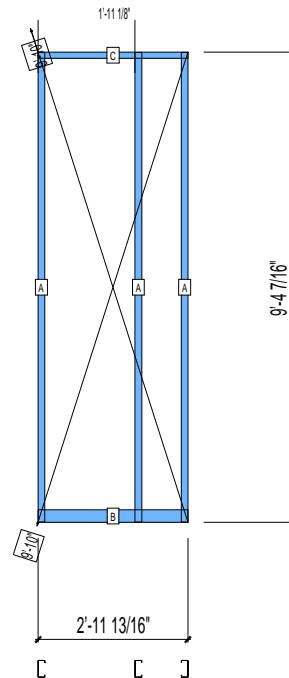
WEIGHTS :

FRAME : 32 lbs

TOTAL: 32 lbs

APPROVED

By hhuynh at 2:52 pm, Nov 14, 2008



PIECES LIST

LABEL	QTY	SIZE	LENGTH	USE
A	3	400S162-33	9'-4 5/16"	STUD
B	1	400T300-33	2'-11 13/16"	BOTTOM TRACK
C	1	400T150-33	2'-11 13/16"	TOP TRACK

12-3476

Jewish Home for the Aging

1885 Victory Blvd. Reseda, CA

FM-07-109

CREATED BY: HH

FrameMax, Inc.
13915 Danielson St
Suite 100
Poway, CA 92064
www.frame-max.com

FRAME MAX

© FrameMax Inc.

HEIGHT : 9'-4 7/16" POINTS: 0.75 Points.

SPACING : 24"

1st STUD: 24"

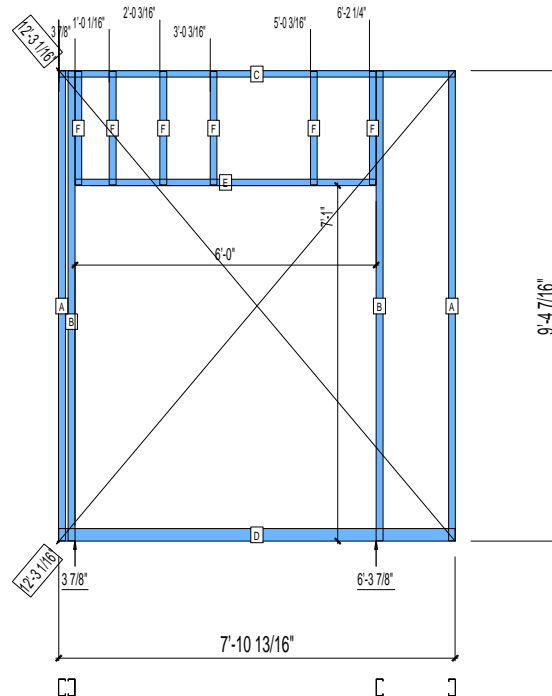
WEIGHTS :

FRAME : 68 lbs

TOTAL: 68 lbs

APPROVED

By hhuynh at 2:52 pm, Nov 14, 2008



PIECES LIST

LABEL	QTY	SIZE	LENGTH	USE
A	2	400S162-33	9'-4 5/16"	STUD
B	2	400S162-33	9'-4 5/16"	KING STUD
C	1	400T150-33	7'-10 13/16"	TOP TRACK
D	1	400T300-33	7'-10 13/16"	BOTTOM TRACK
E	1	400T150-33	5'-11 3/4"	HEAD TRACK
F	6	400S162-33	2'-3 1/16"	CRIPPLE

12-3477

Jewish Home for the Aging

1885 Victory Blvd. Reseda, CA

FM-07-109

CREATED BY: HH

FrameMax, Inc.
13915 Danielson St
Suite 100
Poway, CA 92064
www.frame-max.com

FRAME MAX

© FrameMax Inc.

HEIGHT : 9'-4 7/16" POINTS: 0.99 Points.

SPACING : 24"

1st STUD: 17 9/16"

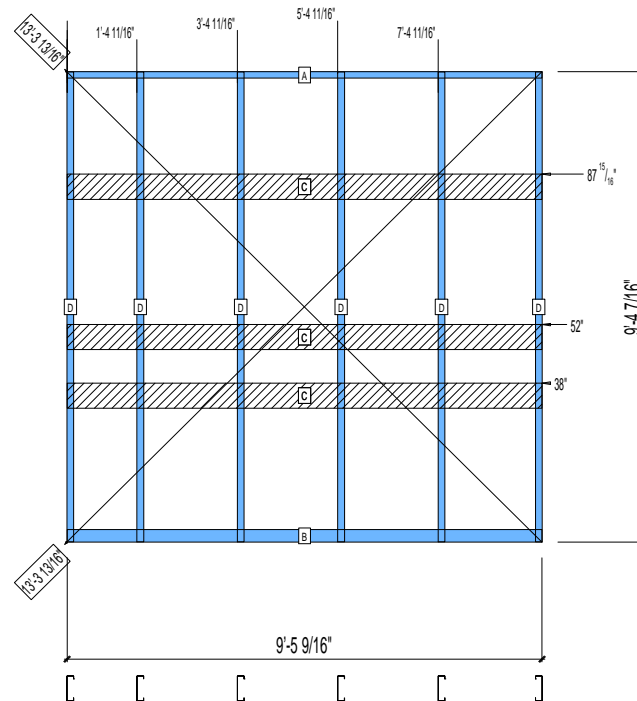
WEIGHTS :

FRAME : 123 lbs

TOTAL: 123 lbs

APPROVED

By hhuynh at 2:52 pm, Nov 14, 2008



PIECES LIST

LABEL	QTY	SIZE	LENGTH USE
A	1	600T150-33	9'-5 9/16" TOP TRACK
B	1	600T300-33	9'-5 9/16" BOTTOM TRACK
C	3	600D-54	9'-5 1/2" KITCHEN BACKING
D	6	600S162-33	9'-4 5/16" STUD

12-3478

Jewish Home for the Aging

1885 Victory Blvd. Reseda, CA

FM-07-109

CREATED BY: HH

FrameMax, Inc.
13915 Danielson St
Suite 100
Poway, CA 92064
www.frame-max.com

FRAME MAX

© FrameMax Inc.

HEIGHT : 9'-4 7/16" POINTS: 0.30 Points.

SPACING : 24"

1st STUD: 24"

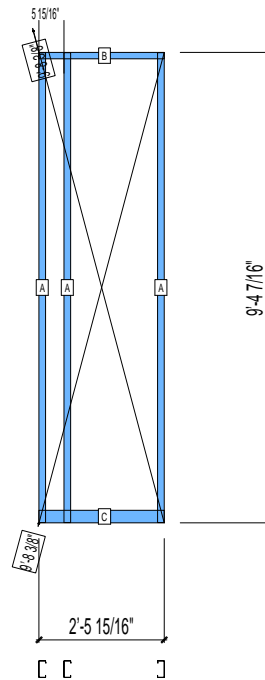
WEIGHTS :

FRAME : 31 lbs

TOTAL: 31 lbs

APPROVED

By hhuynh at 2:52 pm, Nov 14, 2008



PIECES LIST

LABEL	QTY	SIZE	LENGTH	USE
A	3	400S162-33	9'-4 5/16"	STUD
B	1	400T150-33	2'-5 15/16"	TOP TRACK
C	1	400T300-33	2'-5 15/16"	BOTTOM TRACK

12-3479

Jewish Home for the Aging

1885 Victory Blvd. Reseda, CA

FM-07-109

CREATED BY: HH

FrameMax, Inc.
13915 Danielson St
Suite 100
Poway, CA 92064
www.frame-max.com

FRAME MAX

© FrameMax Inc.

HEIGHT : 9'-4 7/16" POINTS: 0.30 Points.

SPACING : 24"

1st STUD: 24"

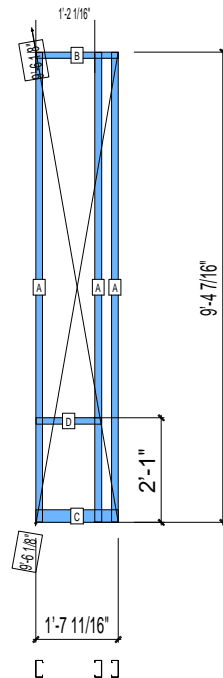
WEIGHTS :

FRAME : 31 lbs

TOTAL: 31 lbs

APPROVED

By hhuynh at 2:52 pm, Nov 14, 2008



PIECES LIST

LABEL	QTY	SIZE	LENGTH	USE
A	3	400S162-33	9'-4 5/16"	STUD
B	1	400T150-33	1'-7 11/16"	TOP TRACK
C	1	400T300-33	1'-7 11/16"	BOTTOM TRACK
D	1	400T150-33	1'-3 5/8"	SILL

12-3480

Jewish Home for the Aging

1885 Victory Blvd. Reseda, CA

FM-07-109

CREATED BY: HH

FrameMax, Inc.
13915 Danielson St
Suite 100
Poway, CA 92064
www.frame-max.com

FRAME MAX

© FrameMax Inc.

HEIGHT : 9'-4 7/16" POINTS: 0.20 Points.

SPACING : 24"

1st STUD: 16"

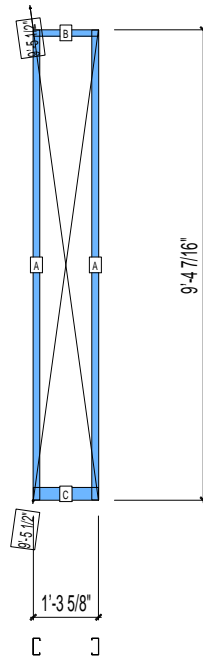
WEIGHTS :

FRAME : 20 lbs

TOTAL: 20 lbs

APPROVED

By hhuynh at 2:52 pm, Nov 14, 2008



PIECES LIST

LABEL	QTY	SIZE	LENGTH	USE
A	2	400S162-33	9'-4 5/16"	STUD
B	1	400T150-33	1'-3 5/8"	TOP TRACK
C	1	400T300-33	1'-3 5/8"	BOTTOM TRACK

12-3481

Jewish Home for the Aging

1885 Victory Blvd. Reseda, CA

FM-07-109

CREATED BY: HH

FrameMax, Inc.
13915 Danielson St
Suite 100
Poway, CA 92064
www.frame-max.com

FRAME MAX

© FrameMax Inc.

HEIGHT : 9'-4 7/16" POINTS: 0.19 Points.

SPACING : 24"

1st STUD: 16"

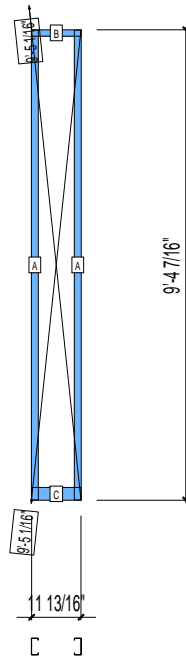
WEIGHTS :

FRAME : 19 lbs

TOTAL: 19 lbs

APPROVED

By hhuynh at 2:52 pm, Nov 14, 2008



PIECES LIST

LABEL	QTY	SIZE	LENGTH	USE
A	2	400S162-33	9'-4 5/16"	STUD
B	1	400T150-33	11 13/16"	TOP TRACK
C	1	400T300-33	11 13/16"	BOTTOM TRACK

12-3483

Jewish Home for the Aging

1885 Victory Blvd. Reseda, CA

FM-07-109

CREATED BY: HH

FrameMax, Inc.
13915 Danielson St
Suite 100
Poway, CA 92064
www.frame-max.com

FRAME MAX

© FrameMax Inc.

HEIGHT : 9'-4 7/16" POINTS: 0.22 Points.

SPACING : 24"

1st STUD: 24"

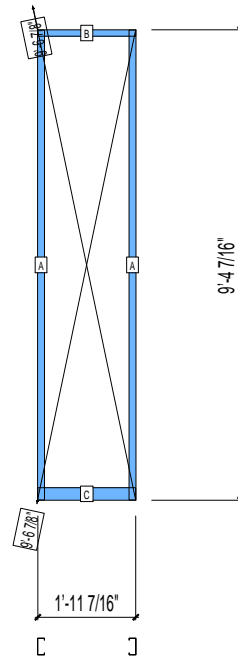
WEIGHTS :

FRAME : 21 lbs

TOTAL: 21 lbs

APPROVED

By hhuynh at 2:52 pm, Nov 14, 2008



PIECES LIST

LABEL	QTY	SIZE	LENGTH	USE
A	2	400S162-33	9'-4 5/16"	STUD
B	1	400T150-33	1'-11 7/16"	TOP TRACK
C	1	400T300-33	1'-11 7/16"	BOTTOM TRACK

12-3484

Jewish Home for the Aging

1885 Victory Blvd. Reseda, CA

FM-07-109

CREATED BY: HH

FrameMax, Inc.
13915 Danielson St
Suite 100
Poway, CA 92064
www.frame-max.com



© FrameMax Inc.

HEIGHT : 9'-4 7/16" POINTS: 0.19 Points.

SPACING : 24"

1st STUD: 24"

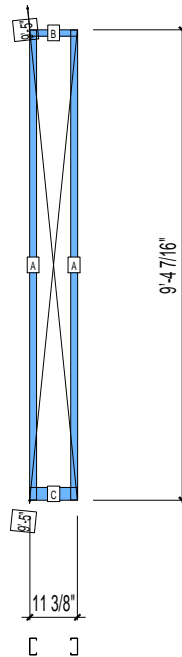
APPROVED

By hhuynh at 2:52 pm, Nov 14, 2008

WEIGHTS :

FRAME : 19 lbs

TOTAL: 19 lbs



PIECES LIST

LABEL	QTY	SIZE	LENGTH	USE
A	2	400S162-33	9'-4 5/16"	STUD
B	1	400T150-33	11 3/8"	TOP TRACK
C	1	400T300-33	11 3/8"	BOTTOM TRACK