

12-1001

Jewish Home for the Aging

1885 Victory Blvd. Reseda, CA

FM-07-109

CREATED BY: HH

FrameMax, Inc.
13915 Danielson St
Suite 100
Poway, CA 92064
www.framemax.com



© FrameMax Inc.

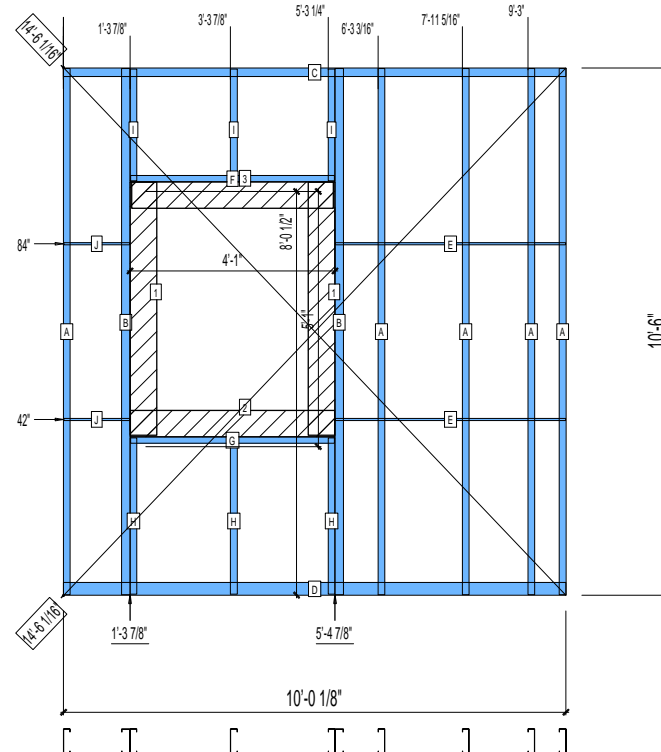
HEIGHT : 10'-6"
SPACING : 5000"
1st STUD: 5000"

POINTS: 2.02 Points.

APPROVED
By hhuynh at 5:44 pm, Nov 18, 2008

WEIGHTS :
FRAME : 276 lbs
SHEATHING: 24 lbs

TOTAL: 300 lbs



PIECES LIST

LABEL	QTY	SIZE	LENGTH	USE
A	5	600S162-54	10'-5 13/16"	STUD
B	2	600S200-97	10'-5 13/16"	KING STUD
C	1	600T200-54	10'-0 1/8"	TOP TRACK
D	1	600T300-54	10'-0 1/8"	BOTTOM TRACK
E	2	150U50-54	4'-7"	HORIZONTAL BRACING
F	1	600T150-54	4'-0 3/4"	HEAD TRACK
G	1	600T150-54	4'-0 3/4"	SILL
H	3	600S162-54	3'-1 3/8"	CRIPPLE
I	3	600S162-54	2'-2 3/4"	CRIPPLE
J	2	150U50-54	1'-3 11/16"	HORIZONTAL BRACING

SHEATHING

LABEL	QTY	CODE	THICK	SIZE	SCREWS
1	2	DENSGLASS	1/2"	6 3/8" X	5'-0 1/2" 8 - 12
2	1	DENSGLASS	1/2"	4'-0 7/8" X	6 5/16" 8 - 12
3	1	DENSGLASS	1/2"	4'-0 1/4" X	6 5/16" 8 - 12

12-1002

Jewish Home for the Aging

1885 Victory Blvd. Reseda, CA

FM-07-109

CREATED BY: HH

FrameMax, Inc.
13915 Danielson St
Suite 100
Poway, CA 92064
www.frame-max.com

FRAME MAX

© FrameMax Inc.

HEIGHT : 10'-6" POINTS: 0.68 Points.

SPACING : 5000"

1st STUD: 5000"

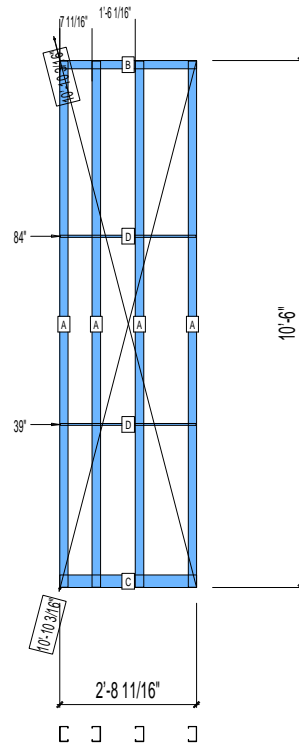
WEIGHTS :

FRAME : 99 lbs

TOTAL: 99 lbs

APPROVED

By hhuynh at 5:44 pm, Nov 18, 2008



PIECES LIST

LABEL	QTY	SIZE	LENGTH	USE
A	4	362S200-68	10'-5 13/16"	STUD
B	1	362T200-68	2'-8 11/16"	TOP TRACK
C	1	362T300-68	2'-8 11/16"	BOTTOM TRACK
D	2	150U50-54	2'-8 1/2"	HORIZONTAL BRACING

12-1003

Jewish Home for the Aging

1885 Victory Blvd. Reseda, CA

FM-07-109

CREATED BY: HH

FrameMax, Inc.
13915 Danielson St
Suite 100
Poway, CA 92064
www.framemax.com



© FrameMax Inc.

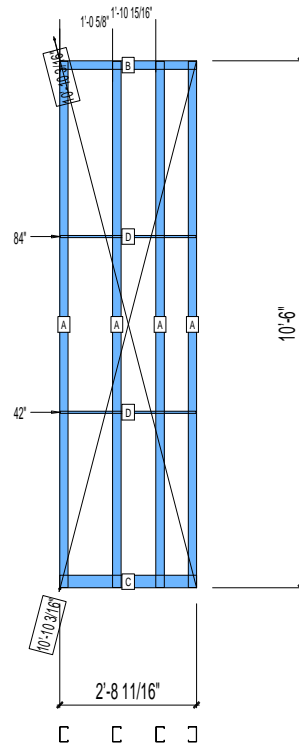
HEIGHT : 10'-6"
SPACING : 5000"
1st STUD: 5000"

POINTS: 0.69 Points.

APPROVED
By hhuynh at 5:44 pm, Nov 18, 2008

WEIGHTS :
FRAME : 102 lbs

TOTAL: 102 lbs



PIECES LIST

LABEL	QTY	SIZE	LENGTH	USE
A	4	362S200-68	10'-5 13/16"	STUD
B	1	362T200-68	2'-8 11/16"	TOP TRACK
C	1	362T300-68	2'-8 11/16"	BOTTOM TRACK
D	2	150U50-54	2'-8 1/2"	HORIZONTAL BRACING

12-1004

Jewish Home for the Aging

1885 Victory Blvd. Reseda, CA

FM-07-109

CREATED BY: HH

FrameMax, Inc.
13915 Danielson St
Suite 100
Poway, CA 92064
www.frame-max.com



© FrameMax Inc.

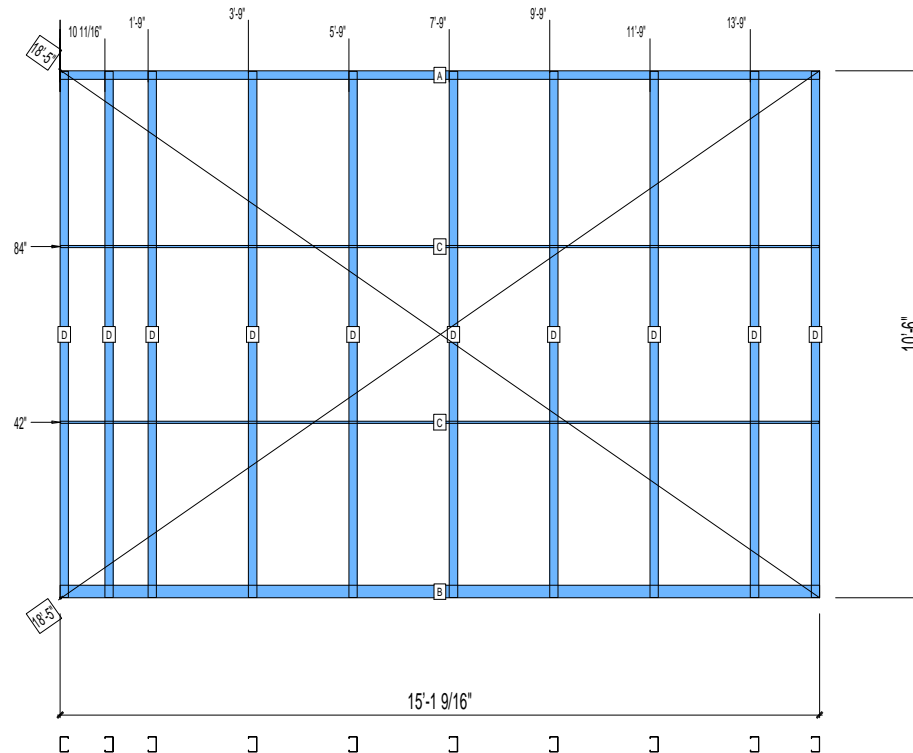
HEIGHT : 10'-6"
SPACING : 5000"
1st STUD: 5000"

POINTS: 1.94 Points.

APPROVED
By hhuynh at 5:44 pm, Nov 18, 2008

WEIGHTS :
FRAME : 291 lbs

TOTAL: 291 lbs



PIECES LIST

LABEL	QTY	SIZE	LENGTH	USE
A	1	362T200-68	15'-1 9/16"	TOP TRACK
B	1	362T300-68	15'-1 9/16"	BOTTOM TRACK
C	2	150U50-54	15'-1 3/8"	HORIZONTAL BRACING
D	10	362S200-68	10'-5 13/16"	STUD

12-1005

Jewish Home for the Aging

1885 Victory Blvd. Reseda, CA

FM-07-109

CREATED BY: HH

FrameMax, Inc.
13915 Danielson St
Suite 100
Poway, CA 92064
www.frame-max.com



© FrameMax Inc.

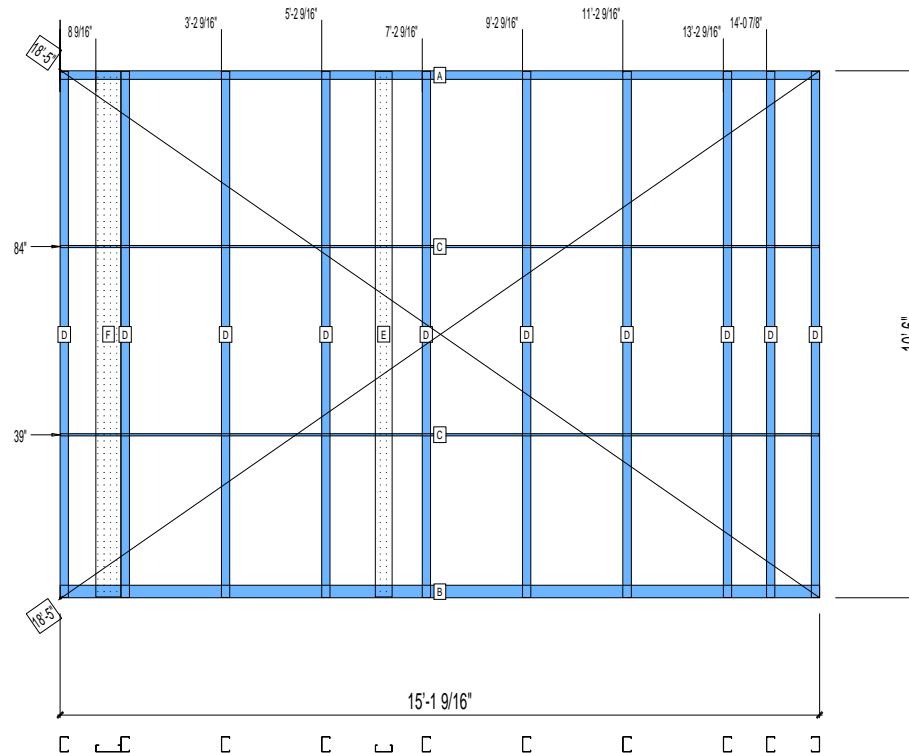
HEIGHT : 10'-6"
SPACING : 5000"
1st STUD: 5000"

POINTS: 2.12 Points.

APPROVED
By hhuynh at 5:44 pm, Nov 18, 2008

WEIGHTS :
FRAME : 321 lbs

TOTAL: 321 lbs



PIECES LIST

LABEL	QTY	SIZE	LENGTH	USE
A	1	362T200-68	15'-1 9/16"	TOP TRACK
B	1	362T300-68	15'-1 9/16"	BOTTOM TRACK
C	2	150U50-54	15'-1 3/8"	HORIZONTAL BRACING
D	10	362S200-68	10'-5 13/16"	STUD
E	1	400S162-33	10'-5 11/16"	BACKER-U
F	1	600S162-33	10'-5 11/16"	BACKER-U

12-1006

Jewish Home for the Aging

1885 Victory Blvd. Reseda, CA

FM-07-109

CREATED BY: HH

FrameMax, Inc.
13915 Danielson St
Suite 100
Poway, CA 92064
www.frame-max.com



© FrameMax Inc.

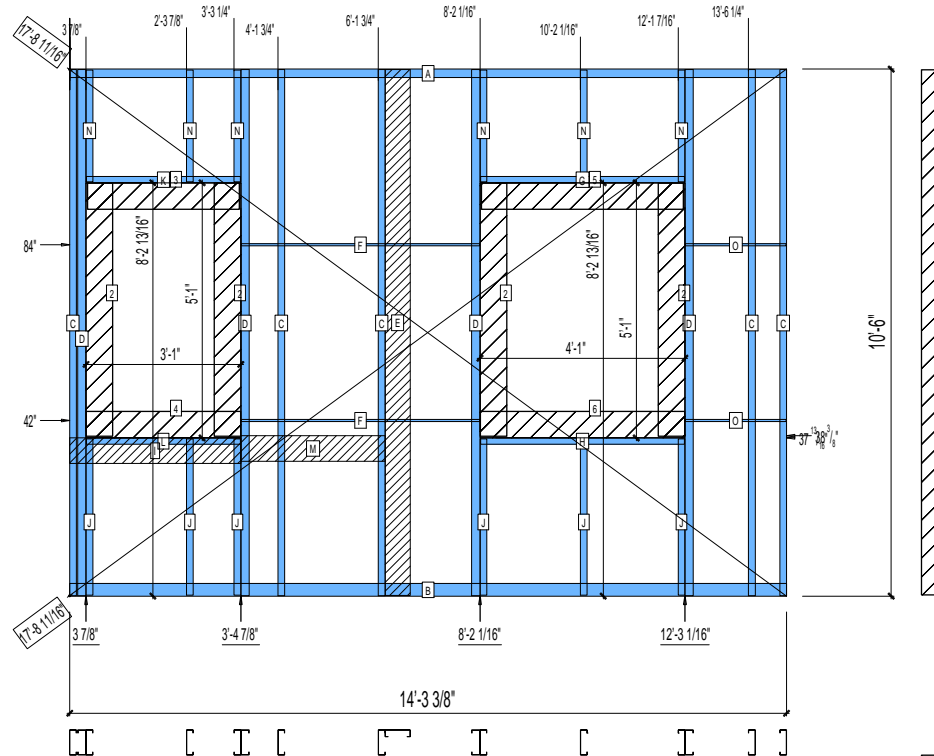
HEIGHT : 10'-6"
SPACING : 5000"
1st STUD: 5000"

POINTS: 3.29 Points.

APPROVED
By hhuynh at 5:44 pm, Nov 18, 2008

WEIGHTS :
FRAME : 439 lbs
SHEATHING: 59 lbs

TOTAL: 498 lbs



PIECES LIST			
LABEL	QTY	SIZE	LENGTH USE
A	1	600T200-54	14'-3 3/8" TOP TRACK
B	1	600T300-54	14'-3 3/8" BOTTOM TRACK
C	5	600S162-54	10'-5 13/16" STUD
D	4	600S200-97	10'-5 13/16" KING STUD
E	1	600S162-33	10'-5 11/16" BACKER-U
F	2	150U50-54	4'-8 15/16" HORIZONTAL BRACING
G	1	600T150-54	4'-0 3/4" HEAD TRACK
H	1	600T150-54	4'-0 3/4" SILL
I	1	600T150-54	3'-4 15/16" GRAB BAR
J	6	600S162-54	3'-1 3/8" CRIPPLE
K	1	600T150-54	3'-0 3/4" HEAD TRACK
L	1	600T150-54	3'-0 3/4" SILL
M	1	600T150-54	2'-10 1/2" GRAB BAR
N	6	600S162-54	2'-2 3/4" CRIPPLE
O	2	150U50-54	2'-0 1/16" HORIZONTAL BRACING

SHEATHING					
LABEL	QTY	CODE	THICK	SIZE	SCREWS
1	1	DENSGLASS	1/2"	6 3/8" X 10'-5 9/16"	8 - 12
2	4	DENSGLASS	1/2"	6 3/8" X 5'-0 1/2"	8 - 12
3	1	DENSGLASS	1/2"	3'-0 1/4" X 6 5/16"	8 - 12
4	1	DENSGLASS	1/2"	3'-0 7/8" X 6 5/16"	8 - 12
5	1	DENSGLASS	1/2"	4'-0 1/4" X 6 5/16"	8 - 12
6	1	DENSGLASS	1/2"	4'-0 7/8" X 6 5/16"	8 - 12

12-1007

Jewish Home for the Aging

1885 Victory Blvd. Reseda, CA

FM-07-109

CREATED BY: HH

FrameMax, Inc.
13915 Danielson St
Suite 100
Poway, CA 92064
www.frame-max.com

FRAME MAX

© FrameMax Inc.

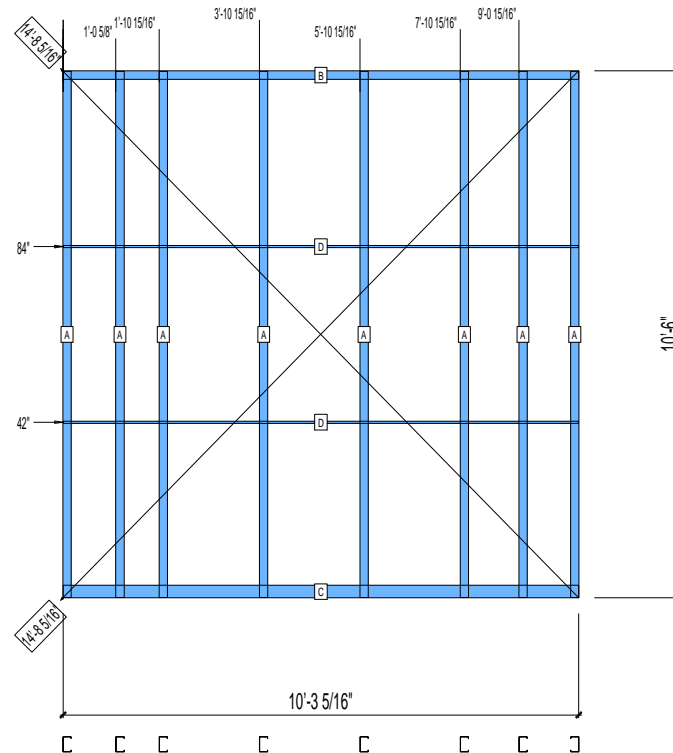
HEIGHT : 10'-6"
SPACING : 5000"
1st STUD: 5000"

POINTS: 1.51 Points.

APPROVED
By hhuynh at 5:44 pm, Nov 18, 2008

WEIGHTS :
FRAME : 229 lbs

TOTAL: 229 lbs



PIECES LIST

LABEL	QTY	SIZE	LENGTH	USE
A	8	362S200-68	10'-5 13/16"	STUD
B	1	362T200-68	10'-3 5/16"	TOP TRACK
C	1	362T300-68	10'-3 5/16"	BOTTOM TRACK
D	2	150U50-54	10'-3 1/8"	HORIZONTAL BRACING

12-1008

Jewish Home for the Aging

1885 Victory Blvd. Reseda, CA

FM-07-109

CREATED BY: HH

FrameMax, Inc.
13915 Danielson St
Suite 100
Poway, CA 92064
www.frame-max.com

FRAME MAX

© FrameMax Inc.

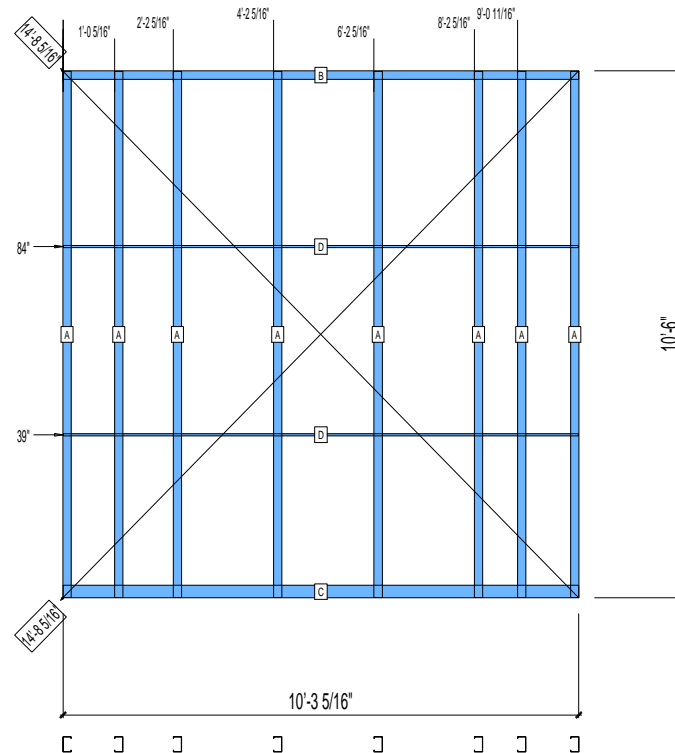
HEIGHT : 10'-6"
SPACING : 5000"
1st STUD: 5000"

POINTS: 1.49 Points.

APPROVED
By hhuynh at 5:44 pm, Nov 18, 2008

WEIGHTS :
FRAME : 223 lbs

TOTAL: 223 lbs



PIECES LIST

LABEL	QTY	SIZE	LENGTH	USE
A	8	362S200-68	10'-5 13/16"	STUD
B	1	362T200-68	10'-3 5/16"	TOP TRACK
C	1	362T300-68	10'-3 5/16"	BOTTOM TRACK
D	2	150U50-54	10'-3 1/8"	HORIZONTAL BRACING

12-1009

Jewish Home for the Aging

1885 Victory Blvd. Reseda, CA

FM-07-109

CREATED BY: HH

FrameMax, Inc.
13915 Danielson St
Suite 100
Poway, CA 92064
www.framemax.com



© FrameMax Inc.

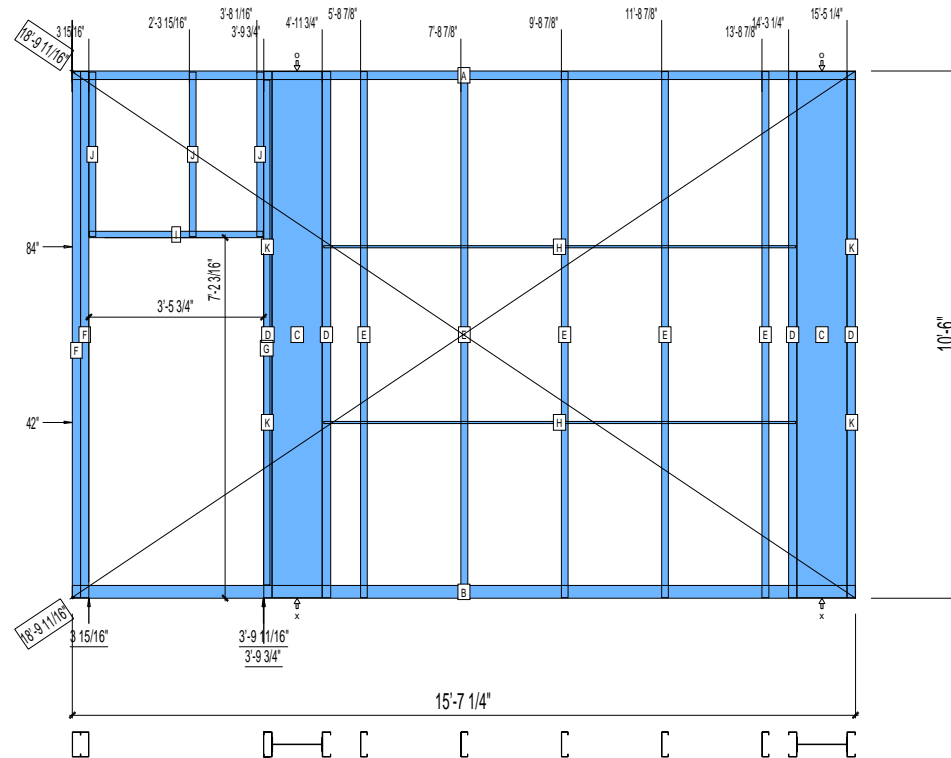
HEIGHT : 10'-6"
SPACING : 5000"
1st STUD: 5000"

POINTS: 3.87 Points.

APPROVED
By hhuynh at 5:44 pm, Nov 18, 2008

WEIGHTS :
FRAME : 657 lbs

TOTAL: 657 lbs



PIECES LIST

LABEL	QTY	SIZE	LENGTH	USE
A	1	600T200-68	15'-7 1/4"	TOP TRACK
B	1	600T300-68	15'-7 1/4"	BOTTOM TRACK
C	2	1200i350p1062	10'-5 13/16"	PACO
D	4	600S200-68	10'-5 13/16"	STUD
E	5	600S162-68	10'-5 13/16"	STUD
F	2	600S200-68	10'-5 13/16"	KING STUD
G	1	600T150-54	10'-0 3/4"	CAP TRACK
H	2	150U50-54	9'-4 13/16"	HORIZONTAL BRACING
I	1	600T150-54	3'-5 1/2"	HEAD TRACK
J	3	600S162-54	3'-3 3/8"	CRIPPLE
K	4	150U50-54	1 5/8"	HORIZONTAL BRACING

12-1010

Jewish Home for the Aging

1885 Victory Blvd. Reseda, CA

FM-07-109

CREATED BY: HH

FrameMax, Inc.
13915 Danielson St
Suite 100
Poway, CA 92064
www.framemax.com

FRAME MAX

© FrameMax Inc.

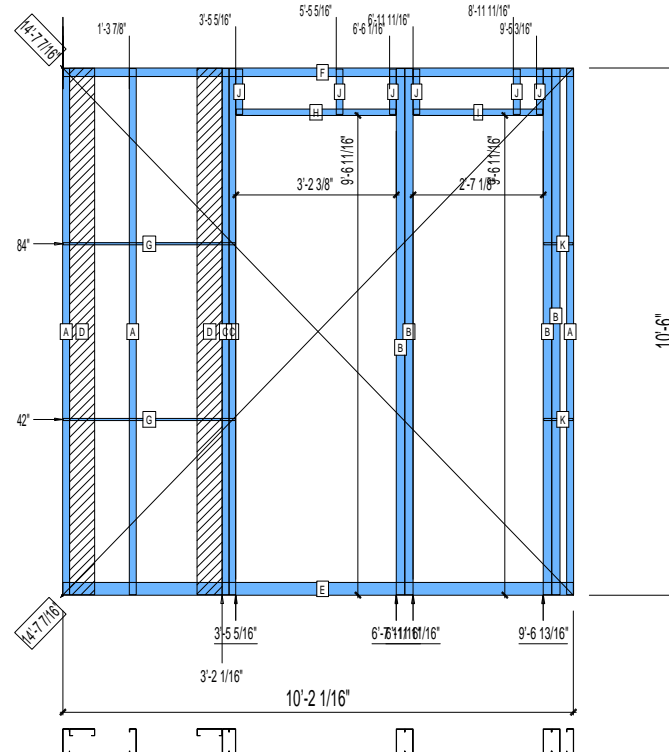
HEIGHT : 10'-6"
SPACING : 5000"
1st STUD: 5000"

POINTS: 2.31 Points.

APPROVED
By hhuynh at 5:44 pm, Nov 18, 2008

WEIGHTS :
FRAME : 345 lbs

TOTAL: 345 lbs



PIECES LIST

LABEL	QTY	SIZE	LENGTH	USE
A	3	600S162-68	10'-5 13/16"	STUD
B	4	600S200-68	10'-5 13/16"	KING STUD
C	2	600S162-68	10'-5 13/16"	BACKER STUD
D	2	600S162-33	10'-5 13/16"	BACKER-U
E	1	600T300-68	10'-2 1/16"	BOTTOM TRACK
F	1	600T200-68	10'-2 1/16"	TOP TRACK
G	2	150U50-54	3'-5 1/8"	HORIZONTAL BRACING
H	1	600T150-54	3'-2 1/8"	HEAD TRACK
I	1	600T150-54	2'-6 7/8"	HEAD TRACK
J	6	600S162-54	10 7/8"	CRIPPLE
K	2	150U50-54	7"	HORIZONTAL BRACING

12-1011

Jewish Home for the Aging

1885 Victory Blvd. Reseda, CA

FM-07-109

CREATED BY: HH

FrameMax, Inc.
13915 Danielson St
Suite 100
Poway, CA 92064
www.framemax.com



© FrameMax Inc.

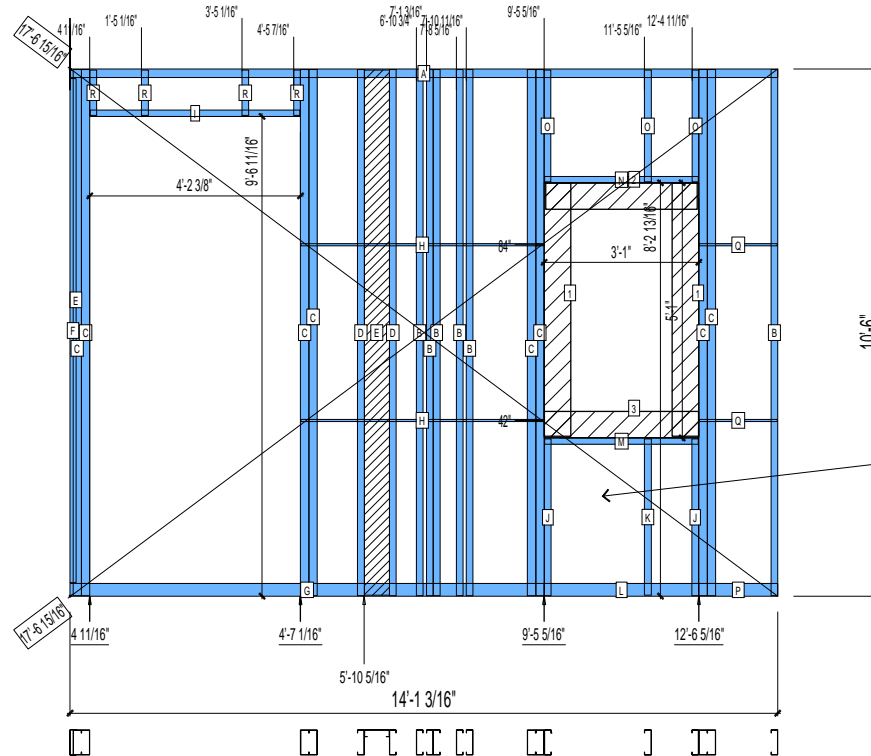
HEIGHT : 10'-6"
SPACING : 5000"
1st STUD: 5000"

POINTS: 3.82 Points.

APPROVED
By hhuynh at 5:44 pm, Nov 18, 2008

WEIGHTS :
FRAME : 572 lbs
SHEATHING: 21 lbs

TOTAL: 593 lbs



FRAME & SHIP SILL AS SEPERATE WALL
SILL SHALL BE ATTACHED IN FIELD

PIECES LIST

LABEL	QTY	SIZE	LENGTH	USE
A	1	600T200-68	14'-1 3/16"	TOP TRACK
B	6	600S162-68	10'-5 13/16"	STUD
C	8	600S200-68	10'-5 13/16"	KING STUD
D	2	600S162-33	10'-5 13/16"	BACKER STUD
E	1	600S162-33	10'-5 9/16"	BACKER-U
F	1	600T150-54	10'-0 1/2"	CAP
G	1	600T300-68	9'-5 5/16"	BOTTOM TRACK
H	2	150U50-54	4'-10"	HORIZONTAL BRACING
I	1	600T150-54	4'-2 1/8"	HEAD TRACK
J	2	600S162-54	3'-1 1/2"	CRIPPLE
K	1	600S162-54	3'-1 3/8"	CRIPPLE
L	1	600T300-68	3'-0 7/8"	BOTTOM TRACK
M	1	600T150-54	3'-0 3/4"	SILL
N	1	600T150-54	3'-0 3/4"	HEAD TRACK
O	3	600S162-54	2'-2 3/4"	CRIPPLE
P	1	600T300-68	1'-6 13/16"	BOTTOM TRACK
Q	2	150U50-54	1'-6 5/8"	HORIZONTAL BRACING
R	4	600S162-54	10 7/8"	CRIPPLE

SHEATHING

LABEL	QTY	CODE	THICK	SIZE	SCREWS
1	2	DENSGLASS	1/2"	6 3/8" X	5'-0 1/2" 8 - 12
2	1	DENSGLASS	1/2"	3'-0 1/4" X	6 5/16" 8 - 12
3	1	DENSGLASS	1/2"	3'-0 7/8" X	6 5/16" 8 - 12

12-1012

Jewish Home for the Aging

1885 Victory Blvd. Reseda, CA

FM-07-109

CREATED BY: HH

FrameMax, Inc.
13915 Danielson St
Suite 100
Poway, CA 92064
www.framemax.com



© FrameMax Inc.

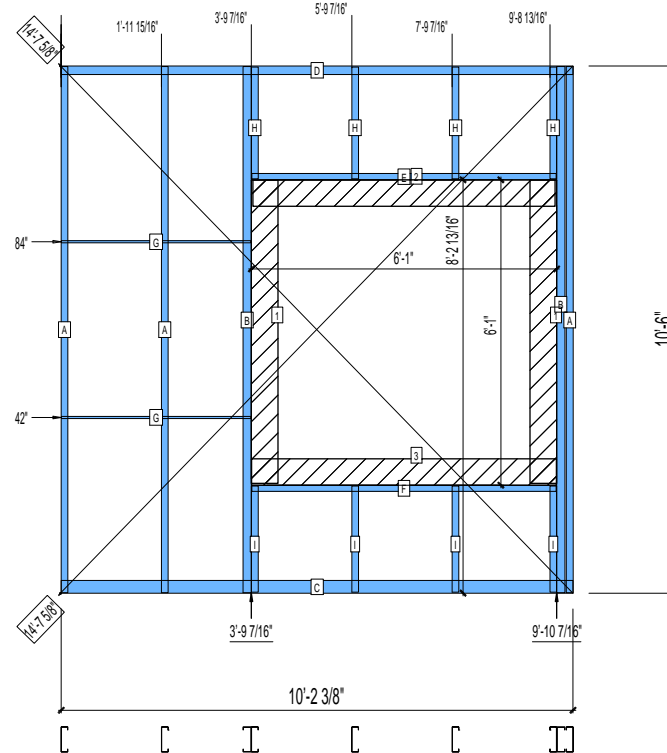
HEIGHT : 10'-6"
SPACING : 5000"
1st STUD: 5000"

POINTS: 1.87 Points.

APPROVED
By hhuynh at 5:44 pm, Nov 18, 2008

WEIGHTS :
FRAME : 243 lbs
SHEATHING: 32 lbs

TOTAL: 275 lbs



PIECES LIST

LABEL	QTY	SIZE	LENGTH	USE
A	3	600S162-54	10'-5 13/16"	STUD
B	2	600S200-97	10'-5 13/16"	KING STUD
C	1	600T300-54	10'-2 3/8"	BOTTOM TRACK
D	1	600T200-54	10'-2 3/8"	TOP TRACK
E	1	600T150-54	6'-0 3/4"	HEAD TRACK
F	1	600T150-54	6'-0 3/4"	SILL
G	2	150U50-54	3'-9 1/4"	HORIZONTAL BRACING
H	4	600S162-54	2'-2 3/4"	CRIPPLE
I	4	600S162-54	2'-1 3/8"	CRIPPLE

SHEATHING

LABEL	QTY	CODE	THICK	SIZE	SCREWS
1	2	DENSGLASS	1/2"	6 3/8" X	6'-0 1/2" 8 - 12
2	1	DENSGLASS	1/2"	6'-0 1/4" X	6 5/16" 8 - 12
3	1	DENSGLASS	1/2"	6'-0 7/8" X	6 5/16" 8 - 12

12-1013

Jewish Home for the Aging

1885 Victory Blvd. Reseda, CA

FM-07-109

CREATED BY: HH

FrameMax, Inc.
13915 Danielson St
Suite 100
Poway, CA 92064
www.framemax.com



© FrameMax Inc.

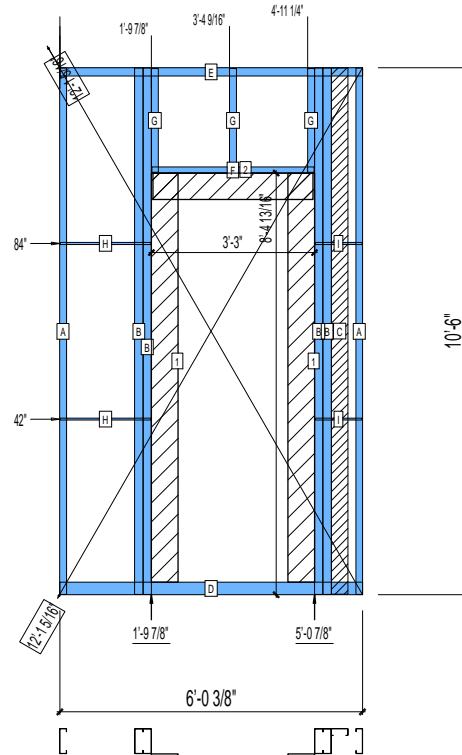
HEIGHT : 10'-6"
SPACING : 5000"
1st STUD: 5000"

POINTS: 1.77 Points.

APPROVED
By hhuynh at 5:44 pm, Nov 18, 2008

WEIGHTS :
FRAME : 255 lbs
SHEATHING: 26 lbs

TOTAL: 281 lbs



PIECES LIST

LABEL	QTY	SIZE	LENGTH	USE
A	2	600S162-54	10'-5 13/16"	STUD
B	4	600S200-97	10'-5 13/16"	KING STUD
C	1	400S162-33	10'-5 13/16"	BACKER-U
D	1	600T300-54	6'-0 3/8"	BOTTOM TRACK
E	1	600T200-54	6'-0 3/8"	TOP TRACK
F	1	600T150-54	3'-2 3/4"	HEAD TRACK
G	3	600S162-54	2'-0 3/4"	CRIPPLE
H	2	150U50-54	1'-9 11/16"	HORIZONTAL BRACING
I	2	150U50-54	11 1/4"	HORIZONTAL BRACING

SHEATHING

LABEL	QTY	CODE	THICK	SIZE	SCREWS
1	2	DENSGLASS	1/2"	6 3/8" X	8'-1 3/4" 8 - 12
2	1	DENSGLASS	1/2"	3'-2 1/4" X	6 5/16" 8 - 12

12-1014

Jewish Home for the Aging

1885 Victory Blvd. Reseda, CA

FM-07-109

CREATED BY: HH

FrameMax, Inc.
13915 Danielson St
Suite 100
Poway, CA 92064
www.framemax.com



© FrameMax Inc.

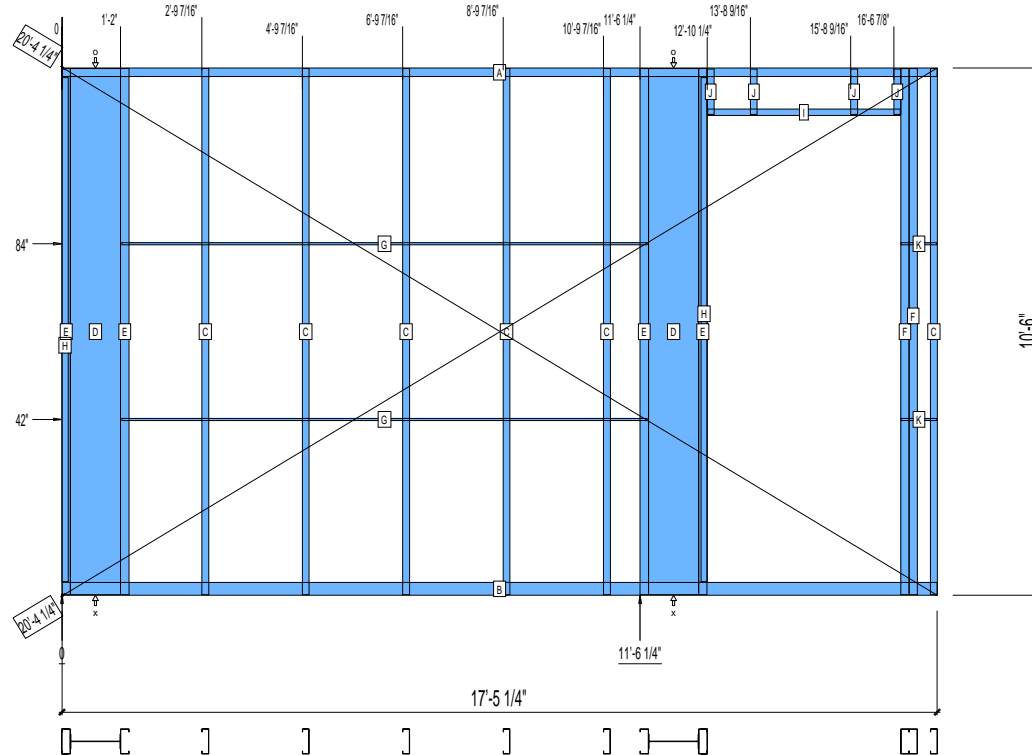
HEIGHT : 10'-6"
SPACING : 5000"
1st STUD: 5000"

POINTS: 4.12 Points.

APPROVED
By hhuynh at 5:44 pm, Nov 18, 2008

WEIGHTS :
FRAME : 699 lbs

TOTAL: 699 lbs



PIECES LIST

LABEL	QTY	SIZE	LENGTH	USE
A	1	600T200-68	17'-5 1/4"	TOP TRACK
B	1	600T300-68	17'-5 1/4"	BOTTOM TRACK
C	6	600S162-68	10'-5 13/16"	STUD
D	2	1200i350p1062	10'-5 13/16"	PACO
E	4	600S200-68	10'-5 13/16"	STUD
F	2	600S200-68	10'-5 13/16"	KING STUD
G	2	150U50-54	10'-5 9/16"	HORIZONTAL BRACING
H	2	600T150-54	10'-0 1/2"	CAP
I	1	600T150-54	3'-10"	HEAD TRACK
J	4	600S162-54	10 7/8"	CRIPPLE
K	2	150U50-54	8 1/2"	HORIZONTAL BRACING

12-1015

Jewish Home for the Aging

1885 Victory Blvd. Res **CREATED BY: HH**

FM-07-109

CREATED BY: AMB

FrameMax, Inc.
13915 Danielson St
Suite 100
Poway, CA 92064
www.frame-max.com



© FrameMax Inc.

APPROVED
By hhuynh at 5:44 pm, Nov 18, 2008

HEIGHT : 11'-2 7/8" POINTS: 6.70 Points.

SPACING : 5000"

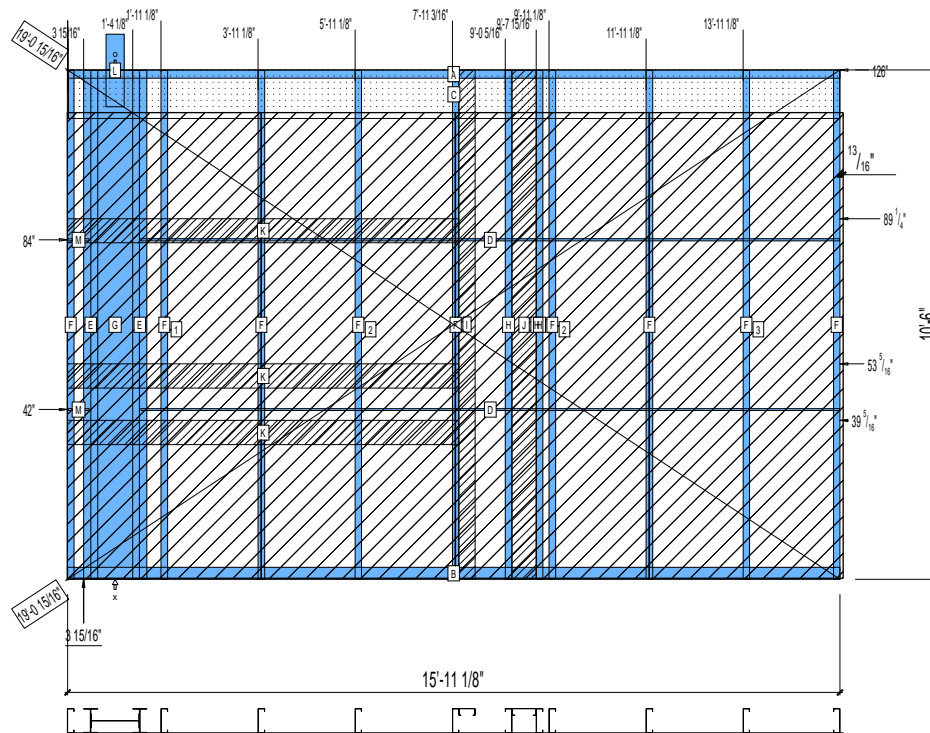
1st STUD: 5000"

WEIGHTS :

FRAME : 711 lbs

SHEATHING: 565 lbs

TOTAL: 1276 lbs



PIECES LIST

LABEL	QTY	SIZE	LENGTH	USE
A	1	600T200-68	15'-11 1/8"	TOP TRACK
B	1	600T300-68	15'-11 1/8"	BOTTOM TRACK
C	1	1200D-54	15'-10 13/16"	STRAP
D	2	150U50-54	14'-4 13/16"	HORIZONTAL BRACING
E	2	600I350p680	10'-5 13/16"	PACO
F	9	600S162-68	10'-5 13/16"	STUD
G	1	1200I350p1062	10'-5 13/16"	PACO
H	2	600S162-33	10'-5 13/16"	STUD
I	1	400S162-33	10'-5 13/16"	BACKER-U
J	1	600S162-33	10'-5 3/4"	BACKER-U
K	3	600D-54	8'-0 3/4"	KITCHEN BACKING
L	1	A	1'-6"	HOLDDOWN
M	2	150U50-54	5 5/16"	HORIZONTAL BRACING

SHEATHING

LABEL	QTY	CODE	THICK	SIZE	SCREWS
1	1	SB-DENSARMOR	5/8"	4'-0" X 9'-7 3/16"	2 - 12
2	2	SB-DENSARMOR	5/8"	4'-0" X 9'-7 3/16"	2 - 12
3	1	SB-DENSARMOR	5/8"	4'-0" X 9'-7 3/16"	2 - 12

12-1016

Jewish Home for the Aging

1885 Victory Blvd. Reseda, CA

FM-07-109

CREATED BY: HH

FrameMax, Inc.
13915 Danielson St
Suite 100
Poway, CA 92064
www.frame-max.com

FRAME MAX

© FrameMax Inc.

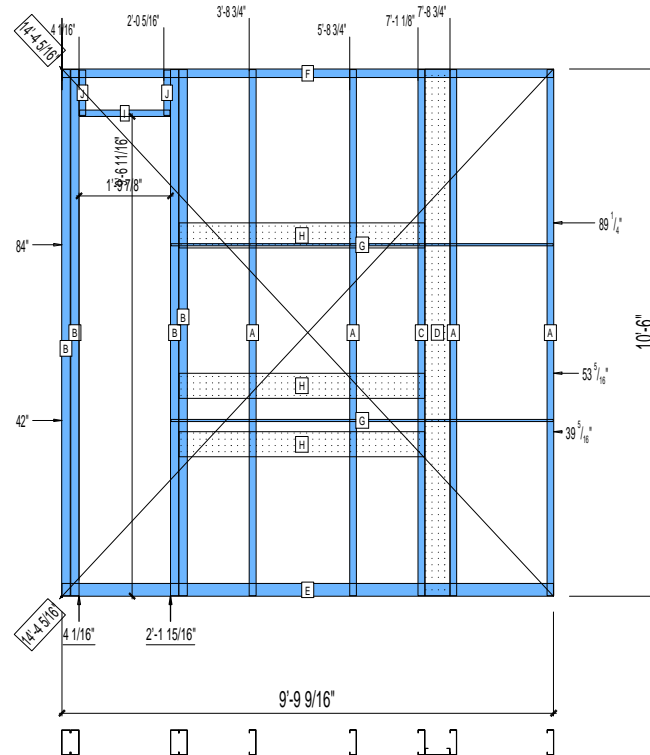
HEIGHT : 10'-6"
SPACING : 5000"
1st STUD: 5000"

POINTS: 2.11 Points.

APPROVED
By hhuynh at 5:44 pm, Nov 18, 2008

WEIGHTS :
FRAME : 325 lbs

TOTAL: 325 lbs



PIECES LIST

LABEL	QTY	SIZE	LENGTH	USE
A	4	600S162-68	10'-5 13/16"	STUD
B	4	600S200-68	10'-5 13/16"	KING STUD
C	1	600S162-33	10'-5 13/16"	BACKER STUD
D	1	600S162-33	10'-5 13/16"	BACKER-U
E	1	600T300-68	9'-9 9/16"	BOTTOM TRACK
F	1	600T200-68	9'-9 9/16"	TOP TRACK
G	2	150U50-54	7'-7 3/8"	HORIZONTAL BRACING
H	3	600D-54	4'-10 11/16"	KITCHEN BACKING
I	1	600T150-54	1'-9 5/8"	HEAD TRACK
J	2	600S162-54	10 7/8"	CRIPPLE

12-1017

Jewish Home for the Aging

1885 Victory Blvd. Reseda, CA

FM-07-109

CREATED BY: HH

FrameMax, Inc.
13915 Danielson St
Suite 100
Poway, CA 92064
www.framemax.com



© FrameMax Inc.

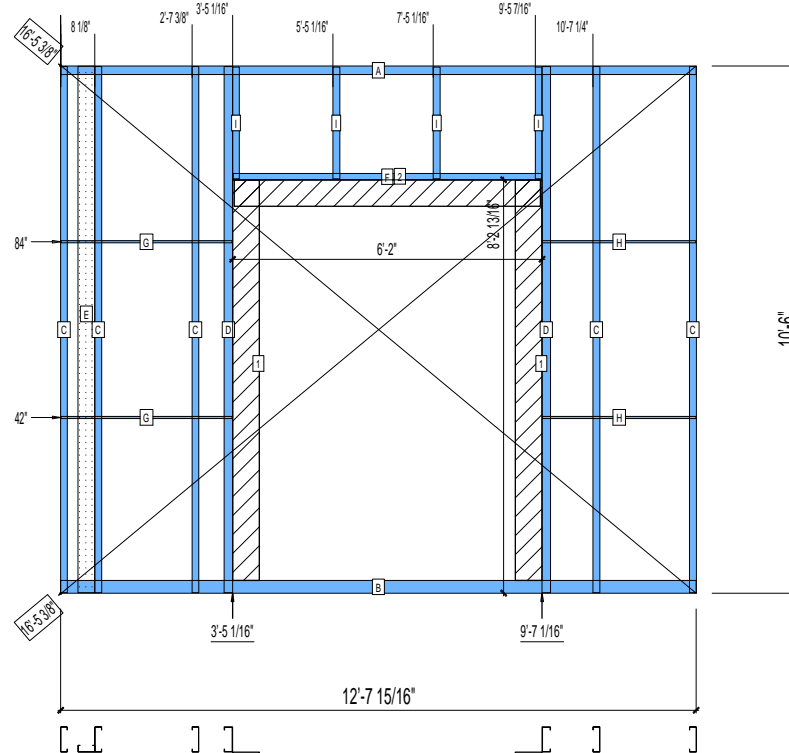
HEIGHT : 10'-6"
SPACING : 5000"
1st STUD: 5000"

POINTS: 2.08 Points.

APPROVED
By hhuynh at 5:44 pm, Nov 18, 2008

WEIGHTS :
FRAME : 280 lbs
SHEATHING: 29 lbs

TOTAL: 309 lbs



PIECES LIST

LABEL	QTY	SIZE	LENGTH	USE
A	1	600T200-54	12'-7 15/16"	TOP TRACK
B	1	600T300-54	12'-7 15/16"	BOTTOM TRACK
C	5	600S162-54	10'-5 13/16"	STUD
D	2	600S200-97	10'-5 13/16"	KING STUD
E	1	400S162-33	10'-5 13/16"	BACKER-U
F	1	600T150-54	6'-1 3/4"	HEAD TRACK
G	2	150U50-54	3'-4 7/8"	HORIZONTAL BRACING
H	2	150U50-54	3'-0 5/8"	HORIZONTAL BRACING
I	4	600S162-54	2'-2 3/4"	CRIPPLE

SHEATHING

LABEL	QTY	CODE	THICK	SIZE	SCREWS
1	2	DENSGLOSS	1/2"	6 3/8" X 7'-11 3/4"	8 - 12
2	1	DENSGLOSS	1/2"	6'-1 1/4" X 6 5/16"	8 - 12

12-1018

Jewish Home for the Aging

1885 Victory Blvd. Reseda, CA

FM-07-109

CREATED BY: HH

FrameMax, Inc.
13915 Danielson St
Suite 100
Poway, CA 92064
www.framemax.com



© FrameMax Inc.

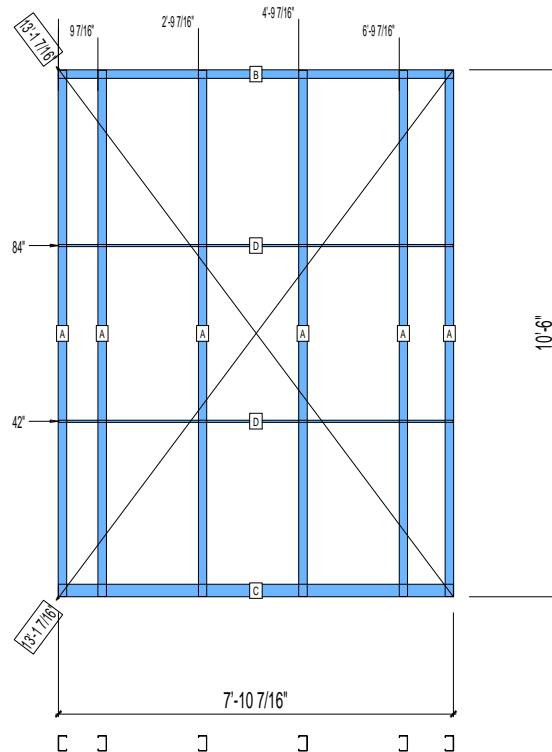
HEIGHT : 10'-6"
SPACING : 5000"
1st STUD: 5000"

POINTS: 1.14 Points.

APPROVED
By hhuynh at 5:44 pm, Nov 18, 2008

WEIGHTS :
FRAME : 168 lbs

TOTAL: 168 lbs



PIECES LIST

LABEL	QTY	SIZE	LENGTH	USE
A	6	362S200-68	10'-5 13/16"	STUD
B	1	362T200-68	7'-10 7/16"	TOP TRACK
C	1	362T300-68	7'-10 7/16"	BOTTOM TRACK
D	2	150U50-54	7'-10 1/4"	HORIZONTAL BRACING

12-1019

Jewish Home for the Aging

1885 Victory Blvd. Res **CREATED BY: HH**

FM-07-109

CREATED BY: AMB

FrameMax, Inc.
13915 Danielson St
Suite 100
Poway, CA 92064
www.frame-max.com



© FrameMax Inc.

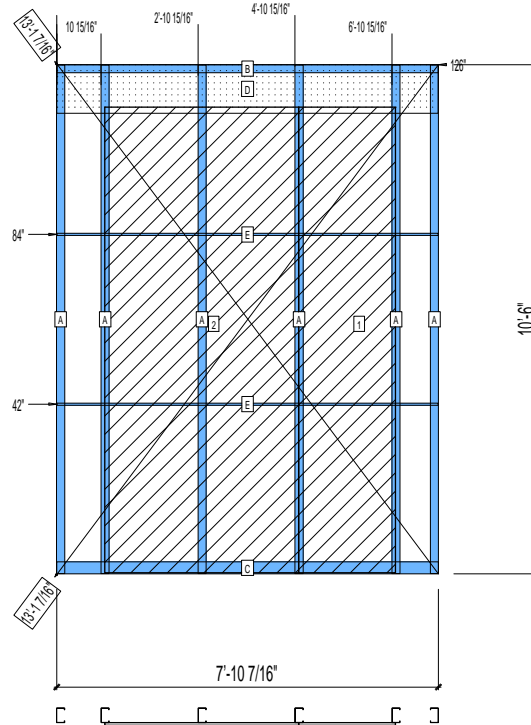
APPROVED
By hhuynh at 5:44 pm, Nov 18, 2008

HEIGHT : 10'-6"
SPACING : 5000"
1st STUD: 5000"

POINTS: 2.23 Points.

WEIGHTS :
FRAME : 192 lbs
SHEATHING: 212 lbs

TOTAL: 404 lbs



PIECES LIST

LABEL	QTY	SIZE	LENGTH	USE
A	6	362S200-68	10'-5 13/16"	STUD
B	1	362T200-68	7'-10 7/16"	TOP TRACK
C	1	362T300-68	7'-10 7/16"	BOTTOM TRACK
D	1	1200D-54	7'-10 3/8"	STRAP
E	2	150U50-54	7'-10 1/4"	HORIZONTAL BRACING

SHEATHING

LABEL	QTY	CODE	THICK	SIZE	SCREWS
1	1	SB-DENSARMOR	5/8"	2'-0" X 9'-7 3/16"	3 - 12
2	1	SB-DENSARMOR	5/8"	4'-0" X 9'-7 3/16"	3 - 12

12-1020

Jewish Home for the Aging

1885 Victory Blvd. Reseda, CA

FM-07-109

CREATED BY: HH

FrameMax, Inc.
13915 Danielson St
Suite 100
Poway, CA 92064
www.frame-max.com



© FrameMax Inc.

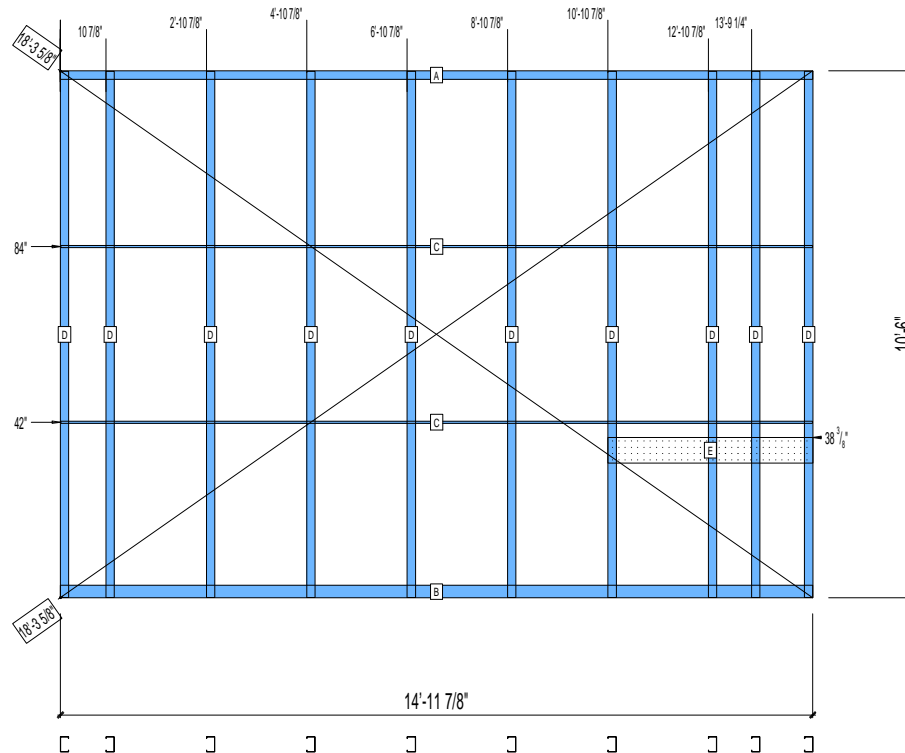
HEIGHT : 10'-6"
SPACING : 5000"
1st STUD: 5000"

POINTS: 2.02 Points.

APPROVED
By hhuynh at 5:44 pm, Nov 18, 2008

WEIGHTS :
FRAME : 305 lbs

TOTAL: 305 lbs



PIECES LIST

LABEL	QTY	SIZE	LENGTH	USE
A	1	362T200-68	14'-11 7/8"	TOP TRACK
B	1	362T300-68	14'-11 7/8"	BOTTOM TRACK
C	2	150U50-54	14'-11 11/16"	HORIZONTAL BRACING
D	10	362S200-68	10'-5 13/16"	STUD
E	1	600T150-54	4'-1"	GRAB BAR

12-1021

Jewish Home for the Aging

1885 Victory Blvd. Res **CREATED BY: HH**

FM-07-109

CREATED BY: AMB

FrameMax, Inc.
13915 Danielson St
Suite 100
Poway, CA 92064
www.frame-max.com



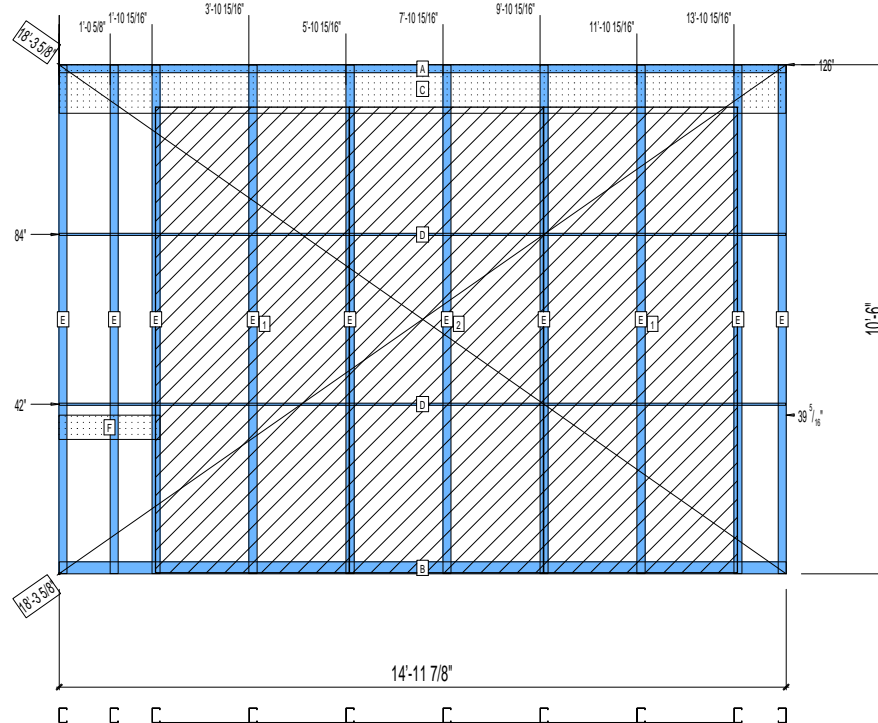
© FrameMax Inc.

APPROVED
By hhuynh at 5:44 pm, Nov 18, 2008

HEIGHT : 10'-6"
SPACING : 5000"
1st STUD: 5000"

WEIGHTS :
FRAME : 336 lbs
SHEATHING: 424 lbs

TOTAL: 760 lbs



PIECES LIST

LABEL	QTY	SIZE	LENGTH	USE
A	1	362T200-68	14'-11 7/8"	TOP TRACK
B	1	362T300-68	14'-11 7/8"	BOTTOM TRACK
C	1	1200D-54	14'-11 13/16"	STRAP
D	2	150U50-54	14'-11 11/16"	HORIZONTAL BRACING
E	10	362S200-68	10'-5 13/16"	STUD
F	1	600D-54	2'-1"	VANITY BACKING

SHEATHING

LABEL	QTY	CODE	THICK	SIZE	SCREWS
1	2	SB-DENSARMOR	5/8"	4'-0" X 9'-7 3/16"	3 - 12
2	1	SB-DENSARMOR	5/8"	4'-0" X 9'-7 3/16"	3 - 12

12-1022

Jewish Home for the Aging

1885 Victory Blvd. Res **CREATED BY: HH**

FM-07-109

CREATED BY: AMB

FrameMax, Inc.
13915 Danielson St
Suite 100
Poway, CA 92064
www.frame-max.com



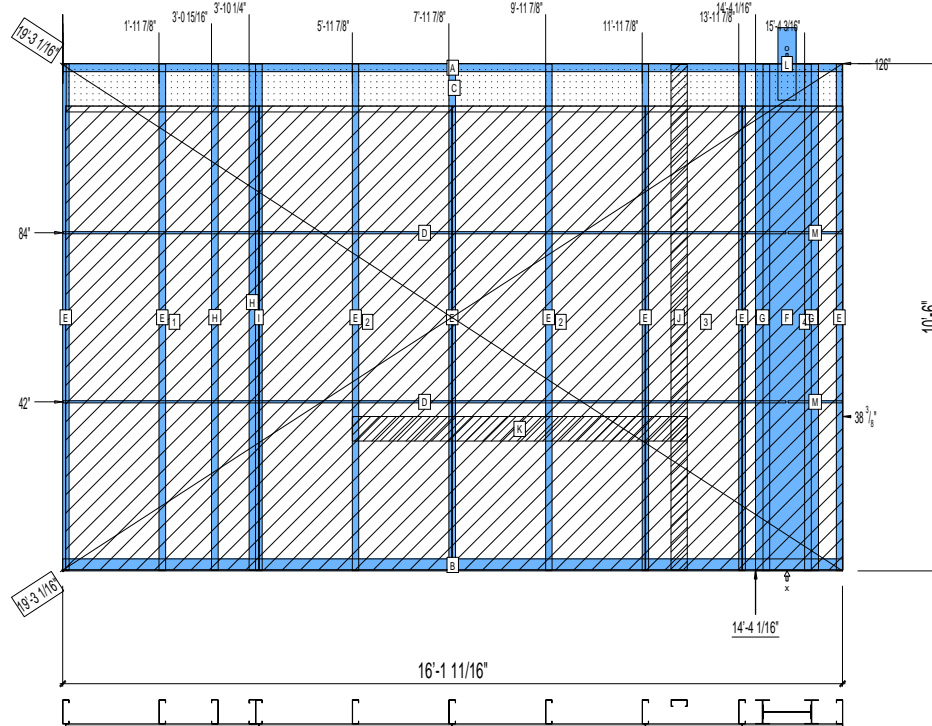
© FrameMax Inc.

APPROVED
By hhuynh at 5:44 pm, Nov 18, 2008

HEIGHT : 10'-6"
POINTS: 6.53 Points.
SPACING : 5000"
1st STUD: 5000"

WEIGHTS :
FRAME : 684 lbs
SHEATHING: 568 lbs

TOTAL: 1252 lbs



PIECES LIST

LABEL	QTY	SIZE	LENGTH	USE
A	1	600T200-68	16'-1 11/16"	TOP TRACK
B	1	600T300-68	16'-1 11/16"	BOTTOM TRACK
C	1	1200D-54	16'-0 3/4"	STRAP
D	2	150U50-54	14'-11 9/16"	HORIZONTAL BRACING
E	8	600S162-68	10'-5 13/16"	STUD
F	1	1200i350p1062	10'-5 13/16"	PACO
G	2	600i350p680	10'-5 13/16"	PACO
H	2	600S162-33	10'-5 13/16"	BACKER STUD
I	1	600S162-68	10'-5 13/16"	BACKER STUD
J	1	400S162-33	10'-5 9/16"	BACKER-U
K	1	600T150-54	6'-11 3/16"	GRAB BAR
L	1	A	1'-6"	HOLDDOWN
M	2	150U50-54	1'-1 7/16"	HORIZONTAL BRACING

SHEATHING

LABEL	QTY	CODE	THICK	SIZE	SCREWS
1	1	SB-DENSARMOR	5/8"	4'-0" X 9'-7 3/16"	2 - 12
2	2	SB-DENSARMOR	5/8"	4'-0" X 9'-7 3/16"	2 - 12
3	1	SB-DENSARMOR	5/8"	2'-0" X 9'-7 3/16"	2 - 12
4	1	SB-DENSARMOR	5/8"	2'-1" X 9'-7 3/16"	2 - 12

12-1023

Jewish Home for the Aging

1885 Victory Blvd. Reseda, CA

FM-07-109

CREATED BY: HH

FrameMax, Inc.
13915 Danielson St
Suite 100
Poway, CA 92064
www.frame-max.com

FRAME MAX

© FrameMax Inc.

HEIGHT : 10'-6"
SPACING : 5000"
1st STUD: 5000"

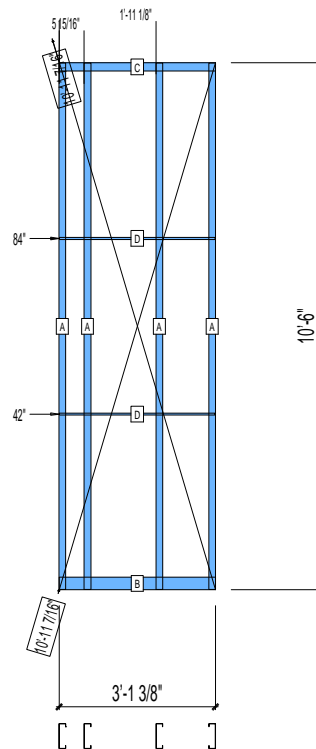
POINTS: 0.67 Points.

APPROVED

By hhuynh at 5:44 pm, Nov 18, 2008

WEIGHTS :
FRAME : 96 lbs

TOTAL: 96 lbs



PIECES LIST

LABEL	QTY	SIZE	LENGTH	USE
A	4	600S162-54	10'-5 13/16"	STUD
B	1	600T300-54	3'-1 3/8"	BOTTOM TRACK
C	1	600T200-54	3'-1 3/8"	TOP TRACK
D	2	150U50-54	3'-1 3/16"	HORIZONTAL BRACING

12-1024

Jewish Home for the Aging

1885 Victory Blvd. Reseda, CA

FM-07-109

CREATED BY: HH

FrameMax, Inc.
13915 Danielson St
Suite 100
Poway, CA 92064
www.framemax.com



© FrameMax Inc.

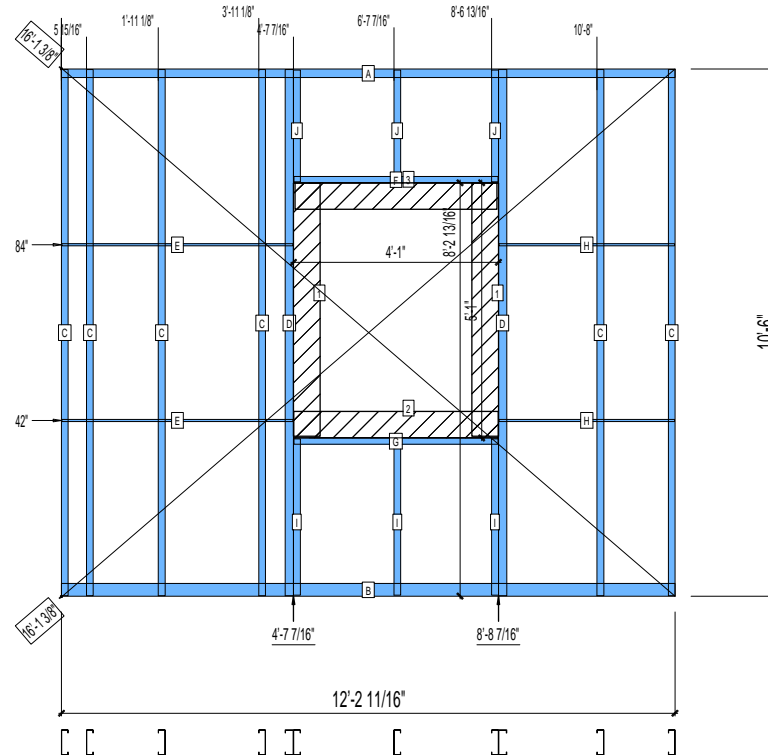
HEIGHT : 10'-6"
SPACING : 5000"
1st STUD: 5000"

POINTS: 2.24 Points.

APPROVED
By hhuynh at 5:44 pm, Nov 18, 2008

WEIGHTS :
FRAME : 308 lbs
SHEATHING: 24 lbs

TOTAL: 332 lbs



PIECES LIST

LABEL	QTY	SIZE	LENGTH	USE
A	1	600T200-54	12'-2 11/16"	TOP TRACK
B	1	600T300-54	12'-2 11/16"	BOTTOM TRACK
C	6	600S162-54	10'-5 13/16"	STUD
D	2	600S200-97	10'-5 13/16"	KING STUD
E	2	150U50-54	4'-7 1/4"	HORIZONTAL BRACING
F	1	600T150-54	4'-0 3/4"	HEAD TRACK
G	1	600T150-54	4'-0 3/4"	SILL
H	2	150U50-54	3'-6"	HORIZONTAL BRACING
I	3	600S162-54	3'-1 3/8"	CRIPPLE
J	3	600S162-54	2'-2 3/4"	CRIPPLE

SHEATHING

LABEL	QTY	CODE	THICK	SIZE	SCREWS
1	2	DENSGLASS	1/2"	6 3/8" X	5'-0 1/2" 8 - 12
2	1	DENSGLASS	1/2"	4'-0 7/8" X	6 5/16" 8 - 12
3	1	DENSGLASS	1/2"	4'-0 1/4" X	6 5/16" 8 - 12

12-1025

Jewish Home for the Aging

1885 Victory Blvd. Res **CREATED BY: HH**

FM-07-109

CREATED BY: AMB

FrameMax, Inc.
13915 Danielson St
Suite 100
Poway, CA 92064
www.frame-max.com



© FrameMax Inc.

APPROVED
By hhuynh at 5:44 pm, Nov 18, 2008

HEIGHT : 10'-6" POINTS: 6.08 Points.

SPACING : 5000"

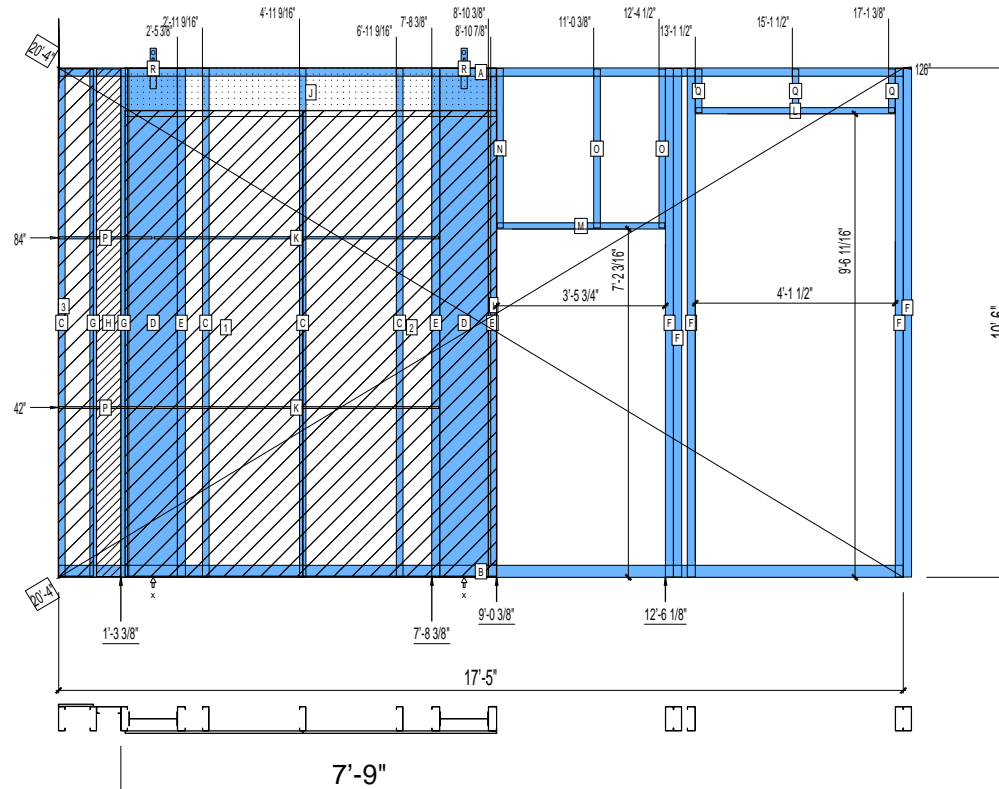
1st STUD: 5000"

WEIGHTS :

FRAME : 803 lbs

SHEATHING: 290 lbs

TOTAL: 1093 lbs



PIECES LIST

LABEL	QTY	SIZE	LENGTH	USE
A	1	600T200-68	17'-5"	TOP TRACK
B	1	600T300-68	17'-5"	BOTTOM TRACK
C	4	600S162-68	10'-5 13/16"	STUD
D	2	1200i350p1062	10'-5 13/16"	PACO
E	3	600S200-68	10'-5 13/16"	STUD
F	5	600S200-68	10'-5 13/16"	KING STUD
G	2	600S162-68	10'-5 13/16"	BACKER STUD
H	1	600S162-68	10'-5 9/16"	BACKER-U
I	1	600T150-54	10'-0 5/8"	CAP TRACK
J	1	1200D-54	7'-7 3/4"	STRAP
K	2	150U50-54	5'-10 3/8"	HORIZONTAL BRACING
L	1	600T150-54	4'-1 1/4"	HEAD TRACK
M	1	600T150-54	3'-5 1/2"	HEAD TRACK
N	1	600S162-54	3'-3 7/16"	CRIPPLE
O	2	600S162-54	3'-3 3/8"	CRIPPLE
P	2	150U50-54	1'-11 1/16"	HORIZONTAL BRACING
Q	3	600S162-54	10 7/8"	CRIPPLE
R	2	150D-33	10"	HOLDDOWN

SHEATHING

LABEL	QTY	CODE	THICK	SIZE	SCREWS
1	1	SB-DENSARMOR	5/8"	3'-8" X 9'-7 3/16"	3 - 12
2	1	SB-DENSARMOR	5/8"	4'-0" X 9'-7 3/16"	3 - 12
3	1	DENSGLOSS	1/2"	8 5/8" X 10'-5 9/16"	8 - 12

12-1026

Jewish Home for the Aging

1885 Victory Blvd. Reseda, CA

FM-07-109

CREATED BY: HH

FrameMax, Inc.
13915 Danielson St
Suite 100
Poway, CA 92064
www.framemax.com



© FrameMax Inc.

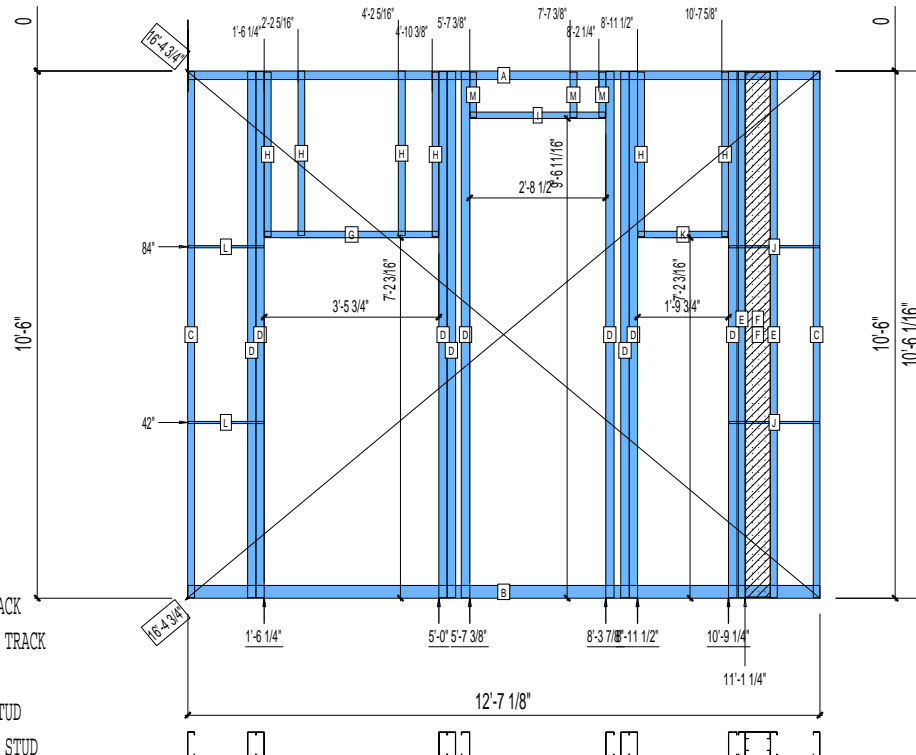
HEIGHT : 10'-6"
SPACING : 5000"
1st STUD: 5000"

POINTS: 3.40 Points.

APPROVED
By hhuynh at 5:44 pm, Nov 18, 2008

WEIGHTS :
FRAME : 536 lbs

TOTAL: 536 lbs



PIECES LIST			
LABEL	QTY	SIZE	LENGTH USE
A	1	600T200-68	12'-7 1/8" TOP TRACK
B	1	600T300-68	12'-7 1/8" BOTTOM TRACK
C	2	600S162-68	10'-5 13/16" STUD
D	9	600S200-68	10'-5 13/16" KING STUD
E	2	600S162-68	10'-5 13/16" BACKER STUD
F	2	600S162-68	10'-5 9/16" BACKER-U
G	1	600T150-54	3'-5 1/2" HEAD TRACK
H	6	600S162-54	3'-3 3/8" CRIPPLE
I	1	600T150-54	2'-8 1/4" HEAD TRACK
J	2	150U50-54	1'-9 5/8" HORIZONTAL BRACING
K	1	600T150-54	1'-9 1/2" HEAD TRACK
L	2	150U50-54	1'-6 1/16" HORIZONTAL BRACING
M	3	600S162-54	10 7/8" CRIPPLE

12-1027

Jewish Home for the Aging

1885 Victory Blvd. Reseda, CA

FM-07-109

CREATED BY: HH

FrameMax, Inc.
13915 Danielson St
Suite 100
Poway, CA 92064
www.frame-max.com



© FrameMax Inc.

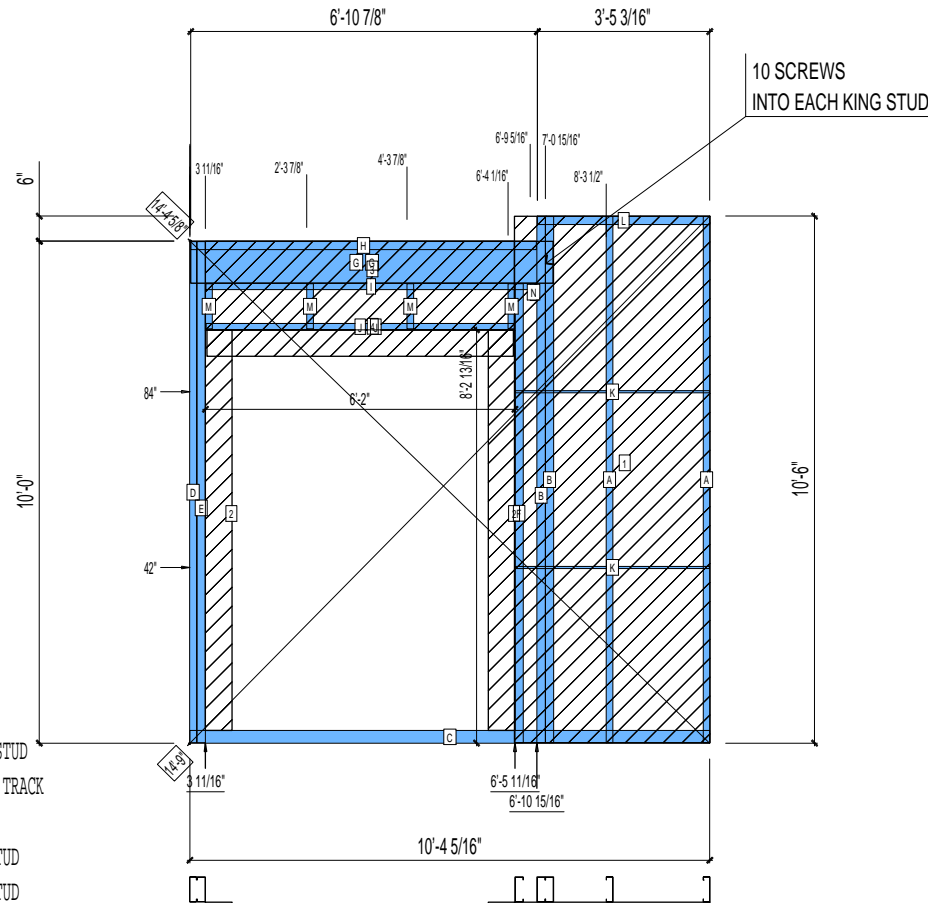
HEIGHT : 10'-6"
SPACING : 5000"
1st STUD: 5000"

POINTS: 3.10 Points.

APPROVED
By hhuynh at 5:44 pm, Nov 18, 2008

WEIGHTS :
FRAME : 374 lbs
SHEATHING: 158 lbs

TOTAL: 532 lbs



PIECES LIST

LABEL	QTY	SIZE	LENGTH	USE
A	2	600S162-54	10'-5 13/16"	STUD
B	2	600S200-97	10'-5 13/16"	EXTRA STUD
C	1	600T300-54	10'-4 5/16"	BOTTOM TRACK
D	1	600S162-54	9'-11 13/16"	STUD
E	1	600S200-97	9'-11 13/16"	KING STUD
F	1	600S200-97	9'-1 3/4"	KING STUD
G	2	1000S200-97	7'-2 5/8"	HEADER
H	1	600T200-54	6'-10 5/8"	TOP TRACK
I	1	600T150-54	6'-7"	HEADER BOTTOM TRACK
J	2	600T150-54	6'-1 3/4"	HEAD TRACK
K	2	150U50-54	3'-10 3/8"	HORIZONTAL BRACING
L	1	600T200-54	3'-5 3/16"	TOP TRACK
M	4	600S162-54	10 13/16"	CRIPPLE
N	1	600S162-33	4"	BACKER STUD

SHEATHING

LABEL	QTY	CODE	THICK	SIZE	SCREWS
1	1	DENSGLASS	1/2"	3'-10 3/4" X 10'-5 7/8"	8 - 12
2	2	DENSGLASS	1/2"	6 3/8" X 7'-11 3/4"	8 - 12
3	1	DENSGLASS	1/2"	6'-1 7/8" X 1'-9 1/8"	8 - 12
4	1	DENSGLASS	1/2"	6'-1 1/4" X 6 5/16"	8 - 12

12-1028

Jewish Home for the Aging

1885 Victory Blvd. Reseda, CA

FM-07-109

CREATED BY: HH

FrameMax, Inc.
13915 Danielson St
Suite 100
Poway, CA 92064
www.frame-max.com

FRAME MAX

© FrameMax Inc.

HEIGHT : 10'-6"
SPACING : 5000"
1st STUD: 5000"

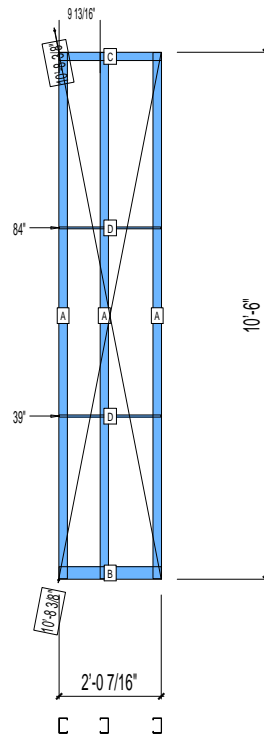
POINTS: 0.54 Points.

APPROVED

By hhuynh at 5:44 pm, Nov 18, 2008

WEIGHTS :
FRAME : 76 lbs

TOTAL: 76 lbs



PIECES LIST

LABEL	QTY	SIZE	LENGTH	USE
A	3	362S200-68	10'-5 13/16"	STUD
B	1	362T300-68	2'-0 7/16"	BOTTOM TRACK
C	1	362T200-68	2'-0 7/16"	TOP TRACK
D	2	150U50-54	2'-0 1/4"	HORIZONTAL BRACING

12-1029

Jewish Home for the Aging

1885 Victory Blvd. Reseda, CA

FM-07-109

CREATED BY: HH

FrameMax, Inc.
13915 Danielson St
Suite 100
Poway, CA 92064
www.framemax.com

FRAMEMAX

© FrameMax Inc.

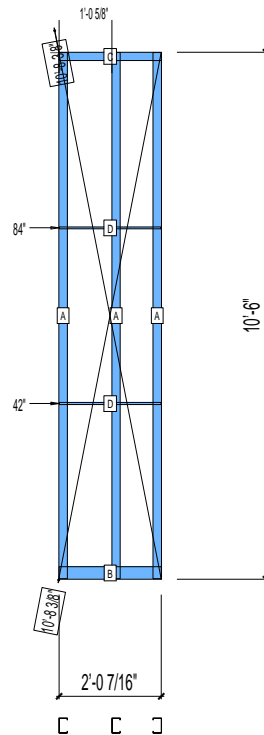
HEIGHT : 10'-6"
SPACING : 5000"
1st STUD: 5000"

POINTS: 0.54 Points.

APPROVED
By hhuynh at 5:44 pm, Nov 18, 2008

WEIGHTS :
FRAME : 76 lbs

TOTAL: 76 lbs



PIECES LIST

LABEL	QTY	SIZE	LENGTH	USE
A	3	362S200-68	10'-5 13/16"	STUD
B	1	362T300-68	2'-0 7/16"	BOTTOM TRACK
C	1	362T200-68	2'-0 7/16"	TOP TRACK
D	2	150U50-54	2'-0 1/4"	HORIZONTAL BRACING

12-1030

Jewish Home for the Aging

1885 Victory Blvd. Res **CREATED BY: HH**

FM-07-109

CREATED BY: AMB

FrameMax, Inc.
13915 Danielson St
Suite 100
Poway, CA 92064
www.frame-max.com



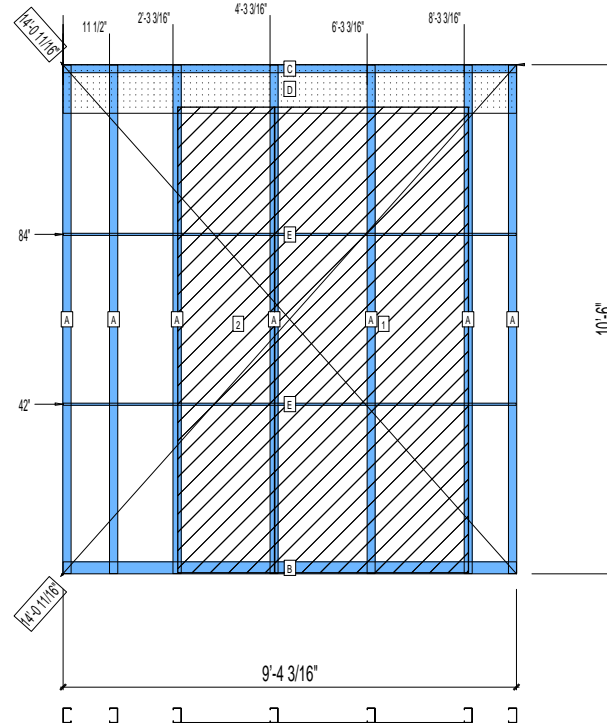
© FrameMax Inc.

APPROVED
By hhuynh at 5:44 pm, Nov 18, 2008

HEIGHT : 10'-6"
SPACING : 5000"
1st STUD: 5000"

WEIGHTS :
FRAME : 225 lbs
SHEATHING: 212 lbs

TOTAL: 437 lbs



PIECES LIST

LABEL	QTY	SIZE	LENGTH	USE
A	7	362S200-68	10'-5 13/16"	STUD
B	1	362T300-68	9'-4 3/16"	BOTTOM TRACK
C	1	362T200-68	9'-4 3/16"	TOP TRACK
D	1	1200D-54	9'-4 1/8"	STRAP
E	2	150U50-54	9'-4"	HORIZONTAL BRACING

SHEATHING

LABEL	QTY	CODE	THICK	SIZE	SCREWS
1	1	SB-DENSARMOR	5/8"	4'-0" X 9'-7 3/16"	2-12
2	1	SB-DENSARMOR	5/8"	2'-0" X 9'-7 3/16"	2-12

12-1031

Jewish Home for the Aging

1885 Victory Blvd. Res **CREATED BY: HH**

FM-07-109

CREATED BY: AMB

FrameMax, Inc.
13915 Danielson St
Suite 100
Poway, CA 92064
www.frame-max.com



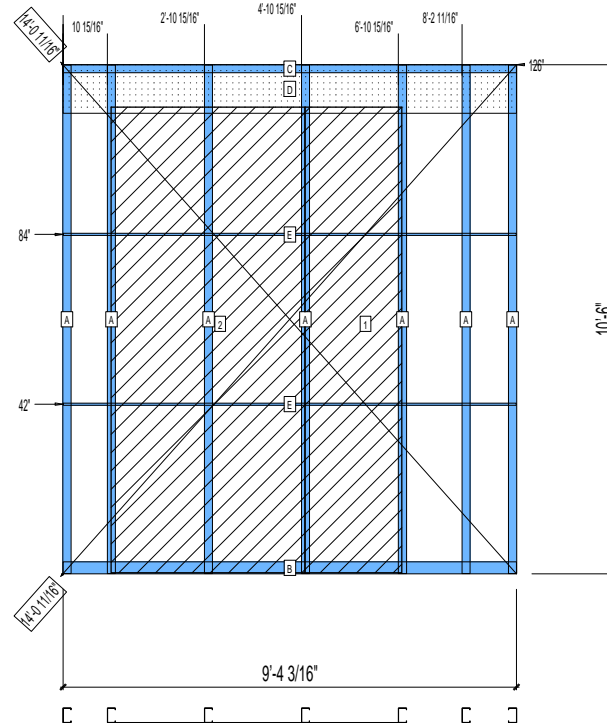
© FrameMax Inc.

APPROVED
By hhuynh at 5:44 pm, Nov 18, 2008

HEIGHT : 10'-6"
SPACING : 5000"
1st STUD: 5000"

WEIGHTS :
FRAME : 225 lbs
SHEATHING: 212 lbs

TOTAL: 437 lbs



PIECES LIST

LABEL	QTY	SIZE	LENGTH	USE
A	7	362S200-68	10'-5 13/16"	STUD
B	1	362T300-68	9'-4 3/16"	BOTTOM TRACK
C	1	362T200-68	9'-4 3/16"	TOP TRACK
D	1	1200D-54	9'-4 1/8"	STRAP
E	2	150U50-54	9'-4"	HORIZONTAL BRACING

SHEATHING

LABEL	QTY	CODE	THICK	SIZE	SCREWS
1	1	SB-DENSARMOR	5/8"	2'-0" X 9'-7 3/16"	2 - 12
2	1	SB-DENSARMOR	5/8"	4'-0" X 9'-7 3/16"	2 - 12

12-1032

Jewish Home for the Aging

1885 Victory Blvd. Reseda, CA

FM-07-109

CREATED BY: HH

FrameMax, Inc.
13915 Danielson St
Suite 100
Poway, CA 92064
www.frame-max.com



© FrameMax Inc.

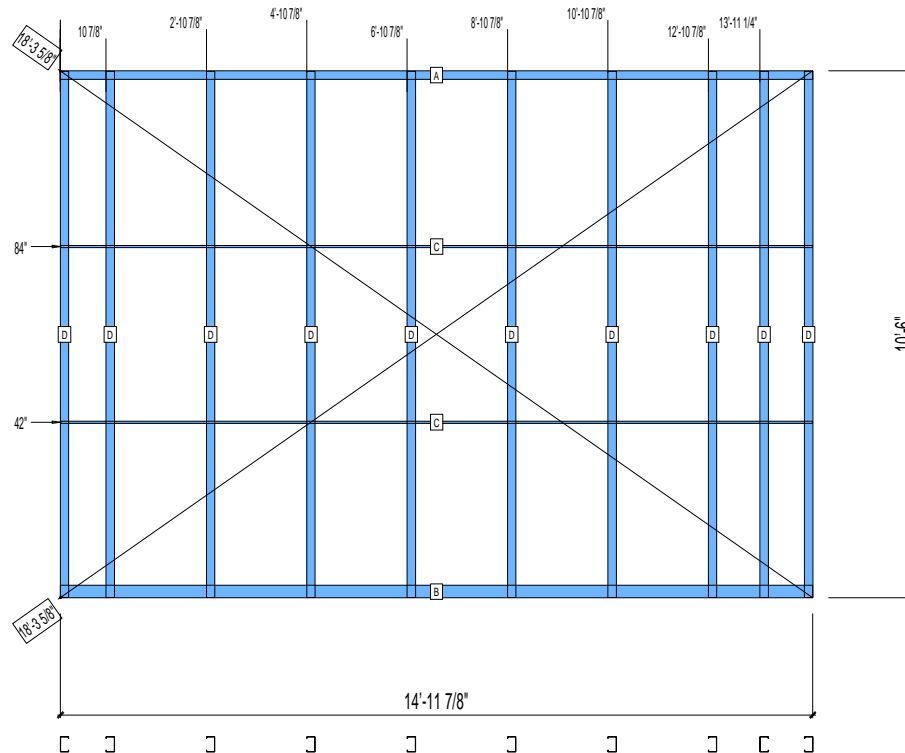
HEIGHT : 10'-6"
SPACING : 5000"
1st STUD: 5000"

POINTS: 1.97 Points.

APPROVED
By hhuynh at 5:44 pm, Nov 18, 2008

WEIGHTS :
FRAME : 298 lbs

TOTAL: 298 lbs



PIECES LIST

LABEL	QTY	SIZE	LENGTH	USE
A	1	362T200-68	14'-11 7/8"	TOP TRACK
B	1	362T300-68	14'-11 7/8"	BOTTOM TRACK
C	2	150U50-54	14'-11 11/16"	HORIZONTAL BRACING
D	10	362S200-68	10'-5 13/16"	STUD

12-1033

Jewish Home for the Aging

1885 Victory Blvd. Res **CREATED BY: HH**

FM-07-109

CREATED BY: AMB

FrameMax, Inc.
13915 Danielson St
Suite 100
Poway, CA 92064
www.frame-max.com



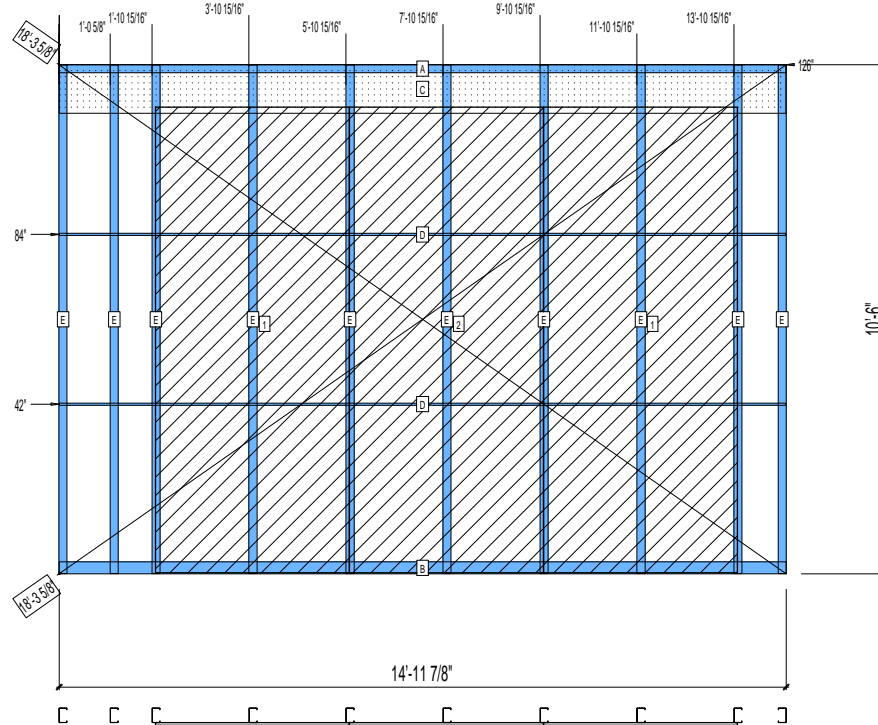
© FrameMax Inc.

APPROVED
By hhuynh at 5:44 pm, Nov 18, 2008

HEIGHT : 10'-6"
POINTS: 4.08 Points.
SPACING : 5000"
1st STUD: 5000"

WEIGHTS :
FRAME : 334 lbs
SHEATHING: 424 lbs

TOTAL: 758 lbs



PIECES LIST

LABEL	QTY	SIZE	LENGTH	USE
A	1	362T200-68	14'-11 7/8"	TOP TRACK
B	1	362T300-68	14'-11 7/8"	BOTTOM TRACK
C	1	1200D-54	14'-11 13/16"	STRAP
D	2	150U50-54	14'-11 11/16"	HORIZONTAL BRACING
E	10	362S200-68	10'-5 13/16"	STUD

SHEATHING

LABEL	QTY	CODE	THICK	SIZE	SCREWS
1	2	SB-DENSARMOR	5/8"	4'-0" X 9'-7 3/16"	2 - 12
2	1	SB-DENSARMOR	5/8"	4'-0" X 9'-7 3/16"	2 - 12

12-1034

Jewish Home for the Aging

1885 Victory Blvd. Res **CREATED BY: HH**

FM-07-109

CREATED BY: AMB

FrameMax, Inc.
13915 Danielson St
Suite 100
Poway, CA 92064
www.frame-max.com



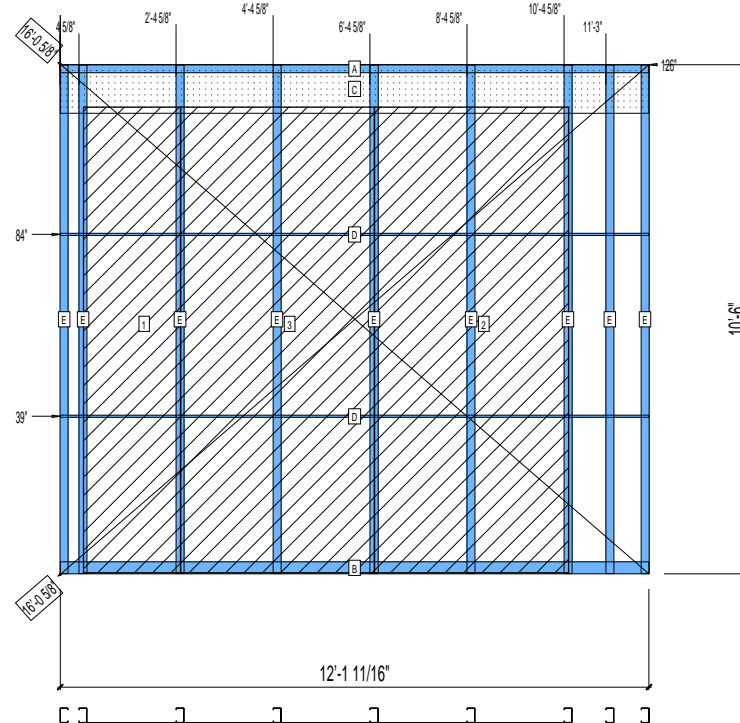
© FrameMax Inc.

APPROVED
By hhuynh at 5:44 pm, Nov 18, 2008

HEIGHT : 10'-6"
POINTS: 3.47 Points.
SPACING : 5000"
1st STUD: 5000"

WEIGHTS :
FRAME : 290 lbs
SHEATHING: 353 lbs

TOTAL: 643 lbs



PIECES LIST

LABEL	QTY	SIZE	LENGTH	USE
A	1	362T200-68	12'-1 11/16"	TOP TRACK
B	1	362T300-68	12'-1 11/16"	BOTTOM TRACK
C	1	1200D-54	12'-1 5/8"	STRAP
D	2	150U50-54	12'-1 1/2"	HORIZONTAL BRACING
E	9	362S200-68	10'-5 13/16"	STUD

SHEATHING

LABEL	QTY	CODE	THICK	SIZE	SCREWS
1	1	SB-DENSARMOR	5/8"	2'-0" X 9'-7 3/16"	2 - 12
2	1	SB-DENSARMOR	5/8"	4'-0" X 9'-7 3/16"	2 - 12
3	1	SB-DENSARMOR	5/8"	4'-0" X 9'-7 3/16"	2 - 12

12-1035

Jewish Home for the Aging

1885 Victory Blvd. Res **CREATED BY: HH**

FM-07-109

CREATED BY: AMB

FrameMax, Inc.
13915 Danielson St
Suite 100
Poway, CA 92064
www.frame-max.com



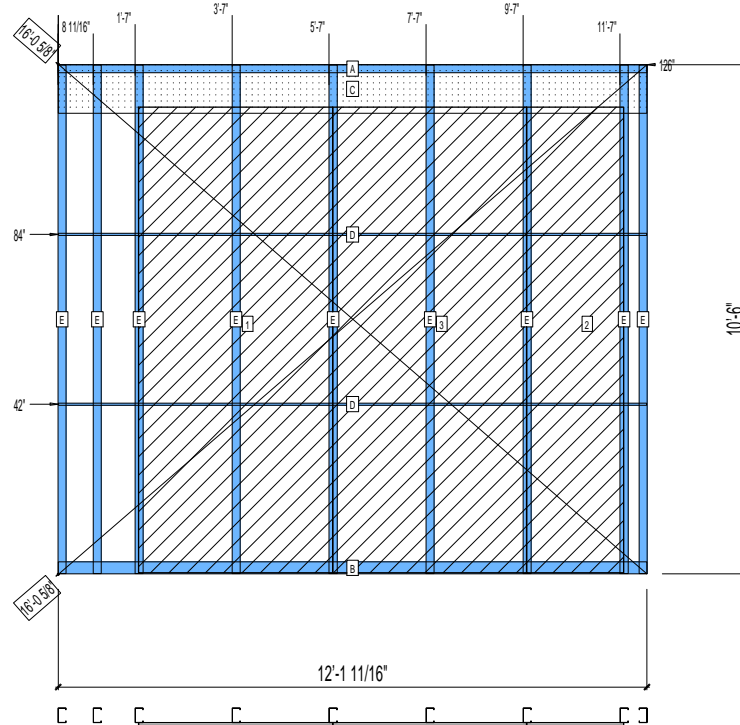
© FrameMax Inc.

APPROVED
By hhuynh at 5:44 pm, Nov 18, 2008

HEIGHT : 10'-6"
POINTS: 3.47 Points.
SPACING : 5000"
1st STUD: 5000"

WEIGHTS :
FRAME : 290 lbs
SHEATHING: 353 lbs

TOTAL: 643 lbs



PIECES LIST

LABEL	QTY	SIZE	LENGTH	USE
A	1	362T200-68	12'-1 11/16"	TOP TRACK
B	1	362T300-68	12'-1 11/16"	BOTTOM TRACK
C	1	1200D-54	12'-1 5/8"	STRAP
D	2	150U50-54	12'-1 1/2"	HORIZONTAL BRACING
E	9	362S200-68	10'-5 13/16"	STUD

SHEATHING

LABEL	QTY	CODE	THICK	SIZE	SCREWS
1	1	SB-DENSARMOR	5/8"	4'-0" X 9'-7 3/16"	2-12
2	1	SB-DENSARMOR	5/8"	2'-0" X 9'-7 3/16"	2-12
3	1	SB-DENSARMOR	5/8"	4'-0" X 9'-7 3/16"	2-12

12-1036

Jewish Home for the Aging

1885 Victory Blvd. Reseda, CA

FM-07-109

CREATED BY: HH

FrameMax, Inc.
13915 Danielson St
Suite 100
Poway, CA 92064
www.framemax.com

FRAME MAX

© FrameMax Inc.

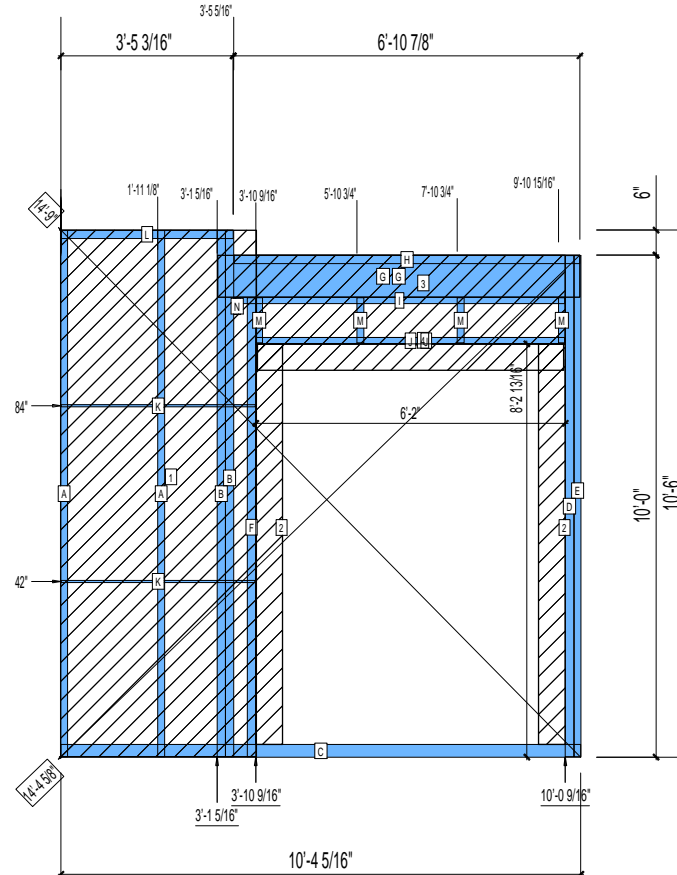
HEIGHT : 10'-6"
SPACING : 5000"
1st STUD: 5000"

POINTS: 3.10 Points.

APPROVED
By hhuynh at 5:44 pm, Nov 18, 2008

WEIGHTS :
FRAME : 374 lbs
SHEATHING: 158 lbs

TOTAL: 532 lbs



PIECES LIST

LABEL	QTY	SIZE	LENGTH	USE
A	2	600S162-54	10'-5 13/16"	STUD
B	2	600S200-97	10'-5 13/16"	EXTRA STUD
C	1	600T300-54	10'-4 5/16"	BOTTOM TRACK
D	1	600S200-97	9'-11 13/16"	KING STUD
E	1	600S162-54	9'-11 13/16"	STUD
F	1	600S200-97	9'-1 3/4"	KING STUD
G	2	1000S200-97	7'-2 5/8"	HEADER
H	1	600T200-54	6'-10 5/8"	TOP TRACK
I	1	600T150-54	6'-7"	HEADER BOTTOM TRACK
J	2	600T150-54	6'-1 3/4"	HEAD TRACK
K	2	150U50-54	3'-10 3/8"	HORIZONTAL BRACING
L	1	600T200-54	3'-5 3/16"	TOP TRACK
M	4	600S162-54	10 13/16"	CRIPPLE
N	1	600S162-33	4"	BACKER STUD

SHEATHING

LABEL	QTY	CODE	THICK	SIZE	SCREWS
1	1	DENSGLASS	1/2"	3'-10 3/4" X 10'-5 7/8"	8 - 12
2	2	DENSGLASS	1/2"	6 3/8" X 7'-11 3/4"	8 - 12
3	1	DENSGLASS	1/2"	6'-1 7/8" X 1'-9 1/8"	8 - 12
4	1	DENSGLASS	1/2"	6'-1 1/4" X 6 5/16"	8 - 12

12-1037

Jewish Home for the Aging

1885 Victory Blvd. Res **CREATED BY: HH**

FM-07-109

CREATED BY: AMB

FrameMax, Inc.
13915 Danielson St
Suite 100
Poway, CA 92064
www.frame-max.com



© FrameMax Inc.

APPROVED
By hhuynh at 5:44 pm, Nov 18, 2008

HEIGHT : 10'-6" POINTS: 6.05 Points.

SPACING : 5000"

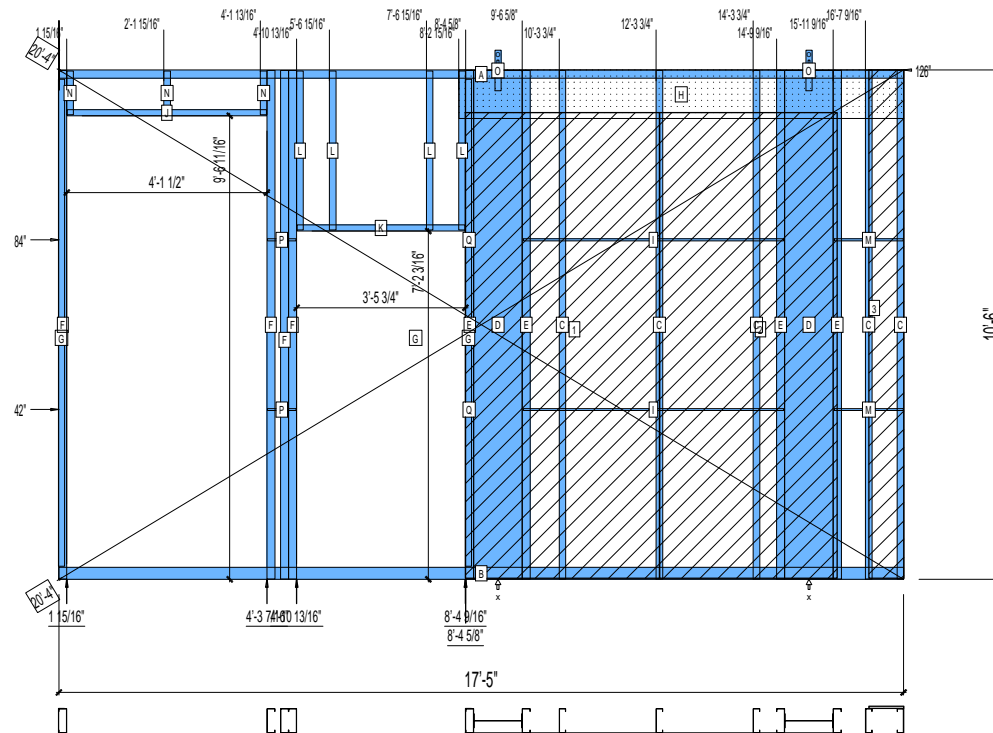
1st STUD: 5000"

WEIGHTS :

FRAME : 779 lbs

SHEATHING: 290 lbs

TOTAL: 1069 lbs



PIECES LIST

LABEL	QTY	SIZE	LENGTH	USE
A	1	600T200-68	17'-5"	TOP TRACK
B	1	600T300-68	17'-5"	BOTTOM TRACK
C	5	600S162-68	10'-5 13/16"	STUD
D	2	1200i350p1062	10'-5 13/16"	PACO
E	4	600S200-68	10'-5 13/16"	STUD
F	4	600S200-68	10'-5 13/16"	KING STUD
G	2	600T150-54	10'-0 1/2"	CAP TRACK
H	1	1200D-54	9'-1 15/16"	STRAP
I	2	150U50-54	5'-4 5/16"	HORIZONTAL BRACING
J	1	600T150-54	4'-1 1/4"	HEAD TRACK
K	1	600T150-54	3'-5 1/2"	HEAD TRACK
L	4	600S162-54	3'-3 3/8"	CRIPPLE
M	2	150U50-54	1'-5"	HORIZONTAL BRACING
N	3	600S162-54	10 7/8"	CRIPPLE
O	2	150D-33	10"	HOLDDOWN
P	2	150U50-54	7 1/8"	HORIZONTAL BRACING
Q	2	150U50-54	1 5/8"	HORIZONTAL BRACING

SHEATHING

LABEL	QTY	CODE	THICK	SIZE	SCREWS
1	1	SB-DENSARMOR	5/8"	4'-0" X 9'-7 3/16"	3 - 12
2	1	SB-DENSARMOR	5/8"	3'-8" X 9'-7 3/16"	3 - 12
3	1	DENSGLOSS	1/2"	8 5/8" X 10'-5 3/4"	8 - 12

12-1038

Jewish Home for the Aging

1885 Victory Blvd. Reseda, CA

FM-07-109

CREATED BY: HH

FrameMax, Inc.
13915 Danielson St
Suite 100
Poway, CA 92064
www.framemax.com

FRAME MAX

© FrameMax Inc.

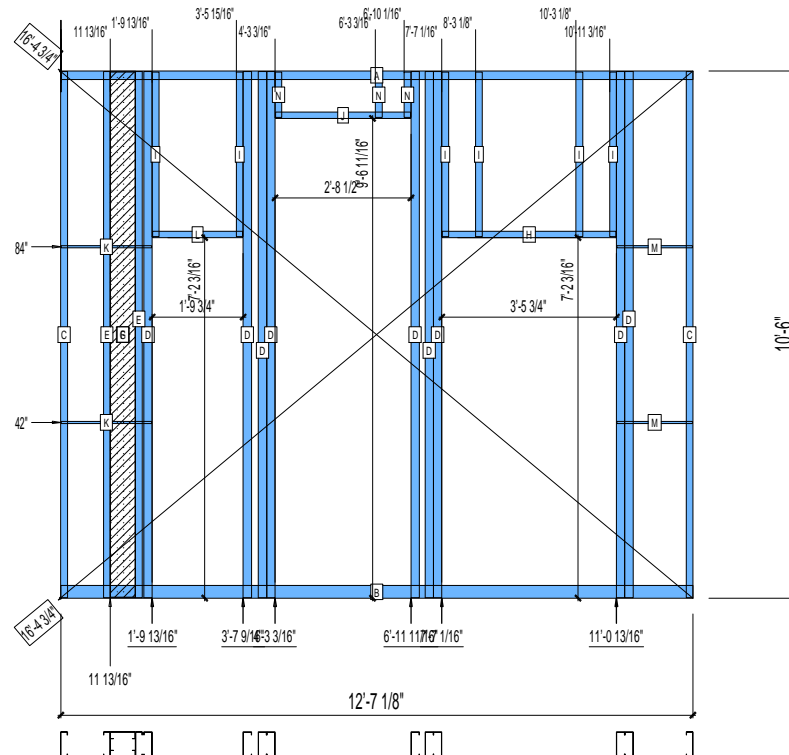
HEIGHT : 10'-6"
SPACING : 5000"
1st STUD: 5000"

POINTS: 3.34 Points.

APPROVED
By hhuynh at 5:44 pm, Nov 18, 2008

WEIGHTS :
FRAME : 523 lbs

TOTAL: 523 lbs



PIECES LIST			
LABEL	QTY	SIZE	LENGTH USE
A	1	600T200-68	12'-7 1/8" TOP TRACK
B	1	600T300-68	12'-7 1/8" BOTTOM TRACK
C	2	600S162-68	10'-5 13/16" STUD
D	9	600S200-68	10'-5 13/16" KING STUD
E	2	600S162-68	10'-5 13/16" BACKER STUD
F	1	600S162-33	10'-5 13/16" BACKER-U
G	1	600S162-68	10'-5 9/16" BACKER-U
H	1	600T150-54	3'-5 1/2" HEAD TRACK
I	6	600S162-54	3'-3 3/8" CRIPPLE
J	1	600T150-54	2'-8 1/4" HEAD TRACK
K	2	150U50-54	1'-9 5/8" HORIZONTAL BRACING
L	1	600T150-54	1'-9 1/2" HEAD TRACK
M	2	150U50-54	1'-6 1/16" HORIZONTAL BRACING
N	3	600S162-54	10 7/8" CRIPPLE

12-1039

Jewish Home for the Aging

1885 Victory Blvd. Res **CREATED BY: HH**

FrameMax, Inc.
13915 Danielson St
Suite 100
Poway, CA 92064
www.frameMax.com



© FrameMax Inc.

CREATED: 11/05/2008

FM-07-109

CREATED BY: AMB

APPROVED
By hhuynh at 5:44 pm, Nov 18, 2008

HEIGHT : 10'-6" POINTS: 7.62 Points.

SPACING : 5000"

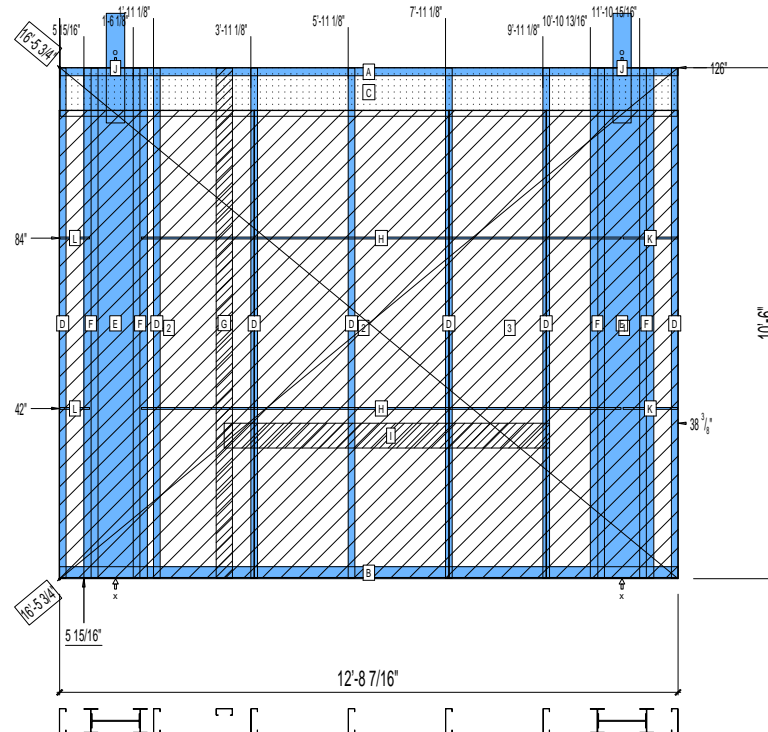
1st STUD: 5000"

WEIGHTS :

FRAME : 1049 lbs

SHEATHING: 449 lbs

TOTAL: 1498 lbs



PIECES LIST

LABEL	QTY	SIZE	LENGTH	USE
A	1	600T200-68	12'-8 7/16"	TOP TRACK
B	1	600T300-68	12'-8 7/16"	BOTTOM TRACK
C	1	1200D-54	12'-8 1/8"	STRAP
D	7	600S162-68	10'-5 13/16"	STUD
E	2	1200i350p1420	10'-5 13/16"	PACO
F	4	600i350p968	10'-5 13/16"	PACO
G	1	400S162-33	10'-5 13/16"	BACKER-U
H	2	150U50-54	9'-10 3/16"	HORIZONTAL BRACING
I	1	600T150-54	6'-8 3/16"	GRAB BAR
J	2	B	2'-3"	HOLDDOWN
K	2	150U50-54	1'-1 7/16"	HORIZONTAL BRACING
L	2	150U50-54	7 5/16"	HORIZONTAL BRACING

SHEATHING

LABEL	QTY	CODE	THICK	SIZE	SCREWS
1	1	SB-DENSARMOR	5/8"	2'-8 1/2" X 9'-7 3/16"	2 - 12
2	2	SB-DENSARMOR	5/8"	4'-0" X 9'-7 3/16"	2 - 12
3	1	SB-DENSARMOR	5/8"	2'-0" X 9'-7 3/16"	2 - 12

12-1040

Jewish Home for the Aging

1885 Victory Blvd. Reseda, CA

FM-07-109

CREATED BY: HH

FrameMax, Inc.
13915 Danielson St
Suite 100
Poway, CA 92064
www.frame-max.com



© FrameMax Inc.

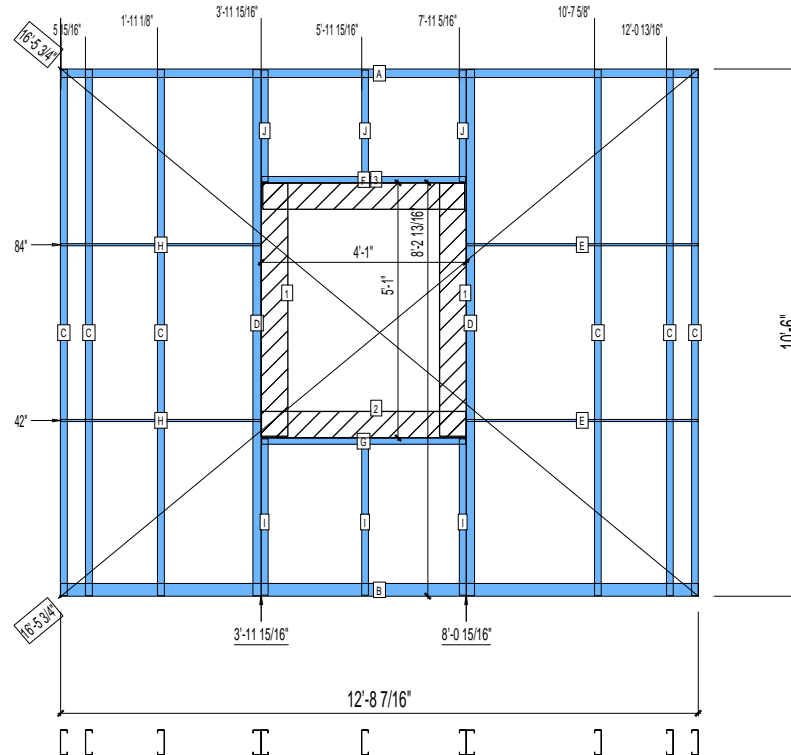
HEIGHT : 10'-6"
SPACING : 5000"
1st STUD: 5000"

POINTS: 2.25 Points.

APPROVED
By hhuynh at 5:44 pm, Nov 18, 2008

WEIGHTS :
FRAME : 310 lbs
SHEATHING: 24 lbs

TOTAL: 334 lbs



PIECES LIST

LABEL	QTY	SIZE	LENGTH	USE
A	1	600T200-54	12'-8 7/16"	TOP TRACK
B	1	600T300-54	12'-8 7/16"	BOTTOM TRACK
C	6	600S162-54	10'-5 13/16"	STUD
D	2	600S200-97	10'-5 13/16"	KING STUD
E	2	150U50-54	4'-7 1/4"	HORIZONTAL BRACING
F	1	600T150-54	4'-0 3/4"	HEAD TRACK
G	1	600T150-54	4'-0 3/4"	SILL
H	2	150U50-54	3'-11 3/4"	HORIZONTAL BRACING
I	3	600S162-54	3'-1 3/8"	CRIPPLE
J	3	600S162-54	2'-2 3/4"	CRIPPLE

SHEATHING

LABEL	QTY	CODE	THICK	SIZE	SCREWS
1	2	DENSGLASS	1/2"	6 3/8" X	5'-0 1/2" 8 - 12
2	1	DENSGLASS	1/2"	4'-0 7/8" X	6 5/16" 8 - 12
3	1	DENSGLASS	1/2"	4'-0 1/4" X	6 5/16" 8 - 12

12-1041

Jewish Home for the Aging

1885 Victory Blvd. Reseda, CA

FM-07-109

CREATED BY: HH

FrameMax, Inc.
13915 Danielson St
Suite 100
Poway, CA 92064
www.frame-max.com

FRAME MAX

© FrameMax Inc.

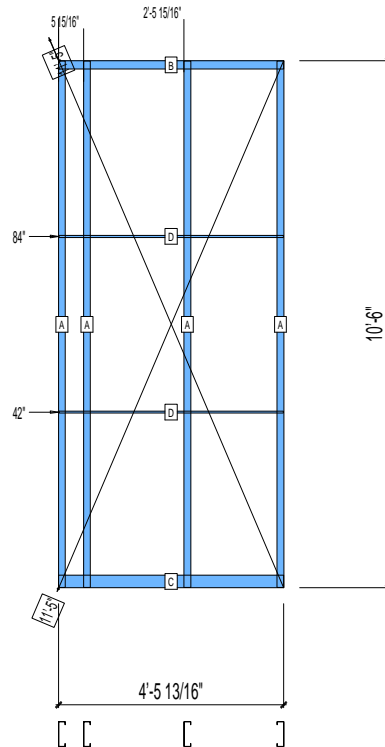
HEIGHT : 10'-6"
SPACING : 5000"
1st STUD: 5000"

POINTS: 0.75 Points.

APPROVED
By hhuynh at 5:44 pm, Nov 18, 2008

WEIGHTS :
FRAME : 106 lbs

TOTAL: 106 lbs



PIECES LIST

LABEL	QTY	SIZE	LENGTH	USE
A	4	600S162-54	10'-5 13/16"	STUD
B	1	600T200-54	4'-5 13/16"	TOP TRACK
C	1	600T300-54	4'-5 13/16"	BOTTOM TRACK
D	2	150U50-54	4'-5 5/8"	HORIZONTAL BRACING

12-1042

Jewish Home for the Aging

1885 Victory Blvd. Res **CREATED BY: HH**

FM-07-109

CREATED BY: AMB

FrameMax, Inc.
13915 Danielson St
Suite 100
Poway, CA 92064
www.framemax.com



© FrameMax Inc.

APPROVED
By hhuynh at 5:44 pm, Nov 18, 2008

HEIGHT : 10'-6" POINTS: 5.11 Points.

SPACING : 5000"

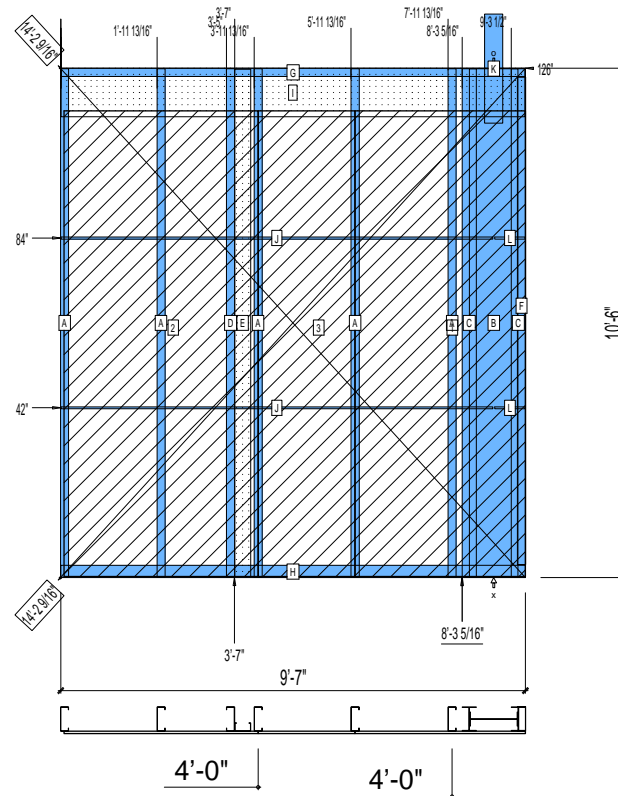
1st STUD: 5000"

WEIGHTS :

FRAME : 657 lbs

SHEATHING: 336 lbs

TOTAL: 993 lbs



PIECES LIST

LABEL	QTY	SIZE	LENGTH	USE
A	5	600S200-68	10'-5 13/16"	STUD
B	1	1200i350p1420	10'-5 13/16"	PACO
C	2	600i350p968	10'-5 13/16"	PACO
D	1	600S200-68	10'-5 13/16"	BACKER STUD
E	1	400S200-68	10'-5 9/16"	BACKER-U
F	1	600T200-33	10'-0 1/2"	CAP TRACK
G	1	600T200-68	9'-7"	TOP TRACK
H	1	600T300-68	9'-7"	BOTTOM TRACK
I	1	1200D-54	9'-6 3/4"	STRAP
J	2	150U50-54	8'-10 13/16"	HORIZONTAL BRACING
K	1	B	2'-3"	HOLDDOWN
L	2	150U50-54	7 1/2"	HORIZONTAL BRACING

SHEATHING

LABEL	QTY	CODE	THICK	SIZE	SCREWS
1	1	SB-DENSARMOR	5/8"	3'-6 1/8" X 9'-7 3/16"	2 -12
2	1	SB-DENSARMOR	5/8"	4'-0" X 9'-7 3/16"	2 -12
3	1	SB-DENSARMOR	5/8"	2'-0" X 9'-7 3/16"	2 -12

12-1043

Jewish Home for the Aging

1885 Victory Blvd. Res **CREATED BY: HH**

FM-07-109

CREATED BY: AMB

FrameMax, Inc.
13915 Danielson St
Suite 100
Poway, CA 92064
www.frame-max.com



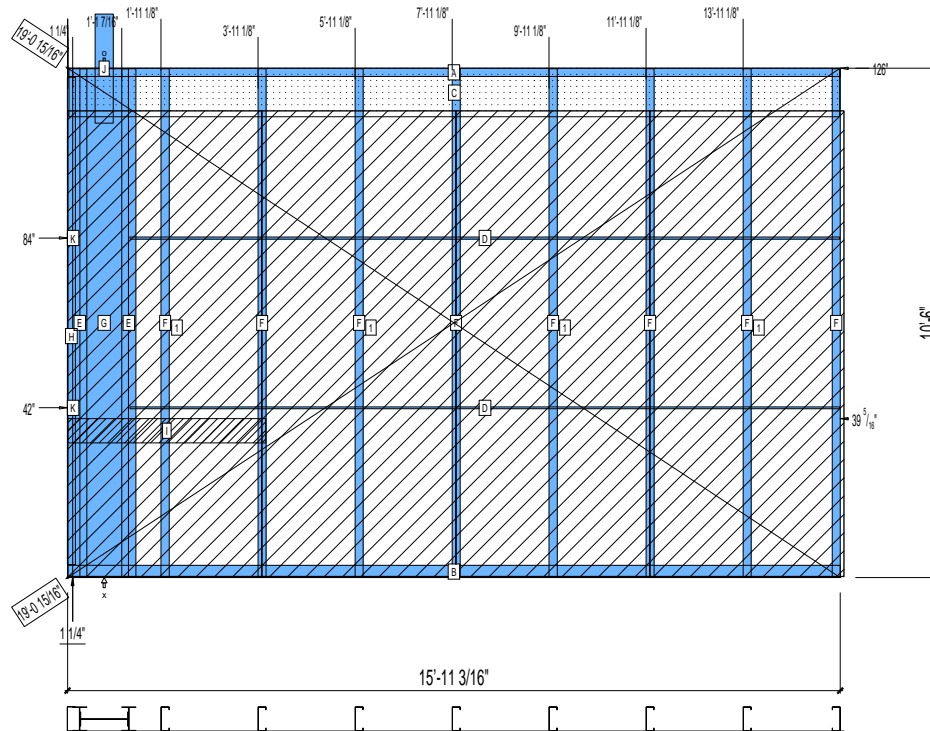
© FrameMax Inc.

APPROVED
By hhuynh at 5:44 pm, Nov 18, 2008

HEIGHT : 10'-6"
SPACING : 5000"
1st STUD: 16"

WEIGHTS :
FRAME : 751 lbs
SHEATHING: 565 lbs

TOTAL: 1316 lbs



PIECES LIST

LABEL	QTY	SIZE	LENGTH	USE
A	1	600T200-68	15'-11 3/16"	TOP TRACK
B	1	600T300-68	15'-11 3/16"	BOTTOM TRACK
C	1	1200D-54	15'-10 3/4"	STRAP
D	2	150U50-54	14'-7 5/8"	HORIZONTAL BRACING
E	2	600i350p968	10'-5 13/16"	PACO
F	8	600S200-68	10'-5 13/16"	STUD
G	1	1200i350p1420	10'-5 13/16"	PACO
H	1	600T200-33	10'-0 1/2"	CAP TRACK
I	1	600D-54	4'-1 1/16"	VANITY BACKING
J	1	B	2'-3"	HOLDDOWN
K	2	150U50-54	2 5/8"	HORIZONTAL BRACING

SHEATHING

LABEL	QTY	CODE	THICK	SIZE	SCREWS
1	4	SB-DENSARMOR	5/8"	4'-0" X 9'-7 3/16"	2-12

12-1044

Jewish Home for the Aging

1885 Victory Blvd. Reseda, CA

FM-07-109

CREATED BY: HH

FrameMax, Inc.
13915 Danielson St
Suite 100
Poway, CA 92064
www.framemax.com



© FrameMax Inc.

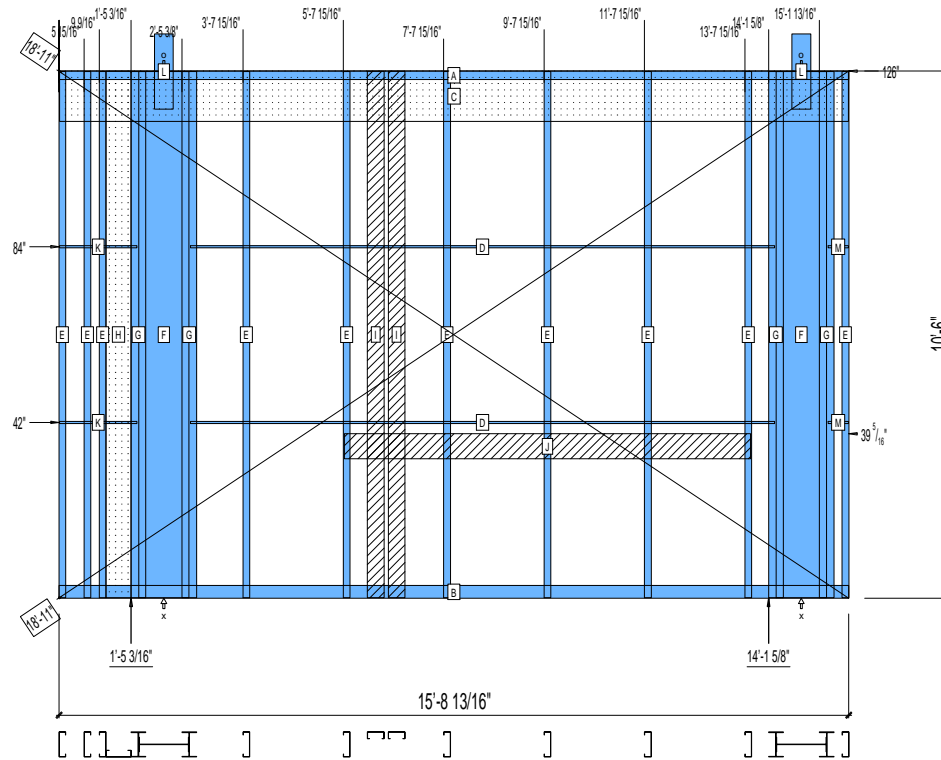
HEIGHT : 10'-6"
SPACING : 5000"
1st STUD: 5000"

POINTS: 5.37 Points.

APPROVED
By hhuynh at 5:44 pm, Nov 18, 2008

WEIGHTS :
FRAME : 965 lbs

TOTAL: 965 lbs



PIECES LIST			
LABEL	QTY	SIZE	LENGTH USE
A	1	600T200-68	15'-8 13/16" TOP TRACK
B	1	600T300-68	15'-8 13/16" BOTTOM TRACK
C	1	1200D-54	15'-8 5/8" STRAP
D	2	150U50-54	11'-7 5/8" HORIZONTAL BRACING
E	10	600S162-68	10'-5 13/16" STUD
F	2	1200i350p1062	10'-5 13/16" PACO
G	4	600i350p680	10'-5 13/16" PACO
H	1	600S162-33	10'-5 13/16" BACKER-U
I	2	400S162-33	10'-5 13/16" BACKER-U
J	1	600D-54	8'-1 1/8" VANITY BACKING
K	2	150U50-54	1'-6 9/16" HORIZONTAL BRACING
L	2	A	1'-6" HOLDDOWN
M	2	150U50-54	4 7/8" HORIZONTAL BRACING

12-1045

Jewish Home for the Aging

1885 Victory Blvd. Reseda, CA

FM-07-109

CREATED BY: HH

FrameMax, Inc.
13915 Danielson St
Suite 100
Poway, CA 92064
www.frame-max.com



© FrameMax Inc.

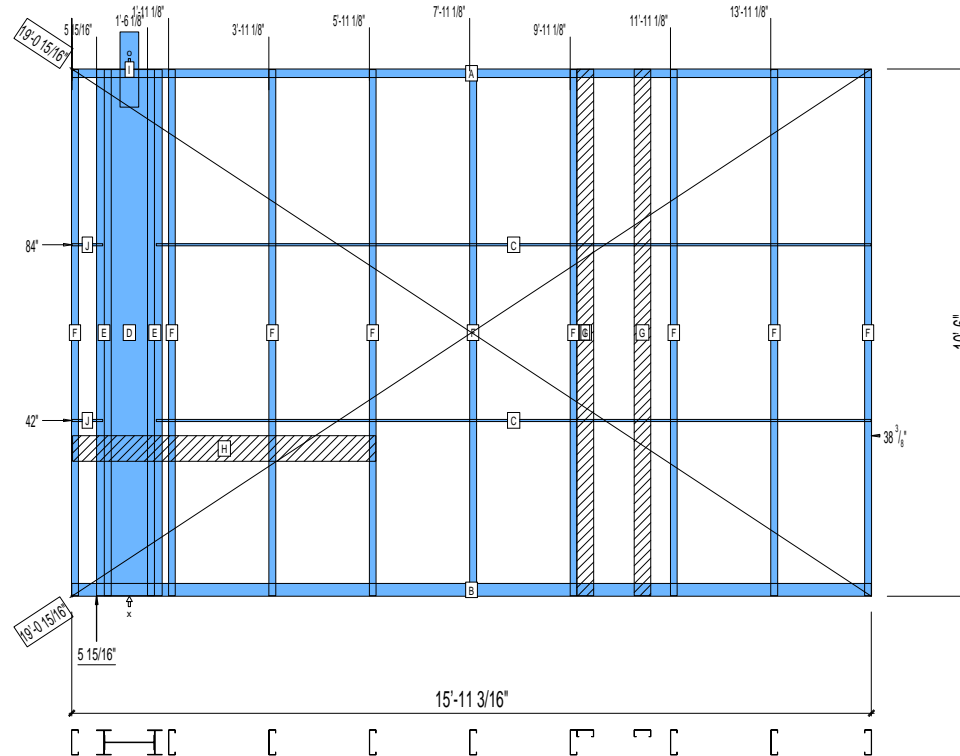
HEIGHT : 10'-6"
SPACING : 5000"
1st STUD: 5000"

POINTS: 3.65 Points.

APPROVED
By hhuynh at 5:44 pm, Nov 18, 2008

WEIGHTS :
FRAME : 627 lbs

TOTAL: 627 lbs



PIECES LIST

LABEL	QTY	SIZE	LENGTH	USE
A	1	600T200-68	15'-11 3/16"	TOP TRACK
B	1	600T300-68	15'-11 3/16"	BOTTOM TRACK
C	2	150U50-54	14'-2 7/8"	HORIZONTAL BRACING
D	1	1200i350p1062	10'-5 13/16"	PACO
E	2	600i350p680	10'-5 13/16"	PACO
F	9	600S162-68	10'-5 13/16"	STUD
G	2	400S162-33	10'-5 13/16"	BACKER-U
H	1	600T150-54	6'-0 1/2"	GRAB BAR
I	1	A	1'-6"	HOLDDOWN
J	2	150U50-54	7 5/16"	HORIZONTAL BRACING

12-1046

Jewish Home for the Aging

1885 Victory Blvd. Reseda, CA

FM-07-109

CREATED BY: HH

FrameMax, Inc.
13915 Danielson St
Suite 100
Poway, CA 92064
www.frame-max.com



© FrameMax Inc.

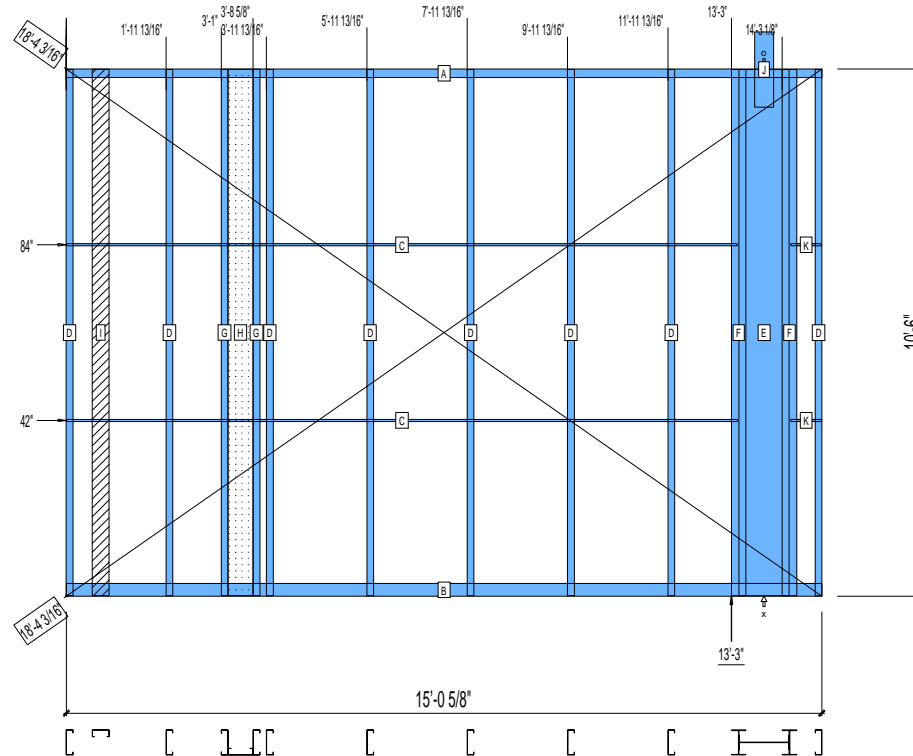
HEIGHT : 10'-6"
SPACING : 5000"
1st STUD: 5000"

POINTS: 3.56 Points.

APPROVED
By hhuynh at 5:44 pm, Nov 18, 2008

WEIGHTS :
FRAME : 612 lbs

TOTAL: 612 lbs



PIECES LIST

LABEL	QTY	SIZE	LENGTH	USE
A	1	600T200-68	15'-0 5/8"	TOP TRACK
B	1	600T300-68	15'-0 5/8"	BOTTOM TRACK
C	2	150U50-54	13'-4 5/16"	HORIZONTAL BRACING
D	8	600S162-68	10'-5 13/16"	STUD
E	1	1200i350p1062	10'-5 13/16"	PACO
F	2	600i350p680	10'-5 13/16"	PACO
G	2	600S162-33	10'-5 13/16"	BACKER STUD
H	1	600S162-33	10'-5 13/16"	BACKER-U
I	1	400S162-33	10'-5 13/16"	BACKER-U
J	1	A	1'-6"	HOLDDOWN
K	2	150U50-54	7 5/16"	HORIZONTAL BRACING

12-1047

Jewish Home for the Aging

1885 Victory Blvd. Reseda, CA

FM-07-109

CREATED BY: HH

FrameMax, Inc.
13915 Danielson St
Suite 100
Poway, CA 92064
www.frame-max.com

FRAME MAX

© FrameMax Inc.

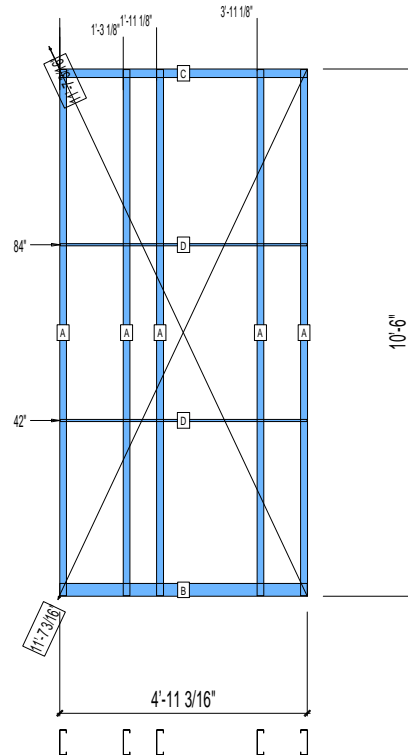
HEIGHT : 10'-6"
SPACING : 5000"
1st STUD: 16"

POINTS: 0.88 Points.

WEIGHTS :
FRAME : 128 lbs

TOTAL: 128 lbs

APPROVED
By hhuynh at 5:44 pm, Nov 18, 2008



PIECES LIST

LABEL	QTY	SIZE	LENGTH	USE
A	5	600S162-54	10'-5 13/16"	STUD
B	1	600T300-54	4'-11 3/16"	BOTTOM TRACK
C	1	600T200-54	4'-11 3/16"	TOP TRACK
D	2	150U50-54	4'-11"	HORIZONTAL BRACING

12-1048

Jewish Home for the Aging

1885 Victory Blvd. Reseda, CA

FM-07-109

CREATED BY: HH

FrameMax, Inc.
13915 Danielson St
Suite 100
Poway, CA 92064
www.frame-max.com



© FrameMax Inc.

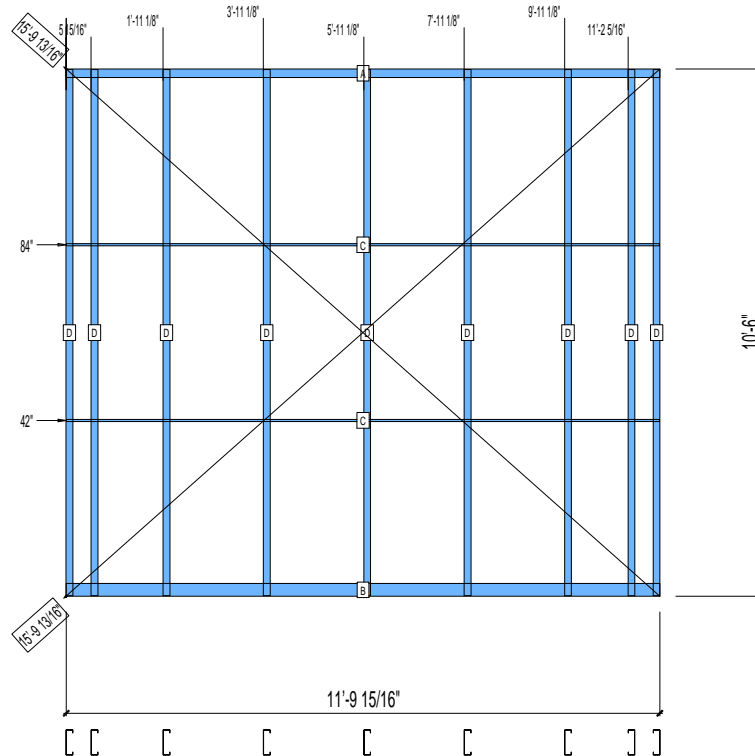
HEIGHT : 10'-6"
SPACING : 5000"
1st STUD: 5000"

POINTS: 1.65 Points.

APPROVED
By hhuynh at 5:44 pm, Nov 18, 2008

WEIGHTS :
FRAME : 247 lbs

TOTAL: 247 lbs



PIECES LIST

LABEL	QTY	SIZE	LENGTH	USE
A	1	600T200-54	11'-9 15/16"	TOP TRACK
B	1	600T300-54	11'-9 15/16"	BOTTOM TRACK
C	2	150U50-54	11'-9 3/4"	HORIZONTAL BRACING
D	9	600S162-54	10'-5 13/16"	STUD

12-1049

Jewish Home for the Aging

1885 Victory Blvd. Reseda, CA

FM-07-109

CREATED BY: HH

FrameMax, Inc.
13915 Danielson St
Suite 100
Poway, CA 92064
www.frame-max.com

FRAME MAX

© FrameMax Inc.

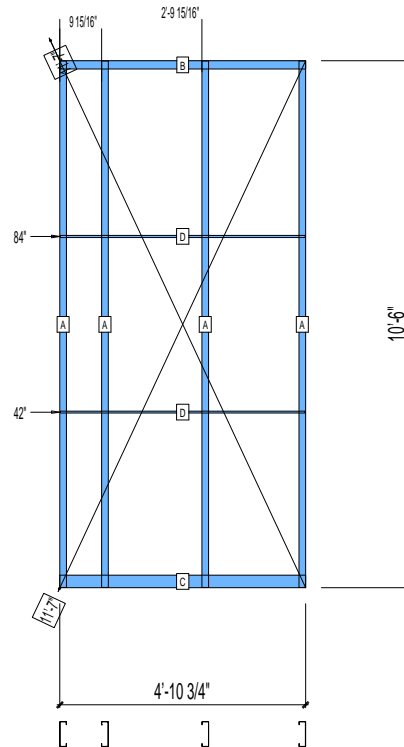
HEIGHT : 10'-6"
SPACING : 5000"
1st STUD: 5000"

POINTS: 0.76 Points.

APPROVED
By hhuynh at 5:44 pm, Nov 18, 2008

WEIGHTS :
FRAME : 108 lbs

TOTAL: 108 lbs



PIECES LIST

LABEL	QTY	SIZE	LENGTH	USE
A	4	600S162-54	10'-5 13/16"	STUD
B	1	600T200-54	4'-10 3/4"	TOP TRACK
C	1	600T300-54	4'-10 3/4"	BOTTOM TRACK
D	2	150U50-54	4'-10 9/16"	HORIZONTAL BRACING

12-1050

Jewish Home for the Aging

1885 Victory Blvd. Reseda, CA

FM-07-109

CREATED BY: HH

FrameMax, Inc.
13915 Danielson St
Suite 100
Poway, CA 92064
www.frame-max.com

FRAME MAX

© FrameMax Inc.

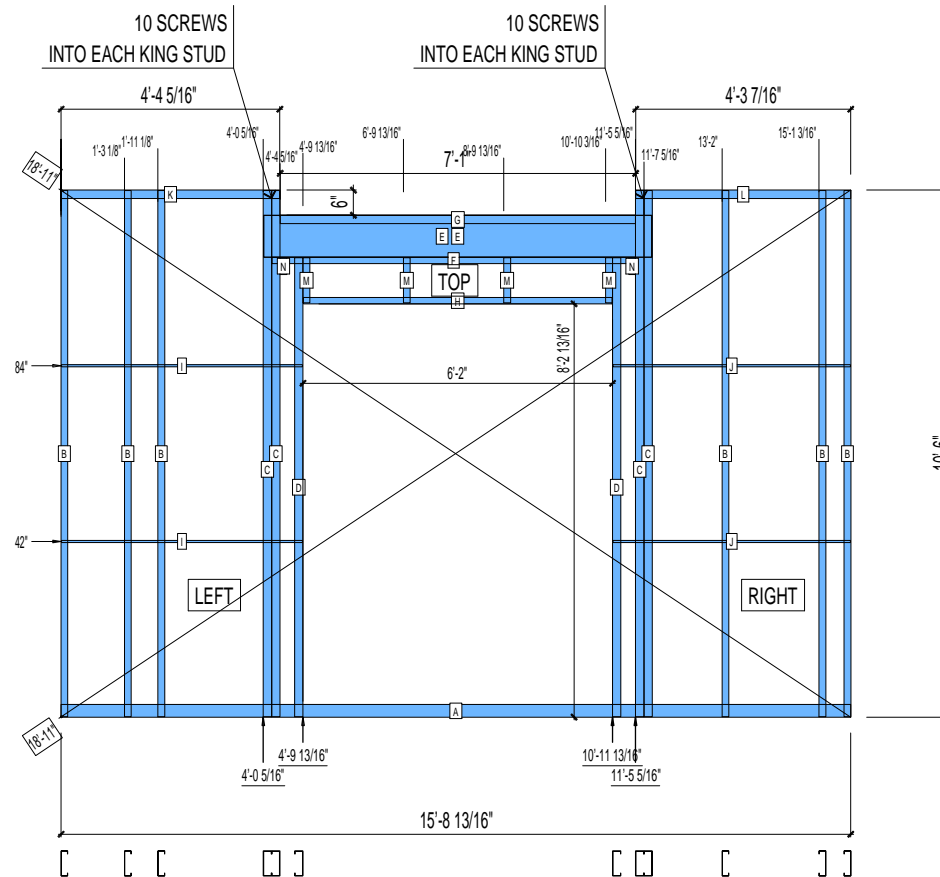
HEIGHT : 10'-6"
SPACING : 5000"
1st STUD: 16"

POINTS: 3.36 Points.

APPROVED
By hhuynh at 5:44 pm, Nov 18, 2008

WEIGHTS :
FRAME : 526 lbs

TOTAL: 526 lbs



PIECES LIST			
LABEL	QTY	SIZE	LENGTH USE
A	1	600T300-54	15'-8 13/16" BOTTOM TRACK
B	6	600S162-54	10'-5 13/16" STUD
C	4	600S200-97	10'-5 13/16" EXTRA STUD
D	2	600S200-97	9'-1 3/4" KING STUD
E	2	1000S200-97	7'-8 3/4" HEADER
F	1	600T150-54	7'-2 7/8" HEADER BOTTOM TRACK
G	1	600T200-54	7'-0 15/16" TOP TRACK
H	1	600T150-54	6'-1 3/4" HEAD TRACK
I	2	150U50-54	4'-9 5/8" HORIZONTAL BRACING
J	2	150U50-54	4'-8 3/4" HORIZONTAL BRACING
K	1	600T200-54	4'-4 5/16" TOP TRACK
L	1	600T200-54	4'-3 7/16" TOP TRACK
M	4	600S162-54	10 13/16" CRIPPLE
N	2	600S162-33	4" BACKER STUD

12-1051

Jewish Home for the Aging

1885 Victory Blvd. Reseda, CA

FM-07-109

CREATED BY: HH

FrameMax, Inc.
13915 Danielson St
Suite 100
Poway, CA 92064
www.framemax.com

FRAME MAX

© FrameMax Inc.

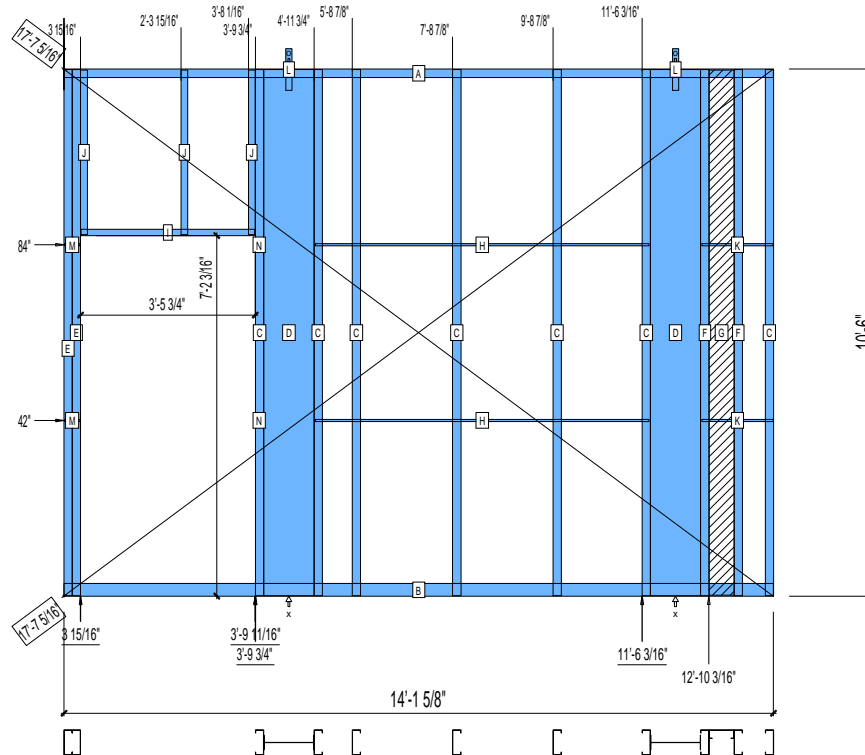
HEIGHT : 10'-6"
SPACING : 5000"
1st STUD: 5000"

POINTS: 3.99 Points.

APPROVED
By hhuynh at 5:44 pm, Nov 18, 2008

WEIGHTS :
FRAME : 672 lbs

TOTAL: 672 lbs



PIECES LIST

LABEL	QTY	SIZE	LENGTH	USE
A	1	600T200-68	14'-1 5/8"	TOP TRACK
B	1	600T300-68	14'-1 5/8"	BOTTOM TRACK
C	7	600S200-68	10'-5 13/16"	STUD
D	2	1200i350p1062	10'-5 13/16"	PACO
E	2	600S200-68	10'-5 13/16"	KING STUD
F	2	600S200-68	10'-5 13/16"	BACKER STUD
G	1	600S200-68	10'-5 9/16"	BACKER-U
H	2	150U50-54	6'-7 13/16"	HORIZONTAL BRACING
I	1	600T150-54	3'-5 1/2"	HEAD TRACK
J	3	600S162-54	3'-3 3/8"	CRIPPLE
K	2	150U50-54	1'-5"	HORIZONTAL BRACING
L	2	150D-33	10"	HOLDDOWN
M	2	150U50-54	3 3/4"	HORIZONTAL BRACING
N	2	150U50-54	1 5/8"	HORIZONTAL BRACING

12-1052

Jewish Home for the Aging

1885 Victory Blvd. Reseda, CA

FM-07-109

CREATED BY: HH

FrameMax, Inc.
13915 Danielson St
Suite 100
Poway, CA 92064
www.framemax.com



© FrameMax Inc.

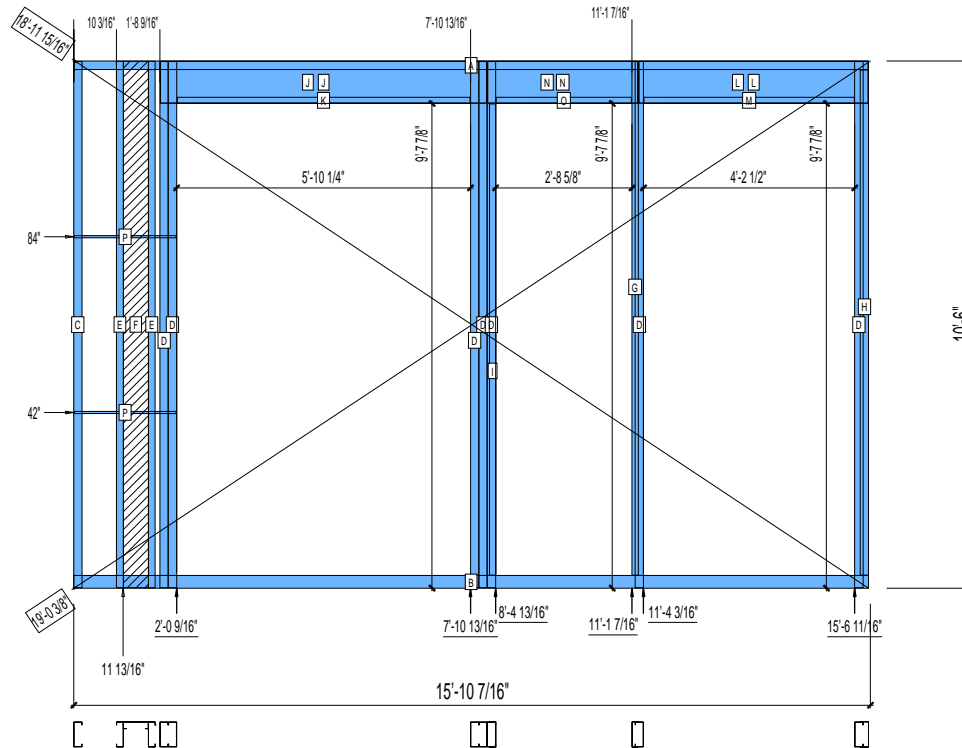
HEIGHT : 10'-6"
SPACING : 24"
1st STUD: 24"

POINTS: 3.40 Points.

APPROVED
By hhuynh at 5:44 pm, Nov 18, 2008

WEIGHTS :
FRAME : 549 lbs

TOTAL: 549 lbs



PIECES LIST

LABEL	QTY	SIZE	LENGTH	USE
A	1	600T200-68	15'-10"	TOP TRACK
B	1	600T300-68	15'-10"	BOTTOM TRACK
C	1	600S200-68	10'-5 13/16"	STUD
D	7	600S200-68	10'-5 13/16"	KING STUD
E	2	600S162-33	10'-5 13/16"	BACKER STUD
F	1	600S162-33	10'-5 13/16"	BACKER-U
G	1	600T150-54	10'-2 3/4"	CAP TRACK
H	1	600T200-33	10'-0 3/4"	CAP TRACK
I	1	600T150-33	9'-4 5/8"	CAP TRACK
J	2	1000S200-97	6'-6"	HEADER
K	1	600T150-54	5'-10"	HEADER BOTTOM TRACK
L	2	1000S200-97	4'-6 7/8"	HEADER
M	1	600T150-54	4'-2 1/4"	HEADER BOTTOM TRACK
N	2	1000S200-97	2'-11 7/8"	HEADER
O	1	600T150-54	2'-8 3/8"	HEADER BOTTOM TRACK
P	2	150U50-54	2'-0 3/8"	HORIZONTAL BRACING

12-1053

Jewish Home for the Aging

1885 Victory Blvd. Reseda, CA

FM-07-109

CREATED BY: HH

FrameMax, Inc.
13915 Danielson St
Suite 100
Poway, CA 92064
www.frame-max.com



© FrameMax Inc.

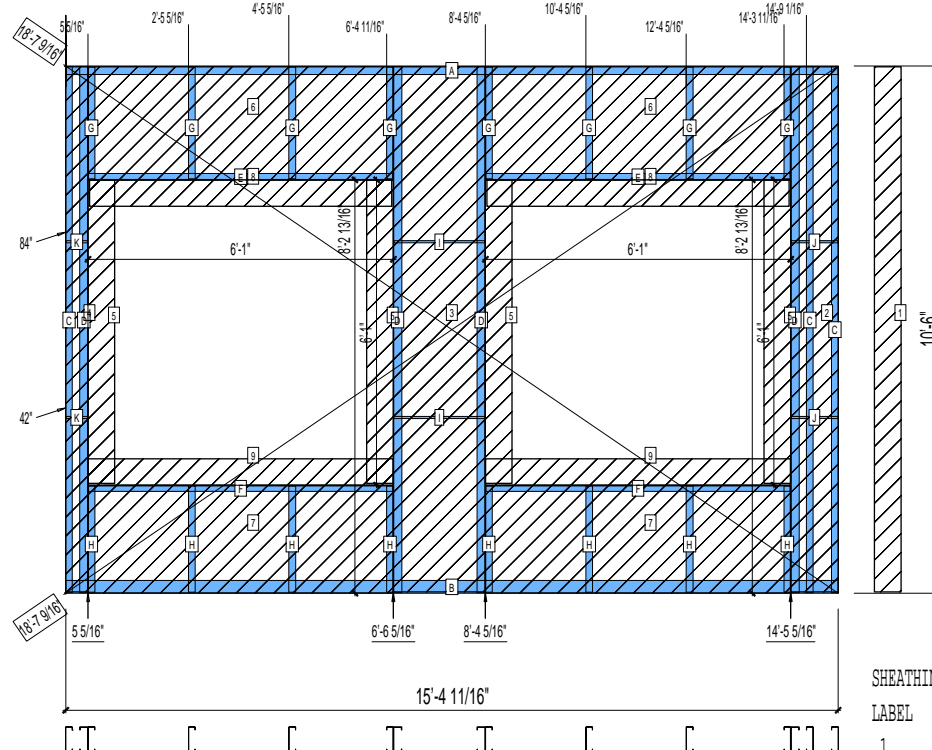
HEIGHT : 10'-6"
SPACING : 5000"
1st STUD: 5000"

POINTS: 4.22 Points.

APPROVED
By hhuynh at 5:44 pm, Nov 18, 2008

WEIGHTS :
FRAME : 398 lbs
SHEATHING: 295 lbs

TOTAL: 693 lbs



PIECES LIST

LABEL	QTY	SIZE	LENGTH	USE
A	1	600T200-54	15'-4 11/16"	TOP TRACK
B	1	600T300-54	15'-4 11/16"	BOTTOM TRACK
C	3	600S162-54	10'-5 13/16"	STUD
D	4	600S200-97	10'-5 13/16"	KING STUD
E	2	600T150-54	6'-0 3/4"	HEAD TRACK
F	2	600T150-54	6'-0 3/4"	SILL
G	8	600S162-54	2'-2 3/4"	CRIPPLE
H	8	600S162-54	2'-1 3/8"	CRIPPLE
I	2	150U50-54	1'-9 3/4"	HORIZONTAL BRACING
J	2	150U50-54	11 1/8"	HORIZONTAL BRACING
K	2	150U50-54	5 1/8"	HORIZONTAL BRACING

SHEATHING

LABEL	QTY	CODE	THICK	SIZE	SCREWS
1	1	DENSGLASS	1/2"	6 3/8" X 10'-5 9/16"	8 - 12
2	1	DENSGLASS	1/2"	11 1/4" X 10'-5 9/16"	8 - 12
3	1	DENSGLASS	1/2"	1'-9 7/8" X 10'-5 9/16"	8 - 12
4	1	DENSGLASS	1/2"	5 1/4" X 10'-5 9/16"	8 - 12
5	4	DENSGLASS	1/2"	6 3/8" X 6'-0 1/2"	8 - 12
6	2	DENSGLASS	1/2"	6'-0 7/8" X 2'-3"	8 - 12
7	2	DENSGLASS	1/2"	6'-0 7/8" X 2'-1 5/8"	8 - 12
8	2	DENSGLASS	1/2"	6'-0 1/4" X 6 5/16"	8 - 12
9	2	DENSGLASS	1/2"	6'-0 7/8" X 6 5/16"	8 - 12

12-1054

Jewish Home for the Aging

1885 Victory Blvd. Reseda, CA

FM-07-109

CREATED BY: HH

FrameMax, Inc.
13915 Danielson St
Suite 100
Poway, CA 92064
www.frame-max.com



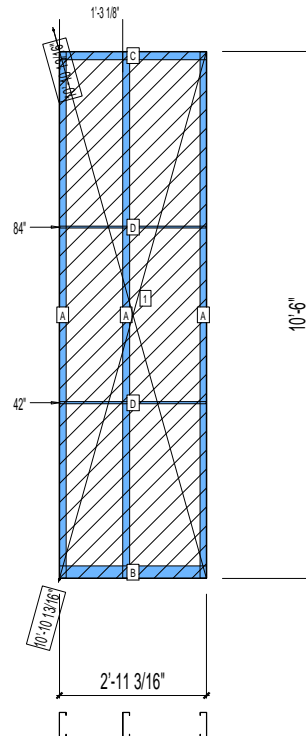
© FrameMax Inc.

HEIGHT : 10'-6"
POINTS: 0.90 Points.
SPACING : 5000"
1st STUD: 16"

APPROVED
By hhuynh at 5:44 pm, Nov 18, 2008

WEIGHTS :
FRAME : 75 lbs
SHEATHING: 77 lbs

TOTAL: 152 lbs



PIECES LIST

LABEL	QTY	SIZE	LENGTH	USE
A	3	600S162-54	10'-5 13/16"	STUD
B	1	600T300-54	2'-11 3/16"	BOTTOM TRACK
C	1	600T200-54	2'-11 3/16"	TOP TRACK
D	2	150U50-54	2'-11"	HORIZONTAL BRACING

SHEATHING

LABEL	QTY	CODE	THICK	SIZE	SCREWS
1	1	DENSGLASS	1/2"	2'-11 1/8" X 10'-5 7/8"	8 - 12

12-1055

Jewish Home for the Aging

1885 Victory Blvd. Res **CREATED BY: HH**

FM-07-109

CREATED BY: AMB

FrameMax, Inc.
13915 Danielson St
Suite 100
Poway, CA 92064
www.framemax.com



© FrameMax Inc.

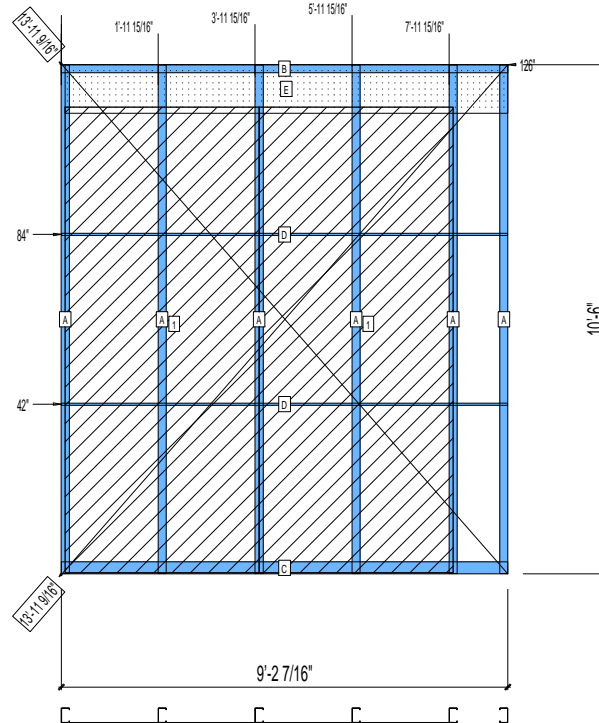
APPROVED
By hhuynh at 5:44 pm, Nov 18, 2008

HEIGHT : 10'-6"
SPACING : 5000"
1st STUD: 5000"

POINTS: 2.63 Points.

WEIGHTS :
FRAME : 202 lbs
SHEATHING: 283 lbs

TOTAL: 485 lbs



PIECES LIST

LABEL	QTY	SIZE	LENGTH	USE
A	6	362S200-68	10'-5 13/16"	STUD
B	1	362T200-68	9'-2 7/16"	TOP TRACK
C	1	362T300-68	9'-2 7/16"	BOTTOM TRACK
D	2	150U50-54	9'-2 1/4"	HORIZONTAL BRACING
E	1	1200D-54	9'-1 1/2"	STRAP

SHEATHING

LABEL	QTY	CODE	THICK	SIZE	SCREWS
1	2	SB-DENSARMOR	5/8"	4'-0" X 9'-7 3/16"	3 - 12

12-1056

Jewish Home for the Aging

1885 Victory Blvd. Res **CREATED BY: HH**

FM-07-109

CREATED BY: AMB

FrameMax, Inc.
13915 Danielson St
Suite 100
Poway, CA 92064
www.frame-max.com



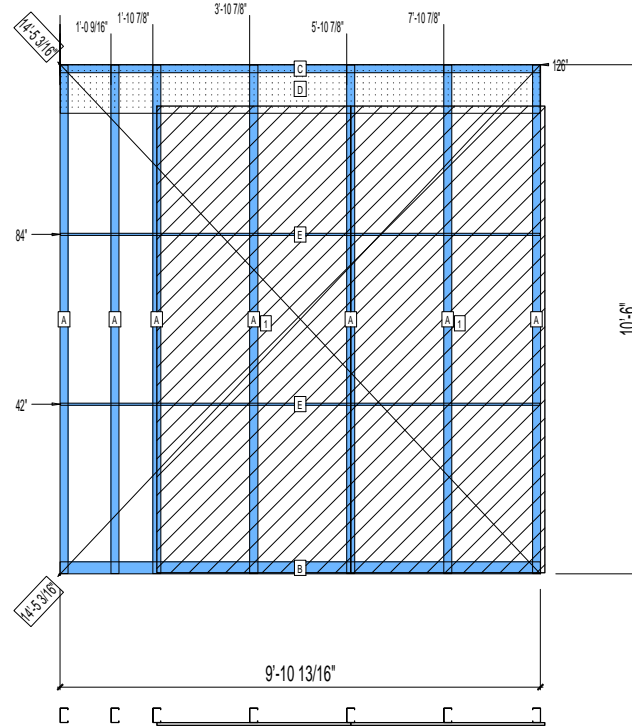
© FrameMax Inc.

APPROVED
By hhuynh at 5:44 pm, Nov 18, 2008

HEIGHT : 10'-6"
SPACING : 5000"
1st STUD: 5000"

WEIGHTS :
FRAME : 229 lbs
SHEATHING: 283 lbs

TOTAL: 512 lbs



PIECES LIST

LABEL	QTY	SIZE	LENGTH	USE
A	7	362S200-68	10'-5 13/16"	STUD
B	1	362T300-68	9'-10 13/16"	BOTTOM TRACK
C	1	362T200-68	9'-10 13/16"	TOP TRACK
D	1	1200D-54	9'-10 3/4"	STRAP
E	2	150U50-54	9'-10 11/16"	HORIZONTAL BRACING

SHEATHING

LABEL	QTY	CODE	THICK	SIZE	SCREWS
1	2	SB-DENSARMOR	5/8"	4'-0" X 9'-7 7/16"	3-12

12-1057

Jewish Home for the Aging

1885 Victory Blvd. Reseda, CA

FM-07-109

CREATED BY: HH

FrameMax, Inc.
13915 Danielson St
Suite 100
Poway, CA 92064
www.frame-max.com

FRAME MAX

© FrameMax Inc.

HEIGHT : 10'-6"
SPACING : 5000"
1st STUD: 5000"

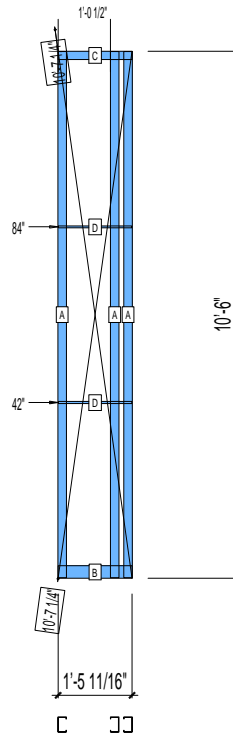
POINTS: 0.51 Points.

APPROVED

By hhuynh at 5:44 pm, Nov 18, 2008

WEIGHTS :
FRAME : 73 lbs

TOTAL: 73 lbs



PIECES LIST

LABEL	QTY	SIZE	LENGTH	USE
A	3	362S200-68	10'-5 13/16"	STUD
B	1	362T300-68	1'-5 11/16"	BOTTOM TRACK
C	1	362T200-68	1'-5 11/16"	TOP TRACK
D	2	150U50-54	1'-5 1/2"	HORIZONTAL BRACING

12-1058

Jewish Home for the Aging

1885 Victory Blvd. Reseda, CA

FM-07-109

CREATED BY: HH

FrameMax, Inc.
13915 Danielson St
Suite 100
Poway, CA 92064
www.frame-max.com



© FrameMax Inc.

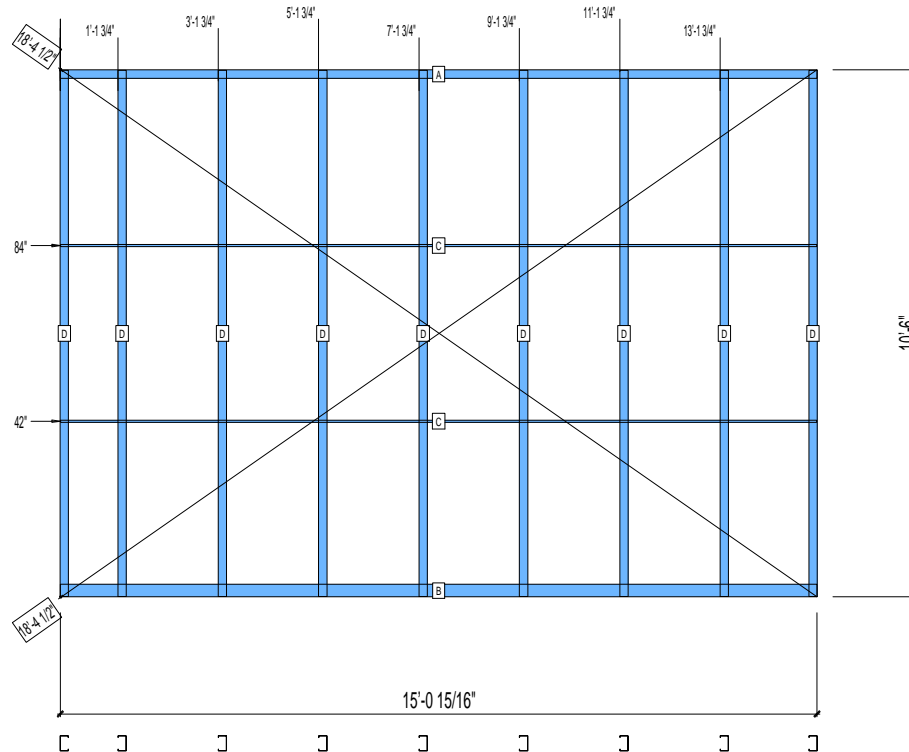
HEIGHT : 10'-6"
SPACING : 5000"
1st STUD: 5000"

POINTS: 1.85 Points.

APPROVED
By hhuynh at 5:44 pm, Nov 18, 2008

WEIGHTS :
FRAME : 276 lbs

TOTAL: 276 lbs



PIECES LIST

LABEL	QTY	SIZE	LENGTH	USE
A	1	362T200-68	15'-0 15/16"	TOP TRACK
B	1	362T300-68	15'-0 15/16"	BOTTOM TRACK
C	2	150U50-54	15'-0 3/4"	HORIZONTAL BRACING
D	9	362S200-68	10'-5 13/16"	STUD

12-1059

Jewish Home for the Aging

1885 Victory Blvd. Reseda, CA

FrameMax, Inc.
13915 Danielson St
Suite 100
Poway, CA 92064
www.frame-max.com



© FrameMax Inc.

CREATED: 11/05/2008

FM-07-109

CREATED BY: HH

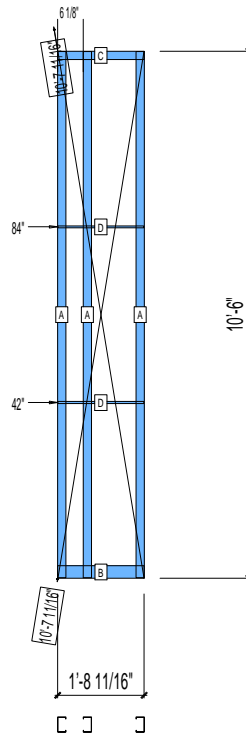
HEIGHT : 10'-6"
SPACING : 5000"
1st STUD: 5000"

POINTS: 0.53 Points.

APPROVED
By hhuynh at 5:44 pm, Nov 18, 2008

WEIGHTS :
FRAME : 75 lbs

TOTAL: 75 lbs



PIECES LIST

LABEL	QTY	SIZE	LENGTH	USE
A	3	362S200-68	10'-5 13/16"	STUD
B	1	362T300-68	1'-8 11/16"	BOTTOM TRACK
C	1	362T200-68	1'-8 11/16"	TOP TRACK
D	2	150U50-54	1'-8 1/2"	HORIZONTAL BRACING

12-1060

Jewish Home for the Aging

1885 Victory Blvd. Res **CREATED BY: HH**

FM-07-109

CREATED BY: AMB

FrameMax, Inc.
13915 Danielson St
Suite 100
Poway, CA 92064
www.framemax.com



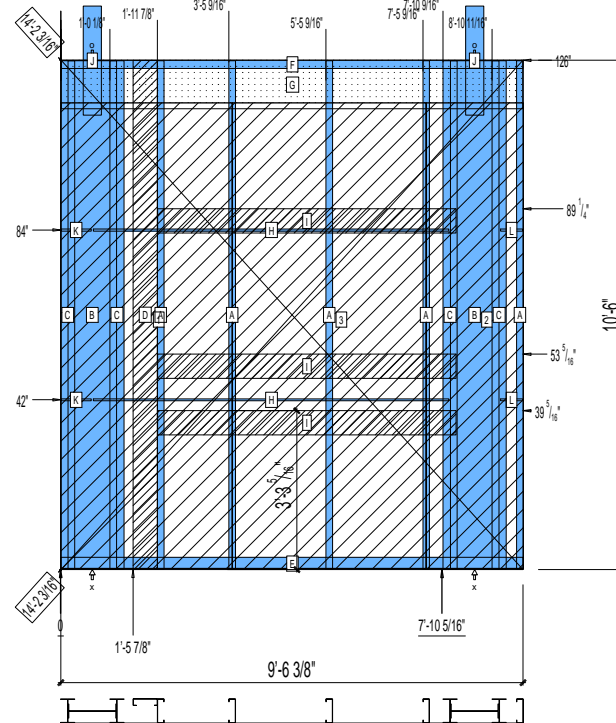
© FrameMax Inc.

APPROVED
By hhuynh at 5:44 pm, Nov 18, 2008

HEIGHT : 10'-6"
SPACING : 5000"
1st STUD: 5000"

WEIGHTS :
FRAME : 983 lbs
SHEATHING: 337 lbs

TOTAL: 1320 lbs



PIECES LIST

LABEL	QTY	SIZE	LENGTH	USE
A	5	600S162-68	10'-5 13/16"	STUD
B	2	1200i350p1420	10'-5 13/16"	PACO
C	4	600i350p968	10'-5 13/16"	PACO
D	1	600S162-33	10'-5 13/16"	BACKER-U
E	1	600T300-68	9'-6 3/8"	BOTTOM TRACK
F	1	600T200-68	9'-6 3/8"	TOP TRACK
G	1	1200D-54	9'-6 1/8"	STRAP
H	2	150U50-54	7'-3 15/16"	HORIZONTAL BRACING
I	3	600D-54	6'-1 7/8"	KITCHEN BACKING
J	2	B	2'-3"	HOLDDOWN
K	2	150U50-54	7 7/16"	HORIZONTAL BRACING
L	2	150U50-54	5 1/2"	HORIZONTAL BRACING

SHEATHING

LABEL	QTY	CODE	THICK	SIZE	SCREWS
1	1	SB-DENSARMOR	5/8"	3'-6 3/8" X 9'-7 3/16"	2-12
2	1	SB-DENSARMOR	5/8"	2'-0" X 9'-7 3/16"	2-12
3	1	SB-DENSARMOR	5/8"	4'-0" X 9'-7 3/16"	2-12

12-1061

Jewish Home for the Aging

1885 Victory Blvd. Reseda, CA

FM-07-109

CREATED BY: HH

FrameMax, Inc.
13915 Danielson St
Suite 100
Poway, CA 92064
www.framemax.com

FRAME MAX

© FrameMax Inc.

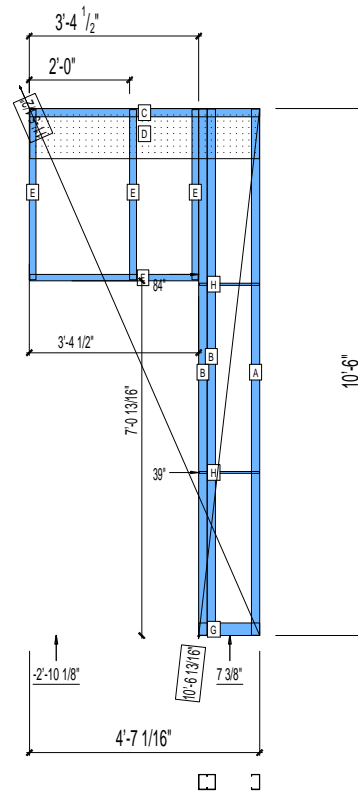
HEIGHT : 10'-6"
SPACING : 5000"
1st STUD: 5000"

POINTS: 0.85 Points.

APPROVED
By hhuynh at 5:44 pm, Nov 18, 2008

WEIGHTS :
FRAME : 109 lbs

TOTAL: 109 lbs



PIECES LIST

LABEL	QTY	SIZE	LENGTH	USE
A	1	362S200-68	10'-5 13/16"	STUD
B	2	362S200-68	10'-5 13/16"	KING STUD
C	1	362T200-68	4'-7 1/16"	TOP TRACK
D	1	1200D-54	4'-6 7/8"	STRAP
E	3	362S162-54	3'-4 3/4"	CRIPPLE
F	1	362T150-54	3'-4 1/4"	HEAD TRACK
G	1	362T300-68	1'-2 1/2"	BOTTOM TRACK
H	2	150U50-54	1'-2 3/8"	HORIZONTAL BRACING

12-1062

Jewish Home for the Aging

1885 Victory Blvd. Reseda, CA

FM-07-109

CREATED BY: HH

FrameMax, Inc.
13915 Danielson St
Suite 100
Poway, CA 92064
www.frame-max.com

FRAME MAX

© FrameMax Inc.

HEIGHT : 10'-6"
SPACING : 5000"
1st STUD: 5000"

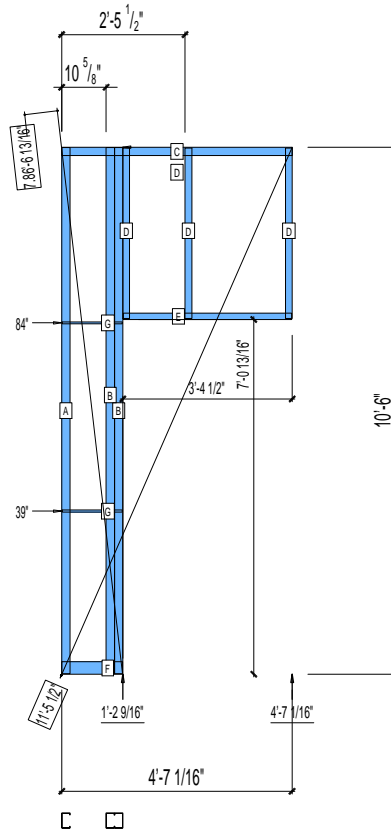
POINTS: 0.78 Points.

WEIGHTS :
FRAME : 98 lbs

TOTAL: 98 lbs

APPROVED

By hhuynh at 5:44 pm, Nov 18, 2008



PIECES LIST

LABEL	QTY	SIZE	LENGTH	USE
A	1	362S200-68	10'-5 13/16"	STUD
B	2	362S200-68	10'-5 13/16"	KING STUD
C	1	362T200-68	4'-7 1/16"	TOP TRACK
D	3	362S162-54	3'-4 3/4"	CRIPPLE
E	1	362T150-54	3'-4 1/4"	HEAD TRACK
F	1	362T300-68	1'-2 1/2"	BOTTOM TRACK
G	2	150U50-54	1'-2 3/8"	HORIZONTAL BRACING

12-1063

Jewish Home for the Aging

1885 Victory Blvd. Reseda, CA

FM-07-109

CREATED BY: HH

FrameMax, Inc.
13915 Danielson St
Suite 100
Poway, CA 92064
www.frame-max.com



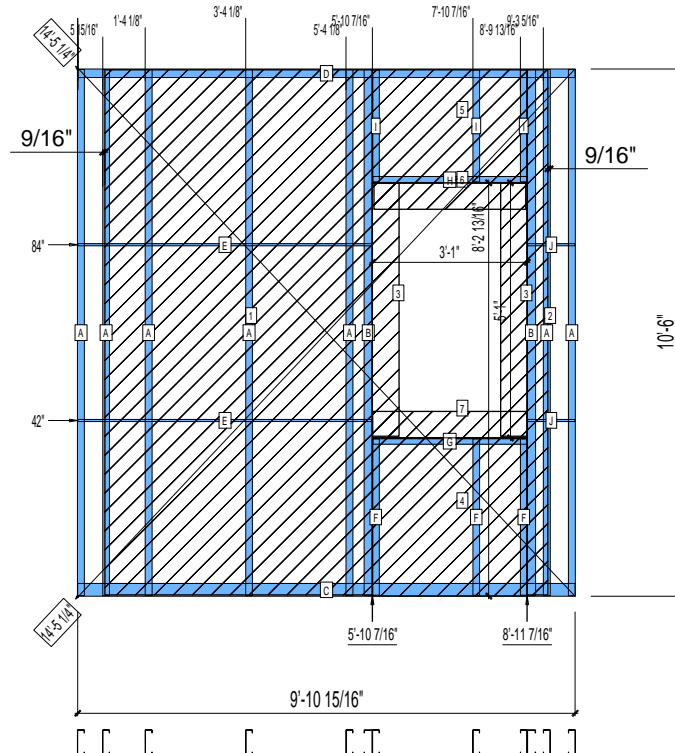
© FrameMax Inc.

HEIGHT : 10'-6"
POINTS: 3.09 Points.
SPACING : 5000"
1st STUD: 5000"

APPROVED
By hhuynh at 5:44 pm, Nov 18, 2008

WEIGHTS :
FRAME : 313 lbs
SHEATHING: 213 lbs

TOTAL: 526 lbs



PIECES LIST

LABEL	QTY	SIZE	LENGTH	USE
A	7	600S162-54	10'-5 13/16"	STUD
B	2	600S200-97	10'-5 13/16"	KING STUD
C	1	600T300-54	9'-10 15/16"	BOTTOM TRACK
D	1	600T200-54	9'-10 15/16"	TOP TRACK
E	2	150U50-54	5'-10 1/4"	HORIZONTAL BRACING
F	3	600S162-54	3'-1 3/8"	CRIPPLE
G	1	600T150-54	3'-0 3/4"	SILL
H	1	600T150-54	3'-0 3/4"	HEAD TRACK
I	3	600S162-54	2'-2 3/4"	CRIPPLE
J	2	150U50-54	11 1/4"	HORIZONTAL BRACING

SHEATHING

LABEL	QTY	CODE	THICK	SIZE	SCREWS
1	1	DENSGLASS	1/2"	5'-3 7/8" X 10'-5 9/16"	8 - 12
2	1	DENSGLASS	1/2"	4 7/8" X 10'-5 9/16"	8 - 12
3	2	DENSGLASS	1/2"	6 3/8" X 5'-0 1/2"	8 - 12
4	1	DENSGLASS	1/2"	3'-0 7/8" X 3'-1 5/8"	8 - 12
5	1	DENSGLASS	1/2"	3'-0 7/8" X 2'-3"	8 - 12
6	1	DENSGLASS	1/2"	3'-0 1/4" X 6 5/16"	8 - 12
7	1	DENSGLASS	1/2"	3'-0 7/8" X 6 5/16"	8 - 12

12-1064

Jewish Home for the Aging

1885 Victory Blvd. Reseda, CA

FM-07-109

CREATED BY: HH

FrameMax, Inc.
13915 Danielson St
Suite 100
Poway, CA 92064
www.framemax.com



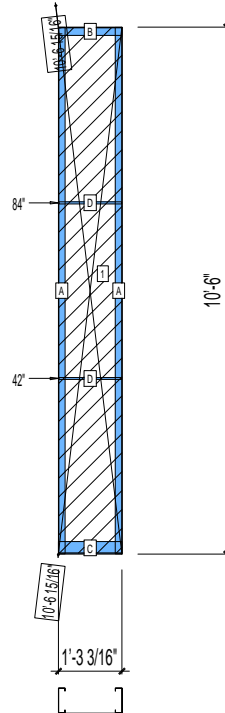
© FrameMax Inc.

HEIGHT : 10'-6"
POINTS: 0.51 Points.
SPACING : 5000"
1st STUD: 16"

APPROVED
By hhuynh at 5:44 pm, Nov 18, 2008

WEIGHTS :
FRAME : 46 lbs
SHEATHING: 33 lbs

TOTAL: 79 lbs



PIECES LIST

LABEL	QTY	SIZE	LENGTH	USE
A	2	600S162-54	10'-5 13/16"	STUD
B	1	600T200-54	1'-3 3/16"	TOP TRACK
C	1	600T300-54	1'-3 3/16"	BOTTOM TRACK
D	2	150U50-54	1'-3"	HORIZONTAL BRACING

SHEATHING

LABEL	QTY	CODE	THICK	SIZE	SCREWS
1	1	DENSGLASS	1/2"	1'-3 1/8" X 10'-5 9/16"	8 - 12

12-1065

Jewish Home for the Aging

1885 Victory Blvd. Reseda, CA

FM-07-109

CREATED BY: HH

FrameMax, Inc.
13915 Danielson St
Suite 100
Poway, CA 92064
www.frame-max.com

FRAME MAX

© FrameMax Inc.

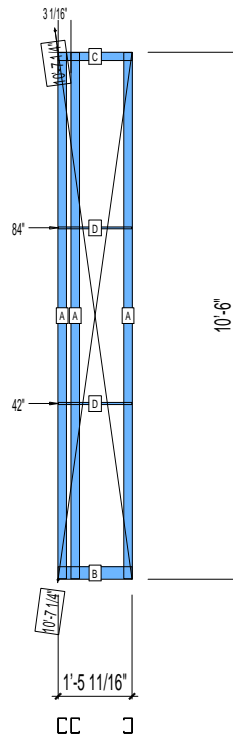
HEIGHT : 10'-6"
SPACING : 5000"
1st STUD: 5000"

POINTS: 0.51 Points.

APPROVED
By hhuynh at 5:44 pm, Nov 18, 2008

WEIGHTS :
FRAME : 73 lbs

TOTAL: 73 lbs



PIECES LIST

LABEL	QTY	SIZE	LENGTH	USE
A	3	362S200-68	10'-5 13/16"	STUD
B	1	362T300-68	1'-5 11/16"	BOTTOM TRACK
C	1	362T200-68	1'-5 11/16"	TOP TRACK
D	2	150U50-54	1'-5 1/2"	HORIZONTAL BRACING

12-1066

Jewish Home for the Aging

1885 Victory Blvd. Reseda, CA

FM-07-109

CREATED BY: HH

FrameMax, Inc.
13915 Danielson St
Suite 100
Poway, CA 92064
www.framemax.com



© FrameMax Inc.

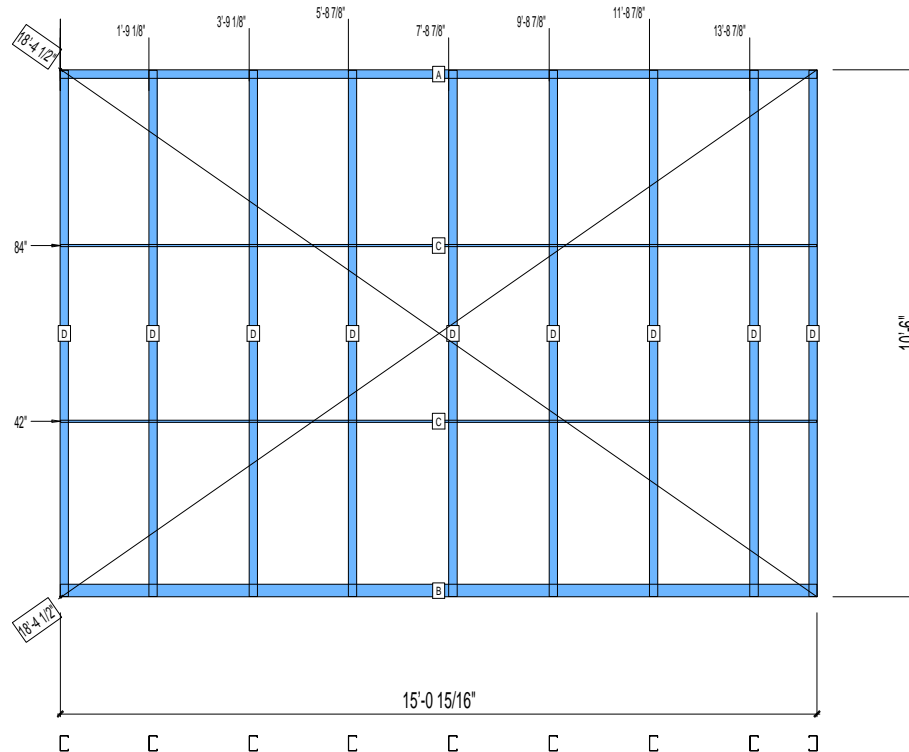
HEIGHT : 10'-6"
SPACING : 5000"
1st STUD: 5000"

POINTS: 1.85 Points.

APPROVED
By hhuynh at 5:44 pm, Nov 18, 2008

WEIGHTS :
FRAME : 276 lbs

TOTAL: 276 lbs



PIECES LIST

LABEL	QTY	SIZE	LENGTH	USE
A	1	362T200-68	15'-0 15/16"	TOP TRACK
B	1	362T300-68	15'-0 15/16"	BOTTOM TRACK
C	2	150U50-54	15'-0 3/4"	HORIZONTAL BRACING
D	9	362S200-68	10'-5 13/16"	STUD

12-1067

Jewish Home for the Aging

1885 Victory Blvd. Reseda, CA

FM-07-109

CREATED BY: HH

FrameMax, Inc.
13915 Danielson St
Suite 100
Poway, CA 92064
www.frame-max.com

FRAME MAX

© FrameMax Inc.

HEIGHT : 10'-6"
SPACING : 5000"
1st STUD: 5000"

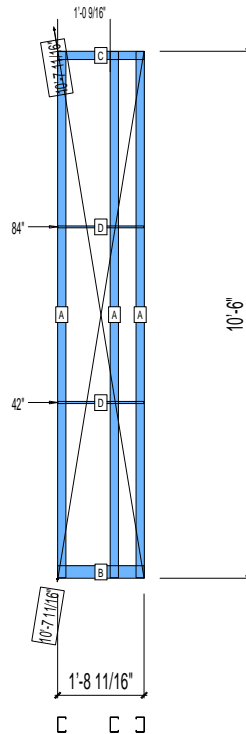
POINTS: 0.53 Points.

WEIGHTS :
FRAME : 75 lbs

TOTAL: 75 lbs

APPROVED

By hhuynh at 5:44 pm, Nov 18, 2008



PIECES LIST

LABEL	QTY	SIZE	LENGTH	USE
A	3	362S200-68	10'-5 13/16"	STUD
B	1	362T300-68	1'-8 11/16"	BOTTOM TRACK
C	1	362T200-68	1'-8 11/16"	TOP TRACK
D	2	150U50-54	1'-8 1/2"	HORIZONTAL BRACING

12-1068

Jewish Home for the Aging

1885 Victory Blvd. Res **CREATED BY: HH**

FM-07-109

CREATED BY: AMB

FrameMax, Inc.
13915 Danielson St
Suite 100
Poway, CA 92064
www.frame-max.com



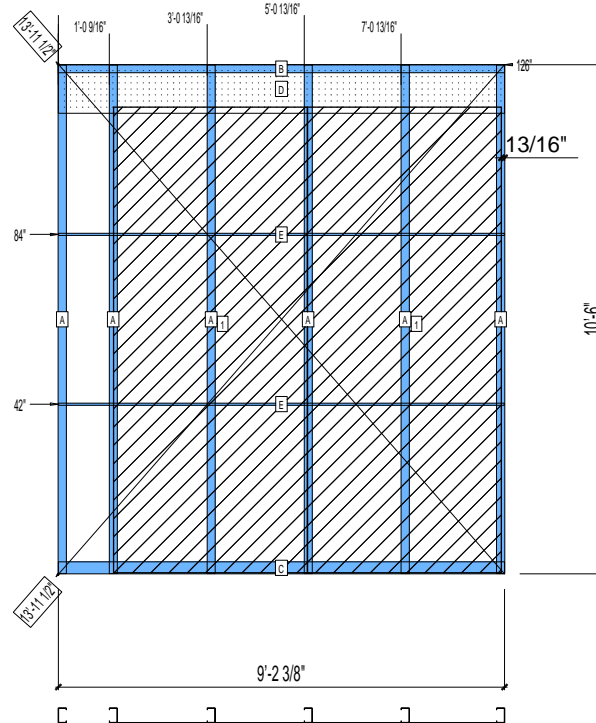
© FrameMax Inc.

APPROVED
By hhuynh at 5:44 pm, Nov 18, 2008

HEIGHT : 10'-6"
POINTS: 2.60 Points.
SPACING : 5000"
1st STUD: 5000"

WEIGHTS :
FRAME : 197 lbs
SHEATHING: 282 lbs

TOTAL: 479 lbs



PIECES LIST

LABEL	QTY	SIZE	LENGTH	USE
A	6	362S200-68	10'-5 13/16"	STUD
B	1	362T200-68	9'-2 3/8"	TOP TRACK
C	1	362T300-68	9'-2 3/8"	BOTTOM TRACK
D	1	1200D-54	9'-2 5/16"	STRAP
E	2	150U50-54	9'-2 3/16"	HORIZONTAL BRACING

SHEATHING

LABEL	QTY	CODE	THICK	SIZE	SCREWS
1	2	SB-DENSARMOR	5/8"	4'-0" X 9'-7 3/16"	2-12

12-1069

Jewish Home for the Aging

1885 Victory Blvd. Res **CREATED BY: HH**

FM-07-109

CREATED BY: AMB

FrameMax, Inc.
13915 Danielson St
Suite 100
Poway, CA 92064
www.frame-max.com



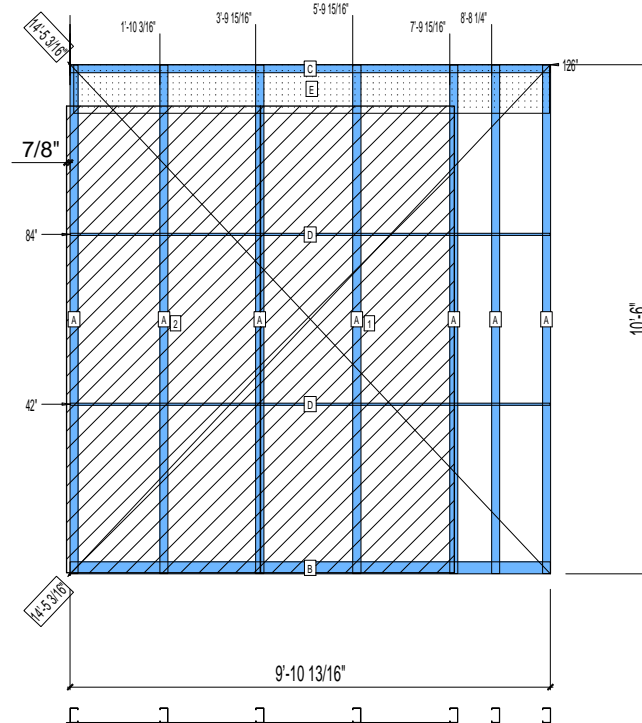
© FrameMax Inc.

APPROVED
By hhuynh at 5:44 pm, Nov 18, 2008

HEIGHT : 10'-6"
POINTS: 2.79 Points.
SPACING : 5000"
1st STUD: 5000"

WEIGHTS :
FRAME : 229 lbs
SHEATHING: 283 lbs

TOTAL: 512 lbs



PIECES LIST

LABEL	QTY	SIZE	LENGTH	USE
A	7	362S200-68	10'-5 13/16"	STUD
B	1	362T300-68	9'-10 13/16"	BOTTOM TRACK
C	1	362T200-68	9'-10 13/16"	TOP TRACK
D	2	150U50-54	9'-10 11/16"	HORIZONTAL BRACING
E	1	1200D-54	9'-9 11/16"	STRAP

SHEATHING

LABEL	QTY	CODE	THICK	SIZE	SCREWS
1	1	SB-DENSARMOR	5/8"	4'-0" X 9'-7 7/16"	2 - 12
2	1	SB-DENSARMOR	5/8"	4'-0" X 9'-7 7/16"	2 - 12

12-1070

Jewish Home for the Aging

1885 Victory Blvd. Reseda, CA

FM-07-109

CREATED BY: HH

FrameMax, Inc.
13915 Danielson St
Suite 100
Poway, CA 92064
www.framemax.com



© FrameMax Inc.

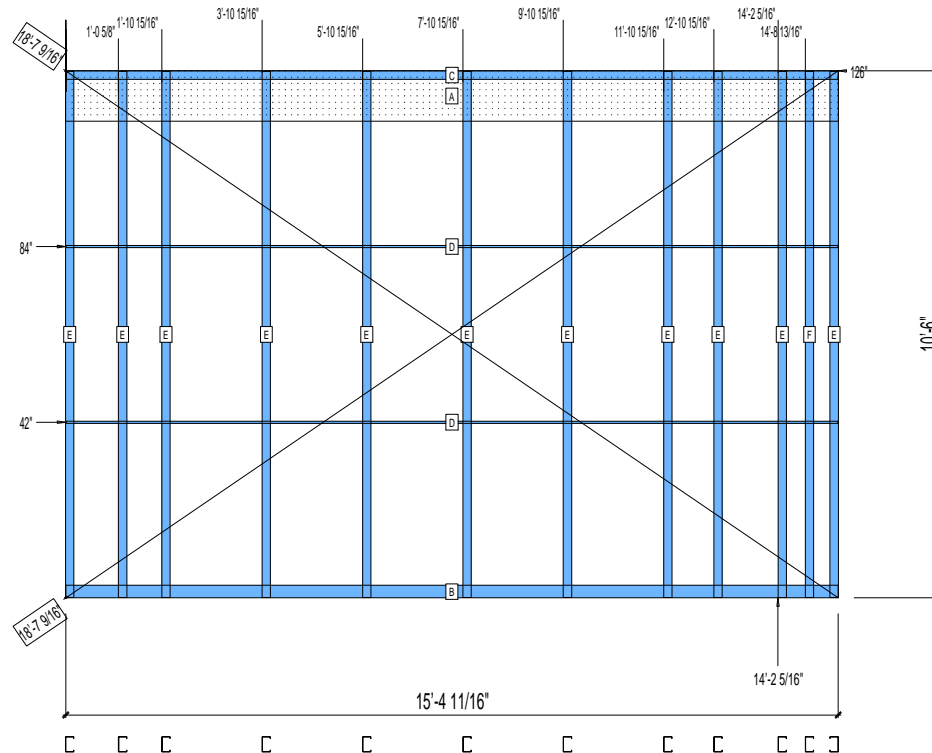
HEIGHT : 10'-6"
SPACING : 5000"
1st STUD: 5000"

POINTS: 2.42 Points.

APPROVED
By hhuynh at 5:44 pm, Nov 18, 2008

WEIGHTS :
FRAME : 381 lbs

TOTAL: 381 lbs



PIECES LIST

LABEL	QTY	SIZE	LENGTH	USE
A	1	1200D-54	15'-4 3/4"	STRAP
B	1	362T300-68	15'-4 11/16"	BOTTOM TRACK
C	1	362T200-68	15'-4 11/16"	TOP TRACK
D	2	150U50-54	15'-4 1/2"	HORIZONTAL BRACING
E	11	362S200-68	10'-5 13/16"	STUD
F	1	362S200-68	10'-5 13/16"	BACKER STUD

12-1071

Jewish Home for the Aging

1885 Victory Blvd. Reseda, CA

FM-07-109

CREATED BY: HH

FrameMax, Inc.
13915 Danielson St
Suite 100
Poway, CA 92064
www.framemax.com



© FrameMax Inc.

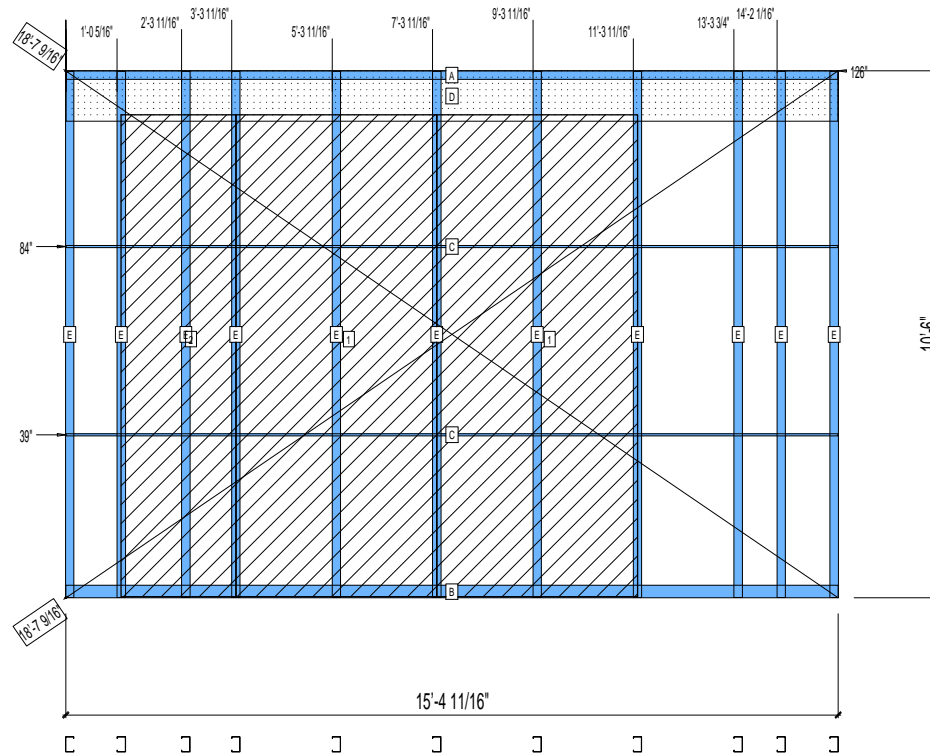
HEIGHT : 10'-6"
SPACING : 5000"
1st STUD: 5000"

POINTS: 3.95 Points.

APPROVED
By hhuynh at 5:44 pm, Nov 18, 2008

WEIGHTS :
FRAME : 359 lbs
SHEATHING: 364 lbs

TOTAL: 723 lbs



PIECES LIST

LABEL	QTY	SIZE	LENGTH	USE
A	1	362T200-68	15'-4 11/16"	TOP TRACK
B	1	362T300-68	15'-4 11/16"	BOTTOM TRACK
C	2	150U50-54	15'-4 1/2"	HORIZONTAL BRACING
D	1	1200D-54	15'-4 1/2"	STRAP
E	11	362S200-68	10'-5 13/16"	STUD

SHEATHING

LABEL	QTY	CODE	THICK	SIZE	SCREWS
1	2	SB-DENSARMOR	5/8"	4'-0" X 9'-7 3/16"	2 - 12
2	1	SB-DENSARMOR	5/8"	2'-3 1/2" X 9'-7 3/16"	2 - 12

12-1072

Jewish Home for the Aging

1885 Victory Blvd. Reseda, CA

FM-07-109

CREATED BY: HH

FrameMax, Inc.
13915 Danielson St
Suite 100
Poway, CA 92064
www.framemax.com



© FrameMax Inc.

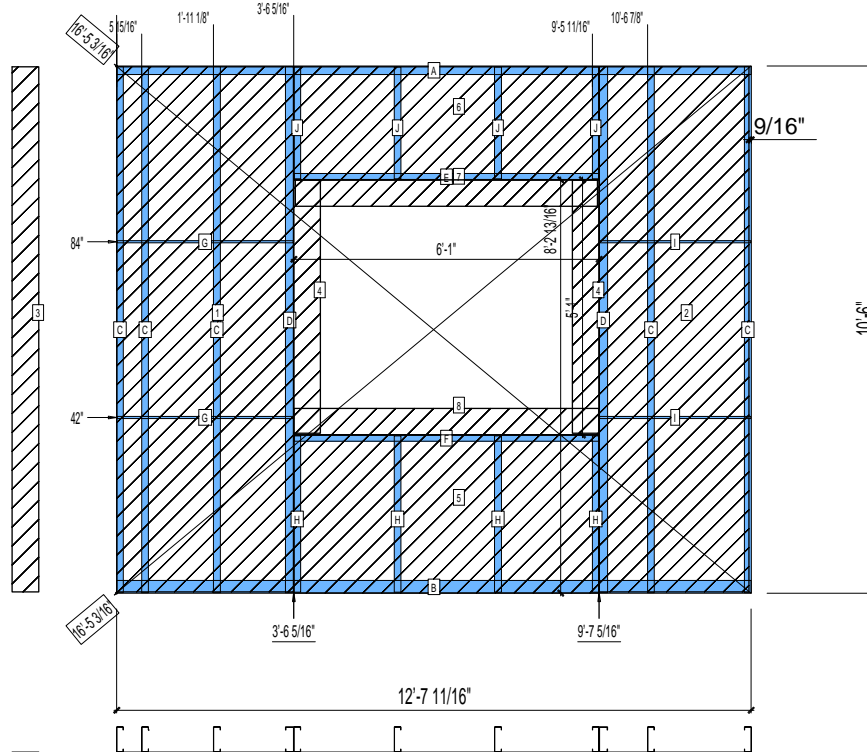
HEIGHT : 10'-6"
SPACING : 5000"
1st STUD: 5000"

POINTS: 3.48 Points.

APPROVED
By hhuynh at 5:44 pm, Nov 18, 2008

WEIGHTS :
FRAME : 305 lbs
SHEATHING: 295 lbs

TOTAL: 600 lbs



PIECES LIST

LABEL	QTY	SIZE	LENGTH	USE
A	1	600T200-54	12'-7 11/16"	TOP TRACK
B	1	600T300-54	12'-7 11/16"	BOTTOM TRACK
C	5	600S162-54	10'-5 13/16"	STUD
D	2	600S200-97	10'-5 13/16"	KING STUD
E	1	600T150-54	6'-0 3/4"	HEAD TRACK
F	1	600T150-54	6'-0 3/4"	SILL
G	2	150U50-54	3'-6 1/8"	HORIZONTAL BRACING
H	4	600S162-54	3'-1 3/8"	CRIPPLE
I	2	150U50-54	3'-0 1/8"	HORIZONTAL BRACING
J	4	600S162-54	2'-2 3/4"	CRIPPLE

SHEATHING

LABEL	QTY	CODE	THICK	SIZE	SCREWS
1	1	DENSGLASS	1/2"	3'-6 1/4" X 10'-5 9/16"	8 - 12
2	1	DENSGLASS	1/2"	2'-11 3/4" X 10'-5 9/16"	8 - 12
3	1	DENSGLASS	1/2"	6 3/8" X 10'-5 9/16"	8 - 12
4	2	DENSGLASS	1/2"	6 3/8" X 5'-0 1/2"	8 - 12
5	1	DENSGLASS	1/2"	6'-0 7/8" X 3'-1 11/16"	8 - 12
6	1	DENSGLASS	1/2"	6'-0 7/8" X 2'-3"	8 - 12
7	1	DENSGLASS	1/2"	6'-0 1/4" X 6 5/16"	8 - 12
8	1	DENSGLASS	1/2"	6'-0 7/8" X 6 5/16"	8 - 12

12-1073

Jewish Home for the Aging

1885 Victory Blvd. Res **CREATED BY: HH**

FM-07-109

CREATED BY: AMB

FrameMax, Inc.
13915 Danielson St
Suite 100
Poway, CA 92064
www.frame-max.com



© FrameMax Inc.

APPROVED

By hhuynh at 5:44 pm, Nov 18, 2008

HEIGHT : 10'-10 7/8" POINTS: 6.14 Points.

SPACING : 5000"

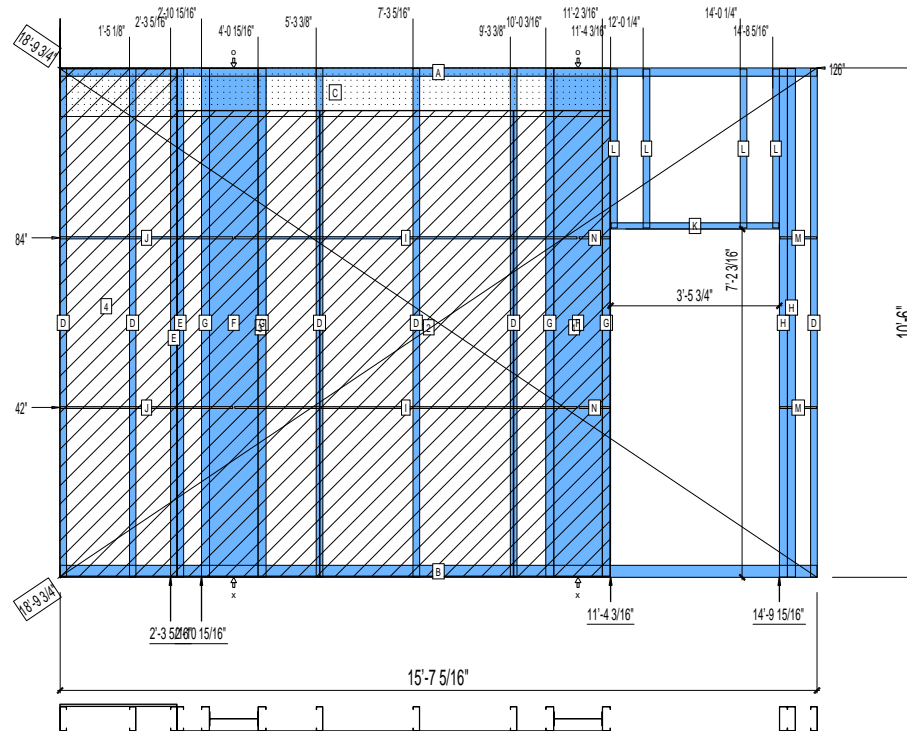
1st STUD: 5000"

WEIGHTS :

FRAME : 752 lbs

SHEATHING: 378 lbs

TOTAL: 1130 lbs



PIECES LIST

LABEL	QTY	SIZE	LENGTH	USE
A	1	600T200-68	15'-7 5/16"	TOP TRACK
B	1	600T300-68	15'-7 5/16"	BOTTOM TRACK
C	1	1200D-54	11'-4"	STRAP
D	6	600S162-68	10'-5 13/16"	STUD
E	2	600S162-68	10'-5 13/16"	EXTRA STUD
F	2	1200i350p1062	10'-5 13/16"	PACO
G	4	600S200-68	10'-5 13/16"	STUD
H	2	600S200-68	10'-5 13/16"	KING STUD
I	2	150U50-54	7'-0 11/16"	HORIZONTAL BRACING
J	2	150U50-54	3'-6 5/8"	HORIZONTAL BRACING
K	1	600T150-54	3'-5 1/2"	HEAD TRACK
L	4	600S162-54	3'-3 3/8"	CRIPPLE
M	2	150U50-54	9 1/8"	HORIZONTAL BRACING
N	2	150U50-54	7 11/16"	HORIZONTAL BRACING

SHEATHING

LABEL	QTY	CODE	THICK	SIZE	SCREWS
1	1	SB-DENSARMOR	5/8"	1'-11 7/8" X 9'-7 3/16"	3 - 12
2	1	SB-DENSARMOR	5/8"	4'-0" X 9'-7 3/16"	3 - 12
3	1	SB-DENSARMOR	5/8"	2'-11 1/4" X 9'-7 3/16"	3 - 12
4	1	DENSGLOSS	1/2"	2'-4 15/16" X 10'-5 9/16"	8 - 12

12-1074

Jewish Home for the Aging

1885 Victory Blvd. Reseda, CA

FM-07-109

CREATED BY: HH

FrameMax, Inc.
13915 Danielson St
Suite 100
Poway, CA 92064
www.frame-max.com



© FrameMax Inc.

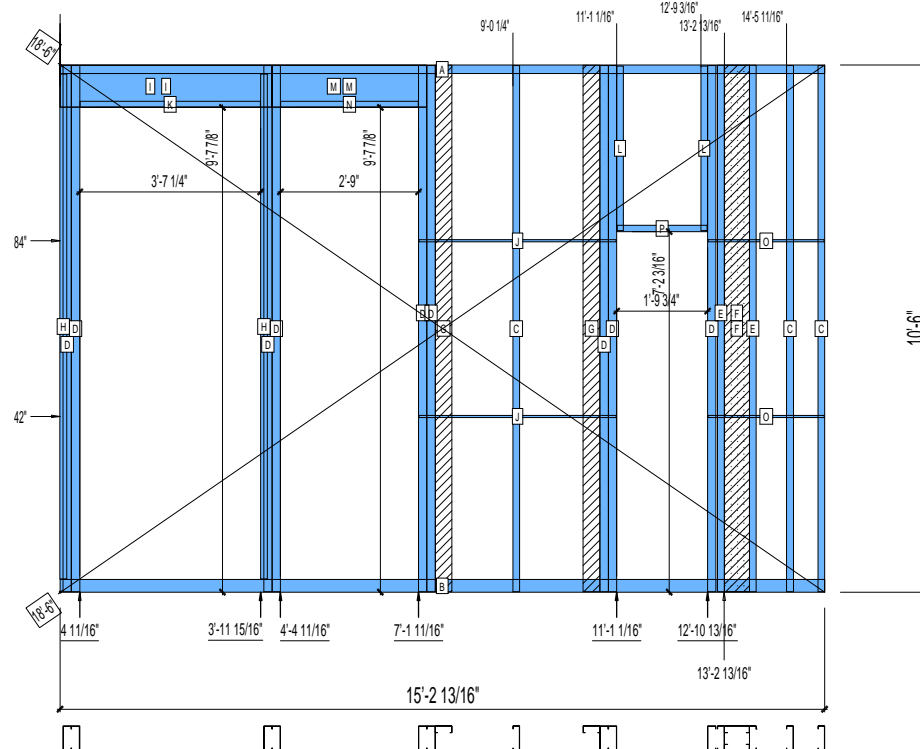
HEIGHT : 10'-6"
SPACING : 5000"
1st STUD: 5000"

POINTS: 3.86 Points.

APPROVED
By hhuynh at 5:44 pm, Nov 18, 2008

WEIGHTS :
FRAME : 614 lbs

TOTAL: 614 lbs



PIECES LIST

LABEL	QTY	SIZE	LENGTH	USE
A	1	600T200-68	15'-2 13/16"	TOP TRACK
B	1	600T300-68	15'-2 13/16"	BOTTOM TRACK
C	3	600S162-68	10'-5 13/16"	STUD
D	9	600S200-68	10'-5 13/16"	KING STUD
E	2	600S162-33	10'-5 13/16"	BACKER STUD
F	2	600S162-33	10'-5 13/16"	BACKER-U
G	2	400S162-33	10'-5 13/16"	BACKER-U
H	2	600S162-33	10'-0 3/4"	BACKER STUD
I	2	1000S200-97	4'-2 5/8"	HEADER
J	2	150U50-54	3'-11 1/8"	HORIZONTAL BRACING
K	1	600T150-54	3'-7 1/8"	HEADER BOTTOM TRACK
L	2	600S162-54	3'-3 3/8"	CRIPPLE
M	2	1000S200-97	3'-0 7/8"	HEADER
N	1	600T150-54	2'-8 7/8"	HEADER BOTTOM TRACK
O	2	150U50-54	2'-3 3/4"	HORIZONTAL BRACING
P	1	600T150-54	1'-9 1/2"	HEAD TRACK

12-1075

Jewish Home for the Aging

1885 Victory Blvd. Reseda, CA

FM-07-109

CREATED BY: HH

FrameMax, Inc.
13915 Danielson St
Suite 100
Poway, CA 92064
www.frame-max.com



© FrameMax Inc.

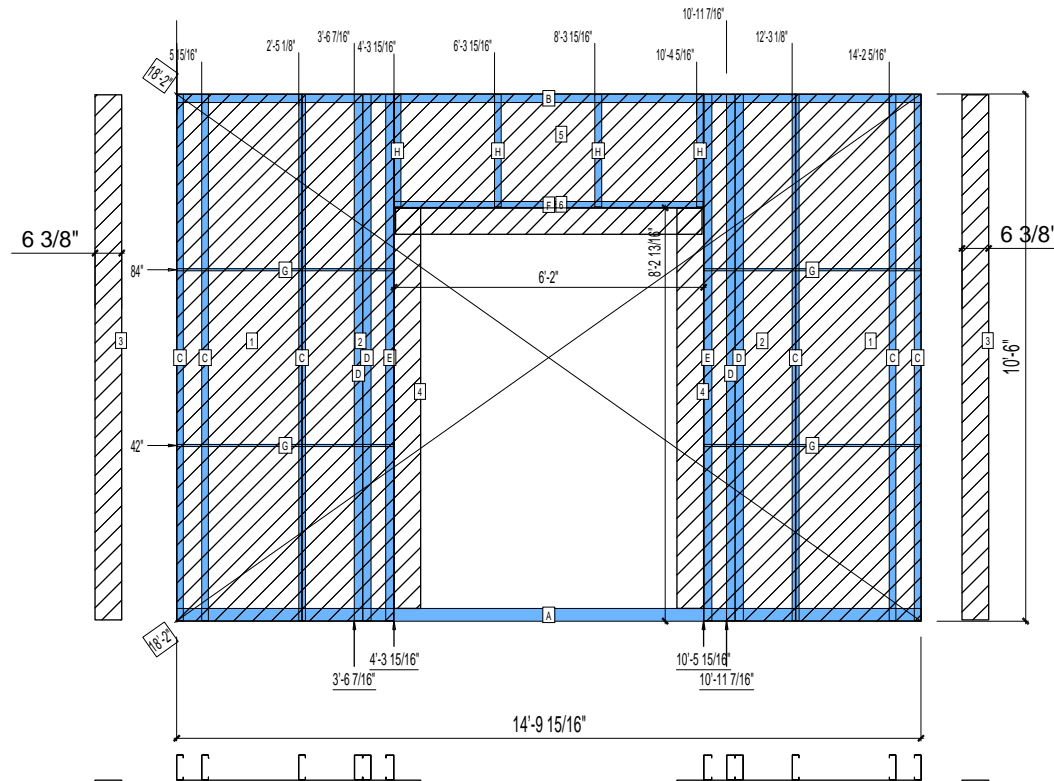
HEIGHT : 10'-6"
SPACING : 5000"
1st STUD: 5000"

POINTS: 4.34 Points.

APPROVED
By hhuynh at 5:44 pm, Nov 18, 2008

WEIGHTS :
FRAME : 460 lbs
SHEATHING: 319 lbs

TOTAL: 779 lbs



PIECES LIST

LABEL	QTY	SIZE	LENGTH	USE
A	1	600T300-54	14'-9 15/16"	BOTTOM TRACK
B	1	600T200-54	14'-9 7/8"	TOP TRACK
C	6	600S162-54	10'-5 13/16"	STUD
D	4	600S200-97	10'-5 13/16"	EXTRA STUD
E	2	600S200-97	10'-5 13/16"	KING STUD
F	1	600T150-54	6'-1 3/4"	HEAD TRACK
G	4	150U50-54	4'-3 3/4"	HORIZONTAL BRACING
H	4	600S162-54	2'-2 7/8"	CRIPPLE

SHEATHING

LABEL	QTY	CODE	THICK	SIZE	SCREWS
1	2	DENSGLOSS	1/2"	2'-5 15/16" X 10'-5 7/8"	8 - 12
2	2	DENSGLOSS	1/2"	1'-9 15/16" X 10'-5 7/8"	8 - 12
3	2	DENSGLOSS	1/2"	6 3/8" X 10'-5 9/16"	8 - 12
4	2	DENSGLOSS	1/2"	6 3/8" X 7'-11 3/4"	8 - 12
5	1	DENSGLOSS	1/2"	6'-1 7/8" X 2'-3 1/8"	8 - 12
6	1	DENSGLOSS	1/2"	6'-1 1/4" X 6 5/16"	8 - 12

12-1076

Jewish Home for the Aging

1885 Victory Blvd. Res **CREATED BY: HH**

FM-07-109

CREATED BY: AMB

FrameMax, Inc.
13915 Danielson St
Suite 100
Poway, CA 92064
www.frame-max.com



© FrameMax Inc.

APPROVED
By hhuynh at 5:44 pm, Nov 18, 2008

HEIGHT : 10'-10 7/8" POINTS: 6.59 Points.

SPACING : 5000"

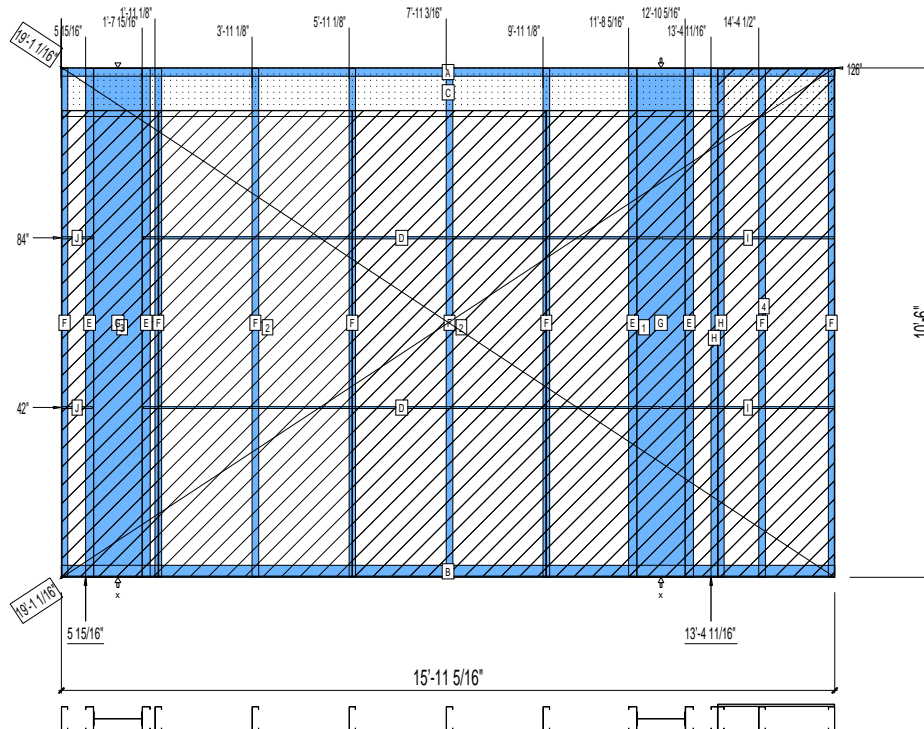
1st STUD: 5000"

WEIGHTS :

FRAME : 719 lbs

SHEATHING: 541 lbs

TOTAL: 1260 lbs



PIECES LIST

LABEL	QTY	SIZE	LENGTH	USE
A	1	600T200-68	15'-11 5/16"	TOP TRACK
B	1	600T300-68	15'-11 5/16"	BOTTOM TRACK
C	1	1200D-54	15'-11 1/8"	STRAP
D	2	150U50-54	10'-7 13/16"	HORIZONTAL BRACING
E	4	600S200-68	10'-5 13/16"	STUD
F	8	600S162-68	10'-5 13/16"	STUD
G	2	1200i350p1062	10'-5 13/16"	PACO
H	2	600S162-68	10'-5 13/16"	EXTRA STUD
I	2	150U50-54	3'-6 5/8"	HORIZONTAL BRACING
J	2	150U50-54	7 9/16"	HORIZONTAL BRACING

SHEATHING

LABEL	QTY	CODE	THICK	SIZE	SCREWS
1	1	SB-DENSARMOR	5/8"	3'-6 3/8" X 9'-7 3/16"	3 - 12
2	2	SB-DENSARMOR	5/8"	4'-0" X 9'-7 3/16"	3 - 12
3	1	SB-DENSARMOR	5/8"	1'-11 7/8" X 9'-7 3/16"	3 - 12
4	1	DENSGLOSS	1/2"	2'-4 15/16" X 10'-5 9/16"	8 - 12

12-1077

Jewish Home for the Aging

1885 Victory Blvd. Res **CREATED BY: HH**

FM-07-109

CREATED BY: AMB

FrameMax, Inc.
13915 Danielson St
Suite 100
Poway, CA 92064
www.frame-max.com



© FrameMax Inc.

APPROVED
By hhuynh at 5:44 pm, Nov 18, 2008

HEIGHT : 10'-6" POINTS: 6.55 Points.

SPACING : 24"

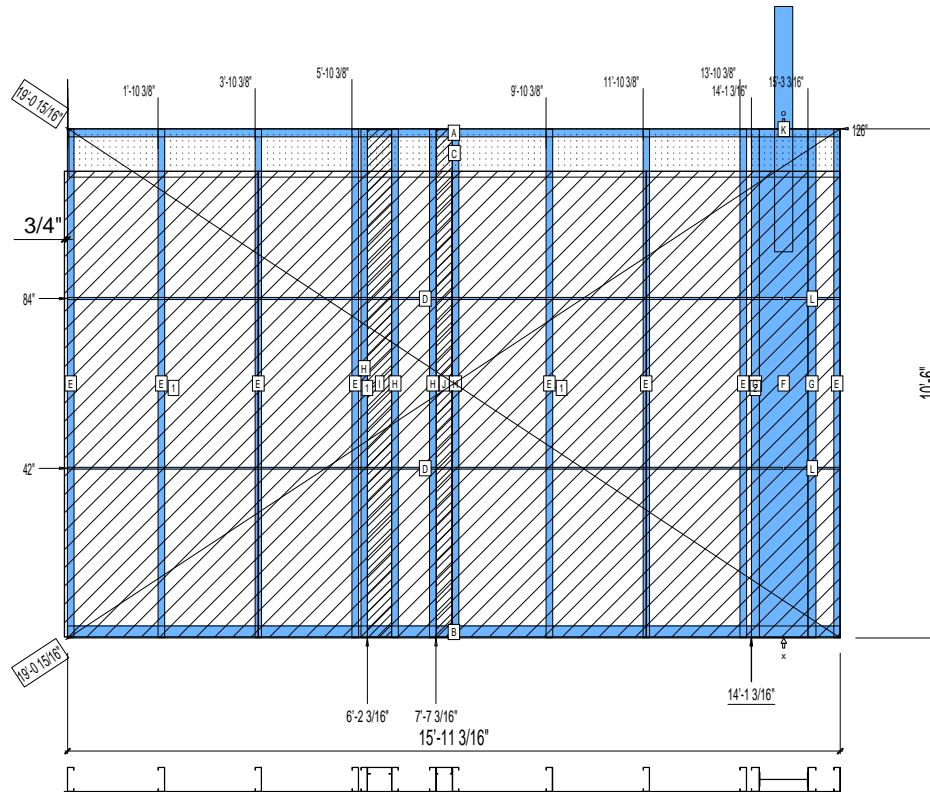
1st STUD: 24"

WEIGHTS :

FRAME : 687 lbs

SHEATHING: 565 lbs

TOTAL: 1252 lbs



PIECES LIST

LABEL	QTY	SIZE	LENGTH	USE
A	1	600T200-68	15'-11 3/16"	TOP TRACK
B	1	600T300-68	15'-11 3/16"	BOTTOM TRACK
C	1	1200D-54	15'-10 3/4"	STRAP
D	2	150U50-54	14'-8 7/8"	HORIZONTAL BRACING
E	8	600S162-68	10'-5 13/16"	STUD
F	1	1200i350p1062	10'-5 13/16"	PACO
G	2	600S200-68	10'-5 13/16"	STUD
H	4	600S162-68	10'-5 13/16"	BACKER STUD
I	1	600S162-68	10'-5 9/16"	BACKER-U
J	1	400S162-68	10'-5 9/16"	BACKER-U
K	1	D	5'-0 3/4"	HOLDDOWN
L	2	150U50-54	1'-1 5/8"	HORIZONTAL BRACING

SHEATHING

LABEL	QTY	CODE	THICK	SIZE	SCREWS
1	3	SB-DENSARMOR	5/8"	4'-0" X 9'-7 3/16"	2 - 12
2	1	SB-DENSARMOR	5/8"	3'-11 15/16" X 9'-7 3/16"	2 - 12

12-1078

Jewish Home for the Aging

1885 Victory Blvd. Reseda, CA

FM-07-109

CREATED BY: HH

FrameMax, Inc.
13915 Danielson St
Suite 100
Poway, CA 92064
www.frame-max.com

FRAME MAX

© FrameMax Inc.

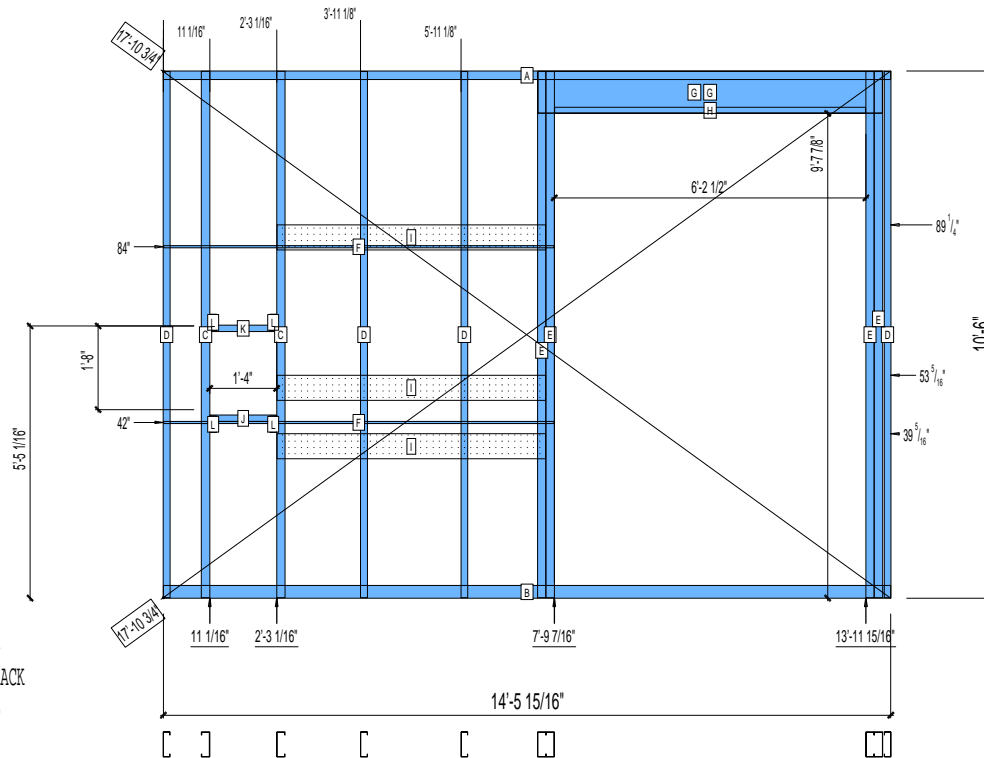
HEIGHT : 10'-6"
SPACING : 5000"
1st STUD: 5000"

POINTS: 3.08 Points.

APPROVED
By hhuynh at 5:44 pm, Nov 18, 2008

WEIGHTS :
FRAME : 488 lbs

TOTAL: 488 lbs



PIECES LIST

LABEL	QTY	SIZE	LENGTH	USE
A	1	600T200-68	14'-5 15/16"	TOP TRACK
B	1	600T300-68	14'-5 15/16"	BOTTOM TRACK
C	2	600S200-97	10'-5 7/8"	KING STUD
D	4	600S162-68	10'-5 13/16"	STUD
E	4	600S200-68	10'-5 13/16"	KING STUD
F	2	150U50-54	7'-9 1/4"	HORIZONTAL BRACING
G	2	1000S200-97	6'-10 3/8"	HEADER
H	1	600T150-54	6'-2 3/8"	HEADER BOTTOM TRACK
I	3	600D-54	5'-4 1/4"	KITCHEN BACKING
J	1	600T150-54	1'-3 3/4"	SILL
K	1	600T150-54	1'-3 3/4"	HEAD TRACK
L	4	600S162-54	3 15/16"	CRIPPLE

12-1079

Jewish Home for the Aging

1885 Victory Blvd. Reseda, CA

FM-07-109

CREATED BY: HH

FrameMax, Inc.
13915 Danielson St
Suite 100
Poway, CA 92064
www.frame-max.com

FRAME MAX

© FrameMax Inc.

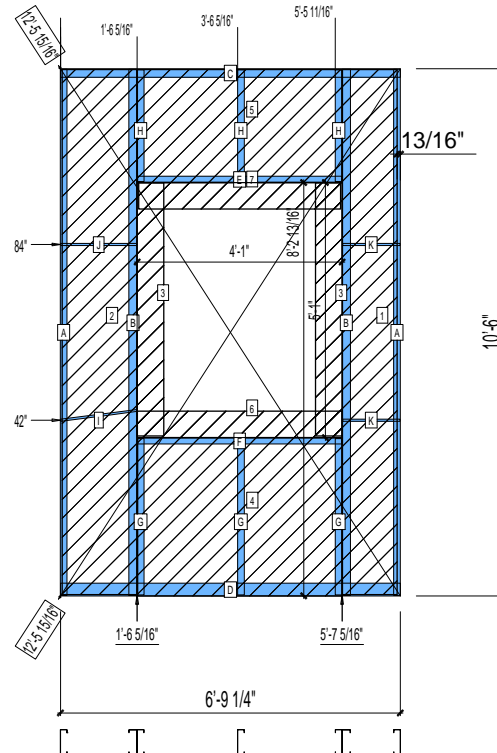
HEIGHT : 10'-6"
SPACING : 5000"
1st STUD: 5000"

POINTS: 2.08 Points.

APPROVED
By hhuynh at 5:44 pm, Nov 18, 2008

WEIGHTS :
FRAME : 197 lbs
SHEATHING: 146 lbs

TOTAL: 343 lbs



PIECES LIST

LABEL	QTY	SIZE	LENGTH	USE
A	2	600S162-54	10'-5 13/16"	STUD
B	2	600S200-97	10'-5 13/16"	KING STUD
C	1	600T200-54	6'-9 1/4"	TOP TRACK
D	1	600T300-54	6'-9 1/4"	BOTTOM TRACK
E	1	600T150-54	4'-0 3/4"	HEAD TRACK
F	1	600T150-54	4'-0 3/4"	SILL
G	3	600S162-54	3'-1 3/8"	CRIPPLE
H	3	600S162-54	2'-2 3/4"	CRIPPLE
I	1	150U50-54	1'-6 5/16"	HORIZONTAL BRACING
J	1	150U50-54	1'-6 1/8"	HORIZONTAL BRACING
K	2	150U50-54	1'-1 11/16"	HORIZONTAL BRACING

SHEATHING

LABEL	QTY	CODE	THICK	SIZE	SCREWS
1	1	DENSGLASS	1/2"	1'-1 1/16" X 10'-5 9/16"	8 - 12
2	1	DENSGLASS	1/2"	1'-5 7/8" X 10'-5 9/16"	8 - 12
3	2	DENSGLASS	1/2"	6 3/8" X 5'-0 1/2"	8 - 12
4	1	DENSGLASS	1/2"	4'-0 13/16" X 3'-1 3/4"	8 - 12
5	1	DENSGLASS	1/2"	4'-0 7/8" X 2'-3"	8 - 12
6	1	DENSGLASS	1/2"	4'-0 7/8" X 6 5/16"	8 - 12
7	1	DENSGLASS	1/2"	4'-0 1/4" X 6 5/16"	8 - 12

12-1080

Jewish Home for the Aging

1885 Victory Blvd. Reseda, CA

FM-07-109

CREATED BY: HH

FrameMax, Inc.
13915 Danielson St
Suite 100
Poway, CA 92064
www.frame-max.com



© FrameMax Inc.

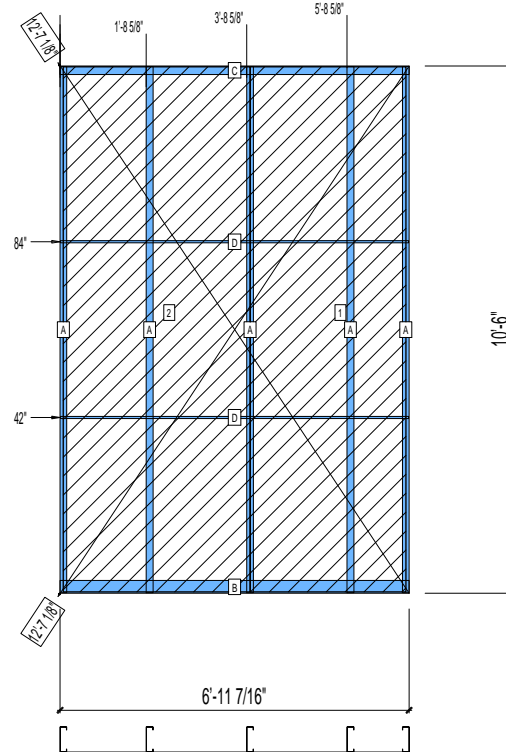
HEIGHT : 10'-6"
SPACING : 5000"
1st STUD: 5000"

POINTS: 1.77 Points.

APPROVED
By hhuynh at 5:44 pm, Nov 18, 2008

WEIGHTS :
FRAME : 136 lbs
SHEATHING: 179 lbs

TOTAL: 315 lbs



PIECES LIST

LABEL	QTY	SIZE	LENGTH	USE
A	5	600S162-54	10'-5 13/16"	STUD
B	1	600T300-54	6'-11 7/16"	BOTTOM TRACK
C	1	600T200-54	6'-11 7/16"	TOP TRACK
D	2	150U50-54	6'-11 1/4"	HORIZONTAL BRACING

SHEATHING

LABEL	QTY	CODE	THICK	SIZE	SCREWS
1	1	DENSGLASS	1/2"	3'-1 1/4" X 10'-5 9/16"	8 - 12
2	1	DENSGLASS	1/2"	3'-8 5/8" X 10'-5 9/16"	8 - 12

12-1081

Jewish Home for the Aging

1885 Victory Blvd. Reseda, CA

FM-07-109

CREATED BY: HH

FrameMax, Inc.
13915 Danielson St
Suite 100
Poway, CA 92064
www.framemax.com



© FrameMax Inc.

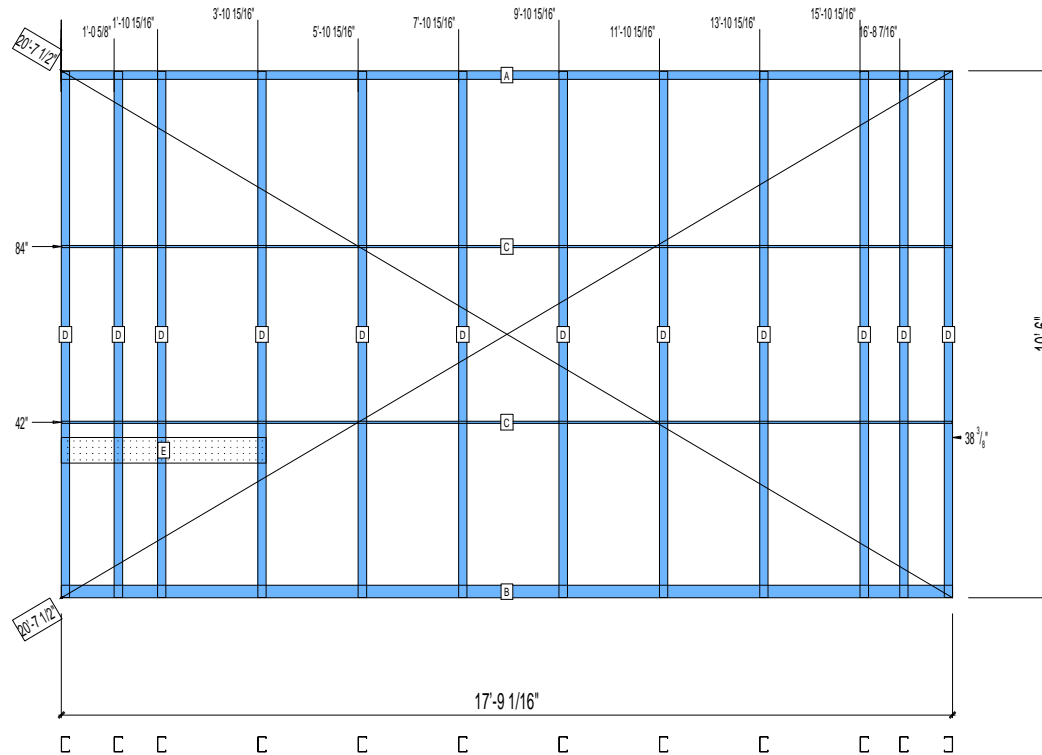
HEIGHT : 10'-6"
SPACING : 5000"
1st STUD: 5000"

POINTS: 2.39 Points.

APPROVED
By hhuynh at 5:44 pm, Nov 18, 2008

WEIGHTS :
FRAME : 363 lbs

TOTAL: 363 lbs



PIECES LIST

LABEL	QTY	SIZE	LENGTH	USE
A	1	362T200-68	17'-9 1/16"	TOP TRACK
B	1	362T300-68	17'-9 1/16"	BOTTOM TRACK
C	2	150U50-54	17'-8 7/8"	HORIZONTAL BRACING
D	12	362S200-68	10'-5 13/16"	STUD
E	1	600T150-54	4'-1"	GRAB BAR

12-1082

Jewish Home for the Aging

1885 Victory Blvd. Res **CREATED BY: HH**

FM-07-109

CREATED BY: AMB

FrameMax, Inc.
13915 Danielson St
Suite 100
Poway, CA 92064
www.frame-max.com



© FrameMax Inc.

APPROVED
By hhuynh at 5:44 pm, Nov 18, 2008

HEIGHT : 10'-6" POINTS: 5.15 Points.

SPACING : 5000"

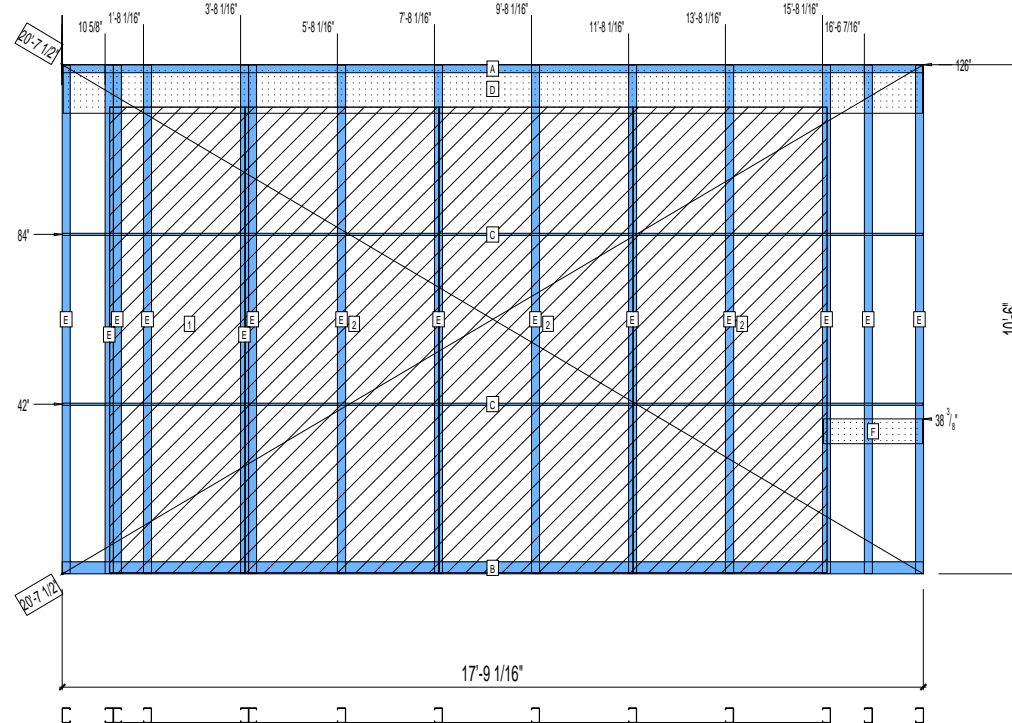
1st STUD: 5000"

WEIGHTS :

FRAME : 436 lbs

SHEATHING: 522 lbs

TOTAL: 958 lbs



PIECES LIST

LABEL	QTY	SIZE	LENGTH	USE
A	1	362T200-68	17'-9 1/16"	TOP TRACK
B	1	362T300-68	17'-9 1/16"	BOTTOM TRACK
C	2	150U50-54	17'-8 7/8"	HORIZONTAL BRACING
D	1	1200D-54	17'-8 5/8"	STRAP
E	14	362S200-68	10'-5 13/16"	STUD
F	1	600T150-54	2'-0 1/2"	GRAB BAR

SHEATHING

LABEL	QTY	CODE	THICK	SIZE	SCREWS
1	1	SB-DENSARMOR	5/8"	2'-9 1/2" X 9'-7 3/16"	2 - 12
2	3	SB-DENSARMOR	5/8"	4'-0" X 9'-7 3/16"	2 - 12

12-1083

Jewish Home for the Aging

1885 Victory Blvd. Reseda, CA

FM-07-109

CREATED BY: HH

FrameMax, Inc.
13915 Danielson St
Suite 100
Poway, CA 92064
www.framemax.com



© FrameMax Inc.

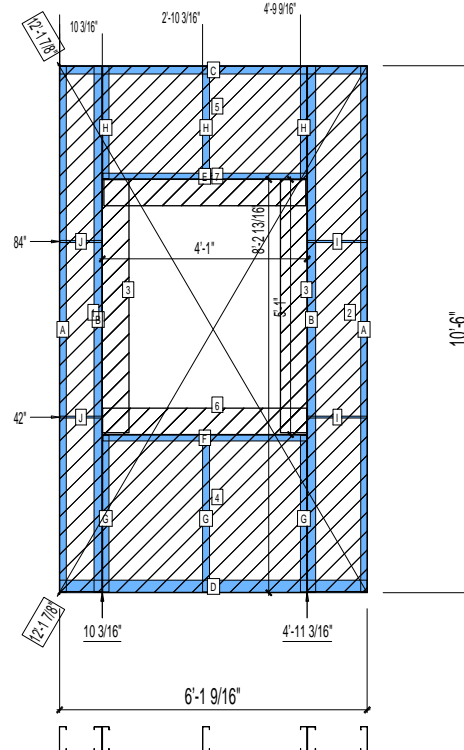
HEIGHT : 10'-6"
SPACING : 5000"
1st STUD: 5000"

POINTS: 1.99 Points.

APPROVED
By hhuynh at 5:44 pm, Nov 18, 2008

WEIGHTS :
FRAME : 194 lbs
SHEATHING: 132 lbs

TOTAL: 326 lbs



PIECES LIST

LABEL	QTY	SIZE	LENGTH	USE
A	2	600S162-54	10'-5 13/16"	STUD
B	2	600S200-97	10'-5 13/16"	KING STUD
C	1	600T200-54	6'-1 9/16"	TOP TRACK
D	1	600T300-54	6'-1 9/16"	BOTTOM TRACK
E	1	600T150-54	4'-0 3/4"	HEAD TRACK
F	1	600T150-54	4'-0 3/4"	SILL
G	3	600S162-54	3'-1 3/8"	CRIPPLE
H	3	600S162-54	2'-2 3/4"	CRIPPLE
I	2	150U50-54	1'-2 1/8"	HORIZONTAL BRACING
J	2	150U50-54	10"	HORIZONTAL BRACING

SHEATHING

LABEL	QTY	CODE	THICK	SIZE	SCREWS
1	1	DENSGLASS	1/2"	10 1/8" X 10'-5 9/16"	8 - 12
2	1	DENSGLASS	1/2"	1'-2 1/4" X 10'-5 9/16"	8 - 12
3	2	DENSGLASS	1/2"	6 3/8" X 5'-0 1/2"	8 - 12
4	1	DENSGLASS	1/2"	4'-0 7/8" X 3'-1 11/16"	8 - 12
5	1	DENSGLASS	1/2"	4'-0 7/8" X 2'-3"	8 - 12
6	1	DENSGLASS	1/2"	4'-0 7/8" X 6 5/16"	8 - 12
7	1	DENSGLASS	1/2"	4'-0 1/4" X 6 5/16"	8 - 12

12-1084

Jewish Home for the Aging

1885 Victory Blvd. Reseda, CA

FM-07-109

CREATED BY: HH

FrameMax, Inc.
13915 Danielson St
Suite 100
Poway, CA 92064
www.frame-max.com

FRAME MAX

© FrameMax Inc.

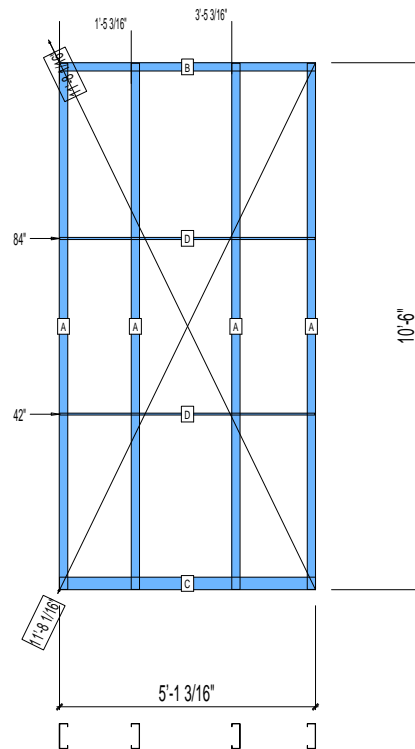
HEIGHT : 10'-6"
SPACING : 5000"
1st STUD: 5000"

POINTS: 0.94 Points.

APPROVED
By hhuynh at 5:44 pm, Nov 18, 2008

WEIGHTS :
FRAME : 146 lbs

TOTAL: 146 lbs



PIECES LIST

LABEL	QTY	SIZE	LENGTH	USE
A	4	600S200-68	10'-5 13/16"	STUD
B	1	600T200-68	5'-1 3/16"	TOP TRACK
C	1	600T300-68	5'-1 3/16"	BOTTOM TRACK
D	2	150U50-54	5'-1"	HORIZONTAL BRACING

12-1085

Jewish Home for the Aging

1885 Victory Blvd. Reseda, CA

FM-07-109

CREATED BY: HH

FrameMax, Inc.
13915 Danielson St
Suite 100
Poway, CA 92064
www.frame-max.com



© FrameMax Inc.

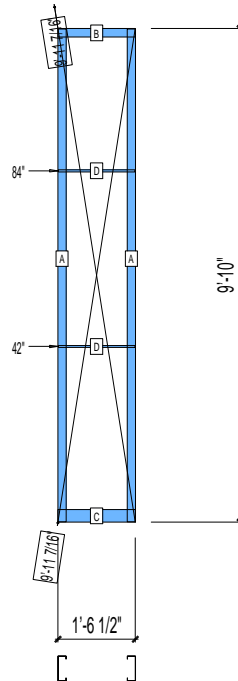
HEIGHT : 10'-6"
SPACING : 24"
1st STUD: 24"

POINTS: 0.45 Points.

APPROVED
By hhuynh at 5:44 pm, Nov 18, 2008

WEIGHTS :
FRAME : 63 lbs

TOTAL: 63 lbs



PIECES LIST

LABEL	QTY	SIZE	LENGTH	USE
A	2	600S200-68	9'-9 13/16"	STUD
B	1	600T200-68	1'-6 1/2"	TOP TRACK
C	1	600T300-68	1'-6 1/2"	BOTTOM TRACK
D	2	150U50-54	1'-6 5/16"	HORIZONTAL BRACING

12-1086

Jewish Home for the Aging

1885 Victory Blvd. Reseda, CA

FM-07-109

CREATED BY: HH

FrameMax, Inc.
13915 Danielson St
Suite 100
Poway, CA 92064
www.frame-max.com



© FrameMax Inc.

HEIGHT : 10'-6"
SPACING : 24"
1st STUD: 24"

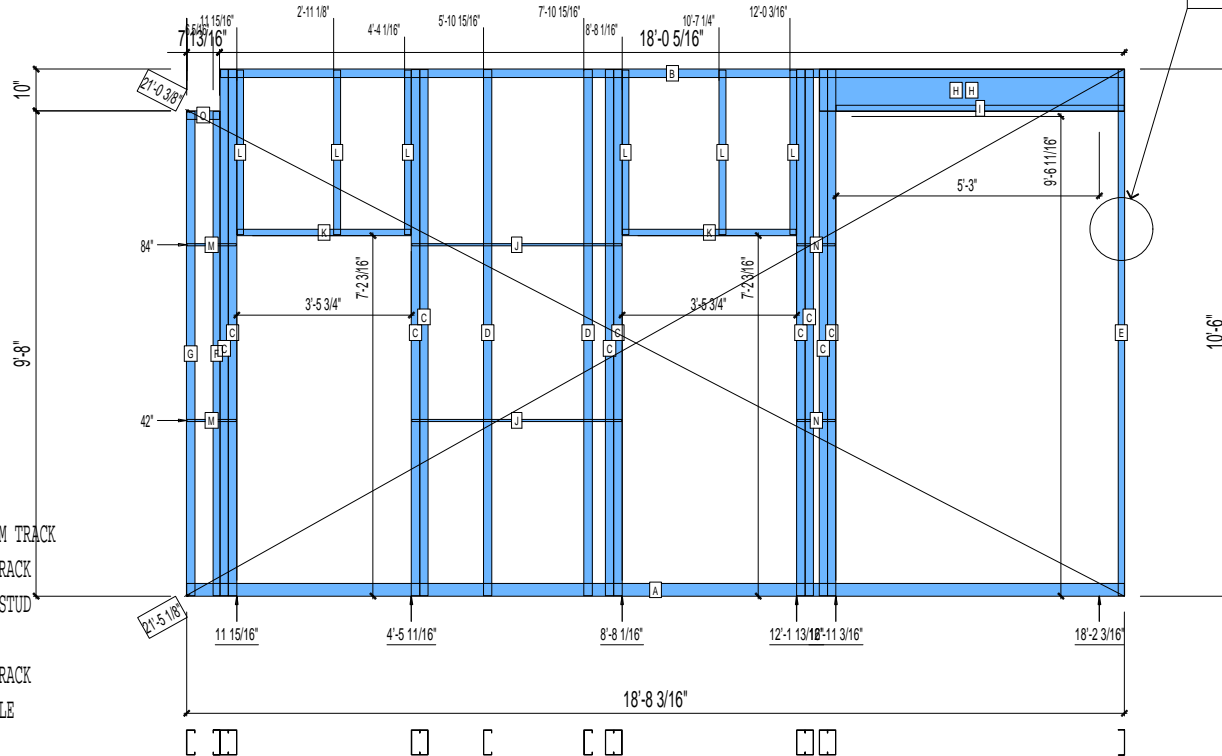
POINTS: 4.01 Points.

APPROVED
By hhuynh at 5:44 pm, Nov 18, 2008

WEIGHTS :
FRAME : 631 lbs

TOTAL: 631 lbs

TEMPORARY CAP TRACK
FOR SHIPPING



PIECES LIST			LENGTH	USE
LABEL	QTY	SIZE		
A	1	600T300-68	18'-8 3/16"	BOTTOM TRACK
B	1	600T200-68	18'-0 1/16"	TOP TRACK
C	10	600S200-68	10'-5 13/16"	KING STUD
D	2	600S200-68	10'-5 13/16"	STUD
E	1	600T150-54	10'-5 13/16"	CAP TRACK
F	1	600S162-54	9'-7 3/4"	CRIPPLE
G	1	600S200-68	9'-7 3/4"	STUD
H	2	1000S200-97	6'-0 7/8"	HEADER
I	1	600T150-54	5'-8 7/8"	HEADER BOTTOM TRACK
J	2	150U50-54	4'-2 1/8"	HORIZONTAL BRACING
K	2	600T150-54	3'-5 1/2"	HEAD TRACK
L	6	600S162-54	3'-3 3/8"	CRIPPLE
M	2	150U50-54	11 3/4"	HORIZONTAL BRACING
N	2	150U50-54	9 1/8"	HORIZONTAL BRACING
O	1	600T200-68	7 13/16"	TOP TRACK

12-1087

Jewish Home for the Aging

1885 Victory Blvd. Res **CREATED BY: HH**

FM-07-109

CREATED BY: AMB

FrameMax, Inc.
13915 Danielson St
Suite 100
Poway, CA 92064
www.frame-max.com



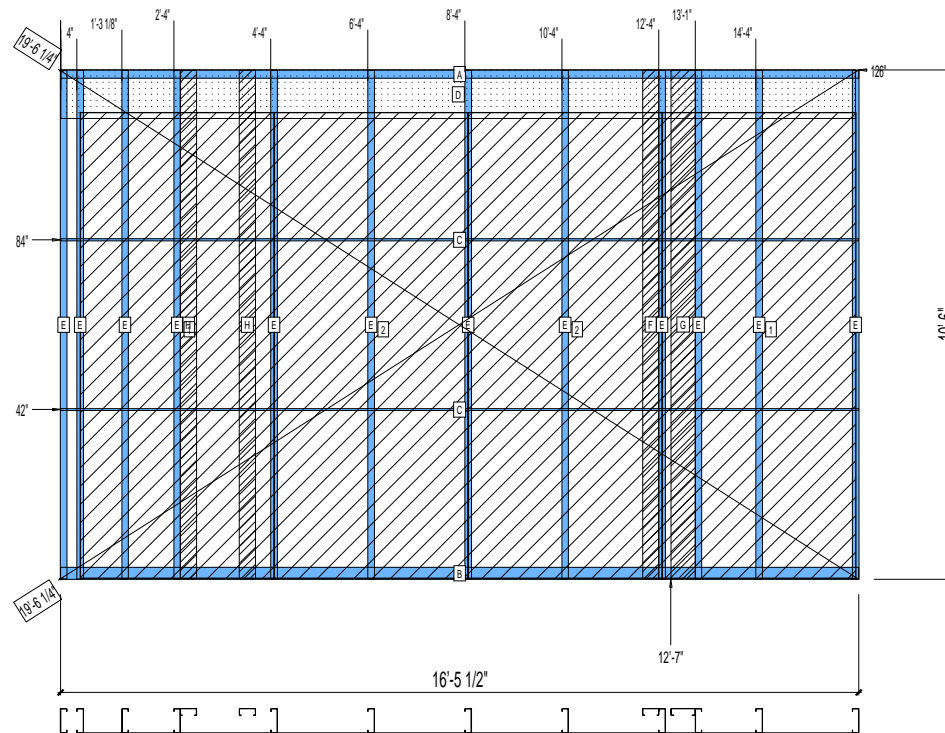
© FrameMax Inc.

APPROVED
By hhuynh at 5:44 pm, Nov 18, 2008

HEIGHT : 10'-6"
SPACING : 5000"
1st STUD: 16"

WEIGHTS :
FRAME : 493 lbs
SHEATHING: 565 lbs

TOTAL: 1058 lbs



PIECES LIST

LABEL	QTY	SIZE	LENGTH	USE
A	1	600T200-68	16'-5 1/2"	TOP TRACK
B	1	600T300-68	16'-5 1/2"	BOTTOM TRACK
C	2	150U50-54	16'-5 5/16"	HORIZONTAL BRACING
D	1	1200D-54	16'-4 5/8"	STRAP
E	12	600S162-68	10'-5 13/16"	STUD
F	1	400S162-33	10'-5 13/16"	BACKER-U
G	1	600S162-33	10'-5 13/16"	BACKER-U
H	2	400S162-33	10'-5 3/4"	BACKER-U

SHEATHING

LABEL	QTY	CODE	THICK	SIZE	SCREWS
1	2	SB-DENSARMOR	5/8"	3'-11 15/16" X 9'-7 3/16"	3 - 12
2	2	SB-DENSARMOR	5/8"	4'-0" X 9'-7 3/16"	3 - 12

12-1088

Jewish Home for the Aging

1885 Victory Blvd. Res **CREATED BY: HH**

FM-07-109

CREATED BY: AMB

FrameMax, Inc.
13915 Danielson St
Suite 100
Poway, CA 92064
www.framemax.com



© FrameMax Inc.

APPROVED
By hhuynh at 5:44 pm, Nov 18, 2008

HEIGHT : 10'-6" POINTS: 4.97 Points.

SPACING : 5000"

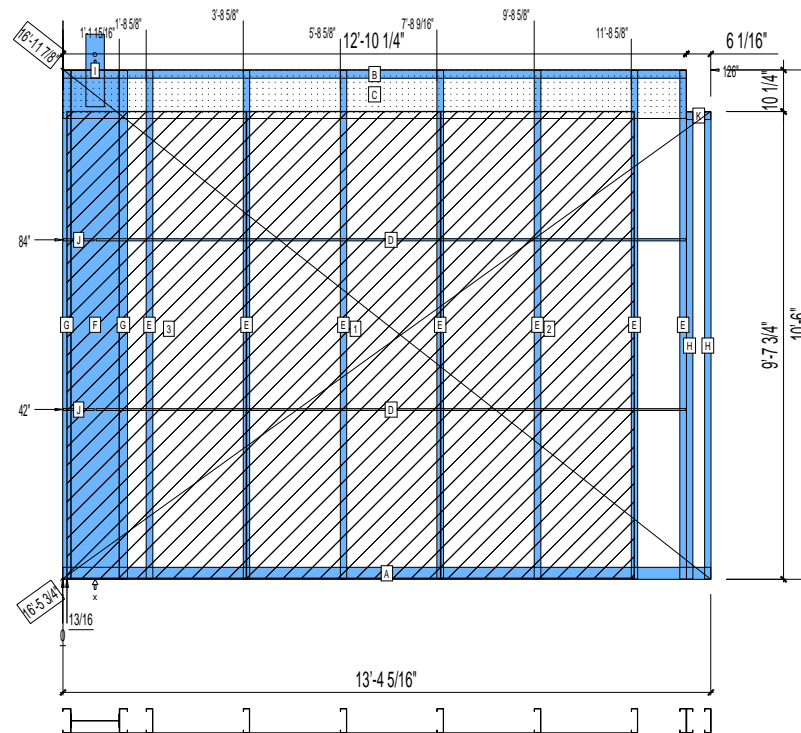
1st STUD: 5000"

WEIGHTS :

FRAME : 521 lbs

SHEATHING: 414 lbs

TOTAL: 935 lbs



PIECES LIST

LABEL	QTY	SIZE	LENGTH	USE
A	1	600T300-68	13'-4 5/16"	BOTTOM TRACK
B	1	600T200-68	12'-10 1/4"	TOP TRACK
C	1	1200D-54	12'-10 3/16"	STRAP
D	2	150U50-54	12'-1 15/16"	HORIZONTAL BRACING
E	7	600S162-68	10'-5 13/16"	STUD
F	1	1200i350p1062	10'-5 13/16"	PACO
G	2	600S200-68	10'-5 13/16"	STUD
H	2	600S162-68	9'-7 1/2"	STUD
I	1	A	1'-6"	HOLDDOWN
J	2	150U50-54	7 5/8"	HORIZONTAL BRACING
K	1	600T200-68	6"	TOP TRACK

SHEATHING

LABEL	QTY	CODE	THICK	SIZE	SCREWS
1	1	SB-DENSARMOR	5/8"	4'-0" X 9'-7 7/16"	3-12
2	1	SB-DENSARMOR	5/8"	3'-11 15/16" X 9'-7 7/16"	3-12
3	1	SB-DENSARMOR	5/8"	3'-8 3/8" X 9'-7 7/16"	3-12

12-1089

Jewish Home for the Aging

1885 Victory Blvd. Reseda, CA

FM-07-109

CREATED BY: HH

FrameMax, Inc.
13915 Danielson St
Suite 100
Poway, CA 92064
www.frame-max.com

FRAME MAX

© FrameMax Inc.

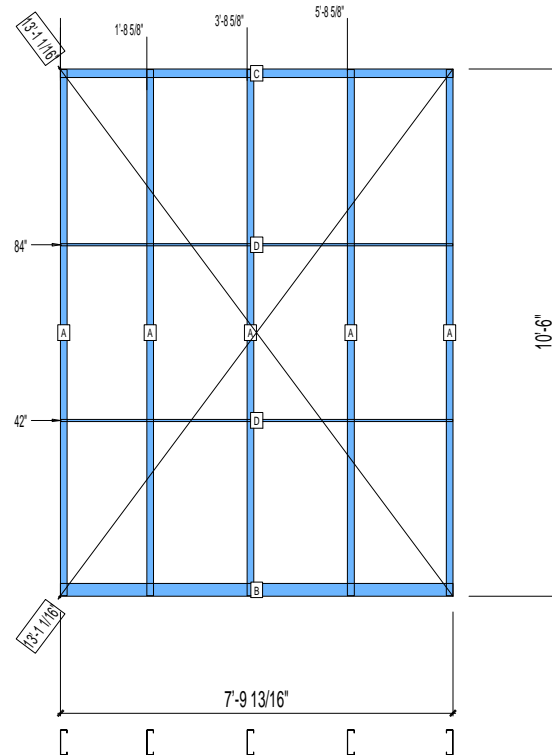
HEIGHT : 10'-6"
SPACING : 5000"
1st STUD: 5000"

POINTS: 1.17 Points.

APPROVED
By hhuynh at 5:44 pm, Nov 18, 2008

WEIGHTS :
FRAME : 178 lbs

TOTAL: 178 lbs



PIECES LIST

LABEL	QTY	SIZE	LENGTH	USE
A	5	600S162-68	10'-5 13/16"	STUD
B	1	600T300-68	7'-9 13/16"	BOTTOM TRACK
C	1	600T200-68	7'-9 13/16"	TOP TRACK
D	2	150U50-54	7'-9 5/8"	HORIZONTAL BRACING

12-1090

Jewish Home for the Aging

1885 Victory Blvd. Res **CREATED BY: HH**

FrameMax, Inc.
13915 Danielson St
Suite 100
Poway, CA 92064
www.frame-max.com



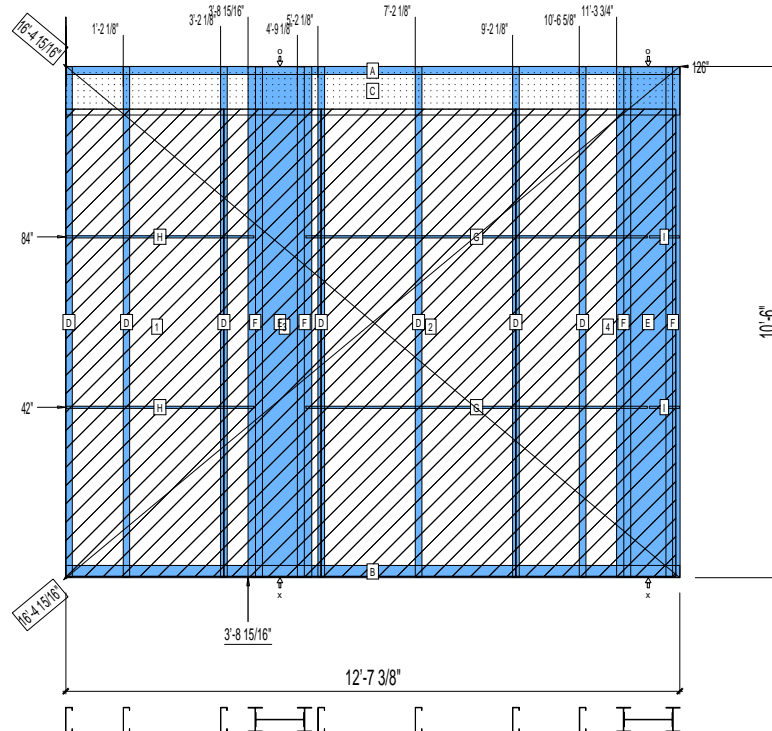
© FrameMax Inc.

APPROVED
By hhuynh at 5:44 pm, Nov 18, 2008

HEIGHT : 10'-6"
POINTS: 6.36 Points.
SPACING : 5000"
1st STUD: 5000"

WEIGHTS :
FRAME : 797 lbs
SHEATHING: 443 lbs

TOTAL: 1240 lbs



PIECES LIST

LABEL	QTY	SIZE	LENGTH	USE
A	1	600T200-68	12'-7 3/8"	TOP TRACK
B	1	600T300-68	12'-7 3/8"	BOTTOM TRACK
C	1	1200D-54	12'-7 5/16"	STRAP
D	7	600S162-68	10'-5 13/16"	STUD
E	2	1200i350p1062	10'-5 13/16"	PACO
F	4	600i350p680	10'-5 13/16"	PACO
G	2	150U50-54	7'-0 1/8"	HORIZONTAL BRACING
H	2	150U50-54	3'-10 5/16"	HORIZONTAL BRACING
I	2	150U50-54	7 7/16"	HORIZONTAL BRACING

SHEATHING

LABEL	QTY	CODE	THICK	SIZE	SCREWS
1	1	SB-DENSARMOR	5/8"	3'-2 15/16" X 9'-7 3/16"	2 -12
2	1	SB-DENSARMOR	5/8"	4'-0" X 9'-7 3/16"	2 -12
3	1	SB-DENSARMOR	5/8"	2'-0" X 9'-7 3/16"	2 -12
4	1	SB-DENSARMOR	5/8"	3'-3 7/16" X 9'-7 3/16"	2 -12

12-1091

Jewish Home for the Aging

1885 Victory Blvd. Reseda, CA

FM-07-109

CREATED BY: HH

FrameMax, Inc.
13915 Danielson St
Suite 100
Poway, CA 92064
www.framemax.com

FRAME MAX

© FrameMax Inc.

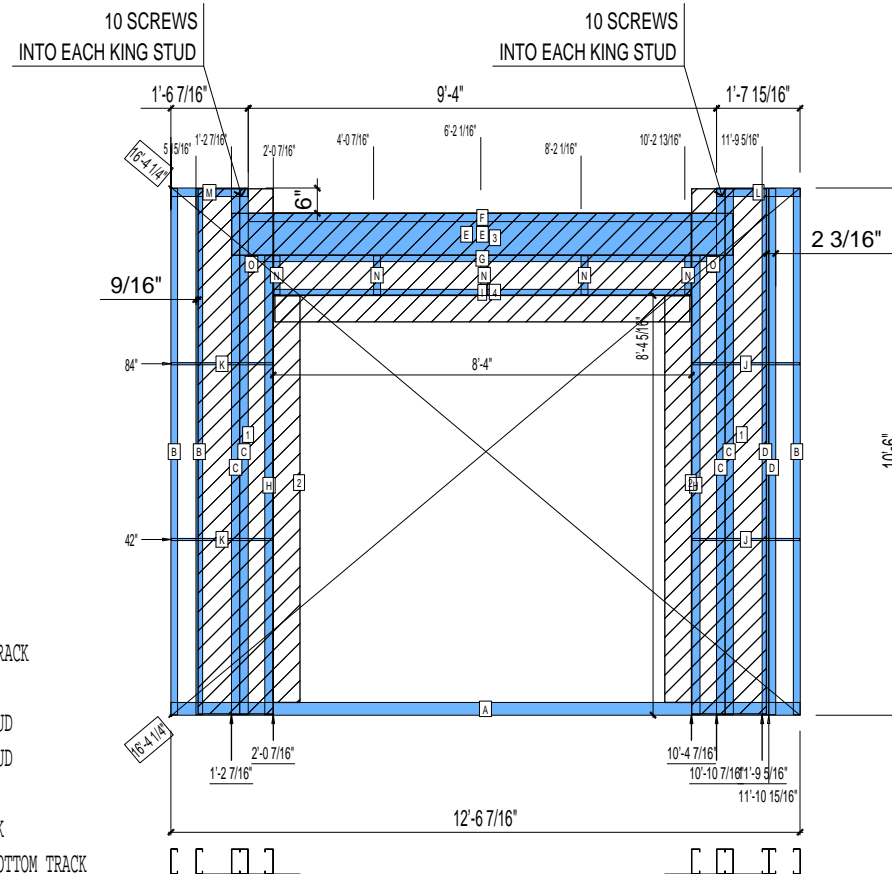
HEIGHT : 10'-6"
SPACING : 5000"
1st STUD: 5000"

POINTS: 3.91 Points.

APPROVED
By hhuynh at 5:44 pm, Nov 18, 2008

WEIGHTS :
FRAME : 518 lbs
SHEATHING: 144 lbs

TOTAL: 662 lbs



PIECES LIST

LABEL	QTY	SIZE	LENGTH	USE
A	1	600T300-54	12'-6 7/16"	BOTTOM TRACK
B	3	600S162-54	10'-5 13/16"	STUD
C	4	600S200-97	10'-5 13/16"	EXTRA STUD
D	2	600S162-54	10'-5 13/16"	EXTRA STUD
E	2	1000S200-97	9'-11 7/8"	HEADER
F	1	600T200-54	9'-3 7/8"	TOP TRACK
G	1	600T150-54	9'-3 7/8"	HEADER BOTTOM TRACK
H	2	600S200-97	9'-1 3/4"	KING STUD
I	1	600T150-54	8'-3 3/4"	HEAD TRACK
J	2	150U50-54	2'-1 3/4"	HORIZONTAL BRACING
K	2	150U50-54	2'-0 1/4"	HORIZONTAL BRACING
L	1	600T200-54	1'-7 7/8"	TOP TRACK
M	1	600T200-54	1'-6 3/8"	TOP TRACK
N	5	600S162-54	9 5/16"	CRIPPLE
O	2	600S162-33	4"	BACKER STUD

SHEATHING

LABEL	QTY	CODE	THICK	SIZE	SCREWS
1	2	DENSGLASS	1/2"	1'-5 7/8" X 10'-5 9/16"	8 - 12
2	2	DENSGLASS	1/2"	6 3/8" X 8'-1 1/4"	8 - 12
3	1	DENSGLASS	1/2"	8'-3 7/8" X 1'-7 9/16"	8 - 12
4	1	DENSGLASS	1/2"	8'-3 1/4" X 6 5/16"	8 - 12

12-1092

Jewish Home for the Aging

1885 Victory Blvd. Reseda, CA

FM-07-109

CREATED BY: HH

FrameMax, Inc.
13915 Danielson St
Suite 100
Poway, CA 92064
www.frame-max.com

FRAME MAX

© FrameMax Inc.

HEIGHT : 10'-6"
SPACING : 5000"
1st STUD: 5000"

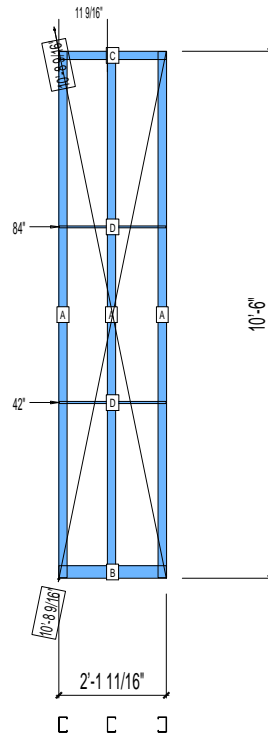
POINTS: 0.54 Points.

APPROVED

By hhuynh at 5:44 pm, Nov 18, 2008

WEIGHTS :
FRAME : 77 lbs

TOTAL: 77 lbs



PIECES LIST

LABEL	QTY	SIZE	LENGTH	USE
A	3	362S200-68	10'-5 13/16"	STUD
B	1	362T300-68	2'-1 11/16"	BOTTOM TRACK
C	1	362T200-68	2'-1 11/16"	TOP TRACK
D	2	150U50-54	2'-1 1/2"	HORIZONTAL BRACING

12-1093

Jewish Home for the Aging

1885 Victory Blvd. Reseda, CA

FM-07-109

CREATED BY: HH

FrameMax, Inc.
13915 Danielson St
Suite 100
Poway, CA 92064
www.frame-max.com



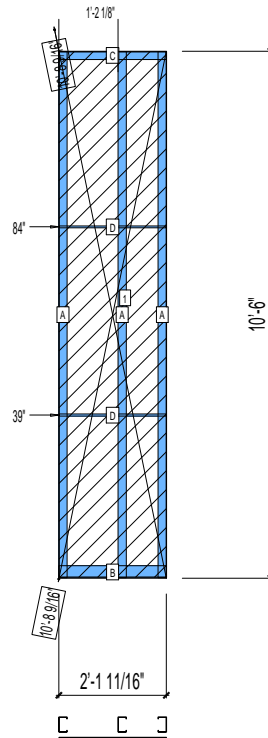
© FrameMax Inc.

HEIGHT : 10'-6"
POINTS: 0.79 Points.
SPACING : 5000"
1st STUD: 5000"

APPROVED
By hhuynh at 5:44 pm, Nov 18, 2008

WEIGHTS :
FRAME : 75 lbs
SHEATHING: 56 lbs

TOTAL: 131 lbs



PIECES LIST

LABEL	QTY	SIZE	LENGTH	USE
A	3	362S200-68	10'-5 13/16"	STUD
B	1	362T300-68	2'-1 11/16"	BOTTOM TRACK
C	1	362T200-68	2'-1 11/16"	TOP TRACK
D	2	150U50-54	2'-1 1/2"	HORIZONTAL BRACING

SHEATHING

LABEL	QTY	CODE	THICK	SIZE	SCREWS
1	1	DENSGLASS	1/2"	2'-1 5/8" X 10'-5 9/16"	8 - 12

12-1094

Jewish Home for the Aging

1885 Victory Blvd. Reseda, CA

FM-07-109

CREATED BY: HH

FrameMax, Inc.
13915 Danielson St
Suite 100
Poway, CA 92064
www.frame-max.com

FRAMEMAX

© FrameMax Inc.

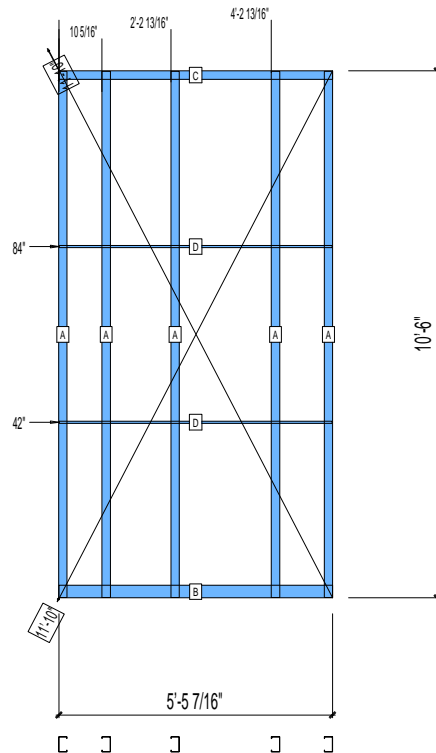
HEIGHT : 10'-6"
SPACING : 5000"
1st STUD: 5000"

POINTS: 0.92 Points.

APPROVED
By hhuynh at 5:44 pm, Nov 18, 2008

WEIGHTS :
FRAME : 135 lbs

TOTAL: 135 lbs



PIECES LIST

LABEL	QTY	SIZE	LENGTH	USE
A	5	362S200-68	10'-5 13/16"	STUD
B	1	362T300-68	5'-5 7/16"	BOTTOM TRACK
C	1	362T200-68	5'-5 7/16"	TOP TRACK
D	2	150U50-54	5'-5 1/4"	HORIZONTAL BRACING

12-1095

Jewish Home for the Aging

1885 Victory Blvd. Re **CREATED BY: HH**

FrameMax, Inc.
13915 Danielson St
Suite 100
Poway, CA 92064
www.frame-max.com



© FrameMax Inc.

CREATED: 11/05/2008

FM-07-109

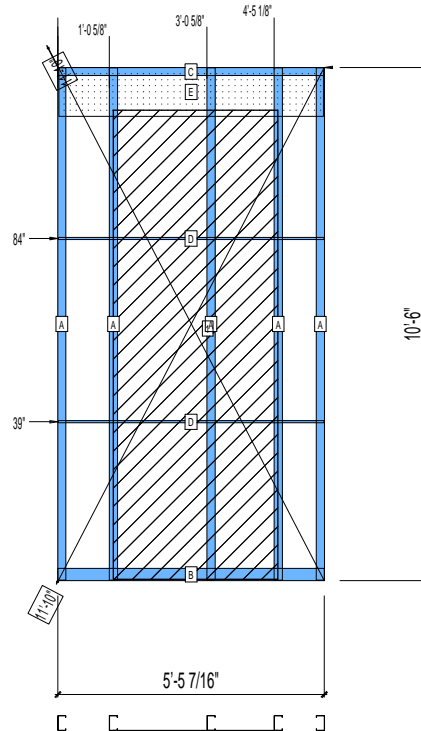
CREATED BY: AMB

APPROVED
By hhuynh at 5:44 pm, Nov 18, 2008

HEIGHT : 10'-6"
POINTS: 1.54 Points.
SPACING : 5000"
1st STUD: 5000"

WEIGHTS :
FRAME : 148 lbs
SHEATHING: 119 lbs

TOTAL: 267 lbs



PIECES LIST

LABEL	QTY	SIZE	LENGTH	USE
A	5	362S200-68	10'-5 13/16"	STUD
B	1	362T300-68	5'-5 7/16"	BOTTOM TRACK
C	1	362T200-68	5'-5 7/16"	TOP TRACK
D	2	150U50-54	5'-5 1/4"	HORIZONTAL BRACING
E	1	1200D-54	5'-5"	STRAP

SHEATHING

LABEL	QTY	CODE	THICK	SIZE	SCREWS
1	1	SB-DENSARMOR	5/8"	3'-4 3/8" X 9'-7 3/16"	1 - 12

12-1096

Jewish Home for the Aging

1885 Victory Blvd. Reseda, CA

FM-07-109

CREATED BY: HH

FrameMax, Inc.
13915 Danielson St
Suite 100
Poway, CA 92064
www.framemax.com

FRAME MAX

© FrameMax Inc.

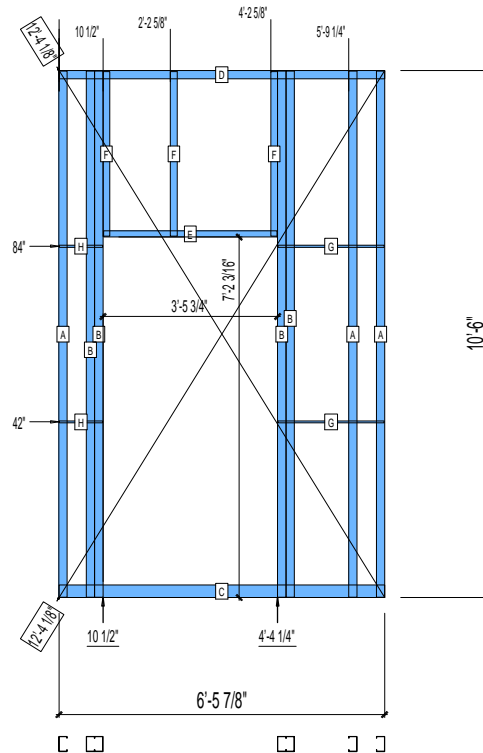
HEIGHT : 10'-6"
SPACING : 5000"
1st STUD: 5000"

POINTS: 1.39 Points.

APPROVED
By hhuynh at 5:44 pm, Nov 18, 2008

WEIGHTS :
FRAME : 197 lbs

TOTAL: 197 lbs



PIECES LIST

LABEL	QTY	SIZE	LENGTH	USE
A	3	362S200-68	10'-5 13/16"	STUD
B	4	362S200-68	10'-5 13/16"	KING STUD
C	1	362T300-68	6'-5 7/8"	BOTTOM TRACK
D	1	362T200-68	6'-5 7/8"	TOP TRACK
E	1	362T150-54	3'-5 1/2"	HEAD TRACK
F	3	362S162-54	3'-3 3/8"	CRIPPLE
G	2	150U50-54	2'-1 3/8"	HORIZONTAL BRACING
H	2	150U50-54	10 5/16"	HORIZONTAL BRACING

12-1097

Jewish Home for the Aging

1885 Victory Blvd. Reseda, CA

FM-07-109

CREATED BY: HH

FrameMax, Inc.
13915 Danielson St
Suite 100
Poway, CA 92064
www.frame-max.com

FRAME MAX

© FrameMax Inc.

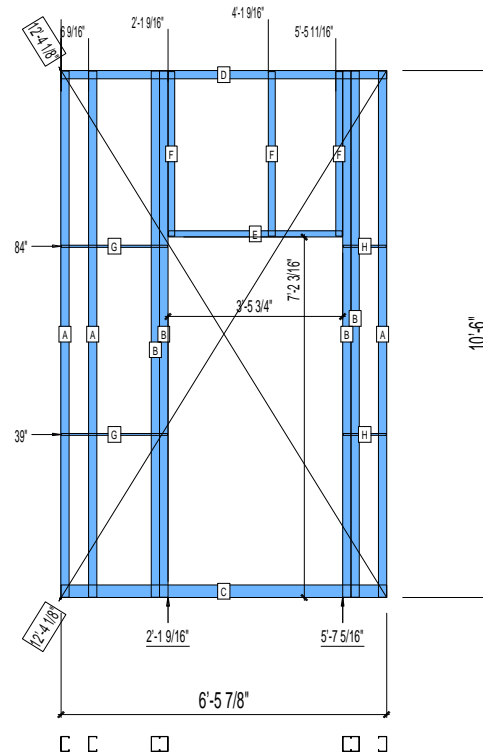
HEIGHT : 10'-6"
SPACING : 5000"
1st STUD: 5000"

POINTS: 1.39 Points.

APPROVED
By hhuynh at 5:44 pm, Nov 18, 2008

WEIGHTS :
FRAME : 197 lbs

TOTAL: 197 lbs



PIECES LIST

LABEL	QTY	SIZE	LENGTH	USE
A	3	362S200-68	10'-5 13/16"	STUD
B	4	362S200-68	10'-5 13/16"	KING STUD
C	1	362T300-68	6'-5 7/8"	BOTTOM TRACK
D	1	362T200-68	6'-5 7/8"	TOP TRACK
E	1	362T150-54	3'-5 1/2"	HEAD TRACK
F	3	362S162-54	3'-3 3/8"	CRIPPLE
G	2	150U50-54	2'-1 3/8"	HORIZONTAL BRACING
H	2	150U50-54	10 5/16"	HORIZONTAL BRACING

12-1098

Jewish Home for the Aging

1885 Victory Blvd. Reseda, CA

FM-07-109

CREATED BY: HH

FrameMax, Inc.
13915 Danielson St
Suite 100
Poway, CA 92064
www.frame-max.com



© FrameMax Inc.

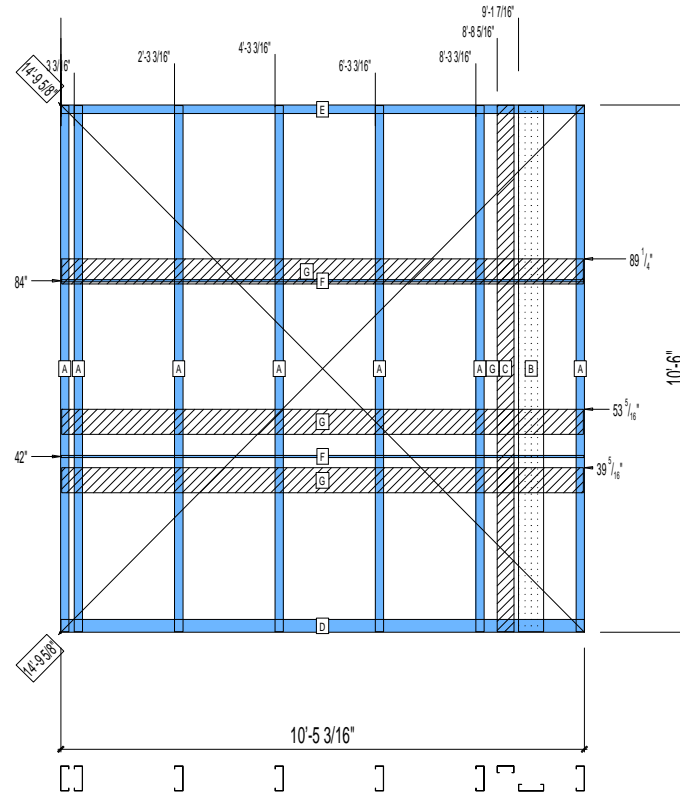
HEIGHT : 10'-6"
SPACING : 5000"
1st STUD: 5000"

POINTS: 2.03 Points.

APPROVED
By hhuynh at 5:44 pm, Nov 18, 2008

WEIGHTS :
FRAME : 324 lbs

TOTAL: 324 lbs



PIECES LIST

LABEL	QTY	SIZE	LENGTH	USE
A	7	600S200-68	10'-5 13/16"	STUD
B	1	600S162-33	10'-5 13/16"	BACKER-U
C	1	400S162-33	10'-5 13/16"	BACKER-U
D	1	600T300-68	10'-5 3/16"	BOTTOM TRACK
E	1	600T200-68	10'-5 3/16"	TOP TRACK
F	2	150U50-54	10'-5"	HORIZONTAL BRACING
G	3	600D-54	10'-4 3/4"	KITCHEN BACKING

12-1099

Jewish Home for the Aging

1885 Victory Blvd. Res **CREATED BY: HH**

FM-07-109

CREATED BY: AMB

FrameMax, Inc.
13915 Danielson St
Suite 100
Poway, CA 92064
www.frame-max.com



© FrameMax Inc.

APPROVED
By hhuynh at 5:44 pm, Nov 18, 2008

HEIGHT : 11'-7 3/8" POINTS: 5.42 Points.

SPACING : 5000"

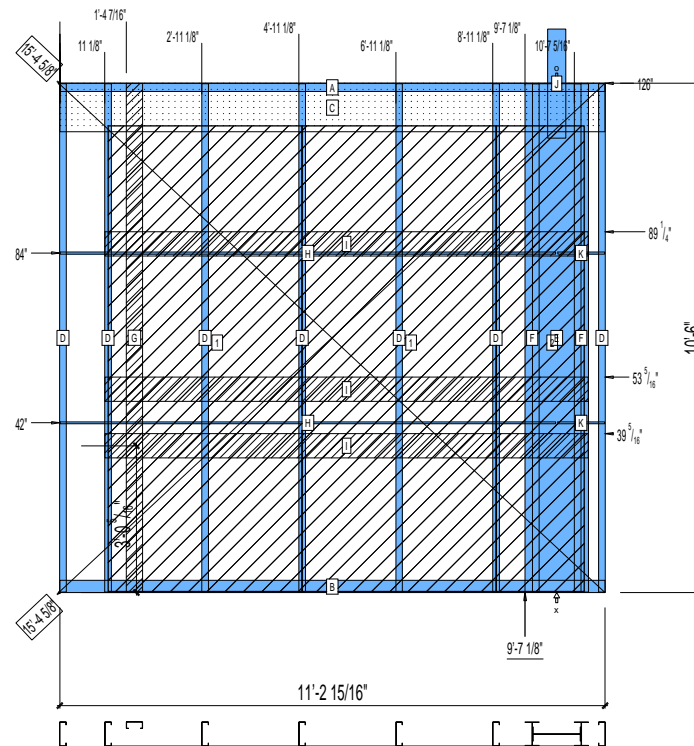
1st STUD: 5000"

WEIGHTS :

FRAME : 693 lbs

SHEATHING: 347 lbs

TOTAL: 1040 lbs



PIECES LIST

LABEL	QTY	SIZE	LENGTH	USE
A	1	600T200-68	11'-2 15/16"	TOP TRACK
B	1	600T300-68	11'-2 15/16"	BOTTOM TRACK
C	1	1200D-54	11'-2 7/8"	STRAP
D	7	600S162-68	10'-5 13/16"	STUD
E	1	1200i350p1420	10'-5 13/16"	PACO
F	2	600i350p968	10'-5 13/16"	PACO
G	1	400S162-33	10'-5 13/16"	BACKER-U
H	2	150U50-54	10'-2 5/8"	HORIZONTAL BRACING
I	3	600D-54	9'-11 1/2"	KITCHEN BACKING
J	1	B	2'-3"	HOLDDOWN
K	2	150U50-54	11 5/8"	HORIZONTAL BRACING

SHEATHING

LABEL	QTY	CODE	THICK	SIZE	SCREWS
1	2	SB-DENSARMOR	5/8"	4'-0" X 9'-7 3/16"	2 - 12
2	1	SB-DENSARMOR	5/8"	1'-9 13/16" X 9'-7 3/16"	2 - 12

12-1100

Jewish Home for the Aging

1885 Victory Blvd. Reseda, CA

FM-07-109

CREATED BY: HH

FrameMax, Inc.
13915 Danielson St
Suite 100
Poway, CA 92064
www.framemax.com



© FrameMax Inc.

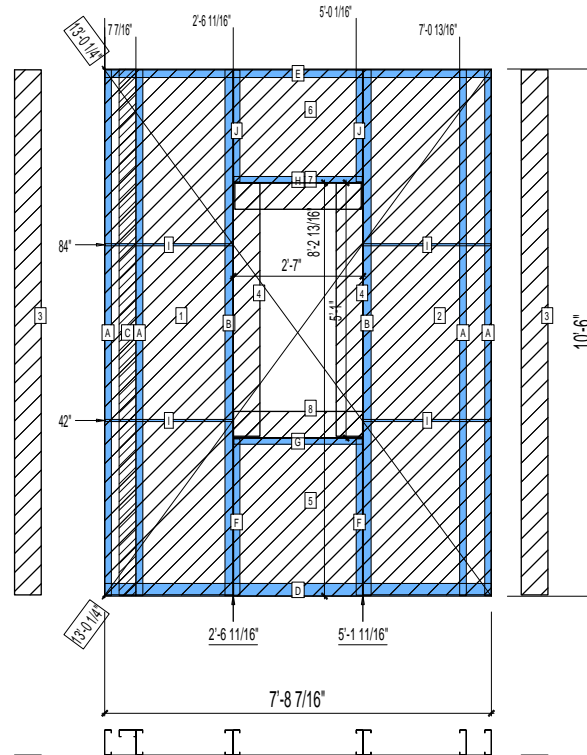
HEIGHT : 10'-6"
SPACING : 5000"
1st STUD: 5000"

POINTS: 2.63 Points.

APPROVED
By hhuynh at 5:44 pm, Nov 18, 2008

WEIGHTS :
FRAME : 238 lbs
SHEATHING: 216 lbs

TOTAL: 454 lbs



PIECES LIST

LABEL	QTY	SIZE	LENGTH	USE
A	4	600S162-54	10'-5 13/16"	STUD
B	2	600S200-97	10'-5 13/16"	KING STUD
C	1	400S162-33	10'-5 13/16"	BACKER-U
D	1	600T300-54	7'-8 7/16"	BOTTOM TRACK
E	1	600T200-54	7'-8 7/16"	TOP TRACK
F	2	600S162-54	3'-1 3/8"	CRIPPLE
G	1	600T150-54	2'-6 3/4"	SILL
H	1	600T150-54	2'-6 3/4"	HEAD TRACK
I	4	150U50-54	2'-6 1/2"	HORIZONTAL BRACING
J	2	600S162-54	2'-2 3/4"	CRIPPLE

SHEATHING

LABEL	QTY	CODE	THICK	SIZE	SCREWS
1	1	DENSGLASS	1/2"	2'-6 11/16" X 10'-5 9/16"	8 - 12
2	1	DENSGLASS	1/2"	2'-6 5/8" X 10'-5 9/16"	8 - 12
3	2	DENSGLASS	1/2"	6 3/8" X 10'-5 9/16"	8 - 12
4	2	DENSGLASS	1/2"	6 3/8" X 5'-0 1/2"	8 - 12
5	1	DENSGLASS	1/2"	2'-6 7/8" X 3'-1 11/16"	8 - 12
6	1	DENSGLASS	1/2"	2'-6 7/8" X 2'-3"	8 - 12
7	1	DENSGLASS	1/2"	2'-6 1/4" X 6 5/16"	8 - 12
8	1	DENSGLASS	1/2"	2'-6 7/8" X 6 5/16"	8 - 12

12-1101

Jewish Home for the Aging

1885 Victory Blvd. Reseda, CA

FM-07-109

CREATED BY: HH

FrameMax, Inc.
13915 Danielson St
Suite 100
Poway, CA 92064
www.frame-max.com



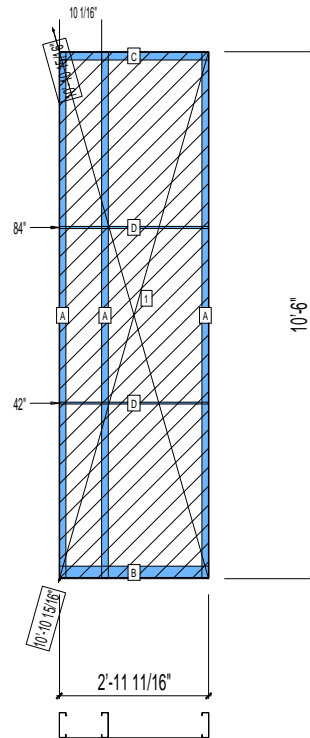
© FrameMax Inc.

HEIGHT : 10'-6"
POINTS: 0.91 Points.
SPACING : 5000"
1st STUD: 16"

APPROVED
By hhuynh at 5:44 pm, Nov 18, 2008

WEIGHTS :
FRAME : 75 lbs
SHEATHING: 78 lbs

TOTAL: 153 lbs



PIECES LIST

LABEL	QTY	SIZE	LENGTH	USE
A	3	600S162-54	10'-5 13/16"	STUD
B	1	600T300-54	2'-11 11/16"	BOTTOM TRACK
C	1	600T200-54	2'-11 11/16"	TOP TRACK
D	2	150U50-54	2'-11 1/2"	HORIZONTAL BRACING

SHEATHING

LABEL	QTY	CODE	THICK	SIZE	SCREWS
1	1	DENSGLASS	1/2"	2'-11 5/8" X 10'-5 9/16"	8 - 12

12-1102

Jewish Home for the Aging

1885 Victory Blvd. Reseda, CA

FM-07-109

CREATED BY: HH

FrameMax, Inc.
13915 Danielson St
Suite 100
Poway, CA 92064
www.frame-max.com



© FrameMax Inc.

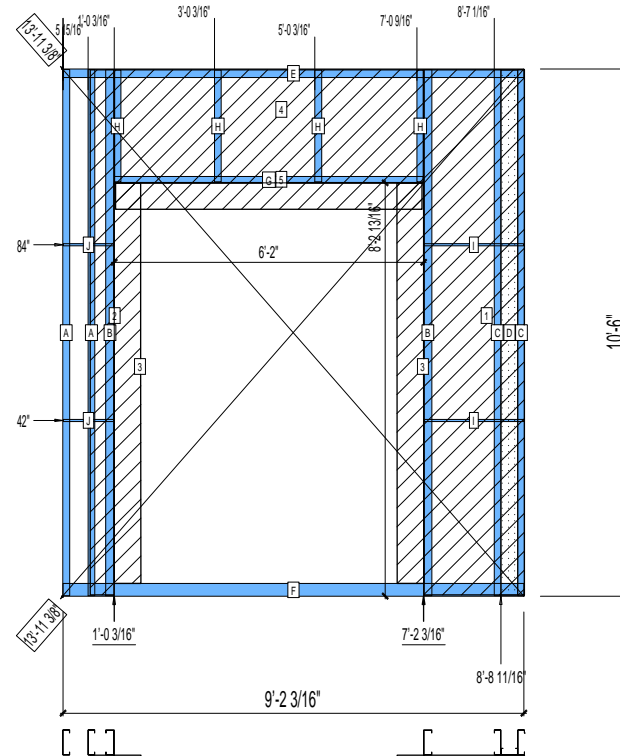
HEIGHT : 10'-6"
SPACING : 5000"
1st STUD: 5000"

POINTS: 2.26 Points.

APPROVED
By hhuynh at 5:44 pm, Nov 18, 2008

WEIGHTS :
FRAME : 242 lbs
SHEATHING: 128 lbs

TOTAL: 370 lbs



PIECES LIST

LABEL	QTY	SIZE	LENGTH	USE
A	2	600S162-54	10'-5 13/16"	STUD
B	2	600S200-97	10'-5 13/16"	KING STUD
C	2	600S162-54	10'-5 13/16"	BACKER STUD
D	1	400S162-54	10'-5 9/16"	BACKER-U
E	1	600T200-54	9'-2 3/16"	TOP TRACK
F	1	600T300-54	9'-2 3/16"	BOTTOM TRACK
G	1	600T150-54	6'-1 3/4"	HEAD TRACK
H	4	600S162-54	2'-2 3/4"	CRIPPLE
I	2	150U50-54	1'-11 3/4"	HORIZONTAL BRACING
J	2	150U50-54	1'-0"	HORIZONTAL BRACING

SHEATHING

LABEL	QTY	CODE	THICK	SIZE	SCREWS
1	1	DENSGLASS	1/2"	1'-11 15/16" X 10'-5 9/16"	8 - 12
2	1	DENSGLASS	1/2"	5 5/8" X 10'-5 9/16"	8 - 12
3	2	DENSGLASS	1/2"	6 7/16" X 7'-11 3/4"	8 - 12
4	1	DENSGLASS	1/2"	6'-1 7/8" X 2'-3"	8 - 12
5	1	DENSGLASS	1/2"	6'-1 1/4" X 6 5/16"	8 - 12

12-1103

Jewish Home for the Aging

1885 Victory Blvd. Reseda, CA

FM-07-109

CREATED BY: HH

FrameMax, Inc.
13915 Danielson St
Suite 100
Poway, CA 92064
www.framemax.com

FRAME MAX

© FrameMax Inc.

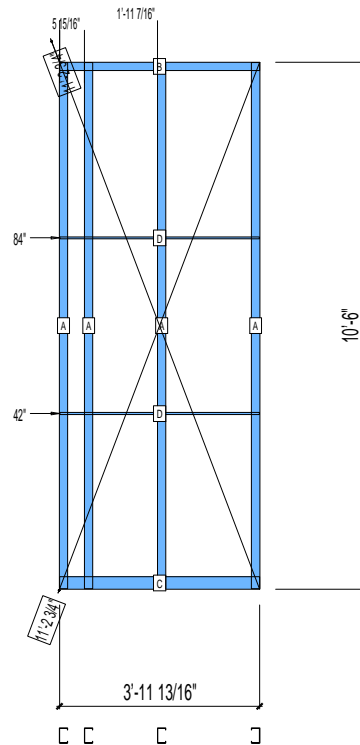
HEIGHT : 10'-6"
SPACING : 5000"
1st STUD: 5000"

POINTS: 0.74 Points.

APPROVED
By hhuynh at 5:44 pm, Nov 18, 2008

WEIGHTS :
FRAME : 106 lbs

TOTAL: 106 lbs



PIECES LIST

LABEL	QTY	SIZE	LENGTH	USE
A	4	362S200-68	10'-5 13/16"	STUD
B	1	362T200-68	3'-11 13/16"	TOP TRACK
C	1	362T300-68	3'-11 13/16"	BOTTOM TRACK
D	2	150U50-54	3'-11 11/16"	HORIZONTAL BRACING

12-1104

Jewish Home for the Aging

1885 Victory Blvd. Reseda, CA

FM-07-109

CREATED BY: HH

FrameMax, Inc.
13915 Danielson St
Suite 100
Poway, CA 92064
www.frame-max.com



© FrameMax Inc.

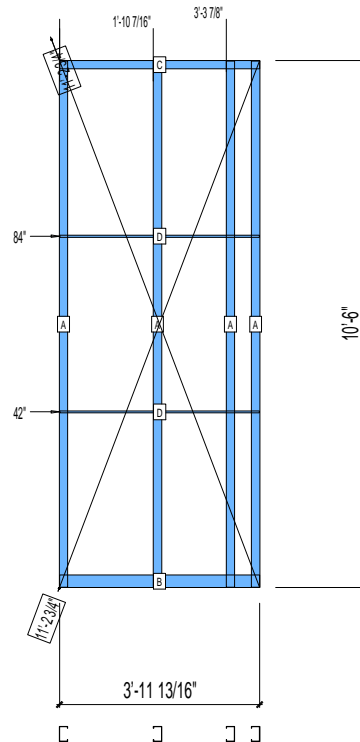
HEIGHT : 10'-6"
SPACING : 5000"
1st STUD: 5000"

POINTS: 0.74 Points.

APPROVED
By hhuynh at 5:44 pm, Nov 18, 2008

WEIGHTS :
FRAME : 106 lbs

TOTAL: 106 lbs



PIECES LIST

LABEL	QTY	SIZE	LENGTH	USE
A	4	362S200-68	10'-5 13/16"	STUD
B	1	362T300-68	3'-11 13/16"	BOTTOM TRACK
C	1	362T200-68	3'-11 13/16"	TOP TRACK
D	2	150U50-54	3'-11 11/16"	HORIZONTAL BRACING

12-1105

Jewish Home for the Aging

1885 Victory Blvd. Reseda, CA

FM-07-109

CREATED BY: HH

FrameMax, Inc.
13915 Danielson St
Suite 100
Poway, CA 92064
www.frame-max.com



© FrameMax Inc.

HEIGHT : 10'-6" POINTS: 0.56 Points.

SPACING : 5000"

1st STUD: 5000"

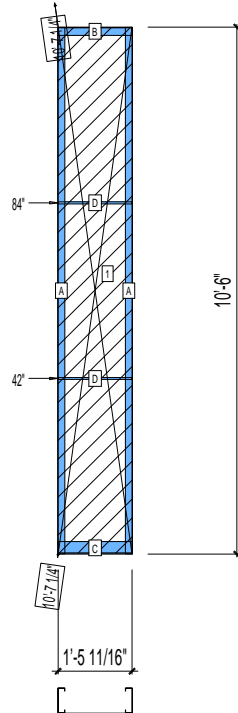
WEIGHTS :

FRAME : 49 lbs

SHEATHING: 39 lbs

TOTAL: 88 lbs

APPROVED
By hhuynh at 5:44 pm, Nov 18, 2008



PIECES LIST

LABEL	QTY	SIZE	LENGTH	USE
A	2	600S162-54	10'-5 13/16"	STUD
B	1	600T200-54	1'-5 11/16"	TOP TRACK
C	1	600T300-54	1'-5 11/16"	BOTTOM TRACK
D	2	150U50-54	1'-5 1/2"	HORIZONTAL BRACING

SHEATHING

LABEL	QTY	CODE	THICK	SIZE	SCREWS
1	1	DENSGLASS	1/2"	1'-5 3/4" X 10'-5 9/16"	8 - 12

12-1106

Jewish Home for the Aging

1885 Victory Blvd. Reseda, CA

FM-07-109

CREATED BY: HH

FrameMax, Inc.
13915 Danielson St
Suite 100
Poway, CA 92064
www.frame-max.com

FRAME MAX

© FrameMax Inc.

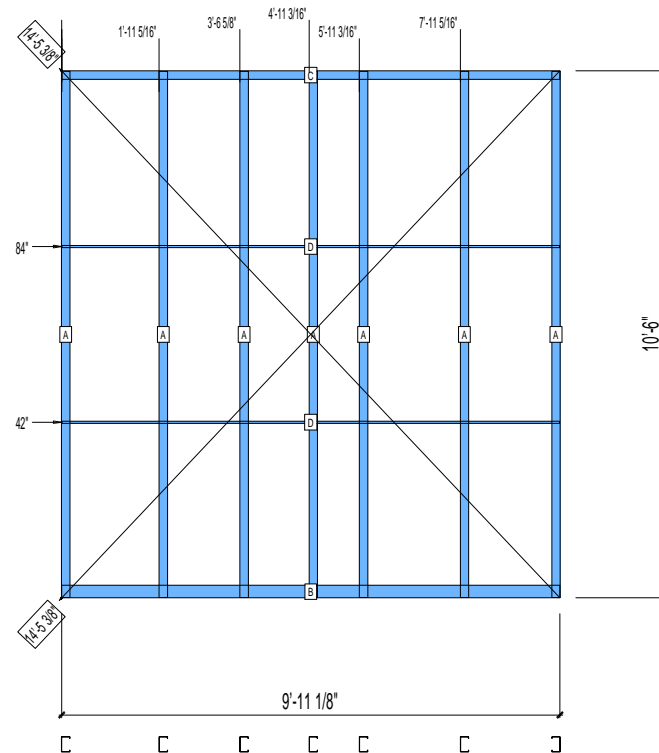
HEIGHT : 10'-6"
SPACING : 5000"
1st STUD: 5000"

POINTS: 1.38 Points.

APPROVED
By hhuynh at 5:44 pm, Nov 18, 2008

WEIGHTS :
FRAME : 206 lbs

TOTAL: 206 lbs



PIECES LIST

LABEL	QTY	SIZE	LENGTH	USE
A	7	362S200-68	10'-5 13/16"	STUD
B	1	362T300-68	9'-11 1/8"	BOTTOM TRACK
C	1	362T200-68	9'-11 1/8"	TOP TRACK
D	2	150U50-54	9'-10 15/16"	HORIZONTAL BRACING

12-1107

Jewish Home for the Aging

1885 Victory Blvd. Res **CREATED BY: HH**

FM-07-109

CREATED BY: AMB

FrameMax, Inc.
13915 Danielson St
Suite 100
Poway, CA 92064
www.frame-max.com



© FrameMax Inc.

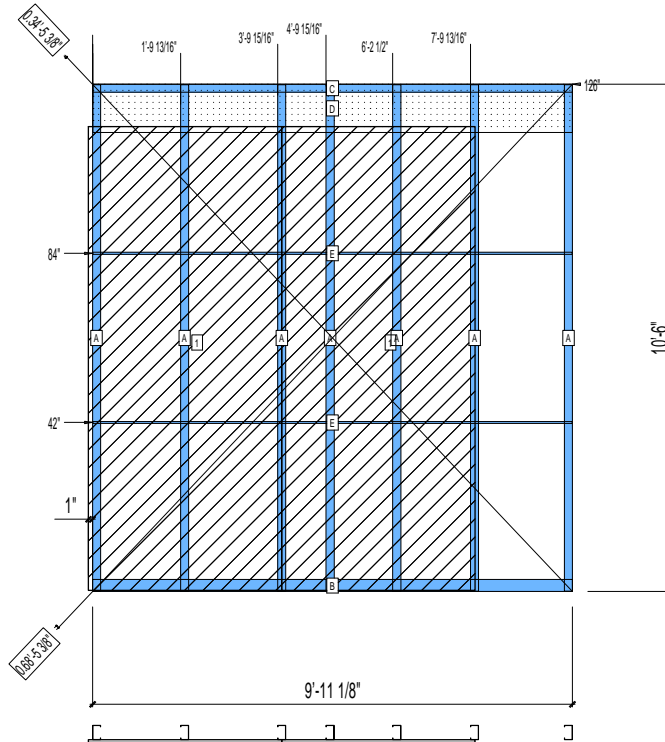
APPROVED
By hhuynh at 5:44 pm, Nov 18, 2008

HEIGHT : 10'-6"
SPACING : 5000"
1st STUD: 5000"

POINTS: 2.79 Points.

WEIGHTS :
FRAME : 229 lbs
SHEATHING: 283 lbs

TOTAL: 512 lbs



PIECES LIST

LABEL	QTY	SIZE	LENGTH	USE
A	7	362S200-68	10'-5 13/16"	STUD
B	1	362T300-68	9'-11 1/8"	BOTTOM TRACK
C	1	362T200-68	9'-11 1/8"	TOP TRACK
D	1	1200D-54	9'-11 1/16"	STRAP
E	2	150U50-54	9'-10 15/16"	HORIZONTAL BRACING

SHEATHING

LABEL	QTY	CODE	THICK	SIZE	SCREWS
1	2	SB-DENSARMOR	5/8"	4'-0" X 9'-7 3/16"	2-12

12-1108

Jewish Home for the Aging

1885 Victory Blvd. Reseda, CA

FM-07-109

CREATED BY: HH

FrameMax, Inc.
13915 Danielson St
Suite 100
Poway, CA 92064
www.framemax.com

FRAME MAX

© FrameMax Inc.

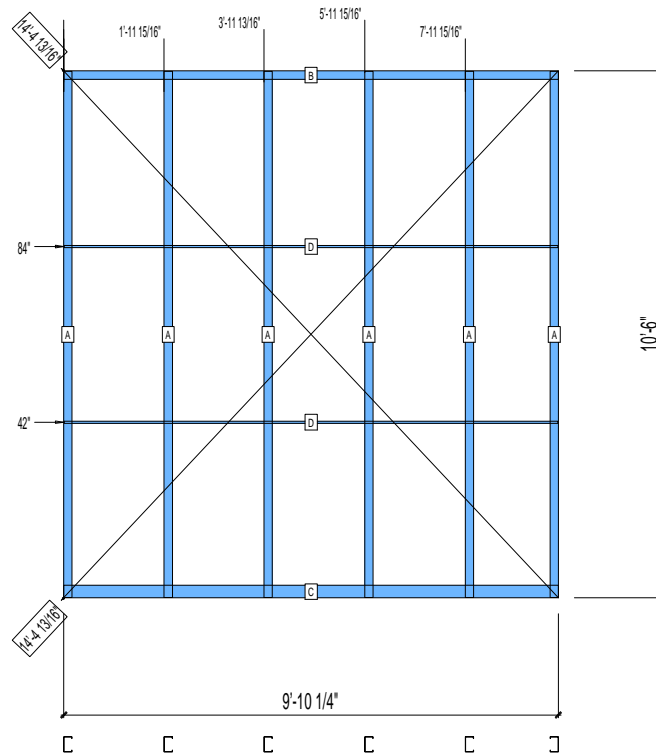
HEIGHT : 10'-6"
SPACING : 5000"
1st STUD: 5000"

POINTS: 1.25 Points.

APPROVED
By hhuynh at 5:44 pm, Nov 18, 2008

WEIGHTS :
FRAME : 183 lbs

TOTAL: 183 lbs



PIECES LIST

LABEL	QTY	SIZE	LENGTH	USE
A	6	362S200-68	10'-5 13/16"	STUD
B	1	362T200-68	9'-10 1/4"	TOP TRACK
C	1	362T300-68	9'-10 1/4"	BOTTOM TRACK
D	2	150U50-54	9'-10 1/16"	HORIZONTAL BRACING

12-1109

Jewish Home for the Aging

1885 Victory Blvd. Re **CREATED BY: HH**

FrameMax, Inc.
13915 Danielson St
Suite 100
Poway, CA 92064
www.frame-max.com



© FrameMax Inc.

CREATED: 11/07/2008

FM-07-109

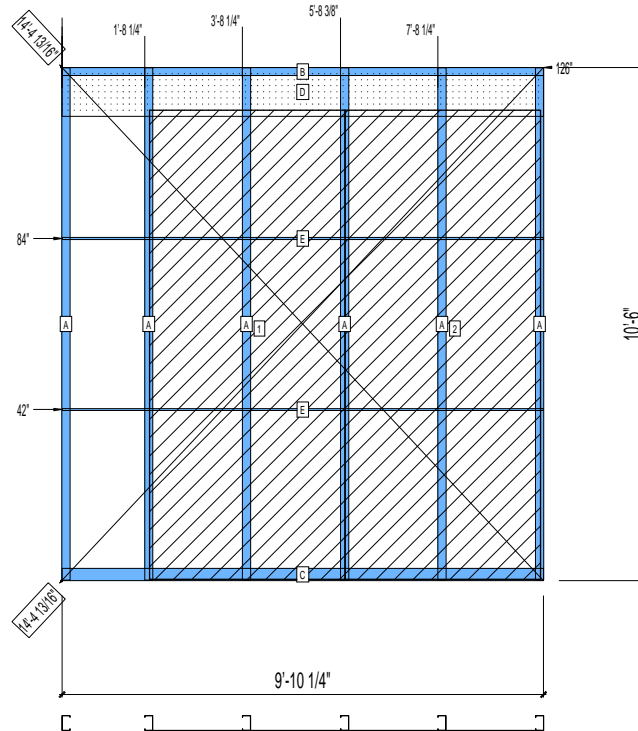
CREATED BY: AMB

APPROVED
By hhuynh at 5:44 pm, Nov 18, 2008

HEIGHT : 10'-6"
POINTS: 2.67 Points.
SPACING : 5000"
1st STUD: 5000"

WEIGHTS :
FRAME : 207 lbs
SHEATHING: 283 lbs

TOTAL: 490 lbs



PIECES LIST

LABEL	QTY	SIZE	LENGTH	USE
A	6	362S200-68	10'-5 13/16"	STUD
B	1	362T200-68	9'-10 1/4"	TOP TRACK
C	1	362T300-68	9'-10 1/4"	BOTTOM TRACK
D	1	1200D-54	9'-10 3/16"	STRAP
E	2	150U50-54	9'-10 1/16"	HORIZONTAL BRACING

SHEATHING

LABEL	QTY	CODE	THICK	SIZE	SCREWS
1	1	SB-DENSARMOR	5/8"	4'-0" X 9'-7 3/16"	2-12
2	1	SB-DENSARMOR	5/8"	4'-0" X 9'-7 3/16"	2-12

12-1110

Jewish Home for the Aging

1885 Victory Blvd. Res **CREATED BY: HH**

FM-07-109

CREATED BY: AMB

FrameMax, Inc.
13915 Danielson St
Suite 100
Poway, CA 92064
www.frame-max.com



© FrameMax Inc.

APPROVED
By hhuynh at 5:44 pm, Nov 18, 2008

HEIGHT : 11'-7 3/8" POINTS: 6.81 Points.

SPACING : 5000"

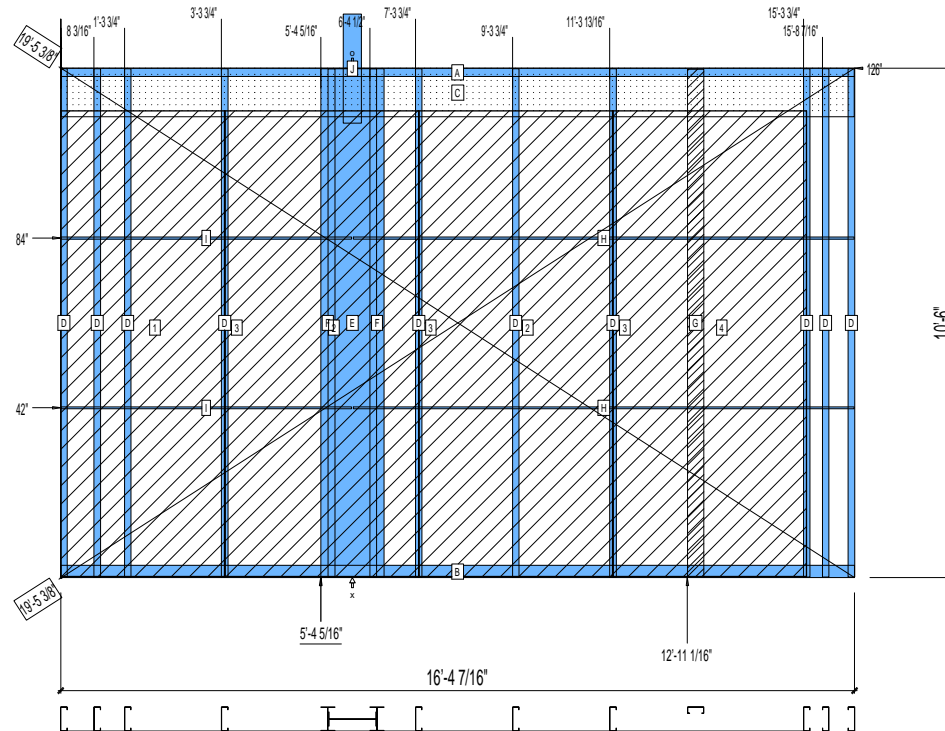
1st STUD: 5000"

WEIGHTS :

FRAME : 779 lbs

SHEATHING: 543 lbs

TOTAL: 1322 lbs



PIECES LIST

LABEL	QTY	SIZE	LENGTH	USE
A	1	600T200-68	16'-4 7/16"	TOP TRACK
B	1	600T300-68	16'-4 7/16"	BOTTOM TRACK
C	1	1200D-54	16'-4 1/8"	STRAP
D	10	600S162-68	10'-5 13/16"	STUD
E	1	1200i350p1420	10'-5 13/16"	PACO
F	2	600i350p968	10'-5 13/16"	PACO
G	1	400S162-33	10'-5 9/16"	BACKER-U
H	2	150U50-54	10'-3 15/16"	HORIZONTAL BRACING
I	2	150U50-54	5'-11 13/16"	HORIZONTAL BRACING
J	1	B	2'-3"	HOLDDOWN

SHEATHING

LABEL	QTY	CODE	THICK	SIZE	SCREWS
1	1	SB-DENSARMOR	5/8"	3'-4 1/2" X 9'-7 3/16"	2 - 12
2	2	SB-DENSARMOR	5/8"	4'-0" X 9'-7 3/16"	2 - 12
3	3	SB-DENSARMOR	5/8"	0.025 X 9'-7 3/16"	2 - 12
4	1	SB-DENSARMOR	5/8"	3'-11 15/16" X 9'-7 3/16"	2 - 12

12-1111

Jewish Home for the Aging

1885 Victory Blvd. Reseda, CA

FM-07-109

CREATED BY: HH

FrameMax, Inc.
13915 Danielson St
Suite 100
Poway, CA 92064
www.framemax.com



© FrameMax Inc.

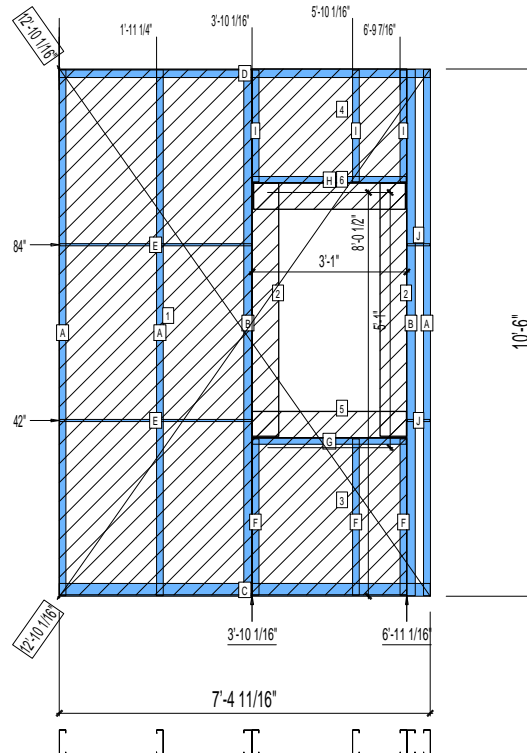
HEIGHT : 10'-6"
SPACING : 5000"
1st STUD: 16"

POINTS: 2.29 Points.

APPROVED
By hhuynh at 5:44 pm, Nov 18, 2008

WEIGHTS :
FRAME : 218 lbs
SHEATHING: 164 lbs

TOTAL: 382 lbs



PIECES LIST

LABEL	QTY	SIZE	LENGTH	USE
A	3	600S162-54	10'-5 13/16"	STUD
B	2	600S200-97	10'-5 13/16"	KING STUD
C	1	600T300-54	7'-4 11/16"	BOTTOM TRACK
D	1	600T200-54	7'-4 11/16"	TOP TRACK
E	2	150U50-54	3'-9 7/8"	HORIZONTAL BRACING
F	3	600S162-54	3'-1 3/8"	CRIPPLE
G	1	600T150-54	3'-0 3/4"	SILL
H	1	600T150-54	3'-0 3/4"	HEAD TRACK
I	3	600S162-54	2'-2 3/4"	CRIPPLE
J	2	150U50-54	5 3/8"	HORIZONTAL BRACING

SHEATHING

LABEL	QTY	CODE	THICK	SIZE	SCREWS
1	1	DENSGLASS	1/2"	3'-10 1/8" X 10'-5 9/16"	8 - 12
2	2	DENSGLASS	1/2"	6 3/8" X 5'-0 1/2"	8 - 12
3	1	DENSGLASS	1/2"	3'-1" X 3'-1 9/16"	8 - 12
4	1	DENSGLASS	1/2"	3'-1" X 2'-3 3/16"	8 - 12
5	1	DENSGLASS	1/2"	3'-0 7/8" X 6 5/16"	8 - 12
6	1	DENSGLASS	1/2"	3'-0 1/4" X 6 5/16"	8 - 12

12-1112

Jewish Home for the Aging

1885 Victory Blvd. Reseda, CA

FM-07-109

CREATED BY: HH

FrameMax, Inc.
13915 Danielson St
Suite 100
Poway, CA 92064
www.frame-max.com



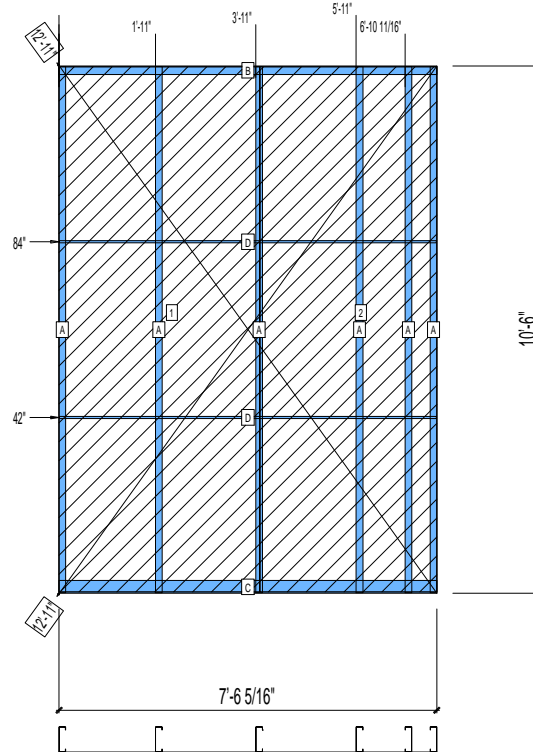
© FrameMax Inc.

HEIGHT : 10'-6"
POINTS: 2.01 Points.
SPACING : 5000"
1st STUD: 16"

APPROVED
By hhuynh at 5:44 pm, Nov 18, 2008

WEIGHTS :
FRAME : 163 lbs
SHEATHING: 197 lbs

TOTAL: 360 lbs



PIECES LIST

LABEL	QTY	SIZE	LENGTH	USE
A	6	600S162-54	10'-5 13/16"	STUD
B	1	600T200-54	7'-6 5/16"	TOP TRACK
C	1	600T300-54	7'-6 5/16"	BOTTOM TRACK
D	2	150U50-54	7'-6 1/8"	HORIZONTAL BRACING

SHEATHING

LABEL	QTY	CODE	THICK	SIZE	SCREWS
1	1	DENSGLASS	1/2"	4'-0" X 10'-5 9/16"	8 - 12
2	1	DENSGLASS	1/2"	3'-6 3/8" X 10'-5 9/16"	8 - 12

12-1113

Jewish Home for the Aging

1885 Victory Blvd. Reseda, CA

FM-07-109

CREATED BY: HH

FrameMax, Inc.
13915 Danielson St
Suite 100
Poway, CA 92064
www.frame-max.com



© FrameMax Inc.

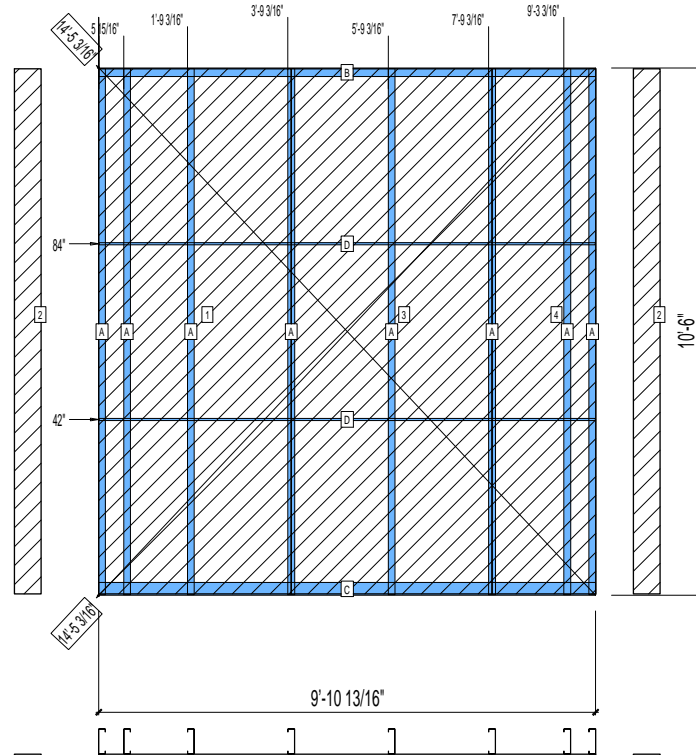
HEIGHT : 10'-6"
SPACING : 5000"
1st STUD: 5000"

POINTS: 2.75 Points.

APPROVED
By hhuynh at 5:44 pm, Nov 18, 2008

WEIGHTS :
FRAME : 216 lbs
SHEATHING: 287 lbs

TOTAL: 503 lbs



PIECES LIST

LABEL	QTY	SIZE	LENGTH	USE
A	8	600S162-54	10'-5 13/16"	STUD
B	1	600T200-54	9'-10 13/16"	TOP TRACK
C	1	600T300-54	9'-10 13/16"	BOTTOM TRACK
D	2	150U50-54	9'-10 5/8"	HORIZONTAL BRACING

SHEATHING

LABEL	QTY	CODE	THICK	SIZE	SCREWS
1	1	DENSGLASS	1/2"	3'-10 1/16" X 10'-5 9/16"	8 - 12
2	2	DENSGLASS	1/2"	6 3/8" X 10'-5 9/16"	8 - 12
3	1	DENSGLASS	1/2"	4'-0" X 10'-5 9/16"	8 - 12
4	1	DENSGLASS	1/2"	2'-0 13/16" X 10'-5 9/16"	8 - 12

12-1114

Jewish Home for the Aging

1885 Victory Blvd. Reseda, CA

FM-07-109

CREATED BY: HH

FrameMax, Inc.
13915 Danielson St
Suite 100
Poway, CA 92064
www.frame-max.com



© FrameMax Inc.

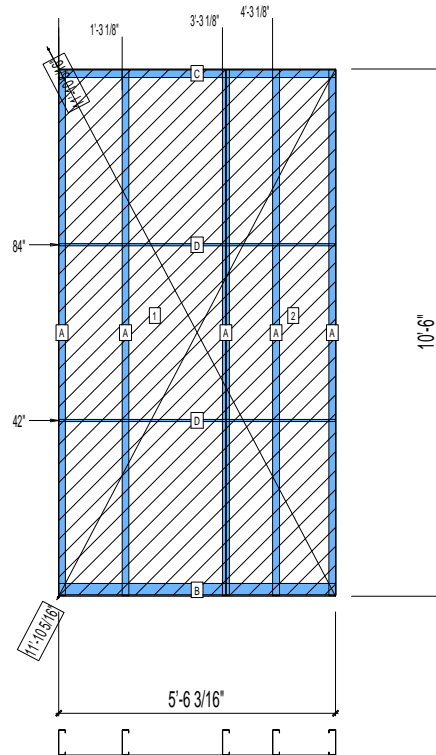
HEIGHT : 10'-6"
SPACING : 5000"
1st STUD: 16"

POINTS: 1.56 Points.

APPROVED
By hhuynh at 5:44 pm, Nov 18, 2008

WEIGHTS :
FRAME : 132 lbs
SHEATHING: 144 lbs

TOTAL: 276 lbs



PIECES LIST

LABEL	QTY	SIZE	LENGTH	USE
A	5	600S162-54	10'-5 13/16"	STUD
B	1	600T300-54	5'-6 3/16"	BOTTOM TRACK
C	1	600T200-54	5'-6 3/16"	TOP TRACK
D	2	150U50-54	5'-6"	HORIZONTAL BRACING

SHEATHING

LABEL	QTY	CODE	THICK	SIZE	SCREWS
1	1	DENSGLASS	1/2"	3'-4" X 10'-5 9/16"	8 - 12
2	1	DENSGLASS	1/2"	2'-2 1/4" X 10'-5 9/16"	8 - 12

12-1115

Jewish Home for the Aging

1885 Victory Blvd. Re **CREATED BY: HH**

FrameMax, Inc.
13915 Danielson St
Suite 100
Poway, CA 92064
www.frame-max.com



© FrameMax Inc.

CREATED: 11/06/2008

FM-07-109

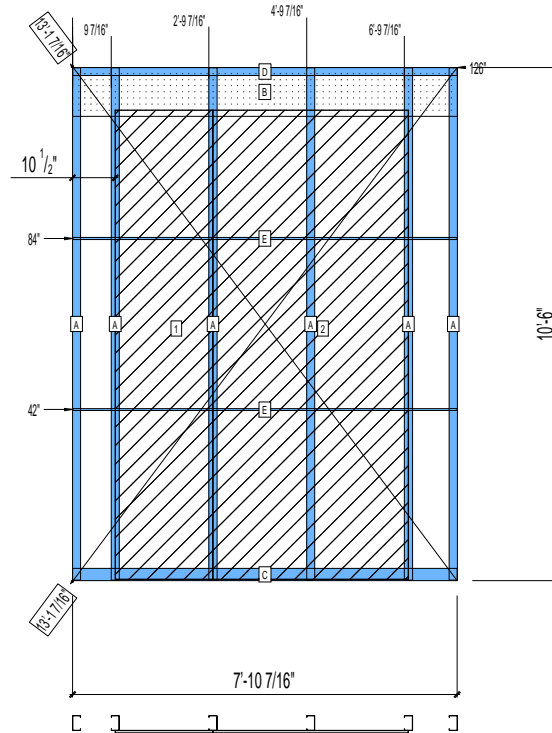
CREATED BY: AMB

APPROVED
By hhuynh at 5:44 pm, Nov 18, 2008

HEIGHT : 10'-6"
POINTS: 2.23 Points.
SPACING : 5000"
1st STUD: 5000"

WEIGHTS :
FRAME : 192 lbs
SHEATHING: 212 lbs

TOTAL: 404 lbs



PIECES LIST

LABEL	QTY	SIZE	LENGTH	USE
A	6	362S200-68	10'-5 13/16"	STUD
B	1	1200D-54	7'-10 1/2"	STRAP
C	1	362T300-68	7'-10 7/16"	BOTTOM TRACK
D	1	362T200-68	7'-10 7/16"	TOP TRACK
E	2	150U50-54	7'-10 1/4"	HORIZONTAL BRACING

SHEATHING

LABEL	QTY	CODE	THICK	SIZE	SCREWS
1	1	SB-DENSARMOR	5/8"	2'-0" X 9'-7 3/16"	2 - 12
2	1	SB-DENSARMOR	5/8"	4'-0" X 9'-7 3/16"	2 - 12

12-1116

Jewish Home for the Aging

1885 Victory Blvd. Reseda, CA

FM-07-109

CREATED BY: HH

FrameMax, Inc.
13915 Danielson St
Suite 100
Poway, CA 92064
www.framemax.com

FRAME MAX

© FrameMax Inc.

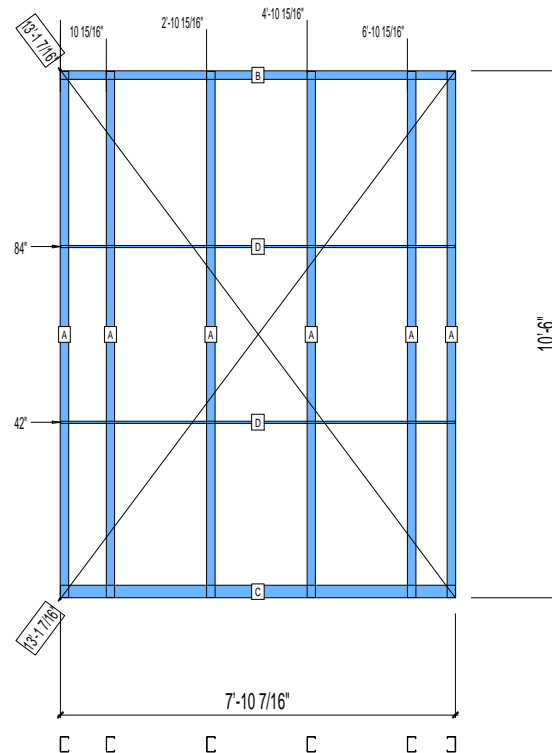
HEIGHT : 10'-6"
SPACING : 5000"
1st STUD: 5000"

POINTS: 1.17 Points.

APPROVED
By hhuynh at 5:44 pm, Nov 18, 2008

WEIGHTS :
FRAME : 173 lbs

TOTAL: 173 lbs



PIECES LIST

LABEL	QTY	SIZE	LENGTH	USE
A	6	362S200-68	10'-5 13/16"	STUD
B	1	362T200-68	7'-10 7/16"	TOP TRACK
C	1	362T300-68	7'-10 7/16"	BOTTOM TRACK
D	2	150U50-54	7'-10 1/4"	HORIZONTAL BRACING

12-1117

Jewish Home for the Aging

1885 Victory Blvd. Re **CREATED BY: HH**

FrameMax, Inc.
13915 Danielson St
Suite 100
Poway, CA 92064
www.frame-max.com



© FrameMax Inc.

CREATED: 11/18/2008

FM-07-109

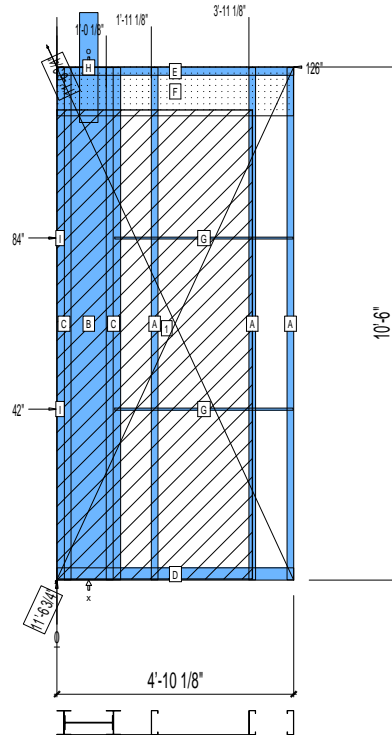
CREATED BY: AMB

APPROVED
By hhuynh at 5:44 pm, Nov 18, 2008

HEIGHT : 10'-6"
POINTS: 3.25 Points.
SPACING : 5000"
1st STUD: 5000"

WEIGHTS :
FRAME : 487 lbs
SHEATHING: 141 lbs

TOTAL: 628 lbs



PIECES LIST

LABEL	QTY	SIZE	LENGTH	USE
A	3	600S162-68	10'-5 13/16"	STUD
B	1	1200i350p1420	10'-5 13/16"	PACO
C	2	600i350p968	10'-5 13/16"	PACO
D	1	600T300-68	4'-10 1/8"	BOTTOM TRACK
E	1	600T200-68	4'-10 1/8"	TOP TRACK
F	1	1200D-54	4'-10 1/16"	STRAP
G	2	150U50-54	3'-7 13/16"	HORIZONTAL BRACING
H	1	B	2'-3"	HOLDDOWN
I	2	150U50-54	1 5/16"	HORIZONTAL BRACING

SHEATHING

LABEL	QTY	CODE	THICK	SIZE	SCREWS
1	1	SB-DENSARMOR	5/8"	4'-0" X 9'-7 3/16"	2 - 12

12-1118

Jewish Home for the Aging

1885 Victory Blvd. Reseda, CA

FM-07-109

CREATED BY: HH

FrameMax, Inc.
13915 Danielson St
Suite 100
Poway, CA 92064
www.frame-max.com



© FrameMax Inc.

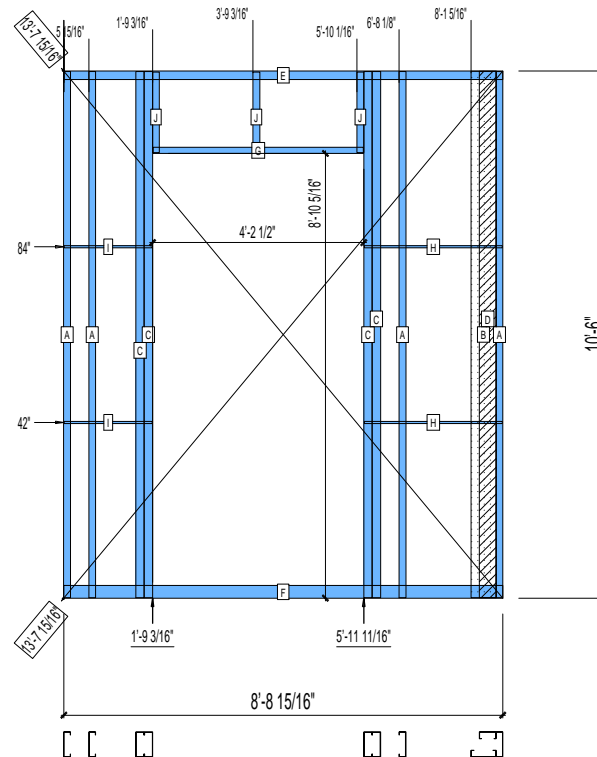
HEIGHT : 10'-6"
SPACING : 5000"
1st STUD: 5000"

POINTS: 2.02 Points.

APPROVED
By hhuynh at 5:44 pm, Nov 18, 2008

WEIGHTS :
FRAME : 310 lbs

TOTAL: 310 lbs



PIECES LIST

LABEL	QTY	SIZE	LENGTH	USE
A	4	600S162-68	10'-5 13/16"	STUD
B	1	600S162-43	10'-5 13/16"	BACKER-U
C	4	600S200-68	10'-5 13/16"	KING STUD
D	1	400S162-33	10'-5 13/16"	BACKER-U
E	1	600T200-68	8'-8 15/16"	TOP TRACK
F	1	600T300-68	8'-8 15/16"	BOTTOM TRACK
G	1	600T150-54	4'-2 1/4"	HEAD TRACK
H	2	150U50-54	2'-9"	HORIZONTAL BRACING
I	2	150U50-54	1'-9"	HORIZONTAL BRACING
J	3	600S162-54	1'-7 1/4"	CRIPPLE

12-1119

Jewish Home for the Aging

1885 Victory Blvd. Re **CREATED BY: HH**

FrameMax, Inc.
13915 Danielson St
Suite 100
Poway, CA 92064
www.frame-max.com



© FrameMax Inc.

CREATED: 11/18/2008

FM-07-109

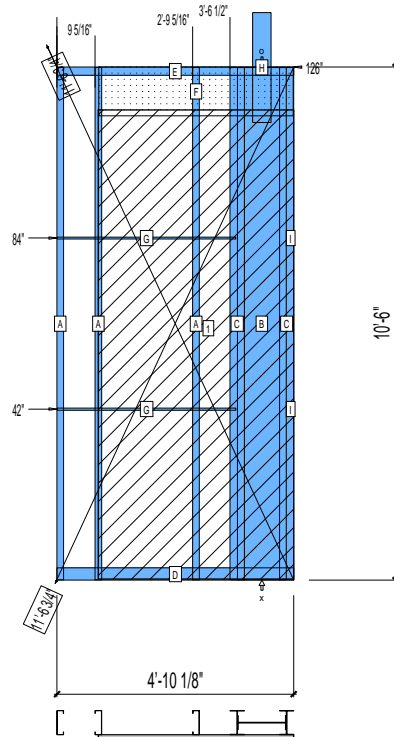
CREATED BY: AMB

APPROVED
By hhuynh at 5:44 pm, Nov 18, 2008

HEIGHT : 10'-6"
POINTS: 3.24 Points.
SPACING : 5000"
1st STUD: 5000"

WEIGHTS :
FRAME : 485 lbs
SHEATHING: 141 lbs

TOTAL: 626 lbs



PIECES LIST

LABEL	QTY	SIZE	LENGTH	USE
A	3	600S162-68	10'-5 13/16"	STUD
B	1	1200i350p1420	10'-5 13/16"	PACO
C	2	600i350p968	10'-5 13/16"	PACO
D	1	600T300-68	4'-10 1/8"	BOTTOM TRACK
E	1	600T200-68	4'-10 1/8"	TOP TRACK
F	1	1200D-54	3'-11 3/4"	STRAP
G	2	150U50-54	3'-7 13/16"	HORIZONTAL BRACING
H	1	B	2'-3"	HOLDDOWN
I	2	150U50-54	1 5/16"	HORIZONTAL BRACING

SHEATHING

LABEL	QTY	CODE	THICK	SIZE	SCREWS
1	1	SB-DENSARMOR	5/8"	4'-0" X 9'-7 3/16"	2 - 12

12-1120

Jewish Home for the Aging

1885 Victory Blvd. Res **CREATED BY: HH**

FM-07-109

CREATED BY: AMB

FrameMax, Inc.
13915 Danielson St
Suite 100
Poway, CA 92064
www.frame-max.com



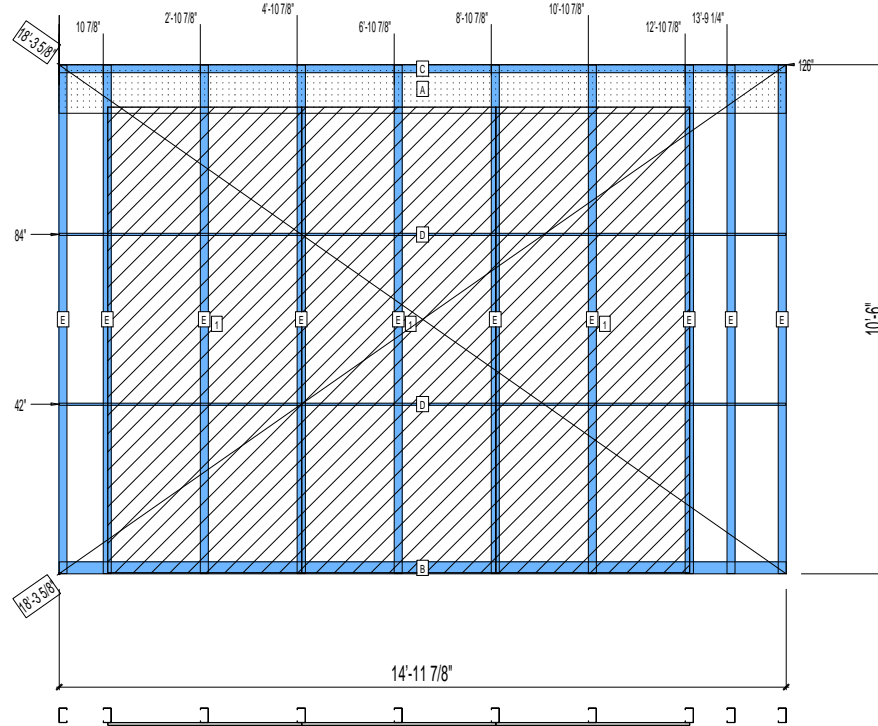
© FrameMax Inc.

APPROVED
By hhuynh at 5:44 pm, Nov 18, 2008

HEIGHT : 10'-6"
SPACING : 5000"
1st STUD: 5000"

WEIGHTS :
FRAME : 334 lbs
SHEATHING: 424 lbs

TOTAL: 758 lbs



PIECES LIST

LABEL	QTY	SIZE	LENGTH	USE
A	1	1200D-54	14'-11 15/16"	STRAP
B	1	362T300-68	14'-11 7/8"	BOTTOM TRACK
C	1	362T200-68	14'-11 7/8"	TOP TRACK
D	2	150U50-54	14'-11 11/16"	HORIZONTAL BRACING
E	10	362S200-68	10'-5 13/16"	STUD

SHEATHING

LABEL	QTY	CODE	THICK	SIZE	SCREWS
1	3	SB-DENSARMOR	5/8"	4'-0" X 9'-7 3/16"	3 - 12

12-1121

Jewish Home for the Aging

1885 Victory Blvd. Reseda, CA

FM-07-109

CREATED BY: HH

FrameMax, Inc.
13915 Danielson St
Suite 100
Poway, CA 92064
www.frame-max.com



© FrameMax Inc.

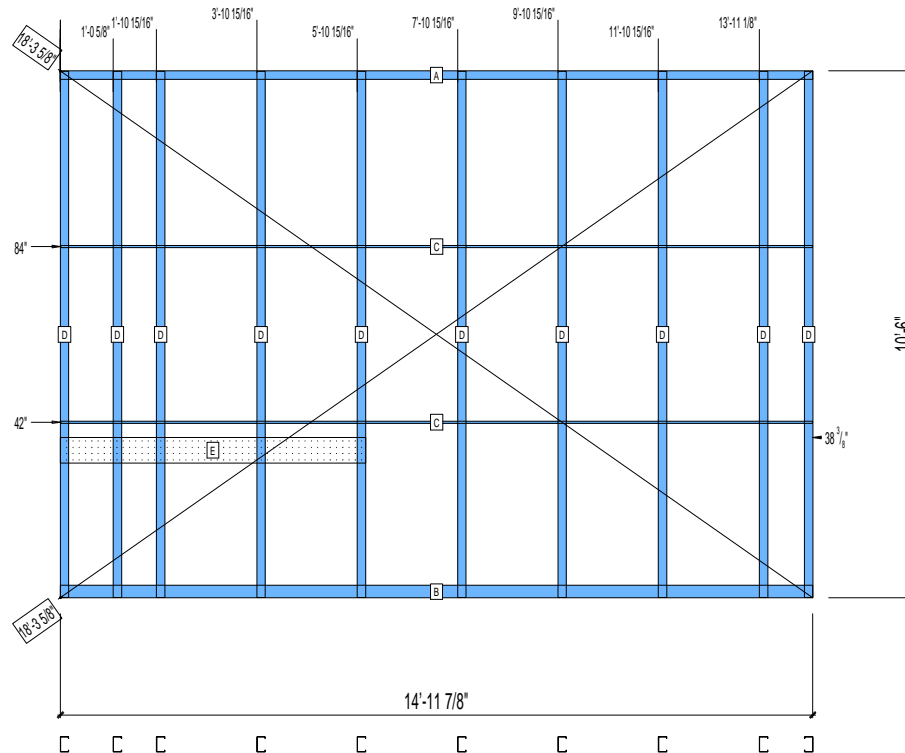
HEIGHT : 10'-6"
SPACING : 5000"
1st STUD: 5000"

POINTS: 2.04 Points.

APPROVED
By hhuynh at 5:44 pm, Nov 18, 2008

WEIGHTS :
FRAME : 308 lbs

TOTAL: 308 lbs



PIECES LIST

LABEL	QTY	SIZE	LENGTH	USE
A	1	362T200-68	14'-11 7/8"	TOP TRACK
B	1	362T300-68	14'-11 7/8"	BOTTOM TRACK
C	2	150U50-54	14'-11 11/16"	HORIZONTAL BRACING
D	10	362S200-68	10'-5 13/16"	STUD
E	1	600T150-54	6'-1"	GRAB BAR

12-1122

Jewish Home for the Aging

1885 Victory Blvd. Reseda, CA

FM-07-109

CREATED BY: HH

FrameMax, Inc.
13915 Danielson St
Suite 100
Poway, CA 92064
www.framemax.com



© FrameMax Inc.

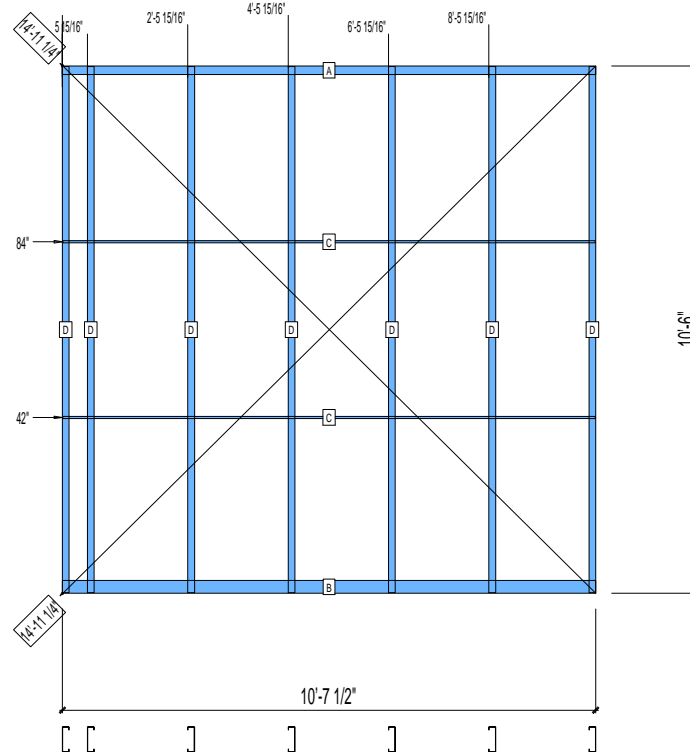
HEIGHT : 10'-6"
SPACING : 5000"
1st STUD: 5000"

POINTS: 1.58 Points.

APPROVED
By hhuynh at 5:44 pm, Nov 18, 2008

WEIGHTS :
FRAME : 247 lbs

TOTAL: 247 lbs



PIECES LIST

LABEL	QTY	SIZE	LENGTH	USE
A	1	600T200-68	10'-7 1/2"	TOP TRACK
B	1	600T300-68	10'-7 1/2"	BOTTOM TRACK
C	2	150U50-54	10'-7 5/16"	HORIZONTAL BRACING
D	7	600S162-68	10'-5 13/16"	STUD

12-1123

Jewish Home for the Aging

1885 Victory Blvd. Res **CREATED BY: HH**

FM-07-109

CREATED BY: AMB

FrameMax, Inc.
13915 Danielson St
Suite 100
Poway, CA 92064
www.framemax.com



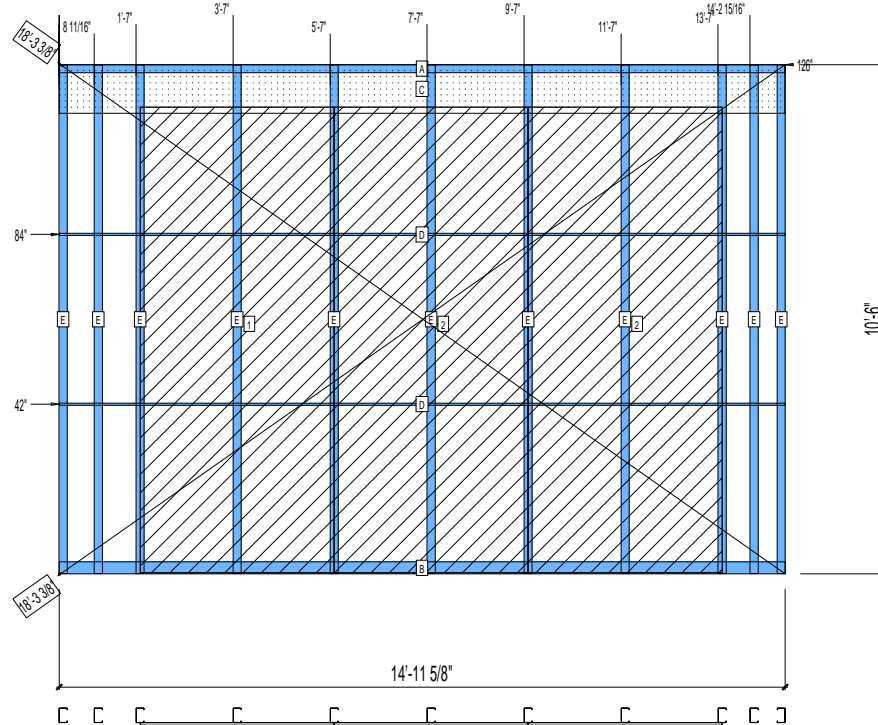
© FrameMax Inc.

APPROVED
By hhuynh at 5:44 pm, Nov 18, 2008

HEIGHT : 10'-6"
POINTS: 4.20 Points.
SPACING : 5000"
1st STUD: 5000"

WEIGHTS :
FRAME : 356 lbs
SHEATHING: 424 lbs

TOTAL: 780 lbs



PIECES LIST

LABEL	QTY	SIZE	LENGTH	USE
A	1	362T200-68	14'-11 5/8"	TOP TRACK
B	1	362T300-68	14'-11 5/8"	BOTTOM TRACK
C	1	1200D-54	14'-11 9/16"	STRAP
D	2	150U50-54	14'-11 7/16"	HORIZONTAL BRACING
E	11	362S200-68	10'-5 13/16"	STUD

SHEATHING

LABEL	QTY	CODE	THICK	SIZE	SCREWS
1	1	SB-DENSARMOR	5/8"	3'-11 15/16" X 9'-7 3/16"	2-12
2	2	SB-DENSARMOR	5/8"	4'-0" X 9'-7 3/16"	2-12

12-1124

Jewish Home for the Aging

1885 Victory Blvd. Res **CREATED BY: HH**

FM-07-109

CREATED BY: AMB

FrameMax, Inc.
13915 Danielson St
Suite 100
Poway, CA 92064
www.frame-max.com



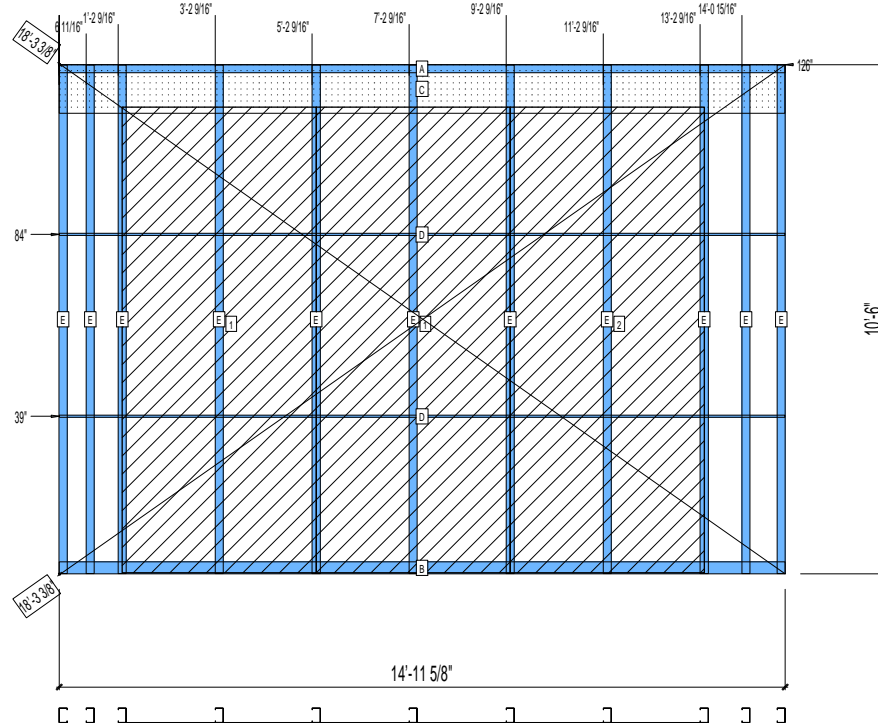
© FrameMax Inc.

APPROVED
By hhuynh at 5:44 pm, Nov 18, 2008

HEIGHT : 10'-6"
POINTS: 4.20 Points.
SPACING : 5000"
1st STUD: 5000"

WEIGHTS :
FRAME : 356 lbs
SHEATHING: 424 lbs

TOTAL: 780 lbs



PIECES LIST

LABEL	QTY	SIZE	LENGTH	USE
A	1	362T200-68	14'-11 5/8"	TOP TRACK
B	1	362T300-68	14'-11 5/8"	BOTTOM TRACK
C	1	1200D-54	14'-11 9/16"	STRAP
D	2	150U50-54	14'-11 7/16"	HORIZONTAL BRACING
E	11	362S200-68	10'-5 13/16"	STUD

SHEATHING

LABEL	QTY	CODE	THICK	SIZE	SCREWS
1	2	SB-DENSARMOR	5/8"	4'-0" X 9'-7 3/16"	2 - 12
2	1	SB-DENSARMOR	5/8"	4'-0" X 9'-7 3/16"	2 - 12

12-1125

Jewish Home for the Aging

1885 Victory Blvd. Reseda, CA

FM-07-109

CREATED BY: HH

FrameMax, Inc.
13915 Danielson St
Suite 100
Poway, CA 92064
www.frame-max.com

FRAME MAX

© FrameMax Inc.

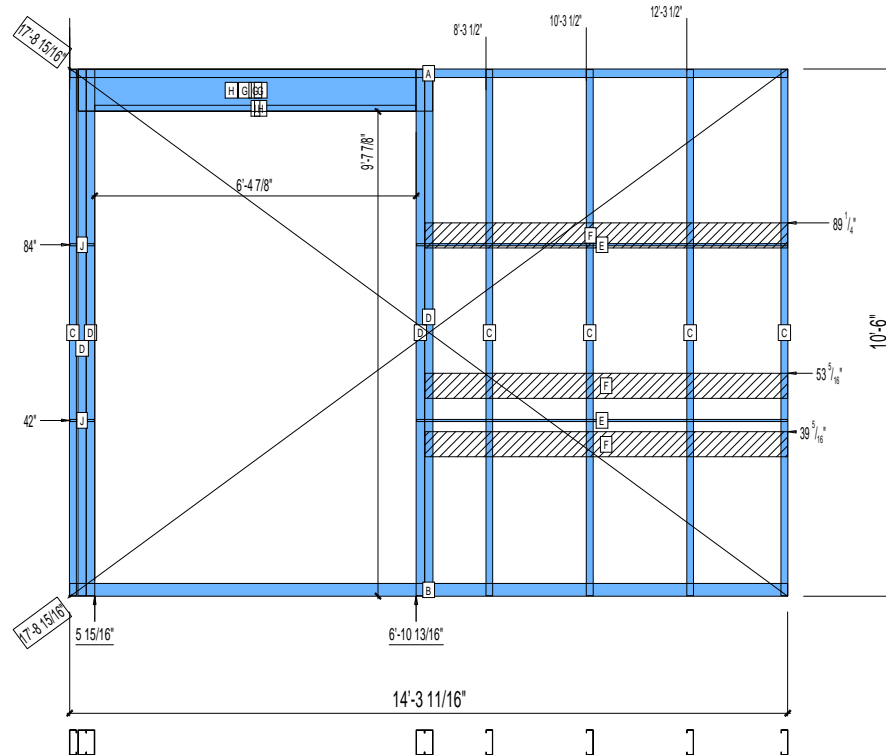
HEIGHT : 10'-6"
SPACING : 5000"
1st STUD: 5000"

POINTS: 2.72 Points.

APPROVED
By hhuynh at 5:44 pm, Nov 18, 2008

WEIGHTS :
FRAME : 434 lbs

TOTAL: 434 lbs



PIECES LIST

LABEL	QTY	SIZE	LENGTH	USE
A	1	600T200-68	14'-3 11/16"	TOP TRACK
B	1	600T300-68	14'-3 11/16"	BOTTOM TRACK
C	5	600S162-68	10'-5 13/16"	STUD
D	4	600S200-68	10'-5 13/16"	KING STUD
E	2	150U50-54	7'-4 5/8"	HORIZONTAL BRACING
F	3	600D-54	7'-2 3/4"	KITCHEN BACKING
G	1	1000S200-97	7'-0 3/4"	HEADER
H	1	1000S200-97	6'-8 3/4"	HEADER
I	1	600T150-54	6'-4 3/4"	HEADER BOTTOM TRACK
J	2	150U50-54	5 3/4"	HORIZONTAL BRACING

12-1126

Jewish Home for the Aging

1885 Victory Blvd. Reseda, CA

FM-07-109

CREATED BY: HH

FrameMax, Inc.
13915 Danielson St
Suite 100
Poway, CA 92064
www.framemax.com



© FrameMax Inc.

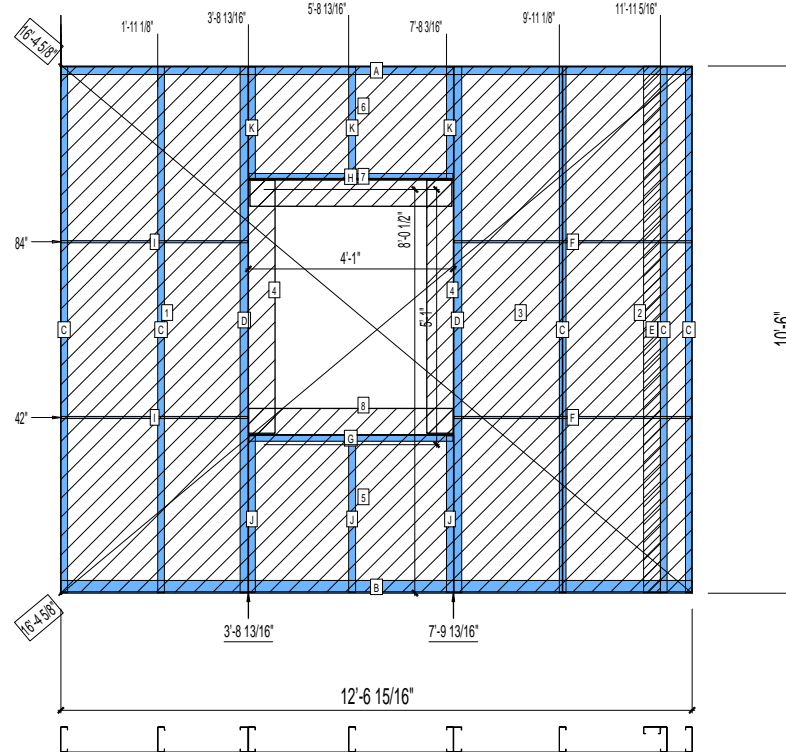
HEIGHT : 10'-6"
SPACING : 5000"
1st STUD: 5000"

POINTS: 3.46 Points.

APPROVED
By hhuynh at 5:44 pm, Nov 18, 2008

WEIGHTS :
FRAME : 299 lbs
SHEATHING: 301 lbs

TOTAL: 600 lbs



PIECES LIST

LABEL	QTY	SIZE	LENGTH	USE
A	1	600T200-54	12'-6 15/16"	TOP TRACK
B	1	600T300-54	12'-6 15/16"	BOTTOM TRACK
C	5	600S162-54	10'-5 13/16"	STUD
D	2	600S200-97	10'-5 13/16"	KING STUD
E	1	400S162-33	10'-5 13/16"	BACKER-U
F	2	150U50-54	4'-8 7/8"	HORIZONTAL BRACING
G	1	600T150-54	4'-0 3/4"	SILL
H	1	600T150-54	4'-0 3/4"	HEAD TRACK
I	2	150U50-54	3'-8 5/8"	HORIZONTAL BRACING
J	3	600S162-54	3'-1 3/8"	CRIPPLE
K	3	600S162-54	2'-2 3/4"	CRIPPLE

SHEATHING

LABEL	QTY	CODE	THICK	SIZE	SCREWS
1	1	DENSGLOSS	1/2"	3'-8 13/16" X 10'-5 9/16"	8 - 12
2	1	DENSGLOSS	1/2"	2'-6 15/16" X 10'-5 9/16"	8 - 12
3	1	DENSGLOSS	1/2"	2'-2 1/16" X 10'-5 9/16"	8 - 12
4	2	DENSGLOSS	1/2"	6 3/8" X 5'-0 1/2"	8 - 12
5	1	DENSGLOSS	1/2"	4'-1 1/16" X 3'-1 1/2"	8 - 12
6	1	DENSGLOSS	1/2"	4'-1 1/16" X 2'-2 3/4"	8 - 12
7	1	DENSGLOSS	1/2"	4'-0 1/4" X 6 5/16"	8 - 12
8	1	DENSGLOSS	1/2"	4'-0 7/8" X 6 5/16"	8 - 12

12-1127

Jewish Home for the Aging

1885 Victory Blvd. Res **CREATED BY: HH**

FM-07-109

CREATED BY: AMB

FrameMax, Inc.
13915 Danielson St
Suite 100
Poway, CA 92064
www.frame-max.com



© FrameMax Inc.

APPROVED
By hhuynh at 5:44 pm, Nov 18, 2008

HEIGHT : 10'-10 7/8" POINTS: 6.17 Points.

SPACING : 5000"

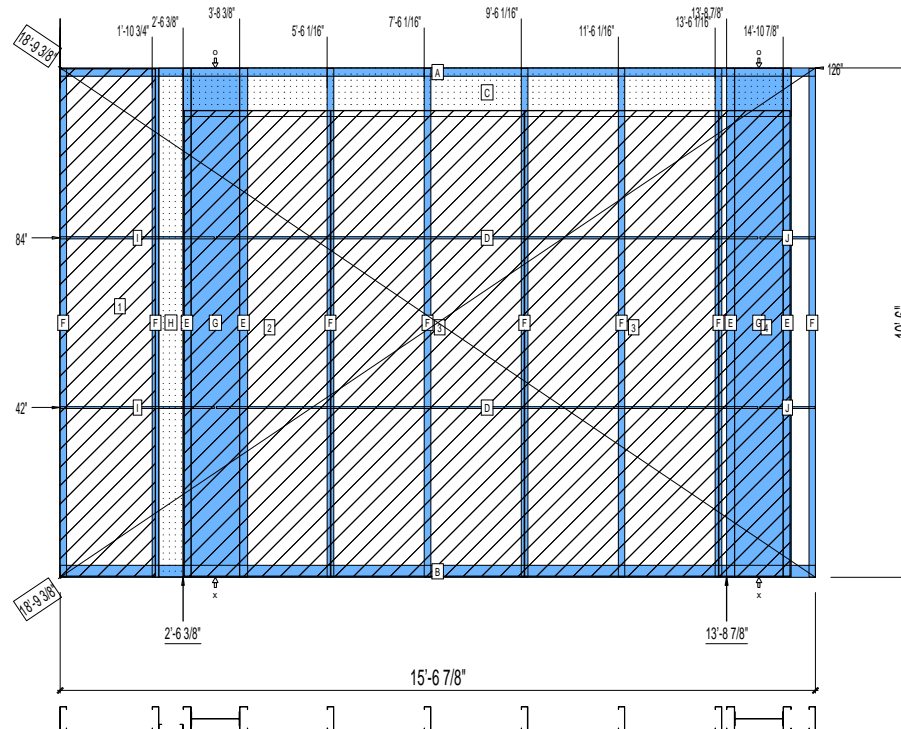
1st STUD: 16"

WEIGHTS :

FRAME : 682 lbs

SHEATHING: 493 lbs

TOTAL: 1175 lbs



PIECES LIST

LABEL	QTY	SIZE	LENGTH	USE
A	1	600T200-68	15'-6 7/8"	TOP TRACK
B	1	600T300-68	15'-6 7/8"	BOTTOM TRACK
C	1	1200D-54	12'-6 3/8"	STRAP
D	2	150U50-54	11'-2"	HORIZONTAL BRACING
E	4	600S200-68	10'-5 13/16"	STUD
F	8	600S162-68	10'-5 13/16"	STUD
G	2	1200i350p1062	10'-5 13/16"	PACO
H	1	600S162-33	10'-5 13/16"	BACKER-U
I	2	150U50-54	3'-2 1/16"	HORIZONTAL BRACING
J	2	150U50-54	1'-1 5/8"	HORIZONTAL BRACING

SHEATHING

LABEL	QTY	CODE	THICK	SIZE	SCREWS
1	1	DENSGLOSS	1/2"	1'-11 5/8" X 10'-5 9/16"	8 - 12
2	1	SB-DENSARMOR	5/8"	3'-0 1/4" X 9'-7 3/16"	3-12
3	2	SB-DENSARMOR	5/8"	4'-0" X 9'-7 3/16"	3-12
4	1	SB-DENSARMOR	5/8"	1'-5 11/16" X 9'-7 3/16"	3-12

12-1128

Jewish Home for the Aging

1885 Victory Blvd. Reseda, CA

FM-07-109

CREATED BY: HH

FrameMax, Inc.
13915 Danielson St
Suite 100
Poway, CA 92064
www.frame-max.com



© FrameMax Inc.

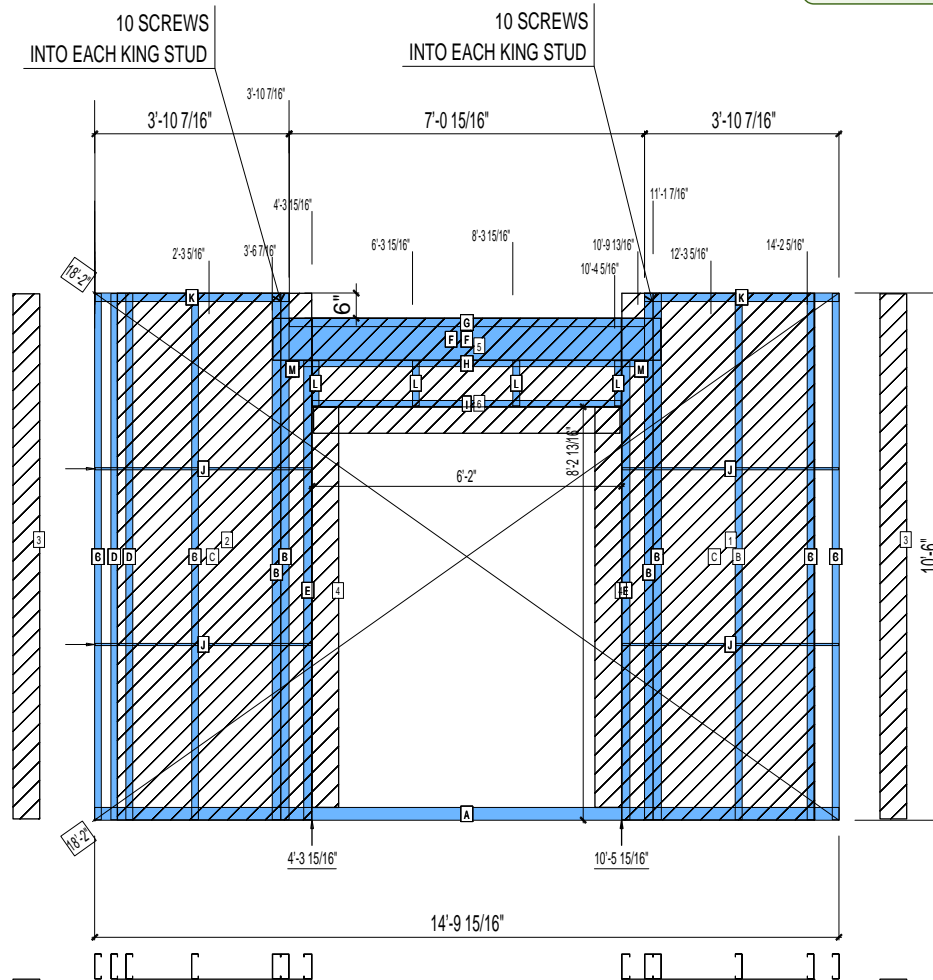
HEIGHT : 10'-6"
SPACING : 5000"
1st STUD: 5000"

POINTS: 4.78 Points.

APPROVED
By hhuynh at 5:44 pm, Nov 18, 2008

WEIGHTS :
FRAME : 553 lbs
SHEATHING: 286 lbs

TOTAL: 839 lbs



PIECES LIST			
LABEL	QTY	SIZE	LENGTH USE
A	1	600T300-54	14'-9 15/16" BOTTOM TRACK
B	5	600S162-54	10'-5 13/16" STUD
C	4	600S200-97	10'-5 13/16" EXTRA STUD
D	2	600S162-54	10'-5 13/16" BACKER STUD
E	2	600S200-97	9'-1 3/4" KING STUD
F	2	1000S200-97	7'-8 3/4" HEADER
G	1	600T200-54	7'-0 15/16" TOP TRACK
H	1	600T150-54	7'-0 7/8" HEADER BOTTOM TRACK
I	1	600T150-54	6'-1 3/4" HEAD TRACK
J	4	150U50-54	4'-3 3/4" HORIZONTAL BRACING
K	2	600T200-54	3'-10 7/16" TOP TRACK
L	4	600S162-54	10 13/16" CRIPPLE
M	2	600S162-33	4" BACKER STUD

SHEATHING					
LABEL	QTY	CODE	THICK	SIZE	SCREWS
1	1	DENSGLASS	1/2"	3'-10 1/8" X 10'-5 7/8"	8 - 12
2	1	DENSGLASS	1/2"	3'-10 1/2" X 10'-5 7/8"	8 - 12
3	2	DENSGLASS	1/2"	6 3/8" X 10'-5 9/16"	8 - 12
4	2	DENSGLASS	1/2"	6 3/8" X 7'-11 3/4"	8 - 12
5	1	DENSGLASS	1/2"	6'-1 7/8" X 1'-9 1/16"	8 - 12
6	1	DENSGLASS	1/2"	6'-1 1/4" X 6 5/16"	8 - 12

12-1129

Jewish Home for the Aging

1885 Victory Blvd. Res **CREATED BY: HH**

FrameMax, Inc.
13915 Danielson St
Suite 100
Poway, CA 92064
www.frame-max.com



© FrameMax Inc.

APPROVED
By hhuynh at 5:44 pm, Nov 18, 2008

HEIGHT : 10'-10 7/8" POINTS: 5.84 Points.

SPACING : 5000"

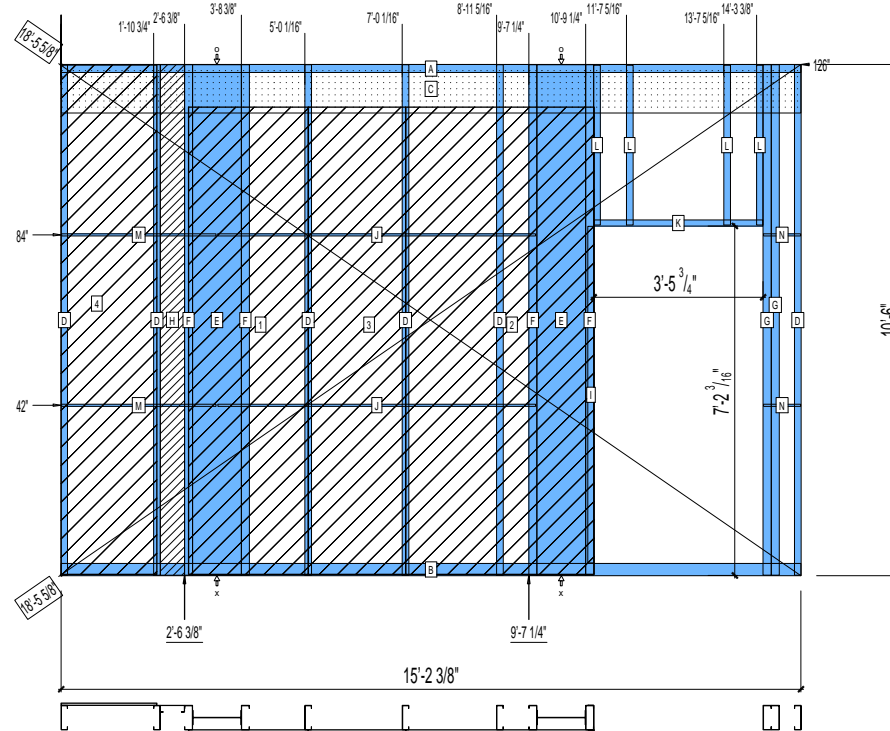
1st STUD: 5000"

WEIGHTS :

FRAME : 730 lbs

SHEATHING: 346 lbs

TOTAL: 1076 lbs



PIECES LIST

LABEL	QTY	SIZE	LENGTH	USE
A	1	600T200-68	15'-2 3/8"	TOP TRACK
B	1	600T300-68	15'-2 3/8"	BOTTOM TRACK
C	1	1200D-54	15'-2 5/16"	STRAP
D	6	600S162-68	10'-5 13/16"	STUD
E	2	1200i350p1062	10'-5 13/16"	PACO
F	4	600S200-68	10'-5 13/16"	STUD
G	2	600S200-68	10'-5 13/16"	KING STUD
H	1	600S162-33	10'-5 13/16"	BACKER-U
I	1	600T150-54	6'-10 15/16"	CAP TRACK
J	2	150U50-54	6'-6 5/16"	HORIZONTAL BRACING
K	1	600T150-54	3'-5 1/2"	HEAD TRACK
L	4	600S162-54	3'-3 3/8"	CRIPPLE
M	2	150U50-54	3'-2 1/16"	HORIZONTAL BRACING
N	2	150U50-54	9 1/8"	HORIZONTAL BRACING

SHEATHING

LABEL	QTY	CODE	THICK	SIZE	SCREWS
1	1	SB-DENSARMOR	5/8"	2'-5 1/2" X 9'-7 3/16"	3 - 12
2	1	SB-DENSARMOR	5/8"	3'-10 1/2" X 9'-7 3/16"	3 - 12
3	1	SB-DENSARMOR	5/8"	2'-0" X 9'-7 3/16"	3 - 12
4	1	DENSGLOSS	1/2"	1'-11 5/8" X 10'-5 9/16"	8 - 12

12-1130

Jewish Home for the Aging

1885 Victory Blvd. Res **CREATED BY: HH**

FM-07-109

CREATED BY: AMB

FrameMax, Inc.
13915 Danielson St
Suite 100
Poway, CA 92064
www.frame-max.com



© FrameMax Inc.

APPROVED
By hhuynh at 5:44 pm, Nov 18, 2008

HEIGHT : 11'-2 7/8" POINTS: 6.55 Points.

SPACING : 5000"

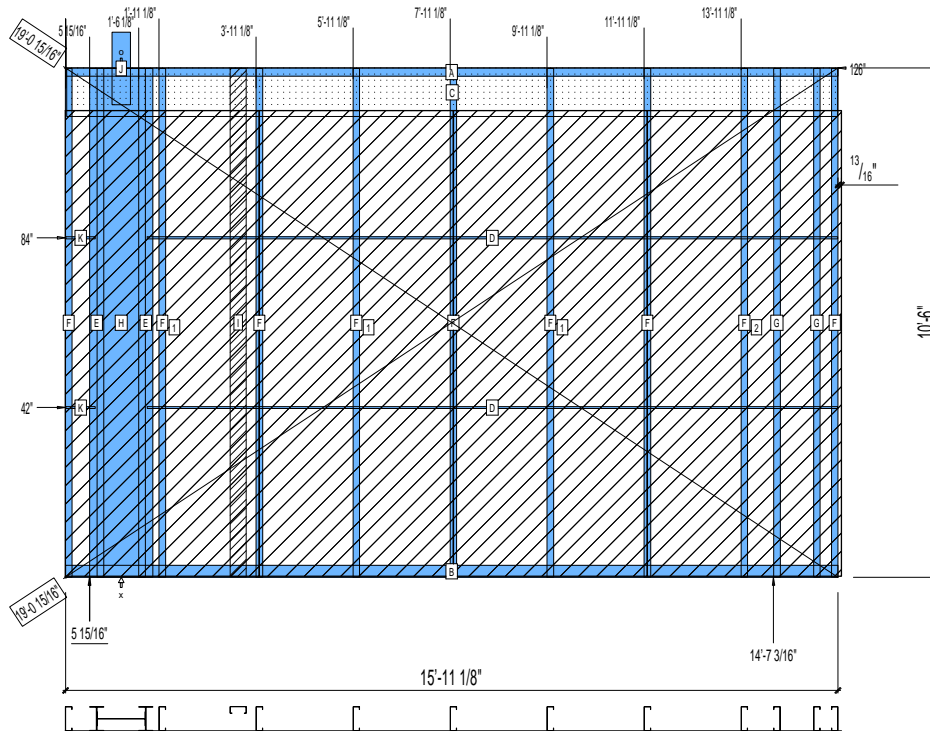
1st STUD: 5000"

WEIGHTS :

FRAME : 696 lbs

SHEATHING: 565 lbs

TOTAL: 1261 lbs



PIECES LIST

LABEL	QTY	SIZE	LENGTH	USE
A	1	600T200-68	15'-11 1/8"	TOP TRACK
B	1	600T300-68	15'-11 1/8"	BOTTOM TRACK
C	1	1200D-54	15'-10 3/4"	STRAP
D	2	150U50-54	14'-2 13/16"	HORIZONTAL BRACING
E	2	600i350p680	10'-5 13/16"	PACO
F	9	600S162-68	10'-5 13/16"	STUD
G	2	600S162-68	10'-5 13/16"	BACKER STUD
H	1	1200i350p1062	10'-5 13/16"	PACO
I	1	400S162-33	10'-5 13/16"	BACKER-U
J	1	A	1'-6"	HOLDDOWN
K	2	150U50-54	7 5/16"	HORIZONTAL BRACING

SHEATHING

LABEL	QTY	CODE	THICK	SIZE	SCREWS
1	3	SB-DENSARMOR	5/8"	4'-0" X 9'-7 3/16"	2 - 12
2	1	SB-DENSARMOR	5/8"	4'-0" X 9'-7 3/16"	2 - 12

12-1131

Jewish Home for the Aging

1885 Victory Blvd. Reseda, CA

FM-07-109

CREATED BY: HH

FrameMax, Inc.
13915 Danielson St
Suite 100
Poway, CA 92064
www.frame-max.com



© FrameMax Inc.

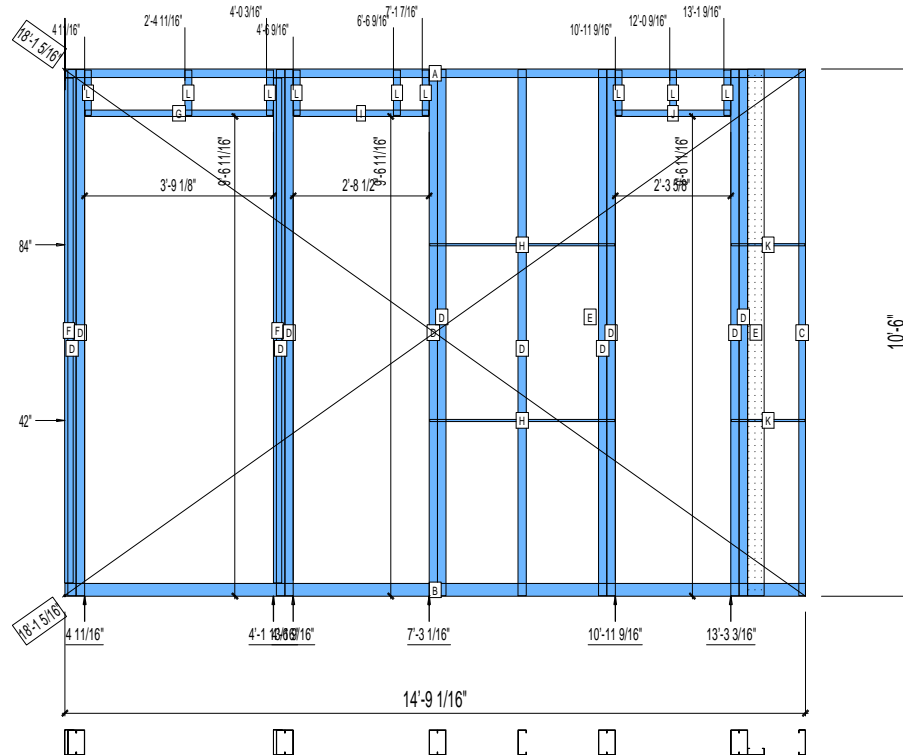
HEIGHT : 10'-6"
SPACING : 5000"
1st STUD: 5000"

POINTS: 3.22 Points.

APPROVED
By hhuynh at 5:44 pm, Nov 18, 2008

WEIGHTS :
FRAME : 485 lbs

TOTAL: 485 lbs



PIECES LIST			LENGTH USE
LABEL	QTY	SIZE	
A	1	600T200-68	14'-9 1/16" TOP TRACK
B	1	600T300-68	14'-9 1/16" BOTTOM TRACK
C	1	600S162-68	10'-5 13/16" STUD
D	11	600S200-68	10'-5 13/16" KING STUD
E	1	400S162-33	10'-5 13/16" BACKER-U
F	2	600T200-33	10'-0 3/4" CAP TRACK
G	1	600T150-54	3'-8 7/8" HEAD TRACK
H	2	150U50-54	3'-8 1/4" HORIZONTAL BRACING
I	1	600T150-54	2'-8 1/4" HEAD TRACK
J	1	600T150-54	2'-3 3/8" HEAD TRACK
K	2	150U50-54	1'-5 5/8" HORIZONTAL BRACING
L	9	600S162-54	10 7/8" CRIPPLE

12-1132

Jewish Home for the Aging

1885 Victory Blvd. Reseda, CA

FM-07-109

CREATED BY: HH

FrameMax, Inc.
13915 Danielson St
Suite 100
Poway, CA 92064
www.framemax.com



© FrameMax Inc.

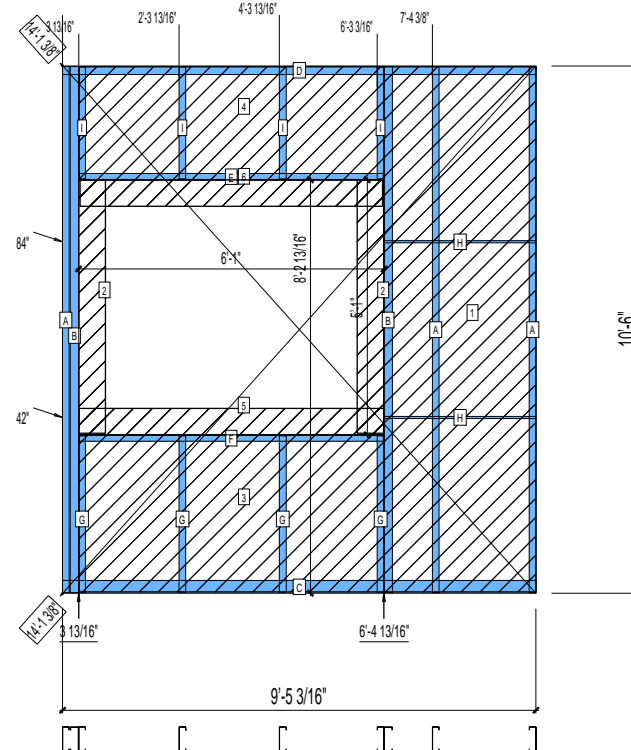
HEIGHT : 10'-6"
SPACING : 5000"
1st STUD: 5000"

POINTS: 2.59 Points.

APPROVED
By hhuynh at 5:44 pm, Nov 18, 2008

WEIGHTS :
FRAME : 247 lbs
SHEATHING: 190 lbs

TOTAL: 437 lbs



PIECES LIST

LABEL	QTY	SIZE	LENGTH	USE
A	3	600S162-54	10'-5 13/16"	STUD
B	2	600S200-97	10'-5 13/16"	KING STUD
C	1	600T300-54	9'-5 3/16"	BOTTOM TRACK
D	1	600T200-54	9'-5 3/16"	TOP TRACK
E	1	600T150-54	6'-0 3/4"	HEAD TRACK
F	1	600T150-54	6'-0 3/4"	SILL
G	4	600S162-54	3'-1 3/8"	CRIPPLE
H	2	150U50-54	3'-0 1/8"	HORIZONTAL BRACING
I	4	600S162-54	2'-2 3/4"	CRIPPLE

SHEATHING

LABEL	QTY	CODE	THICK	SIZE	SCREWS
1	1	DENSGLASS	1/2"	3'-0 5/16" X 10'-5 9/16"	8 - 12
2	2	DENSGLASS	1/2"	6 3/8" X 5'-0 1/2"	8 - 12
3	1	DENSGLASS	1/2"	6'-0 15/16" X 3'-1 1/2"	8 - 12
4	1	DENSGLASS	1/2"	6'-0 15/16" X 2'-3"	8 - 12
5	1	DENSGLASS	1/2"	6'-0 7/8" X 6 5/16"	8 - 12
6	1	DENSGLASS	1/2"	6'-0 1/4" X 6 5/16"	8 - 12

12-1133

Jewish Home for the Aging

1885 Victory Blvd. Reseda, CA

FM-07-109

CREATED BY: HH

FrameMax, Inc.
13915 Danielson St
Suite 100
Poway, CA 92064
www.framemax.com



© FrameMax Inc.

HEIGHT : 10'-6" POINTS: 0.79 Points.

SPACING : 5000"

1st STUD: 5000"

WEIGHTS :

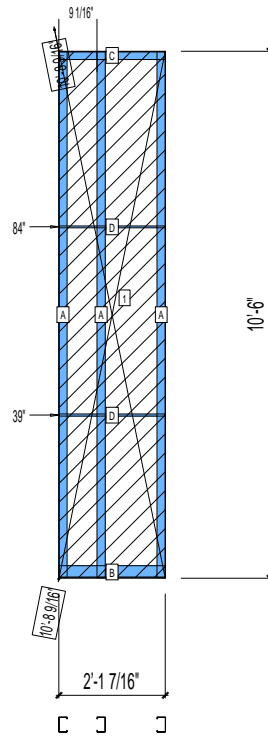
FRAME : 77 lbs

SHEATHING: 55 lbs

TOTAL: 132 lbs

APPROVED

By hhuynh at 5:44 pm, Nov 18, 2008



PIECES LIST

LABEL	QTY	SIZE	LENGTH	USE
A	3	362S200-68	10'-5 13/16"	STUD
B	1	362T300-68	2'-1 7/16"	BOTTOM TRACK
C	1	362T200-68	2'-1 7/16"	TOP TRACK
D	2	150U50-54	2'-1 1/4"	HORIZONTAL BRACING

SHEATHING

LABEL	QTY	CODE	THICK	SIZE	SCREWS
1	1	DENSGLASS	1/2"	2'-1 3/8" X 10'-5 9/16"	8 - 12

12-1134

Jewish Home for the Aging

1885 Victory Blvd. Reseda, CA

FM-07-109

CREATED BY: HH

FrameMax, Inc.
13915 Danielson St
Suite 100
Poway, CA 92064
www.frame-max.com

FRAME MAX

© FrameMax Inc.

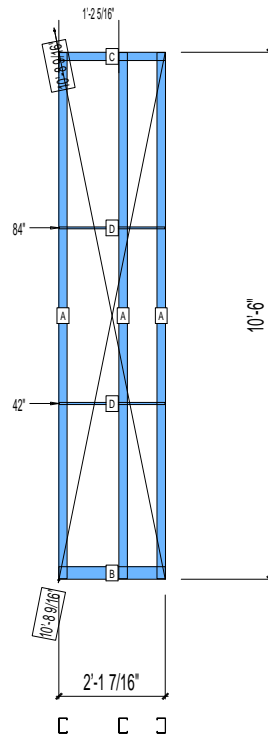
HEIGHT : 10'-6"
SPACING : 5000"
1st STUD: 5000"

POINTS: 0.54 Points.

APPROVED
By hhuynh at 5:44 pm, Nov 18, 2008

WEIGHTS :
FRAME : 77 lbs

TOTAL: 77 lbs



PIECES LIST

LABEL	QTY	SIZE	LENGTH	USE
A	3	362S200-68	10'-5 13/16"	STUD
B	1	362T300-68	2'-1 7/16"	BOTTOM TRACK
C	1	362T200-68	2'-1 7/16"	TOP TRACK
D	2	150U50-54	2'-1 1/4"	HORIZONTAL BRACING

12-1135

Jewish Home for the Aging

1885 Victory Blvd. Res **CREATED BY: HH**

FM-07-109

CREATED BY: AMB

FrameMax, Inc.
13915 Danielson St
Suite 100
Poway, CA 92064
www.frame-max.com



© FrameMax Inc.

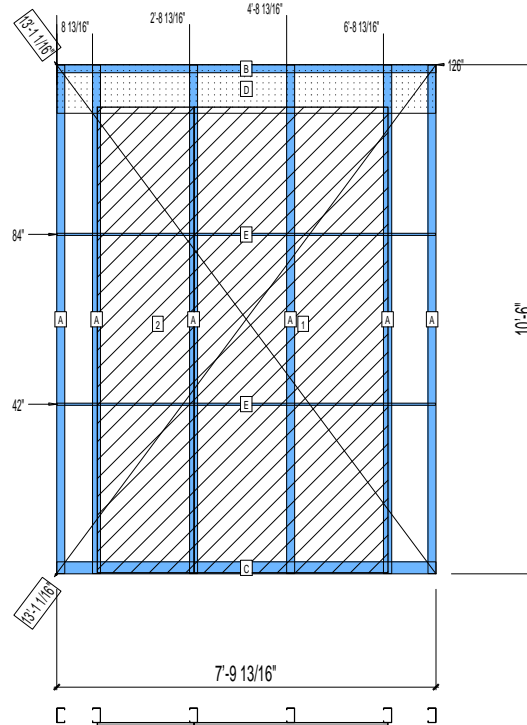
APPROVED
By hhuynh at 5:44 pm, Nov 18, 2008

HEIGHT : 10'-6"
SPACING : 5000"
1st STUD: 5000"

POINTS: 2.23 Points.

WEIGHTS :
FRAME : 191 lbs
SHEATHING: 212 lbs

TOTAL: 403 lbs



PIECES LIST

LABEL	QTY	SIZE	LENGTH	USE
A	6	362S200-68	10'-5 13/16"	STUD
B	1	362T200-68	7'-9 13/16"	TOP TRACK
C	1	362T300-68	7'-9 13/16"	BOTTOM TRACK
D	1	1200D-54	7'-9 3/4"	STRAP
E	2	150U50-54	7'-9 5/8"	HORIZONTAL BRACING

SHEATHING

LABEL	QTY	CODE	THICK	SIZE	SCREWS
1	1	SB-DENSARMOR	5/8"	4'-0" X 9'-7 3/16"	2 - 12
2	1	SB-DENSARMOR	5/8"	2'-0" X 9'-7 3/16"	2 - 12

12-1136

Jewish Home for the Aging

1885 Victory Blvd. Reseda, CA

FM-07-109

CREATED BY: HH

FrameMax, Inc.
13915 Danielson St
Suite 100
Poway, CA 92064
www.frame-max.com

FRAME MAX

© FrameMax Inc.

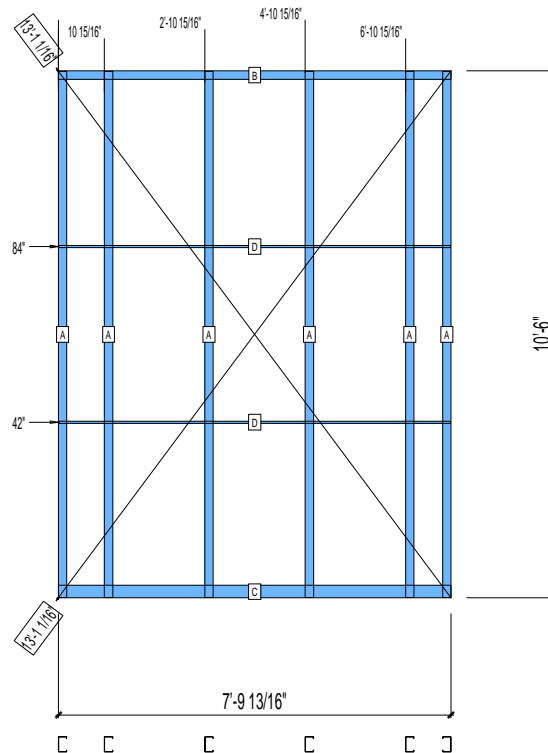
HEIGHT : 10'-6"
SPACING : 5000"
1st STUD: 5000"

POINTS: 1.16 Points.

APPROVED
By hhuynh at 5:44 pm, Nov 18, 2008

WEIGHTS :
FRAME : 173 lbs

TOTAL: 173 lbs



PIECES LIST

LABEL	QTY	SIZE	LENGTH	USE
A	6	362S200-68	10'-5 13/16"	STUD
B	1	362T200-68	7'-9 13/16"	TOP TRACK
C	1	362T300-68	7'-9 13/16"	BOTTOM TRACK
D	2	150U50-54	7'-9 5/8"	HORIZONTAL BRACING

12-1137

Jewish Home for the Aging

1885 Victory Blvd. Res **CREATED BY: HH**

FM-07-109

CREATED BY: AMB

FrameMax, Inc.
13915 Danielson St
Suite 100
Poway, CA 92064
www.frame-max.com



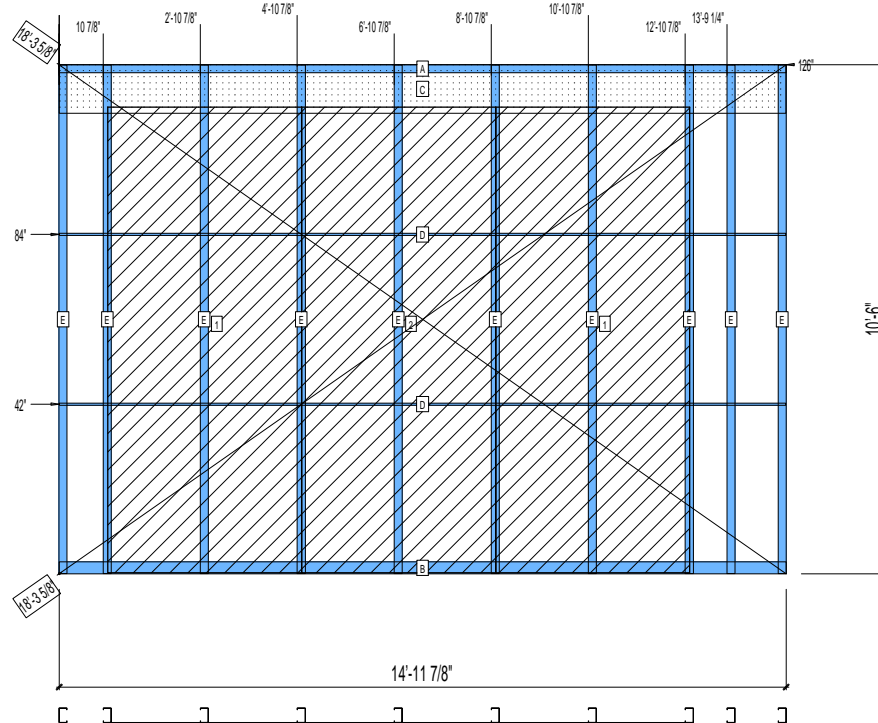
© FrameMax Inc.

APPROVED
By hhuynh at 5:44 pm, Nov 18, 2008

HEIGHT : 10'-6"
POINTS: 4.08 Points.
SPACING : 5000"
1st STUD: 5000"

WEIGHTS :
FRAME : 334 lbs
SHEATHING: 424 lbs

TOTAL: 758 lbs



PIECES LIST

LABEL	QTY	SIZE	LENGTH	USE
A	1	362T200-68	14'-11 7/8"	TOP TRACK
B	1	362T300-68	14'-11 7/8"	BOTTOM TRACK
C	1	1200D-54	14'-11 13/16"	STRAP
D	2	150U50-54	14'-11 11/16"	HORIZONTAL BRACING
E	10	362S200-68	10'-5 13/16"	STUD

SHEATHING

LABEL	QTY	CODE	THICK	SIZE	SCREWS
1	2	SB-DENSARMOR	5/8"	4'-0" X 9'-7 3/16"	2 - 12
2	1	SB-DENSARMOR	5/8"	4'-0" X 9'-7 3/16"	2 - 12

12-1138

Jewish Home for the Aging

1885 Victory Blvd. Reseda, CA

FM-07-109

CREATED BY: HH

FrameMax, Inc.
13915 Danielson St
Suite 100
Poway, CA 92064
www.framemax.com



© FrameMax Inc.

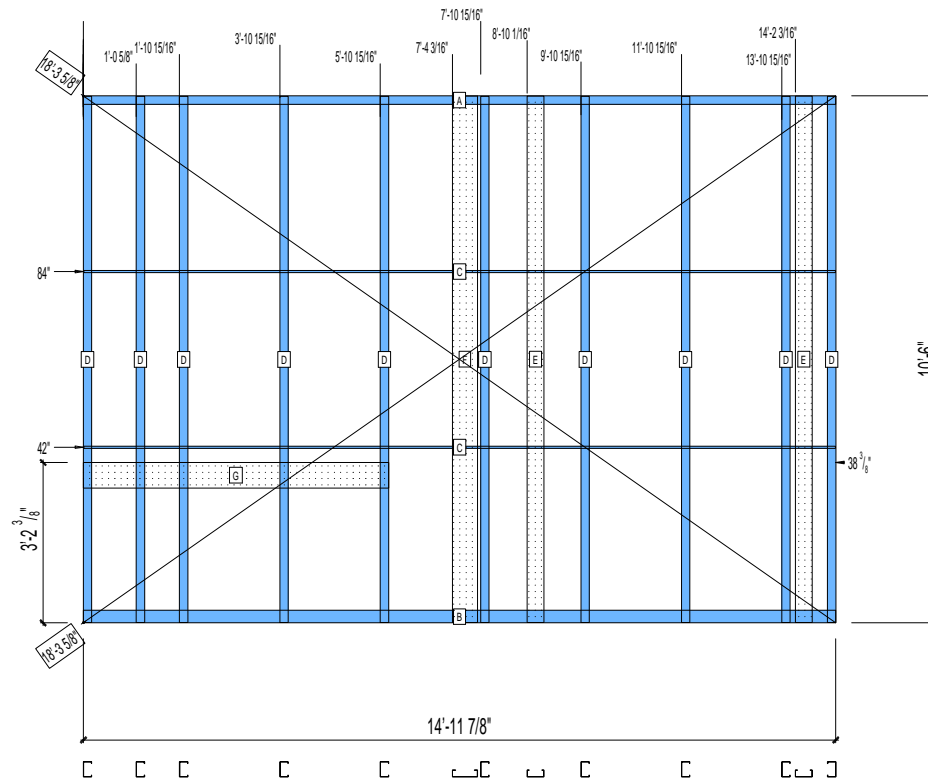
HEIGHT : 10'-6"
SPACING : 5000"
1st STUD: 5000"

POINTS: 2.25 Points.

APPROVED
By hhuynh at 5:44 pm, Nov 18, 2008

WEIGHTS :
FRAME : 340 lbs

TOTAL: 340 lbs



PIECES LIST

LABEL	QTY	SIZE	LENGTH	USE
A	1	362T200-68	14'-11 7/8"	TOP TRACK
B	1	362T300-68	14'-11 7/8"	BOTTOM TRACK
C	2	150U50-54	14'-11 11/16"	HORIZONTAL BRACING
D	10	362S200-68	10'-5 13/16"	STUD
E	2	400S162-33	10'-5 13/16"	BACKER-U
F	1	600S162-33	10'-5 13/16"	BACKER-U
G	1	600T150-54	6'-1"	GRAB BAR

12-1139

Jewish Home for the Aging

1885 Victory Blvd. Res **CREATED BY: HH**

FM-07-109

CREATED BY: AMB

FrameMax, Inc.
13915 Danielson St
Suite 100
Poway, CA 92064
www.framemax.com



© FrameMax Inc.

APPROVED
By hhuynh at 5:44 pm, Nov 18, 2008

HEIGHT : 11'-2 7/8" POINTS: 7.48 Points.

SPACING : 5000"

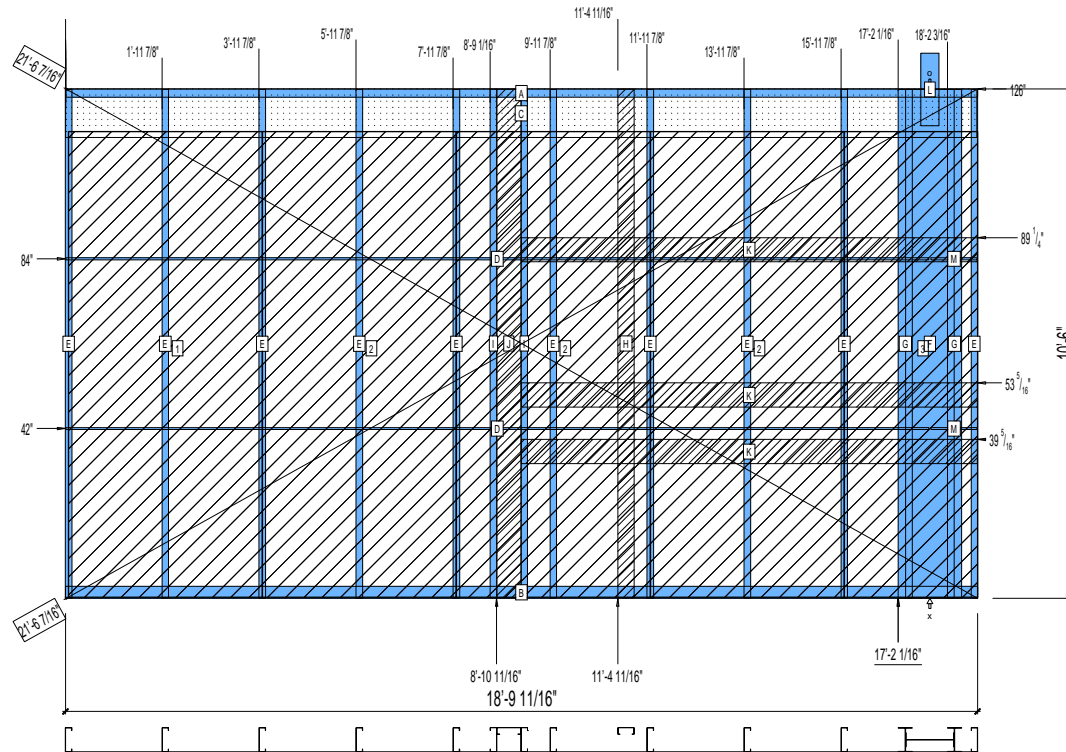
1st STUD: 5000"

WEIGHTS :

FRAME : 767 lbs

SHEATHING: 662 lbs

TOTAL: 1429 lbs



PIECES LIST

LABEL	QTY	SIZE	LENGTH	USE
A	1	600T200-68	18'-9 11/16"	TOP TRACK
B	1	600T300-68	18'-9 11/16"	BOTTOM TRACK
C	1	1200D-54	18'-9 1/2"	STRAP
D	2	150U50-54	17'-9 9/16"	HORIZONTAL BRACING
E	10	600S162-68	10'-5 13/16"	STUD
F	1	1200i350p1062	10'-5 13/16"	PACO
G	2	600i350p680	10'-5 13/16"	PACO
H	1	400S162-33	10'-5 13/16"	BACKER-U
I	2	600S162-33	10'-5 13/16"	BACKER STUD
J	1	600S162-33	10'-5 13/16"	BACKER-U
K	3	600D-54	9'-4 7/8"	KITCHEN BACKING
L	1	A	1'-6"	HOLDDOWN
M	2	150U50-54	11 7/16"	HORIZONTAL BRACING

SHEATHING

LABEL	QTY	CODE	THICK	SIZE	SCREWS
1	1	SB-DENSARMOR	5/8"	4'-0" X 9'-7 3/16"	2 - 12
2	3	SB-DENSARMOR	5/8"	4'-0" X 9'-7 3/16"	2 - 12
3	1	SB-DENSARMOR	5/8"	2'-9" X 9'-7 3/16"	2 - 12

12-1140

Jewish Home for the Aging

1885 Victory Blvd. Reseda, CA

FM-07-109

CREATED BY: HH

FrameMax, Inc.
13915 Danielson St
Suite 100
Poway, CA 92064
www.frame-max.com



© FrameMax Inc.

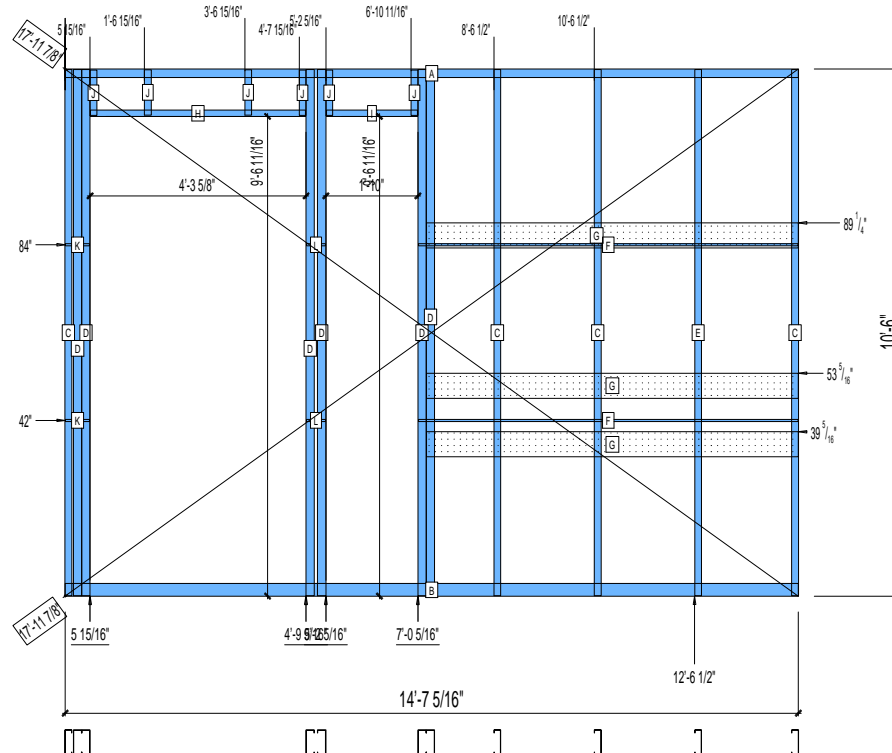
HEIGHT : 10'-6"
SPACING : 5000"
1st STUD: 5000"

POINTS: 2.91 Points.

APPROVED
By hhuynh at 5:44 pm, Nov 18, 2008

WEIGHTS :
FRAME : 432 lbs

TOTAL: 432 lbs



PIECES LIST			
LABEL	QTY	SIZE	LENGTH USE
A	1	600T200-68	14'-7 5/16" TOP TRACK
B	1	600T300-68	14'-7 5/16" BOTTOM TRACK
C	4	600S162-68	10'-5 13/16" STUD
D	6	600S200-68	10'-5 13/16" KING STUD
E	1	600S162-68	10'-5 13/16" BACKER STUD
F	2	150U50-54	7'-6 3/4" HORIZONTAL BRACING
G	3	600D-54	7'-4 7/8" KITCHEN BACKING
H	1	600T150-54	4'-3 3/8" HEAD TRACK
I	1	600T150-54	1'-9 3/4" HEAD TRACK
J	6	600S162-54	10 7/8" CRIPPLE
K	2	150U50-54	5 3/4" HORIZONTAL BRACING
L	2	150U50-54	4 1/2" HORIZONTAL BRACING

12-1141

Jewish Home for the Aging

1885 Victory Blvd. Reseda, CA

FM-07-109

CREATED BY: HH

FrameMax, Inc.
13915 Danielson St
Suite 100
Poway, CA 92064
www.framemax.com



© FrameMax Inc.

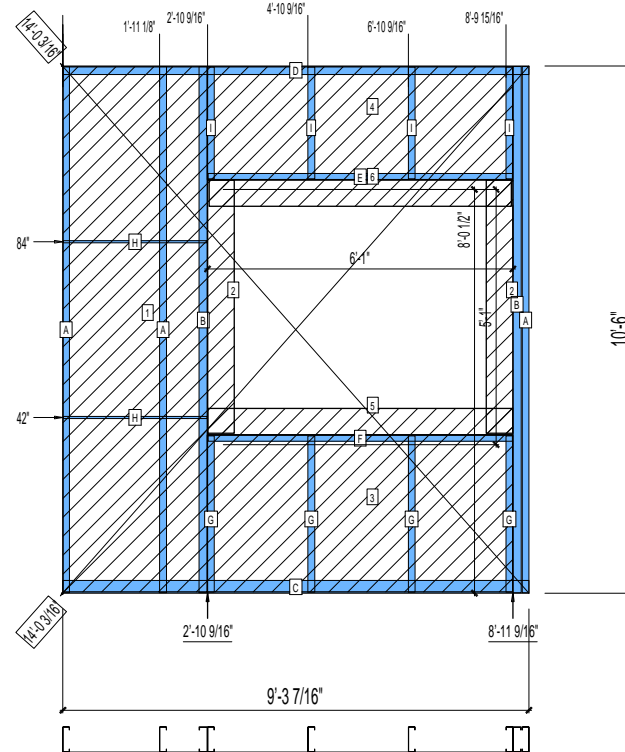
HEIGHT : 10'-6"
SPACING : 5000"
1st STUD: 5000"

POINTS: 2.56 Points.

APPROVED
By hhuynh at 5:44 pm, Nov 18, 2008

WEIGHTS :
FRAME : 246 lbs
SHEATHING: 186 lbs

TOTAL: 432 lbs



PIECES LIST

LABEL	QTY	SIZE	LENGTH	USE
A	3	600S162-54	10'-5 13/16"	STUD
B	2	600S200-97	10'-5 13/16"	KING STUD
C	1	600T300-54	9'-3 7/16"	BOTTOM TRACK
D	1	600T200-54	9'-3 7/16"	TOP TRACK
E	1	600T150-54	6'-0 3/4"	HEAD TRACK
F	1	600T150-54	6'-0 3/4"	SILL
G	4	600S162-54	3'-1 3/8"	CRIPPLE
H	2	150U50-54	2'-10 3/8"	HORIZONTAL BRACING
I	4	600S162-54	2'-2 3/4"	CRIPPLE

SHEATHING

LABEL	QTY	CODE	THICK	SIZE	SCREWS
1	1	DENSGLASS	1/2"	2'-10 1/2" X 10'-5 9/16"	8 - 12
2	2	DENSGLASS	1/2"	6 3/8" X 5'-0 1/2"	8 - 12
3	1	DENSGLASS	1/2"	6'-1" X 3'-1 1/2"	8 - 12
4	1	DENSGLASS	1/2"	6'-1" X 2'-3"	8 - 12
5	1	DENSGLASS	1/2"	6'-0 7/8" X 6 5/16"	8 - 12
6	1	DENSGLASS	1/2"	6'-0 1/4" X 6 5/16"	8 - 12

12-1142

Jewish Home for the Aging

1885 Victory Blvd. Res **CREATED BY: HH**

FM-07-109

CREATED BY: AMB

FrameMax, Inc.
13915 Danielson St
Suite 100
Poway, CA 92064
www.frame-max.com



© FrameMax Inc.

APPROVED
By hhuynh at 5:44 pm, Nov 18, 2008

HEIGHT : 10'-10 7/8" POINTS: 6.13 Points.

SPACING : 5000"

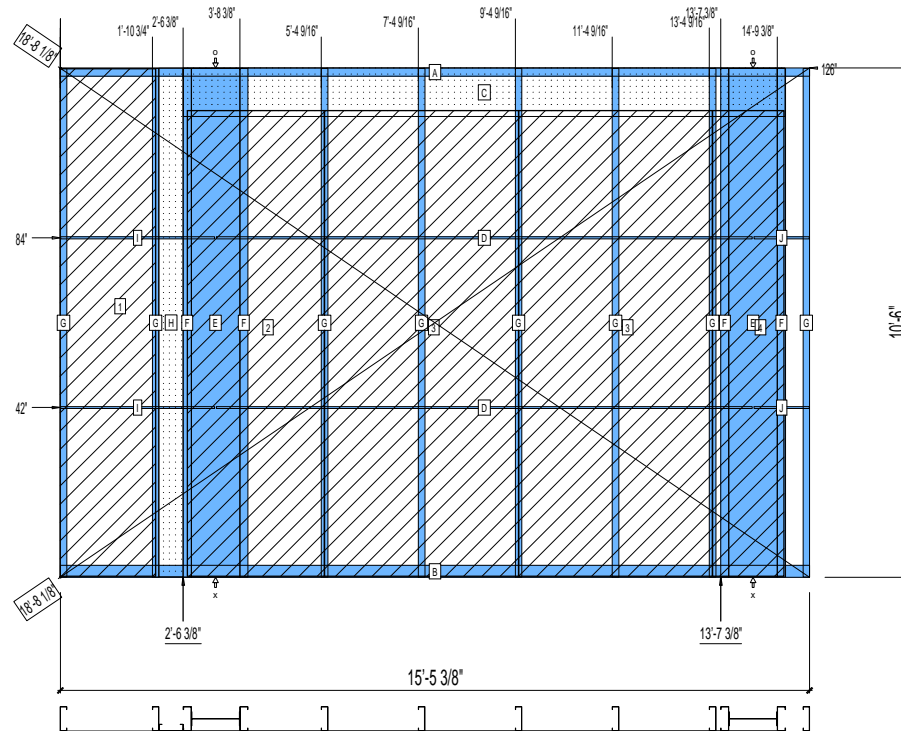
1st STUD: 16"

WEIGHTS :

FRAME : 681 lbs

SHEATHING: 486 lbs

TOTAL: 1167 lbs



PIECES LIST

LABEL	QTY	SIZE	LENGTH	USE
A	1	600T200-68	15'-5 3/8"	TOP TRACK
B	1	600T300-68	15'-5 3/8"	BOTTOM TRACK
C	1	1200D-54	12'-4 7/8"	STRAP
D	2	150U50-54	11'-0 1/2"	HORIZONTAL BRACING
E	2	1200i350p1062	10'-5 13/16"	PACO
F	4	600S200-68	10'-5 13/16"	STUD
G	8	600S162-68	10'-5 13/16"	STUD
H	1	600S162-33	10'-5 13/16"	BACKER-U
I	2	150U50-54	3'-2 1/16"	HORIZONTAL BRACING
J	2	150U50-54	1'-1 5/8"	HORIZONTAL BRACING

SHEATHING

LABEL	QTY	CODE	THICK	SIZE	SCREWS
1	1	DENSGLOSS	1/2"	1'-11 5/8" X 10'-5 9/16"	8 - 12
2	1	SB-DENSARMOR	5/8"	2'-10" X 9'-7 3/16"	3-12
3	2	SB-DENSARMOR	5/8"	4'-0" X 9'-7 3/16"	3-12
4	1	SB-DENSARMOR	5/8"	1'-5 11/16" X 9'-7 3/16"	3-12

12-1143

Jewish Home for the Aging

1885 Victory Blvd. Reseda, CA

FM-07-109

CREATED BY: HH

FrameMax, Inc.
13915 Danielson St
Suite 100
Poway, CA 92064
www.frame-max.com



© FrameMax Inc.

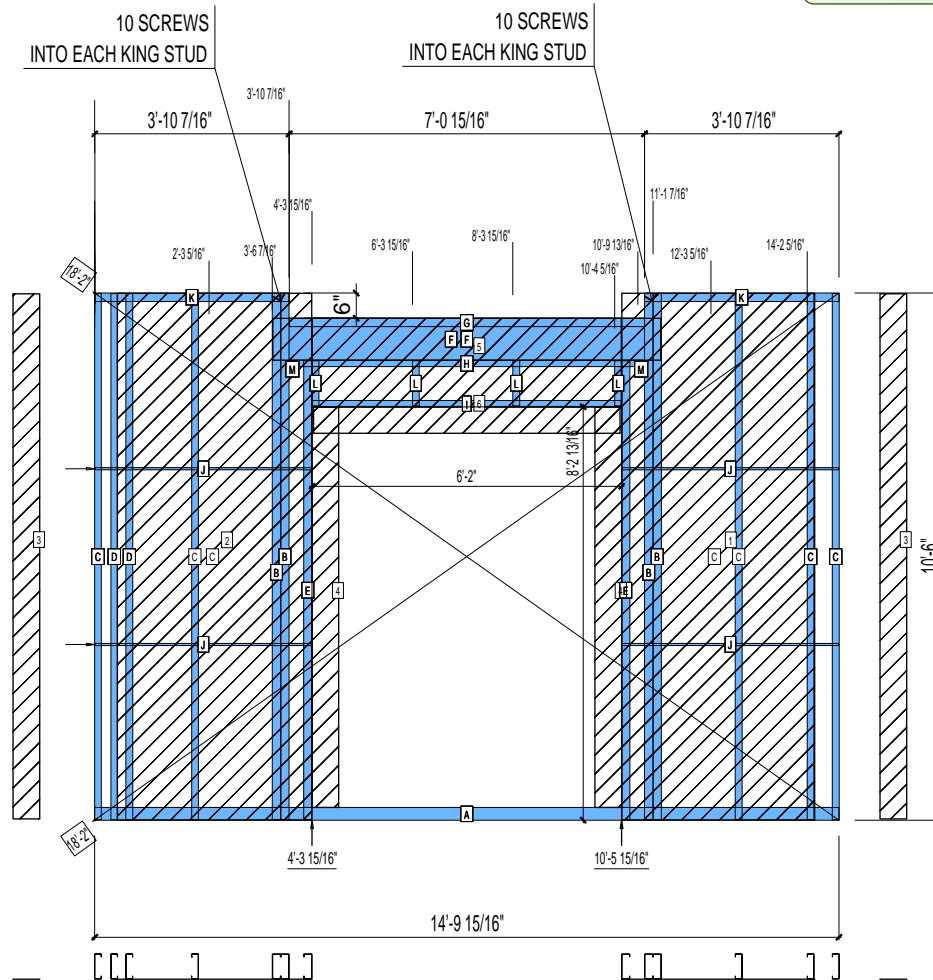
HEIGHT : 10'-6"
SPACING : 5000"
1st STUD: 5000"

POINTS: 4.78 Points.

APPROVED
By hhuynh at 5:44 pm, Nov 18, 2008

WEIGHTS :
FRAME : 553 lbs
SHEATHING: 286 lbs

TOTAL: 839 lbs



PIECES LIST			
LABEL	QTY	SIZE	LENGTH USE
A	1	600T300-54	14'-9 15/16" BOTTOM TRACK
B	4	600S200-97	10'-5 13/16" EXTRA STUD
C	5	600S162-54	10'-5 13/16" STUD
D	2	600S162-54	10'-5 13/16" BACKER STUD
E	2	600S200-97	9'-1 3/4" KING STUD
F	2	1000S200-97	7'-8 3/4" HEADER
G	1	600T200-54	7'-0 15/16" TOP TRACK
H	1	600T150-54	7'-0 7/8" HEADER BOTTOM TRACK
I	1	600T150-54	6'-1 3/4" HEAD TRACK
J	4	150U50-54	4'-3 3/4" HORIZONTAL BRACING
K	2	600T200-54	3'-10 7/16" TOP TRACK
L	4	600S162-54	10 13/16" CRIPPLE
M	2	600S162-33	4" BACKER STUD

SHEATHING					
LABEL	QTY	CODE	THICK	SIZE	SCREWS
1	1	DENSGLASS	1/2"	3'-10 1/8" X 10'-5 7/8"	8 - 12
2	1	DENSGLASS	1/2"	3'-10 1/2" X 10'-5 7/8"	8 - 12
3	2	DENSGLASS	1/2"	6 3/8" X 10'-5 9/16"	8 - 12
4	2	DENSGLASS	1/2"	6 3/8" X 7'-11 3/4"	8 - 12
5	1	DENSGLASS	1/2"	6'-1 7/8" X 1'-9 1/16"	8 - 12
6	1	DENSGLASS	1/2"	6'-1 1/4" X 6 5/16"	8 - 12

12-1144

Jewish Home for the Aging

1885 Victory Blvd. Reseda, CA

FM-07-109

CREATED BY: HH

FrameMax, Inc.
13915 Danielson St
Suite 100
Poway, CA 92064
www.frame-max.com



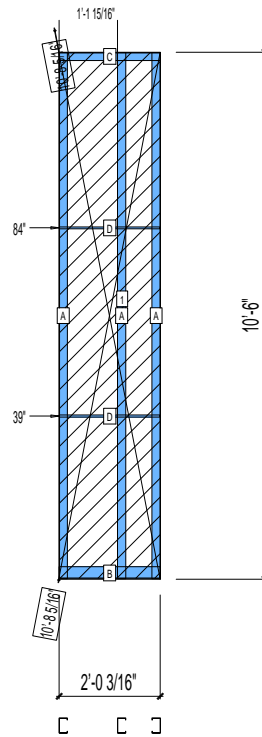
© FrameMax Inc.

HEIGHT : 10'-6"
POINTS: 0.78 Points.
SPACING : 5000"
1st STUD: 5000"

APPROVED
By hhuynh at 5:44 pm, Nov 18, 2008

WEIGHTS :
FRAME : 76 lbs
SHEATHING: 53 lbs

TOTAL: 129 lbs



PIECES LIST

LABEL	QTY	SIZE	LENGTH	USE
A	3	362S200-68	10'-5 13/16"	STUD
B	1	362T300-68	2'-0 3/16"	BOTTOM TRACK
C	1	362T200-68	2'-0 3/16"	TOP TRACK
D	2	150U50-54	2'-0"	HORIZONTAL BRACING

SHEATHING

LABEL	QTY	CODE	THICK	SIZE	SCREWS
1	1	DENSGLASS	1/2"	2'-0 1/8" X 10'-5 9/16"	8 - 12

12-1145

Jewish Home for the Aging

1885 Victory Blvd. Reseda, CA

FM-07-109

CREATED BY: HH

FrameMax, Inc.
13915 Danielson St
Suite 100
Poway, CA 92064
www.framemax.com



© FrameMax Inc.

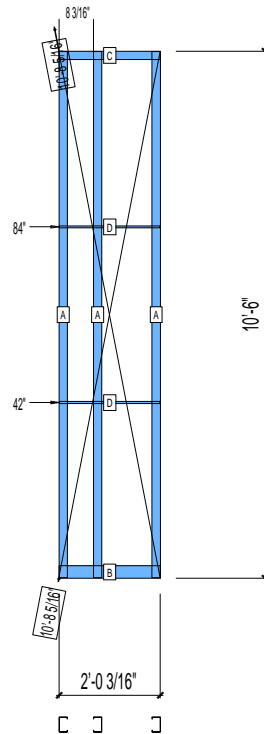
HEIGHT : 10'-6"
SPACING : 5000"
1st STUD: 5000"

POINTS: 0.54 Points.

APPROVED
By hhuynh at 5:44 pm, Nov 18, 2008

WEIGHTS :
FRAME : 76 lbs

TOTAL: 76 lbs



PIECES LIST

LABEL	QTY	SIZE	LENGTH	USE
A	3	362S200-68	10'-5 13/16"	STUD
B	1	362T300-68	2'-0 3/16"	BOTTOM TRACK
C	1	362T200-68	2'-0 3/16"	TOP TRACK
D	2	150U50-54	2'-0"	HORIZONTAL BRACING

12-1146

Jewish Home for the Aging

1885 Victory Blvd. Reseda, CA

FM-07-109

CREATED BY: HH

FrameMax, Inc.
13915 Danielson St
Suite 100
Poway, CA 92064
www.frame-max.com

FRAME MAX

© FrameMax Inc.

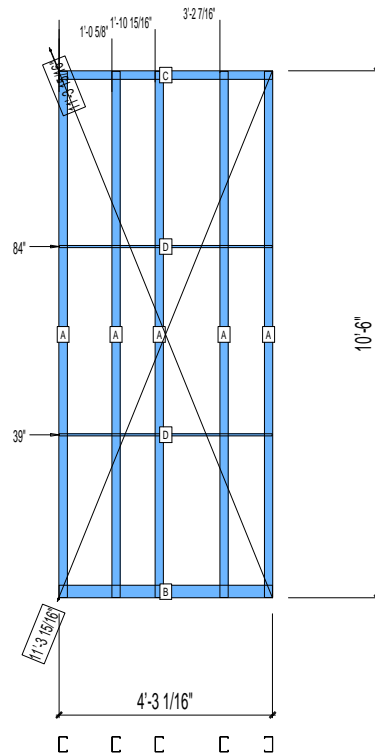
HEIGHT : 10'-6"
SPACING : 5000"
1st STUD: 5000"

POINTS: 0.88 Points.

APPROVED
By hhuynh at 5:44 pm, Nov 18, 2008

WEIGHTS :
FRAME : 132 lbs

TOTAL: 132 lbs



PIECES LIST

LABEL	QTY	SIZE	LENGTH	USE
A	5	362S200-68	10'-5 13/16"	STUD
B	1	362T300-68	4'-3 1/16"	BOTTOM TRACK
C	1	362T200-68	4'-3 1/16"	TOP TRACK
D	2	150U50-54	4'-2 7/8"	HORIZONTAL BRACING

12-1147

Jewish Home for the Aging

1885 Victory Blvd. Re **CREATED BY: HH**

FrameMax, Inc.
13915 Danielson St
Suite 100
Poway, CA 92064
www.frame-max.com



© FrameMax Inc.

CREATED: 11/05/2008

FM-07-109

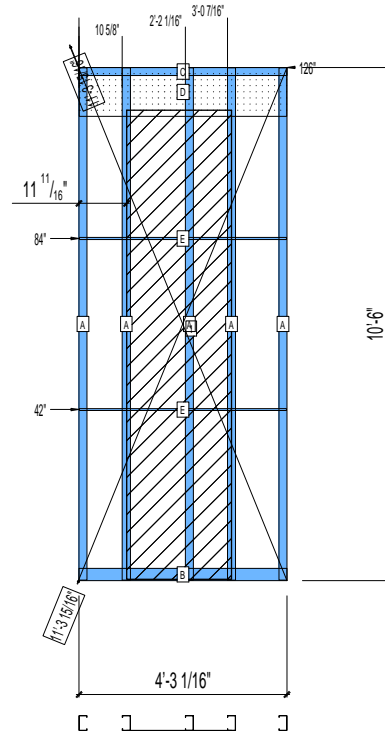
CREATED BY: AMB

APPROVED
By hhuynh at 5:44 pm, Nov 18, 2008

HEIGHT : 10'-6"
POINTS: 1.29 Points.
SPACING : 5000"
1st STUD: 5000"

WEIGHTS :
FRAME : 142 lbs
SHEATHING: 76 lbs

TOTAL: 218 lbs



PIECES LIST

LABEL	QTY	SIZE	LENGTH	USE
A	5	362S200-68	10'-5 13/16"	STUD
B	1	362T300-68	4'-3 1/16"	BOTTOM TRACK
C	1	362T200-68	4'-3 1/16"	TOP TRACK
D	1	1200D-54	4'-3"	STRAP
E	2	150U50-54	4'-2 7/8"	HORIZONTAL BRACING

SHEATHING

LABEL	QTY	CODE	THICK	SIZE	SCREWS
1	1	SB-DENSARMOR	5/8"	2'-1 3/4" X 9'-7 3/16"	3 - 12

12-1148

Jewish Home for the Aging

1885 Victory Blvd. Reseda, CA

FM-07-109

CREATED BY: HH

FrameMax, Inc.
13915 Danielson St
Suite 100
Poway, CA 92064
www.frame-max.com



© FrameMax Inc.

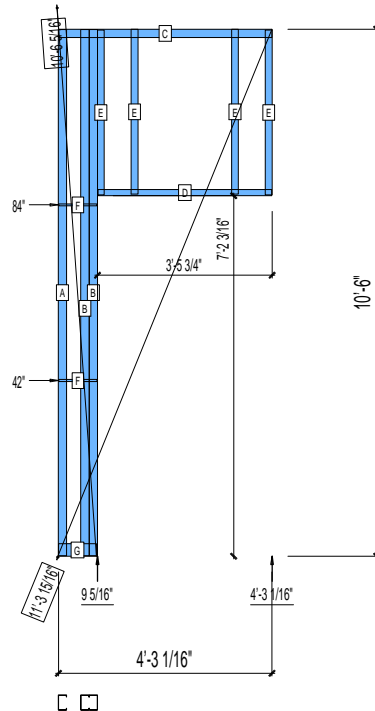
HEIGHT : 10'-6"
SPACING : 5000"
1st STUD: 5000"

POINTS: 0.80 Points.

APPROVED
By hhuynh at 5:44 pm, Nov 18, 2008

WEIGHTS :
FRAME : 100 lbs

TOTAL: 100 lbs



PIECES LIST

LABEL	QTY	SIZE	LENGTH	USE
A	1	362S200-68	10'-5 13/16"	STUD
B	2	362S200-68	10'-5 13/16"	KING STUD
C	1	362T200-68	4'-3 1/16"	TOP TRACK
D	1	362T150-54	3'-5 1/2"	HEAD TRACK
E	4	362S162-54	3'-3 3/8"	CRIPPLE
F	2	150U50-54	9 1/8"	HORIZONTAL BRACING
G	1	362T300-68	9 1/16"	BOTTOM TRACK

12-1149

Jewish Home for the Aging

1885 Victory Blvd. Reseda, CA

FM-07-109

CREATED BY: HH

FrameMax, Inc.
13915 Danielson St
Suite 100
Poway, CA 92064
www.framemax.com



© FrameMax Inc.

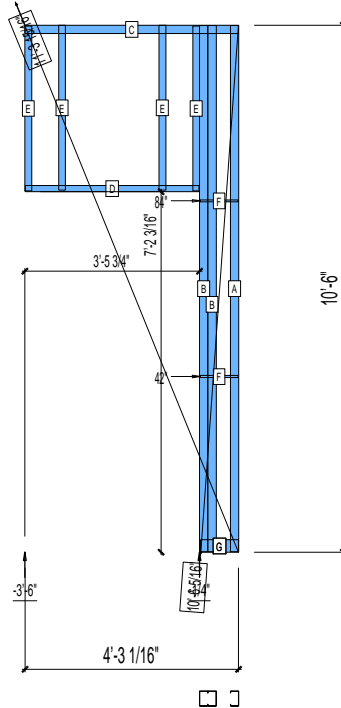
HEIGHT : 10'-6"
SPACING : 5000"
1st STUD: 5000"

POINTS: 0.80 Points.

APPROVED
By hhuynh at 5:44 pm, Nov 18, 2008

WEIGHTS :
FRAME : 100 lbs

TOTAL: 100 lbs



PIECES LIST

LABEL	QTY	SIZE	LENGTH	USE
A	1	362S200-68	10'-5 13/16"	STUD
B	2	362S200-68	10'-5 13/16"	KING STUD
C	1	362T200-68	4'-3 1/16"	TOP TRACK
D	1	362T150-54	3'-5 1/2"	HEAD TRACK
E	4	362S162-54	3'-3 3/8"	CRIPPLE
F	2	150U50-54	9 1/8"	HORIZONTAL BRACING
G	1	362T300-68	9 1/16"	BOTTOM TRACK

12-1150

Jewish Home for the Aging

1885 Victory Blvd. Redwood City, CA
CREATED BY: HH

FrameMax, Inc.
 13915 Danielson St
 Suite 100
 Poway, CA 92064
 www.frame-max.com



© FrameMax Inc.

CREATED: 11/07/2008

FM-07-109

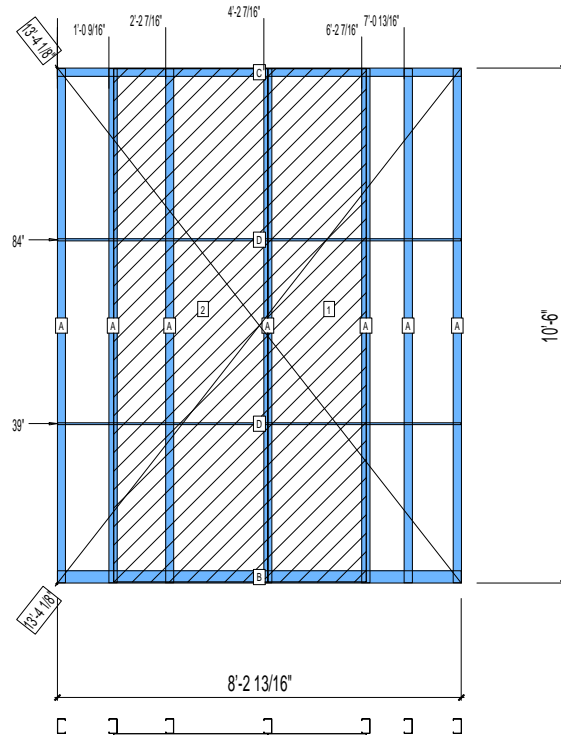
CREATED BY: AMB

APPROVED
 By hhuynh at 5:44 pm, Nov 18, 2008

HEIGHT : 10'-6"
 POINTS: 2.20 Points.
 SPACING : 5000"
 1st STUD: 5000"

WEIGHTS :
 FRAME : 197 lbs
 SHEATHING: 198 lbs

 TOTAL: 395 lbs



PIECES LIST

LABEL	QTY	SIZE	LENGTH	USE
A	7	362S200-68	10'-5 13/16"	STUD
B	1	362T300-68	8'-2 13/16"	BOTTOM TRACK
C	1	362T200-68	8'-2 13/16"	TOP TRACK
D	2	150U50-54	8'-2 5/8"	HORIZONTAL BRACING

SHEATHING

LABEL	QTY	CODE	THICK	SIZE	SCREWS
1	1	SB-DENSGGLASS	1/2"	2'-0 1/16" X 10'-5 9/16"	2 - 12
2	1	SB-DENSGGLASS	1/2"	3'-1 11/16" X 10'-5 9/16"	2 - 12

12-1151

Jewish Home for the Aging

1885 Victory Blvd. Re **CREATED BY: HH**

FrameMax, Inc.
13915 Danielson St
Suite 100
Poway, CA 92064
www.frame-max.com



© FrameMax Inc.

CREATED: 11/07/2008

FM-07-109

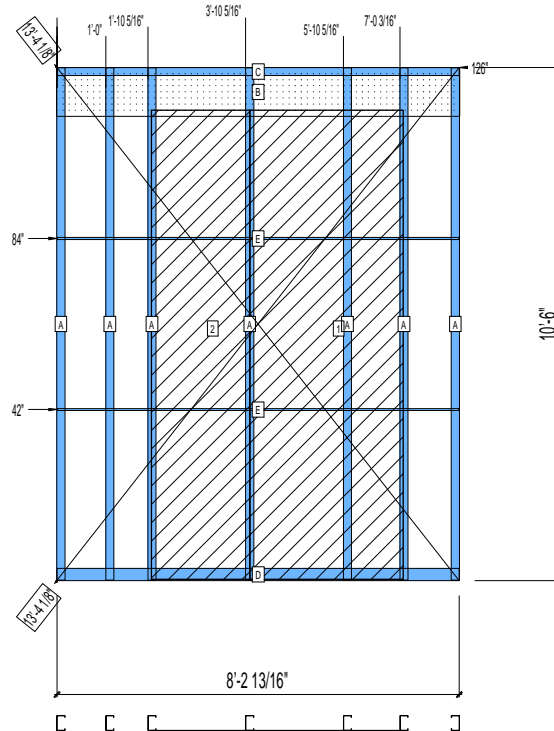
CREATED BY: AMB

APPROVED
By hhuynh at 5:44 pm, Nov 18, 2008

HEIGHT : 10'-6"
POINTS: 2.24 Points.
SPACING : 5000"
1st STUD: 5000"

WEIGHTS :
FRAME : 216 lbs
SHEATHING: 182 lbs

TOTAL: 398 lbs



PIECES LIST

LABEL	QTY	SIZE	LENGTH	USE
A	7	362S200-68	10'-5 13/16"	STUD
B	1	1200D-54	8'-3"	STRAP
C	1	362T200-68	8'-2 13/16"	TOP TRACK
D	1	362T300-68	8'-2 13/16"	BOTTOM TRACK
E	2	150U50-54	8'-2 5/8"	HORIZONTAL BRACING

SHEATHING

LABEL	QTY	CODE	THICK	SIZE	SCREWS
1	1	SB-DENSARMOR	5/8"	3'-1 11/16" X 9'-7 3/16"	2-12
2	1	SB-DENSARMOR	5/8"	2'-0 1/8" X 9'-7 3/16"	2-12

12-1152

Jewish Home for the Aging

1885 Victory Blvd. Reseda, CA

FM-07-109

CREATED BY: HH

FrameMax, Inc.
13915 Danielson St
Suite 100
Poway, CA 92064
www.frame-max.com



© FrameMax Inc.

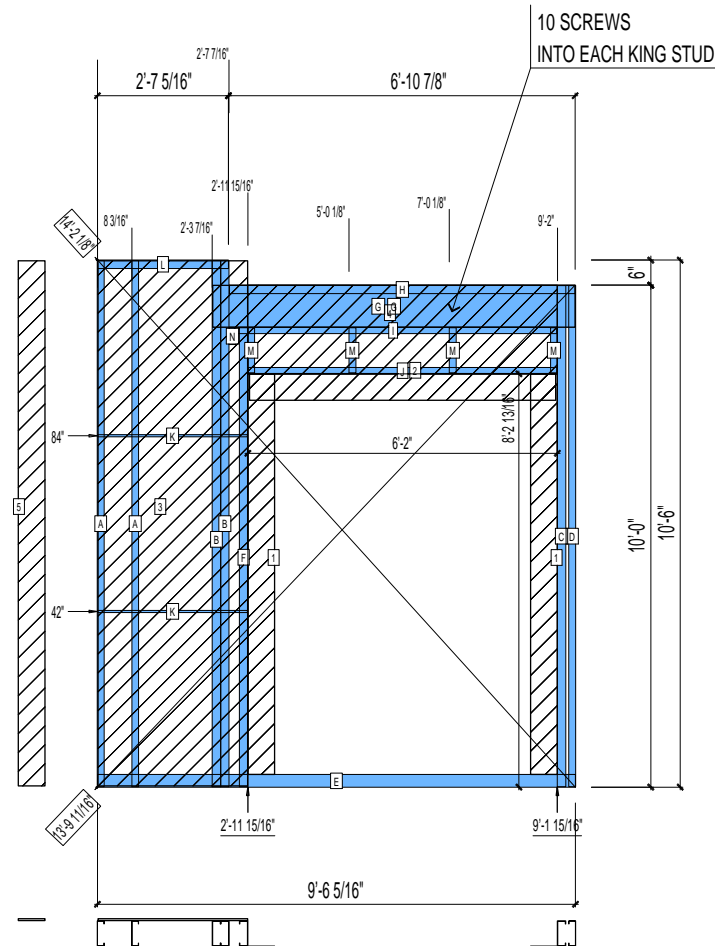
HEIGHT : 10'-6"
SPACING : 5000"
1st STUD: 5000"

POINTS: 2.95 Points.

WEIGHTS :
FRAME : 359 lbs
SHEATHING: 148 lbs

TOTAL: 507 lbs

APPROVED
By hhuynh at 5:44 pm, Nov 18, 2008



PIECES LIST

LABEL	QTY	SIZE	LENGTH	USE
A	2	600S162-54	10'-5 13/16"	STUD
B	2	600S200-97	10'-5 13/16"	EXTRA STUD
C	1	600S200-97	9'-11 13/16"	KING STUD
D	1	600S162-54	9'-11 13/16"	STUD
E	1	600T300-54	9'-6 5/16"	BOTTOM TRACK
F	1	600S200-97	9'-1 3/4"	KING STUD
G	2	1000S200-97	7'-2 5/8"	HEADER
H	1	600T200-54	6'-10 5/8"	TOP TRACK
I	1	600T150-54	6'-6 1/4"	HEADER BOTTOM TRACK
J	1	600T150-54	6'-1 3/4"	HEAD TRACK
K	2	150U50-54	2'-11 3/4"	HORIZONTAL BRACING
L	1	600T200-54	2'-7 5/16"	TOP TRACK
M	4	600S162-54	10 13/16"	CRIPPLE
N	1	600S162-33	4"	BACKER STUD

SHEATHING

LABEL	QTY	CODE	THICK	SIZE	SCREWS
1	2	DENSGLASS	1/2"	6 3/8" X 7'-11 3/4"	8 - 12
2	1	DENSGLASS	1/2"	6'-1 1/4" X 6 5/16"	8 - 12
3	1	DENSGLASS	1/2"	2'-11 3/4" X 10'-5 9/16"	8 - 12
4	1	DENSGLASS	1/2"	6'-2 1/16" X 1'-9 1/16"	8 - 12
5	1	DENSGLASS	1/2"	6 3/8" X 10'-5 9/16"	8 - 12

12-1153

Jewish Home for the Aging

1885 Victory Blvd. Res **CREATED BY: HH**

FrameMax, Inc.
13915 Danielson St
Suite 100
Poway, CA 92064
www.frame-max.com



© FrameMax Inc.

APPROVED
By hhuynh at 5:44 pm, Nov 18, 2008

CREATED: 11/05/2008

FM-07-109

CREATED BY: AMB

HEIGHT : 10'-6" POINTS: 2.94 Points.

SPACING : 5000"

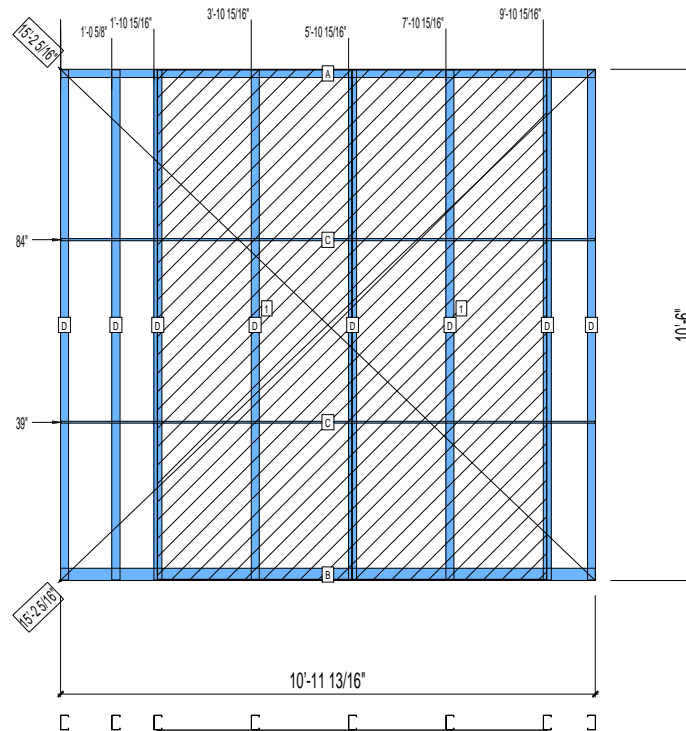
1st STUD: 5000"

WEIGHTS :

FRAME : 233 lbs

SHEATHING: 308 lbs

TOTAL: 541 lbs



PIECES LIST

LABEL	QTY	SIZE	LENGTH	USE
A	1	362T200-68	10'-11 13/16"	TOP TRACK
B	1	362T300-68	10'-11 13/16"	BOTTOM TRACK
C	2	150U50-54	10'-11 5/8"	HORIZONTAL BRACING
D	8	362S200-68	10'-5 13/16"	STUD

SHEATHING

LABEL	QTY	CODE	THICK	SIZE	SCREWS
1	2	SB-DENSGLOSS	1/2"	4'-0" X 10'-5 9/16"	2 - 12

12-1154

Jewish Home for the Aging

1885 Victory Blvd. Res **CREATED BY: HH**

FM-07-109

CREATED BY: AMB

FrameMax, Inc.
13915 Danielson St
Suite 100
Poway, CA 92064
www.frame-max.com



© FrameMax Inc.

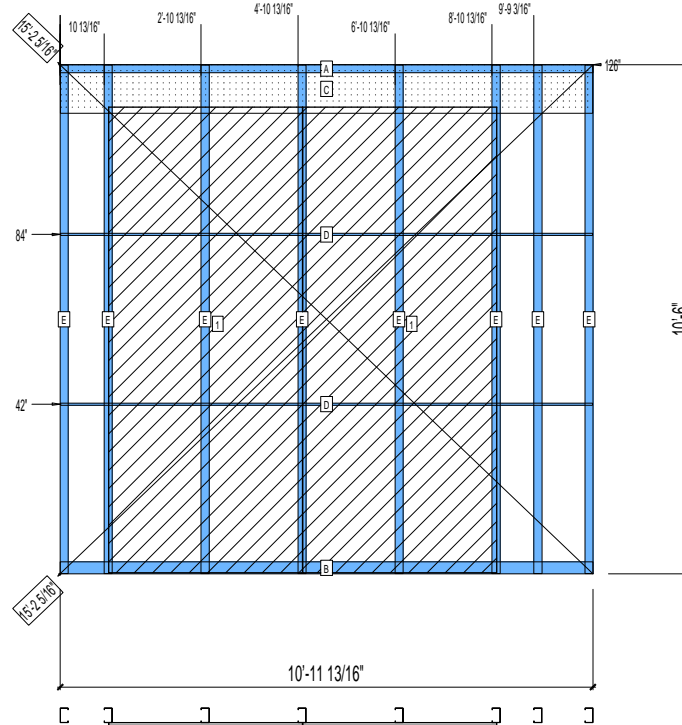
APPROVED
By hhuynh at 5:44 pm, Nov 18, 2008

HEIGHT : 10'-6"
SPACING : 5000"
1st STUD: 5000"

POINTS: 2.96 Points.

WEIGHTS :
FRAME : 259 lbs
SHEATHING: 282 lbs

TOTAL: 541 lbs



PIECES LIST

LABEL	QTY	SIZE	LENGTH	USE
A	1	362T200-68	10'-11 13/16"	TOP TRACK
B	1	362T300-68	10'-11 13/16"	BOTTOM TRACK
C	1	1200D-54	10'-11 3/4"	STRAP
D	2	150U50-54	10'-11 5/8"	HORIZONTAL BRACING
E	8	362S200-68	10'-5 13/16"	STUD

SHEATHING

LABEL	QTY	CODE	THICK	SIZE	SCREWS
1	2	SB-DENSARMOR	5/8"	4'-0" X 9'-7 3/16"	2-12

12-1155

Jewish Home for the Aging

1885 Victory Blvd. Reseda, CA

FM-07-109

CREATED BY: HH

FrameMax, Inc.
13915 Danielson St
Suite 100
Poway, CA 92064
www.frame-max.com



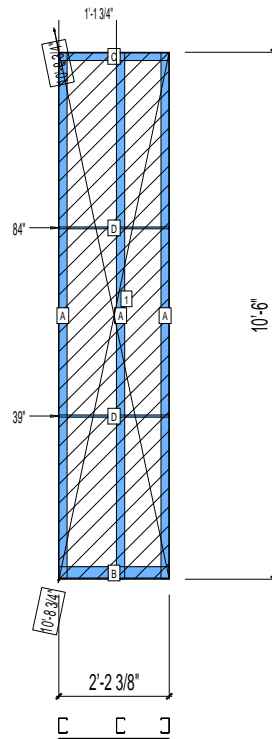
© FrameMax Inc.

HEIGHT : 10'-6"
POINTS: 0.80 Points.
SPACING : 5000"
1st STUD: 5000"

APPROVED
By hhuynh at 5:44 pm, Nov 18, 2008

WEIGHTS :
FRAME : 77 lbs
SHEATHING: 57 lbs

TOTAL: 134 lbs



PIECES LIST

LABEL	QTY	SIZE	LENGTH	USE
A	3	362S200-68	10'-5 13/16"	STUD
B	1	362T300-68	2'-2 3/8"	BOTTOM TRACK
C	1	362T200-68	2'-2 3/8"	TOP TRACK
D	2	150U50-54	2'-2 1/4"	HORIZONTAL BRACING

SHEATHING

LABEL	QTY	CODE	THICK	SIZE	SCREWS
1	1	DENSGLASS	1/2"	2'-2 3/8" X 10'-5 9/16"	8 - 12

12-1156

Jewish Home for the Aging

1885 Victory Blvd. Reseda, CA

FM-07-109

CREATED BY: HH

FrameMax, Inc.
13915 Danielson St
Suite 100
Poway, CA 92064
www.framemax.com



© FrameMax Inc.

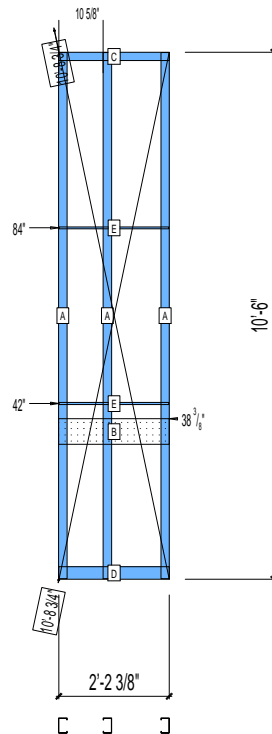
HEIGHT : 10'-6"
SPACING : 5000"
1st STUD: 5000"

POINTS: 0.58 Points.

APPROVED
By hhuynh at 5:44 pm, Nov 18, 2008

WEIGHTS :
FRAME : 81 lbs

TOTAL: 81 lbs



PIECES LIST

LABEL	QTY	SIZE	LENGTH	USE
A	3	362S200-68	10'-5 13/16"	STUD
B	1	600T150-54	2'-2 1/2"	GRAB BAR
C	1	362T200-68	2'-2 3/8"	TOP TRACK
D	1	362T300-68	2'-2 3/8"	BOTTOM TRACK
E	2	150U50-54	2'-2 1/4"	HORIZONTAL BRACING

12-1157

Jewish Home for the Aging

1885 Victory Blvd. Redwood City, CA
CREATED BY: HH

FrameMax, Inc.
 13915 Danielson St
 Suite 100
 Poway, CA 92064
 www.frame-max.com



© FrameMax Inc.

CREATED: 11/05/2008

FM-07-109

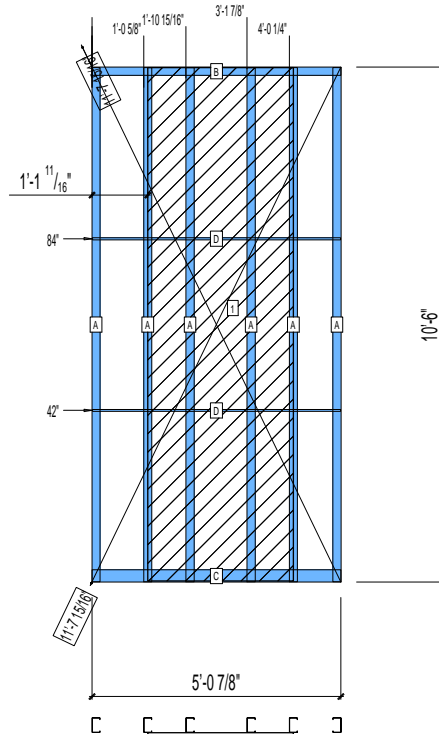
CREATED BY: AMB

HEIGHT : 10'-6"
 POINTS: 1.55 Points.
 SPACING : 5000"
 1st STUD: 5000"

APPROVED
 By hhuynh at 5:44 pm, Nov 18, 2008

WEIGHTS :
 FRAME : 158 lbs
 SHEATHING: 114 lbs

 TOTAL: 272 lbs



PIECES LIST

LABEL	QTY	SIZE	LENGTH	USE
A	6	362S200-68	10'-5 13/16"	STUD
B	1	362T200-68	5'-0 7/8"	TOP TRACK
C	1	362T300-68	5'-0 7/8"	BOTTOM TRACK
D	2	150U50-54	5'-0 11/16"	HORIZONTAL BRACING

SHEATHING

LABEL	QTY	CODE	THICK	SIZE	SCREWS
1	1	SB-DENSGLOSS	1/2"	2'-11 5/8" X 10'-5 9/16"	2 - 12

12-1158

Jewish Home for the Aging

1885 Victory Blvd. Reseda, CA

FM-07-109

CREATED BY: HH

FrameMax, Inc.
13915 Danielson St
Suite 100
Poway, CA 92064
www.frame-max.com



© FrameMax Inc.

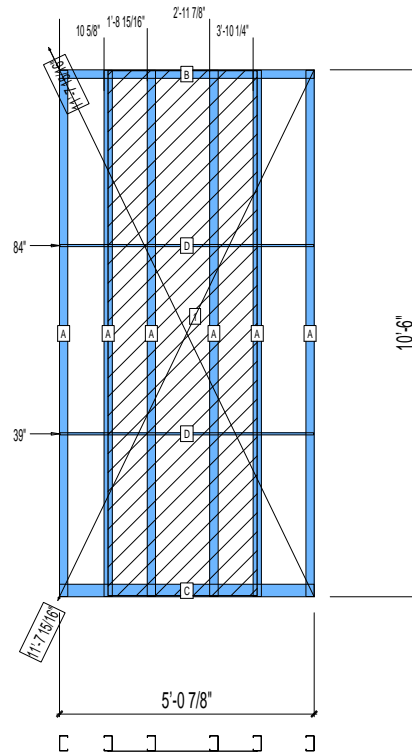
HEIGHT : 10'-6"
SPACING : 5000"
1st STUD: 5000"

POINTS: 1.55 Points.

APPROVED
By hhuynh at 5:44 pm, Nov 18, 2008

WEIGHTS :
FRAME : 158 lbs
SHEATHING: 114 lbs

TOTAL: 272 lbs



PIECES LIST

LABEL	QTY	SIZE	LENGTH	USE
A	6	362S200-68	10'-5 13/16"	STUD
B	1	362T200-68	5'-0 7/8"	TOP TRACK
C	1	362T300-68	5'-0 7/8"	BOTTOM TRACK
D	2	150U50-54	5'-0 11/16"	HORIZONTAL BRACING

SHEATHING

LABEL	QTY	CODE	THICK	SIZE	SCREWS
1	1	SB-DENSGLOSS	1/2"	2'-11 5/8" X 10'-5 9/16"	2 - 12

12-1159

Jewish Home for the Aging

1885 Victory Blvd. Reseda, CA

FM-07-109

CREATED BY: HH

FrameMax, Inc.
13915 Danielson St
Suite 100
Poway, CA 92064
www.frame-max.com

FRAME MAX

© FrameMax Inc.

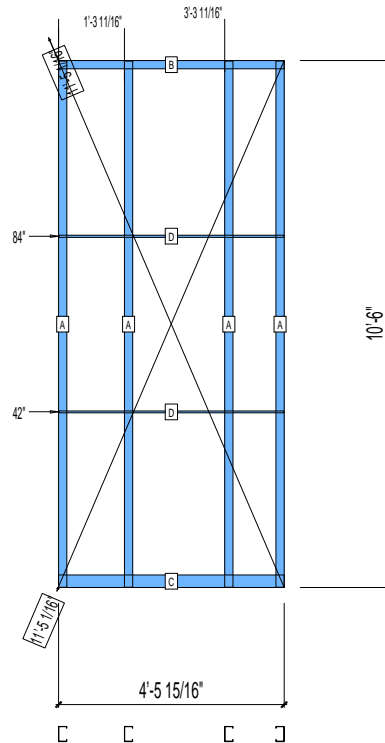
HEIGHT : 10'-6"
SPACING : 5000"
1st STUD: 16"

POINTS: 0.77 Points.

APPROVED
By hhuynh at 5:44 pm, Nov 18, 2008

WEIGHTS :
FRAME : 111 lbs

TOTAL: 111 lbs



PIECES LIST

LABEL	QTY	SIZE	LENGTH	USE
A	4	362S200-68	10'-5 13/16"	STUD
B	1	362T200-68	4'-5 15/16"	TOP TRACK
C	1	362T300-68	4'-5 15/16"	BOTTOM TRACK
D	2	150U50-54	4'-5 3/4"	HORIZONTAL BRACING

12-1160

Jewish Home for the Aging

1885 Victory Blvd. Reseda, CA

FM-07-109

CREATED BY: HH

FrameMax, Inc.
13915 Danielson St
Suite 100
Poway, CA 92064
www.frame-max.com

FRAME MAX

© FrameMax Inc.

HEIGHT : 10'-6"
SPACING : 5000"
1st STUD: 5000"

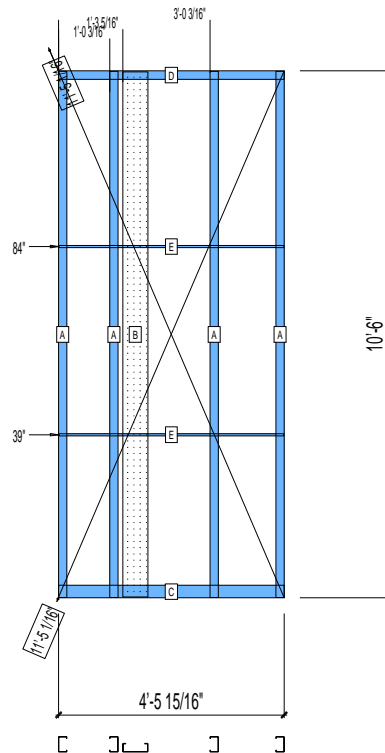
POINTS: 0.85 Points.

WEIGHTS :
FRAME : 124 lbs

TOTAL: 124 lbs

APPROVED

By hhuynh at 5:44 pm, Nov 18, 2008



PIECES LIST

LABEL	QTY	SIZE	LENGTH	USE
A	4	362S200-68	10'-5 13/16"	STUD
B	1	600S162-33	10'-5 9/16"	BACKER-U
C	1	362T300-68	4'-5 15/16"	BOTTOM TRACK
D	1	362T200-68	4'-5 15/16"	TOP TRACK
E	2	150U50-54	4'-5 3/4"	HORIZONTAL BRACING

12-1161

Jewish Home for the Aging

1885 Victory Blvd. Reseda, CA

FM-07-109

CREATED BY: HH

FrameMax, Inc.
13915 Danielson St
Suite 100
Poway, CA 92064
www.framemax.com



© FrameMax Inc.

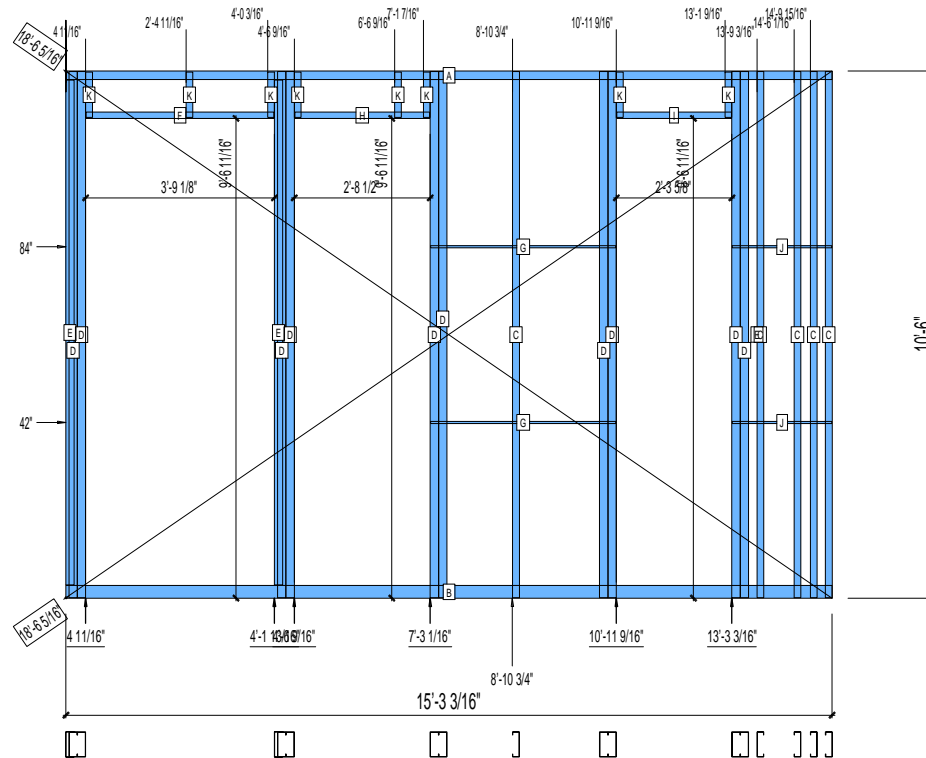
HEIGHT : 10'-6"
SPACING : 5000"
1st STUD: 5000"

POINTS: 3.55 Points.

APPROVED
By hhuynh at 5:44 pm, Nov 18, 2008

WEIGHTS :
FRAME : 551 lbs

TOTAL: 551 lbs



PIECES LIST

LABEL	QTY	SIZE	LENGTH	USE
A	1	600T200-68	15'-3 3/16"	TOP TRACK
B	1	600T300-68	15'-3 3/16"	BOTTOM TRACK
C	5	600S162-68	10'-5 13/16"	STUD
D	10	600S200-68	10'-5 13/16"	KING STUD
E	2	600T200-33	10'-0 3/4"	CAP TRACK
F	1	600T150-54	3'-8 7/8"	HEAD TRACK
G	2	150U50-54	3'-8 1/4"	HORIZONTAL BRACING
H	1	600T150-54	2'-8 1/4"	HEAD TRACK
I	1	600T150-54	2'-3 3/8"	HEAD TRACK
J	2	150U50-54	1'-11 3/4"	HORIZONTAL BRACING
K	8	600S162-54	10 7/8"	CRIPPLE

12-1162

Jewish Home for the Aging

1885 Victory Blvd. Reseda, CA

FM-07-109

CREATED BY: HH

FrameMax, Inc.
13915 Danielson St
Suite 100
Poway, CA 92064
www.framemax.com



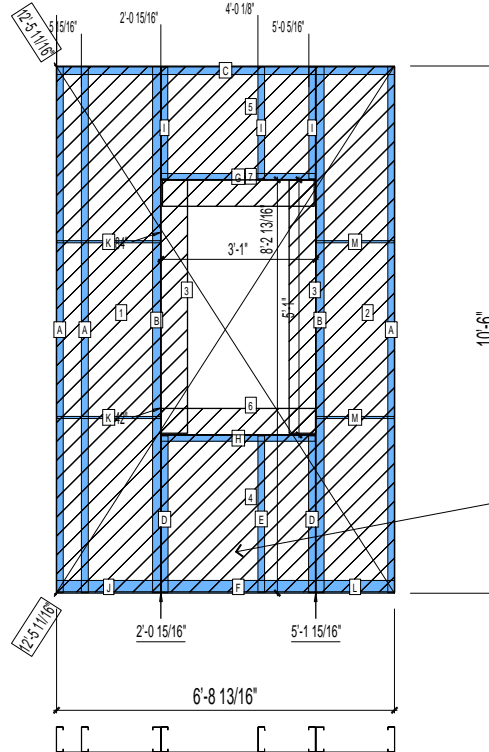
© FrameMax Inc.

HEIGHT : 10'-6"
POINTS: 2.28 Points.
SPACING : 24"
1st STUD: 24"

APPROVED
By hhuynh at 5:44 pm, Nov 18, 2008

WEIGHTS :
FRAME : 215 lbs
SHEATHING: 158 lbs

TOTAL: 373 lbs



FRAME & SHIP SILL AS SEPERATE WALL
SILL SHALL BE ATTACHED IN FIELD

PIECES LIST			
LABEL	QTY	SIZE	LENGTH USE
A	3	600S162-54	10'-5 13/16" STUD
B	2	600S200-97	10'-5 13/16" KING STUD
C	1	600T200-54	6'-8 13/16" TOP TRACK
D	2	600S162-54	3'-1 1/2" CRIPPLE
E	1	600S162-54	3'-1 3/8" CRIPPLE
F	1	600T300-54	3'-0 7/8" BOTTOM TRACK
G	1	600T150-54	3'-0 3/4" HEAD TRACK
H	1	600T150-54	3'-0 3/4" SILL
I	3	600S162-54	2'-2 3/4" CRIPPLE
J	1	600T300-54	2'-0 15/16" BOTTOM TRACK
K	2	150U50-54	2'-0 3/4" HORIZONTAL BRACING
L	1	600T300-54	1'-6 13/16" BOTTOM TRACK
M	2	150U50-54	1'-6 5/8" HORIZONTAL BRACING

SHEATHING						
LABEL	QTY	CODE	THICK	SIZE		SCREWS
1	1	DENSGLASS	1/2"	2'-0 15/16" X 10'-5 9/16"	8 - 12	
2	1	DENSGLASS	1/2"	1'-6 13/16" X 10'-5 9/16"	8 - 12	
3	2	DENSGLASS	1/2"	6 3/8" X 5'-0 1/2"	8 - 12	
4	1	DENSGLASS	1/2"	3'-0 7/8" X 3'-1 1/2"	8 - 12	
5	1	DENSGLASS	1/2"	3'-0 7/8" X 2'-3"	8 - 12	
6	1	DENSGLASS	1/2"	3'-0 7/8" X 6 5/16"	8 - 12	
7	1	DENSGLASS	1/2"	3'-0 1/4" X 6 5/16"	8 - 12	

12-1163

Jewish Home for the Aging

1885 Victory Blvd. Reseda, CA

FM-07-109

CREATED BY: HH

FrameMax, Inc.
13915 Danielson St
Suite 100
Poway, CA 92064
www.frame-max.com



© FrameMax Inc.

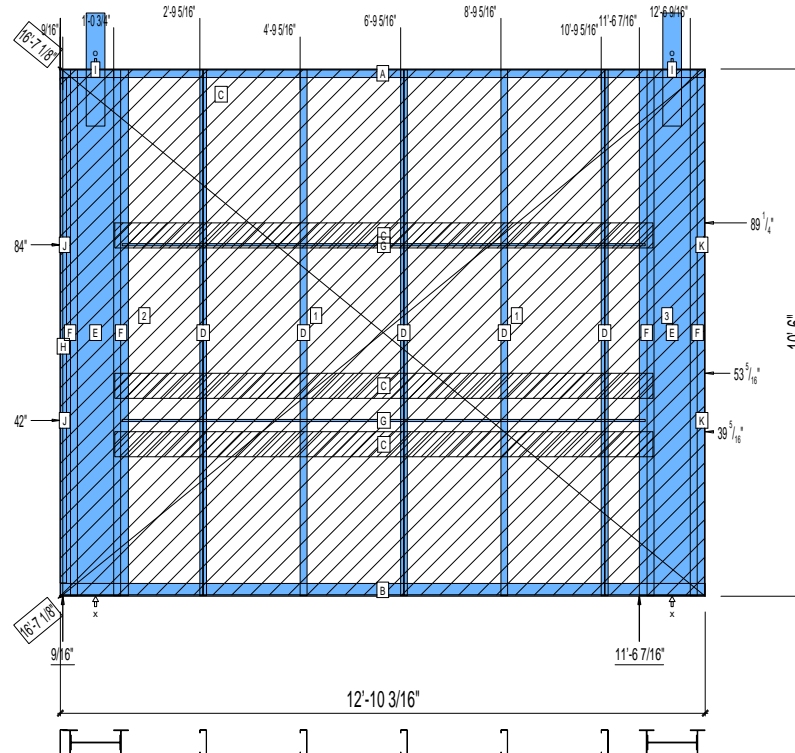
HEIGHT : 10'-6"
SPACING : 5000"
1st STUD: 16"

POINTS: 6.87 Points.

APPROVED
By hhuynh at 5:44 pm, Nov 18, 2008

WEIGHTS :
FRAME : 1002 lbs
SHEATHING: 336 lbs

TOTAL: 1338 lbs



PIECES LIST

LABEL	QTY	SIZE	LENGTH	USE
A	1	600T200-68	12'-10 3/16"	TOP TRACK
B	1	600T300-68	12'-10 3/16"	BOTTOM TRACK
C	3	600D-54	10'-8 11/16"	KITCHEN BACKING
D	5	600S162-68	10'-5 13/16"	STUD
E	2	1200i350p1420	10'-5 13/16"	PACO
F	4	600i350p968	10'-5 13/16"	PACO
G	2	150U50-54	10'-5 1/16"	HORIZONTAL BRACING
H	1	600T150-54	10'-0 3/4"	CAP TRACK
I	2	B	2'-3"	HOLDDOWN
J	2	150U50-54	1 15/16"	HORIZONTAL BRACING
K	2	150U50-54	1 7/16"	HORIZONTAL BRACING

SHEATHING

LABEL	QTY	CODE	THICK	SIZE	SCREWS
1	2	DENSGLASS	1/2"	4'-0" X 10'-5 9/16"	8 - 12
2	1	DENSGLASS	1/2"	2'-10 1/8" X 10'-5 9/16"	8 - 12
3	1	DENSGLASS	1/2"	1'-11 7/8" X 10'-5 9/16"	8 - 12

12-1164

Jewish Home for the Aging

1885 Victory Blvd. Redwood City, CA
CREATED BY: HH

FrameMax, Inc.
 13915 Danielson St
 Suite 100
 Poway, CA 92064
 www.frame-max.com



© FrameMax Inc.

CREATED: 11/05/2008

FM-07-109

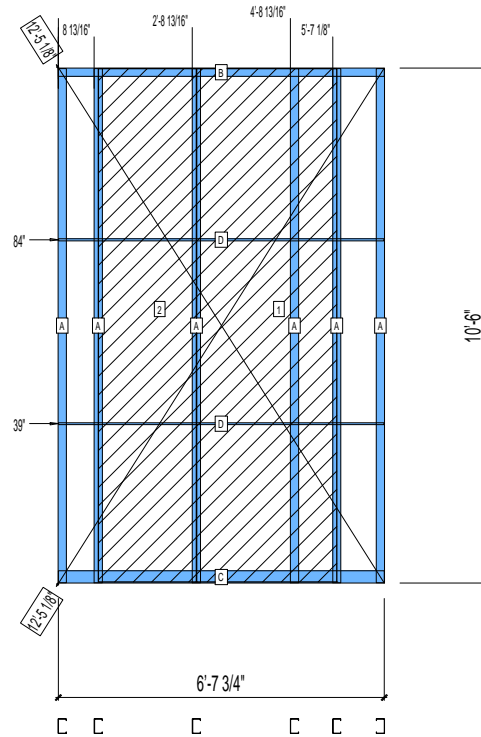
CREATED BY: AMB

APPROVED
 By hhuynh at 5:44 pm, Nov 18, 2008

HEIGHT : 10'-6"
 POINTS: 1.68 Points.
 SPACING : 5000"
 1st STUD: 5000"

WEIGHTS :
 FRAME : 166 lbs
 SHEATHING: 127 lbs

 TOTAL: 293 lbs



PIECES LIST

LABEL	QTY	SIZE	LENGTH	USE
A	6	362S200-68	10'-5 13/16"	STUD
B	1	362T200-68	6'-7 3/4"	TOP TRACK
C	1	362T300-68	6'-7 3/4"	BOTTOM TRACK
D	2	150U50-54	6'-7 9/16"	HORIZONTAL BRACING

SHEATHING

LABEL	QTY	CODE	THICK	SIZE	SCREWS
1	1	DENSGLOSS	1/2"	2'-10 5/16" X 10'-5 9/16"	8 - 12
2	1	DENSGLOSS	1/2"	2'-0" X 10'-5 9/16"	8 - 12

12-1165

Jewish Home for the Aging

1885 Victory Blvd. Reseda, CA

FM-07-109

CREATED BY: HH

FrameMax, Inc.
13915 Danielson St
Suite 100
Poway, CA 92064
www.frame-max.com



© FrameMax Inc.

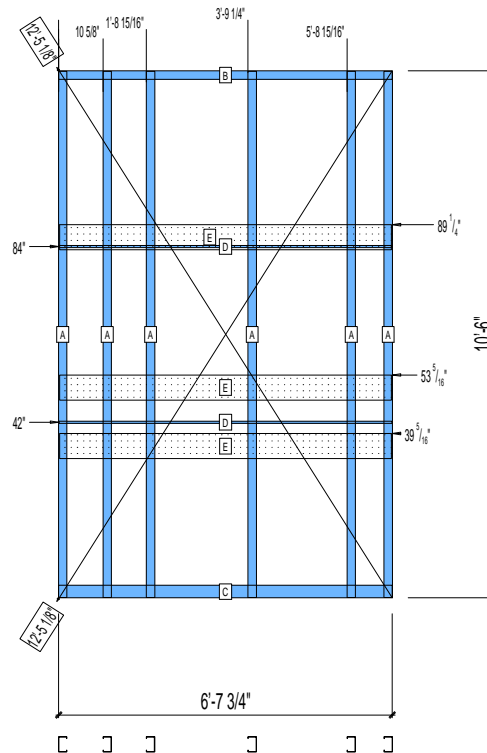
HEIGHT : 10'-6"
SPACING : 5000"
1st STUD: 5000"

POINTS: 1.26 Points.

APPROVED
By hhuynh at 5:44 pm, Nov 18, 2008

WEIGHTS :
FRAME : 186 lbs

TOTAL: 186 lbs



PIECES LIST

LABEL	QTY	SIZE	LENGTH	USE
A	6	362S200-68	10'-5 13/16"	STUD
B	1	362T200-68	6'-7 3/4"	TOP TRACK
C	1	362T300-68	6'-7 3/4"	BOTTOM TRACK
D	2	150U50-54	6'-7 9/16"	HORIZONTAL BRACING
E	3	600D-54	6'-7 5/16"	KITCHEN BACKING

12-1166

Jewish Home for the Aging

1885 Victory Blvd. Reseda, CA

FM-07-109

CREATED BY: HH

FrameMax, Inc.
13915 Danielson St
Suite 100
Poway, CA 92064
www.frame-max.com



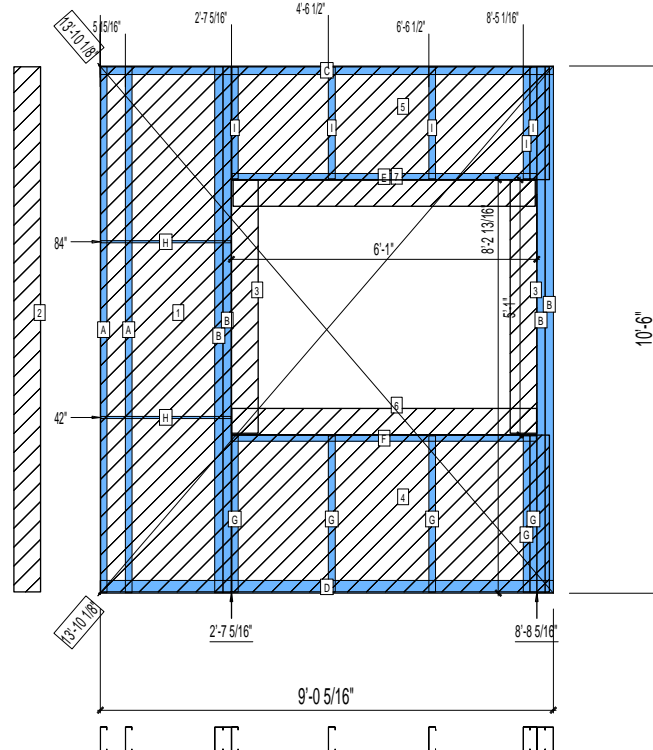
© FrameMax Inc.

HEIGHT : 10'-6"
POINTS: 2.86 Points.
SPACING : 24"
1st STUD: 24"

APPROVED
By hhuynh at 5:44 pm, Nov 18, 2008

WEIGHTS :
FRAME : 289 lbs
SHEATHING: 196 lbs

TOTAL: 485 lbs



PIECES LIST

LABEL	QTY	SIZE	LENGTH	USE
A	2	600S162-68	10'-5 13/16"	STUD
B	4	600S200-68	10'-5 13/16"	KING STUD
C	1	600T200-68	9'-0 5/16"	TOP TRACK
D	1	600T300-68	9'-0 5/16"	BOTTOM TRACK
E	1	600T150-54	6'-0 3/4"	HEAD TRACK
F	1	600T150-54	6'-0 3/4"	SILL
G	5	600S162-54	3'-1 3/8"	CRIPPLE
H	2	150U50-54	2'-7 1/8"	HORIZONTAL BRACING
I	5	600S162-54	2'-2 3/4"	CRIPPLE

SHEATHING

LABEL	QTY	CODE	THICK	SIZE	SCREWS
1	1	DENSGLOSS	1/2"	2'-7 1/4" X 10'-5 9/16"	8 - 12
2	1	DENSGLOSS	1/2"	6 3/8" X 10'-5 9/16"	8 - 12
3	2	DENSGLOSS	1/2"	6 3/8" X 5'-0 1/2"	8 - 12
4	1	DENSGLOSS	1/2"	6'-3 15/16" X 3'-1 1/2"	8 - 12
5	1	DENSGLOSS	1/2"	6'-3 15/16" X 2'-3"	8 - 12
6	1	DENSGLOSS	1/2"	6'-0 7/8" X 6 5/16"	8 - 12
7	1	DENSGLOSS	1/2"	6'-0 1/4" X 6 5/16"	8 - 12

12-1167

Jewish Home for the Aging

1885 Victory Blvd. Reseda, CA

FM-07-109

CREATED BY: HH

FrameMax, Inc.
13915 Danielson St
Suite 100
Poway, CA 92064
www.framemax.com



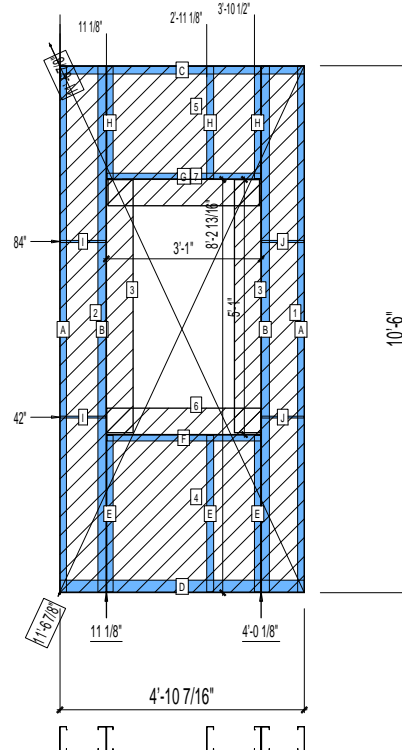
© FrameMax Inc.

HEIGHT : 10'-6"
POINTS: 1.79 Points.
SPACING : 5000"
1st STUD: 16"

APPROVED
By hhuynh at 5:44 pm, Nov 18, 2008

WEIGHTS :
FRAME : 179 lbs
SHEATHING: 109 lbs

TOTAL: 288 lbs



PIECES LIST

LABEL	QTY	SIZE	LENGTH	USE
A	2	600S162-54	10'-5 13/16"	STUD
B	2	600S200-97	10'-5 13/16"	KING STUD
C	1	600T200-54	4'-10 7/16"	TOP TRACK
D	1	600T300-54	4'-10 7/16"	BOTTOM TRACK
E	3	600S162-54	3'-1 3/8"	CRIPPLE
F	1	600T150-54	3'-0 3/4"	SILL
G	1	600T150-54	3'-0 3/4"	HEAD TRACK
H	3	600S162-54	2'-2 3/4"	CRIPPLE
I	2	150U50-54	10 7/8"	HORIZONTAL BRACING
J	2	150U50-54	10 1/8"	HORIZONTAL BRACING

SHEATHING

LABEL	QTY	CODE	THICK	SIZE	SCREWS
1	1	DENSGLASS	1/2"	10 1/4" X 10'-5 3/4"	8 - 12
2	1	DENSGLASS	1/2"	11" X 10'-5 3/4"	8 - 12
3	2	DENSGLASS	1/2"	6 3/8" X 5'-0 1/2"	8 - 12
4	1	DENSGLASS	1/2"	3'-0 7/8" X 3'-1 5/8"	8 - 12
5	1	DENSGLASS	1/2"	3'-0 7/8" X 2'-3"	8 - 12
6	1	DENSGLASS	1/2"	3'-0 7/8" X 6 5/16"	8 - 12
7	1	DENSGLASS	1/2"	3'-0 1/4" X 6 5/16"	8 - 12

12-1168

Jewish Home for the Aging

1885 Victory Blvd. Reseda, CA

FM-07-109

CREATED BY: HH

FrameMax, Inc.
13915 Danielson St
Suite 100
Poway, CA 92064
www.frame-max.com



© FrameMax Inc.

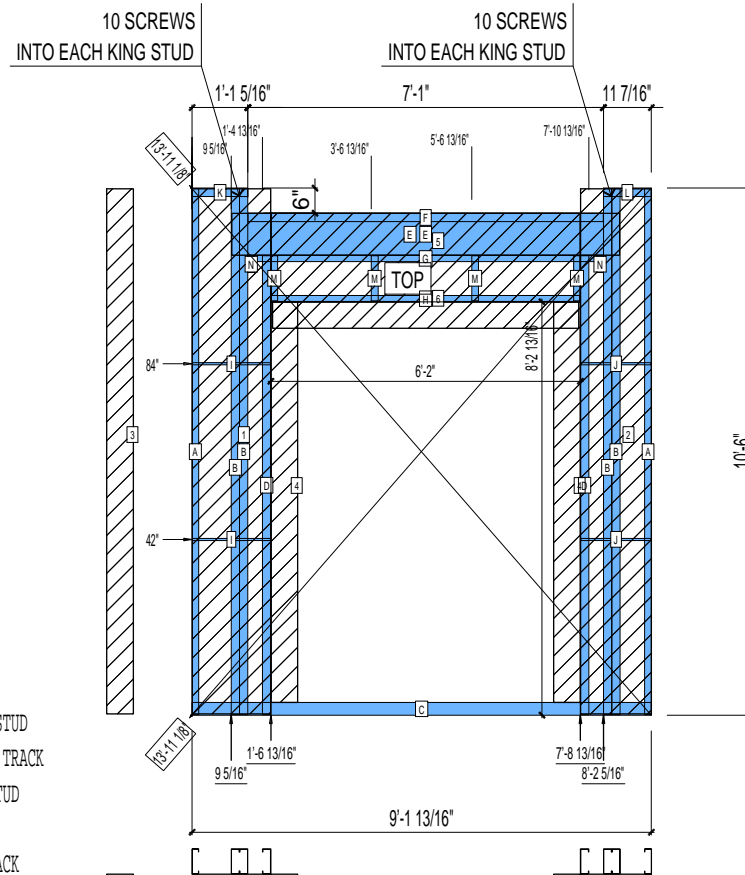
HEIGHT : 10'-6"
SPACING : 5000"
1st STUD: 16"

POINTS: 3.28 Points.

APPROVED
By hhuynh at 5:44 pm, Nov 18, 2008

WEIGHTS :
FRAME : 411 lbs
SHEATHING: 148 lbs

TOTAL: 559 lbs



PIECES LIST

LABEL	QTY	SIZE	LENGTH	USE
A	2	600S162-54	10'-5 13/16"	STUD
B	4	600S200-97	10'-5 13/16"	EXTRA STUD
C	1	600T300-54	9'-1 13/16"	BOTTOM TRACK
D	2	600S200-97	9'-1 3/4"	KING STUD
E	2	1000S200-97	7'-8 3/4"	HEADER
F	1	600T200-54	7'-0 15/16"	TOP TRACK
G	1	600T150-54	7'-0 7/8"	HEADER BOTTOM TRACK
H	1	600T150-54	6'-1 3/4"	HEAD TRACK
I	2	150U50-54	1'-6 5/8"	HORIZONTAL BRACING
J	2	150U50-54	1'-4 3/4"	HORIZONTAL BRACING
K	1	600T200-54	1'-1 5/16"	TOP TRACK
L	1	600T200-54	11 7/16"	TOP TRACK
M	4	600S162-54	10 13/16"	CRIPPLE
N	2	600S162-33	4"	BACKER STUD

SHEATHING

LABEL	QTY	CODE	THICK	SIZE	SCREWS
1	1	DENSGLASS	1/2"	1'-6 3/4" X 10'-5 9/16"	8 - 12
2	1	DENSGLASS	1/2"	1'-4 7/8" X 10'-5 9/16"	8 - 12
3	1	DENSGLASS	1/2"	6 3/8" X 10'-5 9/16"	8 - 12
4	2	DENSGLASS	1/2"	6 3/8" X 7'-11 3/4"	8 - 12
5	1	DENSGLASS	1/2"	6'-1 7/8" X 1'-9 1/16"	8 - 12
6	1	DENSGLASS	1/2"	6'-1 1/4" X 6 5/16"	8 - 12

12-1169

Jewish Home for the Aging

1885 Victory Blvd. Reseda, CA

FM-07-109

CREATED BY: HH

FrameMax, Inc.
13915 Danielson St
Suite 100
Poway, CA 92064
www.frame-max.com



© FrameMax Inc.

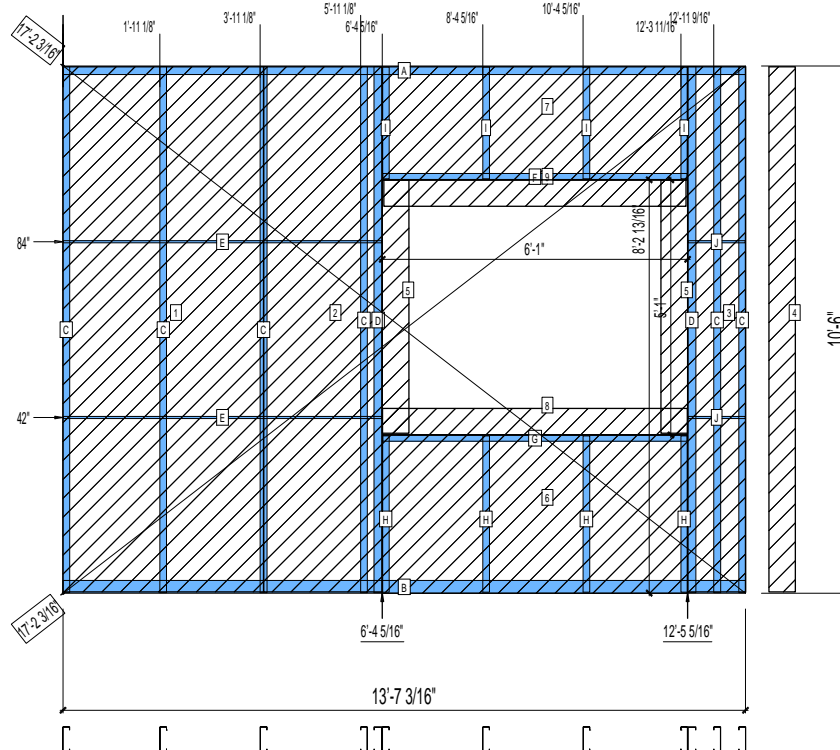
HEIGHT : 10'-6"
SPACING : 5000"
1st STUD: 5000"

POINTS: 3.75 Points.

APPROVED
By hhuynh at 5:44 pm, Nov 18, 2008

WEIGHTS :
FRAME : 330 lbs
SHEATHING: 321 lbs

TOTAL: 651 lbs



PIECES LIST

LABEL	QTY	SIZE	LENGTH	USE
A	1	600T200-54	13'-7 3/16"	TOP TRACK
B	1	600T300-54	13'-7 3/16"	BOTTOM TRACK
C	6	600S162-54	10'-5 13/16"	STUD
D	2	600S200-97	10'-5 13/16"	KING STUD
E	2	150U50-54	6'-4 1/8"	HORIZONTAL BRACING
F	1	600T150-54	6'-0 3/4"	HEAD TRACK
G	1	600T150-54	6'-0 3/4"	SILL
H	4	600S162-54	3'-1 3/8"	CRIPPLE
I	4	600S162-54	2'-2 3/4"	CRIPPLE
J	2	150U50-54	1'-1 5/8"	HORIZONTAL BRACING

SHEATHING

LABEL	QTY	CODE	THICK	SIZE	SCREWS
1	1	DENSGLASS	1/2"	3'-11 15/16" X 10'-5 9/16"	8 - 12
2	1	DENSGLASS	1/2"	2'-4 5/16" X 10'-5 9/16"	8 - 12
3	1	DENSGLASS	1/2"	1'-1 3/4" X 10'-5 9/16"	8 - 12
4	1	DENSGLASS	1/2"	6 3/8" X 10'-5 9/16"	8 - 12
5	2	DENSGLASS	1/2"	6 3/8" X 5'-0 1/2"	8 - 12
6	1	DENSGLASS	1/2"	6'-0 7/8" X 3'-1 3/4"	8 - 12
7	1	DENSGLASS	1/2"	6'-0 7/8" X 2'-3"	8 - 12
8	1	DENSGLASS	1/2"	6'-0 7/8" X 6 5/16"	8 - 12
9	1	DENSGLASS	1/2"	6'-0 1/4" X 6 5/16"	8 - 12

12-1170

Jewish Home for the Aging

1885 Victory Blvd. Res **CREATED BY: HH**

FM-07-109

CREATED BY: AMB

FrameMax, Inc.
13915 Danielson St
Suite 100
Poway, CA 92064
www.frame-max.com



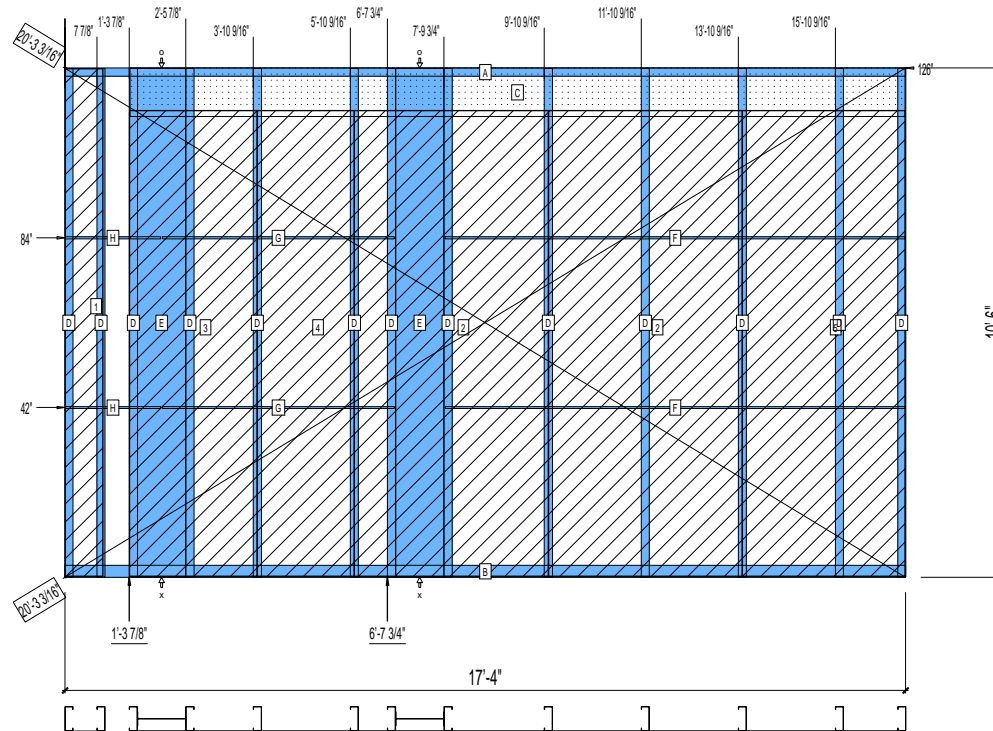
© FrameMax Inc.

APPROVED
By hhuynh at 5:44 pm, Nov 18, 2008

HEIGHT : 10'-6"
SPACING : 5000"
1st STUD: 16"

WEIGHTS :
FRAME : 726 lbs
SHEATHING: 585 lbs

TOTAL: 1311 lbs



PIECES LIST

LABEL	QTY	SIZE	LENGTH	USE
A	1	600T200-68	17'-4"	TOP TRACK
B	1	600T300-68	17'-4"	BOTTOM TRACK
C	1	1200D-54	15'-11 3/4"	STRAP
D	13	600S200-68	10'-5 13/16"	STUD
E	2	1200i350p1062	10'-5 13/16"	PACO
F	2	150U50-54	9'-5 13/16"	HORIZONTAL BRACING
G	2	150U50-54	4'-9 5/16"	HORIZONTAL BRACING
H	2	150U50-54	1'-11 9/16"	HORIZONTAL BRACING

SHEATHING

LABEL	QTY	CODE	THICK	SIZE	SCREWS
1	1	DENSGLOSS	1/2"	9 5/16" X 10'-5 9/16"	8 - 12
2	2	SB-DENSARMOR	5/8"	4'-0" X 9'-7 3/16"	2-12
3	1	SB-DENSARMOR	5/8"	2'-7 5/8" X 9'-7 3/16"	2-12
4	1	SB-DENSARMOR	5/8"	2'-0" X 9'-7 3/16"	2-12
5	1	SB-DENSARMOR	5/8"	3'-4 1/4" X 9'-7 3/16"	2-12

12-1171

Jewish Home for the Aging

1885 Victory Blvd. Reseda, CA

FM-07-109

CREATED BY: HH

FrameMax, Inc.
13915 Danielson St
Suite 100
Poway, CA 92064
www.framemax.com

FRAME MAX

© FrameMax Inc.

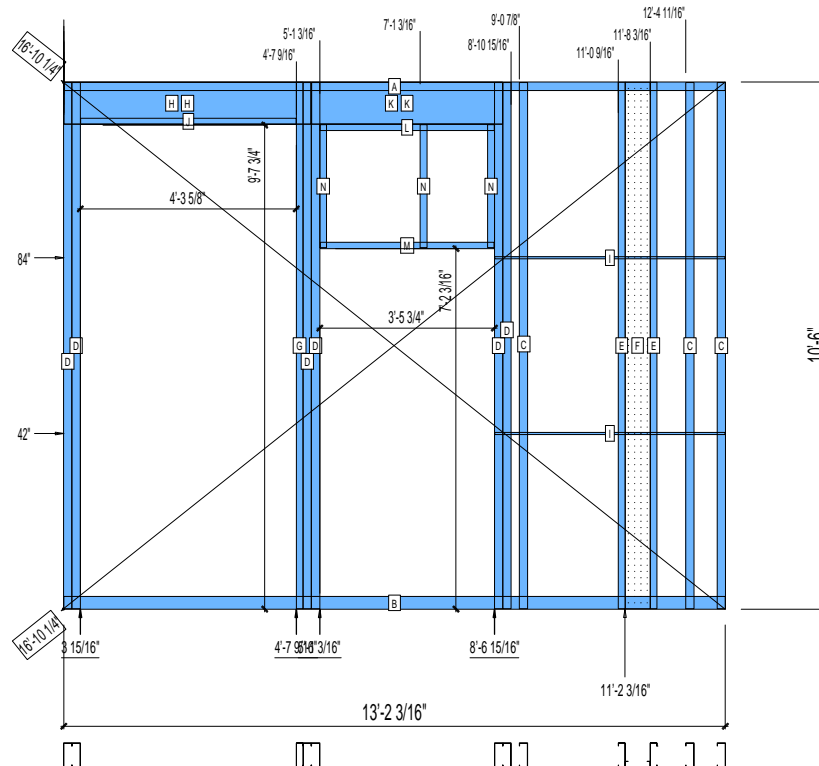
HEIGHT : 10'-6"
SPACING : 5000"
1st STUD: 5000"

POINTS: 3.20 Points.

APPROVED
By hhuynh at 5:44 pm, Nov 18, 2008

WEIGHTS :
FRAME : 516 lbs

TOTAL: 516 lbs



PIECES LIST			
LABEL	QTY	SIZE	LENGTH USE
A	1	600T200-68	13'-2 3/16" TOP TRACK
B	1	600T300-68	13'-2 3/16" BOTTOM TRACK
C	3	600S200-68	10'-5 13/16" STUD
D	6	600S200-68	10'-5 13/16" KING STUD
E	2	600S162-33	10'-5 13/16" BACKER STUD
F	1	600S162-33	10'-5 13/16" BACKER-U
G	1	600S162-68	10'-5 13/16" KING STUD
H	2	1000S200-97	4'-11 1/8" HEADER
I	2	150U50-54	4'-7" HORIZONTAL BRACING
J	1	600T150-54	4'-3 1/2" HEADER BOTTOM TRACK
K	2	1000S200-97	3'-9 5/8" HEADER
L	1	600T150-54	3'-5 5/8" HEADER BOTTOM TRACK
M	1	600T150-54	3'-5 1/2" HEAD TRACK
N	3	600S162-54	2'-5 3/8" CRIPPLE

12-1172

Jewish Home for the Aging

1885 Victory Blvd. Re **CREATED BY: HH**

FrameMax, Inc.
13915 Danielson St
Suite 100
Poway, CA 92064
www.frame-max.com



© FrameMax Inc.

CREATED: 11/06/2008

FM-07-109

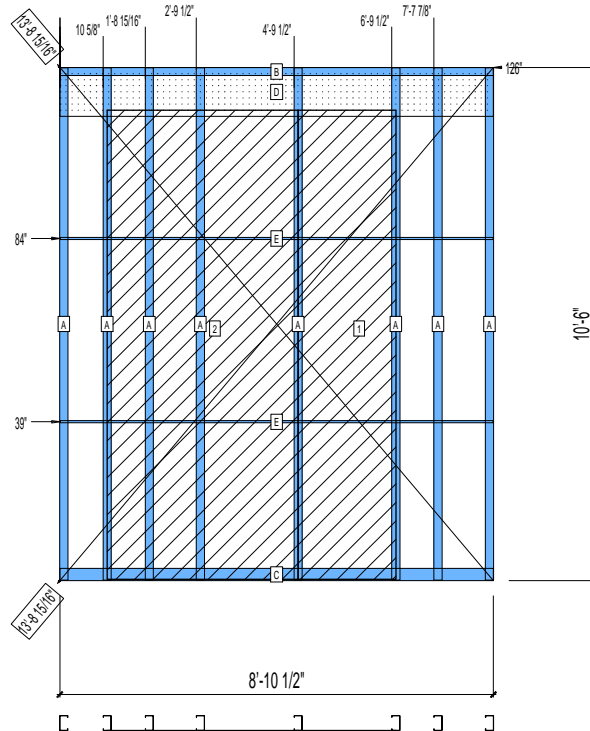
CREATED BY: AMB

APPROVED
By hhuynh at 5:44 pm, Nov 18, 2008

HEIGHT : 10'-6"
POINTS: 2.52 Points.
SPACING : 5000"
1st STUD: 5000"

WEIGHTS :
FRAME : 243 lbs
SHEATHING: 209 lbs

TOTAL: 452 lbs



PIECES LIST

LABEL	QTY	SIZE	LENGTH	USE
A	8	362S200-68	10'-5 13/16"	STUD
B	1	362T200-68	8'-10 1/2"	TOP TRACK
C	1	362T300-68	8'-10 1/2"	BOTTOM TRACK
D	1	1200D-54	8'-10 7/16"	STRAP
E	2	150U50-54	8'-10 5/16"	HORIZONTAL BRACING

SHEATHING

LABEL	QTY	CODE	THICK	SIZE	SCREWS
1	1	SB-DENSARMOR	5/8"	2'-0" X 9'-7 3/16"	2 - 12
2	1	SB-DENSARMOR	5/8"	3'-10 7/8" X 9'-7 3/16"	2 - 12

12-1173

Jewish Home for the Aging

1885 Victory Blvd. Re **CREATED BY: HH**

FrameMax, Inc.
13915 Danielson St
Suite 100
Poway, CA 92064
www.frame-max.com



© FrameMax Inc.

CREATED: 11/05/2008

FM-07-109

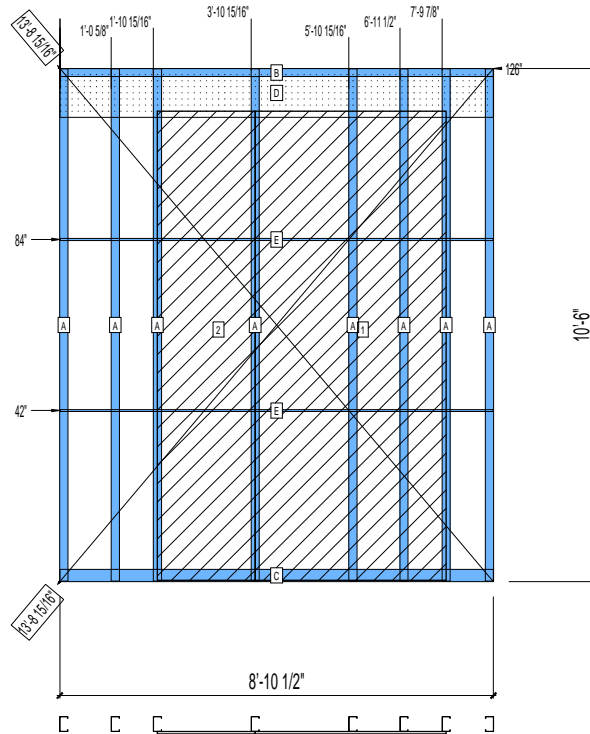
CREATED BY: AMB

APPROVED
By hhuynh at 5:44 pm, Nov 18, 2008

HEIGHT : 10'-6"
POINTS: 2.52 Points.
SPACING : 5000"
1st STUD: 5000"

WEIGHTS :
FRAME : 243 lbs
SHEATHING: 209 lbs

TOTAL: 452 lbs



PIECES LIST

LABEL	QTY	SIZE	LENGTH	USE
A	8	362S200-68	10'-5 13/16"	STUD
B	1	362T200-68	8'-10 1/2"	TOP TRACK
C	1	362T300-68	8'-10 1/2"	BOTTOM TRACK
D	1	1200D-54	8'-10 7/16"	STRAP
E	2	150U50-54	8'-10 5/16"	HORIZONTAL BRACING

SHEATHING

LABEL	QTY	CODE	THICK	SIZE	SCREWS
1	1	SB-DENSARMOR	5/8"	3'-10 7/8" X 9'-7 3/16"	2-12
2	1	SB-DENSARMOR	5/8"	2'-0" X 9'-7 3/16"	2-12

12-1174

Jewish Home for the Aging

1885 Victory Blvd. Reseda, CA

FM-07-109

CREATED BY: HH

FrameMax, Inc.
13915 Danielson St
Suite 100
Poway, CA 92064
www.frame-max.com



© FrameMax Inc.

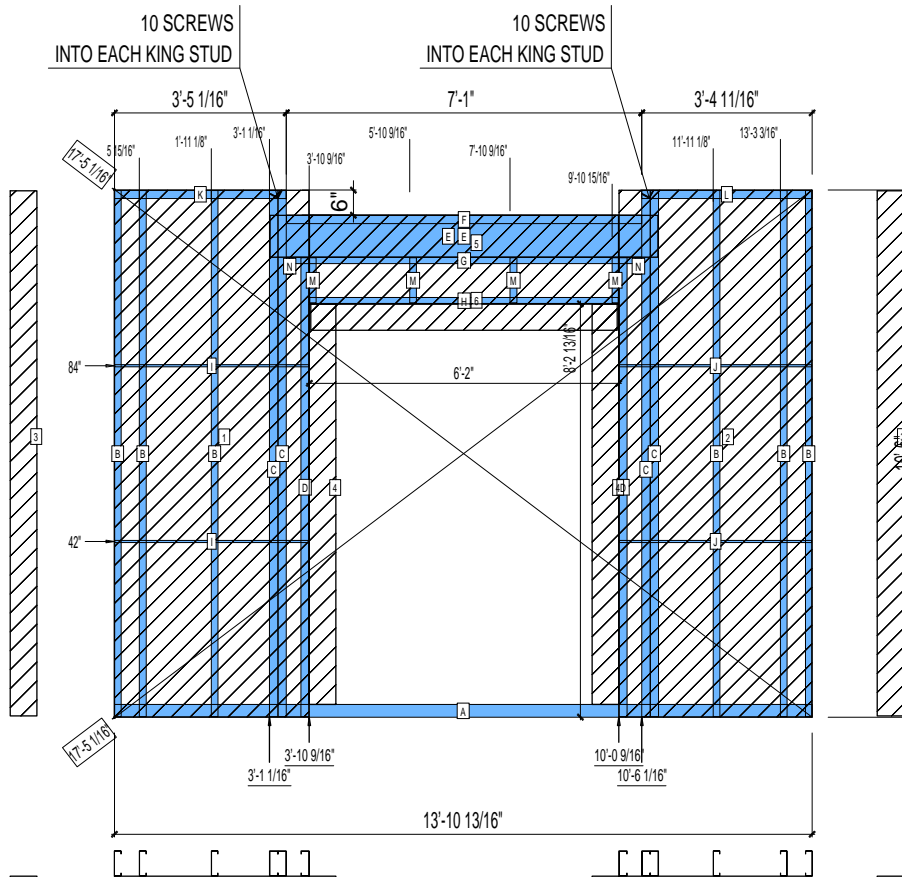
HEIGHT : 10'-6"
SPACING : 5000"
1st STUD: 5000"

POINTS: 4.57 Points.

APPROVED
By hhuynh at 5:44 pm, Nov 18, 2008

WEIGHTS :
FRAME : 516 lbs
SHEATHING: 286 lbs

TOTAL: 802 lbs



PIECES LIST			
LABEL	QTY	SIZE	LENGTH USE
A	1	600T300-54	13'-10 13/16" BOTTOM TRACK
B	6	600S162-54	10'-5 13/16" STUD
C	4	600S200-97	10'-5 13/16" EXTRA STUD
D	2	600S200-97	9'-1 3/4" KING STUD
E	2	1000S200-97	7'-8 3/4" HEADER
F	1	600T200-54	7'-0 15/16" TOP TRACK
G	1	600T150-54	7'-0 7/8" HEADER BOTTOM TRACK
H	1	600T150-54	6'-1 3/4" HEAD TRACK
I	2	150U50-54	3'-10 3/8" HORIZONTAL BRACING
J	2	150U50-54	3'-10" HORIZONTAL BRACING
K	1	600T200-54	3'-5 1/16" TOP TRACK
L	1	600T200-54	3'-4 11/16" TOP TRACK
M	4	600S162-54	10 13/16" CRIPPLE
N	2	600S162-33	4" BACKER STUD

SHEATHING					
LABEL	QTY	CODE	THICK	SIZE	SCREWS
1	1	DENSGLASS	1/2"	3'-10 1/2" X 10'-5 7/8"	8 - 12
2	1	DENSGLASS	1/2"	3'-10 1/8" X 10'-5 7/8"	8 - 12
3	2	DENSGLASS	1/2"	6 3/8" X 10'-5 9/16"	8 - 12
4	2	DENSGLASS	1/2"	6 3/8" X 7'-11 3/4"	8 - 12
5	1	DENSGLASS	1/2"	6'-1 7/8" X 1'-9 1/16"	8 - 12
6	1	DENSGLASS	1/2"	6'-1 1/4" X 6 5/16"	8 - 12

12-1175

Jewish Home for the Aging

1885 Victory Blvd. Reseda, CA

FM-07-109

CREATED BY: HH

FrameMax, Inc.
13915 Danielson St
Suite 100
Poway, CA 92064
www.frame-max.com



© FrameMax Inc.

HEIGHT : 10'-6" POINTS: 0.95 Points.

SPACING : 5000"

1st STUD: 16"

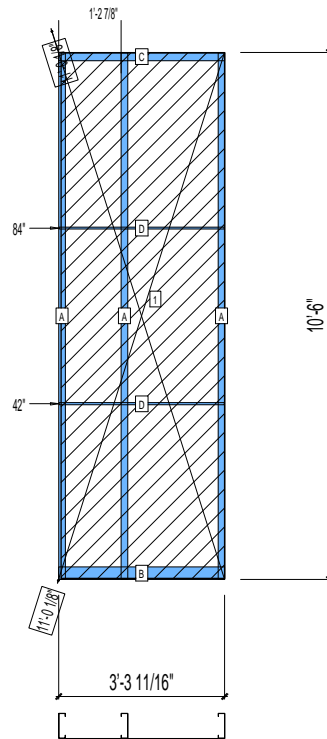
WEIGHTS :

FRAME : 77 lbs

SHEATHING: 85 lbs

TOTAL: 162 lbs

APPROVED
By hhuynh at 5:44 pm, Nov 18, 2008



PIECES LIST

LABEL	QTY	SIZE	LENGTH	USE
A	3	600S162-54	10'-5 13/16"	STUD
B	1	600T300-54	3'-3 11/16"	BOTTOM TRACK
C	1	600T200-54	3'-3 11/16"	TOP TRACK
D	2	150U50-54	3'-3 1/2"	HORIZONTAL BRACING

SHEATHING

LABEL	QTY	CODE	THICK	SIZE	SCREWS
1	1	DENSGLASS	1/2"	3'-3 1/8" X 10'-5 9/16"	8 - 12

12-1176

Jewish Home for the Aging

1885 Victory Blvd. Re **CREATED BY: HH**

FrameMax, Inc.
13915 Danielson St
Suite 100
Poway, CA 92064
www.frame-max.com



© FrameMax Inc.

CREATED: 11/05/2008

FM-07-109

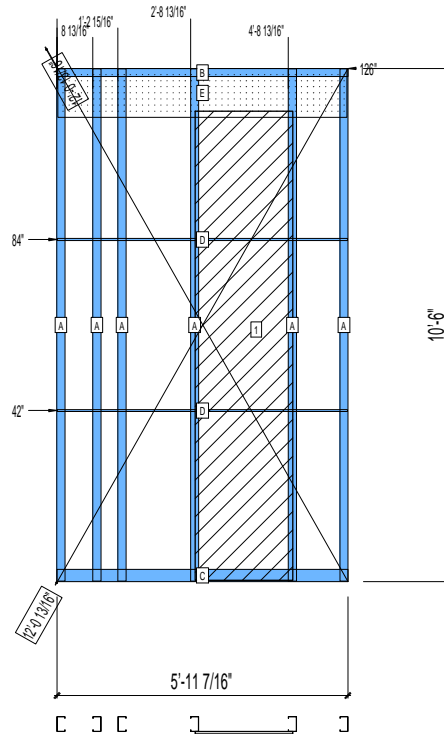
CREATED BY: AMB

HEIGHT : 10'-6"
POINTS: 1.47 Points.
SPACING : 5000"
1st STUD: 16"

APPROVED
By hhuynh at 5:44 pm, Nov 18, 2008

WEIGHTS :
FRAME : 173 lbs
SHEATHING: 71 lbs

TOTAL: 244 lbs



PIECES LIST

LABEL	QTY	SIZE	LENGTH	USE
A	6	362S200-68	10'-5 13/16"	STUD
B	1	362T200-68	5'-11 7/16"	TOP TRACK
C	1	362T300-68	5'-11 7/16"	BOTTOM TRACK
D	2	150U50-54	5'-11 1/4"	HORIZONTAL BRACING
E	1	1200D-54	5'-11"	STRAP

SHEATHING

LABEL	QTY	CODE	THICK	SIZE	SCREWS
1	1	SB-DENSARMOR	5/8"	1'-11 15/16" X	9'-7 3/16" 2-12

12-1177

Jewish Home for the Aging

1885 Victory Blvd. Re **CREATED BY: HH**

FrameMax, Inc.
13915 Danielson St
Suite 100
Poway, CA 92064
www.frame-max.com



© FrameMax Inc.

CREATED: 11/05/2008

FM-07-109

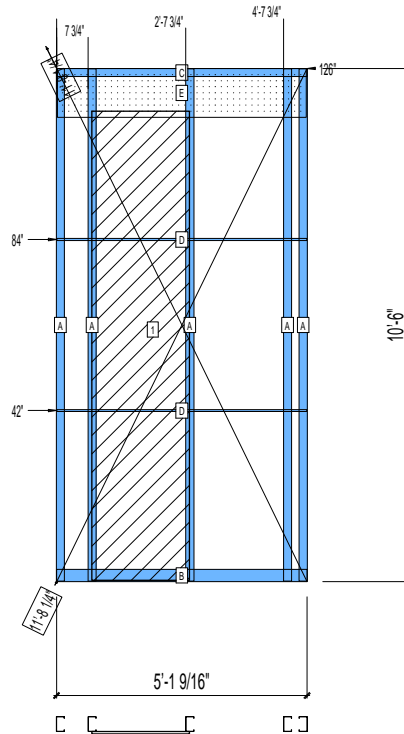
CREATED BY: AMB

APPROVED
By hhuynh at 5:44 pm, Nov 18, 2008

HEIGHT : 10'-6"
POINTS: 1.30 Points.
SPACING : 5000"
1st STUD: 5000"

WEIGHTS :
FRAME : 145 lbs
SHEATHING: 71 lbs

TOTAL: 216 lbs



PIECES LIST

LABEL	QTY	SIZE	LENGTH	USE
A	5	362S200-68	10'-5 13/16"	STUD
B	1	362T300-68	5'-1 9/16"	BOTTOM TRACK
C	1	362T200-68	5'-1 9/16"	TOP TRACK
D	2	150U50-54	5'-1 3/8"	HORIZONTAL BRACING
E	1	1200D-54	5'-1 1/8"	STRAP

SHEATHING

LABEL	QTY	CODE	THICK	SIZE	SCREWS
1	1	SB-DENSARMOR	5/8"	1'-11 15/16" X	9'-7 3/16" 2-12

12-1178

Jewish Home for the Aging

1885 Victory Blvd. Res **CREATED BY: HH**

FM-07-109

CREATED BY: AMB

FrameMax, Inc.
13915 Danielson St
Suite 100
Poway, CA 92064
www.frame-max.com



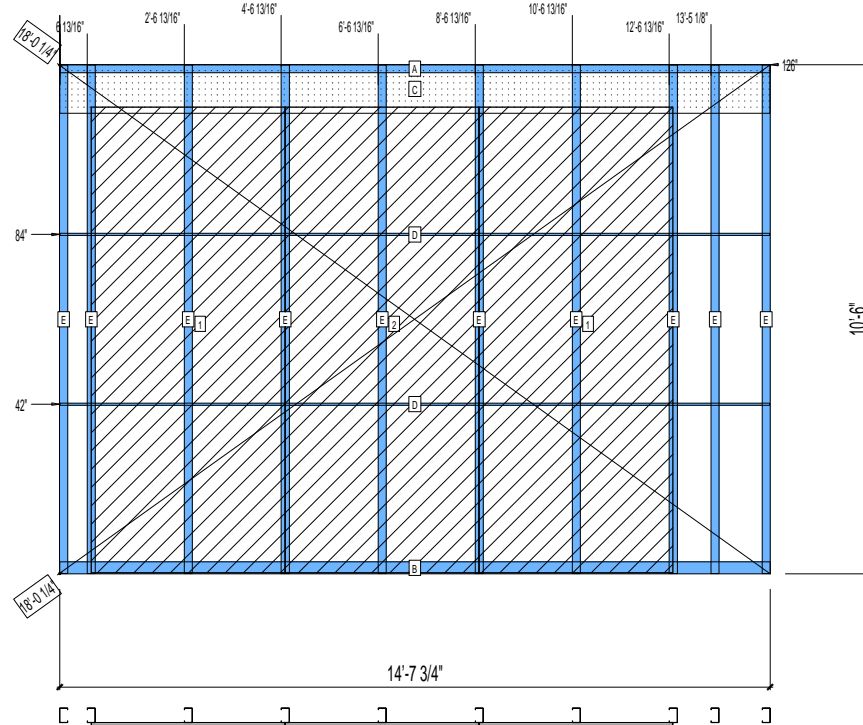
© FrameMax Inc.

APPROVED
By hhuynh at 5:44 pm, Nov 18, 2008

HEIGHT : 10'-6"
POINTS: 4.06 Points.
SPACING : 5000"
1st STUD: 5000"

WEIGHTS :
FRAME : 331 lbs
SHEATHING: 424 lbs

TOTAL: 755 lbs



PIECES LIST

LABEL	QTY	SIZE	LENGTH	USE
A	1	362T200-68	14'-7 3/4"	TOP TRACK
B	1	362T300-68	14'-7 3/4"	BOTTOM TRACK
C	1	1200D-54	14'-7 11/16"	STRAP
D	2	150U50-54	14'-7 9/16"	HORIZONTAL BRACING
E	10	362S200-68	10'-5 13/16"	STUD

SHEATHING

LABEL	QTY	CODE	THICK	SIZE	SCREWS
1	2	SB-DENSARMOR	5/8"	4'-0" X 9'-7 3/16"	2 - 12
2	1	SB-DENSARMOR	5/8"	4'-0" X 9'-7 3/16"	2 - 12

12-1179

Jewish Home for the Aging

1885 Victory Blvd. Res **CREATED BY: HH**

FM-07-109

CREATED BY: AMB

FrameMax, Inc.
13915 Danielson St
Suite 100
Poway, CA 92064
www.framemax.com



© FrameMax Inc.

APPROVED
By hhuynh at 5:44 pm, Nov 18, 2008

HEIGHT : 9'-7 11/16" POINTS: 3.17 Points.

SPACING : 5000"

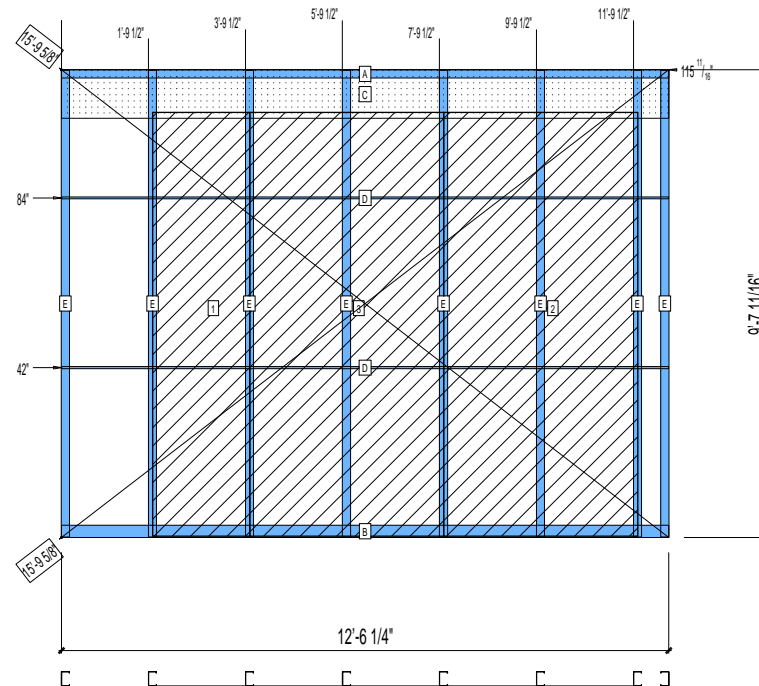
1st STUD: 5000"

WEIGHTS :

FRAME : 257 lbs

SHEATHING: 322 lbs

TOTAL: 579 lbs



PIECES LIST

LABEL	QTY	SIZE	LENGTH	USE
A	1	362T200-68	12'-6 1/4"	TOP TRACK
B	1	362T300-68	12'-6 1/4"	BOTTOM TRACK
C	1	1200D-54	12'-6 3/16"	STRAP
D	2	150U50-54	12'-6 1/16"	HORIZONTAL BRACING
E	8	362S200-68	9'-7 1/2"	STUD

SHEATHING

LABEL	QTY	CODE	THICK	SIZE	SCREWS
1	1	SB-DENSARMOR	5/8"	2'-0" X 8'-8 7/8"	2 - 12
2	1	SB-DENSARMOR	5/8"	4'-0" X 8'-8 7/8"	2 - 12
3	1	SB-DENSARMOR	5/8"	4'-0" X 8'-8 7/8"	2 - 12

12-1180

Jewish Home for the Aging

1885 Victory Blvd. Reseda, CA

FrameMax, Inc.
13915 Danielson St
Suite 100
Poway, CA 92064
www.framemax.com



© FrameMax Inc.

CREATED: 11/05/2008

FM-07-109

CREATED BY: HH

HEIGHT : 10'-6" POINTS: 0.53 Points.

SPACING : 5000"

1st STUD: 5000"

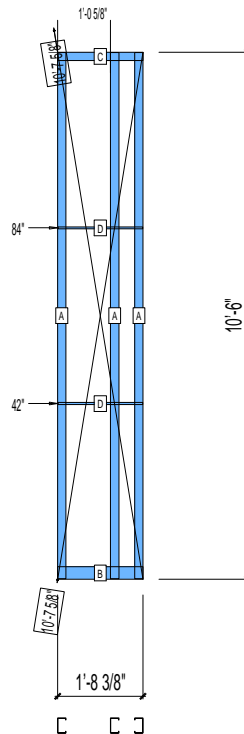
APPROVED

By hhuynh at 5:44 pm, Nov 18, 2008

WEIGHTS :

FRAME : 75 lbs

TOTAL: 75 lbs



PIECES LIST

LABEL	QTY	SIZE	LENGTH	USE
A	3	362S200-68	10'-5 13/16"	STUD
B	1	362T300-68	1'-8 3/8"	BOTTOM TRACK
C	1	362T200-68	1'-8 3/8"	TOP TRACK
D	2	150U50-54	1'-8 3/16"	HORIZONTAL BRACING

12-1181

Jewish Home for the Aging

1885 Victory Blvd. Reseda, CA

FM-07-109

CREATED BY: HH

FrameMax, Inc.
13915 Danielson St
Suite 100
Poway, CA 92064
www.frame-max.com



© FrameMax Inc.

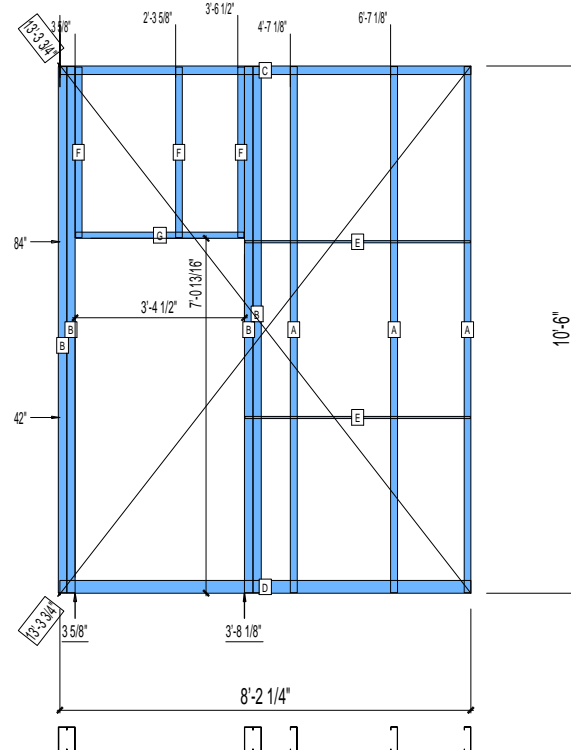
HEIGHT : 10'-6"
SPACING : 5000"
1st STUD: 5000"

POINTS: 1.69 Points.

APPROVED
By hhuynh at 5:44 pm, Nov 18, 2008

WEIGHTS :
FRAME : 264 lbs

TOTAL: 264 lbs



PIECES LIST

LABEL	QTY	SIZE	LENGTH	USE
A	3	600S162-68	10'-5 13/16"	STUD
B	4	600S200-68	10'-5 13/16"	KING STUD
C	1	600T200-68	8'-2 1/4"	TOP TRACK
D	1	600T300-68	8'-2 1/4"	BOTTOM TRACK
E	2	150U50-54	4'-5 7/8"	HORIZONTAL BRACING
F	3	600S162-54	3'-4 3/4"	CRIPPLE
G	1	600T150-54	3'-4 1/4"	HEAD TRACK

12-1182

Jewish Home for the Aging

1885 Victory Blvd. Reseda, CA

FM-07-109

CREATED BY: HH

FrameMax, Inc.
13915 Danielson St
Suite 100
Poway, CA 92064
www.framemax.com



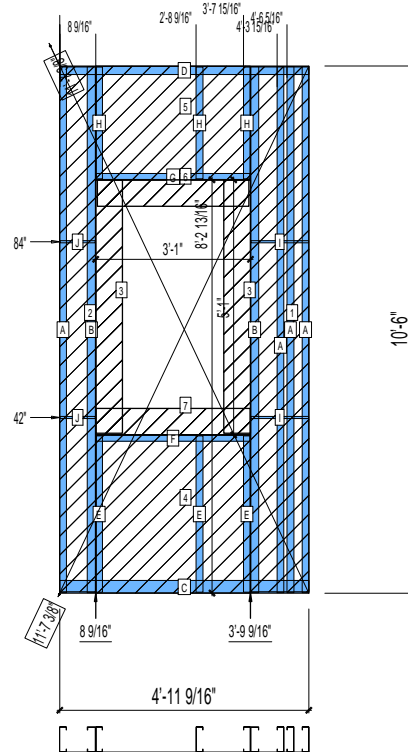
© FrameMax Inc.

HEIGHT : 10'-6"
POINTS: 2.06 Points.
SPACING : 5000"
1st STUD: 5000"

APPROVED
By hhuynh at 5:44 pm, Nov 18, 2008

WEIGHTS :
FRAME : 226 lbs
SHEATHING: 112 lbs

TOTAL: 338 lbs



PIECES LIST

LABEL	QTY	SIZE	LENGTH	USE
A	4	600S162-54	10'-5 13/16"	STUD
B	2	600S200-97	10'-5 13/16"	KING STUD
C	1	600T300-54	4'-11 9/16"	BOTTOM TRACK
D	1	600T200-54	4'-11 9/16"	TOP TRACK
E	3	600S162-54	3'-1 3/8"	CRIPPLE
F	1	600T150-54	3'-0 3/4"	SILL
G	1	600T150-54	3'-0 3/4"	HEAD TRACK
H	3	600S162-54	2'-2 3/4"	CRIPPLE
I	2	150U50-54	1'-1 3/4"	HORIZONTAL BRACING
J	2	150U50-54	8 3/8"	HORIZONTAL BRACING

SHEATHING

LABEL	QTY	CODE	THICK	SIZE	SCREWS
1	1	DENSGLOSS	1/2"	1'-1 7/8" X 10'-5 9/16"	8 - 12
2	1	DENSGLOSS	1/2"	8 1/2" X 10'-5 9/16"	8 - 12
3	2	DENSGLOSS	1/2"	6 3/8" X 5'-0 1/2"	8 - 12
4	1	DENSGLOSS	1/2"	3'-0 7/8" X 3'-1 11/16"	8 - 12
5	1	DENSGLOSS	1/2"	3'-0 7/8" X 2'-3 1/16"	8 - 12
6	1	DENSGLOSS	1/2"	3'-0 1/4" X 6 5/16"	8 - 12
7	1	DENSGLOSS	1/2"	3'-0 7/8" X 6 5/16"	8 - 12

12-1183

Jewish Home for the Aging

1885 Victory Blvd. Reseda, CA

FM-07-109

CREATED BY: HH

FrameMax, Inc.
13915 Danielson St
Suite 100
Poway, CA 92064
www.frame-max.com



© FrameMax Inc.

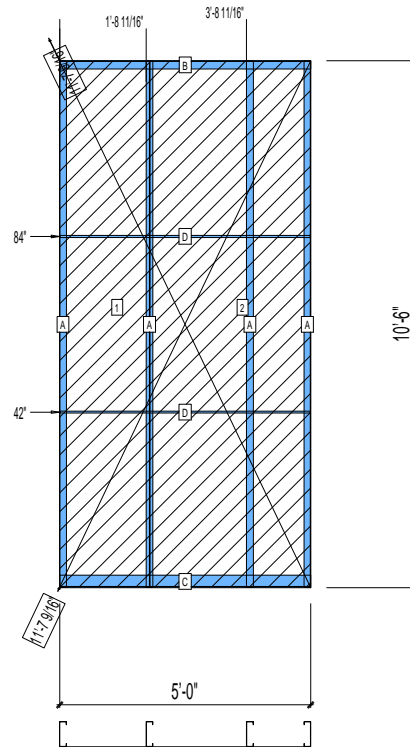
HEIGHT : 10'-6"
SPACING : 5000"
1st STUD: 5000"

POINTS: 1.35 Points.

APPROVED
By hhuynh at 5:44 pm, Nov 18, 2008

WEIGHTS :
FRAME : 106 lbs
SHEATHING: 131 lbs

TOTAL: 237 lbs



PIECES LIST

LABEL	QTY	SIZE	LENGTH	USE
A	4	600S162-54	10'-5 13/16"	STUD
B	1	600T200-54	5'-0"	TOP TRACK
C	1	600T300-54	5'-0"	BOTTOM TRACK
D	2	150U50-54	4'-11 13/16"	HORIZONTAL BRACING

SHEATHING

LABEL	QTY	CODE	THICK	SIZE	SCREWS
1	1	DENSGLASS	1/2"	1'-9 7/16" X 10'-5 9/16"	8 - 12
2	1	DENSGLASS	1/2"	3'-2 1/2" X 10'-5 9/16"	8 - 12

12-1184

Jewish Home for the Aging

1885 Victory Blvd. Reseda, CA

FM-07-109

CREATED BY: HH

FrameMax, Inc.
13915 Danielson St
Suite 100
Poway, CA 92064
www.framemax.com

FRAMEMAX

© FrameMax Inc.

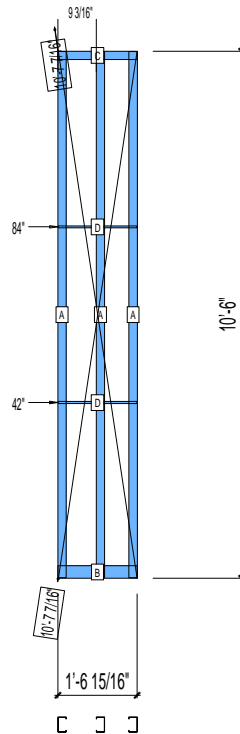
HEIGHT : 10'-6"
SPACING : 5000"
1st STUD: 5000"

POINTS: 0.52 Points.

APPROVED
By hhuynh at 5:44 pm, Nov 18, 2008

WEIGHTS :
FRAME : 74 lbs

TOTAL: 74 lbs



PIECES LIST

LABEL	QTY	SIZE	LENGTH	USE
A	3	362S200-68	10'-5 13/16"	STUD
B	1	362T300-68	1'-6 15/16"	BOTTOM TRACK
C	1	362T200-68	1'-6 15/16"	TOP TRACK
D	2	150U50-54	1'-6 3/4"	HORIZONTAL BRACING

12-1185

Jewish Home for the Aging

1885 Victory Blvd. Reseda, CA

FM-07-109

CREATED BY: HH

FrameMax, Inc.
13915 Danielson St
Suite 100
Poway, CA 92064
www.frame-max.com



© FrameMax Inc.

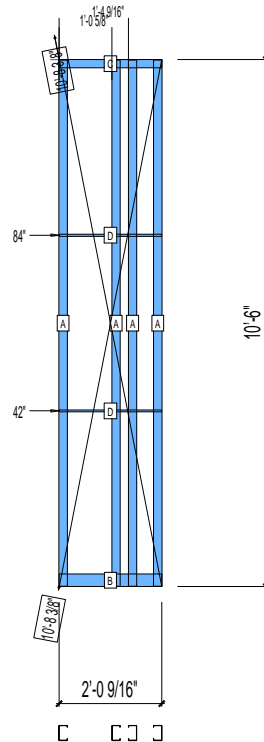
HEIGHT : 10'-6"
SPACING : 5000"
1st STUD: 5000"

POINTS: 0.66 Points.

WEIGHTS :
FRAME : 98 lbs

TOTAL: 98 lbs

APPROVED
By hhuynh at 5:44 pm, Nov 18, 2008



PIECES LIST

LABEL	QTY	SIZE	LENGTH	USE
A	4	362S200-68	10'-5 13/16"	STUD
B	1	362T300-68	2'-0 9/16"	BOTTOM TRACK
C	1	362T200-68	2'-0 9/16"	TOP TRACK
D	2	150U50-54	2'-0 3/8"	HORIZONTAL BRACING

12-1186

Jewish Home for the Aging

1885 Victory Blvd. Res **CREATED BY: HH**

FM-07-109

CREATED BY: AMB

FrameMax, Inc.
13915 Danielson St
Suite 100
Poway, CA 92064
www.frame-max.com



© FrameMax Inc.

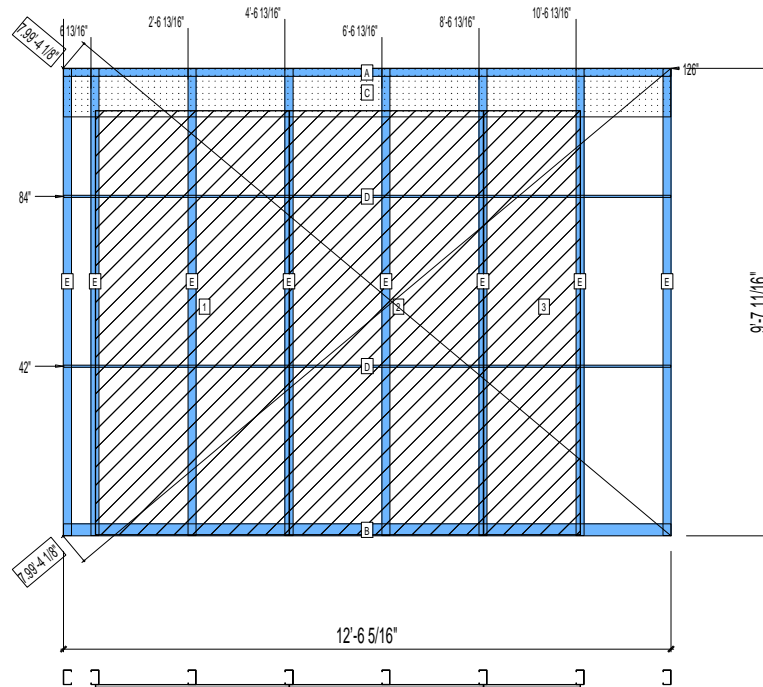
APPROVED
By hhuynh at 5:44 pm, Nov 18, 2008

HEIGHT : 10'-6"
SPACING : 5000"
1st STUD : 5000"

POINTS: 3.17 Points.

WEIGHTS :
FRAME : 257 lbs
SHEATHING: 322 lbs

TOTAL: 579 lbs



PIECES LIST

LABEL	QTY	SIZE	LENGTH	USE
A	1	362T200-68	12'-6 5/16"	TOP TRACK
B	1	362T300-68	12'-6 5/16"	BOTTOM TRACK
C	1	1200D-54	12'-6 1/4"	STRAP
D	2	150U50-54	12'-6 1/8"	HORIZONTAL BRACING
E	8	362S200-68	9'-7 1/2"	STUD

SHEATHING

LABEL	QTY	CODE	THICK	SIZE	SCREWS
1	1	SB-DENSARMOR	5/8"	4'-0" X 8'-8 7/8"	2 - 12
2	1	SB-DENSARMOR	5/8"	4'-0" X 8'-8 7/8"	2 - 12
3	1	SB-DENSARMOR	5/8"	2'-0" X 8'-8 7/8"	2 - 12

12-1187

Jewish Home for the Aging

1885 Victory Blvd. Reseda, CA

FM-07-109

CREATED BY: HH

FrameMax, Inc.
13915 Danielson St
Suite 100
Poway, CA 92064
www.frame-max.com



© FrameMax Inc.

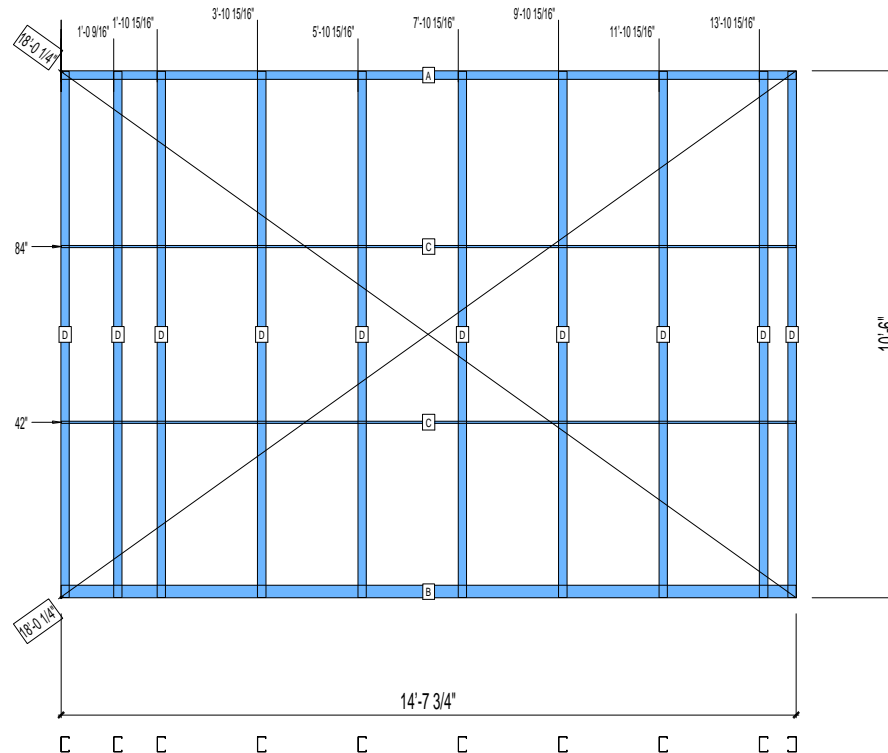
HEIGHT : 10'-6"
SPACING : 5000"
1st STUD: 5000"

POINTS: 1.92 Points.

APPROVED
By hhuynh at 5:44 pm, Nov 18, 2008

WEIGHTS :
FRAME : 289 lbs

TOTAL: 289 lbs



PIECES LIST

LABEL	QTY	SIZE	LENGTH	USE
A	1	362T200-68	14'-7 3/4"	TOP TRACK
B	1	362T300-68	14'-7 3/4"	BOTTOM TRACK
C	2	150U50-54	14'-7 9/16"	HORIZONTAL BRACING
D	10	362S200-68	10'-5 13/16"	STUD

12-1188

Jewish Home for the Aging

1885 Victory Blvd. Reseda, CA

FM-07-109

CREATED BY: HH

FrameMax, Inc.
13915 Danielson St
Suite 100
Poway, CA 92064
www.framemax.com



© FrameMax Inc.

HEIGHT : 10'-6"
SPACING : 5000"
1st STUD: 5000"

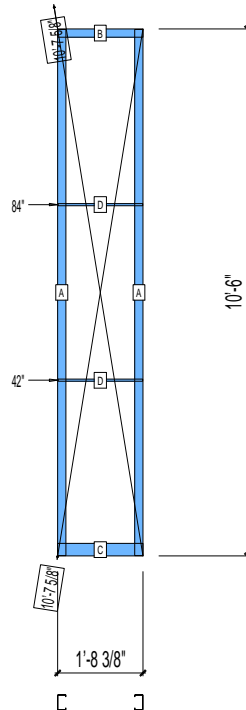
POINTS: 0.40 Points.

APPROVED

By hhuynh at 5:44 pm, Nov 18, 2008

WEIGHTS :
FRAME : 53 lbs

TOTAL: 53 lbs



PIECES LIST

LABEL	QTY	SIZE	LENGTH	USE
A	2	362S200-68	10'-5 13/16"	STUD
B	1	362T200-68	1'-8 3/8"	TOP TRACK
C	1	362T300-68	1'-8 3/8"	BOTTOM TRACK
D	2	150U50-54	1'-8 3/16"	HORIZONTAL BRACING

12-1189

Jewish Home for the Aging

1885 Victory Blvd. Reseda, CA

FM-07-109

CREATED BY: HH

FrameMax, Inc.
13915 Danielson St
Suite 100
Poway, CA 92064
www.framemax.com

FRAME MAX

© FrameMax Inc.

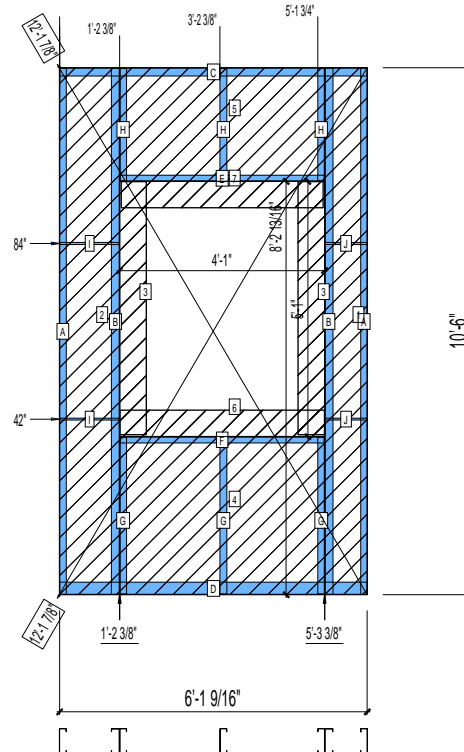
HEIGHT : 10'-6"
SPACING : 5000"
1st STUD: 16"

POINTS: 1.99 Points.

APPROVED
By hhuynh at 5:44 pm, Nov 18, 2008

WEIGHTS :
FRAME : 194 lbs
SHEATHING: 132 lbs

TOTAL: 326 lbs



PIECES LIST

LABEL	QTY	SIZE	LENGTH	USE
A	2	600S162-54	10'-5 13/16"	STUD
B	2	600S200-97	10'-5 13/16"	KING STUD
C	1	600T200-54	6'-1 9/16"	TOP TRACK
D	1	600T300-54	6'-1 9/16"	BOTTOM TRACK
E	1	600T150-54	4'-0 3/4"	HEAD TRACK
F	1	600T150-54	4'-0 3/4"	SILL
G	3	600S162-54	3'-1 3/8"	CRIPPLE
H	3	600S162-54	2'-2 3/4"	CRIPPLE
I	2	150U50-54	1'-2 1/8"	HORIZONTAL BRACING
J	2	150U50-54	10"	HORIZONTAL BRACING

SHEATHING

LABEL	QTY	CODE	THICK	SIZE	SCREWS
1	1	DENSGLASS	1/2"	10 1/8" X 10'-5 7/8"	8 - 12
2	1	DENSGLASS	1/2"	1'-2 1/4" X 10'-5 7/8"	8 - 12
3	2	DENSGLASS	1/2"	6 3/8" X 5'-0 1/2"	8 - 12
4	1	DENSGLASS	1/2"	4'-0 7/8" X 3'-1 11/16"	8 - 12
5	1	DENSGLASS	1/2"	4'-0 7/8" X 2'-3 1/16"	8 - 12
6	1	DENSGLASS	1/2"	4'-0 7/8" X 6 5/16"	8 - 12
7	1	DENSGLASS	1/2"	4'-0 1/4" X 6 5/16"	8 - 12

12-1190

Jewish Home for the Aging

1885 Victory Blvd. Reseda, CA

FM-07-109

CREATED BY: HH

FrameMax, Inc.
13915 Danielson St
Suite 100
Poway, CA 92064
www.frame-max.com



© FrameMax Inc.

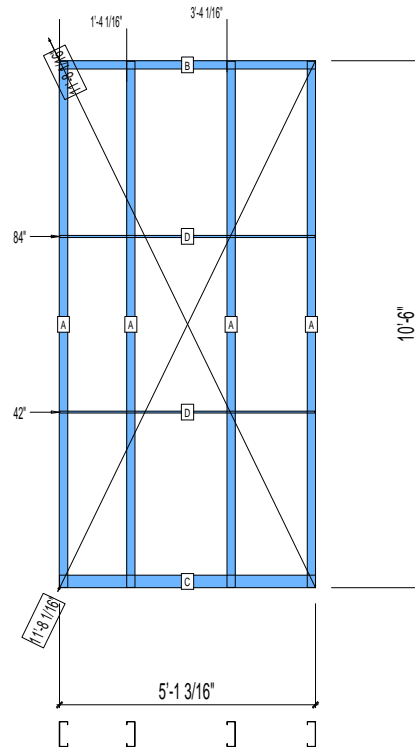
HEIGHT : 10'-6"
SPACING : 5000"
1st STUD: 5000"

POINTS: 0.94 Points.

APPROVED
By hhuynh at 5:44 pm, Nov 18, 2008

WEIGHTS :
FRAME : 146 lbs

TOTAL: 146 lbs



PIECES LIST

LABEL	QTY	SIZE	LENGTH	USE
A	4	600S200-68	10'-5 13/16"	STUD
B	1	600T200-68	5'-1 3/16"	TOP TRACK
C	1	600T300-68	5'-1 3/16"	BOTTOM TRACK
D	2	150U50-54	5'-1"	HORIZONTAL BRACING

12-1191

Jewish Home for the Aging

1885 Victory Blvd. Reseda, CA

FM-07-109

CREATED BY: HH

FrameMax, Inc.
13915 Danielson St
Suite 100
Poway, CA 92064
www.frame-max.com



© FrameMax Inc.

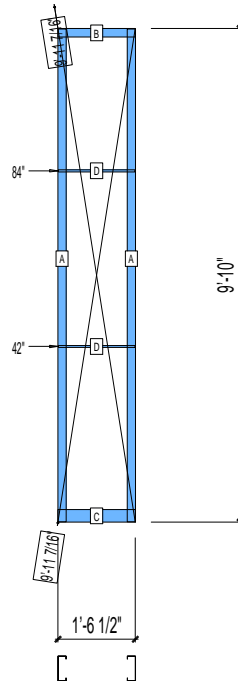
HEIGHT : 10'-6"
SPACING : 24"
1st STUD: 16"

POINTS: 0.45 Points.

APPROVED
By hhuynh at 5:44 pm, Nov 18, 2008

WEIGHTS :
FRAME : 63 lbs

TOTAL: 63 lbs



PIECES LIST

LABEL	QTY	SIZE	LENGTH	USE
A	2	600S200-68	9'-9 13/16"	STUD
B	1	600T200-68	1'-6 1/2"	TOP TRACK
C	1	600T300-68	1'-6 1/2"	BOTTOM TRACK
D	2	150U50-54	1'-6 5/16"	HORIZONTAL BRACING

12-1192

Jewish Home for the Aging

1885 Victory Blvd. Reseda, CA

FM-07-109

CREATED BY: HH

FrameMax, Inc.
13915 Danielson St
Suite 100
Poway, CA 92064
www.framemax.com



© FrameMax Inc.

HEIGHT : 10'-6" POINTS: 3.98 Points.

SPACING : 24"

1st STUD: 24"

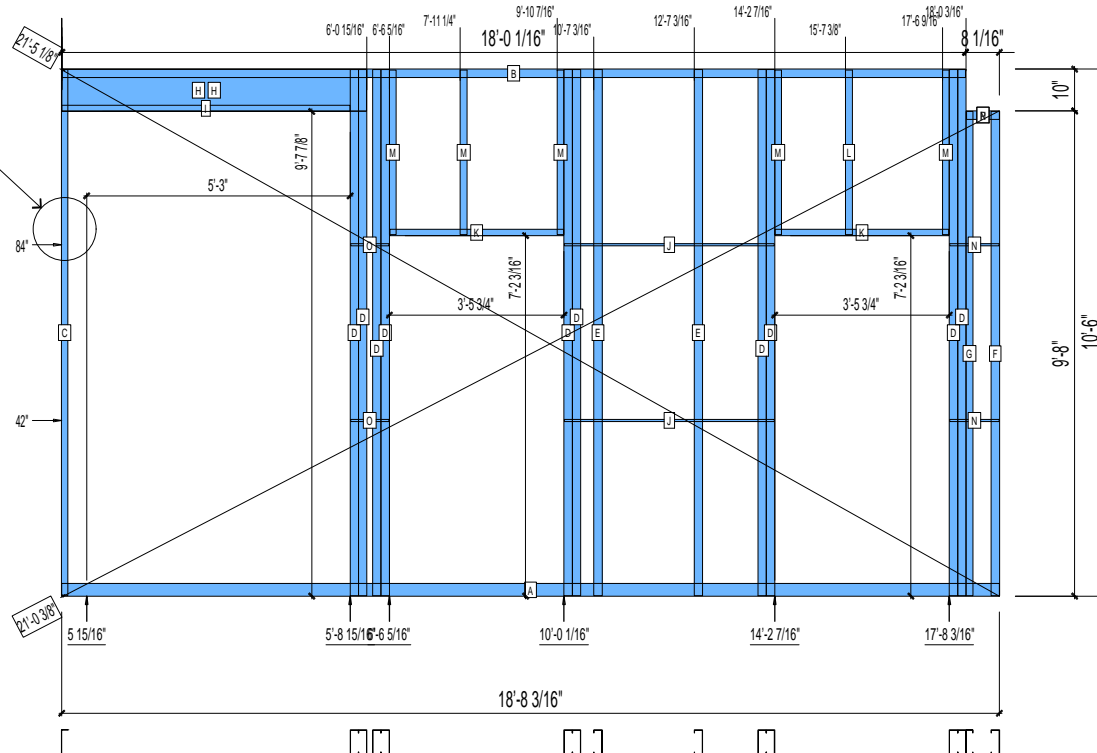
APPROVED
By hhuynh at 5:44 pm, Nov 18, 2008

WEIGHTS :

FRAME : 625 lbs

TOTAL: 625 lbs

TEMPORARY CAP TRACK FOR SHIPPING



PIECES LIST

LABEL	QTY	SIZE	LENGTH	USE
A	1	600T300-68	18'-8 3/16"	BOTTOM TRACK
B	1	600T200-68	18'-0 1/16"	TOP TRACK
C	1	600T150-54	10'-5 13/16"	CAP TRACK
D	10	600S200-68	10'-5 13/16"	KING STUD
E	2	600S200-68	10'-5 13/16"	STUD
F	1	600S200-68	9'-7 3/4"	STUD
G	1	600S162-54	9'-7 3/4"	BACKING
H	2	1000S200-97	6'-0 7/8"	HEADER
I	1	600T150-54	5'-8 7/8"	HEADER BOTTOM TRACK
J	2	150U50-54	4'-2 1/8"	HORIZONTAL BRACING
K	2	600T150-54	3'-5 1/2"	HEAD TRACK
L	1	00S162-54	3'-3 3/8"	CRIPPLE
M	5	600S162-54	3'-3 3/8"	CRIPPLE
N	2	150U50-54	11 3/4"	HORIZONTAL BRACING
O	2	150U50-54	9 1/8"	HORIZONTAL BRACING
P	1	600T200-68	7 13/16"	TOP TRACK

12-1193

Jewish Home for the Aging

1885 Victory Blvd. Res **CREATED BY: HH**

FM-07-109

CREATED BY: AMB

FrameMax, Inc.
13915 Danielson St
Suite 100
Poway, CA 92064
www.framemax.com



© FrameMax Inc.

APPROVED

By hhuynh at 5:44 pm, Nov 18, 2008

HEIGHT : 11'-2 7/8" POINTS: 5.47 Points.

SPACING : 5000"

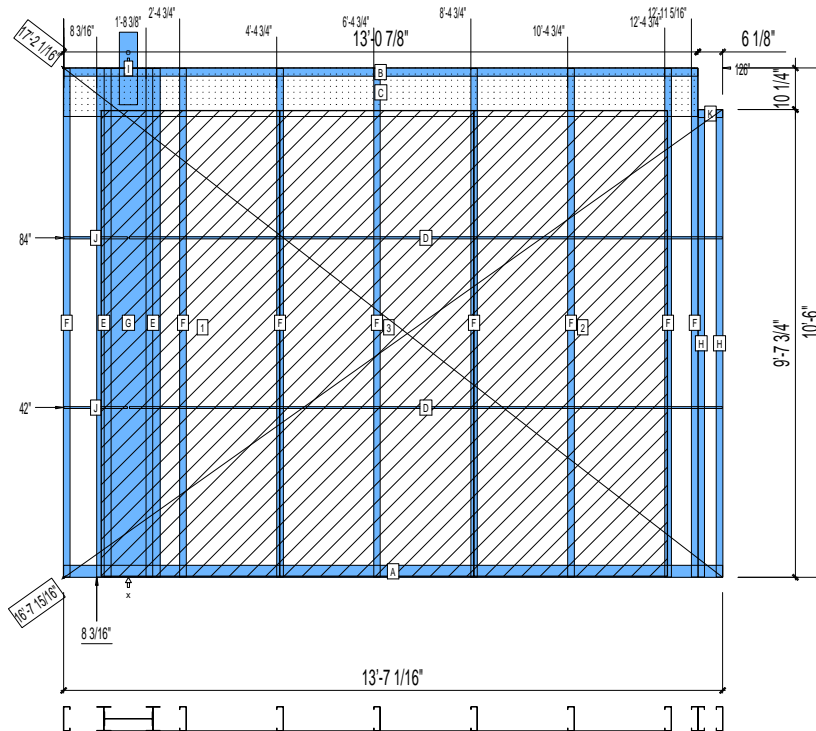
1st STUD: 5000"

WEIGHTS :

FRAME : 627 lbs

SHEATHING: 412 lbs

TOTAL: 1039 lbs



PIECES LIST

LABEL	QTY	SIZE	LENGTH	USE
A	1	600T300-68	13'-7 1/16"	BOTTOM TRACK
B	1	600T200-68	13'-0 7/8"	TOP TRACK
C	1	1200D-54	13'-0 7/8"	STRAP
D	2	150U50-54	12'-2 11/16"	HORIZONTAL BRACING
E	2	600i350p680	10'-5 13/16"	PACO
F	8	600S162-68	10'-5 13/16"	STUD
G	1	1200i350p1062	10'-5 13/16"	PACO
H	2	600S162-68	9'-7 9/16"	STUD
I	1	A	1'-6"	HOLDDOWN
J	2	150U50-54	1'-3 11/16"	HORIZONTAL BRACING
K	1	600T200-68	6"	TOP TRACK

SHEATHING

LABEL	QTY	CODE	THICK	SIZE	SCREWS
1	1	SB-DENSARMOR	5/8"	3'-8 1/8" X 9'-7 3/16"	2-12
2	1	SB-DENSARMOR	5/8"	3'-11 15/16" X 9'-7 3/16"	2-12
3	1	SB-DENSARMOR	5/8"	4'-0" X 9'-7 3/16"	2-12

12-1194

Jewish Home for the Aging

1885 Victory Blvd. Res **CREATED BY: HH**

FM-07-109

CREATED BY: AMB

FrameMax, Inc.
13915 Danielson St
Suite 100
Poway, CA 92064
www.frame-max.com



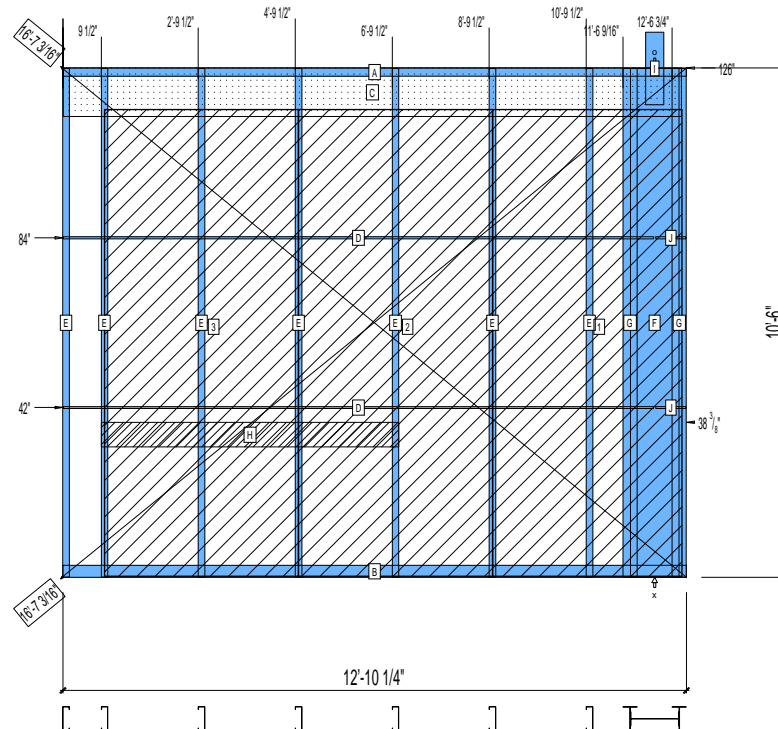
© FrameMax Inc.

APPROVED
By hhuynh at 5:44 pm, Nov 18, 2008

HEIGHT : 10'-6"
SPACING : 5000"
1st STUD: 5000"

WEIGHTS :
FRAME : 568 lbs
SHEATHING: 421 lbs

TOTAL: 989 lbs



PIECES LIST

LABEL	QTY	SIZE	LENGTH	USE
A	1	600T200-68	12'-10 1/4"	TOP TRACK
B	1	600T300-68	12'-10 1/4"	BOTTOM TRACK
C	1	1200D-54	12'-8 15/16"	STRAP
D	2	150U50-54	12'-2 1/16"	HORIZONTAL BRACING
E	7	600S162-68	10'-5 13/16"	STUD
F	1	1200i350p1062	10'-5 13/16"	PACO
G	2	600i350p680	10'-5 13/16"	PACO
H	1	600T150-54	6'-1 5/8"	GRAB BAR
I	1	A	1'-6"	HOLDDOWN
J	2	150U50-54	7 1/2"	HORIZONTAL BRACING

SHEATHING

LABEL	QTY	CODE	THICK	SIZE	SCREWS
1	1	SB-DENSARMOR	5/8"	3'-10 7/8" X	9'-7 7/16" 3-12
2	1	SB-DENSARMOR	5/8"	4'-0" X	9'-7 7/16" 3-12
3	1	SB-DENSARMOR	5/8"	3'-11 15/16" X	9'-7 7/16" 3-12

12-1195

Jewish Home for the Aging

1885 Victory Blvd. Reseda, CA

FM-07-109

CREATED BY: HH

FrameMax, Inc.
13915 Danielson St
Suite 100
Poway, CA 92064
www.frame-max.com

FRAME MAX

© FrameMax Inc.

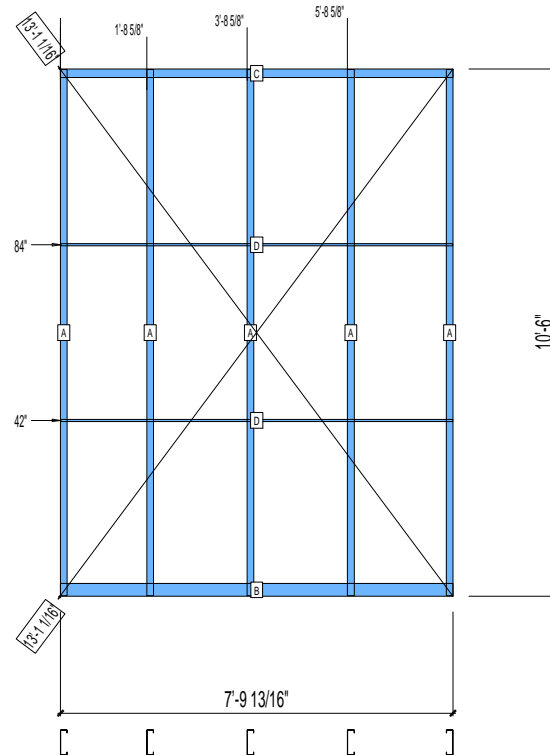
HEIGHT : 10'-6"
SPACING : 5000"
1st STUD: 5000"

POINTS: 1.17 Points.

APPROVED
By hhuynh at 5:44 pm, Nov 18, 2008

WEIGHTS :
FRAME : 178 lbs

TOTAL: 178 lbs



PIECES LIST

LABEL	QTY	SIZE	LENGTH	USE
A	5	600S162-68	10'-5 13/16"	STUD
B	1	600T300-68	7'-9 13/16"	BOTTOM TRACK
C	1	600T200-68	7'-9 13/16"	TOP TRACK
D	2	150U50-54	7'-9 5/8"	HORIZONTAL BRACING

12-1196

Jewish Home for the Aging

1885 Victory Blvd. Res **CREATED BY: HH**

FrameMax, Inc.
13915 Danielson St
Suite 100
Poway, CA 92064
www.frame-max.com



© FrameMax Inc.

CREATED: 11/05/2008

FM-07-109

CREATED BY: AMB

APPROVED
By hhuynh at 5:44 pm, Nov 18, 2008

HEIGHT : 10'-6" POINTS: 6.36 Points.

SPACING : 5000"

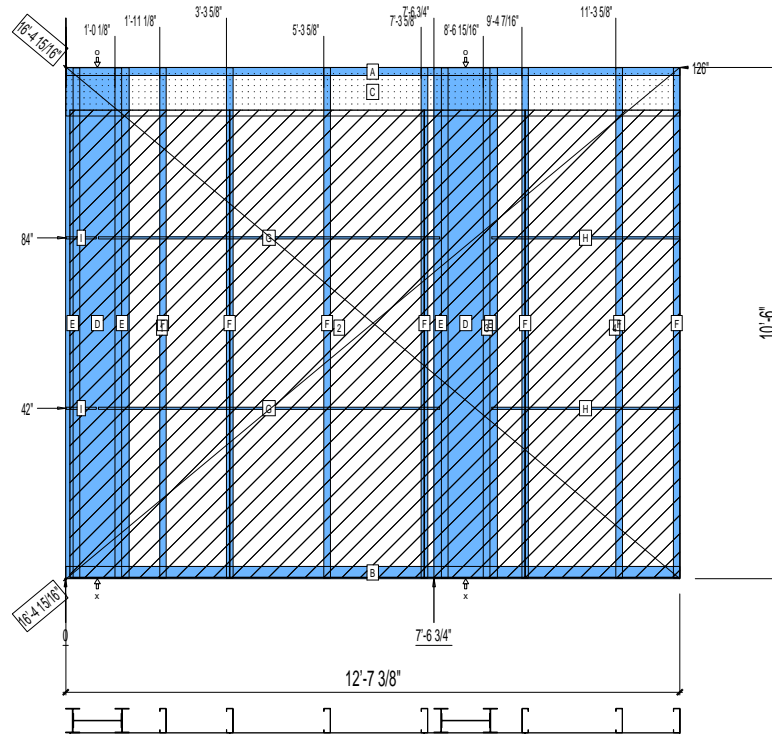
1st STUD: 5000"

WEIGHTS :

FRAME : 797 lbs

SHEATHING: 443 lbs

TOTAL: 1240 lbs



PIECES LIST

LABEL	QTY	SIZE	LENGTH	USE
A	1	600T200-68	12'-7 3/8"	TOP TRACK
B	1	600T300-68	12'-7 3/8"	BOTTOM TRACK
C	1	1200D-54	12'-7 5/16"	STRAP
D	2	1200i350p1062	10'-5 13/16"	PACO
E	4	600i350p680	10'-5 13/16"	PACO
F	7	600S162-68	10'-5 13/16"	STUD
G	2	150U50-54	7'-0 1/8"	HORIZONTAL BRACING
H	2	150U50-54	3'-10 5/16"	HORIZONTAL BRACING
I	2	150U50-54	7 7/16"	HORIZONTAL BRACING

SHEATHING

LABEL	QTY	CODE	THICK	SIZE	SCREWS
1	1	SB-DENSARMOR	5/8"	3'-3 7/16" X 9'-7 3/16"	2 -12
2	1	SB-DENSARMOR	5/8"	4'-0" X 9'-7 3/16"	2 -12
3	1	SB-DENSARMOR	5/8"	2'-0 13/16" X 9'-7 3/16"	2 -12
4	1	SB-DENSARMOR	5/8"	3'-2 1/8" X 9'-7 3/16"	2 -12

12-1197

Jewish Home for the Aging

1885 Victory Blvd. Reseda, CA

FM-07-109

CREATED BY: HH

FrameMax, Inc.
13915 Danielson St
Suite 100
Poway, CA 92064
www.framemax.com



© FrameMax Inc.

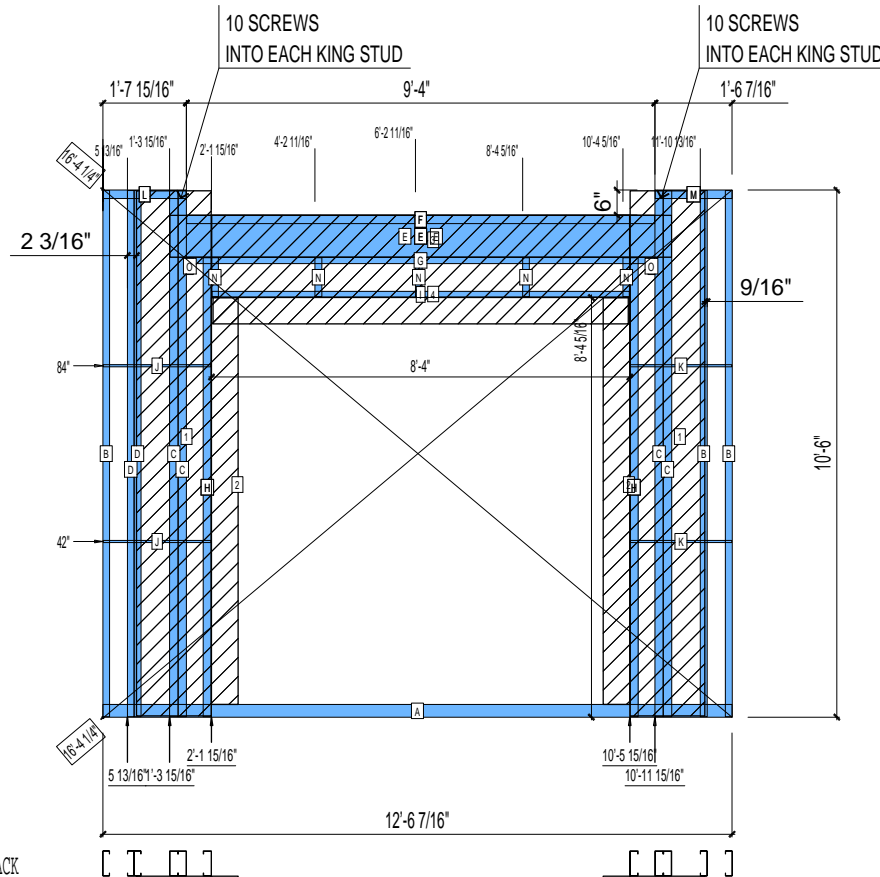
HEIGHT : 10'-6"
SPACING : 5000"
1st STUD: 5000"

POINTS: 3.91 Points.

APPROVED
By hhuynh at 5:44 pm, Nov 18, 2008

WEIGHTS :
FRAME : 518 lbs
SHEATHING: 144 lbs

TOTAL: 662 lbs



PIECES LIST

LABEL	QTY	SIZE	LENGTH	USE
A	1	600T300-54	12'-6 7/16"	BOTTOM TRACK
B	3	600S162-54	10'-5 13/16"	STUD
C	4	600S200-97	10'-5 13/16"	EXTRA STUD
D	2	600S162-54	10'-5 13/16"	EXTRA STUD
E	2	1000S200-97	9'-11 7/8"	HEADER
F	1	600T200-54	9'-3 7/8"	TOP TRACK
G	1	600T150-54	9'-3 7/8"	HEADER BOTTOM TRACK
H	2	600S200-97	9'-1 3/4"	KING STUD
I	1	600T150-54	8'-3 3/4"	HEAD TRACK
J	2	150U50-54	2'-1 3/4"	HORIZONTAL BRACING
K	2	150U50-54	2'-0 1/4"	HORIZONTAL BRACING
L	1	600T200-54	1'-7 7/8"	TOP TRACK
M	1	600T200-54	1'-6 3/8"	TOP TRACK
N	5	600S162-54	9 5/16"	CRIPPLE
O	2	600S162-33	4"	BACKER STUD

SHEATHING

LABEL	QTY	CODE	THICK	SIZE	SCREWS
1	2	DENSGLOSS	1/2"	1'-5 7/8" X 10'-5 9/16"	8 - 12
2	2	DENSGLOSS	1/2"	6 3/8" X 8'-1 1/4"	8 - 12
3	1	DENSGLOSS	1/2"	8'-3 7/8" X 1'-7 9/16"	8 - 12
4	1	DENSGLOSS	1/2"	8'-3 1/4" X 6 5/16"	8 - 12

12-1198

Jewish Home for the Aging

1885 Victory Blvd. Reseda, CA

FM-07-109

CREATED BY: HH

FrameMax, Inc.
13915 Danielson St
Suite 100
Poway, CA 92064
www.framemax.com



© FrameMax Inc.

HEIGHT : 10'-6" POINTS: 0.79 Points.

SPACING : 5000"

1st STUD: 16"

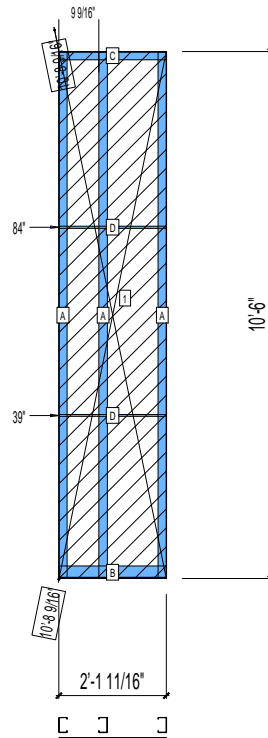
APPROVED
By hhuynh at 5:44 pm, Nov 18, 2008

WEIGHTS :

FRAME : 75 lbs

SHEATHING: 56 lbs

TOTAL: 131 lbs



PIECES LIST

LABEL	QTY	SIZE	LENGTH	USE
A	3	362S200-68	10'-5 13/16"	STUD
B	1	362T300-68	2'-1 11/16"	BOTTOM TRACK
C	1	362T200-68	2'-1 11/16"	TOP TRACK
D	2	150U50-54	2'-1 1/2"	HORIZONTAL BRACING

SHEATHING

LABEL	QTY	CODE	THICK	SIZE	SCREWS
1	1	DENSGLASS	1/2"	2'-1 5/8" X 10'-5 9/16"	8 - 12

12-1199

Jewish Home for the Aging

1885 Victory Blvd. Reseda, CA

FM-07-109

CREATED BY: HH

FrameMax, Inc.
13915 Danielson St
Suite 100
Poway, CA 92064
www.frame-max.com

FRAME MAX

© FrameMax Inc.

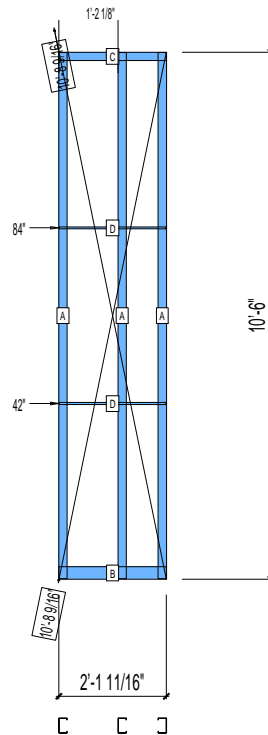
HEIGHT : 10'-6"
SPACING : 5000"
1st STUD: 5000"

POINTS: 0.54 Points.

APPROVED
By hhuynh at 5:44 pm, Nov 18, 2008

WEIGHTS :
FRAME : 77 lbs

TOTAL: 77 lbs



PIECES LIST

LABEL	QTY	SIZE	LENGTH	USE
A	3	362S200-68	10'-5 13/16"	STUD
B	1	362T300-68	2'-1 11/16"	BOTTOM TRACK
C	1	362T200-68	2'-1 11/16"	TOP TRACK
D	2	150U50-54	2'-1 1/2"	HORIZONTAL BRACING

12-1200

Jewish Home for the Aging

1885 Victory Blvd. Re **CREATED BY: HH**

FrameMax, Inc.
13915 Danielson St
Suite 100
Poway, CA 92064
www.frame-max.com



© FrameMax Inc.

CREATED: 11/05/2008

FM-07-109

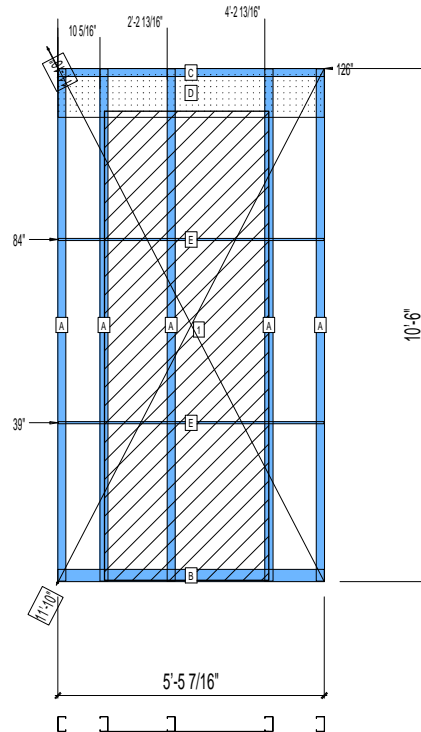
CREATED BY: AMB

APPROVED
By hhuynh at 5:44 pm, Nov 18, 2008

HEIGHT : 10'-6"
POINTS: 1.54 Points.
SPACING : 5000"
1st STUD: 5000"

WEIGHTS :
FRAME : 148 lbs
SHEATHING: 119 lbs

TOTAL: 267 lbs



PIECES LIST

LABEL	QTY	SIZE	LENGTH	USE
A	5	362S200-68	10'-5 13/16"	STUD
B	1	362T300-68	5'-5 7/16"	BOTTOM TRACK
C	1	362T200-68	5'-5 7/16"	TOP TRACK
D	1	1200D-54	5'-5 3/8"	STRAP
E	2	150U50-54	5'-5 1/4"	HORIZONTAL BRACING

SHEATHING

LABEL	QTY	CODE	THICK	SIZE	SCREWS
1	1	SB-DENSARMOR	5/8"	3'-4 3/8" X 9'-7 3/16"	1 - 12

12-1201

Jewish Home for the Aging

1885 Victory Blvd. Re **CREATED BY: HH**

FrameMax, Inc.
13915 Danielson St
Suite 100
Poway, CA 92064
www.frame-max.com



© FrameMax Inc.

CREATED: 11/05/2008

FM-07-109

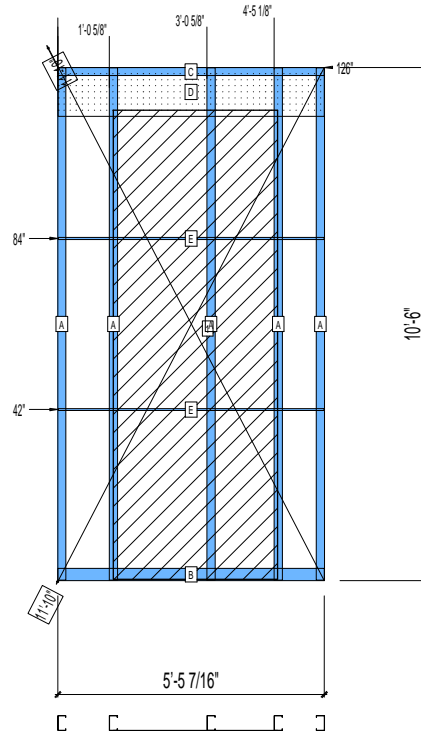
CREATED BY: AMB

APPROVED
By hhuynh at 5:44 pm, Nov 18, 2008

HEIGHT : 10'-6"
POINTS: 1.54 Points.
SPACING : 5000"
1st STUD: 5000"

WEIGHTS :
FRAME : 148 lbs
SHEATHING: 119 lbs

TOTAL: 267 lbs



PIECES LIST

LABEL	QTY	SIZE	LENGTH	USE
A	5	362S200-68	10'-5 13/16"	STUD
B	1	362T300-68	5'-5 7/16"	BOTTOM TRACK
C	1	362T200-68	5'-5 7/16"	TOP TRACK
D	1	1200D-54	5'-5 3/8"	STRAP
E	2	150U50-54	5'-5 1/4"	HORIZONTAL BRACING

SHEATHING

LABEL	QTY	CODE	THICK	SIZE	SCREWS
1	1	SB-DENSARMOR	5/8"	3'-4 3/8" X 9'-7 3/16"	2-12

12-1202

Jewish Home for the Aging

1885 Victory Blvd. Reseda, CA

FM-07-109

CREATED BY: HH

FrameMax, Inc.
13915 Danielson St
Suite 100
Poway, CA 92064
www.framemax.com

FRAME MAX

© FrameMax Inc.

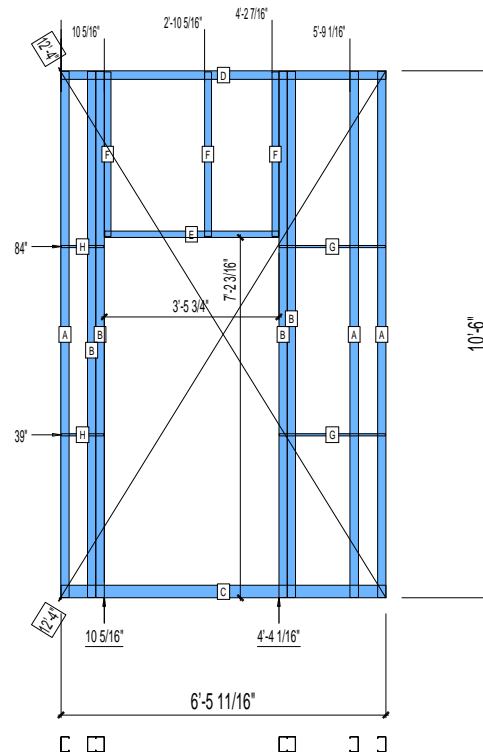
HEIGHT : 10'-6"
SPACING : 5000"
1st STUD: 5000"

POINTS: 1.39 Points.

APPROVED
By hhuynh at 5:44 pm, Nov 18, 2008

WEIGHTS :
FRAME : 197 lbs

TOTAL: 197 lbs



PIECES LIST

LABEL	QTY	SIZE	LENGTH	USE
A	3	362S200-68	10'-5 13/16"	STUD
B	4	362S200-68	10'-5 13/16"	KING STUD
C	1	362T300-68	6'-5 11/16"	BOTTOM TRACK
D	1	362T200-68	6'-5 11/16"	TOP TRACK
E	1	362T150-54	3'-5 1/2"	HEAD TRACK
F	3	362S162-54	3'-3 3/8"	CRIPPLE
G	2	150U50-54	2'-1 3/8"	HORIZONTAL BRACING
H	2	150U50-54	10 1/8"	HORIZONTAL BRACING

12-1203

Jewish Home for the Aging

1885 Victory Blvd. Reseda, CA

FM-07-109

CREATED BY: HH

FrameMax, Inc.
13915 Danielson St
Suite 100
Poway, CA 92064
www.frame-max.com

FRAME MAX

© FrameMax Inc.

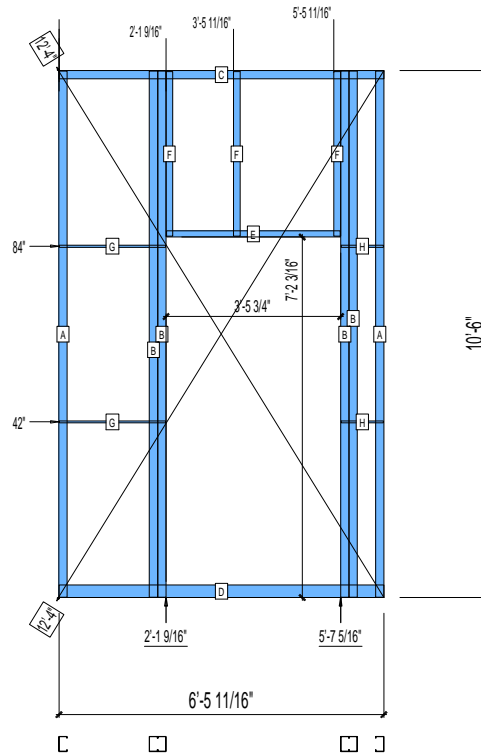
HEIGHT : 10'-6"
SPACING : 5000"
1st STUD: 5000"

POINTS: 1.28 Points.

APPROVED
By hhuynh at 5:44 pm, Nov 18, 2008

WEIGHTS :
FRAME : 176 lbs

TOTAL: 176 lbs



PIECES LIST

LABEL	QTY	SIZE	LENGTH	USE
A	2	362S200-68	10'-5 13/16"	STUD
B	4	362S200-68	10'-5 13/16"	KING STUD
C	1	362T200-68	6'-5 11/16"	TOP TRACK
D	1	362T300-68	6'-5 11/16"	BOTTOM TRACK
E	1	362T150-54	3'-5 1/2"	HEAD TRACK
F	3	362S162-54	3'-3 3/8"	CRIPPLE
G	2	150U50-54	2'-1 3/8"	HORIZONTAL BRACING
H	2	150U50-54	10 1/8"	HORIZONTAL BRACING

12-1204

Jewish Home for the Aging

1885 Victory Blvd. Reseda, CA

FM-07-109

CREATED BY: HH

FrameMax, Inc.
13915 Danielson St
Suite 100
Poway, CA 92064
www.frame-max.com

FRAME MAX

© FrameMax Inc.

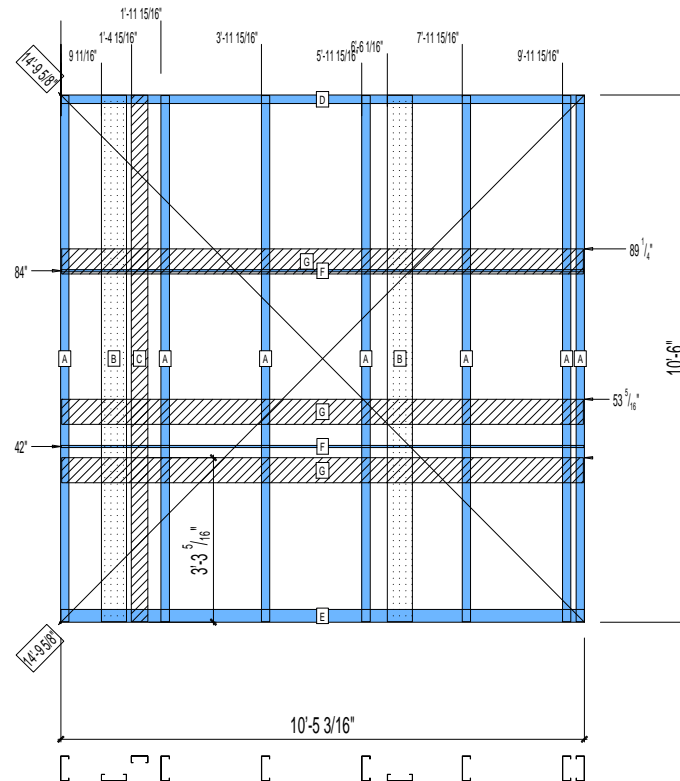
HEIGHT : 10'-6"
SPACING : 5000"
1st STUD: 5000"

POINTS: 2.11 Points.

APPROVED
By hhuynh at 5:44 pm, Nov 18, 2008

WEIGHTS :
FRAME : 336 lbs

TOTAL: 336 lbs



PIECES LIST

LABEL	QTY	SIZE	LENGTH	USE
A	7	600S200-68	10'-5 13/16"	STUD
B	2	600S162-33	10'-5 13/16"	BACKER-U
C	1	400S162-33	10'-5 13/16"	BACKER-U
D	1	600T200-68	10'-5 3/16"	TOP TRACK
E	1	600T300-68	10'-5 3/16"	BOTTOM TRACK
F	2	150U50-54	10'-5"	HORIZONTAL BRACING
G	3	600D-54	10'-4 3/4"	KITCHEN BACKING

12-1205

Jewish Home for the Aging

1885 Victory Blvd. Res **CREATED BY: HH**

FM-07-109

CREATED BY: AMB

FrameMax, Inc.
13915 Danielson St
Suite 100
Poway, CA 92064
www.frame-max.com



© FrameMax Inc.

APPROVED
By hhuynh at 5:44 pm, Nov 18, 2008

HEIGHT : 11'-7 3/8" POINTS: 5.48 Points.

SPACING : 5000"

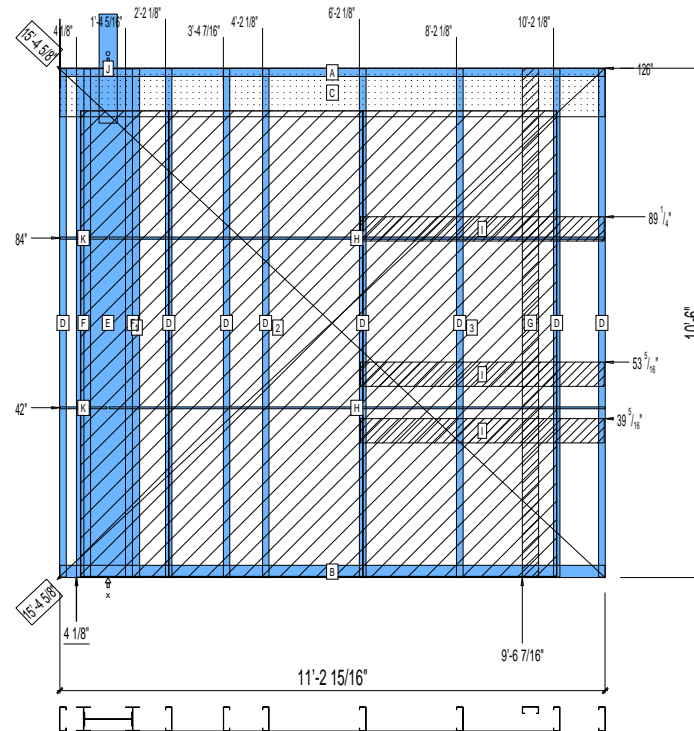
1st STUD: 5000"

WEIGHTS :

FRAME : 701 lbs

SHEATHING: 347 lbs

TOTAL: 1048 lbs



PIECES LIST

LABEL	QTY	SIZE	LENGTH	USE
A	1	600T200-68	11'-2 15/16"	TOP TRACK
B	1	600T300-68	11'-2 15/16"	BOTTOM TRACK
C	1	1200D-54	11'-2 7/8"	STRAP
D	8	600S162-68	10'-5 13/16"	STUD
E	1	1200i350p1420	10'-5 13/16"	PACO
F	2	600i350p968	10'-5 13/16"	PACO
G	1	400S162-33	10'-5 13/16"	BACKER-U
H	2	150U50-54	10'-2 5/8"	HORIZONTAL BRACING
I	3	600D-54	5'-0 5/16"	KITCHEN BACKING
J	1	B	2'-3"	HOLDDOWN
K	2	150U50-54	11 5/8"	HORIZONTAL BRACING

SHEATHING

LABEL	QTY	CODE	THICK	SIZE	SCREWS
1	1	SB-DENSARMOR	5/8"	1'-9 13/16" X 9'-7 3/16"	2 - 12
2	1	SB-DENSARMOR	5/8"	4'-0" X 9'-7 3/16"	2 - 12
3	1	SB-DENSARMOR	5/8"	4'-0" X 9'-7 3/16"	2 - 12

12-1206

Jewish Home for the Aging

1885 Victory Blvd. Reseda, CA

FM-07-109

CREATED BY: HH

FrameMax, Inc.
13915 Danielson St
Suite 100
Poway, CA 92064
www.framemax.com



© FrameMax Inc.

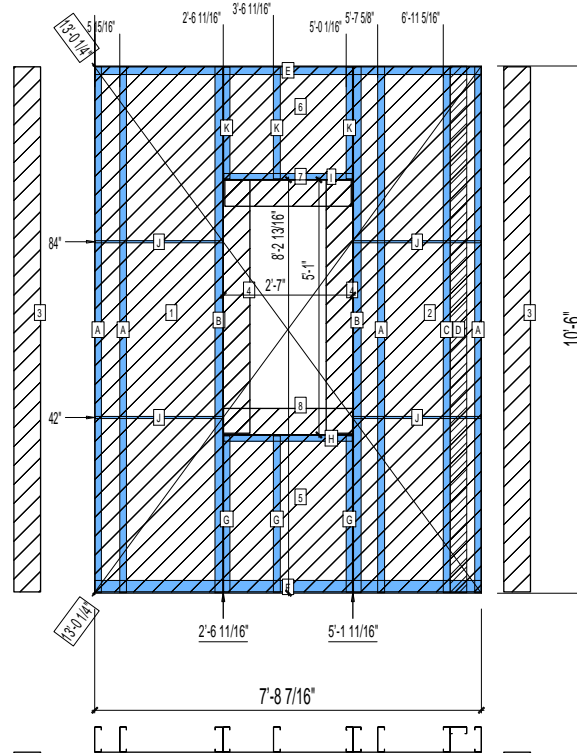
HEIGHT : 10'-6"
SPACING : 5000"
1st STUD: 5000"

POINTS: 2.83 Points.

APPROVED
By hhuynh at 5:44 pm, Nov 18, 2008

WEIGHTS :
FRAME : 269 lbs
SHEATHING: 216 lbs

TOTAL: 485 lbs



PIECES LIST

LABEL	QTY	SIZE	LENGTH	USE
A	4	600S162-54	10'-5 13/16"	STUD
B	2	600S200-97	10'-5 13/16"	KING STUD
C	1	600S162-54	10'-5 13/16"	BACKER STUD
D	1	400S162-33	10'-5 13/16"	BACKER-U
E	1	600T200-54	7'-8 7/16"	TOP TRACK
F	1	600T300-54	7'-8 7/16"	BOTTOM TRACK
G	3	600S162-54	3'-1 3/8"	CRIPPLE
H	1	600T150-54	2'-6 3/4"	SILL
I	1	600T150-54	2'-6 3/4"	HEAD TRACK
J	4	150U50-54	2'-6 1/2"	HORIZONTAL BRACING
K	3	600S162-54	2'-2 3/4"	CRIPPLE

SHEATHING

LABEL	QTY	CODE	THICK	SIZE	SCREWS
1	1	DENSGLASS	1/2"	2'-6 5/8" X 10'-5 9/16"	8 - 12
2	1	DENSGLASS	1/2"	2'-6 9/16" X 10'-5 9/16"	8 - 12
3	2	DENSGLASS	1/2"	6 3/8" X 10'-5 9/16"	8 - 12
4	2	DENSGLASS	1/2"	6 3/8" X 5'-0 1/2"	8 - 12
5	1	DENSGLASS	1/2"	2'-6 7/8" X 3'-1 1/2"	8 - 12
6	1	DENSGLASS	1/2"	2'-6 7/8" X 2'-3"	8 - 12
7	1	DENSGLASS	1/2"	2'-6 1/4" X 6 5/16"	8 - 12
8	1	DENSGLASS	1/2"	2'-6 7/8" X 6 5/16"	8 - 12

12-1207

Jewish Home for the Aging

1885 Victory Blvd. Reseda, CA

FrameMax, Inc.
13915 Danielson St
Suite 100
Poway, CA 92064
www.frame-max.com



© FrameMax Inc.

CREATED: 11/05/2008

FM-07-109

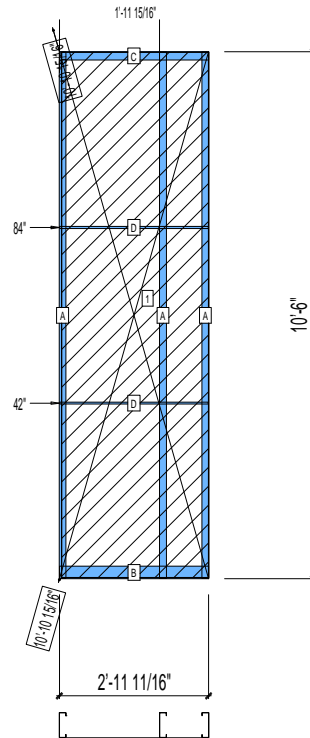
CREATED BY: HH

HEIGHT : 10'-6"
POINTS: 0.90 Points.
SPACING : 5000"
1st STUD: 16"

APPROVED
By hhuynh at 5:44 pm, Nov 18, 2008

WEIGHTS :
FRAME : 75 lbs
SHEATHING: 77 lbs

TOTAL: 152 lbs



PIECES LIST

LABEL	QTY	SIZE	LENGTH	USE
A	3	600S162-54	10'-5 13/16"	STUD
B	1	600T300-54	2'-11 11/16"	BOTTOM TRACK
C	1	600T200-54	2'-11 11/16"	TOP TRACK
D	2	150U50-54	2'-11 1/2"	HORIZONTAL BRACING

SHEATHING

LABEL	QTY	CODE	THICK	SIZE	SCREWS
1	1	DENSGLASS	1/2"	2'-11 1/8" X 10'-5 9/16"	8 - 12

12-1208

Jewish Home for the Aging

1885 Victory Blvd. Reseda, CA

FM-07-109

CREATED BY: HH

FrameMax, Inc.
13915 Danielson St
Suite 100
Poway, CA 92064
www.framemax.com



© FrameMax Inc.

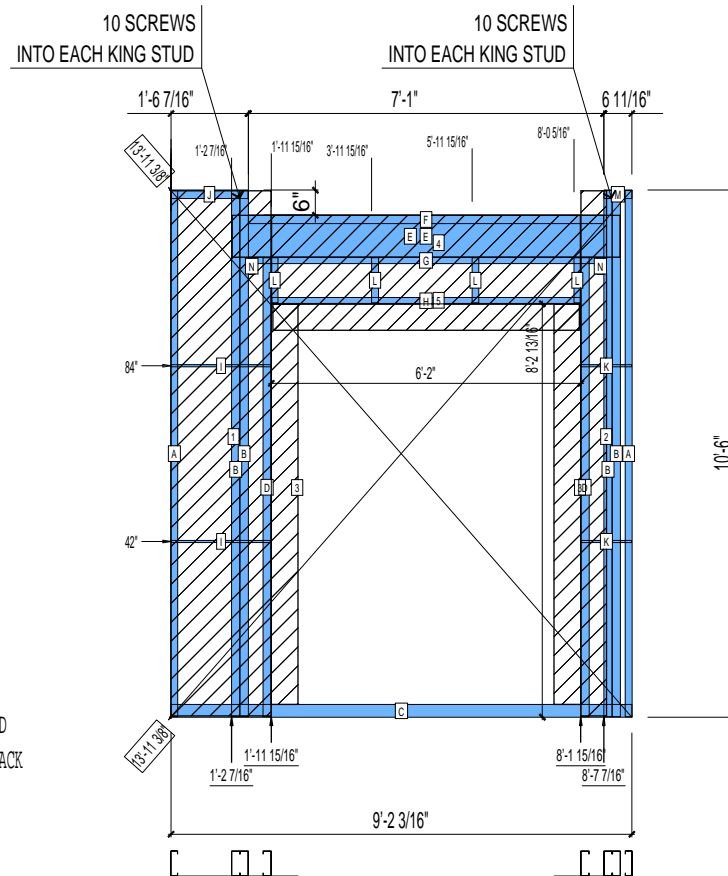
HEIGHT : 10'-6"
SPACING : 5000"
1st STUD: 5000"

POINTS: 3.17 Points.

APPROVED
By hhuynh at 5:44 pm, Nov 18, 2008

WEIGHTS :
FRAME : 411 lbs
SHEATHING: 122 lbs

TOTAL: 533 lbs



PIECES LIST

LABEL	QTY	SIZE	LENGTH	USE
A	2	600S162-54	10'-5 13/16"	STUD
B	4	600S200-97	10'-5 13/16"	EXTRA STUD
C	1	600T300-54	9'-2 3/16"	BOTTOM TRACK
D	2	600S200-97	9'-1 3/4"	KING STUD
E	2	1000S200-97	7'-8 3/4"	HEADER
F	1	600T200-54	7'-0 15/16"	TOP TRACK
G	1	600T150-54	7'-0 7/8"	HEADER BOTTOM TRACK
H	1	600T150-54	6'-1 3/4"	HEAD TRACK
I	2	150U50-54	1'-11 3/4"	HORIZONTAL BRACING
J	1	600T200-54	1'-6 3/8"	TOP TRACK
K	2	150U50-54	1'-0"	HORIZONTAL BRACING
L	4	600S162-54	10 13/16"	CRIPPLE
M	1	600T200-54	6 5/8"	TOP TRACK
N	2	600S162-33	4"	BACKER STUD

SHEATHING

LABEL	QTY	CODE	THICK	SIZE	SCREWS
1	1	DENSGLASS	1/2"	1'-11 7/8" X 10'-5 9/16"	8 - 12
2	1	DENSGLASS	1/2"	6 1/16" X 10'-5 9/16"	8 - 12
3	2	DENSGLASS	1/2"	6 3/8" X 7'-11 3/4"	8 - 12
4	1	DENSGLASS	1/2"	6'-1 7/8" X 1'-9 1/16"	8 - 12
5	1	DENSGLASS	1/2"	6'-1 1/4" X 6 5/16"	8 - 12

12-1209

Jewish Home for the Aging

1885 Victory Blvd. Reseda, CA

FM-07-109

CREATED BY: HH

FrameMax, Inc.
13915 Danielson St
Suite 100
Poway, CA 92064
www.frame-max.com

FRAME MAX

© FrameMax Inc.

HEIGHT : 10'-6"
SPACING : 5000"
1st STUD: 5000"

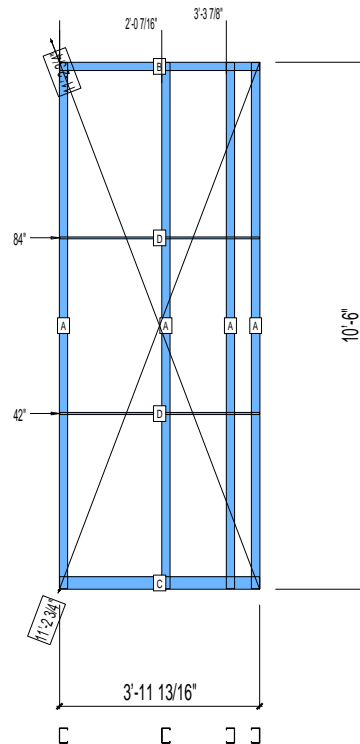
POINTS: 0.74 Points.

APPROVED

By hhuynh at 5:44 pm, Nov 18, 2008

WEIGHTS :
FRAME : 106 lbs

TOTAL: 106 lbs



PIECES LIST

LABEL	QTY	SIZE	LENGTH	USE
A	4	362S200-68	10'-5 13/16"	STUD
B	1	362T200-68	3'-11 13/16"	TOP TRACK
C	1	362T300-68	3'-11 13/16"	BOTTOM TRACK
D	2	150U50-54	3'-11 11/16"	HORIZONTAL BRACING

12-1210

Jewish Home for the Aging

1885 Victory Blvd. Reseda, CA

FM-07-109

CREATED BY: HH

FrameMax, Inc.
13915 Danielson St
Suite 100
Poway, CA 92064
www.frame-max.com

FRAME MAX

© FrameMax Inc.

HEIGHT : 10'-6"
SPACING : 5000"
1st STUD: 5000"

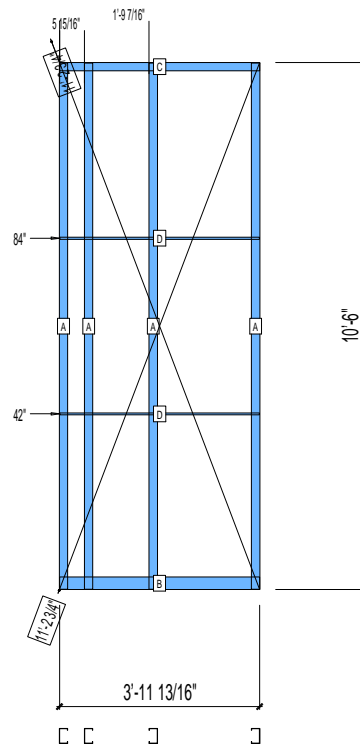
POINTS: 0.74 Points.

APPROVED

By hhuynh at 5:44 pm, Nov 18, 2008

WEIGHTS :
FRAME : 106 lbs

TOTAL: 106 lbs



PIECES LIST

LABEL	QTY	SIZE	LENGTH	USE
A	4	362S200-68	10'-5 13/16"	STUD
B	1	362T300-68	3'-11 13/16"	BOTTOM TRACK
C	1	362T200-68	3'-11 13/16"	TOP TRACK
D	2	150U50-54	3'-11 11/16"	HORIZONTAL BRACING

12-1211

Jewish Home for the Aging

1885 Victory Blvd. Reseda, CA

FM-07-109

CREATED BY: HH

FrameMax, Inc.
13915 Danielson St
Suite 100
Poway, CA 92064
www.frame-max.com



© FrameMax Inc.

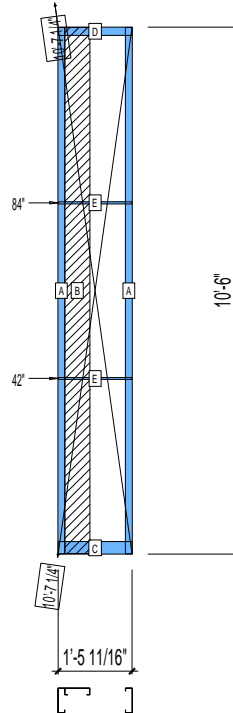
HEIGHT : 10'-6"
SPACING : 5000"
1st STUD: 16"

POINTS: 0.45 Points.

APPROVED
By hhuynh at 5:44 pm, Nov 18, 2008

WEIGHTS :
FRAME : 60 lbs

TOTAL: 60 lbs



PIECES LIST

LABEL	QTY	SIZE	LENGTH	USE
A	2	600S162-54	10'-5 13/16"	STUD
B	1	600S162-33	10'-5 13/16"	BACKER-U
C	1	600T300-54	1'-5 11/16"	BOTTOM TRACK
D	1	600T200-54	1'-5 11/16"	TOP TRACK
E	2	150U50-54	1'-5 1/2"	HORIZONTAL BRACING

12-1212

Jewish Home for the Aging

1885 Victory Blvd. Reseda, CA

FM-07-109

CREATED BY: HH

FrameMax, Inc.
13915 Danielson St
Suite 100
Poway, CA 92064
www.frame-max.com

FRAME MAX

© FrameMax Inc.

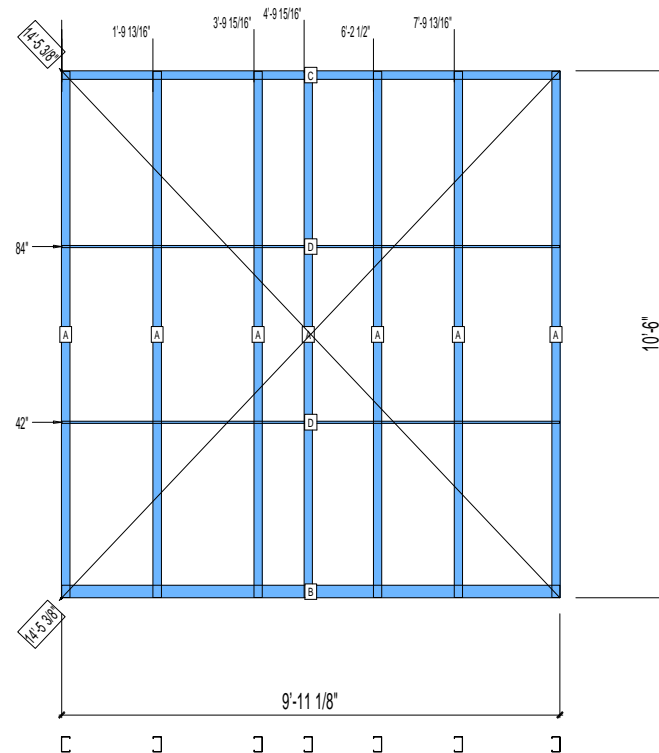
HEIGHT : 10'-6"
SPACING : 5000"
1st STUD: 5000"

POINTS: 1.38 Points.

APPROVED
By hhuynh at 5:44 pm, Nov 18, 2008

WEIGHTS :
FRAME : 206 lbs

TOTAL: 206 lbs



PIECES LIST

LABEL	QTY	SIZE	LENGTH USE
A	7	362S200-68	10'-5 13/16" STUD
B	1	362T300-68	9'-11 1/8" BOTTOM TRACK
C	1	362T200-68	9'-11 1/8" TOP TRACK
D	2	150U50-54	9'-10 15/16" HORIZONTAL BRACING

12-1213

Jewish Home for the Aging

1885 Victory Blvd. Res **CREATED BY: HH**

FM-07-109

CREATED BY: AMB

FrameMax, Inc.
13915 Danielson St
Suite 100
Poway, CA 92064
www.frame-max.com



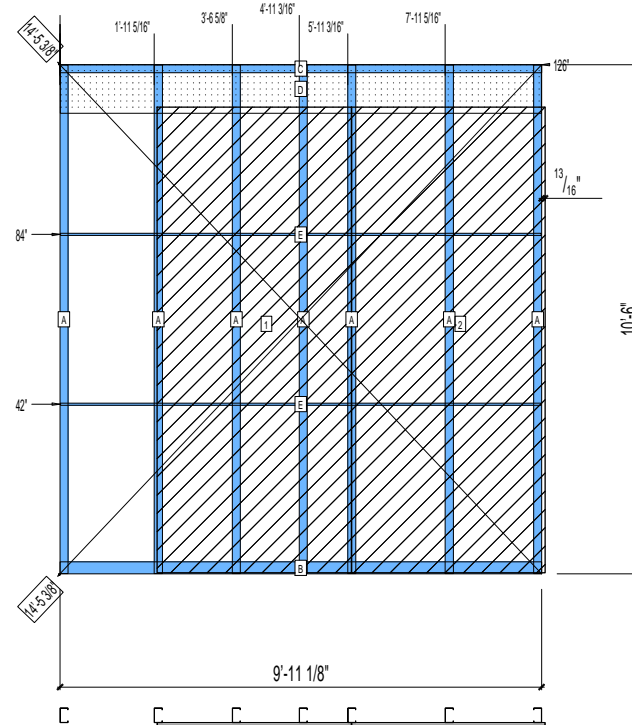
© FrameMax Inc.

APPROVED
By hhuynh at 5:44 pm, Nov 18, 2008

HEIGHT : 10'-6"
SPACING : 5000"
1st STUD: 5000"

WEIGHTS :
FRAME : 229 lbs
SHEATHING: 283 lbs

TOTAL: 512 lbs



PIECES LIST

LABEL	QTY	SIZE	LENGTH	USE
A	7	362S200-68	10'-5 13/16"	STUD
B	1	362T300-68	9'-11 1/8"	BOTTOM TRACK
C	1	362T200-68	9'-11 1/8"	TOP TRACK
D	1	1200D-54	9'-11 1/16"	STRAP
E	2	150U50-54	9'-10 15/16"	HORIZONTAL BRACING

SHEATHING

LABEL	QTY	CODE	THICK	SIZE	SCREWS
1	1	SB-DENSARMOR	5/8"	4'-0 1/8" X 9'-7 3/16"	2-12
2	1	SB-DENSARMOR	5/8"	3'-11 7/8" X 9'-7 3/16"	2-12

12-1214

Jewish Home for the Aging

1885 Victory Blvd. Reseda, CA

FM-07-109

CREATED BY: HH

FrameMax, Inc.
13915 Danielson St
Suite 100
Poway, CA 92064
www.frame-max.com



© FrameMax Inc.

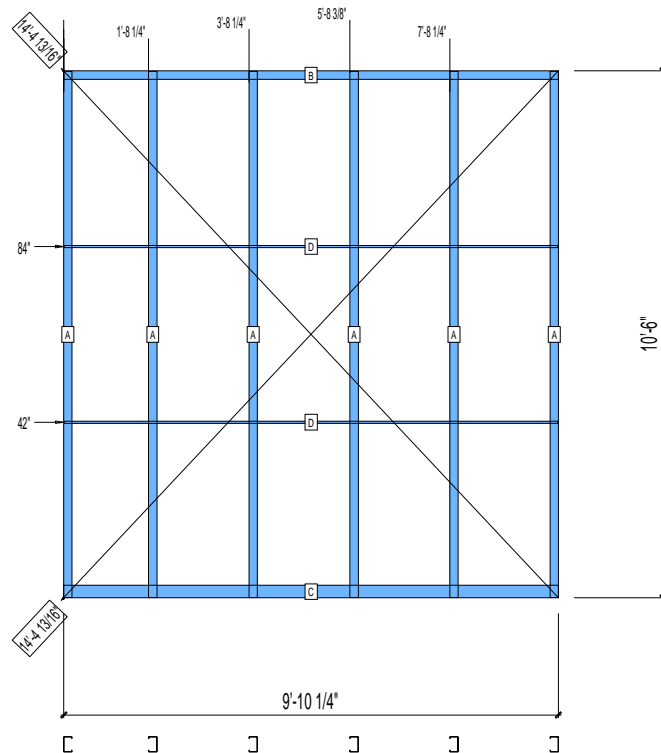
HEIGHT : 10'-6"
SPACING : 5000"
1st STUD: 5000"

POINTS: 1.25 Points.

APPROVED
By hhuynh at 5:44 pm, Nov 18, 2008

WEIGHTS :
FRAME : 183 lbs

TOTAL: 183 lbs



PIECES LIST

LABEL	QTY	SIZE	LENGTH	USE
A	6	362S200-68	10'-5 13/16"	STUD
B	1	362T200-68	9'-10 1/4"	TOP TRACK
C	1	362T300-68	9'-10 1/4"	BOTTOM TRACK
D	2	150U50-54	9'-10 1/16"	HORIZONTAL BRACING

12-1215

Jewish Home for the Aging

1885 Victory Blvd. Re **CREATED BY: HH**

FrameMax, Inc.
13915 Danielson St
Suite 100
Poway, CA 92064
www.frame-max.com



© FrameMax Inc.

CREATED: 11/07/2008

FM-07-109

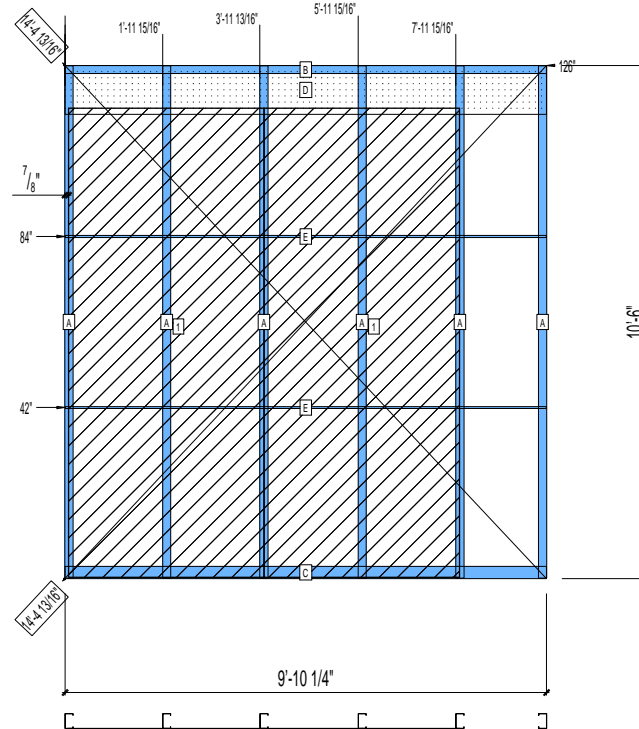
CREATED BY: AMB

APPROVED
By hhuynh at 5:44 pm, Nov 18, 2008

HEIGHT : 10'-6"
POINTS: 2.67 Points.
SPACING : 5000"
1st STUD: 5000"

WEIGHTS :
FRAME : 207 lbs
SHEATHING: 283 lbs

TOTAL: 490 lbs



PIECES LIST

LABEL	QTY	SIZE	LENGTH	USE
A	6	362S200-68	10'-5 13/16"	STUD
B	1	362T200-68	9'-10 1/4"	TOP TRACK
C	1	362T300-68	9'-10 1/4"	BOTTOM TRACK
D	1	1200D-54	9'-10 3/16"	STRAP
E	2	150U50-54	9'-10 1/16"	HORIZONTAL BRACING

SHEATHING

LABEL	QTY	CODE	THICK	SIZE	SCREWS
1	2	SB-DENSARMOR	5/8"	4'-0" X 9'-7 3/16"	2-12

12-1216

Jewish Home for the Aging

1885 Victory Blvd. Res **CREATED BY: HH**

FM-07-109

CREATED BY: AMB

FrameMax, Inc.
13915 Danielson St
Suite 100
Poway, CA 92064
www.frame-max.com



© FrameMax Inc.

APPROVED
By hhuynh at 5:44 pm, Nov 18, 2008

HEIGHT : 11'-7 3/8" POINTS: 6.95 Points.

SPACING : 5000"

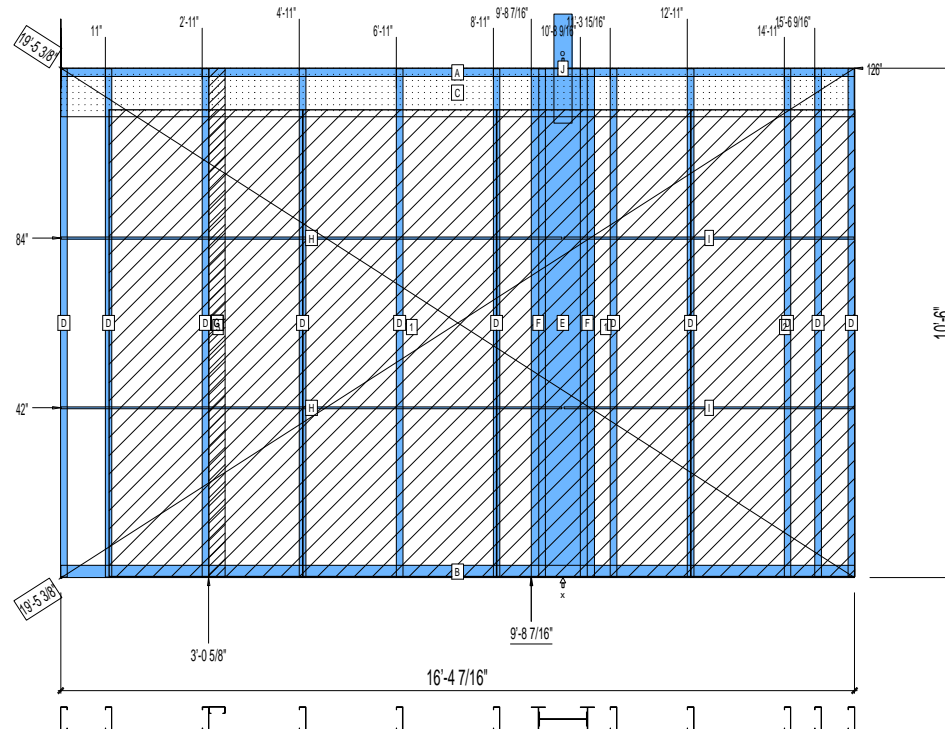
1st STUD: 5000"

WEIGHTS :

FRAME : 804 lbs

SHEATHING: 544 lbs

TOTAL: 1348 lbs



PIECES LIST

LABEL	QTY	SIZE	LENGTH	USE
A	1	600T200-68	16'-4 7/16"	TOP TRACK
B	1	600T300-68	16'-4 7/16"	BOTTOM TRACK
C	1	1200D-54	16'-4 5/16"	STRAP
D	11	600S162-68	10'-5 13/16"	STUD
E	1	1200i350p1420	10'-5 13/16"	PACO
F	2	600i350p968	10'-5 13/16"	PACO
G	1	400S162-33	10'-5 13/16"	BACKER-U
H	2	150U50-54	10'-3 15/16"	HORIZONTAL BRACING
I	2	150U50-54	5'-11 13/16"	HORIZONTAL BRACING
J	1	B	2'-3"	HOLDDOWN

SHEATHING

LABEL	QTY	CODE	THICK	SIZE	SCREWS
1	2	SB-DENSARMOR	5/8"	4'-0" X 9'-7 7/16"	2-12
2	1	SB-DENSARMOR	5/8"	3'-4 9/16" X 9'-7 7/16"	2-12
3	1	SB-DENSARMOR	5/8"	3'-11 7/8" X 9'-7 7/16"	2-12

12-1217

Jewish Home for the Aging

1885 Victory Blvd. Ref **CREATED BY: HH**

FrameMax, Inc.
13915 Danielson St
Suite 100
Poway, CA 92064
www.frame-max.com



© FrameMax Inc.

CREATED: 11/18/2008

FM-07-109

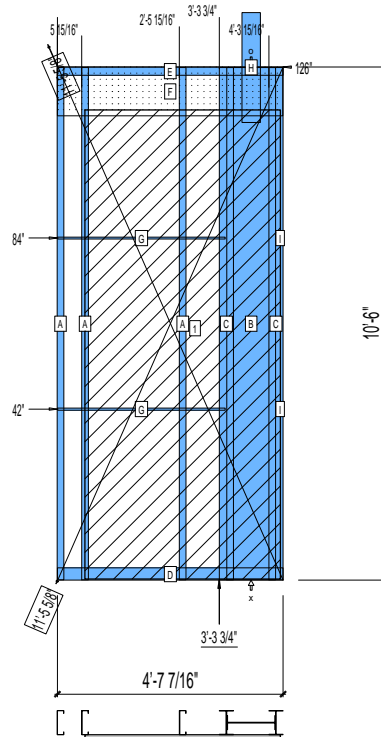
CREATED BY: AMB

APPROVED
By hhuynh at 5:44 pm, Nov 18, 2008

HEIGHT : 10'-6"
POINTS: 3.24 Points.
SPACING : 5000"
1st STUD: 5000"

WEIGHTS :
FRAME : 485 lbs
SHEATHING: 141 lbs

TOTAL: 626 lbs



PIECES LIST

LABEL	QTY	SIZE	LENGTH	USE
A	3	600S162-68	10'-5 13/16"	STUD
B	1	1200i350p1420	10'-5 13/16"	PACO
C	2	600i350p968	10'-5 13/16"	PACO
D	1	600T300-68	4'-7 7/16"	BOTTOM TRACK
E	1	600T200-68	4'-7 7/16"	TOP TRACK
F	1	1200D-54	4'-7 5/16"	STRAP
G	2	150U50-54	3'-5 1/16"	HORIZONTAL BRACING
H	1	B	2'-3"	HOLDDOWN
I	2	150U50-54	1 3/8"	HORIZONTAL BRACING

SHEATHING

LABEL	QTY	CODE	THICK	SIZE	SCREWS
1	1	SB-DENSARMOR	5/8"	4'-0" X 9'-7 3/16"	2 - 12

12-1219

Jewish Home for the Aging

1885 Victory Blvd. Re **CREATED BY: HH**

FrameMax, Inc.
13915 Danielson St
Suite 100
Poway, CA 92064
www.frame-max.com



© FrameMax Inc.

CREATED: 11/18/2008

FM-07-109

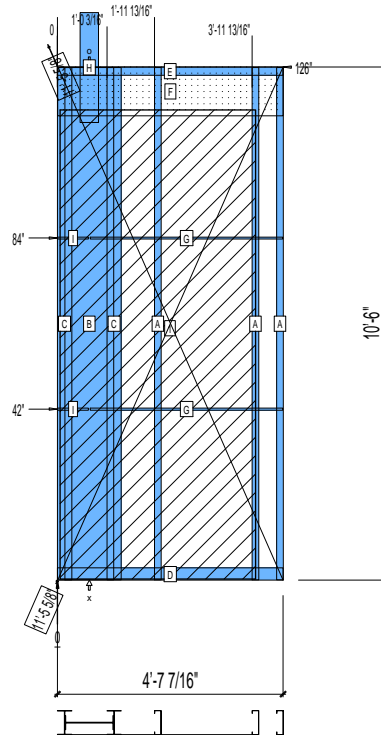
CREATED BY: AMB

APPROVED
By hhuynh at 5:44 pm, Nov 18, 2008

HEIGHT : 10'-6"
POINTS: 3.24 Points.
SPACING : 5000"
1st STUD: 5000"

WEIGHTS :
FRAME : 486 lbs
SHEATHING: 141 lbs

TOTAL: 627 lbs



PIECES LIST

LABEL	QTY	SIZE	LENGTH	USE
A	3	600S162-68	10'-5 13/16"	STUD
B	1	1200i350p1420	10'-5 13/16"	PACO
C	2	600i350p968	10'-5 13/16"	PACO
D	1	600T300-68	4'-7 7/16"	BOTTOM TRACK
E	1	600T200-68	4'-7 7/16"	TOP TRACK
F	1	1200D-54	4'-7 5/16"	STRAP
G	2	150U50-54	3'-11 1/4"	HORIZONTAL BRACING
H	1	B	2'-3"	HOLDDOWN
I	2	150U50-54	7 1/2"	HORIZONTAL BRACING

SHEATHING

LABEL	QTY	CODE	THICK	SIZE	SCREWS
1	1	SB-DENSARMOR	5/8"	4'-0" X 9'-7 3/16"	2 - 12

12-3001

Jewish Home for the Aging

1885 Victory Blvd. Reseda, CA

FM-07-109

CREATED BY: HH

FrameMax, Inc.
13915 Danielson St
Suite 100
Poway, CA 92064
www.framemax.com

FRAME MAX

© FrameMax Inc.

HEIGHT : 9'-4 7/16" POINTS: 0.72 Points.

SPACING : 24"

1st STUD: 24"

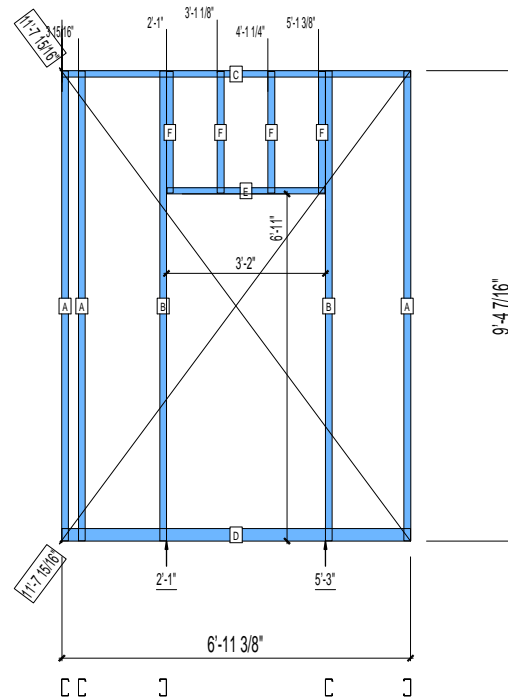
WEIGHTS :

FRAME : 69 lbs

TOTAL: 69 lbs

APPROVED

By hhuynh at 5:44 pm, Nov 18, 2008



PIECES LIST

LABEL	QTY	SIZE	LENGTH	USE
A	3	400S162-33	9'-4 5/16"	STUD
B	2	400S162-33	9'-4 5/16"	KING STUD
C	1	400T150-33	6'-11 3/8"	TOP TRACK
D	1	400T300-33	6'-11 3/8"	BOTTOM TRACK
E	1	400T150-33	3'-1 3/4"	HEAD TRACK
F	4	400S162-33	2'-5 1/16"	CRIPPLE

12-3002

Jewish Home for the Aging

1885 Victory Blvd. Reseda, CA

FM-07-109

CREATED BY: HH

FrameMax, Inc.
13915 Danielson St
Suite 100
Poway, CA 92064
www.frame-max.com

FRAME MAX

© FrameMax Inc.

HEIGHT : 9'-4 7/16" POINTS: 0.44 Points.

SPACING : 24"

1st STUD: 24"

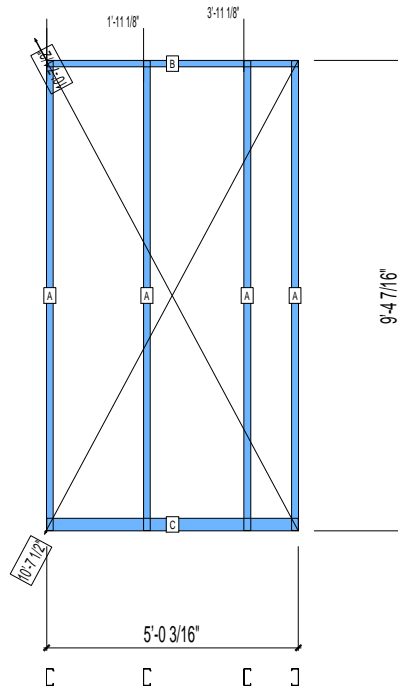
APPROVED

By hhuynh at 5:44 pm, Nov 18, 2008

WEIGHTS :

FRAME : 45 lbs

TOTAL: 45 lbs



PIECES LIST

LABEL	QTY	SIZE	LENGTH	USE
A	4	400S162-33	9'-4 5/16"	STUD
B	1	400T150-33	5'-0 3/16"	TOP TRACK
C	1	400T300-33	5'-0 3/16"	BOTTOM TRACK

12-3003

Jewish Home for the Aging

1885 Victory Blvd. Reseda, CA

FM-07-109

CREATED BY: HH

FrameMax, Inc.
13915 Danielson St
Suite 100
Poway, CA 92064
www.frame-max.com

FRAME MAX

© FrameMax Inc.

HEIGHT : 9'-4 7/16" POINTS: 1.42 Points.

SPACING : 24"

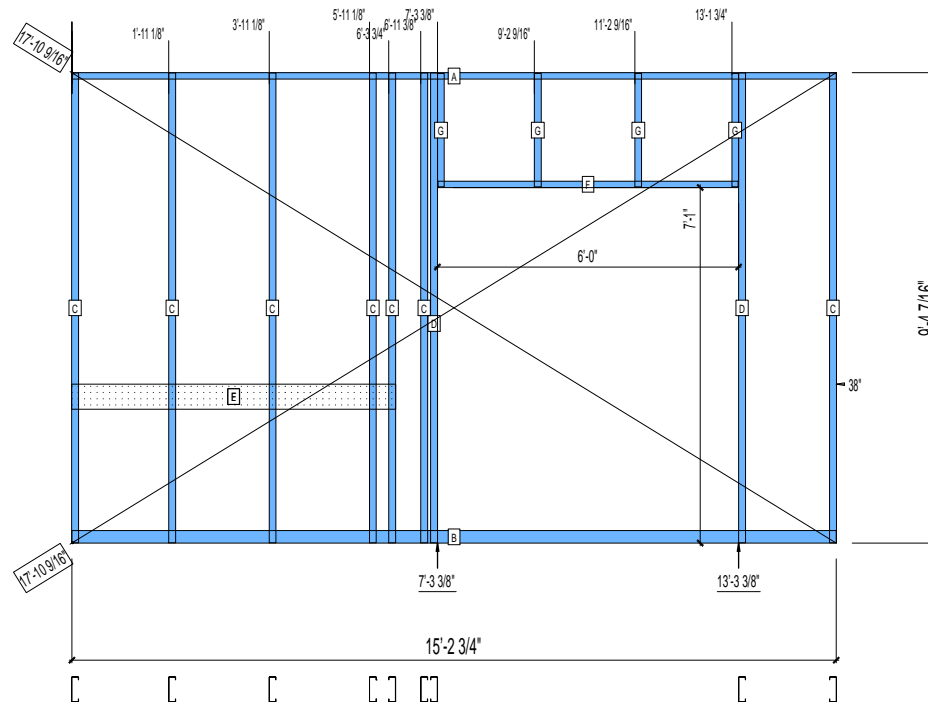
1st STUD: 24"

APPROVED
By hhuynh at 5:44 pm, Nov 18, 2008

WEIGHTS :

FRAME : 161 lbs

TOTAL: 161 lbs



PIECES LIST

LABEL	QTY	SIZE	LENGTH	USE
A	1	600T150-33	15'-2 3/4"	TOP TRACK
B	1	600T300-33	15'-2 3/4"	BOTTOM TRACK
C	7	600S162-33	9'-4 5/16"	STUD
D	2	600S162-33	9'-4 5/16"	KING STUD
E	1	600D-54	6'-5 7/16"	VANITY BACKING
F	1	600T150-33	5'-11 3/4"	HEAD TRACK
G	4	600S162-33	2'-3 1/16"	CRIPPLE

12-3004

Jewish Home for the Aging

1885 Victory Blvd. Reseda, CA

FM-07-109

CREATED BY: HH

FrameMax, Inc.
13915 Danielson St
Suite 100
Poway, CA 92064
www.frame-max.com



© FrameMax Inc.

HEIGHT : 9'-4 7/16" POINTS: 0.54 Points.

SPACING : 24"

1st STUD: 24"

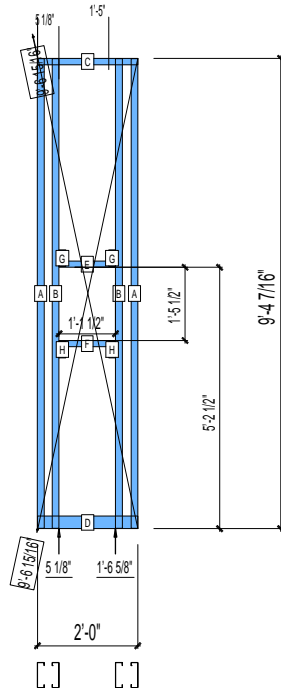
WEIGHTS :

FRAME : 53 lbs

TOTAL: 53 lbs

APPROVED

By hhuynh at 5:44 pm, Nov 18, 2008



PIECES LIST

LABEL	QTY	SIZE	LENGTH	USE
A	2	600S162-33	9'-4 5/16"	STUD
B	2	600S162-33	9'-4 5/16"	KING STUD
C	1	600T150-33	2'-0"	TOP TRACK
D	1	600T300-33	2'-0"	BOTTOM TRACK
E	1	600T150-33	1'-1 3/8"	HEAD TRACK
F	1	600T150-33	1'-1 3/8"	SILL
G	2	600S162-33	4"	CRIPPLE
H	2	600S162-33	3 15/16"	CRIPPLE

12-3005

Jewish Home for the Aging

1885 Victory Blvd. Reseda, CA

FM-07-109

CREATED BY: HH

FrameMax, Inc.
13915 Danielson St
Suite 100
Poway, CA 92064
www.framemax.com

FRAME MAX

© FrameMax Inc.

HEIGHT : 9'-4 7/16" POINTS: 0.42 Points.

SPACING : 24"

1st STUD: 24"

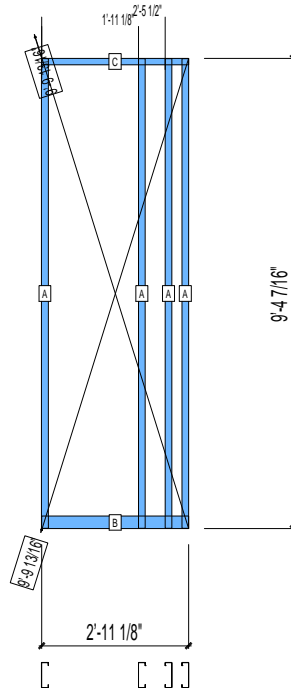
WEIGHTS :

FRAME : 51 lbs

TOTAL: 51 lbs

APPROVED

By hhuynh at 5:44 pm, Nov 18, 2008



PIECES LIST

LABEL	QTY	SIZE	LENGTH	USE
A	4	600S162-33	9'-4 5/16"	STUD
B	1	600T300-33	2'-11 1/8"	BOTTOM TRACK
C	1	600T150-33	2'-11 1/8"	TOP TRACK

12-3006

Jewish Home for the Aging

1885 Victory Blvd. Reseda, CA

FM-07-109

CREATED BY: HH

FrameMax, Inc.
13915 Danielson St
Suite 100
Poway, CA 92064
www.framemax.com

FRAME MAX

© FrameMax Inc.

HEIGHT : 9'-4 7/16" POINTS: 0.33 Points.

SPACING : 24"

1st STUD: 20"

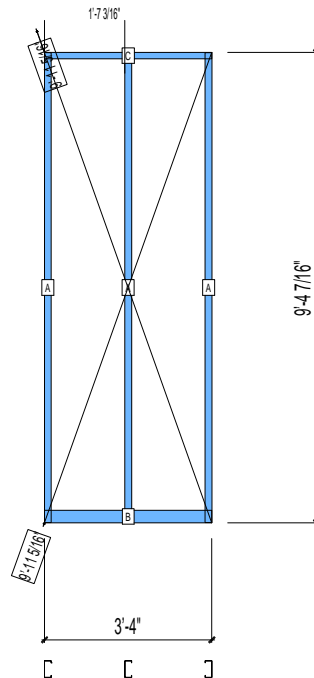
WEIGHTS :

FRAME : 33 lbs

TOTAL: 33 lbs

APPROVED

By hhuynh at 5:44 pm, Nov 18, 2008



PIECES LIST

LABEL	QTY	SIZE	LENGTH	USE
A	3	400S162-33	9'-4 5/16"	STUD
B	1	400T300-33	3'-4"	BOTTOM TRACK
C	1	400T150-33	3'-4"	TOP TRACK

12-3007

Jewish Home for the Aging

1885 Victory Blvd. Reseda, CA

FM-07-109

CREATED BY: HH

FrameMax, Inc.
13915 Danielson St
Suite 100
Poway, CA 92064
www.framemax.com

FRAME MAX

© FrameMax Inc.

HEIGHT : 9'-4 7/16" POINTS: 0.36 Points.

SPACING : 24"

1st STUD: 3/16"

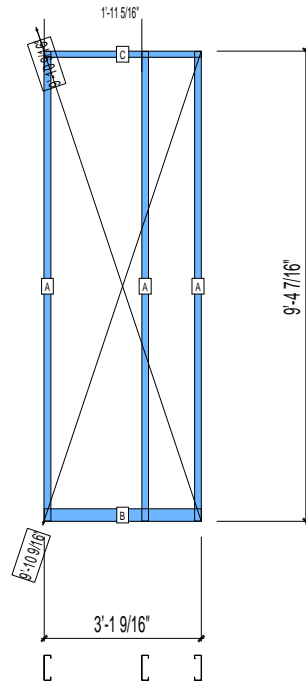
WEIGHTS :

FRAME : 41 lbs

TOTAL: 41 lbs

APPROVED

By hhuynh at 5:44 pm, Nov 18, 2008



PIECES LIST

LABEL	QTY	SIZE	LENGTH	USE
A	3	600S162-33	9'-4 5/16"	STUD
B	1	600T300-33	3'-1 9/16"	BOTTOM TRACK
C	1	600T150-33	3'-1 9/16"	TOP TRACK

12-3008

Jewish Home for the Aging

1885 Victory Blvd. Reseda, CA

FM-07-109

CREATED BY: HH

FrameMax, Inc.
13915 Danielson St
Suite 100
Poway, CA 92064
www.frame-max.com

FRAME MAX

© FrameMax Inc.

HEIGHT : 9'-4 7/16" POINTS: 0.37 Points.

SPACING : 24"

1st STUD: 24"

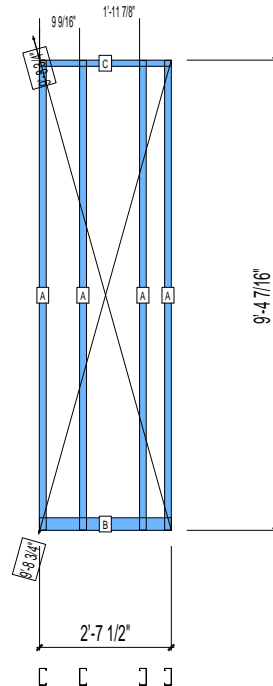
WEIGHTS :

FRAME : 40 lbs

TOTAL: 40 lbs

APPROVED

By hhuynh at 5:44 pm, Nov 18, 2008



PIECES LIST

LABEL	QTY	SIZE	LENGTH	USE
A	4	400S162-33	9'-4 5/16"	STUD
B	1	400T300-33	2'-7 1/2"	BOTTOM TRACK
C	1	400T150-33	2'-7 1/2"	TOP TRACK

12-3009

Jewish Home for the Aging

1885 Victory Blvd. Reseda, CA

FM-07-109

CREATED BY: HH

FrameMax, Inc.
13915 Danielson St
Suite 100
Poway, CA 92064
www.frame-max.com

FRAME MAX

© FrameMax Inc.

HEIGHT : 9'-4 7/16" POINTS: 0.31 Points.

SPACING : 24"

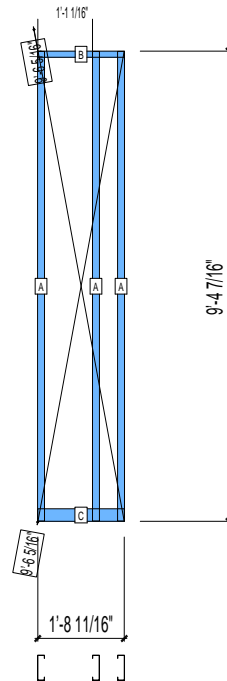
1st STUD: 24"

WEIGHTS :

FRAME : 37 lbs

TOTAL: 37 lbs

APPROVED
By hhuynh at 5:44 pm, Nov 18, 2008



PIECES LIST

LABEL	QTY	SIZE	LENGTH	USE
A	3	600S162-33	9'-4 5/16"	STUD
B	1	600T150-33	1'-8 11/16"	TOP TRACK
C	1	600T300-33	1'-8 11/16"	BOTTOM TRACK

12-3010

Jewish Home for the Aging

1885 Victory Blvd. Reseda, CA

FM-07-109

CREATED BY: HH

FrameMax, Inc.
13915 Danielson St
Suite 100
Poway, CA 92064
www.frame-max.com

FRAME MAX

© FrameMax Inc.

HEIGHT : 9'-4 7/16" POINTS: 0.37 Points.

SPACING : 24"

1st STUD: 16"

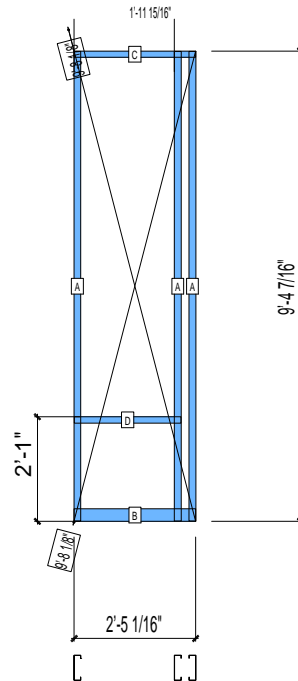
WEIGHTS :

FRAME : 41 lbs

TOTAL: 41 lbs

APPROVED

By hhuynh at 5:44 pm, Nov 18, 2008



PIECES LIST

LABEL	QTY	SIZE	LENGTH	USE
A	3	600S162-33	9'-4 5/16"	STUD
B	1	600T300-33	2'-5 1/16"	BOTTOM TRACK
C	1	600T150-33	2'-5 1/16"	TOP TRACK
D	1	600T150-33	2'-1 1/2"	SILL

12-3011

Jewish Home for the Aging

1885 Victory Blvd. Reseda, CA

FM-07-109

CREATED BY: HH

FrameMax, Inc.
13915 Danielson St
Suite 100
Poway, CA 92064
www.frame-max.com

FRAME MAX

© FrameMax Inc.

HEIGHT : 9'-4 7/16" POINTS: 0.31 Points.

SPACING : 24"

1st STUD: 24"

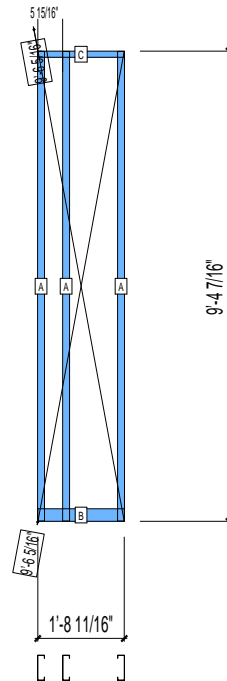
WEIGHTS :

FRAME : 37 lbs

TOTAL: 37 lbs

APPROVED

By hhuynh at 5:44 pm, Nov 18, 2008



PIECES LIST

LABEL	QTY	SIZE	LENGTH	USE
A	3	600S162-33	9'-4 5/16"	STUD
B	1	600T300-33	1'-8 11/16"	BOTTOM TRACK
C	1	600T150-33	1'-8 11/16"	TOP TRACK

12-3012

Jewish Home for the Aging

1885 Victory Blvd. Reseda, CA

FM-07-109

CREATED BY: HH

FrameMax, Inc.
13915 Danielson St
Suite 100
Poway, CA 92064
www.frame-max.com

FRAME MAX

© FrameMax Inc.

HEIGHT : 9'-4 7/16" POINTS: 1.07 Points.

SPACING : 24"

1st STUD: 11 1/16"

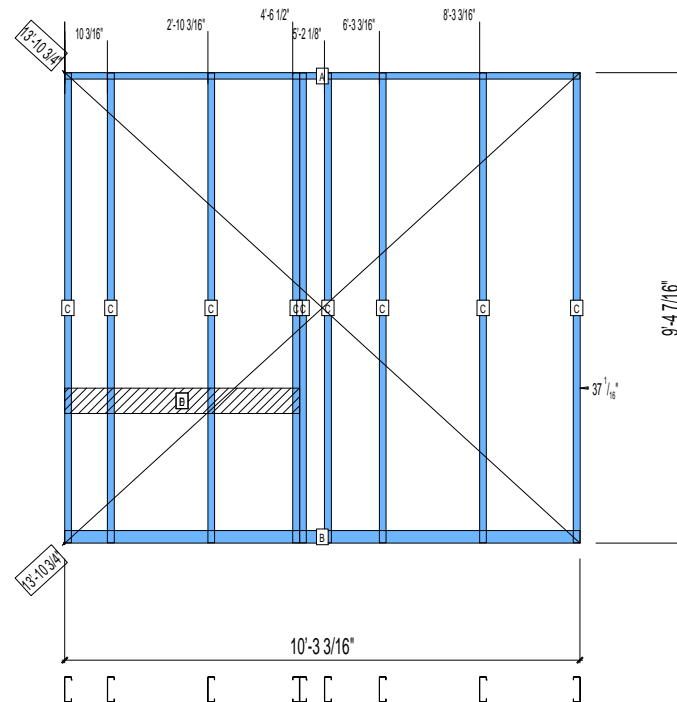
WEIGHTS :

FRAME : 132 lbs

TOTAL: 132 lbs

APPROVED

By hhuynh at 5:44 pm, Nov 18, 2008



PIECES LIST

LABEL	QTY	SIZE	LENGTH	USE
A	1	600T150-33	10'-3 3/16"	TOP TRACK
B	1	600T300-33	10'-3 3/16"	BOTTOM TRACK
C	9	600S162-33	9'-4 5/16"	STUD
D	1	600T150-54	4'-8 3/16"	GRAB BAR

12-3013

Jewish Home for the Aging

1885 Victory Blvd. Reseda, CA

FM-07-109

CREATED BY: HH

FrameMax, Inc.
13915 Danielson St
Suite 100
Poway, CA 92064
www.frame-max.com



© FrameMax Inc.

HEIGHT : 9'-4 7/16" POINTS: 0.34 Points.

SPACING : 24"

1st STUD: 24"

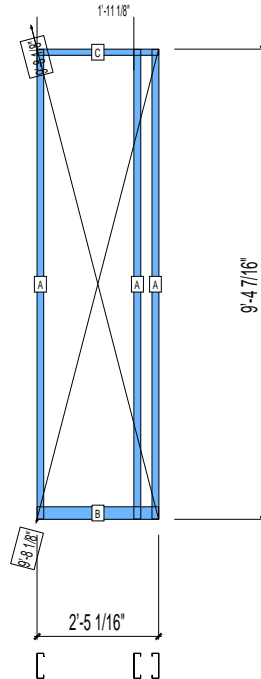
WEIGHTS :

FRAME : 39 lbs

TOTAL: 39 lbs

APPROVED

By hhuynh at 5:44 pm, Nov 18, 2008



PIECES LIST

LABEL	QTY	SIZE	LENGTH	USE
A	3	600S162-33	9'-4 5/16"	STUD
B	1	600T300-33	2'-5 1/16"	BOTTOM TRACK
C	1	600T150-33	2'-5 1/16"	TOP TRACK

12-3014

Jewish Home for the Aging

1885 Victory Blvd. Reseda, CA

FM-07-109

CREATED BY: HH

FrameMax, Inc.
13915 Danielson St
Suite 100
Poway, CA 92064
www.framemax.com



© FrameMax Inc.

HEIGHT : 9'-4 7/16" POINTS: 0.27 Points.

SPACING : 24"

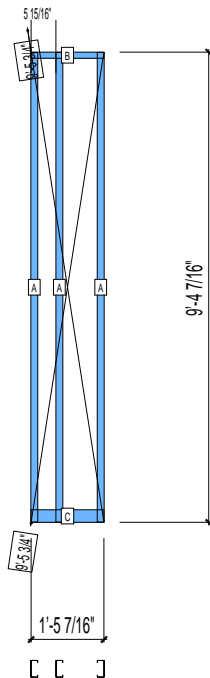
1st STUD: 24"

WEIGHTS :

FRAME : 29 lbs

TOTAL: 29 lbs

APPROVED
By hhuynh at 5:44 pm, Nov 18, 2008



PIECES LIST

LABEL	QTY	SIZE	LENGTH	USE
A	3	400S162-33	9'-4 5/16"	STUD
B	1	400T150-33	1'-5 7/16"	TOP TRACK
C	1	400T300-33	1'-5 7/16"	BOTTOM TRACK

12-3015

Jewish Home for the Aging

1885 Victory Blvd. Reseda, CA

FM-07-109

CREATED BY: HH

FrameMax, Inc.
13915 Danielson St
Suite 100
Poway, CA 92064
www.frame-max.com

FRAME MAX

© FrameMax Inc.

HEIGHT : 9'-4 7/16" POINTS: 0.23 Points.

SPACING : 24"

1st STUD: 24"

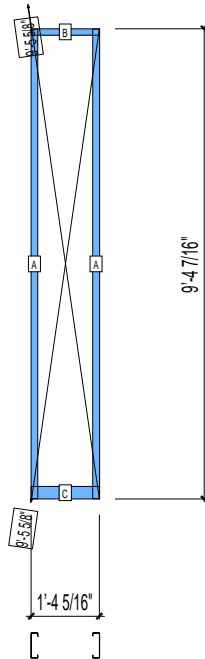
WEIGHTS :

FRAME : 25 lbs

TOTAL: 25 lbs

APPROVED

By hhuynh at 5:44 pm, Nov 18, 2008



PIECES LIST

LABEL	QTY	SIZE	LENGTH	USE
A	2	600S162-33	9'-4 5/16"	STUD
B	1	600T150-33	1'-4 5/16"	TOP TRACK
C	1	600T300-33	1'-4 5/16"	BOTTOM TRACK

12-3016

Jewish Home for the Aging

1885 Victory Blvd. Reseda, CA

FM-07-109

CREATED BY: HH

FrameMax, Inc.
13915 Danielson St
Suite 100
Poway, CA 92064
www.frame-max.com



© FrameMax Inc.

HEIGHT : 9'-4 7/16" POINTS: 0.20 Points.

SPACING : 24"

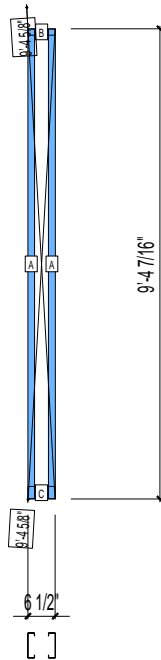
1st STUD: 24"

APPROVED
By hhuynh at 5:44 pm, Nov 18, 2008

WEIGHTS :

FRAME : 23 lbs

TOTAL: 23 lbs



PIECES LIST

LABEL	QTY	SIZE	LENGTH	USE
A	2	600S162-33	9'-4 5/16"	STUD
B	1	600T150-33	6 1/2"	TOP TRACK
C	1	600T300-33	6 1/2"	BOTTOM TRACK

12-3017

Jewish Home for the Aging

1885 Victory Blvd. Reseda, CA

FM-07-109

CREATED BY: HH

FrameMax, Inc.
13915 Danielson St
Suite 100
Poway, CA 92064
www.frame-max.com



© FrameMax Inc.

HEIGHT : 9'-4 7/16" POINTS: 0.71 Points.

SPACING : 24"

1st STUD: 24"

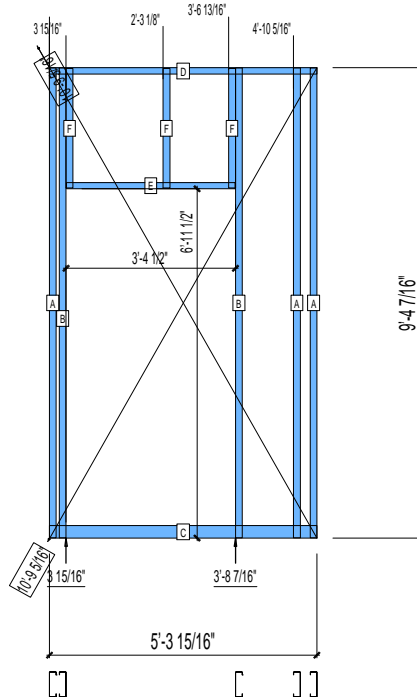
WEIGHTS :

FRAME : 80 lbs

TOTAL: 80 lbs

APPROVED

By hhuynh at 5:44 pm, Nov 18, 2008



PIECES LIST

LABEL	QTY	SIZE	LENGTH	USE
A	3	600S162-33	9'-4 5/16"	STUD
B	2	600S162-33	9'-4 5/16"	KING STUD
C	1	600T300-33	5'-3 15/16"	BOTTOM TRACK
D	1	600T150-33	5'-3 15/16"	TOP TRACK
E	1	600T150-33	3'-4 1/4"	HEAD TRACK
F	3	600S162-33	2'-4 9/16"	CRIPPLE

12-3018

Jewish Home for the Aging

1885 Victory Blvd. Reseda, CA

FM-07-109

CREATED BY: HH

FrameMax, Inc.
13915 Danielson St
Suite 100
Poway, CA 92064
www.framemax.com

FRAME MAX

© FrameMax Inc.

HEIGHT : 9'-4 7/16" POINTS: 0.19 Points.

SPACING : 24"

1st STUD: 16"

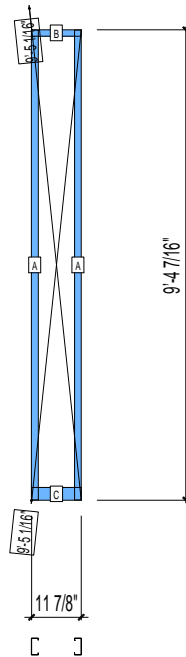
WEIGHTS :

FRAME : 19 lbs

TOTAL: 19 lbs

APPROVED

By hhuynh at 5:44 pm, Nov 18, 2008



PIECES LIST

LABEL	QTY	SIZE	LENGTH	USE
A	2	400S162-33	9'-4 5/16"	STUD
B	1	400T150-33	11 7/8"	TOP TRACK
C	1	400T300-33	11 7/8"	BOTTOM TRACK

12-3019

Jewish Home for the Aging

1885 Victory Blvd. Reseda, CA

FM-07-109

CREATED BY: HH

FrameMax, Inc.
13915 Danielson St
Suite 100
Poway, CA 92064
www.frame-max.com

FRAME MAX

© FrameMax Inc.

HEIGHT : 9'-4 7/16" POINTS: 0.60 Points.

SPACING : 24"

1st STUD: 24"

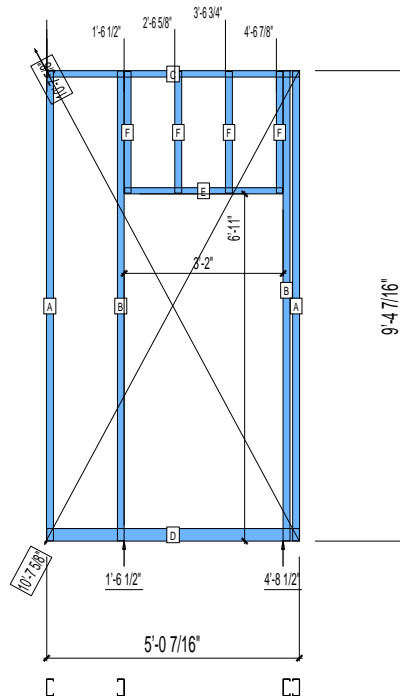
WEIGHTS :

FRAME : 57 lbs

TOTAL: 57 lbs

APPROVED

By hhuynh at 5:44 pm, Nov 18, 2008



PIECES LIST

LABEL	QTY	SIZE	LENGTH	USE
A	2	400S162-33	9'-4 5/16"	STUD
B	2	400S162-33	9'-4 5/16"	KING STUD
C	1	400T150-33	5'-0 7/16"	TOP TRACK
D	1	400T300-33	5'-0 7/16"	BOTTOM TRACK
E	1	400T150-33	3'-1 3/4"	HEAD TRACK
F	4	400S162-33	2'-5 1/16"	CRIPPLE

12-3020

Jewish Home for the Aging

1885 Victory Blvd. Reseda, CA

FM-07-109

CREATED BY: HH

FrameMax, Inc.
13915 Danielson St
Suite 100
Poway, CA 92064
www.frame-max.com

FRAME MAX

© FrameMax Inc.

HEIGHT : 9'-4 7/16" POINTS: 0.60 Points.

SPACING : 24"

1st STUD: 24"

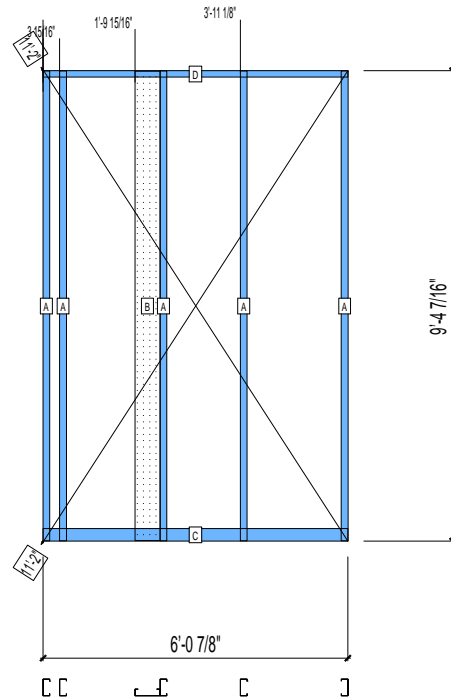
WEIGHTS :

FRAME : 67 lbs

TOTAL: 67 lbs

APPROVED

By hhuynh at 5:44 pm, Nov 18, 2008



PIECES LIST

LABEL	QTY	SIZE	LENGTH	USE
A	5	400S162-33	9'-4 5/16"	STUD
B	1	600S162-33	9'-4 3/16"	BACKER-U
C	1	400T300-33	6'-0 7/8"	BOTTOM TRACK
D	1	400T150-33	6'-0 7/8"	TOP TRACK

12-3021

Jewish Home for the Aging

1885 Victory Blvd. Reseda, CA

FM-07-109

CREATED BY: HH

FrameMax, Inc.
13915 Danielson St
Suite 100
Poway, CA 92064
www.frame-max.com

FRAME MAX

© FrameMax Inc.

HEIGHT : 9'-4 7/16" POINTS: 0.73 Points.

SPACING : 24"

1st STUD: 24"

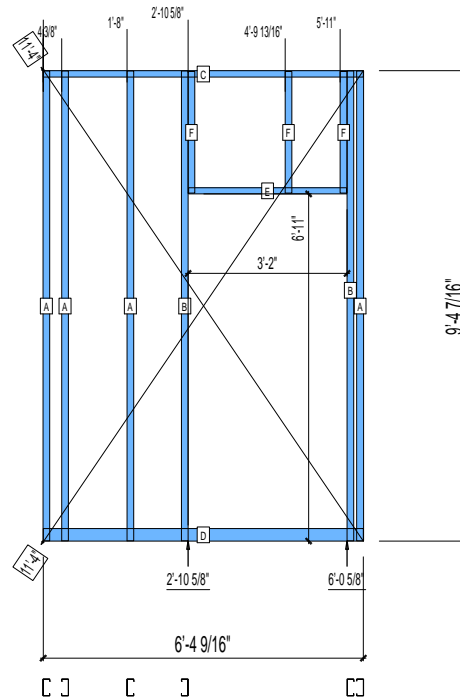
WEIGHTS :

FRAME : 74 lbs

TOTAL: 74 lbs

APPROVED

By hhuynh at 5:44 pm, Nov 18, 2008



PIECES LIST

LABEL	QTY	SIZE	LENGTH	USE
A	4	400S162-33	9'-4 5/16"	STUD
B	2	400S162-33	9'-4 5/16"	KING STUD
C	1	400T150-33	6'-4 9/16"	TOP TRACK
D	1	400T300-33	6'-4 9/16"	BOTTOM TRACK
E	1	400T150-33	3'-1 3/4"	HEAD TRACK
F	3	400S162-33	2'-5 1/16"	CRIPPLE

12-3022

Jewish Home for the Aging

1885 Victory Blvd. Reseda, CA

FM-07-109

CREATED BY: HH

FrameMax, Inc.
13915 Danielson St
Suite 100
Poway, CA 92064
www.frame-max.com

FRAME MAX

© FrameMax Inc.

HEIGHT : 9'-4 7/16" POINTS: 0.71 Points.

SPACING : 24"

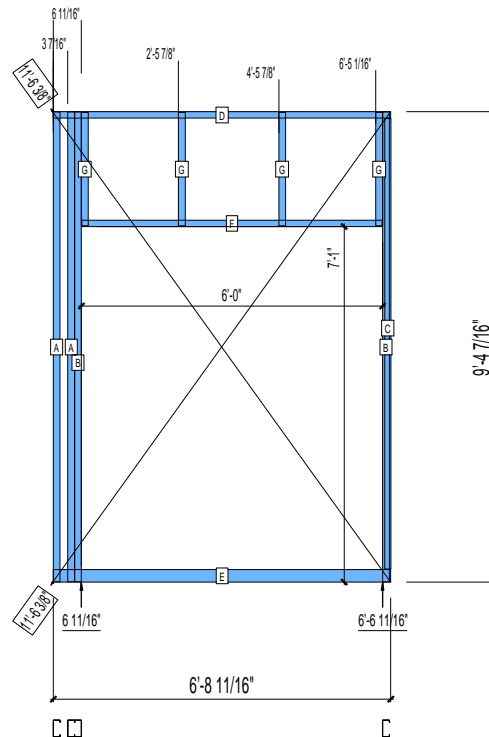
1st STUD: 24"

APPROVED
By hhuynh at 5:44 pm, Nov 18, 2008

WEIGHTS :

FRAME : 69 lbs

TOTAL: 69 lbs



PIECES LIST

LABEL	QTY	SIZE	LENGTH	USE
A	2	400S162-33	9'-4 5/16"	STUD
B	2	400S162-33	9'-4 5/16"	KING STUD
C	1	400T150-33	8'-11 11/16"	CAP TRACK
D	1	400T150-33	6'-8 11/16"	TOP TRACK
E	1	400T300-33	6'-8 11/16"	BOTTOM TRACK
F	1	400T150-33	5'-11 3/4"	HEAD TRACK
G	4	400S162-33	2'-3 1/16"	CRIPPLE

12-3023

Jewish Home for the Aging

1885 Victory Blvd. Reseda, CA

FM-07-109

CREATED BY: HH

FrameMax, Inc.
13915 Danielson St
Suite 100
Poway, CA 92064
www.frame-max.com



© FrameMax Inc.

HEIGHT : 9'-5 15/16" POINTS: 0.96 Points.

SPACING : 24"

1st STUD: 2 13/16"

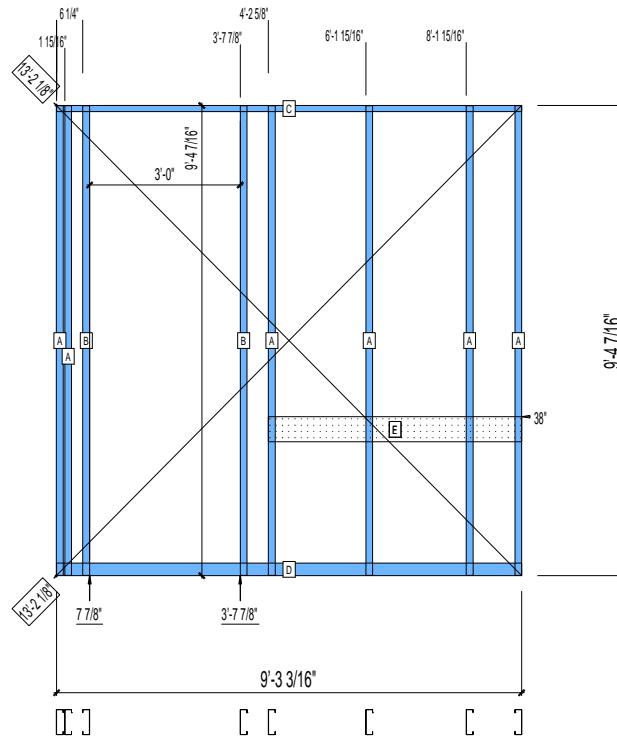
APPROVED

By hhuynh at 5:44 pm, Nov 18, 2008

WEIGHTS :

FRAME : 117 lbs

TOTAL: 117 lbs



PIECES LIST

LABEL	QTY	SIZE	LENGTH	USE
A	6	600S162-33	9'-4 5/16"	STUD
B	2	600S162-33	9'-4 5/16"	KING STUD
C	1	600T150-33	9'-3 3/16"	TOP TRACK
D	1	600T300-33	9'-3 3/16"	BOTTOM TRACK
E	1	600D-54	5'-0 9/16"	VANITY BACKING

12-3024

Jewish Home for the Aging

1885 Victory Blvd. Reseda, CA

FM-07-109

CREATED BY: HH

FrameMax, Inc.
13915 Danielson St
Suite 100
Poway, CA 92064
www.frame-max.com

FRAME MAX

© FrameMax Inc.

HEIGHT : 9'-4 7/16" POINTS: 0.49 Points.

SPACING : 24"

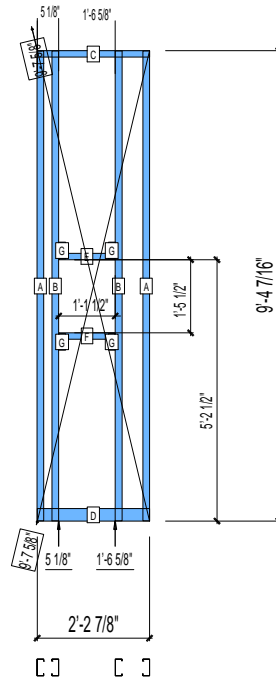
1st STUD: 24"

WEIGHTS :

FRAME : 42 lbs

TOTAL: 42 lbs

APPROVED
By hhuynh at 5:44 pm, Nov 18, 2008



PIECES LIST

LABEL	QTY	SIZE	LENGTH	USE
A	2	400S162-33	9'-4 5/16"	STUD
B	2	400S162-33	9'-4 5/16"	KING STUD
C	1	400T150-33	2'-2 7/8"	TOP TRACK
D	1	400T300-33	2'-2 7/8"	BOTTOM TRACK
E	1	400T150-33	1'-1 1/4"	HEAD TRACK
F	1	400T150-33	1'-1 1/4"	SILL
G	4	400S162-33	4"	CRIPPLE

12-3025

Jewish Home for the Aging

1885 Victory Blvd. Reseda, CA

FM-07-109

CREATED BY: HH

FrameMax, Inc.
13915 Danielson St
Suite 100
Poway, CA 92064
www.frame-max.com



© FrameMax Inc.

HEIGHT : 9'-4 7/16" POINTS: 0.38 Points.

SPACING : 24"

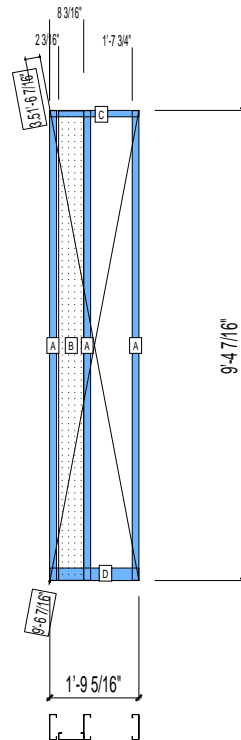
1st STUD: 24"

APPROVED
By hhuynh at 5:44 pm, Nov 18, 2008

WEIGHTS :

FRAME : 48 lbs

TOTAL: 48 lbs



PIECES LIST

LABEL	QTY	SIZE	LENGTH	USE
A	3	600S162-33	9'-4 5/16"	STUD
B	1	600S162-33	9'-4 3/16"	BACKER-U
C	1	600T150-33	1'-9 5/16"	TOP TRACK
D	1	600T300-33	1'-9 5/16"	BOTTOM TRACK

12-3026

Jewish Home for the Aging

1885 Victory Blvd. Reseda, CA

FM-07-109

CREATED BY: HH

FrameMax, Inc.
13915 Danielson St
Suite 100
Poway, CA 92064
www.frame-max.com



© FrameMax Inc.

HEIGHT : 9'-4 7/16" POINTS: 0.22 Points.

SPACING : 24"

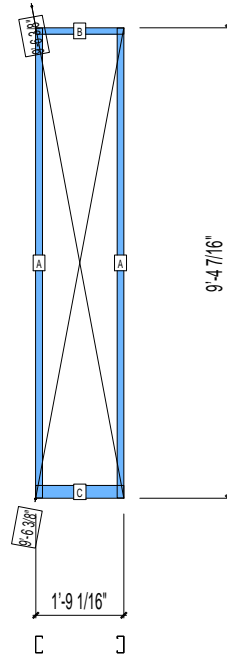
1st STUD: 24"

WEIGHTS :

FRAME : 21 lbs

TOTAL: 21 lbs

APPROVED
By hhuynh at 5:44 pm, Nov 18, 2008



PIECES LIST

LABEL	QTY	SIZE	LENGTH	USE
A	2	400S162-33	9'-4 5/16"	STUD
B	1	400T150-33	1'-9 1/16"	TOP TRACK
C	1	400T300-33	1'-9 1/16"	BOTTOM TRACK

12-3027

Jewish Home for the Aging

1885 Victory Blvd. Reseda, CA

FM-07-109

CREATED BY: HH

FrameMax, Inc.
13915 Danielson St
Suite 100
Poway, CA 92064
www.frame-max.com

FRAME MAX

© FrameMax Inc.

HEIGHT : 9'-4 7/16" POINTS: 0.27 Points.

SPACING : 24"

1st STUD: 24"

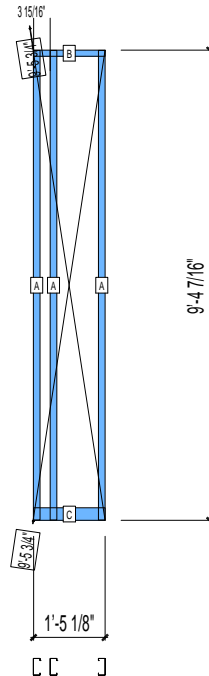
WEIGHTS :

FRAME : 29 lbs

TOTAL: 29 lbs

APPROVED

By hhuynh at 5:44 pm, Nov 18, 2008



PIECES LIST

LABEL	QTY	SIZE	LENGTH	USE
A	3	400S162-33	9'-4 5/16"	STUD
B	1	400T150-33	1'-5 1/8"	TOP TRACK
C	1	400T300-33	1'-5 1/8"	BOTTOM TRACK

12-3028

Jewish Home for the Aging

1885 Victory Blvd. Reseda, CA

FM-07-109

CREATED BY: HH

FrameMax, Inc.
13915 Danielson St
Suite 100
Poway, CA 92064
www.frame-max.com

FRAME MAX

© FrameMax Inc.

HEIGHT : 2'-9 1/2" POINTS: 0.44 Points.

SPACING : 24"

1st STUD: 16"

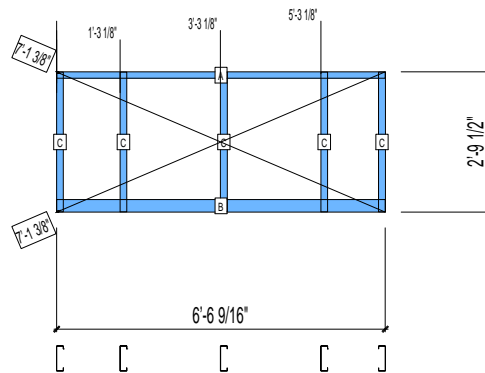
WEIGHTS :

FRAME : 33 lbs

TOTAL: 33 lbs

APPROVED

By hhuynh at 5:44 pm, Nov 18, 2008



PIECES LIST

LABEL	QTY	SIZE	LENGTH	USE
A	1	600T150-33	6'-6 9/16"	TOP TRACK
B	1	600T300-33	6'-6 9/16"	BOTTOM TRACK
C	5	600S162-33	2'-9 3/8"	STUD

12-3029

Jewish Home for the Aging

1885 Victory Blvd. Reseda, CA

FrameMax, Inc.
13915 Danielson St
Suite 100
Poway, CA 92064
www.frame-max.com



© FrameMax Inc.

CREATED: 11/19/2008

FM-07-109

CREATED BY: HH

HEIGHT : 2'-9 1/2" POINTS: 0.25 Points.

SPACING : 24"

1st STUD: 24"

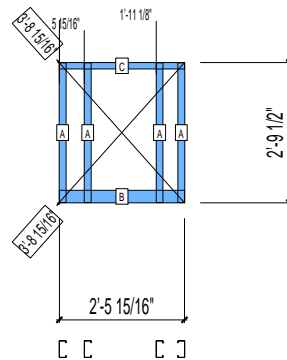
WEIGHTS :

FRAME : 15 lbs

TOTAL: 15 lbs

APPROVED

By hhuynh at 5:44 pm, Nov 18, 2008



PIECES LIST

LABEL	QTY	SIZE	LENGTH	USE
A	4	400S162-33	2'-9 3/8"	STUD
B	1	400T300-33	2'-5 15/16"	BOTTOM TRACK
C	1	400T150-33	2'-5 15/16"	TOP TRACK

12-3030

Jewish Home for the Aging

1885 Victory Blvd. Reseda, CA

FM-07-109

CREATED BY: HH

FrameMax, Inc.
13915 Danielson St
Suite 100
Poway, CA 92064
www.frame-max.com

FRAME MAX

© FrameMax Inc.

HEIGHT : 9'-4 7/16" POINTS: 0.50 Points.

SPACING : 24"

1st STUD: 8 3/8"

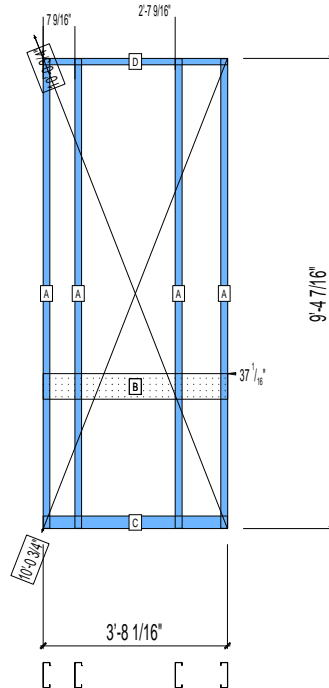
WEIGHTS :

FRAME : 59 lbs

TOTAL: 59 lbs

APPROVED

By hhuynh at 5:44 pm, Nov 18, 2008



PIECES LIST

LABEL	QTY	SIZE	LENGTH	USE
A	4	600S162-33	9'-4 5/16"	STUD
B	1	600T150-54	3'-8 1/8"	GRAB BAR
C	1	600T300-33	3'-8 1/16"	BOTTOM TRACK
D	1	600T150-33	3'-8 1/16"	TOP TRACK

12-3031

Jewish Home for the Aging

1885 Victory Blvd. Reseda, CA

FM-07-109

CREATED BY: HH

FrameMax, Inc.
13915 Danielson St
Suite 100
Poway, CA 92064
www.frame-max.com

FRAME MAX

© FrameMax Inc.

HEIGHT : 9'-4 7/16" POINTS: 0.42 Points.

SPACING : 24"

1st STUD: 1 15/16"

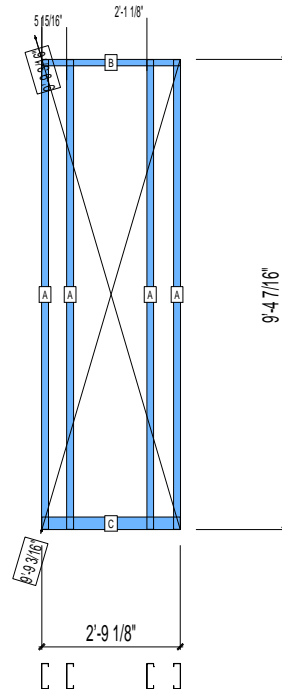
WEIGHTS :

FRAME : 51 lbs

TOTAL: 51 lbs

APPROVED

By hhuynh at 5:44 pm, Nov 18, 2008



PIECES LIST

LABEL	QTY	SIZE	LENGTH	USE
A	4	600S162-33	9'-4 5/16"	STUD
B	1	600T150-33	2'-9 1/8"	TOP TRACK
C	1	600T300-33	2'-9 1/8"	BOTTOM TRACK

12-3032

Jewish Home for the Aging

1885 Victory Blvd. Reseda, CA

FM-07-109

CREATED BY: HH

FrameMax, Inc.
13915 Danielson St
Suite 100
Poway, CA 92064
www.frame-max.com

FRAME MAX

© FrameMax Inc.

HEIGHT : 9'-4 7/16" POINTS: 0.26 Points.

SPACING : 24"

1st STUD: 24"

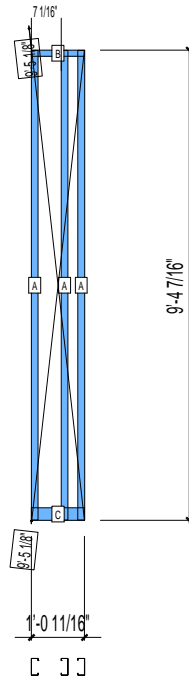
WEIGHTS :

FRAME : 28 lbs

TOTAL: 28 lbs

APPROVED

By hhuynh at 5:44 pm, Nov 18, 2008



PIECES LIST

LABEL	QTY	SIZE	LENGTH	USE
A	3	400S162-33	9'-4 5/16"	STUD
B	1	400T150-33	1'-0 11/16"	TOP TRACK
C	1	400T300-33	1'-0 11/16"	BOTTOM TRACK

12-3033

Jewish Home for the Aging

1885 Victory Blvd. Reseda, CA

FM-07-109

CREATED BY: HH

FrameMax, Inc.
13915 Danielson St
Suite 100
Poway, CA 92064
www.frame-max.com

FRAME MAX

© FrameMax Inc.

HEIGHT : 9'-4 7/16" POINTS: 0.26 Points.

SPACING : 5000"

1st STUD: 16"

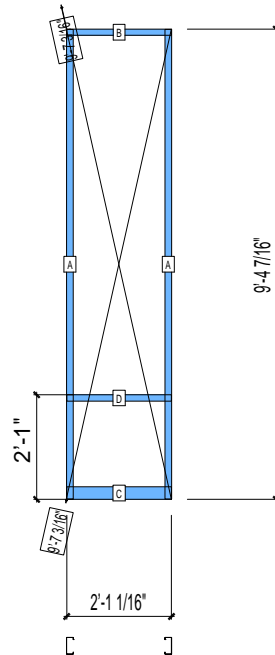
WEIGHTS :

FRAME : 23 lbs

TOTAL: 23 lbs

APPROVED

By hhuynh at 5:44 pm, Nov 18, 2008



PIECES LIST

LABEL	QTY	SIZE	LENGTH	USE
A	2	400S162-33	9'-4 5/16"	STUD
B	1	400T150-33	2'-1 1/16"	TOP TRACK
C	1	400T300-33	2'-1 1/16"	BOTTOM TRACK
D	1	400T150-33	2'-1"	SILL

12-3051

Jewish Home for the Aging

1885 Victory Blvd. Reseda, CA

FM-07-109

CREATED BY: HH

FrameMax, Inc.
13915 Danielson St
Suite 100
Poway, CA 92064
www.frame-max.com

FRAME MAX

© FrameMax Inc.

HEIGHT : 9'-4 7/16" POINTS: 0.81 Points.

SPACING : 24"

1st STUD: 24"

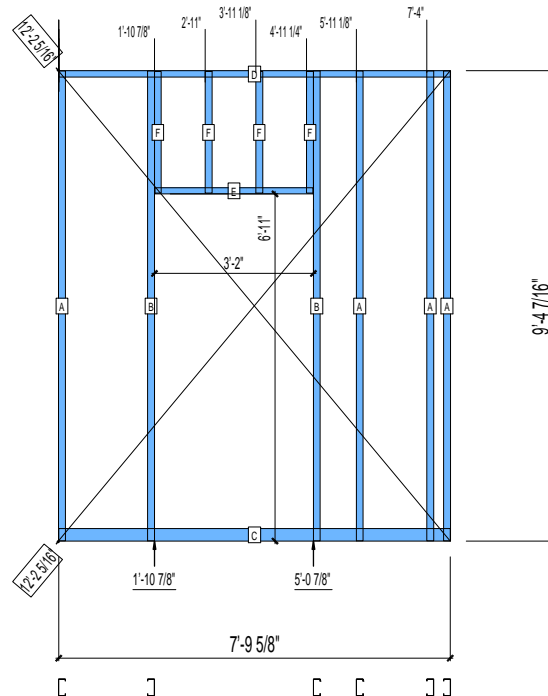
APPROVED

By hhuynh at 5:44 pm, Nov 18, 2008

WEIGHTS :

FRAME : 80 lbs

TOTAL: 80 lbs



PIECES LIST

LABEL	QTY	SIZE	LENGTH	USE
A	4	400S162-33	9'-4 5/16"	STUD
B	2	400S162-33	9'-4 5/16"	KING STUD
C	1	400T300-33	7'-9 5/8"	BOTTOM TRACK
D	1	400T150-33	7'-9 5/8"	TOP TRACK
E	1	400T150-33	3'-1 3/4"	HEAD TRACK
F	4	400S162-33	2'-5 1/16"	CRIPPLE

12-3052

Jewish Home for the Aging

1885 Victory Blvd. Reseda, CA

FM-07-109

CREATED BY: HH

FrameMax, Inc.
13915 Danielson St
Suite 100
Poway, CA 92064
www.frame-max.com



© FrameMax Inc.

HEIGHT : 9'-4 7/16" POINTS: 1.19 Points.

SPACING : 24"

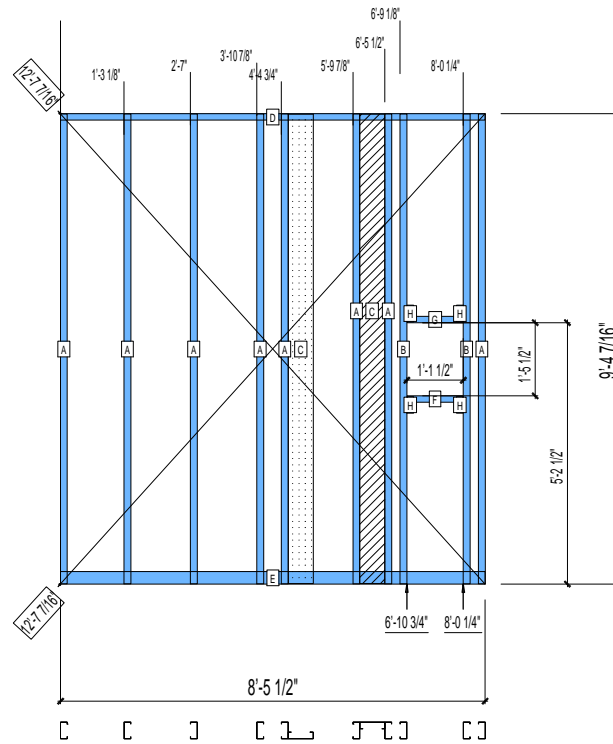
1st STUD: 16"

WEIGHTS :

FRAME : 129 lbs

TOTAL: 129 lbs

APPROVED
By hhuynh at 5:44 pm, Nov 18, 2008



PIECES LIST

LABEL	QTY	SIZE	LENGTH	USE
A	8	400S162-33	9'-4 5/16"	STUD
B	2	400S162-33	9'-4 5/16"	KING STUD
C	2	600S162-33	9'-4 3/16"	BACKER-U
D	1	400T150-33	8'-5 1/2"	TOP TRACK
E	1	400T300-33	8'-5 1/2"	BOTTOM TRACK
F	1	400T150-33	1'-1 1/4"	SILL
G	1	400T150-33	1'-1 1/4"	HEAD TRACK
H	4	400S162-33	4"	CRIPPLE

12-3053

Jewish Home for the Aging

1885 Victory Blvd. Reseda, CA

FM-07-109

CREATED BY: HH

FrameMax, Inc.
13915 Danielson St
Suite 100
Poway, CA 92064
www.frame-max.com



© FrameMax Inc.

HEIGHT : 9'-4 7/16" POINTS: 0.39 Points.

SPACING : 24"

1st STUD: 24"

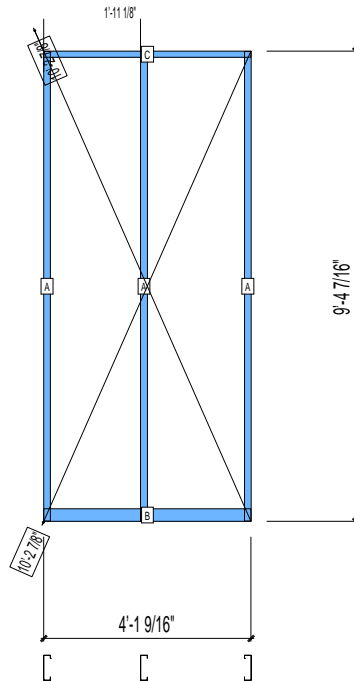
WEIGHTS :

FRAME : 43 lbs

TOTAL: 43 lbs

APPROVED

By hhuynh at 5:44 pm, Nov 18, 2008



PIECES LIST

LABEL	QTY	SIZE	LENGTH	USE
A	3	600S162-33	9'-4 5/16"	STUD
B	1	600T300-33	4'-1 9/16"	BOTTOM TRACK
C	1	600T150-33	4'-1 9/16"	TOP TRACK

12-3054

Jewish Home for the Aging

1885 Victory Blvd. Reseda, CA

FM-07-109

CREATED BY: HH

FrameMax, Inc.
13915 Danielson St
Suite 100
Poway, CA 92064
www.frame-max.com

FRAME MAX

© FrameMax Inc.

HEIGHT : 9'-4 7/16" POINTS: 0.33 Points.

SPACING : 24"

1st STUD: 24"

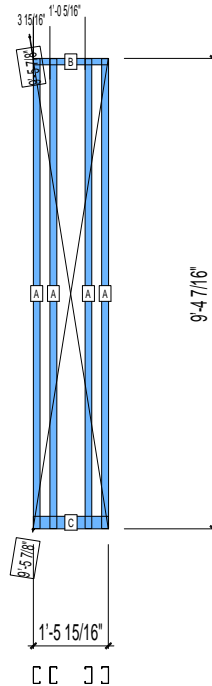
WEIGHTS :

FRAME : 38 lbs

TOTAL: 38 lbs

APPROVED

By hhuynh at 5:44 pm, Nov 18, 2008



PIECES LIST

LABEL	QTY	SIZE	LENGTH	USE
A	4	400S162-33	9'-4 5/16"	STUD
B	1	400T150-33	1'-5 15/16"	TOP TRACK
C	1	400T300-33	1'-5 15/16"	BOTTOM TRACK

12-3055

Jewish Home for the Aging

1885 Victory Blvd. Reseda, CA

FM-07-109

CREATED BY: HH

FrameMax, Inc.
13915 Danielson St
Suite 100
Poway, CA 92064
www.framemax.com

FRAMEMAX

© FrameMax Inc.

HEIGHT : 9'-4 7/16" POINTS: 0.34 Points.

SPACING : 24"

1st STUD: 24"

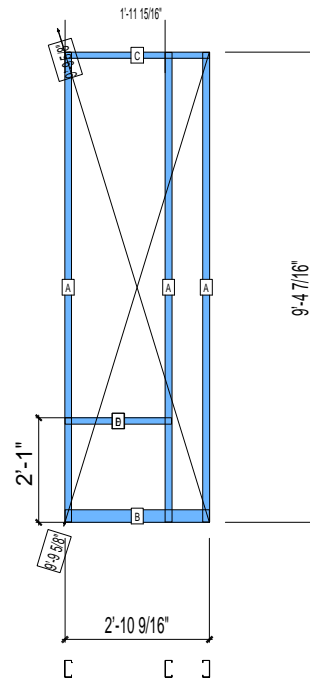
WEIGHTS :

FRAME : 34 lbs

TOTAL: 34 lbs

APPROVED

By hhuynh at 5:44 pm, Nov 18, 2008



PIECES LIST

LABEL	QTY	SIZE	LENGTH	USE
A	3	400S162-33	9'-4 5/16"	STUD
B	1	400T300-33	2'-10 9/16"	BOTTOM TRACK
C	1	400T150-33	2'-10 9/16"	TOP TRACK
D	1	400T150-33	2'-1 7/16"	SILL

12-3056

Jewish Home for the Aging

1885 Victory Blvd. Reseda, CA

FM-07-109

CREATED BY: HH

FrameMax, Inc.
13915 Danielson St
Suite 100
Poway, CA 92064
www.frame-max.com

FRAME MAX

© FrameMax Inc.

HEIGHT : 9'-4 7/16" POINTS: 0.34 Points.

SPACING : 5000"

1st STUD: 16"

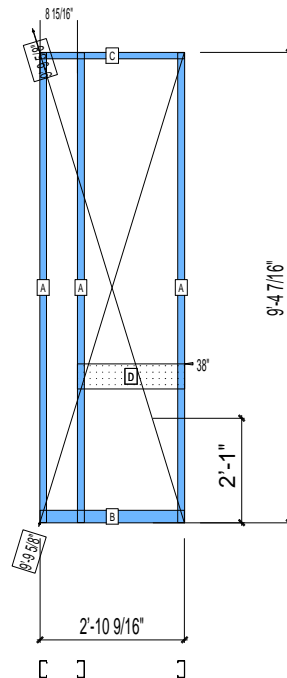
WEIGHTS :

FRAME : 34 lbs

TOTAL: 34 lbs

APPROVED

By hhuynh at 5:44 pm, Nov 18, 2008



PIECES LIST

LABEL	QTY	SIZE	LENGTH	USE
A	3	400S162-33	9'-4 5/16"	STUD
B	1	400T300-33	2'-10 9/16"	BOTTOM TRACK
C	1	400T150-33	2'-10 9/16"	TOP TRACK
D	1	600D-54	2'-1 5/8"	VANITY BACKING

12-3057

Jewish Home for the Aging

1885 Victory Blvd. Reseda, CA

FM-07-109

CREATED BY: HH

FrameMax, Inc.
13915 Danielson St
Suite 100
Poway, CA 92064
www.framemax.com

FRAMEMAX

© FrameMax Inc.

HEIGHT : 9'-4 7/16" POINTS: 0.56 Points.

SPACING : 24"

1st STUD: 8 13/16"

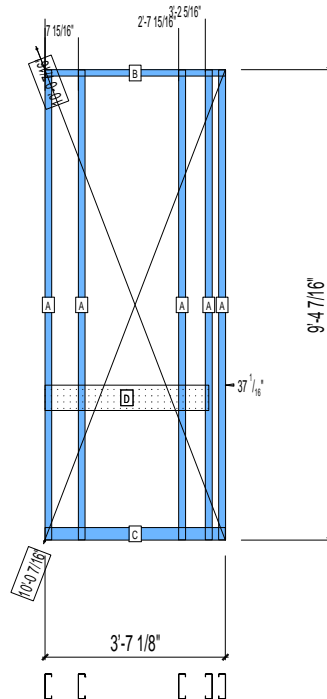
WEIGHTS :

FRAME : 69 lbs

TOTAL: 69 lbs

APPROVED

By hhuynh at 5:44 pm, Nov 18, 2008



PIECES LIST

LABEL	QTY	SIZE	LENGTH	USE
A	5	600S162-33	9'-4 5/16"	STUD
B	1	600T150-33	3'-7 1/8"	TOP TRACK
C	1	600T300-33	3'-7 1/8"	BOTTOM TRACK
D	1	600T150-54	3'-3 3/16"	GRAB BAR

12-3058

Jewish Home for the Aging

1885 Victory Blvd. Reseda, CA

FM-07-109

CREATED BY: HH

FrameMax, Inc.
13915 Danielson St
Suite 100
Poway, CA 92064
www.frame-max.com



© FrameMax Inc.

HEIGHT : 9'-4 7/16" POINTS: 0.30 Points.

SPACING : 24"

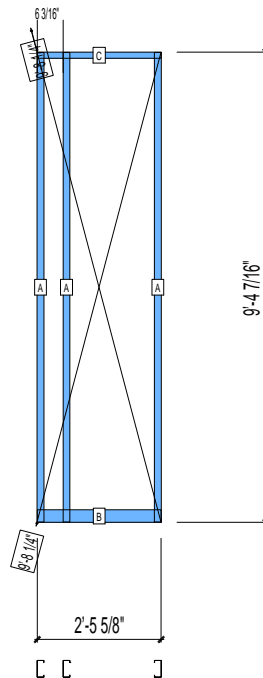
1st STUD: 7"

APPROVED
By hhuynh at 5:44 pm, Nov 18, 2008

WEIGHTS :

FRAME : 31 lbs

TOTAL: 31 lbs



PIECES LIST

LABEL	QTY	SIZE	LENGTH	USE
A	3	400S162-33	9'-4 5/16"	STUD
B	1	400T300-33	2'-5 5/8"	BOTTOM TRACK
C	1	400T150-33	2'-5 5/8"	TOP TRACK

12-3059

Jewish Home for the Aging

1885 Victory Blvd. Reseda, CA

FM-07-109

CREATED BY: HH

FrameMax, Inc.
13915 Danielson St
Suite 100
Poway, CA 92064
www.framemax.com



© FrameMax Inc.

HEIGHT : 9'-4 7/16" POINTS: 0.38 Points.

SPACING : 24"

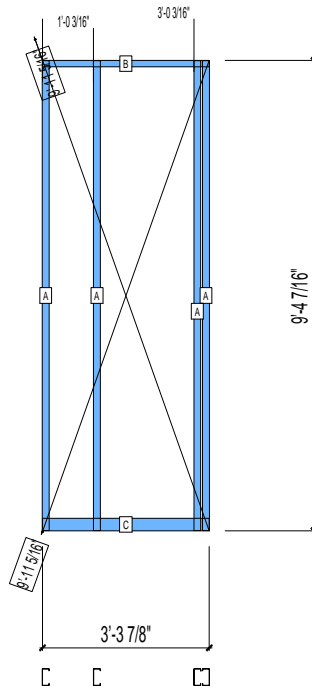
1st STUD: 13 1/16"

WEIGHTS :

FRAME : 41 lbs

TOTAL: 41 lbs

APPROVED
By hhuynh at 5:44 pm, Nov 18, 2008



PIECES LIST

LABEL	QTY	SIZE	LENGTH	USE
A	4	400S162-33	9'-4 5/16"	STUD
B	1	400T150-33	3'-3 7/8"	TOP TRACK
C	1	400T300-33	3'-3 7/8"	BOTTOM TRACK

12-3060

Jewish Home for the Aging

1885 Victory Blvd. Reseda, CA

FM-07-109

CREATED BY: HH

FrameMax, Inc.
13915 Danielson St
Suite 100
Poway, CA 92064
www.frame-max.com

FRAME MAX

© FrameMax Inc.

HEIGHT : 9'-4 7/16" POINTS: 0.36 Points.

SPACING : 5000"

1st STUD: 26 7/8"

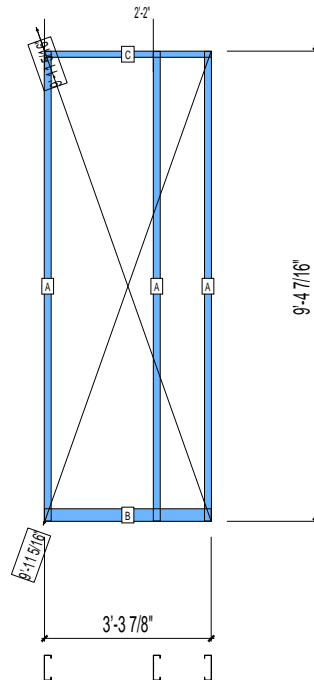
WEIGHTS :

FRAME : 41 lbs

TOTAL: 41 lbs

APPROVED

By hhuynh at 5:44 pm, Nov 18, 2008



PIECES LIST

LABEL	QTY	SIZE	LENGTH	USE
A	3	600S162-33	9'-4 5/16"	STUD
B	1	600T300-33	3'-3 7/8"	BOTTOM TRACK
C	1	600T150-33	3'-3 7/8"	TOP TRACK

12-3061

Jewish Home for the Aging

1885 Victory Blvd. Reseda, CA

FM-07-109

CREATED BY: HH

FrameMax, Inc.
13915 Danielson St
Suite 100
Poway, CA 92064
www.frame-max.com

FRAME MAX

© FrameMax Inc.

HEIGHT : 9'-4 7/16" POINTS: 0.96 Points.

SPACING : 24"

1st STUD: 24"

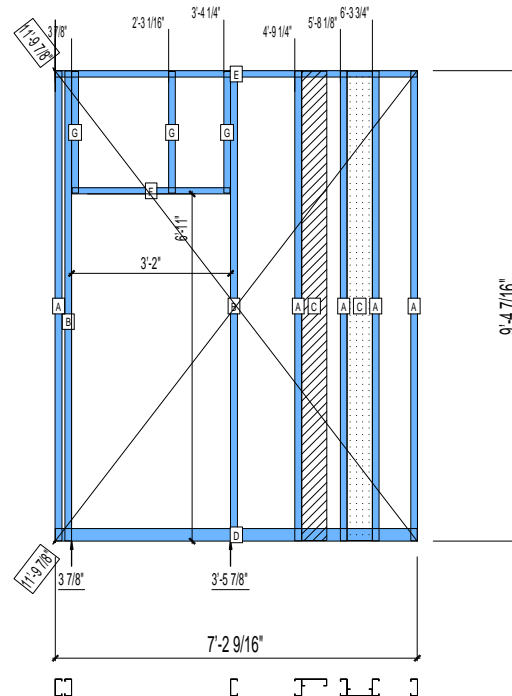
APPROVED

By hhuynh at 5:44 pm, Nov 18, 2008

WEIGHTS :

FRAME : 107 lbs

TOTAL: 107 lbs



PIECES LIST

LABEL	QTY	SIZE	LENGTH	USE
A	5	400S162-33	9'-4 5/16"	STUD
B	2	400S162-33	9'-4 5/16"	KING STUD
C	2	600S162-33	9'-4 3/16"	BACKER-U
D	1	400T300-33	7'-2 9/16"	BOTTOM TRACK
E	1	400T150-33	7'-2 9/16"	TOP TRACK
F	1	400T150-33	3'-1 3/4"	HEAD TRACK
G	3	400S162-33	2'-5 1/16"	CRIPPLE

12-3062

Jewish Home for the Aging

1885 Victory Blvd. Reseda, CA

FM-07-109

CREATED BY: HH

FrameMax, Inc.
13915 Danielson St
Suite 100
Poway, CA 92064
www.frame-max.com

FRAME MAX

© FrameMax Inc.

HEIGHT : 9'-4 7/16" POINTS: 0.39 Points.

SPACING : 24"

1st STUD: 24"

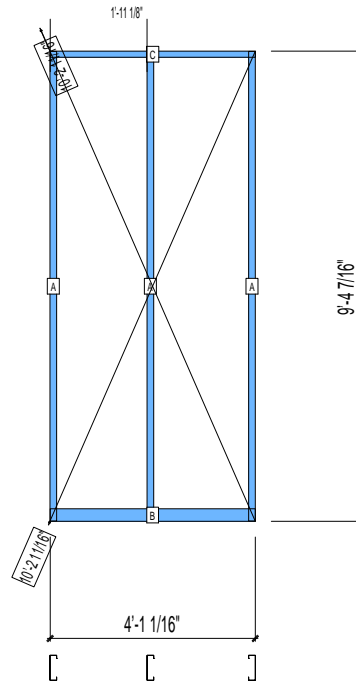
WEIGHTS :

FRAME : 43 lbs

TOTAL: 43 lbs

APPROVED

By hhuynh at 5:44 pm, Nov 18, 2008



PIECES LIST

LABEL	QTY	SIZE	LENGTH	USE
A	3	600S162-33	9'-4 5/16"	STUD
B	1	600T300-33	4'-1 1/16"	BOTTOM TRACK
C	1	600T150-33	4'-1 1/16"	TOP TRACK

12-3063

Jewish Home for the Aging

1885 Victory Blvd. Reseda, CA

FM-07-109

CREATED BY: HH

FrameMax, Inc.
13915 Danielson St
Suite 100
Poway, CA 92064
www.frame-max.com

FRAME MAX

© FrameMax Inc.

HEIGHT : 9'-4 7/16" POINTS: 0.43 Points.

SPACING : 24"

1st STUD: 24"

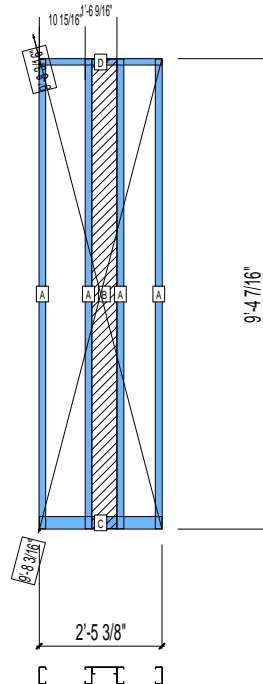
WEIGHTS :

FRAME : 51 lbs

TOTAL: 51 lbs

APPROVED

By hhuynh at 5:44 pm, Nov 18, 2008



PIECES LIST

LABEL	QTY	SIZE	LENGTH	USE
A	4	400S162-33	9'-4 5/16"	STUD
B	1	600S162-33	9'-4 3/16"	BACKER-U
C	1	400T300-33	2'-5 3/8"	BOTTOM TRACK
D	1	400T150-33	2'-5 3/8"	TOP TRACK

12-3064

Jewish Home for the Aging

1885 Victory Blvd. Reseda, CA

FM-07-109

CREATED BY: HH

FrameMax, Inc.
13915 Danielson St
Suite 100
Poway, CA 92064
www.framemax.com

FRAME MAX

© FrameMax Inc.

HEIGHT : 9'-4 7/16" POINTS: 0.17 Points.

SPACING : 24"

1st STUD: 24"

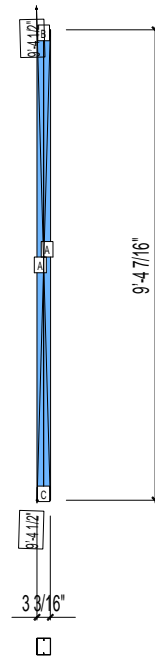
WEIGHTS :

FRAME : 18 lbs

TOTAL: 18 lbs

APPROVED

By hhuynh at 5:44 pm, Nov 18, 2008



PIECES LIST

LABEL	QTY	SIZE	LENGTH	USE
A	2	400S162-33	9'-4 5/16"	STUD
B	1	400T150-33	3 3/16"	TOP TRACK
C	1	400T300-33	3 3/16"	BOTTOM TRACK

12-3065

Jewish Home for the Aging

1885 Victory Blvd. Reseda, CA

FM-07-109

CREATED BY: HH

FrameMax, Inc.
13915 Danielson St
Suite 100
Poway, CA 92064
www.framemax.com



© FrameMax Inc.

HEIGHT : 9'-4 7/16" POINTS: 0.19 Points.

SPACING : 24"

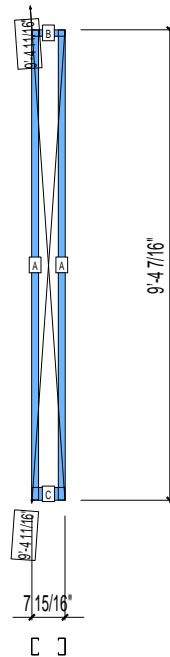
1st STUD: 24"

APPROVED
By hhuynh at 5:44 pm, Nov 18, 2008

WEIGHTS :

FRAME : 19 lbs

TOTAL: 19 lbs



PIECES LIST

LABEL	QTY	SIZE	LENGTH	USE
A	2	400S162-33	9'-4 5/16"	STUD
B	1	400T150-33	7 15/16"	TOP TRACK
C	1	400T300-33	7 15/16"	BOTTOM TRACK

12-3066

Jewish Home for the Aging

1885 Victory Blvd. Reseda, CA

FM-07-109

CREATED BY: HH

FrameMax, Inc.
13915 Danielson St
Suite 100
Poway, CA 92064
www.frame-max.com

FRAME MAX

© FrameMax Inc.

HEIGHT : 9'-4 7/16" POINTS: 0.99 Points.

SPACING : 24"

1st STUD: 16 3/16"

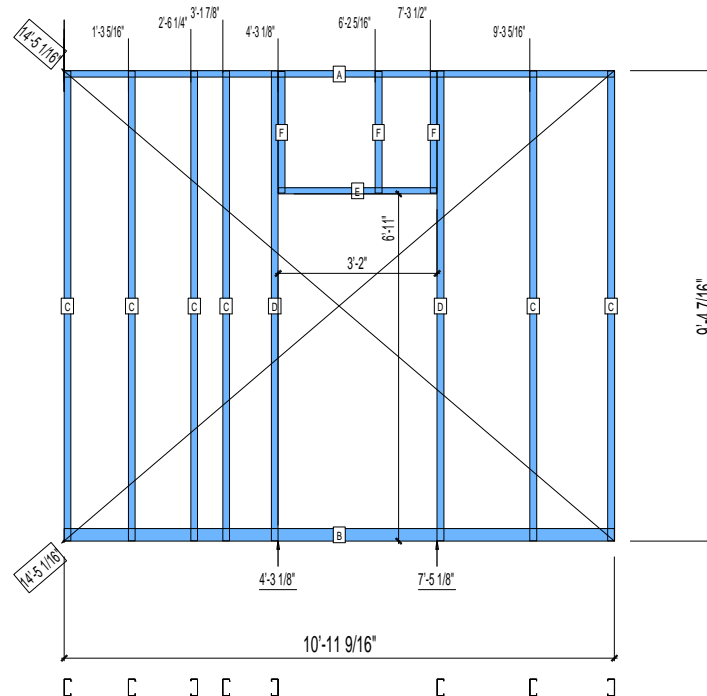
WEIGHTS :

FRAME : 101 lbs

TOTAL: 101 lbs

APPROVED

By hhuynh at 5:44 pm, Nov 18, 2008



PIECES LIST

LABEL	QTY	SIZE	LENGTH	USE
A	1	400T150-33	10'-11 9/16"	TOP TRACK
B	1	400T300-33	10'-11 9/16"	BOTTOM TRACK
C	6	400S162-33	9'-4 5/16"	STUD
D	2	400S162-33	9'-4 5/16"	KING STUD
E	1	400T150-33	3'-1 3/4"	HEAD TRACK
F	3	400S162-33	2'-5 1/16"	CRIPPLE

12-3067

Jewish Home for the Aging

1885 Victory Blvd. Reseda, CA

FM-07-109

CREATED BY: HH

FrameMax, Inc.
13915 Danielson St
Suite 100
Poway, CA 92064
www.framemax.com



© FrameMax Inc.

HEIGHT : 9'-4 7/16" POINTS: 0.25 Points.

SPACING : 24"

1st STUD: 24"

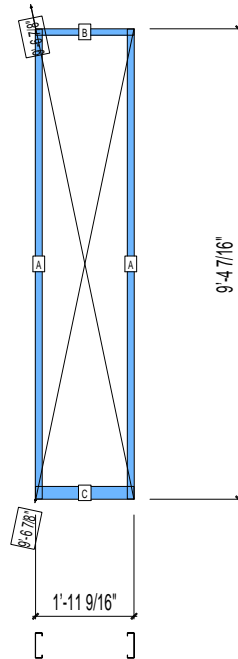
WEIGHTS :

FRAME : 27 lbs

TOTAL: 27 lbs

APPROVED

By hhuynh at 5:44 pm, Nov 18, 2008



PIECES LIST

LABEL	QTY	SIZE	LENGTH	USE
A	2	600S162-33	9'-4 5/16"	STUD
B	1	600T150-33	1'-11 9/16"	TOP TRACK
C	1	600T300-33	1'-11 9/16"	BOTTOM TRACK

12-3068

Jewish Home for the Aging

1885 Victory Blvd. Reseda, CA

FM-07-109

CREATED BY: HH

FrameMax, Inc.
13915 Danielson St
Suite 100
Poway, CA 92064
www.frame-max.com



© FrameMax Inc.

HEIGHT : 9'-4 7/16" POINTS: 0.21 Points.

SPACING : 24"

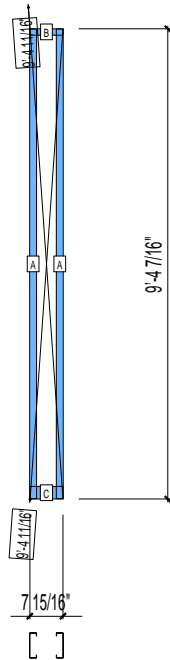
1st STUD: 24"

APPROVED
By hhuynh at 5:44 pm, Nov 18, 2008

WEIGHTS :

FRAME : 24 lbs

TOTAL: 24 lbs



PIECES LIST

LABEL	QTY	SIZE	LENGTH	USE
A	2	600S162-33	9'-4 5/16"	STUD
B	1	600T150-33	7 15/16"	TOP TRACK
C	1	600T300-33	7 15/16"	BOTTOM TRACK

12-3069

Jewish Home for the Aging

1885 Victory Blvd. Reseda, CA

FM-07-109

CREATED BY: HH

FrameMax, Inc.
13915 Danielson St
Suite 100
Poway, CA 92064
www.frame-max.com

FRAME MAX

© FrameMax Inc.

HEIGHT : 9'-4 7/16" POINTS: 0.22 Points.

SPACING : 24"

1st STUD: 24"

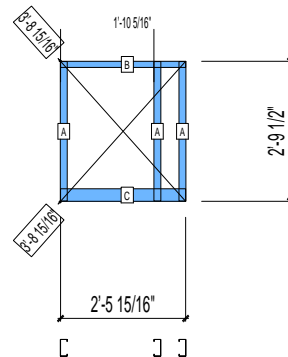
WEIGHTS :

FRAME : 13 lbs

TOTAL: 13 lbs

APPROVED

By hhuynh at 5:44 pm, Nov 18, 2008



PIECES LIST

LABEL	QTY	SIZE	LENGTH	USE
A	3	400S162-33	2'-9 3/8"	STUD
B	1	400T150-33	2'-5 15/16"	TOP TRACK
C	1	400T300-33	2'-5 15/16"	BOTTOM TRACK

12-3070

Jewish Home for the Aging

1885 Victory Blvd. Reseda, CA

FrameMax, Inc.
13915 Danielson St
Suite 100
Poway, CA 92064
www.frame-max.com



© FrameMax Inc.

CREATED: 11/14/2008

FM-07-109

CREATED BY: HH

HEIGHT : 9'-4 7/16" POINTS: 0.55 Points.

SPACING : 24"

1st STUD: 10 11/16"

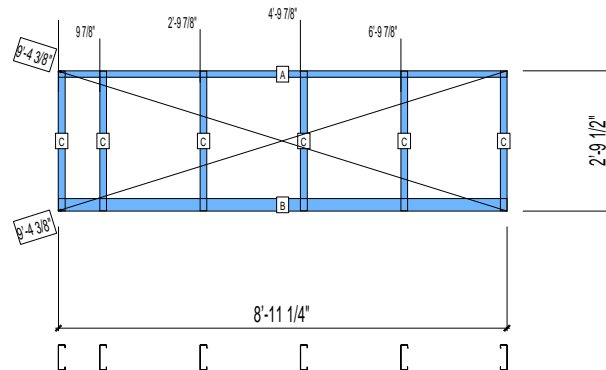
WEIGHTS :

FRAME : 42 lbs

TOTAL: 42 lbs

APPROVED

By hhuynh at 5:44 pm, Nov 18, 2008



PIECES LIST

LABEL	QTY	SIZE	LENGTH	USE
A	1	600T150-33	8'-11 1/4"	TOP TRACK
B	1	600T300-33	8'-11 1/4"	BOTTOM TRACK
C	6	600S162-33	2'-9 3/8"	STUD

12-3071

Jewish Home for the Aging

1885 Victory Blvd. Reseda, CA

FM-07-109

CREATED BY: HH

FrameMax, Inc.
13915 Danielson St
Suite 100
Poway, CA 92064
www.framemax.com

FRAME MAX

© FrameMax Inc.

HEIGHT : 9'-4 7/16" POINTS: 0.21 Points.

SPACING : 24"

1st STUD: 16"

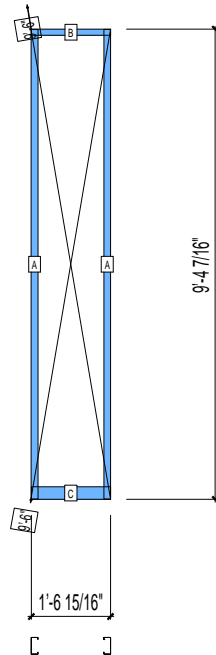
WEIGHTS :

FRAME : 21 lbs

TOTAL: 21 lbs

APPROVED

By hhuynh at 5:44 pm, Nov 18, 2008



PIECES LIST

LABEL	QTY	SIZE	LENGTH	USE
A	2	400S162-33	9'-4 5/16"	STUD
B	1	400T150-33	1'-6 15/16"	TOP TRACK
C	1	400T300-33	1'-6 15/16"	BOTTOM TRACK

12-3072

Jewish Home for the Aging

1885 Victory Blvd. Reseda, CA

FM-07-109

CREATED BY: HH

FrameMax, Inc.
13915 Danielson St
Suite 100
Poway, CA 92064
www.framemax.com

FRAMEMAX

© FrameMax Inc.

HEIGHT : 9'-4 7/16" POINTS: 0.32 Points.

SPACING : 24"

1st STUD: 24"

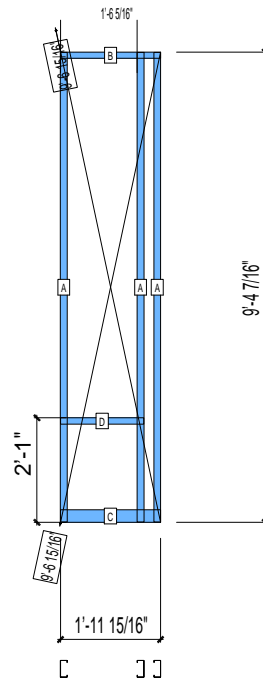
WEIGHTS :

FRAME : 32 lbs

TOTAL: 32 lbs

APPROVED

By hhuynh at 5:44 pm, Nov 18, 2008



PIECES LIST

LABEL	QTY	SIZE	LENGTH	USE
A	3	400S162-33	9'-4 5/16"	STUD
B	1	400T150-33	1'-11 15/16"	TOP TRACK
C	1	400T300-33	1'-11 15/16"	BOTTOM TRACK
D	1	400T150-33	1'-7 7/8"	SILL

12-3073

Jewish Home for the Aging

1885 Victory Blvd. Reseda, CA

FM-07-109

CREATED BY: HH

FrameMax, Inc.
13915 Danielson St
Suite 100
Poway, CA 92064
www.frame-max.com



© FrameMax Inc.

HEIGHT : 9'-4 7/16" POINTS: 0.19 Points.

SPACING : 24"

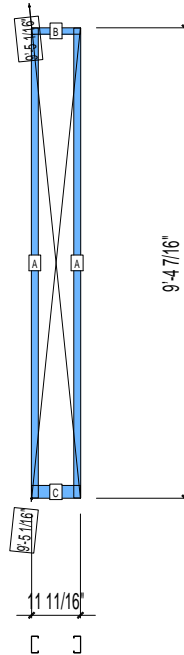
1st STUD: 24"

APPROVED
By hhuynh at 5:44 pm, Nov 18, 2008

WEIGHTS :

FRAME : 19 lbs

TOTAL: 19 lbs



PIECES LIST

LABEL	QTY	SIZE	LENGTH	USE
A	2	400S162-33	9'-4 5/16"	STUD
B	1	400T150-33	11 11/16"	TOP TRACK
C	1	400T300-33	11 11/16"	BOTTOM TRACK

12-3074

Jewish Home for the Aging

1885 Victory Blvd. Reseda, CA

FM-07-109

CREATED BY: HH

FrameMax, Inc.
13915 Danielson St
Suite 100
Poway, CA 92064
www.framemax.com

FRAME MAX

© FrameMax Inc.

HEIGHT : 9'-4 7/16" POINTS: 0.72 Points.

SPACING : 24"

1st STUD: 24"

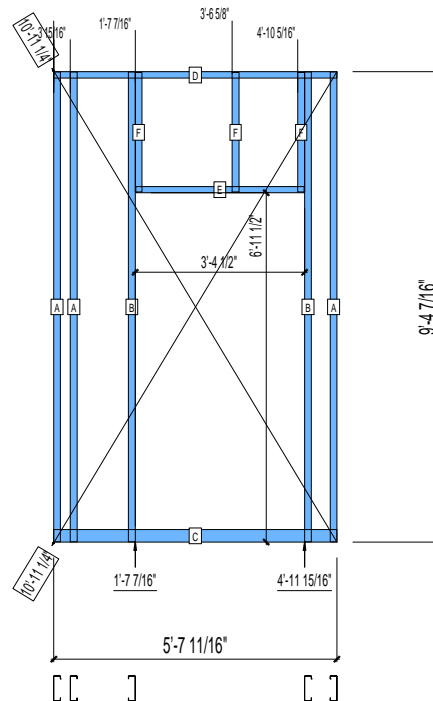
WEIGHTS :

FRAME : 81 lbs

TOTAL: 81 lbs

APPROVED

By hhuynh at 5:44 pm, Nov 18, 2008



PIECES LIST

LABEL	QTY	SIZE	LENGTH	USE
A	3	600S162-33	9'-4 5/16"	STUD
B	2	600S162-33	9'-4 5/16"	KING STUD
C	1	600T300-33	5'-7 11/16"	BOTTOM TRACK
D	1	600T150-33	5'-7 11/16"	TOP TRACK
E	1	600T150-33	3'-4 1/4"	HEAD TRACK
F	3	600S162-33	2'-4 9/16"	CRIPPLE

12-3101

Jewish Home for the Aging

1885 Victory Blvd. Reseda, CA

FM-07-109

CREATED BY: HH

FrameMax, Inc.
13915 Danielson St
Suite 100
Poway, CA 92064
www.frame-max.com

FRAME MAX

© FrameMax Inc.

HEIGHT : 9'-4 7/16" POINTS: 0.52 Points.

SPACING : 24"

1st STUD: 24"

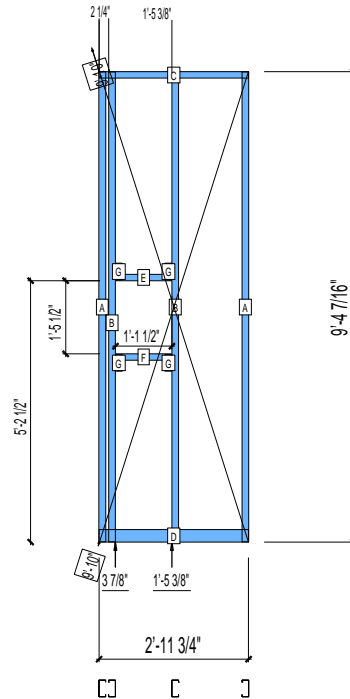
WEIGHTS :

FRAME : 44 lbs

TOTAL: 44 lbs

APPROVED

By hhuynh at 5:44 pm, Nov 18, 2008



PIECES LIST

LABEL	QTY	SIZE	LENGTH	USE
A	2	400S162-33	9'-4 5/16"	STUD
B	2	400S162-33	9'-4 5/16"	KING STUD
C	1	400T150-33	2'-11 3/4"	TOP TRACK
D	1	400T300-33	2'-11 3/4"	BOTTOM TRACK
E	1	400T150-33	1'-1 1/4"	HEAD TRACK
F	1	400T150-33	1'-1 1/4"	SILL
G	4	400S162-33	4"	CRIPPLE

12-3102

Jewish Home for the Aging

1885 Victory Blvd. Reseda, CA

FM-07-109

CREATED BY: HH

FrameMax, Inc.
13915 Danielson St
Suite 100
Poway, CA 92064
www.frame-max.com

FRAME MAX

© FrameMax Inc.

HEIGHT : 9'-4 7/16" POINTS: 0.32 Points.

SPACING : 24"

1st STUD: 24"

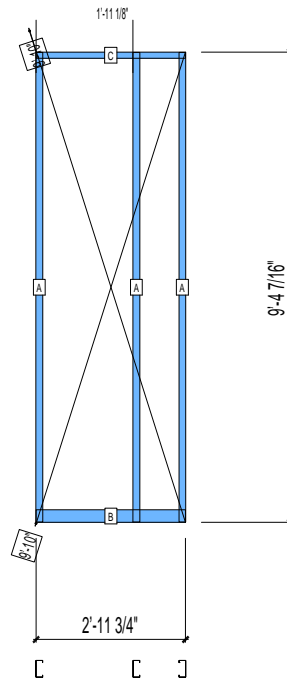
WEIGHTS :

FRAME : 32 lbs

TOTAL: 32 lbs

APPROVED

By hhuynh at 5:44 pm, Nov 18, 2008



PIECES LIST

LABEL	QTY	SIZE	LENGTH	USE
A	3	400S162-33	9'-4 5/16"	STUD
B	1	400T300-33	2'-11 3/4"	BOTTOM TRACK
C	1	400T150-33	2'-11 3/4"	TOP TRACK

12-3103

Jewish Home for the Aging

1885 Victory Blvd. Reseda, CA

FM-07-109

CREATED BY: HH

FrameMax, Inc.
13915 Danielson St
Suite 100
Poway, CA 92064
www.frame-max.com



© FrameMax Inc.

HEIGHT : 9'-4 7/16" POINTS: 0.42 Points.

SPACING : 24"

1st STUD: 8 5/16"

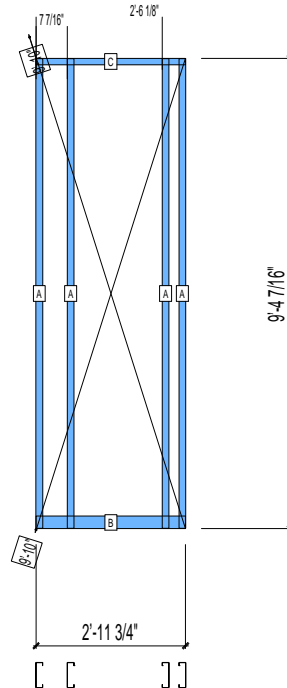
WEIGHTS :

FRAME : 51 lbs

TOTAL: 51 lbs

APPROVED

By hhuynh at 5:44 pm, Nov 18, 2008



PIECES LIST

LABEL	QTY	SIZE	LENGTH	USE
A	4	600S162-33	9'-4 5/16"	STUD
B	1	600T300-33	2'-11 3/4"	BOTTOM TRACK
C	1	600T150-33	2'-11 3/4"	TOP TRACK

12-3104

Jewish Home for the Aging

1885 Victory Blvd. Reseda, CA

FM-07-109

CREATED BY: HH

FrameMax, Inc.
13915 Danielson St
Suite 100
Poway, CA 92064
www.framemax.com



© FrameMax Inc.

HEIGHT : 9'-4 7/16" POINTS: 0.27 Points.

SPACING : 24"

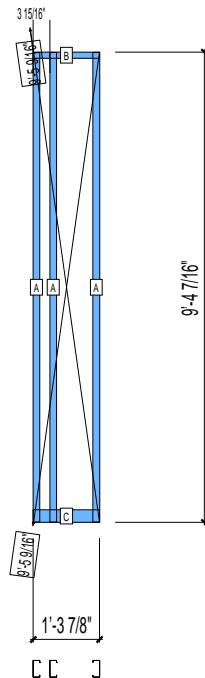
1st STUD: 24"

WEIGHTS :

FRAME : 29 lbs

TOTAL: 29 lbs

APPROVED
By hhuynh at 5:44 pm, Nov 18, 2008



PIECES LIST

LABEL	QTY	SIZE	LENGTH	USE
A	3	400S162-33	9'-4 5/16"	STUD
B	1	400T150-33	1'-3 7/8"	TOP TRACK
C	1	400T300-33	1'-3 7/8"	BOTTOM TRACK

12-3105

Jewish Home for the Aging

1885 Victory Blvd. Reseda, CA

FM-07-109

CREATED BY: HH

FrameMax, Inc.
13915 Danielson St
Suite 100
Poway, CA 92064
www.framemax.com

FRAME MAX

© FrameMax Inc.

HEIGHT : 9'-4 7/16" POINTS: 0.29 Points.

SPACING : 24"

1st STUD: 24"

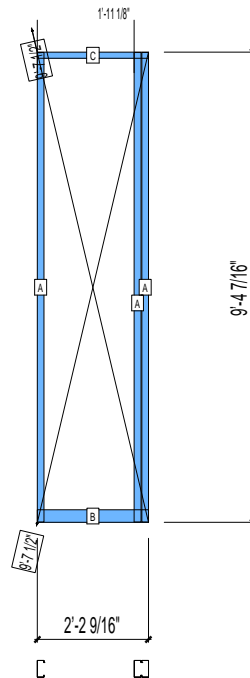
WEIGHTS :

FRAME : 31 lbs

TOTAL: 31 lbs

APPROVED

By hhuynh at 5:44 pm, Nov 18, 2008



PIECES LIST

LABEL	QTY	SIZE	LENGTH	USE
A	3	400S162-33	9'-4 5/16"	STUD
B	1	400T300-33	2'-2 9/16"	BOTTOM TRACK
C	1	400T150-33	2'-2 9/16"	TOP TRACK

12-3106

Jewish Home for the Aging

1885 Victory Blvd. Reseda, CA

FM-07-109

CREATED BY: HH

FrameMax, Inc.
13915 Danielson St
Suite 100
Poway, CA 92064
www.framemax.com

FRAME MAX

© FrameMax Inc.

HEIGHT : 9'-4 7/16" POINTS: 0.85 Points.

SPACING : 24"

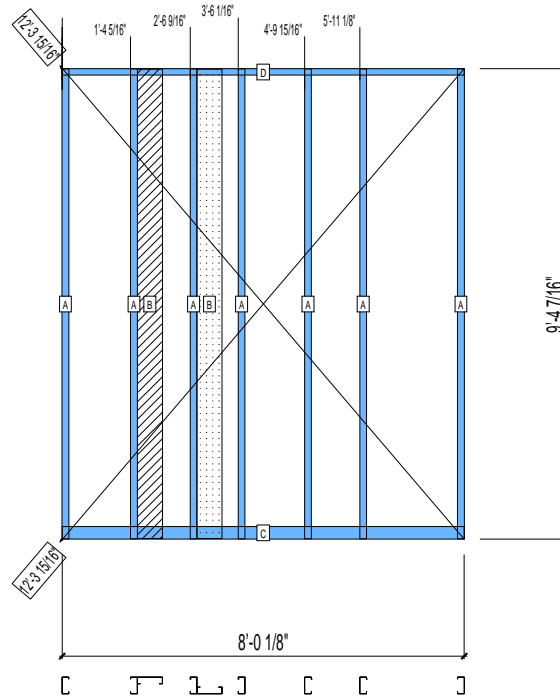
1st STUD: 24"

APPROVED
By hhuynh at 5:44 pm, Nov 18, 2008

WEIGHTS :

FRAME : 99 lbs

TOTAL: 99 lbs



PIECES LIST

LABEL	QTY	SIZE	LENGTH	USE
A	7	400S162-33	9'-4 5/16"	STUD
B	2	600S162-33	9'-4 3/16"	BACKER-U
C	1	400T300-33	8'-0 1/8"	BOTTOM TRACK
D	1	400T150-33	8'-0 1/8"	TOP TRACK

12-3107

Jewish Home for the Aging

1885 Victory Blvd. Reseda, CA

FM-07-109

CREATED BY: HH

FrameMax, Inc.
13915 Danielson St
Suite 100
Poway, CA 92064
www.frame-max.com



© FrameMax Inc.

HEIGHT : 9'-4 7/16" POINTS: 0.67 Points.

SPACING : 24"

1st STUD: 24"

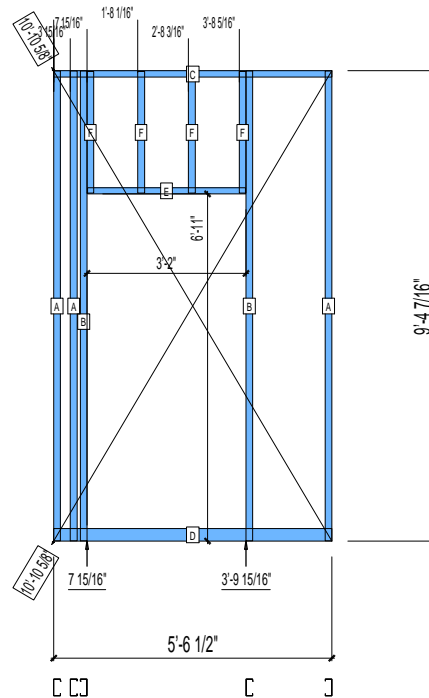
WEIGHTS :

FRAME : 66 lbs

TOTAL: 66 lbs

APPROVED

By hhuynh at 5:44 pm, Nov 18, 2008



PIECES LIST

LABEL	QTY	SIZE	LENGTH	USE
A	3	400S162-33	9'-4 5/16"	STUD
B	2	400S162-33	9'-4 5/16"	KING STUD
C	1	400T150-33	5'-6 1/2"	TOP TRACK
D	1	400T300-33	5'-6 1/2"	BOTTOM TRACK
E	1	400T150-33	3'-1 3/4"	HEAD TRACK
F	4	400S162-33	2'-5 1/16"	CRIPPLE

12-3108

Jewish Home for the Aging

1885 Victory Blvd. Reseda, CA

FM-07-109

CREATED BY: HH

FrameMax, Inc.
13915 Danielson St
Suite 100
Poway, CA 92064
www.frame-max.com



© FrameMax Inc.

HEIGHT : 9'-4 7/16" POINTS: 0.73 Points.

SPACING : 24"

1st STUD: 24"

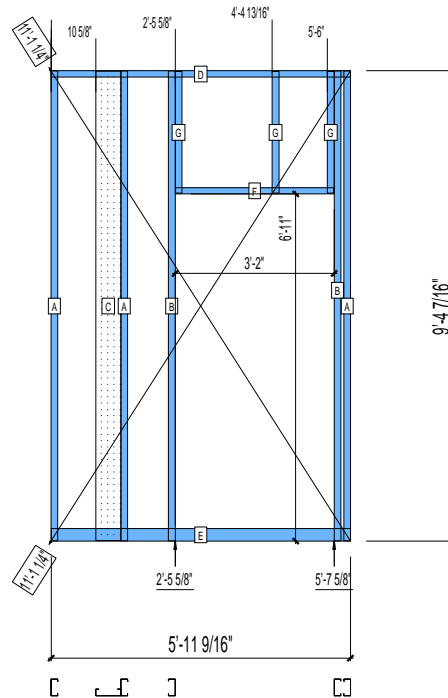
WEIGHTS :

FRAME : 76 lbs

TOTAL: 76 lbs

APPROVED

By hhuynh at 5:44 pm, Nov 18, 2008



PIECES LIST

LABEL	QTY	SIZE	LENGTH	USE
A	3	400S162-33	9'-4 5/16"	STUD
B	2	400S162-33	9'-4 5/16"	KING STUD
C	1	600S162-33	9'-4 3/16"	BACKER-U
D	1	400T150-33	5'-11 9/16"	TOP TRACK
E	1	400T300-33	5'-11 9/16"	BOTTOM TRACK
F	1	400T150-33	3'-1 3/4"	HEAD TRACK
G	3	400S162-33	2'-5 1/16"	CRIPPLE

12-3109

Jewish Home for the Aging

1885 Victory Blvd. Reseda, CA

FM-07-109

CREATED BY: HH

FrameMax, Inc.
13915 Danielson St
Suite 100
Poway, CA 92064
www.framemax.com

FRAME MAX

© FrameMax Inc.

HEIGHT : 9'-4 7/16" POINTS: 0.42 Points.

SPACING : 24"

1st STUD: 24"

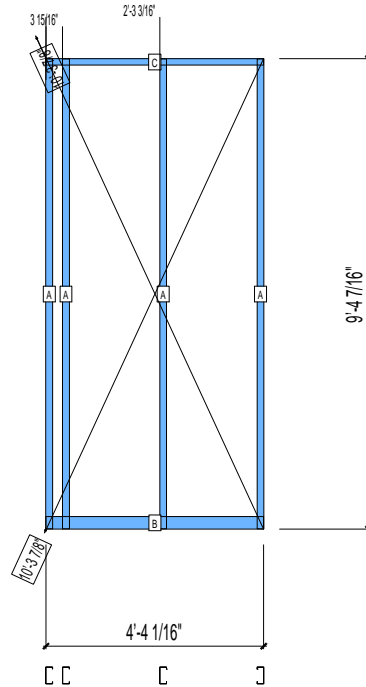
WEIGHTS :

FRAME : 44 lbs

TOTAL: 44 lbs

APPROVED

By hhuynh at 5:44 pm, Nov 18, 2008



PIECES LIST

LABEL	QTY	SIZE	LENGTH	USE
A	4	400S162-33	9'-4 5/16"	STUD
B	1	400T300-33	4'-4 1/16"	BOTTOM TRACK
C	1	400T150-33	4'-4 1/16"	TOP TRACK

12-3110

Jewish Home for the Aging

1885 Victory Blvd. Reseda, CA

FM-07-109

CREATED BY: HH

FrameMax, Inc.
13915 Danielson St
Suite 100
Poway, CA 92064
www.frame-max.com

FRAME MAX

© FrameMax Inc.

HEIGHT : 9'-4 7/16" POINTS: 0.19 Points.

SPACING : 24"

1st STUD: 24"

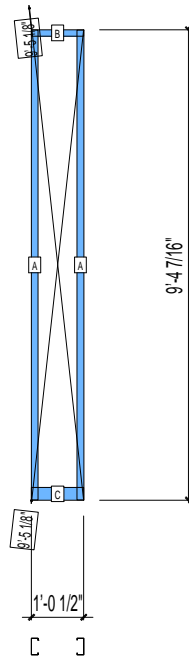
WEIGHTS :

FRAME : 19 lbs

TOTAL: 19 lbs

APPROVED

By hhuynh at 5:44 pm, Nov 18, 2008



PIECES LIST

LABEL	QTY	SIZE	LENGTH	USE
A	2	400S162-33	9'-4 5/16"	STUD
B	1	400T150-33	1'-0 1/2"	TOP TRACK
C	1	400T300-33	1'-0 1/2"	BOTTOM TRACK

12-3111

Jewish Home for the Aging

1885 Victory Blvd. Reseda, CA

FM-07-109

CREATED BY: HH

FrameMax, Inc.
13915 Danielson St
Suite 100
Poway, CA 92064
www.frame-max.com

FRAME MAX

© FrameMax Inc.

HEIGHT : 9'-4 7/16" POINTS: 0.47 Points.

SPACING : 24"

1st STUD: 24"

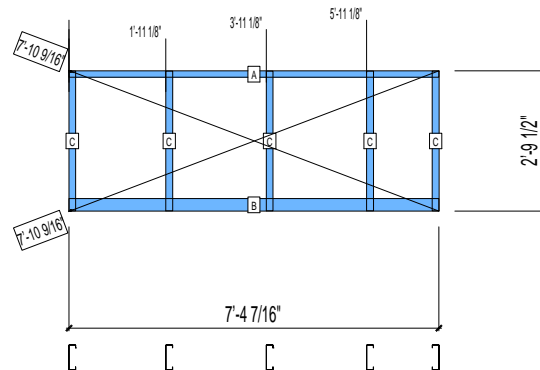
WEIGHTS :

FRAME : 35 lbs

TOTAL: 35 lbs

APPROVED

By hhuynh at 5:44 pm, Nov 18, 2008



PIECES LIST

LABEL	QTY	SIZE	LENGTH	USE
A	1	600T150-33	7'-4 7/16"	TOP TRACK
B	1	600T300-33	7'-4 7/16"	BOTTOM TRACK
C	5	600S162-33	2'-9 3/8"	STUD

12-3112

Jewish Home for the Aging

1885 Victory Blvd. Reseda, CA

FrameMax, Inc.
13915 Danielson St
Suite 100
Poway, CA 92064
www.frame-max.com



© FrameMax Inc.

CREATED: 11/14/2008

FM-07-109

CREATED BY: HH

HEIGHT : 9'-4 7/16" POINTS: 0.22 Points.

SPACING : 24"

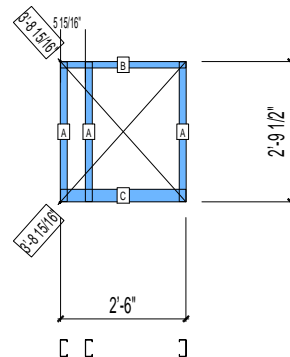
1st STUD: 24"

APPROVED
By hhuynh at 5:44 pm, Nov 18, 2008

WEIGHTS :

FRAME : 13 lbs

TOTAL: 13 lbs



PIECES LIST

LABEL	QTY	SIZE	LENGTH	USE
A	3	400S162-33	2'-9 3/8"	STUD
B	1	400T150-33	2'-6"	TOP TRACK
C	1	400T300-33	2'-6"	BOTTOM TRACK

12-3113

Jewish Home for the Aging

1885 Victory Blvd. Reseda, CA

FM-07-109

CREATED BY: HH

FrameMax, Inc.
13915 Danielson St
Suite 100
Poway, CA 92064
www.frame-max.com

FRAME MAX

© FrameMax Inc.

HEIGHT : 9'-4 7/16" POINTS: 0.30 Points.

SPACING : 24"

1st STUD: 24"

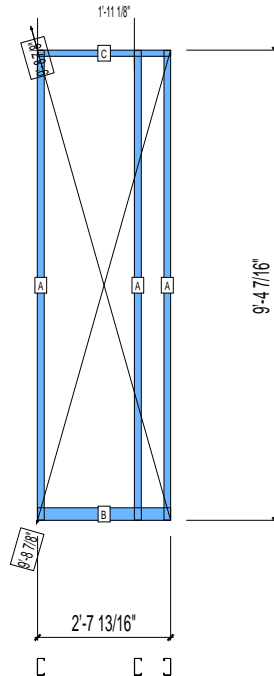
WEIGHTS :

FRAME : 31 lbs

TOTAL: 31 lbs

APPROVED

By hhuynh at 5:44 pm, Nov 18, 2008



PIECES LIST

LABEL	QTY	SIZE	LENGTH	USE
A	3	400S162-33	9'-4 5/16"	STUD
B	1	400T300-33	2'-7 13/16"	BOTTOM TRACK
C	1	400T150-33	2'-7 13/16"	TOP TRACK

12-3114

Jewish Home for the Aging

1885 Victory Blvd. Reseda, CA

FM-07-109

CREATED BY: HH

FrameMax, Inc.
13915 Danielson St
Suite 100
Poway, CA 92064
www.framemax.com

FRAME MAX

© FrameMax Inc.

HEIGHT : 9'-4 7/16" POINTS: 0.42 Points.

SPACING : 24"

1st STUD: 24"

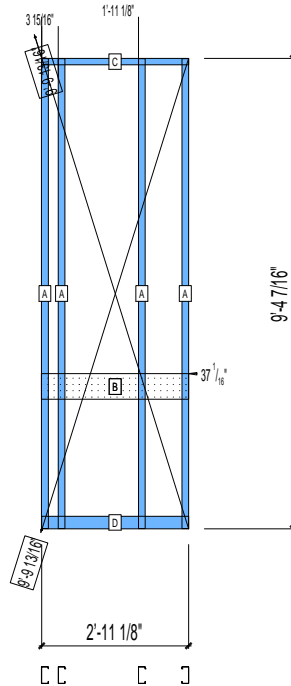
WEIGHTS :

FRAME : 46 lbs

TOTAL: 46 lbs

APPROVED

By hhuynh at 5:44 pm, Nov 18, 2008



PIECES LIST

LABEL	QTY	SIZE	LENGTH	USE
A	4	400S162-33	9'-4 5/16"	STUD
B	1	600T150-54	2'-11 3/16"	GRAB BAR
C	1	400T150-33	2'-11 1/8"	TOP TRACK
D	1	400T300-33	2'-11 1/8"	BOTTOM TRACK

12-3115

Jewish Home for the Aging

1885 Victory Blvd. Reseda, CA

FM-07-109

CREATED BY: HH

FrameMax, Inc.
13915 Danielson St
Suite 100
Poway, CA 92064
www.frame-max.com

FRAME MAX

© FrameMax Inc.

HEIGHT : 9'-4 7/16" POINTS: 0.32 Points.

SPACING : 24"

1st STUD: 24"

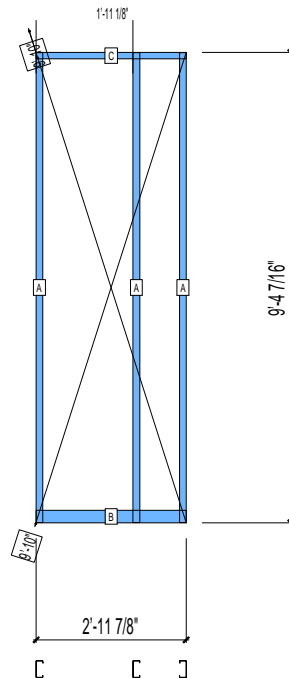
WEIGHTS :

FRAME : 32 lbs

TOTAL: 32 lbs

APPROVED

By hhuynh at 5:44 pm, Nov 18, 2008



PIECES LIST

LABEL	QTY	SIZE	LENGTH	USE
A	3	400S162-33	9'-4 5/16"	STUD
B	1	400T300-33	2'-11 7/8"	BOTTOM TRACK
C	1	400T150-33	2'-11 7/8"	TOP TRACK

12-3116

Jewish Home for the Aging

1885 Victory Blvd. Reseda, CA

FM-07-109

CREATED BY: HH

FrameMax, Inc.
13915 Danielson St
Suite 100
Poway, CA 92064
www.frame-max.com

FRAME MAX

© FrameMax Inc.

HEIGHT : 9'-4 7/16" POINTS: 0.38 Points.

SPACING : 24"

1st STUD: 16"

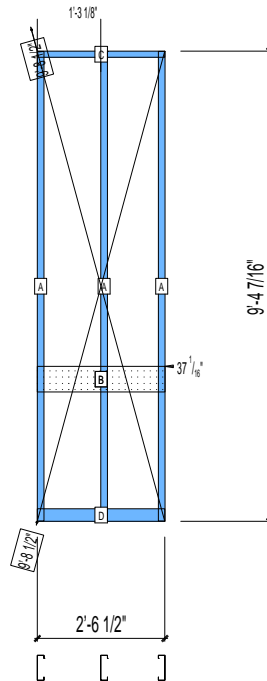
WEIGHTS :

FRAME : 44 lbs

TOTAL: 44 lbs

APPROVED

By hhuynh at 5:44 pm, Nov 18, 2008



PIECES LIST

LABEL	QTY	SIZE	LENGTH	USE
A	3	600S162-33	9'-4 5/16"	STUD
B	1	600T150-54	2'-6 9/16"	GRAB BAR
C	1	600T150-33	2'-6 1/2"	TOP TRACK
D	1	600T300-33	2'-6 1/2"	BOTTOM TRACK

12-3117

Jewish Home for the Aging

1885 Victory Blvd. Reseda, CA

FM-07-109

CREATED BY: HH

FrameMax, Inc.
13915 Danielson St
Suite 100
Poway, CA 92064
www.frame-max.com

FRAME MAX

© FrameMax Inc.

HEIGHT : 9'-4 7/16" POINTS: 0.40 Points.

SPACING : 24"

1st STUD: 24"

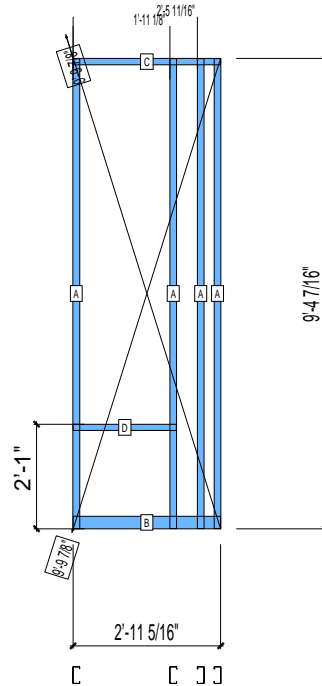
WEIGHTS :

FRAME : 42 lbs

TOTAL: 42 lbs

APPROVED

By hhuynh at 5:44 pm, Nov 18, 2008



PIECES LIST

LABEL	QTY	SIZE	LENGTH	USE
A	4	400S162-33	9'-4 5/16"	STUD
B	1	400T300-33	2'-11 5/16"	BOTTOM TRACK
C	1	400T150-33	2'-11 5/16"	TOP TRACK
D	1	400T150-33	2'-0 11/16"	SILL

12-3118

Jewish Home for the Aging

1885 Victory Blvd. Reseda, CA

FM-07-109

CREATED BY: HH

FrameMax, Inc.
13915 Danielson St
Suite 100
Poway, CA 92064
www.framemax.com

FRAME MAX

© FrameMax Inc.

HEIGHT : 9'-4 7/16" POINTS: 0.22 Points.

SPACING : 24"

1st STUD: 16"

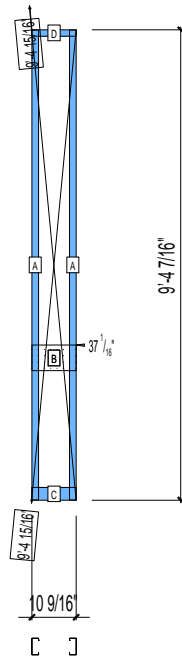
WEIGHTS :

FRAME : 21 lbs

TOTAL: 21 lbs

APPROVED

By hhuynh at 5:44 pm, Nov 18, 2008



PIECES LIST

LABEL	QTY	SIZE	LENGTH	USE
A	2	400S162-33	9'-4 5/16"	STUD
B	1	600T150-54	10 5/8"	GRAB BAR
C	1	400T300-33	10 9/16"	BOTTOM TRACK
D	1	400T150-33	10 9/16"	TOP TRACK

12-3119

Jewish Home for the Aging

1885 Victory Blvd. Reseda, CA

FM-07-109

CREATED BY: HH

FrameMax, Inc.
13915 Danielson St
Suite 100
Poway, CA 92064
www.frame-max.com

FRAME MAX

© FrameMax Inc.

HEIGHT : 9'-4 7/16" POINTS: 0.71 Points.

SPACING : 24"

1st STUD: 24"

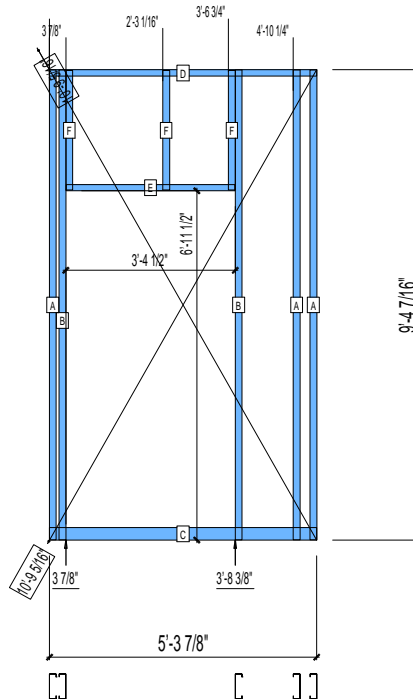
WEIGHTS :

FRAME : 80 lbs

TOTAL: 80 lbs

APPROVED

By hhuynh at 5:44 pm, Nov 18, 2008



PIECES LIST

LABEL	QTY	SIZE	LENGTH	USE
A	3	600S162-33	9'-4 5/16"	STUD
B	2	600S162-33	9'-4 5/16"	KING STUD
C	1	600T300-33	5'-3 7/8"	BOTTOM TRACK
D	1	600T150-33	5'-3 7/8"	TOP TRACK
E	1	600T150-33	3'-4 1/4"	HEAD TRACK
F	3	600S162-33	2'-4 9/16"	CRIPPLE

12-3120

Jewish Home for the Aging

1885 Victory Blvd. Reseda, CA

FM-07-109

CREATED BY: HH

FrameMax, Inc.
13915 Danielson St
Suite 100
Poway, CA 92064
www.frame-max.com



© FrameMax Inc.

HEIGHT : 9'-4 7/16" POINTS: 0.19 Points.

SPACING : 24"

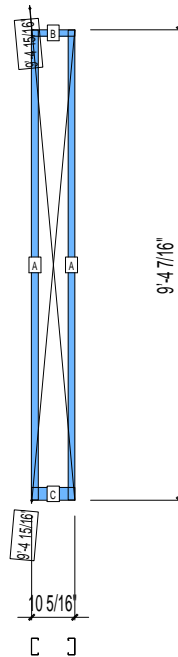
1st STUD: 16"

APPROVED
By hhuynh at 5:44 pm, Nov 18, 2008

WEIGHTS :

FRAME : 19 lbs

TOTAL: 19 lbs



PIECES LIST

LABEL	QTY	SIZE	LENGTH	USE
A	2	400S162-33	9'-4 5/16"	STUD
B	1	400T150-33	10 5/16"	TOP TRACK
C	1	400T300-33	10 5/16"	BOTTOM TRACK

12-3151

Jewish Home for the Aging

1885 Victory Blvd. Reseda, CA

FM-07-109

CREATED BY: HH

FrameMax, Inc.
13915 Danielson St
Suite 100
Poway, CA 92064
www.frame-max.com



© FrameMax Inc.

HEIGHT : 9'-4 7/16" POINTS: 1.00 Points.

SPACING : 24"

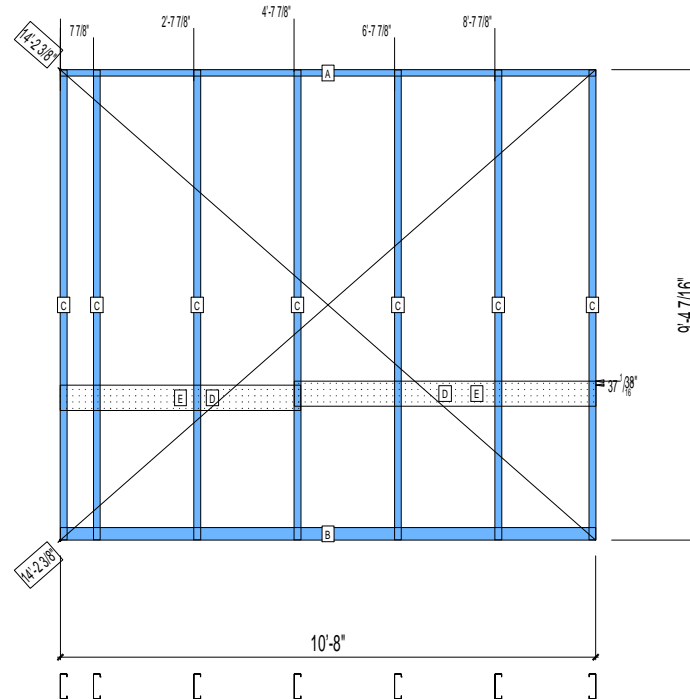
1st STUD: 8 3/4"

WEIGHTS :

FRAME : 119 lbs

TOTAL: 119 lbs

APPROVED
By hhuynh at 5:44 pm, Nov 18, 2008



PIECES LIST

LABEL	QTY	SIZE	LENGTH	USE
A	1	600T150-33	10'-8"	TOP TRACK
B	1	600T300-33	10'-8"	BOTTOM TRACK
C	7	600S162-33	9'-4 5/16"	STUD
D	1	600D-54	6'-0 1/16"	VANITY BACKING
E	1	600T150-54	4'-9 1/2"	GRAB BAR

12-3152

Jewish Home for the Aging

1885 Victory Blvd. Reseda, CA

FM-07-109

CREATED BY: HH

FrameMax, Inc.
13915 Danielson St
Suite 100
Poway, CA 92064
www.frame-max.com



© FrameMax Inc.

HEIGHT : 9'-4 7/16" POINTS: 0.21 Points.

SPACING : 24"

1st STUD: 24"

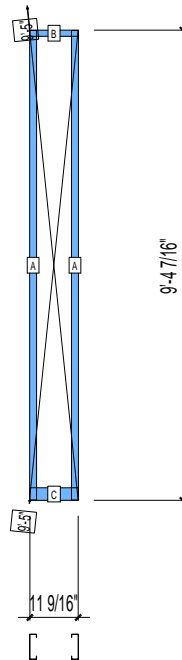
WEIGHTS :

FRAME : 24 lbs

TOTAL: 24 lbs

APPROVED

By hhuynh at 5:44 pm, Nov 18, 2008



PIECES LIST

LABEL	QTY	SIZE	LENGTH	USE
A	2	600S162-33	9'-4 5/16"	STUD
B	1	600T150-33	11 9/16"	TOP TRACK
C	1	600T300-33	11 9/16"	BOTTOM TRACK

12-3153

Jewish Home for the Aging

1885 Victory Blvd. Reseda, CA

FM-07-109

CREATED BY: HH

FrameMax, Inc.
13915 Danielson St
Suite 100
Poway, CA 92064
www.framemax.com

FRAME MAX

© FrameMax Inc.

HEIGHT : 9'-4 7/16" POINTS: 0.41 Points.

SPACING : 5000"

1st STUD: 5000"

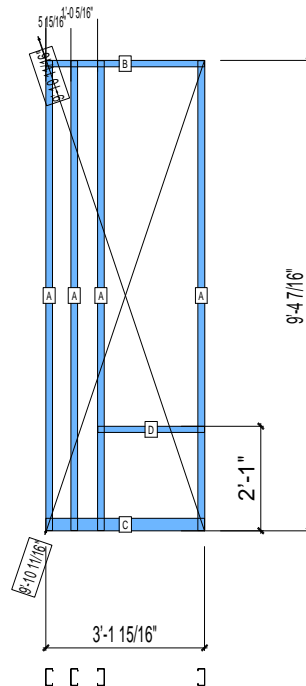
WEIGHTS :

FRAME : 43 lbs

TOTAL: 43 lbs

APPROVED

By hhuynh at 5:44 pm, Nov 18, 2008



PIECES LIST

LABEL	QTY	SIZE	LENGTH	USE
A	4	400S162-33	9'-4 5/16"	STUD
B	1	400T150-33	3'-1 15/16"	TOP TRACK
C	1	400T300-33	3'-1 15/16"	BOTTOM TRACK
D	1	400T150-33	2'-1 1/2"	SILL

12-3154

Jewish Home for the Aging

1885 Victory Blvd. Reseda, CA

FM-07-109

CREATED BY: HH

FrameMax, Inc.
13915 Danielson St
Suite 100
Poway, CA 92064
www.frame-max.com



© FrameMax Inc.

HEIGHT : 9'-4 7/16" POINTS: 0.56 Points.

SPACING : 24"

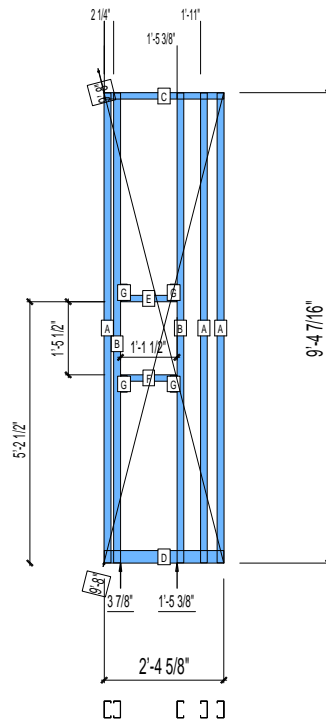
1st STUD: 24"

WEIGHTS :

FRAME : 51 lbs

TOTAL: 51 lbs

APPROVED
By hhuynh at 5:44 pm, Nov 18, 2008



PIECES LIST

LABEL	QTY	SIZE	LENGTH	USE
A	3	400S162-33	9'-4 5/16"	STUD
B	2	400S162-33	9'-4 5/16"	KING STUD
C	1	400T150-33	2'-4 5/8"	TOP TRACK
D	1	400T300-33	2'-4 5/8"	BOTTOM TRACK
E	1	400T150-33	1'-1 1/4"	HEAD TRACK
F	1	400T150-33	1'-1 1/4"	SILL
G	4	400S162-33	4"	CRIPPLE

12-3155

Jewish Home for the Aging

1885 Victory Blvd. Reseda, CA

FM-07-109

CREATED BY: HH

FrameMax, Inc.
13915 Danielson St
Suite 100
Poway, CA 92064
www.frame-max.com

FRAME MAX

© FrameMax Inc.

HEIGHT : 9'-4 7/16" POINTS: 0.31 Points.

SPACING : 5000"

1st STUD: 16"

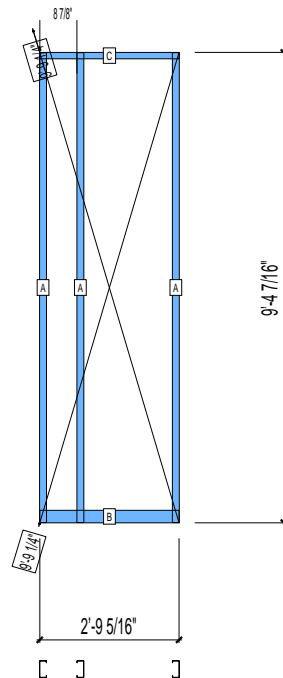
WEIGHTS :

FRAME : 32 lbs

TOTAL: 32 lbs

APPROVED

By hhuynh at 5:44 pm, Nov 18, 2008



PIECES LIST

LABEL	QTY	SIZE	LENGTH	USE
A	3	400S162-33	9'-4 5/16"	STUD
B	1	400T300-33	2'-9 5/16"	BOTTOM TRACK
C	1	400T150-33	2'-9 5/16"	TOP TRACK

12-3156

Jewish Home for the Aging

1885 Victory Blvd. Reseda, CA

FM-07-109

CREATED BY: HH

FrameMax, Inc.
13915 Danielson St
Suite 100
Poway, CA 92064
www.frame-max.com



© FrameMax Inc.

HEIGHT : 9'-4 7/16" POINTS: 0.35 Points.

SPACING : 5000"

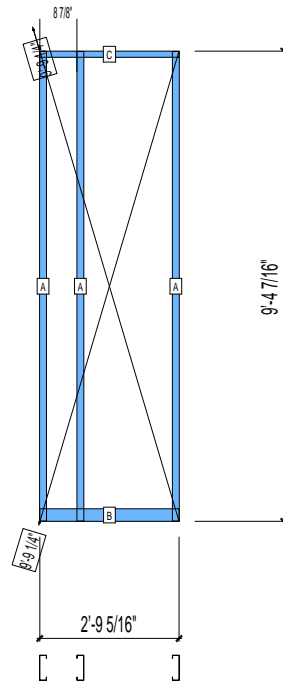
1st STUD: 5000"

APPROVED
By hhuynh at 5:44 pm, Nov 18, 2008

WEIGHTS :

FRAME : 40 lbs

TOTAL: 40 lbs



PIECES LIST

LABEL	QTY	SIZE	LENGTH	USE
A	3	600S162-33	9'-4 5/16"	STUD
B	1	600T300-33	2'-9 5/16"	BOTTOM TRACK
C	1	600T150-33	2'-9 5/16"	TOP TRACK

12-3157

Jewish Home for the Aging

1885 Victory Blvd. Reseda, CA

FM-07-109

CREATED BY: HH

FrameMax, Inc.
13915 Danielson St
Suite 100
Poway, CA 92064
www.framemax.com

FRAME MAX

© FrameMax Inc.

HEIGHT : 9'-4 7/16" POINTS: 0.38 Points.

SPACING : 24"

1st STUD: 24"

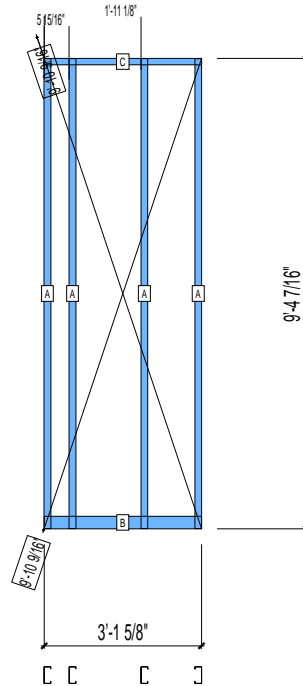
WEIGHTS :

FRAME : 41 lbs

TOTAL: 41 lbs

APPROVED

By hhuynh at 5:44 pm, Nov 18, 2008



PIECES LIST

LABEL	QTY	SIZE	LENGTH	USE
A	4	400S162-33	9'-4 5/16"	STUD
B	1	400T300-33	3'-1 5/8"	BOTTOM TRACK
C	1	400T150-33	3'-1 5/8"	TOP TRACK

12-3158

Jewish Home for the Aging

1885 Victory Blvd. Reseda, CA

FM-07-109

CREATED BY: HH

FrameMax, Inc.
13915 Danielson St
Suite 100
Poway, CA 92064
www.framemax.com

FRAME MAX

© FrameMax Inc.

HEIGHT : 9'-4 7/16" POINTS: 0.27 Points.

SPACING : 24"

1st STUD: 24"

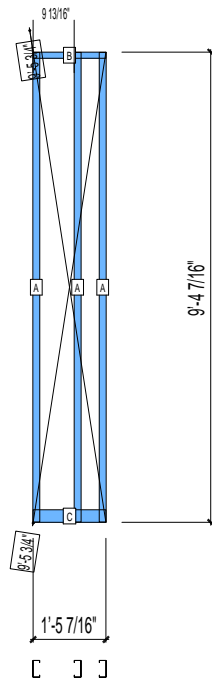
WEIGHTS :

FRAME : 29 lbs

TOTAL: 29 lbs

APPROVED

By hhuynh at 5:44 pm, Nov 18, 2008



PIECES LIST

LABEL	QTY	SIZE	LENGTH	USE
A	3	400S162-33	9'-4 5/16"	STUD
B	1	400T150-33	1'-5 7/16"	TOP TRACK
C	1	400T300-33	1'-5 7/16"	BOTTOM TRACK

12-3159

Jewish Home for the Aging

1885 Victory Blvd. Reseda, CA

FM-07-109

CREATED BY: HH

FrameMax, Inc.
13915 Danielson St
Suite 100
Poway, CA 92064
www.frame-max.com



© FrameMax Inc.

HEIGHT : 9'-4 7/16" POINTS: 0.34 Points.

SPACING : 24"

1st STUD: 24"

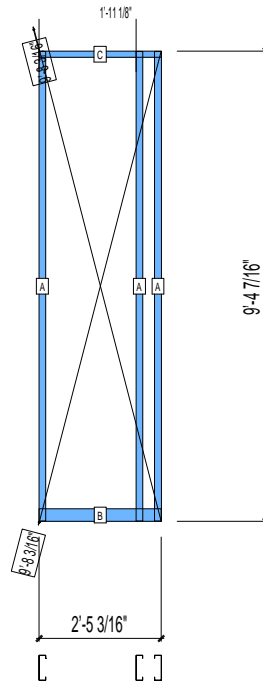
WEIGHTS :

FRAME : 39 lbs

TOTAL: 39 lbs

APPROVED

By hhuynh at 5:44 pm, Nov 18, 2008



PIECES LIST

LABEL	QTY	SIZE	LENGTH	USE
A	3	600S162-33	9'-4 5/16"	STUD
B	1	600T300-33	2'-5 3/16"	BOTTOM TRACK
C	1	600T150-33	2'-5 3/16"	TOP TRACK

12-3160

Jewish Home for the Aging

1885 Victory Blvd. Reseda, CA

FM-07-109

CREATED BY: HH

FrameMax, Inc.
13915 Danielson St
Suite 100
Poway, CA 92064
www.frame-max.com



© FrameMax Inc.

HEIGHT : 9'-4 7/16" POINTS: 1.25 Points.

SPACING : 24"

1st STUD: 8 1/2"

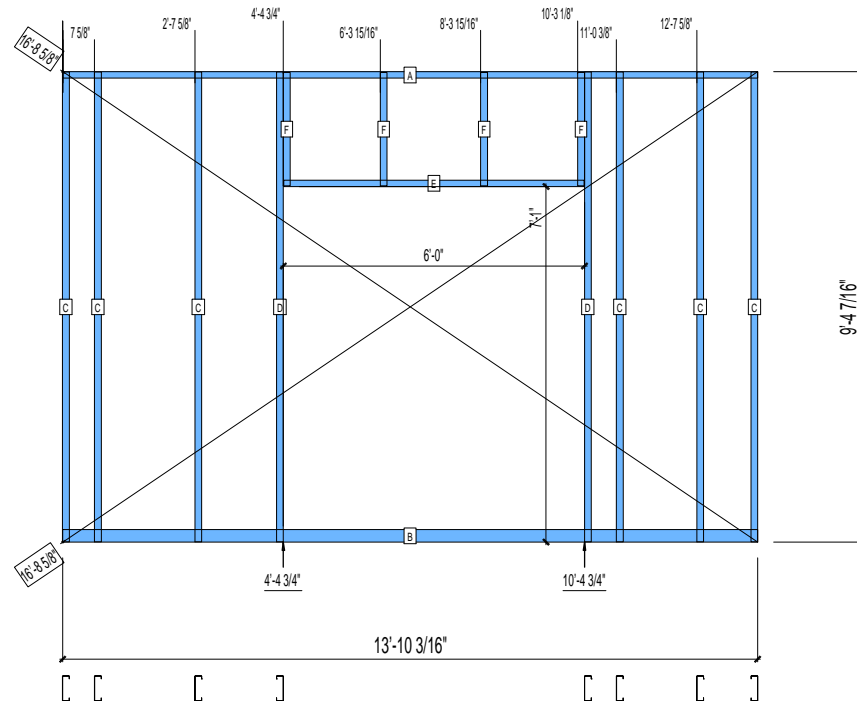
APPROVED

By hhuynh at 5:44 pm, Nov 18, 2008

WEIGHTS :

FRAME : 139 lbs

TOTAL: 139 lbs



PIECES LIST

LABEL	QTY	SIZE	LENGTH	USE
A	1	600T150-33	13'-10 3/16"	TOP TRACK
B	1	600T300-33	13'-10 3/16"	BOTTOM TRACK
C	6	600S162-33	9'-4 5/16"	STUD
D	2	600S162-33	9'-4 5/16"	KING STUD
E	1	600T150-33	5'-11 3/4"	HEAD TRACK
F	4	600S162-33	2'-3 1/16"	CRIPPLE

12-3161

Jewish Home for the Aging

1885 Victory Blvd. Reseda, CA

FM-07-109

CREATED BY: HH

FrameMax, Inc.
13915 Danielson St
Suite 100
Poway, CA 92064
www.framemax.com

FRAME MAX

© FrameMax Inc.

HEIGHT : 9'-4 7/16" POINTS: 0.50 Points.

SPACING : 24"

1st STUD: 16"

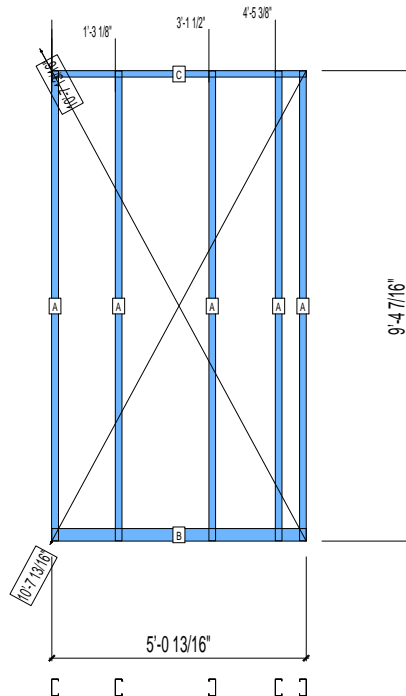
WEIGHTS :

FRAME : 54 lbs

TOTAL: 54 lbs

APPROVED

By hhuynh at 5:44 pm, Nov 18, 2008



PIECES LIST

LABEL	QTY	SIZE	LENGTH	USE
A	5	400S162-33	9'-4 5/16"	STUD
B	1	400T300-33	5'-0 13/16"	BOTTOM TRACK
C	1	400T150-33	5'-0 13/16"	TOP TRACK

12-3162

Jewish Home for the Aging

1885 Victory Blvd. Reseda, CA

FM-07-109

CREATED BY: HH

FrameMax, Inc.
13915 Danielson St
Suite 100
Poway, CA 92064
www.frame-max.com

FRAME MAX

© FrameMax Inc.

HEIGHT : 9'-4 7/16" POINTS: 0.70 Points.

SPACING : 24"

1st STUD: 24"

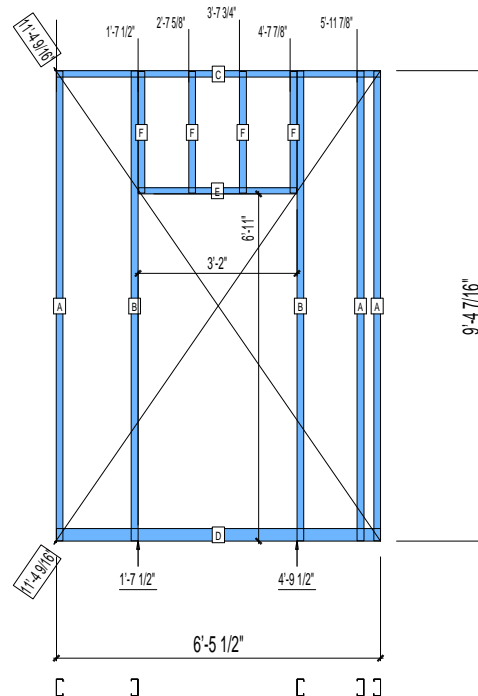
WEIGHTS :

FRAME : 68 lbs

TOTAL: 68 lbs

APPROVED

By hhuynh at 5:44 pm, Nov 18, 2008



PIECES LIST

LABEL	QTY	SIZE	LENGTH	USE
A	3	400S162-33	9'-4 5/16"	STUD
B	2	400S162-33	9'-4 5/16"	KING STUD
C	1	400T150-33	6'-5 1/2"	TOP TRACK
D	1	400T300-33	6'-5 1/2"	BOTTOM TRACK
E	1	400T150-33	3'-1 3/4"	HEAD TRACK
F	4	400S162-33	2'-5 1/16"	CRIPPLE

12-3163

Jewish Home for the Aging

1885 Victory Blvd. Reseda, CA

FM-07-109

CREATED BY: HH

FrameMax, Inc.
13915 Danielson St
Suite 100
Poway, CA 92064
www.framemax.com

FRAME MAX

© FrameMax Inc.

HEIGHT : 9'-4 7/16" POINTS: 0.33 Points.

SPACING : 24"

1st STUD: 24"

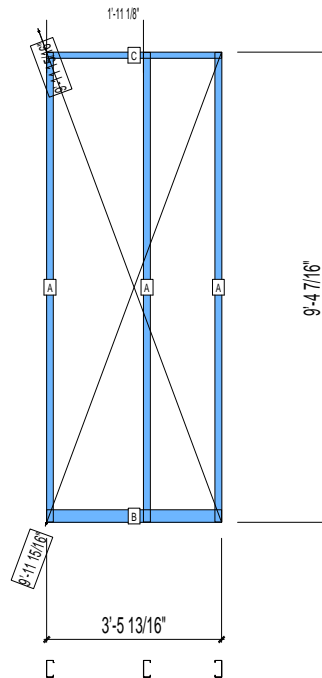
WEIGHTS :

FRAME : 33 lbs

TOTAL: 33 lbs

APPROVED

By hhuynh at 5:44 pm, Nov 18, 2008



PIECES LIST

LABEL	QTY	SIZE	LENGTH	USE
A	3	400S162-33	9'-4 5/16"	STUD
B	1	400T300-33	3'-5 13/16"	BOTTOM TRACK
C	1	400T150-33	3'-5 13/16"	TOP TRACK

12-3164

Jewish Home for the Aging

1885 Victory Blvd. Reseda, CA

FM-07-109

CREATED BY: HH

FrameMax, Inc.
13915 Danielson St
Suite 100
Poway, CA 92064
www.framemax.com

FRAME MAX

© FrameMax Inc.

HEIGHT : 9'-4 7/16" POINTS: 0.30 Points.

SPACING : 24"

1st STUD: 24"

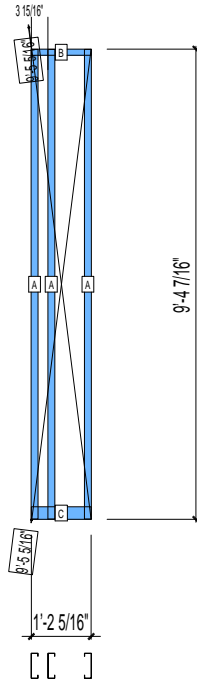
WEIGHTS :

FRAME : 36 lbs

TOTAL: 36 lbs

APPROVED

By hhuynh at 5:44 pm, Nov 18, 2008



PIECES LIST

LABEL	QTY	SIZE	LENGTH	USE
A	3	600S162-33	9'-4 5/16"	STUD
B	1	600T150-33	1'-2 5/16"	TOP TRACK
C	1	600T300-33	1'-2 5/16"	BOTTOM TRACK

12-3165

Jewish Home for the Aging

1885 Victory Blvd. Reseda, CA

FM-07-109

CREATED BY: HH

FrameMax, Inc.
13915 Danielson St
Suite 100
Poway, CA 92064
www.frame-max.com



© FrameMax Inc.

HEIGHT : 9'-4 7/16" POINTS: 0.19 Points.

SPACING : 24"

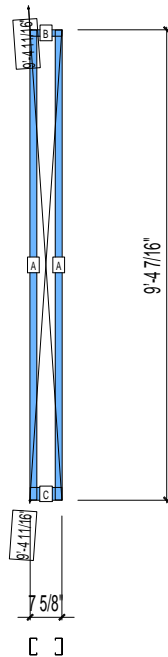
1st STUD: 24"

APPROVED
By hhuynh at 5:44 pm, Nov 18, 2008

WEIGHTS :

FRAME : 19 lbs

TOTAL: 19 lbs



PIECES LIST

LABEL	QTY	SIZE	LENGTH	USE
A	2	400S162-33	9'-4 5/16"	STUD
B	1	400T150-33	7 5/8"	TOP TRACK
C	1	400T300-33	7 5/8"	BOTTOM TRACK

12-3166

Jewish Home for the Aging

1885 Victory Blvd. Reseda, CA

FM-07-109

CREATED BY: HH

FrameMax, Inc.
13915 Danielson St
Suite 100
Poway, CA 92064
www.frame-max.com



© FrameMax Inc.

HEIGHT : 9'-4 7/16" POINTS: 0.95 Points.

SPACING : 24"

1st STUD: 7 3/16"

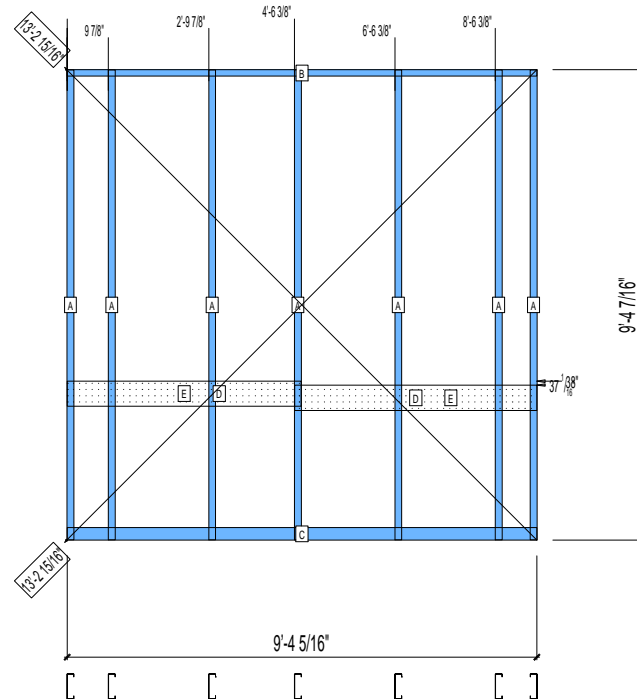
WEIGHTS :

FRAME : 114 lbs

TOTAL: 114 lbs

APPROVED

By hhuynh at 5:44 pm, Nov 18, 2008



PIECES LIST

LABEL	QTY	SIZE	LENGTH	USE
A	7	600S162-33	9'-4 5/16"	STUD
B	1	600T150-33	9'-4 5/16"	TOP TRACK
C	1	600T300-33	9'-4 5/16"	BOTTOM TRACK
D	1	600T150-54	4'-9 7/8"	GRAB BAR
E	1	600D-54	4'-7 7/8"	VANITY BACKING

12-3167

Jewish Home for the Aging

1885 Victory Blvd. Reseda, CA

FM-07-109

CREATED BY: HH

FrameMax, Inc.
13915 Danielson St
Suite 100
Poway, CA 92064
www.frame-max.com

FRAME MAX

© FrameMax Inc.

HEIGHT : 9'-4 7/16" POINTS: 0.99 Points.

SPACING : 5000"

1st STUD: 5000"

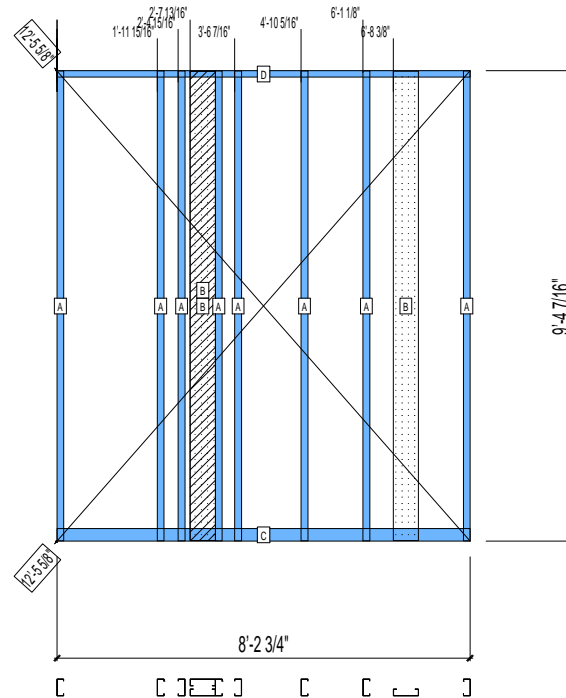
WEIGHTS :

FRAME : 119 lbs

TOTAL: 119 lbs

APPROVED

By hhuynh at 5:44 pm, Nov 18, 2008



PIECES LIST

LABEL	QTY	SIZE	LENGTH	USE
A	8	400S162-33	9'-4 5/16"	STUD
B	3	600S162-33	9'-4 3/16"	BACKER-U
C	1	400T300-33	8'-2 3/4"	BOTTOM TRACK
D	1	400T150-33	8'-2 3/4"	TOP TRACK

12-3168

Jewish Home for the Aging

1885 Victory Blvd. Reseda, CA

FM-07-109

CREATED BY: HH

FrameMax, Inc.
13915 Danielson St
Suite 100
Poway, CA 92064
www.framemax.com

FRAME MAX

© FrameMax Inc.

HEIGHT : 9'-4 7/16" POINTS: 0.50 Points.

SPACING : 24"

1st STUD: 6 1/2"

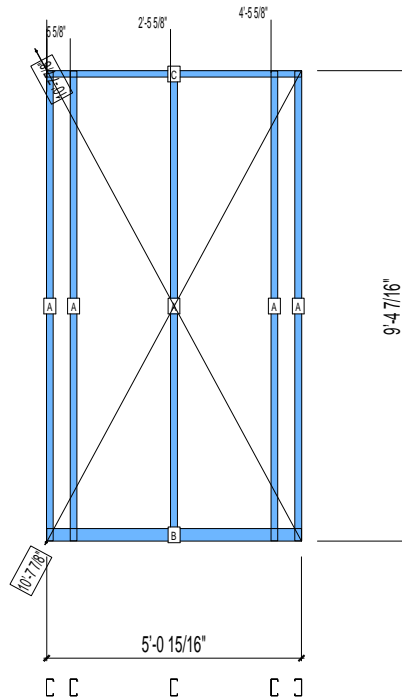
WEIGHTS :

FRAME : 54 lbs

TOTAL: 54 lbs

APPROVED

By hhuynh at 5:44 pm, Nov 18, 2008



PIECES LIST

LABEL	QTY	SIZE	LENGTH	USE
A	5	400S162-33	9'-4 5/16"	STUD
B	1	400T300-33	5'-0 15/16"	BOTTOM TRACK
C	1	400T150-33	5'-0 15/16"	TOP TRACK

12-3169

Jewish Home for the Aging

1885 Victory Blvd. Reseda, CA

FM-07-109

CREATED BY: HH

FrameMax, Inc.
13915 Danielson St
Suite 100
Poway, CA 92064
www.frame-max.com



© FrameMax Inc.

HEIGHT : 9'-4 7/16" POINTS: 0.67 Points.

SPACING : 24"

1st STUD: 24"

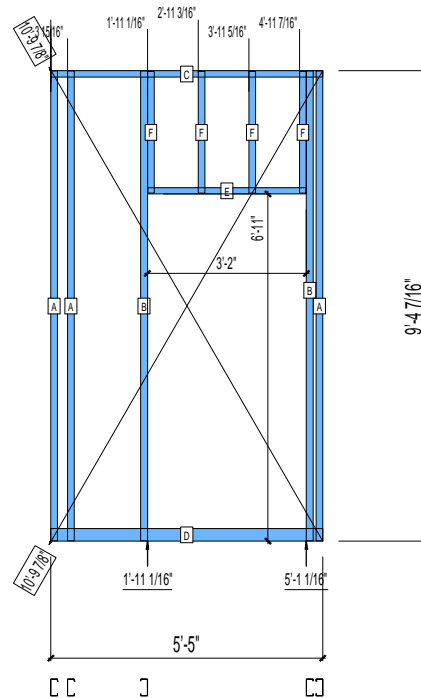
WEIGHTS :

FRAME : 66 lbs

TOTAL: 66 lbs

APPROVED

By hhuynh at 5:44 pm, Nov 18, 2008



PIECES LIST

LABEL	QTY	SIZE	LENGTH	USE
A	3	400S162-33	9'-4 5/16"	STUD
B	2	400S162-33	9'-4 5/16"	KING STUD
C	1	400T150-33	5'-5"	TOP TRACK
D	1	400T300-33	5'-5"	BOTTOM TRACK
E	1	400T150-33	3'-1 3/4"	HEAD TRACK
F	4	400S162-33	2'-5 1/16"	CRIPPLE

12-3170

Jewish Home for the Aging

1885 Victory Blvd. Reseda, CA

FM-07-109

CREATED BY: HH

FrameMax, Inc.
13915 Danielson St
Suite 100
Poway, CA 92064
www.frame-max.com



© FrameMax Inc.

HEIGHT : 9'-4 7/16" POINTS: 0.59 Points.

SPACING : 24"

1st STUD: 24"

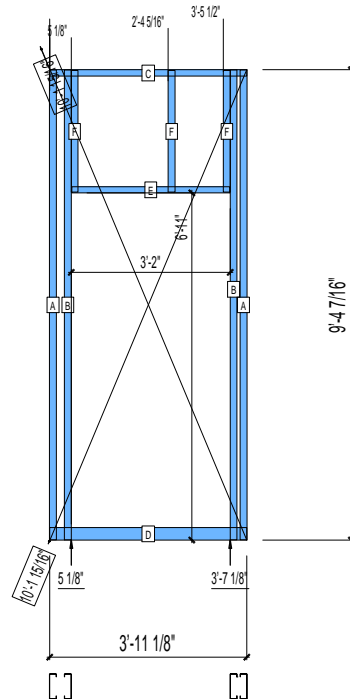
WEIGHTS :

FRAME : 65 lbs

TOTAL: 65 lbs

APPROVED

By hhuynh at 5:44 pm, Nov 18, 2008



PIECES LIST

LABEL	QTY	SIZE	LENGTH	USE
A	2	600S162-33	9'-4 5/16"	STUD
B	2	600S162-33	9'-4 5/16"	KING STUD
C	1	600T150-33	3'-11 1/8"	TOP TRACK
D	1	600T300-33	3'-11 1/8"	BOTTOM TRACK
E	1	600T150-33	3'-1 3/4"	HEAD TRACK
F	3	600S162-33	2'-5 1/16"	CRIPPLE

12-3171

Jewish Home for the Aging

1885 Victory Blvd. Reseda, CA

FM-07-109

CREATED BY: HH

FrameMax, Inc.
13915 Danielson St
Suite 100
Poway, CA 92064
www.frame-max.com

FRAME MAX

© FrameMax Inc.

HEIGHT : 9'-4 7/16" POINTS: 0.24 Points.

SPACING : 24"

1st STUD: 24"

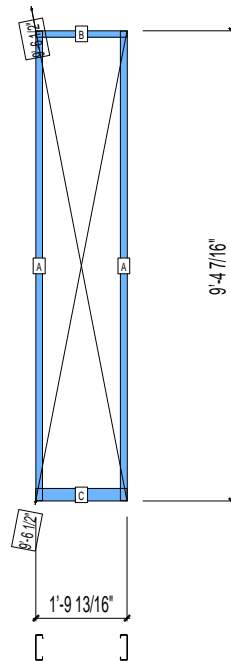
WEIGHTS :

FRAME : 26 lbs

TOTAL: 26 lbs

APPROVED

By hhuynh at 5:44 pm, Nov 18, 2008



PIECES LIST

LABEL	QTY	SIZE	LENGTH	USE
A	2	600S162-33	9'-4 5/16"	STUD
B	1	600T150-33	1'-9 13/16"	TOP TRACK
C	1	600T300-33	1'-9 13/16"	BOTTOM TRACK

12-3172

Jewish Home for the Aging

1885 Victory Blvd. Reseda, CA

FM-07-109

CREATED BY: HH

FrameMax, Inc.
13915 Danielson St
Suite 100
Poway, CA 92064
www.frame-max.com



© FrameMax Inc.

HEIGHT : 9'-4 7/16" POINTS: 1.41 Points.

SPACING : 24"

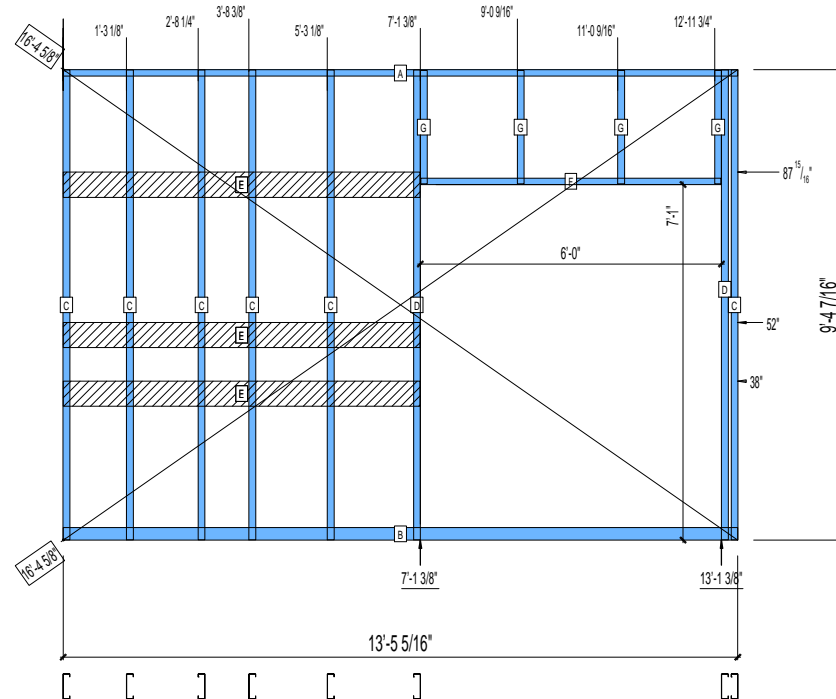
1st STUD: 16"

APPROVED
By hhuynh at 5:44 pm, Nov 18, 2008

WEIGHTS :

FRAME : 164 lbs

TOTAL: 164 lbs



PIECES LIST

LABEL	QTY	SIZE	LENGTH	USE
A	1	600T150-33	13'-5 5/16"	TOP TRACK
B	1	600T300-33	13'-5 5/16"	BOTTOM TRACK
C	6	600S162-33	9'-4 5/16"	STUD
D	2	600S162-33	9'-4 5/16"	KING STUD
E	3	600D-54	7'-1 5/16"	KITCHEN BACKING
F	1	600T150-33	5'-11 3/4"	HEAD TRACK
G	4	600S162-33	2'-3 1/16"	CRIPPLE

12-3173

Jewish Home for the Aging

1885 Victory Blvd. Reseda, CA

FM-07-109

CREATED BY: HH

FrameMax, Inc.
13915 Danielson St
Suite 100
Poway, CA 92064
www.framemax.com



© FrameMax Inc.

HEIGHT : 9'-4 7/16" POINTS: 0.30 Points.

SPACING : 24"

1st STUD: 24"

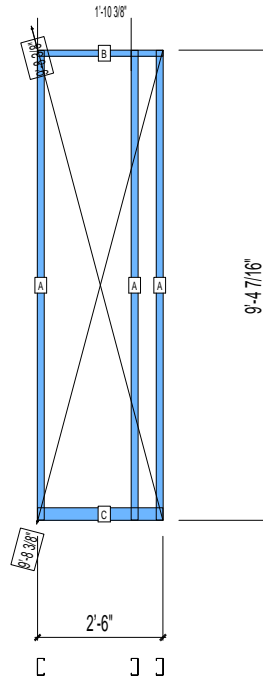
WEIGHTS :

FRAME : 31 lbs

TOTAL: 31 lbs

APPROVED

By hhuynh at 5:44 pm, Nov 18, 2008



PIECES LIST

LABEL	QTY	SIZE	LENGTH	USE
A	3	400S162-33	9'-4 5/16"	STUD
B	1	400T150-33	2'-6"	TOP TRACK
C	1	400T300-33	2'-6"	BOTTOM TRACK

12-3174

Jewish Home for the Aging

1885 Victory Blvd. Reseda, CA

FM-07-109

CREATED BY: HH

FrameMax, Inc.
13915 Danielson St
Suite 100
Poway, CA 92064
www.frame-max.com



© FrameMax Inc.

HEIGHT : 9'-4 7/16" POINTS: 0.30 Points.

SPACING : 24"

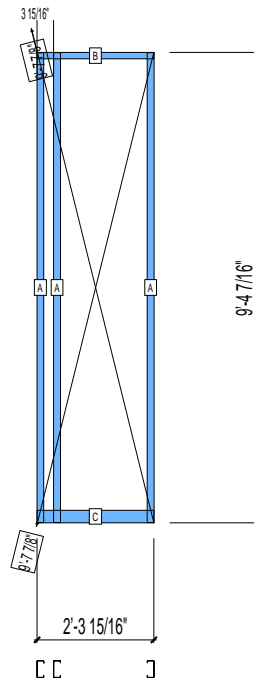
1st STUD: 24"

WEIGHTS :

FRAME : 31 lbs

TOTAL: 31 lbs

APPROVED
By hhuynh at 5:44 pm, Nov 18, 2008



PIECES LIST

LABEL	QTY	SIZE	LENGTH	USE
A	3	400S162-33	9'-4 5/16"	STUD
B	1	400T150-33	2'-3 15/16"	TOP TRACK
C	1	400T300-33	2'-3 15/16"	BOTTOM TRACK

12-3175

Jewish Home for the Aging

1885 Victory Blvd. Reseda, CA

FM-07-109

CREATED BY: HH

FrameMax, Inc.
13915 Danielson St
Suite 100
Poway, CA 92064
www.framemax.com



© FrameMax Inc.

HEIGHT : 9'-4 7/16" POINTS: 0.19 Points.

SPACING : 24"

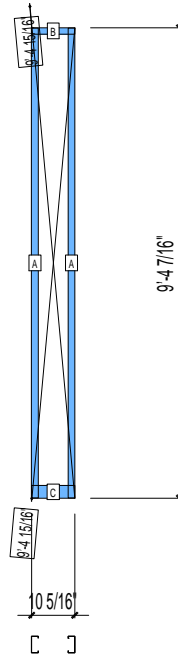
1st STUD: 24"

APPROVED
By hhuynh at 5:44 pm, Nov 18, 2008

WEIGHTS :

FRAME : 19 lbs

TOTAL: 19 lbs



PIECES LIST

LABEL	QTY	SIZE	LENGTH	USE
A	2	400S162-33	9'-4 5/16"	STUD
B	1	400T150-33	10 5/16"	TOP TRACK
C	1	400T300-33	10 5/16"	BOTTOM TRACK

12-3176

Jewish Home for the Aging

1885 Victory Blvd. Reseda, CA

FM-07-109

CREATED BY: HH

FrameMax, Inc.
13915 Danielson St
Suite 100
Poway, CA 92064
www.framemax.com

FRAME MAX

© FrameMax Inc.

HEIGHT : 9'-4 7/16" POINTS: 0.26 Points.

SPACING : 24"

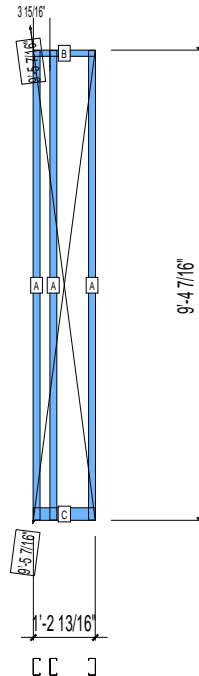
1st STUD: 24"

APPROVED
By hhuynh at 5:44 pm, Nov 18, 2008

WEIGHTS :

FRAME : 29 lbs

TOTAL: 29 lbs



PIECES LIST

LABEL	QTY	SIZE	LENGTH	USE
A	3	400S162-33	9'-4 5/16"	STUD
B	1	400T150-33	1'-2 13/16"	TOP TRACK
C	1	400T300-33	1'-2 13/16"	BOTTOM TRACK

12-3177

Jewish Home for the Aging

1885 Victory Blvd. Reseda, CA

FM-07-109

CREATED BY: HH

FrameMax, Inc.
13915 Danielson St
Suite 100
Poway, CA 92064
www.frame-max.com

FRAME MAX

© FrameMax Inc.

HEIGHT : 9'-4 7/16" POINTS: 0.32 Points.

SPACING : 24"

1st STUD: 24"

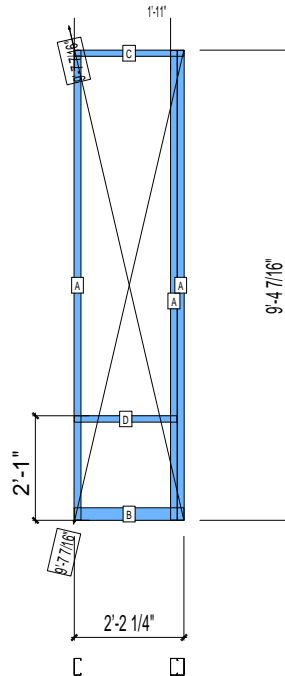
WEIGHTS :

FRAME : 32 lbs

TOTAL: 32 lbs

APPROVED

By hhuynh at 5:44 pm, Nov 18, 2008



PIECES LIST

LABEL	QTY	SIZE	LENGTH	USE
A	3	400S162-33	9'-4 5/16"	STUD
B	1	400T300-33	2'-2 1/4"	BOTTOM TRACK
C	1	400T150-33	2'-2 1/4"	TOP TRACK
D	1	400T150-33	2'-0 9/16"	SILL

12-3178

Jewish Home for the Aging

1885 Victory Blvd. Reseda, CA

FM-07-109

CREATED BY: HH

FrameMax, Inc.
13915 Danielson St
Suite 100
Poway, CA 92064
www.frame-max.com



© FrameMax Inc.

HEIGHT : 9'-4 7/16" POINTS: 0.22 Points.

SPACING : 24"

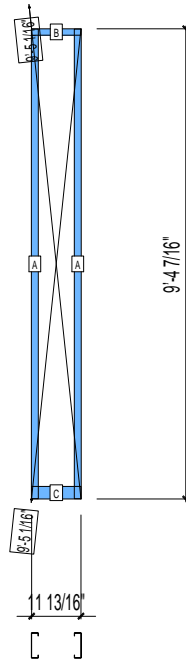
1st STUD: 24"

APPROVED
By hhuynh at 5:44 pm, Nov 18, 2008

WEIGHTS :

FRAME : 24 lbs

TOTAL: 24 lbs



PIECES LIST

LABEL	QTY	SIZE	LENGTH	USE
A	2	600S162-33	9'-4 5/16"	STUD
B	1	600T150-33	11 13/16"	TOP TRACK
C	1	600T300-33	11 13/16"	BOTTOM TRACK

12-3179

Jewish Home for the Aging

1885 Victory Blvd. Reseda, CA

FM-07-109

CREATED BY: HH

FrameMax, Inc.
13915 Danielson St
Suite 100
Poway, CA 92064
www.frame-max.com

FRAME MAX

© FrameMax Inc.

HEIGHT : 9'-4 7/16" POINTS: 0.71 Points.

SPACING : 24"

1st STUD: 24"

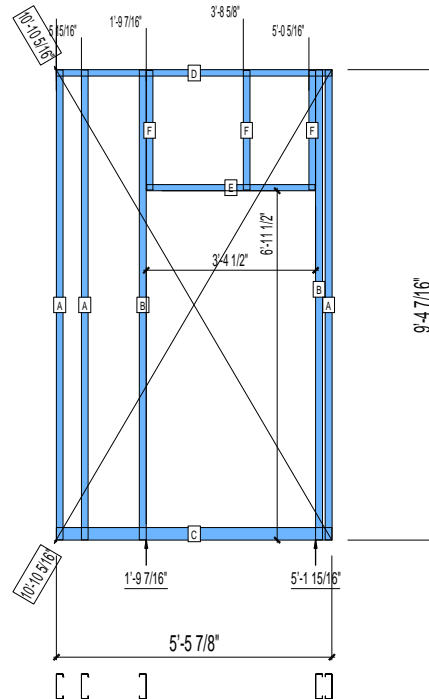
WEIGHTS :

FRAME : 80 lbs

TOTAL: 80 lbs

APPROVED

By hhuynh at 5:44 pm, Nov 18, 2008



PIECES LIST

LABEL	QTY	SIZE	LENGTH	USE
A	3	600S162-33	9'-4 5/16"	STUD
B	2	600S162-33	9'-4 5/16"	KING STUD
C	1	600T300-33	5'-5 7/8"	BOTTOM TRACK
D	1	600T150-33	5'-5 7/8"	TOP TRACK
E	1	600T150-33	3'-4 1/4"	HEAD TRACK
F	3	600S162-33	2'-4 9/16"	CRIPPLE

12-3201

Jewish Home for the Aging

1885 Victory Blvd. Reseda, CA

FM-07-109

CREATED BY: HH

FrameMax, Inc.
13915 Danielson St
Suite 100
Poway, CA 92064
www.frame-max.com

FRAME MAX

© FrameMax Inc.

HEIGHT : 9'-4 7/16" POINTS: 0.52 Points.

SPACING : 24"

1st STUD: 24"

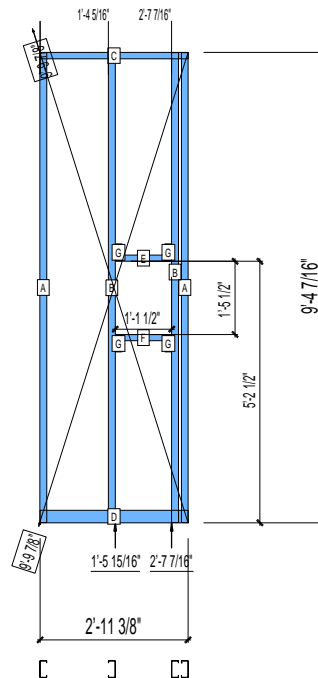
WEIGHTS :

FRAME : 44 lbs

TOTAL: 44 lbs

APPROVED

By hhuynh at 5:44 pm, Nov 18, 2008



PIECES LIST

LABEL	QTY	SIZE	LENGTH	USE
A	2	400S162-33	9'-4 5/16"	STUD
B	2	400S162-33	9'-4 5/16"	KING STUD
C	1	400T150-33	2'-11 3/8"	TOP TRACK
D	1	400T300-33	2'-11 3/8"	BOTTOM TRACK
E	1	400T150-33	1'-1 1/4"	HEAD TRACK
F	1	400T150-33	1'-1 1/4"	SILL
G	4	400S162-33	4"	CRIPPLE

12-3202

Jewish Home for the Aging

1885 Victory Blvd. Reseda, CA

FM-07-109

CREATED BY: HH

FrameMax, Inc.
13915 Danielson St
Suite 100
Poway, CA 92064
www.frame-max.com

FRAME MAX

© FrameMax Inc.

HEIGHT : 9'-4 7/16" POINTS: 0.31 Points.

SPACING : 5000"

1st STUD: 5000"

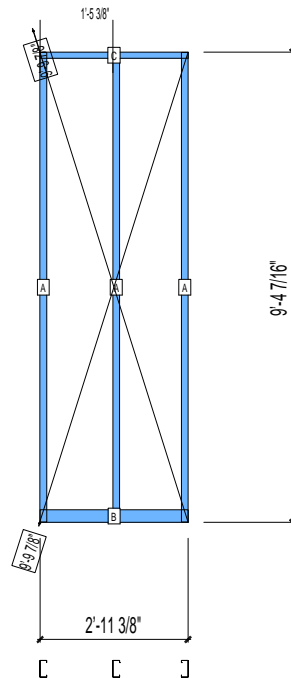
WEIGHTS :

FRAME : 32 lbs

TOTAL: 32 lbs

APPROVED

By hhuynh at 5:44 pm, Nov 18, 2008



PIECES LIST

LABEL	QTY	SIZE	LENGTH	USE
A	3	400S162-33	9'-4 5/16"	STUD
B	1	400T300-33	2'-11 3/8"	BOTTOM TRACK
C	1	400T150-33	2'-11 3/8"	TOP TRACK

12-3203

Jewish Home for the Aging

1885 Victory Blvd. Reseda, CA

FM-07-109

CREATED BY: HH

FrameMax, Inc.
13915 Danielson St
Suite 100
Poway, CA 92064
www.frame-max.com

FRAME MAX

© FrameMax Inc.

HEIGHT : 9'-4 7/16" POINTS: 0.42 Points.

SPACING : 24"

1st STUD: 24"

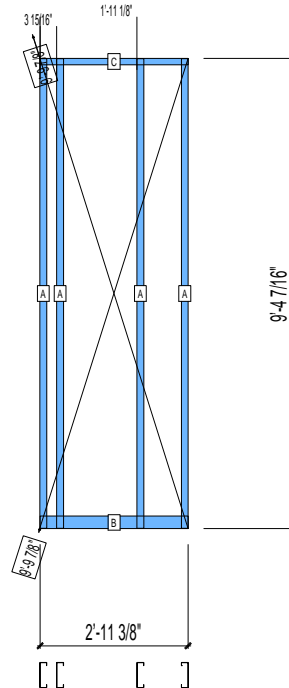
WEIGHTS :

FRAME : 51 lbs

TOTAL: 51 lbs

APPROVED

By hhuynh at 5:44 pm, Nov 18, 2008



PIECES LIST

LABEL	QTY	SIZE	LENGTH	USE
A	4	600S162-33	9'-4 5/16"	STUD
B	1	600T300-33	2'-11 3/8"	BOTTOM TRACK
C	1	600T150-33	2'-11 3/8"	TOP TRACK

12-3204

Jewish Home for the Aging

1885 Victory Blvd. Reseda, CA

FM-07-109

CREATED BY: HH

FrameMax, Inc.
13915 Danielson St
Suite 100
Poway, CA 92064
www.framemax.com

FRAME MAX

© FrameMax Inc.

HEIGHT : 9'-4 7/16" POINTS: 0.27 Points.

SPACING : 24"

1st STUD: 24"

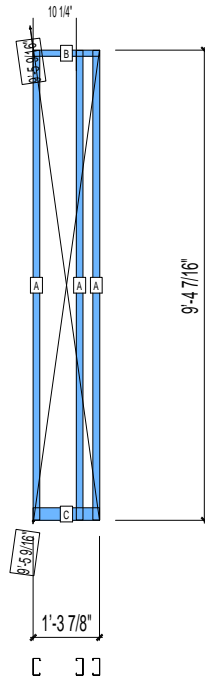
WEIGHTS :

FRAME : 29 lbs

TOTAL: 29 lbs

APPROVED

By hhuynh at 5:44 pm, Nov 18, 2008



PIECES LIST

LABEL	QTY	SIZE	LENGTH	USE
A	3	400S162-33	9'-4 5/16"	STUD
B	1	400T150-33	1'-3 7/8"	TOP TRACK
C	1	400T300-33	1'-3 7/8"	BOTTOM TRACK

12-3205

Jewish Home for the Aging

1885 Victory Blvd. Reseda, CA

FM-07-109

CREATED BY: HH

FrameMax, Inc.
13915 Danielson St
Suite 100
Poway, CA 92064
www.frame-max.com



© FrameMax Inc.

HEIGHT : 9'-4 7/16" POINTS: 0.29 Points.

SPACING : 24"

1st STUD: 16"

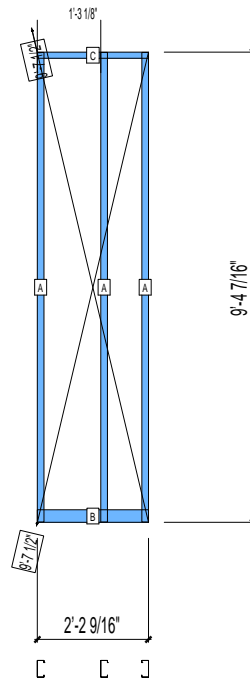
WEIGHTS :

FRAME : 31 lbs

TOTAL: 31 lbs

APPROVED

By hhuynh at 5:44 pm, Nov 18, 2008



PIECES LIST

LABEL	QTY	SIZE	LENGTH	USE
A	3	400S162-33	9'-4 5/16"	STUD
B	1	400T300-33	2'-2 9/16"	BOTTOM TRACK
C	1	400T150-33	2'-2 9/16"	TOP TRACK

12-3206

Jewish Home for the Aging

1885 Victory Blvd. Reseda, CA

FM-07-109

CREATED BY: HH

FrameMax, Inc.
13915 Danielson St
Suite 100
Poway, CA 92064
www.frame-max.com

FRAME MAX

© FrameMax Inc.

HEIGHT : 9'-4 7/16" POINTS: 0.85 Points.

SPACING : 5000"

1st STUD: 16"

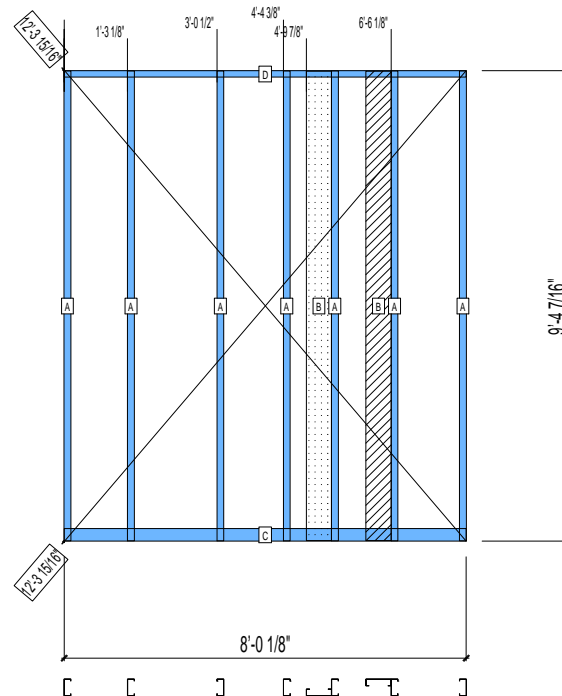
APPROVED

By hhuynh at 5:44 pm, Nov 18, 2008

WEIGHTS :

FRAME : 99 lbs

TOTAL: 99 lbs



PIECES LIST

LABEL	QTY	SIZE	LENGTH	USE
A	7	400S162-33	9'-4 5/16"	STUD
B	2	600S162-33	9'-4 3/16"	BACKER-U
C	1	400T300-33	8'-0 1/8"	BOTTOM TRACK
D	1	400T150-33	8'-0 1/8"	TOP TRACK

12-3207

Jewish Home for the Aging

1885 Victory Blvd. Reseda, CA

FM-07-109

CREATED BY: HH

FrameMax, Inc.
13915 Danielson St
Suite 100
Poway, CA 92064
www.framemax.com

FRAME MAX

© FrameMax Inc.

HEIGHT : 9'-4 7/16" POINTS: 0.67 Points.

SPACING : 24"

1st STUD: 24"

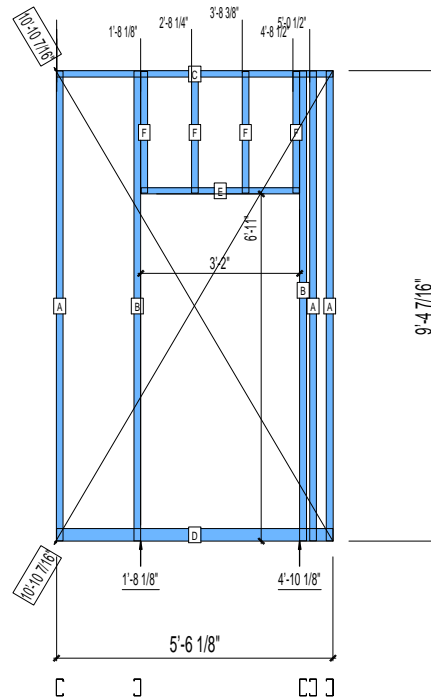
WEIGHTS :

FRAME : 66 lbs

TOTAL: 66 lbs

APPROVED

By hhuynh at 5:44 pm, Nov 18, 2008



PIECES LIST

LABEL	QTY	SIZE	LENGTH	USE
A	3	400S162-33	9'-4 5/16"	STUD
B	2	400S162-33	9'-4 5/16"	KING STUD
C	1	400T150-33	5'-6 1/8"	TOP TRACK
D	1	400T300-33	5'-6 1/8"	BOTTOM TRACK
E	1	400T150-33	3'-1 3/4"	HEAD TRACK
F	4	400S162-33	2'-5 1/16"	CRIPPLE

12-3208

Jewish Home for the Aging

1885 Victory Blvd. Reseda, CA

FM-07-109

CREATED BY: HH

FrameMax, Inc.
13915 Danielson St
Suite 100
Poway, CA 92064
www.frame-max.com

FRAME MAX

© FrameMax Inc.

HEIGHT : 9'-4 7/16" POINTS: 0.73 Points.

SPACING : 24"

1st STUD: 24"

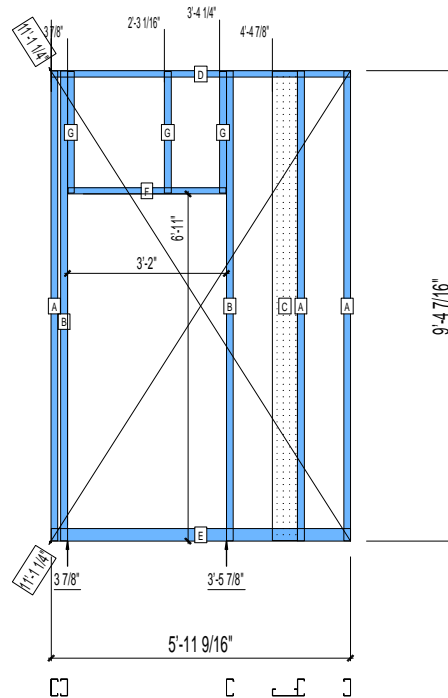
WEIGHTS :

FRAME : 76 lbs

TOTAL: 76 lbs

APPROVED

By hhuynh at 5:44 pm, Nov 18, 2008



PIECES LIST

LABEL	QTY	SIZE	LENGTH	USE
A	3	400S162-33	9'-4 5/16"	STUD
B	2	400S162-33	9'-4 5/16"	KING STUD
C	1	600S162-33	9'-4 3/16"	BACKER-U
D	1	400T150-33	5'-11 9/16"	TOP TRACK
E	1	400T300-33	5'-11 9/16"	BOTTOM TRACK
F	1	400T150-33	3'-1 3/4"	HEAD TRACK
G	3	400S162-33	2'-5 1/16"	CRIPPLE

12-3209

Jewish Home for the Aging

1885 Victory Blvd. Reseda, CA

FM-07-109

CREATED BY: HH

FrameMax, Inc.
13915 Danielson St
Suite 100
Poway, CA 92064
www.frame-max.com

FRAME MAX

© FrameMax Inc.

HEIGHT : 9'-4 7/16" POINTS: 0.42 Points.

SPACING : 24"

1st STUD: 24"

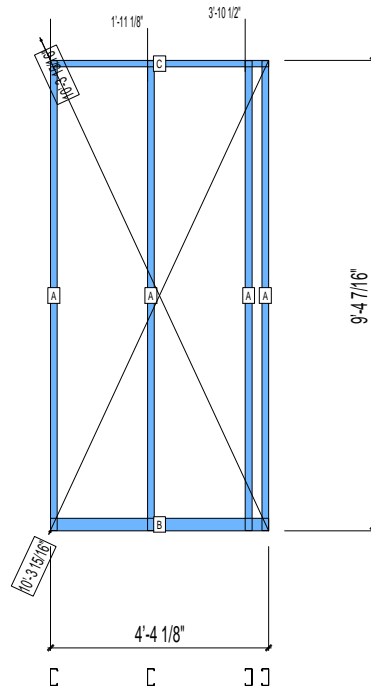
WEIGHTS :

FRAME : 44 lbs

TOTAL: 44 lbs

APPROVED

By hhuynh at 5:44 pm, Nov 18, 2008



PIECES LIST

LABEL	QTY	SIZE	LENGTH	USE
A	4	400S162-33	9'-4 5/16"	STUD
B	1	400T300-33	4'-4 1/8"	BOTTOM TRACK
C	1	400T150-33	4'-4 1/8"	TOP TRACK

12-3210

Jewish Home for the Aging

1885 Victory Blvd. Reseda, CA

FM-07-109

CREATED BY: HH

FrameMax, Inc.
13915 Danielson St
Suite 100
Poway, CA 92064
www.frame-max.com



© FrameMax Inc.

HEIGHT : 9'-4 7/16" POINTS: 0.20 Points.

SPACING : 24"

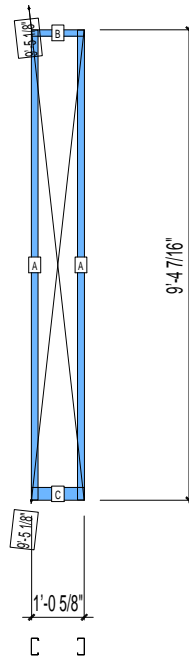
1st STUD: 24"

WEIGHTS :

FRAME : 20 lbs

TOTAL: 20 lbs

APPROVED
By hhuynh at 5:44 pm, Nov 18, 2008



PIECES LIST

LABEL	QTY	SIZE	LENGTH	USE
A	2	400S162-33	9'-4 5/16"	STUD
B	1	400T150-33	1'-0 5/8"	TOP TRACK
C	1	400T300-33	1'-0 5/8"	BOTTOM TRACK

12-3211

Jewish Home for the Aging

1885 Victory Blvd. Reseda, CA

FM-07-109

CREATED BY: HH

FrameMax, Inc.
13915 Danielson St
Suite 100
Poway, CA 92064
www.frame-max.com

FRAME MAX

© FrameMax Inc.

HEIGHT : 9'-4 7/16" POINTS: 0.45 Points.

SPACING : 24"

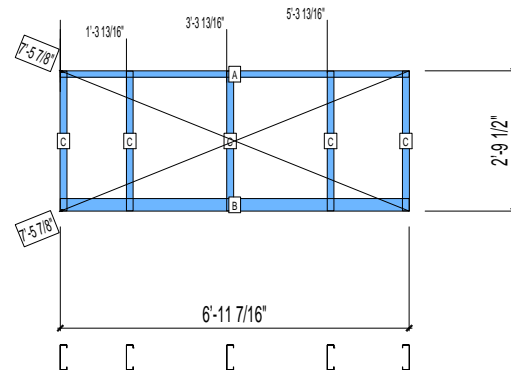
1st STUD: 16 11/16"

WEIGHTS :

FRAME : 34 lbs

TOTAL: 34 lbs

APPROVED
By hhuynh at 5:44 pm, Nov 18, 2008



PIECES LIST

LABEL	QTY	SIZE	LENGTH	USE
A	1	600T150-33	6'-11 7/16"	TOP TRACK
B	1	600T300-33	6'-11 7/16"	BOTTOM TRACK
C	5	600S162-33	2'-9 3/8"	STUD

12-3212

Jewish Home for the Aging

1885 Victory Blvd. Reseda, CA

FrameMax, Inc.
13915 Danielson St
Suite 100
Poway, CA 92064
www.frame-max.com



© FrameMax Inc.

CREATED: 11/10/2008

FM-07-109

CREATED BY: HH

HEIGHT : 9'-4 7/16" POINTS: 0.22 Points.

SPACING : 24"

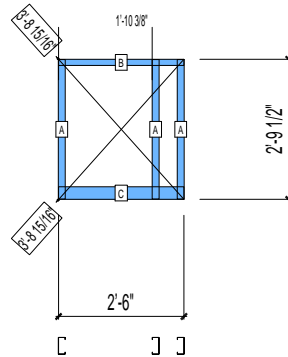
1st STUD: 24"

APPROVED
By hhuynh at 5:44 pm, Nov 18, 2008

WEIGHTS :

FRAME : 13 lbs

TOTAL: 13 lbs



PIECES LIST

LABEL	QTY	SIZE	LENGTH	USE
A	3	400S162-33	2'-9 3/8"	STUD
B	1	400T150-33	2'-6"	TOP TRACK
C	1	400T300-33	2'-6"	BOTTOM TRACK

12-3213

Jewish Home for the Aging

1885 Victory Blvd. Reseda, CA

FM-07-109

CREATED BY: HH

FrameMax, Inc.
13915 Danielson St
Suite 100
Poway, CA 92064
www.framemax.com

FRAME MAX

© FrameMax Inc.

HEIGHT : 9'-4 7/16" POINTS: 0.30 Points.

SPACING : 5000"

1st STUD: 5000"

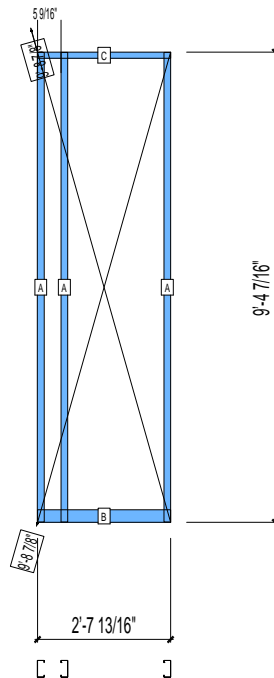
WEIGHTS :

FRAME : 31 lbs

TOTAL: 31 lbs

APPROVED

By hhuynh at 5:44 pm, Nov 18, 2008



PIECES LIST

LABEL	QTY	SIZE	LENGTH	USE
A	3	400S162-33	9'-4 5/16"	STUD
B	1	400T300-33	2'-7 13/16"	BOTTOM TRACK
C	1	400T150-33	2'-7 13/16"	TOP TRACK

12-3214

Jewish Home for the Aging

1885 Victory Blvd. Reseda, CA

FM-07-109

CREATED BY: HH

FrameMax, Inc.
13915 Danielson St
Suite 100
Poway, CA 92064
www.frame-max.com

FRAME MAX

© FrameMax Inc.

HEIGHT : 9'-4 7/16" POINTS: 0.42 Points.

SPACING : 24"

1st STUD: 24"

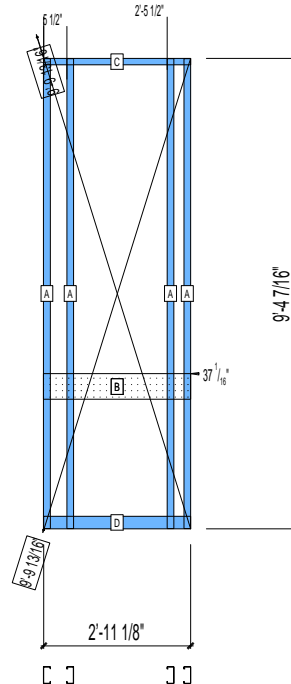
WEIGHTS :

FRAME : 46 lbs

TOTAL: 46 lbs

APPROVED

By hhuynh at 5:44 pm, Nov 18, 2008



PIECES LIST

LABEL	QTY	SIZE	LENGTH	USE
A	4	400S162-33	9'-4 5/16"	STUD
B	1	600T150-54	2'-11 3/16"	GRAB BAR
C	1	400T150-33	2'-11 1/8"	TOP TRACK
D	1	400T300-33	2'-11 1/8"	BOTTOM TRACK

12-3215

Jewish Home for the Aging

1885 Victory Blvd. Reseda, CA

FM-07-109

CREATED BY: HH

FrameMax, Inc.
13915 Danielson St
Suite 100
Poway, CA 92064
www.frame-max.com



© FrameMax Inc.

HEIGHT : 9'-4 7/16" POINTS: 0.44 Points.

SPACING : 5000"

1st STUD: 5000"

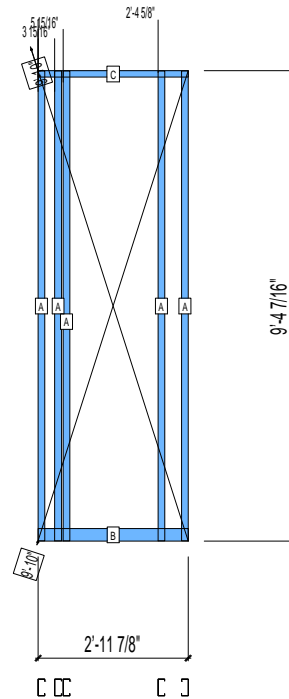
WEIGHTS :

FRAME : 50 lbs

TOTAL: 50 lbs

APPROVED

By hhuynh at 5:44 pm, Nov 18, 2008



PIECES LIST

LABEL	QTY	SIZE	LENGTH	USE
A	5	400S162-33	9'-4 5/16"	STUD
B	1	400T300-33	2'-11 7/8"	BOTTOM TRACK
C	1	400T150-33	2'-11 7/8"	TOP TRACK

12-3216

Jewish Home for the Aging

1885 Victory Blvd. Reseda, CA

FM-07-109

CREATED BY: HH

FrameMax, Inc.
13915 Danielson St
Suite 100
Poway, CA 92064
www.framemax.com

FRAME MAX

© FrameMax Inc.

HEIGHT : 9'-4 7/16" POINTS: 0.38 Points.

SPACING : 24"

1st STUD: 24"

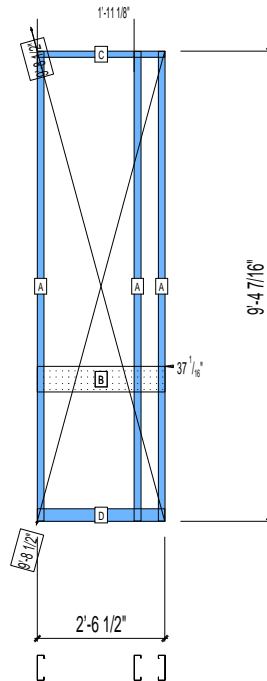
WEIGHTS :

FRAME : 44 lbs

TOTAL: 44 lbs

APPROVED

By hhuynh at 5:44 pm, Nov 18, 2008



PIECES LIST

LABEL	QTY	SIZE	LENGTH	USE
A	3	600S162-33	9'-4 5/16"	STUD
B	1	600T150-54	2'-6 9/16"	GRAB BAR
C	1	600T150-33	2'-6 1/2"	TOP TRACK
D	1	600T300-33	2'-6 1/2"	BOTTOM TRACK

12-3217

Jewish Home for the Aging

1885 Victory Blvd. Reseda, CA

FM-07-109

CREATED BY: HH

FrameMax, Inc.
13915 Danielson St
Suite 100
Poway, CA 92064
www.framemax.com

FRAMEMAX

© FrameMax Inc.

HEIGHT : 9'-4 7/16" POINTS: 0.23 Points.

SPACING : 24"

1st STUD: 24"

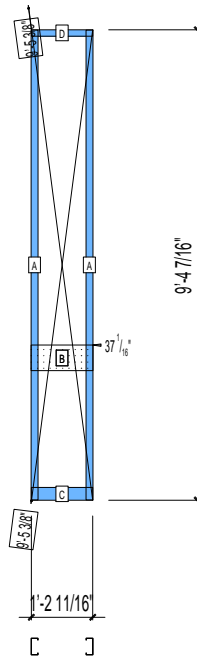
WEIGHTS :

FRAME : 22 lbs

TOTAL: 22 lbs

APPROVED

By hhuynh at 5:44 pm, Nov 18, 2008



PIECES LIST

LABEL	QTY	SIZE	LENGTH	USE
A	2	400S162-33	9'-4 5/16"	STUD
B	1	600T150-54	1'-2 3/4"	GRAB BAR
C	1	400T300-33	1'-2 11/16"	BOTTOM TRACK
D	1	400T150-33	1'-2 11/16"	TOP TRACK

12-3218

Jewish Home for the Aging

1885 Victory Blvd. Reseda, CA

FM-07-109

CREATED BY: HH

FrameMax, Inc.
13915 Danielson St
Suite 100
Poway, CA 92064
www.frame-max.com



© FrameMax Inc.

HEIGHT : 9'-4 7/16" POINTS: 0.33 Points.

SPACING : 5000"

1st STUD: 16"

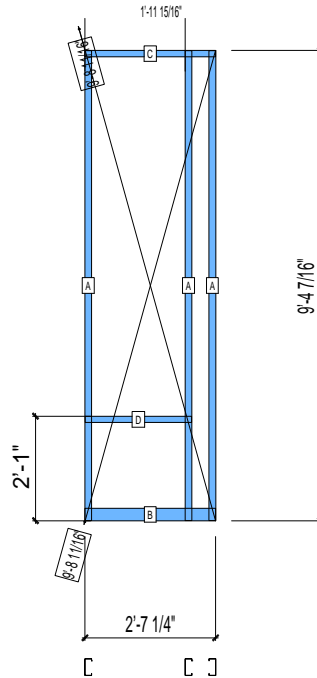
WEIGHTS :

FRAME : 33 lbs

TOTAL: 33 lbs

APPROVED

By hhuynh at 5:44 pm, Nov 18, 2008



PIECES LIST

LABEL	QTY	SIZE	LENGTH USE
A	3	400S162-33	9'-4 5/16" STUD
B	1	400T300-33	2'-7 1/4" BOTTOM TRACK
C	1	400T150-33	2'-7 1/4" TOP TRACK
D	1	400T150-33	2'-1 1/2" SILL

12-3219

Jewish Home for the Aging

1885 Victory Blvd. Reseda, CA

FM-07-109

CREATED BY: HH

FrameMax, Inc.
13915 Danielson St
Suite 100
Poway, CA 92064
www.frame-max.com



© FrameMax Inc.

HEIGHT : 9'-4 7/16" POINTS: 0.71 Points.

SPACING : 24"

1st STUD: 24"

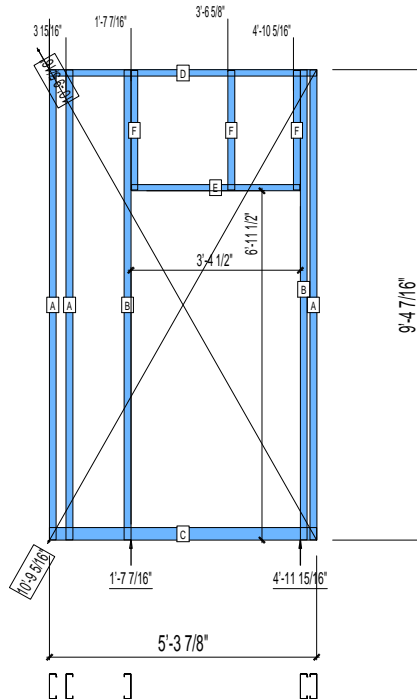
WEIGHTS :

FRAME : 80 lbs

TOTAL: 80 lbs

APPROVED

By hhuynh at 5:44 pm, Nov 18, 2008



PIECES LIST

LABEL	QTY	SIZE	LENGTH	USE
A	3	600S162-33	9'-4 5/16"	STUD
B	2	600S162-33	9'-4 5/16"	KING STUD
C	1	600T300-33	5'-3 7/8"	BOTTOM TRACK
D	1	600T150-33	5'-3 7/8"	TOP TRACK
E	1	600T150-33	3'-4 1/4"	HEAD TRACK
F	3	600S162-33	2'-4 9/16"	CRIPPLE

12-3220

Jewish Home for the Aging

1885 Victory Blvd. Reseda, CA

FM-07-109

CREATED BY: HH

FrameMax, Inc.
13915 Danielson St
Suite 100
Poway, CA 92064
www.frame-max.com



© FrameMax Inc.

HEIGHT : 9'-4 7/16" POINTS: 0.19 Points.

SPACING : 24"

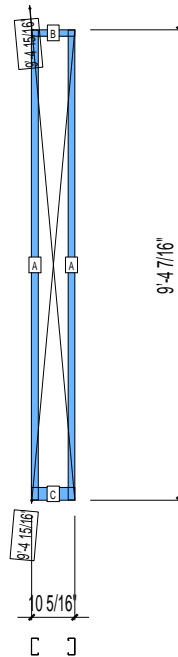
1st STUD: 24"

APPROVED
By hhuynh at 5:44 pm, Nov 18, 2008

WEIGHTS :

FRAME : 19 lbs

TOTAL: 19 lbs



PIECES LIST

LABEL	QTY	SIZE	LENGTH	USE
A	2	400S162-33	9'-4 5/16"	STUD
B	1	400T150-33	10 5/16"	TOP TRACK
C	1	400T300-33	10 5/16"	BOTTOM TRACK

12-3221

Jewish Home for the Aging

1885 Victory Blvd. Reseda, CA

FM-07-109

CREATED BY: HH

FrameMax, Inc.
13915 Danielson St
Suite 100
Poway, CA 92064
www.frame-max.com

FRAME MAX

© FrameMax Inc.

HEIGHT : 9'-4 7/16" POINTS: 1.19 Points.

SPACING : 24"

1st STUD: 24"

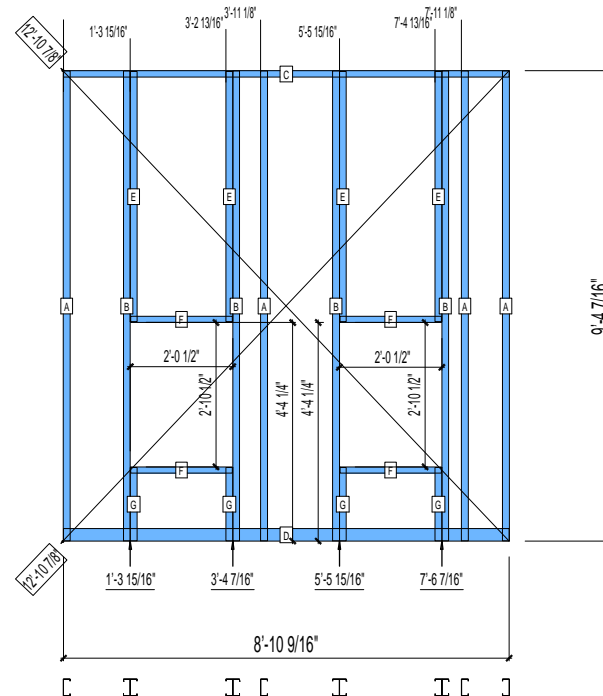
WEIGHTS :

FRAME : 118 lbs

TOTAL: 118 lbs

APPROVED

By hhuynh at 5:44 pm, Nov 18, 2008



PIECES LIST

LABEL	QTY	SIZE	LENGTH	USE
A	4	400S162-33	9'-4 5/16"	STUD
B	4	400S162-33	9'-4 5/16"	KING STUD
C	1	400T150-33	8'-10 9/16"	TOP TRACK
D	1	400T300-33	8'-10 9/16"	BOTTOM TRACK
E	4	400S162-33	4'-11 13/16"	CRIPPLE
F	4	400T150-33	2'-0 1/4"	HEAD TRACK
G	4	400S162-33	1'-5 1/2"	CRIPPLE

12-3222

Jewish Home for the Aging

1885 Victory Blvd. Reseda, CA

FM-07-109

CREATED BY: HH

FrameMax, Inc.
13915 Danielson St
Suite 100
Poway, CA 92064
www.frame-max.com

FRAME MAX

© FrameMax Inc.

HEIGHT : 9'-4 7/16" POINTS: 0.66 Points.

SPACING : 24"

1st STUD: 24"

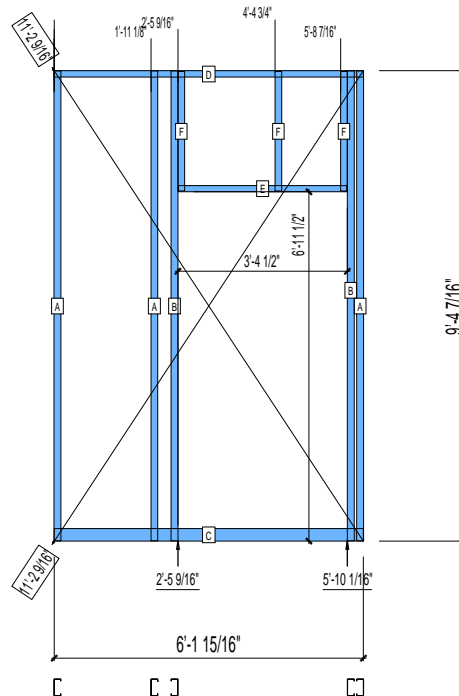
WEIGHTS :

FRAME : 65 lbs

TOTAL: 65 lbs

APPROVED

By hhuynh at 5:44 pm, Nov 18, 2008



PIECES LIST

LABEL	QTY	SIZE	LENGTH	USE
A	3	400S162-33	9'-4 5/16"	STUD
B	2	400S162-33	9'-4 5/16"	KING STUD
C	1	400T300-33	6'-1 15/16"	BOTTOM TRACK
D	1	400T150-33	6'-1 15/16"	TOP TRACK
E	1	400T150-33	3'-4 1/4"	HEAD TRACK
F	3	400S162-33	2'-4 9/16"	CRIPPLE

12-3223

Jewish Home for the Aging

1885 Victory Blvd. Reseda, CA

FM-07-109

CREATED BY: HH

FrameMax, Inc.
13915 Danielson St
Suite 100
Poway, CA 92064
www.frame-max.com

FRAME MAX

© FrameMax Inc.

HEIGHT : 9'-4 7/16" POINTS: 1.04 Points.

SPACING : 24"

1st STUD: 24"

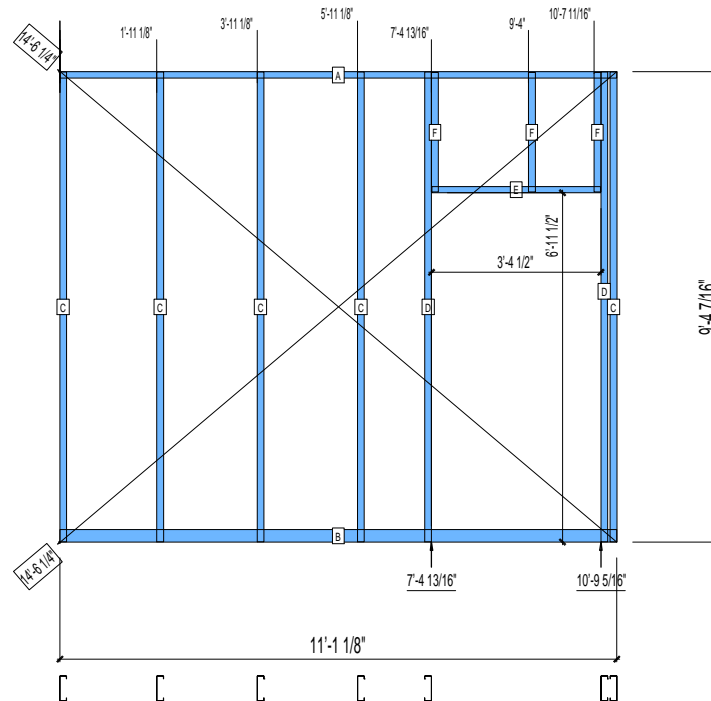
WEIGHTS :

FRAME : 116 lbs

TOTAL: 116 lbs

APPROVED

By hhuynh at 5:44 pm, Nov 18, 2008



PIECES LIST

LABEL	QTY	SIZE	LENGTH	USE
A	1	600T150-33	11'-1 1/8"	TOP TRACK
B	1	600T300-33	11'-1 1/8"	BOTTOM TRACK
C	5	600S162-33	9'-4 5/16"	STUD
D	2	600S162-33	9'-4 5/16"	KING STUD
E	1	600T150-33	3'-4 1/4"	HEAD TRACK
F	3	600S162-33	2'-4 9/16"	CRIPPLE

12-3251

Jewish Home for the Aging

1885 Victory Blvd. Reseda, CA

FM-07-109

CREATED BY: HH

FrameMax, Inc.
13915 Danielson St
Suite 100
Poway, CA 92064
www.frame-max.com



© FrameMax Inc.

HEIGHT : 9'-4 7/16" POINTS: 0.77 Points.

SPACING : 24"

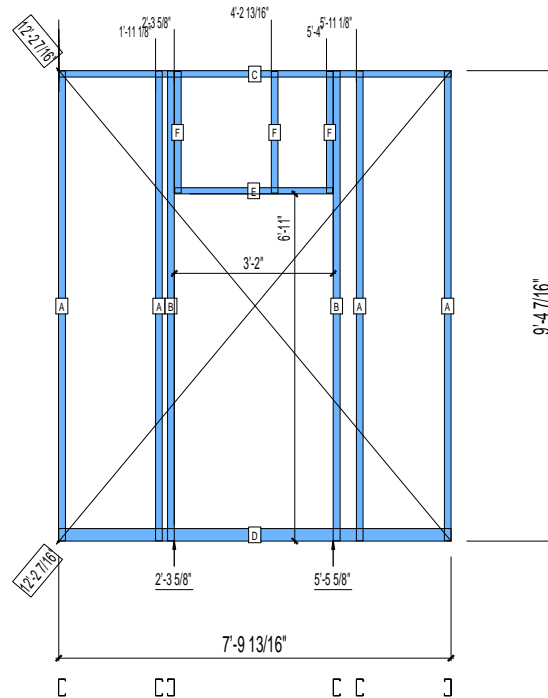
1st STUD: 24"

APPROVED
By hhuynh at 5:44 pm, Nov 18, 2008

WEIGHTS :

FRAME : 77 lbs

TOTAL: 77 lbs



PIECES LIST

LABEL	QTY	SIZE	LENGTH	USE
A	4	400S162-33	9'-4 5/16"	STUD
B	2	400S162-33	9'-4 5/16"	KING STUD
C	1	400T150-33	7'-9 13/16"	TOP TRACK
D	1	400T300-33	7'-9 13/16"	BOTTOM TRACK
E	1	400T150-33	3'-1 3/4"	HEAD TRACK
F	3	400S162-33	2'-5 1/16"	CRIPPLE

12-3252

Jewish Home for the Aging

1885 Victory Blvd. Reseda, CA

FM-07-109

CREATED BY: HH

FrameMax, Inc.
13915 Danielson St
Suite 100
Poway, CA 92064
www.frame-max.com

FRAME MAX

© FrameMax Inc.

HEIGHT : 9'-4 7/16" POINTS: 0.27 Points.

SPACING : 24"

1st STUD: 16"

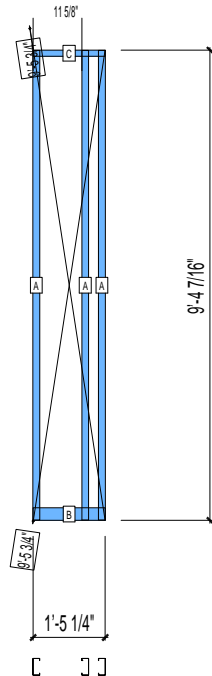
WEIGHTS :

FRAME : 29 lbs

TOTAL: 29 lbs

APPROVED

By hhuynh at 5:44 pm, Nov 18, 2008



PIECES LIST

LABEL	QTY	SIZE	LENGTH	USE
A	3	400S162-33	9'-4 5/16"	STUD
B	1	400T300-33	1'-5 1/4"	BOTTOM TRACK
C	1	400T150-33	1'-5 1/4"	TOP TRACK

12-3253

Jewish Home for the Aging

1885 Victory Blvd. Reseda, CA

FM-07-109

CREATED BY: HH

FrameMax, Inc.
13915 Danielson St
Suite 100
Poway, CA 92064
www.framemax.com

FRAME MAX

© FrameMax Inc.

HEIGHT : 9'-4 7/16" POINTS: 0.43 Points.

SPACING : 5000"

1st STUD: 5000"

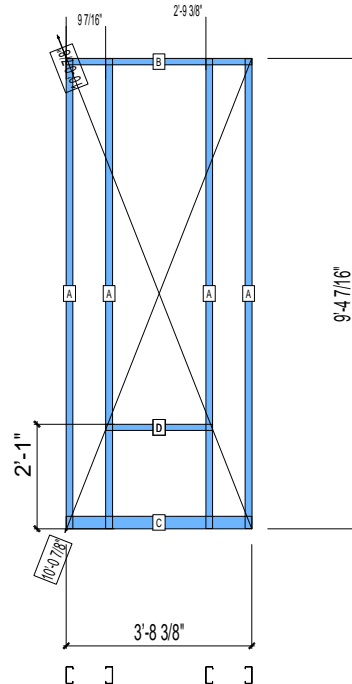
WEIGHTS :

FRAME : 44 lbs

TOTAL: 44 lbs

APPROVED

By hhuynh at 5:44 pm, Nov 18, 2008



PIECES LIST

LABEL	QTY	SIZE	LENGTH	USE
A	4	400S162-33	9'-4 5/16"	STUD
B	1	400T150-33	3'-8 3/8"	TOP TRACK
C	1	400T300-33	3'-8 3/8"	BOTTOM TRACK
D	1	600T150-33	2'-1 7/16"	SILL

12-3254

Jewish Home for the Aging

1885 Victory Blvd. Reseda, CA

FM-07-109

CREATED BY: HH

FrameMax, Inc.
13915 Danielson St
Suite 100
Poway, CA 92064
www.framemax.com



© FrameMax Inc.

HEIGHT : 9'-4 7/16" POINTS: 0.33 Points.

SPACING : 24"

1st STUD: 24"

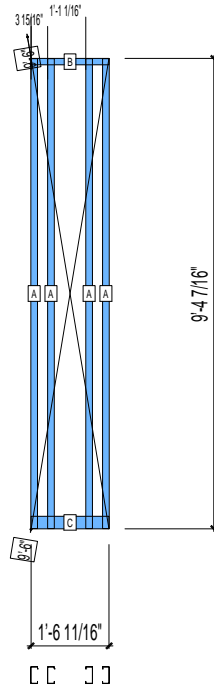
WEIGHTS :

FRAME : 38 lbs

TOTAL: 38 lbs

APPROVED

By hhuynh at 5:44 pm, Nov 18, 2008



PIECES LIST

LABEL	QTY	SIZE	LENGTH	USE
A	4	400S162-33	9'-4 5/16"	STUD
B	1	400T150-33	1'-6 11/16"	TOP TRACK
C	1	400T300-33	1'-6 11/16"	BOTTOM TRACK

12-3255

Jewish Home for the Aging

1885 Victory Blvd. Reseda, CA

FM-07-109

CREATED BY: HH

FrameMax, Inc.
13915 Danielson St
Suite 100
Poway, CA 92064
www.frame-max.com

FRAME MAX

© FrameMax Inc.

HEIGHT : 9'-4 7/16" POINTS: 0.40 Points.

SPACING : 5000"

1st STUD: 17 7/16"

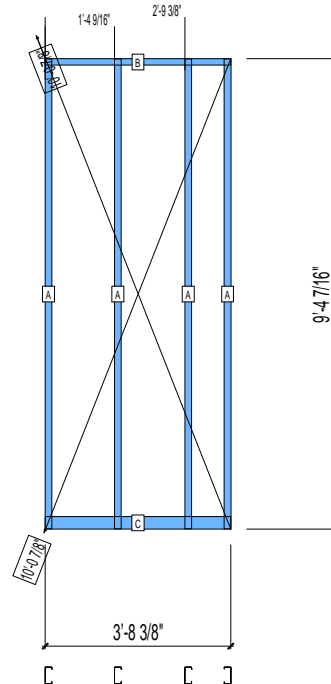
WEIGHTS :

FRAME : 42 lbs

TOTAL: 42 lbs

APPROVED

By hhuynh at 5:44 pm, Nov 18, 2008



PIECES LIST

LABEL	QTY	SIZE	LENGTH	USE
A	4	400S162-33	9'-4 5/16"	STUD
B	1	400T150-33	3'-8 3/8"	TOP TRACK
C	1	400T300-33	3'-8 3/8"	BOTTOM TRACK

12-3256

Jewish Home for the Aging

1885 Victory Blvd. Reseda, CA

FM-07-109

CREATED BY: HH

FrameMax, Inc.
13915 Danielson St
Suite 100
Poway, CA 92064
www.framemax.com

FRAME MAX

© FrameMax Inc.

HEIGHT : 9'-4 7/16" POINTS: 0.27 Points.

SPACING : 24"

1st STUD: 24"

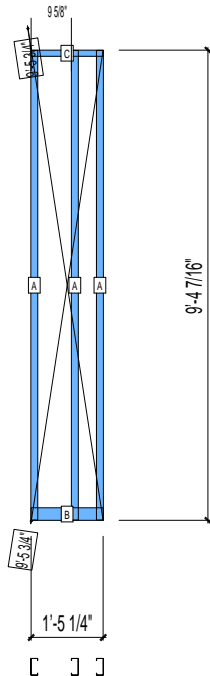
WEIGHTS :

FRAME : 29 lbs

TOTAL: 29 lbs

APPROVED

By hhuynh at 5:44 pm, Nov 18, 2008



PIECES LIST

LABEL	QTY	SIZE	LENGTH	USE
A	3	400S162-33	9'-4 5/16"	STUD
B	1	400T300-33	1'-5 1/4"	BOTTOM TRACK
C	1	400T150-33	1'-5 1/4"	TOP TRACK

12-3257

Jewish Home for the Aging

1885 Victory Blvd. Reseda, CA

FM-07-109

CREATED BY: HH

FrameMax, Inc.
13915 Danielson St
Suite 100
Poway, CA 92064
www.frame-max.com



© FrameMax Inc.

HEIGHT : 9'-4 7/16" POINTS: 0.33 Points.

SPACING : 24"

1st STUD: 16"

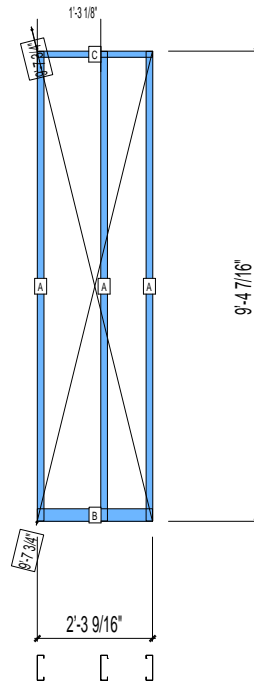
WEIGHTS :

FRAME : 39 lbs

TOTAL: 39 lbs

APPROVED

By hhuynh at 5:44 pm, Nov 18, 2008



PIECES LIST

LABEL	QTY	SIZE	LENGTH	USE
A	3	600S162-33	9'-4 5/16"	STUD
B	1	600T300-33	2'-3 9/16"	BOTTOM TRACK
C	1	600T150-33	2'-3 9/16"	TOP TRACK

12-3258

Jewish Home for the Aging

1885 Victory Blvd. Reseda, CA

FM-07-109

CREATED BY: HH

FrameMax, Inc.
13915 Danielson St
Suite 100
Poway, CA 92064
www.frame-max.com



© FrameMax Inc.

HEIGHT : 9'-4 7/16" POINTS: 0.38 Points.

SPACING : 24"

1st STUD: 24"

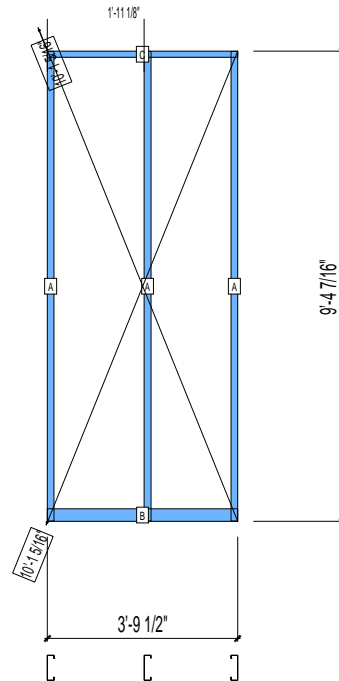
WEIGHTS :

FRAME : 42 lbs

TOTAL: 42 lbs

APPROVED

By hhuynh at 5:44 pm, Nov 18, 2008



PIECES LIST

LABEL	QTY	SIZE	LENGTH	USE
A	3	600S162-33	9'-4 5/16"	STUD
B	1	600T300-33	3'-9 1/2"	BOTTOM TRACK
C	1	600T150-33	3'-9 1/2"	TOP TRACK

12-3259

Jewish Home for the Aging

1885 Victory Blvd. Reseda, CA

FM-07-109

CREATED BY: HH

FrameMax, Inc.
13915 Danielson St
Suite 100
Poway, CA 92064
www.frame-max.com



© FrameMax Inc.

HEIGHT : 9'-4 7/16" POINTS: 1.09 Points.

SPACING : 24"

1st STUD: 11 5/8"

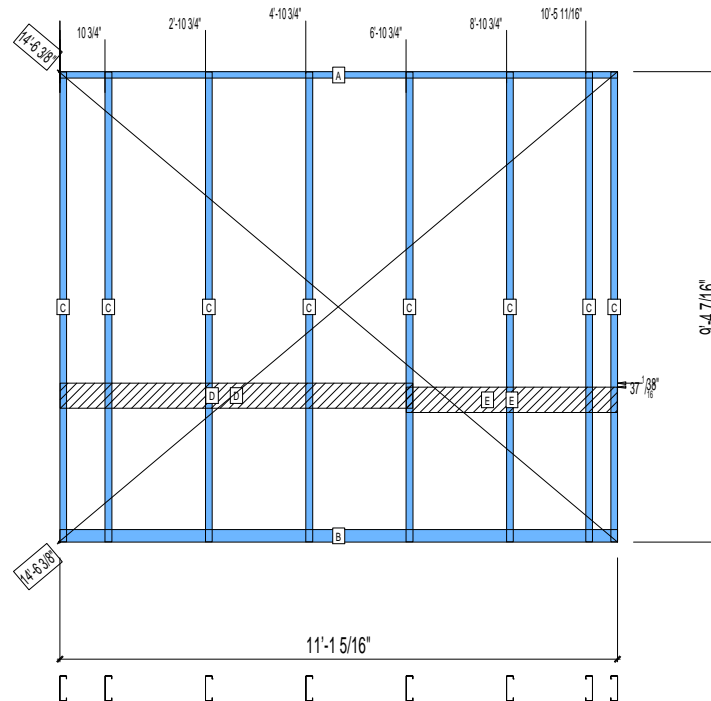
APPROVED

By hhuynh at 5:44 pm, Nov 18, 2008

WEIGHTS :

FRAME : 131 lbs

TOTAL: 131 lbs



PIECES LIST

LABEL	QTY	SIZE	LENGTH	USE
A	1	600T150-33	11'-1 5/16"	TOP TRACK
B	1	600T300-33	11'-1 5/16"	BOTTOM TRACK
C	8	600S162-33	9'-4 5/16"	STUD
D	1	600D-54	7'-0 5/16"	VANITY BACKING
E	1	600T150-54	4'-2 7/16"	GRAB BAR

12-3260

Jewish Home for the Aging

1885 Victory Blvd. Reseda, CA

FM-07-109

CREATED BY: HH

FrameMax, Inc.
13915 Danielson St
Suite 100
Poway, CA 92064
www.frame-max.com

FRAME MAX

© FrameMax Inc.

HEIGHT : 9'-4 7/16" POINTS: 0.78 Points.

SPACING : 24"

1st STUD: 24"

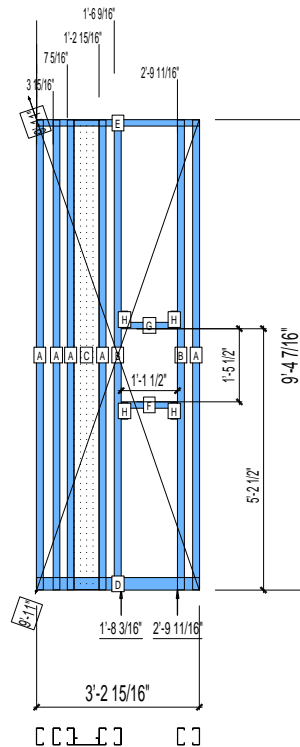
WEIGHTS :

FRAME : 81 lbs

TOTAL: 81 lbs

APPROVED

By hhuynh at 5:44 pm, Nov 18, 2008



PIECES LIST

LABEL	QTY	SIZE	LENGTH	USE
A	5	400S162-33	9'-4 5/16"	STUD
B	2	400S162-33	9'-4 5/16"	KING STUD
C	1	600S162-33	9'-4 3/16"	BACKER-U
D	1	400T300-33	3'-2 15/16"	BOTTOM TRACK
E	1	400T150-33	3'-2 15/16"	TOP TRACK
F	1	400T150-33	1'-1 1/4"	SILL
G	1	400T150-33	1'-1 1/4"	HEAD TRACK
H	4	400S162-33	4"	CRIPPLE

12-3261

Jewish Home for the Aging

1885 Victory Blvd. Reseda, CA

FM-07-109

CREATED BY: HH

FrameMax, Inc.
13915 Danielson St
Suite 100
Poway, CA 92064
www.frame-max.com

FRAME MAX

© FrameMax Inc.

HEIGHT : 9'-4 7/16" POINTS: 0.20 Points.

SPACING : 24"

1st STUD: 24"

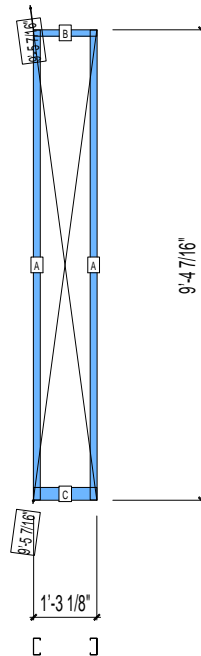
WEIGHTS :

FRAME : 20 lbs

TOTAL: 20 lbs

APPROVED

By hhuynh at 5:44 pm, Nov 18, 2008



PIECES LIST

LABEL	QTY	SIZE	LENGTH	USE
A	2	400S162-33	9'-4 5/16"	STUD
B	1	400T150-33	1'-3 1/8"	TOP TRACK
C	1	400T300-33	1'-3 1/8"	BOTTOM TRACK

12-3262

Jewish Home for the Aging

1885 Victory Blvd. Reseda, CA

FM-07-109

CREATED BY: HH

FrameMax, Inc.
13915 Danielson St
Suite 100
Poway, CA 92064
www.frame-max.com



© FrameMax Inc.

HEIGHT : 9'-4 7/16" POINTS: 0.27 Points.

SPACING : 24"

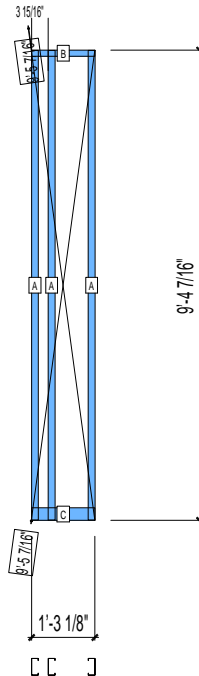
1st STUD: 24"

WEIGHTS :

FRAME : 29 lbs

TOTAL: 29 lbs

APPROVED
By hhuynh at 5:44 pm, Nov 18, 2008



PIECES LIST

LABEL	QTY	SIZE	LENGTH	USE
A	3	400S162-33	9'-4 5/16"	STUD
B	1	400T150-33	1'-3 1/8"	TOP TRACK
C	1	400T300-33	1'-3 1/8"	BOTTOM TRACK

12-3263

Jewish Home for the Aging

1885 Victory Blvd. Reseda, CA

FM-07-109

CREATED BY: HH

FrameMax, Inc.
13915 Danielson St
Suite 100
Poway, CA 92064
www.framemax.com

FRAME MAX

© FrameMax Inc.

HEIGHT : 9'-4 7/16" POINTS: 0.59 Points.

SPACING : 24"

1st STUD: 24"

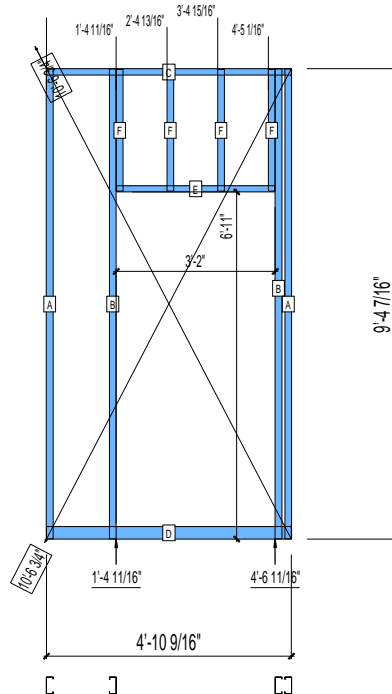
WEIGHTS :

FRAME : 56 lbs

TOTAL: 56 lbs

APPROVED

By hhuynh at 5:44 pm, Nov 18, 2008



PIECES LIST

LABEL	QTY	SIZE	LENGTH	USE
A	2	400S162-33	9'-4 5/16"	STUD
B	2	400S162-33	9'-4 5/16"	KING STUD
C	1	400T150-33	4'-10 9/16"	TOP TRACK
D	1	400T300-33	4'-10 9/16"	BOTTOM TRACK
E	1	400T150-33	3'-1 3/4"	HEAD TRACK
F	4	400S162-33	2'-5 1/16"	CRIPPLE

12-3264

Jewish Home for the Aging

1885 Victory Blvd. Reseda, CA

FM-07-109

CREATED BY: HH

FrameMax, Inc.
13915 Danielson St
Suite 100
Poway, CA 92064
www.framemax.com

FRAME MAX

© FrameMax Inc.

HEIGHT : 9'-4 7/16" POINTS: 0.54 Points.

SPACING : 5000"

1st STUD: 5000"

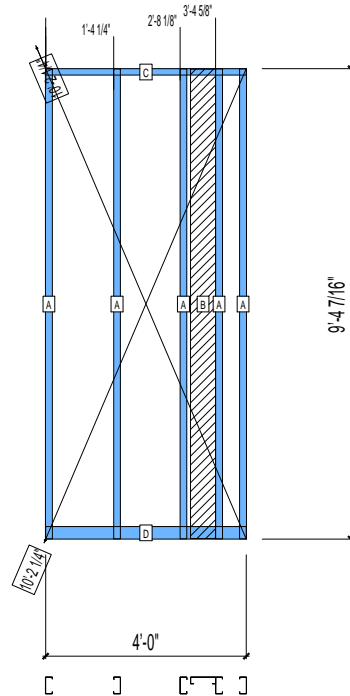
WEIGHTS :

FRAME : 62 lbs

TOTAL: 62 lbs

APPROVED

By hhuynh at 5:44 pm, Nov 18, 2008



PIECES LIST

LABEL	QTY	SIZE	LENGTH	USE
A	5	400S162-33	9'-4 5/16"	STUD
B	1	600S162-33	9'-4 3/16"	BACKER-U
C	1	400T150-33	4'-0"	TOP TRACK
D	1	400T300-33	4'-0"	BOTTOM TRACK

12-3265

Jewish Home for the Aging

1885 Victory Blvd. Reseda, CA

FM-07-109

CREATED BY: HH

FrameMax, Inc.
13915 Danielson St
Suite 100
Poway, CA 92064
www.frame-max.com



© FrameMax Inc.

HEIGHT : 9'-4 7/16" POINTS: 0.47 Points.

SPACING : 24"

1st STUD: 24"

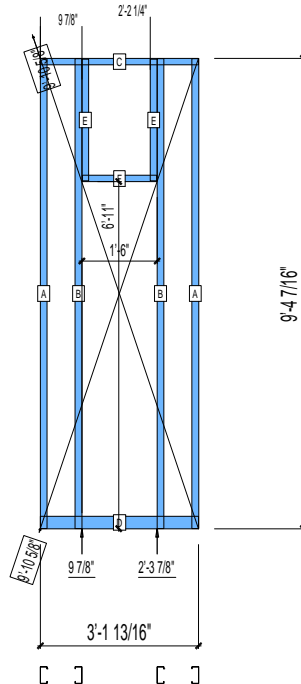
WEIGHTS :

FRAME : 47 lbs

TOTAL: 47 lbs

APPROVED

By hhuynh at 5:44 pm, Nov 18, 2008



PIECES LIST

LABEL	QTY	SIZE	LENGTH	USE
A	2	400S162-33	9'-4 5/16"	STUD
B	2	400S162-33	9'-4 5/16"	KING STUD
C	1	400T150-33	3'-1 13/16"	TOP TRACK
D	1	400T300-33	3'-1 13/16"	BOTTOM TRACK
E	2	400S162-33	2'-5 1/16"	CRIPPLE
F	1	400T150-33	1'-5 3/4"	HEAD TRACK

12-3266

Jewish Home for the Aging

1885 Victory Blvd. Reseda, CA

FM-07-109

CREATED BY: HH

FrameMax, Inc.
13915 Danielson St
Suite 100
Poway, CA 92064
www.framemax.com



© FrameMax Inc.

HEIGHT : 9'-4 7/16" POINTS: 0.39 Points.

SPACING : 24"

1st STUD: 24"

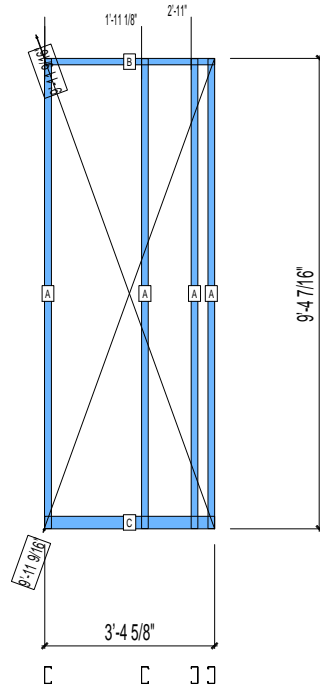
WEIGHTS :

FRAME : 42 lbs

TOTAL: 42 lbs

APPROVED

By hhuynh at 5:44 pm, Nov 18, 2008



PIECES LIST

LABEL	QTY	SIZE	LENGTH	USE
A	4	400S162-33	9'-4 5/16"	STUD
B	1	400T150-33	3'-4 5/8"	TOP TRACK
C	1	400T300-33	3'-4 5/8"	BOTTOM TRACK

12-3267

Jewish Home for the Aging

1885 Victory Blvd. Reseda, CA

FM-07-109

CREATED BY: HH

FrameMax, Inc.
13915 Danielson St
Suite 100
Poway, CA 92064
www.frame-max.com

FRAME MAX

© FrameMax Inc.

HEIGHT : 9'-4 7/16" POINTS: 1.12 Points.

SPACING : 24"

1st STUD: 14 1/16"

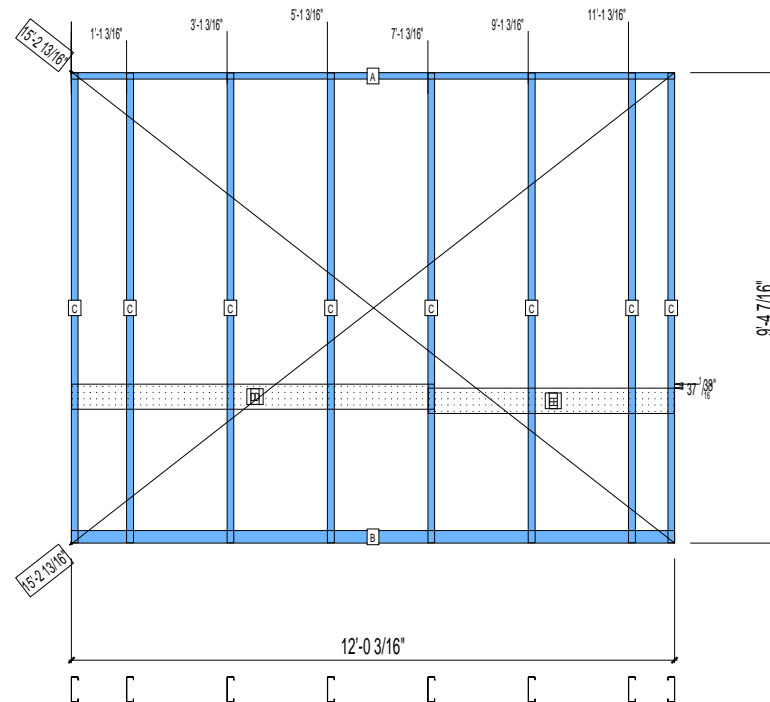
APPROVED

By hhuynh at 5:44 pm, Nov 18, 2008

WEIGHTS :

FRAME : 135 lbs

TOTAL: 135 lbs



PIECES LIST

LABEL	QTY	SIZE	LENGTH	USE
A	1	600T150-33	12'-0 3/16"	TOP TRACK
B	1	600T300-33	12'-0 3/16"	BOTTOM TRACK
C	8	600S162-33	9'-4 5/16"	STUD
D	1	600D-54	7'-2 3/4"	VANITY BACKING
E	1	600T150-54	4'-10 7/8"	GRAB BAR

12-3268

Jewish Home for the Aging

1885 Victory Blvd. Reseda, CA

FM-07-109

CREATED BY: HH

FrameMax, Inc.
13915 Danielson St
Suite 100
Poway, CA 92064
www.frame-max.com

FRAME MAX

© FrameMax Inc.

HEIGHT : 9'-4 7/16" POINTS: 0.19 Points.

SPACING : 24"

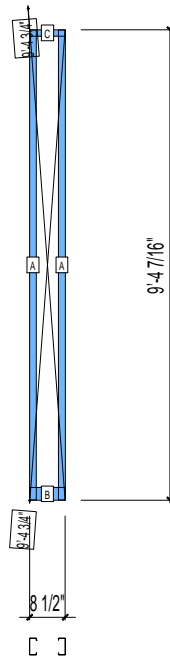
1st STUD: 16"

APPROVED
By hhuynh at 5:44 pm, Nov 18, 2008

WEIGHTS :

FRAME : 19 lbs

TOTAL: 19 lbs



PIECES LIST

LABEL	QTY	SIZE	LENGTH	USE
A	2	400S162-33	9'-4 5/16"	STUD
B	1	400T300-33	8 1/2"	BOTTOM TRACK
C	1	400T150-33	8 1/2"	TOP TRACK

12-3269

Jewish Home for the Aging

1885 Victory Blvd. Reseda, CA

FM-07-109

CREATED BY: HH

FrameMax, Inc.
13915 Danielson St
Suite 100
Poway, CA 92064
www.frame-max.com

FRAME MAX

© FrameMax Inc.

HEIGHT : 9'-4 7/16" POINTS: 0.38 Points.

SPACING : 24"

1st STUD: 13/16"

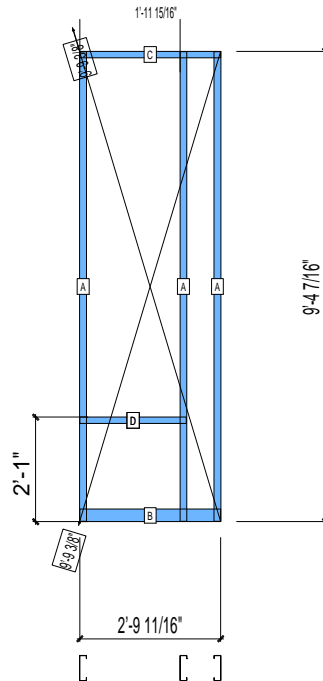
WEIGHTS :

FRAME : 42 lbs

TOTAL: 42 lbs

APPROVED

By hhuynh at 5:44 pm, Nov 18, 2008



PIECES LIST

LABEL	QTY	SIZE	LENGTH	USE
A	3	600S162-33	9'-4 5/16"	STUD
B	1	600T300-33	2'-9 11/16"	BOTTOM TRACK
C	1	600T150-33	2'-9 11/16"	TOP TRACK
D	1	600T150-33	2'-1 7/16"	SILL

12-3270

Jewish Home for the Aging

1885 Victory Blvd. Reseda, CA

FM-07-109

CREATED BY: HH

FrameMax, Inc.
13915 Danielson St
Suite 100
Poway, CA 92064
www.framemax.com

FRAME MAX

© FrameMax Inc.

HEIGHT : 9'-4 7/16" POINTS: 0.36 Points.

SPACING : 24"

1st STUD: 24"

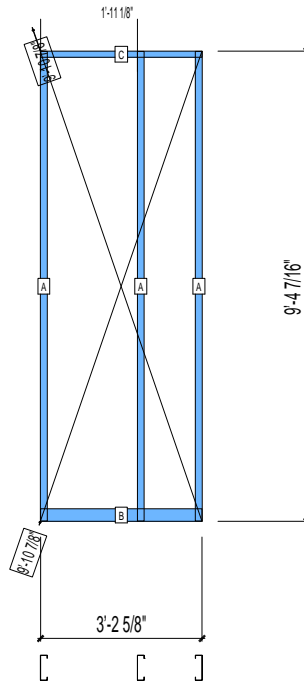
WEIGHTS :

FRAME : 41 lbs

TOTAL: 41 lbs

APPROVED

By hhuynh at 5:44 pm, Nov 18, 2008



PIECES LIST

LABEL	QTY	SIZE	LENGTH	USE
A	3	600S162-33	9'-4 5/16"	STUD
B	1	600T300-33	3'-2 5/8"	BOTTOM TRACK
C	1	600T150-33	3'-2 5/8"	TOP TRACK

12-3271

Jewish Home for the Aging

1885 Victory Blvd. Reseda, CA

FM-07-109

CREATED BY: HH

FrameMax, Inc.
13915 Danielson St
Suite 100
Poway, CA 92064
www.framemax.com

FRAME MAX

© FrameMax Inc.

HEIGHT : 9'-4 7/16" POINTS: 0.42 Points.

SPACING : 24"

1st STUD: 24"

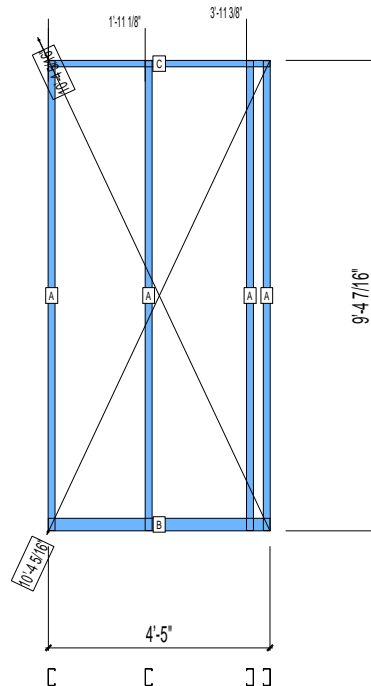
WEIGHTS :

FRAME : 44 lbs

TOTAL: 44 lbs

APPROVED

By hhuynh at 5:44 pm, Nov 18, 2008



PIECES LIST

LABEL	QTY	SIZE	LENGTH	USE
A	4	400S162-33	9'-4 5/16"	STUD
B	1	400T300-33	4'-5"	BOTTOM TRACK
C	1	400T150-33	4'-5"	TOP TRACK

12-3272

Jewish Home for the Aging

1885 Victory Blvd. Reseda, CA

FM-07-109

CREATED BY: HH

FrameMax, Inc.
13915 Danielson St
Suite 100
Poway, CA 92064
www.frame-max.com



© FrameMax Inc.

HEIGHT : 9'-4 7/16" POINTS: 0.20 Points.

SPACING : 24"

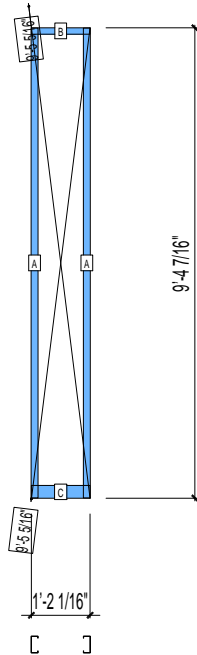
1st STUD: 16"

APPROVED
By hhuynh at 5:44 pm, Nov 18, 2008

WEIGHTS :

FRAME : 20 lbs

TOTAL: 20 lbs



PIECES LIST

LABEL	QTY	SIZE	LENGTH	USE
A	2	400S162-33	9'-4 5/16"	STUD
B	1	400T150-33	1'-2 1/16"	TOP TRACK
C	1	400T300-33	1'-2 1/16"	BOTTOM TRACK

12-3273

Jewish Home for the Aging

1885 Victory Blvd. Reseda, CA

FM-07-109

CREATED BY: HH

FrameMax, Inc.
13915 Danielson St
Suite 100
Poway, CA 92064
www.frame-max.com



© FrameMax Inc.

HEIGHT : 9'-4 7/16" POINTS: 0.36 Points.

SPACING : 24"

1st STUD: 24"

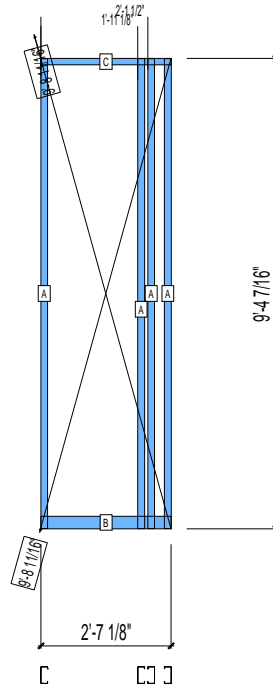
WEIGHTS :

FRAME : 40 lbs

TOTAL: 40 lbs

APPROVED

By hhuynh at 5:44 pm, Nov 18, 2008



PIECES LIST

LABEL	QTY	SIZE	LENGTH	USE
A	4	400S162-33	9'-4 5/16"	STUD
B	1	400T300-33	2'-7 1/8"	BOTTOM TRACK
C	1	400T150-33	2'-7 1/8"	TOP TRACK

12-3274

Jewish Home for the Aging

1885 Victory Blvd. Reseda, CA

FM-07-109

CREATED BY: HH

FrameMax, Inc.
13915 Danielson St
Suite 100
Poway, CA 92064
www.frame-max.com



© FrameMax Inc.

HEIGHT : 9'-4 7/16" POINTS: 0.65 Points.

SPACING : 24"

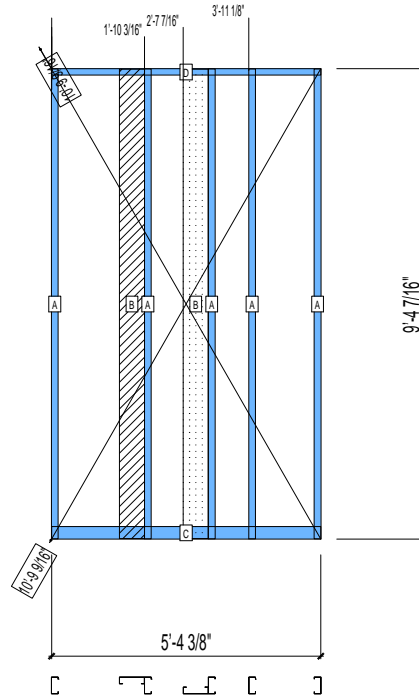
1st STUD: 24"

APPROVED
By hhuynh at 5:44 pm, Nov 18, 2008

WEIGHTS :

FRAME : 76 lbs

TOTAL: 76 lbs



PIECES LIST

LABEL	QTY	SIZE	LENGTH	USE
A	5	400S162-33	9'-4 5/16"	STUD
B	2	600S162-33	9'-4 3/16"	BACKER-U
C	1	400T300-33	5'-4 3/8"	BOTTOM TRACK
D	1	400T150-33	5'-4 3/8"	TOP TRACK

12-3275

Jewish Home for the Aging

1885 Victory Blvd. Reseda, CA

FM-07-109

CREATED BY: HH

FrameMax, Inc.
13915 Danielson St
Suite 100
Poway, CA 92064
www.frame-max.com



© FrameMax Inc.

HEIGHT : 9'-4 7/16" POINTS: 0.75 Points.

SPACING : 24"

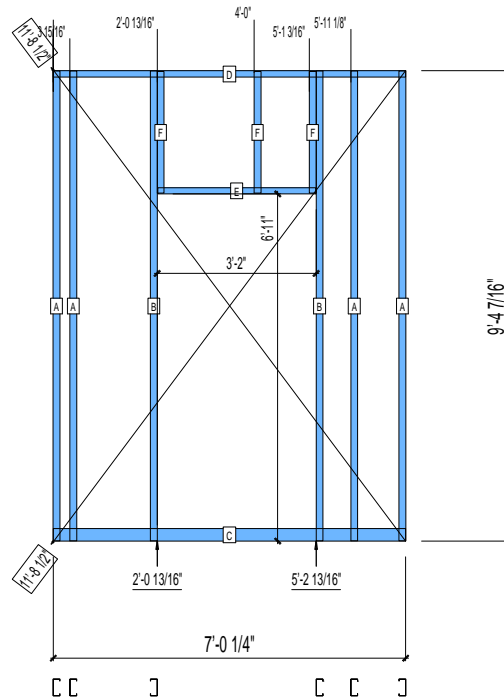
1st STUD: 24"

WEIGHTS :

FRAME : 76 lbs

TOTAL: 76 lbs

APPROVED
By hhuynh at 5:44 pm, Nov 18, 2008



PIECES LIST

LABEL	QTY	SIZE	LENGTH	USE
A	4	400S162-33	9'-4 5/16"	STUD
B	2	400S162-33	9'-4 5/16"	KING STUD
C	1	400T300-33	7'-0 1/4"	BOTTOM TRACK
D	1	400T150-33	7'-0 1/4"	TOP TRACK
E	1	400T150-33	3'-1 3/4"	HEAD TRACK
F	3	400S162-33	2'-5 1/16"	CRIPPLE

12-3276

Jewish Home for the Aging

1885 Victory Blvd. Reseda, CA

FM-07-109

CREATED BY: HH

FrameMax, Inc.
13915 Danielson St
Suite 100
Poway, CA 92064
www.frame-max.com



© FrameMax Inc.

HEIGHT : 9'-4 7/16" POINTS: 0.32 Points.

SPACING : 24"

1st STUD: 24"

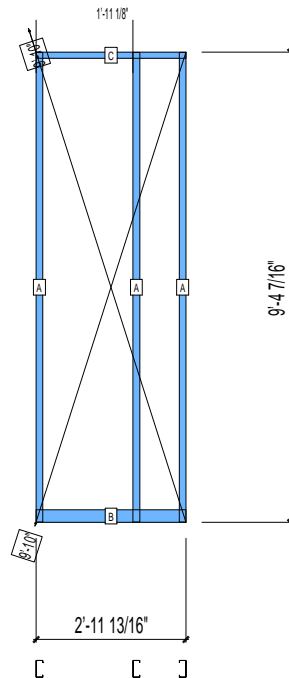
WEIGHTS :

FRAME : 32 lbs

TOTAL: 32 lbs

APPROVED

By hhuynh at 5:44 pm, Nov 18, 2008



PIECES LIST

LABEL	QTY	SIZE	LENGTH	USE
A	3	400S162-33	9'-4 5/16"	STUD
B	1	400T300-33	2'-11 13/16"	BOTTOM TRACK
C	1	400T150-33	2'-11 13/16"	TOP TRACK

12-3277

Jewish Home for the Aging

1885 Victory Blvd. Reseda, CA

FM-07-109

CREATED BY: HH

FrameMax, Inc.
13915 Danielson St
Suite 100
Poway, CA 92064
www.framemax.com

FRAME MAX

© FrameMax Inc.

HEIGHT : 9'-4 7/16" POINTS: 0.75 Points.

SPACING : 24"

1st STUD: 24"

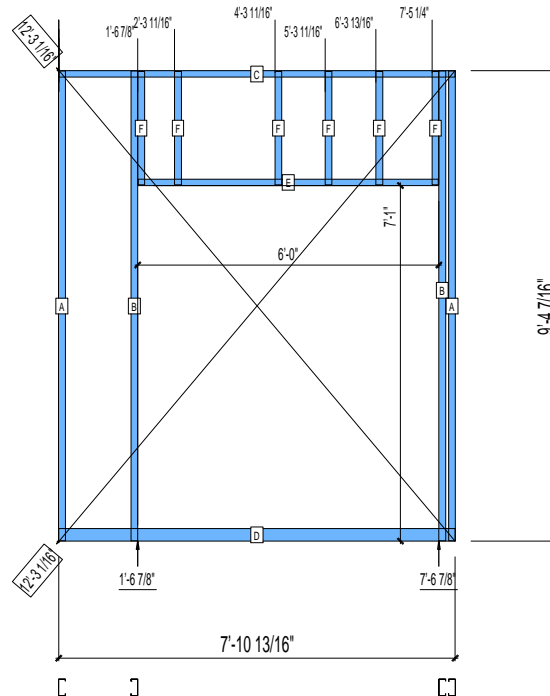
WEIGHTS :

FRAME : 68 lbs

TOTAL: 68 lbs

APPROVED

By hhuynh at 5:44 pm, Nov 18, 2008



PIECES LIST

LABEL	QTY	SIZE	LENGTH	USE
A	2	400S162-33	9'-4 5/16"	STUD
B	2	400S162-33	9'-4 5/16"	KING STUD
C	1	400T150-33	7'-10 13/16"	TOP TRACK
D	1	400T300-33	7'-10 13/16"	BOTTOM TRACK
E	1	400T150-33	5'-11 3/4"	HEAD TRACK
F	6	400S162-33	2'-3 1/16"	CRIPPLE

12-3278

Jewish Home for the Aging

1885 Victory Blvd. Reseda, CA

FM-07-109

CREATED BY: HH

FrameMax, Inc.
13915 Danielson St
Suite 100
Poway, CA 92064
www.frame-max.com

FRAME MAX

© FrameMax Inc.

HEIGHT : 9'-4 7/16" POINTS: 0.99 Points.

SPACING : 24"

1st STUD: 16"

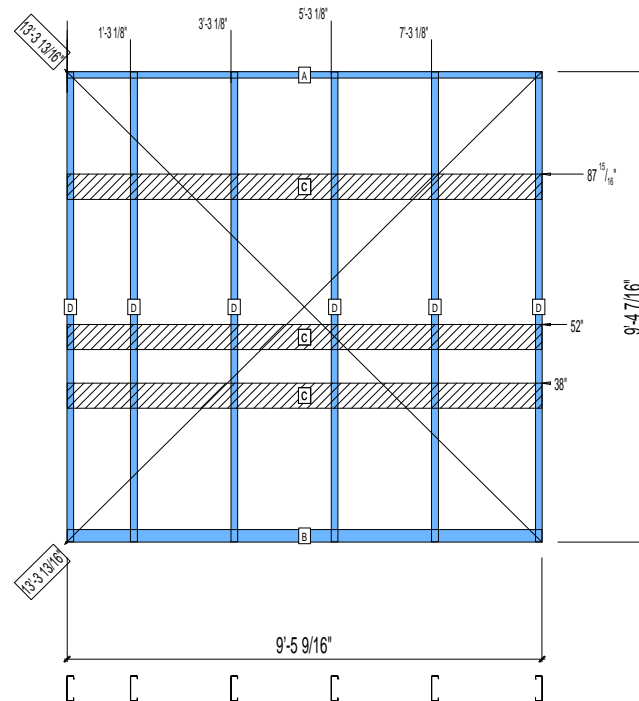
WEIGHTS :

FRAME : 123 lbs

TOTAL: 123 lbs

APPROVED

By hhuynh at 5:44 pm, Nov 18, 2008



PIECES LIST

LABEL	QTY	SIZE	LENGTH	USE
A	1	600T150-33	9'-5 9/16"	TOP TRACK
B	1	600T300-33	9'-5 9/16"	BOTTOM TRACK
C	3	600D-54	9'-5 1/2"	KITCHEN BACKING
D	6	600S162-33	9'-4 5/16"	STUD

12-3279

Jewish Home for the Aging

1885 Victory Blvd. Reseda, CA

FM-07-109

CREATED BY: HH

FrameMax, Inc.
13915 Danielson St
Suite 100
Poway, CA 92064
www.frame-max.com

FRAME MAX

© FrameMax Inc.

HEIGHT : 9'-4 7/16" POINTS: 0.30 Points.

SPACING : 24"

1st STUD: 24"

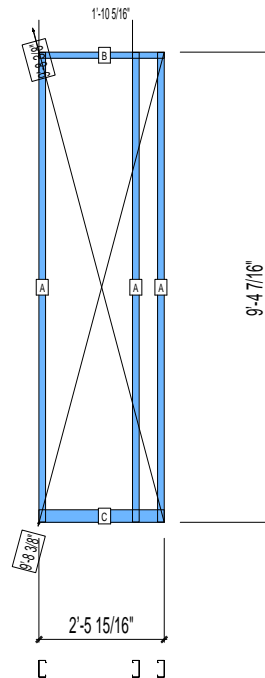
WEIGHTS :

FRAME : 31 lbs

TOTAL: 31 lbs

APPROVED

By hhuynh at 5:44 pm, Nov 18, 2008



PIECES LIST

LABEL	QTY	SIZE	LENGTH	USE
A	3	400S162-33	9'-4 5/16"	STUD
B	1	400T150-33	2'-5 15/16"	TOP TRACK
C	1	400T300-33	2'-5 15/16"	BOTTOM TRACK

12-3280

Jewish Home for the Aging

1885 Victory Blvd. Reseda, CA

FM-07-109

CREATED BY: HH

FrameMax, Inc.
13915 Danielson St
Suite 100
Poway, CA 92064
www.frame-max.com

FRAME MAX

© FrameMax Inc.

HEIGHT : 9'-4 7/16" POINTS: 0.30 Points.

SPACING : 24"

1st STUD: 24"

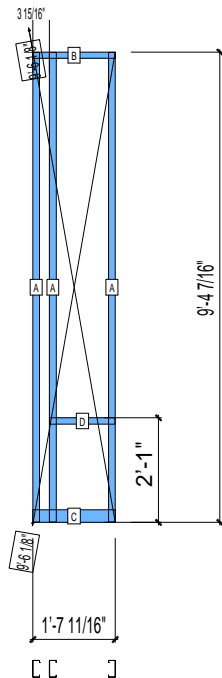
WEIGHTS :

FRAME : 31 lbs

TOTAL: 31 lbs

APPROVED

By hhuynh at 5:44 pm, Nov 18, 2008



PIECES LIST

LABEL	QTY	SIZE	LENGTH	USE
A	3	400S162-33	9'-4 5/16"	STUD
B	1	400T150-33	1'-7 11/16"	TOP TRACK
C	1	400T300-33	1'-7 11/16"	BOTTOM TRACK
D	1	400T150-33	1'-3 5/8"	SILL

12-3281

Jewish Home for the Aging

1885 Victory Blvd. Reseda, CA

FM-07-109

CREATED BY: HH

FrameMax, Inc.
13915 Danielson St
Suite 100
Poway, CA 92064
www.frame-max.com



© FrameMax Inc.

HEIGHT : 9'-4 7/16" POINTS: 0.20 Points.

SPACING : 24"

1st STUD: 24"

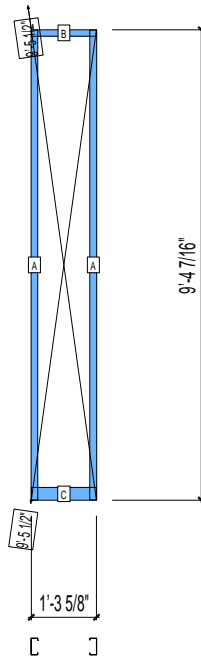
WEIGHTS :

FRAME : 20 lbs

TOTAL: 20 lbs

APPROVED

By hhuynh at 5:44 pm, Nov 18, 2008



PIECES LIST

LABEL	QTY	SIZE	LENGTH	USE
A	2	400S162-33	9'-4 5/16"	STUD
B	1	400T150-33	1'-3 5/8"	TOP TRACK
C	1	400T300-33	1'-3 5/8"	BOTTOM TRACK

12-3282

Jewish Home for the Aging

1885 Victory Blvd. Reseda, CA

FM-07-109

CREATED BY: HH

FrameMax, Inc.
13915 Danielson St
Suite 100
Poway, CA 92064
www.frame-max.com



© FrameMax Inc.

HEIGHT : 9'-4 7/16" POINTS: 0.19 Points.

SPACING : 24"

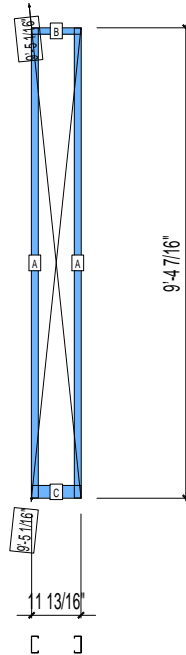
1st STUD: 24"

APPROVED
By hhuynh at 5:44 pm, Nov 18, 2008

WEIGHTS :

FRAME : 19 lbs

TOTAL: 19 lbs



PIECES LIST

LABEL	QTY	SIZE	LENGTH	USE
A	2	400S162-33	9'-4 5/16"	STUD
B	1	400T150-33	11 13/16"	TOP TRACK
C	1	400T300-33	11 13/16"	BOTTOM TRACK

12-3283

Jewish Home for the Aging

1885 Victory Blvd. Reseda, CA

FM-07-109

CREATED BY: HH

FrameMax, Inc.
13915 Danielson St
Suite 100
Poway, CA 92064
www.frame-max.com

FRAME MAX

© FrameMax Inc.

HEIGHT : 9'-4 7/16" POINTS: 0.71 Points.

SPACING : 24"

1st STUD: 24"

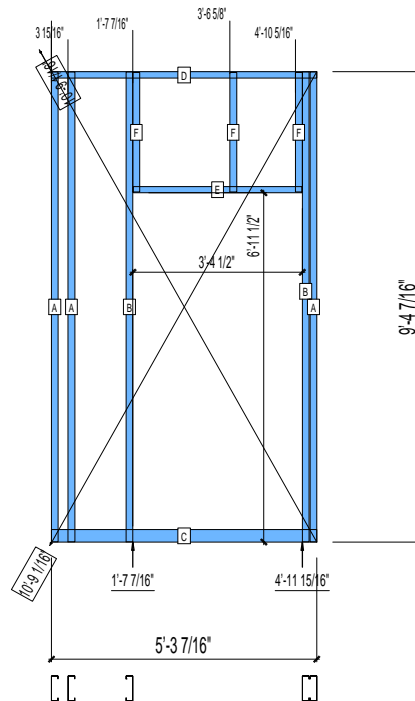
WEIGHTS :

FRAME : 80 lbs

TOTAL: 80 lbs

APPROVED

By hhuynh at 5:44 pm, Nov 18, 2008



PIECES LIST

LABEL	QTY	SIZE	LENGTH	USE
A	3	600S162-33	9'-4 5/16"	STUD
B	2	600S162-33	9'-4 5/16"	KING STUD
C	1	600T300-33	5'-3 7/16"	BOTTOM TRACK
D	1	600T150-33	5'-3 7/16"	TOP TRACK
E	1	600T150-33	3'-4 1/4"	HEAD TRACK
F	3	600S162-33	2'-4 9/16"	CRIPPLE

12-3284

Jewish Home for the Aging

1885 Victory Blvd. Reseda, CA

FM-07-109

CREATED BY: HH

FrameMax, Inc.
13915 Danielson St
Suite 100
Poway, CA 92064
www.frame-max.com



© FrameMax Inc.

HEIGHT : 9'-4 7/16" POINTS: 0.22 Points.

SPACING : 24"

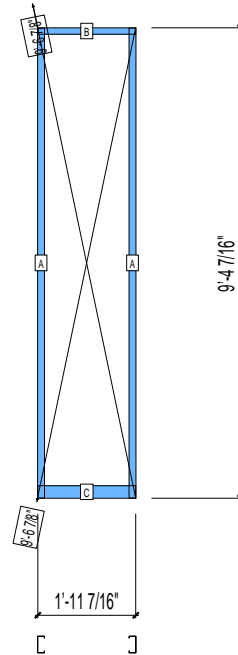
1st STUD: 24"

WEIGHTS :

FRAME : 21 lbs

TOTAL: 21 lbs

APPROVED
By hhuynh at 5:44 pm, Nov 18, 2008



PIECES LIST

LABEL	QTY	SIZE	LENGTH	USE
A	2	400S162-33	9'-4 5/16"	STUD
B	1	400T150-33	1'-11 7/16"	TOP TRACK
C	1	400T300-33	1'-11 7/16"	BOTTOM TRACK

12-3285

Jewish Home for the Aging

1885 Victory Blvd. Reseda, CA

FM-07-109

CREATED BY: HH

FrameMax, Inc.
13915 Danielson St
Suite 100
Poway, CA 92064
www.frame-max.com



© FrameMax Inc.

HEIGHT : 9'-4 7/16" POINTS: 0.19 Points.

SPACING : 24"

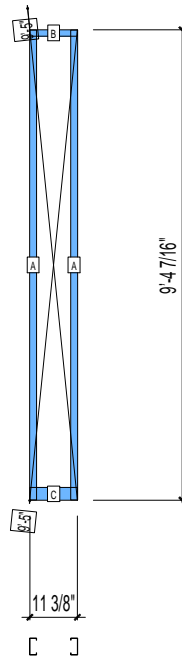
1st STUD: 16"

APPROVED
By hhuynh at 5:44 pm, Nov 18, 2008

WEIGHTS :

FRAME : 19 lbs

TOTAL: 19 lbs



PIECES LIST

LABEL	QTY	SIZE	LENGTH	USE
A	2	400S162-33	9'-4 5/16"	STUD
B	1	400T150-33	11 3/8"	TOP TRACK
C	1	400T300-33	11 3/8"	BOTTOM TRACK

12-3300

Jewish Home for the Aging

1885 Victory Blvd. Reseda, CA

FM-07-109

CREATED BY: HH

FrameMax, Inc.
13915 Danielson St
Suite 100
Poway, CA 92064
www.frame-max.com

FRAME MAX

© FrameMax Inc.

HEIGHT : 9'-4 7/16" POINTS: 0.46 Points.

SPACING : 24"

1st STUD: 24"

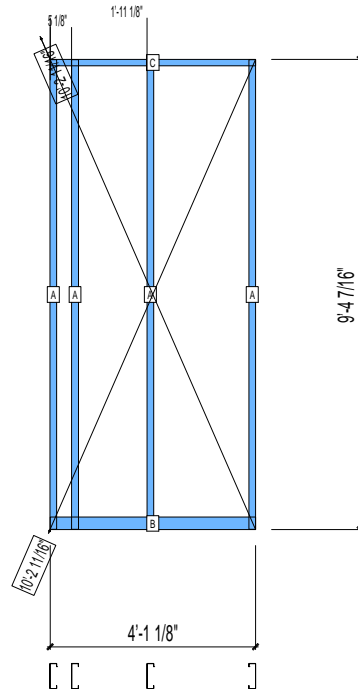
WEIGHTS :

FRAME : 54 lbs

TOTAL: 54 lbs

APPROVED

By hhuynh at 5:44 pm, Nov 18, 2008



PIECES LIST

LABEL	QTY	SIZE	LENGTH	USE
A	4	600S162-33	9'-4 5/16"	STUD
B	1	600T300-33	4'-1 1/8"	BOTTOM TRACK
C	1	600T150-33	4'-1 1/8"	TOP TRACK

12-3301

Jewish Home for the Aging

1885 Victory Blvd. Reseda, CA

FrameMax, Inc.
13915 Danielson St
Suite 100
Poway, CA 92064
www.frame-max.com



© FrameMax Inc.

CREATED: 11/10/2008

FM-07-109

CREATED BY: HH

HEIGHT : 9'-4 7/16" POINTS: 0.25 Points.

SPACING : 24"

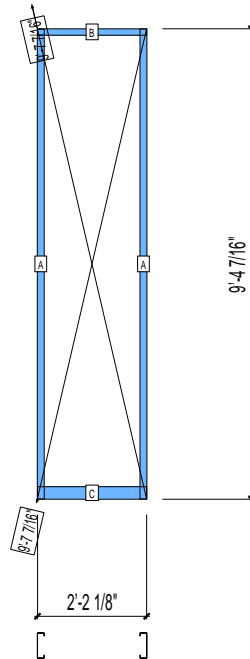
1st STUD: 24"

APPROVED
By hhuynh at 5:44 pm, Nov 18, 2008

WEIGHTS :

FRAME : 27 lbs

TOTAL: 27 lbs



PIECES LIST

LABEL	QTY	SIZE	LENGTH	USE
A	2	600S162-33	9'-4 5/16"	STUD
B	1	600T150-33	2'-2 1/8"	TOP TRACK
C	1	600T300-33	2'-2 1/8"	BOTTOM TRACK

12-3302

Jewish Home for the Aging

1885 Victory Blvd. Reseda, CA

FM-07-109

CREATED BY: HH

FrameMax, Inc.
13915 Danielson St
Suite 100
Poway, CA 92064
www.frame-max.com

FRAME MAX

© FrameMax Inc.

HEIGHT : 9'-4 7/16" POINTS: 0.38 Points.

SPACING : 24"

1st STUD: 24"

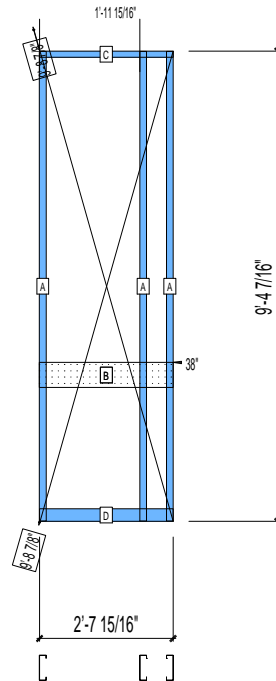
WEIGHTS :

FRAME : 43 lbs

TOTAL: 43 lbs

APPROVED

By hhuynh at 5:44 pm, Nov 18, 2008



PIECES LIST

LABEL	QTY	SIZE	LENGTH	USE
A	3	600S162-33	9'-4 5/16"	STUD
B	1	600D-54	2'-8"	VANITY BACKING
C	1	600T150-33	2'-7 15/16"	TOP TRACK
D	1	600T300-33	2'-7 15/16"	BOTTOM TRACK

12-3303

Jewish Home for the Aging

1885 Victory Blvd. Reseda, CA

FM-07-109

CREATED BY: HH

FrameMax, Inc.
13915 Danielson St
Suite 100
Poway, CA 92064
www.frame-max.com

FRAME MAX

© FrameMax Inc.

HEIGHT : 9'-4 7/16" POINTS: 0.34 Points.

SPACING : 24"

1st STUD: 16"

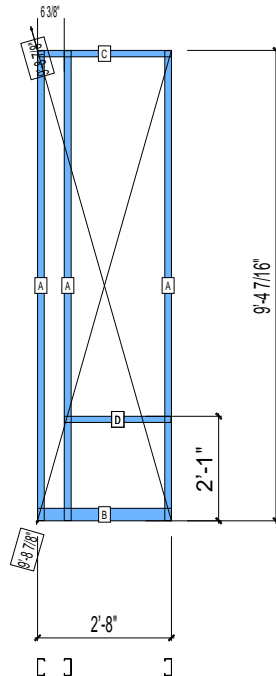
WEIGHTS :

FRAME : 34 lbs

TOTAL: 34 lbs

APPROVED

By hhuynh at 5:44 pm, Nov 18, 2008



PIECES LIST

LABEL	QTY	SIZE	LENGTH	USE
A	3	400S162-33	9'-4 5/16"	STUD
B	1	400T300-33	2'-8"	BOTTOM TRACK
C	1	400T150-33	2'-8"	TOP TRACK
D	1	600T150-33	2'-1 7/16"	SILL

12-3304

Jewish Home for the Aging

1885 Victory Blvd. Reseda, CA

FM-07-109

CREATED BY: HH

FrameMax, Inc.
13915 Danielson St
Suite 100
Poway, CA 92064
www.framemax.com



© FrameMax Inc.

HEIGHT : 9'-4 7/16" POINTS: 0.34 Points.

SPACING : 24"

1st STUD: 24"

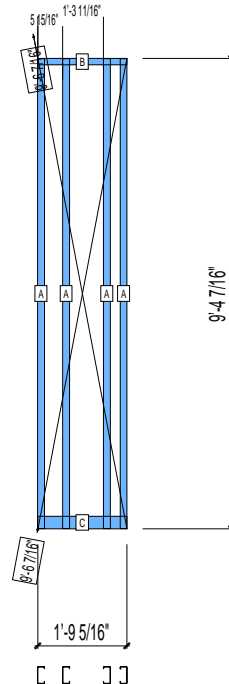
WEIGHTS :

FRAME : 38 lbs

TOTAL: 38 lbs

APPROVED

By hhuynh at 5:44 pm, Nov 18, 2008



PIECES LIST

LABEL	QTY	SIZE	LENGTH	USE
A	4	400S162-33	9'-4 5/16"	STUD
B	1	400T150-33	1'-9 5/16"	TOP TRACK
C	1	400T300-33	1'-9 5/16"	BOTTOM TRACK

12-3305

Jewish Home for the Aging

1885 Victory Blvd. Reseda, CA

FM-07-109

CREATED BY: HH

FrameMax, Inc.
13915 Danielson St
Suite 100
Poway, CA 92064
www.frame-max.com



© FrameMax Inc.

HEIGHT : 9'-4 7/16" POINTS: 1.59 Points.

SPACING : 24"

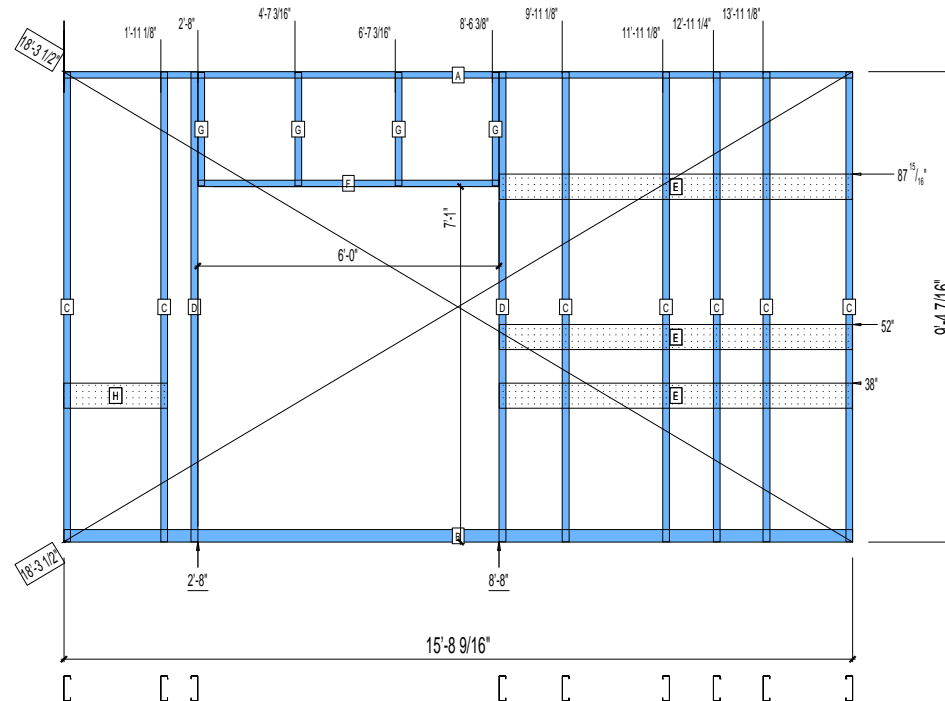
1st STUD: 24"

APPROVED
By hhuynh at 5:44 pm, Nov 18, 2008

WEIGHTS :

FRAME : 183 lbs

TOTAL: 183 lbs



PIECES LIST

LABEL	QTY	SIZE	LENGTH USE
A	1	600T150-33	15'-8 9/16" TOP TRACK
B	1	600T300-33	15'-8 9/16" BOTTOM TRACK
C	7	600S162-33	9'-4 5/16" STUD
D	2	600S162-33	9'-4 5/16" KING STUD
E	3	600D-54	7'-0 7/16" KITCHEN BACKING
F	1	600T150-33	5'-11 3/4" HEAD TRACK
G	4	600S162-33	2'-3 1/16" CRIPPLE
H	1	600D-54	2'-0 13/16" VANITY BACKING

12-3306

Jewish Home for the Aging

1885 Victory Blvd. Reseda, CA

FM-07-109

CREATED BY: HH

FrameMax, Inc.
13915 Danielson St
Suite 100
Poway, CA 92064
www.frame-max.com

FRAME MAX

© FrameMax Inc.

HEIGHT : 9'-4 7/16" POINTS: 0.49 Points.

SPACING : 24"

1st STUD: 24"

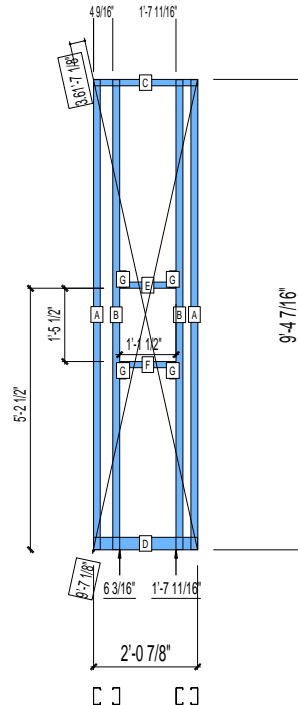
WEIGHTS :

FRAME : 42 lbs

TOTAL: 42 lbs

APPROVED

By hhuynh at 5:44 pm, Nov 18, 2008



PIECES LIST

LABEL	QTY	SIZE	LENGTH	USE
A	2	400S162-33	9'-4 5/16"	STUD
B	2	400S162-33	9'-4 5/16"	KING STUD
C	1	400T150-33	2'-0 7/8"	TOP TRACK
D	1	400T300-33	2'-0 7/8"	BOTTOM TRACK
E	1	400T150-33	1'-1 1/4"	HEAD TRACK
F	1	400T150-33	1'-1 1/4"	SILL
G	4	400S162-33	4"	CRIPPLE

12-3307

Jewish Home for the Aging

1885 Victory Blvd. Reseda, CA

FM-07-109

CREATED BY: HH

FrameMax, Inc.
13915 Danielson St
Suite 100
Poway, CA 92064
www.framemax.com

FRAME MAX

© FrameMax Inc.

HEIGHT : 9'-4 7/16" POINTS: 0.47 Points.

SPACING : 24"

1st STUD: 24"

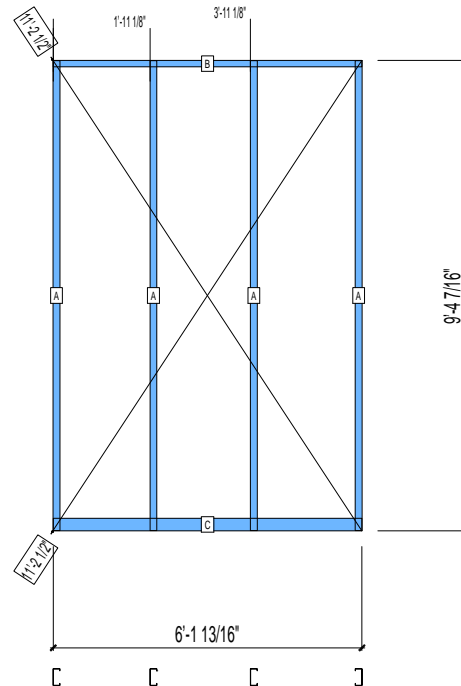
WEIGHTS :

FRAME : 47 lbs

TOTAL: 47 lbs

APPROVED

By hhuynh at 5:44 pm, Nov 18, 2008



PIECES LIST

LABEL	QTY	SIZE	LENGTH	USE
A	4	400S162-33	9'-4 5/16"	STUD
B	1	400T150-33	6'-1 13/16"	TOP TRACK
C	1	400T300-33	6'-1 13/16"	BOTTOM TRACK

12-3308

Jewish Home for the Aging

1885 Victory Blvd. Reseda, CA

FM-07-109

CREATED BY: HH

FrameMax, Inc.
13915 Danielson St
Suite 100
Poway, CA 92064
www.framemax.com

FRAME MAX

© FrameMax Inc.

HEIGHT : 9'-4 7/16" POINTS: 0.67 Points.

SPACING : 24"

1st STUD: 24"

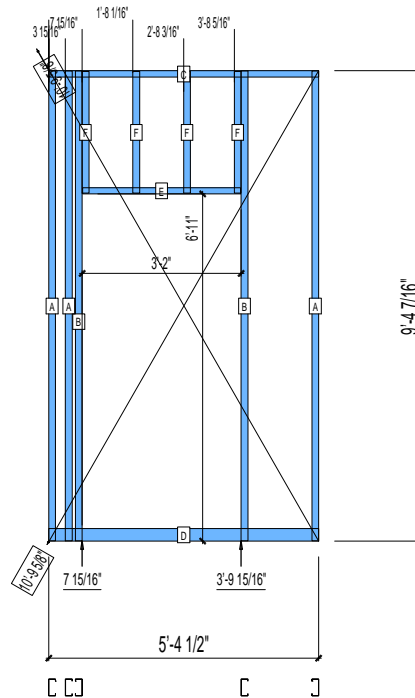
WEIGHTS :

FRAME : 66 lbs

TOTAL: 66 lbs

APPROVED

By hhuynh at 5:44 pm, Nov 18, 2008



PIECES LIST

LABEL	QTY	SIZE	LENGTH	USE
A	3	400S162-33	9'-4 5/16"	STUD
B	2	400S162-33	9'-4 5/16"	KING STUD
C	1	400T150-33	5'-4 1/2"	TOP TRACK
D	1	400T300-33	5'-4 1/2"	BOTTOM TRACK
E	1	400T150-33	3'-1 3/4"	HEAD TRACK
F	4	400S162-33	2'-5 1/16"	CRIPPLE

12-3309

Jewish Home for the Aging

1885 Victory Blvd. Reseda, CA

FM-07-109

CREATED BY: HH

FrameMax, Inc.
13915 Danielson St
Suite 100
Poway, CA 92064
www.frame-max.com

FRAME MAX

© FrameMax Inc.

HEIGHT : 9'-4 7/16" POINTS: 0.59 Points.

SPACING : 24"

1st STUD: 24"

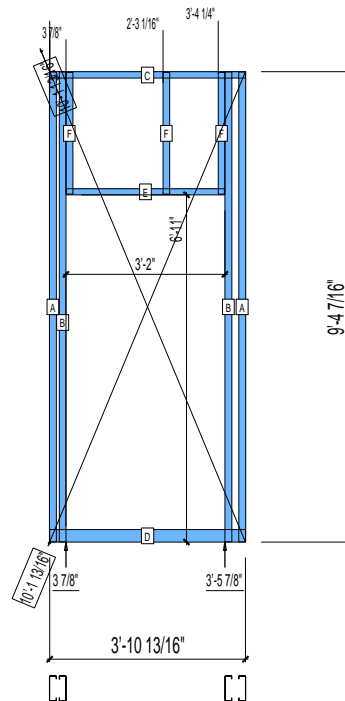
WEIGHTS :

FRAME : 65 lbs

TOTAL: 65 lbs

APPROVED

By hhuynh at 5:44 pm, Nov 18, 2008



PIECES LIST

LABEL	QTY	SIZE	LENGTH	USE
A	2	600S162-33	9'-4 5/16"	STUD
B	2	600S162-33	9'-4 5/16"	KING STUD
C	1	600T150-33	3'-10 13/16"	TOP TRACK
D	1	600T300-33	3'-10 13/16"	BOTTOM TRACK
E	1	600T150-33	3'-1 3/4"	HEAD TRACK
F	3	600S162-33	2'-5 1/16"	CRIPPLE

12-3310

Jewish Home for the Aging

1885 Victory Blvd. Reseda, CA

FrameMax, Inc.
13915 Danielson St
Suite 100
Poway, CA 92064
www.frame-max.com



© FrameMax Inc.

CREATED: 11/10/2008

FM-07-109

CREATED BY: HH

HEIGHT : 9'-4 7/16" POINTS: 0.25 Points.

SPACING : 24"

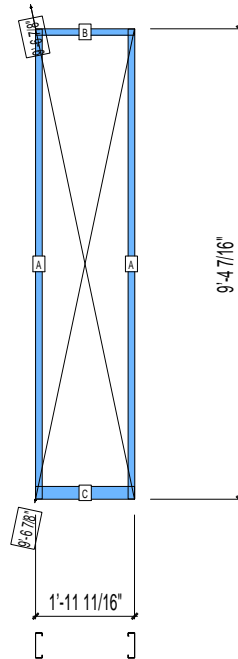
1st STUD: 24"

APPROVED
By hhuynh at 5:44 pm, Nov 18, 2008

WEIGHTS :

FRAME : 27 lbs

TOTAL: 27 lbs



PIECES LIST

LABEL	QTY	SIZE	LENGTH	USE
A	2	600S162-33	9'-4 5/16"	STUD
B	1	600T150-33	1'-11 11/16"	TOP TRACK
C	1	600T300-33	1'-11 11/16"	BOTTOM TRACK

12-3311

Jewish Home for the Aging

1885 Victory Blvd. Reseda, CA

FM-07-109

CREATED BY: HH

FrameMax, Inc.
13915 Danielson St
Suite 100
Poway, CA 92064
www.frame-max.com

FRAME MAX

© FrameMax Inc.

HEIGHT : 9'-4 7/16" POINTS: 0.32 Points.

SPACING : 24"

1st STUD: 24"

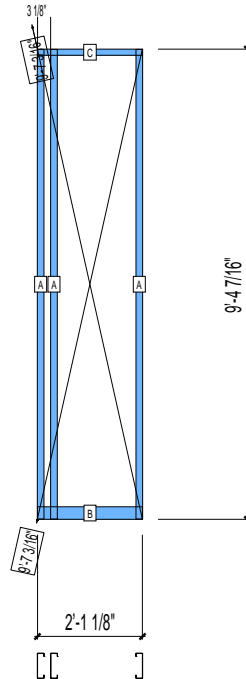
WEIGHTS :

FRAME : 38 lbs

TOTAL: 38 lbs

APPROVED

By hhuynh at 5:44 pm, Nov 18, 2008



PIECES LIST

LABEL	QTY	SIZE	LENGTH	USE
A	3	600S162-33	9'-4 5/16"	STUD
B	1	600T300-33	2'-1 1/8"	BOTTOM TRACK
C	1	600T150-33	2'-1 1/8"	TOP TRACK

12-3312

Jewish Home for the Aging

1885 Victory Blvd. Reseda, CA

FM-07-109

CREATED BY: HH

FrameMax, Inc.
13915 Danielson St
Suite 100
Poway, CA 92064
www.frame-max.com



© FrameMax Inc.

HEIGHT : 9'-4 7/16" POINTS: 0.19 Points.

SPACING : 24"

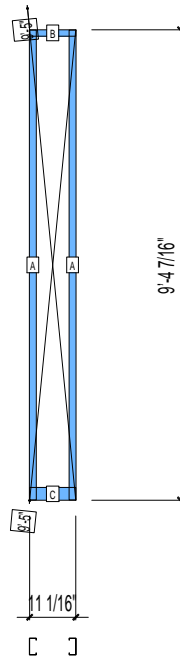
1st STUD: 24"

WEIGHTS :

FRAME : 19 lbs

TOTAL: 19 lbs

APPROVED
By hhuynh at 5:44 pm, Nov 18, 2008



PIECES LIST

LABEL	QTY	SIZE	LENGTH	USE
A	2	400S162-33	9'-4 5/16"	STUD
B	1	400T150-33	11 1/16"	TOP TRACK
C	1	400T300-33	11 1/16"	BOTTOM TRACK

12-3313

Jewish Home for the Aging

1885 Victory Blvd. Reseda, CA

FM-07-109

CREATED BY: HH

FrameMax, Inc.
13915 Danielson St
Suite 100
Poway, CA 92064
www.framemax.com

FRAME MAX

© FrameMax Inc.

HEIGHT : 9'-4 7/16" POINTS: 0.30 Points.

SPACING : 24"

1st STUD: 24"

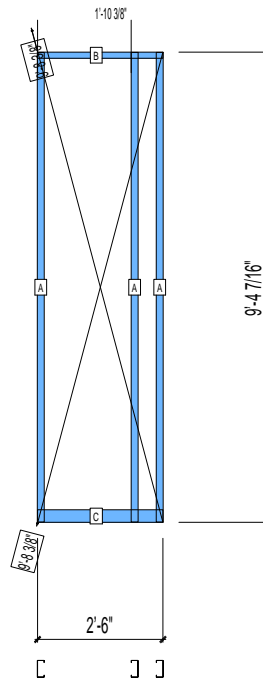
WEIGHTS :

FRAME : 31 lbs

TOTAL: 31 lbs

APPROVED

By hhuynh at 5:44 pm, Nov 18, 2008



PIECES LIST

LABEL	QTY	SIZE	LENGTH	USE
A	3	400S162-33	9'-4 5/16"	STUD
B	1	400T150-33	2'-6"	TOP TRACK
C	1	400T300-33	2'-6"	BOTTOM TRACK

12-3314

Jewish Home for the Aging

1885 Victory Blvd. Reseda, CA

FM-07-109

CREATED BY: HH

FrameMax, Inc.
13915 Danielson St
Suite 100
Poway, CA 92064
www.frame-max.com



© FrameMax Inc.

HEIGHT : 9'-4 7/16" POINTS: 0.70 Points.

SPACING : 24"

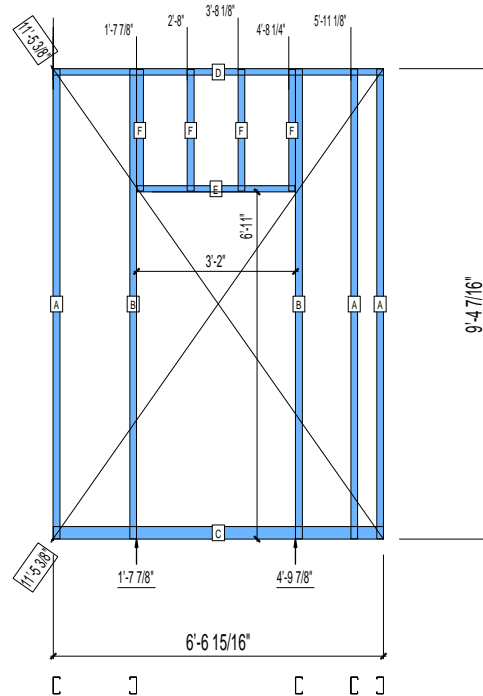
1st STUD: 24"

APPROVED
By hhuynh at 5:44 pm, Nov 18, 2008

WEIGHTS :

FRAME : 68 lbs

TOTAL: 68 lbs



PIECES LIST

LABEL	QTY	SIZE	LENGTH	USE
A	3	400S162-33	9'-4 5/16"	STUD
B	2	400S162-33	9'-4 5/16"	KING STUD
C	1	400T300-33	6'-6 15/16"	BOTTOM TRACK
D	1	400T150-33	6'-6 15/16"	TOP TRACK
E	1	400T150-33	3'-1 3/4"	HEAD TRACK
F	4	400S162-33	2'-5 1/16"	CRIPPLE

12-3315

Jewish Home for the Aging

1885 Victory Blvd. Reseda, CA

FM-07-109

CREATED BY: HH

FrameMax, Inc.
13915 Danielson St
Suite 100
Poway, CA 92064
www.frame-max.com



© FrameMax Inc.

HEIGHT : 9'-4 7/16" POINTS: 0.63 Points.

SPACING : 24"

1st STUD: 24"

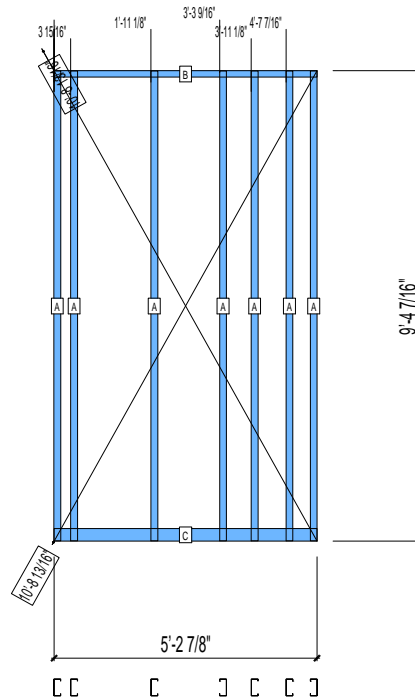
WEIGHTS :

FRAME : 71 lbs

TOTAL: 71 lbs

APPROVED

By hhuynh at 5:44 pm, Nov 18, 2008



PIECES LIST

LABEL	QTY	SIZE	LENGTH	USE
A	7	400S162-33	9'-4 5/16"	STUD
B	1	400T150-33	5'-2 7/8"	TOP TRACK
C	1	400T300-33	5'-2 7/8"	BOTTOM TRACK

12-3316

Jewish Home for the Aging

1885 Victory Blvd. Reseda, CA

FM-07-109

CREATED BY: HH

FrameMax, Inc.
13915 Danielson St
Suite 100
Poway, CA 92064
www.framemax.com



© FrameMax Inc.

HEIGHT : 9'-4 7/16" POINTS: 0.75 Points.

SPACING : 24"

1st STUD: 24"

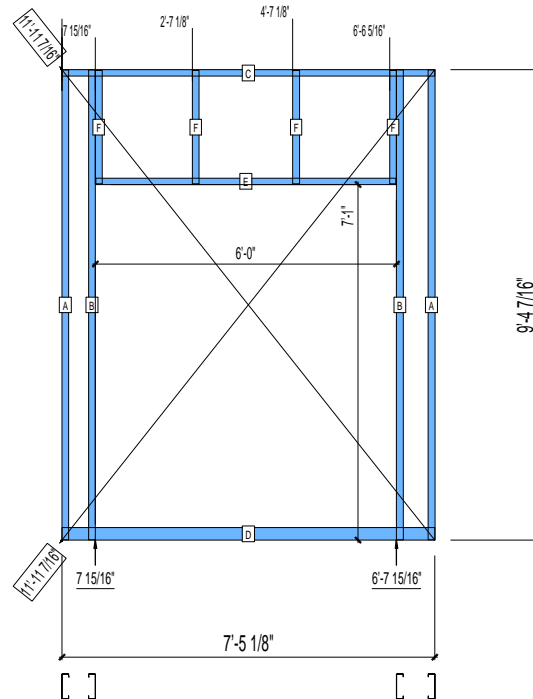
APPROVED

By hhuynh at 5:44 pm, Nov 18, 2008

WEIGHTS :

FRAME : 79 lbs

TOTAL: 79 lbs



PIECES LIST

LABEL	QTY	SIZE	LENGTH	USE
A	2	600S162-33	9'-4 5/16"	STUD
B	2	600S162-33	9'-4 5/16"	KING STUD
C	1	600T150-33	7'-5 1/8"	TOP TRACK
D	1	600T300-33	7'-5 1/8"	BOTTOM TRACK
E	1	600T150-33	5'-11 3/4"	HEAD TRACK
F	4	600S162-33	2'-3 1/16"	CRIPPLE

12-3317

Jewish Home for the Aging

1885 Victory Blvd. Reseda, CA

FM-07-109

CREATED BY: HH

FrameMax, Inc.
13915 Danielson St
Suite 100
Poway, CA 92064
www.framemax.com



© FrameMax Inc.

HEIGHT : 9'-4 7/16" POINTS: 0.55 Points.

SPACING : 24"

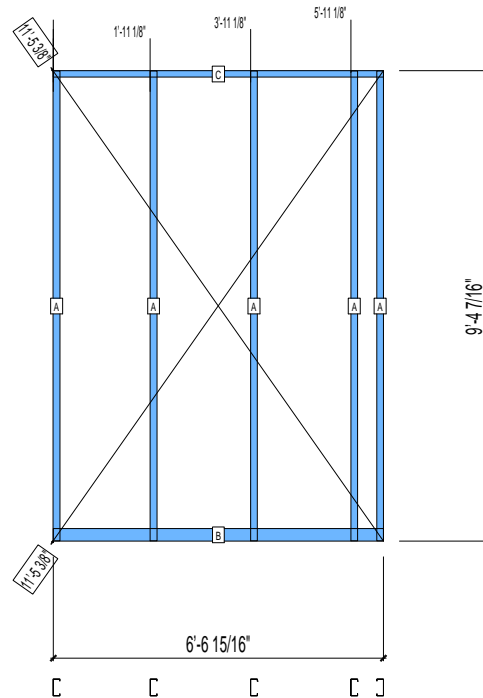
1st STUD: 24"

APPROVED
By hhuynh at 5:44 pm, Nov 18, 2008

WEIGHTS :

FRAME : 57 lbs

TOTAL: 57 lbs



PIECES LIST

LABEL	QTY	SIZE	LENGTH	USE
A	5	400S162-33	9'-4 5/16"	STUD
B	1	400T300-33	6'-6 15/16"	BOTTOM TRACK
C	1	400T150-33	6'-6 15/16"	TOP TRACK

12-3318

Jewish Home for the Aging

1885 Victory Blvd. Reseda, CA

FM-07-109

CREATED BY: HH

FrameMax, Inc.
13915 Danielson St
Suite 100
Poway, CA 92064
www.frame-max.com



© FrameMax Inc.

HEIGHT : 9'-4 7/16" POINTS: 0.35 Points.

SPACING : 24"

1st STUD: 17 3/8"

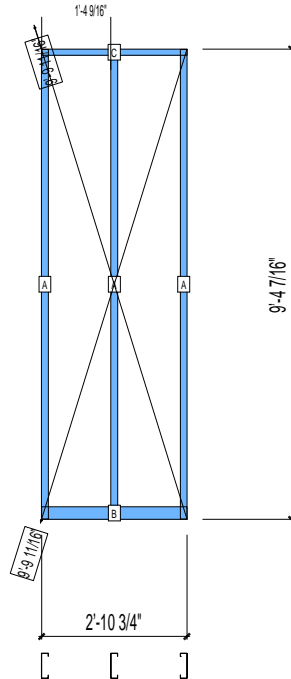
WEIGHTS :

FRAME : 40 lbs

TOTAL: 40 lbs

APPROVED

By hhuynh at 5:44 pm, Nov 18, 2008



PIECES LIST

LABEL	QTY	SIZE	LENGTH	USE
A	3	600S162-33	9'-4 5/16"	STUD
B	1	600T300-33	2'-10 3/4"	BOTTOM TRACK
C	1	600T150-33	2'-10 3/4"	TOP TRACK

12-3319

Jewish Home for the Aging

1885 Victory Blvd. Reseda, CA

FM-07-109

CREATED BY: HH

FrameMax, Inc.
13915 Danielson St
Suite 100
Poway, CA 92064
www.framemax.com

FRAME MAX

© FrameMax Inc.

HEIGHT : 9'-4 7/16" POINTS: 0.33 Points.

SPACING : 24"

1st STUD: 24"

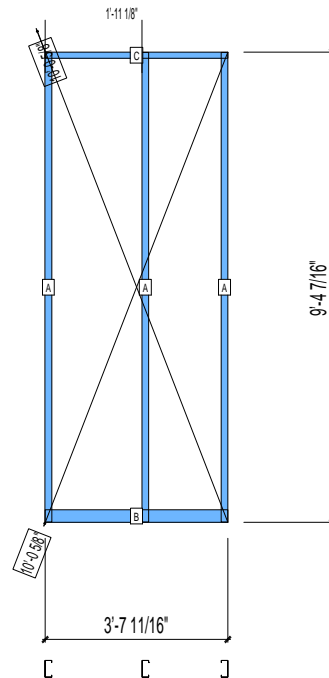
WEIGHTS :

FRAME : 33 lbs

TOTAL: 33 lbs

APPROVED

By hhuynh at 5:44 pm, Nov 18, 2008



PIECES LIST

LABEL	QTY	SIZE	LENGTH	USE
A	3	400S162-33	9'-4 5/16"	STUD
B	1	400T300-33	3'-7 11/16"	BOTTOM TRACK
C	1	400T150-33	3'-7 11/16"	TOP TRACK

12-3320

Jewish Home for the Aging

1885 Victory Blvd. Reseda, CA

FM-07-109

CREATED BY: HH

FrameMax, Inc.
13915 Danielson St
Suite 100
Poway, CA 92064
www.frame-max.com



© FrameMax Inc.

HEIGHT : 9'-4 7/16" POINTS: 0.30 Points.

SPACING : 24"

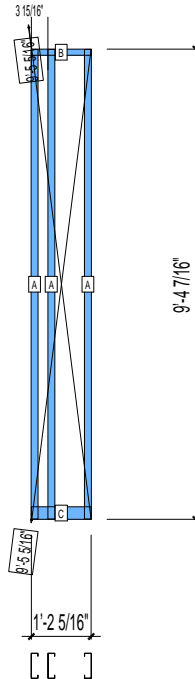
1st STUD: 24"

APPROVED
By hhuynh at 5:44 pm, Nov 18, 2008

WEIGHTS :

FRAME : 36 lbs

TOTAL: 36 lbs



PIECES LIST

LABEL	QTY	SIZE	LENGTH	USE
A	3	600S162-33	9'-4 5/16"	STUD
B	1	600T150-33	1'-2 5/16"	TOP TRACK
C	1	600T300-33	1'-2 5/16"	BOTTOM TRACK

12-3321

Jewish Home for the Aging

1885 Victory Blvd. Reseda, CA

FM-07-109

CREATED BY: HH

FrameMax, Inc.
13915 Danielson St
Suite 100
Poway, CA 92064
www.framemax.com

FRAME MAX

© FrameMax Inc.

HEIGHT : 9'-4 7/16" POINTS: 0.20 Points.

SPACING : 24"

1st STUD: 24"

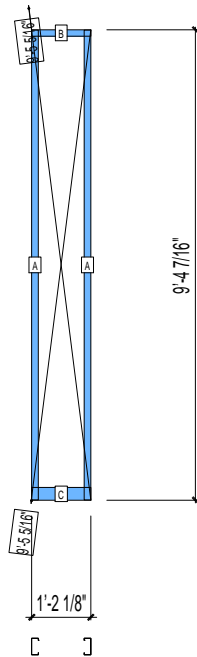
WEIGHTS :

FRAME : 20 lbs

TOTAL: 20 lbs

APPROVED

By hhuynh at 5:44 pm, Nov 18, 2008



PIECES LIST

LABEL	QTY	SIZE	LENGTH	USE
A	2	400S162-33	9'-4 5/16"	STUD
B	1	400T150-33	1'-2 1/8"	TOP TRACK
C	1	400T300-33	1'-2 1/8"	BOTTOM TRACK

12-3322

Jewish Home for the Aging

1885 Victory Blvd. Reseda, CA

FM-07-109

CREATED BY: HH

FrameMax, Inc.
13915 Danielson St
Suite 100
Poway, CA 92064
www.frame-max.com



© FrameMax Inc.

HEIGHT : 9'-4 7/16" POINTS: 0.34 Points.

SPACING : 24"

1st STUD: 24"

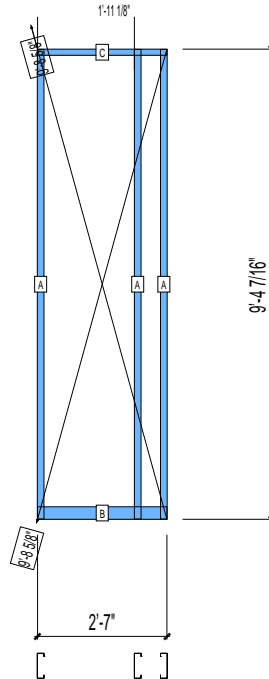
WEIGHTS :

FRAME : 39 lbs

TOTAL: 39 lbs

APPROVED

By hhuynh at 5:44 pm, Nov 18, 2008



PIECES LIST

LABEL	QTY	SIZE	LENGTH	USE
A	3	600S162-33	9'-4 5/16"	STUD
B	1	600T300-33	2'-7"	BOTTOM TRACK
C	1	600T150-33	2'-7"	TOP TRACK

12-3323

Jewish Home for the Aging

1885 Victory Blvd. Reseda, CA

FM-07-109

CREATED BY: HH

FrameMax, Inc.
13915 Danielson St
Suite 100
Poway, CA 92064
www.framemax.com



© FrameMax Inc.

HEIGHT : 9'-4 7/16" POINTS: 0.32 Points.

SPACING : 24"

1st STUD: 24"

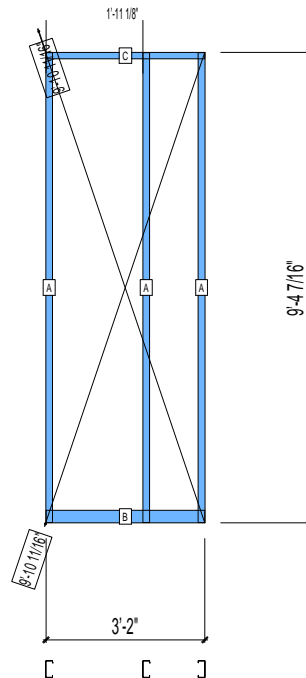
WEIGHTS :

FRAME : 32 lbs

TOTAL: 32 lbs

APPROVED

By hhuynh at 5:44 pm, Nov 18, 2008



PIECES LIST

LABEL	QTY	SIZE	LENGTH	USE
A	3	400S162-33	9'-4 5/16"	STUD
B	1	400T300-33	3'-2"	BOTTOM TRACK
C	1	400T150-33	3'-2"	TOP TRACK

12-3324

Jewish Home for the Aging

1885 Victory Blvd. Reseda, CA

FM-07-109

CREATED BY: HH

FrameMax, Inc.
13915 Danielson St
Suite 100
Poway, CA 92064
www.framemax.com

FRAMEMAX

© FrameMax Inc.

HEIGHT : 9'-4 7/16" POINTS: 0.38 Points.

SPACING : 24"

1st STUD: 24"

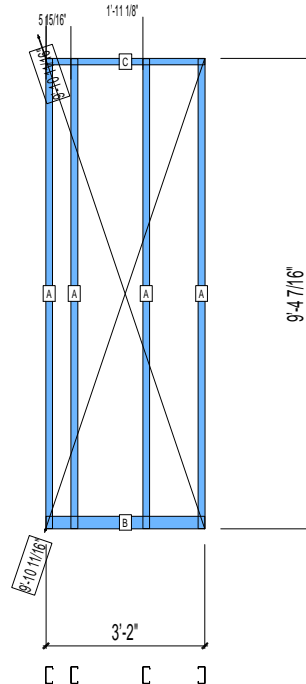
APPROVED

By hhuynh at 5:44 pm, Nov 18, 2008

WEIGHTS :

FRAME : 41 lbs

TOTAL: 41 lbs



PIECES LIST

LABEL	QTY	SIZE	LENGTH	USE
A	4	400S162-33	9'-4 5/16"	STUD
B	1	400T300-33	3'-2"	BOTTOM TRACK
C	1	400T150-33	3'-2"	TOP TRACK

12-3325

Jewish Home for the Aging

1885 Victory Blvd. Reseda, CA

FM-07-109

CREATED BY: HH

FrameMax, Inc.
13915 Danielson St
Suite 100
Poway, CA 92064
www.frame-max.com

FRAME MAX

© FrameMax Inc.

HEIGHT : 9'-4 7/16" POINTS: 0.54 Points.

SPACING : 24"

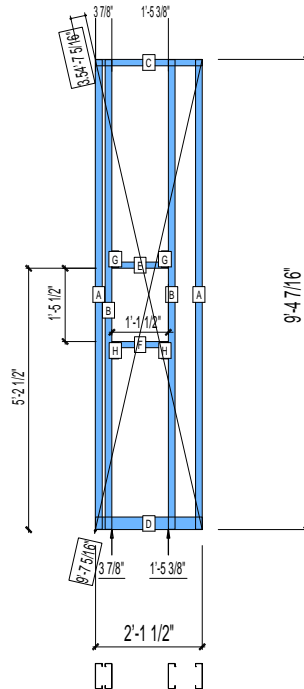
1st STUD: 24"

WEIGHTS :

FRAME : 53 lbs

TOTAL: 53 lbs

APPROVED
By hhuynh at 5:44 pm, Nov 18, 2008



PIECES LIST

LABEL	QTY	SIZE	LENGTH	USE
A	2	600S162-33	9'-4 5/16"	STUD
B	2	600S162-33	9'-4 5/16"	KING STUD
C	1	600T150-33	2'-1 1/2"	TOP TRACK
D	1	600T300-33	2'-1 1/2"	BOTTOM TRACK
E	1	600T150-33	1'-1 3/8"	HEAD TRACK
F	1	600T150-33	1'-1 3/8"	SILL
G	2	600S162-33	4"	CRIPPLE
H	2	600S162-33	3 15/16"	CRIPPLE

12-3326

Jewish Home for the Aging

1885 Victory Blvd. Reseda, CA

FM-07-109

CREATED BY: HH

FrameMax, Inc.
13915 Danielson St
Suite 100
Poway, CA 92064
www.framemax.com

FRAME MAX

© FrameMax Inc.

HEIGHT : 9'-4 7/16" POINTS: 0.21 Points.

SPACING : 24"

1st STUD: 24"

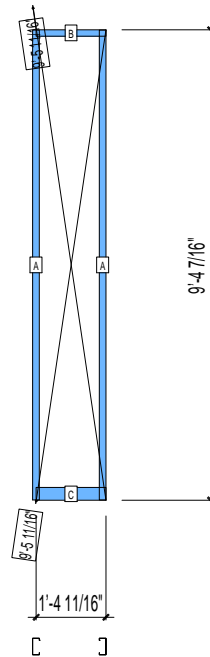
WEIGHTS :

FRAME : 20 lbs

TOTAL: 20 lbs

APPROVED

By hhuynh at 5:44 pm, Nov 18, 2008



PIECES LIST

LABEL	QTY	SIZE	LENGTH	USE
A	2	400S162-33	9'-4 5/16"	STUD
B	1	400T150-33	1'-4 11/16"	TOP TRACK
C	1	400T300-33	1'-4 11/16"	BOTTOM TRACK

12-3327

Jewish Home for the Aging

1885 Victory Blvd. Reseda, CA

FM-07-109

CREATED BY: HH

FrameMax, Inc.
13915 Danielson St
Suite 100
Poway, CA 92064
www.framemax.com

FRAME MAX

© FrameMax Inc.

HEIGHT : 9'-4 7/16" POINTS: 1.00 Points.

SPACING : 24"

1st STUD: 8 1/2"

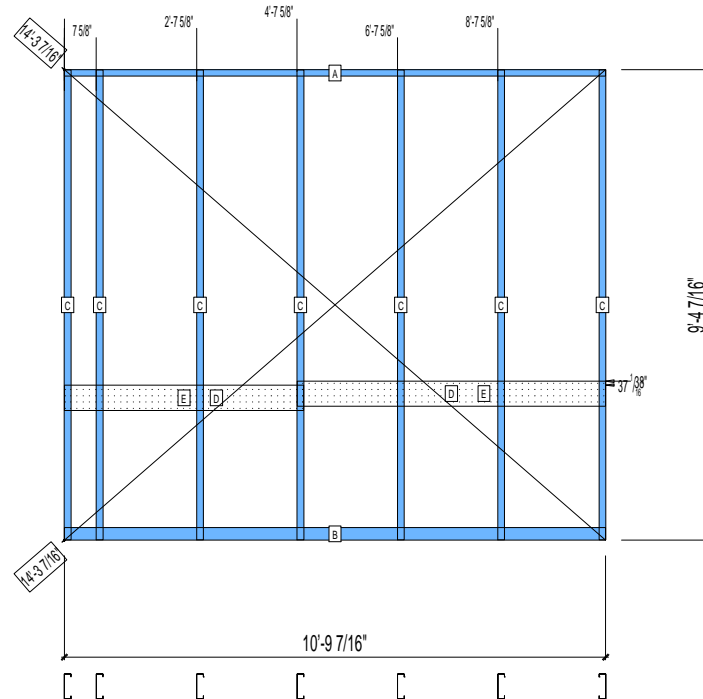
WEIGHTS :

FRAME : 119 lbs

TOTAL: 119 lbs

APPROVED

By hhuynh at 5:44 pm, Nov 18, 2008



PIECES LIST

LABEL	QTY	SIZE	LENGTH	USE
A	1	600T150-33	10'-9 7/16"	TOP TRACK
B	1	600T300-33	10'-9 7/16"	BOTTOM TRACK
C	7	600S162-33	9'-4 5/16"	STUD
D	1	600D-54	6'-1 11/16"	VANITY BACKING
E	1	600T150-54	4'-9 3/16"	GRAB BAR

12-3328

Jewish Home for the Aging

1885 Victory Blvd. Reseda, CA

FM-07-109

CREATED BY: HH

FrameMax, Inc.
13915 Danielson St
Suite 100
Poway, CA 92064
www.frame-max.com

FRAME MAX

© FrameMax Inc.

HEIGHT : 9'-4 7/16" POINTS: 0.38 Points.

SPACING : 24"

1st STUD: 16"

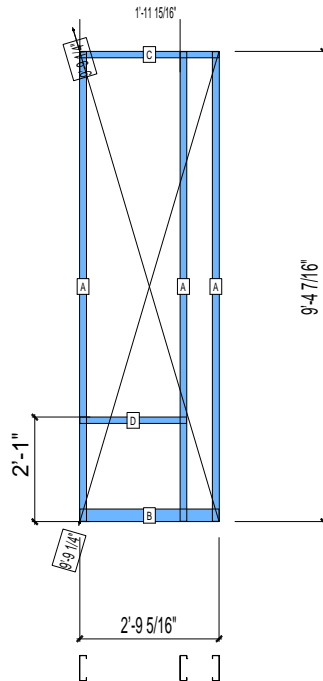
WEIGHTS :

FRAME : 42 lbs

TOTAL: 42 lbs

APPROVED

By hhuynh at 5:44 pm, Nov 18, 2008



PIECES LIST

LABEL	QTY	SIZE	LENGTH	USE
A	3	600S162-33	9'-4 5/16"	STUD
B	1	600T300-33	2'-9 5/16"	BOTTOM TRACK
C	1	600T150-33	2'-9 5/16"	TOP TRACK
D	1	600T150-33	2'-1 1/2"	SILL

12-3329

Jewish Home for the Aging

1885 Victory Blvd. Reseda, CA

FM-07-109

CREATED BY: HH

FrameMax, Inc.
13915 Danielson St
Suite 100
Poway, CA 92064
www.frame-max.com

FRAME MAX

© FrameMax Inc.

HEIGHT : 9'-4 7/16" POINTS: 0.71 Points.

SPACING : 24"

1st STUD: 24"

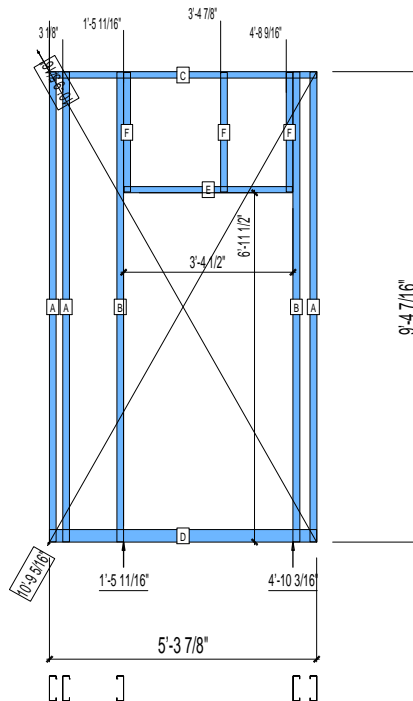
WEIGHTS :

FRAME : 80 lbs

TOTAL: 80 lbs

APPROVED

By hhuynh at 5:44 pm, Nov 18, 2008



PIECES LIST

LABEL	QTY	SIZE	LENGTH	USE
A	3	600S162-33	9'-4 5/16"	STUD
B	2	600S162-33	9'-4 5/16"	KING STUD
C	1	600T150-33	5'-3 7/8"	TOP TRACK
D	1	600T300-33	5'-3 7/8"	BOTTOM TRACK
E	1	600T150-33	3'-4 1/4"	HEAD TRACK
F	3	600S162-33	2'-4 9/16"	CRIPPLE

12-3330

Jewish Home for the Aging

1885 Victory Blvd. Reseda, CA

FM-07-109

CREATED BY: HH

FrameMax, Inc.
13915 Danielson St
Suite 100
Poway, CA 92064
www.framemax.com



© FrameMax Inc.

HEIGHT : 9'-4 7/16" POINTS: 0.19 Points.

SPACING : 24"

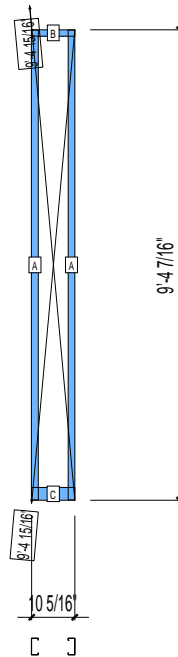
1st STUD: 24"

APPROVED
By hhuynh at 5:44 pm, Nov 18, 2008

WEIGHTS :

FRAME : 19 lbs

TOTAL: 19 lbs



PIECES LIST

LABEL	QTY	SIZE	LENGTH	USE
A	2	400S162-33	9'-4 5/16"	STUD
B	1	400T150-33	10 5/16"	TOP TRACK
C	1	400T300-33	10 5/16"	BOTTOM TRACK

12-3351

Jewish Home for the Aging

1885 Victory Blvd. Reseda, CA

FM-07-109

CREATED BY: HH

FrameMax, Inc.
13915 Danielson St
Suite 100
Poway, CA 92064
www.framemax.com

FRAME MAX

© FrameMax Inc.

HEIGHT : 9'-4 7/16" POINTS: 0.51 Points.

SPACING : 24"

1st STUD: 24"

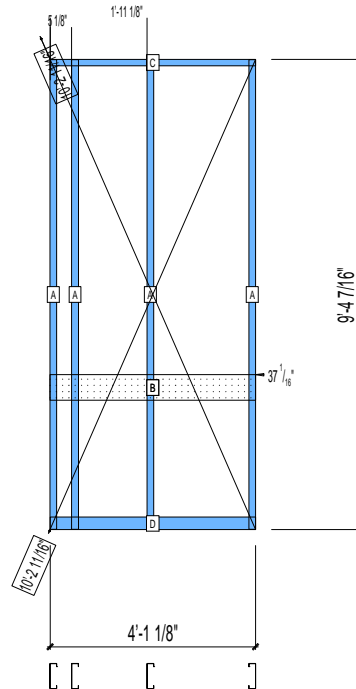
WEIGHTS :

FRAME : 61 lbs

TOTAL: 61 lbs

APPROVED

By hhuynh at 5:44 pm, Nov 18, 2008



PIECES LIST

LABEL	QTY	SIZE	LENGTH	USE
A	4	600S162-33	9'-4 5/16"	STUD
B	1	600T150-54	4'-1 3/16"	GRAB BAR
C	1	600T150-33	4'-1 1/8"	TOP TRACK
D	1	600T300-33	4'-1 1/8"	BOTTOM TRACK

12-3352

Jewish Home for the Aging

1885 Victory Blvd. Reseda, CA

FM-07-109

CREATED BY: HH

FrameMax, Inc.
13915 Danielson St
Suite 100
Poway, CA 92064
www.frame-max.com



© FrameMax Inc.

HEIGHT : 9'-4 7/16" POINTS: 0.33 Points.

SPACING : 24"

1st STUD: 17 13/16"

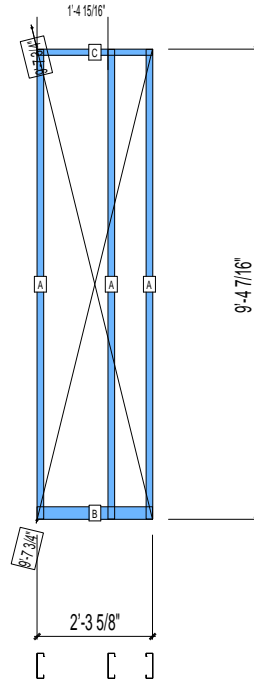
WEIGHTS :

FRAME : 39 lbs

TOTAL: 39 lbs

APPROVED

By hhuynh at 5:44 pm, Nov 18, 2008



PIECES LIST

LABEL	QTY	SIZE	LENGTH	USE
A	3	600S162-33	9'-4 5/16"	STUD
B	1	600T300-33	2'-3 5/8"	BOTTOM TRACK
C	1	600T150-33	2'-3 5/8"	TOP TRACK

12-3353

Jewish Home for the Aging

1885 Victory Blvd. Reseda, CA

FM-07-109

CREATED BY: HH

FrameMax, Inc.
13915 Danielson St
Suite 100
Poway, CA 92064
www.frame-max.com

FRAME MAX

© FrameMax Inc.

HEIGHT : 9'-4 7/16" POINTS: 0.38 Points.

SPACING : 5000"

1st STUD: 5000"

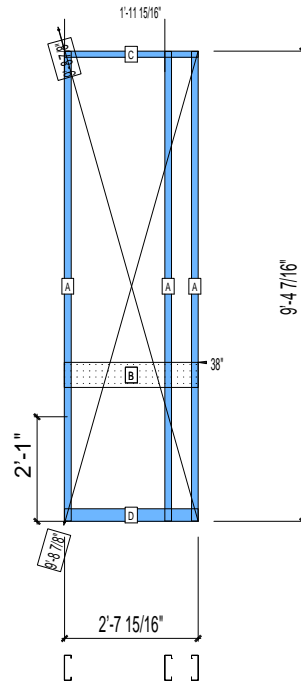
WEIGHTS :

FRAME : 43 lbs

TOTAL: 43 lbs

APPROVED

By hhuynh at 5:44 pm, Nov 18, 2008



PIECES LIST

LABEL	QTY	SIZE	LENGTH	USE
A	3	600S162-33	9'-4 5/16"	STUD
B	1	600D-54	2'-8"	VANITY BACKING
C	1	600T150-33	2'-7 15/16"	TOP TRACK
D	1	600T300-33	2'-7 15/16"	BOTTOM TRACK

12-3354

Jewish Home for the Aging

1885 Victory Blvd. Reseda, CA

FM-07-109

CREATED BY: HH

FrameMax, Inc.
13915 Danielson St
Suite 100
Poway, CA 92064
www.frame-max.com

FRAME MAX

© FrameMax Inc.

HEIGHT : 9'-4 7/16" POINTS: 0.34 Points.

SPACING : 5000"

1st STUD: 16"

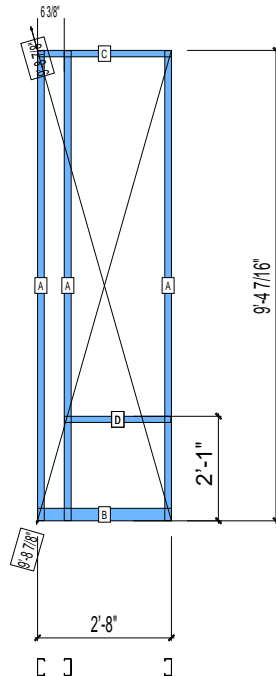
WEIGHTS :

FRAME : 34 lbs

TOTAL: 34 lbs

APPROVED

By hhuynh at 5:44 pm, Nov 18, 2008



PIECES LIST

LABEL	QTY	SIZE	LENGTH	USE
A	3	400S162-33	9'-4 5/16"	STUD
B	1	400T300-33	2'-8"	BOTTOM TRACK
C	1	400T150-33	2'-8"	TOP TRACK
D	1	600T150-33	2'-1 7/16"	SILL

12-3355

Jewish Home for the Aging

1885 Victory Blvd. Reseda, CA

FM-07-109

CREATED BY: HH

FrameMax, Inc.
13915 Danielson St
Suite 100
Poway, CA 92064
www.frame-max.com

FRAME MAX

© FrameMax Inc.

HEIGHT : 9'-4 7/16" POINTS: 0.34 Points.

SPACING : 24"

1st STUD: 24"

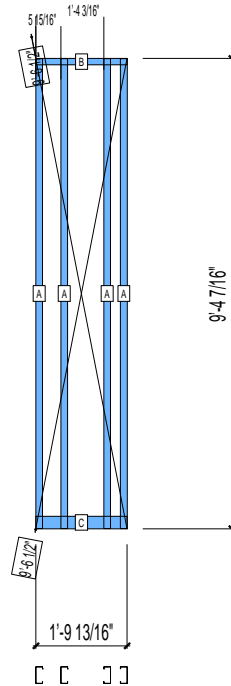
WEIGHTS :

FRAME : 38 lbs

TOTAL: 38 lbs

APPROVED

By hhuynh at 5:44 pm, Nov 18, 2008



PIECES LIST

LABEL	QTY	SIZE	LENGTH	USE
A	4	400S162-33	9'-4 5/16"	STUD
B	1	400T150-33	1'-9 13/16"	TOP TRACK
C	1	400T300-33	1'-9 13/16"	BOTTOM TRACK

12-3356

Jewish Home for the Aging

1885 Victory Blvd. Reseda, CA

FM-07-109

CREATED BY: HH

FrameMax, Inc.
13915 Danielson St
Suite 100
Poway, CA 92064
www.frame-max.com

FRAME MAX

© FrameMax Inc.

HEIGHT : 9'-4 7/16" POINTS: 0.84 Points.

SPACING : 24"

1st STUD: 21"

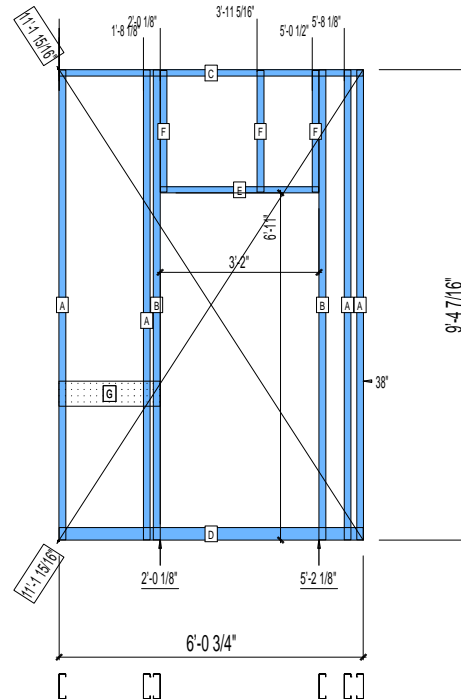
WEIGHTS :

FRAME : 95 lbs

TOTAL: 95 lbs

APPROVED

By hhuynh at 5:44 pm, Nov 18, 2008



PIECES LIST

LABEL	QTY	SIZE	LENGTH	USE
A	4	600S162-33	9'-4 5/16"	STUD
B	2	600S162-33	9'-4 5/16"	KING STUD
C	1	600T150-33	6'-0 3/4"	TOP TRACK
D	1	600T300-33	6'-0 3/4"	BOTTOM TRACK
E	1	600T150-33	3'-1 3/4"	HEAD TRACK
F	3	600S162-33	2'-5 1/16"	CRIPPLE
G	1	600D-54	2'-0 3/16"	VANITY BACKING

12-3357

Jewish Home for the Aging

1885 Victory Blvd. Reseda, CA

FM-07-109

CREATED BY: HH

FrameMax, Inc.
13915 Danielson St
Suite 100
Poway, CA 92064
www.frame-max.com

FRAME MAX

© FrameMax Inc.

HEIGHT : 9'-4 7/16" POINTS: 0.49 Points.

SPACING : 24"

1st STUD: 24"

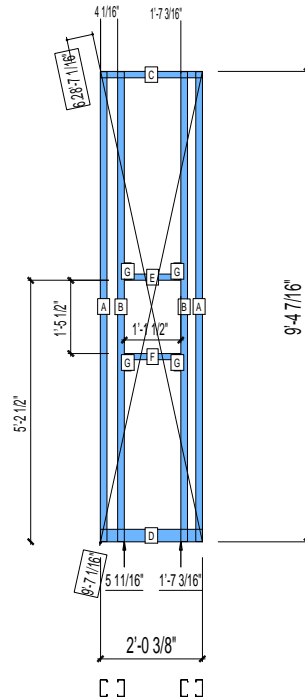
WEIGHTS :

FRAME : 42 lbs

TOTAL: 42 lbs

APPROVED

By hhuynh at 5:44 pm, Nov 18, 2008



PIECES LIST

LABEL	QTY	SIZE	LENGTH	USE
A	2	400S162-33	9'-4 5/16"	STUD
B	2	400S162-33	9'-4 5/16"	KING STUD
C	1	400T150-33	2'-0 3/8"	TOP TRACK
D	1	400T300-33	2'-0 3/8"	BOTTOM TRACK
E	1	400T150-33	1'-1 1/4"	HEAD TRACK
F	1	400T150-33	1'-1 1/4"	SILL
G	4	400S162-33	4"	CRIPPLE

12-3358

Jewish Home for the Aging

1885 Victory Blvd. Reseda, CA

FM-07-109

CREATED BY: HH

FrameMax, Inc.
13915 Danielson St
Suite 100
Poway, CA 92064
www.frame-max.com



© FrameMax Inc.

HEIGHT : 9'-4 7/16" POINTS: 0.54 Points.

SPACING : 24"

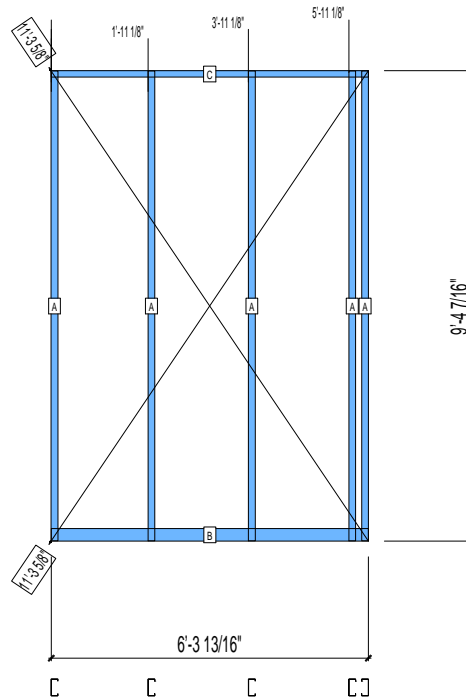
1st STUD: 24"

WEIGHTS :

FRAME : 56 lbs

TOTAL: 56 lbs

APPROVED
By hhuynh at 5:44 pm, Nov 18, 2008



PIECES LIST

LABEL	QTY	SIZE	LENGTH	USE
A	5	400S162-33	9'-4 5/16"	STUD
B	1	400T300-33	6'-3 13/16"	BOTTOM TRACK
C	1	400T150-33	6'-3 13/16"	TOP TRACK

12-3359

Jewish Home for the Aging

1885 Victory Blvd. Reseda, CA

FM-07-109

CREATED BY: HH

FrameMax, Inc.
13915 Danielson St
Suite 100
Poway, CA 92064
www.framemax.com

FRAME MAX

© FrameMax Inc.

HEIGHT : 9'-4 7/16" POINTS: 0.65 Points.

SPACING : 24"

1st STUD: 24"

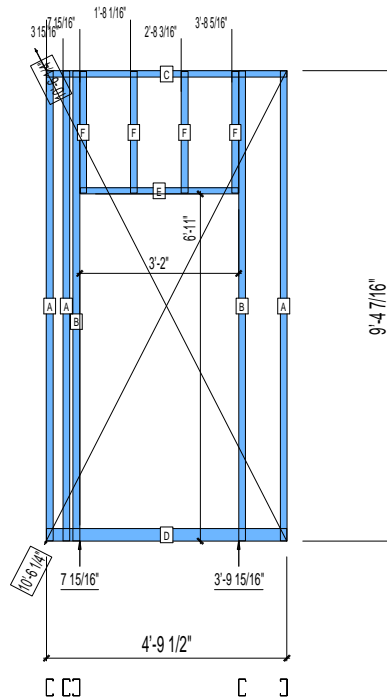
WEIGHTS :

FRAME : 65 lbs

TOTAL: 65 lbs

APPROVED

By hhuynh at 5:44 pm, Nov 18, 2008



PIECES LIST

LABEL	QTY	SIZE	LENGTH	USE
A	3	400S162-33	9'-4 5/16"	STUD
B	2	400S162-33	9'-4 5/16"	KING STUD
C	1	400T150-33	4'-9 1/2"	TOP TRACK
D	1	400T300-33	4'-9 1/2"	BOTTOM TRACK
E	1	400T150-33	3'-1 3/4"	HEAD TRACK
F	4	400S162-33	2'-5 1/16"	CRIPPLE

12-3360

Jewish Home for the Aging

1885 Victory Blvd. Reseda, CA

FM-07-109

CREATED BY: HH

FrameMax, Inc.
13915 Danielson St
Suite 100
Poway, CA 92064
www.frame-max.com



© FrameMax Inc.

HEIGHT : 9'-4 7/16" POINTS: 0.68 Points.

SPACING : 24"

1st STUD: 24"

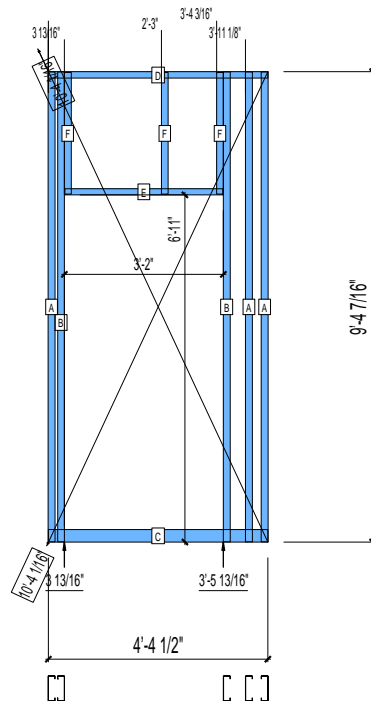
WEIGHTS :

FRAME : 78 lbs

TOTAL: 78 lbs

APPROVED

By hhuynh at 5:44 pm, Nov 18, 2008



PIECES LIST

LABEL	QTY	SIZE	LENGTH	USE
A	3	600S162-33	9'-4 5/16"	STUD
B	2	600S162-33	9'-4 5/16"	KING STUD
C	1	600T300-33	4'-4 1/2"	BOTTOM TRACK
D	1	600T150-33	4'-4 1/2"	TOP TRACK
E	1	600T150-33	3'-1 3/4"	HEAD TRACK
F	3	600S162-33	2'-5 1/16"	CRIPPLE

12-3361

Jewish Home for the Aging

1885 Victory Blvd. Reseda, CA

FrameMax, Inc.
13915 Danielson St
Suite 100
Poway, CA 92064
www.frame-max.com



© FrameMax Inc.

CREATED: 11/10/2008

FM-07-109

CREATED BY: HH

HEIGHT : 9'-4 7/16" POINTS: 0.25 Points.

SPACING : 24"

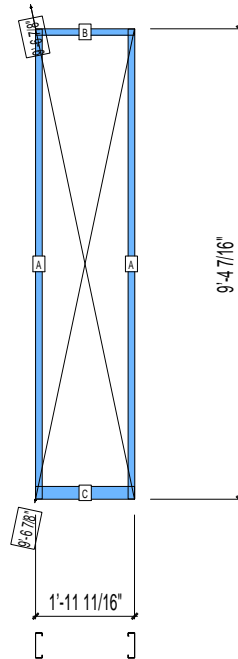
1st STUD: 24"

APPROVED
By hhuynh at 5:44 pm, Nov 18, 2008

WEIGHTS :

FRAME : 27 lbs

TOTAL: 27 lbs



PIECES LIST

LABEL	QTY	SIZE	LENGTH	USE
A	2	600S162-33	9'-4 5/16"	STUD
B	1	600T150-33	1'-11 11/16"	TOP TRACK
C	1	600T300-33	1'-11 11/16"	BOTTOM TRACK

12-3362

Jewish Home for the Aging

1885 Victory Blvd. Reseda, CA

FM-07-109

CREATED BY: HH

FrameMax, Inc.
13915 Danielson St
Suite 100
Poway, CA 92064
www.frame-max.com

FRAMEMAX

© FrameMax Inc.

HEIGHT : 9'-4 7/16" POINTS: 1.02 Points.

SPACING : 24"

1st STUD: 16"

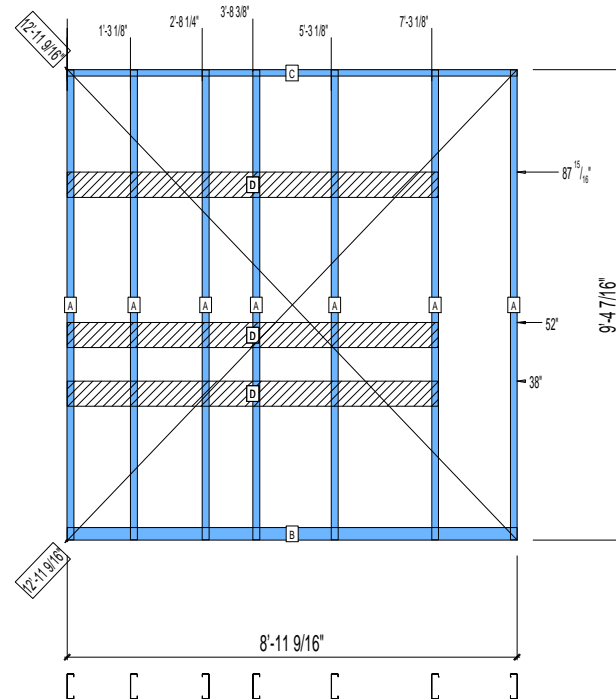
WEIGHTS :

FRAME : 126 lbs

TOTAL: 126 lbs

APPROVED

By hhuynh at 5:44 pm, Nov 18, 2008



PIECES LIST

LABEL	QTY	SIZE	LENGTH	USE
A	7	600S162-33	9'-4 5/16"	STUD
B	1	600T300-33	8'-11 9/16"	BOTTOM TRACK
C	1	600T150-33	8'-11 9/16"	TOP TRACK
D	3	600D-54	7'-4 11/16"	KITCHEN BACKING

12-3363

Jewish Home for the Aging

1885 Victory Blvd. Reseda, CA

FM-07-109

CREATED BY: HH

FrameMax, Inc.
13915 Danielson St
Suite 100
Poway, CA 92064
www.frame-max.com

FRAME MAX

© FrameMax Inc.

HEIGHT : 9'-4 7/16" POINTS: 0.29 Points.

SPACING : 24"

1st STUD: 24"

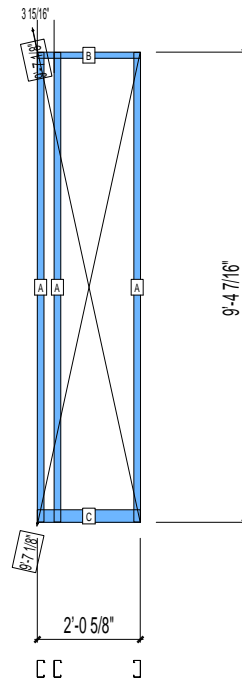
WEIGHTS :

FRAME : 30 lbs

TOTAL: 30 lbs

APPROVED

By hhuynh at 5:44 pm, Nov 18, 2008



PIECES LIST

LABEL	QTY	SIZE	LENGTH	USE
A	3	400S162-33	9'-4 5/16"	STUD
B	1	400T150-33	2'-0 5/8"	TOP TRACK
C	1	400T300-33	2'-0 5/8"	BOTTOM TRACK

12-3364

Jewish Home for the Aging

1885 Victory Blvd. Reseda, CA

FM-07-109

CREATED BY: HH

FrameMax, Inc.
13915 Danielson St
Suite 100
Poway, CA 92064
www.frame-max.com



© FrameMax Inc.

HEIGHT : 9'-4 7/16" POINTS: 0.22 Points.

SPACING : 24"

1st STUD: 24"

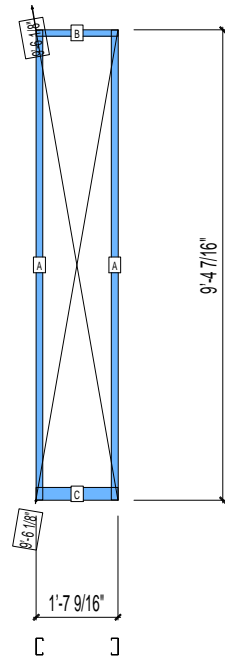
WEIGHTS :

FRAME : 21 lbs

TOTAL: 21 lbs

APPROVED

By hhuynh at 5:44 pm, Nov 18, 2008



PIECES LIST

LABEL	QTY	SIZE	LENGTH	USE
A	2	400S162-33	9'-4 5/16"	STUD
B	1	400T150-33	1'-7 9/16"	TOP TRACK
C	1	400T300-33	1'-7 9/16"	BOTTOM TRACK

12-3365

Jewish Home for the Aging

1885 Victory Blvd. Reseda, CA

FM-07-109

CREATED BY: HH

FrameMax, Inc.
13915 Danielson St
Suite 100
Poway, CA 92064
www.frame-max.com

FRAME MAX

© FrameMax Inc.

HEIGHT : 9'-4 7/16" POINTS: 0.30 Points.

SPACING : 24"

1st STUD: 24"

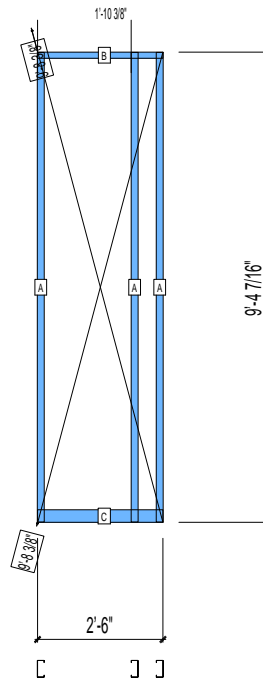
WEIGHTS :

FRAME : 31 lbs

TOTAL: 31 lbs

APPROVED

By hhuynh at 5:44 pm, Nov 18, 2008



PIECES LIST

LABEL	QTY	SIZE	LENGTH	USE
A	3	400S162-33	9'-4 5/16"	STUD
B	1	400T150-33	2'-6"	TOP TRACK
C	1	400T300-33	2'-6"	BOTTOM TRACK

12-3366

Jewish Home for the Aging

1885 Victory Blvd. Reseda, CA

FM-07-109

CREATED BY: HH

FrameMax, Inc.
13915 Danielson St
Suite 100
Poway, CA 92064
www.frame-max.com

FRAME MAX

© FrameMax Inc.

HEIGHT : 9'-4 7/16" POINTS: 0.28 Points.

SPACING : 24"

1st STUD: 16"

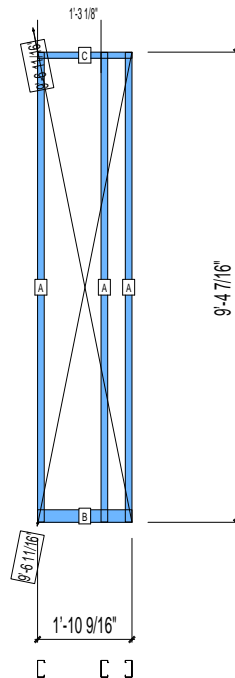
WEIGHTS :

FRAME : 30 lbs

TOTAL: 30 lbs

APPROVED

By hhuynh at 5:44 pm, Nov 18, 2008



PIECES LIST

LABEL	QTY	SIZE	LENGTH	USE
A	3	400S162-33	9'-4 5/16"	STUD
B	1	400T300-33	1'-10 9/16"	BOTTOM TRACK
C	1	400T150-33	1'-10 9/16"	TOP TRACK

12-3367

Jewish Home for the Aging

1885 Victory Blvd. Reseda, CA

FM-07-109

CREATED BY: HH

FrameMax, Inc.
13915 Danielson St
Suite 100
Poway, CA 92064
www.framemax.com

FRAME MAX

© FrameMax Inc.

HEIGHT : 9'-4 7/16" POINTS: 0.28 Points.

SPACING : 24"

1st STUD: 24"

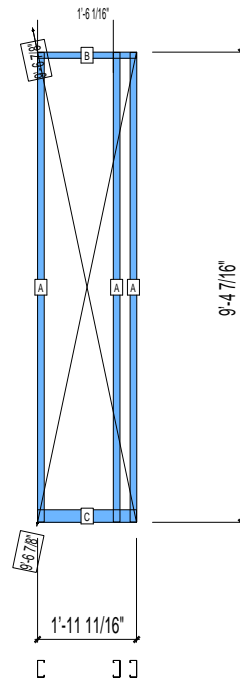
WEIGHTS :

FRAME : 30 lbs

TOTAL: 30 lbs

APPROVED

By hhuynh at 5:44 pm, Nov 18, 2008



PIECES LIST

LABEL	QTY	SIZE	LENGTH	USE
A	3	400S162-33	9'-4 5/16"	STUD
B	1	400T150-33	1'-11 11/16"	TOP TRACK
C	1	400T300-33	1'-11 11/16"	BOTTOM TRACK

12-3368

Jewish Home for the Aging

1885 Victory Blvd. Reseda, CA

FM-07-109

CREATED BY: HH

FrameMax, Inc.
13915 Danielson St
Suite 100
Poway, CA 92064
www.frame-max.com

FRAME MAX

© FrameMax Inc.

HEIGHT : 9'-4 7/16" POINTS: 0.70 Points.

SPACING : 24"

1st STUD: 24"

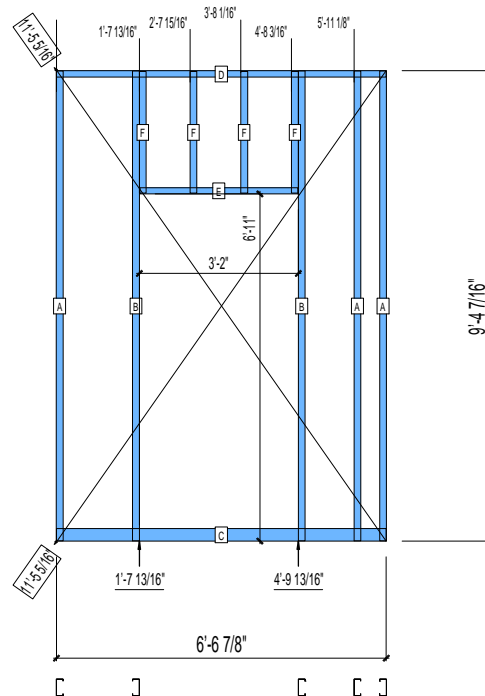
WEIGHTS :

FRAME : 68 lbs

TOTAL: 68 lbs

APPROVED

By hhuynh at 5:44 pm, Nov 18, 2008



PIECES LIST

LABEL	QTY	SIZE	LENGTH	USE
A	3	400S162-33	9'-4 5/16"	STUD
B	2	400S162-33	9'-4 5/16"	KING STUD
C	1	400T300-33	6'-6 7/8"	BOTTOM TRACK
D	1	400T150-33	6'-6 7/8"	TOP TRACK
E	1	400T150-33	3'-1 3/4"	HEAD TRACK
F	4	400S162-33	2'-5 1/16"	CRIPPLE

12-3369

Jewish Home for the Aging

1885 Victory Blvd. Reseda, CA

FM-07-109

CREATED BY: HH

FrameMax, Inc.
13915 Danielson St
Suite 100
Poway, CA 92064
www.frame-max.com

FRAME MAX

© FrameMax Inc.

HEIGHT : 9'-4 7/16" POINTS: 0.63 Points.

SPACING : 24"

1st STUD: 24"

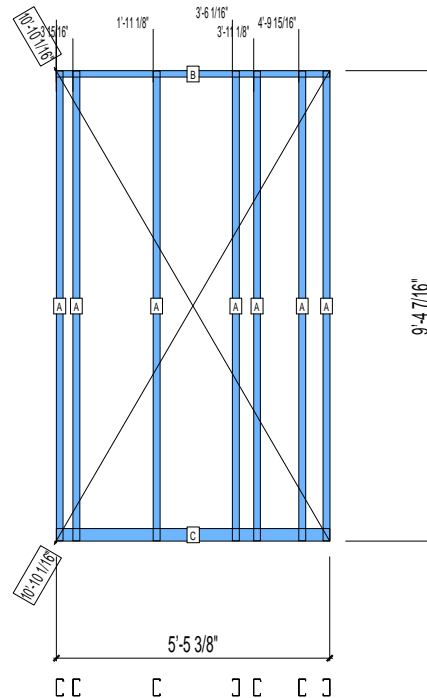
WEIGHTS :

FRAME : 72 lbs

TOTAL: 72 lbs

APPROVED

By hhuynh at 5:44 pm, Nov 18, 2008



PIECES LIST

LABEL	QTY	SIZE	LENGTH	USE
A	7	400S162-33	9'-4 5/16"	STUD
B	1	400T150-33	5'-5 3/8"	TOP TRACK
C	1	400T300-33	5'-5 3/8"	BOTTOM TRACK

12-3370

Jewish Home for the Aging

1885 Victory Blvd. Reseda, CA

FM-07-109

CREATED BY: HH

FrameMax, Inc.
13915 Danielson St
Suite 100
Poway, CA 92064
www.framemax.com

FRAME MAX

© FrameMax Inc.

HEIGHT : 9'-4 7/16" POINTS: 0.75 Points.

SPACING : 24"

1st STUD: 24"

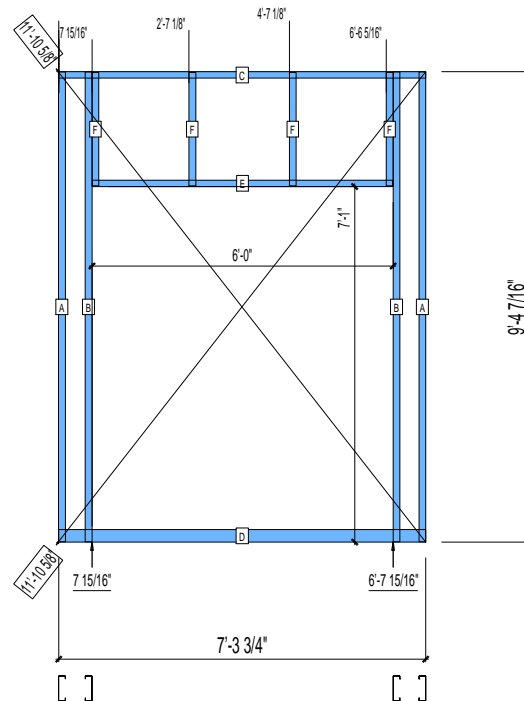
WEIGHTS :

FRAME : 79 lbs

TOTAL: 79 lbs

APPROVED

By hhuynh at 5:44 pm, Nov 18, 2008



PIECES LIST

LABEL	QTY	SIZE	LENGTH	USE
A	2	600S162-33	9'-4 5/16"	STUD
B	2	600S162-33	9'-4 5/16"	KING STUD
C	1	600T150-33	7'-3 3/4"	TOP TRACK
D	1	600T300-33	7'-3 3/4"	BOTTOM TRACK
E	1	600T150-33	5'-11 3/4"	HEAD TRACK
F	4	600S162-33	2'-3 1/16"	CRIPPLE

12-3371

Jewish Home for the Aging

1885 Victory Blvd. Reseda, CA

FM-07-109

CREATED BY: HH

FrameMax, Inc.
13915 Danielson St
Suite 100
Poway, CA 92064
www.framemax.com

FRAME MAX

© FrameMax Inc.

HEIGHT : 9'-4 7/16" POINTS: 0.55 Points.

SPACING : 24"

1st STUD: 24"

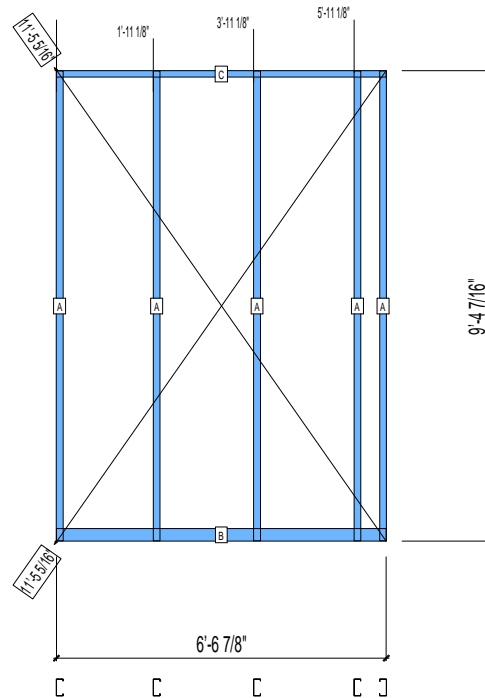
WEIGHTS :

FRAME : 57 lbs

TOTAL: 57 lbs

APPROVED

By hhuynh at 5:44 pm, Nov 18, 2008



PIECES LIST

LABEL	QTY	SIZE	LENGTH	USE
A	5	400S162-33	9'-4 5/16"	STUD
B	1	400T300-33	6'-6 7/8"	BOTTOM TRACK
C	1	400T150-33	6'-6 7/8"	TOP TRACK

12-3372

Jewish Home for the Aging

1885 Victory Blvd. Reseda, CA

FM-07-109

CREATED BY: HH

FrameMax, Inc.
13915 Danielson St
Suite 100
Poway, CA 92064
www.frame-max.com

FRAME MAX

© FrameMax Inc.

HEIGHT : 9'-4 7/16" POINTS: 0.35 Points.

SPACING : 24"

1st STUD: 17 1/8"

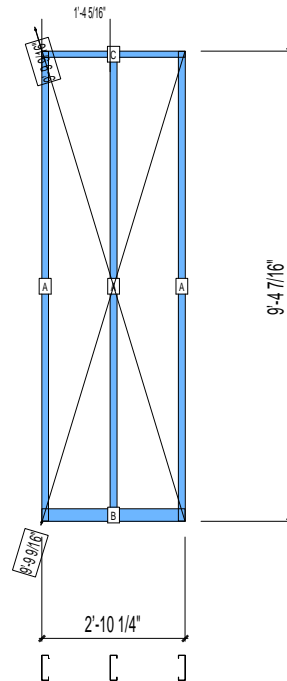
WEIGHTS :

FRAME : 40 lbs

TOTAL: 40 lbs

APPROVED

By hhuynh at 5:44 pm, Nov 18, 2008



PIECES LIST

LABEL	QTY	SIZE	LENGTH	USE
A	3	600S162-33	9'-4 5/16"	STUD
B	1	600T300-33	2'-10 1/4"	BOTTOM TRACK
C	1	600T150-33	2'-10 1/4"	TOP TRACK

12-3373

Jewish Home for the Aging

1885 Victory Blvd. Reseda, CA

FM-07-109

CREATED BY: HH

FrameMax, Inc.
13915 Danielson St
Suite 100
Poway, CA 92064
www.frame-max.com

FRAME MAX

© FrameMax Inc.

HEIGHT : 9'-4 7/16" POINTS: 0.33 Points.

SPACING : 24"

1st STUD: 24"

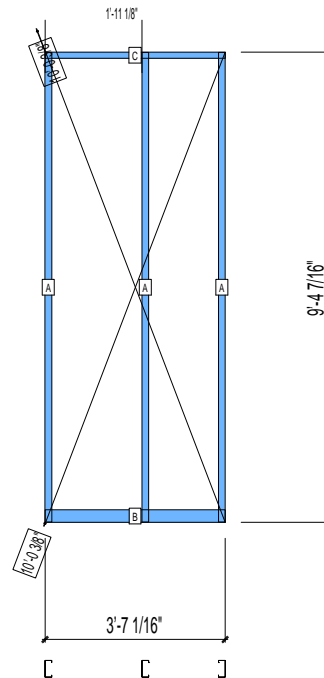
WEIGHTS :

FRAME : 33 lbs

TOTAL: 33 lbs

APPROVED

By hhuynh at 5:44 pm, Nov 18, 2008



PIECES LIST

LABEL	QTY	SIZE	LENGTH	USE
A	3	400S162-33	9'-4 5/16"	STUD
B	1	400T300-33	3'-7 1/16"	BOTTOM TRACK
C	1	400T150-33	3'-7 1/16"	TOP TRACK

12-3374

Jewish Home for the Aging

1885 Victory Blvd. Reseda, CA

FM-07-109

CREATED BY: HH

FrameMax, Inc.
13915 Danielson St
Suite 100
Poway, CA 92064
www.framemax.com

FRAME MAX

© FrameMax Inc.

HEIGHT : 9'-4 7/16" POINTS: 0.22 Points.

SPACING : 24"

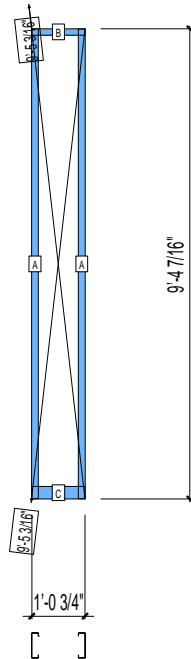
1st STUD: 16"

APPROVED
By hhuynh at 5:44 pm, Nov 18, 2008

WEIGHTS :

FRAME : 25 lbs

TOTAL: 25 lbs



PIECES LIST

LABEL	QTY	SIZE	LENGTH	USE
A	2	600S162-33	9'-4 5/16"	STUD
B	1	600T150-33	1'-0 3/4"	TOP TRACK
C	1	600T300-33	1'-0 3/4"	BOTTOM TRACK

12-3375

Jewish Home for the Aging

1885 Victory Blvd. Reseda, CA

FM-07-109

CREATED BY: HH

FrameMax, Inc.
13915 Danielson St
Suite 100
Poway, CA 92064
www.framemax.com



© FrameMax Inc.

HEIGHT : 9'-4 7/16" POINTS: 0.19 Points.

SPACING : 24"

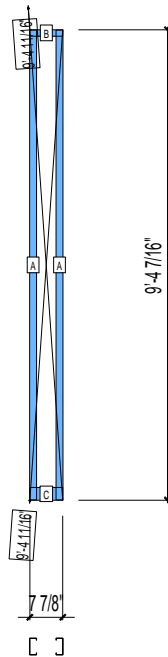
1st STUD: 24"

APPROVED
By hhuynh at 5:44 pm, Nov 18, 2008

WEIGHTS :

FRAME : 19 lbs

TOTAL: 19 lbs



PIECES LIST

LABEL	QTY	SIZE	LENGTH	USE
A	2	400S162-33	9'-4 5/16"	STUD
B	1	400T150-33	7 7/8"	TOP TRACK
C	1	400T300-33	7 7/8"	BOTTOM TRACK

12-3376

Jewish Home for the Aging

1885 Victory Blvd. Reseda, CA

FM-07-109

CREATED BY: HH

FrameMax, Inc.
13915 Danielson St
Suite 100
Poway, CA 92064
www.framemax.com



© FrameMax Inc.

HEIGHT : 9'-4 7/16" POINTS: 0.42 Points.

SPACING : 24"

1st STUD: 1 3/4"

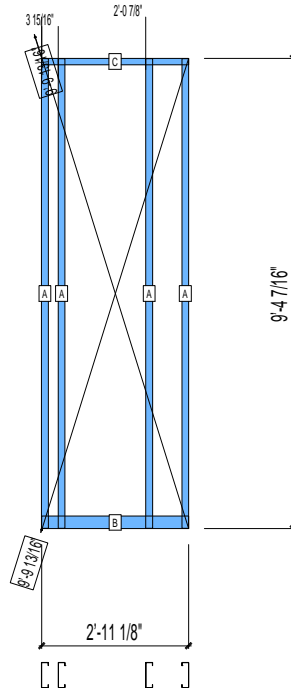
WEIGHTS :

FRAME : 51 lbs

TOTAL: 51 lbs

APPROVED

By hhuynh at 5:44 pm, Nov 18, 2008



PIECES LIST

LABEL	QTY	SIZE	LENGTH	USE
A	4	600S162-33	9'-4 5/16"	STUD
B	1	600T300-33	2'-11 1/8"	BOTTOM TRACK
C	1	600T150-33	2'-11 1/8"	TOP TRACK

12-3377

Jewish Home for the Aging

1885 Victory Blvd. Reseda, CA

FM-07-109

CREATED BY: HH

FrameMax, Inc.
13915 Danielson St
Suite 100
Poway, CA 92064
www.frame-max.com

FRAME MAX

© FrameMax Inc.

HEIGHT : 9'-4 7/16" POINTS: 0.30 Points.

SPACING : 24"

1st STUD: 16"

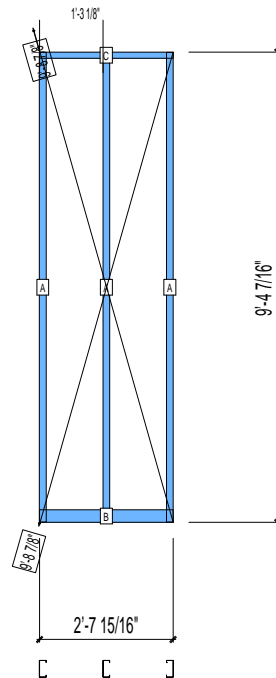
WEIGHTS :

FRAME : 31 lbs

TOTAL: 31 lbs

APPROVED

By hhuynh at 5:44 pm, Nov 18, 2008



PIECES LIST

LABEL	QTY	SIZE	LENGTH	USE
A	3	400S162-33	9'-4 5/16"	STUD
B	1	400T300-33	2'-7 15/16"	BOTTOM TRACK
C	1	400T150-33	2'-7 15/16"	TOP TRACK

12-3378

Jewish Home for the Aging

1885 Victory Blvd. Reseda, CA

FM-07-109

CREATED BY: HH

FrameMax, Inc.
13915 Danielson St
Suite 100
Poway, CA 92064
www.frame-max.com

FRAME MAX

© FrameMax Inc.

HEIGHT : 9'-4 7/16" POINTS: 0.30 Points.

SPACING : 24"

1st STUD: 16"

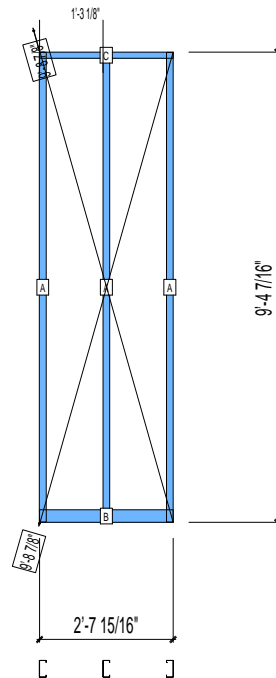
WEIGHTS :

FRAME : 31 lbs

TOTAL: 31 lbs

APPROVED

By hhuynh at 5:44 pm, Nov 18, 2008



PIECES LIST

LABEL	QTY	SIZE	LENGTH	USE
A	3	400S162-33	9'-4 5/16"	STUD
B	1	400T300-33	2'-7 15/16"	BOTTOM TRACK
C	1	400T150-33	2'-7 15/16"	TOP TRACK

12-3379

Jewish Home for the Aging

1885 Victory Blvd. Reseda, CA

FM-07-109

CREATED BY: HH

FrameMax, Inc.
13915 Danielson St
Suite 100
Poway, CA 92064
www.frame-max.com



© FrameMax Inc.

HEIGHT : 9'-4 7/16" POINTS: 0.62 Points.

SPACING : 24"

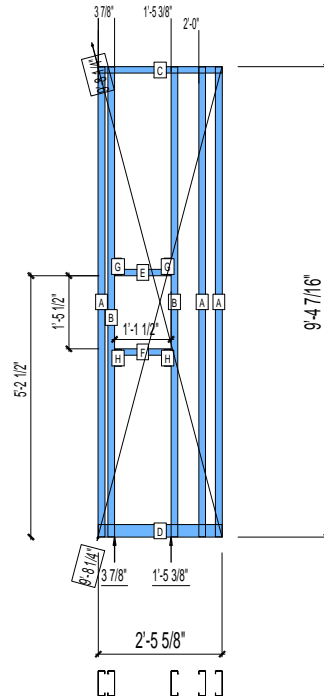
1st STUD: 24"

WEIGHTS :

FRAME : 65 lbs

TOTAL: 65 lbs

APPROVED
By hhuynh at 5:44 pm, Nov 18, 2008



PIECES LIST

LABEL	QTY	SIZE	LENGTH	USE
A	3	600S162-33	9'-4 5/16"	STUD
B	2	600S162-33	9'-4 5/16"	KING STUD
C	1	600T150-33	2'-5 5/8"	TOP TRACK
D	1	600T300-33	2'-5 5/8"	BOTTOM TRACK
E	1	600T150-33	1'-1 3/8"	HEAD TRACK
F	1	600T150-33	1'-1 3/8"	SILL
G	2	600S162-33	4"	CRIPPLE
H	2	600S162-33	3 15/16"	CRIPPLE

12-3380

Jewish Home for the Aging

1885 Victory Blvd. Reseda, CA

FM-07-109

CREATED BY: HH

FrameMax, Inc.
13915 Danielson St
Suite 100
Poway, CA 92064
www.framemax.com



© FrameMax Inc.

HEIGHT : 9'-4 7/16" POINTS: 0.23 Points.

SPACING : 24"

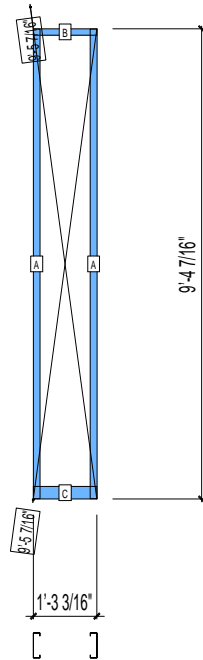
1st STUD: 24"

WEIGHTS :

FRAME : 25 lbs

TOTAL: 25 lbs

APPROVED
By hhuynh at 5:44 pm, Nov 18, 2008



PIECES LIST

LABEL	QTY	SIZE	LENGTH	USE
A	2	600S162-33	9'-4 5/16"	STUD
B	1	600T150-33	1'-3 3/16"	TOP TRACK
C	1	600T300-33	1'-3 3/16"	BOTTOM TRACK

12-3381

Jewish Home for the Aging

1885 Victory Blvd. Reseda, CA

FM-07-109

CREATED BY: HH

FrameMax, Inc.
13915 Danielson St
Suite 100
Poway, CA 92064
www.framemax.com

FRAME MAX

© FrameMax Inc.

HEIGHT : 9'-4 7/16" POINTS: 1.08 Points.

SPACING : 24"

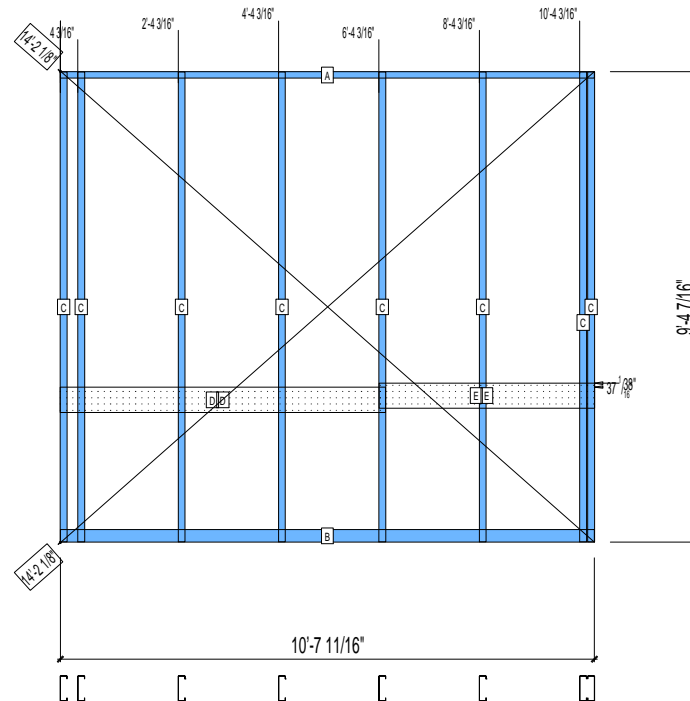
1st STUD: 5"

APPROVED
By hhuynh at 5:44 pm, Nov 18, 2008

WEIGHTS :

FRAME : 131 lbs

TOTAL: 131 lbs



PIECES LIST

LABEL	QTY	SIZE	LENGTH	USE
A	1	600T150-33	10'-7 11/16"	TOP TRACK
B	1	600T300-33	10'-7 11/16"	BOTTOM TRACK
C	8	600S162-33	9'-4 5/16"	STUD
D	1	600T150-54	6'-5 3/4"	GRAB BAR
E	1	600D-54	4'-3 1/2"	VANITY BACKING

12-3382

Jewish Home for the Aging

1885 Victory Blvd. Reseda, CA

FM-07-109

CREATED BY: HH

FrameMax, Inc.
13915 Danielson St
Suite 100
Poway, CA 92064
www.frame-max.com



© FrameMax Inc.

HEIGHT : 9'-4 7/16" POINTS: 0.38 Points.

SPACING : 24"

1st STUD: 16"

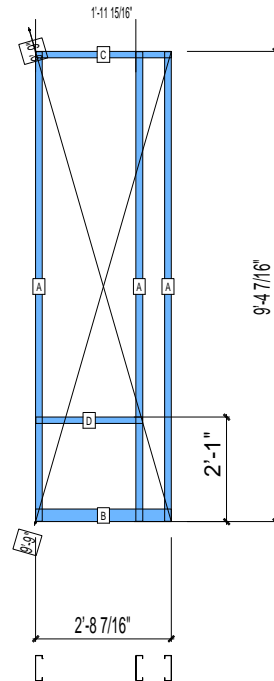
WEIGHTS :

FRAME : 42 lbs

TOTAL: 42 lbs

APPROVED

By hhuynh at 5:44 pm, Nov 18, 2008



PIECES LIST

LABEL	QTY	SIZE	LENGTH	USE
A	3	600S162-33	9'-4 5/16"	STUD
B	1	600T300-33	2'-8 7/16"	BOTTOM TRACK
C	1	600T150-33	2'-8 7/16"	TOP TRACK
D	1	600T150-33	2'-1 1/2"	SILL

12-3383

Jewish Home for the Aging

1885 Victory Blvd. Reseda, CA

FM-07-109

CREATED BY: HH

FrameMax, Inc.
13915 Danielson St
Suite 100
Poway, CA 92064
www.framemax.com



© FrameMax Inc.

HEIGHT : 9'-4 7/16" POINTS: 0.71 Points.

SPACING : 24"

1st STUD: 24"

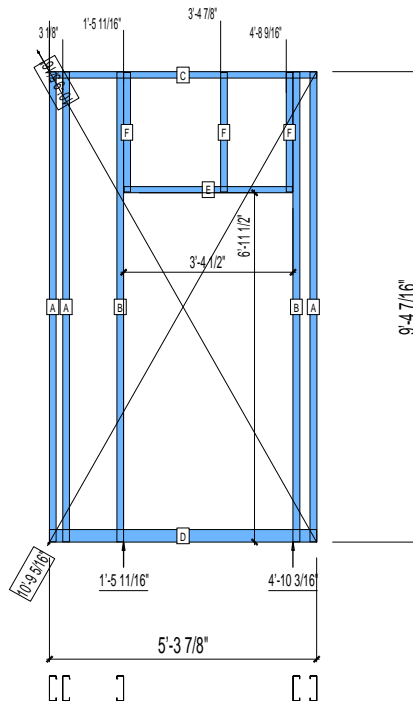
WEIGHTS :

FRAME : 80 lbs

TOTAL: 80 lbs

APPROVED

By hhuynh at 5:44 pm, Nov 18, 2008



PIECES LIST

LABEL	QTY	SIZE	LENGTH	USE
A	3	600S162-33	9'-4 5/16"	STUD
B	2	600S162-33	9'-4 5/16"	KING STUD
C	1	600T150-33	5'-3 7/8"	TOP TRACK
D	1	600T300-33	5'-3 7/8"	BOTTOM TRACK
E	1	600T150-33	3'-4 1/4"	HEAD TRACK
F	3	600S162-33	2'-4 9/16"	CRIPPLE

12-3384

Jewish Home for the Aging

1885 Victory Blvd. Reseda, CA

FM-07-109

CREATED BY: HH

FrameMax, Inc.
13915 Danielson St
Suite 100
Poway, CA 92064
www.frame-max.com



© FrameMax Inc.

HEIGHT : 9'-4 7/16" POINTS: 0.19 Points.

SPACING : 24"

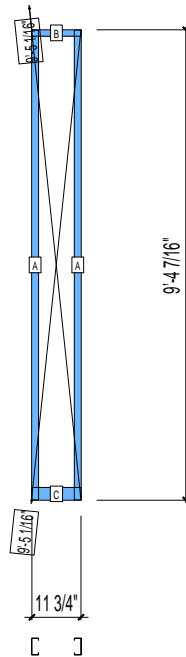
1st STUD: 24"

WEIGHTS :

FRAME : 19 lbs

TOTAL: 19 lbs

APPROVED
By hhuynh at 5:44 pm, Nov 18, 2008



PIECES LIST

LABEL	QTY	SIZE	LENGTH	USE
A	2	400S162-33	9'-4 5/16"	STUD
B	1	400T150-33	11 3/4"	TOP TRACK
C	1	400T300-33	11 3/4"	BOTTOM TRACK

12-3401

Jewish Home for the Aging

1885 Victory Blvd. Reseda, CA

FM-07-109

CREATED BY: HH

FrameMax, Inc.
13915 Danielson St
Suite 100
Poway, CA 92064
www.framemax.com

FRAME MAX

© FrameMax Inc.

HEIGHT : 9'-4 7/16" POINTS: 1.04 Points.

SPACING : 24"

1st STUD: 8 5/16"

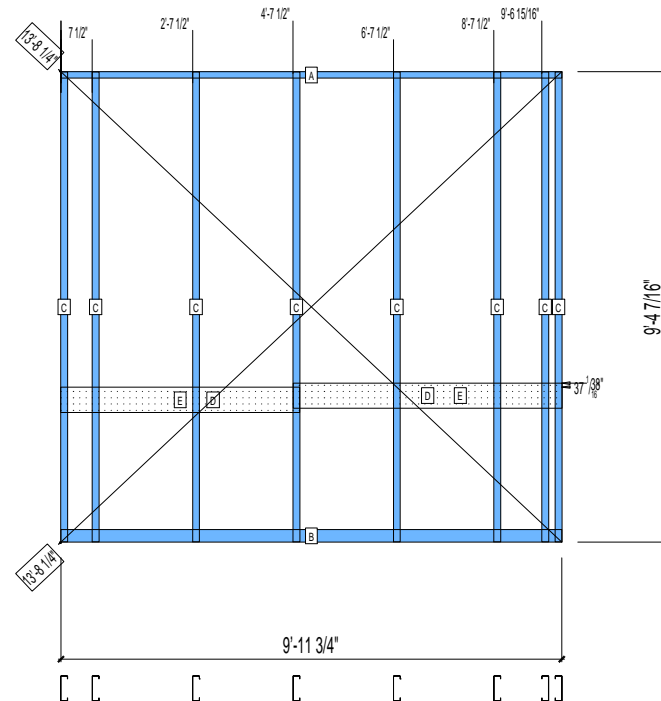
WEIGHTS :

FRAME : 127 lbs

TOTAL: 127 lbs

APPROVED

By hhuynh at 5:44 pm, Nov 18, 2008



PIECES LIST

LABEL	QTY	SIZE	LENGTH	USE
A	1	600T150-33	9'-11 3/4"	TOP TRACK
B	1	600T300-33	9'-11 3/4"	BOTTOM TRACK
C	8	600S162-33	9'-4 5/16"	STUD
D	1	600D-54	5'-4 1/4"	VANITY BACKING
E	1	600T150-54	4'-9 1/16"	GRAB BAR

12-3402

Jewish Home for the Aging

1885 Victory Blvd. Reseda, CA

FM-07-109

CREATED BY: HH

FrameMax, Inc.
13915 Danielson St
Suite 100
Poway, CA 92064
www.frame-max.com

FRAMEMAX

© FrameMax Inc.

HEIGHT : 9'-4 7/16" POINTS: 0.51 Points.

SPACING : 24"

1st STUD: 16"

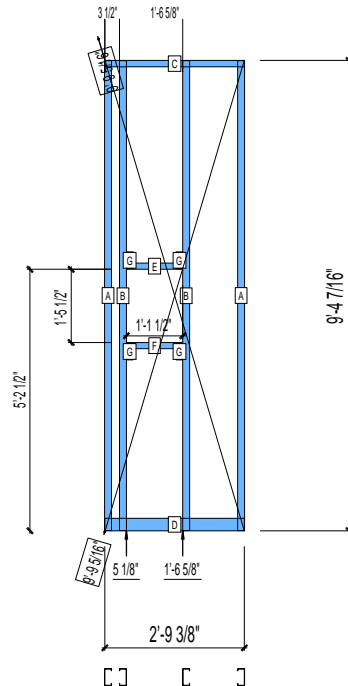
WEIGHTS :

FRAME : 44 lbs

TOTAL: 44 lbs

APPROVED

By hhuynh at 5:44 pm, Nov 18, 2008



PIECES LIST

LABEL	QTY	SIZE	LENGTH	USE
A	2	400S162-33	9'-4 5/16"	STUD
B	2	400S162-33	9'-4 5/16"	KING STUD
C	1	400T150-33	2'-9 3/8"	TOP TRACK
D	1	400T300-33	2'-9 3/8"	BOTTOM TRACK
E	1	400T150-33	1'-1 1/4"	HEAD TRACK
F	1	400T150-33	1'-1 1/4"	SILL
G	4	400S162-33	4"	CRIPPLE

12-3403

Jewish Home for the Aging

1885 Victory Blvd. Reseda, CA

FM-07-109

CREATED BY: HH

FrameMax, Inc.
13915 Danielson St
Suite 100
Poway, CA 92064
www.framemax.com



© FrameMax Inc.

HEIGHT : 9'-4 7/16" POINTS: 0.26 Points.

SPACING : 24"

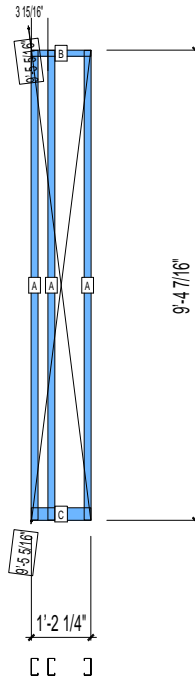
1st STUD: 24"

APPROVED
By hhuynh at 5:44 pm, Nov 18, 2008

WEIGHTS :

FRAME : 28 lbs

TOTAL: 28 lbs



PIECES LIST

LABEL	QTY	SIZE	LENGTH	USE
A	3	400S162-33	9'-4 5/16"	STUD
B	1	400T150-33	1'-2 1/4"	TOP TRACK
C	1	400T300-33	1'-2 1/4"	BOTTOM TRACK

12-3404

Jewish Home for the Aging

1885 Victory Blvd. Reseda, CA

FM-07-109

CREATED BY: HH

FrameMax, Inc.
13915 Danielson St
Suite 100
Poway, CA 92064
www.frame-max.com

FRAME MAX

© FrameMax Inc.

HEIGHT : 9'-4 7/16" POINTS: 0.33 Points.

SPACING : 24"

1st STUD: 24"

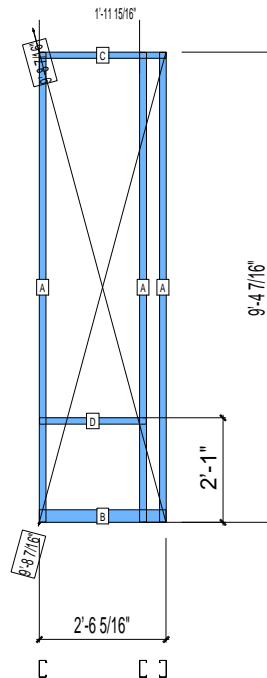
WEIGHTS :

FRAME : 33 lbs

TOTAL: 33 lbs

APPROVED

By hhuynh at 5:44 pm, Nov 18, 2008



PIECES LIST

LABEL	QTY	SIZE	LENGTH	USE
A	3	400S162-33	9'-4 5/16"	STUD
B	1	400T300-33	2'-6 5/16"	BOTTOM TRACK
C	1	400T150-33	2'-6 5/16"	TOP TRACK
D	1	400T150-33	2'-1 1/2"	SILL

12-3405

Jewish Home for the Aging

1885 Victory Blvd. Reseda, CA

FM-07-109

CREATED BY: HH

FrameMax, Inc.
13915 Danielson St
Suite 100
Poway, CA 92064
www.framemax.com



© FrameMax Inc.

HEIGHT : 9'-4 7/16" POINTS: 0.20 Points.

SPACING : 24"

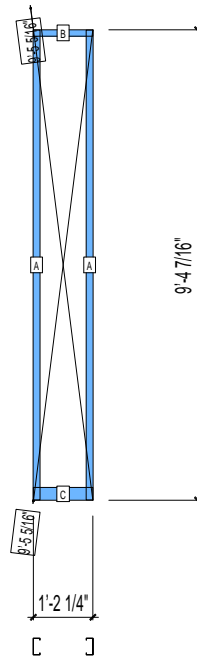
1st STUD: 24"

APPROVED
By hhuynh at 5:44 pm, Nov 18, 2008

WEIGHTS :

FRAME : 20 lbs

TOTAL: 20 lbs



PIECES LIST

LABEL	QTY	SIZE	LENGTH	USE
A	2	400S162-33	9'-4 5/16"	STUD
B	1	400T150-33	1'-2 1/4"	TOP TRACK
C	1	400T300-33	1'-2 1/4"	BOTTOM TRACK

12-3406

Jewish Home for the Aging

1885 Victory Blvd. Reseda, CA

FM-07-109

CREATED BY: HH

FrameMax, Inc.
13915 Danielson St
Suite 100
Poway, CA 92064
www.frame-max.com

FRAME MAX

© FrameMax Inc.

HEIGHT : 9'-4 7/16" POINTS: 0.55 Points.

SPACING : 24"

1st STUD: 23 3/16"

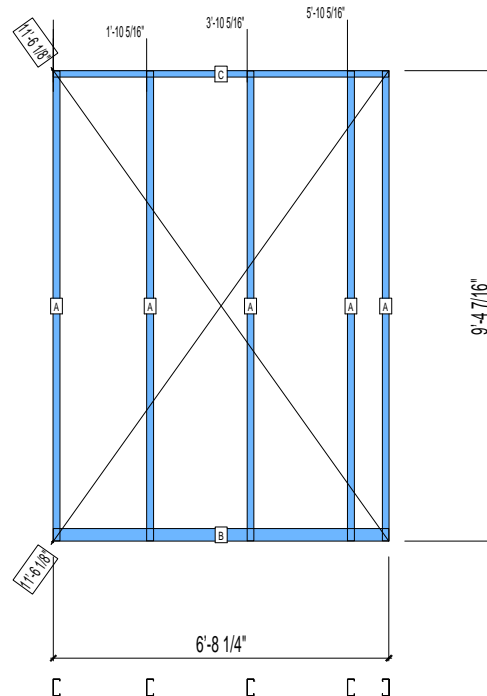
WEIGHTS :

FRAME : 57 lbs

TOTAL: 57 lbs

APPROVED

By hhuynh at 5:44 pm, Nov 18, 2008



PIECES LIST

LABEL	QTY	SIZE	LENGTH	USE
A	5	400S162-33	9'-4 5/16"	STUD
B	1	400T300-33	6'-8 1/4"	BOTTOM TRACK
C	1	400T150-33	6'-8 1/4"	TOP TRACK

12-3407

Jewish Home for the Aging

1885 Victory Blvd. Reseda, CA

FM-07-109

CREATED BY: HH

FrameMax, Inc.
13915 Danielson St
Suite 100
Poway, CA 92064
www.framemax.com

FRAME MAX

© FrameMax Inc.

HEIGHT : 9'-4 7/16" POINTS: 0.51 Points.

SPACING : 24"

1st STUD: 16"

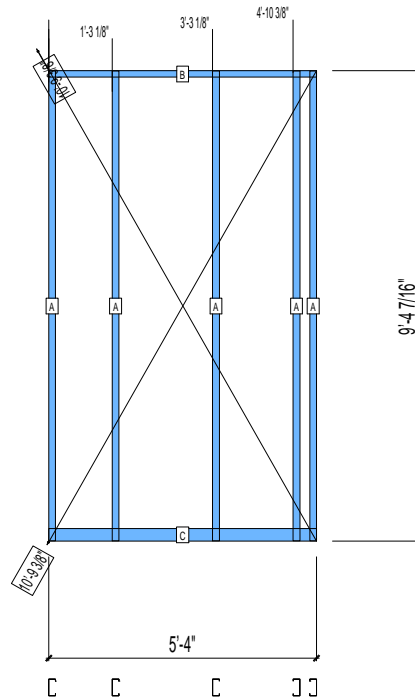
WEIGHTS :

FRAME : 54 lbs

TOTAL: 54 lbs

APPROVED

By hhuynh at 5:44 pm, Nov 18, 2008



PIECES LIST

LABEL	QTY	SIZE	LENGTH	USE
A	5	400S162-33	9'-4 5/16"	STUD
B	1	400T150-33	5'-4"	TOP TRACK
C	1	400T300-33	5'-4"	BOTTOM TRACK

12-3408

Jewish Home for the Aging

1885 Victory Blvd. Reseda, CA

FM-07-109

CREATED BY: HH

FrameMax, Inc.
13915 Danielson St
Suite 100
Poway, CA 92064
www.frame-max.com

FRAME MAX

© FrameMax Inc.

HEIGHT : 9'-4 7/16" POINTS: 0.94 Points.

SPACING : 24"

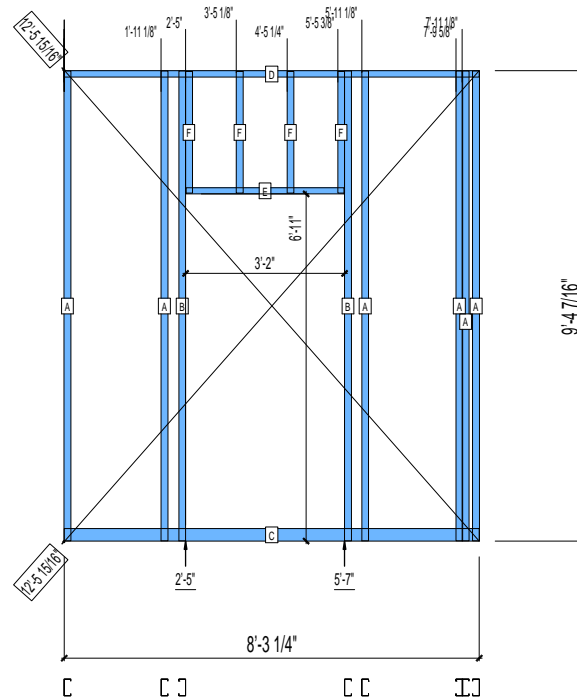
1st STUD: 24"

WEIGHTS :

FRAME : 98 lbs

TOTAL: 98 lbs

APPROVED
By hhuynh at 5:44 pm, Nov 18, 2008



PIECES LIST

LABEL	QTY	SIZE	LENGTH	USE
A	6	400S162-33	9'-4 5/16"	STUD
B	2	400S162-33	9'-4 5/16"	KING STUD
C	1	400T300-33	8'-3 1/4"	BOTTOM TRACK
D	1	400T150-33	8'-3 1/4"	TOP TRACK
E	1	400T150-33	3'-1 3/4"	HEAD TRACK
F	4	400S162-33	2'-5 1/16"	CRIPPLE

12-3409

Jewish Home for the Aging

1885 Victory Blvd. Reseda, CA

FM-07-109

CREATED BY: HH

FrameMax, Inc.
13915 Danielson St
Suite 100
Poway, CA 92064
www.frame-max.com

FRAME MAX

© FrameMax Inc.

HEIGHT : 9'-4 7/16" POINTS: 0.31 Points.

SPACING : 24"

1st STUD: 24"

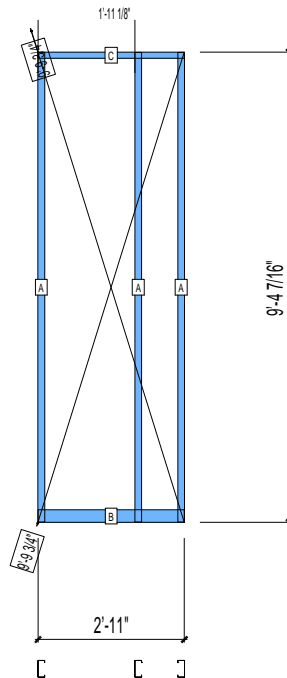
WEIGHTS :

FRAME : 32 lbs

TOTAL: 32 lbs

APPROVED

By hhuynh at 5:44 pm, Nov 18, 2008



PIECES LIST

LABEL	QTY	SIZE	LENGTH	USE
A	3	400S162-33	9'-4 5/16"	STUD
B	1	400T300-33	2'-11"	BOTTOM TRACK
C	1	400T150-33	2'-11"	TOP TRACK

12-3410

Jewish Home for the Aging

1885 Victory Blvd. Reseda, CA

FM-07-109

CREATED BY: HH

FrameMax, Inc.
13915 Danielson St
Suite 100
Poway, CA 92064
www.frame-max.com



© FrameMax Inc.

HEIGHT : 9'-4 7/16" POINTS: 0.79 Points.

SPACING : 24"

1st STUD: 24"

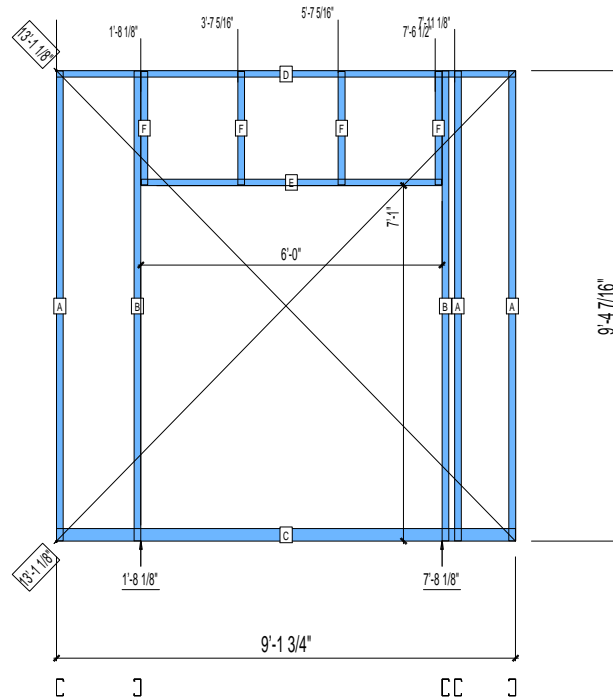
WEIGHTS :

FRAME : 75 lbs

TOTAL: 75 lbs

APPROVED

By hhuynh at 5:44 pm, Nov 18, 2008



PIECES LIST

LABEL	QTY	SIZE	LENGTH	USE
A	3	400S162-33	9'-4 5/16"	STUD
B	2	400S162-33	9'-4 5/16"	KING STUD
C	1	400T300-33	9'-1 3/4"	BOTTOM TRACK
D	1	400T150-33	9'-1 3/4"	TOP TRACK
E	1	400T150-33	5'-11 3/4"	HEAD TRACK
F	4	400S162-33	2'-3 1/16"	CRIPPLE

12-3411

Jewish Home for the Aging

1885 Victory Blvd. Reseda, CA

FM-07-109

CREATED BY: HH

FrameMax, Inc.
13915 Danielson St
Suite 100
Poway, CA 92064
www.framemax.com



© FrameMax Inc.

HEIGHT : 9'-4 7/16" POINTS: 0.41 Points.

SPACING : 24"

1st STUD: 24"

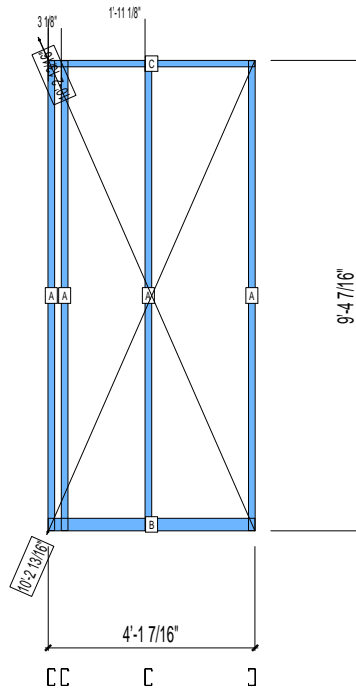
WEIGHTS :

FRAME : 43 lbs

TOTAL: 43 lbs

APPROVED

By hhuynh at 5:44 pm, Nov 18, 2008



PIECES LIST

LABEL	QTY	SIZE	LENGTH	USE
A	4	400S162-33	9'-4 5/16"	STUD
B	1	400T300-33	4'-1 7/16"	BOTTOM TRACK
C	1	400T150-33	4'-1 7/16"	TOP TRACK

12-3412

Jewish Home for the Aging

1885 Victory Blvd. Reseda, CA

FrameMax, Inc.
13915 Danielson St
Suite 100
Poway, CA 92064
www.framemax.com



© FrameMax Inc.

CREATED: 11/10/2008

FM-07-109

CREATED BY: HH

HEIGHT : 9'-4 7/16" POINTS: 0.22 Points.

SPACING : 24"

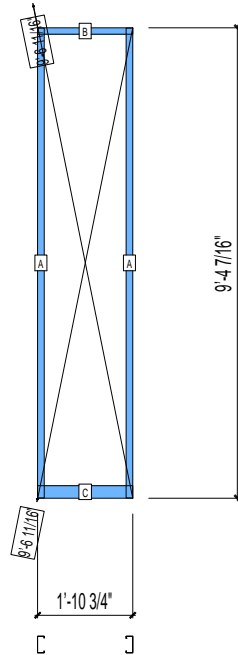
1st STUD: 24"

APPROVED
By hhuynh at 5:44 pm, Nov 18, 2008

WEIGHTS :

FRAME : 21 lbs

TOTAL: 21 lbs



PIECES LIST

LABEL	QTY	SIZE	LENGTH	USE
A	2	400S162-33	9'-4 5/16"	STUD
B	1	400T150-33	1'-10 3/4"	TOP TRACK
C	1	400T300-33	1'-10 3/4"	BOTTOM TRACK

12-3413

Jewish Home for the Aging

1885 Victory Blvd. Reseda, CA

FM-07-109

CREATED BY: HH

FrameMax, Inc.
13915 Danielson St
Suite 100
Poway, CA 92064
www.framemax.com



© FrameMax Inc.

HEIGHT : 9'-4 7/16" POINTS: 0.17 Points.

SPACING : 24"

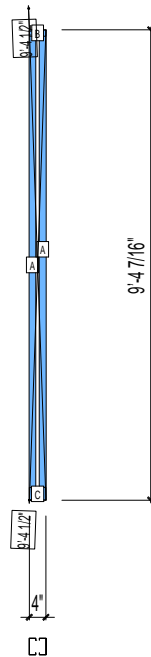
1st STUD: 24"

APPROVED
By hhuynh at 5:44 pm, Nov 18, 2008

WEIGHTS :

FRAME : 18 lbs

TOTAL: 18 lbs



PIECES LIST

LABEL	QTY	SIZE	LENGTH	USE
A	2	400S162-33	9'-4 5/16"	STUD
B	1	400T150-33	4"	TOP TRACK
C	1	400T300-33	4"	BOTTOM TRACK

12-3414

Jewish Home for the Aging

1885 Victory Blvd. Reseda, CA

FM-07-109

CREATED BY: HH

FrameMax, Inc.
13915 Danielson St
Suite 100
Poway, CA 92064
www.frame-max.com

FRAME MAX

© FrameMax Inc.

HEIGHT : 9'-4 7/16" POINTS: 0.30 Points.

SPACING : 24"

1st STUD: 24"

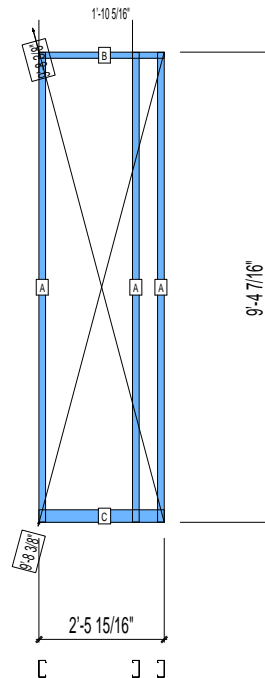
WEIGHTS :

FRAME : 31 lbs

TOTAL: 31 lbs

APPROVED

By hhuynh at 5:44 pm, Nov 18, 2008



PIECES LIST

LABEL	QTY	SIZE	LENGTH	USE
A	3	400S162-33	9'-4 5/16"	STUD
B	1	400T150-33	2'-5 15/16"	TOP TRACK
C	1	400T300-33	2'-5 15/16"	BOTTOM TRACK

12-3415

Jewish Home for the Aging

1885 Victory Blvd. Reseda, CA

FM-07-109

CREATED BY: HH

FrameMax, Inc.
13915 Danielson St
Suite 100
Poway, CA 92064
www.framemax.com

FRAME MAX

© FrameMax Inc.

HEIGHT : 9'-4 7/16" POINTS: 1.10 Points.

SPACING : 24"

1st STUD: 14 5/8"

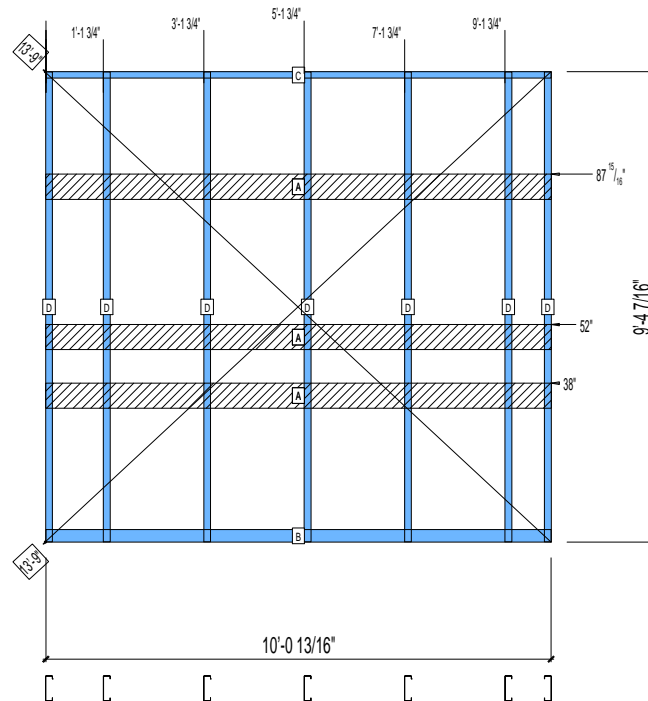
WEIGHTS :

FRAME : 138 lbs

TOTAL: 138 lbs

APPROVED

By hhuynh at 5:44 pm, Nov 18, 2008



PIECES LIST

LABEL	QTY	SIZE	LENGTH	USE
A	3	600D-54	10'-0 7/8"	KITCHEN BACKING
B	1	600T300-33	10'-0 13/16"	BOTTOM TRACK
C	1	600T150-33	10'-0 13/16"	TOP TRACK
D	7	600S162-33	9'-4 5/16"	STUD

12-3416

Jewish Home for the Aging

1885 Victory Blvd. Reseda, CA

FM-07-109

CREATED BY: HH

FrameMax, Inc.
13915 Danielson St
Suite 100
Poway, CA 92064
www.frame-max.com

FRAME MAX

© FrameMax Inc.

HEIGHT : 9'-4 7/16" POINTS: 0.30 Points.

SPACING : 24"

1st STUD: 24"

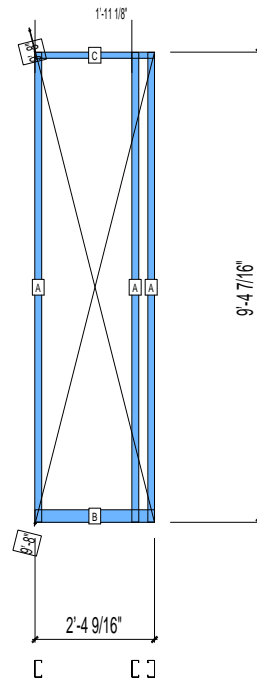
WEIGHTS :

FRAME : 31 lbs

TOTAL: 31 lbs

APPROVED

By hhuynh at 5:44 pm, Nov 18, 2008



PIECES LIST

LABEL	QTY	SIZE	LENGTH	USE
A	3	400S162-33	9'-4 5/16"	STUD
B	1	400T300-33	2'-4 9/16"	BOTTOM TRACK
C	1	400T150-33	2'-4 9/16"	TOP TRACK

12-3417

Jewish Home for the Aging

1885 Victory Blvd. Reseda, CA

FM-07-109

CREATED BY: HH

FrameMax, Inc.
13915 Danielson St
Suite 100
Poway, CA 92064
www.frame-max.com



© FrameMax Inc.

HEIGHT : 9'-4 7/16" POINTS: 0.19 Points.

SPACING : 24"

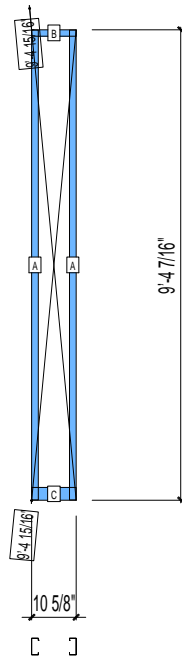
1st STUD: 24"

APPROVED
By hhuynh at 5:44 pm, Nov 18, 2008

WEIGHTS :

FRAME : 19 lbs

TOTAL: 19 lbs



PIECES LIST

LABEL	QTY	SIZE	LENGTH	USE
A	2	400S162-33	9'-4 5/16"	STUD
B	1	400T150-33	10 5/8"	TOP TRACK
C	1	400T300-33	10 5/8"	BOTTOM TRACK

12-3418

Jewish Home for the Aging

1885 Victory Blvd. Reseda, CA

FM-07-109

CREATED BY: HH

FrameMax, Inc.
13915 Danielson St
Suite 100
Poway, CA 92064
www.frame-max.com

FRAME MAX

© FrameMax Inc.

HEIGHT : 9'-4 7/16" POINTS: 0.71 Points.

SPACING : 24"

1st STUD: 24"

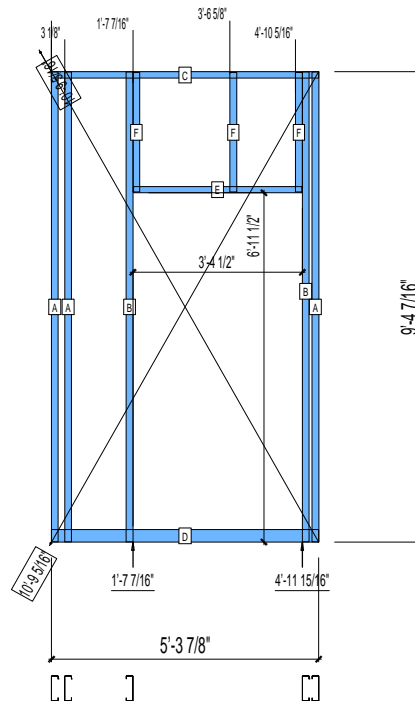
WEIGHTS :

FRAME : 80 lbs

TOTAL: 80 lbs

APPROVED

By hhuynh at 5:44 pm, Nov 18, 2008



PIECES LIST

LABEL	QTY	SIZE	LENGTH	USE
A	3	600S162-33	9'-4 5/16"	STUD
B	2	600S162-33	9'-4 5/16"	KING STUD
C	1	600T150-33	5'-3 7/8"	TOP TRACK
D	1	600T300-33	5'-3 7/8"	BOTTOM TRACK
E	1	600T150-33	3'-4 1/4"	HEAD TRACK
F	3	600S162-33	2'-4 9/16"	CRIPPLE

12-3419

Jewish Home for the Aging

1885 Victory Blvd. Reseda, CA

FM-07-109

CREATED BY: HH

FrameMax, Inc.
13915 Danielson St
Suite 100
Poway, CA 92064
www.framemax.com



© FrameMax Inc.

HEIGHT : 9'-4 7/16" POINTS: 0.19 Points.

SPACING : 24"

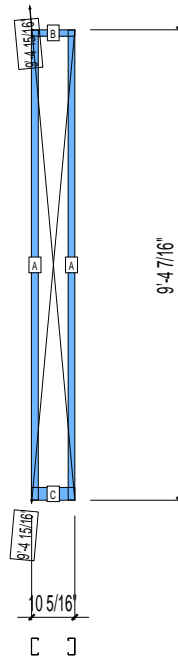
1st STUD: 24"

APPROVED
By hhuynh at 5:44 pm, Nov 18, 2008

WEIGHTS :

FRAME : 19 lbs

TOTAL: 19 lbs



PIECES LIST

LABEL	QTY	SIZE	LENGTH	USE
A	2	400S162-33	9'-4 5/16"	STUD
B	1	400T150-33	10 5/16"	TOP TRACK
C	1	400T300-33	10 5/16"	BOTTOM TRACK

12-3451

Jewish Home for the Aging

1885 Victory Blvd. Reseda, CA

FM-07-109

CREATED BY: HH

FrameMax, Inc.
13915 Danielson St
Suite 100
Poway, CA 92064
www.frame-max.com



© FrameMax Inc.

HEIGHT : 9'-4 7/16" POINTS: 0.77 Points.

SPACING : 24"

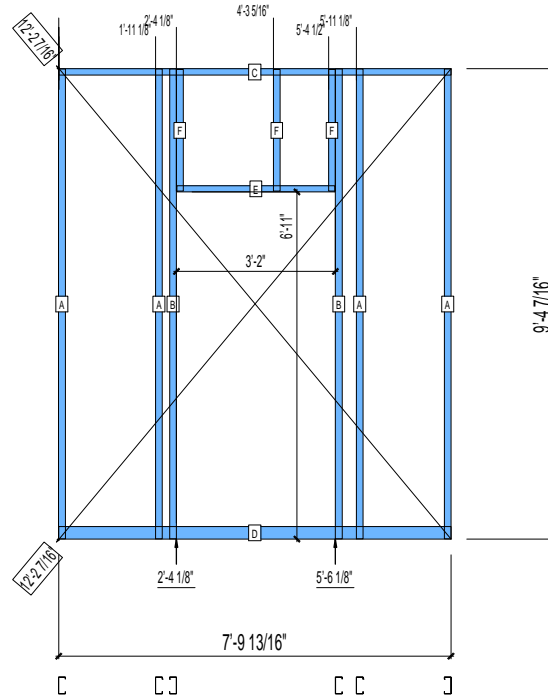
1st STUD: 24"

APPROVED
By hhuynh at 5:44 pm, Nov 18, 2008

WEIGHTS :

FRAME : 77 lbs

TOTAL: 77 lbs



PIECES LIST

LABEL	QTY	SIZE	LENGTH	USE
A	4	400S162-33	9'-4 5/16"	STUD
B	2	400S162-33	9'-4 5/16"	KING STUD
C	1	400T150-33	7'-9 13/16"	TOP TRACK
D	1	400T300-33	7'-9 13/16"	BOTTOM TRACK
E	1	400T150-33	3'-1 3/4"	HEAD TRACK
F	3	400S162-33	2'-5 1/16"	CRIPPLE

12-3452

Jewish Home for the Aging

1885 Victory Blvd. Reseda, CA

FM-07-109

CREATED BY: HH

FrameMax, Inc.
13915 Danielson St
Suite 100
Poway, CA 92064
www.frame-max.com

FRAME MAX

© FrameMax Inc.

HEIGHT : 9'-4 7/16" POINTS: 0.27 Points.

SPACING : 24"

1st STUD: 24"

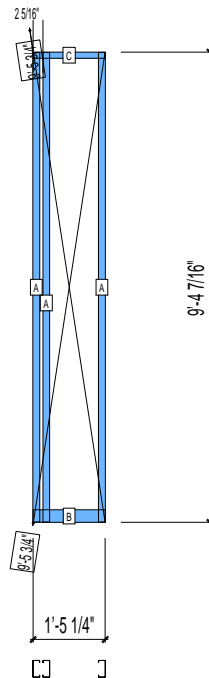
WEIGHTS :

FRAME : 29 lbs

TOTAL: 29 lbs

APPROVED

By hhuynh at 5:44 pm, Nov 18, 2008



PIECES LIST

LABEL	QTY	SIZE	LENGTH	USE
A	3	400S162-33	9'-4 5/16"	STUD
B	1	400T300-33	1'-5 1/4"	BOTTOM TRACK
C	1	400T150-33	1'-5 1/4"	TOP TRACK

12-3453

Jewish Home for the Aging

1885 Victory Blvd. Reseda, CA

FM-07-109

CREATED BY: HH

FrameMax, Inc.
13915 Danielson St
Suite 100
Poway, CA 92064
www.framemax.com

FRAME MAX

© FrameMax Inc.

HEIGHT : 9'-4 7/16" POINTS: 0.43 Points.

SPACING : 5000"

1st STUD: 5000"

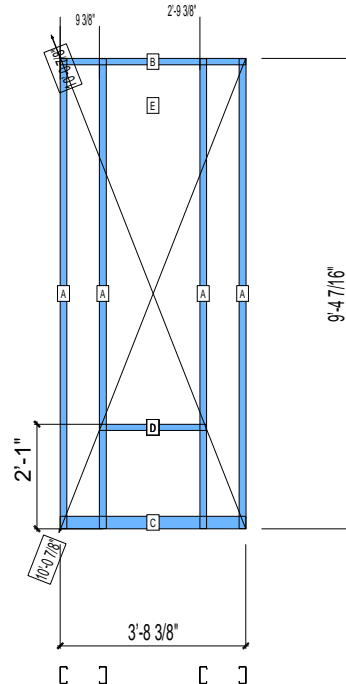
WEIGHTS :

FRAME : 44 lbs

TOTAL: 44 lbs

APPROVED

By hhuynh at 5:44 pm, Nov 18, 2008



PIECES LIST

LABEL	QTY	SIZE	LENGTH	USE
A	4	400S162-33	9'-4 5/16"	STUD
B	1	400T150-33	3'-8 3/8"	TOP TRACK
C	1	400T300-33	3'-8 3/8"	BOTTOM TRACK
D	1	600T150-33	2'-1 7/16"	SILL

12-3454

Jewish Home for the Aging

1885 Victory Blvd. Reseda, CA

FM-07-109

CREATED BY: HH

FrameMax, Inc.
13915 Danielson St
Suite 100
Poway, CA 92064
www.frame-max.com



© FrameMax Inc.

HEIGHT : 9'-4 7/16" POINTS: 0.33 Points.

SPACING : 24"

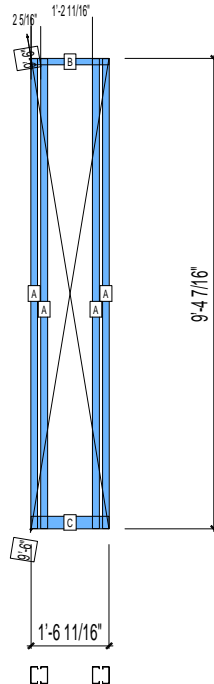
1st STUD: 24"

WEIGHTS :

FRAME : 38 lbs

TOTAL: 38 lbs

APPROVED
By hhuynh at 5:44 pm, Nov 18, 2008



PIECES LIST

LABEL	QTY	SIZE	LENGTH	USE
A	4	400S162-33	9'-4 5/16"	STUD
B	1	400T150-33	1'-6 11/16"	TOP TRACK
C	1	400T300-33	1'-6 11/16"	BOTTOM TRACK

12-3455

Jewish Home for the Aging

1885 Victory Blvd. Reseda, CA

FM-07-109

CREATED BY: HH

FrameMax, Inc.
13915 Danielson St
Suite 100
Poway, CA 92064
www.framemax.com

FRAME MAX

© FrameMax Inc.

HEIGHT : 9'-4 7/16" POINTS: 0.46 Points.

SPACING : 5000"

1st STUD: 16"

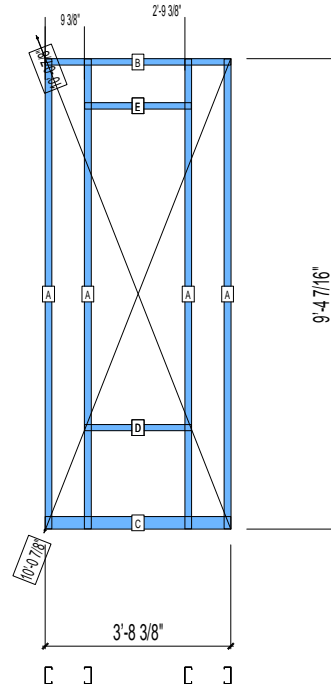
WEIGHTS :

FRAME : 46 lbs

TOTAL: 46 lbs

APPROVED

By hhuynh at 5:44 pm, Nov 18, 2008



PIECES LIST

LABEL	QTY	SIZE	LENGTH	USE
A	4	400S162-33	9'-4 5/16"	STUD
B	1	400T150-33	3'-8 3/8"	TOP TRACK
C	1	400T300-33	3'-8 3/8"	BOTTOM TRACK
D	1	400T150-33	2'-1 1/2"	SILL
E	1	400T150-33	2'-1 1/2"	HEAD TRACK

12-3456

Jewish Home for the Aging

1885 Victory Blvd. Reseda, CA

FM-07-109

CREATED BY: HH

FrameMax, Inc.
13915 Danielson St
Suite 100
Poway, CA 92064
www.frame-max.com

FRAME MAX

© FrameMax Inc.

HEIGHT : 9'-4 7/16" POINTS: 0.27 Points.

SPACING : 24"

1st STUD: 24"

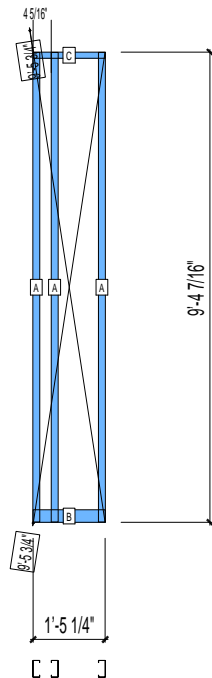
WEIGHTS :

FRAME : 29 lbs

TOTAL: 29 lbs

APPROVED

By hhuynh at 5:44 pm, Nov 18, 2008



PIECES LIST

LABEL	QTY	SIZE	LENGTH	USE
A	3	400S162-33	9'-4 5/16"	STUD
B	1	400T300-33	1'-5 1/4"	BOTTOM TRACK
C	1	400T150-33	1'-5 1/4"	TOP TRACK

12-3457

Jewish Home for the Aging

1885 Victory Blvd. Reseda, CA

FM-07-109

CREATED BY: HH

FrameMax, Inc.
13915 Danielson St
Suite 100
Poway, CA 92064
www.frame-max.com



© FrameMax Inc.

HEIGHT : 9'-4 7/16" POINTS: 0.33 Points.

SPACING : 24"

1st STUD: 24"

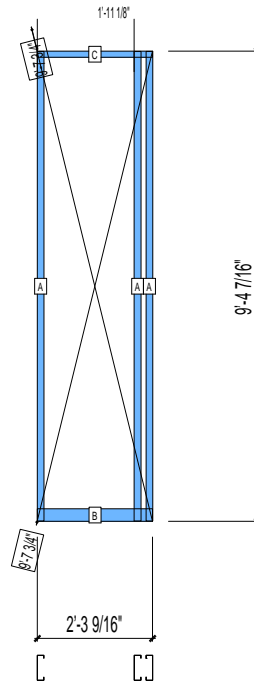
WEIGHTS :

FRAME : 39 lbs

TOTAL: 39 lbs

APPROVED

By hhuynh at 5:44 pm, Nov 18, 2008



PIECES LIST

LABEL	QTY	SIZE	LENGTH	USE
A	3	600S162-33	9'-4 5/16"	STUD
B	1	600T300-33	2'-3 9/16"	BOTTOM TRACK
C	1	600T150-33	2'-3 9/16"	TOP TRACK

12-3458

Jewish Home for the Aging

1885 Victory Blvd. Reseda, CA

FM-07-109

CREATED BY: HH

FrameMax, Inc.
13915 Danielson St
Suite 100
Poway, CA 92064
www.frame-max.com

FRAME MAX

© FrameMax Inc.

HEIGHT : 9'-4 7/16" POINTS: 0.65 Points.

SPACING : 24"

1st STUD: 24"

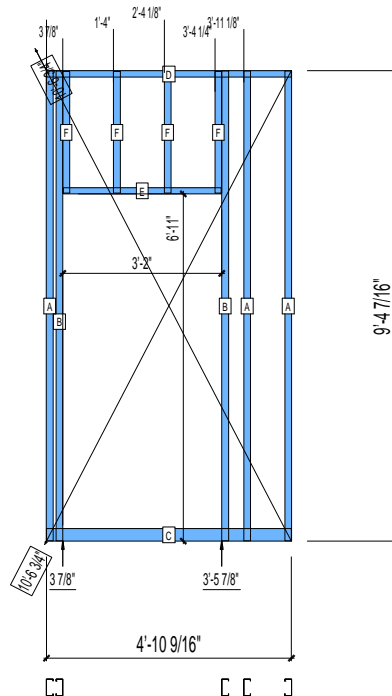
WEIGHTS :

FRAME : 65 lbs

TOTAL: 65 lbs

APPROVED

By hhuynh at 5:44 pm, Nov 18, 2008



PIECES LIST

LABEL	QTY	SIZE	LENGTH	USE
A	3	400S162-33	9'-4 5/16"	STUD
B	2	400S162-33	9'-4 5/16"	KING STUD
C	1	400T300-33	4'-10 9/16"	BOTTOM TRACK
D	1	400T150-33	4'-10 9/16"	TOP TRACK
E	1	400T150-33	3'-1 3/4"	HEAD TRACK
F	4	400S162-33	2'-5 1/16"	CRIPPLE

12-3459

Jewish Home for the Aging

1885 Victory Blvd. Reseda, CA

FM-07-109

CREATED BY: HH

FrameMax, Inc.
13915 Danielson St
Suite 100
Poway, CA 92064
www.frame-max.com

FRAME MAX

© FrameMax Inc.

HEIGHT : 9'-4 7/16" POINTS: 0.27 Points.

SPACING : 24"

1st STUD: 24"

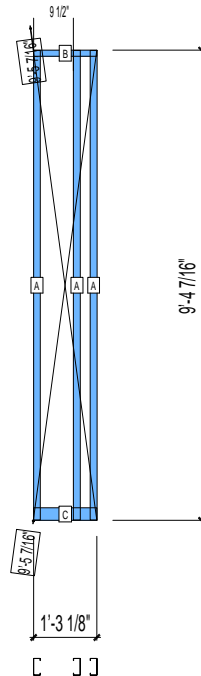
WEIGHTS :

FRAME : 29 lbs

TOTAL: 29 lbs

APPROVED

By hhuynh at 5:44 pm, Nov 18, 2008



PIECES LIST

LABEL	QTY	SIZE	LENGTH	USE
A	3	400S162-33	9'-4 5/16"	STUD
B	1	400T150-33	1'-3 1/8"	TOP TRACK
C	1	400T300-33	1'-3 1/8"	BOTTOM TRACK

12-3460

Jewish Home for the Aging

1885 Victory Blvd. Reseda, CA

FM-07-109

CREATED BY: HH

FrameMax, Inc.
13915 Danielson St
Suite 100
Poway, CA 92064
www.framemax.com

FRAME MAX

© FrameMax Inc.

HEIGHT : 9'-4 7/16" POINTS: 0.65 Points.

SPACING : 24"

1st STUD: 24"

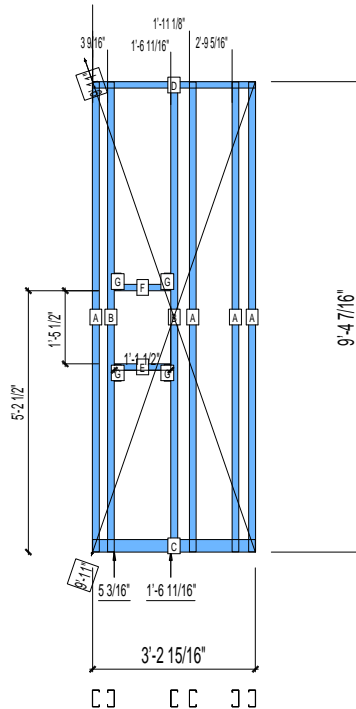
WEIGHTS :

FRAME : 62 lbs

TOTAL: 62 lbs

APPROVED

By hhuynh at 5:44 pm, Nov 18, 2008



PIECES LIST

LABEL	QTY	SIZE	LENGTH	USE
A	4	400S162-33	9'-4 5/16"	STUD
B	2	400S162-33	9'-4 5/16"	KING STUD
C	1	400T300-33	3'-2 15/16"	BOTTOM TRACK
D	1	400T150-33	3'-2 15/16"	TOP TRACK
E	1	400T150-33	1'-1 1/4"	SILL
F	1	400T150-33	1'-1 1/4"	HEAD TRACK
G	4	400S162-33	4"	CRIPPLE

12-3461

Jewish Home for the Aging

1885 Victory Blvd. Reseda, CA

FM-07-109

CREATED BY: HH

FrameMax, Inc.
13915 Danielson St
Suite 100
Poway, CA 92064
www.frame-max.com

FRAME MAX

© FrameMax Inc.

HEIGHT : 9'-4 7/16" POINTS: 0.20 Points.

SPACING : 24"

1st STUD: 16"

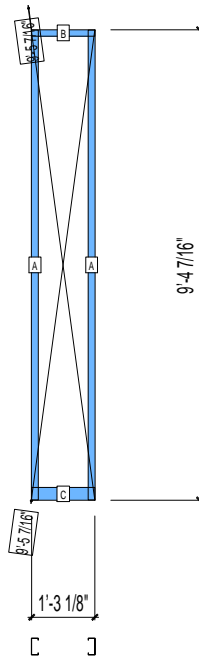
WEIGHTS :

FRAME : 20 lbs

TOTAL: 20 lbs

APPROVED

By hhuynh at 5:44 pm, Nov 18, 2008



PIECES LIST

LABEL	QTY	SIZE	LENGTH	USE
A	2	400S162-33	9'-4 5/16"	STUD
B	1	400T150-33	1'-3 1/8"	TOP TRACK
C	1	400T300-33	1'-3 1/8"	BOTTOM TRACK

12-3462

Jewish Home for the Aging

1885 Victory Blvd. Reseda, CA

FM-07-109

CREATED BY: HH

FrameMax, Inc.
13915 Danielson St
Suite 100
Poway, CA 92064
www.frame-max.com

FRAME MAX

© FrameMax Inc.

HEIGHT : 9'-4 7/16" POINTS: 0.97 Points.

SPACING : 24"

1st STUD: 8 1/2"

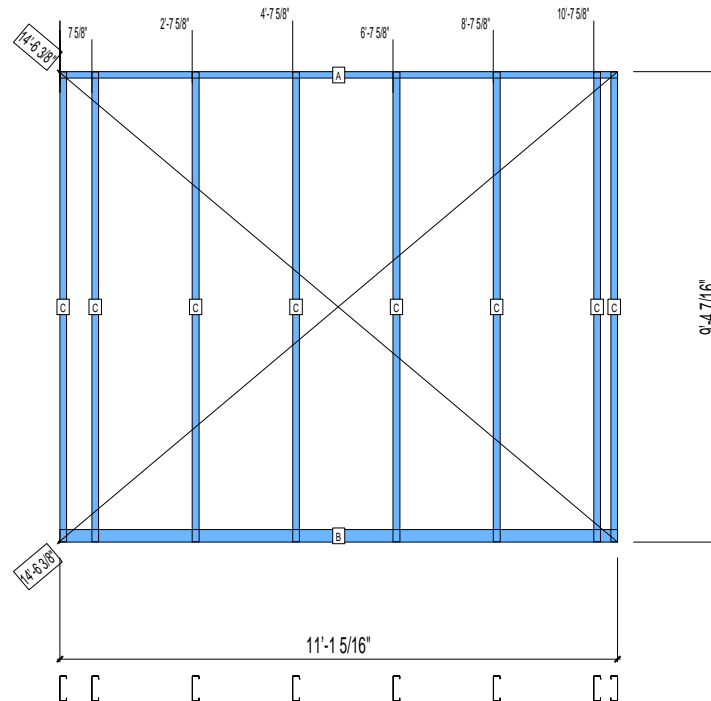
WEIGHTS :

FRAME : 115 lbs

TOTAL: 115 lbs

APPROVED

By hhuynh at 5:44 pm, Nov 18, 2008



PIECES LIST

LABEL	QTY	SIZE	LENGTH	USE
A	1	600T150-33	11'-1 5/16"	TOP TRACK
B	1	600T300-33	11'-1 5/16"	BOTTOM TRACK
C	8	600S162-33	9'-4 5/16"	STUD

12-3463

Jewish Home for the Aging

1885 Victory Blvd. Reseda, CA

FM-07-109

CREATED BY: HH

FrameMax, Inc.
13915 Danielson St
Suite 100
Poway, CA 92064
www.frame-max.com

FRAME MAX

© FrameMax Inc.

HEIGHT : 9'-4 7/16" POINTS: 0.54 Points.

SPACING : 5000"

1st STUD: 5000"

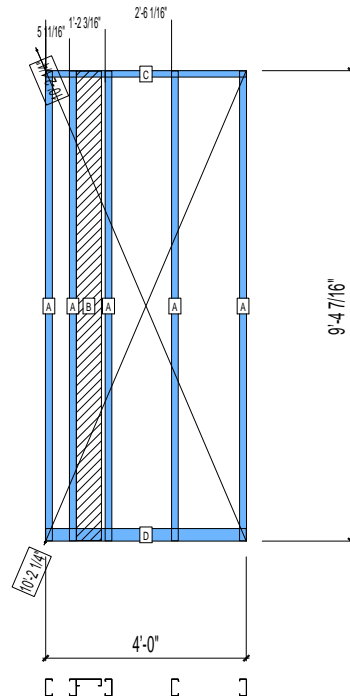
WEIGHTS :

FRAME : 62 lbs

TOTAL: 62 lbs

APPROVED

By hhuynh at 5:44 pm, Nov 18, 2008



PIECES LIST

LABEL	QTY	SIZE	LENGTH	USE
A	5	400S162-33	9'-4 5/16"	STUD
B	1	600S162-33	9'-4 3/16"	BACKER-U
C	1	400T150-33	4'-0"	TOP TRACK
D	1	400T300-33	4'-0"	BOTTOM TRACK

12-3464

Jewish Home for the Aging

1885 Victory Blvd. Reseda, CA

FM-07-109

CREATED BY: HH

FrameMax, Inc.
13915 Danielson St
Suite 100
Poway, CA 92064
www.framemax.com



© FrameMax Inc.

HEIGHT : 9'-4 7/16" POINTS: 0.47 Points.

SPACING : 24"

1st STUD: 24"

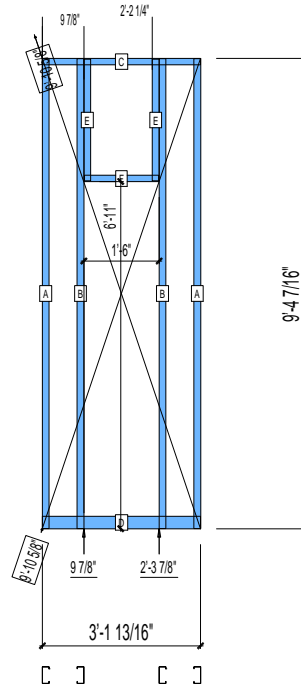
WEIGHTS :

FRAME : 47 lbs

TOTAL: 47 lbs

APPROVED

By hhuynh at 5:44 pm, Nov 18, 2008



PIECES LIST

LABEL	QTY	SIZE	LENGTH	USE
A	2	400S162-33	9'-4 5/16"	STUD
B	2	400S162-33	9'-4 5/16"	KING STUD
C	1	400T150-33	3'-1 13/16"	TOP TRACK
D	1	400T300-33	3'-1 13/16"	BOTTOM TRACK
E	2	400S162-33	2'-5 1/16"	CRIPPLE
F	1	400T150-33	1'-5 3/4"	HEAD TRACK

12-3465

Jewish Home for the Aging

1885 Victory Blvd. Reseda, CA

FM-07-109

CREATED BY: HH

FrameMax, Inc.
13915 Danielson St
Suite 100
Poway, CA 92064
www.framemax.com



© FrameMax Inc.

HEIGHT : 9'-4 7/16" POINTS: 0.39 Points.

SPACING : 24"

1st STUD: 24"

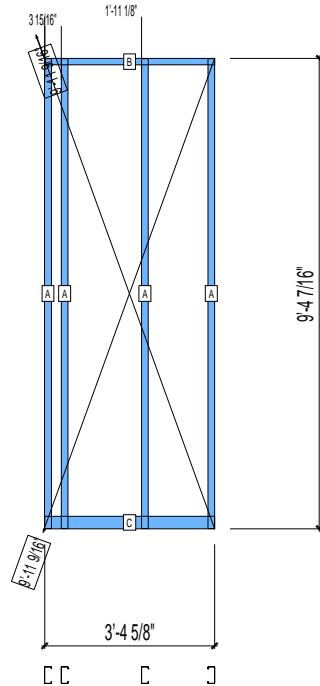
WEIGHTS :

FRAME : 42 lbs

TOTAL: 42 lbs

APPROVED

By hhuynh at 5:44 pm, Nov 18, 2008



PIECES LIST

LABEL	QTY	SIZE	LENGTH	USE
A	4	400S162-33	9'-4 5/16"	STUD
B	1	400T150-33	3'-4 5/8"	TOP TRACK
C	1	400T300-33	3'-4 5/8"	BOTTOM TRACK

12-3466

Jewish Home for the Aging

1885 Victory Blvd. Reseda, CA

FM-07-109

CREATED BY: HH

FrameMax, Inc.
13915 Danielson St
Suite 100
Poway, CA 92064
www.frame-max.com



© FrameMax Inc.

HEIGHT : 9'-4 7/16" POINTS: 1.05 Points.

SPACING : 24"

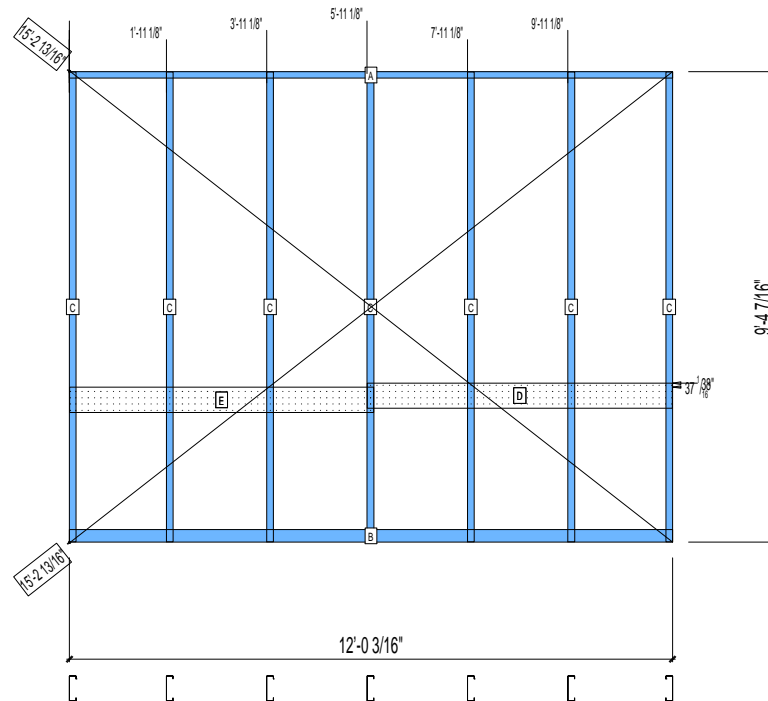
1st STUD: 24"

APPROVED
By hhuynh at 5:44 pm, Nov 18, 2008

WEIGHTS :

FRAME : 124 lbs

TOTAL: 124 lbs



PIECES LIST

LABEL	QTY	SIZE	LENGTH	USE
A	1	600T150-33	12'-0 3/16"	TOP TRACK
B	1	600T300-33	12'-0 3/16"	BOTTOM TRACK
C	7	600S162-33	9'-4 5/16"	STUD
D	1	600D-54	6'-0 15/16"	VANITY BACKING
E	1	600T150-54	6'-0 11/16"	GRAB BAR

12-3467

Jewish Home for the Aging

1885 Victory Blvd. Reseda, CA

FM-07-109

CREATED BY: HH

FrameMax, Inc.
13915 Danielson St
Suite 100
Poway, CA 92064
www.frame-max.com



© FrameMax Inc.

HEIGHT : 9'-4 7/16" POINTS: 0.19 Points.

SPACING : 24"

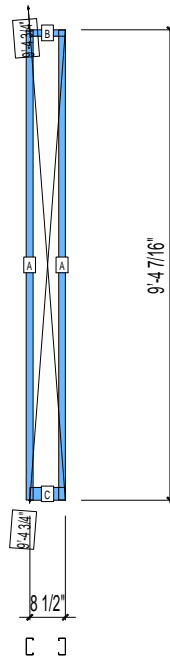
1st STUD: 24"

APPROVED
By hhuynh at 5:44 pm, Nov 18, 2008

WEIGHTS :

FRAME : 19 lbs

TOTAL: 19 lbs



PIECES LIST

LABEL	QTY	SIZE	LENGTH	USE
A	2	400S162-33	9'-4 5/16"	STUD
B	1	400T150-33	8 1/2"	TOP TRACK
C	1	400T300-33	8 1/2"	BOTTOM TRACK

12-3468

Jewish Home for the Aging

1885 Victory Blvd. Reseda, CA

FM-07-109

CREATED BY: HH

FrameMax, Inc.
13915 Danielson St
Suite 100
Poway, CA 92064
www.frame-max.com

FRAME MAX

© FrameMax Inc.

HEIGHT : 9'-4 7/16" POINTS: 0.45 Points.

SPACING : 5000"

1st STUD: 5000"

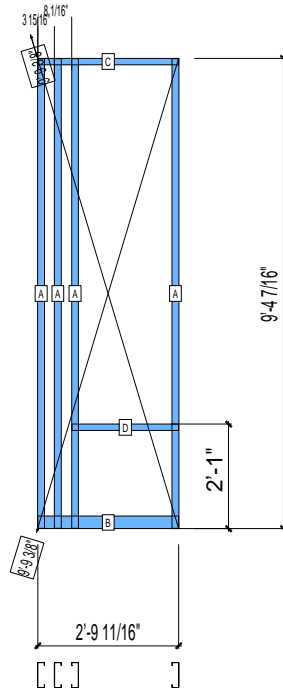
WEIGHTS :

FRAME : 53 lbs

TOTAL: 53 lbs

APPROVED

By hhuynh at 5:44 pm, Nov 18, 2008



PIECES LIST

LABEL	QTY	SIZE	LENGTH	USE
A	4	600S162-33	9'-4 5/16"	STUD
B	1	600T300-33	2'-9 11/16"	BOTTOM TRACK
C	1	600T150-33	2'-9 11/16"	TOP TRACK
D	1	600T150-33	2'-1 1/2"	SILL

12-3469

Jewish Home for the Aging

1885 Victory Blvd. Reseda, CA

FM-07-109

CREATED BY: HH

FrameMax, Inc.
13915 Danielson St
Suite 100
Poway, CA 92064
www.frame-max.com

FRAME MAX

© FrameMax Inc.

HEIGHT : 9'-4 7/16" POINTS: 0.36 Points.

SPACING : 24"

1st STUD: 24"

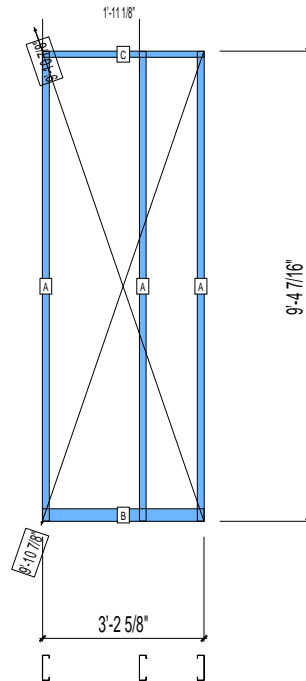
WEIGHTS :

FRAME : 41 lbs

TOTAL: 41 lbs

APPROVED

By hhuynh at 5:44 pm, Nov 18, 2008



PIECES LIST

LABEL	QTY	SIZE	LENGTH	USE
A	3	600S162-33	9'-4 5/16"	STUD
B	1	600T300-33	3'-2 5/8"	BOTTOM TRACK
C	1	600T150-33	3'-2 5/8"	TOP TRACK

12-3470

Jewish Home for the Aging

1885 Victory Blvd. Reseda, CA

FM-07-109

CREATED BY: HH

FrameMax, Inc.
13915 Danielson St
Suite 100
Poway, CA 92064
www.framemax.com

FRAME MAX

© FrameMax Inc.

HEIGHT : 9'-4 7/16" POINTS: 0.42 Points.

SPACING : 24"

1st STUD: 24"

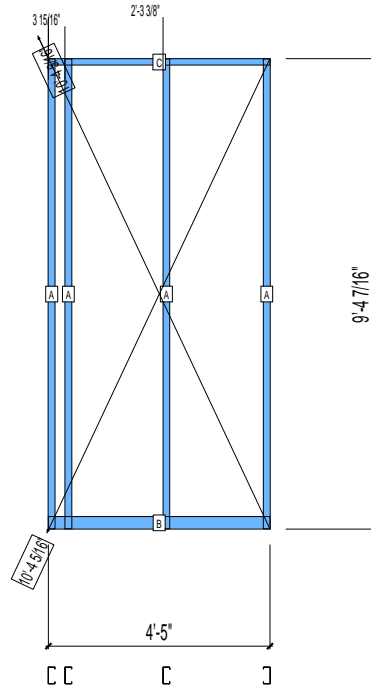
WEIGHTS :

FRAME : 44 lbs

TOTAL: 44 lbs

APPROVED

By hhuynh at 5:44 pm, Nov 18, 2008



PIECES LIST

LABEL	QTY	SIZE	LENGTH	USE
A	4	400S162-33	9'-4 5/16"	STUD
B	1	400T300-33	4'-5"	BOTTOM TRACK
C	1	400T150-33	4'-5"	TOP TRACK

12-3471

Jewish Home for the Aging

1885 Victory Blvd. Reseda, CA

FM-07-109

CREATED BY: HH

FrameMax, Inc.
13915 Danielson St
Suite 100
Poway, CA 92064
www.framemax.com

FRAME MAX

© FrameMax Inc.

HEIGHT : 9'-4 7/16" POINTS: 0.20 Points.

SPACING : 24"

1st STUD: 24"

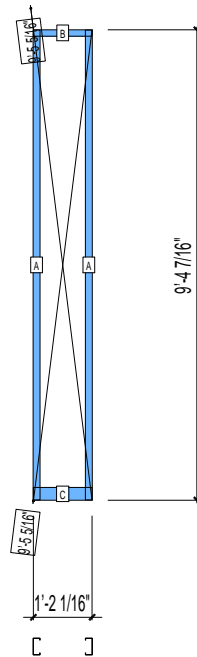
WEIGHTS :

FRAME : 20 lbs

TOTAL: 20 lbs

APPROVED

By hhuynh at 5:44 pm, Nov 18, 2008



PIECES LIST

LABEL	QTY	SIZE	LENGTH	USE
A	2	400S162-33	9'-4 5/16"	STUD
B	1	400T150-33	1'-2 1/16"	TOP TRACK
C	1	400T300-33	1'-2 1/16"	BOTTOM TRACK

12-3472

Jewish Home for the Aging

1885 Victory Blvd. Reseda, CA

FM-07-109

CREATED BY: HH

FrameMax, Inc.
13915 Danielson St
Suite 100
Poway, CA 92064
www.frame-max.com



© FrameMax Inc.

HEIGHT : 9'-4 7/16" POINTS: 0.36 Points.

SPACING : 24"

1st STUD: 24"

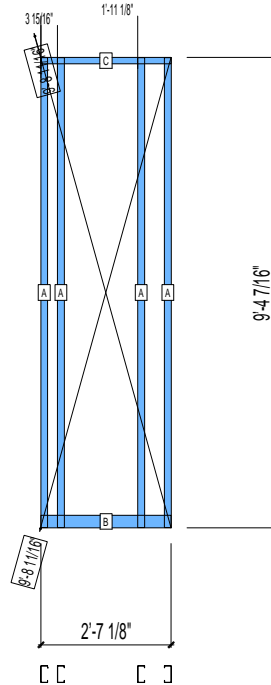
WEIGHTS :

FRAME : 40 lbs

TOTAL: 40 lbs

APPROVED

By hhuyh at 5:44 pm, Nov 18, 2008



PIECES LIST

LABEL	QTY	SIZE	LENGTH	USE
A	4	400S162-33	9'-4 5/16"	STUD
B	1	400T300-33	2'-7 1/8"	BOTTOM TRACK
C	1	400T150-33	2'-7 1/8"	TOP TRACK

12-3473

Jewish Home for the Aging

1885 Victory Blvd. Reseda, CA

FM-07-109

CREATED BY: HH

FrameMax, Inc.
13915 Danielson St
Suite 100
Poway, CA 92064
www.frame-max.com



© FrameMax Inc.

HEIGHT : 9'-4 7/16" POINTS: 0.57 Points.

SPACING : 24"

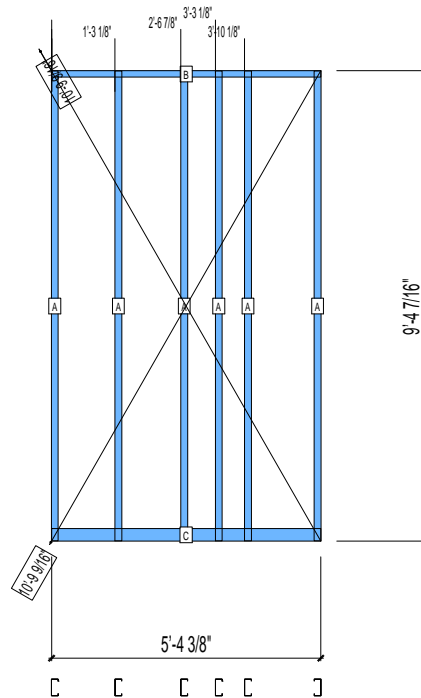
1st STUD: 16"

APPROVED
By hhuynh at 5:44 pm, Nov 18, 2008

WEIGHTS :

FRAME : 63 lbs

TOTAL: 63 lbs



PIECES LIST

LABEL	QTY	SIZE	LENGTH	USE
A	6	400S162-33	9'-4 5/16"	STUD
B	1	400T150-33	5'-4 3/8"	TOP TRACK
C	1	400T300-33	5'-4 3/8"	BOTTOM TRACK

12-3474

Jewish Home for the Aging

1885 Victory Blvd. Reseda, CA

FM-07-109

CREATED BY: HH

FrameMax, Inc.
13915 Danielson St
Suite 100
Poway, CA 92064
www.frame-max.com



© FrameMax Inc.

HEIGHT : 9'-4 7/16" POINTS: 0.75 Points.

SPACING : 24"

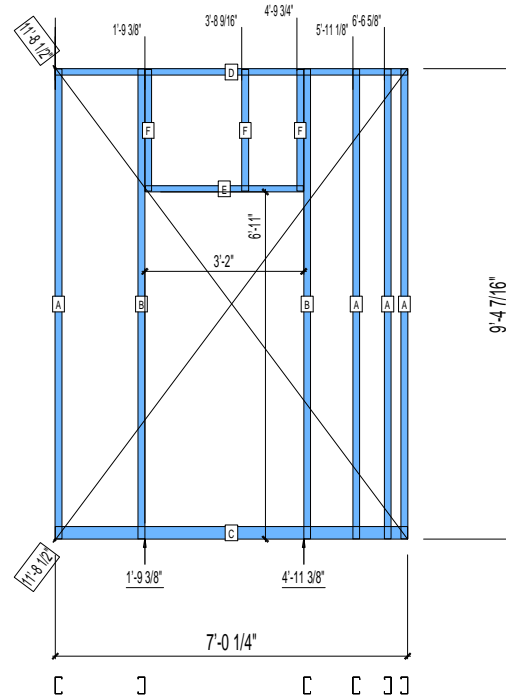
1st STUD: 24"

APPROVED
By hhuynh at 5:44 pm, Nov 18, 2008

WEIGHTS :

FRAME : 76 lbs

TOTAL: 76 lbs



PIECES LIST

LABEL	QTY	SIZE	LENGTH	USE
A	4	400S162-33	9'-4 5/16"	STUD
B	2	400S162-33	9'-4 5/16"	KING STUD
C	1	400T300-33	7'-0 1/4"	BOTTOM TRACK
D	1	400T150-33	7'-0 1/4"	TOP TRACK
E	1	400T150-33	3'-1 3/4"	HEAD TRACK
F	3	400S162-33	2'-5 1/16"	CRIPPLE

12-3475

Jewish Home for the Aging

1885 Victory Blvd. Reseda, CA

FM-07-109

CREATED BY: HH

FrameMax, Inc.
13915 Danielson St
Suite 100
Poway, CA 92064
www.frame-max.com



© FrameMax Inc.

HEIGHT : 9'-4 7/16" POINTS: 0.32 Points.

SPACING : 24"

1st STUD: 24"

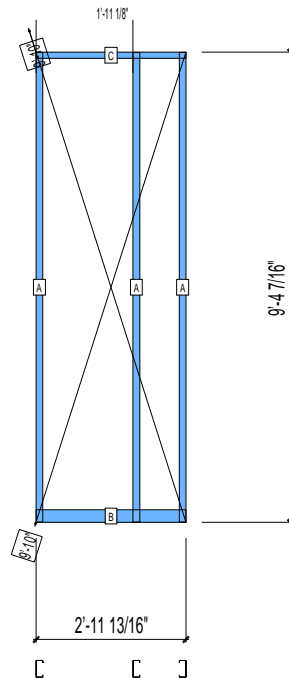
WEIGHTS :

FRAME : 32 lbs

TOTAL: 32 lbs

APPROVED

By hhuynh at 5:44 pm, Nov 18, 2008



PIECES LIST

LABEL	QTY	SIZE	LENGTH	USE
A	3	400S162-33	9'-4 5/16"	STUD
B	1	400T300-33	2'-11 13/16"	BOTTOM TRACK
C	1	400T150-33	2'-11 13/16"	TOP TRACK

12-3476

Jewish Home for the Aging

1885 Victory Blvd. Reseda, CA

FM-07-109

CREATED BY: HH

FrameMax, Inc.
13915 Danielson St
Suite 100
Poway, CA 92064
www.frame-max.com



© FrameMax Inc.

HEIGHT : 9'-4 7/16" POINTS: 0.75 Points.

SPACING : 24"

1st STUD: 24"

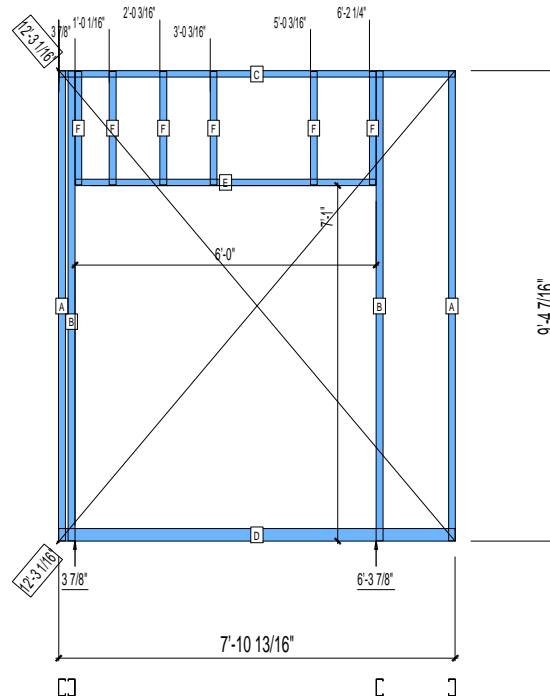
WEIGHTS :

FRAME : 68 lbs

TOTAL: 68 lbs

APPROVED

By hhuynh at 5:44 pm, Nov 18, 2008



PIECES LIST

LABEL	QTY	SIZE	LENGTH	USE
A	2	400S162-33	9'-4 5/16"	STUD
B	2	400S162-33	9'-4 5/16"	KING STUD
C	1	400T150-33	7'-10 13/16"	TOP TRACK
D	1	400T300-33	7'-10 13/16"	BOTTOM TRACK
E	1	400T150-33	5'-11 3/4"	HEAD TRACK
F	6	400S162-33	2'-3 1/16"	CRIPPLE

12-3477

Jewish Home for the Aging

1885 Victory Blvd. Reseda, CA

FM-07-109

CREATED BY: HH

FrameMax, Inc.
13915 Danielson St
Suite 100
Poway, CA 92064
www.frame-max.com

FRAME MAX

© FrameMax Inc.

HEIGHT : 9'-4 7/16" POINTS: 0.99 Points.

SPACING : 24"

1st STUD: 17 9/16"

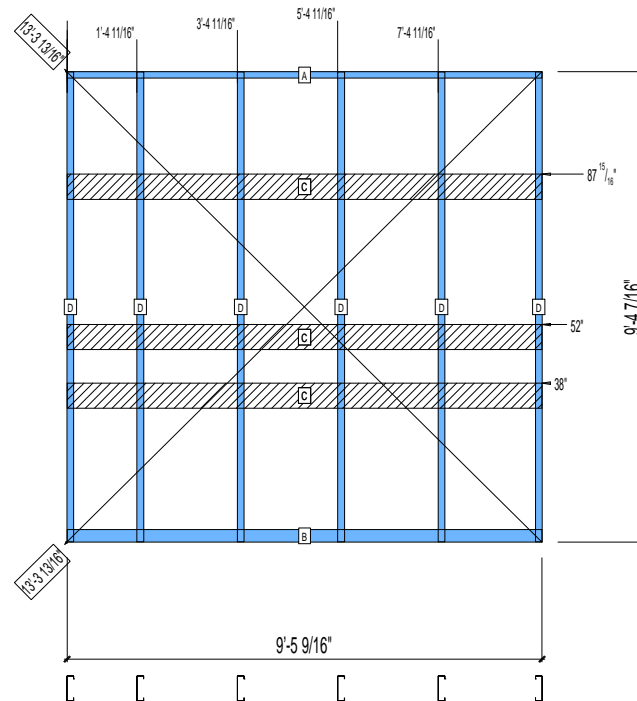
WEIGHTS :

FRAME : 123 lbs

TOTAL: 123 lbs

APPROVED

By hhuynh at 5:44 pm, Nov 18, 2008



PIECES LIST

LABEL	QTY	SIZE	LENGTH USE
A	1	600T150-33	9'-5 9/16" TOP TRACK
B	1	600T300-33	9'-5 9/16" BOTTOM TRACK
C	3	600D-54	9'-5 1/2" KITCHEN BACKING
D	6	600S162-33	9'-4 5/16" STUD

12-3478

Jewish Home for the Aging

1885 Victory Blvd. Reseda, CA

FM-07-109

CREATED BY: HH

FrameMax, Inc.
13915 Danielson St
Suite 100
Poway, CA 92064
www.frame-max.com

FRAME MAX

© FrameMax Inc.

HEIGHT : 9'-4 7/16" POINTS: 0.30 Points.

SPACING : 24"

1st STUD: 24"

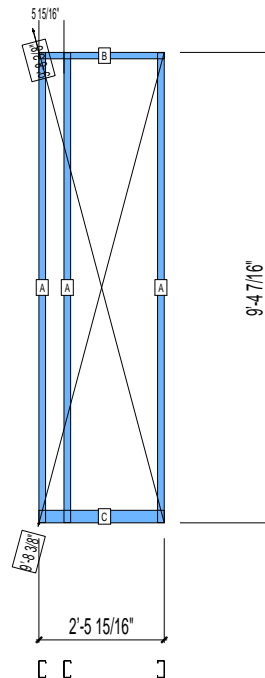
WEIGHTS :

FRAME : 31 lbs

TOTAL: 31 lbs

APPROVED

By hhuynh at 5:44 pm, Nov 18, 2008



PIECES LIST

LABEL	QTY	SIZE	LENGTH	USE
A	3	400S162-33	9'-4 5/16"	STUD
B	1	400T150-33	2'-5 15/16"	TOP TRACK
C	1	400T300-33	2'-5 15/16"	BOTTOM TRACK

12-3479

Jewish Home for the Aging

1885 Victory Blvd. Reseda, CA

FM-07-109

CREATED BY: HH

FrameMax, Inc.
13915 Danielson St
Suite 100
Poway, CA 92064
www.frame-max.com

FRAME MAX

© FrameMax Inc.

HEIGHT : 9'-4 7/16" POINTS: 0.30 Points.

SPACING : 24"

1st STUD: 24"

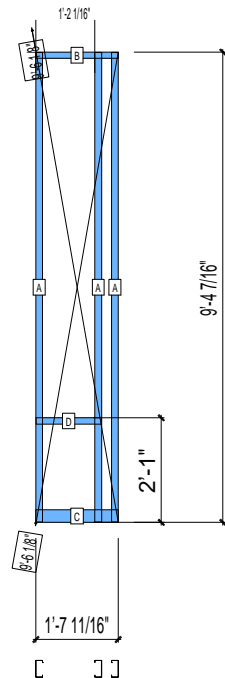
WEIGHTS :

FRAME : 31 lbs

TOTAL: 31 lbs

APPROVED

By hhuynh at 5:44 pm, Nov 18, 2008



PIECES LIST

LABEL	QTY	SIZE	LENGTH	USE
A	3	400S162-33	9'-4 5/16"	STUD
B	1	400T150-33	1'-7 11/16"	TOP TRACK
C	1	400T300-33	1'-7 11/16"	BOTTOM TRACK
D	1	400T150-33	1'-3 5/8"	SILL

12-3480

Jewish Home for the Aging

1885 Victory Blvd. Reseda, CA

FM-07-109

CREATED BY: HH

FrameMax, Inc.
13915 Danielson St
Suite 100
Poway, CA 92064
www.frame-max.com

FRAME MAX

© FrameMax Inc.

HEIGHT : 9'-4 7/16" POINTS: 0.20 Points.

SPACING : 24"

1st STUD: 16"

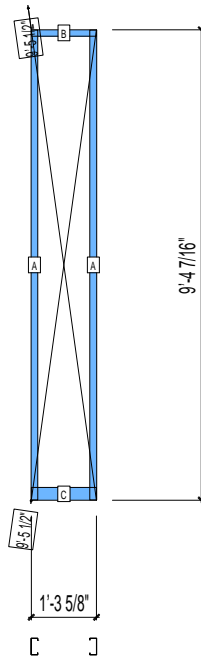
WEIGHTS :

FRAME : 20 lbs

TOTAL: 20 lbs

APPROVED

By hhuynh at 5:44 pm, Nov 18, 2008



PIECES LIST

LABEL	QTY	SIZE	LENGTH	USE
A	2	400S162-33	9'-4 5/16"	STUD
B	1	400T150-33	1'-3 5/8"	TOP TRACK
C	1	400T300-33	1'-3 5/8"	BOTTOM TRACK

12-3481

Jewish Home for the Aging

1885 Victory Blvd. Reseda, CA

FM-07-109

CREATED BY: HH

FrameMax, Inc.
13915 Danielson St
Suite 100
Poway, CA 92064
www.frame-max.com

FRAME MAX

© FrameMax Inc.

HEIGHT : 9'-4 7/16" POINTS: 0.19 Points.

SPACING : 24"

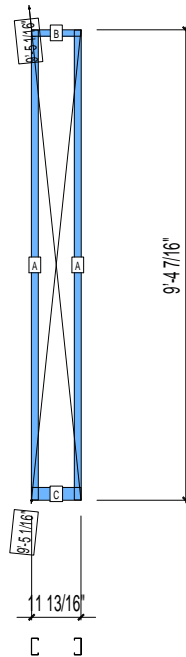
1st STUD: 16"

APPROVED
By hhuynh at 5:44 pm, Nov 18, 2008

WEIGHTS :

FRAME : 19 lbs

TOTAL: 19 lbs



PIECES LIST

LABEL	QTY	SIZE	LENGTH	USE
A	2	400S162-33	9'-4 5/16"	STUD
B	1	400T150-33	11 13/16"	TOP TRACK
C	1	400T300-33	11 13/16"	BOTTOM TRACK

12-3482

Jewish Home for the Aging

1885 Victory Blvd. Reseda, CA

FM-07-109

CREATED BY: HH

FrameMax, Inc.
13915 Danielson St
Suite 100
Poway, CA 92064
www.frame-max.com

FRAME MAX

© FrameMax Inc.

HEIGHT : 9'-4 7/16" POINTS: 0.71 Points.

SPACING : 24"

1st STUD: 16"

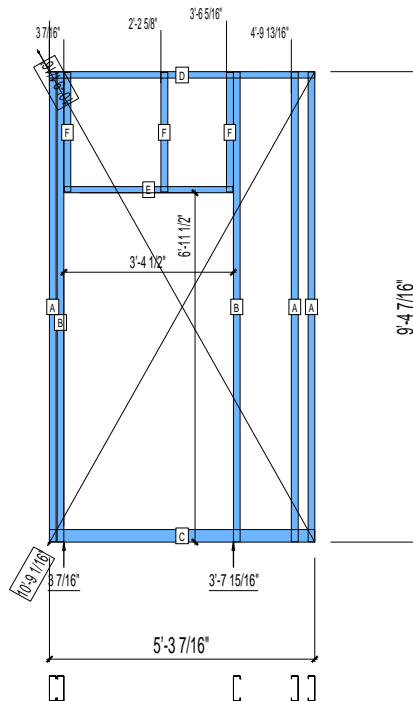
WEIGHTS :

FRAME : 80 lbs

TOTAL: 80 lbs

APPROVED

By hhuynh at 5:44 pm, Nov 18, 2008



PIECES LIST

LABEL	QTY	SIZE	LENGTH	USE
A	3	600S162-33	9'-4 5/16"	STUD
B	2	600S162-33	9'-4 5/16"	KING STUD
C	1	600T300-33	5'-3 7/16"	BOTTOM TRACK
D	1	600T150-33	5'-3 7/16"	TOP TRACK
E	1	600T150-33	3'-4 1/4"	HEAD TRACK
F	3	600S162-33	2'-4 9/16"	CRIPPLE

12-3483

Jewish Home for the Aging

1885 Victory Blvd. Reseda, CA

FM-07-109

CREATED BY: HH

FrameMax, Inc.
13915 Danielson St
Suite 100
Poway, CA 92064
www.frame-max.com



© FrameMax Inc.

HEIGHT : 9'-4 7/16" POINTS: 0.22 Points.

SPACING : 24"

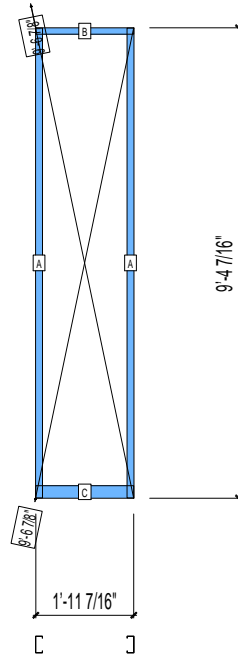
1st STUD: 24"

WEIGHTS :

FRAME : 21 lbs

TOTAL: 21 lbs

APPROVED
By hhuynh at 5:44 pm, Nov 18, 2008



PIECES LIST

LABEL	QTY	SIZE	LENGTH	USE
A	2	400S162-33	9'-4 5/16"	STUD
B	1	400T150-33	1'-11 7/16"	TOP TRACK
C	1	400T300-33	1'-11 7/16"	BOTTOM TRACK

12-3484

Jewish Home for the Aging

1885 Victory Blvd. Reseda, CA

FM-07-109

CREATED BY: HH

FrameMax, Inc.
13915 Danielson St
Suite 100
Poway, CA 92064
www.frame-max.com

FRAME MAX

© FrameMax Inc.

HEIGHT : 9'-4 7/16" POINTS: 0.19 Points.

SPACING : 24"

1st STUD: 24"

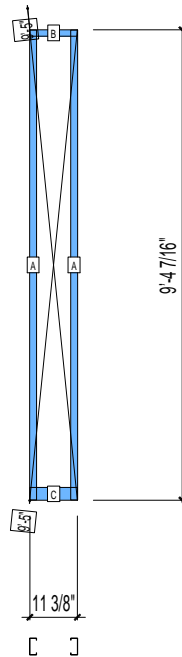
APPROVED

By hhuynh at 5:44 pm, Nov 18, 2008

WEIGHTS :

FRAME : 19 lbs

TOTAL: 19 lbs



PIECES LIST

LABEL	QTY	SIZE	LENGTH	USE
A	2	400S162-33	9'-4 5/16"	STUD
B	1	400T150-33	11 3/8"	TOP TRACK
C	1	400T300-33	11 3/8"	BOTTOM TRACK

12-6001

Jewish Home for the Aging

1885 Victory Blvd. Reseda, CA

FM-07-109

CREATED BY: HH

FrameMax, Inc.
13915 Danielson St
Suite 100
Poway, CA 92064
www.frame-max.com



© FrameMax Inc.

HEIGHT : 10'-6" POINTS: 2.00 Points.

SPACING : 24"

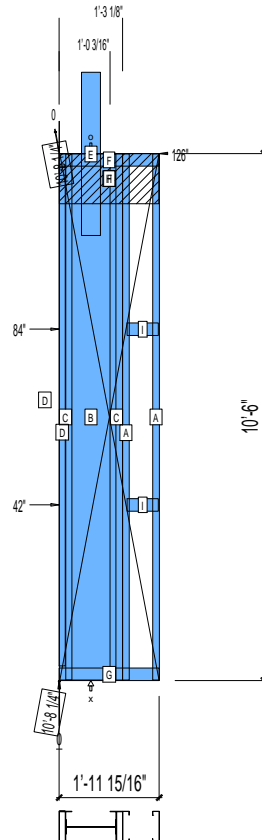
1st STUD: 16"

WEIGHTS :

FRAME : 375 lbs

TOTAL: 375 lbs

APPROVED
By hhuynh at 5:44 pm, Nov 18, 2008



PIECES LIST

LABEL	QTY	SIZE	LENGTH	USE
A	2	750S162-54	10'-5 13/16"	STUD
B	1	1200i350p1062	10'-5 13/16"	PACO
C	2	750i300p706	10'-5 13/16"	PACO
D	1	750T150-54	9'-11 1/4"	CAP
E	1	B	3'-3"	HOLDDOWN
F	1	750T300-68	1'-11 15/16"	TOP TRACK
G	1	750T300-68	1'-11 15/16"	BOTTOM TRACK
H	1	1200D-54	1'-11 13/16"	STRAP
I	2	750T300-68	7 1/2"	BLOCK

12-6002

Jewish Home for the Aging

1885 Victory Blvd. Reseda, CA

FM-07-109

CREATED BY: HH

FrameMax, Inc.
13915 Danielson St
Suite 100
Poway, CA 92064
www.frame-max.com

FRAME MAX

© FrameMax Inc.

HEIGHT : 10'-6" POINTS: 1.88 Points.

SPACING : 24"

1st STUD: 24"

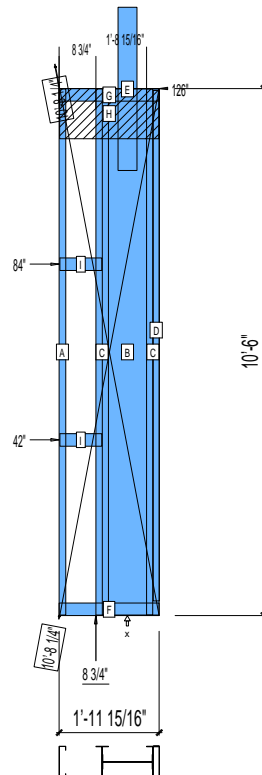
WEIGHTS :

FRAME : 353 lbs

TOTAL: 353 lbs

APPROVED

By hhuyh at 5:44 pm, Nov 18, 2008



PIECES LIST

LABEL	QTY	SIZE	LENGTH	USE
A	1	750S162-54	10'-5 13/16"	STUD
B	1	1200i350p1062	10'-5 13/16"	PACO
C	2	750i300p706	10'-5 13/16"	PACO
D	1	750T150-54	10'-2"	CAP
E	1	B	3'-3"	HOLDDOWN
F	1	750T300-68	1'-11 15/16"	BOTTOM TRACK
G	1	750T300-68	1'-11 15/16"	TOP TRACK
H	1	1200D-54	1'-11 3/4"	STRAP
I	2	750T300-68	10"	BLOCK

12-6003

Jewish Home for the Aging

1885 Victory Blvd. Reseda, CA

FM-07-109

CREATED BY: HH

FrameMax, Inc.
13915 Danielson St
Suite 100
Poway, CA 92064
www.framemax.com

FRAMEMAX

© FrameMax Inc.

HEIGHT : 10'-6" POINTS: 2.89 Points.

SPACING : 24"

1st STUD: 24"

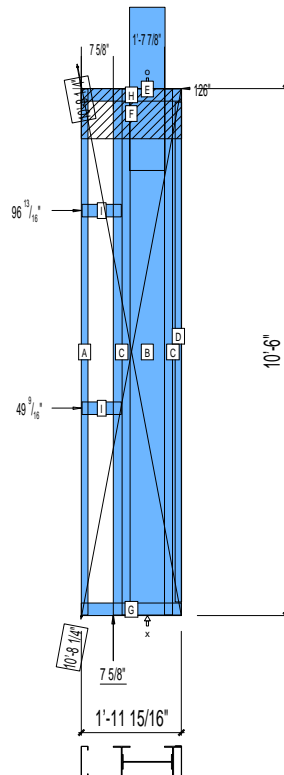
WEIGHTS :

FRAME : 577 lbs

TOTAL: 577 lbs

APPROVED

By hhuynh at 5:44 pm, Nov 18, 2008



PIECES LIST

LABEL	QTY	SIZE	LENGTH	USE
A	1	750S162-54	10'-5 13/16"	STUD
B	1	1200i350p1420	10'-5 13/16"	PACO
C	2	750i400p1268	10'-5 13/16"	PACO
D	1	750T150-54	9'-11 1/2"	CAP TRACK
E	1	F	3'-3"	HOLDDOWN
F	1	1200D-54	2'-0"	STRAP
G	1	750T300-68	1'-11 15/16"	BOTTOM TRACK
H	1	750T300-68	1'-11 15/16"	TOP TRACK
I	2	750T300-68	9 5/16"	BLOCK

12-6004

Jewish Home for the Aging

1885 Victory Blvd. Reseda, CA

FM-07-109

CREATED BY: HH

FrameMax, Inc.
13915 Danielson St
Suite 100
Poway, CA 92064
www.frame-max.com



© FrameMax Inc.

HEIGHT : 10'-6" POINTS: 2.89 Points.

SPACING : 24"

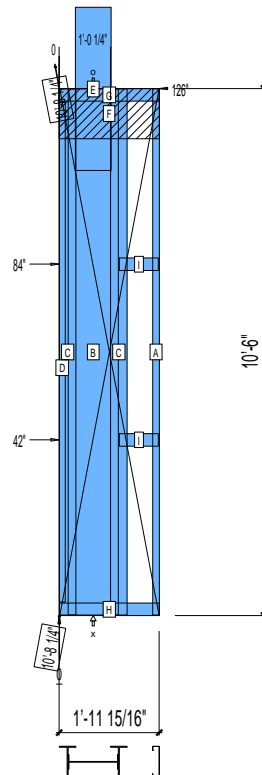
1st STUD: 24"

WEIGHTS :

FRAME : 577 lbs

TOTAL: 577 lbs

APPROVED
By hhuynh at 5:44 pm, Nov 18, 2008



PIECES LIST

LABEL	QTY	SIZE	LENGTH	USE
A	1	750S162-54	10'-5 13/16"	STUD
B	1	1200i350p1420	10'-5 13/16"	PACO
C	2	750i400p1268	10'-5 13/16"	PACO
D	1	750T150-54	9'-11 1/2"	CAP
E	1	F	3'-3"	HOLDDOWN
F	1	1200D-54	2'-0"	STRAP
G	1	750T300-68	1'-11 15/16"	TOP TRACK
H	1	750T300-68	1'-11 15/16"	BOTTOM TRACK
I	2	750T300-68	9 5/16"	BLOCK

12-6005

Jewish Home for the Aging

1885 Victory Blvd. Reseda, CA

FM-07-109

CREATED BY: HH

FrameMax, Inc.
13915 Danielson St
Suite 100
Poway, CA 92064
www.frame-max.com



© FrameMax Inc.

HEIGHT : 10'-6" POINTS: 2.54 Points.

SPACING : 24"

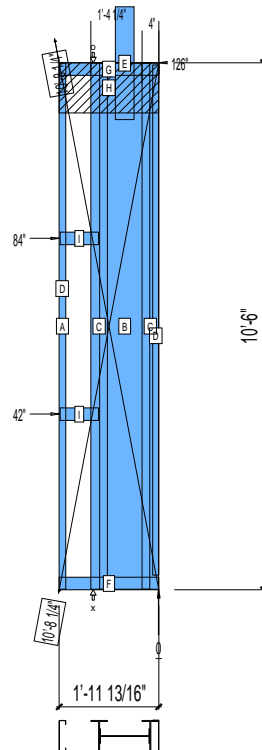
1st STUD: 16"

WEIGHTS :

FRAME : 500 lbs

TOTAL: 500 lbs

APPROVED
By hhuynh at 5:44 pm, Nov 18, 2008



PIECES LIST

LABEL	QTY	SIZE	LENGTH	USE
A	1	750S162-54	10'-5 13/16"	STUD
B	1	1200i350p1420	10'-5 13/16"	PACO
C	2	750i400p1268	10'-5 13/16"	PACO
D	1	750T150-54	10'-2"	CAP
E	1	B	2'-3"	HOLDDOWN
F	1	750T300-68	1'-11 13/16"	BOTTOM TRACK
G	1	750T300-68	1'-11 13/16"	TOP TRACK
H	1	1200D-54	1'-11 13/16"	STRAP
I	2	750T300-68	9 3/16"	BLOCK

12-6006

Jewish Home for the Aging

1885 Victory Blvd. Reseda, CA

FM-07-109

CREATED BY: HH

FrameMax, Inc.
13915 Danielson St
Suite 100
Poway, CA 92064
www.frame-max.com



© FrameMax Inc.

HEIGHT : 10'-6" POINTS: 2.54 Points.

SPACING : 24"

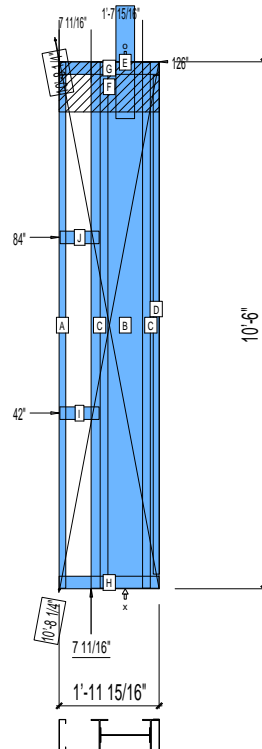
1st STUD: 24"

WEIGHTS :

FRAME : 500 lbs

TOTAL: 500 lbs

APPROVED
By hhuynh at 5:44 pm, Nov 18, 2008



PIECES LIST

LABEL	QTY	SIZE	LENGTH	USE
A	1	750S162-54	10'-5 13/16"	STUD
B	1	1200i350p1420	10'-5 13/16"	PACO
C	2	750i400p1268	10'-5 13/16"	PACO
D	1	750T150-54	9'-11 1/4"	CAP
E	1	B	2'-3"	HOLDDOWN
F	1	1200D-54	2'-0"	STRAP
G	1	750T300-68	1'-11 15/16"	TOP TRACK
H	1	750T300-68	1'-11 15/16"	BOTTOM TRACK
I	1	750T300-68	9 3/8"	BLOCK
J	1	750T300-68	9 5/16"	BLOCK

12-6008

Jewish Home for the Aging

1885 Victory Blvd. Reseda, CA

FM-07-109

CREATED BY: HH

FrameMax, Inc.
13915 Danielson St
Suite 100
Poway, CA 92064
www.frame-max.com



© FrameMax Inc.

HEIGHT : 10'-6" POINTS: 2.59 Points.

SPACING : 24"

1st STUD: 24"

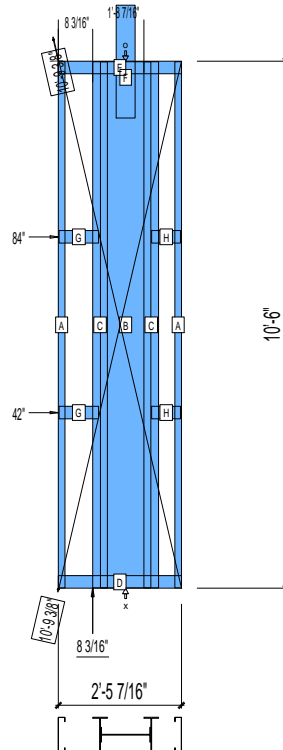
WEIGHTS :

FRAME : 503 lbs

TOTAL: 503 lbs

APPROVED

By hhuynh at 5:44 pm, Nov 18, 2008



PIECES LIST

LABEL	QTY	SIZE	LENGTH	USE
A	2	825S162-54	10'-5 13/16"	STUD
B	1	1200i350p1420	10'-5 13/16"	PACO
C	2	825i350p1247	10'-5 13/16"	PACO
D	1	825T300-68	2'-5 7/16"	BOTTOM TRACK
E	1	825T300-68	2'-5 7/16"	TOP TRACK
F	1	B	2'-3"	HOLDDOWN
G	2	825T300-54	9 7/16"	BLOCK
H	2	825T300-54	6 7/8"	BLOCK

12-6009

Jewish Home for the Aging

1885 Victory Blvd. Reseda, CA

FM-07-109

CREATED BY: HH

FrameMax, Inc.
13915 Danielson St
Suite 100
Poway, CA 92064
www.frameMAX.com

FRAME MAX

© FrameMax Inc.

HEIGHT : 10'-6" POINTS: 1.98 Points.

SPACING : 24"

1st STUD: 24"

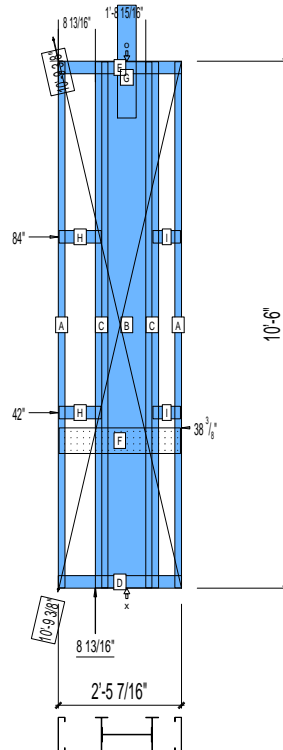
WEIGHTS :

FRAME : 365 lbs

TOTAL: 365 lbs

APPROVED

By hhuynh at 5:44 pm, Nov 18, 2008



PIECES LIST

LABEL	QTY	SIZE	LENGTH	USE
A	2	825S162-54	10'-5 13/16"	STUD
B	1	1200i350p1062	10'-5 13/16"	PACO
C	2	825i300p746	10'-5 13/16"	PACO
D	1	825T300-68	2'-5 7/16"	BOTTOM TRACK
E	1	825T300-68	2'-5 7/16"	TOP TRACK
F	1	600T150-54	2'-5"	GRAB BAR
G	1	B	2'-3"	HOLDDOWN
H	2	825T300-54	10 1/16"	BLOCK
I	2	825T300-54	6 9/16"	BLOCK

12-6011

Jewish Home for the Aging

1885 Victory Blvd. Reseda, CA

FM-07-109

CREATED BY: HH

FrameMax, Inc.
13915 Danielson St
Suite 100
Poway, CA 92064
www.framemax.com

FRAME MAX

© FrameMax Inc.

HEIGHT : 10'-6" POINTS: 2.54 Points.

SPACING : 24"

1st STUD: 24"

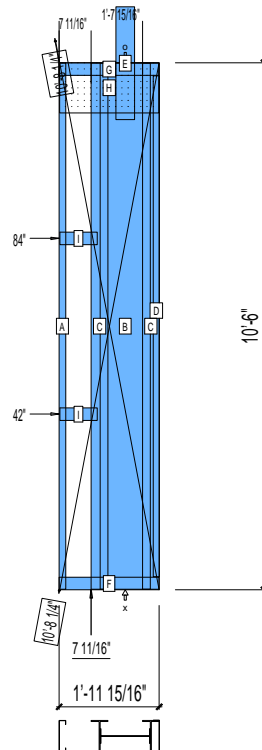
WEIGHTS :

FRAME : 500 lbs

TOTAL: 500 lbs

APPROVED

By hhuynh at 5:44 pm, Nov 18, 2008



PIECES LIST

LABEL	QTY	SIZE	LENGTH	USE
A	1	750S162-54	10'-5 13/16"	STUD
B	1	1200i350p1420	10'-5 13/16"	PACO
C	2	750i400p1268	10'-5 13/16"	PACO
D	1	750T150-54	9'-11 3/4"	CAP TRACK
E	1	B	2'-3"	HOLDDOWN
F	1	750T300-68	1'-11 15/16"	BOTTOM TRACK
G	1	750T300-68	1'-11 15/16"	TOP TRACK
H	1	1200D-54	1'-11 3/4"	STRAP
I	2	750T300-68	8 15/16"	BLOCK

12-6012

Jewish Home for the Aging

1885 Victory Blvd. Reseda, CA

FM-07-109

CREATED BY: HH

FrameMax, Inc.
13915 Danielson St
Suite 100
Poway, CA 92064
www.frame-max.com



© FrameMax Inc.

HEIGHT : 10'-6" POINTS: 2.54 Points.

SPACING : 24"

1st STUD: 16"

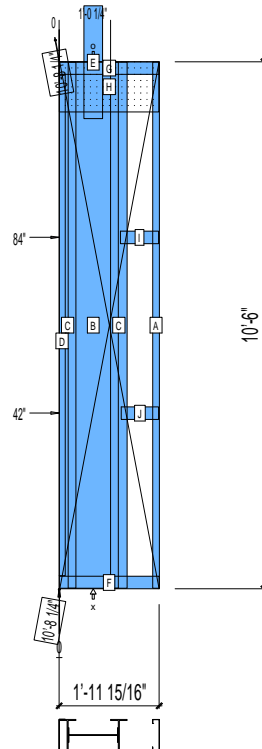
WEIGHTS :

FRAME : 500 lbs

TOTAL: 500 lbs

APPROVED

By hhuynh at 5:44 pm, Nov 18, 2008



PIECES LIST

LABEL	QTY	SIZE	LENGTH	USE
A	1	750S162-54	10'-5 13/16"	STUD
B	1	1200i350p1420	10'-5 13/16"	PACO
C	2	750i400p1268	10'-5 13/16"	PACO
D	1	750T150-54	9'-11 3/4"	CAP TRACK
E	1	B	2'-3"	HOLDDOWN
F	1	750T300-68	1'-11 15/16"	BOTTOM TRACK
G	1	750T300-68	1'-11 15/16"	TOP TRACK
H	1	1200D-54	1'-11 3/4"	STRAP
I	1	750T300-68	9 1/8"	BLOCK
J	1	750T300-68	8 15/16"	BLOCK

12-6013

Jewish Home for the Aging

1885 Victory Blvd. Reseda, CA

FM-07-109

CREATED BY: HH

FrameMax, Inc.
13915 Danielson St
Suite 100
Poway, CA 92064
www.frame-max.com

FRAME MAX

© FrameMax Inc.

HEIGHT : 10'-6" POINTS: 1.86 Points.

SPACING : 24"

1st STUD: 24"

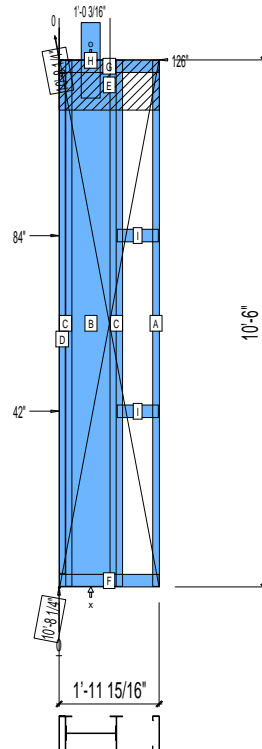
WEIGHTS :

FRAME : 350 lbs

TOTAL: 350 lbs

APPROVED

By hhuynh at 5:44 pm, Nov 18, 2008



PIECES LIST

LABEL	QTY	SIZE	LENGTH	USE
A	1	825S162-54	10'-5 13/16"	STUD
B	1	1200i350p1062	10'-5 13/16"	PACO
C	2	825i300p746	10'-5 13/16"	PACO
D	1	825T150-54	9'-11 1/2"	CAP TRACK
E	1	1200D-54	2'-0"	STRAP
F	1	825T300-68	1'-11 15/16"	BOTTOM TRACK
G	1	825T300-68	1'-11 15/16"	TOP TRACK
H	1	A	1'-6"	HOLDDOWN
I	2	825T300-54	9 7/8"	BLOCK

12-6014

Jewish Home for the Aging

1885 Victory Blvd. Reseda, CA

FM-07-109

CREATED BY: HH

FrameMax, Inc.
13915 Danielson St
Suite 100
Poway, CA 92064
www.frame-max.com

FRAME MAX

© FrameMax Inc.

HEIGHT : 10'-6" POINTS: 1.81 Points.

SPACING : 24"

1st STUD: 24"

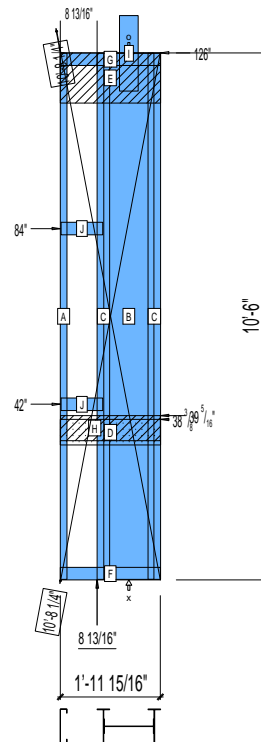
WEIGHTS :

FRAME : 334 lbs

TOTAL: 334 lbs

APPROVED

By hhuynh at 5:44 pm, Nov 18, 2008



PIECES LIST

LABEL	QTY	SIZE	LENGTH	USE
A	1	825S162-54	10'-5 13/16"	STUD
B	1	1200i350p1062	10'-5 13/16"	PACO
C	2	825i300p746	10'-5 13/16"	PACO
D	1	600T150-54	2'-0"	GRAB BAR
E	1	1200D-54	2'-0"	STRAP
F	1	825T300-68	1'-11 15/16"	BOTTOM TRACK
G	1	825T300-68	1'-11 15/16"	TOP TRACK
H	1	600D-54	1'-11 7/8"	VANITY BACKING
I	1	A	1'-6"	HOLDDOWN
J	2	825T300-54	9 15/16"	BLOCK

12-6015

Jewish Home for the Aging

1885 Victory Blvd. Reseda, CA

FM-07-109

CREATED BY: HH

FrameMax, Inc.
13915 Danielson St
Suite 100
Poway, CA 92064
www.framemax.com

FRAME MAX

© FrameMax Inc.

HEIGHT : 10'-6" POINTS: 2.54 Points.

SPACING : 24"

1st STUD: 24"

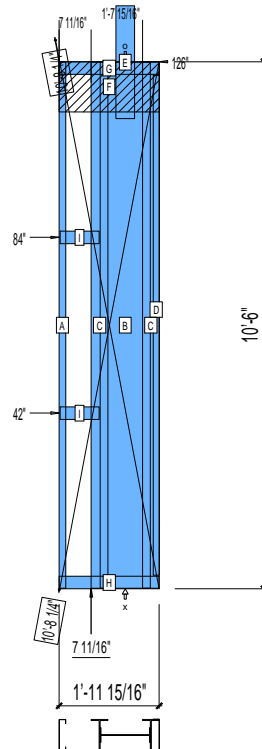
WEIGHTS :

FRAME : 500 lbs

TOTAL: 500 lbs

APPROVED

By hhuynh at 5:44 pm, Nov 18, 2008



PIECES LIST

LABEL	QTY	SIZE	LENGTH	USE
A	1	750S162-54	10'-5 13/16"	STUD
B	1	1200i350p1420	10'-5 13/16"	PACO
C	2	750i400p1268	10'-5 13/16"	PACO
D	1	750T150-54	9'-11 1/2"	CAP TRACK
E	1	B	2'-3"	HOLDDOWN
F	1	1200D-54	2'-0"	STRAP
G	1	750T300-68	1'-11 15/16"	TOP TRACK
H	1	750T300-68	1'-11 15/16"	BOTTOM TRACK
I	2	750T300-68	9 5/16"	BLOCK

12-6016

Jewish Home for the Aging

1885 Victory Blvd. Reseda, CA

FM-07-109

CREATED BY: HH

FrameMax, Inc.
13915 Danielson St
Suite 100
Poway, CA 92064
www.frame-max.com



© FrameMax Inc.

HEIGHT : 10'-6" POINTS: 2.54 Points.

SPACING : 24"

1st STUD: 24"

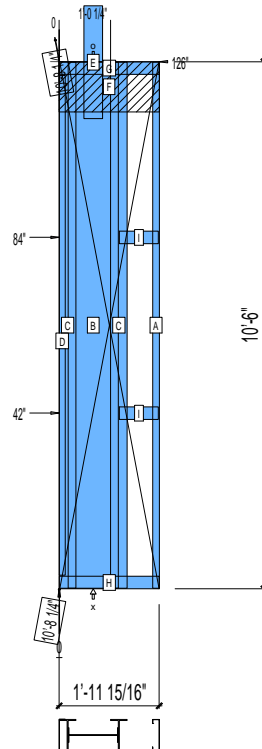
WEIGHTS :

FRAME : 500 lbs

TOTAL: 500 lbs

APPROVED

By hhuyh at 5:44 pm, Nov 18, 2008



PIECES LIST

LABEL	QTY	SIZE	LENGTH	USE
A	1	750S162-54	10'-5 13/16"	STUD
B	1	1200i350p1420	10'-5 13/16"	PACO
C	2	750i400p1268	10'-5 13/16"	PACO
D	1	750T150-54	9'-11 1/2"	CAP TRACK
E	1	B	2'-3"	HOLDDOWN
F	1	1200D-54	2'-0"	STRAP
G	1	750T300-68	1'-11 15/16"	TOP TRACK
H	1	750T300-68	1'-11 15/16"	BOTTOM TRACK
I	2	750T300-68	9 5/16"	BLOCK

12-6017

Jewish Home for the Aging

1885 Victory Blvd. Reseda, CA

FM-07-109

CREATED BY: HH

FrameMax, Inc.
13915 Danielson St
Suite 100
Poway, CA 92064
www.frame-max.com

FRAME MAX

© FrameMax Inc.

HEIGHT : 10'-6" POINTS: 1.77 Points.

SPACING : 24"

1st STUD: 24"

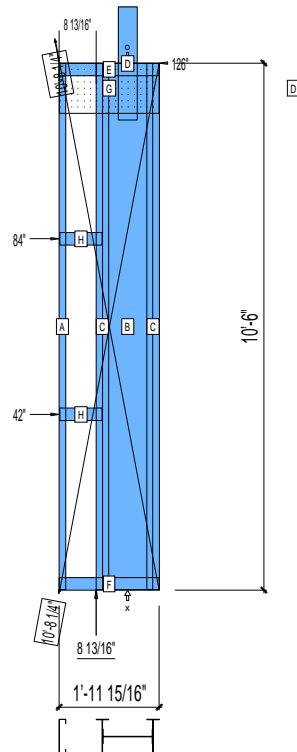
WEIGHTS :

FRAME : 334 lbs

TOTAL: 334 lbs

APPROVED

By hhuynh at 5:44 pm, Nov 18, 2008



PIECES LIST

LABEL	QTY	SIZE	LENGTH	USE
A	1	825S162-54	10'-5 13/16"	STUD
B	1	1200i350p1062	10'-5 13/16"	PACO
C	2	825i300p746	10'-5 13/16"	PACO
D	1	B	2'-3"	HOLDDOWN
E	1	825T300-68	1'-11 15/16"	TOP TRACK
F	1	825T300-68	1'-11 15/16"	BOTTOM TRACK
G	1	1200D-54	1'-11 7/8"	STRAP
H	2	825T300-54	10 1/16"	BLOCK

12-6018

Jewish Home for the Aging

1885 Victory Blvd. Reseda, CA

FM-07-109

CREATED BY: HH

FrameMax, Inc.
13915 Danielson St
Suite 100
Poway, CA 92064
www.frame-max.com



© FrameMax Inc.

HEIGHT : 10'-6" POINTS: 1.77 Points.

SPACING : 24"

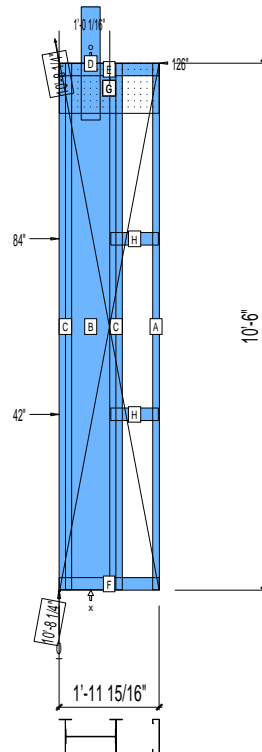
1st STUD: 24"

WEIGHTS :

FRAME : 335 lbs

TOTAL: 335 lbs

APPROVED
By hhuynh at 5:44 pm, Nov 18, 2008



PIECES LIST

LABEL	QTY	SIZE	LENGTH	USE
A	1	825S162-54	10'-5 13/16"	STUD
B	1	1200i350p1062	10'-5 13/16"	PACO
C	2	825i300p746	10'-5 13/16"	PACO
D	1	B	2'-3"	HOLDDOWN
E	1	825T300-68	1'-11 15/16"	TOP TRACK
F	1	825T300-68	1'-11 15/16"	BOTTOM TRACK
G	1	1200D-54	1'-11 7/8"	STRAP
H	2	825T300-54	11 3/8"	BLOCK

12-6020

Jewish Home for the Aging

1885 Victory Blvd. Reseda, CA

FM-07-109

CREATED BY: HH

FrameMax, Inc.
13915 Danielson St
Suite 100
Poway, CA 92064
www.frame-max.com

FRAME MAX

© FrameMax Inc.

HEIGHT : 10'-6" POINTS: 2.68 Points.

SPACING : 24"

1st STUD: 24"

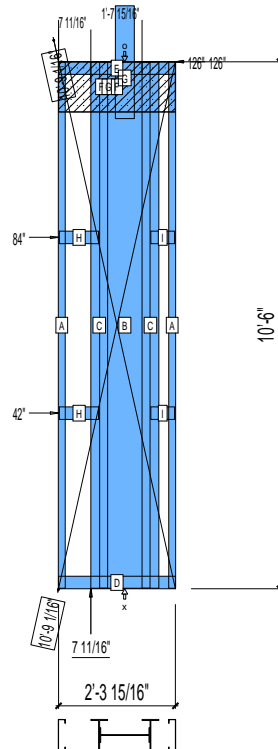
WEIGHTS :

FRAME : 514 lbs

TOTAL: 514 lbs

APPROVED

By hhuynh at 5:44 pm, Nov 18, 2008



PIECES LIST

LABEL	QTY	SIZE	LENGTH	USE
A	2	750S162-54	10'-5 13/16"	STUD
B	1	1200i350p1420	10'-5 13/16"	PACO
C	2	750i400p1268	10'-5 13/16"	PACO
D	1	750T300-68	2'-3 15/16"	BOTTOM TRACK
E	1	750T300-68	2'-3 15/16"	TOP TRACK
F	2	1200D-54	2'-3 7/8"	STRAP
G	1	B	2'-3"	HOLDDOWN
H	2	750T300-68	9 3/8"	BLOCK
I	2	750T300-68	5 5/8"	BLOCK

12-6021

Jewish Home for the Aging

1885 Victory Blvd. Reseda, CA

FM-07-109

CREATED BY: HH

FrameMax, Inc.
13915 Danielson St
Suite 100
Poway, CA 92064
www.framemax.com

FRAME MAX

© FrameMax Inc.

HEIGHT : 10'-6" POINTS: 1.89 Points.

SPACING : 24"

1st STUD: 24"

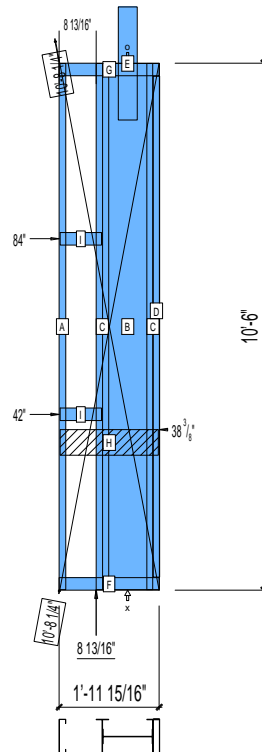
WEIGHTS :

FRAME : 355 lbs

TOTAL: 355 lbs

APPROVED

By hhuynh at 5:44 pm, Nov 18, 2008



PIECES LIST

LABEL	QTY	SIZE	LENGTH	USE
A	1	825S162-54	10'-5 13/16"	STUD
B	1	1200i350p1062	10'-5 13/16"	PACO
C	2	825i300p746	10'-5 13/16"	PACO
D	1	825T150-54	9'-11 3/4"	CAP TRACK
E	1	B	2'-3"	HOLDDOWN
F	1	825T300-68	1'-11 15/16"	BOTTOM TRACK
G	1	825T300-68	1'-11 15/16"	TOP TRACK
H	1	600T150-54	1'-11 1/2"	GRAB BAR
I	2	825T300-54	9 15/16"	BLOCK

12-6022

Jewish Home for the Aging

1885 Victory Blvd. Reseda, CA

FM-07-109

CREATED BY: HH

FrameMax, Inc.
13915 Danielson St
Suite 100
Poway, CA 92064
www.frame-max.com



© FrameMax Inc.

HEIGHT : 10'-6"

POINTS: 1.95 Points.

SPACING : 24"

1st STUD: 24"

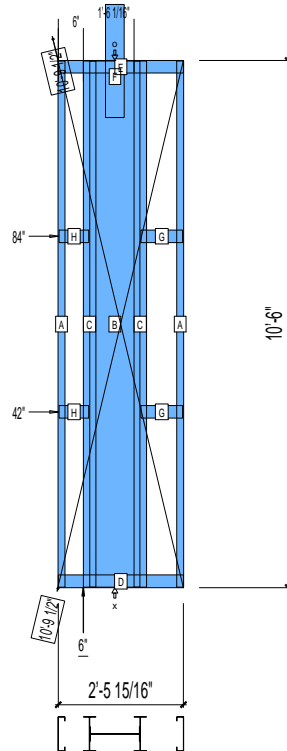
WEIGHTS :

FRAME : 361 lbs

TOTAL: 361 lbs

APPROVED

By hhuynh at 5:44 pm, Nov 18, 2008



PIECES LIST

LABEL	QTY	SIZE	LENGTH	USE
A	2	825S162-54	10'-5 13/16"	STUD
B	1	1200i350p1062	10'-5 13/16"	PACO
C	2	825i300p746	10'-5 13/16"	PACO
D	1	825T300-68	2'-5 15/16"	BOTTOM TRACK
E	1	825T300-68	2'-5 15/16"	TOP TRACK
F	1	B	2'-3"	HOLDDOWN
G	2	825T300-54	9 15/16"	BLOCK
H	2	825T300-54	7 1/16"	BLOCK

12-6023

Jewish Home for the Aging

1885 Victory Blvd. Reseda, CA

FM-07-109

CREATED BY: HH

FrameMax, Inc.
13915 Danielson St
Suite 100
Poway, CA 92064
www.frame-max.com



© FrameMax Inc.

HEIGHT : 10'-6" POINTS: 2.60 Points.

SPACING : 24"

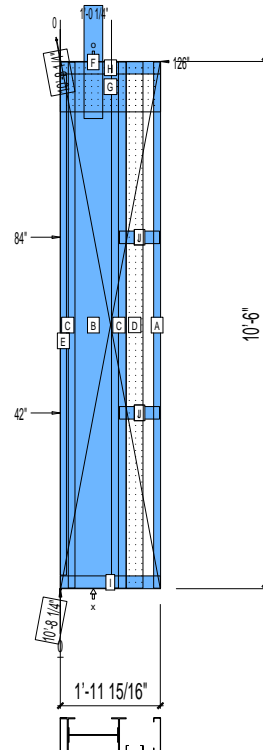
1st STUD: 16"

WEIGHTS :

FRAME : 508 lbs

TOTAL: 508 lbs

APPROVED
By hhuynh at 5:44 pm, Nov 18, 2008



PIECES LIST

LABEL	QTY	SIZE	LENGTH	USE
A	1	825S162-54	10'-5 13/16"	STUD
B	1	1200i350p1420	10'-5 13/16"	PACO
C	2	825i350p1247	10'-5 13/16"	PACO
D	1	400S162-33	10'-5 13/16"	BACKER-U
E	1	825T150-54	9'-11 1/2"	CAP TRACK
F	1	B	2'-3"	HOLDDOWN
G	1	1200D-54	2'-0"	STRAP
H	1	825T300-68	1'-11 15/16"	TOP TRACK
I	1	825T300-68	1'-11 15/16"	BOTTOM TRACK
J	2	825T300-54	9 9/16"	BLOCK

12-6024

Jewish Home for the Aging

1885 Victory Blvd. Reseda, CA

FM-07-109

CREATED BY: HH

FrameMax, Inc.
13915 Danielson St
Suite 100
Poway, CA 92064
www.frame-max.com

FRAME MAX

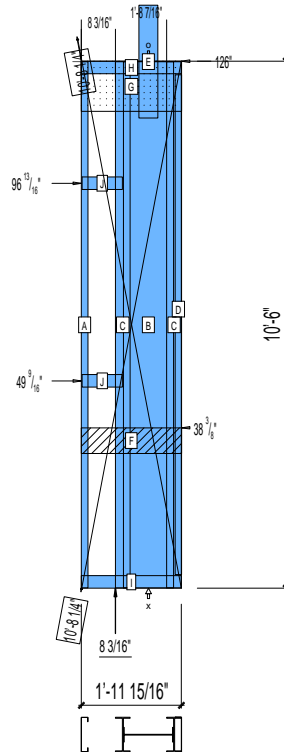
© FrameMax Inc.

HEIGHT : 10'-6"
POINTS: 2.57 Points.
SPACING : 24"
1st STUD: 24"

APPROVED
By hhuynh at 5:44 pm, Nov 18, 2008

WEIGHTS :
FRAME : 502 lbs

TOTAL: 502 lbs



PIECES LIST

LABEL	QTY	SIZE	LENGTH	USE
A	1	825S162-54	10'-5 13/16"	STUD
B	1	1200i350p1420	10'-5 13/16"	PACO
C	2	825i350p1247	10'-5 13/16"	PACO
D	1	825T150-54	9'-11 1/2"	CAP TRACK
E	1	B	2'-3"	HOLDDOWN
F	1	600T150-54	2'-0"	GRAB BAR
G	1	1200D-54	2'-0"	STRAP
H	1	825T300-68	1'-11 15/16"	TOP TRACK
I	1	825T300-68	1'-11 15/16"	BOTTOM TRACK
J	2	825T300-54	9 9/16"	BLOCK

12-6025

Jewish Home for the Aging

1885 Victory Blvd. Reseda, CA

FM-07-109

CREATED BY: HH

FrameMax, Inc.
13915 Danielson St
Suite 100
Poway, CA 92064
www.frame-max.com

FRAME MAX

© FrameMax Inc.

HEIGHT : 10'-6" POINTS: 2.43 Points.

SPACING : 24"

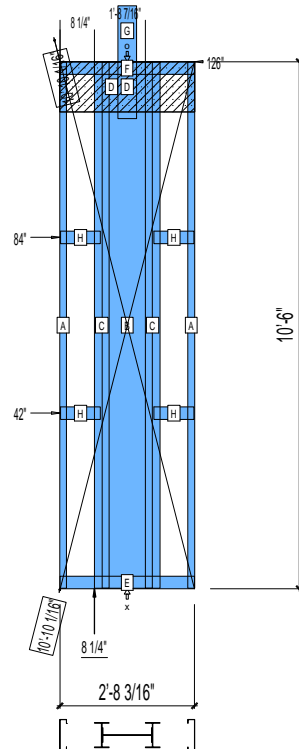
1st STUD: 24"

WEIGHTS :

FRAME : 458 lbs

TOTAL: 458 lbs

APPROVED
By hhuynh at 5:44 pm, Nov 18, 2008



PIECES LIST

LABEL	QTY	SIZE	LENGTH	USE
A	2	750S162-54	10'-5 13/16"	STUD
B	1	1200i350p1420	10'-5 13/16"	PACO
C	2	600i350p968	10'-5 13/16"	PACO
D	2	1200D-54	2'-8 1/4"	STRAP
E	1	750T300-68	2'-8 3/16"	BOTTOM TRACK
F	1	750T300-68	2'-8 3/16"	TOP TRACK
G	1	B	2'-3"	HOLDDOWN
H	4	750T300-68	9 1/2"	BLOCK

12-6027

Jewish Home for the Aging

1885 Victory Blvd. Reseda, CA

FM-07-109

CREATED BY: HH

FrameMax, Inc.
13915 Danielson St
Suite 100
Poway, CA 92064
www.framemax.com

FRAME MAX

© FrameMax Inc.

HEIGHT : 10'-6" POINTS: 2.54 Points.

SPACING : 24"

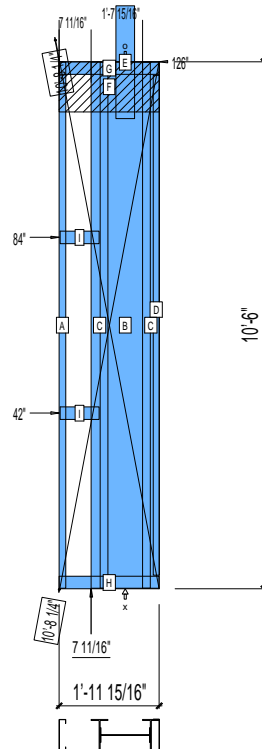
1st STUD: 24"

WEIGHTS :

FRAME : 500 lbs

TOTAL: 500 lbs

APPROVED
By hhuynh at 5:44 pm, Nov 18, 2008



PIECES LIST

LABEL	QTY	SIZE	LENGTH	USE
A	1	750S162-54	10'-5 13/16"	STUD
B	1	1200i350p1420	10'-5 13/16"	PACO
C	2	750i400p1268	10'-5 13/16"	PACO
D	1	750T150-54	9'-11 1/2"	CAP TRACK
E	1	B	2'-3"	HOLDDOWN
F	1	1200D-54	2'-0"	STRAP
G	1	750T300-68	1'-11 15/16"	TOP TRACK
H	1	750T300-68	1'-11 15/16"	BOTTOM TRACK
I	2	750T300-68	9 5/16"	BLOCK

12-6028

Jewish Home for the Aging

1885 Victory Blvd. Reseda, CA

FM-07-109

CREATED BY: HH

FrameMax, Inc.
13915 Danielson St
Suite 100
Poway, CA 92064
www.frame-max.com



© FrameMax Inc.

HEIGHT : 10'-6" POINTS: 2.54 Points.

SPACING : 24"

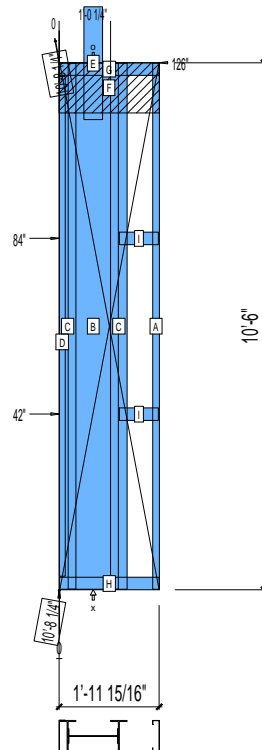
1st STUD: 24"

WEIGHTS :

FRAME : 500 lbs

TOTAL: 500 lbs

APPROVED
By hhuynh at 5:44 pm, Nov 18, 2008



PIECES LIST

LABEL	QTY	SIZE	LENGTH	USE
A	1	750S162-54	10'-5 13/16"	STUD
B	1	1200i350p1420	10'-5 13/16"	PACO
C	2	750i400p1268	10'-5 13/16"	PACO
D	1	750T150-54	9'-11 1/2"	CAP TRACK
E	1	B	2'-3"	HOLDDOWN
F	1	1200D-54	2'-0"	STRAP
G	1	750T300-68	1'-11 15/16"	TOP TRACK
H	1	750T300-68	1'-11 15/16"	BOTTOM TRACK
I	2	750T300-68	9 5/16"	BLOCK

12-6029

Jewish Home for the Aging

1885 Victory Blvd. Reseda, CA

FrameMax, Inc.
13915 Danielson St
Suite 100
Poway, CA 92064
www.frame-max.com



© FrameMax Inc.

CREATED: 11/05/2008

FM-07-109

CREATED BY: HH

HEIGHT : 10'-6" POINTS: 2.41 Points.

SPACING : 24"

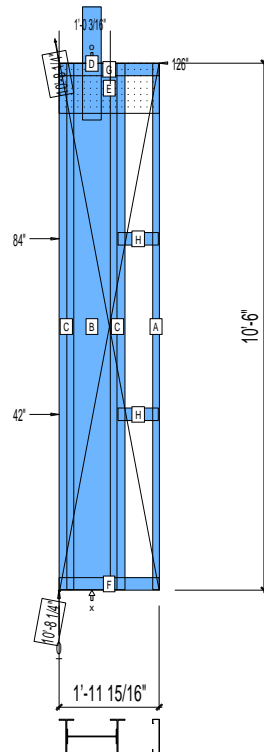
1st STUD: 24"

WEIGHTS :

FRAME : 476 lbs

TOTAL: 476 lbs

APPROVED
By hhuynh at 5:44 pm, Nov 18, 2008



PIECES LIST

LABEL	QTY	SIZE	LENGTH	USE
A	1	825S162-54	10'-5 13/16"	STUD
B	1	1200i350p1420	10'-5 13/16"	PACO
C	2	825i350p1247	10'-5 13/16"	PACO
D	1	B	2'-3"	HOLDDOWN
E	1	1200D-54	2'-0"	STRAP
F	1	825T300-68	1'-11 15/16"	BOTTOM TRACK
G	1	825T300-68	1'-11 15/16"	TOP TRACK
H	2	825T300-54	9 5/8"	BLOCK

12-6030

Jewish Home for the Aging

1885 Victory Blvd. Reseda, CA

FM-07-109

CREATED BY: HH

FrameMax, Inc.
13915 Danielson St
Suite 100
Poway, CA 92064
www.frame-max.com



© FrameMax Inc.

HEIGHT : 10'-6" POINTS: 2.49 Points.

SPACING : 24"

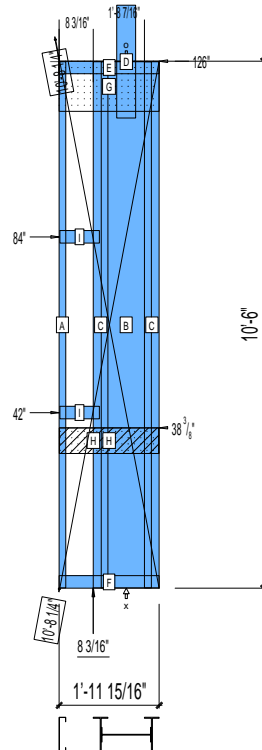
1st STUD: 24"

WEIGHTS :

FRAME : 483 lbs

TOTAL: 483 lbs

APPROVED
By hhuynh at 5:44 pm, Nov 18, 2008



PIECES LIST

LABEL	QTY	SIZE	LENGTH	USE
A	1	825S162-54	10'-5 13/16"	STUD
B	1	1200i350p1420	10'-5 13/16"	PACO
C	2	825i350p1247	10'-5 13/16"	PACO
D	1	B	2'-3"	HOLDDOWN
E	1	825T300-68	1'-11 15/16"	TOP TRACK
F	1	825T300-68	1'-11 15/16"	BOTTOM TRACK
G	1	1200D-54	1'-11 15/16"	STRAP
H	2	600T150-54	1'-11 13/16"	GRAB BAR
I	2	825T300-54	9 7/16"	BLOCK

12-6031

Jewish Home for the Aging

1885 Victory Blvd. Reseda, CA

FM-07-109

CREATED BY: HH

FrameMax, Inc.
13915 Danielson St
Suite 100
Poway, CA 92064
www.frame-max.com



© FrameMax Inc.

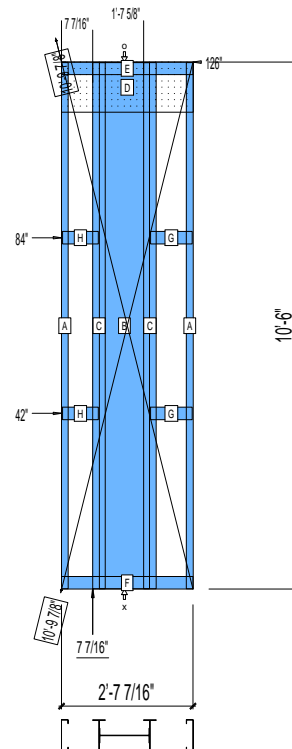
HEIGHT : 10'-6"
SPACING : 24"
1st STUD: 24"

POINTS: 1.86 Points.

APPROVED
By hhuynh at 5:44 pm, Nov 18, 2008

WEIGHTS :
FRAME : 341 lbs

TOTAL: 341 lbs



PIECES LIST

LABEL	QTY	SIZE	LENGTH	USE
A	2	750S162-54	10'-5 13/16"	STUD
B	1	1200i350p1062	10'-5 13/16"	PACO
C	2	750i300p706	10'-5 13/16"	PACO
D	1	1200D-54	2'-7 1/2"	STRAP
E	1	750T300-68	2'-7 7/16"	TOP TRACK
F	1	750T300-68	2'-7 7/16"	BOTTOM TRACK
G	2	750T300-68	9 15/16"	BLOCK
H	2	750T300-68	8 9/16"	BLOCK

12-6032

Jewish Home for the Aging

1885 Victory Blvd. Reseda, CA

FM-07-109

CREATED BY: HH

FrameMax, Inc.
13915 Danielson St
Suite 100
Poway, CA 92064
www.frame-max.com

FRAME MAX

© FrameMax Inc.

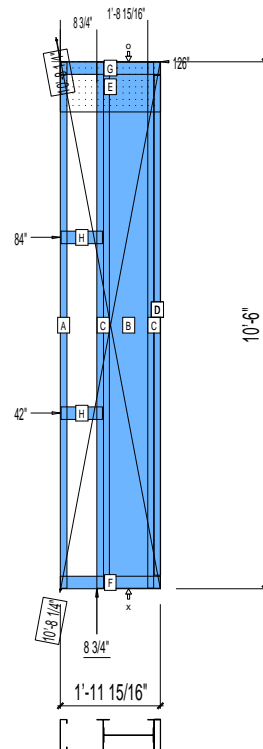
HEIGHT : 10'-6"
SPACING : 24"
1st STUD: 24"

POINTS: 1.74 Points.

APPROVED
By hhuynh at 5:44 pm, Nov 18, 2008

WEIGHTS :
FRAME : 328 lbs

TOTAL: 328 lbs



PIECES LIST

LABEL	QTY	SIZE	LENGTH	USE
A	1	750S162-54	10'-5 13/16"	STUD
B	1	1200i350p1062	10'-5 13/16"	PACO
C	2	750i300p706	10'-5 13/16"	PACO
D	1	750T150-54	9'-11 1/2"	CAP TRACK
E	1	1200D-54	2'-0"	STRAP
F	1	750T300-68	1'-11 15/16"	BOTTOM TRACK
G	1	750T300-68	1'-11 15/16"	TOP TRACK
H	2	750T300-68	9 7/8"	BLOCK

12-6033

Jewish Home for the Aging

1885 Victory Blvd. Reseda, CA

FM-07-109

CREATED BY: HH

FrameMax, Inc.
13915 Danielson St
Suite 100
Poway, CA 92064
www.framemax.com

FRAMEMAX

© FrameMax Inc.

HEIGHT : 10'-6"

POINTS: 2.63 Points.

SPACING : 24"

1st STUD: 24"

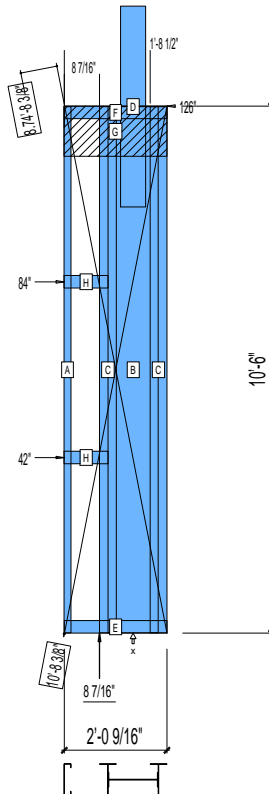
WEIGHTS :

FRAME : 523 lbs

TOTAL: 523 lbs

APPROVED

By hhuynh at 5:44 pm, Nov 18, 2008



PIECES LIST

LABEL	QTY	SIZE	LENGTH	USE
A	1	750S162-54	10'-5 13/16"	STUD
B	1	1200i350p1420	10'-5 13/16"	PACO
C	2	750i400p1268	10'-5 13/16"	PACO
D	1	H	4'-0"	HOLDDOWN
E	1	750T300-68	2'-0 9/16"	BOTTOM TRACK
F	1	750T300-68	2'-0 9/16"	TOP TRACK
G	1	1200D-54	2'-0 9/16"	STRAP
H	2	825T300-54	10 1/2"	BLOCK

12-6034

Jewish Home for the Aging

1885 Victory Blvd. Reseda, CA

FM-07-109

CREATED BY: HH

FrameMax, Inc.
13915 Danielson St
Suite 100
Poway, CA 92064
www.frame-max.com



© FrameMax Inc.

HEIGHT : 10'-6" POINTS: 2.62 Points.

SPACING : 24"

1st STUD: 24"

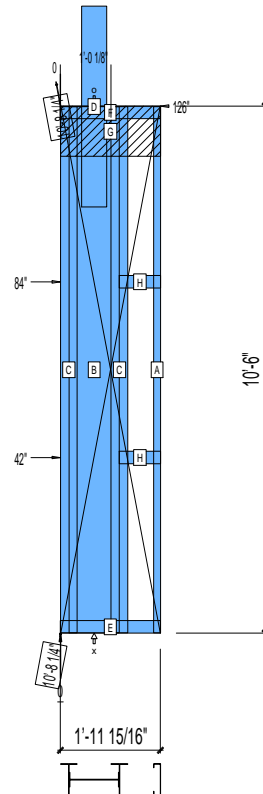
WEIGHTS :

FRAME : 522 lbs

TOTAL: 522 lbs

APPROVED

By hhuynh at 5:44 pm, Nov 18, 2008



PIECES LIST

LABEL	QTY	SIZE	LENGTH	USE
A	1	750S162-54	10'-5 13/16"	STUD
B	1	1200i350p1420	10'-5 13/16"	PACO
C	2	750i400p1268	10'-5 13/16"	PACO
D	1	H	4'-0"	HOLDDOWN
E	1	750T300-68	1'-11 15/16"	BOTTOM TRACK
F	1	750T300-68	1'-11 15/16"	TOP TRACK
G	1	1200D-54	1'-11 15/16"	STRAP
H	2	825T300-54	9 7/8"	BLOCK

12-6035

Jewish Home for the Aging

1885 Victory Blvd. Reseda, CA

FM-07-109

CREATED BY: HH

FrameMax, Inc.
13915 Danielson St
Suite 100
Poway, CA 92064
www.frame-max.com

FRAME MAX

© FrameMax Inc.

HEIGHT : 10'-6" POINTS: 2.74 Points.

SPACING : 24"

1st STUD: 24"

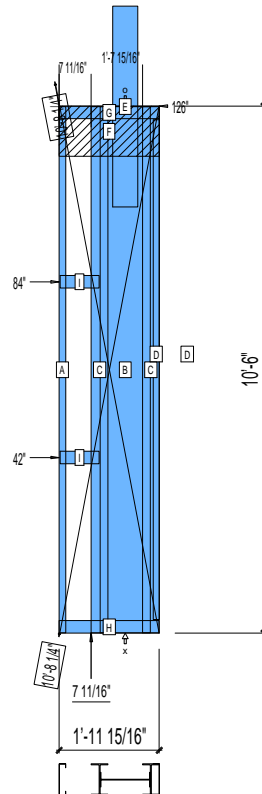
WEIGHTS :

FRAME : 544 lbs

TOTAL: 544 lbs

APPROVED

By hhuynh at 5:44 pm, Nov 18, 2008



PIECES LIST

LABEL	QTY	SIZE	LENGTH	USE
A	1	750S162-54	10'-5 13/16"	STUD
B	1	1200i350p1420	10'-5 13/16"	PACO
C	2	750i400p1268	10'-5 13/16"	PACO
D	1	750T150-54	9'-11 1/2"	CAP TRACK
E	1	C	4'-0"	HOLDDOWN
F	1	1200D-54	2'-0"	STRAP
G	1	750T300-68	1'-11 15/16"	TOP TRACK
H	1	750T300-68	1'-11 15/16"	BOTTOM TRACK
I	2	750T300-68	9 5/16"	BLOCK

12-6036

Jewish Home for the Aging

1885 Victory Blvd. Reseda, CA

FM-07-109

CREATED BY: HH

FrameMax, Inc.
13915 Danielson St
Suite 100
Poway, CA 92064
www.framemax.com

FRAME MAX

© FrameMax Inc.

HEIGHT : 10'-6" POINTS: 2.90 Points.

SPACING : 24"

1st STUD: 24"

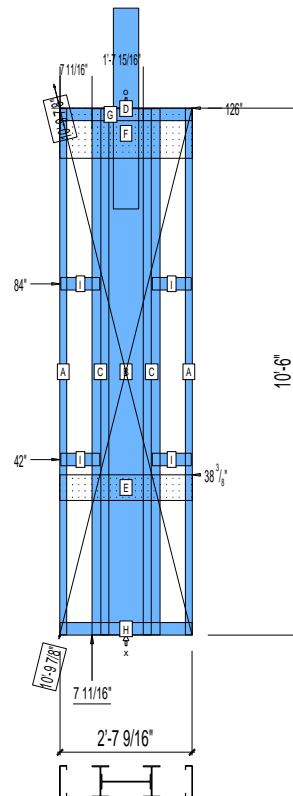
WEIGHTS :

FRAME : 562 lbs

TOTAL: 562 lbs

APPROVED

By hhuynh at 5:44 pm, Nov 18, 2008



PIECES LIST

LABEL	QTY	SIZE	LENGTH	USE
A	2	750S162-54	10'-5 13/16"	STUD
B	1	1200i350p1420	10'-5 13/16"	PACO
C	2	750i400p1268	10'-5 13/16"	PACO
D	1	C	4'-0"	HOLDDOWN
E	1	600T150-54	2'-7 5/8"	GRAB BAR
F	1	1200D-54	2'-7 5/8"	STRAP
G	1	750T300-68	2'-7 9/16"	TOP TRACK
H	1	750T300-68	2'-7 9/16"	BOTTOM TRACK
I	4	750T300-68	9 5/16"	BLOCK

12-6037

Jewish Home for the Aging

1885 Victory Blvd. Reseda, CA

FM-07-109

CREATED BY: HH

FrameMax, Inc.
13915 Danielson St
Suite 100
Poway, CA 92064
www.frame-max.com



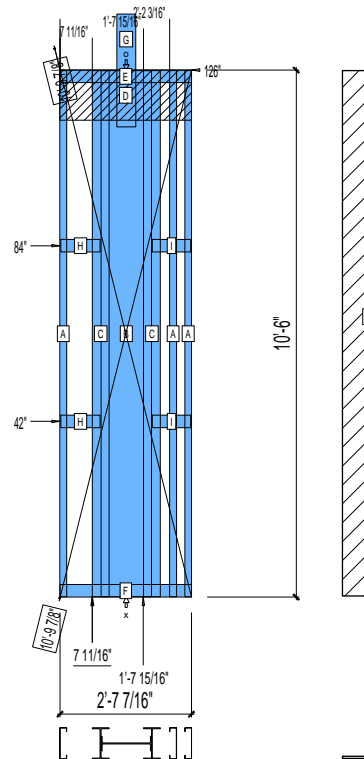
© FrameMax Inc.

HEIGHT : 10'-6"
POINTS: 2.85 Points.
SPACING : 24"
1st STUD: 24"

APPROVED
By hhuynh at 5:44 pm, Nov 18, 2008

WEIGHTS :
FRAME : 537 lbs
SHEATHING: 14 lbs

TOTAL: 551 lbs



PIECES LIST

LABEL	QTY	SIZE	LENGTH	USE
A	3	750S162-54	10'-5 13/16"	STUD
B	1	1200i350p1420	10'-5 13/16"	PACO
C	2	750i400p1268	10'-5 13/16"	PACO
D	1	1200D-54	2'-7 1/2"	STRAP
E	1	750T300-68	2'-7 7/16"	TOP TRACK
F	1	750T300-68	2'-7 7/16"	BOTTOM TRACK
G	1	B	2'-3"	HOLDDOWN
H	2	750T300-68	9 3/8"	BLOCK
I	2	750T300-68	9 1/8"	BLOCK

SHEATHING

LABEL	QTY	CODE	THICK	SIZE	SCREWS
1	1	DENSGLOSS	1/2"	6 3/8" X 10'-5 9/16"	8 - 12

12-6038

Jewish Home for the Aging

1885 Victory Blvd. Reseda, CA

FM-07-109

CREATED BY: HH

FrameMax, Inc.
13915 Danielson St
Suite 100
Poway, CA 92064
www.frame-max.com

FRAME MAX

© FrameMax Inc.

HEIGHT : 10'-6" POINTS: 2.60 Points.

SPACING : 24"

1st STUD: 24"

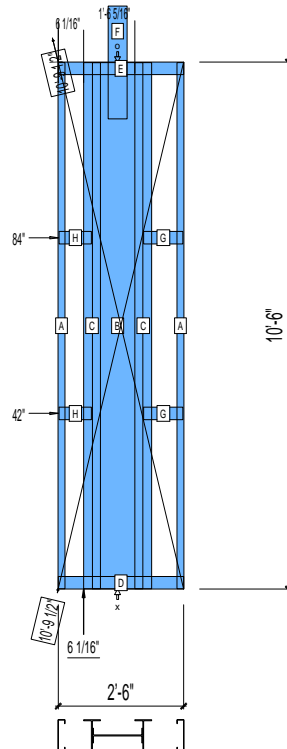
WEIGHTS :

FRAME : 506 lbs

TOTAL: 506 lbs

APPROVED

By hhuynh at 5:44 pm, Nov 18, 2008



PIECES LIST

LABEL	QTY	SIZE	LENGTH	USE
A	2	750S162-54	10'-5 13/16"	STUD
B	1	1200i350p1420	10'-5 13/16"	PACO
C	2	750i400p1268	10'-5 13/16"	PACO
D	1	750T300-68	2'-6"	BOTTOM TRACK
E	1	750T300-68	2'-6"	TOP TRACK
F	1	B	2'-3"	HOLDDOWN
G	2	750T300-68	9 5/16"	BLOCK
H	2	750T300-68	7 3/4"	BLOCK

12-6039

Jewish Home for the Aging

1885 Victory Blvd. Reseda, CA

FM-07-109

CREATED BY: HH

FrameMax, Inc.
13915 Danielson St
Suite 100
Poway, CA 92064
www.framemax.com

FRAMEMAX

© FrameMax Inc.

HEIGHT : 10'-6" POINTS: 2.92 Points.

SPACING : 24"

1st STUD: 24"

WEIGHTS :

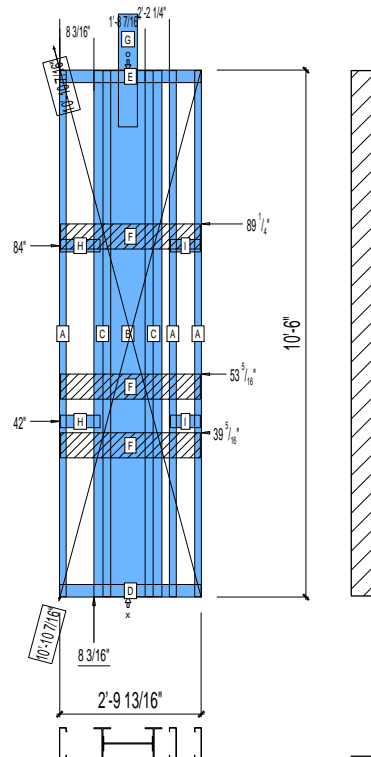
FRAME : 541 lbs

SHEATHING: 14 lbs

TOTAL: 555 lbs

APPROVED

By hhuynh at 5:44 pm, Nov 18, 2008



PIECES LIST

LABEL	QTY	SIZE	LENGTH	USE
A	3	750S162-54	10'-5 13/16"	STUD
B	1	1200i350p1420	10'-5 13/16"	PACO
C	2	750i400p1268	10'-5 13/16"	PACO
D	1	750T300-68	2'-9 13/16"	BOTTOM TRACK
E	1	750T300-68	2'-9 13/16"	TOP TRACK
F	3	600D-54	2'-9 7/16"	KITCHEN BACKING
G	1	B	2'-3"	HOLDDOWN
H	2	750T300-68	9 7/16"	BLOCK
I	2	750T300-68	7 1/8"	BLOCK

SHEATHING

LABEL	QTY	CODE	THICK	SIZE	SCREWS
1	1	DENSGLOSS	1/2"	6 3/8" X 10'-5 9/16"	8 - 12

12-6040

Jewish Home for the Aging

1885 Victory Blvd. Reseda, CA

FrameMax, Inc.
13915 Danielson St
Suite 100
Poway, CA 92064
www.frame-max.com



© FrameMax Inc.

CREATED: 11/06/2008

FM-07-109

CREATED BY: HH

HEIGHT : 10'-6" POINTS: 2.50 Points.

SPACING : 24"

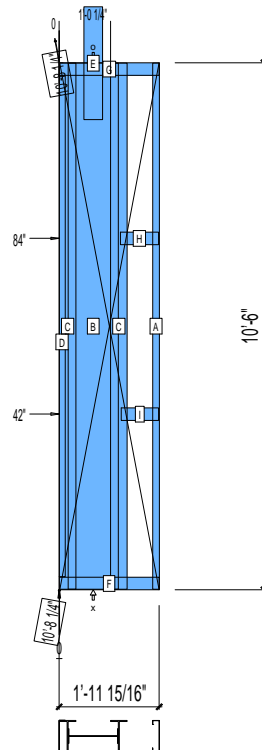
1st STUD: 24"

APPROVED
By hhuynh at 5:44 pm, Nov 18, 2008

WEIGHTS :

FRAME : 495 lbs

TOTAL: 495 lbs



PIECES LIST

LABEL	QTY	SIZE	LENGTH	USE
A	1	750S162-54	10'-5 13/16"	STUD
B	1	1200i350p1420	10'-5 13/16"	PACO
C	2	750i400p1268	10'-5 13/16"	PACO
D	1	750T150-54	9'-11 3/4"	CAP TRACK
E	1	B	2'-3"	HOLDDOWN
F	1	750T300-68	1'-11 15/16"	BOTTOM TRACK
G	1	750T300-68	1'-11 15/16"	TOP TRACK
H	1	750T300-68	9 1/8"	BLOCK
I	1	750T300-68	8 15/16"	BLOCK

12-6041

Jewish Home for the Aging

1885 Victory Blvd. Reseda, CA

FM-07-109

CREATED BY: HH

FrameMax, Inc.
13915 Danielson St
Suite 100
Poway, CA 92064
www.frame-max.com

FRAME MAX

© FrameMax Inc.

HEIGHT : 10'-6" POINTS: 2.47 Points.

SPACING : 24"

1st STUD: 16"

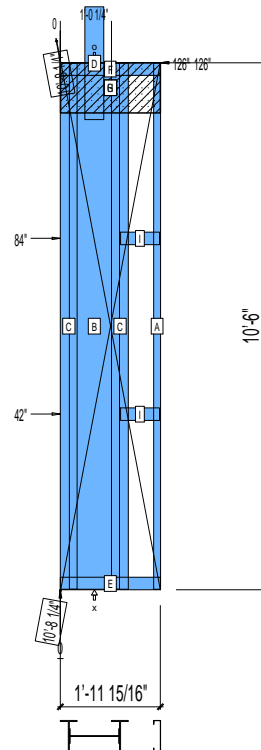
WEIGHTS :

FRAME : 483 lbs

TOTAL: 483 lbs

APPROVED

By hhuynh at 5:44 pm, Nov 18, 2008



PIECES LIST

LABEL	QTY	SIZE	LENGTH	USE
A	1	750S162-54	10'-5 13/16"	STUD
B	1	1200i350p1420	10'-5 13/16"	PACO
C	2	750i400p1268	10'-5 13/16"	PACO
D	1	B	2'-3"	HOLDDOWN
E	1	750T300-68	1'-11 15/16"	BOTTOM TRACK
F	1	750T300-68	1'-11 15/16"	TOP TRACK
G	1	1200D-54	1'-11 15/16"	STRAP
H	1	1200D-54	1'-11 11/16"	STRAP
I	2	825T300-54	9 5/16"	BLOCK

12-6044

Jewish Home for the Aging

1885 Victory Blvd. Reseda, CA

FM-07-109

CREATED BY: HH

FrameMax, Inc.
13915 Danielson St
Suite 100
Poway, CA 92064
www.frame-max.com



© FrameMax Inc.

HEIGHT : 10'-6" POINTS: 2.45 Points.

SPACING : 24"

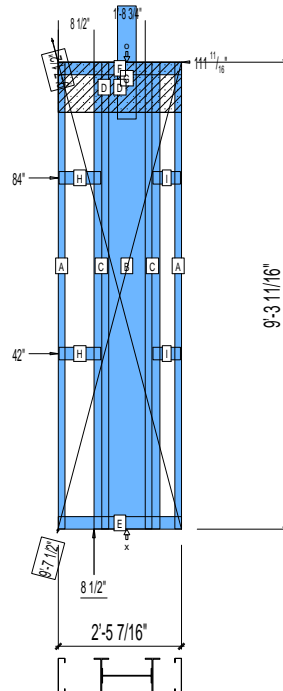
1st STUD: 24"

WEIGHTS :

FRAME : 463 lbs

TOTAL: 463 lbs

APPROVED
By hhuynh at 5:44 pm, Nov 18, 2008



PIECES LIST

LABEL	QTY	SIZE	LENGTH	USE
A	2	825S162-54	9'-3 1/2"	STUD
B	1	1200i350p1420	9'-3 1/2"	PACO
C	2	825i350p1247	9'-3 1/2"	PACO
D	2	1200D-54	2'-5 1/2"	STRAP
E	1	825T300-68	2'-5 7/16"	BOTTOM TRACK
F	1	825T300-68	2'-5 7/16"	TOP TRACK
G	1	B	2'-3"	HOLDDOWN
H	2	825T300-54	9 15/16"	BLOCK
I	2	825T300-54	6 9/16"	BLOCK

12-6045

Jewish Home for the Aging

1885 Victory Blvd. Reseda, CA

FM-07-109

CREATED BY: HH

FrameMax, Inc.
13915 Danielson St
Suite 100
Poway, CA 92064
www.frame-max.com

FRAME MAX

© FrameMax Inc.

HEIGHT : 10'-6" POINTS: 2.64 Points.

SPACING : 24"

1st STUD: 24"

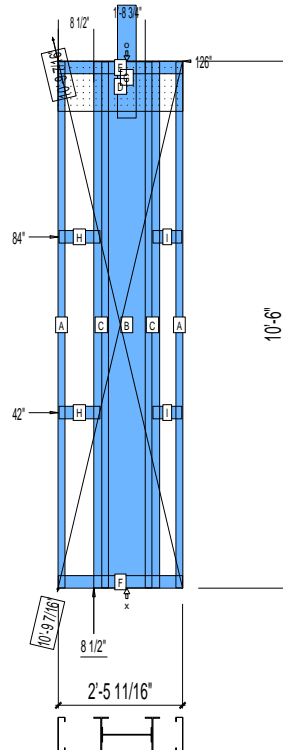
WEIGHTS :

FRAME : 509 lbs

TOTAL: 509 lbs

APPROVED

By hhuynh at 5:44 pm, Nov 18, 2008



PIECES LIST

LABEL	QTY	SIZE	LENGTH	USE
A	2	825S162-54	10'-5 13/16"	STUD
B	1	1200i350p1420	10'-5 13/16"	PACO
C	2	825i350p1247	10'-5 13/16"	PACO
D	1	1200D-54	2'-5 13/16"	STRAP
E	1	825T300-68	2'-5 11/16"	TOP TRACK
F	1	825T300-68	2'-5 11/16"	BOTTOM TRACK
G	1	B	2'-3"	HOLDDOWN
H	2	825T300-54	9 3/4"	BLOCK
I	2	825T300-54	6 7/8"	BLOCK

12-6046

Jewish Home for the Aging

1885 Victory Blvd. Reseda, CA

FM-07-109

CREATED BY: HH

FrameMax, Inc.
13915 Danielson St
Suite 100
Poway, CA 92064
www.frame-max.com



© FrameMax Inc.

HEIGHT : 10'-6" POINTS: 2.52 Points.

SPACING : 24"

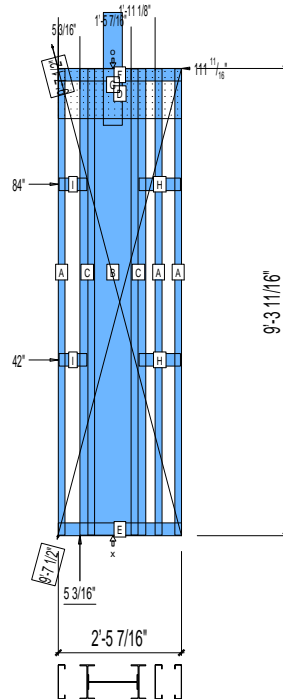
1st STUD: 24"

WEIGHTS :

FRAME : 479 lbs

TOTAL: 479 lbs

APPROVED
By hhuynh at 5:44 pm, Nov 18, 2008



PIECES LIST

LABEL	QTY	SIZE	LENGTH	USE
A	3	825S162-54	9'-3 1/2"	STUD
B	1	1200i350p1420	9'-3 1/2"	PACO
C	2	825i350p1247	9'-3 1/2"	PACO
D	1	1200D-54	2'-5 1/2"	STRAP
E	1	825T300-68	2'-5 7/16"	BOTTOM TRACK
F	1	825T300-68	2'-5 7/16"	TOP TRACK
G	1	B	2'-3"	HOLDDOWN
H	2	825T300-54	9 15/16"	BLOCK
I	2	825T300-54	6 9/16"	BLOCK

12-6047

Jewish Home for the Aging

1885 Victory Blvd. Reseda, CA

FrameMax, Inc.
13915 Danielson St
Suite 100
Poway, CA 92064
www.frame-max.com



© FrameMax Inc.

CREATED: 11/07/2008

FM-07-109

CREATED BY: HH

HEIGHT : 10'-6" POINTS: 2.59 Points.

SPACING : 24"

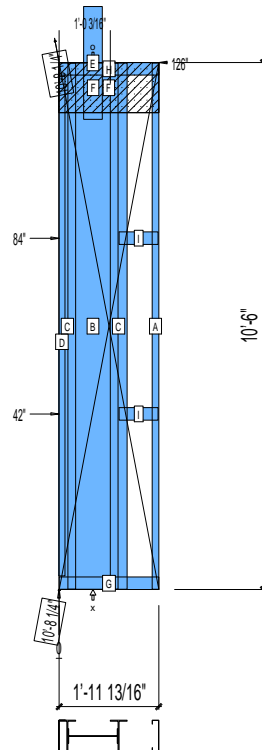
1st STUD: 24"

WEIGHTS :

FRAME : 505 lbs

TOTAL: 505 lbs

APPROVED
By hhuynh at 5:44 pm, Nov 18, 2008



PIECES LIST

LABEL	QTY	SIZE	LENGTH	USE
A	1	750S162-54	10'-5 13/16"	STUD
B	1	1200i350p1420	10'-5 13/16"	PACO
C	2	750i400p1268	10'-5 13/16"	PACO
D	1	750T150-54	9'-11 1/2"	CAP TRACK
E	1	B	2'-3"	HOLDDOWN
F	2	1200D-54	1'-11 15/16"	STRAP
G	1	750T300-68	1'-11 13/16"	BOTTOM TRACK
H	1	750T300-68	1'-11 13/16"	TOP TRACK
I	2	750T300-68	9 5/16"	BLOCK

12-6048

Jewish Home for the Aging

1885 Victory Blvd. Reseda, CA

FM-07-109

CREATED BY: HH

FrameMax, Inc.
13915 Danielson St
Suite 100
Poway, CA 92064
www.frame-max.com



© FrameMax Inc.

HEIGHT : 10'-6" POINTS: 2.59 Points.

SPACING : 24"

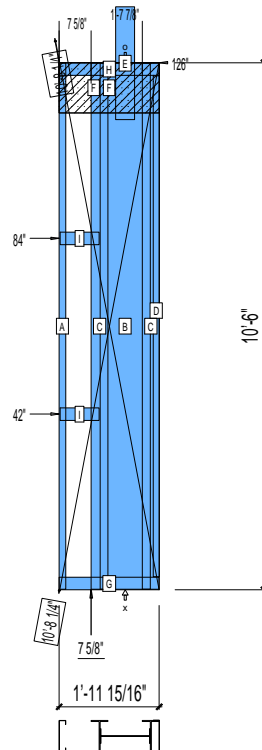
1st STUD: 24"

WEIGHTS :

FRAME : 505 lbs

TOTAL: 505 lbs

APPROVED
By hhuynh at 5:44 pm, Nov 18, 2008



PIECES LIST

LABEL	QTY	SIZE	LENGTH	USE
A	1	750S162-54	10'-5 13/16"	STUD
B	1	1200i350p1420	10'-5 13/16"	PACO
C	2	750i400p1268	10'-5 13/16"	PACO
D	1	750T150-54	9'-11 3/4"	CAP TRACK
E	1	B	2'-3"	HOLDDOWN
F	2	1200D-54	2'-0"	STRAP
G	1	750T300-68	1'-11 15/16"	BOTTOM TRACK
H	1	750T300-68	1'-11 15/16"	TOP TRACK
I	2	750T300-68	9 5/16"	BLOCK

12-6049

Jewish Home for the Aging

1885 Victory Blvd. Reseda, CA

FM-07-109

CREATED BY: HH

FrameMax, Inc.
13915 Danielson St
Suite 100
Poway, CA 92064
www.frame-max.com

FRAME MAX

© FrameMax Inc.

HEIGHT : 10'-6" POINTS: 1.74 Points.

SPACING : 24"

1st STUD: 24"

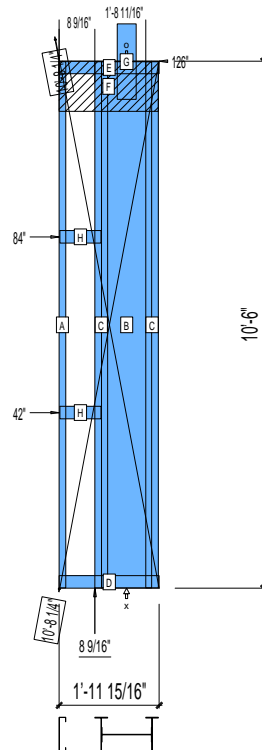
WEIGHTS :

FRAME : 328 lbs

TOTAL: 328 lbs

APPROVED

By hhuyh at 5:44 pm, Nov 18, 2008



PIECES LIST

LABEL	QTY	SIZE	LENGTH	USE
A	1	825S162-54	10'-5 13/16"	STUD
B	1	1200i350p1062	10'-5 13/16"	PACO
C	2	825i300p746	10'-5 13/16"	PACO
D	1	825T300-68	1'-11 15/16"	BOTTOM TRACK
E	1	825T300-68	1'-11 15/16"	TOP TRACK
F	1	1200D-54	1'-11 3/4"	STRAP
G	1	A	1'-6"	HOLDDOWN
H	2	825T300-54	9 13/16"	BLOCK

12-6050

Jewish Home for the Aging

1885 Victory Blvd. Reseda, CA

FM-07-109

CREATED BY: HH

FrameMax, Inc.
13915 Danielson St
Suite 100
Poway, CA 92064
www.frame-max.com



© FrameMax Inc.

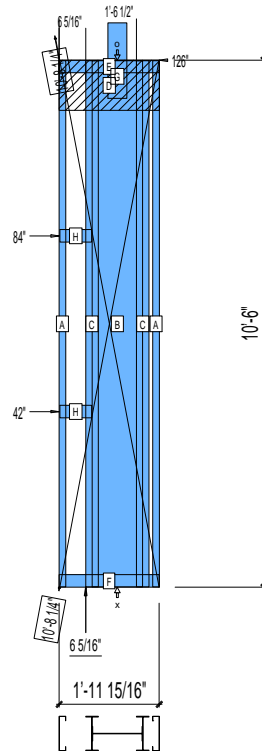
HEIGHT : 10'-6"
SPACING : 24"
1st STUD: 16"

POINTS: 1.87 Points.

APPROVED
By hhuynh at 5:44 pm, Nov 18, 2008

WEIGHTS :
FRAME : 352 lbs

TOTAL: 352 lbs



PIECES LIST

LABEL	QTY	SIZE	LENGTH	USE
A	2	825S162-54	10'-5 13/16"	STUD
B	1	1200i350p1062	10'-5 13/16"	PACO
C	2	825i300p746	10'-5 13/16"	PACO
D	1	1200D-54	2'-0"	STRAP
E	1	825T300-68	1'-11 15/16"	TOP TRACK
F	1	825T300-68	1'-11 15/16"	BOTTOM TRACK
G	1	A	1'-6"	HOLDDOWN
H	2	825T300-54	7 9/16"	BLOCK

12-6051

Jewish Home for the Aging

1885 Victory Blvd. Reseda, CA

FM-07-109

CREATED BY: HH

FrameMax, Inc.
13915 Danielson St
Suite 100
Poway, CA 92064
www.frame-max.com



© FrameMax Inc.

HEIGHT : 10'-6" POINTS: 2.50 Points.

SPACING : 24"

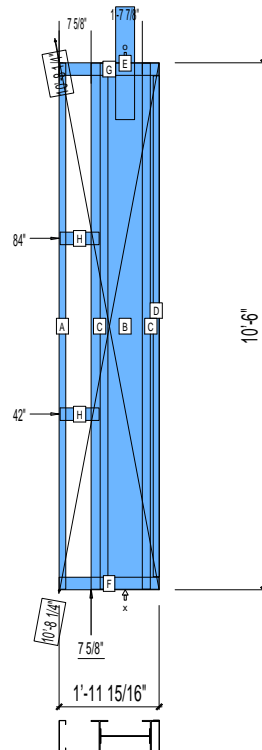
1st STUD: 24"

WEIGHTS :

FRAME : 495 lbs

TOTAL: 495 lbs

APPROVED
By hhuynh at 5:44 pm, Nov 18, 2008



PIECES LIST

LABEL	QTY	SIZE	LENGTH	USE
A	1	750S162-54	10'-5 13/16"	STUD
B	1	1200i350p1420	10'-5 13/16"	PACO
C	2	750i400p1268	10'-5 13/16"	PACO
D	1	750T150-54	9'-11 3/4"	CAP TRACK
E	1	B	2'-3"	HOLDDOWN
F	1	750T300-68	1'-11 15/16"	BOTTOM TRACK
G	1	750T300-68	1'-11 15/16"	TOP TRACK
H	2	750T300-68	9 5/16"	BLOCK

12-6052

Jewish Home for the Aging

1885 Victory Blvd. Reseda, CA

FM-07-109

CREATED BY: HH

FrameMax, Inc.
13915 Danielson St
Suite 100
Poway, CA 92064
www.frame-max.com



© FrameMax Inc.

HEIGHT : 10'-6" POINTS: 2.50 Points.

SPACING : 24"

1st STUD: 16"

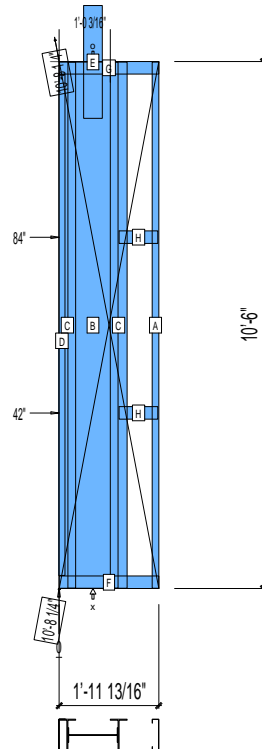
WEIGHTS :

FRAME : 495 lbs

TOTAL: 495 lbs

APPROVED

By hhuynh at 5:44 pm, Nov 18, 2008



PIECES LIST

LABEL	QTY	SIZE	LENGTH	USE
A	1	750S162-54	10'-5 13/16"	STUD
B	1	1200i350p1420	10'-5 13/16"	PACO
C	2	750i400p1268	10'-5 13/16"	PACO
D	1	750T150-54	9'-11 3/4"	CAP TRACK
E	1	B	2'-3"	HOLDDOWN
F	1	750T300-68	1'-11 13/16"	BOTTOM TRACK
G	1	750T300-68	1'-11 13/16"	TOP TRACK
H	2	750T300-68	9 1/4"	BLOCK

12-6053

Jewish Home for the Aging

1885 Victory Blvd. Reseda, CA

FM-07-109

CREATED BY: HH

FrameMax, Inc.
13915 Danielson St
Suite 100
Poway, CA 92064
www.frame-max.com

FRAME MAX

© FrameMax Inc.

HEIGHT : 10'-6" POINTS: 1.70 Points.

SPACING : 24"

1st STUD: 24"

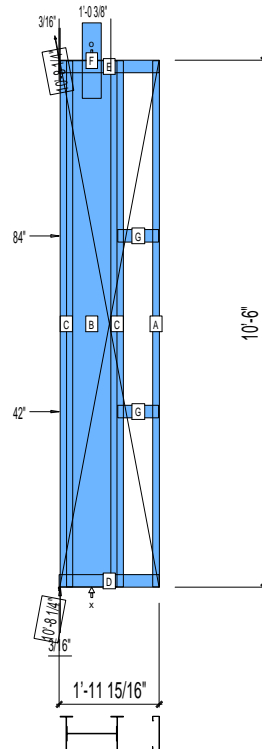
WEIGHTS :

FRAME : 323 lbs

TOTAL: 323 lbs

APPROVED

By hhuynh at 5:44 pm, Nov 18, 2008



PIECES LIST

LABEL	QTY	SIZE	LENGTH	USE
A	1	825S162-54	10'-5 13/16"	STUD
B	1	1200i350p1062	10'-5 13/16"	PACO
C	2	825i300p746	10'-5 13/16"	PACO
D	1	825T300-68	1'-11 15/16"	BOTTOM TRACK
E	1	825T300-68	1'-11 15/16"	TOP TRACK
F	1	A	1'-6"	HOLDDOWN
G	2	825T300-54	9 11/16"	BLOCK

12-6054

Jewish Home for the Aging

1885 Victory Blvd. Reseda, CA

FM-07-109

CREATED BY: HH

FrameMax, Inc.
13915 Danielson St
Suite 100
Poway, CA 92064
www.framemax.com

FRAMEMAX

© FrameMax Inc.

HEIGHT : 10'-6" POINTS: 1.88 Points.

SPACING : 24"

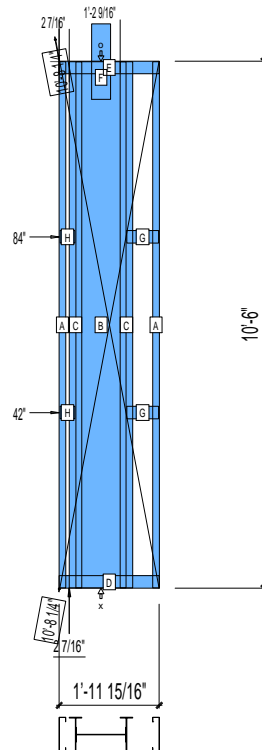
1st STUD: 24"

WEIGHTS :

FRAME : 349 lbs

TOTAL: 349 lbs

APPROVED
By hhuynh at 5:44 pm, Nov 18, 2008



PIECES LIST

LABEL	QTY	SIZE	LENGTH	USE
A	2	825S162-54	10'-5 13/16"	STUD
B	1	1200i350p1062	10'-5 13/16"	PACO
C	2	825i300p746	10'-5 13/16"	PACO
D	1	825T300-68	1'-11 15/16"	BOTTOM TRACK
E	1	825T300-68	1'-11 15/16"	TOP TRACK
F	1	A	1'-6"	HOLDDOWN
G	2	825T300-54	7 9/16"	BLOCK
H	2	825T300-54	3 9/16"	BLOCK

12--325

Jewish Home for the Aging

1885 Victory Blvd. Reseda, CA

FM-07-109

CREATED BY: HH

FrameMax, Inc.
13915 Danielson St
Suite 100
Poway, CA 92064
www.frame-max.com

FRAME MAX

© FrameMax Inc.

HEIGHT : 9'-4 7/16" POINTS: 0.27 Points.

SPACING : 24"

1st STUD: 16"

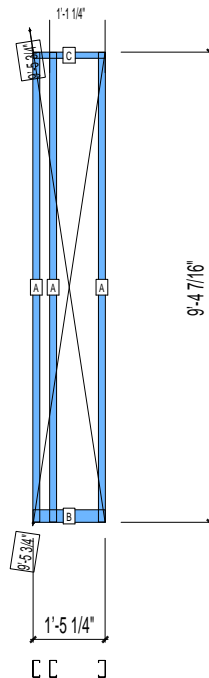
WEIGHTS :

FRAME : 29 lbs

TOTAL: 29 lbs

APPROVED

By hhuynh at 5:44 pm, Nov 18, 2008



PIECES LIST

LABEL	QTY	SIZE	LENGTH	USE
A	3	400S162-33	9'-4 5/16"	STUD
B	1	400T300-33	1'-5 1/4"	BOTTOM TRACK
C	1	400T150-33	1'-5 1/4"	TOP TRACK