

12-5001

Jewish Home for the Aging

1885 Victory Blvd. Reseda, CA

FM-07-109

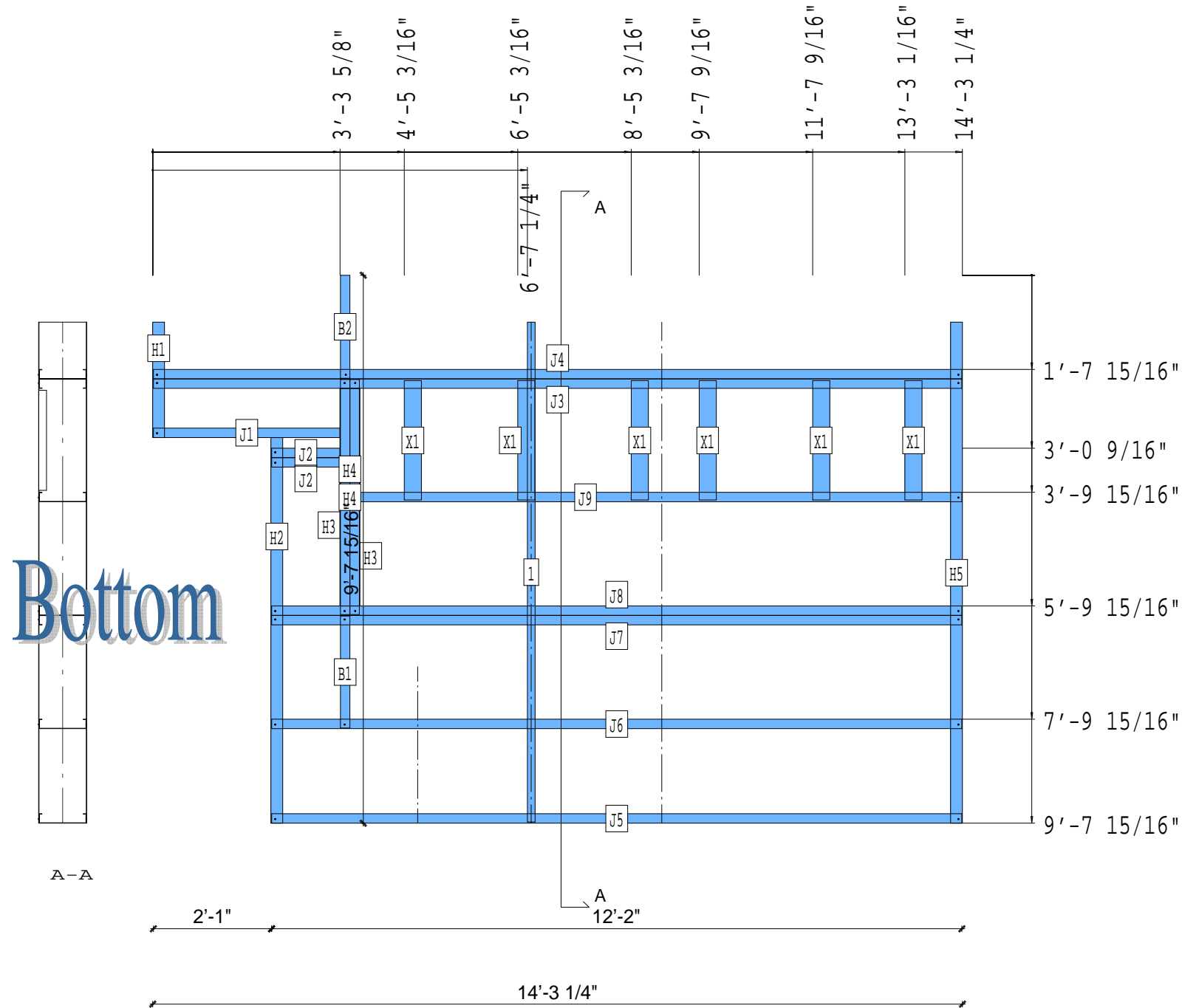
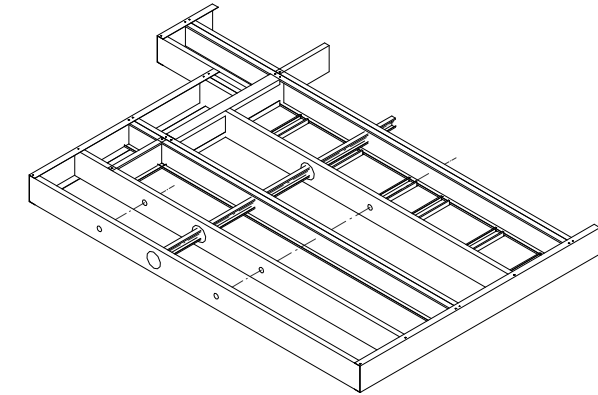
CREATED BY: AMB

FrameMax, Inc.
13915 Danielson St
Suite 100
Poway, CA 92064
www.framemax.com



© FrameMax Inc.

APPROVED
By Ivan Juarez at 7:30 am, Dec 11, 2008



PIECE SCHEDULE						
LAB	QTY	MATERIAL	DESCRIPTION	LENGTH	ANG1	ANG2
1	1	362S162-54	JOIST	8'-9 3/4"		
B1	1	1000S200-68	BLOCK	1'-11 11/16"		
B2	1	1000S200-68	BLOCK	1'-9 13/16"		
H1	1	1000T250-68	HEADER	2'-0 3/8"		
H2	1	1000T250-68	HEADER	6'-9 5/8"		
H3	2	1000S200-68	OPENING TRIM	4'-1 3/4"		
H4	2	400T200-68	OPENING TRIM	3'-10"		
H5	1	1000T250-68	HEADER	8'-10"		
J1	1	1000S200-68	JOIST	3'-3 1/2"		
J2	2	1000S200-68	JOIST	1'-2 1/2"		
J3	1	1000S200-68	OPENING TRIM	14'-3"		
J4	1	1000S200-68	OPENING TRIM	14'-3"		
J5	1	1000S200-68	JOIST	12'-2"		
J6	1	1000S200-68	JOIST	12'-2"		
J7	1	1000S200-68	OPENING TRIM	12'-2"		
J8	1	1000S200-68	OPENING TRIM	12'-2"		
J9	1	1000S200-68	JOIST	10'-7 7/16"		
X1	6	362S162-33	FLAT TRACK B	2'-1 1/4"		

12-5002

CREATED: 12/09/2008

Jewish Home for the Aging

1885 Victory Blvd. Reseda, CA

FM-07-109

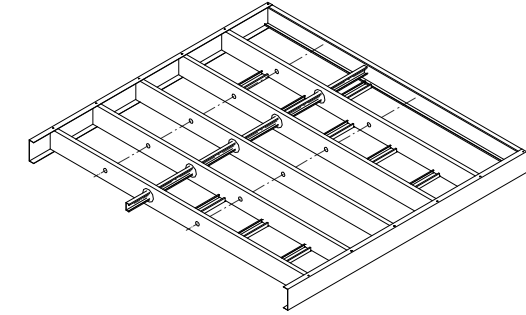
CREATED BY: AMB

FrameMax, Inc.
13915 Danielson St
Suite 100
Poway, CA 92064
www.framemax.com

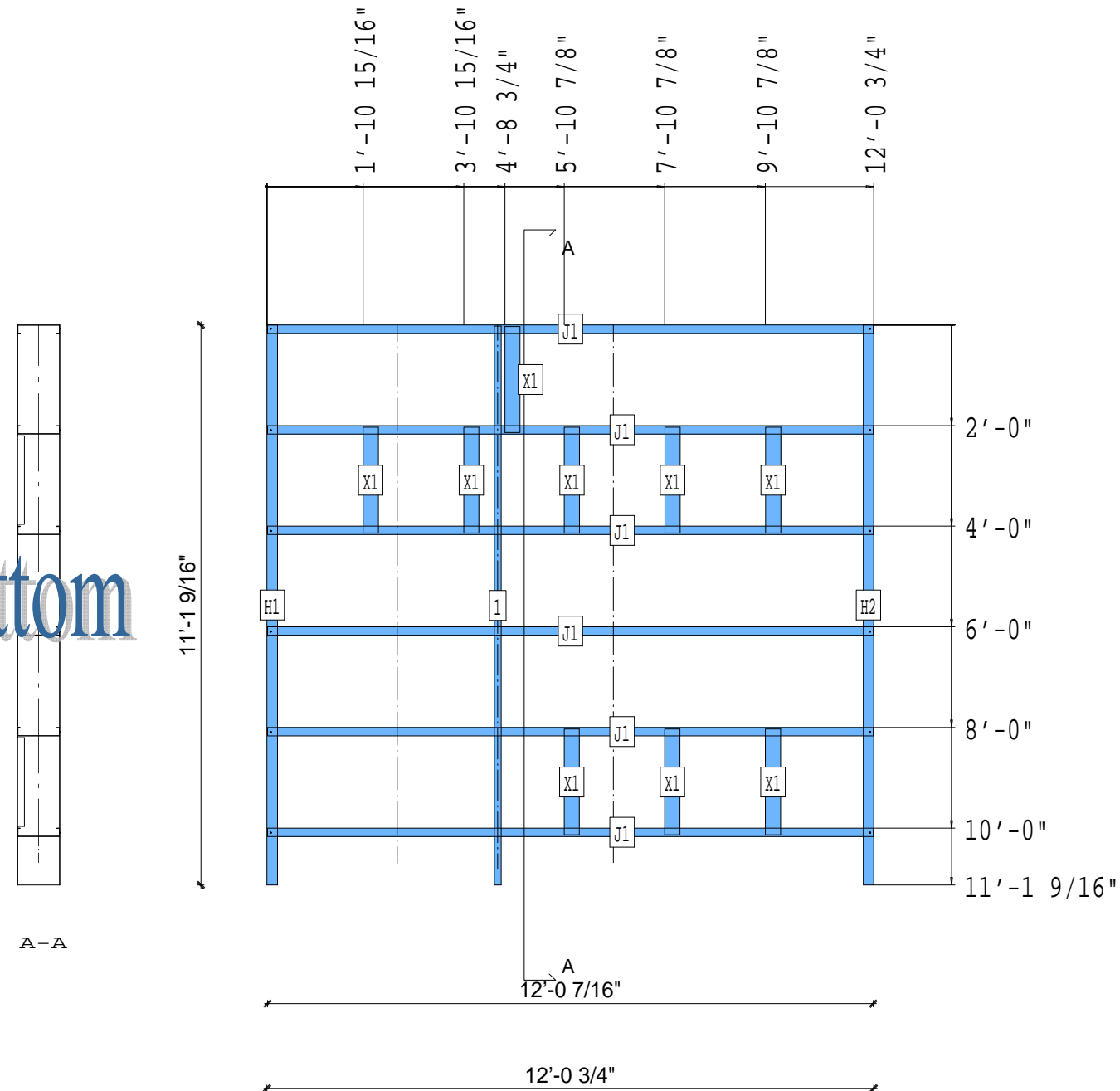


© FrameMax Inc.

APPROVED
By Ivan Juarez at 7:30 am, Dec 11, 2008



Bottom



PIECE SCHEDULE						
LAB	QTY	MATERIAL	DESCRIPTION	LENGTH	ANG1	ANG2
1	1	362S162-54	JOIST	11'-1 5/16"		
H1	1	1000T250-97	HEADER	11'-1 9/16"		
H2	1	1000T250-68	HEADER	11'-1 9/16"		
J1	6	1000S200-68	JOIST	12'-0 7/16"		
X1	9	362S162-33	FLAT TRACK B	2'-1 1/4"		

12-5003

CREATED: 12/09/2008

Jewish Home for the Aging

1885 Victory Blvd. Reseda, CA

FM-07-109

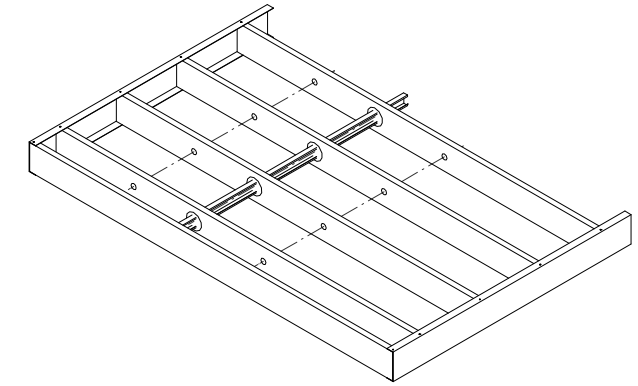
CREATED BY: AMB

FrameMax, Inc.
13915 Danielson St
Suite 100
Poway, CA 92064
www.framemax.com

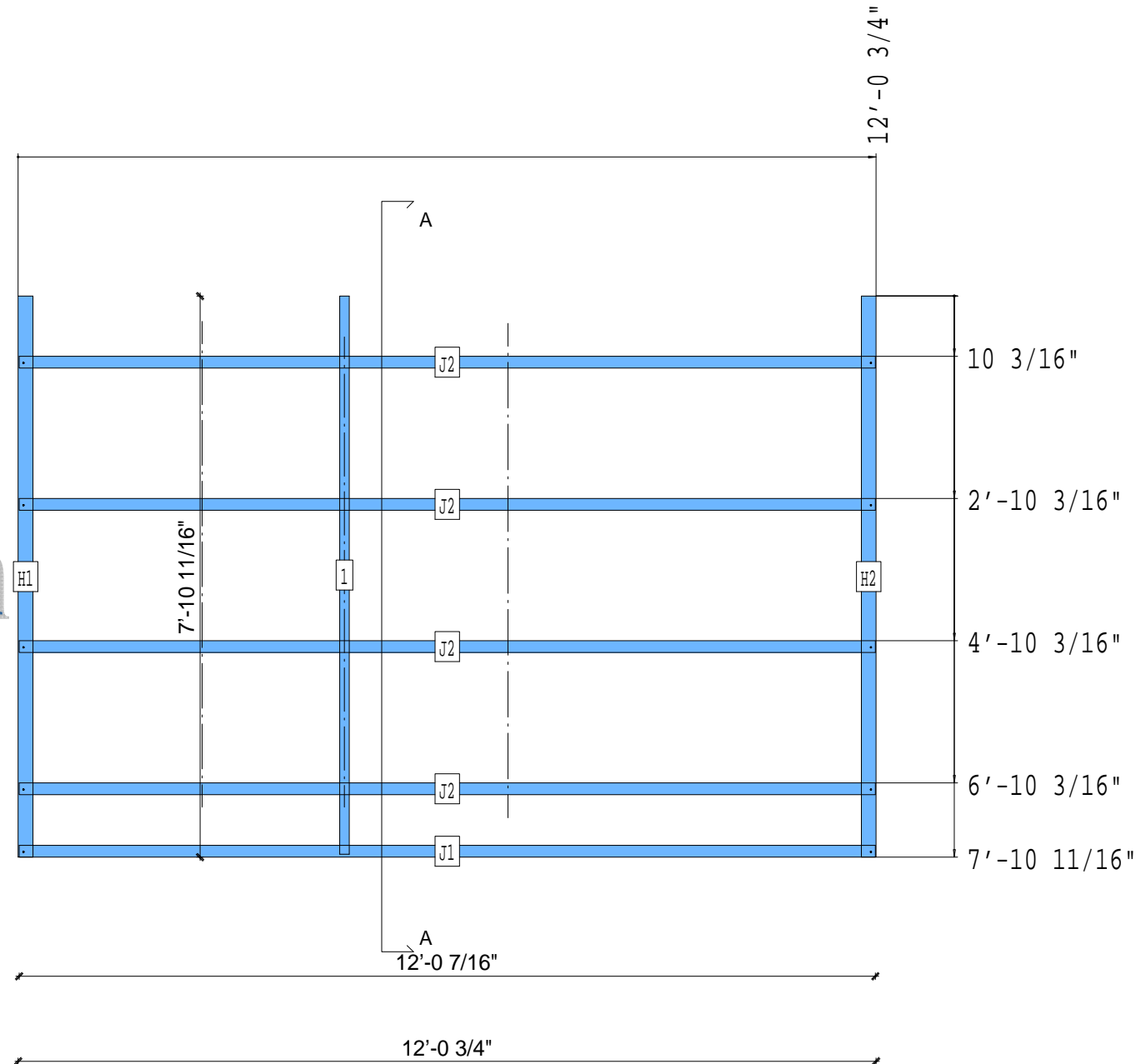


© FrameMax Inc.

APPROVED
By Ivan Juarez at 7:30 am, Dec 11, 2008



Bottom



PIECE SCHEDULE						
LAB	QTY	MATERIAL	DESCRIPTION	LENGTH	ANG1	ANG2
1	1	362S162-54	JOIST	7'-10 3/16"		
H1	1	1000T250-97	HEADER	7'-10 11/16"		
H2	1	1000T250-68	HEADER	7'-10 11/16"		
J1	1	1000S200-68	JOIST	12'-0 7/16"		
J2	4	1000S200-68	JOIST	12'-0 7/16"		

12-5004

Jewish Home for the Aging

1885 Victory Blvd. Reseda, CA

FM-07-109

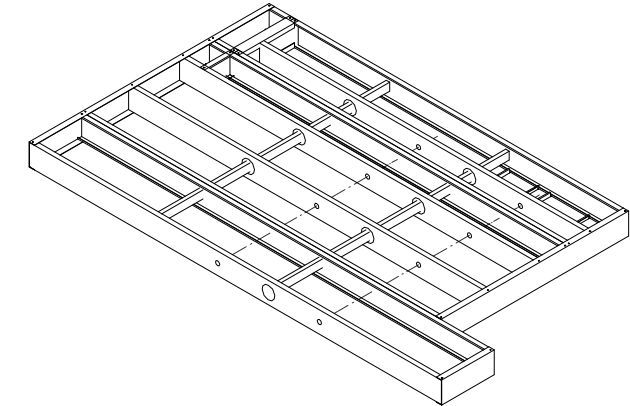
CREATED BY: AMB

FrameMax, Inc.
13915 Danielson St
Suite 100
Poway, CA 92064
www.frameMAX.com



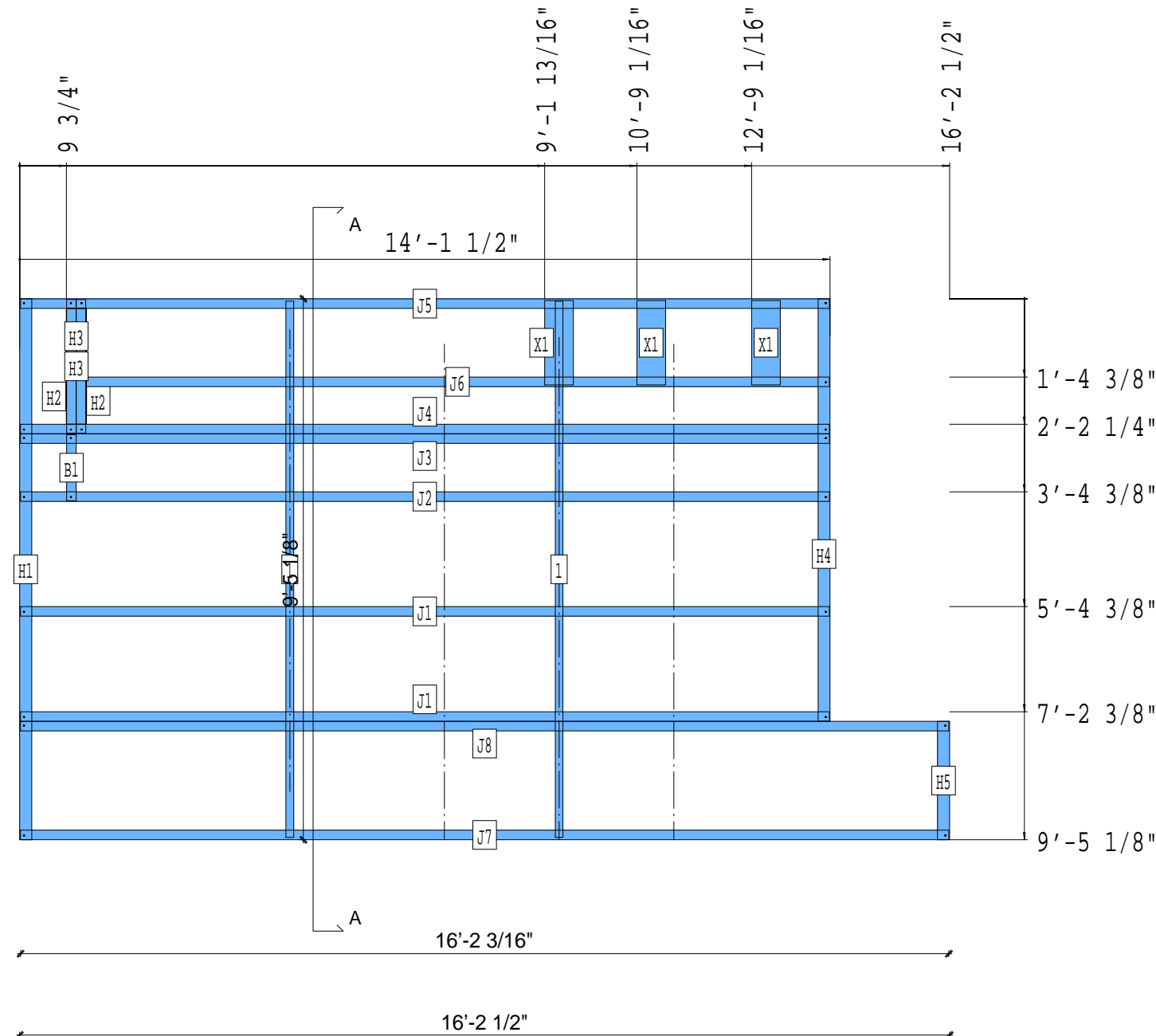
© FrameMax Inc.

APPROVED
By Ivan Juarez at 7:30 am, Dec 11, 2008



Bottom

A-A



PIECE SCHEDULE						
LAB	QTY	MATERIAL	DESCRIPTION	LENGTH	ANG1	ANG2
1	2	362S162-54	JOIST	9'-4 1/8"		
B1	1	1000S200-97	BLOCK	1'-1 13/16"		
H1	1	1000T250-97	HEADER	9'-5 1/8"		
H2	2	1000S200-97	OPENING TRIM	2'-3 15/16"		
H3	2	400T200-97	OPENING TRIM	2'-0 1/4"		
H4	1	1000T250-97	HEADER	7'-4 3/8"		
H5	1	1000T250-97	HEADER	2'-0 3/4"		
J1	2	1000S200-97	JOIST	14'-1 3/16"		
J2	1	1000S200-97	JOIST	14'-1 3/16"		
J3	1	1000S200-97	OPENING TRIM	14'-1 3/16"		
J4	1	1000S200-97	OPENING TRIM	14'-1 3/16"		
J5	1	1000S200-97	JOIST	14'-1 3/16"		
J6	1	1000S200-97	JOIST	12'-11 1/2"		
J7	1	1000S200-97	JOIST	16'-2 3/16"		
J8	1	1000S200-97	JOIST	16'-2 3/16"		
X1	3	600S162-33	FLAT TRACK B	1'-5 5/8"		

12-5005

Jewish Home for the Aging

1885 Victory Blvd. Reseda, CA

FM-07-109

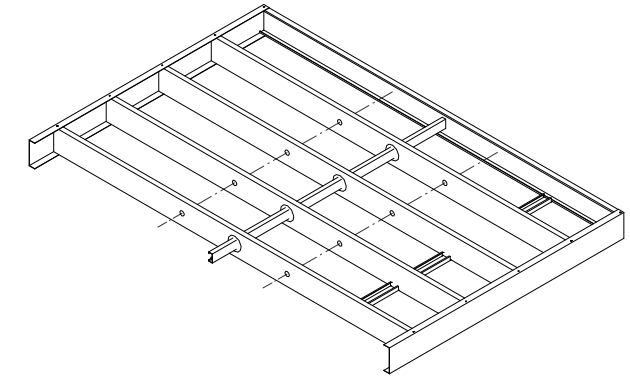
CREATED BY: AMB

FrameMax, Inc.
13915 Danielson St
Suite 100
Poway, CA 92064
www.framemax.com



© FrameMax Inc.

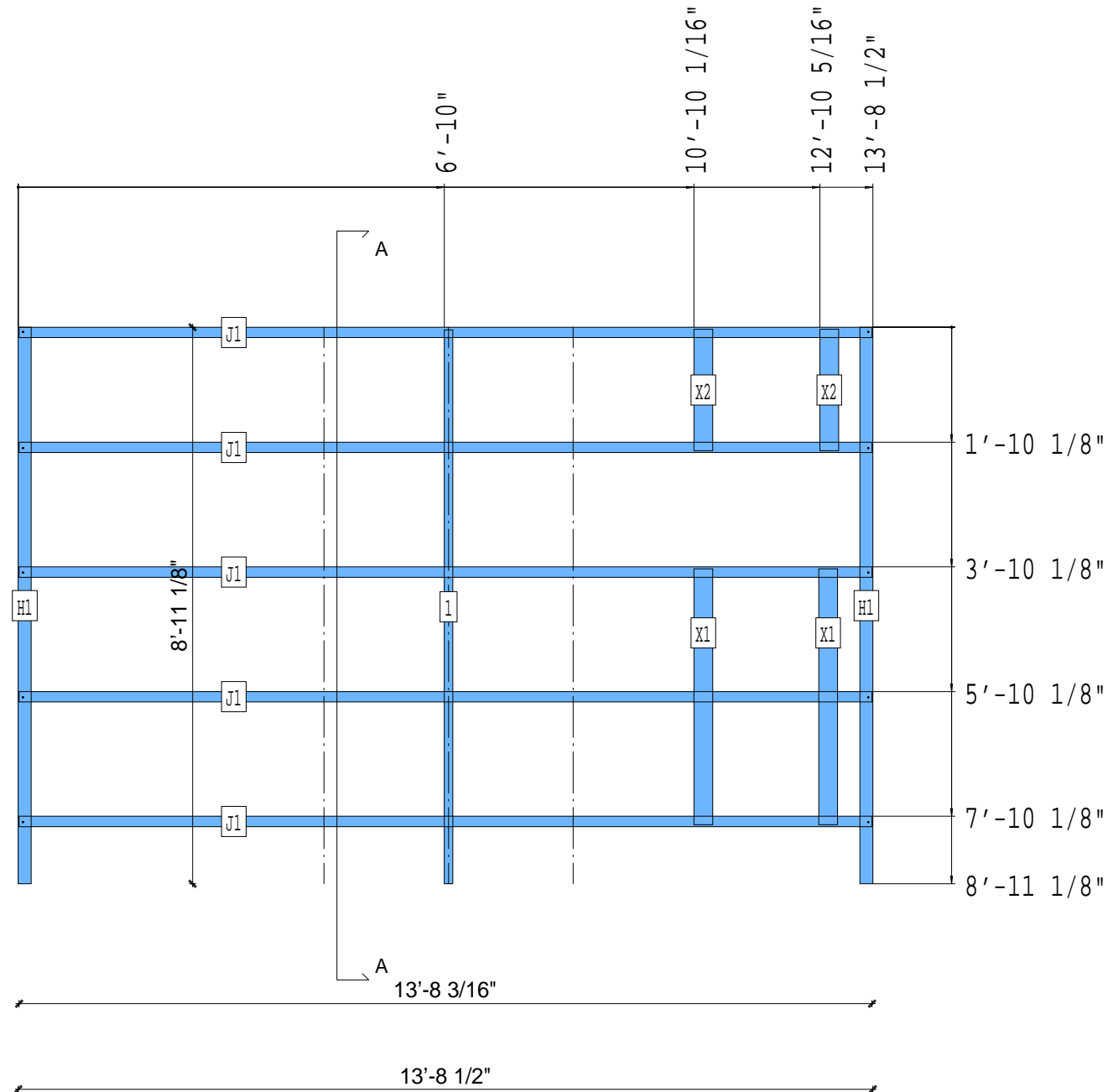
APPROVED
By Ivan Juarez at 7:30 am, Dec 11, 2008



Bottom



A-A



PIECE SCHEDULE						
LAB	QTY	MATERIAL	DESCRIPTION	LENGTH	ANG1	ANG2
1	1	362S162-54	JOIST	8'-10 5/8"		
H1	2	1000T250-97	HEADER	8'-11 1/8"		
J1	5	1000S200-97	JOIST	13'-8 3/16"		
X1	2	362S162-33	FLAT TRACK B	4'-1 1/4"		
X2	2	362S162-33	FLAT TRACK B	1'-11 3/8"		

12-5006

CREATED: 12/09/2008

Jewish Home for the Aging

1885 Victory Blvd. Reseda, CA

FM-07-109

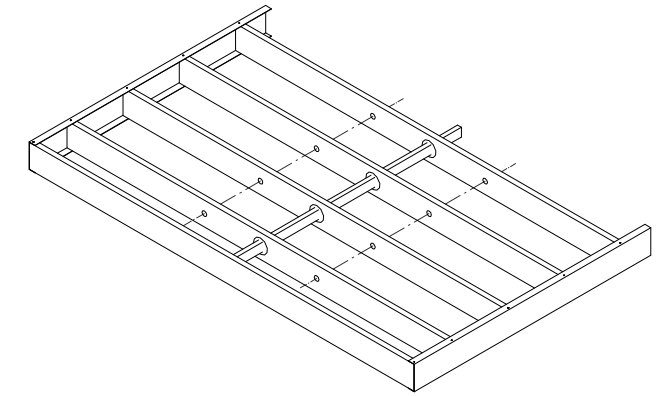
CREATED BY: AMB

FrameMax, Inc.
 13915 Danielson St
 Suite 100
 Poway, CA 92064
 www.frame-max.com

FRAMEMAX

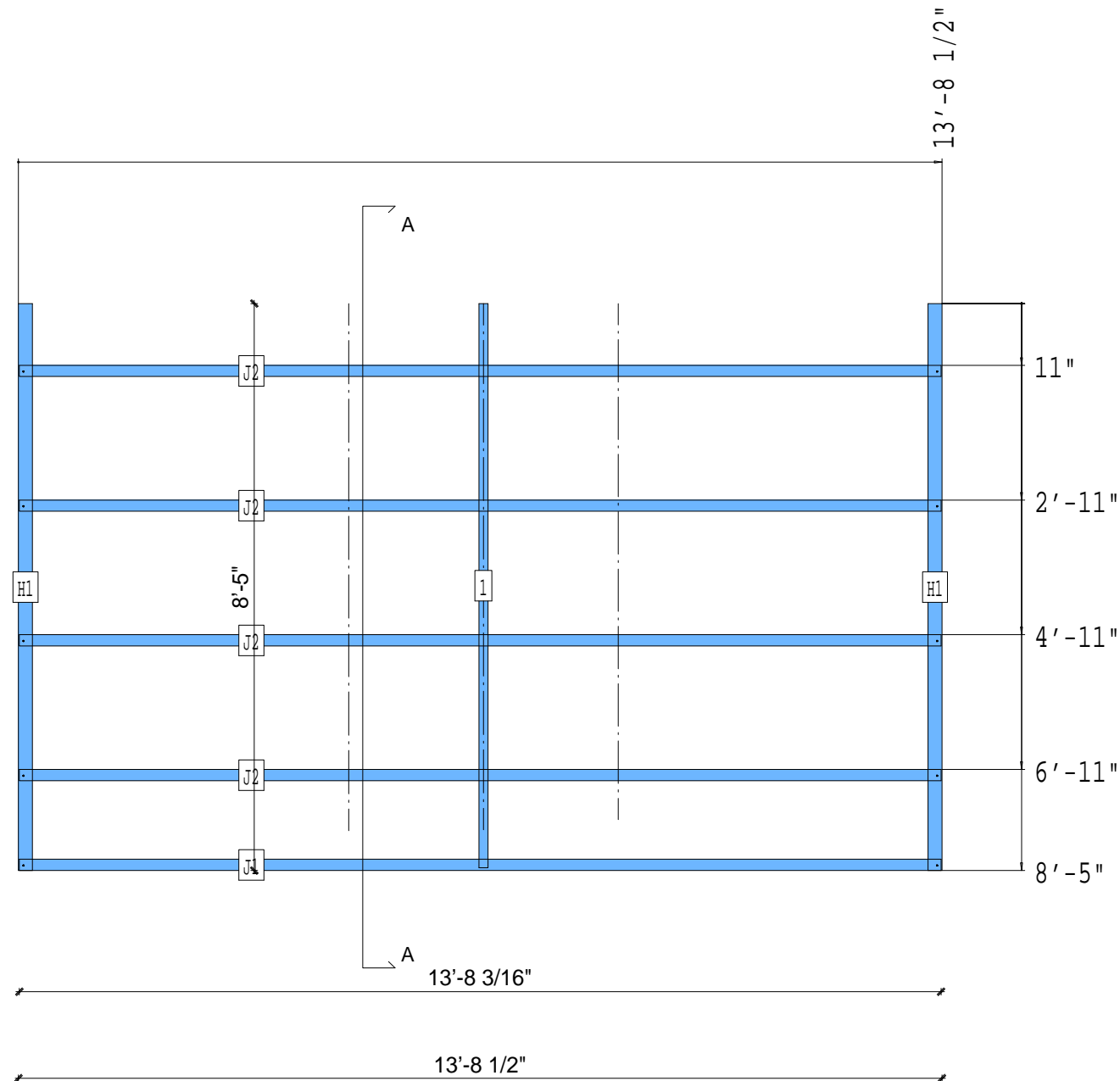
© FrameMax Inc.

APPROVED
 By Ivan Juarez at 7:30 am, Dec 11, 2008



Bottom

A-A



PIECE SCHEDULE						
LAB	QTY	MATERIAL	DESCRIPTION	LENGTH	ANG1	ANG2
1	1	362S162-54	JOIST	8'-4 1/2"		
H1	2	1000T250-97	HEADER	8'-5"		
J1	1	1000S200-97	JOIST	13'-8 3/16"		
J2	4	1000S200-97	JOIST	13'-8 3/16"		

12-5007

CREATED: 12/09/2008

Jewish Home for the Aging

1885 Victory Blvd. Reseda, CA

FM-07-109

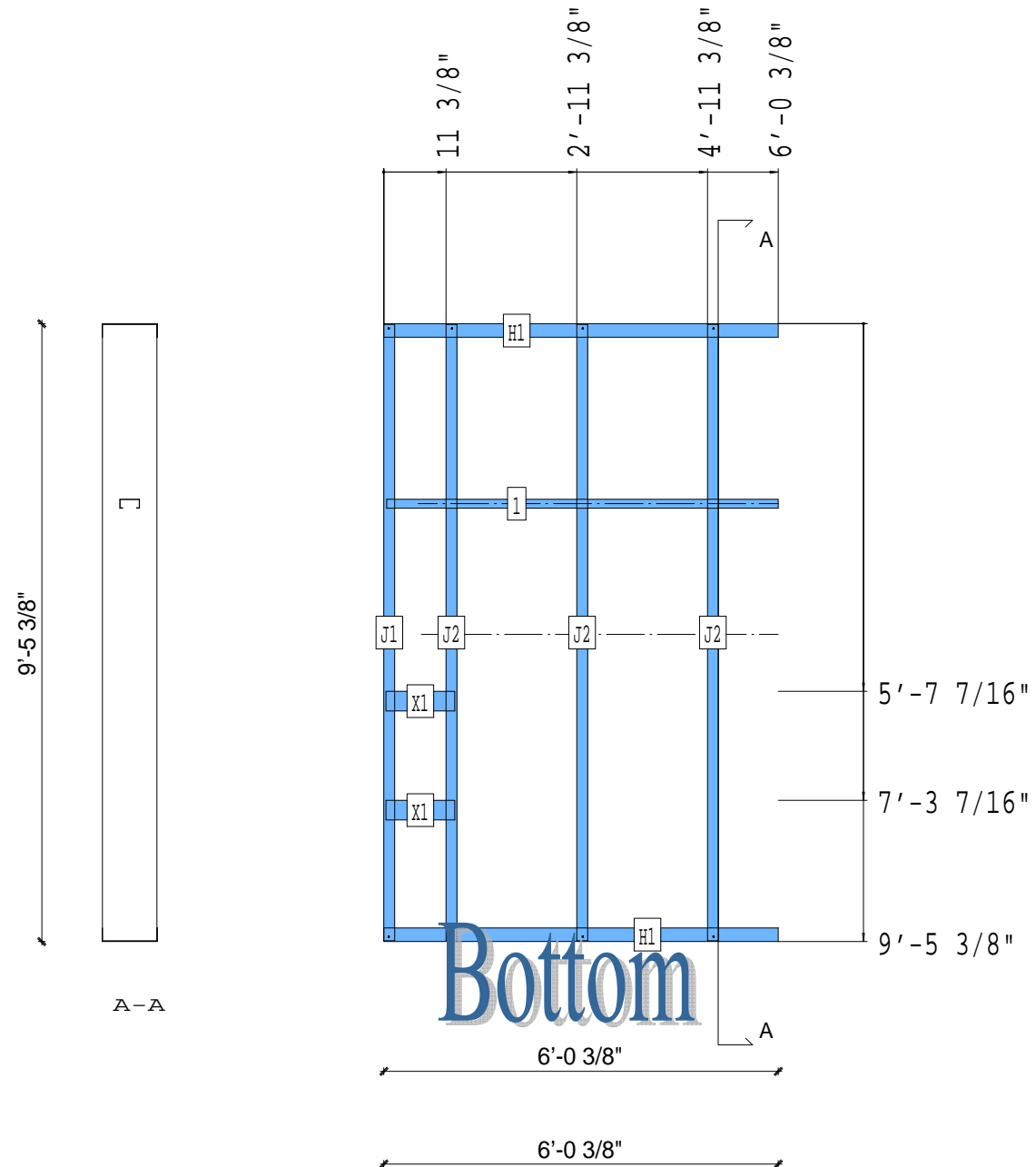
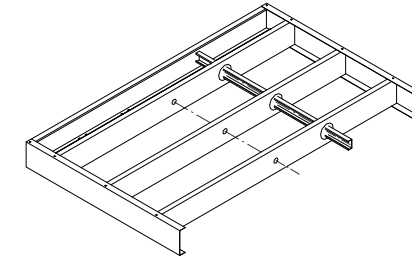
CREATED BY: AMB

FrameMax, Inc.
13915 Danielson St
Suite 100
Poway, CA 92064
www.framemax.com



© FrameMax Inc.

APPROVED
By Ivan Juarez at 7:30 am, Dec 11, 2008



PIECE SCHEDULE						
LAB	QTY	MATERIAL	DESCRIPTION	LENGTH	ANG1	ANG2
1	1	362S162-54	JOIST	5'-11 7/8"		
H1	2	1000T250-68	HEADER	6'-0 3/8"		
J1	1	1000S200-68	JOIST	9'-5 1/8"		
J2	3	1000S200-68	JOIST	9'-5 1/8"		
X1	2	362S162-33	FLAT TRACK B	1'-0 5/8"		

12-5008

Jewish Home for the Aging

1885 Victory Blvd. Reseda, CA

FM-07-109

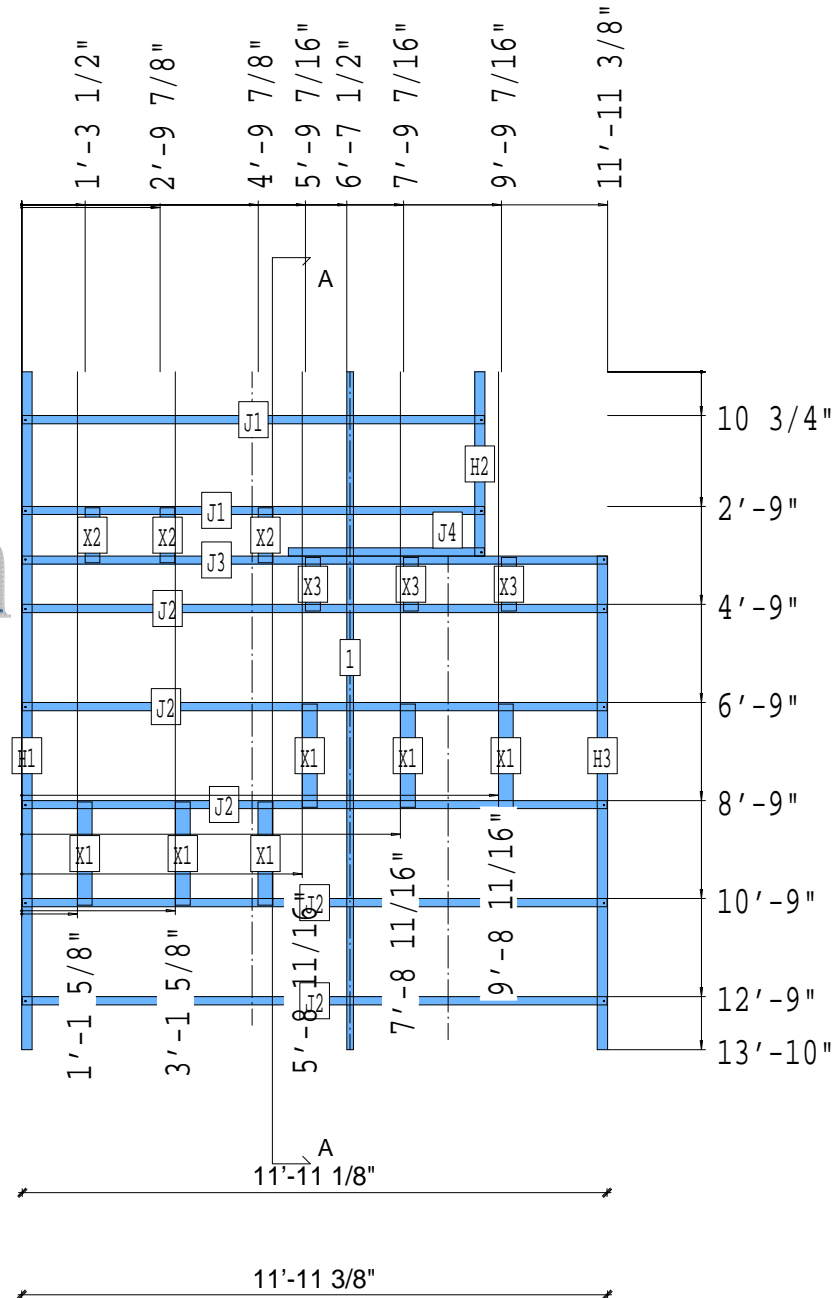
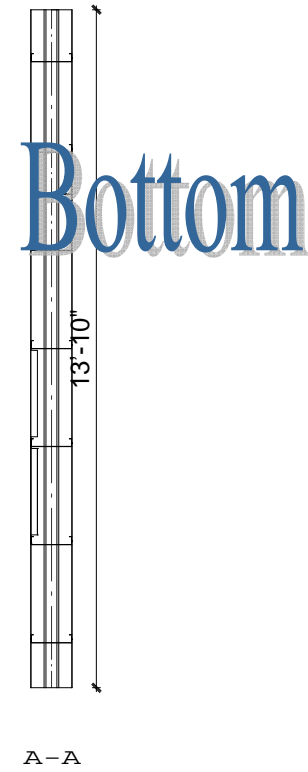
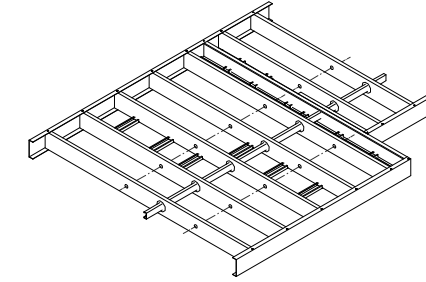
CREATED BY: AMB

FrameMax, Inc.
13915 Danielson St
Suite 100
Poway, CA 92064
www.framemax.com



© FrameMax Inc.

APPROVED
By Ivan Juarez at 7:30 am, Dec 11, 2008



PIECE SCHEDULE						
LAB	QTY	MATERIAL	DESCRIPTION	LENGTH	ANG1	ANG2
1	1	362S162-54	JOIST	13'-10"		
H1	1	1000T250-68	HEADER	13'-10"		
H2	1	1000T250-68	HEADER	3'-9 1/8"		
H3	1	1000T250-68	HEADER	10'-0 7/8"		
J1	2	1000S200-68	JOIST	9'-5 1/8"		
J2	5	1000S200-68	JOIST	11'-11 1/8"		
J3	1	1000S200-68	JOIST	11'-11 1/8"		
J4	1	1000S200-68	JOIST	4'-0"		
X1	6	362S162-33	FLAT TRACK B	2'-1 1/4"		
X2	3	362S162-33	FLAT TRACK B	1'-1 3/8"		
X3	3	362S162-33	FLAT TRACK B	1'-1 1/8"		

12-5009

CREATED: 12/09/2008

Jewish Home for the Aging

1885 Victory Blvd. Reseda, CA

FM-07-109

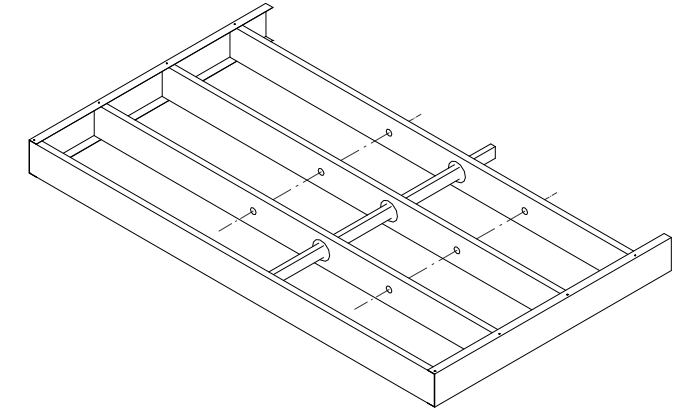
CREATED BY: AMB

FrameMax, Inc.
13915 Danielson St
Suite 100
Poway, CA 92064
www.framemax.com

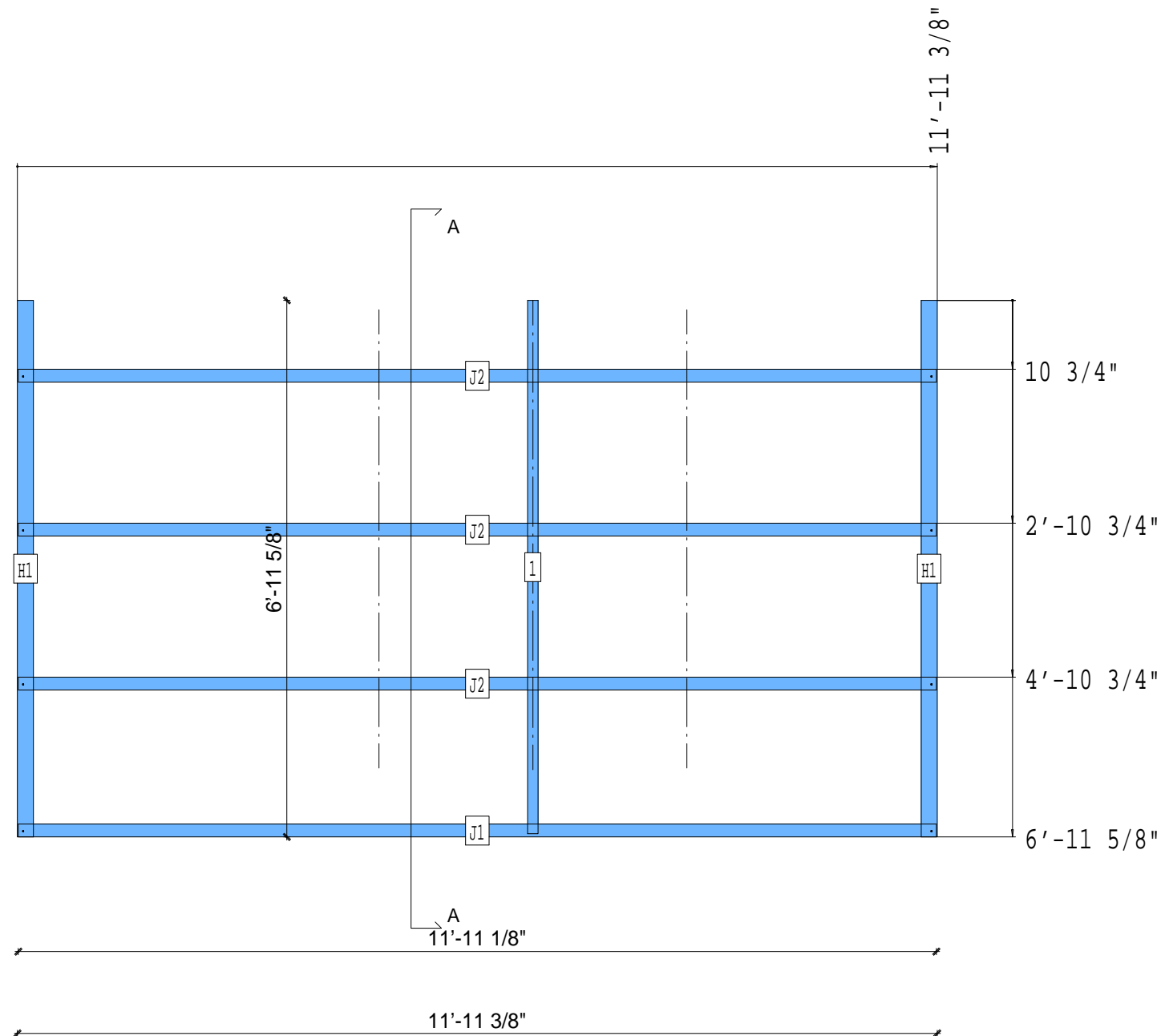


© FrameMax Inc.

APPROVED
By Ivan Juarez at 7:30 am, Dec 11, 2008



Bottom



PIECE SCHEDULE						
LAB	QTY	MATERIAL	DESCRIPTION	LENGTH	ANG1	ANG2
1	1	362S162-54	JOIST	6'-11 1/8"		
H1	2	1000T250-68	HEADER	6'-11 5/8"		
J1	1	1000S200-68	JOIST	11'-11 1/8"		
J2	3	1000S200-68	JOIST	11'-11 1/8"		

12-5010

Jewish Home for the Aging

1885 Victory Blvd. Reseda, CA

FM-07-109

CREATED BY: AMB

FrameMax, Inc.
13915 Danielson St
Suite 100
Poway, CA 92064
www.frame-max.com

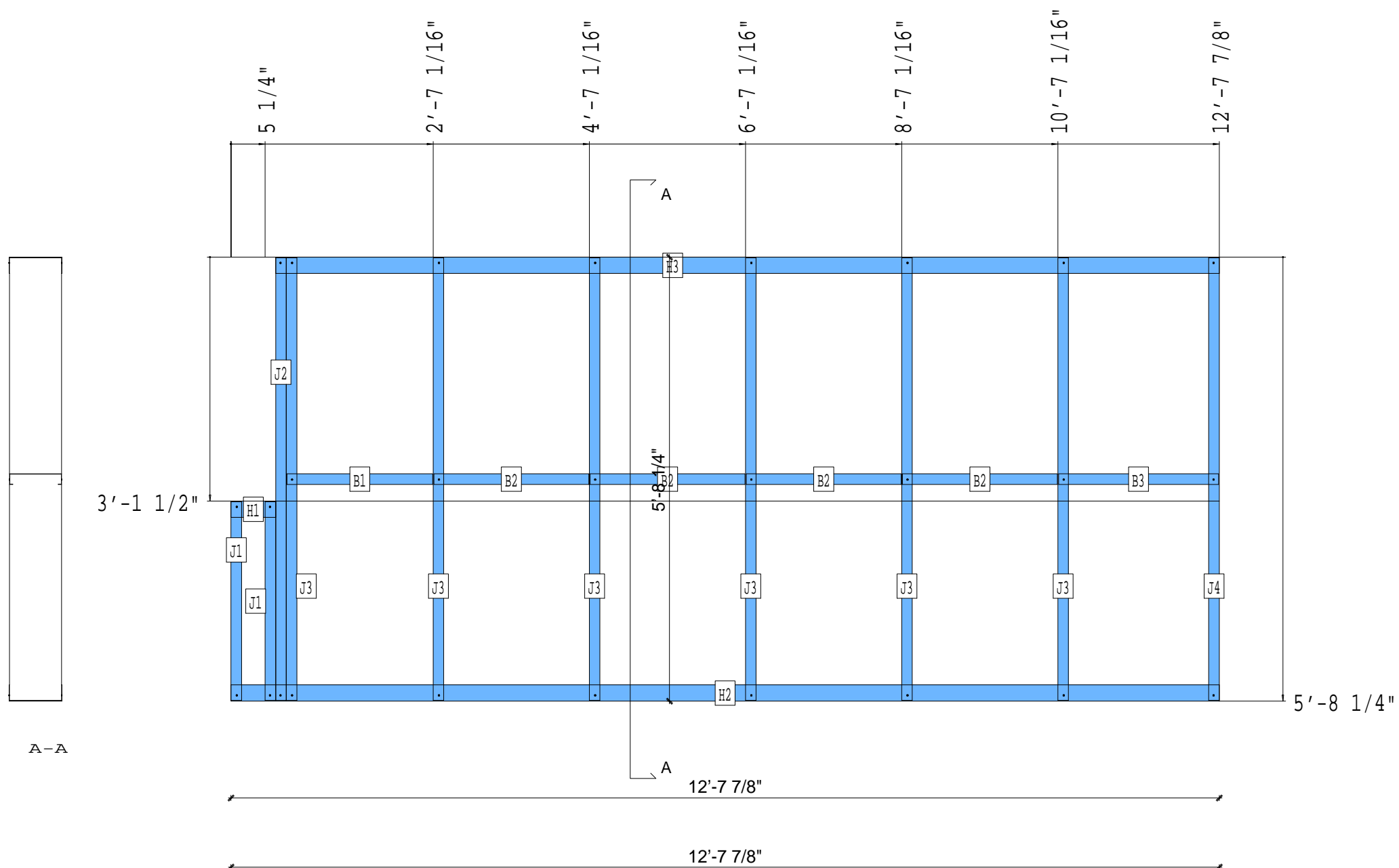
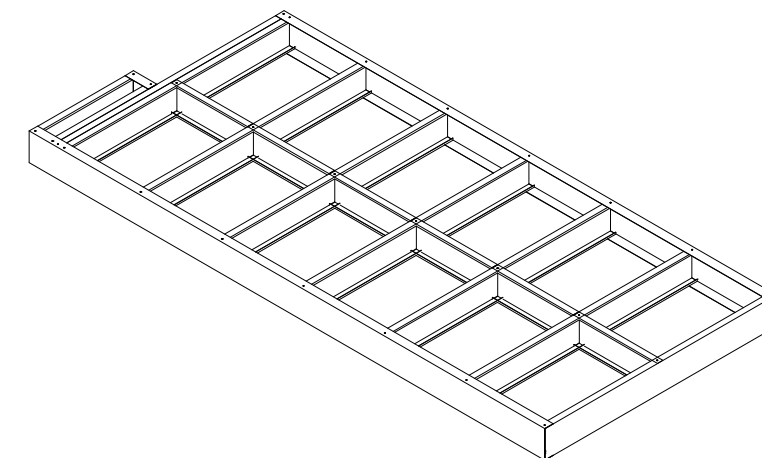
FRAMEMAX

© FrameMax Inc.

APPROVED

By Ivan Juarez at 7:30 am, Dec 11, 2008

Bottom



PIECE SCHEDULE						
LAB	QTY	MATERIAL	DESCRIPTION	LENGTH	ANG1	ANG2
B1	1	800S162-43	BLOCK	1'-10 3/8"		
B2	4	800S162-43	BLOCK	1'-11 13/16"		
B3	1	800S162-43	BLOCK	2'-0 5/8"		
H1	1	800T250-54	HEADER	6 7/8"		
H2	1	800T250-54	HEADER	12'-7 7/8"		
H3	1	800T250-54	HEADER	12'-1"		
J1	2	800S162-43	JOIST	2'-6 1/2"		
J2	1	800S162-43	JOIST	5'-8"		
J3	6	800S162-43	JOIST	5'-8"		
J4	1	800S162-43	JOIST	5'-8"		

12-5011

Jewish Home for the Aging

1885 Victory Blvd. Reseda, CA

FM-07-109

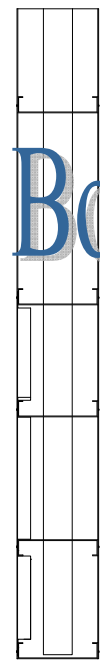
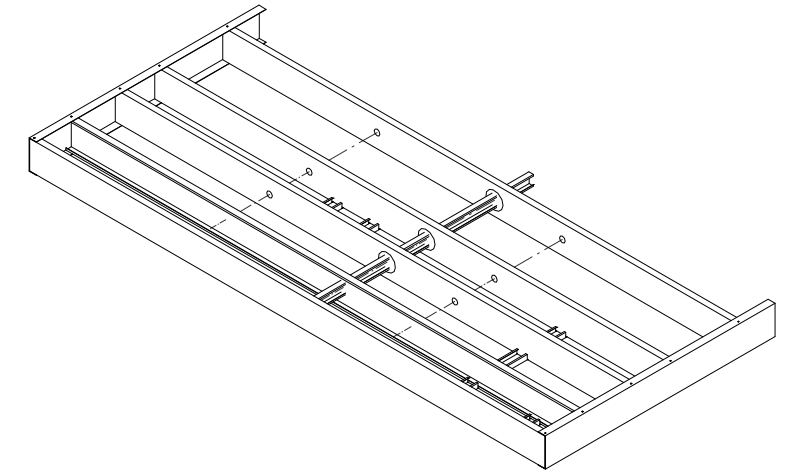
CREATED BY: AMB

FrameMax, Inc.
13915 Danielson St
Suite 100
Poway, CA 92064
www.framemax.com



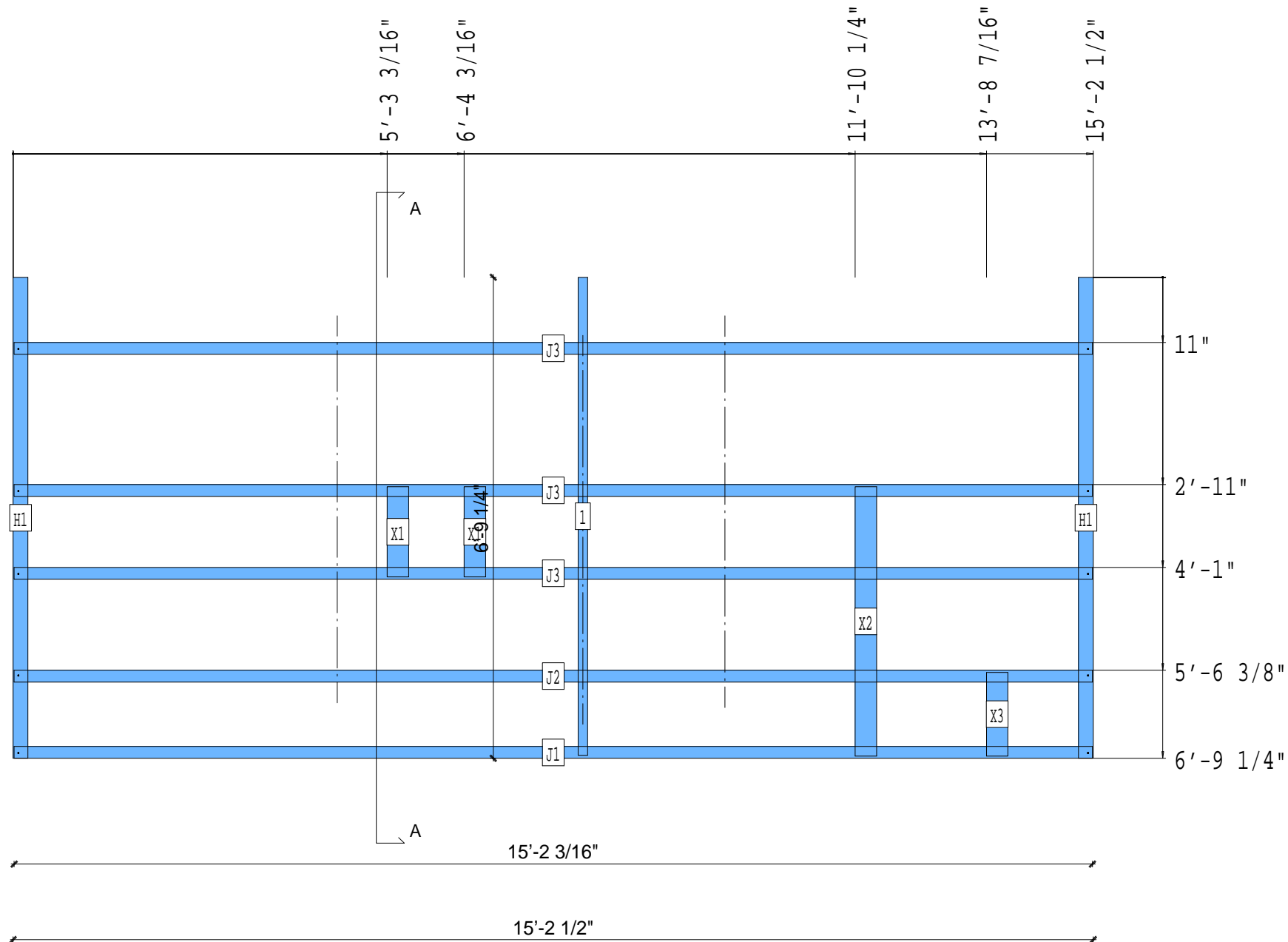
© FrameMax Inc.

APPROVED
By Ivan Juarez at 7:30 am, Dec 11, 2008



Bottom

A-A



PIECE SCHEDULE						
LAB	QTY	MATERIAL	DESCRIPTION	LENGTH	ANG1	ANG2
1	1	362S162-54	JOIST	6'-8 3/4"		
H1	2	1000T250-97	HEADER	6'-9 1/4"		
J1	1	1000S200-97	JOIST	15'-2 3/16"		
J2	1	1000S200-97	JOIST	15'-2 3/16"		
J3	3	1000S200-97	JOIST	15'-2 3/16"		
X1	2	362S162-33	FLAT TRACK B	1'-3 1/4"		
X2	1	362S162-33	FLAT TRACK B	3'-9 1/2"		
X3	1	362S162-33	FLAT TRACK B	1'-2 1/8"		

12-5012

Jewish Home for the Aging

1885 Victory Blvd. Reseda, CA

FM-07-109

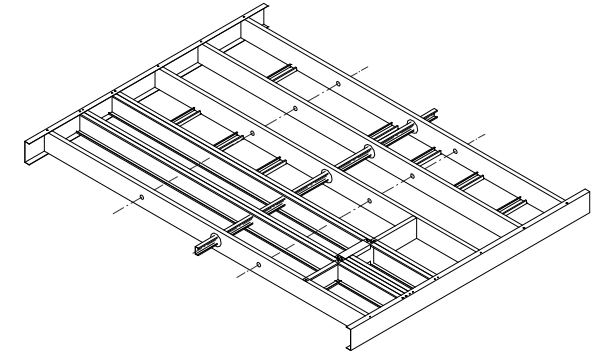
CREATED BY: AMB

FrameMax, Inc.
13915 Danielson St
Suite 100
Poway, CA 92064
www.frame-max.com



© FrameMax Inc.

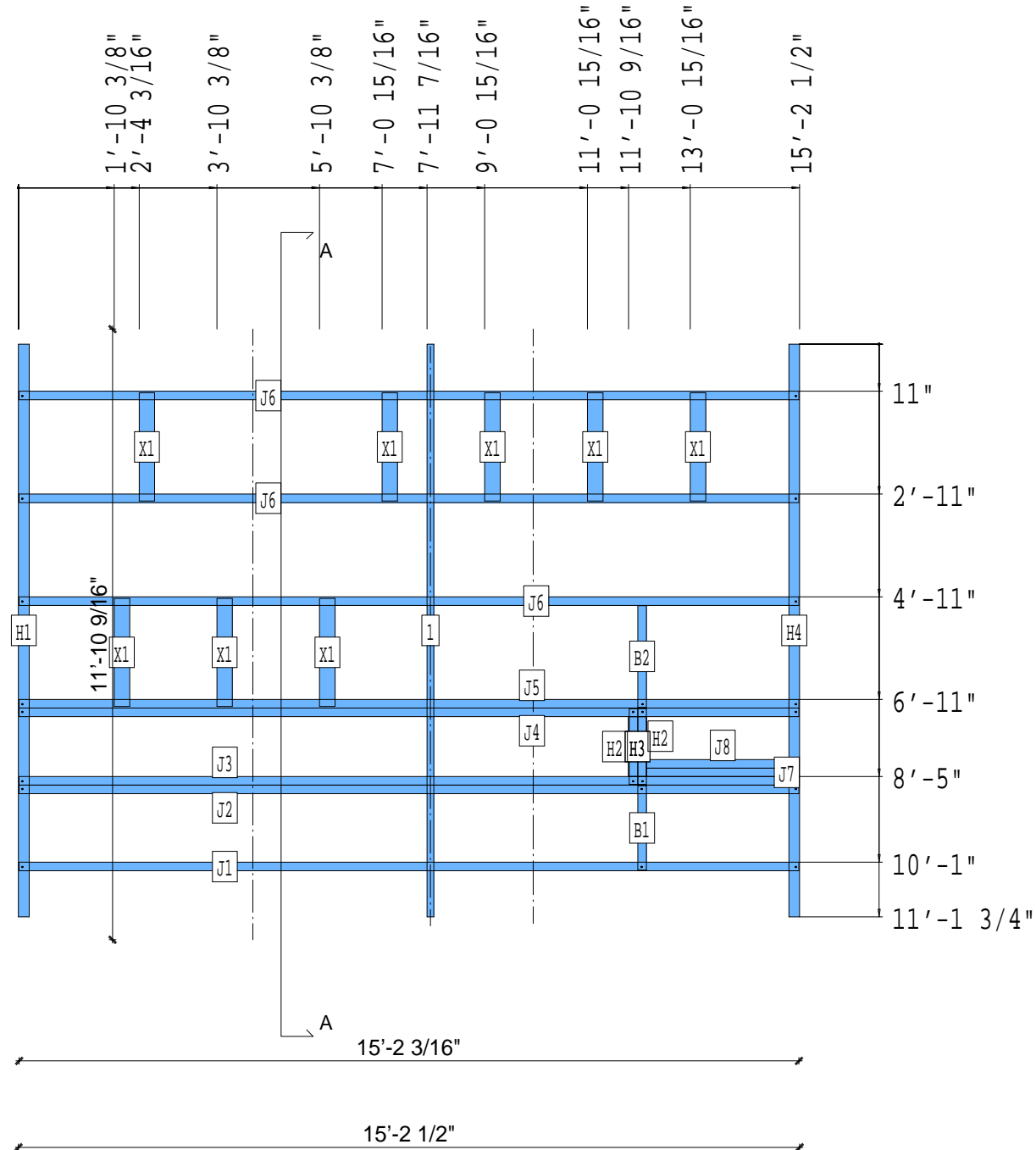
APPROVED
By Ivan Juarez at 7:30 am, Dec 11, 2008



Bottom



A-A



PIECE SCHEDULE						
LAB	QTY	MATERIAL	DESCRIPTION	LENGTH	ANG1	ANG2
1	1	362S162-54	JOIST	11'-1 3/4"		
B1	1	1000S200-97	BLOCK	1'-7 11/16"		
B2	1	1000S200-97	BLOCK	1'-11 3/4"		
H1	1	1000T250-97	HEADER	11'-1 3/4"		
H2	2	1000S200-97	OPENING TRIM	1'-5 11/16"		
H3	2	400T200-97	OPENING TRIM	1'-2"		
H4	1	1000T250-97	HEADER	11'-1 3/4"		
J1	1	1000S200-97	JOIST	15'-2 3/16"		
J2	1	1000S200-97	OPENING TRIM	15'-2 3/16"		
J3	1	1000S200-97	OPENING TRIM	15'-2 3/16"		
J4	1	1000S200-97	OPENING TRIM	15'-2 3/16"		
J5	1	1000S200-97	OPENING TRIM	15'-2 3/16"		
J6	3	1000S200-97	JOIST	15'-2 3/16"		
J7	1	1000S200-97	OPENING TRIM	2'-11 9/16"		
J8	1	1000S200-97	OPENING TRIM	2'-11 9/16"		
X1	8	362S162-33	FLAT TRACK B	2'-1 1/4"		

12-5013

CREATED: 12/09/2008

Jewish Home for the Aging

1885 Victory Blvd. Reseda, CA

FM-07-109

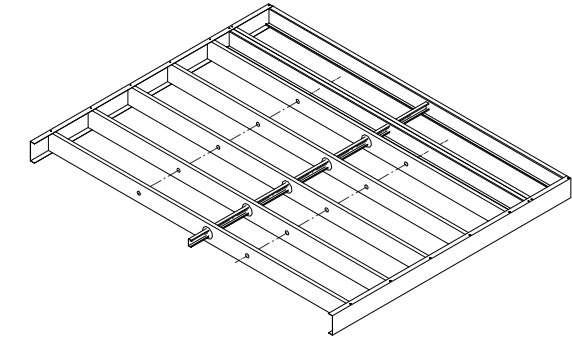
CREATED BY: AMB

FrameMax, Inc.
13915 Danielson St
Suite 100
Poway, CA 92064
www.framemax.com



© FrameMax Inc.

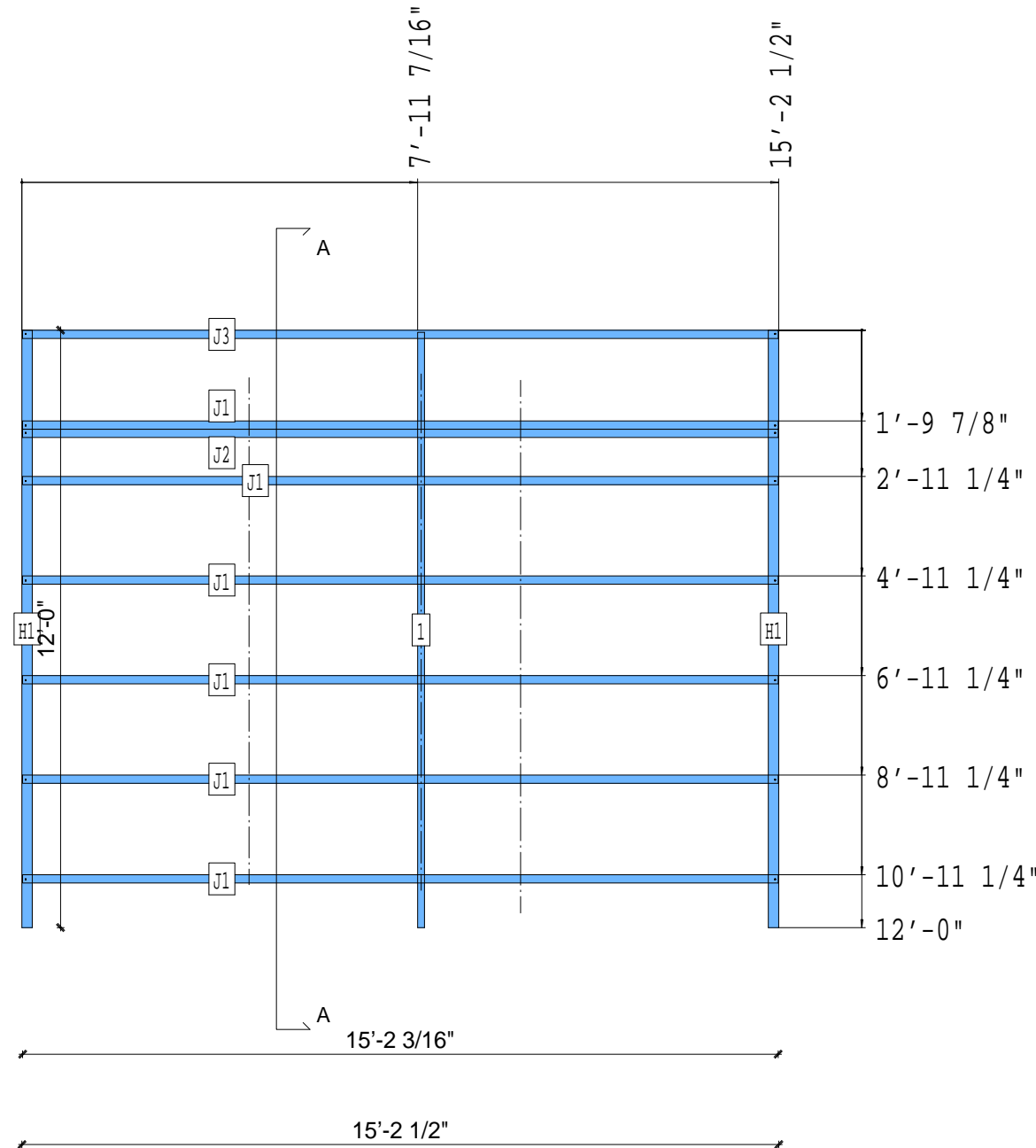
APPROVED
By Ivan Juarez at 7:30 am, Dec 11, 2008



Bottom



A-A



PIECE SCHEDULE						
LAB	QTY	MATERIAL	DESCRIPTION	LENGTH	ANG1	ANG2
1	1	362S162-54	JOIST	11'-11 1/2"		
H1	2	1000T250-97	HEADER	12'-0"		
J1	6	1000S200-97	JOIST	15'-2 3/16"		
J2	1	1000S200-97	JOIST	15'-2 3/16"		
J3	1	1000S200-97	JOIST	15'-2 3/16"		

12-5014

CREATED: 12/09/2008

Jewish Home for the Aging

1885 Victory Blvd. Reseda, CA

FM-07-109

CREATED BY: AMB

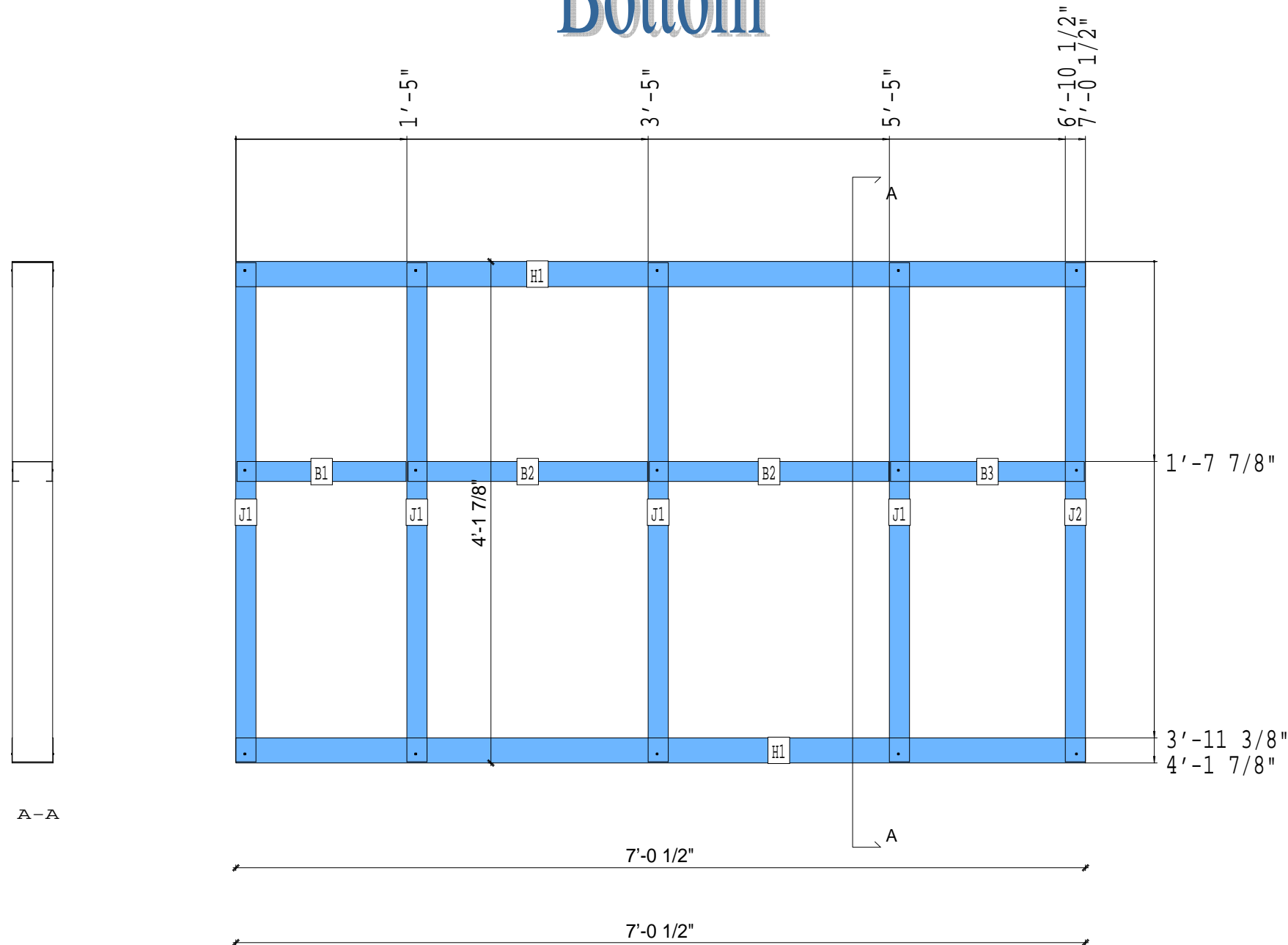
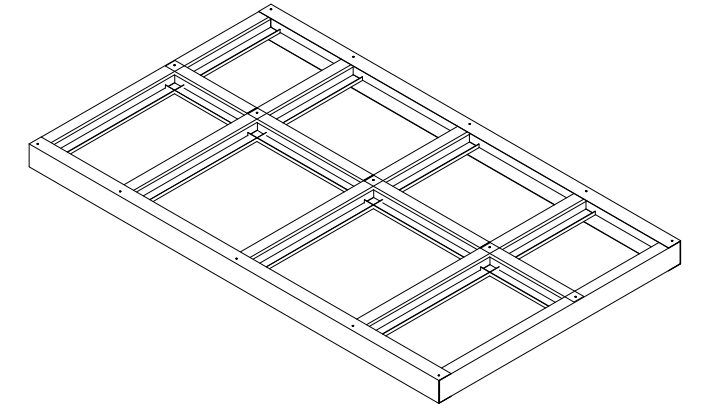
FrameMax, Inc.
13915 Danielson St
Suite 100
Poway, CA 92064
www.framemax.com



© FrameMax Inc.

APPROVED
By Ivan Juarez at 7:30 am, Dec 11, 2008

Bottom



A-A

PIECE SCHEDULE						
LAB	QTY	MATERIAL	DESCRIPTION	LENGTH	ANG1	ANG2
B1	1	400S200-54	BLOCK	1'-4 13/16"		
B2	2	400S200-54	BLOCK	1'-11 13/16"		
B3	1	400S200-54	BLOCK	1'-7 1/4"		
H1	2	400T250-54	HEADER	7'-0 1/2"		
J1	4	400S200-54	JOIST	4'-1 5/8"		
J2	1	400S200-54	JOIST	4'-1 5/8"		

12-5015

Jewish Home for the Aging

1885 Victory Blvd. Reseda, CA

FM-07-109

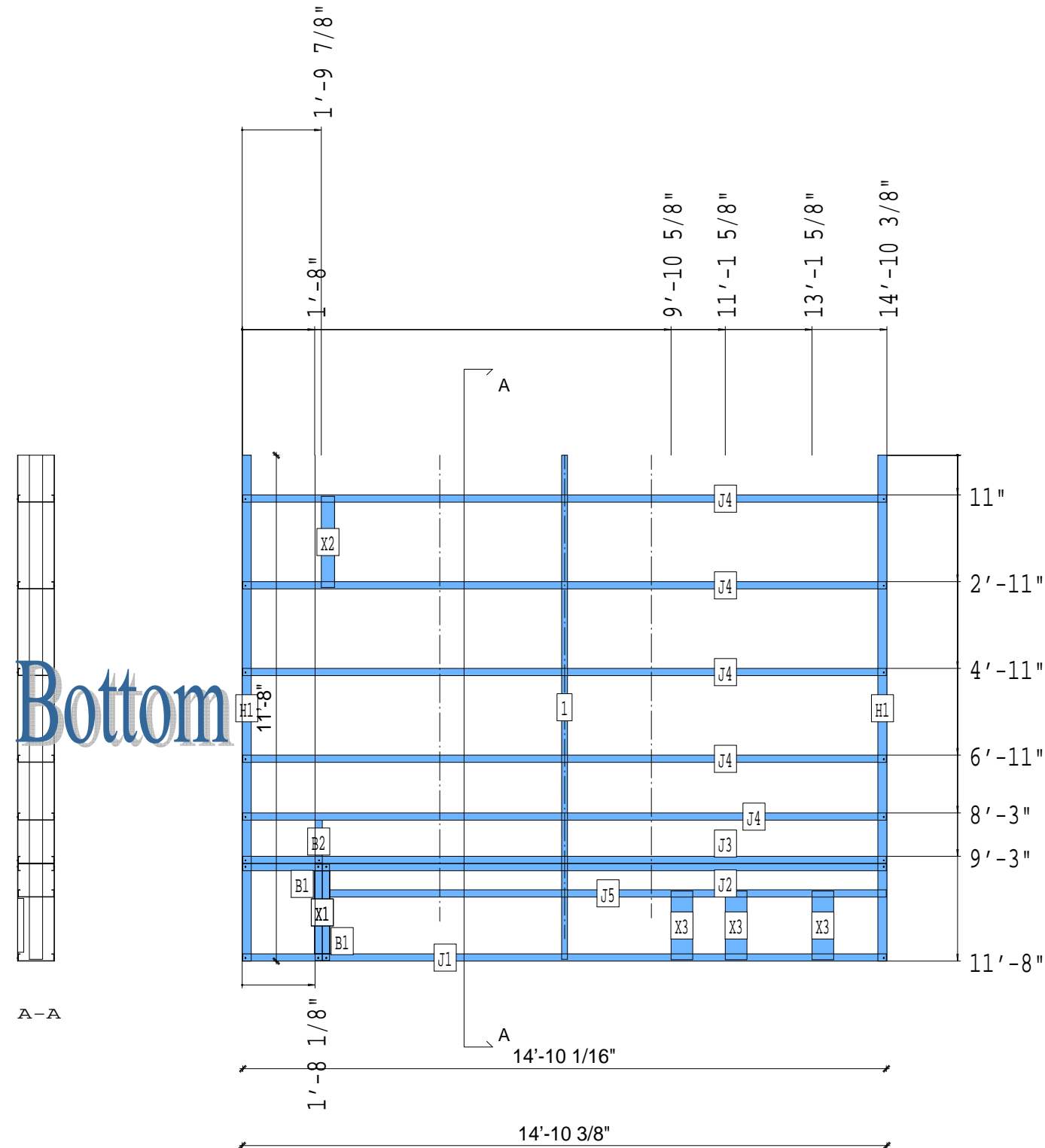
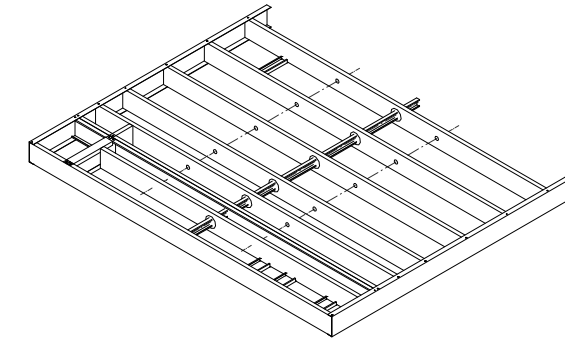
CREATED BY: AMB

FrameMax, Inc.
13915 Danielson St
Suite 100
Poway, CA 92064
www.framemax.com

FRAMEMAX

© FrameMax Inc.

APPROVED
By Ivan Juarez at 7:30 am, Dec 11, 2008



Bottom

A-A

PIECE SCHEDULE						
LAB	QTY	MATERIAL	DESCRIPTION	LENGTH	ANG1	ANG2
J1	1	362S162-54	JOIST	11'-7 1/2"		
B1	2	1000S200-97	BLOCK	2'-2 11/16"		
B2	1	1000S200-97	BLOCK	11 13/16"		
H1	2	1000T250-97	HEADER	11'-8"		
J1	1	1000S200-97	JOIST	14'-10 1/16"		
J2	1	1000S200-97	JOIST	14'-10 1/16"		
J3	1	1000S200-97	JOIST	14'-10 1/16"		
J4	5	1000S200-97	JOIST	14'-10 1/16"		
J5	1	1000S200-97	JOIST	12'-10"		
X1	2	400T200-97	FLAT TRACK B	1'-11"		
X2	1	362S162-33	FLAT TRACK B	2'-1 1/4"		
X3	3	600S162-33	FLAT TRACK B	1'-7"		

12-5016

CREATED: 12/09/2008

Jewish Home for the Aging

1885 Victory Blvd. Reseda, CA

FM-07-109

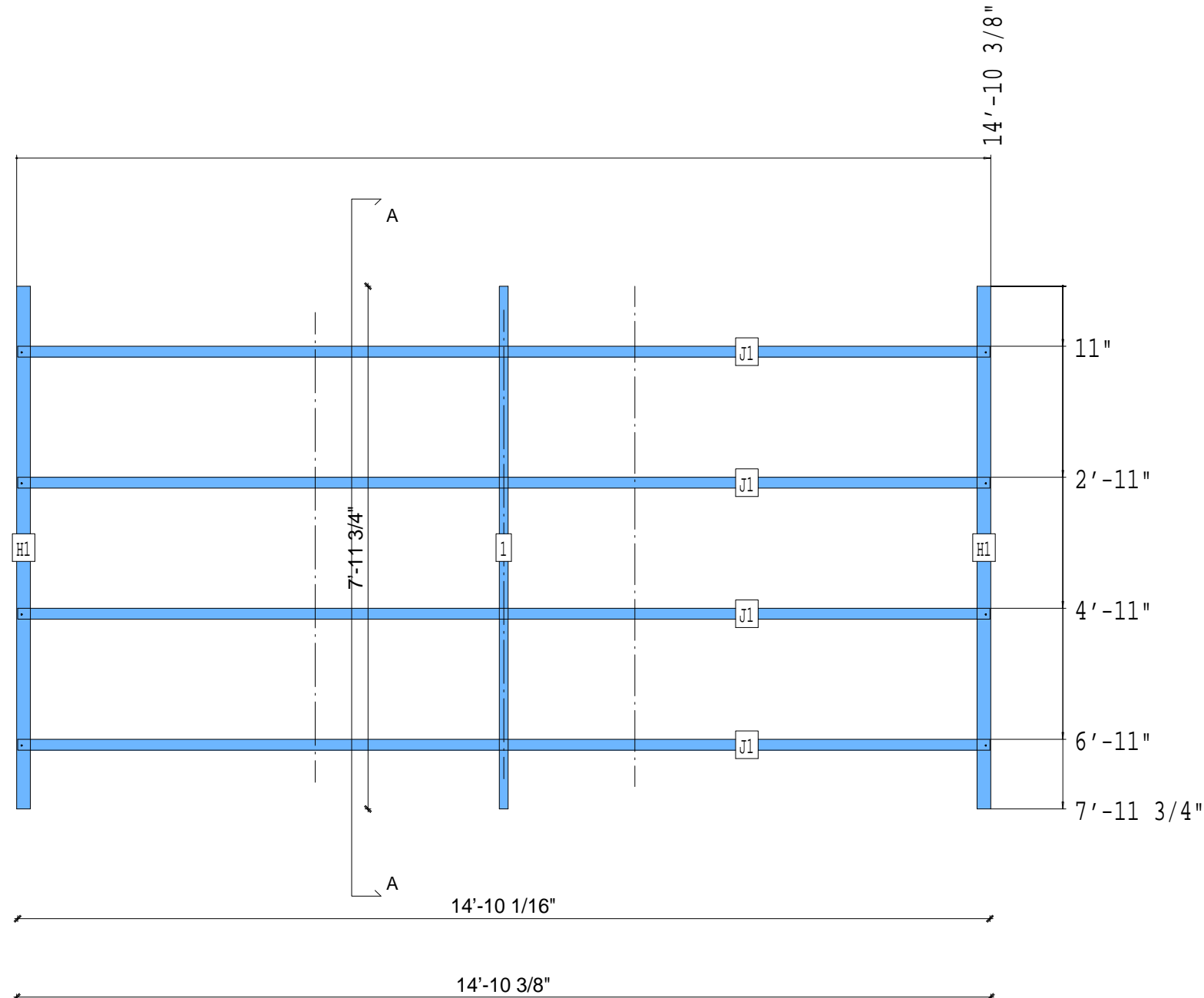
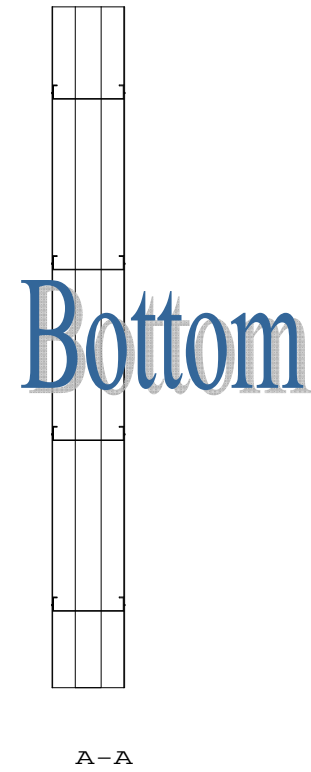
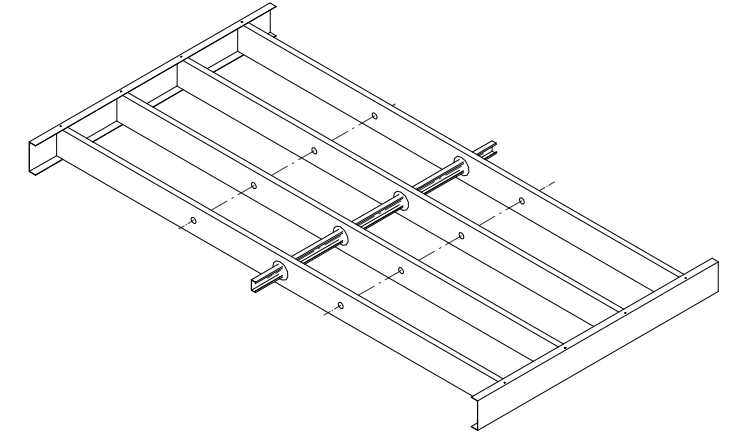
CREATED BY: AMB

FrameMax, Inc.
13915 Danielson St
Suite 100
Poway, CA 92064
www.framemax.com



© FrameMax Inc.

APPROVED
By Ivan Juarez at 7:30 am, Dec 11, 2008



PIECE SCHEDULE						
LAB	QTY	MATERIAL	DESCRIPTION	LENGTH	ANG1	ANG2
1	1	362S162-54	JOIST	7'-11 3/4"		
H1	2	1000T250-97	HEADER	7'-11 3/4"		
J1	4	1000S200-97	JOIST	14'-10 1/16"		

12-5017

CREATED: 12/09/2008

Jewish Home for the Aging

1885 Victory Blvd. Reseda, CA

FM-07-109

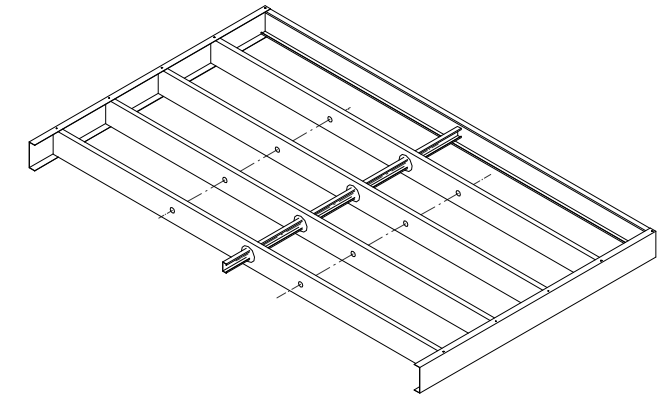
CREATED BY: AMB

FrameMax, Inc.
13915 Danielson St
Suite 100
Poway, CA 92064
www.frameMAX.com



© FrameMax Inc.

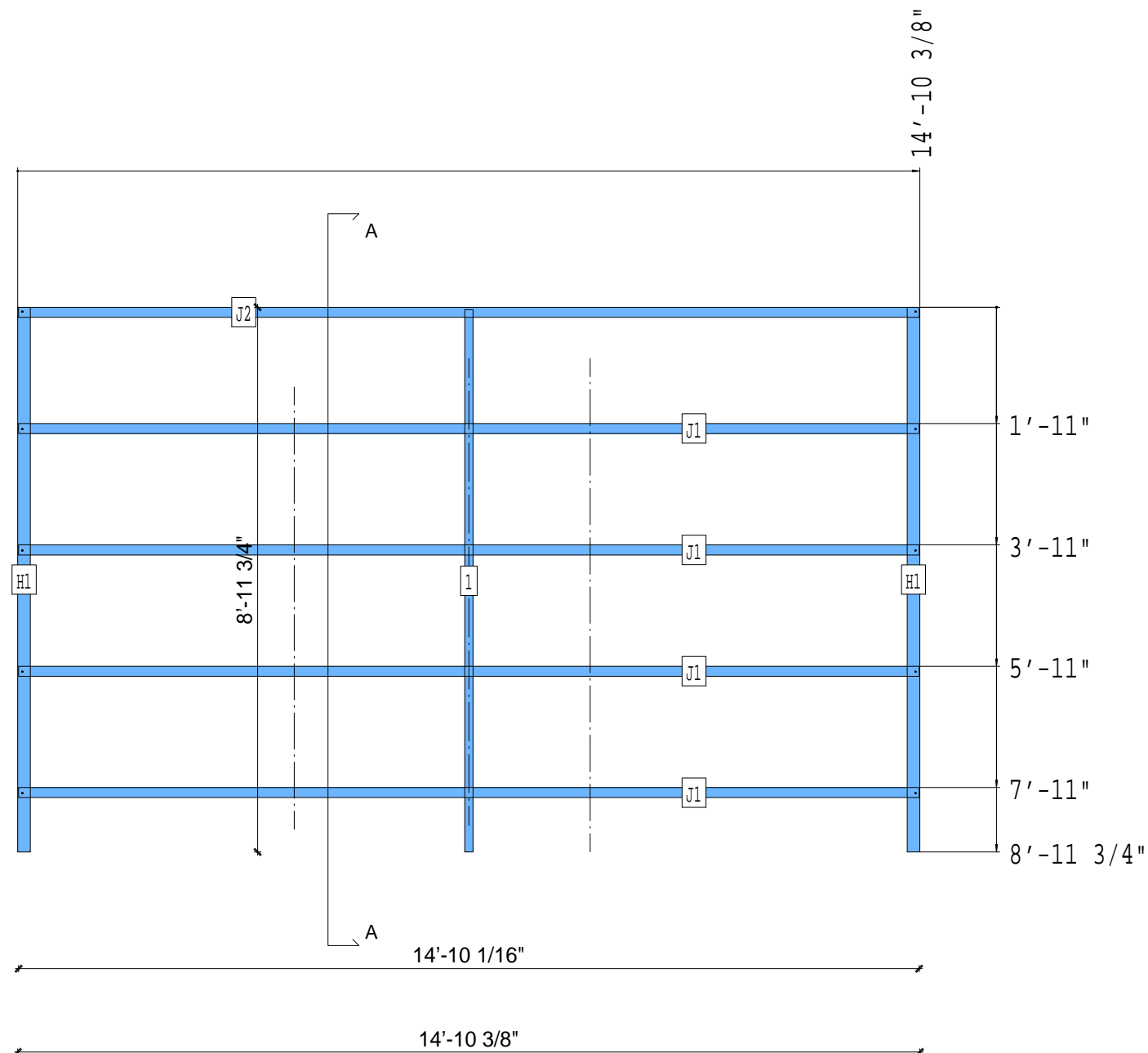
APPROVED
By Ivan Juarez at 7:30 am, Dec 11, 2008



Bottom



A-A



PIECE SCHEDULE						
LAB	QTY	MATERIAL	DESCRIPTION	LENGTH	ANG1	ANG2
1	1	362S162-54	JOIST	8'-11 1/4"		
H1	2	1000T250-97	HEADER	8'-11 3/4"		
J1	4	1000S200-97	JOIST	14'-10 1/16"		
J2	1	1000S200-97	JOIST	14'-10 1/16"		

12-5018

Jewish Home for the Aging

1885 Victory Blvd. Reseda, CA

FM-07-109

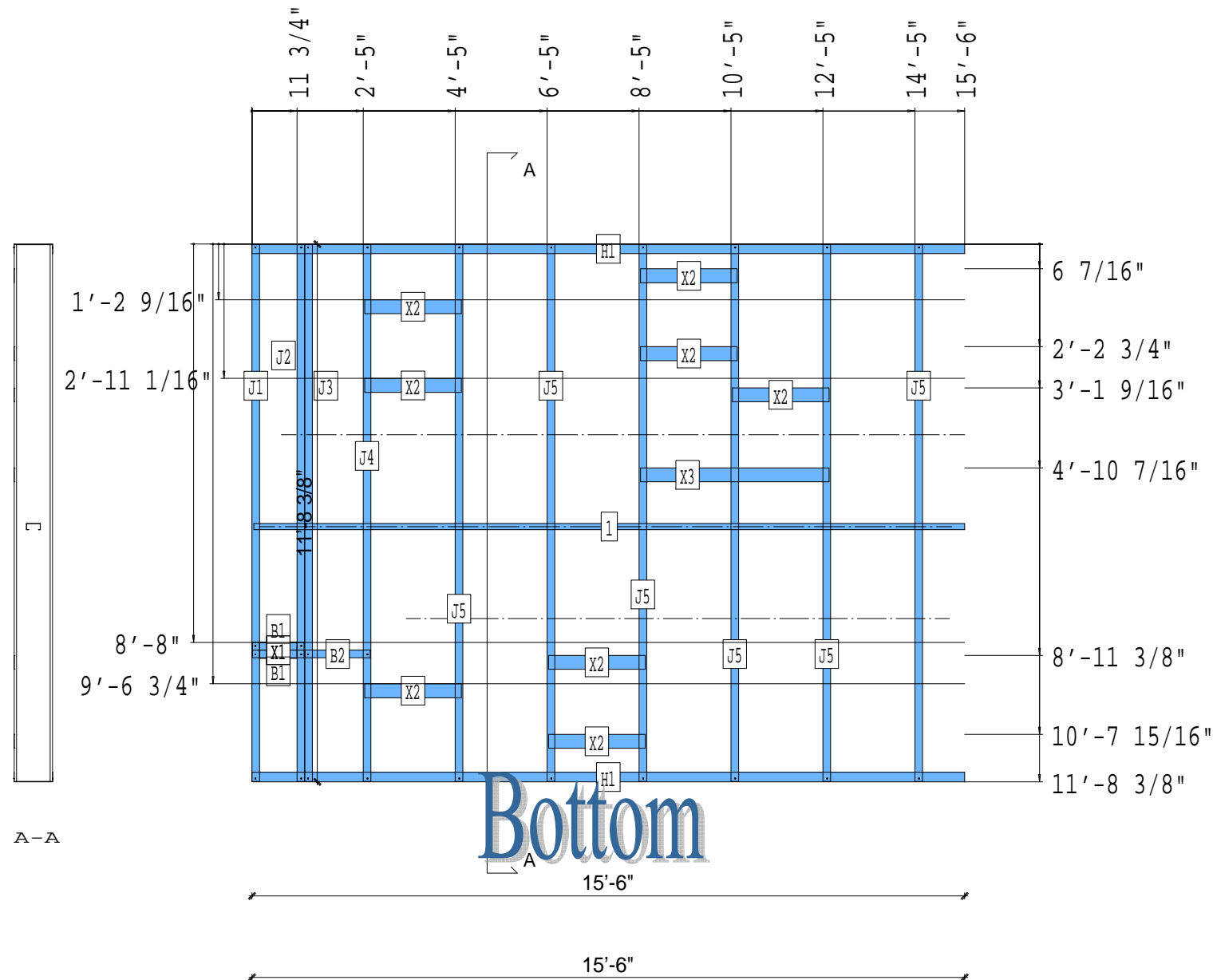
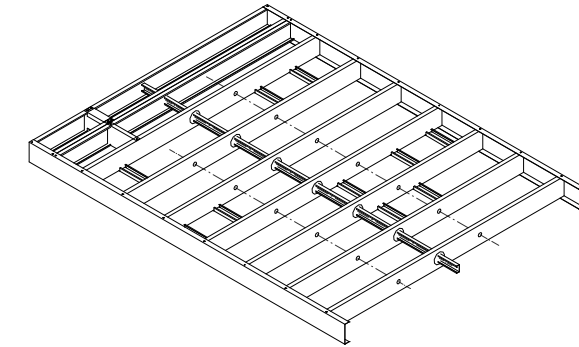
CREATED BY: AMB

FrameMax, Inc.
13915 Danielson St
Suite 100
Poway, CA 92064
www.frameMAX.com



© FrameMax Inc.

APPROVED
By Ivan Juarez at 7:30 am, Dec 11, 2008



Bottom

PIECE SCHEDULE						
LAB	QTY	MATERIAL	DESCRIPTION	LENGTH	ANG1	ANG2
1	1	362S162-54	JOIST	15'-5 1/2"		
B1	2	1000S200-68	BLOCK	1'-1 1/2"		
B2	1	1000S200-68	BLOCK	1'-5"		
H1	2	1000T250-68	HEADER	15'-6"		
J1	1	1000S200-68	JOIST	11'-8 1/8"		
J2	1	1000S200-68	JOIST	11'-8 1/8"		
J3	1	1000S200-68	JOIST	11'-8 1/8"		
J4	1	1000S200-68	JOIST	11'-8 1/8"		
J5	6	1000S200-68	JOIST	11'-8 1/8"		
X1	2	400T200-68	FLAT TRACK B	9 3/4"		
X2	8	362S162-33	FLAT TRACK B	2'-1 1/4"		
X3	1	362S162-33	FLAT TRACK B	4'-1 1/4"		

12-5019

CREATED: 12/09/2008

Jewish Home for the Aging

1885 Victory Blvd. Reseda, CA

FM-07-109

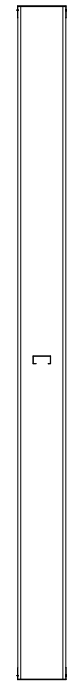
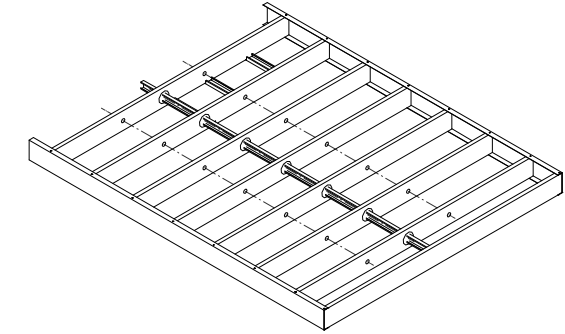
CREATED BY: AMB

FrameMax, Inc.
13915 Danielson St
Suite 100
Poway, CA 92064
www.framemax.com

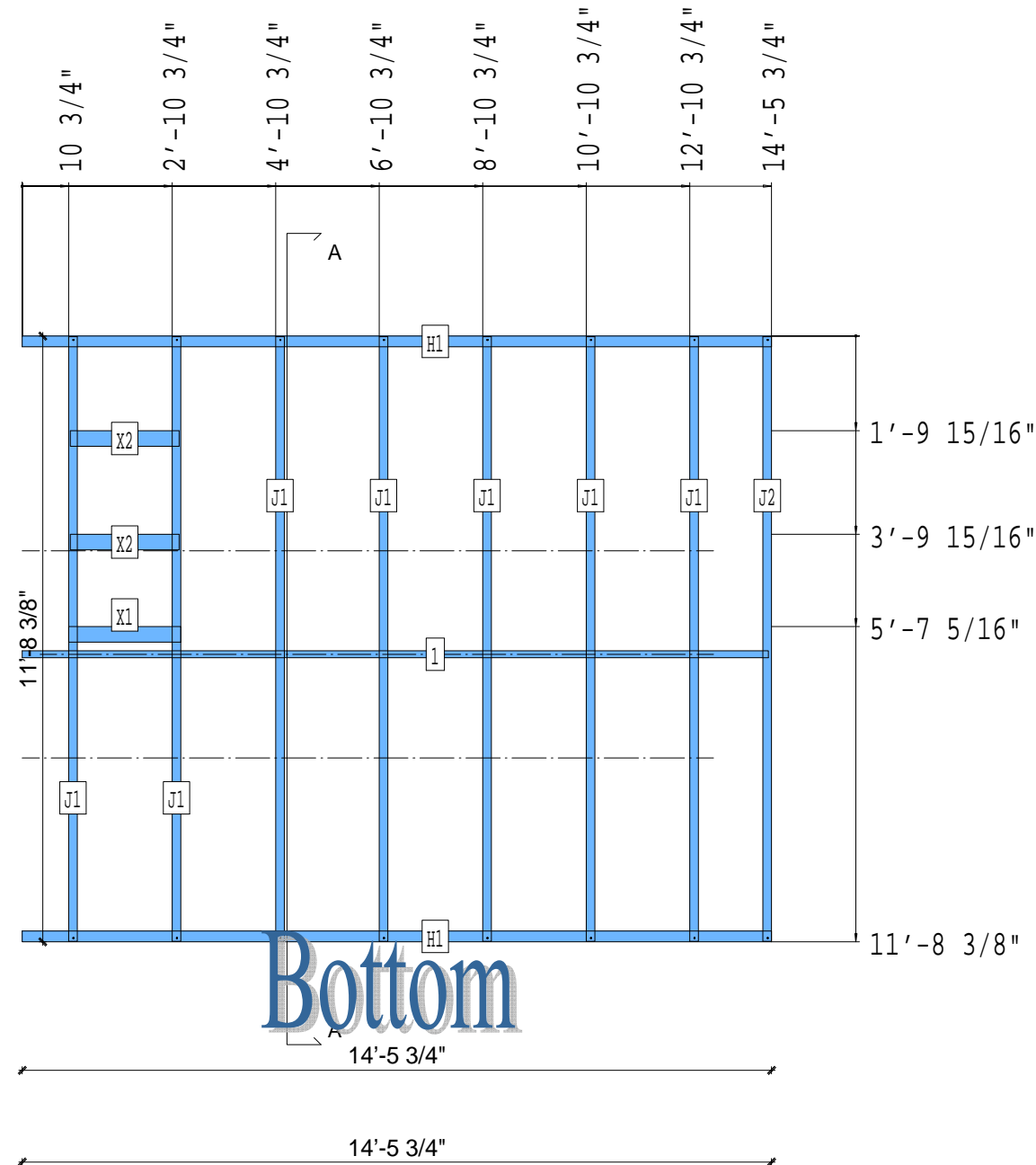


© FrameMax Inc.

APPROVED
By Ivan Juarez at 7:30 am, Dec 11, 2008



A-A



PIECE SCHEDULE						
LAB	QTY	MATERIAL	DESCRIPTION	LENGTH	ANG1	ANG2
1	1	362S162-54	JOIST	14'-5"		
H1	2	1000T250-68	HEADER	14'-5 3/4"		
J1	7	1000S200-68	JOIST	11'-8 1/8"		
J2	1	1000S200-68	JOIST	11'-8 1/8"		
X1	1	362S162-33	FLAT TRACK B	2'-2"		
X2	2	362S162-33	FLAT TRACK B	2'-1 1/4"		

12-5020

CREATED: 12/09/2008

Jewish Home for the Aging

1885 Victory Blvd. Reseda, CA

FM-07-109

CREATED BY: AMB

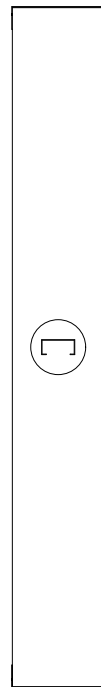
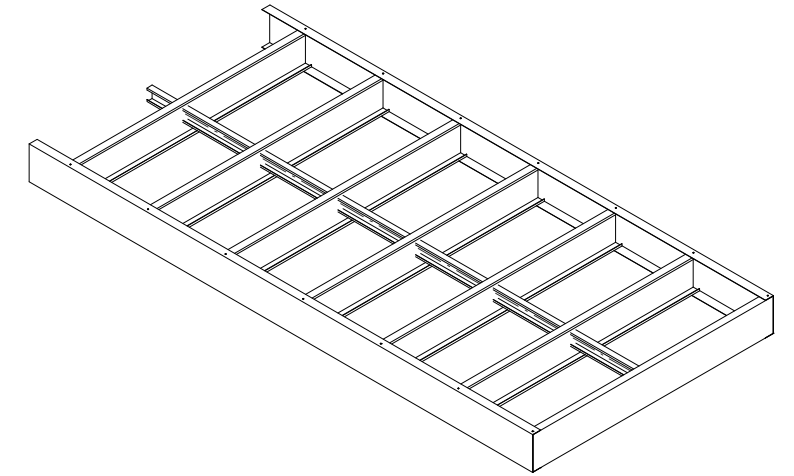
FrameMax, Inc.
13915 Danielson St
Suite 100
Poway, CA 92064
www.framemax.com



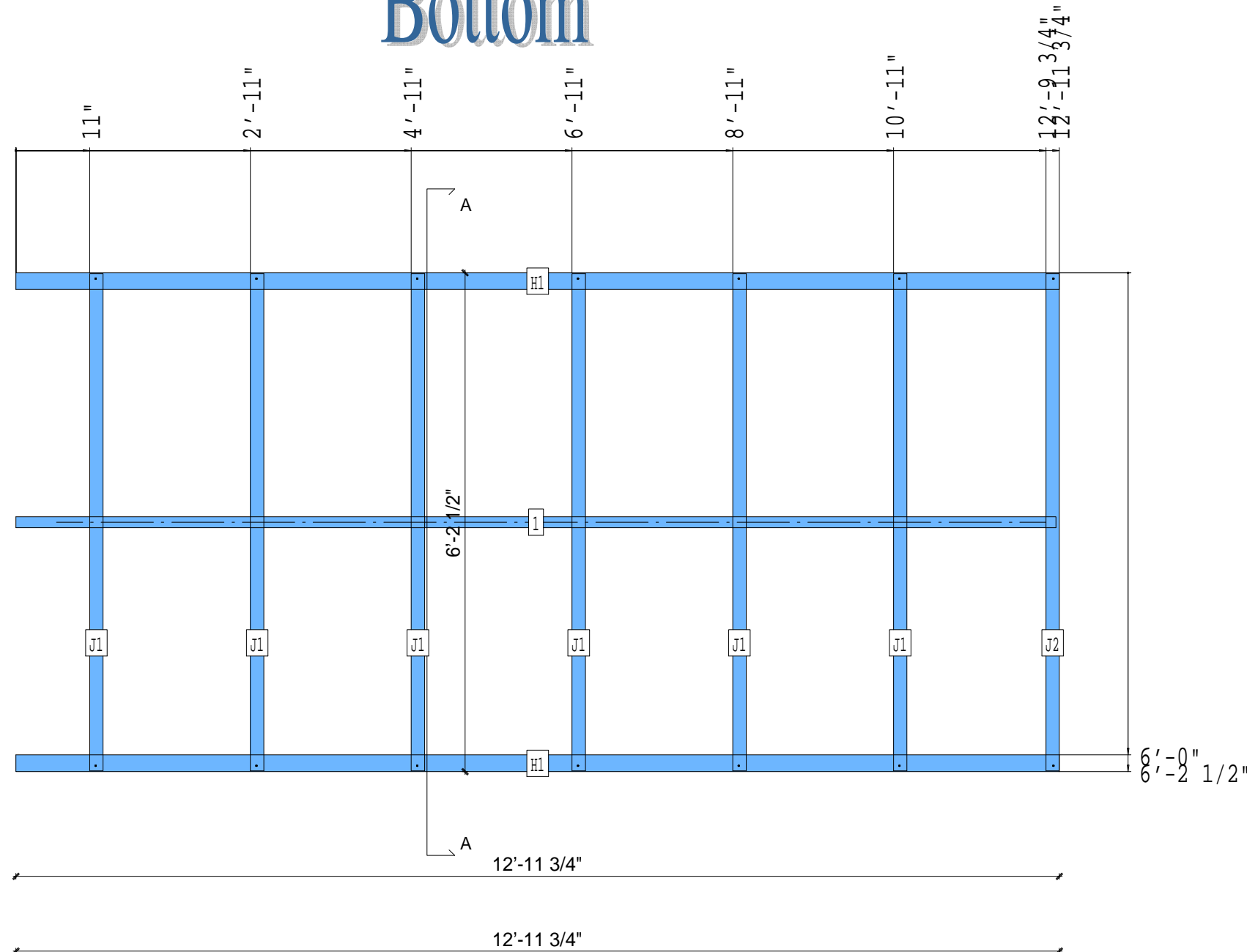
© FrameMax Inc.

APPROVED
By Ivan Juarez at 7:30 am, Dec 11, 2008

Bottom



A-A



PIECE SCHEDULE						
LAB	QTY	MATERIAL	DESCRIPTION	LENGTH	ANG1	ANG2
1	1	362S162-54	JOIST	12'-11 1/4"		
H1	2	1000T250-68	HEADER	12'-11 3/4"		
J1	6	1000S200-68	JOIST	6'-2 1/4"		
J2	1	1000S200-68	JOIST	6'-2 1/4"		

12-5021

CREATED: 12/09/2008

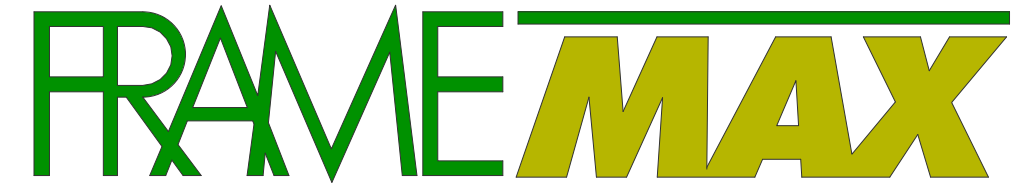
Jewish Home for the Aging

1885 Victory Blvd. Reseda, CA

FM-07-109

CREATED BY: AMB

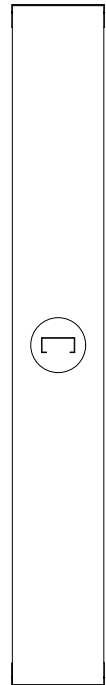
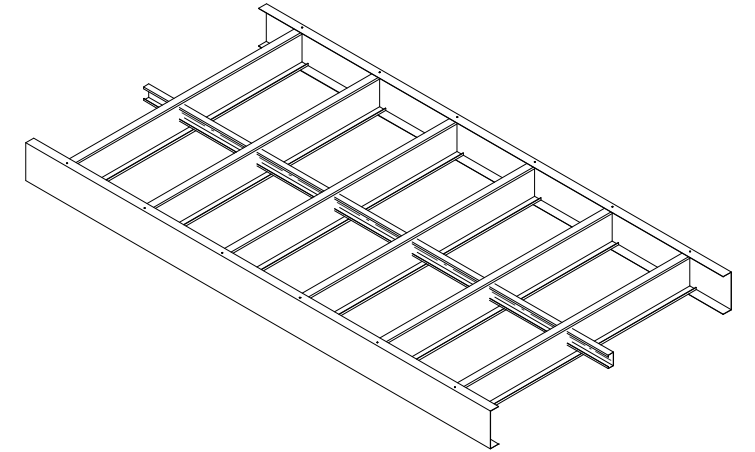
FrameMax, Inc.
13915 Danielson St
Suite 100
Poway, CA 92064
www.framemax.com



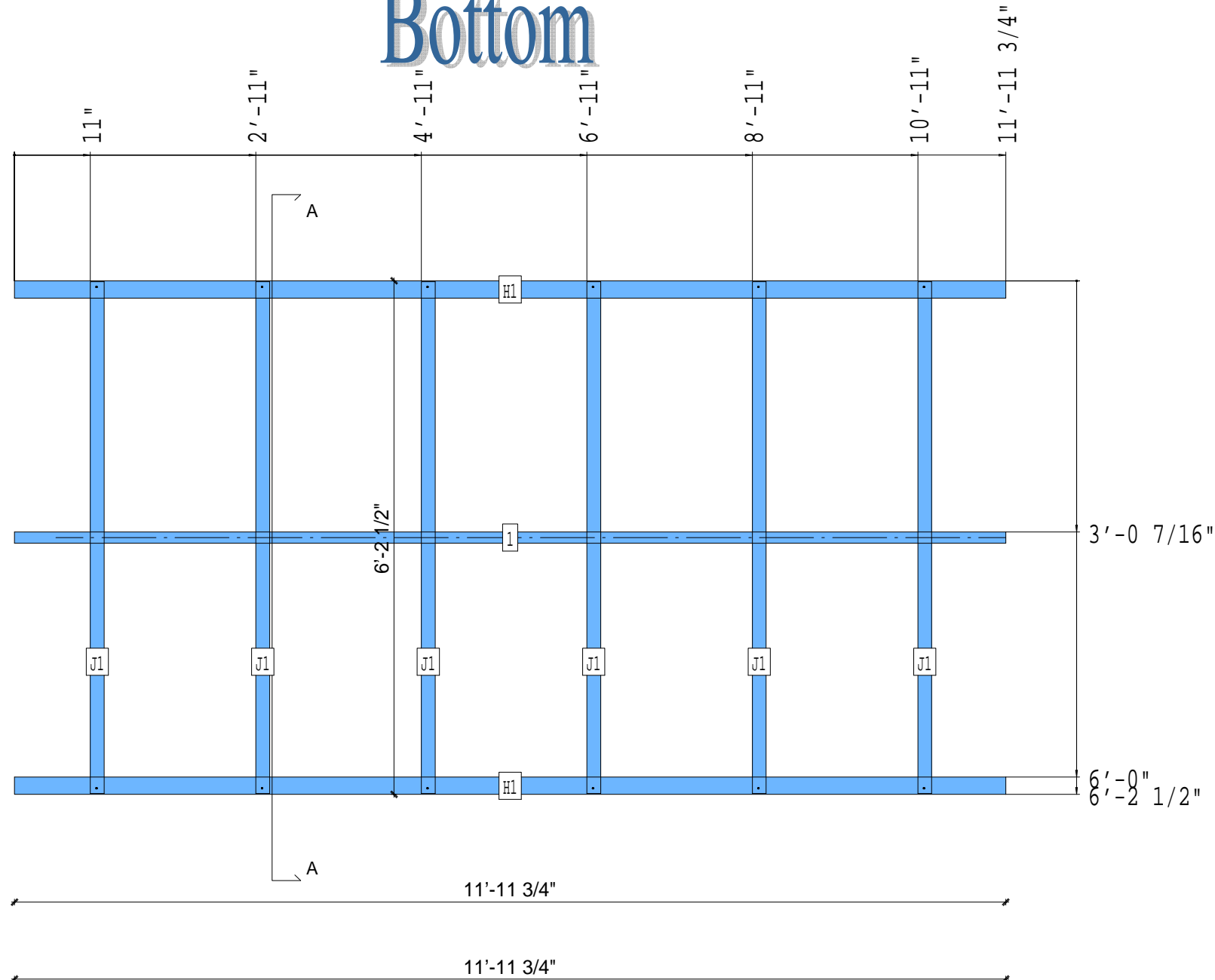
© FrameMax Inc.

APPROVED
By Ivan Juarez at 7:30 am, Dec 11, 2008

Bottom



A-A



PIECE SCHEDULE						
LAB	QTY	MATERIAL	DESCRIPTION	LENGTH	ANG1	ANG2
1	1	362S162-54	JOIST	11'-11 3/4"		
H1	2	1000T250-68	HEADER	11'-11 3/4"		
J1	6	1000S200-68	JOIST	6'-2 1/4"		

12-5022

CREATED: 12/09/2008

Jewish Home for the Aging

1885 Victory Blvd. Reseda, CA

FM-07-109

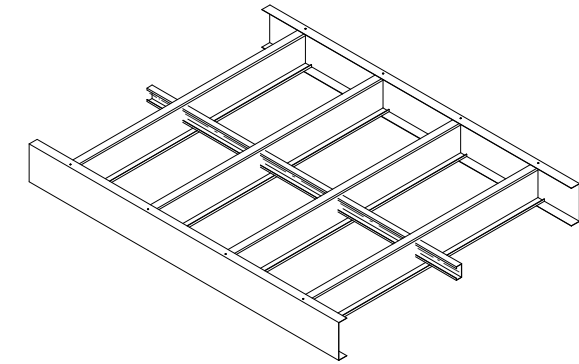
CREATED BY: AMB

FrameMax, Inc.
 13915 Danielson St
 Suite 100
 Poway, CA 92064
 www.framemax.com

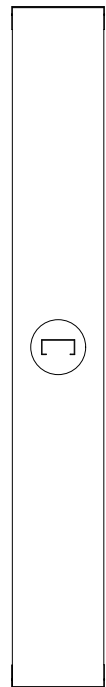


© FrameMax Inc.

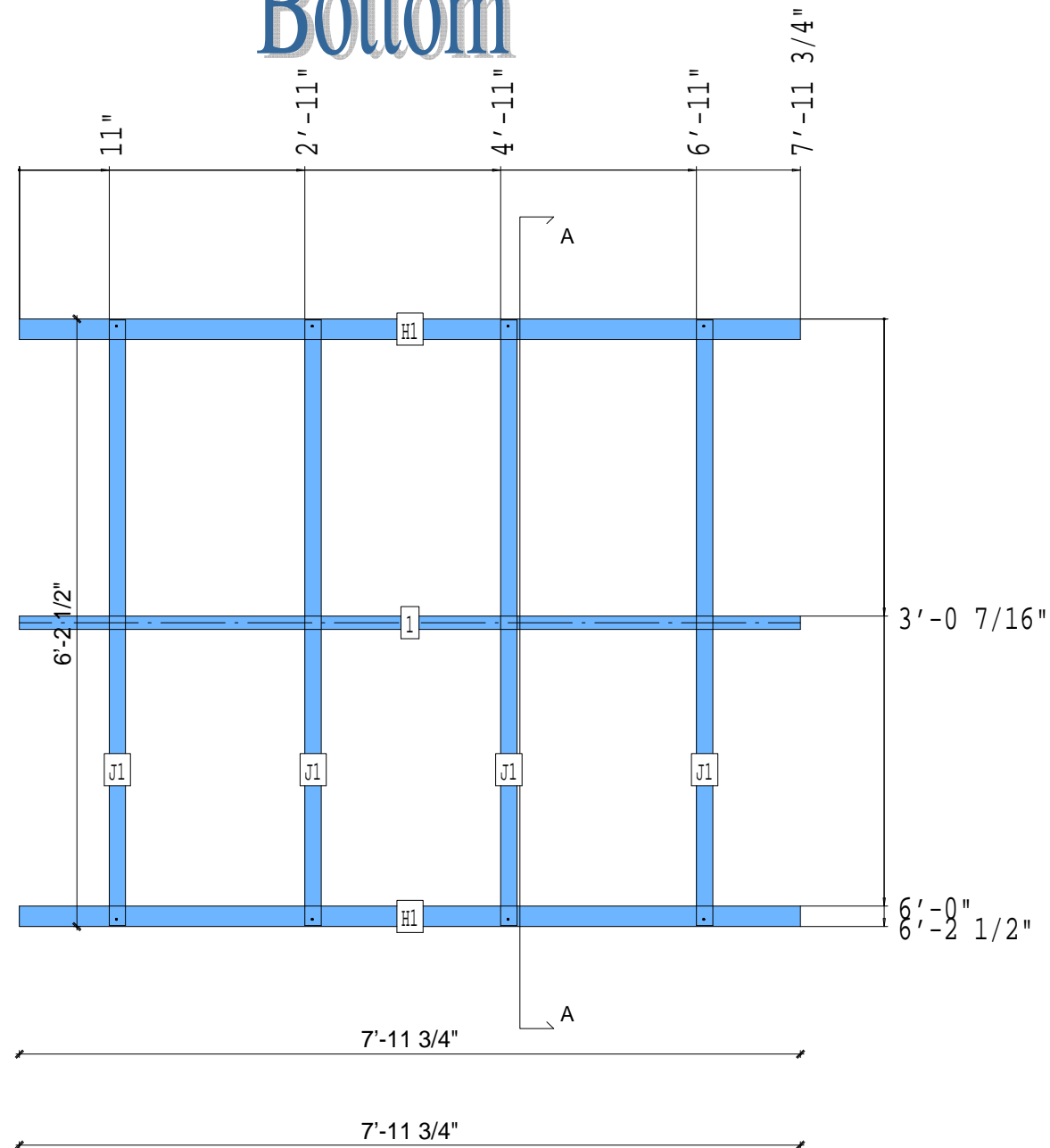
APPROVED
 By Ivan Juarez at 7:30 am, Dec 11, 2008



Bottom



A-A



PIECE SCHEDULE						
LAB	QTY	MATERIAL	DESCRIPTION	LENGTH	ANG1	ANG2
J1	4	1000S200-68	JOIST	6'-2 1/4"		
H1	2	1000T250-68	HEADER	7'-11 3/4"		
1	1	362S162-54	JOIST	7'-11 3/4"		

12-5023

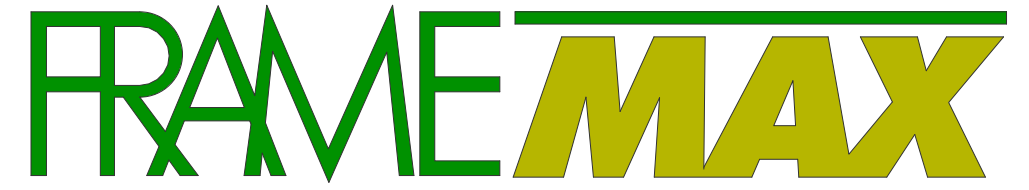
Jewish Home for the Aging

1885 Victory Blvd. Reseda, CA

FM-07-109

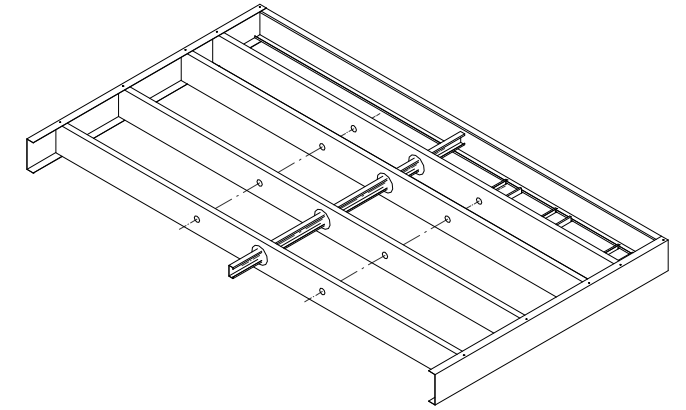
CREATED BY: AMB

FrameMax, Inc.
13915 Danielson St
Suite 100
Poway, CA 92064
www.frame-max.com

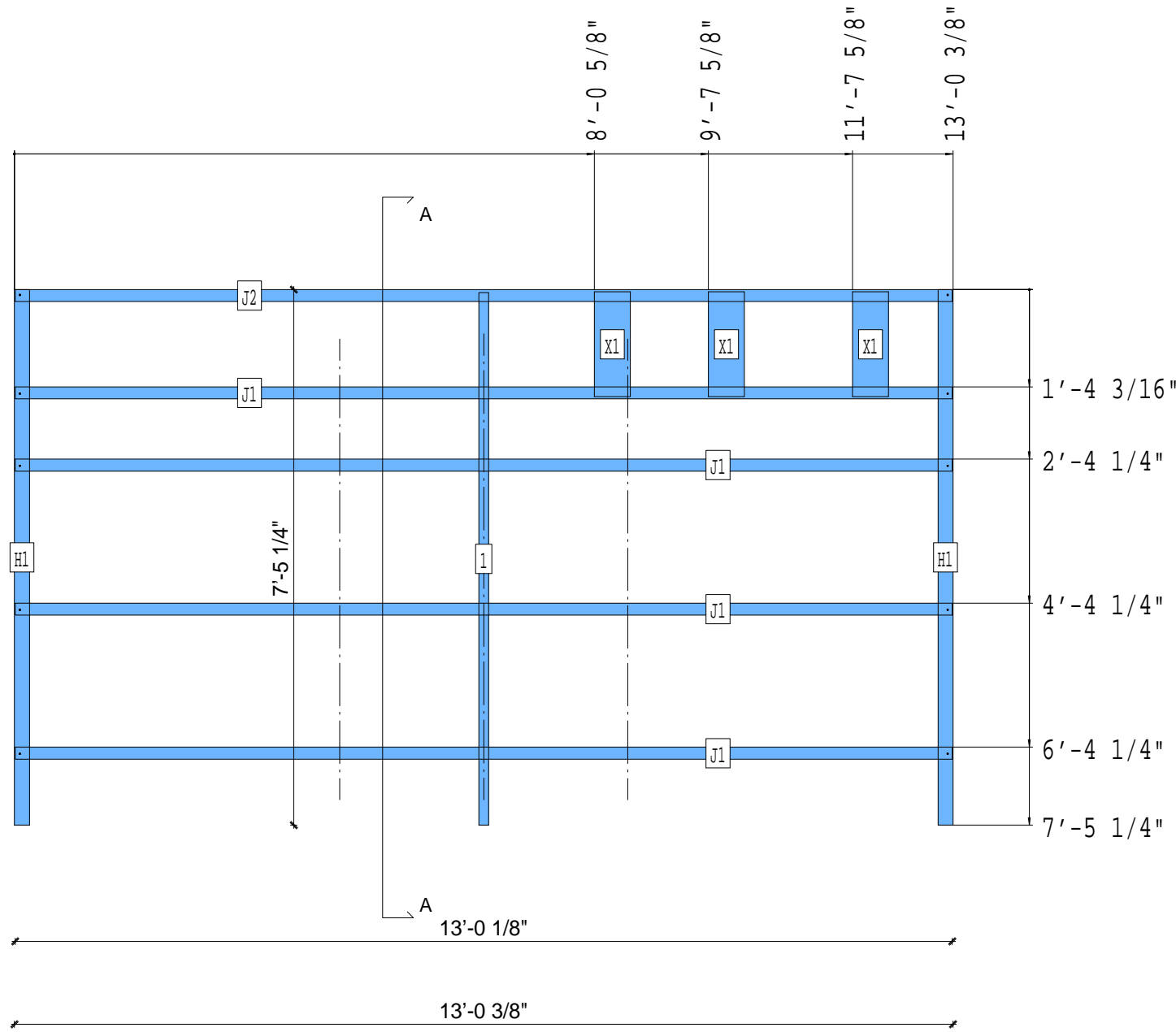


© FrameMax Inc.

APPROVED
By Ivan Juarez at 7:30 am, Dec 11, 2008



Bottom



A-A

PIECE SCHEDULE						
LAB	QTY	MATERIAL	DESCRIPTION	LENGTH	ANG1	ANG2
1	1	362S162-54	JOIST	7'-4 3/4"		
H1	2	1000T250-68	HEADER	7'-5 1/4"		
J1	4	1000S200-68	JOIST	13'-0 1/8"		
J2	1	1000S200-68	JOIST	13'-0 1/8"		
X1	3	600S162-33	FLAT TRACK B	1'-5 7/16"		

12-5024

Jewish Home for the Aging

1885 Victory Blvd. Reseda, CA

FM-07-109

CREATED BY: AMB

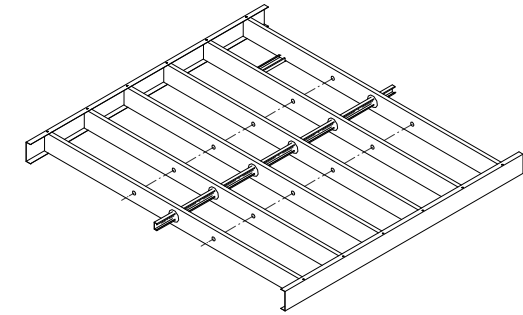
FrameMax, Inc.
 13915 Danielson St
 Suite 100
 Poway, CA 92064
 www.framemax.com



© FrameMax Inc.

CREATED: 12/09/2008

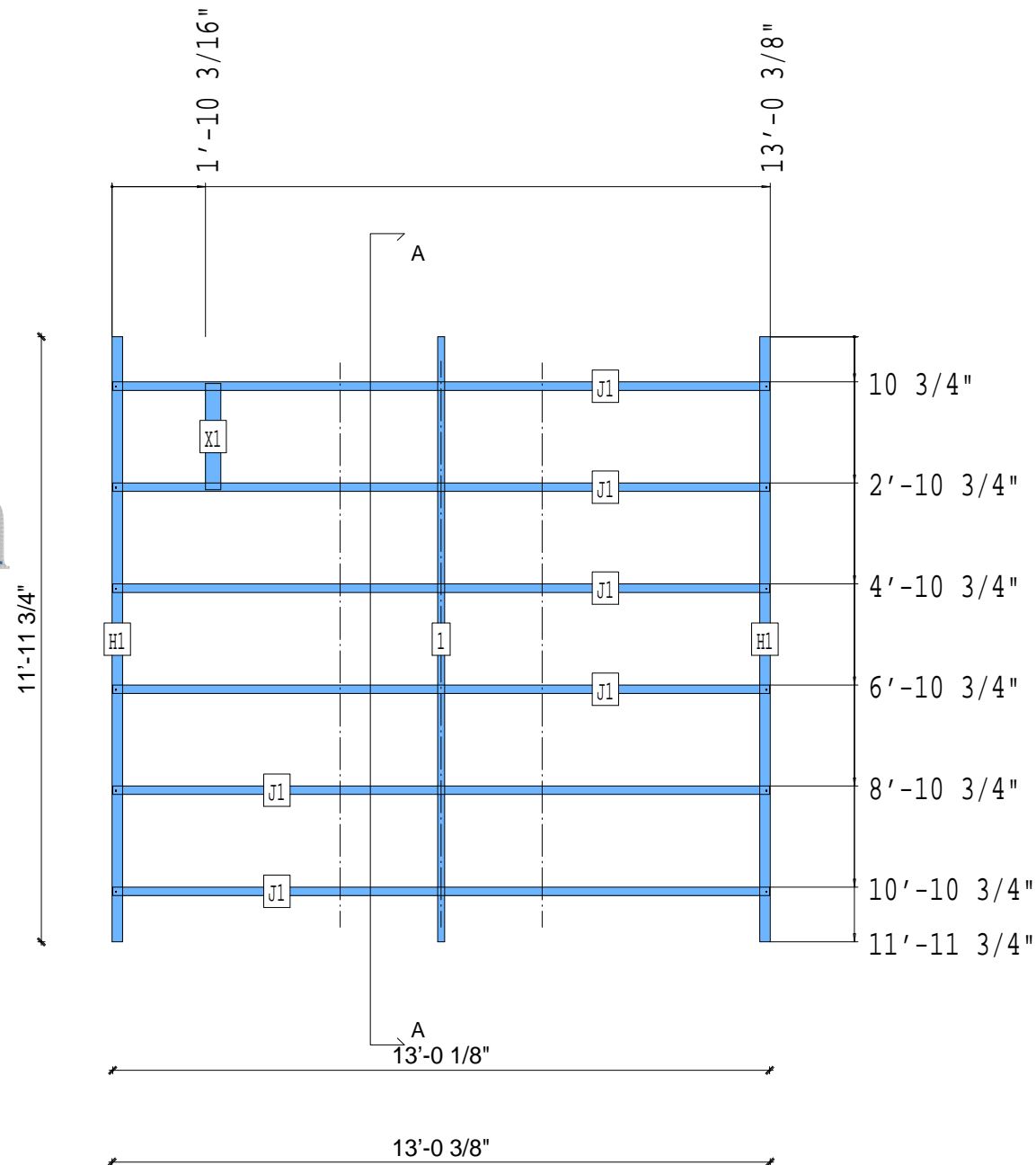
APPROVED
 By Ivan Juarez at 7:30 am, Dec 11, 2008



Bottom



A-A



PIECE SCHEDULE						
LAB	QTY	MATERIAL	DESCRIPTION	LENGTH	ANG1	ANG2
1	1	362S162-54	JOIST	11'-11 3/4"		
H1	2	1000T250-68	HEADER	11'-11 3/4"		
J1	6	1000S200-68	JOIST	13'-0 1/8"		
X1	1	362S162-33	FLAT TRACK B	2'-1 1/4"		

12-5025

CREATED: 12/09/2008

Jewish Home for the Aging

1885 Victory Blvd. Reseda, CA

FM-07-109

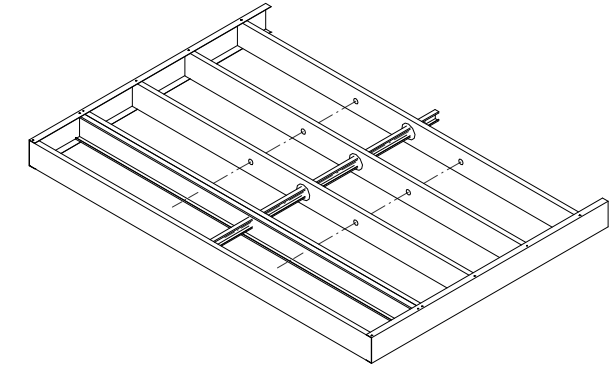
CREATED BY: AMB

FrameMax, Inc.
13915 Danielson St
Suite 100
Poway, CA 92064
www.framemax.com



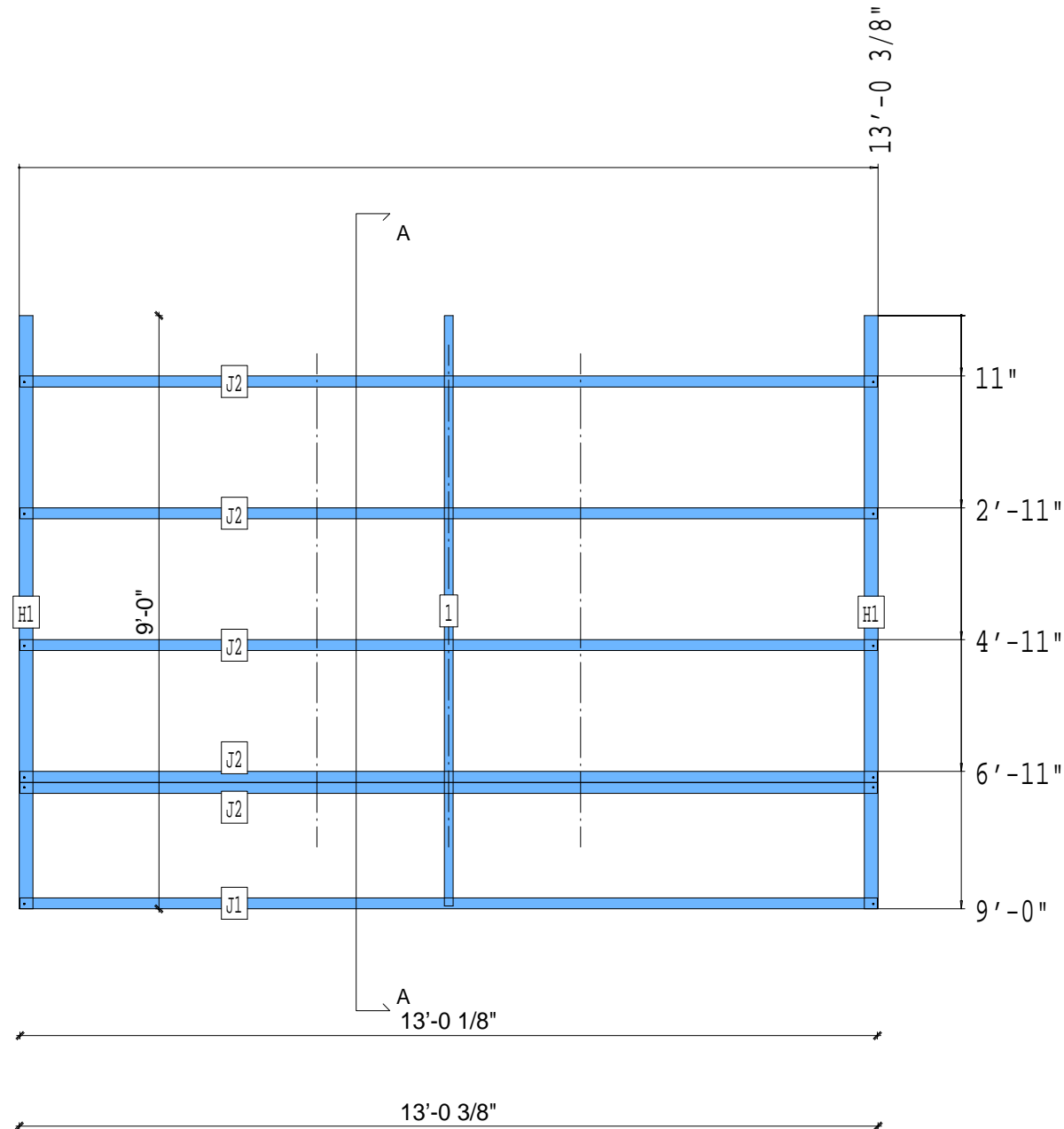
© FrameMax Inc.

APPROVED
By Ivan Juarez at 7:30 am, Dec 11, 2008



Bottom

A-A



PIECE SCHEDULE						
LAB	QTY	MATERIAL	DESCRIPTION	LENGTH	ANG1	ANG2
1	1	362S162-54	JOIST	8'-11 1/2"		
H1	2	1000T250-68	HEADER	9'-0"		
J1	1	1000S200-68	JOIST	13'-0 1/8"		
J2	5	1000S200-68	JOIST	13'-0 1/8"		

12-5026

CREATED: 12/09/2008

Jewish Home for the Aging

1885 Victory Blvd. Reseda, CA

FM-07-109

CREATED BY: AMB

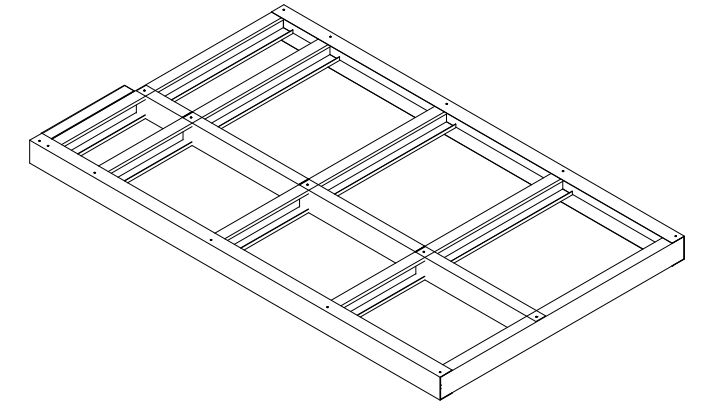
FrameMax, Inc.
13915 Danielson St
Suite 100
Poway, CA 92064
www.frame-max.com



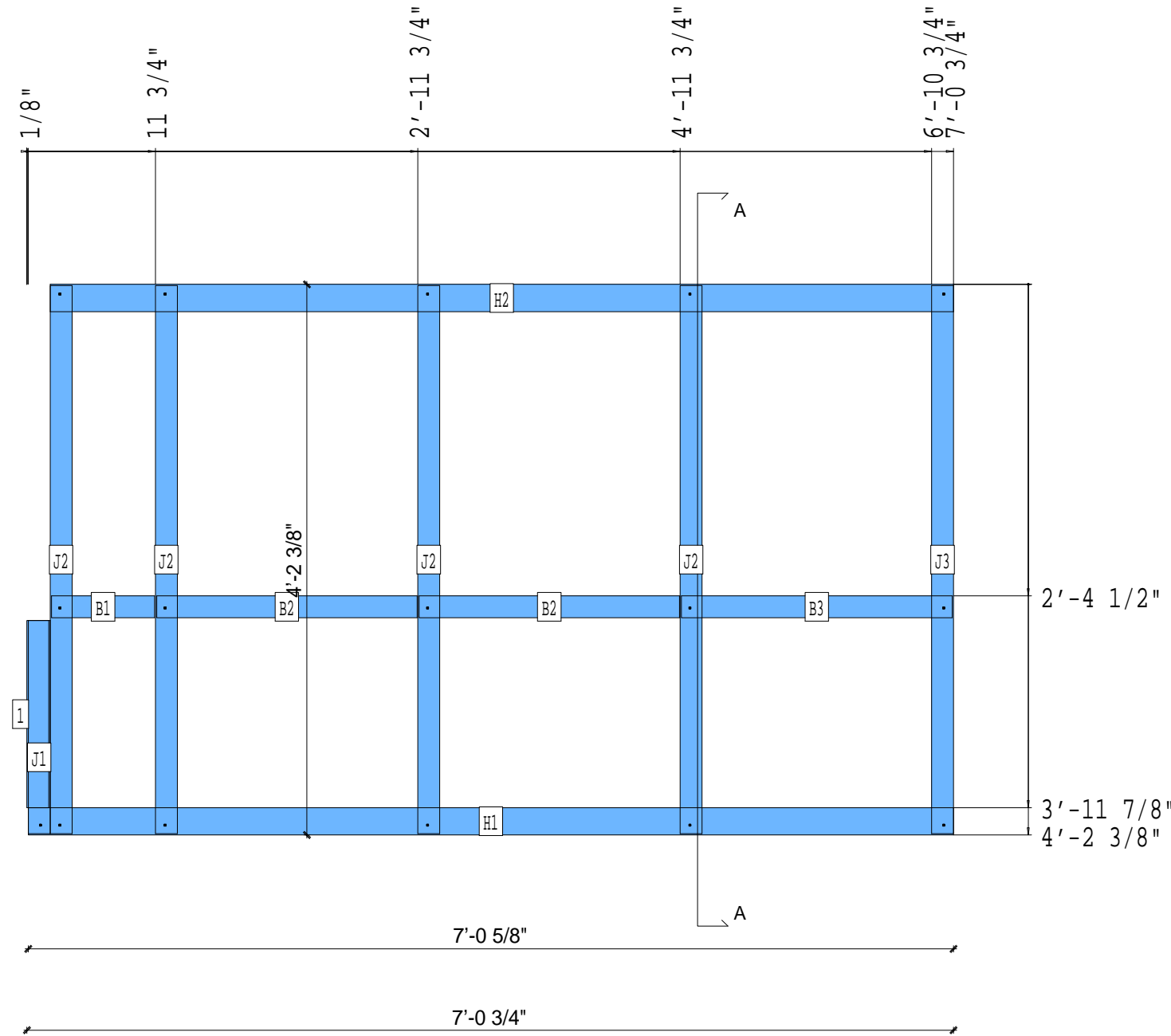
© FrameMax Inc.

APPROVED
By Ivan Juarez at 7:30 am, Dec 11, 2008

Bottom



A-A



PIECE SCHEDULE						
LAB	QTY	MATERIAL	DESCRIPTION	LENGTH	ANG1	ANG2
1	1	400T200-54	JOIST	1'-5 1/8"		
B1	1	400S200-54	BLOCK	9 7/16"		
B2	2	400S200-54	BLOCK	1'-11 13/16"		
B3	1	400S200-54	BLOCK	2'-0 3/4"		
H1	1	400T250-54	HEADER	7'-0 5/8"		
H2	1	400T250-54	HEADER	6'-10 5/8"		
J1	1	400S200-54	JOIST	1'-7 1/2"		
J2	4	400S200-54	JOIST	4'-2 1/8"		
J3	1	400S200-54	JOIST	4'-2 1/8"		

12-5027

Jewish Home for the Aging

1885 Victory Blvd. Reseda, CA

FM-07-109

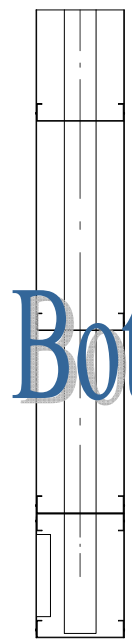
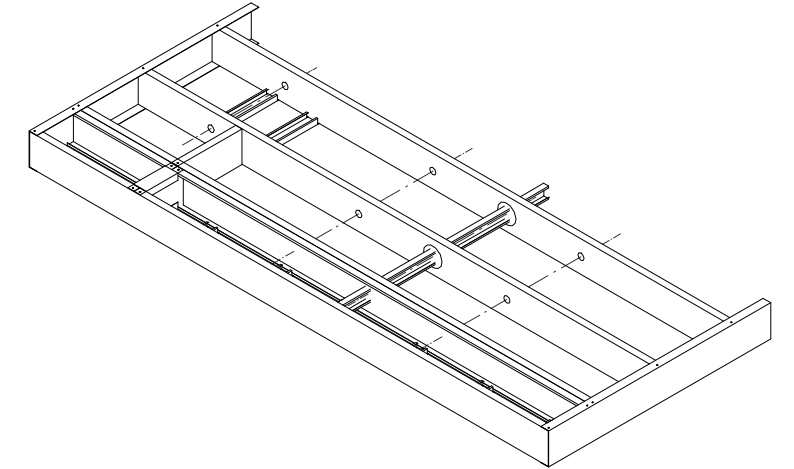
CREATED BY: AMB

FrameMax, Inc.
13915 Danielson St
Suite 100
Poway, CA 92064
www.framemax.com

FRAMEMAX

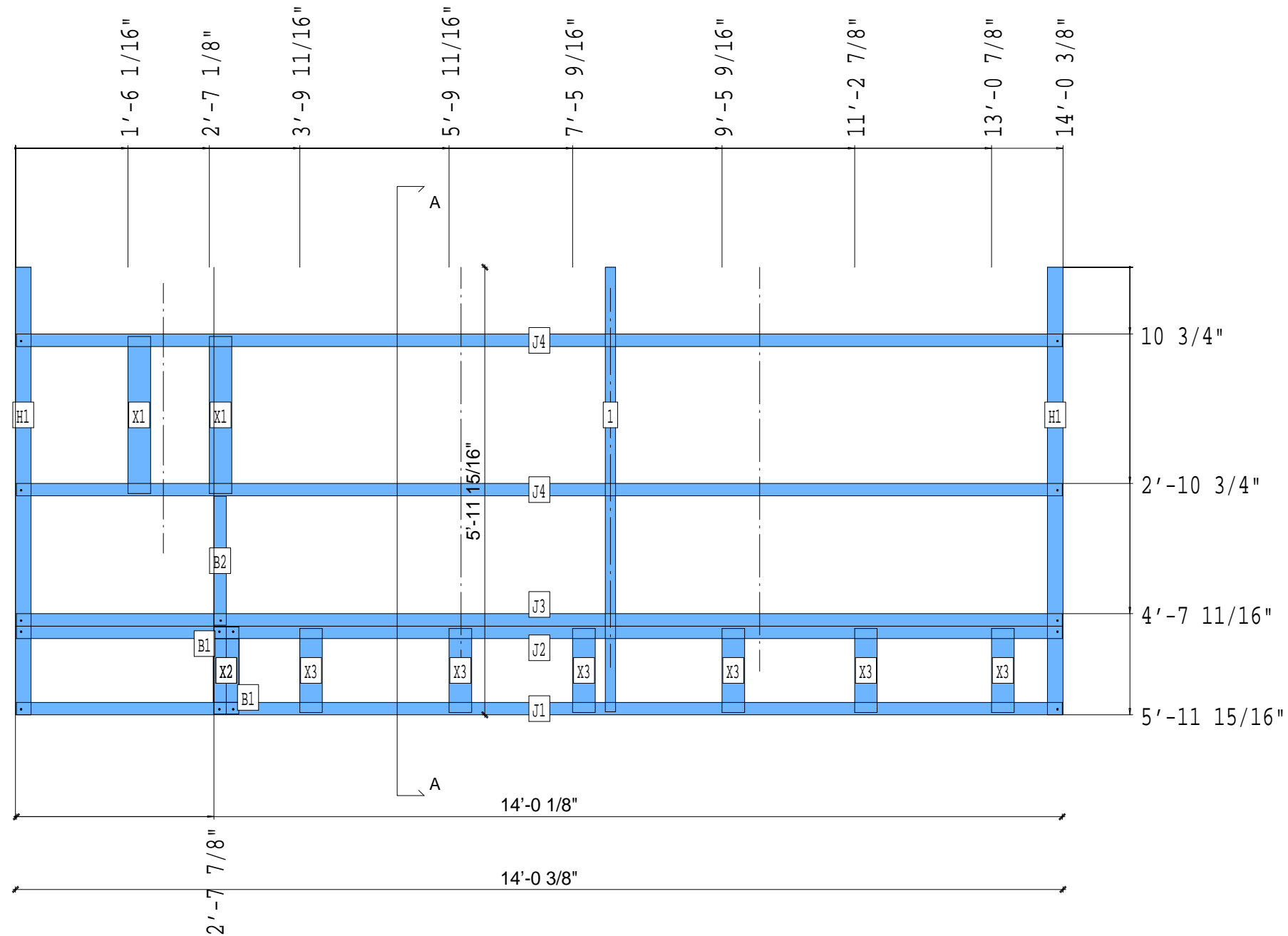
© FrameMax Inc.

APPROVED
By Ivan Juarez at 7:30 am, Dec 11, 2008



Bottom

A-A



PIECE SCHEDULE						
LAB	QTY	MATERIAL	DESCRIPTION	LENGTH	ANG1	ANG2
1	1	362S162-54	JOIST	5'-11 7/16"		
B1	2	1000S200-68	BLOCK	1'-2"		
B2	1	1000S200-68	BLOCK	1'-8 3/4"		
H1	2	1000T250-68	HEADER	5'-11 15/16"		
J1	1	1000S200-68	JOIST	14'-0 1/8"		
J2	1	1000S200-68	JOIST	14'-0 1/8"		
J3	1	1000S200-68	JOIST	14'-0 1/8"		
J4	2	1000S200-68	JOIST	14'-0 1/8"		
X1	2	362S162-33	FLAT TRACK B	2'-1 1/4"		
X2	2	400T200-68	FLAT TRACK B	10 1/4"		
X3	6	362S162-33	FLAT TRACK B	1'-1 1/2"		

12-5028

Jewish Home for the Aging

1885 Victory Blvd. Reseda, CA

FM-07-109

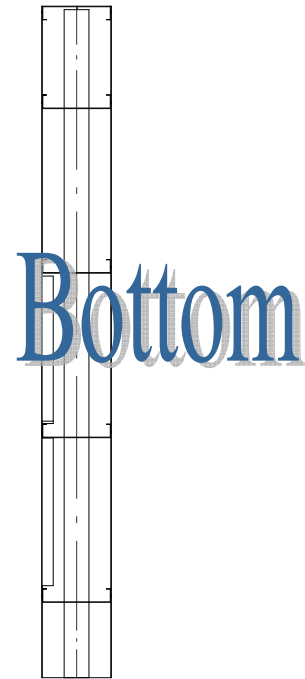
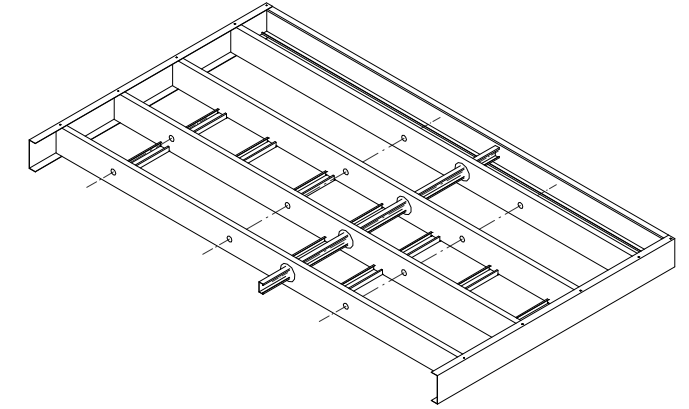
CREATED BY: AMB

FrameMax, Inc.
13915 Danielson St
Suite 100
Poway, CA 92064
www.framemax.com



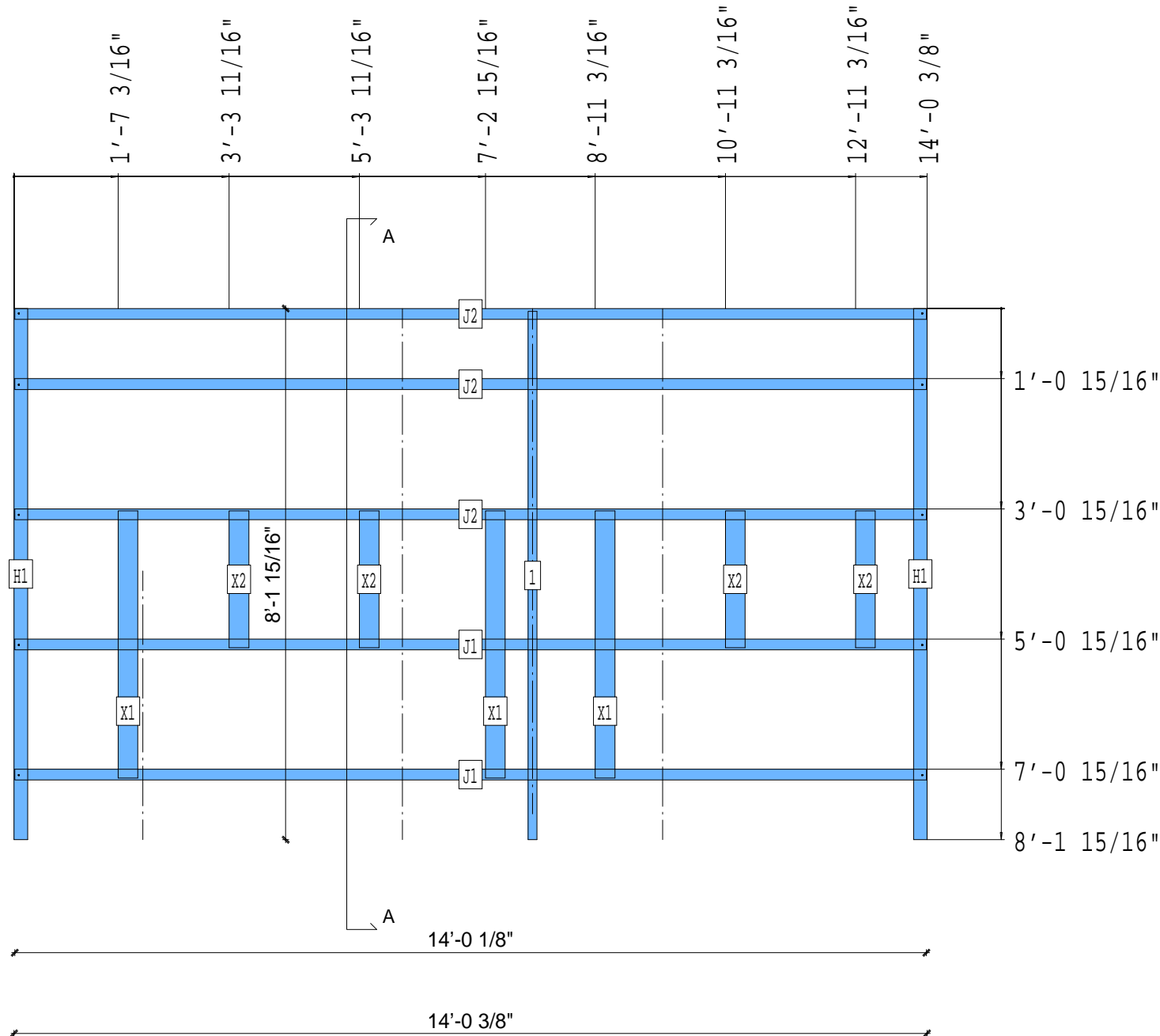
© FrameMax Inc.

APPROVED
By Ivan Juarez at 7:30 am, Dec 11, 2008



Bottom

A-A



PIECE SCHEDULE						
LAB	QTY	MATERIAL	DESCRIPTION	LENGTH	ANG1	ANG2
1	1	362S162-54	JOIST	8'-1 7/16"		
H1	2	1000T250-68	HEADER	8'-1 15/16"		
J1	2	1000S200-68	JOIST	14'-0 1/8"		
J2	3	1000S200-68	JOIST	14'-0 1/8"		
X1	3	362S162-33	FLAT TRACK B	4'-1 1/4"		
X2	4	362S162-33	FLAT TRACK B	2'-1 1/4"		

12-5029

CREATED: 12/09/2008

Jewish Home for the Aging

1885 Victory Blvd. Reseda, CA

FM-07-109

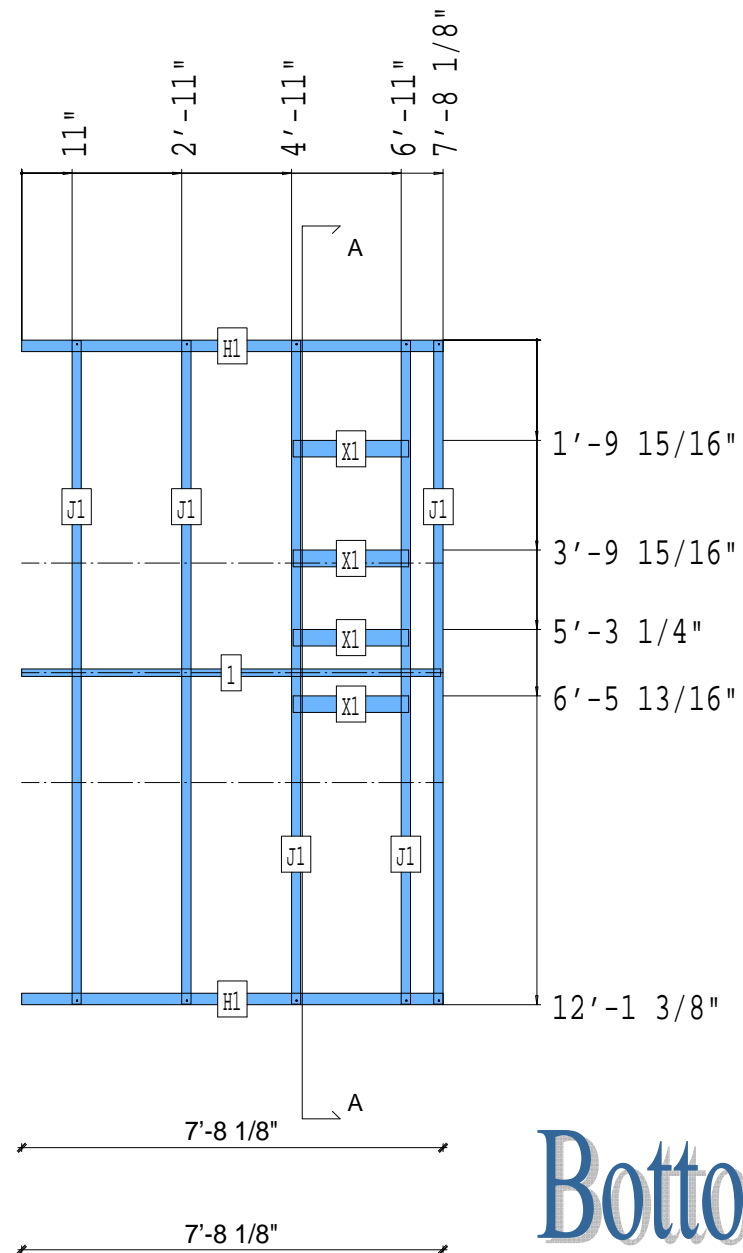
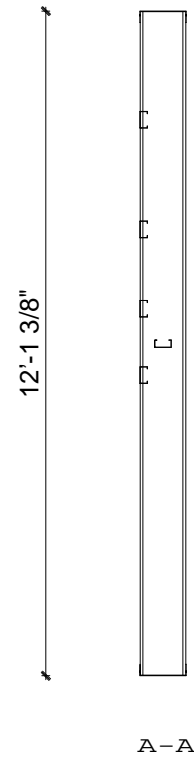
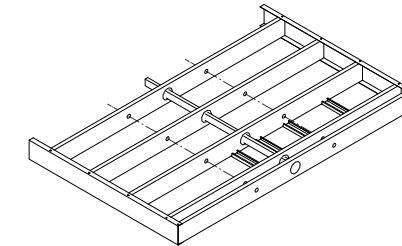
CREATED BY: AMB

FrameMax, Inc.
13915 Danielson St
Suite 100
Poway, CA 92064
www.framemax.com



© FrameMax Inc.

APPROVED
By Ivan Juarez at 7:30 am, Dec 11, 2008



Bottom

PIECE SCHEDULE						
LAB	QTY	MATERIAL	DESCRIPTION	LENGTH	ANG1	ANG2
1	1	362S162-54	JOIST	7'-7 5/8"		
H1	2	1000T250-68	HEADER	7'-8 1/8"		
J1	5	1000S200-68	JOIST	12'-1 1/8"		
X1	4	362S162-33	FLAT TRACK B	2'-1 1/4"		

12-5030

Jewish Home for the Aging

1885 Victory Blvd. Reseda, CA

FM-07-109

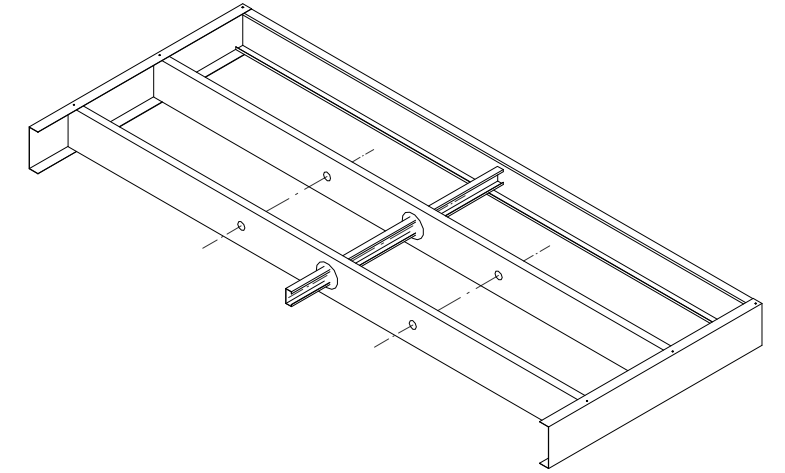
CREATED BY: AMB

FrameMax, Inc.
13915 Danielson St
Suite 100
Poway, CA 92064
www.framemax.com



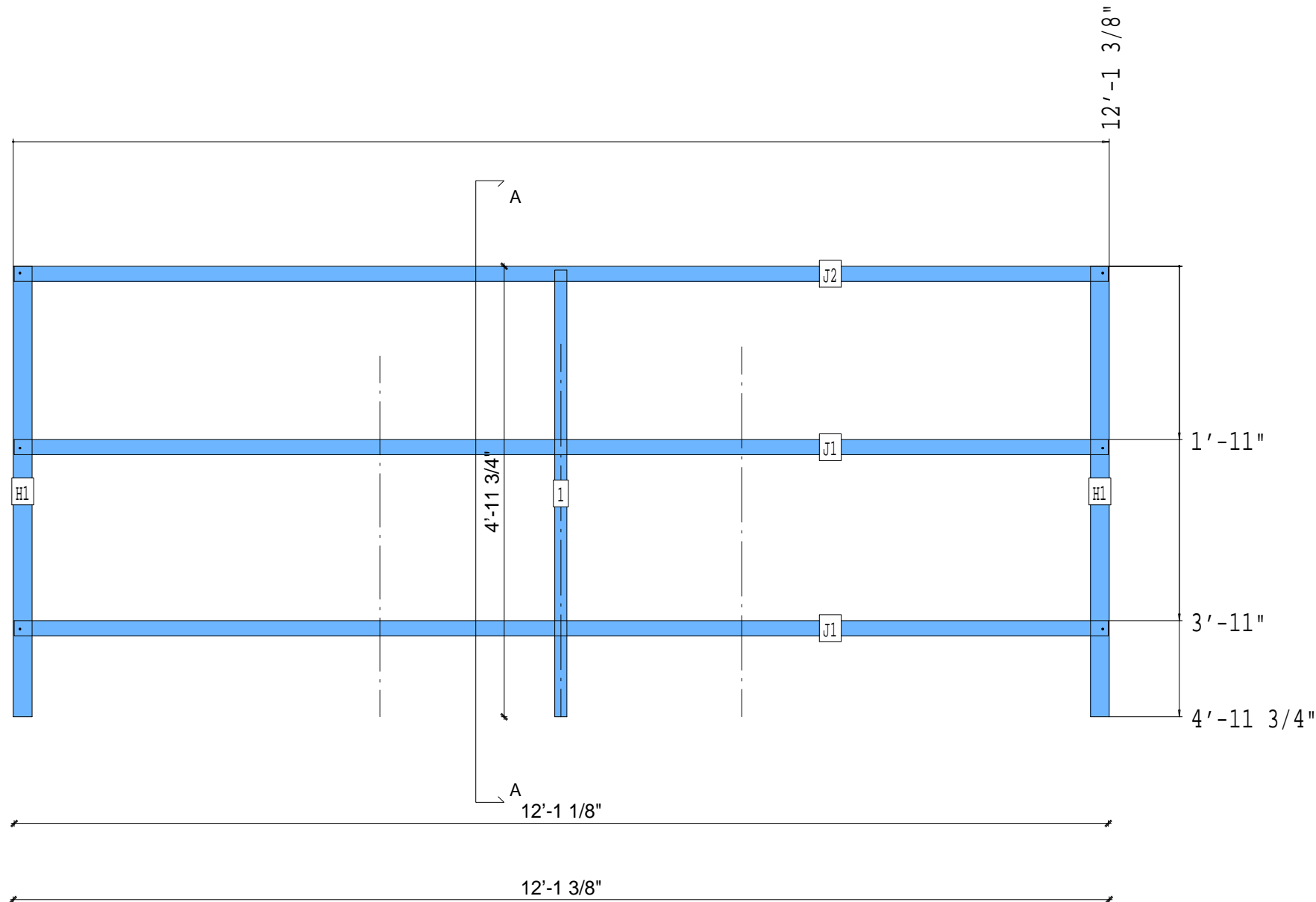
© FrameMax Inc.

APPROVED
By Ivan Juarez at 7:30 am, Dec 11, 2008



Bottom

A-A



PIECE SCHEDULE						
LAB	QTY	MATERIAL	DESCRIPTION	LENGTH	ANG1	ANG2
1	1	362S162-54	JOIST	4'-11 1/4"		
H1	2	1000T250-68	HEADER	4'-11 3/4"		
J1	2	1000S200-68	JOIST	12'-1 1/8"		
J2	1	1000S200-68	JOIST	12'-1 1/8"		

12-5031

Jewish Home for the Aging

1885 Victory Blvd. Reseda, CA

FM-07-109

CREATED BY: AMB

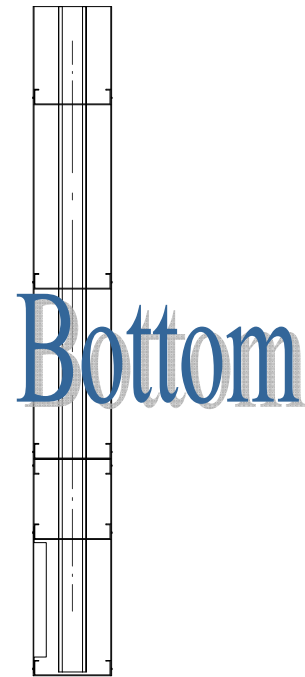
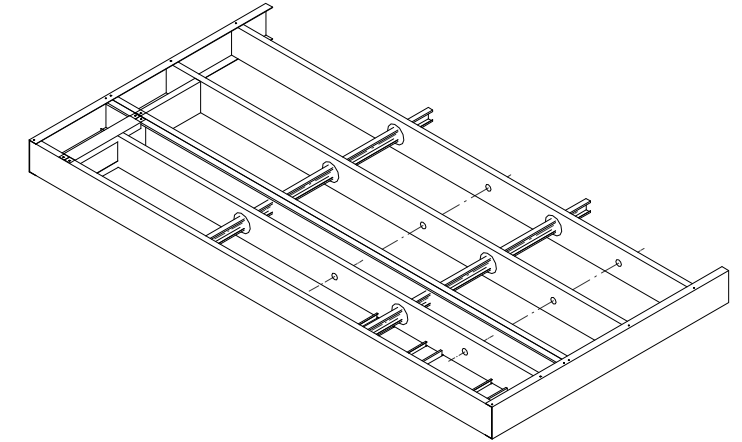
FrameMax, Inc.
13915 Danielson St
Suite 100
Poway, CA 92064
www.framemax.com



© FrameMax Inc.

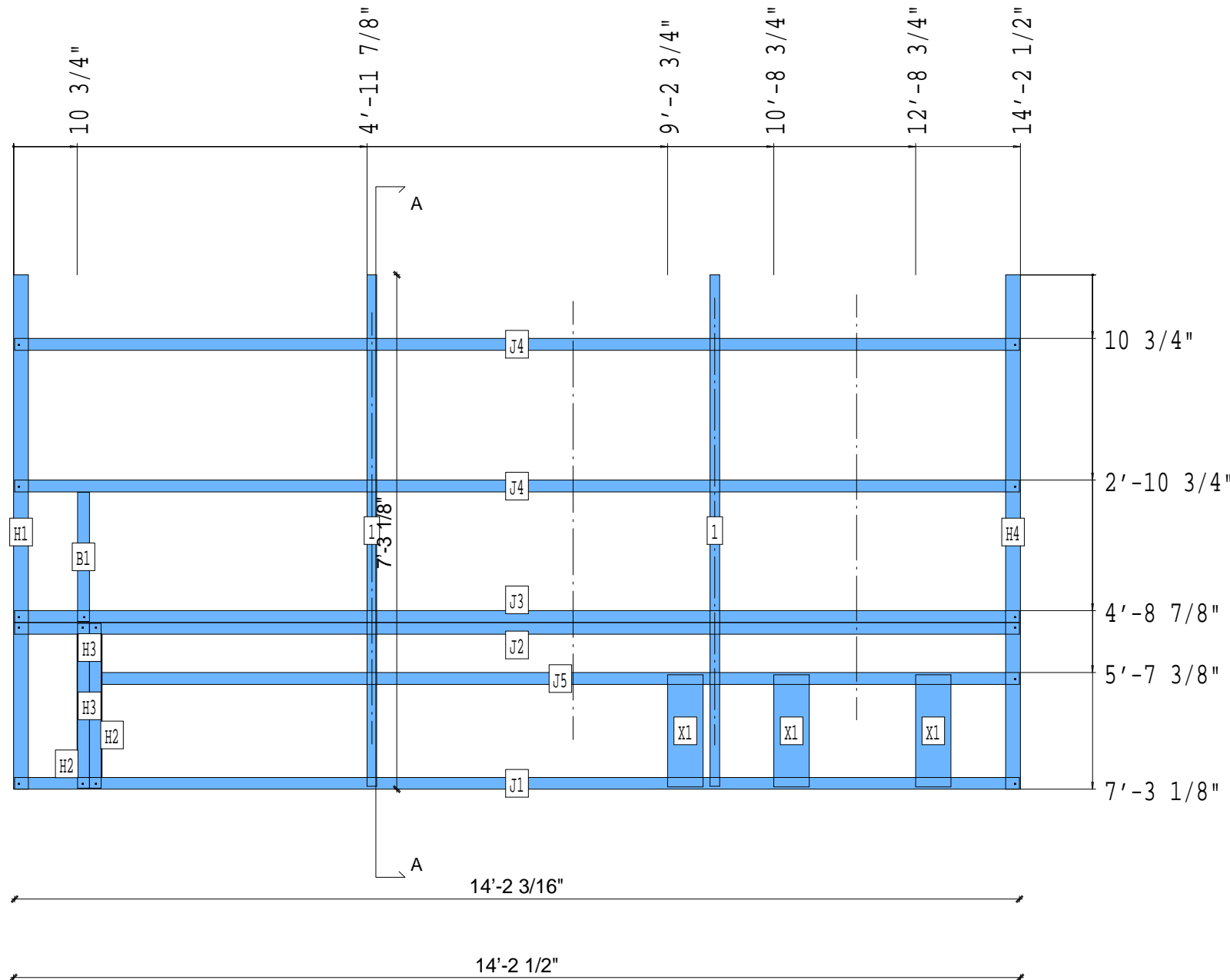
CREATED: 12/09/2008

APPROVED
By Ivan Juarez at 7:30 am, Dec 11, 2008



Bottom

A-A



PIECE SCHEDULE						
LAB	QTY	MATERIAL	DESCRIPTION	LENGTH	ANG1	ANG2
I	2	362S162-54	JOIST	7'-2 5/8"		
B1	1	1000S200-97	BLOCK	1'-9 7/8"		
H1	1	1000T250-97	HEADER	7'-3 1/8"		
H2	2	1000S200-97	OPENING TRIM	2'-3 15/16"		
H3	2	400T200-97	OPENING TRIM	2'-0 1/4"		
H4	1	1000T250-97	HEADER	7'-3 1/8"		
J1	1	1000S200-97	JOIST	14'-2 3/16"		
J2	1	1000S200-97	OPENING TRIM	14'-2 3/16"		
J3	1	1000S200-97	OPENING TRIM	14'-2 3/16"		
J4	2	1000S200-97	JOIST	14'-2 3/16"		
J5	1	1000S200-97	JOIST	12'-11 1/2"		
X1	3	600S162-33	FLAT TRACK B	1'-7"		

12-5032

Jewish Home for the Aging

1885 Victory Blvd. Reseda, CA

FM-07-109

CREATED BY: AMB

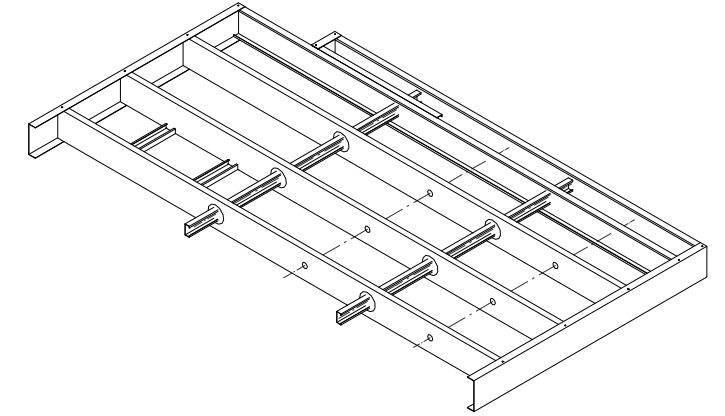
FrameMax, Inc.
13915 Danielson St
Suite 100
Poway, CA 92064
www.framemax.com

FRAMEMAX

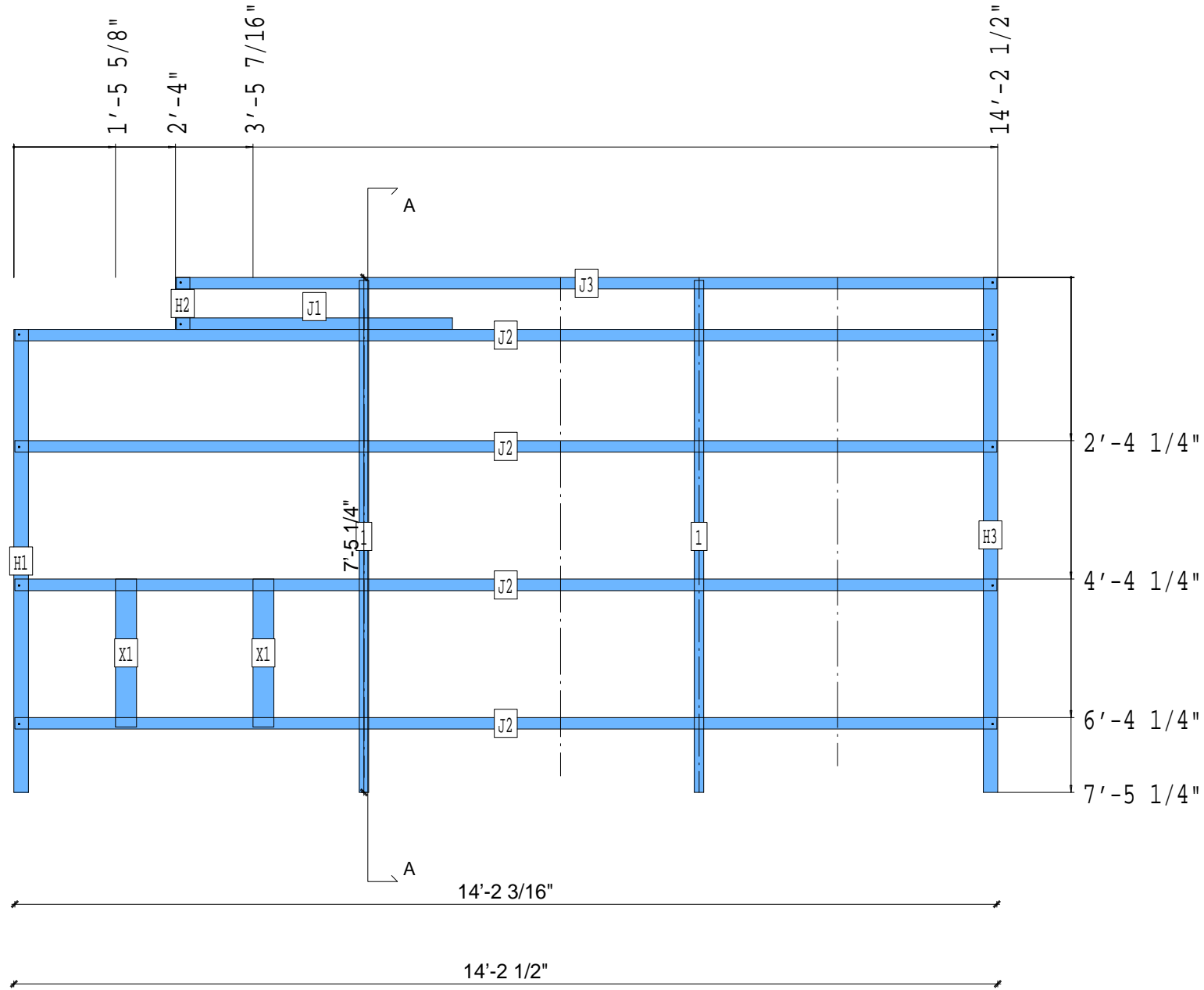
© FrameMax Inc.

CREATED: 12/09/2008

APPROVED
By Ivan Juarez at 7:30 am, Dec 11, 2008



Bottom



A-A

PIECE SCHEDULE						
LAB	QTY	MATERIAL	DESCRIPTION	LENGTH	ANG1	ANG2
1	2	362S162-54	JOIST	7'-4 3/4"		
H1	1	1000T250-97	HEADER	6'-8 1/4"		
H2	1	1000T250-97	HEADER	9"		
H3	1	1000T250-97	HEADER	7'-5 1/4"		
J1	1	1000S200-97	JOIST	3'-11 13/16"		
J2	4	1000S200-97	JOIST	14'-2 3/16"		
J3	1	1000S200-97	JOIST	11'-10 3/16"		
X1	2	362S162-33	FLAT TRACK B	2'-1 5/8"		

12-5033

CREATED: 12/09/2008

Jewish Home for the Aging

1885 Victory Blvd. Reseda, CA

FM-07-109

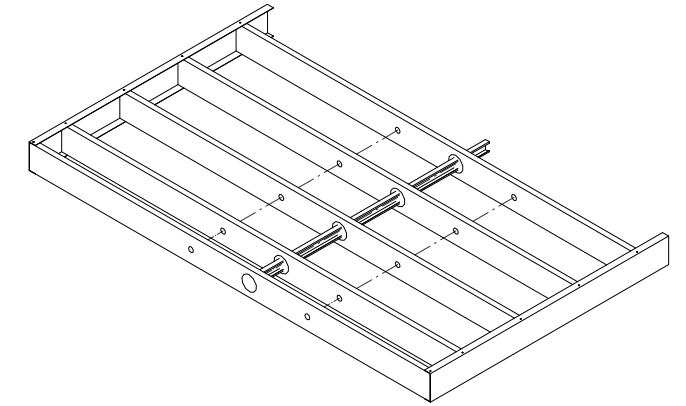
CREATED BY: AMB

FrameMax, Inc.
13915 Danielson St
Suite 100
Poway, CA 92064
www.framemax.com



© FrameMax Inc.

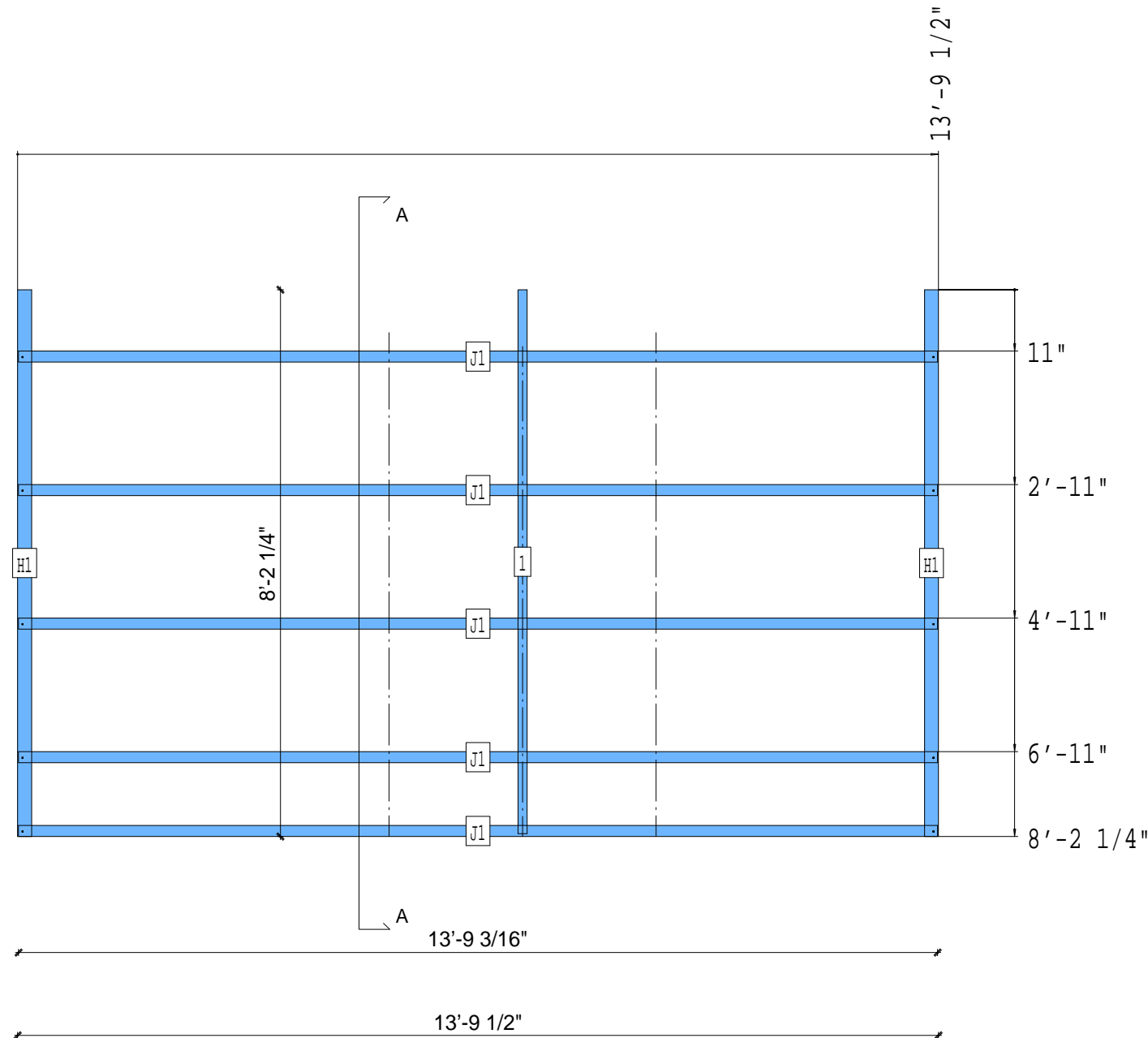
APPROVED
By Ivan Juarez at 7:30 am, Dec 11, 2008



Bottom



A-A



PIECE SCHEDULE						
LAB	QTY	MATERIAL	DESCRIPTION	LENGTH	ANG1	ANG2
1	1	362S162-54	JOIST	8'-1 3/4"		
H1	2	1000T250-97	HEADER	8'-2 1/4"		
J1	5	1000S200-97	JOIST	13'-9 3/16"		

12-5034

Jewish Home for the Aging

1885 Victory Blvd. Reseda, CA

FM-07-109

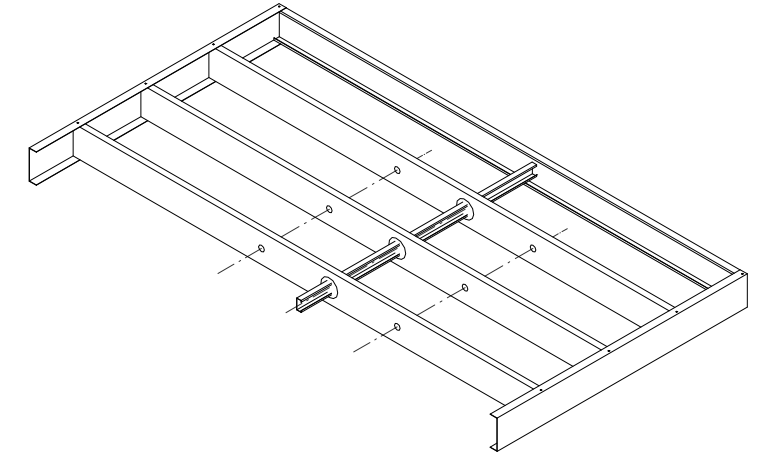
CREATED BY: AMB

FrameMax, Inc.
 13915 Danielson St
 Suite 100
 Poway, CA 92064
 www.framemax.com



© FrameMax Inc.

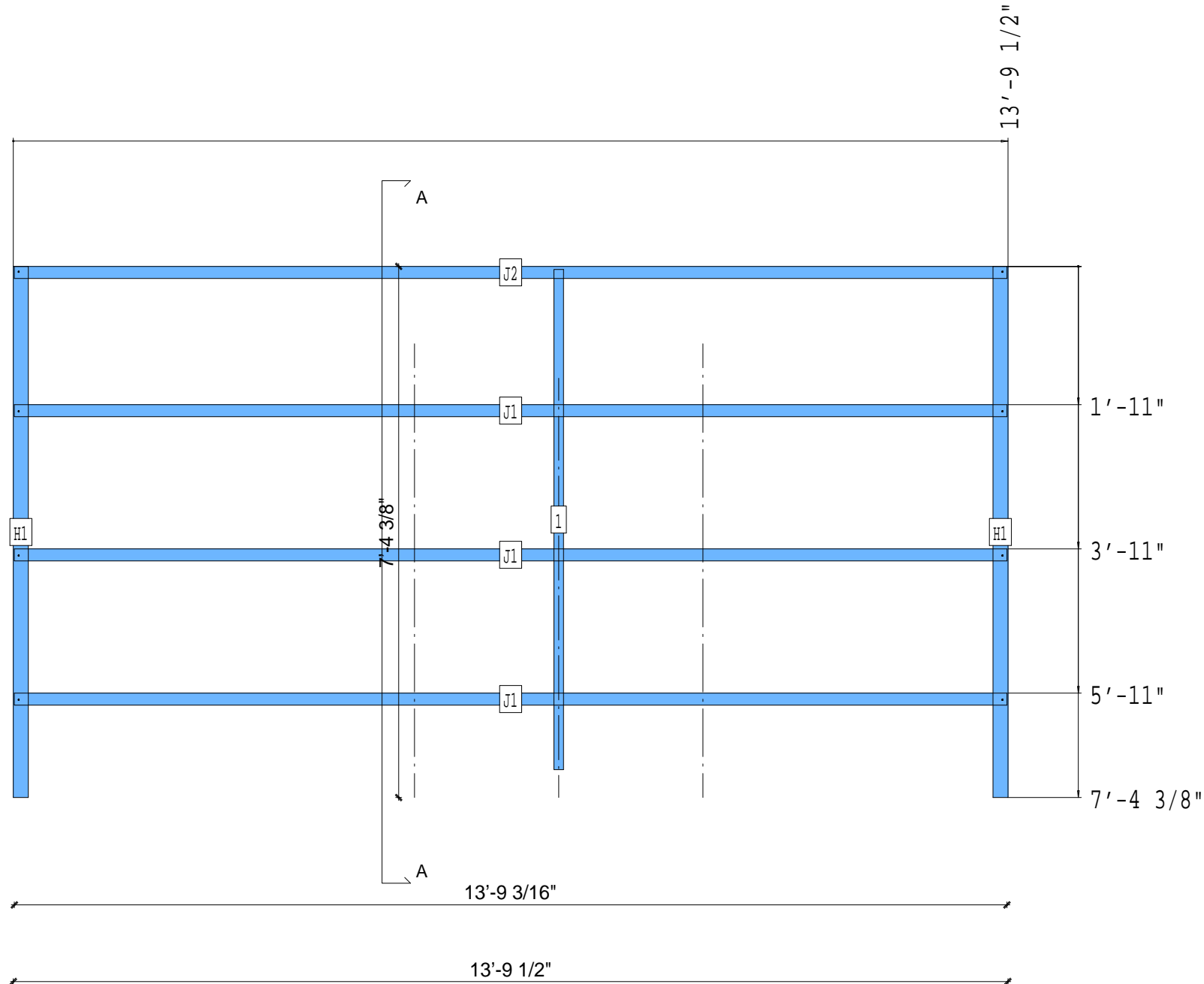
APPROVED
 By Ivan Juarez at 7:30 am, Dec 11, 2008



Bottom



A-A



PIECE SCHEDULE						
LAB	QTY	MATERIAL	DESCRIPTION	LENGTH	ANG1	ANG2
1	1	362S162-54	JOIST	6'-11 1/4"		
H1	2	1000T250-97	HEADER	7'-4 3/8"		
J1	3	1000S200-97	JOIST	13'-9 3/16"		
J2	1	1000S200-97	JOIST	13'-9 3/16"		

12-5035

Jewish Home for the Aging

1885 Victory Blvd. Reseda, CA

FM-07-109

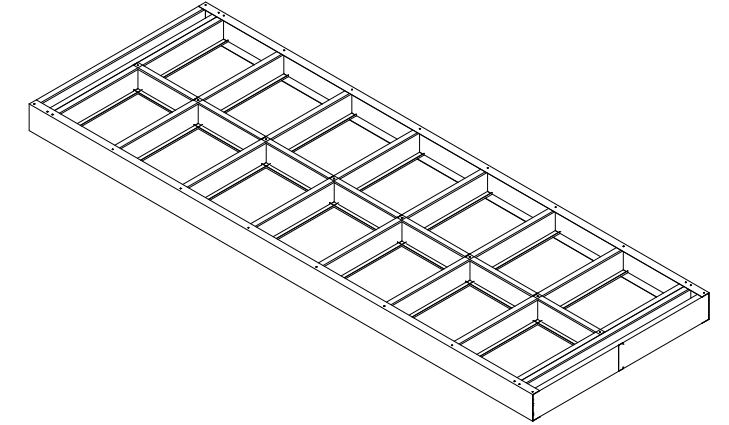
CREATED BY: AMB

FrameMax, Inc.
13915 Danielson St
Suite 100
Poway, CA 92064
www.framemax.com

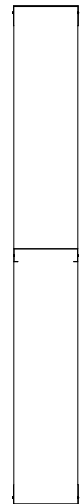


© FrameMax Inc.

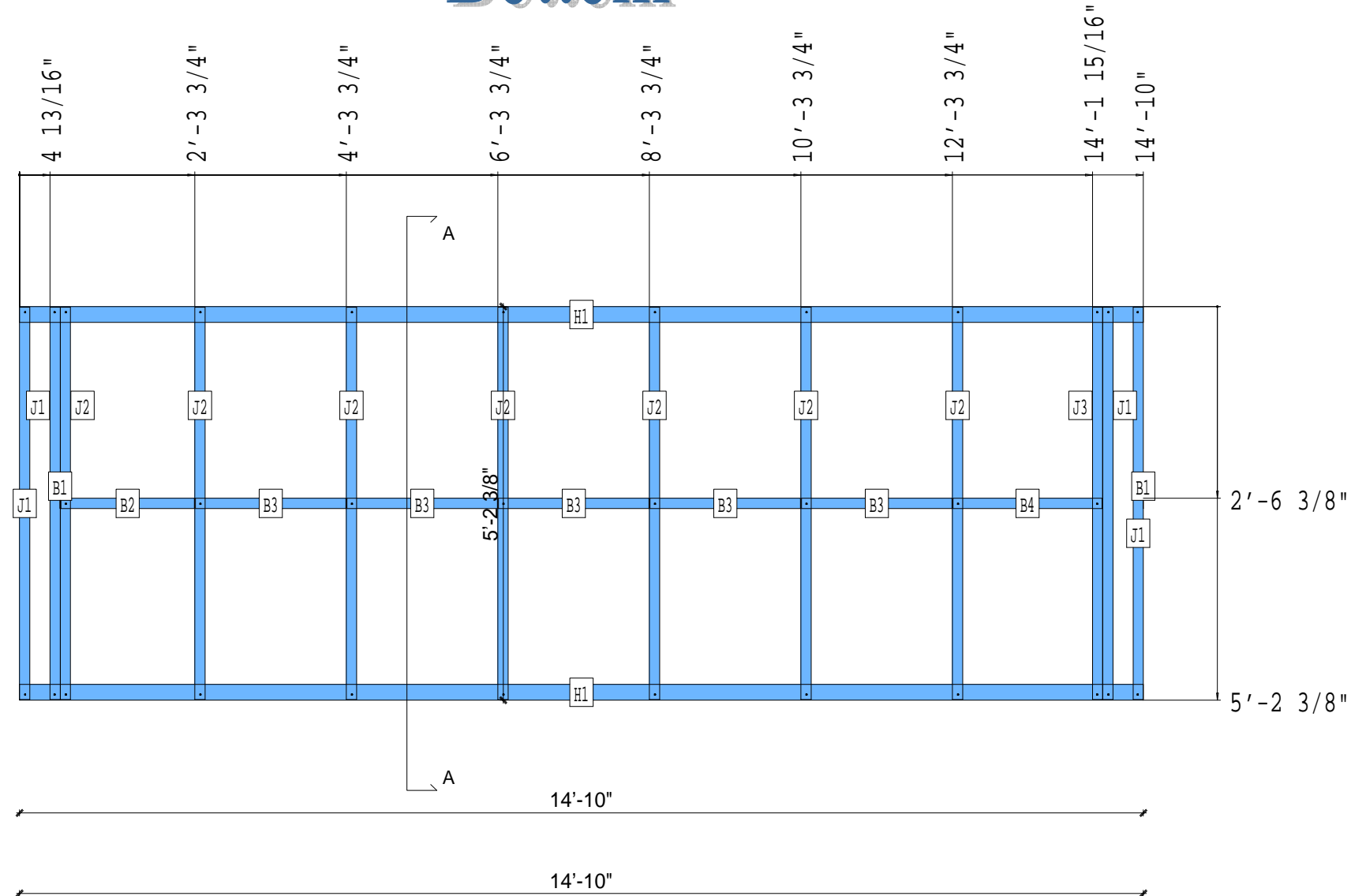
APPROVED
By Ivan Juarez at 7:30 am, Dec 11, 2008



Bottom



A-A



PIECE SCHEDULE						
LAB	QTY	MATERIAL	DESCRIPTION	LENGTH	ANG1	ANG2
B1	2	800S162-43	BLOCK	1'-9 1/8"		
B2	1	800S162-43	BLOCK	1'-9 1/8"		
B3	5	800S162-43	BLOCK	1'-11 13/16"		
B4	1	800S162-43	BLOCK	1'-11 5/8"		
H1	2	800T250-54	HEADER	14'-10"		
J1	4	800S162-43	JOIST	5'-2 1/8"		
J2	7	800S162-43	JOIST	5'-2 1/8"		
J3	1	800S162-43	JOIST	5'-2 1/8"		

12-5036

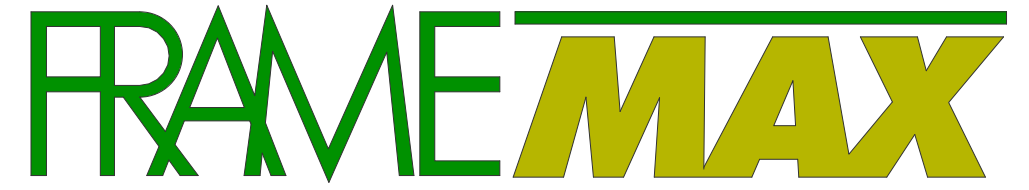
Jewish Home for the Aging

1885 Victory Blvd. Reseda, CA

FM-07-109

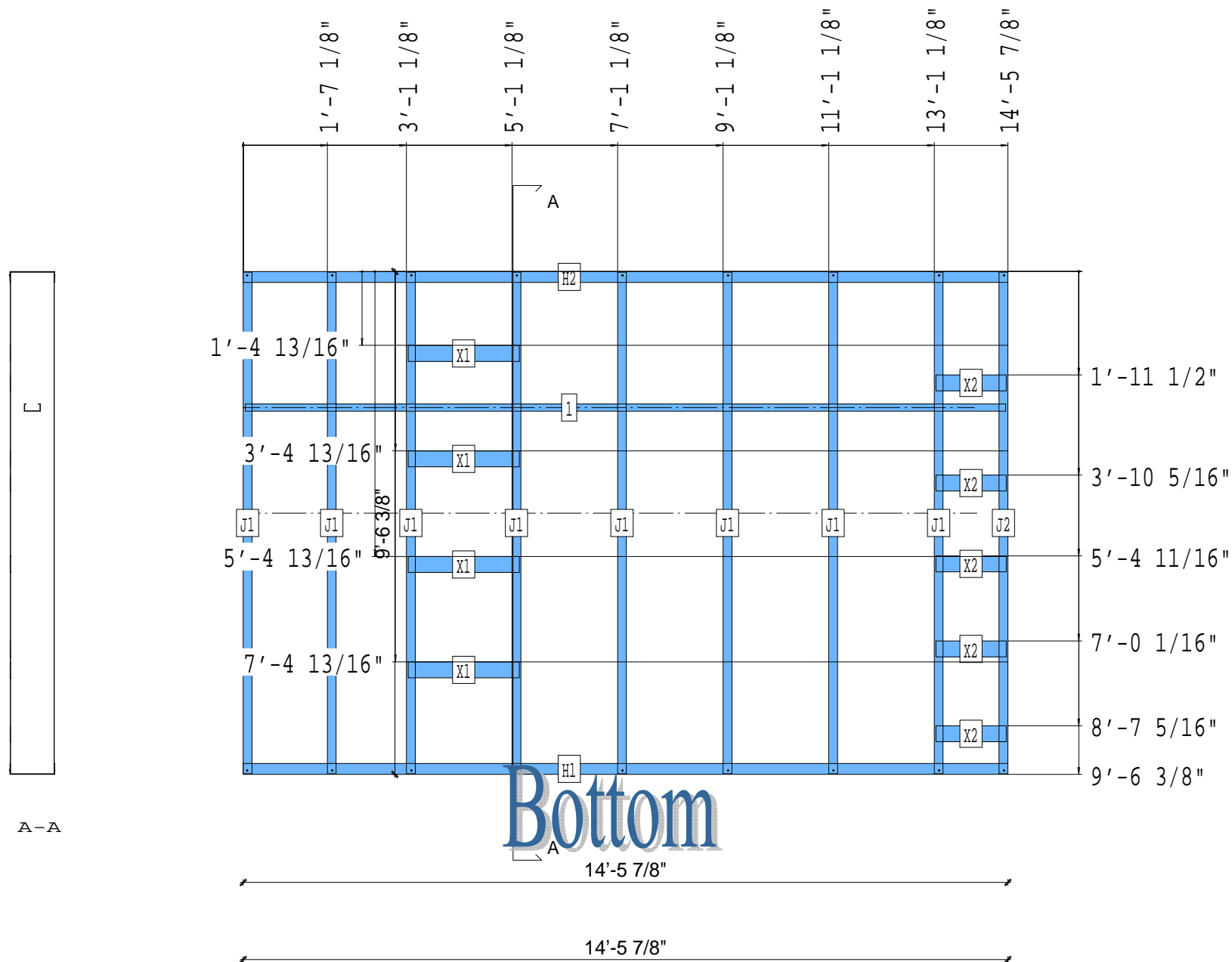
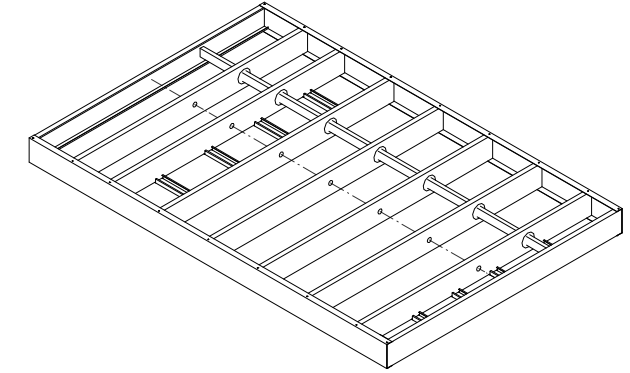
CREATED BY: AMB

FrameMax, Inc.
13915 Danielson St
Suite 100
Poway, CA 92064
www.frame-max.com



© FrameMax Inc.

APPROVED
By Ivan Juarez at 7:30 am, Dec 11, 2008



PIECE SCHEDULE						
LAB	QTY	MATERIAL	DESCRIPTION	LENGTH	ANG1	ANG2
1	1	362S162-54	JOIST	14'-4 7/8"		
H1	1	1000T250-68	HEADER	14'-5 7/8"		
H2	1	1000T250-97	HEADER	14'-5 7/8"		
J1	8	1000S200-68	JOIST	9'-6 1/16"		
J2	1	1000S200-68	JOIST	9'-6 1/16"		
X1	4	362S162-33	FLAT TRACK B	2'-1 1/4"		
X2	5	362S162-33	FLAT TRACK B	1'-4"		

12-5037

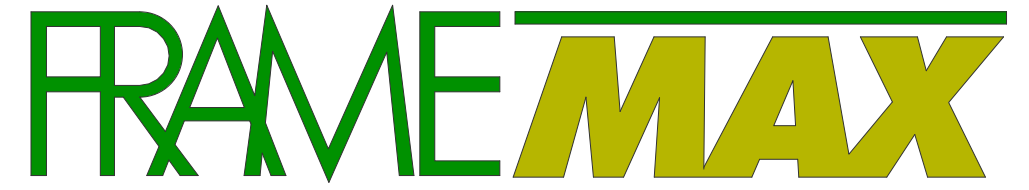
Jewish Home for the Aging

1885 Victory Blvd. Reseda, CA

FM-07-109

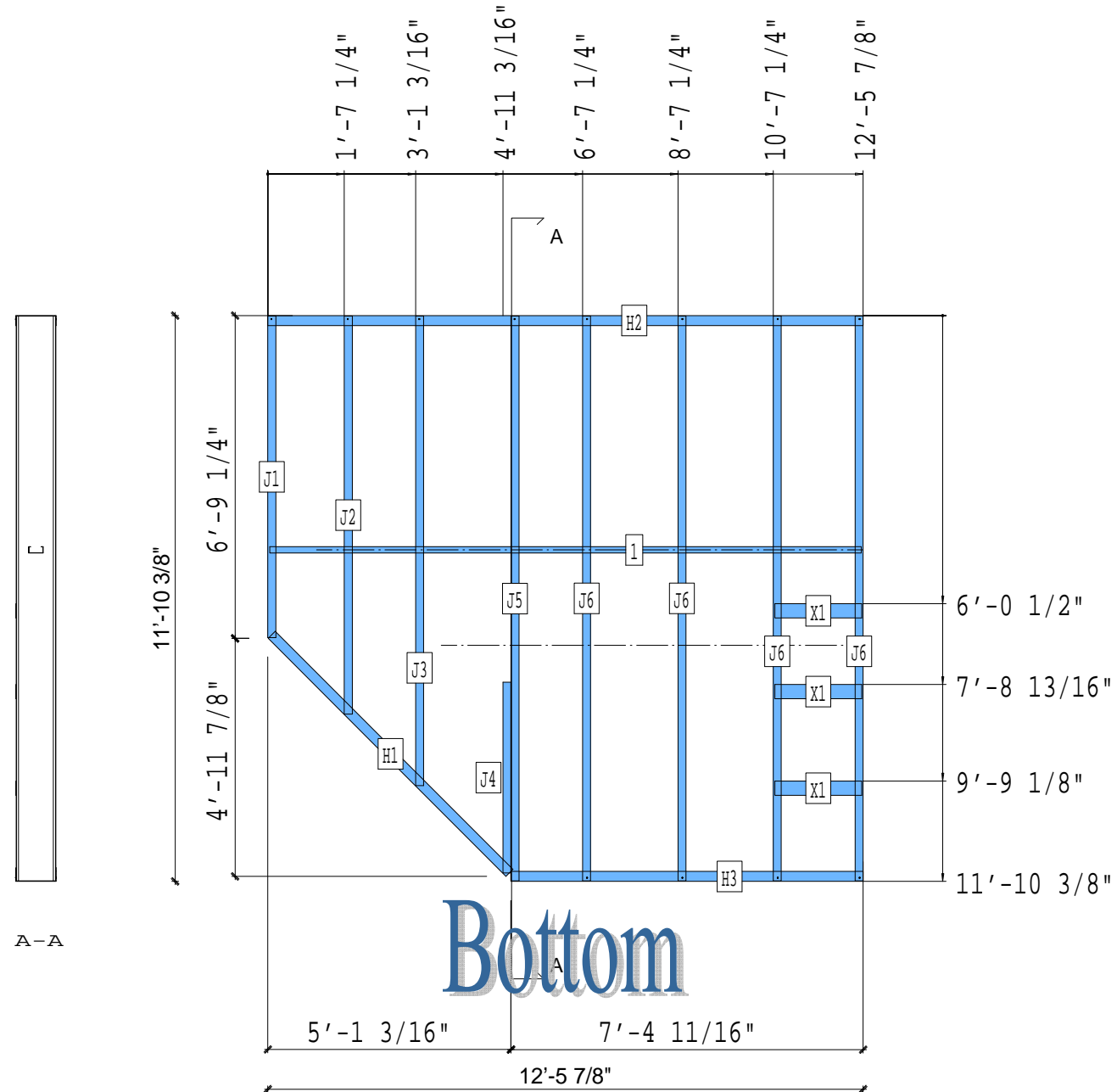
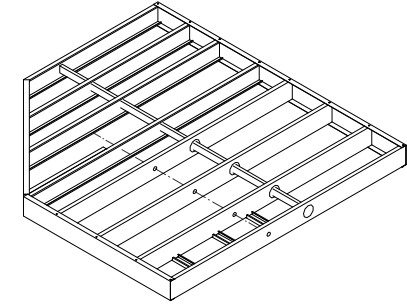
CREATED BY: AMB

FrameMax, Inc.
13915 Danielson St
Suite 100
Poway, CA 92064
www.framemax.com



© FrameMax Inc.

APPROVED
By Ivan Juarez at 7:30 am, Dec 11, 2008



PIECE SCHEDULE						
LAB	QTY	MATERIAL	DESCRIPTION	LENGTH	ANG1	ANG2
1	1	362S162-54	JOIST	12'-4 7/8"		
H1	1	1000T250-68	HEADER	7'-0 11/16"		
H2	1	1000T250-68	HEADER	12'-5 7/8"		
H3	1	1000T250-68	HEADER	7'-4 11/16"		
J1	1	1000S200-68	JOIST	6'-8 15/16"		
J2	1	1000S200-68	JOIST	8'-4 3/16"		
J3	1	1000S200-68	JOIST	9'-10 1/8"		
J4	1	1000S200-68	JOIST	4'-0"		
J5	1	1000S200-68	JOIST	11'-10 1/8"		
J6	4	1000S200-68	JOIST	11'-10 1/8"		
X1	3	362S162-33	FLAT TRACK B	1'-9 7/8"		

12-5038

Jewish Home for the Aging

1885 Victory Blvd. Reseda, CA

FM-07-109

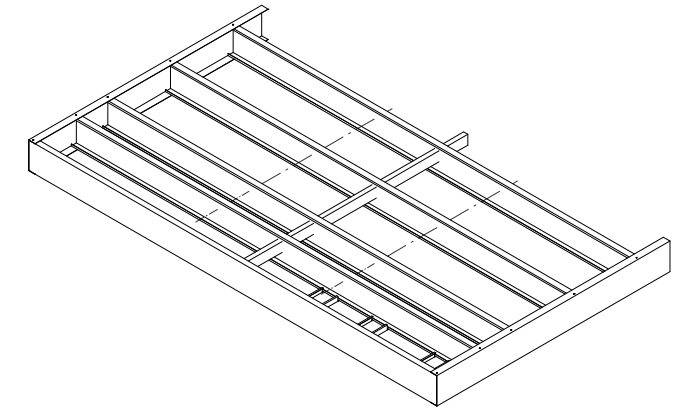
CREATED BY: AMB

FrameMax, Inc.
13915 Danielson St
Suite 100
Poway, CA 92064
www.framemax.com

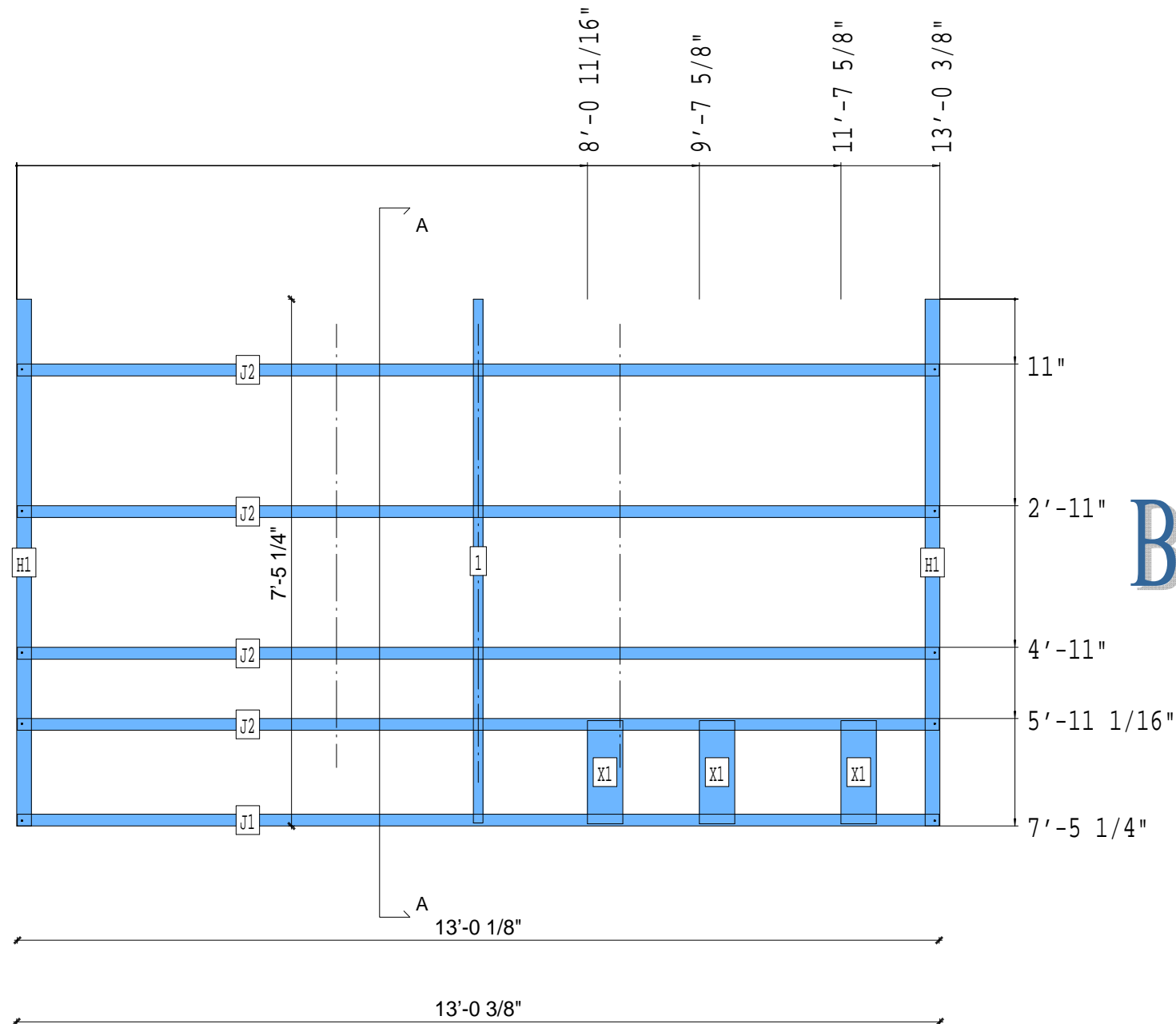


© FrameMax Inc.

APPROVED
By Ivan Juarez at 7:30 am, Dec 11, 2008



A-A



Bottom

PIECE SCHEDULE						
LAB	QTY	MATERIAL	DESCRIPTION	LENGTH	ANG1	ANG2
1	1	362S162-54	JOIST	7'-4 3/4"		
H1	2	1000T250-68	HEADER	7'-5 1/4"		
J1	1	1000S200-68	JOIST	13'-0 1/8"		
J2	4	1000S200-68	JOIST	13'-0 1/8"		
X1	3	600S162-33	FLAT TRACK B	1'-5 7/16"		

12-5039

Jewish Home for the Aging

1885 Victory Blvd. Reseda, CA

FM-07-109

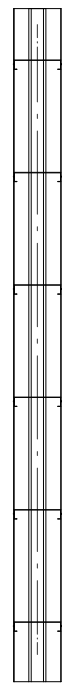
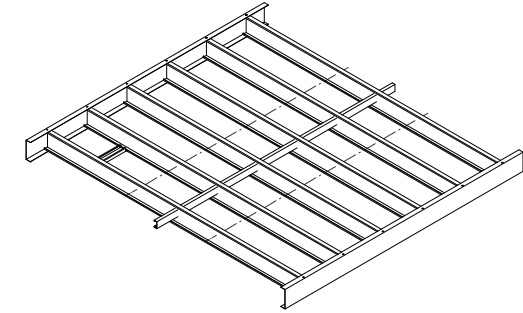
CREATED BY: AMB

FrameMax, Inc.
 13915 Danielson St
 Suite 100
 Poway, CA 92064
 www.framemax.com

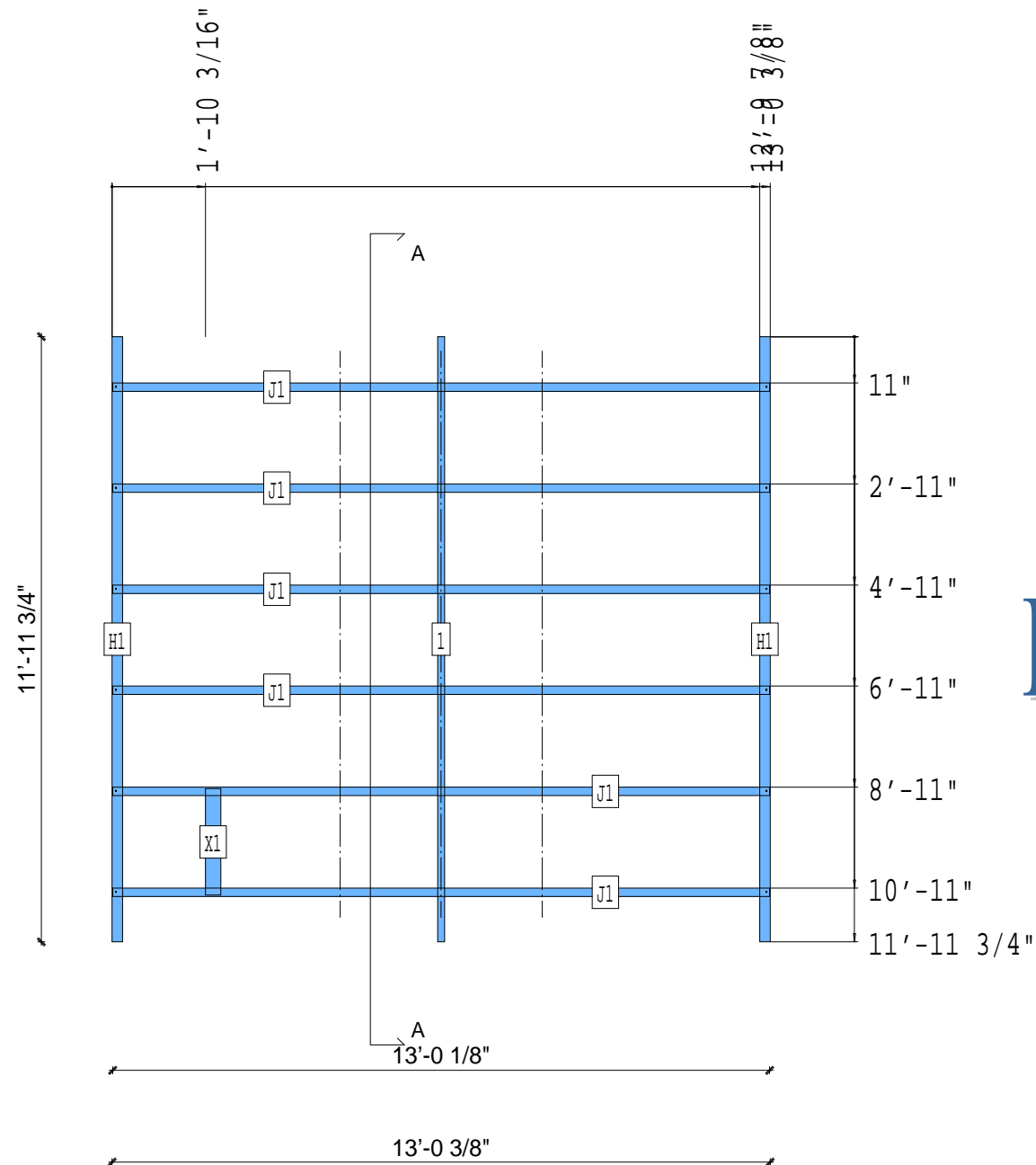


© FrameMax Inc.

APPROVED
 By Ivan Juarez at 7:30 am, Dec 11, 2008



A-A



Bottom

PIECE SCHEDULE						
LAB	QTY	MATERIAL	DESCRIPTION	LENGTH	ANG1	ANG2
1	1	362S162-54	JOIST	11'-11 3/4"		
H1	2	1000T250-68	HEADER	11'-11 3/4"		
J1	6	1000S200-68	JOIST	13'-0 1/8"		
X1	1	362S162-33	FLAT TRACK B	2'-1 1/4"		

12-5040

CREATED: 12/09/2008

Jewish Home for the Aging

1885 Victory Blvd. Reseda, CA

FM-07-109

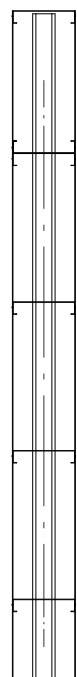
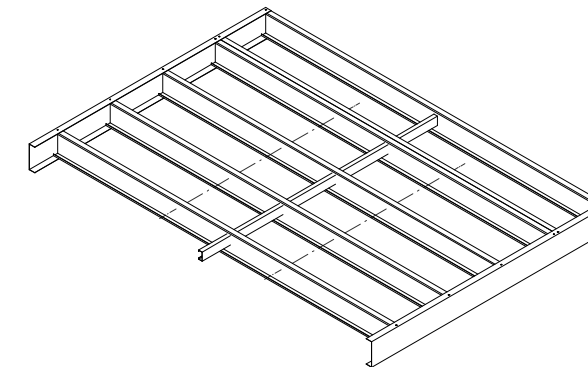
CREATED BY: AMB

FrameMax, Inc.
13915 Danielson St
Suite 100
Poway, CA 92064
www.frame-max.com

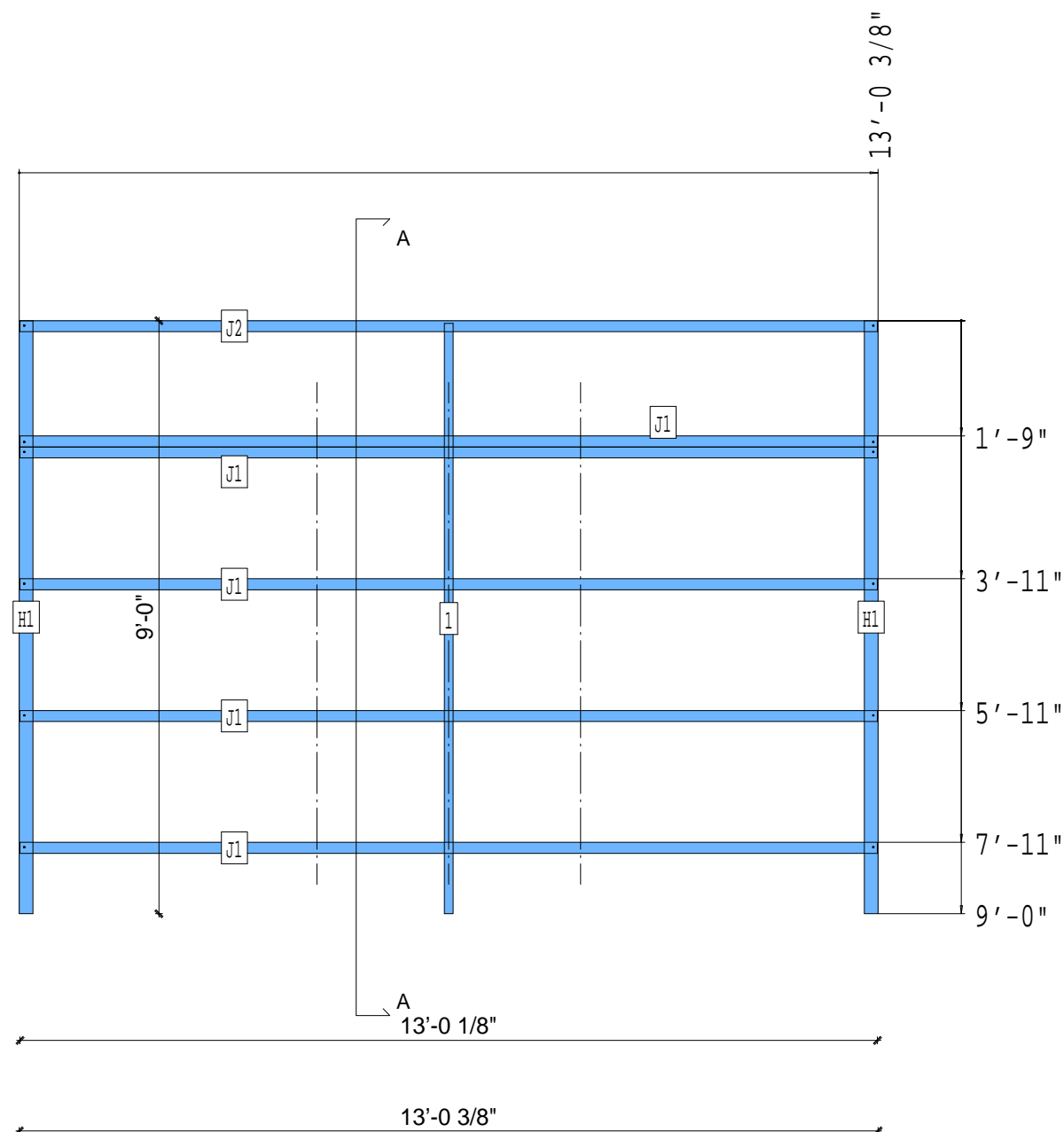
FRAME MAX

© FrameMax Inc.

APPROVED
By Ivan Juarez at 7:30 am, Dec 11, 2008



A-A



Bottom

PIECE SCHEDULE						
LAB	QTY	MATERIAL	DESCRIPTION	LENGTH	ANG1	ANG2
1	1	362S162-54	JOIST	8'-11 1/2"		
H1	2	1000T250-68	HEADER	9'-0"		
J1	5	1000S200-68	JOIST	13'-0 1/8"		
J2	1	1000S200-68	JOIST	13'-0 1/8"		

12-5041

Jewish Home for the Aging

1885 Victory Blvd. Reseda, CA

FM-07-109

CREATED BY: AMB

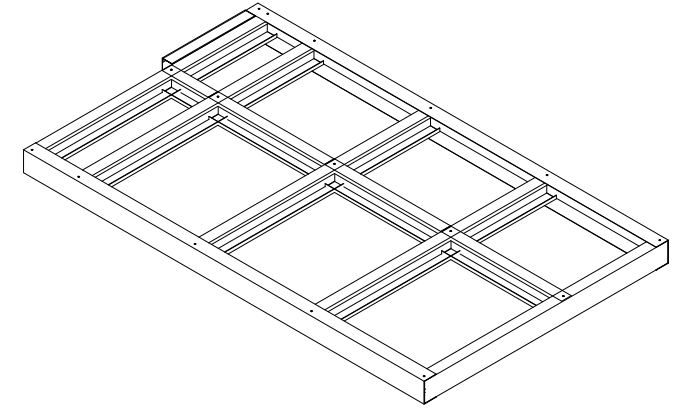
FrameMax, Inc.
13915 Danielson St
Suite 100
Poway, CA 92064
www.framemax.com



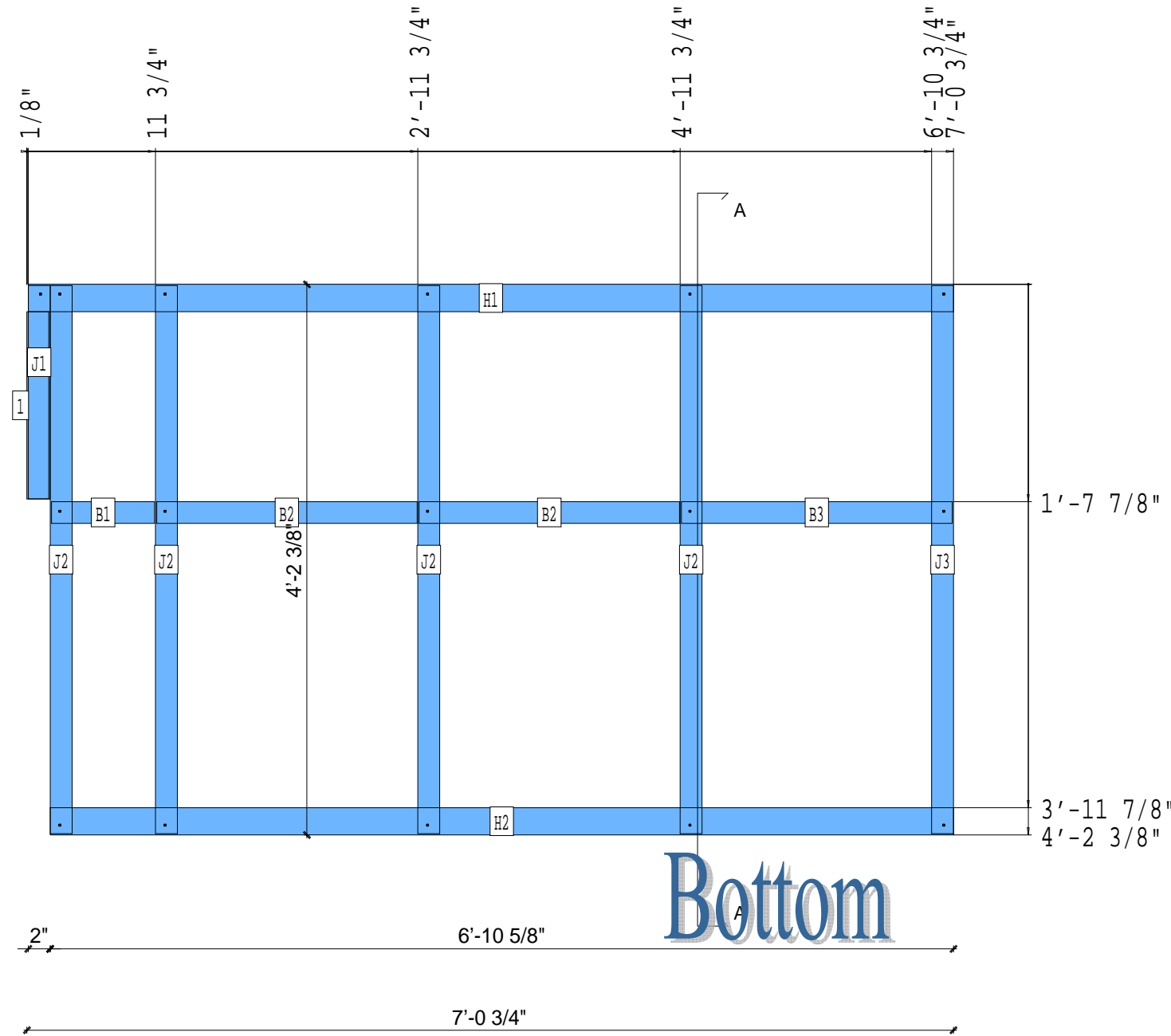
© FrameMax Inc.

CREATED: 12/09/2008

APPROVED
By Ivan Juarez at 7:30 am, Dec 11, 2008



A-A



Bottom

PIECE SCHEDULE						
LAB	QTY	MATERIAL	DESCRIPTION	LENGTH	ANG1	ANG2
J1	1	400T200-54	JOIST	1'-5 1/8"		
B1	1	400S200-54	BLOCK	9 7/16"		
B2	2	400S200-54	BLOCK	1'-11 13/16"		
B3	1	400S200-54	BLOCK	2'-0 3/4"		
H1	1	400T250-54	HEADER	7'-0 5/8"		
H2	1	400T250-54	HEADER	6'-10 5/8"		
J1	1	400S200-54	JOIST	1'-7 1/2"		
J2	4	400S200-54	JOIST	4'-2 1/8"		
J3	1	400S200-54	JOIST	4'-2 1/8"		

12-5042

Jewish Home for the Aging

1885 Victory Blvd. Reseda, CA

FM-07-109

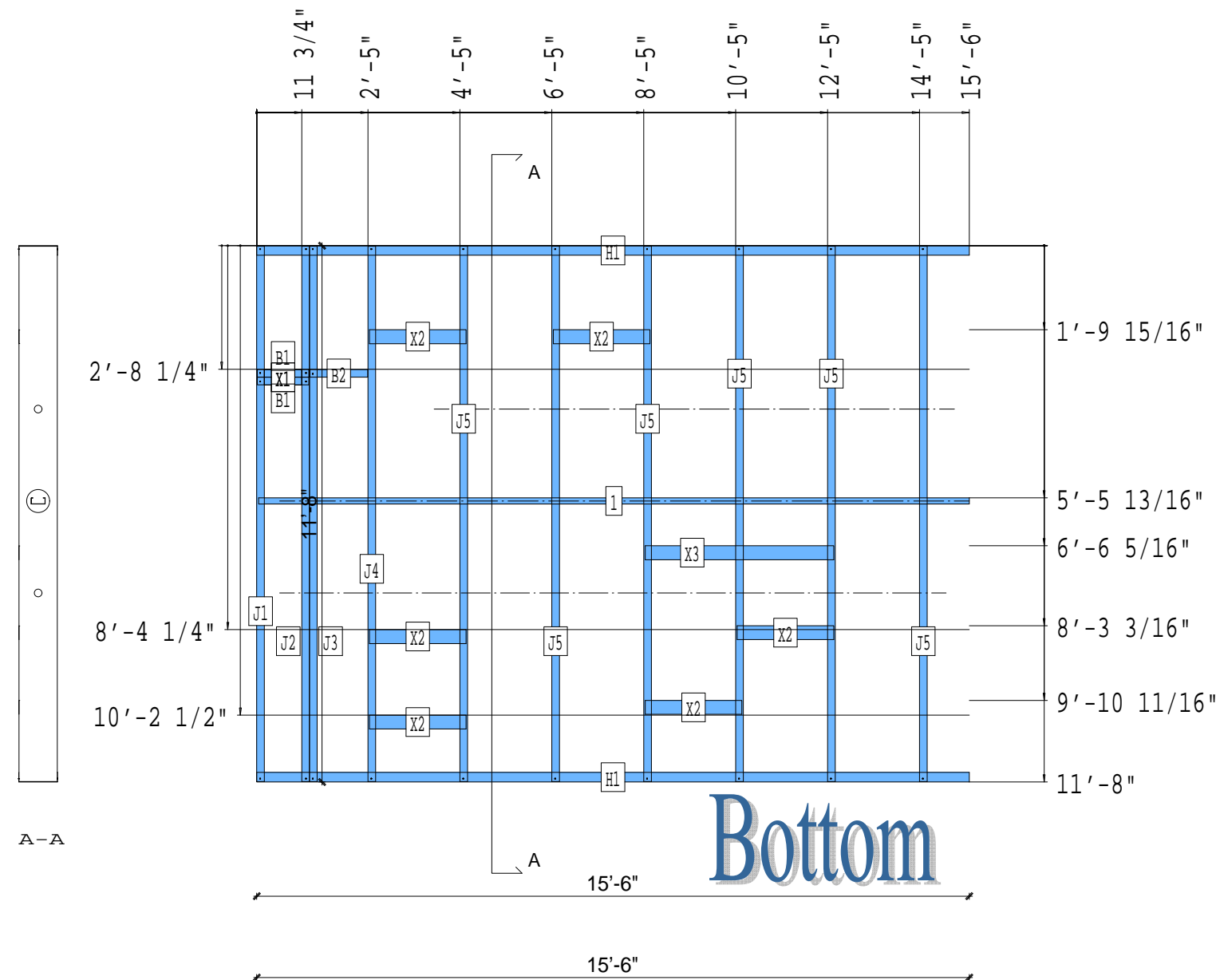
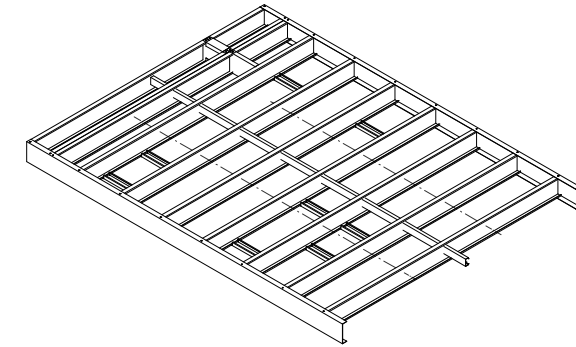
CREATED BY: AMB

FrameMax, Inc.
13915 Danielson St
Suite 100
Poway, CA 92064
www.framemax.com



© FrameMax Inc.

APPROVED
By Ivan Juarez at 7:30 am, Dec 11, 2008



Bottom

PIECE SCHEDULE						
LAB	QTY	MATERIAL	DESCRIPTION	LENGTH	ANG1	ANG2
1	1	362S162-54	JOIST	15'-5 1/2"		
B1	2	1000S200-68	BLOCK	1'-1 1/2"		
B2	1	1000S200-68	BLOCK	1'-3 1/16"		
H1	2	1000T250-68	HEADER	15'-6"		
J1	1	1000S200-68	JOIST	11'-7 3/4"		
J2	1	1000S200-68	JOIST	11'-7 3/4"		
J3	1	1000S200-68	JOIST	11'-7 3/4"		
J4	1	1000S200-68	JOIST	11'-7 3/4"		
J5	6	1000S200-68	JOIST	11'-7 3/4"		
X1	2	400T200-68	FLAT TRACK B	9 3/4"		
X2	6	362S162-33	FLAT TRACK B	2'-1 1/4"		
X3	1	362S162-33	FLAT TRACK B	4'-1 1/4"		

12-5043

CREATED: 12/09/2008

Jewish Home for the Aging

1885 Victory Blvd. Reseda, CA

FM-07-109

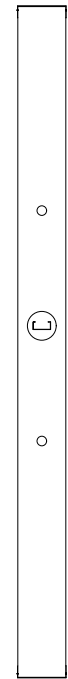
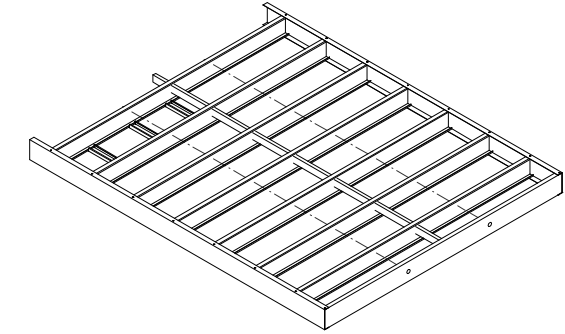
CREATED BY: AMB

FrameMax, Inc.
13915 Danielson St
Suite 100
Poway, CA 92064
www.framemax.com

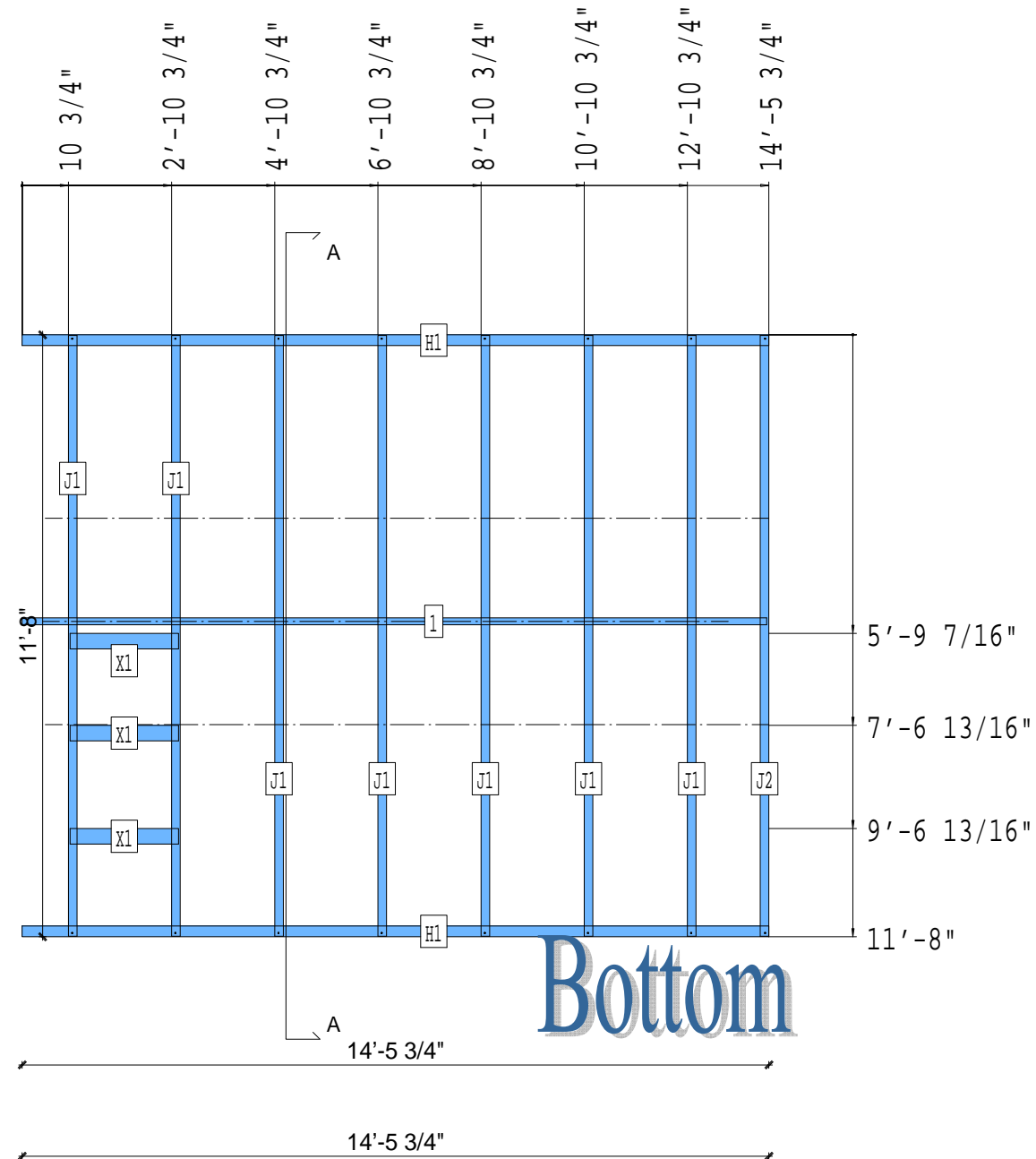


© FrameMax Inc.

APPROVED
By Ivan Juarez at 7:30 am, Dec 11, 2008



A-A



PIECE SCHEDULE						
LAB	QTY	MATERIAL	DESCRIPTION	LENGTH	ANG1	ANG2
1	1	362S162-54	JOIST	14'-5 1/4"		
H1	2	1000T250-68	HEADER	14'-5 3/4"		
J1	7	1000S200-68	JOIST	11'-7 3/4"		
J2	1	1000S200-68	JOIST	11'-7 3/4"		
X1	3	362S162-33	FLAT TRACK B	2'-1 1/4"		

12-5044

CREATED: 12/09/2008

Jewish Home for the Aging

1885 Victory Blvd. Reseda, CA

FM-07-109

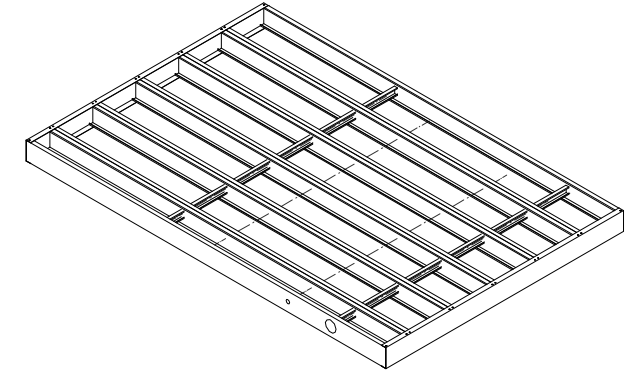
CREATED BY: AMB

FrameMax, Inc.
 13915 Danielson St
 Suite 100
 Poway, CA 92064
 www.framemax.com



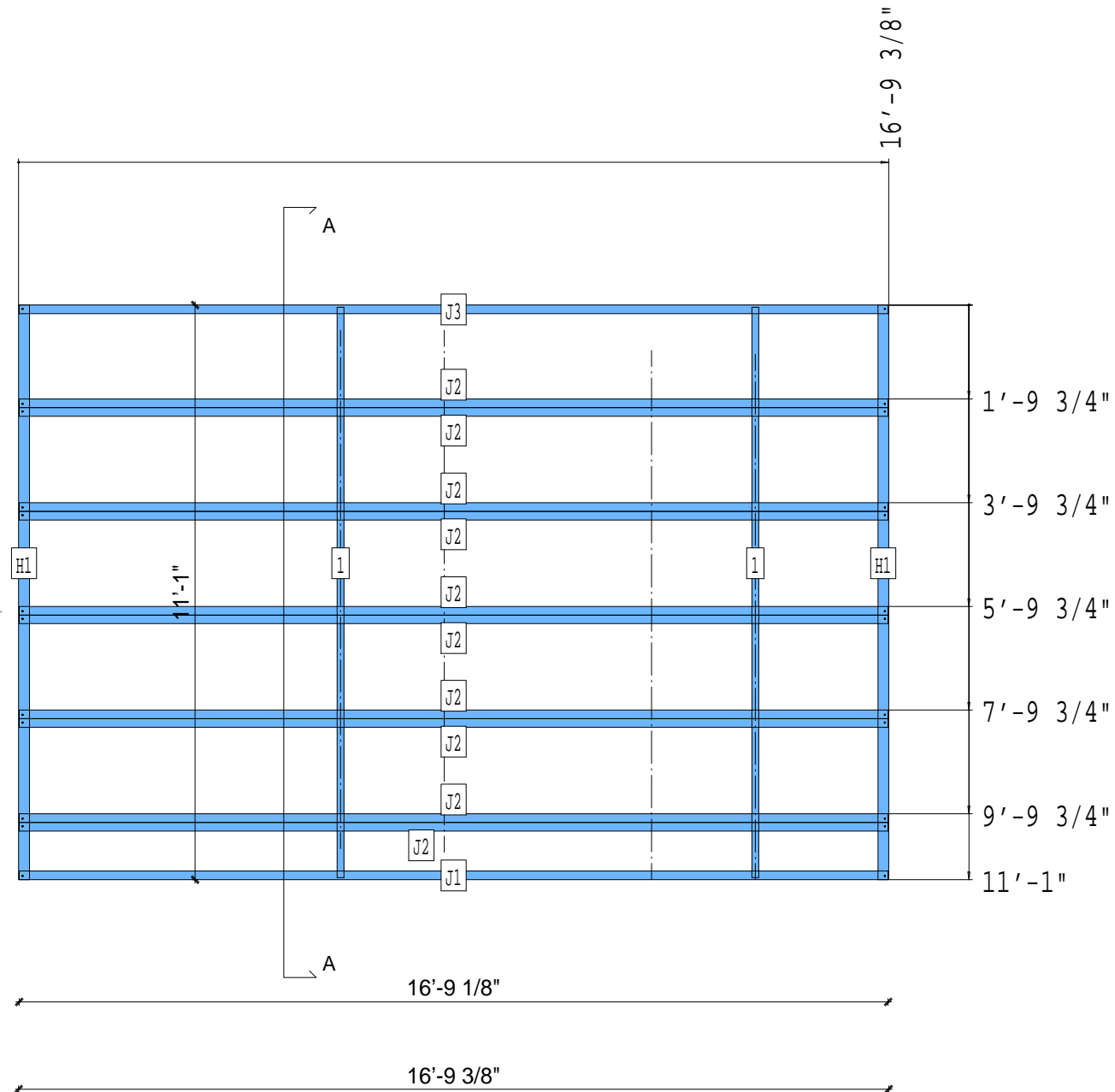
© FrameMax Inc.

APPROVED
 By Ivan Juarez at 7:30 am, Dec 11, 2008



Bottom

A-A



PIECE SCHEDULE						
LAB	QTY	MATERIAL	DESCRIPTION	LENGTH	ANG1	ANG2
1	2	362S162-54	JOIST	11'-0"		
H1	2	1000T250-68	HEADER	11'-1"		
J1	1	1000S200-68	JOIST	16'-9 1/8"		
J2	10	1000S200-68	JOIST	16'-9 1/8"		
J3	1	1000S200-68	JOIST	16'-9 1/8"		

12-5045

Jewish Home for the Aging

1885 Victory Blvd. Reseda, CA

FM-07-109

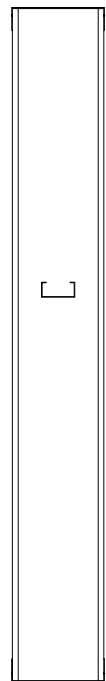
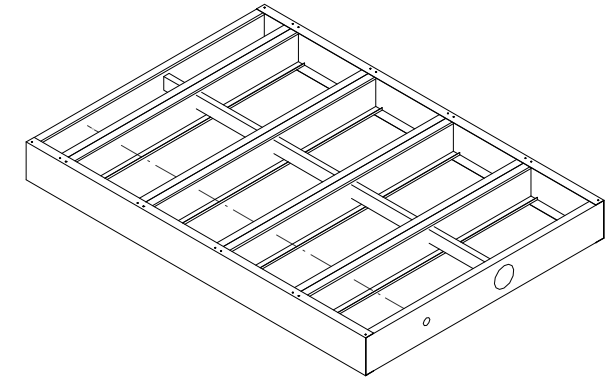
CREATED BY: AMB

FrameMax, Inc.
 13915 Danielson St
 Suite 100
 Poway, CA 92064
 www.framemax.com

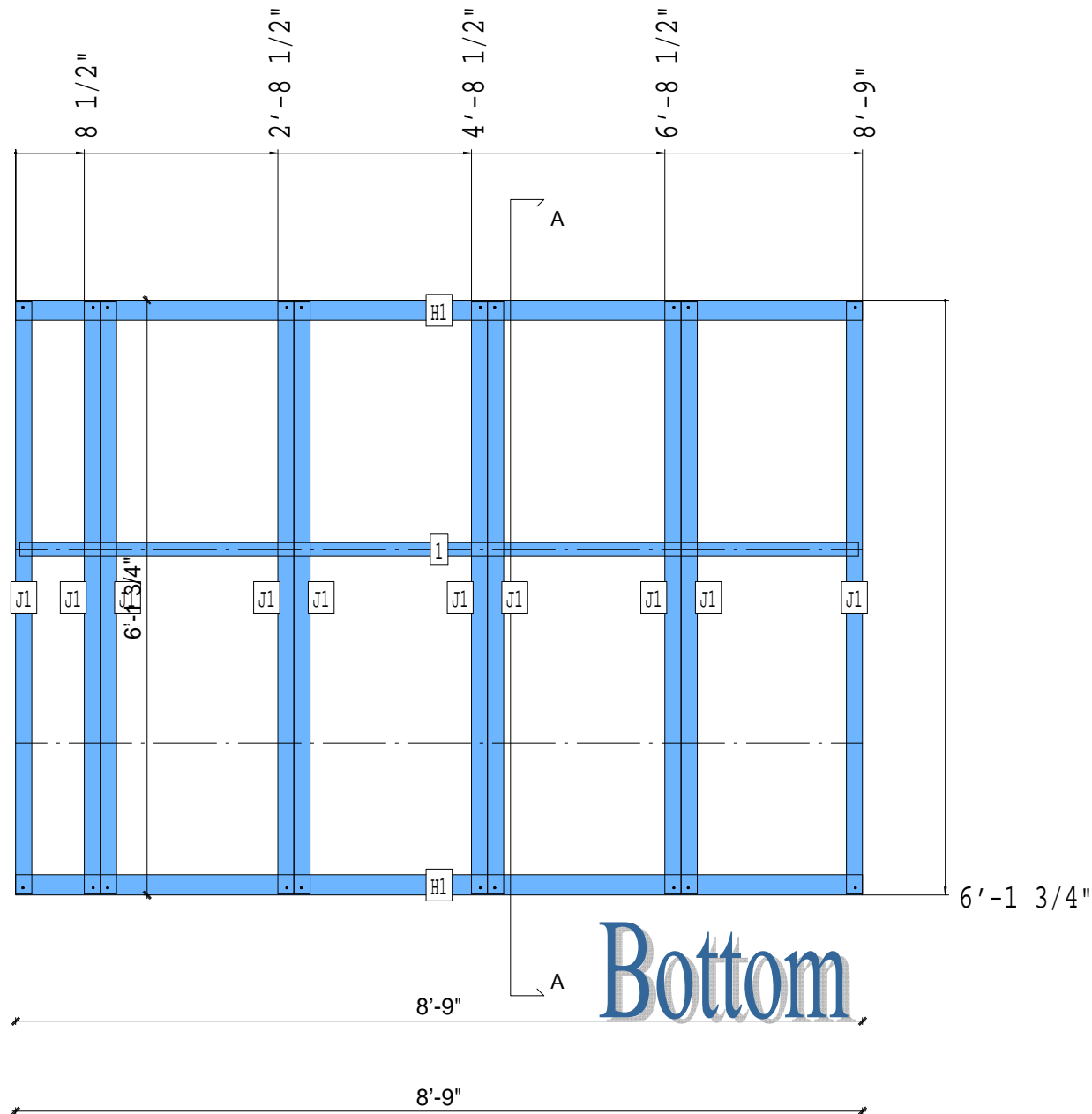


© FrameMax Inc.

APPROVED
 By Ivan Juarez at 7:30 am, Dec 11, 2008



A-A



PIECE SCHEDULE						
LAB	QTY	MATERIAL	DESCRIPTION	LENGTH	ANG1	ANG2
1	1	362S162-54	JOIST	8'-8"		
H1	2	1000T250-68	HEADER	8'-9"		
J1	10	1000S200-68	JOIST	6'-1 1/2"		

12-5046

CREATED: 12/09/2008

Jewish Home for the Aging

1885 Victory Blvd. Reseda, CA

FM-07-109

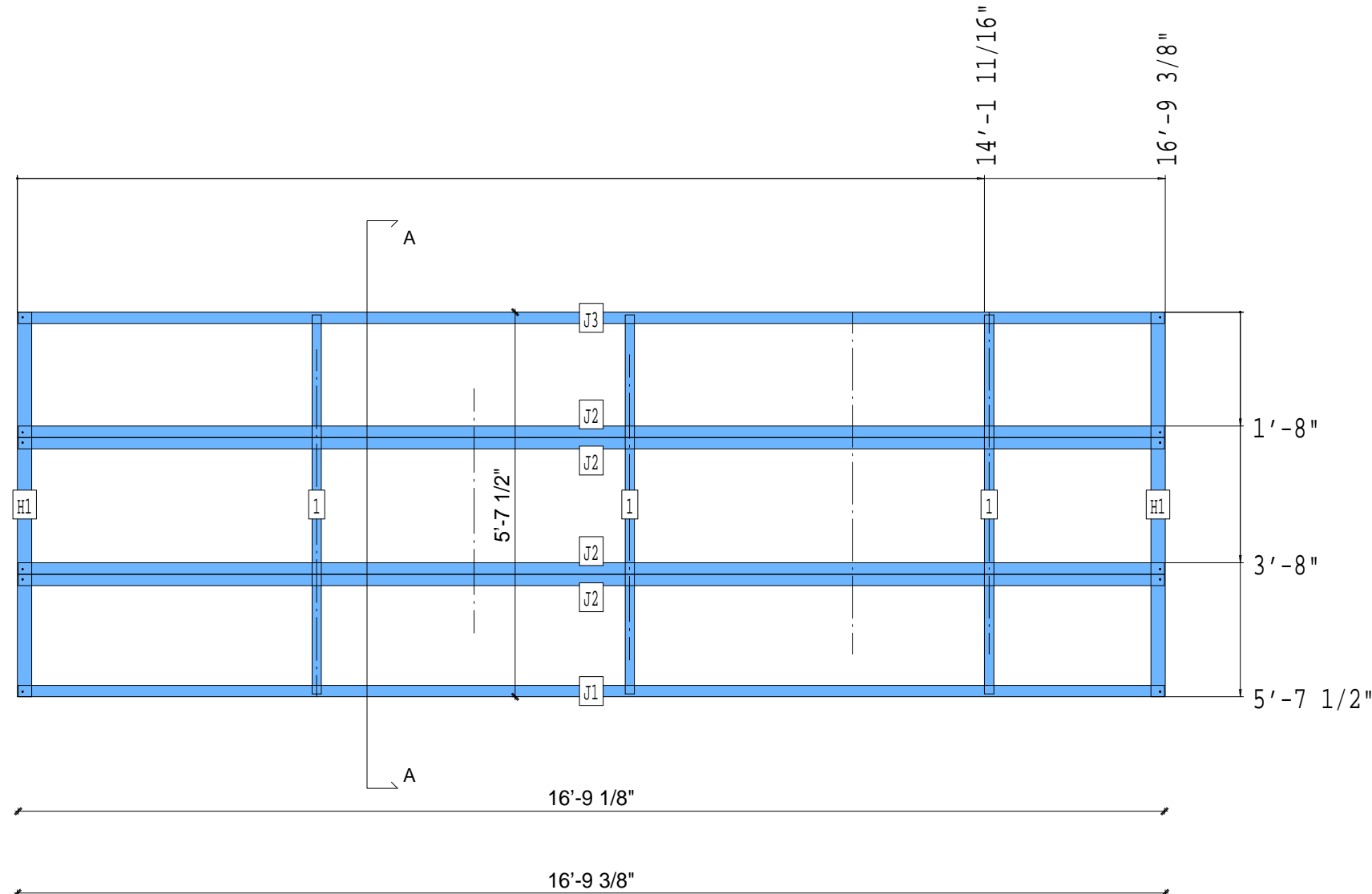
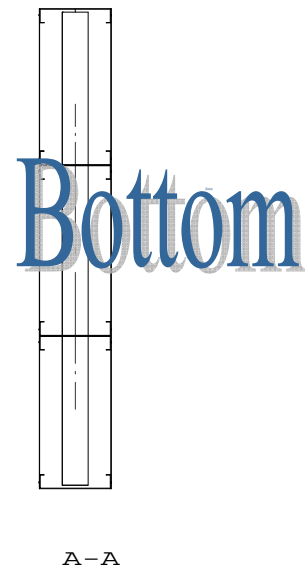
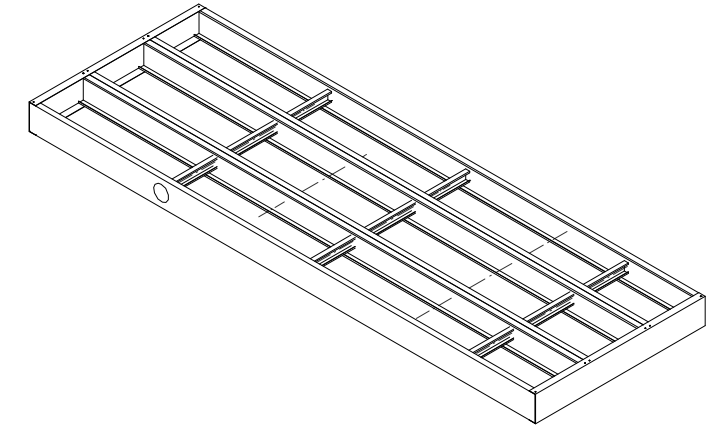
CREATED BY: AMB

FrameMax, Inc.
13915 Danielson St
Suite 100
Poway, CA 92064
www.framemax.com



© FrameMax Inc.

APPROVED
By Ivan Juarez at 7:30 am, Dec 11, 2008



PIECE SCHEDULE						
LAB	QTY	MATERIAL	DESCRIPTION	LENGTH	ANG1	ANG2
1	3	362S162-54	JOIST	5'-6 1/2"		
H1	2	1000T250-68	HEADER	5'-7 1/2"		
J1	1	1000S200-68	JOIST	16'-9 1/8"		
J2	4	1000S200-68	JOIST	16'-9 1/8"		
J3	1	1000S200-68	JOIST	16'-9 1/8"		

12-5047

Jewish Home for the Aging

1885 Victory Blvd. Reseda, CA

FM-07-109

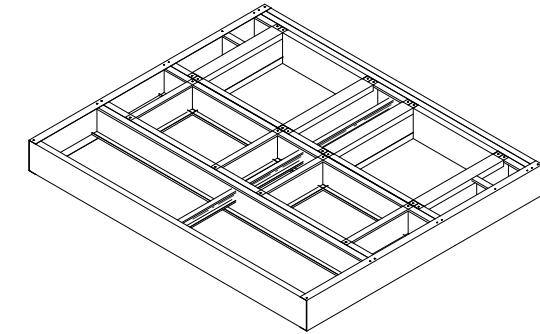
CREATED BY: AMB

FrameMax, Inc.
13915 Danielson St
Suite 100
Poway, CA 92064
www.frameMAX.com

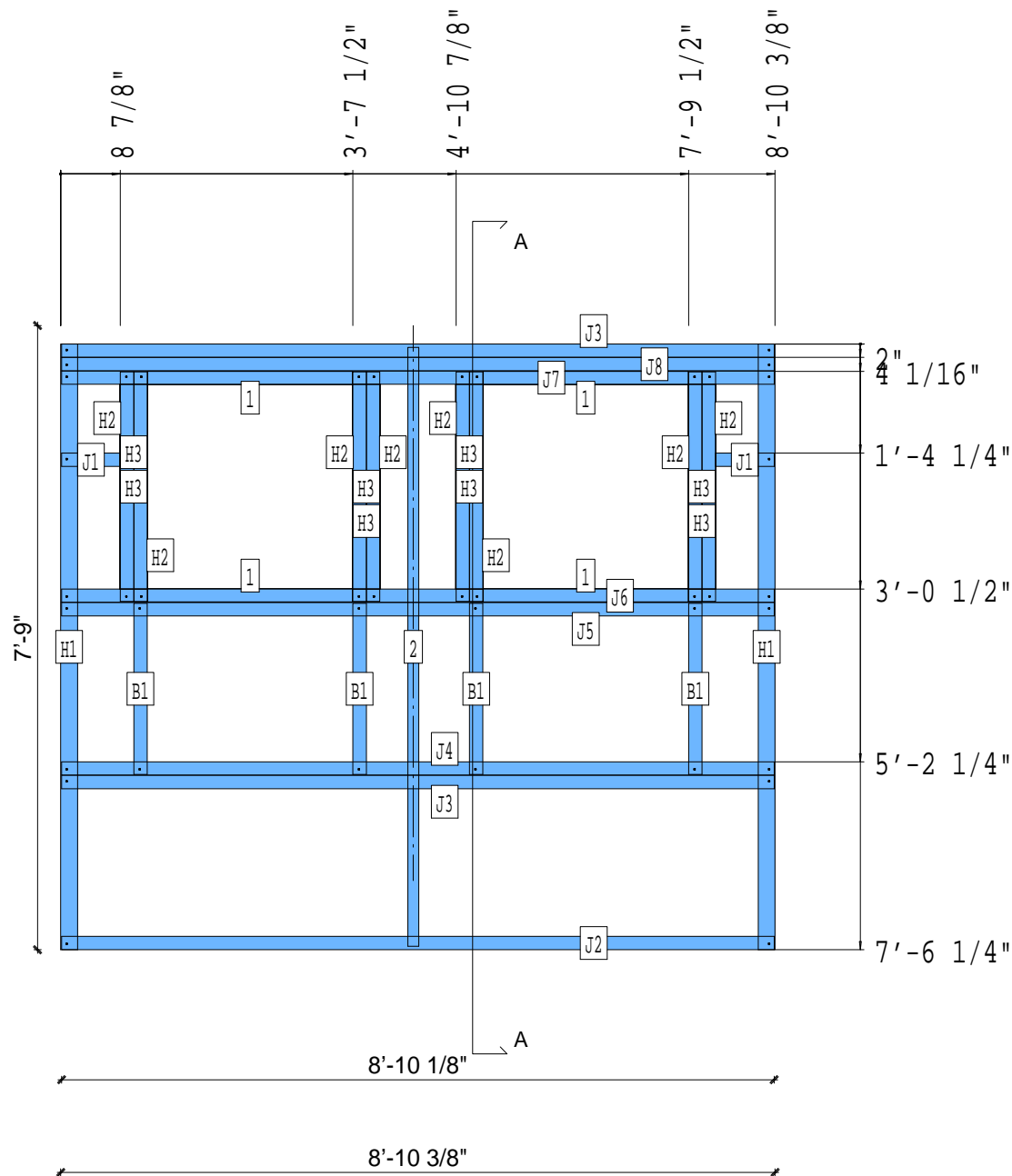


© FrameMax Inc.

APPROVED
By Ivan Juarez at 7:30 am, Dec 11, 2008



Bottom



PIECE SCHEDULE						
LAB	QTY	MATERIAL	DESCRIPTION	LENGTH	ANG1	ANG2
1	4	1000T200-68	JOIST	2'-6 1/2"		
2	1	362S162-54	JOIST	7'-5 1/4"		
B1	4	1000S200-68	BLOCK	2'-1 1/2"		
H1	2	1000T250-68	HEADER	7'-6 1/4"		
H2	8	1000S200-68	OPENING TRIM	2'-10 1/4"		
H3	8	400T200-68	OPENING TRIM	2'-6 1/2"		
J1	2	1000S200-68	JOIST	8 3/4"		
J2	1	1000S200-68	JOIST	8'-10 1/8"		
J3	2	1000S200-68	JOIST	8'-10 1/8"		
J4	1	1000S200-68	JOIST	8'-10 1/8"		
J5	1	1000S200-68	OPENING TRIM	8'-10 1/8"		
J6	1	1000S200-68	OPENING TRIM	8'-10 1/8"		
J7	1	1000S200-68	OPENING TRIM	8'-10 1/8"		
J8	1	1000S200-68	OPENING TRIM	8'-10 1/8"		

12-5048

CREATED: 12/09/2008

Jewish Home for the Aging

1885 Victory Blvd. Reseda, CA

FM-07-109

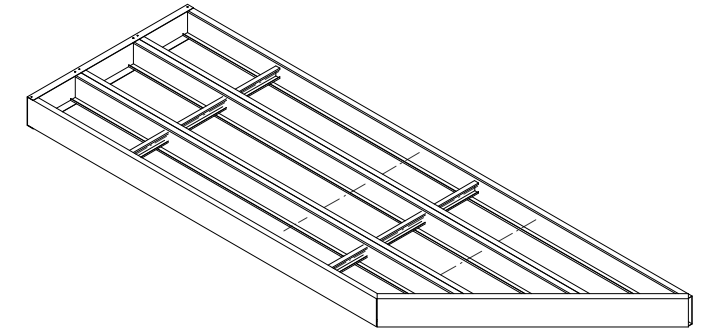
CREATED BY: AMB

FrameMax, Inc.
13915 Danielson St
Suite 100
Poway, CA 92064
www.frame-max.com



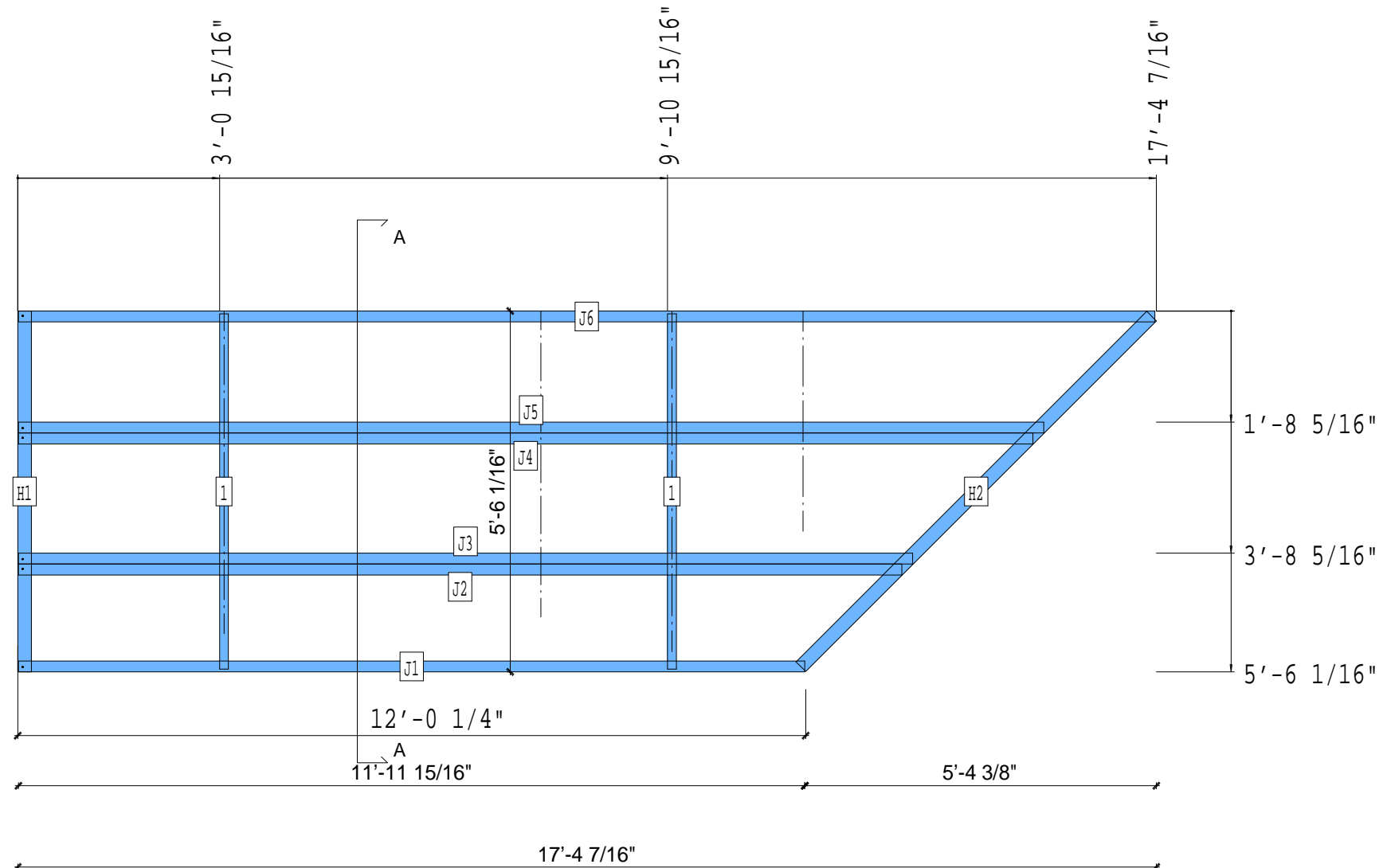
© FrameMax Inc.

APPROVED
By Ivan Juarez at 7:30 am, Dec 11, 2008



Bottom

A-A



PIECE SCHEDULE						
LAB	QTY	MATERIAL	DESCRIPTION	LENGTH	ANG1	ANG2
1	2	362S162-54	JOIST	5'-5 1/16"		
H1	1	1000T250-68	HEADER	5'-6 1/16"		
H2	1	1000T250-68	HEADER	7'-6 3/4"		
J1	1	1000S200-68	JOIST	11'-11 15/16"		
J2	1	1000S200-68	JOIST	13'-5 11/16"		
J3	1	1000S200-68	JOIST	13'-7 11/16"		
J4	1	1000S200-68	JOIST	15'-5 11/16"		
J5	1	1000S200-68	JOIST	15'-7 11/16"		
J6	1	1000S200-68	JOIST	17'-4"		

12-5049

Jewish Home for the Aging

1885 Victory Blvd. Reseda, CA

FM-07-109

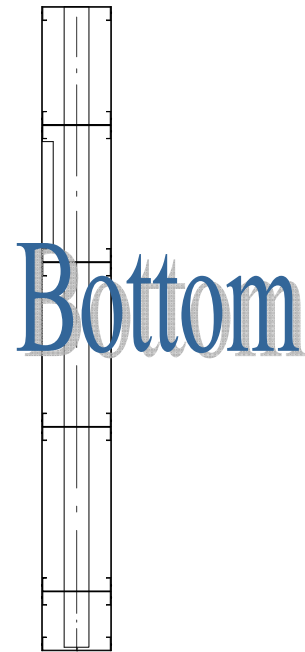
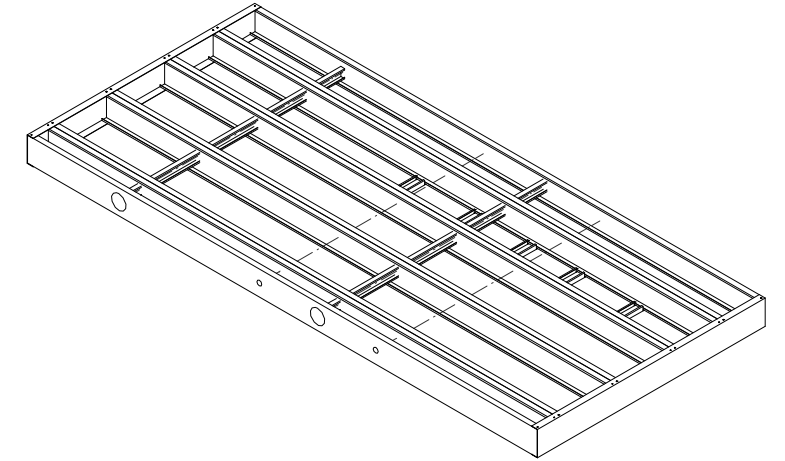
CREATED BY: AMB

FrameMax, Inc.
13915 Danielson St
Suite 100
Poway, CA 92064
www.framemax.com



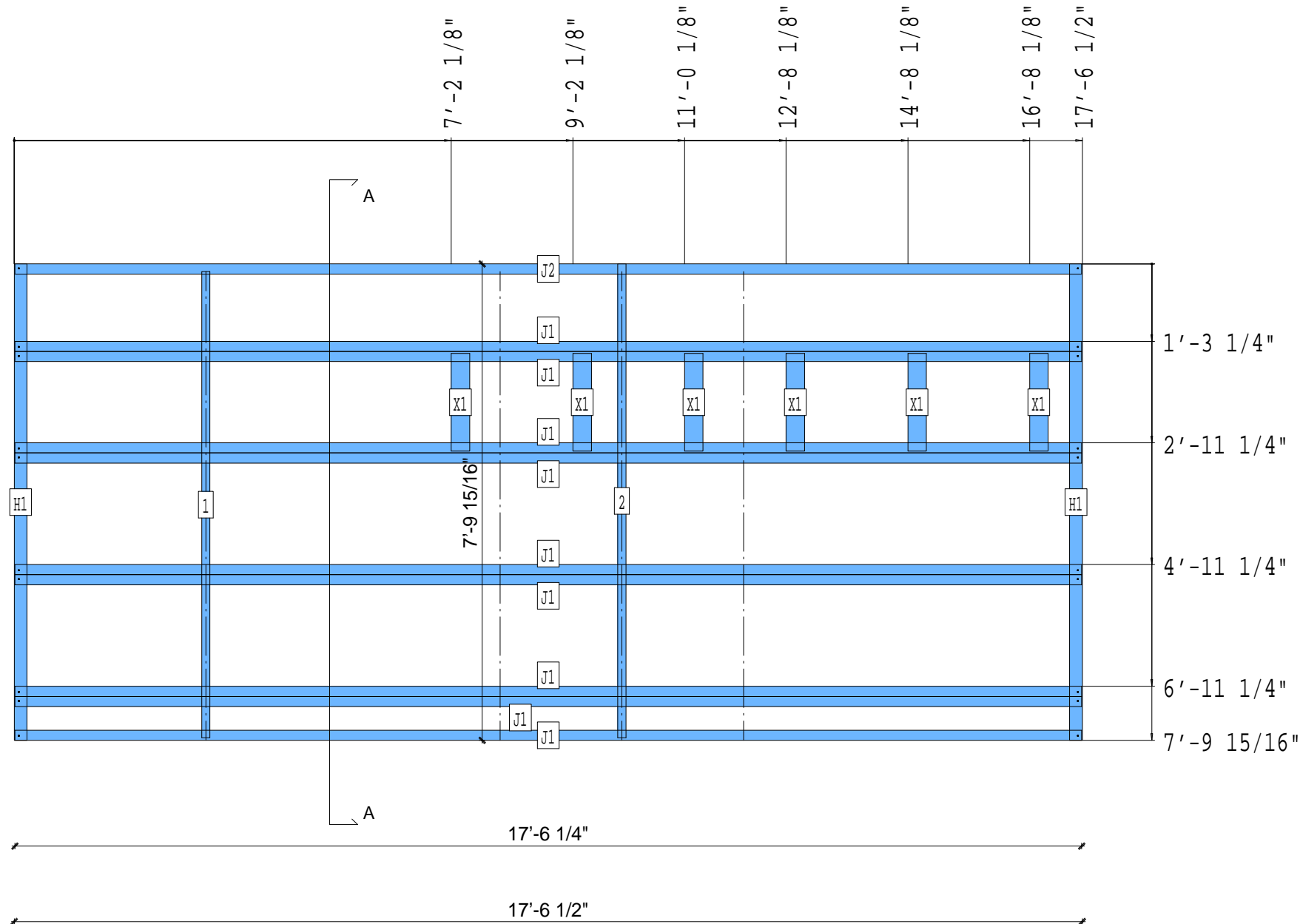
© FrameMax Inc.

APPROVED
By Ivan Juarez at 7:30 am, Dec 11, 2008



Bottom

A-A



PIECE SCHEDULE						
LAB	QTY	MATERIAL	DESCRIPTION	LENGTH	ANG1	ANG2
1	1	362S162-54	JOIST	7'-7 7/8"		
2	1	362S162-54	JOIST	7'-9 7/16"		
H1	2	1000T250-68	HEADER	7'-9 15/16"		
J1	9	1000S200-68	JOIST	17'-6 1/4"		
J2	1	1000S200-68	JOIST	17'-6 1/4"		
X1	6	362S162-33	FLAT TRACK B	1'-7 1/4"		

12-5050

CREATED: 12/09/2008

Jewish Home for the Aging

1885 Victory Blvd. Reseda, CA

FM-07-109

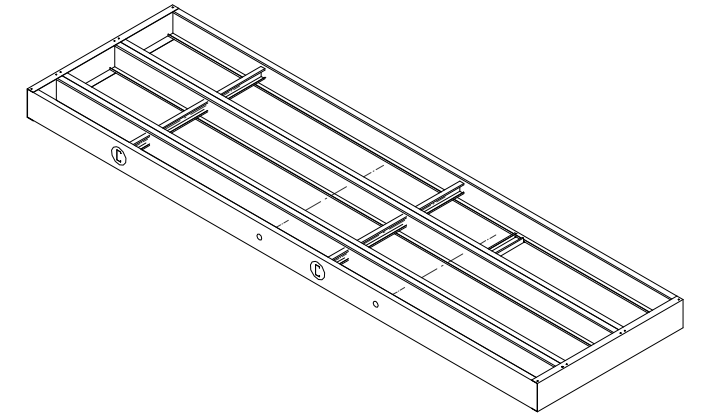
CREATED BY: AMB

FrameMax, Inc.
13915 Danielson St
Suite 100
Poway, CA 92064
www.framemax.com



© FrameMax Inc.

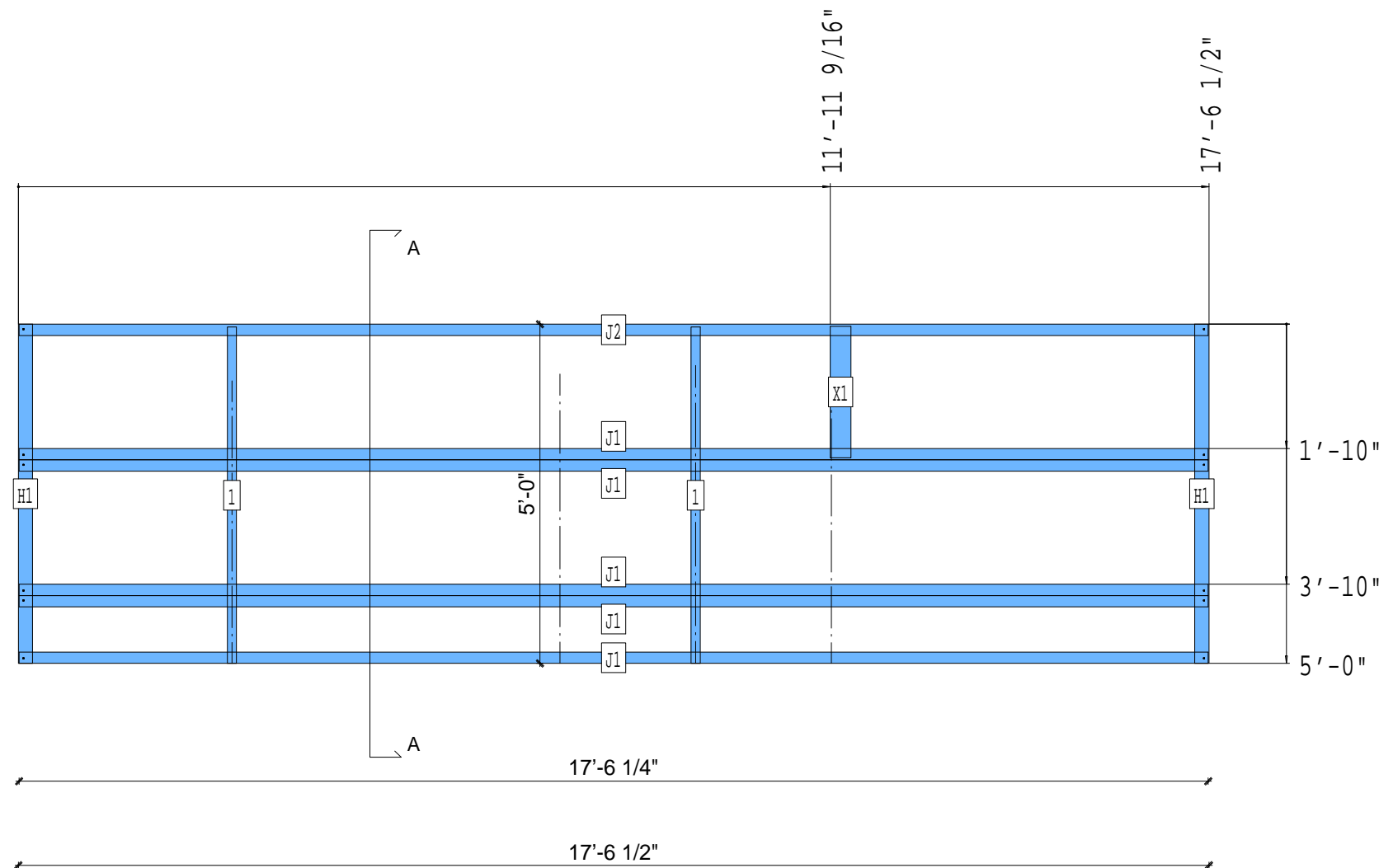
APPROVED
By Ivan Juarez at 7:30 am, Dec 11, 2008



Bottom



A-A



PIECE SCHEDULE						
LAB	QTY	MATERIAL	DESCRIPTION	LENGTH	ANG1	ANG2
1	2	362S162-54	JOIST	4'-11 1/2"		
H1	2	1000T250-68	HEADER	5'-0"		
J1	5	1000S200-68	JOIST	17'-6 1/4"		
J2	1	1000S200-68	JOIST	17'-6 1/4"		
X1	1	362S162-33	FLAT TRACK B	1'-11 1/4"		

12-5051

Jewish Home for the Aging

1885 Victory Blvd. Reseda, CA

FM-07-109

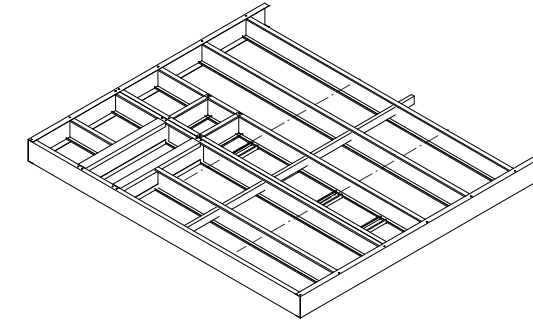
CREATED BY: AMB

FrameMax, Inc.
13915 Danielson St
Suite 100
Poway, CA 92064
www.frame-max.com

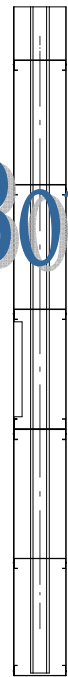


© FrameMax Inc.

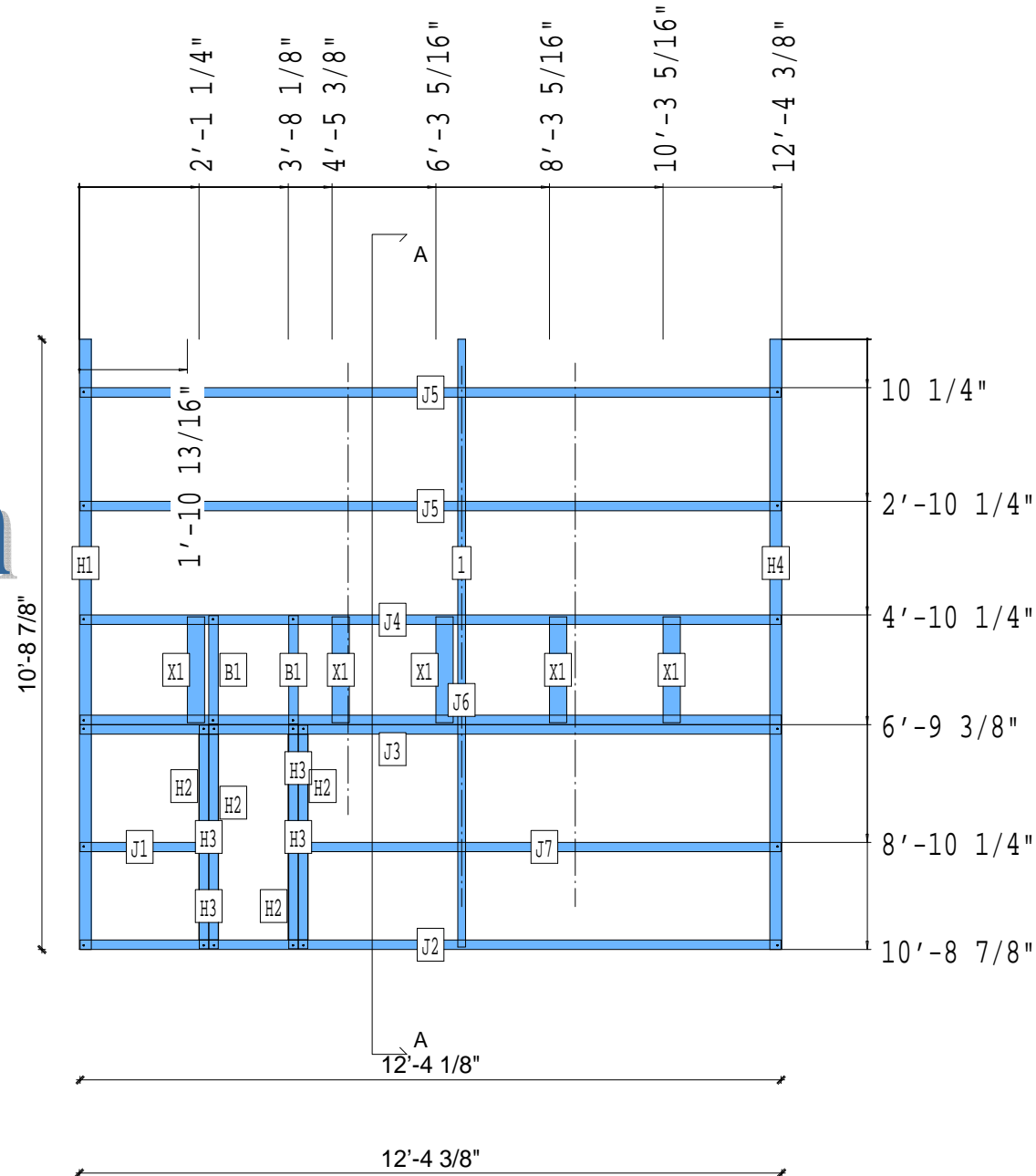
APPROVED
By Ivan Juarez at 7:30 am, Dec 11, 2008



Bottom



A-A



PIECE SCHEDULE						
LAB	QTY	MATERIAL	DESCRIPTION	LENGTH	ANG1	ANG2
1	1	362S162-54	JOIST	10'-8 3/8"		
B1	2	1000S200-68	BLOCK	1'-10 7/8"		
H1	1	1000T250-68	HEADER	10'-8 7/8"		
H2	4	1000S200-68	OPENING TRIM	3'-11 1/4"		
H3	4	400T200-68	OPENING TRIM	3'-7 1/2"		
H4	1	1000T250-68	HEADER	10'-8 7/8"		
J1	1	1000S200-68	JOIST	2'-1 3/16"		
J2	1	1000S200-68	JOIST	12'-4 1/8"		
J3	1	1000S200-68	OPENING TRIM	12'-4 1/8"		
J4	1	1000S200-68	JOIST	12'-4 1/8"		
J5	2	1000S200-68	JOIST	12'-4 1/8"		
J6	1	1000S200-68	OPENING TRIM	12'-4 1/8"		
J7	1	1000S200-68	JOIST	8'-4 1/16"		
X1	5	362S162-33	FLAT TRACK B	1'-10 3/8"		

12-5052

Jewish Home for the Aging

1885 Victory Blvd. Reseda, CA

FM-07-109

CREATED BY: AMB

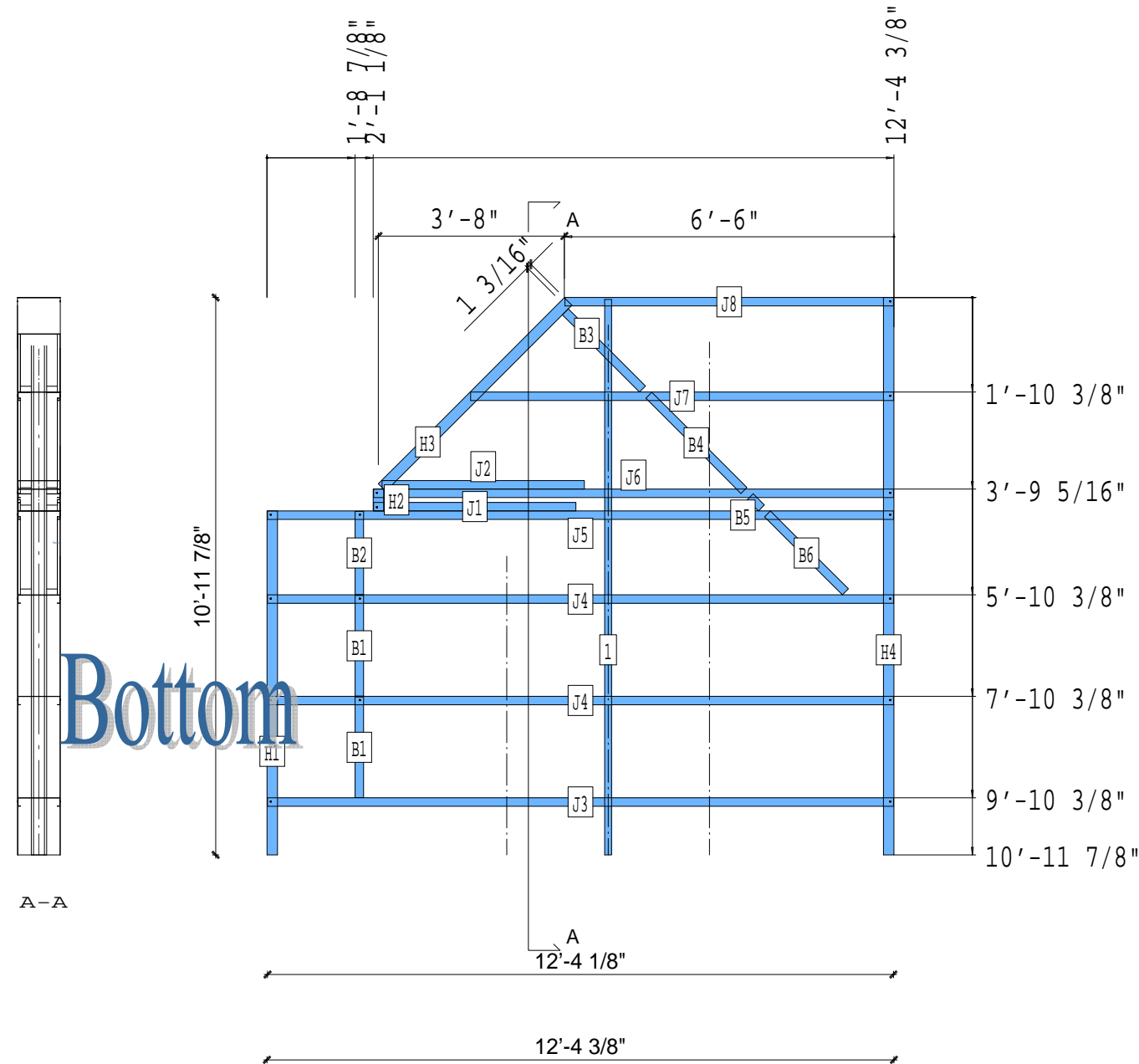
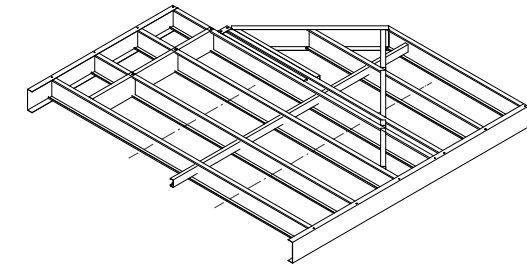
FrameMax, Inc.
13915 Danielson St
Suite 100
Poway, CA 92064
www.frameMAX.com



© FrameMax Inc.

CREATED: 12/09/2008

APPROVED
By Ivan Juarez at 7:30 am, Dec 11, 2008



PIECE SCHEDULE						
LAB	QTY	MATERIAL	DESCRIPTION	LENGTH	ANG1	ANG2
1	1	362S162-54	JOIST	10'-11 7/16"		
B1	2	1000S200-68	BLOCK	1'-11 13/16"		
B2	1	1000S200-68	BLOCK	1'-7 11/16"		
B3	1	1000S200-68	BLOCK	2'-1 7/8"		
B4	1	1000S200-68	BLOCK	2'-7 7/8"		
B5	1	1000S200-68	BLOCK	3 3/4"		
B6	1	1000S200-68	BLOCK	2'-2 1/16"		
H1	1	1000T250-68	HEADER	6'-9 3/8"		
H2	1	1000T250-68	HEADER	5 3/16"		
H3	1	1000T250-68	HEADER	5'-2 1/4"		
H4	1	1000T250-68	HEADER	10'-11 7/8"		
J1	1	1000S200-68	JOIST	3'-11 7/8"		
J2	1	1000S200-68	JOIST	3'-11 7/8"		
J3	1	1000S200-68	JOIST	12'-4 1/8"		
J4	2	1000S200-68	JOIST	12'-4 1/8"		
J5	1	1000S200-68	JOIST	12'-4 1/8"		
J6	1	1000S200-68	JOIST	10'-3"		
J7	1	1000S200-68	JOIST	8'-4 1/16"		
J8	1	1000S200-68	JOIST	6'-5 11/16"		

12-5053

Jewish Home for the Aging

1885 Victory Blvd. Reseda, CA

FM-07-109

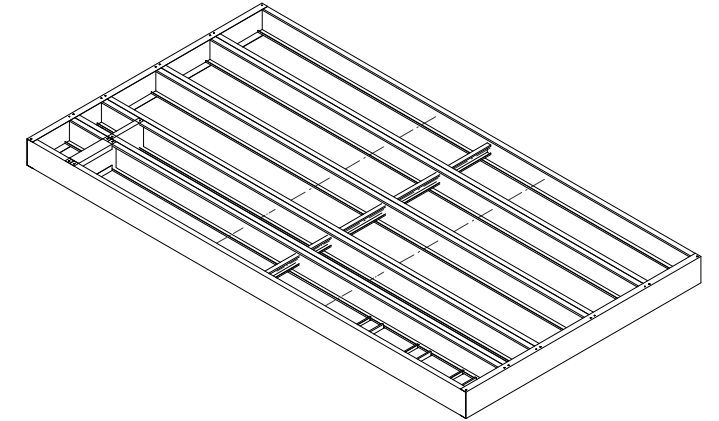
CREATED BY: AMB

FrameMax, Inc.
13915 Danielson St
Suite 100
Poway, CA 92064
www.framemax.com

FRAME MAX

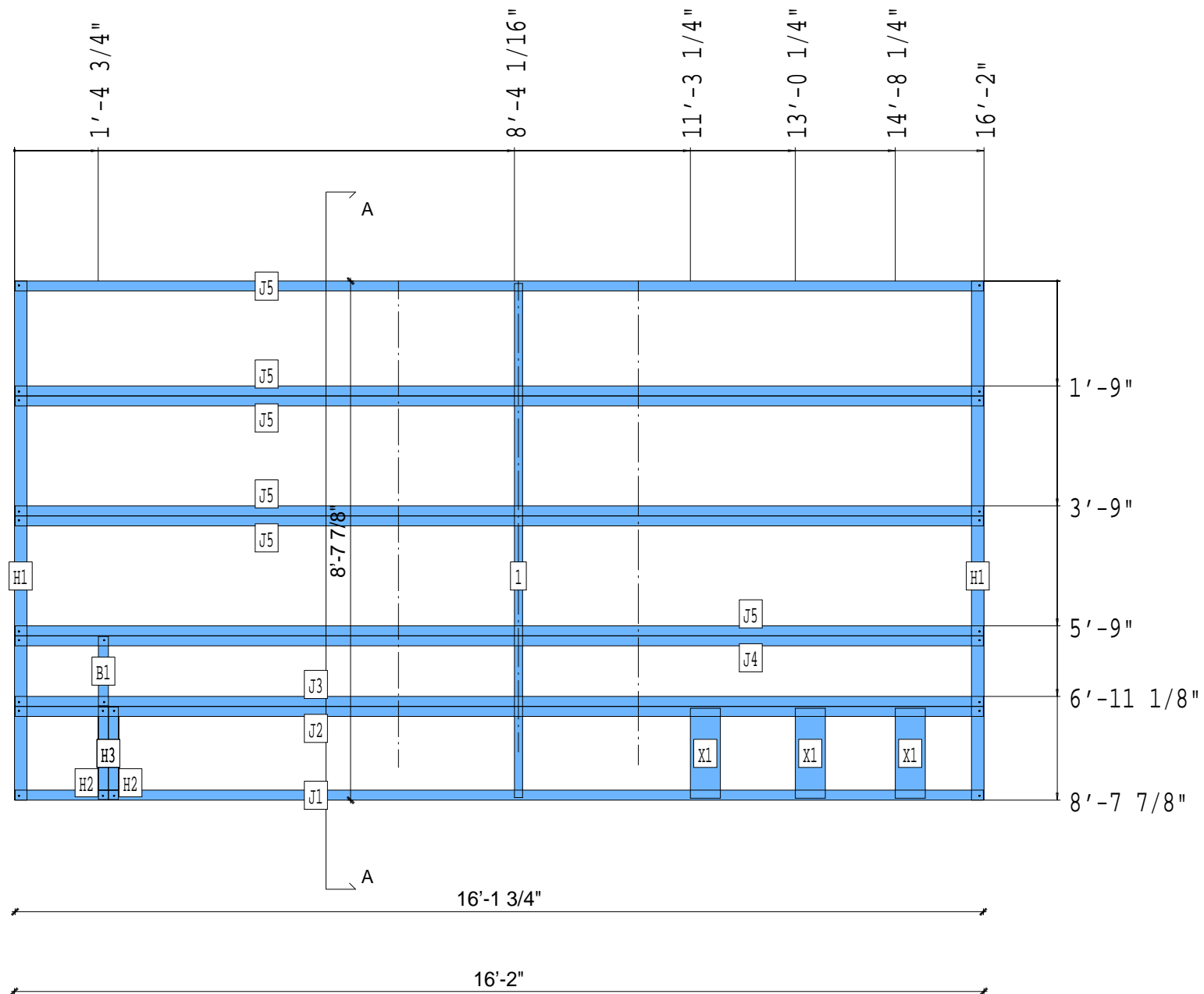
© FrameMax Inc.

APPROVED
By Ivan Juarez at 7:30 am, Dec 11, 2008



Bottom

A-A



PIECE SCHEDULE						
LAB	QTY	MATERIAL	DESCRIPTION	LENGTH	ANG1	ANG2
1	1	362S162-54	JOIST	8'-6 7/8"		
B1	1	1000S200-68	BLOCK	1'-1 7/8"		
H1	2	1000T250-68	HEADER	8'-7 7/8"		
H2	2	1000S200-68	OPENING TRIM	1'-6 1/2"		
H3	2	400T200-68	OPENING TRIM	1'-2 3/4"		
J1	1	1000S200-68	JOIST	16'-1 3/4"		
J2	1	1000S200-68	OPENING TRIM	16'-1 3/4"		
J3	1	1000S200-68	OPENING TRIM	16'-1 3/4"		
J4	1	1000S200-68	JOIST	16'-1 3/4"		
J5	6	1000S200-68	JOIST	16'-1 3/4"		
X1	3	600S162-33	FLAT TRACK B	1'-6"		

12-5054

Jewish Home for the Aging

1885 Victory Blvd. Reseda, CA

FM-07-109

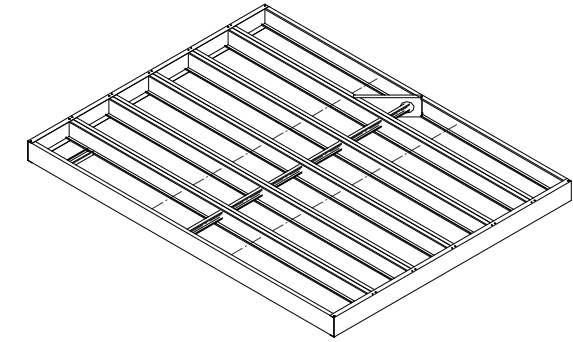
CREATED BY: AMB

FrameMax, Inc.
 13915 Danielson St
 Suite 100
 Poway, CA 92064
 www.framemax.com

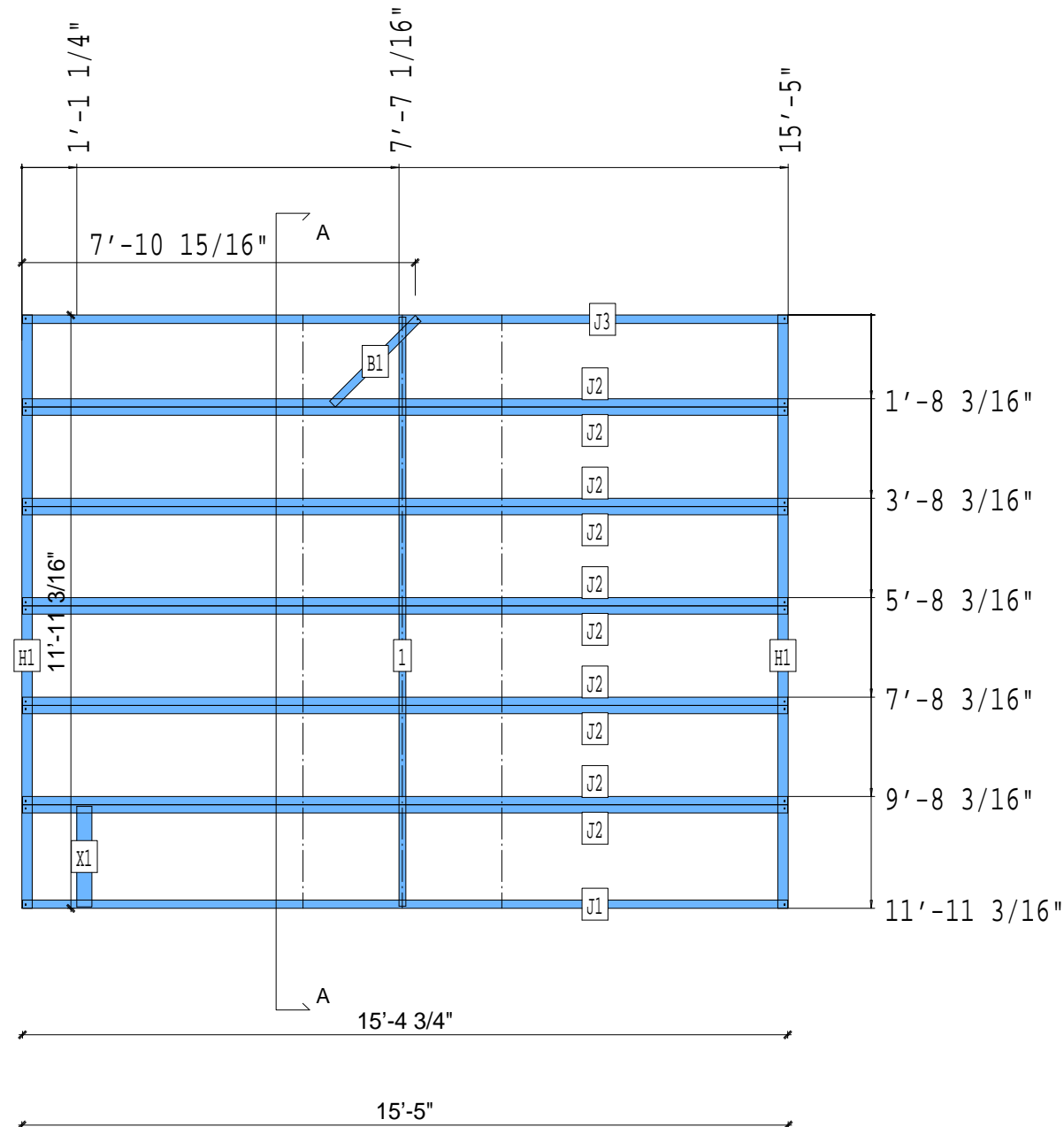


© FrameMax Inc.

APPROVED
 By Ivan Juarez at 7:30 am, Dec 11, 2008



Bottom



PIECE SCHEDULE						
LAB	QTY	MATERIAL	DESCRIPTION	LENGTH	ANG1	ANG2
1	1	362S162-54	JOIST	11'-10 3/16"		
B1	1	1000S200-68	BLOCK	2'-5 1/4"		
H1	2	1000T250-68	HEADER	11'-11 3/16"		
J1	1	1000S200-68	JOIST	15'-4 3/4"		
J2	10	1000S200-68	JOIST	15'-4 3/4"		
J3	1	1000S200-68	JOIST	15'-4 3/4"		
X1	1	362S162-33	FLAT TRACK B	2'-0 1/4"		

12-5055

CREATED: 12/09/2008

Jewish Home for the Aging

1885 Victory Blvd. Reseda, CA

FM-07-109

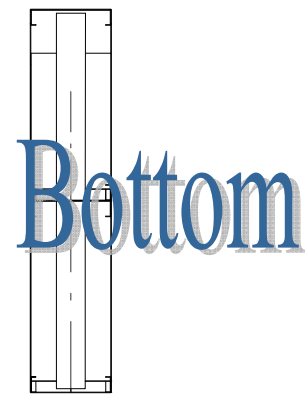
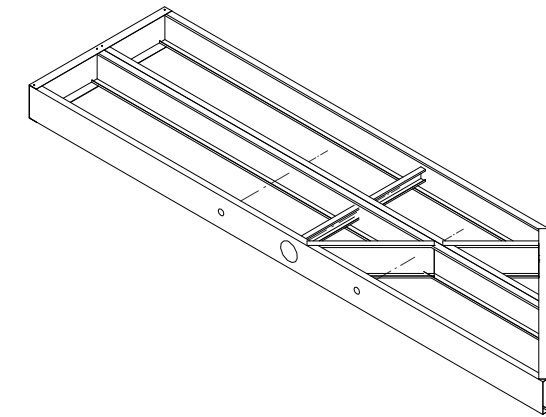
CREATED BY: AMB

FrameMax, Inc.
13915 Danielson St
Suite 100
Poway, CA 92064
www.frame-max.com



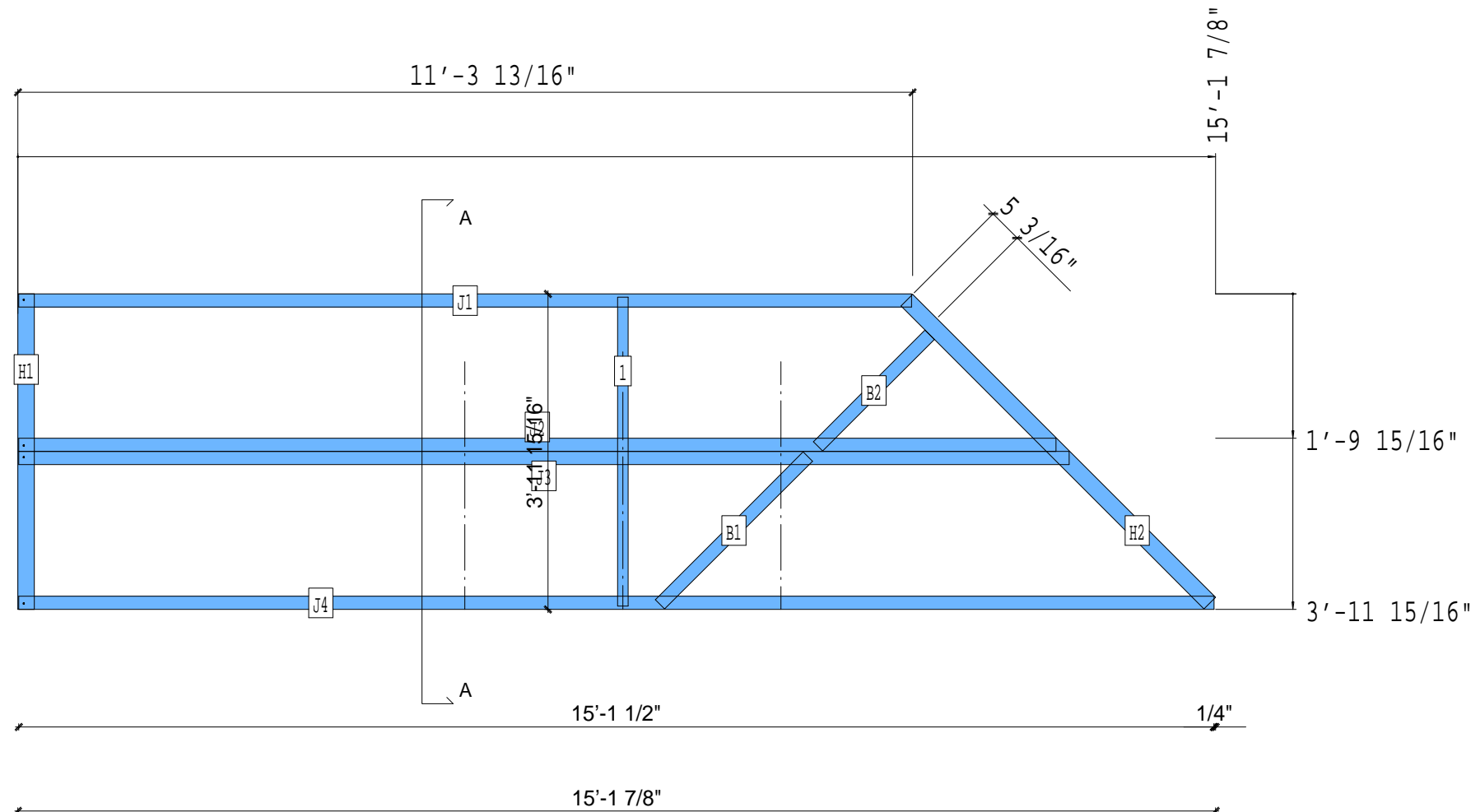
© FrameMax Inc.

APPROVED
By Ivan Juarez at 7:30 am, Dec 11, 2008



Bottom

A-A



PIECE SCHEDULE						
LAB	QTY	MATERIAL	DESCRIPTION	LENGTH	ANG1	ANG2
1	1	362S162-54	JOIST	3'-10 15/16"		
B1	1	1000S200-68	BLOCK	2'-7 3/4"		
B2	1	1000S200-68	BLOCK	1'-11 15/16"		
H1	1	1000T250-68	HEADER	3'-11 15/16"		
H2	1	1000T250-68	HEADER	5'-5 1/16"		
J1	1	1000S200-68	JOIST	11'-3 9/16"		
J2	1	1000S200-68	JOIST	13'-1 1/2"		
J3	1	1000S200-68	JOIST	13'-3 1/2"		
J4	1	1000S200-68	JOIST	15'-1 1/2"		

12-5056

CREATED: 12/09/2008

Jewish Home for the Aging

1885 Victory Blvd. Reseda, CA

FM-07-109

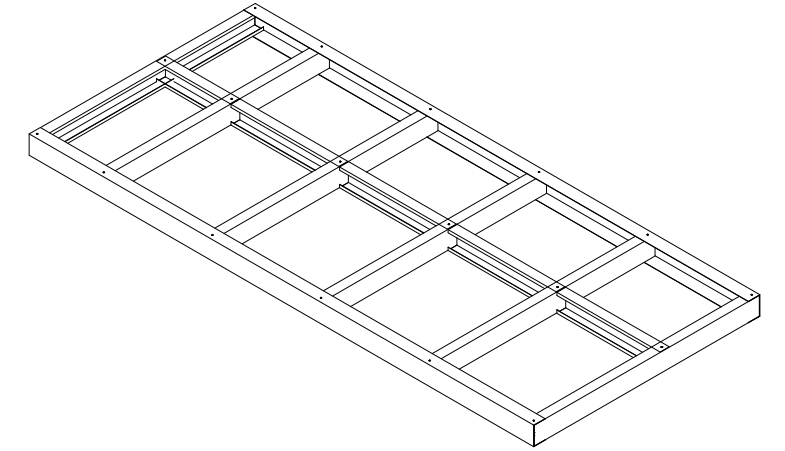
CREATED BY: AMB

FrameMax, Inc.
13915 Danielson St
Suite 100
Poway, CA 92064
www.framemax.com

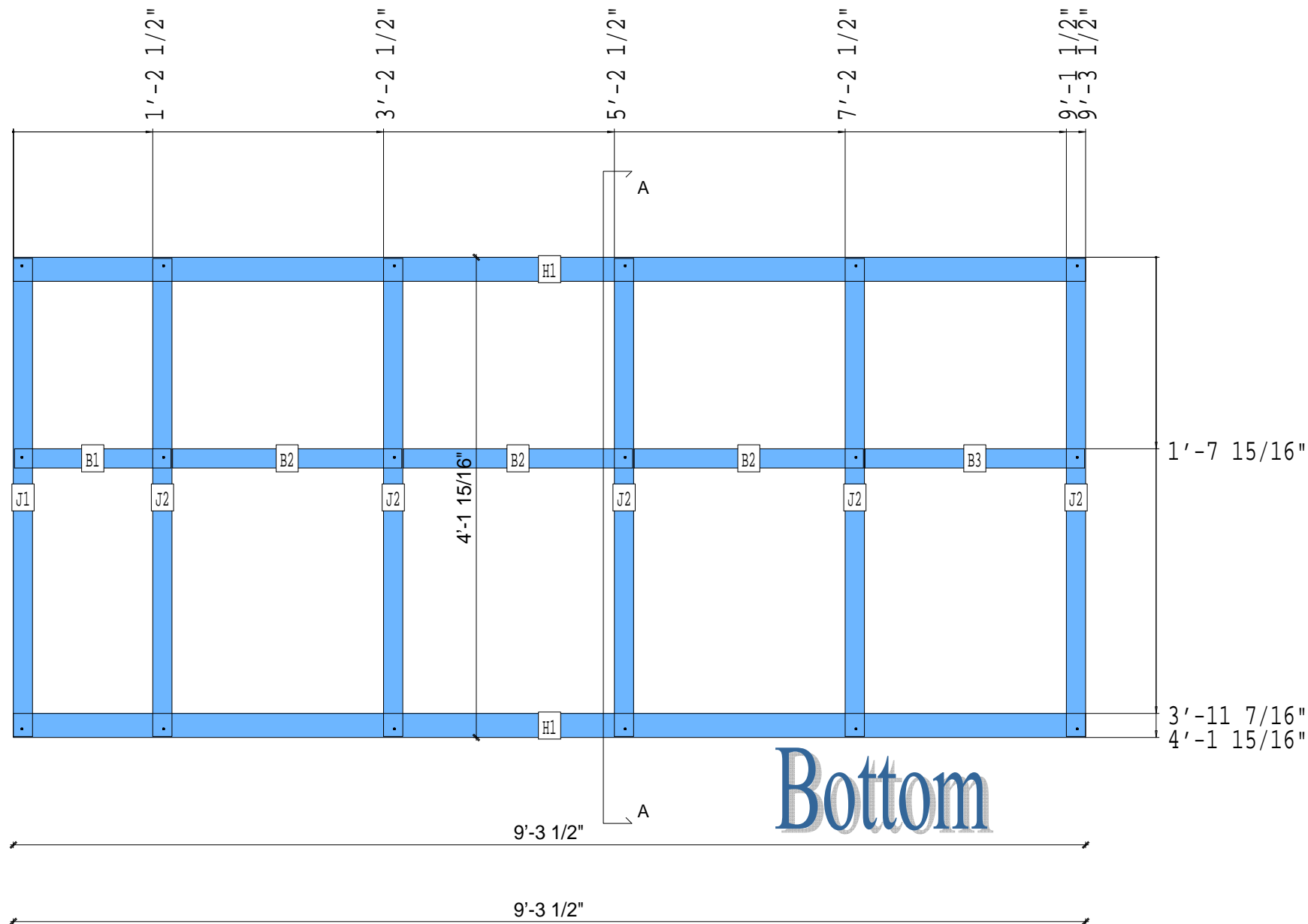


© FrameMax Inc.

APPROVED
By Ivan Juarez at 7:30 am, Dec 11, 2008



A-A



PIECE SCHEDULE						
LAB	QTY	MATERIAL	DESCRIPTION	LENGTH	ANG1	ANG2
B1	1	400S200-54	BLOCK	1'-4 1/4"		
B2	3	400S200-54	BLOCK	1'-11 13/16"		
B3	1	400S200-54	BLOCK	1'-10 13/16"		
H1	2	400T250-54	HEADER	9'-3 1/2"		
J1	1	400S200-54	JOIST	4'-1 11/16"		
J2	5	400S200-54	JOIST	4'-1 11/16"		

12-5057

CREATED: 12/09/2008

Jewish Home for the Aging

1885 Victory Blvd. Reseda, CA

FM-07-109

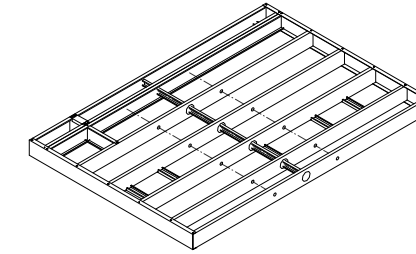
CREATED BY: AMB

FrameMax, Inc.
13915 Danielson St
Suite 100
Poway, CA 92064
www.framemax.com

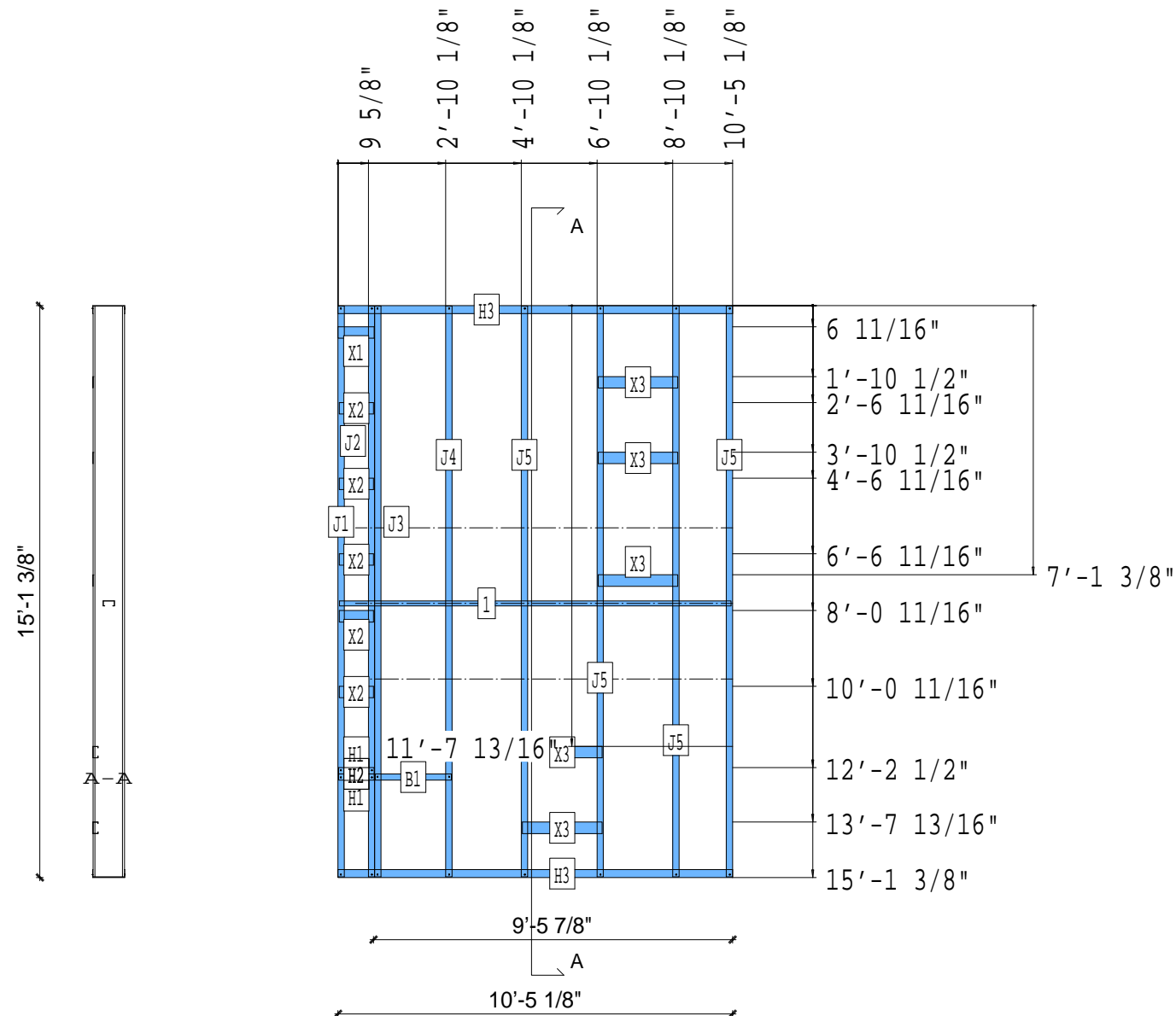


© FrameMax Inc.

APPROVED
By Ivan Juarez at 7:30 am, Dec 11, 2008



Bottom



PIECE SCHEDULE						
LAB	QTY	MATERIAL	DESCRIPTION	LENGTH	ANG1	ANG2
1	1	362S162-54	JOIST	10'-4 1/8"		
B1	1	1000S200-97	BLOCK	2'-0 3/16"		
H1	2	1000S200-97	OPENING TRIM	11 5/16"		
H2	2	400T200-97	OPENING TRIM	7 5/8"		
H3	2	1000T250-97	HEADER	10'-5 1/8"		
J1	1	1000S200-97	JOIST	15'-1 1/16"		
J2	1	1000S200-97	OPENING TRIM	15'-1 1/16"		
J3	1	1000S200-97	OPENING TRIM	15'-1 1/16"		
J4	1	1000S200-97	JOIST	15'-1 1/16"		
J5	4	1000S200-97	JOIST	15'-1 1/16"		
X1	1	362S162-33	FLAT TRACK B	11 7/16"		
X2	5	362S162-33	FLAT TRACK B	10 7/8"		
X3	5	362S162-33	FLAT TRACK B	2'-1 1/4"		

12-5058

Jewish Home for the Aging

1885 Victory Blvd. Reseda, CA

FM-07-109

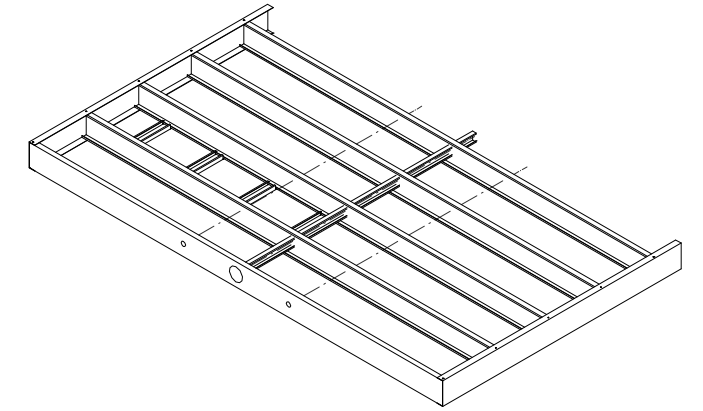
CREATED BY: AMB

FrameMax, Inc.
13915 Danielson St
Suite 100
Poway, CA 92064
www.framemax.com

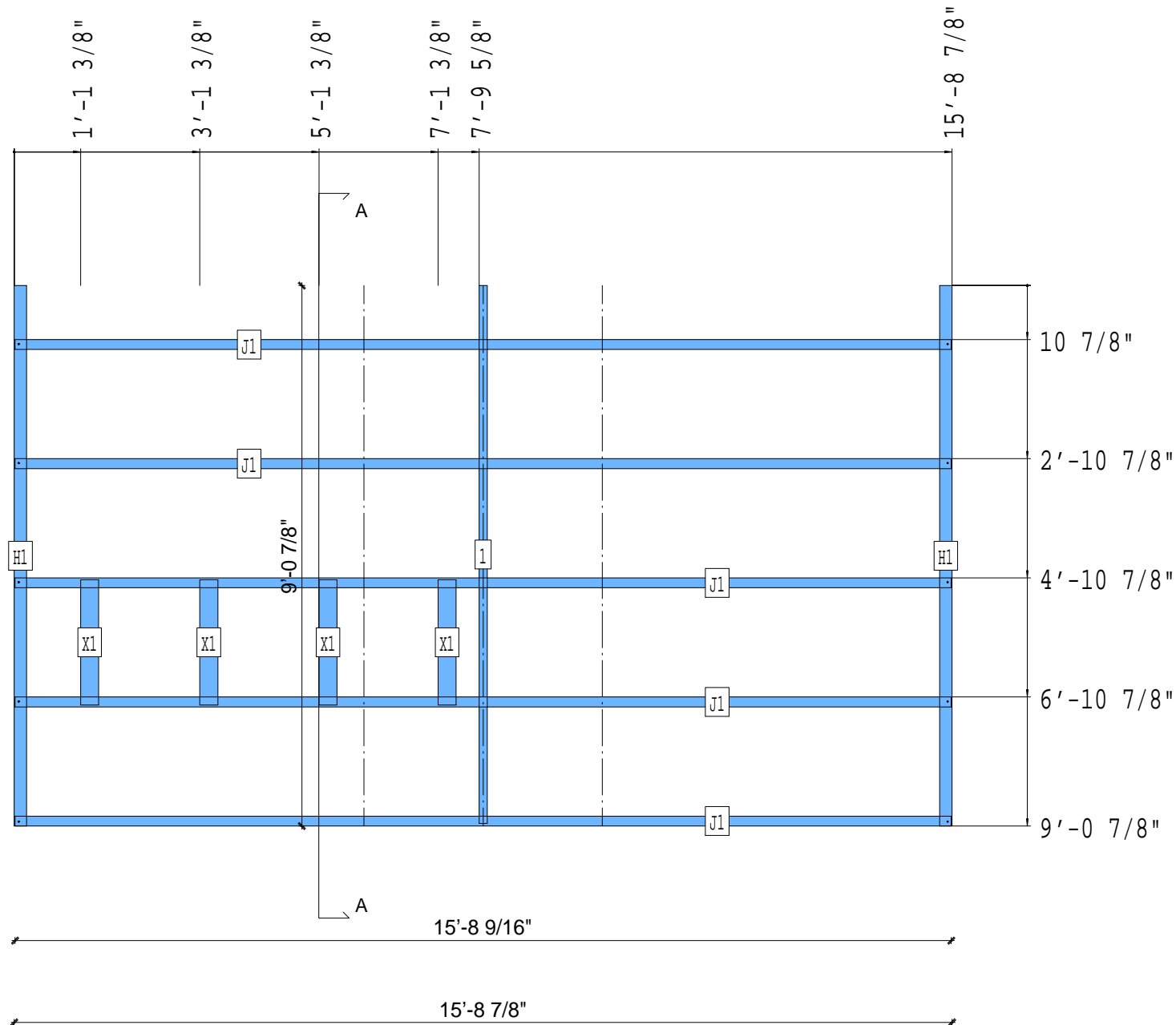
FRAME MAX

© FrameMax Inc.

APPROVED
By Ivan Juarez at 7:30 am, Dec 11, 2008



Bottom



PIECE SCHEDULE						
LAB	QTY	MATERIAL	DESCRIPTION	LENGTH	ANG1	ANG2
1	1	362S162-54	JOIST	9'-0 3/8"		
H1	2	1000T250-97	HEADER	9'-0 7/8"		
J1	5	1000S200-97	JOIST	15'-8 9/16"		
X1	4	362S162-33	FLAT TRACK B	2'-1 1/4"		

12-5059

CREATED: 12/09/2008

Jewish Home for the Aging

1885 Victory Blvd. Reseda, CA

FM-07-109

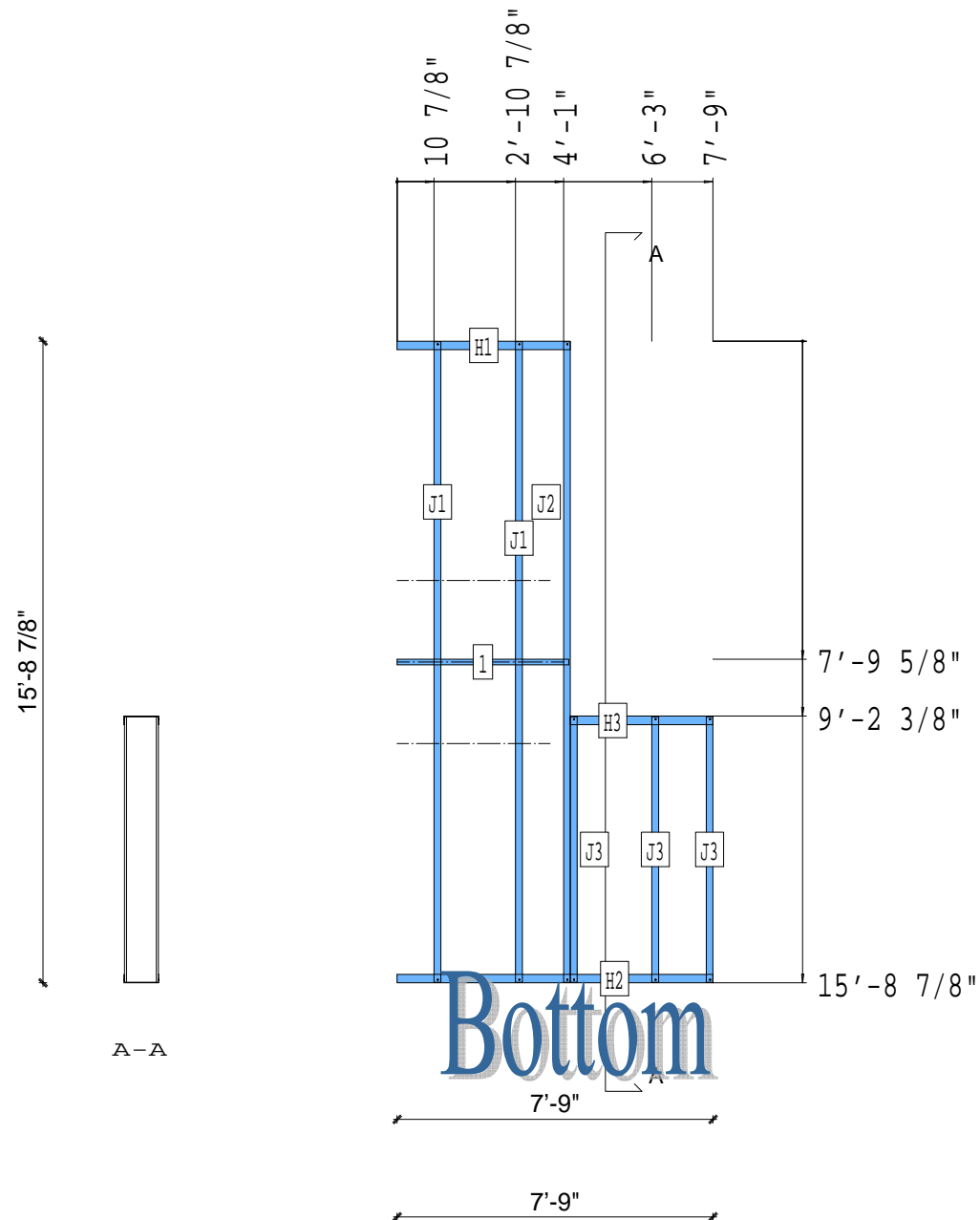
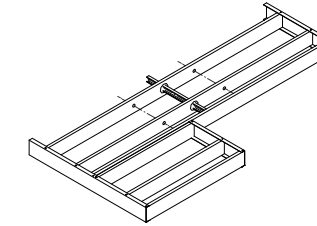
CREATED BY: AMB

FrameMax, Inc.
13915 Danielson St
Suite 100
Poway, CA 92064
www.framemax.com



© FrameMax Inc.

APPROVED
By Ivan Juarez at 7:30 am, Dec 11, 2008



PIECE SCHEDULE						
LAB	QTY	MATERIAL	DESCRIPTION	LENGTH	ANG1	ANG2
1	1	362S162-54	JOIST	4'-2 1/2"		
H1	1	1000T250-97	HEADER	4'-3"		
H2	1	1000T250-97	HEADER	7'-9"		
H3	1	1000T250-97	HEADER	3'-6"		
J1	2	1000S200-97	JOIST	15'-8 9/16"		
J2	1	1000S200-97	JOIST	15'-8 9/16"		
J3	3	1000S200-97	JOIST	6'-6 3/16"		

12-5060

Jewish Home for the Aging

1885 Victory Blvd. Reseda, CA

FM-07-109

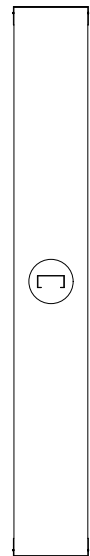
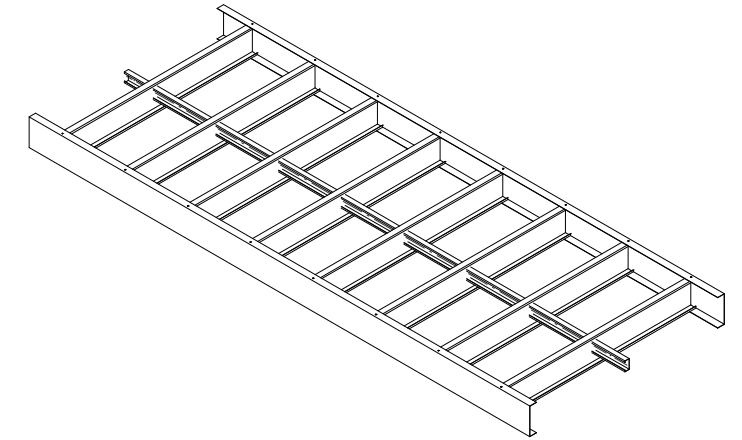
CREATED BY: AMB

FrameMax, Inc.
13915 Danielson St
Suite 100
Poway, CA 92064
www.framemax.com

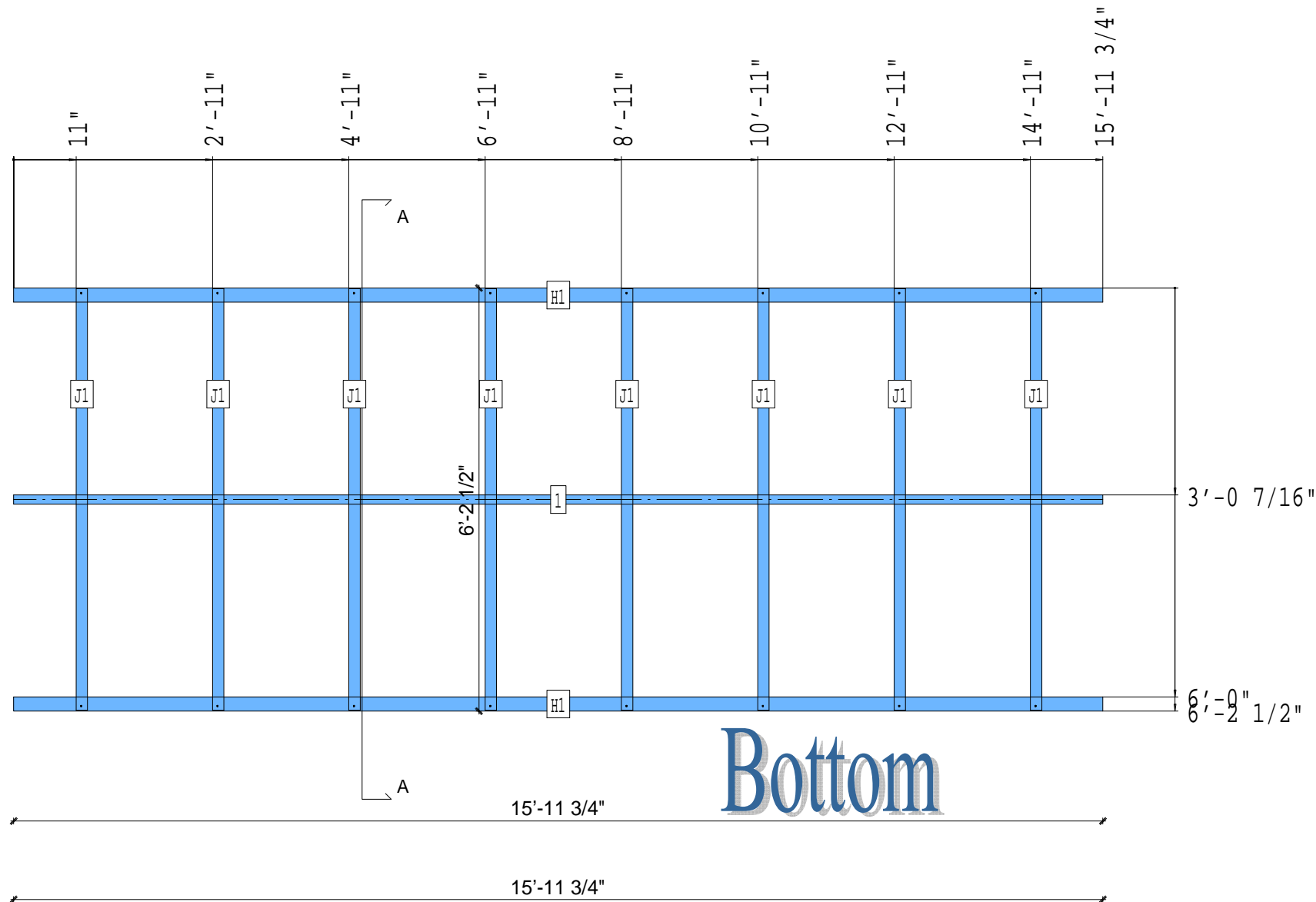


© FrameMax Inc.

APPROVED
By Ivan Juarez at 7:30 am, Dec 11, 2008



A-A



PIECE SCHEDULE						
LAB	QTY	MATERIAL	DESCRIPTION	LENGTH	ANG1	ANG2
1	1	362S162-54	JOIST	15'-11 3/4"		
H1	2	1000T250-68	HEADER	15'-11 3/4"		
J1	8	1000S200-68	JOIST	6'-2 1/4"		

12-5061

Jewish Home for the Aging

1885 Victory Blvd. Reseda, CA

FM-07-109

CREATED BY: AMB

FrameMax, Inc.
13915 Danielson St
Suite 100
Poway, CA 92064
www.framemax.com

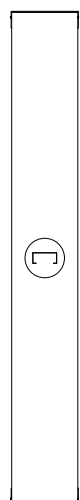
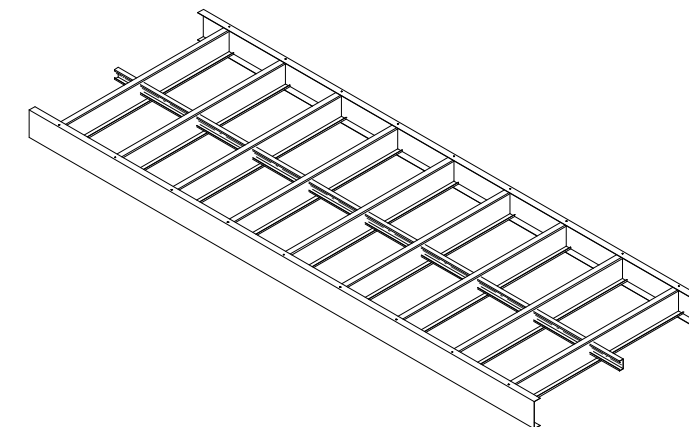


© FrameMax Inc.

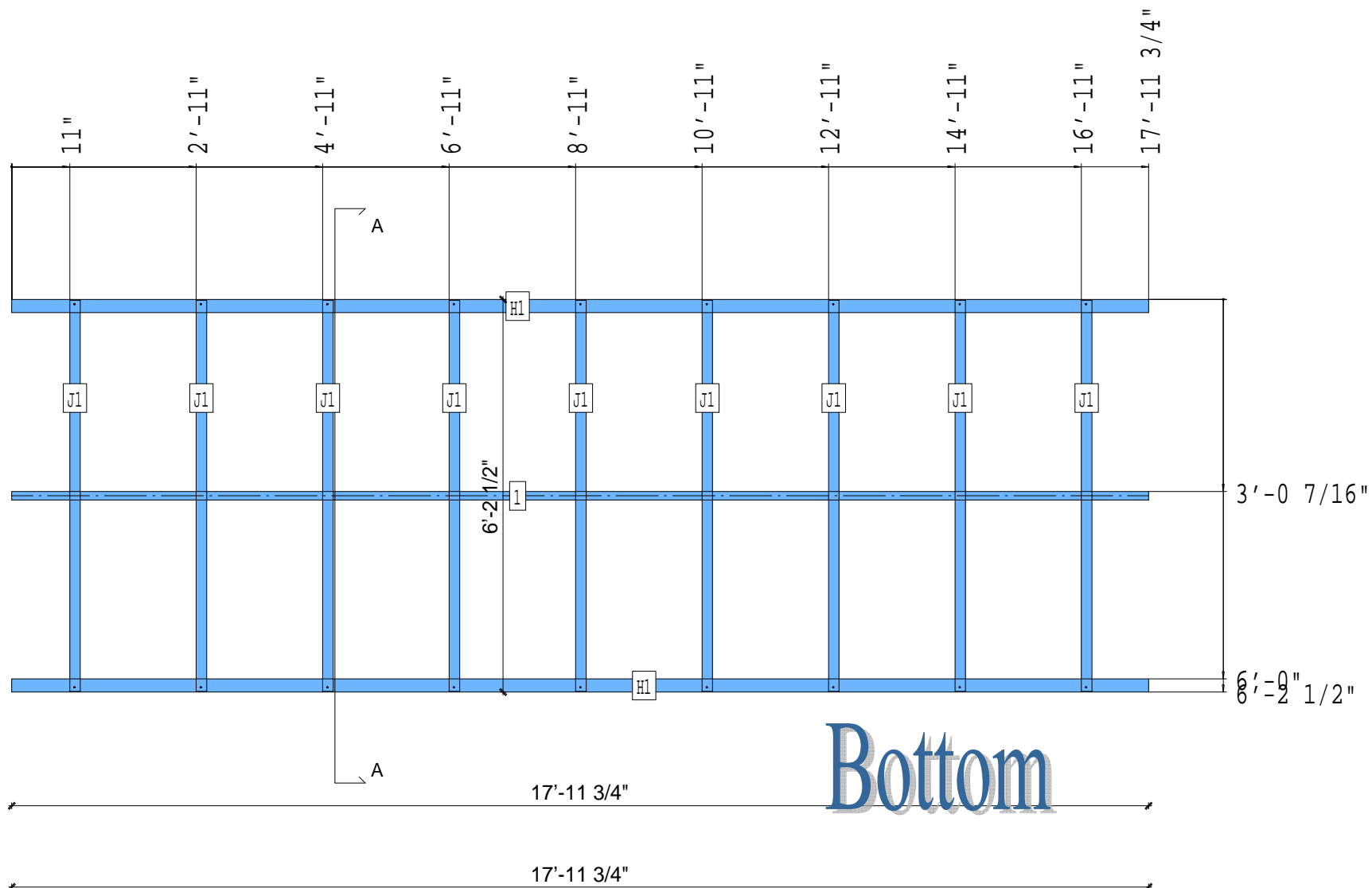
CREATED: 12/09/2008

APPROVED

By Ivan Juarez at 7:30 am, Dec 11, 2008



A-A



PIECE SCHEDULE						
LAB	QTY	MATERIAL	DESCRIPTION	LENGTH	ANG1	ANG2
1	1	362S162-54	JOIST	17'-11 3/4"		
H1	2	1000T250-68	HEADER	17'-11 3/4"		
J1	9	1000S200-68	JOIST	6'-2 1/4"		

12-5062

CREATED: 12/09/2008

Jewish Home for the Aging

1885 Victory Blvd. Reseda, CA

FM-07-109

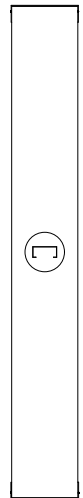
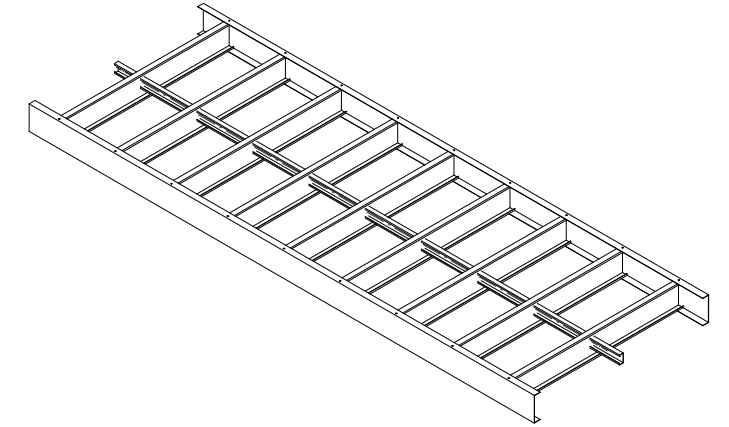
CREATED BY: AMB

FrameMax, Inc.
13915 Danielson St
Suite 100
Poway, CA 92064
www.framemax.com

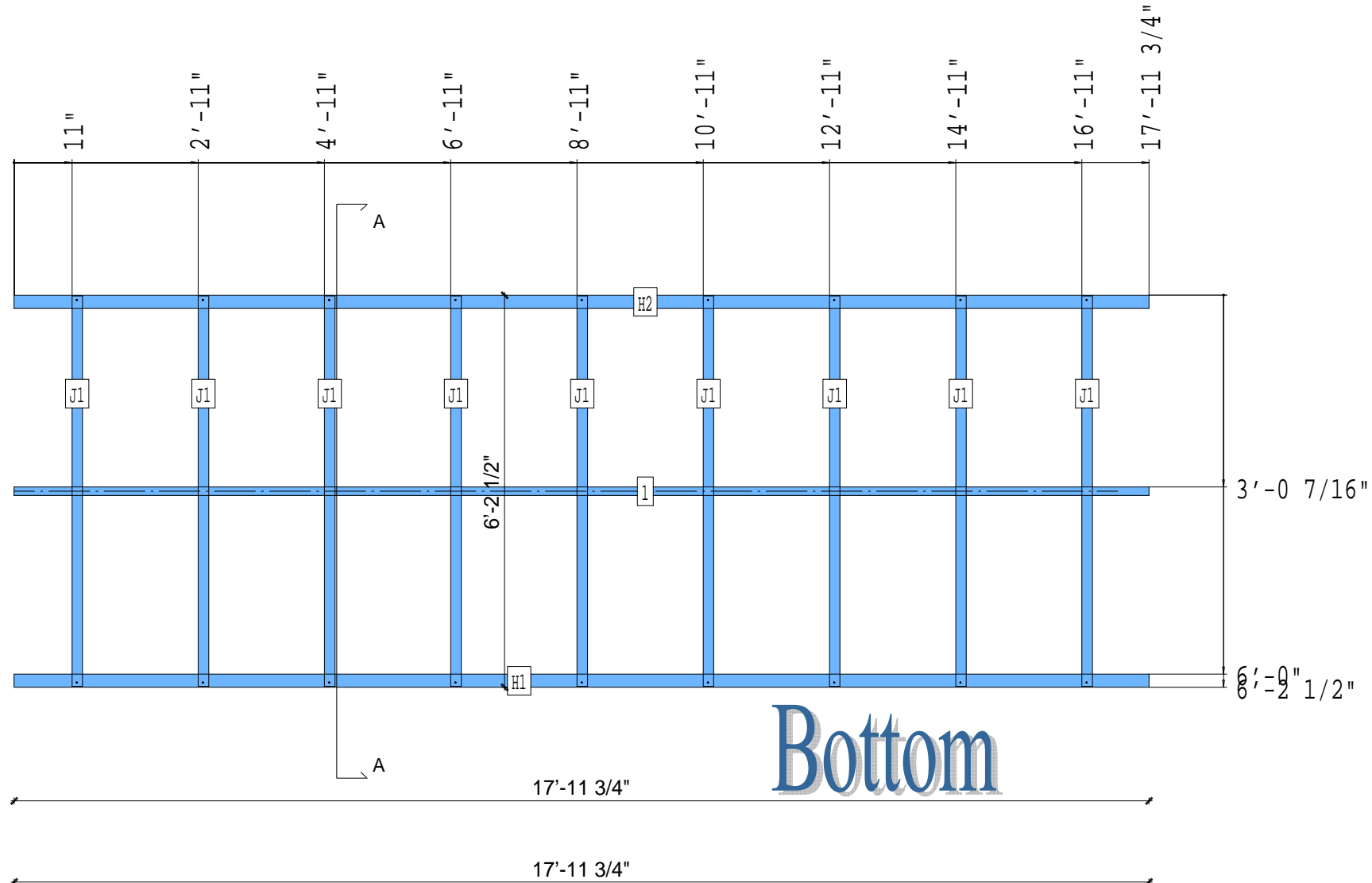


© FrameMax Inc.

APPROVED
By Ivan Juarez at 7:30 am, Dec 11, 2008



A-A



Bottom

PIECE SCHEDULE						
LAB	QTY	MATERIAL	DESCRIPTION	LENGTH	ANG1	ANG2
1	1	362S162-54	JOIST	17'-11 3/4"		
H1	1	1000T250-97	HEADER	17'-11 3/4"		
H2	1	1000T250-68	HEADER	17'-11 3/4"		
J1	9	1000S200-68	JOIST	6'-2 3/16"		

12-5063

CREATED: 12/09/2008

Jewish Home for the Aging

1885 Victory Blvd. Reseda, CA

FM-07-109

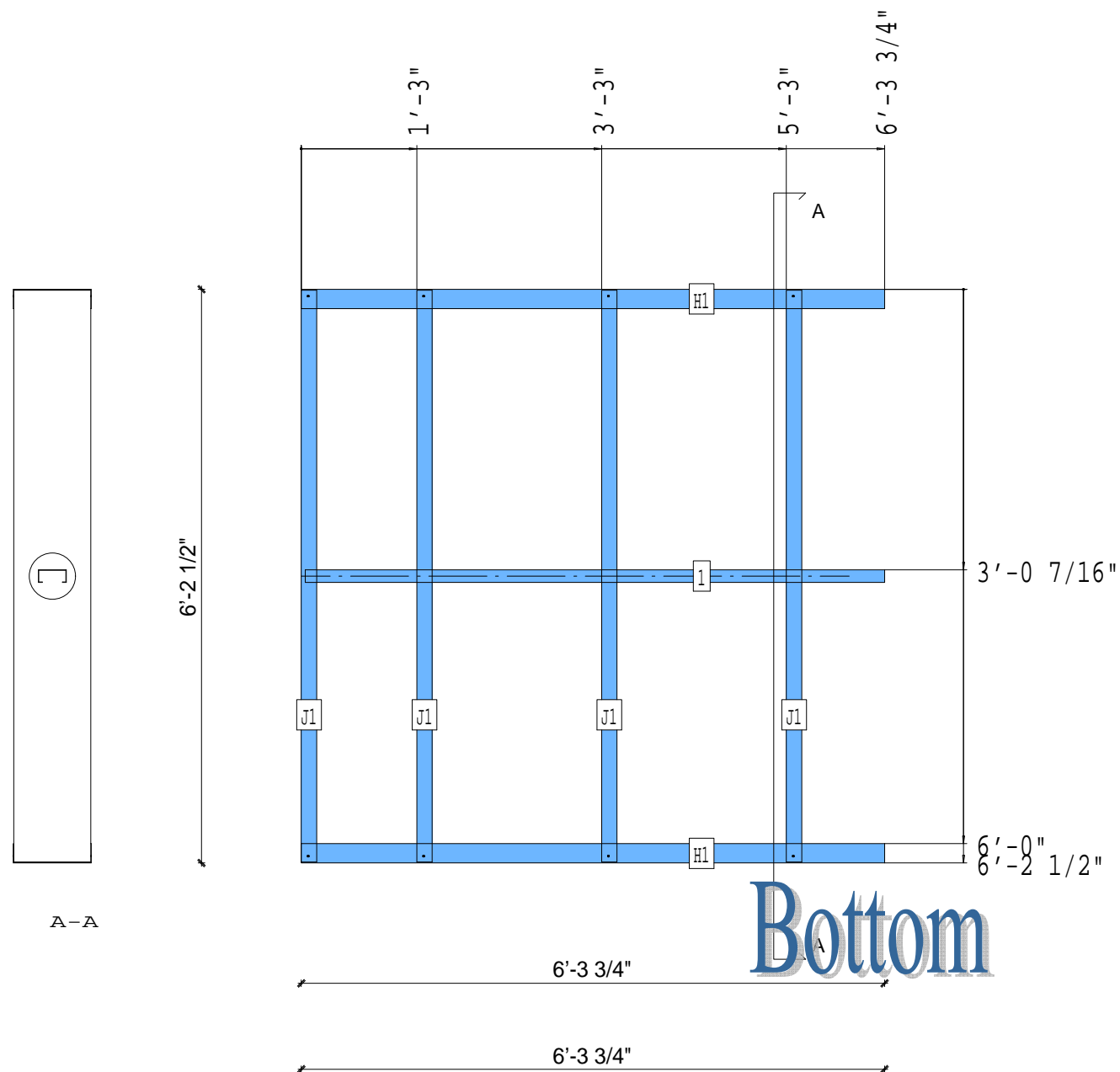
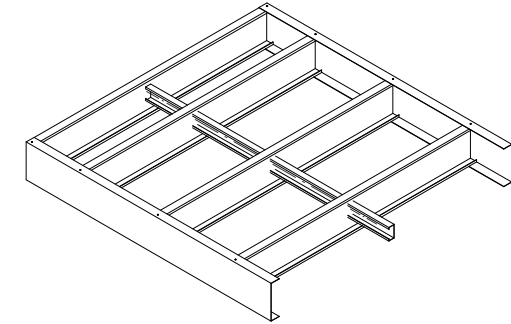
CREATED BY: AMB

FrameMax, Inc.
13915 Danielson St
Suite 100
Poway, CA 92064
www.framemax.com



© FrameMax Inc.

APPROVED
By Ivan Juarez at 7:30 am, Dec 11, 2008



Bottom

PIECE SCHEDULE						
LAB	QTY	MATERIAL	DESCRIPTION	LENGTH	ANG1	ANG2
1	1	362S162-54	JOIST	6'-3 1/4"		
H1	2	1000T250-68	HEADER	6'-3 3/4"		
J1	4	1000S200-68	JOIST	6'-2 1/4"		

12-5064

Jewish Home for the Aging

1885 Victory Blvd. Reseda, CA

FM-07-109

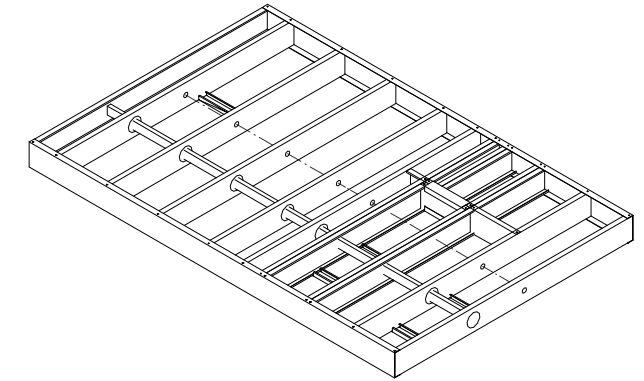
CREATED BY: AMB

FrameMax, Inc.
13915 Danielson St
Suite 100
Poway, CA 92064
www.framemax.com

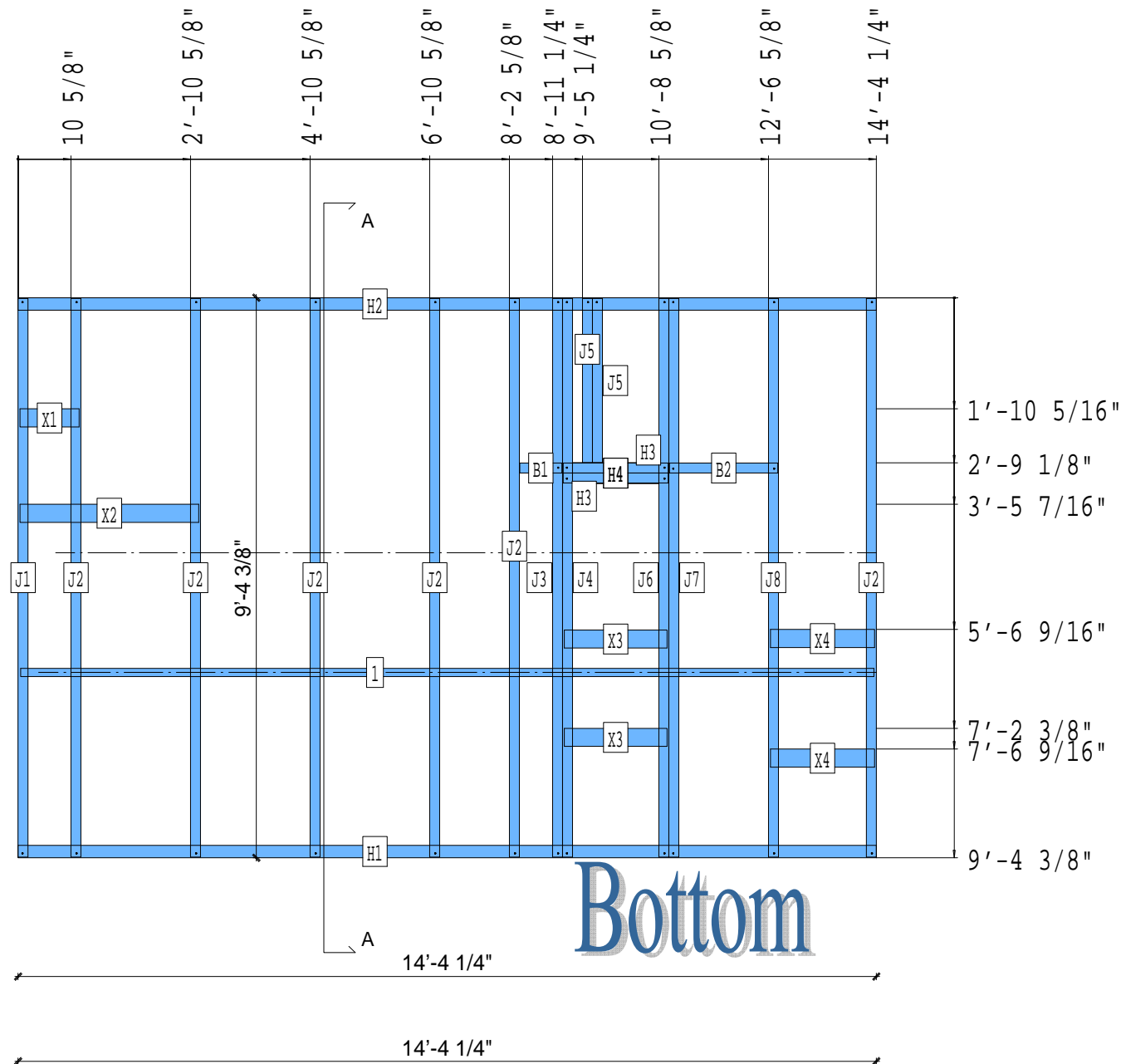


© FrameMax Inc.

APPROVED
By Ivan Juarez at 7:30 am, Dec 11, 2008



A-A



PIECE SCHEDULE						
LAB	QTY	MATERIAL	DESCRIPTION	LENGTH	ANG1	ANG2
1	1	362S162-54	JOIST	14'-3 1/4"		
B1	1	1000S200-68	BLOCK	8 7/16"		
B2	1	1000S200-68	BLOCK	1'-9 3/4"		
H1	1	1000T250-97	HEADER	14'-4 1/4"		
H2	1	1000T250-68	HEADER	14'-4 1/4"		
H3	2	1000S200-68	OPENING TRIM	1'-9 1/8"		
H4	2	400T200-68	OPENING TRIM	1'-5 3/8"		
J1	1	1000S200-68	JOIST	9'-4 1/16"		
J2	6	1000S200-68	JOIST	9'-4 1/16"		
J3	1	1000S200-68	OPENING TRIM	9'-4 1/16"		
J4	1	1000S200-68	OPENING TRIM	9'-4 1/16"		
J5	2	1000S200-68	JOIST	2'-9"		
J6	1	1000S200-68	OPENING TRIM	9'-4 1/16"		
J7	1	1000S200-68	OPENING TRIM	9'-4 1/16"		
J8	1	1000S200-68	JOIST	9'-4 1/16"		
X1	1	362S162-33	FLAT TRACK B	11 7/8"		
X2	1	362S162-33	FLAT TRACK B	2'-11 7/8"		
X3	2	362S162-33	FLAT TRACK B	1'-8 5/8"		
X4	2	362S162-33	FLAT TRACK B	1'-8 7/8"		

12-5065

CREATED: 12/09/2008

Jewish Home for the Aging

1885 Victory Blvd. Reseda, CA

FM-07-109

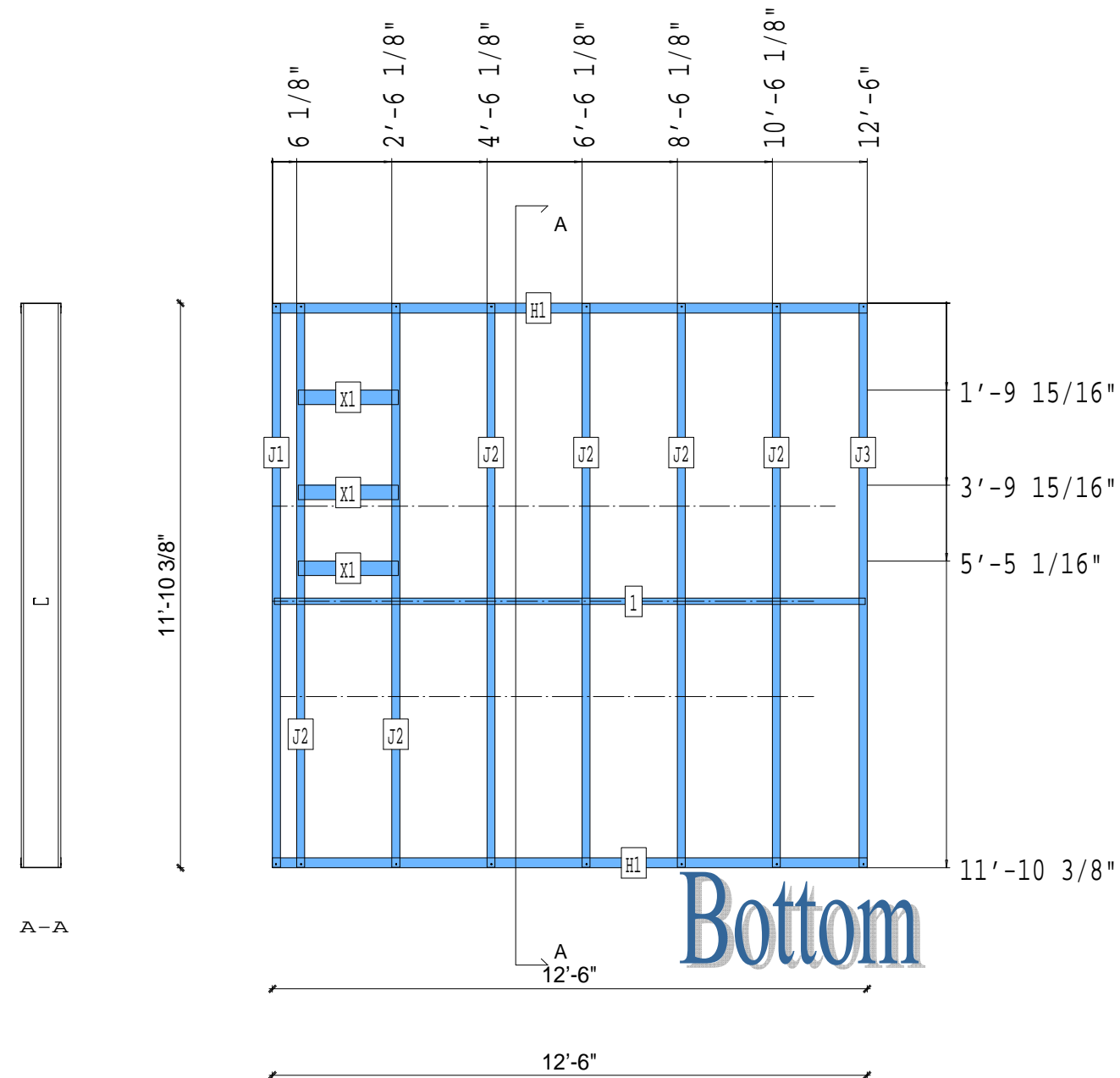
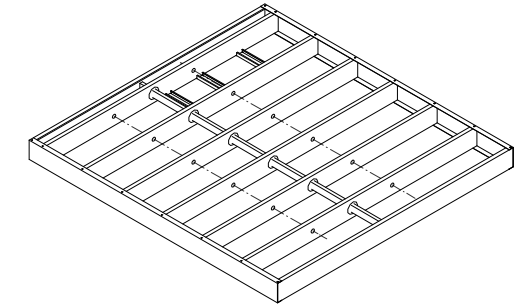
CREATED BY: AMB

FrameMax, Inc.
13915 Danielson St
Suite 100
Poway, CA 92064
www.frame-max.com



© FrameMax Inc.

APPROVED
By Ivan Juarez at 7:30 am, Dec 11, 2008



PIECE SCHEDULE						
LAB	QTY	MATERIAL	DESCRIPTION	LENGTH	ANG1	ANG2
1	1	362S162-54	JOIST	12'-5"		
H1	2	1000T250-68	HEADER	12'-6"		
J1	1	1000S200-68	JOIST	11'-10 1/8"		
J2	6	1000S200-68	JOIST	11'-10 1/8"		
J3	1	1000S200-68	JOIST	11'-10 1/8"		
X1	3	362S162-33	FLAT TRACK B	2'-1 1/4"		

12-5066

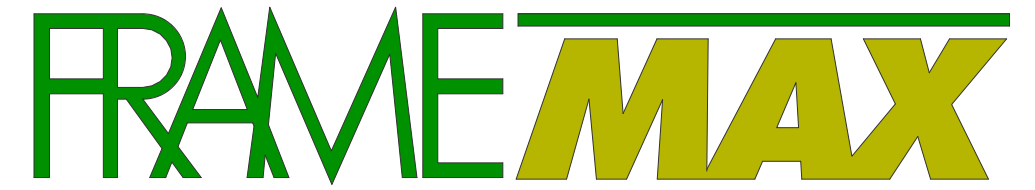
Jewish Home for the Aging

1885 Victory Blvd. Reseda, CA

FM-07-109

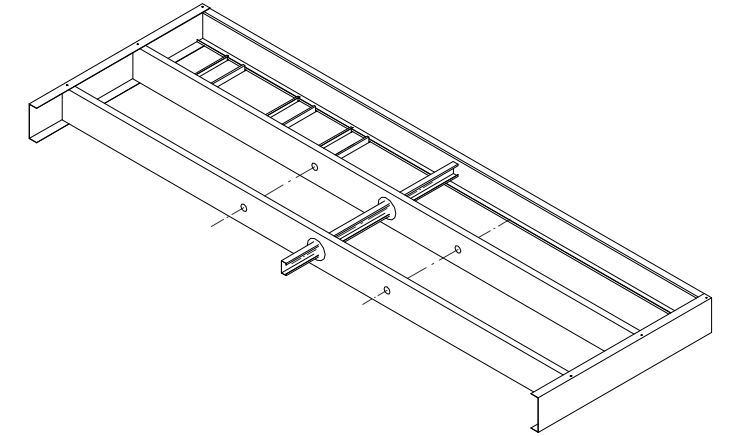
CREATED BY: AMB

FrameMax, Inc.
13915 Danielson St
Suite 100
Poway, CA 92064
www.framemax.com

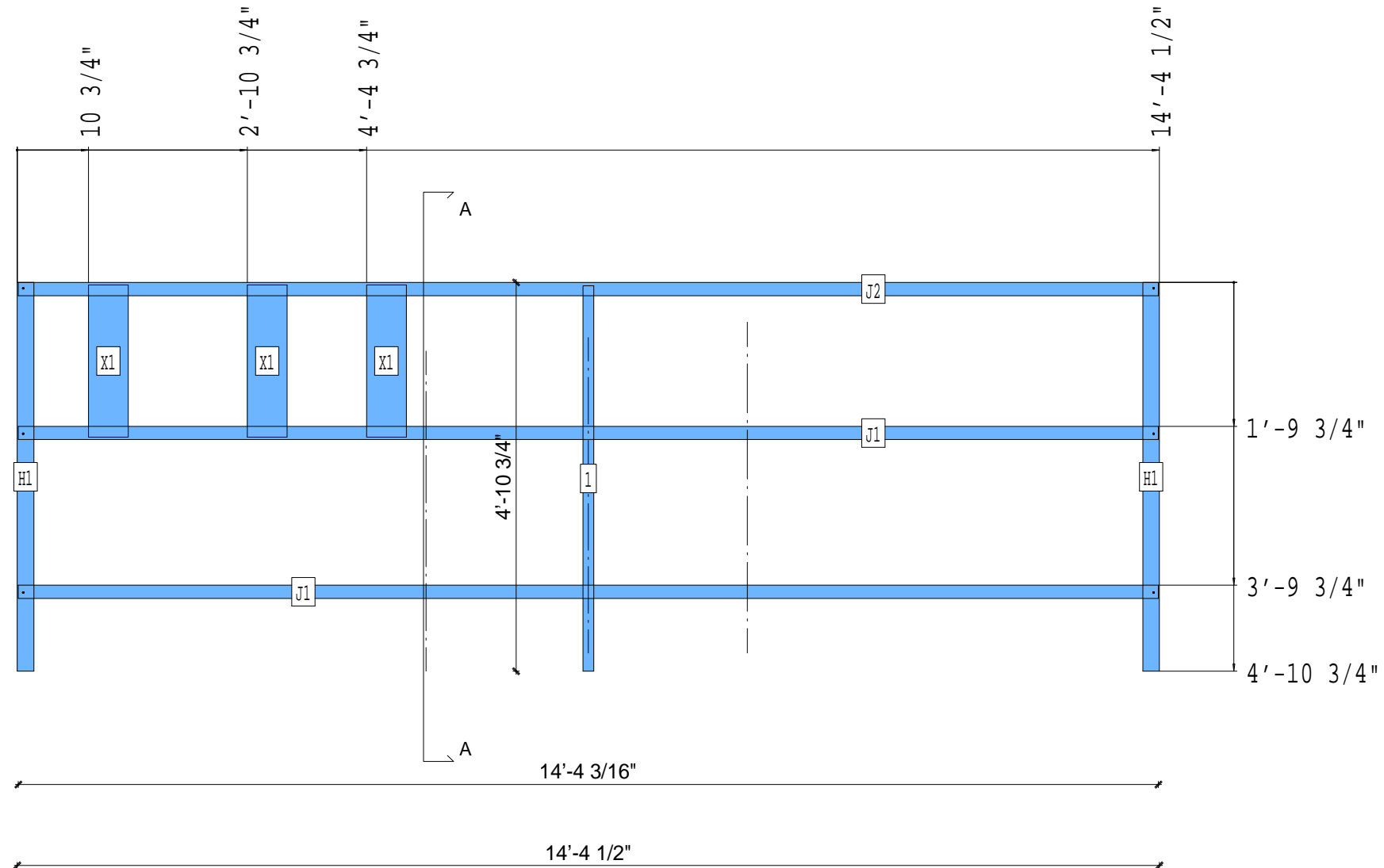


© FrameMax Inc.

APPROVED
By Ivan Juarez at 7:30 am, Dec 11, 2008



A-A



PIECE SCHEDULE						
LAB	QTY	MATERIAL	DESCRIPTION	LENGTH	ANG1	ANG2
1	1	362S162-54	JOIST	4'-10 1/4"		
H1	2	1000T250-97	HEADER	4'-10 3/4"		
J1	2	1000S200-97	JOIST	14'-4 3/16"		
J2	1	1000S200-97	JOIST	14'-4 3/16"		
X1	3	600S162-33	FLAT TRACK B	1'-11"		

12-5067

CREATED: 12/09/2008

Jewish Home for the Aging

1885 Victory Blvd. Reseda, CA

FM-07-109

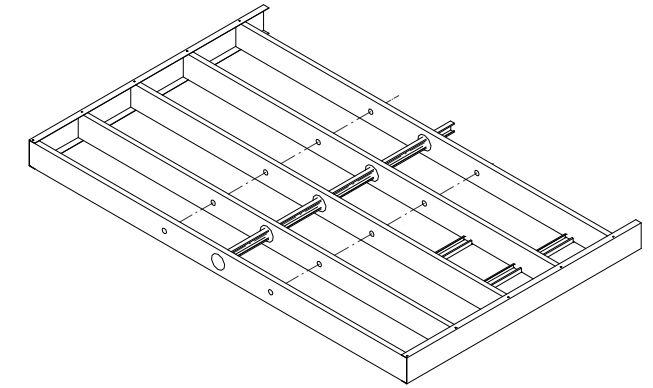
CREATED BY: AMB

FrameMax, Inc.
13915 Danielson St
Suite 100
Poway, CA 92064
www.frame-max.com

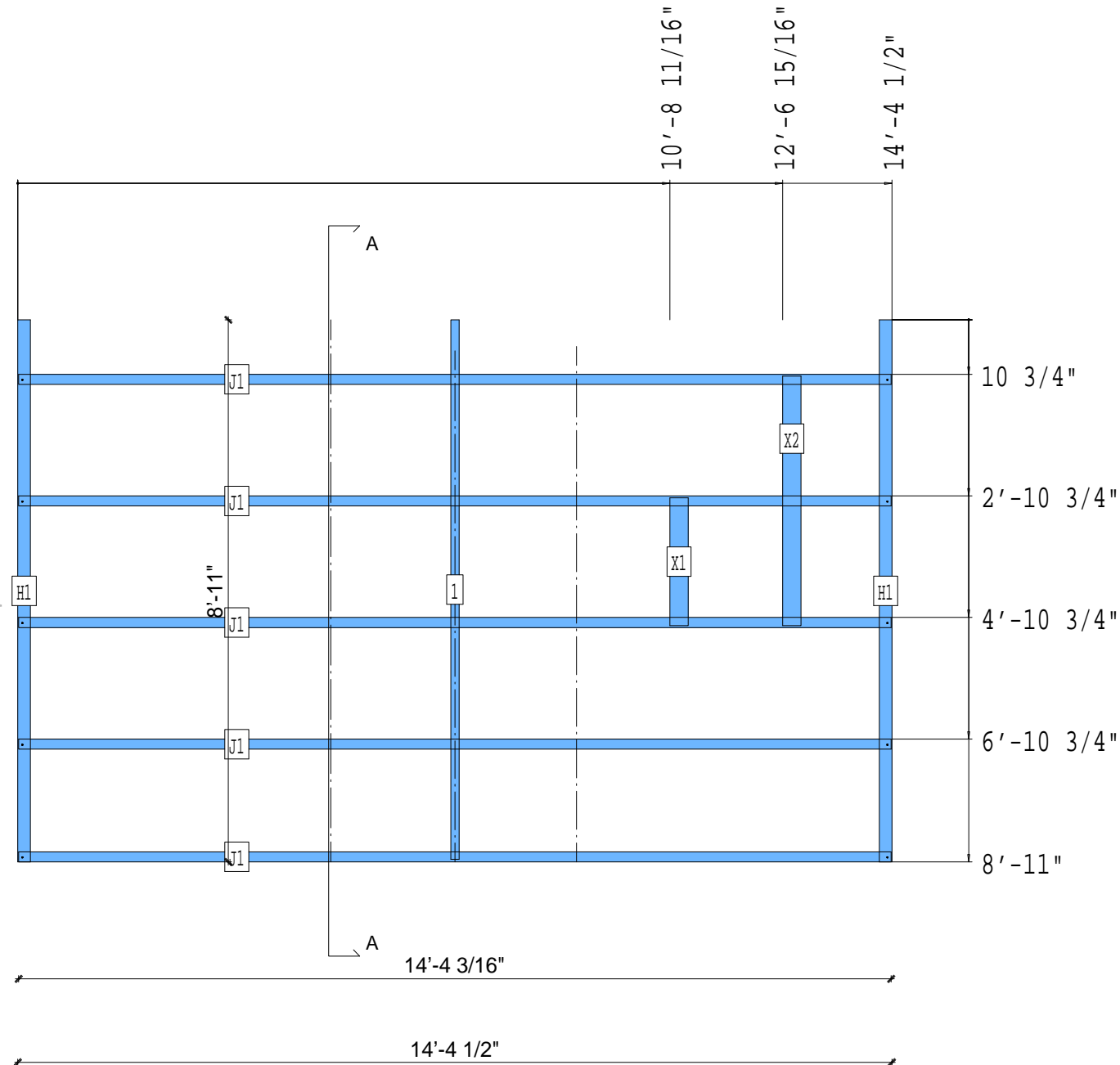


© FrameMax Inc.

APPROVED
By Ivan Juarez at 7:30 am, Dec 11, 2008



Bottom



PIECE SCHEDULE						
LAB	QTY	MATERIAL	DESCRIPTION	LENGTH	ANG1	ANG2
1	1	362S162-54	JOIST	8'-10 1/2"		
H1	2	1000T250-97	HEADER	8'-11"		
J1	5	1000S200-97	JOIST	14'-4 3/16"		
X1	1	362S162-33	FLAT TRACK B	2'-1 1/4"		
X2	1	362S162-33	FLAT TRACK B	4'-1 1/4"		

12-5068

Jewish Home for the Aging

1885 Victory Blvd. Reseda, CA

FM-07-109

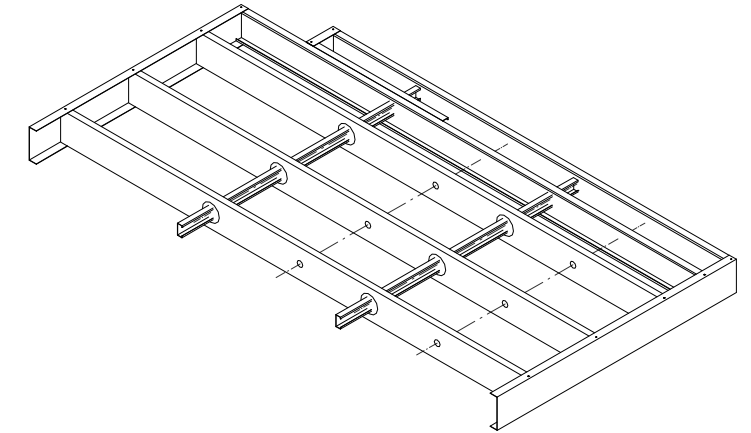
CREATED BY: AMB

FrameMax, Inc.
13915 Danielson St
Suite 100
Poway, CA 92064
www.frameMAX.com



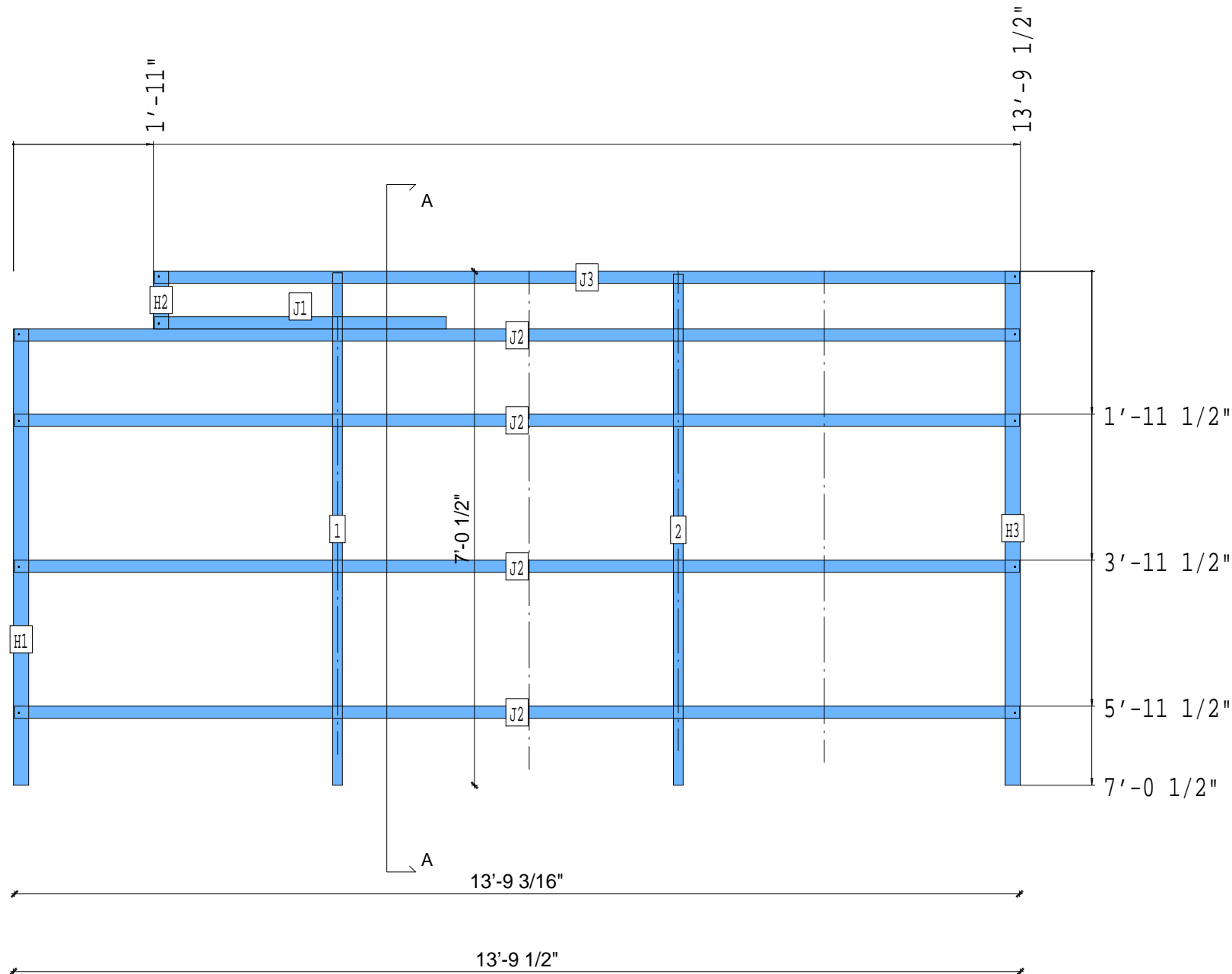
© FrameMax Inc.

APPROVED
By Ivan Juarez at 7:30 am, Dec 11, 2008



Bottom

A-A



PIECE SCHEDULE						
LAB	QTY	MATERIAL	DESCRIPTION	LENGTH	ANG1	ANG2
1	1	362S162-54	JOIST	7'-0 1/4"		
2	1	362S162-54	JOIST	7'-0"		
H1	1	1000T250-97	HEADER	6'-3"		
H2	1	1000T250-97	HEADER	9 1/2"		
H3	1	1000T250-97	HEADER	7'-0 1/2"		
J1	1	1000S200-97	JOIST	3'-11 15/16"		
J2	4	1000S200-97	JOIST	13'-9 3/16"		
J3	1	1000S200-97	JOIST	11'-10 3/16"		

12-5069

Jewish Home for the Aging

1885 Victory Blvd. Reseda, CA

FM-07-109

CREATED BY: AMB

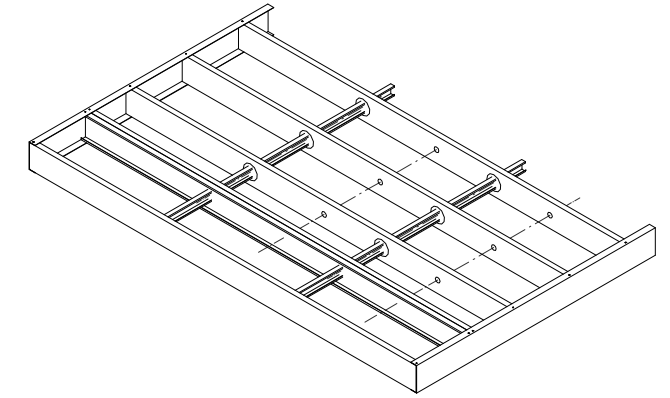
FrameMax, Inc.
13915 Danielson St
Suite 100
Poway, CA 92064
www.frameMAX.com



© FrameMax Inc.

CREATED: 12/09/2008

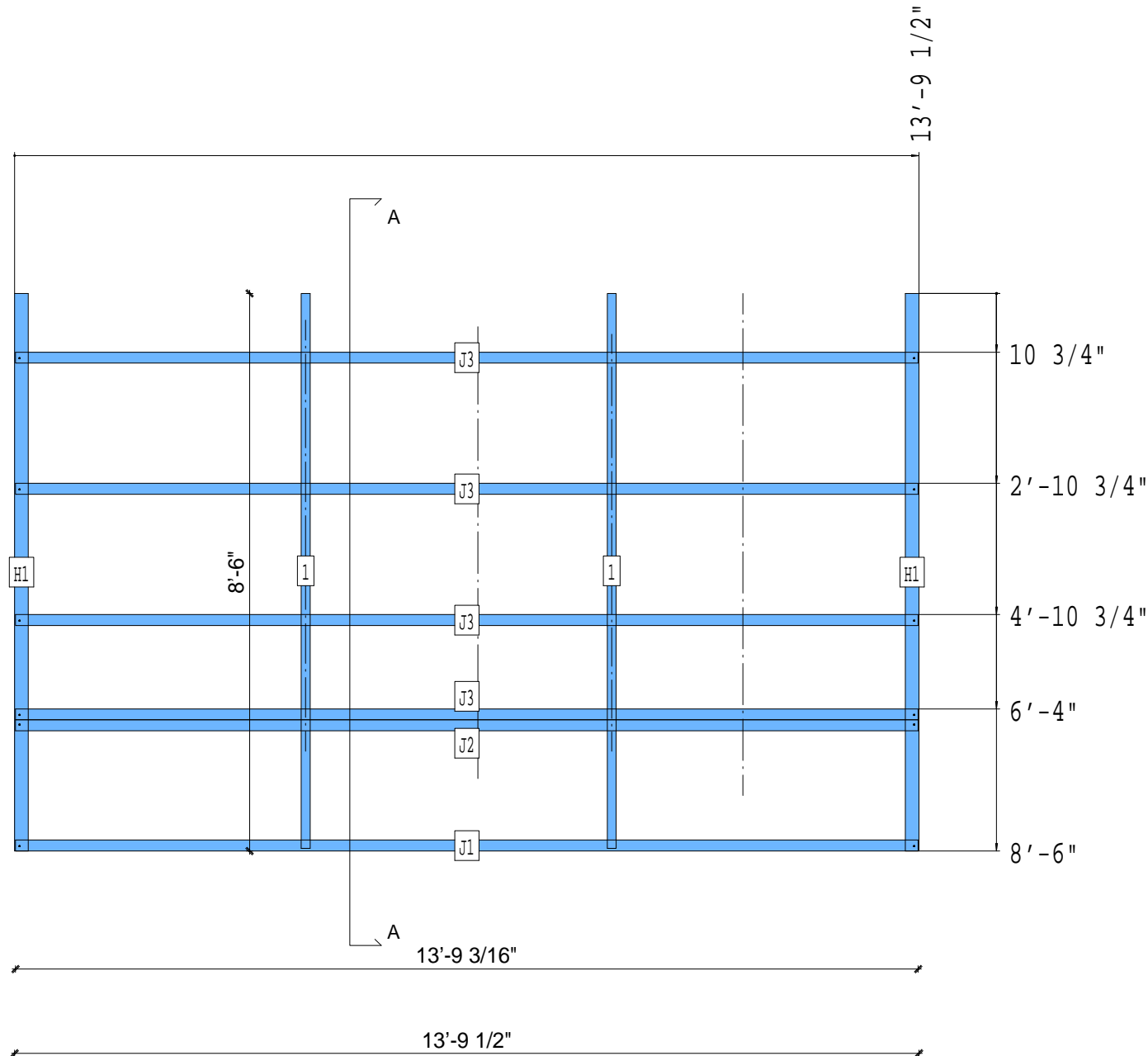
APPROVED
By Ivan Juarez at 7:30 am, Dec 11, 2008



Bottom



A-A



PIECE SCHEDULE						
LAB	QTY	MATERIAL	DESCRIPTION	LENGTH	ANG1	ANG2
1	2	362S162-54	JOIST	8'-5 1/2"		
H1	2	1000T250-97	HEADER	8'-6"		
J1	1	1000S200-97	JOIST	13'-9 3/16"		
J2	1	1000S200-97	JOIST	13'-9 3/16"		
J3	4	1000S200-97	JOIST	13'-9 3/16"		

12-5070

Jewish Home for the Aging

1885 Victory Blvd. Reseda, CA

FM-07-109

CREATED BY: AMB

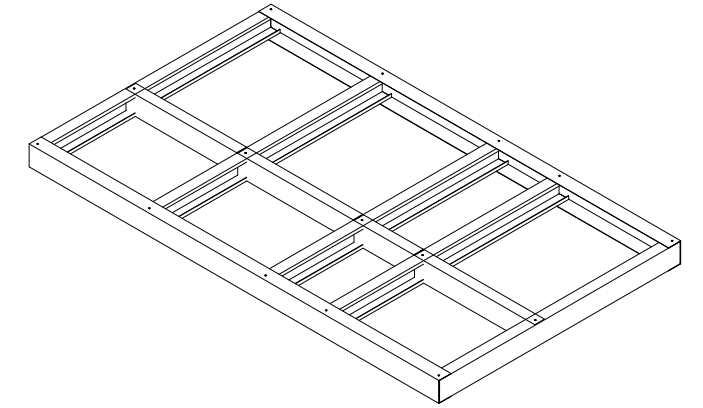
FrameMax, Inc.
13915 Danielson St
Suite 100
Poway, CA 92064
www.framemax.com

FRAMEMAX

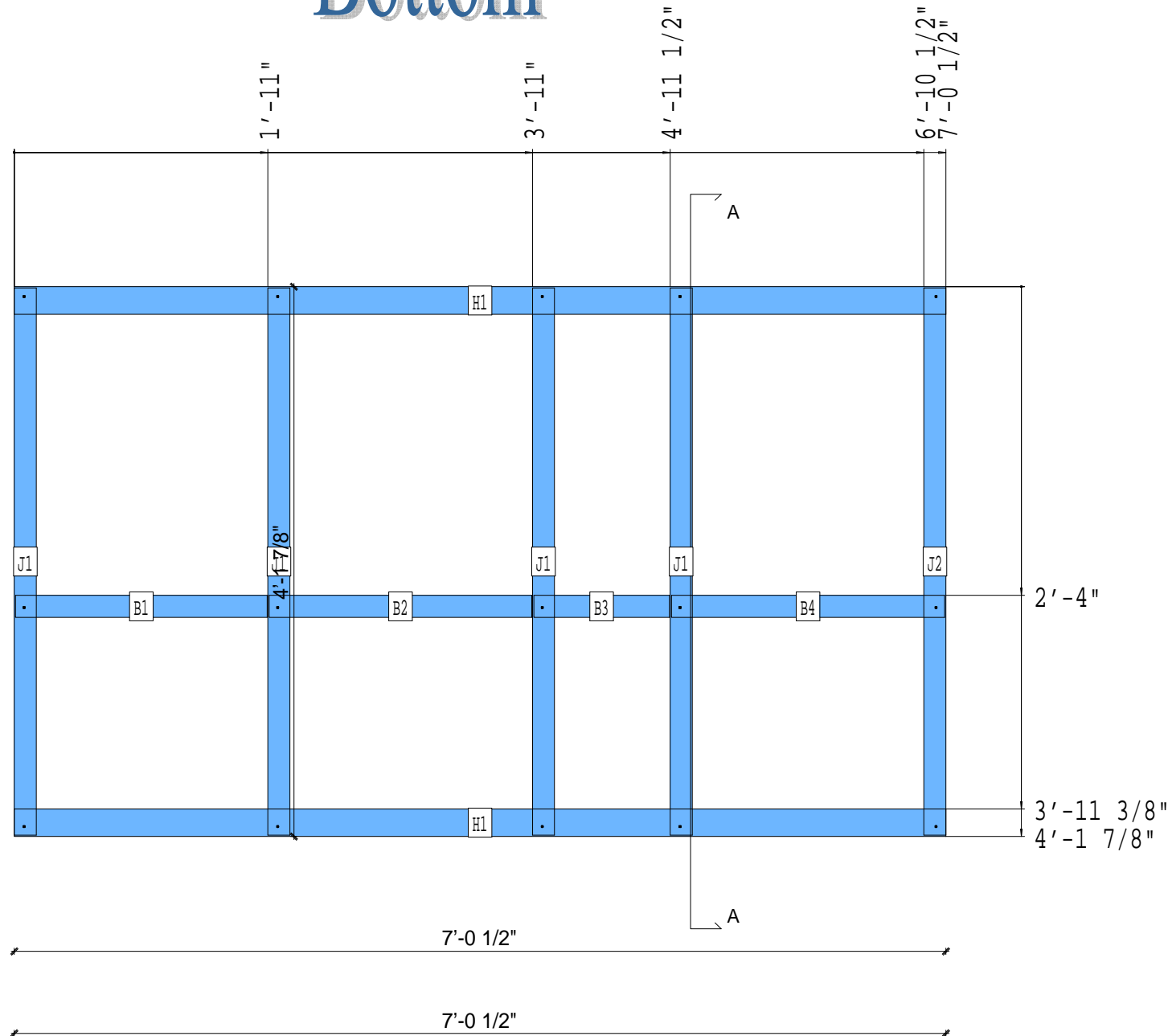
© FrameMax Inc.

APPROVED
By Ivan Juarez at 7:30 am, Dec 11, 2008

Bottom



A-A



PIECE SCHEDULE						
LAB	QTY	MATERIAL	DESCRIPTION	LENGTH	ANG1	ANG2
B1	1	400S200-54	BLOCK	1'-10 13/16"		
B2	1	400S200-54	BLOCK	1'-11 13/16"		
B3	1	400S200-54	BLOCK	1'-0 5/16"		
B4	1	400S200-54	BLOCK	2'-0 3/4"		
H1	2	400T250-54	HEADER	7'-0 1/2"		
J1	4	400S200-54	JOIST	4'-1 5/8"		
J2	1	400S200-54	JOIST	4'-1 5/8"		

12-5071

Jewish Home for the Aging

1885 Victory Blvd. Reseda, CA

FM-07-109

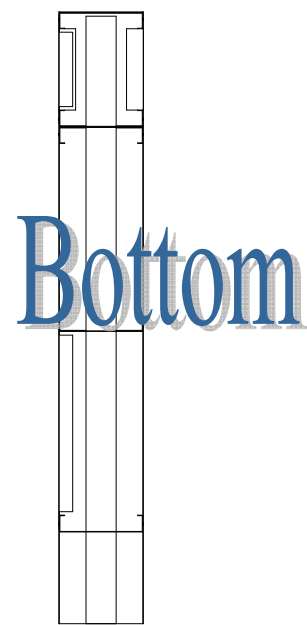
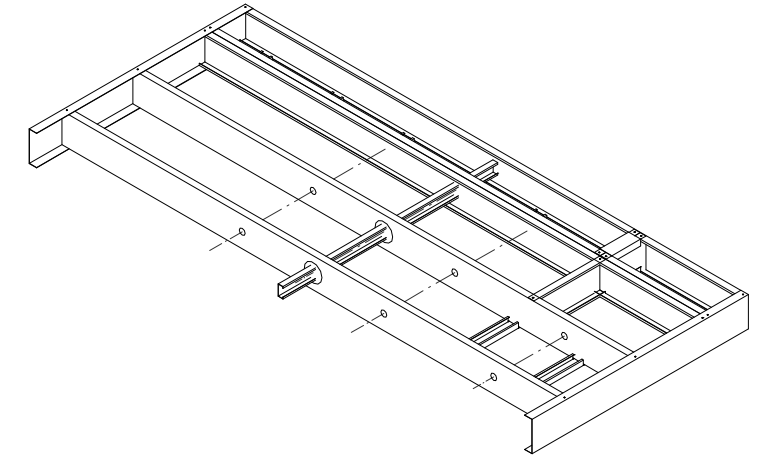
CREATED BY: AMB

FrameMax, Inc.
13915 Danielson St
Suite 100
Poway, CA 92064
www.framemax.com



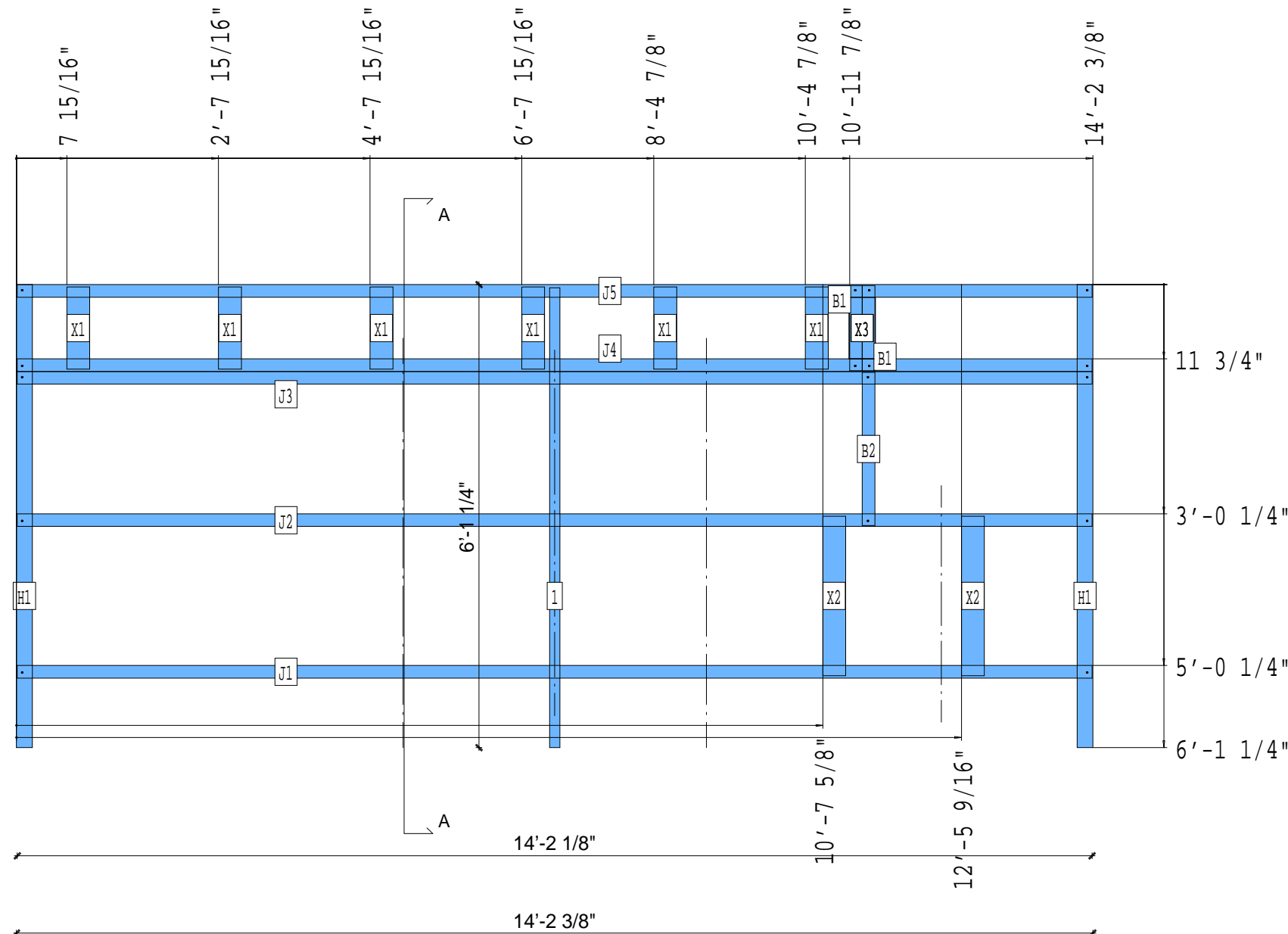
© FrameMax Inc.

APPROVED
By Ivan Juarez at 7:30 am, Dec 11, 2008



Bottom

A-A



PIECE SCHEDULE						
LAB	QTY	MATERIAL	DESCRIPTION	LENGTH	ANG1	ANG2
1	1	362S162-54	JOIST	6'-0 3/4"		
B1	2	1000S200-68	BLOCK	1'-1 1/2"		
B2	1	1000S200-68	BLOCK	2'-0 1/4"		
H1	2	1000T250-68	HEADER	6'-1 1/4"		
J1	1	1000S200-68	JOIST	14'-2 1/8"		
J2	1	1000S200-68	JOIST	14'-2 1/8"		
J3	1	1000S200-68	JOIST	14'-2 1/8"		
J4	1	1000S200-68	JOIST	14'-2 1/8"		
J5	1	1000S200-68	JOIST	14'-2 1/8"		
X1	6	362S162-33	FLAT TRACK B	1'-1"		
X2	2	362S162-33	FLAT TRACK B	2'-1 1/4"		
X3	2	400T200-68	FLAT TRACK B	9 3/4"		

12-5072

Jewish Home for the Aging

1885 Victory Blvd. Reseda, CA

FM-07-109

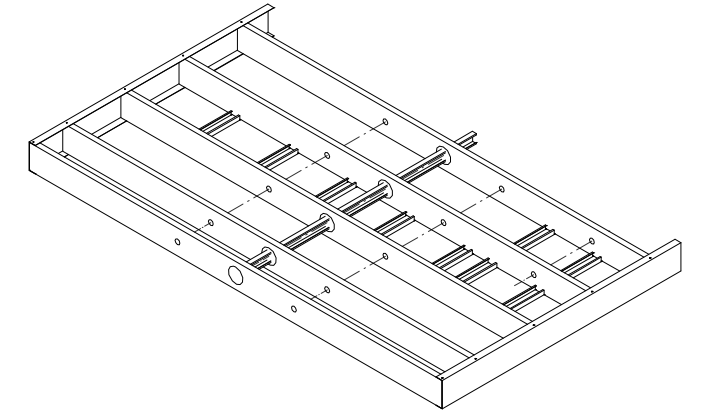
CREATED BY: AMB

FrameMax, Inc.
13915 Danielson St
Suite 100
Poway, CA 92064
www.frame-max.com



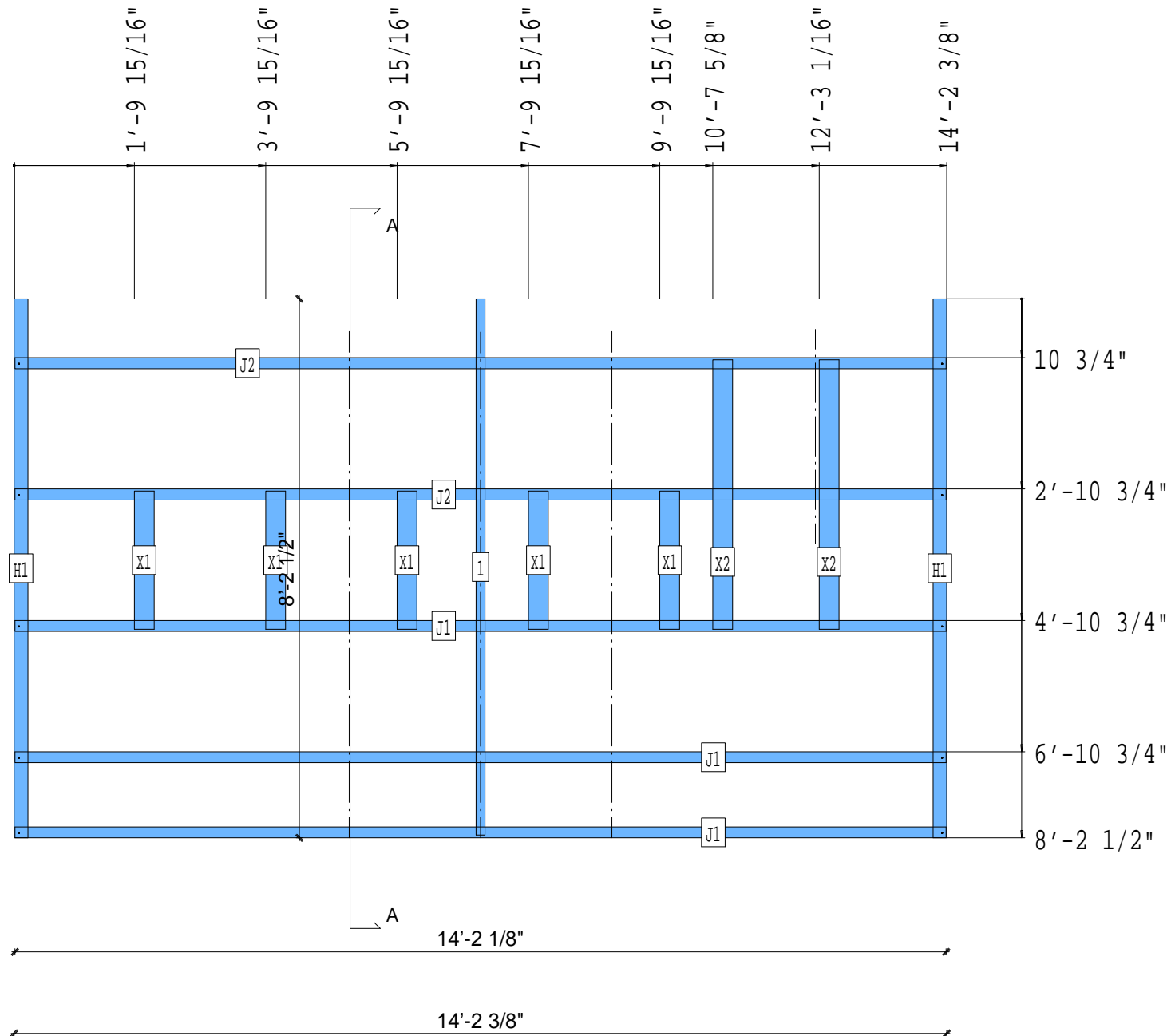
© FrameMax Inc.

APPROVED
By Ivan Juarez at 7:30 am, Dec 11, 2008



Bottom

A-A



PIECE SCHEDULE						
LAB	QTY	MATERIAL	DESCRIPTION	LENGTH	ANG1	ANG2
1	1	362S162-54	JOIST	8'-2"		
H1	2	1000T250-68	HEADER	8'-2 1/2"		
J1	3	1000S200-68	JOIST	14'-2 1/8"		
J2	2	1000S200-68	JOIST	14'-2 1/8"		
X1	5	362S162-33	FLAT TRACK B	2'-1 1/4"		
X2	2	362S162-33	FLAT TRACK B	4'-1 1/4"		

12-5073

Jewish Home for the Aging

1885 Victory Blvd. Reseda, CA

FM-07-109

CREATED BY: AMB

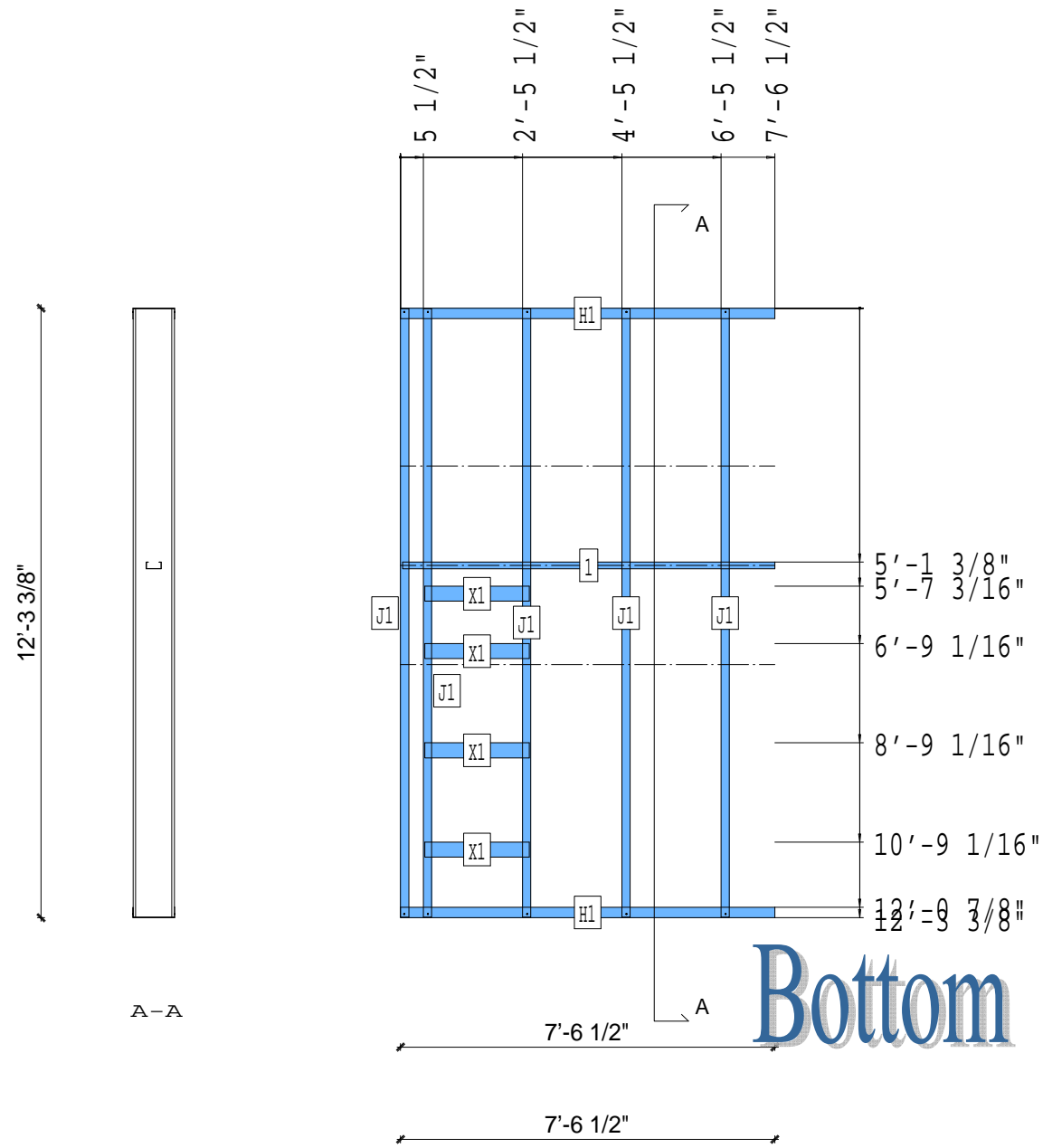
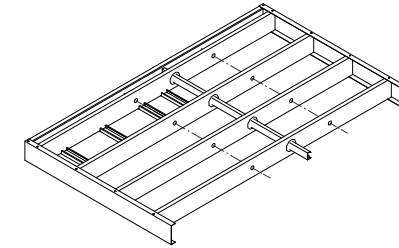
CREATED: 12/09/2008

FrameMax, Inc.
13915 Danielson St
Suite 100
Poway, CA 92064
www.framemax.com



© FrameMax Inc.

APPROVED
By Ivan Juarez at 7:30 am, Dec 11, 2008



Bottom

PIECE SCHEDULE						
LAB	QTY	MATERIAL	DESCRIPTION	LENGTH	ANG1	ANG2
1	1	362S162-54	JOIST	7'-6"		
H1	2	1000T250-68	HEADER	7'-6 1/2"		
J1	5	1000S200-68	JOIST	12'-3 1/8"		
X1	4	362S162-33	FLAT TRACK B	2'-1 1/4"		

12-5074

Jewish Home for the Aging

1885 Victory Blvd. Reseda, CA

FM-07-109

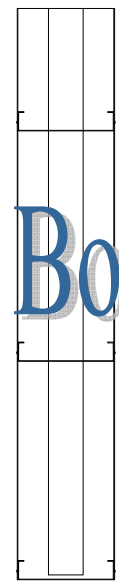
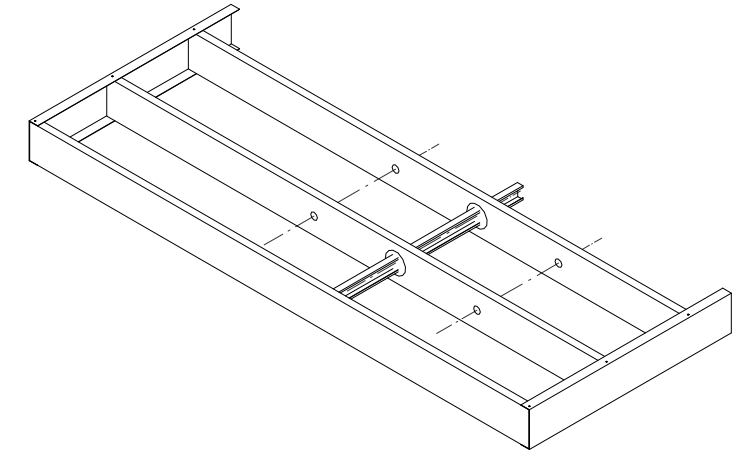
CREATED BY: AMB

FrameMax, Inc.
13915 Danielson St
Suite 100
Poway, CA 92064
www.framemax.com



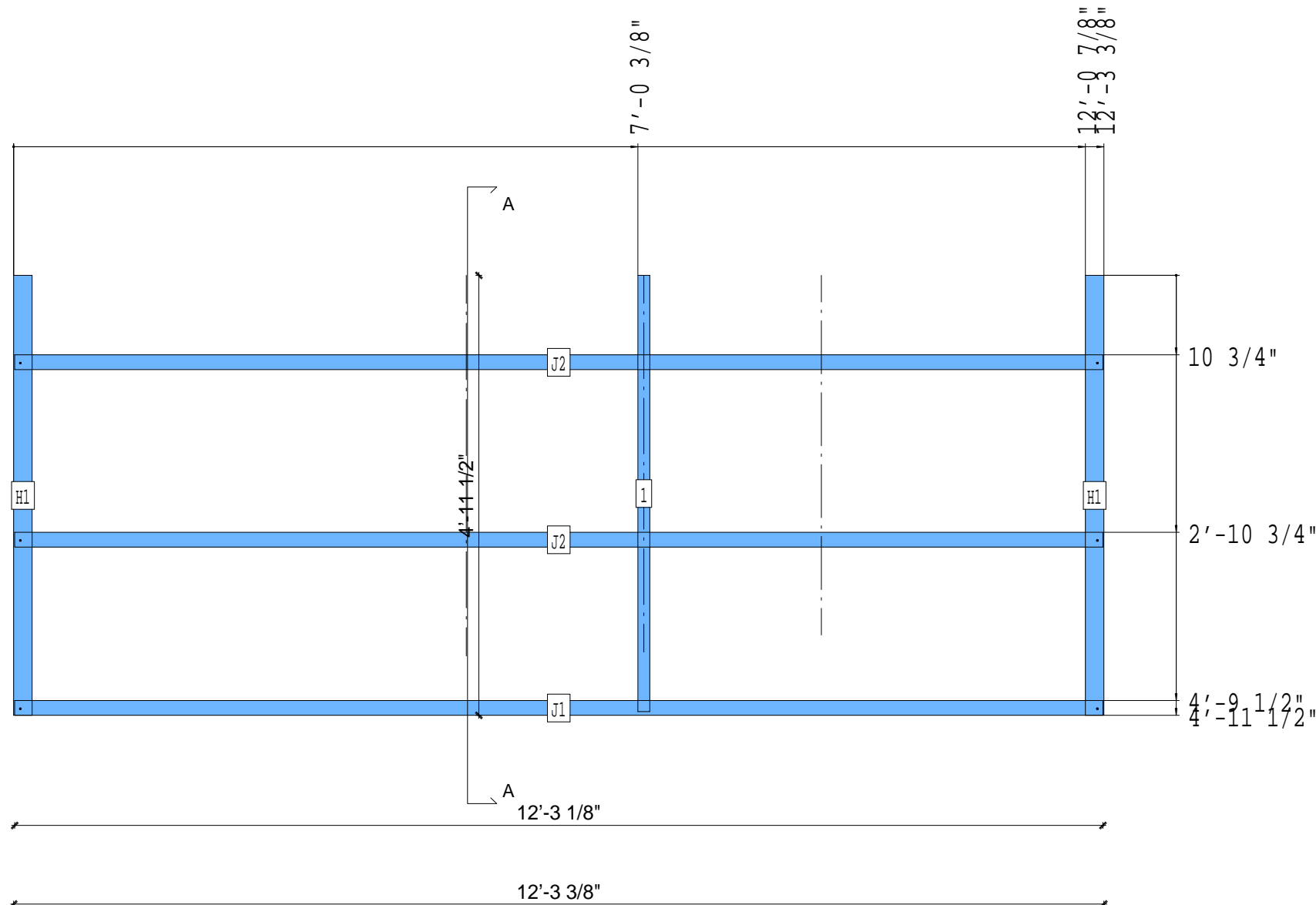
© FrameMax Inc.

APPROVED
By Ivan Juarez at 7:30 am, Dec 11, 2008



Bottom

A-A



PIECE SCHEDULE						
LAB	QTY	MATERIAL	DESCRIPTION	LENGTH	ANG1	ANG2
1	1	362S162-54	JOIST	4'-11"		
H1	2	1000T250-68	HEADER	4'-11 1/2"		
J1	1	1000S200-68	JOIST	12'-3 1/8"		
J2	2	1000S200-68	JOIST	12'-3 1/8"		

12-5075

Jewish Home for the Aging

1885 Victory Blvd. Reseda, CA

FM-07-109

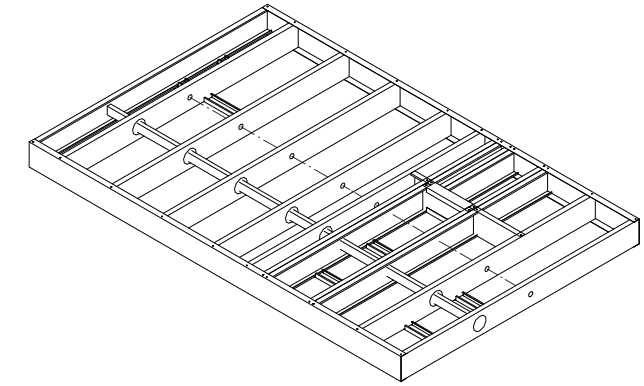
CREATED BY: AMB

FrameMax, Inc.
13915 Danielson St
Suite 100
Poway, CA 92064
www.framemax.com

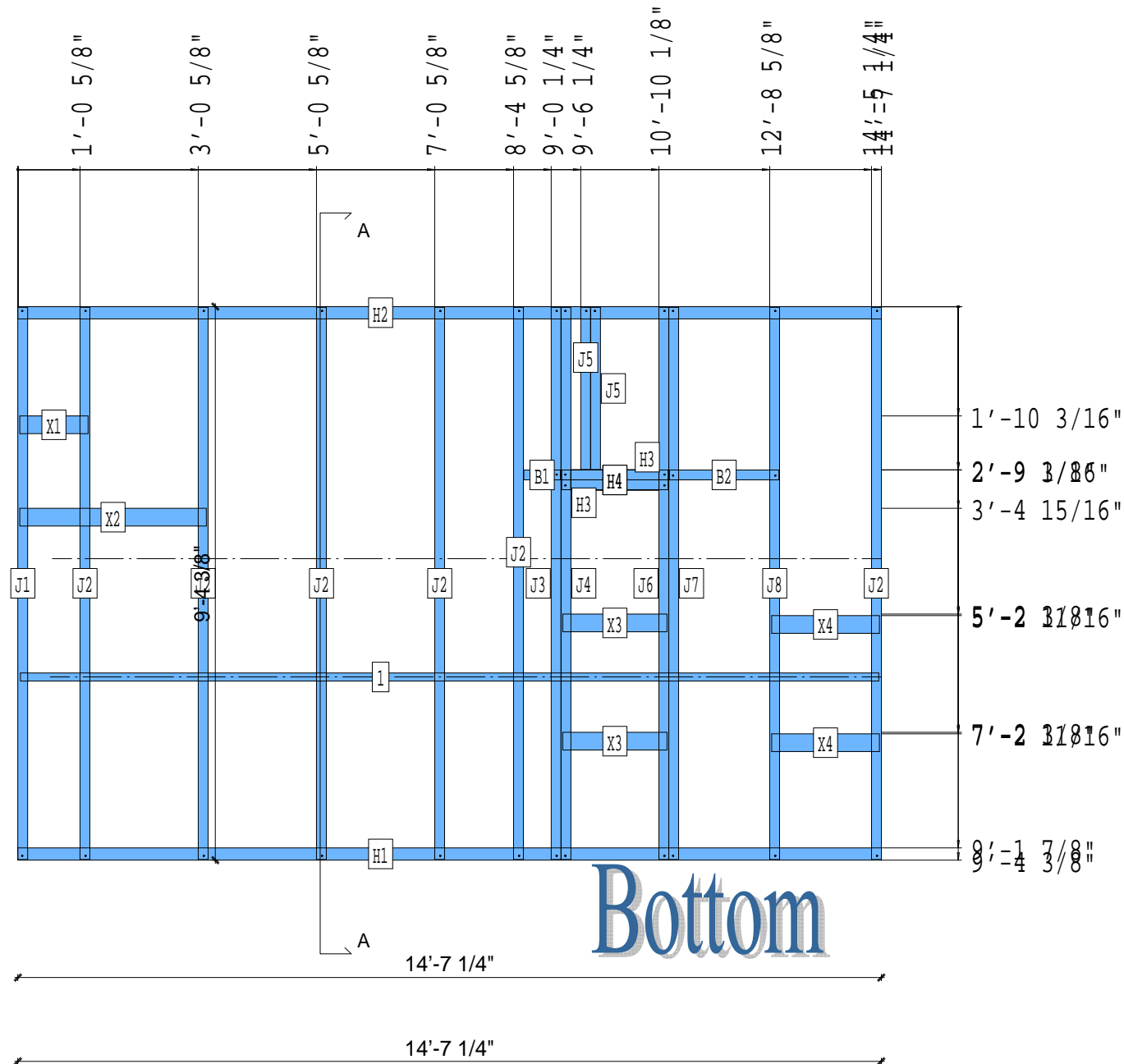


© FrameMax Inc.

APPROVED
By Ivan Juarez at 7:30 am, Dec 11, 2008



A-A



PIECE SCHEDULE						
LAB	QTY	MATERIAL	DESCRIPTION	LENGTH	ANG1	ANG2
1	1	362S162-54	JOIST	14'-6 1/4"		
B1	1	1000S200-68	BLOCK	7 7/16"		
B2	1	1000S200-68	BLOCK	1'-10 1/4"		
H1	1	1000T250-97	HEADER	14'-7 1/4"		
H2	1	1000T250-68	HEADER	14'-7 1/4"		
H3	2	1000S200-68	OPENING TRIM	1'-9 5/8"		
H4	2	400T200-68	OPENING TRIM	1'-5 7/8"		
J1	1	1000S200-68	JOIST	9'-4 1/16"		
J2	6	1000S200-68	JOIST	9'-4 1/16"		
J3	1	1000S200-68	OPENING TRIM	9'-4 1/16"		
J4	1	1000S200-68	OPENING TRIM	9'-4 1/16"		
J5	2	1000S200-68	JOIST	2'-9"		
J6	1	1000S200-68	OPENING TRIM	9'-4 1/16"		
J7	1	1000S200-68	OPENING TRIM	9'-4 1/16"		
J8	1	1000S200-68	JOIST	9'-4 1/16"		
X1	1	362S162-33	FLAT TRACK B	1'-1 7/8"		
X2	1	362S162-33	FLAT TRACK B	3'-1 7/8"		
X3	2	362S162-33	FLAT TRACK B	1'-9 1/8"		
X4	2	362S162-33	FLAT TRACK B	1'-9 7/8"		

12-5076

CREATED: 12/09/2008

Jewish Home for the Aging

1885 Victory Blvd. Reseda, CA

FM-07-109

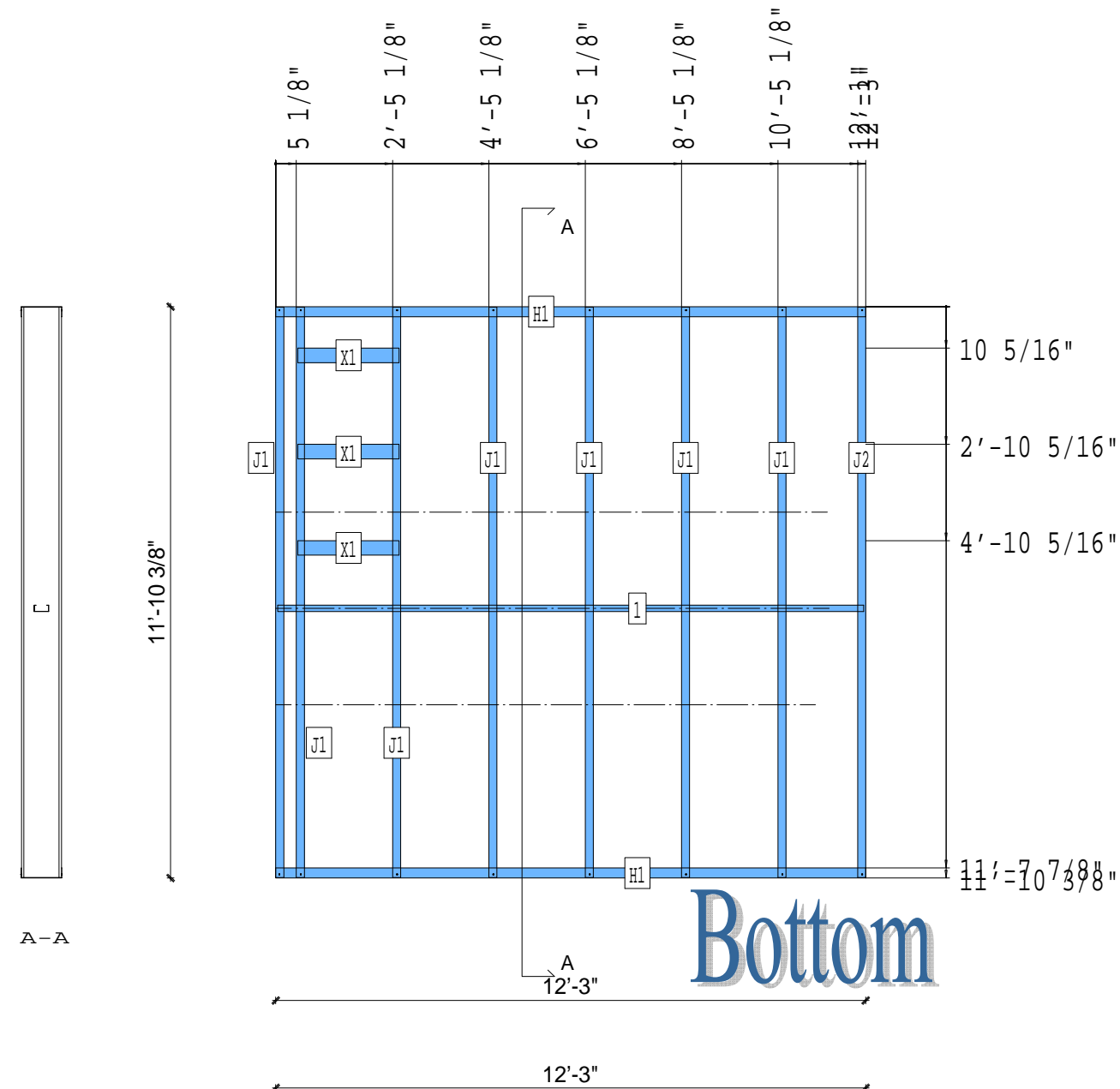
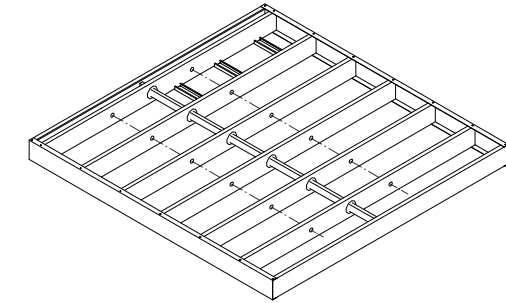
CREATED BY: AMB

FrameMax, Inc.
13915 Danielson St
Suite 100
Poway, CA 92064
www.framemax.com



© FrameMax Inc.

APPROVED
By Ivan Juarez at 7:30 am, Dec 11, 2008



PIECE SCHEDULE						
LAB	QTY	MATERIAL	DESCRIPTION	LENGTH	ANG1	ANG2
J1	7	1000S200-68	JOIST	11'-10 1/8"		
J2	1	1000S200-68	JOIST	11'-10 1/8"		
H1	2	1000T250-68	HEADER	12'-3"		
X1	3	362S162-33	FLAT TRACK B	2'-1 1/4"		

12-5077

Jewish Home for the Aging

1885 Victory Blvd. Reseda, CA

FM-07-109

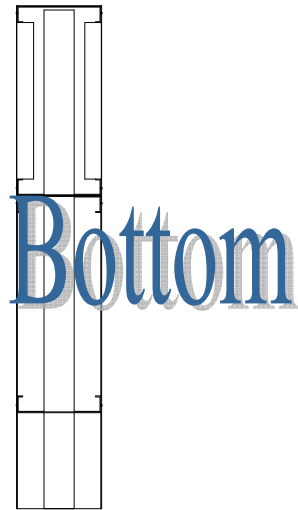
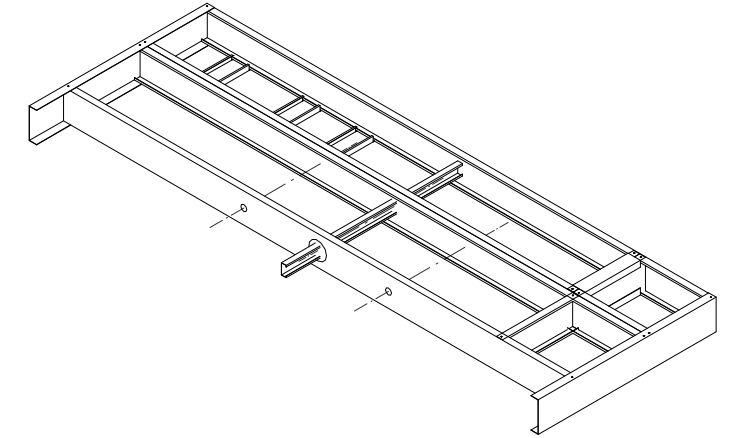
CREATED BY: AMB

FrameMax, Inc.
13915 Danielson St
Suite 100
Poway, CA 92064
www.framemax.com



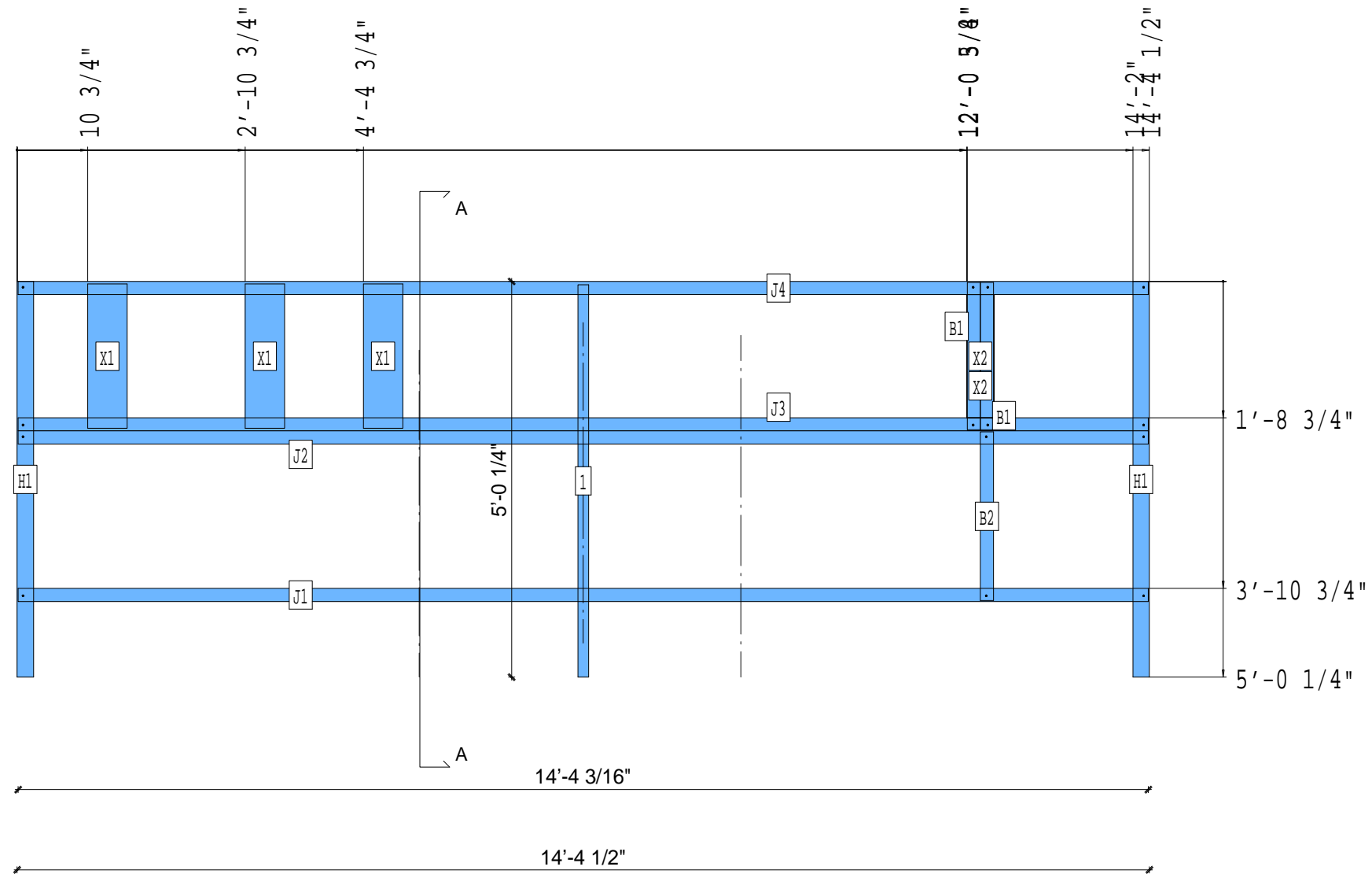
© FrameMax Inc.

APPROVED
By Ivan Juarez at 7:30 am, Dec 11, 2008



Bottom

A-A



PIECE SCHEDULE						
LAB	QTY	MATERIAL	DESCRIPTION	LENGTH	ANG1	ANG2
1	1	362S162-54	JOIST	4'-11 3/4"		
B1	2	1000S200-97	BLOCK	1'-10 7/16"		
B2	1	1000S200-97	BLOCK	2'-1 11/16"		
H1	2	1000T250-97	HEADER	5'-0 1/4"		
J1	1	1000S200-97	JOIST	14'-4 3/16"		
J2	1	1000S200-97	JOIST	14'-4 3/16"		
J3	1	1000S200-97	JOIST	14'-4 3/16"		
J4	1	1000S200-97	JOIST	14'-4 3/16"		
X1	3	600S162-33	FLAT TRACK B	1'-10"		
X2	2	400T200-97	FLAT TRACK B	1'-6 3/4"		

12-5078

CREATED: 12/09/2008

Jewish Home for the Aging

1885 Victory Blvd. Reseda, CA

FM-07-109

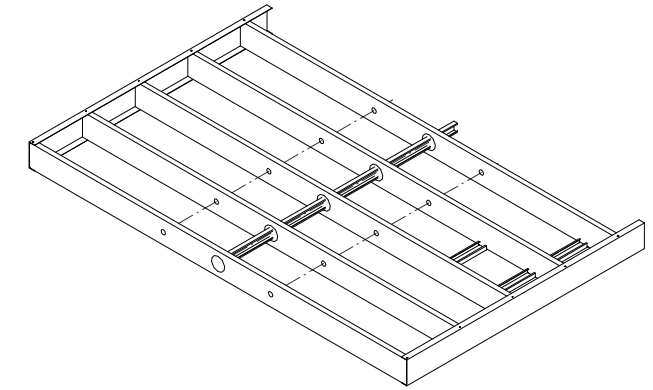
CREATED BY: AMB

FrameMax, Inc.
13915 Danielson St
Suite 100
Poway, CA 92064
www.framemax.com



© FrameMax Inc.

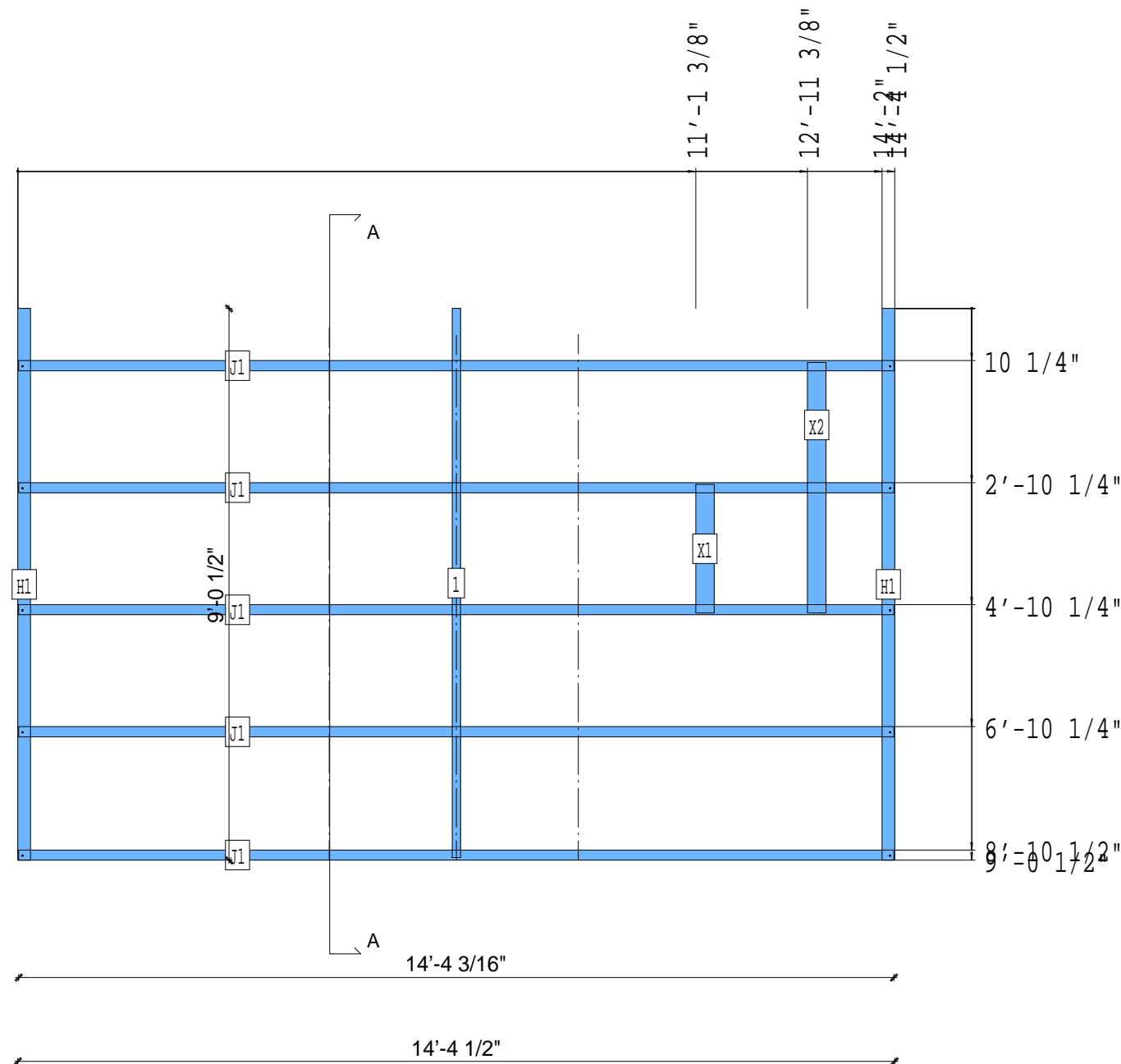
APPROVED
By Ivan Juarez at 7:30 am, Dec 11, 2008



Bottom



A-A



PIECE SCHEDULE						
LAB	QTY	MATERIAL	DESCRIPTION	LENGTH	ANG1	ANG2
1	1	362S162-54	JOIST	9'-0"		
H1	2	1000T250-97	HEADER	9'-0 1/2"		
J1	5	1000S200-97	JOIST	14'-4 3/16"		
X1	1	362S162-33	FLAT TRACK B	2'-1 1/4"		
X2	1	362S162-33	FLAT TRACK B	4'-1 1/4"		

12-5079

Jewish Home for the Aging

1885 Victory Blvd. Reseda, CA

FM-07-109

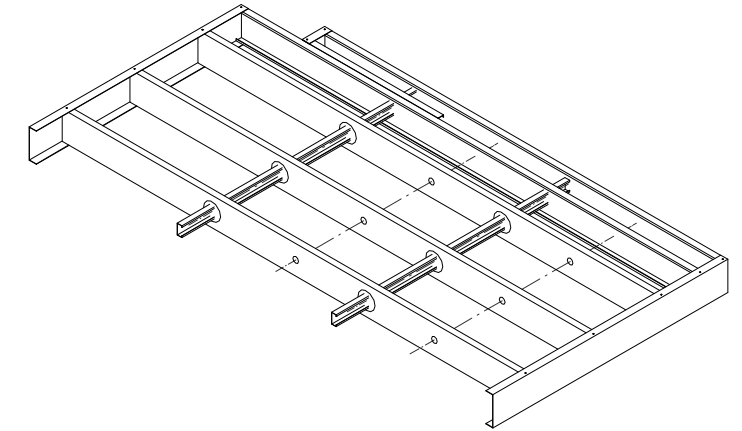
CREATED BY: AMB

FrameMax, Inc.
13915 Danielson St
Suite 100
Poway, CA 92064
www.framemax.com



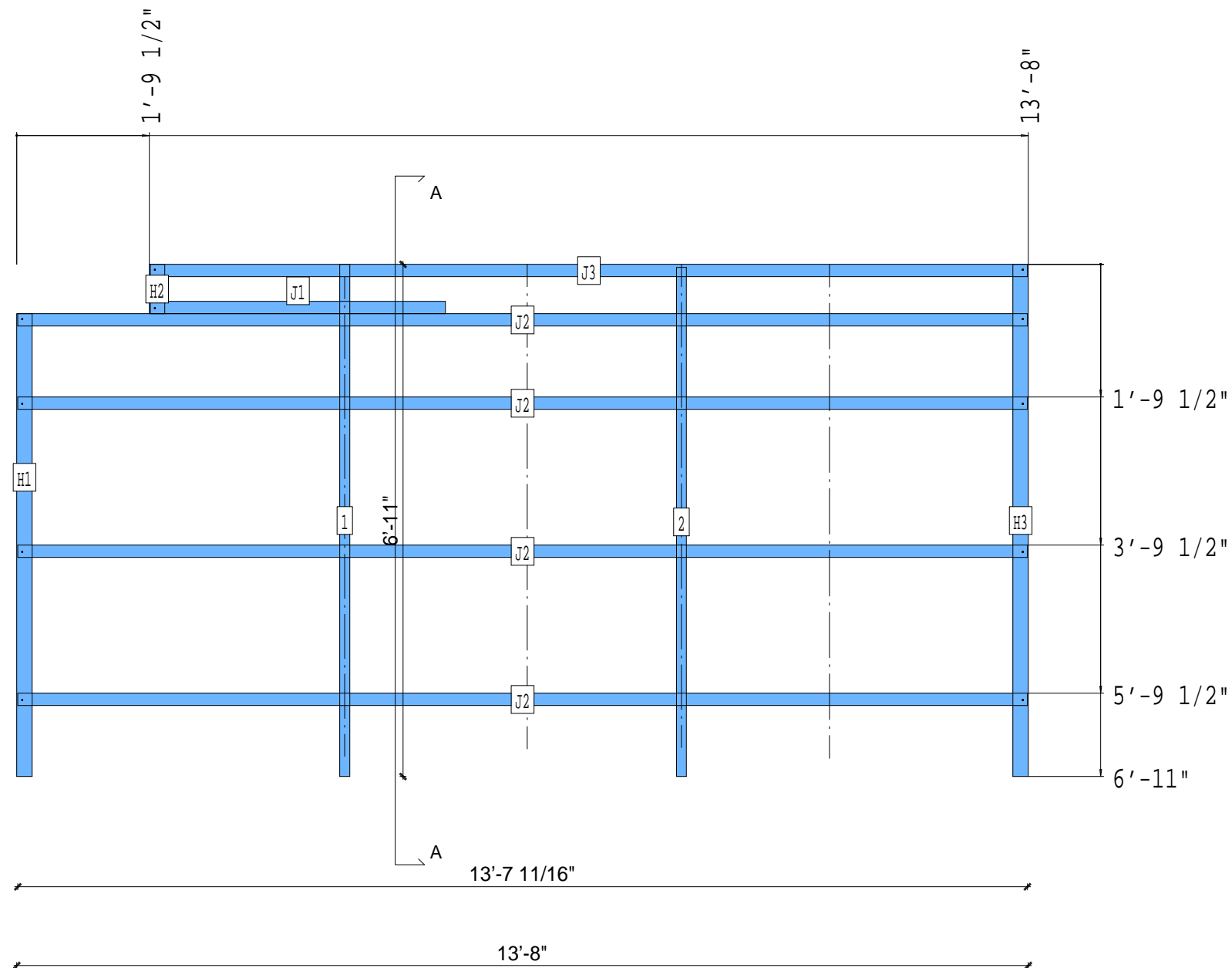
© FrameMax Inc.

APPROVED
By Ivan Juarez at 7:30 am, Dec 11, 2008



Bottom

A-A



PIECE SCHEDULE						
LAB	QTY	MATERIAL	DESCRIPTION	LENGTH	ANG1	ANG2
1	1	362S162-54	JOIST	6'-11"		
2	1	362S162-54	JOIST	6'-10 1/2"		
H1	1	1000T250-97	HEADER	6'-3"		
H2	1	1000T250-97	HEADER	8"		
H3	1	1000T250-97	HEADER	6'-11"		
J1	1	1000S200-97	JOIST	3'-11 13/16"		
J2	4	1000S200-97	JOIST	13'-7 11/16"		
J3	1	1000S200-97	JOIST	11'-10 3/16"		

12-5080

Jewish Home for the Aging

1885 Victory Blvd. Reseda, CA

FM-07-109

CREATED BY: AMB

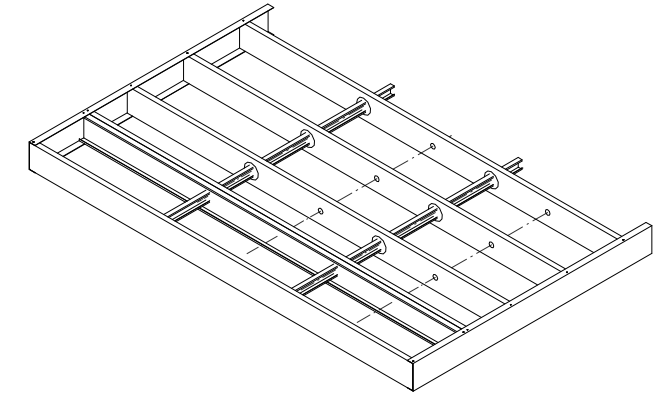
FrameMax, Inc.
13915 Danielson St
Suite 100
Poway, CA 92064
www.frameMAX.com



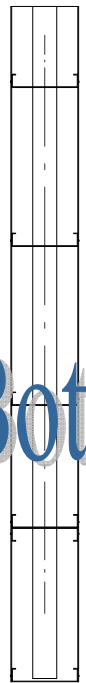
© FrameMax Inc.

CREATED: 12/09/2008

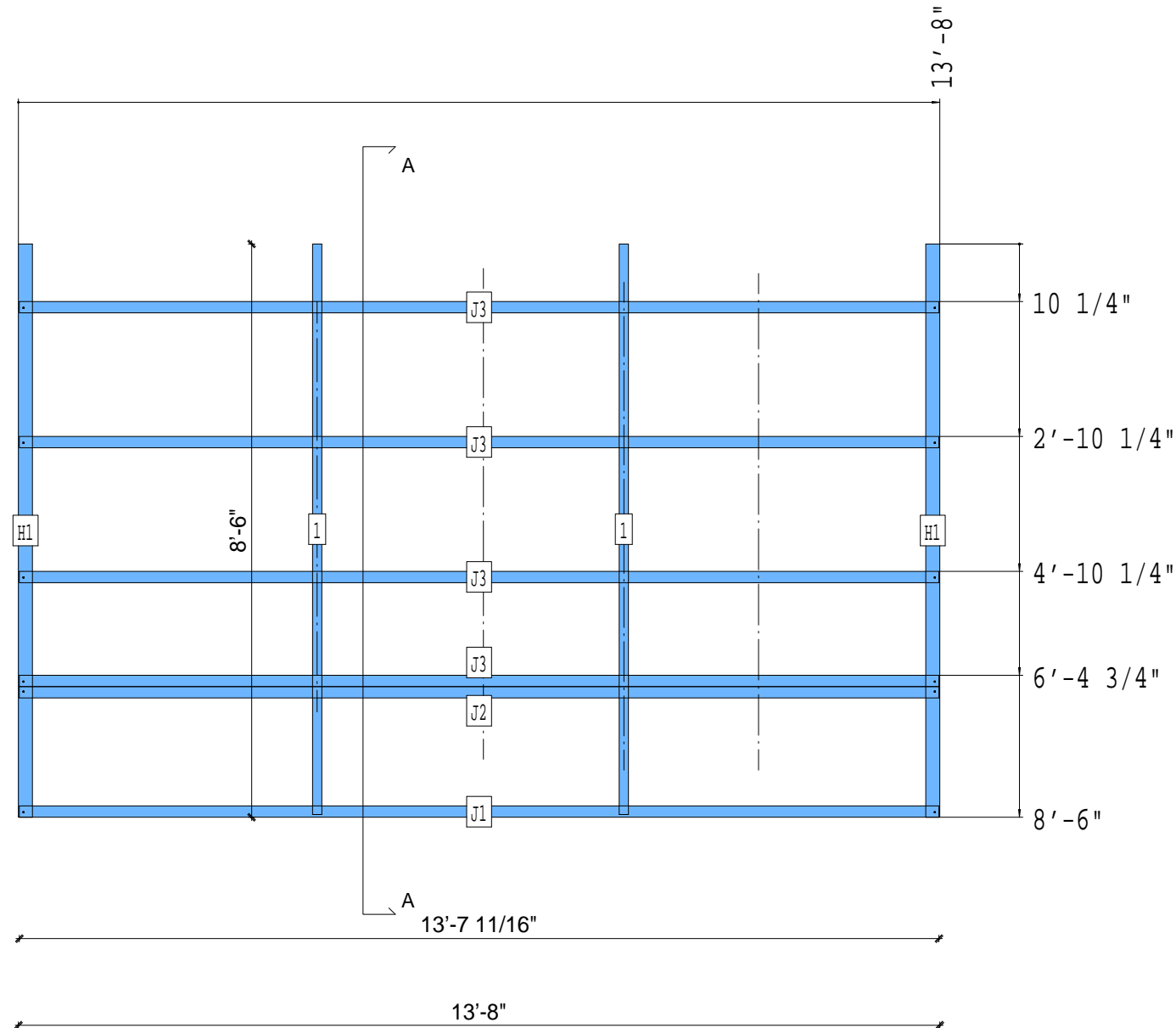
APPROVED
By Ivan Juarez at 7:30 am, Dec 11, 2008



Bottom



A-A



PIECE SCHEDULE						
LAB	QTY	MATERIAL	DESCRIPTION	LENGTH	ANG1	ANG2
1	2	362S162-54	JOIST	8'-5 1/2"		
H1	2	1000T250-97	HEADER	8'-6"		
J1	1	1000S200-97	JOIST	13'-7 11/16"		
J2	1	1000S200-97	JOIST	13'-7 11/16"		
J3	4	1000S200-97	JOIST	13'-7 11/16"		

12-5081

CREATED: 12/09/2008

Jewish Home for the Aging

1885 Victory Blvd. Reseda, CA

FM-07-109

CREATED BY: AMB

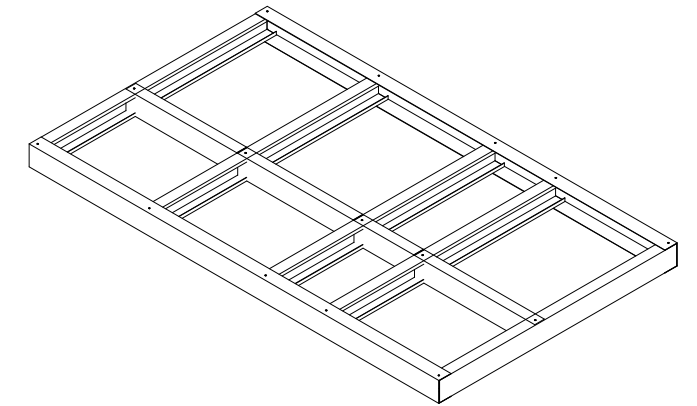
FrameMax, Inc.
13915 Danielson St
Suite 100
Poway, CA 92064
www.framemax.com

FRAMEMAX

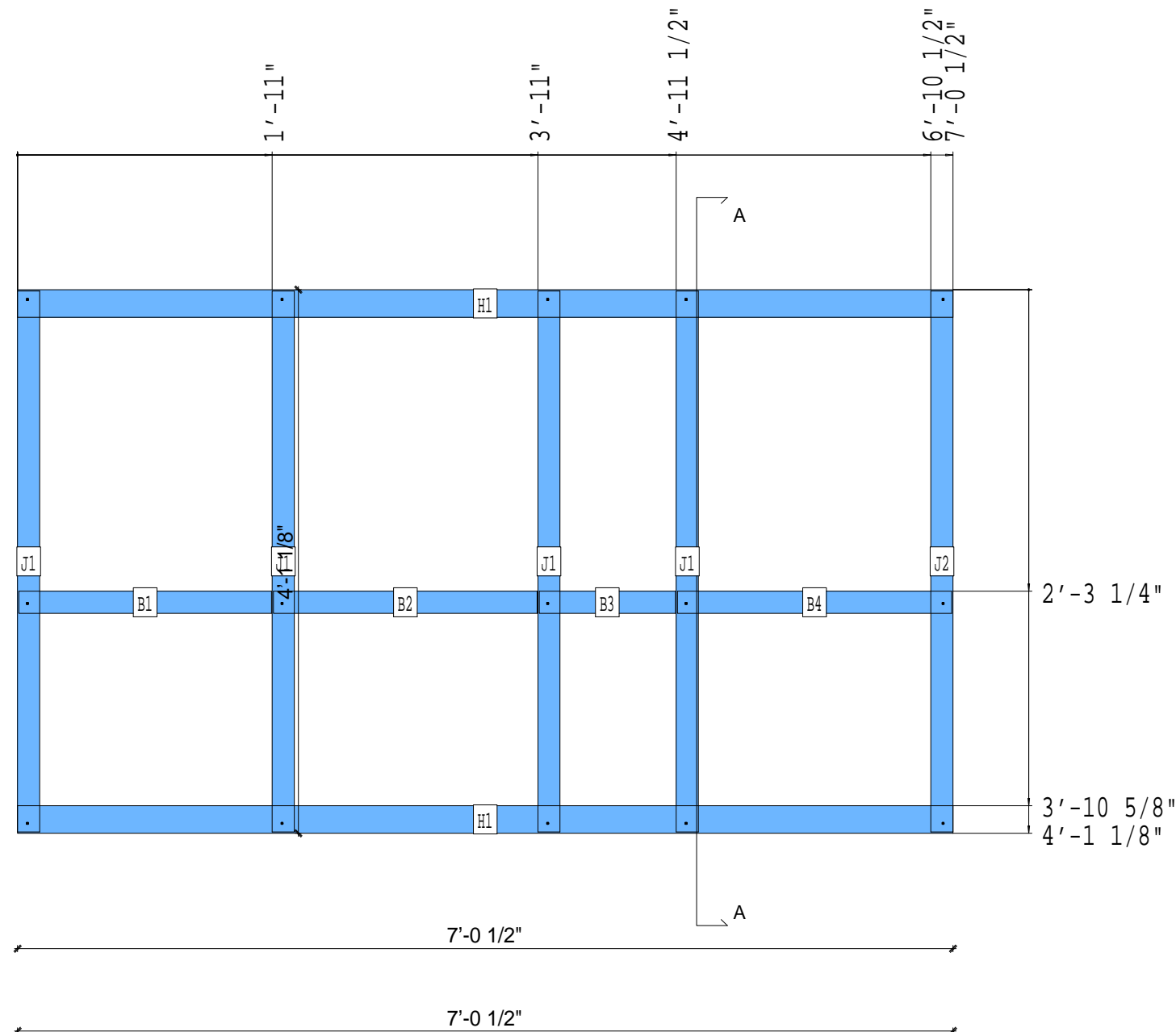
© FrameMax Inc.

APPROVED
By Ivan Juarez at 7:30 am, Dec 11, 2008

Bottom



A-A



PIECE SCHEDULE						
LAB	QTY	MATERIAL	DESCRIPTION	LENGTH	ANG1	ANG2
B1	1	400S200-54	BLOCK	1'-10 13/16"		
B2	1	400S200-54	BLOCK	1'-11 13/16"		
B3	1	400S200-54	BLOCK	1'-0 5/16"		
B4	1	400S200-54	BLOCK	2'-0 3/4"		
H1	2	400T250-54	HEADER	7'-0 1/2"		
J1	4	400S200-54	JOIST	4'-0 7/8"		
J2	1	400S200-54	JOIST	4'-0 7/8"		

12-5082

Jewish Home for the Aging

1885 Victory Blvd. Reseda, CA

FM-07-109

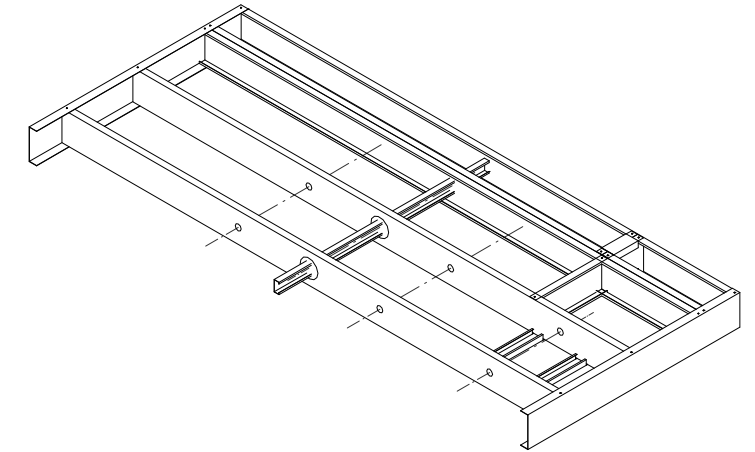
CREATED BY: AMB

FrameMax, Inc.
13915 Danielson St
Suite 100
Poway, CA 92064
www.framemax.com



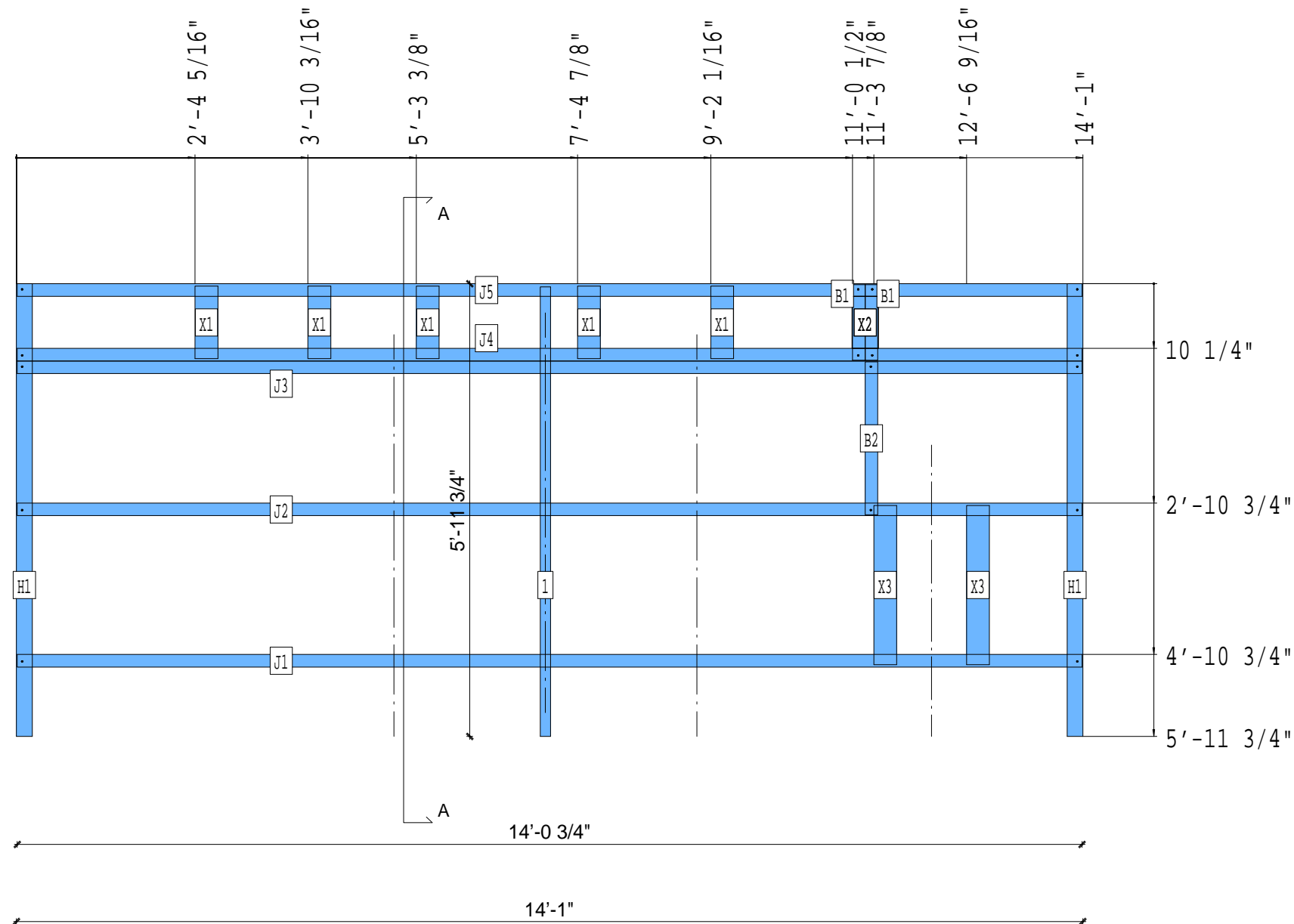
© FrameMax Inc.

APPROVED
By Ivan Juarez at 7:30 am, Dec 11, 2008



Bottom

A-A



PIECE SCHEDULE						
LAB	QTY	MATERIAL	DESCRIPTION	LENGTH	ANG1	ANG2
1	1	362S162-54	JOIST	5'-11 1/4"		
B1	2	1000S200-68	BLOCK	1'-0"		
B2	1	1000S200-68	BLOCK	2'-0 1/4"		
H1	2	1000T250-68	HEADER	5'-11 3/4"		
J1	1	1000S200-68	JOIST	14'-0 3/4"		
J2	1	1000S200-68	JOIST	14'-0 3/4"		
J3	1	1000S200-68	JOIST	14'-0 3/4"		
J4	1	1000S200-68	JOIST	14'-0 3/4"		
J5	1	1000S200-68	JOIST	14'-0 3/4"		
X1	5	362S162-33	FLAT TRACK B	11 1/2"		
X2	2	400T200-68	FLAT TRACK B	8 1/4"		
X3	2	362S162-33	FLAT TRACK B	2'-1 1/4"		

12-5083

Jewish Home for the Aging

1885 Victory Blvd. Reseda, CA

FM-07-109

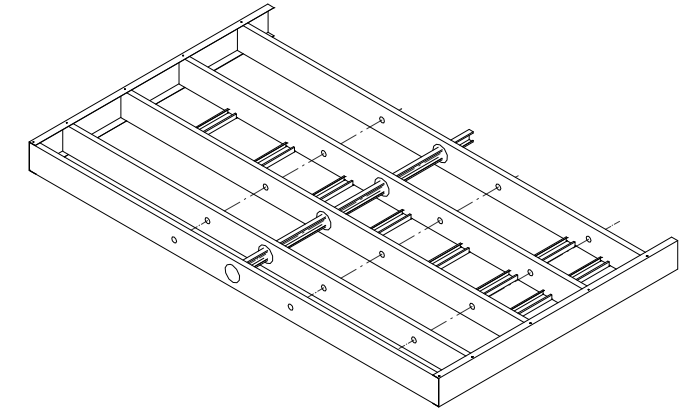
CREATED BY: AMB

FrameMax, Inc.
13915 Danielson St
Suite 100
Poway, CA 92064
www.framemax.com

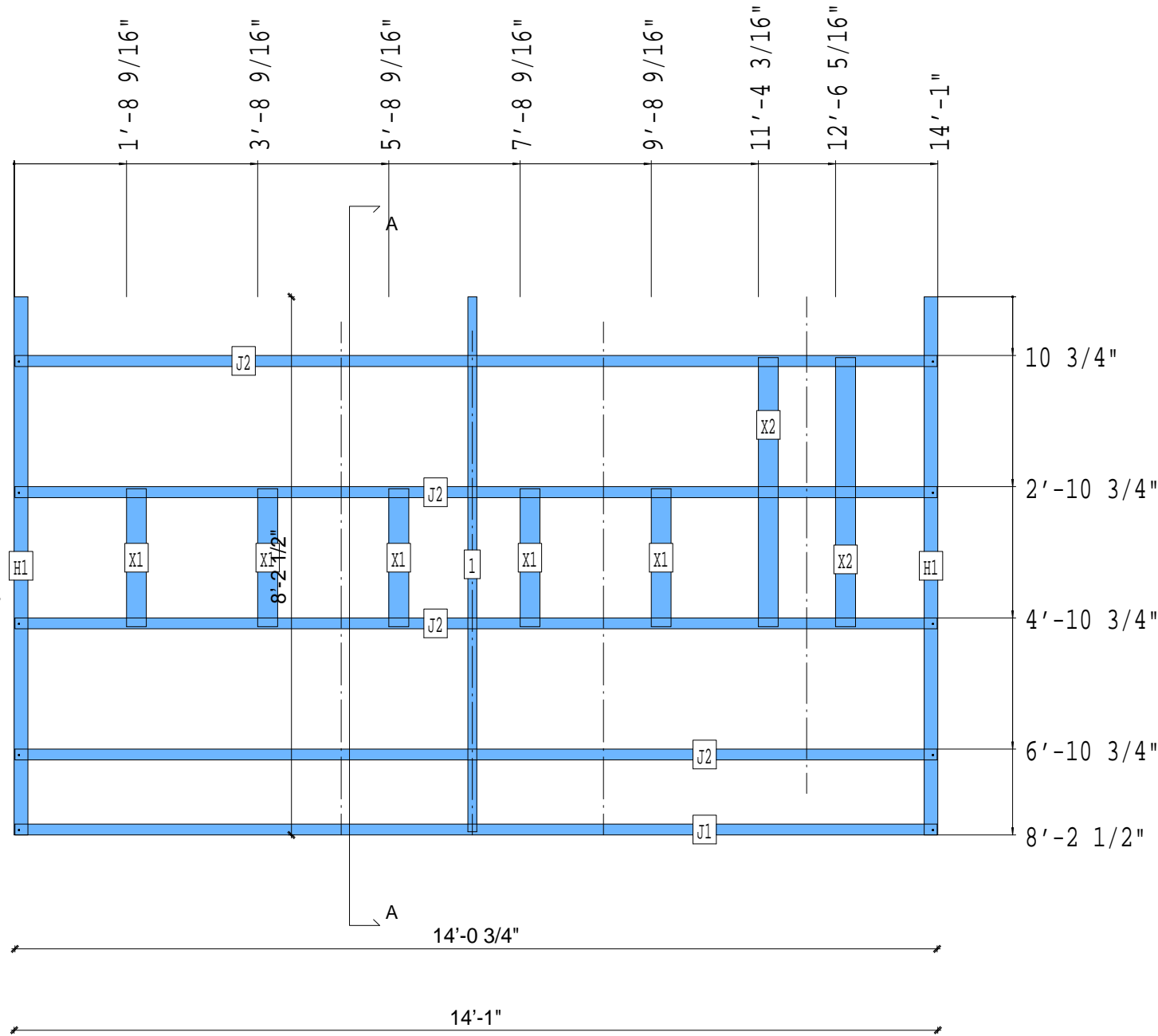


© FrameMax Inc.

APPROVED
By Ivan Juarez at 7:30 am, Dec 11, 2008



Bottom



PIECE SCHEDULE						
LAB	QTY	MATERIAL	DESCRIPTION	LENGTH	ANG1	ANG2
1	1	362S162-54	JOIST	8'-1 7/8"		
H1	2	1000T250-68	HEADER	8'-2 1/2"		
J1	1	1000S200-68	JOIST	14'-0 3/4"		
J2	4	1000S200-68	JOIST	14'-0 3/4"		
X1	5	362S162-33	FLAT TRACK B	2'-1 1/4"		
X2	2	362S162-33	FLAT TRACK B	4'-1 1/4"		

12-5084

CREATED: 12/09/2008

Jewish Home for the Aging

1885 Victory Blvd. Reseda, CA

FM-07-109

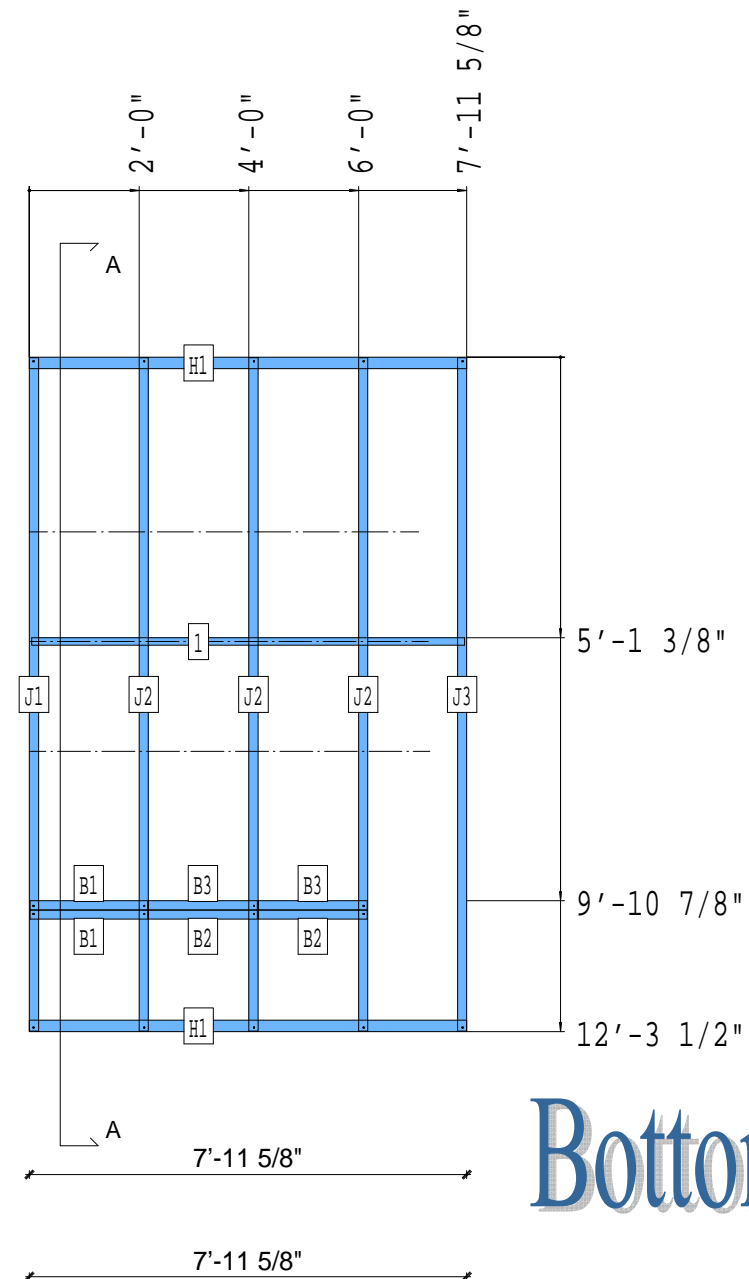
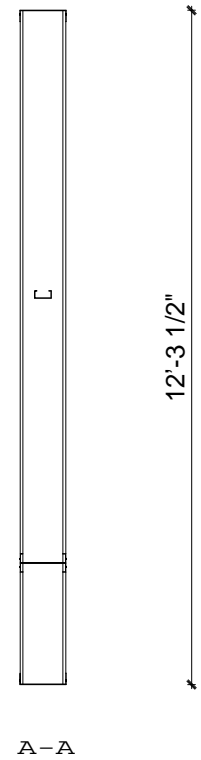
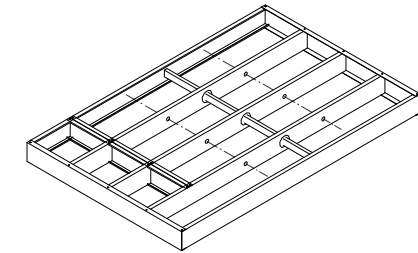
CREATED BY: AMB

FrameMax, Inc.
13915 Danielson St
Suite 100
Poway, CA 92064
www.framemax.com



© FrameMax Inc.

APPROVED
By Ivan Juarez at 7:30 am, Dec 11, 2008



Bottom

PIECE SCHEDULE						
LAB	QTY	MATERIAL	DESCRIPTION	LENGTH	ANG1	ANG2
1	1	362S162-54	JOIST	7'-10 5/8"		
B1	2	1000S200-68	BLOCK	2'-1 3/4"		
B2	2	1000S200-68	BLOCK	1'-11 13/16"		
B3	2	1000S200-68	BLOCK	1'-11 13/16"		
H1	2	1000T250-68	HEADER	7'-11 5/8"		
J1	1	1000S200-68	JOIST	12'-3 1/4"		
J2	3	1000S200-68	JOIST	12'-3 1/4"		
J3	1	1000S200-68	JOIST	12'-3 1/4"		

12-5085

Jewish Home for the Aging

1885 Victory Blvd. Reseda, CA

FM-07-109

CREATED BY: AMB

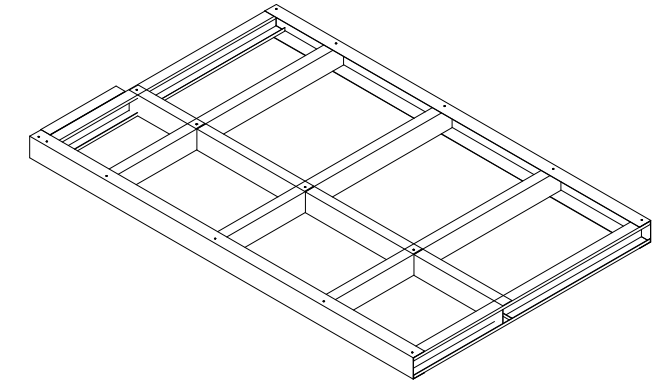
FrameMax, Inc.
13915 Danielson St
Suite 100
Poway, CA 92064
www.framemax.com

FRAMEMAX

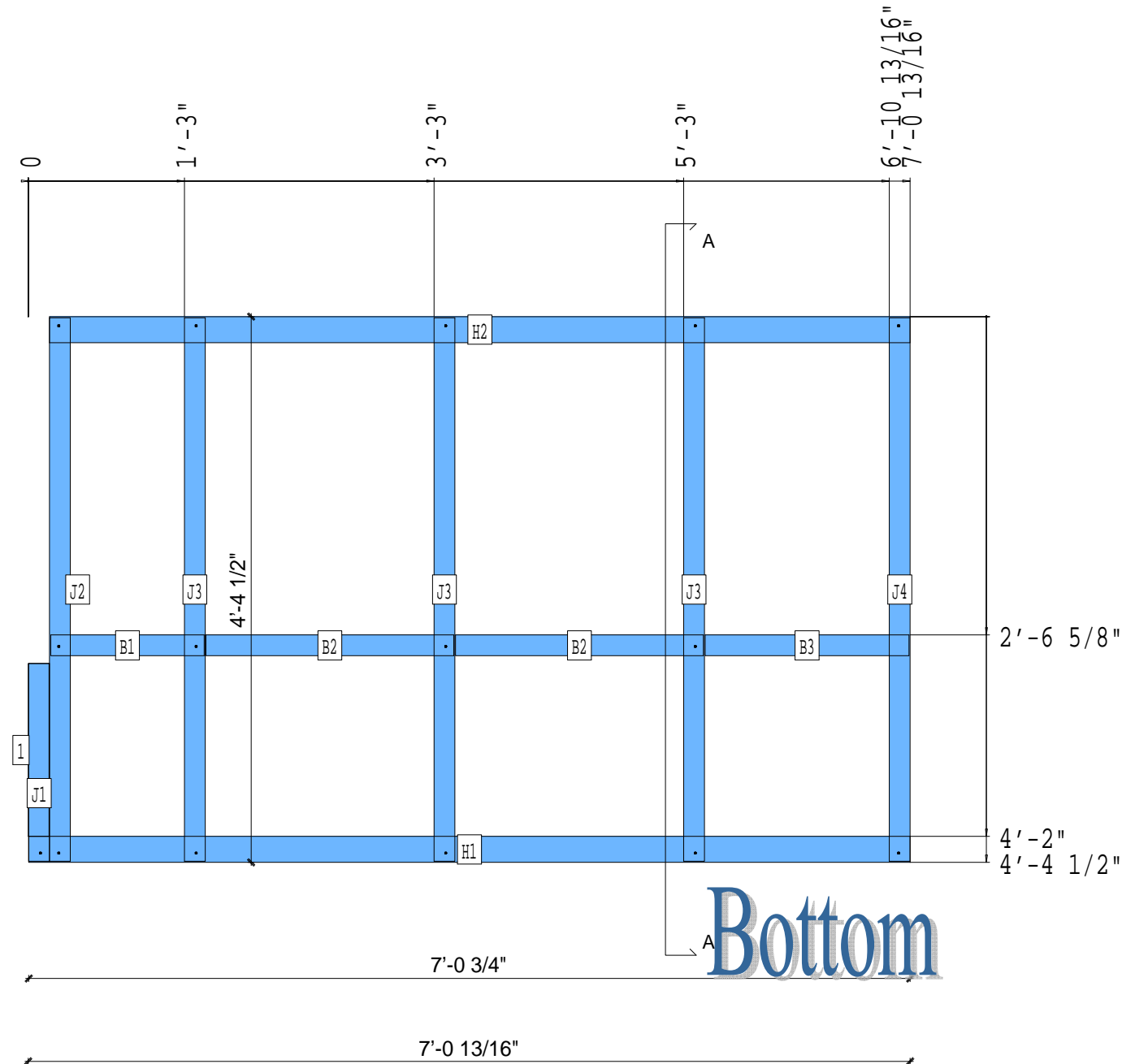
© FrameMax Inc.

CREATED: 12/09/2008

APPROVED
By Ivan Juarez at 7:30 am, Dec 11, 2008



A-A



Bottom

PIECE SCHEDULE						
LAB	QTY	MATERIAL	DESCRIPTION	LENGTH	ANG1	ANG2
1	1	400T200-54	JOIST	1'-4 5/8"		
B1	1	400S200-54	BLOCK	1'-2 3/4"		
B2	2	400S200-54	BLOCK	1'-11 13/16"		
B3	1	400S200-54	BLOCK	1'-7 5/8"		
H1	1	400T250-54	HEADER	7'-0 3/4"		
H2	1	400T250-54	HEADER	6'-10 3/4"		
J1	1	400S200-54	JOIST	1'-7"		
J2	1	400S200-54	JOIST	4'-4 1/4"		
J3	3	400S200-54	JOIST	4'-4 1/4"		
J4	1	400S200-54	JOIST	4'-4 1/4"		

12-5086

Jewish Home for the Aging

1885 Victory Blvd. Reseda, CA

FM-07-109

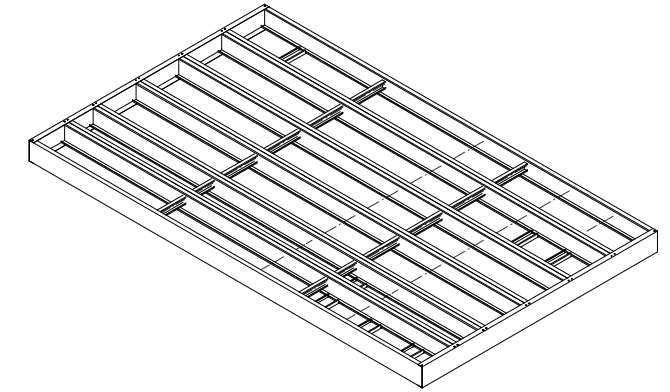
CREATED BY: AMB

FrameMax, Inc.
13915 Danielson St
Suite 100
Poway, CA 92064
www.framemax.com



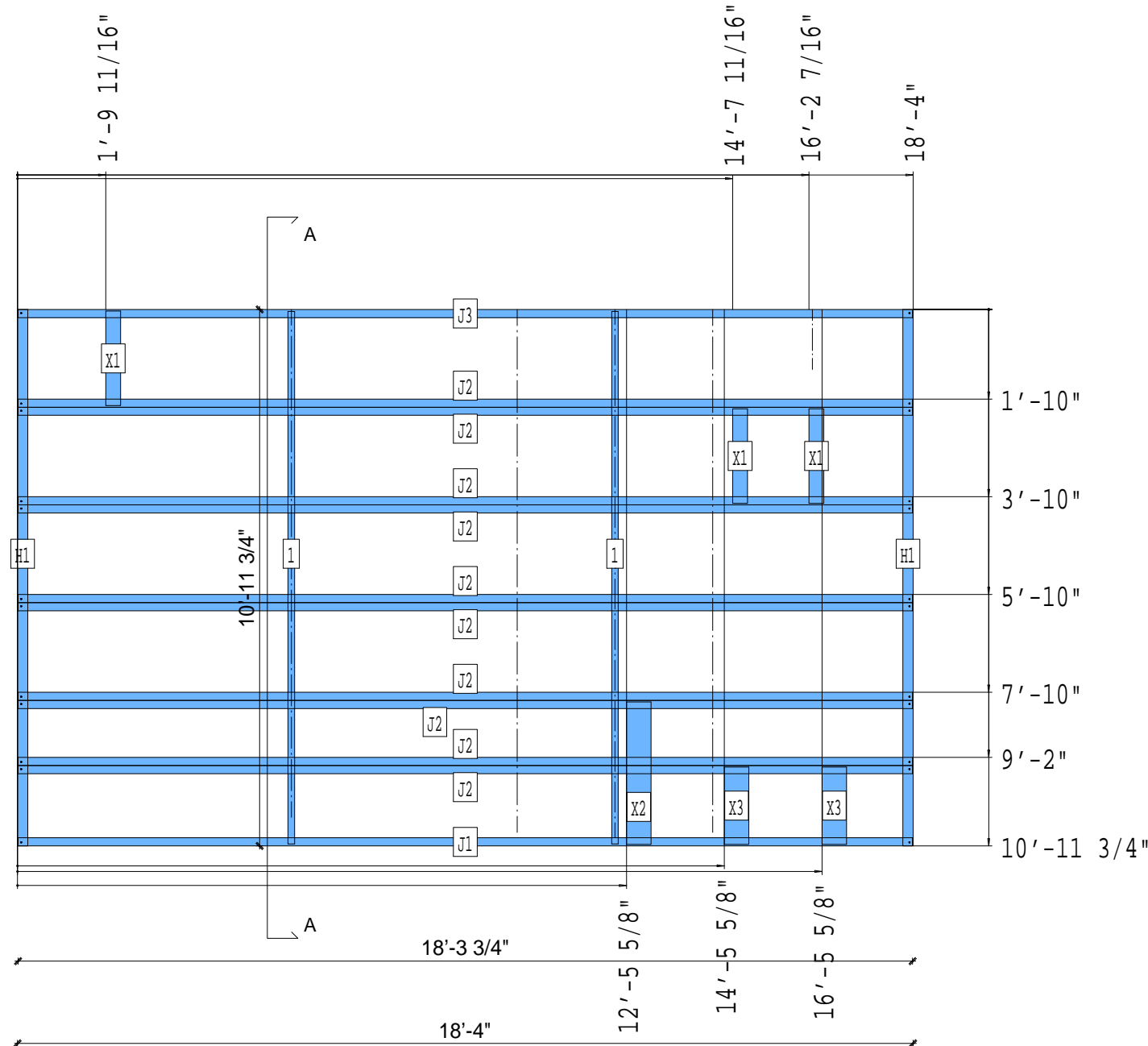
© FrameMax Inc.

APPROVED
By Ivan Juarez at 7:30 am, Dec 11, 2008



Bottom

A-A



PIECE SCHEDULE						
LAB	QTY	MATERIAL	DESCRIPTION	LENGTH	ANG1	ANG2
1	2	362S162-54	JOIST	10'-10 3/4"		
H1	2	1000T250-68	HEADER	10'-11 3/4"		
J1	1	1000S200-68	JOIST	18'-3 3/4"		
J2	10	1000S200-68	JOIST	18'-3 3/4"		
J3	1	1000S200-68	JOIST	18'-3 3/4"		
X1	3	362S162-33	FLAT TRACK B	1'-11 1/4"		
X2	1	600S162-33	FLAT TRACK B	2'-11"		
X3	2	600S162-33	FLAT TRACK B	1'-7"		

12-5087

Jewish Home for the Aging

1885 Victory Blvd. Reseda, CA

FM-07-109

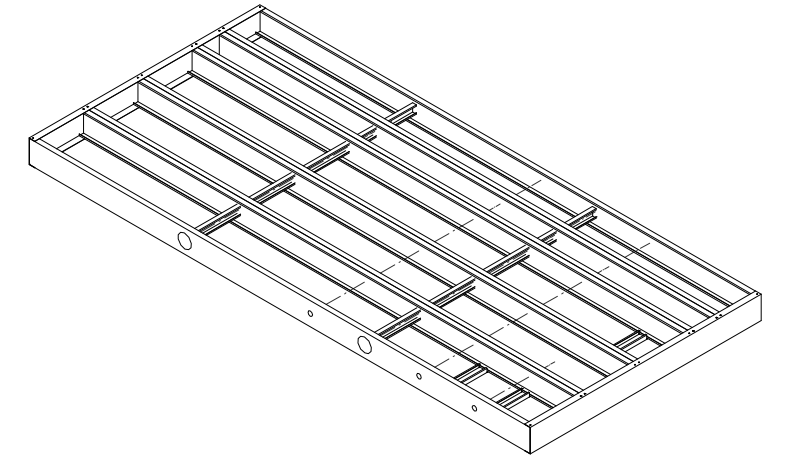
CREATED BY: AMB

FrameMax, Inc.
13915 Danielson St
Suite 100
Poway, CA 92064
www.framemax.com



© FrameMax Inc.

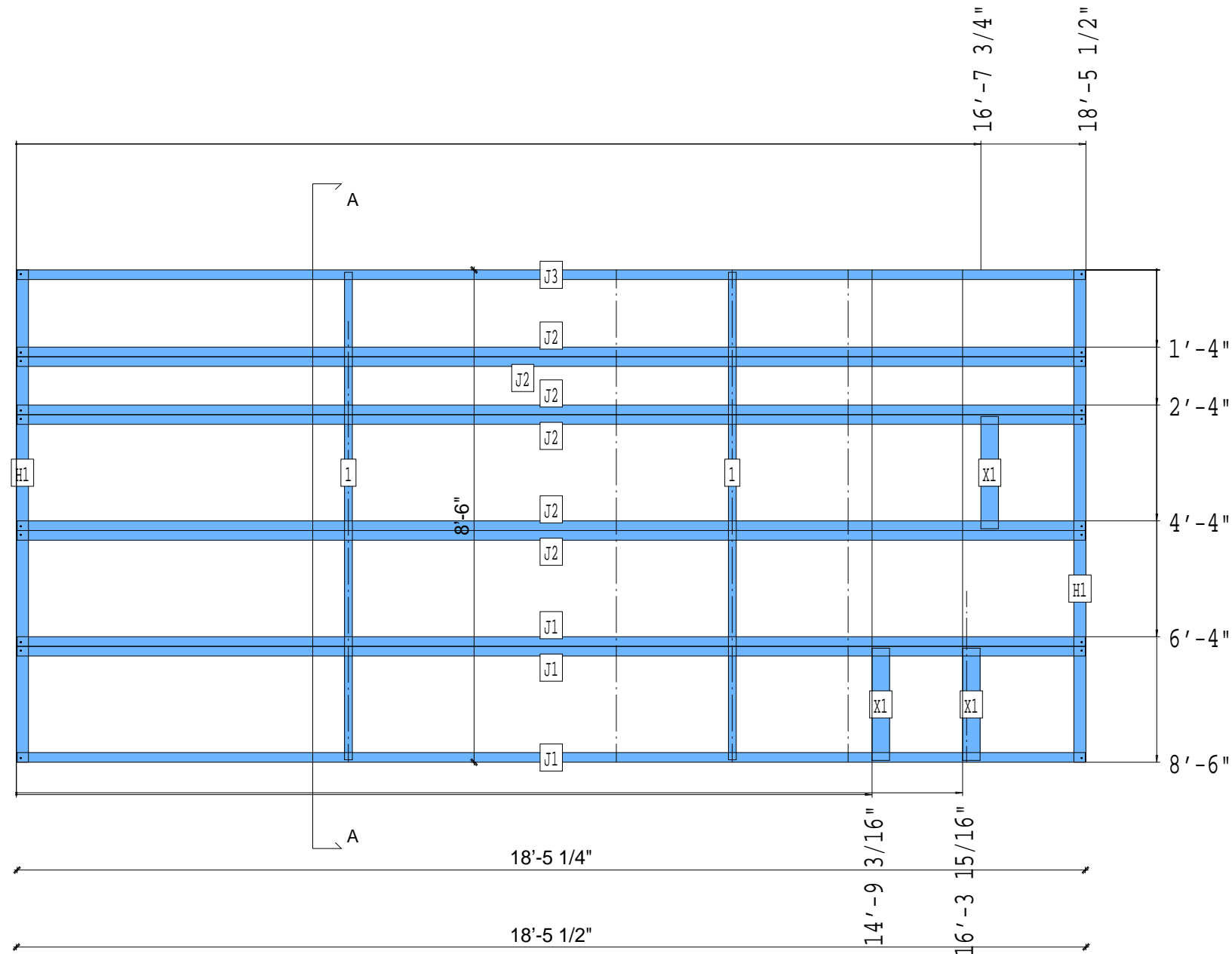
APPROVED
By Ivan Juarez at 7:30 am, Dec 11, 2008



Bottom



A-A



PIECE SCHEDULE						
LAB	QTY	MATERIAL	DESCRIPTION	LENGTH	ANG1	ANG2
J1	3	1000S200-68	JOIST	18'-5 1/4"		
J2	6	1000S200-68	JOIST	18'-5 1/4"		
J3	1	1000S200-68	JOIST	18'-5 1/4"		
H1	2	1000T250-68	HEADER	8'-6"		
X1	3	362S162-33	FLAT TRACK B	1'-11 1/4"		

12-5088

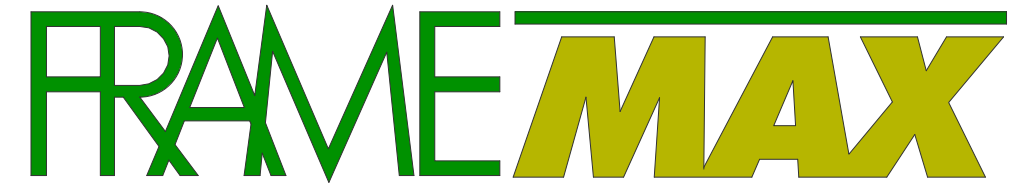
Jewish Home for the Aging

1885 Victory Blvd. Reseda, CA

FM-07-109

CREATED BY: AMB

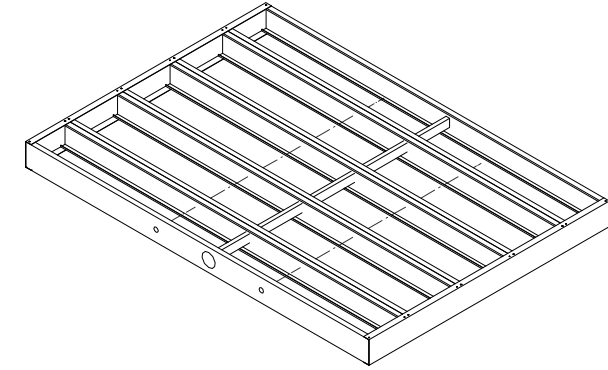
FrameMax, Inc.
13915 Danielson St
Suite 100
Poway, CA 92064
www.framemax.com



© FrameMax Inc.

CREATED: 12/09/2008

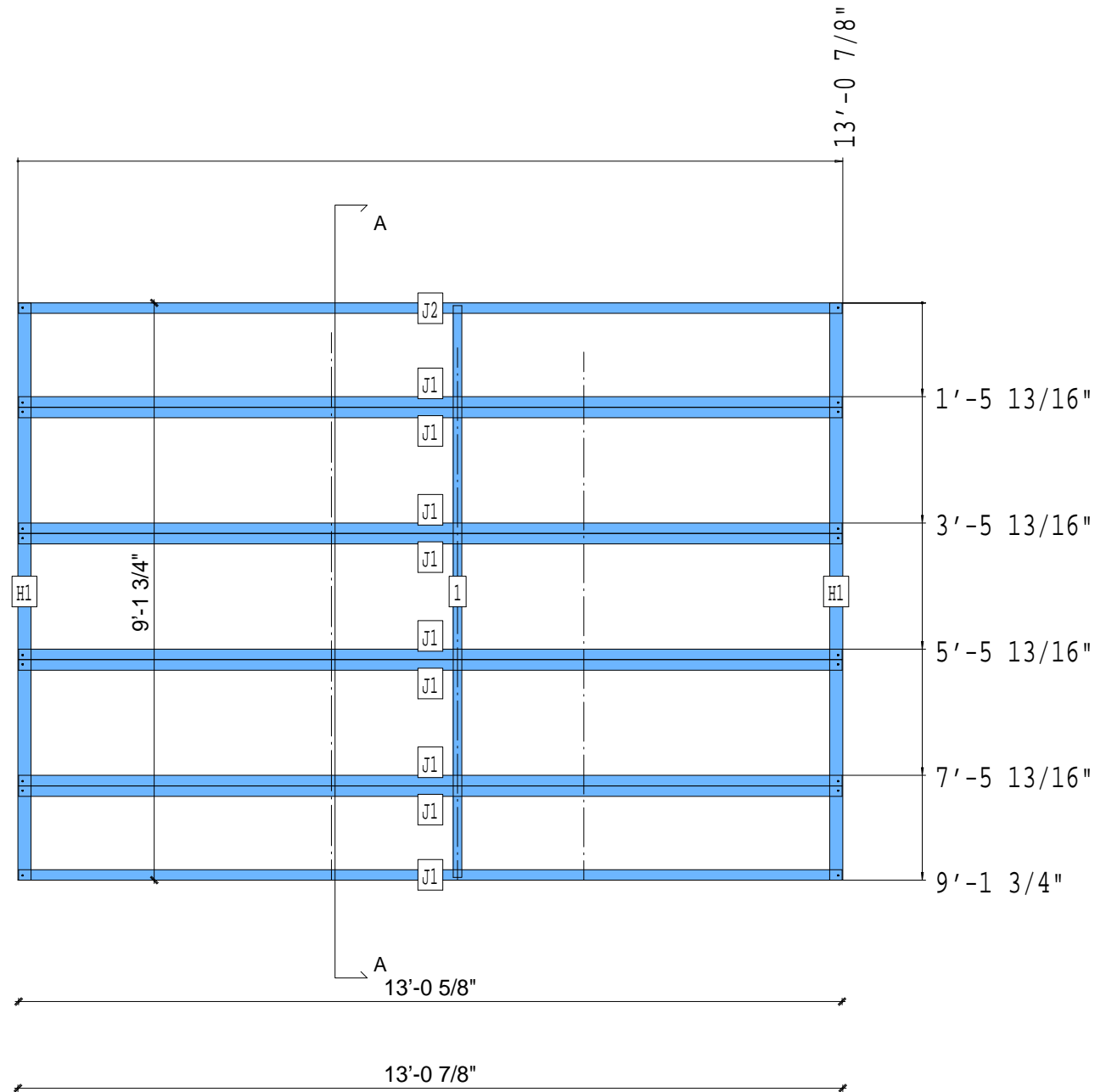
APPROVED
By Ivan Juarez at 7:30 am, Dec 11, 2008



Bottom



A-A



PIECE SCHEDULE						
LAB	QTY	MATERIAL	DESCRIPTION	LENGTH	ANG1	ANG2
1	1	362S162-54	JOIST	9'-0 3/4"		
H1	2	1000T250-68	HEADER	9'-1 3/4"		
J1	9	1000S200-68	JOIST	13'-0 5/8"		
J2	1	1000S200-68	JOIST	13'-0 5/8"		

12-5089

CREATED: 12/09/2008

Jewish Home for the Aging

1885 Victory Blvd. Reseda, CA

FM-07-109

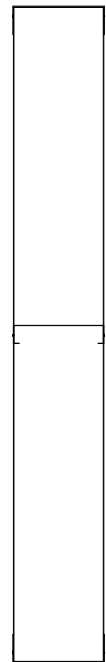
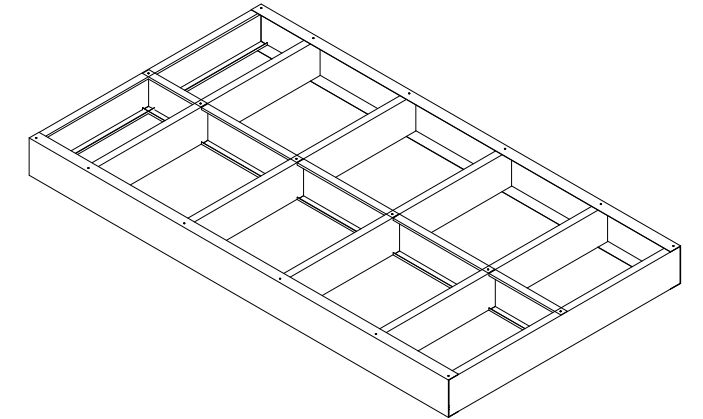
CREATED BY: AMB

FrameMax, Inc.
13915 Danielson St
Suite 100
Poway, CA 92064
www.frame-max.com

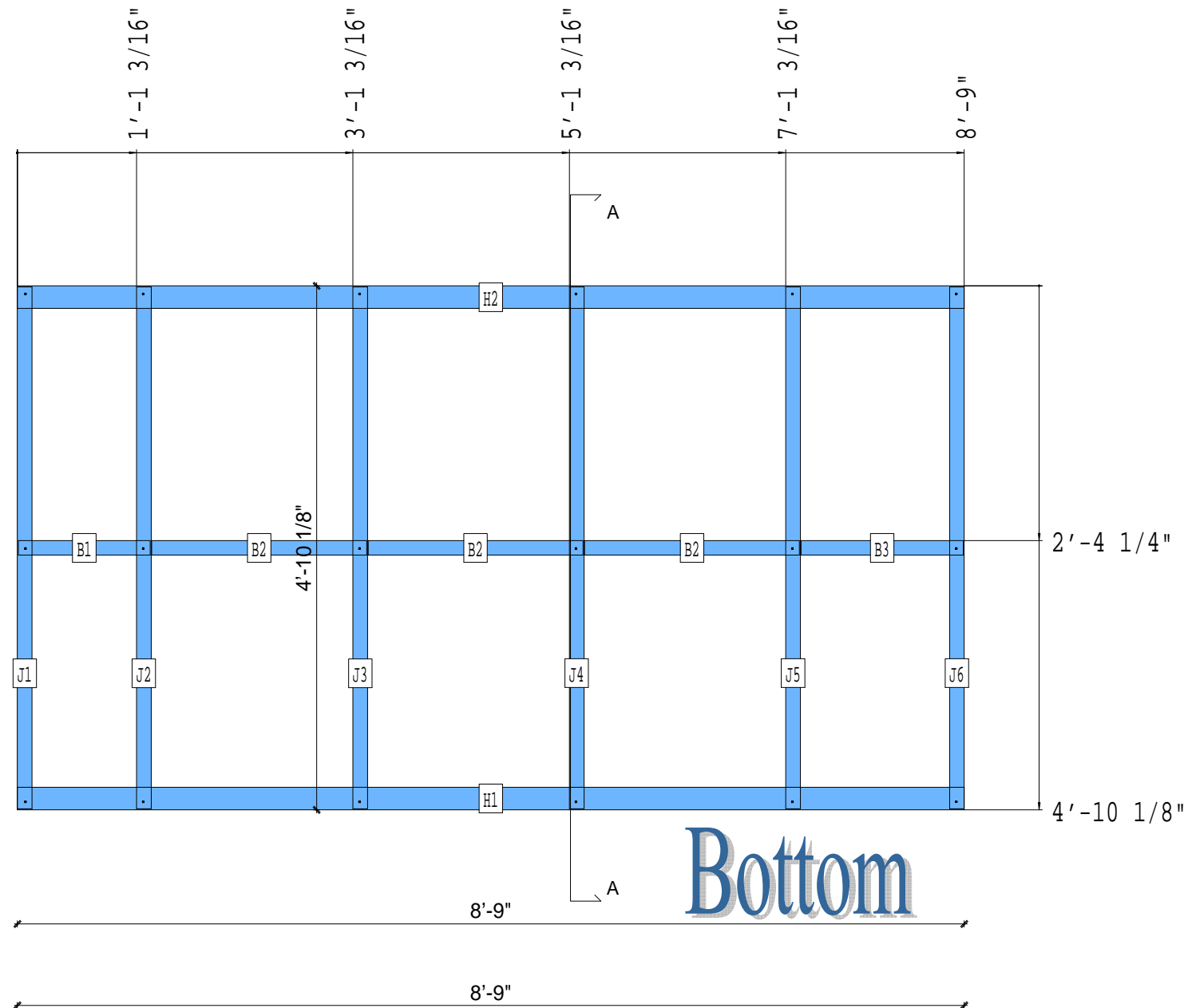


© FrameMax Inc.

APPROVED
By Ivan Juarez at 7:30 am, Dec 11, 2008



A-A



Bottom

PIECE SCHEDULE						
LAB	QTY	MATERIAL	DESCRIPTION	LENGTH	ANG1	ANG2
B1	1	800S162-43	BLOCK	1'-2 5/8"		
B2	3	800S162-43	BLOCK	1'-11 13/16"		
B3	1	800S162-43	BLOCK	1'-6"		
H1	1	800T250-54	HEADER	8'-9"		
H2	1	800T250-54	HEADER	8'-9"		
J1	1	800S162-43	JOIST	4'-9 7/8"		
J2	1	800S162-43	JOIST	4'-9 7/8"		
J3	1	800S162-43	JOIST	4'-9 7/8"		
J4	1	800S162-43	JOIST	4'-9 7/8"		
J5	1	800S162-43	JOIST	4'-9 7/8"		
J6	1	800S162-43	JOIST	4'-9 7/8"		

12-5090

Jewish Home for the Aging

1885 Victory Blvd. Reseda, CA

CREATED: 12/09/2008

FM-07-109

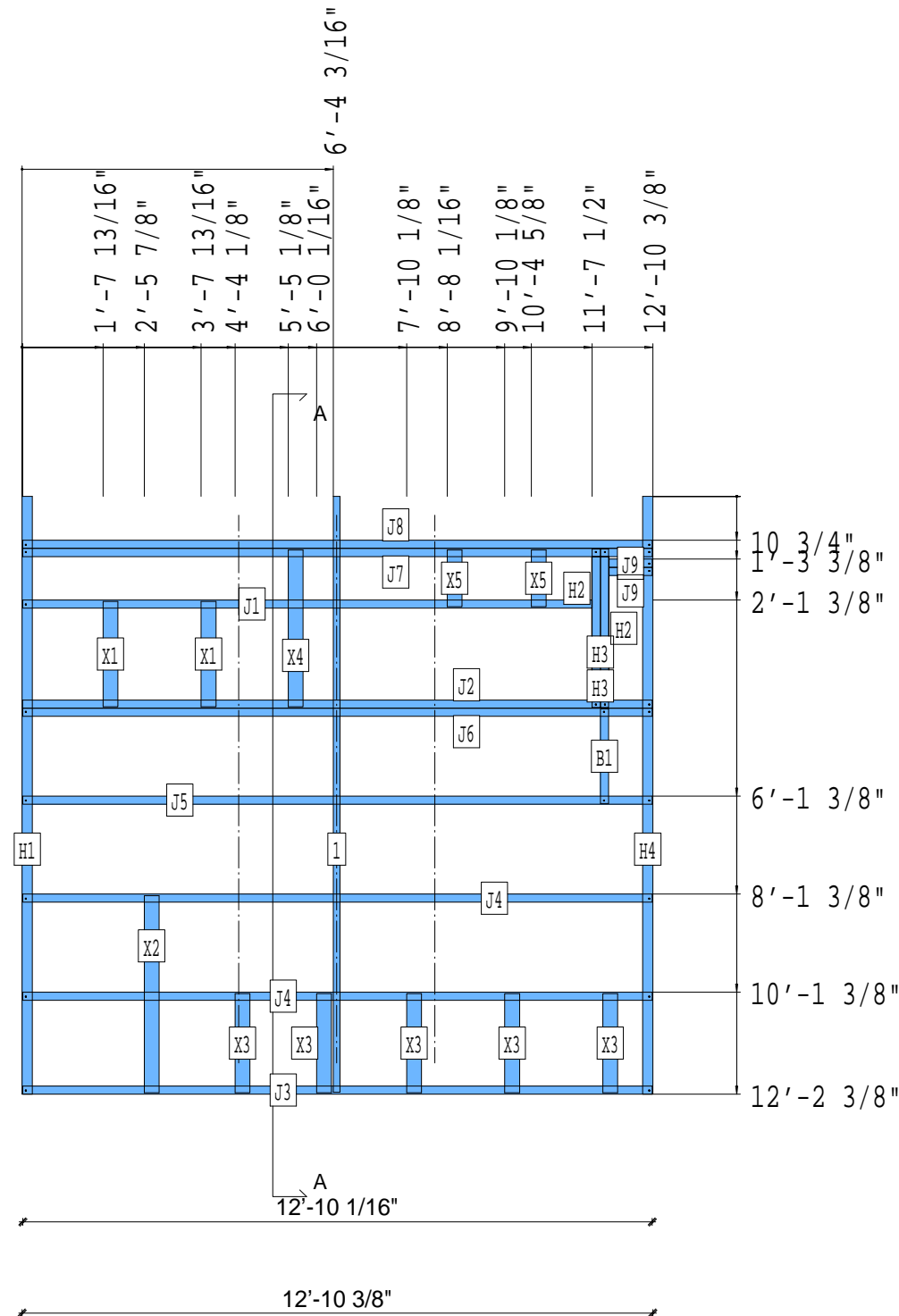
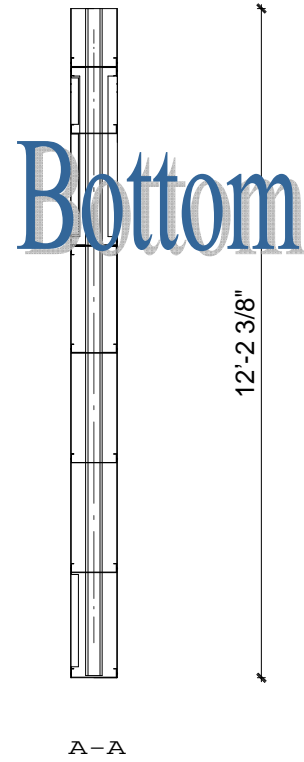
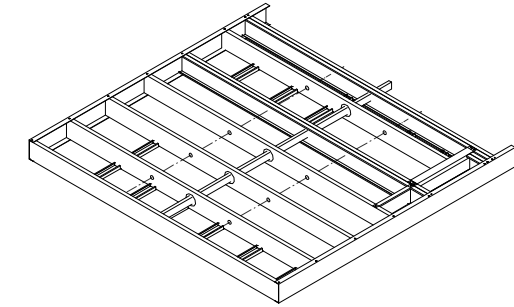
CREATED BY: AMB

FrameMax, Inc.
13915 Danielson St
Suite 100
Poway, CA 92064
www.frame-max.com



© FrameMax Inc.

APPROVED
By Ivan Juarez at 7:30 am, Dec 11, 2008



PIECE SCHEDULE						
LAB	QTY	MATERIAL	DESCRIPTION	LENGTH	ANG1	ANG2
1	1	362S162-54	JOIST	12'-1 7/8"		
B1	1	1000S200-97	BLOCK	1'-11 3/16"		
H1	1	1000T250-97	HEADER	12'-2 3/8"		
H2	2	1000S200-97	OPENING TRIM	3'-2 13/16"		
H3	2	400T200-97	OPENING TRIM	2'-11 1/8"		
H4	1	1000T250-97	HEADER	12'-2 3/8"		
J1	1	1000S200-97	JOIST	11'-7 3/8"		
J2	1	1000S200-97	OPENING TRIM	12'-10 1/8"		
J3	1	1000S200-97	JOIST	12'-10 1/16"		
J4	2	1000S200-97	JOIST	12'-10 1/16"		
J5	1	1000S200-97	JOIST	12'-10 1/16"		
J6	1	1000S200-97	OPENING TRIM	12'-10 1/16"		
J7	1	1000S200-97	OPENING TRIM	12'-10 1/16"		
J8	1	1000S200-97	OPENING TRIM	12'-10 1/16"		
J9	2	1000S200-97	JOIST	10 9/16"		
X1	2	362S162-33	FLAT TRACK B	2'-1 3/4"		
X2	1	362S162-33	FLAT TRACK B	4'-0 1/4"		
X3	5	362S162-33	FLAT TRACK B	2'-0 1/4"		
X4	1	362S162-33	FLAT TRACK B	3'-2 3/8"		
X5	2	362S162-33	FLAT TRACK B	1'-1 7/8"		

12-5091

CREATED: 12/09/2008

Jewish Home for the Aging

1885 Victory Blvd. Reseda, CA

FM-07-109

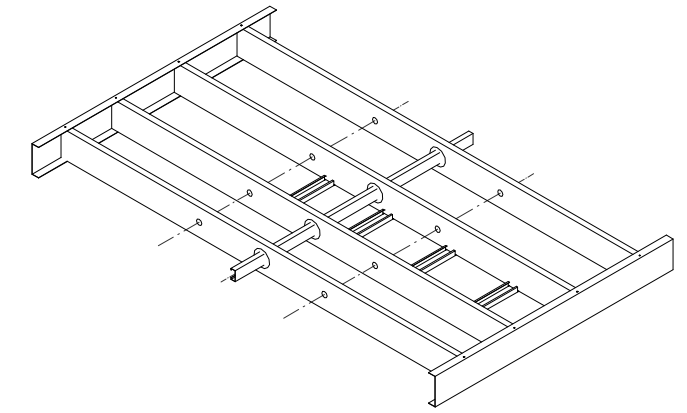
CREATED BY: AMB

FrameMax, Inc.
13915 Danielson St
Suite 100
Poway, CA 92064
www.frame-max.com



© FrameMax Inc.

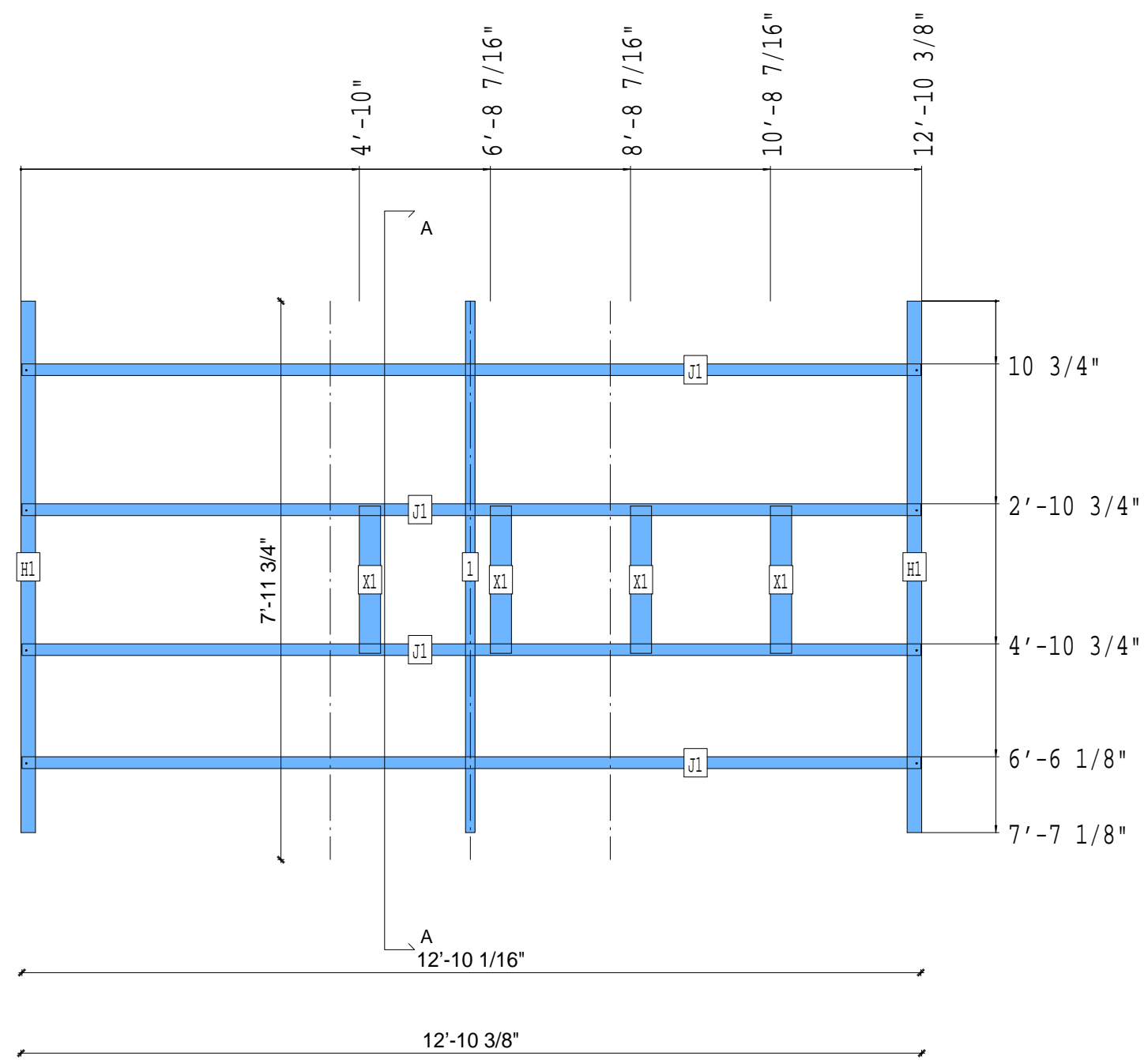
APPROVED
By Ivan Juarez at 7:30 am, Dec 11, 2008



Bottom



A-A



PIECE SCHEDULE						
LAB	QTY	MATERIAL	DESCRIPTION	LENGTH	ANG1	ANG2
1	1	362S162-54	JOIST	7'-7 1/8"		
H1	2	1000T250-97	HEADER	7'-7 1/8"		
J1	4	1000S200-97	JOIST	12'-10 1/16"		
X1	4	362S162-33	FLAT TRACK B	2'-1 1/4"		

12-5092

CREATED: 12/09/2008

Jewish Home for the Aging

1885 Victory Blvd. Reseda, CA

FM-07-109

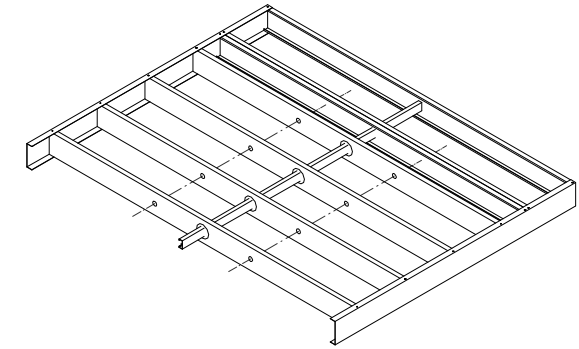
CREATED BY: AMB

FrameMax, Inc.
13915 Danielson St
Suite 100
Poway, CA 92064
www.framemax.com

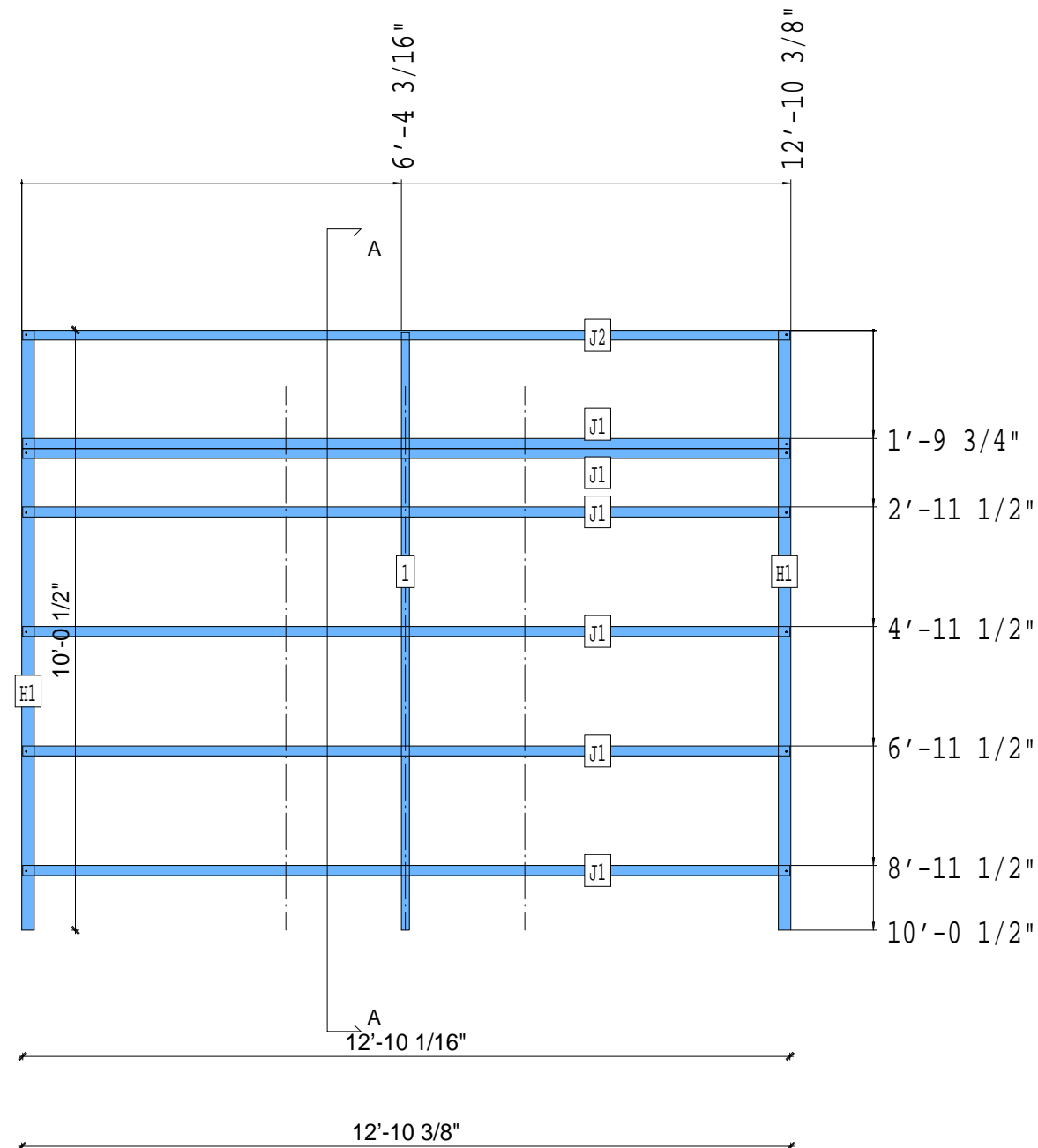


© FrameMax Inc.

APPROVED
By Ivan Juarez at 7:30 am, Dec 11, 2008



Bottom



PIECE SCHEDULE						
LAB	QTY	MATERIAL	DESCRIPTION	LENGTH	ANG1	ANG2
1	1	362S162-54	JOIST	10'-0"		
H1	2	1000T250-97	HEADER	10'-0 1/2"		
J1	6	1000S200-97	JOIST	12'-10 1/16"		
J2	1	1000S200-97	JOIST	12'-10 1/16"		

12-5093

CREATED: 12/09/2008

Jewish Home for the Aging

1885 Victory Blvd. Reseda, CA

FM-07-109

CREATED BY: AMB

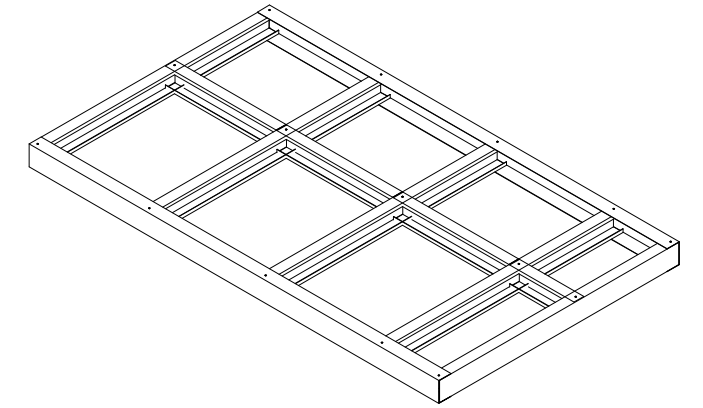
FrameMax, Inc.
13915 Danielson St
Suite 100
Poway, CA 92064
www.frame-max.com



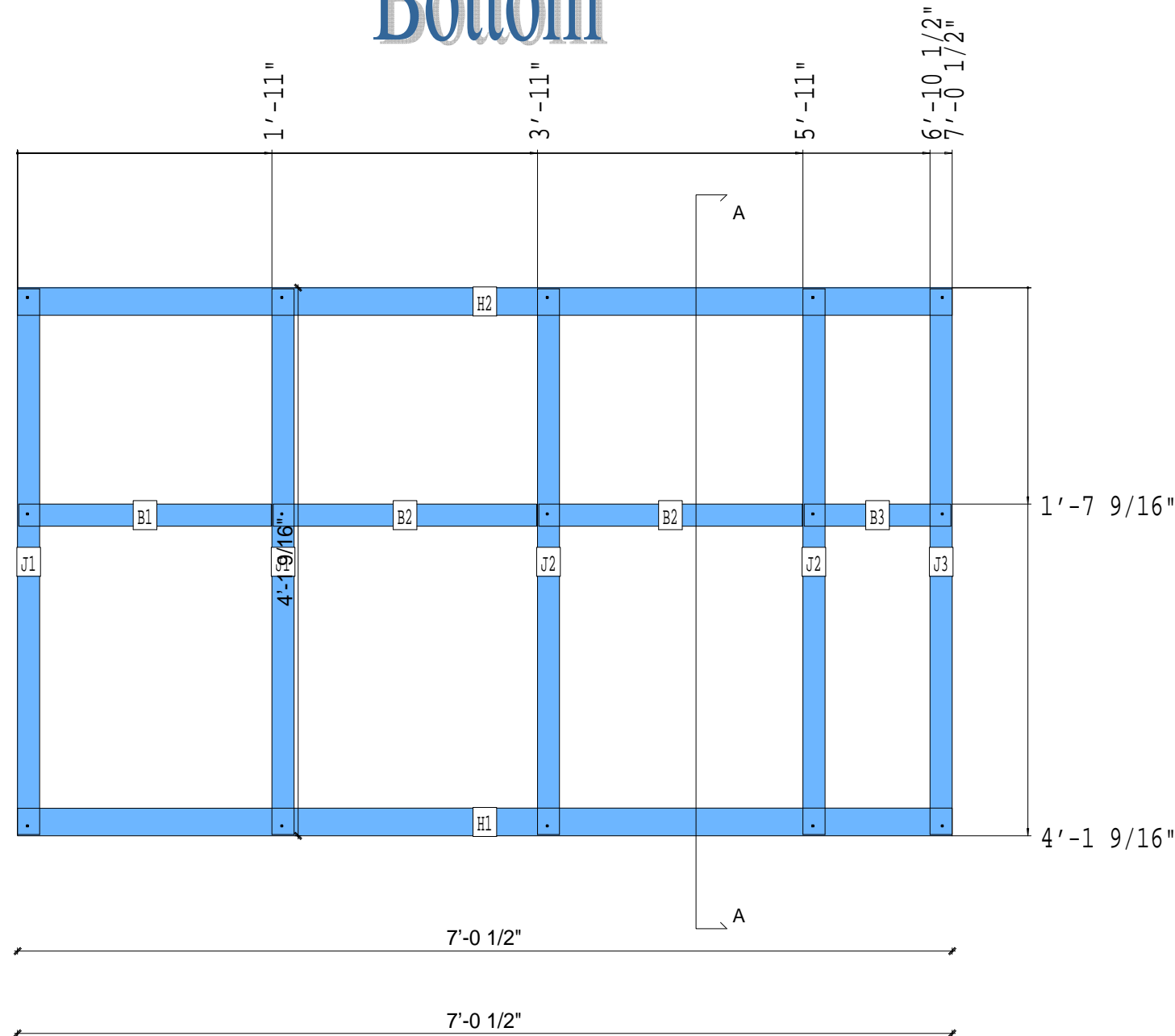
© FrameMax Inc.

APPROVED
By Ivan Juarez at 7:30 am, Dec 11, 2008

Bottom



A-A



PIECE SCHEDULE						
LAB	QTY	MATERIAL	DESCRIPTION	LENGTH	ANG1	ANG2
B1	1	400S200-54	BLOCK	1'-10 13/16"		
B2	2	400S200-54	BLOCK	1'-11 13/16"		
B3	1	400S200-54	BLOCK	1'-1 1/4"		
H1	1	400T250-54	HEADER	7'-0 1/2"		
H2	1	400T250-54	HEADER	7'-0 1/2"		
J1	2	400S200-54	JOIST	4'-1 5/16"		
J2	2	400S200-54	JOIST	4'-1 5/16"		
J3	1	400S200-54	JOIST	4'-1 5/16"		

12-5094

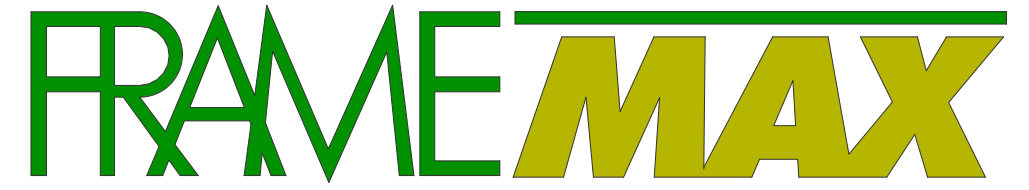
Jewish Home for the Aging

1885 Victory Blvd. Reseda, CA

FM-07-109

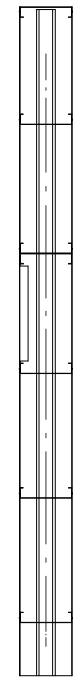
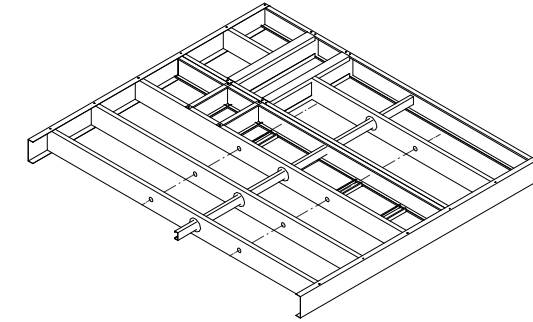
CREATED BY: AMB

FrameMax, Inc.
13915 Danielson St
Suite 100
Poway, CA 92064
www.frameMAX.com

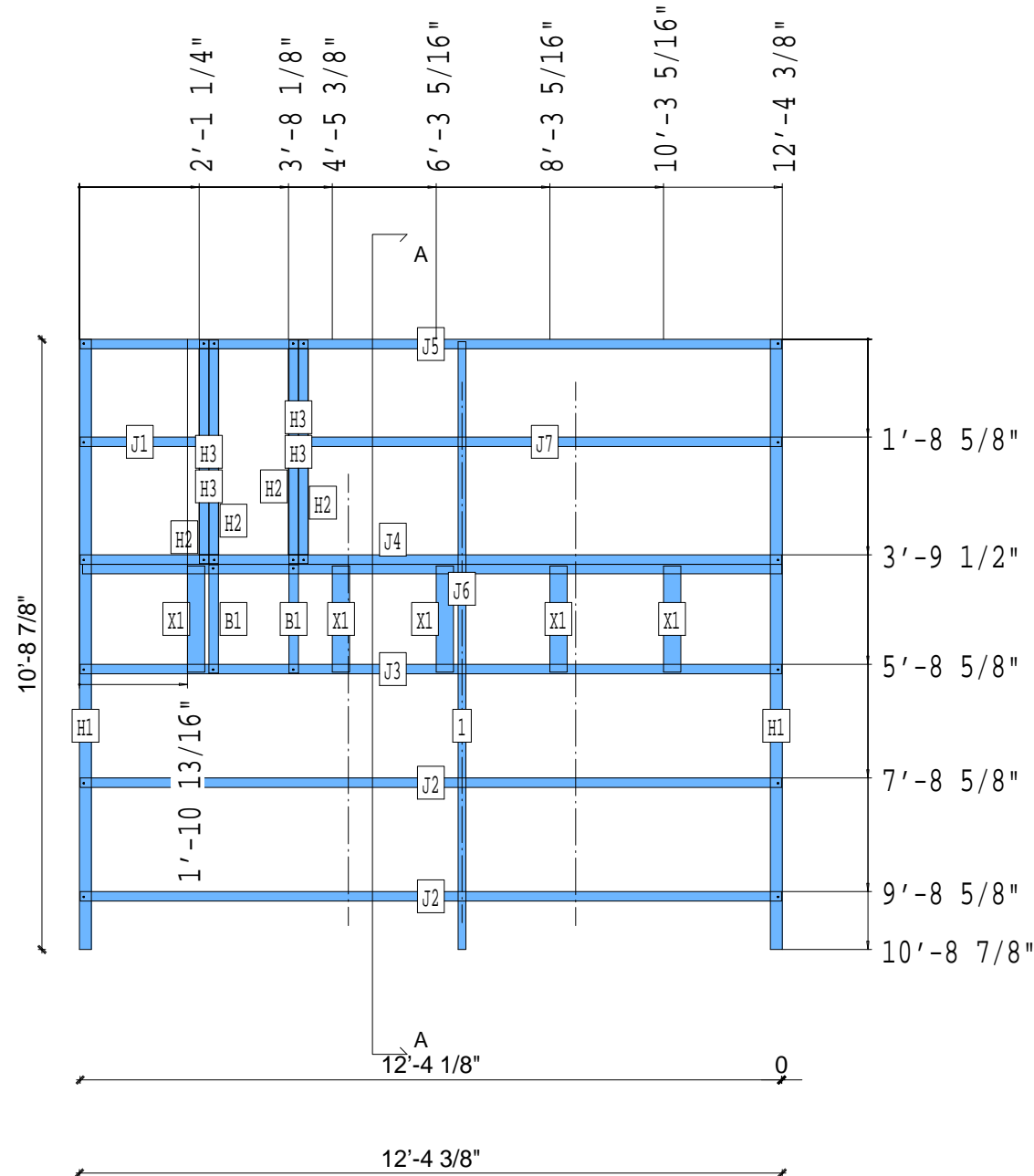


© FrameMax Inc.

APPROVED
By Ivan Juarez at 7:30 am, Dec 11, 2008



A-A



Bottom

PIECE SCHEDULE						
LAB	QTY	MATERIAL	DESCRIPTION	LENGTH	ANG1	ANG2
1	1	362S162-54	JOIST	10'-8 3/8"		
B1	2	1000S200-68	BLOCK	1'-10 7/8"		
H1	2	1000T250-68	HEADER	10'-8 7/8"		
H2	4	1000S200-68	OPENING TRIM	3'-11 1/4"		
H3	4	400T200-68	OPENING TRIM	3'-7 1/2"		
J1	1	1000S200-68	JOIST	2'-1 3/16"		
J2	2	1000S200-68	JOIST	12'-4 1/8"		
J3	1	1000S200-68	JOIST	12'-4 1/8"		
J4	1	1000S200-68	OPENING TRIM	12'-4 1/8"		
J5	1	1000S200-68	JOIST	12'-4 1/8"		
J6	1	1000S200-68	OPENING TRIM	12'-3 5/8"		
J7	1	1000S200-68	JOIST	8'-4 1/16"		
X1	5	362S162-33	FLAT TRACK B	1'-10 3/8"		

12-5095

Jewish Home for the Aging

1885 Victory Blvd. Reseda, CA

FM-07-109

CREATED BY: AMB

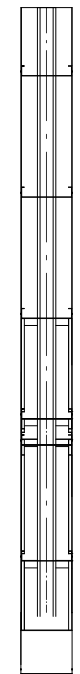
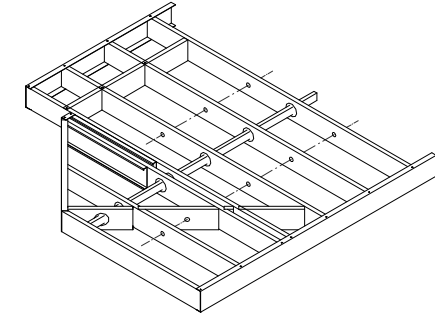
FrameMax, Inc.
13915 Danielson St
Suite 100
Poway, CA 92064
www.frame-max.com

FRAMEMAX

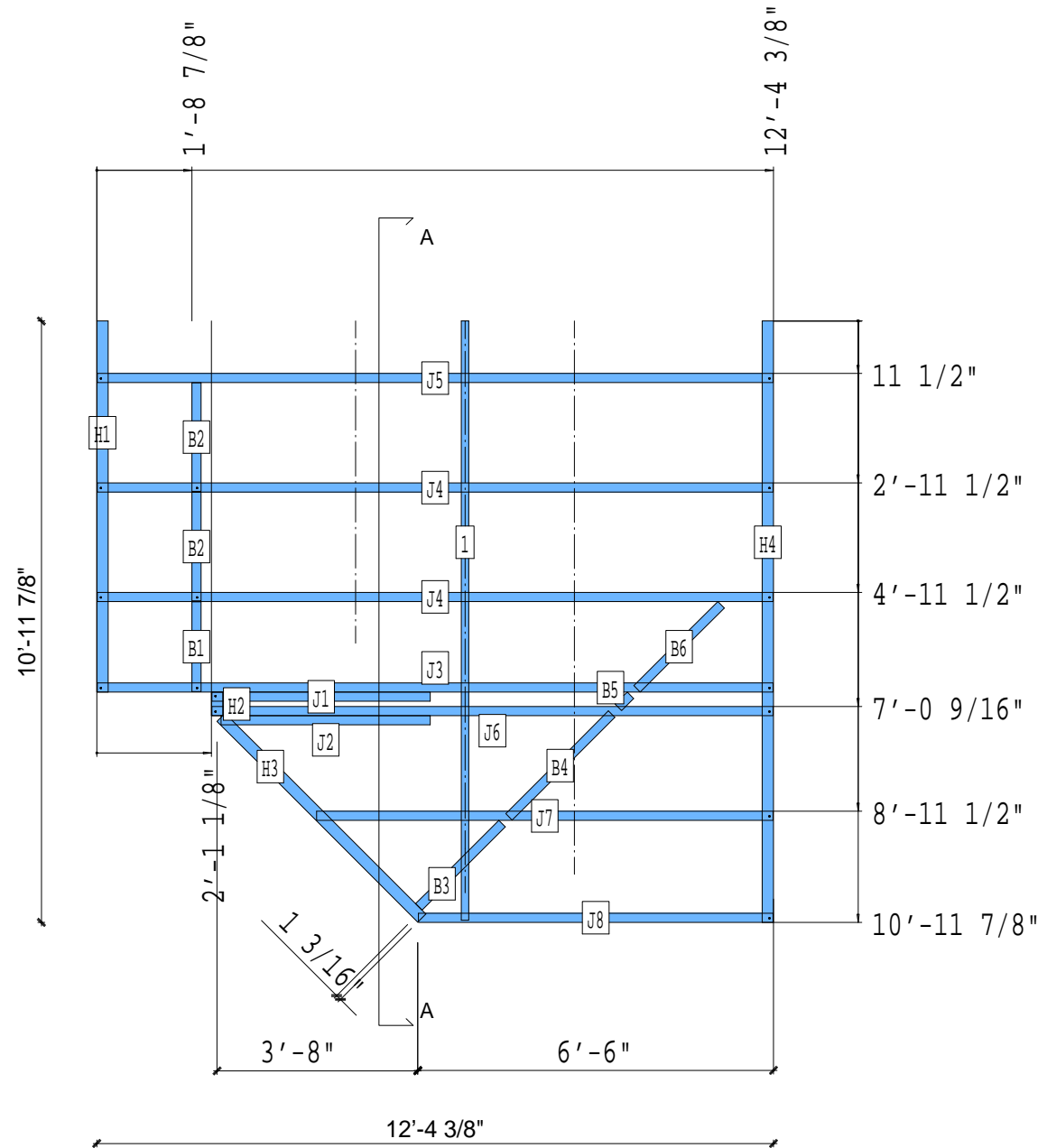
© FrameMax Inc.

CREATED: 12/09/2008

APPROVED
By Ivan Juarez at 7:30 am, Dec 11, 2008



A-A



Bottom

PIECE SCHEDULE						
LAB	QTY	MATERIAL	DESCRIPTION	LENGTH	ANG1	ANG2
1	1	362S162-54	JOIST	10'-11 7/16"		
B1	1	1000S200-68	BLOCK	1'-7 11/16"		
B2	2	1000S200-68	BLOCK	1'-11 13/16"		
B3	1	1000S200-68	BLOCK	2'-1 7/8"		
B4	1	1000S200-68	BLOCK	2'-7 7/8"		
B5	1	1000S200-68	BLOCK	3 3/4"		
B6	1	1000S200-68	BLOCK	2'-2 1/16"		
H1	1	1000T250-68	HEADER	6'-9 3/8"		
H2	1	1000T250-68	HEADER	5 3/16"		
H3	1	1000T250-68	HEADER	5'-2 1/4"		
H4	1	1000T250-68	HEADER	10'-11 7/8"		
J1	1	1000S200-68	JOIST	3'-11 7/8"		
J2	1	1000S200-68	JOIST	3'-9 7/8"		
J3	1	1000S200-68	JOIST	12'-4 1/8"		
J4	2	1000S200-68	JOIST	12'-4 1/8"		
J5	1	1000S200-68	JOIST	12'-4 1/8"		
J6	1	1000S200-68	JOIST	10'-3"		
J7	1	1000S200-68	JOIST	8'-4 1/16"		
J8	1	1000S200-68	JOIST	6'-5 11/16"		

12-5096

CREATED: 12/09/2008

Jewish Home for the Aging

1885 Victory Blvd. Reseda, CA

FM-07-109

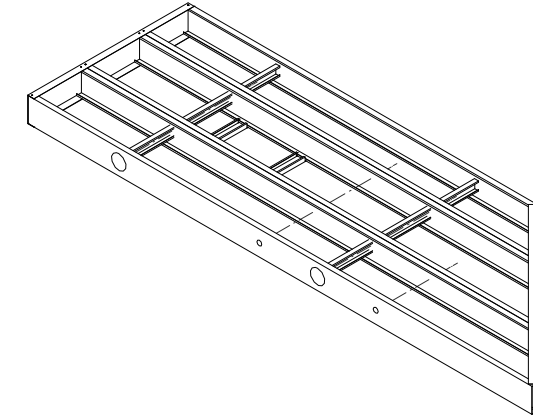
CREATED BY: AMB

FrameMax, Inc.
13915 Danielson St
Suite 100
Poway, CA 92064
www.frame-max.com



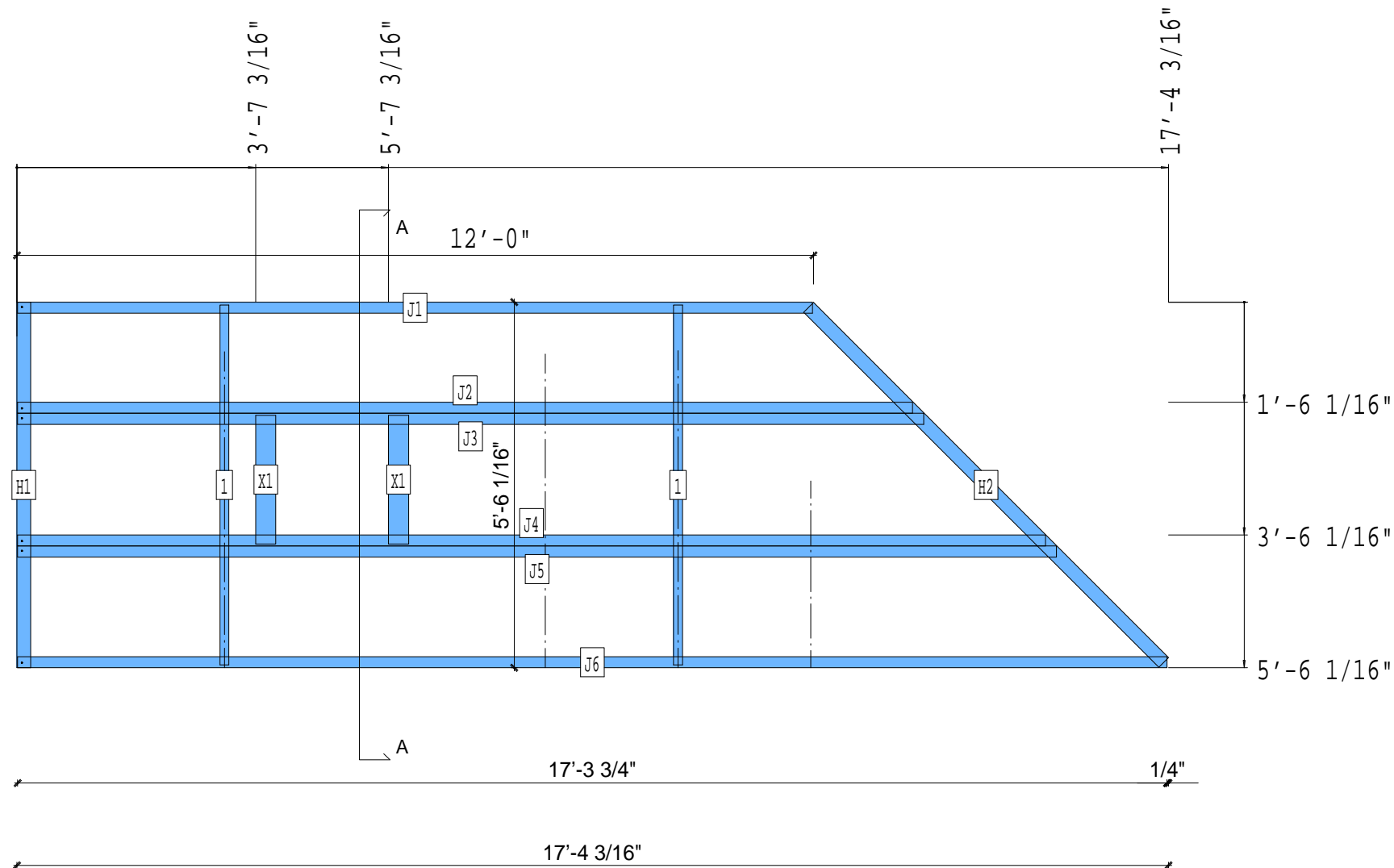
© FrameMax Inc.

APPROVED
By Ivan Juarez at 7:30 am, Dec 11, 2008



Bottom

A-A



PIECE SCHEDULE						
LAB	QTY	MATERIAL	DESCRIPTION	LENGTH	ANG1	ANG2
1	2	362S162-54	JOIST	5'-5 1/16"		
H1	1	1000T250-68	HEADER	5'-6 1/16"		
H2	1	1000T250-68	HEADER	7'-6 3/4"		
J1	1	1000S200-68	JOIST	11'-11 11/16"		
J2	1	1000S200-68	JOIST	13'-5 3/4"		
J3	1	1000S200-68	JOIST	13'-7 3/4"		
J4	1	1000S200-68	JOIST	15'-5 3/4"		
J5	1	1000S200-68	JOIST	15'-7 3/4"		
J6	1	1000S200-68	JOIST	17'-3 3/4"		
X1	2	362S162-33	FLAT TRACK B	1'-11 1/4"		

12-5097

CREATED: 12/09/2008

Jewish Home for the Aging

1885 Victory Blvd. Reseda, CA

FM-07-109

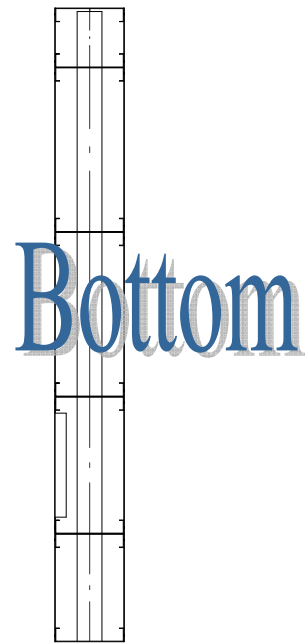
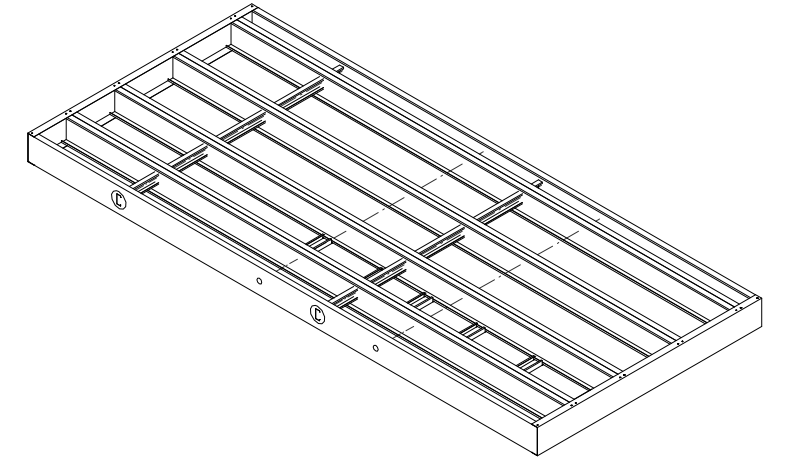
CREATED BY: AMB

FrameMax, Inc.
13915 Danielson St
Suite 100
Poway, CA 92064
www.framemax.com

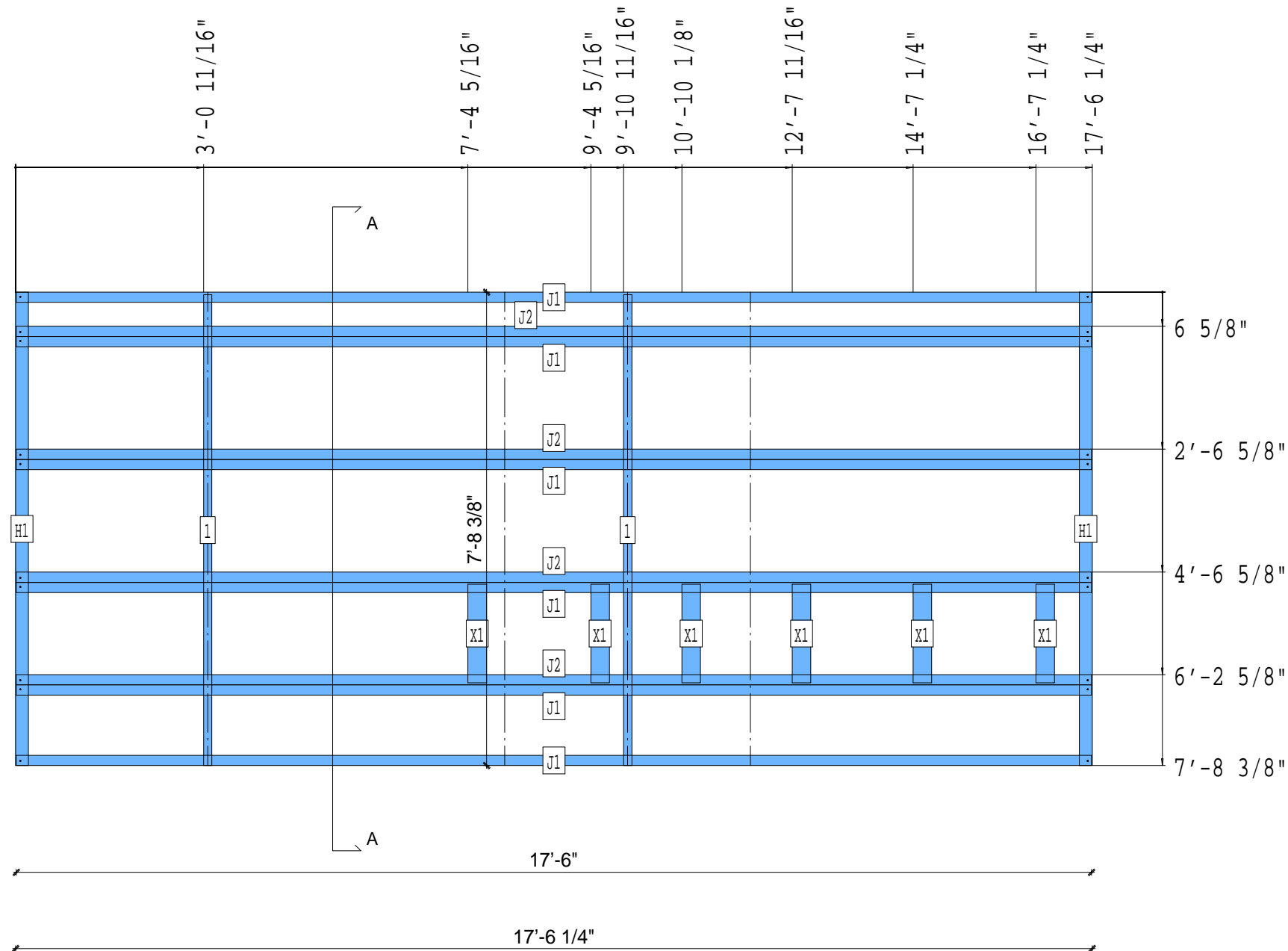


© FrameMax Inc.

APPROVED
By Ivan Juarez at 7:30 am, Dec 11, 2008



A-A



PIECE SCHEDULE						
LAB	QTY	MATERIAL	DESCRIPTION	LENGTH	ANG1	ANG2
1	2	362S162-54	JOIST	7'-7 7/8"		
H1	2	1000T250-68	HEADER	7'-8 3/8"		
J1	6	1000S200-68	JOIST	17'-6"		
J2	4	1000S200-68	JOIST	17'-6"		
X1	6	362S162-33	FLAT TRACK B	1'-7 1/4"		

12-5098

CREATED: 12/09/2008

Jewish Home for the Aging

1885 Victory Blvd. Reseda, CA

FM-07-109

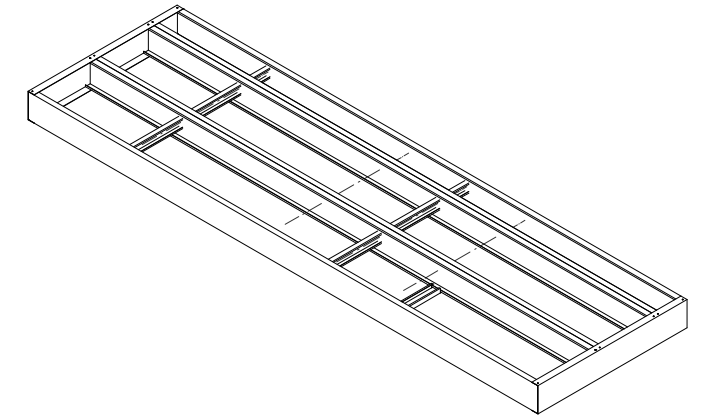
CREATED BY: AMB

FrameMax, Inc.
13915 Danielson St
Suite 100
Poway, CA 92064
www.framemax.com



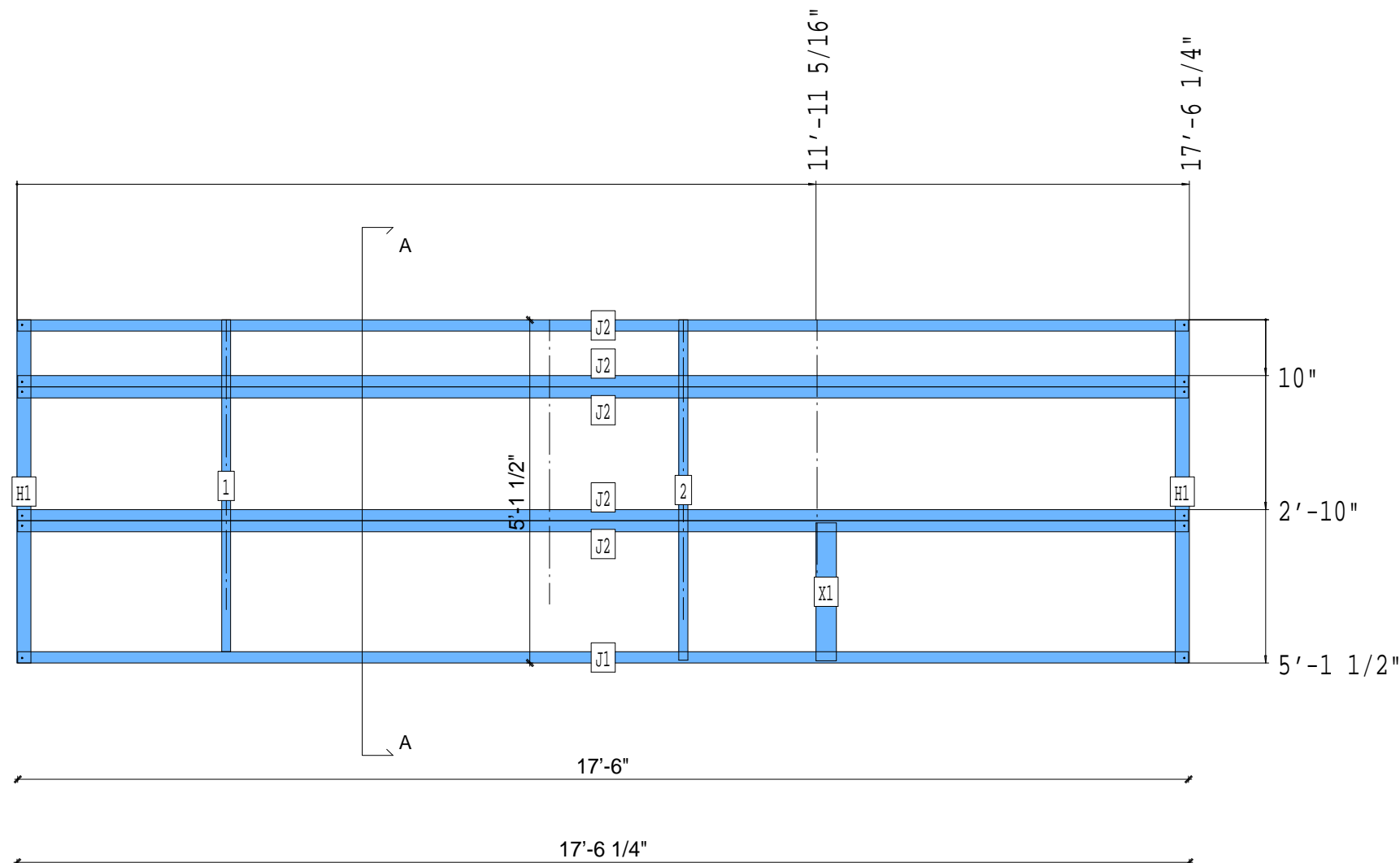
© FrameMax Inc.

APPROVED
By Ivan Juarez at 7:30 am, Dec 11, 2008



Bottom

A-A



PIECE SCHEDULE						
LAB	QTY	MATERIAL	DESCRIPTION	LENGTH	ANG1	ANG2
1	1	362S162-54	JOIST	4'-11 1/2"		
2	1	362S162-54	JOIST	5'-1"		
H1	2	1000T250-68	HEADER	5'-1 1/2"		
J1	1	1000S200-68	JOIST	17'-6"		
J2	5	1000S200-68	JOIST	17'-6"		
X1	1	362S162-33	FLAT TRACK B	2'-0 3/4"		

12-5099

Jewish Home for the Aging

1885 Victory Blvd. Reseda, CA

FM-07-109

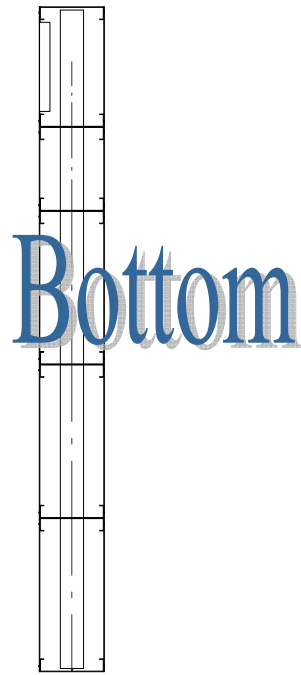
CREATED BY: AMB

FrameMax, Inc.
13915 Danielson St
Suite 100
Poway, CA 92064
www.frame-max.com

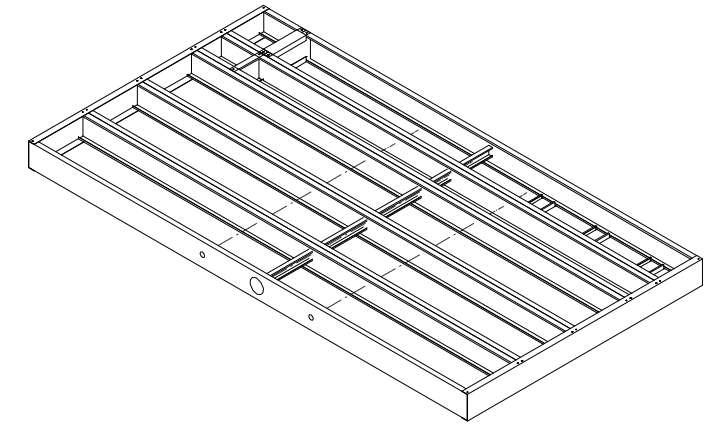
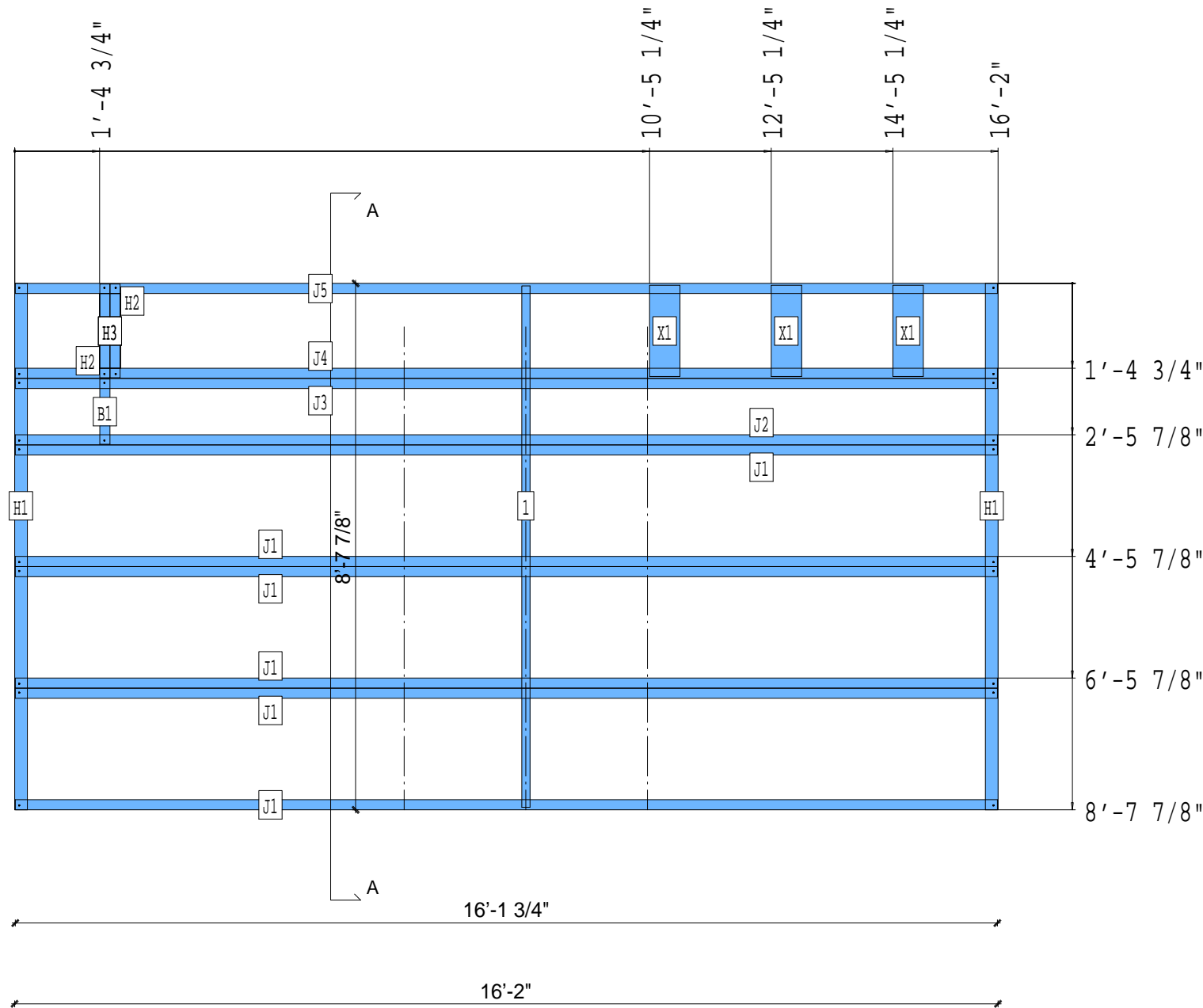
FRAMEMAX

© FrameMax Inc.

APPROVED
By Ivan Juarez at 7:30 am, Dec 11, 2008



Bottom



PIECE SCHEDULE						
LAB	QTY	MATERIAL	DESCRIPTION	LENGTH	ANG1	ANG2
1	1	362S162-54	JOIST	8'-6 7/8"		
B1	1	1000S200-68	BLOCK	1'-0 7/8"		
H1	2	1000T250-68	HEADER	8'-7 7/8"		
H2	2	1000S200-68	OPENING TRIM	1'-6 1/2"		
H3	2	400T200-68	OPENING TRIM	1'-2 3/4"		
J1	6	1000S200-68	JOIST	16'-1 3/4"		
J2	1	1000S200-68	JOIST	16'-1 3/4"		
J3	1	1000S200-68	OPENING TRIM	16'-1 3/4"		
J4	1	1000S200-68	OPENING TRIM	16'-1 3/4"		
J5	1	1000S200-68	JOIST	16'-1 3/4"		
X1	3	600S162-33	FLAT TRACK B	1'-6"		

12-5100

Jewish Home for the Aging

1885 Victory Blvd. Reseda, CA

FM-07-109

CREATED BY: AMB

FrameMax, Inc.
13915 Danielson St
Suite 100
Poway, CA 92064
www.framemax.com

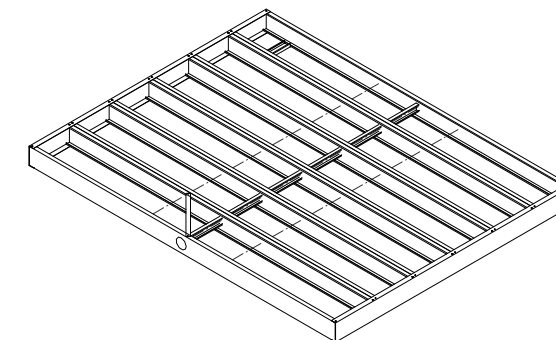
FRAMEMAX

© FrameMax Inc.

CREATED: 12/09/2008

APPROVED

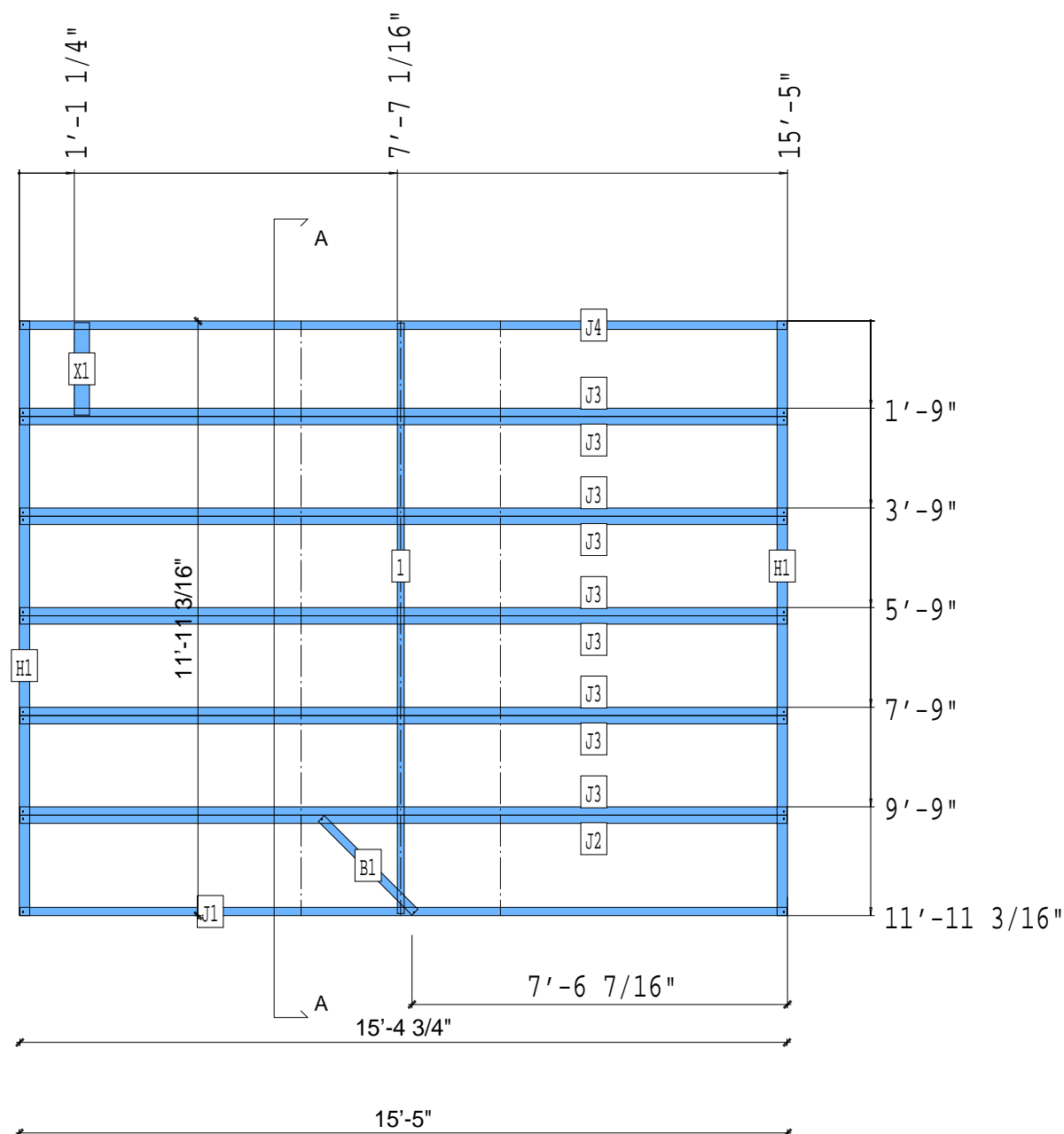
By Ivan Juarez at 7:30 am, Dec 11, 2008



Bottom



A-A



PIECE SCHEDULE						
LAB	QTY	MATERIAL	DESCRIPTION	LENGTH	ANG1	ANG2
1	1	362S162-54	JOIST	11'-10 3/16"		
B1	1	1000S200-68	BLOCK	2'-7 7/8"		
H1	2	1000T250-68	HEADER	11'-11 3/16"		
J1	1	1000S200-68	JOIST	15'-4 3/4"		
J2	1	1000S200-68	JOIST	15'-4 3/4"		
J3	9	1000S200-68	JOIST	15'-4 3/4"		
J4	1	1000S200-68	JOIST	15'-4 3/4"		
X1	1	362S162-33	FLAT TRACK B	1'-10 1/4"		

12-5101

CREATED: 12/09/2008

Jewish Home for the Aging

1885 Victory Blvd. Reseda, CA

FM-07-109

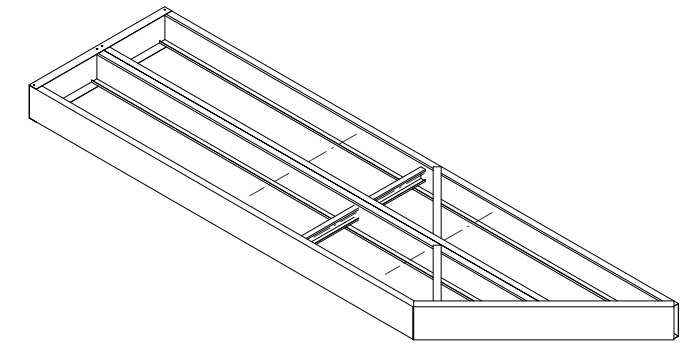
CREATED BY: AMB

FrameMax, Inc.
13915 Danielson St
Suite 100
Poway, CA 92064
www.framemax.com

FRAMEMAX

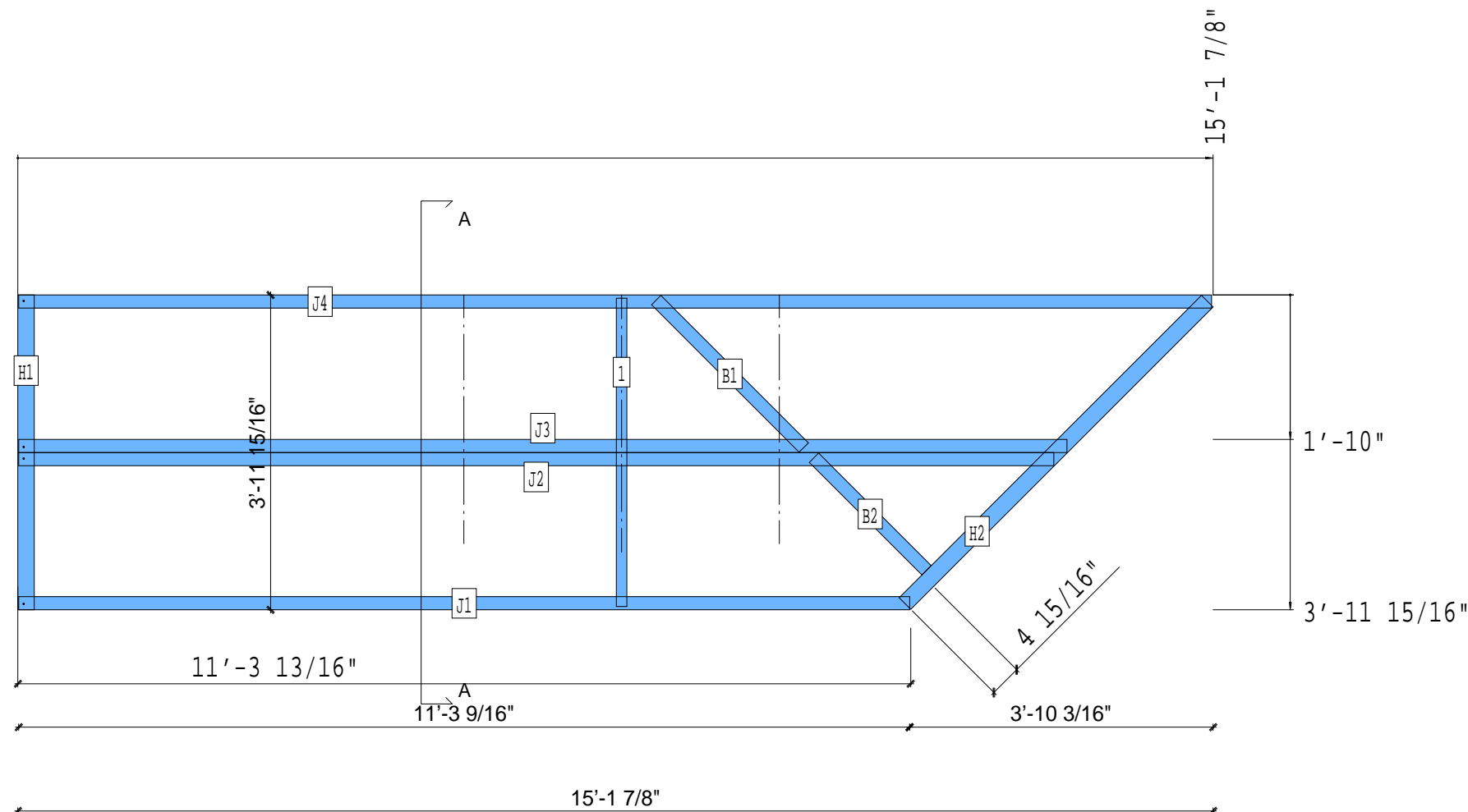
© FrameMax Inc.

APPROVED
By Ivan Juarez at 7:30 am, Dec 11, 2008



Bottom

A-A



PIECE SCHEDULE						
LAB	QTY	MATERIAL	DESCRIPTION	LENGTH	ANG1	ANG2
1	1	362S162-54	JOIST	3'-10 15/16"		
B1	1	1000S200-68	BLOCK	2'-7 3/4"		
B2	1	1000S200-68	BLOCK	2'-0 1/4"		
H1	1	1000T250-68	HEADER	3'-11 15/16"		
H2	1	1000T250-68	HEADER	5'-5 1/16"		
J1	1	1000S200-68	JOIST	11'-3 9/16"		
J2	1	1000S200-68	JOIST	13'-1 1/2"		
J3	1	1000S200-68	JOIST	13'-3 1/2"		
J4	1	1000S200-68	JOIST	15'-1 1/2"		

12-5102

CREATED: 12/09/2008

Jewish Home for the Aging

1885 Victory Blvd. Reseda, CA

FM-07-109

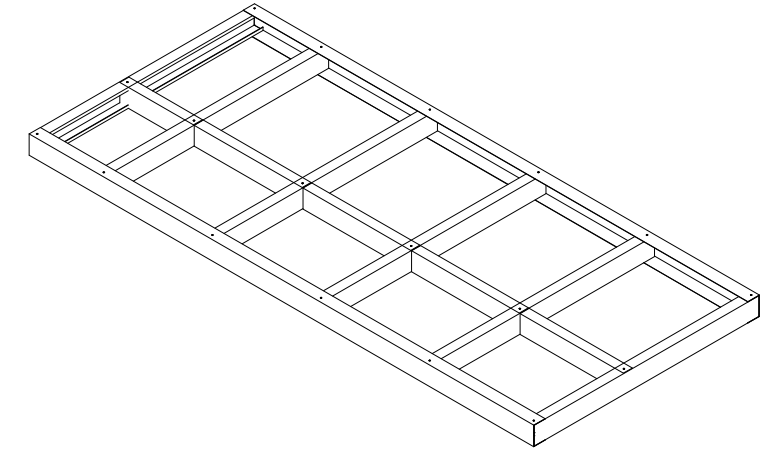
CREATED BY: AMB

FrameMax, Inc.
13915 Danielson St
Suite 100
Poway, CA 92064
www.framemax.com

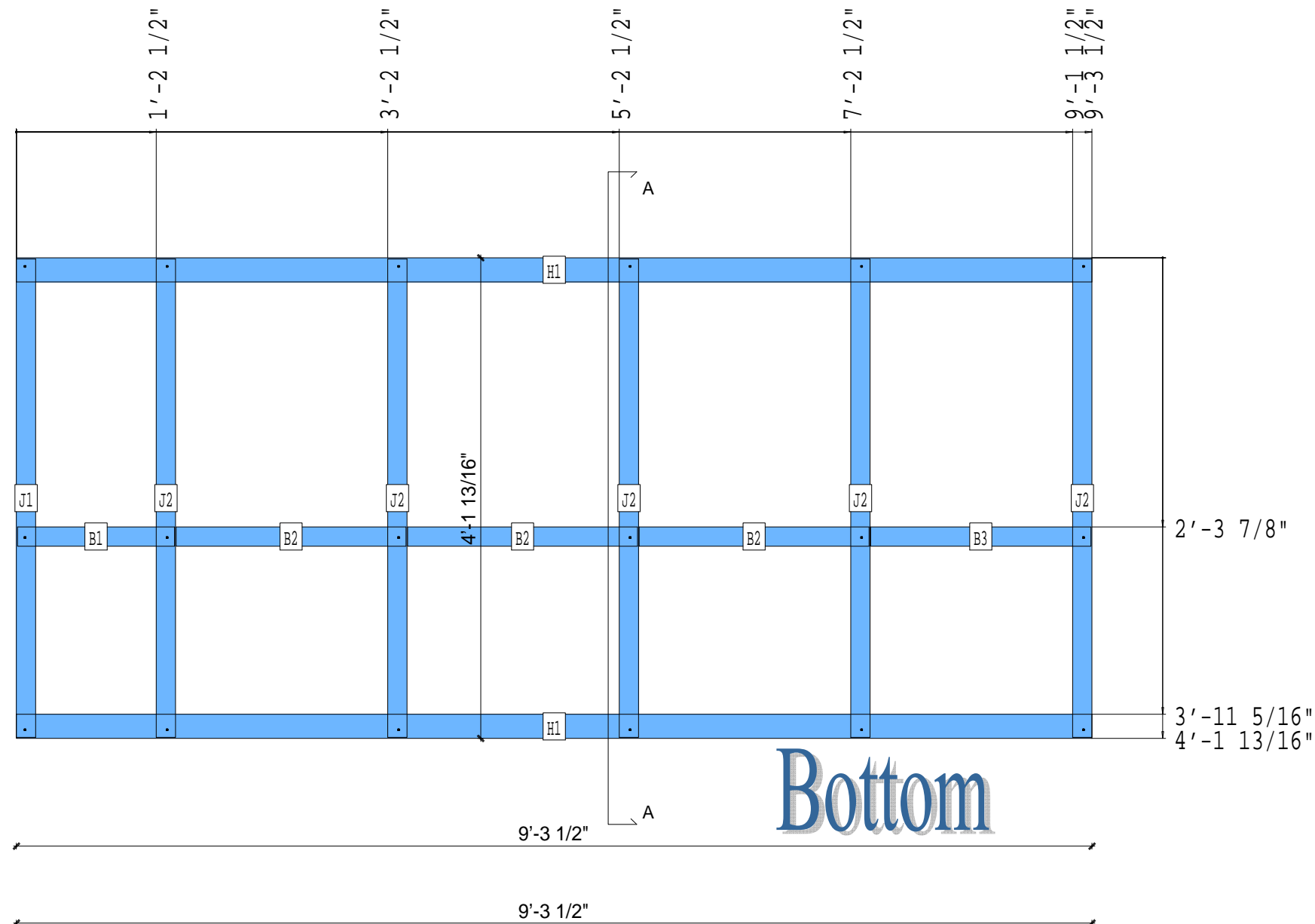


© FrameMax Inc.

APPROVED
By Ivan Juarez at 7:30 am, Dec 11, 2008



A-A



Bottom

PIECE SCHEDULE						
LAB	QTY	MATERIAL	DESCRIPTION	LENGTH	ANG1	ANG2
B1	1	400S200-54	BLOCK	1'-4 1/4"		
B2	3	400S200-54	BLOCK	1'-11 13/16"		
B3	1	400S200-54	BLOCK	1'-10 13/16"		
H1	2	400T250-54	HEADER	9'-3 1/2"		
J1	1	400S200-54	JOIST	4'-1 9/16"		
J2	5	400S200-54	JOIST	4'-1 9/16"		

12-5103

Jewish Home for the Aging

1885 Victory Blvd. Reseda, CA

FM-07-109

CREATED BY: AMB

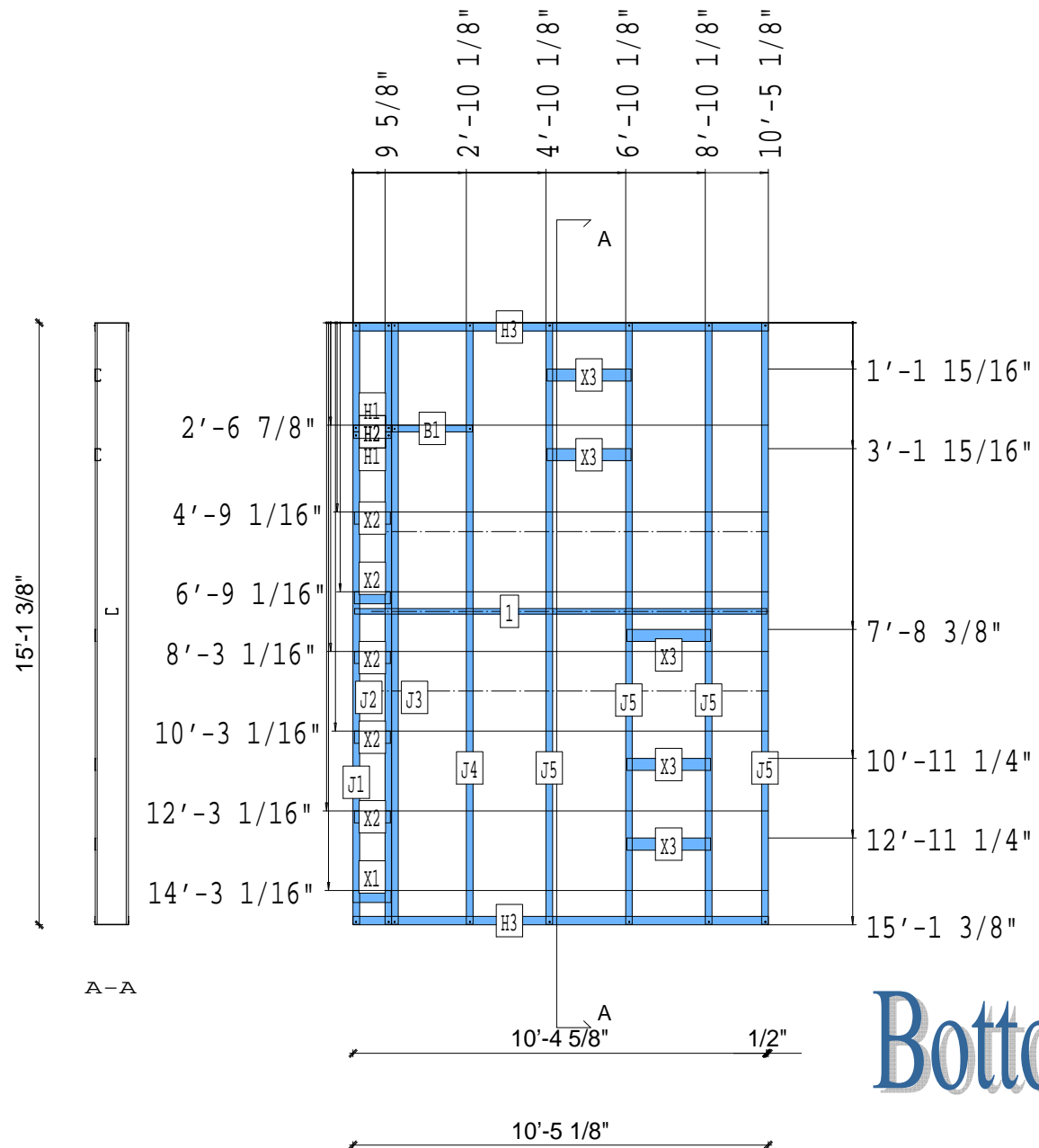
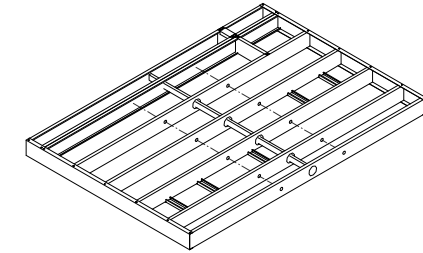
FrameMax, Inc.
13915 Danielson St
Suite 100
Poway, CA 92064
www.framemax.com



© FrameMax Inc.

CREATED: 12/09/2008

APPROVED
By Ivan Juarez at 7:30 am, Dec 11, 2008



Bottom

PIECE SCHEDULE						
LAB	QTY	MATERIAL	DESCRIPTION	LENGTH	ANG1	ANG2
1	1	362S162-54	JOIST	10'-4 1/8"		
B1	1	1000S200-97	BLOCK	2'-0 3/16"		
H1	2	1000S200-97	OPENING TRIM	11 5/16"		
H2	2	400T200-97	OPENING TRIM	7 5/8"		
H3	2	1000T250-97	HEADER	10'-5 1/8"		
J1	1	1000S200-97	JOIST	15'-1 1/16"		
J2	1	1000S200-97	OPENING TRIM	15'-1 1/16"		
J3	1	1000S200-97	OPENING TRIM	15'-1 1/16"		
J4	1	1000S200-97	JOIST	15'-1 1/16"		
J5	4	1000S200-97	JOIST	15'-1 1/16"		
X1	1	362S162-33	FLAT TRACK B	11 7/16"		
X2	5	362S162-33	FLAT TRACK B	10 7/8"		
X3	5	362S162-33	FLAT TRACK B	2'-1 1/4"		

12-5104

CREATED: 12/09/2008

Jewish Home for the Aging

1885 Victory Blvd. Reseda, CA

FM-07-109

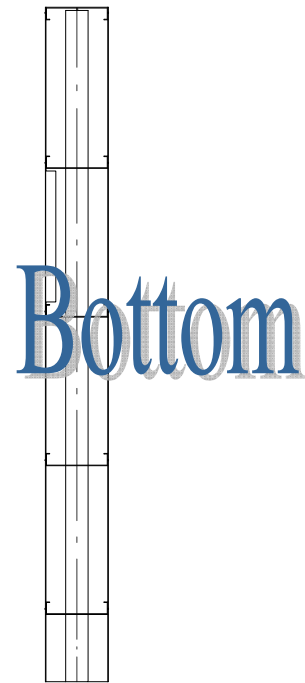
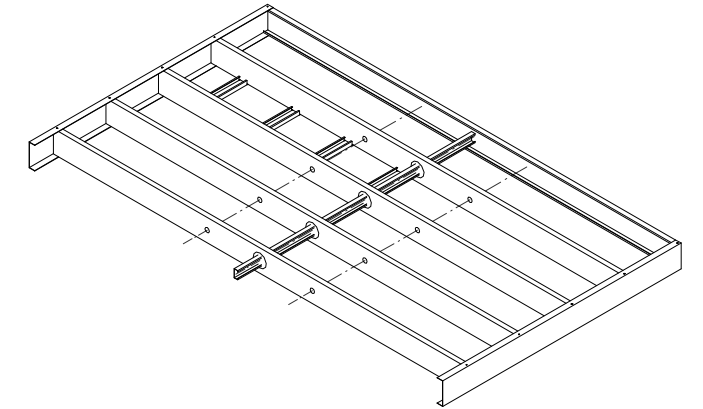
CREATED BY: AMB

FrameMax, Inc.
13915 Danielson St
Suite 100
Poway, CA 92064
www.framemax.com

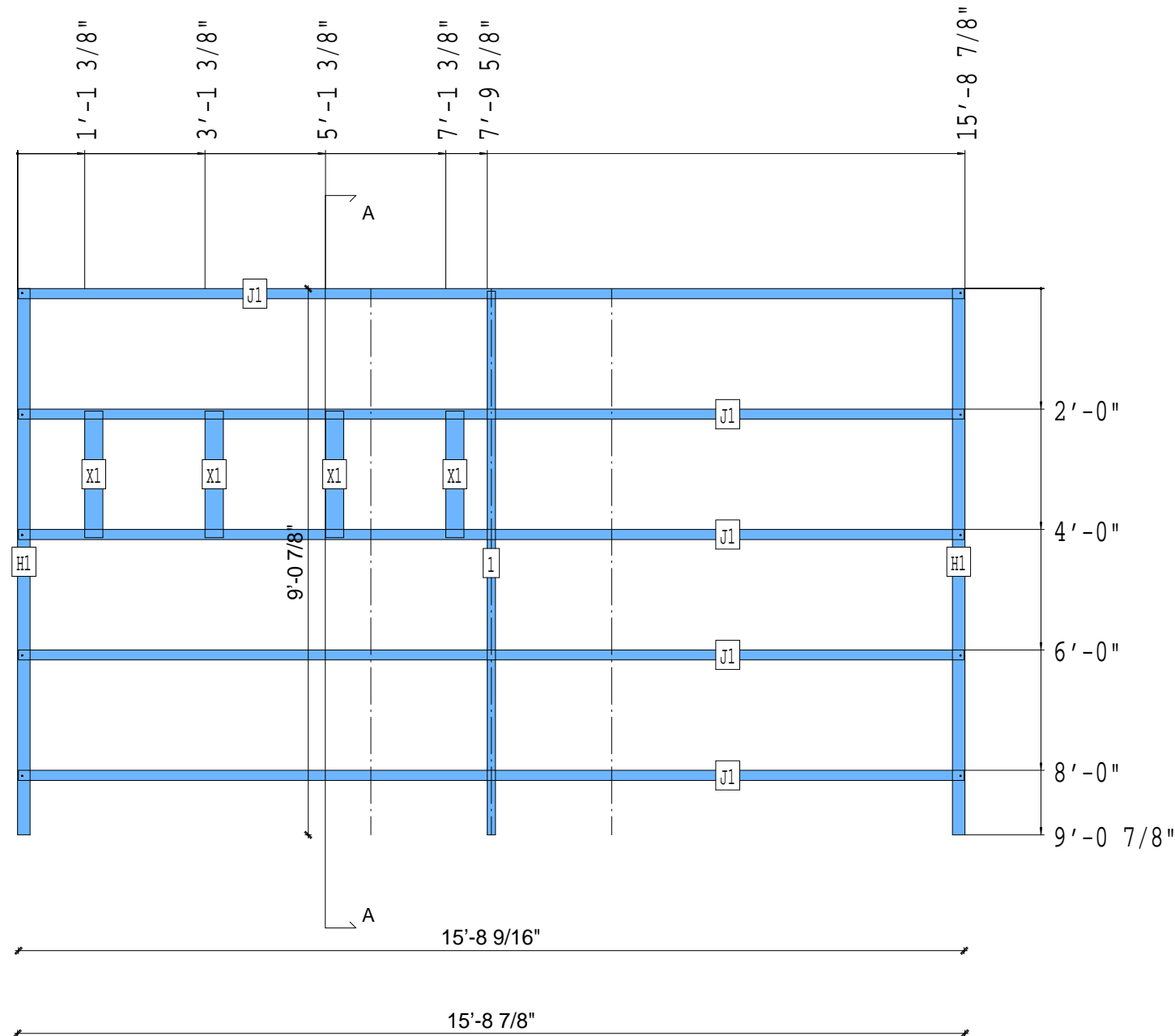


© FrameMax Inc.

APPROVED
By Ivan Juarez at 7:30 am, Dec 11, 2008



A-A



PIECE SCHEDULE						
LAB	QTY	MATERIAL	DESCRIPTION	LENGTH	ANG1	ANG2
1	1	362S162-54	JOIST	9'-0 3/8"		
H1	2	1000T250-97	HEADER	9'-0 7/8"		
J1	5	1000S200-97	JOIST	15'-8 9/16"		
X1	4	362S162-33	FLAT TRACK B	2'-1 1/4"		

12-5105

CREATED: 12/10/2008

Jewish Home for the Aging

1885 Victory Blvd. Reseda, CA

FM-07-109

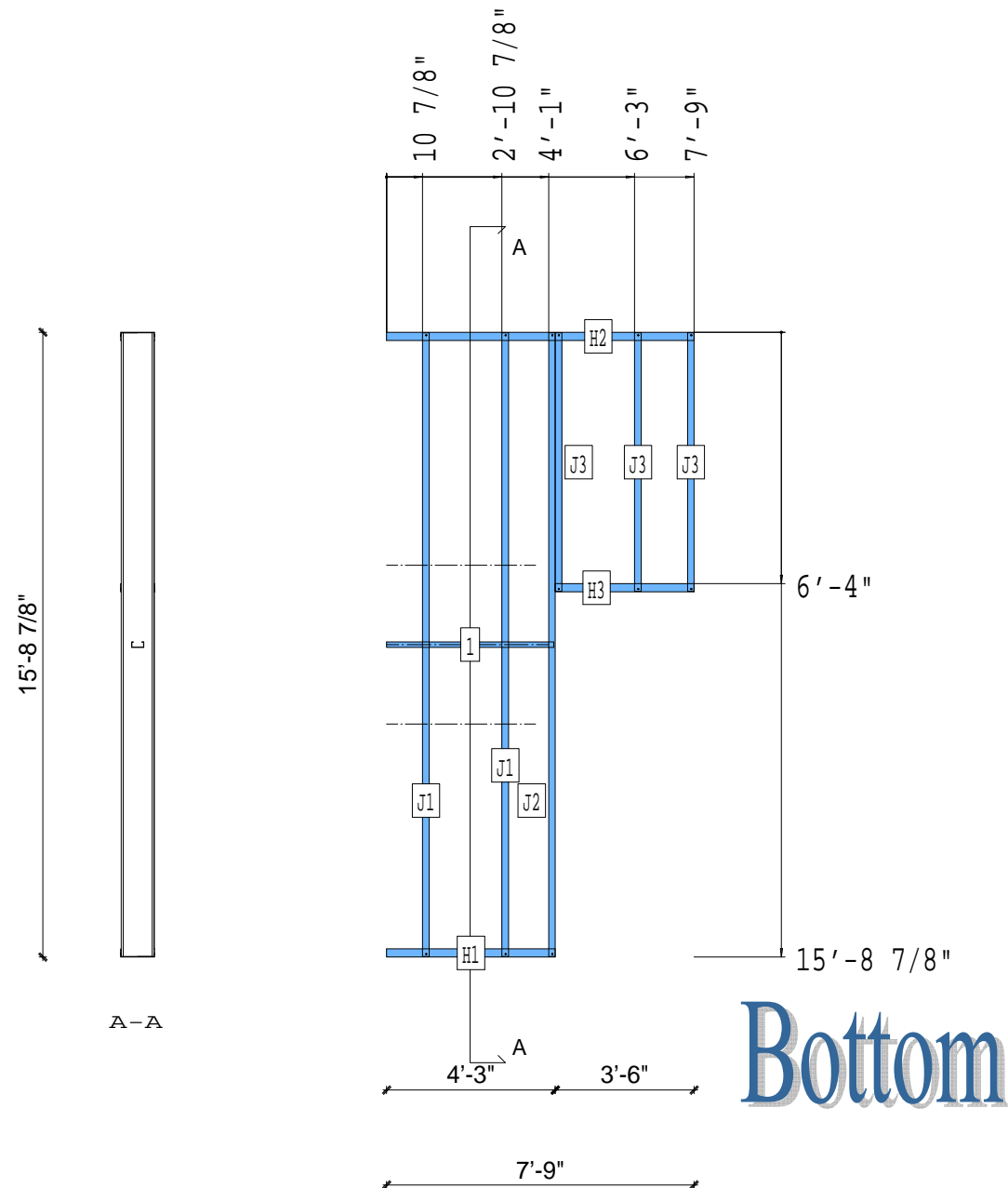
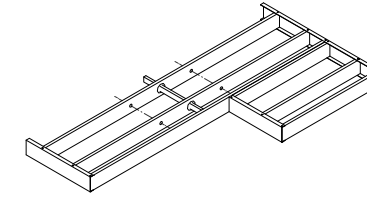
CREATED BY: AMB

FrameMax, Inc.
13915 Danielson St
Suite 100
Poway, CA 92064
www.framemax.com



© FrameMax Inc.

APPROVED
By Ivan Juarez at 7:30 am, Dec 11, 2008



PIECE SCHEDULE						
LAB	QTY	MATERIAL	DESCRIPTION	LENGTH	ANG1	ANG2
I	1	362S162-54	JOIST	4'-2 1/2"		
H1	1	1000T250-97	HEADER	4'-3"		
H2	1	1000T250-97	HEADER	7'-9"		
H3	1	1000T250-97	HEADER	3'-6"		
J1	2	1000S200-97	JOIST	15'-8 9/16"		
J2	1	1000S200-97	JOIST	15'-8 9/16"		
J3	3	1000S200-97	JOIST	6'-6 3/16"		

12-5106

CREATED: 12/09/2008

Jewish Home for the Aging

1885 Victory Blvd. Reseda, CA

FM-07-109

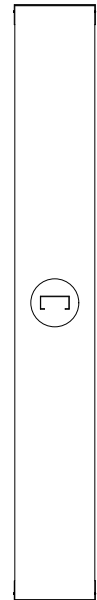
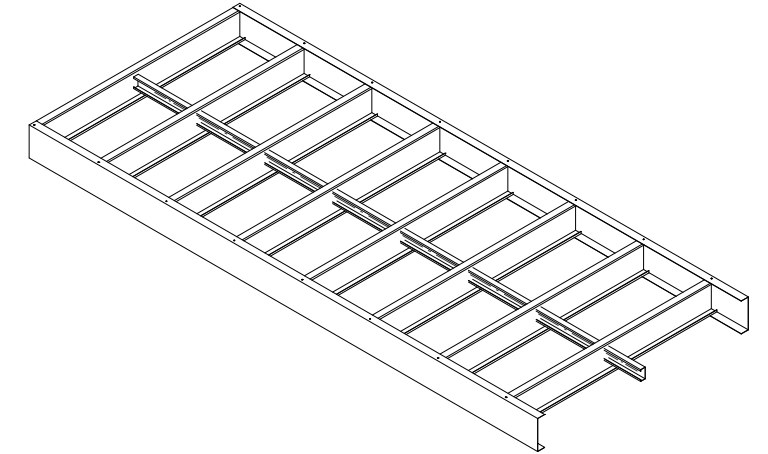
CREATED BY: AMB

FrameMax, Inc.
13915 Danielson St
Suite 100
Poway, CA 92064
www.framemax.com

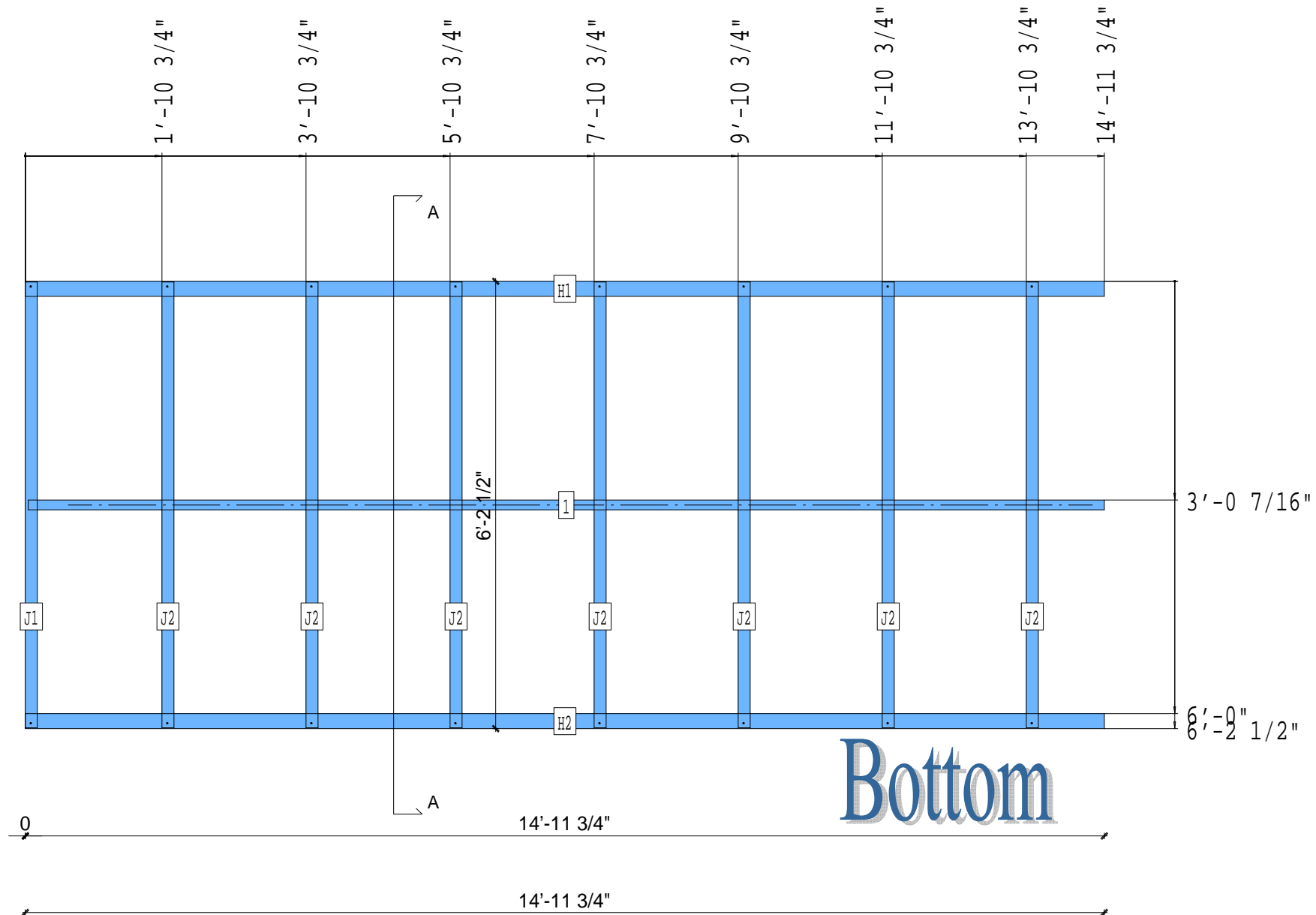


© FrameMax Inc.

APPROVED
By Ivan Juarez at 7:30 am, Dec 11, 2008



A-A



PIECE SCHEDULE						
LAB	QTY	MATERIAL	DESCRIPTION	LENGTH	ANG1	ANG2
1	1	362S162-54	JOIST	14'-11 1/4"		
H1	1	1000T250-68	HEADER	14'-11 3/4"		
H2	1	1000T250-68	HEADER	14'-11 3/4"		
J1	1	1000S200-68	JOIST	6'-2 1/4"		
J2	7	1000S200-68	JOIST	6'-2 1/4"		

12-5107

Jewish Home for the Aging

1885 Victory Blvd. Reseda, CA

FM-07-109

CREATED BY: AMB

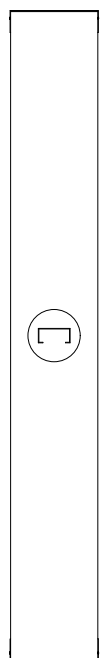
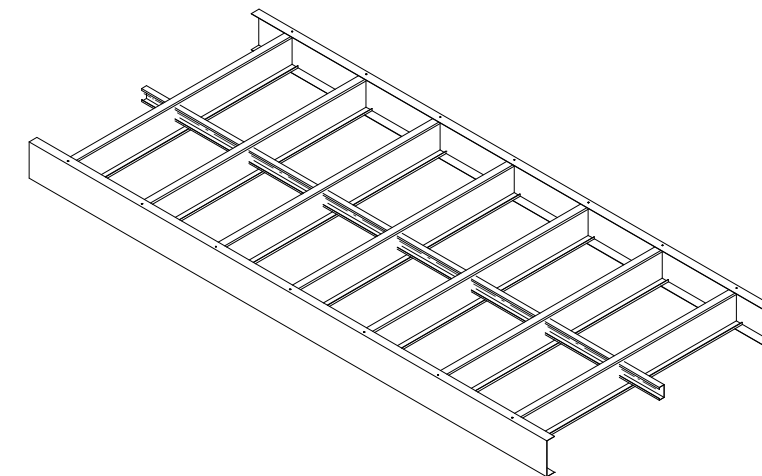
FrameMax, Inc.
13915 Danielson St
Suite 100
Poway, CA 92064
www.framemax.com

FRAMEMAX

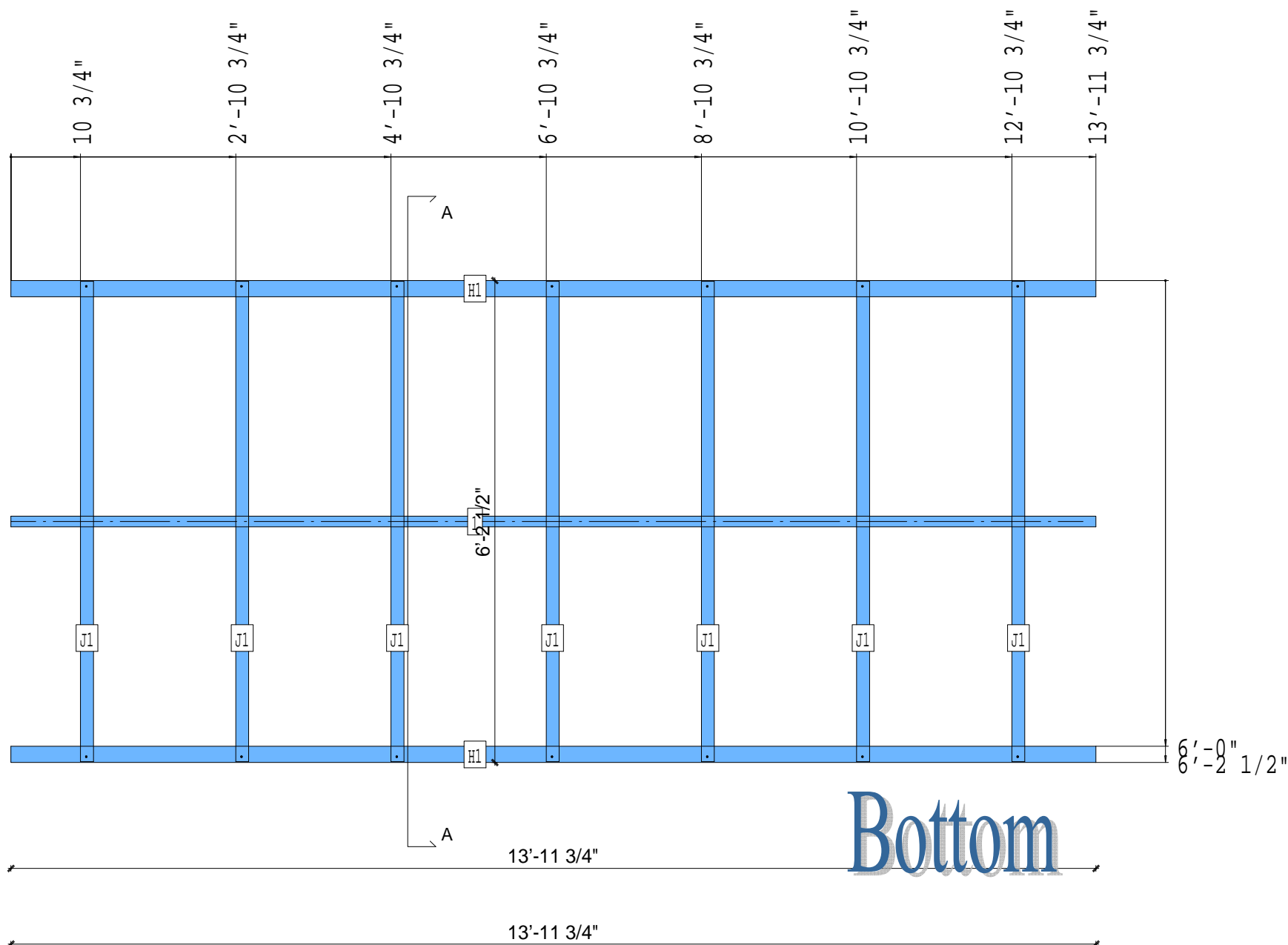
© FrameMax Inc.

APPROVED

By Ivan Juarez at 7:30 am, Dec 11, 2008



A-A



PIECE SCHEDULE						
LAB	QTY	MATERIAL	DESCRIPTION	LENGTH	ANG1	ANG2
1	1	362S162-54	JOIST	13'-11 3/4"		
H1	2	1000T250-68	HEADER	13'-11 3/4"		
J1	7	1000S200-68	JOIST	6'-2 1/4"		

12-5108

CREATED: 12/09/2008

Jewish Home for the Aging

1885 Victory Blvd. Reseda, CA

FM-07-109

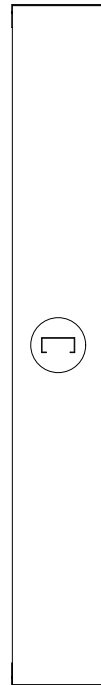
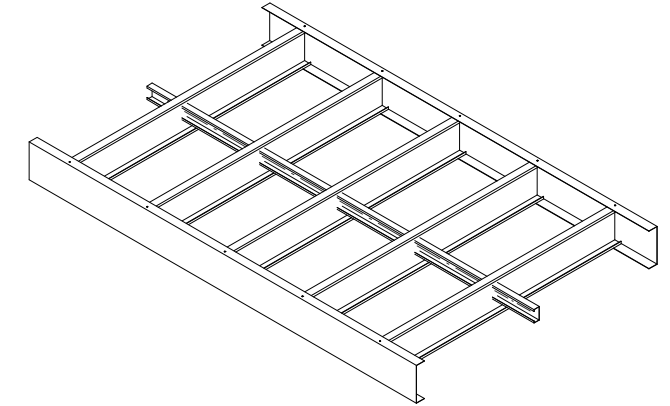
CREATED BY: AMB

FrameMax, Inc.
13915 Danielson St
Suite 100
Poway, CA 92064
www.framemax.com

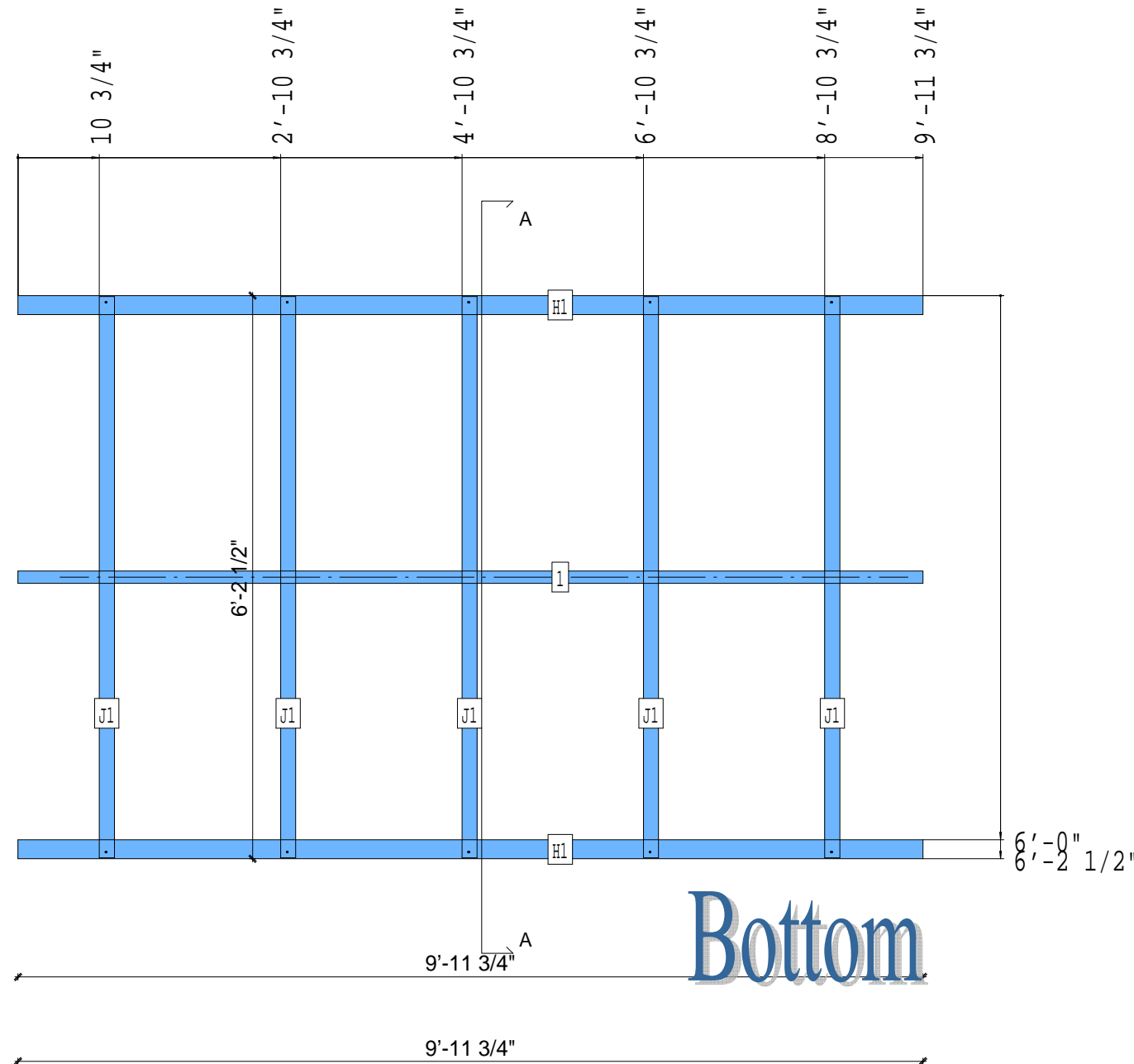


© FrameMax Inc.

APPROVED
By Ivan Juarez at 7:30 am, Dec 11, 2008



A-A



PIECE SCHEDULE						
LAB	QTY	MATERIAL	DESCRIPTION	LENGTH	ANG1	ANG2
1	1	362S162-54	JOIST	9'-11 3/4"		
H1	2	1000T250-68	HEADER	9'-11 3/4"		
J1	5	1000S200-68	JOIST	6'-2 1/4"		

12-5109

CREATED: 12/09/2008

Jewish Home for the Aging

1885 Victory Blvd. Reseda, CA

FM-07-109

CREATED BY: AMB

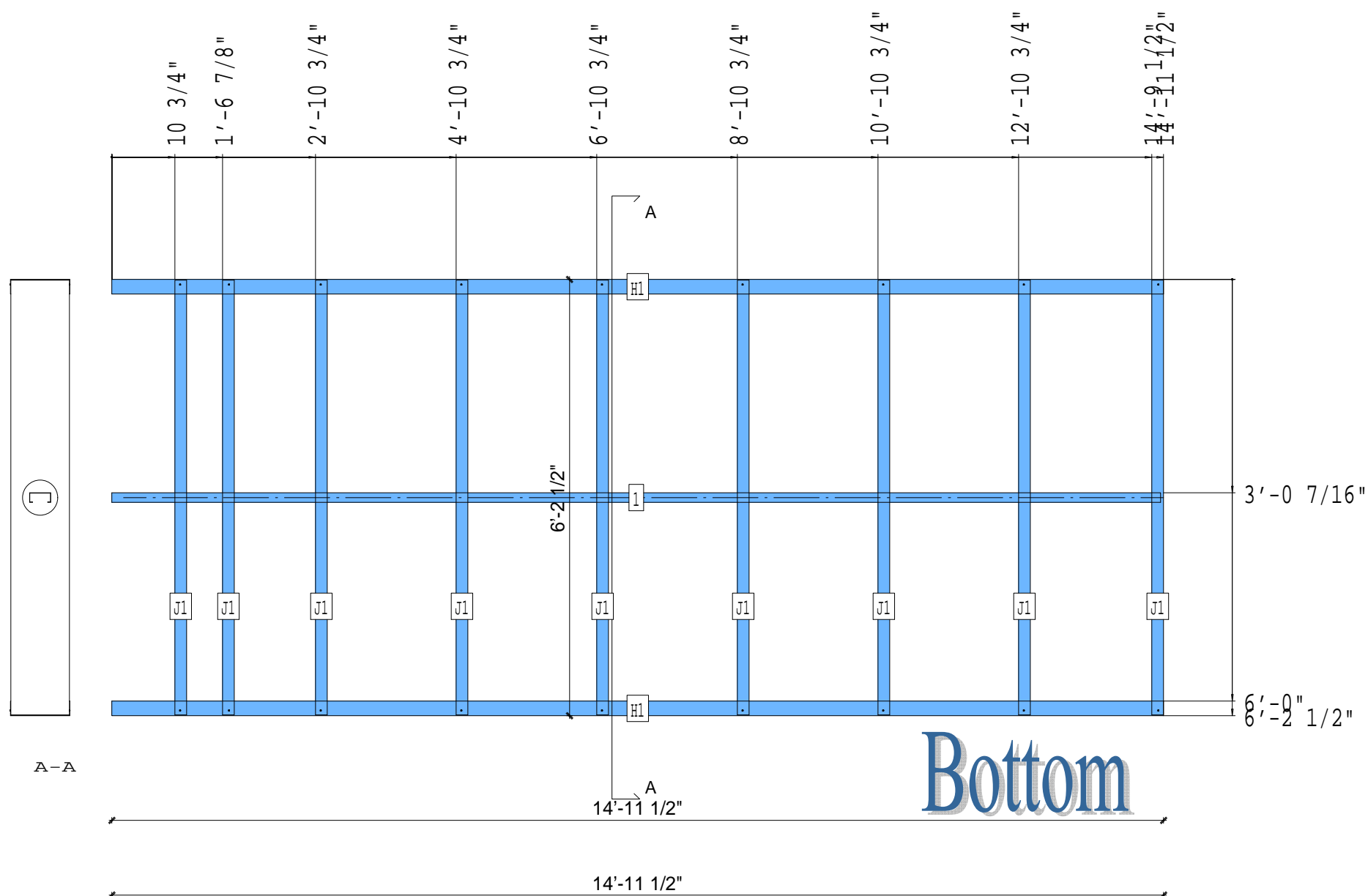
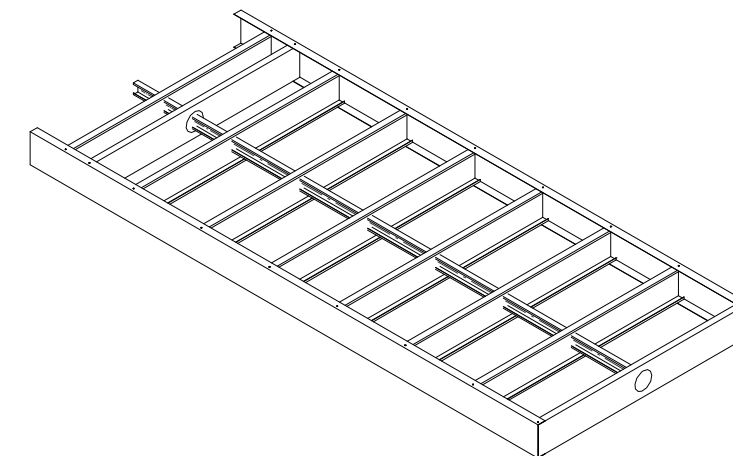
FrameMax, Inc.
13915 Danielson St
Suite 100
Poway, CA 92064
www.framemax.com

FRAME MAX

© FrameMax Inc.

APPROVED

By Ivan Juarez at 7:30 am, Dec 11, 2008



PIECE SCHEDULE						
LAB	QTY	MATERIAL	DESCRIPTION	LENGTH	ANG1	ANG2
1	1	362S162-54	JOIST	14'-11"		
H1	2	1000T250-68	HEADER	14'-11 1/2"		
J1	9	1000S200-68	JOIST	6'-2 1/4"		

12-5110

CREATED: 12/09/2008

Jewish Home for the Aging

1885 Victory Blvd. Reseda, CA

FM-07-109

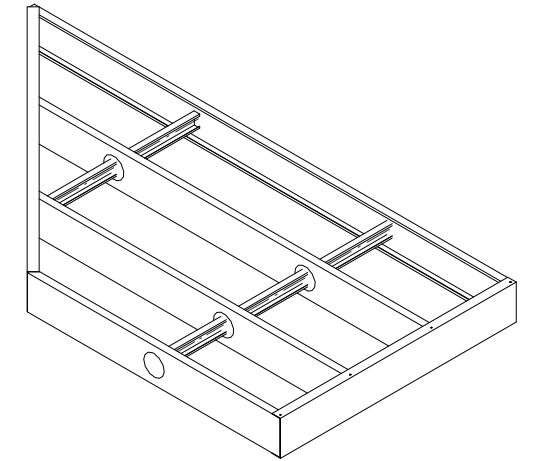
CREATED BY: AMB

FrameMax, Inc.
13915 Danielson St
Suite 100
Poway, CA 92064
www.framemax.com



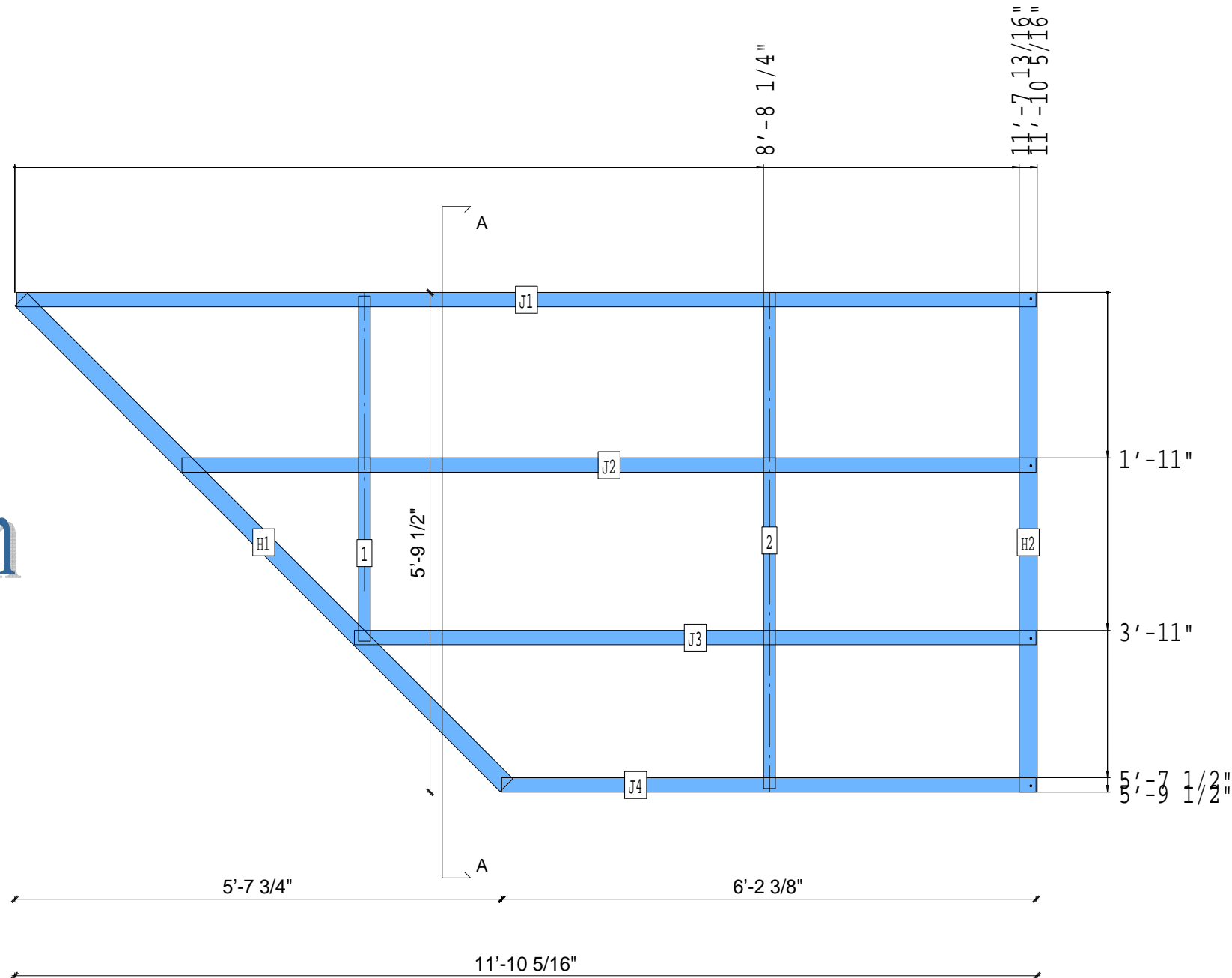
© FrameMax Inc.

APPROVED
By Ivan Juarez at 7:30 am, Dec 11, 2008



Bottom

A-A



PIECE SCHEDULE						
LAB	QTY	MATERIAL	DESCRIPTION	LENGTH	ANG1	ANG2
1	1	362S162-54	JOIST	4'-0"		
2	1	362S162-54	JOIST	5'-9"		
H1	1	1000T250-97	HEADER	7'-11 1/2"		
H2	1	1000T250-97	HEADER	5'-9 1/2"		
J1	1	1000S200-97	JOIST	11'-9 7/8"		
J2	1	1000S200-97	JOIST	9'-10 7/8"		
J3	1	1000S200-97	JOIST	7'-10 7/8"		
J4	1	1000S200-97	JOIST	6'-2 3/8"		

12-5111

Jewish Home for the Aging

1885 Victory Blvd. Reseda, CA

FM-07-109

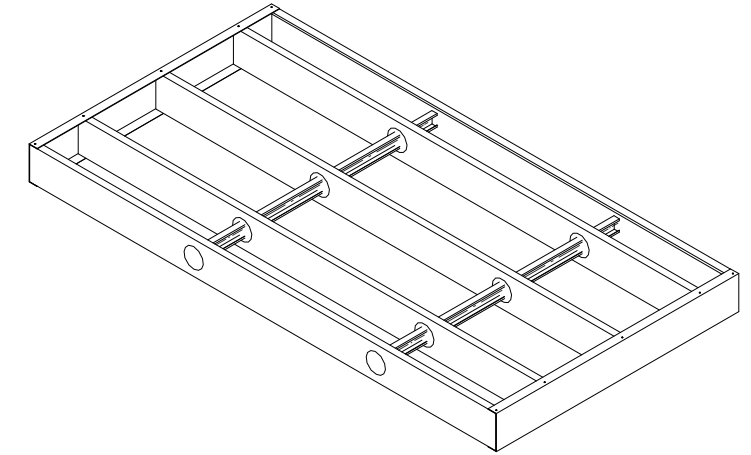
CREATED BY: AMB

FrameMax, Inc.
13915 Danielson St
Suite 100
Poway, CA 92064
www.framemax.com



© FrameMax Inc.

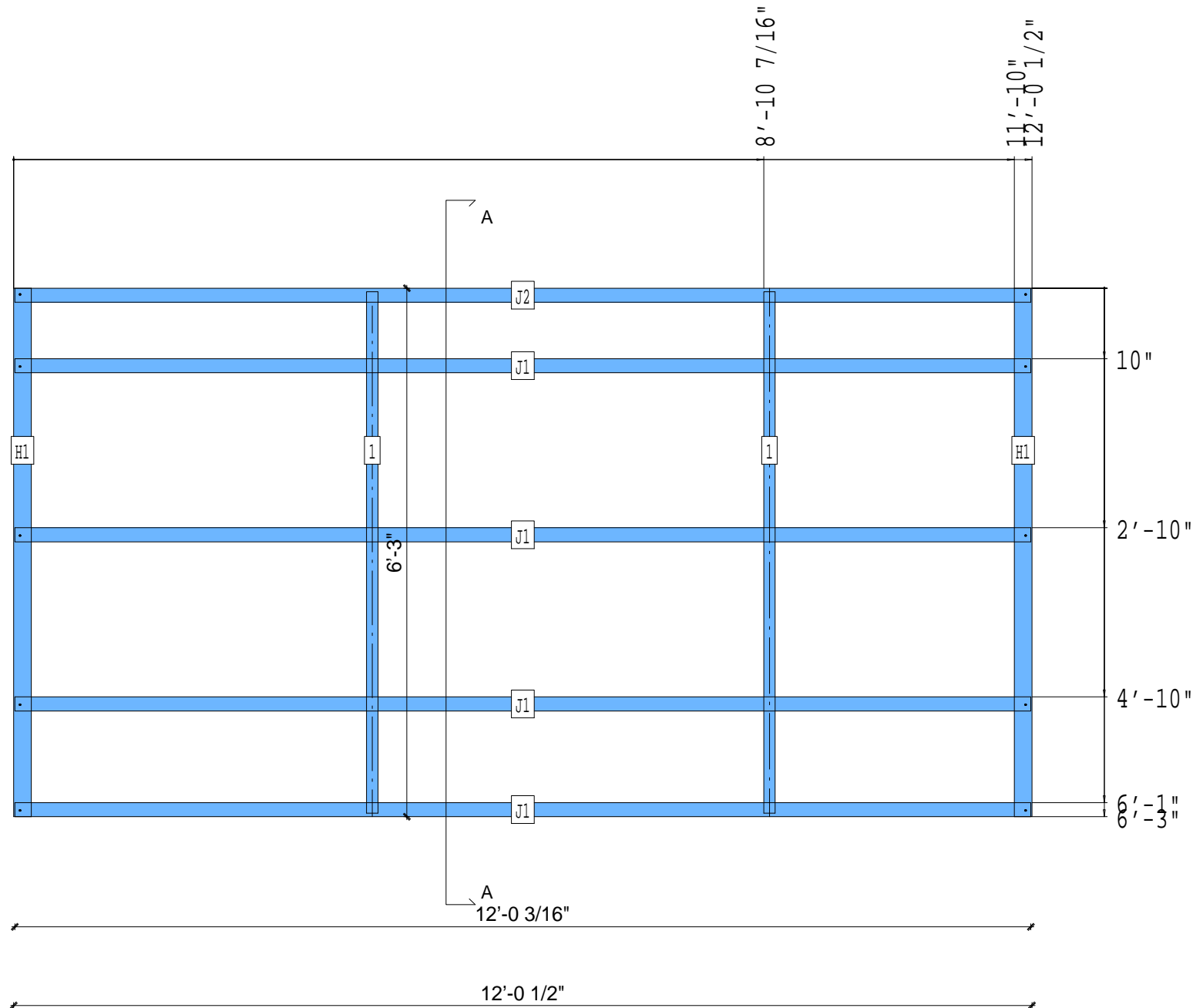
APPROVED
By Ivan Juarez at 7:30 am, Dec 11, 2008



Bottom



A-A



PIECE SCHEDULE						
LAB	QTY	MATERIAL	DESCRIPTION	LENGTH	ANG1	ANG2
1	2	362S162-54	JOIST	6'-2"		
H1	2	1000T250-97	HEADER	6'-3"		
J1	4	1000S200-97	JOIST	12'-0 3/16"		
J2	1	1000S200-97	JOIST	12'-0 3/16"		

12-5112

CREATED: 12/09/2008

Jewish Home for the Aging

1885 Victory Blvd. Reseda, CA

FM-07-109

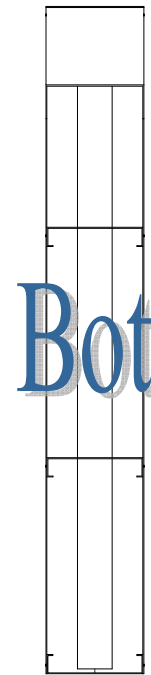
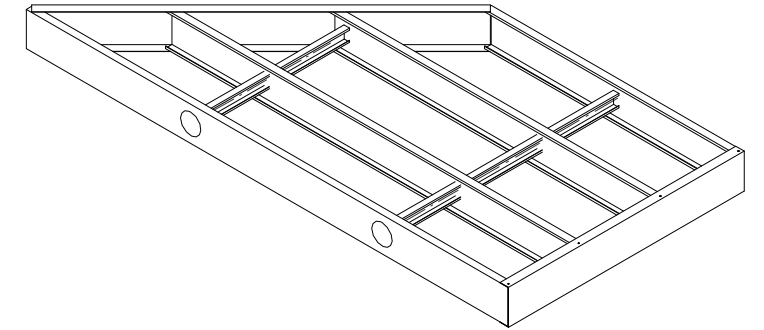
CREATED BY: AMB

FrameMax, Inc.
13915 Danielson St
Suite 100
Poway, CA 92064
www.framemax.com



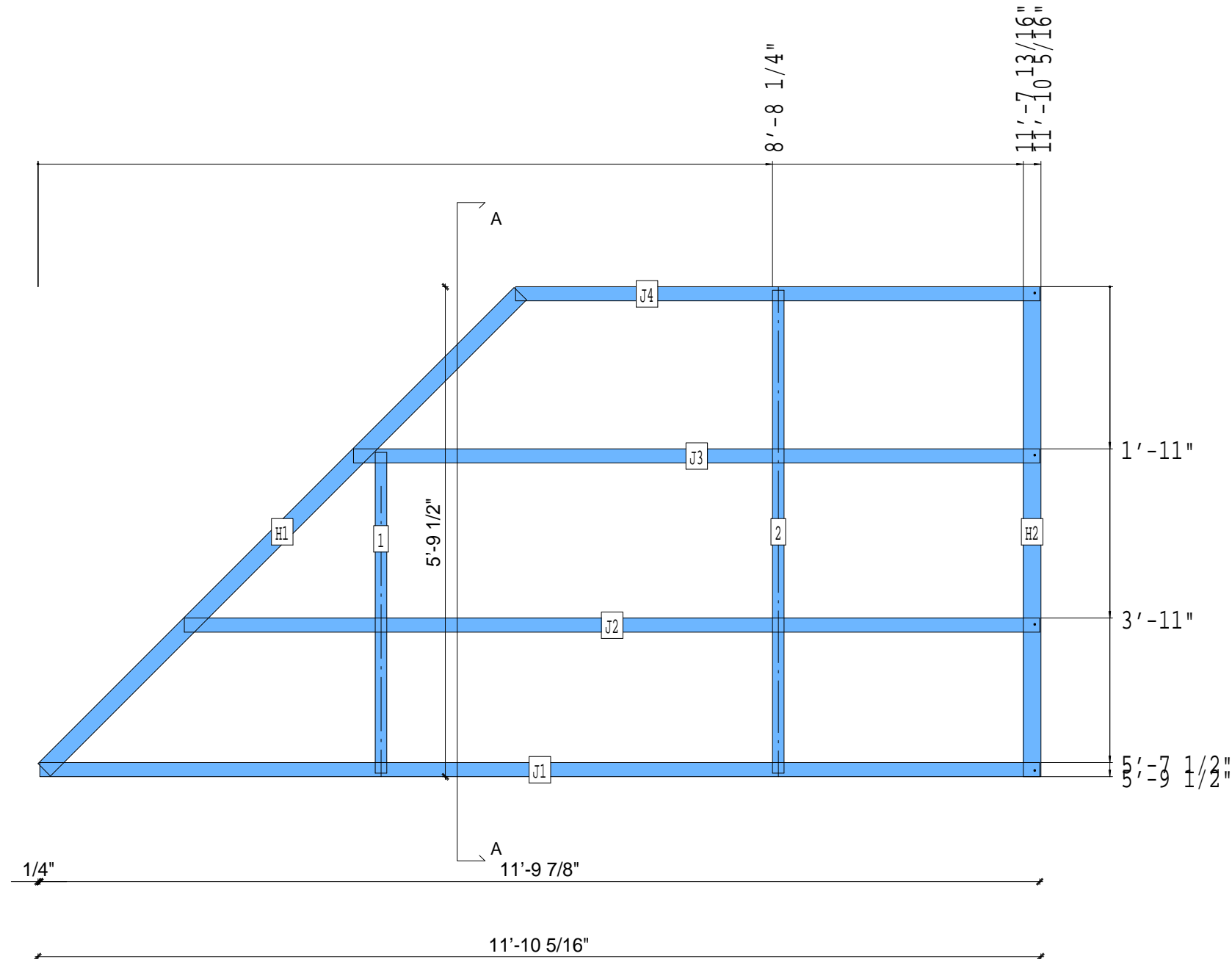
© FrameMax Inc.

APPROVED
By Ivan Juarez at 7:30 am, Dec 11, 2008



Bottom

A-A



PIECE SCHEDULE						
LAB	QTY	MATERIAL	DESCRIPTION	LENGTH	ANG1	ANG2
1	1	362S162-54	JOIST	3'-9 1/2"		
2	1	362S162-54	JOIST	5'-8 1/2"		
H1	1	1000T250-97	HEADER	7'-11 1/2"		
H2	1	1000T250-97	HEADER	5'-9 1/2"		
J1	1	1000S200-97	JOIST	11'-9 7/8"		
J2	1	1000S200-97	JOIST	10'-1 3/8"		
J3	1	1000S200-97	JOIST	8'-1 3/8"		
J4	1	1000S200-97	JOIST	6'-2 3/8"		

12-5113

CREATED: 12/09/2008

Jewish Home for the Aging

1885 Victory Blvd. Reseda, CA

FM-07-109

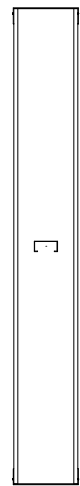
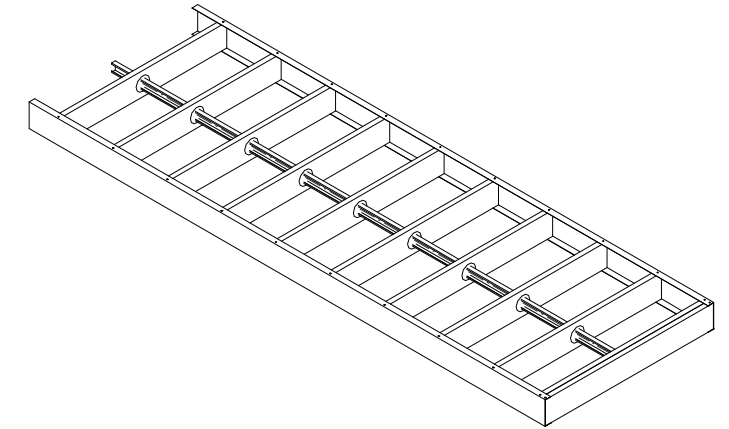
CREATED BY: AMB

FrameMax, Inc.
13915 Danielson St
Suite 100
Poway, CA 92064
www.framemax.com

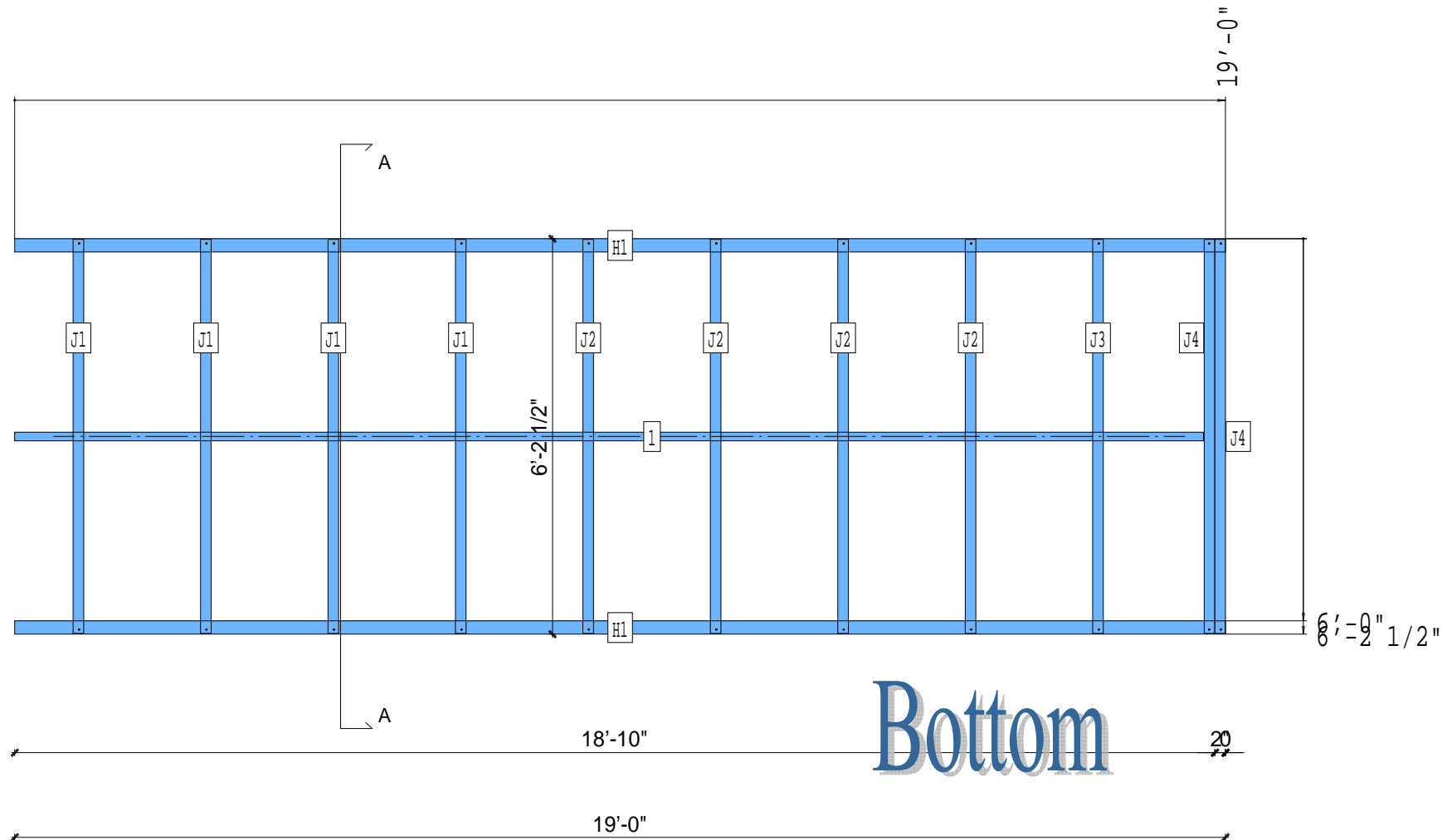


© FrameMax Inc.

APPROVED
By Ivan Juarez at 7:30 am, Dec 11, 2008



A-A



PIECE SCHEDULE						
LAB	QTY	MATERIAL	DESCRIPTION	LENGTH	ANG1	ANG2
1	1	362S162-54	JOIST	18'-7 7/8"		
H1	2	1000T250-68	HEADER	19'-0"		
J1	4	1000S200-68	JOIST	6'-2 1/4"		
J2	4	1000S200-68	JOIST	6'-2 1/4"		
J3	1	1000S200-68	JOIST	6'-2 1/4"		
J4	2	1000S200-68	JOIST	6'-2 1/4"		

12-5114

CREATED: 12/09/2008

Jewish Home for the Aging

1885 Victory Blvd. Reseda, CA

FM-07-109

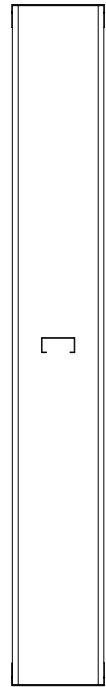
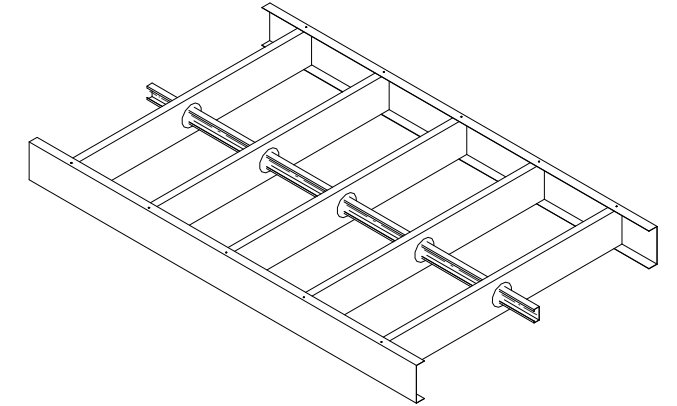
CREATED BY: AMB

FrameMax, Inc.
13915 Danielson St
Suite 100
Poway, CA 92064
www.framemax.com

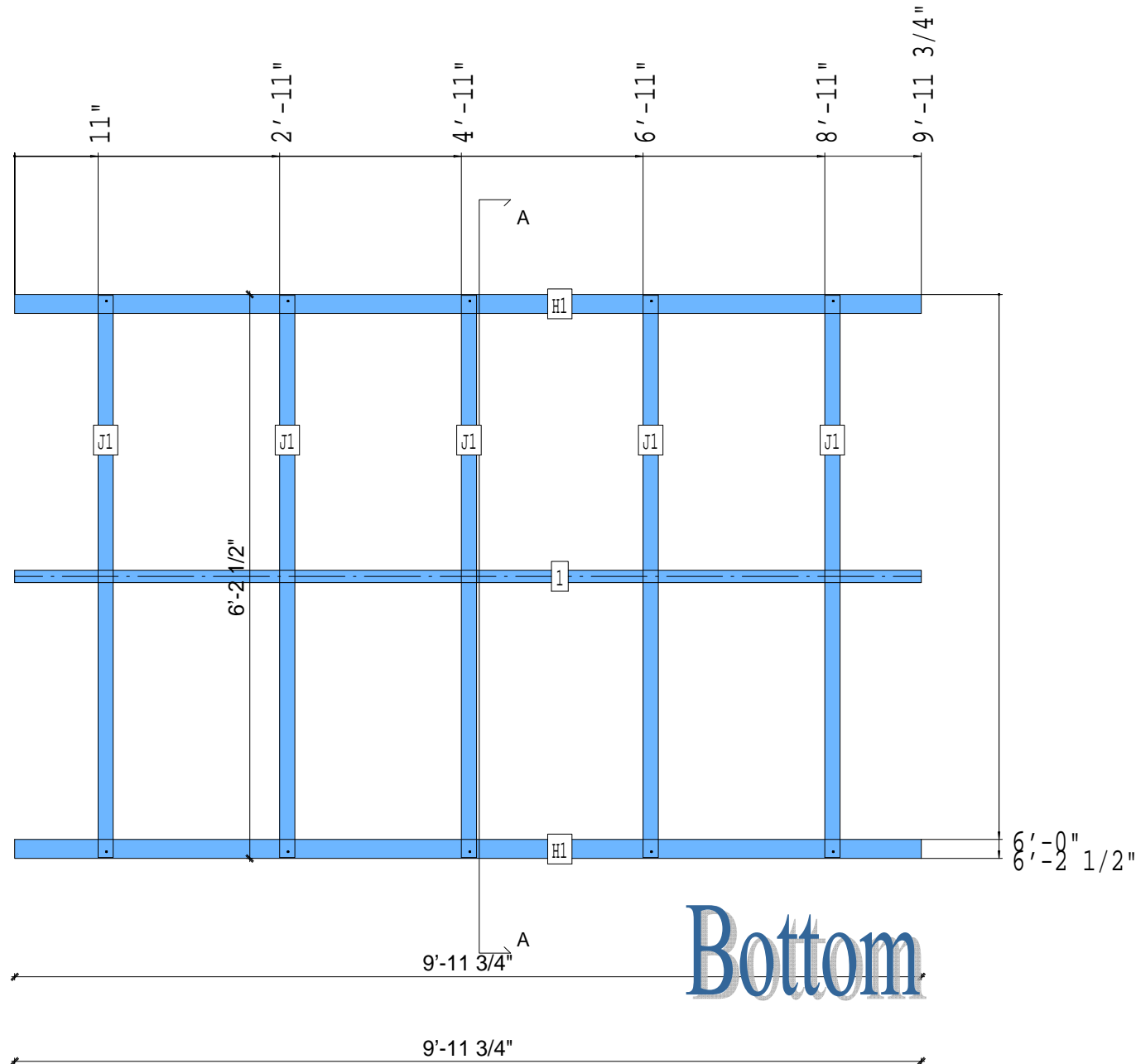
FRAMEMAX

© FrameMax Inc.

APPROVED
By Ivan Juarez at 7:30 am, Dec 11, 2008



A-A



PIECE SCHEDULE						
LAB	QTY	MATERIAL	DESCRIPTION	LENGTH	ANG1	ANG2
1	1	362S162-54	JOIST	9'-11 3/4"		
H1	2	1000T250-68	HEADER	9'-11 3/4"		
J1	5	1000S200-68	JOIST	6'-2 1/4"		

12-5115

CREATED: 12/09/2008

Jewish Home for the Aging

1885 Victory Blvd. Reseda, CA

FM-07-109

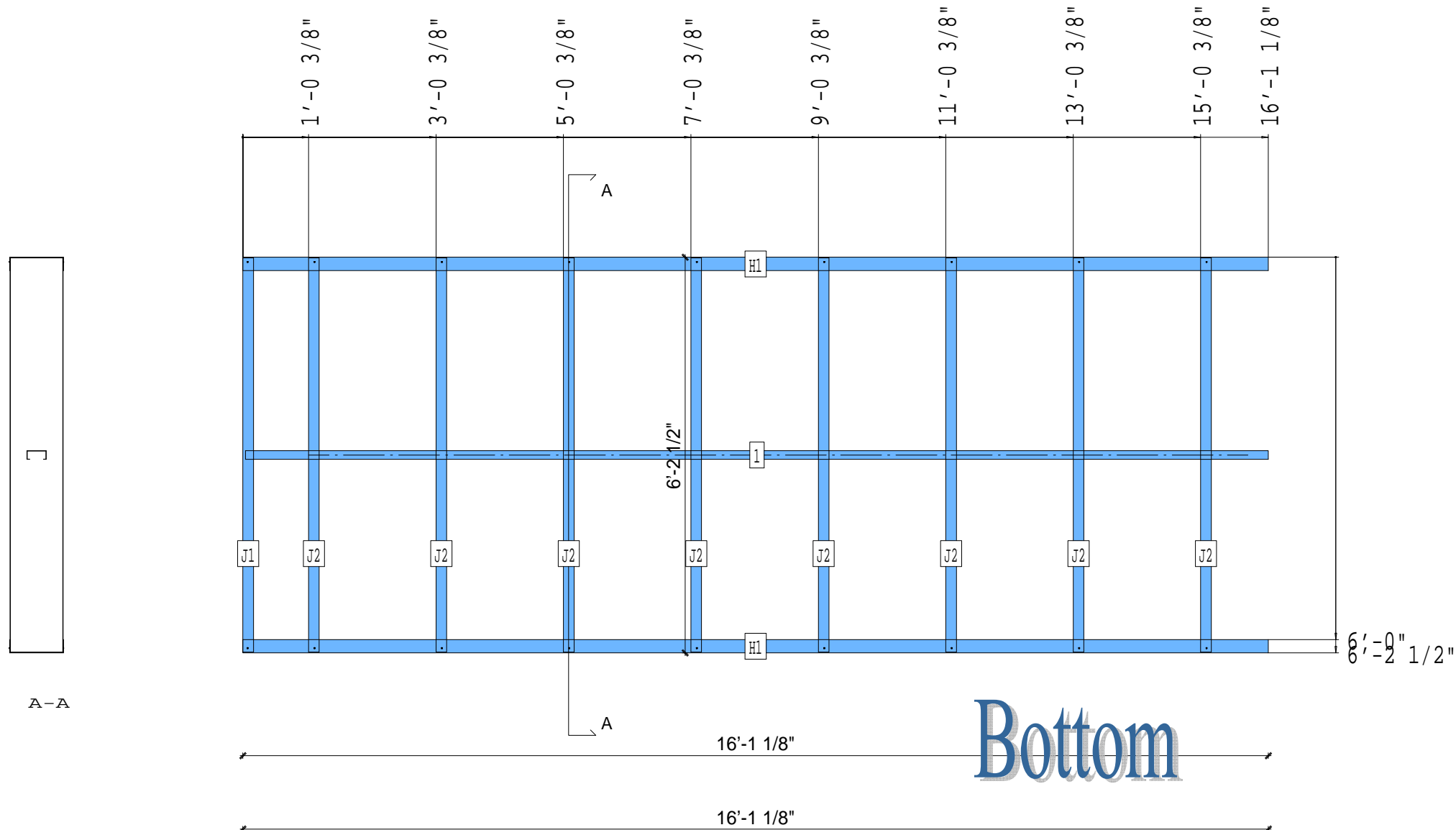
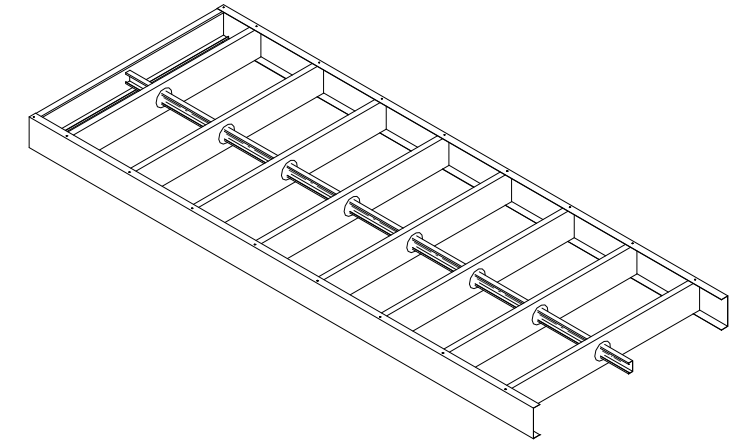
CREATED BY: AMB

FrameMax, Inc.
13915 Danielson St
Suite 100
Poway, CA 92064
www.framemax.com

FRAMEMAX

© FrameMax Inc.

APPROVED
By Ivan Juarez at 7:30 am, Dec 11, 2008



Bottom

PIECE SCHEDULE						
LAB	QTY	MATERIAL	DESCRIPTION	LENGTH	ANG1	ANG2
1	1	362S162-54	JOIST	16'-0 5/8"		
H1	2	1000T250-68	HEADER	16'-1 1/8"		
J1	1	1000S200-68	JOIST	6'-2 1/4"		
J2	8	1000S200-68	JOIST	6'-2 1/4"		

12-5116

Jewish Home for the Aging

1885 Victory Blvd. Reseda, CA

FM-07-109

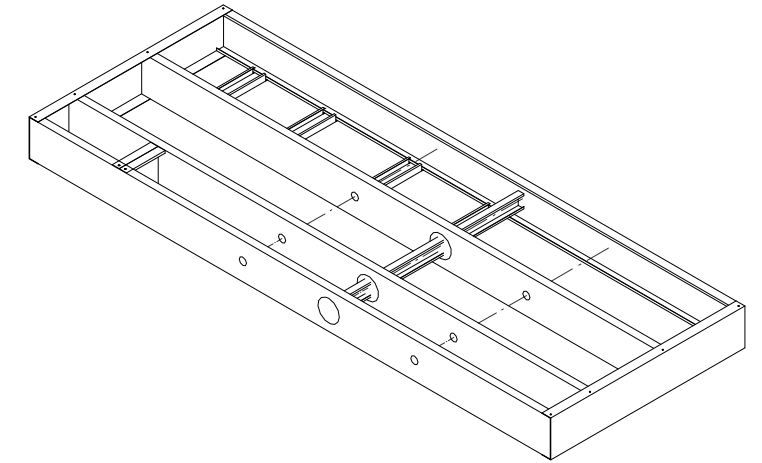
CREATED BY: AMB

FrameMax, Inc.
13915 Danielson St
Suite 100
Poway, CA 92064
www.framemax.com



© FrameMax Inc.

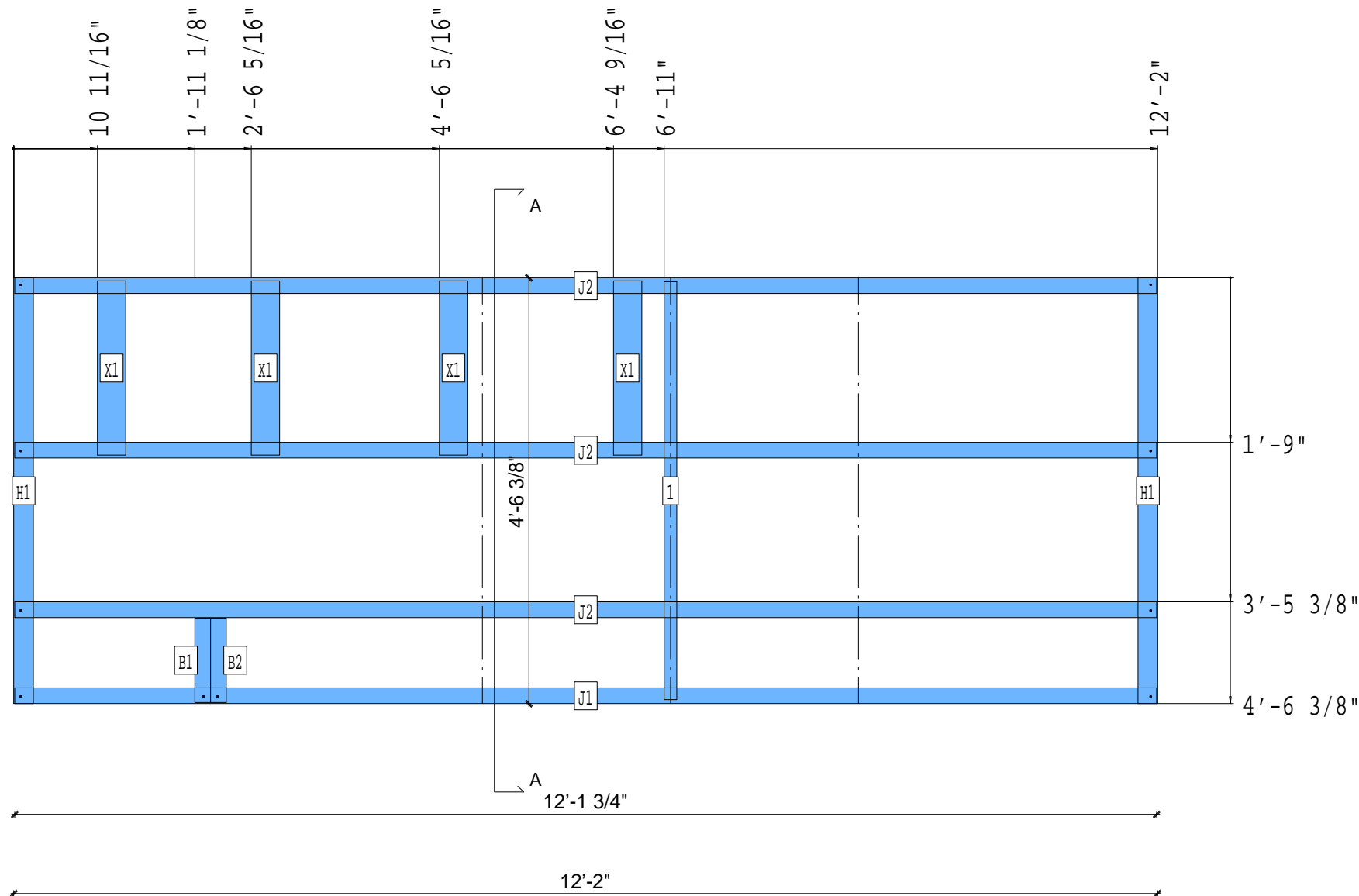
APPROVED
By Ivan Juarez at 7:30 am, Dec 11, 2008



Bottom



A-A



PIECE SCHEDULE						
LAB	QTY	MATERIAL	DESCRIPTION	LENGTH	ANG1	ANG2
1	1	362S162-54	JOIST	4'-5 3/8"		
B1	1	1000S200-68	BLOCK	10 3/4"		
B2	1	1000S200-68	BLOCK	10 3/4"		
H1	2	1000T250-68	HEADER	4'-6 3/8"		
J1	1	1000S200-68	JOIST	12'-1 3/4"		
J2	3	1000S200-68	JOIST	12'-1 3/4"		
X1	4	362S162-33	FLAT TRACK B	1'-10 1/4"		

12-5117

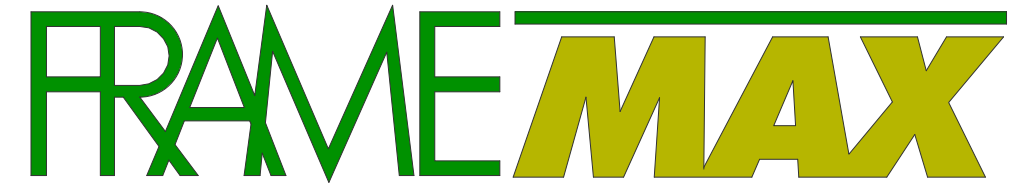
Jewish Home for the Aging

1885 Victory Blvd. Reseda, CA

FM-07-109

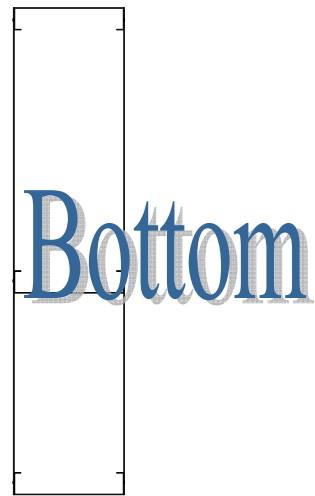
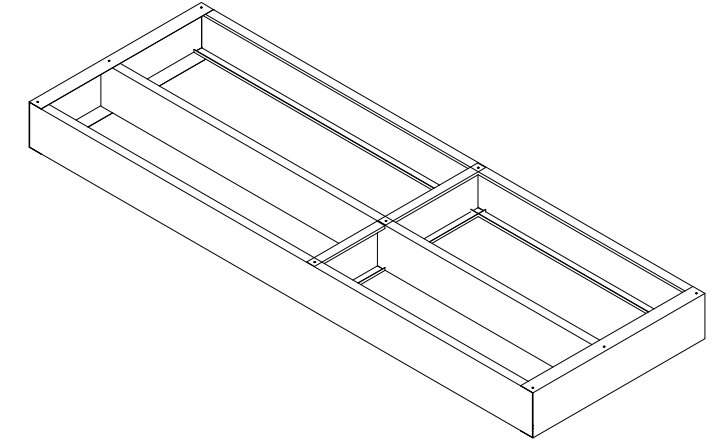
CREATED BY: AMB

FrameMax, Inc.
13915 Danielson St
Suite 100
Poway, CA 92064
www.framemax.com

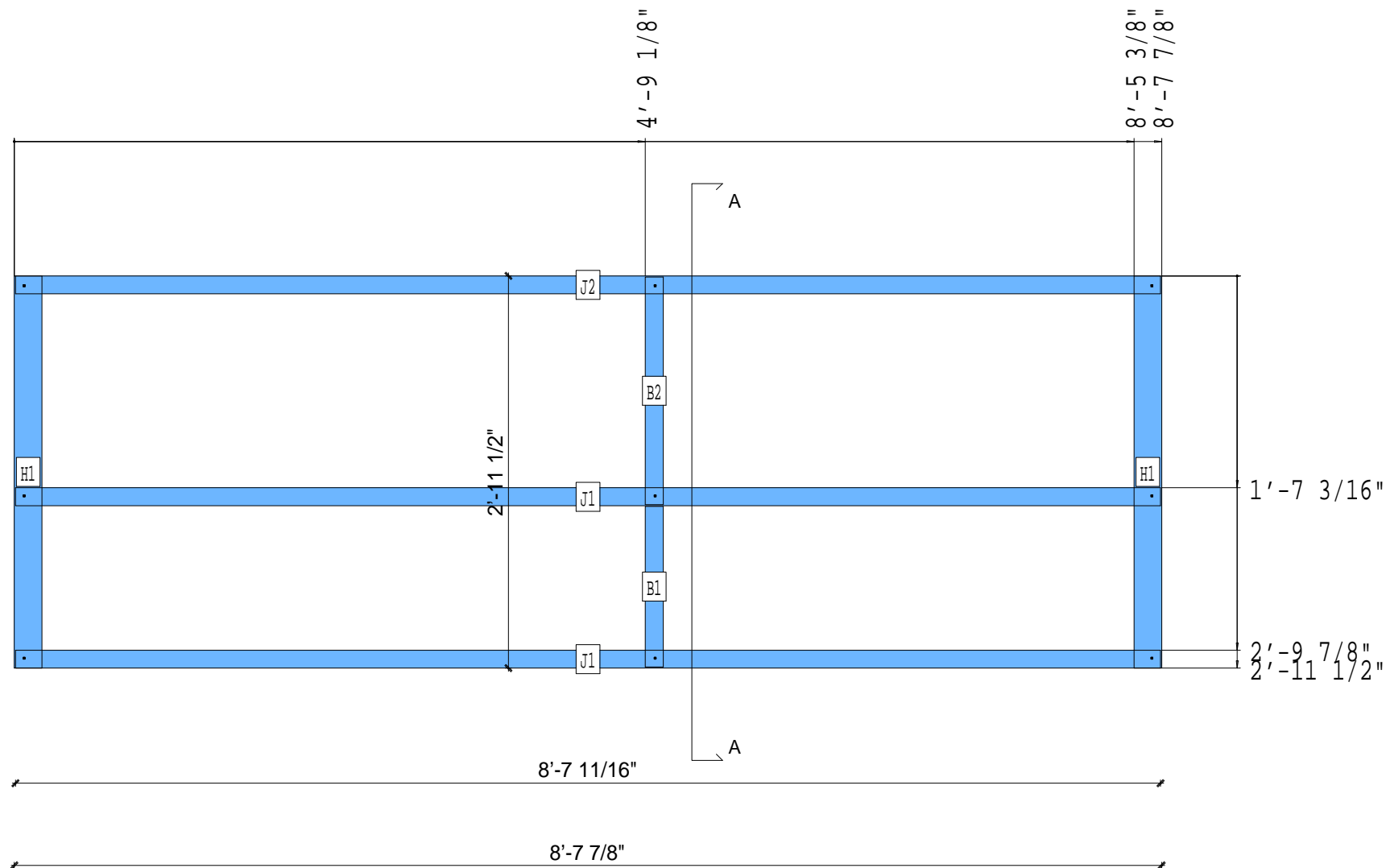


© FrameMax Inc.

APPROVED
By Ivan Juarez at 7:30 am, Dec 11, 2008



A-A



PIECE SCHEDULE						
LAB	QTY	MATERIAL	DESCRIPTION	LENGTH	ANG1	ANG2
B1	1	800S162-43	BLOCK	1'-2 1/2"		
B2	1	800S162-43	BLOCK	1'-8 5/8"		
H1	2	800T250-43	HEADER	2'-11 1/2"		
J1	2	800S162-43	JOIST	8'-7 11/16"		
J2	1	800S162-43	JOIST	8'-7 11/16"		

12-5118

CREATED: 12/09/2008

Jewish Home for the Aging

1885 Victory Blvd. Reseda, CA

FM-07-109

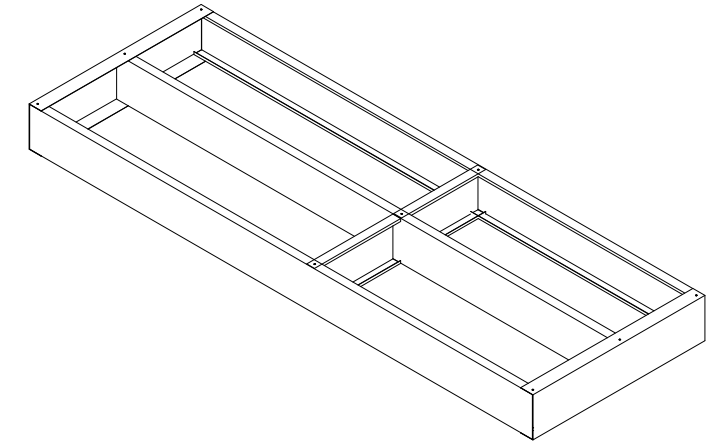
CREATED BY: AMB

FrameMax, Inc.
13915 Danielson St
Suite 100
Poway, CA 92064
www.framemax.com

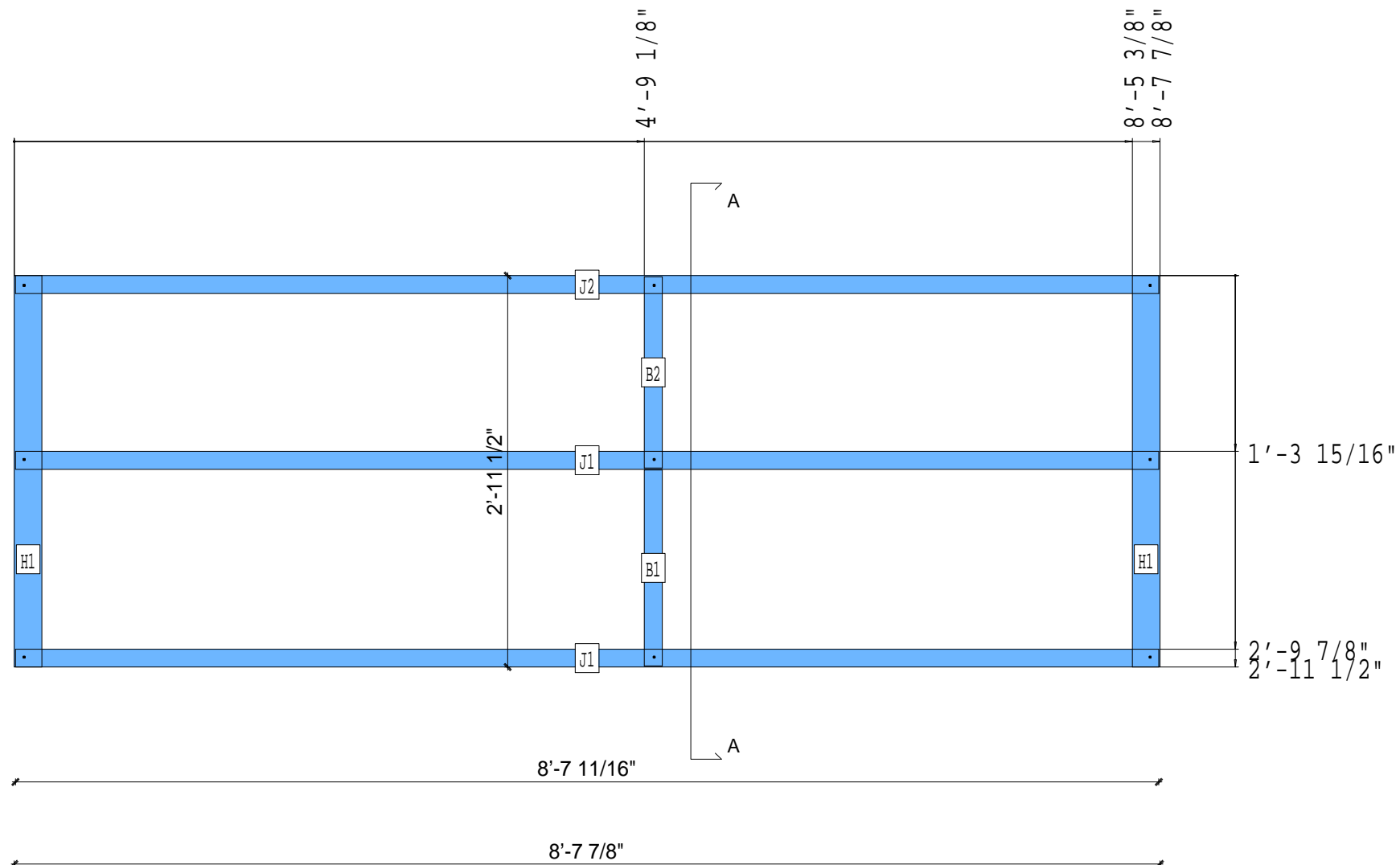


© FrameMax Inc.

APPROVED
By Ivan Juarez at 7:30 am, Dec 11, 2008



A-A



PIECE SCHEDULE						
LAB	QTY	MATERIAL	DESCRIPTION	LENGTH	ANG1	ANG2
B1	1	800S162-43	BLOCK	1'-5 3/4"		
B2	1	800S162-43	BLOCK	1'-5 3/8"		
H1	2	800T250-43	HEADER	2'-11 1/2"		
J1	2	800S162-43	JOIST	8'-7 11/16"		
J2	1	800S162-43	JOIST	8'-7 11/16"		

12-5119

Jewish Home for the Aging

1885 Victory Blvd. Reseda, CA

FM-07-109

CREATED BY: AMB

FrameMax, Inc.
13915 Danielson St
Suite 100
Poway, CA 92064
www.frame-max.com

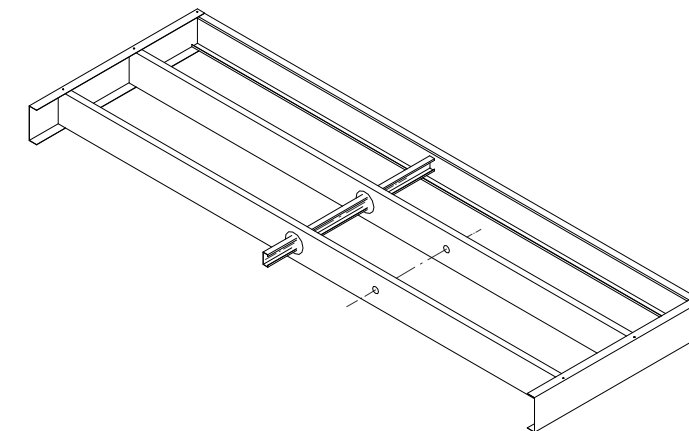
FRAME MAX

© FrameMax Inc.

CREATED: 12/09/2008

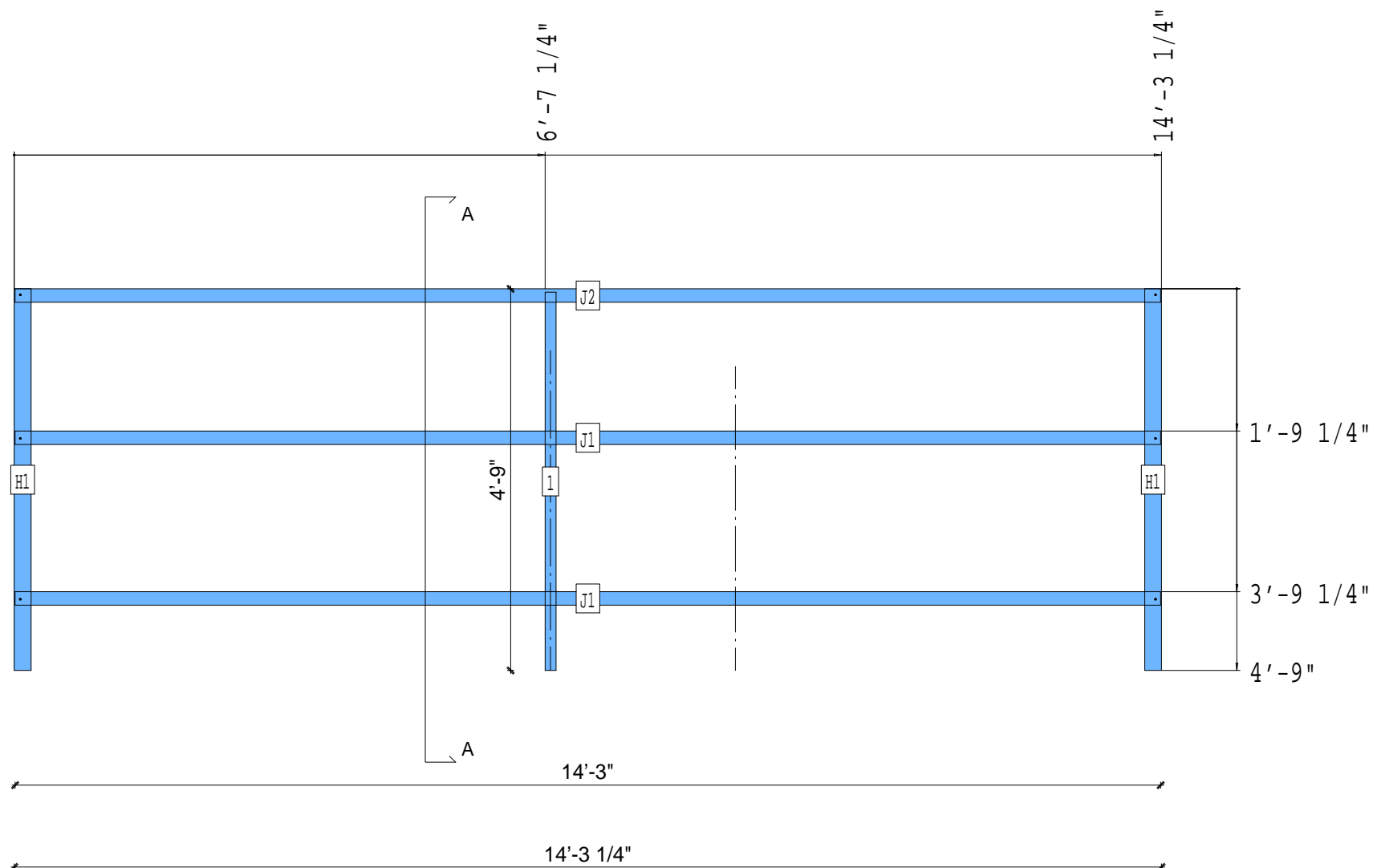
APPROVED

By Ivan Juarez at 7:30 am, Dec 11, 2008



Bottom

A-A



PIECE SCHEDULE						
LAB	QTY	MATERIAL	DESCRIPTION	LENGTH	ANG1	ANG2
1	1	362S162-54	JOIST	4'-8 1/2"		
H1	2	1000T250-68	HEADER	4'-9"		
J1	2	1000S200-68	JOIST	14'-3"		
J2	1	1000S200-68	JOIST	14'-3"		

12-5120

CREATED: 12/09/2008

Jewish Home for the Aging

1885 Victory Blvd. Reseda, CA

FM-07-109

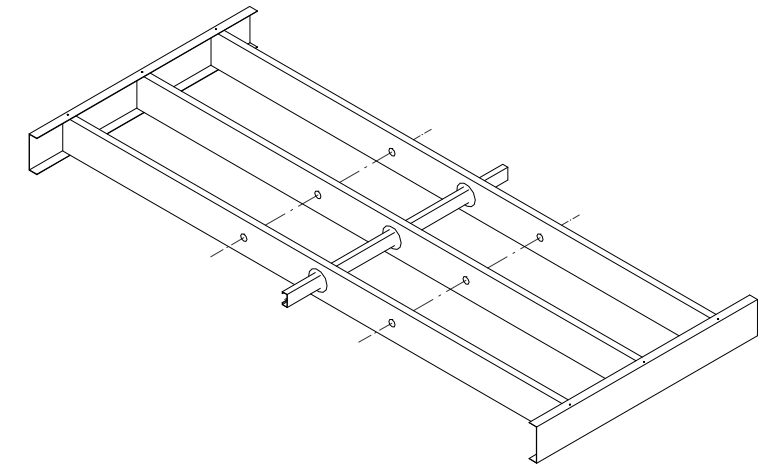
CREATED BY: AMB

FrameMax, Inc.
13915 Danielson St
Suite 100
Poway, CA 92064
www.framemax.com



© FrameMax Inc.

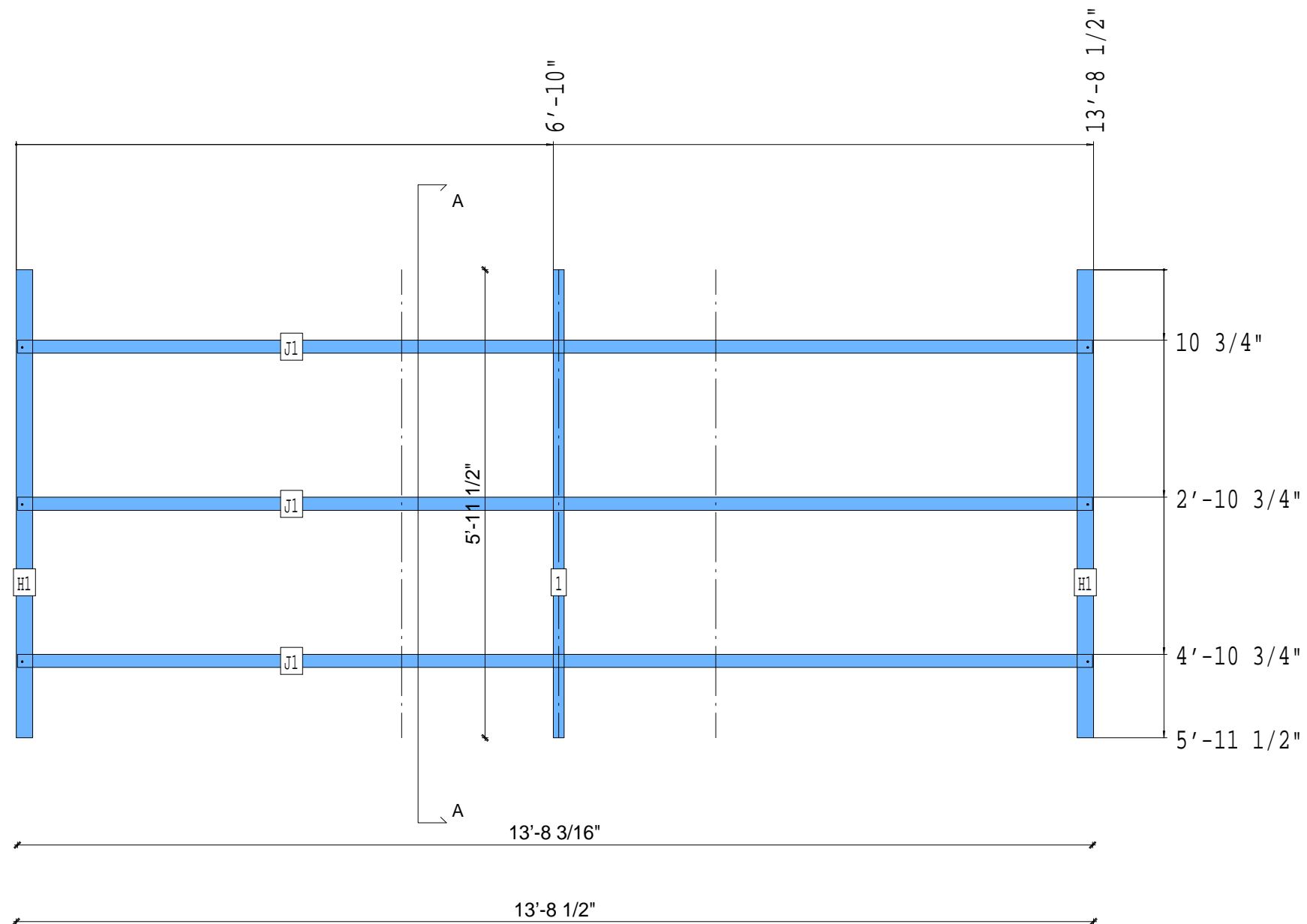
APPROVED
By Ivan Juarez at 7:30 am, Dec 11, 2008



Bottom



A-A



PIECE SCHEDULE						
LAB	QTY	MATERIAL	DESCRIPTION	LENGTH	ANG1	ANG2
J1	3	1000S200-97	JOIST	13'-8 3/16"		
H1	2	1000T250-97	HEADER	5'-11 1/2"		
J1	1	362S162-54	JOIST	5'-11 1/2"		