

13-1001

Jewish Home for the Aging

1885 Victory Blvd. Reseda, CA

FrameMax, Inc.
13915 Danielson St
Suite 100
Poway, CA 92064
www.frame-max.com



© FrameMax Inc.

CREATED: 12/05/2008

FM-07-109

CREATED BY: AMB

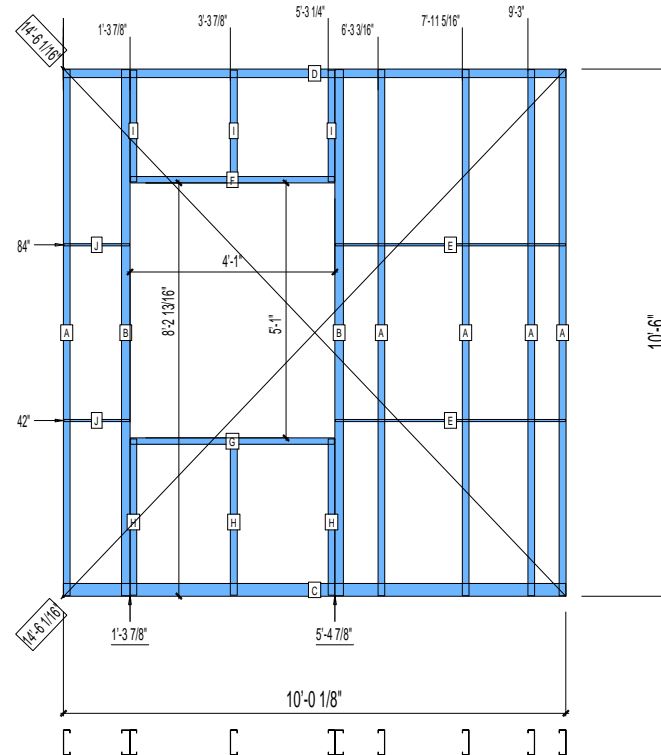
HEIGHT : 10'-6"
SPACING : 5000"
1st STUD: 5000"

POINTS: 1.78 Points.

ANCHORS

WEIGHTS :
FRAME : 247 lbs

TOTAL: 247 lbs



PIECES LIST

LABEL	QTY	SIZE	LENGTH	USE
A	5	600S162-54	10'-5 13/16"	STUD
B	2	600S200-68	10'-5 13/16"	KING STUD
C	1	600T300-54	10'-0	1/8" BOTTOM TRACK
D	1	600T200-54	10'-0	1/8" TOP TRACK
E	2	150U50-54	4'-7"	HORIZONTAL BRACING
F	1	600T150-54	4'-0 3/4"	HEAD TRACK
G	1	600T150-54	4'-0 3/4"	SILL
H	3	600S162-54	3'-1 3/8"	CRIPPLE
I	3	600S162-54	2'-2 3/4"	CRIPPLE
J	2	150U50-54	1'-3 11/16"	HORIZONTAL BRACING

13-1002

Jewish Home for the Aging

1885 Victory Blvd. Reseda, CA

FrameMax, Inc.
13915 Danielson St
Suite 100
Poway, CA 92064
www.frame-max.com



© FrameMax Inc.

CREATED: 12/05/2008

FM-07-109

CREATED BY: AMB

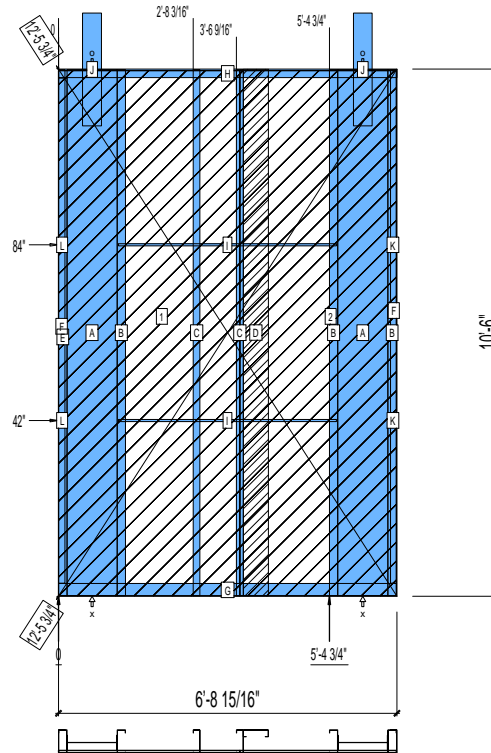
HEIGHT : 10'-6"
SPACING : 5000"
1st STUD: 5000"

POINTS: 3.97 Points.

ANCHORS

WEIGHTS :
FRAME : 487 lbs
SHEATHING: 259 lbs

TOTAL: 746 lbs



PIECES LIST

LABEL	QTY	SIZE	LENGTH	USE
A	2	1200i350p1062	10'-5 13/16"	PACO
B	3	600S200-68	10'-5 13/16"	STUD
C	2	600S162-54	10'-5 13/16"	STUD
D	1	600S162-33	10'-5 13/16"	BACKER-U
E	1	600S200-68	10'-3 13/16"	STUD
F	2	600T150-54	10'-2 3/4"	CAP TRACK
G	1	600T300-54	6'-8 15/16"	BOTTOM TRACK
H	1	600T200-54	6'-8 15/16"	TOP TRACK
I	2	150U50-54	4'-4 1/8"	HORIZONTAL BRACING
J	2	B	2'-3"	HOLDDOWN
K	2	150U50-54	1 3/4"	HORIZONTAL BRACING
L	2	150U50-54	1 5/8"	HORIZONTAL BRACING

SHEATHING

LABEL	QTY	CODE	THICK	SIZE	SCREWS
1	1	SB-DENSGLOSS	1/2"	3'-7 5/16" X 10'-5 9/16"	2 - 12
2	1	SB-DENSGLOSS	1/2"	3'-1 7/16" X 10'-5 9/16"	2 - 12

13-1003

Jewish Home for the Aging

1885 Victory Blvd. Reseda, CA

FrameMax, Inc.
13915 Danielson St
Suite 100
Poway, CA 92064
www.frame-max.com



© FrameMax Inc.

CREATED: 12/05/2008

FM-07-109

CREATED BY: HH

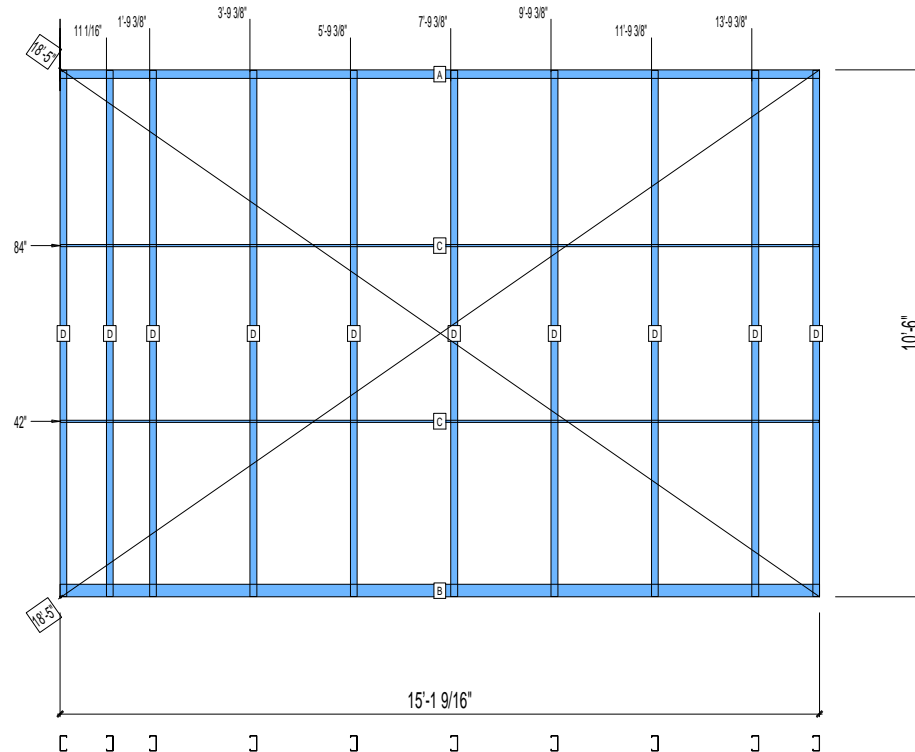
HEIGHT : 10'-6"
SPACING : 5000"
1st STUD: 5000"

POINTS: 1.63 Points.

ANCHORS

WEIGHTS :
FRAME : 222 lbs

TOTAL: 222 lbs



PIECES LIST

LABEL	QTY	SIZE	LENGTH USE
A	1	362T200-54	15'-1 9/16" TOP TRACK
B	1	362T300-54	15'-1 9/16" BOTTOM TRACK
C	2	150U50-54	15'-1 3/8" HORIZONTAL BRACING
D	10	362S162-54	10'-5 13/16" STUD

13-1004

Jewish Home for the Aging

1885 Victory Blvd. Reseda, CA

FrameMax, Inc.
13915 Danielson St
Suite 100
Poway, CA 92064
www.frame-max.com



© FrameMax Inc.

CREATED: 12/05/2008

FM-07-109

CREATED BY: HH

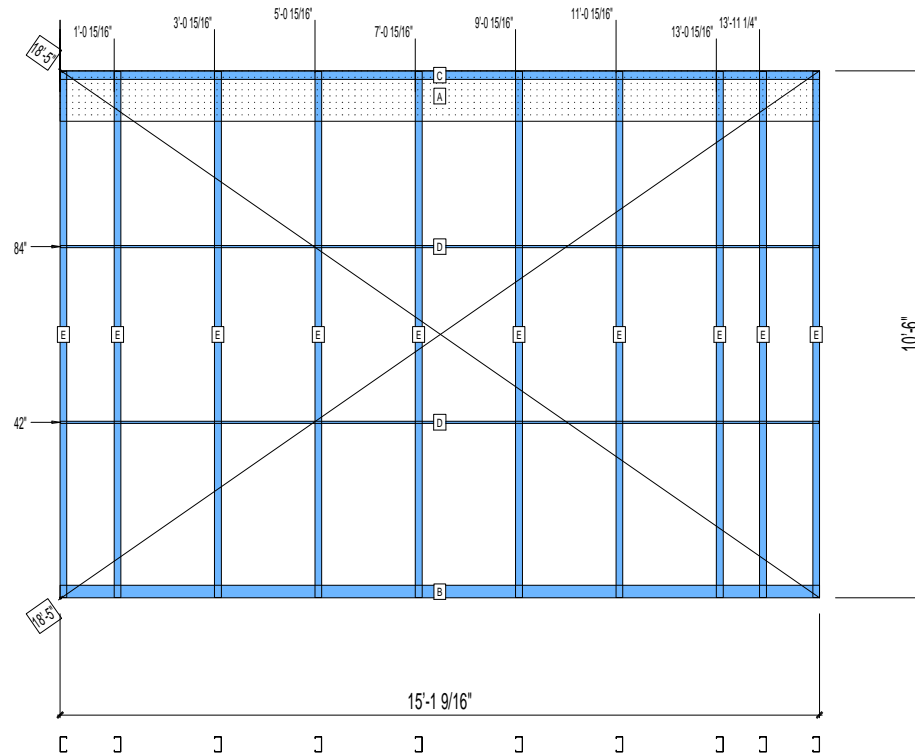
HEIGHT : 10'-6"
SPACING : 5000"
1st STUD: 5000"

POINTS: 1.81 Points.

ANCHORS

WEIGHTS :
FRAME : 258 lbs

TOTAL: 258 lbs



PIECES LIST

LABEL	QTY	SIZE	LENGTH	USE
A	1	1200D-54	15'-1 5/8"	STRAP
B	1	362T300-54	15'-1 9/16"	BOTTOM TRACK
C	1	362T200-54	15'-1 9/16"	TOP TRACK
D	2	150U50-54	15'-1 3/8"	HORIZONTAL BRACING
E	10	362S162-54	10'-5 13/16"	STUD

13-1005

Jewish Home for the Aging

1885 Victory Blvd. Reseda, CA

FrameMax, Inc.
13915 Danielson St
Suite 100
Poway, CA 92064
www.frame-max.com



© FrameMax Inc.

CREATED: 12/05/2008

FM-07-109

CREATED BY: AMB

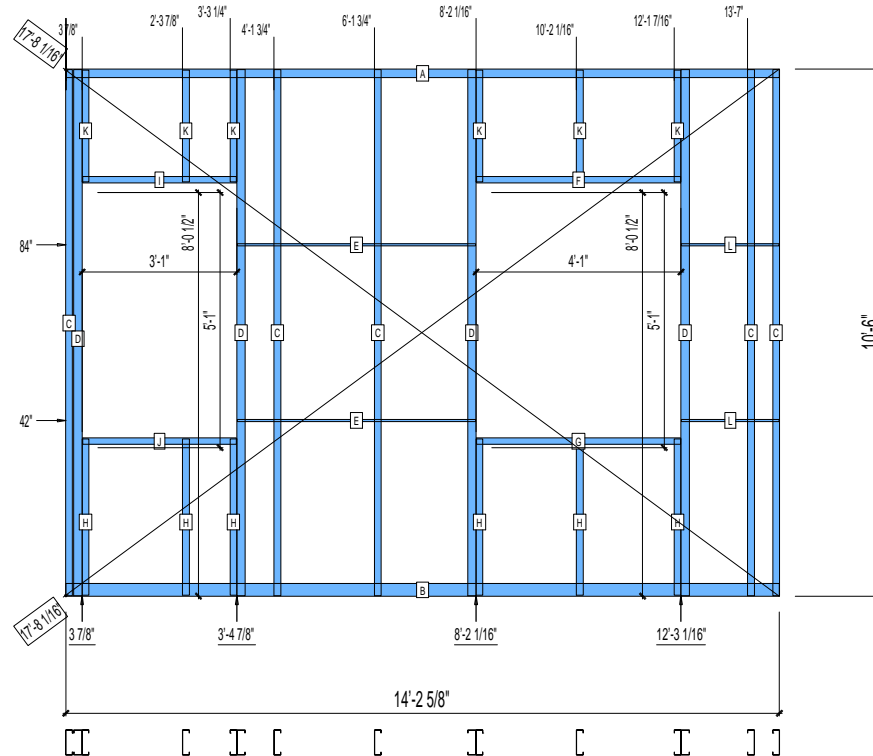
HEIGHT : 10'-6"
SPACING : 5000"
1st STUD: 5000"

POINTS: 2.61 Points.

ANCHORS

WEIGHTS :
FRAME : 362 lbs

TOTAL: 362 lbs



PIECES LIST			
LABEL	QTY	SIZE	LENGTH USE
A	1	600T200-54	14'-2 5/8" TOP TRACK
B	1	600T300-54	14'-2 5/8" BOTTOM TRACK
C	5	600S162-54	10'-5 13/16" STUD
D	4	600S200-68	10'-5 13/16" KING STUD
E	2	150U50-54	4'-8 15/16" HORIZONTAL BRACING
F	1	600T150-54	4'-0 3/4" HEAD TRACK
G	1	600T150-54	4'-0 3/4" SILL
H	6	600S162-54	3'-1 3/8" CRIPPLE
I	1	600T150-54	3'-0 3/4" HEAD TRACK
J	1	600T150-54	3'-0 3/4" SILL
K	6	600S162-54	2'-2 3/4" CRIPPLE
L	2	150U50-54	1'-11 5/16" HORIZONTAL BRACING

13-1006

Jewish Home for the Aging

1885 Victory Blvd. Reseda, CA

FrameMax, Inc.
13915 Danielson St
Suite 100
Poway, CA 92064
www.frame-max.com



© FrameMax Inc.

CREATED: 12/08/2008

FM-07-109

CREATED BY: AMB

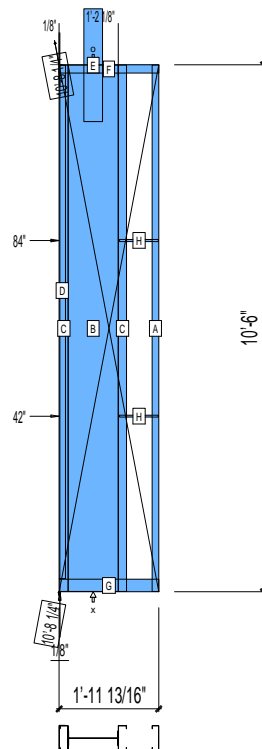
HEIGHT : 10'-6"
SPACING : 5000"
1st STUD: 16"

POINTS: 1.30 Points.

ANCHORS

WEIGHTS :
FRAME : 230 lbs

TOTAL: 230 lbs



PIECES LIST

LABEL	QTY	SIZE	LENGTH	USE
A	1	600S162-54	10'-5 13/16"	STUD
B	1	1200i350p1062	10'-5 13/16"	PACO
C	2	600S200-68	10'-5 13/16"	STUD
D	1	600T150-54	10'-2 3/4"	CAP TRACK
E	1	B	2'-3"	HOLDDOWN
F	1	600T200-54	1'-11 13/16"	TOP TRACK
G	1	600T300-54	1'-11 13/16"	BOTTOM TRACK
H	2	150U50-54	9 1/4"	HORIZONTAL BRACING

13-1007

Jewish Home for the Aging

1885 Victory Blvd. Reseda, CA

FrameMax, Inc.
13915 Danielson St
Suite 100
Poway, CA 92064
www.frame-max.com



© FrameMax Inc.

CREATED: 12/08/2008

FM-07-109

CREATED BY: HH

HEIGHT : 10'-6"
SPACING : 5000"
1st STUD: 5000"

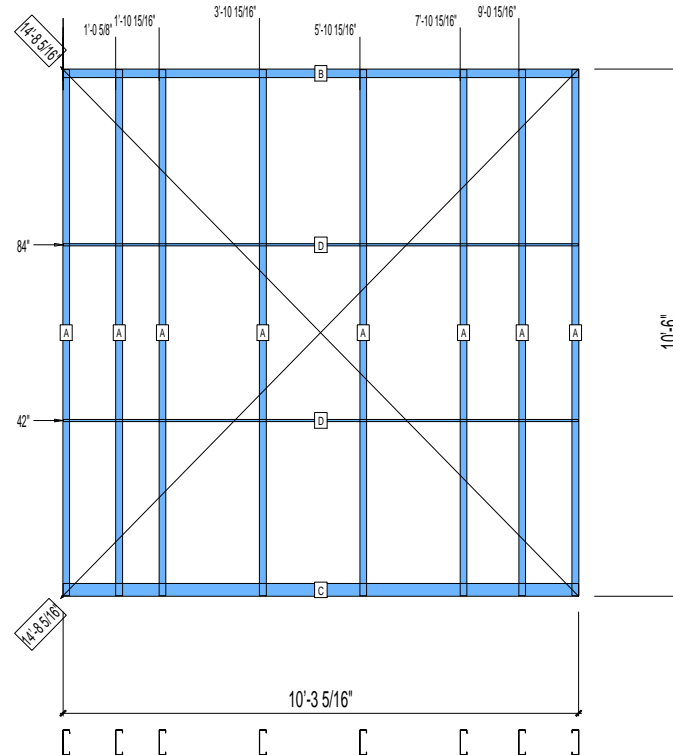
POINTS: 1.46 Points.

ANCHORS

WEIGHTS :
FRAME : 218 lbs

INSULATION: NO

TOTAL: 218 lbs



PIECES LIST

LABEL	QTY	SIZE	LENGTH	USE
A	8	600S162-54	10'-5 13/16"	STUD
B	1	600T200-54	10'-3 5/16"	TOP TRACK
C	1	600T300-54	10'-3 5/16"	BOTTOM TRACK
D	2	150U50-54	10'-3 1/8"	HORIZONTAL BRACING

13-1008

Jewish Home for the Aging

1885 Victory Blvd. Reseda, CA

FrameMax, Inc.
13915 Danielson St
Suite 100
Poway, CA 92064
www.frame-max.com



© FrameMax Inc.

CREATED: 12/08/2008

FM-07-109

CREATED BY: AMB

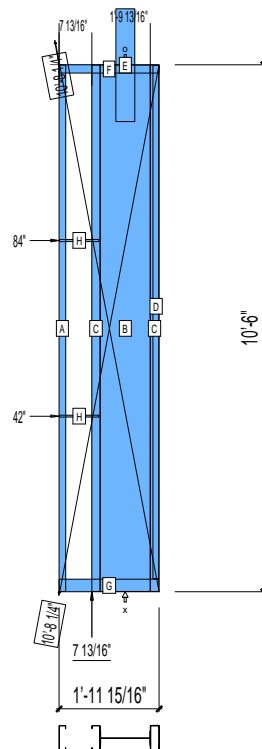
HEIGHT : 10'-6"
SPACING : 5000"
1st STUD: 5000"

POINTS: 1.30 Points.

ANCHORS

WEIGHTS :
FRAME : 230 lbs

TOTAL: 230 lbs



PIECES LIST

LABEL	QTY	SIZE	LENGTH	USE
A	1	600S162-54	10'-5 13/16"	STUD
B	1	1200i350p1062	10'-5 13/16"	PACO
C	2	600S200-68	10'-5 13/16"	STUD
D	1	600T150-54	10'-2 3/4"	CAP TRACK
E	1	B	2'-3"	HOLDDOWN
F	1	600T200-54	1'-11 15/16"	TOP TRACK
G	1	600T300-54	1'-11 15/16"	BOTTOM TRACK
H	2	150U50-54	9 3/8"	HORIZONTAL BRACING

13-1009

Jewish Home for the Aging

1885 Victory Blvd. Reseda, CA

FrameMax, Inc.
13915 Danielson St
Suite 100
Poway, CA 92064
www.frame-max.com



© FrameMax Inc.

CREATED: 12/05/2008

FM-07-109

CREATED BY: HH

HEIGHT : 10'-6"
SPACING : 5000"
1st STUD: 5000"

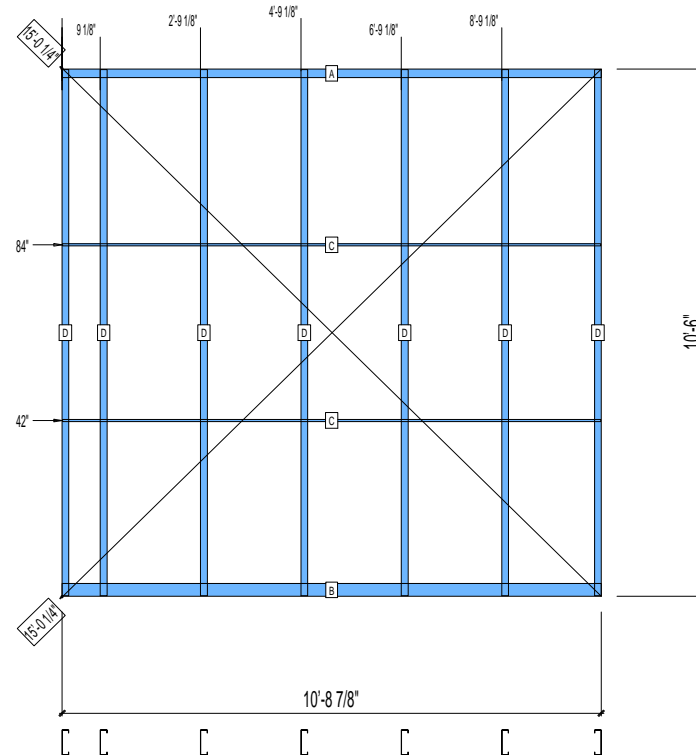
POINTS: 1.37 Points.

ANCHORS

WEIGHTS :
FRAME : 200 lbs

INSULATION: NO

TOTAL: 200 lbs



PIECES LIST

LABEL	QTY	SIZE	LENGTH	USE
A	1	600T200-54	10'-8 7/8"	TOP TRACK
B	1	600T300-54	10'-8 7/8"	BOTTOM TRACK
C	2	150U50-54	10'-8 11/16"	HORIZONTAL BRACING
D	7	600S162-54	10'-5 13/16"	STUD

13-1010

Jewish Home for the Aging

1885 Victory Blvd. Reseda, CA

FM-07-109

CREATED BY: AMB

FrameMax, Inc.
13915 Danielson St
Suite 100
Poway, CA 92064
www.frame-max.com



© FrameMax Inc.

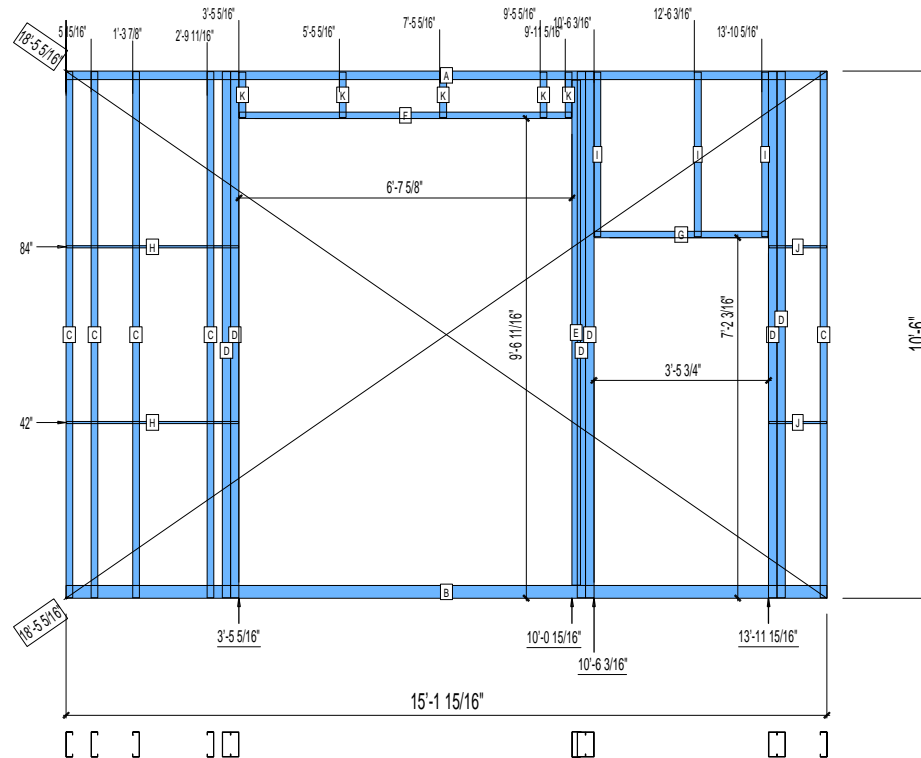
HEIGHT : 10'-6"
SPACING : 5000"
1st STUD: 5000"

POINTS: 2.72 Points.

ANCHORS

WEIGHTS :
FRAME : 397 lbs

TOTAL: 397 lbs



PIECES LIST

LABEL	QTY	SIZE	LENGTH	USE
A	1	600T200-54	15'-1 15/16"	TOP TRACK
B	1	600T300-54	15'-1 15/16"	BOTTOM TRACK
C	5	600S162-54	10'-5 13/16"	STUD
D	6	600S200-68	10'-5 13/16"	KING STUD
E	1	600T200-54	10'-0 3/4"	CAP TRACK
F	1	600T150-54	6'-7 3/8"	HEAD TRACK
G	1	600T150-54	3'-5 1/2"	HEAD TRACK
H	2	150U50-54	3'-5 1/8"	HORIZONTAL BRACING
I	3	600S162-54	3'-3 3/8"	CRIPPLE
J	2	150U50-54	1'-1 3/4"	HORIZONTAL BRACING
K	5	600S162-54	10 7/8"	CRIPPLE

13-1011

Jewish Home for the Aging

1885 Victory Blvd. Reseda, CA

FM-07-109

CREATED BY: HH

FrameMax, Inc.
13915 Danielson St
Suite 100
Poway, CA 92064
www.frame-max.com



© FrameMax Inc.

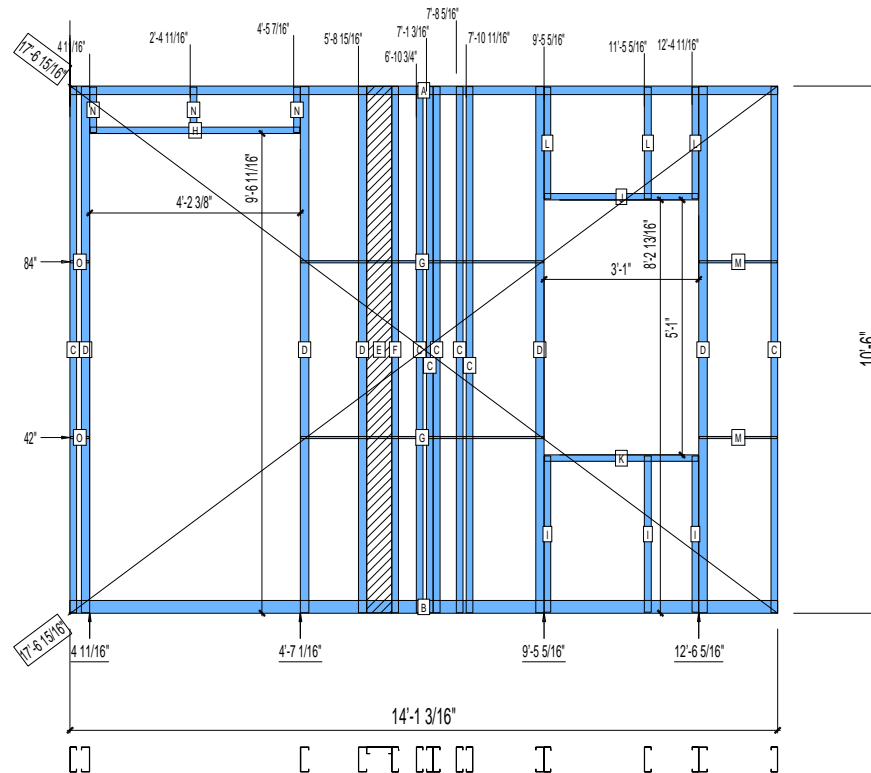
HEIGHT : 10'-6"
SPACING : 5000"
1st STUD: 5000"

POINTS: 2.98 Points.

ANCHORS

WEIGHTS :
FRAME : 431 lbs

TOTAL: 431 lbs



PIECES LIST			
LABEL	QTY	SIZE	LENGTH USE
A	1	600T200-54	14'-1 3/16" TOP TRACK
B	1	600T300-54	14'-1 3/16" BOTTOM TRACK
C	7	600S162-54	10'-5 13/16" STUD
D	5	600S200-68	10'-5 13/16" KING STUD
E	1	600S162-33	10'-5 13/16" BACKER-U
F	1	600S162-33	10'-5 13/16" BACKER STUD
G	2	150U50-54	4'-10" HORIZONTAL BRACING
H	1	600T150-54	4'-2 1/8" HEAD TRACK
I	3	600S162-54	3'-1 3/8" CRIPPLE
J	1	600T150-54	3'-0 3/4" HEAD TRACK
K	1	600T150-54	3'-0 3/4" SILL
L	3	600S162-54	2'-2 3/4" CRIPPLE
M	2	150U50-54	1'-6 5/8" HORIZONTAL BRACING
N	3	600S162-54	10 7/8" CRIPPLE
O	2	150U50-54	4 1/2" HORIZONTAL BRACING

13-1012

Jewish Home for the Aging

1885 Victory Blvd. Reseda, CA

FM-07-109

CREATED BY: AMB

FrameMax, Inc.
13915 Danielson St
Suite 100
Poway, CA 92064
www.frame-max.com



© FrameMax Inc.

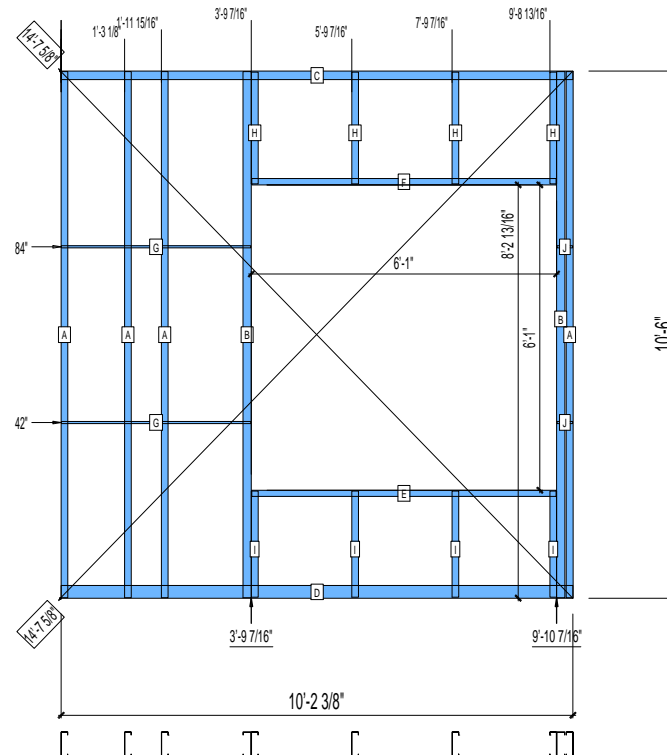
HEIGHT : 10'-6"
SPACING : 5000"
1st STUD: 16"

POINTS: 1.76 Points.

ANCHORS

WEIGHTS :
FRAME : 236 lbs

TOTAL: 236 lbs



PIECES LIST

LABEL	QTY	SIZE	LENGTH	USE
A	4	600S162-54	10'-5 13/16"	STUD
B	2	600S200-68	10'-5 13/16"	KING STUD
C	1	600T200-54	10'-2 3/8"	TOP TRACK
D	1	600T300-54	10'-2 3/8"	BOTTOM TRACK
E	1	600T150-54	6'-0 3/4"	SILL
F	1	600T150-54	6'-0 3/4"	HEAD TRACK
G	2	150U50-54	3'-9 1/4"	HORIZONTAL BRACING
H	4	600S162-54	2'-2 3/4"	CRIPPLE
I	4	600S162-54	2'-1 3/8"	CRIPPLE
J	2	150U50-54	3 11/16"	HORIZONTAL BRACING

13-1013

Jewish Home for the Aging

1885 Victory Blvd. Reseda, CA

FrameMax, Inc.
13915 Danielson St
Suite 100
Poway, CA 92064
www.frame-max.com



© FrameMax Inc.

CREATED: 12/05/2008

FM-07-109

CREATED BY: AMB

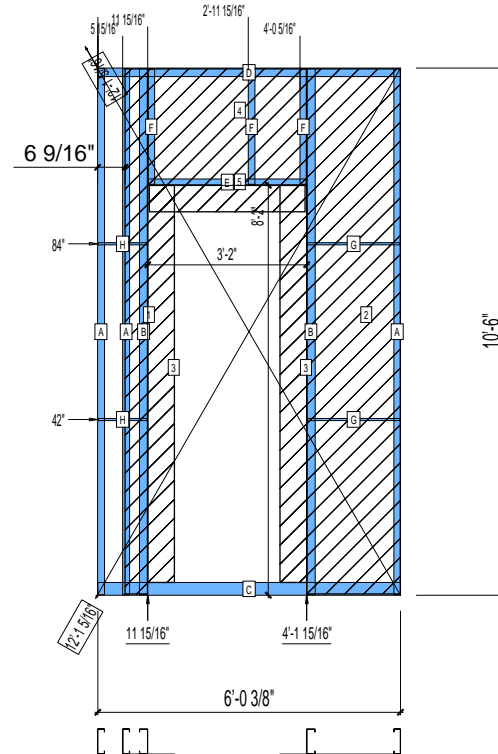
HEIGHT : 10'-6"
SPACING : 5000"
1st STUD: 5000"

POINTS: 1.65 Points.

ANCHORS

WEIGHTS :
FRAME : 161 lbs
SHEATHING: 104 lbs

TOTAL: 265 lbs



PIECES LIST

LABEL	QTY	SIZE	LENGTH	USE
A	3	600S162-54	10'-5 13/16"	STUD
B	2	600S200-68	10'-5 13/16"	KING STUD
C	1	600T300-54	6'-0 3/8"	BOTTOM TRACK
D	1	600T200-54	6'-0 3/8"	TOP TRACK
E	1	600T150-54	3'-1 3/4"	HEAD TRACK
F	3	600S162-54	2'-3 9/16"	CRIPPLE
G	2	150U50-54	1'-10 3/16"	HORIZONTAL BRACING
H	2	150U50-54	11 3/4"	HORIZONTAL BRACING

SHEATHING

LABEL	QTY	CODE	THICK	SIZE	SCREWS
1	1	DENSGLASS	1/2"	5 3/8" X 10'-5 9/16"	8 - 12
2	1	DENSGLASS	1/2"	1'-10 5/16" X 10'-5 9/16"	8 - 12
3	2	DENSGLASS	1/2"	6 3/8" X 7'-10 15/16"	8 - 12
4	1	DENSGLASS	1/2"	3'-1 7/8" X 2'-3 13/16"	8 - 12
5	1	DENSGLASS	1/2"	3'-1 1/4" X 6 5/16"	8 - 12

13-1014

Jewish Home for the Aging

1885 Victory Blvd. Reseda, CA

FrameMax, Inc.
13915 Danielson St
Suite 100
Poway, CA 92064
www.framemax.com



© FrameMax Inc.

CREATED: 12/05/2008

FM-07-109

CREATED BY: HH

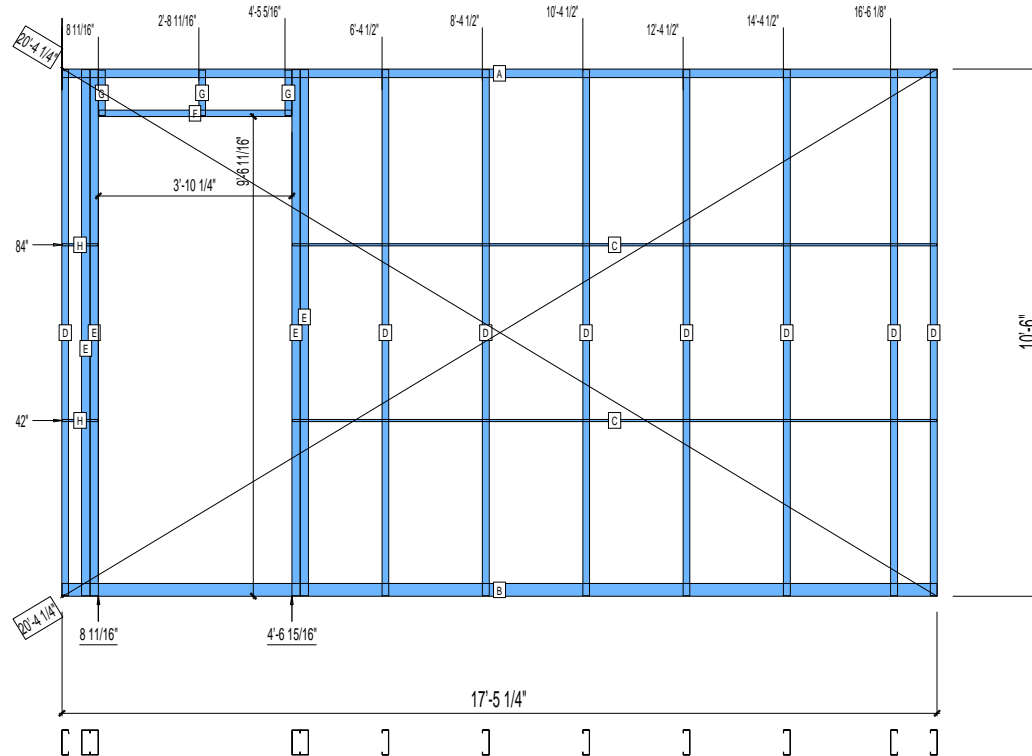
HEIGHT : 10'-6"
SPACING : 5000"
1st STUD: 5000"

POINTS: 2.55 Points.

ANCHORS

WEIGHTS :
FRAME : 377 lbs

TOTAL: 377 lbs



PIECES LIST

LABEL	QTY	SIZE	LENGTH	USE
A	1	600T200-54	17'-5 1/4"	TOP TRACK
B	1	600T300-54	17'-5 1/4"	BOTTOM TRACK
C	2	150U50-54	12'-10 1/16"	HORIZONTAL BRACING
D	8	600S162-54	10'-5 13/16"	STUD
E	4	600S200-68	10'-5 13/16"	KING STUD
F	1	600T150-54	3'-10"	HEAD TRACK
G	3	600S162-54	10 7/8"	CRIPPLE
H	2	150U50-54	8 1/2"	HORIZONTAL BRACING

13-1015

Jewish Home for the Aging

1885 Victory Blvd. Reseda, CA

FM-07-109

CREATED BY: AMB

FrameMax, Inc.
13915 Danielson St
Suite 100
Poway, CA 92064
www.frame-max.com



© FrameMax Inc.

HEIGHT : 11'-1 7/16" POINTS: 5.57 Points.

ANCHORS

SPACING : 5000"

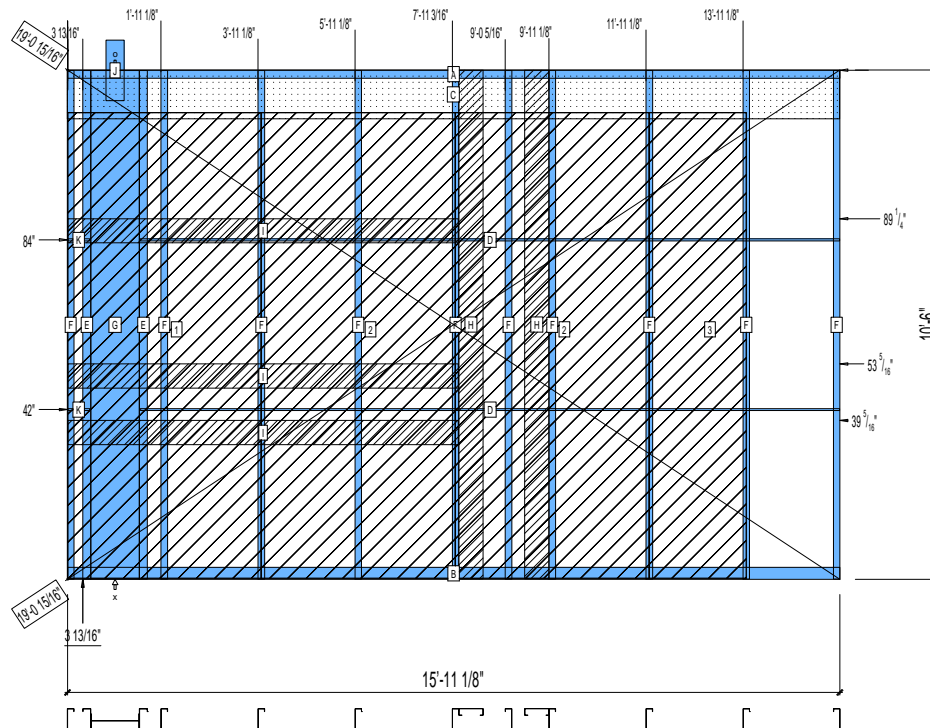
1st STUD: 5000"

WEIGHTS :

FRAME : 538 lbs

SHEATHING: 494 lbs

TOTAL: 1032 lbs



PIECES LIST

LABEL	QTY	SIZE	LENGTH	USE
A	1	600T200-54	15'-11 1/8"	TOP TRACK
B	1	600T300-54	15'-11 1/8"	BOTTOM TRACK
C	1	1200D-54	15'-11 1/16"	STRAP
D	2	150U50-54	14'-4 15/16"	HORIZONTAL BRACING
E	2	600S200-54	10'-5 13/16"	STUD
F	10	600S162-54	10'-5 13/16"	STUD
G	1	1200i350p1062	10'-5 13/16"	PACO
H	2	600S162-33	10'-5 13/16"	BACKER-U
I	3	600D-54	8'-0 5/8"	KITCHEN BACKING
J	1	A	1'-3"	HOLDDOWN
K	2	150U50-54	5 3/8"	HORIZONTAL BRACING

SHEATHING

LABEL	QTY	CODE	THICK	SIZE	SCREWS
1	1	SB-DENSARMOR	5/8"	3'-11 7/8" X 9'-7 3/16"	2 - 12
2	2	SB-DENSARMOR	5/8"	4'-0" X 9'-7 3/16"	2 - 12
3	1	SB-DENSARMOR	5/8"	2'-0" X 9'-7 3/16"	2 - 12

13-1016

Jewish Home for the Aging

1885 Victory Blvd. Reseda, CA

FM-07-109

CREATED BY: AMB

FrameMax, Inc.
13915 Danielson St
Suite 100
Poway, CA 92064
www.framemax.com



© FrameMax Inc.

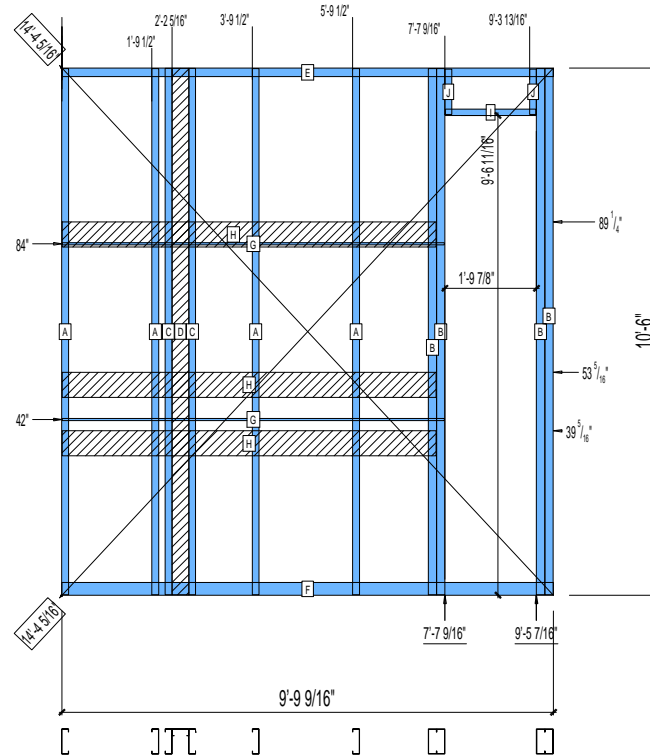
HEIGHT : 10'-6"
SPACING : 5000"
1st STUD: 5000"

POINTS: 2.04 Points.

ANCHORS

WEIGHTS :
FRAME : 306 lbs

TOTAL: 306 lbs



PIECES LIST

LABEL	QTY	SIZE	LENGTH	USE
A	4	600S162-54	10'-5 13/16"	STUD
B	4	600S200-68	10'-5 13/16"	KING STUD
C	2	600S162-33	10'-5 13/16"	BACKER STUD
D	1	400S162-33	10'-5 13/16"	BACKER-U
E	1	600T200-54	9'-9 9/16"	TOP TRACK
F	1	600T300-54	9'-9 9/16"	BOTTOM TRACK
G	2	150U50-54	7'-7 3/8"	HORIZONTAL BRACING
H	3	600D-54	7'-5 3/8"	KITCHEN BACKING
I	1	600T150-54	1'-9 5/8"	HEAD TRACK
J	2	600S162-54	10 7/8"	CRIPPLE

13-1017

Jewish Home for the Aging

1885 Victory Blvd. Reseda, CA

FrameMax, Inc.
13915 Danielson St
Suite 100
Poway, CA 92064
www.frame-max.com



© FrameMax Inc.

CREATED: 12/05/2008

FM-07-109

CREATED BY: AMB

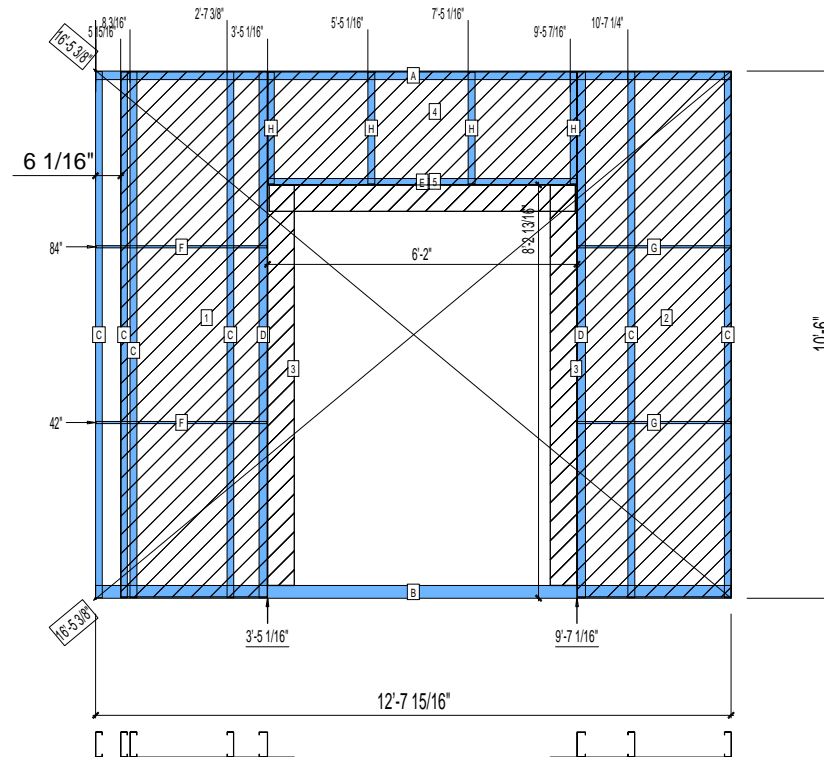
HEIGHT : 10'-6"
SPACING : 5000"
1st STUD: 5000"

POINTS: 2.86 Points.

ANCHORS

WEIGHTS :
FRAME : 262 lbs
SHEATHING: 220 lbs

TOTAL: 482 lbs



PIECES LIST

LABEL	QTY	SIZE	LENGTH	USE
A	1	600T200-54	12'-7 15/16"	TOP TRACK
B	1	600T300-54	12'-7 15/16"	BOTTOM TRACK
C	6	600S162-54	10'-5 13/16"	STUD
D	2	600S200-68	10'-5 13/16"	KING STUD
E	1	600T150-54	6'-1 3/4"	HEAD TRACK
F	2	150U50-54	3'-4 7/8"	HORIZONTAL BRACING
G	2	150U50-54	3'-0 5/8"	HORIZONTAL BRACING
H	4	600S162-54	2'-2 3/4"	CRIPPLE

SHEATHING

LABEL	QTY	CODE	THICK	SIZE	SCREWS
1	1	DENSGLASS	1/2"	2'-11" X 10'-5 9/16"	8 - 12
2	1	DENSGLASS	1/2"	3'-0 3/4" X 10'-5 9/16"	8 - 12
3	2	DENSGLASS	1/2"	6 3/8" X 7'-11 3/4"	8 - 12
4	1	DENSGLASS	1/2"	6'-1 7/8" X 2'-3"	8 - 12
5	1	DENSGLASS	1/2"	6'-1 1/4" X 6 5/16"	8 - 12

13-1018

Jewish Home for the Aging

1885 Victory Blvd. Reseda, CA

FrameMax, Inc.
13915 Danielson St
Suite 100
Poway, CA 92064
www.framemax.com



© FrameMax Inc.

CREATED: 12/05/2008

FM-07-109

CREATED BY: HH

HEIGHT : 10'-6"
SPACING : 5000"
1st STUD: 5000"

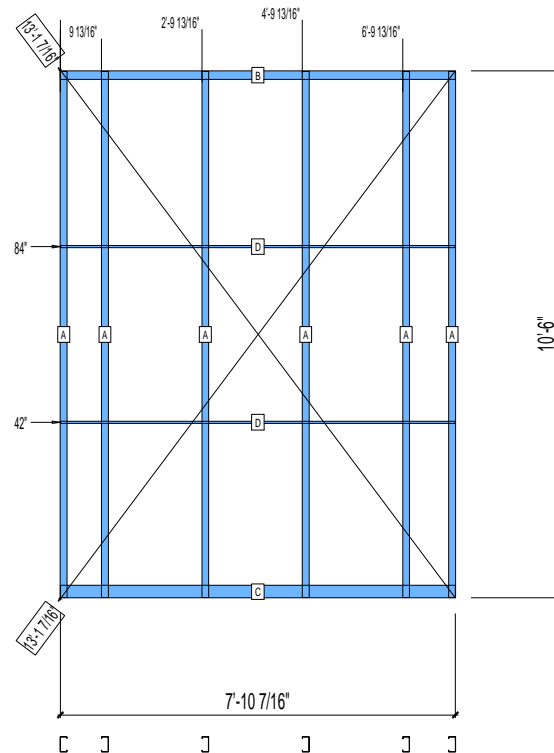
POINTS: 0.96 Points.

ANCHORS

WEIGHTS :
FRAME : 128 lbs

INSULATION: NO

TOTAL: 128 lbs



PIECES LIST

LABEL	QTY	SIZE	LENGTH	USE
A	6	362S162-54	10'-5 13/16"	STUD
B	1	362T200-54	7'-10 7/16"	TOP TRACK
C	1	362T300-54	7'-10 7/16"	BOTTOM TRACK
D	2	150U50-54	7'-10 1/4"	HORIZONTAL BRACING

13-1019

Jewish Home for the Aging

1885 Victory Blvd. Reseda, CA

FM-07-109

CREATED BY: HH

FrameMax, Inc.
13915 Danielson St
Suite 100
Poway, CA 92064
www.frame-max.com



© FrameMax Inc.

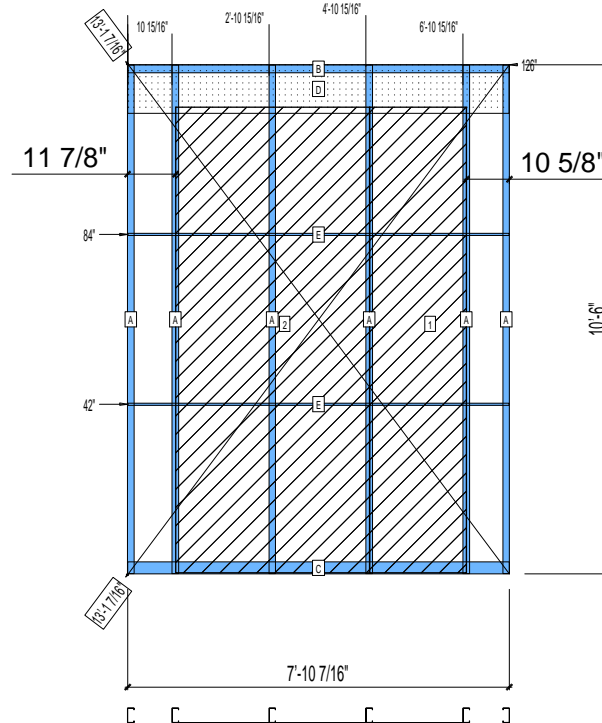
HEIGHT : 10'-6"
SPACING : 5000"
1st STUD: 5000"

POINTS: 2.03 Points.

ANCHORS

WEIGHTS :
FRAME : 147 lbs
SHEATHING: 212 lbs

TOTAL: 359 lbs



PIECES LIST

LABEL	QTY	SIZE	LENGTH	USE
A	6	362S162-54	10'-5 13/16"	STUD
B	1	362T200-54	7'-10 7/16"	TOP TRACK
C	1	362T300-54	7'-10 7/16"	BOTTOM TRACK
D	1	1200D-54	7'-10 3/8"	STRAP
E	2	150U50-54	7'-10 1/4"	HORIZONTAL BRACING

SHEATHING

LABEL	QTY	CODE	THICK	SIZE	SCREWS
1	1	SB-DENSARMOR	5/8"	2'-0" X 9'-7 3/16"	3 - 12
2	1	SB-DENSARMOR	5/8"	4'-0" X 9'-7 3/16"	3 - 12

13-1020

Jewish Home for the Aging

1885 Victory Blvd. Reseda, CA

FrameMax, Inc.
13915 Danielson St
Suite 100
Poway, CA 92064
www.frame-max.com



© FrameMax Inc.

CREATED: 12/05/2008

FM-07-109

CREATED BY: HH

HEIGHT : 10'-6"
SPACING : 5000"
1st STUD: 5000"

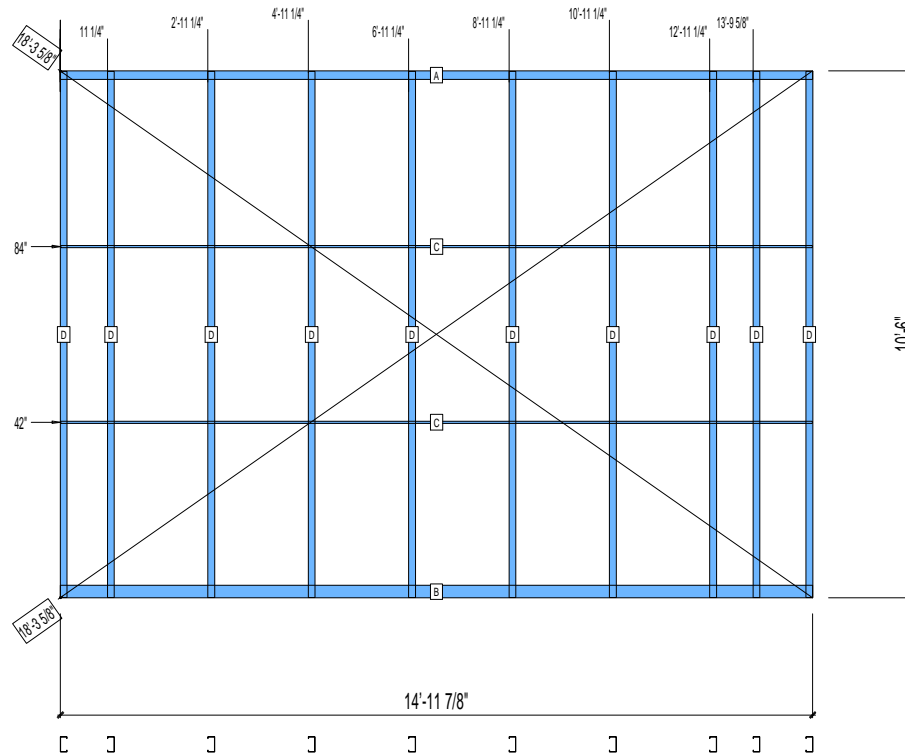
POINTS: 1.62 Points.

ANCHORS

WEIGHTS :
FRAME : 221 lbs

TOTAL: 221 lbs

INSULATION: NO



PIECES LIST

LABEL	QTY	SIZE	LENGTH	USE
A	1	362T200-54	14'-11 7/8"	TOP TRACK
B	1	362T300-54	14'-11 7/8"	BOTTOM TRACK
C	2	150U50-54	14'-11 11/16"	HORIZONTAL BRACING
D	10	362S162-54	10'-5 13/16"	STUD

13-1021

Jewish Home for the Aging

1885 Victory Blvd. Reseda, CA

FM-07-109

CREATED BY: HH

FrameMax, Inc.
13915 Danielson St
Suite 100
Poway, CA 92064
www.frame-max.com



© FrameMax Inc.

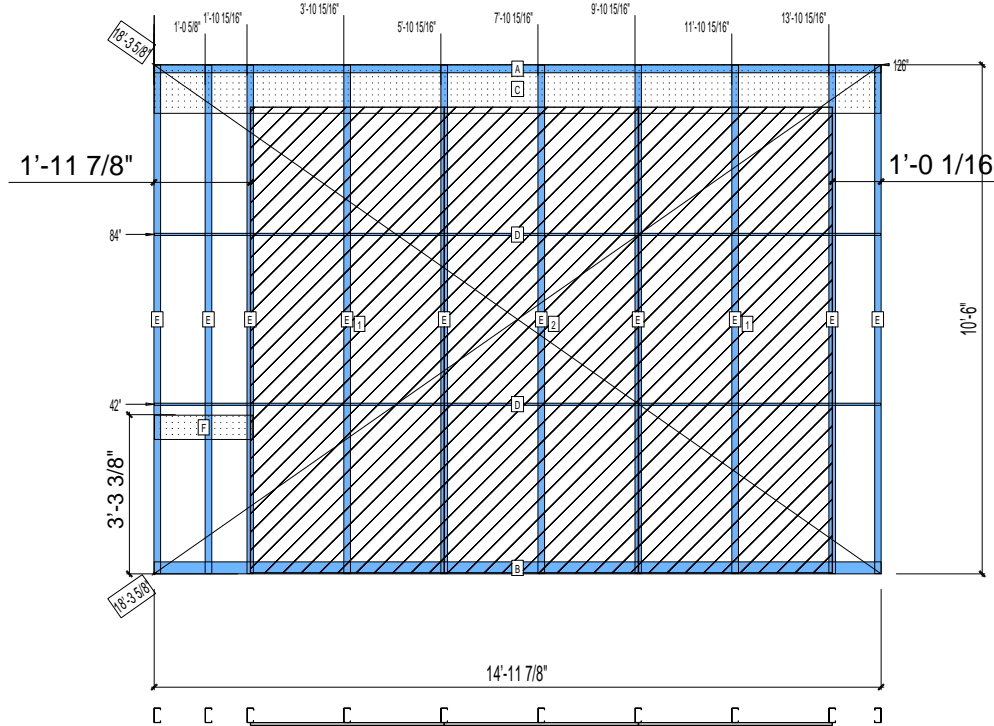
HEIGHT : 10'-6"
SPACING : 5000"
1st STUD: 5000"

POINTS: 3.76 Points.

ANCHORS

WEIGHTS :
FRAME : 259 lbs
SHEATHING: 424 lbs

TOTAL: 683 lbs



PIECES LIST

LABEL	QTY	SIZE	LENGTH	USE
A	1	362T200-54	14'-11 7/8"	TOP TRACK
B	1	362T300-54	14'-11 7/8"	BOTTOM TRACK
C	1	1200D-54	14'-11 13/16"	STRAP
D	2	150U50-54	14'-11 11/16"	HORIZONTAL BRACING
E	10	362S162-54	10'-5 13/16"	STUD
F	1	600D-54	2'-0 3/8"	VANITY BACKING

SHEATHING

LABEL	QTY	CODE	THICK	SIZE	SCREWS
1	2	SB-DENSARMOR	5/8"	4'-0" X 9'-7 3/16"	3 - 12
2	1	SB-DENSARMOR	5/8"	4'-0" X 9'-7 3/16"	3 - 12

13-1022

Jewish Home for the Aging

1885 Victory Blvd. Reseda, CA

FM-07-109

CREATED BY: AMB

FrameMax, Inc.
13915 Danielson St
Suite 100
Poway, CA 92064
www.frame-max.com



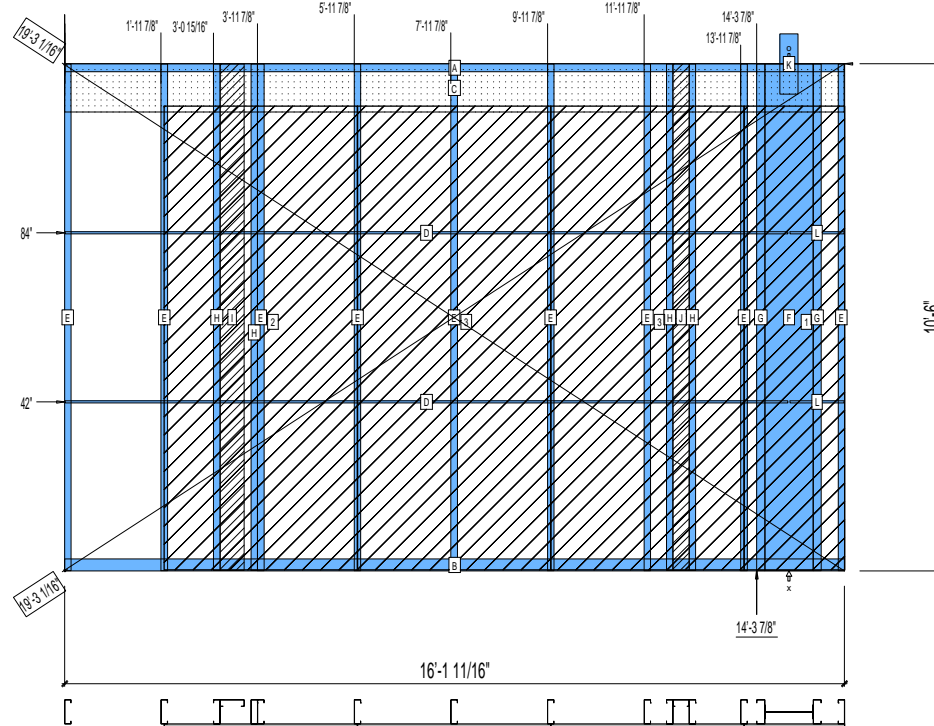
© FrameMax Inc.

HEIGHT : 11'-1 7/16" POINTS: 5.60 Points.
SPACING : 5000"
1st STUD: 5000"

ANCHORS

WEIGHTS :
FRAME : 539 lbs
SHEATHING: 498 lbs

TOTAL: 1037 lbs



PIECES LIST

LABEL	QTY	SIZE	LENGTH	USE
A	1	600T200-54	16'-1 11/16"	TOP TRACK
B	1	600T300-54	16'-1 11/16"	BOTTOM TRACK
C	1	1200D-54	16'-1 5/8"	STRAP
D	2	150U50-54	14'-11 9/16"	HORIZONTAL BRACING
E	9	600S162-54	10'-5 13/16"	STUD
F	1	1200i350p1062	10'-5 13/16"	PACO
G	2	600S200-54	10'-5 13/16"	STUD
H	4	600S162-33	10'-5 13/16"	BACKER STUD
I	1	600S162-33	10'-5 13/16"	BACKER-U
J	1	400S162-33	10'-5 13/16"	BACKER-U
K	1	A	1'-3"	HOLDDOWN
L	2	150U50-54	1'-1 7/16"	HORIZONTAL BRACING

SHEATHING

LABEL	QTY	CODE	THICK	SIZE	SCREWS
1	1	SB-DENSARMOR	5/8"	2'-1" X 9'-7 3/16"	2 - 12
2	1	SB-DENSARMOR	5/8"	4'-0" X 9'-7 3/16"	2 - 12
3	2	SB-DENSARMOR	5/8"	4'-0" X 9'-7 3/16"	2 - 12

13-1023

Jewish Home for the Aging

1885 Victory Blvd. Reseda, CA

FM-07-109

CREATED BY: AMB

FrameMax, Inc.
13915 Danielson St
Suite 100
Poway, CA 92064
www.frame-max.com



© FrameMax Inc.

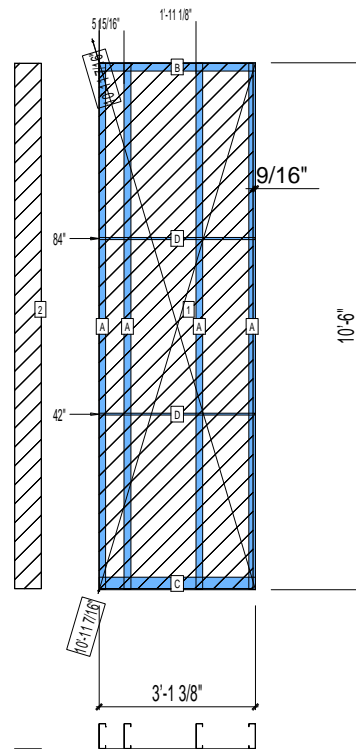
HEIGHT : 10'-6"
SPACING : 5000"
1st STUD: 5000"

POINTS: 1.10 Points.

ANCHORS

WEIGHTS :
FRAME : 96 lbs
SHEATHING: 94 lbs

TOTAL: 190 lbs



PIECES LIST

LABEL	QTY	SIZE	LENGTH	USE
A	4	600S162-54	10'-5 13/16"	STUD
B	1	600T200-54	3'-1 3/8"	TOP TRACK
C	1	600T300-54	3'-1 3/8"	BOTTOM TRACK
D	2	150U50-54	3'-1 3/16"	HORIZONTAL BRACING

SHEATHING

LABEL	QTY	CODE	THICK	SIZE	SCREWS
1	1	DENSGLASS	1/2"	3'-0 13/16" X 10'-5 9/16"	8 - 12
2	1	DENSGLASS	1/2"	6 3/8" X 10'-5 9/16"	8 - 12

13-1024

Jewish Home for the Aging

1885 Victory Blvd. Reseda, CA

FM-07-109

CREATED BY: AMB

FrameMax, Inc.
13915 Danielson St
Suite 100
Poway, CA 92064
www.frame-max.com



© FrameMax Inc.

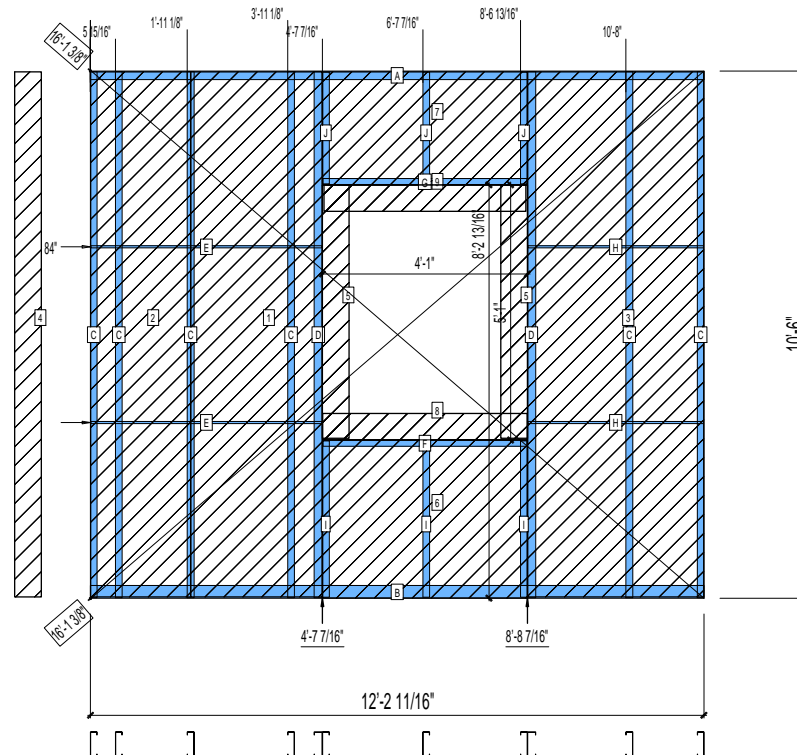
HEIGHT : 10'-6"
SPACING : 5000"
1st STUD: 5000"

POINTS: 3.38 Points.

ANCHORS

WEIGHTS :
FRAME : 279 lbs
SHEATHING: 305 lbs

TOTAL: 584 lbs



PIECES LIST

LABEL	QTY	SIZE	LENGTH	USE
A	1	600T200-54	12'-2 11/16"	TOP TRACK
B	1	600T300-54	12'-2 11/16"	BOTTOM TRACK
C	6	600S162-54	10'-5 13/16"	STUD
D	2	600S200-68	10'-5 13/16"	KING STUD
E	2	150U50-54	4'-7 1/4"	HORIZONTAL BRACING
F	1	600T150-54	4'-0 3/4"	SILL
G	1	600T150-54	4'-0 3/4"	HEAD TRACK
H	2	150U50-54	3'-6"	HORIZONTAL BRACING
I	3	600S162-54	3'-1 3/8"	CRIPPLE
J	3	600S162-54	2'-2 3/4"	CRIPPLE

SHEATHING

LABEL	QTY	CODE	THICK	SIZE	SCREWS
1	1	DENSGLASS	1/2"	2'-7 7/16" X 10'-5 9/16"	8 - 12
2	1	DENSGLASS	1/2"	1'-11 15/16" X 10'-5 9/16"	8 - 12
3	1	DENSGLASS	1/2"	3'-6 1/8" X 10'-5 9/16"	8 - 12
4	1	DENSGLASS	1/2"	6 3/8" X 10'-5 9/16"	8 - 12
5	2	DENSGLASS	1/2"	6 3/8" X 5'-0 1/2"	8 - 12
6	1	DENSGLASS	1/2"	4'-0 7/8" X 3'-1 11/16"	8 - 12
7	1	DENSGLASS	1/2"	4'-0 7/8" X 2'-3"	8 - 12
8	1	DENSGLASS	1/2"	4'-0 7/8" X 6 5/16"	8 - 12
9	1	DENSGLASS	1/2"	4'-0 1/4" X 6 5/16"	8 - 12

13-1025

Jewish Home for the Aging

1885 Victory Blvd. Reseda, CA

FM-07-109

CREATED BY: AMB

FrameMax, Inc.
13915 Danielson St
Suite 100
Poway, CA 92064
www.frame-max.com



© FrameMax Inc.

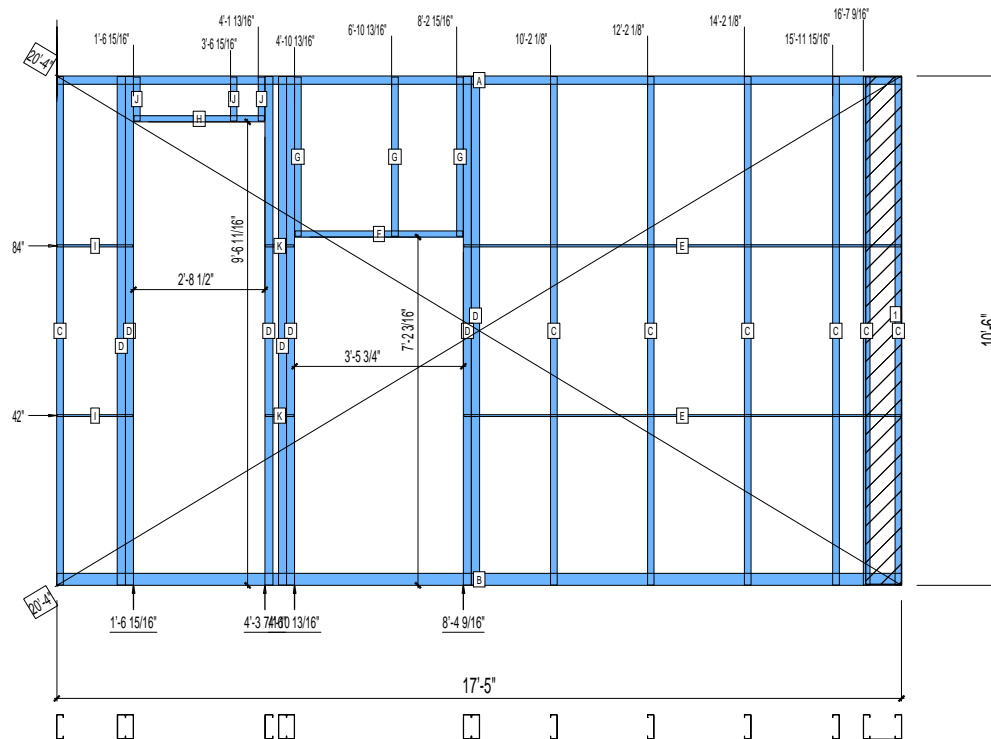
HEIGHT : 10'-6"
SPACING : 5000"
1st STUD: 5000"

POINTS: 3.14 Points.

ANCHORS

WEIGHTS :
FRAME : 450 lbs
SHEATHING: 19 lbs

TOTAL: 469 lbs



PIECES LIST

LABEL	QTY	SIZE	LENGTH	USE
A	1	600T200-54	17'-5"	TOP TRACK
B	1	600T300-54	17'-5"	BOTTOM TRACK
C	7	600S162-54	10'-5 13/16"	STUD
D	7	600S200-68	10'-5 13/16"	KING STUD
E	2	150U50-54	9'-0 3/16"	HORIZONTAL BRACING
F	1	600T150-54	3'-5 1/2"	HEAD TRACK
G	3	600S162-54	3'-3 3/8"	CRIPPLE
H	1	600T150-54	2'-8 1/4"	HEAD TRACK
I	2	150U50-54	1'-6 3/4"	HORIZONTAL BRACING
J	3	600S162-54	10 7/8"	CRIPPLE
K	2	150U50-54	7 1/8"	HORIZONTAL BRACING

SHEATHING

LABEL	QTY	CODE	THICK	SIZE	SCREWS
1	1	DENSGLASS	1/2"	8 13/16" X 10'-5 9/16"	8 - 12

13-1026

Jewish Home for the Aging

1885 Victory Blvd. Reseda, CA

FrameMax, Inc.
13915 Danielson St
Suite 100
Poway, CA 92064
www.frame-max.com



© FrameMax Inc.

CREATED: 12/05/2008

FM-07-109

CREATED BY: AMB

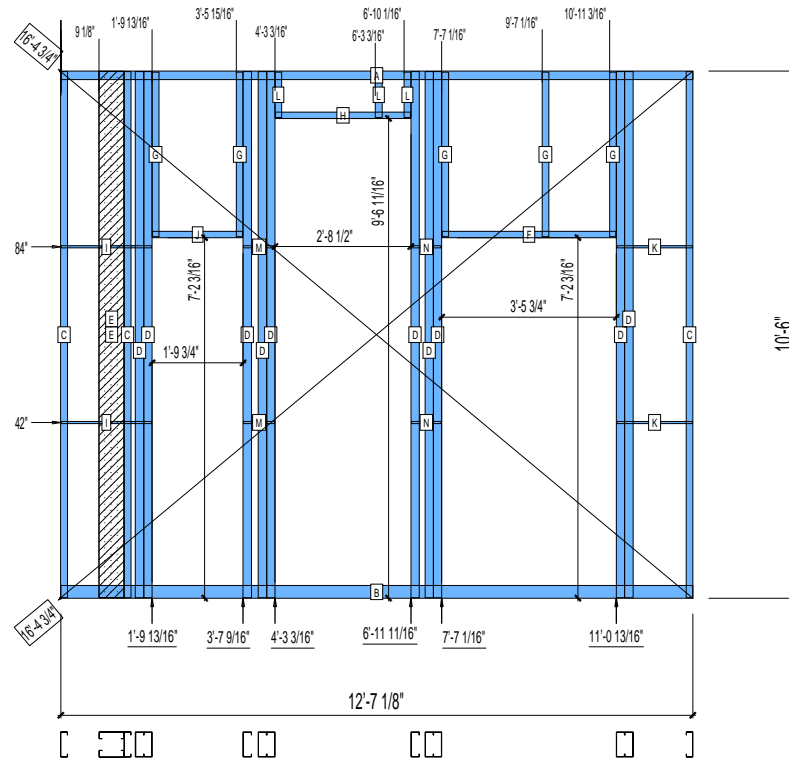
HEIGHT : 10'-6"
SPACING : 5000"
1st STUD: 16"

POINTS: 3.14 Points.

ANCHORS

WEIGHTS :
FRAME : 465 lbs

TOTAL: 465 lbs



PIECES LIST

LABEL	QTY	SIZE	LENGTH	USE
A	1	600T200-54	12'-7 1/8"	TOP TRACK
B	1	600T300-54	12'-7 1/8"	BOTTOM TRACK
C	3	600S162-54	10'-5 13/16"	STUD
D	10	600S200-68	10'-5 13/16"	KING STUD
E	2	600S162-33	10'-5 13/16"	BACKER-U
F	1	600T150-54	3'-5 1/2"	HEAD TRACK
G	5	600S162-54	3'-3 3/8"	CRIPPLE
H	1	600T150-54	2'-8 1/4"	HEAD TRACK
I	2	150U50-54	1'-9 5/8"	HORIZONTAL BRACING
J	1	600T150-54	1'-9 1/2"	HEAD TRACK
K	2	150U50-54	1'-6 1/16"	HORIZONTAL BRACING
L	3	600S162-54	10 7/8"	CRIPPLE
M	2	150U50-54	7 3/8"	HORIZONTAL BRACING
N	2	150U50-54	7 1/8"	HORIZONTAL BRACING

13-1027

Jewish Home for the Aging

1885 Victory Blvd. Reseda, CA

FM-07-109

CREATED BY: AMB

FrameMax, Inc.
13915 Danielson St
Suite 100
Poway, CA 92064
www.framemax.com



© FrameMax Inc.

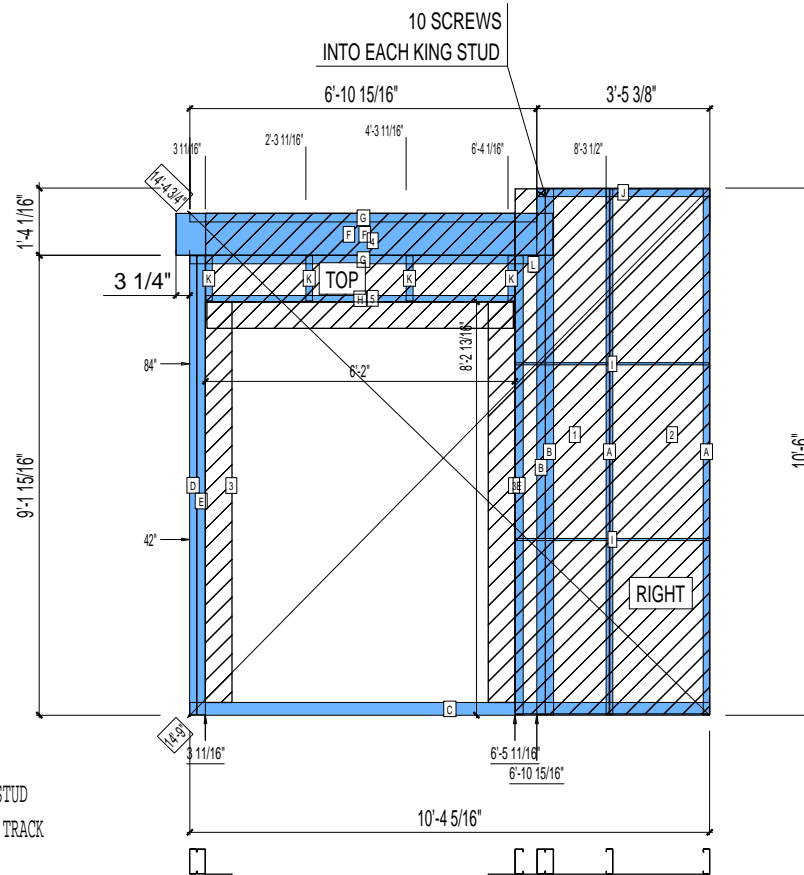
HEIGHT : 10'-6"
SPACING : 5000"
1st STUD: 5000"

POINTS: 2.92 Points.

ANCHORS

WEIGHTS :
FRAME : 338 lbs
SHEATHING: 158 lbs

TOTAL: 496 lbs



PIECES LIST			
LABEL	QTY	SIZE	LENGTH USE
A	2	600S162-54	10'-5 13/16" STUD
B	2	600S200-97	10'-5 13/16" EXTRA STUD
C	1	600T300-54	10'-4 5/16" BOTTOM TRACK
D	1	600S162-54	9'-1 3/4" STUD
E	2	600S200-68	9'-1 3/4" KING STUD
F	2	1000S200-97	7'-6 1/8" HEADER
G	2	600T200-54	6'-10 15/16" TOP TRACK
H	1	600T150-54	6'-1 3/4" HEAD TRACK
I	2	150U50-54	3'-10 3/8" HORIZONTAL BRACING
J	1	600T200-54	3'-5 5/16" TOP TRACK
K	4	600S162-54	10 13/16" CRIPPLE
L	1	600S162-33	4" BACKER STUD

SHEATHING						
LABEL	QTY	CODE	THICK	SIZE		SCREWS
1	1	DENSGLASS	1/2"	1'-10 9/16" X	10'-5 5/8"	8 - 12
2	1	DENSGLASS	1/2"	1'-11 15/16" X	10'-5 9/16"	8 - 12
3	2	DENSGLASS	1/2"	6 3/8" X	7'-11 3/4"	8 - 12
4	1	DENSGLASS	1/2"	6'-1 7/8" X	1'-9 1/16"	8 - 12
5	1	DENSGLASS	1/2"	6'-1 1/4" X	6 5/16"	8 - 12

13-1028

Jewish Home for the Aging

1885 Victory Blvd. Reseda, CA

FrameMax, Inc.
13915 Danielson St
Suite 100
Poway, CA 92064
www.frame-max.com



© FrameMax Inc.

CREATED: 12/09/2008

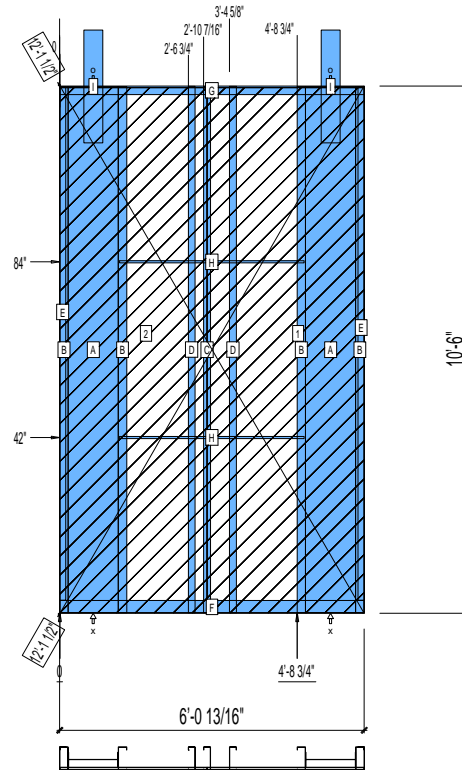
FM-07-109

CREATED BY: AMB

HEIGHT : 10'-6"
POINTS: 3.71 Points.
SPACING : 5000"
1st STUD: 5000"

WEIGHTS :
FRAME : 476 lbs
SHEATHING: 233 lbs

TOTAL: 709 lbs



PIECES LIST

LABEL	QTY	SIZE	LENGTH	USE
A	2	1200i350p1062	10'-5 13/16"	PACO
B	4	600S200-68	10'-5 13/16"	STUD
C	1	600S162-54	10'-5 13/16"	STUD
D	2	600S162-33	10'-5 13/16"	BACKER STUD
E	2	600T150-54	10'-2 3/4"	CAP TRACK
F	1	600T300-54	6'-0 13/16"	BOTTOM TRACK
G	1	600T200-54	6'-0 13/16"	TOP TRACK
H	2	150U50-54	3'-8 1/8"	HORIZONTAL BRACING
I	2	B	2'-3"	HOLDDOWN

SHEATHING

LABEL	QTY	CODE	THICK	SIZE	SCREWS
1	1	SB-DENSGLOSS	1/2"	3'-1 9/16" X 10'-5 9/16"	2 - 12
2	1	SB-DENSGLOSS	1/2"	2'-11 3/16" X 10'-5 9/16"	2 - 12

13-1029

Jewish Home for the Aging

1885 Victory Blvd. Reseda, CA

FrameMax, Inc.
13915 Danielson St
Suite 100
Poway, CA 92064
www.frame-max.com



© FrameMax Inc.

CREATED: 12/05/2008

FM-07-109

CREATED BY: HH

HEIGHT : 10'-6"
SPACING : 5000"
1st STUD: 5000"

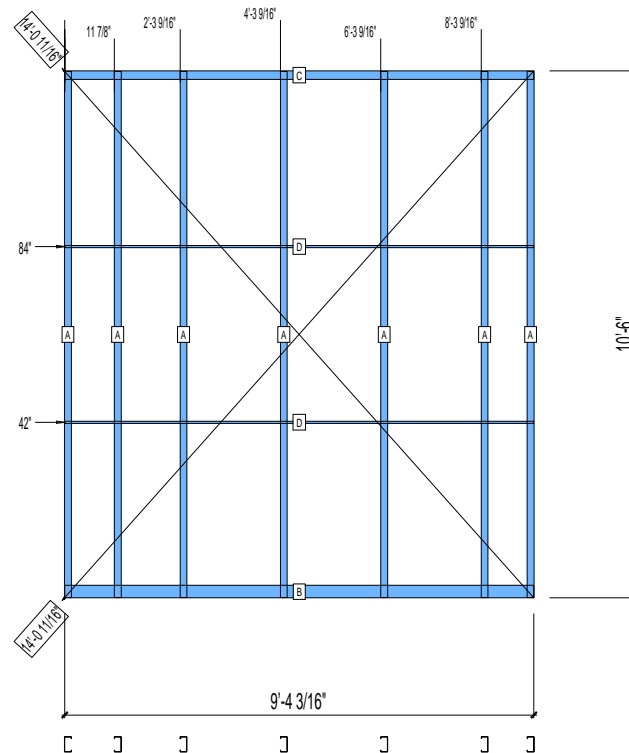
POINTS: 1.11 Points.

ANCHORS

WEIGHTS :
FRAME : 150 lbs

INSULATION: NO

TOTAL: 150 lbs



PIECES LIST

LABEL	QTY	SIZE	LENGTH	USE
A	7	362S162-54	10'-5 13/16"	STUD
B	1	362T300-54	9'-4 3/16"	BOTTOM TRACK
C	1	362T200-54	9'-4 3/16"	TOP TRACK
D	2	150U50-54	9'-4"	HORIZONTAL BRACING

13-1030

Jewish Home for the Aging

1885 Victory Blvd. Reseda, CA

FM-07-109

CREATED BY: AMB

FrameMax, Inc.
13915 Danielson St
Suite 100
Poway, CA 92064
www.frame-max.com



© FrameMax Inc.

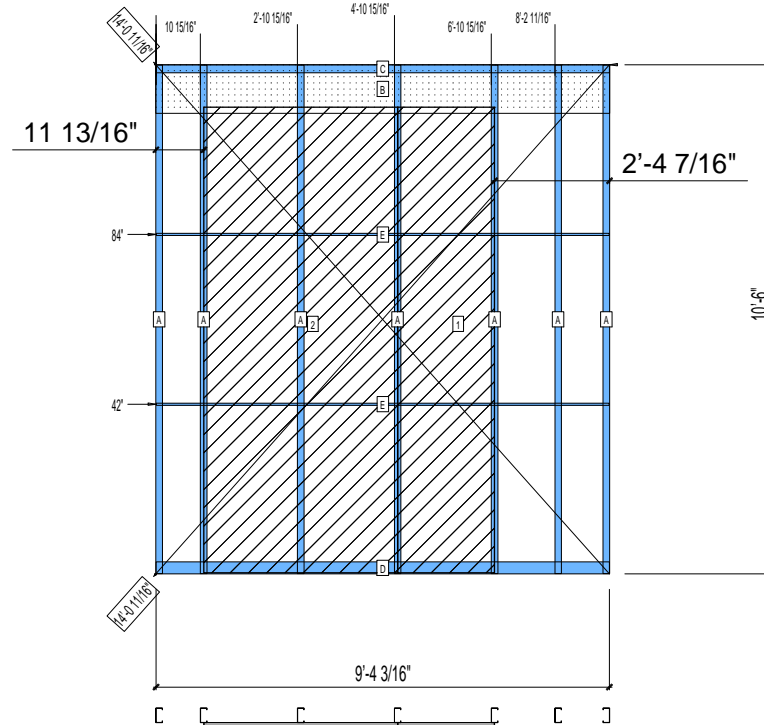
HEIGHT : 10'-6"
SPACING : 5000"
1st STUD: 5000"

POINTS: 2.18 Points.

ANCHORS

WEIGHTS :
FRAME : 169 lbs
SHEATHING: 212 lbs

TOTAL: 381 lbs



PIECES LIST

LABEL	QTY	SIZE	LENGTH	USE
A	7	362S162-54	10'-5 13/16"	STUD
B	1	1200D-54	9'-4 1/4"	STRAP
C	1	362T200-54	9'-4 3/16"	TOP TRACK
D	1	362T300-54	9'-4 3/16"	BOTTOM TRACK
E	2	150U50-54	9'-4"	HORIZONTAL BRACING

SHEATHING

LABEL	QTY	CODE	THICK	SIZE	SCREWS
1	1	SB-DENSARMOR	5/8"	2'-0" X 9'-7 3/16"	2 - 12
2	1	SB-DENSARMOR	5/8"	4'-0" X 9'-7 3/16"	2 - 12

13-1031

Jewish Home for the Aging

1885 Victory Blvd. Reseda, CA

FrameMax, Inc.
13915 Danielson St
Suite 100
Poway, CA 92064
www.frame-max.com



© FrameMax Inc.

CREATED: 12/05/2008

FM-07-109

CREATED BY: AMB

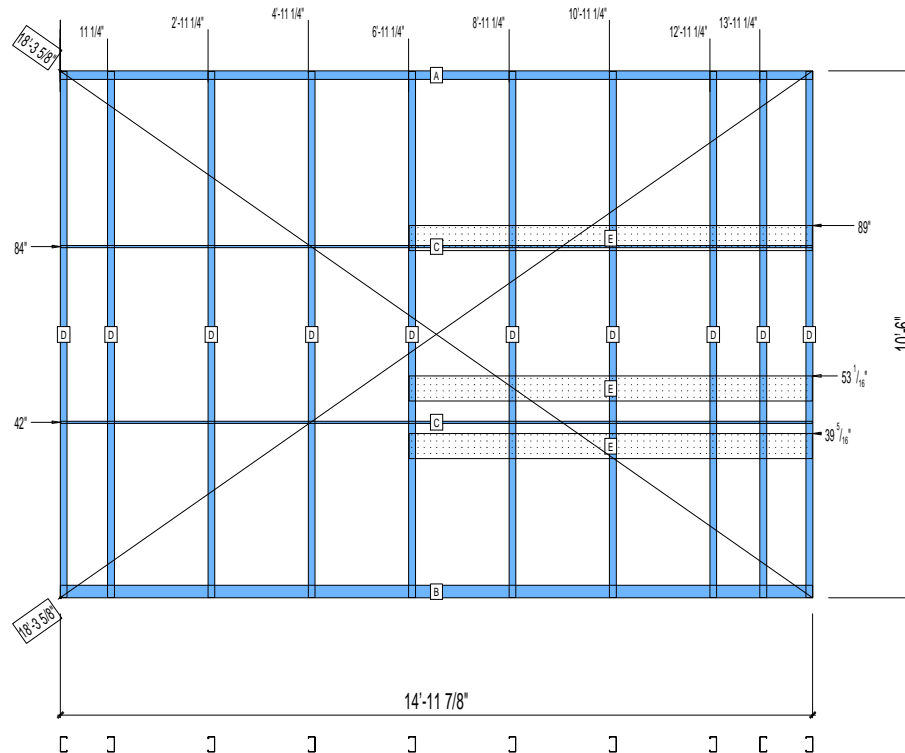
HEIGHT : 10'-6"
SPACING : 5000"
1st STUD: 5000"

POINTS: 1.80 Points.

ANCHORS

WEIGHTS :
FRAME : 246 lbs

TOTAL: 246 lbs



PIECES LIST

LABEL	QTY	SIZE	LENGTH	USE
A	1	362T200-54	14'-11 7/8"	TOP TRACK
B	1	362T300-54	14'-11 7/8"	BOTTOM TRACK
C	2	150U50-54	14'-11 1/16"	HORIZONTAL BRACING
D	10	362S162-54	10'-5 13/16"	STUD
E	3	600D-54	8'-0 3/8"	KITCHEN BACKING

13-1032

Jewish Home for the Aging

1885 Victory Blvd. Reseda, CA

FM-07-109

CREATED BY: AMB

FrameMax, Inc.
13915 Danielson St
Suite 100
Poway, CA 92064
www.frame-max.com



© FrameMax Inc.

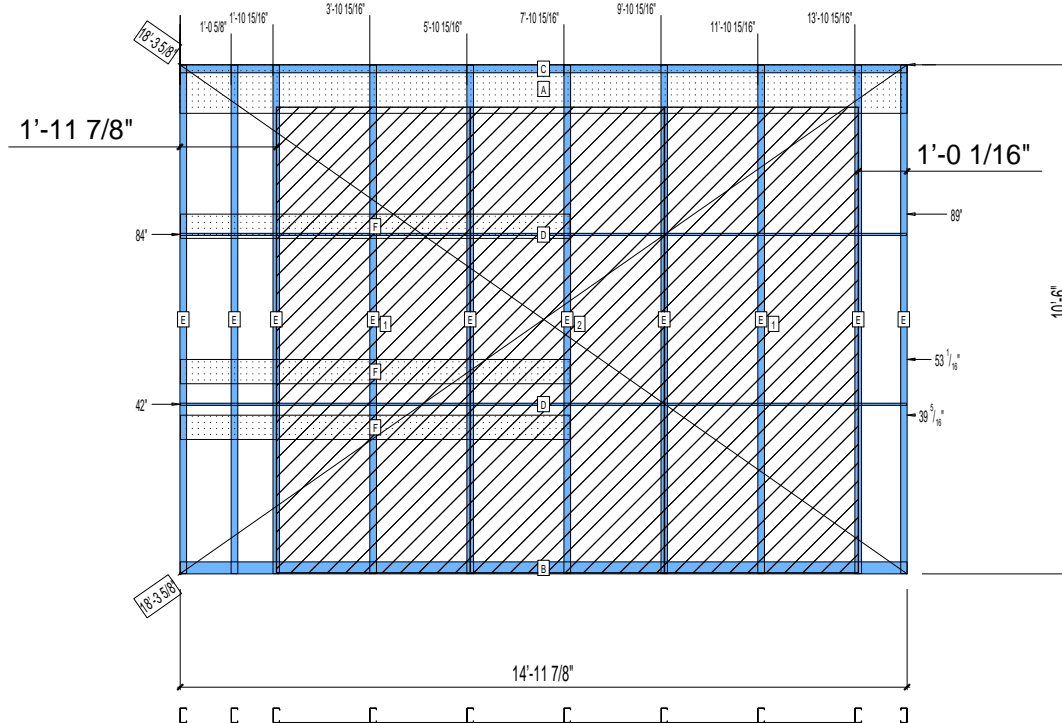
HEIGHT : 10'-6"
SPACING : 5000"
1st STUD : 5000"

POINTS: 3.90 Points.

ANCHORS

WEIGHTS :
FRAME : 282 lbs
SHEATHING: 424 lbs

TOTAL: 706 lbs



PIECES LIST

LABEL	QTY	SIZE	LENGTH	USE
A	1	1200D-54	14'-11 15/16"	STRAP
B	1	362T300-54	14'-11 7/8"	BOTTOM TRACK
C	1	362T200-54	14'-11 7/8"	TOP TRACK
D	2	150U50-54	14'-11 11/16"	HORIZONTAL BRACING
E	10	362S162-54	10'-5 13/16"	STUD
F	3	600D-54	8'-0 3/8"	KITCHEN BACKING

SHEATHING

LABEL	QTY	CODE	THICK	SIZE	SCREWS
1	2	SB-DENSARMOR	5/8"	4'-0" X 9'-7 3/16"	2 - 12
2	1	SB-DENSARMOR	5/8"	4'-0" X 9'-7 3/16"	2 - 12

13-1033

Jewish Home for the Aging

1885 Victory Blvd. Reseda, CA

FM-07-109

CREATED BY: AMB

FrameMax, Inc.
13915 Danielson St
Suite 100
Poway, CA 92064
www.frame-max.com



© FrameMax Inc.

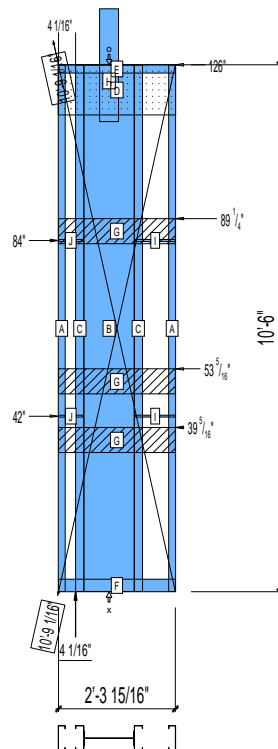
HEIGHT : 10'-6"
SPACING : 5000"
1st STUD: 5000"

POINTS: 1.52 Points.

ANCHORS

WEIGHTS :
FRAME : 248 lbs

TOTAL: 248 lbs



PIECES LIST

LABEL	QTY	SIZE	LENGTH	USE
A	2	600S162-54	10'-5 13/16"	STUD
B	1	1200i350p1062	10'-5 13/16"	PACO
C	2	600S200-68	10'-5 13/16"	STUD
D	1	1200D-54	2'-4"	STRAP
E	1	600T200-54	2'-3 15/16"	TOP TRACK
F	1	600T300-54	2'-3 15/16"	BOTTOM TRACK
G	3	600D-54	2'-3 7/8"	KITCHEN BACKING
H	1	B	2'-3"	HOLDDOWN
I	2	150U50-54	9 7/16"	HORIZONTAL BRACING
J	2	150U50-54	5 11/16"	HORIZONTAL BRACING

13-1034

Jewish Home for the Aging

1885 Victory Blvd. Reseda, CA

FM-07-109

CREATED BY: AMB

FrameMax, Inc.
13915 Danielson St
Suite 100
Poway, CA 92064
www.framemax.com



© FrameMax Inc.

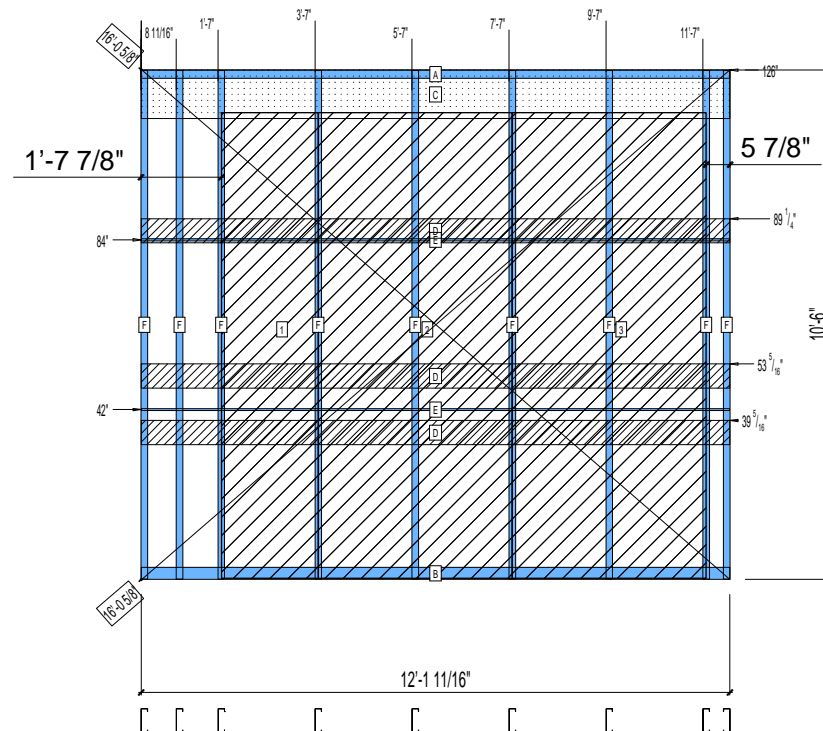
HEIGHT : 10'-6"
SPACING : 5000"
1st STUD: 5000"

POINTS: 3.65 Points.

ANCHORS

WEIGHTS :
FRAME : 316 lbs
SHEATHING: 353 lbs

TOTAL: 669 lbs



PIECES LIST

LABEL	QTY	SIZE	LENGTH	USE
A	1	600T200-54	12'-1 11/16"	TOP TRACK
B	1	600T300-54	12'-1 11/16"	BOTTOM TRACK
C	1	1200D-54	12'-1 5/8"	STRAP
D	3	600D-54	12'-1 5/8"	KITCHEN BACKING
E	2	150U50-54	12'-1 1/2"	HORIZONTAL BRACING
F	9	600S162-54	10'-5 13/16"	STUD

SHEATHING

LABEL	QTY	CODE	THICK	SIZE	SCREWS
1	1	SB-DENSARMOR	5/8"	2'-0" X 9'-7 3/16"	2-12
2	1	SB-DENSARMOR	5/8"	4'-0" X 9'-7 3/16"	2-12
3	1	SB-DENSARMOR	5/8"	4'-0" X 9'-7 3/16"	2-12

13-1035

Jewish Home for the Aging

1885 Victory Blvd. Reseda, CA

FM-07-109

CREATED BY: AMB

FrameMax, Inc.
13915 Danielson St
Suite 100
Poway, CA 92064
www.frame-max.com



© FrameMax Inc.

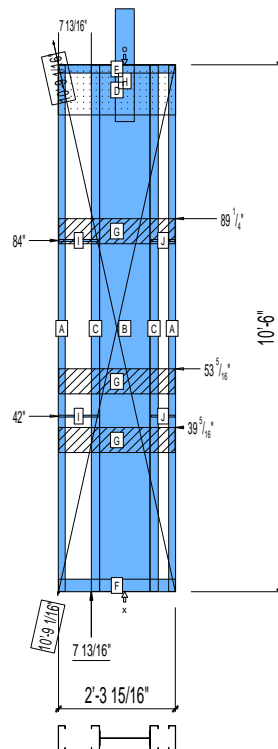
HEIGHT : 10'-6"
SPACING : 5000"
1st STUD: 5000"

POINTS: 1.52 Points.

ANCHORS

WEIGHTS :
FRAME : 248 lbs

TOTAL: 248 lbs



PIECES LIST

LABEL	QTY	SIZE	LENGTH	USE
A	2	600S162-54	10'-5 13/16"	STUD
B	1	1200i350p1062	10'-5 13/16"	PACO
C	2	600S200-68	10'-5 13/16"	STUD
D	1	1200D-54	2'-4"	STRAP
E	1	600T200-54	2'-3 15/16"	TOP TRACK
F	1	600T300-54	2'-3 15/16"	BOTTOM TRACK
G	3	600D-54	2'-3 3/4"	KITCHEN BACKING
H	1	B	2'-3"	HOLDDOWN
I	2	150U50-54	9 7/16"	HORIZONTAL BRACING
J	2	150U50-54	5 11/16"	HORIZONTAL BRACING

13-1036

Jewish Home for the Aging

1885 Victory Blvd. Reseda, CA

FrameMax, Inc.
13915 Danielson St
Suite 100
Poway, CA 92064
www.frame-max.com



© FrameMax Inc.

CREATED: 12/05/2008

FM-07-109

CREATED BY: AMB

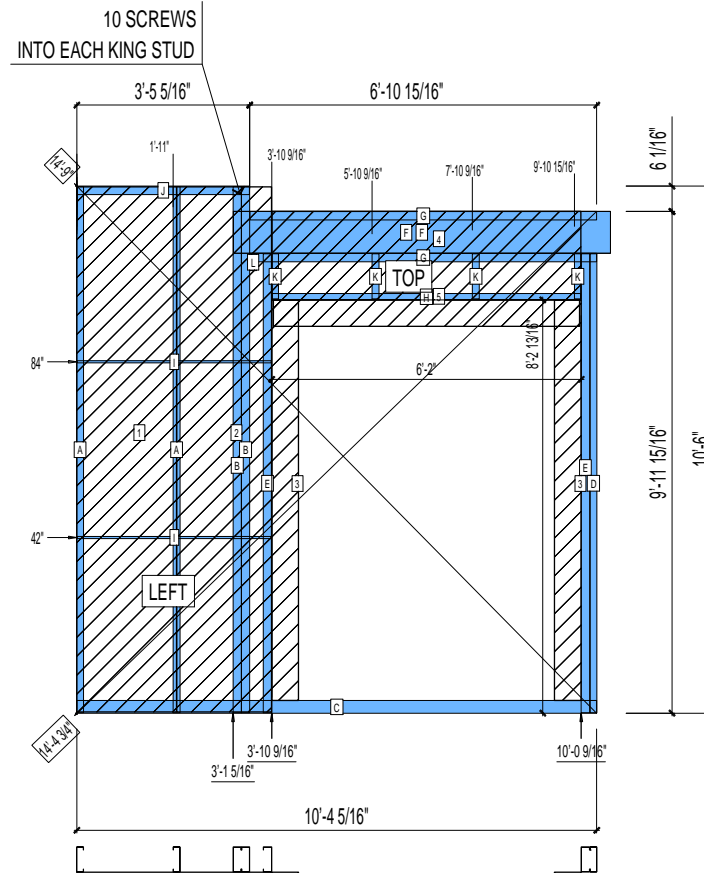
HEIGHT : 10'-6"
SPACING : 5000"
1st STUD: 5000"

POINTS: 2.92 Points.

ANCHORS

WEIGHTS :
FRAME : 338 lbs
SHEATHING: 158 lbs

TOTAL: 496 lbs



PIECES LIST

LABEL	QTY	SIZE	LENGTH	USE
A	2	600S162-54	10'-5 13/16"	STUD
B	2	600S200-97	10'-5 13/16"	EXTRA STUD
C	1	600T300-54	10'-4 5/16"	BOTTOM TRACK
D	1	600S162-54	9'-1 3/4"	STUD
E	2	600S200-68	9'-1 3/4"	KING STUD
F	2	1000S200-97	7'-6 3/16"	HEADER
G	2	600T200-54	6'-10 7/8"	TOP TRACK
H	1	600T150-54	6'-1 3/4"	HEAD TRACK
I	2	150U50-54	3'-10 3/8"	HORIZONTAL BRACING
J	1	600T200-54	3'-5 1/4"	TOP TRACK
K	4	600S162-54	10 13/16"	CRIPPLE
L	1	600S162-33	4"	BACKER STUD

SHEATHING

LABEL	QTY	CODE	THICK	SIZE	SCREWS
1	1	DENSGLASS	1/2"	1'-11 13/16" X 10'-5 9/16"	8 - 12
2	1	DENSGLASS	1/2"	1'-10 11/16" X 10'-5 9/16"	8 - 12
3	2	DENSGLASS	1/2"	6 3/8" X 7'-11 3/4"	8 - 12
4	1	DENSGLASS	1/2"	6'-1 7/8" X 1'-9 1/16"	8 - 12
5	1	DENSGLASS	1/2"	6'-1 1/4" X 6 5/16"	8 - 12

13-1037

Jewish Home for the Aging

1885 Victory Blvd. Reseda, CA

FM-07-109

CREATED BY: AMB

FrameMax, Inc.
13915 Danielson St
Suite 100
Poway, CA 92064
www.frame-max.com



© FrameMax Inc.

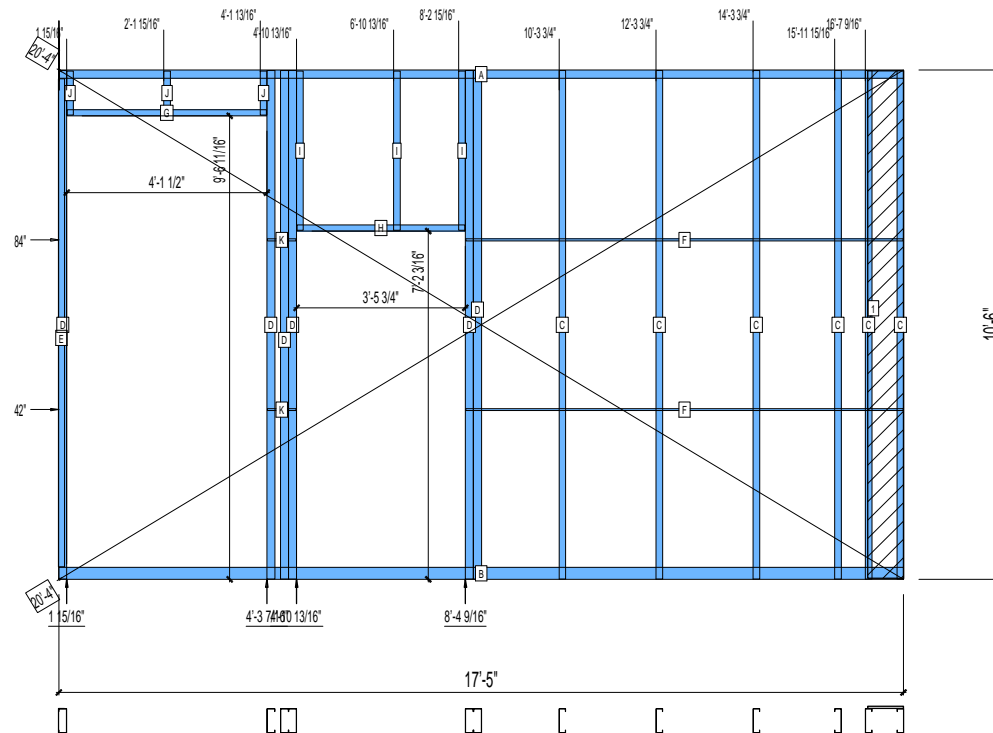
HEIGHT : 10'-6"
SPACING : 5000"
1st STUD: 5000"

POINTS: 2.95 Points.

ANCHORS

WEIGHTS :
FRAME : 422 lbs
SHEATHING: 19 lbs

TOTAL: 441 lbs



PIECES LIST

LABEL	QTY	SIZE	LENGTH	USE
A	1	600T200-54	17'-5"	TOP TRACK
B	1	600T300-54	17'-5"	BOTTOM TRACK
C	6	600S162-54	10'-5 13/16"	STUD
D	6	600S200-68	10'-5 13/16"	KING STUD
E	1	600T150-54	10'-0 3/4"	CAP TRACK
F	2	150U50-54	9'-0 3/16"	HORIZONTAL BRACING
G	1	600T150-54	4'-1 1/4"	HEAD TRACK
H	1	600T150-54	3'-5 1/2"	HEAD TRACK
I	3	600S162-54	3'-3 3/8"	CRIPPLE
J	3	600S162-54	10 7/8"	CRIPPLE
K	2	150U50-54	7 1/8"	HORIZONTAL BRACING

SHEATHING

LABEL	QTY	CODE	THICK	SIZE	SCREWS
1	1	DENSGLOSS	1/2"	8 13/16" X 10'-5 9/16"	8 - 12

13-1038

Jewish Home for the Aging

1885 Victory Blvd. Reseda, CA

FM-07-109

CREATED BY: AMB

FrameMax, Inc.
13915 Danielson St
Suite 100
Poway, CA 92064
www.framemax.com



© FrameMax Inc.

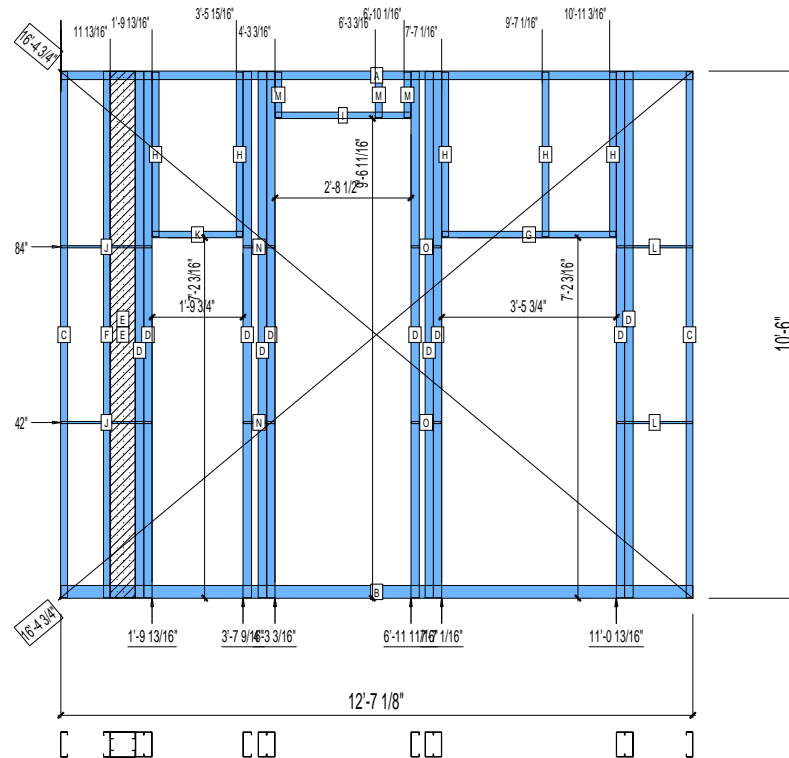
HEIGHT : 10'-6"
SPACING : 5000"
1st STUD: 5000"

POINTS: 3.11 Points.

ANCHORS

WEIGHTS :
FRAME : 458 lbs

TOTAL: 458 lbs



PIECES LIST			
LABEL	QTY	SIZE	LENGTH USE
A	1	600T200-54	12'-7 1/8" TOP TRACK
B	1	600T300-54	12'-7 1/8" BOTTOM TRACK
C	2	600S162-54	10'-5 13/16" STUD
D	10	600S200-68	10'-5 13/16" KING STUD
E	2	600S162-33	10'-5 13/16" BACKER-U
F	1	600S162-33	10'-5 13/16" BACKER STUD
G	1	600T150-54	3'-5 1/2" HEAD TRACK
H	5	600S162-54	3'-3 3/8" CRIPPLE
I	1	600T150-54	2'-8 1/4" HEAD TRACK
J	2	150U50-54	1'-9 5/8" HORIZONTAL BRACING
K	1	600T150-54	1'-9 1/2" HEAD TRACK
L	2	150U50-54	1'-6 1/16" HORIZONTAL BRACING
M	3	600S162-54	10 7/8" CRIPPLE
N	2	150U50-54	7 3/8" HORIZONTAL BRACING
O	2	150U50-54	7 1/8" HORIZONTAL BRACING

13-1039

Jewish Home for the Aging

1885 Victory Blvd. Reseda, CA

FM-07-109

CREATED BY: AMB

FrameMax, Inc.
13915 Danielson St
Suite 100
Poway, CA 92064
www.frame-max.com



© FrameMax Inc.

HEIGHT : 11'-7 7/16" POINTS: 3.24 Points.

SPACING : 5000"

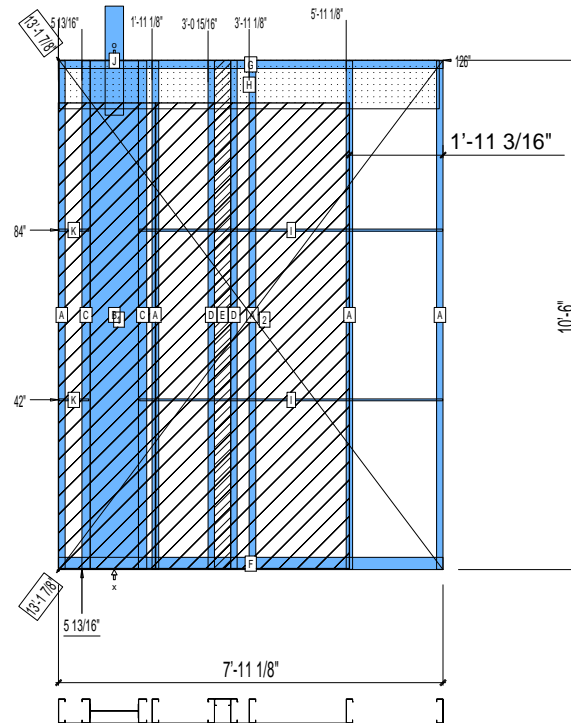
1st STUD: 5000"

WEIGHTS :

FRAME : 376 lbs

SHEATHING: 212 lbs

TOTAL: 588 lbs



PIECES LIST

LABEL	QTY	SIZE	LENGTH	USE
A	5	600S162-54	10'-5 13/16"	STUD
B	1	1200i350p1062	10'-5 13/16"	PACO
C	2	600S200-68	10'-5 13/16"	STUD
D	2	600S162-33	10'-5 13/16"	BACKER STUD
E	1	400S162-33	10'-5 13/16"	BACKER-U
F	1	600T300-54	7'-11 1/8"	BOTTOM TRACK
G	1	600T200-54	7'-11 1/8"	TOP TRACK
H	1	1200D-54	7'-10 1/16"	STRAP
I	2	150U50-54	6'-2 15/16"	HORIZONTAL BRACING
J	1	B	2'-3"	HOLDDOWN
K	2	150U50-54	7 3/8"	HORIZONTAL BRACING

SHEATHING

LABEL	QTY	CODE	THICK	SIZE	SCREWS
1	1	SB-DENSARMOR	5/8"	2'-0" X 9'-7 3/16"	2 - 12
2	1	SB-DENSARMOR	5/8"	4'-0" X 9'-7 3/16"	2 - 12

13-1040

Jewish Home for the Aging

1885 Victory Blvd. Reseda, CA

FrameMax, Inc.
13915 Danielson St
Suite 100
Poway, CA 92064
www.frame-max.com



© FrameMax Inc.

CREATED: 12/09/2008

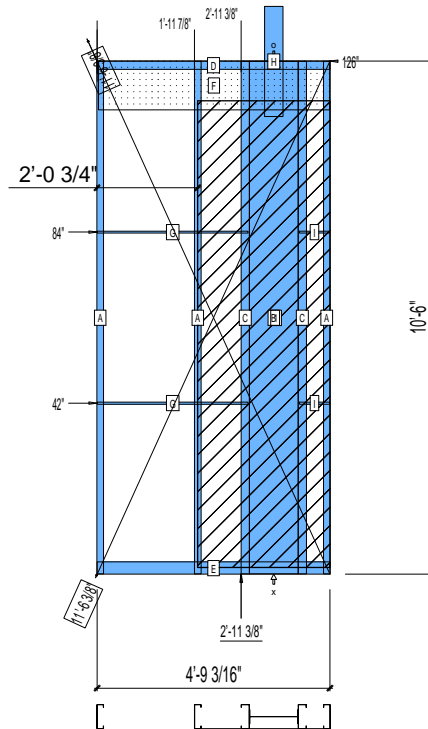
FM-07-109

CREATED BY: AMB

HEIGHT : 11'-7 7/16" POINTS: 2.09 Points.
SPACING : 5000"
1st STUD: 5000"

WEIGHTS :
FRAME : 278 lbs
SHEATHING: 95 lbs

TOTAL: 373 lbs



PIECES LIST

LABEL	QTY	SIZE	LENGTH	USE
A	3	600S162-54	10'-5 13/16"	STUD
B	1	1200i350p1062	10'-5 13/16"	PACO
C	2	600S200-68	10'-5 13/16"	STUD
D	1	600T200-54	4'-9 3/16"	TOP TRACK
E	1	600T300-54	4'-9 3/16"	BOTTOM TRACK
F	1	1200D-54	4'-8 3/4"	STRAP
G	2	150U50-54	3'-1"	HORIZONTAL BRACING
H	1	B	2'-3"	HOLDDOWN
I	2	150U50-54	7 3/8"	HORIZONTAL BRACING

SHEATHING

LABEL	QTY	CODE	THICK	SIZE	SCREWS
1	1	SB-DENSARMOR	5/8"	2'-8 7/16" X	9'-6 9/16" 2-12

13-1041

Jewish Home for the Aging

1885 Victory Blvd. Reseda, CA

FrameMax, Inc.
13915 Danielson St
Suite 100
Poway, CA 92064
www.frame-max.com



© FrameMax Inc.

CREATED: 12/05/2008

FM-07-109

CREATED BY: AMB

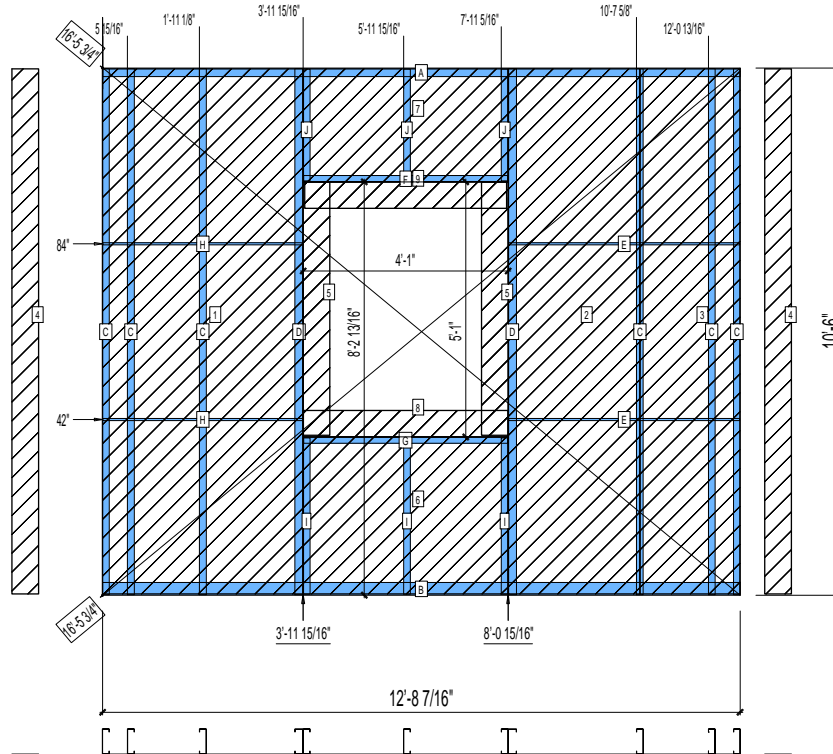
HEIGHT : 10'-6"
SPACING : 5000"
1st STUD: 5000"

POINTS: 3.52 Points.

ANCHORS

WEIGHTS :
FRAME : 281 lbs
SHEATHING: 332 lbs

TOTAL: 613 lbs



PIECES LIST

LABEL	QTY	SIZE	LENGTH	USE
A	1	600T200-54	12'-8 7/16"	TOP TRACK
B	1	600T300-54	12'-8 7/16"	BOTTOM TRACK
C	6	600S162-54	10'-5 13/16"	STUD
D	2	600S200-68	10'-5 13/16"	KING STUD
E	2	150U50-54	4'-7 1/4"	HORIZONTAL BRACING
F	1	600T150-54	4'-0 3/4"	HEAD TRACK
G	1	600T150-54	4'-0 3/4"	SILL
H	2	150U50-54	3'-11 3/4"	HORIZONTAL BRACING
I	3	600S162-54	3'-1 3/8"	CRIPPLE
J	3	600S162-54	2'-2 3/4"	CRIPPLE

SHEATHING

LABEL	QTY	CODE	THICK	SIZE	SCREWS
1	1	DENSGLASS	1/2"	3'-11 7/8" X 10'-5 9/16"	8 - 12
2	1	DENSGLASS	1/2"	2'-7 7/16" X 10'-5 9/16"	8 - 12
3	1	DENSGLASS	1/2"	1'-11 15/16" X 10'-5 9/16"	8 - 12
4	2	DENSGLASS	1/2"	6 3/8" X 10'-5 9/16"	8 - 12
5	2	DENSGLASS	1/2"	6 3/8" X 5'-0 1/2"	8 - 12
6	1	DENSGLASS	1/2"	4'-0 7/8" X 3'-1 1/2"	8 - 12
7	1	DENSGLASS	1/2"	4'-0 7/8" X 2'-3"	8 - 12
8	1	DENSGLASS	1/2"	4'-0 7/8" X 6 5/16"	8 - 12
9	1	DENSGLASS	1/2"	4'-0 1/4" X 6 5/16"	8 - 12

13-1042

Jewish Home for the Aging

1885 Victory Blvd. Reseda, CA

FM-07-109

CREATED BY: AMB

FrameMax, Inc.
13915 Danielson St
Suite 100
Poway, CA 92064
www.framemax.com



© FrameMax Inc.

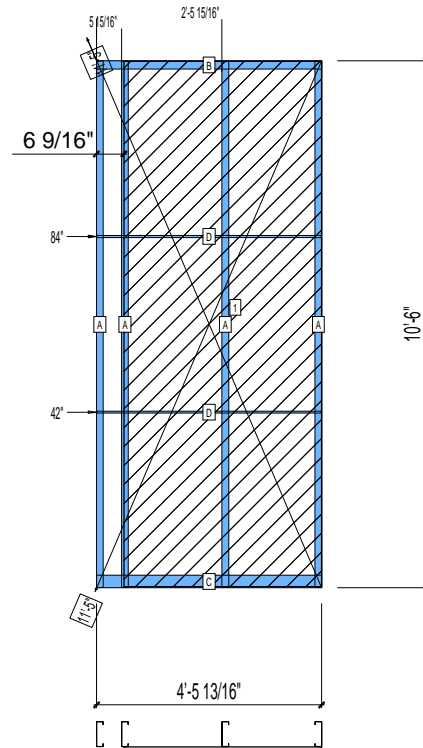
HEIGHT : 10'-6"
SPACING : 5000"
1st STUD: 5000"

POINTS: 1.20 Points.

ANCHORS

WEIGHTS :
FRAME : 103 lbs
SHEATHING: 103 lbs

TOTAL: 206 lbs



PIECES LIST

LABEL	QTY	SIZE	LENGTH	USE
A	4	600S162-54	10'-5 13/16"	STUD
B	1	600T200-54	4'-5 13/16"	TOP TRACK
C	1	600T300-54	4'-5 13/16"	BOTTOM TRACK
D	2	150U50-54	4'-5 5/8"	HORIZONTAL BRACING

SHEATHING

LABEL	QTY	CODE	THICK	SIZE	SCREWS
1	1	DENSGLASS	1/2"	3'-11 1/4" X 10'-5 9/16"	8 - 12

13-1043

Jewish Home for the Aging

1885 Victory Blvd. Reseda, CA

FM-07-109

CREATED BY: AMB

FrameMax, Inc.
13915 Danielson St
Suite 100
Poway, CA 92064
www.frame-max.com



© FrameMax Inc.

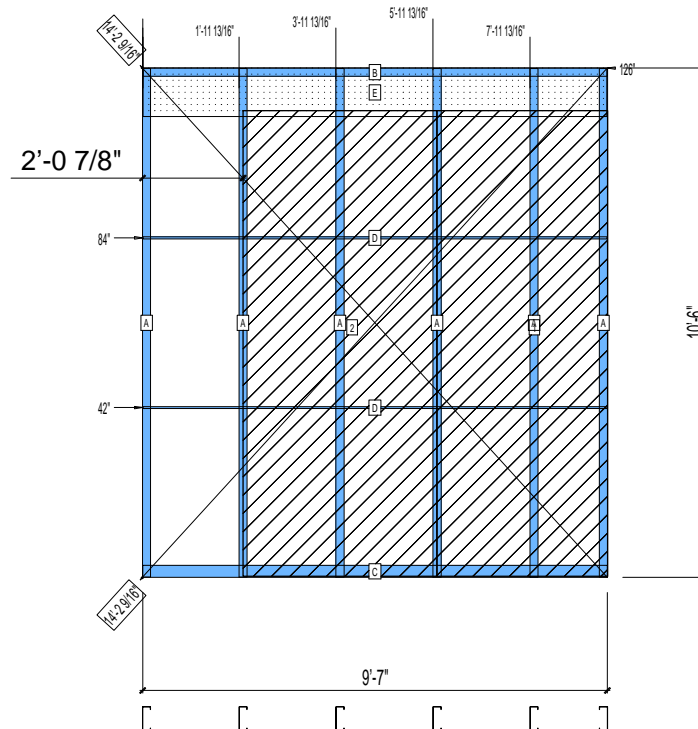
HEIGHT : 10'-6"
SPACING : 5000"
1st STUD: 5000"

POINTS: 2.57 Points.

ANCHORS

WEIGHTS :
FRAME : 205 lbs
SHEATHING: 266 lbs

TOTAL: 471 lbs



PIECES LIST

LABEL	QTY	SIZE	LENGTH	USE
A	6	600S200-54	10'-5 13/16"	STUD
B	1	600T200-54	9'-7"	TOP TRACK
C	1	600T300-54	9'-7"	BOTTOM TRACK
D	2	150U50-54	9'-6 13/16"	HORIZONTAL BRACING
E	1	1200D-54	9'-6 3/4"	STRAP

SHEATHING

LABEL	QTY	CODE	THICK	SIZE	SCREWS
1	1	SB-DENSARMOR	5/8"	3'-6 3/16" X 9'-7 3/16"	2 -12
2	1	SB-DENSARMOR	5/8"	4'-0" X 9'-7 3/16"	2 -12

13-1044

Jewish Home for the Aging

1885 Victory Blvd. Reseda, CA

FrameMax, Inc.
13915 Danielson St
Suite 100
Poway, CA 92064
www.frame-max.com



© FrameMax Inc.

CREATED: 12/10/2008

FM-07-109

CREATED BY: AMB

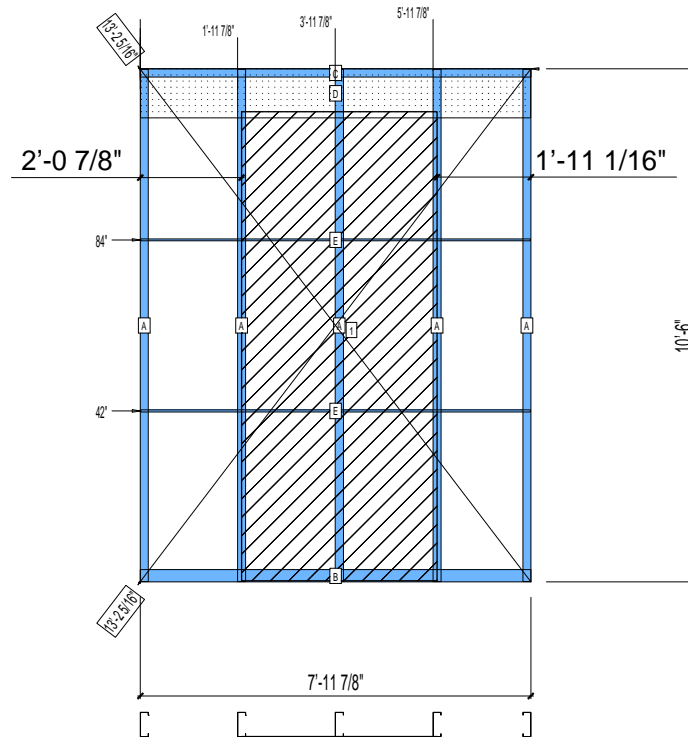
HEIGHT : 10'-6"
SPACING : 5000"
1st STUD: 5000"

POINTS: 1.80 Points.

ANCHORS

WEIGHTS :
FRAME : 171 lbs
SHEATHING: 141 lbs

TOTAL: 312 lbs



PIECES LIST

LABEL	QTY	SIZE	LENGTH	USE
A	5	600S200-54	10'-5 13/16"	STUD
B	1	600T300-54	7'-11 7/8"	BOTTOM TRACK
C	1	600T200-54	7'-11 7/8"	TOP TRACK
D	1	1200D-54	7'-11 13/16"	STRAP
E	2	150U50-54	7'-11 11/16"	HORIZONTAL BRACING

SHEATHING

LABEL	QTY	CODE	THICK	SIZE	SCREWS
1	1	SB-DENSARMOR	5/8"	4'-0" X 9'-7 3/16"	2-12

13-1045

Jewish Home for the Aging

1885 Victory Blvd. Reseda, CA

FrameMax, Inc.
13915 Danielson St
Suite 100
Poway, CA 92064
www.frame-max.com



© FrameMax Inc.

CREATED: 12/05/2008

FM-07-109

CREATED BY: HH

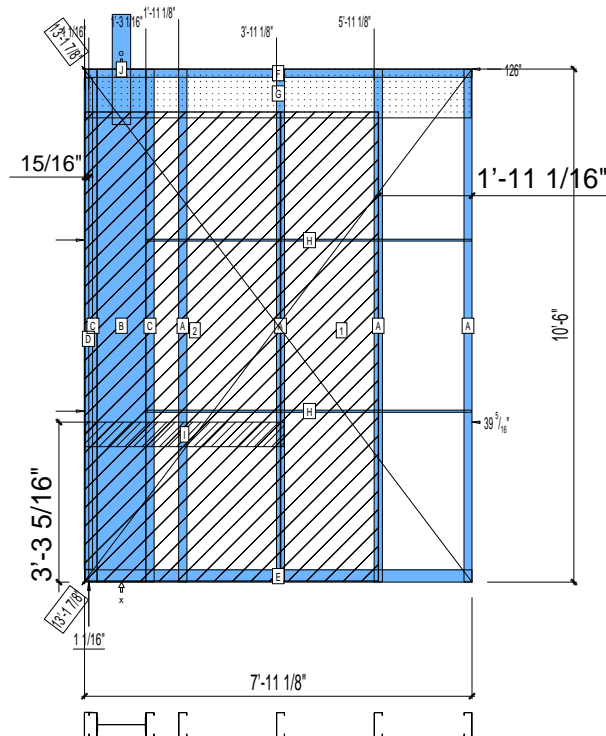
HEIGHT : 10'-6"
SPACING : 5000"
1st STUD: 16"

POINTS: 3.08 Points.

ANCHORS

WEIGHTS :
FRAME : 359 lbs
SHEATHING: 212 lbs

TOTAL: 571 lbs



PIECES LIST

LABEL	QTY	SIZE	LENGTH	USE
A	4	600S200-54	10'-5 13/16"	STUD
B	1	1200i350p1062	10'-5 13/16"	PACO
C	2	600S200-68	10'-5 13/16"	STUD
D	1	600T200-54	10'-0 3/4"	CAP TRACK
E	1	600T300-54	7'-11 1/8"	BOTTOM TRACK
F	1	600T200-54	7'-11 1/8"	TOP TRACK
G	1	1200D-54	7'-10 3/4"	STRAP
H	2	150U50-54	6'-7 5/8"	HORIZONTAL BRACING
I	1	600D-54	4'-0 15/16"	VANITY BACKING
J	1	B	2'-3"	HOLDDOWN

SHEATHING

LABEL	QTY	CODE	THICK	SIZE	SCREWS
1	1	SB-DENSARMOR	5/8"	2'-0" X 9'-7 3/16"	2-12
2	1	SB-DENSARMOR	5/8"	4'-0" X 9'-7 3/16"	2-12

13-1046

Jewish Home for the Aging

1885 Victory Blvd. Reseda, CA

FrameMax, Inc.
13915 Danielson St
Suite 100
Poway, CA 92064
www.frame-max.com



© FrameMax Inc.

CREATED: 12/05/2008

FM-07-109

CREATED BY: AMB

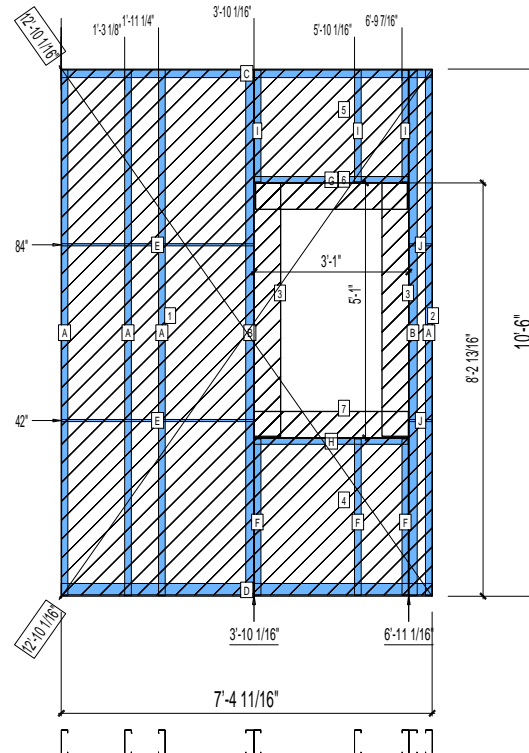
HEIGHT : 10'-6"
SPACING : 5000"
1st STUD: 16"

POINTS: 2.33 Points.

ANCHORS

WEIGHTS :
FRAME : 211 lbs
SHEATHING: 175 lbs

TOTAL: 386 lbs



PIECES LIST

LABEL	QTY	SIZE	LENGTH	USE
A	4	600S162-54	10'-5 13/16"	STUD
B	2	600S200-68	10'-5 13/16"	KING STUD
C	1	600T200-54	7'-4 11/16"	TOP TRACK
D	1	600T300-54	7'-4 11/16"	BOTTOM TRACK
E	2	150U50-54	3'-9 7/8"	HORIZONTAL BRACING
F	3	600S162-54	3'-1 3/8"	CRIPPLE
G	1	600T150-54	3'-0 3/4"	HEAD TRACK
H	1	600T150-54	3'-0 3/4"	SILL
I	3	600S162-54	2'-2 3/4"	CRIPPLE
J	2	150U50-54	5 3/8"	HORIZONTAL BRACING

SHEATHING

LABEL	QTY	CODE	THICK	SIZE	SCREWS
1	1	DENSGLASS	1/2"	3'-10" X 10'-5 9/16"	8 - 12
2	1	DENSGLASS	1/2"	5 1/2" X 10'-5 9/16"	8 - 12
3	2	DENSGLASS	1/2"	6 3/8" X 5'-0 1/2"	8 - 12
4	1	DENSGLASS	1/2"	3'-0 7/8" X 3'-1 1/2"	8 - 12
5	1	DENSGLASS	1/2"	3'-0 7/8" X 2'-3"	8 - 12
6	1	DENSGLASS	1/2"	3'-0 1/4" X 6 5/16"	8 - 12
7	1	DENSGLASS	1/2"	3'-0 7/8" X 6 5/16"	8 - 12

13-1047

Jewish Home for the Aging

1885 Victory Blvd. Reseda, CA

FrameMax, Inc.
13915 Danielson St
Suite 100
Poway, CA 92064
www.frame-max.com



© FrameMax Inc.

CREATED: 12/05/2008

FM-07-109

CREATED BY: AMB

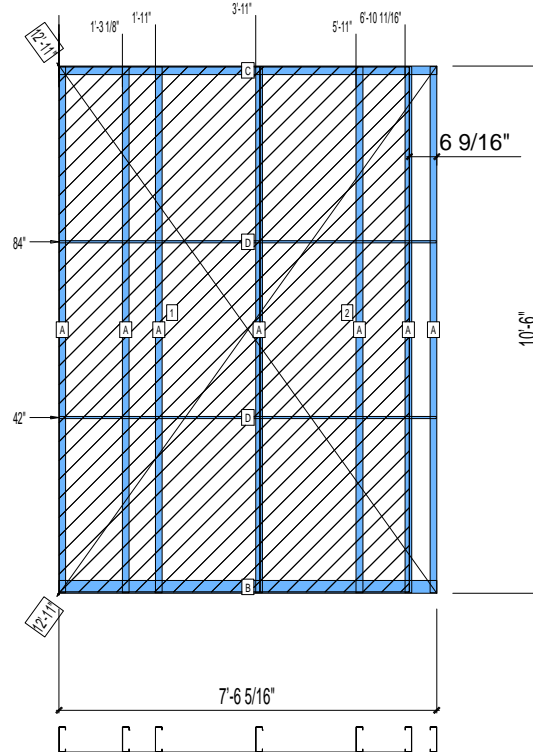
HEIGHT : 10'-6"
SPACING : 5000"
1st STUD: 16"

POINTS: 2.04 Points.

ANCHORS

WEIGHTS :
FRAME : 179 lbs
SHEATHING: 183 lbs

TOTAL: 362 lbs



PIECES LIST

LABEL	QTY	SIZE	LENGTH	USE
A	7	600S162-54	10'-5 13/16"	STUD
B	1	600T300-54	7'-6 5/16"	BOTTOM TRACK
C	1	600T200-54	7'-6 5/16"	TOP TRACK
D	2	150U50-54	7'-6 1/8"	HORIZONTAL BRACING

SHEATHING

LABEL	QTY	CODE	THICK	SIZE	SCREWS
1	1	DENSGLASS	1/2"	4'-0" X 10'-5 9/16"	8 - 12
2	1	DENSGLASS	1/2"	2'-11 3/4" X 10'-5 9/16"	8 - 12

13-1048

Jewish Home for the Aging

1885 Victory Blvd. Reseda, CA

FrameMax, Inc.
13915 Danielson St
Suite 100
Poway, CA 92064
www.frame-max.com



© FrameMax Inc.

CREATED: 12/05/2008

FM-07-109

CREATED BY: AMB

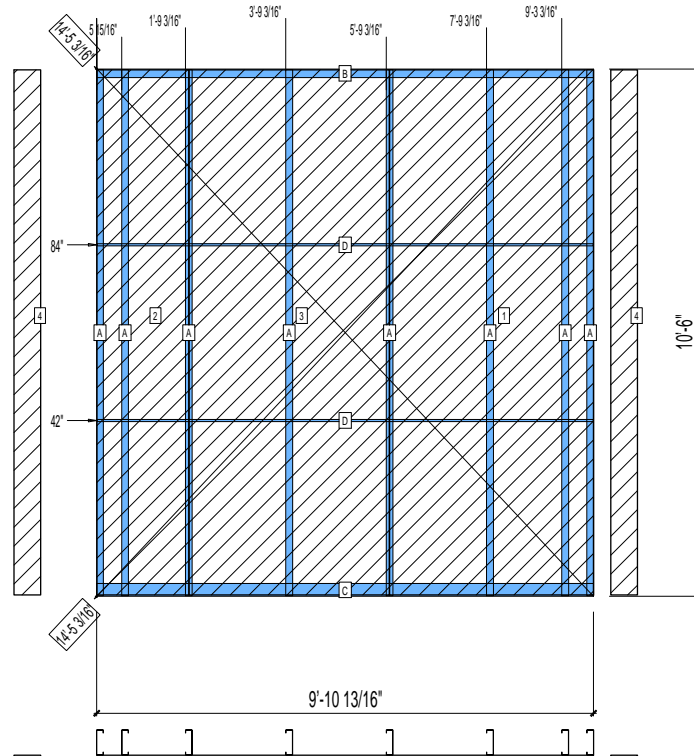
HEIGHT : 10'-6"
SPACING : 5000"
1st STUD: 5000"

POINTS: 2.72 Points.

ANCHORS

WEIGHTS :
FRAME : 211 lbs
SHEATHING: 287 lbs

TOTAL: 498 lbs



PIECES LIST

LABEL	QTY	SIZE	LENGTH	USE
A	8	600S162-54	10'-5 13/16"	STUD
B	1	600T200-54	9'-10 13/16"	TOP TRACK
C	1	600T300-54	9'-10 13/16"	BOTTOM TRACK
D	2	150U50-54	9'-10 5/8"	HORIZONTAL BRACING

SHEATHING

LABEL	QTY	CODE	THICK	SIZE	SCREWS
1	1	DENSGLASS	1/2"	4'-0 3/4" X 10'-5 9/16"	8 - 12
2	1	DENSGLASS	1/2"	1'-10" X 10'-5 9/16"	8 - 12
3	1	DENSGLASS	1/2"	4'-0" X 10'-5 9/16"	8 - 12
4	2	DENSGLASS	1/2"	6 3/8" X 10'-5 9/16"	8 - 12

13-1049

Jewish Home for the Aging

1885 Victory Blvd. Reseda, CA

FrameMax, Inc.
13915 Danielson St
Suite 100
Poway, CA 92064
www.frame-max.com



© FrameMax Inc.

CREATED: 12/05/2008

FM-07-109

CREATED BY: AMB

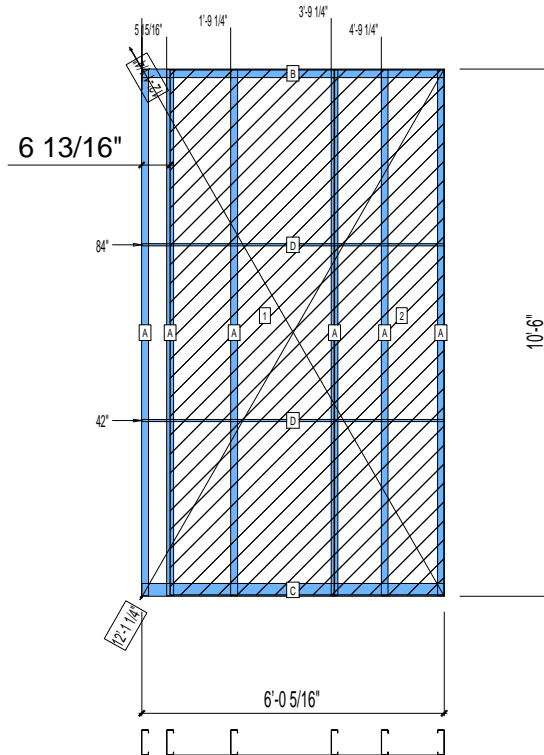
HEIGHT : 10'-6"
SPACING : 5000"
1st STUD: 5000"

POINTS: 1.67 Points.

ANCHORS

WEIGHTS :
FRAME : 151 lbs
SHEATHING: 143 lbs

TOTAL: 294 lbs



PIECES LIST

LABEL	QTY	SIZE	LENGTH	USE
A	6	600S162-54	10'-5 13/16"	STUD
B	1	600T200-54	6'-0 5/16"	TOP TRACK
C	1	600T300-54	6'-0 5/16"	BOTTOM TRACK
D	2	150U50-54	6'-0 1/8"	HORIZONTAL BRACING

SHEATHING

LABEL	QTY	CODE	THICK	SIZE	SCREWS
1	1	DENSGLASS	1/2"	3'-3 5/16" X 10'-5 9/16"	8 - 12
2	1	DENSGLASS	1/2"	2'-2 3/16" X 10'-5 9/16"	8 - 12

13-1050

Jewish Home for the Aging

1885 Victory Blvd. Reseda, CA

FM-07-109

CREATED BY: AMB

FrameMax, Inc.
13915 Danielson St
Suite 100
Poway, CA 92064
www.frame-max.com



© FrameMax Inc.

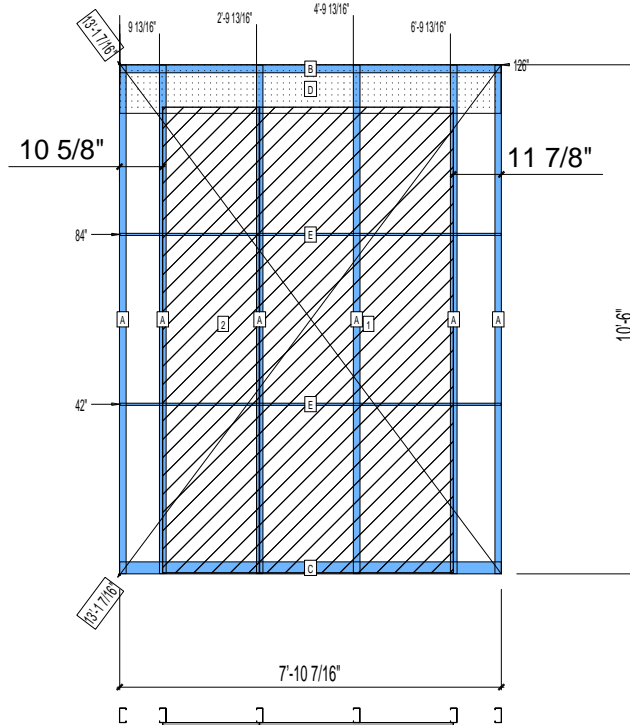
HEIGHT : 10'-6"
SPACING : 5000"
1st STUD : 5000"

POINTS: 2.02 Points.

ANCHORS

WEIGHTS :
FRAME : 144 lbs
SHEATHING: 212 lbs

TOTAL: 356 lbs



PIECES LIST

LABEL	QTY	SIZE	LENGTH	USE
A	6	362S162-54	10'-5 13/16"	STUD
B	1	362T200-54	7'-10 7/16"	TOP TRACK
C	1	362T300-54	7'-10 7/16"	BOTTOM TRACK
D	1	1200D-54	7'-10 3/8"	STRAP
E	2	150U50-54	7'-10 1/4"	HORIZONTAL BRACING

SHEATHING

LABEL	QTY	CODE	THICK	SIZE	SCREWS
1	1	SB-DENSARMOR	5/8"	4'-0" X 9'-7 3/16"	2 - 12
2	1	SB-DENSARMOR	5/8"	2'-0" X 9'-7 3/16"	2 - 12

13-1051

Jewish Home for the Aging

1885 Victory Blvd. Reseda, CA

FrameMax, Inc.
13915 Danielson St
Suite 100
Poway, CA 92064
www.frame-max.com



© FrameMax Inc.

CREATED: 12/05/2008

FM-07-109

CREATED BY: HH

HEIGHT : 10'-6"
SPACING : 5000"
1st STUD: 5000"

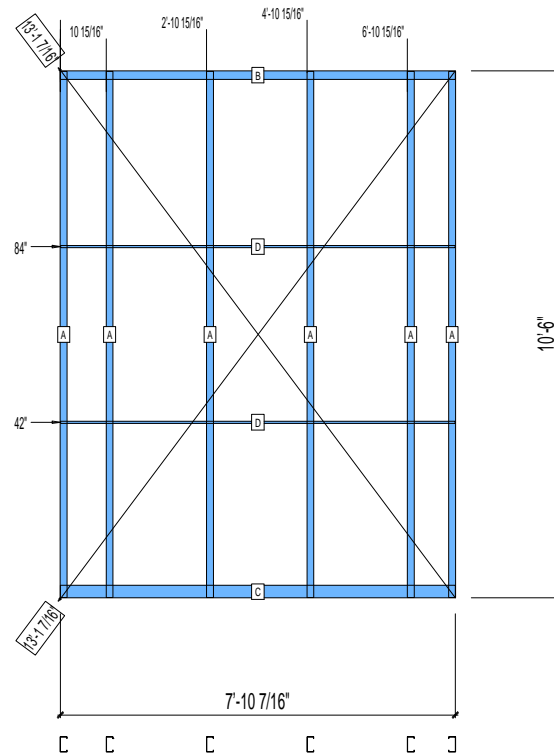
POINTS: 0.96 Points.

ANCHORS

WEIGHTS :
FRAME : 128 lbs

INSULATION: NO

TOTAL: 128 lbs



PIECES LIST

LABEL	QTY	SIZE	LENGTH	USE
A	6	362S162-54	10'-5 13/16"	STUD
B	1	362T200-54	7'-10 7/16"	TOP TRACK
C	1	362T300-54	7'-10 7/16"	BOTTOM TRACK
D	2	150U50-54	7'-10 1/4"	HORIZONTAL BRACING

13-1052

Jewish Home for the Aging

1885 Victory Blvd. Reseda, CA

FM-07-109

CREATED BY: AMB

FrameMax, Inc.
13915 Danielson St
Suite 100
Poway, CA 92064
www.frame-max.com



© FrameMax Inc.

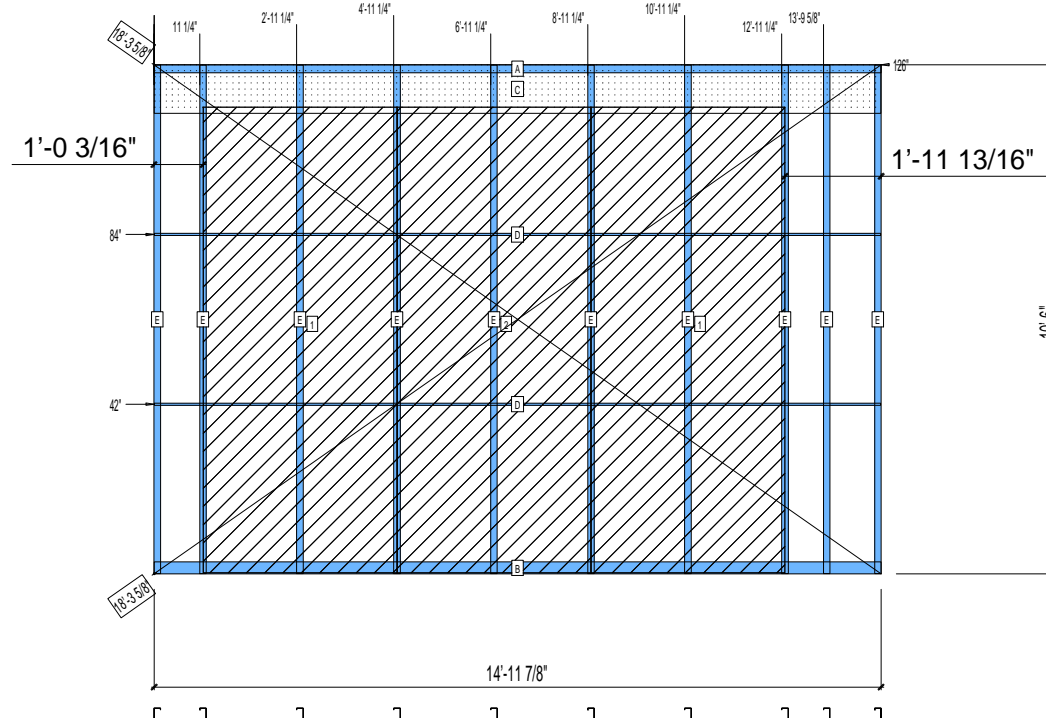
HEIGHT : 10'-6"
SPACING : 5000"
1st STUD: 5000"

POINTS: 3.71 Points.

ANCHORS

WEIGHTS :
FRAME : 253 lbs
SHEATHING: 424 lbs

TOTAL: 677 lbs



PIECES LIST

LABEL	QTY	SIZE	LENGTH	USE
A	1	362T200-54	14'-11 7/8"	TOP TRACK
B	1	362T300-54	14'-11 7/8"	BOTTOM TRACK
C	1	1200D-54	14'-11 13/16"	STRAP
D	2	150U50-54	14'-11 11/16"	HORIZONTAL BRACING
E	10	362S162-54	10'-5 13/16"	STUD

SHEATHING

LABEL	QTY	CODE	THICK	SIZE	SCREWS
1	2	SB-DENSARMOR	5/8"	4'-0" X 9'-7 3/16"	3 - 12
2	1	SB-DENSARMOR	5/8"	4'-0" X 9'-7 3/16"	3 - 12

13-1053

Jewish Home for the Aging

1885 Victory Blvd. Reseda, CA

FrameMax, Inc.
13915 Danielson St
Suite 100
Poway, CA 92064
www.frame-max.com



© FrameMax Inc.

CREATED: 12/05/2008

FM-07-109

CREATED BY: HH

HEIGHT : 10'-6"
SPACING : 5000"
1st STUD: 5000"

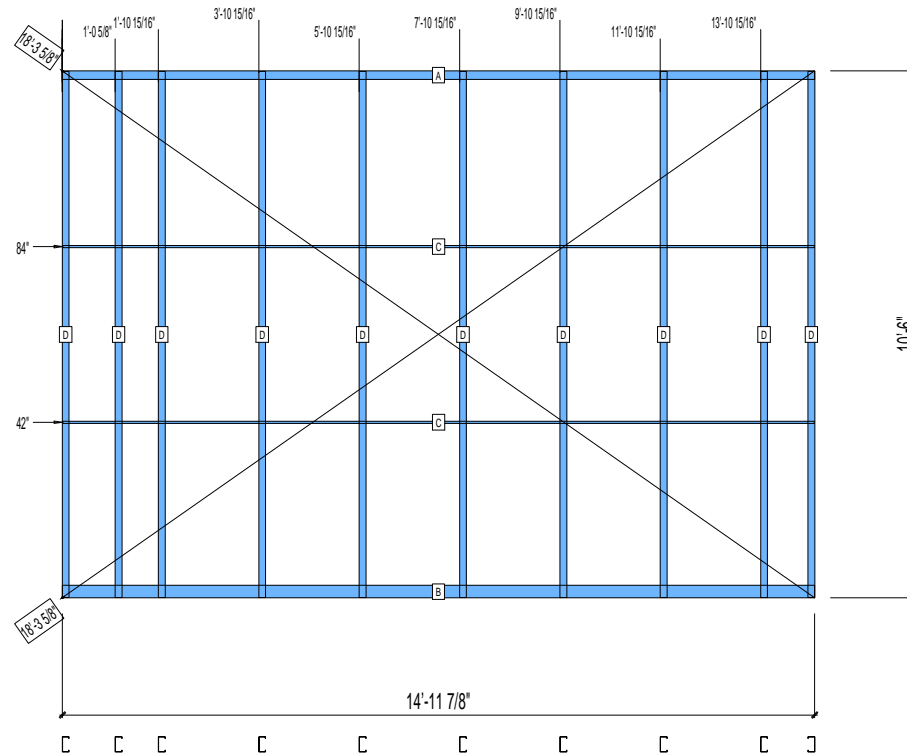
POINTS: 1.62 Points.

ANCHORS

WEIGHTS :
FRAME : 221 lbs

INSULATION: NO

TOTAL: 221 lbs



PIECES LIST

LABEL	QTY	SIZE	LENGTH	USE
A	1	362T200-54	14'-11 7/8"	TOP TRACK
B	1	362T300-54	14'-11 7/8"	BOTTOM TRACK
C	2	150U50-54	14'-11 11/16"	HORIZONTAL BRACING
D	10	362S162-54	10'-5 13/16"	STUD

13-1054

Jewish Home for the Aging

1885 Victory Blvd. Reseda, CA

FrameMax, Inc.
13915 Danielson St
Suite 100
Poway, CA 92064
www.frame-max.com



© FrameMax Inc.

CREATED: 12/09/2008

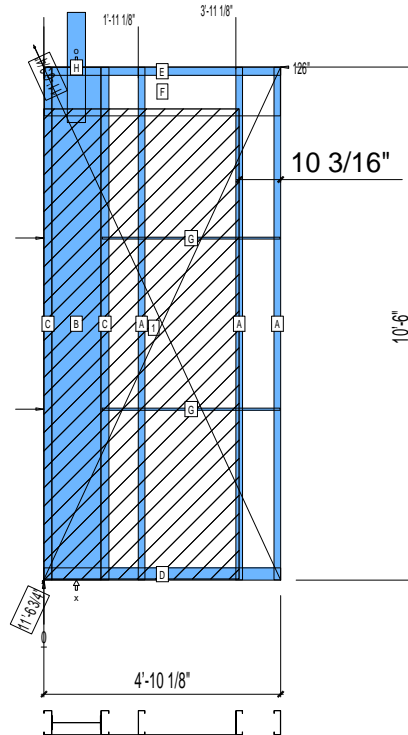
FM-07-109

CREATED BY: AMB

HEIGHT : 10'-6" POINTS: 2.26 Points.
SPACING : 5000"
1st STUD: 5000"

WEIGHTS :
FRAME : 279 lbs
SHEATHING: 141 lbs

TOTAL: 420 lbs



PIECES LIST

LABEL	QTY	SIZE	LENGTH	USE
A	3	600S162-54	10'-5 13/16"	STUD
B	1	1200i350p1062	10'-5 13/16"	PACO
C	2	600S200-68	10'-5 13/16"	STUD
D	1	600T300-54	4'-10 1/8"	BOTTOM TRACK
E	1	600T200-54	4'-10 1/8"	TOP TRACK
F	1	1200D-54	4'-10"	STRAP
G	2	150U50-54	3'-7 3/4"	HORIZONTAL BRACING
H	1	B	2'-3"	HOLDDOWN

SHEATHING

LABEL	QTY	CODE	THICK	SIZE	SCREWS
1	1	SB-DENSARMOR	5/8"	3'-11 15/16" X	9'-7 7/16" 2-12

13-1055

Jewish Home for the Aging

1885 Victory Blvd. Reseda, CA

FrameMax, Inc.
13915 Danielson St
Suite 100
Poway, CA 92064
www.frame-max.com



© FrameMax Inc.

CREATED: 12/09/2008

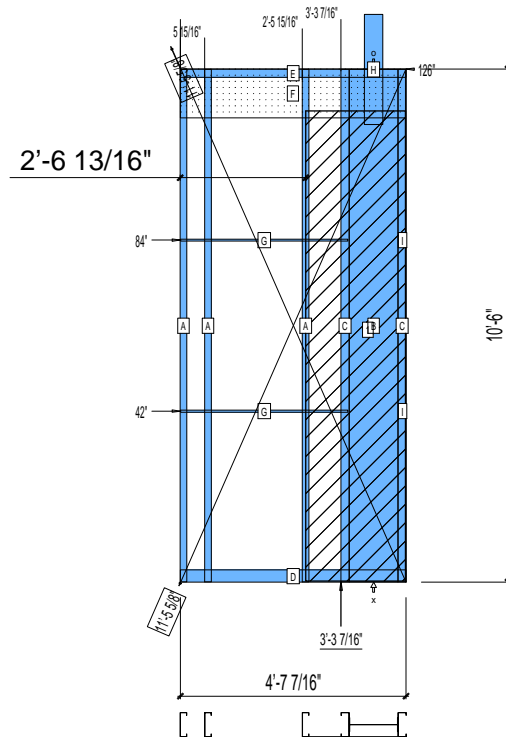
FM-07-109

CREATED BY: AMB

HEIGHT : 10'-6"
POINTS: 1.98 Points.
SPACING : 5000"
1st STUD: 5000"

WEIGHTS :
FRAME : 277 lbs
SHEATHING: 72 lbs

TOTAL: 349 lbs



PIECES LIST

LABEL	QTY	SIZE	LENGTH	USE
A	3	600S162-54	10'-5 13/16"	STUD
B	1	1200i350p1062	10'-5 13/16"	PACO
C	2	600S200-68	10'-5 13/16"	STUD
D	1	600T300-54	4'-7 7/16"	BOTTOM TRACK
E	1	600T200-54	4'-7 7/16"	TOP TRACK
F	1	1200D-54	4'-7 1/4"	STRAP
G	2	150U50-54	3'-5 1/16"	HORIZONTAL BRACING
H	1	B	2'-3"	HOLDDOWN
I	2	150U50-54	1 9/16"	HORIZONTAL BRACING

SHEATHING

LABEL	QTY	CODE	THICK	SIZE	SCREWS
1	1	SB-DENSARMOR	5/8"	2'-0 1/2" X 9'-7 7/16"	2 - 12

13-1056

Jewish Home for the Aging

1885 Victory Blvd. Reseda, CA

FM-07-109

CREATED BY: AMB

FrameMax, Inc.
13915 Danielson St
Suite 100
Poway, CA 92064
www.frame-max.com



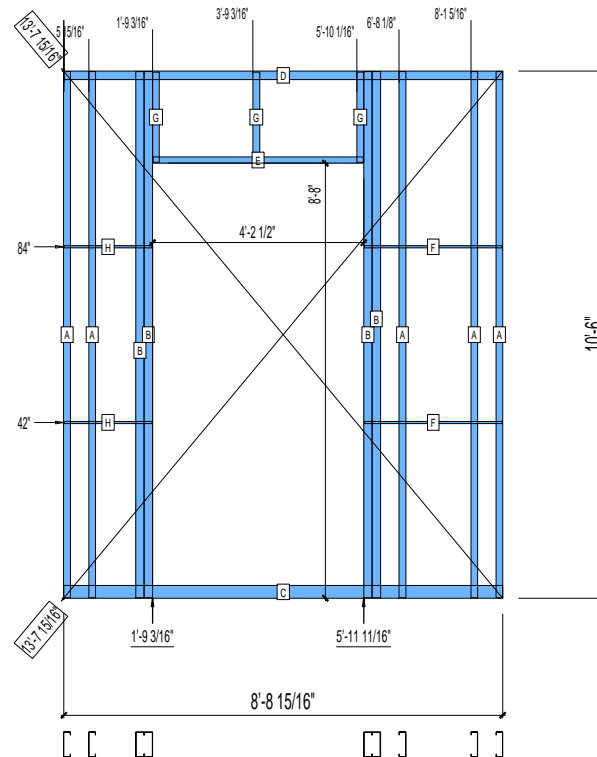
© FrameMax Inc.

HEIGHT : 10'-6"
SPACING : 5000"
1st STUD: 5000"

POINTS: 1.81 Points.

WEIGHTS :
FRAME : 268 lbs

TOTAL: 268 lbs



PIECES LIST

LABEL	QTY	SIZE	LENGTH	USE
A	5	600S162-54	10'-5 13/16"	STUD
B	4	600S200-68	10'-5 13/16"	KING STUD
C	1	600T300-54	8'-8 15/16"	BOTTOM TRACK
D	1	600T200-54	8'-8 15/16"	TOP TRACK
E	1	600T150-54	4'-2 1/4"	HEAD TRACK
F	2	150U50-54	2'-9"	HORIZONTAL BRACING
G	3	600S162-54	1'-9 9/16"	CRIPPLE
H	2	150U50-54	1'-9"	HORIZONTAL BRACING

13-1057

Jewish Home for the Aging

1885 Victory Blvd. Reseda, CA

FrameMax, Inc.
13915 Danielson St
Suite 100
Poway, CA 92064
www.frame-max.com



© FrameMax Inc.

CREATED: 12/09/2008

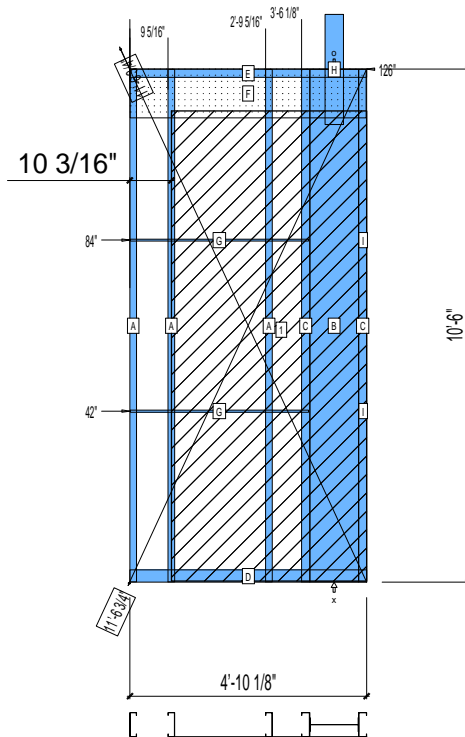
FM-07-109

CREATED BY: AMB

HEIGHT : 10'-6"
POINTS: 2.31 Points.
SPACING : 5000"
1st STUD: 5000"

WEIGHTS :
FRAME : 279 lbs
SHEATHING: 141 lbs

TOTAL: 420 lbs



PIECES LIST

LABEL	QTY	SIZE	LENGTH	USE
A	3	600S162-54	10'-5 13/16"	STUD
B	1	1200i350p1062	10'-5 13/16"	PACO
C	2	600S200-68	10'-5 13/16"	STUD
D	1	600T300-54	4'-10 1/8"	BOTTOM TRACK
E	1	600T200-54	4'-10 1/8"	TOP TRACK
F	1	1200D-54	4'-10"	STRAP
G	2	150U50-54	3'-7 3/4"	HORIZONTAL BRACING
H	1	B	2'-3"	HOLDDOWN
I	2	150U50-54	1 9/16"	HORIZONTAL BRACING

SHEATHING

LABEL	QTY	CODE	THICK	SIZE	SCREWS
1	1	SB-DENSARMOR	5/8"	3'-11 15/16" X 9'-7 7/16"	2 - 12

13-1058

Jewish Home for the Aging

1885 Victory Blvd. Reseda, CA

FrameMax, Inc.
13915 Danielson St
Suite 100
Poway, CA 92064
www.frame-max.com



© FrameMax Inc.

CREATED: 12/09/2008

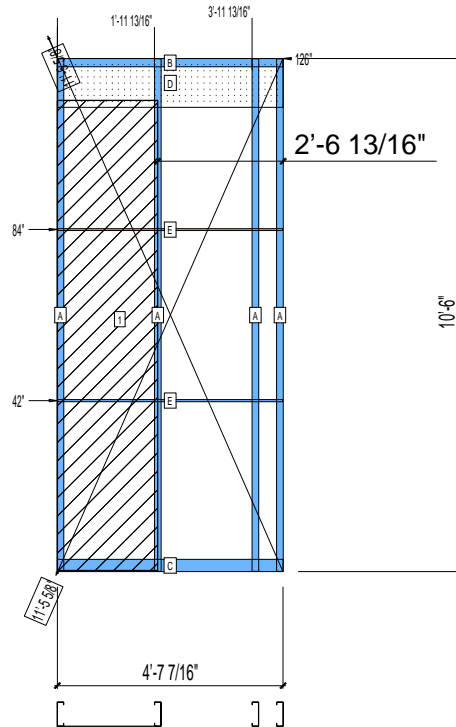
FM-07-109

CREATED BY: AMB

HEIGHT : 10'-6" POINTS: 1.14 Points.
SPACING : 5000"
1st STUD: 5000"

WEIGHTS :
FRAME : 115 lbs
SHEATHING: 73 lbs

TOTAL: 188 lbs



PIECES LIST

LABEL	QTY	SIZE	LENGTH	USE
A	4	600S162-54	10'-5 13/16"	STUD
B	1	600T200-54	4'-7 7/16"	TOP TRACK
C	1	600T300-54	4'-7 7/16"	BOTTOM TRACK
D	1	1200D-54	4'-7 5/16"	STRAP
E	2	150U50-54	4'-7 1/4"	HORIZONTAL BRACING

SHEATHING

LABEL	QTY	CODE	THICK	SIZE	SCREWS
1	1	SB-DENSARMOR	5/8"	2'-0 5/8" X	9'-7 7/16" 2-12

13-1059

Jewish Home for the Aging

1885 Victory Blvd. Reseda, CA

FrameMax, Inc.
13915 Danielson St
Suite 100
Poway, CA 92064
www.frame-max.com



© FrameMax Inc.

CREATED: 12/05/2008

FM-07-109

CREATED BY: HH

HEIGHT : 10'-6"
SPACING : 5000"
1st STUD: 5000"

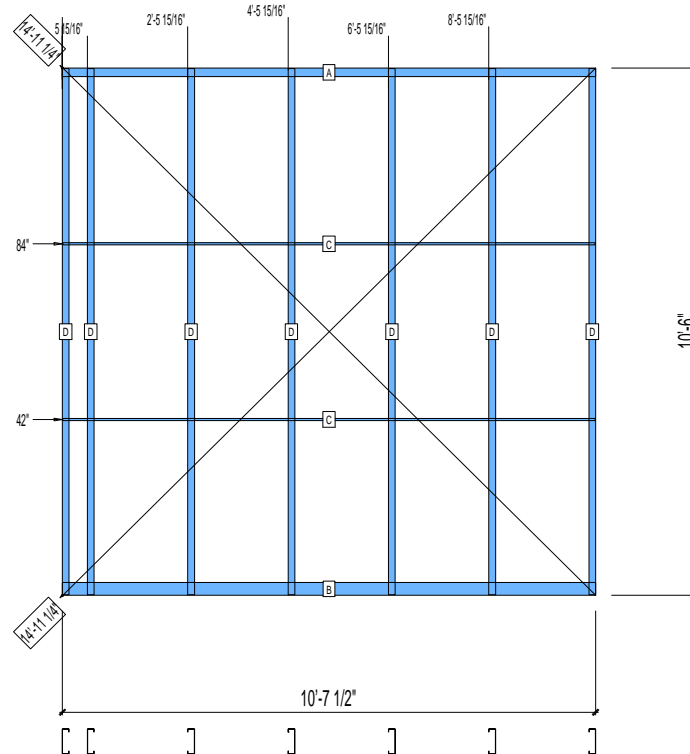
POINTS: 1.37 Points.

ANCHORS

WEIGHTS :
FRAME : 200 lbs

TOTAL: 200 lbs

INSULATION: NO



PIECES LIST

LABEL	QTY	SIZE	LENGTH	USE
A	1	600T200-54	10'-7 1/2"	TOP TRACK
B	1	600T300-54	10'-7 1/2"	BOTTOM TRACK
C	2	150U50-54	10'-7 5/16"	HORIZONTAL BRACING
D	7	600S162-54	10'-5 13/16"	STUD

13-1060

Jewish Home for the Aging

1885 Victory Blvd. Reseda, CA

FM-07-109

CREATED BY: HH

FrameMax, Inc.
13915 Danielson St
Suite 100
Poway, CA 92064
www.frame-max.com



© FrameMax Inc.

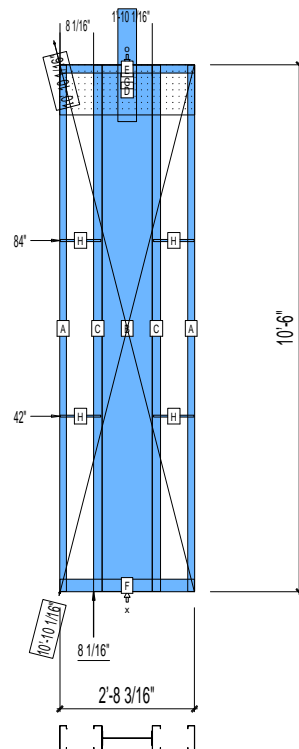
HEIGHT : 10'-6"
SPACING : 5000"
1st STUD: 5000"

POINTS: 1.45 Points.

ANCHORS

WEIGHTS :
FRAME : 246 lbs

TOTAL: 246 lbs



PIECES LIST

LABEL	QTY	SIZE	LENGTH	USE
A	2	600S162-54	10'-5 13/16"	STUD
B	1	1200i350p1062	10'-5 13/16"	PACO
C	2	600S200-68	10'-5 13/16"	STUD
D	1	1200D-54	2'-8 1/4"	STRAP
E	1	600T200-54	2'-8 3/16"	TOP TRACK
F	1	600T300-54	2'-8 3/16"	BOTTOM TRACK
G	1	B	2'-3"	HOLDDOWN
H	4	150U50-54	9 11/16"	HORIZONTAL BRACING

13-1061

Jewish Home for the Aging

1885 Victory Blvd. Reseda, CA

FM-07-109

CREATED BY: AMB

FrameMax, Inc.
13915 Danielson St
Suite 100
Poway, CA 92064
www.frame-max.com



© FrameMax Inc.

HEIGHT : 10'-6" POINTS: 4.43 Points.

SPACING : 5000"

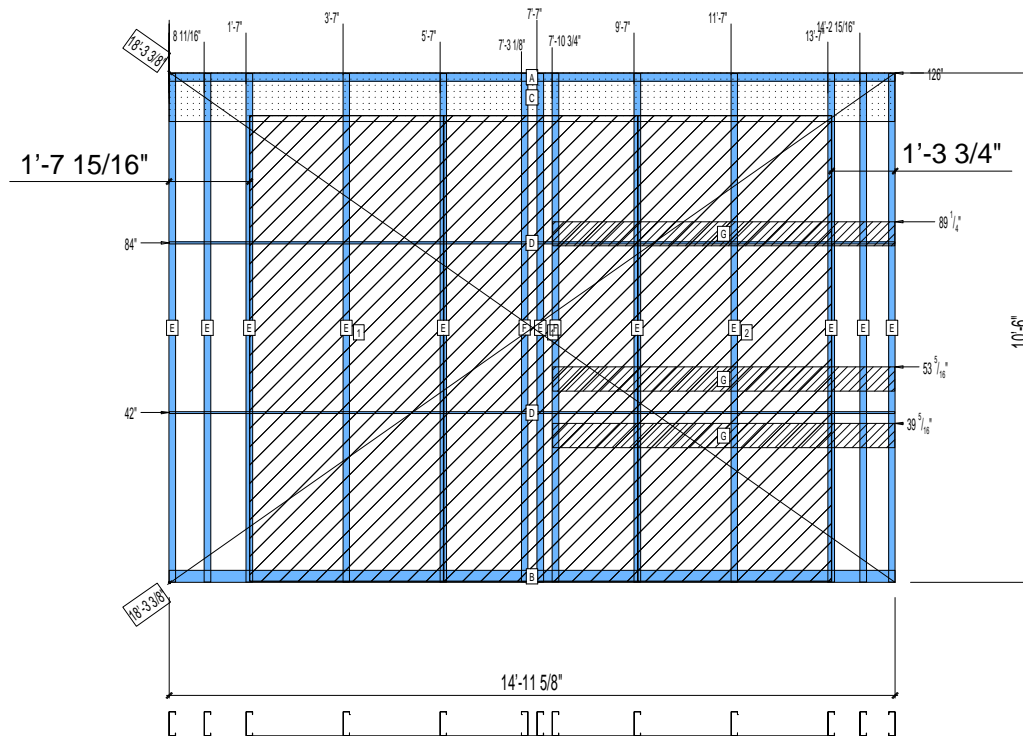
1st STUD: 5000"

WEIGHTS :

FRAME : 383 lbs

SHEATHING: 424 lbs

TOTAL: 807 lbs



PIECES LIST

LABEL	QTY	SIZE	LENGTH	USE
A	1	600T200-54	14'-11 5/8"	TOP TRACK
B	1	600T300-54	14'-11 5/8"	BOTTOM TRACK
C	1	1200D-54	14'-11 9/16"	STRAP
D	2	150U50-54	14'-11 7/16"	HORIZONTAL BRACING
E	11	600S162-54	10'-5 13/16"	STUD
F	2	600S162-33	10'-5 13/16"	BACKER STUD
G	3	600D-54	7'-0 5/8"	KITCHEN BACKING

SHEATHING

LABEL	QTY	CODE	THICK	SIZE	SCREWS
1	2	SB-DENSARMOR	5/8"	4'-0" X 9'-7 3/16"	2-12
2	1	SB-DENSARMOR	5/8"	4'-0" X 9'-7 3/16"	2-12

13-1062

Jewish Home for the Aging

1885 Victory Blvd. Reseda, CA

FM-07-109

CREATED BY: HH

FrameMax, Inc.
13915 Danielson St
Suite 100
Poway, CA 92064
www.frame-max.com



© FrameMax Inc.

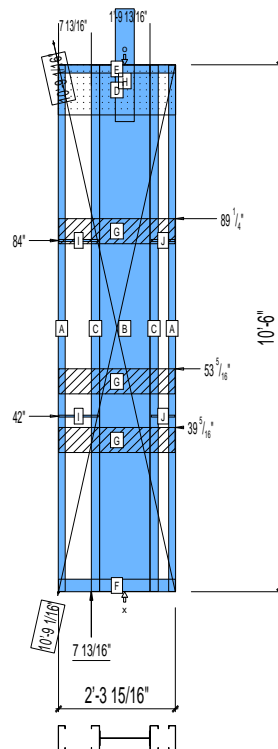
HEIGHT : 10'-6"
SPACING : 5000"
1st STUD: 5000"

POINTS: 1.53 Points.

ANCHORS

WEIGHTS :
FRAME : 251 lbs

TOTAL: 251 lbs



PIECES LIST

LABEL	QTY	SIZE	LENGTH	USE
A	2	600S162-54	10'-5 13/16"	STUD
B	1	1200i350p1062	10'-5 13/16"	PACO
C	2	600S200-68	10'-5 13/16"	STUD
D	1	1200D-54	2'-4"	STRAP
E	1	600T200-54	2'-3 15/16"	TOP TRACK
F	1	600T300-54	2'-3 15/16"	BOTTOM TRACK
G	3	600D-54	2'-3 3/4"	KITCHEN BACKING
H	1	B	2'-3"	HOLDDOWN
I	2	150U50-54	9 7/16"	HORIZONTAL BRACING
J	2	150U50-54	5 11/16"	HORIZONTAL BRACING

13-1063

Jewish Home for the Aging

1885 Victory Blvd. Reseda, CA

FrameMax, Inc.
13915 Danielson St
Suite 100
Poway, CA 92064
www.frame-max.com



© FrameMax Inc.

CREATED: 12/05/2008

FM-07-109

CREATED BY: AMB

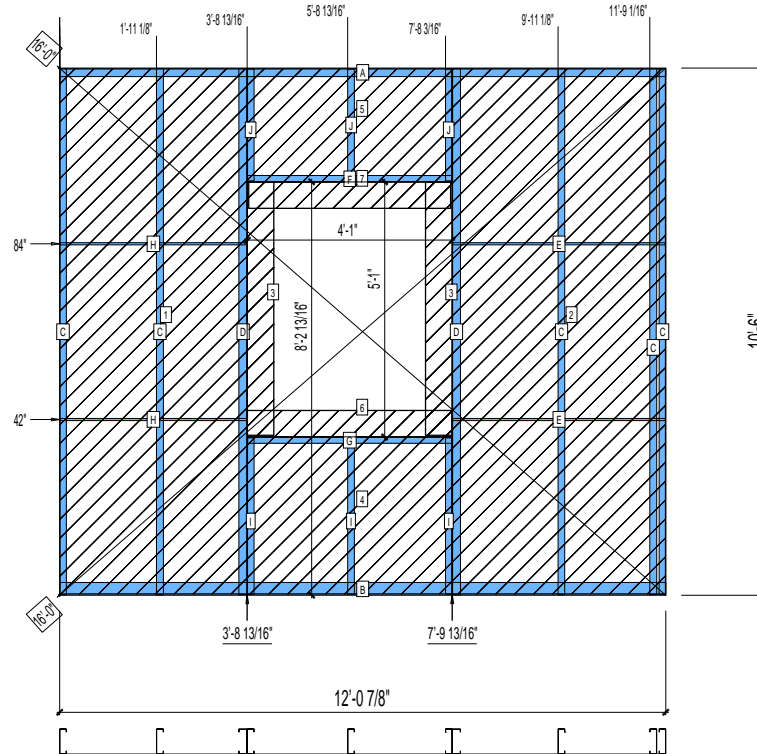
HEIGHT : 10'-6"
SPACING : 5000"
1st STUD: 5000"

POINTS: 3.18 Points.

ANCHORS

WEIGHTS :
FRAME : 258 lbs
SHEATHING: 287 lbs

TOTAL: 545 lbs



PIECES LIST

LABEL	QTY	SIZE	LENGTH	USE
A	1	600T200-54	12'-0 7/8"	TOP TRACK
B	1	600T300-54	12'-0 7/8"	BOTTOM TRACK
C	5	600S162-54	10'-5 13/16"	STUD
D	2	600S200-68	10'-5 13/16"	KING STUD
E	2	150U50-54	4'-2 13/16"	HORIZONTAL BRACING
F	1	600T150-54	4'-0 3/4"	HEAD TRACK
G	1	600T150-54	4'-0 3/4"	SILL
H	2	150U50-54	3'-8 5/8"	HORIZONTAL BRACING
I	3	600S162-54	3'-1 3/8"	CRIPPLE
J	3	600S162-54	2'-2 3/4"	CRIPPLE

SHEATHING

LABEL	QTY	CODE	THICK	SIZE	SCREWS
1	1	DENSGLASS	1/2"	3'-8 3/4" X 10'-5 9/16"	8 - 12
2	1	DENSGLASS	1/2"	4'-2 15/16" X 10'-5 9/16"	8 - 12
3	2	DENSGLASS	1/2"	6 3/8" X 5'-0 1/2"	8 - 12
4	1	DENSGLASS	1/2"	4'-0 7/8" X 3'-1 1/2"	8 - 12
5	1	DENSGLASS	1/2"	4'-0 7/8" X 2'-3"	8 - 12
6	1	DENSGLASS	1/2"	4'-0 7/8" X 6 5/16"	8 - 12
7	1	DENSGLASS	1/2"	4'-0 1/4" X 6 5/16"	8 - 12

13-1064

Jewish Home for the Aging

1885 Victory Blvd. Reseda, CA

FrameMax, Inc.
13915 Danielson St
Suite 100
Poway, CA 92064
www.frame-max.com



© FrameMax Inc.

CREATED: 12/05/2008

FM-07-109

CREATED BY: AMB

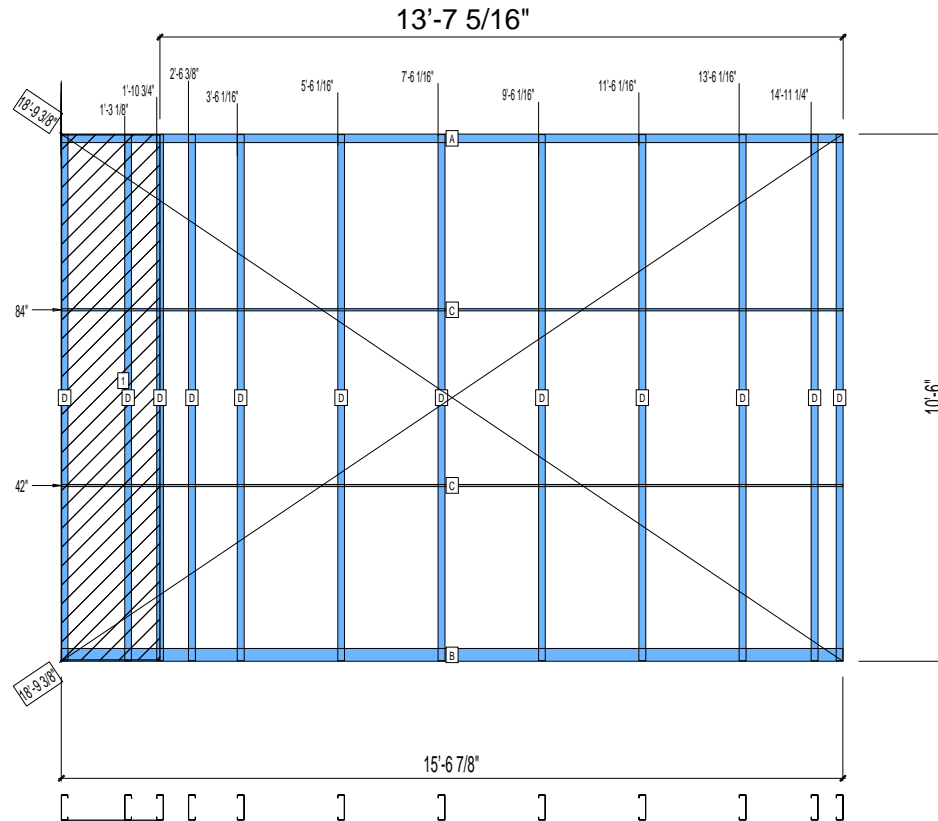
HEIGHT : 10'-6"
SPACING : 5000"
1st STUD: 16"

POINTS: 2.36 Points.

ANCHORS

WEIGHTS :
FRAME : 321 lbs
SHEATHING: 51 lbs

TOTAL: 372 lbs



PIECES LIST

LABEL	QTY	SIZE	LENGTH	USE
A	1	600T200-54	15'-6 7/8"	TOP TRACK
B	1	600T300-54	15'-6 7/8"	BOTTOM TRACK
C	2	150U50-54	15'-6 11/16"	HORIZONTAL BRACING
D	12	600S162-54	10'-5 13/16"	STUD

SHEATHING

LABEL	QTY	CODE	THICK	SIZE	SCREWS
1	1	DENSGLOSS	1/2"	1'-11 9/16" X 10'-5 9/16"	8 - 12

13-1065

Jewish Home for the Aging

1885 Victory Blvd. Reseda, CA

FrameMax, Inc.
13915 Danielson St
Suite 100
Poway, CA 92064
www.framemax.com



© FrameMax Inc.

CREATED: 12/05/2008

FM-07-109

CREATED BY: AMB

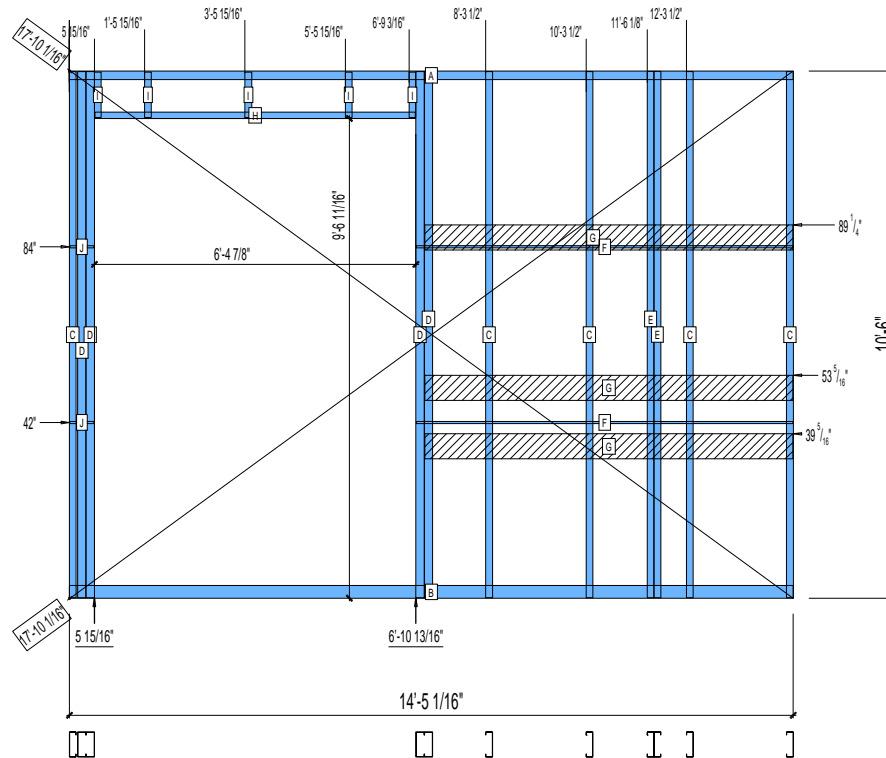
HEIGHT : 10'-6"
SPACING : 5000"
1st STUD: 5000"

POINTS: 2.44 Points.

ANCHORS

WEIGHTS :
FRAME : 349 lbs

TOTAL: 349 lbs



PIECES LIST

LABEL	QTY	SIZE	LENGTH	USE
A	1	600T200-54	14'-5 1/16"	TOP TRACK
B	1	600T300-54	14'-5 1/16"	BOTTOM TRACK
C	5	600S162-54	10'-5 13/16"	STUD
D	4	600S200-68	10'-5 13/16"	KING STUD
E	2	600S162-33	10'-5 13/16"	BACKER STUD
F	2	150U50-54	7'-6"	HORIZONTAL BRACING
G	3	600D-54	7'-4"	KITCHEN BACKING
H	1	600T150-54	6'-4 5/8"	HEAD TRACK
I	5	600S162-54	10 7/8"	CRIPPLE
J	2	150U50-54	5 3/4"	HORIZONTAL BRACING

13-1066

Jewish Home for the Aging

1885 Victory Blvd. Reseda, CA

FM-07-109

CREATED BY: AMB

FrameMax, Inc.
13915 Danielson St
Suite 100
Poway, CA 92064
www.frame-max.com



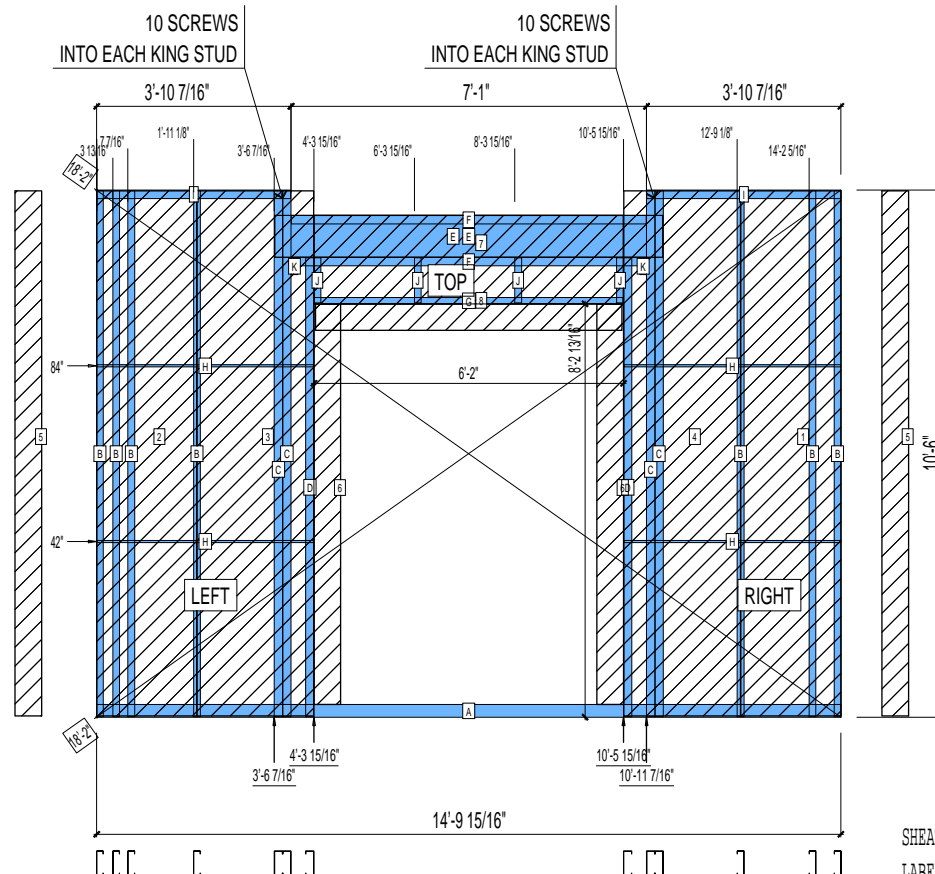
© FrameMax Inc.

HEIGHT : 10'-6"
SPACING : 5000"
1st STUD: 5000"

POINTS: 4.75 Points.

WEIGHTS :
FRAME : 523 lbs
SHEATHING: 310 lbs

TOTAL: 833 lbs



PIECES LIST

LABEL	QTY	SIZE	LENGTH	USE
A	1	600T300-54	14'-9 15/16"	BOTTOM TRACK
B	7	600S162-54	10'-5 13/16"	STUD
C	4	600S200-97	10'-5 13/16"	EXTRA STUD
D	2	600S200-68	9'-1 3/4"	KING STUD
E	2	1000S200-97	7'-8 3/4"	HEADER
F	2	600T200-54	7'-0 7/8"	TOP TRACK
G	1	600T150-54	6'-1 3/4"	HEAD TRACK
H	4	150U50-54	4'-3 3/4"	HORIZONTAL BRACING
I	2	600T200-54	3'-10 3/8"	TOP TRACK
J	4	600S162-54	10 13/16"	CRIPPLE
K	2	600S162-33	4"	BACKER STUD

SHEATHING

LABEL	QTY	CODE	THICK	SIZE	SCREWS
1	1	DENSGLASS	1/2"	1'-11 15/16" X 10'-5 9/16"	8 - 12
2	1	DENSGLASS	1/2"	1'-11 15/16" X 10'-5 9/16"	8 - 12
3	1	DENSGLASS	1/2"	2'-3 15/16" X 10'-5 9/16"	8 - 12
4	1	DENSGLASS	1/2"	2'-3 15/16" X 10'-5 9/16"	8 - 12
5	2	DENSGLASS	1/2"	6 3/8" X 10'-5 9/16"	8 - 12
6	2	DENSGLASS	1/2"	6 3/8" X 7'-11 3/4"	8 - 12
7	1	DENSGLASS	1/2"	6'-1 7/8" X 1'-9 1/16"	8 - 12
8	1	DENSGLASS	1/2"	6'-1 1/4" X 6 5/16"	8 - 12

13-1067

Jewish Home for the Aging

1885 Victory Blvd. Reseda, CA

FrameMax, Inc.
13915 Danielson St
Suite 100
Poway, CA 92064
www.frame-max.com



© FrameMax Inc.

CREATED: 12/05/2008

FM-07-109

CREATED BY: AMB

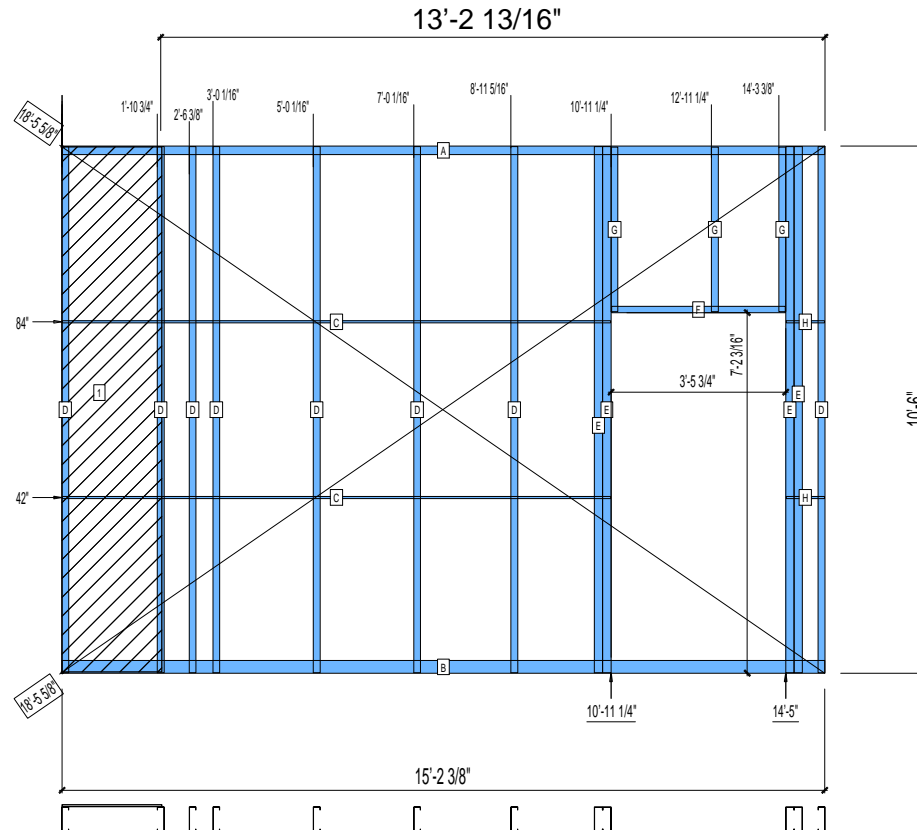
HEIGHT : 10'-6"
SPACING : 5000"
1st STUD: 5000"

POINTS: 2.71 Points.

ANCHORS

WEIGHTS :
FRAME : 370 lbs
SHEATHING: 52 lbs

TOTAL: 422 lbs



PIECES LIST

LABEL	QTY	SIZE	LENGTH	USE
A	1	600T200-54	15'-2 3/8"	TOP TRACK
B	1	600T300-54	15'-2 3/8"	BOTTOM TRACK
C	2	150U50-54	10'-11 1/16"	HORIZONTAL BRACING
D	8	600S162-54	10'-5 13/16"	STUD
E	4	600S200-68	10'-5 13/16"	KING STUD
F	1	600T150-54	3'-5 1/2"	HEAD TRACK
G	3	600S162-54	3'-3 3/8"	CRIPPLE
H	2	150U50-54	9 1/8"	HORIZONTAL BRACING

SHEATHING

LABEL	QTY	CODE	THICK	SIZE	SCREWS
1	1	DENSGLOSS	1/2"	1'-11 13/16" X 10'-5 9/16"	8 - 12

13-1068

Jewish Home for the Aging

1885 Victory Blvd. Reseda, CA

FM-07-109

CREATED BY: AMB

FrameMax, Inc.
13915 Danielson St
Suite 100
Poway, CA 92064
www.frame-max.com



© FrameMax Inc.

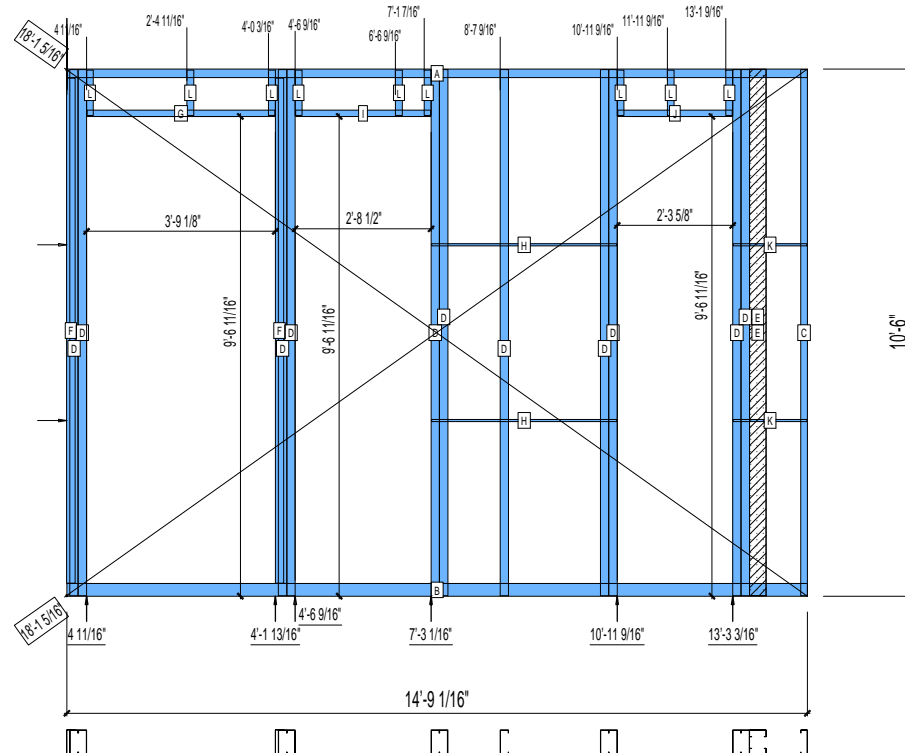
HEIGHT : 10'-6"
SPACING : 5000"
1st STUD: 5000"

POINTS: 3.20 Points.

ANCHORS

WEIGHTS :
FRAME : 477 lbs

TOTAL: 477 lbs



PIECES LIST

LABEL	QTY	SIZE	LENGTH	USE
A	1	600T200-54	14'-9 1/16"	TOP TRACK
B	1	600T300-54	14'-9 1/16"	BOTTOM TRACK
C	1	600S162-54	10'-5 13/16"	STUD
D	11	600S200-68	10'-5 13/16"	KING STUD
E	2	400S162-33	10'-5 13/16"	BACKER-U
F	2	600T200-54	10'-0 3/4"	CAP TRACK
G	1	600T150-54	3'-8 7/8"	HEAD TRACK
H	2	150U50-54	3'-8 1/4"	HORIZONTAL BRACING
I	1	600T150-54	2'-8 1/4"	HEAD TRACK
J	1	600T150-54	2'-3 3/8"	HEAD TRACK
K	2	150U50-54	1'-5 5/8"	HORIZONTAL BRACING
L	9	600S162-54	10 7/8"	CRIPPLE

13-1069

Jewish Home for the Aging

1885 Victory Blvd. Reseda, CA

FrameMax, Inc.
13915 Danielson St
Suite 100
Poway, CA 92064
www.frame-max.com



© FrameMax Inc.

CREATED: 12/05/2008

FM-07-109

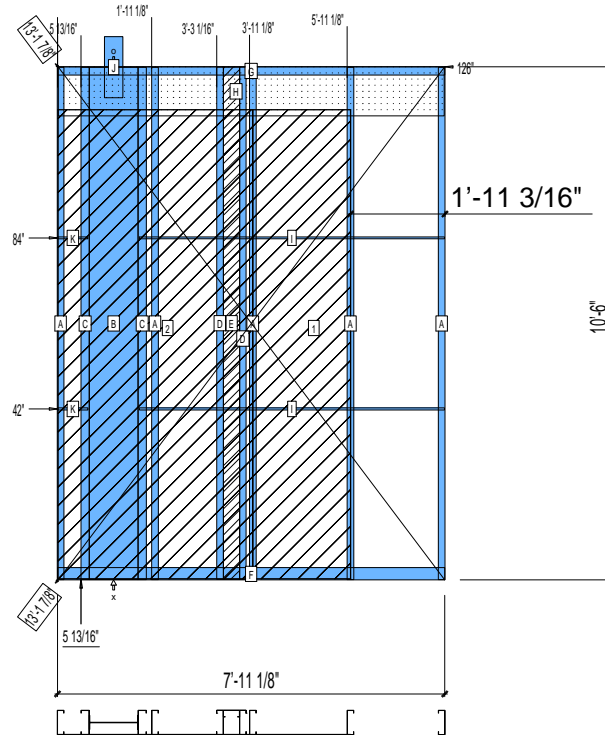
CREATED BY: AMB

HEIGHT : 11'-1 7/16" POINTS: 3.16 Points.
SPACING : 5000"
1st STUD: 5000"

ANCHORS

WEIGHTS :
FRAME : 358 lbs
SHEATHING: 212 lbs

TOTAL: 570 lbs



PIECES LIST

LABEL	QTY	SIZE	LENGTH	USE
A	5	600S162-54	10'-5 13/16"	STUD
B	1	1200i350p1062	10'-5 13/16"	PACO
C	2	600S200-54	10'-5 13/16"	STUD
D	2	600S162-33	10'-5 13/16"	BACKER STUD
E	1	400S162-33	10'-5 13/16"	BACKER-U
F	1	600T300-54	7'-11 1/8"	BOTTOM TRACK
G	1	600T200-54	7'-11 1/8"	TOP TRACK
H	1	1200D-54	7'-10 3/4"	STRAP
I	2	150U50-54	6'-2 15/16"	HORIZONTAL BRACING
J	1	A	1'-3"	HOLDDOWN
K	2	150U50-54	7 3/8"	HORIZONTAL BRACING

SHEATHING

LABEL	QTY	CODE	THICK	SIZE	SCREWS
1	1	SB-DENSARMOR	5/8"	2'-0" X 9'-7 3/16"	2 - 12
2	1	SB-DENSARMOR	5/8"	3'-11 7/8" X 9'-7 3/16"	2 - 12

13-1070

Jewish Home for the Aging

1885 Victory Blvd. Reseda, CA

FrameMax, Inc.
13915 Danielson St
Suite 100
Poway, CA 92064
www.framemax.com



© FrameMax Inc.

CREATED: 12/05/2008

FM-07-109

CREATED BY: AMB

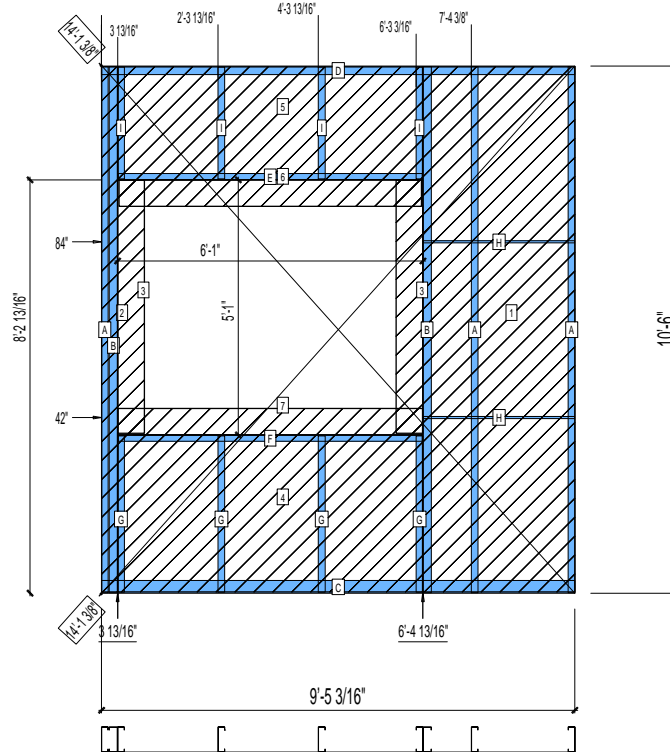
HEIGHT : 10'-6"
SPACING : 5000"
1st STUD: 5000"

POINTS: 2.50 Points.

ANCHORS

WEIGHTS :
FRAME : 219 lbs
SHEATHING: 198 lbs

TOTAL: 417 lbs



PIECES LIST

LABEL	QTY	SIZE	LENGTH	USE
A	3	600S162-54	10'-5 13/16"	STUD
B	2	600S200-68	10'-5 13/16"	KING STUD
C	1	600T300-54	9'-5 3/16"	BOTTOM TRACK
D	1	600T200-54	9'-5 3/16"	TOP TRACK
E	1	600T150-54	6'-0 3/4"	HEAD TRACK
F	1	600T150-54	6'-0 3/4"	SILL
G	4	600S162-54	3'-1 3/8"	CRIPPLE
H	2	150U50-54	3'-0 1/8"	HORIZONTAL BRACING
I	4	600S162-54	2'-2 3/4"	CRIPPLE

SHEATHING

LABEL	QTY	CODE	THICK	SIZE	SCREWS
1	1	DENSGLASS	1/2"	3'-0 1/4" X 10'-5 9/16"	8 - 12
2	1	DENSGLASS	1/2"	3 3/4" X 10'-5 9/16"	8 - 12
3	2	DENSGLASS	1/2"	6 3/8" X 5'-0 1/2"	8 - 12
4	1	DENSGLASS	1/2"	6'-0 7/8" X 3'-1 1/2"	8 - 12
5	1	DENSGLASS	1/2"	6'-0 7/8" X 2'-3"	8 - 12
6	1	DENSGLASS	1/2"	6'-0 1/4" X 6 5/16"	8 - 12
7	1	DENSGLASS	1/2"	6'-0 7/8" X 6 5/16"	8 - 12

13-1071

Jewish Home for the Aging

1885 Victory Blvd. Reseda, CA

FrameMax, Inc.
13915 Danielson St
Suite 100
Poway, CA 92064
www.frame-max.com



© FrameMax Inc.

CREATED: 12/05/2008

FM-07-109

CREATED BY: AMB

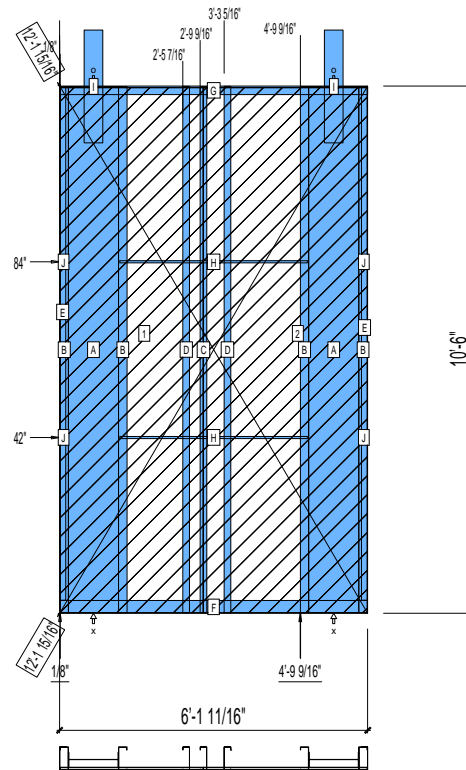
HEIGHT : 10'-6"
SPACING : 5000"
1st STUD: 5000"

POINTS: 3.81 Points.

ANCHORS

WEIGHTS :
FRAME : 477 lbs
SHEATHING: 236 lbs

TOTAL: 713 lbs



PIECES LIST

LABEL	QTY	SIZE	LENGTH	USE
A	2	1200i350p1062	10'-5 13/16"	PACO
B	4	600S200-68	10'-5 13/16"	STUD
C	1	600S162-54	10'-5 13/16"	STUD
D	2	600S162-33	10'-5 13/16"	BACKER STUD
E	2	600T150-54	10'-2 3/4"	CAP TRACK
F	1	600T300-54	6'-1 11/16"	BOTTOM TRACK
G	1	600T200-54	6'-1 11/16"	TOP TRACK
H	2	150U50-54	3'-8 13/16"	HORIZONTAL BRACING
I	2	B	2'-3"	HOLDDOWN
J	4	150U50-54	1 11/16"	HORIZONTAL BRACING

SHEATHING

LABEL	QTY	CODE	THICK	SIZE	SCREWS
1	1	SB-DENSGLOSS	1/2"	2'-10 5/16" X 10'-5 9/16"	2 - 12
2	1	SB-DENSGLOSS	1/2"	3'-3 3/16" X 10'-5 9/16"	2 - 12

13-1072

Jewish Home for the Aging

1885 Victory Blvd. Reseda, CA

FM-07-109

CREATED BY: AMB

FrameMax, Inc.
13915 Danielson St
Suite 100
Poway, CA 92064
www.frame-max.com



© FrameMax Inc.

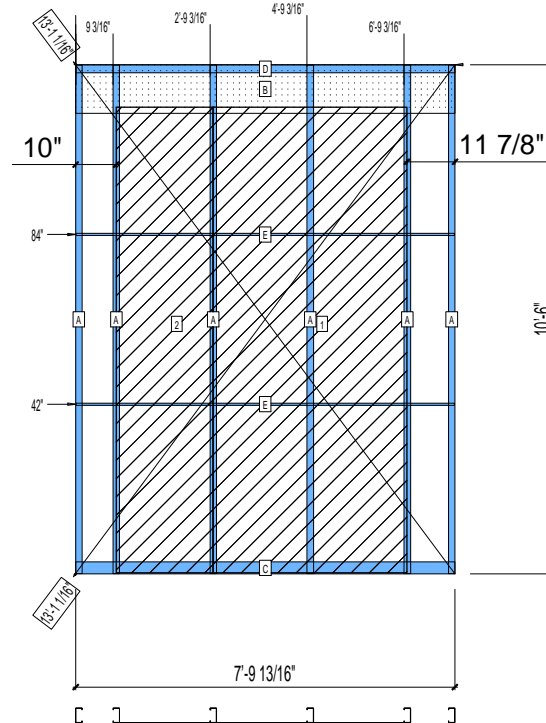
HEIGHT : 10'-6"
SPACING : 5000"
1st STUD: 5000"

POINTS: 2.02 Points.

ANCHORS

WEIGHTS :
FRAME : 144 lbs
SHEATHING: 212 lbs

TOTAL: 356 lbs



PIECES LIST

LABEL	QTY	SIZE	LENGTH	USE
A	6	362S162-54	10'-5 13/16"	STUD
B	1	1200D-54	7'-9 7/8"	STRAP
C	1	362T300-54	7'-9 13/16"	BOTTOM TRACK
D	1	362T200-54	7'-9 13/16"	TOP TRACK
E	2	150U50-54	7'-9 5/8"	HORIZONTAL BRACING

SHEATHING

LABEL	QTY	CODE	THICK	SIZE	SCREWS
1	1	SB-DENSARMOR	5/8"	4'-0" X 9'-7 3/16"	2 - 12
2	1	SB-DENSARMOR	5/8"	2'-0" X 9'-7 3/16"	2 - 12

13-1073

Jewish Home for the Aging

1885 Victory Blvd. Reseda, CA

FrameMax, Inc.
13915 Danielson St
Suite 100
Poway, CA 92064
www.frame-max.com



© FrameMax Inc.

CREATED: 12/05/2008

FM-07-109

CREATED BY: HH

HEIGHT : 10'-6"
SPACING : 5000"
1st STUD: 5000"

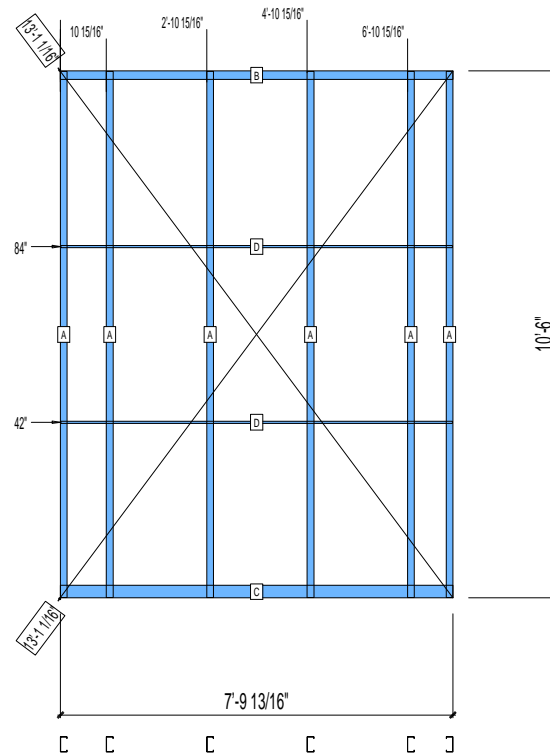
POINTS: 0.96 Points.

ANCHORS

WEIGHTS :
FRAME : 127 lbs

INSULATION: NO

TOTAL: 127 lbs



PIECES LIST

LABEL	QTY	SIZE	LENGTH	USE
A	6	362S162-54	10'-5 13/16"	STUD
B	1	362T200-54	7'-9 13/16"	TOP TRACK
C	1	362T300-54	7'-9 13/16"	BOTTOM TRACK
D	2	150U50-54	7'-9 5/8"	HORIZONTAL BRACING

13-1074

Jewish Home for the Aging

1885 Victory Blvd. Reseda, CA

FM-07-109

CREATED BY: AMB

FrameMax, Inc.
13915 Danielson St
Suite 100
Poway, CA 92064
www.frame-max.com



© FrameMax Inc.

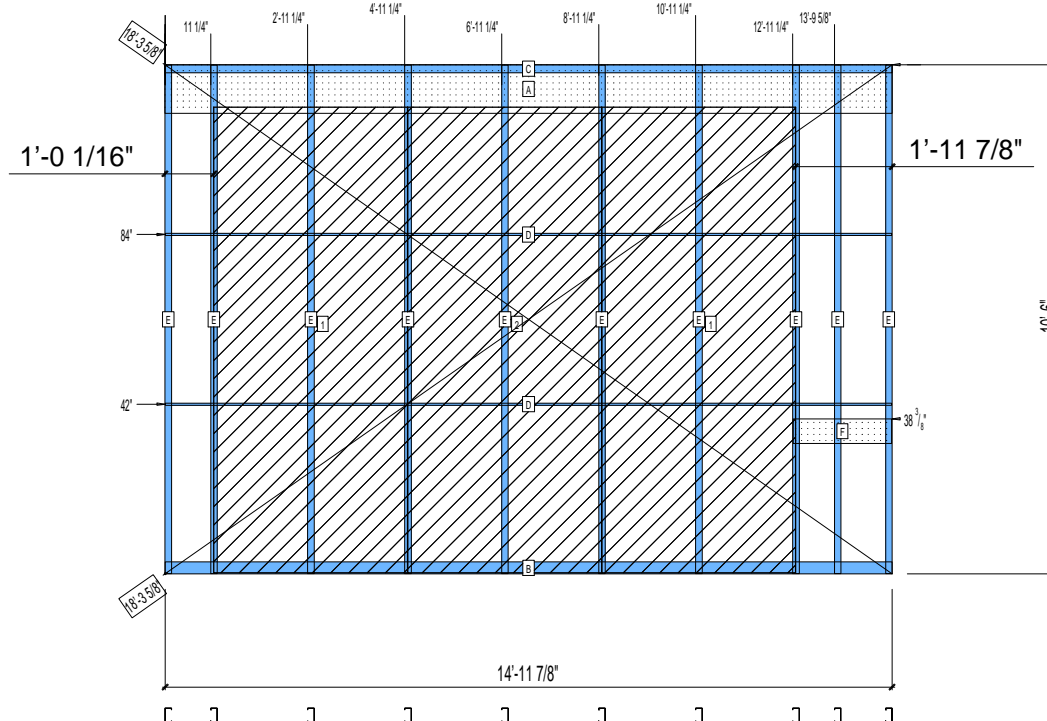
HEIGHT : 10'-6"
SPACING : 5000"
1st STUD : 5000"

POINTS: 3.74 Points.

ANCHORS

WEIGHTS :
FRAME : 256 lbs
SHEATHING: 424 lbs

TOTAL: 680 lbs



PIECES LIST

LABEL	QTY	SIZE	LENGTH	USE
A	1	1200D-54	14'-11 15/16"	STRAP
B	1	362T300-54	14'-11 7/8"	BOTTOM TRACK
C	1	362T200-54	14'-11 7/8"	TOP TRACK
D	2	150U50-54	14'-11 11/16"	HORIZONTAL BRACING
E	10	362S162-54	10'-5 13/16"	STUD
F	1	600T150-54	2'-0 3/8"	GRAB BAR

SHEATHING

LABEL	QTY	CODE	THICK	SIZE	SCREWS
1	2	SB-DENSARMOR	5/8"	4'-0" X 9'-7 3/16"	2 - 12
2	1	SB-DENSARMOR	5/8"	4'-0" X 9'-7 3/16"	2 - 12

13-1075

Jewish Home for the Aging

1885 Victory Blvd. Reseda, CA

FrameMax, Inc.
13915 Danielson St
Suite 100
Poway, CA 92064
www.frame-max.com



© FrameMax Inc.

CREATED: 12/05/2008

FM-07-109

CREATED BY: AMB

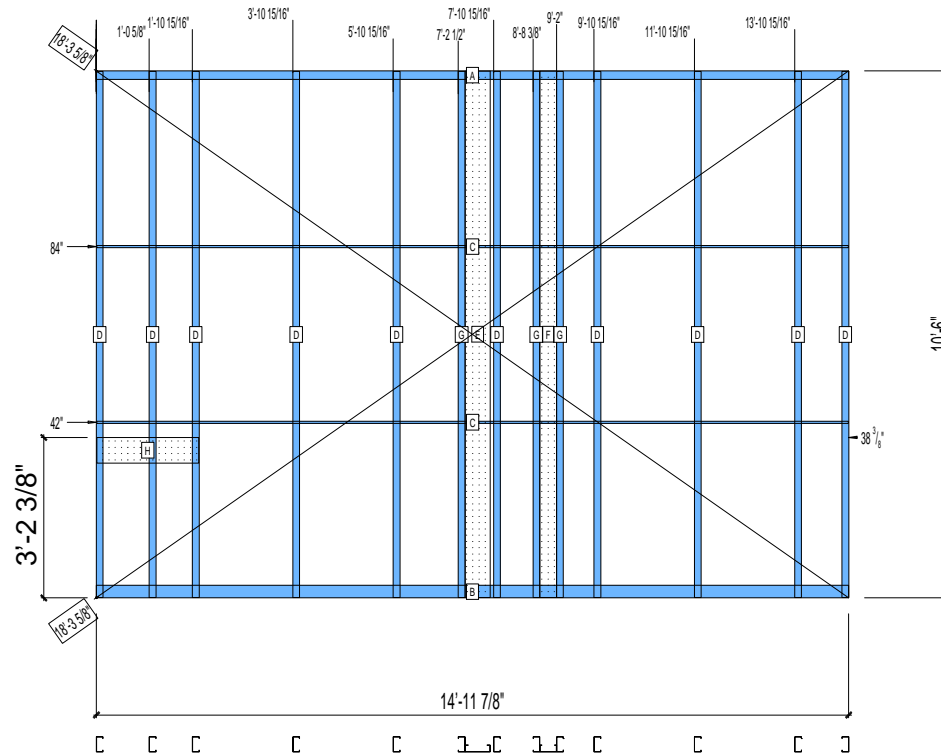
HEIGHT : 10'-6"
SPACING : 5000"
1st STUD: 5000"

POINTS: 1.97 Points.

ANCHORS

WEIGHTS :
FRAME : 270 lbs

TOTAL: 270 lbs



PIECES LIST

LABEL	QTY	SIZE	LENGTH	USE
A	1	362T200-54	14'-11 7/8"	TOP TRACK
B	1	362T300-54	14'-11 7/8"	BOTTOM TRACK
C	2	150U50-54	14'-11 11/16"	HORIZONTAL BRACING
D	10	362S162-54	10'-5 13/16"	STUD
E	1	600S162-33	10'-5 13/16"	BACKER-U
F	1	400S162-33	10'-5 13/16"	BACKER-U
G	3	362S162-33	10'-5 13/16"	BACKER STUD
H	1	600T150-54	2'-0 3/8"	GRAB BAR

13-1076

Jewish Home for the Aging

1885 Victory Blvd. Reseda, CA

FM-07-109

CREATED BY: AMB

FrameMax, Inc.
13915 Danielson St
Suite 100
Poway, CA 92064
www.frame-max.com

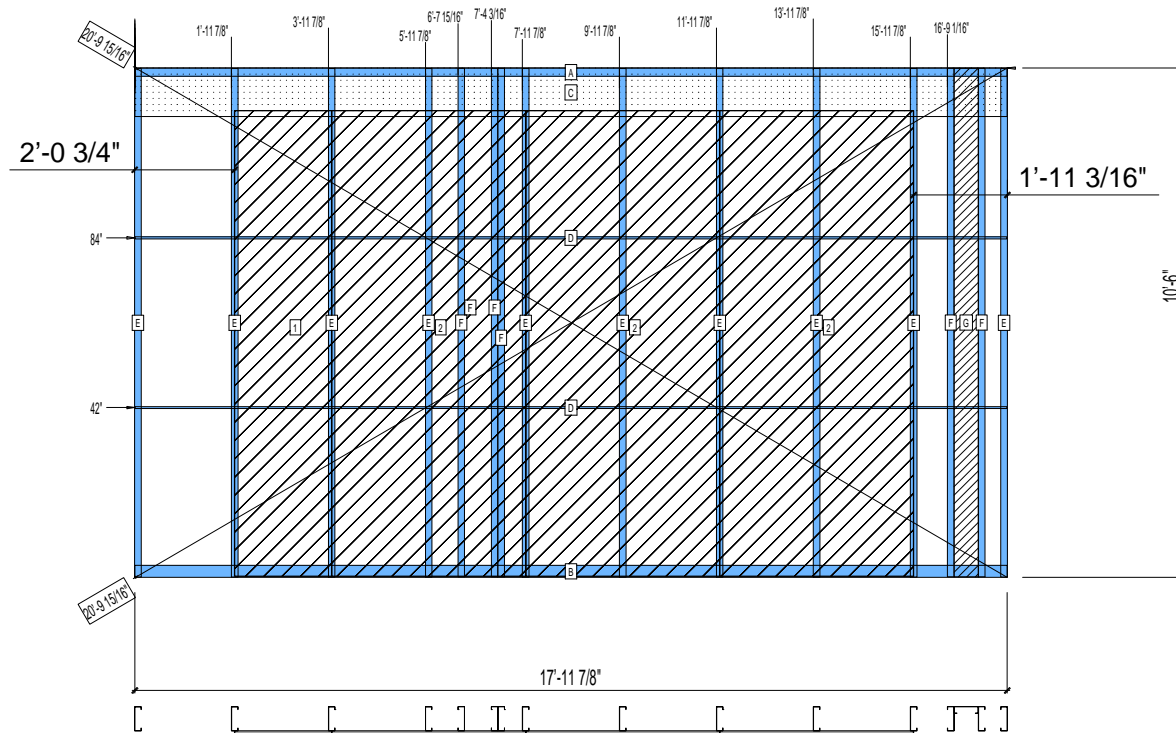


© FrameMax Inc.

HEIGHT : 10'-6"
POINTS: 4.94 Points.
SPACING : 5000"
1st STUD: 5000"

WEIGHTS :
FRAME : 411 lbs
SHEATHING: 495 lbs

TOTAL: 906 lbs



PIECES LIST

LABEL	QTY	SIZE	LENGTH	USE
A	1	600T200-54	17'-11 7/8"	TOP TRACK
B	1	600T300-54	17'-11 7/8"	BOTTOM TRACK
C	1	1200D-54	17'-11 13/16"	STRAP
D	2	150U50-54	17'-11 11/16"	HORIZONTAL BRACING
E	10	600S162-54	10'-5 13/16"	STUD
F	5	600S162-33	10'-5 13/16"	BACKER STUD
G	1	600S162-33	10'-5 13/16"	BACKER-U

SHEATHING

LABEL	QTY	CODE	THICK	SIZE	SCREWS
1	1	SB-DENSARMOR	5/8"	2'-0" X 9'-7 3/16"	2-12
2	3	SB-DENSARMOR	5/8"	4'-0" X 9'-7 3/16"	2-12

13-1077

Jewish Home for the Aging

1885 Victory Blvd. Reseda, CA

FrameMax, Inc.
13915 Danielson St
Suite 100
Poway, CA 92064
www.framemax.com



© FrameMax Inc.

CREATED: 12/05/2008

FM-07-109

CREATED BY: AMB

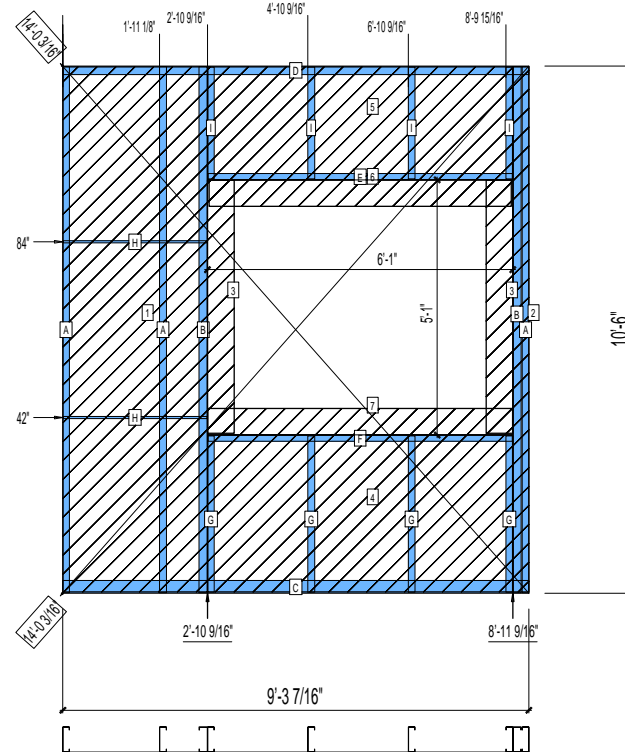
HEIGHT : 10'-6"
SPACING : 5000"
1st STUD: 5000"

POINTS: 2.47 Points.

ANCHORS

WEIGHTS :
FRAME : 218 lbs
SHEATHING: 194 lbs

TOTAL: 412 lbs



PIECES LIST

LABEL	QTY	SIZE	LENGTH	USE
A	3	600S162-54	10'-5 13/16"	STUD
B	2	600S200-68	10'-5 13/16"	KING STUD
C	1	600T300-54	9'-3 7/16"	BOTTOM TRACK
D	1	600T200-54	9'-3 7/16"	TOP TRACK
E	1	600T150-54	6'-0 3/4"	HEAD TRACK
F	1	600T150-54	6'-0 3/4"	SILL
G	4	600S162-54	3'-1 3/8"	CRIPPLE
H	2	150U50-54	2'-10 3/8"	HORIZONTAL BRACING
I	4	600S162-54	2'-2 3/4"	CRIPPLE

SHEATHING

LABEL	QTY	CODE	THICK	SIZE	SCREWS
1	1	DENSGLASS	1/2"	2'-10 1/2" X 10'-5 9/16"	8 - 12
2	1	DENSGLASS	1/2"	3 3/4" X 10'-5 9/16"	8 - 12
3	2	DENSGLASS	1/2"	6 3/8" X 5'-0 1/2"	8 - 12
4	1	DENSGLASS	1/2"	6'-0 7/8" X 3'-1 1/2"	8 - 12
5	1	DENSGLASS	1/2"	6'-0 7/8" X 2'-3"	8 - 12
6	1	DENSGLASS	1/2"	6'-0 1/4" X 6 5/16"	8 - 12
7	1	DENSGLASS	1/2"	6'-0 7/8" X 6 5/16"	8 - 12

13-1078

Jewish Home for the Aging

1885 Victory Blvd. Reseda, CA

FrameMax, Inc.
13915 Danielson St
Suite 100
Poway, CA 92064
www.frame-max.com



© FrameMax Inc.

CREATED: 12/05/2008

FM-07-109

CREATED BY: AMB

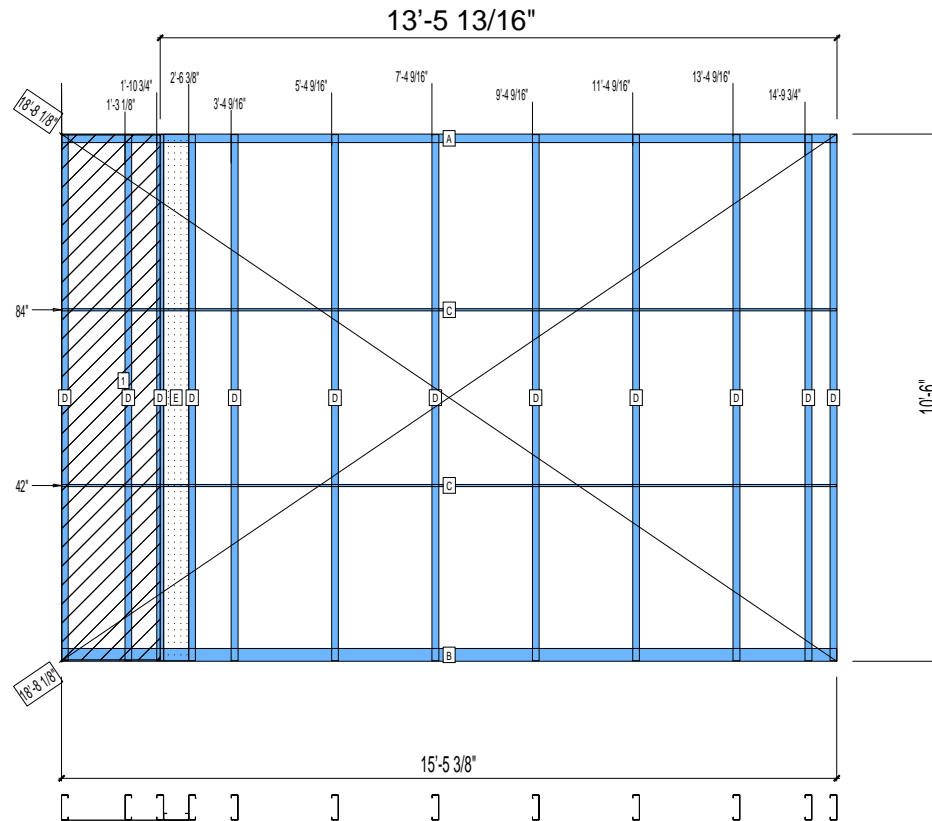
HEIGHT : 10'-6"
SPACING : 5000"
1st STUD: 16"

POINTS: 2.43 Points.

ANCHORS

WEIGHTS :
FRAME : 332 lbs
SHEATHING: 51 lbs

TOTAL: 383 lbs



PIECES LIST

LABEL	QTY	SIZE	LENGTH	USE
A	1	600T200-54	15'-5 3/8"	TOP TRACK
B	1	600T300-54	15'-5 3/8"	BOTTOM TRACK
C	2	150U50-54	15'-5 3/16"	HORIZONTAL BRACING
D	12	600S162-54	10'-5 13/16"	STUD
E	1	600S162-33	10'-5 13/16"	BACKER-U

SHEATHING

LABEL	QTY	CODE	THICK	SIZE	SCREWS
1	1	DENSGLOSS	1/2"	1'-11 9/16" X 10'-5 9/16"	8 - 12

13-1079

Jewish Home for the Aging

1885 Victory Blvd. Reseda, CA

FM-07-109

CREATED BY: AMB

FrameMax, Inc.
13915 Danielson St
Suite 100
Poway, CA 92064
www.frame-max.com



© FrameMax Inc.

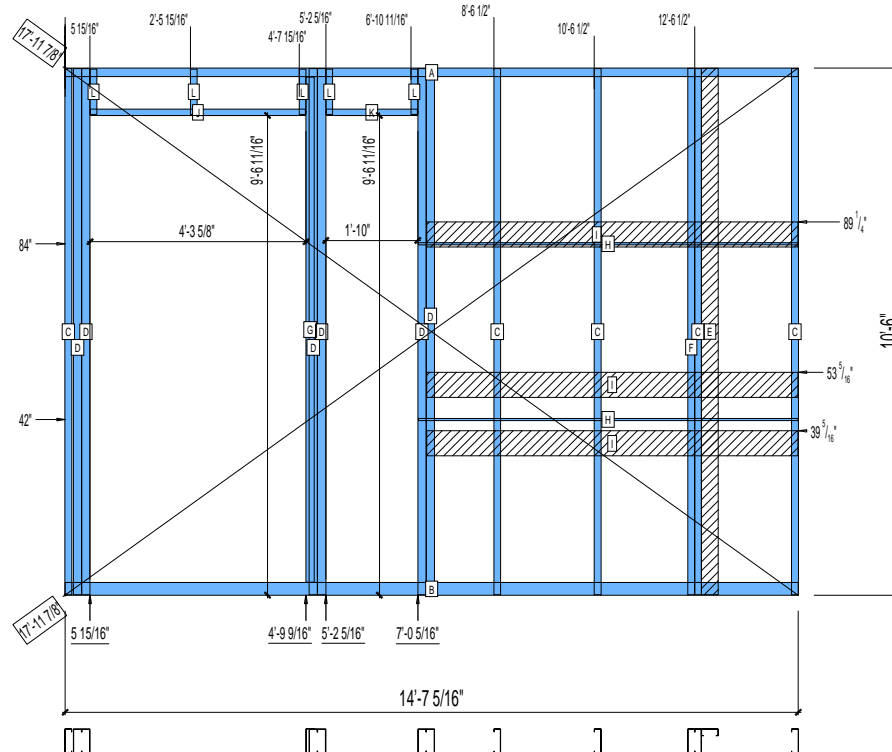
HEIGHT : 10'-6"
SPACING : 5000"
1st STUD: 5000"

POINTS: 2.81 Points.

ANCHORS

WEIGHTS :
FRAME : 420 lbs

TOTAL: 420 lbs



PIECES LIST			
LABEL	QTY	SIZE	LENGTH USE
A	1	600T200-54	14'-7 5/16" TOP TRACK
B	1	600T300-54	14'-7 5/16" BOTTOM TRACK
C	5	600S162-54	10'-5 13/16" STUD
D	6	600S200-68	10'-5 13/16" KING STUD
E	1	400S162-33	10'-5 13/16" BACKER-U
F	1	600S162-33	10'-5 13/16" BACKER STUD
G	1	600T200-54	10'-0 3/4" CAP TRACK
H	2	150U50-54	7'-6 3/4" HORIZONTAL BRACING
I	3	600D-54	7'-4 3/4" KITCHEN BACKING
J	1	600T150-54	4'-3 3/8" HEAD TRACK
K	1	600T150-54	1'-9 3/4" HEAD TRACK
L	5	600S162-54	10 7/8" CRIPPLE

13-1080

Jewish Home for the Aging

1885 Victory Blvd. Reseda, CA

FM-07-109

CREATED BY: AMB

FrameMax, Inc.
13915 Danielson St
Suite 100
Poway, CA 92064
www.frame-max.com



© FrameMax Inc.

HEIGHT : 11'-1 7/16" POINTS: 3.51 Points.

ANCHORS

SPACING : 5000"

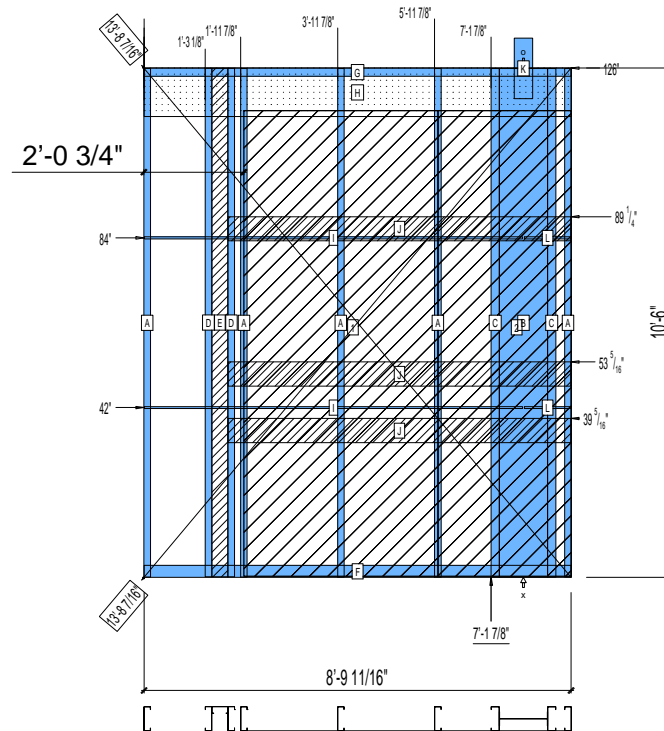
1st STUD: 5000"

WEIGHTS :

FRAME : 391 lbs

SHEATHING: 238 lbs

TOTAL: 629 lbs



PIECES LIST

LABEL	QTY	SIZE	LENGTH	USE
A	5	600S162-54	10'-5 13/16"	STUD
B	1	1200i350p1062	10'-5 13/16"	PACO
C	2	600S200-54	10'-5 13/16"	STUD
D	2	600S162-33	10'-5 13/16"	BACKER STUD
E	1	400S162-33	10'-5 13/16"	BACKER-U
F	1	600T300-54	8'-9 11/16"	BOTTOM TRACK
G	1	600T200-54	8'-9 11/16"	TOP TRACK
H	1	1200D-54	8'-9 5/8"	STRAP
I	2	150U50-54	7'-9 9/16"	HORIZONTAL BRACING
J	3	600D-54	7'-0 3/4"	KITCHEN BACKING
K	1	A	1'-3"	HOLDDOWN
L	2	150U50-54	11 7/16"	HORIZONTAL BRACING

SHEATHING

LABEL	QTY	CODE	THICK	SIZE	SCREWS
1	1	SB-DENSARMOR	5/8"	4'-0" X 9'-7 3/16"	2 - 12
2	1	SB-DENSARMOR	5/8"	2'-9" X 9'-7 3/16"	2 - 12

13-1081

Jewish Home for the Aging

1885 Victory Blvd. Reseda, CA

FM-07-109

CREATED BY: AMB

FrameMax, Inc.
13915 Danielson St
Suite 100
Poway, CA 92064
www.framemax.com



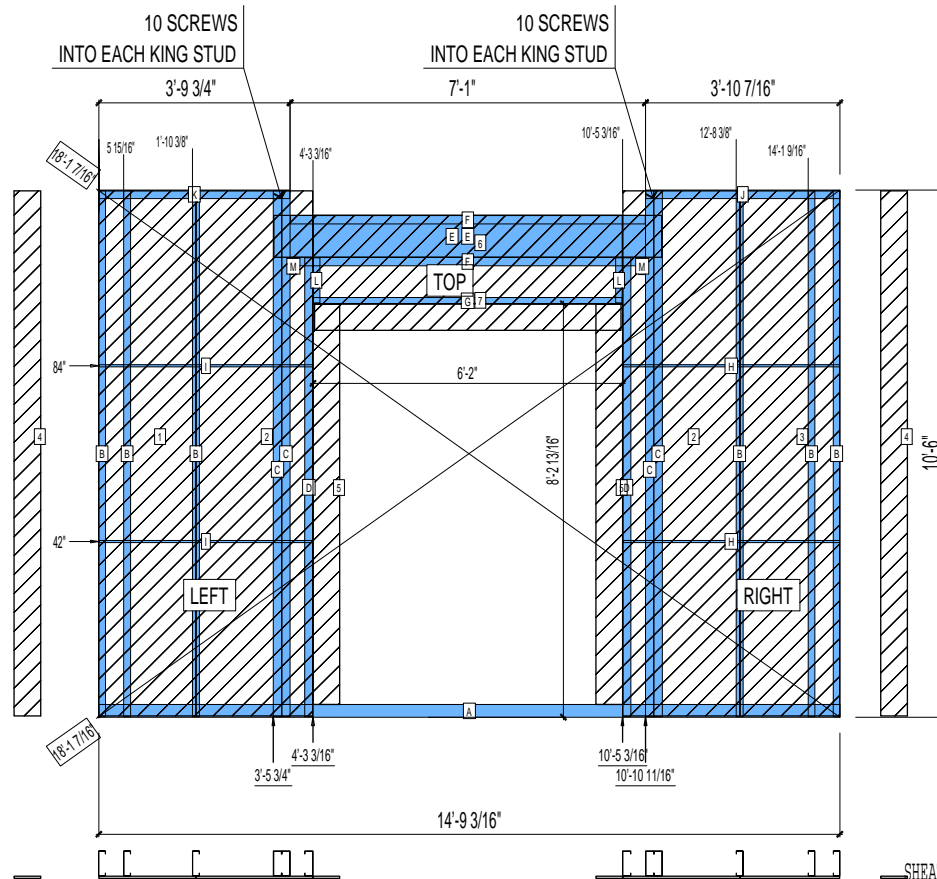
© FrameMax Inc.

HEIGHT : 10'-6"
SPACING : 5000"
1st STUD: 5000"

POINTS: 4.57 Points.

WEIGHTS :
FRAME : 499 lbs
SHEATHING: 308 lbs

TOTAL: 807 lbs



PIECES LIST			
LABEL	QTY	SIZE	LENGTH USE
A	1	600T300-54	14'-9 3/16" BOTTOM TRACK
B	6	600S162-54	10'-5 13/16" STUD
C	4	600S200-97	10'-5 13/16" EXTRA STUD
D	2	600S200-68	9'-1 3/4" KING STUD
E	2	1000S200-97	7'-8 3/4" HEADER
F	2	600T200-54	7'-0 7/8" TOP TRACK
G	1	600T150-54	6'-1 3/4" HEAD TRACK
H	2	150U50-54	4'-3 3/4" HORIZONTAL BRACING
I	2	150U50-54	4'-3" HORIZONTAL BRACING
J	1	600T200-54	3'-10 3/8" TOP TRACK
K	1	600T200-54	3'-9 11/16" TOP TRACK
L	2	600S162-54	10 13/16" CRIPPLE
M	2	600S162-33	4" BACKER STUD

SHEATHING						
LABEL	QTY	CODE	THICK	SIZE		SCREWS
1	1	DENSGLOSS	1/2"	1'-11 3/16" X 10'-5 9/16"	8 - 12	
2	2	DENSGLOSS	1/2"	2'-3 15/16" X 10'-5 9/16"	8 - 12	
3	1	DENSGLOSS	1/2"	1'-11 13/16" X 10'-5 9/16"	8 - 12	
4	2	DENSGLOSS	1/2"	6 3/8" X 10'-5 9/16"	8 - 12	
5	2	DENSGLOSS	1/2"	6 3/8" X 7'-11 3/4"	8 - 12	
6	1	DENSGLOSS	1/2"	6'-1 7/8" X 1'-9 1/16"	8 - 12	
7	1	DENSGLOSS	1/2"	6'-1 1/4" X 6 5/16"	8 - 12	

13-1082

Jewish Home for the Aging

1885 Victory Blvd. Reseda, CA

FrameMax, Inc.
13915 Danielson St
Suite 100
Poway, CA 92064
www.frame-max.com



© FrameMax Inc.

CREATED: 12/05/2008

FM-07-109

CREATED BY: AMB

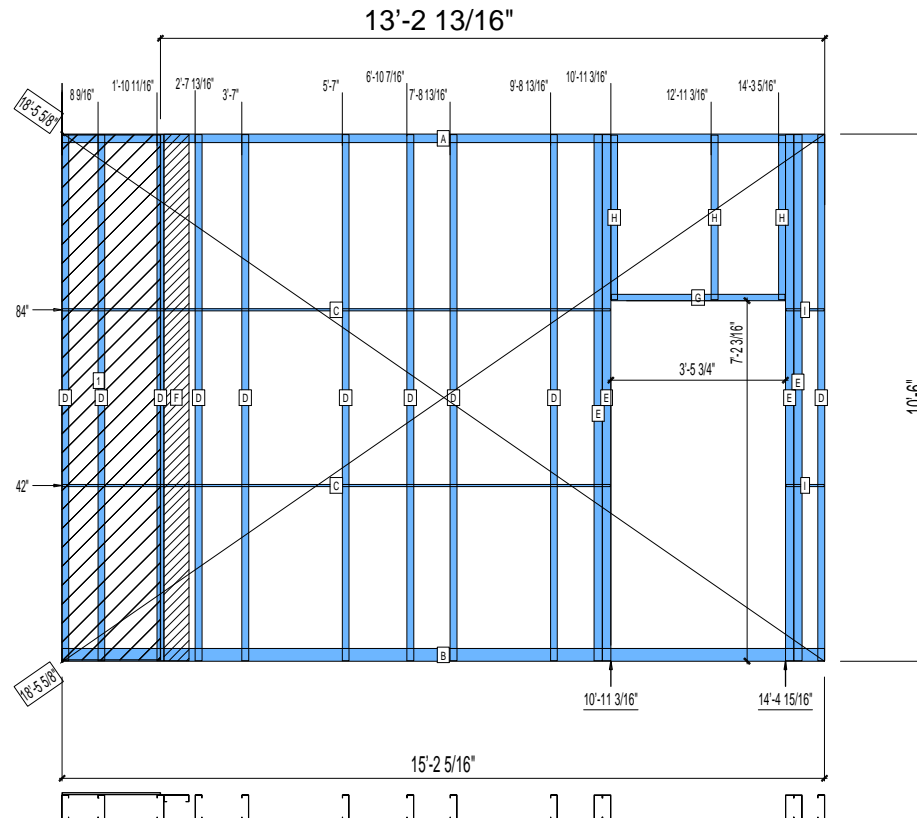
HEIGHT : 10'-6"
SPACING : 5000"
1st STUD: 5000"

POINTS: 3.00 Points.

ANCHORS

WEIGHTS :
FRAME : 421 lbs
SHEATHING: 51 lbs

TOTAL: 472 lbs



PIECES LIST

LABEL	QTY	SIZE	LENGTH	USE
A	1	600T200-54	15'-2 5/16"	TOP TRACK
B	1	600T300-54	15'-2 5/16"	BOTTOM TRACK
C	2	150U50-54	10'-11"	HORIZONTAL BRACING
D	10	600S162-54	10'-5 13/16"	STUD
E	4	600S200-68	10'-5 13/16"	KING STUD
F	1	600S162-33	10'-5 13/16"	BACKER-U
G	1	600T150-54	3'-5 1/2"	HEAD TRACK
H	3	600S162-54	3'-3 3/8"	CRIPPLE
I	2	150U50-54	9 1/8"	HORIZONTAL BRACING

SHEATHING

LABEL	QTY	CODE	THICK	SIZE	SCREWS
1	1	DENSGLOSS	1/2"	1'-11 1/2" X 10'-5 9/16"	8 - 12

13-1083

Jewish Home for the Aging

1885 Victory Blvd. Reseda, CA

FM-07-109

CREATED BY: HH

FrameMax, Inc.
13915 Danielson St
Suite 100
Poway, CA 92064
www.frame-max.com



© FrameMax Inc.

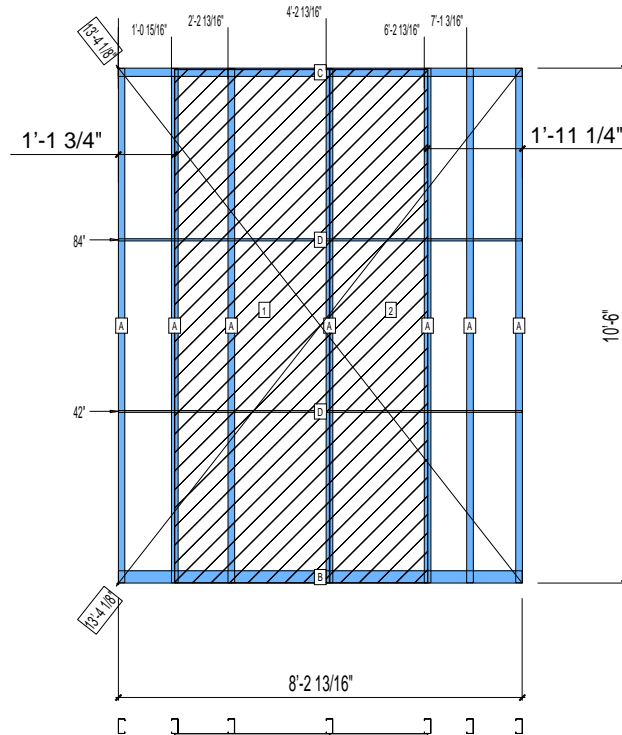
HEIGHT : 10'-6"
SPACING : 5000"
1st STUD: 5000"

POINTS: 1.97 Points.

ANCHORS

WEIGHTS :
FRAME : 145 lbs
SHEATHING: 199 lbs

TOTAL: 344 lbs



PIECES LIST

LABEL	QTY	SIZE	LENGTH	USE
A	7	362S162-54	10'-5 13/16"	STUD
B	1	362T300-54	8'-2 13/16"	BOTTOM TRACK
C	1	362T200-54	8'-2 13/16"	TOP TRACK
D	2	150U50-54	8'-2 5/8"	HORIZONTAL BRACING

SHEATHING

LABEL	QTY	CODE	THICK	SIZE	SCREWS
1	1	SB-DENSGGLASS	1/2"	3'-1 7/8" X 10'-5 9/16"	2 - 12
2	1	SB-DENSGGLASS	1/2"	2'-0" X 10'-5 9/16"	2 - 12

13-1084

Jewish Home for the Aging

1885 Victory Blvd. Reseda, CA

FrameMax, Inc.
13915 Danielson St
Suite 100
Poway, CA 92064
www.frame-max.com



© FrameMax Inc.

CREATED: 12/05/2008

FM-07-109

CREATED BY: HH

HEIGHT : 10'-6"
SPACING : 5000"
1st STUD: 5000"

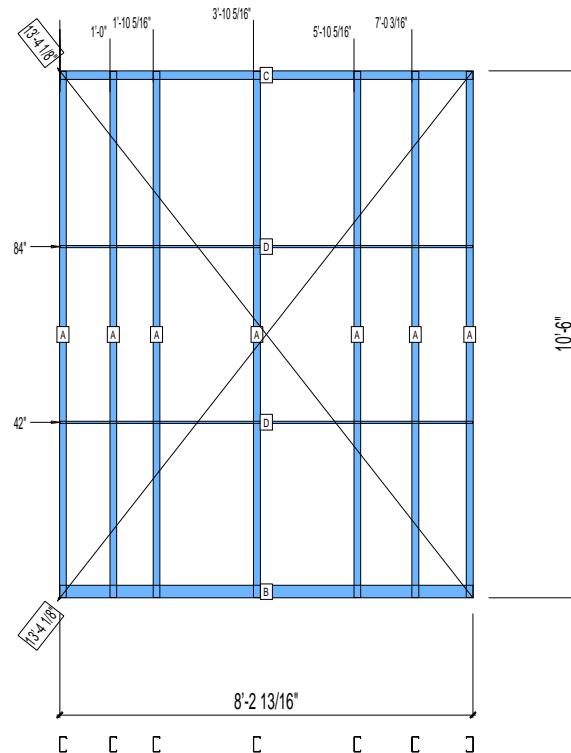
POINTS: 1.07 Points.

ANCHORS

WEIGHTS :
FRAME : 145 lbs

INSULATION: NO

TOTAL: 145 lbs



PIECES LIST

LABEL	QTY	SIZE	LENGTH	USE
A	7	362S162-54	10'-5 13/16"	STUD
B	1	362T300-54	8'-2 13/16"	BOTTOM TRACK
C	1	362T200-54	8'-2 13/16"	TOP TRACK
D	2	150U50-54	8'-2 5/8"	HORIZONTAL BRACING

13-1085

Jewish Home for the Aging

1885 Victory Blvd. Reseda, CA

FM-07-109

CREATED BY: AMB

FrameMax, Inc.
13915 Danielson St
Suite 100
Poway, CA 92064
www.frame-max.com



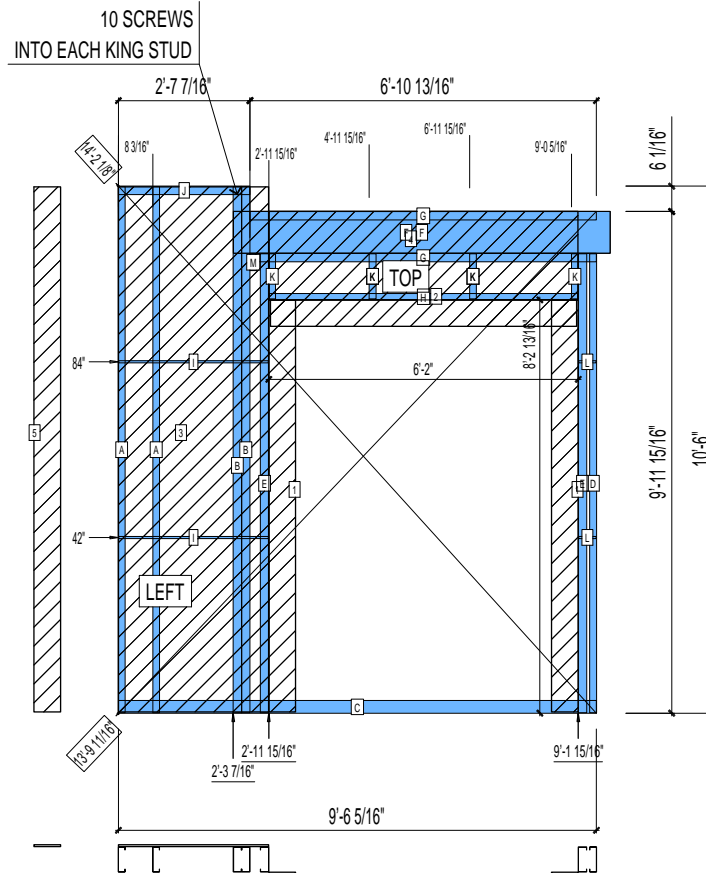
© FrameMax Inc.

HEIGHT : 10'-6"
SPACING : 5000"
1st STUD: 5000"

POINTS: 2.89 Points.

WEIGHTS :
FRAME : 334 lbs
SHEATHING: 149 lbs

TOTAL: 483 lbs



PIECES LIST

LABEL	QTY	SIZE	LENGTH	USE
A	2	600S162-54	10'-5 13/16"	STUD
B	2	600S200-97	10'-5 13/16"	EXTRA STUD
C	1	600T300-54	9'-6 5/16"	BOTTOM TRACK
D	1	600S162-54	9'-1 3/4"	STUD
E	2	600S200-68	9'-1 3/4"	KING STUD
F	2	1000S200-97	7'-6 1/16"	HEADER
G	2	600T200-54	6'-10 13/16"	TOP TRACK
H	1	600T150-54	6'-1 3/4"	HEAD TRACK
I	2	150U50-54	2'-11 3/4"	HORIZONTAL BRACING
J	1	600T200-54	2'-7 7/16"	TOP TRACK
K	4	600S162-54	10 13/16"	CRIPPLE
L	2	150U50-54	4 1/8"	HORIZONTAL BRACING
M	1	600S162-33	4"	BACKER STUD

SHEATHING

LABEL	QTY	CODE	THICK	SIZE	SCREWS
1	2	DENSGLASS	1/2"	6 3/8" X 8'-2 1/2"	8 - 12
2	1	DENSGLASS	1/2"	6'-1 1/4" X 6 5/16"	8 - 12
3	1	DENSGLASS	1/2"	2'-11 7/8" X 10'-5 9/16"	8 - 12
4	1	DENSGLASS	1/2"	6'-1 7/8" X 1'-9 1/16"	8 - 12
5	1	DENSGLASS	1/2"	6 3/8" X 10'-5 9/16"	8 - 12

13-1086

Jewish Home for the Aging

1885 Victory Blvd. Reseda, CA

FrameMax, Inc.
13915 Danielson St
Suite 100
Poway, CA 92064
www.frame-max.com



© FrameMax Inc.

CREATED: 12/05/2008

FM-07-109

CREATED BY: AMB

HEIGHT : 10'-6" POINTS: 2.65 Points.

SPACING : 5000"

1st STUD: 5000"

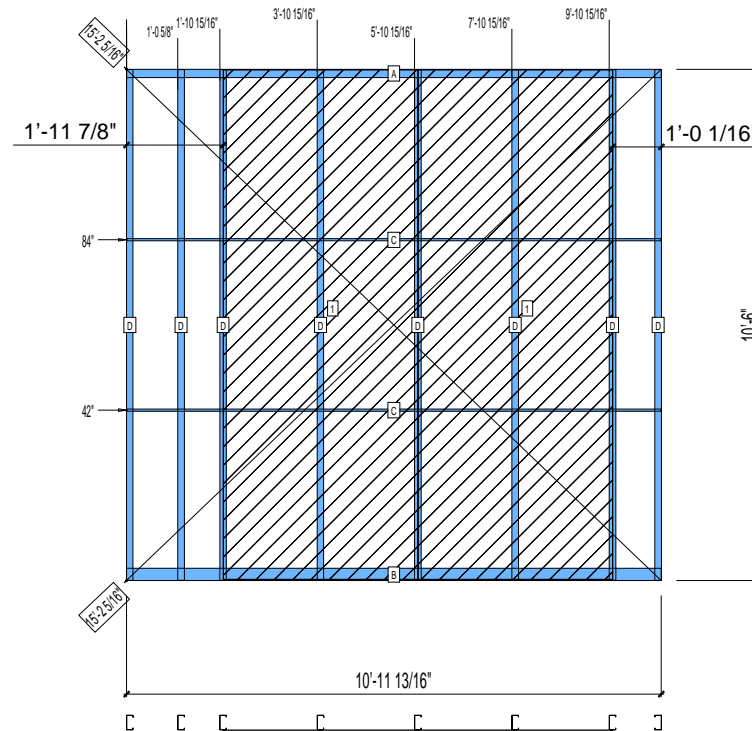
ANCHORS

WEIGHTS :

FRAME : 169 lbs

SHEATHING: 308 lbs

TOTAL: 477 lbs



PIECES LIST

LABEL	QTY	SIZE	LENGTH	USE
A	1	362T200-54	10'-11 13/16"	TOP TRACK
B	1	362T300-54	10'-11 13/16"	BOTTOM TRACK
C	2	150U50-54	10'-11 5/8"	HORIZONTAL BRACING
D	8	362S162-54	10'-5 13/16"	STUD

SHEATHING

LABEL	QTY	CODE	THICK	SIZE	SCREWS
1	2	SB-DENSGLOSS	1/2"	4'-0" X 10'-5 9/16"	2 - 12

13-1087

Jewish Home for the Aging

1885 Victory Blvd. Reseda, CA

FM-07-109

CREATED BY: AMB

FrameMax, Inc.
13915 Danielson St
Suite 100
Poway, CA 92064
www.frame-max.com



© FrameMax Inc.

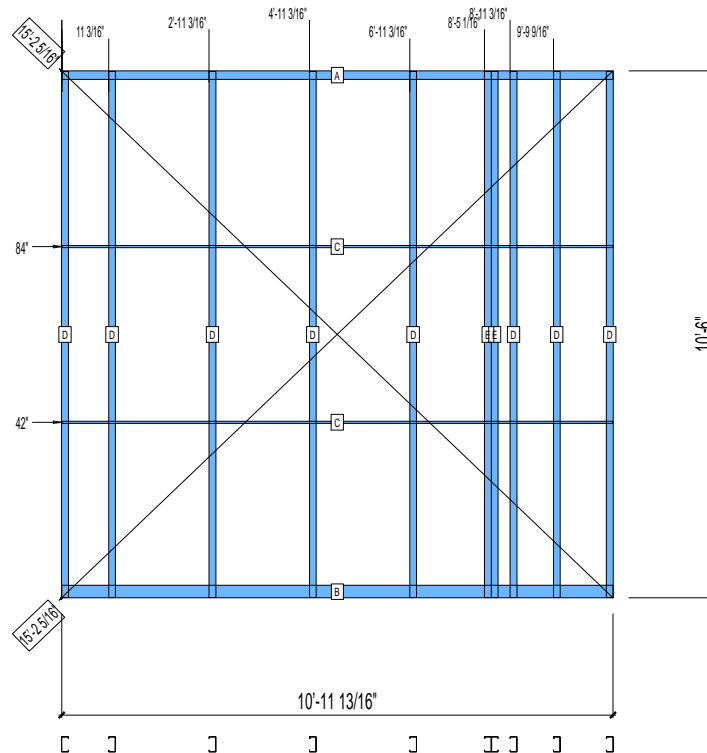
HEIGHT : 10'-6"
SPACING : 5000"
1st STUD: 5000"

POINTS: 1.39 Points.

ANCHORS

WEIGHTS :
FRAME : 188 lbs

TOTAL: 188 lbs



PIECES LIST

LABEL	QTY	SIZE	LENGTH	USE
A	1	362T200-54	10'-11 13/16"	TOP TRACK
B	1	362T300-54	10'-11 13/16"	BOTTOM TRACK
C	2	150U50-54	10'-11 5/8"	HORIZONTAL BRACING
D	8	362S162-54	10'-5 13/16"	STUD
E	2	362S162-33	10'-5 13/16"	BACKER STUD

13-1088

Jewish Home for the Aging

1885 Victory Blvd. Reseda, CA

FrameMax, Inc.
13915 Danielson St
Suite 100
Poway, CA 92064
www.frame-max.com



© FrameMax Inc.

CREATED: 12/05/2008

FM-07-109

CREATED BY: HH

HEIGHT : 10'-6"
SPACING : 5000"
1st STUD: 16"

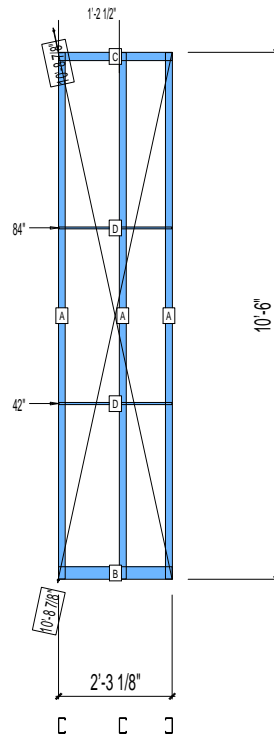
POINTS: 0.45 Points.

ANCHORS

WEIGHTS :
FRAME : 56 lbs

INSULATION: NO

TOTAL: 56 lbs



PIECES LIST

LABEL	QTY	SIZE	LENGTH	USE
A	3	362S162-54	10'-5 13/16"	STUD
B	1	362T300-54	2'-3 1/8"	BOTTOM TRACK
C	1	362T200-54	2'-3 1/8"	TOP TRACK
D	2	150U50-54	2'-3"	HORIZONTAL BRACING

13-1089

Jewish Home for the Aging

1885 Victory Blvd. Reseda, CA

FrameMax, Inc.
13915 Danielson St
Suite 100
Poway, CA 92064
www.frame-max.com



© FrameMax Inc.

CREATED: 12/05/2008

FM-07-109

CREATED BY: AMB

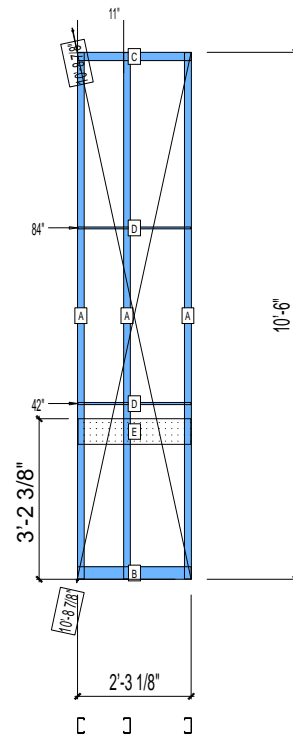
HEIGHT : 10'-6"
SPACING : 5000"
1st STUD: 5000"

POINTS: 0.49 Points.

ANCHORS

WEIGHTS :
FRAME : 59 lbs

TOTAL: 59 lbs



PIECES LIST

LABEL	QTY	SIZE	LENGTH	USE
A	3	362S162-54	10'-5 13/16"	STUD
B	1	362T300-54	2'-3 1/8"	BOTTOM TRACK
C	1	362T200-54	2'-3 1/8"	TOP TRACK
D	2	150U50-54	2'-3"	HORIZONTAL BRACING
E	1	600T150-54	2'-3"	GRAB BAR

13-1090

Jewish Home for the Aging

1885 Victory Blvd. Reseda, CA

FrameMax, Inc.
13915 Danielson St
Suite 100
Poway, CA 92064
www.frame-max.com



© FrameMax Inc.

CREATED: 12/05/2008

FM-07-109

CREATED BY: HH

HEIGHT : 10'-6" POINTS: 4.79 Points.

SPACING : 5000"

1st STUD: 5000"

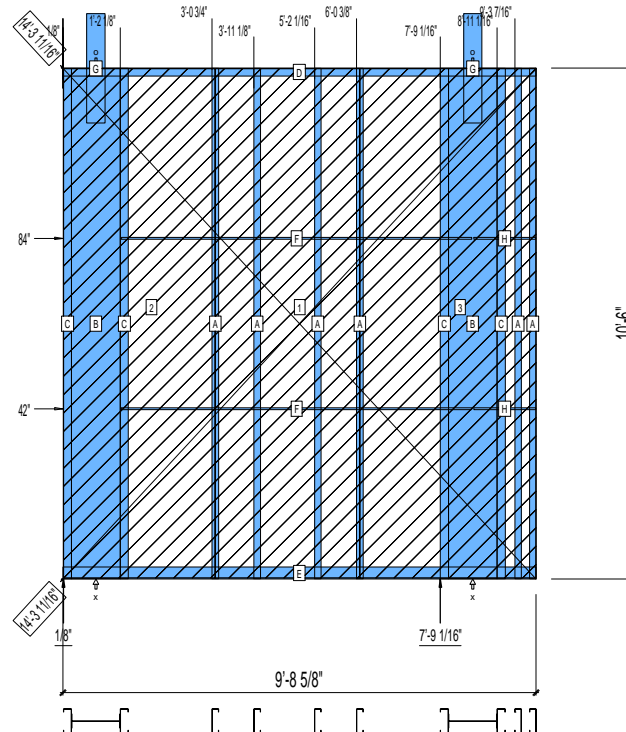
ANCHORS

WEIGHTS :

FRAME : 543 lbs

SHEATHING: 374 lbs

TOTAL: 917 lbs



PIECES LIST

LABEL	QTY	SIZE	LENGTH	USE
A	6	600S162-54	10'-5 13/16"	STUD
B	2	1200i350p1062	10'-5 13/16"	PACO
C	4	600S200-68	10'-5 13/16"	STUD
D	1	600T200-54	9'-8 5/8"	TOP TRACK
E	1	600T300-54	9'-8 5/8"	BOTTOM TRACK
F	2	150U50-54	7'-2 5/16"	HORIZONTAL BRACING
G	2	B	2'-3"	HOLDDOWN
H	2	150U50-54	1'-3 1/4"	HORIZONTAL BRACING

SHEATHING

LABEL	QTY	CODE	THICK	SIZE	SCREWS
1	1	SB-DENSGLOSS	1/2"	2'-11 5/8" X 10'-5 9/16"	2-12
2	1	SB-DENSGLOSS	1/2"	3'-1 7/16" X 10'-5 9/16"	2-12
3	1	SB-DENSGLOSS	1/2"	3'-7 1/2" X 10'-5 9/16"	2-12

13-1091

Jewish Home for the Aging

1885 Victory Blvd. Reseda, CA

FrameMax, Inc.
13915 Danielson St
Suite 100
Poway, CA 92064
www.frame-max.com



© FrameMax Inc.

CREATED: 12/05/2008

FM-07-109

CREATED BY: AMB

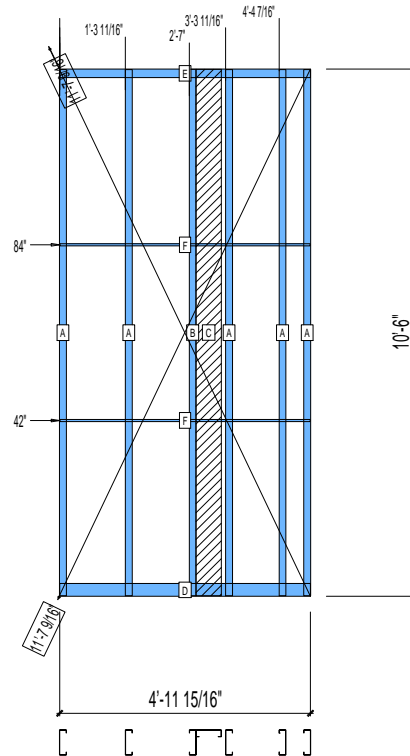
HEIGHT : 10'-6"
SPACING : 5000"
1st STUD: 16"

POINTS: 1.02 Points.

ANCHORS

WEIGHTS :
FRAME : 150 lbs

TOTAL: 150 lbs



PIECES LIST

LABEL	QTY	SIZE	LENGTH	USE
A	5	600S162-54	10'-5 13/16"	STUD
B	1	600S162-33	10'-5 13/16"	BACKER STUD
C	1	600S162-33	10'-5 13/16"	BACKER-U
D	1	600T300-54	4'-11 15/16"	BOTTOM TRACK
E	1	600T200-54	4'-11 15/16"	TOP TRACK
F	2	150U50-54	4'-11 13/16"	HORIZONTAL BRACING

13-1092

Jewish Home for the Aging

1885 Victory Blvd. Reseda, CA

FrameMax, Inc.
13915 Danielson St
Suite 100
Poway, CA 92064
www.framemax.com



© FrameMax Inc.

CREATED: 12/05/2008

FM-07-109

CREATED BY: AMB

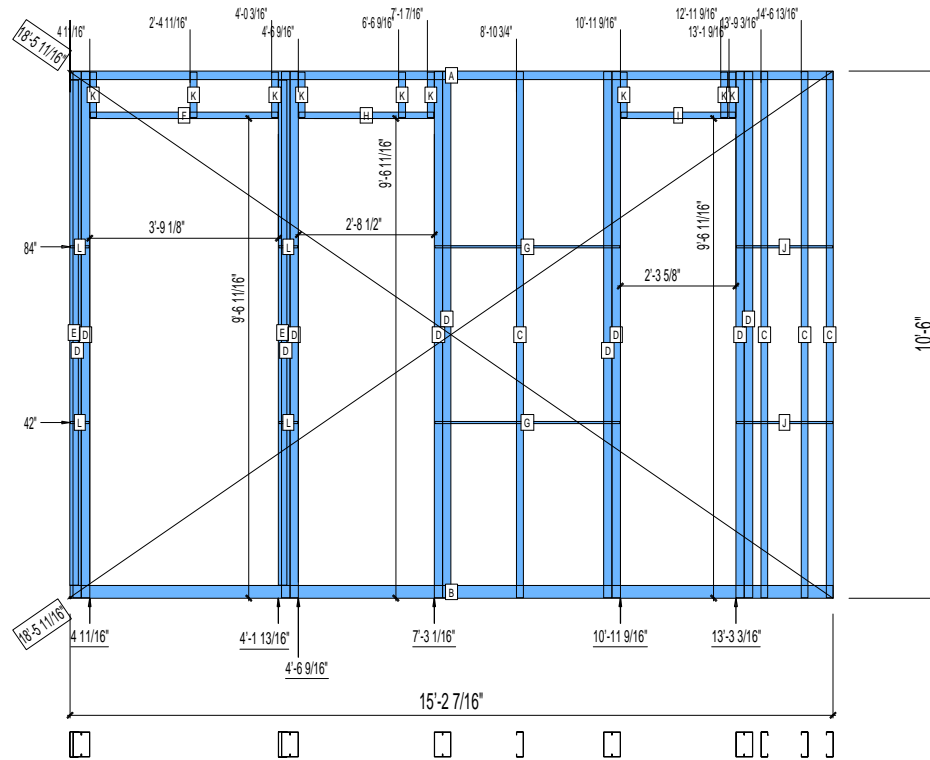
HEIGHT : 10'-6"
SPACING : 5000"
1st STUD: 5000"

POINTS: 3.37 Points.

ANCHORS

WEIGHTS :
FRAME : 493 lbs

TOTAL: 493 lbs



PIECES LIST

LABEL	QTY	SIZE	LENGTH	USE
A	1	600T200-54	15'-2 7/16"	TOP TRACK
B	1	600T300-54	15'-2 7/16"	BOTTOM TRACK
C	4	600S162-54	10'-5 13/16"	STUD
D	10	600S200-68	10'-5 13/16"	KING STUD
E	2	600T200-54	10'-0 3/4"	CAP TRACK
F	1	600T150-54	3'-8 7/8"	HEAD TRACK
G	2	150U50-54	3'-8 1/4"	HORIZONTAL BRACING
H	1	600T150-54	2'-8 1/4"	HEAD TRACK
I	1	600T150-54	2'-3 3/8"	HEAD TRACK
J	2	150U50-54	1'-11"	HORIZONTAL BRACING
K	9	600S162-54	10 7/8"	CRIPPLE
L	4	150U50-54	4 1/2"	HORIZONTAL BRACING

13-1093

Jewish Home for the Aging

1885 Victory Blvd. Reseda, CA

FrameMax, Inc.
13915 Danielson St
Suite 100
Poway, CA 92064
www.frame-max.com



© FrameMax Inc.

CREATED: 12/05/2008

FM-07-109

CREATED BY: AMB

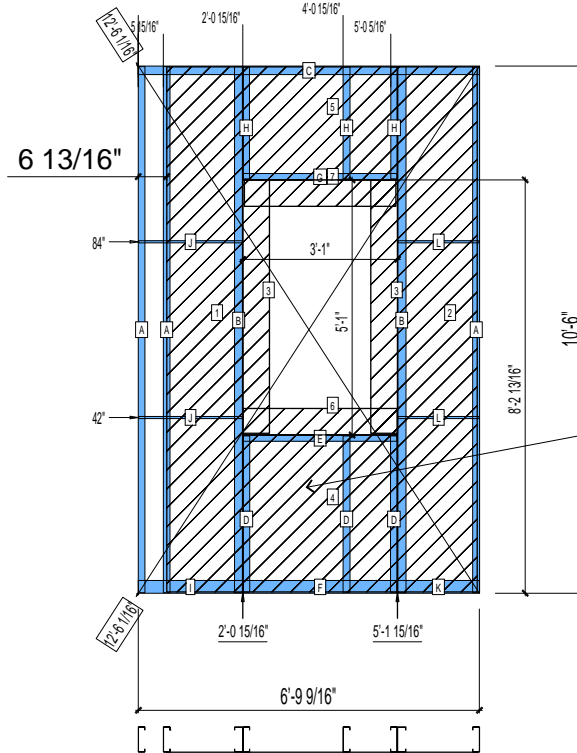
HEIGHT : 10'-6"
SPACING : 5000"
1st STUD: 5000"

POINTS: 2.10 Points.

ANCHORS

WEIGHTS :
FRAME : 188 lbs
SHEATHING: 144 lbs

TOTAL: 332 lbs



FRAME & SHIP SILL AS SEPERATE WALL
SILL SHALL BE ATTACHED IN FIELD

PIECES LIST

LABEL	QTY	SIZE	LENGTH	USE
A	3	600S162-54	10'-5 13/16"	STUD
B	2	600S200-68	10'-5 13/16"	KING STUD
C	1	600T200-54	6'-9 9/16"	TOP TRACK
D	3	600S162-54	3'-1 3/8"	CRIPPLE
E	1	600T150-54	3'-0 3/4"	SILL
F	1	600T300-54	3'-0 3/4"	BOTTOM TRACK
G	1	600T150-54	3'-0 3/4"	HEAD TRACK
H	3	600S162-54	2'-2 3/4"	CRIPPLE
I	1	600T300-54	2'-0 7/8"	BOTTOM TRACK
J	2	150U50-54	2'-0 3/4"	HORIZONTAL BRACING
K	1	600T300-54	1'-7 9/16"	BOTTOM TRACK
L	2	150U50-54	1'-7 3/8"	HORIZONTAL BRACING

SHEATHING

LABEL	QTY	CODE	THICK	SIZE	SCREWS
1	1	DENSGLASS	1/2"	1'-6 1/8" X 10'-5 9/16"	8 - 12
2	1	DENSGLASS	1/2"	1'-7" X 10'-5 9/16"	8 - 12
3	2	DENSGLASS	1/2"	6 3/8" X 5'-0 1/2"	8 - 12
4	1	DENSGLASS	1/2"	3'-0 7/8" X 3'-1 1/2"	8 - 12
5	1	DENSGLASS	1/2"	3'-0 7/8" X 2'-3"	8 - 12
6	1	DENSGLASS	1/2"	3'-0 7/8" X 6 5/16"	8 - 12
7	1	DENSGLASS	1/2"	3'-0 1/4" X 6 5/16"	8 - 12

13-1094

Jewish Home for the Aging

1885 Victory Blvd. Reseda, CA

FrameMax, Inc.
13915 Danielson St
Suite 100
Poway, CA 92064
www.framemax.com



© FrameMax Inc.

CREATED: 12/05/2008

FM-07-109

CREATED BY: HH

HEIGHT : 10'-6"
SPACING : 5000"
1st STUD: 5000"

POINTS: 3.69 Points.

ANCHORS

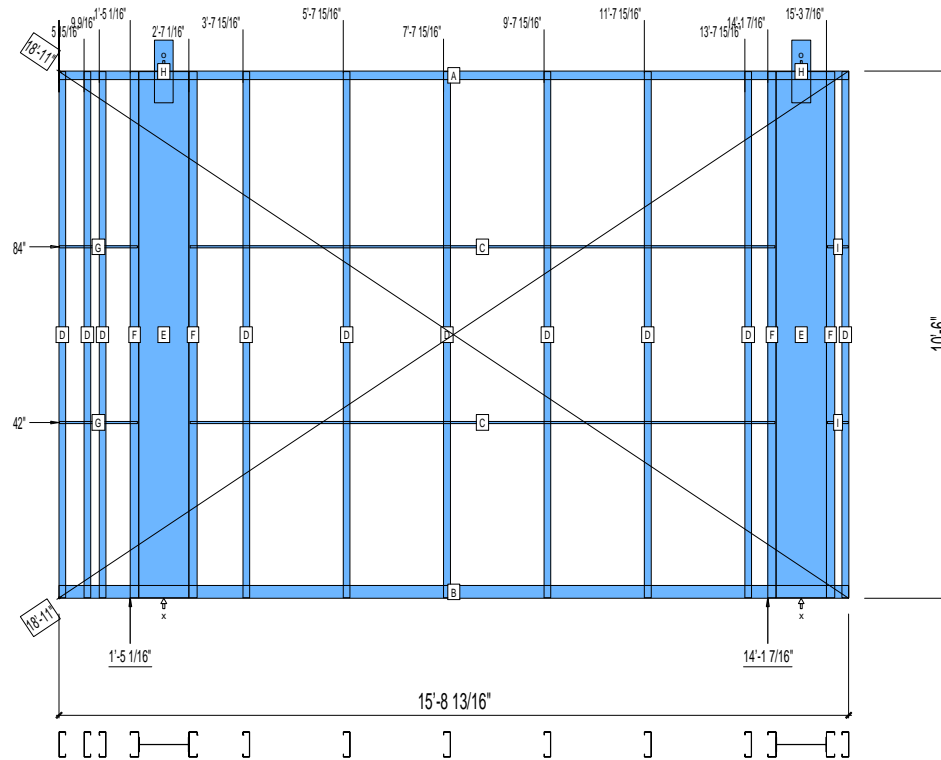
WEIGHTS :
FRAME : 618 lbs

INSULATION: NO

TOTAL: 618 lbs

PACO Assemblies

=====
A-A 6
A-A 6



PIECES LIST

LABEL	QTY	SIZE	LENGTH	USE
A	1	600T200-54	15'-8 13/16"	TOP TRACK
B	1	600T300-54	15'-8 13/16"	BOTTOM TRACK
C	2	150U50-54	11'-7 13/16"	HORIZONTAL BRACING
D	10	600S162-54	10'-5 13/16"	STUD
E	2	1200i350p1062	10'-5 13/16"	PACO
F	4	600S200-54	10'-5 13/16"	STUD
G	2	150U50-54	1'-6 5/8"	HORIZONTAL BRACING
H	2	A	1'-3"	HOLDDOWN
I	2	150U50-54	4 15/16"	HORIZONTAL BRACING

13-1095

Jewish Home for the Aging

1885 Victory Blvd. Reseda, CA

FrameMax, Inc.
13915 Danielson St
Suite 100
Poway, CA 92064
www.framemax.com



© FrameMax Inc.

CREATED: 12/05/2008

FM-07-109

CREATED BY: HH

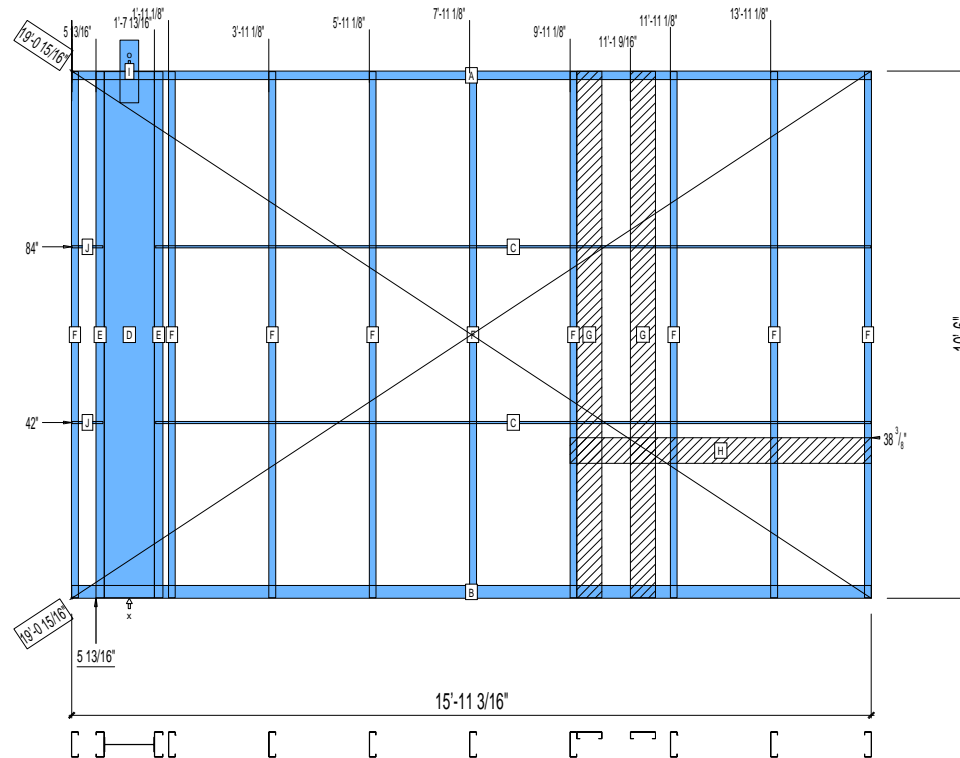
HEIGHT : 10'-6"
SPACING : 5000"
1st STUD: 5000"

POINTS: 2.94 Points.

ANCHORS

WEIGHTS :
FRAME : 469 lbs

TOTAL: 469 lbs



PIECES LIST			
LABEL	QTY	SIZE	LENGTH USE
A	1	600T200-54	15'-11 3/16" TOP TRACK
B	1	600T300-54	15'-11 3/16" BOTTOM TRACK
C	2	150U50-54	14'-3" HORIZONTAL BRACING
D	1	1200i350p1062	10'-5 13/16" PACO
E	2	600S200-54	10'-5 13/16" STUD
F	9	600S162-54	10'-5 13/16" STUD
G	2	600S162-33	10'-5 13/16" BACKER-U
H	1	600T150-54	6'-0 1/16" GRAB BAR
I	1	A	1'-3" HOLDDOWN
J	2	150U50-54	7 3/8" HORIZONTAL BRACING

13-1096

Jewish Home for the Aging

1885 Victory Blvd. Reseda, CA

FrameMax, Inc.
13915 Danielson St
Suite 100
Poway, CA 92064
www.frame-max.com



© FrameMax Inc.

CREATED: 12/08/2008

FM-07-109

CREATED BY: HH

HEIGHT : 10'-6"
SPACING : 5000"
1st STUD: 5000"

POINTS: 2.79 Points.

ANCHORS

WEIGHTS :
FRAME : 450 lbs

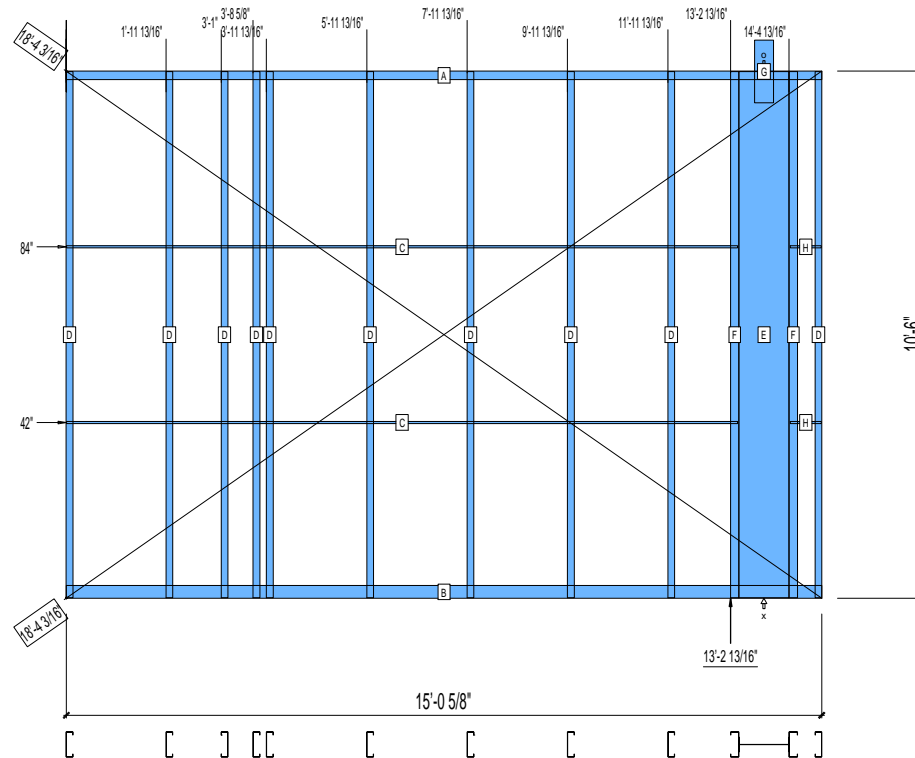
TOTAL: 450 lbs

INSULATION: NO

PACO Assemblies

=====

A-A 6



PIECES LIST

LABEL	QTY	SIZE	LENGTH	USE
A	1	600T200-54	15'-0 5/8"	TOP TRACK
B	1	600T300-54	15'-0 5/8"	BOTTOM TRACK
C	2	150U50-54	13'-4 7/16"	HORIZONTAL BRACING
D	10	600S162-54	10'-5 13/16"	STUD
E	1	1200i350p1062	10'-5 13/16"	PACO
F	2	600S200-54	10'-5 13/16"	STUD
G	1	A	1'-3"	HOLDDOWN
H	2	150U50-54	7 3/8"	HORIZONTAL BRACING

13-1097

Jewish Home for the Aging

1885 Victory Blvd. Reseda, CA

FrameMax, Inc.
13915 Danielson St
Suite 100
Poway, CA 92064
www.frame-max.com



© FrameMax Inc.

CREATED: 12/05/2008

FM-07-109

CREATED BY: HH

HEIGHT : 10'-6"
SPACING : 5000"
1st STUD: 5000"

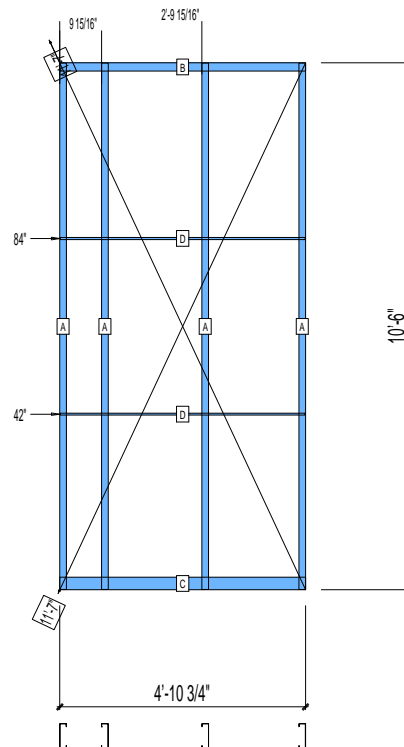
POINTS: 0.76 Points.

ANCHORS

WEIGHTS :
FRAME : 108 lbs

INSULATION: NO

TOTAL: 108 lbs



PIECES LIST

LABEL	QTY	SIZE	LENGTH	USE
A	4	600S162-54	10'-5 13/16"	STUD
B	1	600T200-54	4'-10 3/4"	TOP TRACK
C	1	600T300-54	4'-10 3/4"	BOTTOM TRACK
D	2	150U50-54	4'-10 9/16"	HORIZONTAL BRACING

13-1098

Jewish Home for the Aging

1885 Victory Blvd. Reseda, CA

FrameMax, Inc.
13915 Danielson St
Suite 100
Poway, CA 92064
www.frame-max.com



© FrameMax Inc.

CREATED: 12/05/2008

FM-07-109

CREATED BY: HH

HEIGHT : 10'-6"
SPACING : 5000"
1st STUD: 5000"

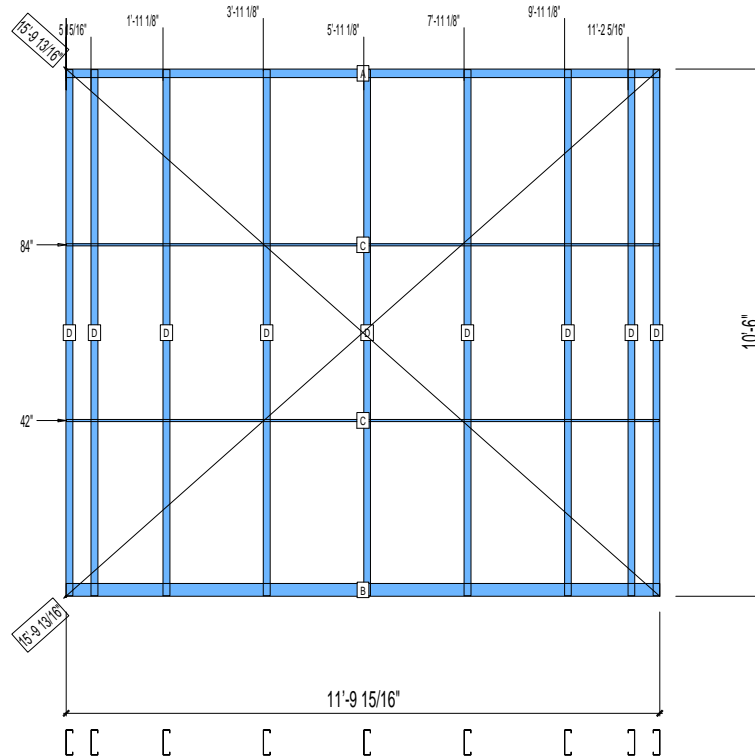
POINTS: 1.65 Points.

ANCHORS

WEIGHTS :
FRAME : 247 lbs

TOTAL: 247 lbs

INSULATION: NO



PIECES LIST

LABEL	QTY	SIZE	LENGTH	USE
A	1	600T200-54	11'-9 15/16"	TOP TRACK
B	1	600T300-54	11'-9 15/16"	BOTTOM TRACK
C	2	150U50-54	11'-9 3/4"	HORIZONTAL BRACING
D	9	600S162-54	10'-5 13/16"	STUD

13-1099

Jewish Home for the Aging

1885 Victory Blvd. Reseda, CA

FrameMax, Inc.
13915 Danielson St
Suite 100
Poway, CA 92064
www.frame-max.com



© FrameMax Inc.

CREATED: 12/05/2008

FM-07-109

CREATED BY: HH

HEIGHT : 10'-6"
SPACING : 5000"
1st STUD: 16"

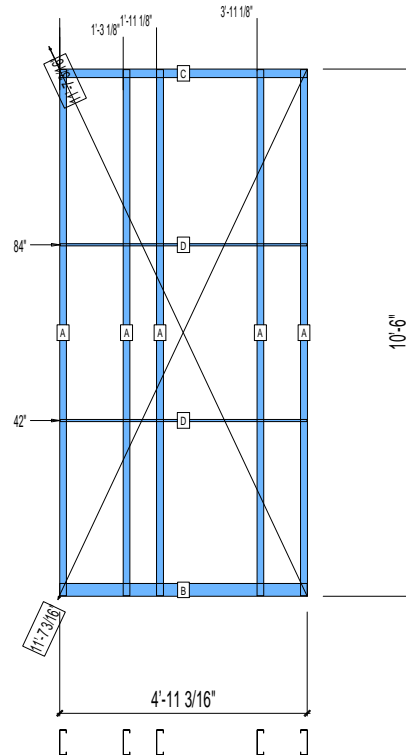
POINTS: 0.88 Points.

ANCHORS

WEIGHTS :
FRAME : 128 lbs

TOTAL: 128 lbs

INSULATION: NO



PIECES LIST

LABEL	QTY	SIZE	LENGTH	USE
A	5	600S162-54	10'-5 13/16"	STUD
B	1	600T300-54	4'-11 3/16"	BOTTOM TRACK
C	1	600T200-54	4'-11 3/16"	TOP TRACK
D	2	150U50-54	4'-11"	HORIZONTAL BRACING

13-1100

Jewish Home for the Aging

1885 Victory Blvd. Reseda, CA

FM-07-109

CREATED BY: AMB

FrameMax, Inc.
13915 Danielson St
Suite 100
Poway, CA 92064
www.frame-max.com



© FrameMax Inc.

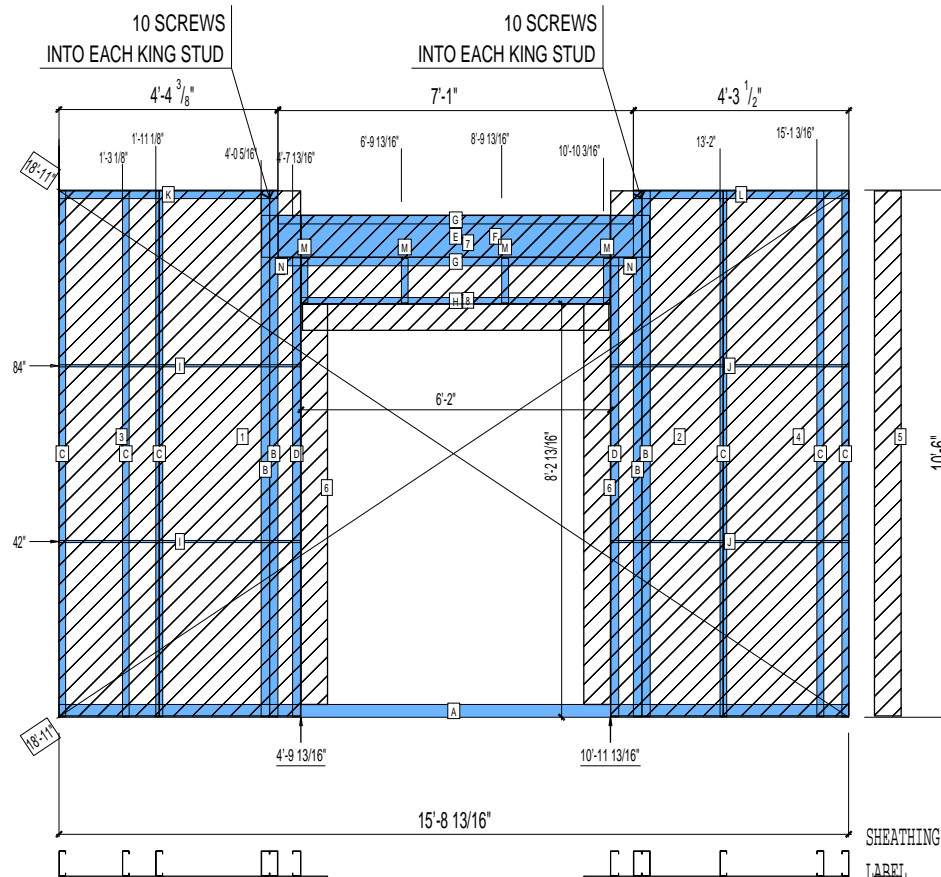
HEIGHT : 10'-6"
SPACING : 5000"
1st STUD: 16"

POINTS: 4.72 Points.

ANCHORS

WEIGHTS :
FRAME : 506 lbs
SHEATHING: 320 lbs

TOTAL: 826 lbs



PIECES LIST			
LABEL	QTY	SIZE	LENGTH USE
A	1	600T300-54	15'-8 13/16" BOTTOM TRACK
B	4	600S200-97	10'-5 13/16" EXTRA STUD
C	6	600S162-54	10'-5 13/16" STUD
D	2	600S200-68	9'-1 3/4" KING STUD
E	1	1000S200-97	7'-8 3/4" HEADER
F	1	1000S200-97	7'-4 13/16" HEADER
G	2	600T200-54	7'-0 7/8" TOP TRACK
H	1	600T150-54	6'-1 3/4" HEAD TRACK
I	2	150U50-54	4'-9 5/8" HORIZONTAL BRACING
J	2	150U50-54	4'-8 3/4" HORIZONTAL BRACING
K	1	600T200-54	4'-4 1/4" TOP TRACK
L	1	600T200-54	4'-3 3/8" TOP TRACK
M	4	600S162-54	10 11/16" CRIPPLE
N	2	600S162-33	4" BACKER STUD

LABEL	QTY	CODE	THICK	SIZE	SCREWS
1	1	DENSGLASS	1/2"	2'-9 13/16" X 10'-5 9/16"	8 - 12
2	1	DENSGLASS	1/2"	2'-2 15/16" X 10'-5 9/16"	8 - 12
3	1	DENSGLASS	1/2"	2'-0" X 10'-5 9/16"	8 - 12
4	1	DENSGLASS	1/2"	2'-6" X 10'-5 9/16"	8 - 12
5	1	DENSGLASS	1/2"	6 3/8" X 10'-5 9/16"	8 - 12
6	2	DENSGLASS	1/2"	6 3/8" X 7'-11 3/4"	8 - 12
7	1	DENSGLASS	1/2"	6'-1 7/8" X 1'-9 1/16"	8 - 12
8	1	DENSGLASS	1/2"	6'-1 1/4" X 6 5/16"	8 - 12

13-1101

Jewish Home for the Aging

1885 Victory Blvd. Reseda, CA

FrameMax, Inc.
13915 Danielson St
Suite 100
Poway, CA 92064
www.frame-max.com



© FrameMax Inc.

CREATED: 12/09/2008

FM-07-109

CREATED BY: HH

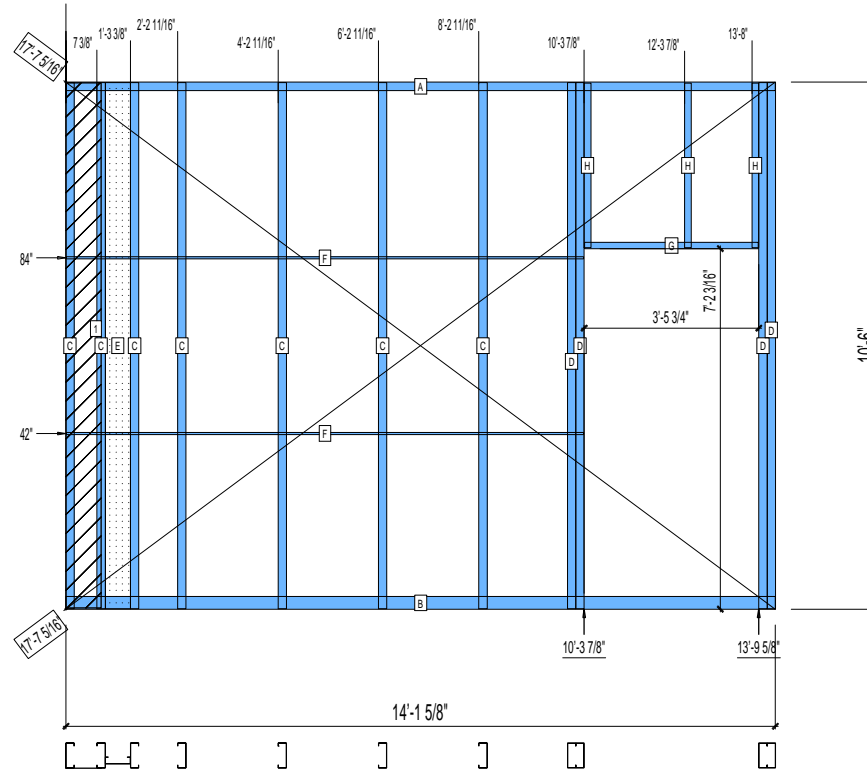
HEIGHT : 10'-6"
SPACING : 5000"
1st STUD: 16"

POINTS: 2.53 Points.

ANCHORS

WEIGHTS :
FRAME : 379 lbs
SHEATHING: 18 lbs

TOTAL: 397 lbs



PIECES LIST

LABEL	QTY	SIZE	LENGTH	USE
A	1	600T200-54	14'-1 5/8"	TOP TRACK
B	1	600T300-54	14'-1 5/8"	BOTTOM TRACK
C	7	600S200-54	10'-5 13/16"	STUD
D	4	600S200-68	10'-5 13/16"	KING STUD
E	1	600S162-33	10'-5 13/16"	BACKER-U
F	2	150U50-54	10'-3 11/16"	HORIZONTAL BRACING
G	1	600T150-54	3'-5 1/2"	HEAD TRACK
H	3	600S162-54	3'-3 3/8"	CRIPPLE

SHEATHING

LABEL	QTY	CODE	THICK	SIZE	SCREWS
1	1	DENSGLOSS	1/2"	8 7/16" X 10'-5 9/16"	8 - 12

13-1102

Jewish Home for the Aging

1885 Victory Blvd. Reseda, CA

FM-07-109

CREATED BY: AMB

FrameMax, Inc.
13915 Danielson St
Suite 100
Poway, CA 92064
www.frame-max.com



© FrameMax Inc.

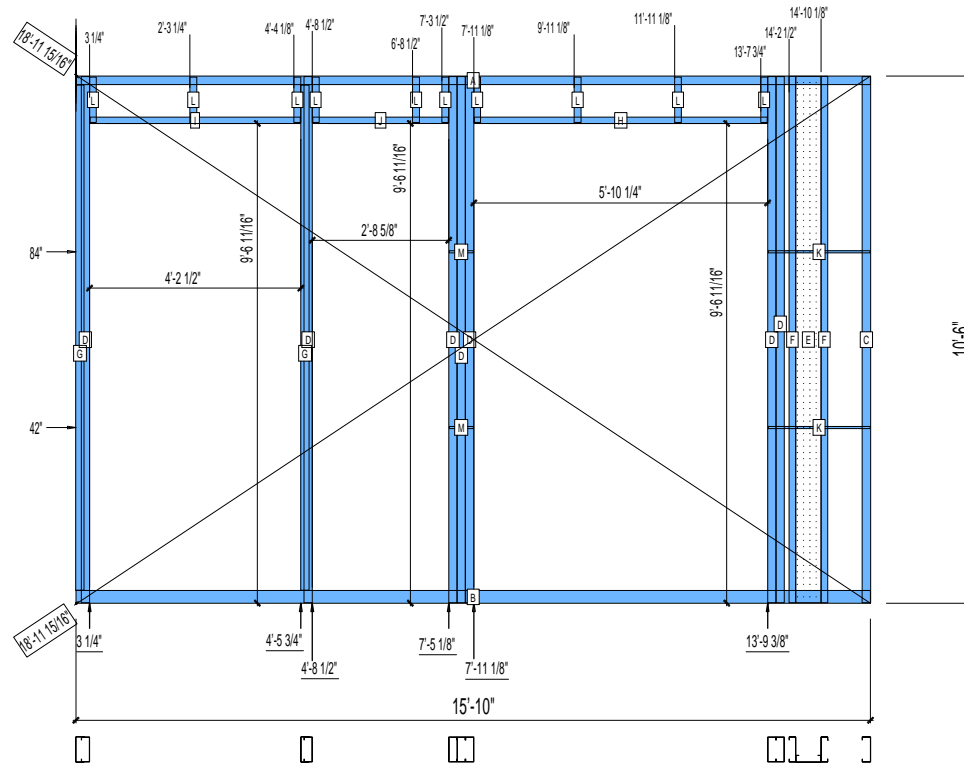
HEIGHT : 10'-6"
SPACING : 5000"
1st STUD: 5000"

POINTS: 2.82 Points.

ANCHORS

WEIGHTS :
FRAME : 398 lbs

TOTAL: 398 lbs



PIECES LIST

LABEL	QTY	SIZE	LENGTH	USE
A	1	600T200-54	15'-10"	TOP TRACK
B	1	600T300-54	15'-10"	BOTTOM TRACK
C	1	600S200-54	10'-5 13/16"	STUD
D	7	600S200-68	10'-5 13/16"	KING STUD
E	1	600S162-33	10'-5 13/16"	BACKER-U
F	2	600S162-33	10'-5 13/16"	BACKER STUD
G	2	600T200-54	10'-0 3/4"	CAP TRACK
H	1	600T150-54	5'-10"	HEAD TRACK
I	1	600T150-54	4'-2 1/4"	HEAD TRACK
J	1	600T150-54	2'-8 3/8"	HEAD TRACK
K	2	150U50-54	2'-0 3/8"	HORIZONTAL BRACING
L	10	600S162-54	10 7/8"	CRIPPLE
M	2	150U50-54	5 3/4"	HORIZONTAL BRACING

13-1103

Jewish Home for the Aging

1885 Victory Blvd. Reseda, CA

FrameMax, Inc.
13915 Danielson St
Suite 100
Poway, CA 92064
www.framemax.com



© FrameMax Inc.

CREATED: 12/05/2008

FM-07-109

CREATED BY: AMB

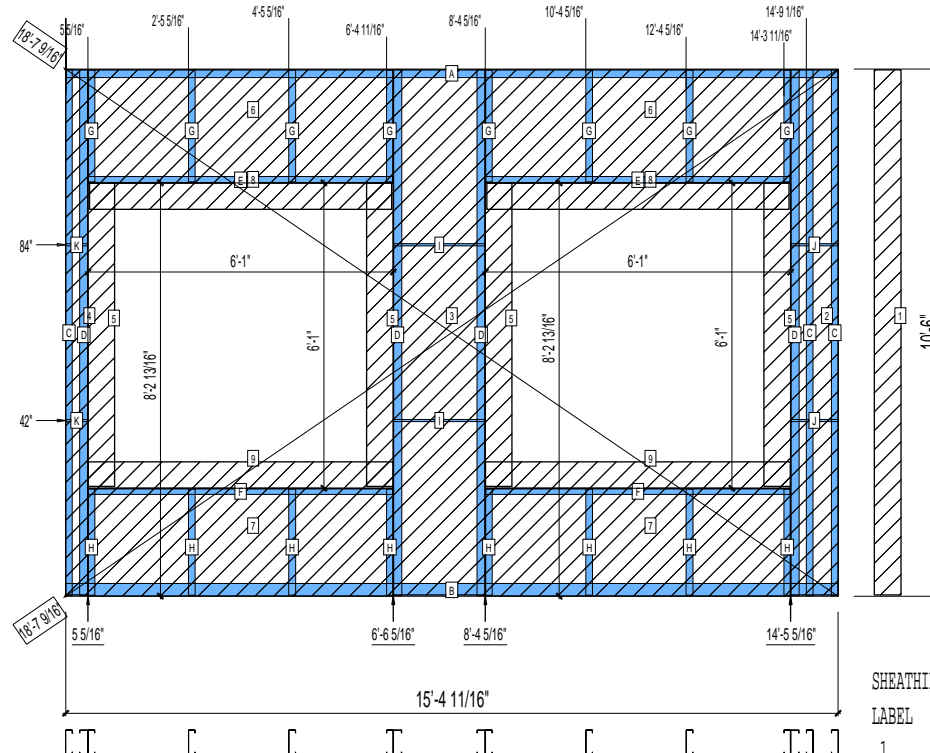
HEIGHT : 10'-6"
SPACING : 5000"
1st STUD: 5000"

POINTS: 3.98 Points.

ANCHORS

WEIGHTS :
FRAME : 346 lbs
SHEATHING: 295 lbs

TOTAL: 641 lbs



SHEATHING

LABEL	QTY	CODE	THICK	SIZE	SCREWS
1	1	DENSGLASS	1/2"	6 3/8" X 10'-5 9/16"	8 - 12
2	1	DENSGLASS	1/2"	11 1/4" X 10'-5 9/16"	8 - 12
3	1	DENSGLASS	1/2"	1'-9 7/8" X 10'-5 9/16"	8 - 12
4	1	DENSGLASS	1/2"	5 1/4" X 10'-5 9/16"	8 - 12
5	4	DENSGLASS	1/2"	6 3/8" X 6'-0 1/2"	8 - 12
6	2	DENSGLASS	1/2"	6'-0 7/8" X 2'-3"	8 - 12
7	2	DENSGLASS	1/2"	6'-0 7/8" X 2'-1 5/8"	8 - 12
8	2	DENSGLASS	1/2"	6'-0 1/4" X 6 5/16"	8 - 12
9	2	DENSGLASS	1/2"	6'-0 7/8" X 6 5/16"	8 - 12

PIECES LIST

LABEL	QTY	SIZE	LENGTH	USE
A	1	600T200-54	15'-4 11/16"	TOP TRACK
B	1	600T300-54	15'-4 11/16"	BOTTOM TRACK
C	3	600S162-54	10'-5 13/16"	STUD
D	4	600S200-68	10'-5 13/16"	KING STUD
E	2	600T150-54	6'-0 3/4"	HEAD TRACK
F	2	600T150-54	6'-0 3/4"	SILL
G	8	600S162-54	2'-2 3/4"	CRIPPLE
H	8	600S162-54	2'-1 3/8"	CRIPPLE
I	2	150U50-54	1'-9 3/4"	HORIZONTAL BRACING
J	2	150U50-54	11 1/8"	HORIZONTAL BRACING
K	2	150U50-54	5 1/8"	HORIZONTAL BRACING

13-1104

Jewish Home for the Aging

1885 Victory Blvd. Reseda, CA

FrameMax, Inc.
13915 Danielson St
Suite 100
Poway, CA 92064
www.frame-max.com



© FrameMax Inc.

CREATED: 12/05/2008

FM-07-109

CREATED BY: HH

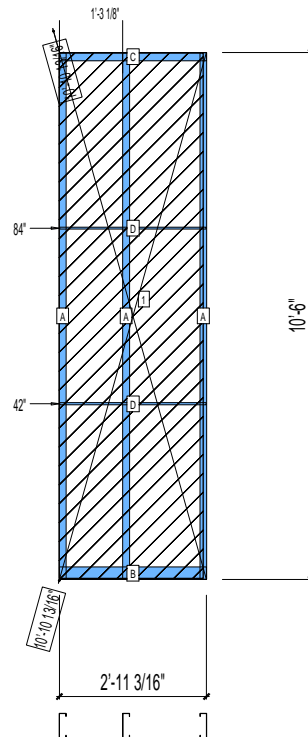
HEIGHT : 10'-6"
SPACING : 5000"
1st STUD: 16"

POINTS: 0.90 Points.

ANCHORS

WEIGHTS :
FRAME : 77 lbs
SHEATHING: 75 lbs

TOTAL: 152 lbs



PIECES LIST

LABEL	QTY	SIZE	LENGTH	USE
A	3	600S162-54	10'-5 13/16"	STUD
B	1	600T300-54	2'-11 3/16"	BOTTOM TRACK
C	1	600T200-54	2'-11 3/16"	TOP TRACK
D	2	150U50-54	2'-2'-11"	HORIZONTAL BRACING

SHEATHING

LABEL	QTY	CODE	THICK	SIZE	SCREWS
1	1	DENSGLASS	1/2"	2'-10 7/16" X 10'-5 9/16"	8 - 12

13-1105

Jewish Home for the Aging

1885 Victory Blvd. Reseda, CA

FM-07-109

CREATED BY: AMB

FrameMax, Inc.
13915 Danielson St
Suite 100
Poway, CA 92064
www.frame-max.com



© FrameMax Inc.

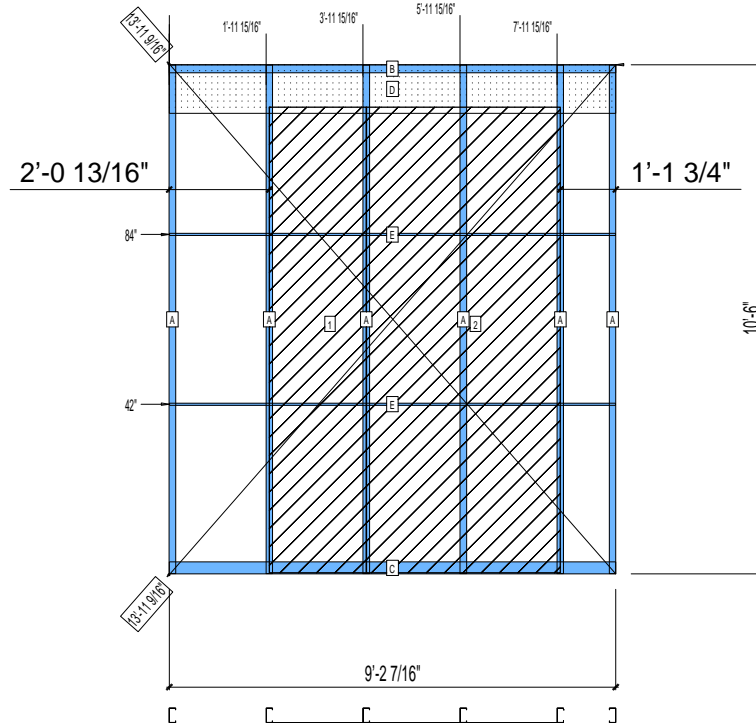
HEIGHT : 10'-6"
SPACING : 5000"
1st STUD : 5000"

POINTS: 2.09 Points.

ANCHORS

WEIGHTS :
FRAME : 153 lbs
SHEATHING: 212 lbs

TOTAL: 365 lbs



PIECES LIST

LABEL	QTY	SIZE	LENGTH	USE
A	6	362S162-54	10'-5 13/16"	STUD
B	1	362T200-54	9'-2 7/16"	TOP TRACK
C	1	362T300-54	9'-2 7/16"	BOTTOM TRACK
D	1	1200D-54	9'-2 3/8"	STRAP
E	2	150U50-54	9'-2 1/4"	HORIZONTAL BRACING

SHEATHING

LABEL	QTY	CODE	THICK	SIZE	SCREWS
1	1	SB-DENSARMOR	5/8"	2'-0" X 9'-7 3/16"	3 - 12
2	1	SB-DENSARMOR	5/8"	4'-0" X 9'-7 3/16"	3 - 12

13-1106

Jewish Home for the Aging

1885 Victory Blvd. Reseda, CA

FM-07-109

CREATED BY: AMB

FrameMax, Inc.
13915 Danielson St
Suite 100
Poway, CA 92064
www.frame-max.com



© FrameMax Inc.

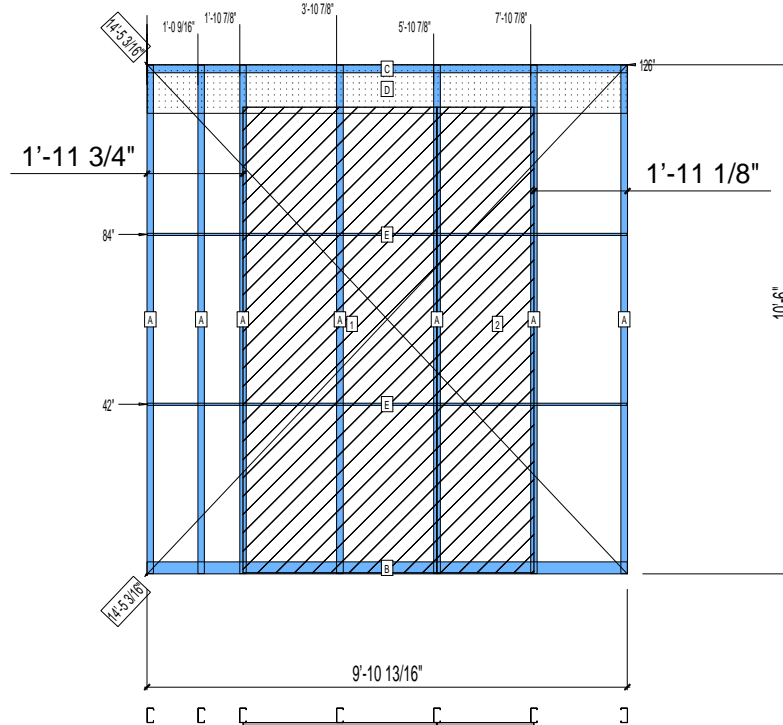
HEIGHT : 10'-6"
SPACING : 5000"
1st STUD: 5000"

POINTS: 2.21 Points.

ANCHORS

WEIGHTS :
FRAME : 173 lbs
SHEATHING: 212 lbs

TOTAL: 385 lbs



PIECES LIST

LABEL	QTY	SIZE	LENGTH	USE
A	7	362S162-54	10'-5 13/16"	STUD
B	1	362T300-54	9'-10 13/16"	BOTTOM TRACK
C	1	362T200-54	9'-10 13/16"	TOP TRACK
D	1	1200D-54	9'-10 13/16"	STRAP
E	2	150U50-54	9'-10 11/16"	HORIZONTAL BRACING

SHEATHING

LABEL	QTY	CODE	THICK	SIZE	SCREWS
1	1	SB-DENSARMOR	5/8"	4'-0" X 9'-7 3/16"	3-12
2	1	SB-DENSARMOR	5/8"	2'-0" X 9'-7 3/16"	3-12

13-1107

Jewish Home for the Aging

1885 Victory Blvd. Reseda, CA

FrameMax, Inc.
13915 Danielson St
Suite 100
Poway, CA 92064
www.frame-max.com



© FrameMax Inc.

CREATED: 12/05/2008

FM-07-109

CREATED BY: HH

HEIGHT : 10'-6"
SPACING : 5000"
1st STUD: 5000"

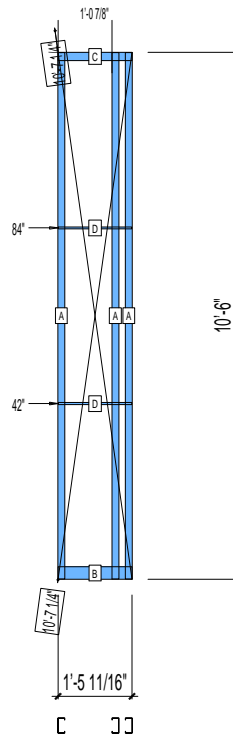
POINTS: 0.42 Points.

ANCHORS

WEIGHTS :
FRAME : 53 lbs

INSULATION: NO

TOTAL: 53 lbs



PIECES LIST

LABEL	QTY	SIZE	LENGTH	USE
A	3	362S162-54	10'-5 13/16"	STUD
B	1	362T300-54	1'-5 11/16"	BOTTOM TRACK
C	1	362T200-54	1'-5 11/16"	TOP TRACK
D	2	150U50-54	1'-5 1/2"	HORIZONTAL BRACING

13-1108

Jewish Home for the Aging

1885 Victory Blvd. Reseda, CA

FrameMax, Inc.
13915 Danielson St
Suite 100
Poway, CA 92064
www.frame-max.com



© FrameMax Inc.

CREATED: 12/05/2008

FM-07-109

CREATED BY: HH

HEIGHT : 10'-6"
SPACING : 5000"
1st STUD: 5000"

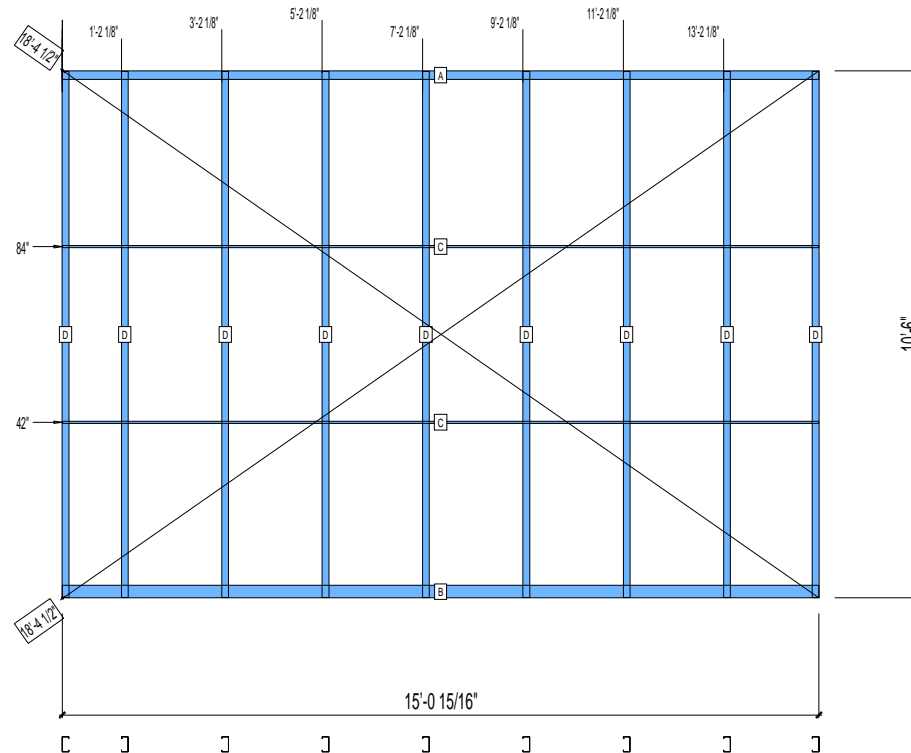
POINTS: 1.53 Points.

ANCHORS

WEIGHTS :
FRAME : 206 lbs

TOTAL: 206 lbs

INSULATION: NO



PIECES LIST

LABEL	QTY	SIZE	LENGTH	USE
A	1	362T200-54	15'-0 15/16"	TOP TRACK
B	1	362T300-54	15'-0 15/16"	BOTTOM TRACK
C	2	150U50-54	15'-0 3/4"	HORIZONTAL BRACING
D	9	362S162-54	10'-5 13/16"	STUD

13-1109

Jewish Home for the Aging

1885 Victory Blvd. Reseda, CA

FrameMax, Inc.
13915 Danielson St
Suite 100
Poway, CA 92064
www.frame-max.com



© FrameMax Inc.

CREATED: 12/05/2008

FM-07-109

CREATED BY: HH

HEIGHT : 10'-6"
SPACING : 5000"
1st STUD: 5000"

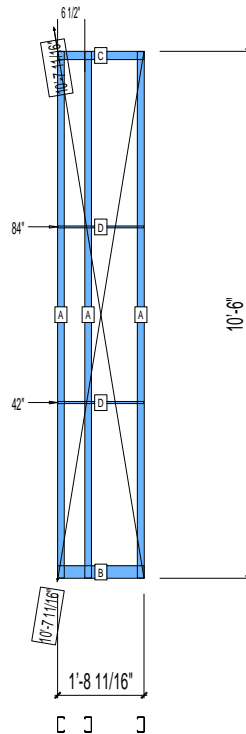
POINTS: 0.43 Points.

ANCHORS

WEIGHTS :
FRAME : 54 lbs

INSULATION: NO

TOTAL: 54 lbs



PIECES LIST

LABEL	QTY	SIZE	LENGTH	USE
A	3	362S162-54	10'-5 13/16"	STUD
B	1	362T300-54	1'-8 11/16"	BOTTOM TRACK
C	1	362T200-54	1'-8 11/16"	TOP TRACK
D	2	150U50-54	1'-8 1/2"	HORIZONTAL BRACING

13-1110

Jewish Home for the Aging

1885 Victory Blvd. Reseda, CA

FM-07-109

CREATED BY: AMB

FrameMax, Inc.
13915 Danielson St
Suite 100
Poway, CA 92064
www.frame-max.com



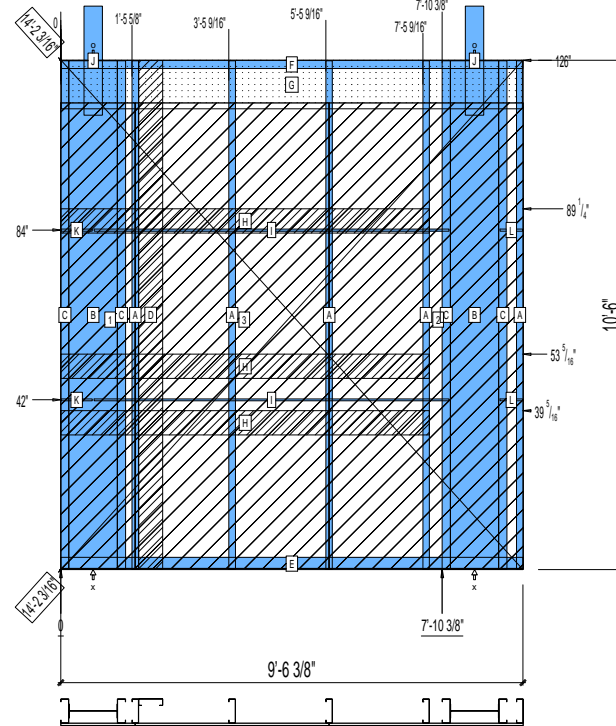
© FrameMax Inc.

HEIGHT : 10'-6"
SPACING : 5000"
1st STUD: 5000"

ANCHORS

WEIGHTS :
FRAME : 577 lbs
SHEATHING: 337 lbs

TOTAL: 914 lbs



PIECES LIST

LABEL	QTY	SIZE	LENGTH	USE
A	5	600S162-54	10'-5 13/16"	STUD
B	2	1200i350p1062	10'-5 13/16"	PACO
C	4	600S200-68	10'-5 13/16"	STUD
D	1	600S162-33	10'-5 13/16"	BACKER-U
E	1	600T300-54	9'-6 3/8"	BOTTOM TRACK
F	1	600T200-54	9'-6 3/8"	TOP TRACK
G	1	1200D-54	9'-6 1/16"	STRAP
H	3	600D-54	7'-7 3/16"	KITCHEN BACKING
I	2	150U50-54	7'-3 13/16"	HORIZONTAL BRACING
J	2	B	2'-3"	HOLDDOWN
K	2	150U50-54	7 11/16"	HORIZONTAL BRACING
L	2	150U50-54	5 9/16"	HORIZONTAL BRACING

SHEATHING

LABEL	QTY	CODE	THICK	SIZE	SCREWS
1	1	SB-DENSARMOR	5/8"	1'-6 3/8" X 9'-7 3/16"	2-12
2	1	SB-DENSARMOR	5/8"	4'-0" X 9'-7 3/16"	2-12
3	1	SB-DENSARMOR	5/8"	4'-0" X 9'-7 3/16"	2-12

13-1111

Jewish Home for the Aging

1885 Victory Blvd. Reseda, CA

FrameMax, Inc.
13915 Danielson St
Suite 100
Poway, CA 92064
www.frame-max.com



© FrameMax Inc.

CREATED: 12/08/2008

FM-07-109

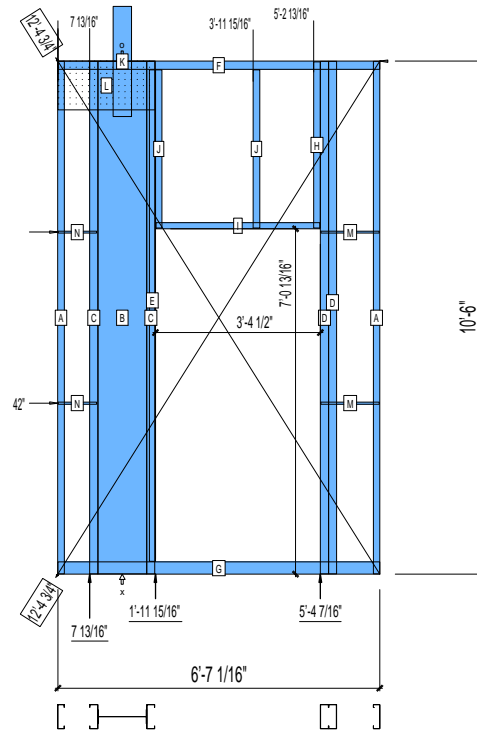
CREATED BY: AMB

HEIGHT : 11'-7 7/16" POINTS: 2.17 Points.
SPACING : 5000"
1st STUD: 5000"

ANCHORS

WEIGHTS :
FRAME : 354 lbs

TOTAL: 354 lbs



PIECES LIST

LABEL	QTY	SIZE	LENGTH	USE
A	2	600S162-54	10'-5 13/16"	STUD
B	1	1200i350p1062	10'-5 13/16"	PACO
C	2	600S200-68	10'-5 13/16"	STUD
D	2	600S200-68	10'-5 13/16"	KING STUD
E	1	600T150-54	10'-0 3/4"	CAP TRACK
F	1	600T200-54	6'-7 1/16"	TOP TRACK
G	1	600T300-54	6'-7 1/16"	BOTTOM TRACK
H	1	600S162-54	3'-4 3/4"	CRIPPLE
I	1	600T150-54	3'-4 1/4"	HEAD TRACK
J	2	600S162-54	3'-2 7/8"	CRIPPLE
K	1	B	2'-3"	HOLDDOWN
L	1	1200D-54	1'-11 7/8"	STRAP
M	2	150U50-54	1'-2 3/8"	HORIZONTAL BRACING
N	2	150U50-54	9 3/8"	HORIZONTAL BRACING

13-1112

Jewish Home for the Aging

1885 Victory Blvd. Reseda, CA

FrameMax, Inc.
13915 Danielson St
Suite 100
Poway, CA 92064
www.framemax.com



© FrameMax Inc.

CREATED: 12/05/2008

FM-07-109

CREATED BY: AMB

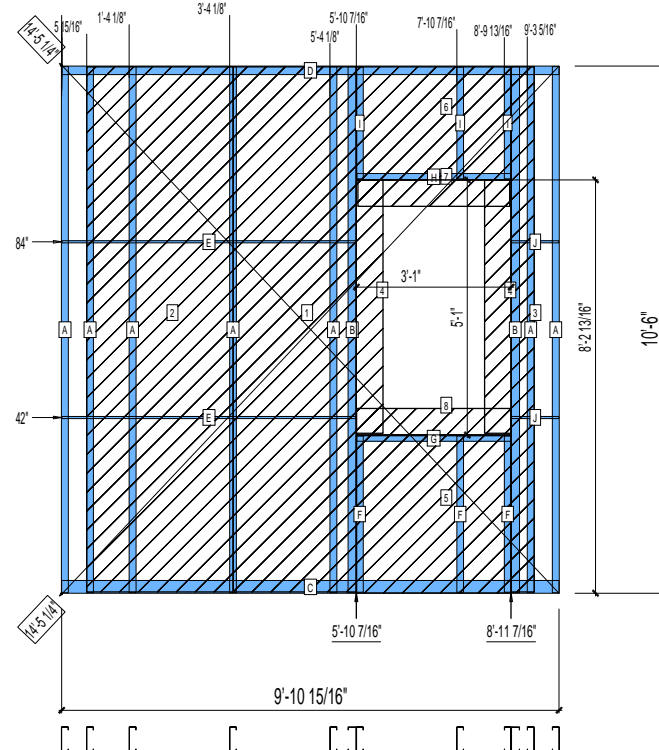
HEIGHT : 10'-6"
SPACING : 5000"
1st STUD: 5000"

POINTS: 2.96 Points.

ANCHORS

WEIGHTS :
FRAME : 284 lbs
SHEATHING: 215 lbs

TOTAL: 499 lbs



PIECES LIST

LABEL	QTY	SIZE	LENGTH	USE
A	7	600S162-54	10'-5 13/16"	STUD
B	2	600S200-68	10'-5 13/16"	KING STUD
C	1	600T300-54	9'-10 15/16"	BOTTOM TRACK
D	1	600T200-54	9'-10 15/16"	TOP TRACK
E	2	150U50-54	5'-10 1/4"	HORIZONTAL BRACING
F	3	600S162-54	3'-1 3/8"	CRIPPLE
G	1	600T150-54	3'-0 3/4"	SILL
H	1	600T150-54	3'-0 3/4"	HEAD TRACK
I	3	600S162-54	2'-2 3/4"	CRIPPLE
J	2	150U50-54	11 1/4"	HORIZONTAL BRACING

SHEATHING

LABEL	QTY	CODE	THICK	SIZE	SCREWS
1	1	DENSGLASS	1/2"	2'-5 7/16" X 10'-5 9/16"	8 - 12
2	1	DENSGLASS	1/2"	2'-11" X 10'-5 9/16"	8 - 12
3	1	DENSGLASS	1/2"	5 7/16" X 10'-5 9/16"	8 - 12
4	2	DENSGLASS	1/2"	6 3/8" X 5'-0 1/2"	8 - 12
5	1	DENSGLASS	1/2"	3'-0 7/8" X 3'-1 5/8"	8 - 12
6	1	DENSGLASS	1/2"	3'-0 7/8" X 2'-3"	8 - 12
7	1	DENSGLASS	1/2"	3'-0 1/4" X 6 5/16"	8 - 12
8	1	DENSGLASS	1/2"	3'-0 7/8" X 6 5/16"	8 - 12

13-1113

Jewish Home for the Aging

1885 Victory Blvd. Reseda, CA

FrameMax, Inc.
13915 Danielson St
Suite 100
Poway, CA 92064
www.framemax.com



© FrameMax Inc.

CREATED: 12/05/2008

FM-07-109

CREATED BY: HH

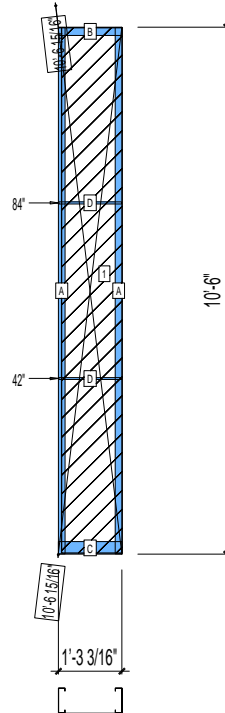
HEIGHT : 10'-6"
SPACING : 5000"
1st STUD: 16"

POINTS: 0.51 Points.

ANCHORS

WEIGHTS :
FRAME : 48 lbs
SHEATHING: 31 lbs

TOTAL: 79 lbs



PIECES LIST

LABEL	QTY	SIZE	LENGTH	USE
A	2	600S162-54	10'-5 13/16"	STUD
B	1	600T200-54	1'-3 3/16"	TOP TRACK
C	1	600T300-54	1'-3 3/16"	BOTTOM TRACK
D	2	150U50-54	1'-3"	HORIZONTAL BRACING

SHEATHING

LABEL	QTY	CODE	THICK	SIZE	SCREWS
1	1	DENSGLASS	1/2"	1'-2 7/16" X 10'-5 9/16"	8 - 12

13-1114

Jewish Home for the Aging

1885 Victory Blvd. Reseda, CA

FrameMax, Inc.
13915 Danielson St
Suite 100
Poway, CA 92064
www.frame-max.com



© FrameMax Inc.

CREATED: 12/05/2008

FM-07-109

CREATED BY: HH

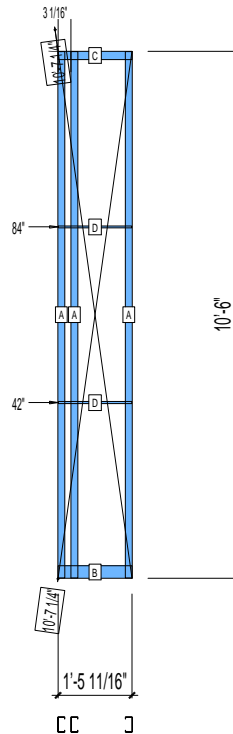
HEIGHT : 10'-6"
POINTS: 0.42 Points.
SPACING : 5000"
1st STUD: 5000"

ANCHORS

INSULATION: NO

WEIGHTS :
FRAME : 53 lbs

TOTAL: 53 lbs



PIECES LIST

LABEL	QTY	SIZE	LENGTH	USE
A	3	362S162-54	10'-5 13/16"	STUD
B	1	362T300-54	1'-5 11/16"	BOTTOM TRACK
C	1	362T200-54	1'-5 11/16"	TOP TRACK
D	2	150U50-54	1'-5 1/2"	HORIZONTAL BRACING

13-1115

Jewish Home for the Aging

1885 Victory Blvd. Reseda, CA

FrameMax, Inc.
13915 Danielson St
Suite 100
Poway, CA 92064
www.frame-max.com



© FrameMax Inc.

CREATED: 12/05/2008

FM-07-109

CREATED BY: HH

HEIGHT : 10'-6"
SPACING : 5000"
1st STUD: 5000"

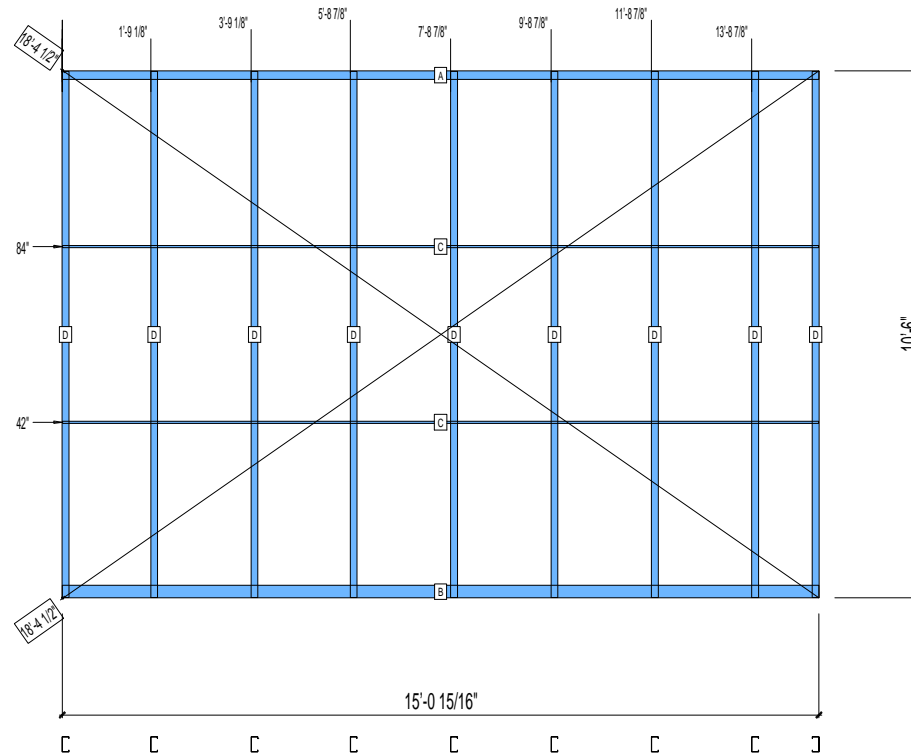
POINTS: 1.53 Points.

ANCHORS

WEIGHTS :
FRAME : 206 lbs

TOTAL: 206 lbs

INSULATION: NO



PIECES LIST

LABEL	QTY	SIZE	LENGTH	USE
A	1	362T200-54	15'-0 15/16"	TOP TRACK
B	1	362T300-54	15'-0 15/16"	BOTTOM TRACK
C	2	150U50-54	15'-0 3/4"	HORIZONTAL BRACING
D	9	362S162-54	10'-5 13/16"	STUD

13-1116

Jewish Home for the Aging

1885 Victory Blvd. Reseda, CA

FrameMax, Inc.
13915 Danielson St
Suite 100
Poway, CA 92064
www.frame-max.com



© FrameMax Inc.

CREATED: 12/05/2008

FM-07-109

CREATED BY: HH

HEIGHT : 10'-6"
SPACING : 5000"
1st STUD: 5000"

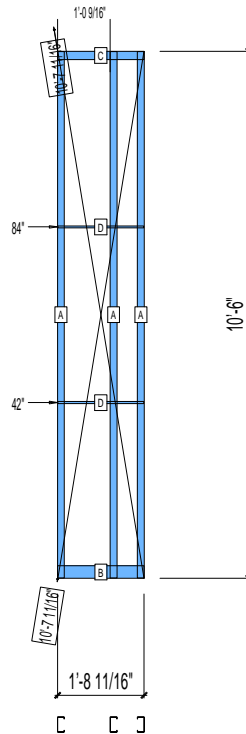
POINTS: 0.43 Points.

ANCHORS

WEIGHTS :
FRAME : 54 lbs

INSULATION: NO

TOTAL: 54 lbs



PIECES LIST

LABEL	QTY	SIZE	LENGTH	USE
A	3	362S162-54	10'-5 13/16"	STUD
B	1	362T300-54	1'-8 11/16"	BOTTOM TRACK
C	1	362T200-54	1'-8 11/16"	TOP TRACK
D	2	150U50-54	1'-8 1/2"	HORIZONTAL BRACING

13-1117

Jewish Home for the Aging

1885 Victory Blvd. Reseda, CA

FM-07-109

CREATED BY: AMB

FrameMax, Inc.
13915 Danielson St
Suite 100
Poway, CA 92064
www.frame-max.com



© FrameMax Inc.

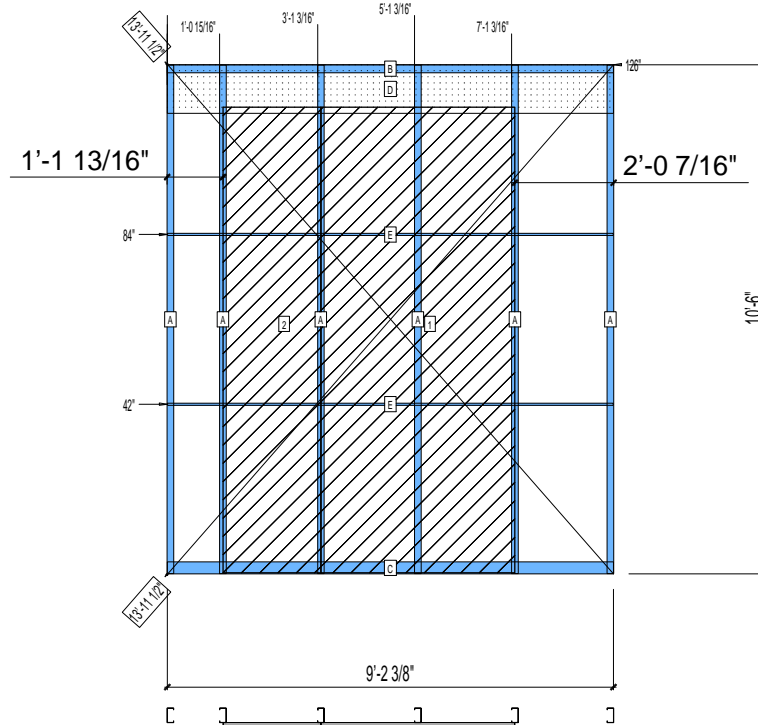
HEIGHT : 10'-6"
SPACING : 5000"
1st STUD: 5000"

POINTS: 2.09 Points.

ANCHORS

WEIGHTS :
FRAME : 153 lbs
SHEATHING: 213 lbs

TOTAL: 366 lbs



PIECES LIST

LABEL	QTY	SIZE	LENGTH	USE
A	6	362S162-54	10'-5 13/16"	STUD
B	1	362T200-54	9'-2 3/8"	TOP TRACK
C	1	362T300-54	9'-2 3/8"	BOTTOM TRACK
D	1	1200D-54	9'-2 5/16"	STRAP
E	2	150U50-54	9'-2 3/16"	HORIZONTAL BRACING

SHEATHING

LABEL	QTY	CODE	THICK	SIZE	SCREWS
1	1	SB-DENSARMOR	5/8"	4'-0" X 9'-7 3/16"	2-12
2	1	SB-DENSARMOR	5/8"	2'-0 1/4" X 9'-7 3/16"	2-12

13-1118

Jewish Home for the Aging

1885 Victory Blvd. Reseda, CA

FM-07-109

CREATED BY: AMB

FrameMax, Inc.
13915 Danielson St
Suite 100
Poway, CA 92064
www.frame-max.com



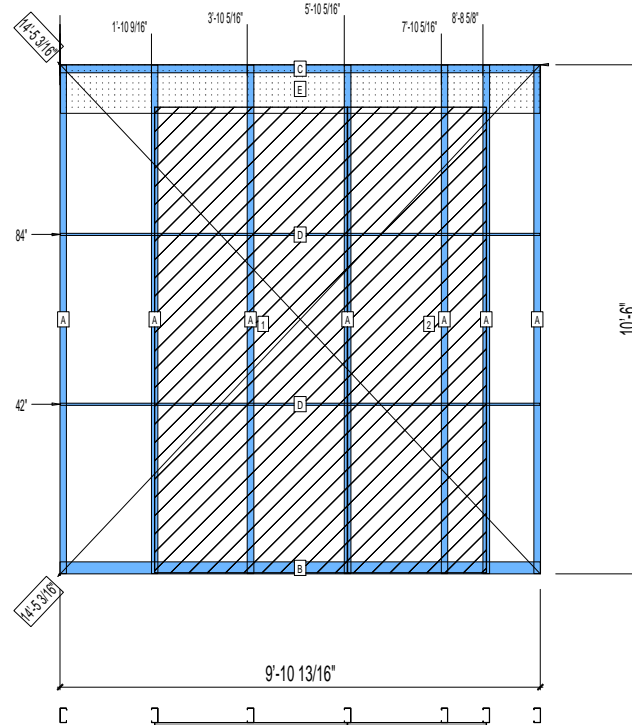
© FrameMax Inc.

HEIGHT : 10'-6"
SPACING : 5000"
1st STUD: 5000"

ANCHORS

WEIGHTS :
FRAME : 173 lbs
SHEATHING: 242 lbs

TOTAL: 415 lbs



PIECES LIST

LABEL	QTY	SIZE	LENGTH	USE
A	7	362S162-54	10'-5 13/16"	STUD
B	1	362T300-54	9'-10 13/16"	BOTTOM TRACK
C	1	362T200-54	9'-10 13/16"	TOP TRACK
D	2	150U50-54	9'-10 11/16"	HORIZONTAL BRACING
E	1	1200D-54	9'-10 11/16"	STRAP

SHEATHING

LABEL	QTY	CODE	THICK	SIZE	SCREWS
1	1	SB-DENSARMOR	5/8"	3'-11 11/16" X 9'-7 3/16"	2-12
2	1	SB-DENSARMOR	5/8"	2'-10 3/8" X 9'-7 3/16"	2-12

13-1119

Jewish Home for the Aging

1885 Victory Blvd. Reseda, CA

FM-07-109

CREATED BY: AMB

FrameMax, Inc.
13915 Danielson St
Suite 100
Poway, CA 92064
www.frame-max.com



© FrameMax Inc.

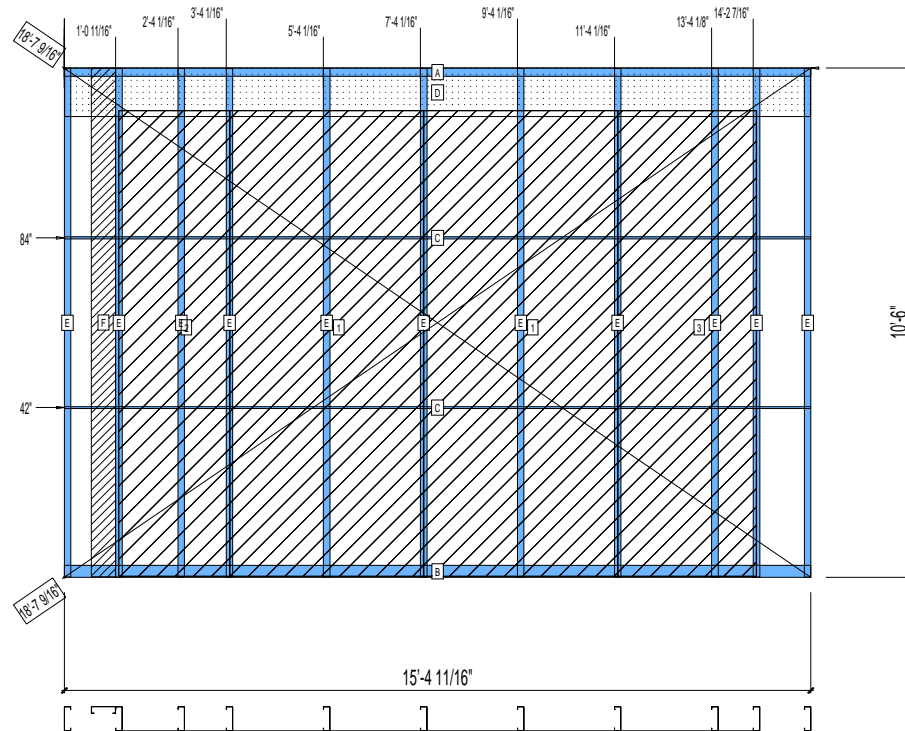
HEIGHT : 10'-6"
SPACING : 5000"
1st STUD : 5000"

POINTS: 4.38 Points.

ANCHORS

WEIGHTS :
FRAME : 349 lbs
SHEATHING: 464 lbs

TOTAL: 813 lbs



PIECES LIST

LABEL	QTY	SIZE	LENGTH	USE
A	1	600T200-54	15'-4 11/16"	TOP TRACK
B	1	600T300-54	15'-4 11/16"	BOTTOM TRACK
C	2	150U50-54	15'-4 1/2"	HORIZONTAL BRACING
D	1	1200D-54	15'-4 1/2"	STRAP
E	11	600S162-54	10'-5 13/16"	STUD
F	1	600S162-33	10'-5 13/16"	BACKER-U

SHEATHING

LABEL	QTY	CODE	THICK	SIZE	SCREWS
1	2	SB-DENSARMOR	5/8"	4'-0" X 9'-7 3/16"	2-12
2	1	SB-DENSARMOR	5/8"	2'-3 7/16" X 9'-7 3/16"	2-12
3	1	SB-DENSARMOR	5/8"	2'-10 3/8" X 9'-7 3/16"	2-12

13-1120

Jewish Home for the Aging

1885 Victory Blvd. Reseda, CA

FrameMax, Inc.
13915 Danielson St
Suite 100
Poway, CA 92064
www.frame-max.com



© FrameMax Inc.

CREATED: 12/08/2008

FM-07-109

CREATED BY: HH

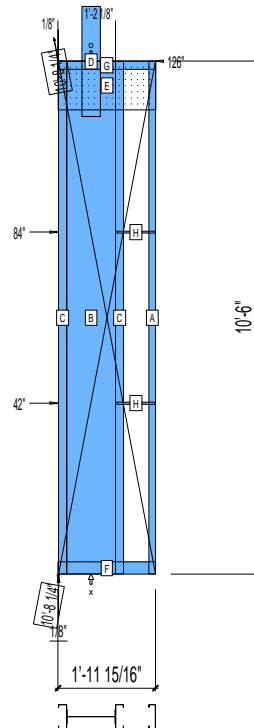
HEIGHT : 10'-6"
SPACING : 5000"
1st STUD: 16"

POINTS: 1.25 Points.

ANCHORS

WEIGHTS :
FRAME : 220 lbs

TOTAL: 220 lbs



PIECES LIST

LABEL	QTY	SIZE	LENGTH	USE
A	1	600S162-54	10'-5 13/16"	STUD
B	1	1200i350p1062	10'-5 13/16"	PACO
C	2	600S200-68	10'-5 13/16"	STUD
D	1	B	2'-3"	HOLDDOWN
E	1	1200D-54	2'-0"	STRAP
F	1	600T300-54	1'-11 15/16"	BOTTOM TRACK
G	1	600T200-54	1'-11 15/16"	TOP TRACK
H	2	150U50-54	9 3/8"	HORIZONTAL BRACING

13-1121

Jewish Home for the Aging

1885 Victory Blvd. Reseda, CA

FM-07-109

CREATED BY: AMB

FrameMax, Inc.
13915 Danielson St
Suite 100
Poway, CA 92064
www.framemax.com



© FrameMax Inc.

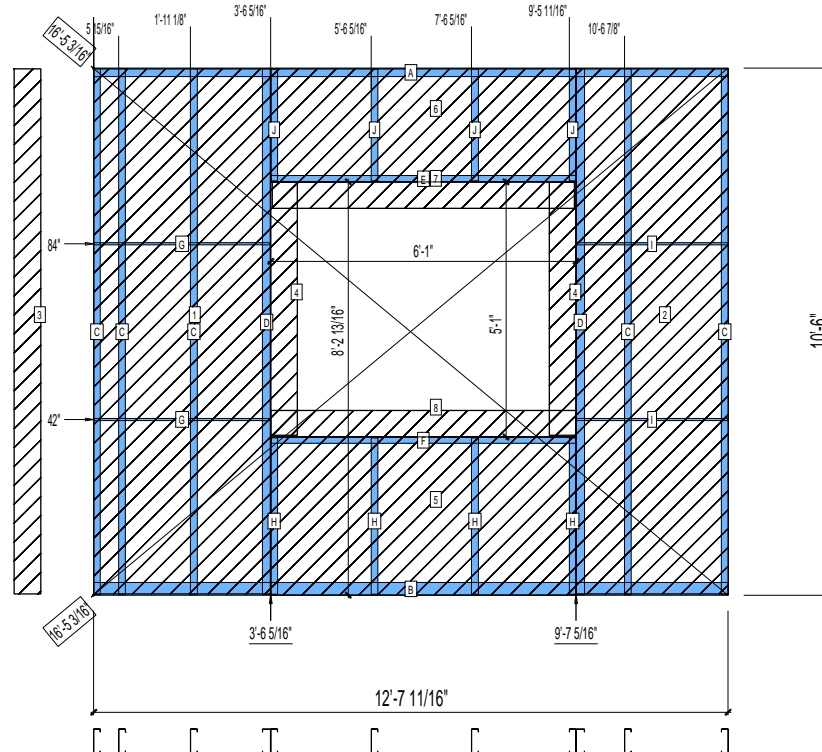
HEIGHT : 10'-6"
SPACING : 5000"
1st STUD: 5000"

POINTS: 3.35 Points.

ANCHORS

WEIGHTS :
FRAME : 276 lbs
SHEATHING: 296 lbs

TOTAL: 572 lbs



PIECES LIST

LABEL	QTY	SIZE	LENGTH	USE
A	1	600T200-54	12'-7 11/16"	TOP TRACK
B	1	600T300-54	12'-7 11/16"	BOTTOM TRACK
C	5	600S162-54	10'-5 13/16"	STUD
D	2	600S200-68	10'-5 13/16"	KING STUD
E	1	600T150-54	6'-0 3/4"	HEAD TRACK
F	1	600T150-54	6'-0 3/4"	SILL
G	2	150U50-54	3'-6 1/8"	HORIZONTAL BRACING
H	4	600S162-54	3'-1 3/8"	CRIPPLE
I	2	150U50-54	3'-0 1/8"	HORIZONTAL BRACING
J	4	600S162-54	2'-2 3/4"	CRIPPLE

SHEATHING

LABEL	QTY	CODE	THICK	SIZE	SCREWS
1	1	DENSGLASS	1/2"	3'-6 1/4" X 10'-5 9/16"	8 - 12
2	1	DENSGLASS	1/2"	3'-0 5/16" X 10'-5 9/16"	8 - 12
3	1	DENSGLASS	1/2"	6 3/8" X 10'-5 9/16"	8 - 12
4	2	DENSGLASS	1/2"	6 3/8" X 5'-0 1/2"	8 - 12
5	1	DENSGLASS	1/2"	6'-0 7/8" X 3'-1 11/16"	8 - 12
6	1	DENSGLASS	1/2"	6'-0 7/8" X 2'-3"	8 - 12
7	1	DENSGLASS	1/2"	6'-0 1/4" X 6 5/16"	8 - 12
8	1	DENSGLASS	1/2"	6'-0 7/8" X 6 5/16"	8 - 12

13-1122

Jewish Home for the Aging

1885 Victory Blvd. Reseda, CA

FM-07-109

CREATED BY: AMB

FrameMax, Inc.
13915 Danielson St
Suite 100
Poway, CA 92064
www.framemax.com



© FrameMax Inc.

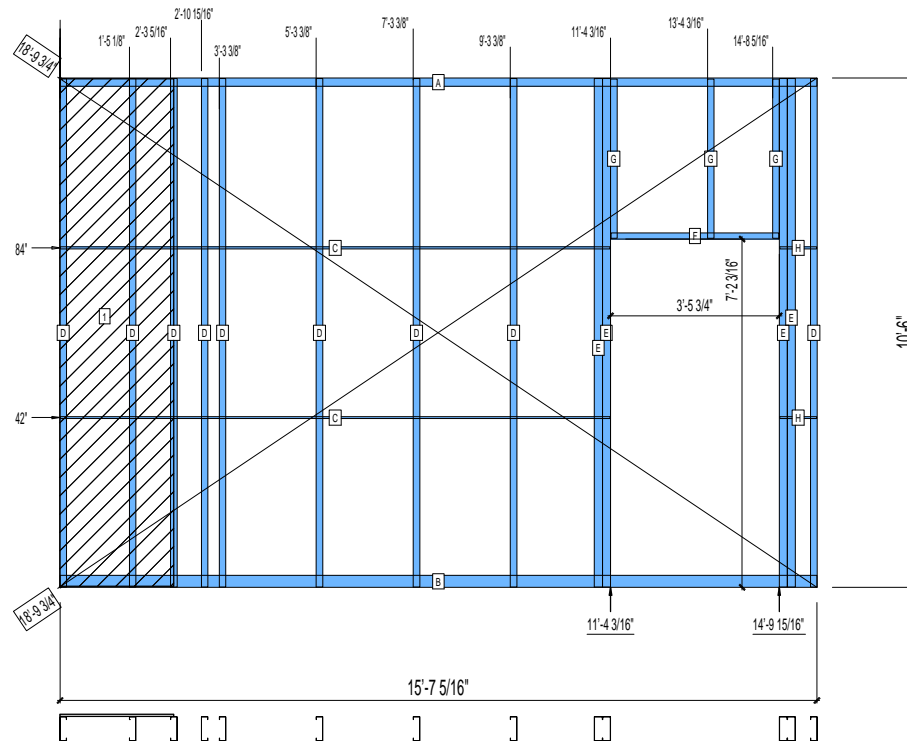
HEIGHT : 10'-6"
SPACING : 5000"
1st STUD: 5000"

POINTS: 2.88 Points.

ANCHORS

WEIGHTS :
FRAME : 392 lbs
SHEATHING: 61 lbs

TOTAL: 453 lbs



PIECES LIST

LABEL	QTY	SIZE	LENGTH	USE
A	1	600T200-54	15'-7 5/16"	TOP TRACK
B	1	600T300-54	15'-7 5/16"	BOTTOM TRACK
C	2	150U50-54	11'-4"	HORIZONTAL BRACING
D	9	600S162-54	10'-5 13/16"	STUD
E	4	600S200-68	10'-5 13/16"	KING STUD
F	1	600T150-54	3'-5 1/2"	HEAD TRACK
G	3	600S162-54	3'-3 3/8"	CRIPPLE
H	2	150U50-54	9 1/8"	HORIZONTAL BRACING

SHEATHING

LABEL	QTY	CODE	THICK	SIZE	SCREWS
1	1	DENSGLOSS	1/2"	2'-4 3/16" X 10'-5 9/16"	8 - 12

13-1123

Jewish Home for the Aging

1885 Victory Blvd. Reseda, CA

FrameMax, Inc.
13915 Danielson St
Suite 100
Poway, CA 92064
www.frame-max.com



© FrameMax Inc.

CREATED: 12/05/2008

FM-07-109

CREATED BY: AMB

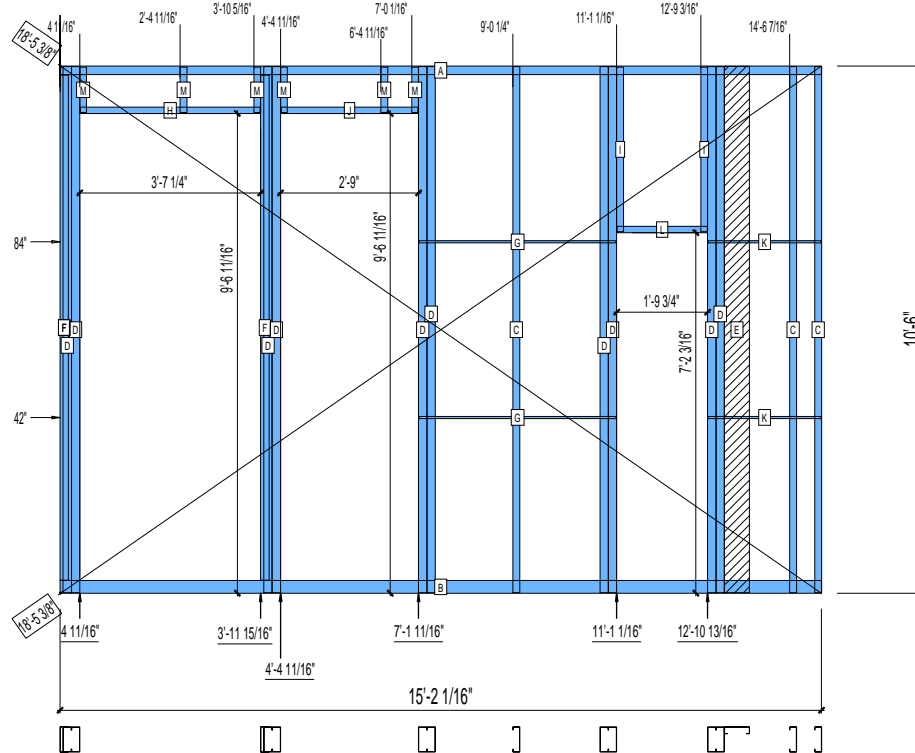
HEIGHT : 10'-6"
SPACING : 5000"
1st STUD: 5000"

POINTS: 3.25 Points.

ANCHORS

WEIGHTS :
FRAME : 491 lbs

TOTAL: 491 lbs



PIECES LIST			
LABEL	QTY	SIZE	LENGTH USE
A	1	600T200-54	15'-2 1/16" TOP TRACK
B	1	600T300-54	15'-2 1/16" BOTTOM TRACK
C	3	600S162-54	10'-5 13/16" STUD
D	10	600S200-68	10'-5 13/16" KING STUD
E	1	600S162-33	10'-5 13/16" BACKER-U
F	2	600T200-54	10'-0 3/4" CAP TRACK
G	2	150U50-54	3'-11 1/8" HORIZONTAL BRACING
H	1	600T150-54	3'-7" HEAD TRACK
I	2	600S162-54	3'-3 3/8" CRIPPLE
J	1	600T150-54	2'-8 3/4" HEAD TRACK
K	2	150U50-54	2'-3" HORIZONTAL BRACING
L	1	600T150-54	1'-9 1/2" HEAD TRACK
M	6	600S162-54	10 7/8" CRIPPLE

13-1124

Jewish Home for the Aging

1885 Victory Blvd. Reseda, CA

FrameMax, Inc.
13915 Danielson St
Suite 100
Poway, CA 92064
www.frame-max.com



© FrameMax Inc.

CREATED: 12/05/2008

FM-07-109

CREATED BY: AMB

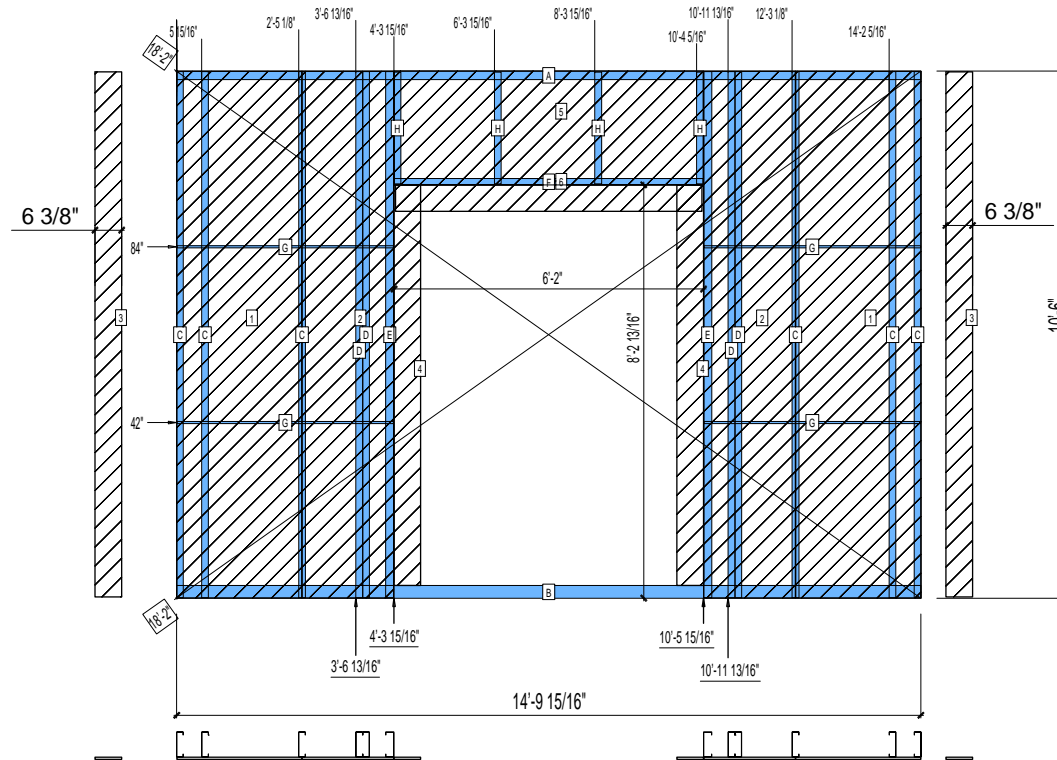
HEIGHT : 10'-6"
SPACING : 5000"
1st STUD: 5000"

POINTS: 3.85 Points.

ANCHORS

WEIGHTS :
FRAME : 353 lbs
SHEATHING: 319 lbs

TOTAL: 672 lbs



PIECES LIST

LABEL	QTY	SIZE	LENGTH	USE
A	1	600T200-54	14'-9 15/16"	TOP TRACK
B	1	600T300-54	14'-9 15/16"	BOTTOM TRACK
C	6	600S162-54	10'-5 13/16"	STUD
D	4	600S162-54	10'-5 13/16"	EXTRA STUD
E	2	600S200-68	10'-5 13/16"	KING STUD
F	1	600T150-54	6'-1 3/4"	HEAD TRACK
G	4	150U50-54	4'-3 3/4"	HORIZONTAL BRACING
H	4	600S162-54	2'-2 3/4"	CRIPPLE

SHEATHING

LABEL	QTY	CODE	THICK	SIZE	SCREWS
1	2	DENSGLASS	1/2"	2'-5 15/16" X 10'-5 7/8"	8 - 12
2	2	DENSGLASS	1/2"	1'-9 15/16" X 10'-5 7/8"	8 - 12
3	2	DENSGLASS	1/2"	6 3/8" X 10'-5 9/16"	8 - 12
4	2	DENSGLASS	1/2"	6 3/8" X 7'-11 3/4"	8 - 12
5	1	DENSGLASS	1/2"	6'-1 7/8" X 2'-3 1/8"	8 - 12
6	1	DENSGLASS	1/2"	6'-1 1/4" X 6 5/16"	8 - 12

13-1125

Jewish Home for the Aging

1885 Victory Blvd. Reseda, CA

FM-07-109

CREATED BY: AMB

FrameMax, Inc.
13915 Danielson St
Suite 100
Poway, CA 92064
www.frame-max.com



© FrameMax Inc.

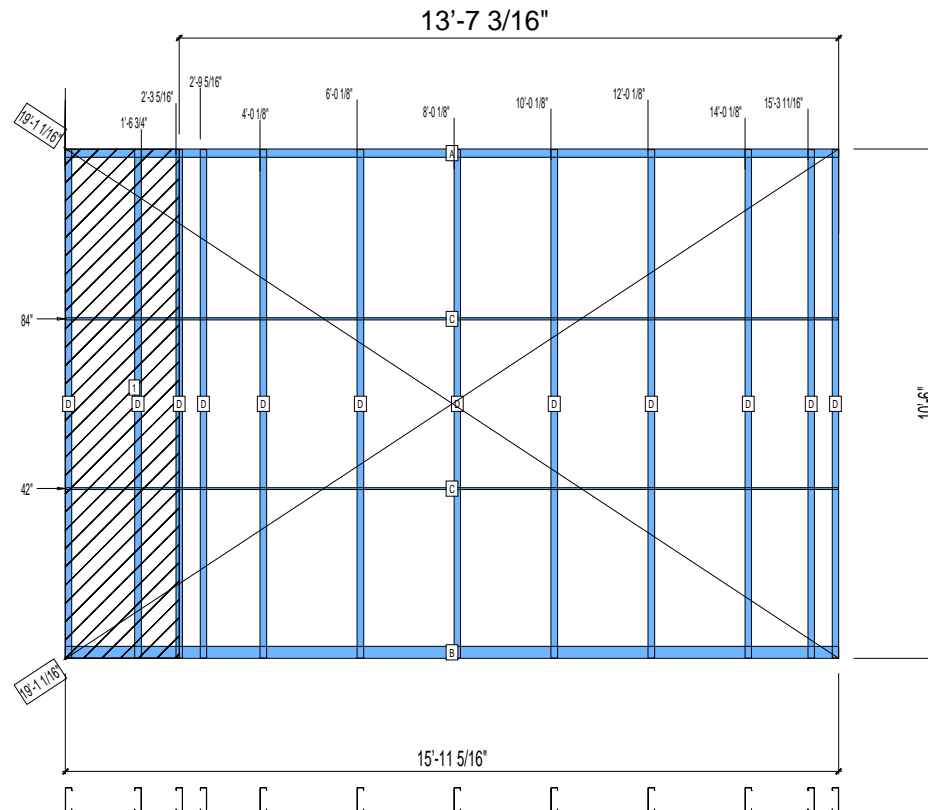
HEIGHT : 10'-6"
SPACING : 5000"
1st STUD: 16"

POINTS: 2.43 Points.

ANCHORS

WEIGHTS :
FRAME : 323 lbs
SHEATHING: 62 lbs

TOTAL: 385 lbs



PIECES LIST

LABEL	QTY	SIZE	LENGTH	USE
A	1	600T200-54	15'-11 5/16"	TOP TRACK
B	1	600T300-54	15'-11 5/16"	BOTTOM TRACK
C	2	150U50-54	15'-11 1/8"	HORIZONTAL BRACING
D	12	600S162-54	10'-5 13/16"	STUD

SHEATHING

LABEL	QTY	CODE	THICK	SIZE	SCREWS
1	1	DENSGLASS	1/2"	2'-4 3/16" X 10'-5 7/8"	8 - 12

13-1126

Jewish Home for the Aging

1885 Victory Blvd. Reseda, CA

FM-07-109

CREATED BY: AMB

FrameMax, Inc.
13915 Danielson St
Suite 100
Poway, CA 92064
www.frame-max.com



© FrameMax Inc.

HEIGHT : 11'-1 7/16" POINTS: 5.58 Points.

SPACING : 5000"

1st STUD: 5000"

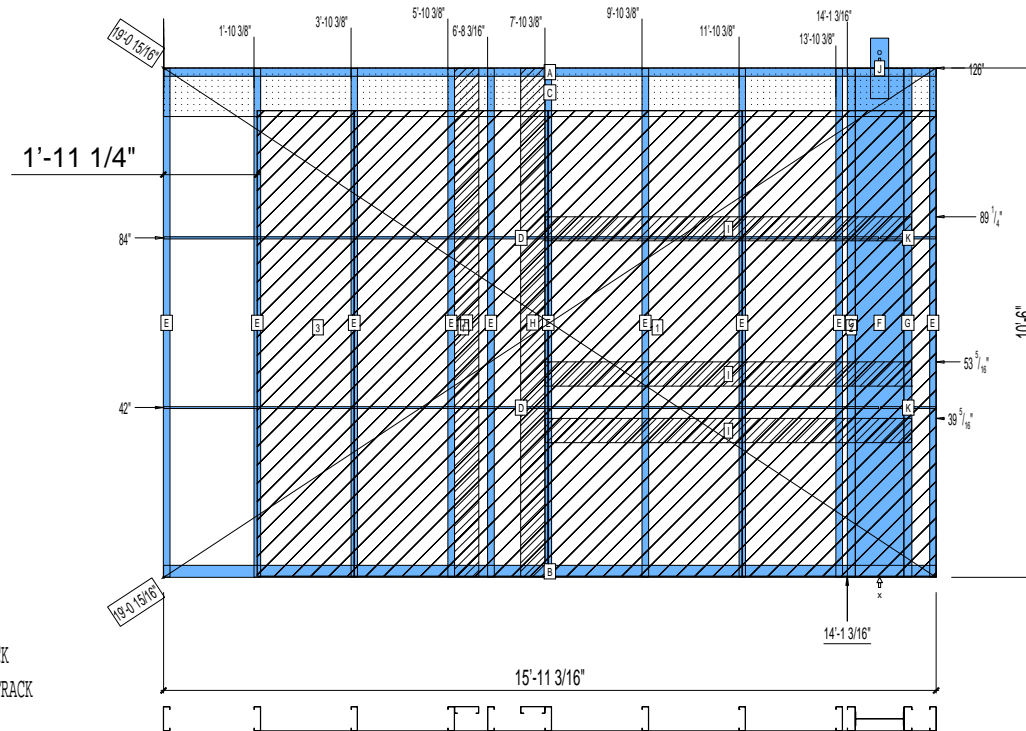
ANCHORS

WEIGHTS :

FRAME : 538 lbs

SHEATHING: 495 lbs

TOTAL: 1033 lbs



PIECES LIST

LABEL	QTY	SIZE	LENGTH	USE
A	1	600T200-54	15'-11 3/16"	TOP TRACK
B	1	600T300-54	15'-11 3/16"	BOTTOM TRACK
C	1	1200D-54	15'-11 1/8"	STRAP
D	2	150U50-54	14'-8 7/8"	HORIZONTAL BRACING
E	10	600S162-54	10'-5 13/16"	STUD
F	1	1200i350p1062	10'-5 13/16"	PACO
G	2	600S200-54	10'-5 13/16"	STUD
H	2	600S162-33	10'-5 13/16"	BACKER-U
I	3	600D-54	7'-6 11/16"	KITCHEN BACKING
J	1	A	1'-3"	HOLDDOWN
K	2	150U50-54	1'-1 5/8"	HORIZONTAL BRACING

SHEATHING

LABEL	QTY	CODE	THICK	SIZE	SCREWS
1	2	SB-DENSARMOR	5/8"	4'-0" X 9'-7 3/16"	2 - 12
2	1	SB-DENSARMOR	5/8"	4'-0" X 9'-7 3/16"	2 - 12
3	1	SB-DENSARMOR	5/8"	2'-0" X 9'-7 3/16"	2 - 12

13-1127

Jewish Home for the Aging

1885 Victory Blvd. Reseda, CA

FM-07-109

CREATED BY: AMB

FrameMax, Inc.
13915 Danielson St
Suite 100
Poway, CA 92064
www.frame-max.com



© FrameMax Inc.

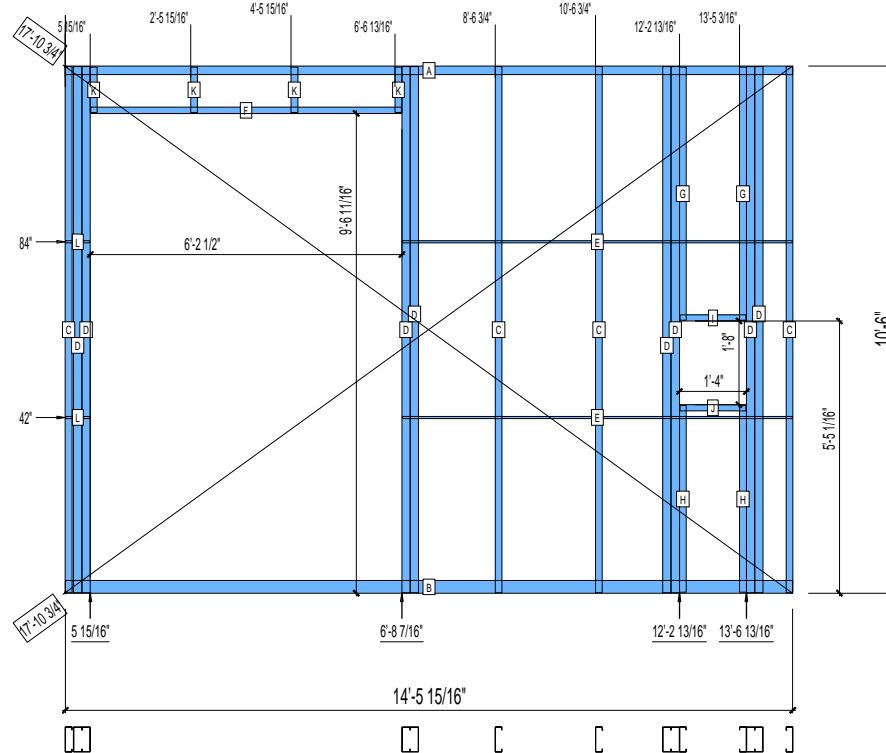
HEIGHT : 10'-6"
SPACING : 5000"
1st STUD: 5000"

POINTS: 2.85 Points.

ANCHORS

WEIGHTS :
FRAME : 423 lbs

TOTAL: 423 lbs



PIECES LIST			LENGTH USE
LABEL	QTY	SIZE	
A	1	600T200-54	14'-5 15/16" TOP TRACK
B	1	600T300-54	14'-5 15/16" BOTTOM TRACK
C	4	600S162-54	10'-5 13/16" STUD
D	8	600S200-68	10'-5 13/16" KING STUD
E	2	150U50-54	7'-9 1/4" HORIZONTAL BRACING
F	1	600T150-54	6'-2 1/4" HEAD TRACK
G	2	600S162-54	5'-0 1/2" CRIPPLE
H	2	600S162-54	3'-8 5/8" CRIPPLE
I	1	600T150-54	1'-3 3/4" HEAD TRACK
J	1	600T150-54	1'-3 3/4" SILL
K	4	600S162-54	10 7/8" CRIPPLE
L	2	150U50-54	5 3/4" HORIZONTAL BRACING

13-1128

Jewish Home for the Aging

1885 Victory Blvd. Reseda, CA

FrameMax, Inc.
13915 Danielson St
Suite 100
Poway, CA 92064
www.frame-max.com



© FrameMax Inc.

CREATED: 12/05/2008

FM-07-109

CREATED BY: AMB

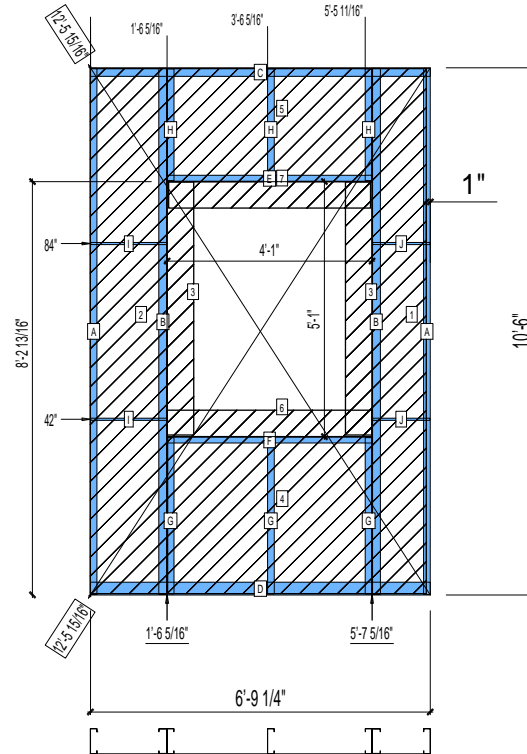
HEIGHT : 10'-6"
SPACING : 5000"
1st STUD: 5000"

POINTS: 1.97 Points.

ANCHORS

WEIGHTS :
FRAME : 170 lbs
SHEATHING: 147 lbs

TOTAL: 317 lbs



PIECES LIST

LABEL	QTY	SIZE	LENGTH	USE
A	2	600S162-54	10'-5 13/16"	STUD
B	2	600S200-68	10'-5 13/16"	KING STUD
C	1	600T200-54	6'-9 1/4"	TOP TRACK
D	1	600T300-54	6'-9 1/4"	BOTTOM TRACK
E	1	600T150-54	4'-0 3/4"	HEAD TRACK
F	1	600T150-54	4'-0 3/4"	SILL
G	3	600S162-54	3'-1 3/8"	CRIPPLE
H	3	600S162-54	2'-2 3/4"	CRIPPLE
I	2	150U50-54	1'-6 1/8"	HORIZONTAL BRACING
J	2	150U50-54	1'-1 11/16"	HORIZONTAL BRACING

SHEATHING

LABEL	QTY	CODE	THICK	SIZE	SCREWS
1	1	DENSGLOSS	1/2"	1'-0 7/8" X 10'-5 9/16"	8 - 12
2	1	DENSGLOSS	1/2"	1'-6 5/16" X 10'-5 9/16"	8 - 12
3	2	DENSGLOSS	1/2"	6 3/8" X 5'-0 1/2"	8 - 12
4	1	DENSGLOSS	1/2"	4'-0 13/16" X 3'-1 1/2"	8 - 12
5	1	DENSGLOSS	1/2"	4'-0 7/8" X 2'-3"	8 - 12
6	1	DENSGLOSS	1/2"	4'-0 7/8" X 6 5/16"	8 - 12
7	1	DENSGLOSS	1/2"	4'-0 1/4" X 6 5/16"	8 - 12

13-1129

Jewish Home for the Aging

1885 Victory Blvd. Reseda, CA

FM-07-109

CREATED BY: AMB

FrameMax, Inc.
13915 Danielson St
Suite 100
Poway, CA 92064
www.frame-max.com



© FrameMax Inc.

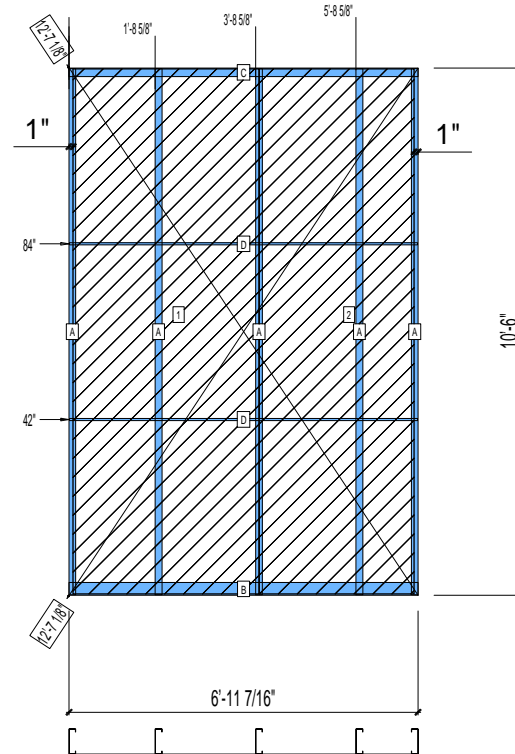
HEIGHT : 10'-6"
SPACING : 5000"
1st STUD: 5000"

POINTS: 1.76 Points.

ANCHORS

WEIGHTS :
FRAME : 136 lbs
SHEATHING: 178 lbs

TOTAL: 314 lbs



PIECES LIST

LABEL	QTY	SIZE	LENGTH	USE
A	5	600S162-54	10'-5 13/16"	STUD
B	1	600T300-54	6'-11 7/16"	BOTTOM TRACK
C	1	600T200-54	6'-11 7/16"	TOP TRACK
D	2	150U50-54	6'-11 1/4"	HORIZONTAL BRACING

SHEATHING

LABEL	QTY	CODE	THICK	SIZE	SCREWS
1	1	DENSGLASS	1/2"	3'-8 7/16" X 10'-5 9/16"	8 - 12
2	1	DENSGLASS	1/2"	3'-1 1/16" X 10'-5 9/16"	8 - 12

13-1130

Jewish Home for the Aging

1885 Victory Blvd. Reseda, CA

FM-07-109

CREATED BY: HH

FrameMax, Inc.
13915 Danielson St
Suite 100
Poway, CA 92064
www.frame-max.com



© FrameMax Inc.

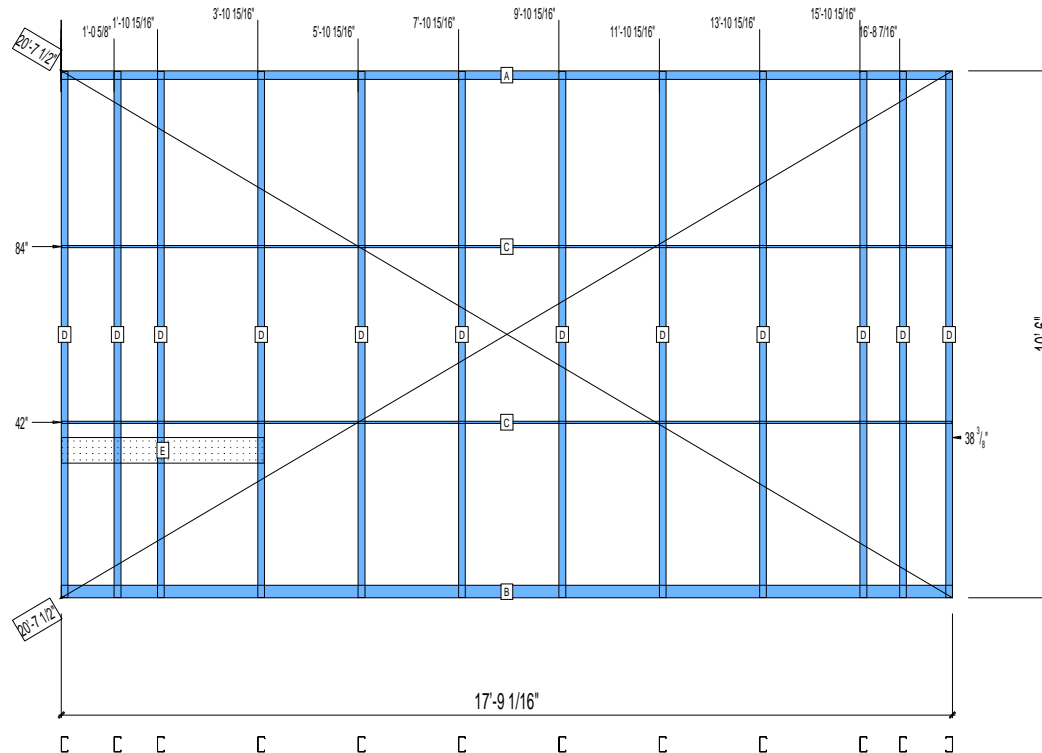
HEIGHT : 10'-6"
SPACING : 5000"
1st STUD: 5000"

POINTS: 1.97 Points.

ANCHORS

WEIGHTS :
FRAME : 271 lbs

TOTAL: 271 lbs



PIECES LIST

LABEL	QTY	SIZE	LENGTH	USE
A	1	362T200-54	17'-9 1/16"	TOP TRACK
B	1	362T300-54	17'-9 1/16"	BOTTOM TRACK
C	2	150U50-54	17'-8 7/8"	HORIZONTAL BRACING
D	12	362S162-54	10'-5 13/16"	STUD
E	1	600T150-54	4'-0 1/2"	GRAB BAR

13-1131

Jewish Home for the Aging

1885 Victory Blvd. Reseda, CA

FM-07-109

CREATED BY: HH

FrameMax, Inc.
13915 Danielson St
Suite 100
Poway, CA 92064
www.frame-max.com



© FrameMax Inc.

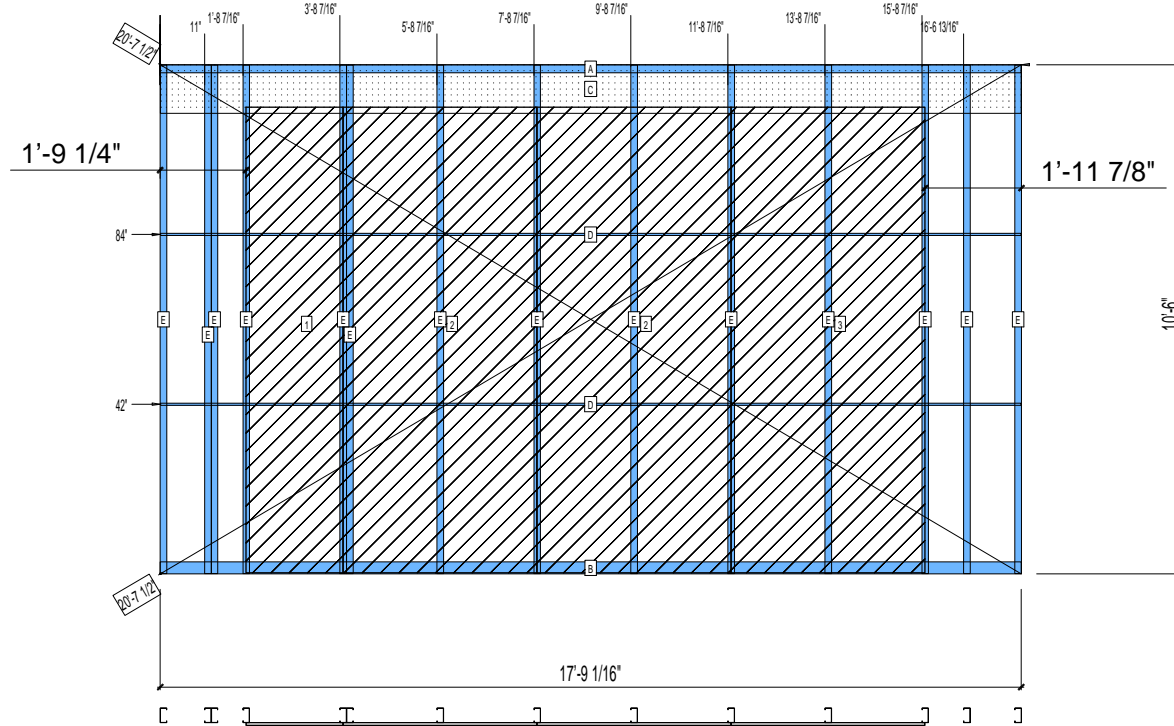
HEIGHT : 10'-6"
SPACING : 5000"
1st STUD : 5000"

POINTS: 4.56 Points.

ANCHORS

WEIGHTS :
FRAME : 338 lbs
SHEATHING: 495 lbs

TOTAL: 833 lbs



PIECES LIST

LABEL	QTY	SIZE	LENGTH	USE
A	1	362T200-54	17'-9 1/16"	TOP TRACK
B	1	362T300-54	17'-9 1/16"	BOTTOM TRACK
C	1	1200D-54	17'-9"	STRAP
D	2	150U50-54	17'-8 7/8"	HORIZONTAL BRACING
E	14	362S162-54	10'-5 13/16"	STUD

SHEATHING

LABEL	QTY	CODE	THICK	SIZE	SCREWS
1	1	SB-DENSARMOR	5/8"	2'-0" X 9'-7 3/16"	2 - 12
2	2	SB-DENSARMOR	5/8"	4'-0" X 9'-7 3/16"	2 - 12
3	1	SB-DENSARMOR	5/8"	4'-0" X 9'-7 3/16"	2 - 12

13-1132

Jewish Home for the Aging

1885 Victory Blvd. Reseda, CA

FM-07-109

CREATED BY: HH

FrameMax, Inc.
13915 Danielson St
Suite 100
Poway, CA 92064
www.frame-max.com



© FrameMax Inc.

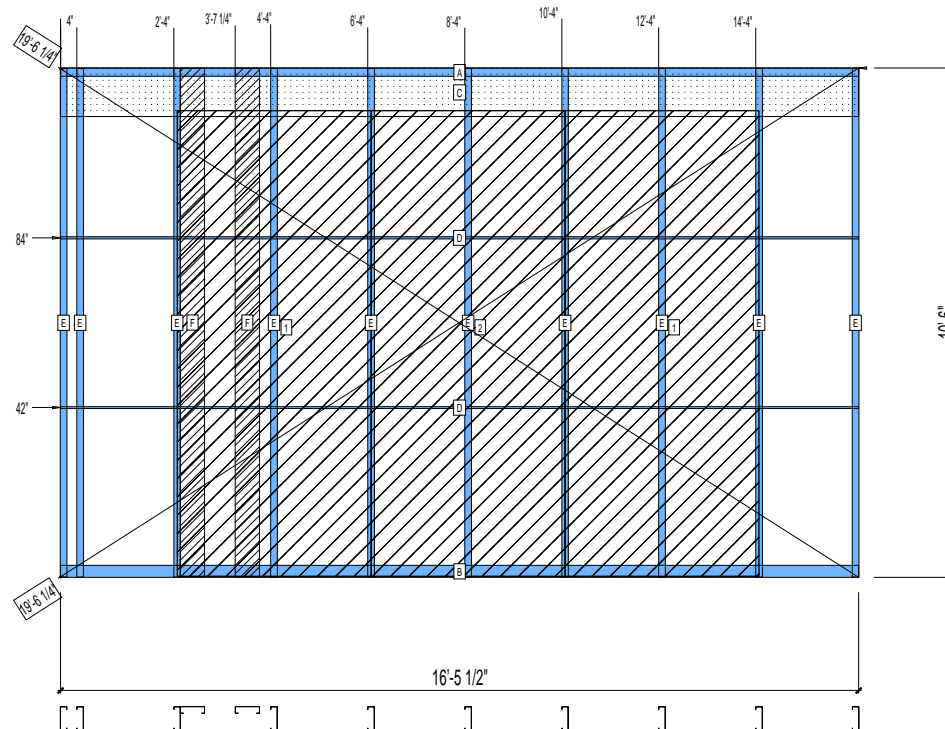
HEIGHT : 10'-6"
SPACING : 5000"
1st STUD : 5000"

POINTS: 4.25 Points.

ANCHORS

WEIGHTS :
FRAME : 356 lbs
SHEATHING: 424 lbs

TOTAL: 780 lbs



PIECES LIST

LABEL	QTY	SIZE	LENGTH	USE
A	1	600T200-54	16'-5 1/2"	TOP TRACK
B	1	600T300-54	16'-5 1/2"	BOTTOM TRACK
C	1	1200D-54	16'-5 7/16"	STRAP
D	2	150U50-54	16'-5 5/16"	HORIZONTAL BRACING
E	10	600S162-54	10'-5 13/16"	STUD
F	2	600S162-33	10'-5 13/16"	BACKER-U

SHEATHING

LABEL	QTY	CODE	THICK	SIZE	SCREWS
1	2	SB-DENSARMOR	5/8"	3'-11 15/16" X 9'-7 3/16"	3 - 12
2	1	SB-DENSARMOR	5/8"	4'-0" X 9'-7 3/16"	3 - 12

13-1133

Jewish Home for the Aging

1885 Victory Blvd. Reseda, CA

FM-07-109

CREATED BY: HH

FrameMax, Inc.
13915 Danielson St
Suite 100
Poway, CA 92064
www.frame-max.com



© FrameMax Inc.

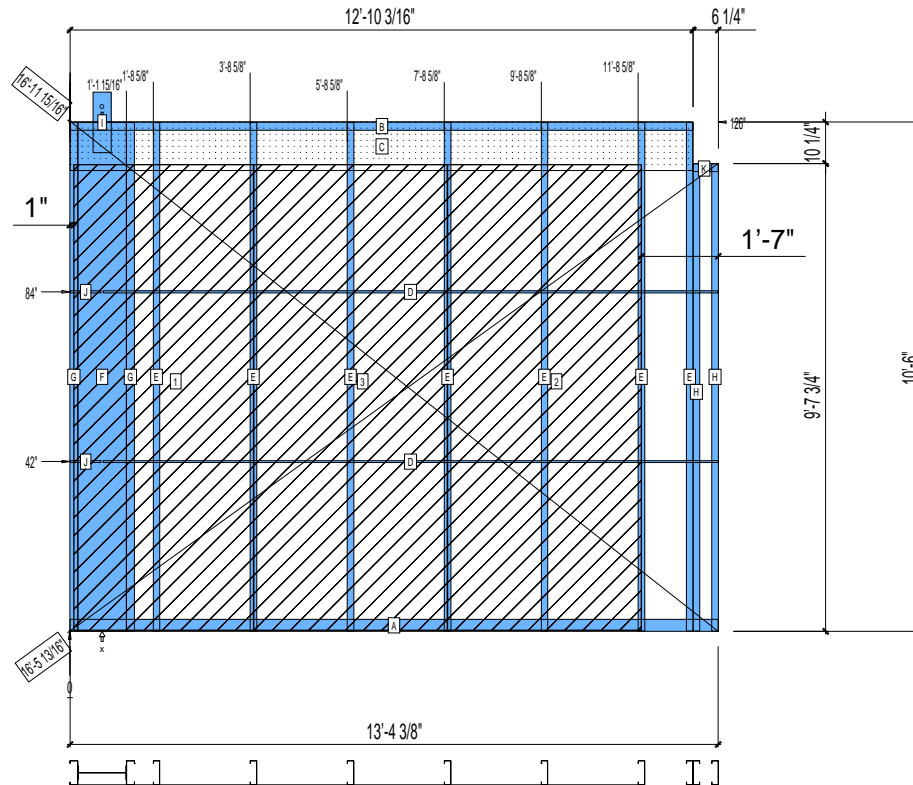
HEIGHT : 10'-6"
SPACING : 5000"
1st STUD: 5000"

POINTS: 4.64 Points.

ANCHORS

WEIGHTS :
FRAME : 449 lbs
SHEATHING: 413 lbs

TOTAL: 862 lbs



PIECES LIST

LABEL	QTY	SIZE	LENGTH	USE
A	1	600T300-54	13'-4 3/8"	BOTTOM TRACK
B	1	600T200-54	12'-10 3/16"	TOP TRACK
C	1	1200D-54	12'-10 1/16"	STRAP
D	2	150U50-54	12'-8 1/16"	HORIZONTAL BRACING
E	7	600S162-54	10'-5 13/16"	STUD
F	1	1200i350p1062	10'-5 13/16"	PACO
G	2	600S200-54	10'-5 13/16"	STUD
H	2	600S162-54	9'-7 9/16"	STUD
I	1	A	1'-3"	HOLDDOWN
J	2	150U50-54	7 5/8"	HORIZONTAL BRACING
K	1	600T200-54	6 3/16"	TOP TRACK

SHEATHING

LABEL	QTY	CODE	THICK	SIZE	SCREWS
1	1	SB-DENSARMOR	5/8"	3'-8 1/2" X 9'-7 3/16"	2-12
2	1	SB-DENSARMOR	5/8"	4'-0" X 9'-7 3/16"	2-12
3	1	SB-DENSARMOR	5/8"	4'-0" X 9'-7 3/16"	2-12

13-1134

Jewish Home for the Aging

1885 Victory Blvd. Reseda, CA

FrameMax, Inc.
13915 Danielson St
Suite 100
Poway, CA 92064
www.frame-max.com



© FrameMax Inc.

CREATED: 12/05/2008

FM-07-109

CREATED BY: HH

HEIGHT : 10'-6"
SPACING : 5000"
1st STUD: 5000"

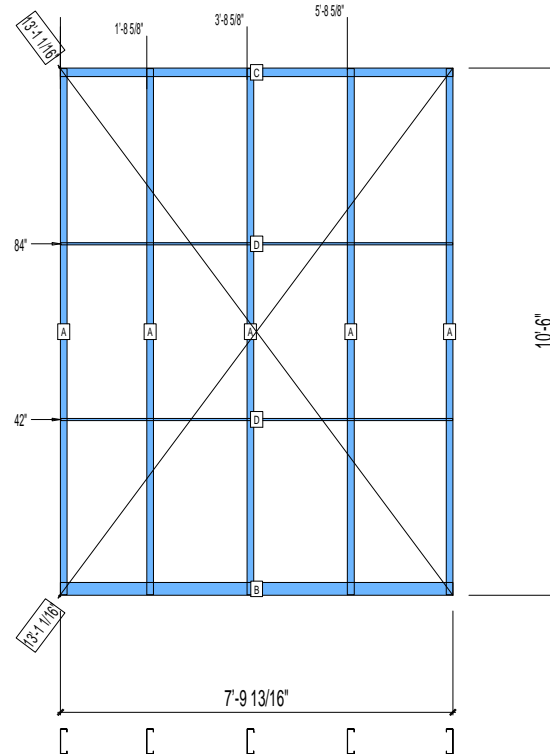
POINTS: 1.01 Points.

ANCHORS

WEIGHTS :
FRAME : 144 lbs

INSULATION: NO

TOTAL: 144 lbs



PIECES LIST

LABEL	QTY	SIZE	LENGTH	USE
A	5	600S162-54	10'-5 13/16"	STUD
B	1	600T300-54	7'-9 13/16"	BOTTOM TRACK
C	1	600T200-54	7'-9 13/16"	TOP TRACK
D	2	150U50-54	7'-9 5/8"	HORIZONTAL BRACING

13-1135

Jewish Home for the Aging

1885 Victory Blvd. Reseda, CA

FM-07-109

CREATED BY: HH

FrameMax, Inc.
13915 Danielson St
Suite 100
Poway, CA 92064
www.frame-max.com



© FrameMax Inc.

HEIGHT : 10'-6" POINTS: 3.85 Points.

SPACING : 5000"

1st STUD: 5000"

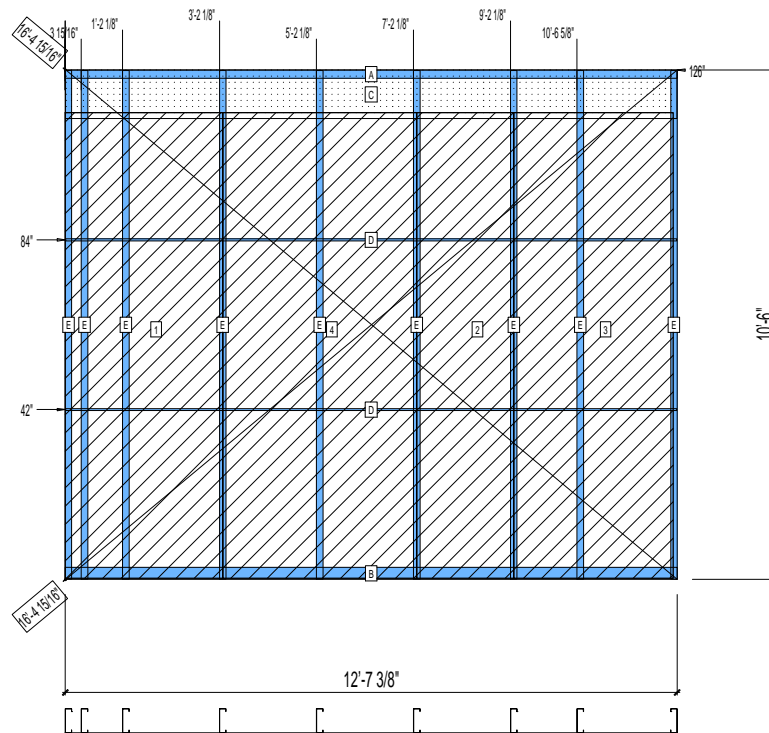
ANCHORS

WEIGHTS :

FRAME : 281 lbs

SHEATHING: 443 lbs

TOTAL: 724 lbs



PIECES LIST

LABEL	QTY	SIZE	LENGTH	USE
A	1	600T200-54	12'-7 3/8"	TOP TRACK
B	1	600T300-54	12'-7 3/8"	BOTTOM TRACK
C	1	1200D-54	12'-7 5/16"	STRAP
D	2	150U50-54	12'-7 3/16"	HORIZONTAL BRACING
E	9	600S162-54	10'-5 13/16"	STUD

SHEATHING

LABEL	QTY	CODE	THICK	SIZE	SCREWS
1	1	SB-DENSARMOR	5/8"	3'-3" X 9'-7 3/16"	2 -12
2	1	SB-DENSARMOR	5/8"	2'-0" X 9'-7 3/16"	2 -12
3	1	SB-DENSARMOR	5/8"	3'-3 7/16" X 9'-7 3/16"	2 -12
4	1	SB-DENSARMOR	5/8"	4'-0" X 9'-7 3/16"	2 -12

13-1136

Jewish Home for the Aging

1885 Victory Blvd. Reseda, CA

FM-07-109

CREATED BY: AMB

FrameMax, Inc.
13915 Danielson St
Suite 100
Poway, CA 92064
www.frame-max.com



© FrameMax Inc.

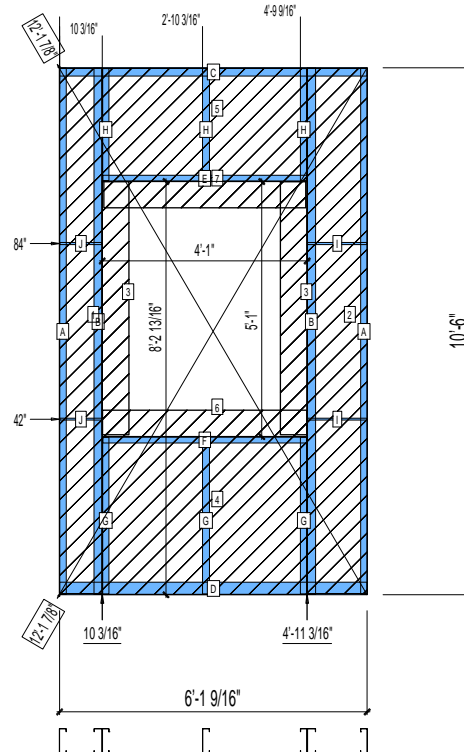
HEIGHT : 10'-6"
SPACING : 5000"
1st STUD: 5000"

POINTS: 1.87 Points.

ANCHORS

WEIGHTS :
FRAME : 167 lbs
SHEATHING: 132 lbs

TOTAL: 299 lbs



PIECES LIST

LABEL	QTY	SIZE	LENGTH	USE
A	2	600S162-54	10'-5 13/16"	STUD
B	2	600S200-68	10'-5 13/16"	KING STUD
C	1	600T200-54	6'-1 9/16"	TOP TRACK
D	1	600T300-54	6'-1 9/16"	BOTTOM TRACK
E	1	600T150-54	4'-0 3/4"	HEAD TRACK
F	1	600T150-54	4'-0 3/4"	SILL
G	3	600S162-54	3'-1 3/8"	CRIPPLE
H	3	600S162-54	2'-2 3/4"	CRIPPLE
I	2	150U50-54	1'-2 1/8"	HORIZONTAL BRACING
J	2	150U50-54	10"	HORIZONTAL BRACING

SHEATHING

LABEL	QTY	CODE	THICK	SIZE	SCREWS
1	1	DENSGLASS	1/2"	10 1/8" X 10'-5 9/16"	8 - 12
2	1	DENSGLASS	1/2"	1'-2 1/4" X 10'-5 9/16"	8 - 12
3	2	DENSGLASS	1/2"	6 3/8" X 5'-0 1/2"	8 - 12
4	1	DENSGLASS	1/2"	4'-0 7/8" X 3'-1 11/16"	8 - 12
5	1	DENSGLASS	1/2"	4'-0 7/8" X 2'-3"	8 - 12
6	1	DENSGLASS	1/2"	4'-0 7/8" X 6 5/16"	8 - 12
7	1	DENSGLASS	1/2"	4'-0 1/4" X 6 5/16"	8 - 12

13-1137

Jewish Home for the Aging

1885 Victory Blvd. Reseda, CA

FrameMax, Inc.
13915 Danielson St
Suite 100
Poway, CA 92064
www.frame-max.com



© FrameMax Inc.

CREATED: 12/05/2008

FM-07-109

CREATED BY: AMB

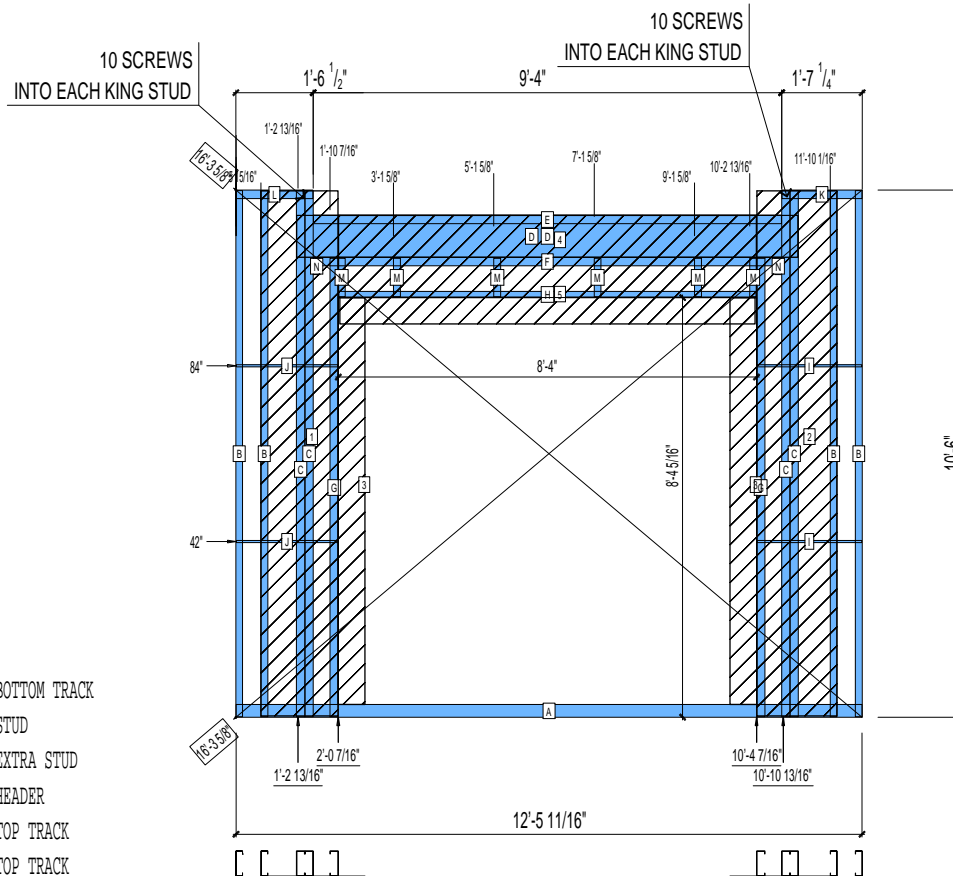
HEIGHT : 10'-6"
SPACING : 5000"
1st STUD: 5000"

POINTS: 3.76 Points.

ANCHORS

WEIGHTS :
FRAME : 482 lbs
SHEATHING: 148 lbs

TOTAL: 630 lbs



PIECES LIST			
LABEL	QTY	SIZE	LENGTH USE
A	1	600T300-54	12'-5 11/16" BOTTOM TRACK
B	4	600S162-54	10'-5 13/16" STUD
C	4	600S200-97	10'-5 13/16" EXTRA STUD
D	2	1000S200-97	9'-11 7/8" HEADER
E	1	600T200-54	9'-3 7/8" TOP TRACK
F	1	600T200-54	9'-3 3/4" TOP TRACK
G	2	600S200-68	9'-1 5/8" KING STUD
H	1	600T150-54	8'-3 3/4" HEAD TRACK
I	2	150U50-54	2'-1" HORIZONTAL BRACING
J	2	150U50-54	2'-0 1/4" HORIZONTAL BRACING
K	1	600T200-54	1'-7 1/8" TOP TRACK
L	1	600T200-54	1'-6 3/8" TOP TRACK
M	6	600S162-54	9 3/16" CRIPPLE
N	2	600S162-33	4" BACKER STUD

SHEATHING

LABEL	QTY	CODE	THICK	SIZE	SCREWS
1	1	DENSGLASS	1/2"	1'-6 7/16" X 10'-5 9/16"	8 - 12
2	1	DENSGLASS	1/2"	1'-7 3/16" X 10'-5 9/16"	8 - 12
3	2	DENSGLASS	1/2"	6 3/8" X 8'-1 1/4"	8 - 12
4	1	DENSGLASS	1/2"	8'-3 7/8" X 1'-7 9/16"	8 - 12
5	1	DENSGLASS	1/2"	8'-3 1/4" X 6 5/16"	8 - 12

13-1138

Jewish Home for the Aging

1885 Victory Blvd. Reseda, CA

FrameMax, Inc.
13915 Danielson St
Suite 100
Poway, CA 92064
www.frame-max.com



© FrameMax Inc.

CREATED: 12/05/2008

FM-07-109

CREATED BY: HH

HEIGHT : 10'-6"
SPACING : 5000"
1st STUD: 5000"

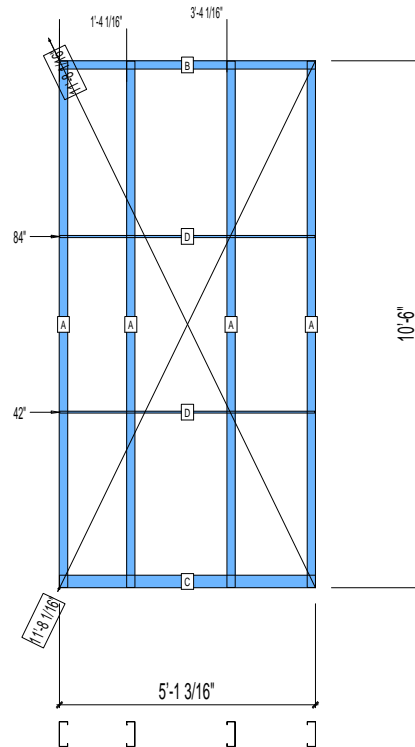
POINTS: 0.81 Points.

ANCHORS

WEIGHTS :
FRAME : 117 lbs

INSULATION: NO

TOTAL: 117 lbs



PIECES LIST

LABEL	QTY	SIZE	LENGTH	USE
A	4	600S200-54	10'-5 13/16"	STUD
B	1	600T200-54	5'-1 3/16"	TOP TRACK
C	1	600T300-54	5'-1 3/16"	BOTTOM TRACK
D	2	150U50-54	5'-1"	HORIZONTAL BRACING

13-1139

Jewish Home for the Aging

1885 Victory Blvd. Reseda, CA

FrameMax, Inc.
13915 Danielson St
Suite 100
Poway, CA 92064
www.framemax.com



© FrameMax Inc.

CREATED: 12/05/2008

FM-07-109

CREATED BY: HH

HEIGHT : 10'-6"
SPACING : 5000"
1st STUD: 5000"

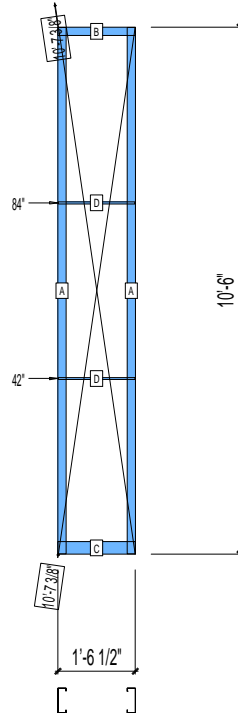
POINTS: 0.40 Points.

ANCHORS

WEIGHTS :
FRAME : 53 lbs

INSULATION: NO

TOTAL: 53 lbs



PIECES LIST

LABEL	QTY	SIZE	LENGTH	USE
A	2	600S200-54	10'-5 13/16"	STUD
B	1	600T200-54	1'-6 1/2"	TOP TRACK
C	1	600T300-54	1'-6 1/2"	BOTTOM TRACK
D	2	150U50-54	1'-6 5/16"	HORIZONTAL BRACING

13-1140

Jewish Home for the Aging

1885 Victory Blvd. Reseda, CA

FrameMax, Inc.
13915 Danielson St
Suite 100
Poway, CA 92064
www.framemax.com



© FrameMax Inc.

CREATED: 12/05/2008

FM-07-109

CREATED BY: HH

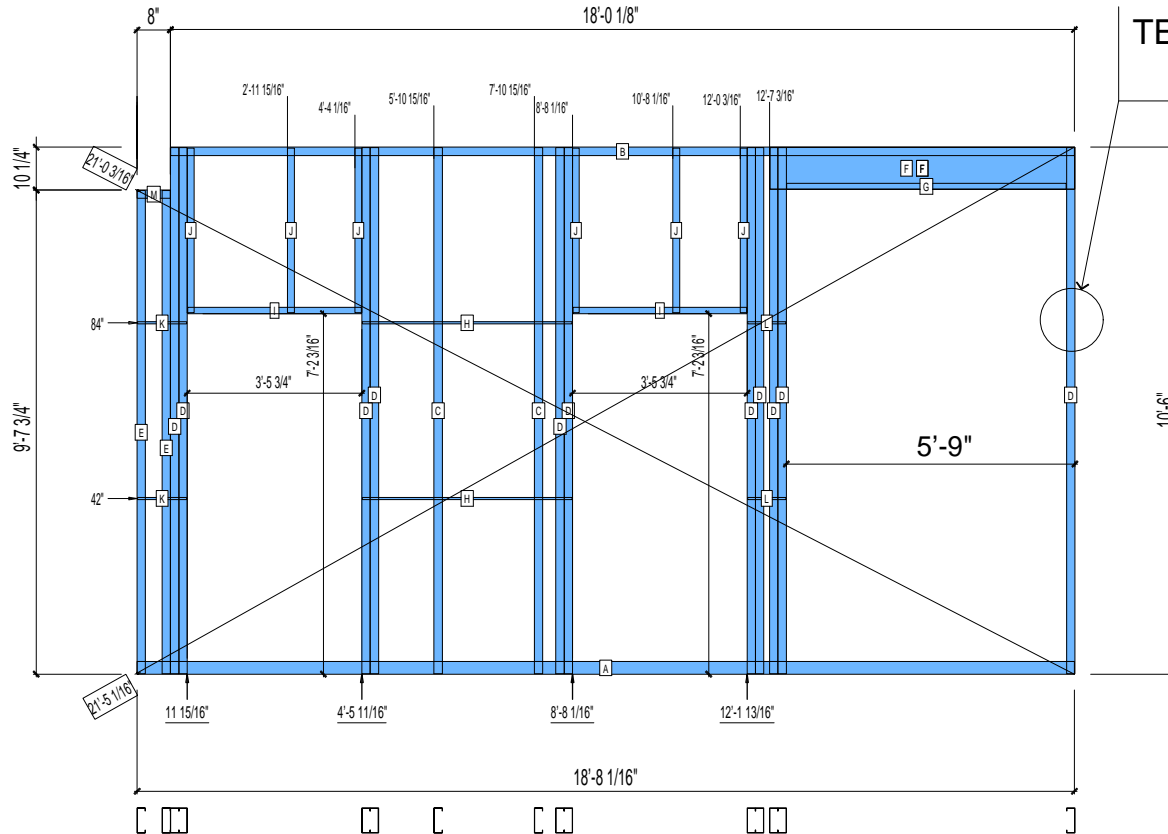
HEIGHT : 10'-6"
SPACING : 5000"
1st STUD: 5000"

POINTS: 3.77 Points.

ANCHORS

WEIGHTS :
FRAME : 579 lbs

TOTAL: 579 lbs



TEMPORARY CAP TRACK
FOR SHIPPING

PIECES LIST

LABEL	QTY	SIZE	LENGTH	USE
A	1	600T300-54	18'-8 1/16"	BOTTOM TRACK
B	1	600T200-54	18'-0 1/16"	TOP TRACK
C	2	600S200-54	10'-5 13/16"	STUD
D	11	600S200-68	10'-5 13/16"	KING STUD
E	2	600S200-54	9'-7 9/16"	STUD
F	2	1000S200-54	6'-0 7/8"	HEADER
G	1	600T150-54	5'-6 13/16"	HEADER BOTTOM TRACK
H	2	150U50-54	4'-2 1/8"	HORIZONTAL BRACING
I	2	600T150-54	3'-5 1/2"	HEAD TRACK
J	6	600S162-54	3'-3 3/8"	CRIPPLE
K	2	150U50-54	11 3/4"	HORIZONTAL BRACING
L	2	150U50-54	9 1/8"	HORIZONTAL BRACING
M	1	600T200-54	7 15/16"	TOP TRACK

13-1141

Jewish Home for the Aging

1885 Victory Blvd. Reseda, CA

FrameMax, Inc.
13915 Danielson St
Suite 100
Poway, CA 92064
www.frame-max.com



© FrameMax Inc.

CREATED: 12/08/2008

FM-07-109

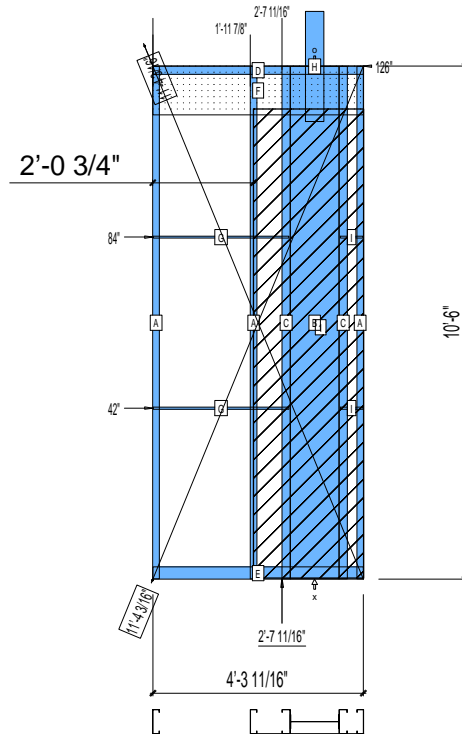
CREATED BY: AMB

HEIGHT : 11'-7 7/16" POINTS: 2.00 Points.
SPACING : 5000"
1st STUD: 5000"

ANCHORS

WEIGHTS :
FRAME : 275 lbs
SHEATHING: 79 lbs

TOTAL: 354 lbs



PIECES LIST

LABEL	QTY	SIZE	LENGTH	USE
A	3	600S162-54	10'-5 13/16"	STUD
B	1	1200i350p1062	10'-5 13/16"	PACO
C	2	600S200-68	10'-5 13/16"	STUD
D	1	600T200-54	4'-3 11/16"	TOP TRACK
E	1	600T300-54	4'-3 11/16"	BOTTOM TRACK
F	1	1200D-54	4'-3 5/8"	STRAP
G	2	150U50-54	2'-9 5/16"	HORIZONTAL BRACING
H	1	B	2'-3"	HOLDDOWN
I	2	150U50-54	5 9/16"	HORIZONTAL BRACING

SHEATHING

LABEL	QTY	CODE	THICK	SIZE	SCREWS
1	1	SB-DENSARMOR	5/8"	2'-3" X 9'-7 3/16"	2-12

13-1142

Jewish Home for the Aging

1885 Victory Blvd. Reseda, CA

FM-07-109

CREATED BY: AMB

FrameMax, Inc.
13915 Danielson St
Suite 100
Poway, CA 92064
www.frame-max.com



© FrameMax Inc.

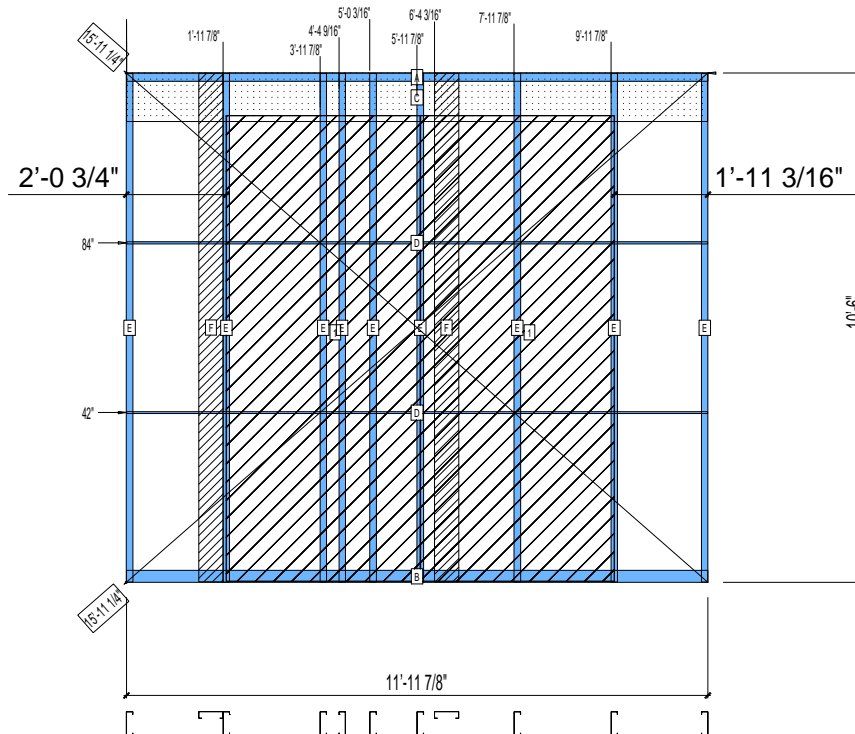
HEIGHT : 10'-6"
SPACING : 5000"
1st STUD : 5000"

POINTS: 3.22 Points.

ANCHORS

WEIGHTS :
FRAME : 295 lbs
SHEATHING: 283 lbs

TOTAL: 578 lbs



PIECES LIST

LABEL	QTY	SIZE	LENGTH	USE
A	1	600T200-54	11'-11 7/8"	TOP TRACK
B	1	600T300-54	11'-11 7/8"	BOTTOM TRACK
C	1	1200D-54	11'-11 13/16"	STRAP
D	2	150U50-54	11'-11 11/16"	HORIZONTAL BRACING
E	9	600S162-54	10'-5 13/16"	STUD
F	2	600S162-33	10'-5 13/16"	BACKER-U

SHEATHING

LABEL	QTY	CODE	THICK	SIZE	SCREWS
1	2	SB-DENSARMOR	5/8"	4'-0" X 9'-7 3/16"	2-12

13-1143

Jewish Home for the Aging

1885 Victory Blvd. Reseda, CA

FrameMax, Inc.
13915 Danielson St
Suite 100
Poway, CA 92064
www.frame-max.com



© FrameMax Inc.

CREATED: 12/05/2008

FM-07-109

CREATED BY: HH

HEIGHT : 10'-6"
SPACING : 5000"
1st STUD: 16"

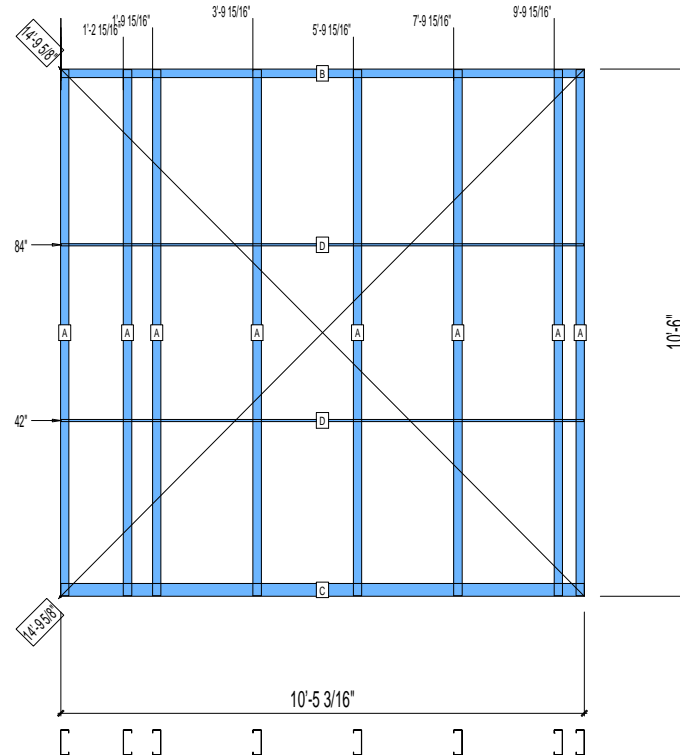
POINTS: 1.55 Points.

ANCHORS

WEIGHTS :
FRAME : 236 lbs

INSULATION: NO

TOTAL: 236 lbs



PIECES LIST

LABEL	QTY	SIZE	LENGTH	USE
A	8	600S200-54	10'-5 13/16"	STUD
B	1	600T200-54	10'-5 3/16"	TOP TRACK
C	1	600T300-54	10'-5 3/16"	BOTTOM TRACK
D	2	150U50-54	10'-5"	HORIZONTAL BRACING

13-1144

Jewish Home for the Aging

1885 Victory Blvd. Reseda, CA

FrameMax, Inc.
13915 Danielson St
Suite 100
Poway, CA 92064
www.frame-max.com



© FrameMax Inc.

CREATED: 12/05/2008

FM-07-109

CREATED BY: AMB

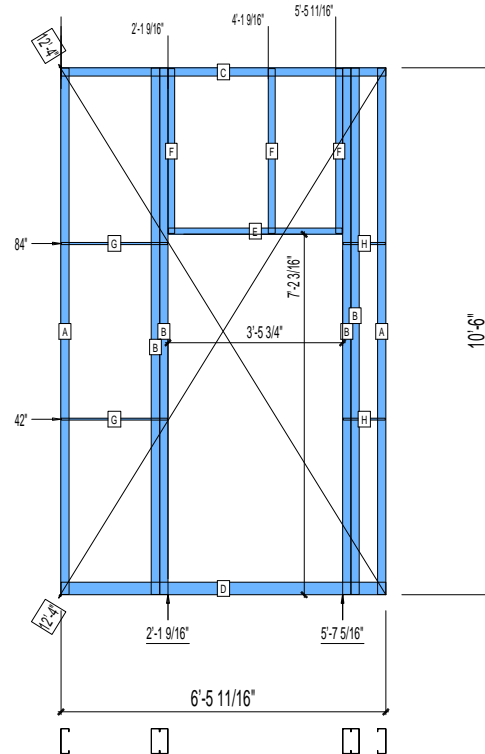
HEIGHT : 10'-6"
SPACING : 5000"
1st STUD: 5000"

POINTS: 1.42 Points.

ANCHORS

WEIGHTS :
FRAME : 208 lbs

TOTAL: 208 lbs



PIECES LIST

LABEL	QTY	SIZE	LENGTH	USE
A	2	600S200-54	10'-5 13/16"	STUD
B	4	600S200-68	10'-5 13/16"	KING STUD
C	1	600T200-54	6'-5 11/16"	TOP TRACK
D	1	600T300-54	6'-5 11/16"	BOTTOM TRACK
E	1	600T150-54	3'-5 1/2"	HEAD TRACK
F	3	600S162-54	3'-3 3/8"	CRIPPLE
G	2	150U50-54	2'-1 3/8"	HORIZONTAL BRACING
H	2	150U50-54	10 1/8"	HORIZONTAL BRACING

13-1145

Jewish Home for the Aging

1885 Victory Blvd. Reseda, CA

FM-07-109

CREATED BY: AMB

FrameMax, Inc.
13915 Danielson St
Suite 100
Poway, CA 92064
www.framemax.com



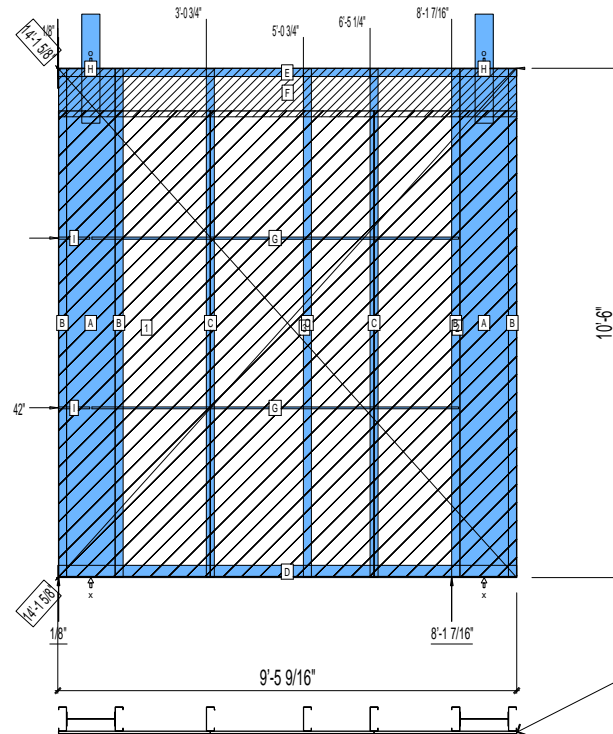
© FrameMax Inc.

HEIGHT : 10'-6"
SPACING : 5000"
1st STUD: 5000"

ANCHORS

WEIGHTS :
FRAME : 504 lbs
SHEATHING: 334 lbs

TOTAL: 838 lbs



PLACE SUREBOARD ON
BACKSIDE OF PANEL

PIECES LIST

LABEL	QTY	SIZE	LENGTH	USE
A	2	1200i350p1062	10'-5 13/16"	PACO
B	4	600S200-68	10'-5 13/16"	STUD
C	3	600S200-54	10'-5 13/16"	STUD
D	1	600T300-54	9'-5 9/16"	BOTTOM TRACK
E	1	600T200-54	9'-5 9/16"	TOP TRACK
F	1	1200D-54	9'-5 7/16"	STRAP
G	2	150U50-54	7'-6 3/4"	HORIZONTAL BRACING
H	2	B	2'-3"	HOLDDOWN
I	2	150U50-54	7 13/16"	HORIZONTAL BRACING

SHEATHING

LABEL	QTY	CODE	THICK	SIZE	SCREWS
1	1	SB-DENSARMOR	5/8"	3'-1 5/8" X	9'-7 3/16" 2-12
2	1	SB-DENSARMOR	5/8"	2'-11 5/16" X	9'-7 3/16" 2-12
3	1	SB-DENSARMOR	5/8"	3'-4 1/2" X	9'-7 3/16" 2-12

13-1146

Jewish Home for the Aging

1885 Victory Blvd. Reseda, CA

FM-07-109

CREATED BY: HH

FrameMax, Inc.
13915 Danielson St
Suite 100
Poway, CA 92064
www.frame-max.com



© FrameMax Inc.

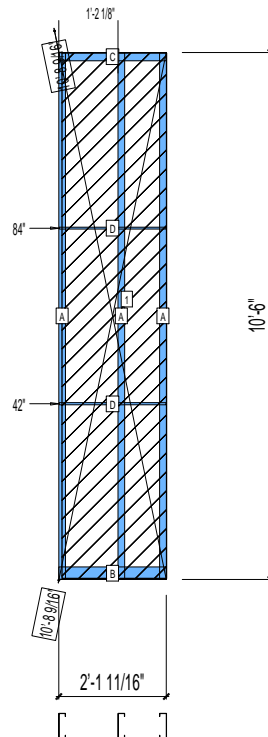
HEIGHT : 10'-6"
SPACING : 5000"
1st STUD: 16"

POINTS: 0.77 Points.

ANCHORS

WEIGHTS :
FRAME : 73 lbs
SHEATHING: 54 lbs

TOTAL: 127 lbs



PIECES LIST

LABEL	QTY	SIZE	LENGTH	USE
A	3	600S162-54	10'-5 13/16"	STUD
B	1	600T300-54	2'-1 11/16"	BOTTOM TRACK
C	1	600T200-54	2'-1 11/16"	TOP TRACK
D	2	150U50-54	2'-1 1/2"	HORIZONTAL BRACING

SHEATHING

LABEL	QTY	CODE	THICK	SIZE	SCREWS
1	1	DENSGLASS	1/2"	2'-0 15/16" X 10'-5 9/16"	8 - 12

13-1147

Jewish Home for the Aging

1885 Victory Blvd. Reseda, CA

FM-07-109

CREATED BY: AMB

FrameMax, Inc.
13915 Danielson St
Suite 100
Poway, CA 92064
www.framemax.com



© FrameMax Inc.

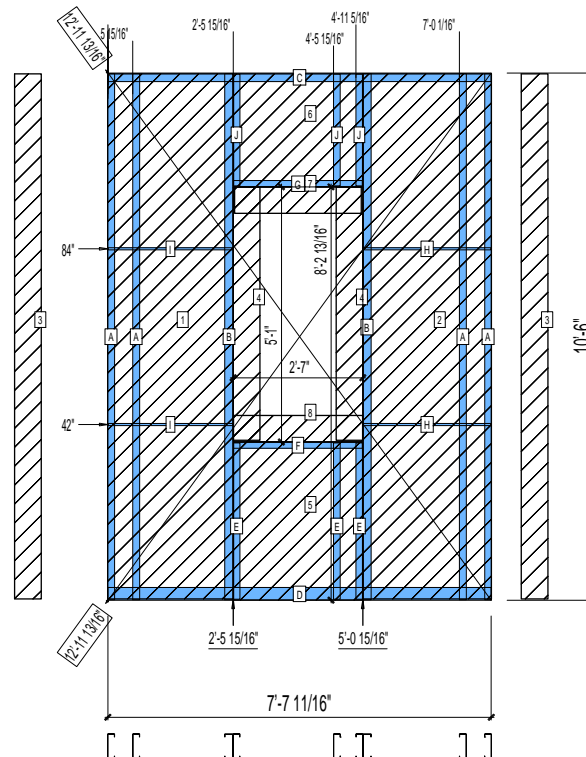
HEIGHT : 10'-6"
SPACING : 5000"
1st STUD: 5000"

POINTS: 2.52 Points.

ANCHORS

WEIGHTS :
FRAME : 211 lbs
SHEATHING: 215 lbs

TOTAL: 426 lbs



PIECES LIST

LABEL	QTY	SIZE	LENGTH	USE
A	4	600S162-54	10'-5 13/16"	STUD
B	2	600S200-68	10'-5 13/16"	KING STUD
C	1	600T200-54	7'-7 11/16"	TOP TRACK
D	1	600T300-54	7'-7 11/16"	BOTTOM TRACK
E	3	600S162-54	3'-1 3/8"	CRIPPLE
F	1	600T150-54	2'-6 3/4"	SILL
G	1	600T150-54	2'-6 3/4"	HEAD TRACK
H	2	150U50-54	2'-6 1/2"	HORIZONTAL BRACING
I	2	150U50-54	2'-5 3/4"	HORIZONTAL BRACING
J	3	600S162-54	2'-2 3/4"	CRIPPLE

SHEATHING

LABEL	QTY	CODE	THICK	SIZE	SCREWS
1	1	DENSGLASS	1/2"	2'-5 15/16" X 10'-5 9/16"	8 - 12
2	1	DENSGLASS	1/2"	2'-6 11/16" X 10'-5 9/16"	8 - 12
3	2	DENSGLASS	1/2"	6 3/8" X 10'-5 9/16"	8 - 12
4	2	DENSGLASS	1/2"	6 3/8" X 5'-0 1/2"	8 - 12
5	1	DENSGLASS	1/2"	2'-6 7/8" X 3'-1 11/16"	8 - 12
6	1	DENSGLASS	1/2"	2'-6 7/8" X 2'-3"	8 - 12
7	1	DENSGLASS	1/2"	2'-6 1/4" X 6 5/16"	8 - 12
8	1	DENSGLASS	1/2"	2'-6 7/8" X 6 5/16"	8 - 12

13-1148

Jewish Home for the Aging

1885 Victory Blvd. Reseda, CA

FrameMax, Inc.
13915 Danielson St
Suite 100
Poway, CA 92064
www.frame-max.com



© FrameMax Inc.

CREATED: 12/05/2008

FM-07-109

CREATED BY: HH

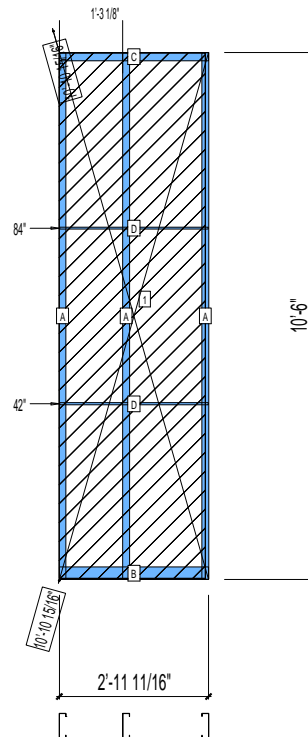
HEIGHT : 10'-6"
SPACING : 5000"
1st STUD: 16"

POINTS: 0.91 Points.

ANCHORS

WEIGHTS :
FRAME : 77 lbs
SHEATHING: 76 lbs

TOTAL: 153 lbs



PIECES LIST

LABEL	QTY	SIZE	LENGTH	USE
A	3	600S162-54	10'-5 13/16"	STUD
B	1	600T300-54	2'-11 11/16"	BOTTOM TRACK
C	1	600T200-54	2'-11 11/16"	TOP TRACK
D	2	150U50-54	2'-11 1/2"	HORIZONTAL BRACING

SHEATHING

LABEL	QTY	CODE	THICK	SIZE	SCREWS
1	1	DENSGLOSS	1/2"	2'-10 15/16" X 10'-5 9/16"	8 - 12

13-1149

Jewish Home for the Aging

1885 Victory Blvd. Reseda, CA

FrameMax, Inc.
13915 Danielson St
Suite 100
Poway, CA 92064
www.framemax.com



© FrameMax Inc.

CREATED: 12/05/2008

FM-07-109

CREATED BY: AMB

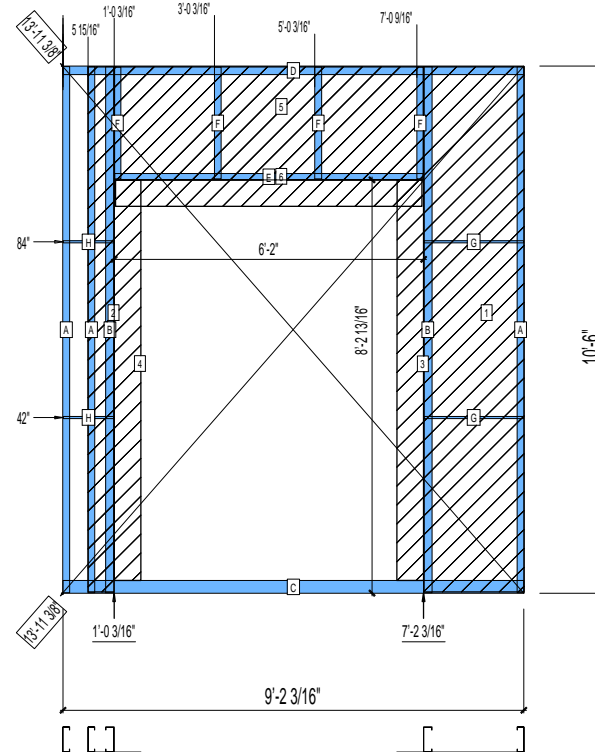
HEIGHT : 10'-6"
SPACING : 5000"
1st STUD: 5000"

POINTS: 1.96 Points.

ANCHORS

WEIGHTS :
FRAME : 184 lbs
SHEATHING: 129 lbs

TOTAL: 313 lbs



PIECES LIST

LABEL	QTY	SIZE	LENGTH	USE
A	3	600S162-54	10'-5 13/16"	STUD
B	2	600S200-68	10'-5 13/16"	KING STUD
C	1	600T300-54	9'-2 3/16"	BOTTOM TRACK
D	1	600T200-54	9'-2 3/16"	TOP TRACK
E	1	600T150-54	6'-1 3/4"	HEAD TRACK
F	4	600S162-54	2'-2 3/4"	CRIPPLE
G	2	150U50-54	1'-11 3/4"	HORIZONTAL BRACING
H	2	150U50-54	1'-0"	HORIZONTAL BRACING

SHEATHING

LABEL	QTY	CODE	THICK	SIZE	SCREWS
1	1	DENSGLASS	1/2"	1'-11 7/8" X 10'-5 9/16"	8 - 12
2	1	DENSGLASS	1/2"	6 3/16" X 10'-5 9/16"	8 - 12
3	1	DENSGLASS	1/2"	6 3/8" X 7'-11 3/4"	8 - 12
4	1	DENSGLASS	1/2"	6 3/8" X 7'-11 3/4"	8 - 12
5	1	DENSGLASS	1/2"	6'-1 7/8" X 2'-3"	8 - 12
6	1	DENSGLASS	1/2"	6'-1 1/4" X 6 5/16"	8 - 12

13-1150

Jewish Home for the Aging

1885 Victory Blvd. Reseda, CA

FrameMax, Inc.
13915 Danielson St
Suite 100
Poway, CA 92064
www.frame-max.com



© FrameMax Inc.

CREATED: 12/10/2008

FM-07-109

CREATED BY: HH

HEIGHT : 10'-6" POINTS: 0.71 Points.

ANCHORS

SPACING : 5000"

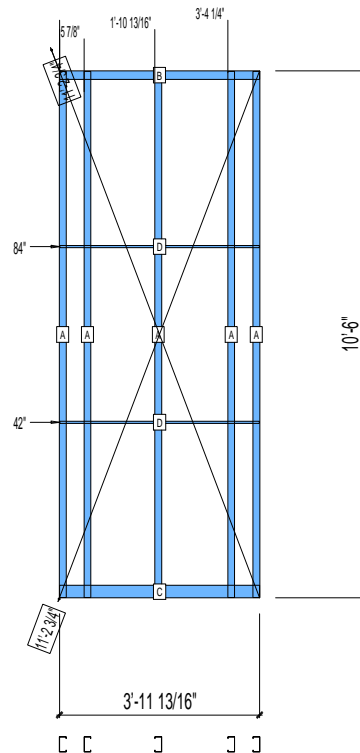
1st STUD: 5000"

INSULATION: NO

WEIGHTS :

FRAME : 95 lbs

TOTAL: 95 lbs



PIECES LIST

LABEL	QTY	SIZE	LENGTH	USE
A	5	362S162-54	10'-5 13/16"	STUD
B	1	362T200-54	3'-11 13/16"	TOP TRACK
C	1	362T300-54	3'-11 13/16"	BOTTOM TRACK
D	2	150U50-54	3'-11 11/16"	HORIZONTAL BRACING

13-1151

Jewish Home for the Aging

1885 Victory Blvd. Reseda, CA

FrameMax, Inc.
13915 Danielson St
Suite 100
Poway, CA 92064
www.frame-max.com



© FrameMax Inc.

CREATED: 12/10/2008

FM-07-109

CREATED BY: HH

HEIGHT : 10'-6"
SPACING : 5000"
1st STUD: 5000"

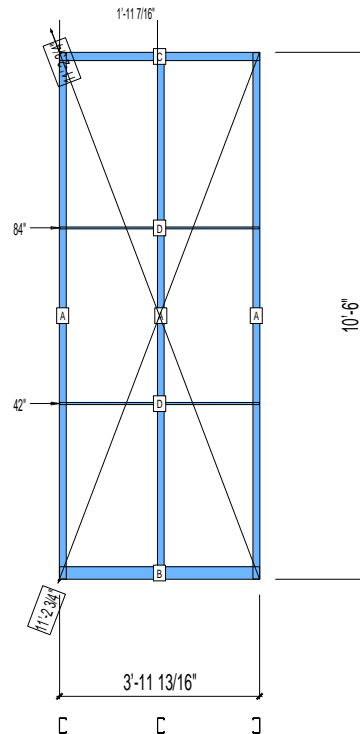
POINTS: 0.52 Points.

ANCHORS

WEIGHTS :
FRAME : 64 lbs

INSULATION: NO

TOTAL: 64 lbs



PIECES LIST

LABEL	QTY	SIZE	LENGTH	USE
A	3	362S162-54	10'-5 13/16"	STUD
B	1	362T300-54	3'-11 13/16"	BOTTOM TRACK
C	1	362T200-54	3'-11 13/16"	TOP TRACK
D	2	150U50-54	3'-11 11/16"	HORIZONTAL BRACING

13-1152

Jewish Home for the Aging

1885 Victory Blvd. Reseda, CA

FrameMax, Inc.
13915 Danielson St
Suite 100
Poway, CA 92064
www.frame-max.com



© FrameMax Inc.

CREATED: 12/05/2008

FM-07-109

CREATED BY: HH

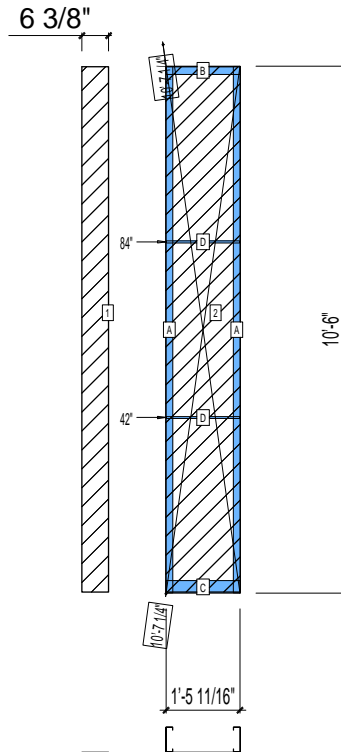
HEIGHT : 10'-6"
SPACING : 5000"
1st STUD: 5000"

POINTS: 0.62 Points.

ANCHORS

WEIGHTS :
FRAME : 49 lbs
SHEATHING: 53 lbs

TOTAL: 102 lbs



PIECES LIST

LABEL	QTY	SIZE	LENGTH	USE
A	2	600S162-54	10'-5 13/16"	STUD
B	1	600T200-54	1'-5 11/16"	TOP TRACK
C	1	600T300-54	1'-5 11/16"	BOTTOM TRACK
D	2	150U50-54	1'-5 1/2"	HORIZONTAL BRACING

SHEATHING

LABEL	QTY	CODE	THICK	SIZE	SCREWS
1	1	DENSGLASS	1/2"	6 3/8" X 10'-5 9/16"	8 - 12
2	1	DENSGLASS	1/2"	1'-5 3/4" X 10'-5 9/16"	8 - 12

13-1153

Jewish Home for the Aging

1885 Victory Blvd. Reseda, CA

FM-07-109

CREATED BY: HH

FrameMax, Inc.
13915 Danielson St
Suite 100
Poway, CA 92064
www.frame-max.com



© FrameMax Inc.

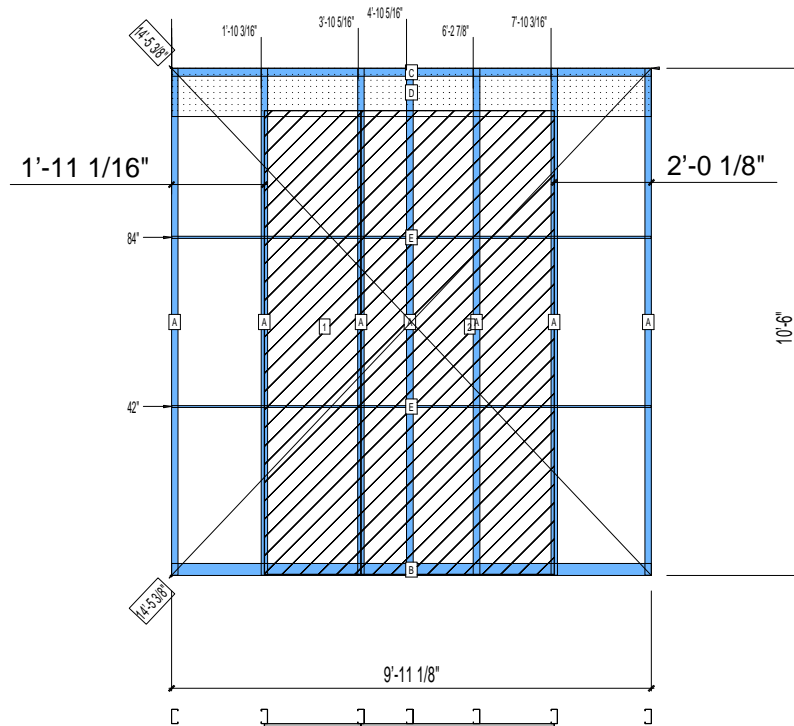
HEIGHT : 10'-6"
SPACING : 5000"
1st STUD: 5000"

POINTS: 2.23 Points.

ANCHORS

WEIGHTS :
FRAME : 176 lbs
SHEATHING: 212 lbs

TOTAL: 388 lbs



PIECES LIST

LABEL	QTY	SIZE	LENGTH	USE
A	7	362S162-54	10'-5 13/16"	STUD
B	1	362T300-54	9'-11 1/8"	BOTTOM TRACK
C	1	362T200-54	9'-11 1/8"	TOP TRACK
D	1	1200D-54	9'-11 1/16"	STRAP
E	2	150U50-54	9'-10 15/16"	HORIZONTAL BRACING

SHEATHING

LABEL	QTY	CODE	THICK	SIZE	SCREWS
1	1	SB-DENSARMOR	5/8"	2'-0" X 9'-7 3/16"	2-12
2	1	SB-DENSARMOR	5/8"	4'-0" X 9'-7 3/16"	2-12

13-1154

Jewish Home for the Aging

1885 Victory Blvd. Reseda, CA

FrameMax, Inc.
13915 Danielson St
Suite 100
Poway, CA 92064
www.frame-max.com



© FrameMax Inc.

CREATED: 12/10/2008

FM-07-109

CREATED BY: HH

HEIGHT : 10'-6"
SPACING : 5000"
1st STUD: 5000"

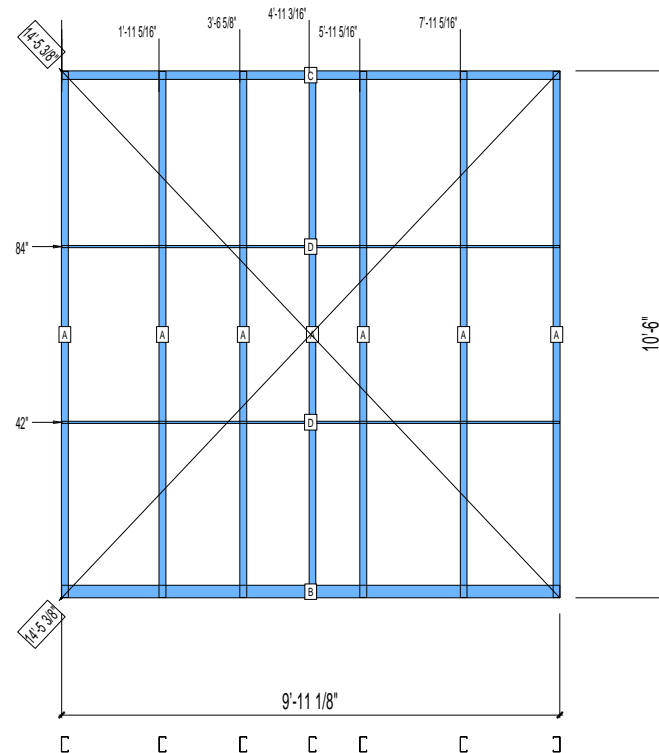
POINTS: 1.14 Points.

ANCHORS

WEIGHTS :
FRAME : 152 lbs

INSULATION: NO

TOTAL: 152 lbs



PIECES LIST

LABEL	QTY	SIZE	LENGTH	USE
A	7	362S162-54	10'-5 13/16"	STUD
B	1	362T300-54	9'-11 1/8"	BOTTOM TRACK
C	1	362T200-54	9'-11 1/8"	TOP TRACK
D	2	150U50-54	9'-10 15/16"	HORIZONTAL BRACING

13-1155

Jewish Home for the Aging

1885 Victory Blvd. Reseda, CA

FM-07-109

CREATED BY: HH

FrameMax, Inc.
13915 Danielson St
Suite 100
Poway, CA 92064
www.frame-max.com



© FrameMax Inc.

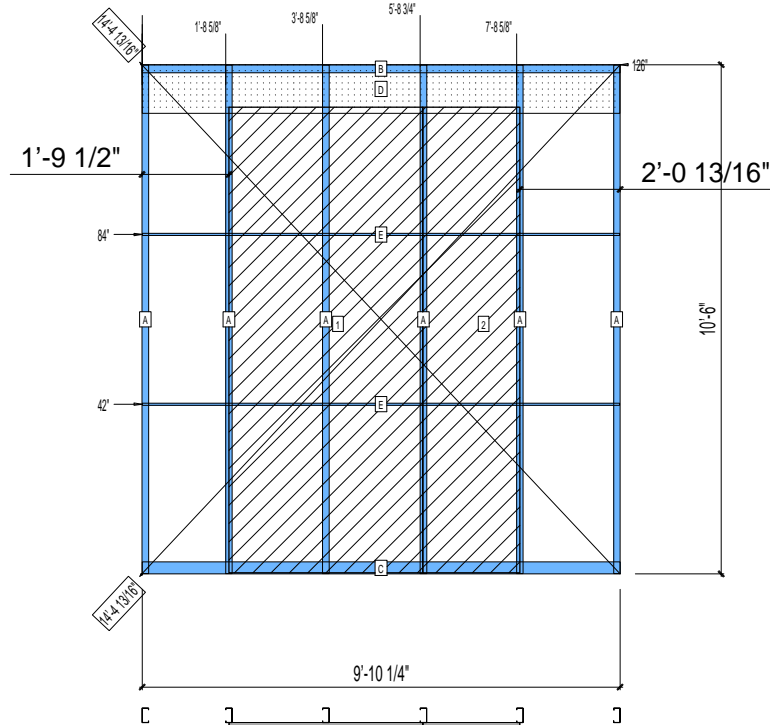
HEIGHT : 10'-6"
SPACING : 5000"
1st STUD: 5000"

POINTS: 2.13 Points.

ANCHORS

WEIGHTS :
FRAME : 160 lbs
SHEATHING: 212 lbs

TOTAL: 372 lbs



PIECES LIST

LABEL	QTY	SIZE	LENGTH	USE
A	6	362S162-54	10'-5 13/16"	STUD
B	1	362T200-54	9'-10 1/4"	TOP TRACK
C	1	362T300-54	9'-10 1/4"	BOTTOM TRACK
D	1	1200D-54	9'-10 3/16"	STRAP
E	2	150U50-54	9'-10 1/16"	HORIZONTAL BRACING

SHEATHING

LABEL	QTY	CODE	THICK	SIZE	SCREWS
1	1	SB-DENSARMOR	5/8"	4'-0" X 9'-7 3/16"	2-12
2	1	SB-DENSARMOR	5/8"	2'-0" X 9'-7 3/16"	2-12

13-1156

Jewish Home for the Aging

1885 Victory Blvd. Reseda, CA

FrameMax, Inc.
13915 Danielson St
Suite 100
Poway, CA 92064
www.frame-max.com



© FrameMax Inc.

CREATED: 12/05/2008

FM-07-109

CREATED BY: HH

HEIGHT : 10'-6"
SPACING : 5000"
1st STUD: 5000"

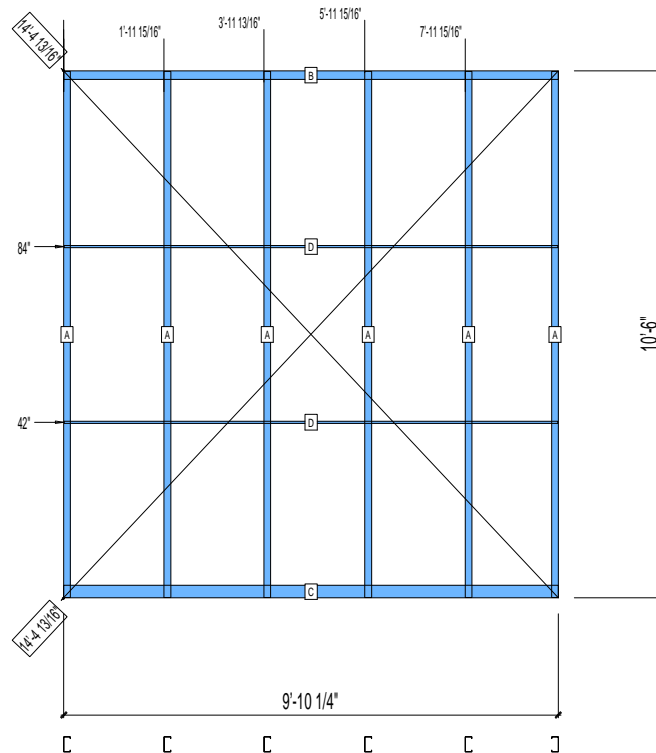
POINTS: 1.04 Points.

ANCHORS

WEIGHTS :
FRAME : 136 lbs

INSULATION: NO

TOTAL: 136 lbs



PIECES LIST

LABEL	QTY	SIZE	LENGTH	USE
A	6	362S162-54	10'-5 13/16"	STUD
B	1	362T200-54	9'-10 1/4"	TOP TRACK
C	1	362T300-54	9'-10 1/4"	BOTTOM TRACK
D	2	150U50-54	9'-10 1/16"	HORIZONTAL BRACING

13-1157

Jewish Home for the Aging

1885 Victory Blvd. Reseda, CA

FM-07-109

CREATED BY: AMB

FrameMax, Inc.
13915 Danielson St
Suite 100
Poway, CA 92064
www.frame-max.com



© FrameMax Inc.

HEIGHT : 11'-7 7/16" POINTS: 2.19 Points.

ANCHORS

SPACING : 5000"

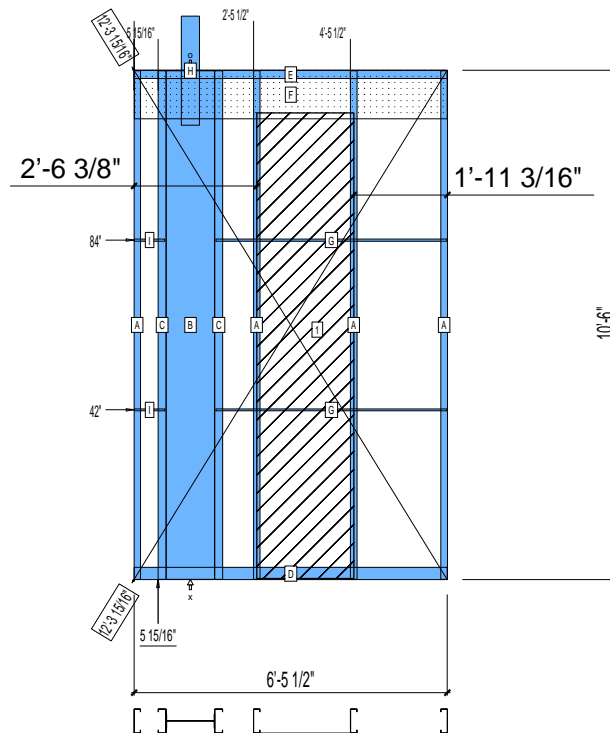
1st STUD: 5000"

WEIGHTS :

FRAME : 311 lbs

SHEATHING: 71 lbs

TOTAL: 382 lbs



PIECES LIST

LABEL	QTY	SIZE	LENGTH	USE
A	4	600S162-54	10'-5 13/16"	STUD
B	1	1200i350p1062	10'-5 13/16"	PACO
C	2	600S200-68	10'-5 13/16"	STUD
D	1	600T300-54	6'-5 1/2"	BOTTOM TRACK
E	1	600T200-54	6'-5 1/2"	TOP TRACK
F	1	1200D-54	6'-5 7/16"	STRAP
G	2	150U50-54	4'-9 3/16"	HORIZONTAL BRACING
H	1	B	2'-3"	HOLDDOWN
I	2	150U50-54	7 1/2"	HORIZONTAL BRACING

SHEATHING

LABEL	QTY	CODE	THICK	SIZE	SCREWS
1	1	SB-DENSARMOR	5/8"	2'-0" X 9'-7 3/16"	2 - 12

13-1158

Jewish Home for the Aging

1885 Victory Blvd. Reseda, CA

FrameMax, Inc.
13915 Danielson St
Suite 100
Poway, CA 92064
www.frame-max.com



© FrameMax Inc.

CREATED: 12/09/2008

FM-07-109

CREATED BY: AMB

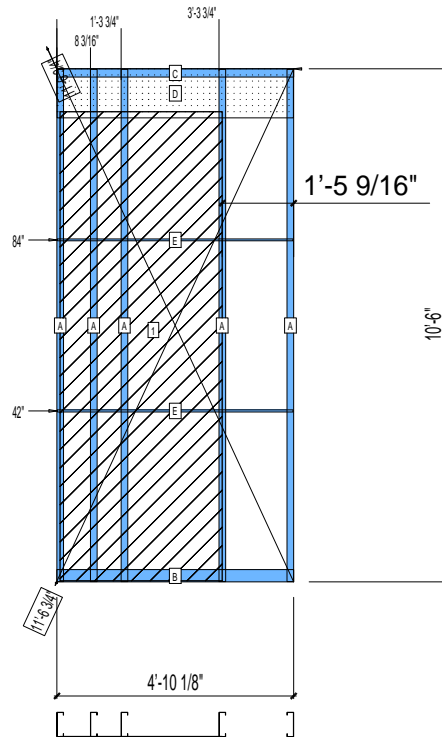
HEIGHT : 10'-6"
SPACING : 5000"
1st STUD: 5000"

POINTS: 1.46 Points.

ANCHORS

WEIGHTS :
FRAME : 136 lbs
SHEATHING: 117 lbs

TOTAL: 253 lbs



PIECES LIST

LABEL	QTY	SIZE	LENGTH	USE
A	5	600S162-54	10'-5 13/16"	STUD
B	1	600T300-54	4'-10 1/8"	BOTTOM TRACK
C	1	600T200-54	4'-10 1/8"	TOP TRACK
D	1	1200D-54	4'-10 1/16"	STRAP
E	2	150U50-54	4'-9 15/16"	HORIZONTAL BRACING

SHEATHING

LABEL	QTY	CODE	THICK	SIZE	SCREWS
1	1	SB-DENSARMOR	5/8"	3'-3 13/16" X	9'-7 3/16" 2-12

13-1159

Jewish Home for the Aging

1885 Victory Blvd. Reseda, CA

FrameMax, Inc.
13915 Danielson St
Suite 100
Poway, CA 92064
www.frame-max.com



© FrameMax Inc.

CREATED: 12/05/2008

FM-07-109

CREATED BY: HH

HEIGHT : 10'-6" POINTS: 2.92 Points.

SPACING : 5000"

1st STUD: 5000"

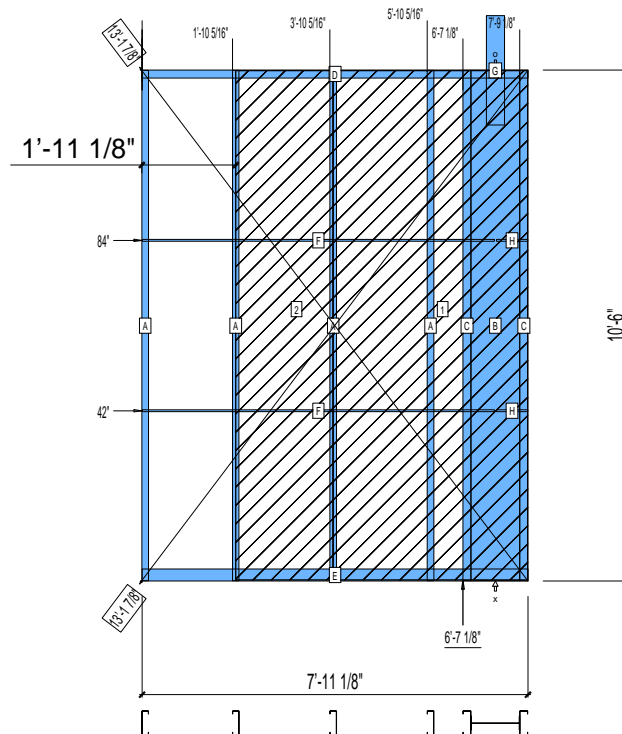
ANCHORS

WEIGHTS :

FRAME : 309 lbs

SHEATHING: 231 lbs

TOTAL: 540 lbs



PIECES LIST

LABEL	QTY	SIZE	LENGTH	USE
A	4	600S162-54	10'-5 13/16"	STUD
B	1	1200i350p1062	10'-5 13/16"	PACO
C	2	600S200-68	10'-5 13/16"	STUD
D	1	600T200-54	7'-11 1/8"	TOP TRACK
E	1	600T300-54	7'-11 1/8"	BOTTOM TRACK
F	2	150U50-54	7'-2 3/4"	HORIZONTAL BRACING
G	1	B	2'-3"	HOLDDOWN
H	2	150U50-54	7 11/16"	HORIZONTAL BRACING

SHEATHING

LABEL	QTY	CODE	THICK	SIZE	SCREWS
1	1	SB-DENSGLOSS	1/2"	4'-0" X 10'-5 9/16"	2-12
2	1	SB-DENSGLOSS	1/2"	2'-0" X 10'-5 9/16"	2-12

13-1160

Jewish Home for the Aging

1885 Victory Blvd. Reseda, CA

FrameMax, Inc.
13915 Danielson St
Suite 100
Poway, CA 92064
www.frame-max.com



© FrameMax Inc.

CREATED: 12/09/2008

FM-07-109

CREATED BY: HH

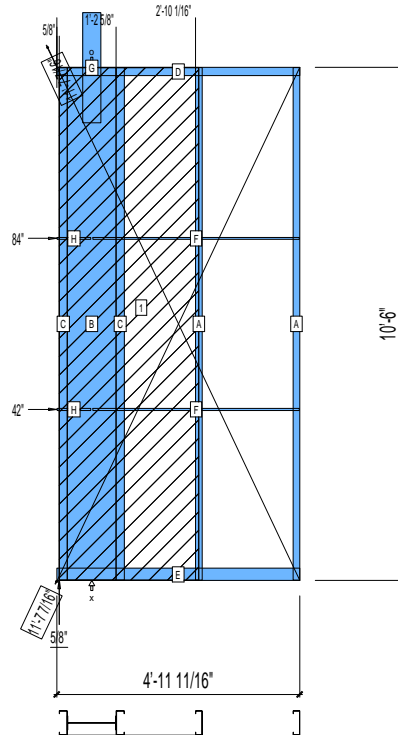
HEIGHT : 10'-6"
SPACING : 5000"
1st STUD: 16"

POINTS: 2.00 Points.

ANCHORS

WEIGHTS :
FRAME : 252 lbs
SHEATHING: 110 lbs

TOTAL: 362 lbs



PIECES LIST

LABEL	QTY	SIZE	LENGTH	USE
A	2	600S162-54	10'-5 13/16"	STUD
B	1	1200i350p1062	10'-5 13/16"	PACO
C	2	600S200-68	10'-5 13/16"	STUD
D	1	600T200-54	4'-11 11/16"	TOP TRACK
E	1	600T300-54	4'-11 11/16"	BOTTOM TRACK
F	2	150U50-54	4'-2 3/4"	HORIZONTAL BRACING
G	1	B	2'-3"	HOLDDOWN
H	2	150U50-54	8 1/4"	HORIZONTAL BRACING

SHEATHING

LABEL	QTY	CODE	THICK	SIZE	SCREWS
1	1	SB-DENSGLOSS	1/2"	2'-10 1/4" X 10'-5 13/16"	2-12

13-1161

Jewish Home for the Aging

1885 Victory Blvd. Reseda, CA

FrameMax, Inc.
13915 Danielson St
Suite 100
Poway, CA 92064
www.frame-max.com



© FrameMax Inc.

CREATED: 12/09/2008

FM-07-109

CREATED BY: HH

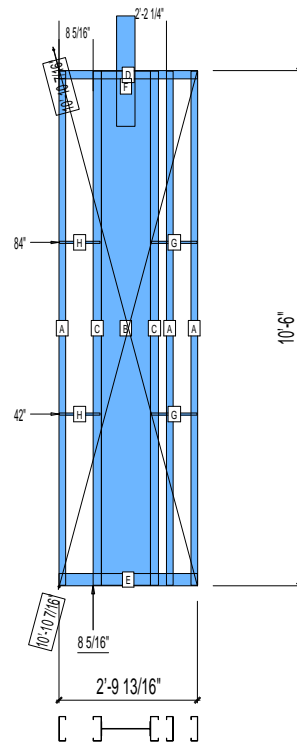
HEIGHT : 10'-6"
SPACING : 5000"
1st STUD: 5000"

POINTS: 1.52 Points.

ANCHORS

WEIGHTS :
FRAME : 260 lbs

TOTAL: 260 lbs



PIECES LIST

LABEL	QTY	SIZE	LENGTH	USE
A	3	600S162-54	10'-5 13/16"	STUD
B	1	1200i350p1062	10'-5 13/16"	PACO
C	2	600S200-68	10'-5 13/16"	STUD
D	1	600T200-54	2'-9 13/16"	TOP TRACK
E	1	600T300-54	2'-9 13/16"	BOTTOM TRACK
F	1	B	2'-3"	HOLDDOWN
G	2	150U50-54	11 1/8"	HORIZONTAL BRACING
H	2	150U50-54	9 15/16"	HORIZONTAL BRACING

13-1162

Jewish Home for the Aging

1885 Victory Blvd. Reseda, CA

FrameMax, Inc.
13915 Danielson St
Suite 100
Poway, CA 92064
www.frame-max.com



© FrameMax Inc.

CREATED: 12/09/2008

FM-07-109

CREATED BY: HH

HEIGHT : 10'-6" POINTS: 3.51 Points.

SPACING : 5000"

1st STUD: 5000"

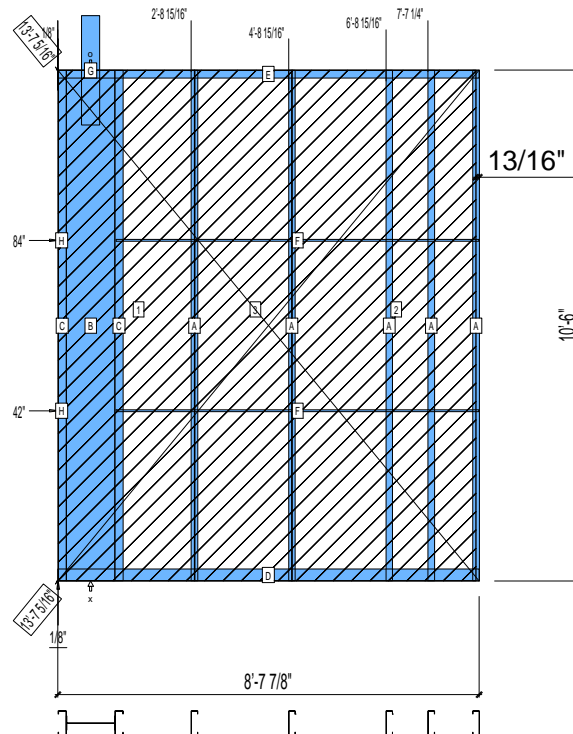
ANCHORS

WEIGHTS :

FRAME : 332 lbs

SHEATHING: 331 lbs

TOTAL: 663 lbs



PIECES LIST

LABEL	QTY	SIZE	LENGTH	USE
A	5	600S162-54	10'-5 13/16"	STUD
B	1	1200i350p1062	10'-5 13/16"	PACO
C	2	600S200-68	10'-5 13/16"	STUD
D	1	600T300-54	8'-7 7/8"	BOTTOM TRACK
E	1	600T200-54	8'-7 7/8"	TOP TRACK
F	2	150U50-54	7'-5 3/8"	HORIZONTAL BRACING
G	1	B	2'-3"	HOLDDOWN
H	2	150U50-54	1 11/16"	HORIZONTAL BRACING

SHEATHING

LABEL	QTY	CODE	THICK	SIZE	SCREWS
1	1	SB-DENSGLOSS	1/2"	2'-9 9/16" X 10'-5 13/16"	2-12
2	1	SB-DENSGLOSS	1/2"	3'-9 5/16" X 10'-5 13/16"	2-12
3	1	SB-DENSGLOSS	1/2"	2'-0" X 10'-5 13/16"	2-12

13-1163

Jewish Home for the Aging

1885 Victory Blvd. Reseda, CA

FM-07-109

CREATED BY: HH

FrameMax, Inc.
13915 Danielson St
Suite 100
Poway, CA 92064
www.framemax.com



© FrameMax Inc.

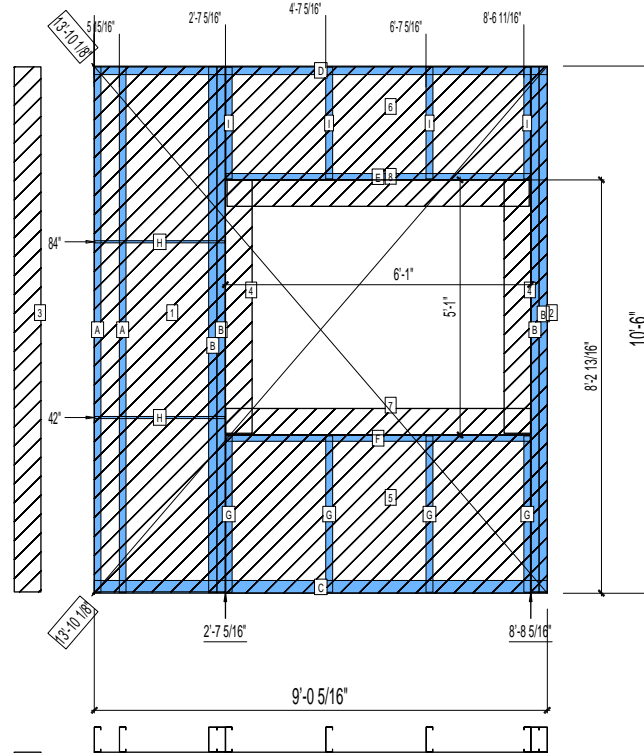
HEIGHT : 10'-6"
SPACING : 5000"
1st STUD: 5000"

POINTS: 2.70 Points.

ANCHORS

WEIGHTS :
FRAME : 258 lbs
SHEATHING: 202 lbs

TOTAL: 460 lbs



PIECES LIST

LABEL	QTY	SIZE	LENGTH	USE
A	2	600S162-54	10'-5 13/16"	STUD
B	4	600S200-68	10'-5 13/16"	KING STUD
C	1	600T300-54	9'-0 5/16"	BOTTOM TRACK
D	1	600T200-54	9'-0 5/16"	TOP TRACK
E	1	600T150-54	6'-0 3/4"	HEAD TRACK
F	1	600T150-54	6'-0 3/4"	SILL
G	4	600S162-54	3'-1 3/8"	CRIPPLE
H	2	150U50-54	2'-7 1/8"	HORIZONTAL BRACING
I	4	600S162-54	2'-2 3/4"	CRIPPLE

SHEATHING

LABEL	QTY	CODE	THICK	SIZE	SCREWS
1	1	DENSGLOSS	1/2"	2'-7 5/16" X 10'-5 9/16"	8 - 12
2	1	DENSGLOSS	1/2"	3 15/16" X 10'-5 9/16"	8 - 12
3	1	DENSGLOSS	1/2"	6 3/8" X 10'-5 9/16"	8 - 12
4	2	DENSGLOSS	1/2"	6 3/8" X 5'-0 1/2"	8 - 12
5	1	DENSGLOSS	1/2"	6'-0 7/8" X 3'-1 11/16"	8 - 12
6	1	DENSGLOSS	1/2"	6'-0 7/8" X 2'-3"	8 - 12
7	1	DENSGLOSS	1/2"	6'-0 7/8" X 6 5/16"	8 - 12
8	1	DENSGLOSS	1/2"	6'-0 1/4" X 6 5/16"	8 - 12

13-1164

Jewish Home for the Aging

1885 Victory Blvd. Reseda, CA

FrameMax, Inc.
13915 Danielson St
Suite 100
Poway, CA 92064
www.frame-max.com



© FrameMax Inc.

CREATED: 12/05/2008

FM-07-109

CREATED BY: HH

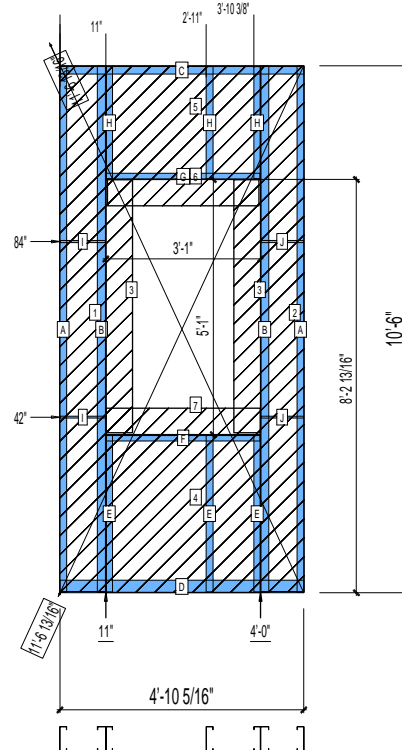
HEIGHT : 10'-6"
SPACING : 5000"
1st STUD: 16"

POINTS: 1.72 Points.

ANCHORS

WEIGHTS :
FRAME : 162 lbs
SHEATHING: 109 lbs

TOTAL: 271 lbs



PIECES LIST

LABEL	QTY	SIZE	LENGTH	USE
A	2	600S162-54	10'-5 13/16"	STUD
B	2	600S200-68	10'-5 13/16"	KING STUD
C	1	600T200-54	4'-10 5/16"	TOP TRACK
D	1	600T300-54	4'-10 5/16"	BOTTOM TRACK
E	3	600S162-54	3'-1 3/8"	CRIPPLE
F	1	600T150-54	3'-0 3/4"	SILL
G	1	600T150-54	3'-0 3/4"	HEAD TRACK
H	3	600S162-54	2'-2 3/4"	CRIPPLE
I	2	150U50-54	10 3/4"	HORIZONTAL BRACING
J	2	150U50-54	10 1/8"	HORIZONTAL BRACING

SHEATHING

LABEL	QTY	CODE	THICK	SIZE	SCREWS
1	1	DENSGLASS	1/2"	10 15/16" X 10'-5 9/16"	8 - 12
2	1	DENSGLASS	1/2"	10 5/16" X 10'-5 9/16"	8 - 12
3	2	DENSGLASS	1/2"	6 3/8" X 5'-0 1/2"	8 - 12
4	1	DENSGLASS	1/2"	3'-0 7/8" X 3'-1 5/8"	8 - 12
5	1	DENSGLASS	1/2"	3'-0 7/8" X 2'-3"	8 - 12
6	1	DENSGLASS	1/2"	3'-0 1/4" X 6 5/16"	8 - 12
7	1	DENSGLASS	1/2"	3'-0 7/8" X 6 5/16"	8 - 12

13-1165

Jewish Home for the Aging

1885 Victory Blvd. Reseda, CA

FM-07-109

CREATED BY: HH

FrameMax, Inc.
13915 Danielson St
Suite 100
Poway, CA 92064
www.frame-max.com



© FrameMax Inc.

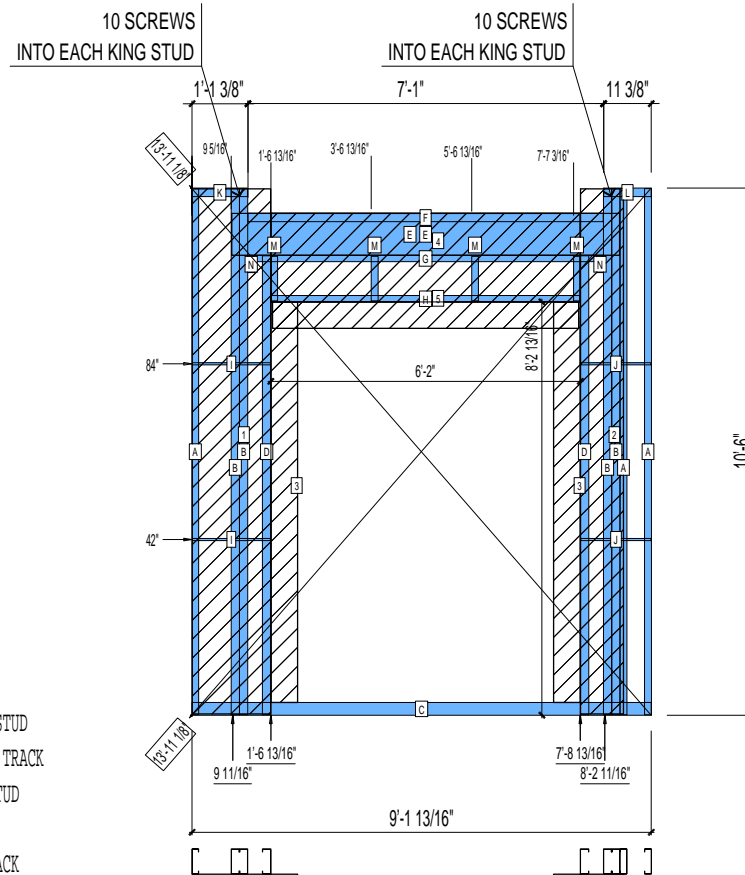
HEIGHT : 10'-6"
SPACING : 5000"
1st STUD: 16"

POINTS: 3.22 Points.

ANCHORS

WEIGHTS :
FRAME : 421 lbs
SHEATHING: 119 lbs

TOTAL: 540 lbs



PIECES LIST

LABEL	QTY	SIZE	LENGTH	USE
A	3	600S162-54	10'-5 13/16"	STUD
B	4	600S200-97	10'-5 13/16"	EXTRA STUD
C	1	600T300-54	9'-1 13/16"	BOTTOM TRACK
D	2	600S200-68	9'-1 3/4"	KING STUD
E	2	1000S200-97	7'-8 3/4"	HEADER
F	1	600T200-54	7'-0 15/16"	TOP TRACK
G	1	600T150-54	7'-0 7/8"	HEADER BOTTOM TRACK
H	1	600T150-54	6'-1 3/4"	HEAD TRACK
I	2	150U50-54	1'-6 5/8"	HORIZONTAL BRACING
J	2	150U50-54	1'-4 3/4"	HORIZONTAL BRACING
K	1	600T200-54	1'-1 1/4"	TOP TRACK
L	1	600T200-54	11 3/8"	TOP TRACK
M	4	600S162-54	10 11/16"	CRIPPLE
N	2	600S162-33	4"	BACKER STUD

SHEATHING

LABEL	QTY	CODE	THICK	SIZE	SCREWS
1	1	DENSGLASS	1/2"	1'-6 3/4" X 10'-5 9/16"	8 - 12
2	1	DENSGLASS	1/2"	10 1/4" X 10'-5 9/16"	8 - 12
3	2	DENSGLASS	1/2"	6 3/8" X 7'-11 3/4"	8 - 12
4	1	DENSGLASS	1/2"	6'-1 7/8" X 1'-9 1/16"	8 - 12
5	1	DENSGLASS	1/2"	6'-1 1/4" X 6 5/16"	8 - 12

13-1166

Jewish Home for the Aging

1885 Victory Blvd. Reseda, CA

FrameMax, Inc.
13915 Danielson St
Suite 100
Poway, CA 92064
www.frame-max.com



© FrameMax Inc.

CREATED: 12/05/2008

FM-07-109

CREATED BY: HH

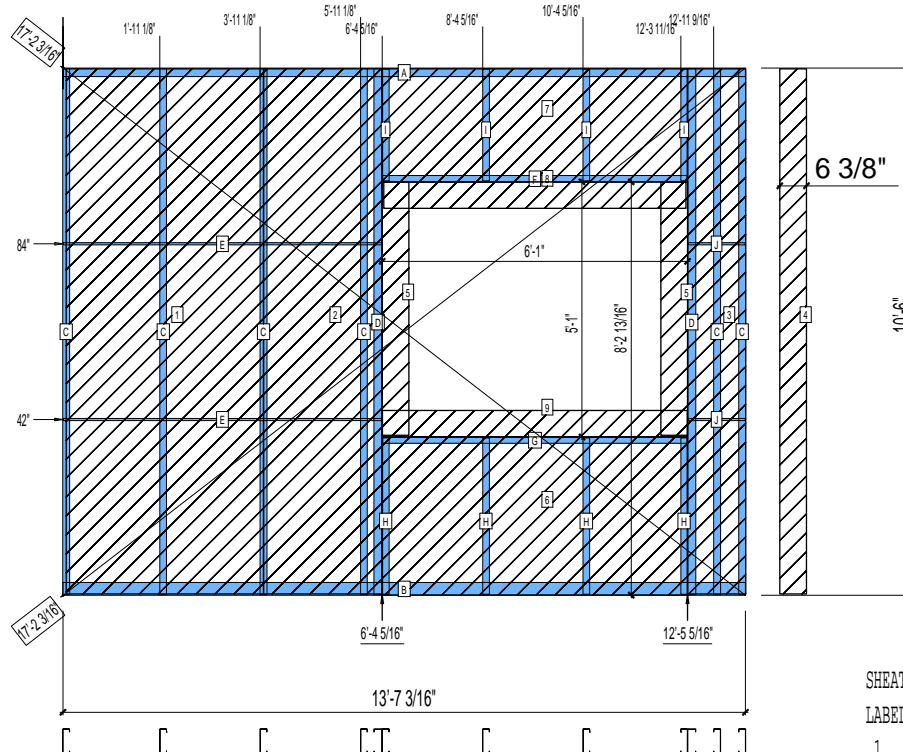
HEIGHT : 10'-6"
SPACING : 5000"
1st STUD: 5000"

POINTS: 3.65 Points.

ANCHORS

WEIGHTS :
FRAME : 308 lbs
SHEATHING: 320 lbs

TOTAL: 628 lbs



PIECES LIST

LABEL	QTY	SIZE	LENGTH	USE
A	1	600T200-54	13'-7 3/16"	TOP TRACK
B	1	600T300-54	13'-7 3/16"	BOTTOM TRACK
C	6	600S162-54	10'-5 13/16"	STUD
D	2	600S200-68	10'-5 13/16"	KING STUD
E	2	150U50-54	6'-4 1/8"	HORIZONTAL BRACING
F	1	600T150-54	6'-0 3/4"	HEAD TRACK
G	1	600T150-54	6'-0 3/4"	SILL
H	4	600S162-54	3'-1 3/8"	CRIPPLE
I	4	600S162-54	2'-2 3/4"	CRIPPLE
J	2	150U50-54	1'-1 5/8"	HORIZONTAL BRACING

SHEATHING

LABEL	QTY	CODE	THICK	SIZE	SCREWS
1	1	DENSGLASS	1/2"	3'-11 3/16" X 10'-5 9/16"	8 - 12
2	1	DENSGLASS	1/2"	2'-4 5/16" X 10'-5 9/16"	8 - 12
3	1	DENSGLASS	1/2"	1'-1 13/16" X 10'-5 9/16"	8 - 12
4	1	DENSGLASS	1/2"	6 3/8" X 10'-5 9/16"	8 - 12
5	2	DENSGLASS	1/2"	6 3/8" X 5'-0 1/2"	8 - 12
6	1	DENSGLASS	1/2"	6'-0 7/8" X 3'-1 11/16"	8 - 12
7	1	DENSGLASS	1/2"	6'-0 7/8" X 2'-3"	8 - 12
8	1	DENSGLASS	1/2"	6'-0 1/4" X 6 5/16"	8 - 12
9	1	DENSGLASS	1/2"	6'-0 7/8" X 6 5/16"	8 - 12

13-1167

Jewish Home for the Aging

1885 Victory Blvd. Reseda, CA

FM-07-109

CREATED BY: HH

FrameMax, Inc.
13915 Danielson St
Suite 100
Poway, CA 92064
www.frame-max.com



© FrameMax Inc.

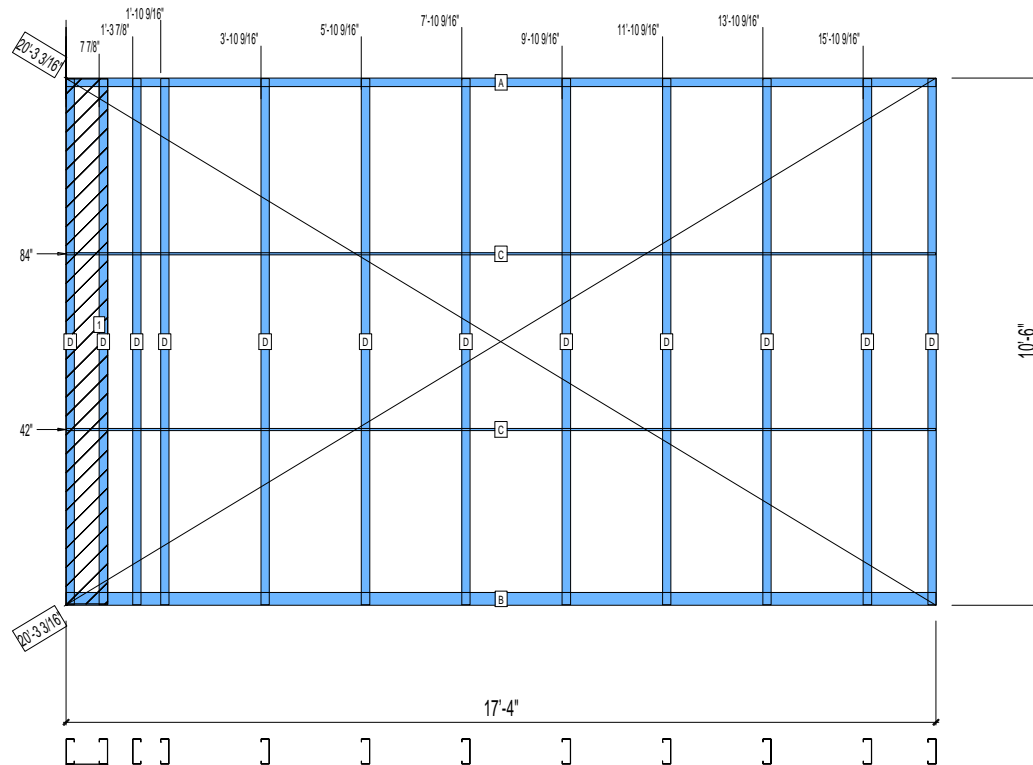
HEIGHT : 10'-6"
SPACING : 5000"
1st STUD: 16"

POINTS: 2.46 Points.

ANCHORS

WEIGHTS :
FRAME : 363 lbs
SHEATHING: 22 lbs

TOTAL: 385 lbs



PIECES LIST

LABEL	QTY	SIZE	LENGTH	USE
A	1	600T200-54	17'-4"	TOP TRACK
B	1	600T300-54	17'-4"	BOTTOM TRACK
C	2	150U50-54	17'-3 13/16"	HORIZONTAL BRACING
D	12	600S200-54	10'-5 13/16"	STUD

SHEATHING

LABEL	QTY	CODE	THICK	SIZE	SCREWS
1	1	DENSGLOSS	1/2"	9 15/16" X 10'-5 9/16"	8 - 12

13-1168

Jewish Home for the Aging

1885 Victory Blvd. Reseda, CA

FM-07-109

CREATED BY: HH

FrameMax, Inc.
13915 Danielson St
Suite 100
Poway, CA 92064
www.frame-max.com



© FrameMax Inc.

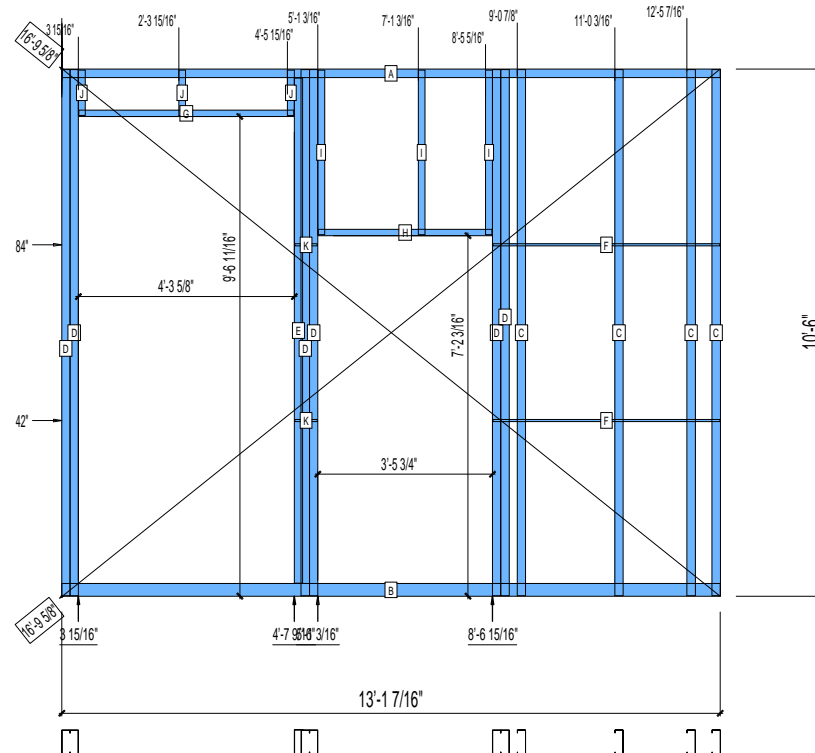
HEIGHT : 10'-6"
SPACING : 5000"
1st STUD: 5000"

POINTS: 2.53 Points.

ANCHORS

WEIGHTS :
FRAME : 378 lbs

TOTAL: 378 lbs



PIECES LIST

LABEL	QTY	SIZE	LENGTH	USE
A	1	600T200-54	13'-1 7/16"	TOP TRACK
B	1	600T300-54	13'-1 7/16"	BOTTOM TRACK
C	4	600S200-54	10'-5 13/16"	STUD
D	6	600S200-68	10'-5 13/16"	KING STUD
E	1	600T200-54	10'-0 3/4"	CAP TRACK
F	2	150U50-54	4'-6 1/4"	HORIZONTAL BRACING
G	1	600T150-54	4'-3 3/8"	HEAD TRACK
H	1	600T150-54	3'-5 1/2"	HEAD TRACK
I	3	600S162-54	3'-3 3/8"	CRIPPLE
J	3	600S162-54	10 7/8"	CRIPPLE
K	2	150U50-54	5 3/8"	HORIZONTAL BRACING

13-1169

Jewish Home for the Aging

1885 Victory Blvd. Reseda, CA

FM-07-109

CREATED BY: HH

FrameMax, Inc.
13915 Danielson St
Suite 100
Poway, CA 92064
www.frame-max.com



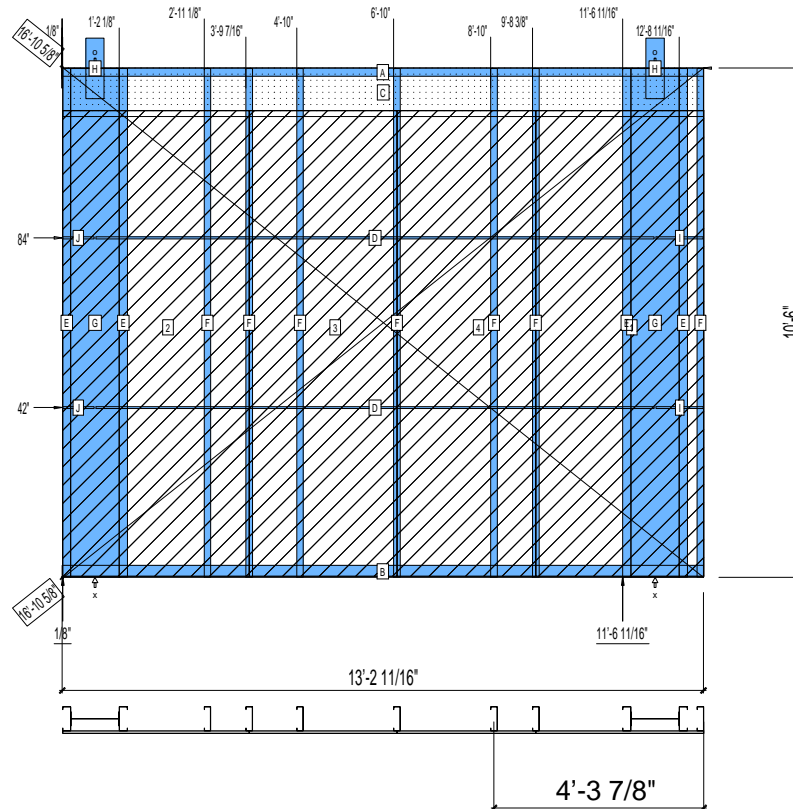
© FrameMax Inc.

HEIGHT : 10'-6"
SPACING : 5000"
1st STUD: 16"

ANCHORS

WEIGHTS :
FRAME : 577 lbs
SHEATHING: 467 lbs

TOTAL: 1044 lbs



PIECES LIST

LABEL	QTY	SIZE	LENGTH	USE
A	1	600T200-54	13'-2 11/16"	TOP TRACK
B	1	600T300-54	13'-2 11/16"	BOTTOM TRACK
C	1	1200D-54	13'-2 1/2"	STRAP
D	2	150U50-54	11'-6 1/16"	HORIZONTAL BRACING
E	4	600S200-54	10'-5 13/16"	STUD
F	7	600S162-54	10'-5 13/16"	STUD
G	2	1200i350p1062	10'-5 13/16"	PACO
H	2	A	1'-3"	HOLDDOWN
I	2	150U50-54	11 5/8"	HORIZONTAL BRACING
J	2	150U50-54	7 3/4"	HORIZONTAL BRACING

SHEATHING

LABEL	QTY	CODE	THICK	SIZE	SCREWS
1	1	SB-DENSARMOR	5/8"	3'-5 9/16" X 9'-7 3/16"	2-12
2	1	SB-DENSARMOR	5/8"	3'-10 3/16" X 9'-7 3/16"	2-12
3	1	SB-DENSARMOR	5/8"	3'-0 9/16" X 9'-7 3/16"	2-12
4	1	SB-DENSARMOR	5/8"	2'-10 3/8" X 9'-7 3/16"	2-12

13-1170

Jewish Home for the Aging

1885 Victory Blvd. Reseda, CA

FrameMax, Inc.
13915 Danielson St
Suite 100
Poway, CA 92064
www.frame-max.com



© FrameMax Inc.

CREATED: 12/05/2008

FM-07-109

CREATED BY: HH

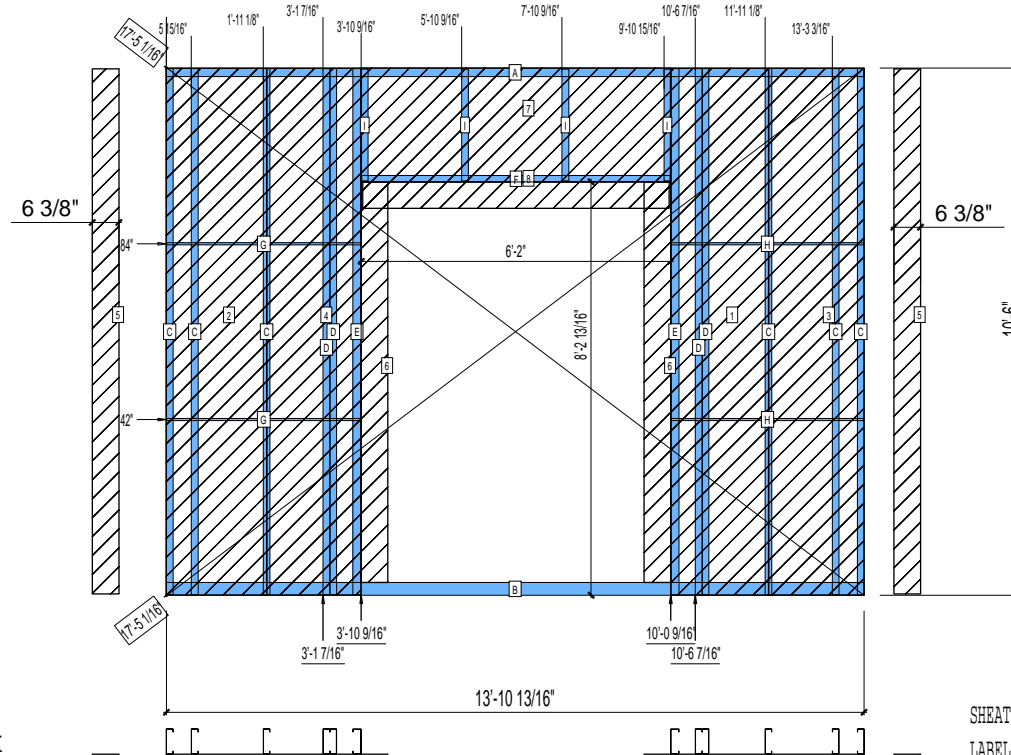
HEIGHT : 10'-6"
SPACING : 5000"
1st STUD: 5000"

POINTS: 3.74 Points.

ANCHORS

WEIGHTS :
FRAME : 357 lbs
SHEATHING: 294 lbs

TOTAL: 651 lbs



PIECES LIST

LABEL	QTY	SIZE	LENGTH	USE
A	1	600T200-54	13'-10 13/16"	TOP TRACK
B	1	600T300-54	13'-10 13/16"	BOTTOM TRACK
C	6	600S162-54	10'-5 13/16"	STUD
D	4	600S162-54	10'-5 13/16"	EXTRA STUD
E	2	600S200-68	10'-5 13/16"	KING STUD
F	1	600T150-54	6'-1 3/4"	HEAD TRACK
G	2	150U50-54	3'-10 3/8"	HORIZONTAL BRACING
H	2	150U50-54	3'-10"	HORIZONTAL BRACING
I	4	600S162-54	2'-2 3/4"	CRIPPLE

SHEATHING

LABEL	QTY	CODE	THICK	SIZE	SCREWS
1	1	DENSGLASS	1/2"	1'-11 5/16" X 10'-5 7/8"	8 - 12
2	1	DENSGLASS	1/2"	2'-0" X 10'-5 7/8"	8 - 12
3	1	DENSGLASS	1/2"	1'-10 7/8" X 10'-5 7/8"	8 - 12
4	1	DENSGLASS	1/2"	1'-10 9/16" X 10'-5 7/8"	8 - 12
5	2	DENSGLASS	1/2"	6 3/8" X 10'-5 9/16"	8 - 12
6	2	DENSGLASS	1/2"	6 3/8" X 7'-11 3/4"	8 - 12
7	1	DENSGLASS	1/2"	6'-1 7/8" X 2'-3 1/8"	8 - 12
8	1	DENSGLASS	1/2"	6'-1 1/4" X 6 5/16"	8 - 12

13-1171

Jewish Home for the Aging

1885 Victory Blvd. Reseda, CA

FM-07-109

CREATED BY: HH

FrameMax, Inc.
13915 Danielson St
Suite 100
Poway, CA 92064
www.frame-max.com



© FrameMax Inc.

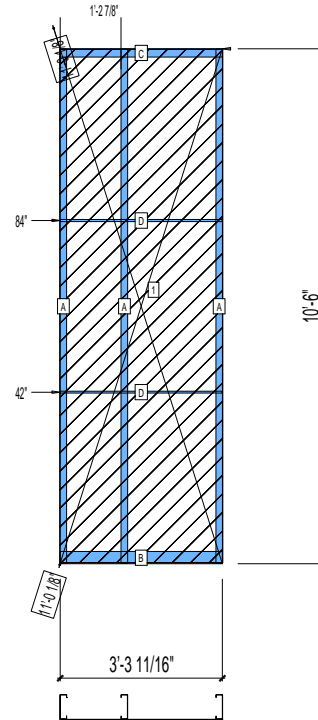
HEIGHT : 10'-6"
SPACING : 5000"
1st STUD: 16"

POINTS: 0.97 Points.

ANCHORS

WEIGHTS :
FRAME : 79 lbs
SHEATHING: 87 lbs

TOTAL: 166 lbs



PIECES LIST

LABEL	QTY	SIZE	LENGTH	USE
A	3	600S162-54	10'-5 13/16"	STUD
B	1	600T300-54	3'-3 11/16"	BOTTOM TRACK
C	1	600T200-54	3'-3 11/16"	TOP TRACK
D	2	150U50-54	3'-3 1/2"	HORIZONTAL BRACING

SHEATHING

LABEL	QTY	CODE	THICK	SIZE	SCREWS
1	1	DENSGLOSS	1/2"	3'-3 3/4" X 10'-5 9/16"	8 - 12

13-1172

Jewish Home for the Aging

1885 Victory Blvd. Reseda, CA

FM-07-109

CREATED BY: HH

FrameMax, Inc.
13915 Danielson St
Suite 100
Poway, CA 92064
www.framemax.com



© FrameMax Inc.

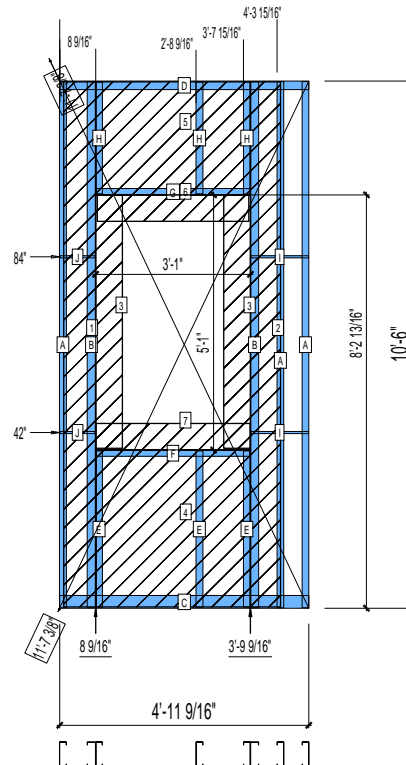
HEIGHT : 10'-6"
SPACING : 5000"
1st STUD: 5000"

POINTS: 1.77 Points.

ANCHORS

WEIGHTS :
FRAME : 183 lbs
SHEATHING: 95 lbs

TOTAL: 278 lbs



PIECES LIST

LABEL	QTY	SIZE	LENGTH	USE
A	3	600S162-54	10'-5 13/16"	STUD
B	2	600S200-68	10'-5 13/16"	KING STUD
C	1	600T300-54	4'-11 9/16"	BOTTOM TRACK
D	1	600T200-54	4'-11 9/16"	TOP TRACK
E	3	600S162-54	3'-1 3/8"	CRIPPLE
F	1	600T150-54	3'-0 3/4"	SILL
G	1	600T150-54	3'-0 3/4"	HEAD TRACK
H	3	600S162-54	2'-2 3/4"	CRIPPLE
I	2	150U50-54	1'-1 3/4"	HORIZONTAL BRACING
J	2	150U50-54	8 3/8"	HORIZONTAL BRACING

SHEATHING

LABEL	QTY	CODE	THICK	SIZE	SCREWS
1	1	DENSGLASS	1/2"	7 9/16" X 10'-5 9/16"	8 - 12
2	1	DENSGLASS	1/2"	7 1/8" X 10'-5 9/16"	8 - 12
3	2	DENSGLASS	1/2"	6 3/8" X 5'-0 1/2"	8 - 12
4	1	DENSGLASS	1/2"	3'-0 13/16" X 3'-1 1/2"	8 - 12
5	1	DENSGLASS	1/2"	3'-0 7/8" X 2'-3"	8 - 12
6	1	DENSGLASS	1/2"	3'-0 1/4" X 6 5/16"	8 - 12
7	1	DENSGLASS	1/2"	3'-0 7/8" X 6 5/16"	8 - 12

13-1173

Jewish Home for the Aging

1885 Victory Blvd. Reseda, CA

FrameMax, Inc.
13915 Danielson St
Suite 100
Poway, CA 92064
www.frame-max.com



© FrameMax Inc.

CREATED: 12/09/2008

FM-07-109

CREATED BY: HH

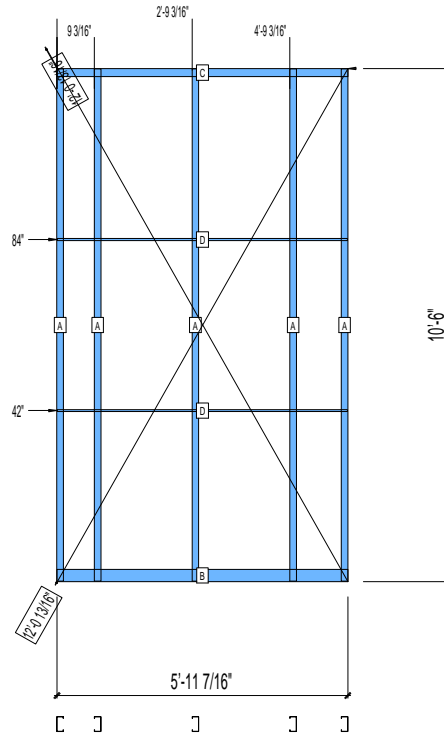
HEIGHT : 10'-6"
SPACING : 5000"
1st STUD: 16"

POINTS: 0.79 Points.

ANCHORS

WEIGHTS :
FRAME : 104 lbs

TOTAL: 104 lbs



PIECES LIST

LABEL	QTY	SIZE	LENGTH	USE
A	5	362S162-54	10'-5 13/16"	STUD
B	1	362T300-54	5'-11 7/16"	BOTTOM TRACK
C	1	362T200-54	5'-11 7/16"	TOP TRACK
D	2	150U50-54	5'-11 1/4"	HORIZONTAL BRACING

13-1174

Jewish Home for the Aging

1885 Victory Blvd. Reseda, CA

FrameMax, Inc.
13915 Danielson St
Suite 100
Poway, CA 92064
www.frame-max.com



© FrameMax Inc.

CREATED: 12/05/2008

FM-07-109

CREATED BY: HH

HEIGHT : 10'-6"
SPACING : 5000"
1st STUD: 5000"

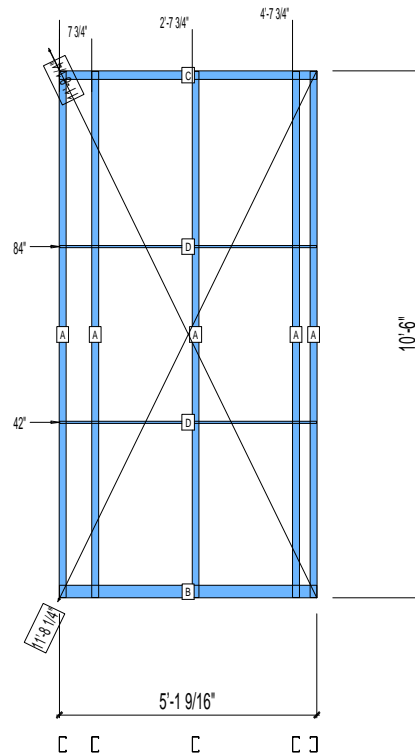
POINTS: 0.75 Points.

ANCHORS

WEIGHTS :
FRAME : 100 lbs

INSULATION: NO

TOTAL: 100 lbs



PIECES LIST

LABEL	QTY	SIZE	LENGTH	USE
A	5	362S162-54	10'-5 13/16"	STUD
B	1	362T300-54	5'-1 9/16"	BOTTOM TRACK
C	1	362T200-54	5'-1 9/16"	TOP TRACK
D	2	150U50-54	5'-1 3/8"	HORIZONTAL BRACING

13-1175

Jewish Home for the Aging

1885 Victory Blvd. Reseda, CA

FM-07-109

CREATED BY: HH

FrameMax, Inc.
13915 Danielson St
Suite 100
Poway, CA 92064
www.frame-max.com



© FrameMax Inc.

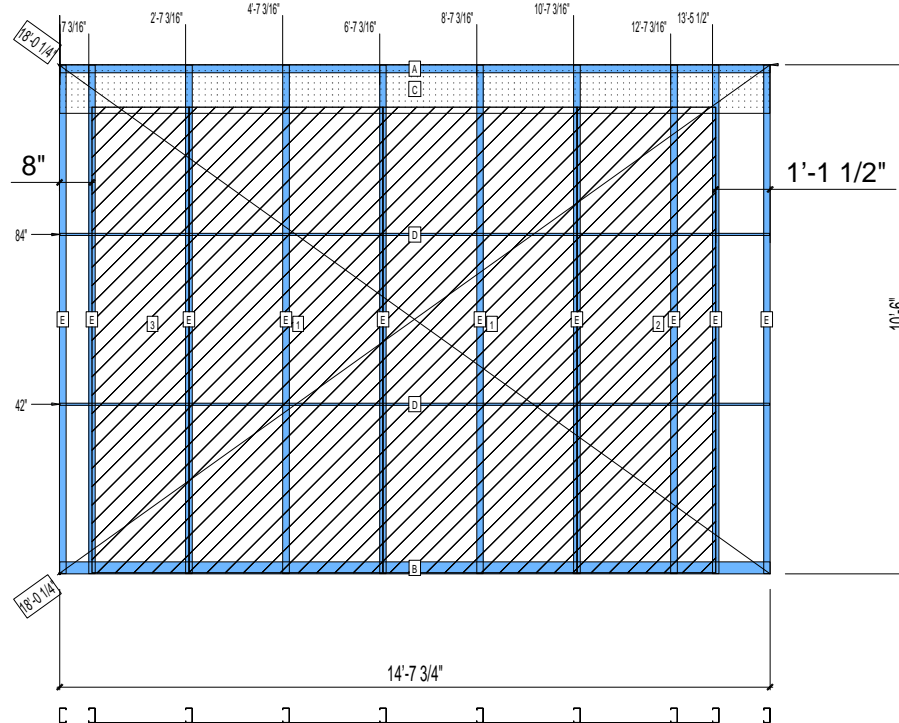
HEIGHT : 10'-6"
SPACING : 5000"
1st STUD: 5000"

POINTS: 3.85 Points.

ANCHORS

WEIGHTS :
FRAME : 255 lbs
SHEATHING: 454 lbs

TOTAL: 709 lbs



PIECES LIST

LABEL	QTY	SIZE	LENGTH	USE
A	1	362T200-54	14'-7 3/4"	TOP TRACK
B	1	362T300-54	14'-7 3/4"	BOTTOM TRACK
C	1	1200D-54	14'-7 11/16"	STRAP
D	2	150U50-54	14'-7 9/16"	HORIZONTAL BRACING
E	10	362S162-54	10'-5 13/16"	STUD

SHEATHING

LABEL	QTY	CODE	THICK	SIZE	SCREWS
1	2	SB-DENSARMOR	5/8"	4'-0" X 9'-7 3/16"	2-12
2	1	SB-DENSARMOR	5/8"	2'-10 5/16" X 9'-7 3/16"	2-12
3	1	SB-DENSARMOR	5/8"	2'-0" X 9'-7 3/16"	2-12

13-1176

Jewish Home for the Aging

1885 Victory Blvd. Reseda, CA

FrameMax, Inc.
13915 Danielson St
Suite 100
Poway, CA 92064
www.frame-max.com



© FrameMax Inc.

CREATED: 12/09/2008

FM-07-109

CREATED BY: HH

HEIGHT : 10'-6"
SPACING : 5000"
1st STUD: 5000"

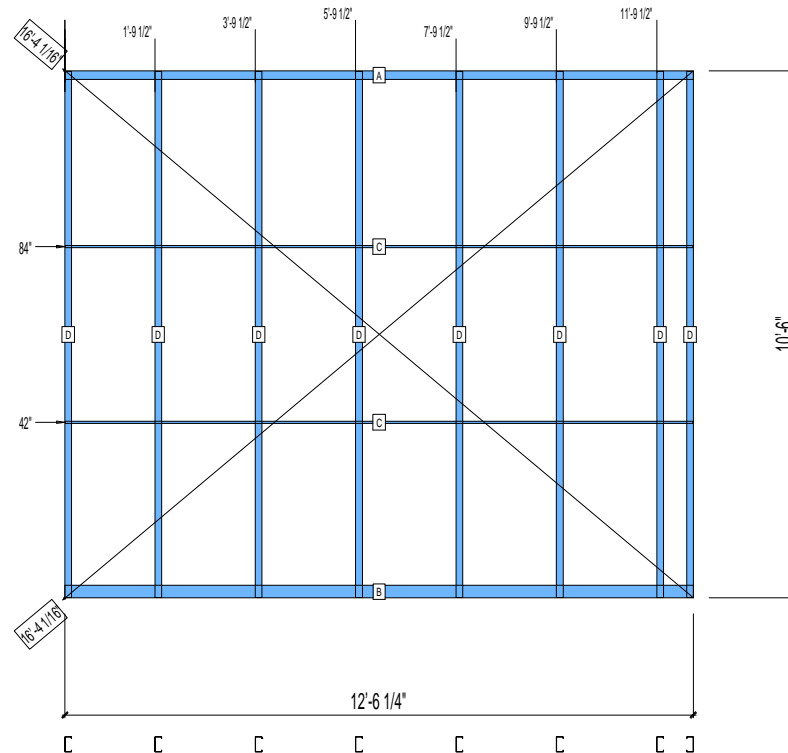
POINTS: 1.33 Points.

ANCHORS

WEIGHTS :
FRAME : 179 lbs

TOTAL: 179 lbs

INSULATION: NO



PIECES LIST

LABEL	QTY	SIZE	LENGTH	USE
A	1	362T200-54	12'-6 1/4"	TOP TRACK
B	1	362T300-54	12'-6 1/4"	BOTTOM TRACK
C	2	150U50-54	12'-6 1/16"	HORIZONTAL BRACING
D	8	362S162-54	10'-5 13/16"	STUD

13-1177

Jewish Home for the Aging

1885 Victory Blvd. Reseda, CA

FrameMax, Inc.
13915 Danielson St
Suite 100
Poway, CA 92064
www.frame-max.com



© FrameMax Inc.

CREATED: 12/05/2008

FM-07-109

CREATED BY: HH

HEIGHT : 10'-6"
SPACING : 5000"
1st STUD: 5000"

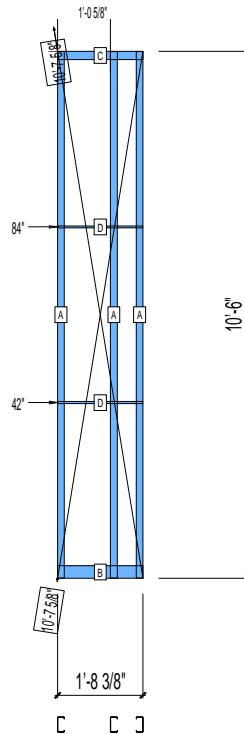
POINTS: 0.43 Points.

ANCHORS

WEIGHTS :
FRAME : 54 lbs

INSULATION: NO

TOTAL: 54 lbs



PIECES LIST

LABEL	QTY	SIZE	LENGTH	USE
A	3	362S162-54	10'-5 13/16"	STUD
B	1	362T300-54	1'-8 3/8"	BOTTOM TRACK
C	1	362T200-54	1'-8 3/8"	TOP TRACK
D	2	150U50-54	1'-8 3/16"	HORIZONTAL BRACING

13-1178

Jewish Home for the Aging

1885 Victory Blvd. Reseda, CA

FrameMax, Inc.
13915 Danielson St
Suite 100
Poway, CA 92064
www.frame-max.com



© FrameMax Inc.

CREATED: 12/09/2008

FM-07-109

CREATED BY: HH

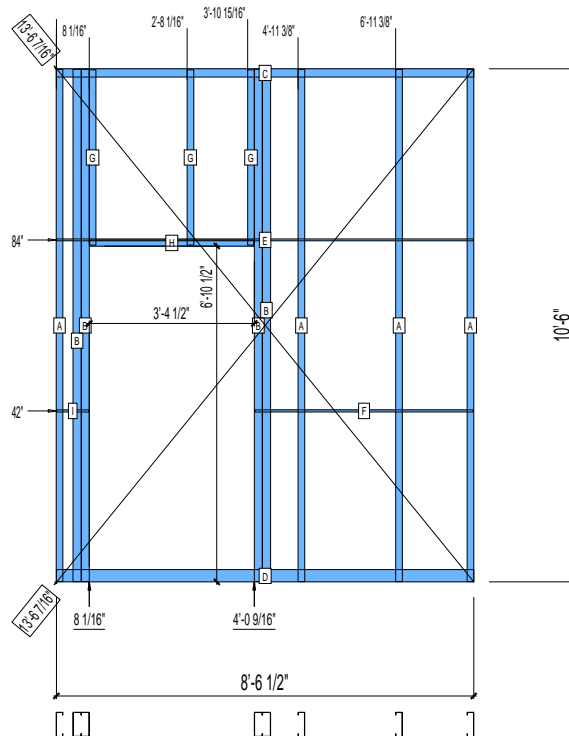
HEIGHT : 10'-6"
SPACING : 5000"
1st STUD: 5000"

POINTS: 1.75 Points.

ANCHORS

WEIGHTS :
FRAME : 265 lbs

TOTAL: 265 lbs



PIECES LIST

LABEL	QTY	SIZE	LENGTH	USE
A	4	600S162-54	10'-5 13/16"	STUD
B	4	600S200-68	10'-5 13/16"	KING STUD
C	1	600T200-54	8'-6 1/2"	TOP TRACK
D	1	600T300-54	8'-6 1/2"	BOTTOM TRACK
E	1	150U50-54	8'-6 5/16"	HORIZONTAL BRACING
F	1	150U50-54	4'-5 11/16"	HORIZONTAL BRACING
G	3	600S162-54	3'-7 1/16"	CRIPPLE
H	1	600T150-54	3'-4 1/4"	HEAD TRACK
I	1	150U50-54	7 7/8"	HORIZONTAL BRACING

13-1179

Jewish Home for the Aging

1885 Victory Blvd. Reseda, CA

FM-07-109

CREATED BY: AMB

FrameMax, Inc.
13915 Danielson St
Suite 100
Poway, CA 92064
www.frame-max.com



© FrameMax Inc.

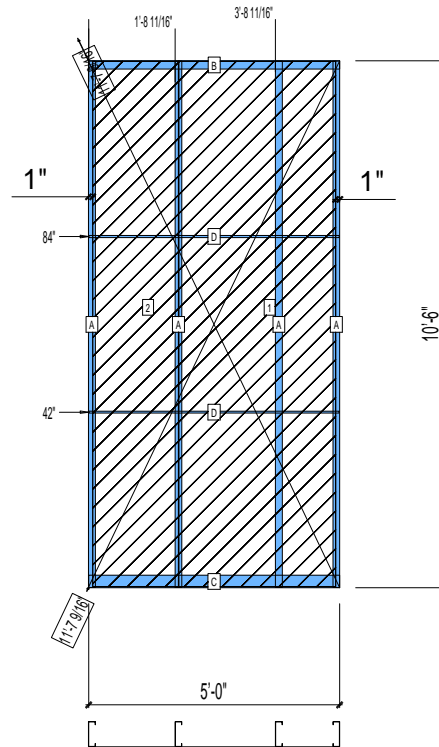
HEIGHT : 10'-6"
SPACING : 5000"
1st STUD: 5000"

POINTS: 1.33 Points.

ANCHORS

WEIGHTS :
FRAME : 106 lbs
SHEATHING: 127 lbs

TOTAL: 233 lbs



PIECES LIST

LABEL	QTY	SIZE	LENGTH	USE
A	4	600S162-54	10'-5 13/16"	STUD
B	1	600T200-54	5'-0"	TOP TRACK
C	1	600T300-54	5'-0"	BOTTOM TRACK
D	2	150U50-54	4'-11 13/16"	HORIZONTAL BRACING

SHEATHING

LABEL	QTY	CODE	THICK	SIZE	SCREWS
1	1	DENSGLASS	1/2"	3'-1 9/16" X 10'-5 9/16"	8 - 12
2	1	DENSGLASS	1/2"	1'-8 1/2" X 10'-5 9/16"	8 - 12

13-1180

Jewish Home for the Aging

1885 Victory Blvd. Reseda, CA

FrameMax, Inc.
13915 Danielson St
Suite 100
Poway, CA 92064
www.frame-max.com



© FrameMax Inc.

CREATED: 12/05/2008

FM-07-109

CREATED BY: HH

HEIGHT : 10'-6"
SPACING : 5000"
1st STUD: 5000"

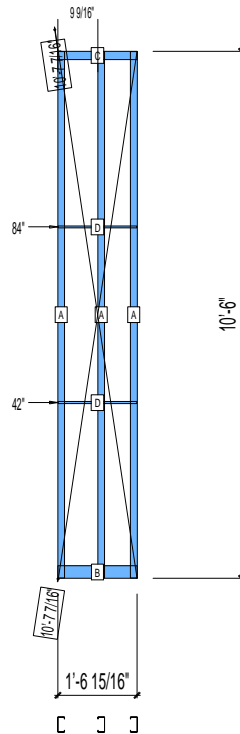
POINTS: 0.42 Points.

ANCHORS

WEIGHTS :
FRAME : 53 lbs

INSULATION: NO

TOTAL: 53 lbs



PIECES LIST

LABEL	QTY	SIZE	LENGTH	USE
A	3	362S162-54	10'-5 13/16"	STUD
B	1	362T300-54	1'-6 15/16"	BOTTOM TRACK
C	1	362T200-54	1'-6 15/16"	TOP TRACK
D	2	150U50-54	1'-6 3/4"	HORIZONTAL BRACING

13-1181

Jewish Home for the Aging

1885 Victory Blvd. Reseda, CA

FrameMax, Inc.
13915 Danielson St
Suite 100
Poway, CA 92064
www.framemax.com



© FrameMax Inc.

CREATED: 12/05/2008

FM-07-109

CREATED BY: HH

HEIGHT : 10'-6"
SPACING : 5000"
1st STUD: 5000"

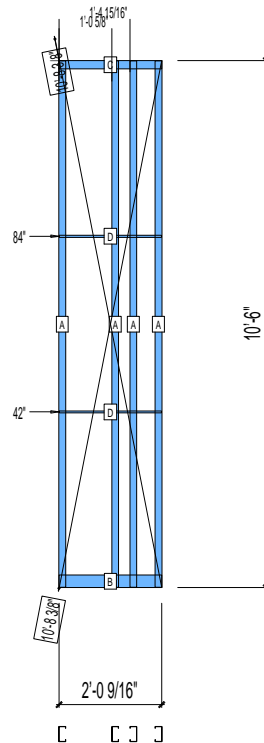
POINTS: 0.54 Points.

ANCHORS

WEIGHTS :
FRAME : 71 lbs

INSULATION: NO

TOTAL: 71 lbs



PIECES LIST

LABEL	QTY	SIZE	LENGTH	USE
A	4	362S162-54	10'-5 13/16"	STUD
B	1	362T300-54	2'-0 9/16"	BOTTOM TRACK
C	1	362T200-54	2'-0 9/16"	TOP TRACK
D	2	150U50-54	2'-0 3/8"	HORIZONTAL BRACING

13-1182

Jewish Home for the Aging

1885 Victory Blvd. Reseda, CA

FM-07-109

CREATED BY: HH

FrameMax, Inc.
13915 Danielson St
Suite 100
Poway, CA 92064
www.frame-max.com



© FrameMax Inc.

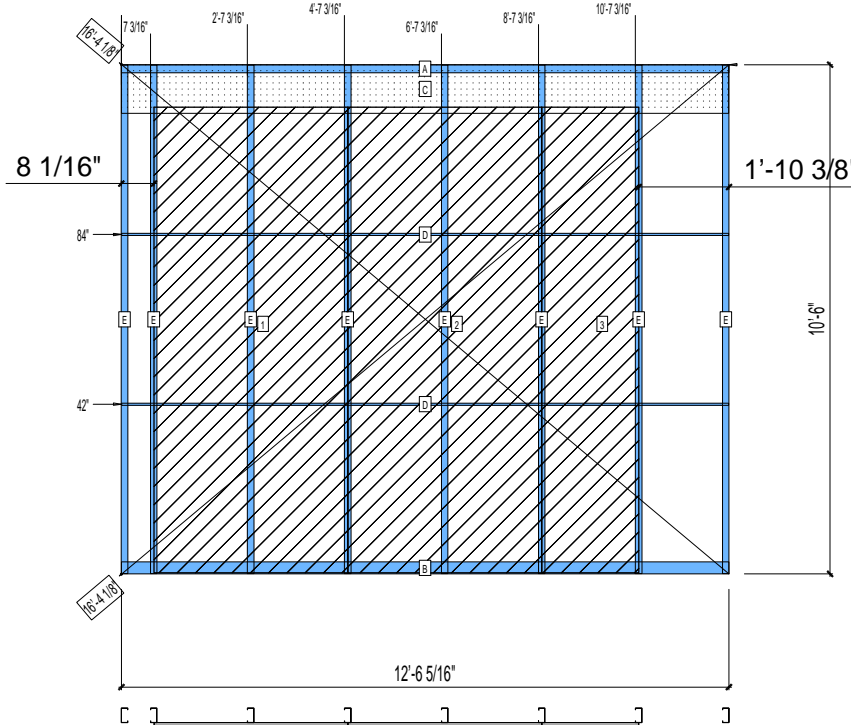
HEIGHT : 10'-6"
SPACING : 5000"
1st STUD: 5000"

POINTS: 3.09 Points.

ANCHORS

WEIGHTS :
FRAME : 209 lbs
SHEATHING: 353 lbs

TOTAL: 562 lbs



PIECES LIST

LABEL	QTY	SIZE	LENGTH	USE
A	1	362T200-54	12'-6 5/16"	TOP TRACK
B	1	362T300-54	12'-6 5/16"	BOTTOM TRACK
C	1	1200D-54	12'-6 1/4"	STRAP
D	2	150U50-54	12'-6 1/8"	HORIZONTAL BRACING
E	8	362S162-54	10'-5 13/16"	STUD

SHEATHING

LABEL	QTY	CODE	THICK	SIZE	SCREWS
1	1	SB-DENSARMOR	5/8"	4'-0" X 9'-7 3/16"	2 - 12
2	1	SB-DENSARMOR	5/8"	4'-0" X 9'-7 3/16"	2 - 12
3	1	SB-DENSARMOR	5/8"	2'-0" X 9'-7 3/16"	2 - 12

13-1183

Jewish Home for the Aging

1885 Victory Blvd. Reseda, CA

FrameMax, Inc.
13915 Danielson St
Suite 100
Poway, CA 92064
www.frame-max.com



© FrameMax Inc.

CREATED: 12/05/2008

FM-07-109

CREATED BY: HH

HEIGHT : 10'-6"
SPACING : 5000"
1st STUD: 5000"

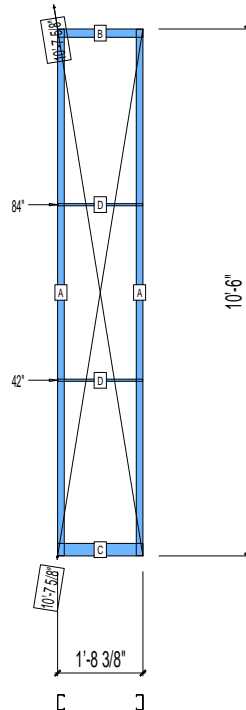
POINTS: 0.34 Points.

ANCHORS

WEIGHTS :
FRAME : 38 lbs

INSULATION: NO

TOTAL: 38 lbs



PIECES LIST

LABEL	QTY	SIZE	LENGTH	USE
A	2	362S162-54	10'-5 13/16"	STUD
B	1	362T200-54	1'-8 3/8"	TOP TRACK
C	1	362T300-54	1'-8 3/8"	BOTTOM TRACK
D	2	150U50-54	1'-8 3/16"	HORIZONTAL BRACING

13-1184

Jewish Home for the Aging

1885 Victory Blvd. Reseda, CA

FrameMax, Inc.
13915 Danielson St
Suite 100
Poway, CA 92064
www.frame-max.com



© FrameMax Inc.

CREATED: 12/05/2008

FM-07-109

CREATED BY: HH

HEIGHT : 10'-6"
SPACING : 5000"
1st STUD: 5000"

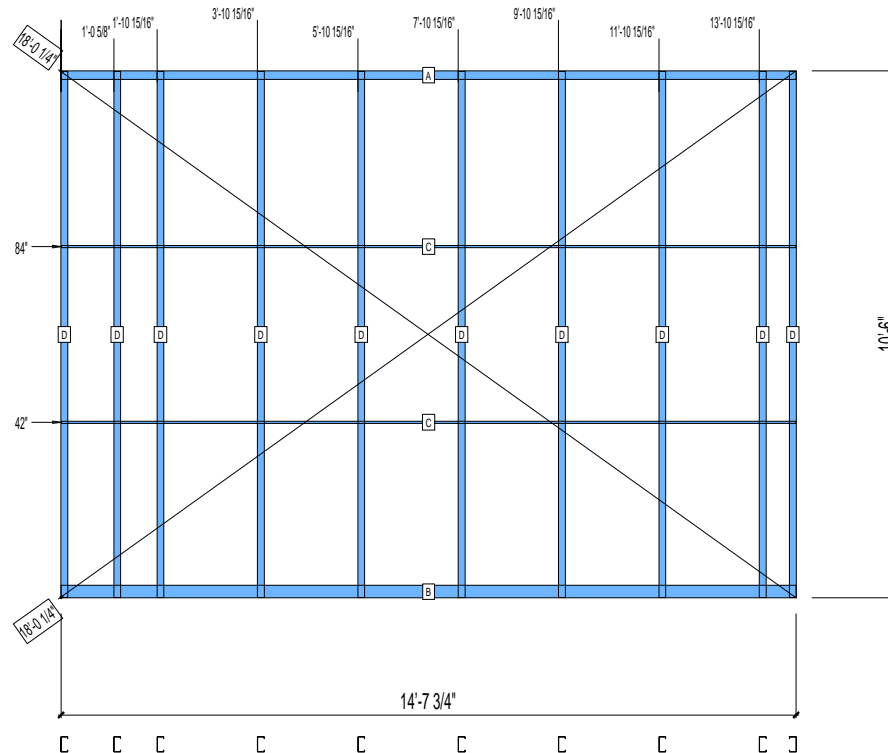
POINTS: 1.61 Points.

ANCHORS

WEIGHTS :
FRAME : 220 lbs

TOTAL: 220 lbs

INSULATION: NO



PIECES LIST

LABEL	QTY	SIZE	LENGTH	USE
A	1	362T200-54	14'-7 3/4"	TOP TRACK
B	1	362T300-54	14'-7 3/4"	BOTTOM TRACK
C	2	150U50-54	14'-7 9/16"	HORIZONTAL BRACING
D	10	362S162-54	10'-5 13/16"	STUD

13-1185

Jewish Home for the Aging

1885 Victory Blvd. Reseda, CA

FM-07-109

CREATED BY: HH

FrameMax, Inc.
13915 Danielson St
Suite 100
Poway, CA 92064
www.frame-max.com



© FrameMax Inc.

HEIGHT : 11'-1 7/16" POINTS: 4.62 Points.

SPACING : 5000"

1st STUD: 5000"

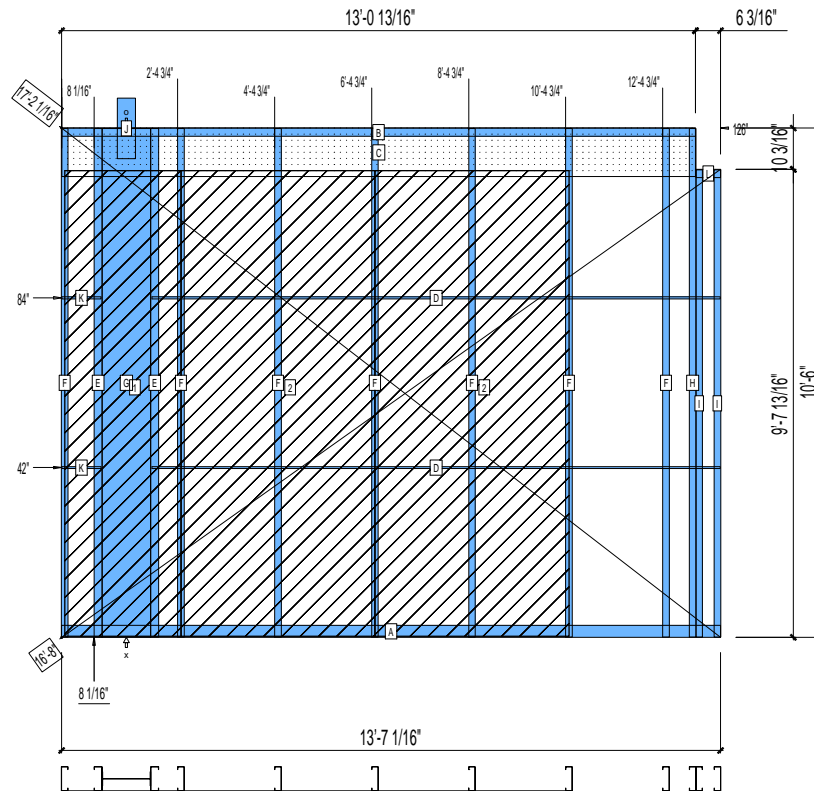
ANCHORS

WEIGHTS :

FRAME : 484 lbs

SHEATHING: 367 lbs

TOTAL: 851 lbs



PIECES LIST

LABEL	QTY	SIZE	LENGTH	USE
A	1	600T300-54	13'-7 1/16"	BOTTOM TRACK
B	1	600T200-54	13'-0 13/16"	TOP TRACK
C	1	1200D-54	13'-0 3/4"	STRAP
D	2	150U50-54	11'-8 5/8"	HORIZONTAL BRACING
E	2	600S200-54	10'-5 13/16"	STUD
F	7	600S162-54	10'-5 13/16"	STUD
G	1	1200i350p1062	10'-5 13/16"	PACO
H	1	600S162-68	10'-5 13/16"	STUD
I	2	600S162-68	9'-7 9/16"	STUD
J	1	A	1'-3"	HOLDDOWN
K	2	150U50-54	9 5/8"	HORIZONTAL BRACING
L	1	600T200-54	6 1/16"	TOP TRACK

SHEATHING

LABEL	QTY	CODE	THICK	SIZE	SCREWS
1	1	SB-DENSARMOR	5/8"	2'-4 3/4" X 9'-7 3/16"	2-12
2	2	SB-DENSARMOR	5/8"	4'-0" X 9'-7 3/16"	2-12

13-1186

Jewish Home for the Aging

1885 Victory Blvd. Reseda, CA

FM-07-109

CREATED BY: AMB

FrameMax, Inc.
13915 Danielson St
Suite 100
Poway, CA 92064
www.frame-max.com



© FrameMax Inc.

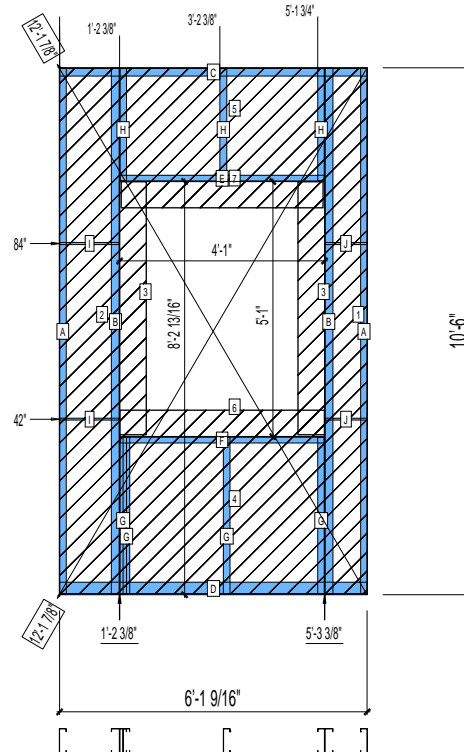
HEIGHT : 10'-6"
SPACING : 5000"
1st STUD: 16"

POINTS: 1.92 Points.

ANCHORS

WEIGHTS :
FRAME : 173 lbs
SHEATHING: 132 lbs

TOTAL: 305 lbs



PIECES LIST

LABEL	QTY	SIZE	LENGTH	USE
A	2	600S162-54	10'-5 13/16"	STUD
B	2	600S200-68	10'-5 13/16"	KING STUD
C	1	600T200-54	6'-1 9/16"	TOP TRACK
D	1	600T300-54	6'-1 9/16"	BOTTOM TRACK
E	1	600T150-54	4'-0 3/4"	HEAD TRACK
F	1	600T150-54	4'-0 3/4"	SILL
G	4	600S162-54	3'-1 3/8"	CRIPPLE
H	3	600S162-54	2'-2 3/4"	CRIPPLE
I	2	150U50-54	1'-2 1/8"	HORIZONTAL BRACING
J	2	150U50-54	10"	HORIZONTAL BRACING

SHEATHING

LABEL	QTY	CODE	THICK	SIZE	SCREWS
1	1	DENSGLASS	1/2"	10 1/8" X 10'-5 9/16"	8 - 12
2	1	DENSGLASS	1/2"	1'-2 1/4" X 10'-5 9/16"	8 - 12
3	2	DENSGLASS	1/2"	6 3/8" X 5'-0 1/2"	8 - 12
4	1	DENSGLASS	1/2"	4'-0 7/8" X 3'-1 1/2"	8 - 12
5	1	DENSGLASS	1/2"	4'-0 7/8" X 2'-3"	8 - 12
6	1	DENSGLASS	1/2"	4'-0 7/8" X 6 5/16"	8 - 12
7	1	DENSGLASS	1/2"	4'-0 1/4" X 6 5/16"	8 - 12

13-1187

Jewish Home for the Aging

1885 Victory Blvd. Reseda, CA

FrameMax, Inc.
13915 Danielson St
Suite 100
Poway, CA 92064
www.frame-max.com



© FrameMax Inc.

CREATED: 12/05/2008

FM-07-109

CREATED BY: AMB

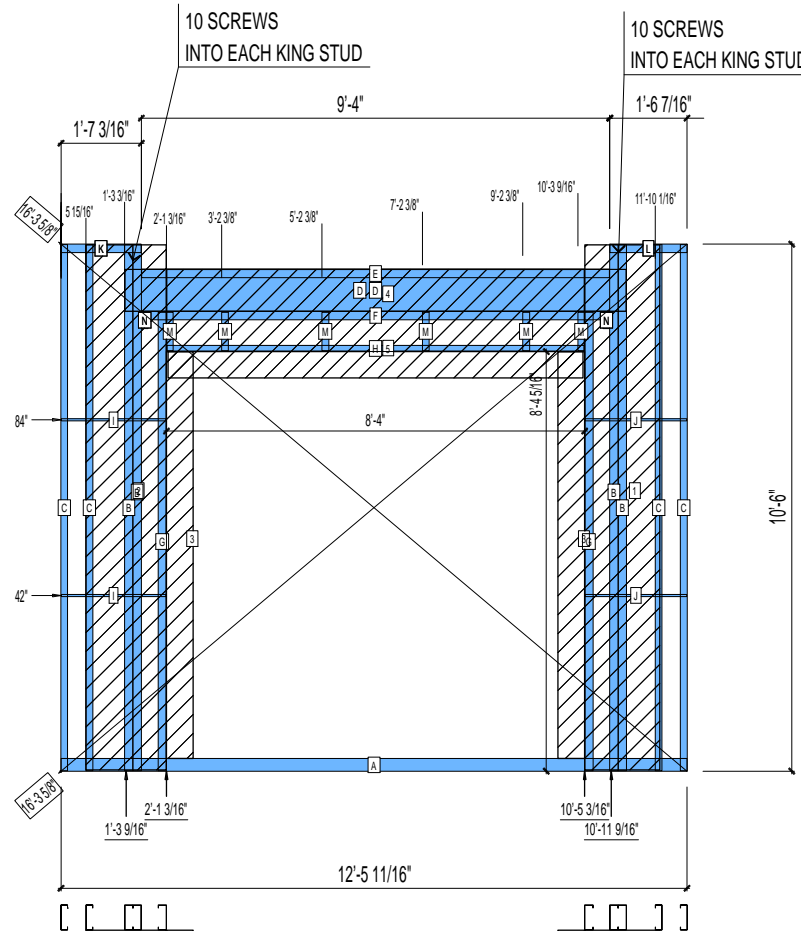
HEIGHT : 10'-6"
SPACING : 5000"
1st STUD: 5000"

POINTS: 3.76 Points.

ANCHORS

WEIGHTS :
FRAME : 482 lbs
SHEATHING: 147 lbs

TOTAL: 629 lbs



PIECES LIST

LABEL	QTY	SIZE	LENGTH	USE
A	1	600T300-54	12'-5 11/16"	BOTTOM TRACK
B	4	600S200-97	10'-5 13/16"	EXTRA STUD
C	4	600S162-54	10'-5 13/16"	STUD
D	2	1000S200-97	9'-11 7/8"	HEADER
E	1	600T200-54	9'-3 7/8"	TOP TRACK
F	1	600T200-54	9'-3 3/4"	TOP TRACK
G	2	600S200-68	9'-1 5/8"	KING STUD
H	1	600T150-54	8'-3 3/4"	HEAD TRACK
I	2	150U50-54	2'-1"	HORIZONTAL BRACING
J	2	150U50-54	2'-0 1/4"	HORIZONTAL BRACING
K	1	600T200-54	1'-7 1/8"	TOP TRACK
L	1	600T200-54	1'-6 3/8"	TOP TRACK
M	6	600S162-54	9 3/16"	CRIPPLE
N	2	600S162-33	4"	BACKER STUD

SHEATHING

LABEL	QTY	CODE	THICK	SIZE	SCREWS
1	1	DENSGLASS	1/2"	1'-5 7/8" X 10'-5 9/16"	8 - 12
2	1	DENSGLASS	1/2"	1'-7 3/16" X 10'-5 9/16"	8 - 12
3	2	DENSGLASS	1/2"	6 3/8" X 8'-1 1/4"	8 - 12
4	1	DENSGLASS	1/2"	8'-3 7/8" X 1'-7 9/16"	8 - 12
5	1	DENSGLASS	1/2"	8'-3 1/4" X 6 5/16"	8 - 12

13-1188

Jewish Home for the Aging

1885 Victory Blvd. Reseda, CA

FM-07-109

CREATED BY: HH

FrameMax, Inc.
13915 Danielson St
Suite 100
Poway, CA 92064
www.framemax.com



© FrameMax Inc.

HEIGHT : 10'-6"
SPACING : 5000"
1st STUD: 5000"

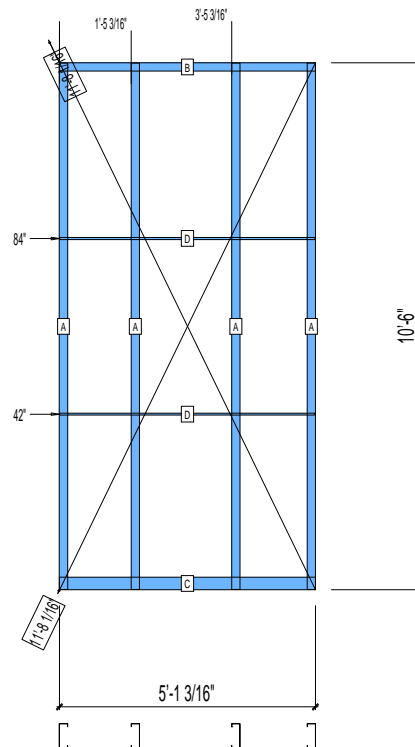
POINTS: 0.81 Points.

ANCHORS

WEIGHTS :
FRAME : 117 lbs

INSULATION: NO

TOTAL: 117 lbs



PIECES LIST

LABEL	QTY	SIZE	LENGTH	USE
A	4	600S200-54	10'-5 13/16"	STUD
B	1	600T200-54	5'-1 3/16"	TOP TRACK
C	1	600T300-54	5'-1 3/16"	BOTTOM TRACK
D	2	150U50-54	5'-1"	HORIZONTAL BRACING

13-1189

Jewish Home for the Aging

1885 Victory Blvd. Reseda, CA

FrameMax, Inc.
13915 Danielson St
Suite 100
Poway, CA 92064
www.frame-max.com



© FrameMax Inc.

CREATED: 12/05/2008

FM-07-109

CREATED BY: HH

HEIGHT : 10'-6"
SPACING : 5000"
1st STUD: 16"

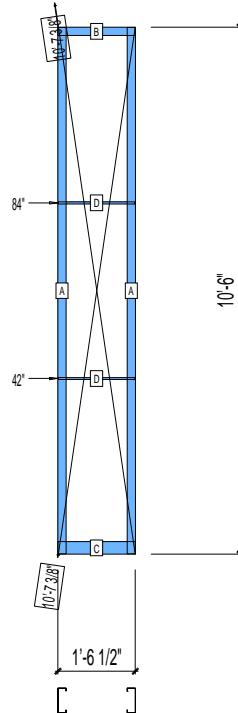
POINTS: 0.40 Points.

ANCHORS

WEIGHTS :
FRAME : 53 lbs

INSULATION: NO

TOTAL: 53 lbs



PIECES LIST

LABEL	QTY	SIZE	LENGTH	USE
A	2	600S200-54	10'-5 13/16"	STUD
B	1	600T200-54	1'-6 1/2"	TOP TRACK
C	1	600T300-54	1'-6 1/2"	BOTTOM TRACK
D	2	150U50-54	1'-6 5/16"	HORIZONTAL BRACING

13-1190

Jewish Home for the Aging

1885 Victory Blvd. Reseda, CA

FrameMax, Inc.
13915 Danielson St
Suite 100
Poway, CA 92064
www.framemax.com



© FrameMax Inc.

CREATED: 12/09/2008

FM-07-109

CREATED BY: AMB

HEIGHT : 10'-6"
SPACING : 5000"
1st STUD: 5000"

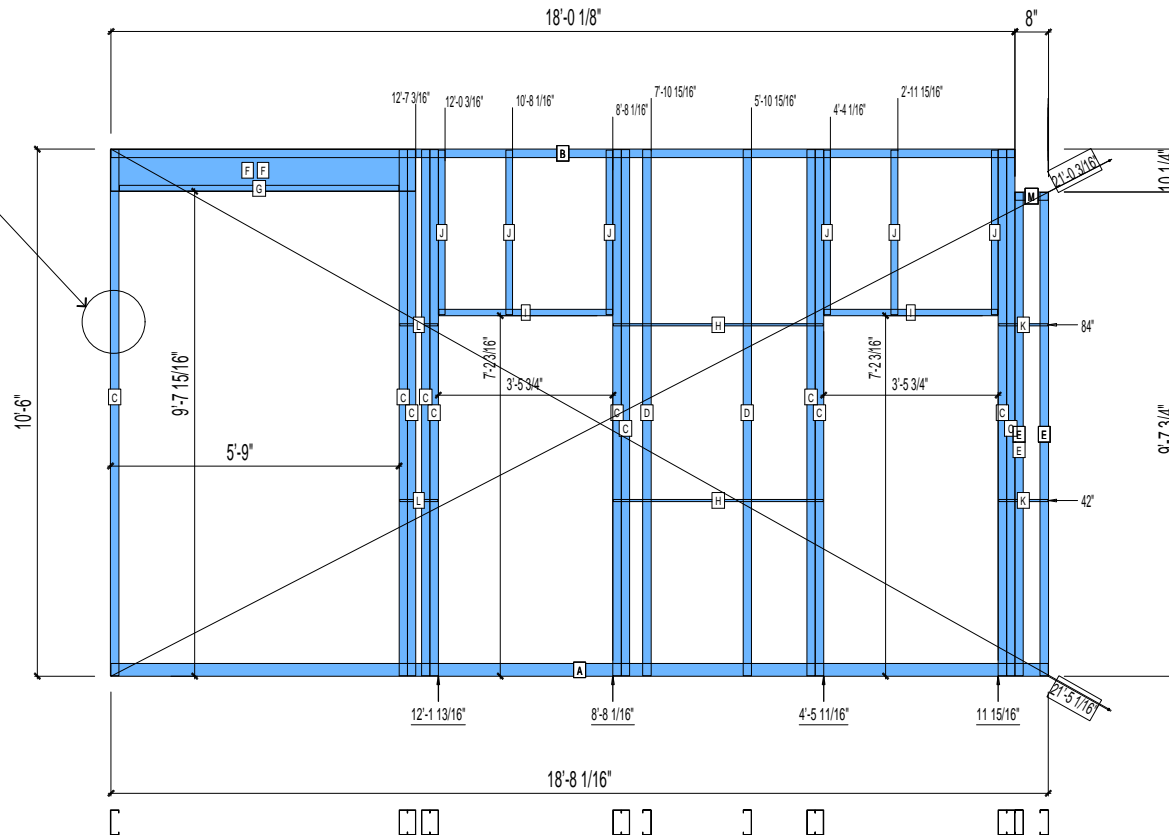
POINTS: 3.71 Points.

ANCHORS

WEIGHTS :
FRAME : 565 lbs

TOTAL: 565 lbs

TEMPORARY CAP TRACK
FOR SHIPPING



PIECES LIST			
LABEL	QTY	SIZE	LENGTH USE
A	1	600T300-54	18'-8 1/16" BOTTOM TRACK
B	1	600T200-54	18'-0 1/16" TOP TRACK
C	11	600S200-68	10'-5 13/16" KING STUD
D	2	600S200-54	10'-5 13/16" STUD
E	2	600S200-54	9'-7 9/16" STUD
F	2	1000S200-54	6'-0 7/8" HEADER
G	1	600T150-54	5'-6 13/16" HEADER BOTTOM TRACK
H	2	150U50-54	4'-2 1/8" HORIZONTAL BRACING
I	2	600T150-54	3'-5 1/2" HEAD TRACK
J	6	600S162-54	3'-3 3/8" CRIPPLE
K	2	150U50-54	11 3/4" HORIZONTAL BRACING
L	2	150U50-54	9 1/8" HORIZONTAL BRACING
M	1	600T200-54	7 15/16" TOP TRACK

13-1191

Jewish Home for the Aging

1885 Victory Blvd. Reseda, CA

FM-07-109

CREATED BY: AMB

FrameMax, Inc.
13915 Danielson St
Suite 100
Poway, CA 92064
www.frame-max.com



© FrameMax Inc.

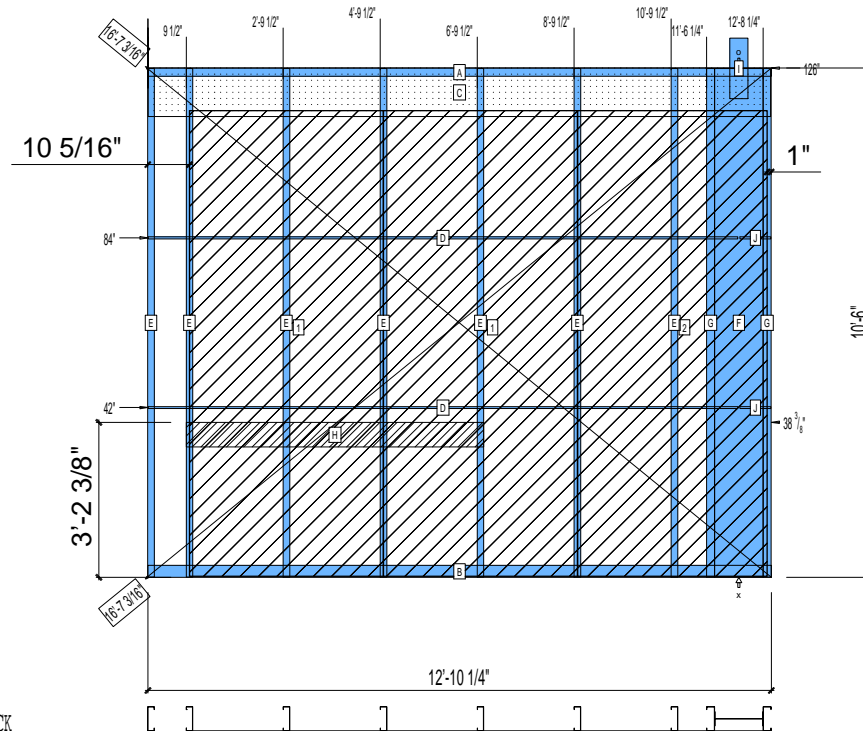
HEIGHT : 10'-6"
SPACING : 5000"
1st STUD: 5000"

POINTS: 4.46 Points.

ANCHORS

WEIGHTS :
FRAME : 413 lbs
SHEATHING: 421 lbs

TOTAL: 834 lbs



PIECES LIST

LABEL	QTY	SIZE	LENGTH	USE
A	1	600T200-54	12'-10 1/4"	TOP TRACK
B	1	600T300-54	12'-10 1/4"	BOTTOM TRACK
C	1	1200D-54	12'-10"	STRAP
D	2	150U50-54	12'-1 7/8"	HORIZONTAL BRACING
E	7	600S162-54	10'-5 13/16"	STUD
F	1	1200i350p1062	10'-5 13/16"	PACO
G	2	600S200-54	10'-5 13/16"	STUD
H	1	600T150-54	6'-1 5/8"	GRAB BAR
I	1	A	1'-3"	HOLDDOWN
J	2	150U50-54	7 11/16"	HORIZONTAL BRACING

SHEATHING

LABEL	QTY	CODE	THICK	SIZE	SCREWS
1	2	SB-DENSARMOR	5/8"	4'-0" X 9'-7 3/16"	2-12
2	1	SB-DENSARMOR	5/8"	3'-10 15/16" X 9'-7 3/16"	2-12

13-1192

Jewish Home for the Aging

1885 Victory Blvd. Reseda, CA

FrameMax, Inc.
13915 Danielson St
Suite 100
Poway, CA 92064
www.frame-max.com



© FrameMax Inc.

CREATED: 12/05/2008

FM-07-109

CREATED BY: HH

HEIGHT : 10'-6"
SPACING : 5000"
1st STUD: 5000"

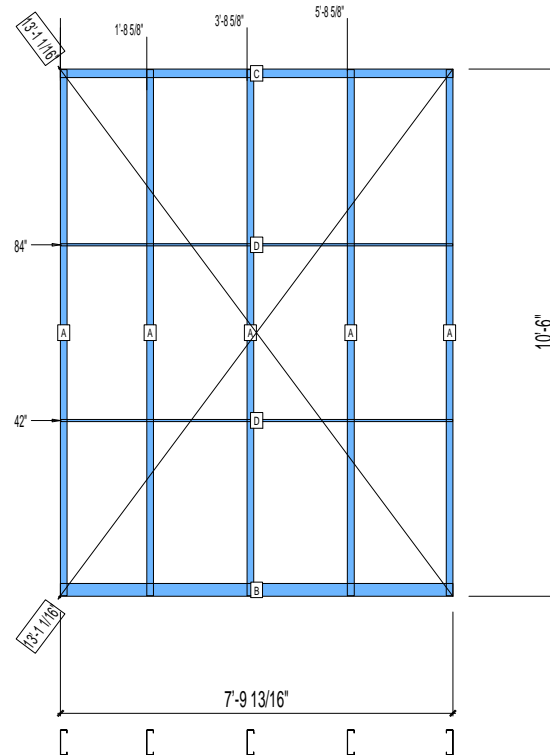
POINTS: 1.01 Points.

ANCHORS

WEIGHTS :
FRAME : 144 lbs

INSULATION: NO

TOTAL: 144 lbs



PIECES LIST

LABEL	QTY	SIZE	LENGTH	USE
A	5	600S162-54	10'-5 13/16"	STUD
B	1	600T300-54	7'-9 13/16"	BOTTOM TRACK
C	1	600T200-54	7'-9 13/16"	TOP TRACK
D	2	150U50-54	7'-9 5/8"	HORIZONTAL BRACING

13-1193

Jewish Home for the Aging

1885 Victory Blvd. Reseda, CA

FM-07-109

CREATED BY: HH

FrameMax, Inc.
13915 Danielson St
Suite 100
Poway, CA 92064
www.frame-max.com



© FrameMax Inc.

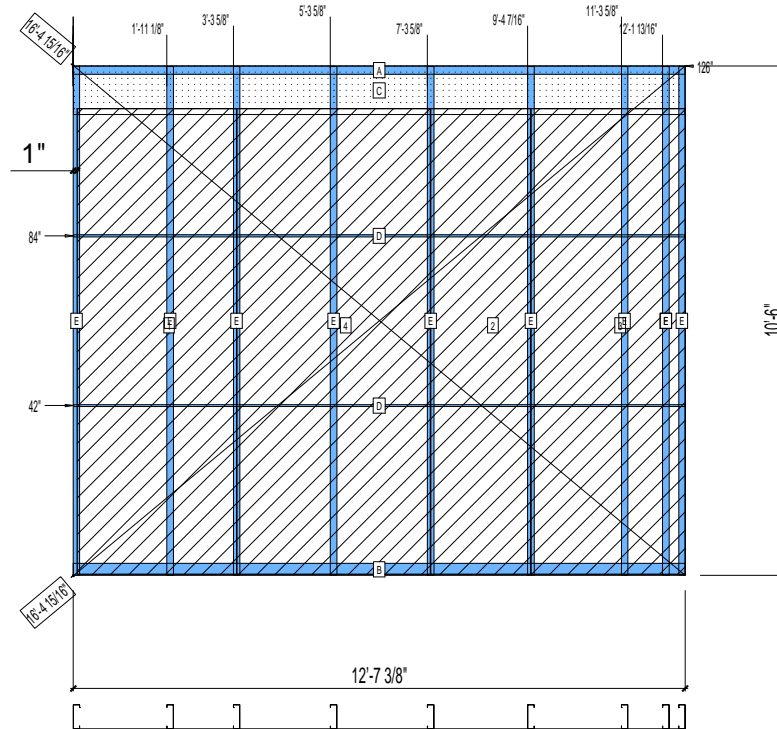
HEIGHT : 10'-6"
SPACING : 5000"
1st STUD: 5000"

POINTS: 3.85 Points.

ANCHORS

WEIGHTS :
FRAME : 281 lbs
SHEATHING: 443 lbs

TOTAL: 724 lbs



PIECES LIST

LABEL	QTY	SIZE	LENGTH	USE
A	1	600T200-54	12'-7 3/8"	TOP TRACK
B	1	600T300-54	12'-7 3/8"	BOTTOM TRACK
C	1	1200D-54	12'-7 5/16"	STRAP
D	2	150U50-54	12'-7 3/16"	HORIZONTAL BRACING
E	9	600S162-54	10'-5 13/16"	STUD

SHEATHING

LABEL	QTY	CODE	THICK	SIZE	SCREWS
1	1	SB-DENSARMOR	5/8"	3'-3 7/16" X 9'-7 3/16"	2 -12
2	1	SB-DENSARMOR	5/8"	2'-0 13/16" X 9'-7 3/16"	2 -12
3	1	SB-DENSARMOR	5/8"	3'-2 3/16" X 9'-7 3/16"	2 -12
4	1	SB-DENSARMOR	5/8"	4'-0" X 9'-7 3/16"	2 -12

13-1194

Jewish Home for the Aging

1885 Victory Blvd. Reseda, CA

FrameMax, Inc.
13915 Danielson St
Suite 100
Poway, CA 92064
www.frame-max.com



© FrameMax Inc.

CREATED: 12/09/2008

FM-07-109

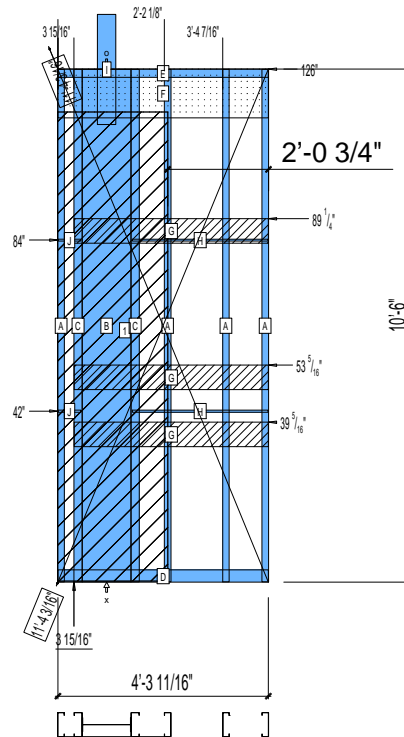
CREATED BY: AMB

HEIGHT : 11'-7 7/16" POINTS: 2.23 Points.
SPACING : 5000"
1st STUD: 5000"

ANCHORS

WEIGHTS :
FRAME : 309 lbs
SHEATHING: 79 lbs

TOTAL: 388 lbs



PIECES LIST

LABEL	QTY	SIZE	LENGTH	USE
A	4	600S162-54	10'-5 13/16"	STUD
B	1	1200i350p1062	10'-5 13/16"	PACO
C	2	600S200-68	10'-5 13/16"	STUD
D	1	600T300-54	4'-3 11/16"	BOTTOM TRACK
E	1	600T200-54	4'-3 11/16"	TOP TRACK
F	1	1200D-54	4'-3 5/8"	STRAP
G	3	600D-54	3'-11 5/8"	KITCHEN BACKING
H	2	150U50-54	2'-9 5/16"	HORIZONTAL BRACING
I	1	B	2'-3"	HOLDDOWN
J	2	150U50-54	5 9/16"	HORIZONTAL BRACING

SHEATHING

LABEL	QTY	CODE	THICK	SIZE	SCREWS
1	1	SB-DENSARMOR	5/8"	2'-3" X 9'-7 3/16"	2-12

13-1195

Jewish Home for the Aging

1885 Victory Blvd. Reseda, CA

FM-07-109

CREATED BY: AMB

FrameMax, Inc.
13915 Danielson St
Suite 100
Poway, CA 92064
www.frame-max.com



© FrameMax Inc.

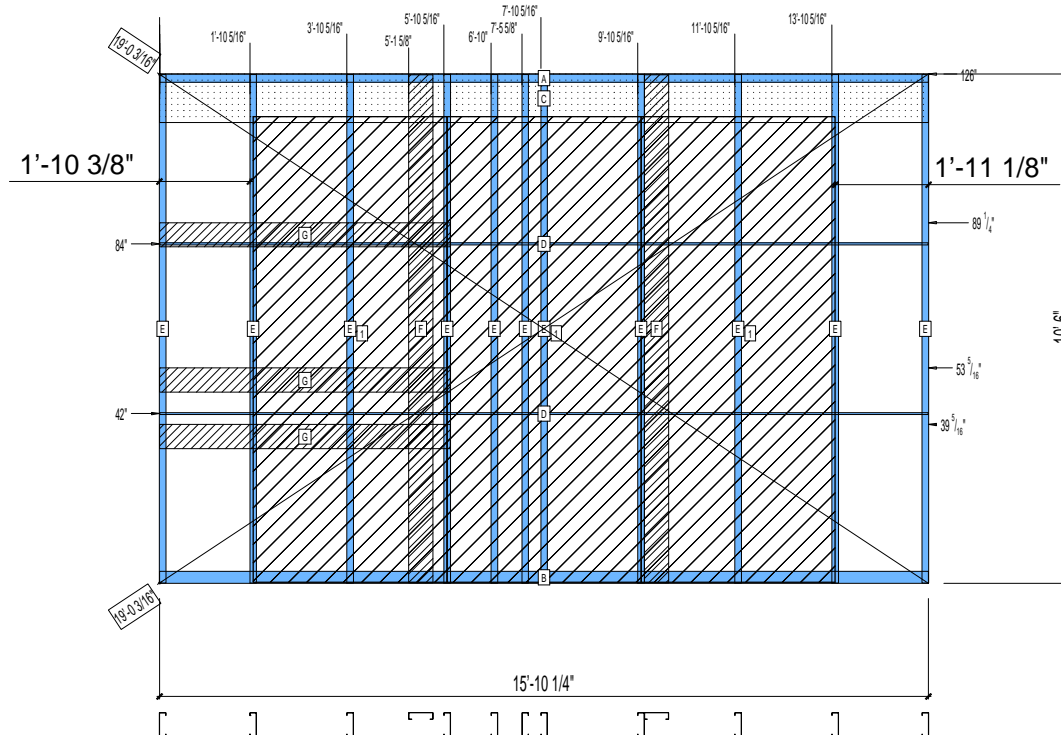
HEIGHT : 10'-6"
SPACING : 5000"
1st STUD : 5000"

POINTS: 4.46 Points.

ANCHORS

WEIGHTS :
FRAME : 386 lbs
SHEATHING: 424 lbs

TOTAL: 810 lbs



PIECES LIST

LABEL	QTY	SIZE	LENGTH	USE
A	1	600T200-54	15'-10 1/4"	TOP TRACK
B	1	600T300-54	15'-10 1/4"	BOTTOM TRACK
C	1	1200D-54	15'-10 3/16"	STRAP
D	2	150U50-54	15'-10 1/16"	HORIZONTAL BRACING
E	11	600S162-54	10'-5 13/16"	STUD
F	2	600S162-33	10'-5 3/4"	BACKER-U
G	3	600D-54	5'-11 7/8"	KITCHEN BACKING

SHEATHING

LABEL	QTY	CODE	THICK	SIZE	SCREWS
1	3	SB-DENSARMOR	5/8"	4'-0" X 9'-7 3/16"	2-12

13-1196

Jewish Home for the Aging

1885 Victory Blvd. Reseda, CA

FM-07-109

CREATED BY: HH

FrameMax, Inc.
13915 Danielson St
Suite 100
Poway, CA 92064
www.frame-max.com



© FrameMax Inc.

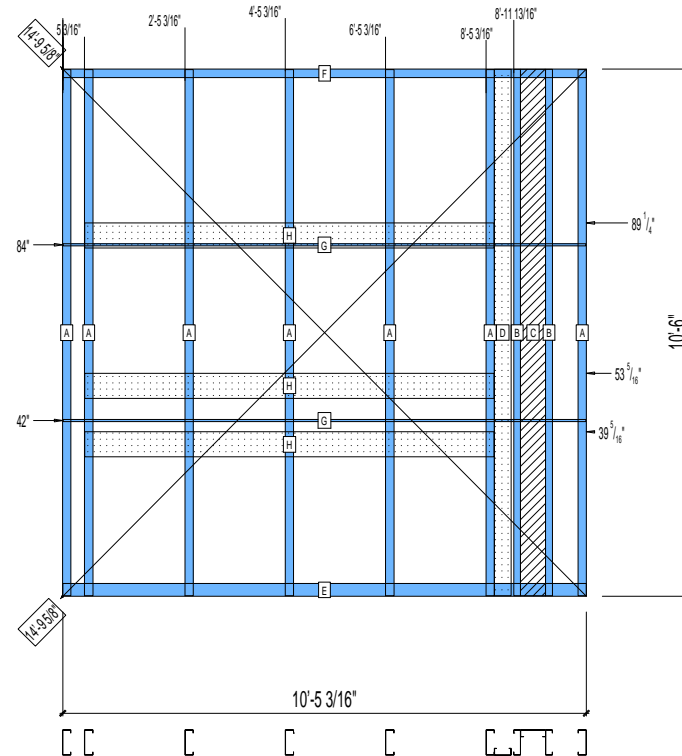
HEIGHT : 10'-6"
SPACING : 5000"
1st STUD: 5000"

POINTS: 1.92 Points.

ANCHORS

WEIGHTS :
FRAME : 289 lbs

TOTAL: 289 lbs



PIECES LIST

LABEL	QTY	SIZE	LENGTH	USE
A	7	600S200-54	10'-5 13/16"	STUD
B	2	600S162-33	10'-5 13/16"	BACKER STUD
C	1	600S162-33	10'-5 13/16"	BACKER-U
D	1	400S162-33	10'-5 13/16"	BACKER-U
E	1	600T300-54	10'-5 3/16"	BOTTOM TRACK
F	1	600T200-54	10'-5 3/16"	TOP TRACK
G	2	150U50-54	10'-5"	HORIZONTAL BRACING
H	3	600D-54	8'-1 7/8"	KITCHEN BACKING

13-1197

Jewish Home for the Aging

1885 Victory Blvd. Reseda, CA

FrameMax, Inc.
13915 Danielson St
Suite 100
Poway, CA 92064
www.frame-max.com



© FrameMax Inc.

CREATED: 12/05/2008

FM-07-109

CREATED BY: AMB

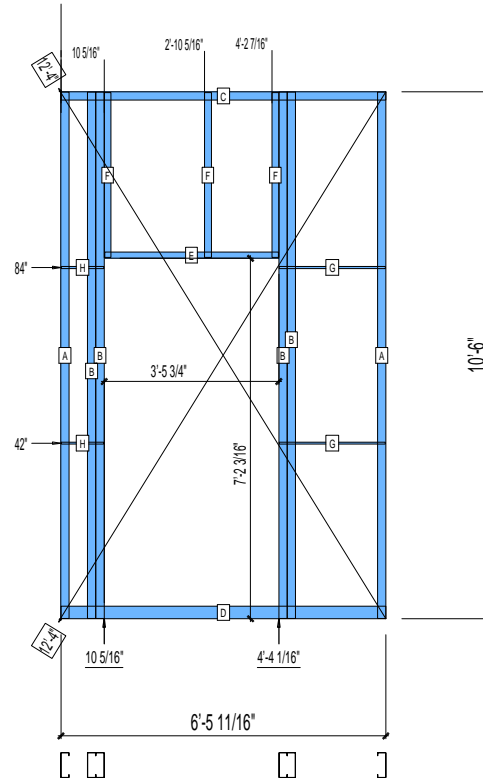
HEIGHT : 10'-6"
SPACING : 5000"
1st STUD: 5000"

POINTS: 1.42 Points.

ANCHORS

WEIGHTS :
FRAME : 208 lbs

TOTAL: 208 lbs



PIECES LIST

LABEL	QTY	SIZE	LENGTH	USE
A	2	600S200-54	10'-5 13/16"	STUD
B	4	600S200-68	10'-5 13/16"	KING STUD
C	1	600T200-54	6'-5 11/16"	TOP TRACK
D	1	600T300-54	6'-5 11/16"	BOTTOM TRACK
E	1	600T150-54	3'-5 1/2"	HEAD TRACK
F	3	600S162-54	3'-3 3/8"	CRIPPLE
G	2	150U50-54	2'-1 3/8"	HORIZONTAL BRACING
H	2	150U50-54	10 1/8"	HORIZONTAL BRACING

13-1198

Jewish Home for the Aging

1885 Victory Blvd. Reseda, CA

FrameMax, Inc.
13915 Danielson St
Suite 100
Poway, CA 92064
www.framemax.com



© FrameMax Inc.

CREATED: 12/05/2008

FM-07-109

CREATED BY: AMB

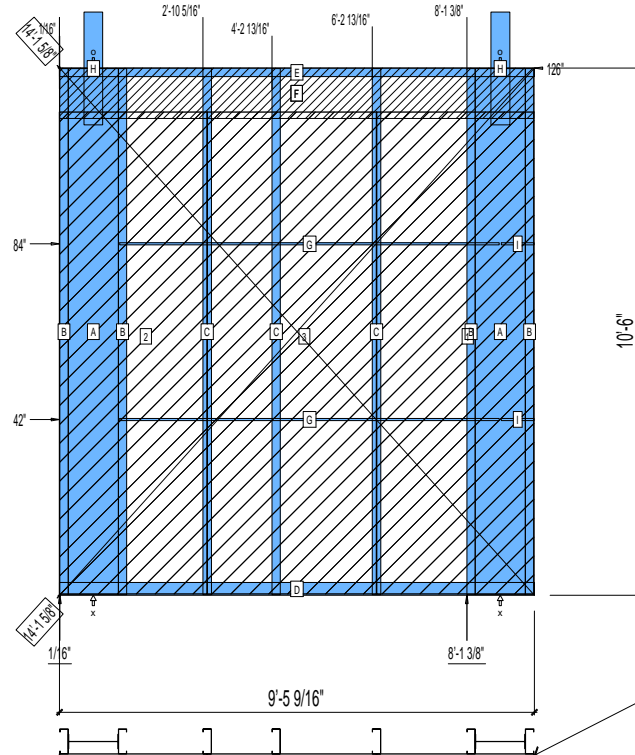
HEIGHT : 10'-6"
SPACING : 5000"
1st STUD: 5000"

POINTS: 4.38 Points.

ANCHORS

WEIGHTS :
FRAME : 504 lbs
SHEATHING: 334 lbs

TOTAL: 838 lbs



PLACE SUREBOARD ON
BACKSIDE OF PANEL

PIECES LIST

LABEL	QTY	SIZE	LENGTH	USE
A	2	1200i350p1062	10'-5 13/16"	PACO
B	4	600S200-68	10'-5 13/16"	STUD
C	3	600S200-54	10'-5 13/16"	STUD
D	1	600T300-54	9'-5 9/16"	BOTTOM TRACK
E	1	600T200-54	9'-5 9/16"	TOP TRACK
F	1	1200D-54	9'-5 7/16"	STRAP
G	2	150U50-54	7'-6 3/4"	HORIZONTAL BRACING
H	2	B	2'-3"	HOLDDOWN
I	2	150U50-54	7 13/16"	HORIZONTAL BRACING

SHEATHING

LABEL	QTY	CODE	THICK	SIZE	SCREWS
1	1	SB-DENSARMOR	5/8"	3'-1 5/8" X 9'-7 3/16"	2-12
2	1	SB-DENSARMOR	5/8"	2'-11 5/16" X 9'-7 3/16"	2-12
3	1	SB-DENSARMOR	5/8"	3'-4 1/2" X 9'-7 3/16"	2-12

13-1199

Jewish Home for the Aging

1885 Victory Blvd. Reseda, CA

FrameMax, Inc.
13915 Danielson St
Suite 100
Poway, CA 92064
www.frame-max.com



© FrameMax Inc.

CREATED: 12/05/2008

FM-07-109

CREATED BY: HH

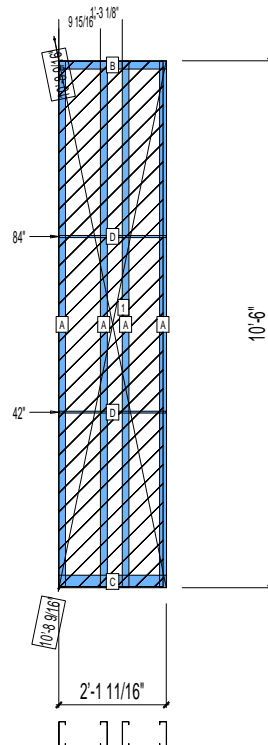
HEIGHT : 10'-6"
SPACING : 5000"
1st STUD: 16"

POINTS: 0.88 Points.

ANCHORS

WEIGHTS :
FRAME : 93 lbs
SHEATHING: 54 lbs

TOTAL: 147 lbs



PIECES LIST

LABEL	QTY	SIZE	LENGTH	USE
A	4	600S162-54	10'-5 13/16"	STUD
B	1	600T200-54	2'-1 11/16"	TOP TRACK
C	1	600T300-54	2'-1 11/16"	BOTTOM TRACK
D	2	150U50-54	2'-1 1/2"	HORIZONTAL BRACING

SHEATHING

LABEL	QTY	CODE	THICK	SIZE	SCREWS
1	1	DENSGLASS	1/2"	2'-0 15/16" X 10'-5 9/16"	8 - 12

13-1200

Jewish Home for the Aging

1885 Victory Blvd. Reseda, CA

FrameMax, Inc.
13915 Danielson St
Suite 100
Poway, CA 92064
www.framemax.com



© FrameMax Inc.

CREATED: 12/05/2008

FM-07-109

CREATED BY: AMB

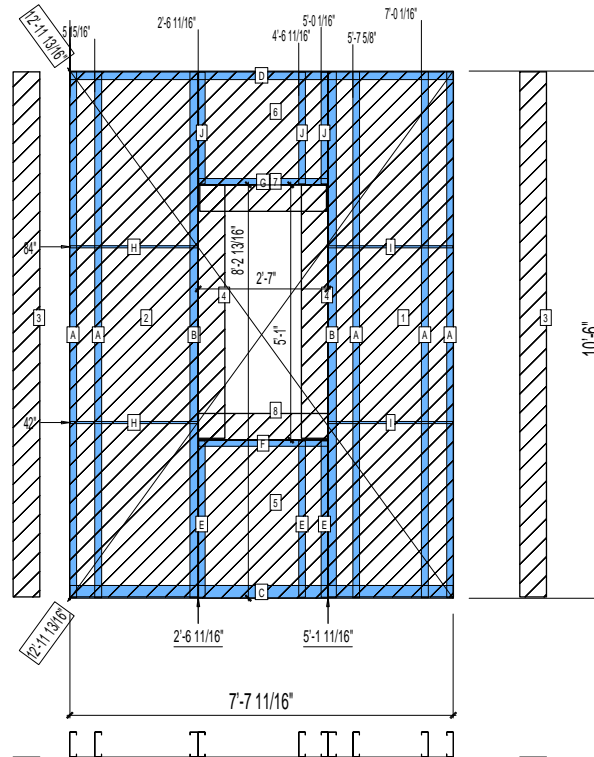
HEIGHT : 10'-6"
SPACING : 5000"
1st STUD: 5000"

POINTS: 2.63 Points.

ANCHORS

WEIGHTS :
FRAME : 231 lbs
SHEATHING: 215 lbs

TOTAL: 446 lbs



PIECES LIST

LABEL	QTY	SIZE	LENGTH	USE
A	5	600S162-54	10'-5 13/16"	STUD
B	2	600S200-68	10'-5 13/16"	KING STUD
C	1	600T300-54	7'-7 11/16"	BOTTOM TRACK
D	1	600T200-54	7'-7 11/16"	TOP TRACK
E	3	600S162-54	3'-1 3/8"	CRIPPLE
F	1	600T150-54	2'-6 3/4"	SILL
G	1	600T150-54	2'-6 3/4"	HEAD TRACK
H	2	150U50-54	2'-6 1/2"	HORIZONTAL BRACING
I	2	150U50-54	2'-5 3/4"	HORIZONTAL BRACING
J	3	600S162-54	2'-2 3/4"	CRIPPLE

SHEATHING

LABEL	QTY	CODE	THICK	SIZE	SCREWS
1	1	DENSGLASS	1/2"	2'-5 15/16" X 10'-5 9/16"	8 - 12
2	1	DENSGLASS	1/2"	2'-6 11/16" X 10'-5 9/16"	8 - 12
3	2	DENSGLASS	1/2"	6 3/8" X 10'-5 9/16"	8 - 12
4	2	DENSGLASS	1/2"	6 3/8" X 5'-0 1/2"	8 - 12
5	1	DENSGLASS	1/2"	2'-6 7/8" X 3'-1 11/16"	8 - 12
6	1	DENSGLASS	1/2"	2'-6 7/8" X 2'-3"	8 - 12
7	1	DENSGLASS	1/2"	2'-6 1/4" X 6 5/16"	8 - 12
8	1	DENSGLASS	1/2"	2'-6 7/8" X 6 5/16"	8 - 12

13-1201

Jewish Home for the Aging

1885 Victory Blvd. Reseda, CA

FrameMax, Inc.
13915 Danielson St
Suite 100
Poway, CA 92064
www.frame-max.com



© FrameMax Inc.

CREATED: 12/05/2008

FM-07-109

CREATED BY: AMB

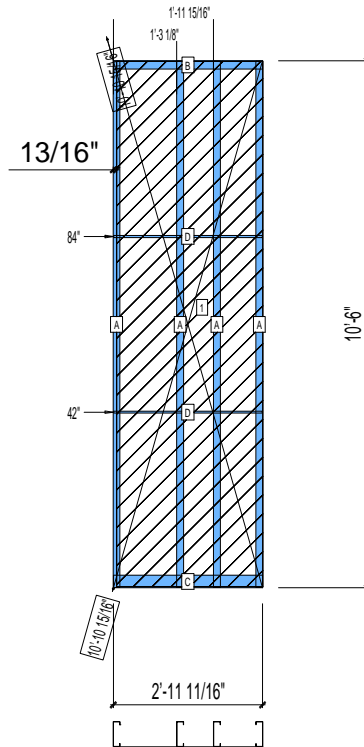
HEIGHT : 10'-6"
SPACING : 5000"
1st STUD: 16"

POINTS: 1.01 Points.

ANCHORS

WEIGHTS :
FRAME : 95 lbs
SHEATHING: 76 lbs

TOTAL: 171 lbs



PIECES LIST

LABEL	QTY	SIZE	LENGTH	USE
A	4	600S162-54	10'-5 13/16"	STUD
B	1	600T200-54	2'-11 11/16"	TOP TRACK
C	1	600T300-54	2'-11 11/16"	BOTTOM TRACK
D	2	150U50-54	2'-11 1/2"	HORIZONTAL BRACING

SHEATHING

LABEL	QTY	CODE	THICK	SIZE	SCREWS
1	1	DENSGLOSS	1/2"	2'-10 15/16" X 10'-5 9/16"	8 - 12

13-1202

Jewish Home for the Aging

1885 Victory Blvd. Reseda, CA

FrameMax, Inc.
13915 Danielson St
Suite 100
Poway, CA 92064
www.frame-max.com



© FrameMax Inc.

CREATED: 12/05/2008

FM-07-109

CREATED BY: AMB

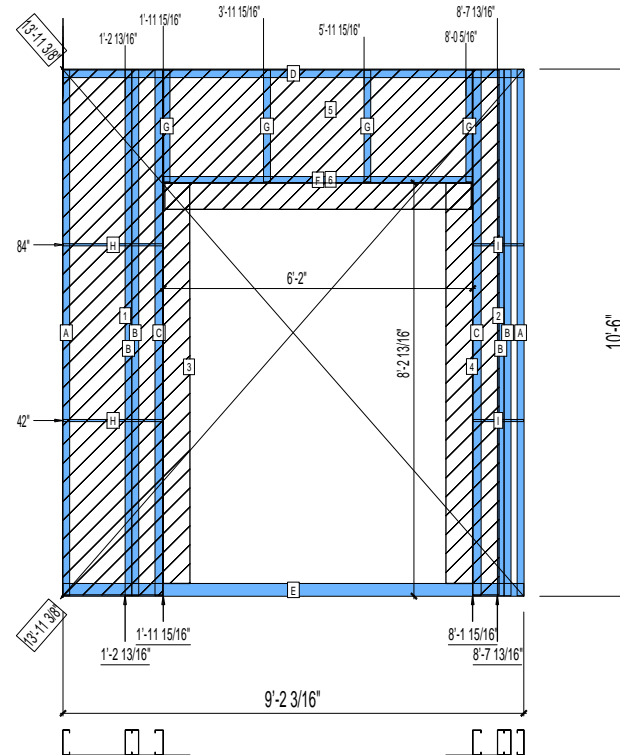
HEIGHT : 10'-6"
SPACING : 5000"
1st STUD: 16"

POINTS: 2.29 Points.

ANCHORS

WEIGHTS :
FRAME : 244 lbs
SHEATHING: 129 lbs

TOTAL: 373 lbs



PIECES LIST

LABEL	QTY	SIZE	LENGTH	USE
A	2	600S162-54	10'-5 13/16"	STUD
B	4	600S162-54	10'-5 13/16"	EXTRA STUD
C	2	600S200-68	10'-5 13/16"	KING STUD
D	1	600T200-54	9'-2 3/16"	TOP TRACK
E	1	600T300-54	9'-2 3/16"	BOTTOM TRACK
F	1	600T150-54	6'-1 3/4"	HEAD TRACK
G	4	600S162-54	2'-2 3/4"	CRIPPLE
H	2	150U50-54	1'-11 3/4"	HORIZONTAL BRACING
I	2	150U50-54	1'-0"	HORIZONTAL BRACING

SHEATHING

LABEL	QTY	CODE	THICK	SIZE	SCREWS
1	1	DENSGLASS	1/2"	1'-11 7/8" X 10'-5 9/16"	8 - 12
2	1	DENSGLASS	1/2"	6 3/8" X 10'-5 9/16"	8 - 12
3	1	DENSGLASS	1/2"	6 3/8" X 7'-11 3/4"	8 - 12
4	1	DENSGLASS	1/2"	6 3/8" X 7'-11 3/4"	8 - 12
5	1	DENSGLASS	1/2"	6'-1 7/8" X 2'-3"	8 - 12
6	1	DENSGLASS	1/2"	6'-1 1/4" X 6 5/16"	8 - 12

13-1203

Jewish Home for the Aging

1885 Victory Blvd. Reseda, CA

FrameMax, Inc.
13915 Danielson St
Suite 100
Poway, CA 92064
www.frame-max.com



© FrameMax Inc.

CREATED: 12/05/2008

FM-07-109

CREATED BY: HH

HEIGHT : 10'-6" POINTS: 0.71 Points.

ANCHORS

SPACING : 5000"

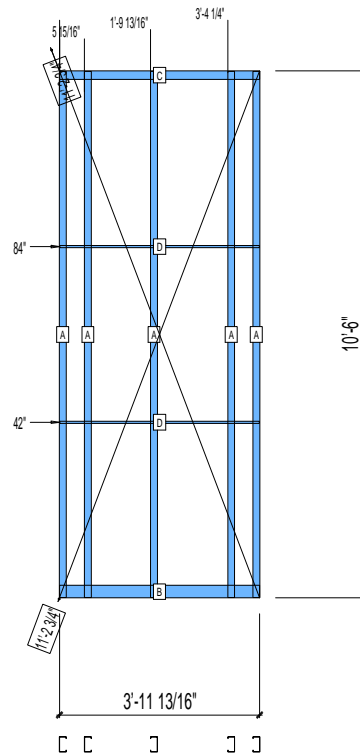
1st STUD: 5000"

INSULATION: NO

WEIGHTS :

FRAME : 95 lbs

TOTAL: 95 lbs



PIECES LIST

LABEL	QTY	SIZE	LENGTH	USE
A	5	362S162-54	10'-5 13/16"	STUD
B	1	362T300-54	3'-11 13/16"	BOTTOM TRACK
C	1	362T200-54	3'-11 13/16"	TOP TRACK
D	2	150U50-54	3'-11 11/16"	HORIZONTAL BRACING

13-1204

Jewish Home for the Aging

1885 Victory Blvd. Reseda, CA

FrameMax, Inc.
13915 Danielson St
Suite 100
Poway, CA 92064
www.frame-max.com



© FrameMax Inc.

CREATED: 12/05/2008

FM-07-109

CREATED BY: HH

HEIGHT : 10'-6" POINTS: 0.52 Points.

SPACING : 5000"

1st STUD: 5000"

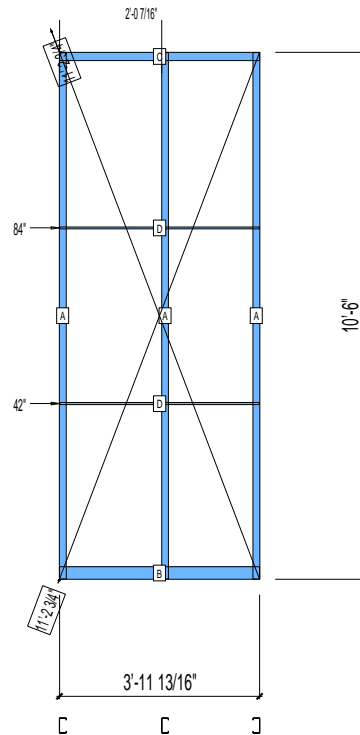
ANCHORS

WEIGHTS :

FRAME : 64 lbs

INSULATION: NO

TOTAL: 64 lbs



PIECES LIST

LABEL	QTY	SIZE	LENGTH	USE
A	3	362S162-54	10'-5 13/16"	STUD
B	1	362T300-54	3'-11 13/16"	BOTTOM TRACK
C	1	362T200-54	3'-11 13/16"	TOP TRACK
D	2	150U50-54	3'-11 11/16"	HORIZONTAL BRACING

13-1205

Jewish Home for the Aging

1885 Victory Blvd. Reseda, CA

FrameMax, Inc.
13915 Danielson St
Suite 100
Poway, CA 92064
www.frame-max.com



© FrameMax Inc.

CREATED: 12/05/2008

FM-07-109

CREATED BY: HH

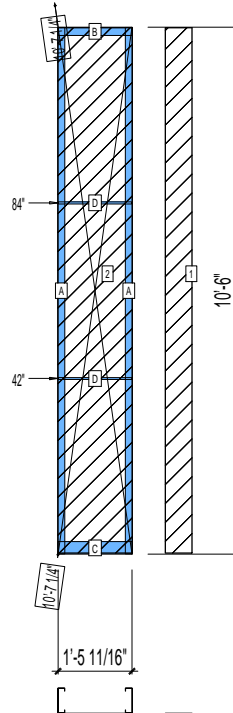
HEIGHT : 10'-6"
SPACING : 5000"
1st STUD: 5000"

POINTS: 0.62 Points.

ANCHORS

WEIGHTS :
FRAME : 49 lbs
SHEATHING: 53 lbs

TOTAL: 102 lbs



PIECES LIST

LABEL	QTY	SIZE	LENGTH	USE
A	2	600S162-54	10'-5 13/16"	STUD
B	1	600T200-54	1'-5 11/16"	TOP TRACK
C	1	600T300-54	1'-5 11/16"	BOTTOM TRACK
D	2	150U50-54	1'-5 1/2"	HORIZONTAL BRACING

SHEATHING

LABEL	QTY	CODE	THICK	SIZE	SCREWS
1	1	DENSGLASS	1/2"	6 3/8" X 10'-5 9/16"	8 - 12
2	1	DENSGLASS	1/2"	1'-5 3/4" X 10'-5 9/16"	8 - 12

13-1206

Jewish Home for the Aging

1885 Victory Blvd. Reseda, CA

FM-07-109

CREATED BY: AMB

FrameMax, Inc.
13915 Danielson St
Suite 100
Poway, CA 92064
www.frame-max.com



© FrameMax Inc.

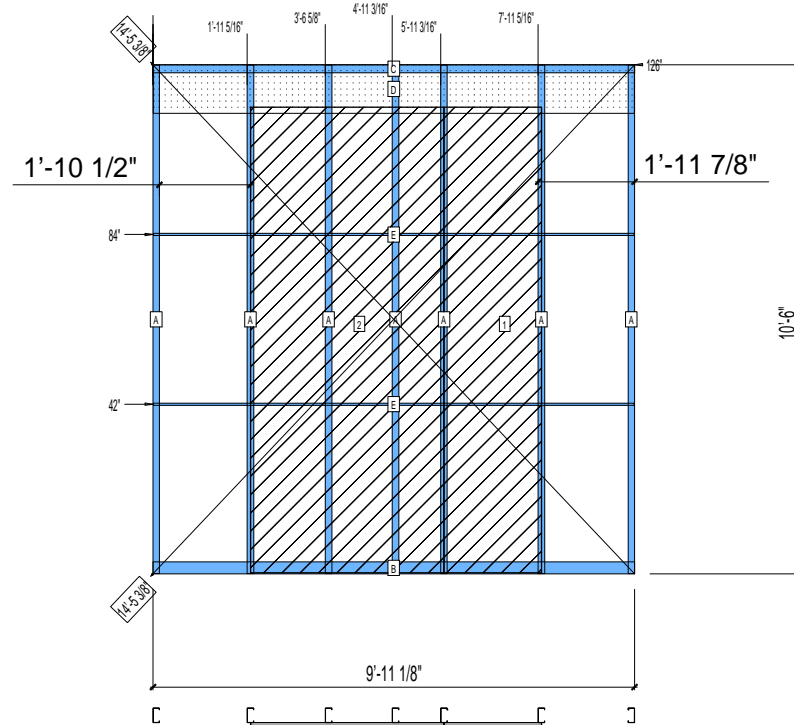
HEIGHT : 10'-6"
SPACING : 5000"
1st STUD: 5000"

POINTS: 2.21 Points.

ANCHORS

WEIGHTS :
FRAME : 173 lbs
SHEATHING: 212 lbs

TOTAL: 385 lbs



PIECES LIST

LABEL	QTY	SIZE	LENGTH	USE
A	7	362S162-54	10'-5 13/16"	STUD
B	1	362T300-54	9'-11 1/8"	BOTTOM TRACK
C	1	362T200-54	9'-11 1/8"	TOP TRACK
D	1	1200D-54	9'-11 1/16"	STRAP
E	2	150U50-54	9'-10 15/16"	HORIZONTAL BRACING

SHEATHING

LABEL	QTY	CODE	THICK	SIZE	SCREWS
1	1	SB-DENSARMOR	5/8"	2'-0 1/8" X 9'-7 3/16"	2-12
2	1	SB-DENSARMOR	5/8"	3'-11 7/8" X 9'-7 3/16"	2-12

13-1207

Jewish Home for the Aging

1885 Victory Blvd. Reseda, CA

FrameMax, Inc.
13915 Danielson St
Suite 100
Poway, CA 92064
www.frame-max.com



© FrameMax Inc.

CREATED: 12/05/2008

FM-07-109

CREATED BY: HH

HEIGHT : 10'-6"
SPACING : 5000"
1st STUD: 5000"

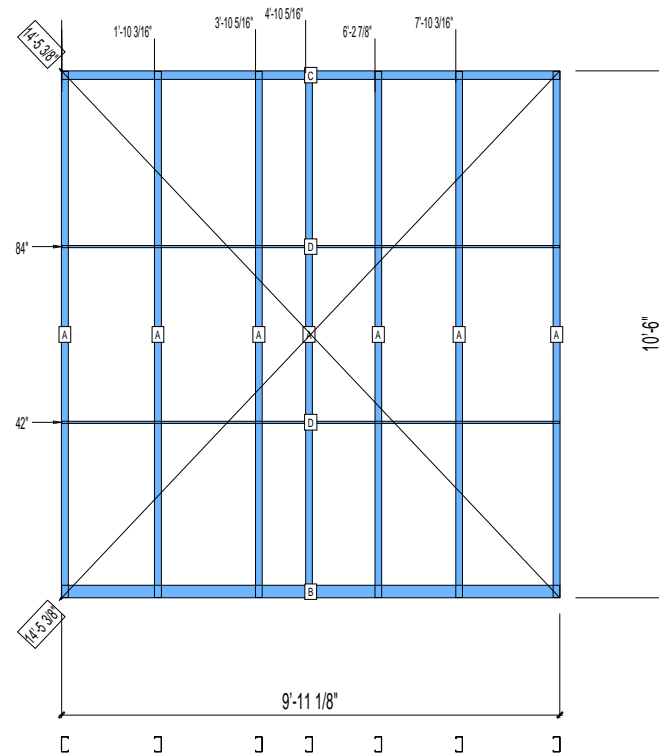
POINTS: 1.14 Points.

ANCHORS

WEIGHTS :
FRAME : 152 lbs

INSULATION: NO

TOTAL: 152 lbs



PIECES LIST

LABEL	QTY	SIZE	LENGTH	USE
A	7	362S162-54	10'-5 13/16"	STUD
B	1	362T300-54	9'-11 1/8"	BOTTOM TRACK
C	1	362T200-54	9'-11 1/8"	TOP TRACK
D	2	150U50-54	9'-10 15/16"	HORIZONTAL BRACING

13-1208

Jewish Home for the Aging

1885 Victory Blvd. Reseda, CA

FM-07-109

CREATED BY: AMB

FrameMax, Inc.
13915 Danielson St
Suite 100
Poway, CA 92064
www.frame-max.com



© FrameMax Inc.

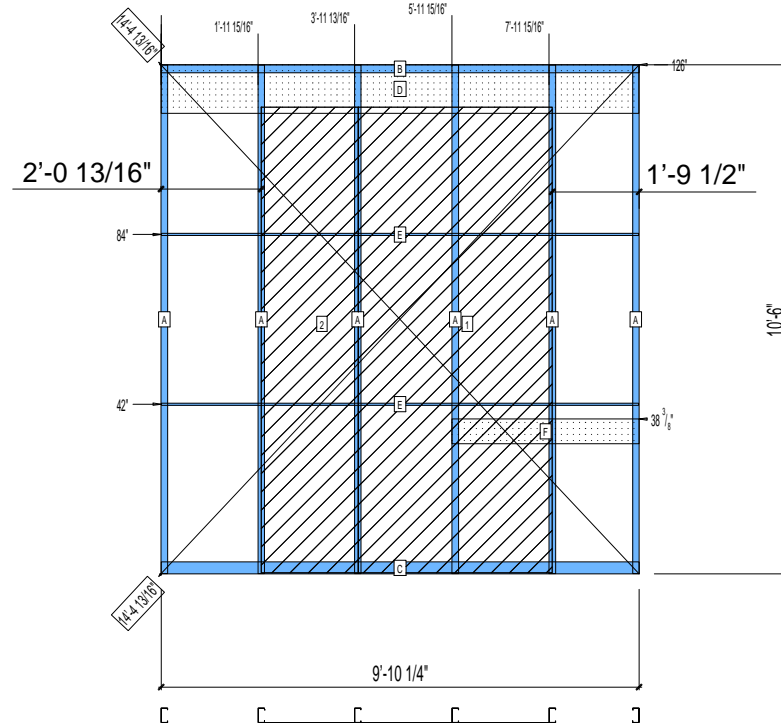
HEIGHT : 10'-6"
SPACING : 5000"
1st STUD: 5000"

POINTS: 2.17 Points.

ANCHORS

WEIGHTS :
FRAME : 164 lbs
SHEATHING: 212 lbs

TOTAL: 376 lbs



PIECES LIST

LABEL	QTY	SIZE	LENGTH	USE
A	6	362S162-54	10'-5 13/16"	STUD
B	1	362T200-54	9'-10 1/4"	TOP TRACK
C	1	362T300-54	9'-10 1/4"	BOTTOM TRACK
D	1	1200D-54	9'-10 3/16"	STRAP
E	2	150U50-54	9'-10 1/16"	HORIZONTAL BRACING
F	1	600T150-54	3'-10 5/16"	GRAB BAR

SHEATHING

LABEL	QTY	CODE	THICK	SIZE	SCREWS
1	1	SB-DENSARMOR	5/8"	4'-0" X 9'-7 3/16"	2-12
2	1	SB-DENSARMOR	5/8"	2'-0" X 9'-7 3/16"	2-12

13-1209

Jewish Home for the Aging

1885 Victory Blvd. Reseda, CA

FrameMax, Inc.
13915 Danielson St
Suite 100
Poway, CA 92064
www.frame-max.com



© FrameMax Inc.

CREATED: 12/05/2008

FM-07-109

CREATED BY: HH

HEIGHT : 10'-6"
SPACING : 5000"
1st STUD: 5000"

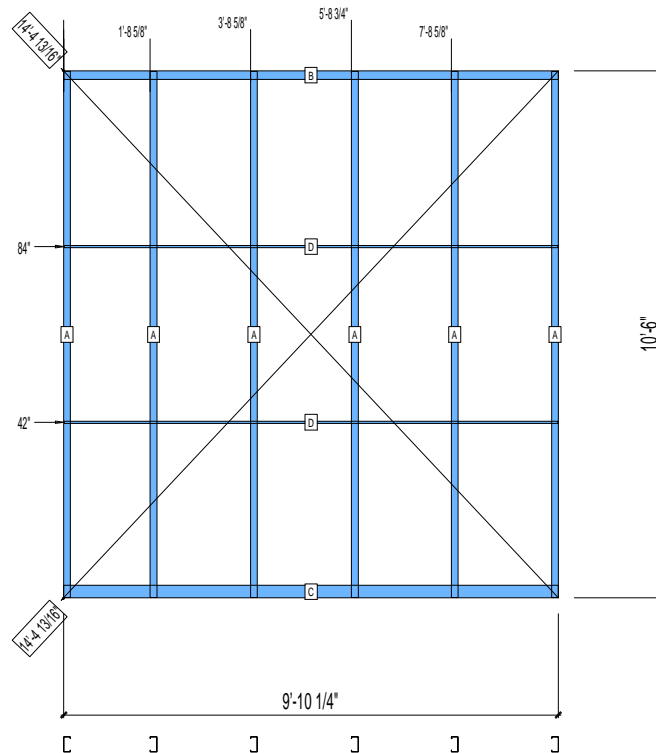
POINTS: 1.04 Points.

ANCHORS

WEIGHTS :
FRAME : 136 lbs

INSULATION: NO

TOTAL: 136 lbs



PIECES LIST

LABEL	QTY	SIZE	LENGTH	USE
A	6	362S162-54	10'-5 13/16"	STUD
B	1	362T200-54	9'-10 1/4"	TOP TRACK
C	1	362T300-54	9'-10 1/4"	BOTTOM TRACK
D	2	150U50-54	9'-10 1/16"	HORIZONTAL BRACING

13-1210

Jewish Home for the Aging

1885 Victory Blvd. Reseda, CA

FrameMax, Inc.
13915 Danielson St
Suite 100
Poway, CA 92064
www.frame-max.com



© FrameMax Inc.

CREATED: 12/09/2008

FM-07-109

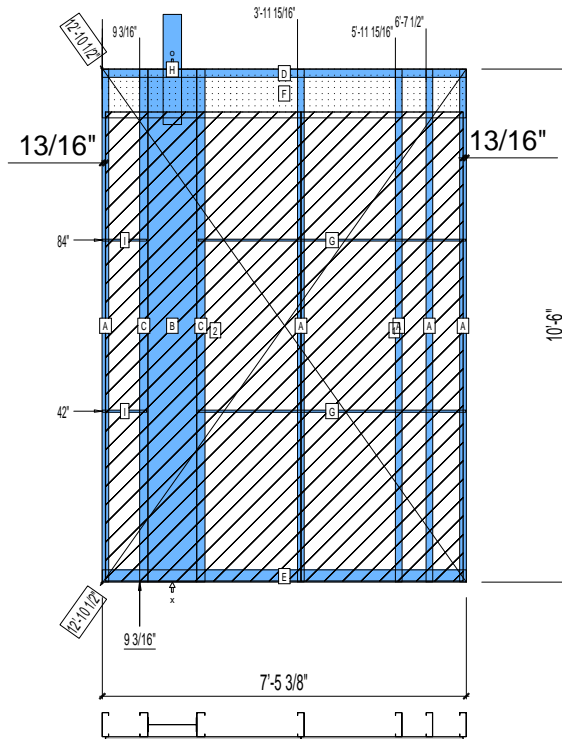
CREATED BY: AMB

HEIGHT : 11'-7 7/16" POINTS: 3.21 Points.
SPACING : 5000"
1st STUD: 5000"

ANCHORS

WEIGHTS :
FRAME : 339 lbs
SHEATHING: 259 lbs

TOTAL: 598 lbs



PIECES LIST

LABEL	QTY	SIZE	LENGTH	USE
A	5	600S162-54	10'-5 13/16"	STUD
B	1	1200i350p1062	10'-5 13/16"	PACO
C	2	600S200-68	10'-5 13/16"	STUD
D	1	600T200-54	7'-5 3/8"	TOP TRACK
E	1	600T300-54	7'-5 3/8"	BOTTOM TRACK
F	1	1200D-54	7'-5 5/16"	STRAP
G	2	150U50-54	5'-5 3/4"	HORIZONTAL BRACING
H	1	B	2'-3"	HOLDDOWN
I	2	150U50-54	10 13/16"	HORIZONTAL BRACING

SHEATHING

LABEL	QTY	CODE	THICK	SIZE	SCREWS
1	1	SB-DENSARMOR	5/8"	3'-3 13/16" X 9'-7 3/16"	2-12
2	1	SB-DENSARMOR	5/8"	4'-0" X 9'-7 3/16"	2-12

13-3001

Jewish Home for the Aging

1885 Victory Blvd. Reseda, CA

FrameMax, Inc.
13915 Danielson St
Suite 100
Poway, CA 92064
www.frame-max.com



© FrameMax Inc.

CREATED: 11/10/2008

FM-07-109

CREATED BY: HH

HEIGHT : 9'-4 7/16" POINTS: 0.84 Points.

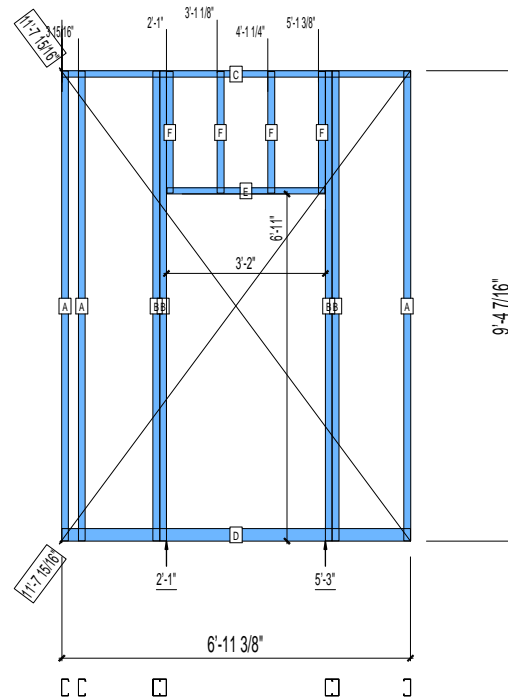
SPACING : 24"

1st STUD: 24"

WEIGHTS :

FRAME : 87 lbs

TOTAL: 87 lbs



PIECES LIST

LABEL	QTY	SIZE	LENGTH	USE
A	3	400S162-33	9'-4 5/16"	STUD
B	4	400S162-33	9'-4 5/16"	KING STUD
C	1	400T150-33	6'-11 3/8"	TOP TRACK
D	1	400T300-33	6'-11 3/8"	BOTTOM TRACK
E	1	400T150-33	3'-1 3/4"	HEAD TRACK
F	4	400S162-33	2'-5 1/16"	CRIPPLE

13-3002

Jewish Home for the Aging

1885 Victory Blvd. Reseda, CA

FrameMax, Inc.
13915 Danielson St
Suite 100
Poway, CA 92064
www.frame-max.com



© FrameMax Inc.

CREATED: 11/10/2008

FM-07-109

CREATED BY: AMB

HEIGHT : 9'-4 7/16" POINTS: 0.44 Points.

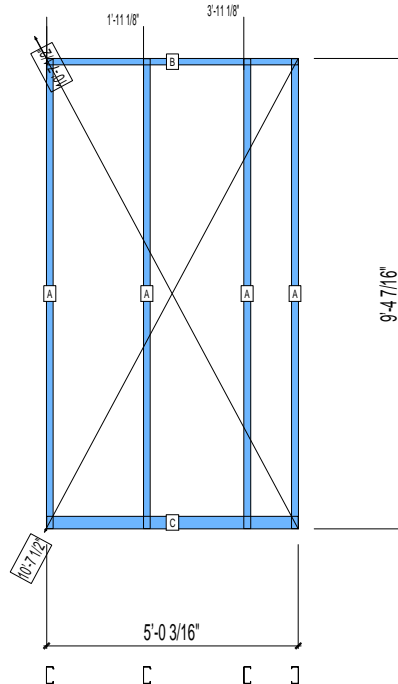
SPACING : 24"

1st STUD: 24"

WEIGHTS :

FRAME : 45 lbs

TOTAL: 45 lbs



PIECES LIST

LABEL	QTY	SIZE	LENGTH	USE
A	4	400S162-33	9'-4 5/16"	STUD
B	1	400T150-33	5'-0 3/16"	TOP TRACK
C	1	400T300-33	5'-0 3/16"	BOTTOM TRACK

13-3003

Jewish Home for the Aging

1885 Victory Blvd. Reseda, CA

FM-07-109

CREATED BY: AMB

FrameMax, Inc.
13915 Danielson St
Suite 100
Poway, CA 92064
www.frame-max.com



© FrameMax Inc.

HEIGHT : 9'-4 7/16" POINTS: 1.42 Points.

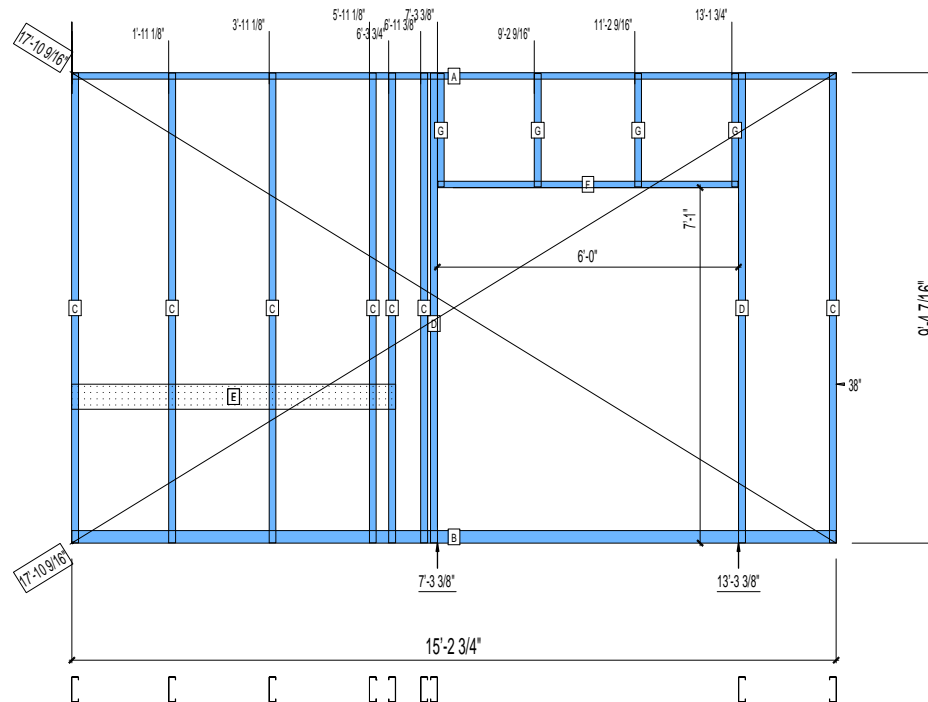
SPACING : 24"

1st STUD: 24"

WEIGHTS :

FRAME : 161 lbs

TOTAL: 161 lbs



PIECES LIST

LABEL	QTY	SIZE	LENGTH	USE
A	1	600T150-33	15'-2 3/4"	TOP TRACK
B	1	600T300-33	15'-2 3/4"	BOTTOM TRACK
C	7	600S162-33	9'-4 5/16"	STUD
D	2	600S162-33	9'-4 5/16"	KING STUD
E	1	600D-54	6'-5 7/16"	VANITY BACKING
F	1	600T150-33	5'-11 3/4"	HEAD TRACK
G	4	600S162-33	2'-3 1/16"	CRIPPLE

13-3004

Jewish Home for the Aging

1885 Victory Blvd. Reseda, CA

FM-07-109

CREATED BY: AMB

FrameMax, Inc.
13915 Danielson St
Suite 100
Poway, CA 92064
www.frame-max.com



© FrameMax Inc.

HEIGHT : 9'-4 7/16" POINTS: 0.54 Points.

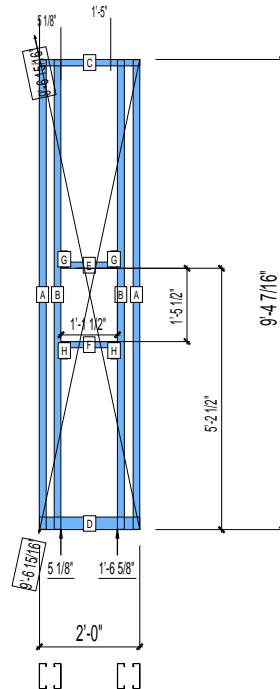
SPACING : 24"

1st STUD: 24"

WEIGHTS :

FRAME : 53 lbs

TOTAL: 53 lbs



PIECES LIST

LABEL	QTY	SIZE	LENGTH	USE
A	2	600S162-33	9'-4 5/16"	STUD
B	2	600S162-33	9'-4 5/16"	KING STUD
C	1	600T150-33	2'-0"	TOP TRACK
D	1	600T300-33	2'-0"	BOTTOM TRACK
E	1	600T150-33	1'-1 3/8"	HEAD TRACK
F	1	600T150-33	1'-1 3/8"	SILL
G	2	600S162-33	4"	CRIPPLE
H	2	600S162-33	3 15/16"	CRIPPLE

13-3005

Jewish Home for the Aging

1885 Victory Blvd. Reseda, CA

FM-07-109

CREATED BY: AMB

FrameMax, Inc.
13915 Danielson St
Suite 100
Poway, CA 92064
www.frame-max.com



© FrameMax Inc.

HEIGHT : 9'-4 7/16" POINTS: 0.42 Points.

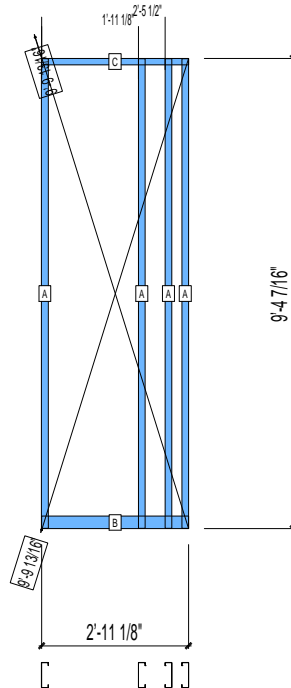
SPACING : 24"

1st STUD: 24"

WEIGHTS :

FRAME : 51 lbs

TOTAL: 51 lbs



PIECES LIST

LABEL	QTY	SIZE	LENGTH	USE
A	4	600S162-33	9'-4 5/16"	STUD
B	1	600T300-33	2'-11 1/8"	BOTTOM TRACK
C	1	600T150-33	2'-11 1/8"	TOP TRACK

13-3006

Jewish Home for the Aging

1885 Victory Blvd. Reseda, CA

FM-07-109

CREATED BY: HH

FrameMax, Inc.
13915 Danielson St
Suite 100
Poway, CA 92064
www.frame-max.com



© FrameMax Inc.

HEIGHT : 9'-4 7/16" POINTS: 0.33 Points.

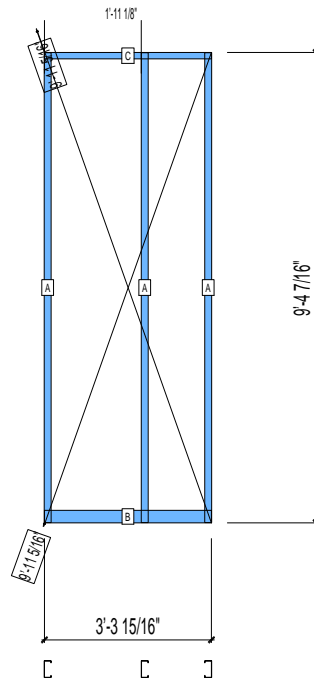
SPACING : 24"

1st STUD: 24"

WEIGHTS :

FRAME : 33 lbs

TOTAL: 33 lbs



PIECES LIST

LABEL	QTY	SIZE	LENGTH	USE
A	3	400S162-33	9'-4 5/16"	STUD
B	1	400T300-33	3'-3 15/16"	BOTTOM TRACK
C	1	400T150-33	3'-3 15/16"	TOP TRACK

13-3007

Jewish Home for the Aging

1885 Victory Blvd. Reseda, CA

FrameMax, Inc.
13915 Danielson St
Suite 100
Poway, CA 92064
www.frame-max.com



© FrameMax Inc.

CREATED: 11/13/2008

FM-07-109

CREATED BY: AMB

HEIGHT : 9'-4 7/16" POINTS: 0.36 Points.

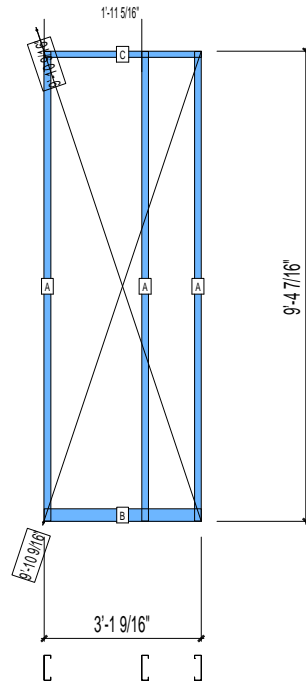
SPACING : 24"

1st STUD: 3/16"

WEIGHTS :

FRAME : 41 lbs

TOTAL: 41 lbs



PIECES LIST

LABEL	QTY	SIZE	LENGTH	USE
A	3	600S162-33	9'-4 5/16"	STUD
B	1	600T300-33	3'-1 9/16"	BOTTOM TRACK
C	1	600T150-33	3'-1 9/16"	TOP TRACK

13-3008

Jewish Home for the Aging

1885 Victory Blvd. Reseda, CA

FrameMax, Inc.
13915 Danielson St
Suite 100
Poway, CA 92064
www.frame-max.com



© FrameMax Inc.

CREATED: 11/10/2008

FM-07-109

CREATED BY: AMB

HEIGHT : 9'-4 7/16" POINTS: 0.37 Points.

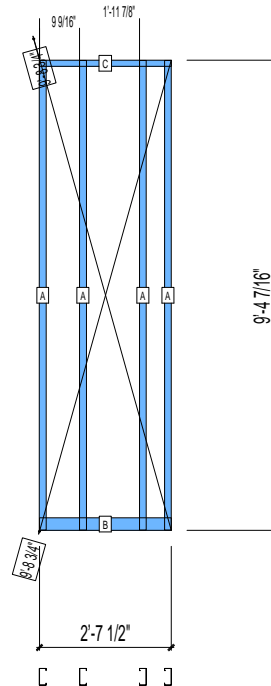
SPACING : 24"

1st STUD: 24"

WEIGHTS :

FRAME : 40 lbs

TOTAL: 40 lbs



PIECES LIST

LABEL	QTY	SIZE	LENGTH	USE
A	4	400S162-33	9'-4 5/16"	STUD
B	1	400T300-33	2'-7 1/2"	BOTTOM TRACK
C	1	400T150-33	2'-7 1/2"	TOP TRACK

13-3009

Jewish Home for the Aging

1885 Victory Blvd. Reseda, CA

FrameMax, Inc.
13915 Danielson St
Suite 100
Poway, CA 92064
www.frame-max.com



© FrameMax Inc.

CREATED: 11/10/2008

FM-07-109

CREATED BY: AMB

HEIGHT : 9'-4 7/16" POINTS: 0.31 Points.

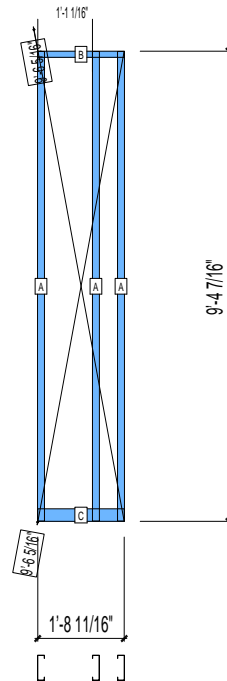
SPACING : 24"

1st STUD: 24"

WEIGHTS :

FRAME : 37 lbs

TOTAL: 37 lbs



PIECES LIST

LABEL	QTY	SIZE	LENGTH	USE
A	3	600S162-33	9'-4 5/16"	STUD
B	1	600T150-33	1'-8 11/16"	TOP TRACK
C	1	600T300-33	1'-8 11/16"	BOTTOM TRACK

13-3010

Jewish Home for the Aging

1885 Victory Blvd. Reseda, CA

FM-07-109

CREATED BY: AMB

FrameMax, Inc.
13915 Danielson St
Suite 100
Poway, CA 92064
www.framemax.com



© FrameMax Inc.

HEIGHT : 9'-4 7/16" POINTS: 0.37 Points.

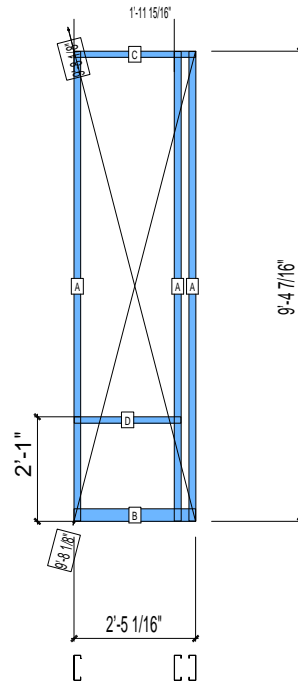
SPACING : 24"

1st STUD: 16"

WEIGHTS :

FRAME : 41 lbs

TOTAL: 41 lbs



PIECES LIST

LABEL	QTY	SIZE	LENGTH	USE
A	3	600S162-33	9'-4 5/16"	STUD
B	1	600T300-33	2'-5 1/16"	BOTTOM TRACK
C	1	600T150-33	2'-5 1/16"	TOP TRACK
D	1	600T150-33	2'-1 1/2"	SILL

13-3011

Jewish Home for the Aging

1885 Victory Blvd. Reseda, CA

FrameMax, Inc.
13915 Danielson St
Suite 100
Poway, CA 92064
www.frame-max.com



© FrameMax Inc.

CREATED: 11/10/2008

FM-07-109

CREATED BY: AMB

HEIGHT : 9'-4 7/16" POINTS: 0.31 Points.

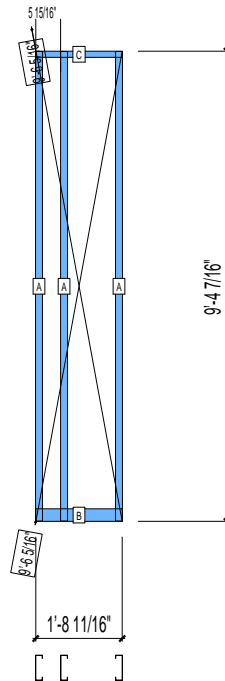
SPACING : 24"

1st STUD: 24"

WEIGHTS :

FRAME : 37 lbs

TOTAL: 37 lbs



PIECES LIST

LABEL	QTY	SIZE	LENGTH	USE
A	3	600S162-33	9'-4 5/16"	STUD
B	1	600T300-33	1'-8 11/16"	BOTTOM TRACK
C	1	600T150-33	1'-8 11/16"	TOP TRACK

13-3012

Jewish Home for the Aging

1885 Victory Blvd. Reseda, CA

FM-07-109

CREATED BY: AMB

FrameMax, Inc.
13915 Danielson St
Suite 100
Poway, CA 92064
www.frame-max.com



© FrameMax Inc.

HEIGHT : 9'-4 7/16" POINTS: 1.07 Points.

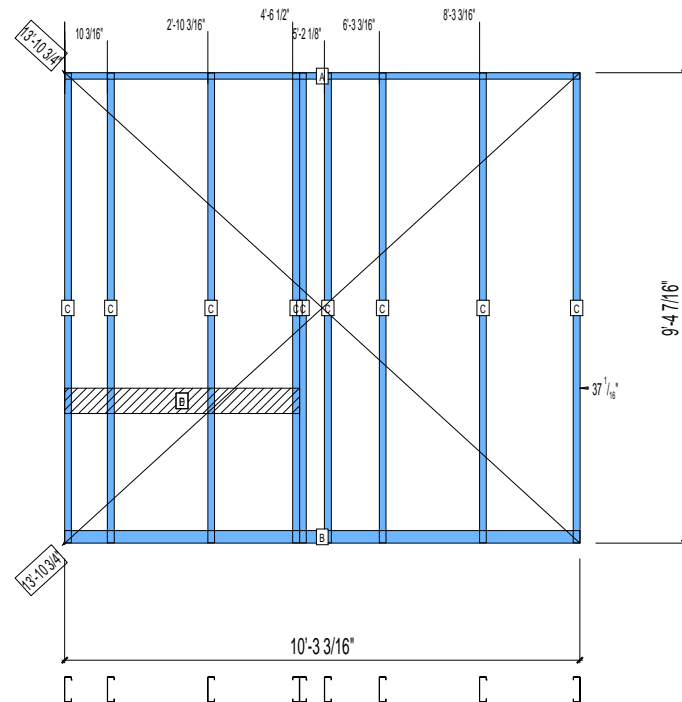
SPACING : 24"

1st STUD: 11 1/16"

WEIGHTS :

FRAME : 132 lbs

TOTAL: 132 lbs



PIECES LIST

LABEL	QTY	SIZE	LENGTH	USE
A	1	600T150-33	10'-3 3/16"	TOP TRACK
B	1	600T300-33	10'-3 3/16"	BOTTOM TRACK
C	9	600S162-33	9'-4 5/16"	STUD
D	1	600T150-54	4'-8 3/16"	GRAB BAR

13-3013

Jewish Home for the Aging

1885 Victory Blvd. Reseda, CA

FrameMax, Inc.
13915 Danielson St
Suite 100
Poway, CA 92064
www.frame-max.com



© FrameMax Inc.

CREATED: 11/13/2008

FM-07-109

CREATED BY: AMB

HEIGHT : 9'-4 7/16" POINTS: 0.34 Points.

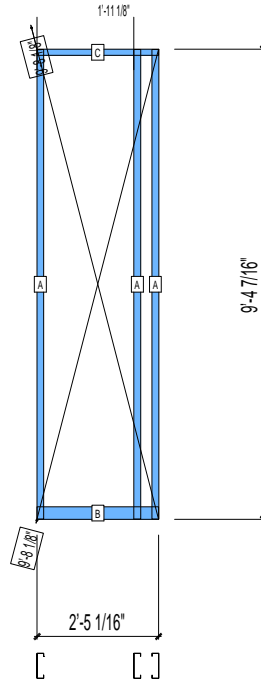
SPACING : 24"

1st STUD: 24"

WEIGHTS :

FRAME : 39 lbs

TOTAL: 39 lbs



PIECES LIST

LABEL	QTY	SIZE	LENGTH	USE
A	3	600S162-33	9'-4 5/16"	STUD
B	1	600T300-33	2'-5 1/16"	BOTTOM TRACK
C	1	600T150-33	2'-5 1/16"	TOP TRACK

13-3014

Jewish Home for the Aging

1885 Victory Blvd. Reseda, CA

FrameMax, Inc.
13915 Danielson St
Suite 100
Poway, CA 92064
www.frame-max.com



© FrameMax Inc.

CREATED: 11/10/2008

FM-07-109

CREATED BY: AMB

HEIGHT : 9'-4 7/16" POINTS: 0.27 Points.

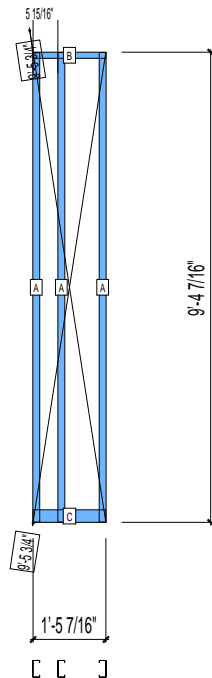
SPACING : 24"

1st STUD: 24"

WEIGHTS :

FRAME : 29 lbs

TOTAL: 29 lbs



PIECES LIST

LABEL	QTY	SIZE	LENGTH	USE
A	3	400S162-33	9'-4 5/16"	STUD
B	1	400T150-33	1'-5 7/16"	TOP TRACK
C	1	400T300-33	1'-5 7/16"	BOTTOM TRACK

13-3015

Jewish Home for the Aging

1885 Victory Blvd. Reseda, CA

FrameMax, Inc.
13915 Danielson St
Suite 100
Poway, CA 92064
www.frame-max.com



© FrameMax Inc.

CREATED: 11/10/2008

FM-07-109

CREATED BY: AMB

HEIGHT : 9'-4 7/16" POINTS: 0.23 Points.

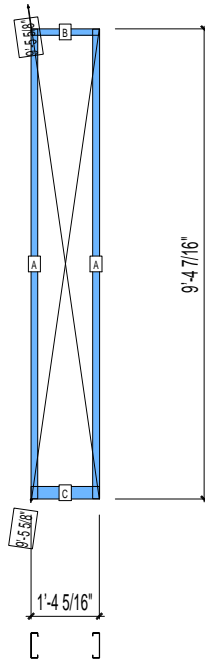
SPACING : 24"

1st STUD: 24"

WEIGHTS :

FRAME : 25 lbs

TOTAL: 25 lbs



PIECES LIST

LABEL	QTY	SIZE	LENGTH	USE
A	2	600S162-33	9'-4 5/16"	STUD
B	1	600T150-33	1'-4 5/16"	TOP TRACK
C	1	600T300-33	1'-4 5/16"	BOTTOM TRACK

13-3016

Jewish Home for the Aging

1885 Victory Blvd. Reseda, CA

FrameMax, Inc.
13915 Danielson St
Suite 100
Poway, CA 92064
www.frame-max.com



© FrameMax Inc.

CREATED: 11/10/2008

FM-07-109

CREATED BY: AMB

HEIGHT : 9'-4 7/16" POINTS: 0.20 Points.

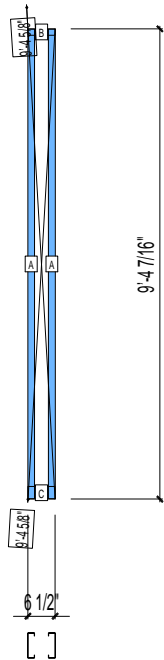
SPACING : 24"

1st STUD: 24"

WEIGHTS :

FRAME : 23 lbs

TOTAL: 23 lbs



PIECES LIST

LABEL	QTY	SIZE	LENGTH	USE
A	2	600S162-33	9'-4 5/16"	STUD
B	1	600T150-33	6 1/2"	TOP TRACK
C	1	600T300-33	6 1/2"	BOTTOM TRACK

13-3017

Jewish Home for the Aging

1885 Victory Blvd. Reseda, CA

FM-07-109

CREATED BY: HH

FrameMax, Inc.
13915 Danielson St
Suite 100
Poway, CA 92064
www.frame-max.com



© FrameMax Inc.

HEIGHT : 9'-4 7/16" POINTS: 0.78 Points.

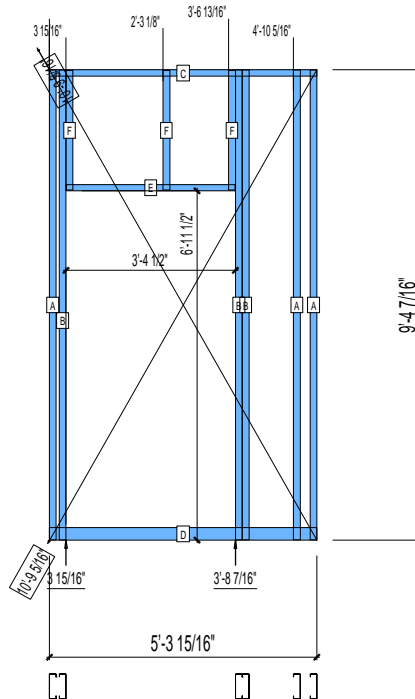
SPACING : 24"

1st STUD: 24"

WEIGHTS :

FRAME : 91 lbs

TOTAL: 91 lbs



PIECES LIST

LABEL	QTY	SIZE	LENGTH	USE
A	3	600S162-33	9'-4 5/16"	STUD
B	3	600S162-33	9'-4 5/16"	KING STUD
C	1	600T150-33	5'-3 15/16"	TOP TRACK
D	1	600T300-33	5'-3 15/16"	BOTTOM TRACK
E	1	600T150-33	3'-4 1/4"	HEAD TRACK
F	3	600S162-33	2'-4 9/16"	CRIPPLE

13-3018

Jewish Home for the Aging

1885 Victory Blvd. Reseda, CA

FrameMax, Inc.
13915 Danielson St
Suite 100
Poway, CA 92064
www.frame-max.com



© FrameMax Inc.

CREATED: 11/10/2008

FM-07-109

CREATED BY: AMB

HEIGHT : 9'-4 7/16" POINTS: 0.19 Points.

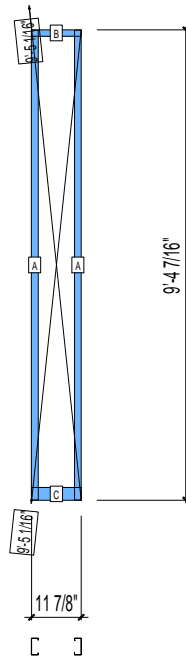
SPACING : 24"

1st STUD: 16"

WEIGHTS :

FRAME : 19 lbs

TOTAL: 19 lbs



PIECES LIST

LABEL	QTY	SIZE	LENGTH	USE
A	2	400S162-33	9'-4 5/16"	STUD
B	1	400T150-33	11 7/8"	TOP TRACK
C	1	400T300-33	11 7/8"	BOTTOM TRACK

13-3019

Jewish Home for the Aging

1885 Victory Blvd. Reseda, CA

FM-07-109

CREATED BY: HH

FrameMax, Inc.
13915 Danielson St
Suite 100
Poway, CA 92064
www.frame-max.com

FRAME MAX

© FrameMax Inc.

HEIGHT : 9'-4 7/16" POINTS: 0.66 Points.

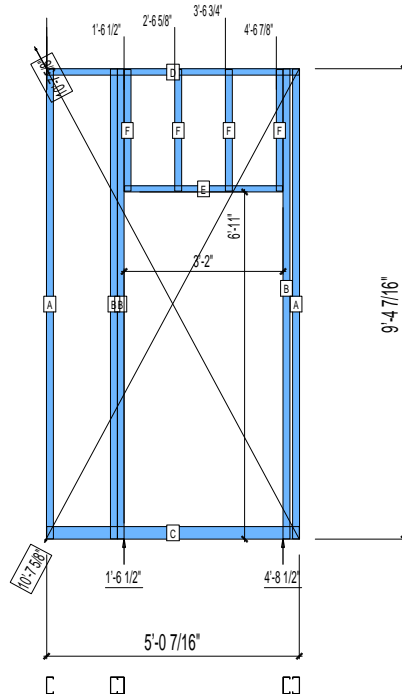
SPACING : 24"

1st STUD: 24"

WEIGHTS :

FRAME : 65 lbs

TOTAL: 65 lbs



PIECES LIST

LABEL	QTY	SIZE	LENGTH	USE
A	2	400S162-33	9'-4 5/16"	STUD
B	3	400S162-33	9'-4 5/16"	KING STUD
C	1	400T300-33	5'-0 7/16"	BOTTOM TRACK
D	1	400T150-33	5'-0 7/16"	TOP TRACK
E	1	400T150-33	3'-1 3/4"	HEAD TRACK
F	4	400S162-33	2'-5 1/16"	CRIPPLE

13-3020

Jewish Home for the Aging

1885 Victory Blvd. Reseda, CA

FrameMax, Inc.
13915 Danielson St
Suite 100
Poway, CA 92064
www.frame-max.com



© FrameMax Inc.

CREATED: 11/11/2008

FM-07-109

CREATED BY: AMB

HEIGHT : 9'-4 7/16" POINTS: 0.60 Points.

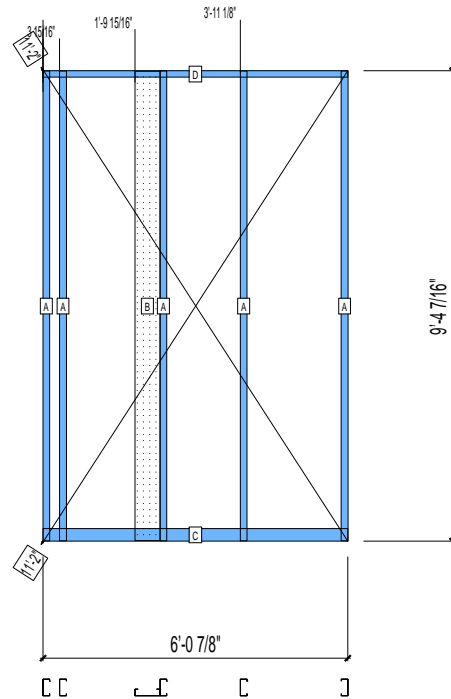
SPACING : 24"

1st STUD: 24"

WEIGHTS :

FRAME : 67 lbs

TOTAL: 67 lbs



PIECES LIST

LABEL	QTY	SIZE	LENGTH	USE
A	5	400S162-33	9'-4 5/16"	STUD
B	1	600S162-33	9'-4 3/16"	BACKER-U
C	1	400T300-33	6'-0 7/8"	BOTTOM TRACK
D	1	400T150-33	6'-0 7/8"	TOP TRACK

13-3021

Jewish Home for the Aging

1885 Victory Blvd. Reseda, CA

FM-07-109

CREATED BY: HH

FrameMax, Inc.
13915 Danielson St
Suite 100
Poway, CA 92064
www.frame-max.com

FRAME MAX

© FrameMax Inc.

HEIGHT : 9'-4 7/16" POINTS: 0.79 Points.

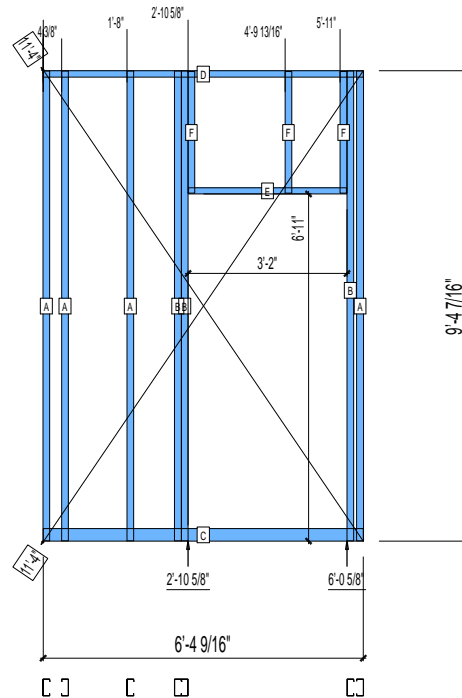
SPACING : 24"

1st STUD: 24"

WEIGHTS :

FRAME : 83 lbs

TOTAL: 83 lbs



PIECES LIST

LABEL	QTY	SIZE	LENGTH	USE
A	4	400S162-33	9'-4 5/16"	STUD
B	3	400S162-33	9'-4 5/16"	KING STUD
C	1	400T300-33	6'-4 9/16"	BOTTOM TRACK
D	1	400T150-33	6'-4 9/16"	TOP TRACK
E	1	400T150-33	3'-1 3/4"	HEAD TRACK
F	3	400S162-33	2'-5 1/16"	CRIPPLE

13-3022

Jewish Home for the Aging

1885 Victory Blvd. Reseda, CA

FrameMax, Inc.
13915 Danielson St
Suite 100
Poway, CA 92064
www.frame-max.com

FRAME MAX

© FrameMax Inc.

CREATED: 11/10/2008

FM-07-109

CREATED BY: AMB

HEIGHT : 9'-4 7/16" POINTS: 0.71 Points.

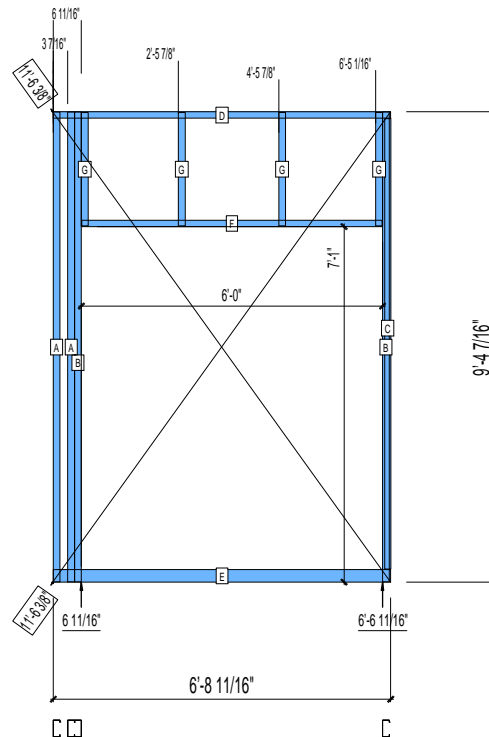
SPACING : 24"

1st STUD: 24"

WEIGHTS :

FRAME : 69 lbs

TOTAL: 69 lbs



PIECES LIST

LABEL	QTY	SIZE	LENGTH	USE
A	2	400S162-33	9'-4 5/16"	STUD
B	2	400S162-33	9'-4 5/16"	KING STUD
C	1	400T150-33	8'-11 11/16"	CAP TRACK
D	1	400T150-33	6'-8 11/16"	TOP TRACK
E	1	400T300-33	6'-8 11/16"	BOTTOM TRACK
F	1	400T150-33	5'-11 3/4"	HEAD TRACK
G	4	400S162-33	2'-3 1/16"	CRIPPLE

13-3023

Jewish Home for the Aging

1885 Victory Blvd. Reseda, CA

FrameMax, Inc.
13915 Danielson St
Suite 100
Poway, CA 92064
www.frame-max.com



© FrameMax Inc.

CREATED: 11/13/2008

FM-07-109

CREATED BY: HH

HEIGHT : 9'-5 15/16" POINTS: 0.96 Points.

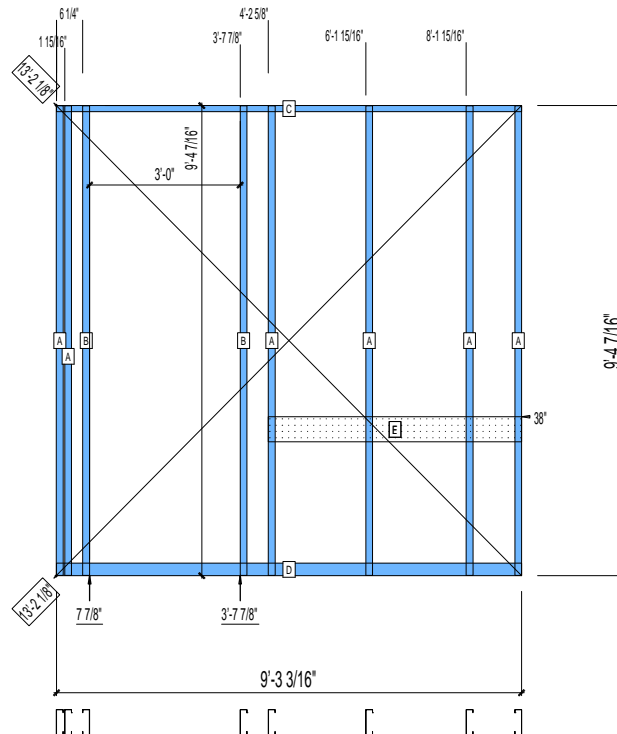
SPACING : 24"

1st STUD: 2 13/16"

WEIGHTS :

FRAME : 117 lbs

TOTAL: 117 lbs



PIECES LIST

LABEL	QTY	SIZE	LENGTH	USE
A	6	600S162-33	9'-4 5/16"	STUD
B	2	600S162-33	9'-4 5/16"	KING STUD
C	1	600T150-33	9'-3 3/16"	TOP TRACK
D	1	600T300-33	9'-3 3/16"	BOTTOM TRACK
E	1	600D-54	5'-0 9/16"	VANITY BACKING

13-3024

Jewish Home for the Aging

1885 Victory Blvd. Reseda, CA

FM-07-109

CREATED BY: AMB

FrameMax, Inc.
13915 Danielson St
Suite 100
Poway, CA 92064
www.frame-max.com



© FrameMax Inc.

HEIGHT : 9'-4 7/16" POINTS: 0.49 Points.

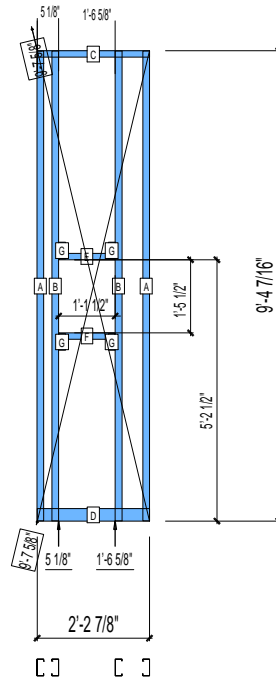
SPACING : 24"

1st STUD: 24"

WEIGHTS :

FRAME : 42 lbs

TOTAL: 42 lbs



PIECES LIST

LABEL	QTY	SIZE	LENGTH	USE
A	2	400S162-33	9'-4 5/16"	STUD
B	2	400S162-33	9'-4 5/16"	KING STUD
C	1	400T150-33	2'-2 7/8"	TOP TRACK
D	1	400T300-33	2'-2 7/8"	BOTTOM TRACK
E	1	400T150-33	1'-1 1/4"	HEAD TRACK
F	1	400T150-33	1'-1 1/4"	SILL
G	4	400S162-33	4"	CRIPPLE

13-3025

Jewish Home for the Aging

1885 Victory Blvd. Reseda, CA

FrameMax, Inc.
13915 Danielson St
Suite 100
Poway, CA 92064
www.frame-max.com



© FrameMax Inc.

CREATED: 11/10/2008

FM-07-109

CREATED BY: AMB

HEIGHT : 9'-4 7/16" POINTS: 0.38 Points.

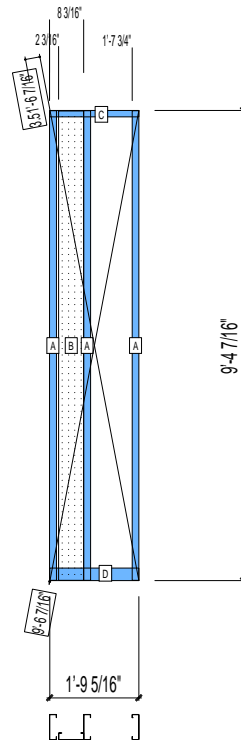
SPACING : 24"

1st STUD: 24"

WEIGHTS :

FRAME : 48 lbs

TOTAL: 48 lbs



PIECES LIST

LABEL	QTY	SIZE	LENGTH	USE
A	3	600S162-33	9'-4 5/16"	STUD
B	1	600S162-33	9'-4 3/16"	BACKER-U
C	1	600T150-33	1'-9 5/16"	TOP TRACK
D	1	600T300-33	1'-9 5/16"	BOTTOM TRACK

13-3026

Jewish Home for the Aging

1885 Victory Blvd. Reseda, CA

FrameMax, Inc.
13915 Danielson St
Suite 100
Poway, CA 92064
www.frame-max.com



© FrameMax Inc.

CREATED: 11/10/2008

FM-07-109

CREATED BY: AMB

HEIGHT : 9'-4 7/16" POINTS: 0.22 Points.

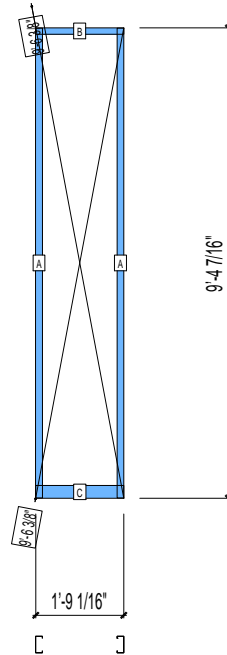
SPACING : 24"

1st STUD: 24"

WEIGHTS :

FRAME : 21 lbs

TOTAL: 21 lbs



PIECES LIST

LABEL	QTY	SIZE	LENGTH	USE
A	2	400S162-33	9'-4 5/16"	STUD
B	1	400T150-33	1'-9 1/16"	TOP TRACK
C	1	400T300-33	1'-9 1/16"	BOTTOM TRACK

13-3027

Jewish Home for the Aging

1885 Victory Blvd. Reseda, CA

FrameMax, Inc.
13915 Danielson St
Suite 100
Poway, CA 92064
www.frame-max.com



© FrameMax Inc.

CREATED: 11/10/2008

FM-07-109

CREATED BY: AMB

HEIGHT : 9'-4 7/16" POINTS: 0.27 Points.

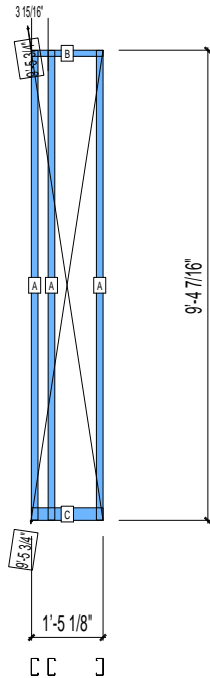
SPACING : 24"

1st STUD: 24"

WEIGHTS :

FRAME : 29 lbs

TOTAL: 29 lbs



PIECES LIST

LABEL	QTY	SIZE	LENGTH	USE
A	3	400S162-33	9'-4 5/16"	STUD
B	1	400T150-33	1'-5 1/8"	TOP TRACK
C	1	400T300-33	1'-5 1/8"	BOTTOM TRACK

13-3028

Jewish Home for the Aging

1885 Victory Blvd. Reseda, CA

FM-07-109

CREATED BY: HH

FrameMax, Inc.
13915 Danielson St
Suite 100
Poway, CA 92064
www.frame-max.com



© FrameMax Inc.

HEIGHT : 2'-9 1/2" POINTS: 0.70 Points.

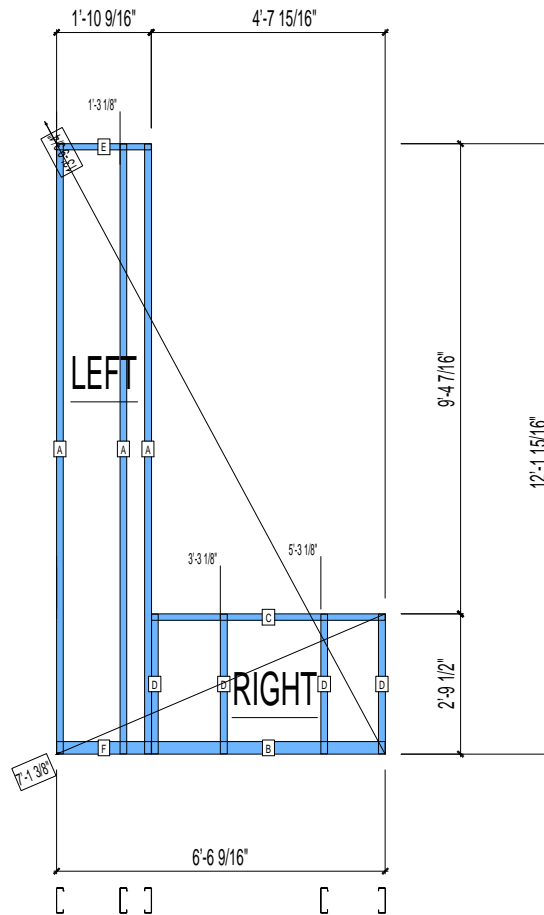
SPACING : 24"

1st STUD: 16"

WEIGHTS :

FRAME : 72 lbs

TOTAL: 72 lbs



PIECES LIST

LABEL	QTY	SIZE	LENGTH	USE
A	3	600S162-33	12'-1 13/16"	STUD
B	1	600T300-33	4'-7 13/16"	BOTTOM TRACK
C	1	600T150-33	4'-7 13/16"	TOP TRACK
D	4	600S162-33	2'-9 3/8"	STUD
E	1	600T150-33	1'-10 9/16"	TOP TRACK
F	1	600T300-33	1'-10 9/16"	BOTTOM TRACK

13-3029

Jewish Home for the Aging

1885 Victory Blvd. Reseda, CA

FrameMax, Inc.
13915 Danielson St
Suite 100
Poway, CA 92064
www.frame-max.com



© FrameMax Inc.

CREATED: 11/19/2008

FM-07-109

CREATED BY: AMB

HEIGHT : 2'-9 1/2" POINTS: 0.25 Points.

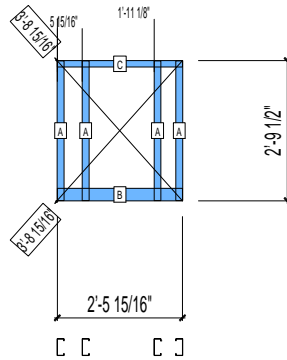
SPACING : 24"

1st STUD: 24"

WEIGHTS :

FRAME : 15 lbs

TOTAL: 15 lbs



PIECES LIST

LABEL	QTY	SIZE	LENGTH	USE
A	4	400S162-33	2'-9 3/8"	STUD
B	1	400T300-33	2'-5 15/16"	BOTTOM TRACK
C	1	400T150-33	2'-5 15/16"	TOP TRACK

13-3030

Jewish Home for the Aging

1885 Victory Blvd. Reseda, CA

FM-07-109

CREATED BY: AMB

FrameMax, Inc.
13915 Danielson St
Suite 100
Poway, CA 92064
www.frame-max.com



© FrameMax Inc.

HEIGHT : 9'-4 7/16" POINTS: 0.50 Points.

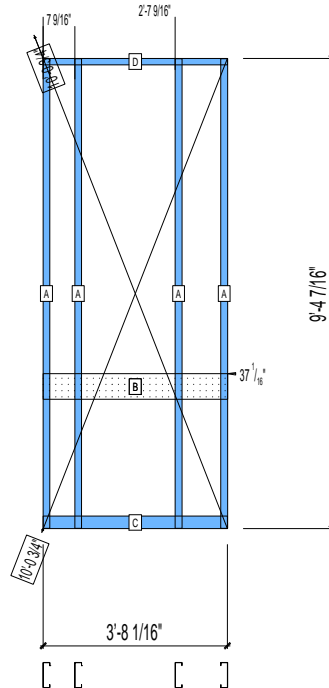
SPACING : 24"

1st STUD: 8 3/8"

WEIGHTS :

FRAME : 59 lbs

TOTAL: 59 lbs



PIECES LIST

LABEL	QTY	SIZE	LENGTH	USE
A	4	600S162-33	9'-4 5/16"	STUD
B	1	600T150-54	3'-8 1/8"	GRAB BAR
C	1	600T300-33	3'-8 1/16"	BOTTOM TRACK
D	1	600T150-33	3'-8 1/16"	TOP TRACK

13-3031

Jewish Home for the Aging

1885 Victory Blvd. Reseda, CA

FrameMax, Inc.
13915 Danielson St
Suite 100
Poway, CA 92064
www.frame-max.com



© FrameMax Inc.

CREATED: 11/14/2008

FM-07-109

CREATED BY: HH

HEIGHT : 9'-4 7/16" POINTS: 0.42 Points.

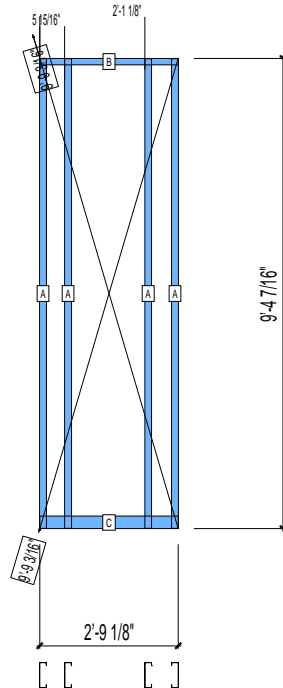
SPACING : 24"

1st STUD: 1 15/16"

WEIGHTS :

FRAME : 51 lbs

TOTAL: 51 lbs



PIECES LIST

LABEL	QTY	SIZE	LENGTH	USE
A	4	600S162-33	9'-4 5/16"	STUD
B	1	600T150-33	2'-9 1/8"	TOP TRACK
C	1	600T300-33	2'-9 1/8"	BOTTOM TRACK

13-3032

Jewish Home for the Aging

1885 Victory Blvd. Reseda, CA

FrameMax, Inc.
13915 Danielson St
Suite 100
Poway, CA 92064
www.frame-max.com



© FrameMax Inc.

CREATED: 12/08/2008

FM-07-109

CREATED BY: HH

HEIGHT : 9'-4 7/16" POINTS: 0.26 Points.

ANCHORS

SPACING : 24"

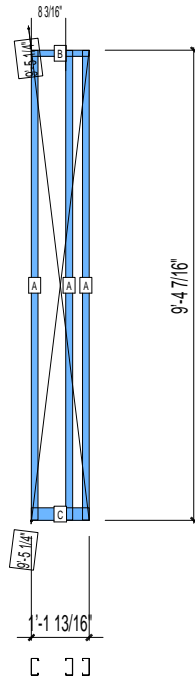
1st STUD: 24"

INSULATION: NO

WEIGHTS :

FRAME : 28 lbs

TOTAL: 28 lbs



PIECES LIST

LABEL	QTY	SIZE	LENGTH	USE
A	3	400S162-33	9'-4 5/16"	STUD
B	1	400T150-33	1'-1 13/16"	TOP TRACK
C	1	400T300-33	1'-1 13/16"	BOTTOM TRACK

13-3033

Jewish Home for the Aging

1885 Victory Blvd. Reseda, CA

FrameMax, Inc.
13915 Danielson St
Suite 100
Poway, CA 92064
www.frame-max.com



© FrameMax Inc.

CREATED: 12/08/2008

FM-07-109

CREATED BY: HH

HEIGHT : 9'-4 7/16" POINTS: 0.26 Points.

ANCHORS

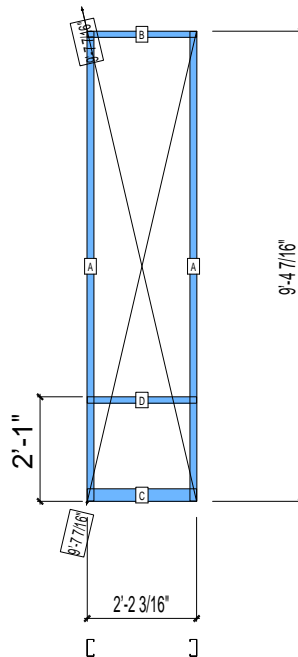
SPACING : 5000"

1st STUD: 16"

WEIGHTS :

FRAME : 24 lbs

TOTAL: 24 lbs



PIECES LIST

LABEL	QTY	SIZE	LENGTH	USE
A	2	400S162-33	9'-4 5/16"	STUD
B	1	400T150-33	2'-2 3/16"	TOP TRACK
C	1	400T300-33	2'-2 3/16"	BOTTOM TRACK
D	1	600T150-33	2'-2 1/8"	SILL

13-3051

Jewish Home for the Aging

1885 Victory Blvd. Reseda, CA

FrameMax, Inc.
13915 Danielson St
Suite 100
Poway, CA 92064
www.frame-max.com



© FrameMax Inc.

CREATED: 11/10/2008

FM-07-109

CREATED BY: HH

HEIGHT : 9'-4 7/16" POINTS: 0.93 Points.

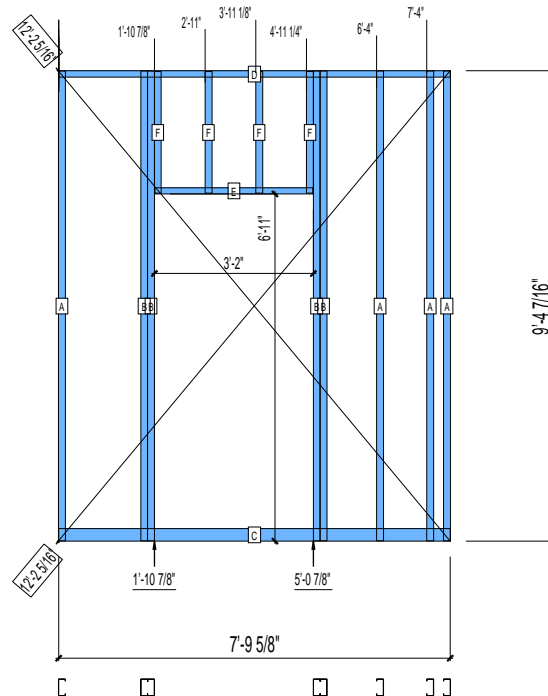
SPACING : 24"

1st STUD: 24"

WEIGHTS :

FRAME : 97 lbs

TOTAL: 97 lbs



PIECES LIST

LABEL	QTY	SIZE	LENGTH	USE
A	4	400S162-33	9'-4 5/16"	STUD
B	4	400S162-33	9'-4 5/16"	KING STUD
C	1	400T300-33	7'-9 5/8"	BOTTOM TRACK
D	1	400T150-33	7'-9 5/8"	TOP TRACK
E	1	400T150-33	3'-1 3/4"	HEAD TRACK
F	4	400S162-33	2'-5 1/16"	CRIPPLE

13-3052

Jewish Home for the Aging

1885 Victory Blvd. Reseda, CA

FrameMax, Inc.
13915 Danielson St
Suite 100
Poway, CA 92064
www.frame-max.com



© FrameMax Inc.

CREATED: 11/11/2008

FM-07-109

CREATED BY: AMB

HEIGHT : 9'-4 7/16" POINTS: 1.19 Points.

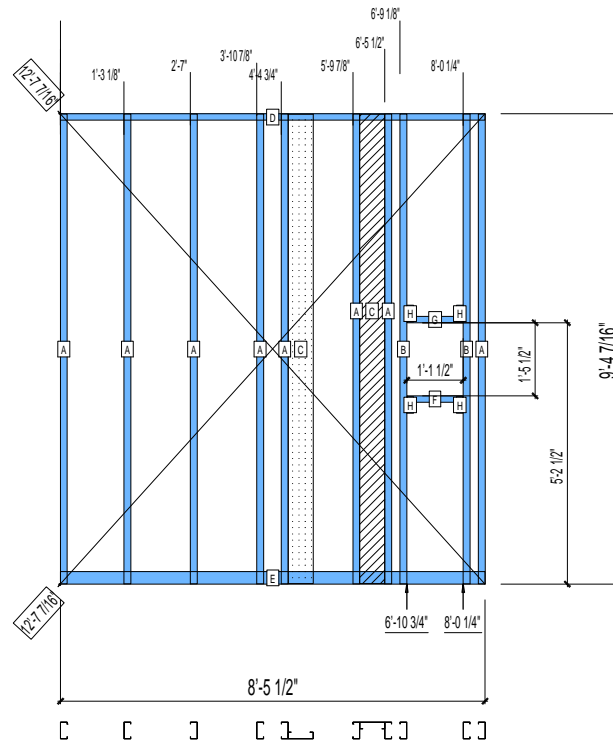
SPACING : 24"

1st STUD: 16"

WEIGHTS :

FRAME : 129 lbs

TOTAL: 129 lbs



PIECES LIST

LABEL	QTY	SIZE	LENGTH	USE
A	8	400S162-33	9'-4 5/16"	STUD
B	2	400S162-33	9'-4 5/16"	KING STUD
C	2	600S162-33	9'-4 3/16"	BACKER-U
D	1	400T150-33	8'-5 1/2"	TOP TRACK
E	1	400T300-33	8'-5 1/2"	BOTTOM TRACK
F	1	400T150-33	1'-1 1/4"	SILL
G	1	400T150-33	1'-1 1/4"	HEAD TRACK
H	4	400S162-33	4"	CRIPPLE

13-3053

Jewish Home for the Aging

1885 Victory Blvd. Reseda, CA

FrameMax, Inc.
13915 Danielson St
Suite 100
Poway, CA 92064
www.frame-max.com



© FrameMax Inc.

CREATED: 11/10/2008

FM-07-109

CREATED BY: AMB

HEIGHT : 9'-4 7/16" POINTS: 0.39 Points.

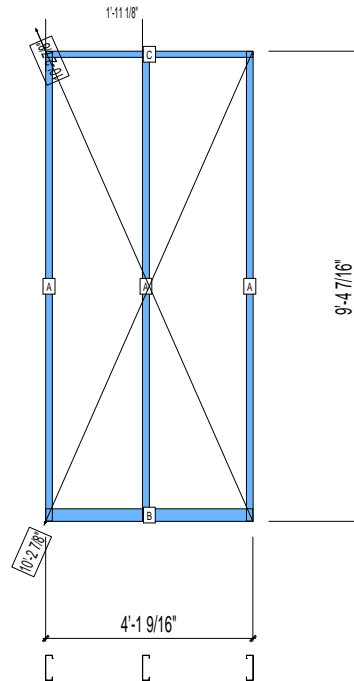
SPACING : 24"

1st STUD: 24"

WEIGHTS :

FRAME : 43 lbs

TOTAL: 43 lbs



PIECES LIST

LABEL	QTY	SIZE	LENGTH	USE
A	3	600S162-33	9'-4 5/16"	STUD
B	1	600T300-33	4'-1 9/16"	BOTTOM TRACK
C	1	600T150-33	4'-1 9/16"	TOP TRACK

13-3054

Jewish Home for the Aging

1885 Victory Blvd. Reseda, CA

FrameMax, Inc.
13915 Danielson St
Suite 100
Poway, CA 92064
www.frame-max.com



© FrameMax Inc.

CREATED: 11/10/2008

FM-07-109

CREATED BY: AMB

HEIGHT : 9'-4 7/16" POINTS: 0.33 Points.

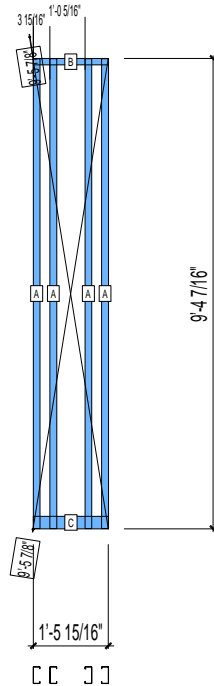
SPACING : 24"

1st STUD: 24"

WEIGHTS :

FRAME : 38 lbs

TOTAL: 38 lbs



PIECES LIST

LABEL	QTY	SIZE	LENGTH	USE
A	4	400S162-33	9'-4 5/16"	STUD
B	1	400T150-33	1'-5 15/16"	TOP TRACK
C	1	400T300-33	1'-5 15/16"	BOTTOM TRACK

13-3055

Jewish Home for the Aging

1885 Victory Blvd. Reseda, CA

FrameMax, Inc.
13915 Danielson St
Suite 100
Poway, CA 92064
www.frame-max.com



© FrameMax Inc.

CREATED: 12/08/2008

FM-07-109

CREATED BY: HH

HEIGHT : 9'-4 7/16" POINTS: 0.35 Points.

ANCHORS

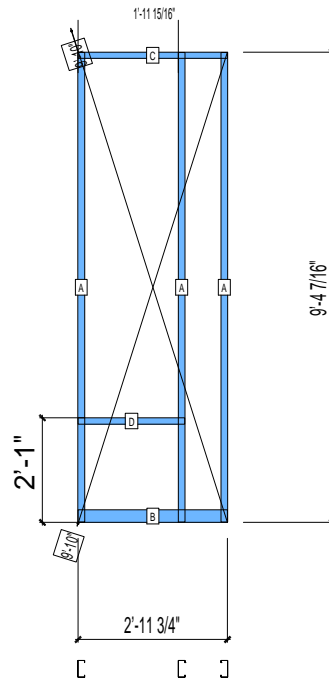
SPACING : 5000"

1st STUD: 5000"

WEIGHTS :

FRAME : 34 lbs

TOTAL: 34 lbs



PIECES LIST

LABEL	QTY	SIZE	LENGTH	USE
A	3	400S162-33	9'-4 5/16"	STUD
B	1	400T300-33	2'-11 3/4"	BOTTOM TRACK
C	1	400T150-33	2'-11 3/4"	TOP TRACK
D	1	600T150-33	2'-1 1/2"	SILL

13-3056

Jewish Home for the Aging

1885 Victory Blvd. Reseda, CA

FM-07-109

CREATED BY: HH

FrameMax, Inc.
13915 Danielson St
Suite 100
Poway, CA 92064
www.frame-max.com



© FrameMax Inc.

HEIGHT : 9'-4 7/16" POINTS: 0.35 Points.

ANCHORS

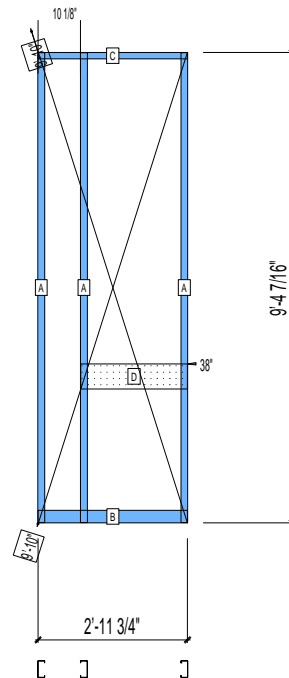
SPACING : 5000"

1st STUD: 16"

WEIGHTS :

FRAME : 35 lbs

TOTAL: 35 lbs



PIECES LIST

LABEL	QTY	SIZE	LENGTH	USE
A	3	400S162-33	9'-4 5/16"	STUD
B	1	400T300-33	2'-11 3/4"	BOTTOM TRACK
C	1	400T150-33	2'-11 3/4"	TOP TRACK
D	1	600D-54	2'-1 1/2"	VANITY BACKING

13-3057

Jewish Home for the Aging

1885 Victory Blvd. Reseda, CA

FM-07-109

CREATED BY: HH

FrameMax, Inc.
13915 Danielson St
Suite 100
Poway, CA 92064
www.frame-max.com



© FrameMax Inc.

HEIGHT : 9'-4 7/16" POINTS: 0.56 Points.

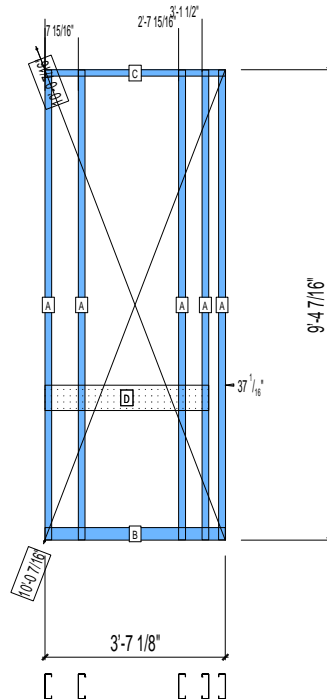
SPACING : 24"

1st STUD: 8 13/16"

WEIGHTS :

FRAME : 69 lbs

TOTAL: 69 lbs



PIECES LIST

LABEL	QTY	SIZE	LENGTH	USE
A	5	600S162-33	9'-4 5/16"	STUD
B	1	600T300-33	3'-7 1/8"	BOTTOM TRACK
C	1	600T150-33	3'-7 1/8"	TOP TRACK
D	1	600T150-54	3'-3 3/16"	GRAB BAR

13-3058

Jewish Home for the Aging

1885 Victory Blvd. Reseda, CA

FM-07-109

CREATED BY: AMB

FrameMax, Inc.
13915 Danielson St
Suite 100
Poway, CA 92064
www.framemax.com



© FrameMax Inc.

HEIGHT : 9'-4 7/16" POINTS: 0.42 Points.

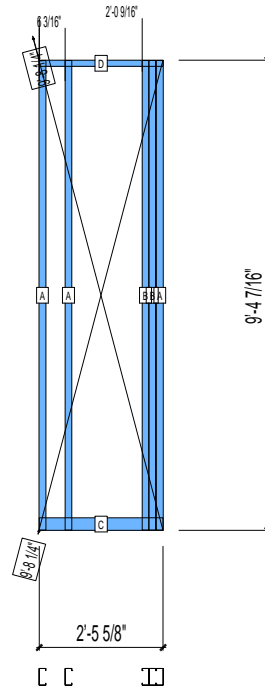
SPACING : 24"

1st STUD: 7"

WEIGHTS :

FRAME : 48 lbs

TOTAL: 48 lbs



PIECES LIST

LABEL	QTY	SIZE	LENGTH	USE
A	3	400S162-33	9'-4 5/16"	STUD
B	2	400S162-33	9'-4 5/16"	BACKER STUD
C	1	400T300-33	2'-5 5/8"	BOTTOM TRACK
D	1	400T150-33	2'-5 5/8"	TOP TRACK

13-3059

Jewish Home for the Aging

1885 Victory Blvd. Reseda, CA

FM-07-109

CREATED BY: AMB

FrameMax, Inc.
13915 Danielson St
Suite 100
Poway, CA 92064
www.frame-max.com



© FrameMax Inc.

HEIGHT : 9'-4 7/16" POINTS: 0.45 Points.

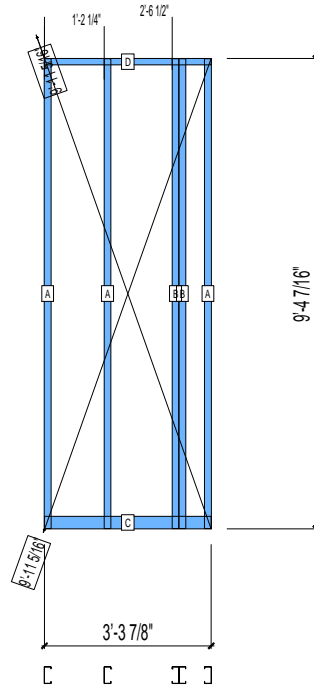
SPACING : 24"

1st STUD: 13 1/16"

WEIGHTS :

FRAME : 50 lbs

TOTAL: 50 lbs



PIECES LIST

LABEL	QTY	SIZE	LENGTH	USE
A	3	400S162-33	9'-4 5/16"	STUD
B	2	400S162-33	9'-4 5/16"	BACKER STUD
C	1	400T300-33	3'-3 7/8"	BOTTOM TRACK
D	1	400T150-33	3'-3 7/8"	TOP TRACK

13-3060

Jewish Home for the Aging

1885 Victory Blvd. Reseda, CA

FrameMax, Inc.
13915 Danielson St
Suite 100
Poway, CA 92064
www.frame-max.com



© FrameMax Inc.

CREATED: 11/14/2008

FM-07-109

CREATED BY: AMB

HEIGHT : 9'-4 7/16" POINTS: 0.51 Points.

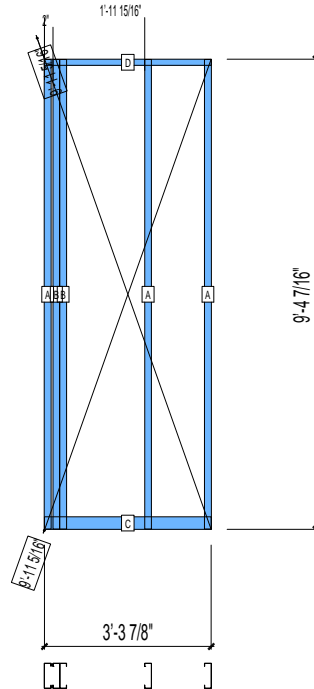
SPACING : 5000"

1st STUD: 26 7/8"

WEIGHTS :

FRAME : 63 lbs

TOTAL: 63 lbs



PIECES LIST

LABEL	QTY	SIZE	LENGTH	USE
A	3	600S162-33	9'-4 5/16"	STUD
B	2	600S162-33	9'-4 5/16"	BACKER STUD
C	1	600T300-33	3'-3 7/8"	BOTTOM TRACK
D	1	600T150-33	3'-3 7/8"	TOP TRACK

13-3061

Jewish Home for the Aging

1885 Victory Blvd. Reseda, CA

FrameMax, Inc.
13915 Danielson St
Suite 100
Poway, CA 92064
www.frame-max.com



© FrameMax Inc.

CREATED: 11/11/2008

FM-07-109

CREATED BY: HH

HEIGHT : 9'-4 7/16" POINTS: 1.02 Points.

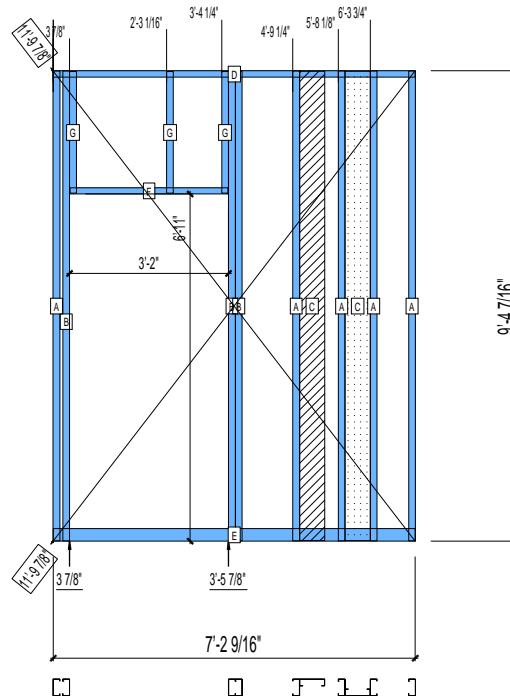
SPACING : 24"

1st STUD: 24"

WEIGHTS :

FRAME : 115 lbs

TOTAL: 115 lbs



PIECES LIST

LABEL	QTY	SIZE	LENGTH	USE
A	5	400S162-33	9'-4 5/16"	STUD
B	3	400S162-33	9'-4 5/16"	KING STUD
C	2	600S162-33	9'-4 3/16"	BACKER-U
D	1	400T150-33	7'-2 9/16"	TOP TRACK
E	1	400T300-33	7'-2 9/16"	BOTTOM TRACK
F	1	400T150-33	3'-1 3/4"	HEAD TRACK
G	3	400S162-33	2'-5 1/16"	CRIPPLE

13-3062

Jewish Home for the Aging

1885 Victory Blvd. Reseda, CA

FrameMax, Inc.
13915 Danielson St
Suite 100
Poway, CA 92064
www.frame-max.com



© FrameMax Inc.

CREATED: 11/10/2008

FM-07-109

CREATED BY: AMB

HEIGHT : 9'-4 7/16" POINTS: 0.39 Points.

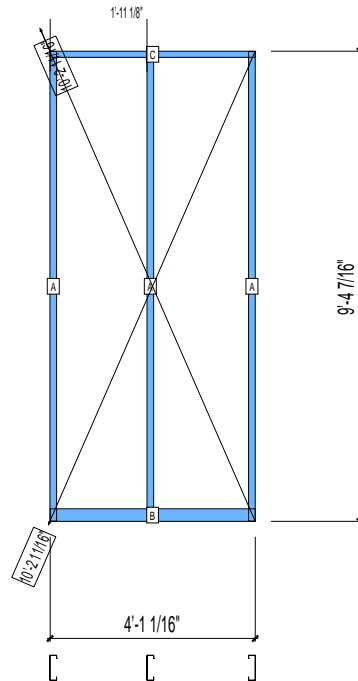
SPACING : 24"

1st STUD: 24"

WEIGHTS :

FRAME : 43 lbs

TOTAL: 43 lbs



PIECES LIST

LABEL	QTY	SIZE	LENGTH	USE
A	3	600S162-33	9'-4 5/16"	STUD
B	1	600T300-33	4'-1 1/16"	BOTTOM TRACK
C	1	600T150-33	4'-1 1/16"	TOP TRACK

13-3063

Jewish Home for the Aging

1885 Victory Blvd. Reseda, CA

FM-07-109

CREATED BY: AMB

FrameMax, Inc.
13915 Danielson St
Suite 100
Poway, CA 92064
www.frame-max.com



© FrameMax Inc.

HEIGHT : 9'-4 7/16" POINTS: 0.43 Points.

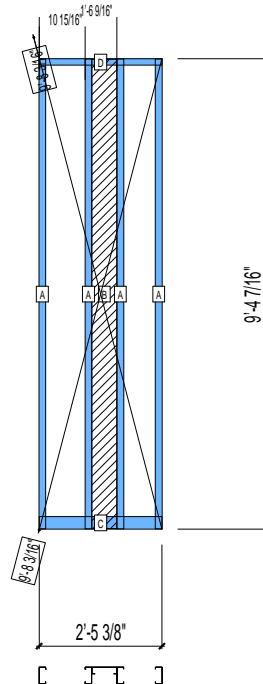
SPACING : 24"

1st STUD: 24"

WEIGHTS :

FRAME : 51 lbs

TOTAL: 51 lbs



PIECES LIST

LABEL	QTY	SIZE	LENGTH	USE
A	4	400S162-33	9'-4 5/16"	STUD
B	1	600S162-33	9'-4 3/16"	BACKER-U
C	1	400T300-33	2'-5 3/8"	BOTTOM TRACK
D	1	400T150-33	2'-5 3/8"	TOP TRACK

13-3064

Jewish Home for the Aging

1885 Victory Blvd. Reseda, CA

FrameMax, Inc.
13915 Danielson St
Suite 100
Poway, CA 92064
www.frame-max.com



© FrameMax Inc.

CREATED: 11/10/2008

FM-07-109

CREATED BY: AMB

HEIGHT : 9'-4 7/16" POINTS: 0.17 Points.

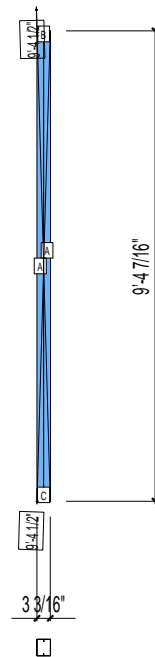
SPACING : 24"

1st STUD: 24"

WEIGHTS :

FRAME : 18 lbs

TOTAL: 18 lbs



PIECES LIST

LABEL	QTY	SIZE	LENGTH	USE
A	2	400S162-33	9'-4 5/16"	STUD
B	1	400T150-33	3 3/16"	TOP TRACK
C	1	400T300-33	3 3/16"	BOTTOM TRACK

13-3065

Jewish Home for the Aging

1885 Victory Blvd. Reseda, CA

FrameMax, Inc.
13915 Danielson St
Suite 100
Poway, CA 92064
www.framemax.com



© FrameMax Inc.

CREATED: 11/10/2008

FM-07-109

CREATED BY: AMB

HEIGHT : 9'-4 7/16" POINTS: 0.19 Points.

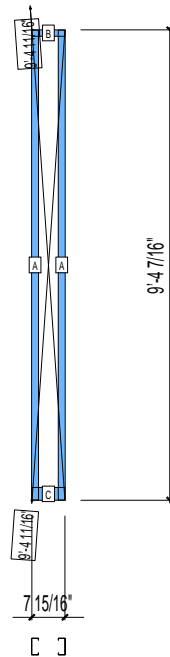
SPACING : 24"

1st STUD: 24"

WEIGHTS :

FRAME : 19 lbs

TOTAL: 19 lbs



PIECES LIST

LABEL	QTY	SIZE	LENGTH	USE
A	2	400S162-33	9'-4 5/16"	STUD
B	1	400T150-33	7 15/16"	TOP TRACK
C	1	400T300-33	7 15/16"	BOTTOM TRACK

13-3066

Jewish Home for the Aging

1885 Victory Blvd. Reseda, CA

FM-07-109

CREATED BY: HH

FrameMax, Inc.
13915 Danielson St
Suite 100
Poway, CA 92064
www.frame-max.com



© FrameMax Inc.

HEIGHT : 9'-4 7/16" POINTS: 1.18 Points.

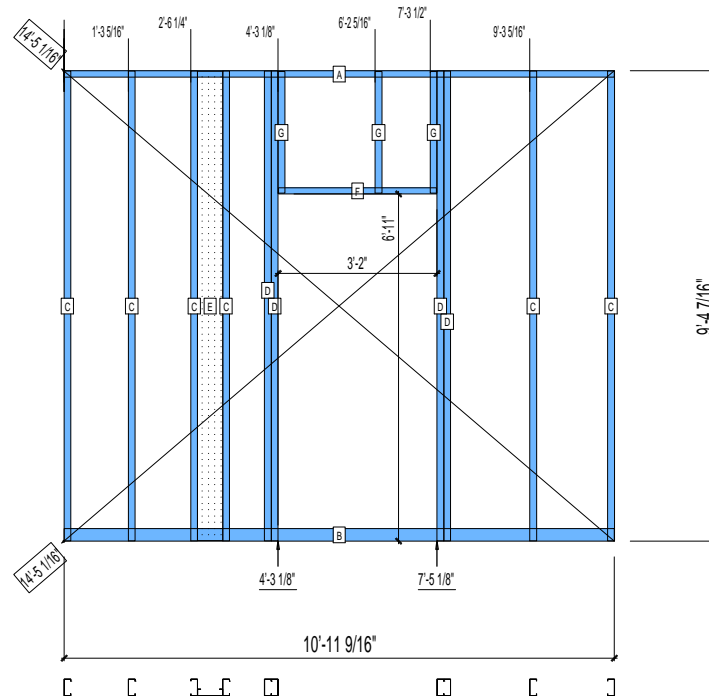
SPACING : 24"

1st STUD: 16 3/16"

WEIGHTS :

FRAME : 129 lbs

TOTAL: 129 lbs



PIECES LIST

LABEL	QTY	SIZE	LENGTH	USE
A	1	400T150-33	10'-11 9/16"	TOP TRACK
B	1	400T300-33	10'-11 9/16"	BOTTOM TRACK
C	6	400S162-33	9'-4 5/16"	STUD
D	4	400S162-33	9'-4 5/16"	KING STUD
E	1	600S162-33	9'-4 3/16"	BACKER-U
F	1	400T150-33	3'-1 3/4"	HEAD TRACK
G	3	400S162-33	2'-5 1/16"	CRIPPLE

13-3067

Jewish Home for the Aging

1885 Victory Blvd. Reseda, CA

FrameMax, Inc.
13915 Danielson St
Suite 100
Poway, CA 92064
www.frame-max.com



© FrameMax Inc.

CREATED: 11/10/2008

FM-07-109

CREATED BY: AMB

HEIGHT : 9'-4 7/16" POINTS: 0.25 Points.

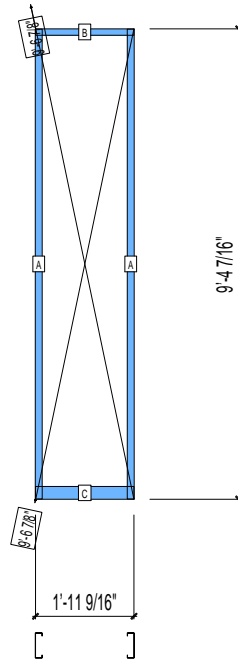
SPACING : 24"

1st STUD: 24"

WEIGHTS :

FRAME : 27 lbs

TOTAL: 27 lbs



PIECES LIST

LABEL	QTY	SIZE	LENGTH	USE
A	2	600S162-33	9'-4 5/16"	STUD
B	1	600T150-33	1'-11 9/16"	TOP TRACK
C	1	600T300-33	1'-11 9/16"	BOTTOM TRACK

13-3068

Jewish Home for the Aging

1885 Victory Blvd. Reseda, CA

FrameMax, Inc.
13915 Danielson St
Suite 100
Poway, CA 92064
www.framemax.com



© FrameMax Inc.

CREATED: 11/10/2008

FM-07-109

CREATED BY: AMB

HEIGHT : 9'-4 7/16" POINTS: 0.21 Points.

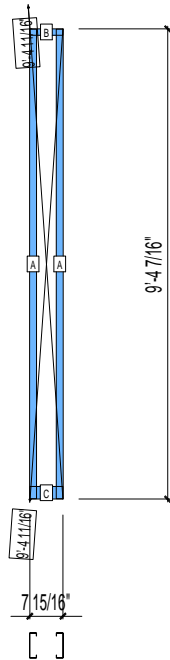
SPACING : 24"

1st STUD: 24"

WEIGHTS :

FRAME : 24 lbs

TOTAL: 24 lbs



PIECES LIST

LABEL	QTY	SIZE	LENGTH	USE
A	2	600S162-33	9'-4 5/16"	STUD
B	1	600T150-33	7 15/16"	TOP TRACK
C	1	600T300-33	7 15/16"	BOTTOM TRACK

13-3069

Jewish Home for the Aging

1885 Victory Blvd. Reseda, CA

FrameMax, Inc.
13915 Danielson St
Suite 100
Poway, CA 92064
www.frame-max.com



© FrameMax Inc.

CREATED: 11/10/2008

FM-07-109

CREATED BY: AMB

HEIGHT : 9'-4 7/16" POINTS: 0.22 Points.

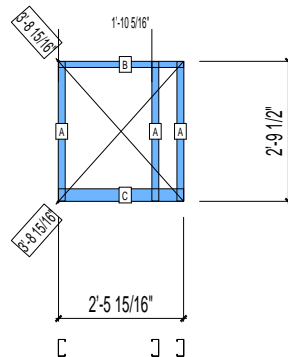
SPACING : 24"

1st STUD: 24"

WEIGHTS :

FRAME : 13 lbs

TOTAL: 13 lbs



PIECES LIST

LABEL	QTY	SIZE	LENGTH	USE
A	3	400S162-33	2'-9 3/8"	STUD
B	1	400T150-33	2'-5 15/16"	TOP TRACK
C	1	400T300-33	2'-5 15/16"	BOTTOM TRACK

13-3070

Jewish Home for the Aging

1885 Victory Blvd. Reseda, CA

FM-07-109

CREATED BY: HH

FrameMax, Inc.
13915 Danielson St
Suite 100
Poway, CA 92064
www.frame-max.com



© FrameMax Inc.

HEIGHT : 9'-4 7/16" POINTS: 0.70 Points.

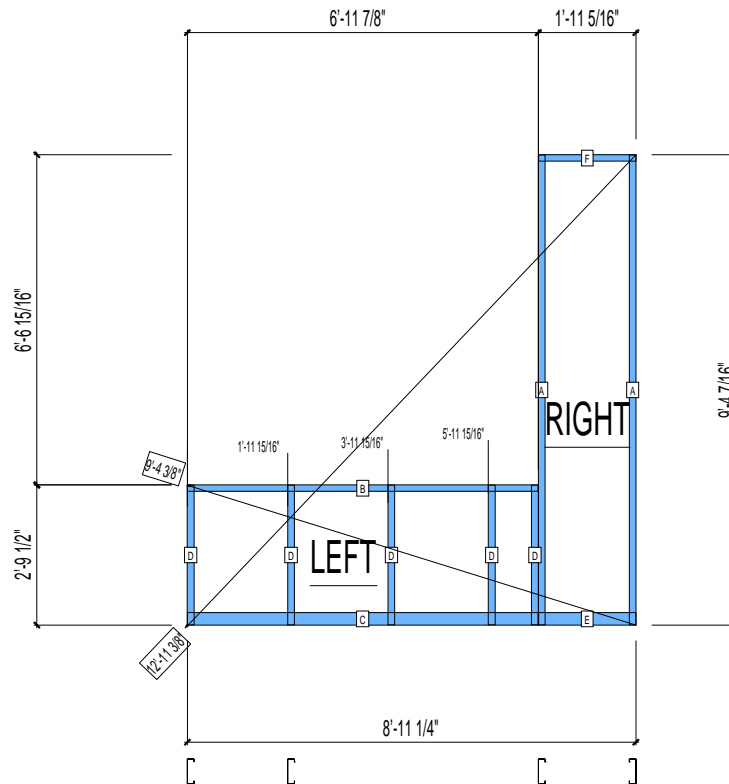
SPACING : 24"

1st STUD: 10 11/16"

WEIGHTS :

FRAME : 60 lbs

TOTAL: 60 lbs



PIECES LIST

LABEL	QTY	SIZE	LENGTH	USE
A	2	600S162-33	9'-4 5/16"	STUD
B	1	600T150-33	6'-11 13/16"	TOP TRACK
C	1	600T300-33	6'-11 13/16"	BOTTOM TRACK
D	5	600S162-33	2'-9 3/8"	STUD
E	1	600T300-33	1'-11 1/4"	BOTTOM TRACK
F	1	600T150-33	1'-11 1/4"	TOP TRACK

13-3072

Jewish Home for the Aging

1885 Victory Blvd. Reseda, CA

FM-07-109

CREATED BY: HH

FrameMax, Inc.
13915 Danielson St
Suite 100
Poway, CA 92064
www.frame-max.com



© FrameMax Inc.

HEIGHT : 9'-4 7/16" POINTS: 0.32 Points.

ANCHORS

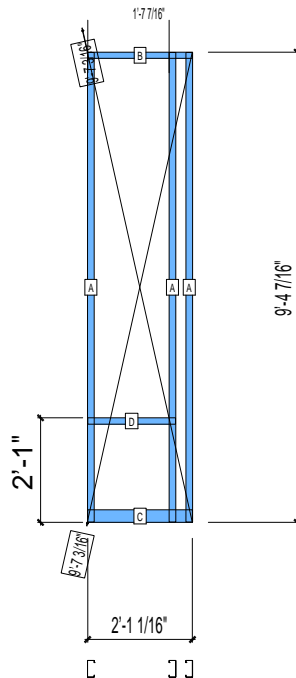
SPACING : 24"

1st STUD: 24"

WEIGHTS :

FRAME : 32 lbs

TOTAL: 32 lbs



PIECES LIST

LABEL	QTY	SIZE	LENGTH	USE
A	3	400S162-33	9'-4 5/16"	STUD
B	1	400T150-33	2'-1 1/16"	TOP TRACK
C	1	400T300-33	2'-1 1/16"	BOTTOM TRACK
D	1	600T150-33	1'-9"	SILL

13-3073

Jewish Home for the Aging

1885 Victory Blvd. Reseda, CA

FrameMax, Inc.
13915 Danielson St
Suite 100
Poway, CA 92064
www.frame-max.com



© FrameMax Inc.

CREATED: 11/10/2008

FM-07-109

CREATED BY: AMB

HEIGHT : 9'-4 7/16" POINTS: 0.19 Points.

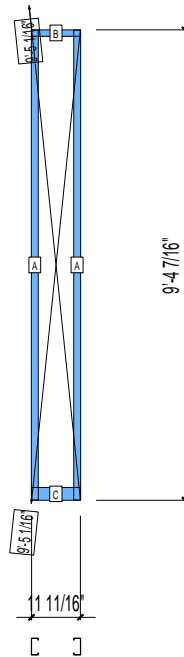
SPACING : 24"

1st STUD: 24"

WEIGHTS :

FRAME : 19 lbs

TOTAL: 19 lbs



PIECES LIST

LABEL	QTY	SIZE	LENGTH	USE
A	2	400S162-33	9'-4 5/16"	STUD
B	1	400T150-33	11 11/16"	TOP TRACK
C	1	400T300-33	11 11/16"	BOTTOM TRACK

13-3074

Jewish Home for the Aging

1885 Victory Blvd. Reseda, CA

FM-07-109

CREATED BY: HH

FrameMax, Inc.
13915 Danielson St
Suite 100
Poway, CA 92064
www.frame-max.com



© FrameMax Inc.

HEIGHT : 9'-4 7/16" POINTS: 0.86 Points.

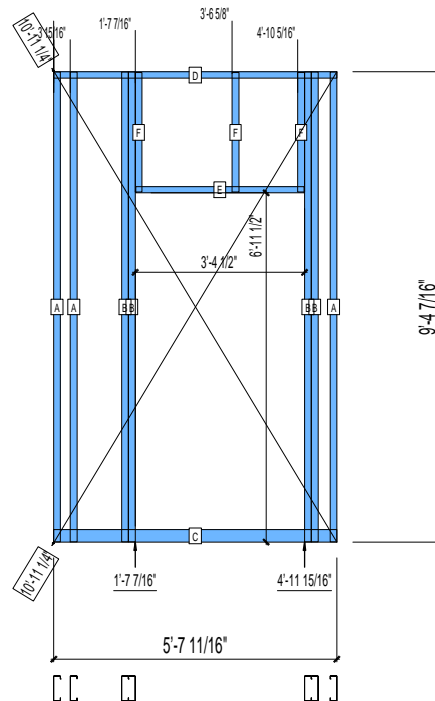
SPACING : 24"

1st STUD: 24"

WEIGHTS :

FRAME : 103 lbs

TOTAL: 103 lbs



PIECES LIST

LABEL	QTY	SIZE	LENGTH	USE
A	3	600S162-33	9'-4 5/16"	STUD
B	4	600S162-33	9'-4 5/16"	KING STUD
C	1	600T300-33	5'-7 11/16"	BOTTOM TRACK
D	1	600T150-33	5'-7 11/16"	TOP TRACK
E	1	600T150-33	3'-4 1/4"	HEAD TRACK
F	3	600S162-33	2'-4 9/16"	CRIPPLE

13-3101

Jewish Home for the Aging

1885 Victory Blvd. Reseda, CA

FM-07-109

CREATED BY: AMB

FrameMax, Inc.
13915 Danielson St
Suite 100
Poway, CA 92064
www.frame-max.com



© FrameMax Inc.

HEIGHT : 9'-4 7/16" POINTS: 0.52 Points.

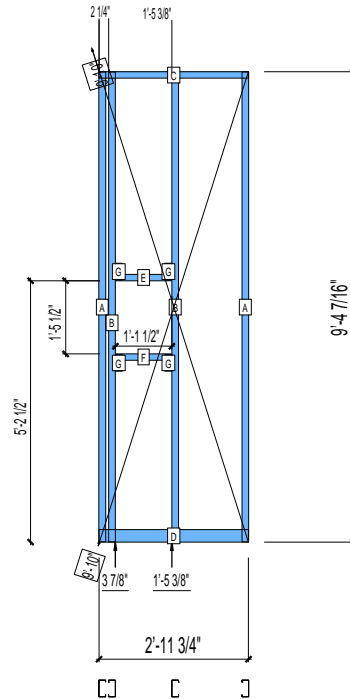
SPACING : 24"

1st STUD: 24"

WEIGHTS :

FRAME : 44 lbs

TOTAL: 44 lbs



PIECES LIST

LABEL	QTY	SIZE	LENGTH	USE
A	2	400S162-33	9'-4 5/16"	STUD
B	2	400S162-33	9'-4 5/16"	KING STUD
C	1	400T150-33	2'-11 3/4"	TOP TRACK
D	1	400T300-33	2'-11 3/4"	BOTTOM TRACK
E	1	400T150-33	1'-1 1/4"	HEAD TRACK
F	1	400T150-33	1'-1 1/4"	SILL
G	4	400S162-33	4"	CRIPPLE

13-3102

Jewish Home for the Aging

1885 Victory Blvd. Reseda, CA

FrameMax, Inc.
13915 Danielson St
Suite 100
Poway, CA 92064
www.frame-max.com



© FrameMax Inc.

CREATED: 11/10/2008

FM-07-109

CREATED BY: AMB

HEIGHT : 9'-4 7/16" POINTS: 0.32 Points.

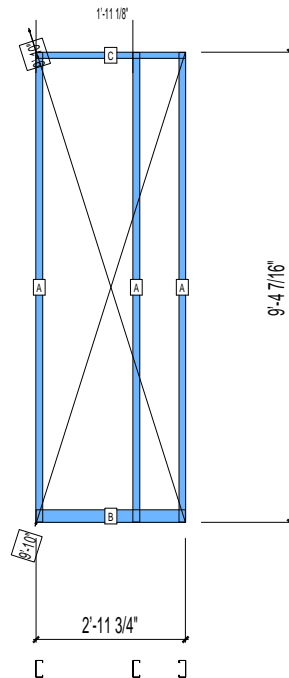
SPACING : 24"

1st STUD: 24"

WEIGHTS :

FRAME : 32 lbs

TOTAL: 32 lbs



PIECES LIST

LABEL	QTY	SIZE	LENGTH	USE
A	3	400S162-33	9'-4 5/16"	STUD
B	1	400T300-33	2'-11 3/4"	BOTTOM TRACK
C	1	400T150-33	2'-11 3/4"	TOP TRACK

13-3103

Jewish Home for the Aging

1885 Victory Blvd. Reseda, CA

FM-07-109

CREATED BY: AMB

FrameMax, Inc.
13915 Danielson St
Suite 100
Poway, CA 92064
www.frame-max.com



© FrameMax Inc.

HEIGHT : 9'-4 7/16" POINTS: 0.42 Points.

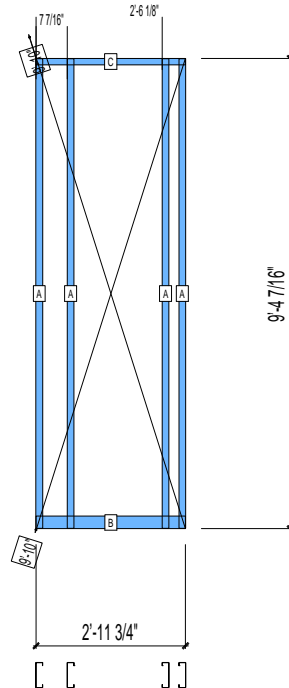
SPACING : 24"

1st STUD: 8 5/16"

WEIGHTS :

FRAME : 51 lbs

TOTAL: 51 lbs



PIECES LIST

LABEL	QTY	SIZE	LENGTH	USE
A	4	600S162-33	9'-4 5/16"	STUD
B	1	600T300-33	2'-11 3/4"	BOTTOM TRACK
C	1	600T150-33	2'-11 3/4"	TOP TRACK

13-3104

Jewish Home for the Aging

1885 Victory Blvd. Reseda, CA

FrameMax, Inc.
13915 Danielson St
Suite 100
Poway, CA 92064
www.framemax.com



© FrameMax Inc.

CREATED: 11/10/2008

FM-07-109

CREATED BY: AMB

HEIGHT : 9'-4 7/16" POINTS: 0.27 Points.

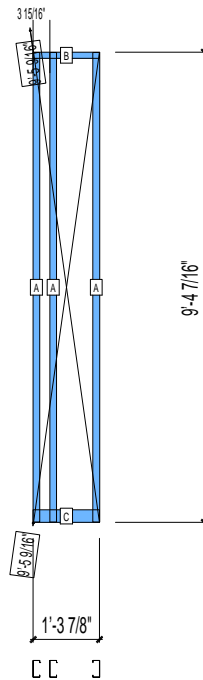
SPACING : 24"

1st STUD: 24"

WEIGHTS :

FRAME : 29 lbs

TOTAL: 29 lbs



PIECES LIST

LABEL	QTY	SIZE	LENGTH	USE
A	3	400S162-33	9'-4 5/16"	STUD
B	1	400T150-33	1'-3 7/8"	TOP TRACK
C	1	400T300-33	1'-3 7/8"	BOTTOM TRACK

13-3105

Jewish Home for the Aging

1885 Victory Blvd. Reseda, CA

FrameMax, Inc.
13915 Danielson St
Suite 100
Poway, CA 92064
www.frame-max.com



© FrameMax Inc.

CREATED: 11/10/2008

FM-07-109

CREATED BY: AMB

HEIGHT : 9'-4 7/16" POINTS: 0.29 Points.

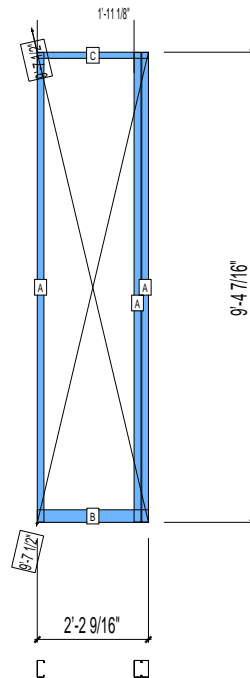
SPACING : 24"

1st STUD: 24"

WEIGHTS :

FRAME : 31 lbs

TOTAL: 31 lbs



PIECES LIST

LABEL	QTY	SIZE	LENGTH	USE
A	3	400S162-33	9'-4 5/16"	STUD
B	1	400T300-33	2'-2 9/16"	BOTTOM TRACK
C	1	400T150-33	2'-2 9/16"	TOP TRACK

13-3106

Jewish Home for the Aging

1885 Victory Blvd. Reseda, CA

FrameMax, Inc.
13915 Danielson St
Suite 100
Poway, CA 92064
www.frame-max.com



© FrameMax Inc.

CREATED: 11/11/2008

FM-07-109

CREATED BY: AMB

HEIGHT : 9'-4 7/16" POINTS: 0.85 Points.

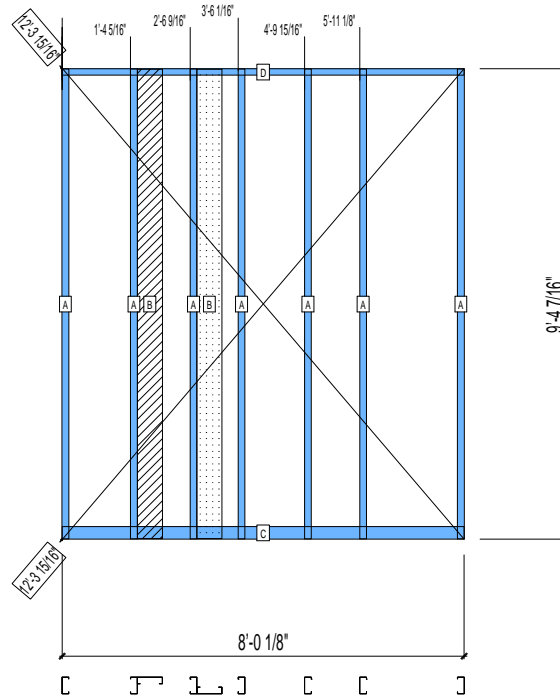
SPACING : 24"

1st STUD: 24"

WEIGHTS :

FRAME : 99 lbs

TOTAL: 99 lbs



PIECES LIST

LABEL	QTY	SIZE	LENGTH	USE
A	7	400S162-33	9'-4 5/16"	STUD
B	2	600S162-33	9'-4 3/16"	BACKER-U
C	1	400T300-33	8'-0 1/8"	BOTTOM TRACK
D	1	400T150-33	8'-0 1/8"	TOP TRACK

13-3107

Jewish Home for the Aging

1885 Victory Blvd. Reseda, CA

FM-07-109

CREATED BY: HH

FrameMax, Inc.
13915 Danielson St
Suite 100
Poway, CA 92064
www.frame-max.com



© FrameMax Inc.

HEIGHT : 9'-4 7/16" POINTS: 0.74 Points.

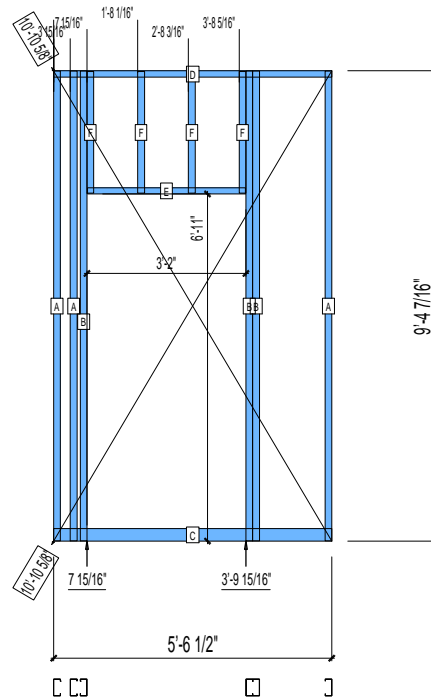
SPACING : 24"

1st STUD: 24"

WEIGHTS :

FRAME : 75 lbs

TOTAL: 75 lbs



PIECES LIST

LABEL	QTY	SIZE	LENGTH	USE
A	3	400S162-33	9'-4 5/16"	STUD
B	3	400S162-33	9'-4 5/16"	KING STUD
C	1	400T300-33	5'-6 1/2"	BOTTOM TRACK
D	1	400T150-33	5'-6 1/2"	TOP TRACK
E	1	400T150-33	3'-1 3/4"	HEAD TRACK
F	4	400S162-33	2'-5 1/16"	CRIPPLE

13-3108

Jewish Home for the Aging

1885 Victory Blvd. Reseda, CA

FM-07-109

CREATED BY: HH

FrameMax, Inc.
13915 Danielson St
Suite 100
Poway, CA 92064
www.frame-max.com



© FrameMax Inc.

HEIGHT : 9'-4 7/16" POINTS: 0.79 Points.

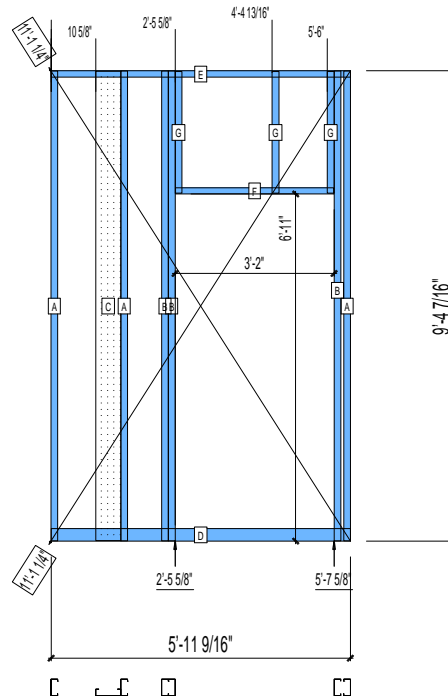
SPACING : 24"

1st STUD: 24"

WEIGHTS :

FRAME : 85 lbs

TOTAL: 85 lbs



PIECES LIST

LABEL	QTY	SIZE	LENGTH	USE
A	3	400S162-33	9'-4 5/16"	STUD
B	3	400S162-33	9'-4 5/16"	KING STUD
C	1	600S162-33	9'-4 3/16"	BACKER-U
D	1	400T300-33	5'-11 9/16"	BOTTOM TRACK
E	1	400T150-33	5'-11 9/16"	TOP TRACK
F	1	400T150-33	3'-1 3/4"	HEAD TRACK
G	3	400S162-33	2'-5 1/16"	CRIPPLE

13-3109

Jewish Home for the Aging

1885 Victory Blvd. Reseda, CA

FrameMax, Inc.
13915 Danielson St
Suite 100
Poway, CA 92064
www.frame-max.com



© FrameMax Inc.

CREATED: 11/10/2008

FM-07-109

CREATED BY: AMB

HEIGHT : 9'-4 7/16" POINTS: 0.42 Points.

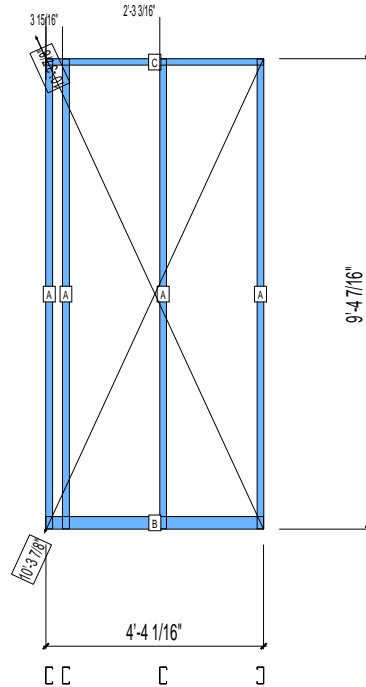
SPACING : 24"

1st STUD: 24"

WEIGHTS :

FRAME : 44 lbs

TOTAL: 44 lbs



PIECES LIST

LABEL	QTY	SIZE	LENGTH	USE
A	4	400S162-33	9'-4 5/16"	STUD
B	1	400T300-33	4'-4 1/16"	BOTTOM TRACK
C	1	400T150-33	4'-4 1/16"	TOP TRACK

13-3110

Jewish Home for the Aging

1885 Victory Blvd. Reseda, CA

FrameMax, Inc.
13915 Danielson St
Suite 100
Poway, CA 92064
www.frame-max.com



© FrameMax Inc.

CREATED: 11/10/2008

FM-07-109

CREATED BY: AMB

HEIGHT : 9'-4 7/16" POINTS: 0.19 Points.

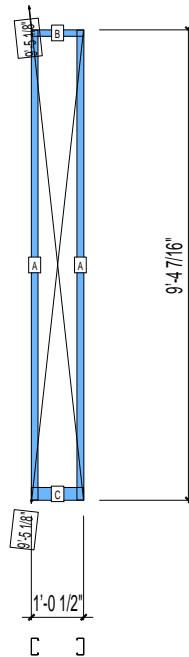
SPACING : 24"

1st STUD: 24"

WEIGHTS :

FRAME : 19 lbs

TOTAL: 19 lbs



PIECES LIST

LABEL	QTY	SIZE	LENGTH	USE
A	2	400S162-33	9'-4 5/16"	STUD
B	1	400T150-33	1'-0 1/2"	TOP TRACK
C	1	400T300-33	1'-0 1/2"	BOTTOM TRACK

13-3111

Jewish Home for the Aging

1885 Victory Blvd. Reseda, CA

FrameMax, Inc.
13915 Danielson St
Suite 100
Poway, CA 92064
www.frame-max.com



© FrameMax Inc.

CREATED: 11/19/2008

FM-07-109

CREATED BY: HH

HEIGHT : 9'-4 7/16" POINTS: 0.61 Points.

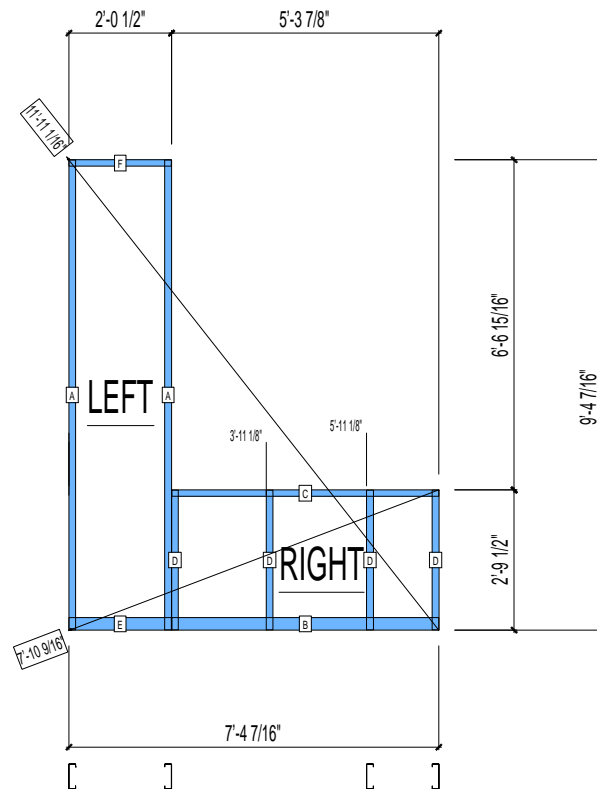
SPACING : 24"

1st STUD: 24"

WEIGHTS :

FRAME : 53 lbs

TOTAL: 53 lbs



PIECES LIST

LABEL	QTY	SIZE	LENGTH	USE
A	2	600S162-33	9'-4 5/16"	STUD
B	1	600T300-33	5'-3 13/16"	BOTTOM TRACK
C	1	600T150-33	5'-3 13/16"	TOP TRACK
D	4	600S162-33	2'-9 3/8"	STUD
E	1	600T300-33	2'-0 7/16"	BOTTOM TRACK
F	1	600T150-33	2'-0 7/16"	TOP TRACK

13-3112

Jewish Home for the Aging

1885 Victory Blvd. Reseda, CA

FrameMax, Inc.
13915 Danielson St
Suite 100
Poway, CA 92064
www.frame-max.com



© FrameMax Inc.

CREATED: 11/14/2008

FM-07-109

CREATED BY: AMB

HEIGHT : 9'-4 7/16" POINTS: 0.22 Points.

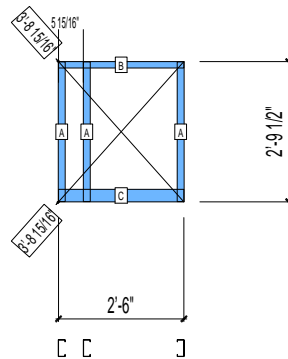
SPACING : 24"

1st STUD: 24"

WEIGHTS :

FRAME : 13 lbs

TOTAL: 13 lbs



PIECES LIST

LABEL	QTY	SIZE	LENGTH	USE
A	3	400S162-33	2'-9 3/8"	STUD
B	1	400T150-33	2'-6"	TOP TRACK
C	1	400T300-33	2'-6"	BOTTOM TRACK

13-3113

Jewish Home for the Aging

1885 Victory Blvd. Reseda, CA

FrameMax, Inc.
13915 Danielson St
Suite 100
Poway, CA 92064
www.frame-max.com



© FrameMax Inc.

CREATED: 11/10/2008

FM-07-109

CREATED BY: AMB

HEIGHT : 9'-4 7/16" POINTS: 0.30 Points.

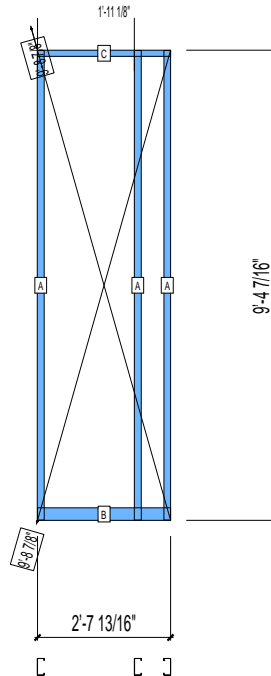
SPACING : 24"

1st STUD: 24"

WEIGHTS :

FRAME : 31 lbs

TOTAL: 31 lbs



PIECES LIST

LABEL	QTY	SIZE	LENGTH	USE
A	3	400S162-33	9'-4 5/16"	STUD
B	1	400T300-33	2'-7 13/16"	BOTTOM TRACK
C	1	400T150-33	2'-7 13/16"	TOP TRACK

13-3114

Jewish Home for the Aging

1885 Victory Blvd. Reseda, CA

FM-07-109

CREATED BY: AMB

FrameMax, Inc.
13915 Danielson St
Suite 100
Poway, CA 92064
www.framemax.com



© FrameMax Inc.

HEIGHT : 9'-4 7/16" POINTS: 0.42 Points.

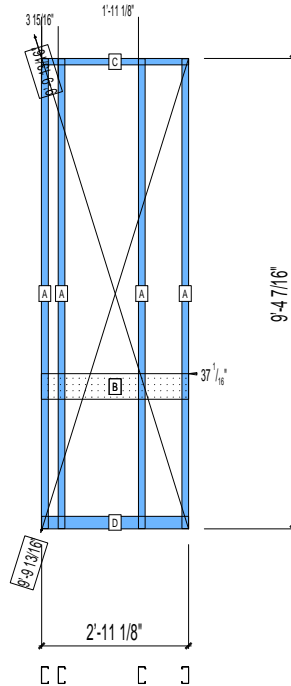
SPACING : 24"

1st STUD: 24"

WEIGHTS :

FRAME : 46 lbs

TOTAL: 46 lbs



PIECES LIST

LABEL	QTY	SIZE	LENGTH	USE
A	4	400S162-33	9'-4 5/16"	STUD
B	1	600T150-54	2'-11 3/16"	GRAB BAR
C	1	400T150-33	2'-11 1/8"	TOP TRACK
D	1	400T300-33	2'-11 1/8"	BOTTOM TRACK

13-3115

Jewish Home for the Aging

1885 Victory Blvd. Reseda, CA

FrameMax, Inc.
13915 Danielson St
Suite 100
Poway, CA 92064
www.frame-max.com



© FrameMax Inc.

CREATED: 11/10/2008

FM-07-109

CREATED BY: HH

HEIGHT : 9'-4 7/16" POINTS: 0.38 Points.

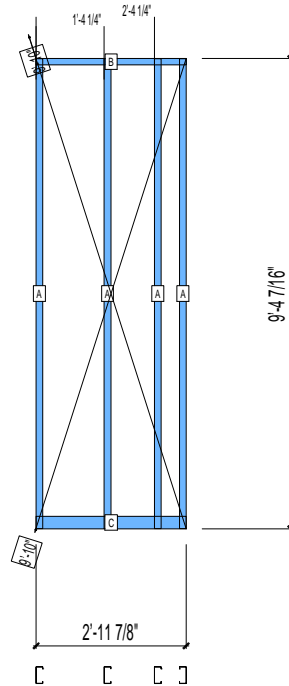
SPACING : 24"

1st STUD: 24"

WEIGHTS :

FRAME : 41 lbs

TOTAL: 41 lbs



PIECES LIST

LABEL	QTY	SIZE	LENGTH	USE
A	4	400S162-33	9'-4 5/16"	STUD
B	1	400T150-33	2'-11 7/8"	TOP TRACK
C	1	400T300-33	2'-11 7/8"	BOTTOM TRACK

13-3116

Jewish Home for the Aging

1885 Victory Blvd. Reseda, CA

FrameMax, Inc.
13915 Danielson St
Suite 100
Poway, CA 92064
www.frame-max.com



© FrameMax Inc.

CREATED: 12/02/2008

FM-07-109

CREATED BY: HH

HEIGHT : 9'-4 7/16" POINTS: 0.34 Points.

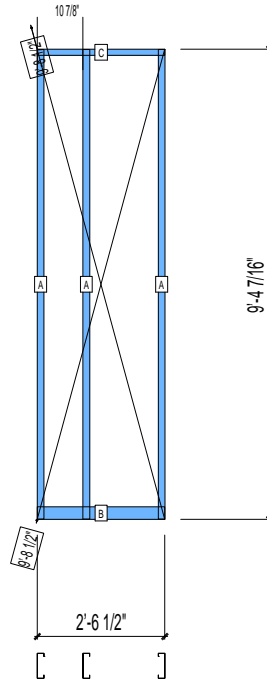
SPACING : 24"

1st STUD: 16"

WEIGHTS :

FRAME : 39 lbs

TOTAL: 39 lbs



PIECES LIST

LABEL	QTY	SIZE	LENGTH	USE
A	3	600S162-33	9'-4 5/16"	STUD
B	1	600T300-33	2'-6 1/2"	BOTTOM TRACK
C	1	600T150-33	2'-6 1/2"	TOP TRACK

13-3117

Jewish Home for the Aging

1885 Victory Blvd. Reseda, CA

FrameMax, Inc.
13915 Danielson St
Suite 100
Poway, CA 92064
www.frame-max.com



© FrameMax Inc.

CREATED: 12/08/2008

FM-07-109

CREATED BY: HH

HEIGHT : 9'-4 7/16" POINTS: 0.41 Points.

ANCHORS

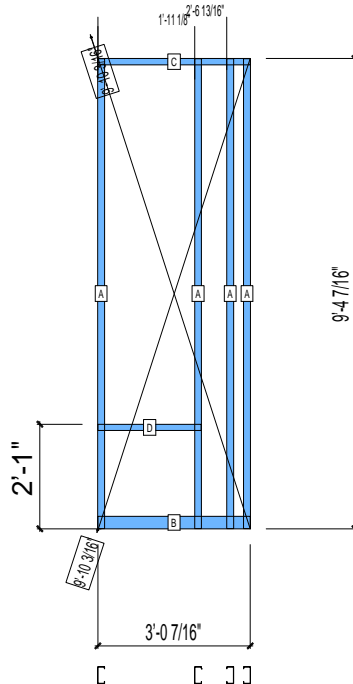
SPACING : 24"

1st STUD: 24"

WEIGHTS :

FRAME : 43 lbs

TOTAL: 43 lbs



PIECES LIST

LABEL	QTY	SIZE	LENGTH	USE
A	4	400S162-33	9'-4 5/16"	STUD
B	1	400T300-33	3'-0 7/16"	BOTTOM TRACK
C	1	400T150-33	3'-0 7/16"	TOP TRACK
D	1	600T150-33	2'-0 11/16"	SILL

13-3118

Jewish Home for the Aging

1885 Victory Blvd. Reseda, CA

FM-07-109

CREATED BY: HH

FrameMax, Inc.
13915 Danielson St
Suite 100
Poway, CA 92064
www.frame-max.com



© FrameMax Inc.

HEIGHT : 9'-4 7/16" POINTS: 0.19 Points.

ANCHORS

SPACING : 24"

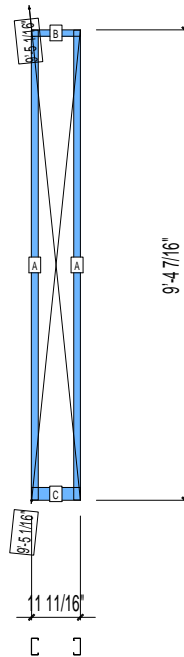
1st STUD: 16"

INSULATION: NO

WEIGHTS :

FRAME : 19 lbs

TOTAL: 19 lbs



PIECES LIST

LABEL	QTY	SIZE	LENGTH	USE
A	2	400S162-33	9'-4 5/16"	STUD
B	1	400T150-33	11 11/16"	TOP TRACK
C	1	400T300-33	11 11/16"	BOTTOM TRACK

13-3119

Jewish Home for the Aging

1885 Victory Blvd. Reseda, CA

FM-07-109

CREATED BY: HH

FrameMax, Inc.
13915 Danielson St
Suite 100
Poway, CA 92064
www.frame-max.com

FRAME MAX

© FrameMax Inc.

HEIGHT : 9'-4 7/16" POINTS: 0.78 Points.

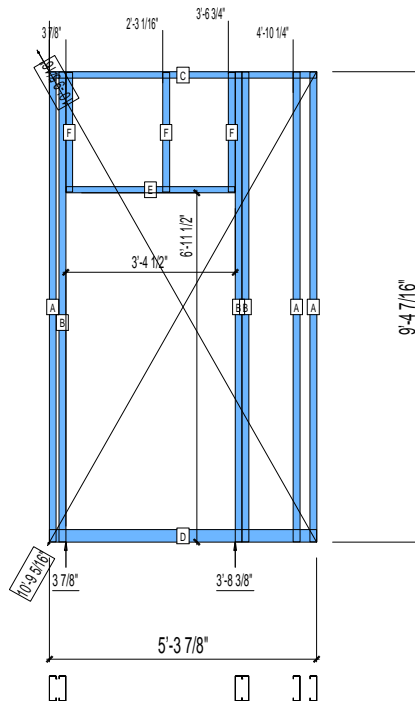
SPACING : 24"

1st STUD: 24"

WEIGHTS :

FRAME : 91 lbs

TOTAL: 91 lbs



PIECES LIST

LABEL	QTY	SIZE	LENGTH	USE
A	3	600S162-33	9'-4 5/16"	STUD
B	3	600S162-33	9'-4 5/16"	KING STUD
C	1	600T150-33	5'-3 7/8"	TOP TRACK
D	1	600T300-33	5'-3 7/8"	BOTTOM TRACK
E	1	600T150-33	3'-4 1/4"	HEAD TRACK
F	3	600S162-33	2'-4 9/16"	CRIPPLE

13-3120

Jewish Home for the Aging

1885 Victory Blvd. Reseda, CA

FrameMax, Inc.
13915 Danielson St
Suite 100
Poway, CA 92064
www.frame-max.com



© FrameMax Inc.

CREATED: 11/10/2008

FM-07-109

CREATED BY: AMB

HEIGHT : 9'-4 7/16" POINTS: 0.19 Points.

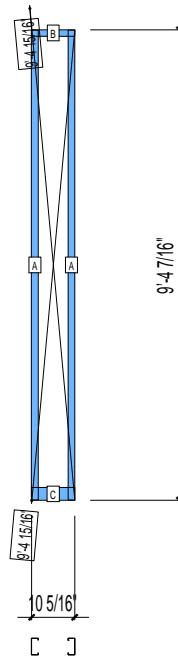
SPACING : 24"

1st STUD: 16"

WEIGHTS :

FRAME : 19 lbs

TOTAL: 19 lbs



PIECES LIST

LABEL	QTY	SIZE	LENGTH	USE
A	2	400S162-33	9'-4 5/16"	STUD
B	1	400T150-33	10 5/16"	TOP TRACK
C	1	400T300-33	10 5/16"	BOTTOM TRACK

13-3151

Jewish Home for the Aging

1885 Victory Blvd. Reseda, CA

FrameMax, Inc.
13915 Danielson St
Suite 100
Poway, CA 92064
www.frame-max.com



© FrameMax Inc.

CREATED: 11/14/2008

FM-07-109

CREATED BY: AMB

HEIGHT : 9'-4 7/16" POINTS: 1.00 Points.

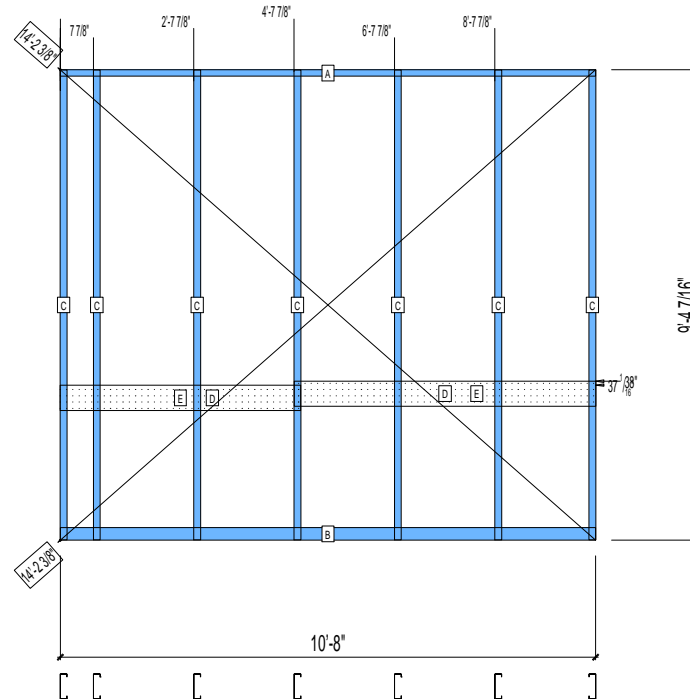
SPACING : 24"

1st STUD: 8 3/4"

WEIGHTS :

FRAME : 119 lbs

TOTAL: 119 lbs



PIECES LIST

LABEL	QTY	SIZE	LENGTH	USE
A	1	600T150-33	10'-8"	TOP TRACK
B	1	600T300-33	10'-8"	BOTTOM TRACK
C	7	600S162-33	9'-4 5/16"	STUD
D	1	600D-54	6'-0 1/16"	VANITY BACKING
E	1	600T150-54	4'-9 1/2"	GRAB BAR

13-3152

Jewish Home for the Aging

1885 Victory Blvd. Reseda, CA

FrameMax, Inc.
13915 Danielson St
Suite 100
Poway, CA 92064
www.frame-max.com



© FrameMax Inc.

CREATED: 12/08/2008

FM-07-109

CREATED BY: HH

HEIGHT : 9'-4 7/16" POINTS: 0.22 Points.

ANCHORS

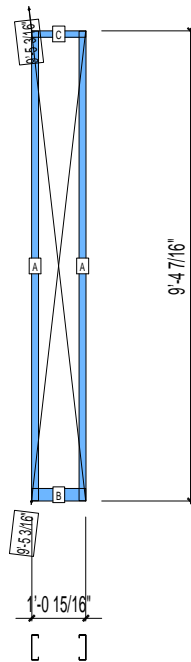
SPACING : 5000"

1st STUD: 5000"

WEIGHTS :

FRAME : 25 lbs

TOTAL: 25 lbs



PIECES LIST

LABEL	QTY	SIZE	LENGTH	USE
A	2	600S162-33	9'-4 5/16"	STUD
B	1	600T300-33	1'-0 15/16"	BOTTOM TRACK
C	1	600T150-33	1'-0 15/16"	TOP TRACK

13-3153

Jewish Home for the Aging

1885 Victory Blvd. Reseda, CA

FrameMax, Inc.
13915 Danielson St
Suite 100
Poway, CA 92064
www.frame-max.com



© FrameMax Inc.

CREATED: 11/11/2008

FM-07-109

CREATED BY: HH

HEIGHT : 9'-4 7/16" POINTS: 0.41 Points.

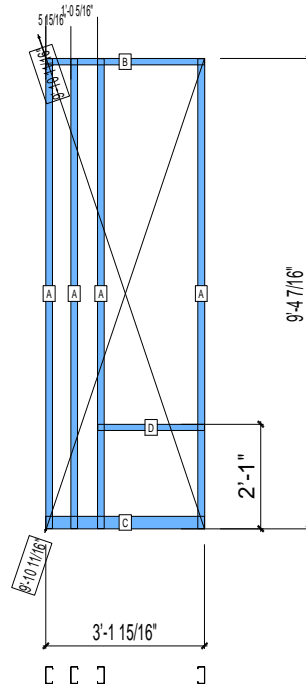
SPACING : 5000"

1st STUD: 5000"

WEIGHTS :

FRAME : 43 lbs

TOTAL: 43 lbs



PIECES LIST

LABEL	QTY	SIZE	LENGTH	USE
A	4	400S162-33	9'-4 5/16"	STUD
B	1	400T150-33	3'-1 15/16"	TOP TRACK
C	1	400T300-33	3'-1 15/16"	BOTTOM TRACK
D	1	400T150-33	2'-1 1/2"	SILL

13-3154

Jewish Home for the Aging

1885 Victory Blvd. Reseda, CA

FM-07-109

CREATED BY: AMB

FrameMax, Inc.
13915 Danielson St
Suite 100
Poway, CA 92064
www.frame-max.com



© FrameMax Inc.

HEIGHT : 9'-4 7/16" POINTS: 0.56 Points.

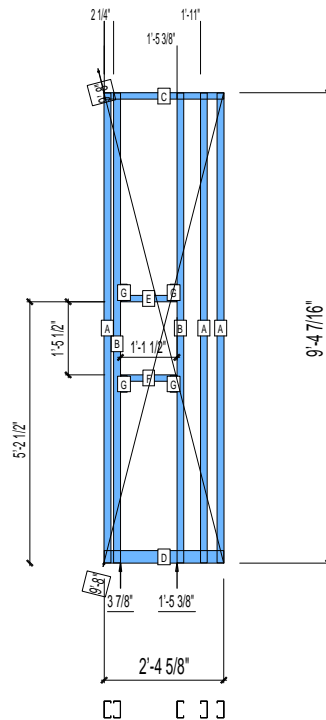
SPACING : 24"

1st STUD: 24"

WEIGHTS :

FRAME : 51 lbs

TOTAL: 51 lbs



PIECES LIST

LABEL	QTY	SIZE	LENGTH	USE
A	3	400S162-33	9'-4 5/16"	STUD
B	2	400S162-33	9'-4 5/16"	KING STUD
C	1	400T150-33	2'-4 5/8"	TOP TRACK
D	1	400T300-33	2'-4 5/8"	BOTTOM TRACK
E	1	400T150-33	1'-1 1/4"	HEAD TRACK
F	1	400T150-33	1'-1 1/4"	SILL
G	4	400S162-33	4"	CRIPPLE

13-3155

Jewish Home for the Aging

1885 Victory Blvd. Reseda, CA

FrameMax, Inc.
13915 Danielson St
Suite 100
Poway, CA 92064
www.frame-max.com



© FrameMax Inc.

CREATED: 11/11/2008

FM-07-109

CREATED BY: HH

HEIGHT : 9'-4 7/16" POINTS: 0.31 Points.

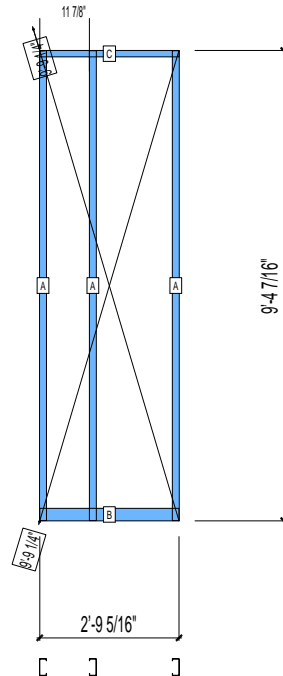
SPACING : 5000"

1st STUD: 16"

WEIGHTS :

FRAME : 32 lbs

TOTAL: 32 lbs



PIECES LIST

LABEL	QTY	SIZE	LENGTH	USE
A	3	400S162-33	9'-4 5/16"	STUD
B	1	400T300-33	2'-9 5/16"	BOTTOM TRACK
C	1	400T150-33	2'-9 5/16"	TOP TRACK

13-3156

Jewish Home for the Aging

1885 Victory Blvd. Reseda, CA

FrameMax, Inc.
13915 Danielson St
Suite 100
Poway, CA 92064
www.frame-max.com



© FrameMax Inc.

CREATED: 11/11/2008

FM-07-109

CREATED BY: AMB

HEIGHT : 9'-4 7/16" POINTS: 0.35 Points.

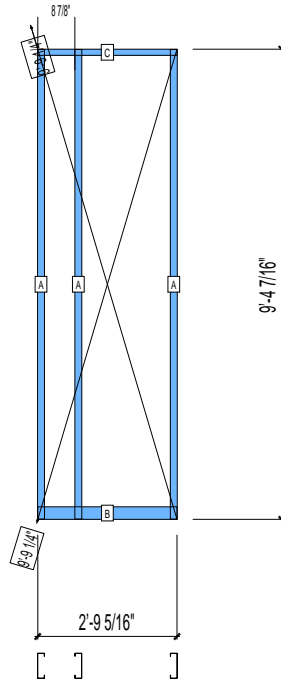
SPACING : 5000"

1st STUD: 5000"

WEIGHTS :

FRAME : 40 lbs

TOTAL: 40 lbs



PIECES LIST

LABEL	QTY	SIZE	LENGTH	USE
A	3	600S162-33	9'-4 5/16"	STUD
B	1	600T300-33	2'-9 5/16"	BOTTOM TRACK
C	1	600T150-33	2'-9 5/16"	TOP TRACK

13-3157

Jewish Home for the Aging

1885 Victory Blvd. Reseda, CA

FrameMax, Inc.
13915 Danielson St
Suite 100
Poway, CA 92064
www.frame-max.com



© FrameMax Inc.

CREATED: 11/10/2008

FM-07-109

CREATED BY: AMB

HEIGHT : 9'-4 7/16" POINTS: 0.38 Points.

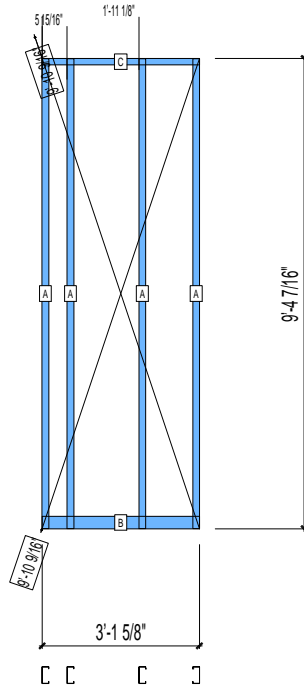
SPACING : 24"

1st STUD: 24"

WEIGHTS :

FRAME : 41 lbs

TOTAL: 41 lbs



PIECES LIST

LABEL	QTY	SIZE	LENGTH	USE
A	4	400S162-33	9'-4 5/16"	STUD
B	1	400T300-33	3'-1 5/8"	BOTTOM TRACK
C	1	400T150-33	3'-1 5/8"	TOP TRACK

13-3158

Jewish Home for the Aging

1885 Victory Blvd. Reseda, CA

FrameMax, Inc.
13915 Danielson St
Suite 100
Poway, CA 92064
www.frame-max.com



© FrameMax Inc.

CREATED: 11/10/2008

FM-07-109

CREATED BY: AMB

HEIGHT : 9'-4 7/16" POINTS: 0.27 Points.

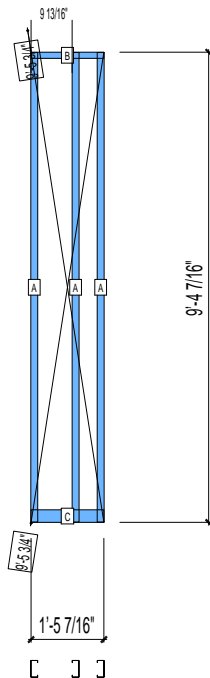
SPACING : 24"

1st STUD: 24"

WEIGHTS :

FRAME : 29 lbs

TOTAL: 29 lbs



PIECES LIST

LABEL	QTY	SIZE	LENGTH	USE
A	3	400S162-33	9'-4 5/16"	STUD
B	1	400T150-33	1'-5 7/16"	TOP TRACK
C	1	400T300-33	1'-5 7/16"	BOTTOM TRACK

13-3159

Jewish Home for the Aging

1885 Victory Blvd. Reseda, CA

FrameMax, Inc.
13915 Danielson St
Suite 100
Poway, CA 92064
www.frame-max.com



© FrameMax Inc.

CREATED: 11/10/2008

FM-07-109

CREATED BY: HH

HEIGHT : 9'-4 7/16" POINTS: 0.34 Points.

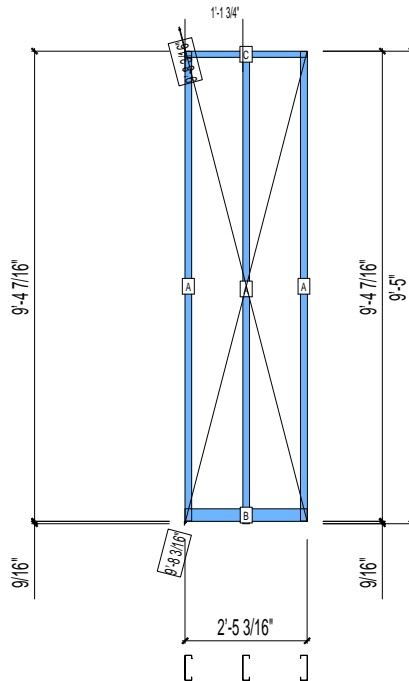
SPACING : 24"

1st STUD: 24"

WEIGHTS :

FRAME : 39 lbs

TOTAL: 39 lbs



PIECES LIST

LABEL	QTY	SIZE	LENGTH	USE
A	3	600S162-33	9'-4 5/16"	STUD
B	1	600T300-33	2'-5 3/16"	BOTTOM TRACK
C	1	600T150-33	2'-5 3/16"	TOP TRACK

13-3160

Jewish Home for the Aging

1885 Victory Blvd. Reseda, CA

FM-07-109

CREATED BY: AMB

FrameMax, Inc.
13915 Danielson St
Suite 100
Poway, CA 92064
www.frame-max.com



© FrameMax Inc.

HEIGHT : 9'-4 7/16" POINTS: 1.25 Points.

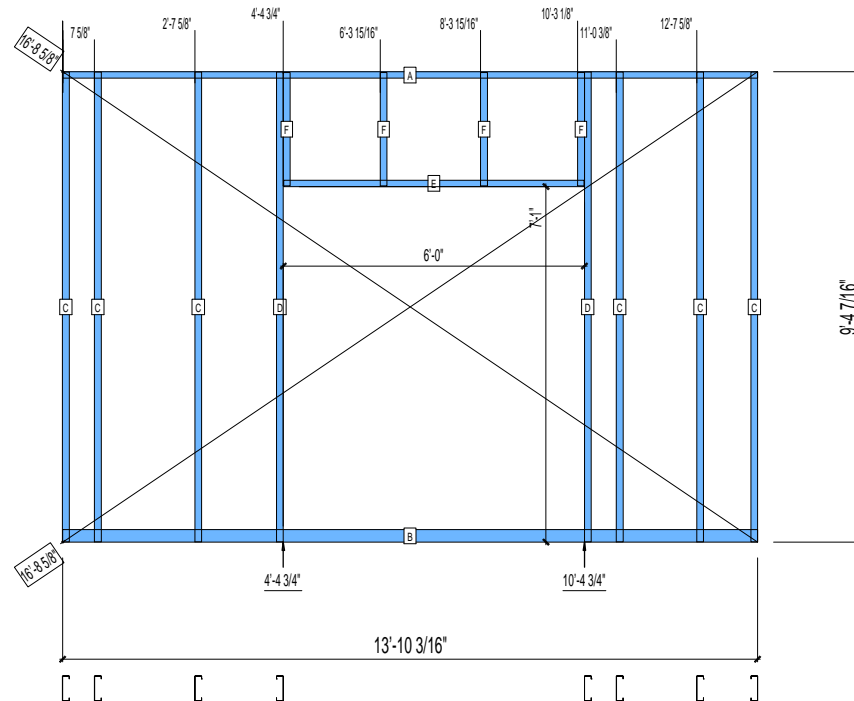
SPACING : 24"

1st STUD: 8 1/2"

WEIGHTS :

FRAME : 139 lbs

TOTAL: 139 lbs



PIECES LIST

LABEL	QTY	SIZE	LENGTH	USE
A	1	600T150-33	13'-10 3/16"	TOP TRACK
B	1	600T300-33	13'-10 3/16"	BOTTOM TRACK
C	6	600S162-33	9'-4 5/16"	STUD
D	2	600S162-33	9'-4 5/16"	KING STUD
E	1	600T150-33	5'-11 3/4"	HEAD TRACK
F	4	600S162-33	2'-3 1/16"	CRIPPLE

13-3161

Jewish Home for the Aging

1885 Victory Blvd. Reseda, CA

FrameMax, Inc.
13915 Danielson St
Suite 100
Poway, CA 92064
www.frame-max.com



© FrameMax Inc.

CREATED: 11/10/2008

FM-07-109

CREATED BY: AMB

HEIGHT : 9'-4 7/16" POINTS: 0.50 Points.

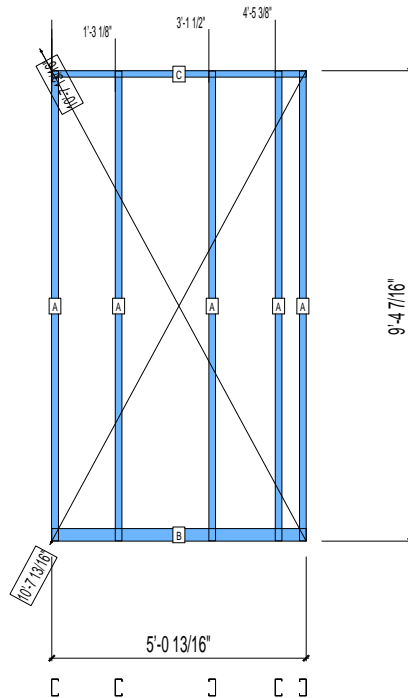
SPACING : 24"

1st STUD: 16"

WEIGHTS :

FRAME : 54 lbs

TOTAL: 54 lbs



PIECES LIST

LABEL	QTY	SIZE	LENGTH	USE
A	5	400S162-33	9'-4 5/16"	STUD
B	1	400T300-33	5'-0 13/16"	BOTTOM TRACK
C	1	400T150-33	5'-0 13/16"	TOP TRACK

13-3162

Jewish Home for the Aging

1885 Victory Blvd. Reseda, CA

FrameMax, Inc.
13915 Danielson St
Suite 100
Poway, CA 92064
www.frame-max.com



© FrameMax Inc.

CREATED: 11/10/2008

FM-07-109

CREATED BY: HH

HEIGHT : 9'-4 7/16" POINTS: 0.83 Points.

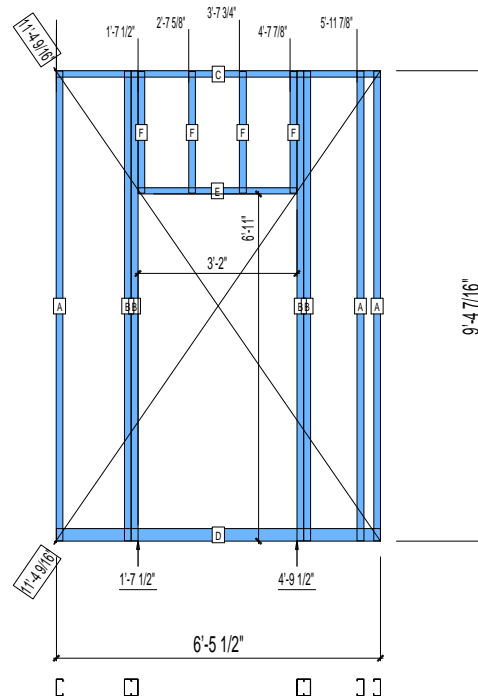
SPACING : 24"

1st STUD: 24"

WEIGHTS :

FRAME : 86 lbs

TOTAL: 86 lbs



PIECES LIST

LABEL	QTY	SIZE	LENGTH	USE
A	3	400S162-33	9'-4 5/16"	STUD
B	4	400S162-33	9'-4 5/16"	KING STUD
C	1	400T150-33	6'-5 1/2"	TOP TRACK
D	1	400T300-33	6'-5 1/2"	BOTTOM TRACK
E	1	400T150-33	3'-1 3/4"	HEAD TRACK
F	4	400S162-33	2'-5 1/16"	CRIPPLE

13-3163

Jewish Home for the Aging

1885 Victory Blvd. Reseda, CA

FrameMax, Inc.
13915 Danielson St
Suite 100
Poway, CA 92064
www.frame-max.com



© FrameMax Inc.

CREATED: 11/10/2008

FM-07-109

CREATED BY: AMB

HEIGHT : 9'-4 7/16" POINTS: 0.33 Points.

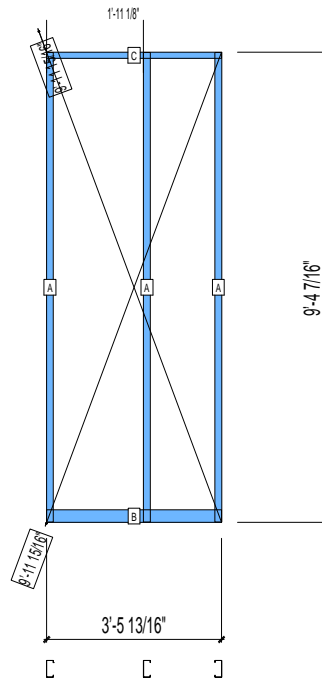
SPACING : 24"

1st STUD: 24"

WEIGHTS :

FRAME : 33 lbs

TOTAL: 33 lbs



PIECES LIST

LABEL	QTY	SIZE	LENGTH	USE
A	3	400S162-33	9'-4 5/16"	STUD
B	1	400T300-33	3'-5 13/16"	BOTTOM TRACK
C	1	400T150-33	3'-5 13/16"	TOP TRACK

13-3164

Jewish Home for the Aging

1885 Victory Blvd. Reseda, CA

FrameMax, Inc.
13915 Danielson St
Suite 100
Poway, CA 92064
www.frame-max.com



© FrameMax Inc.

CREATED: 11/10/2008

FM-07-109

CREATED BY: AMB

HEIGHT : 9'-4 7/16" POINTS: 0.30 Points.

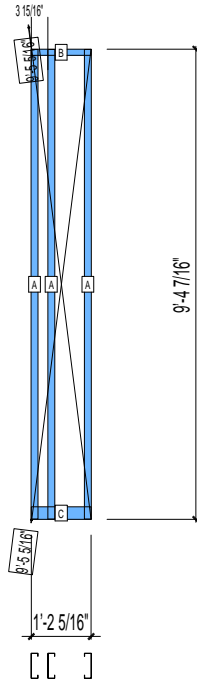
SPACING : 24"

1st STUD: 24"

WEIGHTS :

FRAME : 36 lbs

TOTAL: 36 lbs



PIECES LIST

LABEL	QTY	SIZE	LENGTH	USE
A	3	600S162-33	9'-4 5/16"	STUD
B	1	600T150-33	1'-2 5/16"	TOP TRACK
C	1	600T300-33	1'-2 5/16"	BOTTOM TRACK

13-3165

Jewish Home for the Aging

1885 Victory Blvd. Reseda, CA

FrameMax, Inc.
13915 Danielson St
Suite 100
Poway, CA 92064
www.framemax.com



© FrameMax Inc.

CREATED: 11/10/2008

FM-07-109

CREATED BY: AMB

HEIGHT : 9'-4 7/16" POINTS: 0.19 Points.

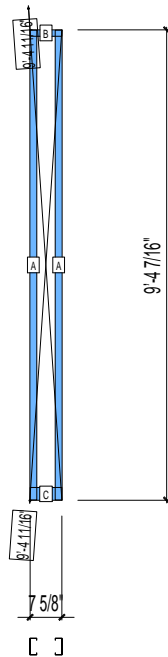
SPACING : 24"

1st STUD: 24"

WEIGHTS :

FRAME : 19 lbs

TOTAL: 19 lbs



PIECES LIST

LABEL	QTY	SIZE	LENGTH	USE
A	2	400S162-33	9'-4 5/16"	STUD
B	1	400T150-33	7 5/8"	TOP TRACK
C	1	400T300-33	7 5/8"	BOTTOM TRACK

13-3166

Jewish Home for the Aging

1885 Victory Blvd. Reseda, CA

FM-07-109

CREATED BY: AMB

FrameMax, Inc.
13915 Danielson St
Suite 100
Poway, CA 92064
www.framemax.com



© FrameMax Inc.

HEIGHT : 9'-4 7/16" POINTS: 0.95 Points.

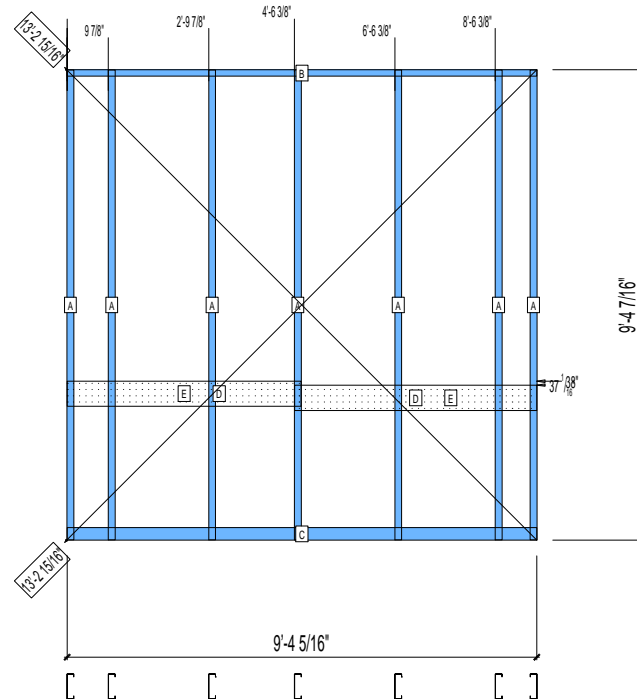
SPACING : 24"

1st STUD: 7 3/16"

WEIGHTS :

FRAME : 114 lbs

TOTAL: 114 lbs



PIECES LIST

LABEL	QTY	SIZE	LENGTH	USE
A	7	600S162-33	9'-4 5/16"	STUD
B	1	600T150-33	9'-4 5/16"	TOP TRACK
C	1	600T300-33	9'-4 5/16"	BOTTOM TRACK
D	1	600T150-54	4'-9 7/8"	GRAB BAR
E	1	600D-54	4'-7 7/8"	VANITY BACKING

13-3167

Jewish Home for the Aging

1885 Victory Blvd. Reseda, CA

FrameMax, Inc.
13915 Danielson St
Suite 100
Poway, CA 92064
www.frame-max.com



© FrameMax Inc.

CREATED: 11/11/2008

FM-07-109

CREATED BY: HH

HEIGHT : 9'-4 7/16" POINTS: 0.86 Points.

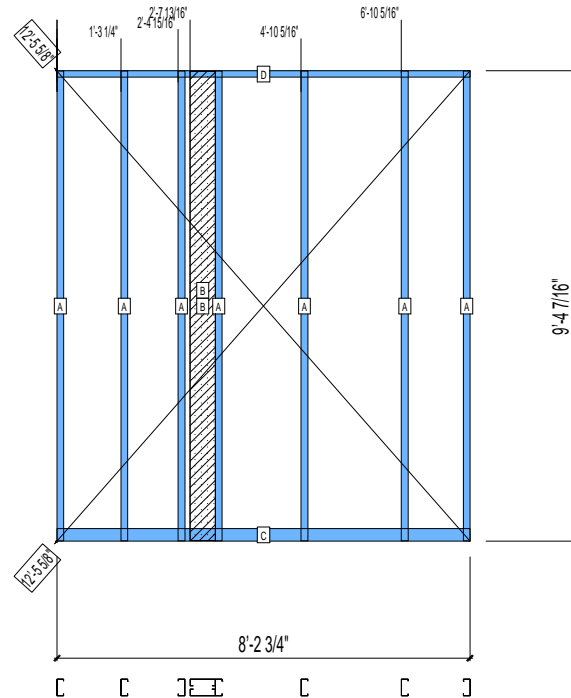
SPACING : 5000"

1st STUD: 5000"

WEIGHTS :

FRAME : 99 lbs

TOTAL: 99 lbs



PIECES LIST

LABEL	QTY	SIZE	LENGTH	USE
A	7	400S162-33	9'-4 5/16"	STUD
B	2	600S162-33	9'-4 3/16"	BACKER-U
C	1	400T300-33	8'-2 3/4"	BOTTOM TRACK
D	1	400T150-33	8'-2 3/4"	TOP TRACK

13-3168

Jewish Home for the Aging

1885 Victory Blvd. Reseda, CA

FM-07-109

CREATED BY: AMB

FrameMax, Inc.
13915 Danielson St
Suite 100
Poway, CA 92064
www.frame-max.com



© FrameMax Inc.

HEIGHT : 9'-4 7/16" POINTS: 0.50 Points.

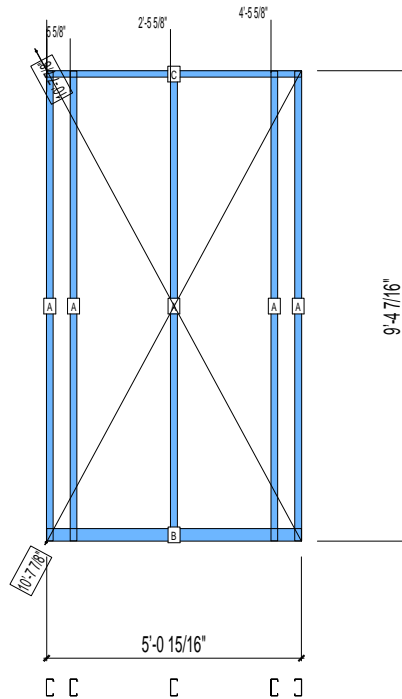
SPACING : 24"

1st STUD: 6 1/2"

WEIGHTS :

FRAME : 54 lbs

TOTAL: 54 lbs



PIECES LIST

LABEL	QTY	SIZE	LENGTH	USE
A	5	400S162-33	9'-4 5/16"	STUD
B	1	400T300-33	5'-0 15/16"	BOTTOM TRACK
C	1	400T150-33	5'-0 15/16"	TOP TRACK

13-3169

Jewish Home for the Aging

1885 Victory Blvd. Reseda, CA

FM-07-109

CREATED BY: HH

FrameMax, Inc.
13915 Danielson St
Suite 100
Poway, CA 92064
www.frame-max.com



© FrameMax Inc.

HEIGHT : 9'-4 7/16" POINTS: 0.73 Points.

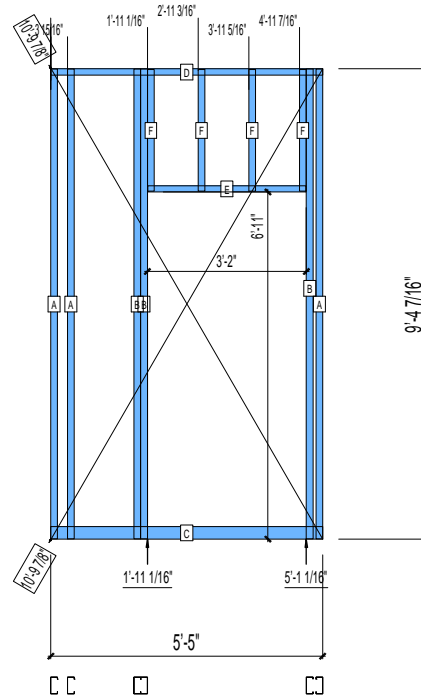
SPACING : 24"

1st STUD: 24"

WEIGHTS :

FRAME : 75 lbs

TOTAL: 75 lbs



PIECES LIST

LABEL	QTY	SIZE	LENGTH	USE
A	3	400S162-33	9'-4 5/16"	STUD
B	3	400S162-33	9'-4 5/16"	KING STUD
C	1	400T300-33	5'-5"	BOTTOM TRACK
D	1	400T150-33	5'-5"	TOP TRACK
E	1	400T150-33	3'-1 3/4"	HEAD TRACK
F	4	400S162-33	2'-5 1/16"	CRIPPLE

13-3170

Jewish Home for the Aging

1885 Victory Blvd. Reseda, CA

FrameMax, Inc.
13915 Danielson St
Suite 100
Poway, CA 92064
www.frame-max.com



© FrameMax Inc.

CREATED: 11/10/2008

FM-07-109

CREATED BY: HH

HEIGHT : 9'-4 7/16" POINTS: 0.66 Points.

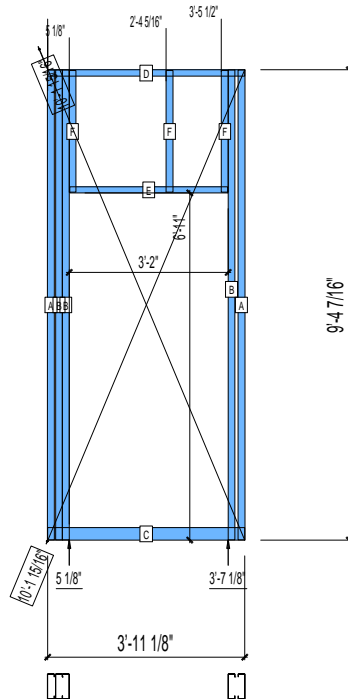
SPACING : 24"

1st STUD: 24"

WEIGHTS :

FRAME : 76 lbs

TOTAL: 76 lbs



PIECES LIST

LABEL	QTY	SIZE	LENGTH	USE
A	2	600S162-33	9'-4 5/16"	STUD
B	3	600S162-33	9'-4 5/16"	KING STUD
C	1	600T300-33	3'-11 1/8"	BOTTOM TRACK
D	1	600T150-33	3'-11 1/8"	TOP TRACK
E	1	600T150-33	3'-1 3/4"	HEAD TRACK
F	3	600S162-33	2'-5 1/16"	CRIPPLE

13-3171

Jewish Home for the Aging

1885 Victory Blvd. Reseda, CA

FrameMax, Inc.
13915 Danielson St
Suite 100
Poway, CA 92064
www.frame-max.com



© FrameMax Inc.

CREATED: 11/10/2008

FM-07-109

CREATED BY: AMB

HEIGHT : 9'-4 7/16" POINTS: 0.24 Points.

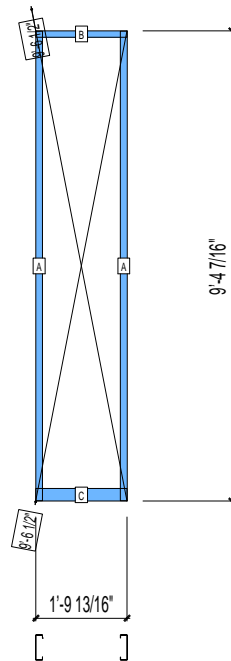
SPACING : 24"

1st STUD: 24"

WEIGHTS :

FRAME : 26 lbs

TOTAL: 26 lbs



PIECES LIST

LABEL	QTY	SIZE	LENGTH	USE
A	2	600S162-33	9'-4 5/16"	STUD
B	1	600T150-33	1'-9 13/16"	TOP TRACK
C	1	600T300-33	1'-9 13/16"	BOTTOM TRACK

13-3172

Jewish Home for the Aging

1885 Victory Blvd. Reseda, CA

FM-07-109

CREATED BY: HH

FrameMax, Inc.
13915 Danielson St
Suite 100
Poway, CA 92064
www.frame-max.com



© FrameMax Inc.

HEIGHT : 9'-4 7/16" POINTS: 1.13 Points.

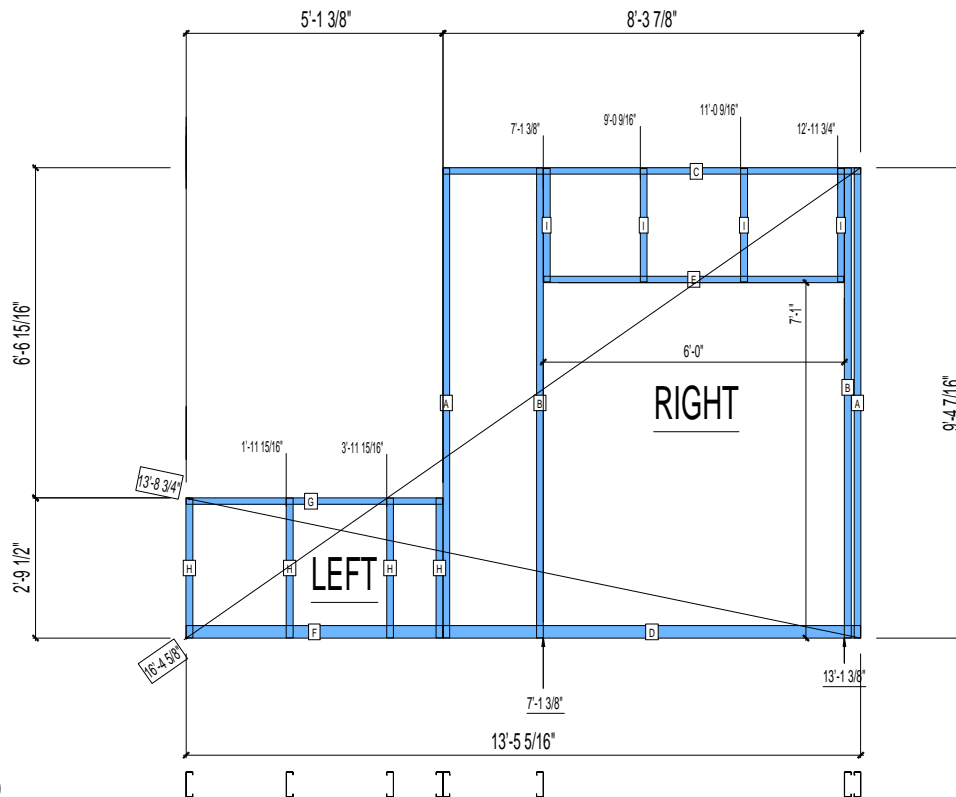
SPACING : 24"

1st STUD: 16"

WEIGHTS :

FRAME : 107 lbs

TOTAL: 107 lbs



PIECES LIST

LABEL	QTY	SIZE	LENGTH	USE
A	2	600S162-33	9'-4 5/16"	STUD
B	2	600S162-33	9'-4 5/16"	KING STUD
C	1	600T150-33	8'-3 13/16"	TOP TRACK
D	1	600T300-33	8'-3 13/16"	BOTTOM TRACK
E	1	600T150-33	5'-11 3/4"	HEAD TRACK
F	1	600T300-33	5'-1 5/16"	BOTTOM TRACK
G	1	600T150-33	5'-1 5/16"	TOP TRACK
H	4	600S162-33	2'-9 3/8"	STUD
I	4	600S162-33	2'-3 1/16"	CRIPPLE

13-3173

Jewish Home for the Aging

1885 Victory Blvd. Reseda, CA

FrameMax, Inc.
13915 Danielson St
Suite 100
Poway, CA 92064
www.frame-max.com



© FrameMax Inc.

CREATED: 11/10/2008

FM-07-109

CREATED BY: HH

HEIGHT : 9'-4 7/16" POINTS: 0.22 Points.

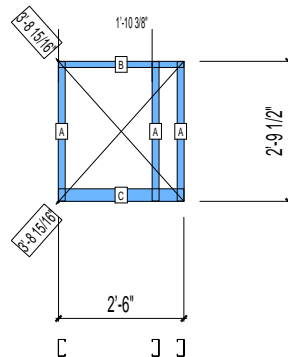
SPACING : 24"

1st STUD: 24"

WEIGHTS :

FRAME : 13 lbs

TOTAL: 13 lbs



PIECES LIST

LABEL	QTY	SIZE	LENGTH	USE
A	3	400S162-33	2'-9 3/8"	STUD
B	1	400T150-33	2'-6"	TOP TRACK
C	1	400T300-33	2'-6"	BOTTOM TRACK

13-3174

Jewish Home for the Aging

1885 Victory Blvd. Reseda, CA

FrameMax, Inc.
13915 Danielson St
Suite 100
Poway, CA 92064
www.frame-max.com



© FrameMax Inc.

CREATED: 11/10/2008

FM-07-109

CREATED BY: AMB

HEIGHT : 9'-4 7/16" POINTS: 0.30 Points.

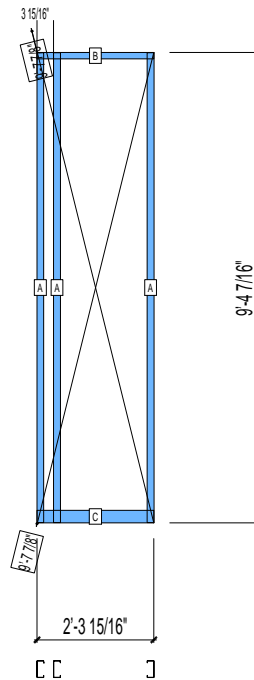
SPACING : 24"

1st STUD: 24"

WEIGHTS :

FRAME : 31 lbs

TOTAL: 31 lbs



PIECES LIST

LABEL	QTY	SIZE	LENGTH	USE
A	3	400S162-33	9'-4 5/16"	STUD
B	1	400T150-33	2'-3 15/16"	TOP TRACK
C	1	400T300-33	2'-3 15/16"	BOTTOM TRACK

13-3175

Jewish Home for the Aging

1885 Victory Blvd. Reseda, CA

FrameMax, Inc.
13915 Danielson St
Suite 100
Poway, CA 92064
www.frame-max.com



© FrameMax Inc.

CREATED: 11/10/2008

FM-07-109

CREATED BY: AMB

HEIGHT : 9'-4 7/16" POINTS: 0.19 Points.

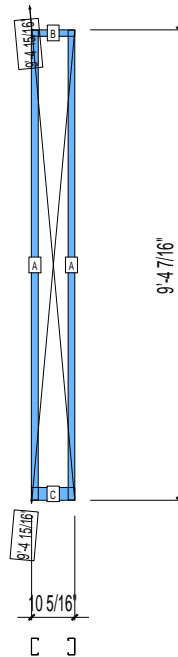
SPACING : 24"

1st STUD: 24"

WEIGHTS :

FRAME : 19 lbs

TOTAL: 19 lbs



PIECES LIST

LABEL	QTY	SIZE	LENGTH	USE
A	2	400S162-33	9'-4 5/16"	STUD
B	1	400T150-33	10 5/16"	TOP TRACK
C	1	400T300-33	10 5/16"	BOTTOM TRACK

13-3176

Jewish Home for the Aging

1885 Victory Blvd. Reseda, CA

FrameMax, Inc.
13915 Danielson St
Suite 100
Poway, CA 92064
www.frame-max.com



© FrameMax Inc.

CREATED: 11/10/2008

FM-07-109

CREATED BY: AMB

HEIGHT : 9'-4 7/16" POINTS: 0.26 Points.

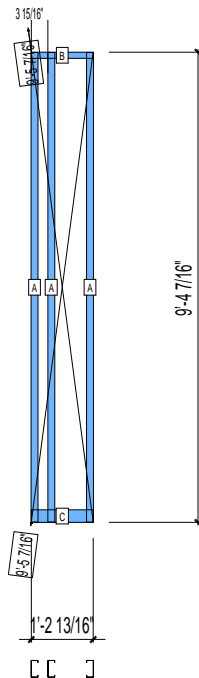
SPACING : 24"

1st STUD: 24"

WEIGHTS :

FRAME : 29 lbs

TOTAL: 29 lbs



PIECES LIST

LABEL	QTY	SIZE	LENGTH	USE
A	3	400S162-33	9'-4 5/16"	STUD
B	1	400T150-33	1'-2 13/16"	TOP TRACK
C	1	400T300-33	1'-2 13/16"	BOTTOM TRACK

13-3177

Jewish Home for the Aging

1885 Victory Blvd. Reseda, CA

FM-07-109

CREATED BY: HH

FrameMax, Inc.
13915 Danielson St
Suite 100
Poway, CA 92064
www.frame-max.com



© FrameMax Inc.

HEIGHT : 9'-4 7/16" POINTS: 0.32 Points.

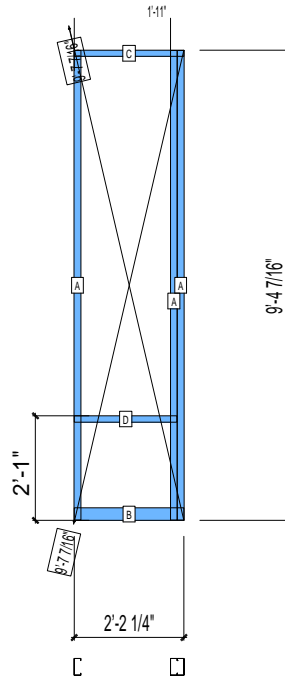
SPACING : 24"

1st STUD: 24"

WEIGHTS :

FRAME : 32 lbs

TOTAL: 32 lbs



PIECES LIST

LABEL	QTY	SIZE	LENGTH	USE
A	3	400S162-33	9'-4 5/16"	STUD
B	1	400T300-33	2'-2 1/4"	BOTTOM TRACK
C	1	400T150-33	2'-2 1/4"	TOP TRACK
D	1	400T150-33	2'-0 9/16"	SILL

13-3178

Jewish Home for the Aging

1885 Victory Blvd. Reseda, CA

FrameMax, Inc.
13915 Danielson St
Suite 100
Poway, CA 92064
www.frame-max.com



© FrameMax Inc.

CREATED: 11/10/2008

FM-07-109

CREATED BY: AMB

HEIGHT : 9'-4 7/16" POINTS: 0.22 Points.

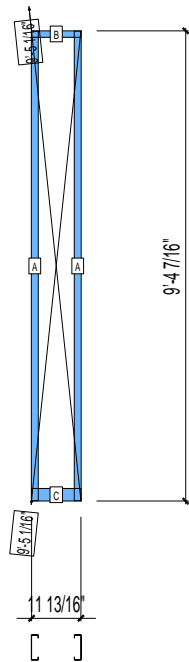
SPACING : 24"

1st STUD: 24"

WEIGHTS :

FRAME : 24 lbs

TOTAL: 24 lbs



PIECES LIST

LABEL	QTY	SIZE	LENGTH	USE
A	2	600S162-33	9'-4 5/16"	STUD
B	1	600T150-33	11 13/16"	TOP TRACK
C	1	600T300-33	11 13/16"	BOTTOM TRACK

13-3179

Jewish Home for the Aging

1885 Victory Blvd. Reseda, CA

FM-07-109

CREATED BY: HH

FrameMax, Inc.
13915 Danielson St
Suite 100
Poway, CA 92064
www.frame-max.com



© FrameMax Inc.

HEIGHT : 9'-4 7/16" POINTS: 0.79 Points.

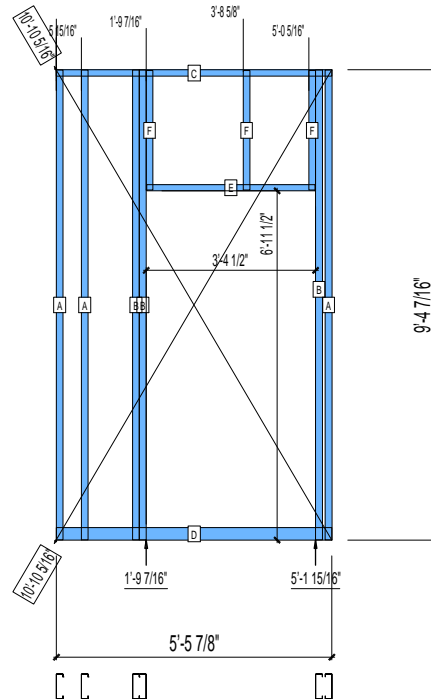
SPACING : 24"

1st STUD: 24"

WEIGHTS :

FRAME : 91 lbs

TOTAL: 91 lbs



PIECES LIST

LABEL	QTY	SIZE	LENGTH	USE
A	3	600S162-33	9'-4 5/16"	STUD
B	3	600S162-33	9'-4 5/16"	KING STUD
C	1	600T150-33	5'-5 7/8"	TOP TRACK
D	1	600T300-33	5'-5 7/8"	BOTTOM TRACK
E	1	600T150-33	3'-4 1/4"	HEAD TRACK
F	3	600S162-33	2'-4 9/16"	CRIPPLE

13-3201

Jewish Home for the Aging

1885 Victory Blvd. Reseda, CA

FM-07-109

CREATED BY: AMB

FrameMax, Inc.
13915 Danielson St
Suite 100
Poway, CA 92064
www.frame-max.com

FRAME MAX

© FrameMax Inc.

HEIGHT : 9'-4 7/16" POINTS: 0.52 Points.

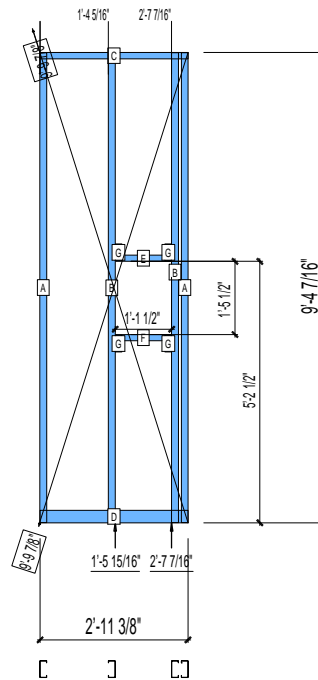
SPACING : 24"

1st STUD: 24"

WEIGHTS :

FRAME : 44 lbs

TOTAL: 44 lbs



PIECES LIST

LABEL	QTY	SIZE	LENGTH	USE
A	2	400S162-33	9'-4 5/16"	STUD
B	2	400S162-33	9'-4 5/16"	KING STUD
C	1	400T150-33	2'-11 3/8"	TOP TRACK
D	1	400T300-33	2'-11 3/8"	BOTTOM TRACK
E	1	400T150-33	1'-1 1/4"	HEAD TRACK
F	1	400T150-33	1'-1 1/4"	SILL
G	4	400S162-33	4"	CRIPPLE

13-3202

Jewish Home for the Aging

1885 Victory Blvd. Reseda, CA

FM-07-109

CREATED BY: AMB

FrameMax, Inc.
13915 Danielson St
Suite 100
Poway, CA 92064
www.frame-max.com



© FrameMax Inc.

HEIGHT : 9'-4 7/16" POINTS: 0.31 Points.

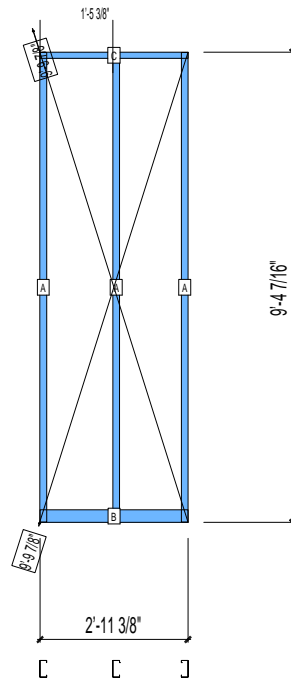
SPACING : 5000"

1st STUD: 5000"

WEIGHTS :

FRAME : 32 lbs

TOTAL: 32 lbs



PIECES LIST

LABEL	QTY	SIZE	LENGTH	USE
A	3	400S162-33	9'-4 5/16"	STUD
B	1	400T300-33	2'-11 3/8"	BOTTOM TRACK
C	1	400T150-33	2'-11 3/8"	TOP TRACK

13-3203

Jewish Home for the Aging

1885 Victory Blvd. Reseda, CA

FM-07-109

CREATED BY: AMB

FrameMax, Inc.
13915 Danielson St
Suite 100
Poway, CA 92064
www.frame-max.com



© FrameMax Inc.

HEIGHT : 9'-4 7/16" POINTS: 0.42 Points.

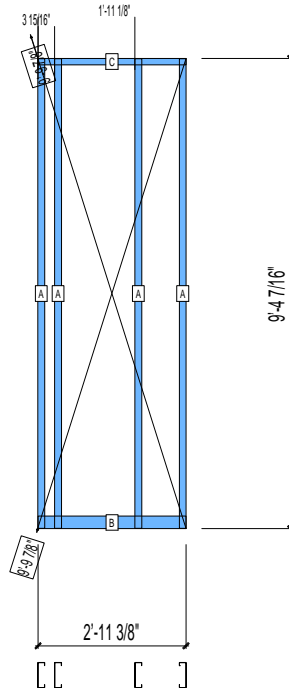
SPACING : 24"

1st STUD: 24"

WEIGHTS :

FRAME : 51 lbs

TOTAL: 51 lbs



PIECES LIST

LABEL	QTY	SIZE	LENGTH	USE
A	4	600S162-33	9'-4 5/16"	STUD
B	1	600T300-33	2'-11 3/8"	BOTTOM TRACK
C	1	600T150-33	2'-11 3/8"	TOP TRACK

13-3204

Jewish Home for the Aging

1885 Victory Blvd. Reseda, CA

FrameMax, Inc.
13915 Danielson St
Suite 100
Poway, CA 92064
www.framemax.com



© FrameMax Inc.

CREATED: 11/10/2008

FM-07-109

CREATED BY: AMB

HEIGHT : 9'-4 7/16" POINTS: 0.27 Points.

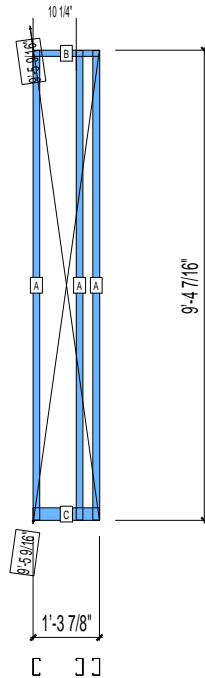
SPACING : 24"

1st STUD: 24"

WEIGHTS :

FRAME : 29 lbs

TOTAL: 29 lbs



PIECES LIST

LABEL	QTY	SIZE	LENGTH	USE
A	3	400S162-33	9'-4 5/16"	STUD
B	1	400T150-33	1'-3 7/8"	TOP TRACK
C	1	400T300-33	1'-3 7/8"	BOTTOM TRACK

13-3205

Jewish Home for the Aging

1885 Victory Blvd. Reseda, CA

FrameMax, Inc.
13915 Danielson St
Suite 100
Poway, CA 92064
www.frame-max.com



© FrameMax Inc.

CREATED: 11/10/2008

FM-07-109

CREATED BY: AMB

HEIGHT : 9'-4 7/16" POINTS: 0.29 Points.

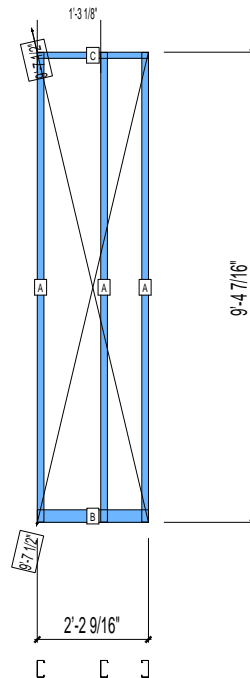
SPACING : 24"

1st STUD: 16"

WEIGHTS :

FRAME : 31 lbs

TOTAL: 31 lbs



PIECES LIST

LABEL	QTY	SIZE	LENGTH	USE
A	3	400S162-33	9'-4 5/16"	STUD
B	1	400T300-33	2'-2 9/16"	BOTTOM TRACK
C	1	400T150-33	2'-2 9/16"	TOP TRACK

13-3206

Jewish Home for the Aging

1885 Victory Blvd. Reseda, CA

FM-07-109

CREATED BY: AMB

FrameMax, Inc.
13915 Danielson St
Suite 100
Poway, CA 92064
www.frame-max.com



© FrameMax Inc.

HEIGHT : 9'-4 7/16" POINTS: 0.85 Points.

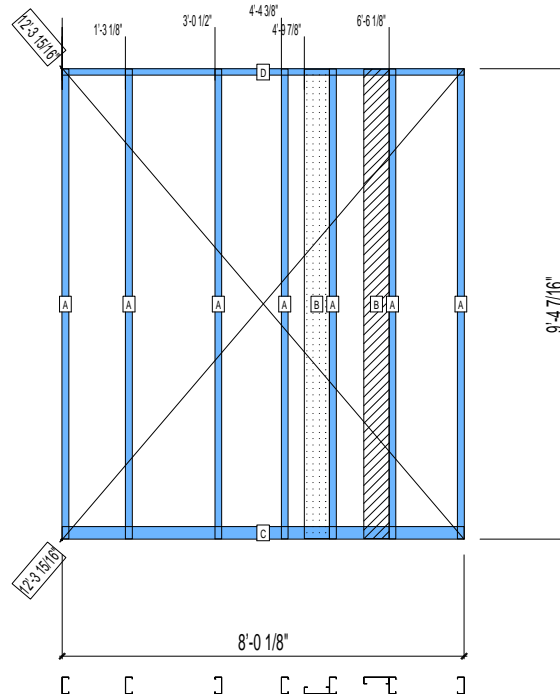
SPACING : 5000"

1st STUD: 16"

WEIGHTS :

FRAME : 99 lbs

TOTAL: 99 lbs



PIECES LIST

LABEL	QTY	SIZE	LENGTH	USE
A	7	400S162-33	9'-4 5/16"	STUD
B	2	600S162-33	9'-4 3/16"	BACKER-U
C	1	400T300-33	8'-0 1/8"	BOTTOM TRACK
D	1	400T150-33	8'-0 1/8"	TOP TRACK

13-3207

Jewish Home for the Aging

1885 Victory Blvd. Reseda, CA

FM-07-109

CREATED BY: HH

FrameMax, Inc.
13915 Danielson St
Suite 100
Poway, CA 92064
www.framemax.com



© FrameMax Inc.

HEIGHT : 9'-4 7/16" POINTS: 0.73 Points.

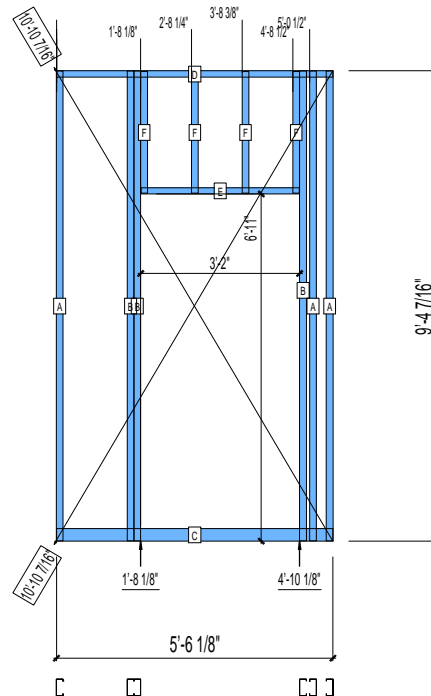
SPACING : 24"

1st STUD: 24"

WEIGHTS :

FRAME : 75 lbs

TOTAL: 75 lbs



PIECES LIST

LABEL	QTY	SIZE	LENGTH	USE
A	3	400S162-33	9'-4 5/16"	STUD
B	3	400S162-33	9'-4 5/16"	KING STUD
C	1	400T300-33	5'-6 1/8"	BOTTOM TRACK
D	1	400T150-33	5'-6 1/8"	TOP TRACK
E	1	400T150-33	3'-1 3/4"	HEAD TRACK
F	4	400S162-33	2'-5 1/16"	CRIPPLE

13-3208

Jewish Home for the Aging

1885 Victory Blvd. Reseda, CA

FrameMax, Inc.
13915 Danielson St
Suite 100
Poway, CA 92064
www.frame-max.com



© FrameMax Inc.

CREATED: 11/11/2008

FM-07-109

CREATED BY: HH

HEIGHT : 9'-4 7/16" POINTS: 0.79 Points.

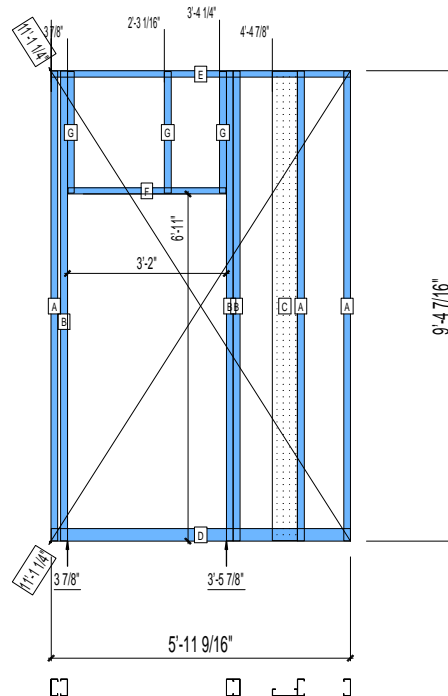
SPACING : 24"

1st STUD: 24"

WEIGHTS :

FRAME : 85 lbs

TOTAL: 85 lbs



PIECES LIST

LABEL	QTY	SIZE	LENGTH	USE
A	3	400S162-33	9'-4 5/16"	STUD
B	3	400S162-33	9'-4 5/16"	KING STUD
C	1	600S162-33	9'-4 3/16"	BACKER-U
D	1	400T300-33	5'-11 9/16"	BOTTOM TRACK
E	1	400T150-33	5'-11 9/16"	TOP TRACK
F	1	400T150-33	3'-1 3/4"	HEAD TRACK
G	3	400S162-33	2'-5 1/16"	CRIPPLE

13-3209

Jewish Home for the Aging

1885 Victory Blvd. Reseda, CA

FM-07-109

CREATED BY: AMB

FrameMax, Inc.
13915 Danielson St
Suite 100
Poway, CA 92064
www.frame-max.com



© FrameMax Inc.

HEIGHT : 9'-4 7/16" POINTS: 0.42 Points.

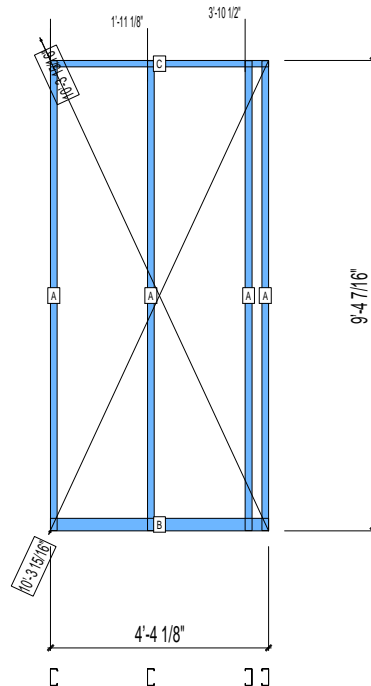
SPACING : 24"

1st STUD: 24"

WEIGHTS :

FRAME : 44 lbs

TOTAL: 44 lbs



PIECES LIST

LABEL	QTY	SIZE	LENGTH	USE
A	4	400S162-33	9'-4 5/16"	STUD
B	1	400T300-33	4'-4 1/8"	BOTTOM TRACK
C	1	400T150-33	4'-4 1/8"	TOP TRACK

13-3210

Jewish Home for the Aging

1885 Victory Blvd. Reseda, CA

FrameMax, Inc.
13915 Danielson St
Suite 100
Poway, CA 92064
www.frame-max.com



© FrameMax Inc.

CREATED: 11/10/2008

FM-07-109

CREATED BY: AMB

HEIGHT : 9'-4 7/16" POINTS: 0.20 Points.

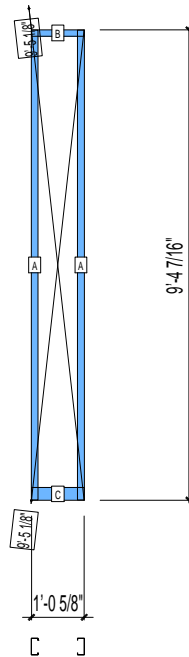
SPACING : 24"

1st STUD: 24"

WEIGHTS :

FRAME : 20 lbs

TOTAL: 20 lbs



PIECES LIST

LABEL	QTY	SIZE	LENGTH	USE
A	2	400S162-33	9'-4 5/16"	STUD
B	1	400T150-33	1'-0 5/8"	TOP TRACK
C	1	400T300-33	1'-0 5/8"	BOTTOM TRACK

13-3211

Jewish Home for the Aging

1885 Victory Blvd. Reseda, CA

FM-07-109

CREATED BY: HH

FrameMax, Inc.
13915 Danielson St
Suite 100
Poway, CA 92064
www.frame-max.com



© FrameMax Inc.

HEIGHT : 9'-4 7/16" POINTS: 0.60 Points.

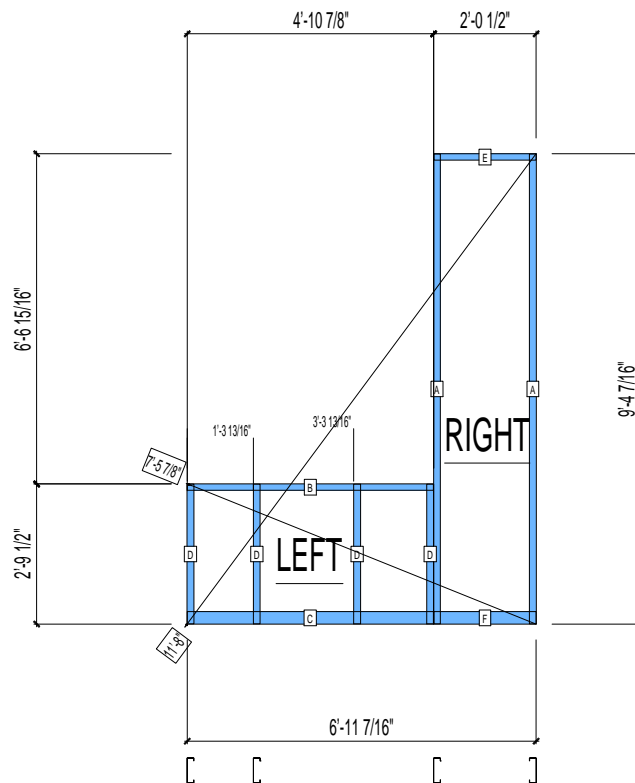
SPACING : 24"

1st STUD: 16 11/16"

WEIGHTS :

FRAME : 52 lbs

TOTAL: 52 lbs



PIECES LIST

LABEL	QTY	SIZE	LENGTH	USE
A	2	600S162-33	9'-4 5/16"	STUD
B	1	600T150-33	4'-10 13/16"	TOP TRACK
C	1	600T300-33	4'-10 13/16"	BOTTOM TRACK
D	4	600S162-33	2'-9 3/8"	STUD
E	1	600T150-33	2'-0 7/16"	TOP TRACK
F	1	600T300-33	2'-0 7/16"	BOTTOM TRACK

13-3212

Jewish Home for the Aging

1885 Victory Blvd. Reseda, CA

FrameMax, Inc.
13915 Danielson St
Suite 100
Poway, CA 92064
www.frame-max.com



© FrameMax Inc.

CREATED: 11/10/2008

FM-07-109

CREATED BY: AMB

HEIGHT : 9'-4 7/16" POINTS: 0.22 Points.

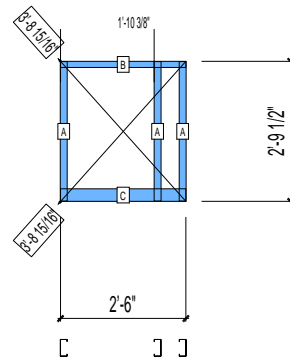
SPACING : 24"

1st STUD: 24"

WEIGHTS :

FRAME : 13 lbs

TOTAL: 13 lbs



PIECES LIST

LABEL	QTY	SIZE	LENGTH	USE
A	3	400S162-33	2'-9 3/8"	STUD
B	1	400T150-33	2'-6"	TOP TRACK
C	1	400T300-33	2'-6"	BOTTOM TRACK

13-3213

Jewish Home for the Aging

1885 Victory Blvd. Reseda, CA

FrameMax, Inc.
13915 Danielson St
Suite 100
Poway, CA 92064
www.frame-max.com



© FrameMax Inc.

CREATED: 11/11/2008

FM-07-109

CREATED BY: AMB

HEIGHT : 9'-4 7/16" POINTS: 0.30 Points.

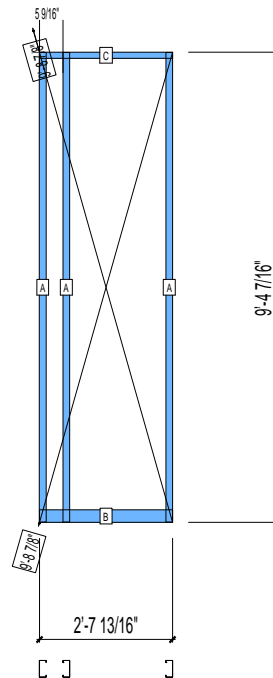
SPACING : 5000"

1st STUD: 5000"

WEIGHTS :

FRAME : 31 lbs

TOTAL: 31 lbs



PIECES LIST

LABEL	QTY	SIZE	LENGTH	USE
A	3	400S162-33	9'-4 5/16"	STUD
B	1	400T300-33	2'-7 13/16"	BOTTOM TRACK
C	1	400T150-33	2'-7 13/16"	TOP TRACK

13-3214

Jewish Home for the Aging

1885 Victory Blvd. Reseda, CA

FM-07-109

CREATED BY: AMB

FrameMax, Inc.
13915 Danielson St
Suite 100
Poway, CA 92064
www.framemax.com



© FrameMax Inc.

HEIGHT : 9'-4 7/16" POINTS: 0.42 Points.

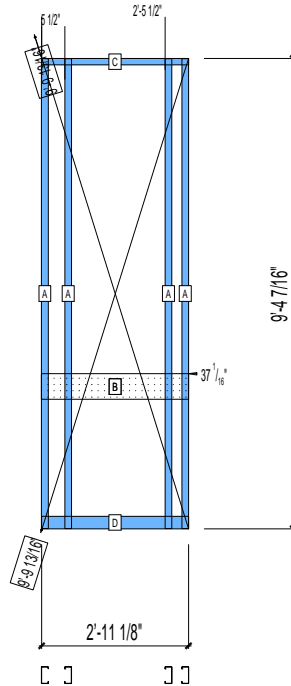
SPACING : 24"

1st STUD: 24"

WEIGHTS :

FRAME : 46 lbs

TOTAL: 46 lbs



PIECES LIST

LABEL	QTY	SIZE	LENGTH	USE
A	4	400S162-33	9'-4 5/16"	STUD
B	1	600T150-54	2'-11 3/16"	GRAB BAR
C	1	400T150-33	2'-11 1/8"	TOP TRACK
D	1	400T300-33	2'-11 1/8"	BOTTOM TRACK

13-3215

Jewish Home for the Aging

1885 Victory Blvd. Reseda, CA

FM-07-109

CREATED BY: AMB

FrameMax, Inc.
13915 Danielson St
Suite 100
Poway, CA 92064
www.framemax.com



© FrameMax Inc.

HEIGHT : 9'-4 7/16" POINTS: 0.44 Points.

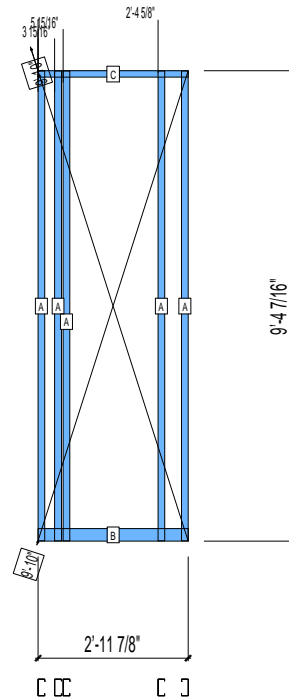
SPACING : 5000"

1st STUD: 5000"

WEIGHTS :

FRAME : 50 lbs

TOTAL: 50 lbs



PIECES LIST

LABEL	QTY	SIZE	LENGTH	USE
A	5	400S162-33	9'-4 5/16"	STUD
B	1	400T300-33	2'-11 7/8"	BOTTOM TRACK
C	1	400T150-33	2'-11 7/8"	TOP TRACK

13-3216

Jewish Home for the Aging

1885 Victory Blvd. Reseda, CA

FrameMax, Inc.
13915 Danielson St
Suite 100
Poway, CA 92064
www.frame-max.com



© FrameMax Inc.

CREATED: 11/10/2008

FM-07-109

CREATED BY: AMB

HEIGHT : 9'-4 7/16" POINTS: 0.38 Points.

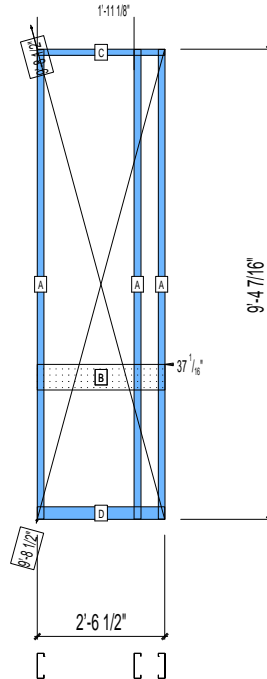
SPACING : 24"

1st STUD: 24"

WEIGHTS :

FRAME : 44 lbs

TOTAL: 44 lbs



PIECES LIST

LABEL	QTY	SIZE	LENGTH	USE
A	3	600S162-33	9'-4 5/16"	STUD
B	1	600T150-54	2'-6 9/16"	GRAB BAR
C	1	600T150-33	2'-6 1/2"	TOP TRACK
D	1	600T300-33	2'-6 1/2"	BOTTOM TRACK

13-3217

Jewish Home for the Aging

1885 Victory Blvd. Reseda, CA

FrameMax, Inc.
13915 Danielson St
Suite 100
Poway, CA 92064
www.framemax.com



© FrameMax Inc.

CREATED: 12/08/2008

FM-07-109

CREATED BY: HH

HEIGHT : 9'-4 7/16" POINTS: 0.27 Points.

ANCHORS

SPACING : 24"

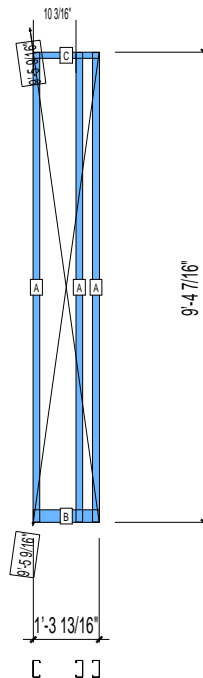
1st STUD: 24"

INSULATION: NO

WEIGHTS :

FRAME : 29 lbs

TOTAL: 29 lbs



PIECES LIST

LABEL	QTY	SIZE	LENGTH	USE
A	3	400S162-33	9'-4 5/16"	STUD
B	1	400T300-33	1'-3 13/16"	BOTTOM TRACK
C	1	400T150-33	1'-3 13/16"	TOP TRACK

13-3218

Jewish Home for the Aging

1885 Victory Blvd. Reseda, CA

FrameMax, Inc.
13915 Danielson St
Suite 100
Poway, CA 92064
www.frame-max.com



© FrameMax Inc.

CREATED: 12/08/2008

FM-07-109

CREATED BY: HH

HEIGHT : 9'-4 7/16" POINTS: 0.34 Points.

ANCHORS

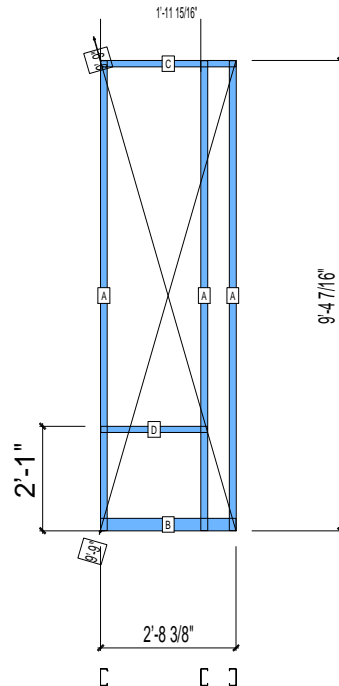
SPACING : 5000"

1st STUD: 16"

WEIGHTS :

FRAME : 34 lbs

TOTAL: 34 lbs



PIECES LIST

LABEL	QTY	SIZE	LENGTH	USE
A	3	400S162-33	9'-4 5/16"	STUD
B	1	400T300-33	2'-8 3/8"	BOTTOM TRACK
C	1	400T150-33	2'-8 3/8"	TOP TRACK
D	1	600T150-33	2'-1 1/2"	SILL

13-3219

Jewish Home for the Aging

1885 Victory Blvd. Reseda, CA

FrameMax, Inc.
13915 Danielson St
Suite 100
Poway, CA 92064
www.frame-max.com



© FrameMax Inc.

CREATED: 11/10/2008

FM-07-109

CREATED BY: HH

HEIGHT : 9'-4 7/16" POINTS: 0.78 Points.

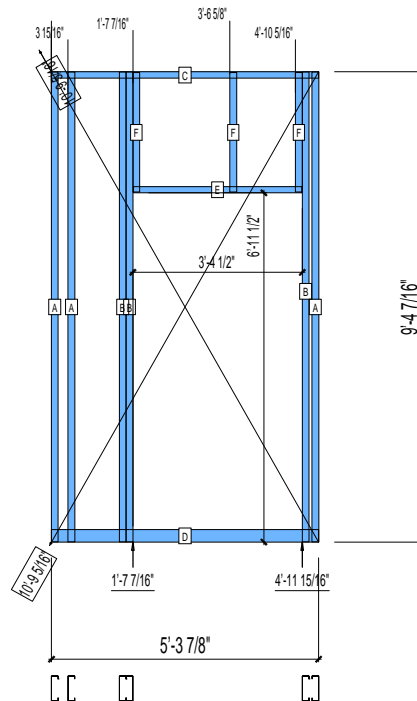
SPACING : 24"

1st STUD: 24"

WEIGHTS :

FRAME : 91 lbs

TOTAL: 91 lbs



PIECES LIST

LABEL	QTY	SIZE	LENGTH	USE
A	3	600S162-33	9'-4 5/16"	STUD
B	3	600S162-33	9'-4 5/16"	KING STUD
C	1	600T150-33	5'-3 7/8"	TOP TRACK
D	1	600T300-33	5'-3 7/8"	BOTTOM TRACK
E	1	600T150-33	3'-4 1/4"	HEAD TRACK
F	3	600S162-33	2'-4 9/16"	CRIPPLE

13-3220

Jewish Home for the Aging

1885 Victory Blvd. Reseda, CA

FrameMax, Inc.
13915 Danielson St
Suite 100
Poway, CA 92064
www.frame-max.com



© FrameMax Inc.

CREATED: 11/10/2008

FM-07-109

CREATED BY: AMB

HEIGHT : 9'-4 7/16" POINTS: 0.19 Points.

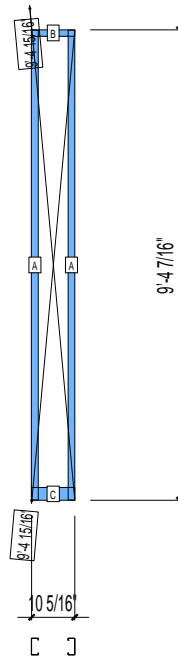
SPACING : 24"

1st STUD: 24"

WEIGHTS :

FRAME : 19 lbs

TOTAL: 19 lbs



PIECES LIST

LABEL	QTY	SIZE	LENGTH	USE
A	2	400S162-33	9'-4 5/16"	STUD
B	1	400T150-33	10 5/16"	TOP TRACK
C	1	400T300-33	10 5/16"	BOTTOM TRACK

13-3221

Jewish Home for the Aging

1885 Victory Blvd. Reseda, CA

FrameMax, Inc.
13915 Danielson St
Suite 100
Poway, CA 92064
www.frame-max.com



© FrameMax Inc.

CREATED: 12/05/2008

FM-07-109

CREATED BY: HH

HEIGHT : 9'-4 7/16" POINTS: 1.21 Points.

ANCHORS

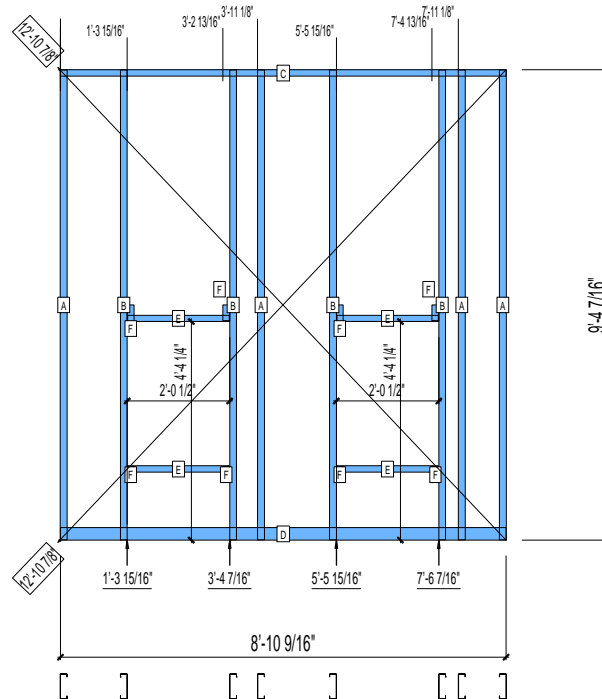
SPACING : 24"

1st STUD: 24"

WEIGHTS :

FRAME : 121 lbs

TOTAL: 121 lbs



PIECES LIST

LABEL	QTY	SIZE	LENGTH	USE
A	4	600S162-33	9'-4 5/16"	STUD
B	4	600S162-33	9'-4 5/16"	KING STUD
C	1	600T150-33	8'-10 9/16"	TOP TRACK
D	1	600T300-33	8'-10 9/16"	BOTTOM TRACK
E	4	600T150-33	2'-0 1/4"	HEAD TRACK
F	8	600S162-33	3 13/16"	CRIPPLE

13-3222

Jewish Home for the Aging

1885 Victory Blvd. Reseda, CA

FM-07-109

CREATED BY: HH

FrameMax, Inc.
13915 Danielson St
Suite 100
Poway, CA 92064
www.frame-max.com



© FrameMax Inc.

HEIGHT : 9'-4 7/16" POINTS: 0.72 Points.

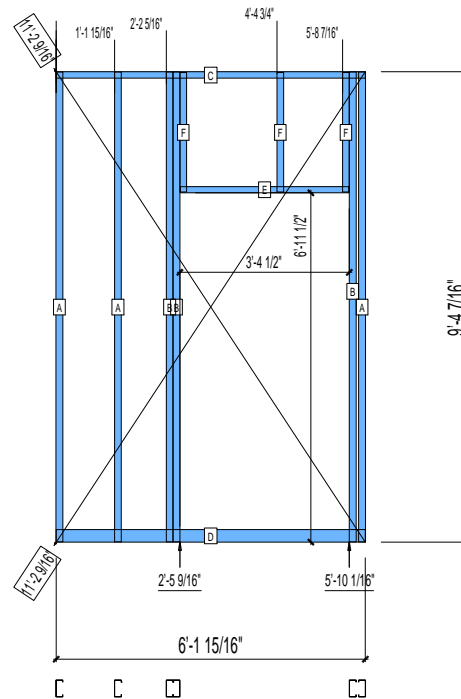
SPACING : 24"

1st STUD: 24"

WEIGHTS :

FRAME : 74 lbs

TOTAL: 74 lbs



PIECES LIST

LABEL	QTY	SIZE	LENGTH	USE
A	3	400S162-33	9'-4 5/16"	STUD
B	3	400S162-33	9'-4 5/16"	KING STUD
C	1	400T150-33	6'-1 15/16"	TOP TRACK
D	1	400T300-33	6'-1 15/16"	BOTTOM TRACK
E	1	400T150-33	3'-4 1/4"	HEAD TRACK
F	3	400S162-33	2'-4 9/16"	CRIPPLE

13-3223

Jewish Home for the Aging

1885 Victory Blvd. Reseda, CA

FM-07-109

CREATED BY: HH

FrameMax, Inc.
13915 Danielson St
Suite 100
Poway, CA 92064
www.frame-max.com



© FrameMax Inc.

HEIGHT : 9'-4 7/16" POINTS: 1.11 Points.

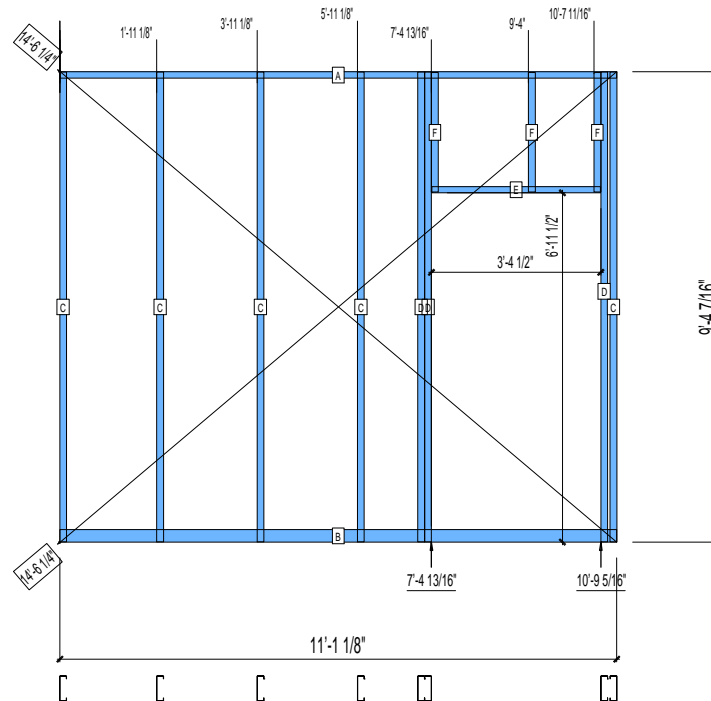
SPACING : 24"

1st STUD: 24"

WEIGHTS :

FRAME : 127 lbs

TOTAL: 127 lbs



PIECES LIST

LABEL	QTY	SIZE	LENGTH	USE
A	1	600T150-33	11'-1 1/8"	TOP TRACK
B	1	600T300-33	11'-1 1/8"	BOTTOM TRACK
C	5	600S162-33	9'-4 5/16"	STUD
D	3	600S162-33	9'-4 5/16"	KING STUD
E	1	600T150-33	3'-4 1/4"	HEAD TRACK
F	3	600S162-33	2'-4 9/16"	CRIPPLE

13-3251

Jewish Home for the Aging

1885 Victory Blvd. Reseda, CA

FM-07-109

CREATED BY: HH

FrameMax, Inc.
13915 Danielson St
Suite 100
Poway, CA 92064
www.frame-max.com



© FrameMax Inc.

HEIGHT : 9'-4 7/16" POINTS: 0.90 Points.

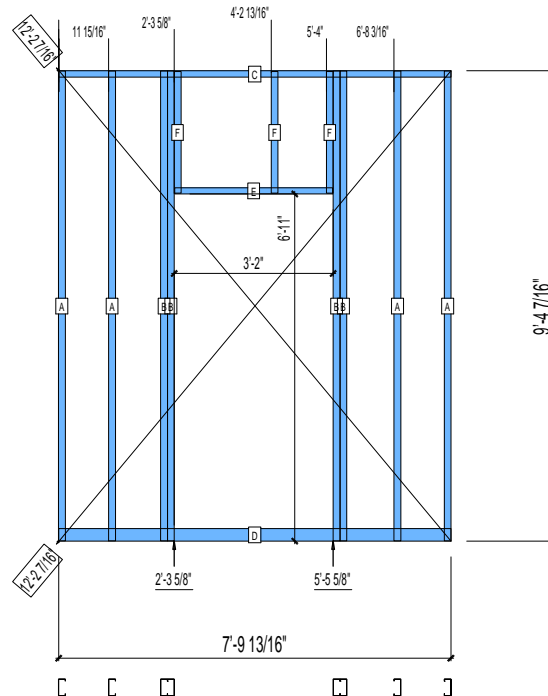
SPACING : 24"

1st STUD: 24"

WEIGHTS :

FRAME : 95 lbs

TOTAL: 95 lbs



PIECES LIST

LABEL	QTY	SIZE	LENGTH	USE
A	4	400S162-33	9'-4 5/16"	STUD
B	4	400S162-33	9'-4 5/16"	KING STUD
C	1	400T150-33	7'-9 13/16"	TOP TRACK
D	1	400T300-33	7'-9 13/16"	BOTTOM TRACK
E	1	400T150-33	3'-1 3/4"	HEAD TRACK
F	3	400S162-33	2'-5 1/16"	CRIPPLE

13-3252

Jewish Home for the Aging

1885 Victory Blvd. Reseda, CA

FrameMax, Inc.
13915 Danielson St
Suite 100
Poway, CA 92064
www.frame-max.com



© FrameMax Inc.

CREATED: 11/11/2008

FM-07-109

CREATED BY: AMB

HEIGHT : 9'-4 7/16" POINTS: 0.27 Points.

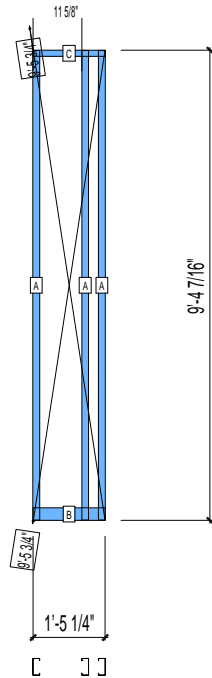
SPACING : 24"

1st STUD: 16"

WEIGHTS :

FRAME : 29 lbs

TOTAL: 29 lbs



PIECES LIST

LABEL	QTY	SIZE	LENGTH	USE
A	3	400S162-33	9'-4 5/16"	STUD
B	1	400T300-33	1'-5 1/4"	BOTTOM TRACK
C	1	400T150-33	1'-5 1/4"	TOP TRACK

13-3253

Jewish Home for the Aging

1885 Victory Blvd. Reseda, CA

FM-07-109

CREATED BY: HH

FrameMax, Inc.
13915 Danielson St
Suite 100
Poway, CA 92064
www.frame-max.com



© FrameMax Inc.

HEIGHT : 9'-4 7/16" POINTS: 0.43 Points.

ANCHORS

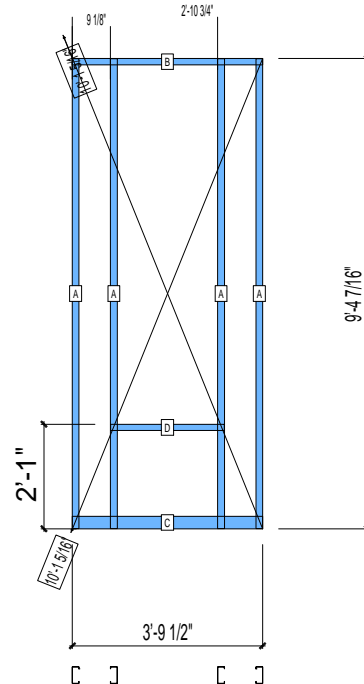
SPACING : 5000"

1st STUD: 5000"

WEIGHTS :

FRAME : 45 lbs

TOTAL: 45 lbs



PIECES LIST

LABEL	QTY	SIZE	LENGTH	USE
A	4	400S162-33	9'-4 5/16"	STUD
B	1	400T150-33	3'-9 1/2"	TOP TRACK
C	1	400T300-33	3'-9 1/2"	BOTTOM TRACK
D	1	600T150-33	2'-3 1/8"	SILL

13-3254

Jewish Home for the Aging

1885 Victory Blvd. Reseda, CA

FrameMax, Inc.
13915 Danielson St
Suite 100
Poway, CA 92064
www.frame-max.com



© FrameMax Inc.

CREATED: 11/11/2008

FM-07-109

CREATED BY: AMB

HEIGHT : 9'-4 7/16" POINTS: 0.33 Points.

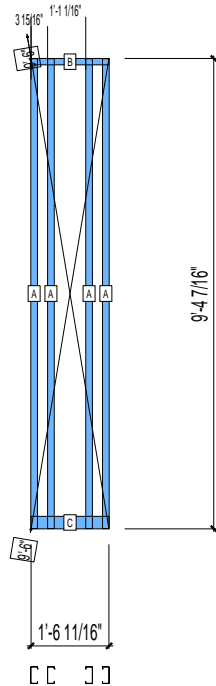
SPACING : 24"

1st STUD: 24"

WEIGHTS :

FRAME : 38 lbs

TOTAL: 38 lbs



PIECES LIST

LABEL	QTY	SIZE	LENGTH	USE
A	4	400S162-33	9'-4 5/16"	STUD
B	1	400T150-33	1'-6 11/16"	TOP TRACK
C	1	400T300-33	1'-6 11/16"	BOTTOM TRACK

13-3255

Jewish Home for the Aging

1885 Victory Blvd. Reseda, CA

FrameMax, Inc.
13915 Danielson St
Suite 100
Poway, CA 92064
www.frame-max.com



© FrameMax Inc.

CREATED: 12/08/2008

FM-07-109

CREATED BY: HH

HEIGHT : 9'-4 7/16" POINTS: 0.34 Points.

SPACING : 5000"

1st STUD: 5000"

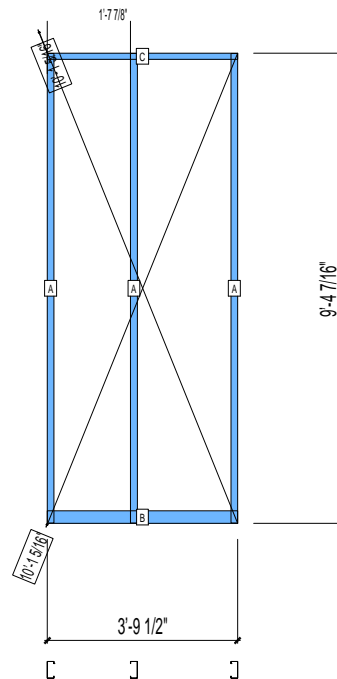
ANCHORS

WEIGHTS :

FRAME : 34 lbs

INSULATION: NO

TOTAL: 34 lbs



PIECES LIST

LABEL	QTY	SIZE	LENGTH	USE
A	3	400S162-33	9'-4 5/16"	STUD
B	1	400T300-33	3'-9 1/2"	BOTTOM TRACK
C	1	400T150-33	3'-9 1/2"	TOP TRACK

13-3256

Jewish Home for the Aging

1885 Victory Blvd. Reseda, CA

FrameMax, Inc.
13915 Danielson St
Suite 100
Poway, CA 92064
www.frame-max.com



© FrameMax Inc.

CREATED: 11/11/2008

FM-07-109

CREATED BY: AMB

HEIGHT : 9'-4 7/16" POINTS: 0.27 Points.

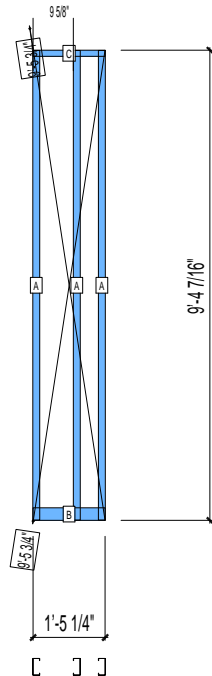
SPACING : 24"

1st STUD: 24"

WEIGHTS :

FRAME : 29 lbs

TOTAL: 29 lbs



PIECES LIST

LABEL	QTY	SIZE	LENGTH	USE
A	3	400S162-33	9'-4 5/16"	STUD
B	1	400T300-33	1'-5 1/4"	BOTTOM TRACK
C	1	400T150-33	1'-5 1/4"	TOP TRACK

13-3257

Jewish Home for the Aging

1885 Victory Blvd. Reseda, CA

FrameMax, Inc.
13915 Danielson St
Suite 100
Poway, CA 92064
www.frame-max.com



© FrameMax Inc.

CREATED: 11/10/2008

FM-07-109

CREATED BY: AMB

HEIGHT : 9'-4 7/16" POINTS: 0.33 Points.

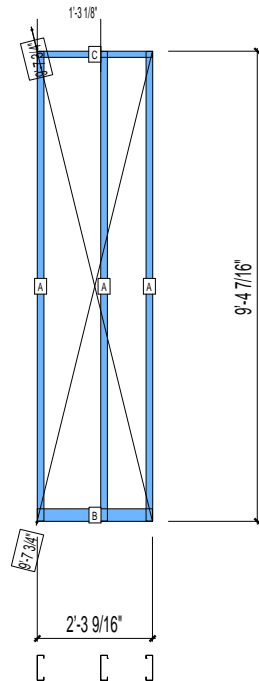
SPACING : 24"

1st STUD: 16"

WEIGHTS :

FRAME : 39 lbs

TOTAL: 39 lbs



PIECES LIST

LABEL	QTY	SIZE	LENGTH	USE
A	3	600S162-33	9'-4 5/16"	STUD
B	1	600T300-33	2'-3 9/16"	BOTTOM TRACK
C	1	600T150-33	2'-3 9/16"	TOP TRACK

13-3258

Jewish Home for the Aging

1885 Victory Blvd. Reseda, CA

FM-07-109

CREATED BY: AMB

FrameMax, Inc.
13915 Danielson St
Suite 100
Poway, CA 92064
www.frame-max.com



© FrameMax Inc.

HEIGHT : 9'-4 7/16" POINTS: 0.38 Points.

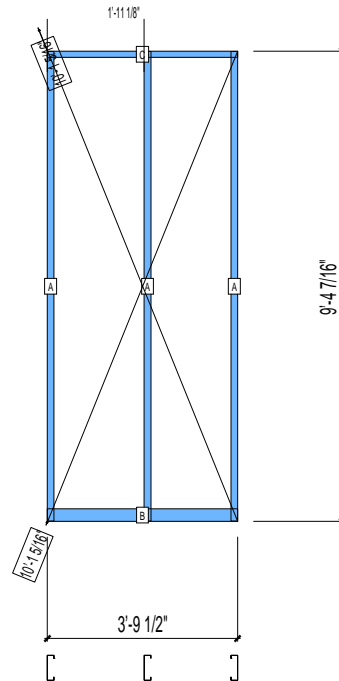
SPACING : 24"

1st STUD: 24"

WEIGHTS :

FRAME : 42 lbs

TOTAL: 42 lbs



PIECES LIST

LABEL	QTY	SIZE	LENGTH	USE
A	3	600S162-33	9'-4 5/16"	STUD
B	1	600T300-33	3'-9 1/2"	BOTTOM TRACK
C	1	600T150-33	3'-9 1/2"	TOP TRACK

13-3259

Jewish Home for the Aging

1885 Victory Blvd. Reseda, CA

FM-07-109

CREATED BY: AMB

FrameMax, Inc.
13915 Danielson St
Suite 100
Poway, CA 92064
www.frame-max.com



© FrameMax Inc.

HEIGHT : 9'-4 7/16" POINTS: 1.09 Points.

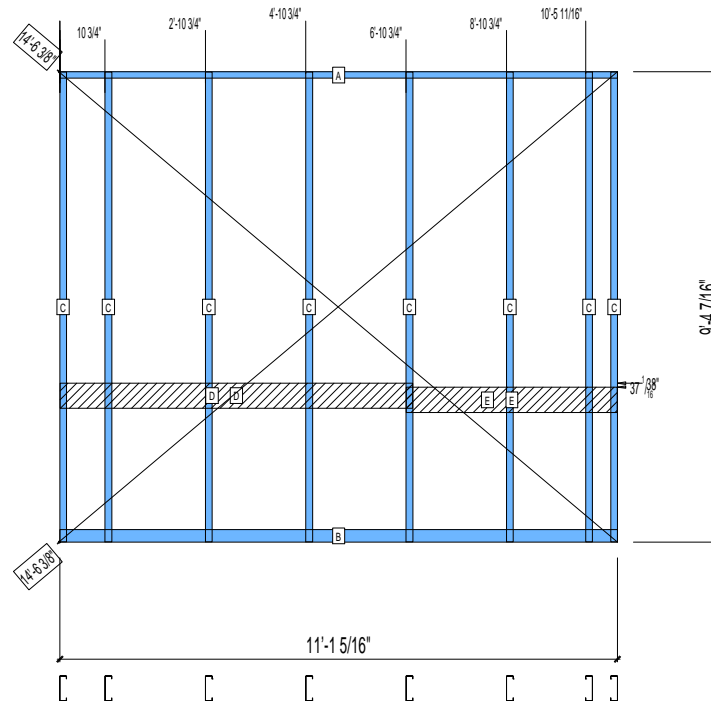
SPACING : 24"

1st STUD: 11 5/8"

WEIGHTS :

FRAME : 131 lbs

TOTAL: 131 lbs



PIECES LIST

LABEL	QTY	SIZE	LENGTH	USE
A	1	600T150-33	11'-1 5/16"	TOP TRACK
B	1	600T300-33	11'-1 5/16"	BOTTOM TRACK
C	8	600S162-33	9'-4 5/16"	STUD
D	1	600D-54	7'-0 5/16"	VANITY BACKING
E	1	600T150-54	4'-2 7/16"	GRAB BAR

13-3260

Jewish Home for the Aging

1885 Victory Blvd. Reseda, CA

FM-07-109

CREATED BY: AMB

FrameMax, Inc.
13915 Danielson St
Suite 100
Poway, CA 92064
www.frame-max.com



© FrameMax Inc.

HEIGHT : 9'-4 7/16" POINTS: 0.78 Points.

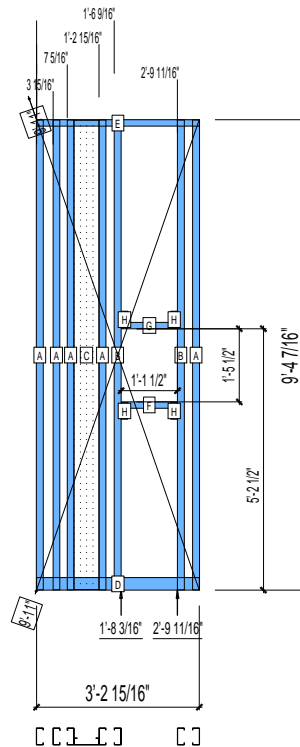
SPACING : 24"

1st STUD: 24"

WEIGHTS :

FRAME : 81 lbs

TOTAL: 81 lbs



PIECES LIST

LABEL	QTY	SIZE	LENGTH	USE
A	5	400S162-33	9'-4 5/16"	STUD
B	2	400S162-33	9'-4 5/16"	KING STUD
C	1	600S162-33	9'-4 3/16"	BACKER-U
D	1	400T300-33	3'-2 15/16"	BOTTOM TRACK
E	1	400T150-33	3'-2 15/16"	TOP TRACK
F	1	400T150-33	1'-1 1/4"	SILL
G	1	400T150-33	1'-1 1/4"	HEAD TRACK
H	4	400S162-33	4"	CRIPPLE

13-3261

Jewish Home for the Aging

1885 Victory Blvd. Reseda, CA

FrameMax, Inc.
13915 Danielson St
Suite 100
Poway, CA 92064
www.frame-max.com



© FrameMax Inc.

CREATED: 11/10/2008

FM-07-109

CREATED BY: AMB

HEIGHT : 9'-4 7/16" POINTS: 0.20 Points.

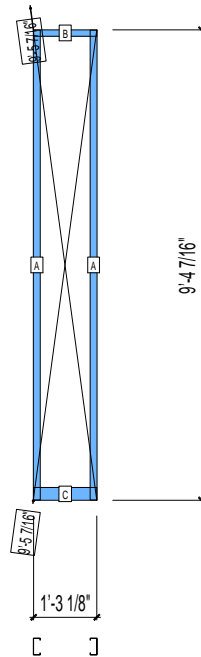
SPACING : 24"

1st STUD: 24"

WEIGHTS :

FRAME : 20 lbs

TOTAL: 20 lbs



PIECES LIST

LABEL	QTY	SIZE	LENGTH	USE
A	2	400S162-33	9'-4 5/16"	STUD
B	1	400T150-33	1'-3 1/8"	TOP TRACK
C	1	400T300-33	1'-3 1/8"	BOTTOM TRACK

13-3262

Jewish Home for the Aging

1885 Victory Blvd. Reseda, CA

FrameMax, Inc.
13915 Danielson St
Suite 100
Poway, CA 92064
www.frame-max.com



© FrameMax Inc.

CREATED: 11/10/2008

FM-07-109

CREATED BY: AMB

HEIGHT : 9'-4 7/16" POINTS: 0.27 Points.

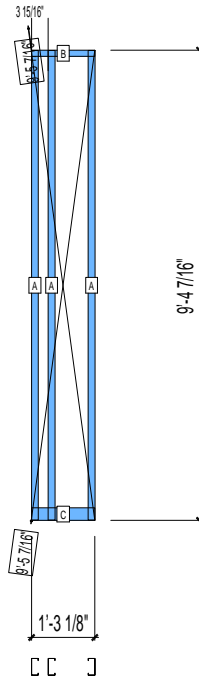
SPACING : 24"

1st STUD: 24"

WEIGHTS :

FRAME : 29 lbs

TOTAL: 29 lbs



PIECES LIST

LABEL	QTY	SIZE	LENGTH	USE
A	3	400S162-33	9'-4 5/16"	STUD
B	1	400T150-33	1'-3 1/8"	TOP TRACK
C	1	400T300-33	1'-3 1/8"	BOTTOM TRACK

13-3263

Jewish Home for the Aging

1885 Victory Blvd. Reseda, CA

FrameMax, Inc.
13915 Danielson St
Suite 100
Poway, CA 92064
www.frame-max.com



© FrameMax Inc.

CREATED: 11/10/2008

FM-07-109

CREATED BY: HH

HEIGHT : 9'-4 7/16" POINTS: 0.65 Points.

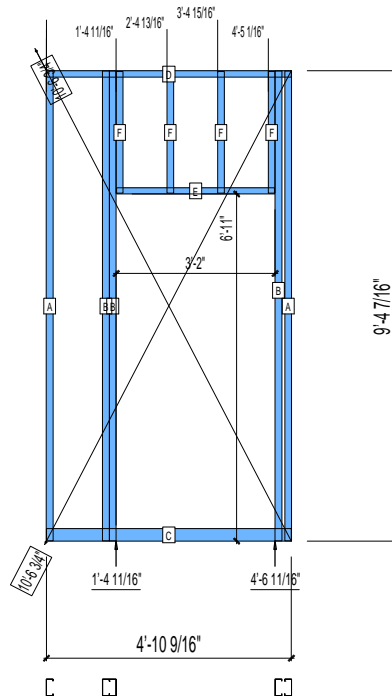
SPACING : 24"

1st STUD: 24"

WEIGHTS :

FRAME : 65 lbs

TOTAL: 65 lbs



PIECES LIST

LABEL	QTY	SIZE	LENGTH	USE
A	2	400S162-33	9'-4 5/16"	STUD
B	3	400S162-33	9'-4 5/16"	KING STUD
C	1	400T300-33	4'-10 9/16"	BOTTOM TRACK
D	1	400T150-33	4'-10 9/16"	TOP TRACK
E	1	400T150-33	3'-1 3/4"	HEAD TRACK
F	4	400S162-33	2'-5 1/16"	CRIPPLE

13-3264

Jewish Home for the Aging

1885 Victory Blvd. Reseda, CA

FrameMax, Inc.
13915 Danielson St
Suite 100
Poway, CA 92064
www.frame-max.com



© FrameMax Inc.

CREATED: 11/11/2008

FM-07-109

CREATED BY: HH

HEIGHT : 9'-4 7/16" POINTS: 0.54 Points.

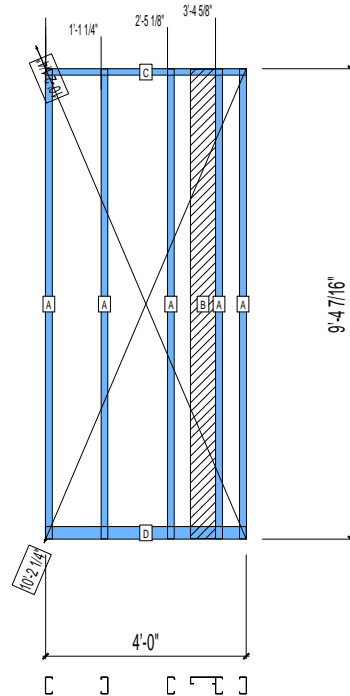
SPACING : 5000"

1st STUD: 5000"

WEIGHTS :

FRAME : 62 lbs

TOTAL: 62 lbs



PIECES LIST

LABEL	QTY	SIZE	LENGTH	USE
A	5	400S162-33	9'-4 5/16"	STUD
B	1	600S162-33	9'-4 3/16"	BACKER-U
C	1	400T150-33	4'-0"	TOP TRACK
D	1	400T300-33	4'-0"	BOTTOM TRACK

13-3265

Jewish Home for the Aging

1885 Victory Blvd. Reseda, CA

FM-07-109

CREATED BY: HH

FrameMax, Inc.
13915 Danielson St
Suite 100
Poway, CA 92064
www.frame-max.com



© FrameMax Inc.

HEIGHT : 9'-4 7/16" POINTS: 0.59 Points.

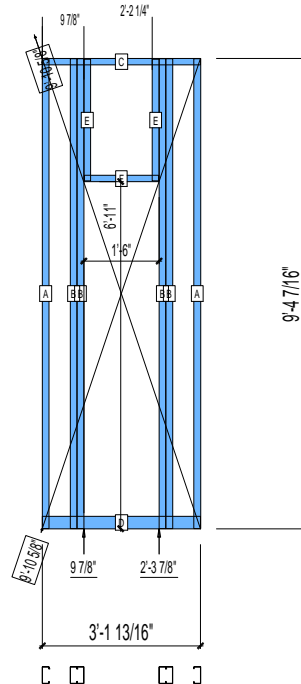
SPACING : 24"

1st STUD: 24"

WEIGHTS :

FRAME : 64 lbs

TOTAL: 64 lbs



PIECES LIST

LABEL	QTY	SIZE	LENGTH	USE
A	2	400S162-33	9'-4 5/16"	STUD
B	4	400S162-33	9'-4 5/16"	KING STUD
C	1	400T150-33	3'-1 13/16"	TOP TRACK
D	1	400T300-33	3'-1 13/16"	BOTTOM TRACK
E	2	400S162-33	2'-5 1/16"	CRIPPLE
F	1	400T150-33	1'-5 3/4"	HEAD TRACK

13-3266

Jewish Home for the Aging

1885 Victory Blvd. Reseda, CA

FrameMax, Inc.
13915 Danielson St
Suite 100
Poway, CA 92064
www.frame-max.com



© FrameMax Inc.

CREATED: 11/10/2008

FM-07-109

CREATED BY: AMB

HEIGHT : 9'-4 7/16" POINTS: 0.39 Points.

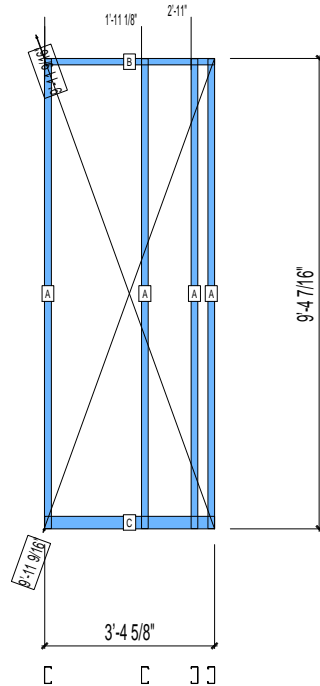
SPACING : 24"

1st STUD: 24"

WEIGHTS :

FRAME : 42 lbs

TOTAL: 42 lbs



PIECES LIST

LABEL	QTY	SIZE	LENGTH	USE
A	4	400S162-33	9'-4 5/16"	STUD
B	1	400T150-33	3'-4 5/8"	TOP TRACK
C	1	400T300-33	3'-4 5/8"	BOTTOM TRACK

13-3267

Jewish Home for the Aging

1885 Victory Blvd. Reseda, CA

FrameMax, Inc.
13915 Danielson St
Suite 100
Poway, CA 92064
www.frame-max.com



© FrameMax Inc.

CREATED: 11/14/2008

FM-07-109

CREATED BY: AMB

HEIGHT : 9'-4 7/16" POINTS: 1.12 Points.

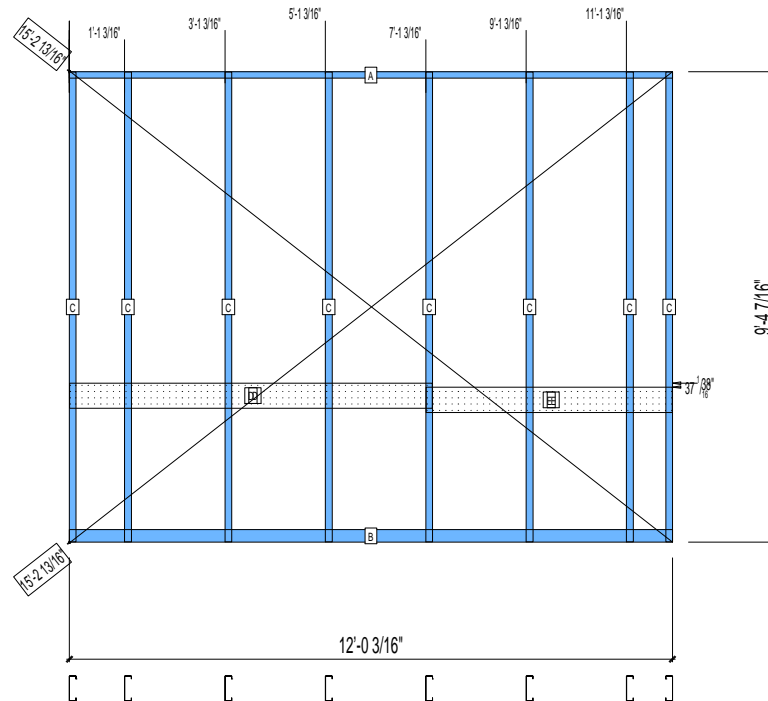
SPACING : 24"

1st STUD: 14 1/16"

WEIGHTS :

FRAME : 135 lbs

TOTAL: 135 lbs



PIECES LIST

LABEL	QTY	SIZE	LENGTH	USE
A	1	600T150-33	12'-0 3/16"	TOP TRACK
B	1	600T300-33	12'-0 3/16"	BOTTOM TRACK
C	8	600S162-33	9'-4 5/16"	STUD
D	1	600D-54	7'-2 3/4"	VANITY BACKING
E	1	600T150-54	4'-10 7/8"	GRAB BAR

13-3268

Jewish Home for the Aging

1885 Victory Blvd. Reseda, CA

FrameMax, Inc.
13915 Danielson St
Suite 100
Poway, CA 92064
www.frame-max.com



© FrameMax Inc.

CREATED: 12/08/2008

FM-07-109

CREATED BY: HH

HEIGHT : 9'-4 7/16" POINTS: 0.19 Points.

ANCHORS

SPACING : 24"

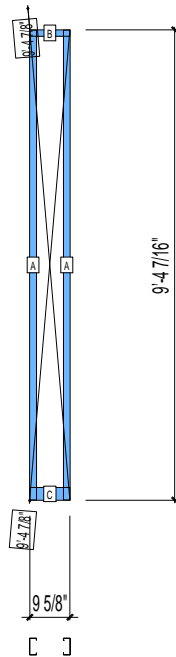
1st STUD: 16"

INSULATION: NO

WEIGHTS :

FRAME : 19 lbs

TOTAL: 19 lbs



PIECES LIST

LABEL	QTY	SIZE	LENGTH	USE
A	2	400S162-33	9'-4 5/16"	STUD
B	1	400T150-33	9 5/8"	TOP TRACK
C	1	400T300-33	9 5/8"	BOTTOM TRACK

13-3269

Jewish Home for the Aging

1885 Victory Blvd. Reseda, CA

FrameMax, Inc.
13915 Danielson St
Suite 100
Poway, CA 92064
www.frame-max.com



© FrameMax Inc.

CREATED: 12/08/2008

FM-07-109

CREATED BY: HH

HEIGHT : 9'-4 7/16" POINTS: 0.45 Points.

ANCHORS

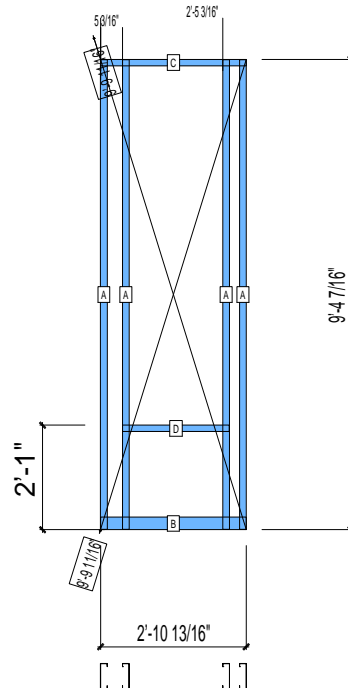
SPACING : 24"

1st STUD: 24"

WEIGHTS :

FRAME : 53 lbs

TOTAL: 53 lbs



PIECES LIST

LABEL	QTY	SIZE	LENGTH	USE
A	4	600S162-33	9'-4 5/16"	STUD
B	1	600T300-33	2'-10 13/16"	BOTTOM TRACK
C	1	600T150-33	2'-10 13/16"	TOP TRACK
D	1	600T150-33	2'-1 1/2"	SILL

13-3270

Jewish Home for the Aging

1885 Victory Blvd. Reseda, CA

FM-07-109

CREATED BY: AMB

FrameMax, Inc.
13915 Danielson St
Suite 100
Poway, CA 92064
www.frame-max.com



© FrameMax Inc.

HEIGHT : 9'-4 7/16" POINTS: 0.50 Points.

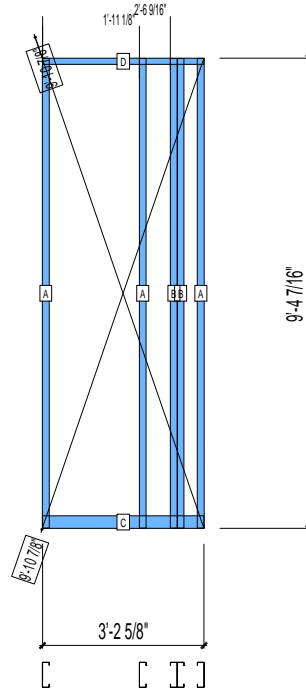
SPACING : 24"

1st STUD: 24"

WEIGHTS :

FRAME : 63 lbs

TOTAL: 63 lbs



PIECES LIST

LABEL	QTY	SIZE	LENGTH	USE
A	3	600S162-33	9'-4 5/16"	STUD
B	2	600S162-33	9'-4 5/16"	BACKER STUD
C	1	600T300-33	3'-2 5/8"	BOTTOM TRACK
D	1	600T150-33	3'-2 5/8"	TOP TRACK

13-3271

Jewish Home for the Aging

1885 Victory Blvd. Reseda, CA

FM-07-109

CREATED BY: AMB

FrameMax, Inc.
13915 Danielson St
Suite 100
Poway, CA 92064
www.frame-max.com



© FrameMax Inc.

HEIGHT : 9'-4 7/16" POINTS: 0.42 Points.

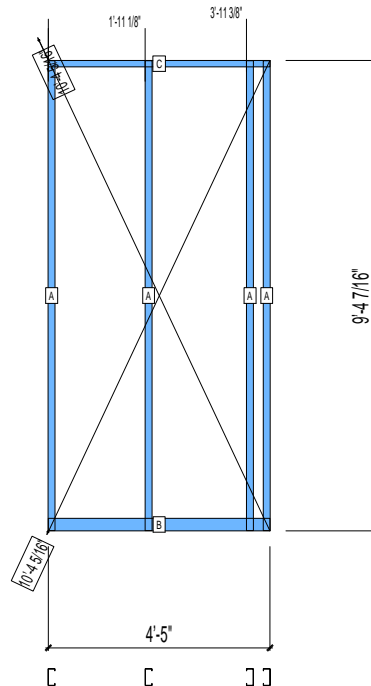
SPACING : 24"

1st STUD: 24"

WEIGHTS :

FRAME : 44 lbs

TOTAL: 44 lbs



PIECES LIST

LABEL	QTY	SIZE	LENGTH	USE
A	4	400S162-33	9'-4 5/16"	STUD
B	1	400T300-33	4'-5"	BOTTOM TRACK
C	1	400T150-33	4'-5"	TOP TRACK

13-3272

Jewish Home for the Aging

1885 Victory Blvd. Reseda, CA

FrameMax, Inc.
13915 Danielson St
Suite 100
Poway, CA 92064
www.frame-max.com



© FrameMax Inc.

CREATED: 11/10/2008

FM-07-109

CREATED BY: AMB

HEIGHT : 9'-4 7/16" POINTS: 0.20 Points.

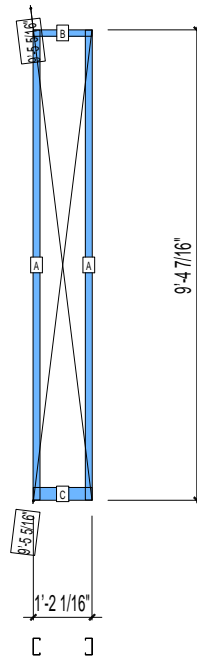
SPACING : 24"

1st STUD: 16"

WEIGHTS :

FRAME : 20 lbs

TOTAL: 20 lbs



PIECES LIST

LABEL	QTY	SIZE	LENGTH	USE
A	2	400S162-33	9'-4 5/16"	STUD
B	1	400T150-33	1'-2 1/16"	TOP TRACK
C	1	400T300-33	1'-2 1/16"	BOTTOM TRACK

13-3273

Jewish Home for the Aging

1885 Victory Blvd. Reseda, CA

FM-07-109

CREATED BY: AMB

FrameMax, Inc.
13915 Danielson St
Suite 100
Poway, CA 92064
www.frame-max.com



© FrameMax Inc.

HEIGHT : 9'-4 7/16" POINTS: 0.36 Points.

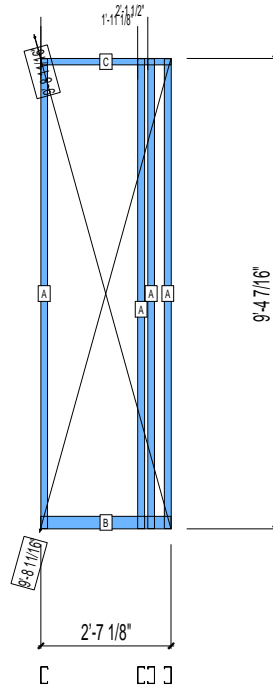
SPACING : 24"

1st STUD: 24"

WEIGHTS :

FRAME : 40 lbs

TOTAL: 40 lbs



PIECES LIST

LABEL	QTY	SIZE	LENGTH	USE
A	4	400S162-33	9'-4 5/16"	STUD
B	1	400T300-33	2'-7 1/8"	BOTTOM TRACK
C	1	400T150-33	2'-7 1/8"	TOP TRACK

13-3274

Jewish Home for the Aging

1885 Victory Blvd. Reseda, CA

FM-07-109

CREATED BY: AMB

FrameMax, Inc.
13915 Danielson St
Suite 100
Poway, CA 92064
www.frame-max.com



© FrameMax Inc.

HEIGHT : 9'-4 7/16" POINTS: 0.65 Points.

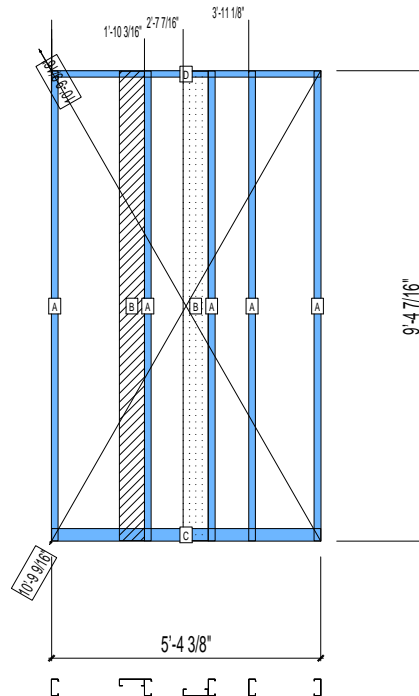
SPACING : 24"

1st STUD: 24"

WEIGHTS :

FRAME : 76 lbs

TOTAL: 76 lbs



PIECES LIST

LABEL	QTY	SIZE	LENGTH	USE
A	5	400S162-33	9'-4 5/16"	STUD
B	2	600S162-33	9'-4 3/16"	BACKER-U
C	1	400T300-33	5'-4 3/8"	BOTTOM TRACK
D	1	400T150-33	5'-4 3/8"	TOP TRACK

13-3275

Jewish Home for the Aging

1885 Victory Blvd. Reseda, CA

FrameMax, Inc.
13915 Danielson St
Suite 100
Poway, CA 92064
www.frame-max.com



© FrameMax Inc.

CREATED: 11/10/2008

FM-07-109

CREATED BY: HH

HEIGHT : 9'-4 7/16" POINTS: 0.81 Points.

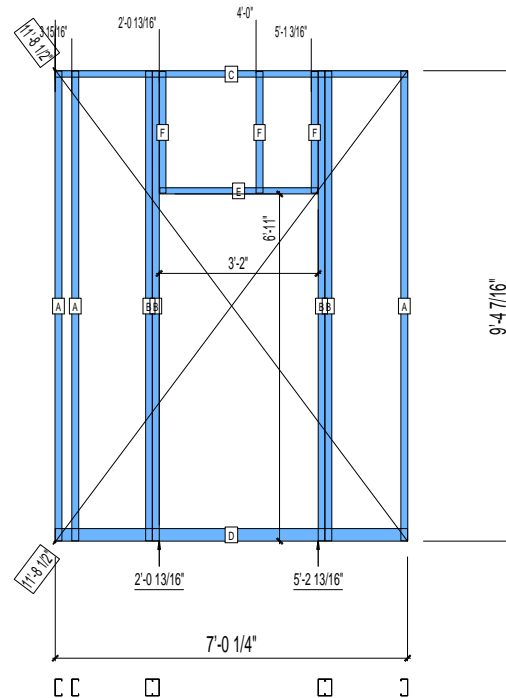
SPACING : 24"

1st STUD: 24"

WEIGHTS :

FRAME : 84 lbs

TOTAL: 84 lbs



PIECES LIST

LABEL	QTY	SIZE	LENGTH	USE
A	3	400S162-33	9'-4 5/16"	STUD
B	4	400S162-33	9'-4 5/16"	KING STUD
C	1	400T150-33	7'-0 1/4"	TOP TRACK
D	1	400T300-33	7'-0 1/4"	BOTTOM TRACK
E	1	400T150-33	3'-1 3/4"	HEAD TRACK
F	3	400S162-33	2'-5 1/16"	CRIPPLE

13-3276

Jewish Home for the Aging

1885 Victory Blvd. Reseda, CA

FrameMax, Inc.
13915 Danielson St
Suite 100
Poway, CA 92064
www.frame-max.com



© FrameMax Inc.

CREATED: 12/09/2008

FM-07-109

CREATED BY: HH

HEIGHT : 9'-4 7/16" POINTS: 0.31 Points.

ANCHORS

SPACING : 24"

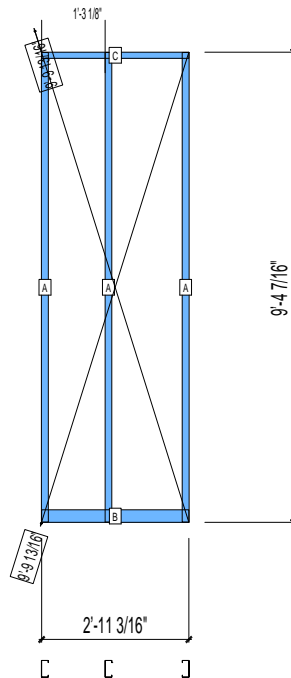
1st STUD: 16"

INSULATION: NO

WEIGHTS :

FRAME : 32 lbs

TOTAL: 32 lbs



PIECES LIST

LABEL	QTY	SIZE	LENGTH	USE
A	3	400S162-33	9'-4 5/16"	STUD
B	1	400T300-33	2'-11 3/16"	BOTTOM TRACK
C	1	400T150-33	2'-11 3/16"	TOP TRACK

13-3277

Jewish Home for the Aging

1885 Victory Blvd. Reseda, CA

FM-07-109

CREATED BY: AMB

FrameMax, Inc.
13915 Danielson St
Suite 100
Poway, CA 92064
www.frame-max.com



© FrameMax Inc.

HEIGHT : 9'-4 7/16" POINTS: 0.75 Points.

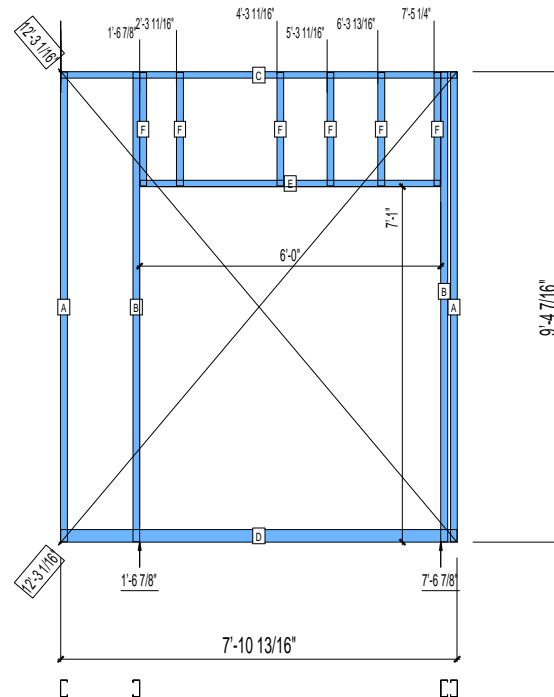
SPACING : 24"

1st STUD: 24"

WEIGHTS :

FRAME : 68 lbs

TOTAL: 68 lbs



PIECES LIST

LABEL	QTY	SIZE	LENGTH	USE
A	2	400S162-33	9'-4 5/16"	STUD
B	2	400S162-33	9'-4 5/16"	KING STUD
C	1	400T150-33	7'-10 13/16"	TOP TRACK
D	1	400T300-33	7'-10 13/16"	BOTTOM TRACK
E	1	400T150-33	5'-11 3/4"	HEAD TRACK
F	6	400S162-33	2'-3 1/16"	CRIPPLE

13-3278

Jewish Home for the Aging

1885 Victory Blvd. Reseda, CA

FrameMax, Inc.
13915 Danielson St
Suite 100
Poway, CA 92064
www.frame-max.com



© FrameMax Inc.

CREATED: 11/19/2008

FM-07-109

CREATED BY: HH

HEIGHT : 9'-4 7/16" POINTS: 0.75 Points.

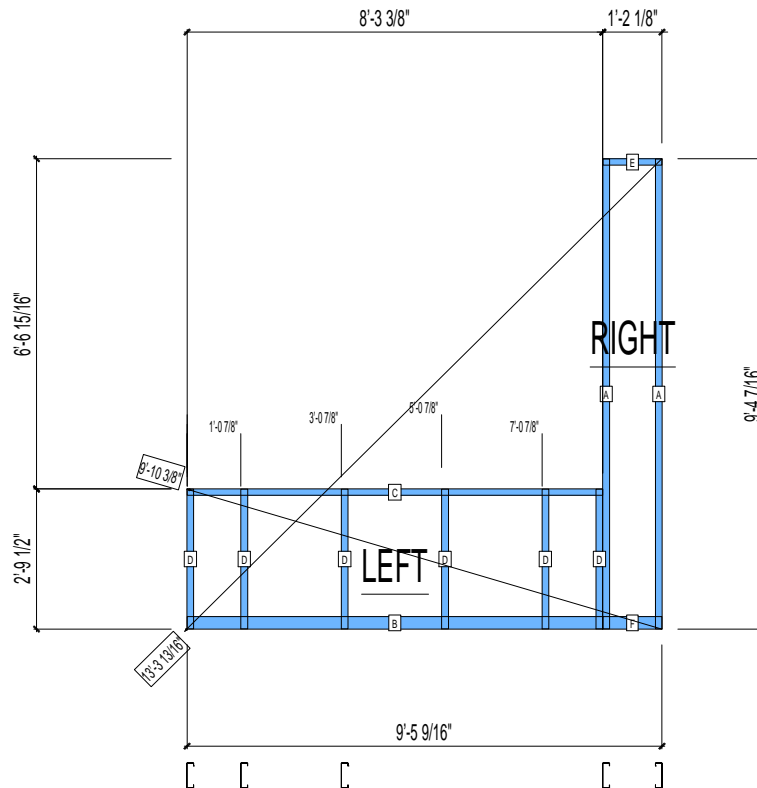
SPACING : 24"

1st STUD: 24"

WEIGHTS :

FRAME : 65 lbs

TOTAL: 65 lbs



PIECES LIST

LABEL	QTY	SIZE	LENGTH	USE
A	2	600S162-33	9'-4 5/16"	STUD
B	1	600T300-33	8'-3 5/16"	BOTTOM TRACK
C	1	600T150-33	8'-3 5/16"	TOP TRACK
D	6	600S162-33	2'-9 3/8"	STUD
E	1	600T150-33	1'-2 1/16"	TOP TRACK
F	1	600T300-33	1'-2 1/16"	BOTTOM TRACK

13-3279

Jewish Home for the Aging

1885 Victory Blvd. Reseda, CA

FrameMax, Inc.
13915 Danielson St
Suite 100
Poway, CA 92064
www.frame-max.com



© FrameMax Inc.

CREATED: 11/10/2008

FM-07-109

CREATED BY: HH

HEIGHT : 9'-4 7/16" POINTS: 0.22 Points.

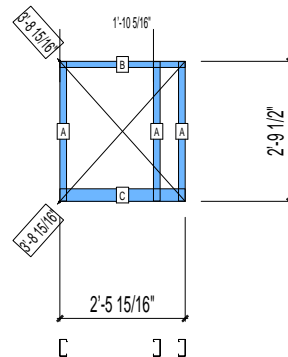
SPACING : 24"

1st STUD: 24"

WEIGHTS :

FRAME : 13 lbs

TOTAL: 13 lbs



PIECES LIST

LABEL	QTY	SIZE	LENGTH	USE
A	3	400S162-33	2'-9 3/8"	STUD
B	1	400T150-33	2'-5 15/16"	TOP TRACK
C	1	400T300-33	2'-5 15/16"	BOTTOM TRACK

13-3280

Jewish Home for the Aging

1885 Victory Blvd. Reseda, CA

FrameMax, Inc.
13915 Danielson St
Suite 100
Poway, CA 92064
www.frame-max.com



© FrameMax Inc.

CREATED: 12/08/2008

FM-07-109

CREATED BY: HH

HEIGHT : 9'-4 7/16" POINTS: 0.31 Points.

ANCHORS

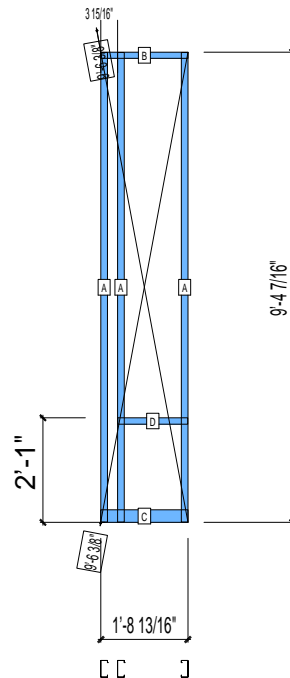
SPACING : 24"

1st STUD: 24"

WEIGHTS :

FRAME : 31 lbs

TOTAL: 31 lbs



PIECES LIST

LABEL	QTY	SIZE	LENGTH	USE
A	3	400S162-33	9'-4 5/16"	STUD
B	1	400T150-33	1'-8 13/16"	TOP TRACK
C	1	400T300-33	1'-8 13/16"	BOTTOM TRACK
D	1	600T150-33	1'-4 3/4"	SILL

13-3281

Jewish Home for the Aging

1885 Victory Blvd. Reseda, CA

FrameMax, Inc.
13915 Danielson St
Suite 100
Poway, CA 92064
www.frame-max.com



© FrameMax Inc.

CREATED: 12/08/2008

FM-07-109

CREATED BY: HH

HEIGHT : 9'-4 7/16" POINTS: 0.21 Points.

ANCHORS

SPACING : 24"

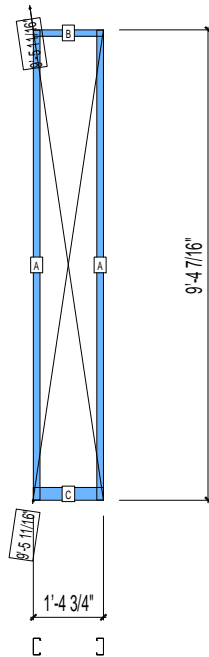
1st STUD: 24"

INSULATION: NO

WEIGHTS :

FRAME : 20 lbs

TOTAL: 20 lbs



PIECES LIST

LABEL	QTY	SIZE	LENGTH	USE
A	2	400S162-33	9'-4 5/16"	STUD
B	1	400T150-33	1'-4 3/4"	TOP TRACK
C	1	400T300-33	1'-4 3/4"	BOTTOM TRACK

13-3282

Jewish Home for the Aging

1885 Victory Blvd. Reseda, CA

FrameMax, Inc.
13915 Danielson St
Suite 100
Poway, CA 92064
www.frame-max.com



© FrameMax Inc.

CREATED: 11/10/2008

FM-07-109

CREATED BY: AMB

HEIGHT : 9'-4 7/16" POINTS: 0.19 Points.

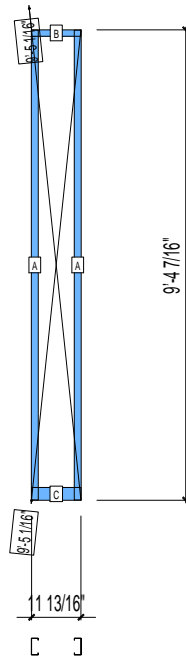
SPACING : 24"

1st STUD: 24"

WEIGHTS :

FRAME : 19 lbs

TOTAL: 19 lbs



PIECES LIST

LABEL	QTY	SIZE	LENGTH	USE
A	2	400S162-33	9'-4 5/16"	STUD
B	1	400T150-33	11 13/16"	TOP TRACK
C	1	400T300-33	11 13/16"	BOTTOM TRACK

13-3283

Jewish Home for the Aging

1885 Victory Blvd. Reseda, CA

FM-07-109

CREATED BY: HH

FrameMax, Inc.
13915 Danielson St
Suite 100
Poway, CA 92064
www.frame-max.com



© FrameMax Inc.

HEIGHT : 9'-4 7/16" POINTS: 0.78 Points.

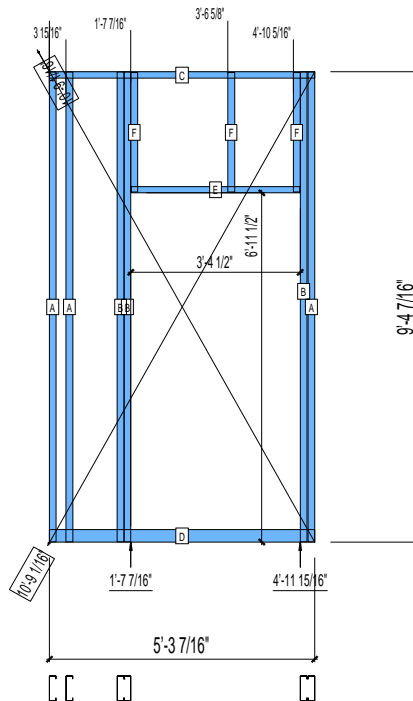
SPACING : 24"

1st STUD: 24"

WEIGHTS :

FRAME : 91 lbs

TOTAL: 91 lbs



PIECES LIST

LABEL	QTY	SIZE	LENGTH	USE
A	3	600S162-33	9'-4 5/16"	STUD
B	3	600S162-33	9'-4 5/16"	KING STUD
C	1	600T150-33	5'-3 7/16"	TOP TRACK
D	1	600T300-33	5'-3 7/16"	BOTTOM TRACK
E	1	600T150-33	3'-4 1/4"	HEAD TRACK
F	3	600S162-33	2'-4 9/16"	CRIPPLE

13-3284

Jewish Home for the Aging

1885 Victory Blvd. Reseda, CA

FrameMax, Inc.
13915 Danielson St
Suite 100
Poway, CA 92064
www.frame-max.com



© FrameMax Inc.

CREATED: 11/10/2008

FM-07-109

CREATED BY: AMB

HEIGHT : 9'-4 7/16" POINTS: 0.22 Points.

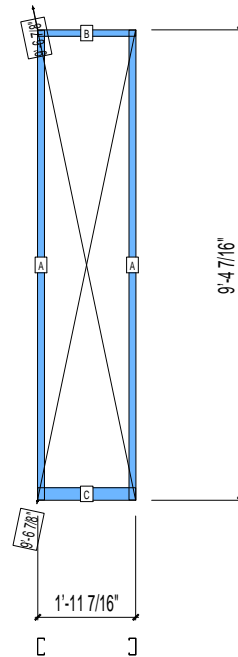
SPACING : 24"

1st STUD: 24"

WEIGHTS :

FRAME : 21 lbs

TOTAL: 21 lbs



PIECES LIST

LABEL	QTY	SIZE	LENGTH	USE
A	2	400S162-33	9'-4 5/16"	STUD
B	1	400T150-33	1'-11 7/16"	TOP TRACK
C	1	400T300-33	1'-11 7/16"	BOTTOM TRACK

13-3285

Jewish Home for the Aging

1885 Victory Blvd. Reseda, CA

FrameMax, Inc.
13915 Danielson St
Suite 100
Poway, CA 92064
www.frame-max.com



© FrameMax Inc.

CREATED: 11/10/2008

FM-07-109

CREATED BY: AMB

HEIGHT : 9'-4 7/16" POINTS: 0.19 Points.

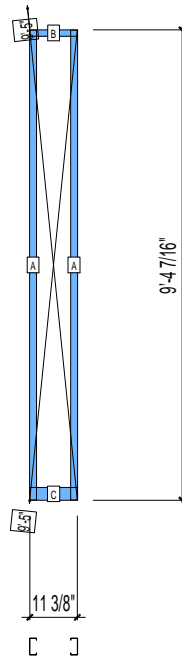
SPACING : 24"

1st STUD: 16"

WEIGHTS :

FRAME : 19 lbs

TOTAL: 19 lbs



PIECES LIST

LABEL	QTY	SIZE	LENGTH	USE
A	2	400S162-33	9'-4 5/16"	STUD
B	1	400T150-33	11 3/8"	TOP TRACK
C	1	400T300-33	11 3/8"	BOTTOM TRACK

13-3300

Jewish Home for the Aging

1885 Victory Blvd. Reseda, CA

FrameMax, Inc.
13915 Danielson St
Suite 100
Poway, CA 92064
www.frame-max.com



© FrameMax Inc.

CREATED: 11/10/2008

FM-07-109

CREATED BY: HH

HEIGHT : 9'-4 7/16" POINTS: 0.46 Points.

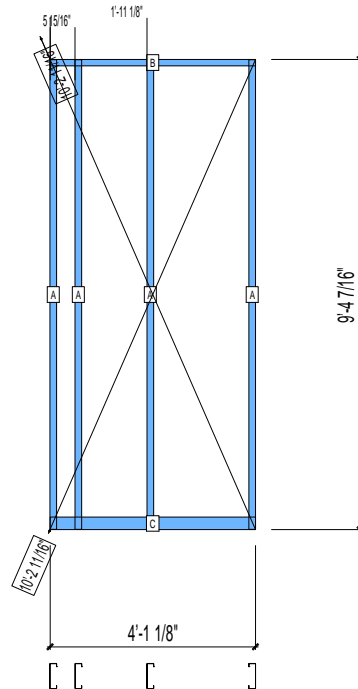
SPACING : 24"

1st STUD: 24"

WEIGHTS :

FRAME : 54 lbs

TOTAL: 54 lbs



PIECES LIST

LABEL	QTY	SIZE	LENGTH	USE
A	4	600S162-33	9'-4 5/16"	STUD
B	1	600T150-33	4'-1 1/8"	TOP TRACK
C	1	600T300-33	4'-1 1/8"	BOTTOM TRACK

13-3301

Jewish Home for the Aging

1885 Victory Blvd. Reseda, CA

FrameMax, Inc.
13915 Danielson St
Suite 100
Poway, CA 92064
www.frame-max.com



© FrameMax Inc.

CREATED: 11/10/2008

FM-07-109

CREATED BY: AMB

HEIGHT : 9'-4 7/16" POINTS: 0.25 Points.

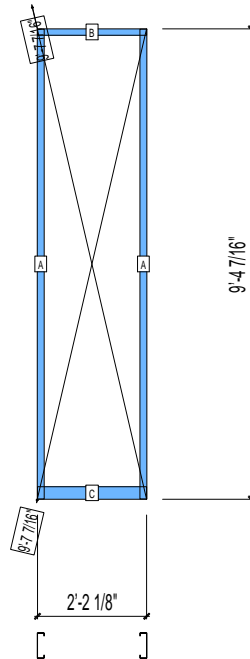
SPACING : 24"

1st STUD: 24"

WEIGHTS :

FRAME : 27 lbs

TOTAL: 27 lbs



PIECES LIST

LABEL	QTY	SIZE	LENGTH	USE
A	2	600S162-33	9'-4 5/16"	STUD
B	1	600T150-33	2'-2 1/8"	TOP TRACK
C	1	600T300-33	2'-2 1/8"	BOTTOM TRACK

13-3302

Jewish Home for the Aging

1885 Victory Blvd. Reseda, CA

FrameMax, Inc.
13915 Danielson St
Suite 100
Poway, CA 92064
www.frame-max.com



© FrameMax Inc.

CREATED: 12/08/2008

FM-07-109

CREATED BY: HH

HEIGHT : 9'-4 7/16" POINTS: 0.38 Points.

ANCHORS

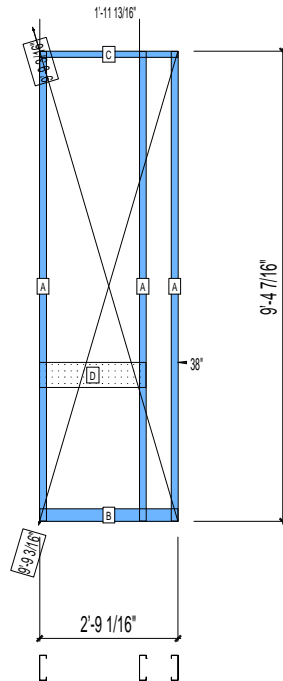
SPACING : 5000"

1st STUD: 5000"

WEIGHTS :

FRAME : 42 lbs

TOTAL: 42 lbs



PIECES LIST

LABEL	QTY	SIZE	LENGTH	USE
A	3	600S162-33	9'-4 5/16"	STUD
B	1	600T300-33	2'-9 1/16"	BOTTOM TRACK
C	1	600T150-33	2'-9 1/16"	TOP TRACK
D	1	600D-54	2'-1 7/16"	VANITY BACKING

13-3303

Jewish Home for the Aging

1885 Victory Blvd. Reseda, CA

FrameMax, Inc.
13915 Danielson St
Suite 100
Poway, CA 92064
www.frame-max.com



© FrameMax Inc.

CREATED: 12/08/2008

FM-07-109

CREATED BY: HH

HEIGHT : 9'-4 7/16" POINTS: 0.34 Points.

ANCHORS

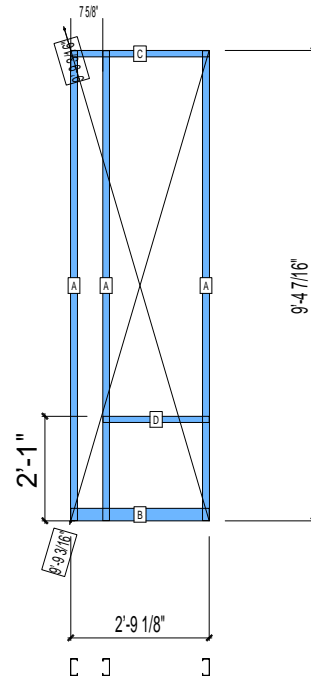
SPACING : 5000"

1st STUD: 16"

WEIGHTS :

FRAME : 34 lbs

TOTAL: 34 lbs



PIECES LIST

LABEL	QTY	SIZE	LENGTH	USE
A	3	400S162-33	9'-4 5/16"	STUD
B	1	400T300-33	2'-9 1/8"	BOTTOM TRACK
C	1	400T150-33	2'-9 1/8"	TOP TRACK
D	1	600T150-33	2'-1 3/8"	SILL

13-3304

Jewish Home for the Aging

1885 Victory Blvd. Reseda, CA

FrameMax, Inc.
13915 Danielson St
Suite 100
Poway, CA 92064
www.framemax.com



© FrameMax Inc.

CREATED: 11/10/2008

FM-07-109

CREATED BY: AMB

HEIGHT : 9'-4 7/16" POINTS: 0.34 Points.

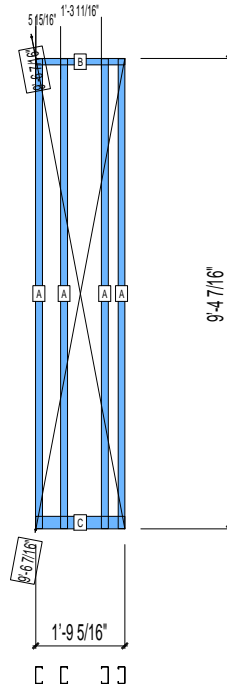
SPACING : 24"

1st STUD: 24"

WEIGHTS :

FRAME : 38 lbs

TOTAL: 38 lbs



PIECES LIST

LABEL	QTY	SIZE	LENGTH	USE
A	4	400S162-33	9'-4 5/16"	STUD
B	1	400T150-33	1'-9 5/16"	TOP TRACK
C	1	400T300-33	1'-9 5/16"	BOTTOM TRACK

13-3305

Jewish Home for the Aging

1885 Victory Blvd. Reseda, CA

FM-07-109

CREATED BY: HH

FrameMax, Inc.
13915 Danielson St
Suite 100
Poway, CA 92064
www.framemax.com



© FrameMax Inc.

HEIGHT : 9'-4 7/16" POINTS: 1.58 Points.

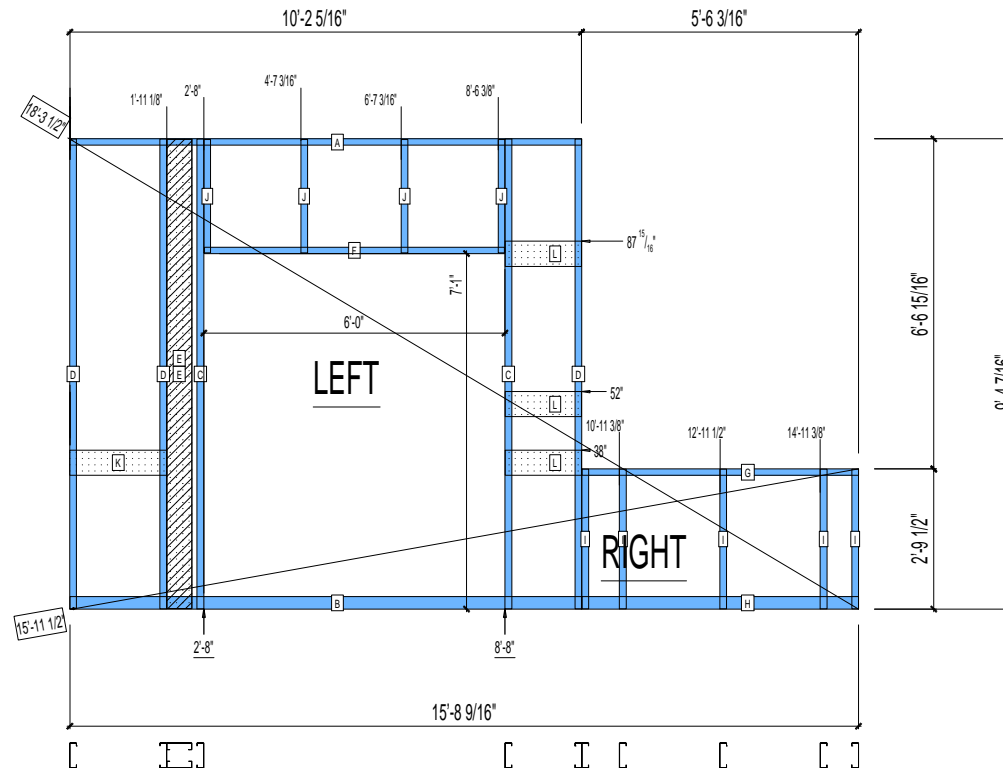
SPACING : 24"

1st STUD: 24"

WEIGHTS :

FRAME : 157 lbs

TOTAL: 157 lbs



PIECES LIST

LABEL	QTY	SIZE	LENGTH	USE
A	1	600T150-33	10'-2 5/16"	TOP TRACK
B	1	600T300-33	10'-2 5/16"	BOTTOM TRACK
C	2	600S162-33	9'-4 5/16"	KING STUD
D	3	600S162-33	9'-4 5/16"	STUD
E	2	600S162-33	9'-4 3/16"	BACKER-U
F	1	600T150-33	5'-11 3/4"	HEAD TRACK
G	1	600T150-33	5'-6 1/16"	TOP TRACK
H	1	600T300-33	5'-6 1/16"	BOTTOM TRACK
I	5	600S162-33	2'-9 3/8"	STUD
J	4	600S162-33	2'-3 1/16"	CRIPPLE
K	1	600D-54	1'-11 3/16"	VANITY BACKING
L	3	600D-54	1'-6 1/4"	KITCHEN BACKING

13-3306

Jewish Home for the Aging

1885 Victory Blvd. Reseda, CA

FM-07-109

CREATED BY: AMB

FrameMax, Inc.
13915 Danielson St
Suite 100
Poway, CA 92064
www.frame-max.com

FRAME MAX

© FrameMax Inc.

HEIGHT : 9'-4 7/16" POINTS: 0.49 Points.

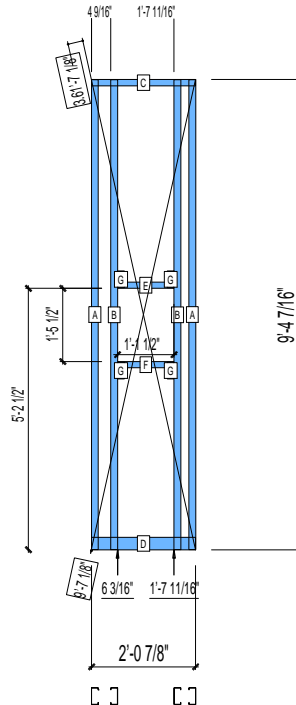
SPACING : 24"

1st STUD: 24"

WEIGHTS :

FRAME : 42 lbs

TOTAL: 42 lbs



PIECES LIST

LABEL	QTY	SIZE	LENGTH	USE
A	2	400S162-33	9'-4 5/16"	STUD
B	2	400S162-33	9'-4 5/16"	KING STUD
C	1	400T150-33	2'-0 7/8"	TOP TRACK
D	1	400T300-33	2'-0 7/8"	BOTTOM TRACK
E	1	400T150-33	1'-1 1/4"	HEAD TRACK
F	1	400T150-33	1'-1 1/4"	SILL
G	4	400S162-33	4"	CRIPPLE

13-3307

Jewish Home for the Aging

1885 Victory Blvd. Reseda, CA

FrameMax, Inc.
13915 Danielson St
Suite 100
Poway, CA 92064
www.frame-max.com



© FrameMax Inc.

CREATED: 12/05/2008

FM-07-109

CREATED BY: HH

HEIGHT : 9'-4 7/16" POINTS: 0.65 Points.

ANCHORS

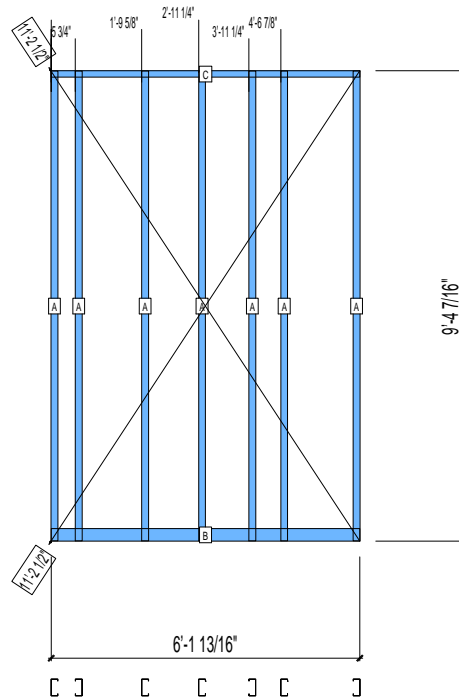
SPACING : 5000"

1st STUD: 5000"

WEIGHTS :

FRAME : 73 lbs

TOTAL: 73 lbs



PIECES LIST

LABEL	QTY	SIZE	LENGTH	USE
A	7	400S162-33	9'-4 5/16"	STUD
B	1	400T300-33	6'-1 13/16"	BOTTOM TRACK
C	1	400T150-33	6'-1 13/16"	TOP TRACK

13-3308

Jewish Home for the Aging

1885 Victory Blvd. Reseda, CA

FM-07-109

CREATED BY: HH

FrameMax, Inc.
13915 Danielson St
Suite 100
Poway, CA 92064
www.frame-max.com

FRAMEMAX

© FrameMax Inc.

HEIGHT : 9'-4 7/16" POINTS: 0.73 Points.

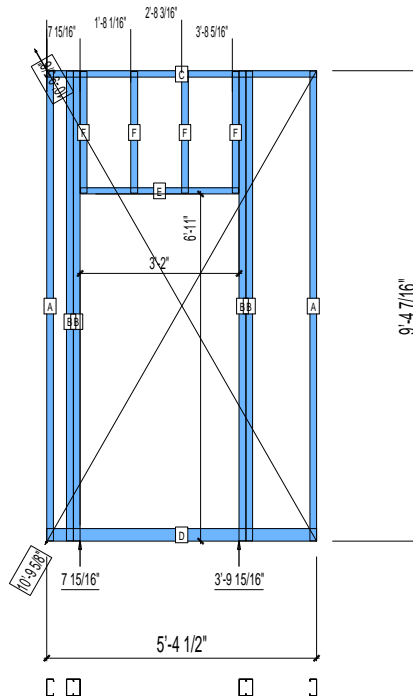
SPACING : 24"

1st STUD: 24"

WEIGHTS :

FRAME : 75 lbs

TOTAL: 75 lbs



PIECES LIST

LABEL	QTY	SIZE	LENGTH	USE
A	2	400S162-33	9'-4 5/16"	STUD
B	4	400S162-33	9'-4 5/16"	KING STUD
C	1	400T150-33	5'-4 1/2"	TOP TRACK
D	1	400T300-33	5'-4 1/2"	BOTTOM TRACK
E	1	400T150-33	3'-1 3/4"	HEAD TRACK
F	4	400S162-33	2'-5 1/16"	CRIPPLE

13-3309

Jewish Home for the Aging

1885 Victory Blvd. Reseda, CA

FM-07-109

CREATED BY: AMB

FrameMax, Inc.
13915 Danielson St
Suite 100
Poway, CA 92064
www.frame-max.com

FRAME MAX

© FrameMax Inc.

HEIGHT : 9'-4 7/16" POINTS: 0.59 Points.

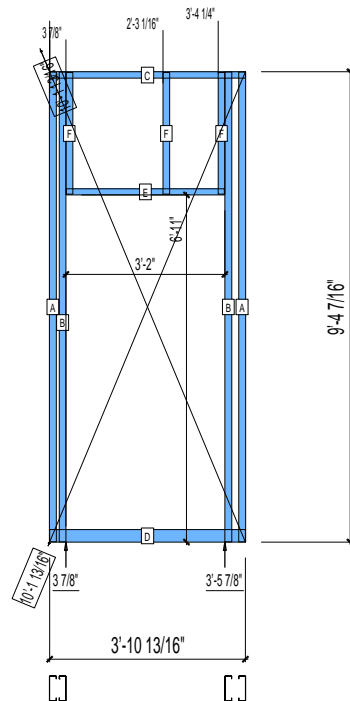
SPACING : 24"

1st STUD: 24"

WEIGHTS :

FRAME : 65 lbs

TOTAL: 65 lbs



PIECES LIST

LABEL	QTY	SIZE	LENGTH	USE
A	2	600S162-33	9'-4 5/16"	STUD
B	2	600S162-33	9'-4 5/16"	KING STUD
C	1	600T150-33	3'-10 13/16"	TOP TRACK
D	1	600T300-33	3'-10 13/16"	BOTTOM TRACK
E	1	600T150-33	3'-1 3/4"	HEAD TRACK
F	3	600S162-33	2'-5 1/16"	CRIPPLE

13-3310

Jewish Home for the Aging

1885 Victory Blvd. Reseda, CA

FrameMax, Inc.
13915 Danielson St
Suite 100
Poway, CA 92064
www.frame-max.com



© FrameMax Inc.

CREATED: 11/10/2008

FM-07-109

CREATED BY: AMB

HEIGHT : 9'-4 7/16" POINTS: 0.25 Points.

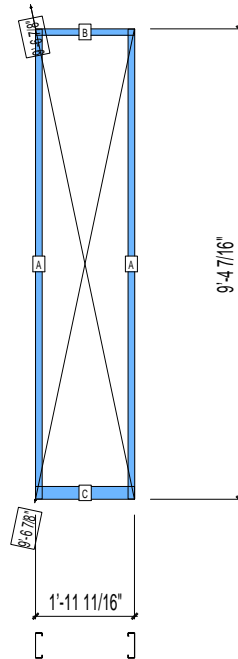
SPACING : 24"

1st STUD: 24"

WEIGHTS :

FRAME : 27 lbs

TOTAL: 27 lbs



PIECES LIST

LABEL	QTY	SIZE	LENGTH	USE
A	2	600S162-33	9'-4 5/16"	STUD
B	1	600T150-33	1'-11 11/16"	TOP TRACK
C	1	600T300-33	1'-11 11/16"	BOTTOM TRACK

13-3311

Jewish Home for the Aging

1885 Victory Blvd. Reseda, CA

FrameMax, Inc.
13915 Danielson St
Suite 100
Poway, CA 92064
www.frame-max.com



© FrameMax Inc.

CREATED: 11/10/2008

FM-07-109

CREATED BY: AMB

HEIGHT : 9'-4 7/16" POINTS: 0.32 Points.

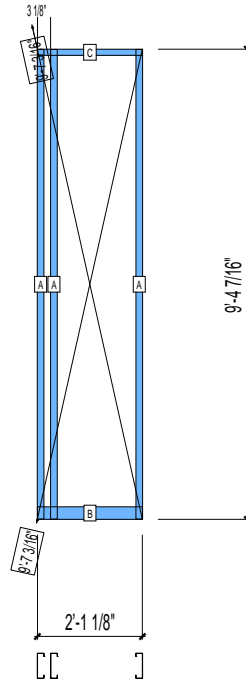
SPACING : 24"

1st STUD: 24"

WEIGHTS :

FRAME : 38 lbs

TOTAL: 38 lbs



PIECES LIST

LABEL	QTY	SIZE	LENGTH	USE
A	3	600S162-33	9'-4 5/16"	STUD
B	1	600T300-33	2'-1 1/8"	BOTTOM TRACK
C	1	600T150-33	2'-1 1/8"	TOP TRACK

13-3312

Jewish Home for the Aging

1885 Victory Blvd. Reseda, CA

FrameMax, Inc.
13915 Danielson St
Suite 100
Poway, CA 92064
www.frame-max.com



© FrameMax Inc.

CREATED: 11/10/2008

FM-07-109

CREATED BY: AMB

HEIGHT : 9'-4 7/16" POINTS: 0.19 Points.

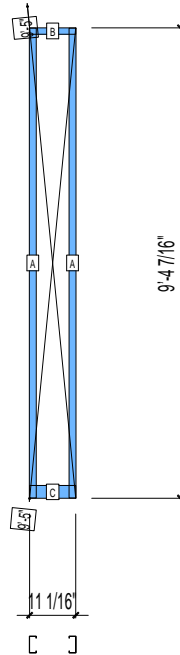
SPACING : 24"

1st STUD: 24"

WEIGHTS :

FRAME : 19 lbs

TOTAL: 19 lbs



PIECES LIST

LABEL	QTY	SIZE	LENGTH	USE
A	2	400S162-33	9'-4 5/16"	STUD
B	1	400T150-33	1 1/16"	TOP TRACK
C	1	400T300-33	1 1/16"	BOTTOM TRACK

13-3313

Jewish Home for the Aging

1885 Victory Blvd. Reseda, CA

FrameMax, Inc.
13915 Danielson St
Suite 100
Poway, CA 92064
www.frame-max.com



© FrameMax Inc.

CREATED: 11/10/2008

FM-07-109

CREATED BY: HH

HEIGHT : 9'-4 7/16" POINTS: 0.22 Points.

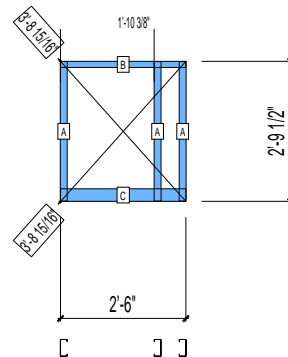
SPACING : 24"

1st STUD: 24"

WEIGHTS :

FRAME : 13 lbs

TOTAL: 13 lbs



PIECES LIST

LABEL	QTY	SIZE	LENGTH	USE
A	3	400S162-33	2'-9 3/8"	STUD
B	1	400T150-33	2'-6"	TOP TRACK
C	1	400T300-33	2'-6"	BOTTOM TRACK

13-3314

Jewish Home for the Aging

1885 Victory Blvd. Reseda, CA

FM-07-109

CREATED BY: HH

FrameMax, Inc.
13915 Danielson St
Suite 100
Poway, CA 92064
www.frame-max.com



© FrameMax Inc.

HEIGHT : 9'-4 7/16" POINTS: 0.83 Points.

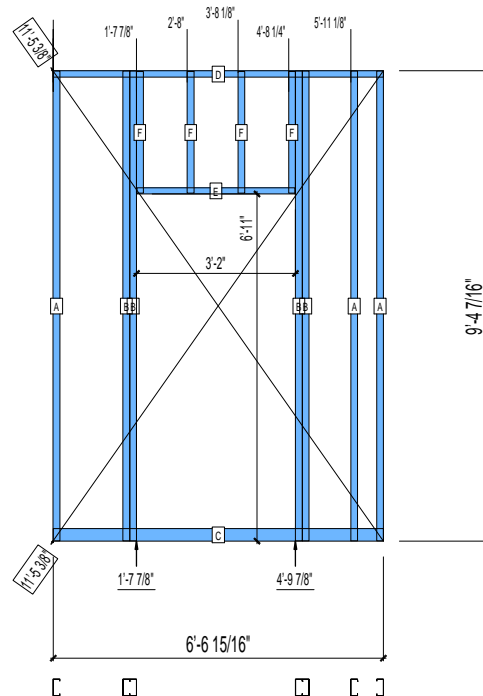
SPACING : 24"

1st STUD: 24"

WEIGHTS :

FRAME : 86 lbs

TOTAL: 86 lbs



PIECES LIST

LABEL	QTY	SIZE	LENGTH	USE
A	3	400S162-33	9'-4 5/16"	STUD
B	4	400S162-33	9'-4 5/16"	KING STUD
C	1	400T300-33	6'-6 15/16"	BOTTOM TRACK
D	1	400T150-33	6'-6 15/16"	TOP TRACK
E	1	400T150-33	3'-1 3/4"	HEAD TRACK
F	4	400S162-33	2'-5 1/16"	CRIPPLE

13-3315

Jewish Home for the Aging

1885 Victory Blvd. Reseda, CA

FrameMax, Inc.
13915 Danielson St
Suite 100
Poway, CA 92064
www.frame-max.com



© FrameMax Inc.

CREATED: 11/10/2008

FM-07-109

CREATED BY: HH

HEIGHT : 9'-4 7/16" POINTS: 0.57 Points.

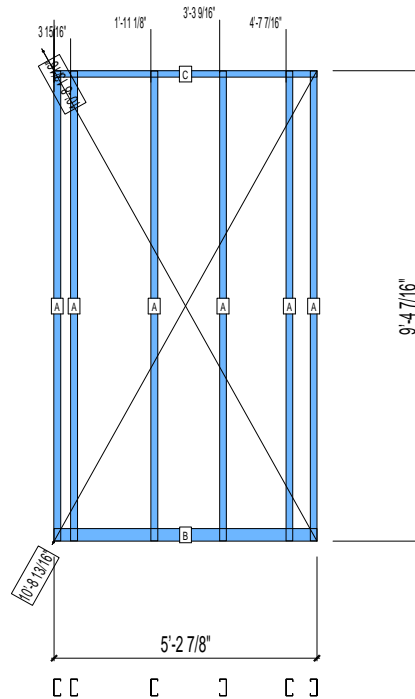
SPACING : 24"

1st STUD: 24"

WEIGHTS :

FRAME : 63 lbs

TOTAL: 63 lbs



PIECES LIST

LABEL	QTY	SIZE	LENGTH	USE
A	6	400S162-33	9'-4 5/16"	STUD
B	1	400T300-33	5'-2 7/8"	BOTTOM TRACK
C	1	400T150-33	5'-2 7/8"	TOP TRACK

13-3316

Jewish Home for the Aging

1885 Victory Blvd. Reseda, CA

FM-07-109

CREATED BY: AMB

FrameMax, Inc.
13915 Danielson St
Suite 100
Poway, CA 92064
www.frame-max.com



© FrameMax Inc.

HEIGHT : 9'-4 7/16" POINTS: 0.75 Points.

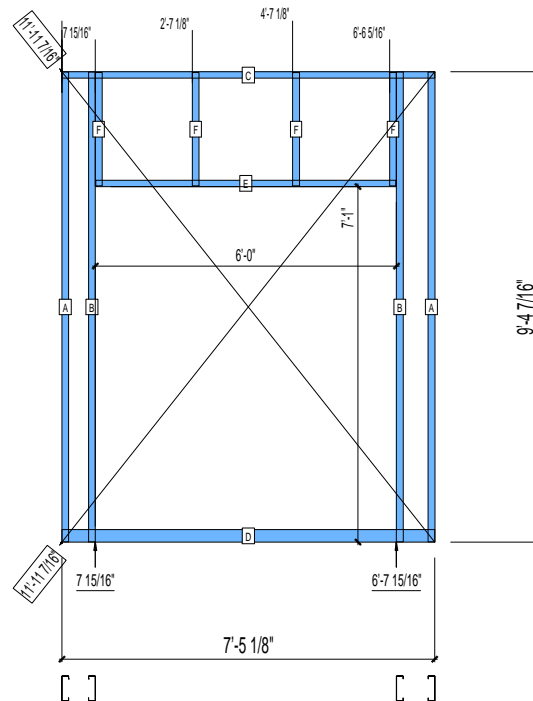
SPACING : 24"

1st STUD: 24"

WEIGHTS :

FRAME : 79 lbs

TOTAL: 79 lbs



PIECES LIST

LABEL	QTY	SIZE	LENGTH	USE
A	2	600S162-33	9'-4 5/16"	STUD
B	2	600S162-33	9'-4 5/16"	KING STUD
C	1	600T150-33	7'-5 1/8"	TOP TRACK
D	1	600T300-33	7'-5 1/8"	BOTTOM TRACK
E	1	600T150-33	5'-11 3/4"	HEAD TRACK
F	4	600S162-33	2'-3 1/16"	CRIPPLE

13-3317

Jewish Home for the Aging

1885 Victory Blvd. Reseda, CA

FM-07-109

CREATED BY: HH

FrameMax, Inc.
13915 Danielson St
Suite 100
Poway, CA 92064
www.frame-max.com



© FrameMax Inc.

HEIGHT : 9'-4 7/16" POINTS: 0.68 Points.

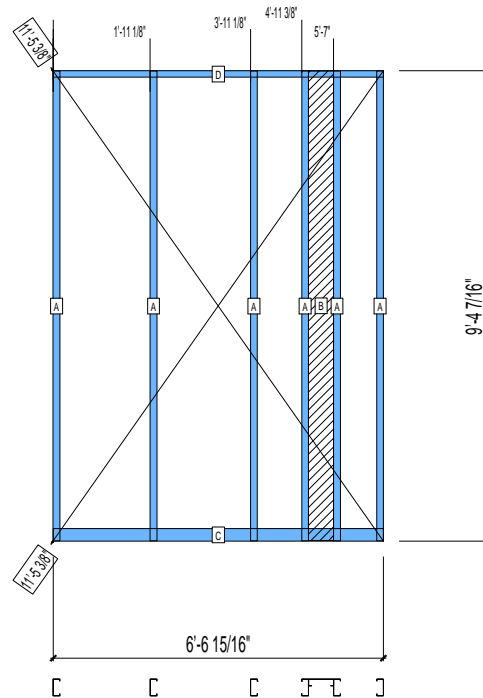
SPACING : 24"

1st STUD: 24"

WEIGHTS :

FRAME : 76 lbs

TOTAL: 76 lbs



PIECES LIST

LABEL	QTY	SIZE	LENGTH	USE
A	6	400S162-33	9'-4 5/16"	STUD
B	1	600S162-33	9'-4 1/4"	BACKER-U
C	1	400T300-33	6'-6 15/16"	BOTTOM TRACK
D	1	400T150-33	6'-6 15/16"	TOP TRACK

13-3318

Jewish Home for the Aging

1885 Victory Blvd. Reseda, CA

FM-07-109

CREATED BY: AMB

FrameMax, Inc.
13915 Danielson St
Suite 100
Poway, CA 92064
www.frame-max.com



© FrameMax Inc.

HEIGHT : 9'-4 7/16" POINTS: 0.35 Points.

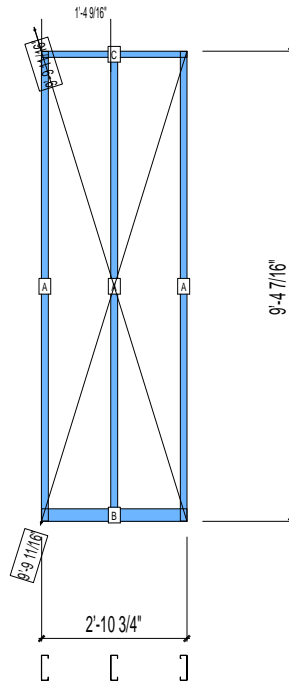
SPACING : 24"

1st STUD: 17 3/8"

WEIGHTS :

FRAME : 40 lbs

TOTAL: 40 lbs



PIECES LIST

LABEL	QTY	SIZE	LENGTH	USE
A	3	600S162-33	9'-4 5/16"	STUD
B	1	600T300-33	2'-10 3/4"	BOTTOM TRACK
C	1	600T150-33	2'-10 3/4"	TOP TRACK

13-3319

Jewish Home for the Aging

1885 Victory Blvd. Reseda, CA

FrameMax, Inc.
13915 Danielson St
Suite 100
Poway, CA 92064
www.frame-max.com



© FrameMax Inc.

CREATED: 11/10/2008

FM-07-109

CREATED BY: AMB

HEIGHT : 9'-4 7/16" POINTS: 0.33 Points.

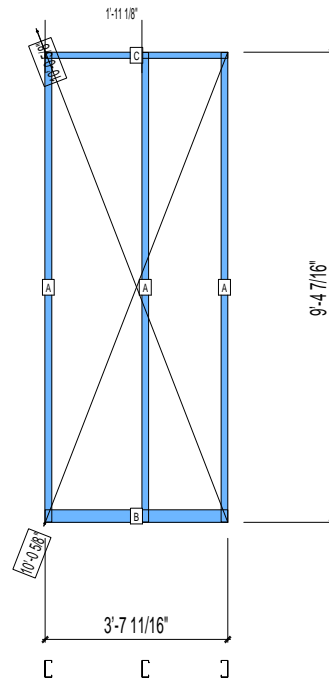
SPACING : 24"

1st STUD: 24"

WEIGHTS :

FRAME : 33 lbs

TOTAL: 33 lbs



PIECES LIST

LABEL	QTY	SIZE	LENGTH	USE
A	3	400S162-33	9'-4 5/16"	STUD
B	1	400T300-33	3'-7 11/16"	BOTTOM TRACK
C	1	400T150-33	3'-7 11/16"	TOP TRACK

13-3320

Jewish Home for the Aging

1885 Victory Blvd. Reseda, CA

FrameMax, Inc.
13915 Danielson St
Suite 100
Poway, CA 92064
www.frame-max.com



© FrameMax Inc.

CREATED: 11/10/2008

FM-07-109

CREATED BY: HH

HEIGHT : 9'-4 7/16" POINTS: 0.30 Points.

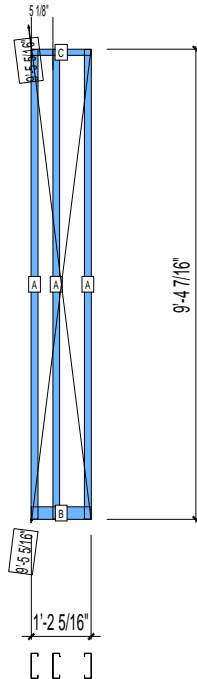
SPACING : 24"

1st STUD: 24"

WEIGHTS :

FRAME : 36 lbs

TOTAL: 36 lbs



PIECES LIST

LABEL	QTY	SIZE	LENGTH	USE
A	3	600S162-33	9'-4 5/16"	STUD
B	1	600T300-33	1'-2 5/16"	BOTTOM TRACK
C	1	600T150-33	1'-2 5/16"	TOP TRACK

13-3321

Jewish Home for the Aging

1885 Victory Blvd. Reseda, CA

FrameMax, Inc.
13915 Danielson St
Suite 100
Poway, CA 92064
www.frame-max.com



© FrameMax Inc.

CREATED: 11/10/2008

FM-07-109

CREATED BY: AMB

HEIGHT : 9'-4 7/16" POINTS: 0.20 Points.

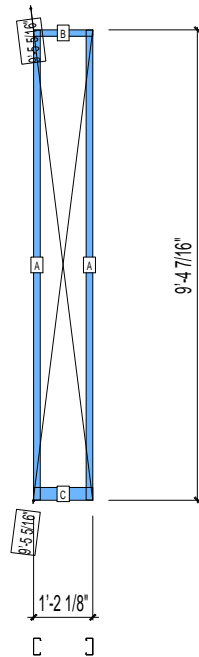
SPACING : 24"

1st STUD: 24"

WEIGHTS :

FRAME : 20 lbs

TOTAL: 20 lbs



PIECES LIST

LABEL	QTY	SIZE	LENGTH	USE
A	2	400S162-33	9'-4 5/16"	STUD
B	1	400T150-33	1'-2 1/8"	TOP TRACK
C	1	400T300-33	1'-2 1/8"	BOTTOM TRACK

13-3322

Jewish Home for the Aging

1885 Victory Blvd. Reseda, CA

FrameMax, Inc.
13915 Danielson St
Suite 100
Poway, CA 92064
www.frame-max.com



© FrameMax Inc.

CREATED: 11/10/2008

FM-07-109

CREATED BY: AMB

HEIGHT : 9'-4 7/16" POINTS: 0.34 Points.

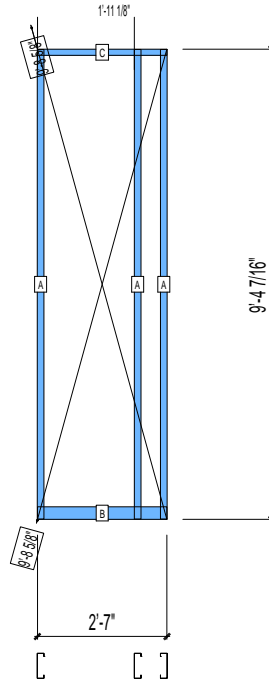
SPACING : 24"

1st STUD: 24"

WEIGHTS :

FRAME : 39 lbs

TOTAL: 39 lbs



PIECES LIST

LABEL	QTY	SIZE	LENGTH	USE
A	3	600S162-33	9'-4 5/16"	STUD
B	1	600T300-33	2'-7"	BOTTOM TRACK
C	1	600T150-33	2'-7"	TOP TRACK

13-3323

Jewish Home for the Aging

1885 Victory Blvd. Reseda, CA

FrameMax, Inc.
13915 Danielson St
Suite 100
Poway, CA 92064
www.frame-max.com



© FrameMax Inc.

CREATED: 11/10/2008

FM-07-109

CREATED BY: AMB

HEIGHT : 9'-4 7/16" POINTS: 0.32 Points.

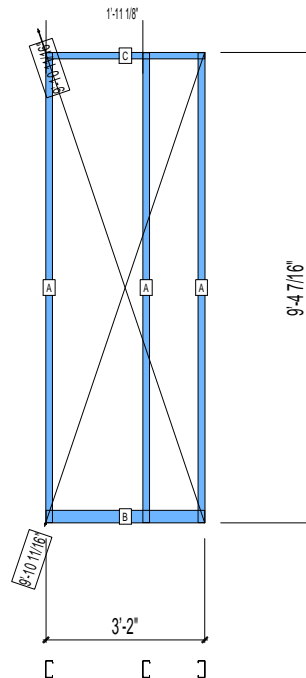
SPACING : 24"

1st STUD: 24"

WEIGHTS :

FRAME : 32 lbs

TOTAL: 32 lbs



PIECES LIST

LABEL	QTY	SIZE	LENGTH	USE
A	3	400S162-33	9'-4 5/16"	STUD
B	1	400T300-33	3'-2"	BOTTOM TRACK
C	1	400T150-33	3'-2"	TOP TRACK

13-3324

Jewish Home for the Aging

1885 Victory Blvd. Reseda, CA

FrameMax, Inc.
13915 Danielson St
Suite 100
Poway, CA 92064
www.frame-max.com



© FrameMax Inc.

CREATED: 11/10/2008

FM-07-109

CREATED BY: AMB

HEIGHT : 9'-4 7/16" POINTS: 0.38 Points.

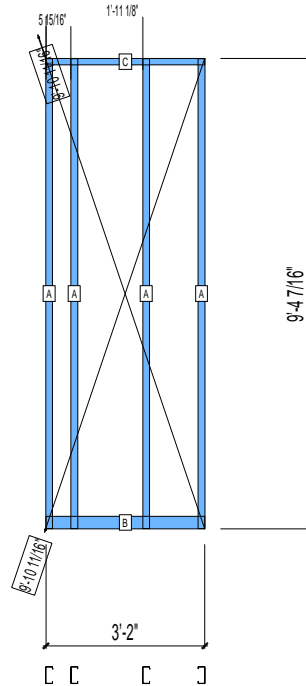
SPACING : 24"

1st STUD: 24"

WEIGHTS :

FRAME : 41 lbs

TOTAL: 41 lbs



PIECES LIST

LABEL	QTY	SIZE	LENGTH	USE
A	4	400S162-33	9'-4 5/16"	STUD
B	1	400T300-33	3'-2"	BOTTOM TRACK
C	1	400T150-33	3'-2"	TOP TRACK

13-3325

Jewish Home for the Aging

1885 Victory Blvd. Reseda, CA

FM-07-109

CREATED BY: AMB

FrameMax, Inc.
13915 Danielson St
Suite 100
Poway, CA 92064
www.frame-max.com



© FrameMax Inc.

HEIGHT : 9'-4 7/16" POINTS: 0.54 Points.

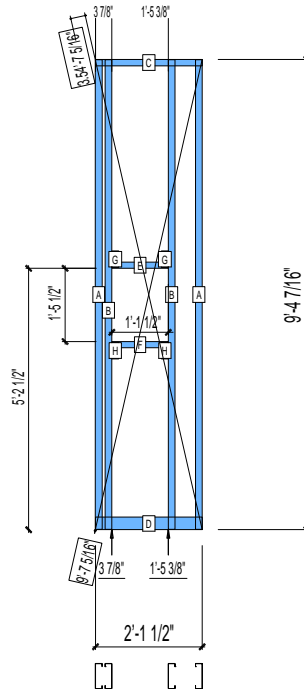
SPACING : 24"

1st STUD: 24"

WEIGHTS :

FRAME : 53 lbs

TOTAL: 53 lbs



PIECES LIST

LABEL	QTY	SIZE	LENGTH	USE
A	2	600S162-33	9'-4 5/16"	STUD
B	2	600S162-33	9'-4 5/16"	KING STUD
C	1	600T150-33	2'-1 1/2"	TOP TRACK
D	1	600T300-33	2'-1 1/2"	BOTTOM TRACK
E	1	600T150-33	1'-1 3/8"	HEAD TRACK
F	1	600T150-33	1'-1 3/8"	SILL
G	2	600S162-33	4"	CRIPPLE
H	2	600S162-33	3 15/16"	CRIPPLE

13-3326

Jewish Home for the Aging

1885 Victory Blvd. Reseda, CA

FrameMax, Inc.
13915 Danielson St
Suite 100
Poway, CA 92064
www.framemax.com



© FrameMax Inc.

CREATED: 12/08/2008

FM-07-109

CREATED BY: HH

HEIGHT : 9'-4 7/16" POINTS: 0.33 Points.

ANCHORS

SPACING : 24"

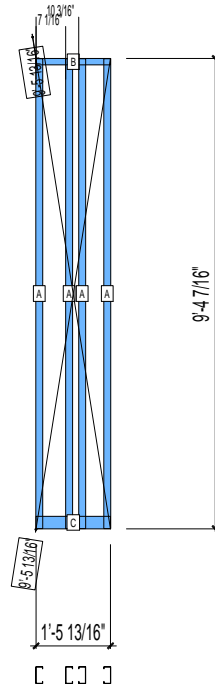
1st STUD: 24"

INSULATION: NO

WEIGHTS :

FRAME : 38 lbs

TOTAL: 38 lbs



PIECES LIST

LABEL	QTY	SIZE	LENGTH	USE
A	4	400S162-33	9'-4 5/16"	STUD
B	1	400T150-33	1'-5 13/16"	TOP TRACK
C	1	400T300-33	1'-5 13/16"	BOTTOM TRACK

13-3327

Jewish Home for the Aging

1885 Victory Blvd. Reseda, CA

FM-07-109

CREATED BY: AMB

FrameMax, Inc.
13915 Danielson St
Suite 100
Poway, CA 92064
www.frame-max.com



© FrameMax Inc.

HEIGHT : 9'-4 7/16" POINTS: 1.00 Points.

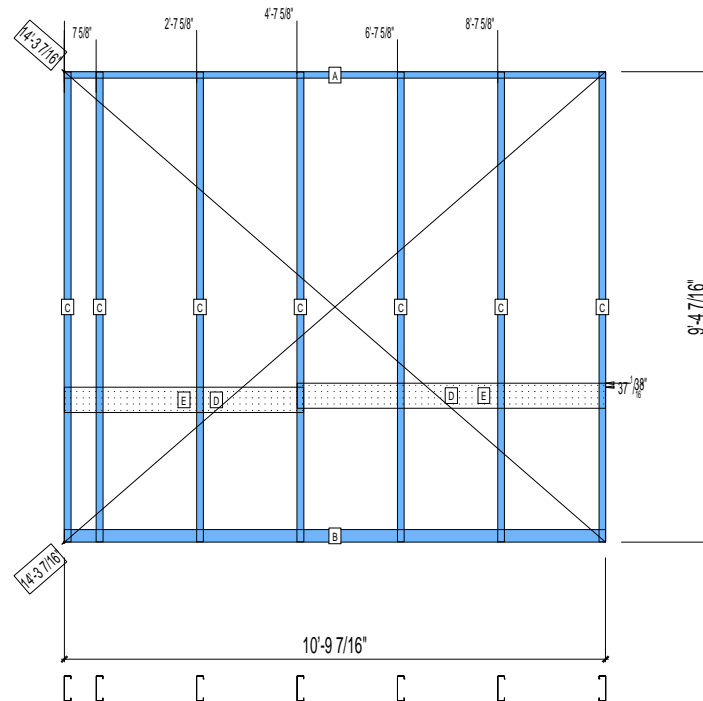
SPACING : 24"

1st STUD: 8 1/2"

WEIGHTS :

FRAME : 119 lbs

TOTAL: 119 lbs



PIECES LIST

LABEL	QTY	SIZE	LENGTH	USE
A	1	600T150-33	10'-9 7/16"	TOP TRACK
B	1	600T300-33	10'-9 7/16"	BOTTOM TRACK
C	7	600S162-33	9'-4 5/16"	STUD
D	1	600D-54	6'-1 11/16"	VANITY BACKING
E	1	600T150-54	4'-9 3/16"	GRAB BAR

13-3328

Jewish Home for the Aging

1885 Victory Blvd. Reseda, CA

FrameMax, Inc.
13915 Danielson St
Suite 100
Poway, CA 92064
www.frame-max.com



© FrameMax Inc.

CREATED: 12/08/2008

FM-07-109

CREATED BY: HH

HEIGHT : 9'-4 7/16" POINTS: 0.38 Points.

ANCHORS

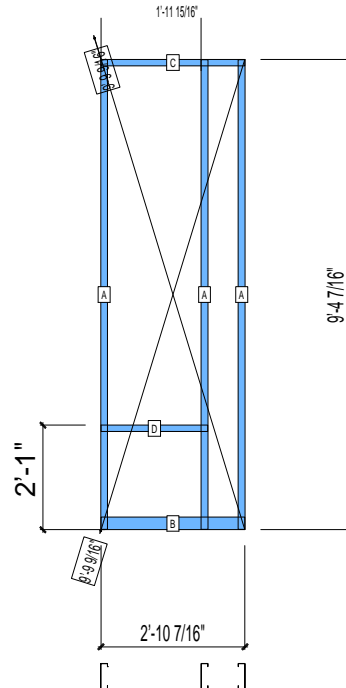
SPACING : 5000"

1st STUD: 16"

WEIGHTS :

FRAME : 42 lbs

TOTAL: 42 lbs



PIECES LIST

LABEL	QTY	SIZE	LENGTH	USE
A	3	600S162-33	9'-4 5/16"	STUD
B	1	600T300-33	2'-10 7/16"	BOTTOM TRACK
C	1	600T150-33	2'-10 7/16"	TOP TRACK
D	1	600T150-33	2'-1 1/2"	SILL

13-3329

Jewish Home for the Aging

1885 Victory Blvd. Reseda, CA

FM-07-109

CREATED BY: HH

FrameMax, Inc.
13915 Danielson St
Suite 100
Poway, CA 92064
www.frame-max.com



© FrameMax Inc.

HEIGHT : 9'-4 7/16" POINTS: 0.85 Points.

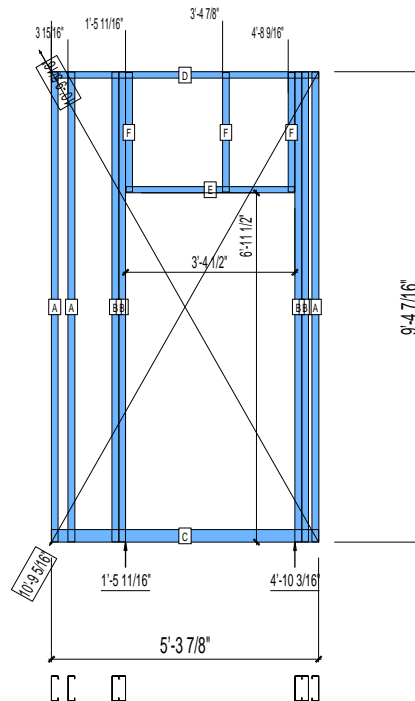
SPACING : 24"

1st STUD: 24"

WEIGHTS :

FRAME : 102 lbs

TOTAL: 102 lbs



PIECES LIST

LABEL	QTY	SIZE	LENGTH	USE
A	3	600S162-33	9'-4 5/16"	STUD
B	4	600S162-33	9'-4 5/16"	KING STUD
C	1	600T300-33	5'-3 7/8"	BOTTOM TRACK
D	1	600T150-33	5'-3 7/8"	TOP TRACK
E	1	600T150-33	3'-4 1/4"	HEAD TRACK
F	3	600S162-33	2'-4 9/16"	CRIPPLE

13-3330

Jewish Home for the Aging

1885 Victory Blvd. Reseda, CA

FrameMax, Inc.
13915 Danielson St
Suite 100
Poway, CA 92064
www.frame-max.com



© FrameMax Inc.

CREATED: 11/10/2008

FM-07-109

CREATED BY: AMB

HEIGHT : 9'-4 7/16" POINTS: 0.19 Points.

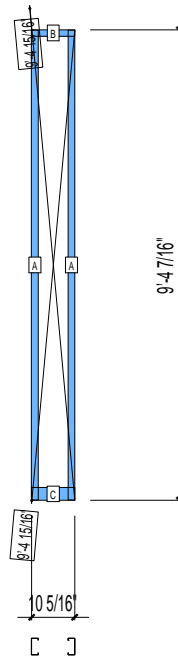
SPACING : 24"

1st STUD: 24"

WEIGHTS :

FRAME : 19 lbs

TOTAL: 19 lbs



PIECES LIST

LABEL	QTY	SIZE	LENGTH	USE
A	2	400S162-33	9'-4 5/16"	STUD
B	1	400T150-33	10 5/16"	TOP TRACK
C	1	400T300-33	10 5/16"	BOTTOM TRACK

13-3351

Jewish Home for the Aging

1885 Victory Blvd. Reseda, CA

FM-07-109

CREATED BY: HH

FrameMax, Inc.
13915 Danielson St
Suite 100
Poway, CA 92064
www.framemax.com



© FrameMax Inc.

HEIGHT : 9'-4 7/16" POINTS: 0.51 Points.

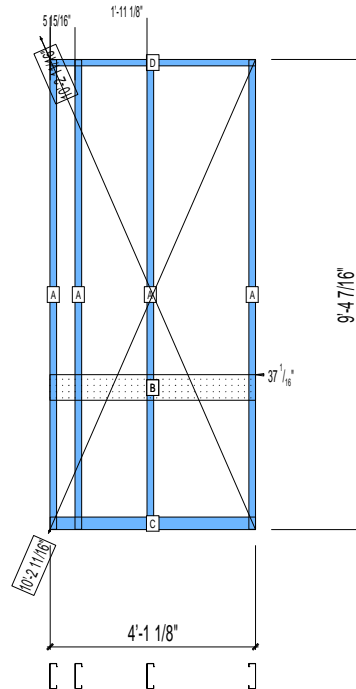
SPACING : 24"

1st STUD: 24"

WEIGHTS :

FRAME : 61 lbs

TOTAL: 61 lbs



PIECES LIST

LABEL	QTY	SIZE	LENGTH	USE
A	4	600S162-33	9'-4 5/16"	STUD
B	1	600T150-54	4'-1 3/16"	GRAB BAR
C	1	600T300-33	4'-1 1/8"	BOTTOM TRACK
D	1	600T150-33	4'-1 1/8"	TOP TRACK

13-3352

Jewish Home for the Aging

1885 Victory Blvd. Reseda, CA

FrameMax, Inc.
13915 Danielson St
Suite 100
Poway, CA 92064
www.frame-max.com



© FrameMax Inc.

CREATED: 11/14/2008

FM-07-109

CREATED BY: AMB

HEIGHT : 9'-4 7/16" POINTS: 0.33 Points.

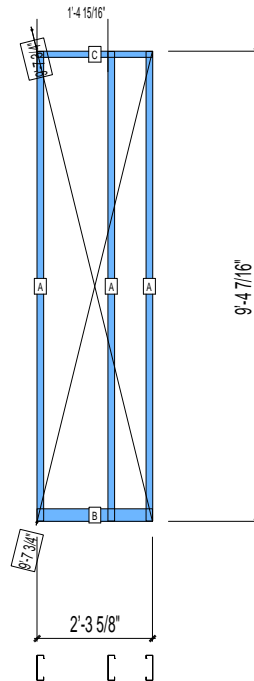
SPACING : 24"

1st STUD: 17 13/16"

WEIGHTS :

FRAME : 39 lbs

TOTAL: 39 lbs



PIECES LIST

LABEL	QTY	SIZE	LENGTH	USE
A	3	600S162-33	9'-4 5/16"	STUD
B	1	600T300-33	2'-3 5/8"	BOTTOM TRACK
C	1	600T150-33	2'-3 5/8"	TOP TRACK

13-3353

Jewish Home for the Aging

1885 Victory Blvd. Reseda, CA

FrameMax, Inc.
13915 Danielson St
Suite 100
Poway, CA 92064
www.frame-max.com



© FrameMax Inc.

CREATED: 12/08/2008

FM-07-109

CREATED BY: HH

HEIGHT : 9'-4 7/16" POINTS: 0.38 Points.

ANCHORS

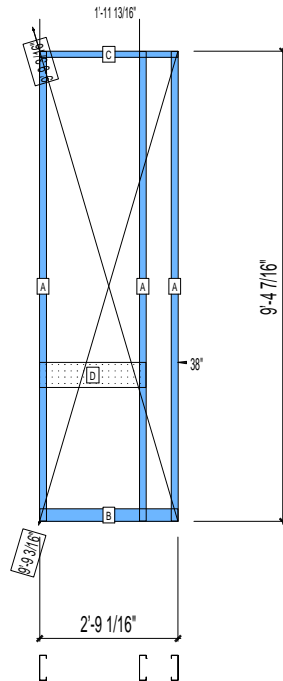
SPACING : 5000"

1st STUD: 5000"

WEIGHTS :

FRAME : 42 lbs

TOTAL: 42 lbs



PIECES LIST

LABEL	QTY	SIZE	LENGTH	USE
A	3	600S162-33	9'-4 5/16"	STUD
B	1	600T300-33	2'-9 1/16"	BOTTOM TRACK
C	1	600T150-33	2'-9 1/16"	TOP TRACK
D	1	600D-54	2'-1 7/16"	VANITY BACKING

13-3354

Jewish Home for the Aging

1885 Victory Blvd. Reseda, CA

FrameMax, Inc.
13915 Danielson St
Suite 100
Poway, CA 92064
www.frame-max.com



© FrameMax Inc.

CREATED: 12/08/2008

FM-07-109

CREATED BY: HH

HEIGHT : 9'-4 7/16" POINTS: 0.34 Points.

ANCHORS

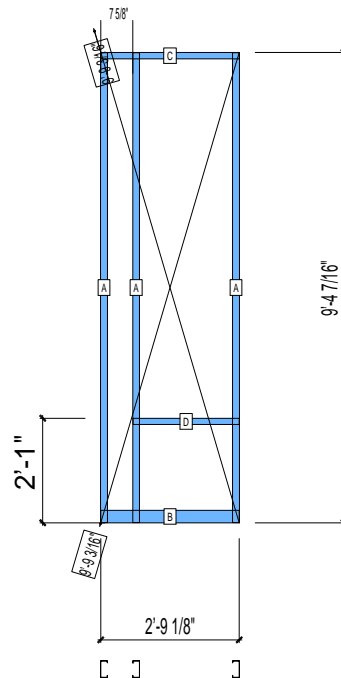
SPACING : 5000"

1st STUD: 16"

WEIGHTS :

FRAME : 34 lbs

TOTAL: 34 lbs



PIECES LIST

LABEL	QTY	SIZE	LENGTH	USE
A	3	400S162-33	9'-4 5/16"	STUD
B	1	400T300-33	2'-9 1/8"	BOTTOM TRACK
C	1	400T150-33	2'-9 1/8"	TOP TRACK
D	1	600T150-33	2'-1 3/8"	SILL

13-3355

Jewish Home for the Aging

1885 Victory Blvd. Reseda, CA

FrameMax, Inc.
13915 Danielson St
Suite 100
Poway, CA 92064
www.framemax.com



© FrameMax Inc.

CREATED: 11/10/2008

FM-07-109

CREATED BY: AMB

HEIGHT : 9'-4 7/16" POINTS: 0.34 Points.

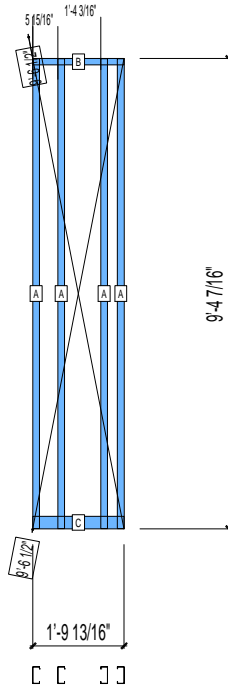
SPACING : 24"

1st STUD: 24"

WEIGHTS :

FRAME : 38 lbs

TOTAL: 38 lbs



PIECES LIST

LABEL	QTY	SIZE	LENGTH	USE
A	4	400S162-33	9'-4 5/16"	STUD
B	1	400T150-33	1'-9 13/16"	TOP TRACK
C	1	400T300-33	1'-9 13/16"	BOTTOM TRACK

13-3356

Jewish Home for the Aging

1885 Victory Blvd. Reseda, CA

FM-07-109

CREATED BY: HH

FrameMax, Inc.
13915 Danielson St
Suite 100
Poway, CA 92064
www.frame-max.com



© FrameMax Inc.

HEIGHT : 9'-4 7/16" POINTS: 0.84 Points.

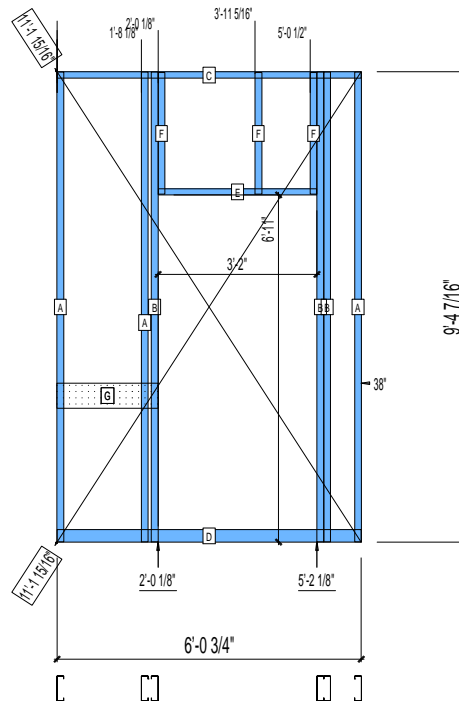
SPACING : 24"

1st STUD: 21"

WEIGHTS :

FRAME : 95 lbs

TOTAL: 95 lbs



PIECES LIST

LABEL	QTY	SIZE	LENGTH	USE
A	3	600S162-33	9'-4 5/16"	STUD
B	3	600S162-33	9'-4 5/16"	KING STUD
C	1	600T150-33	6'-0 3/4"	TOP TRACK
D	1	600T300-33	6'-0 3/4"	BOTTOM TRACK
E	1	600T150-33	3'-1 3/4"	HEAD TRACK
F	3	600S162-33	2'-5 1/16"	CRIPPLE
G	1	600D-54	2'-0 3/16"	VANITY BACKING

13-3357

Jewish Home for the Aging

1885 Victory Blvd. Reseda, CA

FrameMax, Inc.
13915 Danielson St
Suite 100
Poway, CA 92064
www.frame-max.com



© FrameMax Inc.

CREATED: 11/10/2008

FM-07-109

CREATED BY: AMB

HEIGHT : 9'-4 7/16" POINTS: 0.49 Points.

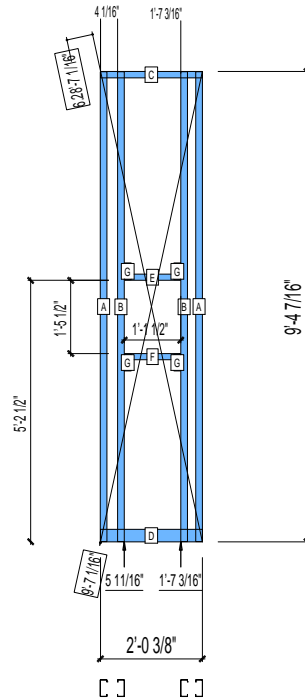
SPACING : 24"

1st STUD: 24"

WEIGHTS :

FRAME : 42 lbs

TOTAL: 42 lbs



PIECES LIST

LABEL	QTY	SIZE	LENGTH	USE
A	2	400S162-33	9'-4 5/16"	STUD
B	2	400S162-33	9'-4 5/16"	KING STUD
C	1	400T150-33	2'-0 3/8"	TOP TRACK
D	1	400T300-33	2'-0 3/8"	BOTTOM TRACK
E	1	400T150-33	1'-1 1/4"	HEAD TRACK
F	1	400T150-33	1'-1 1/4"	SILL
G	4	400S162-33	4"	CRIPPLE

13-3358

Jewish Home for the Aging

1885 Victory Blvd. Reseda, CA

FrameMax, Inc.
13915 Danielson St
Suite 100
Poway, CA 92064
www.frame-max.com



© FrameMax Inc.

CREATED: 11/10/2008

FM-07-109

CREATED BY: AMB

HEIGHT : 9'-4 7/16" POINTS: 0.54 Points.

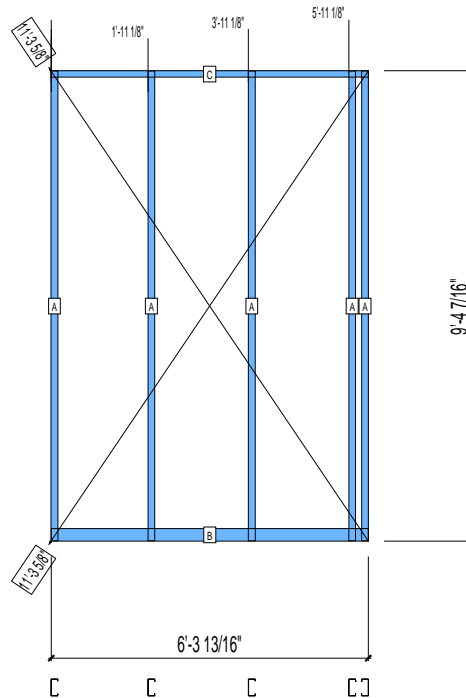
SPACING : 24"

1st STUD: 24"

WEIGHTS :

FRAME : 56 lbs

TOTAL: 56 lbs



PIECES LIST

LABEL	QTY	SIZE	LENGTH	USE
A	5	400S162-33	9'-4 5/16"	STUD
B	1	400T300-33	6'-3 13/16"	BOTTOM TRACK
C	1	400T150-33	6'-3 13/16"	TOP TRACK

13-3359

Jewish Home for the Aging

1885 Victory Blvd. Reseda, CA

FM-07-109

CREATED BY: HH

FrameMax, Inc.
13915 Danielson St
Suite 100
Poway, CA 92064
www.frame-max.com



© FrameMax Inc.

HEIGHT : 9'-4 7/16" POINTS: 0.72 Points.

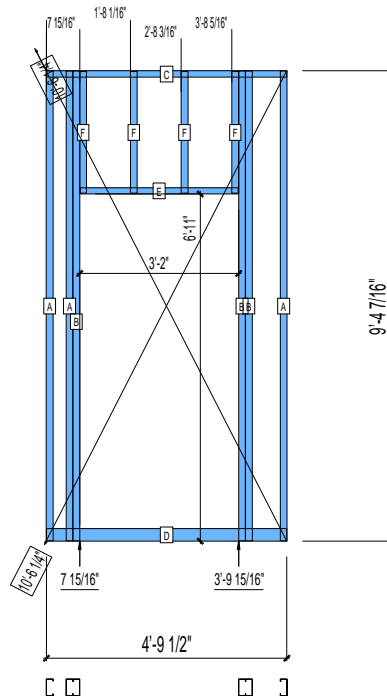
SPACING : 24"

1st STUD: 24"

WEIGHTS :

FRAME : 74 lbs

TOTAL: 74 lbs



PIECES LIST

LABEL	QTY	SIZE	LENGTH	USE
A	3	400S162-33	9'-4 5/16"	STUD
B	3	400S162-33	9'-4 5/16"	KING STUD
C	1	400T150-33	4'-9 1/2"	TOP TRACK
D	1	400T300-33	4'-9 1/2"	BOTTOM TRACK
E	1	400T150-33	3'-1 3/4"	HEAD TRACK
F	4	400S162-33	2'-5 1/16"	CRIPPLE

13-3360

Jewish Home for the Aging

1885 Victory Blvd. Reseda, CA

FM-07-109

CREATED BY: HH

FrameMax, Inc.
13915 Danielson St
Suite 100
Poway, CA 92064
www.framemax.com

FRAME MAX

© FrameMax Inc.

HEIGHT : 9'-4 7/16" POINTS: 0.68 Points.

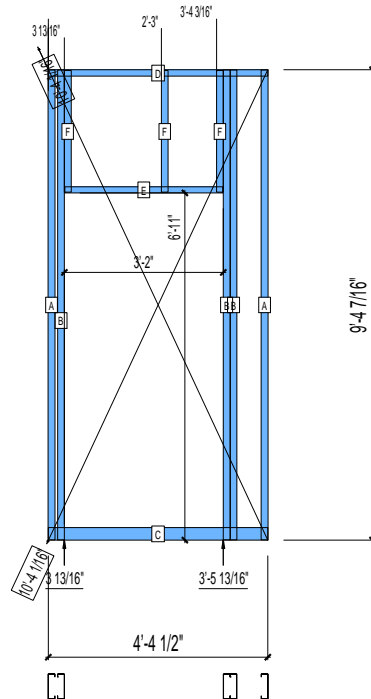
SPACING : 24"

1st STUD: 24"

WEIGHTS :

FRAME : 78 lbs

TOTAL: 78 lbs



PIECES LIST

LABEL	QTY	SIZE	LENGTH	USE
A	2	600S162-33	9'-4 5/16"	STUD
B	3	600S162-33	9'-4 5/16"	KING STUD
C	1	600T300-33	4'-4 1/2"	BOTTOM TRACK
D	1	600T150-33	4'-4 1/2"	TOP TRACK
E	1	600T150-33	3'-1 3/4"	HEAD TRACK
F	3	600S162-33	2'-5 1/16"	CRIPPLE

13-3361

Jewish Home for the Aging

1885 Victory Blvd. Reseda, CA

FrameMax, Inc.
13915 Danielson St
Suite 100
Poway, CA 92064
www.frame-max.com



© FrameMax Inc.

CREATED: 11/10/2008

FM-07-109

CREATED BY: AMB

HEIGHT : 9'-4 7/16" POINTS: 0.25 Points.

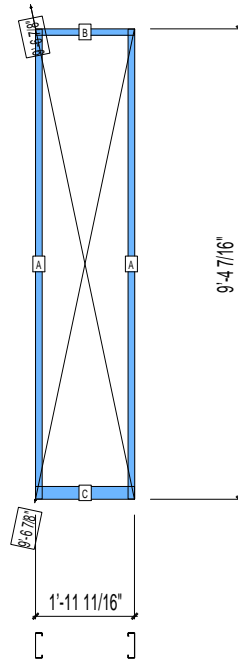
SPACING : 24"

1st STUD: 24"

WEIGHTS :

FRAME : 27 lbs

TOTAL: 27 lbs



PIECES LIST

LABEL	QTY	SIZE	LENGTH	USE
A	2	600S162-33	9'-4 5/16"	STUD
B	1	600T150-33	1'-11 11/16"	TOP TRACK
C	1	600T300-33	1'-11 11/16"	BOTTOM TRACK

13-3362

Jewish Home for the Aging

1885 Victory Blvd. Reseda, CA

FrameMax, Inc.
13915 Danielson St
Suite 100
Poway, CA 92064
www.frame-max.com



© FrameMax Inc.

CREATED: 11/19/2008

FM-07-109

CREATED BY: HH

HEIGHT : 9'-4 7/16" POINTS: 0.94 Points.

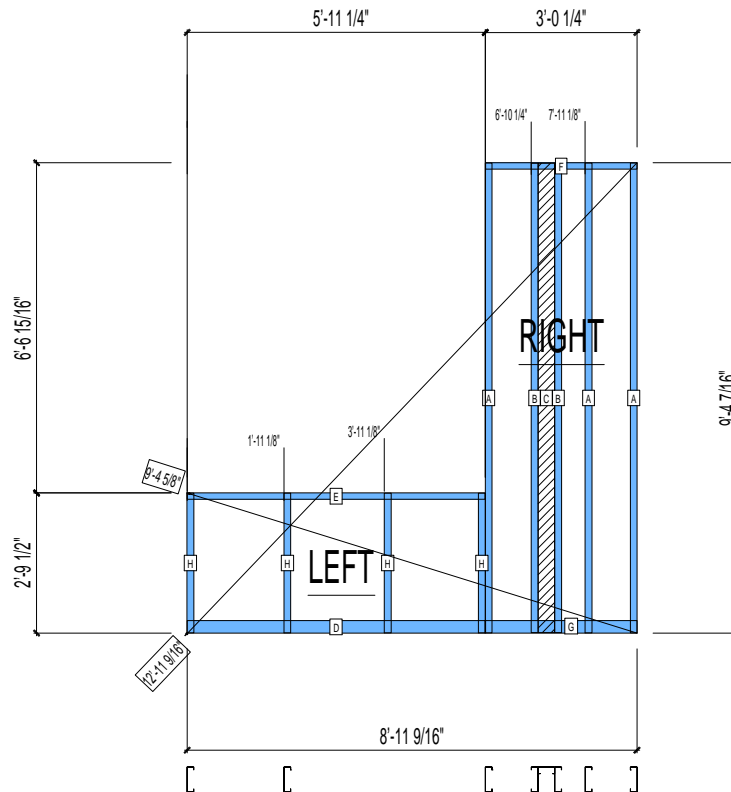
SPACING : 24"

1st STUD: 24"

WEIGHTS :

FRAME : 99 lbs

TOTAL: 99 lbs



PIECES LIST

LABEL	QTY	SIZE	LENGTH	USE
A	3	600S162-33	9'-4 5/16"	STUD
B	2	600S162-33	9'-4 3/16"	BACKER STUD
C	1	400S162-33	9'-4 3/16"	BACKER-U
D	1	600T300-33	5'-11 3/16"	BOTTOM TRACK
E	1	600T150-33	5'-11 3/16"	TOP TRACK
F	1	600T150-33	3'-0 3/16"	TOP TRACK
G	1	600T300-33	3'-0 3/16"	BOTTOM TRACK
H	4	600S162-33	2'-9 3/8"	STUD

13-3363

Jewish Home for the Aging

1885 Victory Blvd. Reseda, CA

FrameMax, Inc.
13915 Danielson St
Suite 100
Poway, CA 92064
www.frame-max.com



© FrameMax Inc.

CREATED: 11/10/2008

FM-07-109

CREATED BY: AMB

HEIGHT : 9'-4 7/16" POINTS: 0.29 Points.

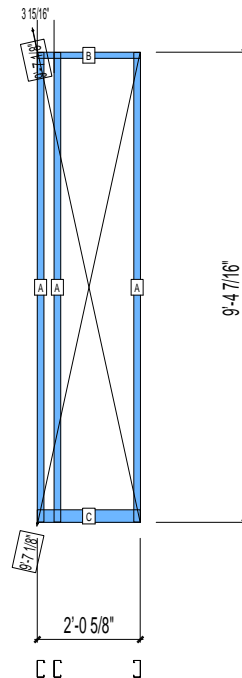
SPACING : 24"

1st STUD: 24"

WEIGHTS :

FRAME : 30 lbs

TOTAL: 30 lbs



PIECES LIST

LABEL	QTY	SIZE	LENGTH	USE
A	3	400S162-33	9'-4 5/16"	STUD
B	1	400T150-33	2'-0 5/8"	TOP TRACK
C	1	400T300-33	2'-0 5/8"	BOTTOM TRACK

13-3364

Jewish Home for the Aging

1885 Victory Blvd. Reseda, CA

FrameMax, Inc.
13915 Danielson St
Suite 100
Poway, CA 92064
www.frame-max.com



© FrameMax Inc.

CREATED: 11/10/2008

FM-07-109

CREATED BY: AMB

HEIGHT : 9'-4 7/16" POINTS: 0.22 Points.

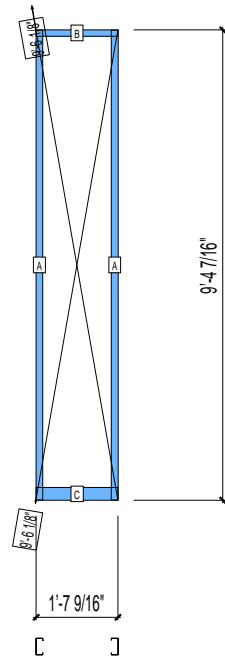
SPACING : 24"

1st STUD: 24"

WEIGHTS :

FRAME : 21 lbs

TOTAL: 21 lbs



PIECES LIST

LABEL	QTY	SIZE	LENGTH	USE
A	2	400S162-33	9'-4 5/16"	STUD
B	1	400T150-33	1'-7 9/16"	TOP TRACK
C	1	400T300-33	1'-7 9/16"	BOTTOM TRACK

13-3365

Jewish Home for the Aging

1885 Victory Blvd. Reseda, CA

FrameMax, Inc.
13915 Danielson St
Suite 100
Poway, CA 92064
www.frame-max.com



© FrameMax Inc.

CREATED: 11/10/2008

FM-07-109

CREATED BY: HH

HEIGHT : 9'-4 7/16" POINTS: 0.22 Points.

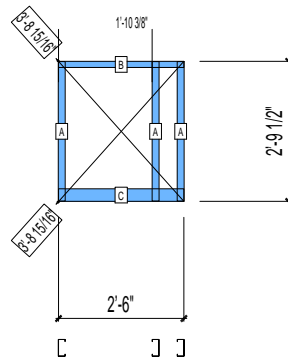
SPACING : 24"

1st STUD: 24"

WEIGHTS :

FRAME : 13 lbs

TOTAL: 13 lbs



PIECES LIST

LABEL	QTY	SIZE	LENGTH	USE
A	3	400S162-33	2'-9 3/8"	STUD
B	1	400T150-33	2'-6"	TOP TRACK
C	1	400T300-33	2'-6"	BOTTOM TRACK

13-3366

Jewish Home for the Aging

1885 Victory Blvd. Reseda, CA

FrameMax, Inc.
13915 Danielson St
Suite 100
Poway, CA 92064
www.frame-max.com



© FrameMax Inc.

CREATED: 12/08/2008

FM-07-109

CREATED BY: HH

HEIGHT : 9'-4 7/16" POINTS: 0.22 Points.

ANCHORS

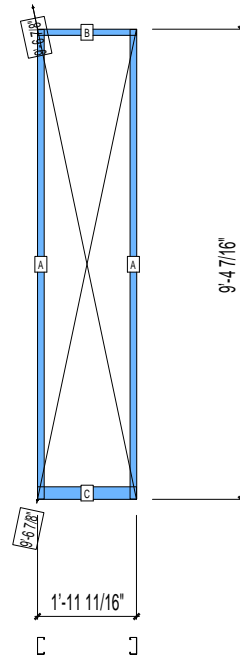
SPACING : 24"

1st STUD: 16"

WEIGHTS :

FRAME : 21 lbs

TOTAL: 21 lbs



PIECES LIST

LABEL	QTY	SIZE	LENGTH	USE
A	2	400S162-33	9'-4 5/16"	STUD
B	1	400T150-33	1'-11 11/16"	TOP TRACK
C	1	400T300-33	1'-11 11/16"	BOTTOM TRACK

13-3367

Jewish Home for the Aging

1885 Victory Blvd. Reseda, CA

FrameMax, Inc.
13915 Danielson St
Suite 100
Poway, CA 92064
www.frame-max.com



© FrameMax Inc.

CREATED: 12/08/2008

FM-07-109

CREATED BY: HH

HEIGHT : 9'-4 7/16" POINTS: 0.32 Points.

ANCHORS

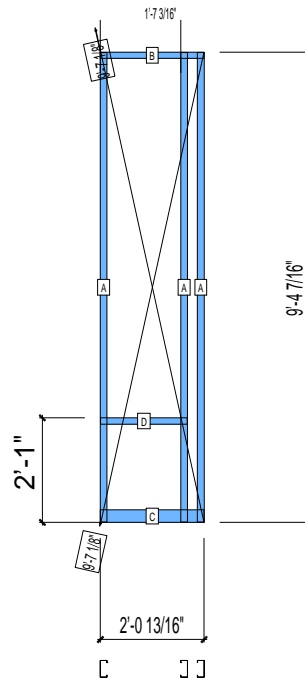
SPACING : 24"

1st STUD: 24"

WEIGHTS :

FRAME : 32 lbs

TOTAL: 32 lbs



PIECES LIST

LABEL	QTY	SIZE	LENGTH	USE
A	3	400S162-33	9'-4 5/16"	STUD
B	1	400T150-33	2'-0 13/16"	TOP TRACK
C	1	400T300-33	2'-0 13/16"	BOTTOM TRACK
D	1	600T150-33	1'-8 3/4"	SILL

13-3368

Jewish Home for the Aging

1885 Victory Blvd. Reseda, CA

FrameMax, Inc.
13915 Danielson St
Suite 100
Poway, CA 92064
www.frame-max.com



© FrameMax Inc.

CREATED: 11/10/2008

FM-07-109

CREATED BY: HH

HEIGHT : 9'-4 7/16" POINTS: 0.77 Points.

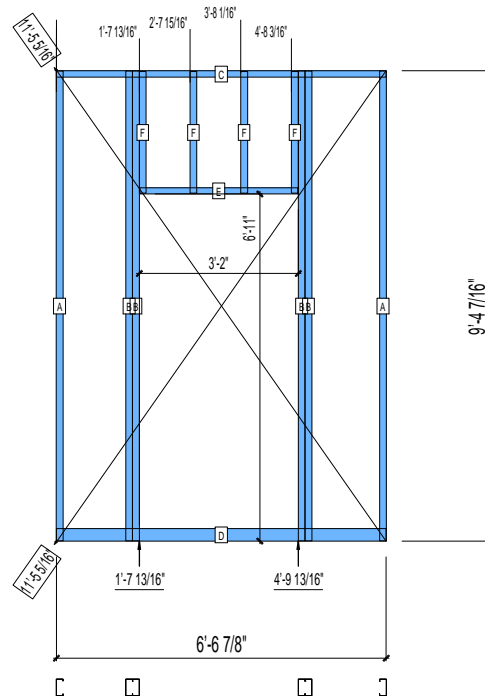
SPACING : 24"

1st STUD: 24"

WEIGHTS :

FRAME : 77 lbs

TOTAL: 77 lbs



PIECES LIST

LABEL	QTY	SIZE	LENGTH	USE
A	2	400S162-33	9'-4 5/16"	STUD
B	4	400S162-33	9'-4 5/16"	KING STUD
C	1	400T150-33	6'-6 7/8"	TOP TRACK
D	1	400T300-33	6'-6 7/8"	BOTTOM TRACK
E	1	400T150-33	3'-1 3/4"	HEAD TRACK
F	4	400S162-33	2'-5 1/16"	CRIPPLE

13-3369

Jewish Home for the Aging

1885 Victory Blvd. Reseda, CA

FrameMax, Inc.
13915 Danielson St
Suite 100
Poway, CA 92064
www.frame-max.com



© FrameMax Inc.

CREATED: 11/10/2008

FM-07-109

CREATED BY: HH

HEIGHT : 9'-4 7/16" POINTS: 0.57 Points.

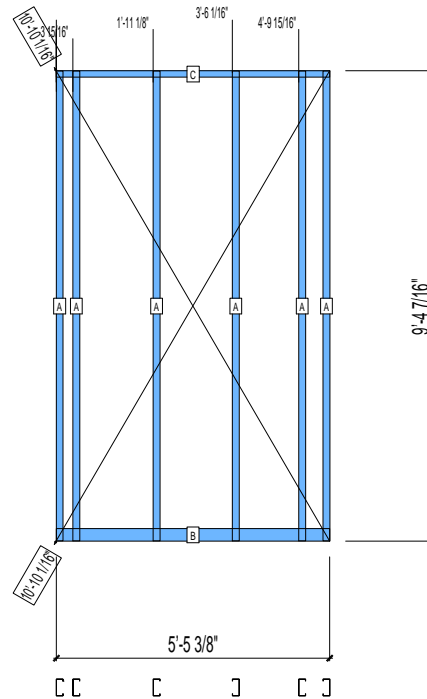
SPACING : 24"

1st STUD: 24"

WEIGHTS :

FRAME : 63 lbs

TOTAL: 63 lbs



PIECES LIST

LABEL	QTY	SIZE	LENGTH	USE
A	6	400S162-33	9'-4 5/16"	STUD
B	1	400T300-33	5'-5 3/8"	BOTTOM TRACK
C	1	400T150-33	5'-5 3/8"	TOP TRACK

13-3370

Jewish Home for the Aging

1885 Victory Blvd. Reseda, CA

FM-07-109

CREATED BY: AMB

FrameMax, Inc.
13915 Danielson St
Suite 100
Poway, CA 92064
www.frame-max.com

FRAME MAX

© FrameMax Inc.

HEIGHT : 9'-4 7/16" POINTS: 0.82 Points.

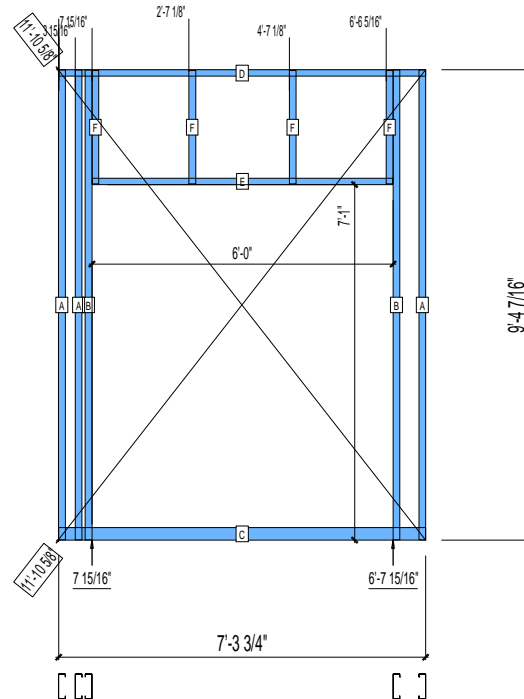
SPACING : 24"

1st STUD: 24"

WEIGHTS :

FRAME : 90 lbs

TOTAL: 90 lbs



PIECES LIST

LABEL	QTY	SIZE	LENGTH	USE
A	3	600S162-33	9'-4 5/16"	STUD
B	2	600S162-33	9'-4 5/16"	KING STUD
C	1	600T300-33	7'-3 3/4"	BOTTOM TRACK
D	1	600T150-33	7'-3 3/4"	TOP TRACK
E	1	600T150-33	5'-11 3/4"	HEAD TRACK
F	4	600S162-33	2'-3 1/16"	CRIPPLE

13-3371

Jewish Home for the Aging

1885 Victory Blvd. Reseda, CA

FrameMax, Inc.
13915 Danielson St
Suite 100
Poway, CA 92064
www.frame-max.com



© FrameMax Inc.

CREATED: 12/02/2008

FM-07-109

CREATED BY: HH

HEIGHT : 9'-4 7/16" POINTS: 0.68 Points.

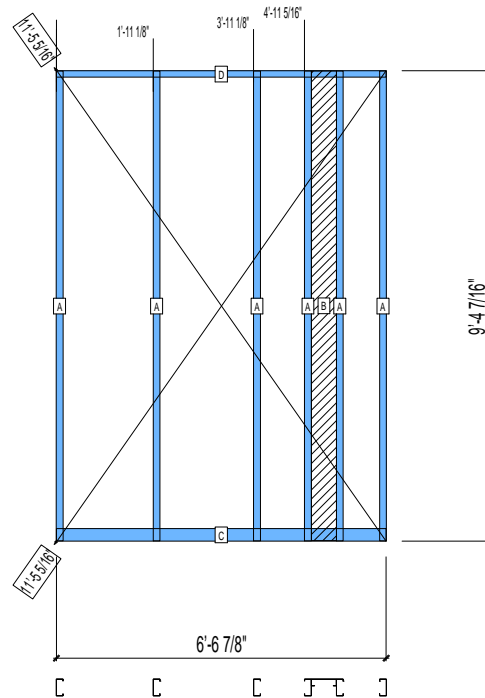
SPACING : 24"

1st STUD: 24"

WEIGHTS :

FRAME : 76 lbs

TOTAL: 76 lbs



PIECES LIST

LABEL	QTY	SIZE	LENGTH	USE
A	6	400S162-33	9'-4 5/16"	STUD
B	1	600S162-33	9'-4 1/4"	BACKER-U
C	1	400T300-33	6'-6 7/8"	BOTTOM TRACK
D	1	400T150-33	6'-6 7/8"	TOP TRACK

13-3372

Jewish Home for the Aging

1885 Victory Blvd. Reseda, CA

FrameMax, Inc.
13915 Danielson St
Suite 100
Poway, CA 92064
www.frame-max.com



© FrameMax Inc.

CREATED: 11/14/2008

FM-07-109

CREATED BY: AMB

HEIGHT : 9'-4 7/16" POINTS: 0.35 Points.

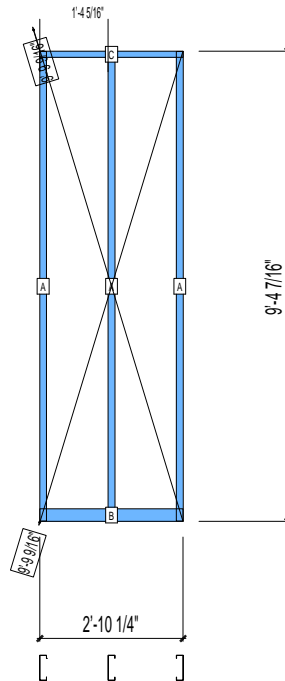
SPACING : 24"

1st STUD: 17 1/8"

WEIGHTS :

FRAME : 40 lbs

TOTAL: 40 lbs



PIECES LIST

LABEL	QTY	SIZE	LENGTH	USE
A	3	600S162-33	9'-4 5/16"	STUD
B	1	600T300-33	2'-10 1/4"	BOTTOM TRACK
C	1	600T150-33	2'-10 1/4"	TOP TRACK

13-3373

Jewish Home for the Aging

1885 Victory Blvd. Reseda, CA

FrameMax, Inc.
13915 Danielson St
Suite 100
Poway, CA 92064
www.frame-max.com



© FrameMax Inc.

CREATED: 11/10/2008

FM-07-109

CREATED BY: AMB

HEIGHT : 9'-4 7/16" POINTS: 0.33 Points.

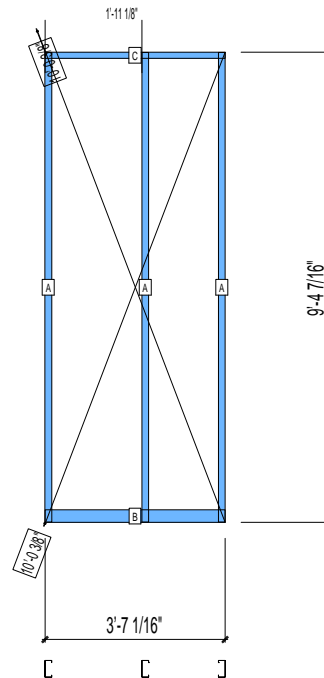
SPACING : 24"

1st STUD: 24"

WEIGHTS :

FRAME : 33 lbs

TOTAL: 33 lbs



PIECES LIST

LABEL	QTY	SIZE	LENGTH	USE
A	3	400S162-33	9'-4 5/16"	STUD
B	1	400T300-33	3'-7 1/16"	BOTTOM TRACK
C	1	400T150-33	3'-7 1/16"	TOP TRACK

13-3374

Jewish Home for the Aging

1885 Victory Blvd. Reseda, CA

FrameMax, Inc.
13915 Danielson St
Suite 100
Poway, CA 92064
www.frame-max.com



© FrameMax Inc.

CREATED: 12/05/2008

FM-07-109

CREATED BY: HH

HEIGHT : 9'-4 7/16" POINTS: 0.22 Points.

ANCHORS

SPACING : 24"

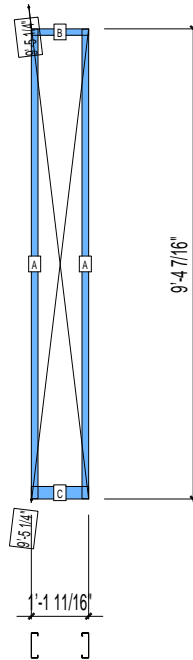
1st STUD: 16"

INSULATION: NO

WEIGHTS :

FRAME : 25 lbs

TOTAL: 25 lbs



PIECES LIST

LABEL	QTY	SIZE	LENGTH	USE
A	2	600S162-33	9'-4 5/16"	STUD
B	1	600T150-33	1'-1 11/16"	TOP TRACK
C	1	600T300-33	1'-1 11/16"	BOTTOM TRACK

13-3375

Jewish Home for the Aging

1885 Victory Blvd. Reseda, CA

FrameMax, Inc.
13915 Danielson St
Suite 100
Poway, CA 92064
www.frame-max.com



© FrameMax Inc.

CREATED: 12/05/2008

FM-07-109

CREATED BY: HH

HEIGHT : 9'-4 7/16" POINTS: 0.19 Points.

ANCHORS

SPACING : 24"

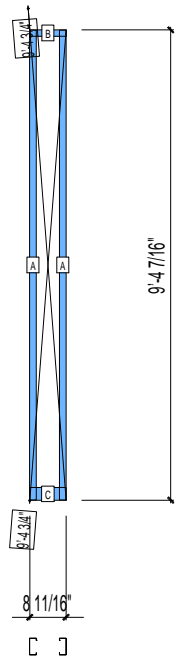
1st STUD: 16"

INSULATION: NO

WEIGHTS :

FRAME : 19 lbs

TOTAL: 19 lbs



PIECES LIST

LABEL	QTY	SIZE	LENGTH	USE
A	2	400S162-33	9'-4 5/16"	STUD
B	1	400T150-33	8 11/16"	TOP TRACK
C	1	400T300-33	8 11/16"	BOTTOM TRACK

13-3376

Jewish Home for the Aging

1885 Victory Blvd. Reseda, CA

FM-07-109

CREATED BY: AMB

FrameMax, Inc.
13915 Danielson St
Suite 100
Poway, CA 92064
www.framemax.com



© FrameMax Inc.

HEIGHT : 9'-4 7/16" POINTS: 0.42 Points.

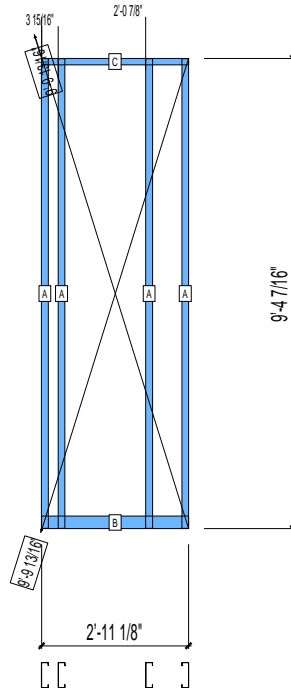
SPACING : 24"

1st STUD: 1 3/4"

WEIGHTS :

FRAME : 51 lbs

TOTAL: 51 lbs



PIECES LIST

LABEL	QTY	SIZE	LENGTH	USE
A	4	600S162-33	9'-4 5/16"	STUD
B	1	600T300-33	2'-11 1/8"	BOTTOM TRACK
C	1	600T150-33	2'-11 1/8"	TOP TRACK

13-3377

Jewish Home for the Aging

1885 Victory Blvd. Reseda, CA

FrameMax, Inc.
13915 Danielson St
Suite 100
Poway, CA 92064
www.frame-max.com



© FrameMax Inc.

CREATED: 11/14/2008

FM-07-109

CREATED BY: AMB

HEIGHT : 9'-4 7/16" POINTS: 0.30 Points.

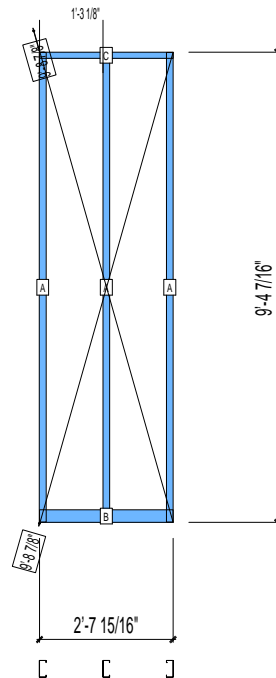
SPACING : 24"

1st STUD: 16"

WEIGHTS :

FRAME : 31 lbs

TOTAL: 31 lbs



PIECES LIST

LABEL	QTY	SIZE	LENGTH	USE
A	3	400S162-33	9'-4 5/16"	STUD
B	1	400T300-33	2'-7 15/16"	BOTTOM TRACK
C	1	400T150-33	2'-7 15/16"	TOP TRACK

13-3378

Jewish Home for the Aging

1885 Victory Blvd. Reseda, CA

FrameMax, Inc.
13915 Danielson St
Suite 100
Poway, CA 92064
www.frame-max.com



© FrameMax Inc.

CREATED: 11/10/2008

FM-07-109

CREATED BY: AMB

HEIGHT : 9'-4 7/16" POINTS: 0.30 Points.

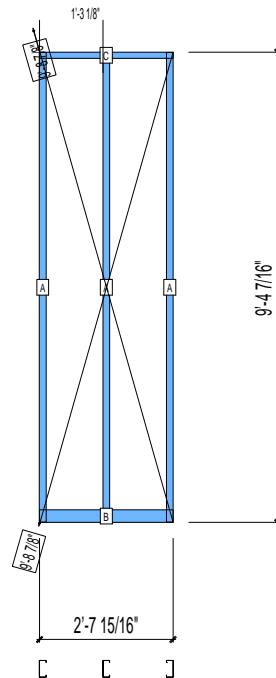
SPACING : 24"

1st STUD: 16"

WEIGHTS :

FRAME : 31 lbs

TOTAL: 31 lbs



PIECES LIST

LABEL	QTY	SIZE	LENGTH	USE
A	3	400S162-33	9'-4 5/16"	STUD
B	1	400T300-33	2'-7 15/16"	BOTTOM TRACK
C	1	400T150-33	2'-7 15/16"	TOP TRACK

13-3379

Jewish Home for the Aging

1885 Victory Blvd. Reseda, CA

FM-07-109

CREATED BY: AMB

FrameMax, Inc.
13915 Danielson St
Suite 100
Poway, CA 92064
www.frame-max.com



© FrameMax Inc.

HEIGHT : 9'-4 7/16" POINTS: 0.62 Points.

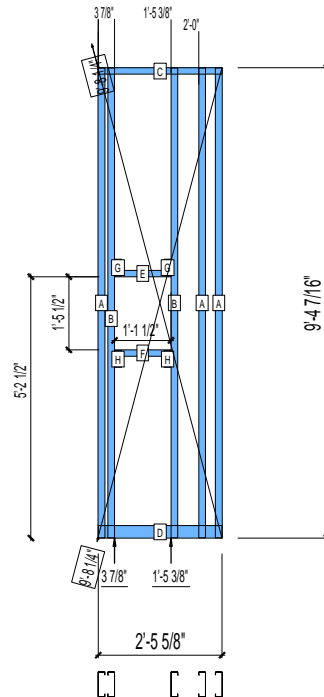
SPACING : 24"

1st STUD: 24"

WEIGHTS :

FRAME : 65 lbs

TOTAL: 65 lbs



PIECES LIST

LABEL	QTY	SIZE	LENGTH	USE
A	3	600S162-33	9'-4 5/16"	STUD
B	2	600S162-33	9'-4 5/16"	KING STUD
C	1	600T150-33	2'-5 5/8"	TOP TRACK
D	1	600T300-33	2'-5 5/8"	BOTTOM TRACK
E	1	600T150-33	1'-1 3/8"	HEAD TRACK
F	1	600T150-33	1'-1 3/8"	SILL
G	2	600S162-33	4"	CRIPPLE
H	2	600S162-33	3 15/16"	CRIPPLE

13-3380

Jewish Home for the Aging

1885 Victory Blvd. Reseda, CA

FrameMax, Inc.
13915 Danielson St
Suite 100
Poway, CA 92064
www.frame-max.com



© FrameMax Inc.

CREATED: 12/09/2008

FM-07-109

CREATED BY: AMB

HEIGHT : 9'-4 7/16" POINTS: 0.30 Points.

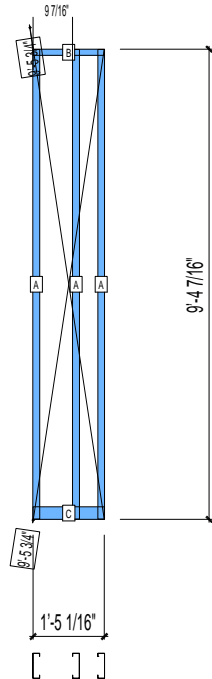
SPACING : 24"

1st STUD: 24"

WEIGHTS :

FRAME : 36 lbs

TOTAL: 36 lbs



PIECES LIST

LABEL	QTY	SIZE	LENGTH	USE
A	3	600S162-33	9'-4 5/16"	STUD
B	1	600T150-33	1'-5 1/16"	TOP TRACK
C	1	600T300-33	1'-5 1/16"	BOTTOM TRACK

13-3381

Jewish Home for the Aging

1885 Victory Blvd. Reseda, CA

FM-07-109

CREATED BY: HH

FrameMax, Inc.
13915 Danielson St
Suite 100
Poway, CA 92064
www.framemax.com



© FrameMax Inc.

HEIGHT : 9'-4 7/16" POINTS: 1.08 Points.

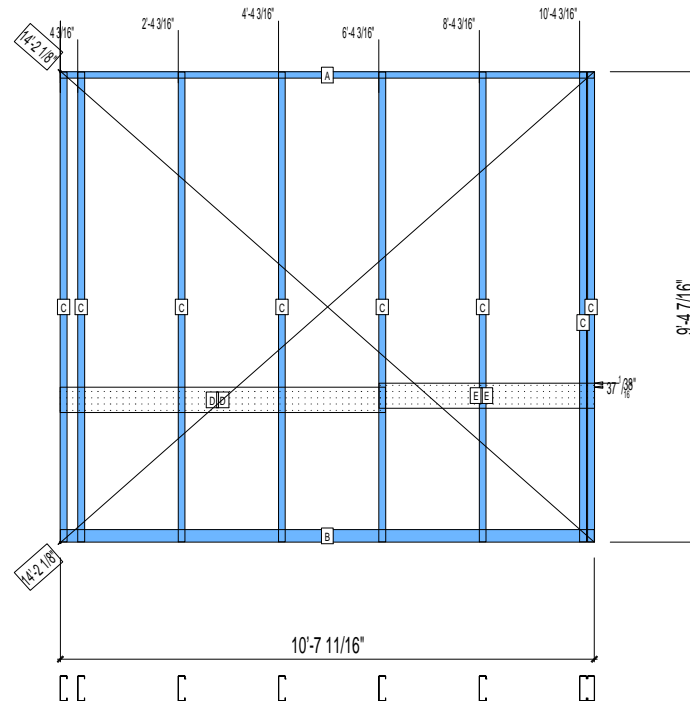
SPACING : 24"

1st STUD: 5"

WEIGHTS :

FRAME : 131 lbs

TOTAL: 131 lbs



PIECES LIST

LABEL	QTY	SIZE	LENGTH	USE
A	1	600T150-33	10'-7 11/16"	TOP TRACK
B	1	600T300-33	10'-7 11/16"	BOTTOM TRACK
C	8	600S162-33	9'-4 5/16"	STUD
D	1	600T150-54	6'-5 3/4"	GRAB BAR
E	1	600D-54	4'-3 1/2"	VANITY BACKING

13-3382

Jewish Home for the Aging

1885 Victory Blvd. Reseda, CA

FrameMax, Inc.
13915 Danielson St
Suite 100
Poway, CA 92064
www.frame-max.com



© FrameMax Inc.

CREATED: 11/10/2008

FM-07-109

CREATED BY: AMB

HEIGHT : 9'-4 7/16" POINTS: 0.38 Points.

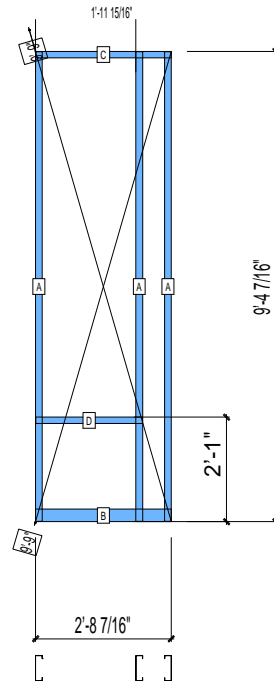
SPACING : 24"

1st STUD: 16"

WEIGHTS :

FRAME : 42 lbs

TOTAL: 42 lbs



PIECES LIST

LABEL	QTY	SIZE	LENGTH	USE
A	3	600S162-33	9'-4 5/16"	STUD
B	1	600T300-33	2'-8 7/16"	BOTTOM TRACK
C	1	600T150-33	2'-8 7/16"	TOP TRACK
D	1	600T150-33	2'-1 1/2"	SILL

13-3383

Jewish Home for the Aging

1885 Victory Blvd. Reseda, CA

FM-07-109

CREATED BY: HH

FrameMax, Inc.
13915 Danielson St
Suite 100
Poway, CA 92064
www.frame-max.com



© FrameMax Inc.

HEIGHT : 9'-4 7/16" POINTS: 0.85 Points.

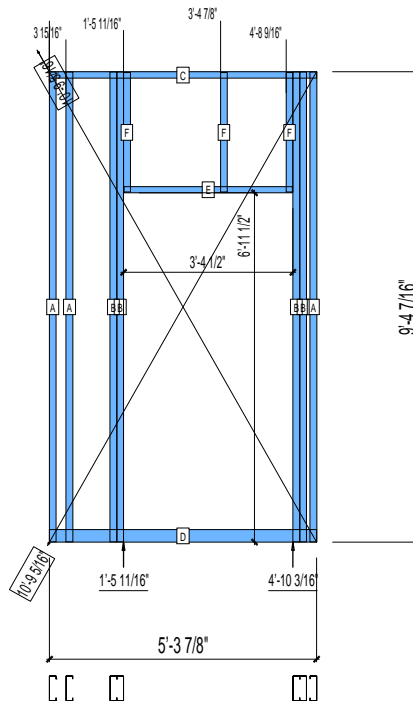
SPACING : 24"

1st STUD: 24"

WEIGHTS :

FRAME : 102 lbs

TOTAL: 102 lbs



PIECES LIST

LABEL	QTY	SIZE	LENGTH	USE
A	3	600S162-33	9'-4 5/16"	STUD
B	4	600S162-33	9'-4 5/16"	KING STUD
C	1	600T150-33	5'-3 7/8"	TOP TRACK
D	1	600T300-33	5'-3 7/8"	BOTTOM TRACK
E	1	600T150-33	3'-4 1/4"	HEAD TRACK
F	3	600S162-33	2'-4 9/16"	CRIPPLE

13-3384

Jewish Home for the Aging

1885 Victory Blvd. Reseda, CA

FrameMax, Inc.
13915 Danielson St
Suite 100
Poway, CA 92064
www.frame-max.com



© FrameMax Inc.

CREATED: 11/10/2008

FM-07-109

CREATED BY: AMB

HEIGHT : 9'-4 7/16" POINTS: 0.19 Points.

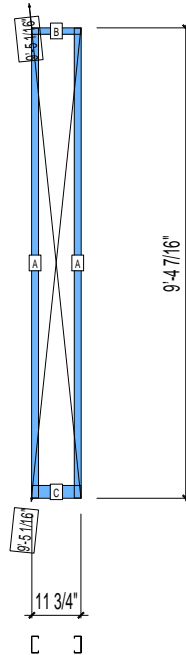
SPACING : 24"

1st STUD: 24"

WEIGHTS :

FRAME : 19 lbs

TOTAL: 19 lbs



PIECES LIST

LABEL	QTY	SIZE	LENGTH	USE
A	2	400S162-33	9'-4 5/16"	STUD
B	1	400T150-33	11 3/4"	TOP TRACK
C	1	400T300-33	11 3/4"	BOTTOM TRACK

13-3401

Jewish Home for the Aging

1885 Victory Blvd. Reseda, CA

FrameMax, Inc.
13915 Danielson St
Suite 100
Poway, CA 92064
www.frame-max.com



© FrameMax Inc.

CREATED: 11/14/2008

FM-07-109

CREATED BY: HH

HEIGHT : 9'-4 7/16" POINTS: 1.04 Points.

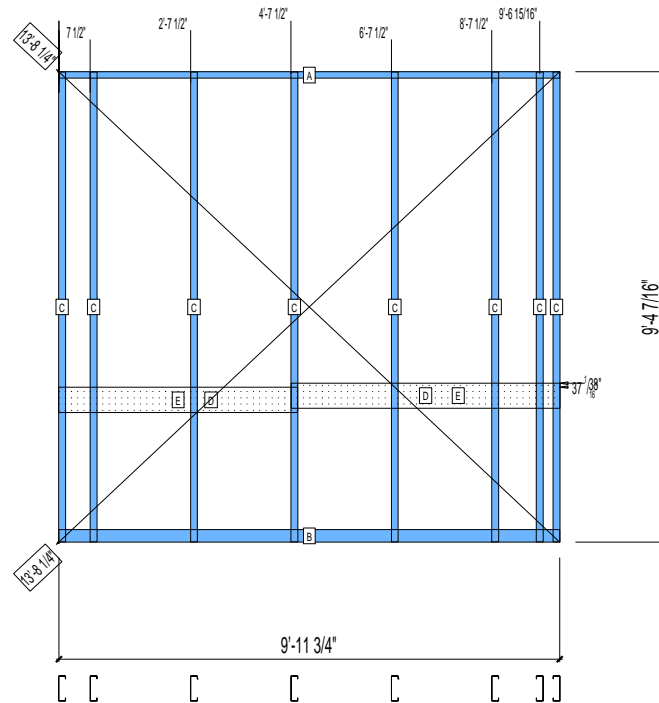
SPACING : 24"

1st STUD: 8 5/16"

WEIGHTS :

FRAME : 127 lbs

TOTAL: 127 lbs



PIECES LIST

LABEL	QTY	SIZE	LENGTH	USE
A	1	600T150-33	9'-11 3/4"	TOP TRACK
B	1	600T300-33	9'-11 3/4"	BOTTOM TRACK
C	8	600S162-33	9'-4 5/16"	STUD
D	1	600D-54	5'-4 1/4"	VANITY BACKING
E	1	600T150-54	4'-9 1/16"	GRAB BAR

13-3402

Jewish Home for the Aging

1885 Victory Blvd. Reseda, CA

FM-07-109

CREATED BY: AMB

FrameMax, Inc.
13915 Danielson St
Suite 100
Poway, CA 92064
www.frame-max.com

FRAME MAX

© FrameMax Inc.

HEIGHT : 9'-4 7/16" POINTS: 0.51 Points.

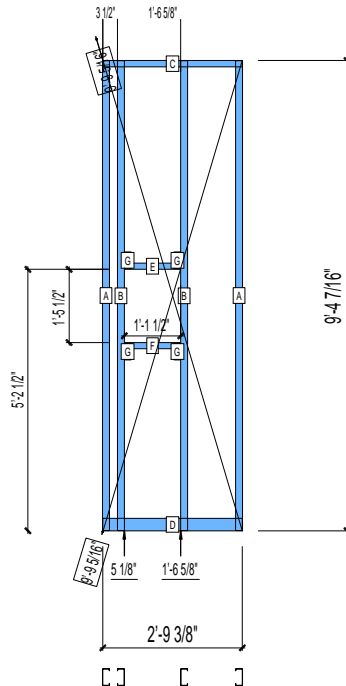
SPACING : 24"

1st STUD: 16"

WEIGHTS :

FRAME : 44 lbs

TOTAL: 44 lbs



PIECES LIST

LABEL	QTY	SIZE	LENGTH	USE
A	2	400S162-33	9'-4 5/16"	STUD
B	2	400S162-33	9'-4 5/16"	KING STUD
C	1	400T150-33	2'-9 3/8"	TOP TRACK
D	1	400T300-33	2'-9 3/8"	BOTTOM TRACK
E	1	400T150-33	1'-1 1/4"	HEAD TRACK
F	1	400T150-33	1'-1 1/4"	SILL
G	4	400S162-33	4"	CRIPPLE

13-3403

Jewish Home for the Aging

1885 Victory Blvd. Reseda, CA

FrameMax, Inc.
13915 Danielson St
Suite 100
Poway, CA 92064
www.frame-max.com



© FrameMax Inc.

CREATED: 12/09/2008

FM-07-109

CREATED BY: HH

HEIGHT : 9'-4 7/16" POINTS: 0.26 Points.

ANCHORS

SPACING : 24"

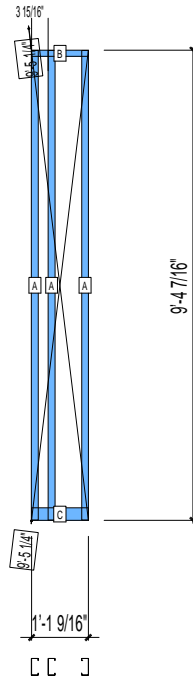
1st STUD: 24"

INSULATION: NO

WEIGHTS :

FRAME : 28 lbs

TOTAL: 28 lbs



PIECES LIST

LABEL	QTY	SIZE	LENGTH	USE
A	3	400S162-33	9'-4 5/16"	STUD
B	1	400T150-33	1'-1 9/16"	TOP TRACK
C	1	400T300-33	1'-1 9/16"	BOTTOM TRACK

13-3404

Jewish Home for the Aging

1885 Victory Blvd. Reseda, CA

FM-07-109

CREATED BY: AMB

FrameMax, Inc.
13915 Danielson St
Suite 100
Poway, CA 92064
www.frame-max.com



© FrameMax Inc.

HEIGHT : 9'-4 7/16" POINTS: 0.33 Points.

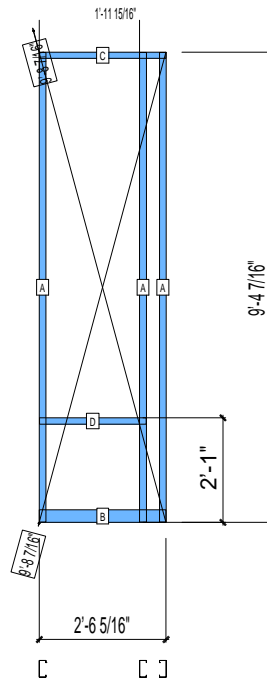
SPACING : 24"

1st STUD: 24"

WEIGHTS :

FRAME : 33 lbs

TOTAL: 33 lbs



PIECES LIST

LABEL	QTY	SIZE	LENGTH	USE
A	3	400S162-33	9'-4 5/16"	STUD
B	1	400T300-33	2'-6 5/16"	BOTTOM TRACK
C	1	400T150-33	2'-6 5/16"	TOP TRACK
D	1	400T150-33	2'-1 1/2"	SILL

13-3405

Jewish Home for the Aging

1885 Victory Blvd. Reseda, CA

FrameMax, Inc.
13915 Danielson St
Suite 100
Poway, CA 92064
www.frame-max.com



© FrameMax Inc.

CREATED: 12/09/2008

FM-07-109

CREATED BY: HH

HEIGHT : 9'-4 7/16" POINTS: 0.26 Points.

ANCHORS

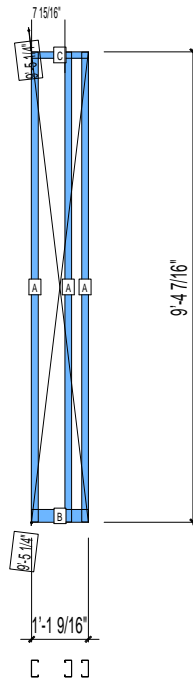
SPACING : 24"

1st STUD: 24"

WEIGHTS :

FRAME : 28 lbs

TOTAL: 28 lbs



PIECES LIST

LABEL	QTY	SIZE	LENGTH	USE
A	3	400S162-33	9'-4 5/16"	STUD
B	1	400T300-33	1'-1 9/16"	BOTTOM TRACK
C	1	400T150-33	1'-1 9/16"	TOP TRACK

13-3406

Jewish Home for the Aging

1885 Victory Blvd. Reseda, CA

FrameMax, Inc.
13915 Danielson St
Suite 100
Poway, CA 92064
www.frame-max.com



© FrameMax Inc.

CREATED: 11/14/2008

FM-07-109

CREATED BY: HH

HEIGHT : 9'-4 7/16" POINTS: 0.67 Points.

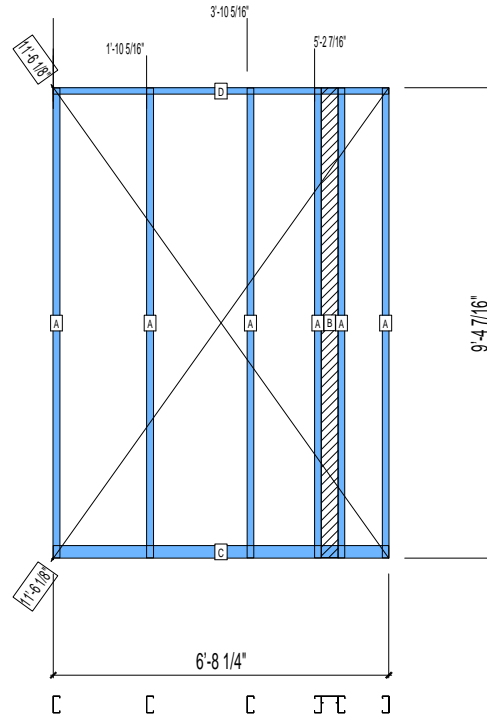
SPACING : 24"

1st STUD: 23 3/16"

WEIGHTS :

FRAME : 74 lbs

TOTAL: 74 lbs



PIECES LIST

LABEL	QTY	SIZE	LENGTH	USE
A	6	400S162-33	9'-4 5/16"	STUD
B	1	400S162-33	9'-4 1/4"	BACKER-U
C	1	400T300-33	6'-8 1/4"	BOTTOM TRACK
D	1	400T150-33	6'-8 1/4"	TOP TRACK

13-3407

Jewish Home for the Aging

1885 Victory Blvd. Reseda, CA

FrameMax, Inc.
13915 Danielson St
Suite 100
Poway, CA 92064
www.frame-max.com



© FrameMax Inc.

CREATED: 11/10/2008

FM-07-109

CREATED BY: AMB

HEIGHT : 9'-4 7/16" POINTS: 0.51 Points.

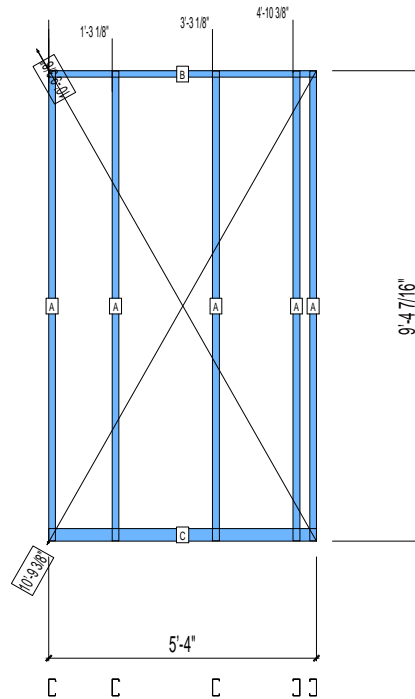
SPACING : 24"

1st STUD: 16"

WEIGHTS :

FRAME : 54 lbs

TOTAL: 54 lbs



PIECES LIST

LABEL	QTY	SIZE	LENGTH	USE
A	5	400S162-33	9'-4 5/16"	STUD
B	1	400T150-33	5'-4"	TOP TRACK
C	1	400T300-33	5'-4"	BOTTOM TRACK

13-3408

Jewish Home for the Aging

1885 Victory Blvd. Reseda, CA

FrameMax, Inc.
13915 Danielson St
Suite 100
Poway, CA 92064
www.frame-max.com



© FrameMax Inc.

CREATED: 11/10/2008

FM-07-109

CREATED BY: HH

HEIGHT : 9'-4 7/16" POINTS: 1.00 Points.

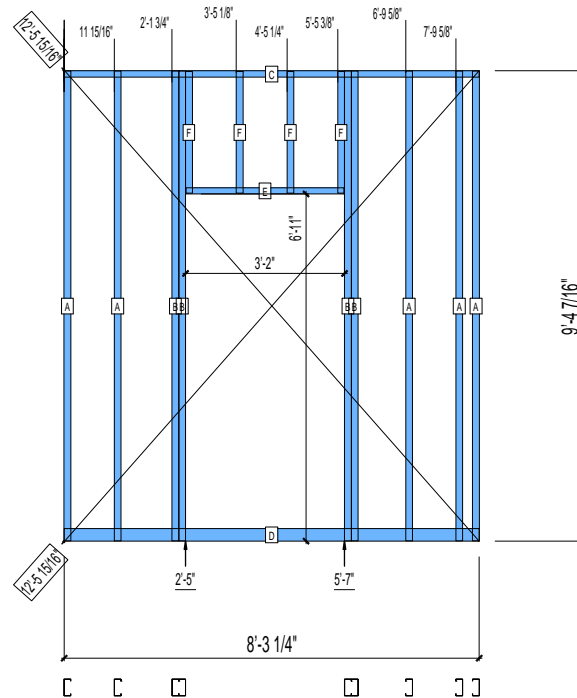
SPACING : 24"

1st STUD: 24"

WEIGHTS :

FRAME : 107 lbs

TOTAL: 107 lbs



PIECES LIST

LABEL	QTY	SIZE	LENGTH	USE
A	5	400S162-33	9'-4 5/16"	STUD
B	4	400S162-33	9'-4 5/16"	KING STUD
C	1	400T150-33	8'-3 1/4"	TOP TRACK
D	1	400T300-33	8'-3 1/4"	BOTTOM TRACK
E	1	400T150-33	3'-1 3/4"	HEAD TRACK
F	4	400S162-33	2'-5 1/16"	CRIPPLE

13-3409

Jewish Home for the Aging

1885 Victory Blvd. Reseda, CA

FM-07-109

CREATED BY: HH

FrameMax, Inc.
13915 Danielson St
Suite 100
Poway, CA 92064
www.frame-max.com



© FrameMax Inc.

HEIGHT : 9'-4 7/16" POINTS: 0.43 Points.

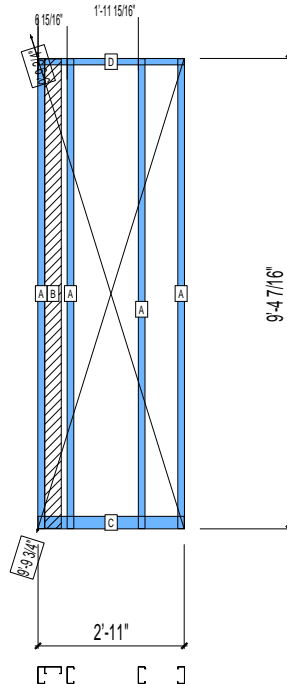
SPACING : 5000"

1st STUD: 5000"

WEIGHTS :

FRAME : 49 lbs

TOTAL: 49 lbs



PIECES LIST

LABEL	QTY	SIZE	LENGTH	USE
A	4	400S162-33	9'-4 5/16"	STUD
B	1	400S162-33	9'-4 3/16"	BACKER-U
C	1	400T300-33	2'-11"	BOTTOM TRACK
D	1	400T150-33	2'-11"	TOP TRACK

13-3410

Jewish Home for the Aging

1885 Victory Blvd. Reseda, CA

FM-07-109

CREATED BY: AMB

FrameMax, Inc.
13915 Danielson St
Suite 100
Poway, CA 92064
www.frame-max.com



© FrameMax Inc.

HEIGHT : 9'-4 7/16" POINTS: 0.79 Points.

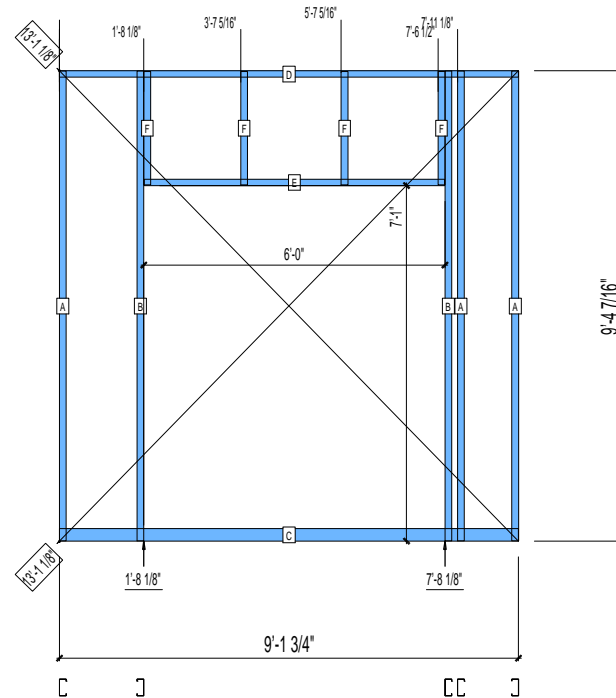
SPACING : 24"

1st STUD: 24"

WEIGHTS :

FRAME : 75 lbs

TOTAL: 75 lbs



PIECES LIST

LABEL	QTY	SIZE	LENGTH	USE
A	3	400S162-33	9'-4 5/16"	STUD
B	2	400S162-33	9'-4 5/16"	KING STUD
C	1	400T300-33	9'-1 3/4"	BOTTOM TRACK
D	1	400T150-33	9'-1 3/4"	TOP TRACK
E	1	400T150-33	5'-11 3/4"	HEAD TRACK
F	4	400S162-33	2'-3 1/16"	CRIPPLE

13-3411

Jewish Home for the Aging

1885 Victory Blvd. Reseda, CA

FrameMax, Inc.
13915 Danielson St
Suite 100
Poway, CA 92064
www.frame-max.com



© FrameMax Inc.

CREATED: 11/10/2008

FM-07-109

CREATED BY: HH

HEIGHT : 9'-4 7/16" POINTS: 0.41 Points.

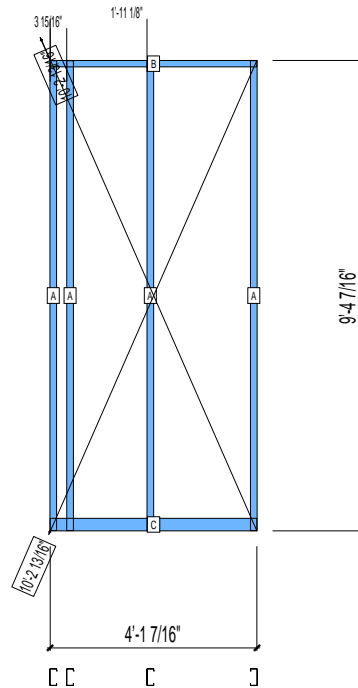
SPACING : 24"

1st STUD: 24"

WEIGHTS :

FRAME : 43 lbs

TOTAL: 43 lbs



PIECES LIST

LABEL	QTY	SIZE	LENGTH	USE
A	4	400S162-33	9'-4 5/16"	STUD
B	1	400T150-33	4'-1 7/16"	TOP TRACK
C	1	400T300-33	4'-1 7/16"	BOTTOM TRACK

13-3412

Jewish Home for the Aging

1885 Victory Blvd. Reseda, CA

FrameMax, Inc.
13915 Danielson St
Suite 100
Poway, CA 92064
www.frame-max.com



© FrameMax Inc.

CREATED: 11/10/2008

FM-07-109

CREATED BY: AMB

HEIGHT : 9'-4 7/16" POINTS: 0.22 Points.

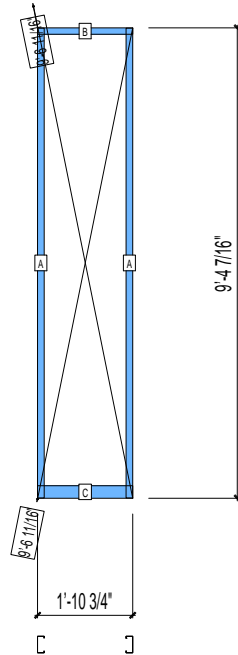
SPACING : 24"

1st STUD: 24"

WEIGHTS :

FRAME : 21 lbs

TOTAL: 21 lbs



PIECES LIST

LABEL	QTY	SIZE	LENGTH	USE
A	2	400S162-33	9'-4 5/16"	STUD
B	1	400T150-33	1'-10 3/4"	TOP TRACK
C	1	400T300-33	1'-10 3/4"	BOTTOM TRACK

13-3413

Jewish Home for the Aging

1885 Victory Blvd. Reseda, CA

FrameMax, Inc.
13915 Danielson St
Suite 100
Poway, CA 92064
www.frame-max.com



© FrameMax Inc.

CREATED: 11/10/2008

FM-07-109

CREATED BY: AMB

HEIGHT : 9'-4 7/16" POINTS: 0.17 Points.

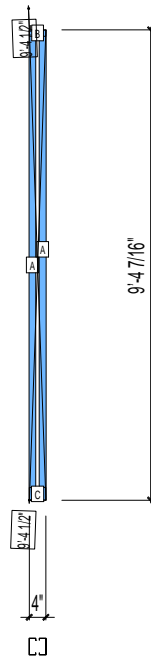
SPACING : 24"

1st STUD: 24"

WEIGHTS :

FRAME : 18 lbs

TOTAL: 18 lbs



PIECES LIST

LABEL	QTY	SIZE	LENGTH	USE
A	2	400S162-33	9'-4 5/16"	STUD
B	1	400T150-33	4"	TOP TRACK
C	1	400T300-33	4"	BOTTOM TRACK

13-3414

Jewish Home for the Aging

1885 Victory Blvd. Reseda, CA

FrameMax, Inc.
13915 Danielson St
Suite 100
Poway, CA 92064
www.frame-max.com



© FrameMax Inc.

CREATED: 11/10/2008

FM-07-109

CREATED BY: HH

HEIGHT : 9'-4 7/16" POINTS: 0.22 Points.

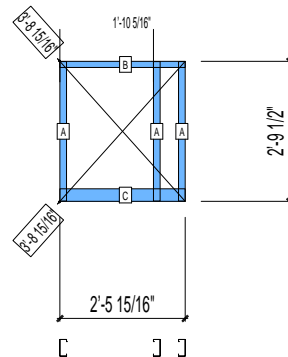
SPACING : 24"

1st STUD: 24"

WEIGHTS :

FRAME : 13 lbs

TOTAL: 13 lbs



PIECES LIST

LABEL	QTY	SIZE	LENGTH	USE
A	3	400S162-33	2'-9 3/8"	STUD
B	1	400T150-33	2'-5 15/16"	TOP TRACK
C	1	400T300-33	2'-5 15/16"	BOTTOM TRACK

13-3415

Jewish Home for the Aging

1885 Victory Blvd. Reseda, CA

FM-07-109

CREATED BY: HH

FrameMax, Inc.
13915 Danielson St
Suite 100
Poway, CA 92064
www.frame-max.com



© FrameMax Inc.

HEIGHT : 9'-4 7/16" POINTS: 0.81 Points.

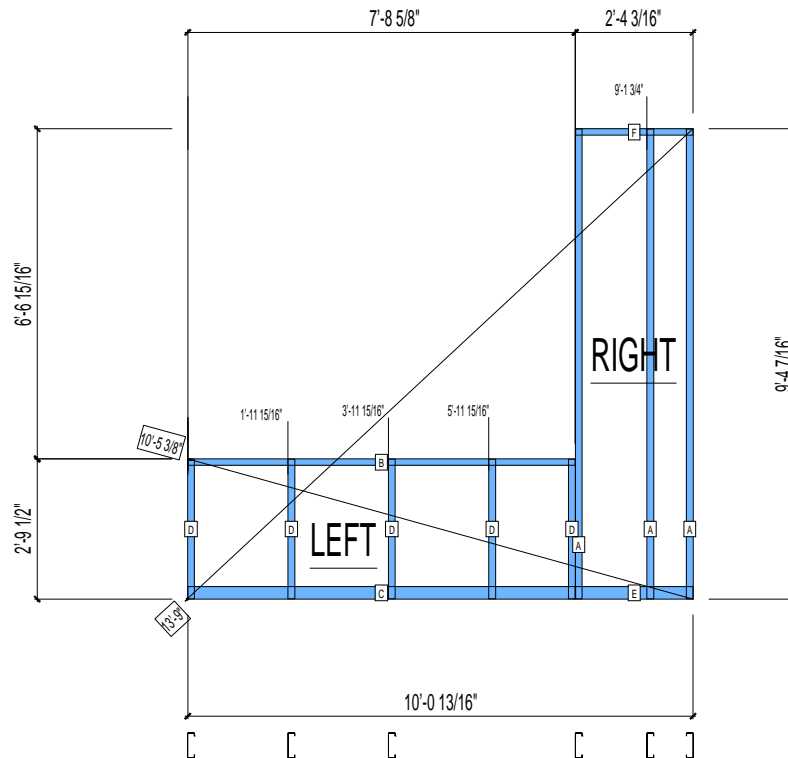
SPACING : 24"

1st STUD: 14 5/8"

WEIGHTS :

FRAME : 74 lbs

TOTAL: 74 lbs



PIECES LIST

LABEL	QTY	SIZE	LENGTH	USE
A	3	600S162-33	9'-4 5/16"	STUD
B	1	600T150-33	7'-8 9/16"	TOP TRACK
C	1	600T300-33	7'-8 9/16"	BOTTOM TRACK
D	5	600S162-33	2'-9 3/8"	STUD
E	1	600T300-33	2'-4 1/16"	BOTTOM TRACK
F	1	600T150-33	2'-4 1/16"	TOP TRACK

13-3416

Jewish Home for the Aging

1885 Victory Blvd. Reseda, CA

FM-07-109

CREATED BY: AMB

FrameMax, Inc.
13915 Danielson St
Suite 100
Poway, CA 92064
www.frame-max.com



© FrameMax Inc.

HEIGHT : 9'-4 7/16" POINTS: 0.30 Points.

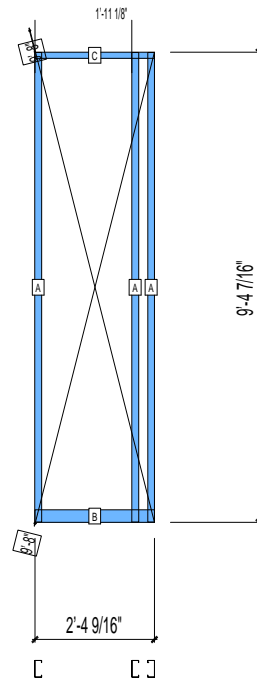
SPACING : 24"

1st STUD: 24"

WEIGHTS :

FRAME : 31 lbs

TOTAL: 31 lbs



PIECES LIST

LABEL	QTY	SIZE	LENGTH	USE
A	3	400S162-33	9'-4 5/16"	STUD
B	1	400T300-33	2'-4 9/16"	BOTTOM TRACK
C	1	400T150-33	2'-4 9/16"	TOP TRACK

13-3417

Jewish Home for the Aging

1885 Victory Blvd. Reseda, CA

FrameMax, Inc.
13915 Danielson St
Suite 100
Poway, CA 92064
www.frame-max.com



© FrameMax Inc.

CREATED: 11/10/2008

FM-07-109

CREATED BY: AMB

HEIGHT : 9'-4 7/16" POINTS: 0.19 Points.

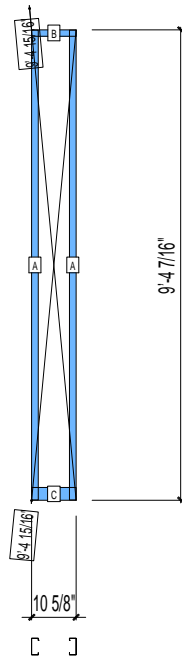
SPACING : 24"

1st STUD: 24"

WEIGHTS :

FRAME : 19 lbs

TOTAL: 19 lbs



PIECES LIST

LABEL	QTY	SIZE	LENGTH	USE
A	2	400S162-33	9'-4 5/16"	STUD
B	1	400T150-33	10 5/8"	TOP TRACK
C	1	400T300-33	10 5/8"	BOTTOM TRACK

13-3418

Jewish Home for the Aging

1885 Victory Blvd. Reseda, CA

FM-07-109

CREATED BY: HH

FrameMax, Inc.
13915 Danielson St
Suite 100
Poway, CA 92064
www.frame-max.com



© FrameMax Inc.

HEIGHT : 9'-4 7/16" POINTS: 0.78 Points.

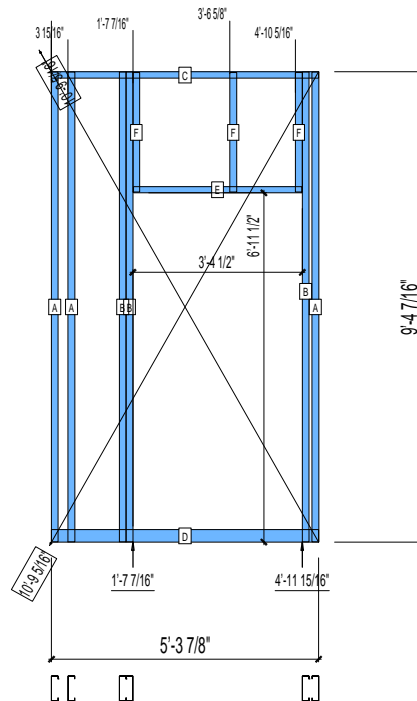
SPACING : 24"

1st STUD: 24"

WEIGHTS :

FRAME : 91 lbs

TOTAL: 91 lbs



PIECES LIST

LABEL	QTY	SIZE	LENGTH	USE
A	3	600S162-33	9'-4 5/16"	STUD
B	3	600S162-33	9'-4 5/16"	KING STUD
C	1	600T150-33	5'-3 7/8"	TOP TRACK
D	1	600T300-33	5'-3 7/8"	BOTTOM TRACK
E	1	600T150-33	3'-4 1/4"	HEAD TRACK
F	3	600S162-33	2'-4 9/16"	CRIPPLE

13-3419

Jewish Home for the Aging

1885 Victory Blvd. Reseda, CA

FrameMax, Inc.
13915 Danielson St
Suite 100
Poway, CA 92064
www.frame-max.com



© FrameMax Inc.

CREATED: 12/05/2008

FM-07-109

CREATED BY: HH

HEIGHT : 9'-4 7/16" POINTS: 0.19 Points.

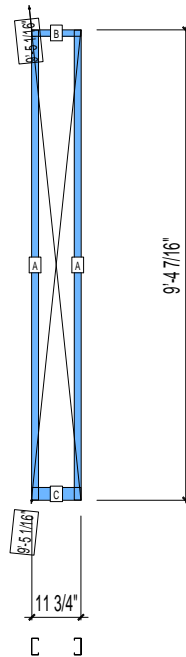
SPACING : 24"

1st STUD: 24"

WEIGHTS :

FRAME : 19 lbs

TOTAL: 19 lbs



PIECES LIST

LABEL	QTY	SIZE	LENGTH	USE
A	2	400S162-33	9'-4 5/16"	STUD
B	1	400T150-33	11 3/4"	TOP TRACK
C	1	400T300-33	11 3/4"	BOTTOM TRACK

13-3451

Jewish Home for the Aging

1885 Victory Blvd. Reseda, CA

FM-07-109

CREATED BY: HH

FrameMax, Inc.
13915 Danielson St
Suite 100
Poway, CA 92064
www.frame-max.com



© FrameMax Inc.

HEIGHT : 9'-4 7/16" POINTS: 0.90 Points.

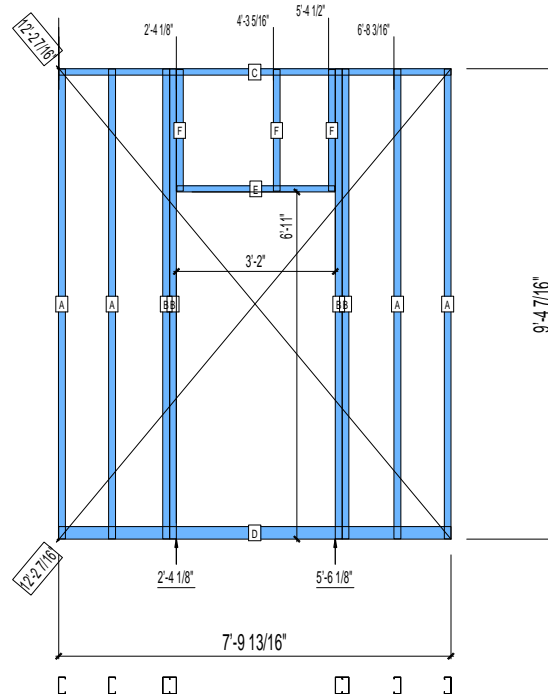
SPACING : 24"

1st STUD: 24"

WEIGHTS :

FRAME : 95 lbs

TOTAL: 95 lbs



PIECES LIST

LABEL	QTY	SIZE	LENGTH	USE
A	4	400S162-33	9'-4 5/16"	STUD
B	4	400S162-33	9'-4 5/16"	KING STUD
C	1	400T150-33	7'-9 13/16"	TOP TRACK
D	1	400T300-33	7'-9 13/16"	BOTTOM TRACK
E	1	400T150-33	3'-1 3/4"	HEAD TRACK
F	3	400S162-33	2'-5 1/16"	CRIPPLE

13-3452

Jewish Home for the Aging

1885 Victory Blvd. Reseda, CA

FrameMax, Inc.
13915 Danielson St
Suite 100
Poway, CA 92064
www.frame-max.com



© FrameMax Inc.

CREATED: 12/02/2008

FM-07-109

CREATED BY: HH

HEIGHT : 9'-4 7/16" POINTS: 0.27 Points.

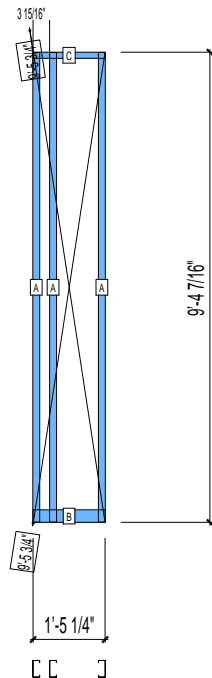
SPACING : 24"

1st STUD: 24"

WEIGHTS :

FRAME : 29 lbs

TOTAL: 29 lbs



PIECES LIST

LABEL	QTY	SIZE	LENGTH	USE
A	3	400S162-33	9'-4 5/16"	STUD
B	1	400T300-33	1'-5 1/4"	BOTTOM TRACK
C	1	400T150-33	1'-5 1/4"	TOP TRACK

13-3453

Jewish Home for the Aging

1885 Victory Blvd. Reseda, CA

FrameMax, Inc.
13915 Danielson St
Suite 100
Poway, CA 92064
www.frame-max.com



© FrameMax Inc.

CREATED: 12/08/2008

FM-07-109

CREATED BY: HH

HEIGHT : 9'-4 7/16" POINTS: 0.43 Points.

ANCHORS

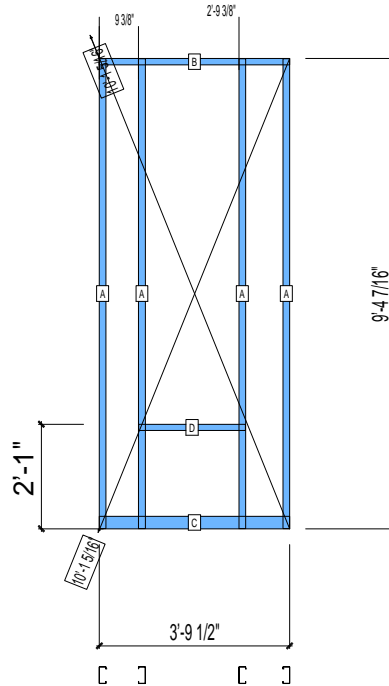
SPACING : 5000"

1st STUD: 5000"

WEIGHTS :

FRAME : 45 lbs

TOTAL: 45 lbs



PIECES LIST

LABEL	QTY	SIZE	LENGTH	USE
A	4	400S162-33	9'-4 5/16"	STUD
B	1	400T150-33	3'-9 1/2"	TOP TRACK
C	1	400T300-33	3'-9 1/2"	BOTTOM TRACK
D	1	600T150-33	2'-1 1/2"	SILL

13-3454

Jewish Home for the Aging

1885 Victory Blvd. Reseda, CA

FM-07-109

CREATED BY: HH

FrameMax, Inc.
13915 Danielson St
Suite 100
Poway, CA 92064
www.frame-max.com



© FrameMax Inc.

HEIGHT : 9'-4 7/16" POINTS: 0.33 Points.

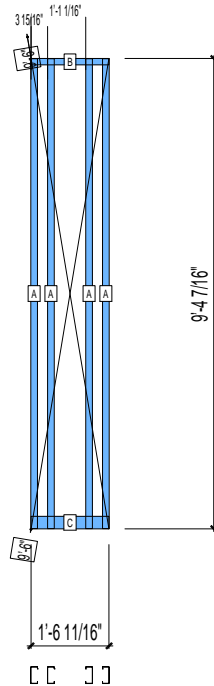
SPACING : 24"

1st STUD: 24"

WEIGHTS :

FRAME : 38 lbs

TOTAL: 38 lbs



PIECES LIST

LABEL	QTY	SIZE	LENGTH	USE
A	4	400S162-33	9'-4 5/16"	STUD
B	1	400T150-33	1'-6 11/16"	TOP TRACK
C	1	400T300-33	1'-6 11/16"	BOTTOM TRACK

13-3455

Jewish Home for the Aging

1885 Victory Blvd. Reseda, CA

FrameMax, Inc.
13915 Danielson St
Suite 100
Poway, CA 92064
www.frame-max.com



© FrameMax Inc.

CREATED: 12/08/2008

FM-07-109

CREATED BY: HH

HEIGHT : 9'-4 7/16" POINTS: 0.40 Points.

ANCHORS

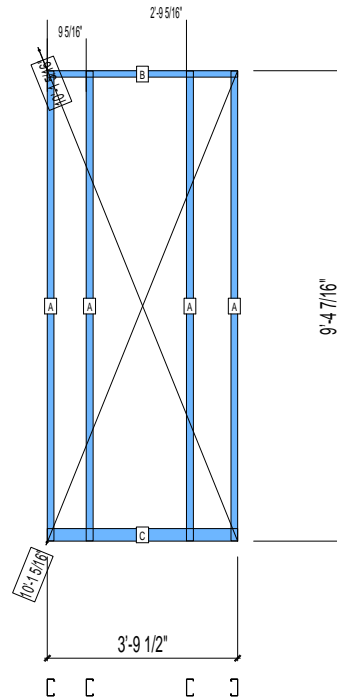
SPACING : 5000"

1st STUD: 16"

WEIGHTS :

FRAME : 42 lbs

TOTAL: 42 lbs



PIECES LIST

LABEL	QTY	SIZE	LENGTH	USE
A	4	400S162-33	9'-4 5/16"	STUD
B	1	400T150-33	3'-9 1/2"	TOP TRACK
C	1	400T300-33	3'-9 1/2"	BOTTOM TRACK

13-3456

Jewish Home for the Aging

1885 Victory Blvd. Reseda, CA

FrameMax, Inc.
13915 Danielson St
Suite 100
Poway, CA 92064
www.frame-max.com



© FrameMax Inc.

CREATED: 12/02/2008

FM-07-109

CREATED BY: HH

HEIGHT : 9'-4 7/16" POINTS: 0.27 Points.

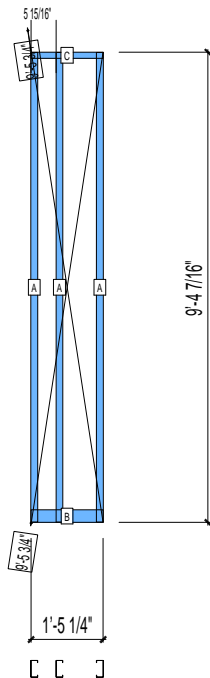
SPACING : 24"

1st STUD: 24"

WEIGHTS :

FRAME : 29 lbs

TOTAL: 29 lbs



PIECES LIST

LABEL	QTY	SIZE	LENGTH	USE
A	3	400S162-33	9'-4 5/16"	STUD
B	1	400T300-33	1'-5 1/4"	BOTTOM TRACK
C	1	400T150-33	1'-5 1/4"	TOP TRACK

13-3457

Jewish Home for the Aging

1885 Victory Blvd. Reseda, CA

FrameMax, Inc.
13915 Danielson St
Suite 100
Poway, CA 92064
www.frame-max.com



© FrameMax Inc.

CREATED: 11/11/2008

FM-07-109

CREATED BY: AMB

HEIGHT : 9'-4 7/16" POINTS: 0.33 Points.

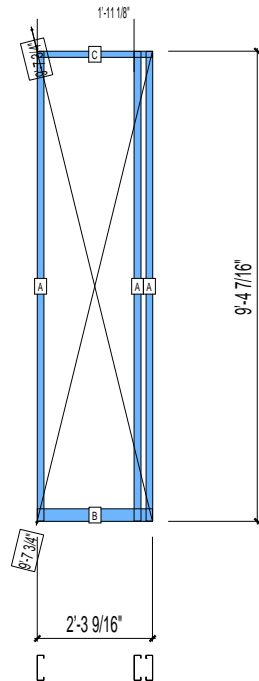
SPACING : 24"

1st STUD: 24"

WEIGHTS :

FRAME : 39 lbs

TOTAL: 39 lbs



PIECES LIST

LABEL	QTY	SIZE	LENGTH	USE
A	3	600S162-33	9'-4 5/16"	STUD
B	1	600T300-33	2'-3 9/16"	BOTTOM TRACK
C	1	600T150-33	2'-3 9/16"	TOP TRACK

13-3458

Jewish Home for the Aging

1885 Victory Blvd. Reseda, CA

FM-07-109

CREATED BY: HH

FrameMax, Inc.
13915 Danielson St
Suite 100
Poway, CA 92064
www.frame-max.com

FRAME MAX

© FrameMax Inc.

HEIGHT : 9'-4 7/16" POINTS: 0.65 Points.

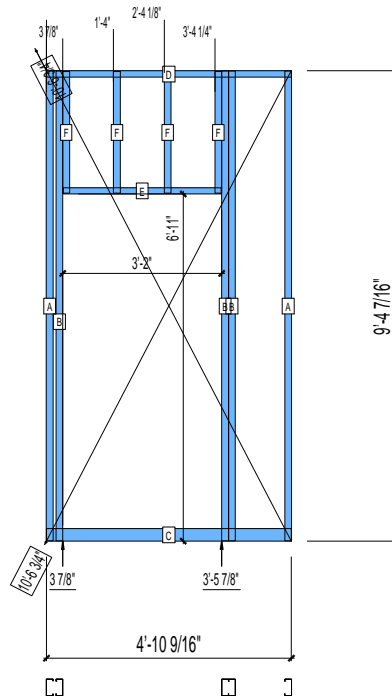
SPACING : 24"

1st STUD: 24"

WEIGHTS :

FRAME : 65 lbs

TOTAL: 65 lbs



PIECES LIST

LABEL	QTY	SIZE	LENGTH	USE
A	2	400S162-33	9'-4 5/16"	STUD
B	3	400S162-33	9'-4 5/16"	KING STUD
C	1	400T300-33	4'-10 9/16"	BOTTOM TRACK
D	1	400T150-33	4'-10 9/16"	TOP TRACK
E	1	400T150-33	3'-1 3/4"	HEAD TRACK
F	4	400S162-33	2'-5 1/16"	CRIPPLE

13-3459

Jewish Home for the Aging

1885 Victory Blvd. Reseda, CA

FrameMax, Inc.
13915 Danielson St
Suite 100
Poway, CA 92064
www.frame-max.com



© FrameMax Inc.

CREATED: 11/11/2008

FM-07-109

CREATED BY: AMB

HEIGHT : 9'-4 7/16" POINTS: 0.27 Points.

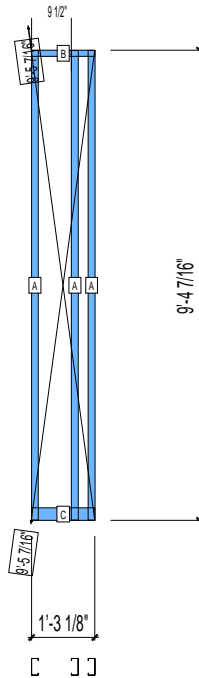
SPACING : 24"

1st STUD: 24"

WEIGHTS :

FRAME : 29 lbs

TOTAL: 29 lbs



PIECES LIST

LABEL	QTY	SIZE	LENGTH	USE
A	3	400S162-33	9'-4 5/16"	STUD
B	1	400T150-33	1'-3 1/8"	TOP TRACK
C	1	400T300-33	1'-3 1/8"	BOTTOM TRACK

13-3460

Jewish Home for the Aging

1885 Victory Blvd. Reseda, CA

FM-07-109

CREATED BY: HH

FrameMax, Inc.
13915 Danielson St
Suite 100
Poway, CA 92064
www.frame-max.com



© FrameMax Inc.

HEIGHT : 9'-4 7/16" POINTS: 0.78 Points.

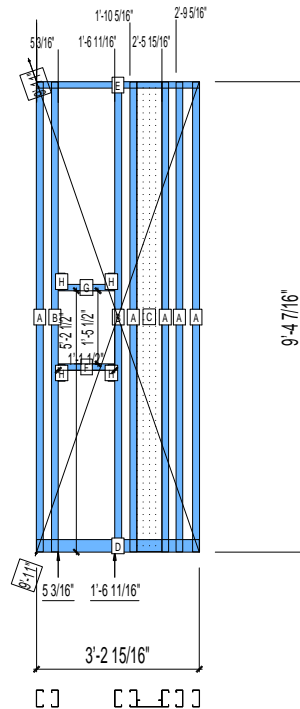
SPACING : 24"

1st STUD: 24"

WEIGHTS :

FRAME : 81 lbs

TOTAL: 81 lbs



PIECES LIST

LABEL	QTY	SIZE	LENGTH	USE
A	5	400S162-33	9'-4 5/16"	STUD
B	2	400S162-33	9'-4 5/16"	KING STUD
C	1	600S162-33	9'-4 1/4"	BACKER-U
D	1	400T300-33	3'-2 15/16"	BOTTOM TRACK
E	1	400T150-33	3'-2 15/16"	TOP TRACK
F	1	400T150-33	1'-1 1/4"	SILL
G	1	400T150-33	1'-1 1/4"	HEAD TRACK
H	4	400S162-33	4"	CRIPPLE

13-3461

Jewish Home for the Aging

1885 Victory Blvd. Reseda, CA

FrameMax, Inc.
13915 Danielson St
Suite 100
Poway, CA 92064
www.frame-max.com



© FrameMax Inc.

CREATED: 11/11/2008

FM-07-109

CREATED BY: AMB

HEIGHT : 9'-4 7/16" POINTS: 0.20 Points.

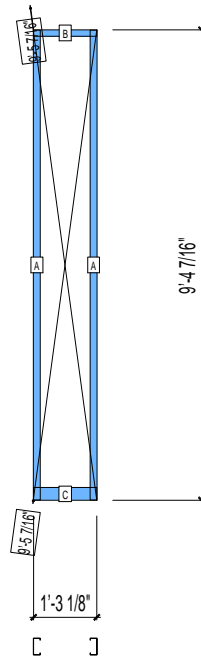
SPACING : 24"

1st STUD: 16"

WEIGHTS :

FRAME : 20 lbs

TOTAL: 20 lbs



PIECES LIST

LABEL	QTY	SIZE	LENGTH	USE
A	2	400S162-33	9'-4 5/16"	STUD
B	1	400T150-33	1'-3 1/8"	TOP TRACK
C	1	400T300-33	1'-3 1/8"	BOTTOM TRACK

13-3462

Jewish Home for the Aging

1885 Victory Blvd. Reseda, CA

FrameMax, Inc.
13915 Danielson St
Suite 100
Poway, CA 92064
www.frame-max.com



© FrameMax Inc.

CREATED: 11/14/2008

FM-07-109

CREATED BY: AMB

HEIGHT : 9'-4 7/16" POINTS: 0.97 Points.

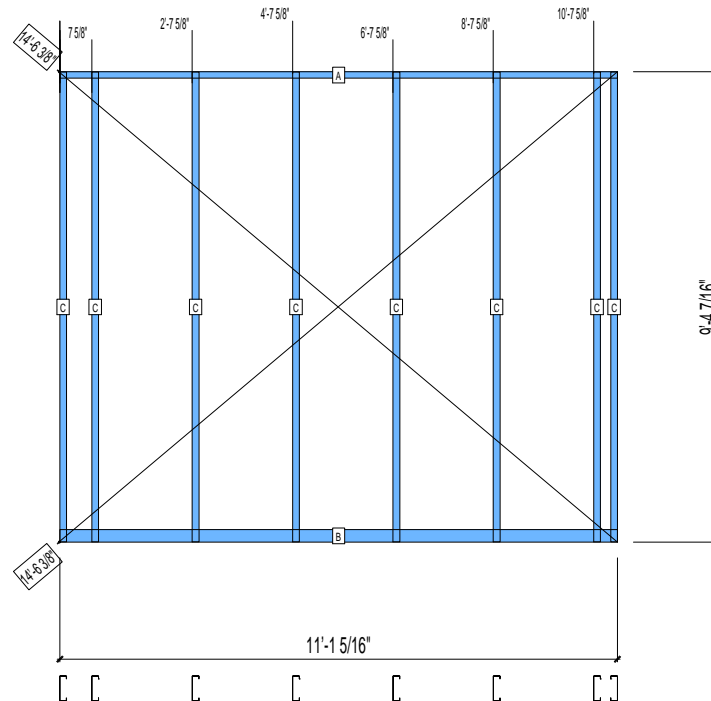
SPACING : 24"

1st STUD: 8 1/2"

WEIGHTS :

FRAME : 115 lbs

TOTAL: 115 lbs



PIECES LIST

LABEL	QTY	SIZE	LENGTH	USE
A	1	600T150-33	11'-1 5/16"	TOP TRACK
B	1	600T300-33	11'-1 5/16"	BOTTOM TRACK
C	8	600S162-33	9'-4 5/16"	STUD

13-3463

Jewish Home for the Aging

1885 Victory Blvd. Reseda, CA

FrameMax, Inc.
13915 Danielson St
Suite 100
Poway, CA 92064
www.frame-max.com



© FrameMax Inc.

CREATED: 11/11/2008

FM-07-109

CREATED BY: HH

HEIGHT : 9'-4 7/16" POINTS: 0.54 Points.

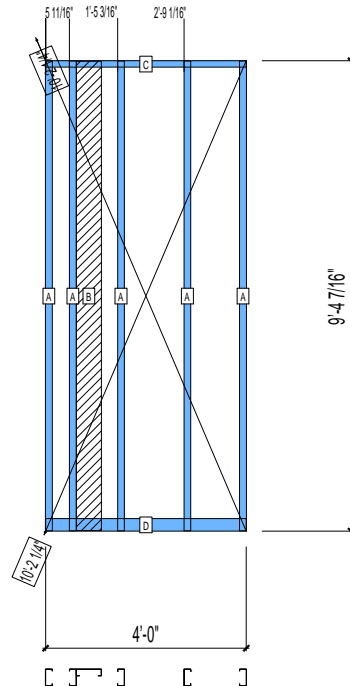
SPACING : 5000"

1st STUD: 5000"

WEIGHTS :

FRAME : 62 lbs

TOTAL: 62 lbs



PIECES LIST

LABEL	QTY	SIZE	LENGTH	USE
A	5	400S162-33	9'-4 5/16"	STUD
B	1	600S162-33	9'-4 3/16"	BACKER-U
C	1	400T150-33	4'-0"	TOP TRACK
D	1	400T300-33	4'-0"	BOTTOM TRACK

13-3464

Jewish Home for the Aging

1885 Victory Blvd. Reseda, CA

FrameMax, Inc.
13915 Danielson St
Suite 100
Poway, CA 92064
www.frame-max.com



© FrameMax Inc.

CREATED: 11/11/2008

FM-07-109

CREATED BY: HH

HEIGHT : 9'-4 7/16" POINTS: 0.59 Points.

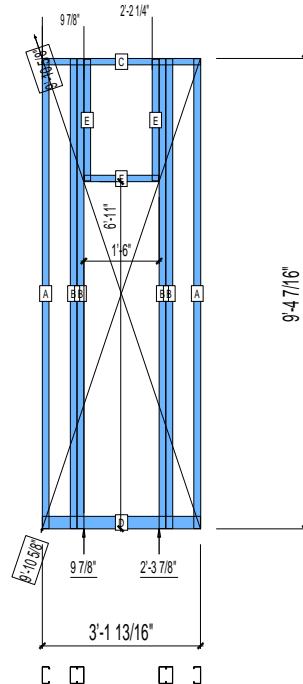
SPACING : 24"

1st STUD: 24"

WEIGHTS :

FRAME : 64 lbs

TOTAL: 64 lbs



PIECES LIST

LABEL	QTY	SIZE	LENGTH	USE
A	2	400S162-33	9'-4 5/16"	STUD
B	4	400S162-33	9'-4 5/16"	KING STUD
C	1	400T150-33	3'-1 13/16"	TOP TRACK
D	1	400T300-33	3'-1 13/16"	BOTTOM TRACK
E	2	400S162-33	2'-5 1/16"	CRIPPLE
F	1	400T150-33	1'-5 3/4"	HEAD TRACK

13-3465

Jewish Home for the Aging

1885 Victory Blvd. Reseda, CA

FM-07-109

CREATED BY: AMB

FrameMax, Inc.
13915 Danielson St
Suite 100
Poway, CA 92064
www.frame-max.com



© FrameMax Inc.

HEIGHT : 9'-4 7/16" POINTS: 0.39 Points.

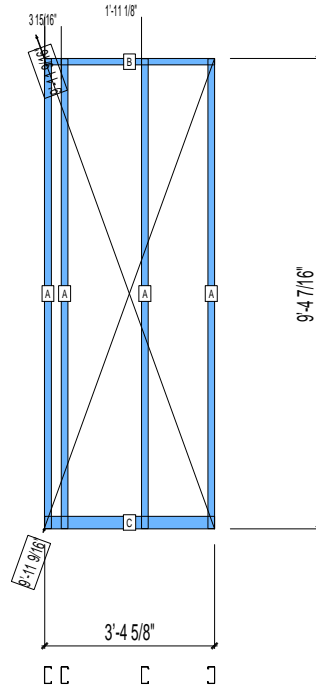
SPACING : 24"

1st STUD: 24"

WEIGHTS :

FRAME : 42 lbs

TOTAL: 42 lbs



PIECES LIST

LABEL	QTY	SIZE	LENGTH	USE
A	4	400S162-33	9'-4 5/16"	STUD
B	1	400T150-33	3'-4 5/8"	TOP TRACK
C	1	400T300-33	3'-4 5/8"	BOTTOM TRACK

13-3466

Jewish Home for the Aging

1885 Victory Blvd. Reseda, CA

FM-07-109

CREATED BY: HH

FrameMax, Inc.
13915 Danielson St
Suite 100
Poway, CA 92064
www.frame-max.com



© FrameMax Inc.

HEIGHT : 9'-4 7/16" POINTS: 1.12 Points.

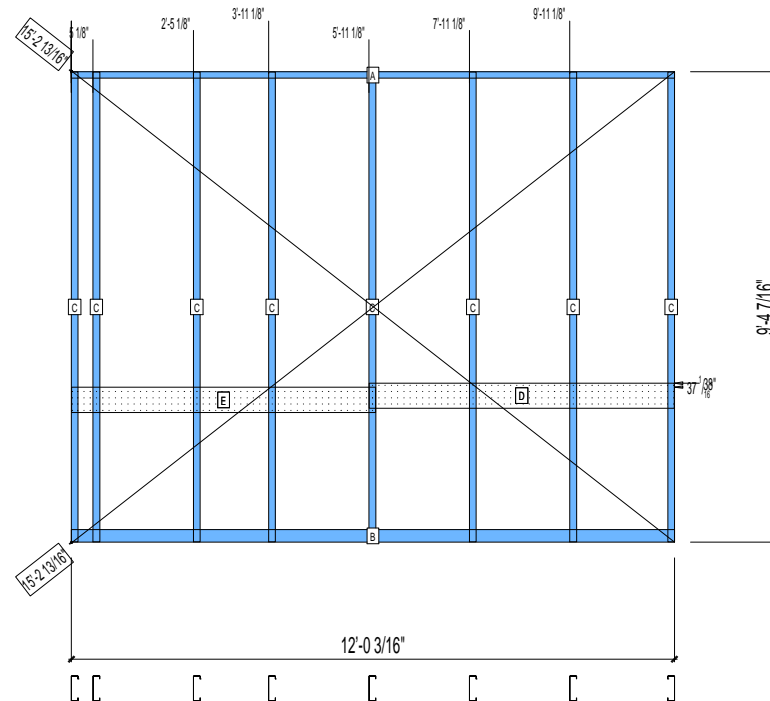
SPACING : 24"

1st STUD: 24"

WEIGHTS :

FRAME : 135 lbs

TOTAL: 135 lbs



PIECES LIST

LABEL	QTY	SIZE	LENGTH	USE
A	1	600T150-33	12'-0 3/16"	TOP TRACK
B	1	600T300-33	12'-0 3/16"	BOTTOM TRACK
C	8	600S162-33	9'-4 5/16"	STUD
D	1	600D-54	6'-0 15/16"	VANITY BACKING
E	1	600T150-54	6'-0 11/16"	GRAB BAR

13-3467

Jewish Home for the Aging

1885 Victory Blvd. Reseda, CA

FrameMax, Inc.
13915 Danielson St
Suite 100
Poway, CA 92064
www.frame-max.com



© FrameMax Inc.

CREATED: 12/08/2008

FM-07-109

CREATED BY: HH

HEIGHT : 9'-4 7/16" POINTS: 0.19 Points.

ANCHORS

SPACING : 24"

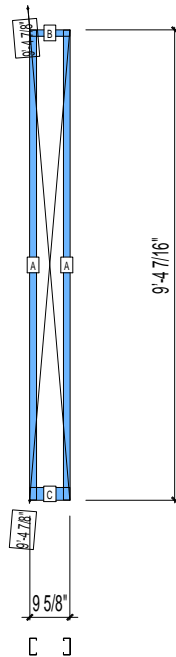
1st STUD: 24"

INSULATION: NO

WEIGHTS :

FRAME : 19 lbs

TOTAL: 19 lbs



PIECES LIST

LABEL	QTY	SIZE	LENGTH	USE
A	2	400S162-33	9'-4 5/16"	STUD
B	1	400T150-33	9 5/8"	TOP TRACK
C	1	400T300-33	9 5/8"	BOTTOM TRACK

13-3468

Jewish Home for the Aging

1885 Victory Blvd. Reseda, CA

FM-07-109

CREATED BY: HH

FrameMax, Inc.
13915 Danielson St
Suite 100
Poway, CA 92064
www.framemax.com



© FrameMax Inc.

HEIGHT : 9'-4 7/16" POINTS: 0.45 Points.

ANCHORS

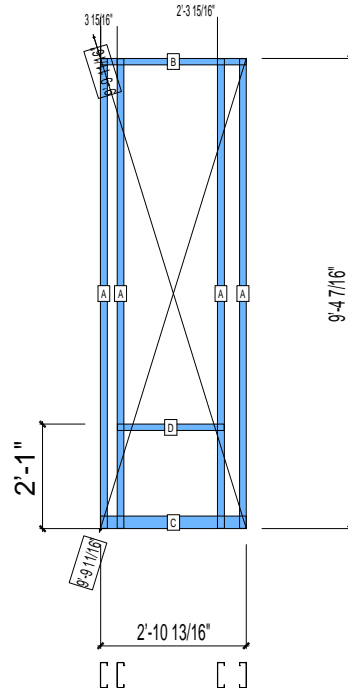
SPACING : 5000"

1st STUD: 5000"

WEIGHTS :

FRAME : 53 lbs

TOTAL: 53 lbs



PIECES LIST

LABEL	QTY	SIZE	LENGTH	USE
A	4	600S162-33	9'-4 5/16"	STUD
B	1	600T150-33	2'-10 13/16"	TOP TRACK
C	1	600T300-33	2'-10 13/16"	BOTTOM TRACK
D	1	600T150-33	2'-1 1/2"	SILL

13-3469

Jewish Home for the Aging

1885 Victory Blvd. Reseda, CA

FM-07-109

CREATED BY: AMB

FrameMax, Inc.
13915 Danielson St
Suite 100
Poway, CA 92064
www.frame-max.com

FRAME MAX

© FrameMax Inc.

HEIGHT : 9'-4 7/16" POINTS: 0.50 Points.

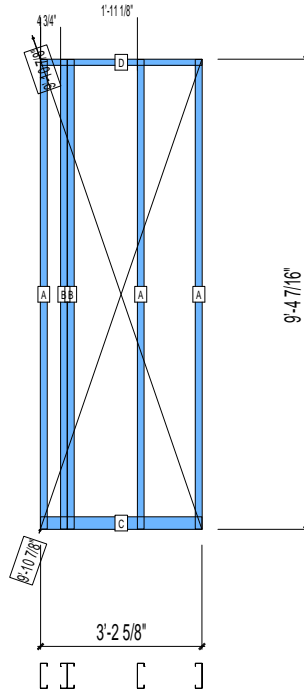
SPACING : 24"

1st STUD: 24"

WEIGHTS :

FRAME : 63 lbs

TOTAL: 63 lbs



PIECES LIST

LABEL	QTY	SIZE	LENGTH	USE
A	3	600S162-33	9'-4 5/16"	STUD
B	2	600S162-33	9'-4 5/16"	BACKER STUD
C	1	600T300-33	3'-2 5/8"	BOTTOM TRACK
D	1	600T150-33	3'-2 5/8"	TOP TRACK

13-3470

Jewish Home for the Aging

1885 Victory Blvd. Reseda, CA

FrameMax, Inc.
13915 Danielson St
Suite 100
Poway, CA 92064
www.frame-max.com



© FrameMax Inc.

CREATED: 11/11/2008

FM-07-109

CREATED BY: AMB

HEIGHT : 9'-4 7/16" POINTS: 0.42 Points.

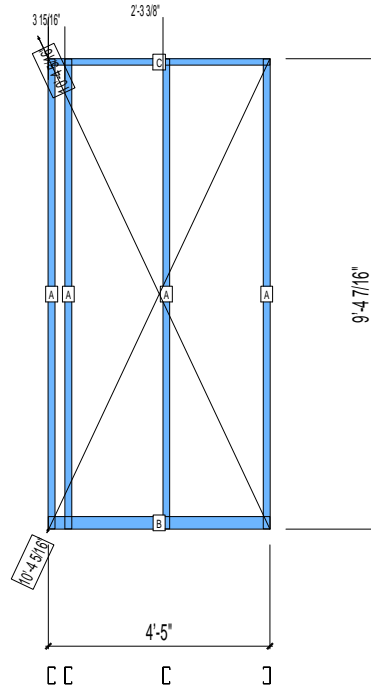
SPACING : 24"

1st STUD: 24"

WEIGHTS :

FRAME : 44 lbs

TOTAL: 44 lbs



PIECES LIST

LABEL	QTY	SIZE	LENGTH	USE
A	4	400S162-33	9'-4 5/16"	STUD
B	1	400T300-33	4'-5"	BOTTOM TRACK
C	1	400T150-33	4'-5"	TOP TRACK

13-3471

Jewish Home for the Aging

1885 Victory Blvd. Reseda, CA

FrameMax, Inc.
13915 Danielson St
Suite 100
Poway, CA 92064
www.frame-max.com



© FrameMax Inc.

CREATED: 11/11/2008

FM-07-109

CREATED BY: AMB

HEIGHT : 9'-4 7/16" POINTS: 0.20 Points.

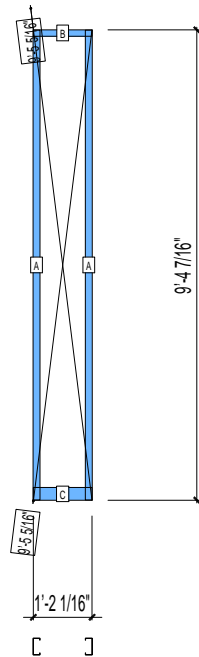
SPACING : 24"

1st STUD: 24"

WEIGHTS :

FRAME : 20 lbs

TOTAL: 20 lbs



PIECES LIST

LABEL	QTY	SIZE	LENGTH	USE
A	2	400S162-33	9'-4 5/16"	STUD
B	1	400T150-33	1'-2 1/16"	TOP TRACK
C	1	400T300-33	1'-2 1/16"	BOTTOM TRACK

13-3472

Jewish Home for the Aging

1885 Victory Blvd. Reseda, CA

FM-07-109

CREATED BY: AMB

FrameMax, Inc.
13915 Danielson St
Suite 100
Poway, CA 92064
www.frame-max.com



© FrameMax Inc.

HEIGHT : 9'-4 7/16" POINTS: 0.36 Points.

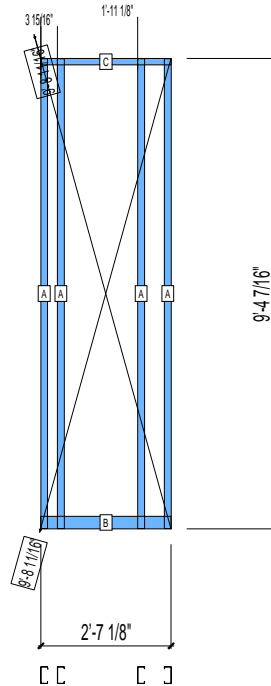
SPACING : 24"

1st STUD: 24"

WEIGHTS :

FRAME : 40 lbs

TOTAL: 40 lbs



PIECES LIST

LABEL	QTY	SIZE	LENGTH	USE
A	4	400S162-33	9'-4 5/16"	STUD
B	1	400T300-33	2'-7 1/8"	BOTTOM TRACK
C	1	400T150-33	2'-7 1/8"	TOP TRACK

13-3473

Jewish Home for the Aging

1885 Victory Blvd. Reseda, CA

FrameMax, Inc.
13915 Danielson St
Suite 100
Poway, CA 92064
www.frame-max.com



© FrameMax Inc.

CREATED: 12/02/2008

FM-07-109

CREATED BY: HH

HEIGHT : 9'-4 7/16" POINTS: 0.75 Points.

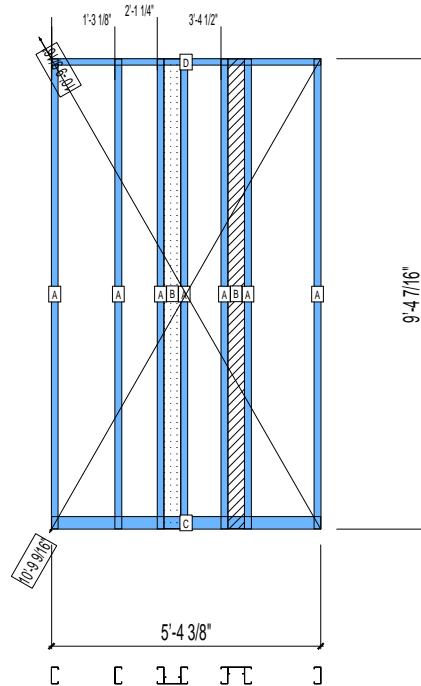
SPACING : 24"

1st STUD: 16"

WEIGHTS :

FRAME : 89 lbs

TOTAL: 89 lbs



PIECES LIST

LABEL	QTY	SIZE	LENGTH	USE
A	7	400S162-33	9'-4 5/16"	STUD
B	2	400S162-33	9'-4 1/4"	BACKER-U
C	1	400T300-33	5'-4 3/8"	BOTTOM TRACK
D	1	400T150-33	5'-4 3/8"	TOP TRACK

13-3474

Jewish Home for the Aging

1885 Victory Blvd. Reseda, CA

FM-07-109

CREATED BY: HH

FrameMax, Inc.
13915 Danielson St
Suite 100
Poway, CA 92064
www.frame-max.com



© FrameMax Inc.

HEIGHT : 9'-4 7/16" POINTS: 0.81 Points.

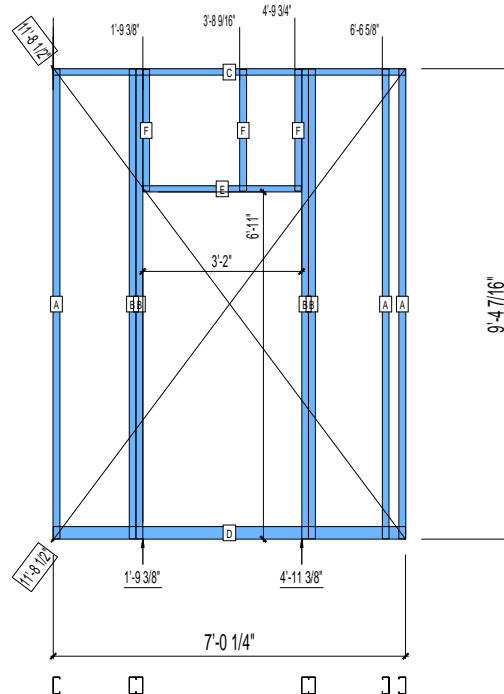
SPACING : 24"

1st STUD: 24"

WEIGHTS :

FRAME : 84 lbs

TOTAL: 84 lbs



PIECES LIST

LABEL	QTY	SIZE	LENGTH	USE
A	3	400S162-33	9'-4 5/16"	STUD
B	4	400S162-33	9'-4 5/16"	KING STUD
C	1	400T150-33	7'-0 1/4"	TOP TRACK
D	1	400T300-33	7'-0 1/4"	BOTTOM TRACK
E	1	400T150-33	3'-1 3/4"	HEAD TRACK
F	3	400S162-33	2'-5 1/16"	CRIPPLE

13-3475

Jewish Home for the Aging

1885 Victory Blvd. Reseda, CA

FrameMax, Inc.
13915 Danielson St
Suite 100
Poway, CA 92064
www.frame-max.com



© FrameMax Inc.

CREATED: 11/10/2008

FM-07-109

CREATED BY: AMB

HEIGHT : 9'-4 7/16" POINTS: 0.32 Points.

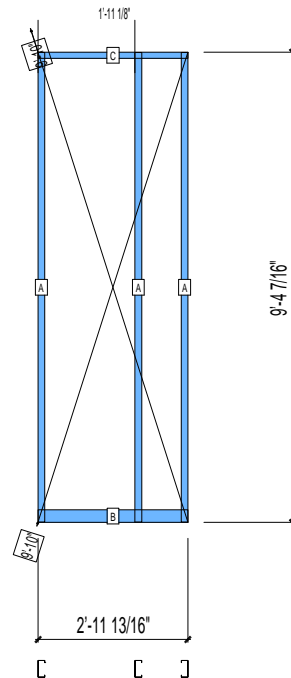
SPACING : 24"

1st STUD: 24"

WEIGHTS :

FRAME : 32 lbs

TOTAL: 32 lbs



PIECES LIST

LABEL	QTY	SIZE	LENGTH	USE
A	3	400S162-33	9'-4 5/16"	STUD
B	1	400T300-33	2'-11 13/16"	BOTTOM TRACK
C	1	400T150-33	2'-11 13/16"	TOP TRACK

13-3476

Jewish Home for the Aging

1885 Victory Blvd. Reseda, CA

FM-07-109

CREATED BY: AMB

FrameMax, Inc.
13915 Danielson St
Suite 100
Poway, CA 92064
www.framemax.com



© FrameMax Inc.

HEIGHT : 9'-4 7/16" POINTS: 0.75 Points.

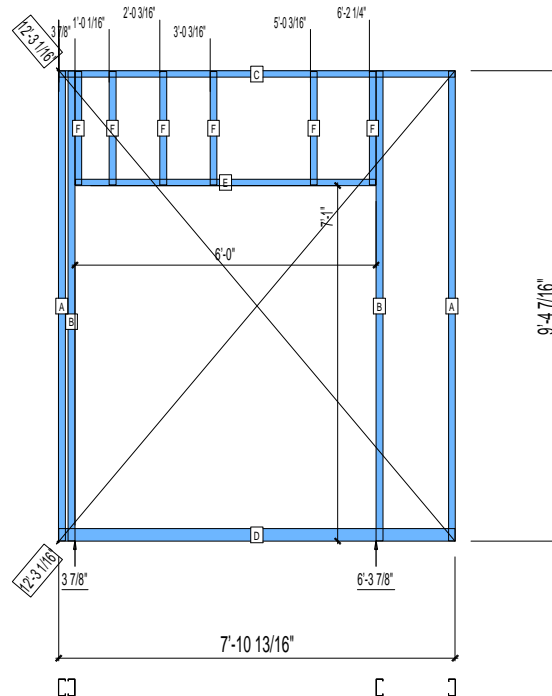
SPACING : 24"

1st STUD: 24"

WEIGHTS :

FRAME : 68 lbs

TOTAL: 68 lbs



PIECES LIST

LABEL	QTY	SIZE	LENGTH	USE
A	2	400S162-33	9'-4 5/16"	STUD
B	2	400S162-33	9'-4 5/16"	KING STUD
C	1	400T150-33	7'-10 13/16"	TOP TRACK
D	1	400T300-33	7'-10 13/16"	BOTTOM TRACK
E	1	400T150-33	5'-11 3/4"	HEAD TRACK
F	6	400S162-33	2'-3 1/16"	CRIPPLE

13-3477

Jewish Home for the Aging

1885 Victory Blvd. Reseda, CA

FM-07-109

CREATED BY: HH

FrameMax, Inc.
13915 Danielson St
Suite 100
Poway, CA 92064
www.frame-max.com



© FrameMax Inc.

HEIGHT : 9'-4 7/16" POINTS: 0.75 Points.

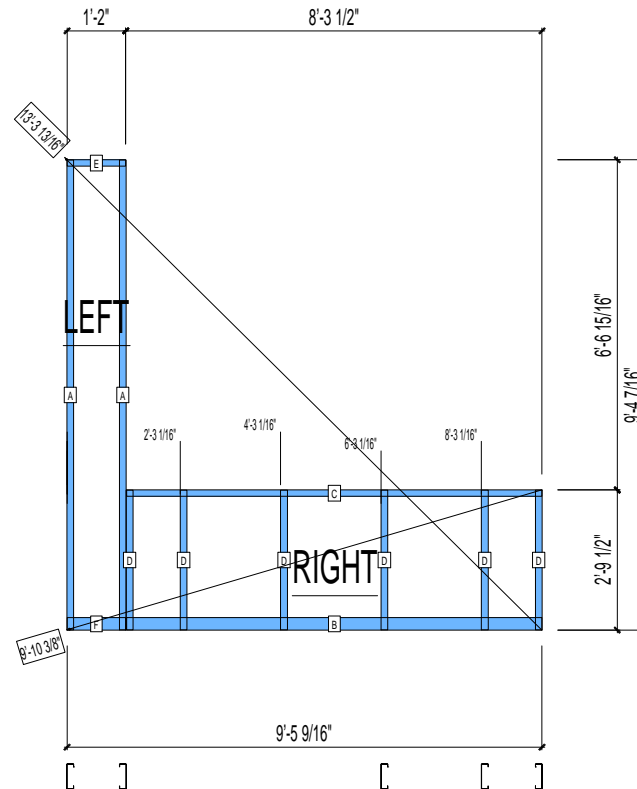
SPACING : 24"

1st STUD: 17 9/16"

WEIGHTS :

FRAME : 65 lbs

TOTAL: 65 lbs



PIECES LIST

LABEL	QTY	SIZE	LENGTH	USE
A	2	600S162-33	9'-4 5/16"	STUD
B	1	600T300-33	8'-3 1/4"	BOTTOM TRACK
C	1	600T150-33	8'-3 1/4"	TOP TRACK
D	6	600S162-33	2'-9 3/8"	STUD
E	1	600T150-33	1'-2"	TOP TRACK
F	1	600T300-33	1'-2"	BOTTOM TRACK

13-3478

Jewish Home for the Aging

1885 Victory Blvd. Reseda, CA

FrameMax, Inc.
13915 Danielson St
Suite 100
Poway, CA 92064
www.frame-max.com



© FrameMax Inc.

CREATED: 11/10/2008

FM-07-109

CREATED BY: HH

HEIGHT : 9'-4 7/16" POINTS: 0.22 Points.

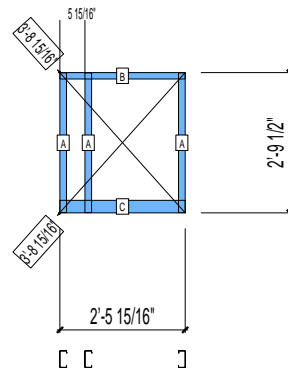
SPACING : 24"

1st STUD: 24"

WEIGHTS :

FRAME : 13 lbs

TOTAL: 13 lbs



PIECES LIST

LABEL	QTY	SIZE	LENGTH	USE
A	3	400S162-33	2'-9 3/8"	STUD
B	1	400T150-33	2'-5 15/16"	TOP TRACK
C	1	400T300-33	2'-5 15/16"	BOTTOM TRACK

13-3479

Jewish Home for the Aging

1885 Victory Blvd. Reseda, CA

FrameMax, Inc.
13915 Danielson St
Suite 100
Poway, CA 92064
www.frame-max.com



© FrameMax Inc.

CREATED: 12/08/2008

FM-07-109

CREATED BY: HH

HEIGHT : 9'-4 7/16" POINTS: 0.31 Points.

ANCHORS

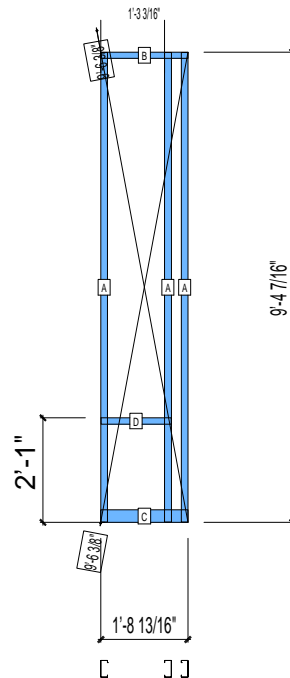
SPACING : 24"

1st STUD: 24"

WEIGHTS :

FRAME : 31 lbs

TOTAL: 31 lbs



PIECES LIST

LABEL	QTY	SIZE	LENGTH	USE
A	3	400S162-33	9'-4 5/16"	STUD
B	1	400T150-33	1'-8 13/16"	TOP TRACK
C	1	400T300-33	1'-8 13/16"	BOTTOM TRACK
D	1	600T150-33	1'-4 3/4"	SILL

13-3480

Jewish Home for the Aging

1885 Victory Blvd. Reseda, CA

FrameMax, Inc.
13915 Danielson St
Suite 100
Poway, CA 92064
www.frame-max.com



© FrameMax Inc.

CREATED: 12/08/2008

FM-07-109

CREATED BY: HH

HEIGHT : 9'-4 7/16" POINTS: 0.21 Points.

ANCHORS

SPACING : 24"

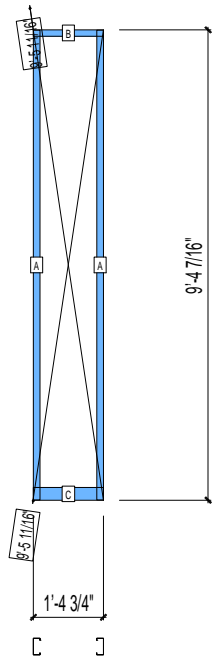
1st STUD: 16"

INSULATION: NO

WEIGHTS :

FRAME : 20 lbs

TOTAL: 20 lbs



PIECES LIST

LABEL	QTY	SIZE	LENGTH	USE
A	2	400S162-33	9'-4 5/16"	STUD
B	1	400T150-33	1'-4 3/4"	TOP TRACK
C	1	400T300-33	1'-4 3/4"	BOTTOM TRACK

13-3481

Jewish Home for the Aging

1885 Victory Blvd. Reseda, CA

FrameMax, Inc.
13915 Danielson St
Suite 100
Poway, CA 92064
www.frame-max.com



© FrameMax Inc.

CREATED: 11/10/2008

FM-07-109

CREATED BY: AMB

HEIGHT : 9'-4 7/16" POINTS: 0.19 Points.

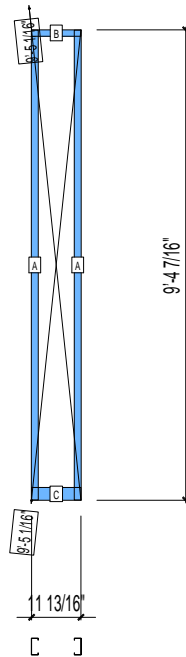
SPACING : 24"

1st STUD: 16"

WEIGHTS :

FRAME : 19 lbs

TOTAL: 19 lbs



PIECES LIST

LABEL	QTY	SIZE	LENGTH	USE
A	2	400S162-33	9'-4 5/16"	STUD
B	1	400T150-33	11 13/16"	TOP TRACK
C	1	400T300-33	11 13/16"	BOTTOM TRACK

13-3482

Jewish Home for the Aging

1885 Victory Blvd. Reseda, CA

FM-07-109

CREATED BY: HH

FrameMax, Inc.
13915 Danielson St
Suite 100
Poway, CA 92064
www.frame-max.com



© FrameMax Inc.

HEIGHT : 9'-4 7/16" POINTS: 0.78 Points.

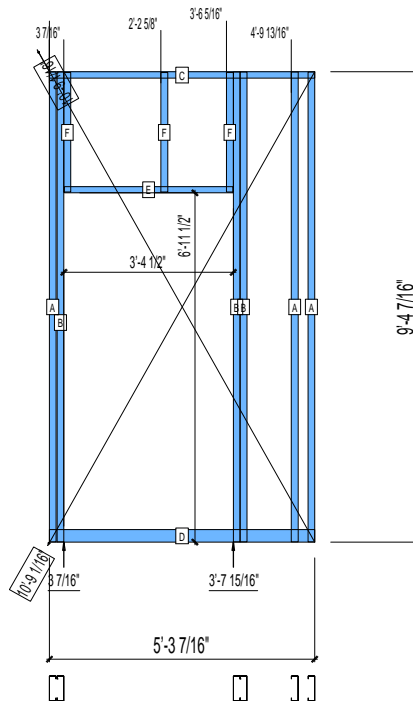
SPACING : 24"

1st STUD: 16"

WEIGHTS :

FRAME : 91 lbs

TOTAL: 91 lbs



PIECES LIST

LABEL	QTY	SIZE	LENGTH	USE
A	3	600S162-33	9'-4 5/16"	STUD
B	3	600S162-33	9'-4 5/16"	KING STUD
C	1	600T150-33	5'-3 7/16"	TOP TRACK
D	1	600T300-33	5'-3 7/16"	BOTTOM TRACK
E	1	600T150-33	3'-4 1/4"	HEAD TRACK
F	3	600S162-33	2'-4 9/16"	CRIPPLE

13-3483

Jewish Home for the Aging

1885 Victory Blvd. Reseda, CA

FrameMax, Inc.
13915 Danielson St
Suite 100
Poway, CA 92064
www.frame-max.com



© FrameMax Inc.

CREATED: 11/10/2008

FM-07-109

CREATED BY: AMB

HEIGHT : 9'-4 7/16" POINTS: 0.22 Points.

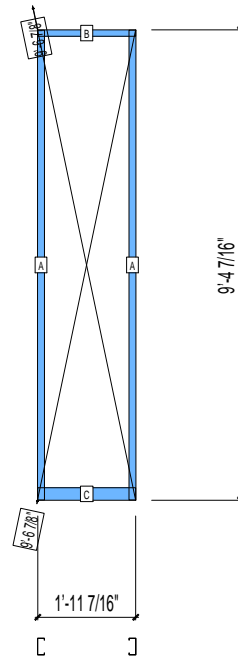
SPACING : 24"

1st STUD: 24"

WEIGHTS :

FRAME : 21 lbs

TOTAL: 21 lbs



PIECES LIST

LABEL	QTY	SIZE	LENGTH	USE
A	2	400S162-33	9'-4 5/16"	STUD
B	1	400T150-33	1'-11 7/16"	TOP TRACK
C	1	400T300-33	1'-11 7/16"	BOTTOM TRACK

13-3484

Jewish Home for the Aging

1885 Victory Blvd. Reseda, CA

FrameMax, Inc.
13915 Danielson St
Suite 100
Poway, CA 92064
www.frame-max.com



© FrameMax Inc.

CREATED: 11/10/2008

FM-07-109

CREATED BY: AMB

HEIGHT : 9'-4 7/16" POINTS: 0.19 Points.

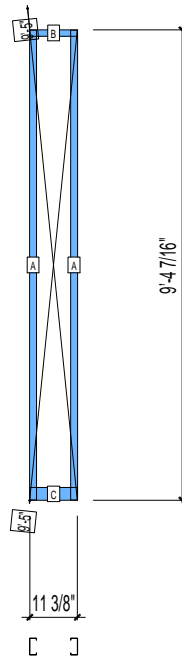
SPACING : 24"

1st STUD: 24"

WEIGHTS :

FRAME : 19 lbs

TOTAL: 19 lbs



PIECES LIST

LABEL	QTY	SIZE	LENGTH	USE
A	2	400S162-33	9'-4 5/16"	STUD
B	1	400T150-33	11 3/8"	TOP TRACK
C	1	400T300-33	11 3/8"	BOTTOM TRACK

13-6001

Jewish Home for the Aging

1885 Victory Blvd. Reseda, CA

FrameMax, Inc.
13915 Danielson St
Suite 100
Poway, CA 92064
www.frame-max.com



© FrameMax Inc.

CREATED: 12/05/2008

FM-07-109

CREATED BY: AMB

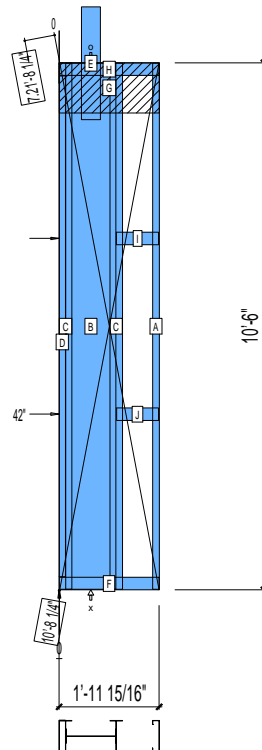
HEIGHT : 10'-6"
SPACING : 5000"
1st STUD: 5000"

POINTS: 1.84 Points.

ANCHORS

WEIGHTS :
FRAME : 345 lbs

TOTAL: 345 lbs



PIECES LIST

LABEL	QTY	SIZE	LENGTH	USE
A	1	750S162-54	10'-5 13/16"	STUD
B	1	1200i350p1062	10'-5 13/16"	PACO
C	2	750i300p706	10'-5 13/16"	PACO
D	1	750T150-54	9'-11 3/4"	CAP TRACK
E	1	B	2'-3"	HOLDDOWN
F	1	750T300-68	1'-11 15/16"	BOTTOM TRACK
G	1	1200D-54	1'-11 15/16"	STRAP
H	1	750T300-68	1'-11 15/16"	TOP TRACK
I	1	750T300-68	10 1/16"	BLOCK
J	1	750T300-68	10"	BLOCK

13-6002

Jewish Home for the Aging

1885 Victory Blvd. Reseda, CA

FrameMax, Inc.
13915 Danielson St
Suite 100
Poway, CA 92064
www.frame-max.com



© FrameMax Inc.

CREATED: 12/05/2008

FM-07-109

CREATED BY: AMB

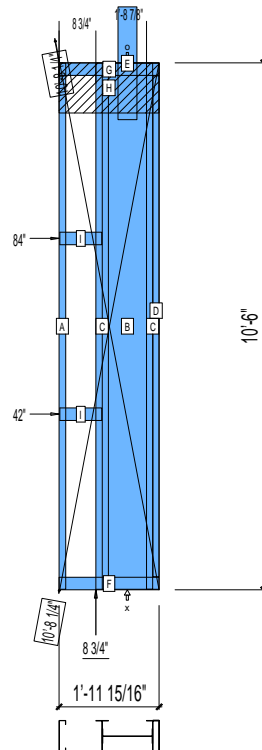
HEIGHT : 10'-6"
SPACING : 5000"
1st STUD: 5000"

POINTS: 1.84 Points.

ANCHORS

WEIGHTS :
FRAME : 345 lbs

TOTAL: 345 lbs



PIECES LIST

LABEL	QTY	SIZE	LENGTH	USE
A	1	750S162-54	10'-5 13/16"	STUD
B	1	1200i350p1062	10'-5 13/16"	PACO
C	2	750i300p706	10'-5 13/16"	PACO
D	1	750T150-54	9'-11 3/4"	CAP TRACK
E	1	B	2'-3"	HOLDDOWN
F	1	750T300-68	1'-11 15/16"	BOTTOM TRACK
G	1	750T300-68	1'-11 15/16"	TOP TRACK
H	1	1200D-54	1'-11 15/16"	STRAP
I	2	750T300-68	10"	BLOCK

13-6003

Jewish Home for the Aging

1885 Victory Blvd. Reseda, CA

FM-07-109

CREATED BY: AMB

FrameMax, Inc.
13915 Danielson St
Suite 100
Poway, CA 92064
www.frame-max.com



© FrameMax Inc.

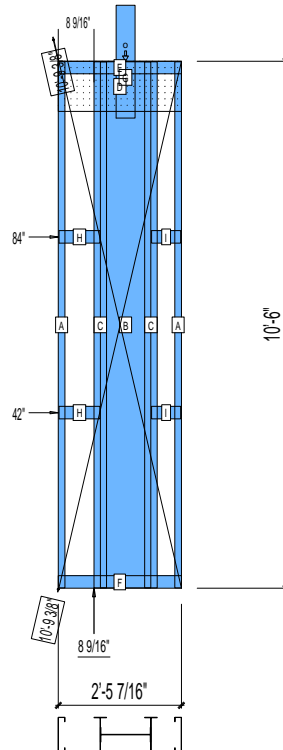
HEIGHT : 10'-6"
SPACING : 5000"
1st STUD: 5000"

POINTS: 1.99 Points.

ANCHORS

WEIGHTS :
FRAME : 367 lbs

TOTAL: 367 lbs



PIECES LIST

LABEL	QTY	SIZE	LENGTH	USE
A	2	825S162-54	10'-5 13/16"	STUD
B	1	1200i350p1062	10'-5 13/16"	PACO
C	2	825i300p746	10'-5 13/16"	PACO
D	1	1200D-54	2'-5 1/2"	STRAP
E	1	825T300-68	2'-5 7/16"	TOP TRACK
F	1	825T300-68	2'-5 7/16"	BOTTOM TRACK
G	1	B	2'-3"	HOLDDOWN
H	2	825T300-54	9 13/16"	BLOCK
I	2	825T300-54	7"	BLOCK

13-6004

Jewish Home for the Aging

1885 Victory Blvd. Reseda, CA

FM-07-109

CREATED BY: AMB

FrameMax, Inc.
13915 Danielson St
Suite 100
Poway, CA 92064
www.frame-max.com



© FrameMax Inc.

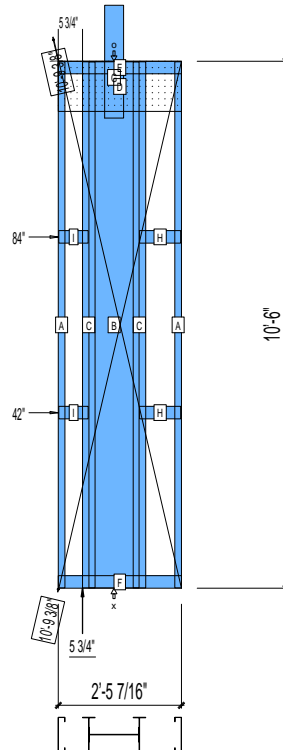
HEIGHT : 10'-6"
SPACING : 5000"
1st STUD: 5000"

POINTS: 1.99 Points.

ANCHORS

WEIGHTS :
FRAME : 367 lbs

TOTAL: 367 lbs



PIECES LIST

LABEL	QTY	SIZE	LENGTH	USE
A	2	825S162-54	10'-5 13/16"	STUD
B	1	1200i350p1062	10'-5 13/16"	PACO
C	2	825i300p746	10'-5 13/16"	PACO
D	1	1200D-54	2'-5 1/2"	STRAP
E	1	825T300-68	2'-5 7/16"	TOP TRACK
F	1	825T300-68	2'-5 7/16"	BOTTOM TRACK
G	1	B	2'-3"	HOLDDOWN
H	2	825T300-54	9 13/16"	BLOCK
I	2	825T300-54	7"	BLOCK

13-6005

Jewish Home for the Aging

1885 Victory Blvd. Reseda, CA

FM-07-109

CREATED BY: AMB

FrameMax, Inc.
13915 Danielson St
Suite 100
Poway, CA 92064
www.frame-max.com



© FrameMax Inc.

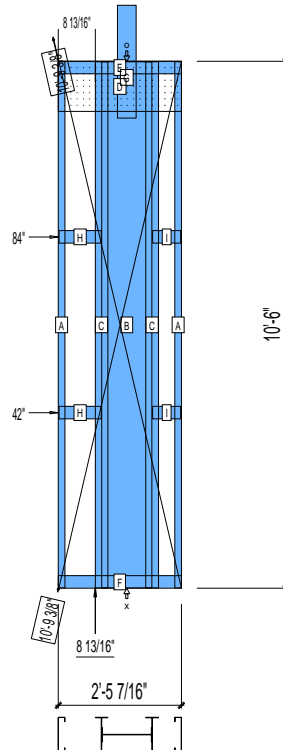
HEIGHT : 10'-6"
SPACING : 5000"
1st STUD: 5000"

POINTS: 1.99 Points.

ANCHORS

WEIGHTS :
FRAME : 367 lbs

TOTAL: 367 lbs



PIECES LIST

LABEL	QTY	SIZE	LENGTH	USE
A	2	825S162-54	10'-5 13/16"	STUD
B	1	1200i350p1062	10'-5 13/16"	PACO
C	2	825i300p746	10'-5 13/16"	PACO
D	1	1200D-54	2'-5 1/2"	STRAP
E	1	825T300-68	2'-5 7/16"	TOP TRACK
F	1	825T300-68	2'-5 7/16"	BOTTOM TRACK
G	1	B	2'-3"	HOLDDOWN
H	2	825T300-54	10 1/16"	BLOCK
I	2	825T300-54	6 11/16"	BLOCK

13-6006

Jewish Home for the Aging

1885 Victory Blvd. Reseda, CA

FM-07-109

CREATED BY: AMB

FrameMax, Inc.
13915 Danielson St
Suite 100
Poway, CA 92064
www.framemax.com



© FrameMax Inc.

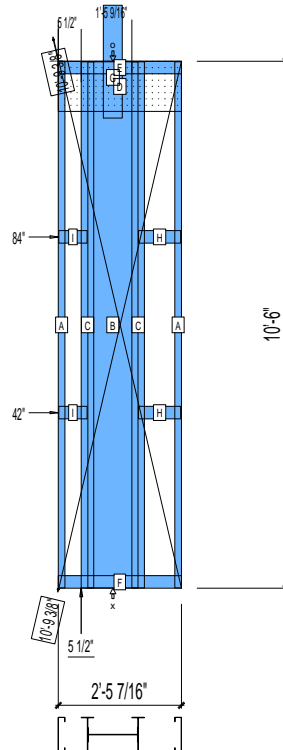
HEIGHT : 10'-6"
SPACING : 5000"
1st STUD: 5000"

POINTS: 1.99 Points.

ANCHORS

WEIGHTS :
FRAME : 367 lbs

TOTAL: 367 lbs



PIECES LIST

LABEL	QTY	SIZE	LENGTH	USE
A	2	825S162-54	10'-5 13/16"	STUD
B	1	1200i350p1062	10'-5 13/16"	PACO
C	2	825i300p746	10'-5 13/16"	PACO
D	1	1200D-54	2'-5 1/2"	STRAP
E	1	825T300-68	2'-5 7/16"	TOP TRACK
F	1	825T300-68	2'-5 7/16"	BOTTOM TRACK
G	1	B	2'-3"	HOLDDOWN
H	2	825T300-54	10 1/16"	BLOCK
I	2	825T300-54	6 11/16"	BLOCK

13-6007

Jewish Home for the Aging

1885 Victory Blvd. Reseda, CA

FrameMax, Inc.
13915 Danielson St
Suite 100
Poway, CA 92064
www.frame-max.com



© FrameMax Inc.

CREATED: 12/05/2008

FM-07-109

CREATED BY: AMB

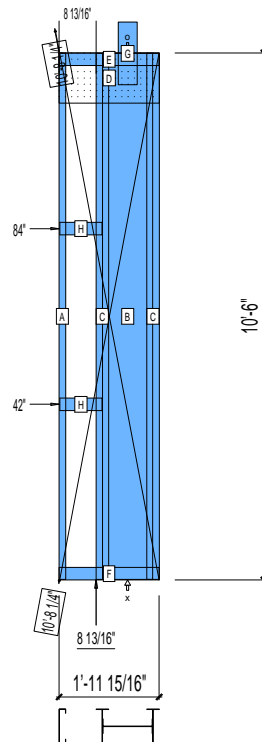
HEIGHT : 10'-6"
SPACING : 5000"
1st STUD: 5000"

POINTS: 1.73 Points.

ANCHORS

WEIGHTS :
FRAME : 326 lbs

TOTAL: 326 lbs



PIECES LIST

LABEL	QTY	SIZE	LENGTH	USE
A	1	825S162-54	10'-5 13/16"	STUD
B	1	1200i350p1062	10'-5 13/16"	PACO
C	2	825i300p746	10'-5 13/16"	PACO
D	1	1200D-54	2'-0"	STRAP
E	1	825T300-68	1'-11 15/16"	TOP TRACK
F	1	825T300-68	1'-11 15/16"	BOTTOM TRACK
G	1	A	1'-3"	HOLDDOWN
H	2	825T300-54	10 1/16"	BLOCK

13-6008

Jewish Home for the Aging

1885 Victory Blvd. Reseda, CA

FM-07-109

CREATED BY: AMB

FrameMax, Inc.
13915 Danielson St
Suite 100
Poway, CA 92064
www.frame-max.com



© FrameMax Inc.

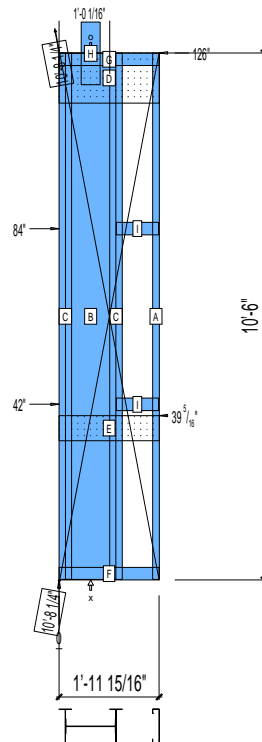
HEIGHT : 10'-6"
SPACING : 5000"
1st STUD: 5000"

POINTS: 1.77 Points.

ANCHORS

WEIGHTS :
FRAME : 329 lbs

TOTAL: 329 lbs



PIECES LIST

LABEL	QTY	SIZE	LENGTH	USE
A	1	825S162-54	10'-5 13/16"	STUD
B	1	1200i350p1062	10'-5 13/16"	PACO
C	2	825i300p746	10'-5 13/16"	PACO
D	1	1200D-54	2'-0"	STRAP
E	1	600D-54	2'-0"	VANITY BACKING
F	1	825T300-68	1'-11 15/16"	BOTTOM TRACK
G	1	825T300-68	1'-11 15/16"	TOP TRACK
H	1	A	1'-3"	HOLDDOWN
I	2	825T300-54	10 1/16"	BLOCK

13-6009

Jewish Home for the Aging

1885 Victory Blvd. Reseda, CA

FrameMax, Inc.
13915 Danielson St
Suite 100
Poway, CA 92064
www.frame-max.com



© FrameMax Inc.

CREATED: 12/05/2008

FM-07-109

CREATED BY: AMB

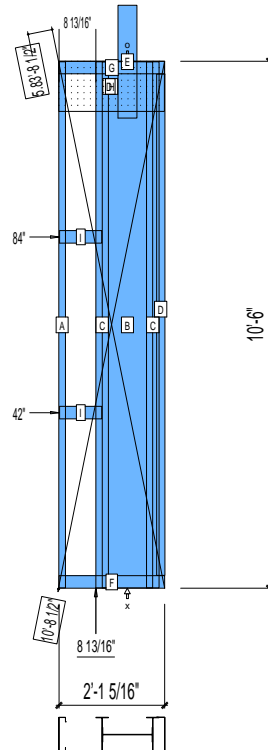
HEIGHT : 10'-6"
SPACING : 5000"
1st STUD: 5000"

POINTS: 1.80 Points.

ANCHORS

WEIGHTS :
FRAME : 335 lbs

TOTAL: 335 lbs



PIECES LIST

LABEL	QTY	SIZE	LENGTH	USE
A	1	825S162-54	10'-5 13/16"	STUD
B	1	1200i350p1062	10'-5 13/16"	PACO
C	2	825i300p746	10'-5 13/16"	PACO
D	1	825T200-54	9'-11 7/8"	CAP TRACK
E	1	B	2'-3"	HOLDDOWN
F	1	825T300-68	2'-1 5/16"	BOTTOM TRACK
G	1	825T300-68	2'-1 5/16"	TOP TRACK
H	1	1200D-54	2'-1 1/4"	STRAP
I	2	825T300-54	10 1/16"	BLOCK

13-6010

Jewish Home for the Aging

1885 Victory Blvd. Reseda, CA

FrameMax, Inc.
13915 Danielson St
Suite 100
Poway, CA 92064
www.frame-max.com



© FrameMax Inc.

CREATED: 12/05/2008

FM-07-109

CREATED BY: AMB

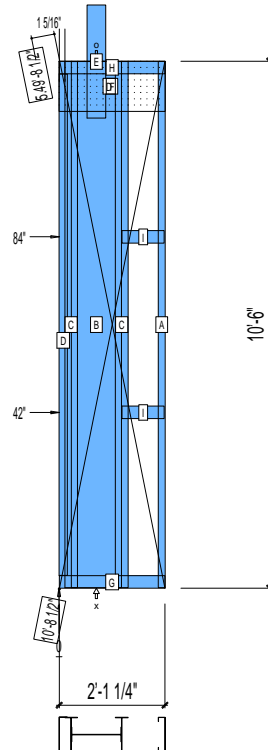
HEIGHT : 10'-6"
SPACING : 5000"
1st STUD: 5000"

POINTS: 1.80 Points.

ANCHORS

WEIGHTS :
FRAME : 335 lbs

TOTAL: 335 lbs



PIECES LIST

LABEL	QTY	SIZE	LENGTH	USE
A	1	825S162-54	10'-5 13/16"	STUD
B	1	1200i350p1062	10'-5 13/16"	PACO
C	2	825i300p746	10'-5 13/16"	PACO
D	1	825T200-54	9'-11 7/8"	CAP TRACK
E	1	B	2'-3"	HOLDDOWN
F	1	1200D-54	2'-1 3/8"	STRAP
G	1	825T300-68	2'-1 1/4"	BOTTOM TRACK
H	1	825T300-68	2'-1 1/4"	TOP TRACK
I	2	825T300-54	10 1/16"	BLOCK

13-6011

Jewish Home for the Aging

1885 Victory Blvd. Reseda, CA

FrameMax, Inc.
13915 Danielson St
Suite 100
Poway, CA 92064
www.frame-max.com



© FrameMax Inc.

CREATED: 12/05/2008

FM-07-109

CREATED BY: AMB

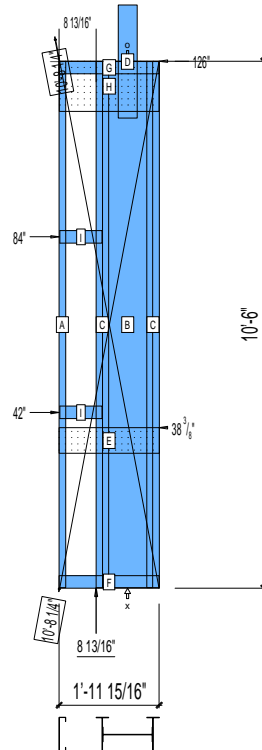
HEIGHT : 10'-6"
SPACING : 5000"
1st STUD: 5000"

POINTS: 1.81 Points.

ANCHORS

WEIGHTS :
FRAME : 337 lbs

TOTAL: 337 lbs



PIECES LIST

LABEL	QTY	SIZE	LENGTH	USE
A	1	825S162-54	10'-5 13/16"	STUD
B	1	1200i350p1062	10'-5 13/16"	PACO
C	2	825i300p746	10'-5 13/16"	PACO
D	1	B	2'-3"	HOLDDOWN
E	1	600T150-54	2'-0"	GRAB BAR
F	1	825T300-68	1'-11 15/16"	BOTTOM TRACK
G	1	825T300-68	1'-11 15/16"	TOP TRACK
H	1	1200D-54	1'-11 7/8"	STRAP
I	2	825T300-54	10 1/16"	BLOCK

13-6012

Jewish Home for the Aging

1885 Victory Blvd. Reseda, CA

FrameMax, Inc.
13915 Danielson St
Suite 100
Poway, CA 92064
www.frame-max.com



© FrameMax Inc.

CREATED: 12/05/2008

FM-07-109

CREATED BY: AMB

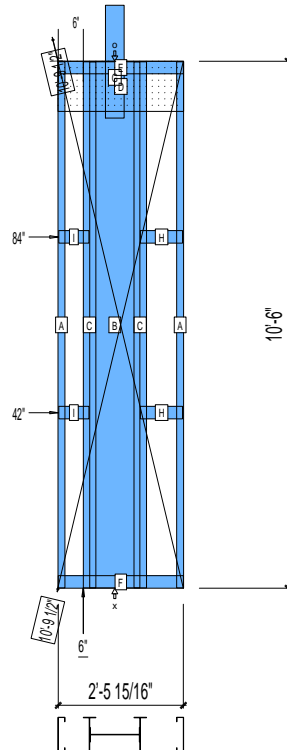
HEIGHT : 10'-6"
SPACING : 5000"
1st STUD: 5000"

POINTS: 1.99 Points.

ANCHORS

WEIGHTS :
FRAME : 367 lbs

TOTAL: 367 lbs



PIECES LIST

LABEL	QTY	SIZE	LENGTH	USE
A	2	825S162-54	10'-5 13/16"	STUD
B	1	1200i350p1062	10'-5 13/16"	PACO
C	2	825i300p746	10'-5 13/16"	PACO
D	1	1200D-54	2'-6"	STRAP
E	1	825T300-68	2'-5 15/16"	TOP TRACK
F	1	825T300-68	2'-5 15/16"	BOTTOM TRACK
G	1	B	2'-3"	HOLDDOWN
H	2	825T300-54	10 1/16"	BLOCK
I	2	825T300-54	7 3/16"	BLOCK

13-6013

Jewish Home for the Aging

1885 Victory Blvd. Reseda, CA

FM-07-109

CREATED BY: AMB

FrameMax, Inc.
13915 Danielson St
Suite 100
Poway, CA 92064
www.frame-max.com



© FrameMax Inc.

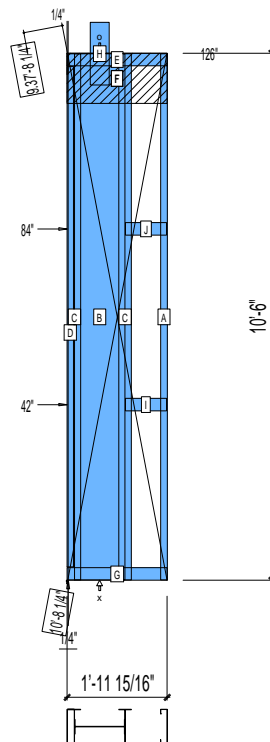
HEIGHT : 10'-6"
SPACING : 5000"
1st STUD: 5000"

POINTS: 1.86 Points.

ANCHORS

WEIGHTS :
FRAME : 349 lbs

TOTAL: 349 lbs



PIECES LIST

LABEL	QTY	SIZE	LENGTH	USE
A	1	825S162-54	10'-5 13/16"	STUD
B	1	1200i350p1062	10'-5 13/16"	PACO
C	2	825i300p746	10'-5 13/16"	PACO
D	1	825T150-54	9'-11 5/8"	CAP TRACK
E	1	825T300-68	1'-11 15/16"	TOP TRACK
F	1	1200D-54	1'-11 15/16"	STRAP
G	1	825T300-68	1'-11 15/16"	BOTTOM TRACK
H	1	A	1'-3"	HOLDDOWN
I	1	825T300-54	9 13/16"	BLOCK
J	1	825T300-54	9 3/4"	BLOCK

13-6014

Jewish Home for the Aging

1885 Victory Blvd. Reseda, CA

FrameMax, Inc.
13915 Danielson St
Suite 100
Poway, CA 92064
www.frame-max.com



© FrameMax Inc.

CREATED: 12/05/2008

FM-07-109

CREATED BY: AMB

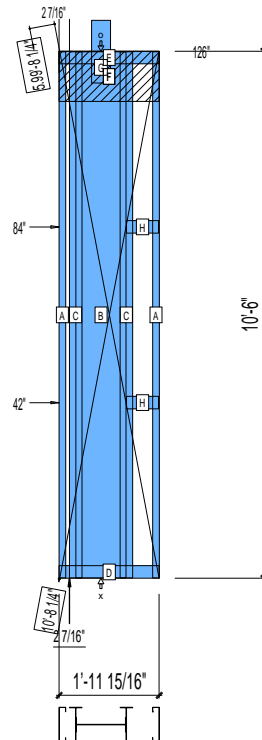
HEIGHT : 10'-6"
SPACING : 5000"
1st STUD: 5000"

POINTS: 1.86 Points.

ANCHORS

WEIGHTS :
FRAME : 350 lbs

TOTAL: 350 lbs



PIECES LIST

LABEL	QTY	SIZE	LENGTH	USE
A	2	825S162-54	10'-5 13/16"	STUD
B	1	1200i350p1062	10'-5 13/16"	PACO
C	2	825i300p746	10'-5 13/16"	PACO
D	1	825T300-68	1'-11 15/16"	BOTTOM TRACK
E	1	825T300-68	1'-11 15/16"	TOP TRACK
F	1	1200D-54	1'-11 15/16"	STRAP
G	1	A	1'-3"	HOLDDOWN
H	2	825T300-54	7 5/8"	BLOCK

13-6015

Jewish Home for the Aging

1885 Victory Blvd. Reseda, CA

FrameMax, Inc.
13915 Danielson St
Suite 100
Poway, CA 92064
www.frame-max.com



© FrameMax Inc.

CREATED: 12/05/2008

FM-07-109

CREATED BY: AMB

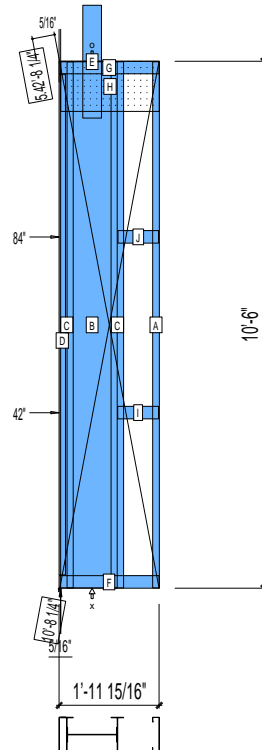
HEIGHT : 10'-6"
SPACING : 5000"
1st STUD: 5000"

POINTS: 1.89 Points.

ANCHORS

WEIGHTS :
FRAME : 356 lbs

TOTAL: 356 lbs



PIECES LIST

LABEL	QTY	SIZE	LENGTH	USE
A	1	825S162-54	10'-5 13/16"	STUD
B	1	1200i350p1062	10'-5 13/16"	PACO
C	2	825i300p746	10'-5 13/16"	PACO
D	1	825T150-54	9'-11 5/8"	CAP TRACK
E	1	B	2'-3"	HOLDDOWN
F	1	825T300-68	1'-11 15/16"	BOTTOM TRACK
G	1	825T300-68	1'-11 15/16"	TOP TRACK
H	1	1200D-54	1'-11 5/8"	STRAP
I	1	825T300-54	9 3/4"	BLOCK
J	1	825T300-54	9 11/16"	BLOCK

13-6016

Jewish Home for the Aging

1885 Victory Blvd. Reseda, CA

FrameMax, Inc.
13915 Danielson St
Suite 100
Poway, CA 92064
www.frame-max.com



© FrameMax Inc.

CREATED: 12/05/2008

FM-07-109

CREATED BY: AMB

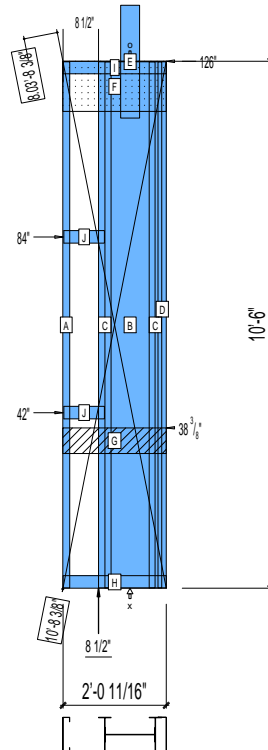
HEIGHT : 10'-6"
SPACING : 5000"
1st STUD: 5000"

POINTS: 1.83 Points.

ANCHORS

WEIGHTS :
FRAME : 338 lbs

TOTAL: 338 lbs



PIECES LIST

LABEL	QTY	SIZE	LENGTH	USE
A	1	825S162-54	10'-5 13/16"	STUD
B	1	1200i350p1062	10'-5 13/16"	PACO
C	2	825i300p746	10'-5 13/16"	PACO
D	1	825T200-54	10'-5 13/16"	CAP TRACK
E	1	B	2'-3"	HOLDDOWN
F	1	1200D-54	2'-0 3/4"	STRAP
G	1	600T150-54	2'-0 3/4"	GRAB BAR
H	1	825T300-68	2'-0 11/16"	BOTTOM TRACK
I	1	825T300-68	2'-0 11/16"	TOP TRACK
J	2	825T300-54	9 3/4"	BLOCK

13-6017

Jewish Home for the Aging

1885 Victory Blvd. Reseda, CA

FrameMax, Inc.
13915 Danielson St
Suite 100
Poway, CA 92064
www.frame-max.com



© FrameMax Inc.

CREATED: 12/05/2008

FM-07-109

CREATED BY: AMB

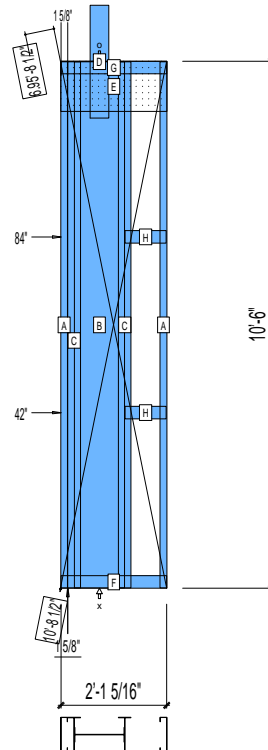
HEIGHT : 10'-6"
SPACING : 5000"
1st STUD: 5000"

POINTS: 1.91 Points.

ANCHORS

WEIGHTS :
FRAME : 360 lbs

TOTAL: 360 lbs



PIECES LIST

LABEL	QTY	SIZE	LENGTH	USE
A	2	825S162-54	10'-5 13/16"	STUD
B	1	1200i350p1062	10'-5 13/16"	PACO
C	2	825i300p746	10'-5 13/16"	PACO
D	1	B	2'-3"	HOLDDOWN
E	1	1200D-54	2'-1 3/8"	STRAP
F	1	825T300-68	2'-1 5/16"	BOTTOM TRACK
G	1	825T300-68	2'-1 5/16"	TOP TRACK
H	2	825T300-54	9 13/16"	BLOCK

13-6018

Jewish Home for the Aging

1885 Victory Blvd. Reseda, CA

FrameMax, Inc.
13915 Danielson St
Suite 100
Poway, CA 92064
www.frame-max.com



© FrameMax Inc.

CREATED: 12/05/2008

FM-07-109

CREATED BY: AMB

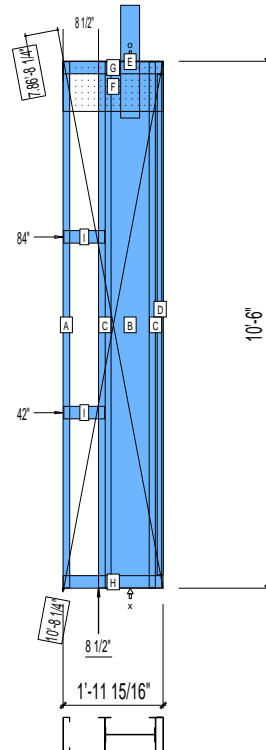
HEIGHT : 10'-6"
SPACING : 5000"
1st STUD: 5000"

POINTS: 1.89 Points.

ANCHORS

WEIGHTS :
FRAME : 356 lbs

TOTAL: 356 lbs



PIECES LIST

LABEL	QTY	SIZE	LENGTH	USE
A	1	825S162-54	10'-5 13/16"	STUD
B	1	1200i350p1062	10'-5 13/16"	PACO
C	2	825i300p746	10'-5 13/16"	PACO
D	1	825T150-54	9'-11 5/8"	CAP TRACK
E	1	B	2'-3"	HOLDDOWN
F	1	1200D-54	2'-0"	STRAP
G	1	825T300-68	1'-11 15/16"	TOP TRACK
H	1	825T300-68	1'-11 15/16"	BOTTOM TRACK
I	2	825T300-54	9 3/4"	BLOCK

13-6019

Jewish Home for the Aging

1885 Victory Blvd. Reseda, CA

FrameMax, Inc.
13915 Danielson St
Suite 100
Poway, CA 92064
www.frame-max.com



© FrameMax Inc.

CREATED: 12/05/2008

FM-07-109

CREATED BY: AMB

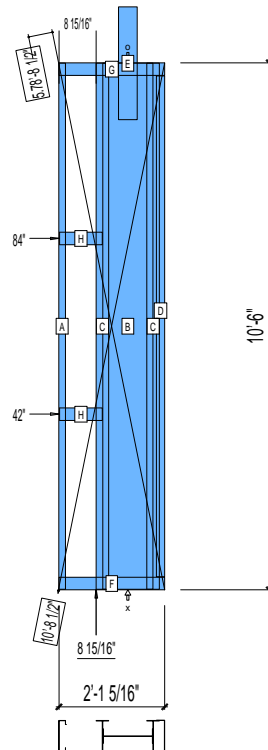
HEIGHT : 10'-6"
SPACING : 5000"
1st STUD: 5000"

POINTS: 1.71 Points.

ANCHORS

WEIGHTS :
FRAME : 320 lbs

TOTAL: 320 lbs



PIECES LIST

LABEL	QTY	SIZE	LENGTH	USE
A	1	750S162-54	10'-5 13/16"	STUD
B	1	1200i350p1062	10'-5 13/16"	PACO
C	2	750i300p706	10'-5 13/16"	PACO
D	1	750T200-54	9'-11 3/4"	CAP TRACK
E	1	B	2'-3"	HOLDDOWN
F	1	750T300-68	2'-1 5/16"	BOTTOM TRACK
G	1	750T300-68	2'-1 5/16"	TOP TRACK
H	2	750T300-68	10 3/16"	BLOCK

13-6020

Jewish Home for the Aging

1885 Victory Blvd. Reseda, CA

FrameMax, Inc.
13915 Danielson St
Suite 100
Poway, CA 92064
www.frame-max.com



© FrameMax Inc.

CREATED: 12/05/2008

FM-07-109

CREATED BY: AMB

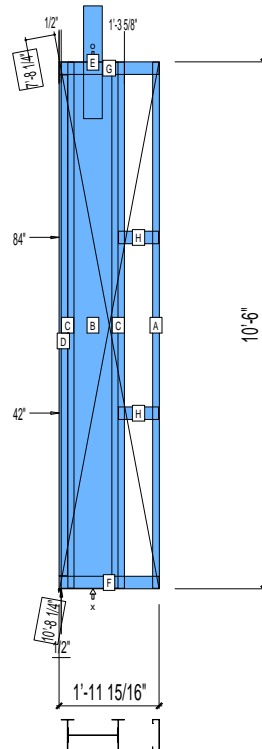
HEIGHT : 10'-6"
SPACING : 5000"
1st STUD: 5000"

POINTS: 1.70 Points.

ANCHORS

WEIGHTS :
FRAME : 319 lbs

TOTAL: 319 lbs



PIECES LIST

LABEL	QTY	SIZE	LENGTH	USE
A	1	750S162-54	10'-5 13/16"	STUD
B	1	1200i350p1062	10'-5 13/16"	PACO
C	2	750i300p706	10'-5 13/16"	PACO
D	1	750T200-54	9'-11 3/4"	CAP TRACK
E	1	B	2'-3"	HOLDDOWN
F	1	750T300-68	1'-11 15/16"	BOTTOM TRACK
G	1	750T300-68	1'-11 15/16"	TOP TRACK
H	2	750T300-68	9 9/16"	BLOCK

13-6021

Jewish Home for the Aging

1885 Victory Blvd. Reseda, CA

FrameMax, Inc.
13915 Danielson St
Suite 100
Poway, CA 92064
www.frame-max.com



© FrameMax Inc.

CREATED: 12/05/2008

FM-07-109

CREATED BY: AMB

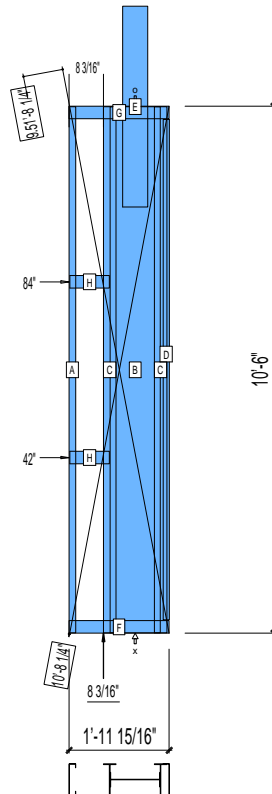
HEIGHT : 10'-6"
SPACING : 5000"
1st STUD: 5000"

POINTS: 2.00 Points.

ANCHORS

WEIGHTS :
FRAME : 384 lbs

TOTAL: 384 lbs



PIECES LIST

LABEL	QTY	SIZE	LENGTH	USE
A	1	750S162-54	10'-5 13/16"	STUD
B	1	1200i350p1062	10'-5 13/16"	PACO
C	2	750i300p706	10'-5 13/16"	PACO
D	1	750T150-54	9'-11 5/8"	CAP TRACK
E	1	C	4'-0"	HOLDDOWN
F	1	750T300-68	1'-11 15/16"	BOTTOM TRACK
G	1	750T300-68	1'-11 15/16"	TOP TRACK
H	2	750T300-68	9 7/16"	BLOCK

13-6022

Jewish Home for the Aging

1885 Victory Blvd. Reseda, CA

FrameMax, Inc.
13915 Danielson St
Suite 100
Poway, CA 92064
www.frame-max.com



© FrameMax Inc.

CREATED: 12/05/2008

FM-07-109

CREATED BY: AMB

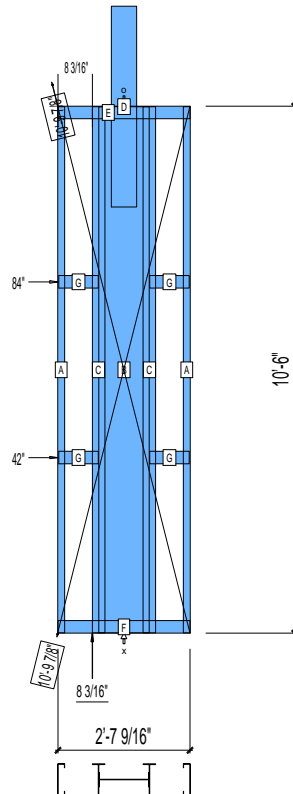
HEIGHT : 10'-6"
SPACING : 5000"
1st STUD: 5000"

POINTS: 2.11 Points.

ANCHORS

WEIGHTS :
FRAME : 396 lbs

TOTAL: 396 lbs



PIECES LIST

LABEL	QTY	SIZE	LENGTH	USE
A	2	750S162-54	10'-5 13/16"	STUD
B	1	1200i350p1062	10'-5 13/16"	PACO
C	2	750i300p706	10'-5 13/16"	PACO
D	1	C	4'-0"	HOLDDOWN
E	1	750T300-68	2'-7 9/16"	TOP TRACK
F	1	750T300-68	2'-7 9/16"	BOTTOM TRACK
G	4	750T300-68	9 7/16"	BLOCK

13-6023

Jewish Home for the Aging

1885 Victory Blvd. Reseda, CA

FM-07-109

CREATED BY: HH

FrameMax, Inc.
13915 Danielson St
Suite 100
Poway, CA 92064
www.frame-max.com



© FrameMax Inc.

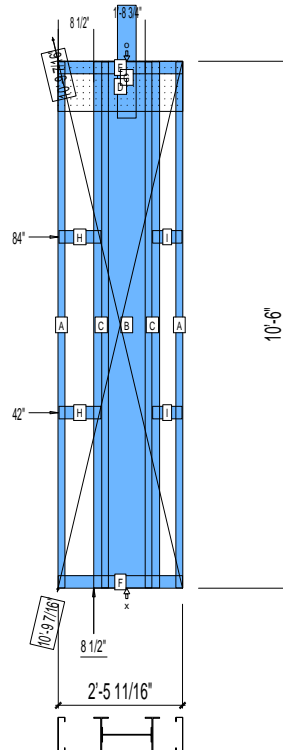
HEIGHT : 10'-6"
SPACING : 5000"
1st STUD: 5000"

POINTS: 2.64 Points.

ANCHORS

WEIGHTS :
FRAME : 510 lbs

TOTAL: 510 lbs



PIECES LIST

LABEL	QTY	SIZE	LENGTH	USE
A	2	825S162-54	10'-5 13/16"	STUD
B	1	1200i350p1420	10'-5 13/16"	PACO
C	2	825i350p1247	10'-5 13/16"	PACO
D	1	1200D-54	2'-5 13/16"	STRAP
E	1	825T300-68	2'-5 11/16"	TOP TRACK
F	1	825T300-68	2'-5 11/16"	BOTTOM TRACK
G	1	B	2'-3"	HOLDDOWN
H	2	825T300-54	10"	BLOCK
I	2	825T300-54	7"	BLOCK

13-6024

Jewish Home for the Aging

1885 Victory Blvd. Reseda, CA

FM-07-109

CREATED BY: HH

FrameMax, Inc.
13915 Danielson St
Suite 100
Poway, CA 92064
www.frame-max.com



© FrameMax Inc.

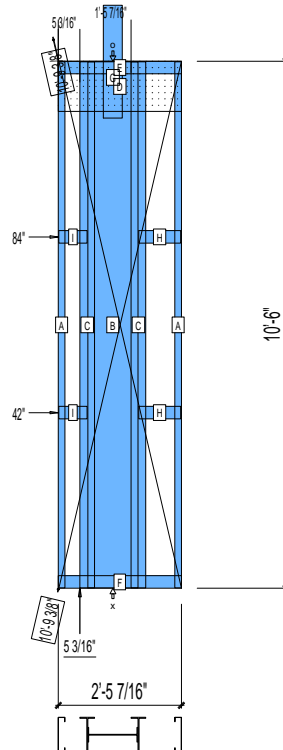
HEIGHT : 10'-6"
SPACING : 5000"
1st STUD: 5000"

POINTS: 2.64 Points.

ANCHORS

WEIGHTS :
FRAME : 509 lbs

TOTAL: 509 lbs



PIECES LIST

LABEL	QTY	SIZE	LENGTH	USE
A	2	825S162-54	10'-5 13/16"	STUD
B	1	1200i350p1420	10'-5 13/16"	PACO
C	2	825i350p1247	10'-5 13/16"	PACO
D	1	1200D-54	2'-5 1/2"	STRAP
E	1	825T300-68	2'-5 7/16"	TOP TRACK
F	1	825T300-68	2'-5 7/16"	BOTTOM TRACK
G	1	B	2'-3"	HOLDDOWN
H	2	825T300-54	10"	BLOCK
I	2	825T300-54	6 11/16"	BLOCK

13-6025

Jewish Home for the Aging

1885 Victory Blvd. Reseda, CA

FM-07-109

CREATED BY: HH

FrameMax, Inc.
13915 Danielson St
Suite 100
Poway, CA 92064
www.frame-max.com



© FrameMax Inc.

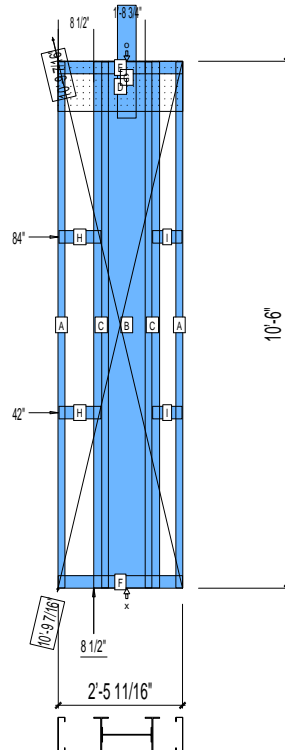
HEIGHT : 10'-6"
SPACING : 5000"
1st STUD: 5000"

POINTS: 2.64 Points.

ANCHORS

WEIGHTS :
FRAME : 510 lbs

TOTAL: 510 lbs



PIECES LIST

LABEL	QTY	SIZE	LENGTH	USE
A	2	825S162-54	10'-5 13/16"	STUD
B	1	1200i350p1420	10'-5 13/16"	PACO
C	2	825i350p1247	10'-5 13/16"	PACO
D	1	1200D-54	2'-5 13/16"	STRAP
E	1	825T300-68	2'-5 11/16"	TOP TRACK
F	1	825T300-68	2'-5 11/16"	BOTTOM TRACK
G	1	B	2'-3"	HOLDDOWN
H	2	825T300-54	10"	BLOCK
I	2	825T300-54	7"	BLOCK

13-6026

Jewish Home for the Aging

1885 Victory Blvd. Reseda, CA

FM-07-109

CREATED BY: HH

FrameMax, Inc.
13915 Danielson St
Suite 100
Poway, CA 92064
www.frame-max.com



© FrameMax Inc.

HEIGHT : 10'-6"
SPACING : 5000"
1st STUD: 5000"

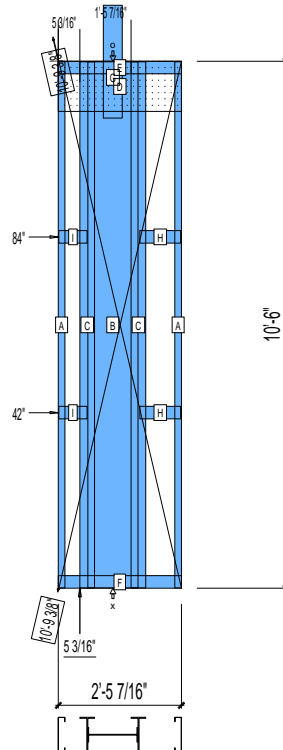
POINTS: 2.64 Points.

ANCHORS

WEIGHTS :
FRAME : 509 lbs

TOTAL: 509 lbs

825



PIECES LIST

LABEL	QTY	SIZE	LENGTH	USE
A	2	825S162-54	10'-5 13/16"	STUD
B	1	1200i350p1420	10'-5 13/16"	PACO
C	2	825i350p1247	10'-5 13/16"	PACO
D	1	1200D-54	2'-5 1/2"	STRAP
E	1	825T300-68	2'-5 7/16"	TOP TRACK
F	1	825T300-68	2'-5 7/16"	BOTTOM TRACK
G	1	B	2'-3"	HOLDDOWN
H	2	825T300-54	9 3/4"	BLOCK
I	2	825T300-54	6 11/16"	BLOCK

13-6027

Jewish Home for the Aging

1885 Victory Blvd. Reseda, CA

FM-07-109

CREATED BY: AMB

FrameMax, Inc.
13915 Danielson St
Suite 100
Poway, CA 92064
www.frame-max.com



© FrameMax Inc.

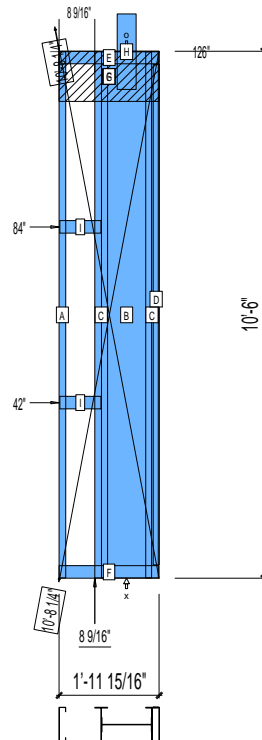
HEIGHT : 10'-6"
SPACING : 5000"
1st STUD: 5000"

POINTS: 1.86 Points.

ANCHORS

WEIGHTS :
FRAME : 350 lbs

TOTAL: 350 lbs



PIECES LIST

LABEL	QTY	SIZE	LENGTH	USE
A	1	825S162-54	10'-5 13/16"	STUD
B	1	1200i350p1062	10'-5 13/16"	PACO
C	2	825i300p746	10'-5 13/16"	PACO
D	1	825T150-54	9'-11 5/8"	CAP TRACK
E	1	825T300-68	1'-11 15/16"	TOP TRACK
F	1	825T300-68	1'-11 15/16"	BOTTOM TRACK
G	1	1200D-54	1'-11 15/16"	STRAP
H	1	A	1'-6"	HOLDDOWN
I	2	825T300-54	9 13/16"	BLOCK

13-6028

Jewish Home for the Aging

1885 Victory Blvd. Reseda, CA

FrameMax, Inc.
13915 Danielson St
Suite 100
Poway, CA 92064
www.frame-max.com



© FrameMax Inc.

CREATED: 12/05/2008

FM-07-109

CREATED BY: AMB

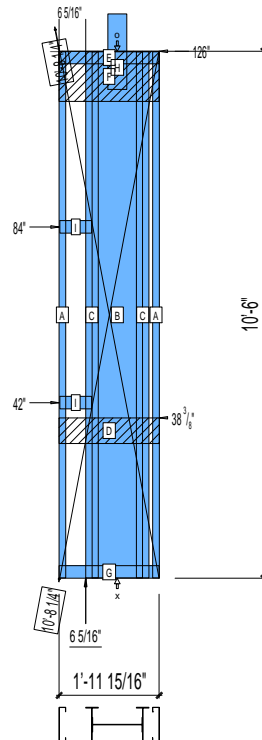
HEIGHT : 10'-6"
SPACING : 5000"
1st STUD: 5000"

POINTS: 1.91 Points.

ANCHORS

WEIGHTS :
FRAME : 356 lbs

TOTAL: 356 lbs



PIECES LIST

LABEL	QTY	SIZE	LENGTH	USE
A	2	825S162-54	10'-5 13/16"	STUD
B	1	1200i350p1062	10'-5 13/16"	PACO
C	2	825i300p746	10'-5 13/16"	PACO
D	1	600T150-54	2'-0"	GRAB BAR
E	1	825T300-68	1'-11 15/16"	TOP TRACK
F	1	1200D-54	1'-11 15/16"	STRAP
G	1	825T300-68	1'-11 15/16"	BOTTOM TRACK
H	1	A	1'-6"	HOLDDOWN
I	2	825T300-54	7 9/16"	BLOCK