

12-1034

Jewish Home for the Aging

1885 Victory Blvd. Reseda, CA

FM-07-109

CREATED BY: HH

FrameMax, Inc.
13915 Danielson St
Suite 100
Poway, CA 92064
www.frame-max.com



© FrameMax Inc.

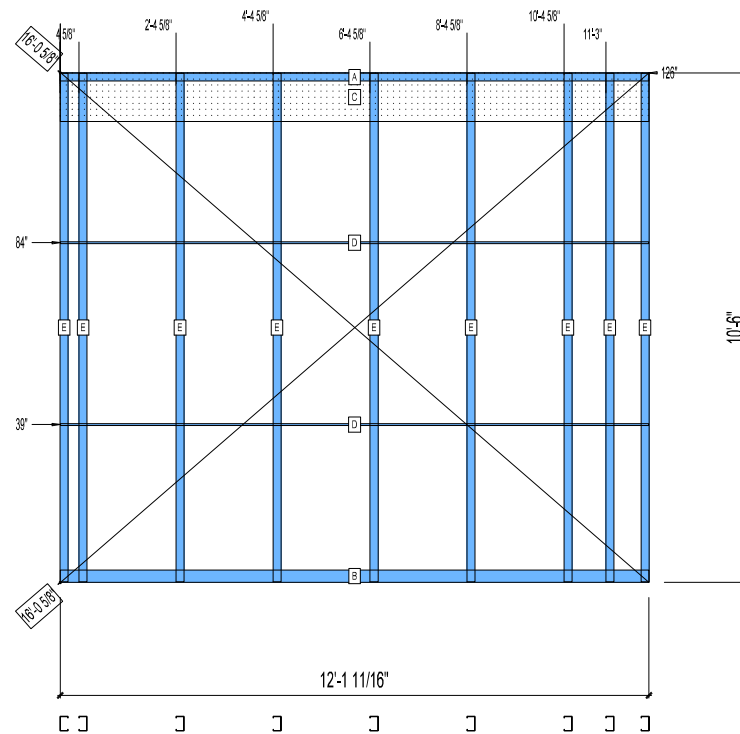
HEIGHT : 10'-6"
SPACING : 5000"
1st STUD: 5000"

POINTS: 1.87 Points.

APPROVED
By hhuynh at 9:37 am, Nov 24, 2008

WEIGHTS :
FRAME : 290 lbs

TOTAL: 290 lbs



PIECES LIST

LABEL	QTY	SIZE	LENGTH	USE
A	1	362T200-68	12'-1 11/16"	TOP TRACK
B	1	362T300-68	12'-1 11/16"	BOTTOM TRACK
C	1	1200D-54	12'-1 5/8"	STRAP
D	2	150U50-54	12'-1 1/2"	HORIZONTAL BRACING
E	9	362S200-68	10'-5 13/16"	STUD

12-1124

Jewish Home for the Aging

1885 Victory Blvd. Reseda, CA

FM-07-109

CREATED BY: HH

FrameMax, Inc.
13915 Danielson St
Suite 100
Poway, CA 92064
www.framemax.com



© FrameMax Inc.

HEIGHT : 10'-6" POINTS: 2.27 Points.

SPACING : 5000"

1st STUD: 5000"

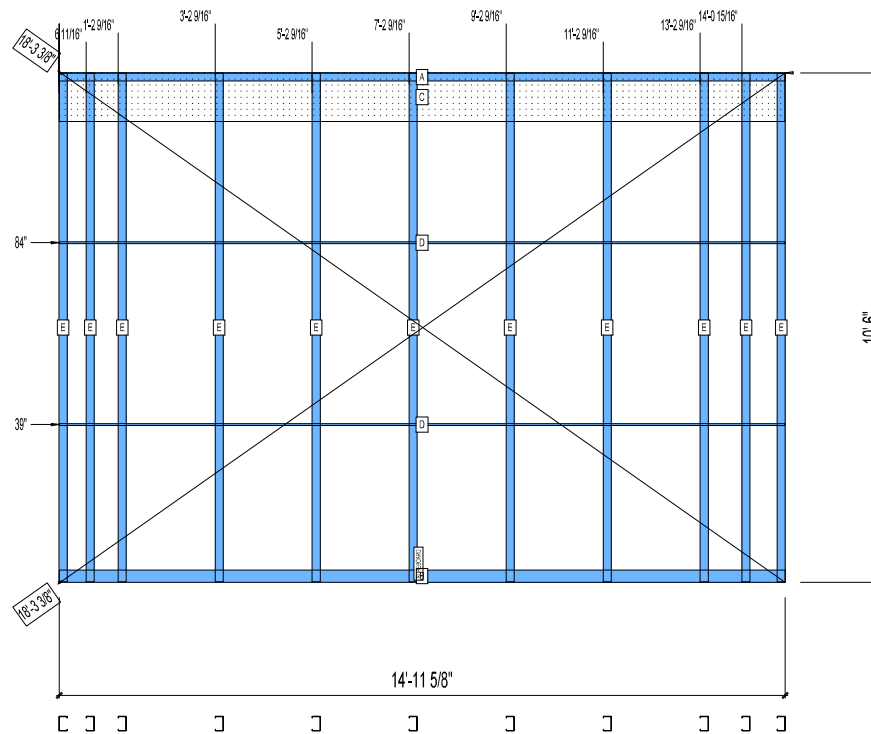
APPROVED

By hhuynh at 9:37 am, Nov 24, 2008

WEIGHTS :

FRAME : 356 lbs

TOTAL: 356 lbs



PIECES LIST

LABEL	QTY	SIZE	LENGTH	USE
A	1	362T200-68	14'-11 5/8"	TOP TRACK
B	1	362T300-68	14'-11 5/8"	BOTTOM TRACK
C	1	1200D-54	14'-11 9/16"	STRAP
D	2	1500S0-54	14'-11 7/16"	HORIZONTAL BRACING
E	11	362S200-68	10'-5 13/16"	STUD

12-1151

Jewish Home for the Aging

1885 Victory Blvd. Reseda, CA

FM-07-109

CREATED BY: HH

FrameMax, Inc.
13915 Danielson St
Suite 100
Poway, CA 92064
www.framemax.com



© FrameMax Inc.

HEIGHT : 10'-6"

POINTS: 1.41 Points.

SPACING : 5000"

1st STUD: 5000"

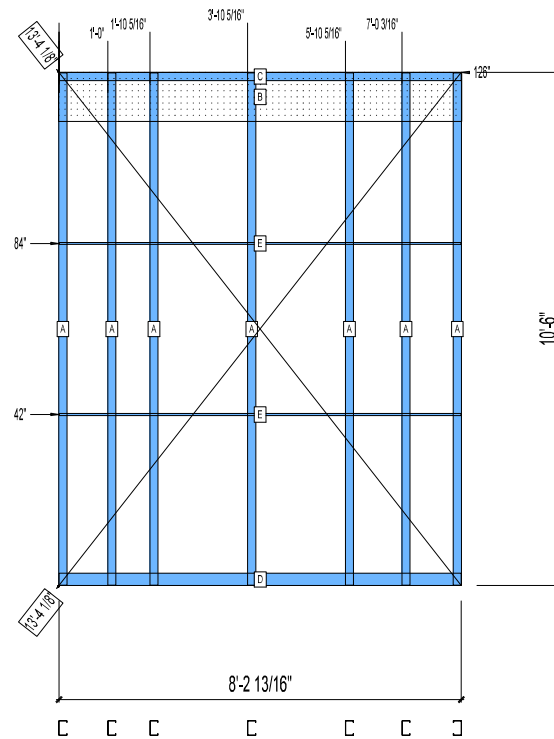
WEIGHTS :

FRAME : 216 lbs

TOTAL: 216 lbs

APPROVED

By hhuynh at 9:37 am, Nov 24, 2008



PIECES LIST

LABEL	QTY	SIZE	LENGTH	USE
A	7	362S200-68	10'-5 13/16"	STUD
B	1	1200D-54	8'-3"	STRAP
C	1	362T200-68	8'-2 13/16"	TOP TRACK
D	1	362T300-68	8'-2 13/16"	BOTTOM TRACK
E	2	150U50-54	8'-2 5/8"	HORIZONTAL BRACING

12-1154

Jewish Home for the Aging

1885 Victory Blvd. Reseda, CA

FM-07-109

CREATED BY: HH

FrameMax, Inc.
13915 Danielson St
Suite 100
Poway, CA 92064
www.framemax.com



© FrameMax Inc.

HEIGHT : 10'-6" POINTS: 1.69 Points.

SPACING : 5000"

1st STUD: 5000"

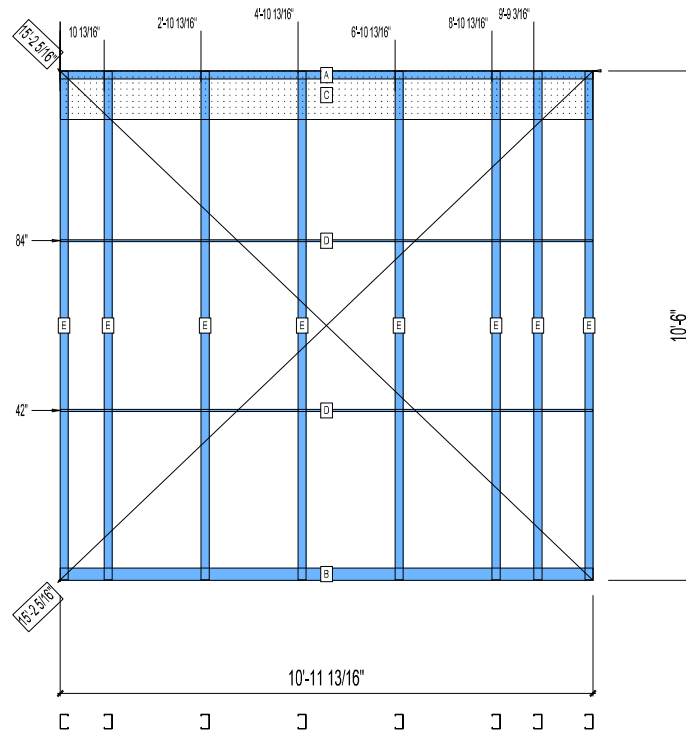
WEIGHTS :

FRAME : 259 lbs

TOTAL: 259 lbs

APPROVED

By hhuynh at 9:37 am, Nov 24, 2008



PIECES LIST

LABEL	QTY	SIZE	LENGTH	USE
A	1	362T200-68	10'-11 13/16"	TOP TRACK
B	1	362T300-68	10'-11 13/16"	BOTTOM TRACK
C	1	1200D-54	10'-11 3/4"	STRAP
D	2	150U50-54	10'-11 5/8"	HORIZONTAL BRACING
E	8	362S200-68	10'-5 13/16"	STUD

12-1158

Jewish Home for the Aging

1885 Victory Blvd. Reseda, CA

FM-07-109

CREATED BY: HH

FrameMax, Inc.
13915 Danielson St
Suite 100
Poway, CA 92064
www.frame-max.com



© FrameMax Inc.

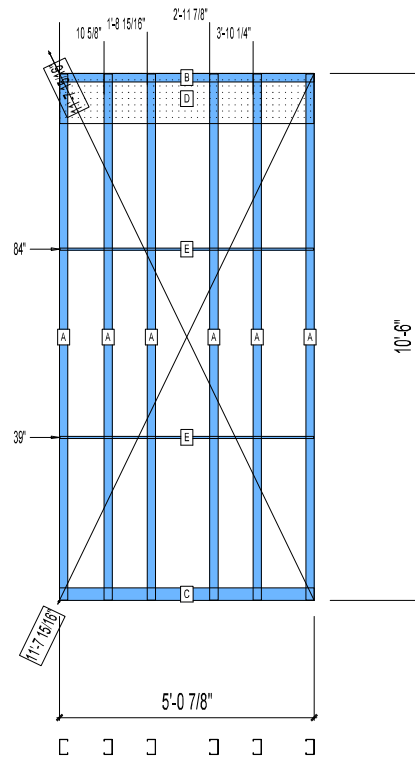
HEIGHT : 10'-6"
SPACING : 5000"
1st STUD: 5000"

POINTS: 1.11 Points.

WEIGHTS :
FRAME : 170 lbs

TOTAL: 170 lbs

APPROVED
By hhuynh at 9:37 am, Nov 24, 2008



PIECES LIST

LABEL	QTY	SIZE	LENGTH	USE
A	6	362S200-68	10'-5 13/16"	STUD
B	1	362T200-68	5'-0 7/8"	TOP TRACK
C	1	362T300-68	5'-0 7/8"	BOTTOM TRACK
D	1	1200D-54	5'-0 13/16"	STRAP
E	2	150U50-54	5'-0 11/16"	HORIZONTAL BRACING

12-1173

Jewish Home for the Aging

1885 Victory Blvd. Reseda, CA

FM-07-109

CREATED BY: HH

FrameMax, Inc.
13915 Danielson St
Suite 100
Poway, CA 92064
www.framemax.com



© FrameMax Inc.

HEIGHT : 10'-6" POINTS: 1.57 Points.

SPACING : 5000"

1st STUD: 5000"

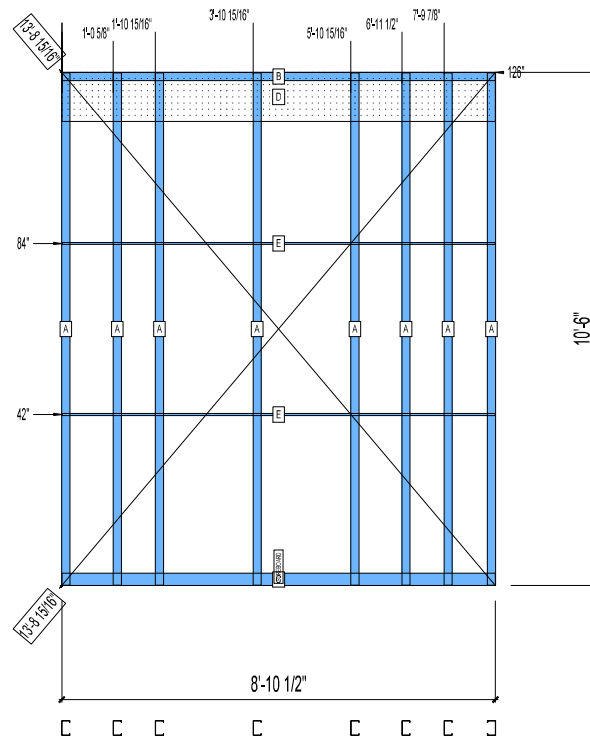
WEIGHTS :

FRAME : 243 lbs

TOTAL: 243 lbs

APPROVED

By hhuynh at 9:37 am, Nov 24, 2008



PIECES LIST

LABEL	QTY	SIZE	LENGTH	USE
A	8	362S200-68	10'-5 13/16"	STUD
B	1	362T200-68	8'-10 1/2"	TOP TRACK
C	1	362T300-68	8'-10 1/2"	BOTTOM TRACK
D	1	1200D-54	8'-10 7/16"	STRAP
E	2	150U50-54	8'-10 5/16"	HORIZONTAL BRACING

12-1176

Jewish Home for the Aging

1885 Victory Blvd. Reseda, CA

FrameMax, Inc.
13915 Danielson St
Suite 100
Poway, CA 92064
www.framemax.com



© FrameMax Inc.

CREATED: 11/05/2008

FM-07-109

CREATED BY: HH

HEIGHT : 10'-6" POINTS: 1.16 Points.

SPACING : 5000"

1st STUD: 16"

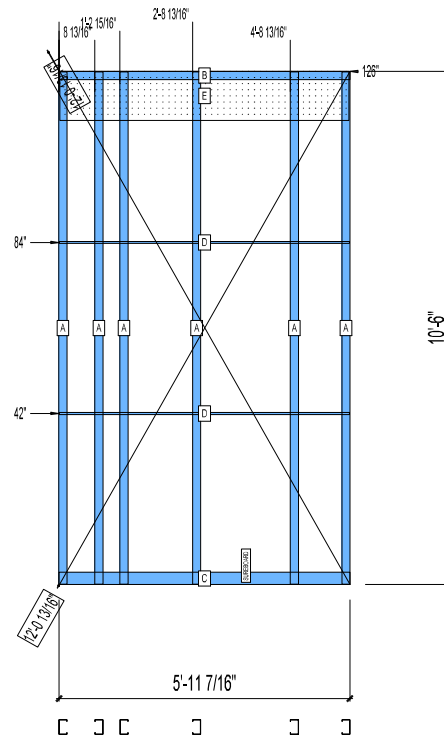
WEIGHTS :

FRAME : 177 lbs

TOTAL: 177 lbs

APPROVED

By hhuynh at 9:37 am, Nov 24, 2008



PIECES LIST

LABEL	QTY	SIZE	LENGTH	USE
A	6	362S200-68	10'-5 13/16"	STUD
B	1	362T200-68	5'-11 7/16"	TOP TRACK
C	1	362T300-68	5'-11 7/16"	BOTTOM TRACK
D	2	150U50-54	5'-11 1/4"	HORIZONTAL BRACING
E	1	1200D-54	5'-11"	STRAP

12-1177

Jewish Home for the Aging

1885 Victory Blvd. Reseda, CA

FM-07-109

CREATED BY: HH

FrameMax, Inc.
13915 Danielson St
Suite 100
Poway, CA 92064
www.frame-max.com



© FrameMax Inc.

CREATED: 11/05/2008

HEIGHT : 10'-6" POINTS: 1.00 Points.

SPACING : 5000"

1st STUD: 5000"

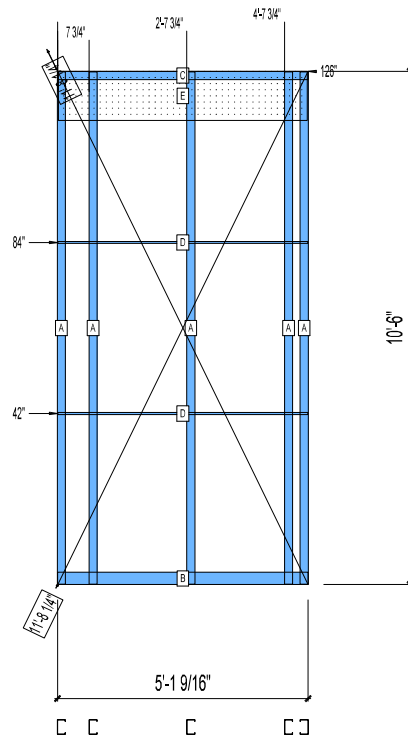
WEIGHTS :

FRAME : 149 lbs

TOTAL: 149 lbs

APPROVED

By hhuynh at 9:37 am, Nov 24, 2008



PIECES LIST

LABEL	QTY	SIZE	LENGTH	USE
A	5	362S200-68	10'-5 13/16"	STUD
B	1	362T300-68	5'-1 9/16"	BOTTOM TRACK
C	1	362T200-68	5'-1 9/16"	TOP TRACK
D	2	150U50-54	5'-1 3/8"	HORIZONTAL BRACING
E	1	1200D-54	5'-1 1/8"	STRAP

12-1178

Jewish Home for the Aging

1885 Victory Blvd. Reseda, CA

FM-07-109

CREATED BY: HH

FrameMax, Inc.
13915 Danielson St
Suite 100
Poway, CA 92064
www.framemax.com



© FrameMax Inc.

HEIGHT : 10'-6" POINTS: 2.13 Points.

SPACING : 5000"

1st STUD: 5000"

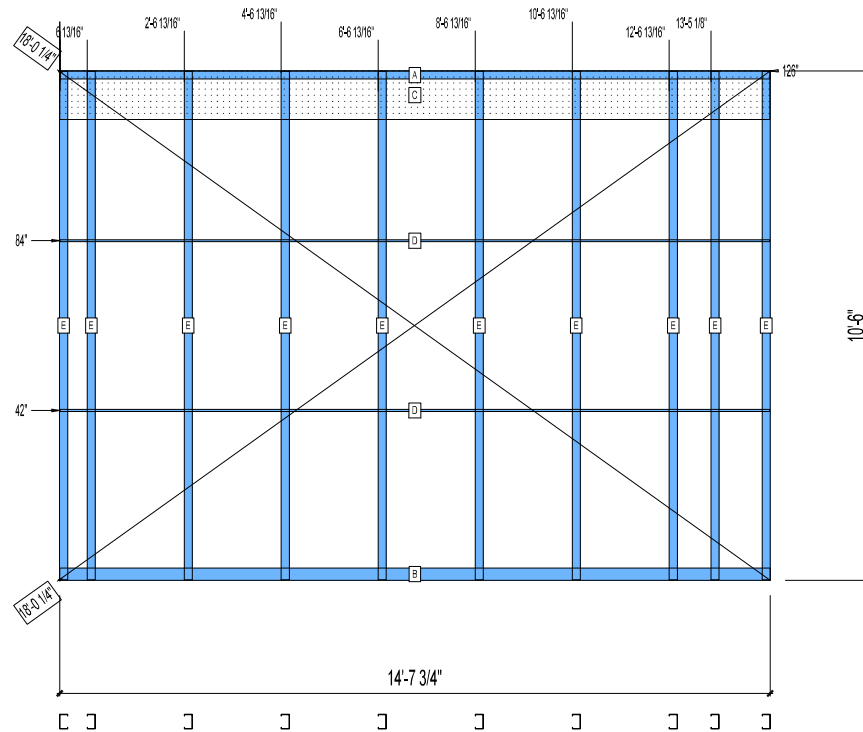
APPROVED

By hhuynh at 9:37 am, Nov 24, 2008

WEIGHTS :

FRAME : 331 lbs

TOTAL: 331 lbs



PIECES LIST

LABEL	QTY	SIZE	LENGTH	USE
A	1	362T200-68	14'-7 3/4"	TOP TRACK
B	1	362T300-68	14'-7 3/4"	BOTTOM TRACK
C	1	1200D-54	14'-7 11/16"	STRAP
D	2	150U50-54	14'-7 9/16"	HORIZONTAL BRACING
E	10	362S200-68	10'-5 13/16"	STUD

12-1179

Jewish Home for the Aging

1885 Victory Blvd. Reseda, CA

FM-07-109

CREATED BY: HH

FrameMax, Inc.
13915 Danielson St
Suite 100
Poway, CA 92064
www.frame-max.com



© FrameMax Inc.

HEIGHT : 9'-7 11/16" POINTS: 3.17 Points.

SPACING : 5000"

1st STUD: 5000"

WEIGHTS :

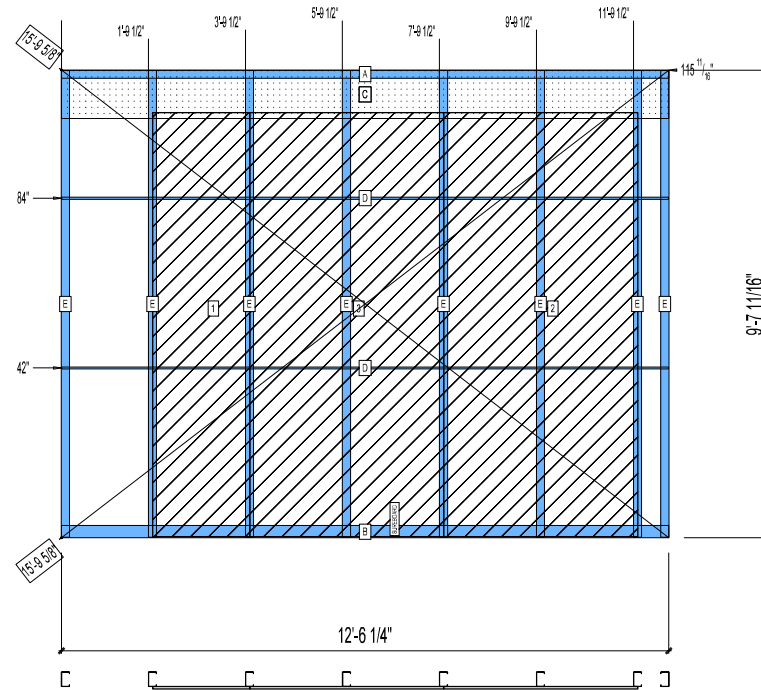
FRAME : 257 lbs

SHEATHING: 322 lbs

TOTAL: 579 lbs

APPROVED

By hhuynh at 9:37 am, Nov 24, 2008



**BUNDLE AND
SHIP TO SITE
WALL UNDER BEAM**

PIECES LIST

LABEL	QTY	SIZE	LENGTH	USE
A	1	362T200-68	12'-6 1/4"	TOP TRACK
B	1	362T300-68	12'-6 1/4"	BOTTOM TRACK
C	1	1200D-54	12'-6 3/16"	STRAP
D	2	1500S0-54	12'-6 1/16"	HORIZONTAL BRACING
E	8	362S200-68	9'-7 1/2"	STUD

SHEATHING

LABEL	QTY	CODE	THICK	SIZE	SCREWS
1	1	SB-DENSARMOR	5/8"	2'-0" X 8'-8 7/8"	2 - 12
2	1	SB-DENSARMOR	5/8"	4'-0" X 8'-8 7/8"	2 - 12
3	1	SB-DENSARMOR	5/8"	4'-0" X 8'-8 7/8"	2 - 12

12-1180

Jewish Home for the Aging

1885 Victory Blvd. Reseda, CA

FM-07-109

CREATED BY: HH

FrameMax, Inc.
13915 Danielson St
Suite 100
Poway, CA 92064
www.framemax.com



© FrameMax Inc.

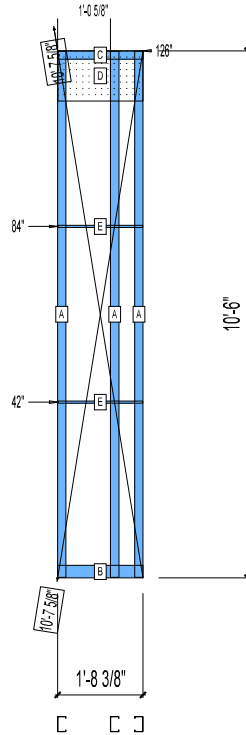
HEIGHT : 10'-6"
SPACING : 5000"
1st STUD: 5000"

POINTS: 0.57 Points.

WEIGHTS :
FRAME : 79 lbs

TOTAL: 79 lbs

APPROVED
By hhuynh at 9:37 am, Nov 24, 2008



PIECES LIST

LABEL	QTY	SIZE	LENGTH	USE
A	3	362S200-68	10'-5 13/16"	STUD
B	1	362T300-68	1'-8 3/8"	BOTTOM TRACK
C	1	362T200-68	1'-8 3/8"	TOP TRACK
D	1	1200D-54	1'-8 5/16"	STRAP
E	2	150U50-54	1'-8 3/16"	HORIZONTAL BRACING

12-1184

Jewish Home for the Aging

1885 Victory Blvd. Reseda, CA

FM-07-109

CREATED BY: HH

FrameMax, Inc.
13915 Danielson St
Suite 100
Poway, CA 92064
www.framemax.com



© FrameMax Inc.

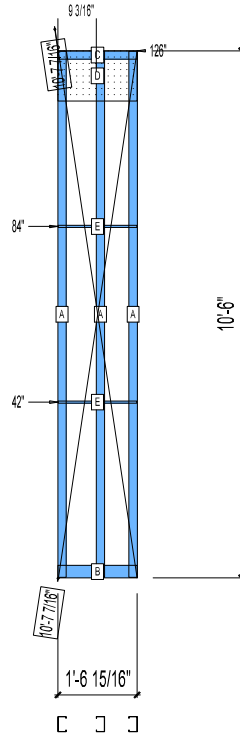
HEIGHT : 10'-6"
SPACING : 5000"
1st STUD: 5000"

POINTS: 0.56 Points.

WEIGHTS :
FRAME : 78 lbs

TOTAL: 78 lbs

APPROVED
By hhuynh at 9:37 am, Nov 24, 2008



PIECES LIST

LABEL	QTY	SIZE	LENGTH	USE
A	3	362S200-68	10'-5 13/16"	STUD
B	1	362T300-68	1'-6 15/16"	BOTTOM TRACK
C	1	362T200-68	1'-6 15/16"	TOP TRACK
D	1	1200D-54	1'-6 7/8"	STRAP
E	2	150U50-54	1'-6 3/4"	HORIZONTAL BRACING

12-1188

Jewish Home for the Aging

1885 Victory Blvd. Reseda, CA

FM-07-109

CREATED BY: HH

FrameMax, Inc.
13915 Danielson St
Suite 100
Poway, CA 92064
www.framemax.com



© FrameMax Inc.

HEIGHT : 10'-6"
SPACING : 5000"
1st STUD: 5000"

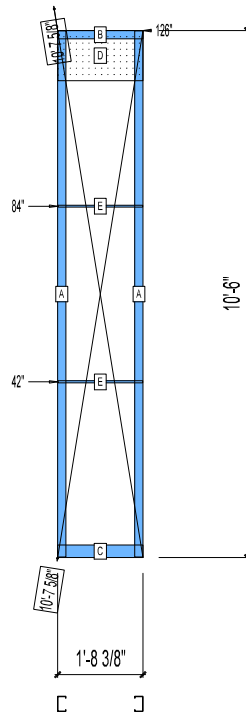
POINTS: 0.44 Points.

APPROVED

By hhuynh at 9:37 am, Nov 24, 2008

WEIGHTS :
FRAME : 57 lbs

TOTAL: 57 lbs



PIECES LIST

LABEL	QTY	SIZE	LENGTH	USE
A	2	362S200-68	10'-5 13/16"	STUD
B	1	362T200-68	1'-8 3/8"	TOP TRACK
C	1	362T300-68	1'-8 3/8"	BOTTOM TRACK
D	1	1200D-54	1'-8 5/16"	STRAP
E	2	150U50-54	1'-8 3/16"	HORIZONTAL BRACING

12-6007

Jewish Home for the Aging

1885 Victory Blvd. Reseda, CA

FM-07-109

CREATED BY: HH

FrameMax, Inc.
13915 Danielson St
Suite 100
Poway, CA 92064
www.frame-max.com



© FrameMax Inc.

HEIGHT : 10'-6"

POINTS: 2.74 Points.

SPACING : 24"

1st STUD: 24"

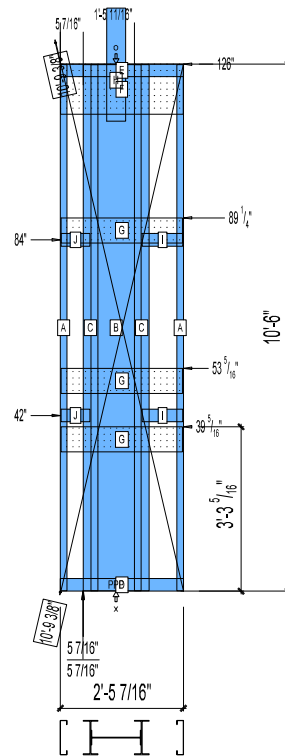
WEIGHTS :

FRAME : 518 lbs

TOTAL: 518 lbs

APPROVED

By hhuynh at 9:37 am, Nov 24, 2008



PIECES LIST

LABEL	QTY	SIZE	LENGTH	USE
A	2	825S162-54	10'-5 13/16"	STUD
B	1	1200i350p1420	10'-5 13/16"	PACO
C	2	825i350p1247	10'-5 13/16"	PACO
D	1	825T300-68	2'-5 7/16"	BOTTOM TRACK
E	1	825T300-68	2'-5 7/16"	TOP TRACK
F	1	1200D-54	2'-5 3/8"	STRAP
G	3	600D-54	2'-5"	KITCHEN BACKING
H	1	B	2'-3"	HOLDDOWN
I	2	825T300-54	9 11/16"	BLOCK
J	2	825T300-54	6 7/8"	BLOCK

12-6008

Jewish Home for the Aging

1885 Victory Blvd. Reseda, CA

FM-07-109

CREATED BY: HH

FrameMax, Inc.
13915 Danielson St
Suite 100
Poway, CA 92064
www.frame-max.com



© FrameMax Inc.

HEIGHT : 10'-6"

POINTS: 2.64 Points.

SPACING : 24"

1st STUD: 24"

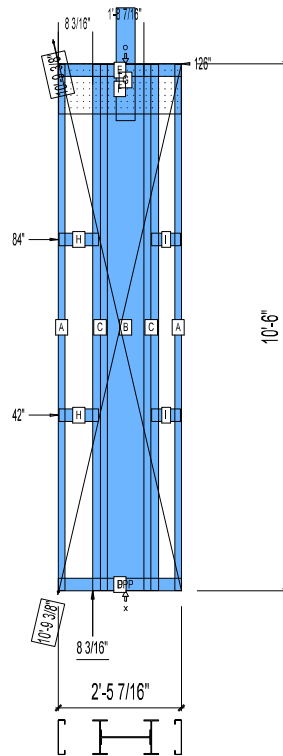
WEIGHTS :

FRAME : 509 lbs

TOTAL: 509 lbs

APPROVED

By hhuynh at 9:37 am, Nov 24, 2008



PIECES LIST

LABEL	QTY	SIZE	LENGTH	USE
A	2	825S162-54	10'-5 13/16"	STUD
B	1	1200i350p1420	10'-5 13/16"	PACO
C	2	825i350p1247	10'-5 13/16"	PACO
D	1	825T300-68	2'-5 7/16"	BOTTOM TRACK
E	1	825T300-68	2'-5 7/16"	TOP TRACK
F	1	1200D-54	2'-5 3/8"	STRAP
G	1	B	2'-3"	HOLDDOWN
H	2	825T300-54	9 7/16"	BLOCK
I	2	825T300-54	6 7/8"	BLOCK

12-6009

Jewish Home for the Aging

1885 Victory Blvd. Reseda, CA

FM-07-109

CREATED BY: HH

FrameMax, Inc.
13915 Danielson St
Suite 100
Poway, CA 92064
www.frame-max.com



© FrameMax Inc.

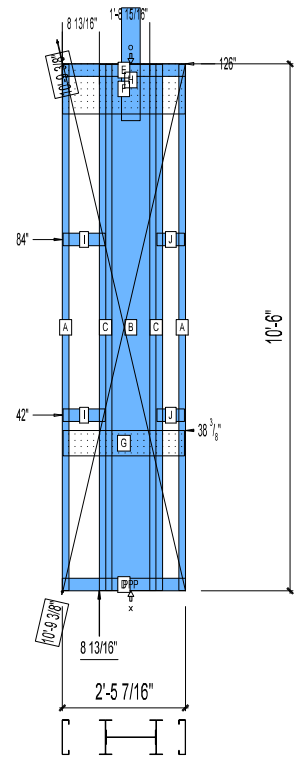
HEIGHT : 10'-6"
SPACING : 24"
1st STUD: 24"

POINTS: 2.03 Points.

WEIGHTS :
FRAME : 371 lbs

TOTAL: 371 lbs

APPROVED
By hhuynh at 9:37 am, Nov 24, 2008



PIECES LIST			
LABEL	QTY	SIZE	LENGTH USE
A	2	825S162-54	10'-5 13/16" STUD
B	1	1200i350p1062	10'-5 13/16" PACO
C	2	825i300p746	10'-5 13/16" PACO
D	1	825T300-68	2'-5 7/16" BOTTOM TRACK
E	1	825T300-68	2'-5 7/16" TOP TRACK
F	1	1200D-54	2'-5 3/8" STRAP
G	1	600T150-54	2'-5" GRAB BAR
H	1	B	2'-3" HOLDDOWN
I	2	825T300-54	10 1/16" BLOCK
J	2	825T300-54	6 9/16" BLOCK

12-6010

Jewish Home for the Aging

1885 Victory Blvd. Reseda, CA

FM-07-109

CREATED BY: HH

FrameMax, Inc.
13915 Danielson St
Suite 100
Poway, CA 92064
www.frame-max.com



© FrameMax Inc.

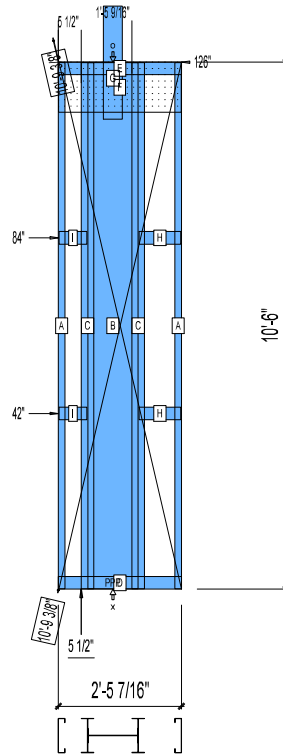
HEIGHT : 10'-6"
SPACING : 24"
1st STUD: 24"

POINTS: 1.99 Points.

WEIGHTS :
FRAME : 367 lbs

TOTAL: 367 lbs

APPROVED
By hhuynh at 9:37 am, Nov 24, 2008



PIECES LIST

LABEL	QTY	SIZE	LENGTH	USE
A	2	825S162-54	10'-5 13/16"	STUD
B	1	1200i350p1062	10'-5 13/16"	PACO
C	2	825i300p746	10'-5 13/16"	PACO
D	1	825T300-68	2'-5 7/16"	BOTTOM TRACK
E	1	825T300-68	2'-5 7/16"	TOP TRACK
F	1	1200D-54	2'-5 3/8"	STRAP
G	1	B	2'-3"	HOLDDOWN
H	2	825T300-54	9 15/16"	BLOCK
I	2	825T300-54	6 9/16"	BLOCK