

# 11-1001

Jewish Home for the Aging

1885 Victory Blvd. Reseda, CA

FrameMax, Inc.  
13915 Danielson St  
Suite 100  
Poway, CA 92064  
www.framemax.com



© FrameMax Inc.

CREATED: 10/04/2008

FM-07-109

CREATED BY: AMB

HEIGHT : 11'-9 11/16" POINTS: 2.28 Points.

SPACING : 24"

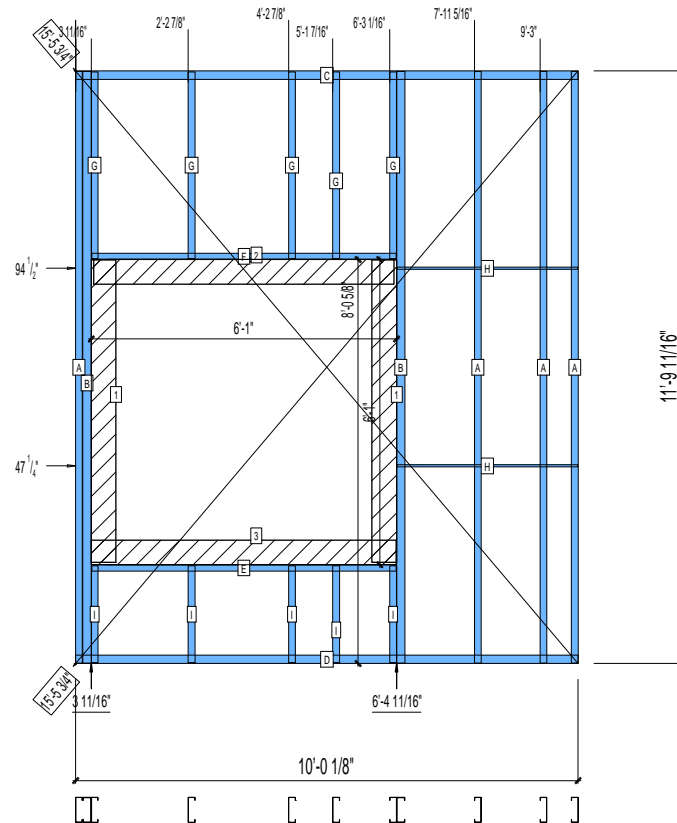
1st STUD: 24"

WEIGHTS :

FRAME : 323 lbs

SHEATHING: 29 lbs

TOTAL: 352 lbs



PIECES LIST

| LABEL | QTY | SIZE       | LENGTH     | USE                |
|-------|-----|------------|------------|--------------------|
| A     | 4   | 600S162-68 | 11'-9 1/2" | STUD               |
| B     | 2   | 600S200-97 | 11'-9 1/2" | KING STUD          |
| C     | 1   | 600T200-68 | 10'-0 1/8" | TOP TRACK          |
| D     | 1   | 600T200-68 | 10'-0 1/8" | BOTTOM TRACK       |
| E     | 1   | 600T150-54 | 6'-0 3/4"  | SILL               |
| F     | 1   | 600T150-54 | 6'-0 3/4"  | HEAD TRACK         |
| G     | 5   | 600S162-54 | 3'-8 5/8"  | CRIPPLE            |
| H     | 2   | 150U50-54  | 3'-7 3/16" | HORIZONTAL BRACING |
| I     | 5   | 600S162-54 | 1'-11 1/8" | CRIPPLE            |

SHEATHING

| LABEL | QTY | CODE      | THICK | SIZE         | SCREWS           |
|-------|-----|-----------|-------|--------------|------------------|
| 1     | 2   | DENSGLASS | 1/2"  | 5 7/8" X     | 6'-0 1/4" 8 - 12 |
| 2     | 1   | DENSGLASS | 1/2"  | 5'-11 3/4" X | 5 7/8" 8 - 12    |
| 3     | 1   | DENSGLASS | 1/2"  | 6'-0 7/8" X  | 5 7/8" 8 - 12    |

# 11-1002

Jewish Home for the Aging

1885 Victory Blvd. Reseda, CA

FM-07-109

CREATED BY: AMB

FrameMax, Inc.  
13915 Danielson St  
Suite 100  
Poway, CA 92064  
www.frame-max.com

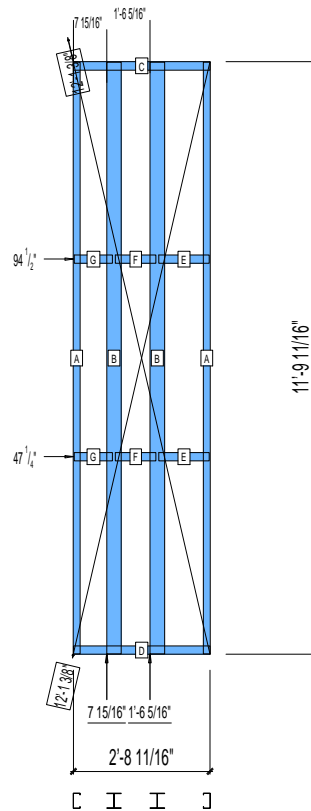


© FrameMax Inc.

HEIGHT : 11'-9 11/16"  
SPACING : 24"  
1st STUD: 24"

WEIGHTS :  
FRAME : 184 lbs

-----  
TOTAL: 184 lbs



PIECES LIST

| LABEL | QTY | SIZE        | LENGTH      | USE          |
|-------|-----|-------------|-------------|--------------|
| A     | 2   | 362S162-54  | 11'-9 1/2"  | STUD         |
| B     | 2   | 363i350p554 | 11'-9 1/2"  | PACO.COLUMN  |
| C     | 1   | 362T200-68  | 2'-8 11/16" | TOP TRACK    |
| D     | 1   | 362T200-68  | 2'-8 11/16" | BOTTOM TRACK |
| E     | 2   | 362T200-68  | 1'-0 1/16"  | BLOCK        |
| F     | 2   | 362T200-68  | 9 5/8"      | BLOCK        |
| G     | 2   | 362T200-68  | 9 3/16"     | BLOCK        |

# 11-1003

Jewish Home for the Aging

1885 Victory Blvd. Reseda, CA

FM-07-109

CREATED BY: AMB

FrameMax, Inc.  
13915 Danielson St  
Suite 100  
Poway, CA 92064  
www.frame-max.com

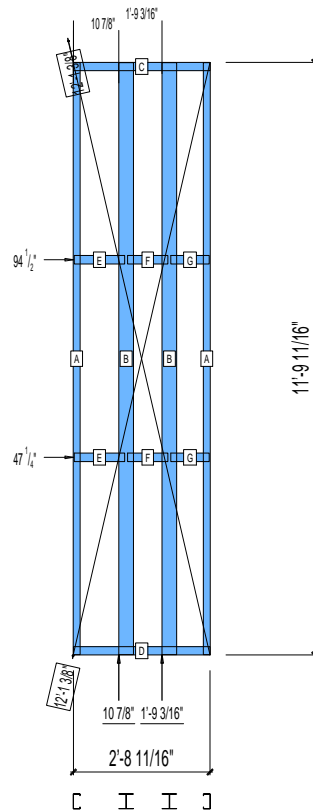


© FrameMax Inc.

HEIGHT : 11'-9 11/16"  
SPACING : 24"  
1st STUD: 24"

WEIGHTS :  
FRAME : 184 lbs

-----  
TOTAL: 184 lbs



PIECES LIST

| LABEL | QTY | SIZE        | LENGTH      | USE          |
|-------|-----|-------------|-------------|--------------|
| A     | 2   | 362S162-54  | 11'-9 1/2"  | STUD         |
| B     | 2   | 363i350p554 | 11'-9 1/2"  | PACO COLUMN  |
| C     | 1   | 362T200-68  | 2'-8 11/16" | TOP TRACK    |
| D     | 1   | 362T200-68  | 2'-8 11/16" | BOTTOM TRACK |
| E     | 2   | 362T200-68  | 1'-0 1/16"  | BLOCK        |
| F     | 2   | 362T200-68  | 9 5/8"      | BLOCK        |
| G     | 2   | 362T200-68  | 9 3/16"     | BLOCK        |

# 11-1004

Jewish Home for the Aging

1885 Victory Blvd. Reseda, CA

FrameMax, Inc.  
13915 Danielson St  
Suite 100  
Poway, CA 92064  
www.frame-max.com



© FrameMax Inc.

CREATED: 09/11/2008

FM-07-109

CREATED BY: AMB

HEIGHT : 11'-9 11/16" POINTS: 1.95 Points.

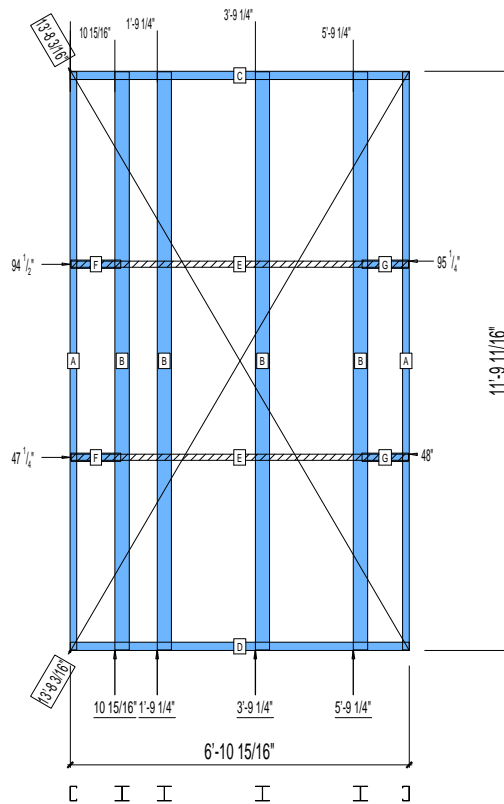
SPACING : 24"

1st STUD: 24"

WEIGHTS :

FRAME : 331 lbs

TOTAL: 331 lbs



PIECES LIST

| LABEL | QTY | SIZE        | LENGTH       | USE          |
|-------|-----|-------------|--------------|--------------|
| A     | 2   | 362S162-54  | 11'-9 1/2"   | STUD         |
| B     | 4   | 363i350p554 | 11'-9 1/2"   | PACO COLUMN  |
| C     | 1   | 362T200-68  | 6'-10 15/16" | TOP TRACK    |
| D     | 1   | 362T200-68  | 6'-10 15/16" | BOTTOM TRACK |
| E     | 2   | 150D-43     | 6'-10 3/4"   | STRAP        |
| F     | 2   | 362T200-68  | 1'-0 1/8"    | BLOCK        |
| G     | 2   | 362T200-68  | 11 3/8"      | BLOCK        |

# 11-1005

Jewish Home for the Aging

1885 Victory Blvd. Reseda, CA

FrameMax, Inc.  
13915 Danielson St  
Suite 100  
Poway, CA 92064  
www.frame-max.com



© FrameMax Inc.

CREATED: 09/11/2008

FM-07-109

CREATED BY: AMB

HEIGHT : 11'-9 11/16" POINTS: 2.00 Points.

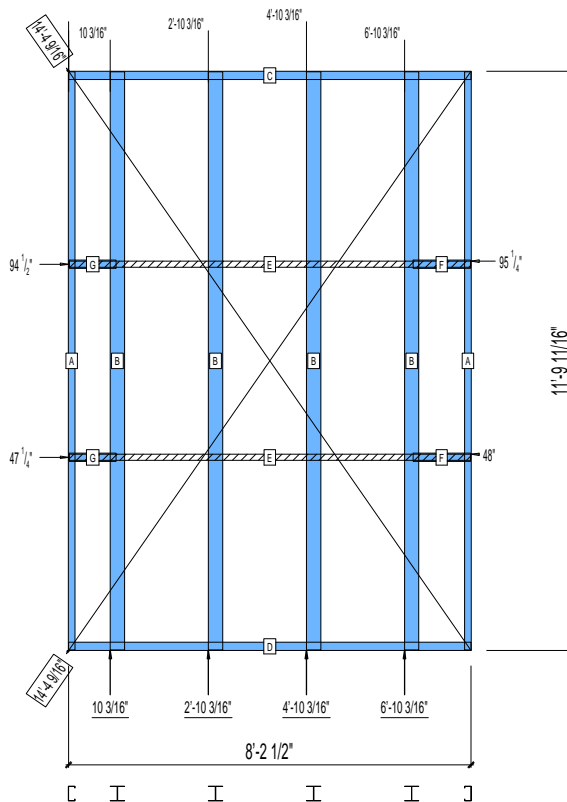
SPACING : 24"

1st STUD: 24"

WEIGHTS :

FRAME : 337 lbs

TOTAL: 337 lbs



### PIECES LIST

| LABEL | QTY | SIZE        | LENGTH     | USE          |
|-------|-----|-------------|------------|--------------|
| A     | 2   | 362S162-54  | 11'-9 1/2" | STUD         |
| B     | 4   | 3631350p554 | 11'-9 1/2" | PACO. COLUMN |
| C     | 1   | 362T200-68  | 8'-2 1/2"  | TOP TRACK    |
| D     | 1   | 362T200-68  | 8'-2 1/2"  | BOTTOM TRACK |
| E     | 2   | 150D-43     | 8'-2 5/16" | STRAP        |
| F     | 2   | 362T200-68  | 1'-2"      | BLOCK        |
| G     | 2   | 362T200-68  | 11 7/16"   | BLOCK        |

# 11-1006

Jewish Home for the Aging

1885 Victory Blvd. Reseda, CA

FM-07-109

CREATED BY: AMB

FrameMax, Inc.  
13915 Danielson St  
Suite 100  
Poway, CA 92064  
www.frame-max.com

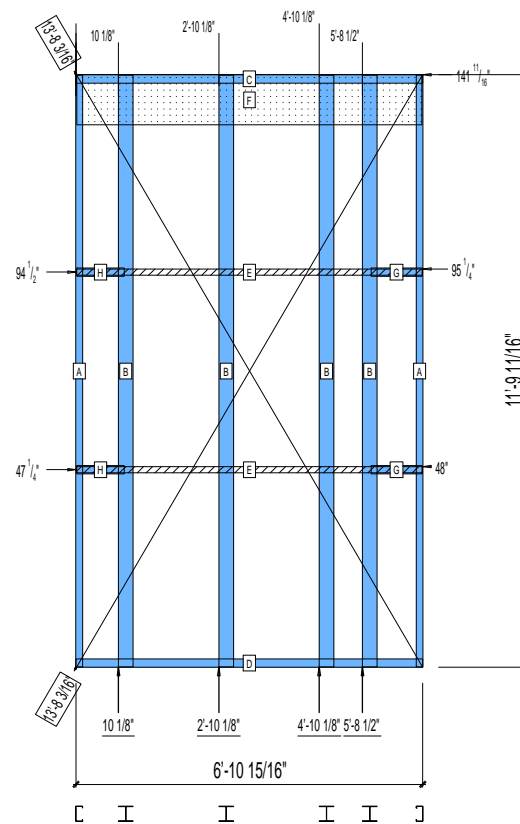


© FrameMax Inc.

HEIGHT : 11'-9 11/16"  
SPACING : 24"  
1st STUD: 24"

WEIGHTS :  
FRAME : 348 lbs

TOTAL: 348 lbs



PIECES LIST

| LABEL | QTY | SIZE        | LENGTH       | USE          |
|-------|-----|-------------|--------------|--------------|
| A     | 2   | 362S162-54  | 11'-9 1/2"   | STUD         |
| B     | 4   | 363i350p554 | 11'-9 1/2"   | PACO.COLUMN  |
| C     | 1   | 362T200-68  | 6'-10 15/16" | TOP TRACK    |
| D     | 1   | 362T200-68  | 6'-10 15/16" | BOTTOM TRACK |
| E     | 2   | 150D-43     | 6'-10 3/4"   | STRAP        |
| F     | 1   | 1200D-54    | 6'-10 1/2"   | STRAP        |
| G     | 2   | 362T200-68  | 1'-0 1/8"    | BLOCK        |
| H     | 2   | 362T200-68  | 11 3/8"      | BLOCK        |

# 11-1007

Jewish Home for the Aging

1885 Victory Blvd. Reseda, CA

FM-07-109

CREATED BY: AMB

FrameMax, Inc.  
13915 Danielson St  
Suite 100  
Poway, CA 92064  
www.frame-max.com

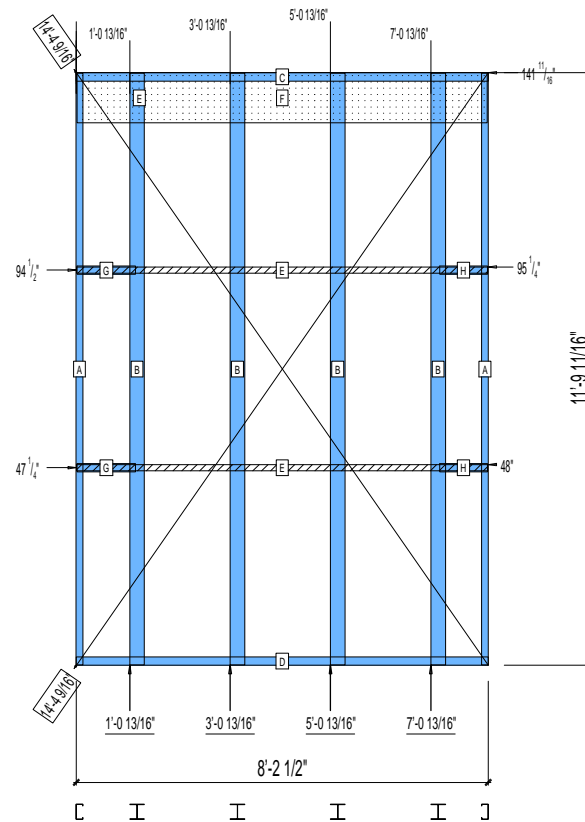


© FrameMax Inc.

HEIGHT : 11'-9 11/16"  
SPACING : 24"  
1st STUD: 24"

WEIGHTS :  
FRAME : 357 lbs

TOTAL: 357 lbs



PIECES LIST

| LABEL | QTY | SIZE        | LENGTH     | USE          |
|-------|-----|-------------|------------|--------------|
| A     | 2   | 362S162-54  | 11'-9 1/2" | STUD         |
| B     | 4   | 363i350p554 | 11'-9 1/2" | PACO.COLUMN  |
| C     | 1   | 362T200-68  | 8'-2 1/2"  | TOP TRACK    |
| D     | 1   | 362T200-68  | 8'-2 1/2"  | BOTTOM TRACK |
| E     | 2   | 150D-43     | 8'-2 5/16" | STRAP        |
| F     | 1   | 1200D-54    | 8'-2 1/16" | STRAP        |
| G     | 2   | 362T200-68  | 1'-2"      | BLOCK        |
| H     | 2   | 362T200-68  | 11 7/16"   | BLOCK        |

# 11-1008

Jewish Home for the Aging

1885 Victory Blvd. Reseda, CA

FrameMax, Inc.  
13915 Danielson St  
Suite 100  
Poway, CA 92064  
www.frame-max.com



© FrameMax Inc.

CREATED: 10/04/2008

FM-07-109

CREATED BY: AMB

HEIGHT : 11'-9 11/16" POINTS: 1.76 Points.

SPACING : 24"

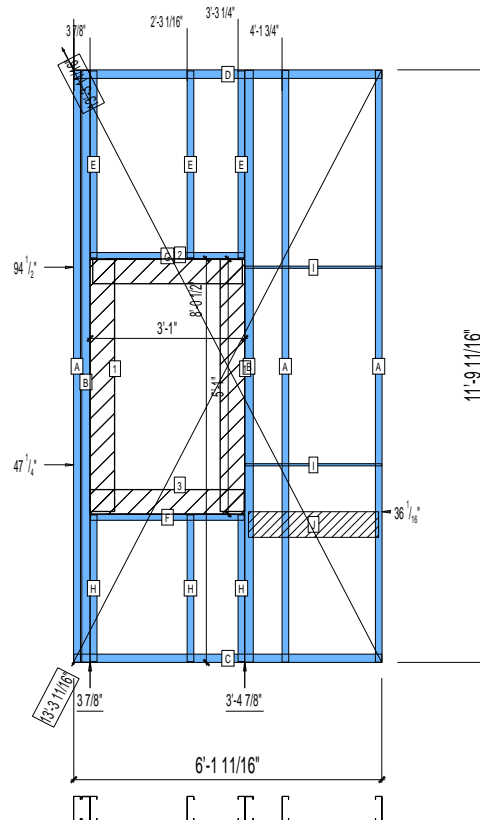
1st STUD: 24"

WEIGHTS :

FRAME : 254 lbs

SHEATHING: 20 lbs

TOTAL: 274 lbs



PIECES LIST

| LABEL | QTY | SIZE       | LENGTH      | USE                |
|-------|-----|------------|-------------|--------------------|
| A     | 3   | 600S162-68 | 11'-9 1/2"  | STUD               |
| B     | 2   | 600S200-97 | 11'-9 1/2"  | KING STUD          |
| C     | 1   | 600T200-68 | 6'-1 11/16" | BOTTOM TRACK       |
| D     | 1   | 600T200-68 | 6'-1 11/16" | TOP TRACK          |
| E     | 3   | 600S162-54 | 3'-8 3/4"   | CRIPPLE            |
| F     | 1   | 600T150-54 | 3'-0 3/4"   | SILL               |
| G     | 1   | 600T150-54 | 3'-0 3/4"   | HEAD TRACK         |
| H     | 3   | 600S162-54 | 2'-11 1/16" | CRIPPLE            |
| I     | 2   | 150U50-54  | 2'-8 9/16"  | HORIZONTAL BRACING |
| J     | 1   | 600T150-54 | 2'-7 1/8"   | GRAB BAR           |

SHEATHING

| LABEL | QTY | CODE      | THICK | SIZE         | SCREWS           |
|-------|-----|-----------|-------|--------------|------------------|
| 1     | 2   | DENSGLASS | 1/2"  | 5 7/8" X     | 5'-0 1/4" 8 - 12 |
| 2     | 1   | DENSGLASS | 1/2"  | 2'-11 3/4" X | 5 7/8" 8 - 12    |
| 3     | 1   | DENSGLASS | 1/2"  | 3'-0 7/8" X  | 5 7/8" 8 - 12    |

# 11-1009

Jewish Home for the Aging

1885 Victory Blvd. Reseda, CA

FM-07-109

CREATED BY: AMB

FrameMax, Inc.  
13915 Danielson St  
Suite 100  
Poway, CA 92064  
www.frame-max.com



© FrameMax Inc.

HEIGHT : 11'-9 11/16" POINTS: 2.05 Points.

SPACING : 24"

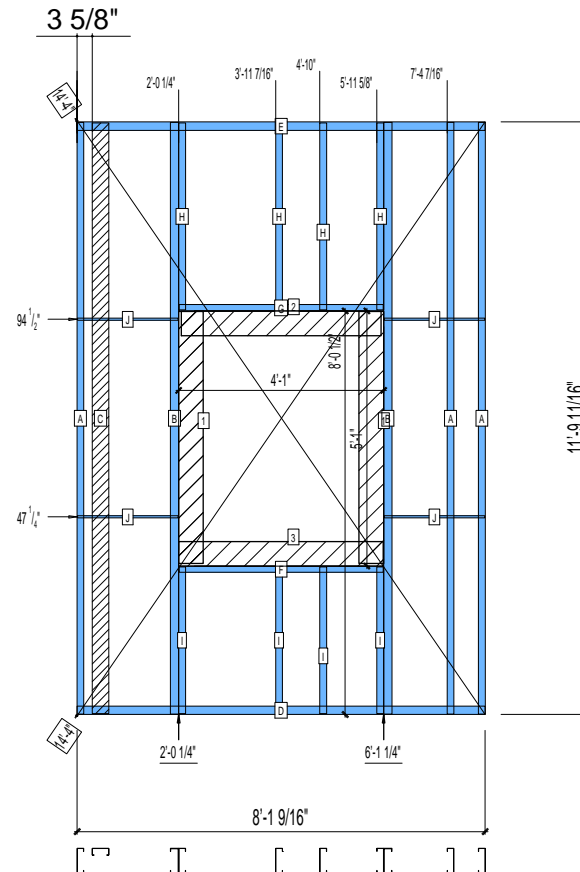
1st STUD: 24"

WEIGHTS :

FRAME : 288 lbs

SHEATHING: 22 lbs

TOTAL: 310 lbs



PIECES LIST

| LABEL | QTY | SIZE       | LENGTH      | USE                |
|-------|-----|------------|-------------|--------------------|
| A     | 3   | 600S162-68 | 11'-9 1/2"  | STUD               |
| B     | 2   | 600S200-97 | 11'-9 1/2"  | KING STUD          |
| C     | 1   | 400S162-33 | 11'-9 1/4"  | BACKER-U           |
| D     | 1   | 600T200-68 | 8'-1 9/16"  | BOTTOM TRACK       |
| E     | 1   | 600T200-68 | 8'-1 9/16"  | TOP TRACK          |
| F     | 1   | 600T150-54 | 4'-0 3/4"   | SILL               |
| G     | 1   | 600T150-54 | 4'-0 3/4"   | HEAD TRACK         |
| H     | 4   | 600S162-54 | 3'-8 3/4"   | CRIPPLE            |
| I     | 4   | 600S162-54 | 2'-11 1/16" | CRIPPLE            |
| J     | 4   | 150U50-54  | 2'-0 1/16"  | HORIZONTAL BRACING |

SHEATHING

| LABEL | QTY | CODE      | THICK | SIZE         | SCREWS           |
|-------|-----|-----------|-------|--------------|------------------|
| 1     | 2   | DENSGLASS | 1/2"  | 5 7/8" X     | 5'-0 1/4" 8 - 12 |
| 2     | 1   | DENSGLASS | 1/2"  | 3'-11 3/4" X | 5 7/8" 8 - 12    |
| 3     | 1   | DENSGLASS | 1/2"  | 4'-0 7/8" X  | 5 7/8" 8 - 12    |

# 11-1010

Jewish Home for the Aging

1885 Victory Blvd. Reseda, CA

FM-07-109

CREATED BY: AMB

FrameMax, Inc.  
13915 Danielson St  
Suite 100  
Poway, CA 92064  
www.frame-max.com

# FRAME MAX

© FrameMax Inc.

HEIGHT : 11'-9 11/16" POINTS: 1.55 Points.

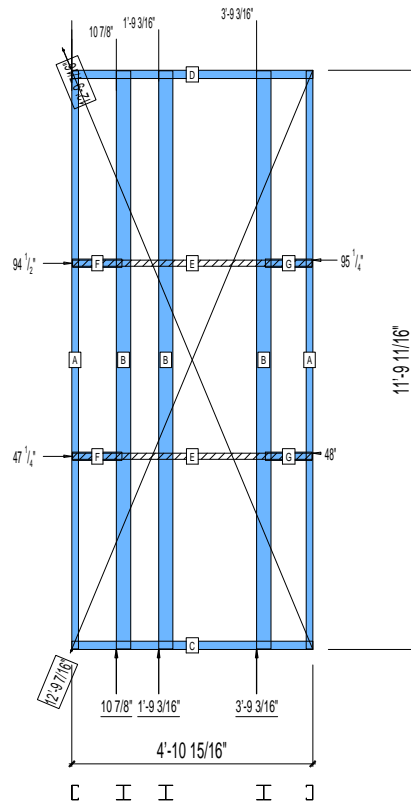
SPACING : 24"

1st STUD: 24"

WEIGHTS :

FRAME : 258 lbs

TOTAL: 258 lbs



PIECES LIST

| LABEL | QTY | SIZE        | LENGTH       | USE          |
|-------|-----|-------------|--------------|--------------|
| A     | 2   | 362S162-54  | 11'-9 1/2"   | STUD         |
| B     | 3   | 363I350p554 | 11'-9 1/2"   | PACO COLUMN  |
| C     | 1   | 362T200-68  | 4'-10 15/16" | BOTTOM TRACK |
| D     | 1   | 362T200-68  | 4'-10 15/16" | TOP TRACK    |
| E     | 2   | 150D-43     | 4'-10 3/4"   | STRAP        |
| F     | 2   | 362T200-68  | 1'-0 1/16"   | BLOCK        |
| G     | 2   | 362T200-68  | 11 7/16"     | BLOCK        |

# 11-1011

Jewish Home for the Aging

1885 Victory Blvd. Reseda, CA

FM-07-109

CREATED BY: AMB

FrameMax, Inc.  
13915 Danielson St  
Suite 100  
Poway, CA 92064  
www.frame-max.com



© FrameMax Inc.

HEIGHT : 11'-9 11/16" POINTS: 1.57 Points.

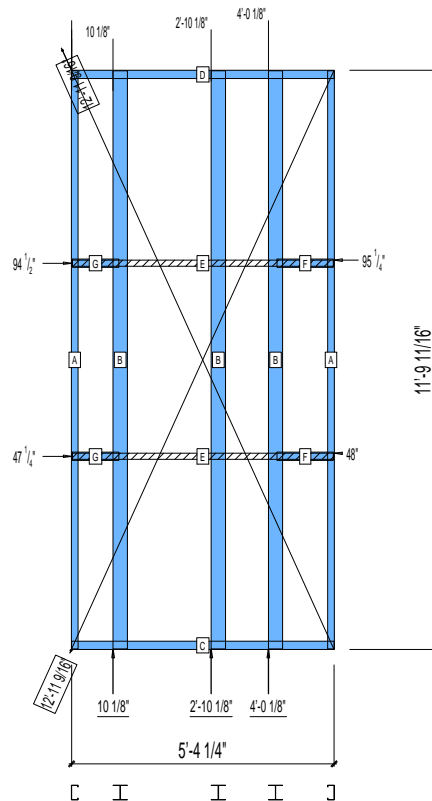
SPACING : 24"

1st STUD: 24"

WEIGHTS :

FRAME : 260 lbs

TOTAL: 260 lbs



PIECES LIST

| LABEL | QTY | SIZE        | LENGTH      | USE          |
|-------|-----|-------------|-------------|--------------|
| A     | 2   | 362S162-54  | 11'-9 1/2"  | STUD         |
| B     | 3   | 363i350p554 | 11'-9 1/2"  | PACO.COLUMN  |
| C     | 1   | 362T200-68  | 5'-4 1/4"   | BOTTOM TRACK |
| D     | 1   | 362T200-68  | 5'-4 1/4"   | TOP TRACK    |
| E     | 2   | 150D-43     | 5'-4 1/16"  | STRAP        |
| F     | 2   | 362T200-68  | 1'-1 13/16" | BLOCK        |
| G     | 2   | 362T200-68  | 11 3/8"     | BLOCK        |

# 11-1012

Jewish Home for the Aging

1885 Victory Blvd. Reseda, CA

FM-07-109

CREATED BY: AMB

FrameMax, Inc.  
13915 Danielson St  
Suite 100  
Poway, CA 92064  
www.frame-max.com

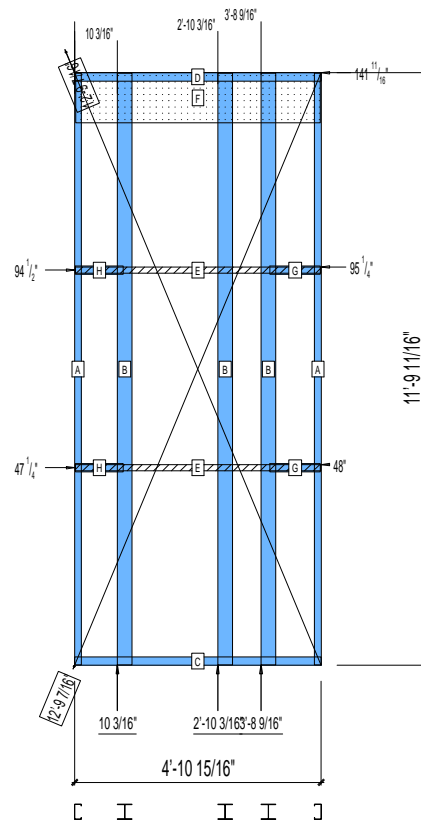


© FrameMax Inc.

HEIGHT : 11'-9 11/16"  
SPACING : 24"  
1st STUD: 24"

WEIGHTS :  
FRAME : 269 lbs

TOTAL: 269 lbs



PIECES LIST

| LABEL | QTY | SIZE        | LENGTH       | USE          |
|-------|-----|-------------|--------------|--------------|
| A     | 2   | 362S162-54  | 11'-9 1/2"   | STUD         |
| B     | 3   | 363i350p554 | 11'-9 1/2"   | PACO.COLUMN  |
| C     | 1   | 362T200-68  | 4'-10 15/16" | BOTTOM TRACK |
| D     | 1   | 362T200-68  | 4'-10 15/16" | TOP TRACK    |
| E     | 2   | 150D-43     | 4'-10 3/4"   | STRAP        |
| F     | 1   | 1200D-54    | 4'-10 1/2"   | STRAP        |
| G     | 2   | 362T200-68  | 1'-0 1/16"   | BLOCK        |
| H     | 2   | 362T200-68  | 11 7/16"     | BLOCK        |

# 11-1013

Jewish Home for the Aging

1885 Victory Blvd. Reseda, CA

FrameMax, Inc.  
13915 Danielson St  
Suite 100  
Poway, CA 92064  
www.frame-max.com



© FrameMax Inc.

CREATED: 09/11/2008

FM-07-109

CREATED BY: AMB

HEIGHT : 11'-9 11/16"

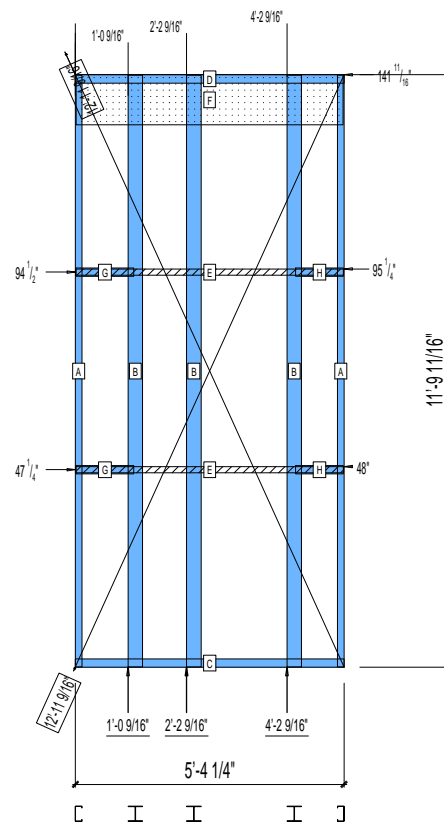
SPACING : 24"

1st STUD: 24"

WEIGHTS :

FRAME : 273 lbs

TOTAL: 273 lbs



PIECES LIST

| LABEL | QTY | SIZE        | LENGTH      | USE          |
|-------|-----|-------------|-------------|--------------|
| A     | 2   | 362S162-54  | 11'-9 1/2"  | STUD         |
| B     | 3   | 363i350p554 | 11'-9 1/2"  | PACO.COLUMN  |
| C     | 1   | 362T200-68  | 5'-4 1/4"   | BOTTOM TRACK |
| D     | 1   | 362T200-68  | 5'-4 1/4"   | TOP TRACK    |
| E     | 2   | 150D-43     | 5'-4 1/16"  | STRAP        |
| F     | 1   | 1200D-54    | 5'-3 13/16" | STRAP        |
| G     | 2   | 362T200-68  | 1'-1 13/16" | BLOCK        |
| H     | 2   | 362T200-68  | 11 3/8"     | BLOCK        |

# 11-1014

Jewish Home for the Aging

1885 Victory Blvd. Reseda, CA

FrameMax, Inc.  
13915 Danielson St  
Suite 100  
Poway, CA 92064  
www.frame-max.com



© FrameMax Inc.

CREATED: 10/04/2008

FM-07-109

CREATED BY: AMB

HEIGHT : 11'-9 11/16" POINTS: 2.51 Points.

SPACING : 24"

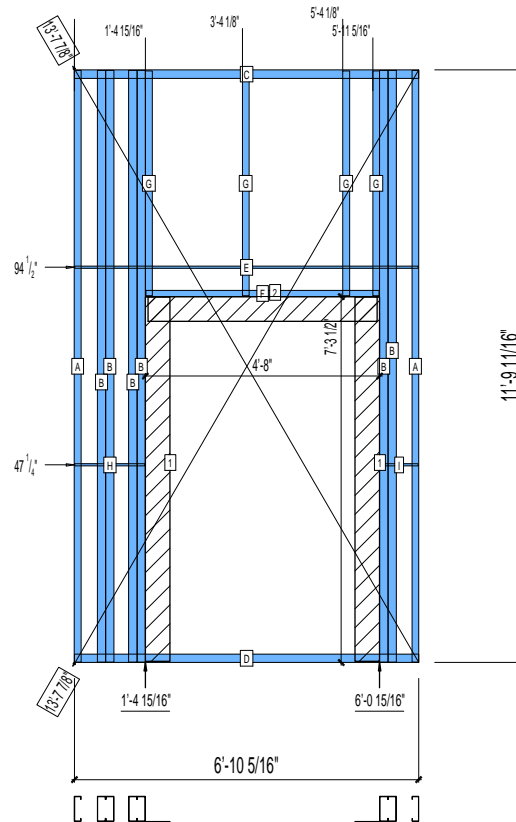
1st STUD: 24"

WEIGHTS :

FRAME : 414 lbs

SHEATHING: 23 lbs

-----  
TOTAL: 437 lbs



PIECES LIST

| LABEL | QTY | SIZE       | LENGTH      | USE                |
|-------|-----|------------|-------------|--------------------|
| A     | 2   | 600S162-97 | 11'-9 1/2"  | STUD               |
| B     | 6   | 600S200-97 | 11'-9 1/2"  | KING STUD          |
| C     | 1   | 600T200-68 | 6'-10 5/16" | TOP TRACK          |
| D     | 1   | 600T200-68 | 6'-10 5/16" | BOTTOM TRACK       |
| E     | 1   | 150U50-54  | 6'-10 1/8"  | HORIZONTAL BRACING |
| F     | 1   | 600T150-54 | 4'-7 3/4"   | HEAD TRACK         |
| G     | 4   | 600S162-54 | 4'-5 3/4"   | CRIPPLE            |
| H     | 1   | 150U50-54  | 1'-4 3/4"   | HORIZONTAL BRACING |
| I     | 1   | 150U50-54  | 9 1/8"      | HORIZONTAL BRACING |

SHEATHING

| LABEL | QTY | CODE      | THICK | SIZE        | SCREWS           |
|-------|-----|-----------|-------|-------------|------------------|
| 1     | 2   | DENSGLOSS | 1/2"  | 5 7/8" X    | 7'-3 1/8" 8 - 12 |
| 2     | 1   | DENSGLOSS | 1/2"  | 4'-6 3/4" X | 5 7/8" 8 - 12    |

# 11-1015

Jewish Home for the Aging

1885 Victory Blvd. Reseda, CA

FrameMax, Inc.  
13915 Danielson St  
Suite 100  
Poway, CA 92064  
www.frame-max.com



© FrameMax Inc.

CREATED: 09/11/2008

FM-07-109

CREATED BY: AMB

HEIGHT : 11'-9 11/16" POINTS: 2.49 Points.

SPACING : 24"

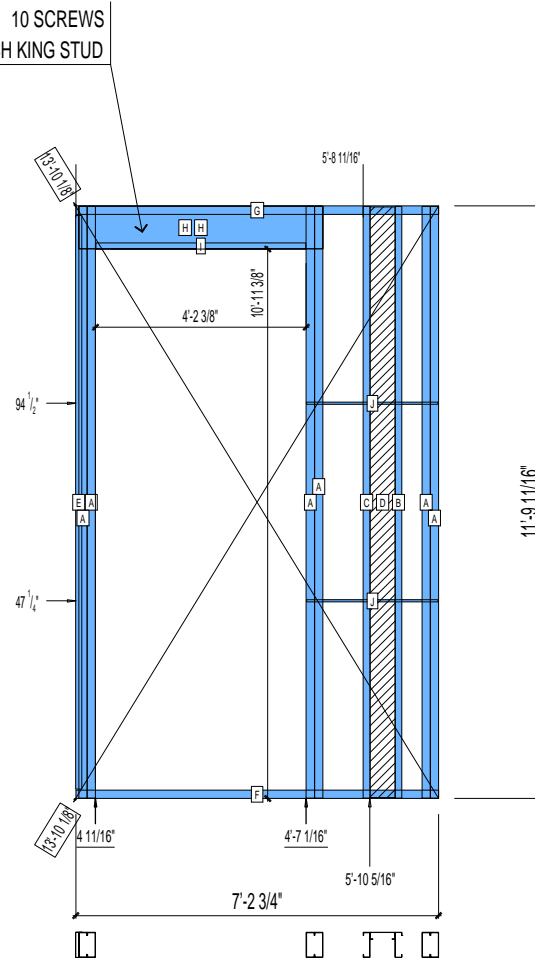
1st STUD: 24"

WEIGHTS :

FRAME : 435 lbs

-----  
TOTAL: 435 lbs

10 SCREWS  
INTO EACH KING STUD



PIECES LIST

| LABEL | QTY | SIZE        | LENGTH      | USE                |
|-------|-----|-------------|-------------|--------------------|
| A     | 6   | 600S200-97  | 11'-9 1/2"  | KING STUD          |
| B     | 1   | 600S162-33  | 11'-9 1/2"  | BACKER STUD        |
| C     | 1   | 600S162-97  | 11'-9 1/2"  | STUD               |
| D     | 1   | 600S162-33  | 11'-9 1/4"  | BACKER-U           |
| E     | 1   | 600T150-54  | 11'-5 3/16" | CAP                |
| F     | 1   | 600T200-68  | 7'-2 3/4"   | BOTTOM TRACK       |
| G     | 1   | 600T200-68  | 7'-2 3/4"   | TOP TRACK          |
| H     | 2   | 1000T200-97 | 4'-10 3/8"  | HEADER             |
| I     | 1   | 600T150-54  | 4'-2 1/8"   | HEAD TRACK         |
| J     | 2   | 150U50-54   | 2'-7 7/16"  | HORIZONTAL BRACING |

# 11-1016

Jewish Home for the Aging

1885 Victory Blvd. Reseda, CA

FrameMax, Inc.  
13915 Danielson St  
Suite 100  
Poway, CA 92064  
www.frame-max.com



© FrameMax Inc.

CREATED: 09/11/2008

FM-07-109

CREATED BY: AMB

HEIGHT : 11'-9 11/16" POINTS: 2.46 Points.

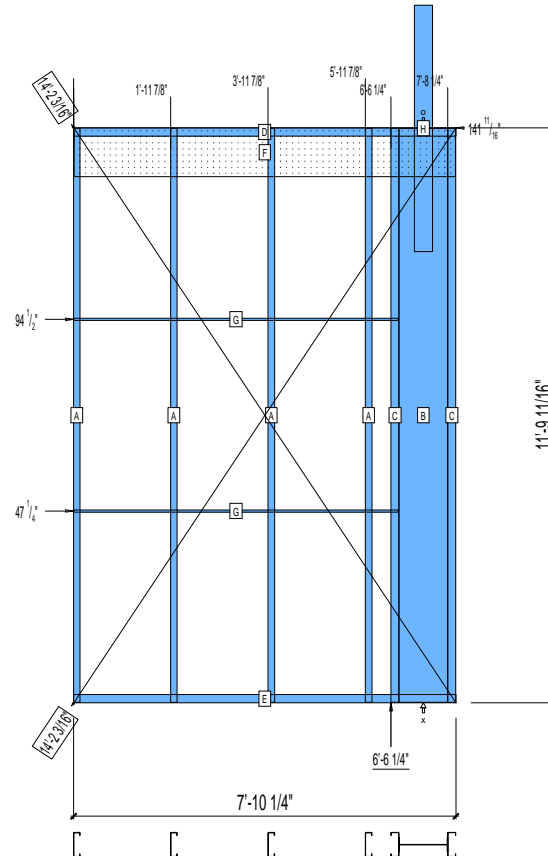
SPACING : 24"

1st STUD: 24"

WEIGHTS :

FRAME : 444 lbs

TOTAL: 444 lbs



PIECES LIST

| LABEL | QTY | SIZE          | LENGTH      | USE                |
|-------|-----|---------------|-------------|--------------------|
| A     | 4   | 600S162-97    | 11'-9 1/2"  | STUD               |
| B     | 1   | 1200i350p1062 | 11'-9 1/2"  | PACO               |
| C     | 2   | 600S200-68    | 11'-9 1/2"  | STUD               |
| D     | 1   | 600T200-68    | 7'-10 1/4"  | TOP TRACK          |
| E     | 1   | 600T200-68    | 7'-10 1/4"  | BOTTOM TRACK       |
| F     | 1   | 1200D-54      | 7'-9 15/16" | STRAP              |
| G     | 2   | 150U50-54     | 6'-7 7/8"   | HORIZONTAL BRACING |
| H     | 1   | D             | 5'-0 3/4"   | HOLDDOWN           |

# 11-1017

Jewish Home for the Aging

1885 Victory Blvd. Reseda, CA

FrameMax, Inc.  
13915 Danielson St  
Suite 100  
Poway, CA 92064  
www.frame-max.com



© FrameMax Inc.

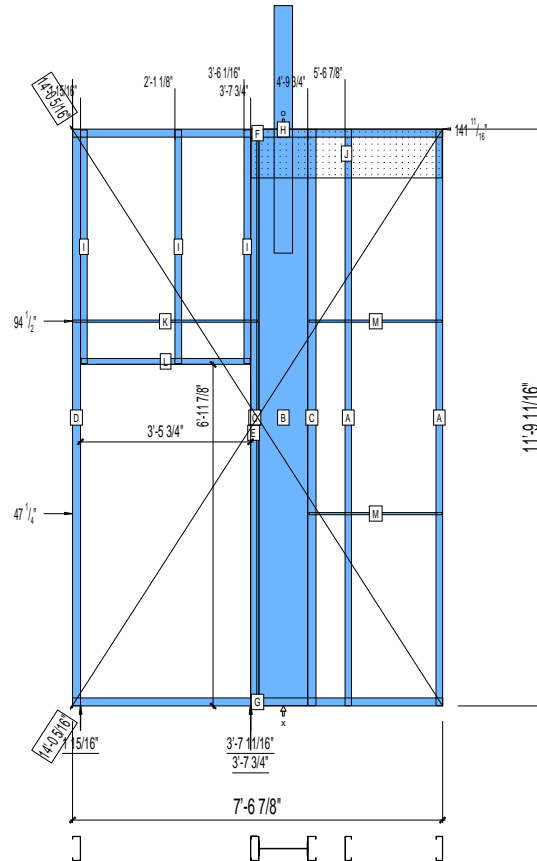
CREATED: 09/11/2008

FM-07-109

CREATED BY: AMB

HEIGHT : 11'-9 11/16" POINTS: 2.58 Points.  
SPACING : 24"  
1st STUD: 24"

WEIGHTS :  
FRAME : 449 lbs  
-----  
TOTAL: 449 lbs



PIECES LIST

| LABEL | QTY | SIZE          | LENGTH       | USE                |
|-------|-----|---------------|--------------|--------------------|
| A     | 2   | 600S162-97    | 11'-9 1/2"   | STUD               |
| B     | 1   | 1200i350p1062 | 11'-9 1/2"   | PACO               |
| C     | 2   | 600S200-68    | 11'-9 1/2"   | STUD               |
| D     | 1   | 600S200-97    | 11'-9 1/2"   | KING STUD          |
| E     | 1   | 600T150-54    | 11'-5 3/16"  | CAP                |
| F     | 1   | 600T200-68    | 7'-6 7/8"    | TOP TRACK          |
| G     | 1   | 600T200-68    | 7'-6 7/8"    | BOTTOM TRACK       |
| H     | 1   | D             | 5'-0 3/4"    | HOLDDOWN           |
| I     | 3   | 600S162-54    | 4'-9 3/8"    | CRIPPLE            |
| J     | 1   | 1200D-54      | 3'-10 15/16" | STRAP              |
| K     | 1   | 150U50-54     | 3'-9 3/8"    | HORIZONTAL BRACING |
| L     | 1   | 600T150-54    | 3'-5 1/2"    | HEAD TRACK         |
| M     | 2   | 150U50-54     | 2'-8 11/16"  | HORIZONTAL BRACING |

# 11-1018

Jewish Home for the Aging

1885 Victory Blvd. Reseda, CA

FrameMax, Inc.  
13915 Danielson St  
Suite 100  
Poway, CA 92064  
www.framemax.com



© FrameMax Inc.

CREATED: 09/11/2008

FM-07-109

CREATED BY: AMB

HEIGHT : 11'-9 11/16" POINTS: 2.20 Points.

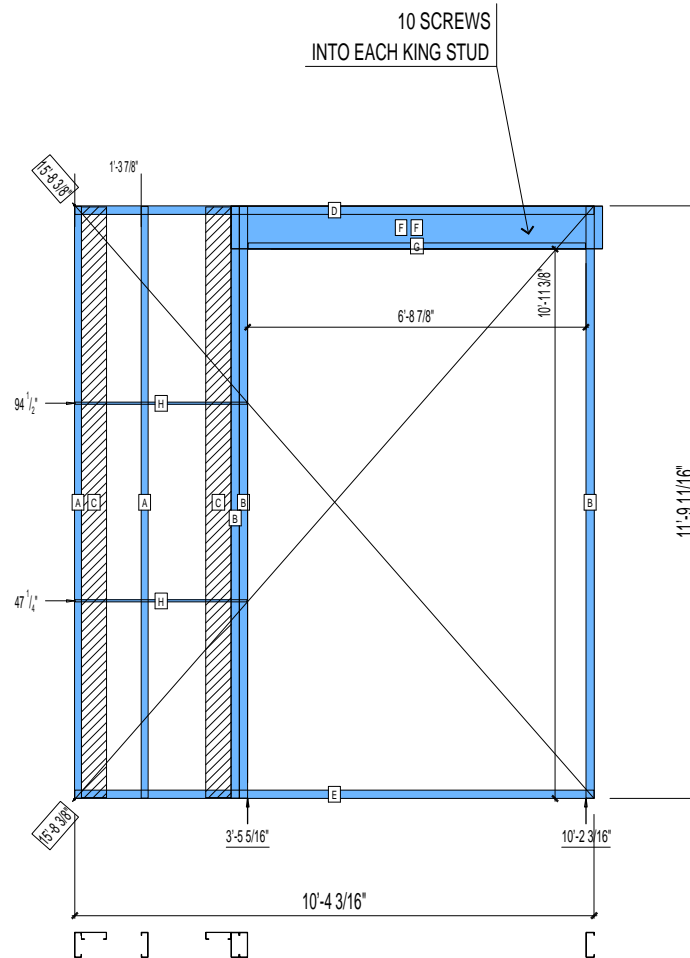
SPACING : 24"

1st STUD: 24"

WEIGHTS :

FRAME : 371 lbs

TOTAL: 371 lbs



PIECES LIST

| LABEL | QTY | SIZE        | LENGTH      | USE                |
|-------|-----|-------------|-------------|--------------------|
| A     | 2   | 600S162-97  | 11'-9 1/2"  | STUD               |
| B     | 3   | 600S200-97  | 11'-9 1/2"  | KING STUD          |
| C     | 2   | 600S162-33  | 11'-9 1/4"  | BACKER-U           |
| D     | 1   | 600T200-68  | 10'-4 3/16" | TOP TRACK          |
| E     | 1   | 600T200-68  | 10'-4 3/16" | BOTTOM TRACK       |
| F     | 2   | 1000T200-97 | 7'-4 7/8"   | HEADER             |
| G     | 1   | 600T150-54  | 6'-8 5/8"   | HEAD TRACK         |
| H     | 2   | 150U50-54   | 3'-5 1/8"   | HORIZONTAL BRACING |

# 11-1019

Jewish Home for the Aging

1885 Victory Blvd. Reseda, CA

FM-07-109

CREATED BY: AMB

FrameMax, Inc.  
13915 Danielson St  
Suite 100  
Poway, CA 92064  
www.frame-max.com



© FrameMax Inc.

HEIGHT : 11'-9 11/16" POINTS: 2.31 Points.

SPACING : 24"

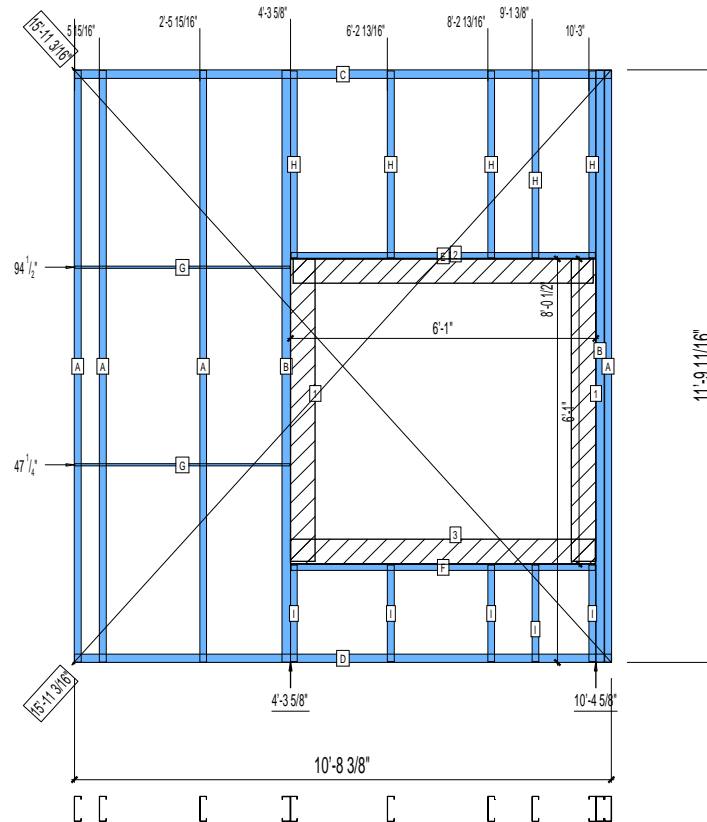
1st STUD: 24"

WEIGHTS :

FRAME : 327 lbs

SHEATHING: 29 lbs

TOTAL: 356 lbs



PIECES LIST

| LABEL | QTY | SIZE       | LENGTH      | USE                |
|-------|-----|------------|-------------|--------------------|
| A     | 4   | 600S162-68 | 11'-9 1/2"  | STUD               |
| B     | 2   | 600S200-97 | 11'-9 1/2"  | KING STUD          |
| C     | 1   | 600T200-68 | 10'-8 3/8"  | TOP TRACK          |
| D     | 1   | 600T200-68 | 10'-8 3/8"  | BOTTOM TRACK       |
| E     | 1   | 600T150-54 | 6'-0 3/4"   | HEAD TRACK         |
| F     | 1   | 600T150-54 | 6'-0 3/4"   | SILL               |
| G     | 2   | 150U50-54  | 4'-3 7/16"  | HORIZONTAL BRACING |
| H     | 5   | 600S162-54 | 3'-8 3/4"   | CRIPPLE            |
| I     | 5   | 600S162-54 | 1'-11 1/16" | CRIPPLE            |

SHEATHING

| LABEL | QTY | CODE      | THICK | SIZE         | SCREWS           |
|-------|-----|-----------|-------|--------------|------------------|
| 1     | 2   | DENSGLASS | 1/2"  | 5 7/8" X     | 6'-0 1/4" 8 - 12 |
| 2     | 1   | DENSGLASS | 1/2"  | 5'-11 3/4" X | 5 7/8" 8 - 12    |
| 3     | 1   | DENSGLASS | 1/2"  | 6'-0 7/8" X  | 5 7/8" 8 - 12    |

# PANEL\_ID

Jewish Home for the Aging

1885 Victory Blvd. Reseda, CA

FM-07-109

CREATED BY: AMB

FrameMax, Inc.  
13915 Danielson St  
Suite 100  
Poway, CA 92064  
www.frame-max.com



© FrameMax Inc.

HEIGHT : 11'-9 11/16" POINTS: 2.04 Points.

SPACING : 24"

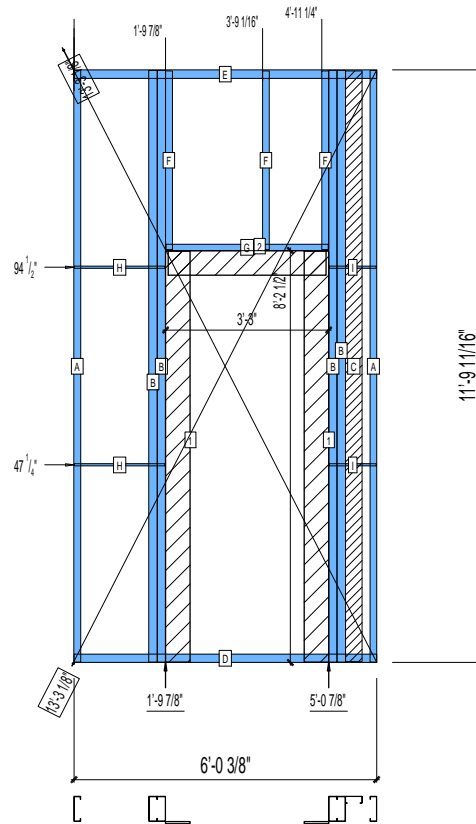
1st STUD: 24"

**WEIGHTS :**

FRAME : 317 lbs

SHEATHING: 24 lbs

TOTAL: 341 lbs



**PIECES LIST**

| LABEL | QTY | SIZE       | LENGTH      | USE                |
|-------|-----|------------|-------------|--------------------|
| A     | 2   | 600S162-97 | 11'-9 1/2"  | STUD               |
| B     | 4   | 600S200-97 | 11'-9 1/2"  | KING STUD          |
| C     | 1   | 400S162-33 | 11'-9 1/4"  | BACKER-U           |
| D     | 1   | 600T200-68 | 6'-0 3/8"   | BOTTOM TRACK       |
| E     | 1   | 600T200-68 | 6'-0 3/8"   | TOP TRACK          |
| F     | 3   | 600S162-54 | 3'-6 3/4"   | CRIPPLE            |
| G     | 1   | 600T150-54 | 3'-2 3/4"   | HEAD TRACK         |
| H     | 2   | 150U50-54  | 1'-9 11/16" | HORIZONTAL BRACING |
| I     | 2   | 150U50-54  | 11 1/4"     | HORIZONTAL BRACING |

**SHEATHING**

| LABEL | QTY | CODE      | THICK | SIZE               | SCREWS |
|-------|-----|-----------|-------|--------------------|--------|
| 1     | 2   | DENSGLASS | 1/2"  | 5 7/8" X 8'-2 1/4" | 8 - 12 |
| 2     | 1   | DENSGLASS | 1/2"  | 3'-1 3/4" X 5 7/8" | 8 - 12 |

# 11-1021

Jewish Home for the Aging

1885 Victory Blvd. Reseda, CA

FrameMax, Inc.  
13915 Danielson St  
Suite 100  
Poway, CA 92064  
www.frame-max.com



© FrameMax Inc.

CREATED: 09/11/2008

FM-07-109

CREATED BY: AMB

HEIGHT : 11'-9 11/16" POINTS: 4.29 Points.

SPACING : 24"

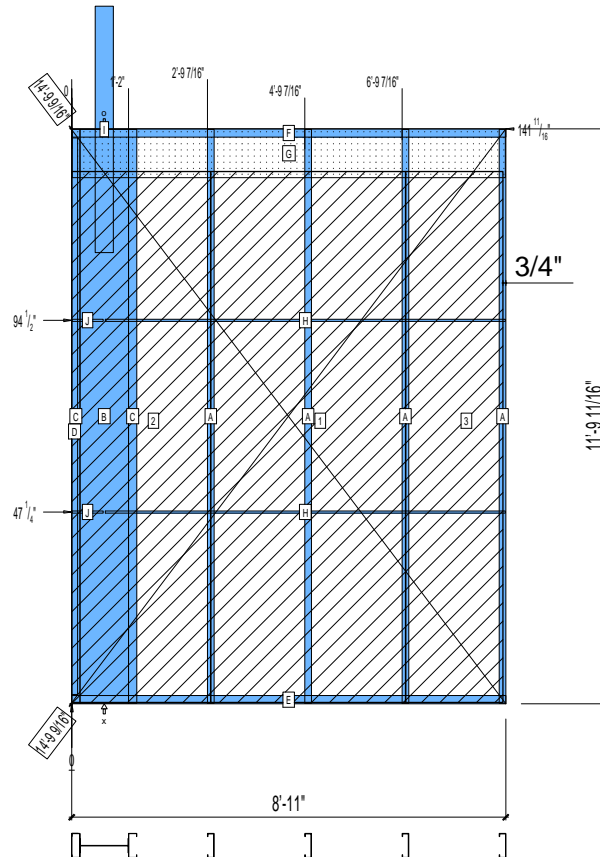
1st STUD: 24"

WEIGHTS :

FRAME : 474 lbs

SHEATHING: 355 lbs

TOTAL: 829 lbs



PIECES LIST

| LABEL | QTY | SIZE          | LENGTH      | USE                |
|-------|-----|---------------|-------------|--------------------|
| A     | 4   | 600S162-97    | 11'-9 1/2"  | STUD               |
| B     | 1   | 1200i350p1062 | 11'-9 1/2"  | PACO               |
| C     | 2   | 600S200-68    | 11'-9 1/2"  | STUD               |
| D     | 1   | 600T150-54    | 11'-5 3/16" | CAP                |
| E     | 1   | 600T200-68    | 8'-11"      | BOTTOM TRACK       |
| F     | 1   | 600T200-68    | 8'-11"      | TOP TRACK          |
| G     | 1   | 1200D-54      | 8'-10 3/4"  | STRAP              |
| H     | 2   | 150U50-54     | 8'-2 5/8"   | HORIZONTAL BRACING |
| I     | 1   | D             | 5'-0 3/4"   | HOLDDOWN           |
| J     | 2   | 150U50-54     | 7 11/16"    | HORIZONTAL BRACING |

SHEATHING

| LABEL | QTY | CODE         | THICK | SIZE                     | SCREWS |
|-------|-----|--------------|-------|--------------------------|--------|
| 1     | 1   | SB-DENSARMOR | 5/8"  | 4'-0" X 10'-10 7/8"      | 2 - 12 |
| 2     | 1   | SB-DENSARMOR | 5/8"  | 2'-10 1/4" X 10'-10 7/8" | 2 - 12 |
| 3     | 1   | SB-DENSARMOR | 5/8"  | 2'-0" X 10'-10 7/8"      | 2 - 12 |

# 11-1022

Jewish Home for the Aging

1885 Victory Blvd. Reseda, CA

FrameMax, Inc.  
13915 Danielson St  
Suite 100  
Poway, CA 92064  
www.frame-max.com



© FrameMax Inc.

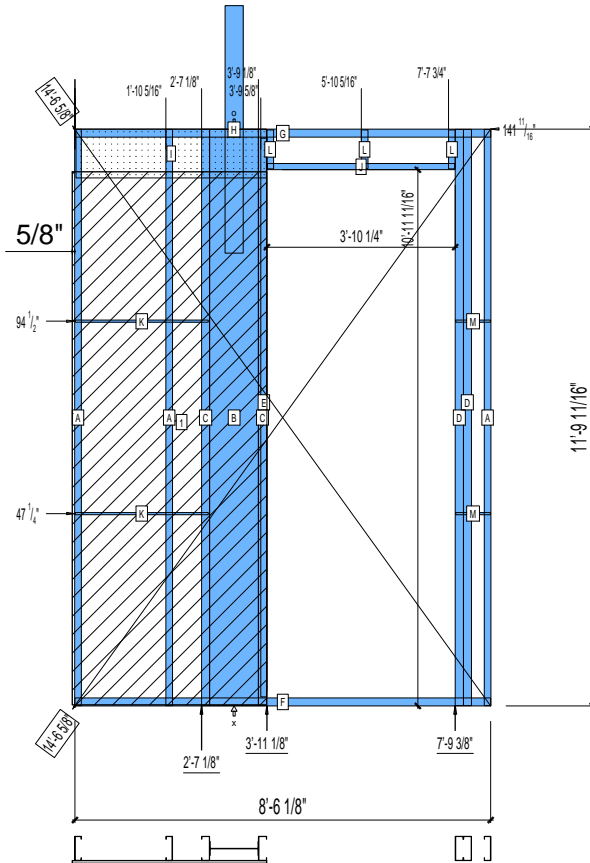
CREATED: 09/11/2008

FM-07-109

CREATED BY: AMB

HEIGHT : 14'-3 15/16" POINTS: 3.68 Points.  
SPACING : 24"  
1st STUD: 24"

WEIGHTS :  
FRAME : 512 lbs  
SHEATHING: 160 lbs  
-----  
TOTAL: 672 lbs



PIECES LIST

| LABEL | QTY | SIZE          | LENGTH      | USE                |
|-------|-----|---------------|-------------|--------------------|
| A     | 3   | 600S162-97    | 11'-9 1/2"  | STUD               |
| B     | 1   | 1200i350p1062 | 11'-9 1/2"  | PACO               |
| C     | 2   | 600S200-68    | 11'-9 1/2"  | STUD               |
| D     | 2   | 600S200-97    | 11'-9 1/2"  | KING STUD          |
| E     | 1   | 600T150-54    | 11'-5 3/16" | CAP                |
| F     | 1   | 600T200-68    | 8'-6 1/8"   | BOTTOM TRACK       |
| G     | 1   | 600T200-68    | 8'-6 1/8"   | TOP TRACK          |
| H     | 1   | D             | 5'-0 3/4"   | HOLDDOWN           |
| I     | 1   | 1200D-54      | 3'-10 3/4"  | STRAP              |
| J     | 1   | 600T150-54    | 3'-10"      | HEAD TRACK         |
| K     | 2   | 150U50-54     | 2'-8 11/16" | HORIZONTAL BRACING |
| L     | 3   | 600S162-54    | 9 9/16"     | CRIPPLE            |
| M     | 2   | 150U50-54     | 8 1/2"      | HORIZONTAL BRACING |

SHEATHING

| LABEL | QTY | CODE         | THICK | SIZE                       | SCREWS |
|-------|-----|--------------|-------|----------------------------|--------|
| 1     | 1   | SB-DENSARMOR | 5/8"  | 3'-11 13/16" X 10'-10 7/8" | 2 - 12 |

# 11-1023

Jewish Home for the Aging

1885 Victory Blvd. Reseda, CA

FrameMax, Inc.  
13915 Danielson St  
Suite 100  
Poway, CA 92064  
www.frame-max.com



© FrameMax Inc.

CREATED: 09/11/2008

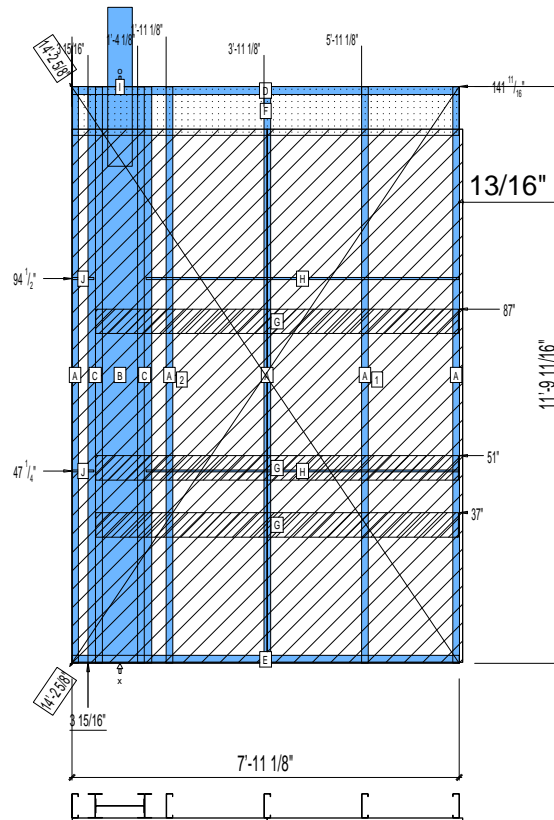
FM-07-109

CREATED BY: AMB

HEIGHT : 13'-5 1/16" POINTS: 4.84 Points.  
SPACING : 24"  
1st STUD: 24"

WEIGHTS :  
FRAME : 620 lbs  
SHEATHING: 321 lbs

-----  
TOTAL: 941 lbs



PIECES LIST

| LABEL | QTY | SIZE          | LENGTH      | USE                |
|-------|-----|---------------|-------------|--------------------|
| A     | 5   | 600S162-97    | 11'-9 1/2"  | STUD               |
| B     | 1   | 1200i350p1062 | 11'-9 1/2"  | PACO               |
| C     | 2   | 600i350p680   | 11'-9 1/2"  | PACO               |
| D     | 1   | 600T200-68    | 7'-11 1/8"  | TOP TRACK          |
| E     | 1   | 600T200-68    | 7'-11 1/8"  | BOTTOM TRACK       |
| F     | 1   | 1200D-54      | 7'-10 7/8"  | STRAP              |
| G     | 3   | 600D-54       | 7'-5 1/16"  | KITCHEN BACKING    |
| H     | 2   | 150U50-54     | 6'-4 13/16" | HORIZONTAL BRACING |
| I     | 1   | E             | 3'-3"       | HOLDDOWN           |
| J     | 2   | 150U50-54     | 5 5/16"     | HORIZONTAL BRACING |

SHEATHING

| LABEL | QTY | CODE         | THICK | SIZE                     | SCREWS |
|-------|-----|--------------|-------|--------------------------|--------|
| 1     | 1   | SB-DENSARMOR | 5/8"  | 4'-0" X 10'-10 7/8"      | 2 - 12 |
| 2     | 1   | SB-DENSARMOR | 5/8"  | 3'-11 7/8" X 10'-10 7/8" | 2 - 12 |

# 11-1024

Jewish Home for the Aging

1885 Victory Blvd. Reseda, CA

FM-07-109

CREATED BY: AMB

FrameMax, Inc.  
13915 Danielson St  
Suite 100  
Poway, CA 92064  
www.frame-max.com



© FrameMax Inc.

HEIGHT : 11'-9 11/16" POINTS: 3.54 Points.

SPACING : 24"

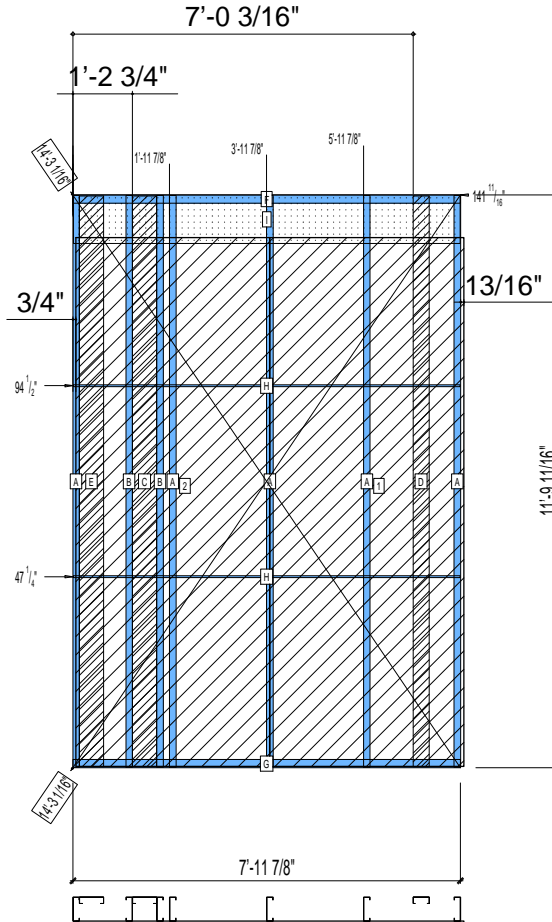
1st STUD: 24"

WEIGHTS :

FRAME : 351 lbs

SHEATHING: 321 lbs

TOTAL: 672 lbs



PIECES LIST

| LABEL | QTY | SIZE       | LENGTH       | USE                |
|-------|-----|------------|--------------|--------------------|
| A     | 5   | 600S162-97 | 11'-9 1/2"   | STUD               |
| B     | 2   | 600S162-54 | 11'-9 1/2"   | BACKER STUD        |
| C     | 1   | 600S162-54 | 11'-9 1/4"   | BACKER-U           |
| D     | 1   | 400S162-33 | 11'-9 1/4"   | BACKER-U           |
| E     | 1   | 600S162-33 | 11'-9 1/4"   | BACKER-U           |
| F     | 1   | 600T200-68 | 7'-11 7/8"   | TOP TRACK          |
| G     | 1   | 600T200-68 | 7'-11 7/8"   | BOTTOM TRACK       |
| H     | 2   | 150U50-54  | 7'-11 11/16" | HORIZONTAL BRACING |
| I     | 1   | 1200D-54   | 7'-11 5/8"   | STRAP              |

SHEATHING

| LABEL | QTY | CODE         | THICK | SIZE                | SCREWS |
|-------|-----|--------------|-------|---------------------|--------|
| 1     | 1   | SB-DENSARMOR | 5/8"  | 4'-0" X 10'-10 7/8" | 2 - 12 |
| 2     | 1   | SB-DENSARMOR | 5/8"  | 4'-0" X 10'-10 7/8" | 2 - 12 |

# 11-1025

Jewish Home for the Aging

1885 Victory Blvd. Reseda, CA

FM-07-109

CREATED BY: AMB

FrameMax, Inc.  
13915 Danielson St  
Suite 100  
Poway, CA 92064  
www.frame-max.com



© FrameMax Inc.

HEIGHT : 11'-9 11/16" POINTS: 1.51 Points.

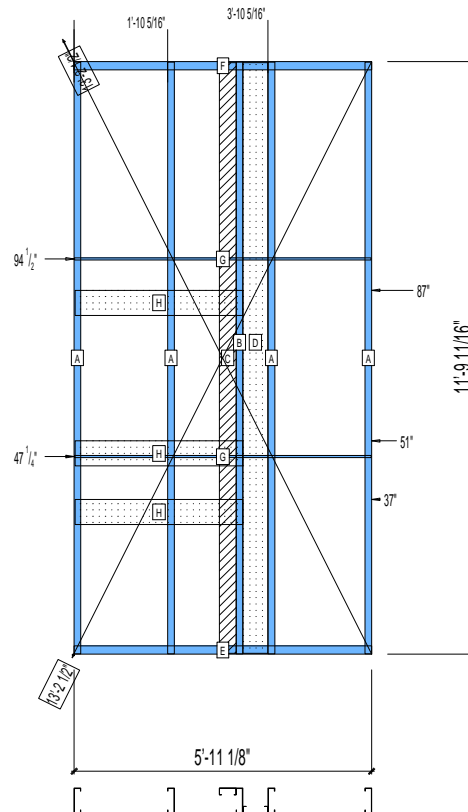
SPACING : 24"

1st STUD: 24"

WEIGHTS :

FRAME : 240 lbs

-----  
TOTAL: 240 lbs



PIECES LIST

| LABEL | QTY | SIZE       | LENGTH       | USE                |
|-------|-----|------------|--------------|--------------------|
| A     | 4   | 600S162-97 | 11'-9 1/2"   | STUD               |
| B     | 1   | 600S162-33 | 11'-9 1/2"   | BACKER STUD        |
| C     | 1   | 400S162-33 | 11'-9 1/4"   | BACKER-U           |
| D     | 1   | 600S162-33 | 11'-9 1/4"   | BACKER-U           |
| E     | 1   | 600T200-68 | 5'-11 1/8"   | BOTTOM TRACK       |
| F     | 1   | 600T200-68 | 5'-11 1/8"   | TOP TRACK          |
| G     | 2   | 150U50-54  | 5'-10 15/16" | HORIZONTAL BRACING |
| H     | 3   | 600D-54    | 3'-4 1/8"    | KITCHEN BACKING    |

# 11-1026

Jewish Home for the Aging

1885 Victory Blvd. Reseda, CA

FM-07-109

CREATED BY: AMB

FrameMax, Inc.  
13915 Danielson St  
Suite 100  
Poway, CA 92064  
www.frame-max.com



© FrameMax Inc.

HEIGHT : 11'-9 11/16" POINTS: 1.60 Points.

SPACING : 24"

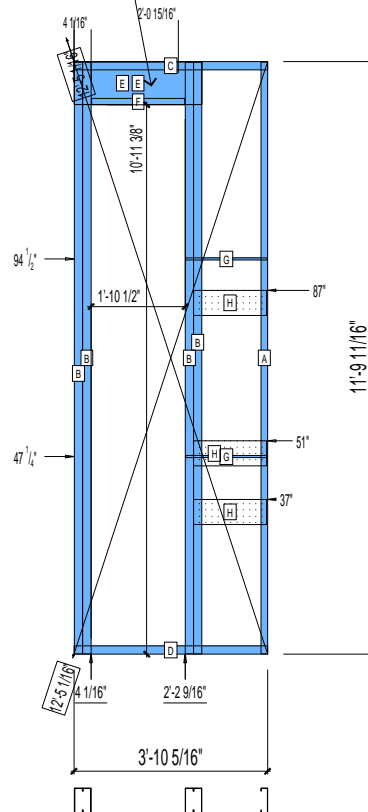
1st STUD: 24"

WEIGHTS :

FRAME : 264 lbs

TOTAL: 264 lbs

10 SCREWS  
INTO EACH KING STUD



PIECES LIST

| LABEL | QTY | SIZE        | LENGTH      | USE                |
|-------|-----|-------------|-------------|--------------------|
| A     | 1   | 600S162-97  | 11'-9 1/2"  | STUD               |
| B     | 4   | 600S200-97  | 11'-9 1/2"  | KING STUD          |
| C     | 1   | 600T200-68  | 3'-10 5/16" | TOP TRACK          |
| D     | 1   | 600T200-68  | 3'-10 5/16" | BOTTOM TRACK       |
| E     | 2   | 1000T200-97 | 2'-6 1/2"   | HEADER             |
| F     | 1   | 600T150-54  | 1'-10 1/4"  | HEAD TRACK         |
| G     | 2   | 150U50-54   | 1'-7 1/2"   | HORIZONTAL BRACING |
| H     | 3   | 600D-54     | 1'-5 1/2"   | KITCHEN BACKING    |

# 11-1027

Jewish Home for the Aging

1885 Victory Blvd. Reseda, CA

FrameMax, Inc.  
13915 Danielson St  
Suite 100  
Poway, CA 92064  
www.framemax.com



© FrameMax Inc.

CREATED: 10/04/2008

FM-07-109

CREATED BY: AMB

HEIGHT : 11'-9 11/16" POINTS: 2.55 Points.

SPACING : 24"

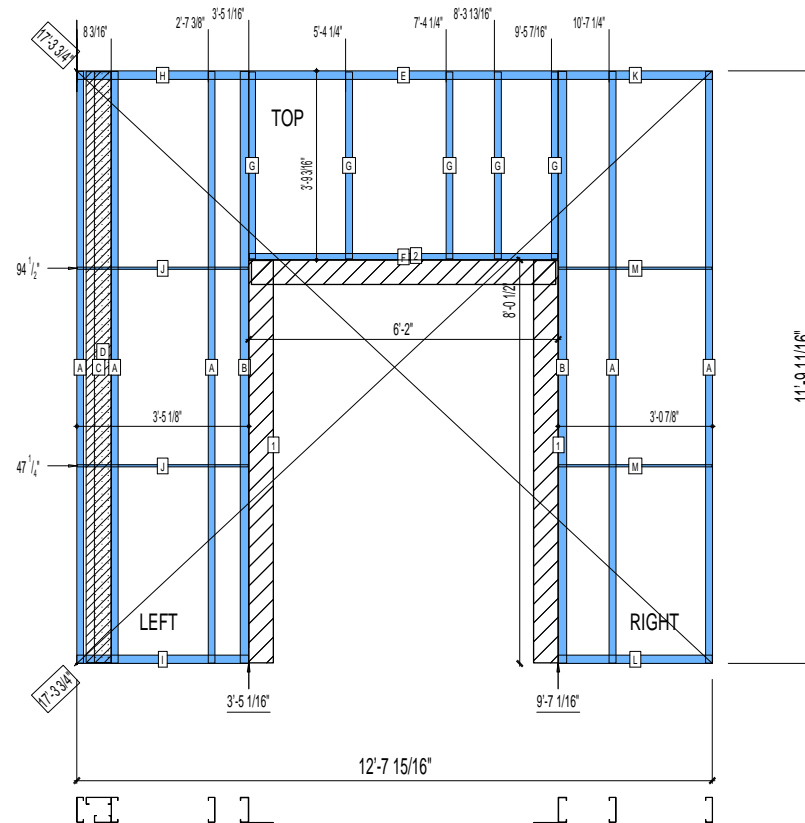
1st STUD: 24"

WEIGHTS :

FRAME : 364 lbs

SHEATHING: 27 lbs

TOTAL: 391 lbs



PIECES LIST

| LABEL | QTY | SIZE       | LENGTH      | USE                |
|-------|-----|------------|-------------|--------------------|
| A     | 5   | 600S162-68 | 11'-9 1/2"  | STUD               |
| B     | 2   | 600S200-97 | 11'-9 1/2"  | KING STUD          |
| C     | 1   | 600S162-54 | 11'-9 5/16" | BACKER-U           |
| D     | 1   | 400S162-54 | 11'-9 5/16" | BACKER-U           |
| E     | 1   | 600T200-68 | 6'-1 15/16" | TOP TRACK          |
| F     | 1   | 600T150-54 | 6'-1 3/4"   | HEAD TRACK         |
| G     | 5   | 600S162-54 | 3'-8 3/4"   | CRIPPLE            |
| H     | 1   | 600T200-68 | 3'-5 1/16"  | TOP TRACK          |
| I     | 1   | 600T200-68 | 3'-5 1/16"  | BOTTOM TRACK       |
| J     | 2   | 150U50-54  | 3'-4 7/8"   | HORIZONTAL BRACING |
| K     | 1   | 600T200-68 | 3'-0 13/16" | TOP TRACK          |
| L     | 1   | 600T200-68 | 3'-0 13/16" | BOTTOM TRACK       |
| M     | 2   | 150U50-54  | 3'-0 5/8"   | HORIZONTAL BRACING |

SHEATHING

| LABEL | QTY | CODE      | THICK | SIZE               | SCREWS |
|-------|-----|-----------|-------|--------------------|--------|
| 1     | 2   | DENSGLASS | 1/2"  | 5 7/8" X 8'-0 1/4" | 8 - 12 |
| 2     | 1   | DENSGLASS | 1/2"  | 6'-0 3/4" X 5 7/8" | 8 - 12 |

# 11-1028

Jewish Home for the Aging

1885 Victory Blvd. Reseda, CA

FrameMax, Inc.  
13915 Danielson St  
Suite 100  
Poway, CA 92064  
www.frame-max.com



© FrameMax Inc.

CREATED: 09/11/2008

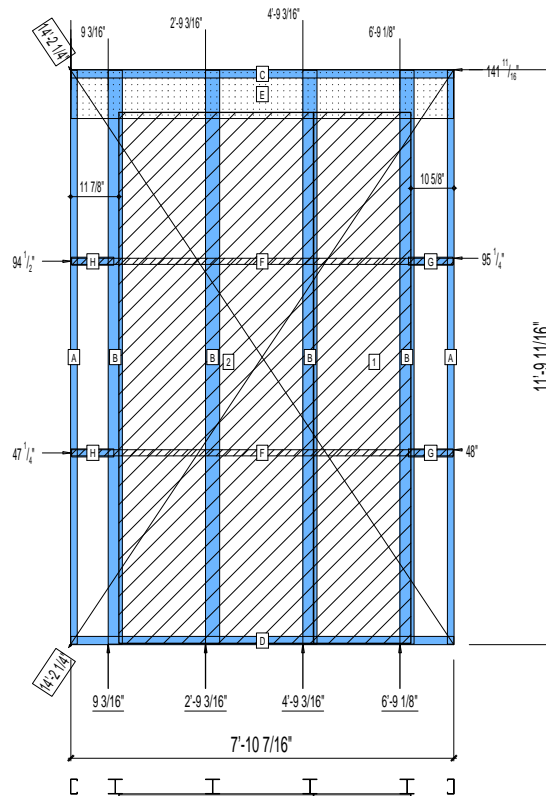
FM-07-109

CREATED BY: AMB

HEIGHT : 11'-9 11/16"  
SPACING : 24"  
1st STUD: 24"

WEIGHTS :  
FRAME : 354 lbs  
SHEATHING: 241 lbs

TOTAL: 595 lbs



### PIECES LIST

| LABEL | QTY | SIZE        | LENGTH      | USE          |
|-------|-----|-------------|-------------|--------------|
| A     | 2   | 362S162-54  | 11'-9 1/2"  | STUD         |
| B     | 4   | 363i350p554 | 11'-9 1/2"  | PACO. COLUMN |
| C     | 1   | 362T200-68  | 7'-10 7/16" | TOP TRACK    |
| D     | 1   | 362T200-68  | 7'-10 7/16" | BOTTOM TRACK |
| E     | 1   | 1200D-54    | 7'-10 1/4"  | STRAP        |
| F     | 2   | 150D-43     | 7'-10 1/4"  | STRAP        |
| G     | 2   | 362T200-68  | 11"         | BLOCK        |
| H     | 2   | 362T200-68  | 10 7/16"    | BLOCK        |

### SHEATHING

| LABEL | QTY | CODE         | THICK | SIZE                | SCREWS |
|-------|-----|--------------|-------|---------------------|--------|
| 1     | 1   | SB-DENSARMOR | 5/8"  | 2'-0" X 10'-10 7/8" | 2 - 12 |
| 2     | 1   | SB-DENSARMOR | 5/8"  | 4'-0" X 10'-10 7/8" | 2 - 12 |

# 11-1029

Jewish Home for the Aging

1885 Victory Blvd. Reseda, CA

FM-07-109

CREATED BY: AMB

FrameMax, Inc.  
13915 Danielson St  
Suite 100  
Poway, CA 92064  
www.frame-max.com



© FrameMax Inc.

HEIGHT : 11'-9 11/16"

SPACING : 24"

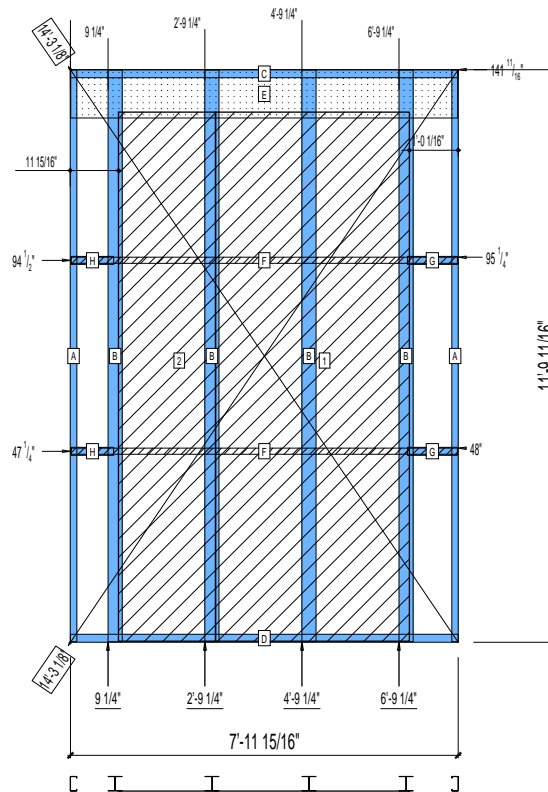
1st STUD: 24"

WEIGHTS :

FRAME : 355 lbs

SHEATHING: 241 lbs

TOTAL: 596 lbs



PIECES LIST

| LABEL | QTY | SIZE        | LENGTH       | USE          |
|-------|-----|-------------|--------------|--------------|
| A     | 2   | 362S162-54  | 11'-9 1/2"   | STUD         |
| B     | 4   | 363i350p554 | 11'-9 1/2"   | PACO COLUMN  |
| C     | 1   | 362T200-68  | 7'-11 15/16" | TOP TRACK    |
| D     | 1   | 362T200-68  | 7'-11 15/16" | BOTTOM TRACK |
| E     | 1   | 1200D-54    | 7'-11 3/4"   | STRAP        |
| F     | 2   | 150D-43     | 7'-11 3/4"   | STRAP        |
| G     | 2   | 362T200-68  | 1'-0 3/8"    | BLOCK        |
| H     | 2   | 362T200-68  | 10 1/2"      | BLOCK        |

SHEATHING

| LABEL | QTY | CODE         | THICK | SIZE                | SCREWS |
|-------|-----|--------------|-------|---------------------|--------|
| 1     | 1   | SB-DENSARMOR | 5/8"  | 4'-0" X 10'-10 7/8" | 2 - 12 |
| 2     | 1   | SB-DENSARMOR | 5/8"  | 2'-0" X 10'-10 7/8" | 2 - 12 |

# 11-1030

Jewish Home for the Aging

1885 Victory Blvd. Reseda, CA

FrameMax, Inc.  
13915 Danielson St  
Suite 100  
Poway, CA 92064  
www.frame-max.com



© FrameMax Inc.

CREATED: 09/11/2008

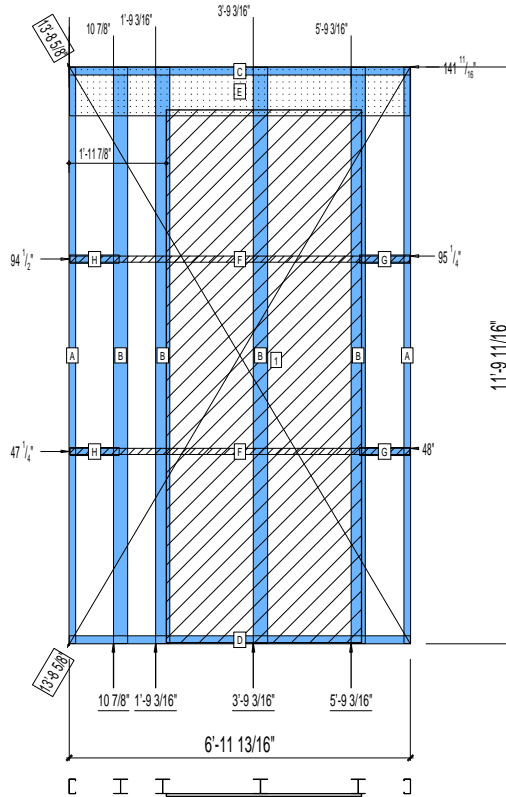
FM-07-109

CREATED BY: AMB

HEIGHT : 11'-9 11/16"  
SPACING : 24"  
1st STUD: 24"

WEIGHTS :  
FRAME : 349 lbs  
SHEATHING: 160 lbs

TOTAL: 509 lbs



PIECES LIST

| LABEL | QTY | SIZE        | LENGTH       | USE          |
|-------|-----|-------------|--------------|--------------|
| A     | 2   | 362S162-54  | 11'-9 1/2"   | STUD         |
| B     | 4   | 363i350p554 | 11'-9 1/2"   | PACO. COLUMN |
| C     | 1   | 362T200-68  | 6'-11 13/16" | TOP TRACK    |
| D     | 1   | 362T200-68  | 6'-11 13/16" | BOTTOM TRACK |
| E     | 1   | 1200D-54    | 6'-11 5/8"   | STRAP        |
| F     | 2   | 150D-43     | 6'-11 5/8"   | STRAP        |
| G     | 2   | 362T200-68  | 1'-0 5/16"   | BLOCK        |
| H     | 2   | 362T200-68  | 1'-0 1/16"   | BLOCK        |

SHEATHING

| LABEL | QTY | CODE         | THICK | SIZE                       | SCREWS |
|-------|-----|--------------|-------|----------------------------|--------|
| 1     | 1   | SB-DENSARMOR | 5/8"  | 3'-11 15/16" X 10'-10 7/8" | 2 - 12 |

# 11-1031

Jewish Home for the Aging

1885 Victory Blvd. Reseda, CA

FM-07-109

CREATED BY: AMB

FrameMax, Inc.  
13915 Danielson St  
Suite 100  
Poway, CA 92064  
www.frame-max.com

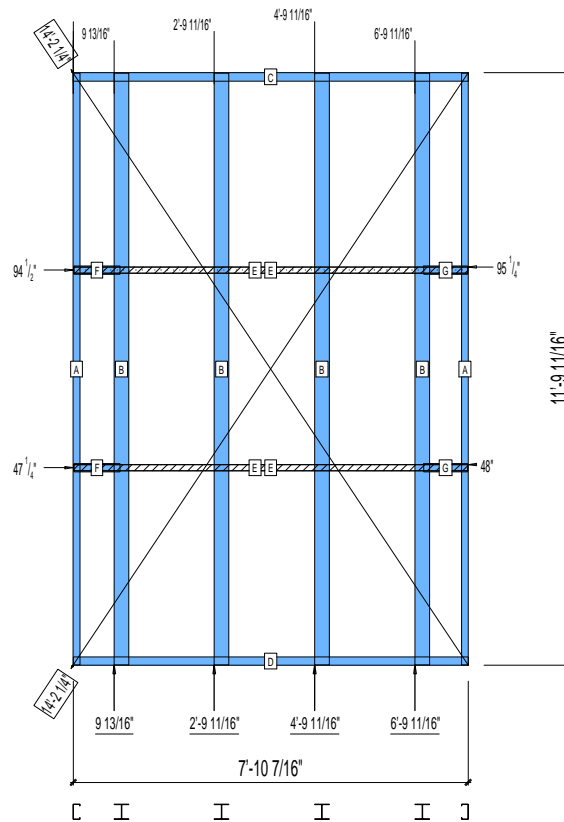


© FrameMax Inc.

HEIGHT : 11'-9 11/16"  
SPACING : 24"  
1st STUD: 24"

WEIGHTS :  
FRAME : 338 lbs

TOTAL: 338 lbs



PIECES LIST

| LABEL | QTY | SIZE        | LENGTH      | USE          |
|-------|-----|-------------|-------------|--------------|
| A     | 2   | 362S162-54  | 11'-9 1/2"  | STUD         |
| B     | 4   | 363i350p554 | 11'-9 1/2"  | PACO.COLUMN  |
| C     | 1   | 362T200-68  | 7'-10 7/16" | TOP TRACK    |
| D     | 1   | 362T200-68  | 7'-10 7/16" | BOTTOM TRACK |
| E     | 4   | 150D-43     | 7'-10 1/4"  | STRAP        |
| F     | 2   | 362T200-68  | 11"         | BLOCK        |
| G     | 2   | 362T200-68  | 10 7/16"    | BLOCK        |

# 11-1032

Jewish Home for the Aging

1885 Victory Blvd. Reseda, CA

FM-07-109

CREATED BY: AMB

FrameMax, Inc.  
13915 Danielson St  
Suite 100  
Poway, CA 92064  
www.frame-max.com

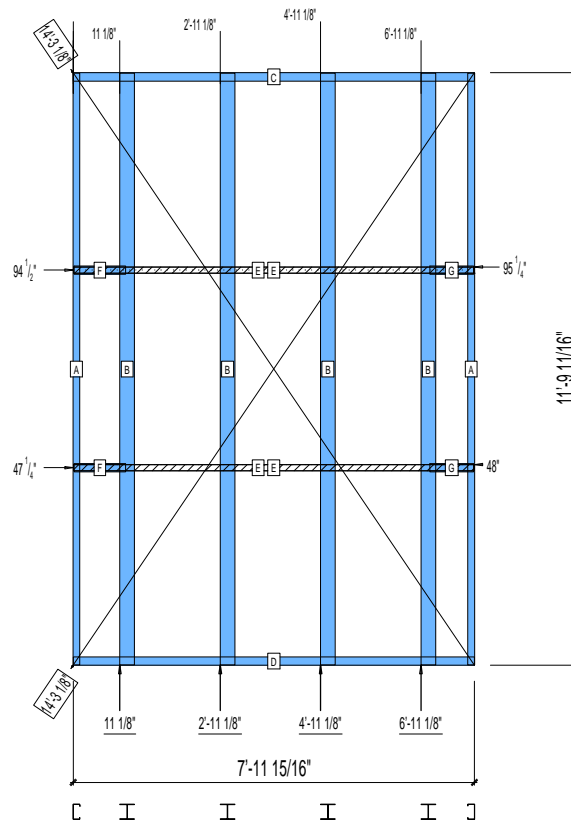


© FrameMax Inc.

HEIGHT : 11'-9 11/16"  
SPACING : 24"  
1st STUD: 24"

WEIGHTS :  
FRAME : 339 lbs

-----  
TOTAL: 339 lbs



PIECES LIST

| LABEL | QTY | SIZE        | LENGTH       | USE          |
|-------|-----|-------------|--------------|--------------|
| A     | 2   | 362S162-54  | 11'-9 1/2"   | STUD         |
| B     | 4   | 363i350p554 | 11'-9 1/2"   | PACO.COLUMN  |
| C     | 1   | 362T200-68  | 7'-11 15/16" | TOP TRACK    |
| D     | 1   | 362T200-68  | 7'-11 15/16" | BOTTOM TRACK |
| E     | 4   | 150D-43     | 7'-11 3/4"   | STRAP        |
| F     | 2   | 362T200-68  | 1'-0 3/8"    | BLOCK        |
| G     | 2   | 362T200-68  | 10 1/2"      | BLOCK        |

# 11-1033

Jewish Home for the Aging

1885 Victory Blvd. Reseda, CA

FrameMax, Inc.  
13915 Danielson St  
Suite 100  
Poway, CA 92064  
www.frame-max.com



© FrameMax Inc.

CREATED: 09/11/2008

FM-07-109

CREATED BY: AMB

HEIGHT : 11'-9 11/16" POINTS: 2.06 Points.

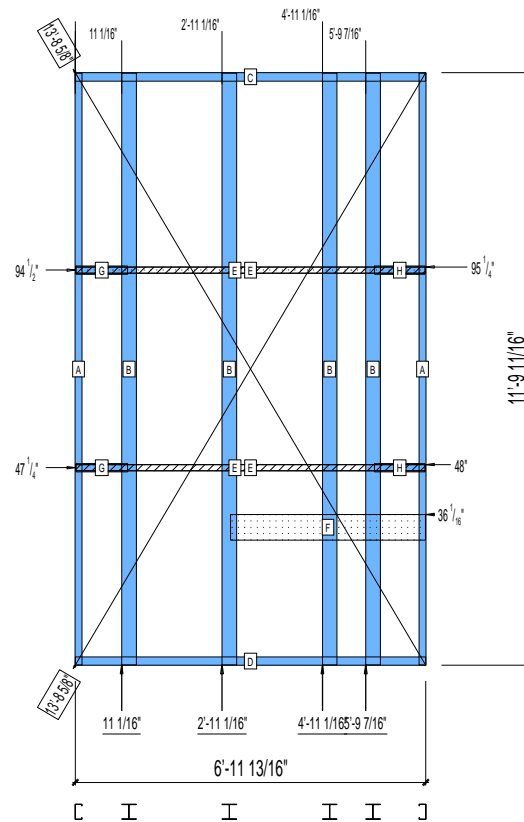
SPACING : 24"

1st STUD: 24"

WEIGHTS :

FRAME : 342 lbs

TOTAL: 342 lbs



PIECES LIST

| LABEL | QTY | SIZE        | LENGTH       | USE          |
|-------|-----|-------------|--------------|--------------|
| A     | 2   | 362S162-54  | 11'-9 1/2"   | STUD         |
| B     | 4   | 363i350p554 | 11'-9 1/2"   | PACO.COLUMN  |
| C     | 1   | 362T200-68  | 6'-11 13/16" | TOP TRACK    |
| D     | 1   | 362T200-68  | 6'-11 13/16" | BOTTOM TRACK |
| E     | 4   | 150D-43     | 6'-11 5/8"   | STRAP        |
| F     | 1   | 600T150-54  | 3'-10 5/8"   | GRAB BAR     |
| G     | 2   | 362T200-68  | 1'-0 5/16"   | BLOCK        |
| H     | 2   | 362T200-68  | 1'-0 1/16"   | BLOCK        |

# 11-1034

Jewish Home for the Aging

1885 Victory Blvd. Reseda, CA

FM-07-109

CREATED BY: AMB

FrameMax, Inc.  
13915 Danielson St  
Suite 100  
Poway, CA 92064  
www.frame-max.com



© FrameMax Inc.

HEIGHT : 11'-9 11/16" POINTS: 3.14 Points.

SPACING : 24"

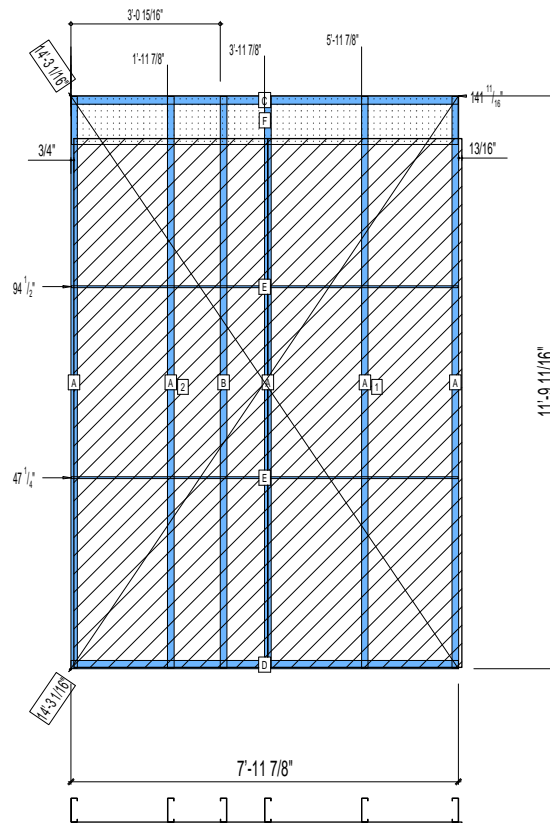
1st STUD: 24"

WEIGHTS :

FRAME : 282 lbs

SHEATHING: 321 lbs

TOTAL: 603 lbs



PIECES LIST

| LABEL | QTY | SIZE       | LENGTH       | USE                |
|-------|-----|------------|--------------|--------------------|
| A     | 5   | 600S162-97 | 11'-9 1/2"   | STUD               |
| B     | 1   | 600S162-54 | 11'-9 1/2"   | BACKER STUD        |
| C     | 1   | 600T200-68 | 7'-11 7/8"   | TOP TRACK          |
| D     | 1   | 600T200-68 | 7'-11 7/8"   | BOTTOM TRACK       |
| E     | 2   | 150U50-54  | 7'-11 11/16" | HORIZONTAL BRACING |
| F     | 1   | 1200D-54   | 7'-11 5/8"   | STRAP              |

SHEATHING

| LABEL | QTY | CODE         | THICK | SIZE                | SCREWS |
|-------|-----|--------------|-------|---------------------|--------|
| 1     | 1   | SB-DENSARMOR | 5/8"  | 4'-0" X 10'-10 7/8" | 2 - 12 |
| 2     | 1   | SB-DENSARMOR | 5/8"  | 4'-0" X 10'-10 7/8" | 2 - 12 |

# 11-1035

Jewish Home for the Aging

1885 Victory Blvd. Reseda, CA

FM-07-109

CREATED BY: AMB

FrameMax, Inc.  
13915 Danielson St  
Suite 100  
Poway, CA 92064  
www.frame-max.com



© FrameMax Inc.

HEIGHT : 13'-5 1/16" POINTS: 4.98 Points.

SPACING : 24"

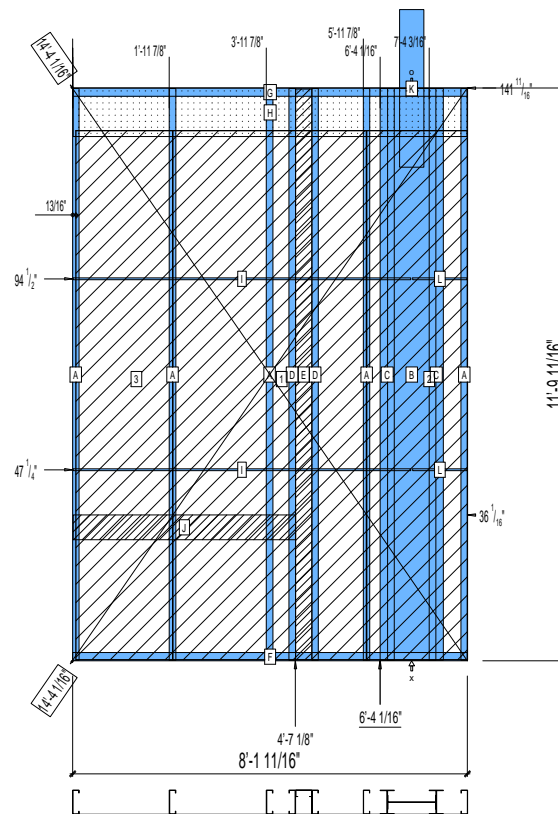
1st STUD: 24"

WEIGHTS :

FRAME : 643 lbs

SHEATHING: 324 lbs

TOTAL: 967 lbs



PIECES LIST

| LABEL | QTY | SIZE          | LENGTH      | USE                |
|-------|-----|---------------|-------------|--------------------|
| A     | 5   | 600S162-97    | 11'-9 1/2"  | STUD               |
| B     | 1   | 1200i350p1062 | 11'-9 1/2"  | PACO               |
| C     | 2   | 600i350p680   | 11'-9 1/2"  | PACO               |
| D     | 2   | 600S162-33    | 11'-9 1/2"  | BACKER STUD        |
| E     | 1   | 400S162-33    | 11'-9 1/4"  | BACKER-U           |
| F     | 1   | 600T200-68    | 8'-1 11/16" | BOTTOM TRACK       |
| G     | 1   | 600T200-68    | 8'-1 11/16" | TOP TRACK          |
| H     | 1   | 1200D-54      | 8'-1 1/2"   | STRAP              |
| I     | 2   | 150U50-54     | 6'-11 9/16" | HORIZONTAL BRACING |
| J     | 1   | 600T150-54    | 4'-7 1/16"  | GRAB BAR           |
| K     | 1   | E             | 3'-3"       | HOLDDOWN           |
| L     | 2   | 150U50-54     | 1'-1 7/16"  | HORIZONTAL BRACING |

SHEATHING

| LABEL | QTY | CODE         | THICK | SIZE                       | SCREWS |
|-------|-----|--------------|-------|----------------------------|--------|
| 1     | 1   | SB-DENSARMOR | 5/8"  | 4'-0" X 10'-10 7/8"        | 2 - 12 |
| 2     | 1   | SB-DENSARMOR | 5/8"  | 2'-0 15/16" X 10'-10 7/8"  | 2 - 12 |
| 3     | 1   | SB-DENSARMOR | 5/8"  | 1'-11 15/16" X 10'-10 7/8" | 2 - 12 |

# 11-1036

Jewish Home for the Aging

1885 Victory Blvd. Reseda, CA

FrameMax, Inc.  
13915 Danielson St  
Suite 100  
Poway, CA 92064  
www.framemax.com



© FrameMax Inc.

CREATED: 09/11/2008

FM-07-109

CREATED BY: AMB

HEIGHT : 11'-9 11/16" POINTS: 1.52 Points.

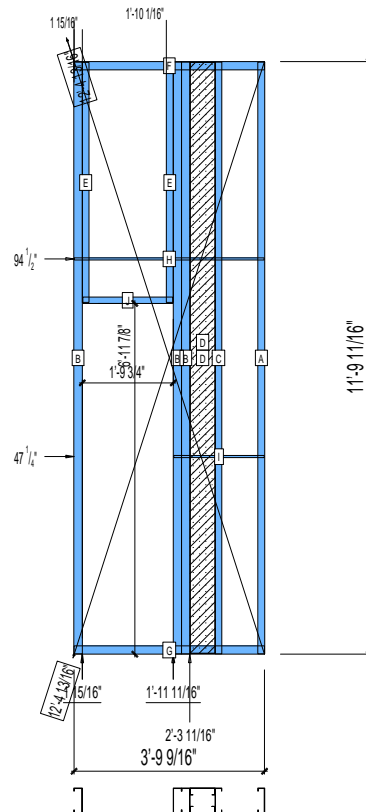
SPACING : 24"

1st STUD: 24"

WEIGHTS :

FRAME : 251 lbs

-----  
TOTAL: 251 lbs



PIECES LIST

| LABEL | QTY | SIZE       | LENGTH     | USE                |
|-------|-----|------------|------------|--------------------|
| A     | 1   | 600S162-97 | 11'-9 1/2" | STUD               |
| B     | 3   | 600S200-97 | 11'-9 1/2" | KING STUD          |
| C     | 1   | 600S162-33 | 11'-9 1/2" | BACKER STUD        |
| D     | 2   | 600S162-33 | 11'-9 1/4" | BACKER-U           |
| E     | 2   | 600S162-54 | 4'-9 3/8"  | CRIPPLE            |
| F     | 1   | 600T200-68 | 3'-9 9/16" | TOP TRACK          |
| G     | 1   | 600T200-68 | 3'-9 9/16" | BOTTOM TRACK       |
| H     | 1   | 150U50-54  | 3'-9 3/8"  | HORIZONTAL BRACING |
| I     | 1   | 150U50-54  | 1'-9 5/8"  | HORIZONTAL BRACING |
| J     | 1   | 600T150-54 | 1'-9 1/2"  | HEAD TRACK         |

# 11-1037

Jewish Home for the Aging

1885 Victory Blvd. Reseda, CA

FrameMax, Inc.  
13915 Danielson St  
Suite 100  
Poway, CA 92064  
www.frame-max.com



© FrameMax Inc.

CREATED: 09/11/2008

FM-07-109

CREATED BY: AMB

HEIGHT : 11'-9 11/16" POINTS: 2.95 Points.

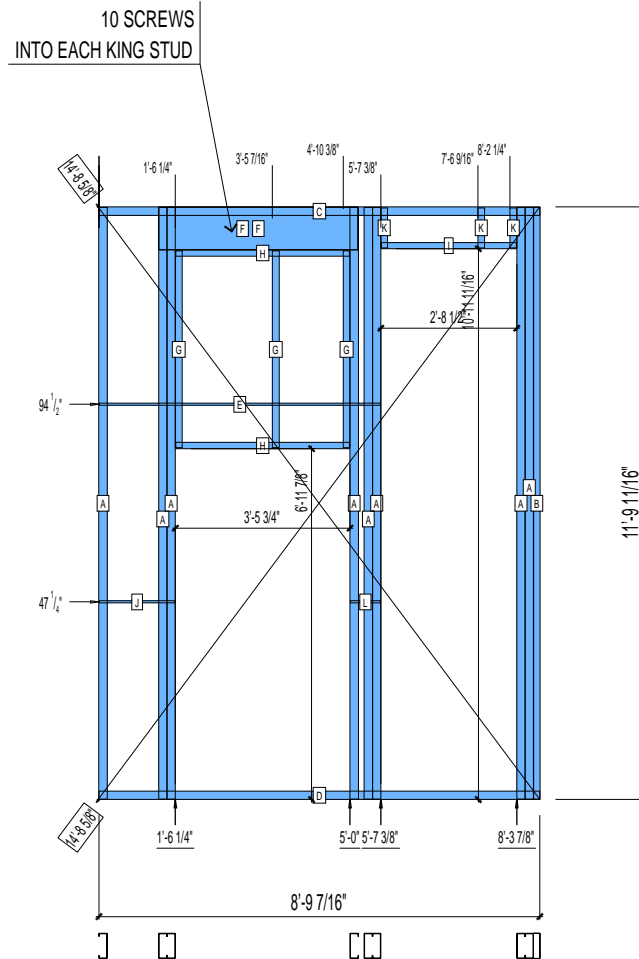
SPACING : 24"

1st STUD: 24"

WEIGHTS :

FRAME : 491 lbs

TOTAL: 491 lbs



PIECES LIST

| LABEL | QTY | SIZE        | LENGTH      | USE                |
|-------|-----|-------------|-------------|--------------------|
| A     | 8   | 600S200-97  | 11'-9 1/2"  | KING STUD          |
| B     | 1   | 600T150-54  | 11'-9 1/2"  | CAP                |
| C     | 1   | 600T200-68  | 8'-9 7/16"  | TOP TRACK          |
| D     | 1   | 600T200-68  | 8'-9 7/16"  | BOTTOM TRACK       |
| E     | 1   | 150U50-54   | 5'-7 3/16"  | HORIZONTAL BRACING |
| F     | 2   | 1000T200-97 | 3'-11 5/8"  | HEADER             |
| G     | 3   | 600S162-54  | 3'-11 1/16" | CRIPPLE            |
| H     | 2   | 600T150-54  | 3'-5 1/2"   | HEAD TRACK         |
| I     | 1   | 600T150-54  | 2'-8 1/4"   | HEAD TRACK         |
| J     | 1   | 150U50-54   | 1'-6 1/16"  | HORIZONTAL BRACING |
| K     | 3   | 600S162-54  | 9 9/16"     | CRIPPLE            |
| L     | 1   | 150U50-54   | 7 1/8"      | HORIZONTAL BRACING |

# 11-1038

Jewish Home for the Aging

1885 Victory Blvd. Reseda, CA

FM-07-109

CREATED BY: AMB

FrameMax, Inc.  
13915 Danielson St  
Suite 100  
Poway, CA 92064  
www.framemax.com



© FrameMax Inc.

HEIGHT : 11'-9 11/16" POINTS: 1.11 Points.

SPACING : 24"

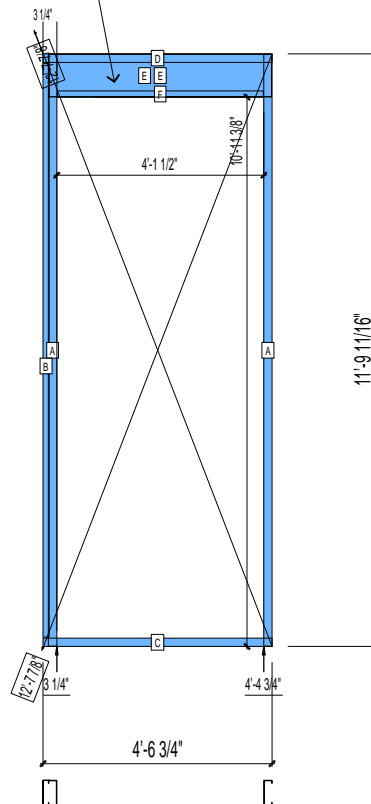
1st STUD: 24"

WEIGHTS :

FRAME : 186 lbs

-----  
TOTAL: 186 lbs

10 SCREWS  
INTO EACH KING STUD



### PIECES LIST

| LABEL | QTY | SIZE        | LENGTH      | USE          |
|-------|-----|-------------|-------------|--------------|
| A     | 2   | 600S200-97  | 11'-9 1/2"  | KING STUD    |
| B     | 1   | 600T200-68  | 11'-5 3/16" | CAP          |
| C     | 1   | 600T200-68  | 4'-6 3/4"   | BOTTOM TRACK |
| D     | 1   | 600T200-68  | 4'-6 3/4"   | TOP TRACK    |
| E     | 2   | 1000T200-97 | 4'-5 1/4"   | HEADER       |
| F     | 1   | 600T150-54  | 4'-1 1/4"   | HEAD TRACK   |

# 11-1039

Jewish Home for the Aging

1885 Victory Blvd. Reseda, CA

FrameMax, Inc.  
13915 Danielson St  
Suite 100  
Poway, CA 92064  
www.frame-max.com



© FrameMax Inc.

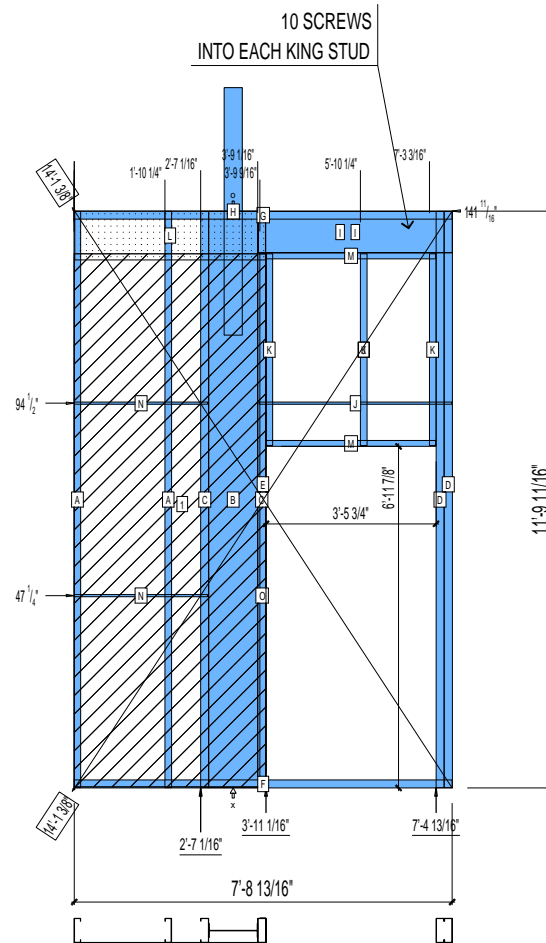
CREATED: 09/11/2008

FM-07-109

CREATED BY: AMB

HEIGHT : 11'-9 11/16" POINTS: 3.78 Points.  
SPACING : 24"  
1st STUD: 24"

WEIGHTS :  
FRAME : 532 lbs  
SHEATHING: 157 lbs  
-----  
TOTAL: 689 lbs



PIECES LIST

| LABEL | QTY | SIZE          | LENGTH       | USE                |
|-------|-----|---------------|--------------|--------------------|
| A     | 2   | 600S162-97    | 11'-9 1/2"   | STUD               |
| B     | 1   | 1200i350p1062 | 11'-9 1/2"   | PACO               |
| C     | 2   | 600S200-68    | 11'-9 1/2"   | STUD               |
| D     | 2   | 600S200-97    | 11'-9 1/2"   | KING STUD          |
| E     | 1   | 600T150-54    | 10'-8 15/16" | CAP                |
| F     | 1   | 600T200-68    | 7'-8 13/16"  | BOTTOM TRACK       |
| G     | 1   | 600T200-68    | 7'-8 13/16"  | TOP TRACK          |
| H     | 1   | D             | 5'-0 3/4"    | HOLDDOWN           |
| I     | 2   | 1000T200-97   | 3'-11 5/8"   | HEADER             |
| J     | 1   | 150U50-54     | 3'-11 3/8"   | HORIZONTAL BRACING |
| K     | 3   | 600S162-54    | 3'-11 1/16"  | CRIPPLE            |
| L     | 1   | 1200D-54      | 3'-10 7/8"   | STRAP              |
| M     | 2   | 600T150-54    | 3'-5 1/2"    | HEAD TRACK         |
| N     | 2   | 150U50-54     | 2'-8 5/8"    | HORIZONTAL BRACING |
| O     | 1   | 150U50-54     | 1 5/8"       | HORIZONTAL BRACING |

SHEATHING

| LABEL | QTY | CODE         | THICK | SIZE                      | SCREWS |
|-------|-----|--------------|-------|---------------------------|--------|
| 1     | 1   | SB-DENSARMOR | 5/8"  | 3'-11 1/16" X 10'-10 7/8" | 1 - 12 |

# 11-1040

Jewish Home for the Aging

1885 Victory Blvd. Reseda, CA

FrameMax, Inc.  
13915 Danielson St  
Suite 100  
Poway, CA 92064  
www.frame-max.com



© FrameMax Inc.

CREATED: 09/11/2008

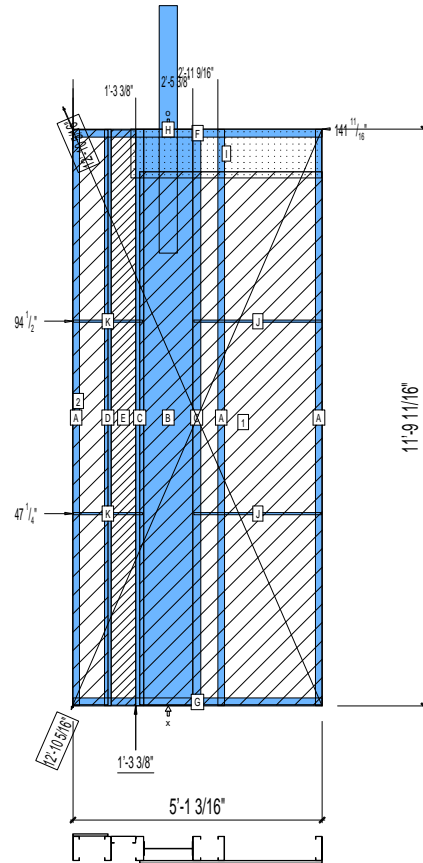
FM-07-109

CREATED BY: AMB

HEIGHT : 14'-3 15/16" POINTS: 3.11 Points.  
SPACING : 24"  
1st STUD: 24"

WEIGHTS :  
FRAME : 416 lbs  
SHEATHING: 171 lbs

-----  
TOTAL: 587 lbs



PIECES LIST

| LABEL | QTY | SIZE          | LENGTH     | USE                |
|-------|-----|---------------|------------|--------------------|
| A     | 3   | 600S162-97    | 11'-9 1/2" | STUD               |
| B     | 1   | 1200i350p1062 | 11'-9 1/2" | PACO               |
| C     | 2   | 600S200-68    | 11'-9 1/2" | STUD               |
| D     | 1   | 600S162-33    | 11'-9 1/2" | BACKER STUD        |
| E     | 1   | 600S162-54    | 11'-9 1/4" | BACKER-U           |
| F     | 1   | 600T200-68    | 5'-1 3/16" | TOP TRACK          |
| G     | 1   | 600T200-68    | 5'-1 3/16" | BOTTOM TRACK       |
| H     | 1   | D             | 5'-0 3/4"  | HOLDDOWN           |
| I     | 1   | 1200D-54      | 3'-10 7/8" | STRAP              |
| J     | 2   | 150U50-54     | 2'-7 3/8"  | HORIZONTAL BRACING |
| K     | 2   | 150U50-54     | 1'-5"      | HORIZONTAL BRACING |

SHEATHING

| LABEL | QTY | CODE         | THICK | SIZE                      | SCREWS |
|-------|-----|--------------|-------|---------------------------|--------|
| 1     | 1   | SB-DENSARMOR | 5/8"  | 3'-8 13/16" X 10'-10 7/8" | 2 - 12 |
| 2     | 1   | DENSGLOSS    | 1/2"  | 8 5/8" X 11'-9 1/4"       | 8 - 12 |

# 11-1041

Jewish Home for the Aging

1885 Victory Blvd. Reseda, CA

FrameMax, Inc.  
13915 Danielson St  
Suite 100  
Poway, CA 92064  
www.frame-max.com



© FrameMax Inc.

CREATED: 09/26/2008

FM-07-109

CREATED BY: AMB

HEIGHT : 11'-9 11/16" POINTS: 0.82 Points.

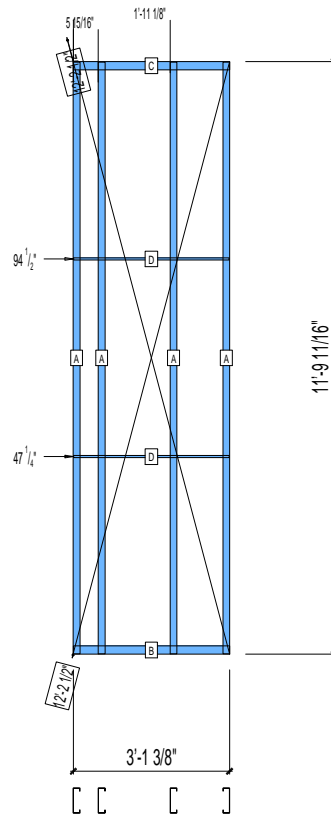
SPACING : 24"

1st STUD: 24"

WEIGHTS :

FRAME : 129 lbs

-----  
TOTAL: 129 lbs



### PIECES LIST

| LABEL | QTY | SIZE       | LENGTH     | USE                |
|-------|-----|------------|------------|--------------------|
| A     | 4   | 600S162-68 | 11'-9 1/2" | STUD               |
| B     | 1   | 600T200-68 | 3'-1 3/8"  | BOTTOM TRACK       |
| C     | 1   | 600T200-68 | 3'-1 3/8"  | TOP TRACK          |
| D     | 2   | 150U50-54  | 3'-1 3/16" | HORIZONTAL BRACING |

# 11-1042

Jewish Home for the Aging

1885 Victory Blvd. Reseda, CA

FrameMax, Inc.  
13915 Danielson St  
Suite 100  
Poway, CA 92064  
www.frame-max.com



© FrameMax Inc.

CREATED: 10/04/2008

FM-07-109

CREATED BY: AMB

HEIGHT : 11'-9 11/16" POINTS: 4.03 Points.

SPACING : 24"

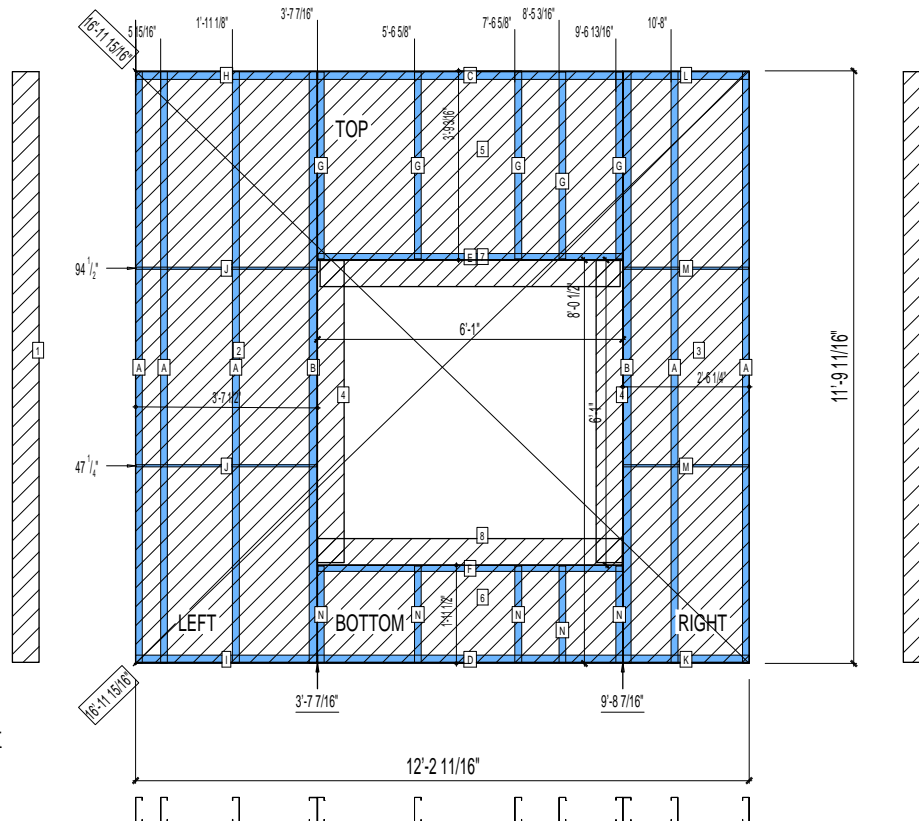
1st STUD: 24"

WEIGHTS :

FRAME : 364 lbs

SHEATHING: 330 lbs

TOTAL: 694 lbs



PIECES LIST

| LABEL | QTY | SIZE       | LENGTH      | USE                |
|-------|-----|------------|-------------|--------------------|
| A     | 5   | 600S162-68 | 11'-9 1/2"  | STUD               |
| B     | 2   | 600S200-97 | 11'-9 1/2"  | KING STUD          |
| C     | 1   | 600T200-68 | 6'-0 15/16" | TOP TRACK          |
| D     | 1   | 600T200-68 | 6'-0 15/16" | BOTTOM TRACK       |
| E     | 1   | 600T150-54 | 6'-0 3/4"   | HEAD TRACK         |
| F     | 1   | 600T150-54 | 6'-0 3/4"   | SILL               |
| G     | 5   | 600S162-54 | 3'-8 3/4"   | CRIPPLE            |
| H     | 1   | 600T200-68 | 3'-7 7/16"  | TOP TRACK          |
| I     | 1   | 600T200-68 | 3'-7 7/16"  | BOTTOM TRACK       |
| J     | 2   | 150U50-54  | 3'-7 1/4"   | HORIZONTAL BRACING |
| K     | 1   | 600T200-68 | 2'-6 3/16"  | BOTTOM TRACK       |
| L     | 1   | 600T200-68 | 2'-6 3/16"  | TOP TRACK          |
| M     | 2   | 150U50-54  | 2'-6"       | HORIZONTAL BRACING |
| N     | 5   | 600S162-54 | 1'-11 1/16" | CRIPPLE            |

SHEATHING

| LABEL | QTY | CODE      | THICK | SIZE                   | SCREWS |
|-------|-----|-----------|-------|------------------------|--------|
| 1     | 2   | DENSGLASS | 1/2"  | 6 3/8" X 11'-9 1/4"    | 8 - 12 |
| 2     | 1   | DENSGLASS | 1/2"  | 3'-7 3/8" X 11'-9 1/4" | 8 - 12 |
| 3     | 1   | DENSGLASS | 1/2"  | 2'-6 1/8" X 11'-9 1/4" | 8 - 12 |
| 4     | 2   | DENSGLASS | 1/2"  | 6 3/8" X 6'-0 1/4"     | 8 - 12 |
| 5     | 1   | DENSGLASS | 1/2"  | 6'-1" X 3'-9 1/16"     | 8 - 12 |
| 6     | 1   | DENSGLASS | 1/2"  | 6'-1" X 1'-11 1/4"     | 8 - 12 |
| 7     | 1   | DENSGLASS | 1/2"  | 5'-11 3/4" X 6 3/8"    | 8 - 12 |
| 8     | 1   | DENSGLASS | 1/2"  | 6'-0 7/8" X 6 3/8"     | 8 - 12 |

# 11-1043

Jewish Home for the Aging

1885 Victory Blvd. Reseda, CA

FrameMax, Inc.  
13915 Danielson St  
Suite 100  
Poway, CA 92064  
www.frame-max.com



© FrameMax Inc.

CREATED: 10/04/2008

FM-07-109

CREATED BY: AMB

HEIGHT : 11'-9 11/16" POINTS: 3.87 Points.

SPACING : 24"

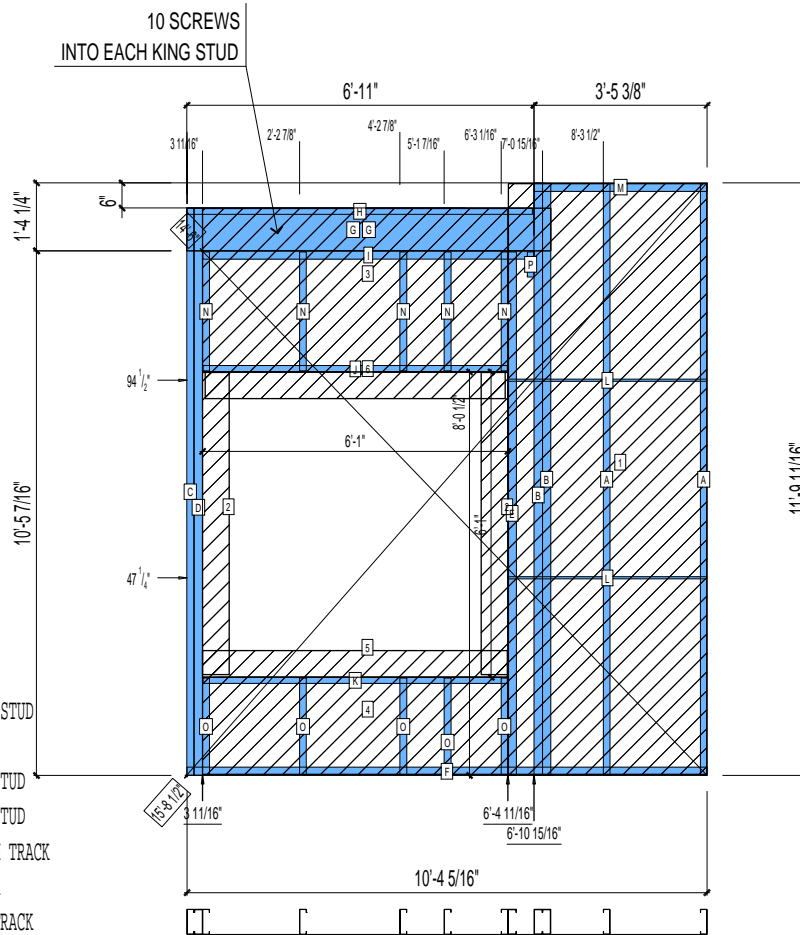
1st STUD: 24"

WEIGHTS :

FRAME : 446 lbs

SHEATHING: 227 lbs

TOTAL: 673 lbs



PIECES LIST

| LABEL | QTY | SIZE        | LENGTH      | USE                |
|-------|-----|-------------|-------------|--------------------|
| A     | 2   | 600S162-68  | 11'-9 1/2"  | STUD               |
| B     | 2   | 600S200-97  | 11'-9 1/2"  | EXTRA STUD         |
| C     | 1   | 600S162-68  | 11'-3 9/16" | STUD               |
| D     | 1   | 600S200-97  | 11'-3 9/16" | KING STUD          |
| E     | 1   | 600S200-97  | 10'-5 1/8"  | KING STUD          |
| F     | 1   | 600T200-68  | 10'-4 5/16" | BOTTOM TRACK       |
| G     | 2   | 1000T200-97 | 7'-3"       | HEADER             |
| H     | 1   | 600T150-54  | 6'-10 9/16" | HEAD TRACK         |
| I     | 1   | 600T200-68  | 6'-7 3/16"  | TOP TRACK          |
| J     | 1   | 600T150-54  | 6'-0 3/4"   | HEAD TRACK         |
| K     | 1   | 600T150-54  | 6'-0 3/4"   | SILL               |
| L     | 2   | 150U50-54   | 3'-11 3/8"  | HORIZONTAL BRACING |
| M     | 1   | 600T200-68  | 3'-5 5/16"  | TOP TRACK          |
| N     | 5   | 600S162-54  | 2'-4 1/2"   | CRIPPLE            |
| O     | 5   | 600S162-54  | 1'-11 1/16" | CRIPPLE            |
| P     | 1   | 600S162-54  | 6"          | CRIPPLE            |

SHEATHING

| LABEL | QTY | CODE      | THICK | SIZE                     | SCREWS |
|-------|-----|-----------|-------|--------------------------|--------|
| 1     | 1   | DENSGLASS | 1/2"  | 3'-11 7/16" X 11'-9 1/4" | 8 - 12 |
| 2     | 2   | DENSGLASS | 1/2"  | 6 3/8" X 6'-0 1/4"       | 8 - 12 |
| 3     | 1   | DENSGLASS | 1/2"  | 6'-1" X 3'-3 1/16"       | 8 - 12 |
| 4     | 1   | DENSGLASS | 1/2"  | 6'-1" X 1'-11 1/4"       | 8 - 12 |
| 5     | 1   | DENSGLASS | 1/2"  | 6'-0 7/8" X 6 3/8"       | 8 - 12 |
| 6     | 1   | DENSGLASS | 1/2"  | 5'-11 3/4" X 6 3/8"      | 8 - 12 |

# 11-1044

Jewish Home for the Aging

1885 Victory Blvd. Reseda, CA

FM-07-109

CREATED BY: AMB

FrameMax, Inc.  
13915 Danielson St  
Suite 100  
Poway, CA 92064  
www.frame-max.com



© FrameMax Inc.

HEIGHT : 11'-9 11/16" POINTS: 0.80 Points.

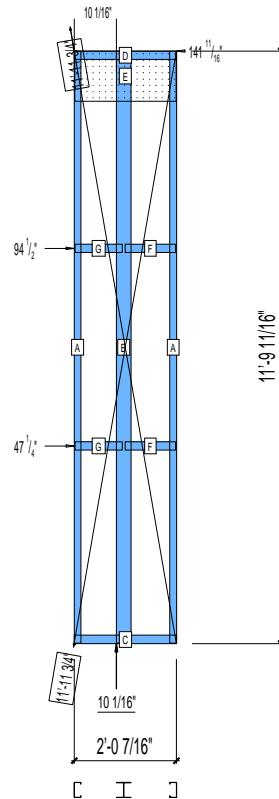
SPACING : 24"

1st STUD: 24"

WEIGHTS :

FRAME : 119 lbs

TOTAL: 119 lbs



PIECES LIST

| LABEL | QTY | SIZE        | LENGTH     | USE          |
|-------|-----|-------------|------------|--------------|
| A     | 2   | 362S162-54  | 11'-9 1/2" | STUD         |
| B     | 1   | 363i350p554 | 11'-9 1/2" | PACO.COLUMN  |
| C     | 1   | 362T200-68  | 2'-0 7/16" | BOTTOM TRACK |
| D     | 1   | 362T200-68  | 2'-0 7/16" | TOP TRACK    |
| E     | 1   | 1200D-54    | 2'-0 1/4"  | STRAP        |
| F     | 2   | 362T200-68  | 1'-0 1/16" | BLOCK        |
| G     | 2   | 362T200-68  | 11 1/4"    | BLOCK        |

# 11-1045

Jewish Home for the Aging

1885 Victory Blvd. Reseda, CA

FrameMax, Inc.  
13915 Danielson St  
Suite 100  
Poway, CA 92064  
www.frame-max.com



© FrameMax Inc.

CREATED: 09/11/2008

FM-07-109

CREATED BY: AMB

HEIGHT : 11'-9 11/16" POINTS: 0.80 Points.

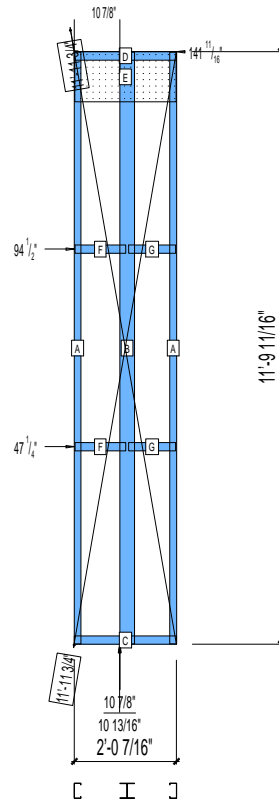
SPACING : 24"

1st STUD: 24"

WEIGHTS :

FRAME : 119 lbs

TOTAL: 119 lbs



PIECES LIST

| LABEL | QTY | SIZE        | LENGTH     | USE          |
|-------|-----|-------------|------------|--------------|
| A     | 2   | 362S162-54  | 11'-9 1/2" | STUD         |
| B     | 1   | 363i350p554 | 11'-9 1/2" | PACO.COLUMN  |
| C     | 1   | 362T200-68  | 2'-0 7/16" | BOTTOM TRACK |
| D     | 1   | 362T200-68  | 2'-0 7/16" | TOP TRACK    |
| E     | 1   | 1200D-54    | 2'-0 1/4"  | STRAP        |
| F     | 2   | 362T200-68  | 1'-0 1/16" | BLOCK        |
| G     | 2   | 362T200-68  | 11 1/4"    | BLOCK        |

# 11-1046

Jewish Home for the Aging

1885 Victory Blvd. Reseda, CA

FrameMax, Inc.  
13915 Danielson St  
Suite 100  
Poway, CA 92064  
www.frame-max.com



© FrameMax Inc.

CREATED: 09/11/2008

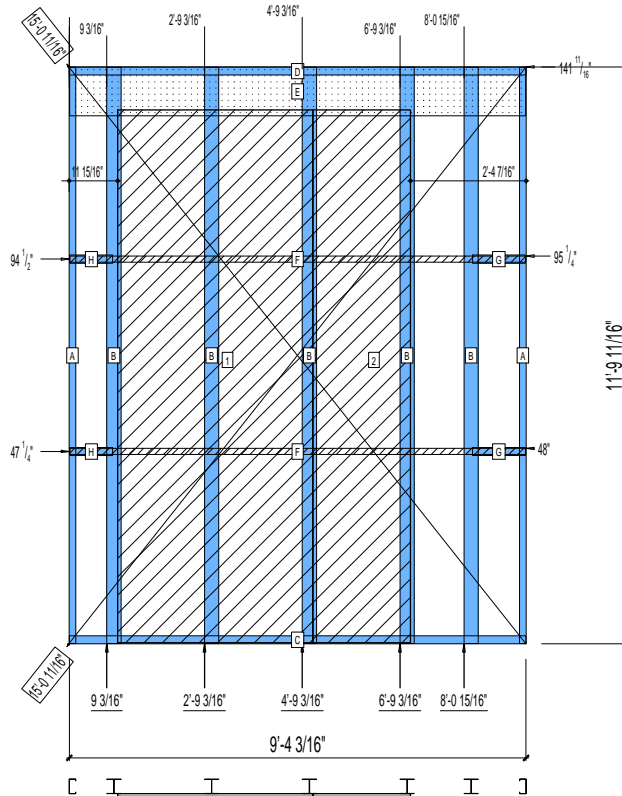
FM-07-109

CREATED BY: AMB

HEIGHT : 11'-9 11/16"  
SPACING : 24"  
1st STUD: 24"

WEIGHTS :  
FRAME : 429 lbs  
SHEATHING: 240 lbs

-----  
TOTAL: 669 lbs



PIECES LIST

| LABEL | QTY | SIZE        | LENGTH      | USE          |
|-------|-----|-------------|-------------|--------------|
| A     | 2   | 362S162-54  | 11'-9 1/2"  | STUD         |
| B     | 5   | 363i350p554 | 11'-9 1/2"  | PACO. COLUMN |
| C     | 1   | 362T200-68  | 9'-4 3/16"  | BOTTOM TRACK |
| D     | 1   | 362T200-68  | 9'-4 3/16"  | TOP TRACK    |
| E     | 1   | 1200D-54    | 9'-4"       | STRAP        |
| F     | 2   | 150D-43     | 9'-4"       | STRAP        |
| G     | 2   | 362T200-68  | 1'-0 15/16" | BLOCK        |
| H     | 2   | 362T200-68  | 10 7/16"    | BLOCK        |

SHEATHING

| LABEL | QTY | CODE         | THICK | SIZE                       | SCREWS |
|-------|-----|--------------|-------|----------------------------|--------|
| 1     | 1   | SB-DENSARMOR | 5/8"  | 3'-11 15/16" X 10'-10 7/8" | 2 - 12 |
| 2     | 1   | SB-DENSARMOR | 5/8"  | 1'-11 15/16" X 10'-10 7/8" | 2 - 12 |

# 11-1047

Jewish Home for the Aging

1885 Victory Blvd. Reseda, CA

FrameMax, Inc.  
13915 Danielson St  
Suite 100  
Poway, CA 92064  
www.frame-max.com



© FrameMax Inc.

CREATED: 09/11/2008

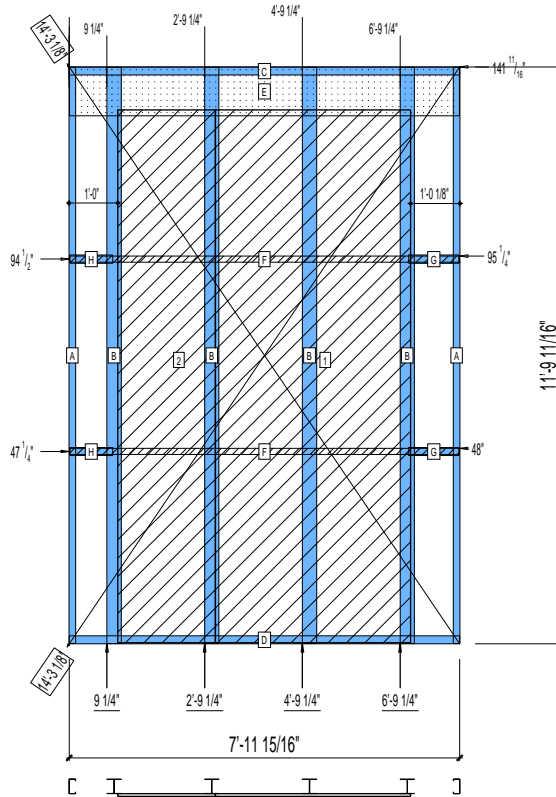
FM-07-109

CREATED BY: AMB

HEIGHT : 11'-9 11/16"  
SPACING : 24"  
1st STUD: 24"

WEIGHTS :  
FRAME : 355 lbs  
SHEATHING: 241 lbs

-----  
TOTAL: 596 lbs



PIECES LIST

| LABEL | QTY | SIZE        | LENGTH       | USE          |
|-------|-----|-------------|--------------|--------------|
| A     | 2   | 362S162-54  | 11'-9 1/2"   | STUD         |
| B     | 4   | 363i350p554 | 11'-9 1/2"   | PACO COLUMN  |
| C     | 1   | 362T200-68  | 7'-11 15/16" | TOP TRACK    |
| D     | 1   | 362T200-68  | 7'-11 15/16" | BOTTOM TRACK |
| E     | 1   | 1200D-54    | 7'-11 3/4"   | STRAP        |
| F     | 2   | 150D-43     | 7'-11 3/4"   | STRAP        |
| G     | 2   | 362T200-68  | 1'-0 3/8"    | BLOCK        |
| H     | 2   | 362T200-68  | 10 1/2"      | BLOCK        |

SHEATHING

| LABEL | QTY | CODE         | THICK | SIZE                       | SCREWS |
|-------|-----|--------------|-------|----------------------------|--------|
| 1     | 1   | SB-DENSARMOR | 5/8"  | 3'-11 15/16" X 10'-10 7/8" | 2 - 12 |
| 2     | 1   | SB-DENSARMOR | 5/8"  | 1'-11 15/16" X 10'-10 7/8" | 2 - 12 |

# 11-1048

Jewish Home for the Aging

1885 Victory Blvd. Reseda, CA

FrameMax, Inc.  
13915 Danielson St  
Suite 100  
Poway, CA 92064  
www.frame-max.com



© FrameMax Inc.

CREATED: 09/11/2008

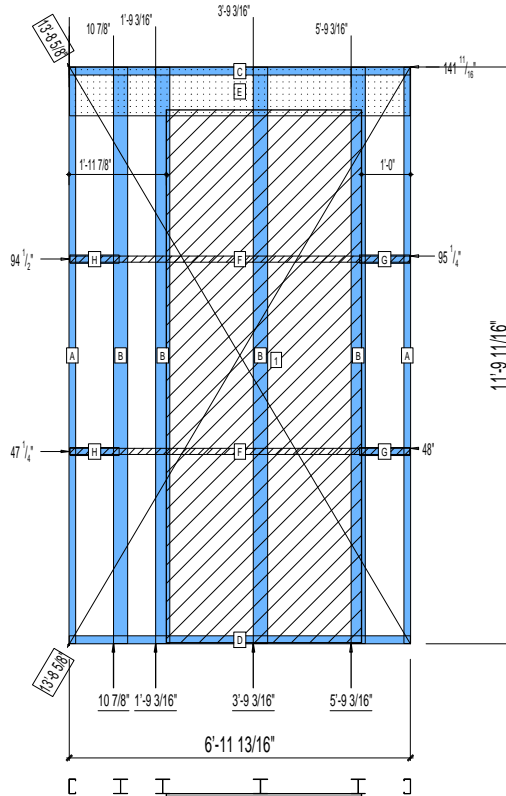
FM-07-109

CREATED BY: AMB

HEIGHT : 11'-9 11/16"  
SPACING : 24"  
1st STUD: 24"

WEIGHTS :  
FRAME : 349 lbs  
SHEATHING: 160 lbs

TOTAL: 509 lbs



PIECES LIST

| LABEL | QTY | SIZE        | LENGTH       | USE          |
|-------|-----|-------------|--------------|--------------|
| A     | 2   | 362S162-54  | 11'-9 1/2"   | STUD         |
| B     | 4   | 363i350p554 | 11'-9 1/2"   | PACO. COLUMN |
| C     | 1   | 362T200-68  | 6'-11 13/16" | TOP TRACK    |
| D     | 1   | 362T200-68  | 6'-11 13/16" | BOTTOM TRACK |
| E     | 1   | 1200D-54    | 6'-11 5/8"   | STRAP        |
| F     | 2   | 150D-43     | 6'-11 5/8"   | STRAP        |
| G     | 2   | 362T200-68  | 1'-0 5/16"   | BLOCK        |
| H     | 2   | 362T200-68  | 1'-0 1/16"   | BLOCK        |

SHEATHING

| LABEL | QTY | CODE         | THICK | SIZE                       | SCREWS |
|-------|-----|--------------|-------|----------------------------|--------|
| 1     | 1   | SB-DENSARMOR | 5/8"  | 3'-11 15/16" X 10'-10 7/8" | 2 - 12 |

# 11-1049

Jewish Home for the Aging

1885 Victory Blvd. Reseda, CA

FM-07-109

CREATED BY: AMB

FrameMax, Inc.  
13915 Danielson St  
Suite 100  
Poway, CA 92064  
www.frame-max.com

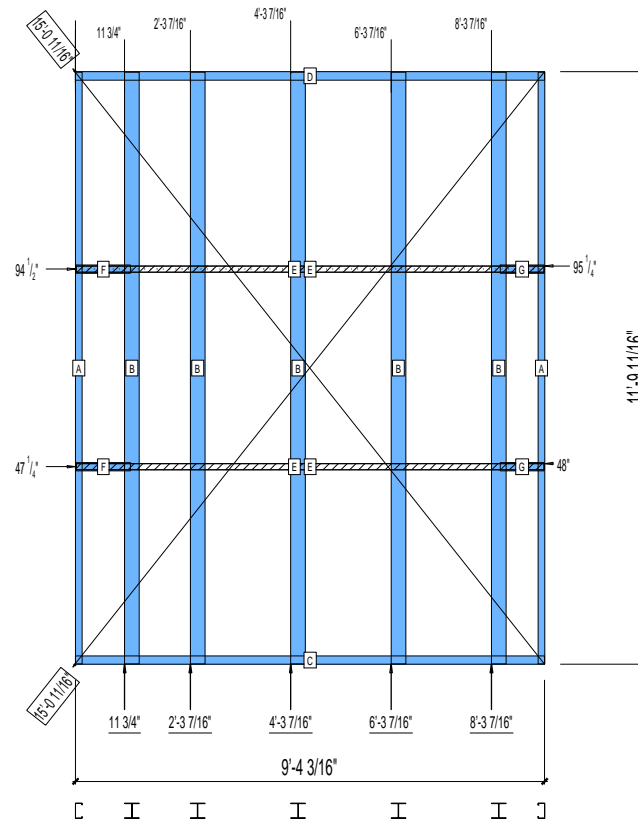


© FrameMax Inc.

HEIGHT : 11'-9 11/16"  
SPACING : 24"  
1st STUD: 24"

WEIGHTS :  
FRAME : 411 lbs

-----  
TOTAL: 411 lbs



PIECES LIST

| LABEL | QTY | SIZE        | LENGTH      | USE          |
|-------|-----|-------------|-------------|--------------|
| A     | 2   | 362S162-54  | 11'-9 1/2"  | STUD         |
| B     | 5   | 363i350p554 | 11'-9 1/2"  | PACO COLUMN  |
| C     | 1   | 362T200-68  | 9'-4 3/16"  | BOTTOM TRACK |
| D     | 1   | 362T200-68  | 9'-4 3/16"  | TOP TRACK    |
| E     | 4   | 150D-43     | 9'-4"       | STRAP        |
| F     | 2   | 362T200-68  | 1'-0 15/16" | BLOCK        |
| G     | 2   | 362T200-68  | 10 7/16"    | BLOCK        |

# 11-1050

Jewish Home for the Aging

1885 Victory Blvd. Reseda, CA

FM-07-109

CREATED BY: AMB

FrameMax, Inc.  
13915 Danielson St  
Suite 100  
Poway, CA 92064  
www.frame-max.com



© FrameMax Inc.

HEIGHT : 11'-9 11/16" POINTS: 2.10 Points.

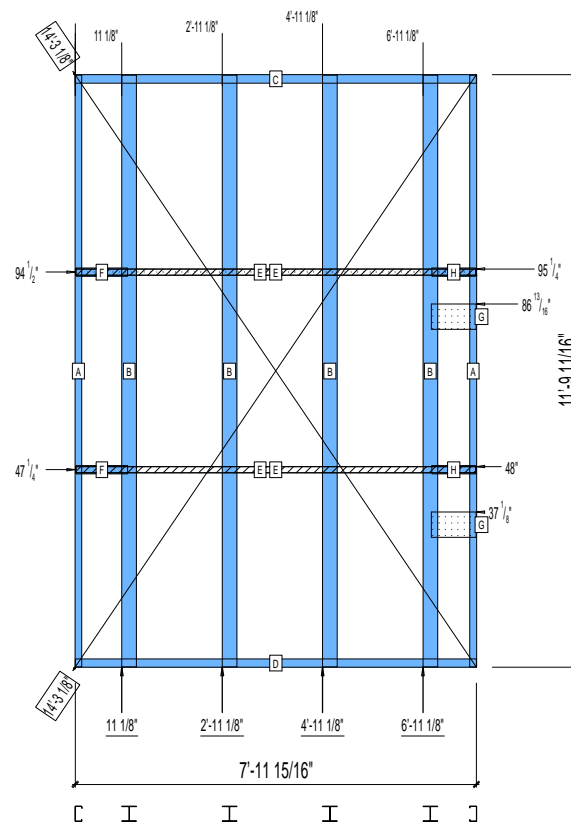
SPACING : 24"

1st STUD: 24"

WEIGHTS :

FRAME : 341 lbs

TOTAL: 341 lbs



PIECES LIST

| LABEL | QTY | SIZE        | LENGTH       | USE             |
|-------|-----|-------------|--------------|-----------------|
| A     | 2   | 362S162-54  | 11'-9 1/2"   | STUD            |
| B     | 4   | 363i350p554 | 11'-9 1/2"   | PACO.COLUMN     |
| C     | 1   | 362T200-68  | 7'-11 15/16" | TOP TRACK       |
| D     | 1   | 362T200-68  | 7'-11 15/16" | BOTTOM TRACK    |
| E     | 4   | 150D-43     | 7'-11 3/4"   | STRAP           |
| F     | 2   | 362T200-68  | 1'-0 3/8"    | BLOCK           |
| G     | 2   | 600D-54     | 10 11/16"    | KITCHEN BACKING |
| H     | 2   | 362T200-68  | 10 1/2"      | BLOCK           |

# 11-1051

Jewish Home for the Aging

1885 Victory Blvd. Reseda, CA

FrameMax, Inc.  
13915 Danielson St  
Suite 100  
Poway, CA 92064  
www.frame-max.com



© FrameMax Inc.

CREATED: 09/11/2008

FM-07-109

CREATED BY: AMB

HEIGHT : 11'-9 11/16" POINTS: 2.16 Points.

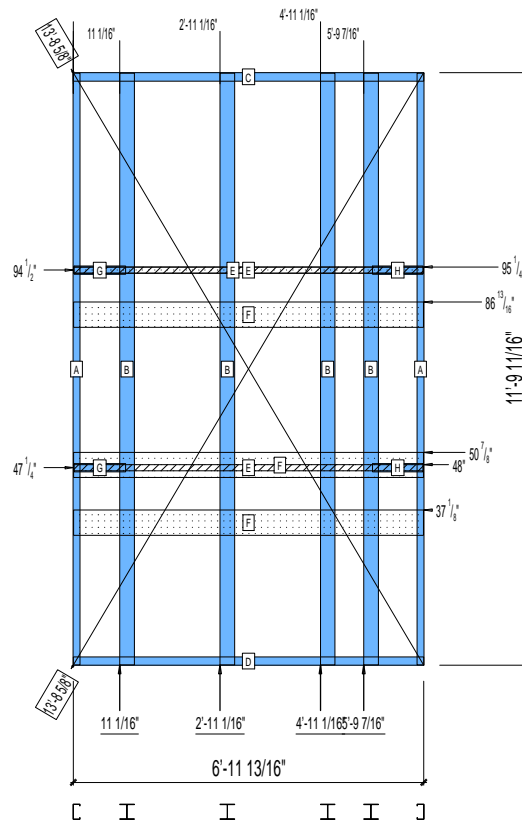
SPACING : 24"

1st STUD: 24"

WEIGHTS :

FRAME : 359 lbs

TOTAL: 359 lbs



PIECES LIST

| LABEL | QTY | SIZE        | LENGTH       | USE             |
|-------|-----|-------------|--------------|-----------------|
| A     | 2   | 362S162-54  | 11'-9 1/2"   | STUD            |
| B     | 4   | 363i350p554 | 11'-9 1/2"   | PACO.COLUMN     |
| C     | 1   | 362T200-68  | 6'-11 13/16" | TOP TRACK       |
| D     | 1   | 362T200-68  | 6'-11 13/16" | BOTTOM TRACK    |
| E     | 3   | 150D-43     | 6'-11 5/8"   | STRAP           |
| F     | 3   | 600D-54     | 6'-11 5/8"   | KITCHEN BACKING |
| G     | 2   | 362T200-68  | 1'-0 5/16"   | BLOCK           |
| H     | 2   | 362T200-68  | 1'-0 1/16"   | BLOCK           |

# 11-1052

Jewish Home for the Aging

1885 Victory Blvd. Reseda, CA

FrameMax, Inc.  
13915 Danielson St  
Suite 100  
Poway, CA 92064  
www.frame-max.com



© FrameMax Inc.

CREATED: 09/11/2008

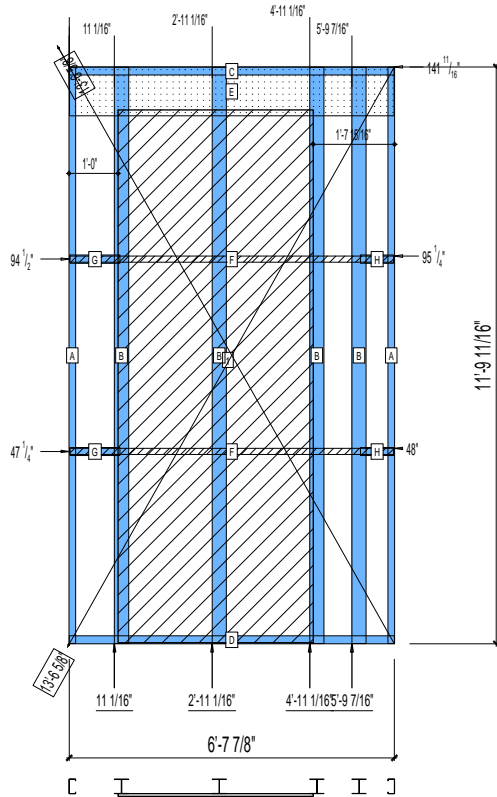
FM-07-109

CREATED BY: AMB

HEIGHT : 11'-9 11/16"  
SPACING : 24"  
1st STUD: 24"

WEIGHTS :  
FRAME : 345 lbs  
SHEATHING: 160 lbs

-----  
TOTAL: 505 lbs



PIECES LIST

| LABEL | QTY | SIZE        | LENGTH      | USE          |
|-------|-----|-------------|-------------|--------------|
| A     | 2   | 362S162-54  | 11'-9 1/2"  | STUD         |
| B     | 4   | 363i350p554 | 11'-9 1/2"  | PACO. COLUMN |
| C     | 1   | 362T200-68  | 6'-7 7/8"   | TOP TRACK    |
| D     | 1   | 362T200-68  | 6'-7 7/8"   | BOTTOM TRACK |
| E     | 1   | 1200D-54    | 6'-7 11/16" | STRAP        |
| F     | 2   | 150D-43     | 6'-7 11/16" | STRAP        |
| G     | 2   | 362T200-68  | 1'-0 5/16"  | BLOCK        |
| H     | 2   | 362T200-68  | 8 1/8"      | BLOCK        |

SHEATHING

| LABEL | QTY | CODE         | THICK | SIZE                       | SCREWS |
|-------|-----|--------------|-------|----------------------------|--------|
| 1     | 1   | SB-DENSARMOR | 5/8"  | 3'-11 15/16" X 10'-10 7/8" | 2 - 12 |

# 11-1053

Jewish Home for the Aging

1885 Victory Blvd. Reseda, CA

FrameMax, Inc.  
13915 Danielson St  
Suite 100  
Poway, CA 92064  
www.frame-max.com



© FrameMax Inc.

CREATED: 09/11/2008

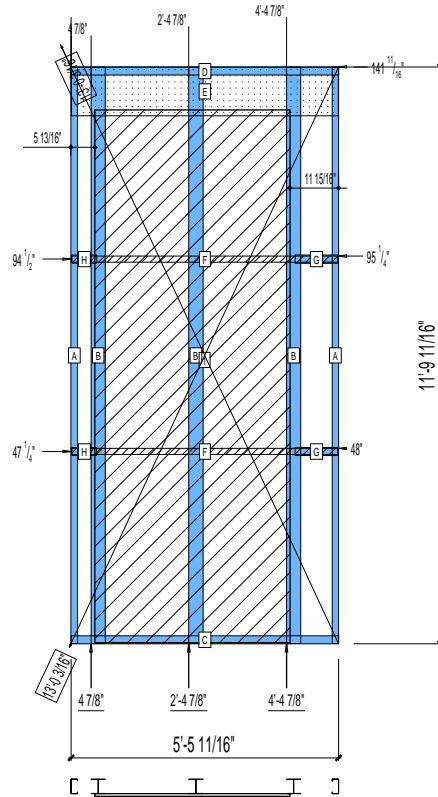
FM-07-109

CREATED BY: AMB

HEIGHT : 11'-9 11/16" POINTS: 2.37 Points.  
SPACING : 24"  
1st STUD: 24"

WEIGHTS :  
FRAME : 271 lbs  
SHEATHING: 160 lbs

-----  
TOTAL: 431 lbs



PIECES LIST

| LABEL | QTY | SIZE        | LENGTH      | USE          |
|-------|-----|-------------|-------------|--------------|
| A     | 2   | 362S162-54  | 11'-9 1/2"  | STUD         |
| B     | 3   | 363i350p554 | 11'-9 1/2"  | PACO. COLUMN |
| C     | 1   | 362T200-68  | 5'-5 11/16" | BOTTOM TRACK |
| D     | 1   | 362T200-68  | 5'-5 11/16" | TOP TRACK    |
| E     | 1   | 1200D-54    | 5'-5 1/2"   | STRAP        |
| F     | 2   | 150D-43     | 5'-5 1/2"   | STRAP        |
| G     | 2   | 362T200-68  | 10 1/2"     | BLOCK        |
| H     | 2   | 362T200-68  | 6 1/8"      | BLOCK        |

SHEATHING

| LABEL | QTY | CODE         | THICK | SIZE                       | SCREWS |
|-------|-----|--------------|-------|----------------------------|--------|
| 1     | 1   | SB-DENSARMOR | 5/8"  | 3'-11 15/16" X 10'-10 7/8" | 2 - 12 |

# 11-1054

Jewish Home for the Aging

1885 Victory Blvd. Reseda, CA

FM-07-109

CREATED BY: AMB

FrameMax, Inc.  
13915 Danielson St  
Suite 100  
Poway, CA 92064  
www.frame-max.com



© FrameMax Inc.

HEIGHT : 11'-9 11/16" POINTS: 2.03 Points.

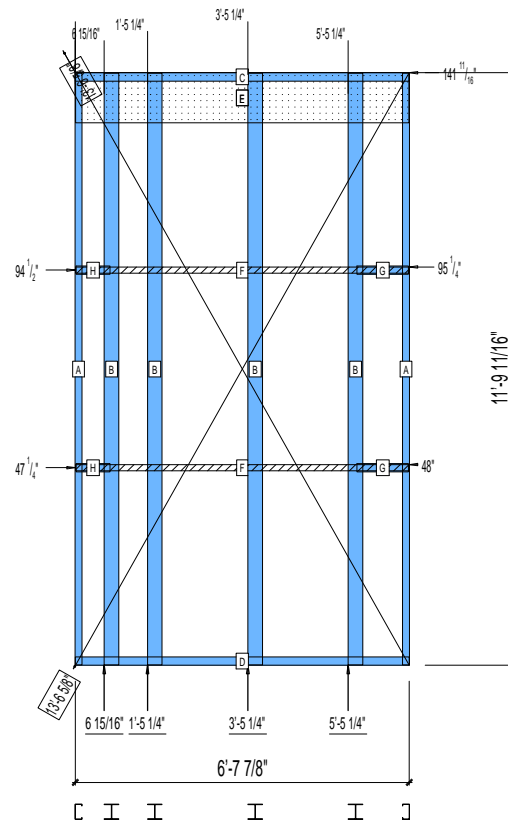
SPACING : 24"

1st STUD: 24"

WEIGHTS :

FRAME : 345 lbs

TOTAL: 345 lbs



PIECES LIST

| LABEL | QTY | SIZE        | LENGTH      | USE          |
|-------|-----|-------------|-------------|--------------|
| A     | 2   | 362S162-54  | 11'-9 1/2"  | STUD         |
| B     | 4   | 363i350p554 | 11'-9 1/2"  | PACO.COLUMN  |
| C     | 1   | 362T200-68  | 6'-7 7/8"   | TOP TRACK    |
| D     | 1   | 362T200-68  | 6'-7 7/8"   | BOTTOM TRACK |
| E     | 1   | 1200D-54    | 6'-7 11/16" | STRAP        |
| F     | 2   | 150D-43     | 6'-7 11/16" | STRAP        |
| G     | 2   | 362T200-68  | 1'-0 5/16"  | BLOCK        |
| H     | 2   | 362T200-68  | 8 1/8"      | BLOCK        |

# 11-1055

Jewish Home for the Aging

1885 Victory Blvd. Reseda, CA

FM-07-109

CREATED BY: AMB

FrameMax, Inc.  
13915 Danielson St  
Suite 100  
Poway, CA 92064  
www.frame-max.com



© FrameMax Inc.

HEIGHT : 11'-9 11/16" POINTS: 1.64 Points.

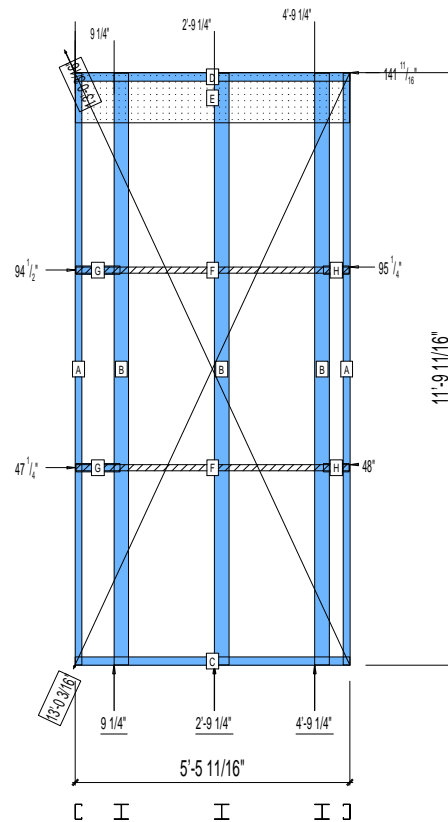
SPACING : 24"

1st STUD: 24"

WEIGHTS :

FRAME : 271 lbs

TOTAL: 271 lbs



PIECES LIST

| LABEL | QTY | SIZE        | LENGTH      | USE          |
|-------|-----|-------------|-------------|--------------|
| A     | 2   | 362S162-54  | 11'-9 1/2"  | STUD         |
| B     | 3   | 363i350p554 | 11'-9 1/2"  | PACO.COLUMN  |
| C     | 1   | 362T200-68  | 5'-5 11/16" | BOTTOM TRACK |
| D     | 1   | 362T200-68  | 5'-5 11/16" | TOP TRACK    |
| E     | 1   | 1200D-54    | 5'-5 1/2"   | STRAP        |
| F     | 2   | 150D-43     | 5'-5 1/2"   | STRAP        |
| G     | 2   | 362T200-68  | 10 1/2"     | BLOCK        |
| H     | 2   | 362T200-68  | 6 1/8"      | BLOCK        |

# 11-1056

Jewish Home for the Aging

1885 Victory Blvd. Reseda, CA

FM-07-109

CREATED BY: AMB

FrameMax, Inc.  
13915 Danielson St  
Suite 100  
Poway, CA 92064  
www.framemax.com



© FrameMax Inc.

HEIGHT : 11'-9 11/16" POINTS: 3.87 Points.

SPACING : 24"

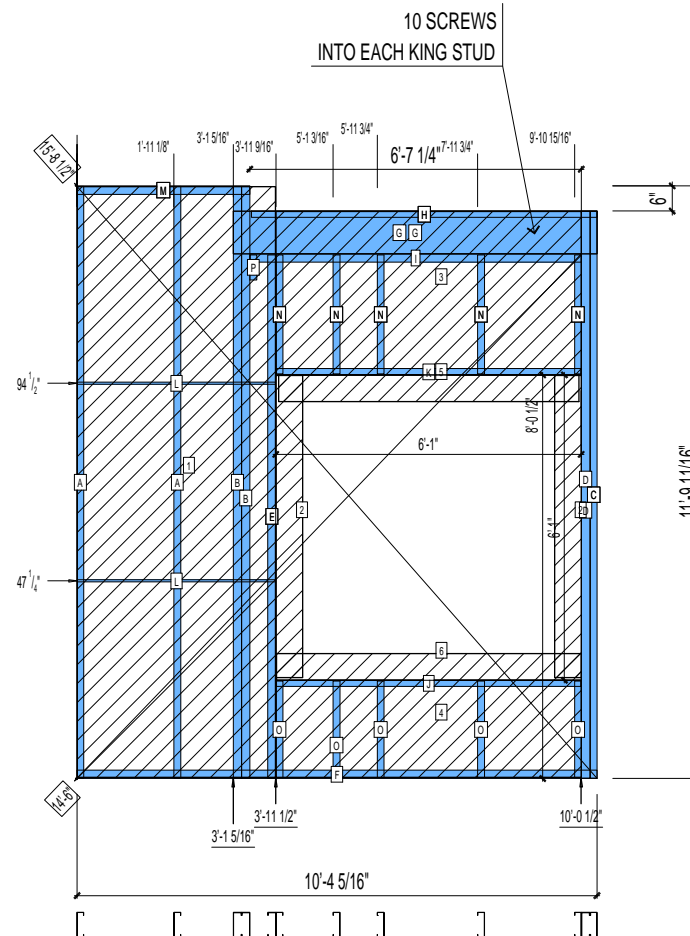
1st STUD: 24"

WEIGHTS :

FRAME : 446 lbs

SHEATHING: 227 lbs

TOTAL: 673 lbs



PIECES LIST

| LABEL | QTY | SIZE        | LENGTH      | USE                |
|-------|-----|-------------|-------------|--------------------|
| A     | 2   | 600S162-68  | 11'-9 1/2"  | STUD               |
| B     | 2   | 600S200-97  | 11'-9 1/2"  | EXTRA STUD         |
| C     | 1   | 600S162-68  | 11'-3 9/16" | STUD               |
| D     | 1   | 600S200-97  | 11'-3 9/16" | KING STUD          |
| E     | 1   | 600S200-97  | 10'-5 1/8"  | KING STUD          |
| F     | 1   | 600T200-68  | 10'-4 5/16" | BOTTOM TRACK       |
| G     | 2   | 1000T200-97 | 7'-3"       | HEADER             |
| H     | 1   | 600T150-54  | 6'-10 9/16" | HEAD TRACK         |
| I     | 1   | 600T200-68  | 6'-7 3/16"  | TOP TRACK          |
| J     | 1   | 600T150-54  | 6'-0 3/4"   | SILL               |
| K     | 1   | 600T150-54  | 6'-0 3/4"   | HEAD TRACK         |
| L     | 2   | 150U50-54   | 3'-11 3/8"  | HORIZONTAL BRACING |
| M     | 1   | 600T200-68  | 3'-5 5/16"  | TOP TRACK          |
| N     | 5   | 600S162-54  | 2'-4 1/2"   | CRIPPLE            |
| O     | 5   | 600S162-54  | 1'-11 1/16" | CRIPPLE            |
| P     | 1   | 600S162-54  | 6"          | CRIPPLE            |

SHEATHING

| LABEL | QTY | CODE      | THICK | SIZE                     | SCREWS |
|-------|-----|-----------|-------|--------------------------|--------|
| 1     | 1   | DENSGLOSS | 1/2"  | 3'-11 7/16" X 11'-9 1/4" | 8 - 12 |
| 2     | 2   | DENSGLOSS | 1/2"  | 6 3/8" X 6'-0 1/4"       | 8 - 12 |
| 3     | 1   | DENSGLOSS | 1/2"  | 6'-1" X 3'-3 1/16"       | 8 - 12 |
| 4     | 1   | DENSGLOSS | 1/2"  | 6'-1" X 1'-11 1/4"       | 8 - 12 |
| 5     | 1   | DENSGLOSS | 1/2"  | 5'-11 3/4" X 6 3/8"      | 8 - 12 |
| 6     | 1   | DENSGLOSS | 1/2"  | 6'-0 7/8" X 6 3/8"       | 8 - 12 |

# 11-1057

Jewish Home for the Aging

1885 Victory Blvd. Reseda, CA

FrameMax, Inc.  
13915 Danielson St  
Suite 100  
Poway, CA 92064  
www.frame-max.com



© FrameMax Inc.

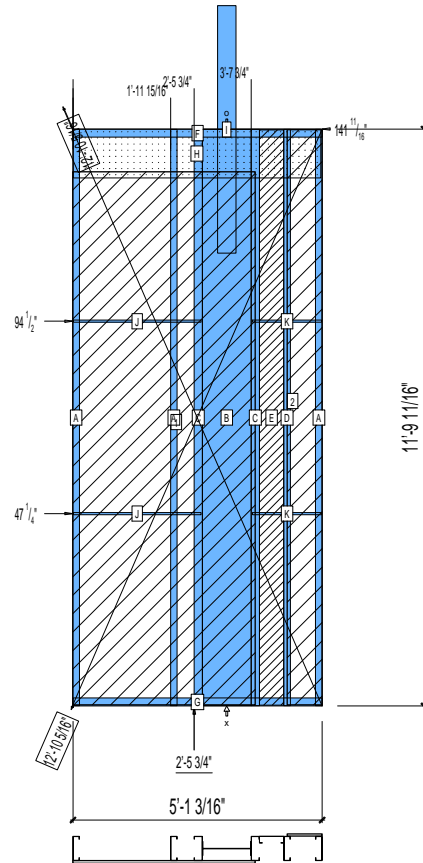
CREATED: 09/11/2008

FM-07-109

CREATED BY: AMB

HEIGHT : 14'-3 15/16" POINTS: 3.12 Points.  
SPACING : 24"  
1st STUD: 24"

WEIGHTS :  
FRAME : 419 lbs  
SHEATHING: 171 lbs  
-----  
TOTAL: 590 lbs



PIECES LIST

| LABEL | QTY | SIZE          | LENGTH     | USE                |
|-------|-----|---------------|------------|--------------------|
| A     | 3   | 600S162-97    | 11'-9 1/2" | STUD               |
| B     | 1   | 1200i350p1062 | 11'-9 1/2" | PACO               |
| C     | 2   | 600S200-68    | 11'-9 1/2" | STUD               |
| D     | 1   | 600S162-33    | 11'-9 1/2" | BACKER STUD        |
| E     | 1   | 600S162-54    | 11'-9 1/4" | BACKER-U           |
| F     | 1   | 600T200-68    | 5'-1 3/16" | TOP TRACK          |
| G     | 1   | 600T200-68    | 5'-1 3/16" | BOTTOM TRACK       |
| H     | 1   | 1200D-54      | 5'-0 3/4"  | STRAP              |
| I     | 1   | D             | 5'-0 3/4"  | HOLDDOWN           |
| J     | 2   | 150U50-54     | 2'-7 3/8"  | HORIZONTAL BRACING |
| K     | 2   | 150U50-54     | 1'-5"      | HORIZONTAL BRACING |

SHEATHING

| LABEL | QTY | CODE         | THICK | SIZE                      | SCREWS |
|-------|-----|--------------|-------|---------------------------|--------|
| 1     | 1   | SB-DENSARMOR | 5/8"  | 3'-8 13/16" X 10'-10 7/8" | 2 - 12 |
| 2     | 1   | DENSGLOSS    | 1/2"  | 8 5/8" X 11'-9 1/4"       | 8 - 12 |

# 11-1058

Jewish Home for the Aging

1885 Victory Blvd. Reseda, CA

FrameMax, Inc.  
13915 Danielson St  
Suite 100  
Poway, CA 92064  
www.frame-max.com



© FrameMax Inc.

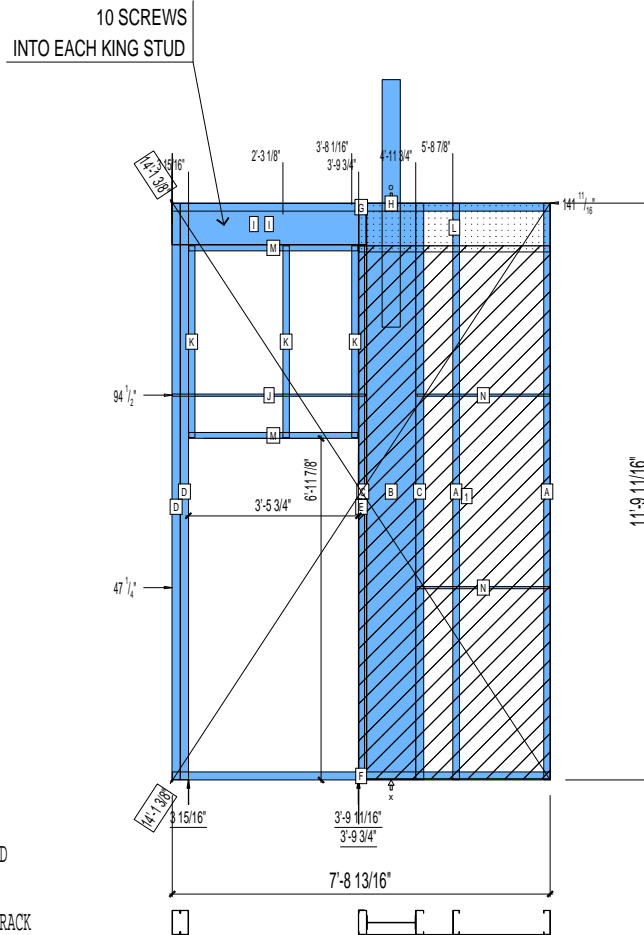
CREATED: 09/11/2008

FM-07-109

CREATED BY: AMB

HEIGHT : 11'-9 11/16" POINTS: 3.76 Points.  
SPACING : 24"  
1st STUD: 24"

WEIGHTS :  
FRAME : 532 lbs  
SHEATHING: 157 lbs  
-----  
TOTAL: 689 lbs



PIECES LIST

| LABEL | QTY | SIZE          | LENGTH       | USE                |
|-------|-----|---------------|--------------|--------------------|
| A     | 2   | 600S162-97    | 11'-9 1/2"   | STUD               |
| B     | 1   | 1200i350p1062 | 11'-9 1/2"   | PACO               |
| C     | 2   | 600S200-68    | 11'-9 1/2"   | STUD               |
| D     | 2   | 600S200-97    | 11'-9 1/2"   | KING STUD          |
| E     | 1   | 600T150-54    | 10'-8 15/16" | CAP                |
| F     | 1   | 600T200-68    | 7'-8 13/16"  | BOTTOM TRACK       |
| G     | 1   | 600T200-68    | 7'-8 13/16"  | TOP TRACK          |
| H     | 1   | D             | 5'-0 3/4"    | HOLDDOWN           |
| I     | 2   | 1000T200-97   | 3'-11 5/8"   | HEADER             |
| J     | 1   | 150U50-54     | 3'-11 3/8"   | HORIZONTAL BRACING |
| K     | 3   | 600S162-54    | 3'-11 1/16"  | CRIPPLE            |
| L     | 1   | 1200D-54      | 3'-10 7/8"   | STRAP              |
| M     | 2   | 600T150-54    | 3'-5 1/2"    | HEAD TRACK         |
| N     | 2   | 150U50-54     | 2'-8 5/8"    | HORIZONTAL BRACING |

SHEATHING

| LABEL | QTY | CODE         | THICK | SIZE                      | SCREWS |
|-------|-----|--------------|-------|---------------------------|--------|
| 1     | 1   | SB-DENSARMOR | 5/8"  | 3'-11 1/16" X 10'-10 7/8" | 1 - 12 |

# 11-1059

Jewish Home for the Aging

1885 Victory Blvd. Reseda, CA

FM-07-109

CREATED BY: AMB

FrameMax, Inc.  
13915 Danielson St  
Suite 100  
Poway, CA 92064  
www.frame-max.com



© FrameMax Inc.

HEIGHT : 11'-9 11/16" POINTS: 1.11 Points.

SPACING : 24"

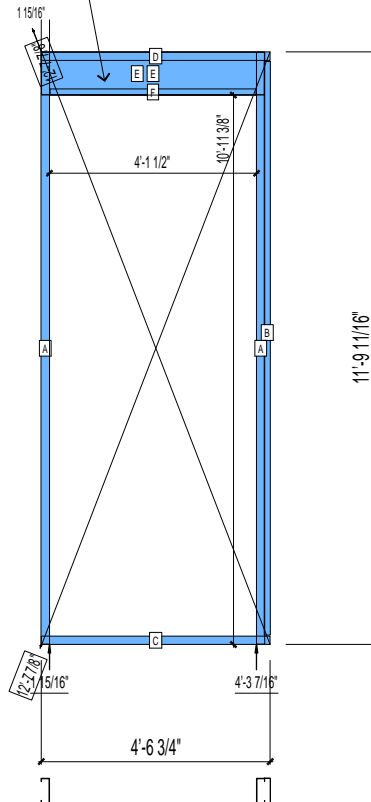
1st STUD: 24"

WEIGHTS :

FRAME : 186 lbs

-----  
TOTAL: 186 lbs

10 SCREWS  
INTO EACH KING STUD



### PIECES LIST

| LABEL | QTY | SIZE        | LENGTH      | USE          |
|-------|-----|-------------|-------------|--------------|
| A     | 2   | 600S200-97  | 11'-9 1/2"  | KING STUD    |
| B     | 1   | 600T200-68  | 11'-5 3/16" | CAP          |
| C     | 1   | 600T200-68  | 4'-6 3/4"   | BOTTOM TRACK |
| D     | 1   | 600T200-68  | 4'-6 3/4"   | TOP TRACK    |
| E     | 2   | 1000T200-97 | 4'-5 1/4"   | HEADER       |
| F     | 1   | 600T150-54  | 4'-1 1/4"   | HEAD TRACK   |

# 11-1060

Jewish Home for the Aging

1885 Victory Blvd. Reseda, CA

FrameMax, Inc.  
13915 Danielson St  
Suite 100  
Poway, CA 92064  
www.framemax.com



© FrameMax Inc.

CREATED: 09/11/2008

FM-07-109

CREATED BY: AMB

HEIGHT : 11'-9 11/16" POINTS: 2.96 Points.

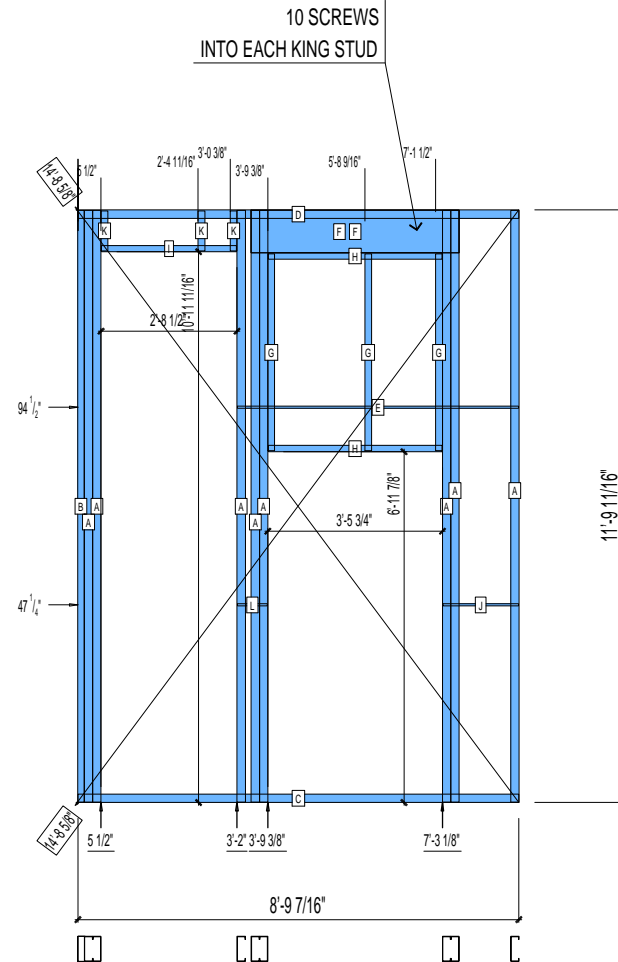
SPACING : 24"

1st STUD: 24"

WEIGHTS :

FRAME : 493 lbs

TOTAL: 493 lbs



PIECES LIST

| LABEL | QTY | SIZE        | LENGTH      | USE                |
|-------|-----|-------------|-------------|--------------------|
| A     | 8   | 600S200-97  | 11'-9 1/2"  | KING STUD          |
| B     | 1   | 600T150-54  | 11'-9 1/2"  | CAP                |
| C     | 1   | 600T200-68  | 8'-9 7/16"  | BOTTOM TRACK       |
| D     | 1   | 600T200-68  | 8'-9 7/16"  | TOP TRACK          |
| E     | 1   | 150U50-54   | 5'-7 3/16"  | HORIZONTAL BRACING |
| F     | 2   | 1000T200-97 | 4'-1 3/4"   | HEADER             |
| G     | 3   | 600S162-54  | 3'-11 1/16" | CRIPPLE            |
| H     | 2   | 600T150-54  | 3'-5 1/2"   | HEAD TRACK         |
| I     | 1   | 600T150-54  | 2'-8 1/4"   | HEAD TRACK         |
| J     | 1   | 150U50-54   | 1'-6 1/16"  | HORIZONTAL BRACING |
| K     | 3   | 600S162-54  | 9 9/16"     | CRIPPLE            |
| L     | 1   | 150U50-54   | 7 1/8"      | HORIZONTAL BRACING |

# 11-1061

Jewish Home for the Aging

1885 Victory Blvd. Reseda, CA

FrameMax, Inc.  
13915 Danielson St  
Suite 100  
Poway, CA 92064  
www.frame-max.com



© FrameMax Inc.

CREATED: 09/11/2008

FM-07-109

CREATED BY: AMB

HEIGHT : 11'-9 11/16" POINTS: 1.52 Points.

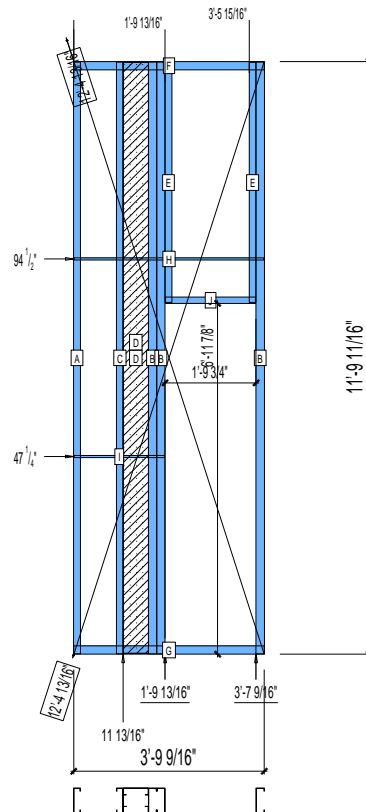
SPACING : 24"

1st STUD: 24"

WEIGHTS :

FRAME : 251 lbs

-----  
TOTAL: 251 lbs



PIECES LIST

| LABEL | QTY | SIZE       | LENGTH     | USE                |
|-------|-----|------------|------------|--------------------|
| A     | 1   | 600S162-97 | 11'-9 1/2" | STUD               |
| B     | 3   | 600S200-97 | 11'-9 1/2" | KING STUD          |
| C     | 1   | 600S162-33 | 11'-9 1/2" | BACKER STUD        |
| D     | 2   | 600S162-33 | 11'-9 1/4" | BACKER-U           |
| E     | 2   | 600S162-54 | 4'-9 3/8"  | CRIPPLE            |
| F     | 1   | 600T200-68 | 3'-9 9/16" | TOP TRACK          |
| G     | 1   | 600T200-68 | 3'-9 9/16" | BOTTOM TRACK       |
| H     | 1   | 150U50-54  | 3'-9 3/8"  | HORIZONTAL BRACING |
| I     | 1   | 150U50-54  | 1'-9 5/8"  | HORIZONTAL BRACING |
| J     | 1   | 600T150-54 | 1'-9 1/2"  | HEAD TRACK         |

# 11-1062

Jewish Home for the Aging

1885 Victory Blvd. Reseda, CA

FM-07-109

CREATED BY: AMB

FrameMax, Inc.  
13915 Danielson St  
Suite 100  
Poway, CA 92064  
www.frame-max.com



© FrameMax Inc.

HEIGHT : 11'-9 11/16" POINTS: 4.26 Points.

SPACING : 24"

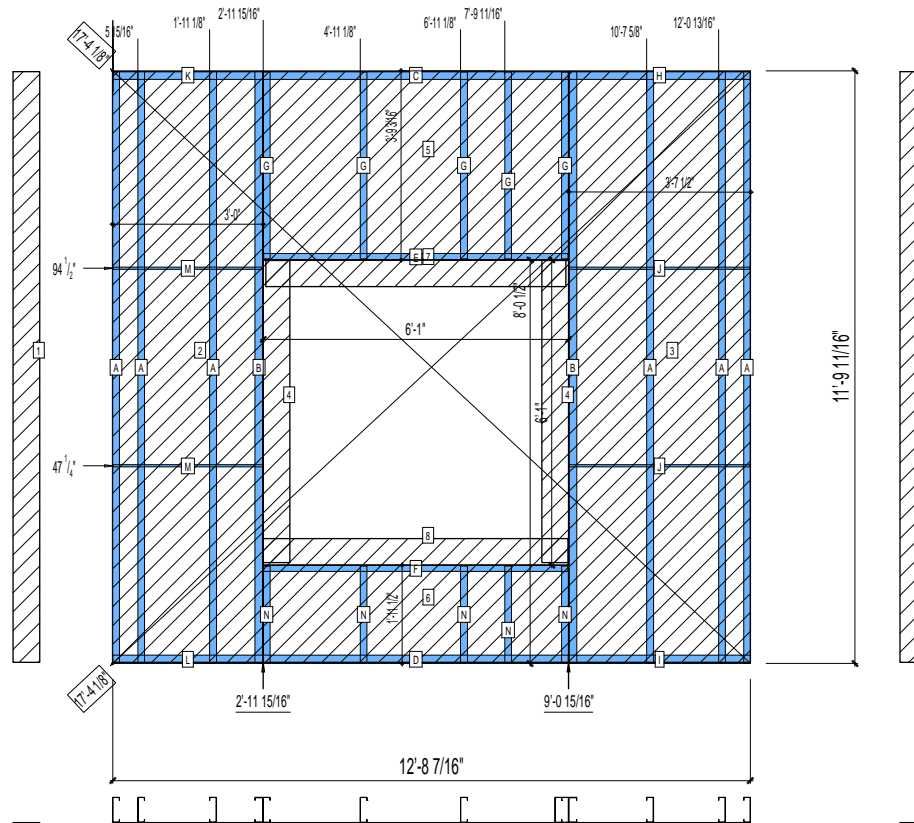
1st STUD: 24"

WEIGHTS :

FRAME : 395 lbs

SHEATHING: 344 lbs

TOTAL: 739 lbs



PIECES LIST

| LABEL | QTY | SIZE       | LENGTH       | USE                |
|-------|-----|------------|--------------|--------------------|
| A     | 6   | 600S162-68 | 11'-9 1/2"   | STUD               |
| B     | 2   | 600S200-97 | 11'-9 1/2"   | KING STUD          |
| C     | 1   | 600T200-68 | 6'-0 15/16"  | TOP TRACK          |
| D     | 1   | 600T200-68 | 6'-0 15/16"  | BOTTOM TRACK       |
| E     | 1   | 600T150-54 | 6'-0 3/4"    | HEAD TRACK         |
| F     | 1   | 600T150-54 | 6'-0 3/4"    | SILL               |
| G     | 5   | 600S162-54 | 3'-8 3/4"    | CRIPPLE            |
| H     | 1   | 600T200-68 | 3'-7 7/16"   | TOP TRACK          |
| I     | 1   | 600T200-68 | 3'-7 7/16"   | BOTTOM TRACK       |
| J     | 2   | 150U50-54  | 3'-7 1/4"    | HORIZONTAL BRACING |
| K     | 1   | 600T200-68 | 2'-11 15/16" | TOP TRACK          |
| L     | 1   | 600T200-68 | 2'-11 15/16" | BOTTOM TRACK       |
| M     | 2   | 150U50-54  | 2'-11 3/4"   | HORIZONTAL BRACING |
| N     | 5   | 600S162-54 | 1'-11 1/16"  | CRIPPLE            |

SHEATHING

| LABEL | QTY | CODE      | THICK | SIZE                    | SCREWS |
|-------|-----|-----------|-------|-------------------------|--------|
| 1     | 2   | DENSGLASS | 1/2"  | 6 3/8" X 11'-9 1/4"     | 8 - 12 |
| 2     | 1   | DENSGLASS | 1/2"  | 2'-11 7/8" X 11'-9 1/4" | 8 - 12 |
| 3     | 1   | DENSGLASS | 1/2"  | 3'-7 3/8" X 11'-9 1/4"  | 8 - 12 |
| 4     | 2   | DENSGLASS | 1/2"  | 6 3/8" X 6'-0 1/4"      | 8 - 12 |
| 5     | 1   | DENSGLASS | 1/2"  | 6'-1" X 3'-9 1/16"      | 8 - 12 |
| 6     | 1   | DENSGLASS | 1/2"  | 6'-1" X 1'-11 1/4"      | 8 - 12 |
| 7     | 1   | DENSGLASS | 1/2"  | 5'-11 3/4" X 6 3/8"     | 8 - 12 |
| 8     | 1   | DENSGLASS | 1/2"  | 6'-0 7/8" X 6 3/8"      | 8 - 12 |

# 11-1063

Jewish Home for the Aging

1885 Victory Blvd. Reseda, CA

FrameMax, Inc.  
13915 Danielson St  
Suite 100  
Poway, CA 92064  
www.frame-max.com



© FrameMax Inc.

CREATED: 09/11/2008

FM-07-109

CREATED BY: AMB

HEIGHT : 11'-9 11/16" POINTS: 1.69 Points.

SPACING : 24"

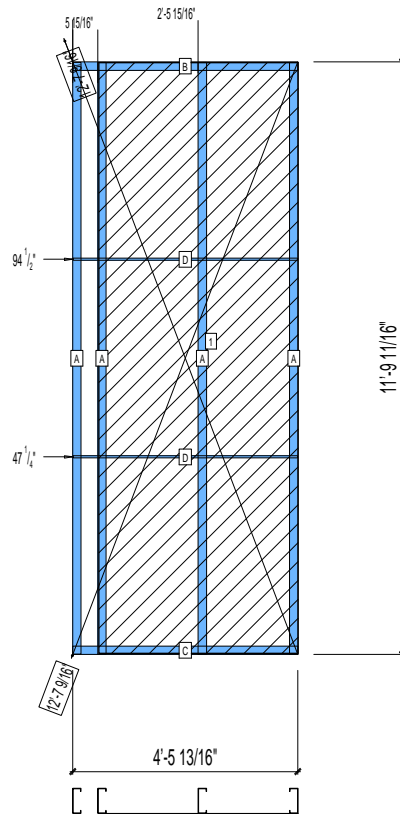
1st STUD: 24"

WEIGHTS :

FRAME : 197 lbs

SHEATHING: 117 lbs

-----  
TOTAL: 314 lbs



PIECES LIST

| LABEL | QTY | SIZE       | LENGTH      | USE                |
|-------|-----|------------|-------------|--------------------|
| A     | 4   | 600S200-97 | 11'-9 1/2"  | STUD               |
| B     | 1   | 600T200-68 | 4'-5 13/16" | TOP TRACK          |
| C     | 1   | 600T200-68 | 4'-5 13/16" | BOTTOM TRACK       |
| D     | 2   | 150U50-54  | 4'-5 5/8"   | HORIZONTAL BRACING |

SHEATHING

| LABEL | QTY | CODE      | THICK | SIZE                    | SCREWS |
|-------|-----|-----------|-------|-------------------------|--------|
| 1     | 1   | DENSGLASS | 1/2"  | 3'-11 5/8" X 11'-9 1/4" | 8 - 12 |

# 11-1064

Jewish Home for the Aging

1885 Victory Blvd. Reseda, CA

FM-07-109

CREATED BY: AMB

FrameMax, Inc.  
13915 Danielson St  
Suite 100  
Poway, CA 92064  
www.frame-max.com



© FrameMax Inc.

HEIGHT : 11'-9 11/16" POINTS: 5.93 Points.

SPACING : 24"

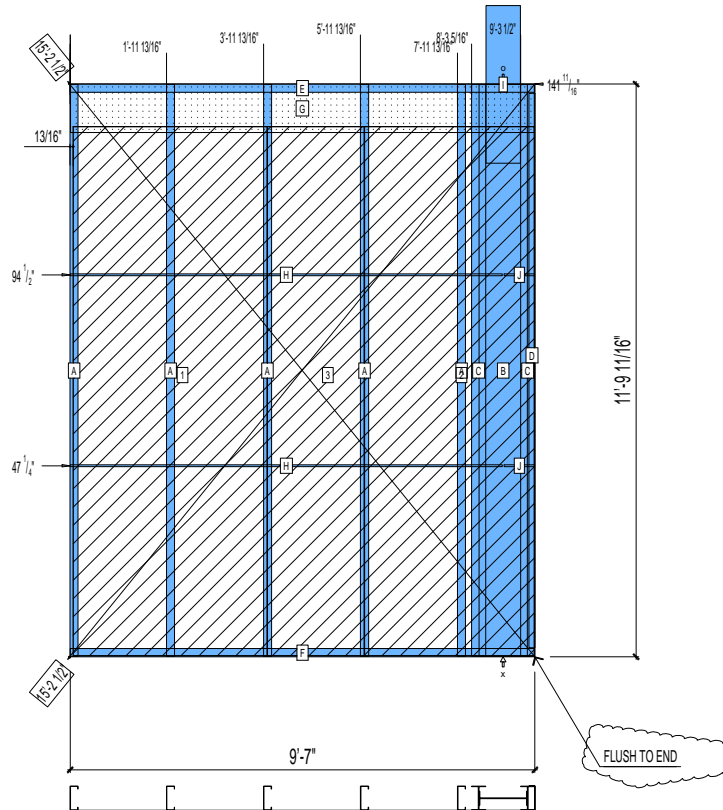
1st STUD: 24"

WEIGHTS :

FRAME : 802 lbs

SHEATHING: 382 lbs

TOTAL: 1184 lbs



PIECES LIST

| LABEL | QTY | SIZE          | LENGTH       | USE                |
|-------|-----|---------------|--------------|--------------------|
| A     | 5   | 600S200-97    | 11'-9 1/2"   | STUD               |
| B     | 1   | 1200i350p1420 | 11'-9 1/2"   | PACO               |
| C     | 2   | 600i350p968   | 11'-9 1/2"   | PACO               |
| D     | 1   | 600T150-54    | 11'-5 3/16"  | CAP                |
| E     | 1   | 600T200-68    | 9'-7"        | TOP TRACK          |
| F     | 1   | 600T200-68    | 9'-7"        | BOTTOM TRACK       |
| G     | 1   | 1200D-54      | 9'-6 3/4"    | STRAP              |
| H     | 2   | 150U50-54     | 8'-10 13/16" | HORIZONTAL BRACING |
| I     | 1   | F             | 3'-3"        | HOLDDOWN           |
| J     | 2   | 150U50-54     | 7 1/2"       | HORIZONTAL BRACING |

SHEATHING

| LABEL | QTY | CODE         | THICK | SIZE                     | SCREWS |
|-------|-----|--------------|-------|--------------------------|--------|
| 1     | 1   | SB-DENSARMOR | 5/8"  | 4'-0" X 10'-10 7/8"      | 2 -12  |
| 2     | 1   | SB-DENSARMOR | 5/8"  | 3'-6 1/16" X 10'-10 7/8" | 2 -12  |
| 3     | 1   | SB-DENSARMOR | 5/8"  | 2'-0" X 10'-10 7/8"      | 2 -12  |

# 11-1065

Jewish Home for the Aging

1885 Victory Blvd. Reseda, CA

FM-07-109

CREATED BY: AMB

FrameMax, Inc.  
13915 Danielson St  
Suite 100  
Poway, CA 92064  
www.frame-max.com



© FrameMax Inc.

HEIGHT : 11'-9 11/16" POINTS: 3.11 Points.

SPACING : 24"

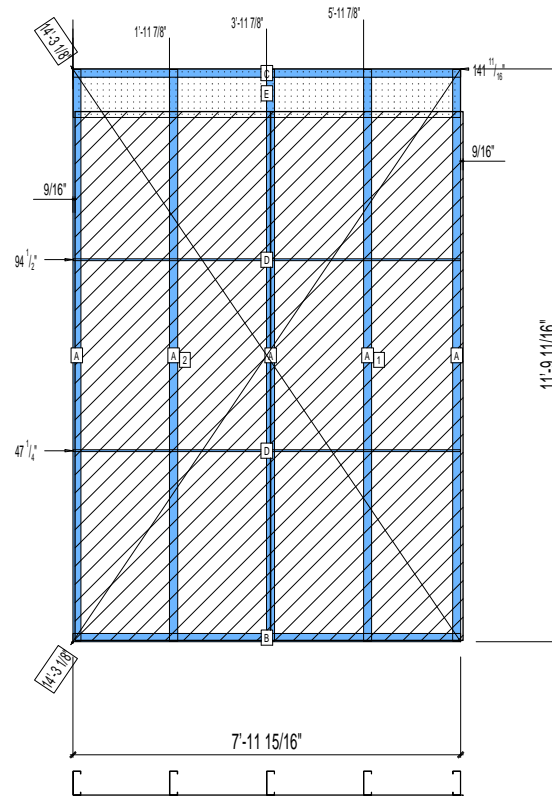
1st STUD: 24"

WEIGHTS :

FRAME : 280 lbs

SHEATHING: 321 lbs

-----  
TOTAL: 601 lbs



PIECES LIST

| LABEL | QTY | SIZE       | LENGTH       | USE                |
|-------|-----|------------|--------------|--------------------|
| A     | 5   | 600S200-97 | 11'-9 1/2"   | STUD               |
| B     | 1   | 600T200-68 | 7'-11 15/16" | BOTTOM TRACK       |
| C     | 1   | 600T200-68 | 7'-11 15/16" | TOP TRACK          |
| D     | 2   | 150U50-54  | 7'-11 3/4"   | HORIZONTAL BRACING |
| E     | 1   | 1200D-54   | 7'-11 3/4"   | STRAP              |

SHEATHING

| LABEL | QTY | CODE         | THICK | SIZE                     | SCREWS |
|-------|-----|--------------|-------|--------------------------|--------|
| 1     | 1   | SB-DENSARMOR | 5/8"  | 3'-11 5/8" X 10'-10 7/8" | 2 -12  |
| 2     | 1   | SB-DENSARMOR | 5/8"  | 4'-0 3/8" X 10'-10 7/8"  | 2 -12  |

# 11-1066

Jewish Home for the Aging

1885 Victory Blvd. Reseda, CA

FM-07-109

CREATED BY: AMB

FrameMax, Inc.  
13915 Danielson St  
Suite 100  
Poway, CA 92064  
www.frame-max.com



© FrameMax Inc.

HEIGHT : 11'-9 11/16" POINTS: 5.48 Points.

SPACING : 24"

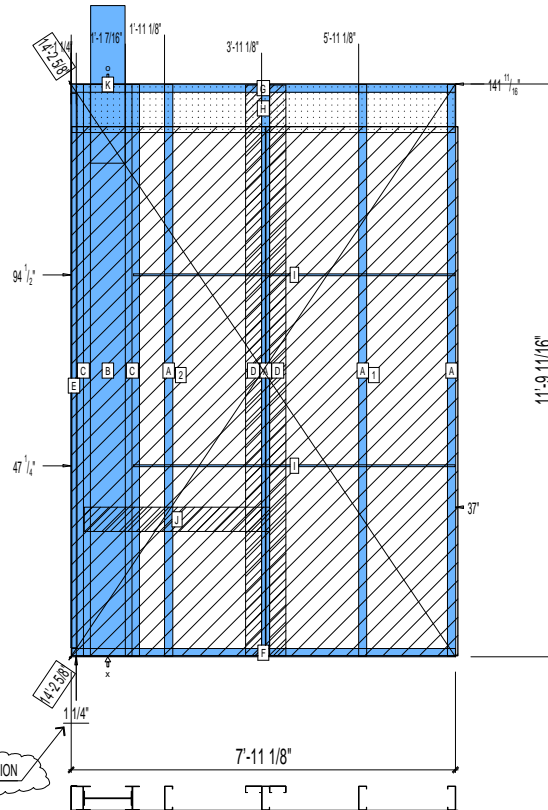
1st STUD: 16"

WEIGHTS :

FRAME : 771 lbs

SHEATHING: 320 lbs

TOTAL: 1091 lbs



PIECES LIST

| LABEL | QTY | SIZE          | LENGTH      | USE                |
|-------|-----|---------------|-------------|--------------------|
| A     | 4   | 600S200-97    | 11'-9 1/2"  | STUD               |
| B     | 1   | 1200i350p1420 | 11'-9 1/2"  | PACO               |
| C     | 2   | 600i350p968   | 11'-9 1/2"  | PACO               |
| D     | 2   | 400S162-33    | 11'-9 1/4"  | BACKER-U           |
| E     | 1   | 600T150-54    | 11'-5 3/16" | CAP                |
| F     | 1   | 600T200-68    | 7'-11 1/8"  | BOTTOM TRACK       |
| G     | 1   | 600T200-68    | 7'-11 1/8"  | TOP TRACK          |
| H     | 1   | 1200D-54      | 7'-10 7/8"  | STRAP              |
| I     | 2   | 150U50-54     | 6'-7 9/16"  | HORIZONTAL BRACING |
| J     | 1   | 600D-54       | 3'-9 7/8"   | VANITY BACKING     |
| K     | 1   | F             | 3'-3"       | HOLDDOWN           |

SHEATHING

| LABEL | QTY | CODE         | THICK | SIZE                      | SCREWS |
|-------|-----|--------------|-------|---------------------------|--------|
| 1     | 1   | SB-DENSARMOR | 5/8"  | 3'-11 9/16" X 10'-10 7/8" | 2 - 12 |
| 2     | 1   | SB-DENSARMOR | 5/8"  | 4'-0" X 10'-10 7/8"       | 2 - 12 |

# 11-1067

Jewish Home for the Aging

1885 Victory Blvd. Reseda, CA

FrameMax, Inc.  
13915 Danielson St  
Suite 100  
Poway, CA 92064  
www.frame-max.com



© FrameMax Inc.

CREATED: 09/11/2008

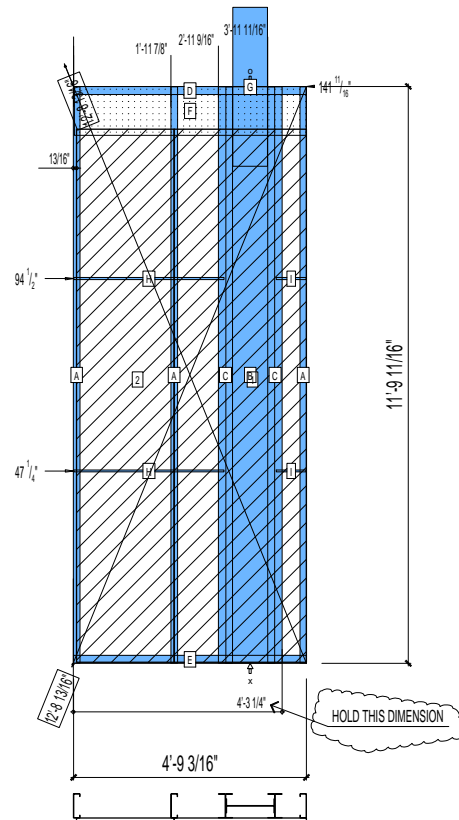
FM-07-109

CREATED BY: AMB

HEIGHT : 13'-5 1/16" POINTS: 4.18 Points.  
SPACING : 24"  
1st STUD: 24"

WEIGHTS :  
FRAME : 644 lbs  
SHEATHING: 189 lbs

TOTAL: 833 lbs



PIECES LIST

| LABEL | QTY | SIZE          | LENGTH     | USE                |
|-------|-----|---------------|------------|--------------------|
| A     | 3   | 600S162-97    | 11'-9 1/2" | STUD               |
| B     | 1   | 1200i350p1420 | 11'-9 1/2" | PACO               |
| C     | 2   | 600i350p968   | 11'-9 1/2" | PACO               |
| D     | 1   | 600T200-68    | 4'-9 3/16" | TOP TRACK          |
| E     | 1   | 600T200-68    | 4'-9 3/16" | BOTTOM TRACK       |
| F     | 1   | 1200D-54      | 4'-8 7/8"  | STRAP              |
| G     | 1   | F             | 3'-3"      | HOLDDOWN           |
| H     | 2   | 150U50-54     | 3'-0 7/8"  | HORIZONTAL BRACING |
| I     | 2   | 150U50-54     | 7 5/16"    | HORIZONTAL BRACING |

SHEATHING

| LABEL | QTY | CODE         | THICK | SIZE                       | SCREWS |
|-------|-----|--------------|-------|----------------------------|--------|
| 1     | 1   | SB-DENSARMOR | 5/8"  | 2'-8 7/16" X 10'-10 7/8"   | 2 - 12 |
| 2     | 1   | SB-DENSARMOR | 5/8"  | 1'-11 15/16" X 10'-10 7/8" | 2 - 12 |

# 11-1068

Jewish Home for the Aging

1885 Victory Blvd. Reseda, CA

FrameMax, Inc.  
13915 Danielson St  
Suite 100  
Poway, CA 92064  
www.frame-max.com



© FrameMax Inc.

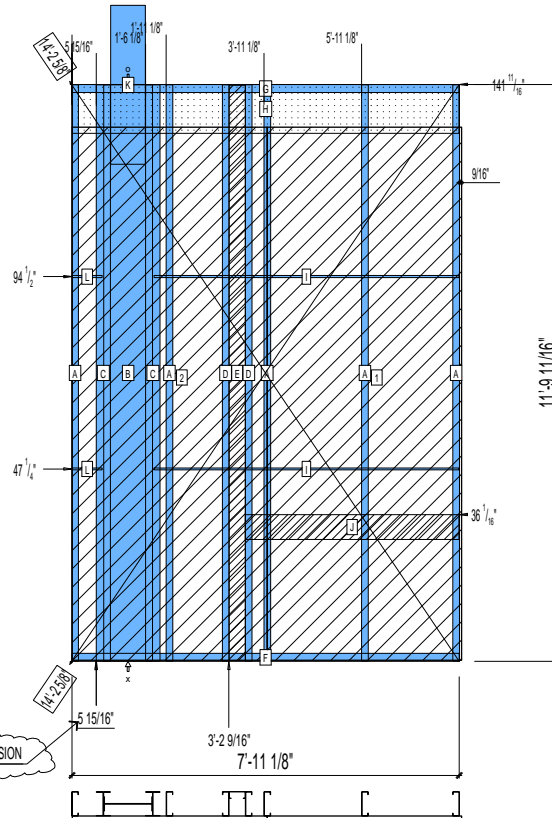
CREATED: 09/11/2008

FM-07-109

CREATED BY: AMB

HEIGHT : 13'-5 1/16" POINTS: 5.65 Points.  
SPACING : 24"  
1st STUD: 24"

WEIGHTS :  
FRAME : 794 lbs  
SHEATHING: 320 lbs  
-----  
TOTAL: 1114 lbs



PIECES LIST

| LABEL | QTY | SIZE          | LENGTH      | USE                |
|-------|-----|---------------|-------------|--------------------|
| A     | 5   | 600S162-97    | 11'-9 1/2"  | STUD               |
| B     | 1   | 1200i350p1420 | 11'-9 1/2"  | PACO               |
| C     | 2   | 600i350p968   | 11'-9 1/2"  | PACO               |
| D     | 2   | 600S162-33    | 11'-9 1/2"  | BACKER STUD        |
| E     | 1   | 400S162-33    | 11'-9 1/4"  | BACKER-U           |
| F     | 1   | 600T200-68    | 7'-11 1/8"  | BOTTOM TRACK       |
| G     | 1   | 600T200-68    | 7'-11 1/8"  | TOP TRACK          |
| H     | 1   | 1200D-54      | 7'-10 7/8"  | STRAP              |
| I     | 2   | 150U50-54     | 6'-2 13/16" | HORIZONTAL BRACING |
| J     | 1   | 600T150-54    | 4'-4 7/16"  | GRAB BAR           |
| K     | 1   | F             | 3'-3"       | HOLDDOWN           |
| L     | 2   | 150U50-54     | 7 5/16"     | HORIZONTAL BRACING |

HOLD THIS DIMENSION

SHEATHING

| LABEL | QTY | CODE         | THICK | SIZE                     | SCREWS |
|-------|-----|--------------|-------|--------------------------|--------|
| 1     | 1   | SB-DENSARMOR | 5/8"  | 3'-11 3/4" X 10'-10 7/8" | 2 - 12 |
| 2     | 1   | SB-DENSARMOR | 5/8"  | 3'-11 7/8" X 10'-10 7/8" | 2 - 12 |

# 11-1069

Jewish Home for the Aging

1885 Victory Blvd. Reseda, CA

FrameMax, Inc.  
13915 Danielson St  
Suite 100  
Poway, CA 92064  
www.framemax.com

# FRAME MAX

© FrameMax Inc.

CREATED: 09/11/2008

FM-07-109

CREATED BY: AMB

HEIGHT : 11'-9 11/16" POINTS: 3.25 Points.

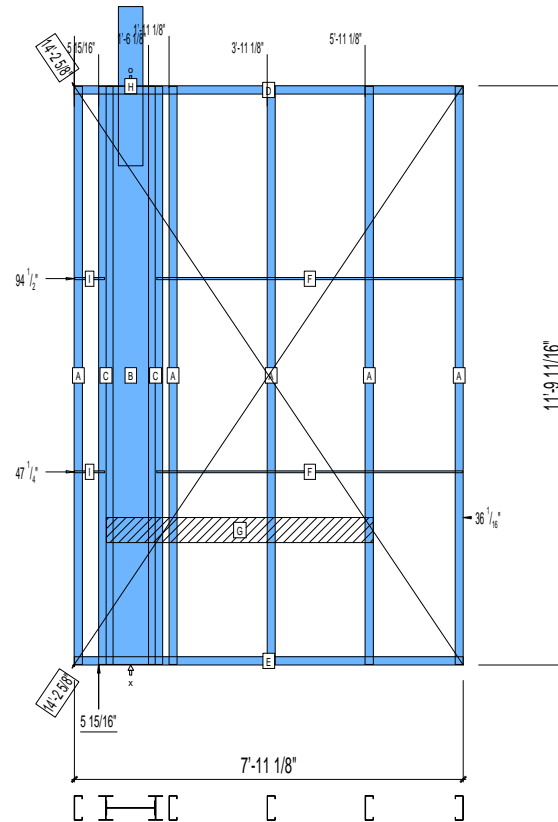
SPACING : 24"

1st STUD: 24"

WEIGHTS :

FRAME : 604 lbs

TOTAL: 604 lbs



PIECES LIST

| LABEL | QTY | SIZE          | LENGTH      | USE                |
|-------|-----|---------------|-------------|--------------------|
| A     | 5   | 600S200-97    | 11'-9 1/2"  | STUD               |
| B     | 1   | 1200i350p1062 | 11'-9 1/2"  | PACO               |
| C     | 2   | 600i350p680   | 11'-9 1/2"  | PACO               |
| D     | 1   | 600T200-68    | 7'-11 1/8"  | TOP TRACK          |
| E     | 1   | 600T200-68    | 7'-11 1/8"  | BOTTOM TRACK       |
| F     | 2   | 150U50-54     | 6'-2 13/16" | HORIZONTAL BRACING |
| G     | 1   | 600T150-54    | 5'-5 5/16"  | GRAB BAR           |
| H     | 1   | E             | 3'-3"       | HOLDDOWN           |
| I     | 2   | 150U50-54     | 7 5/16"     | HORIZONTAL BRACING |

# 11-1070

Jewish Home for the Aging

1885 Victory Blvd. Reseda, CA

FrameMax, Inc.  
13915 Danielson St  
Suite 100  
Poway, CA 92064  
www.frame-max.com



© FrameMax Inc.

CREATED: 09/11/2008

FM-07-109

CREATED BY: AMB

HEIGHT : 11'-9 11/16" POINTS: 2.80 Points.

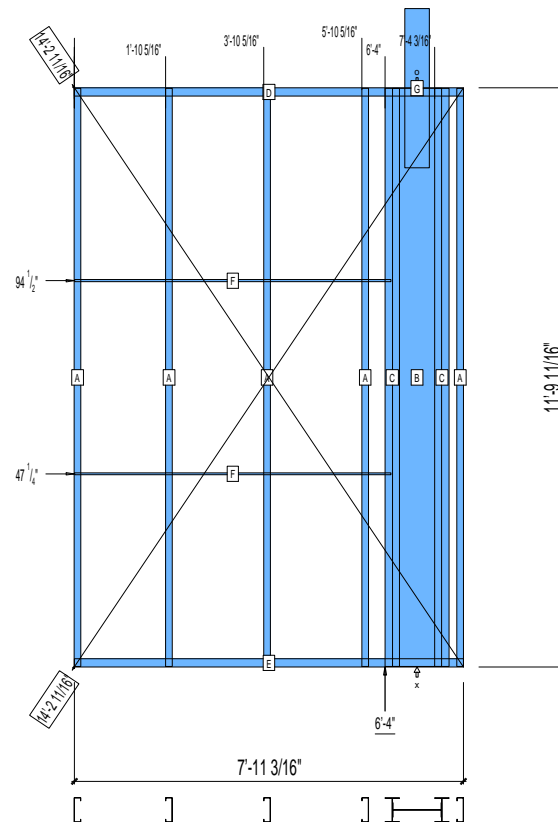
SPACING : 24"

1st STUD: 24"

WEIGHTS :

FRAME : 519 lbs

TOTAL: 519 lbs



PIECES LIST

| LABEL | QTY | SIZE          | LENGTH      | USE                |
|-------|-----|---------------|-------------|--------------------|
| A     | 5   | 600S162-68    | 11'-9 1/2"  | STUD               |
| B     | 1   | 1200i350p1062 | 11'-9 1/2"  | PACO               |
| C     | 2   | 600i350p680   | 11'-9 1/2"  | PACO               |
| D     | 1   | 600T200-68    | 7'-11 3/16" | TOP TRACK          |
| E     | 1   | 600T200-68    | 7'-11 3/16" | BOTTOM TRACK       |
| F     | 2   | 150U50-54     | 6'-5 3/8"   | HORIZONTAL BRACING |
| G     | 1   | E             | 3'-3"       | HOLDDOWN           |

# 11-1071

Jewish Home for the Aging

1885 Victory Blvd. Reseda, CA

FrameMax, Inc.  
13915 Danielson St  
Suite 100  
Poway, CA 92064  
www.frame-max.com



© FrameMax Inc.

CREATED: 09/18/2008

FM-07-109

CREATED BY: AMB

HEIGHT : 11'-9 11/16" POINTS: 3.43 Points.

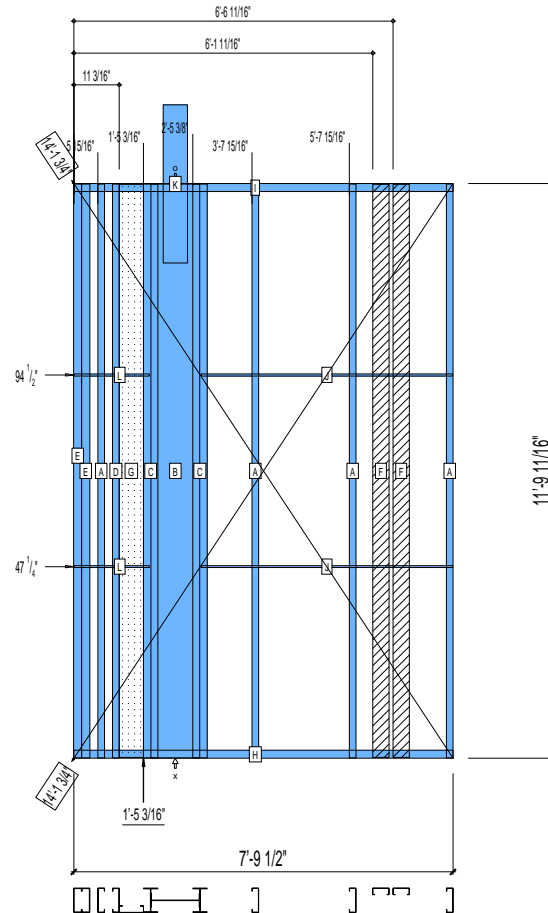
SPACING : 24"

1st STUD: 24"

WEIGHTS :

FRAME : 626 lbs

TOTAL: 626 lbs



PIECES LIST

| LABEL | QTY | SIZE          | LENGTH      | USE                |
|-------|-----|---------------|-------------|--------------------|
| A     | 4   | 600S162-68    | 11'-9 1/2"  | STUD               |
| B     | 1   | 1200i350p1062 | 11'-9 1/2"  | PACO               |
| C     | 2   | 600i350p680   | 11'-9 1/2"  | PACO               |
| D     | 1   | 600S162-33    | 11'-9 1/2"  | BACKER STUD        |
| E     | 2   | 600S200-97    | 11'-9 1/2"  | KING STUD          |
| F     | 2   | 400S162-33    | 11'-9 1/4"  | BACKER-U           |
| G     | 1   | 600S162-33    | 11'-9 1/4"  | BACKER-U           |
| H     | 1   | 600T200-68    | 7'-9 1/2"   | BOTTOM TRACK       |
| I     | 1   | 600T200-68    | 7'-9 1/2"   | TOP TRACK          |
| J     | 2   | 150U50-54     | 5'-1 15/16" | HORIZONTAL BRACING |
| K     | 1   | E             | 3'-3"       | HOLDDOWN           |
| L     | 2   | 150U50-54     | 1'-6 9/16"  | HORIZONTAL BRACING |

# 11-1072

Jewish Home for the Aging

1885 Victory Blvd. Reseda, CA

FrameMax, Inc.  
13915 Danielson St  
Suite 100  
Poway, CA 92064  
www.frame-max.com



© FrameMax Inc.

CREATED: 09/11/2008

FM-07-109

CREATED BY: AMB

HEIGHT : 11'-9 11/16" POINTS: 1.80 Points.

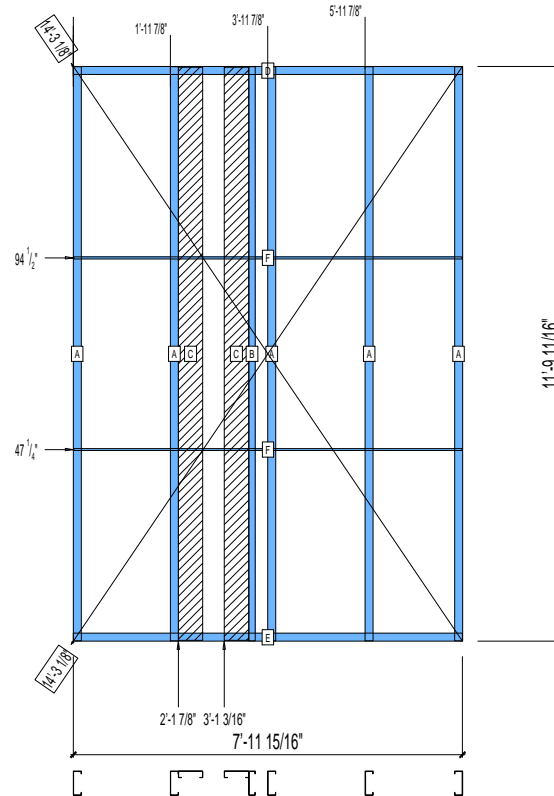
SPACING : 24"

1st STUD: 24"

WEIGHTS :

FRAME : 302 lbs

-----  
TOTAL: 302 lbs



### PIECES LIST

| LABEL | QTY | SIZE       | LENGTH       | USE                |
|-------|-----|------------|--------------|--------------------|
| A     | 5   | 600S200-97 | 11'-9 1/2"   | STUD               |
| B     | 1   | 600S162-33 | 11'-9 1/2"   | BACKER STUD        |
| C     | 2   | 600S162-33 | 11'-9 1/4"   | BACKER-U           |
| D     | 1   | 600T200-68 | 7'-11 15/16" | TOP TRACK          |
| E     | 1   | 600T200-68 | 7'-11 15/16" | BOTTOM TRACK       |
| F     | 2   | 150U50-54  | 7'-11 3/4"   | HORIZONTAL BRACING |

# 11-1073

Jewish Home for the Aging

1885 Victory Blvd. Reseda, CA

FrameMax, Inc.  
13915 Danielson St  
Suite 100  
Poway, CA 92064  
www.frame-max.com



© FrameMax Inc.

CREATED: 09/11/2008

FM-07-109

CREATED BY: AMB

HEIGHT : 11'-9 11/16" POINTS: 1.62 Points.

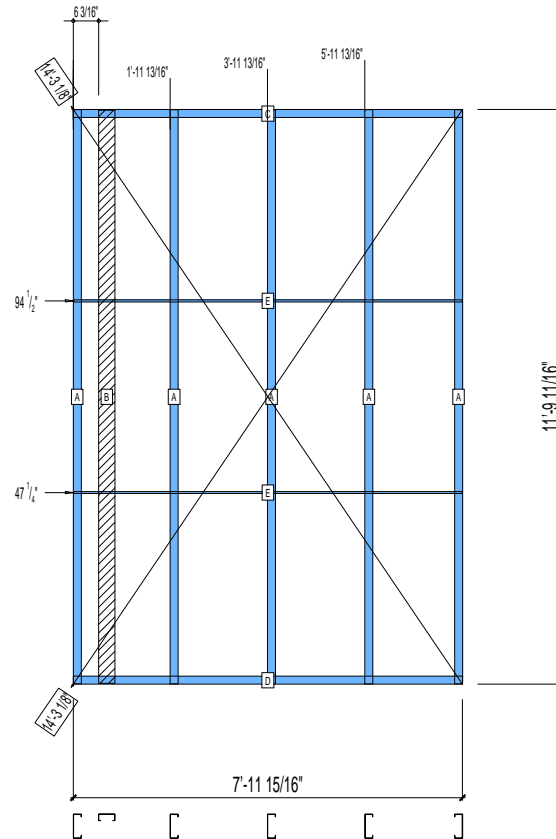
SPACING : 24"

1st STUD: 24"

WEIGHTS :

FRAME : 272 lbs

-----  
TOTAL: 272 lbs



PIECES LIST

| LABEL | QTY | SIZE       | LENGTH       | USE                |
|-------|-----|------------|--------------|--------------------|
| A     | 5   | 600S200-97 | 11'-9 1/2"   | STUD               |
| B     | 1   | 400S162-33 | 11'-9 1/4"   | BACKER-U           |
| C     | 1   | 600T200-68 | 7'-11 15/16" | TOP TRACK          |
| D     | 1   | 600T200-68 | 7'-11 15/16" | BOTTOM TRACK       |
| E     | 2   | 150U50-54  | 7'-11 3/4"   | HORIZONTAL BRACING |

# 11-1074

Jewish Home for the Aging

1885 Victory Blvd. Reseda, CA

FrameMax, Inc.  
13915 Danielson St  
Suite 100  
Poway, CA 92064  
www.frame-max.com



© FrameMax Inc.

CREATED: 09/11/2008

FM-07-109

CREATED BY: AMB

HEIGHT : 11'-9 11/16" POINTS: 2.93 Points.

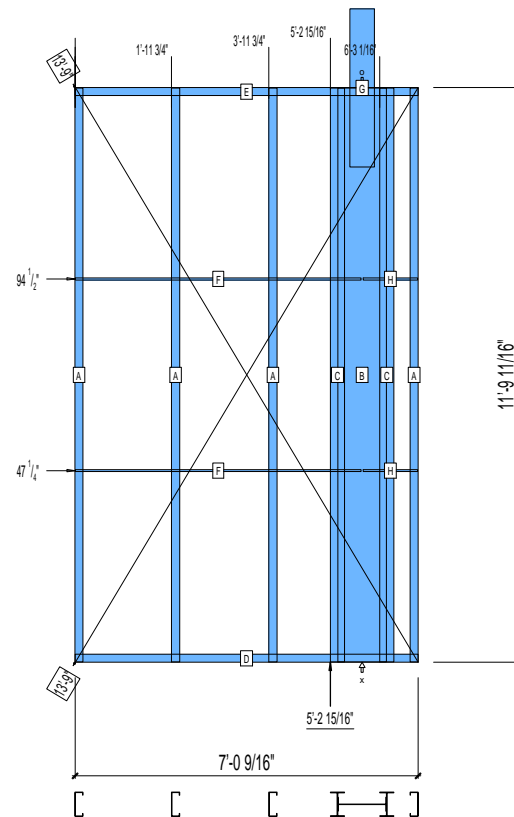
SPACING : 24"

1st STUD: 24"

WEIGHTS :

FRAME : 548 lbs

TOTAL: 548 lbs



PIECES LIST

| LABEL | QTY | SIZE          | LENGTH      | USE                |
|-------|-----|---------------|-------------|--------------------|
| A     | 4   | 600S200-97    | 11'-9 1/2"  | STUD               |
| B     | 1   | 1200i350p1062 | 11'-9 1/2"  | PACO               |
| C     | 2   | 600i350p680   | 11'-9 1/2"  | PACO               |
| D     | 1   | 600T200-68    | 7'-0 9/16"  | BOTTOM TRACK       |
| E     | 1   | 600T200-68    | 7'-0 9/16"  | TOP TRACK          |
| F     | 2   | 150U50-54     | 5'-10 7/16" | HORIZONTAL BRACING |
| G     | 1   | E             | 3'-3"       | HOLDDOWN           |
| H     | 2   | 150U50-54     | 1'-1 7/16"  | HORIZONTAL BRACING |

# 11-1075

Jewish Home for the Aging

1885 Victory Blvd. Reseda, CA

FrameMax, Inc.  
13915 Danielson St  
Suite 100  
Poway, CA 92064  
www.frame-max.com



© FrameMax Inc.

CREATED: 09/12/2008

FM-07-109

CREATED BY: AMB

HEIGHT : 11'-9 11/16"

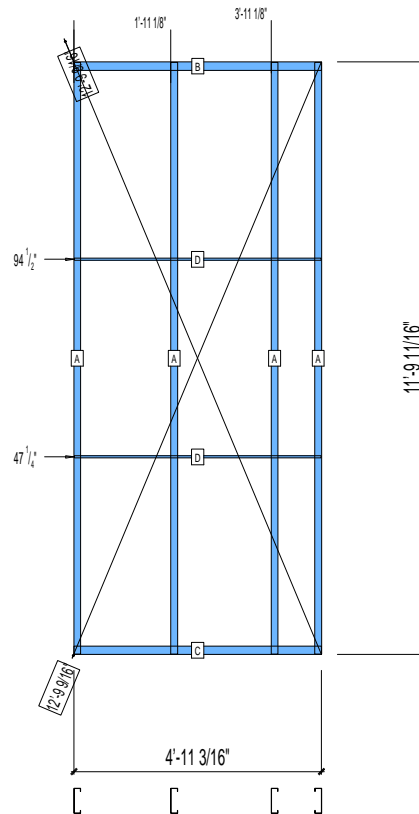
SPACING : 24"

1st STUD: 16"

WEIGHTS :

FRAME : 140 lbs

-----  
TOTAL: 140 lbs



### PIECES LIST

| LABEL | QTY | SIZE       | LENGTH      | USE                |
|-------|-----|------------|-------------|--------------------|
| A     | 4   | 600S162-68 | 11'-9 1/2"  | STUD               |
| B     | 1   | 600T200-68 | 4'-11 3/16" | TOP TRACK          |
| C     | 1   | 600T200-68 | 4'-11 3/16" | BOTTOM TRACK       |
| D     | 2   | 150U50-54  | 4'-11"      | HORIZONTAL BRACING |

# 11-1076

Jewish Home for the Aging

1885 Victory Blvd. Reseda, CA

FM-07-109

CREATED BY: AMB

FrameMax, Inc.  
13915 Danielson St  
Suite 100  
Poway, CA 92064  
www.frame-max.com



© FrameMax Inc.

HEIGHT : 11'-9 11/16" POINTS: 1.11 Points.

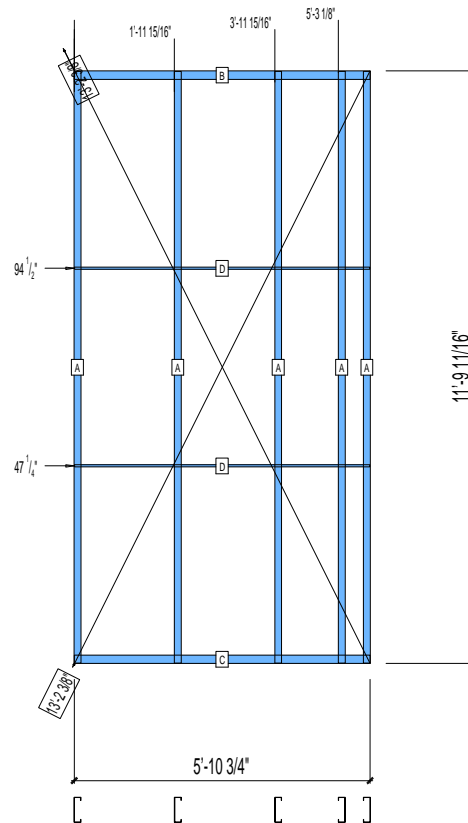
SPACING : 24"

1st STUD: 24"

WEIGHTS :

FRAME : 174 lbs

-----  
TOTAL: 174 lbs



### PIECES LIST

| LABEL | QTY | SIZE       | LENGTH      | USE                |
|-------|-----|------------|-------------|--------------------|
| A     | 5   | 600S162-68 | 11'-9 1/2"  | STUD               |
| B     | 1   | 600T200-68 | 5'-10 3/4"  | TOP TRACK          |
| C     | 1   | 600T200-68 | 5'-10 3/4"  | BOTTOM TRACK       |
| D     | 2   | 150U50-54  | 5'-10 9/16" | HORIZONTAL BRACING |

# 11-1077

Jewish Home for the Aging

1885 Victory Blvd. Reseda, CA

FrameMax, Inc.  
13915 Danielson St  
Suite 100  
Poway, CA 92064  
www.frame-max.com



© FrameMax Inc.

CREATED: 09/22/2008

FM-07-109

CREATED BY: AMB

HEIGHT : 11'-9 11/16" POINTS: 1.11 Points.

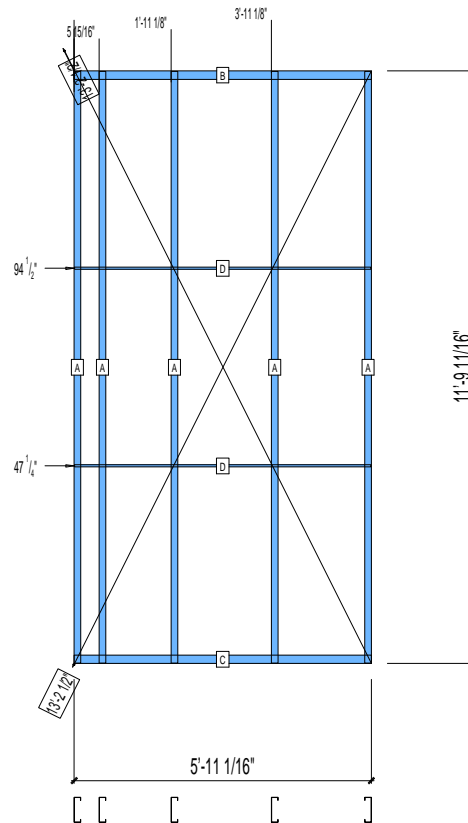
SPACING : 24"

1st STUD: 24"

WEIGHTS :

FRAME : 174 lbs

-----  
TOTAL: 174 lbs



### PIECES LIST

| LABEL | QTY | SIZE       | LENGTH      | USE                |
|-------|-----|------------|-------------|--------------------|
| A     | 5   | 600S162-68 | 11'-9 1/2"  | STUD               |
| B     | 1   | 600T200-68 | 5'-11 1/16" | TOP TRACK          |
| C     | 1   | 600T200-68 | 5'-11 1/16" | BOTTOM TRACK       |
| D     | 2   | 150U50-54  | 5'-10 7/8"  | HORIZONTAL BRACING |

# 11-1078

Jewish Home for the Aging

1885 Victory Blvd. Reseda, CA

FM-07-109

CREATED BY: AMB

FrameMax, Inc.  
13915 Danielson St  
Suite 100  
Poway, CA 92064  
www.framemax.com

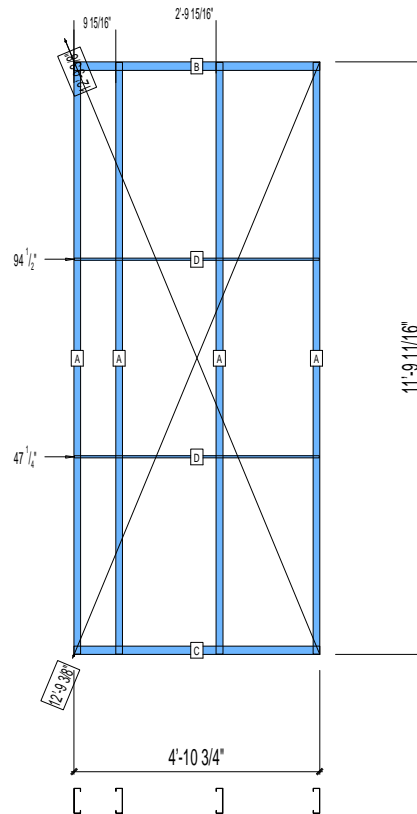


© FrameMax Inc.

HEIGHT : 11'-9 11/16"  
SPACING : 24"  
1st STUD: 24"

WEIGHTS :  
FRAME : 140 lbs

-----  
TOTAL: 140 lbs



### PIECES LIST

| LABEL | QTY | SIZE       | LENGTH      | USE                |
|-------|-----|------------|-------------|--------------------|
| A     | 4   | 600S162-68 | 11'-9 1/2"  | STUD               |
| B     | 1   | 600T200-68 | 4'-10 3/4"  | TOP TRACK          |
| C     | 1   | 600T200-68 | 4'-10 3/4"  | BOTTOM TRACK       |
| D     | 2   | 150U50-54  | 4'-10 9/16" | HORIZONTAL BRACING |

# 11-1079

Jewish Home for the Aging

1885 Victory Blvd. Reseda, CA

FrameMax, Inc.  
13915 Danielson St  
Suite 100  
Poway, CA 92064  
www.framemax.com



© FrameMax Inc.

CREATED: 10/04/2008

FM-07-109

CREATED BY: AMB

HEIGHT : 11'-9 11/16" POINTS: 4.06 Points.

SPACING : 24"

1st STUD: 24"

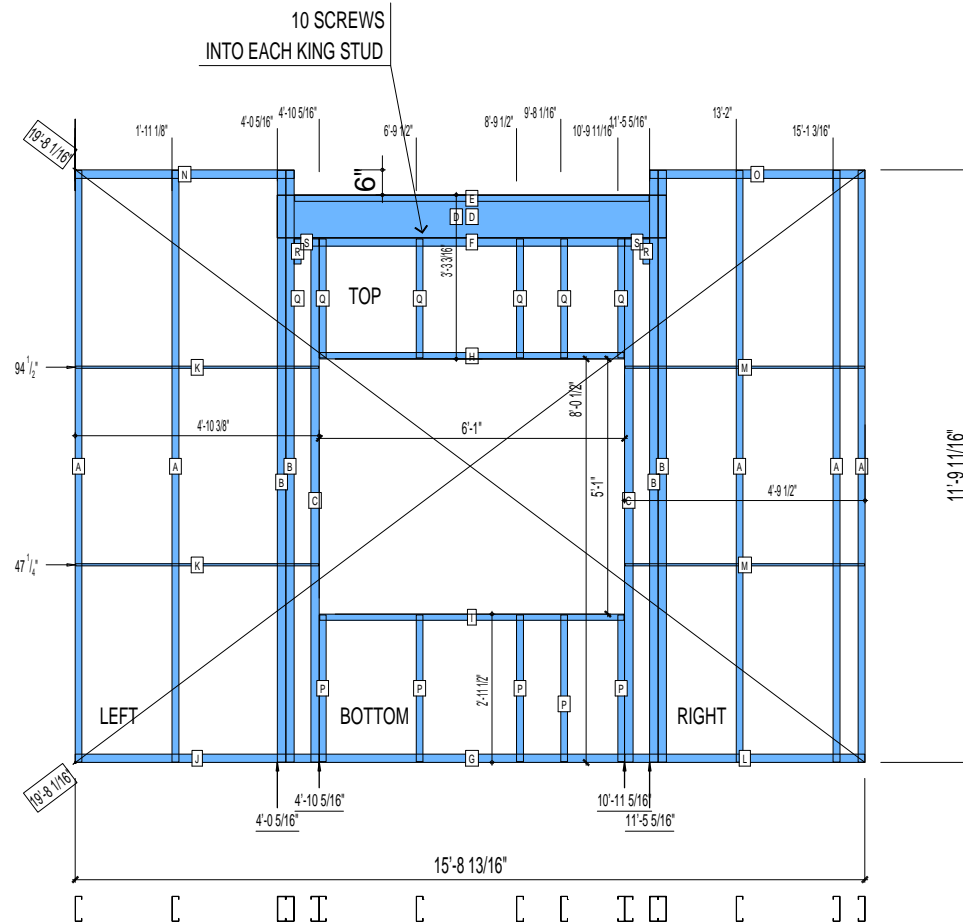
WEIGHTS :

FRAME : 633 lbs

TOTAL: 633 lbs

PIECES LIST

| LABEL | QTY | SIZE        | LENGTH      | USE                |
|-------|-----|-------------|-------------|--------------------|
| A     | 5   | 600S162-68  | 11'-9 1/2"  | STUD               |
| B     | 4   | 600S200-97  | 11'-9 1/2"  | EXTRA STUD         |
| C     | 2   | 600S200-97  | 10'-5 1/8"  | KING STUD          |
| D     | 2   | 1000T200-97 | 7'-9"       | HEADER             |
| E     | 1   | 600T150-54  | 7'-0 3/4"   | HEAD TRACK         |
| F     | 1   | 600T200-68  | 6'-0 15/16" | TOP TRACK          |
| G     | 1   | 600T200-68  | 6'-0 15/16" | BOTTOM TRACK       |
| H     | 1   | 600T150-54  | 6'-0 3/4"   | HEAD TRACK         |
| I     | 1   | 600T150-54  | 6'-0 3/4"   | SILL               |
| J     | 1   | 600T200-68  | 4'-10 5/16" | BOTTOM TRACK       |
| K     | 2   | 150U50-54   | 4'-10 1/8"  | HORIZONTAL BRACING |
| L     | 1   | 600T200-68  | 4'-9 7/16"  | BOTTOM TRACK       |
| M     | 2   | 150U50-54   | 4'-9 1/4"   | HORIZONTAL BRACING |
| N     | 1   | 600T200-68  | 4'-4 5/16"  | TOP TRACK          |
| O     | 1   | 600T200-68  | 4'-3 7/16"  | TOP TRACK          |
| P     | 5   | 600S162-54  | 2'-11 1/16" | CRIPPLE            |
| Q     | 5   | 600S162-54  | 2'-4 1/2"   | CRIPPLE            |
| R     | 2   | 600S162-54  | 6"          | CRIPPLE            |
| S     | 2   | 600T200-68  | 5 15/16"    | TOP TRACK          |



# 11-1080

Jewish Home for the Aging

1885 Victory Blvd. Reseda, CA

FrameMax, Inc.  
13915 Danielson St  
Suite 100  
Poway, CA 92064  
www.frame-max.com



© FrameMax Inc.

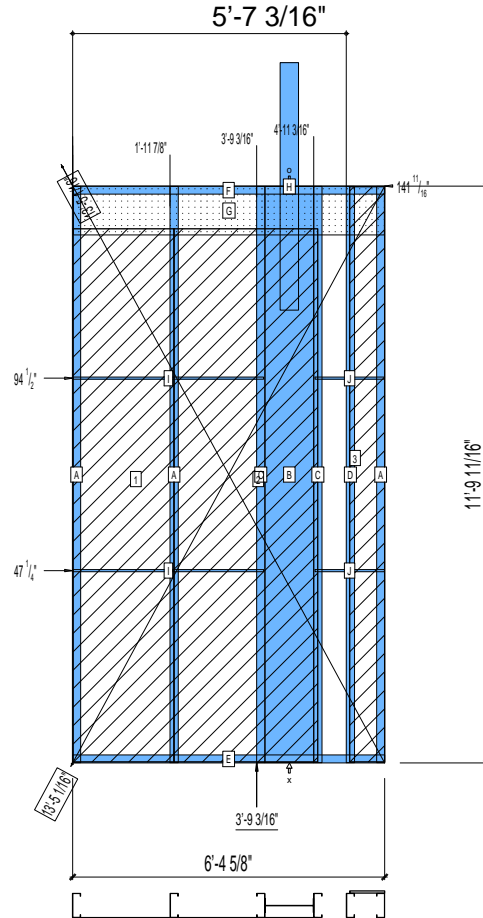
CREATED: 09/11/2008

FM-07-109

CREATED BY: AMB

HEIGHT : 14'-3 15/16" POINTS: 3.36 Points.  
SPACING : 24"  
1st STUD: 24"

WEIGHTS :  
FRAME : 419 lbs  
SHEATHING: 222 lbs  
-----  
TOTAL: 641 lbs



PIECES LIST

| LABEL | QTY | SIZE          | LENGTH       | USE                |
|-------|-----|---------------|--------------|--------------------|
| A     | 3   | 600S200-97    | 11'-9 1/2"   | STUD               |
| B     | 1   | 1200i350p1062 | 11'-9 1/2"   | PACO               |
| C     | 2   | 600S200-68    | 11'-9 1/2"   | STUD               |
| D     | 1   | 600S162-33    | 11'-9 1/2"   | STUD               |
| E     | 1   | 600T200-68    | 6'-4 5/8"    | BOTTOM TRACK       |
| F     | 1   | 600T200-68    | 6'-4 5/8"    | TOP TRACK          |
| G     | 1   | 1200D-54      | 6'-4 5/16"   | STRAP              |
| H     | 1   | D             | 5'-0 3/4"    | HOLDDOWN           |
| I     | 2   | 150U50-54     | 3'-10 13/16" | HORIZONTAL BRACING |
| J     | 2   | 150U50-54     | 1'-5"        | HORIZONTAL BRACING |

SHEATHING

| LABEL | QTY | CODE         | THICK | SIZE                      | SCREWS |
|-------|-----|--------------|-------|---------------------------|--------|
| 1     | 1   | SB-DENSARMOR | 5/8"  | 2'-0 13/16" X 10'-10 7/8" | 2 - 12 |
| 2     | 1   | SB-DENSARMOR | 5/8"  | 2'-11 5/16" X 10'-10 7/8" | 2 - 12 |
| 3     | 1   | DENSGLOSS    | 1/2"  | 8 5/8" X 11'-9 1/4"       | 8 - 12 |

# 11-1081

Jewish Home for the Aging

1885 Victory Blvd. Reseda, CA

FrameMax, Inc.  
13915 Danielson St  
Suite 100  
Poway, CA 92064  
www.frame-max.com



© FrameMax Inc.

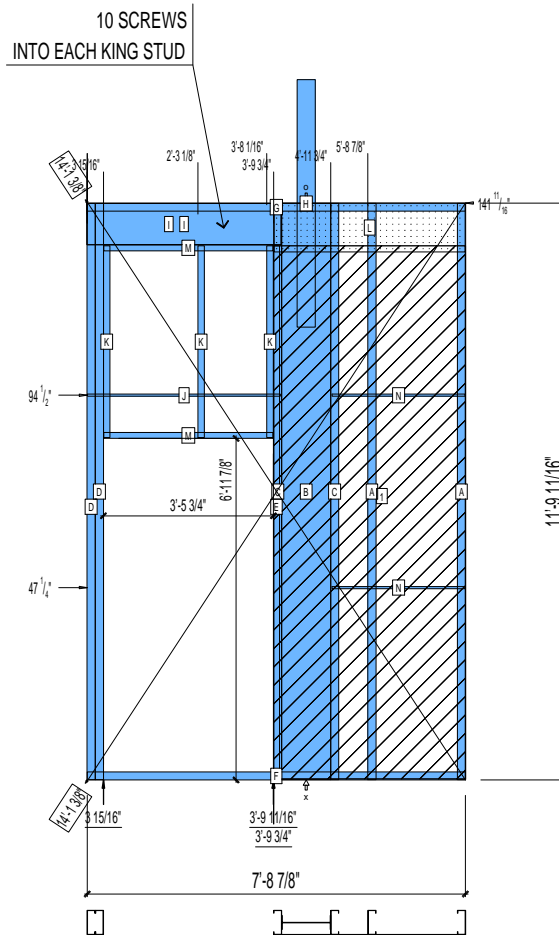
CREATED: 09/11/2008

FM-07-109

CREATED BY: AMB

HEIGHT : 11'-9 11/16" POINTS: 3.79 Points.  
SPACING : 24"  
1st STUD: 24"

WEIGHTS :  
FRAME : 540 lbs  
SHEATHING: 157 lbs  
-----  
TOTAL: 697 lbs



PIECES LIST

| LABEL | QTY | SIZE          | LENGTH       | USE                |
|-------|-----|---------------|--------------|--------------------|
| A     | 2   | 600S200-97    | 11'-9 1/2"   | STUD               |
| B     | 1   | 1200i350p1062 | 11'-9 1/2"   | PACO               |
| C     | 2   | 600S200-68    | 11'-9 1/2"   | STUD               |
| D     | 2   | 600S200-97    | 11'-9 1/2"   | KING STUD          |
| E     | 1   | 600T150-54    | 10'-8 15/16" | CAP                |
| F     | 1   | 600T200-68    | 7'-8 7/8"    | BOTTOM TRACK       |
| G     | 1   | 600T200-68    | 7'-8 7/8"    | TOP TRACK          |
| H     | 1   | D             | 5'-0 3/4"    | HOLDDOWN           |
| I     | 2   | 1000T200-97   | 3'-11 5/8"   | HEADER             |
| J     | 1   | 150U50-54     | 3'-11 3/8"   | HORIZONTAL BRACING |
| K     | 3   | 600S162-54    | 3'-11 1/16"  | CRIPPLE            |
| L     | 1   | 1200D-54      | 3'-10 7/8"   | STRAP              |
| M     | 2   | 600T150-54    | 3'-5 1/2"    | HEAD TRACK         |
| N     | 2   | 150U50-54     | 2'-8 11/16"  | HORIZONTAL BRACING |

SHEATHING

| LABEL | QTY | CODE         | THICK | SIZE                      | SCREWS |
|-------|-----|--------------|-------|---------------------------|--------|
| 1     | 1   | SB-DENSARMOR | 5/8"  | 3'-11 1/16" X 10'-10 7/8" | 2 - 12 |

# 11-1082

Jewish Home for the Aging

1885 Victory Blvd. Reseda, CA

FrameMax, Inc.  
13915 Danielson St  
Suite 100  
Poway, CA 92064  
www.frame-max.com



© FrameMax Inc.

CREATED: 09/18/2008

FM-07-109

CREATED BY: AMB

HEIGHT : 11'-9 11/16" POINTS: 1.68 Points.

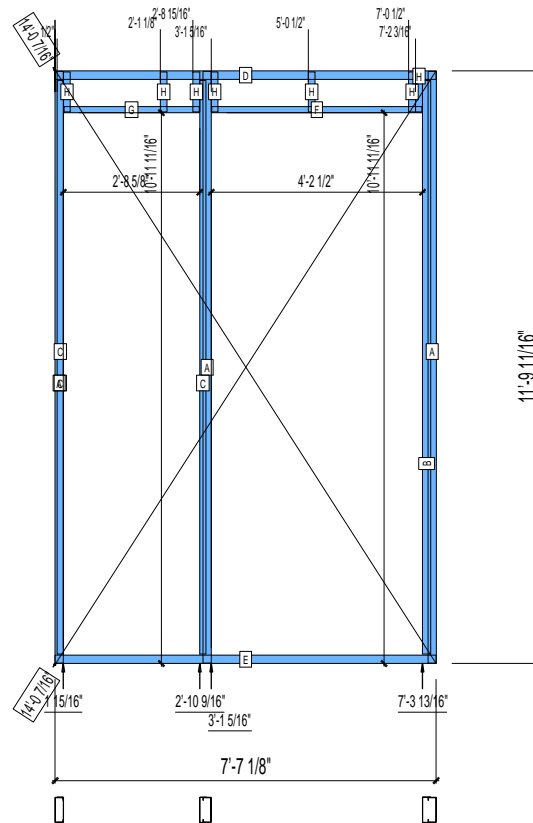
SPACING : 24"

1st STUD: 24"

WEIGHTS :

FRAME : 255 lbs

TOTAL: 255 lbs



PIECES LIST

| LABEL | QTY | SIZE       | LENGTH      | USE          |
|-------|-----|------------|-------------|--------------|
| A     | 3   | 600S200-97 | 11'-9 1/2"  | KING STUD    |
| B     | 1   | 600T200-68 | 11'-5 3/16" | KING TRACK   |
| C     | 2   | 600T150-54 | 11'-5 3/16" | CAP          |
| D     | 1   | 600T200-68 | 7'-7 1/8"   | TOP TRACK    |
| E     | 1   | 600T200-68 | 7'-7 1/8"   | BOTTOM TRACK |
| F     | 1   | 600T150-54 | 4'-2 1/4"   | HEAD TRACK   |
| G     | 1   | 600T150-54 | 2'-8 5/16"  | HEAD TRACK   |
| H     | 7   | 600S162-54 | 9 9/16"     | CRIPPLE      |

# 11-1083

Jewish Home for the Aging

1885 Victory Blvd. Reseda, CA

FM-07-109

CREATED BY: AMB

FrameMax, Inc.  
13915 Danielson St  
Suite 100  
Poway, CA 92064  
www.framemax.com



© FrameMax Inc.

HEIGHT : 11'-9 11/16" POINTS: 2.19 Points.

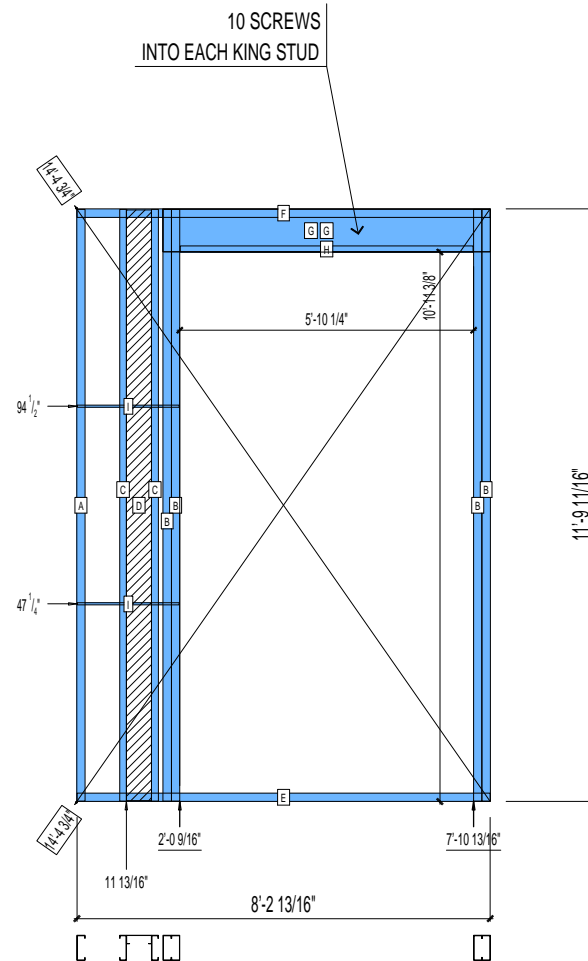
SPACING : 24"

1st STUD: 24"

WEIGHTS :

FRAME : 373 lbs

TOTAL: 373 lbs



PIECES LIST

| LABEL | QTY | SIZE        | LENGTH      | USE                |
|-------|-----|-------------|-------------|--------------------|
| A     | 1   | 600S200-97  | 11'-9 1/2"  | STUD               |
| B     | 4   | 600S200-97  | 11'-9 1/2"  | KING STUD          |
| C     | 2   | 600S162-33  | 11'-9 1/2"  | BACKER STUD        |
| D     | 1   | 600S200-33  | 11'-9 1/4"  | BACKER-U           |
| E     | 1   | 600T200-68  | 8'-2 13/16" | BOTTOM TRACK       |
| F     | 1   | 600T200-68  | 8'-2 13/16" | TOP TRACK          |
| G     | 2   | 1000T200-97 | 6'-6 1/4"   | HEADER             |
| H     | 1   | 600T150-54  | 5'-10"      | HEAD TRACK         |
| I     | 2   | 150U50-54   | 2'-0 3/8"   | HORIZONTAL BRACING |

# 11-1084

Jewish Home for the Aging

1885 Victory Blvd. Reseda, CA

FM-07-109

CREATED BY: AMB

FrameMax, Inc.  
13915 Danielson St  
Suite 100  
Poway, CA 92064  
www.frame-max.com



© FrameMax Inc.

HEIGHT : 11'-9 11/16" POINTS: 2.49 Points.

SPACING : 24"

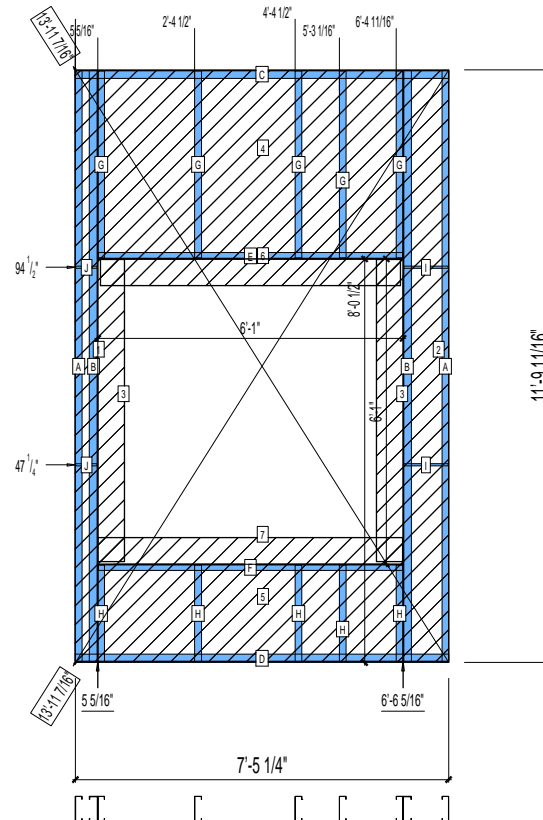
1st STUD: 24"

WEIGHTS :

FRAME : 253 lbs

SHEATHING: 158 lbs

TOTAL: 411 lbs



PIECES LIST

| LABEL | QTY | SIZE       | LENGTH      | USE                |
|-------|-----|------------|-------------|--------------------|
| A     | 2   | 600S162-68 | 11'-9 1/2"  | STUD               |
| B     | 2   | 600S200-97 | 11'-9 1/2"  | KING STUD          |
| C     | 1   | 600T200-68 | 7'-5 1/4"   | TOP TRACK          |
| D     | 1   | 600T200-68 | 7'-5 1/4"   | BOTTOM TRACK       |
| E     | 1   | 600T150-54 | 6'-0 3/4"   | HEAD TRACK         |
| F     | 1   | 600T150-54 | 6'-0 3/4"   | SILL               |
| G     | 5   | 600S162-54 | 3'-8 3/4"   | CRIPPLE            |
| H     | 5   | 600S162-54 | 1'-11 1/16" | CRIPPLE            |
| I     | 2   | 150U50-54  | 10 11/16"   | HORIZONTAL BRACING |
| J     | 2   | 150U50-54  | 5 1/8"      | HORIZONTAL BRACING |

SHEATHING

| LABEL | QTY | CODE      | THICK | SIZE                   | SCREWS |
|-------|-----|-----------|-------|------------------------|--------|
| 1     | 1   | DENSGLASS | 1/2"  | 5 1/4" X 11'-9 1/4"    | 8 - 12 |
| 2     | 1   | DENSGLASS | 1/2"  | 10 13/16" X 11'-9 1/4" | 8 - 12 |
| 3     | 2   | DENSGLASS | 1/2"  | 6 3/8" X 6'-0 1/4"     | 8 - 12 |
| 4     | 1   | DENSGLASS | 1/2"  | 6'-1" X 3'-8 15/16"    | 8 - 12 |
| 5     | 1   | DENSGLASS | 1/2"  | 6'-1" X 1'-11 1/8"     | 8 - 12 |
| 6     | 1   | DENSGLASS | 1/2"  | 5'-11 3/4" X 6 3/8"    | 8 - 12 |
| 7     | 1   | DENSGLASS | 1/2"  | 6'-0 7/8" X 6 3/8"     | 8 - 12 |

# 11-1085

Jewish Home for the Aging

1885 Victory Blvd. Reseda, CA

FrameMax, Inc.  
13915 Danielson St  
Suite 100  
Poway, CA 92064  
www.framemax.com



© FrameMax Inc.

CREATED: 10/04/2008

FM-07-109

CREATED BY: AMB

HEIGHT : 11'-9 11/16" POINTS: 2.80 Points.

SPACING : 24"

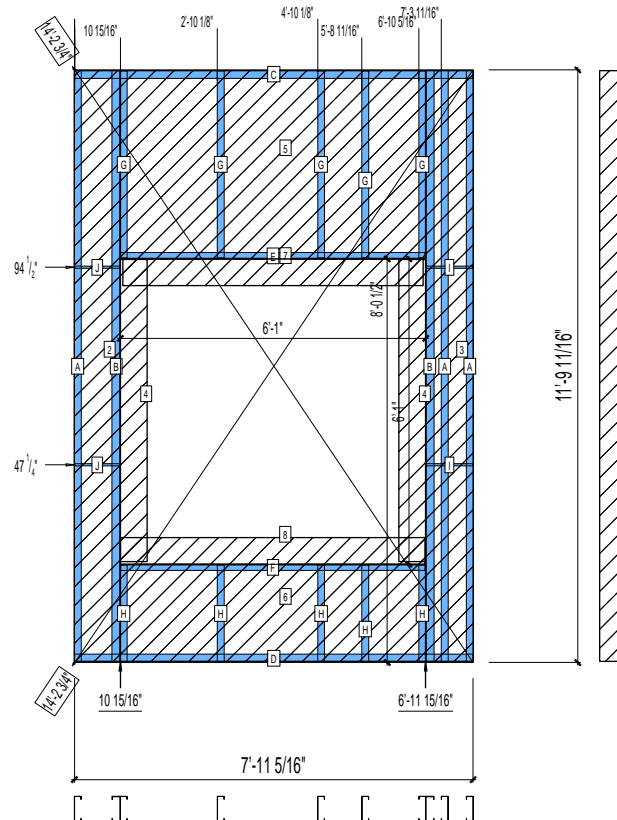
1st STUD: 24"

WEIGHTS :

FRAME : 284 lbs

SHEATHING: 188 lbs

TOTAL: 472 lbs



PIECES LIST

| LABEL | QTY | SIZE       | LENGTH      | USE                |
|-------|-----|------------|-------------|--------------------|
| A     | 3   | 600S162-68 | 11'-9 1/2"  | STUD               |
| B     | 2   | 600S200-97 | 11'-9 1/2"  | KING STUD          |
| C     | 1   | 600T200-68 | 7'-11 5/16" | TOP TRACK          |
| D     | 1   | 600T200-68 | 7'-11 5/16" | BOTTOM TRACK       |
| E     | 1   | 600T150-54 | 6'-0 3/4"   | HEAD TRACK         |
| F     | 1   | 600T150-54 | 6'-0 3/4"   | SILL               |
| G     | 5   | 600S162-54 | 3'-8 3/4"   | CRIPPLE            |
| H     | 5   | 600S162-54 | 1'-11 1/16" | CRIPPLE            |
| I     | 2   | 150U50-54  | 11 1/8"     | HORIZONTAL BRACING |
| J     | 2   | 150U50-54  | 10 3/4"     | HORIZONTAL BRACING |

SHEATHING

| LABEL | QTY | CODE      | THICK | SIZE                 | SCREWS |
|-------|-----|-----------|-------|----------------------|--------|
| 1     | 1   | DENSGLASS | 1/2"  | 6 3/8" X 11'-9 1/4"  | 8 - 12 |
| 2     | 1   | DENSGLASS | 1/2"  | 10 7/8" X 11'-9 1/4" | 8 - 12 |
| 3     | 1   | DENSGLASS | 1/2"  | 11 1/4" X 11'-9 1/4" | 8 - 12 |
| 4     | 2   | DENSGLASS | 1/2"  | 6 3/8" X 6'-0 1/4"   | 8 - 12 |
| 5     | 1   | DENSGLASS | 1/2"  | 6'-1" X 3'-8 15/16"  | 8 - 12 |
| 6     | 1   | DENSGLASS | 1/2"  | 6'-1" X 1'-11 1/8"   | 8 - 12 |
| 7     | 1   | DENSGLASS | 1/2"  | 5'-11 3/4" X 6 3/8"  | 8 - 12 |
| 8     | 1   | DENSGLASS | 1/2"  | 6'-0 7/8" X 6 3/8"   | 8 - 12 |

# 11-1086

Jewish Home for the Aging

1885 Victory Blvd. Reseda, CA

FM-07-109

CREATED BY: AMB

FrameMax, Inc.  
13915 Danielson St  
Suite 100  
Poway, CA 92064  
www.frame-max.com



© FrameMax Inc.

HEIGHT : 11'-9 11/16" POINTS: 1.06 Points.

SPACING : 24"

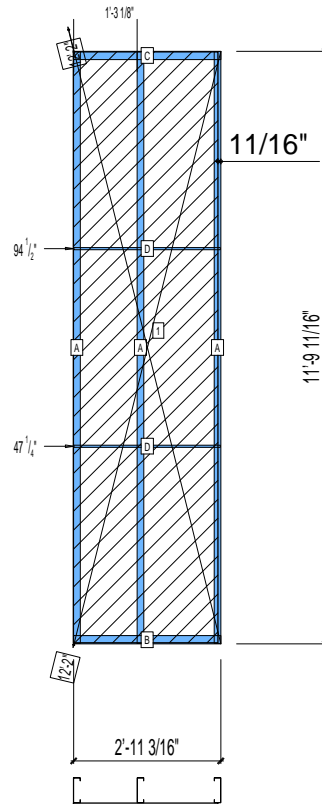
1st STUD: 16"

WEIGHTS :

FRAME : 101 lbs

SHEATHING: 85 lbs

TOTAL: 186 lbs



PIECES LIST

| LABEL | QTY | SIZE       | LENGTH      | USE                |
|-------|-----|------------|-------------|--------------------|
| A     | 3   | 600S162-68 | 11'-9 1/2"  | STUD               |
| B     | 1   | 600T200-68 | 2'-11 3/16" | BOTTOM TRACK       |
| C     | 1   | 600T200-68 | 2'-11 3/16" | TOP TRACK          |
| D     | 2   | 150U50-54  | 2'-11"      | HORIZONTAL BRACING |

SHEATHING

| LABEL | QTY | CODE      | THICK | SIZE                     | SCREWS |
|-------|-----|-----------|-------|--------------------------|--------|
| 1     | 1   | DENSGLOSS | 1/2"  | 2'-10 9/16" X 11'-9 1/4" | 8 - 12 |

# 11-1087

Jewish Home for the Aging

1885 Victory Blvd. Reseda, CA

FrameMax, Inc.  
13915 Danielson St  
Suite 100  
Poway, CA 92064  
www.frame-max.com



© FrameMax Inc.

CREATED: 09/11/2008

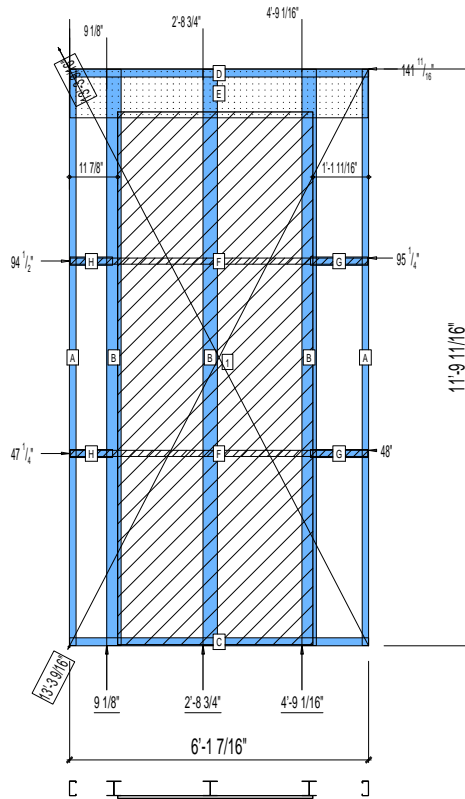
FM-07-109

CREATED BY: AMB

HEIGHT : 11'-9 11/16"  
SPACING : 24"  
1st STUD: 24"

WEIGHTS :  
FRAME : 278 lbs  
SHEATHING: 160 lbs

-----  
TOTAL: 438 lbs



PIECES LIST

| LABEL | QTY | SIZE        | LENGTH     | USE          |
|-------|-----|-------------|------------|--------------|
| A     | 2   | 362S162-54  | 11'-9 1/2" | STUD         |
| B     | 3   | 363i350p554 | 11'-9 1/2" | PACO. COLUMN |
| C     | 1   | 362T200-68  | 6'-1 7/16" | BOTTOM TRACK |
| D     | 1   | 362T200-68  | 6'-1 7/16" | TOP TRACK    |
| E     | 1   | 1200D-54    | 6'-1 1/4"  | STRAP        |
| F     | 2   | 150D-43     | 6'-1 1/4"  | STRAP        |
| G     | 2   | 362T200-68  | 1'-2 1/16" | BLOCK        |
| H     | 2   | 362T200-68  | 10 3/8"    | BLOCK        |

SHEATHING

| LABEL | QTY | CODE         | THICK | SIZE                       | SCREWS |
|-------|-----|--------------|-------|----------------------------|--------|
| 1     | 1   | SB-DENSARMOR | 5/8"  | 3'-11 15/16" X 10'-10 7/8" | 2 - 12 |

# 11-1088

Jewish Home for the Aging

1885 Victory Blvd. Reseda, CA

FM-07-109

CREATED BY: AMB

FrameMax, Inc.  
13915 Danielson St  
Suite 100  
Poway, CA 92064  
www.frame-max.com



© FrameMax Inc.

HEIGHT : 11'-9 11/16"

SPACING : 24"

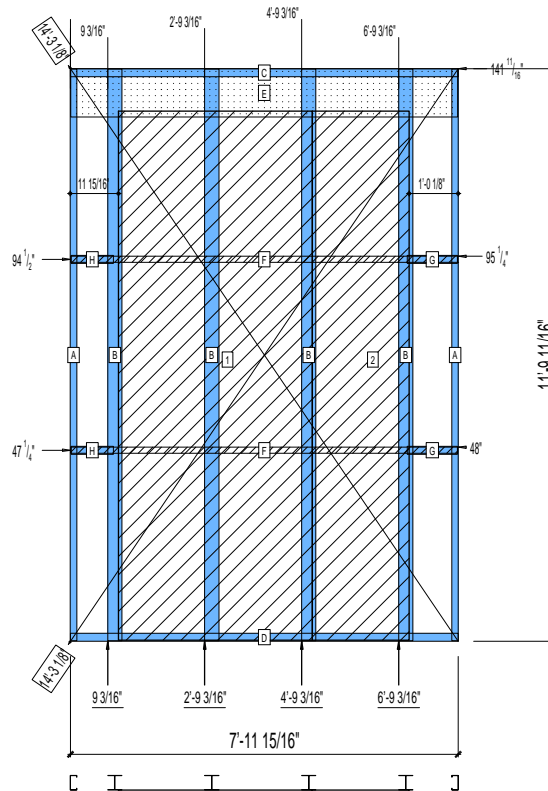
1st STUD: 24"

WEIGHTS :

FRAME : 355 lbs

SHEATHING: 241 lbs

TOTAL: 596 lbs



PIECES LIST

| LABEL | QTY | SIZE        | LENGTH       | USE          |
|-------|-----|-------------|--------------|--------------|
| A     | 2   | 362S162-54  | 11'-9 1/2"   | STUD         |
| B     | 4   | 363I350p554 | 11'-9 1/2"   | PACO COLUMN  |
| C     | 1   | 362T200-68  | 7'-11 15/16" | TOP TRACK    |
| D     | 1   | 362T200-68  | 7'-11 15/16" | BOTTOM TRACK |
| E     | 1   | 1200D-54    | 7'-11 3/4"   | STRAP        |
| F     | 2   | 150D-43     | 7'-11 3/4"   | STRAP        |
| G     | 2   | 362T200-68  | 1'-0 7/16"   | BLOCK        |
| H     | 2   | 362T200-68  | 10 7/16"     | BLOCK        |

SHEATHING

| LABEL | QTY | CODE         | THICK | SIZE                | SCREWS |
|-------|-----|--------------|-------|---------------------|--------|
| 1     | 1   | SB-DENSARMOR | 5/8"  | 4'-0" X 10'-10 7/8" | 2 - 12 |
| 2     | 1   | SB-DENSARMOR | 5/8"  | 2'-0" X 10'-10 7/8" | 2 - 12 |

# 11-1089

Jewish Home for the Aging

1885 Victory Blvd. Reseda, CA

FrameMax, Inc.  
13915 Danielson St  
Suite 100  
Poway, CA 92064  
www.frame-max.com



© FrameMax Inc.

CREATED: 09/11/2008

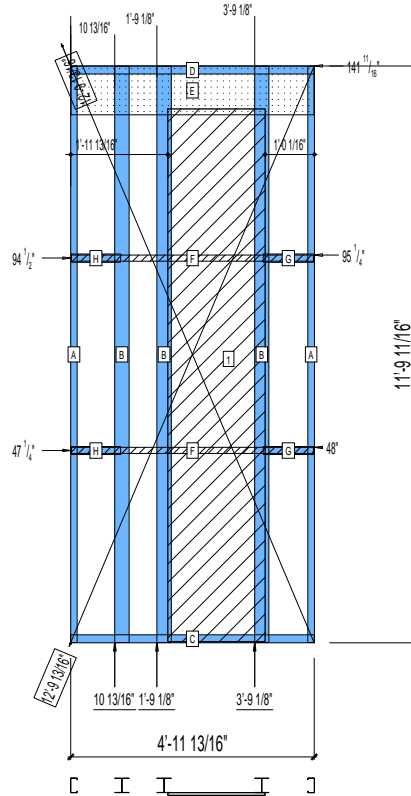
FM-07-109

CREATED BY: AMB

HEIGHT : 11'-9 11/16"  
SPACING : 24"  
1st STUD: 24"

WEIGHTS :  
FRAME : 270 lbs  
SHEATHING: 80 lbs

TOTAL: 350 lbs



PIECES LIST

| LABEL | QTY | SIZE        | LENGTH       | USE          |
|-------|-----|-------------|--------------|--------------|
| A     | 2   | 362S162-54  | 11'-9 1/2"   | STUD         |
| B     | 3   | 363i350p554 | 11'-9 1/2"   | PACO. COLUMN |
| C     | 1   | 362T200-68  | 4'-11 13/16" | BOTTOM TRACK |
| D     | 1   | 362T200-68  | 4'-11 13/16" | TOP TRACK    |
| E     | 1   | 1200D-54    | 4'-11 5/8"   | STRAP        |
| F     | 2   | 150D-43     | 4'-11 5/8"   | STRAP        |
| G     | 2   | 362T200-68  | 1'-0 3/8"    | BLOCK        |
| H     | 2   | 362T200-68  | 1'-0"        | BLOCK        |

SHEATHING

| LABEL | QTY | CODE         | THICK | SIZE                       | SCREWS |
|-------|-----|--------------|-------|----------------------------|--------|
| 1     | 1   | SB-DENSARMOR | 5/8"  | 1'-11 15/16" X 10'-10 7/8" | 2 - 12 |

# 11-1090

Jewish Home for the Aging

1885 Victory Blvd. Reseda, CA

FM-07-109

CREATED BY: AMB

FrameMax, Inc.  
13915 Danielson St  
Suite 100  
Poway, CA 92064  
www.frame-max.com

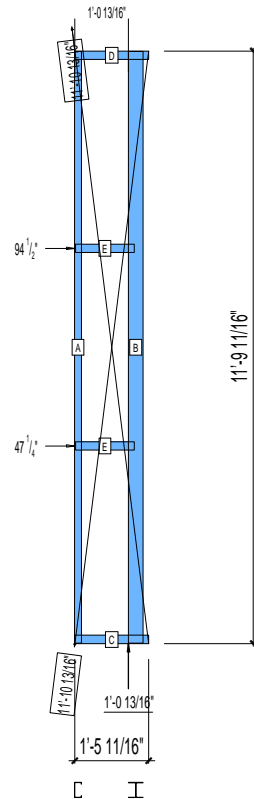


© FrameMax Inc.

HEIGHT : 11'-9 11/16"  
SPACING : 24"  
1st STUD: 24"

WEIGHTS :  
FRAME : 92 lbs

-----  
TOTAL: 92 lbs



PIECES LIST

| LABEL | QTY | SIZE        | LENGTH      | USE          |
|-------|-----|-------------|-------------|--------------|
| A     | 1   | 362S162-54  | 11'-9 1/2"  | STUD         |
| B     | 1   | 363i350p554 | 11'-9 1/2"  | PACO.COLUMN  |
| C     | 1   | 362T200-68  | 1'-5 11/16" | BOTTOM TRACK |
| D     | 1   | 362T200-68  | 1'-5 11/16" | TOP TRACK    |
| E     | 2   | 362T200-68  | 1'-2 1/16"  | BLOCK        |

# 11-1091

Jewish Home for the Aging

1885 Victory Blvd. Reseda, CA

FrameMax, Inc.  
13915 Danielson St  
Suite 100  
Poway, CA 92064  
www.frame-max.com



© FrameMax Inc.

CREATED: 09/11/2008

FM-07-109

CREATED BY: AMB

HEIGHT : 10'-9 1/4" POINTS: 3.20 Points.

SPACING : 24"

1st STUD: 24"

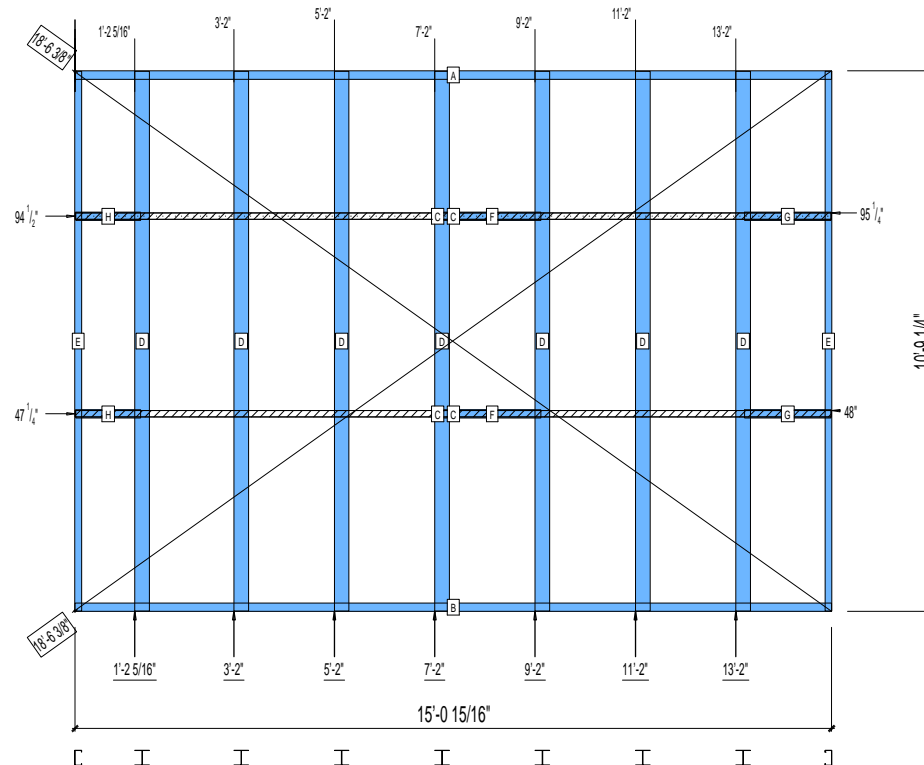
WEIGHTS :

FRAME : 536 lbs

TOTAL: 536 lbs

REMOVE BLOCKS AND SHIP LOOSE.  
CUT STRAPS, TRACKS AT CENTER OF  
STUD BAY. PROVIDE 2 STUD SECTION  
TO SPLICE TRACKS TOGETHER.

CUT  
LINE



PIECES LIST

| LABEL | QTY | SIZE        | LENGTH       | USE          |
|-------|-----|-------------|--------------|--------------|
| A     | 1   | 362T200-68  | 15'-0 15/16" | TOP TRACK    |
| B     | 1   | 362T200-68  | 15'-0 15/16" | BOTTOM TRACK |
| C     | 4   | 150D-43     | 15'-0 3/4"   | STRAP        |
| D     | 7   | 363i350p554 | 10'-9 1/16"  | PACO. COLUMN |
| E     | 2   | 362S162-54  | 10'-9 1/16"  | STUD         |
| F     | 2   | 362T200-68  | 1'-11 5/16"  | BLOCK        |
| G     | 2   | 362T200-68  | 1'-8 5/8"    | BLOCK        |
| H     | 2   | 362T200-68  | 1'-3 1/2"    | BLOCK        |

# 11-1092

Jewish Home for the Aging

1885 Victory Blvd. Reseda, CA

FrameMax, Inc.  
13915 Danielson St  
Suite 100  
Poway, CA 92064  
www.frame-max.com



© FrameMax Inc.

CREATED: 09/11/2008

FM-07-109

CREATED BY: AMB

HEIGHT : 11'-9 11/16"

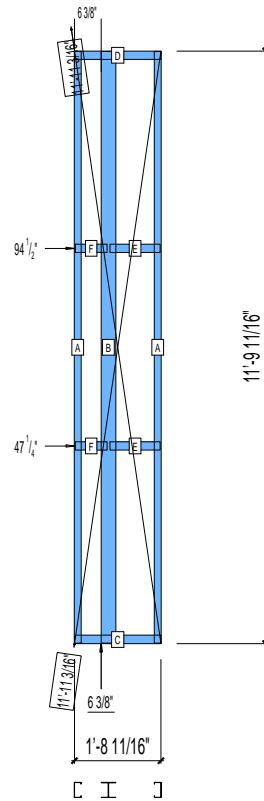
SPACING : 24"

1st STUD: 24"

WEIGHTS :

FRAME : 112 lbs

-----  
TOTAL: 112 lbs



PIECES LIST

| LABEL | QTY | SIZE        | LENGTH      | USE          |
|-------|-----|-------------|-------------|--------------|
| A     | 2   | 362S162-54  | 11'-9 1/2"  | STUD         |
| B     | 1   | 363i350p554 | 11'-9 1/2"  | PACO. COLUMN |
| C     | 1   | 362T200-68  | 1'-8 11/16" | BOTTOM TRACK |
| D     | 1   | 362T200-68  | 1'-8 11/16" | TOP TRACK    |
| E     | 2   | 362T200-68  | 1'-0"       | BLOCK        |
| F     | 2   | 362T200-68  | 7 9/16"     | BLOCK        |

# 11-1093

Jewish Home for the Aging

1885 Victory Blvd. Reseda, CA

FrameMax, Inc.  
13915 Danielson St  
Suite 100  
Poway, CA 92064  
www.frame-max.com



© FrameMax Inc.

CREATED: 09/11/2008

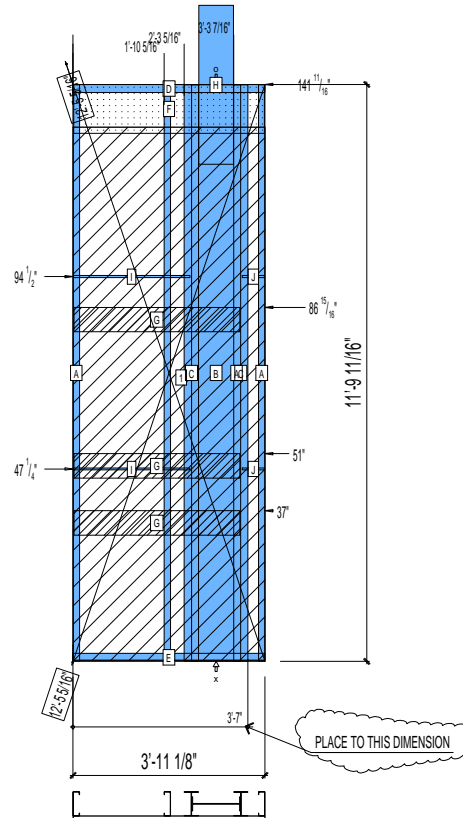
FM-07-109

CREATED BY: AMB

HEIGHT : 13'-5 1/16" POINTS: 4.10 Points.  
SPACING : 24"  
1st STUD: 24"

WEIGHTS :  
FRAME : 650 lbs  
SHEATHING: 157 lbs

-----  
TOTAL: 807 lbs



PIECES LIST

| LABEL | QTY | SIZE          | LENGTH     | USE                |
|-------|-----|---------------|------------|--------------------|
| A     | 3   | 600S162-97    | 11'-9 1/2" | STUD               |
| B     | 1   | 1200i350p1420 | 11'-9 1/2" | PACO               |
| C     | 2   | 600i350p968   | 11'-9 1/2" | PACO               |
| D     | 1   | 600T200-68    | 3'-11 1/8" | TOP TRACK          |
| E     | 1   | 600T200-68    | 3'-11 1/8" | BOTTOM TRACK       |
| F     | 1   | 1200D-54      | 3'-10 7/8" | STRAP              |
| G     | 3   | 600D-54       | 3'-4 3/4"  | KITCHEN BACKING    |
| H     | 1   | F             | 3'-3"      | HOLDDOWN           |
| I     | 2   | 150U50-54     | 2'-4 5/8"  | HORIZONTAL BRACING |
| J     | 2   | 150U50-54     | 5 1/2"     | HORIZONTAL BRACING |

SHEATHING

| LABEL | QTY | CODE         | THICK | SIZE                      | SCREWS |
|-------|-----|--------------|-------|---------------------------|--------|
| 1     | 1   | SB-DENSARMOR | 5/8"  | 3'-11 1/16" X 10'-10 7/8" | 2 - 12 |

# 11-1094

Jewish Home for the Aging

1885 Victory Blvd. Reseda, CA

FrameMax, Inc.  
13915 Danielson St  
Suite 100  
Poway, CA 92064  
www.frame-max.com



© FrameMax Inc.

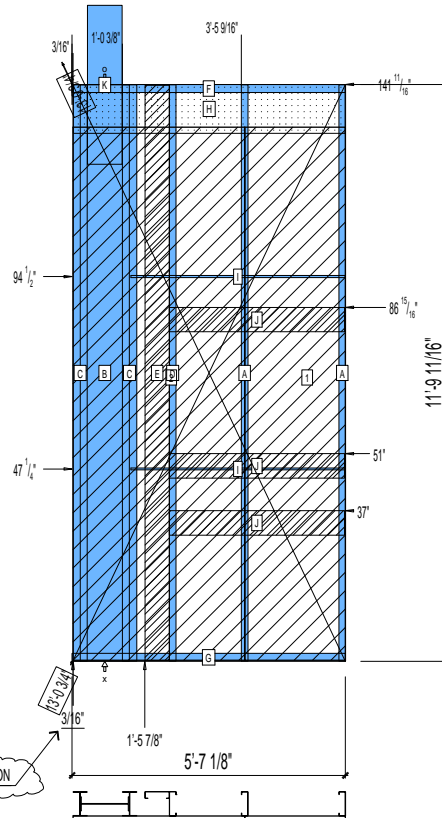
CREATED: 09/11/2008

FM-07-109

CREATED BY: AMB

HEIGHT : 11'-9 11/16" POINTS: 4.44 Points.  
SPACING : 24"  
1st STUD: 24"

WEIGHTS :  
FRAME : 653 lbs  
SHEATHING: 224 lbs  
-----  
TOTAL: 877 lbs



HOLD THIS DIMENSION

PIECES LIST

| LABEL | QTY | SIZE          | LENGTH      | USE                |
|-------|-----|---------------|-------------|--------------------|
| A     | 2   | 600S162-97    | 11'-9 1/2"  | STUD               |
| B     | 1   | 1200i350p1420 | 11'-9 1/2"  | PACO               |
| C     | 2   | 600i350p968   | 11'-9 1/2"  | PACO               |
| D     | 1   | 600S162-33    | 11'-9 1/2"  | BACKER STUD        |
| E     | 1   | 600S162-33    | 11'-9 1/4"  | BACKER-U           |
| F     | 1   | 600T200-68    | 5'-7 1/8"   | TOP TRACK          |
| G     | 1   | 600T200-68    | 5'-7 1/8"   | BOTTOM TRACK       |
| H     | 1   | 1200D-54      | 5'-6 11/16" | STRAP              |
| I     | 2   | 150U50-54     | 4'-4 9/16"  | HORIZONTAL BRACING |
| J     | 3   | 600D-54       | 3'-7"       | KITCHEN BACKING    |
| K     | 1   | F             | 3'-3"       | HOLDDOWN           |

SHEATHING

| LABEL | QTY | CODE         | THICK | SIZE                     | SCREWS |
|-------|-----|--------------|-------|--------------------------|--------|
| 1     | 1   | SB-DENSARMOR | 5/8"  | 2'-0 3/4" X 10'-10 7/8"  | 2 - 12 |
| 2     | 1   | SB-DENSARMOR | 5/8"  | 3'-6 3/16" X 10'-10 7/8" | 2 - 12 |

# 11-1095

Jewish Home for the Aging

1885 Victory Blvd. Reseda, CA

FrameMax, Inc.  
13915 Danielson St  
Suite 100  
Poway, CA 92064  
www.frame-max.com



© FrameMax Inc.

CREATED: 09/11/2008

FM-07-109

CREATED BY: AMB

HEIGHT : 11'-9 11/16" POINTS: 1.02 Points.

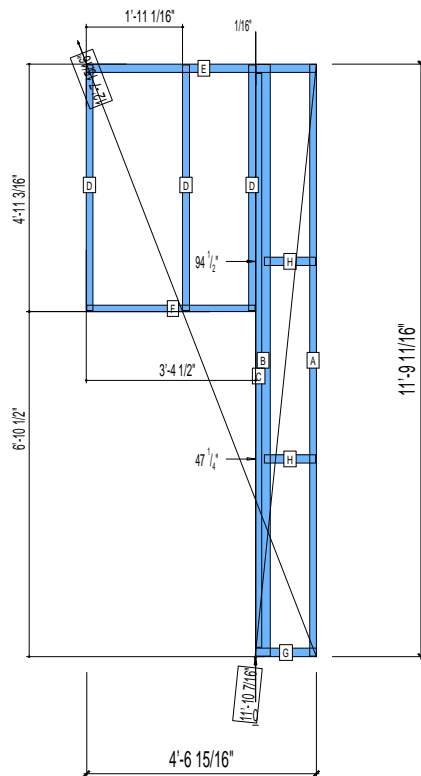
SPACING : 24"

1st STUD: 24"

WEIGHTS :

FRAME : 152 lbs

-----  
TOTAL: 152 lbs



PIECES LIST

| LABEL | QTY | SIZE        | LENGTH      | USE          |
|-------|-----|-------------|-------------|--------------|
| A     | 1   | 362S162-54  | 11'-9 1/2"  | STUD         |
| B     | 1   | 363i350p680 | 11'-9 1/2"  | PACO.COLUMN  |
| C     | 1   | 362T150-54  | 11'-5 3/16" | KING TRACK   |
| D     | 3   | 362S162-54  | 4'-10 3/4"  | CRIPPLE      |
| E     | 1   | 362T200-68  | 4'-6 15/16" | TOP TRACK    |
| F     | 1   | 362T150-54  | 3'-4 1/4"   | HEAD TRACK   |
| G     | 1   | 362T200-68  | 1'-2 9/16"  | BOTTOM TRACK |
| H     | 2   | 362T200-68  | 1'-0 1/4"   | BLOCK        |

# 11-1096

Jewish Home for the Aging

1885 Victory Blvd. Reseda, CA

FM-07-109

CREATED BY: AMB

FrameMax, Inc.  
13915 Danielson St  
Suite 100  
Poway, CA 92064  
www.framemax.com



© FrameMax Inc.

HEIGHT : 11'-9 11/16" POINTS: 1.02 Points.

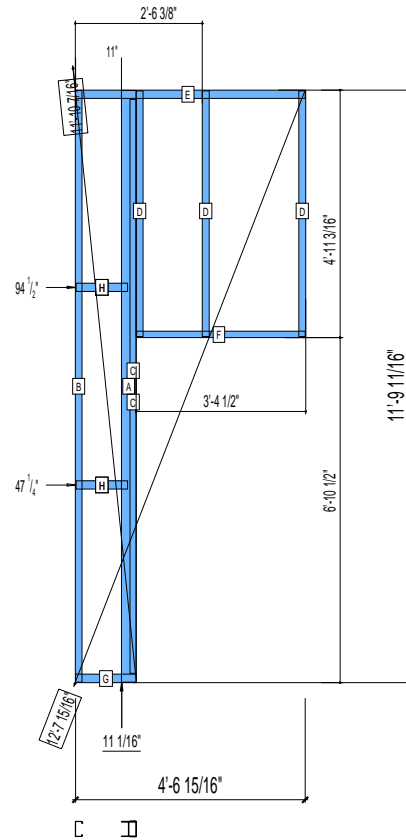
SPACING : 24"

1st STUD: 24"

WEIGHTS :

FRAME : 152 lbs

TOTAL: 152 lbs



PIECES LIST

| LABEL | QTY | SIZE        | LENGTH      | USE          |
|-------|-----|-------------|-------------|--------------|
| A     | 1   | 363i350p680 | 11'-9 1/2"  | PACO.COLUMN  |
| B     | 1   | 362S162-54  | 11'-9 1/2"  | STUD         |
| C     | 1   | 362T150-54  | 11'-5 3/16" | KING TRACK   |
| D     | 3   | 362S162-54  | 4'-10 3/4"  | CRIPPLE      |
| E     | 1   | 362T200-68  | 4'-6 15/16" | TOP TRACK    |
| F     | 1   | 362T150-54  | 3'-4 1/4"   | HEAD TRACK   |
| G     | 1   | 362T200-68  | 1'-2 9/16"  | BOTTOM TRACK |
| H     | 2   | 362T200-68  | 1'-0 1/4"   | BLOCK        |

# 11-1097

Jewish Home for the Aging

1885 Victory Blvd. Reseda, CA

FrameMax, Inc.  
13915 Danielson St  
Suite 100  
Poway, CA 92064  
www.frame-max.com



© FrameMax Inc.

CREATED: 09/11/2008

FM-07-109

CREATED BY: AMB

HEIGHT : 11'-9 11/16" POINTS: 1.94 Points.

SPACING : 24"

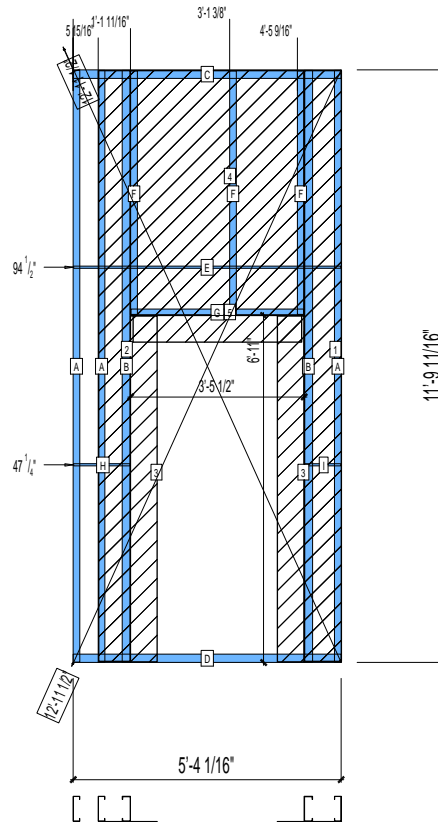
1st STUD: 24"

WEIGHTS :

FRAME : 232 lbs

SHEATHING: 105 lbs

TOTAL: 337 lbs



PIECES LIST

| LABEL | QTY | SIZE       | LENGTH     | USE                |
|-------|-----|------------|------------|--------------------|
| A     | 3   | 600S162-68 | 11'-9 1/2" | STUD               |
| B     | 2   | 600S200-97 | 11'-9 1/2" | KING STUD          |
| C     | 1   | 600T200-68 | 5'-4 1/16" | TOP TRACK          |
| D     | 1   | 600T200-68 | 5'-4 1/16" | BOTTOM TRACK       |
| E     | 1   | 150U50-54  | 5'-3 7/8"  | HORIZONTAL BRACING |
| F     | 3   | 600S162-54 | 4'-10 1/4" | CRIPPLE            |
| G     | 1   | 600T150-54 | 3'-5 1/4"  | HEAD TRACK         |
| H     | 1   | 150U50-54  | 1'-1 1/2"  | HORIZONTAL BRACING |
| I     | 1   | 150U50-54  | 8 5/8"     | HORIZONTAL BRACING |

SHEATHING

| LABEL | QTY | CODE      | THICK | SIZE                    | SCREWS |
|-------|-----|-----------|-------|-------------------------|--------|
| 1     | 1   | DENSGLASS | 1/2"  | 8 3/4" X 11'-9 1/4"     | 8 - 12 |
| 2     | 1   | DENSGLASS | 1/2"  | 7 1/2" X 11'-9 1/4"     | 8 - 12 |
| 3     | 2   | DENSGLASS | 1/2"  | 6 3/8" X 6'-10 3/4"     | 8 - 12 |
| 4     | 1   | DENSGLASS | 1/2"  | 3'-5 1/2" X 4'-10 7/16" | 8 - 12 |
| 5     | 1   | DENSGLASS | 1/2"  | 3'-4 1/4" X 6 3/8"      | 8 - 12 |

# 11-1098

Jewish Home for the Aging

1885 Victory Blvd. Reseda, CA

FM-07-109

CREATED BY: AMB

FrameMax, Inc.  
13915 Danielson St  
Suite 100  
Poway, CA 92064  
www.frame-max.com



© FrameMax Inc.

HEIGHT : 11'-9 11/16" POINTS: 1.43 Points.

SPACING : 24"

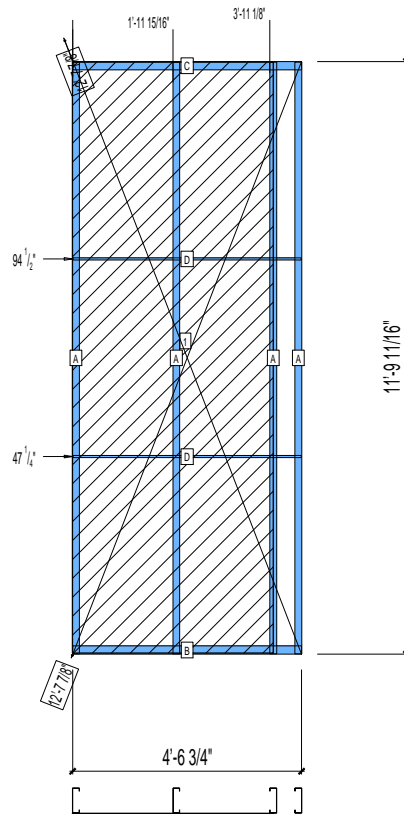
1st STUD: 24"

WEIGHTS :

FRAME : 138 lbs

SHEATHING: 118 lbs

TOTAL: 256 lbs



PIECES LIST

| LABEL | QTY | SIZE       | LENGTH     | USE                |
|-------|-----|------------|------------|--------------------|
| A     | 4   | 600S162-68 | 11'-9 1/2" | STUD               |
| B     | 1   | 600T200-68 | 4'-6 3/4"  | BOTTOM TRACK       |
| C     | 1   | 600T200-68 | 4'-6 3/4"  | TOP TRACK          |
| D     | 2   | 150U50-54  | 4'-6 9/16" | HORIZONTAL BRACING |

SHEATHING

| LABEL | QTY | CODE      | THICK | SIZE               | SCREWS |
|-------|-----|-----------|-------|--------------------|--------|
| 1     | 1   | DENSGLASS | 1/2"  | 4'-0" X 11'-9 1/4" | 8 - 12 |

# 11-1099

Jewish Home for the Aging

1885 Victory Blvd. Reseda, CA

FrameMax, Inc.  
13915 Danielson St  
Suite 100  
Poway, CA 92064  
www.frame-max.com



© FrameMax Inc.

CREATED: 09/11/2008

FM-07-109

CREATED BY: AMB

HEIGHT : 11'-9 11/16" POINTS: 0.61 Points.

SPACING : 24"

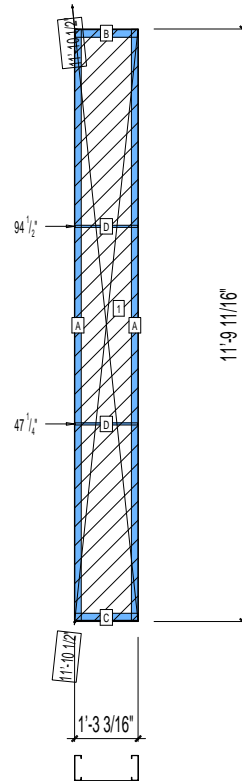
1st STUD: 16"

WEIGHTS :

FRAME : 63 lbs

SHEATHING: 37 lbs

-----  
TOTAL: 100 lbs



PIECES LIST

| LABEL | QTY | SIZE       | LENGTH     | USE                |
|-------|-----|------------|------------|--------------------|
| A     | 2   | 600S162-68 | 11'-9 1/2" | STUD               |
| B     | 1   | 600T200-68 | 1'-3 3/16" | TOP TRACK          |
| C     | 1   | 600T200-68 | 1'-3 3/16" | BOTTOM TRACK       |
| D     | 2   | 150U50-54  | 1'-3"      | HORIZONTAL BRACING |

SHEATHING

| LABEL | QTY | CODE      | THICK | SIZE                    | SCREWS |
|-------|-----|-----------|-------|-------------------------|--------|
| 1     | 1   | DENSGLASS | 1/2"  | 1'-3 3/16" X 11'-9 1/4" | 8 - 12 |

# 11-1100

Jewish Home for the Aging

1885 Victory Blvd. Reseda, CA

FrameMax, Inc.  
13915 Danielson St  
Suite 100  
Poway, CA 92064  
www.frame-max.com



© FrameMax Inc.

CREATED: 09/11/2008

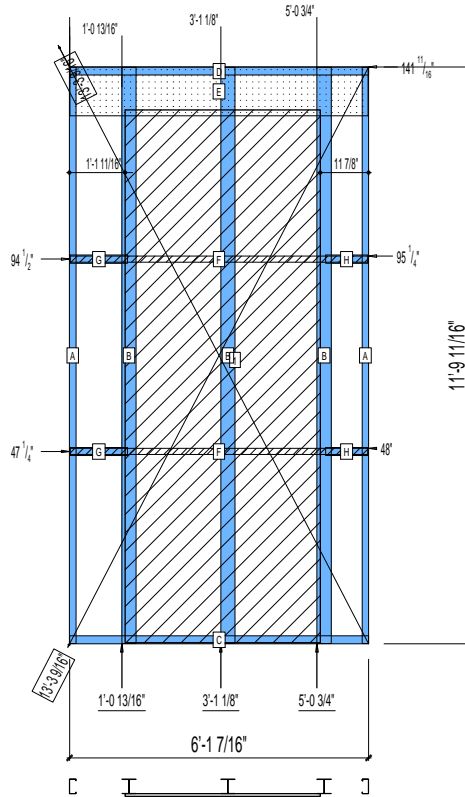
FM-07-109

CREATED BY: AMB

HEIGHT : 11'-9 11/16"  
SPACING : 24"  
1st STUD: 24"

WEIGHTS :  
FRAME : 278 lbs  
SHEATHING: 160 lbs

-----  
TOTAL: 438 lbs



PIECES LIST

| LABEL | QTY | SIZE        | LENGTH     | USE          |
|-------|-----|-------------|------------|--------------|
| A     | 2   | 362S162-54  | 11'-9 1/2" | STUD         |
| B     | 3   | 363i350p554 | 11'-9 1/2" | PACO. COLUMN |
| C     | 1   | 362T200-68  | 6'-1 7/16" | BOTTOM TRACK |
| D     | 1   | 362T200-68  | 6'-1 7/16" | TOP TRACK    |
| E     | 1   | 1200D-54    | 6'-1 1/4"  | STRAP        |
| F     | 2   | 150D-43     | 6'-1 1/4"  | STRAP        |
| G     | 2   | 362T200-68  | 1'-2 1/16" | BLOCK        |
| H     | 2   | 362T200-68  | 10 3/8"    | BLOCK        |

SHEATHING

| LABEL | QTY | CODE         | THICK | SIZE                       | SCREWS |
|-------|-----|--------------|-------|----------------------------|--------|
| 1     | 1   | SB-DENSARMOR | 5/8"  | 3'-11 15/16" X 10'-10 7/8" | 2 - 12 |

# 11-1101

Jewish Home for the Aging

1885 Victory Blvd. Reseda, CA

FM-07-109

CREATED BY: AMB

FrameMax, Inc.  
13915 Danielson St  
Suite 100  
Poway, CA 92064  
www.frame-max.com



© FrameMax Inc.

HEIGHT : 11'-9 11/16"

SPACING : 24"

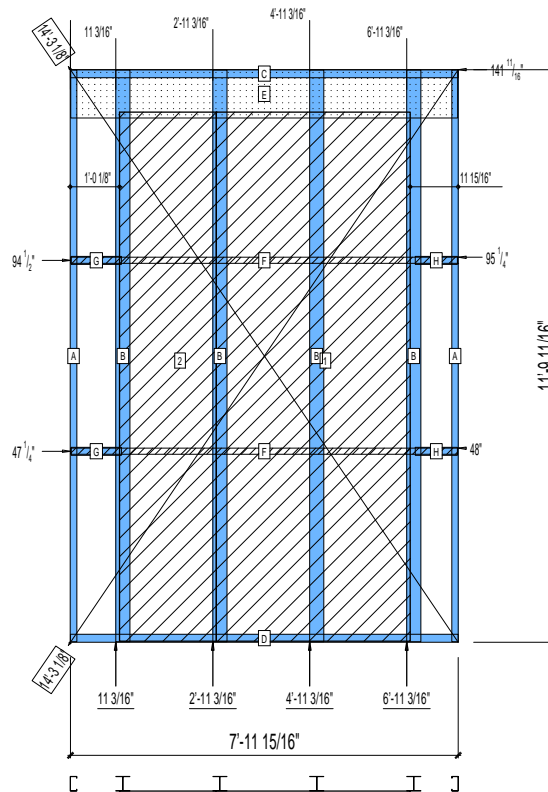
1st STUD: 24"

WEIGHTS :

FRAME : 355 lbs

SHEATHING: 241 lbs

TOTAL: 596 lbs



PIECES LIST

| LABEL | QTY | SIZE        | LENGTH       | USE          |
|-------|-----|-------------|--------------|--------------|
| A     | 2   | 362S162-54  | 11'-9 1/2"   | STUD         |
| B     | 4   | 363I350p554 | 11'-9 1/2"   | PACO COLUMN  |
| C     | 1   | 362T200-68  | 7'-11 15/16" | TOP TRACK    |
| D     | 1   | 362T200-68  | 7'-11 15/16" | BOTTOM TRACK |
| E     | 1   | 1200D-54    | 7'-11 3/4"   | STRAP        |
| F     | 2   | 150D-43     | 7'-11 3/4"   | STRAP        |
| G     | 2   | 362T200-68  | 1'-0 7/16"   | BLOCK        |
| H     | 2   | 362T200-68  | 10 7/16"     | BLOCK        |

SHEATHING

| LABEL | QTY | CODE         | THICK | SIZE                | SCREWS |
|-------|-----|--------------|-------|---------------------|--------|
| 1     | 1   | SB-DENSARMOR | 5/8"  | 4'-0" X 10'-10 7/8" | 2 - 12 |
| 2     | 1   | SB-DENSARMOR | 5/8"  | 2'-0" X 10'-10 7/8" | 2 - 12 |

# 11-1102

Jewish Home for the Aging

1885 Victory Blvd. Reseda, CA

FrameMax, Inc.  
13915 Danielson St  
Suite 100  
Poway, CA 92064  
www.frame-max.com



© FrameMax Inc.

CREATED: 09/11/2008

FM-07-109

CREATED BY: AMB

HEIGHT : 11'-9 11/16" POINTS: 1.99 Points.

SPACING : 24"

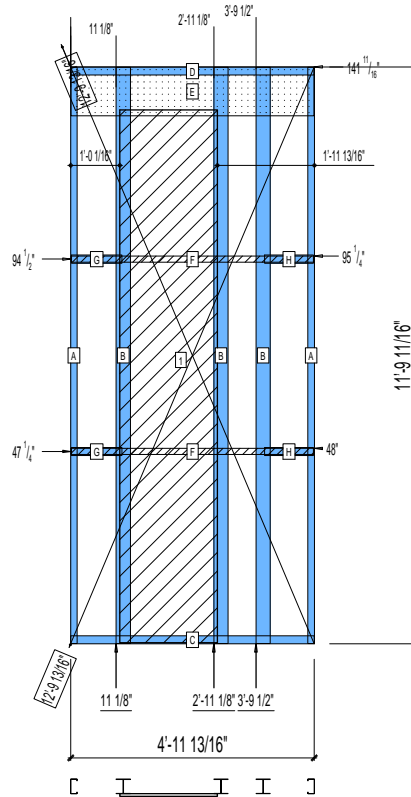
1st STUD: 24"

WEIGHTS :

FRAME : 270 lbs

SHEATHING: 80 lbs

-----  
TOTAL: 350 lbs



PIECES LIST

| LABEL | QTY | SIZE        | LENGTH       | USE          |
|-------|-----|-------------|--------------|--------------|
| A     | 2   | 362S162-54  | 11'-9 1/2"   | STUD         |
| B     | 3   | 363i350p554 | 11'-9 1/2"   | PACO. COLUMN |
| C     | 1   | 362T200-68  | 4'-11 13/16" | BOTTOM TRACK |
| D     | 1   | 362T200-68  | 4'-11 13/16" | TOP TRACK    |
| E     | 1   | 1200D-54    | 4'-11 5/8"   | STRAP        |
| F     | 2   | 150D-43     | 4'-11 5/8"   | STRAP        |
| G     | 2   | 362T200-68  | 1'-0 3/8"    | BLOCK        |
| H     | 2   | 362T200-68  | 1'-0"        | BLOCK        |

SHEATHING

| LABEL | QTY | CODE         | THICK | SIZE                       | SCREWS |
|-------|-----|--------------|-------|----------------------------|--------|
| 1     | 1   | SB-DENSARMOR | 5/8"  | 1'-11 15/16" X 10'-10 7/8" | 2 - 12 |

# 11-1103

Jewish Home for the Aging

1885 Victory Blvd. Reseda, CA

FrameMax, Inc.  
13915 Danielson St  
Suite 100  
Poway, CA 92064  
www.frame-max.com



© FrameMax Inc.

CREATED: 09/11/2008

FM-07-109

CREATED BY: AMB

HEIGHT : 11'-9 11/16"

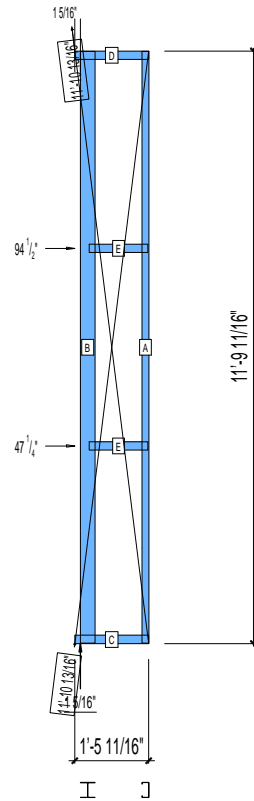
SPACING : 24"

1st STUD: 24"

WEIGHTS :

FRAME : 92 lbs

-----  
TOTAL: 92 lbs



### PIECES LIST

| LABEL | QTY | SIZE        | LENGTH      | USE          |
|-------|-----|-------------|-------------|--------------|
| A     | 1   | 362S162-54  | 11'-9 1/2"  | STUD         |
| B     | 1   | 363i350p554 | 11'-9 1/2"  | PACO.COLUMN  |
| C     | 1   | 362T200-68  | 1'-5 11/16" | BOTTOM TRACK |
| D     | 1   | 362T200-68  | 1'-5 11/16" | TOP TRACK    |
| E     | 2   | 362T200-68  | 1'-2 1/16"  | BLOCK        |

# 11-1104

Jewish Home for the Aging

1885 Victory Blvd. Reseda, CA

FM-07-109

CREATED BY: AMB

FrameMax, Inc.  
13915 Danielson St  
Suite 100  
Poway, CA 92064  
www.frame-max.com



© FrameMax Inc.

HEIGHT : 10'-9 1/4" POINTS: 3.20 Points.

SPACING : 24"

1st STUD: 24"

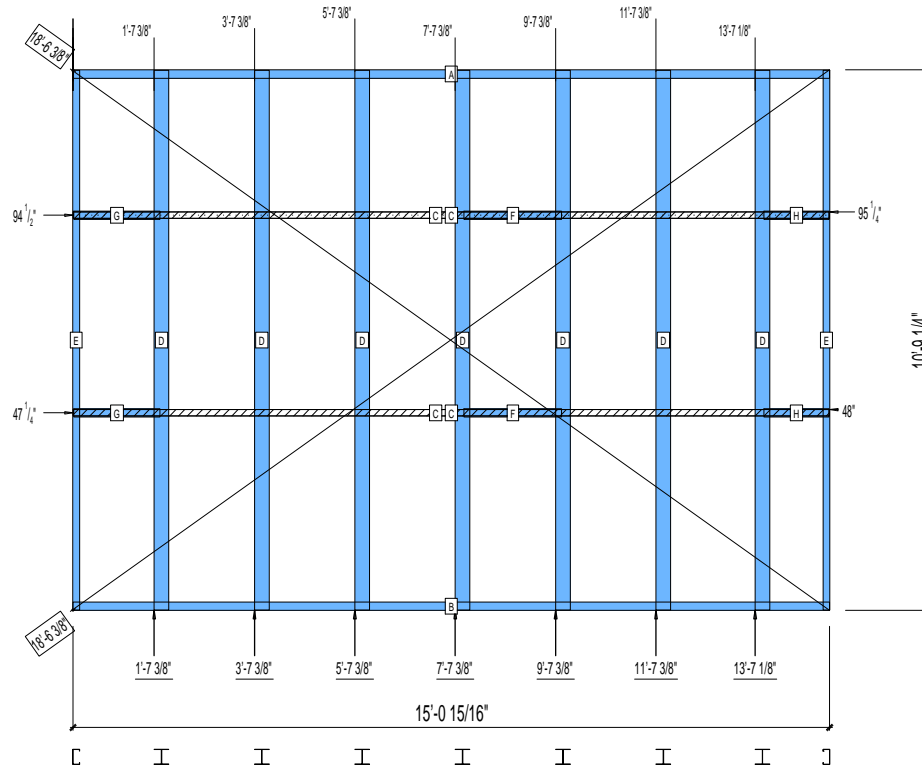
WEIGHTS :

FRAME : 536 lbs

TOTAL: 536 lbs

REMOVE BLOCKS AND SHIP LOOSE.  
CUT STRAPS, TRACKS AT CENTER OF  
STUD BAY. PROVIDE 2 STUD SECTION  
TO SPLICE TRACKS TOGETHER.

CUT  
LINE



PIECES LIST

| LABEL | QTY | SIZE        | LENGTH USE                |
|-------|-----|-------------|---------------------------|
| A     | 1   | 362T200-68  | 15'-0 15/16" TOP TRACK    |
| B     | 1   | 362T200-68  | 15'-0 15/16" BOTTOM TRACK |
| C     | 4   | 150D-43     | 15'-0 3/4" STRAP          |
| D     | 7   | 363i350p554 | 10'-9 1/16" PACO. COLUMN  |
| E     | 2   | 362S162-54  | 10'-9 1/16" STUD          |
| F     | 2   | 362T200-68  | 1'-11 5/16" BLOCK         |
| G     | 2   | 362T200-68  | 1'-8 5/8" BLOCK           |
| H     | 2   | 362T200-68  | 1'-3 1/2" BLOCK           |

# 11-1105

Jewish Home for the Aging

1885 Victory Blvd. Reseda, CA

FrameMax, Inc.  
13915 Danielson St  
Suite 100  
Poway, CA 92064  
www.frame-max.com



© FrameMax Inc.

CREATED: 09/11/2008

FM-07-109

CREATED BY: AMB

HEIGHT : 11'-9 11/16"

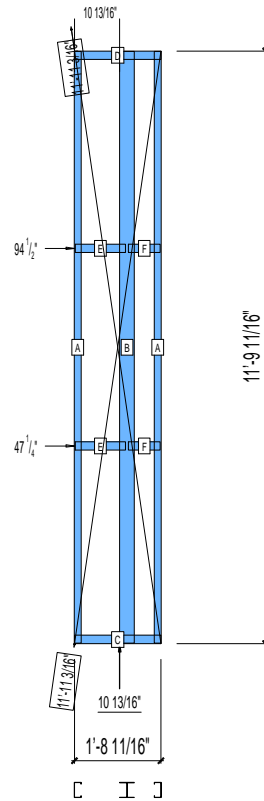
SPACING : 24"

1st STUD: 24"

WEIGHTS :

FRAME : 112 lbs

-----  
TOTAL: 112 lbs



PIECES LIST

| LABEL | QTY | SIZE        | LENGTH      | USE          |
|-------|-----|-------------|-------------|--------------|
| A     | 2   | 362S162-54  | 11'-9 1/2"  | STUD         |
| B     | 1   | 363i350p554 | 11'-9 1/2"  | PACO. COLUMN |
| C     | 1   | 362T200-68  | 1'-8 11/16" | BOTTOM TRACK |
| D     | 1   | 362T200-68  | 1'-8 11/16" | TOP TRACK    |
| E     | 2   | 362T200-68  | 1'-0"       | BLOCK        |
| F     | 2   | 362T200-68  | 7 9/16"     | BLOCK        |

# 11-1106

Jewish Home for the Aging

1885 Victory Blvd. Reseda, CA

FrameMax, Inc.  
13915 Danielson St  
Suite 100  
Poway, CA 92064  
www.frame-max.com



© FrameMax Inc.

CREATED: 09/11/2008

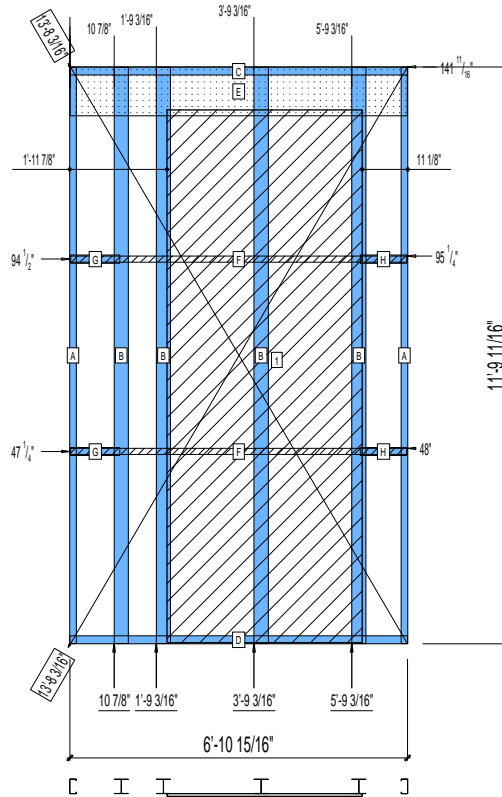
FM-07-109

CREATED BY: AMB

HEIGHT : 11'-9 11/16"  
SPACING : 24"  
1st STUD: 24"

WEIGHTS :  
FRAME : 348 lbs  
SHEATHING: 160 lbs

TOTAL: 508 lbs



PIECES LIST

| LABEL | QTY | SIZE        | LENGTH       | USE          |
|-------|-----|-------------|--------------|--------------|
| A     | 2   | 362S162-54  | 11'-9 1/2"   | STUD         |
| B     | 4   | 363i350p554 | 11'-9 1/2"   | PACO. COLUMN |
| C     | 1   | 362T200-68  | 6'-10 15/16" | TOP TRACK    |
| D     | 1   | 362T200-68  | 6'-10 15/16" | BOTTOM TRACK |
| E     | 1   | 1200D-54    | 6'-10 3/4"   | STRAP        |
| F     | 2   | 150D-43     | 6'-10 3/4"   | STRAP        |
| G     | 2   | 362T200-68  | 1'-0 1/16"   | BLOCK        |
| H     | 2   | 362T200-68  | 11 7/16"     | BLOCK        |

SHEATHING

| LABEL | QTY | CODE         | THICK | SIZE                       | SCREWS |
|-------|-----|--------------|-------|----------------------------|--------|
| 1     | 1   | SB-DENSARMOR | 5/8"  | 3'-11 15/16" X 10'-10 7/8" | 2 - 12 |

# 11-1107

Jewish Home for the Aging

1885 Victory Blvd. Reseda, CA

FrameMax, Inc.  
13915 Danielson St  
Suite 100  
Poway, CA 92064  
www.framemax.com



© FrameMax Inc.

CREATED: 09/11/2008

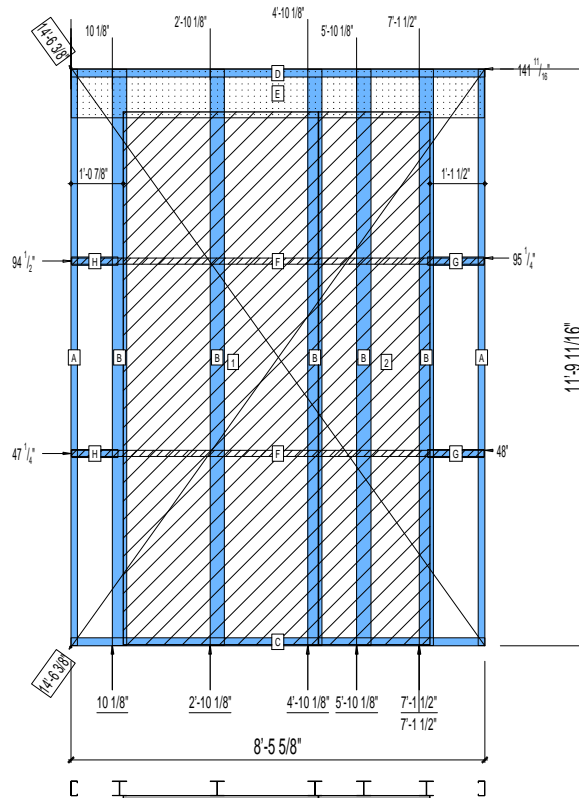
FM-07-109

CREATED BY: AMB

HEIGHT : 11'-9 11/16"  
SPACING : 24"  
1st STUD: 24"

WEIGHTS :  
FRAME : 424 lbs  
SHEATHING: 252 lbs

-----  
TOTAL: 676 lbs



PIECES LIST

| LABEL | QTY | SIZE        | LENGTH      | USE          |
|-------|-----|-------------|-------------|--------------|
| A     | 2   | 362S162-54  | 11'-9 1/2"  | STUD         |
| B     | 5   | 363i350p554 | 11'-9 1/2"  | PACO. COLUMN |
| C     | 1   | 362T200-68  | 8'-5 5/8"   | BOTTOM TRACK |
| D     | 1   | 362T200-68  | 8'-5 5/8"   | TOP TRACK    |
| E     | 1   | 1200D-54    | 8'-5 7/16"  | STRAP        |
| F     | 2   | 150D-43     | 8'-5 7/16"  | STRAP        |
| G     | 2   | 362T200-68  | 1'-1 13/16" | BLOCK        |
| H     | 2   | 362T200-68  | 11 3/8"     | BLOCK        |

SHEATHING

| LABEL | QTY | CODE         | THICK | SIZE                       | SCREWS |
|-------|-----|--------------|-------|----------------------------|--------|
| 1     | 1   | SB-DENSARMOR | 5/8"  | 3'-11 15/16" X 10'-10 7/8" | 2 - 12 |
| 2     | 1   | SB-DENSARMOR | 5/8"  | 2'-3 3/8" X 10'-10 7/8"    | 2 - 12 |

# 11-1108

Jewish Home for the Aging

1885 Victory Blvd. Reseda, CA

FM-07-109

CREATED BY: AMB

FrameMax, Inc.  
13915 Danielson St  
Suite 100  
Poway, CA 92064  
www.frame-max.com

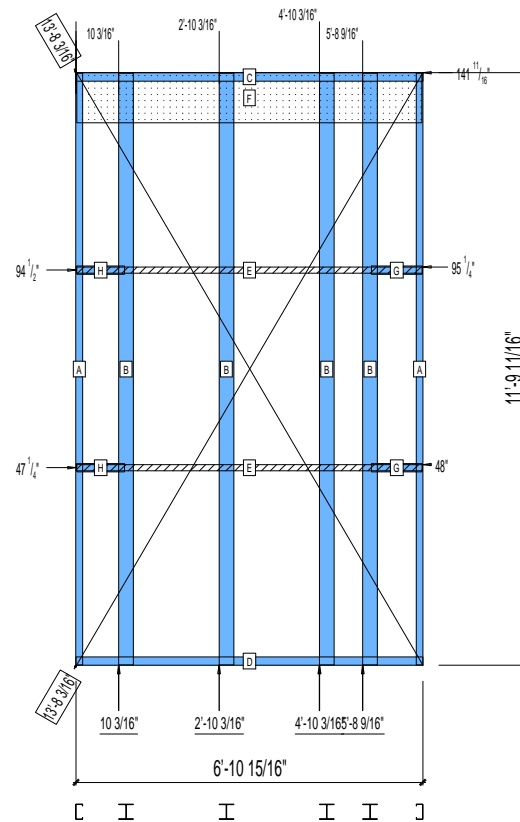


© FrameMax Inc.

HEIGHT : 11'-9 11/16"  
SPACING : 24"  
1st STUD: 24"

WEIGHTS :  
FRAME : 348 lbs

TOTAL: 348 lbs



PIECES LIST

| LABEL | QTY | SIZE        | LENGTH       | USE          |
|-------|-----|-------------|--------------|--------------|
| A     | 2   | 362S162-54  | 11'-9 1/2"   | STUD         |
| B     | 4   | 363i350p554 | 11'-9 1/2"   | PACO.COLUMN  |
| C     | 1   | 362T200-68  | 6'-10 15/16" | TOP TRACK    |
| D     | 1   | 362T200-68  | 6'-10 15/16" | BOTTOM TRACK |
| E     | 2   | 150D-43     | 6'-10 3/4"   | STRAP        |
| F     | 1   | 1200D-54    | 6'-10 1/2"   | STRAP        |
| G     | 2   | 362T200-68  | 1'-0 1/16"   | BLOCK        |
| H     | 2   | 362T200-68  | 11 7/16"     | BLOCK        |

# 11-1109

Jewish Home for the Aging

1885 Victory Blvd. Reseda, CA

FM-07-109

CREATED BY: AMB

FrameMax, Inc.  
13915 Danielson St  
Suite 100  
Poway, CA 92064  
www.frame-max.com

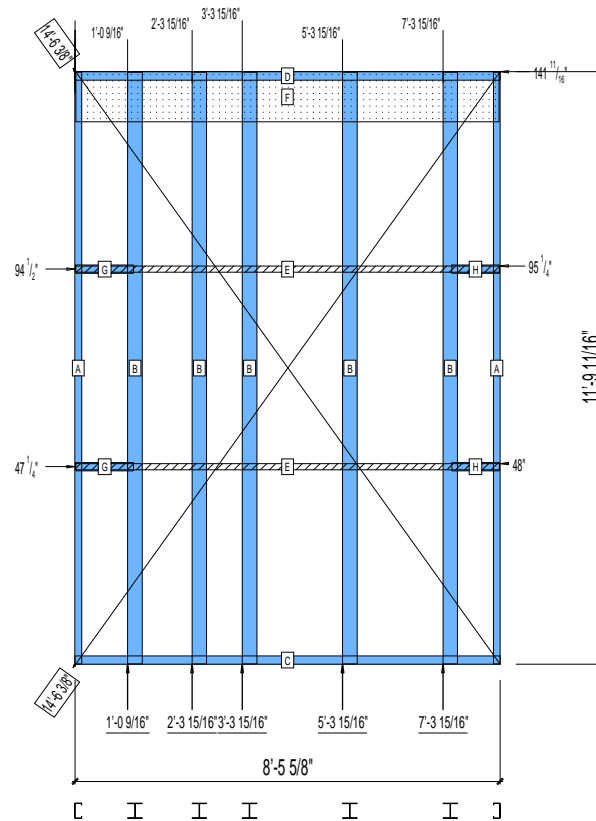


© FrameMax Inc.

HEIGHT : 11'-9 11/16"  
SPACING : 24"  
1st STUD: 24"

WEIGHTS :  
FRAME : 424 lbs

TOTAL: 424 lbs



### PIECES LIST

| LABEL | QTY | SIZE        | LENGTH      | USE          |
|-------|-----|-------------|-------------|--------------|
| A     | 2   | 362S162-54  | 11'-9 1/2"  | STUD         |
| B     | 5   | 363i350p554 | 11'-9 1/2"  | PACO.COLUMN  |
| C     | 1   | 362T200-68  | 8'-5 5/8"   | BOTTOM TRACK |
| D     | 1   | 362T200-68  | 8'-5 5/8"   | TOP TRACK    |
| E     | 2   | 150D-43     | 8'-5 7/16"  | STRAP        |
| F     | 1   | 1200D-54    | 8'-5 3/16"  | STRAP        |
| G     | 2   | 362T200-68  | 1'-1 13/16" | BLOCK        |
| H     | 2   | 362T200-68  | 11 3/8"     | BLOCK        |

# 11-1110

Jewish Home for the Aging

1885 Victory Blvd. Reseda, CA

FrameMax, Inc.  
13915 Danielson St  
Suite 100  
Poway, CA 92064  
www.frame-max.com



© FrameMax Inc.

CREATED: 10/04/2008

FM-07-109

CREATED BY: AMB

HEIGHT : 11'-9 11/16" POINTS: 4.13 Points.

SPACING : 24"

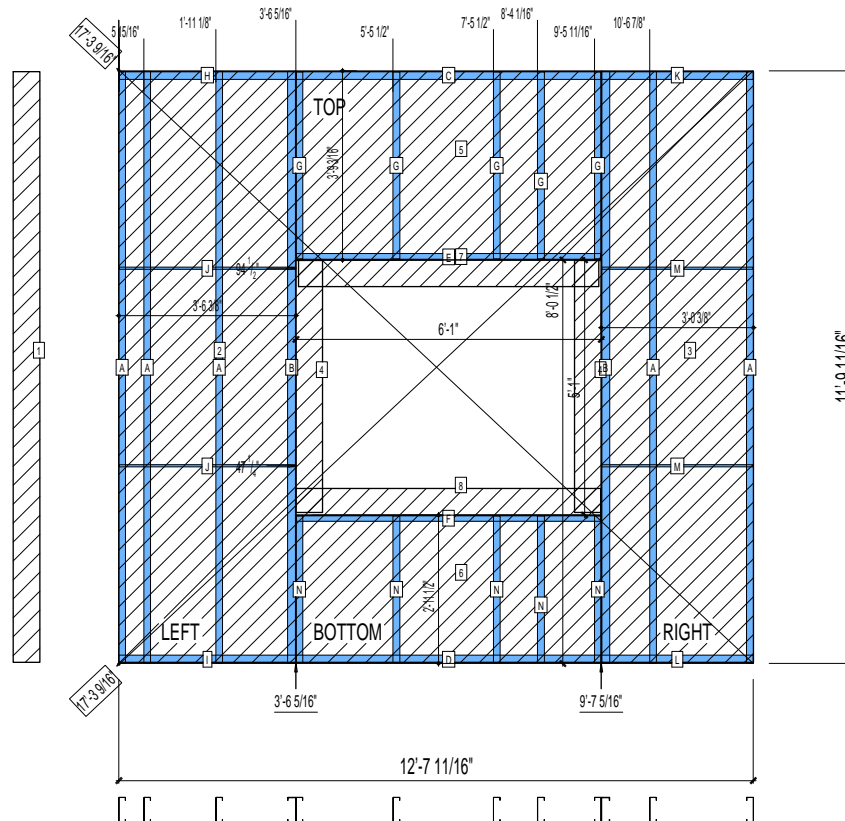
1st STUD: 24"

WEIGHTS :

FRAME : 376 lbs

SHEATHING: 339 lbs

TOTAL: 715 lbs



PIECES LIST

| LABEL | QTY | SIZE       | LENGTH      | USE                |
|-------|-----|------------|-------------|--------------------|
| A     | 5   | 600S162-68 | 11'-9 1/2"  | STUD               |
| B     | 2   | 600S200-97 | 11'-9 1/2"  | KING STUD          |
| C     | 1   | 600T200-68 | 6'-0 15/16" | TOP TRACK          |
| D     | 1   | 600T200-68 | 6'-0 15/16" | BOTTOM TRACK       |
| E     | 1   | 600T150-54 | 6'-0 3/4"   | HEAD TRACK         |
| F     | 1   | 600T150-54 | 6'-0 3/4"   | SILL               |
| G     | 5   | 600S162-54 | 3'-8 3/4"   | CRIPPLE            |
| H     | 1   | 600T200-68 | 3'-6 5/16"  | TOP TRACK          |
| I     | 1   | 600T200-68 | 3'-6 5/16"  | BOTTOM TRACK       |
| J     | 2   | 150U50-54  | 3'-6 1/8"   | HORIZONTAL BRACING |
| K     | 1   | 600T200-68 | 3'-0 5/16"  | TOP TRACK          |
| L     | 1   | 600T200-68 | 3'-0 5/16"  | BOTTOM TRACK       |
| M     | 2   | 150U50-54  | 3'-0 1/8"   | HORIZONTAL BRACING |
| N     | 5   | 600S162-54 | 2'-11 1/16" | CRIPPLE            |

SHEATHING

| LABEL | QTY | CODE      | THICK | SIZE                   | SCREWS |
|-------|-----|-----------|-------|------------------------|--------|
| 1     | 1   | DENSGLASS | 1/2"  | 6 3/8" X 11'-9 1/4"    | 8 - 12 |
| 2     | 1   | DENSGLASS | 1/2"  | 3'-6 1/4" X 11'-9 1/4" | 8 - 12 |
| 3     | 1   | DENSGLASS | 1/2"  | 3'-0 1/4" X 11'-9 1/4" | 8 - 12 |
| 4     | 2   | DENSGLASS | 1/2"  | 6 3/8" X 5'-0 1/4"     | 8 - 12 |
| 5     | 1   | DENSGLASS | 1/2"  | 6'-1" X 3'-8 15/16"    | 8 - 12 |
| 6     | 1   | DENSGLASS | 1/2"  | 6'-1" X 2'-11 1/8"     | 8 - 12 |
| 7     | 1   | DENSGLASS | 1/2"  | 5'-11 3/4" X 6 3/8"    | 8 - 12 |
| 8     | 1   | DENSGLASS | 1/2"  | 6'-0 7/8" X 6 3/8"     | 8 - 12 |

# 11-1111

Jewish Home for the Aging

1885 Victory Blvd. Reseda, CA

FrameMax, Inc.  
13915 Danielson St  
Suite 100  
Poway, CA 92064  
www.frame-max.com



© FrameMax Inc.

CREATED: 09/11/2008

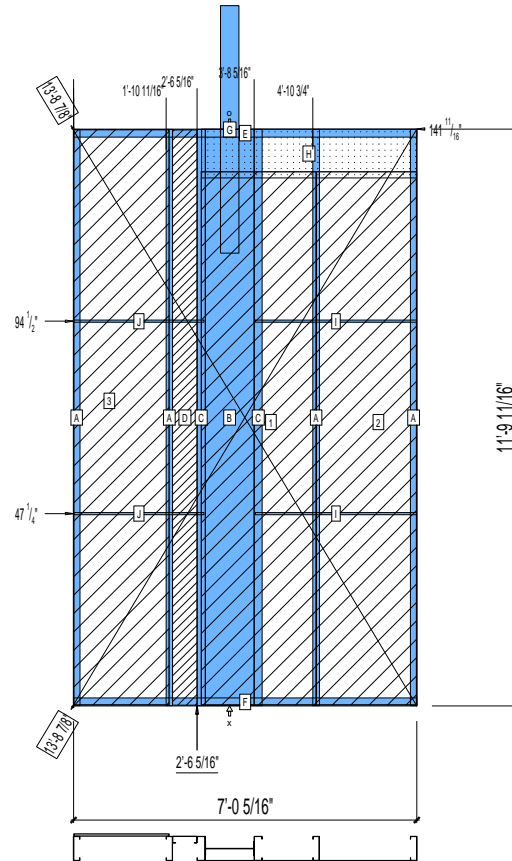
FM-07-109

CREATED BY: AMB

HEIGHT : 14'-3 15/16" POINTS: 3.61 Points.  
SPACING : 24"  
1st STUD: 24"

WEIGHTS :  
FRAME : 453 lbs  
SHEATHING: 234 lbs

-----  
TOTAL: 687 lbs



PIECES LIST

| LABEL | QTY | SIZE          | LENGTH      | USE                |
|-------|-----|---------------|-------------|--------------------|
| A     | 4   | 600S162-97    | 11'-9 1/2"  | STUD               |
| B     | 1   | 1200i350p1062 | 11'-9 1/2"  | PACO               |
| C     | 2   | 600S200-68    | 11'-9 1/2"  | STUD               |
| D     | 1   | 600S162-54    | 11'-9 5/16" | BACKER-U           |
| E     | 1   | 600T200-68    | 7'-0 5/16"  | TOP TRACK          |
| F     | 1   | 600T200-68    | 7'-0 5/16"  | BOTTOM TRACK       |
| G     | 1   | D             | 5'-0 3/4"   | HOLDDOWN           |
| H     | 1   | 1200D-54      | 4'-4 3/4"   | STRAP              |
| I     | 2   | 150U50-54     | 3'-3 9/16"  | HORIZONTAL BRACING |
| J     | 2   | 150U50-54     | 2'-7 15/16" | HORIZONTAL BRACING |

SHEATHING

| LABEL | QTY | CODE         | THICK | SIZE                    | SCREWS |
|-------|-----|--------------|-------|-------------------------|--------|
| 1     | 1   | SB-DENSARMOR | 5/8"  | 2'-4 1/4" X 10'-10 7/8" | 2 - 12 |
| 2     | 1   | SB-DENSARMOR | 5/8"  | 2'-0 5/8" X 10'-10 7/8" | 2 - 12 |
| 3     | 1   | DENSGLOSS    | 1/2"  | 1'-11 3/8" X 11'-9 1/4" | 8 - 12 |

# 11-1112

Jewish Home for the Aging

1885 Victory Blvd. Reseda, CA

FrameMax, Inc.  
13915 Danielson St  
Suite 100  
Poway, CA 92064  
www.frame-max.com



© FrameMax Inc.

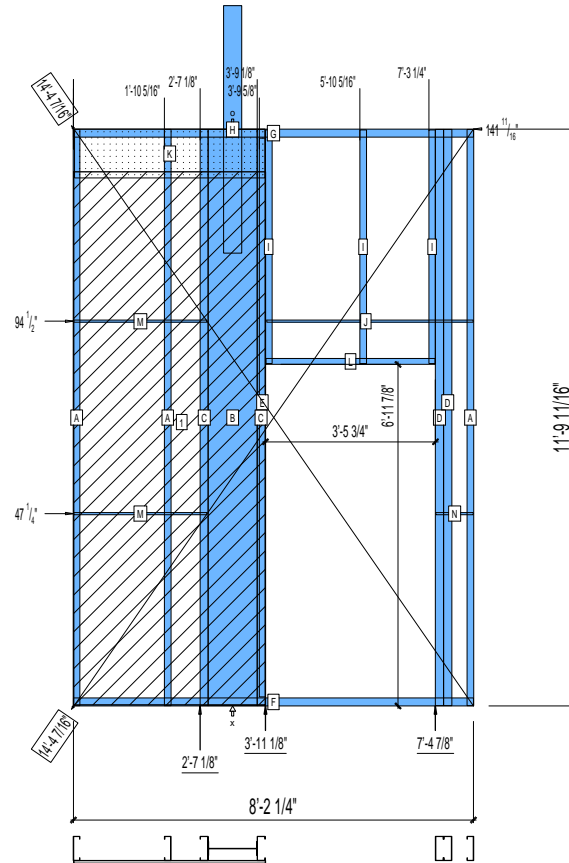
CREATED: 09/11/2008

FM-07-109

CREATED BY: AMB

HEIGHT : 14'-3 15/16" POINTS: 3.76 Points.  
SPACING : 24"  
1st STUD: 24"

WEIGHTS :  
FRAME : 534 lbs  
SHEATHING: 157 lbs  
-----  
TOTAL: 691 lbs



PIECES LIST

| LABEL | QTY | SIZE          | LENGTH      | USE                |
|-------|-----|---------------|-------------|--------------------|
| A     | 3   | 600S162-97    | 11'-9 1/2"  | STUD               |
| B     | 1   | 1200i350p1062 | 11'-9 1/2"  | PACO               |
| C     | 2   | 600S200-68    | 11'-9 1/2"  | STUD               |
| D     | 2   | 600S200-97    | 11'-9 1/2"  | KING STUD          |
| E     | 1   | 600T150-54    | 11'-5 3/16" | CAP                |
| F     | 1   | 600T200-68    | 8'-2 1/4"   | BOTTOM TRACK       |
| G     | 1   | 600T200-68    | 8'-2 1/4"   | TOP TRACK          |
| H     | 1   | D             | 5'-0 3/4"   | HOLDDOWN           |
| I     | 3   | 600S162-54    | 4'-9 3/8"   | CRIPPLE            |
| J     | 1   | 150U50-54     | 4'-2 11/16" | HORIZONTAL BRACING |
| K     | 1   | 1200D-54      | 3'-10 3/4"  | STRAP              |
| L     | 1   | 600T150-54    | 3'-5 1/2"   | HEAD TRACK         |
| M     | 2   | 150U50-54     | 2'-8 11/16" | HORIZONTAL BRACING |
| N     | 1   | 150U50-54     | 9 1/8"      | HORIZONTAL BRACING |

SHEATHING

| LABEL | QTY | CODE         | THICK | SIZE                      | SCREWS |
|-------|-----|--------------|-------|---------------------------|--------|
| 1     | 1   | SB-DENSARMOR | 5/8"  | 3'-11 1/16" X 10'-10 7/8" | 2 - 12 |

# 11-1113

Jewish Home for the Aging

1885 Victory Blvd. Reseda, CA

FrameMax, Inc.  
13915 Danielson St  
Suite 100  
Poway, CA 92064  
www.frame-max.com



© FrameMax Inc.

CREATED: 09/11/2008

FM-07-109

CREATED BY: AMB

HEIGHT : 11'-9 11/16" POINTS: 2.68 Points.

SPACING : 24"

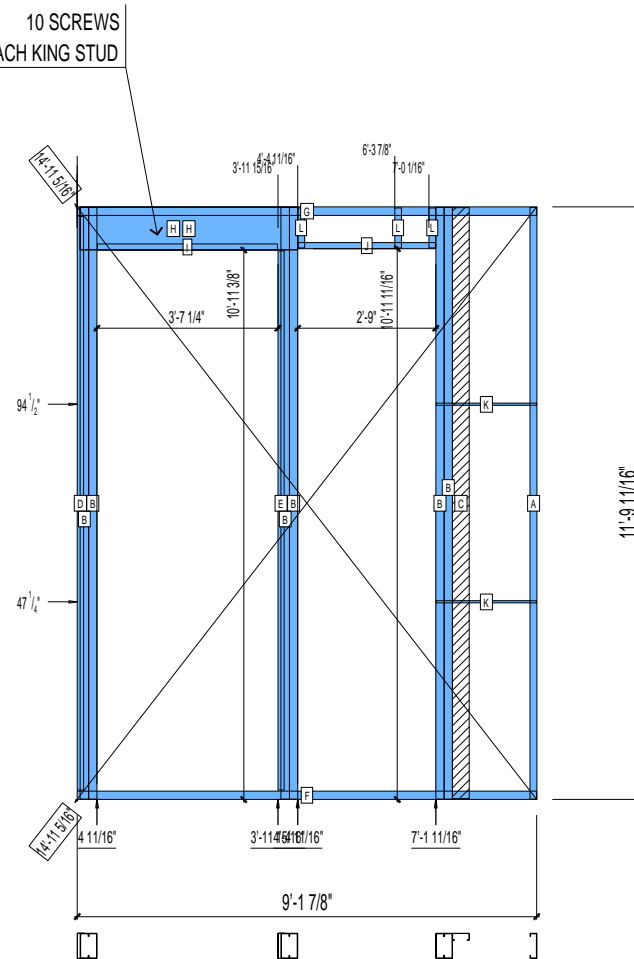
1st STUD: 24"

WEIGHTS :

FRAME : 449 lbs

TOTAL: 449 lbs

10 SCREWS  
INTO EACH KING STUD



PIECES LIST

| LABEL | QTY | SIZE        | LENGTH       | USE                |
|-------|-----|-------------|--------------|--------------------|
| A     | 1   | 600S162-97  | 11'-9 1/2"   | STUD               |
| B     | 6   | 600S200-97  | 11'-9 1/2"   | KING STUD          |
| C     | 1   | 400S162-33  | 11'-9 5/16"  | BACKER-U           |
| D     | 1   | 600T150-54  | 11'-5 3/16"  | CAP                |
| E     | 1   | 600T150-54  | 10'-8 15/16" | CAP                |
| F     | 1   | 600T200-68  | 9'-1 7/8"    | BOTTOM TRACK       |
| G     | 1   | 600T200-68  | 9'-1 7/8"    | TOP TRACK          |
| H     | 2   | 1000T200-97 | 4'-4"        | HEADER             |
| I     | 1   | 600T150-54  | 3'-7"        | HEAD TRACK         |
| J     | 1   | 600T150-54  | 2'-8 3/4"    | HEAD TRACK         |
| K     | 2   | 150U50-54   | 1'-11 15/16" | HORIZONTAL BRACING |
| L     | 3   | 600S162-54  | 9 9/16"      | CRIPPLE            |

# 11-1114

Jewish Home for the Aging

1885 Victory Blvd. Reseda, CA

FrameMax, Inc.  
13915 Danielson St  
Suite 100  
Poway, CA 92064  
www.framemax.com



© FrameMax Inc.

CREATED: 09/11/2008

FM-07-109

CREATED BY: AMB

HEIGHT : 11'-9 11/16" POINTS: 2.44 Points.

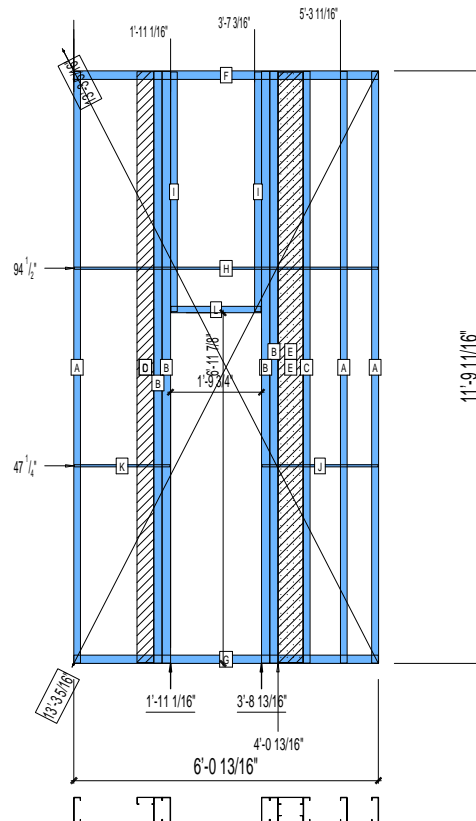
SPACING : 24"

1st STUD: 24"

WEIGHTS :

FRAME : 421 lbs

TOTAL: 421 lbs



PIECES LIST

| LABEL | QTY | SIZE       | LENGTH      | USE                |
|-------|-----|------------|-------------|--------------------|
| A     | 3   | 600S162-97 | 11'-9 1/2"  | STUD               |
| B     | 4   | 600S200-97 | 11'-9 1/2"  | KING STUD          |
| C     | 1   | 600S162-97 | 11'-9 1/2"  | BACKER STUD        |
| D     | 1   | 400S162-33 | 11'-9 5/16" | BACKER-U           |
| E     | 2   | 600S162-33 | 11'-9 1/4"  | BACKER-U           |
| F     | 1   | 600T200-68 | 6'-0 13/16" | TOP TRACK          |
| G     | 1   | 600T200-68 | 6'-0 13/16" | BOTTOM TRACK       |
| H     | 1   | 150U50-54  | 6'-0 5/8"   | HORIZONTAL BRACING |
| I     | 2   | 600S162-54 | 4'-9 3/8"   | CRIPPLE            |
| J     | 1   | 150U50-54  | 2'-3 3/4"   | HORIZONTAL BRACING |
| K     | 1   | 150U50-54  | 1'-10 7/8"  | HORIZONTAL BRACING |
| L     | 1   | 600T150-54 | 1'-9 1/2"   | HEAD TRACK         |

# 11-1115

Jewish Home for the Aging

1885 Victory Blvd. Reseda, CA

FrameMax, Inc.  
13915 Danielson St  
Suite 100  
Poway, CA 92064  
www.frame-max.com



© FrameMax Inc.

CREATED: 10/04/2008

FM-07-109

CREATED BY: AMB

HEIGHT : 11'-9 11/16" POINTS: 5.00 Points.

SPACING : 24"

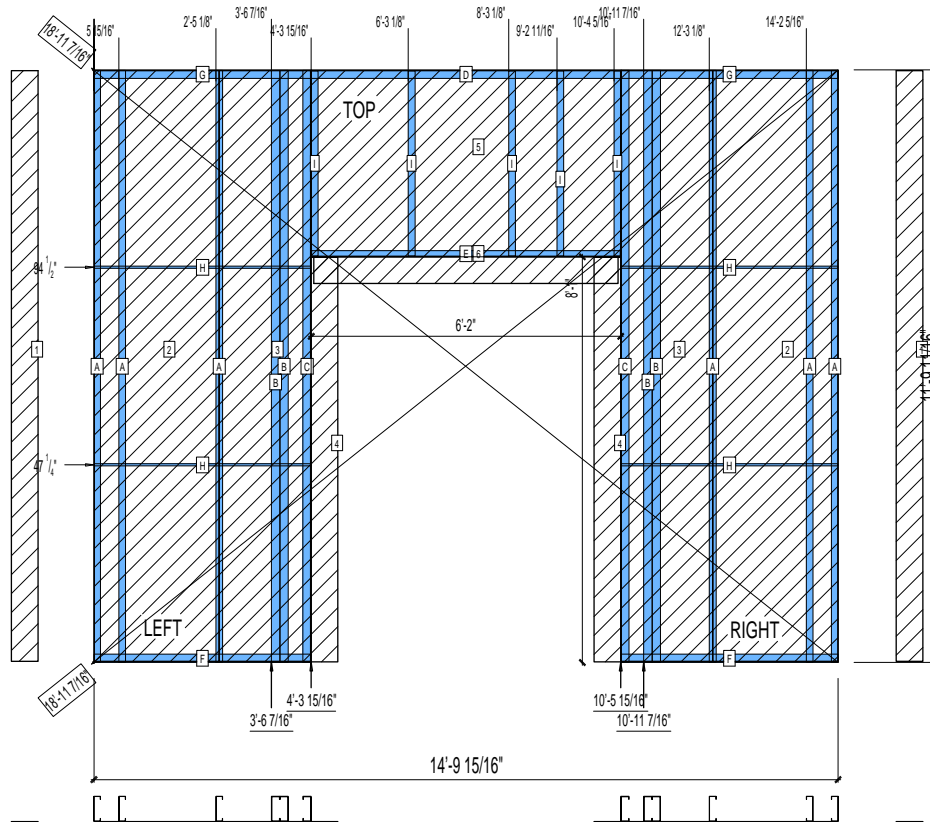
1st STUD: 24"

WEIGHTS :

FRAME : 535 lbs

SHEATHING: 372 lbs

TOTAL: 907 lbs



PIECES LIST

| LABEL | QTY | SIZE       | LENGTH      | USE                |
|-------|-----|------------|-------------|--------------------|
| A     | 6   | 600S162-68 | 11'-9 1/2"  | STUD               |
| B     | 4   | 600S200-97 | 11'-9 1/2"  | EXTRA STUD         |
| C     | 2   | 600S200-97 | 11'-9 1/2"  | KING STUD          |
| D     | 1   | 600T200-68 | 6'-1 15/16" | TOP TRACK          |
| E     | 1   | 600T150-54 | 6'-1 3/4"   | HEAD TRACK         |
| F     | 2   | 600T200-68 | 4'-3 15/16" | BOTTOM TRACK       |
| G     | 2   | 600T200-68 | 4'-3 15/16" | TOP TRACK          |
| H     | 4   | 150U50-54  | 4'-3 3/4"   | HORIZONTAL BRACING |
| I     | 5   | 600S162-54 | 3'-8 1/4"   | CRIPPLE            |

SHEATHING

| LABEL | QTY | CODE      | THICK | SIZE                   | SCREWS |
|-------|-----|-----------|-------|------------------------|--------|
| 1     | 2   | DENSGLASS | 1/2"  | 6 3/8" X 11'-9 1/4"    | 8 - 12 |
| 2     | 2   | DENSGLASS | 1/2"  | 2'-5 7/8" X 11'-9 1/4" | 8 - 12 |
| 3     | 2   | DENSGLASS | 1/2"  | 1'-9 7/8" X 11'-9 1/4" | 8 - 12 |
| 4     | 2   | DENSGLASS | 1/2"  | 6 3/8" X 8'-0 3/4"     | 8 - 12 |
| 5     | 1   | DENSGLASS | 1/2"  | 6'-2" X 3'-8 7/16"     | 8 - 12 |
| 6     | 1   | DENSGLASS | 1/2"  | 6'-0 3/4" X 6 3/8"     | 8 - 12 |

# 11-1116

Jewish Home for the Aging

1885 Victory Blvd. Reseda, CA

FrameMax, Inc.  
13915 Danielson St  
Suite 100  
Poway, CA 92064  
www.frame-max.com



© FrameMax Inc.

CREATED: 09/11/2008

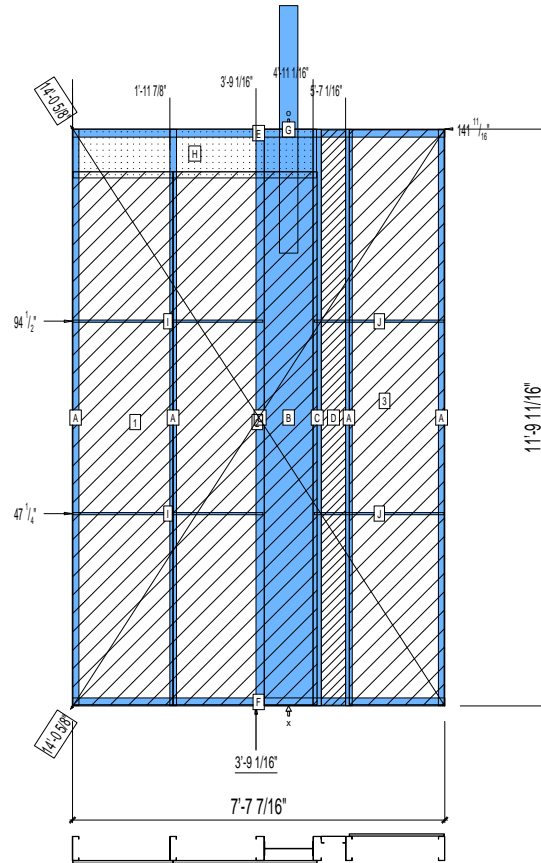
FM-07-109

CREATED BY: AMB

HEIGHT : 14'-3 15/16" POINTS: 3.75 Points.  
SPACING : 24"  
1st STUD: 24"

WEIGHTS :  
FRAME : 458 lbs  
SHEATHING: 258 lbs

TOTAL: 716 lbs



PIECES LIST

| LABEL | QTY | SIZE          | LENGTH       | USE                |
|-------|-----|---------------|--------------|--------------------|
| A     | 4   | 600S162-97    | 11'-9 1/2"   | STUD               |
| B     | 1   | 1200i350p1062 | 11'-9 1/2"   | PACO               |
| C     | 2   | 600S200-68    | 11'-9 1/2"   | STUD               |
| D     | 1   | 600S162-54    | 11'-9 1/4"   | BACKER-U           |
| E     | 1   | 600T200-68    | 7'-7 7/16"   | TOP TRACK          |
| F     | 1   | 600T200-68    | 7'-7 7/16"   | BOTTOM TRACK       |
| G     | 1   | D             | 5'-0 3/4"    | HOLDDOWN           |
| H     | 1   | 1200D-54      | 4'-11 7/8"   | STRAP              |
| I     | 2   | 150U50-54     | 3'-10 11/16" | HORIZONTAL BRACING |
| J     | 2   | 150U50-54     | 2'-7 15/16"  | HORIZONTAL BRACING |

SHEATHING

| LABEL | QTY | CODE         | THICK | SIZE                     | SCREWS |
|-------|-----|--------------|-------|--------------------------|--------|
| 1     | 1   | SB-DENSARMOR | 5/8"  | 2'-0 5/8" X 10'-10 7/8"  | 2 - 12 |
| 2     | 1   | SB-DENSARMOR | 5/8"  | 2'-11 3/8" X 10'-10 7/8" | 2 - 12 |
| 3     | 1   | DENSGLOSS    | 1/2"  | 1'-11 3/8" X 11'-9 1/4"  | 8 - 12 |

# 11-1117

Jewish Home for the Aging

1885 Victory Blvd. Reseda, CA

FrameMax, Inc.  
13915 Danielson St  
Suite 100  
Poway, CA 92064  
www.frame-max.com



© FrameMax Inc.

CREATED: 09/11/2008

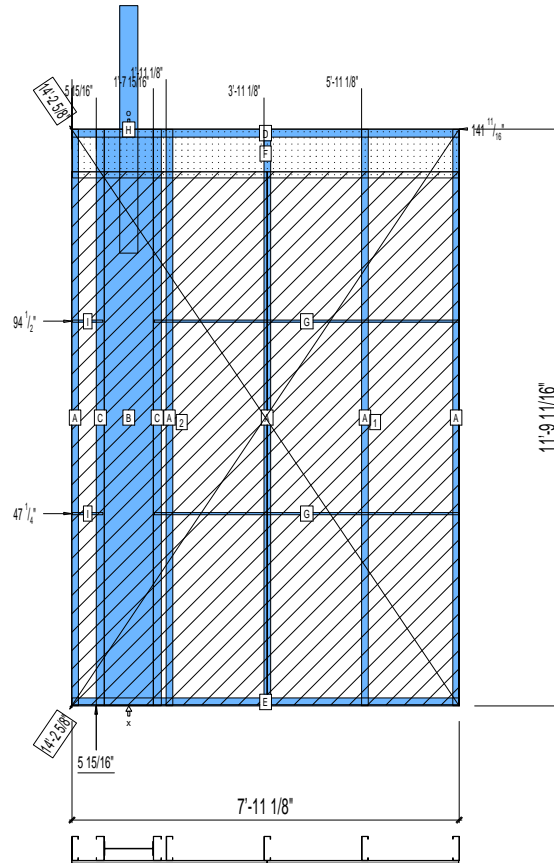
FM-07-109

CREATED BY: AMB

HEIGHT : 14'-3 15/16"  
SPACING : 24"  
1st STUD: 24"

WEIGHTS :  
FRAME : 483 lbs  
SHEATHING: 318 lbs

TOTAL: 801 lbs



PIECES LIST

| LABEL | QTY | SIZE          | LENGTH     | USE                |
|-------|-----|---------------|------------|--------------------|
| A     | 5   | 600S162-97    | 11'-9 1/2" | STUD               |
| B     | 1   | 1200i350p1062 | 11'-9 1/2" | PACO               |
| C     | 2   | 600S200-68    | 11'-9 1/2" | STUD               |
| D     | 1   | 600T200-68    | 7'-11 1/8" | TOP TRACK          |
| E     | 1   | 600T200-68    | 7'-11 1/8" | BOTTOM TRACK       |
| F     | 1   | 1200D-54      | 7'-10 7/8" | STRAP              |
| G     | 2   | 150U50-54     | 6'-2 3/4"  | HORIZONTAL BRACING |
| H     | 1   | D             | 5'-0 3/4"  | HOLDDOWN           |
| I     | 2   | 150U50-54     | 7 9/16"    | HORIZONTAL BRACING |

SHEATHING

| LABEL | QTY | CODE         | THICK | SIZE                      | SCREWS |
|-------|-----|--------------|-------|---------------------------|--------|
| 1     | 1   | SB-DENSARMOR | 5/8"  | 3'-11 1/16" X 10'-10 7/8" | 2 - 12 |
| 2     | 1   | SB-DENSARMOR | 5/8"  | 4'-0" X 10'-10 7/8"       | 2 - 12 |

# 11-1118

Jewish Home for the Aging

1885 Victory Blvd. Reseda, CA

FrameMax, Inc.  
13915 Danielson St  
Suite 100  
Poway, CA 92064  
www.framemax.com



© FrameMax Inc.

CREATED: 10/04/2008

FM-07-109

CREATED BY: AMB

HEIGHT : 11'-9 11/16" POINTS: 2.43 Points.

SPACING : 24"

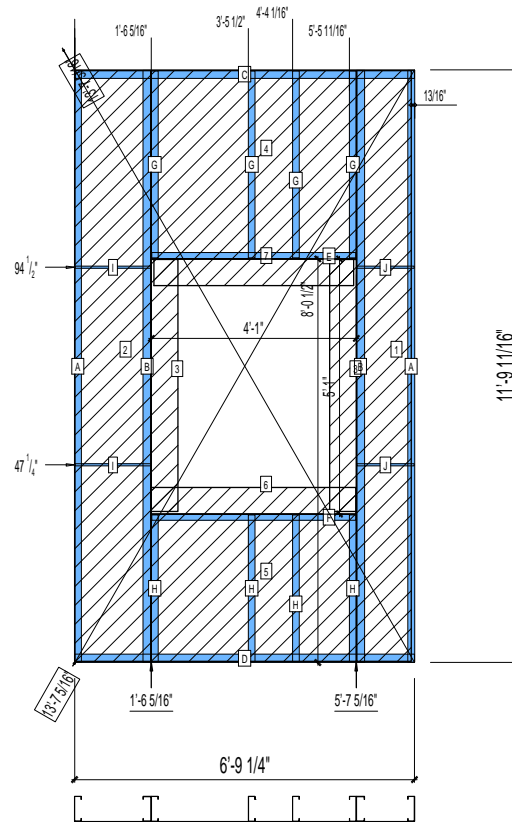
1st STUD: 24"

WEIGHTS :

FRAME : 241 lbs

SHEATHING: 169 lbs

TOTAL: 410 lbs



PIECES LIST

| LABEL | QTY | SIZE       | LENGTH      | USE                |
|-------|-----|------------|-------------|--------------------|
| A     | 2   | 600S162-68 | 11'-9 1/2"  | STUD               |
| B     | 2   | 600S200-97 | 11'-9 1/2"  | KING STUD          |
| C     | 1   | 600T200-68 | 6'-9 1/4"   | TOP TRACK          |
| D     | 1   | 600T200-68 | 6'-9 1/4"   | BOTTOM TRACK       |
| E     | 1   | 600T150-54 | 4'-0 3/4"   | HEAD TRACK         |
| F     | 1   | 600T150-54 | 4'-0 3/4"   | SILL               |
| G     | 4   | 600S162-54 | 3'-8 3/4"   | CRIPPLE            |
| H     | 4   | 600S162-54 | 2'-11 1/16" | CRIPPLE            |
| I     | 2   | 150U50-54  | 1'-6 1/8"   | HORIZONTAL BRACING |
| J     | 2   | 150U50-54  | 1'-1 11/16" | HORIZONTAL BRACING |

SHEATHING

| LABEL | QTY | CODE      | THICK | SIZE                   | SCREWS |
|-------|-----|-----------|-------|------------------------|--------|
| 1     | 1   | DENSGLASS | 1/2"  | 1'-1" X 11'-9 1/4"     | 2 - 12 |
| 2     | 1   | DENSGLASS | 1/2"  | 1'-6 1/8" X 11'-9 1/4" | 2 - 12 |
| 3     | 2   | DENSGLASS | 1/2"  | 6 3/8" X 5'-0 1/4"     | 8 - 12 |
| 4     | 1   | DENSGLASS | 1/2"  | 4'-1" X 3'-9 1/16"     | 2 - 12 |
| 5     | 1   | DENSGLASS | 1/2"  | 4'-1" X 2'-11 1/4"     | 2 - 12 |
| 6     | 1   | DENSGLASS | 1/2"  | 4'-0 7/8" X 6 3/8"     | 8 - 12 |
| 7     | 1   | DENSGLASS | 1/2"  | 3'-11 3/4" X 6 3/8"    | 8 - 12 |

# 11-1119

Jewish Home for the Aging

1885 Victory Blvd. Reseda, CA

FrameMax, Inc.  
13915 Danielson St  
Suite 100  
Poway, CA 92064  
www.frame-max.com



© FrameMax Inc.

CREATED: 09/11/2008

FM-07-109

CREATED BY: AMB

HEIGHT : 11'-9 11/16" POINTS: 2.07 Points.

SPACING : 24"

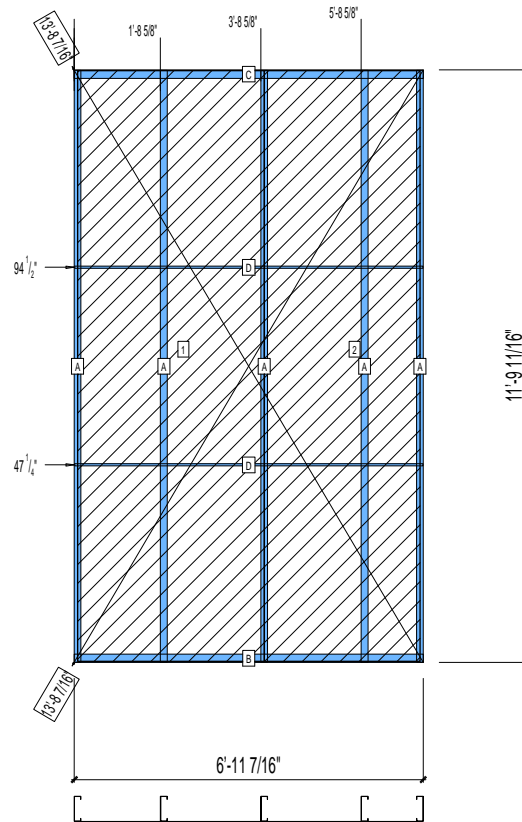
1st STUD: 24"

WEIGHTS :

FRAME : 180 lbs

SHEATHING: 201 lbs

-----  
TOTAL: 381 lbs



PIECES LIST

| LABEL | QTY | SIZE       | LENGTH      | USE                |
|-------|-----|------------|-------------|--------------------|
| A     | 5   | 600S162-68 | 11'-9 1/2"  | STUD               |
| B     | 1   | 600T200-68 | 6'-11 7/16" | BOTTOM TRACK       |
| C     | 1   | 600T200-68 | 6'-11 7/16" | TOP TRACK          |
| D     | 2   | 150U50-54  | 6'-11 1/4"  | HORIZONTAL BRACING |

SHEATHING

| LABEL | QTY | CODE      | THICK | SIZE                   | SCREWS |
|-------|-----|-----------|-------|------------------------|--------|
| 1     | 1   | DENSGLASS | 1/2"  | 3'-8 5/8" X 11'-9 1/4" | 8 - 12 |
| 2     | 1   | DENSGLASS | 1/2"  | 3'-1 1/4" X 11'-9 1/4" | 8 - 12 |

# 11-1120

Jewish Home for the Aging

1885 Victory Blvd. Reseda, CA

FrameMax, Inc.  
13915 Danielson St  
Suite 100  
Poway, CA 92064  
www.frame-max.com



© FrameMax Inc.

CREATED: 09/11/2008

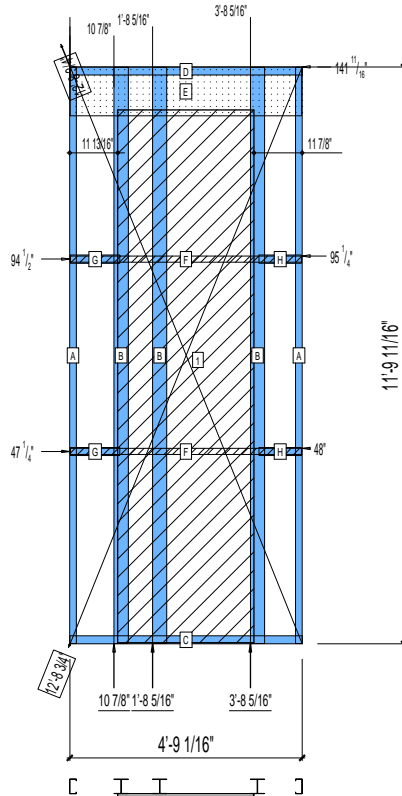
FM-07-109

CREATED BY: AMB

HEIGHT : 11'-9 11/16"  
SPACING : 24"  
1st STUD: 24"

WEIGHTS :  
FRAME : 268 lbs  
SHEATHING: 112 lbs

-----  
TOTAL: 380 lbs



PIECES LIST

| LABEL | QTY | SIZE        | LENGTH     | USE          |
|-------|-----|-------------|------------|--------------|
| A     | 2   | 362S162-54  | 11'-9 1/2" | STUD         |
| B     | 3   | 363i350p554 | 11'-9 1/2" | PACO. COLUMN |
| C     | 1   | 362T200-68  | 4'-9 1/16" | BOTTOM TRACK |
| D     | 1   | 362T200-68  | 4'-9 1/16" | TOP TRACK    |
| E     | 1   | 1200D-54    | 4'-8 7/8"  | STRAP        |
| F     | 2   | 150D-43     | 4'-8 7/8"  | STRAP        |
| G     | 2   | 362T200-68  | 1'-0 1/16" | BLOCK        |
| H     | 2   | 362T200-68  | 10 7/16"   | BLOCK        |

SHEATHING

| LABEL | QTY | CODE         | THICK | SIZE                     | SCREWS |
|-------|-----|--------------|-------|--------------------------|--------|
| 1     | 1   | SB-DENSARMOR | 5/8"  | 2'-9 7/16" X 10'-10 7/8" | 2 - 12 |

# 11-1121

Jewish Home for the Aging

1885 Victory Blvd. Reseda, CA

FrameMax, Inc.  
13915 Danielson St  
Suite 100  
Poway, CA 92064  
www.frame-max.com



© FrameMax Inc.

CREATED: 09/11/2008

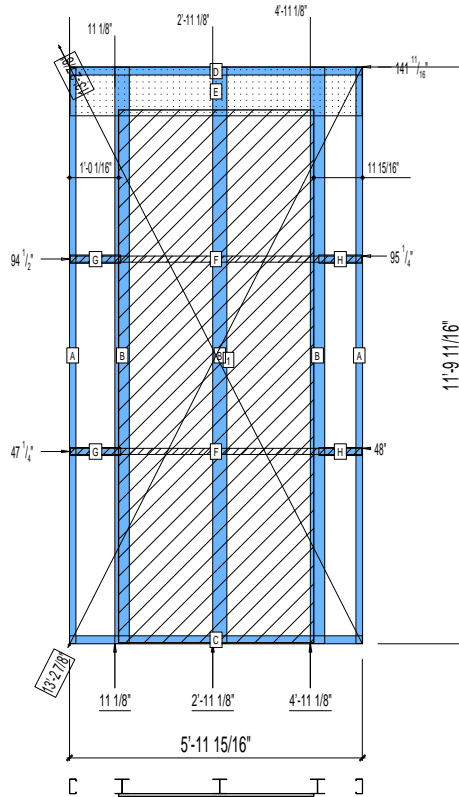
FM-07-109

CREATED BY: AMB

HEIGHT : 11'-9 11/16"  
SPACING : 24"  
1st STUD: 24"

WEIGHTS :  
FRAME : 276 lbs  
SHEATHING: 160 lbs

-----  
TOTAL: 436 lbs



PIECES LIST

| LABEL | QTY | SIZE        | LENGTH       | USE          |
|-------|-----|-------------|--------------|--------------|
| A     | 2   | 362S162-54  | 11'-9 1/2"   | STUD         |
| B     | 3   | 363i350p554 | 11'-9 1/2"   | PACO. COLUMN |
| C     | 1   | 362T200-68  | 5'-11 15/16" | BOTTOM TRACK |
| D     | 1   | 362T200-68  | 5'-11 15/16" | TOP TRACK    |
| E     | 1   | 1200D-54    | 5'-11 3/4"   | STRAP        |
| F     | 2   | 150D-43     | 5'-11 3/4"   | STRAP        |
| G     | 2   | 362T200-68  | 1'-0 3/8"    | BLOCK        |
| H     | 2   | 362T200-68  | 10 1/2"      | BLOCK        |

SHEATHING

| LABEL | QTY | CODE         | THICK | SIZE                       | SCREWS |
|-------|-----|--------------|-------|----------------------------|--------|
| 1     | 1   | SB-DENSARMOR | 5/8"  | 3'-11 15/16" X 10'-10 7/8" | 2 - 12 |

# 11-1122

Jewish Home for the Aging

1885 Victory Blvd. Reseda, CA

FrameMax, Inc.  
13915 Danielson St  
Suite 100  
Poway, CA 92064  
www.frame-max.com



© FrameMax Inc.

CREATED: 09/11/2008

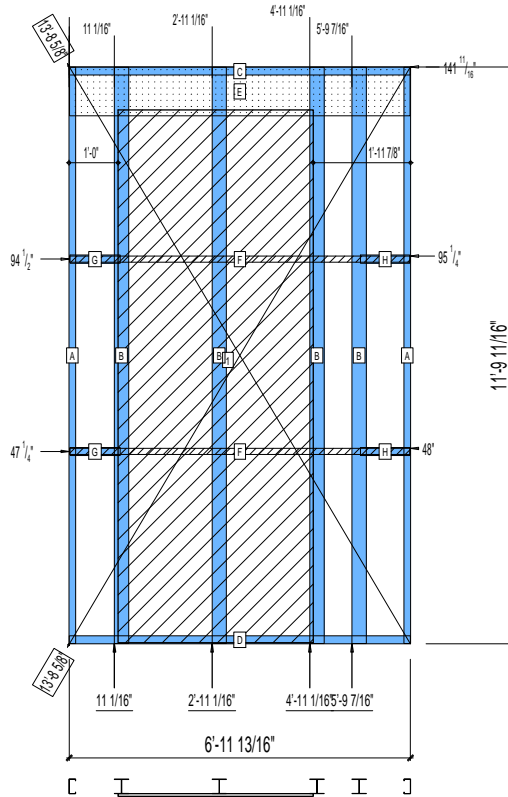
FM-07-109

CREATED BY: AMB

HEIGHT : 11'-9 11/16"  
SPACING : 24"  
1st STUD: 24"

WEIGHTS :  
FRAME : 349 lbs  
SHEATHING: 160 lbs

TOTAL: 509 lbs



PIECES LIST

| LABEL | QTY | SIZE        | LENGTH       | USE          |
|-------|-----|-------------|--------------|--------------|
| A     | 2   | 362S162-54  | 11'-9 1/2"   | STUD         |
| B     | 4   | 363i350p554 | 11'-9 1/2"   | PACO. COLUMN |
| C     | 1   | 362T200-68  | 6'-11 13/16" | TOP TRACK    |
| D     | 1   | 362T200-68  | 6'-11 13/16" | BOTTOM TRACK |
| E     | 1   | 1200D-54    | 6'-11 5/8"   | STRAP        |
| F     | 2   | 150D-43     | 6'-11 5/8"   | STRAP        |
| G     | 2   | 362T200-68  | 1'-0 5/16"   | BLOCK        |
| H     | 2   | 362T200-68  | 1'-0 1/16"   | BLOCK        |

SHEATHING

| LABEL | QTY | CODE         | THICK | SIZE                       | SCREWS |
|-------|-----|--------------|-------|----------------------------|--------|
| 1     | 1   | SB-DENSARMOR | 5/8"  | 3'-11 15/16" X 10'-10 7/8" | 2 - 12 |

# 11-1123

Jewish Home for the Aging

1885 Victory Blvd. Reseda, CA

FM-07-109

CREATED BY: AMB

FrameMax, Inc.  
13915 Danielson St  
Suite 100  
Poway, CA 92064  
www.frame-max.com

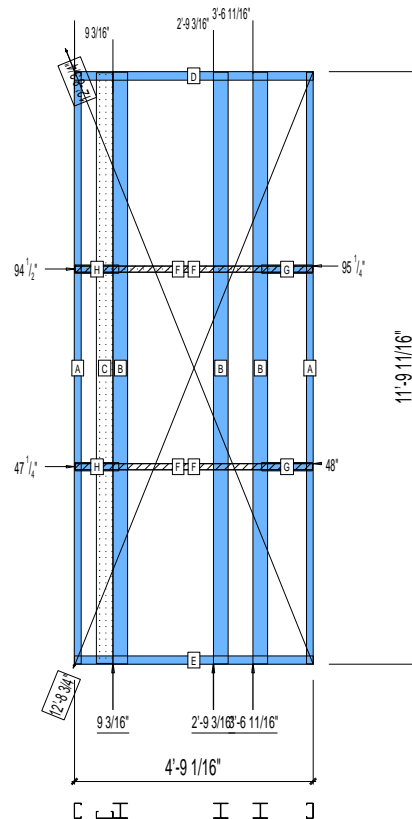


© FrameMax Inc.

HEIGHT : 11'-9 11/16"  
SPACING : 24"  
1st STUD: 24"

WEIGHTS :  
FRAME : 270 lbs

-----  
TOTAL: 270 lbs



| PIECES LIST |     |             |                         |
|-------------|-----|-------------|-------------------------|
| LABEL       | QTY | SIZE        | LENGTH USE              |
| A           | 2   | 362S162-54  | 11'-9 1/2" STUD         |
| B           | 3   | 363i350p554 | 11'-9 1/2" PACO.COLUMN  |
| C           | 1   | 400S162-33  | 11'-9 1/4" BACKER-U     |
| D           | 1   | 362T200-68  | 4'-9 1/16" TOP TRACK    |
| E           | 1   | 362T200-68  | 4'-9 1/16" BOTTOM TRACK |
| F           | 4   | 150D-43     | 4'-8 7/8" STRAP         |
| G           | 2   | 362T200-68  | 1'-0 1/16" BLOCK        |
| H           | 2   | 362T200-68  | 10 7/16" BLOCK          |

# 11-1124

Jewish Home for the Aging

1885 Victory Blvd. Reseda, CA

FM-07-109

CREATED BY: AMB

FrameMax, Inc.  
13915 Danielson St  
Suite 100  
Poway, CA 92064  
www.frame-max.com

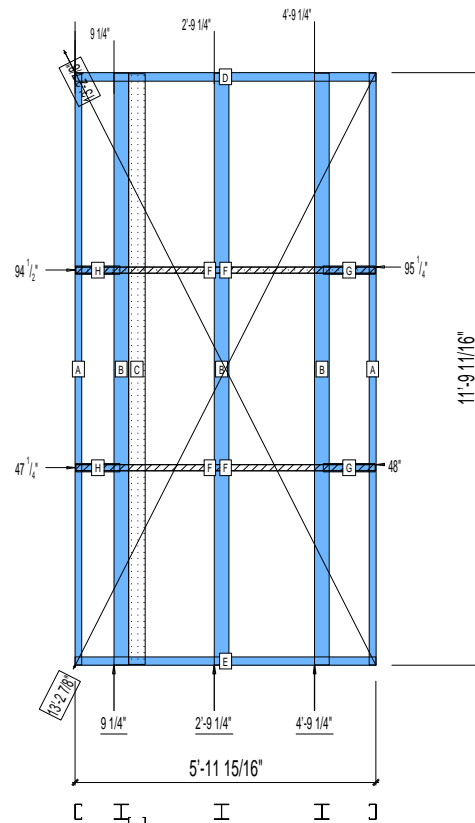


© FrameMax Inc.

HEIGHT : 11'-9 11/16"  
SPACING : 24"  
1st STUD: 24"

WEIGHTS :  
FRAME : 276 lbs

-----  
TOTAL: 276 lbs



## PIECES LIST

| LABEL | QTY | SIZE        | LENGTH       | USE          |
|-------|-----|-------------|--------------|--------------|
| A     | 2   | 362S162-54  | 11'-9 1/2"   | STUD         |
| B     | 3   | 363i350p554 | 11'-9 1/2"   | PACO.COLUMN  |
| C     | 1   | 400S162-33  | 11'-9 1/4"   | BACKER-U     |
| D     | 1   | 362T200-68  | 5'-11 15/16" | TOP TRACK    |
| E     | 1   | 362T200-68  | 5'-11 15/16" | BOTTOM TRACK |
| F     | 4   | 150D-43     | 5'-11 3/4"   | STRAP        |
| G     | 2   | 362T200-68  | 1'-0 3/8"    | BLOCK        |
| H     | 2   | 362T200-68  | 10 1/2"      | BLOCK        |

# 11-1125

Jewish Home for the Aging

1885 Victory Blvd. Reseda, CA

FM-07-109

CREATED BY: AMB

FrameMax, Inc.  
13915 Danielson St  
Suite 100  
Poway, CA 92064  
www.frame-max.com



© FrameMax Inc.

HEIGHT : 11'-9 11/16" POINTS: 2.08 Points.

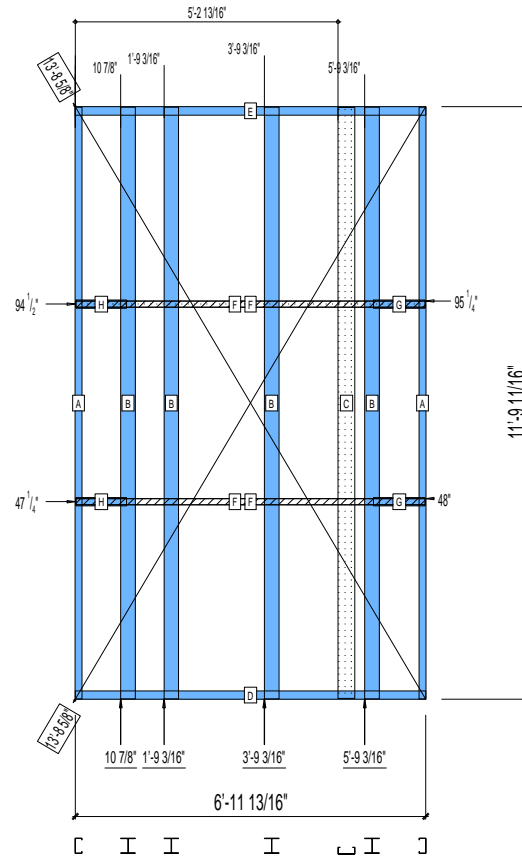
SPACING : 24"

1st STUD: 24"

WEIGHTS :

FRAME : 346 lbs

TOTAL: 346 lbs



PIECES LIST

| LABEL | QTY | SIZE        | LENGTH       | USE          |
|-------|-----|-------------|--------------|--------------|
| A     | 2   | 362S162-54  | 11'-9 1/2"   | STUD         |
| B     | 4   | 363i350p554 | 11'-9 1/2"   | PACO.COLUMN  |
| C     | 1   | 400S162-33  | 11'-9 5/16"  | BACKER-U     |
| D     | 1   | 362T200-68  | 6'-11 13/16" | BOTTOM TRACK |
| E     | 1   | 362T200-68  | 6'-11 13/16" | TOP TRACK    |
| F     | 4   | 150D-43     | 6'-11 5/8"   | STRAP        |
| G     | 2   | 362T200-68  | 1'-0 5/16"   | BLOCK        |
| H     | 2   | 362T200-68  | 1'-0 1/16"   | BLOCK        |

# 11-1126

Jewish Home for the Aging

1885 Victory Blvd. Reseda, CA

FM-07-109

CREATED BY: AMB

FrameMax, Inc.  
13915 Danielson St  
Suite 100  
Poway, CA 92064  
www.framemax.com



© FrameMax Inc.

HEIGHT : 11'-9 11/16" POINTS: 2.23 Points.

SPACING : 24"

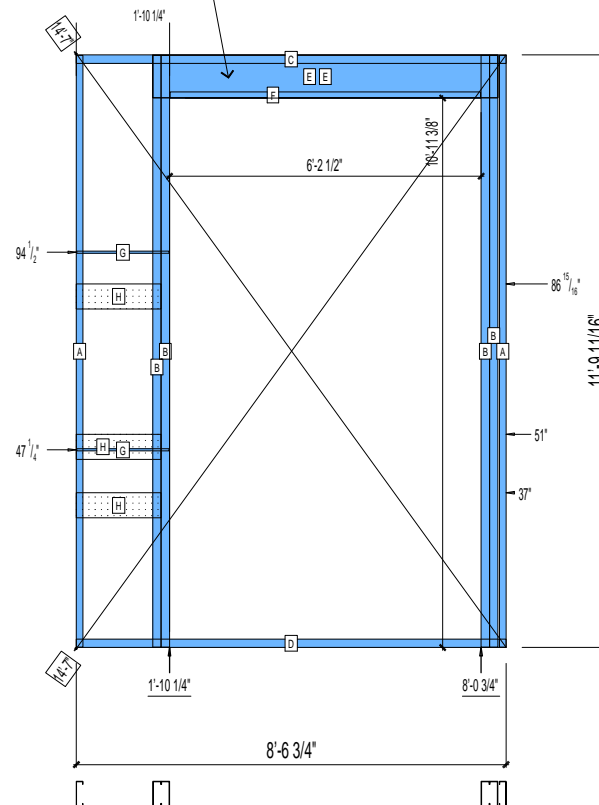
1st STUD: 24"

WEIGHTS :

FRAME : 376 lbs

TOTAL: 376 lbs

10 SCREWS  
INTO EACH KING STUD



PIECES LIST

| LABEL | QTY | SIZE        | LENGTH      | USE                |
|-------|-----|-------------|-------------|--------------------|
| A     | 2   | 600S162-97  | 11'-9 1/2"  | STUD               |
| B     | 4   | 600S200-97  | 11'-9 1/2"  | KING STUD          |
| C     | 1   | 600T200-68  | 8'-6 3/4"   | TOP TRACK          |
| D     | 1   | 600T200-68  | 8'-6 3/4"   | BOTTOM TRACK       |
| E     | 2   | 1000T200-97 | 6'-10 1/2"  | HEADER             |
| F     | 1   | 600T150-54  | 6'-2 1/4"   | HEAD TRACK         |
| G     | 2   | 150U50-54   | 1'-10 1/16" | HORIZONTAL BRACING |
| H     | 3   | 600D-54     | 1'-8 5/16"  | KITCHEN BACKING    |

# 11-1127

Jewish Home for the Aging

1885 Victory Blvd. Reseda, CA

FM-07-109

CREATED BY: AMB

FrameMax, Inc.  
13915 Danielson St  
Suite 100  
Poway, CA 92064  
www.frame-max.com



© FrameMax Inc.

HEIGHT : 11'-9 11/16" POINTS: 1.71 Points.

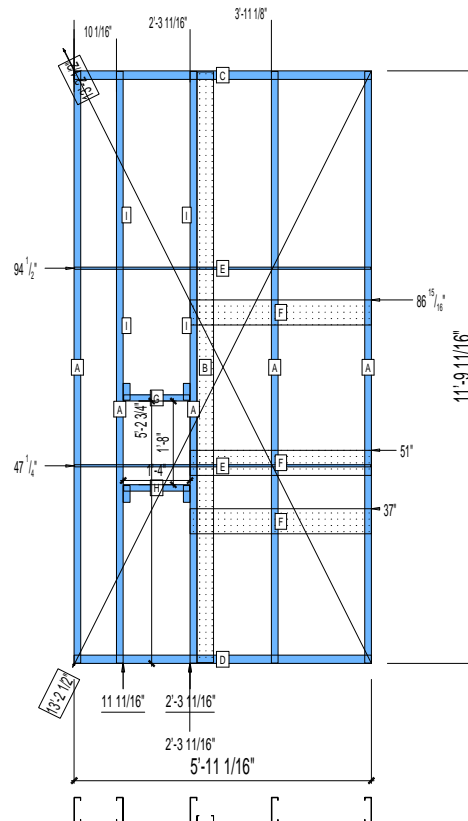
SPACING : 24"

1st STUD: 24"

WEIGHTS :

FRAME : 260 lbs

TOTAL: 260 lbs



PIECES LIST

| LABEL | QTY | SIZE       | LENGTH      | USE                |
|-------|-----|------------|-------------|--------------------|
| A     | 5   | 600S162-97 | 11'-9 1/2"  | STUD               |
| B     | 1   | 400S162-33 | 11'-9 1/4"  | BACKER-U           |
| C     | 1   | 600T200-68 | 5'-11 1/16" | TOP TRACK          |
| D     | 1   | 600T200-68 | 5'-11 1/16" | BOTTOM TRACK       |
| E     | 2   | 150U50-54  | 5'-10 7/8"  | HORIZONTAL BRACING |
| F     | 3   | 600D-54    | 3'-7 3/8"   | KITCHEN BACKING    |
| G     | 1   | 600T150-54 | 1'-3 3/4"   | HEAD TRACK         |
| H     | 1   | 600T150-54 | 1'-3 3/4"   | SILL               |
| I     | 4   | 600S162-54 | 4"          | CRIPPLE            |

# 11-1128

Jewish Home for the Aging

1885 Victory Blvd. Reseda, CA

FM-07-109

CREATED BY: AMB

FrameMax, Inc.  
13915 Danielson St  
Suite 100  
Poway, CA 92064  
www.frame-max.com



© FrameMax Inc.

HEIGHT : 14'-3 15/16" POINTS: 4.33 Points.

SPACING : 24"

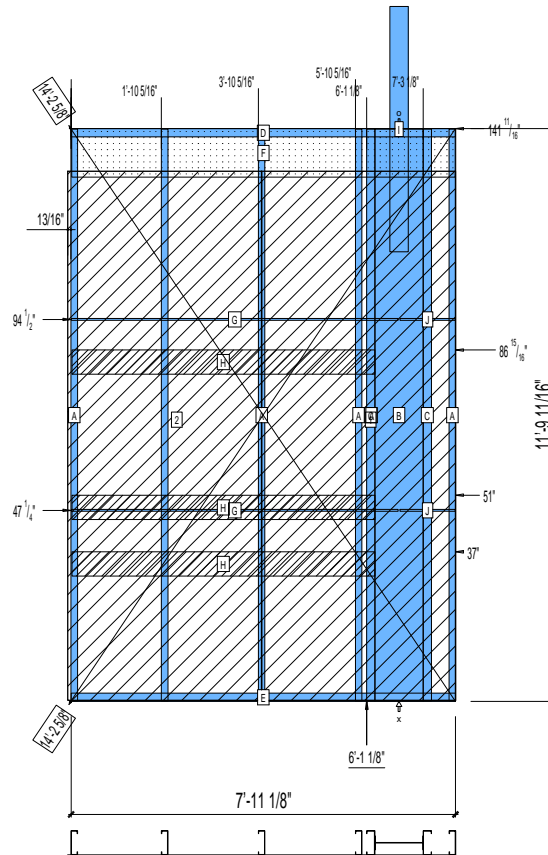
1st STUD: 24"

WEIGHTS :

FRAME : 507 lbs

SHEATHING: 321 lbs

TOTAL: 828 lbs



PIECES LIST

| LABEL | QTY | SIZE          | LENGTH      | USE                |
|-------|-----|---------------|-------------|--------------------|
| A     | 5   | 600S162-97    | 11'-9 1/2"  | STUD               |
| B     | 1   | 1200i350p1062 | 11'-9 1/2"  | PACO               |
| C     | 2   | 600S200-68    | 11'-9 1/2"  | STUD               |
| D     | 1   | 600T200-68    | 7'-11 1/8"  | TOP TRACK          |
| E     | 1   | 600T200-68    | 7'-11 1/8"  | BOTTOM TRACK       |
| F     | 1   | 1200D-54      | 7'-10 7/8"  | STRAP              |
| G     | 2   | 150U50-54     | 6'-8 13/16" | HORIZONTAL BRACING |
| H     | 3   | 600D-54       | 6'-2 15/16" | KITCHEN BACKING    |
| I     | 1   | D             | 5'-0 3/4"   | HOLDDOWN           |
| J     | 2   | 150U50-54     | 1'-1 5/8"   | HORIZONTAL BRACING |

SHEATHING

| LABEL | QTY | CODE         | THICK | SIZE                | SCREWS |
|-------|-----|--------------|-------|---------------------|--------|
| 1     | 1   | SB-DENSARMOR | 5/8"  | 4'-0" X 10'-10 7/8" | 2 - 12 |
| 2     | 1   | SB-DENSARMOR | 5/8"  | 4'-0" X 10'-10 7/8" | 2 - 12 |

# 11-1129

Jewish Home for the Aging

1885 Victory Blvd. Reseda, CA

FM-07-109

CREATED BY: AMB

FrameMax, Inc.  
13915 Danielson St  
Suite 100  
Poway, CA 92064  
www.frame-max.com



© FrameMax Inc.

HEIGHT : 11'-9 11/16" POINTS: 3.51 Points.

SPACING : 24"

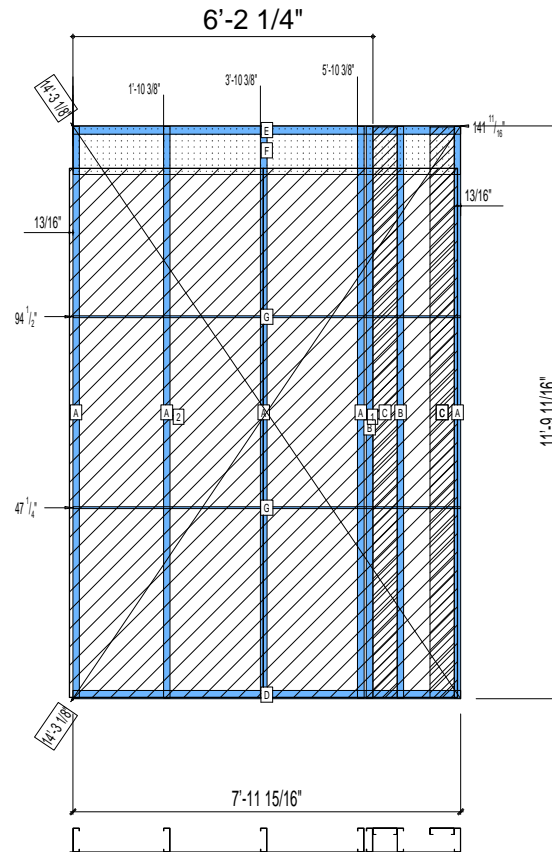
1st STUD: 24"

WEIGHTS :

FRAME : 349 lbs

SHEATHING: 321 lbs

-----  
TOTAL: 670 lbs



PIECES LIST

| LABEL | QTY | SIZE       | LENGTH       | USE                |
|-------|-----|------------|--------------|--------------------|
| A     | 5   | 600S162-97 | 11'-9 1/2"   | STUD               |
| B     | 2   | 600S162-54 | 11'-9 1/2"   | BACKER STUD        |
| C     | 2   | 600S162-54 | 11'-9 1/4"   | BACKER-U           |
| D     | 1   | 600T200-68 | 7'-11 15/16" | BOTTOM TRACK       |
| E     | 1   | 600T200-68 | 7'-11 15/16" | TOP TRACK          |
| F     | 1   | 1200D-54   | 7'-11 3/4"   | STRAP              |
| G     | 2   | 150U50-54  | 7'-11 3/4"   | HORIZONTAL BRACING |

SHEATHING

| LABEL | QTY | CODE         | THICK | SIZE                | SCREWS |
|-------|-----|--------------|-------|---------------------|--------|
| 1     | 1   | SB-DENSARMOR | 5/8"  | 4'-0" X 10'-10 7/8" | 2 - 12 |
| 2     | 1   | SB-DENSARMOR | 5/8"  | 4'-0" X 10'-10 7/8" | 2 - 12 |

# 11-1130

Jewish Home for the Aging

1885 Victory Blvd. Reseda, CA

FM-07-109

CREATED BY: AMB

FrameMax, Inc.  
13915 Danielson St  
Suite 100  
Poway, CA 92064  
www.frame-max.com



© FrameMax Inc.

HEIGHT : 11'-9 11/16" POINTS: 3.21 Points.

SPACING : 24"

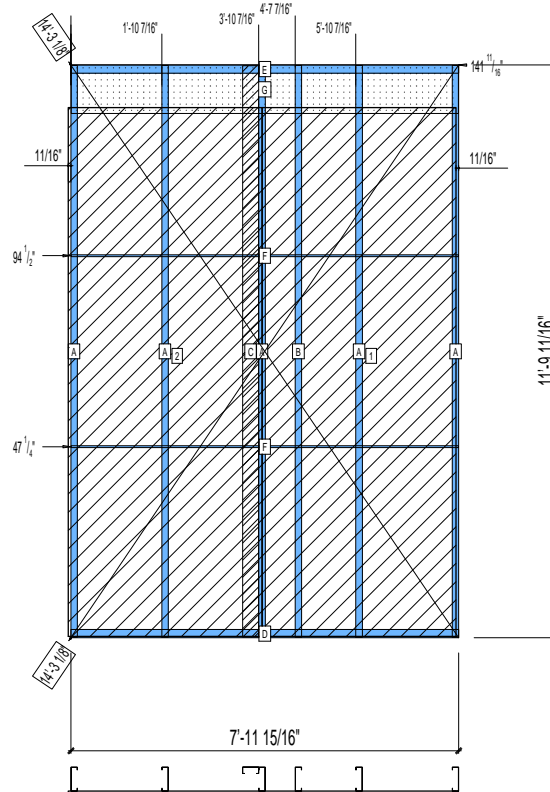
1st STUD: 24"

WEIGHTS :

FRAME : 293 lbs

SHEATHING: 321 lbs

TOTAL: 614 lbs



PIECES LIST

| LABEL | QTY | SIZE       | LENGTH       | USE                |
|-------|-----|------------|--------------|--------------------|
| A     | 5   | 600S162-97 | 11'-9 1/2"   | STUD               |
| B     | 1   | 600S162-54 | 11'-9 1/2"   | STUD               |
| C     | 1   | 400S162-33 | 11'-9 5/16"  | BACKER-U           |
| D     | 1   | 600T200-68 | 7'-11 15/16" | BOTTOM TRACK       |
| E     | 1   | 600T200-68 | 7'-11 15/16" | TOP TRACK          |
| F     | 2   | 150U50-54  | 7'-11 3/4"   | HORIZONTAL BRACING |
| G     | 1   | 1200D-54   | 7'-11 3/4"   | STRAP              |

SHEATHING

| LABEL | QTY | CODE         | THICK | SIZE                | SCREWS |
|-------|-----|--------------|-------|---------------------|--------|
| 1     | 1   | SB-DENSARMOR | 5/8"  | 4'-0" X 10'-10 7/8" | 2 - 12 |
| 2     | 1   | SB-DENSARMOR | 5/8"  | 4'-0" X 10'-10 7/8" | 2 - 12 |

# 11-1131

Jewish Home for the Aging

1885 Victory Blvd. Reseda, CA

FM-07-109

CREATED BY: AMB

FrameMax, Inc.  
13915 Danielson St  
Suite 100  
Poway, CA 92064  
www.frame-max.com



© FrameMax Inc.

HEIGHT : 11'-9 11/16" POINTS: 3.74 Points.

SPACING : 24"

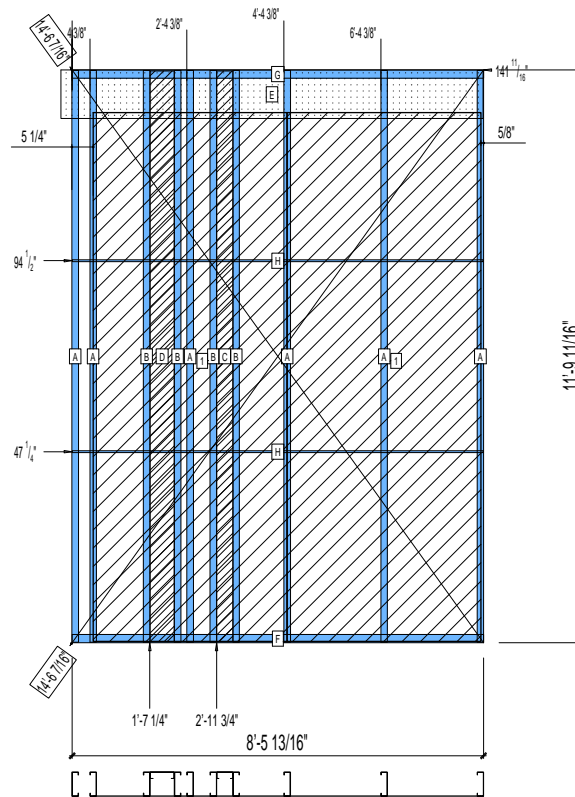
1st STUD: 24"

WEIGHTS :

FRAME : 383 lbs

SHEATHING: 321 lbs

TOTAL: 704 lbs



PIECES LIST

| LABEL | QTY | SIZE       | LENGTH      | USE                |
|-------|-----|------------|-------------|--------------------|
| A     | 6   | 600S162-97 | 11'-9 1/2"  | STUD               |
| B     | 4   | 600S162-33 | 11'-9 1/2"  | BACKER STUD        |
| C     | 1   | 400S162-33 | 11'-9 1/4"  | BACKER-U           |
| D     | 1   | 600S162-33 | 11'-9 1/4"  | BACKER-U           |
| E     | 1   | 1200D-54   | 8'-8 1/2"   | STRAP              |
| F     | 1   | 600T200-68 | 8'-5 13/16" | BOTTOM TRACK       |
| G     | 1   | 600T200-68 | 8'-5 13/16" | TOP TRACK          |
| H     | 2   | 150U50-54  | 8'-5 5/8"   | HORIZONTAL BRACING |

SHEATHING

| LABEL | QTY | CODE         | THICK | SIZE                | SCREWS |
|-------|-----|--------------|-------|---------------------|--------|
| 1     | 2   | SB-DENSARMOR | 5/8"  | 4'-0" X 10'-10 7/8" | 2 - 12 |

# 11-1132

Jewish Home for the Aging

1885 Victory Blvd. Reseda, CA

FrameMax, Inc.  
13915 Danielson St  
Suite 100  
Poway, CA 92064  
www.framemax.com



© FrameMax Inc.

CREATED: 10/04/2008

FM-07-109

CREATED BY: AMB

HEIGHT : 11'-9 11/16" POINTS: 2.33 Points.

SPACING : 24"

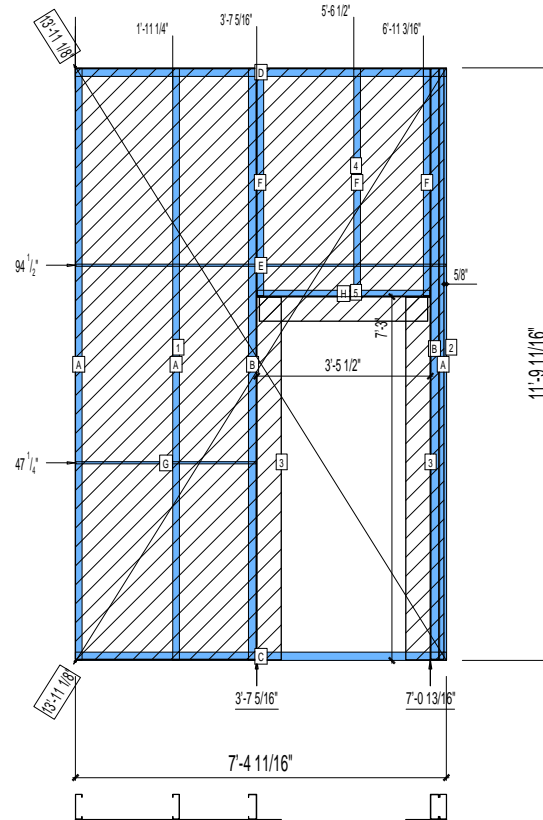
1st STUD: 24"

WEIGHTS :

FRAME : 242 lbs

SHEATHING: 176 lbs

-----  
TOTAL: 418 lbs



PIECES LIST

| LABEL | QTY | SIZE       | LENGTH      | USE                |
|-------|-----|------------|-------------|--------------------|
| A     | 3   | 600S162-68 | 11'-9 1/2"  | STUD               |
| B     | 2   | 600S200-97 | 11'-9 1/2"  | KING STUD          |
| C     | 1   | 600T200-68 | 7'-4 11/16" | BOTTOM TRACK       |
| D     | 1   | 600T200-68 | 7'-4 11/16" | TOP TRACK          |
| E     | 1   | 150U50-54  | 7'-4 1/2"   | HORIZONTAL BRACING |
| F     | 3   | 600S162-54 | 4'-6 1/4"   | CRIPPLE            |
| G     | 1   | 150U50-54  | 3'-7 1/8"   | HORIZONTAL BRACING |
| H     | 1   | 600T150-54 | 3'-5 1/4"   | HEAD TRACK         |

SHEATHING

| LABEL | QTY | CODE      | THICK | SIZE                   | SCREWS |
|-------|-----|-----------|-------|------------------------|--------|
| 1     | 1   | DENSGLASS | 1/2"  | 3'-7 1/4" X 11'-9 1/4" | 8 - 12 |
| 2     | 1   | DENSGLASS | 1/2"  | 3 3/4" X 11'-9 1/4"    | 8 - 12 |
| 3     | 2   | DENSGLASS | 1/2"  | 5 7/8" X 7'-2 3/4"     | 8 - 12 |
| 4     | 1   | DENSGLASS | 1/2"  | 3'-5 1/2" X 4'-6 7/16" | 8 - 12 |
| 5     | 1   | DENSGLASS | 1/2"  | 3'-4 1/4" X 5 7/8"     | 8 - 12 |

# 11-1133

Jewish Home for the Aging

1885 Victory Blvd. Reseda, CA

FM-07-109

CREATED BY: AMB

FrameMax, Inc.  
13915 Danielson St  
Suite 100  
Poway, CA 92064  
www.frame-max.com



© FrameMax Inc.

HEIGHT : 11'-9 11/16" POINTS: 2.26 Points.

SPACING : 24"

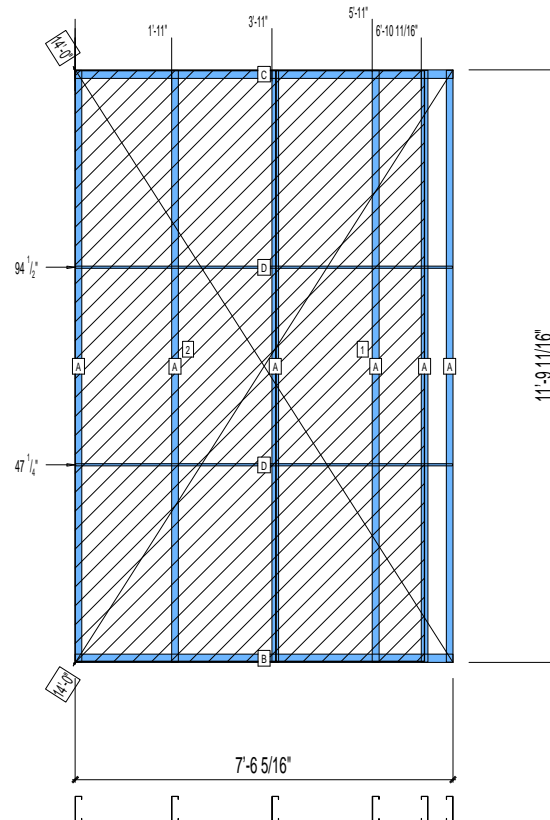
1st STUD: 16"

WEIGHTS :

FRAME : 211 lbs

SHEATHING: 205 lbs

-----  
TOTAL: 416 lbs



PIECES LIST

| LABEL | QTY | SIZE       | LENGTH     | USE                |
|-------|-----|------------|------------|--------------------|
| A     | 6   | 600S162-68 | 11'-9 1/2" | STUD               |
| B     | 1   | 600T200-68 | 7'-6 5/16" | BOTTOM TRACK       |
| C     | 1   | 600T200-68 | 7'-6 5/16" | TOP TRACK          |
| D     | 2   | 150U50-54  | 7'-6 1/8"  | HORIZONTAL BRACING |

SHEATHING

| LABEL | QTY | CODE      | THICK | SIZE                     | SCREWS |
|-------|-----|-----------|-------|--------------------------|--------|
| 1     | 1   | DENSGLASS | 1/2"  | 2'-11 9/16" X 11'-9 1/4" | 8 - 12 |
| 2     | 1   | DENSGLASS | 1/2"  | 4'-0" X 11'-9 1/4"       | 8 - 12 |

# 11-1134

Jewish Home for the Aging

1885 Victory Blvd. Reseda, CA

FrameMax, Inc.  
13915 Danielson St  
Suite 100  
Poway, CA 92064  
www.framemax.com



© FrameMax Inc.

CREATED: 10/04/2008

FM-07-109

CREATED BY: AMB

HEIGHT : 11'-9 11/16" POINTS: 2.98 Points.

SPACING : 24"

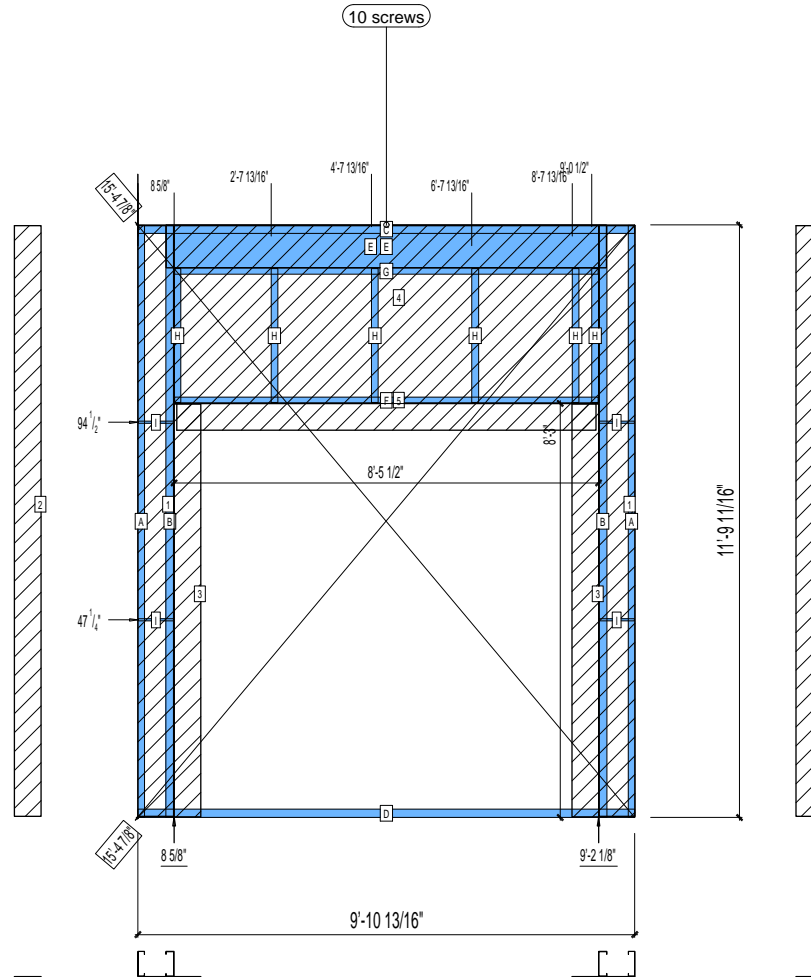
1st STUD: 24"

WEIGHTS :

FRAME : 336 lbs

SHEATHING: 181 lbs

TOTAL: 517 lbs



PIECES LIST

| LABEL | QTY | SIZE        | LENGTH       | USE                 |
|-------|-----|-------------|--------------|---------------------|
| A     | 2   | 600S162-68  | 11'-9 1/2"   | STUD                |
| B     | 2   | 600S200-97  | 11'-9 1/2"   | KING STUD           |
| C     | 1   | 600T200-68  | 9'-10 13/16" | TOP TRACK           |
| D     | 1   | 600T200-68  | 9'-10 13/16" | BOTTOM TRACK        |
| E     | 2   | 1000T200-97 | 8'-9 1/4"    | HEADER              |
| F     | 1   | 600T150-54  | 8'-5 1/4"    | HEAD TRACK          |
| G     | 1   | 600T150-54  | 8'-5 1/4"    | HEADER BOTTOM TRACK |
| H     | 6   | 600S162-54  | 2'-8"        | CRIPPLE             |
| I     | 4   | 150U50-54   | 8 7/16"      | HORIZONTAL BRACING  |

SHEATHING

| LABEL | QTY | CODE      | THICK | SIZE                   | SCREWS |
|-------|-----|-----------|-------|------------------------|--------|
| 1     | 2   | DENSGLASS | 1/2"  | 8 9/16" X 11'-9 1/4"   | 8 - 12 |
| 2     | 2   | DENSGLASS | 1/2"  | 6 3/8" X 11'-9 1/4"    | 8 - 12 |
| 3     | 2   | DENSGLASS | 1/2"  | 6 3/8" X 8'-2 3/4"     | 8 - 12 |
| 4     | 1   | DENSGLASS | 1/2"  | 8'-5 1/2" X 3'-6 7/16" | 8 - 12 |
| 5     | 1   | DENSGLASS | 1/2"  | 8'-4 1/4" X 6 3/8"     | 8 - 12 |

# 11-1135

Jewish Home for the Aging

1885 Victory Blvd. Reseda, CA

FrameMax, Inc.  
13915 Danielson St  
Suite 100  
Poway, CA 92064  
www.frame-max.com



© FrameMax Inc.

CREATED: 09/11/2008

FM-07-109

CREATED BY: AMB

HEIGHT : 11'-9 11/16" POINTS: 1.81 Points.

SPACING : 24"

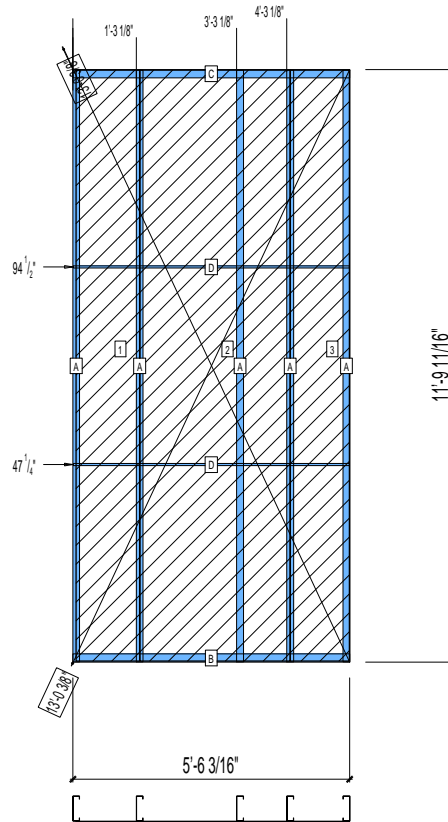
1st STUD: 16"

WEIGHTS :

FRAME : 171 lbs

SHEATHING: 160 lbs

-----  
TOTAL: 331 lbs



PIECES LIST

| LABEL | QTY | SIZE       | LENGTH     | USE                |
|-------|-----|------------|------------|--------------------|
| A     | 5   | 600S162-68 | 11'-9 1/2" | STUD               |
| B     | 1   | 600T200-68 | 5'-6 3/16" | BOTTOM TRACK       |
| C     | 1   | 600T200-68 | 5'-6 3/16" | TOP TRACK          |
| D     | 2   | 150U50-54  | 5'-6"      | HORIZONTAL BRACING |

SHEATHING

| LABEL | QTY | CODE      | THICK | SIZE                    | SCREWS |
|-------|-----|-----------|-------|-------------------------|--------|
| 1     | 1   | DENSGLASS | 1/2"  | 1'-3 3/16" X 11'-9 1/4" | 8 - 12 |
| 2     | 1   | DENSGLASS | 1/2"  | 3'-0" X 11'-9 1/4"      | 8 - 12 |
| 3     | 1   | DENSGLASS | 1/2"  | 1'-2 1/8" X 11'-9 1/4"  | 8 - 12 |

# 11-1136

Jewish Home for the Aging

1885 Victory Blvd. Reseda, CA

FM-07-109

CREATED BY: AMB

FrameMax, Inc.  
13915 Danielson St  
Suite 100  
Poway, CA 92064  
www.frame-max.com

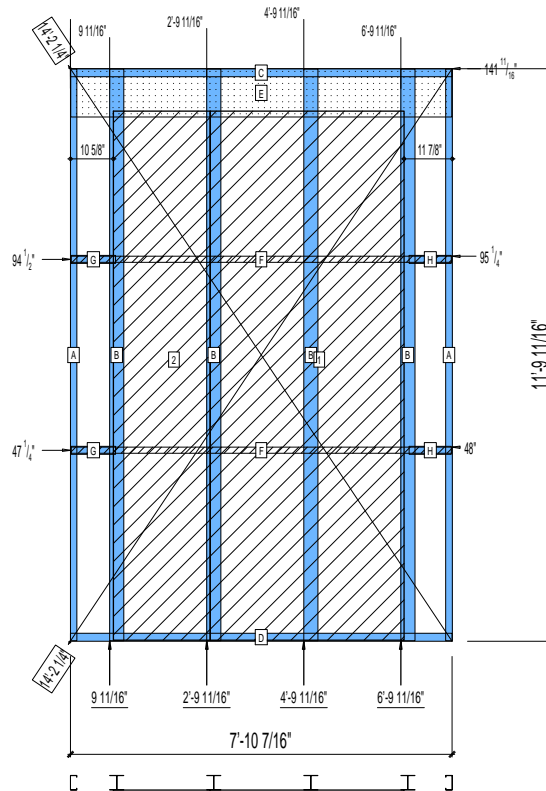


© FrameMax Inc.

HEIGHT : 11'-9 11/16"  
SPACING : 24"  
1st STUD: 24"

WEIGHTS :  
FRAME : 354 lbs  
SHEATHING: 241 lbs

TOTAL: 595 lbs



PIECES LIST

| LABEL | QTY | SIZE        | LENGTH      | USE          |
|-------|-----|-------------|-------------|--------------|
| A     | 2   | 362S162-54  | 11'-9 1/2"  | STUD         |
| B     | 4   | 363i350p554 | 11'-9 1/2"  | PACO. COLUMN |
| C     | 1   | 362T200-68  | 7'-10 7/16" | TOP TRACK    |
| D     | 1   | 362T200-68  | 7'-10 7/16" | BOTTOM TRACK |
| E     | 1   | 1200D-54    | 7'-10 1/4"  | STRAP        |
| F     | 2   | 150D-43     | 7'-10 1/4"  | STRAP        |
| G     | 2   | 362T200-68  | 10 15/16"   | BLOCK        |
| H     | 2   | 362T200-68  | 10 7/16"    | BLOCK        |

SHEATHING

| LABEL | QTY | CODE         | THICK | SIZE                | SCREWS |
|-------|-----|--------------|-------|---------------------|--------|
| 1     | 1   | SB-DENSARMOR | 5/8"  | 4'-0" X 10'-10 7/8" | 2 - 12 |
| 2     | 1   | SB-DENSARMOR | 5/8"  | 2'-0" X 10'-10 7/8" | 2 - 12 |

# 11-1137

Jewish Home for the Aging

1885 Victory Blvd. Reseda, CA

FM-07-109

CREATED BY: AMB

FrameMax, Inc.  
13915 Danielson St  
Suite 100  
Poway, CA 92064  
www.frame-max.com



© FrameMax Inc.

HEIGHT : 11'-9 11/16"

SPACING : 24"

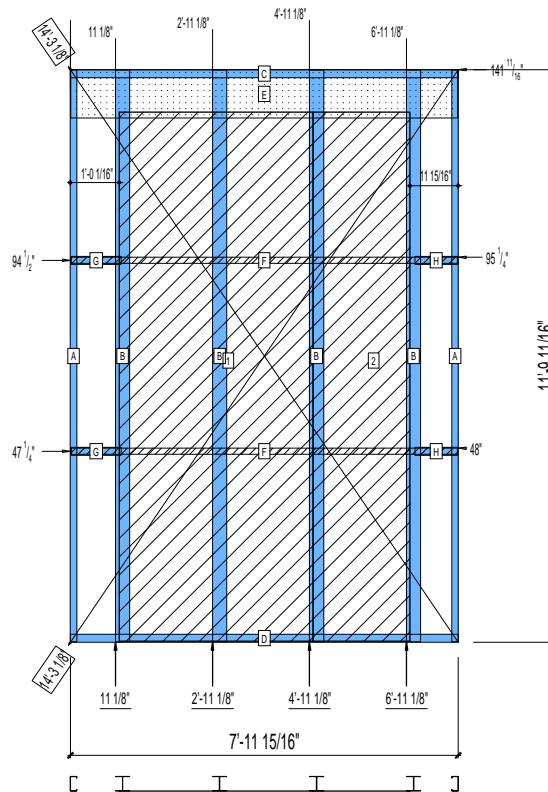
1st STUD: 24"

WEIGHTS :

FRAME : 355 lbs

SHEATHING: 241 lbs

TOTAL: 596 lbs



PIECES LIST

| LABEL | QTY | SIZE        | LENGTH       | USE          |
|-------|-----|-------------|--------------|--------------|
| A     | 2   | 362S162-54  | 11'-9 1/2"   | STUD         |
| B     | 4   | 363I350p554 | 11'-9 1/2"   | PACO. COLUMN |
| C     | 1   | 362T200-68  | 7'-11 15/16" | TOP TRACK    |
| D     | 1   | 362T200-68  | 7'-11 15/16" | BOTTOM TRACK |
| E     | 1   | 1200D-54    | 7'-11 3/4"   | STRAP        |
| F     | 2   | 150D-43     | 7'-11 3/4"   | STRAP        |
| G     | 2   | 362T200-68  | 1'-0 3/8"    | BLOCK        |
| H     | 2   | 362T200-68  | 10 1/2"      | BLOCK        |

SHEATHING

| LABEL | QTY | CODE         | THICK | SIZE                | SCREWS |
|-------|-----|--------------|-------|---------------------|--------|
| 1     | 1   | SB-DENSARMOR | 5/8"  | 4'-0" X 10'-10 7/8" | 2 - 12 |
| 2     | 1   | SB-DENSARMOR | 5/8"  | 2'-0" X 10'-10 7/8" | 2 - 12 |

# 11-1138

Jewish Home for the Aging

1885 Victory Blvd. Reseda, CA

FrameMax, Inc.  
13915 Danielson St  
Suite 100  
Poway, CA 92064  
www.frame-max.com



© FrameMax Inc.

CREATED: 09/11/2008

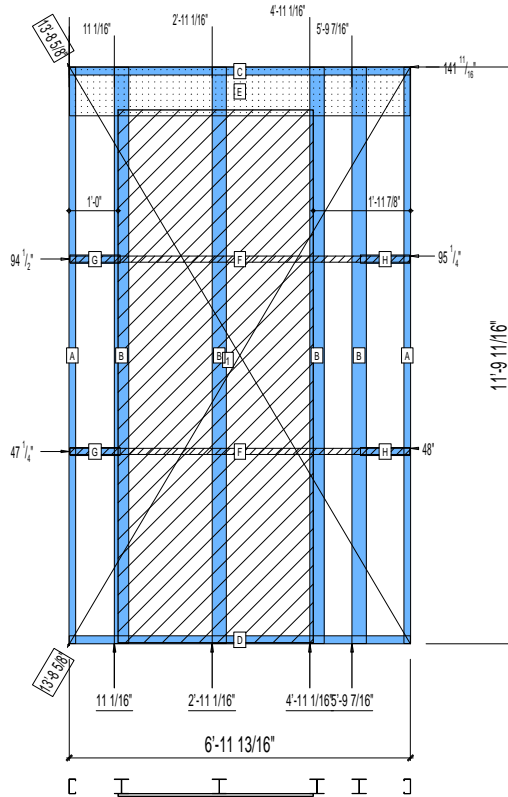
FM-07-109

CREATED BY: AMB

HEIGHT : 11'-9 11/16"  
SPACING : 24"  
1st STUD: 24"

WEIGHTS :  
FRAME : 349 lbs  
SHEATHING: 160 lbs

TOTAL: 509 lbs



PIECES LIST

| LABEL | QTY | SIZE        | LENGTH       | USE          |
|-------|-----|-------------|--------------|--------------|
| A     | 2   | 362S162-54  | 11'-9 1/2"   | STUD         |
| B     | 4   | 363i350p554 | 11'-9 1/2"   | PACO. COLUMN |
| C     | 1   | 362T200-68  | 6'-11 13/16" | TOP TRACK    |
| D     | 1   | 362T200-68  | 6'-11 13/16" | BOTTOM TRACK |
| E     | 1   | 1200D-54    | 6'-11 5/8"   | STRAP        |
| F     | 2   | 150D-43     | 6'-11 5/8"   | STRAP        |
| G     | 2   | 362T200-68  | 1'-0 5/16"   | BLOCK        |
| H     | 2   | 362T200-68  | 1'-0 1/16"   | BLOCK        |

SHEATHING

| LABEL | QTY | CODE         | THICK | SIZE                       | SCREWS |
|-------|-----|--------------|-------|----------------------------|--------|
| 1     | 1   | SB-DENSARMOR | 5/8"  | 3'-11 15/16" X 10'-10 7/8" | 2 - 12 |

# 11-1139

Jewish Home for the Aging

1885 Victory Blvd. Reseda, CA

FM-07-109

CREATED BY: AMB

FrameMax, Inc.  
13915 Danielson St  
Suite 100  
Poway, CA 92064  
www.frame-max.com

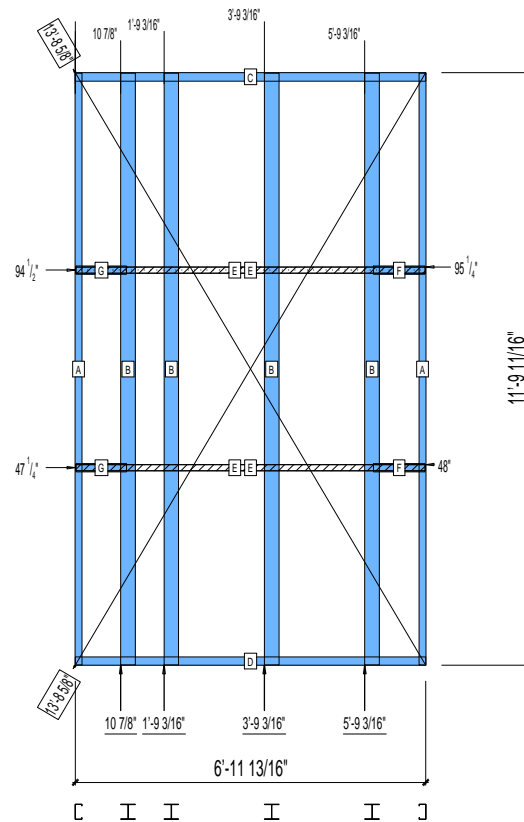


© FrameMax Inc.

HEIGHT : 11'-9 11/16"  
SPACING : 24"  
1st STUD: 24"

WEIGHTS :  
FRAME : 335 lbs

TOTAL: 335 lbs



PIECES LIST

| LABEL | QTY | SIZE        | LENGTH       | USE          |
|-------|-----|-------------|--------------|--------------|
| A     | 2   | 362S162-54  | 11'-9 1/2"   | STUD         |
| B     | 4   | 363i350p554 | 11'-9 1/2"   | PACO.COLUMN  |
| C     | 1   | 362T200-68  | 6'-11 13/16" | TOP TRACK    |
| D     | 1   | 362T200-68  | 6'-11 13/16" | BOTTOM TRACK |
| E     | 4   | 150D-43     | 6'-11 5/8"   | STRAP        |
| F     | 2   | 362T200-68  | 1'-0 5/16"   | BLOCK        |
| G     | 2   | 362T200-68  | 1'-0 1/16"   | BLOCK        |

# 11-1140

Jewish Home for the Aging

1885 Victory Blvd. Reseda, CA

FM-07-109

CREATED BY: AMB

FrameMax, Inc.  
13915 Danielson St  
Suite 100  
Poway, CA 92064  
www.frame-max.com

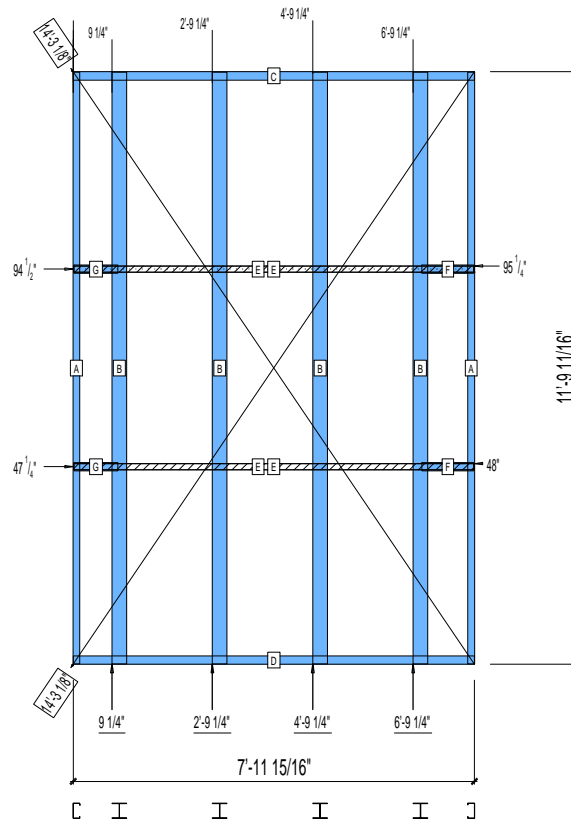


© FrameMax Inc.

HEIGHT : 11'-9 11/16"  
SPACING : 24"  
1st STUD: 24"

WEIGHTS :  
FRAME : 339 lbs

-----  
TOTAL: 339 lbs



PIECES LIST

| LABEL | QTY | SIZE        | LENGTH       | USE          |
|-------|-----|-------------|--------------|--------------|
| A     | 2   | 362S162-54  | 11'-9 1/2"   | STUD         |
| B     | 4   | 363i350p554 | 11'-9 1/2"   | PACO.COLUMN  |
| C     | 1   | 362T200-68  | 7'-11 15/16" | TOP TRACK    |
| D     | 1   | 362T200-68  | 7'-11 15/16" | BOTTOM TRACK |
| E     | 4   | 150D-43     | 7'-11 3/4"   | STRAP        |
| F     | 2   | 362T200-68  | 1'-0 3/8"    | BLOCK        |
| G     | 2   | 362T200-68  | 10 1/2"      | BLOCK        |

# 11-1141

Jewish Home for the Aging

1885 Victory Blvd. Reseda, CA

FM-07-109

CREATED BY: AMB

FrameMax, Inc.  
13915 Danielson St  
Suite 100  
Poway, CA 92064  
www.frame-max.com

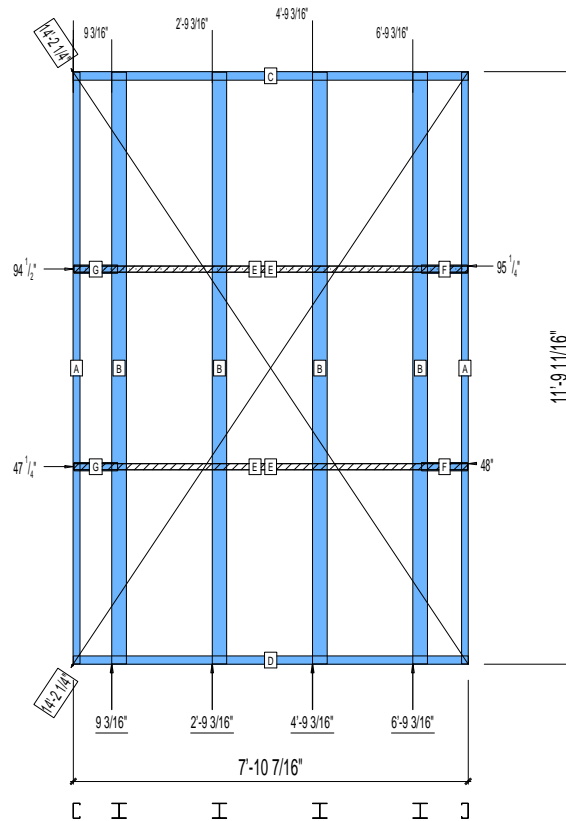


© FrameMax Inc.

HEIGHT : 11'-9 11/16"  
SPACING : 24"  
1st STUD: 24"

WEIGHTS :  
FRAME : 338 lbs

-----  
TOTAL: 338 lbs



PIECES LIST

| LABEL | QTY | SIZE        | LENGTH      | USE          |
|-------|-----|-------------|-------------|--------------|
| A     | 2   | 362S162-54  | 11'-9 1/2"  | STUD         |
| B     | 4   | 363i350p554 | 11'-9 1/2"  | PACO.COLUMN  |
| C     | 1   | 362T200-68  | 7'-10 7/16" | TOP TRACK    |
| D     | 1   | 362T200-68  | 7'-10 7/16" | BOTTOM TRACK |
| E     | 4   | 150D-43     | 7'-10 1/4"  | STRAP        |
| F     | 2   | 362T200-68  | 10 15/16"   | BLOCK        |
| G     | 2   | 362T200-68  | 10 7/16"    | BLOCK        |

# 11-1142

Jewish Home for the Aging

1885 Victory Blvd. Reseda, CA

FrameMax, Inc.  
13915 Danielson St  
Suite 100  
Poway, CA 92064  
www.frame-max.com



© FrameMax Inc.

CREATED: 09/11/2008

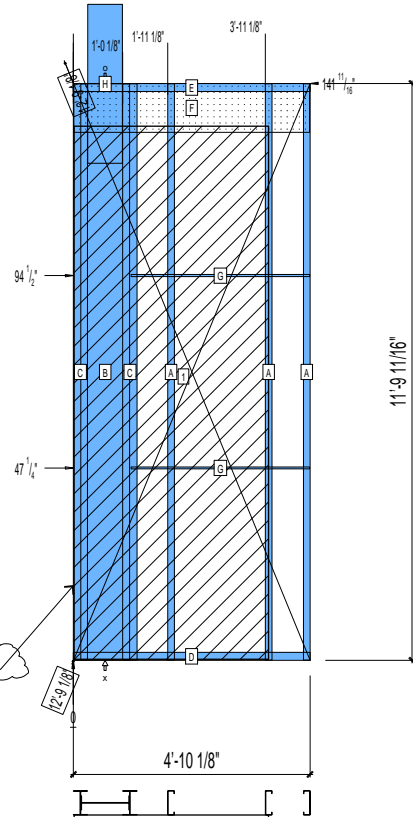
FM-07-109

CREATED BY: AMB

HEIGHT : 11'-9 11/16"  
SPACING : 24"  
1st STUD: 24"

WEIGHTS :  
FRAME : 645 lbs  
SHEATHING: 160 lbs

-----  
TOTAL: 805 lbs



PIECES LIST

| LABEL | QTY | SIZE          | LENGTH      | USE                |
|-------|-----|---------------|-------------|--------------------|
| A     | 3   | 600S162-97    | 11'-9 1/2"  | STUD               |
| B     | 1   | 1200i350p1420 | 11'-9 1/2"  | PACO               |
| C     | 2   | 600i350p968   | 11'-9 1/2"  | PACO               |
| D     | 1   | 600T200-68    | 4'-10 1/8"  | BOTTOM TRACK       |
| E     | 1   | 600T200-68    | 4'-10 1/8"  | TOP TRACK          |
| F     | 1   | 1200D-54      | 4'-9 15/16" | STRAP              |
| G     | 2   | 150U50-54     | 3'-7 13/16" | HORIZONTAL BRACING |
| H     | 1   | F             | 3'-3"       | HOLDDOWN           |

SHEATHING

| LABEL | QTY | CODE         | THICK | SIZE                     | SCREWS |
|-------|-----|--------------|-------|--------------------------|--------|
| 1     | 1   | SB-DENSARMOR | 5/8"  | 3'-11 3/4" X 10'-10 7/8" | 2 - 12 |

# 11-1143

Jewish Home for the Aging

1885 Victory Blvd. Reseda, CA

FrameMax, Inc.  
13915 Danielson St  
Suite 100  
Poway, CA 92064  
www.frame-max.com



© FrameMax Inc.

CREATED: 09/11/2008

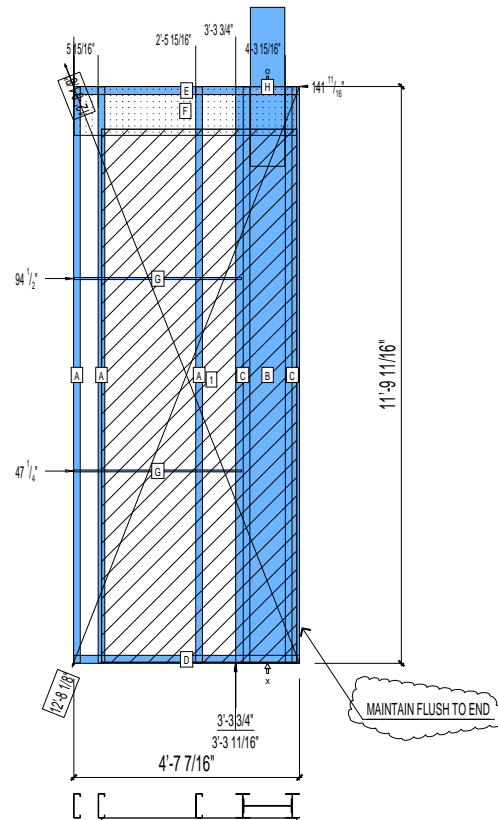
FM-07-109

CREATED BY: AMB

HEIGHT : 11'-9 11/16"  
SPACING : 24"  
1st STUD: 24"

WEIGHTS :  
FRAME : 643 lbs  
SHEATHING: 160 lbs

-----  
TOTAL: 803 lbs



PIECES LIST

| LABEL | QTY | SIZE          | LENGTH     | USE                |
|-------|-----|---------------|------------|--------------------|
| A     | 3   | 600S162-97    | 11'-9 1/2" | STUD               |
| B     | 1   | 1200i350p1420 | 11'-9 1/2" | PACO               |
| C     | 2   | 600i350p968   | 11'-9 1/2" | PACO               |
| D     | 1   | 600T200-68    | 4'-7 7/16" | BOTTOM TRACK       |
| E     | 1   | 600T200-68    | 4'-7 7/16" | TOP TRACK          |
| F     | 1   | 1200D-54      | 4'-6 9/16" | STRAP              |
| G     | 2   | 150U50-54     | 3'-5 1/16" | HORIZONTAL BRACING |
| H     | 1   | F             | 3'-3"      | HOLDDOWN           |

SHEATHING

| LABEL | QTY | CODE         | THICK | SIZE                       | SCREWS |
|-------|-----|--------------|-------|----------------------------|--------|
| 1     | 1   | SB-DENSARMOR | 5/8"  | 3'-11 15/16" X 10'-10 7/8" | 2 - 12 |

# 11-1144

Jewish Home for the Aging

1885 Victory Blvd. Reseda, CA

FrameMax, Inc.  
13915 Danielson St  
Suite 100  
Poway, CA 92064  
www.frame-max.com



© FrameMax Inc.

CREATED: 09/11/2008

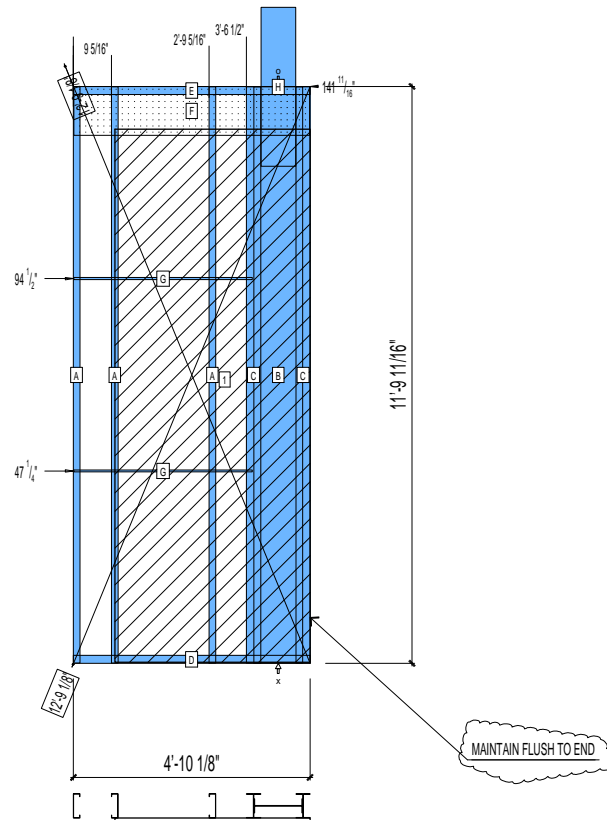
FM-07-109

CREATED BY: AMB

HEIGHT : 11'-9 11/16"  
SPACING : 24"  
1st STUD: 24"

WEIGHTS :  
FRAME : 645 lbs  
SHEATHING: 160 lbs

-----  
TOTAL: 805 lbs



PIECES LIST

| LABEL | QTY | SIZE          | LENGTH      | USE                |
|-------|-----|---------------|-------------|--------------------|
| A     | 3   | 600S162-97    | 11'-9 1/2"  | STUD               |
| B     | 1   | 1200i350p1420 | 11'-9 1/2"  | PACO               |
| C     | 2   | 600i350p968   | 11'-9 1/2"  | PACO               |
| D     | 1   | 600T200-68    | 4'-10 1/8"  | BOTTOM TRACK       |
| E     | 1   | 600T200-68    | 4'-10 1/8"  | TOP TRACK          |
| F     | 1   | 1200D-54      | 4'-9 15/16" | STRAP              |
| G     | 2   | 150U50-54     | 3'-7 13/16" | HORIZONTAL BRACING |
| H     | 1   | F             | 3'-3"       | HOLDDOWN           |

SHEATHING

| LABEL | QTY | CODE         | THICK | SIZE                       | SCREWS |
|-------|-----|--------------|-------|----------------------------|--------|
| 1     | 1   | SB-DENSARMOR | 5/8"  | 3'-11 15/16" X 10'-10 7/8" | 2 - 12 |

# 11-1145

Jewish Home for the Aging

1885 Victory Blvd. Reseda, CA

FrameMax, Inc.  
13915 Danielson St  
Suite 100  
Poway, CA 92064  
www.frame-max.com



© FrameMax Inc.

CREATED: 09/11/2008

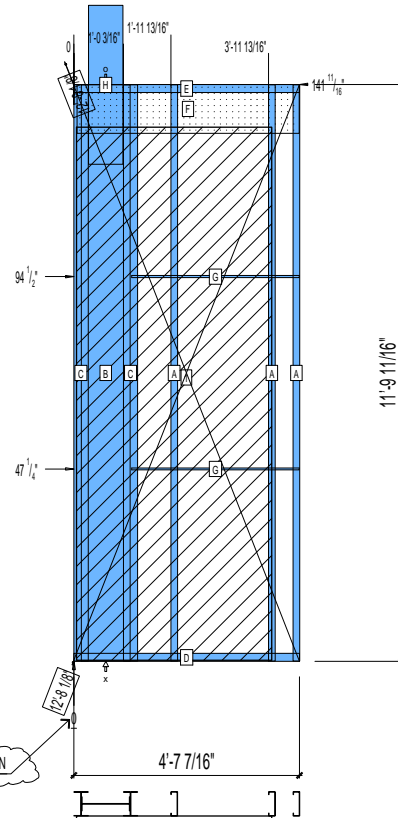
FM-07-109

CREATED BY: AMB

HEIGHT : 11'-9 11/16"  
SPACING : 24"  
1st STUD: 16"

WEIGHTS :  
FRAME : 643 lbs  
SHEATHING: 160 lbs

-----  
TOTAL: 803 lbs



HOLD THIS DIMENSION

PIECES LIST

| LABEL | QTY | SIZE          | LENGTH     | USE                |
|-------|-----|---------------|------------|--------------------|
| A     | 3   | 600S162-97    | 11'-9 1/2" | STUD               |
| B     | 1   | 1200i350p1420 | 11'-9 1/2" | PACO               |
| C     | 2   | 600i350p968   | 11'-9 1/2" | PACO               |
| D     | 1   | 600T200-68    | 4'-7 7/16" | BOTTOM TRACK       |
| E     | 1   | 600T200-68    | 4'-7 7/16" | TOP TRACK          |
| F     | 1   | 1200D-54      | 4'-6 9/16" | STRAP              |
| G     | 2   | 150U50-54     | 3'-5 1/16" | HORIZONTAL BRACING |
| H     | 1   | F             | 3'-3"      | HOLDDOWN           |

SHEATHING

| LABEL | QTY | CODE         | THICK | SIZE                       | SCREWS |
|-------|-----|--------------|-------|----------------------------|--------|
| 1     | 1   | SB-DENSARMOR | 5/8"  | 3'-11 15/16" X 10'-10 7/8" | 2 - 12 |

# 11-1146

Jewish Home for the Aging

1885 Victory Blvd. Reseda, CA

FrameMax, Inc.  
13915 Danielson St  
Suite 100  
Poway, CA 92064  
www.frame-max.com



© FrameMax Inc.

CREATED: 09/11/2008

FM-07-109

CREATED BY: AMB

HEIGHT : 11'-9 11/16" POINTS: 2.62 Points.

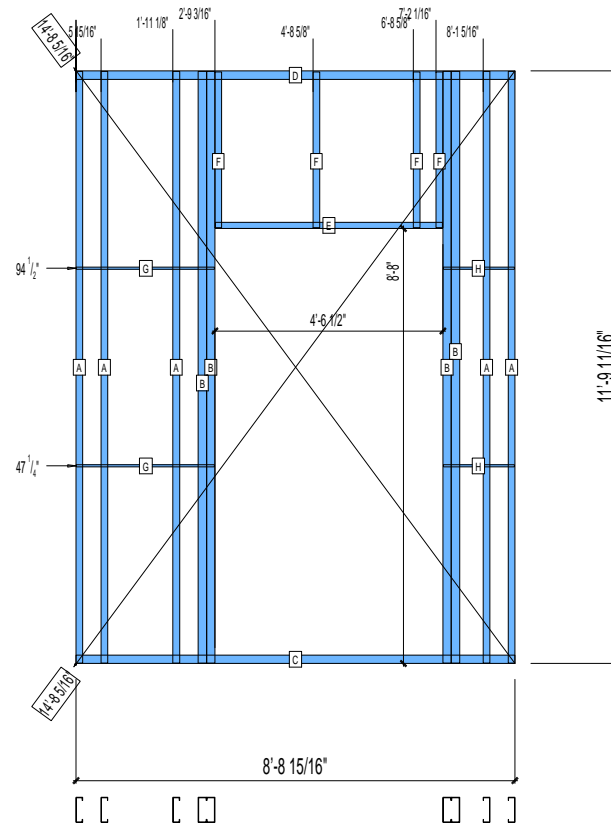
SPACING : 24"

1st STUD: 24"

WEIGHTS :

FRAME : 443 lbs

TOTAL: 443 lbs



PIECES LIST

| LABEL | QTY | SIZE       | LENGTH      | USE                |
|-------|-----|------------|-------------|--------------------|
| A     | 5   | 600S162-97 | 11'-9 1/2"  | STUD               |
| B     | 4   | 600S200-97 | 11'-9 1/2"  | KING STUD          |
| C     | 1   | 600T200-68 | 8'-8 15/16" | BOTTOM TRACK       |
| D     | 1   | 600T200-68 | 8'-8 15/16" | TOP TRACK          |
| E     | 1   | 600T150-54 | 4'-6 1/4"   | HEAD TRACK         |
| F     | 4   | 600S162-54 | 3'-1 1/4"   | CRIPPLE            |
| G     | 2   | 150U50-54  | 2'-9"       | HORIZONTAL BRACING |
| H     | 2   | 150U50-54  | 1'-5"       | HORIZONTAL BRACING |

# 11-1147

Jewish Home for the Aging

1885 Victory Blvd. Reseda, CA

FM-07-109

CREATED BY: AMB

FrameMax, Inc.  
13915 Danielson St  
Suite 100  
Poway, CA 92064  
www.frame-max.com

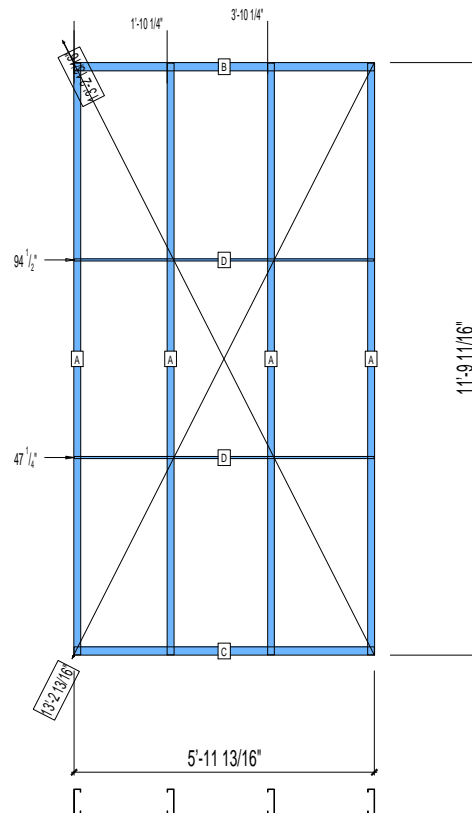


© FrameMax Inc.

HEIGHT : 11'-9 11/16"  
SPACING : 24"  
1st STUD: 24"

WEIGHTS :  
FRAME : 190 lbs

-----  
TOTAL: 190 lbs



### PIECES LIST

| LABEL | QTY | SIZE       | LENGTH       | USE                |
|-------|-----|------------|--------------|--------------------|
| A     | 4   | 600S162-97 | 11'-9 1/2"   | STUD               |
| B     | 1   | 600T200-68 | 5'-11 13/16" | TOP TRACK          |
| C     | 1   | 600T200-68 | 5'-11 13/16" | BOTTOM TRACK       |
| D     | 2   | 150U50-54  | 5'-11 5/8"   | HORIZONTAL BRACING |

# 11-1148

Jewish Home for the Aging

1885 Victory Blvd. Reseda, CA

FM-07-109

CREATED BY: AMB

FrameMax, Inc.  
13915 Danielson St  
Suite 100  
Poway, CA 92064  
www.frame-max.com



© FrameMax Inc.

HEIGHT : 11'-9 11/16" POINTS: 1.33 Points.

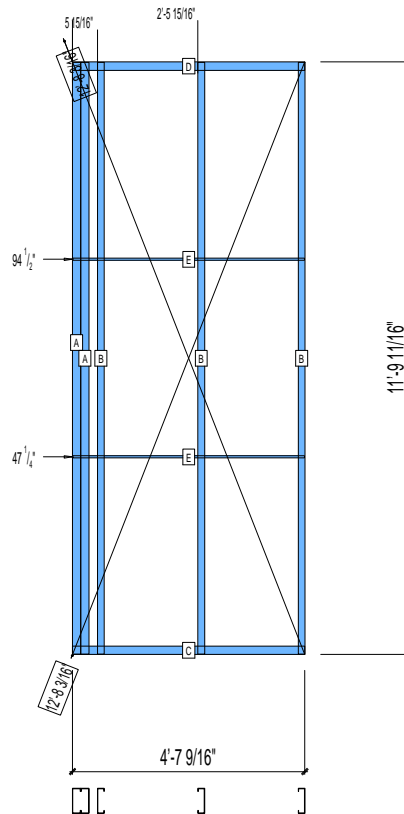
SPACING : 24"

1st STUD: 24"

WEIGHTS :

FRAME : 229 lbs

-----  
TOTAL: 229 lbs



### PIECES LIST

| LABEL | QTY | SIZE       | LENGTH     | USE                |
|-------|-----|------------|------------|--------------------|
| A     | 2   | 600S200-97 | 11'-9 1/2" | KING STUD          |
| B     | 3   | 600S162-97 | 11'-9 1/2" | STUD               |
| C     | 1   | 600T200-68 | 4'-7 9/16" | BOTTOM TRACK       |
| D     | 1   | 600T200-68 | 4'-7 9/16" | TOP TRACK          |
| E     | 2   | 150U50-54  | 4'-7 3/8"  | HORIZONTAL BRACING |

# 11-1149

Jewish Home for the Aging

1885 Victory Blvd. Reseda, CA

FrameMax, Inc.  
13915 Danielson St  
Suite 100  
Poway, CA 92064  
www.frame-max.com



© FrameMax Inc.

CREATED: 10/04/2008

FM-07-109

CREATED BY: AMB

HEIGHT : 11'-9 11/16" POINTS: 3.96 Points.

SPACING : 24"

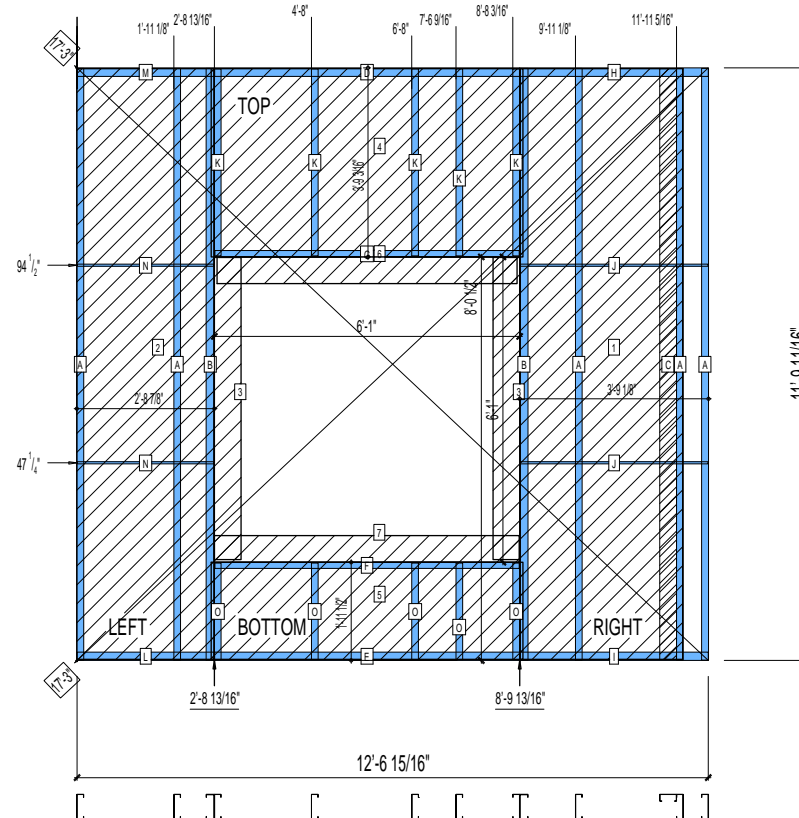
1st STUD: 24"

WEIGHTS :

FRAME : 377 lbs

SHEATHING: 296 lbs

TOTAL: 673 lbs



PIECES LIST

| LABEL | QTY | SIZE       | LENGTH      | USE                |
|-------|-----|------------|-------------|--------------------|
| A     | 5   | 600S162-68 | 11'-9 1/2"  | STUD               |
| B     | 2   | 600S200-97 | 11'-9 1/2"  | KING STUD          |
| C     | 1   | 400S162-33 | 11'-9 5/16" | BACKER-U           |
| D     | 1   | 600T200-68 | 6'-0 15/16" | TOP TRACK          |
| E     | 1   | 600T200-68 | 6'-0 15/16" | BOTTOM TRACK       |
| F     | 1   | 600T150-54 | 6'-0 3/4"   | SILL               |
| G     | 1   | 600T150-54 | 6'-0 3/4"   | HEAD TRACK         |
| H     | 1   | 600T200-68 | 3'-9 1/16"  | TOP TRACK          |
| I     | 1   | 600T200-68 | 3'-9 1/16"  | BOTTOM TRACK       |
| J     | 2   | 150U50-54  | 3'-8 7/8"   | HORIZONTAL BRACING |
| K     | 5   | 600S162-54 | 3'-8 3/4"   | CRIPPLE            |
| L     | 1   | 600T200-68 | 2'-8 13/16" | BOTTOM TRACK       |
| M     | 1   | 600T200-68 | 2'-8 13/16" | TOP TRACK          |
| N     | 2   | 150U50-54  | 2'-8 5/8"   | HORIZONTAL BRACING |
| O     | 5   | 600S162-54 | 1'-11 1/16" | CRIPPLE            |

SHEATHING

| LABEL | QTY | CODE      | THICK | SIZE                   | SCREWS |
|-------|-----|-----------|-------|------------------------|--------|
| 1     | 1   | DENSGLASS | 1/2"  | 3'-2 7/8" X 11'-9 1/4" | 8 - 12 |
| 2     | 1   | DENSGLASS | 1/2"  | 2'-8 3/4" X 11'-9 1/4" | 8 - 12 |
| 3     | 2   | DENSGLASS | 1/2"  | 6 3/8" X 6'-0 1/4"     | 8 - 12 |
| 4     | 1   | DENSGLASS | 1/2"  | 6'-2 1/2" X 3'-9 1/16" | 8 - 12 |
| 5     | 1   | DENSGLASS | 1/2"  | 6'-2 1/2" X 1'-11 1/4" | 8 - 12 |
| 6     | 1   | DENSGLASS | 1/2"  | 5'-11 3/4" X 6 3/8"    | 8 - 12 |
| 7     | 1   | DENSGLASS | 1/2"  | 6'-0 7/8" X 6 3/8"     | 8 - 12 |

# 11-1150

Jewish Home for the Aging

1885 Victory Blvd. Reseda, CA

FrameMax, Inc.  
13915 Danielson St  
Suite 100  
Poway, CA 92064  
www.frame-max.com



© FrameMax Inc.

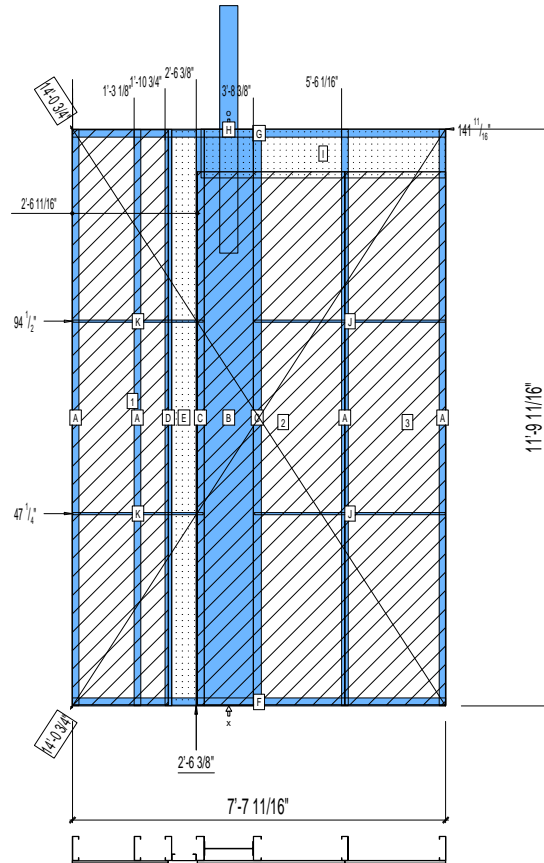
CREATED: 09/18/2008

FM-07-109

CREATED BY: AMB

HEIGHT : 14'-3 15/16" POINTS: 3.89 Points.  
SPACING : 24"  
1st STUD: 16"

WEIGHTS :  
FRAME : 481 lbs  
SHEATHING: 262 lbs  
-----  
TOTAL: 743 lbs



PIECES LIST

| LABEL | QTY | SIZE          | LENGTH      | USE                |
|-------|-----|---------------|-------------|--------------------|
| A     | 4   | 600S162-97    | 11'-9 1/2"  | STUD               |
| B     | 1   | 1200i350p1062 | 11'-9 1/2"  | PACO               |
| C     | 2   | 600S200-68    | 11'-9 1/2"  | STUD               |
| D     | 1   | 600S162-54    | 11'-9 1/2"  | STUD               |
| E     | 1   | 600S162-54    | 11'-9 5/16" | BACKER-U           |
| F     | 1   | 600T200-68    | 7'-7 11/16" | BOTTOM TRACK       |
| G     | 1   | 600T200-68    | 7'-7 11/16" | TOP TRACK          |
| H     | 1   | D             | 5'-0 3/4"   | HOLDDOWN           |
| I     | 1   | 1200D-54      | 5'-0"       | STRAP              |
| J     | 2   | 150U50-54     | 3'-10 7/8"  | HORIZONTAL BRACING |
| K     | 2   | 150U50-54     | 2'-8"       | HORIZONTAL BRACING |

SHEATHING

| LABEL | QTY | CODE         | THICK | SIZE                     | SCREWS |
|-------|-----|--------------|-------|--------------------------|--------|
| 1     | 1   | DENSGLOSS    | 1/2"  | 1'-11 9/16" X 11'-9 1/4" | 8 - 12 |
| 2     | 1   | SB-DENSARMOR | 5/8"  | 3'-0 1/4" X 10'-10 7/8"  | 2 - 12 |
| 3     | 1   | SB-DENSARMOR | 5/8"  | 2'-0 3/4" X 10'-10 7/8"  | 2 - 12 |

# 11-1151

Jewish Home for the Aging

1885 Victory Blvd. Reseda, CA

FrameMax, Inc.  
13915 Danielson St  
Suite 100  
Poway, CA 92064  
www.framemax.com



© FrameMax Inc.

CREATED: 09/18/2008

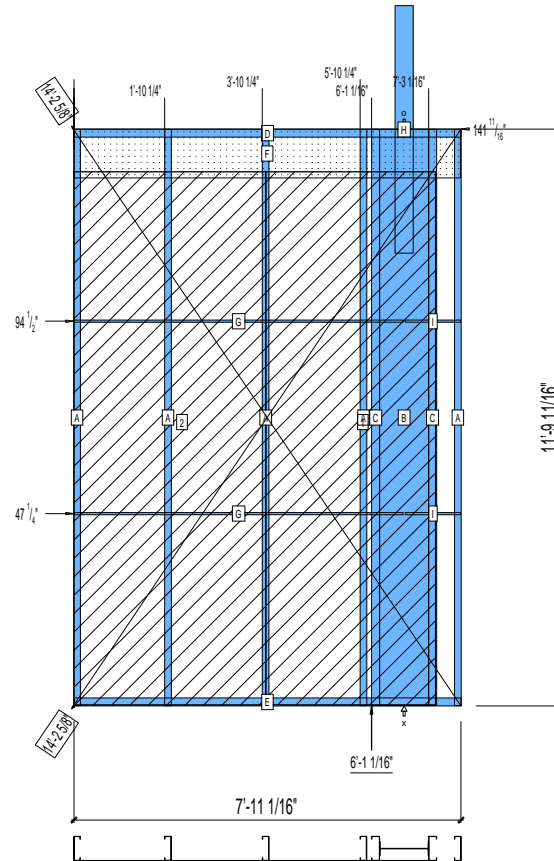
FM-07-109

CREATED BY: AMB

HEIGHT : 14'-3 15/16"  
SPACING : 24"  
1st STUD: 24"

WEIGHTS :  
FRAME : 484 lbs  
SHEATHING: 297 lbs

TOTAL: 781 lbs



PIECES LIST

| LABEL | QTY | SIZE          | LENGTH      | USE                |
|-------|-----|---------------|-------------|--------------------|
| A     | 5   | 600S162-97    | 11'-9 1/2"  | STUD               |
| B     | 1   | 1200i350p1062 | 11'-9 1/2"  | PACO               |
| C     | 2   | 600S200-68    | 11'-9 1/2"  | STUD               |
| D     | 1   | 600T200-68    | 7'-11 1/16" | TOP TRACK          |
| E     | 1   | 600T200-68    | 7'-11 1/16" | BOTTOM TRACK       |
| F     | 1   | 1200D-54      | 7'-10 7/8"  | STRAP              |
| G     | 2   | 150U50-54     | 6'-8 3/4"   | HORIZONTAL BRACING |
| H     | 1   | D             | 5'-0 3/4"   | HOLDDOWN           |
| I     | 2   | 150U50-54     | 1'-1 5/8"   | HORIZONTAL BRACING |

SHEATHING

| LABEL | QTY | CODE         | THICK | SIZE                      | SCREWS |
|-------|-----|--------------|-------|---------------------------|--------|
| 1     | 1   | SB-DENSARMOR | 5/8"  | 3'-5 3/4" X 10'-10 7/8"   | 2 - 12 |
| 2     | 1   | SB-DENSARMOR | 5/8"  | 3'-11 1/16" X 10'-10 7/8" | 2 - 12 |

# 11-1152

Jewish Home for the Aging

1885 Victory Blvd. Reseda, CA

FM-07-109

CREATED BY: AMB

FrameMax, Inc.  
13915 Danielson St  
Suite 100  
Poway, CA 92064  
www.frame-max.com



© FrameMax Inc.

HEIGHT : 11'-9 11/16"

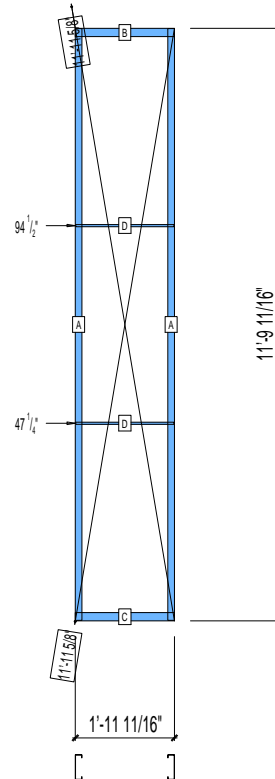
SPACING : 24"

1st STUD: 16"

WEIGHTS :

FRAME : 89 lbs

-----  
TOTAL: 89 lbs



### PIECES LIST

| LABEL | QTY | SIZE       | LENGTH       | USE                |
|-------|-----|------------|--------------|--------------------|
| A     | 2   | 600S162-97 | 11'-9 1/2"   | STUD               |
| B     | 1   | 600T200-68 | 1'-11 11/16" | TOP TRACK          |
| C     | 1   | 600T200-68 | 1'-11 11/16" | BOTTOM TRACK       |
| D     | 2   | 150U50-54  | 1'-11 1/2"   | HORIZONTAL BRACING |

# 11-1153

Jewish Home for the Aging

1885 Victory Blvd. Reseda, CA

FM-07-109

CREATED BY: AMB

FrameMax, Inc.  
13915 Danielson St  
Suite 100  
Poway, CA 92064  
www.framemax.com



© FrameMax Inc.

HEIGHT : 11'-9 11/16" POINTS: 2.23 Points.

SPACING : 24"

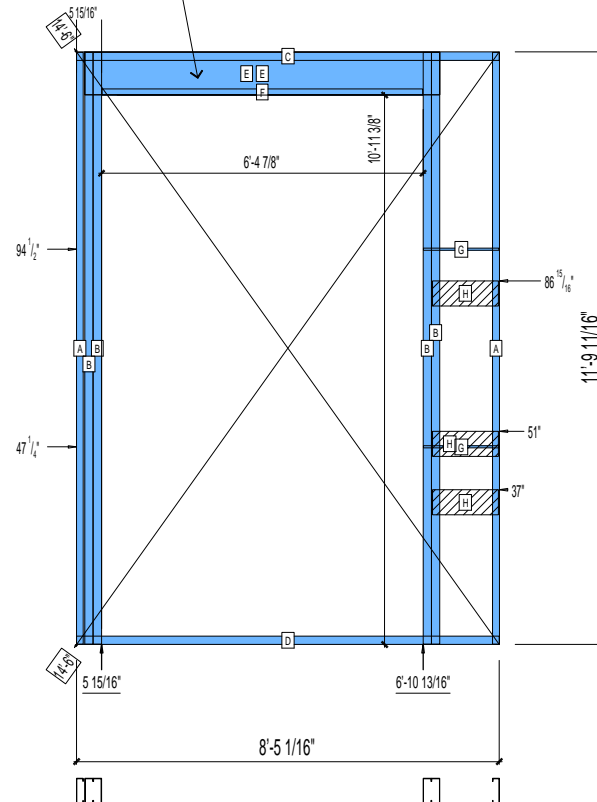
1st STUD: 24"

WEIGHTS :

FRAME : 376 lbs

TOTAL: 376 lbs

10 SCREWS  
INTO EACH KING STUD



PIECES LIST

| LABEL | QTY | SIZE        | LENGTH     | USE                |
|-------|-----|-------------|------------|--------------------|
| A     | 2   | 600S162-97  | 11'-9 1/2" | STUD               |
| B     | 4   | 600S200-97  | 11'-9 1/2" | KING STUD          |
| C     | 1   | 600T200-68  | 8'-5 1/16" | TOP TRACK          |
| D     | 1   | 600T200-68  | 8'-5 1/16" | BOTTOM TRACK       |
| E     | 2   | 1000T200-97 | 7'-0 7/8"  | HEADER             |
| F     | 1   | 600T150-54  | 6'-4 5/8"  | HEAD TRACK         |
| G     | 2   | 150U50-54   | 1'-6"      | HORIZONTAL BRACING |
| H     | 3   | 600D-54     | 1'-3 3/4"  | KITCHEN BACKING    |

# 11-1154

Jewish Home for the Aging

1885 Victory Blvd. Reseda, CA

FM-07-109

CREATED BY: AMB

FrameMax, Inc.  
13915 Danielson St  
Suite 100  
Poway, CA 92064  
www.frame-max.com



© FrameMax Inc.

HEIGHT : 11'-9 11/16" POINTS: 1.39 Points.

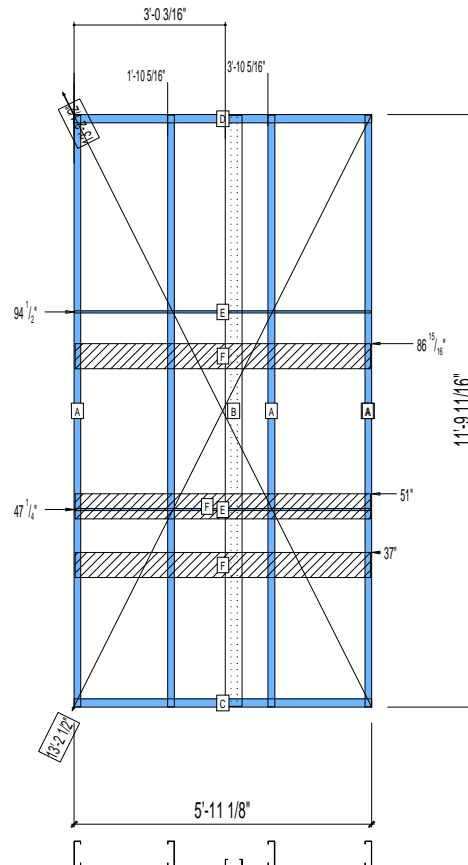
SPACING : 24"

1st STUD: 24"

WEIGHTS :

FRAME : 222 lbs

TOTAL: 222 lbs



PIECES LIST

| LABEL | QTY | SIZE       | LENGTH       | USE                |
|-------|-----|------------|--------------|--------------------|
| A     | 4   | 600S162-97 | 11'-9 1/2"   | STUD               |
| B     | 1   | 400S162-33 | 11'-9 5/16"  | BACKER-U           |
| C     | 1   | 600T200-68 | 5'-11 1/8"   | BOTTOM TRACK       |
| D     | 1   | 600T200-68 | 5'-11 1/8"   | TOP TRACK          |
| E     | 2   | 150U50-54  | 5'-10 15/16" | HORIZONTAL BRACING |
| F     | 3   | 600D-54    | 5'-10 11/16" | KITCHEN BACKING    |

# 11-1155

Jewish Home for the Aging

1885 Victory Blvd. Reseda, CA

FrameMax, Inc.  
13915 Danielson St  
Suite 100  
Poway, CA 92064  
www.frame-max.com



© FrameMax Inc.

CREATED: 09/17/2008

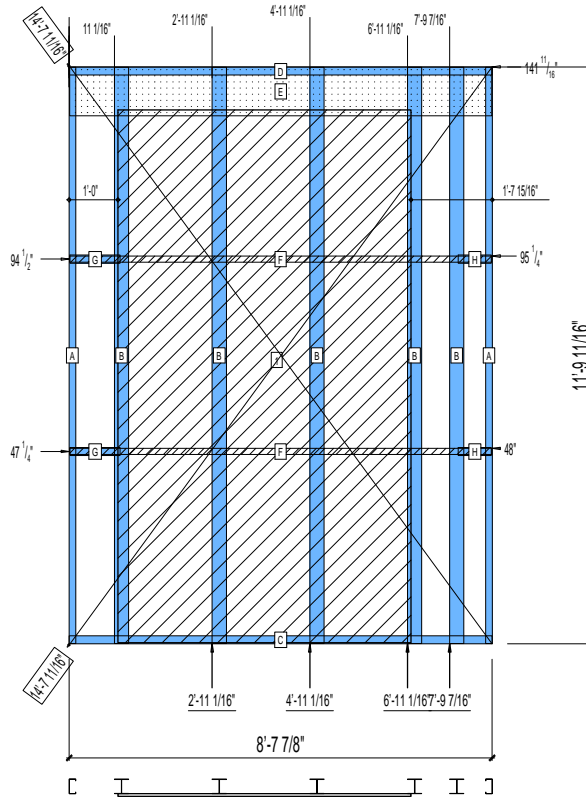
FM-07-109

CREATED BY: AMB

HEIGHT : 11'-9 11/16"  
SPACING : 24"  
1st STUD: 24"

WEIGHTS :  
FRAME : 424 lbs  
SHEATHING: 241 lbs

-----  
TOTAL: 665 lbs



PIECES LIST

| LABEL | QTY | SIZE        | LENGTH      | USE          |
|-------|-----|-------------|-------------|--------------|
| A     | 2   | 362S162-54  | 11'-9 1/2"  | STUD         |
| B     | 5   | 363i350p554 | 11'-9 1/2"  | PACO COLUMN  |
| C     | 1   | 362T200-68  | 8'-7 7/8"   | BOTTOM TRACK |
| D     | 1   | 362T200-68  | 8'-7 7/8"   | TOP TRACK    |
| E     | 1   | 1200D-54    | 8'-7 11/16" | STRAP        |
| F     | 2   | 150D-43     | 8'-7 11/16" | STRAP        |
| G     | 2   | 362T200-68  | 1'-0 5/16"  | BLOCK        |
| H     | 2   | 362T200-68  | 8 1/8"      | BLOCK        |

SHEATHING

| LABEL | QTY | CODE         | THICK | SIZE                       | SCREWS |
|-------|-----|--------------|-------|----------------------------|--------|
| 1     | 1   | SB-DENSARMOR | 5/8"  | 5'-11 15/16" X 10'-10 7/8" | 2 - 12 |

# 11-1156

Jewish Home for the Aging

1885 Victory Blvd. Reseda, CA

FrameMax, Inc.  
13915 Danielson St  
Suite 100  
Poway, CA 92064  
www.frame-max.com



© FrameMax Inc.

CREATED: 09/17/2008

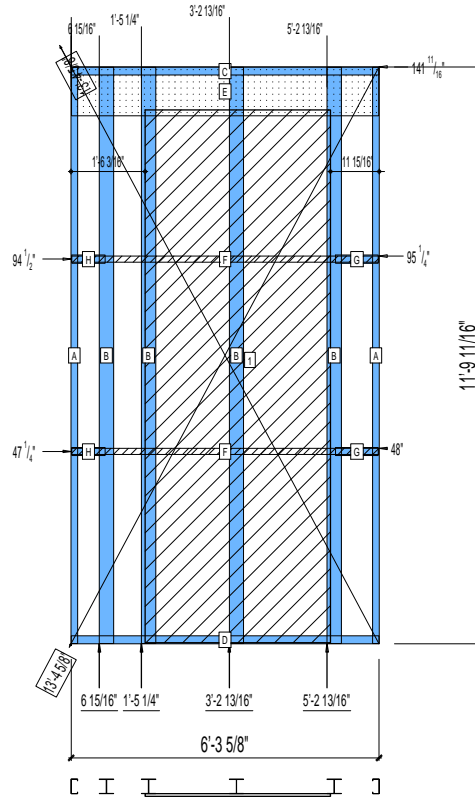
FM-07-109

CREATED BY: AMB

HEIGHT : 11'-9 11/16"  
SPACING : 24"  
1st STUD: 24"

WEIGHTS :  
FRAME : 343 lbs  
SHEATHING: 152 lbs

TOTAL: 495 lbs



PIECES LIST

| LABEL | QTY | SIZE        | LENGTH     | USE          |
|-------|-----|-------------|------------|--------------|
| A     | 2   | 362S162-54  | 11'-9 1/2" | STUD         |
| B     | 4   | 363i350p554 | 11'-9 1/2" | PACO. COLUMN |
| C     | 1   | 362T200-68  | 6'-3 5/8"  | TOP TRACK    |
| D     | 1   | 362T200-68  | 6'-3 5/8"  | BOTTOM TRACK |
| E     | 1   | 1200D-54    | 6'-3 7/16" | STRAP        |
| F     | 2   | 150D-43     | 6'-3 7/16" | STRAP        |
| G     | 2   | 362T200-68  | 10 1/2"    | BLOCK        |
| H     | 2   | 362T200-68  | 8 1/8"     | BLOCK        |

SHEATHING

| LABEL | QTY | CODE         | THICK | SIZE                    | SCREWS |
|-------|-----|--------------|-------|-------------------------|--------|
| 1     | 1   | SB-DENSARMOR | 5/8"  | 3'-9 1/2" X 10'-10 7/8" | 2 - 12 |

# 11-1157

Jewish Home for the Aging

1885 Victory Blvd. Reseda, CA

FM-07-109

CREATED BY: AMB

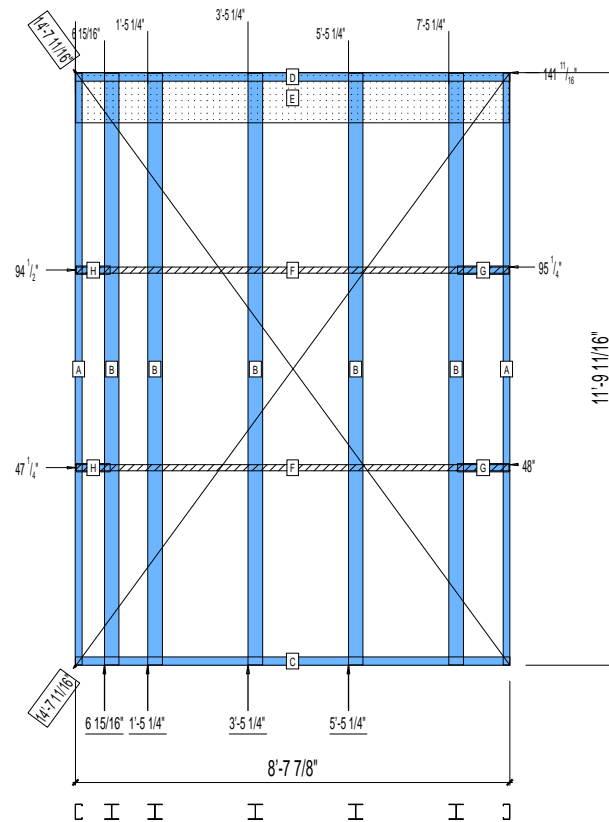
FrameMax, Inc.  
13915 Danielson St  
Suite 100  
Poway, CA 92064  
www.framemax.com



© FrameMax Inc.

HEIGHT : 11'-9 11/16"  
SPACING : 24"  
1st STUD: 24"

WEIGHTS :  
FRAME : 424 lbs  
-----  
TOTAL: 424 lbs



PIECES LIST

| LABEL | QTY | SIZE        | LENGTH      | USE          |
|-------|-----|-------------|-------------|--------------|
| A     | 2   | 362S162-54  | 11'-9 1/2"  | STUD         |
| B     | 5   | 363i350p554 | 11'-9 1/2"  | PACO.COLUMN  |
| C     | 1   | 362T200-68  | 8'-7 7/8"   | BOTTOM TRACK |
| D     | 1   | 362T200-68  | 8'-7 7/8"   | TOP TRACK    |
| E     | 1   | 1200D-54    | 8'-7 11/16" | STRAP        |
| F     | 2   | 150D-43     | 8'-7 11/16" | STRAP        |
| G     | 2   | 362T200-68  | 1'-0 5/16"  | BLOCK        |
| H     | 2   | 362T200-68  | 8 1/8"      | BLOCK        |

# 11-1158

Jewish Home for the Aging

1885 Victory Blvd. Reseda, CA

FM-07-109

CREATED BY: AMB

FrameMax, Inc.  
13915 Danielson St  
Suite 100  
Poway, CA 92064  
www.frame-max.com

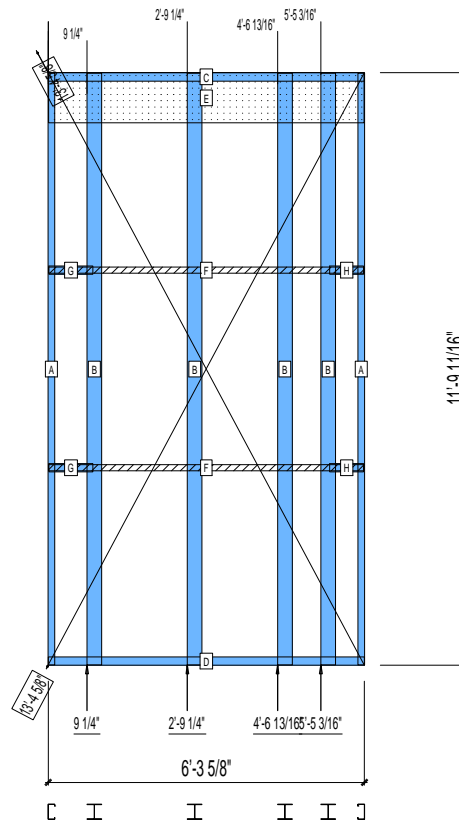


© FrameMax Inc.

HEIGHT : 11'-9 11/16"  
SPACING : 24"  
1st STUD: 24"

WEIGHTS :  
FRAME : 343 lbs

TOTAL: 343 lbs



### PIECES LIST

| LABEL | QTY | SIZE        | LENGTH     | USE          |
|-------|-----|-------------|------------|--------------|
| A     | 2   | 362S162-54  | 11'-9 1/2" | STUD         |
| B     | 4   | 363i350p554 | 11'-9 1/2" | PACO.COLUMN  |
| C     | 1   | 362T200-68  | 6'-3 5/8"  | TOP TRACK    |
| D     | 1   | 362T200-68  | 6'-3 5/8"  | BOTTOM TRACK |
| E     | 1   | 1200D-54    | 6'-3 7/16" | STRAP        |
| F     | 2   | 150D-43     | 6'-3 7/16" | STRAP        |
| G     | 2   | 362T200-68  | 10 1/2"    | BLOCK        |
| H     | 2   | 362T200-68  | 8 1/8"     | BLOCK        |

# 11-1159

Jewish Home for the Aging

1885 Victory Blvd. Reseda, CA

FM-07-109

CREATED BY: AMB

FrameMax, Inc.  
13915 Danielson St  
Suite 100  
Poway, CA 92064  
www.frame-max.com



© FrameMax Inc.

HEIGHT : 11'-9 11/16" POINTS: 5.93 Points.

SPACING : 24"

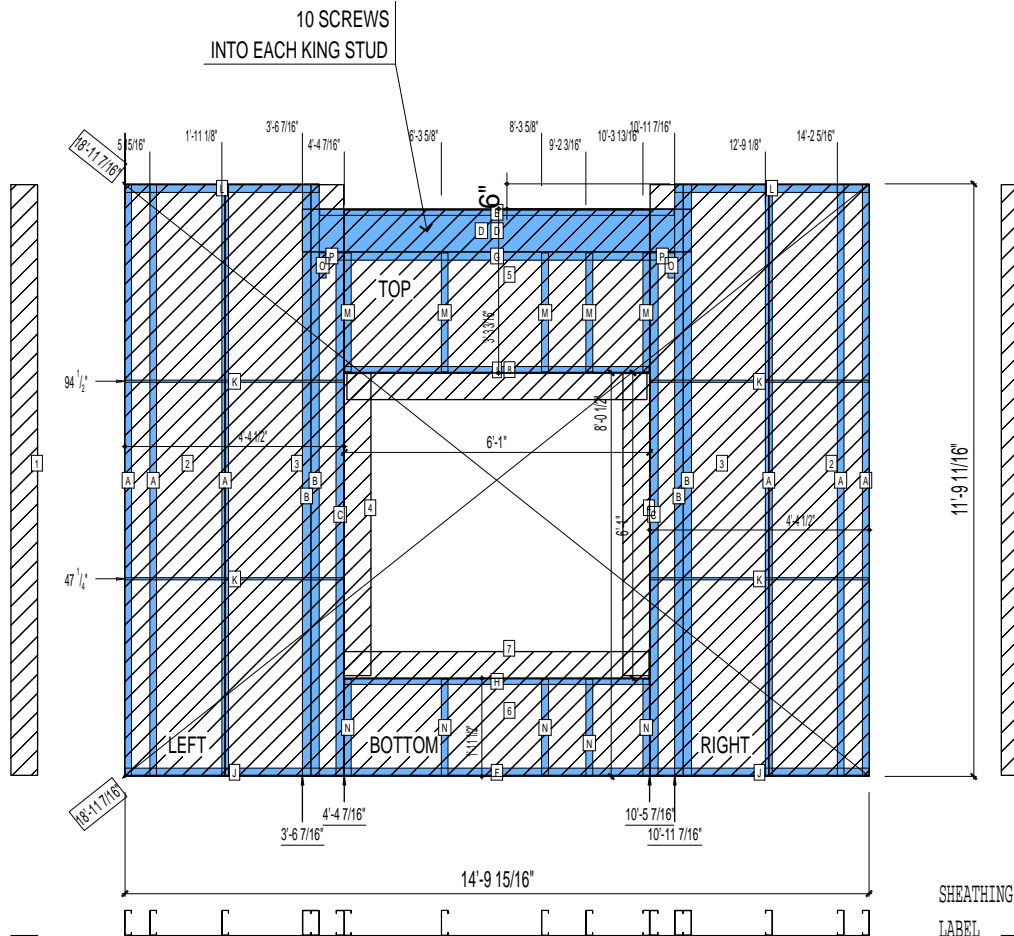
1st STUD: 24"

WEIGHTS :

FRAME : 646 lbs

SHEATHING: 399 lbs

TOTAL: 1045 lbs



PIECES LIST

| LABEL | QTY | SIZE        | LENGTH      | USE                |
|-------|-----|-------------|-------------|--------------------|
| A     | 6   | 600S162-68  | 11'-9 1/2"  | STUD               |
| B     | 4   | 600S200-97  | 11'-9 1/2"  | EXTRA STUD         |
| C     | 2   | 600S200-97  | 10'-5 1/8"  | KING STUD          |
| D     | 2   | 1000T200-97 | 7'-9"       | HEADER             |
| E     | 1   | 600T150-54  | 7'-0 3/4"   | HEAD TRACK         |
| F     | 1   | 600T200-68  | 6'-0 15/16" | BOTTOM TRACK       |
| G     | 1   | 600T200-68  | 6'-0 15/16" | TOP TRACK          |
| H     | 1   | 600T150-54  | 6'-0 3/4"   | SILL               |
| I     | 1   | 600T150-54  | 6'-0 3/4"   | HEAD TRACK         |
| J     | 2   | 600T200-68  | 4'-4 7/16"  | BOTTOM TRACK       |
| K     | 4   | 150U50-54   | 4'-4 1/4"   | HORIZONTAL BRACING |
| L     | 2   | 600T200-68  | 3'-10 7/16" | TOP TRACK          |
| M     | 5   | 600S162-54  | 2'-4 1/2"   | CRIPPLE            |
| N     | 5   | 600S162-54  | 1'-11 1/16" | CRIPPLE            |
| O     | 2   | 600S162-54  | 6"          | CRIPPLE            |
| P     | 2   | 600T200-68  | 5 15/16"    | TOP TRACK          |

SHEATHING

| LABEL | QTY | CODE      | THICK | SIZE                   | SCREWS |
|-------|-----|-----------|-------|------------------------|--------|
| 1     | 2   | DENSGLASS | 1/2"  | 6 3/8" X 11'-9 1/4"    | 8 - 12 |
| 2     | 2   | DENSGLASS | 1/2"  | 2'-0" X 11'-9 1/4"     | 8 - 12 |
| 3     | 2   | DENSGLASS | 1/2"  | 2'-4 3/8" X 11'-9 1/4" | 8 - 12 |
| 4     | 2   | DENSGLASS | 1/2"  | 6 3/8" X 6'-0 1/4"     | 8 - 12 |
| 5     | 1   | DENSGLASS | 1/2"  | 6'-1" X 3'-2 13/16"    | 8 - 12 |
| 6     | 1   | DENSGLASS | 1/2"  | 6'-1" X 1'-11 1/8"     | 8 - 12 |
| 7     | 1   | DENSGLASS | 1/2"  | 6'-0 7/8" X 6 3/8"     | 8 - 12 |
| 8     | 1   | DENSGLASS | 1/2"  | 5'-11 3/4" X 6 3/8"    | 8 - 12 |

# 11-1160

Jewish Home for the Aging

1885 Victory Blvd. Reseda, CA

FrameMax, Inc.  
13915 Danielson St  
Suite 100  
Poway, CA 92064  
www.frame-max.com



© FrameMax Inc.

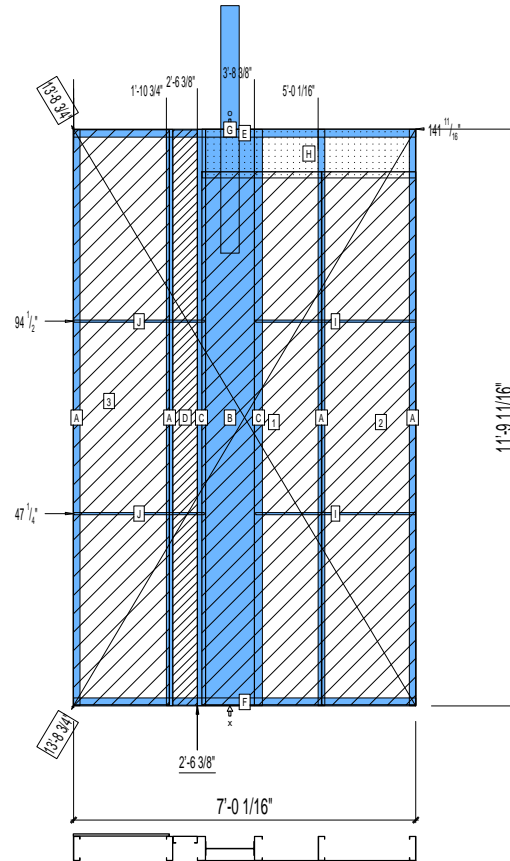
CREATED: 09/17/2008

FM-07-109

CREATED BY: AMB

HEIGHT : 14'-3 15/16" POINTS: 3.61 Points.  
SPACING : 24"  
1st STUD: 24"

WEIGHTS :  
FRAME : 453 lbs  
SHEATHING: 234 lbs  
-----  
TOTAL: 687 lbs



PIECES LIST

| LABEL | QTY | SIZE          | LENGTH     | USE                |
|-------|-----|---------------|------------|--------------------|
| A     | 4   | 600S162-97    | 11'-9 1/2" | STUD               |
| B     | 1   | 1200i350p1062 | 11'-9 1/2" | PACO               |
| C     | 2   | 600S200-68    | 11'-9 1/2" | STUD               |
| D     | 1   | 600S162-54    | 11'-9 1/4" | BACKER-U           |
| E     | 1   | 600T200-68    | 7'-0 1/16" | TOP TRACK          |
| F     | 1   | 600T200-68    | 7'-0 1/16" | BOTTOM TRACK       |
| G     | 1   | D             | 5'-0 3/4"  | HOLDDOWN           |
| H     | 1   | 1200D-54      | 4'-4 3/8"  | STRAP              |
| I     | 2   | 150U50-54     | 3'-3 1/4"  | HORIZONTAL BRACING |
| J     | 2   | 150U50-54     | 2'-8"      | HORIZONTAL BRACING |

SHEATHING

| LABEL | QTY | CODE         | THICK | SIZE                      | SCREWS |
|-------|-----|--------------|-------|---------------------------|--------|
| 1     | 1   | SB-DENSARMOR | 5/8"  | 2'-5 7/16" X 10'-10 7/8"  | 2 - 12 |
| 2     | 1   | SB-DENSARMOR | 5/8"  | 1'-11 3/16" X 10'-10 7/8" | 2 - 12 |
| 3     | 1   | DENSGLOSS    | 1/2"  | 1'-11 9/16" X 11'-9 1/4"  | 8 - 12 |

# 11-1161

Jewish Home for the Aging

1885 Victory Blvd. Reseda, CA

FrameMax, Inc.  
13915 Danielson St  
Suite 100  
Poway, CA 92064  
www.frame-max.com



© FrameMax Inc.

CREATED: 09/17/2008

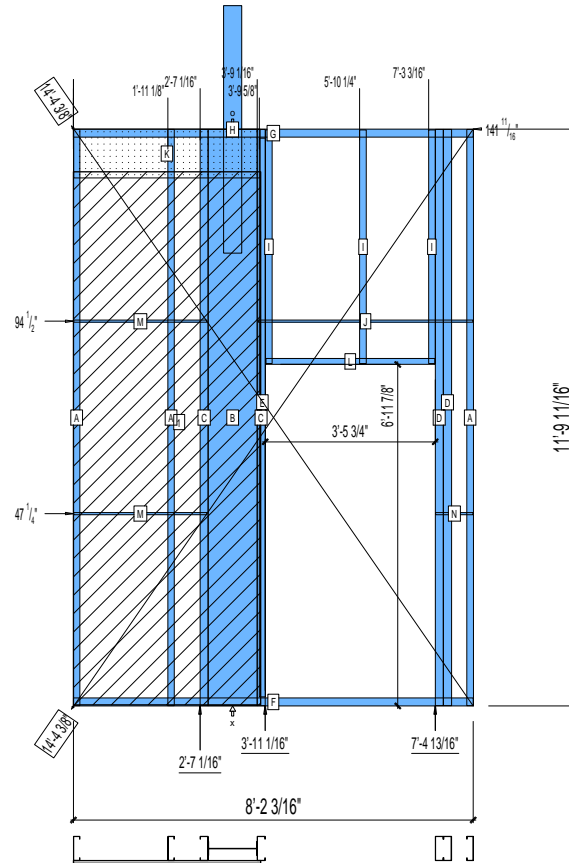
FM-07-109

CREATED BY: AMB

HEIGHT : 14'-3 15/16" POINTS: 3.74 Points.  
SPACING : 24"  
1st STUD: 24"

WEIGHTS :  
FRAME : 534 lbs  
SHEATHING: 154 lbs

TOTAL: 688 lbs



PIECES LIST

| LABEL | QTY | SIZE          | LENGTH      | USE                |
|-------|-----|---------------|-------------|--------------------|
| A     | 3   | 600S162-97    | 11'-9 1/2"  | STUD               |
| B     | 1   | 1200i350p1062 | 11'-9 1/2"  | PACO               |
| C     | 2   | 600S200-68    | 11'-9 1/2"  | STUD               |
| D     | 2   | 600S200-97    | 11'-9 1/2"  | KING STUD          |
| E     | 1   | 600T150-54    | 11'-5 3/16" | CAP                |
| F     | 1   | 600T200-68    | 8'-2 3/16"  | BOTTOM TRACK       |
| G     | 1   | 600T200-68    | 8'-2 3/16"  | TOP TRACK          |
| H     | 1   | D             | 5'-0 3/4"   | HOLDDOWN           |
| I     | 3   | 600S162-54    | 4'-9 3/8"   | CRIPPLE            |
| J     | 1   | 150U50-54     | 4'-4 11/16" | HORIZONTAL BRACING |
| K     | 1   | 1200D-54      | 3'-9 3/4"   | STRAP              |
| L     | 1   | 600T150-54    | 3'-5 7/16"  | HEAD TRACK         |
| M     | 2   | 150U50-54     | 2'-8 11/16" | HORIZONTAL BRACING |
| N     | 1   | 150U50-54     | 9 1/8"      | HORIZONTAL BRACING |

SHEATHING

| LABEL | QTY | CODE         | THICK | SIZE                      | SCREWS |
|-------|-----|--------------|-------|---------------------------|--------|
| 1     | 1   | SB-DENSARMOR | 5/8"  | 3'-9 15/16" X 10'-10 7/8" | 2 - 12 |

# 11-1162

Jewish Home for the Aging

1885 Victory Blvd. Reseda, CA

FrameMax, Inc.  
13915 Danielson St  
Suite 100  
Poway, CA 92064  
www.frame-max.com



© FrameMax Inc.

CREATED: 09/17/2008

FM-07-109

CREATED BY: AMB

HEIGHT : 11'-9 11/16" POINTS: 2.75 Points.

SPACING : 24"

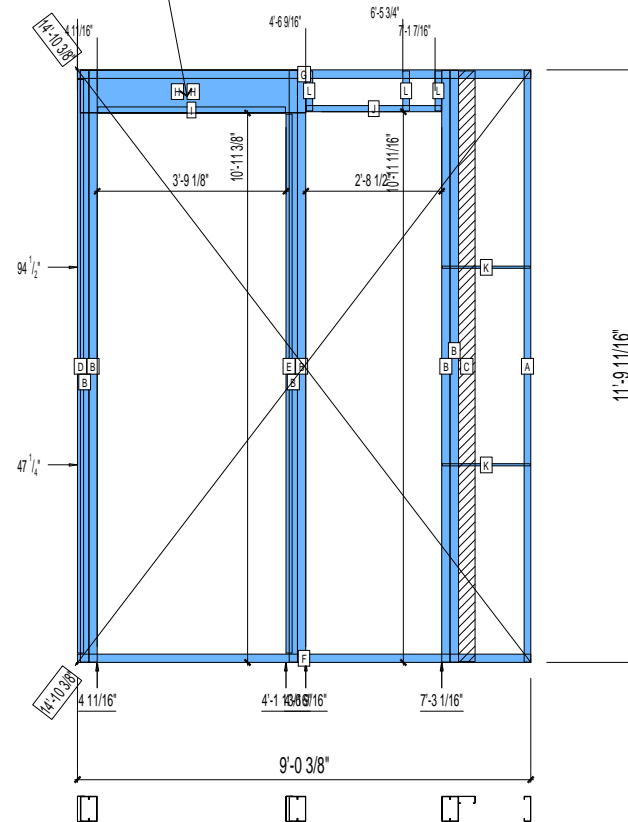
1st STUD: 24"

WEIGHTS :

FRAME : 465 lbs

TOTAL: 465 lbs

10 SCREWS  
INTO EACH KING STUD



PIECES LIST

| LABEL | QTY | SIZE        | LENGTH      | USE                |
|-------|-----|-------------|-------------|--------------------|
| A     | 1   | 600S162-97  | 11'-9 1/2"  | STUD               |
| B     | 6   | 600S200-97  | 11'-9 1/2"  | KING STUD          |
| C     | 1   | 400S162-33  | 11'-9 1/4"  | BACKER-U           |
| D     | 1   | 600T200-68  | 11'-5 3/16" | CAP                |
| E     | 1   | 600T200-68  | 10'-8 7/8"  | CAP                |
| F     | 1   | 600T200-68  | 9'-0 3/8"   | BOTTOM TRACK       |
| G     | 1   | 600T200-68  | 9'-0 3/8"   | TOP TRACK          |
| H     | 2   | 1000T200-97 | 4'-5 7/8"   | HEADER             |
| I     | 1   | 600T150-54  | 3'-8 7/8"   | HEAD TRACK         |
| J     | 1   | 600T150-54  | 2'-8 1/4"   | HEAD TRACK         |
| K     | 2   | 150U50-54   | 1'-9 1/16"  | HORIZONTAL BRACING |
| L     | 3   | 600S162-54  | 9 9/16"     | CRIPPLE            |

# 11-1163

Jewish Home for the Aging

1885 Victory Blvd. Reseda, CA

FM-07-109

CREATED BY: AMB

FrameMax, Inc.  
13915 Danielson St  
Suite 100  
Poway, CA 92064  
www.frame-max.com



© FrameMax Inc.

HEIGHT : 11'-9 11/16" POINTS: 2.07 Points.

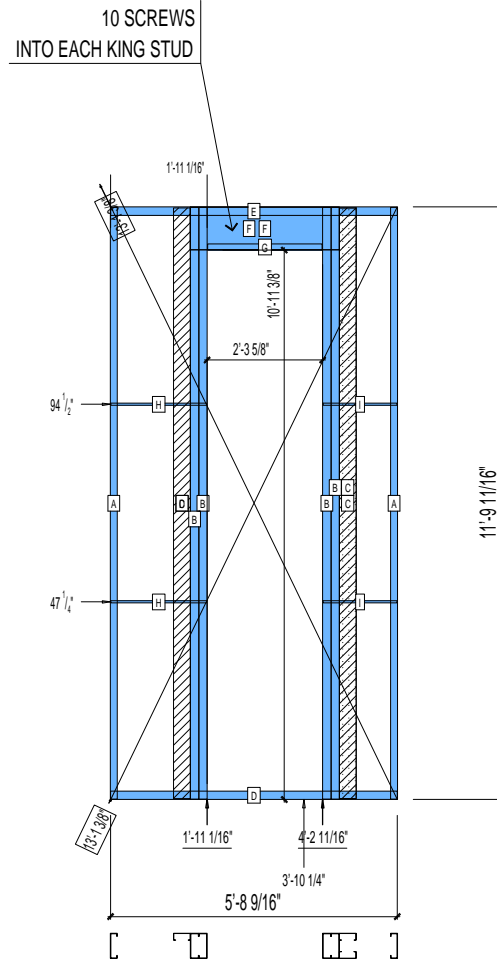
SPACING : 24"

1st STUD: 24"

WEIGHTS :

FRAME : 346 lbs

TOTAL: 346 lbs



PIECES LIST

| LABEL | QTY | SIZE        | LENGTH     | USE                |
|-------|-----|-------------|------------|--------------------|
| A     | 2   | 600S162-97  | 11'-9 1/2" | STUD               |
| B     | 4   | 600S200-97  | 11'-9 1/2" | KING STUD          |
| C     | 3   | 400S162-33  | 11'-9 1/4" | BACKER-U           |
| D     | 1   | 600T200-68  | 5'-8 9/16" | BOTTOM TRACK       |
| E     | 1   | 600T200-68  | 5'-8 9/16" | TOP TRACK          |
| F     | 2   | 1000T200-97 | 2'-11 5/8" | HEADER             |
| G     | 1   | 600T150-54  | 2'-3 3/8"  | HEAD TRACK         |
| H     | 2   | 150U50-54   | 1'-10 7/8" | HORIZONTAL BRACING |
| I     | 2   | 150U50-54   | 1'-5 5/8"  | HORIZONTAL BRACING |

# 11-1164

Jewish Home for the Aging

1885 Victory Blvd. Reseda, CA

FrameMax, Inc.  
13915 Danielson St  
Suite 100  
Poway, CA 92064  
www.framemax.com



© FrameMax Inc.

CREATED: 10/04/2008

FM-07-109

CREATED BY: AMB

HEIGHT : 11'-9 11/16" POINTS: 2.91 Points.

SPACING : 24"

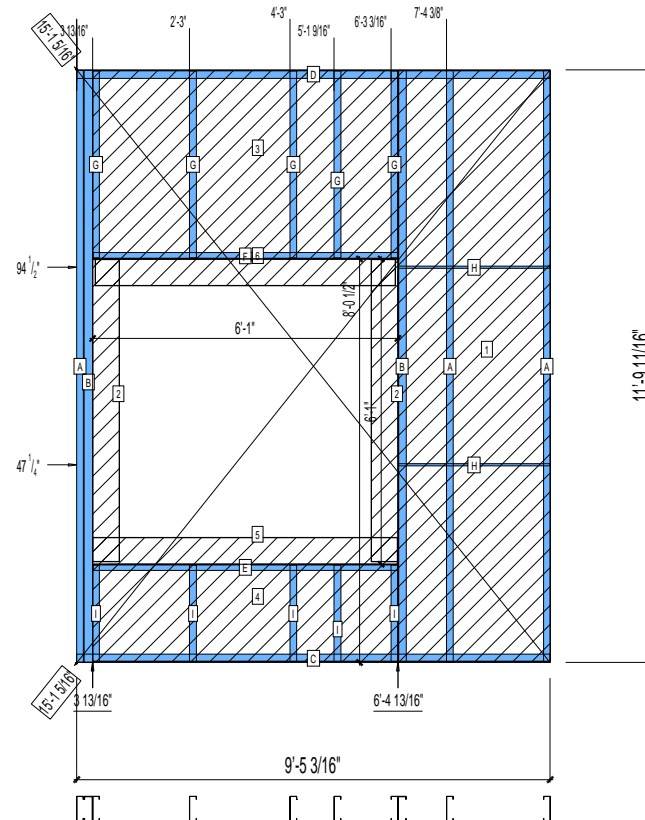
1st STUD: 24"

WEIGHTS :

FRAME : 292 lbs

SHEATHING: 207 lbs

TOTAL: 499 lbs



PIECES LIST

| LABEL | QTY | SIZE       | LENGTH      | USE                |
|-------|-----|------------|-------------|--------------------|
| A     | 3   | 600S162-68 | 11'-9 1/2"  | STUD               |
| B     | 2   | 600S200-97 | 11'-9 1/2"  | KING STUD          |
| C     | 1   | 600T200-68 | 9'-5 3/16"  | BOTTOM TRACK       |
| D     | 1   | 600T200-68 | 9'-5 3/16"  | TOP TRACK          |
| E     | 1   | 600T150-54 | 6'-0 3/4"   | SILL               |
| F     | 1   | 600T150-54 | 6'-0 3/4"   | HEAD TRACK         |
| G     | 5   | 600S162-54 | 3'-8 3/4"   | CRIPPLE            |
| H     | 2   | 150U50-54  | 3'-0 3/16"  | HORIZONTAL BRACING |
| I     | 5   | 600S162-54 | 1'-11 1/16" | CRIPPLE            |

SHEATHING

| LABEL | QTY | CODE      | THICK | SIZE                    | SCREWS |
|-------|-----|-----------|-------|-------------------------|--------|
| 1     | 1   | DENSGLASS | 1/2"  | 3'-0 5/16" X 11'-9 1/4" | 8 - 12 |
| 2     | 2   | DENSGLASS | 1/2"  | 6 3/8" X 6'-0 1/4"      | 8 - 12 |
| 3     | 1   | DENSGLASS | 1/2"  | 6'-1" X 3'-8 15/16"     | 8 - 12 |
| 4     | 1   | DENSGLASS | 1/2"  | 6'-1" X 1'-11 1/8"      | 8 - 12 |
| 5     | 1   | DENSGLASS | 1/2"  | 6'-0 7/8" X 6 3/8"      | 8 - 12 |
| 6     | 1   | DENSGLASS | 1/2"  | 5'-11 3/4" X 6 3/8"     | 8 - 12 |

# 11-1165

Jewish Home for the Aging

1885 Victory Blvd. Reseda, CA

FM-07-109

CREATED BY: AMB

FrameMax, Inc.  
13915 Danielson St  
Suite 100  
Poway, CA 92064  
www.frame-max.com



© FrameMax Inc.

HEIGHT : 11'-9 11/16" POINTS: 0.80 Points.

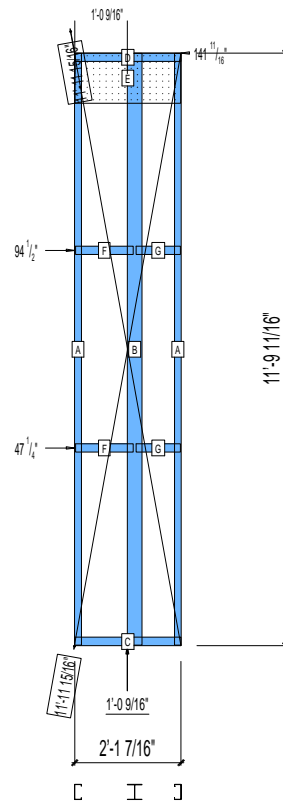
SPACING : 24"

1st STUD: 24"

WEIGHTS :

FRAME : 120 lbs

TOTAL: 120 lbs



PIECES LIST

| LABEL | QTY | SIZE        | LENGTH      | USE          |
|-------|-----|-------------|-------------|--------------|
| A     | 2   | 362S162-54  | 11'-9 1/2"  | STUD         |
| B     | 1   | 363i350p554 | 11'-9 1/2"  | PACO.COLUMN  |
| C     | 1   | 362T200-68  | 2'-1 7/16"  | BOTTOM TRACK |
| D     | 1   | 362T200-68  | 2'-1 7/16"  | TOP TRACK    |
| E     | 1   | 1200D-54    | 2'-1 1/4"   | STRAP        |
| F     | 2   | 362T200-68  | 1'-1 13/16" | BLOCK        |
| G     | 2   | 362T200-68  | 10 9/16"    | BLOCK        |

# 11-1166

Jewish Home for the Aging

1885 Victory Blvd. Reseda, CA

FM-07-109

CREATED BY: AMB

FrameMax, Inc.  
13915 Danielson St  
Suite 100  
Poway, CA 92064  
www.frame-max.com

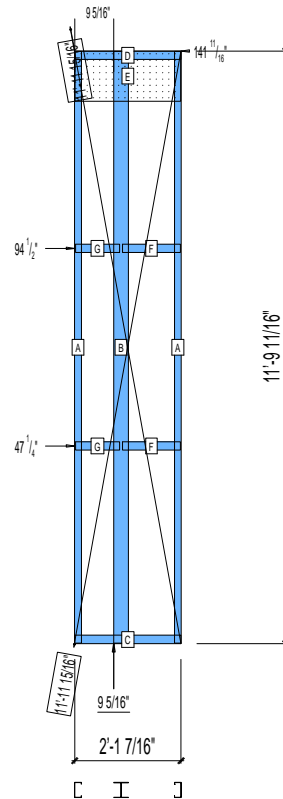


© FrameMax Inc.

HEIGHT : 11'-9 11/16"  
SPACING : 24"  
1st STUD: 24"

WEIGHTS :  
FRAME : 120 lbs

-----  
TOTAL: 120 lbs



PIECES LIST

| LABEL | QTY | SIZE        | LENGTH      | USE          |
|-------|-----|-------------|-------------|--------------|
| A     | 2   | 362S162-54  | 11'-9 1/2"  | STUD         |
| B     | 1   | 363i350p554 | 11'-9 1/2"  | PACO.COLUMN  |
| C     | 1   | 362T200-68  | 2'-1 7/16"  | BOTTOM TRACK |
| D     | 1   | 362T200-68  | 2'-1 7/16"  | TOP TRACK    |
| E     | 1   | 1200D-54    | 2'-1 1/4"   | STRAP        |
| F     | 2   | 362T200-68  | 1'-1 13/16" | BLOCK        |
| G     | 2   | 362T200-68  | 10 9/16"    | BLOCK        |

# 11-1167

Jewish Home for the Aging

1885 Victory Blvd. Reseda, CA

FM-07-109

CREATED BY: AMB

FrameMax, Inc.  
13915 Danielson St  
Suite 100  
Poway, CA 92064  
www.frame-max.com

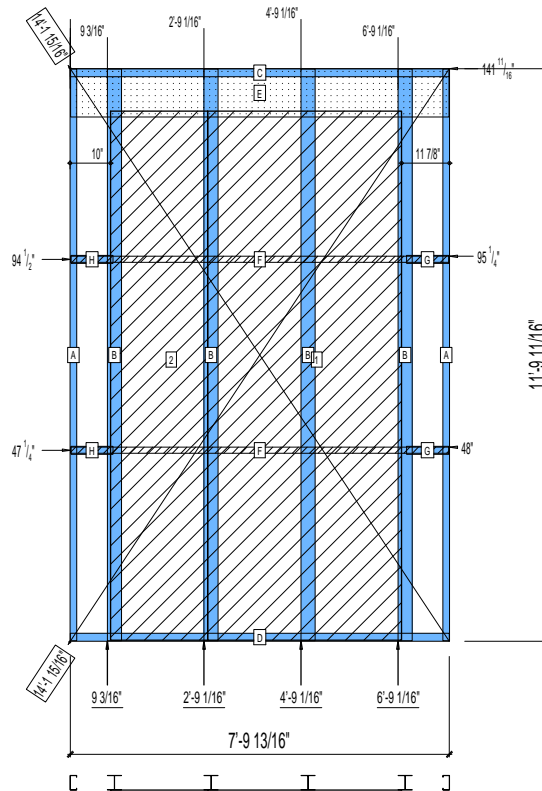


© FrameMax Inc.

HEIGHT : 11'-9 11/16"  
SPACING : 24"  
1st STUD : 24"

WEIGHTS :  
FRAME : 353 lbs  
SHEATHING : 241 lbs

TOTAL: 594 lbs



PIECES LIST

| LABEL | QTY | SIZE        | LENGTH      | USE          |
|-------|-----|-------------|-------------|--------------|
| A     | 2   | 362S162-54  | 11'-9 1/2"  | STUD         |
| B     | 4   | 363i350p554 | 11'-9 1/2"  | PACO. COLUMN |
| C     | 1   | 362T200-68  | 7'-9 13/16" | TOP TRACK    |
| D     | 1   | 362T200-68  | 7'-9 13/16" | BOTTOM TRACK |
| E     | 1   | 1200D-54    | 7'-9 5/8"   | STRAP        |
| F     | 2   | 150D-43     | 7'-9 5/8"   | STRAP        |
| G     | 2   | 362T200-68  | 10 7/16"    | BLOCK        |
| H     | 2   | 362T200-68  | 10 3/8"     | BLOCK        |

SHEATHING

| LABEL | QTY | CODE         | THICK | SIZE                | SCREWS |
|-------|-----|--------------|-------|---------------------|--------|
| 1     | 1   | SB-DENSARMOR | 5/8"  | 4'-0" X 10'-10 7/8" | 2 - 12 |
| 2     | 1   | SB-DENSARMOR | 5/8"  | 2'-0" X 10'-10 7/8" | 2 - 12 |

# 11-1168

Jewish Home for the Aging

1885 Victory Blvd. Reseda, CA

FM-07-109

CREATED BY: AMB

FrameMax, Inc.  
13915 Danielson St  
Suite 100  
Poway, CA 92064  
www.frame-max.com

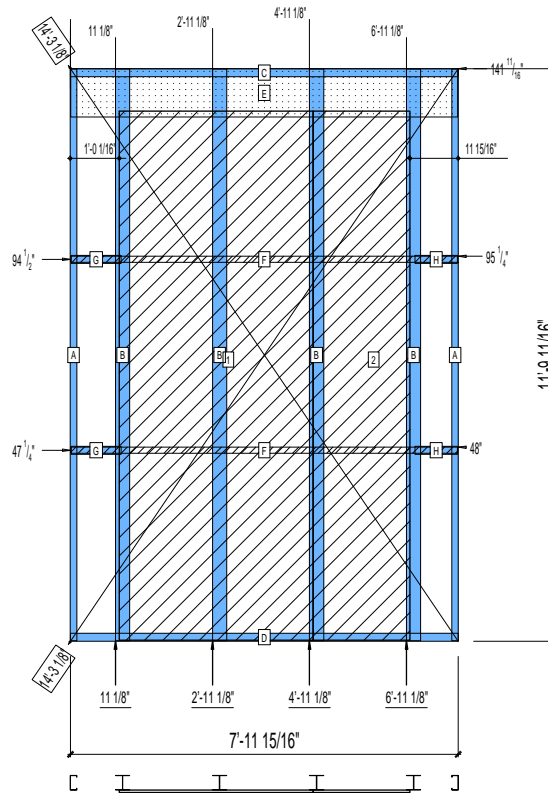


© FrameMax Inc.

HEIGHT : 11'-9 11/16"  
SPACING : 24"  
1st STUD: 24"

WEIGHTS :  
FRAME : 355 lbs  
SHEATHING: 241 lbs

TOTAL: 596 lbs



PIECES LIST

| LABEL | QTY | SIZE        | LENGTH       | USE          |
|-------|-----|-------------|--------------|--------------|
| A     | 2   | 362S162-54  | 11'-9 1/2"   | STUD         |
| B     | 4   | 363i350p554 | 11'-9 1/2"   | PACO COLUMN  |
| C     | 1   | 362T200-68  | 7'-11 15/16" | TOP TRACK    |
| D     | 1   | 362T200-68  | 7'-11 15/16" | BOTTOM TRACK |
| E     | 1   | 1200D-54    | 7'-11 3/4"   | STRAP        |
| F     | 2   | 150D-43     | 7'-11 3/4"   | STRAP        |
| G     | 2   | 362T200-68  | 1'-0 3/8"    | BLOCK        |
| H     | 2   | 362T200-68  | 10 1/2"      | BLOCK        |

SHEATHING

| LABEL | QTY | CODE         | THICK | SIZE                | SCREWS |
|-------|-----|--------------|-------|---------------------|--------|
| 1     | 1   | SB-DENSARMOR | 5/8"  | 4'-0" X 10'-10 7/8" | 2 - 12 |
| 2     | 1   | SB-DENSARMOR | 5/8"  | 2'-0" X 10'-10 7/8" | 2 - 12 |

# 11-1169

Jewish Home for the Aging

1885 Victory Blvd. Reseda, CA

FrameMax, Inc.  
13915 Danielson St  
Suite 100  
Poway, CA 92064  
www.frame-max.com



© FrameMax Inc.

CREATED: 09/17/2008

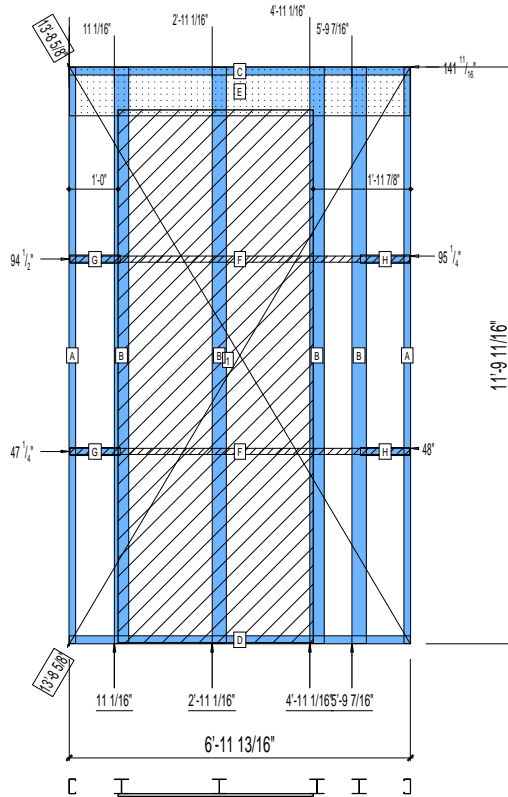
FM-07-109

CREATED BY: AMB

HEIGHT : 11'-9 11/16"  
SPACING : 24"  
1st STUD: 24"

WEIGHTS :  
FRAME : 349 lbs  
SHEATHING: 160 lbs

TOTAL: 509 lbs



PIECES LIST

| LABEL | QTY | SIZE        | LENGTH       | USE          |
|-------|-----|-------------|--------------|--------------|
| A     | 2   | 362S162-54  | 11'-9 1/2"   | STUD         |
| B     | 4   | 363i350p554 | 11'-9 1/2"   | PACO. COLUMN |
| C     | 1   | 362T200-68  | 6'-11 13/16" | TOP TRACK    |
| D     | 1   | 362T200-68  | 6'-11 13/16" | BOTTOM TRACK |
| E     | 1   | 1200D-54    | 6'-11 5/8"   | STRAP        |
| F     | 2   | 150D-43     | 6'-11 5/8"   | STRAP        |
| G     | 2   | 362T200-68  | 1'-0 5/16"   | BLOCK        |
| H     | 2   | 362T200-68  | 1'-0 1/16"   | BLOCK        |

SHEATHING

| LABEL | QTY | CODE         | THICK | SIZE                       | SCREWS |
|-------|-----|--------------|-------|----------------------------|--------|
| 1     | 1   | SB-DENSARMOR | 5/8"  | 3'-11 15/16" X 10'-10 7/8" | 2 - 12 |

# 11-1170

Jewish Home for the Aging

1885 Victory Blvd. Reseda, CA

FM-07-109

CREATED BY: AMB

FrameMax, Inc.  
13915 Danielson St  
Suite 100  
Poway, CA 92064  
www.frame-max.com

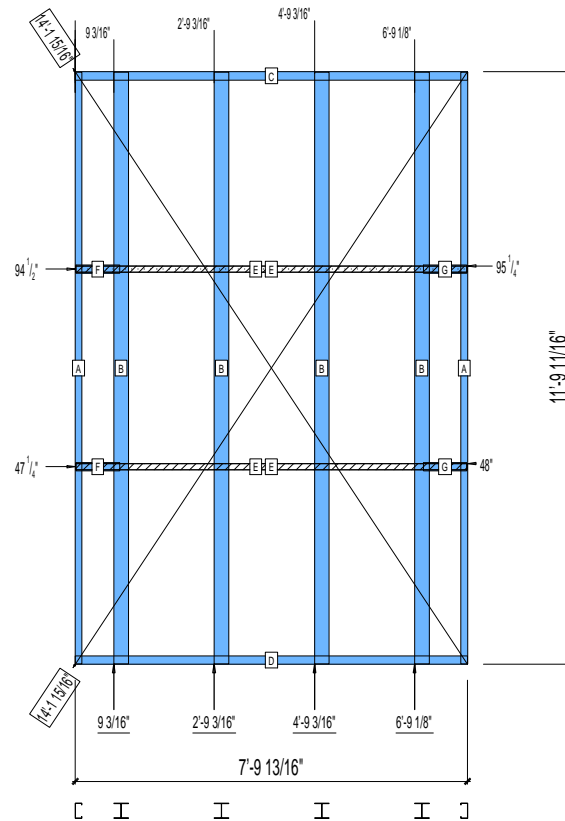


© FrameMax Inc.

HEIGHT : 11'-9 11/16"  
SPACING : 24"  
1st STUD: 24"

WEIGHTS :  
FRAME : 338 lbs

TOTAL: 338 lbs



PIECES LIST

| LABEL | QTY | SIZE        | LENGTH      | USE          |
|-------|-----|-------------|-------------|--------------|
| A     | 2   | 362S162-54  | 11'-9 1/2"  | STUD         |
| B     | 4   | 363i350p554 | 11'-9 1/2"  | PACO.COLUMN  |
| C     | 1   | 362T200-68  | 7'-9 13/16" | TOP TRACK    |
| D     | 1   | 362T200-68  | 7'-9 13/16" | BOTTOM TRACK |
| E     | 4   | 150D-43     | 7'-9 5/8"   | STRAP        |
| F     | 2   | 362T200-68  | 10 7/16"    | BLOCK        |
| G     | 2   | 362T200-68  | 10 3/8"     | BLOCK        |

# 11-1171

Jewish Home for the Aging

1885 Victory Blvd. Reseda, CA

FM-07-109

CREATED BY: AMB

FrameMax, Inc.  
13915 Danielson St  
Suite 100  
Poway, CA 92064  
www.frame-max.com

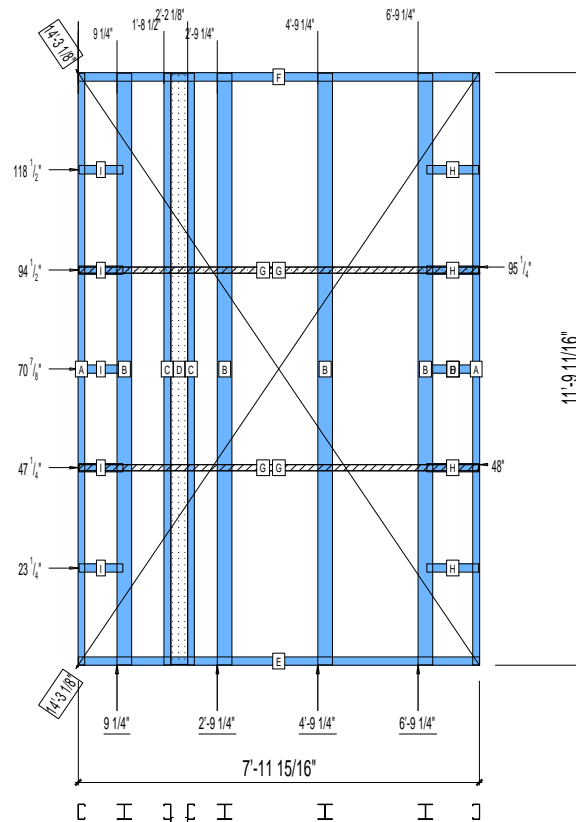


© FrameMax Inc.

HEIGHT : 11'-9 11/16"  
SPACING : 24"  
1st STUD: 24"

WEIGHTS :  
FRAME : 382 lbs

TOTAL: 382 lbs



PIECES LIST

| LABEL | QTY | SIZE        | LENGTH       | USE          |
|-------|-----|-------------|--------------|--------------|
| A     | 2   | 362S162-54  | 11'-9 1/2"   | STUD         |
| B     | 4   | 363i350p554 | 11'-9 1/2"   | PACO.COLUMN  |
| C     | 2   | 362S162-33  | 11'-9 1/2"   | STUD         |
| D     | 1   | 400S162-33  | 11'-9 1/4"   | BACKER-U     |
| E     | 1   | 362T200-68  | 7'-11 15/16" | BOTTOM TRACK |
| F     | 1   | 362T200-68  | 7'-11 15/16" | TOP TRACK    |
| G     | 4   | 150D-43     | 7'-11 3/4"   | STRAP        |
| H     | 5   | 362T200-68  | 1'-0 3/8"    | BLOCK        |
| I     | 5   | 362T200-68  | 10 1/2"      | BLOCK        |

# 11-1172

Jewish Home for the Aging

1885 Victory Blvd. Reseda, CA

FrameMax, Inc.  
13915 Danielson St  
Suite 100  
Poway, CA 92064  
www.frame-max.com



© FrameMax Inc.

CREATED: 09/17/2008

FM-07-109

CREATED BY: AMB

HEIGHT : 11'-9 11/16" POINTS: 2.06 Points.

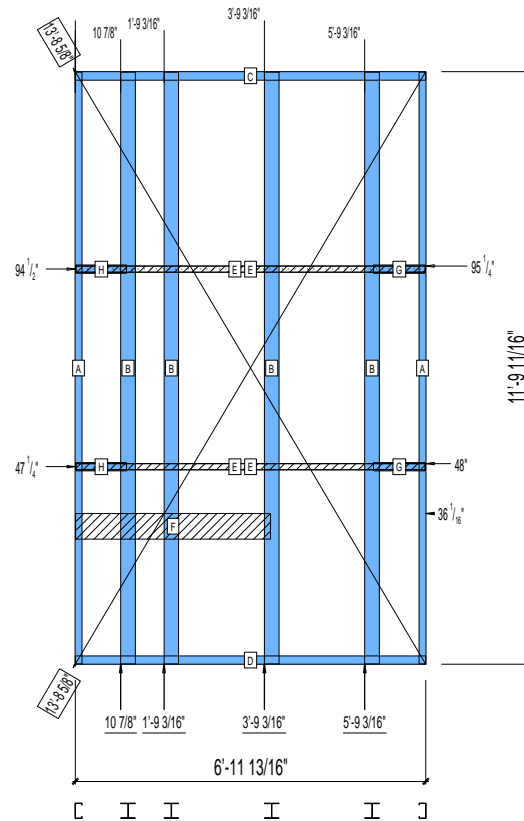
SPACING : 24"

1st STUD: 24"

WEIGHTS :

FRAME : 342 lbs

-----  
TOTAL: 342 lbs



PIECES LIST

| LABEL | QTY | SIZE        | LENGTH       | USE          |
|-------|-----|-------------|--------------|--------------|
| A     | 2   | 362S162-54  | 11'-9 1/2"   | STUD         |
| B     | 4   | 363i350p554 | 11'-9 1/2"   | PACO.COLUMN  |
| C     | 1   | 362T200-68  | 6'-11 13/16" | TOP TRACK    |
| D     | 1   | 362T200-68  | 6'-11 13/16" | BOTTOM TRACK |
| E     | 4   | 150D-43     | 6'-11 5/8"   | STRAP        |
| F     | 1   | 600T150-54  | 3'-10 5/8"   | GRAB BAR     |
| G     | 2   | 362T200-68  | 1'-0 5/16"   | BLOCK        |
| H     | 2   | 362T200-68  | 1'-0 1/16"   | BLOCK        |

# 11-1173

Jewish Home for the Aging

1885 Victory Blvd. Reseda, CA

FrameMax, Inc.  
13915 Danielson St  
Suite 100  
Poway, CA 92064  
www.frame-max.com



© FrameMax Inc.

CREATED: 09/17/2008

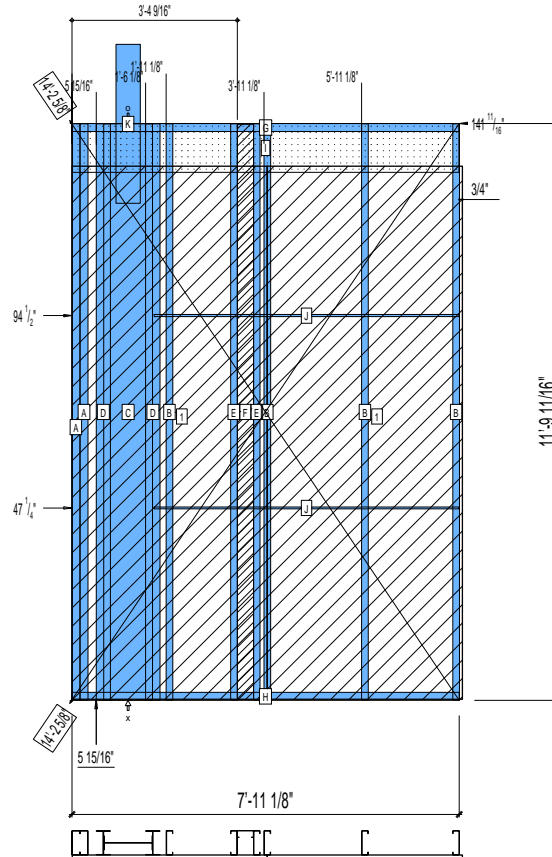
FM-07-109

CREATED BY: AMB

HEIGHT : 13'-5 1/16"  
SPACING : 24"  
1st STUD: 24"

WEIGHTS :  
FRAME : 678 lbs  
SHEATHING: 321 lbs

TOTAL: 999 lbs



PIECES LIST

| LABEL | QTY | SIZE          | LENGTH      | USE                |
|-------|-----|---------------|-------------|--------------------|
| A     | 2   | 600S200-97    | 11'-9 1/2"  | KING STUD          |
| B     | 4   | 600S162-97    | 11'-9 1/2"  | STUD               |
| C     | 1   | 1200i350p1062 | 11'-9 1/2"  | PACO               |
| D     | 2   | 600i350p680   | 11'-9 1/2"  | PACO               |
| E     | 2   | 600S162-33    | 11'-9 1/2"  | BACKER STUD        |
| F     | 1   | 400S162-33    | 11'-9 1/4"  | BACKER-U           |
| G     | 1   | 600T200-68    | 7'-11 1/8"  | TOP TRACK          |
| H     | 1   | 600T200-68    | 7'-11 1/8"  | BOTTOM TRACK       |
| I     | 1   | 1200D-54      | 7'-10 7/8"  | STRAP              |
| J     | 2   | 150U50-54     | 6'-2 13/16" | HORIZONTAL BRACING |
| K     | 1   | E             | 3'-3"       | HOLDDOWN           |

SHEATHING

| LABEL | QTY | CODE         | THICK | SIZE                       | SCREWS |
|-------|-----|--------------|-------|----------------------------|--------|
| 1     | 2   | SB-DENSARMOR | 5/8"  | 3'-11 15/16" X 10'-10 7/8" | 2 - 12 |

# 11-1174

Jewish Home for the Aging

1885 Victory Blvd. Reseda, CA

FM-07-109

CREATED BY: AMB

FrameMax, Inc.  
13915 Danielson St  
Suite 100  
Poway, CA 92064  
www.frame-max.com



© FrameMax Inc.

HEIGHT : 11'-9 11/16"

SPACING : 24"

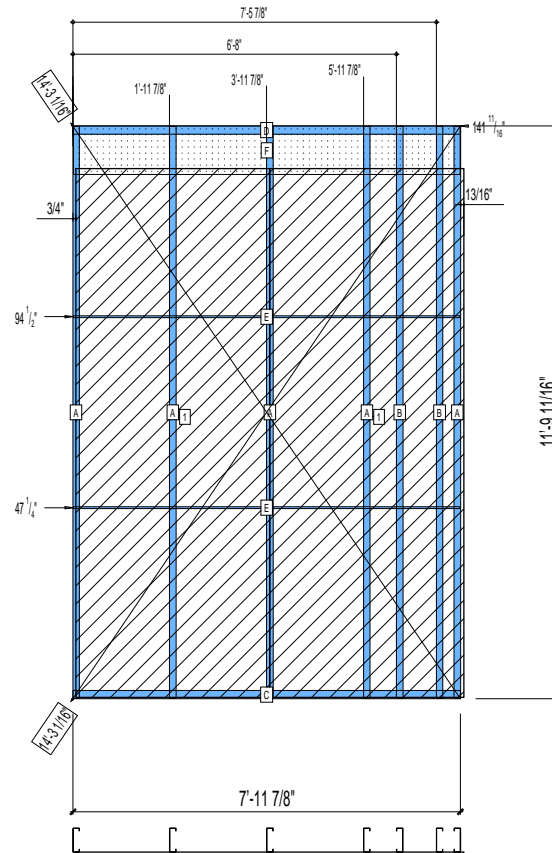
1st STUD: 24"

WEIGHTS :

FRAME : 337 lbs

SHEATHING: 321 lbs

TOTAL: 658 lbs



PIECES LIST

| LABEL | QTY | SIZE       | LENGTH       | USE                |
|-------|-----|------------|--------------|--------------------|
| A     | 5   | 600S162-97 | 11'-9 1/2"   | STUD               |
| B     | 2   | 600S162-97 | 11'-9 1/2"   | BACKER STUD        |
| C     | 1   | 600T200-68 | 7'-11 7/8"   | BOTTOM TRACK       |
| D     | 1   | 600T200-68 | 7'-11 7/8"   | TOP TRACK          |
| E     | 2   | 150U50-54  | 7'-11 11/16" | HORIZONTAL BRACING |
| F     | 1   | 1200D-54   | 7'-11 5/8"   | STRAP              |

SHEATHING

| LABEL | QTY | CODE         | THICK | SIZE                | SCREWS |
|-------|-----|--------------|-------|---------------------|--------|
| 1     | 2   | SB-DENSARMOR | 5/8"  | 4'-0" X 10'-10 7/8" | 2 - 12 |

# 11-1175

Jewish Home for the Aging

1885 Victory Blvd. Reseda, CA

FM-07-109

CREATED BY: AMB

FrameMax, Inc.  
13915 Danielson St  
Suite 100  
Poway, CA 92064  
www.frame-max.com



© FrameMax Inc.

HEIGHT : 11'-9 11/16" POINTS: 3.94 Points.

SPACING : 24"

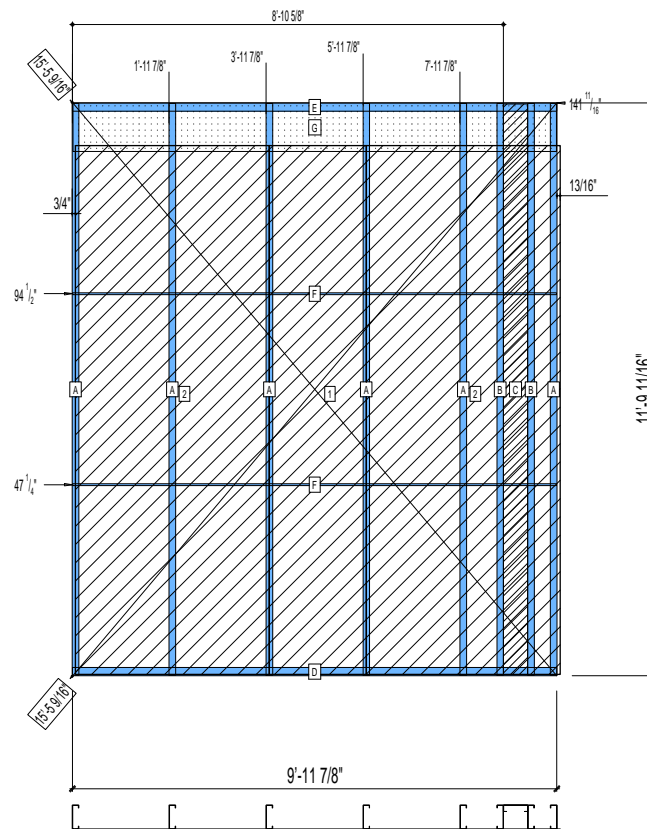
1st STUD: 24"

WEIGHTS :

FRAME : 356 lbs

SHEATHING: 401 lbs

TOTAL: 757 lbs



PIECES LIST

| LABEL | QTY | SIZE       | LENGTH       | USE                |
|-------|-----|------------|--------------|--------------------|
| A     | 6   | 600S162-97 | 11'-9 1/2"   | STUD               |
| B     | 2   | 600S162-33 | 11'-9 1/2"   | BACKER STUD        |
| C     | 1   | 600S162-33 | 11'-9 1/4"   | BACKER-U           |
| D     | 1   | 600T200-68 | 9'-11 7/8"   | BOTTOM TRACK       |
| E     | 1   | 600T200-68 | 9'-11 7/8"   | TOP TRACK          |
| F     | 2   | 150U50-54  | 9'-11 11/16" | HORIZONTAL BRACING |
| G     | 1   | 1200D-54   | 9'-11 5/8"   | STRAP              |

SHEATHING

| LABEL | QTY | CODE         | THICK | SIZE                | SCREWS |
|-------|-----|--------------|-------|---------------------|--------|
| 1     | 1   | SB-DENSARMOR | 5/8"  | 2'-0" X 10'-10 7/8" | 2 - 12 |
| 2     | 2   | SB-DENSARMOR | 5/8"  | 4'-0" X 10'-10 7/8" | 2 - 12 |

# 11-1176

Jewish Home for the Aging

1885 Victory Blvd. Reseda, CA

FM-07-109

CREATED BY: AMB

FrameMax, Inc.  
13915 Danielson St  
Suite 100  
Poway, CA 92064  
www.frame-max.com



© FrameMax Inc.

HEIGHT : 11'-9 11/16" POINTS: 1.38 Points.

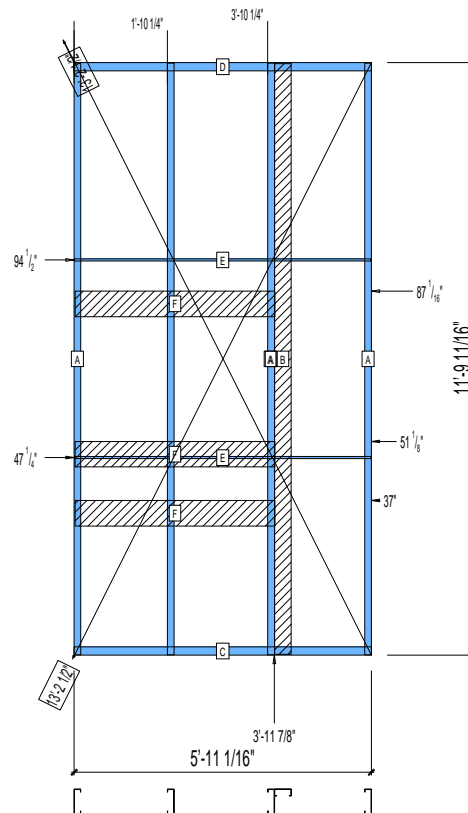
SPACING : 24"

1st STUD: 24"

WEIGHTS :

FRAME : 221 lbs

TOTAL: 221 lbs



PIECES LIST

| LABEL | QTY | SIZE       | LENGTH      | USE                |
|-------|-----|------------|-------------|--------------------|
| A     | 4   | 600S162-97 | 11'-9 1/2"  | STUD               |
| B     | 1   | 400S162-33 | 11'-9 1/4"  | BACKER-U           |
| C     | 1   | 600T200-68 | 5'-11 1/16" | BOTTOM TRACK       |
| D     | 1   | 600T200-68 | 5'-11 1/16" | TOP TRACK          |
| E     | 2   | 150U50-54  | 5'-10 7/8"  | HORIZONTAL BRACING |
| F     | 3   | 600T150-54 | 3'-11 3/4"  | KITCHEN BACKING    |

# 11-1177

Jewish Home for the Aging

1885 Victory Blvd. Reseda, CA

FrameMax, Inc.  
13915 Danielson St  
Suite 100  
Poway, CA 92064  
www.framemax.com



© FrameMax Inc.

CREATED: 09/17/2008

FM-07-109

CREATED BY: AMB

HEIGHT : 11'-9 11/16" POINTS: 2.84 Points.

SPACING : 24"

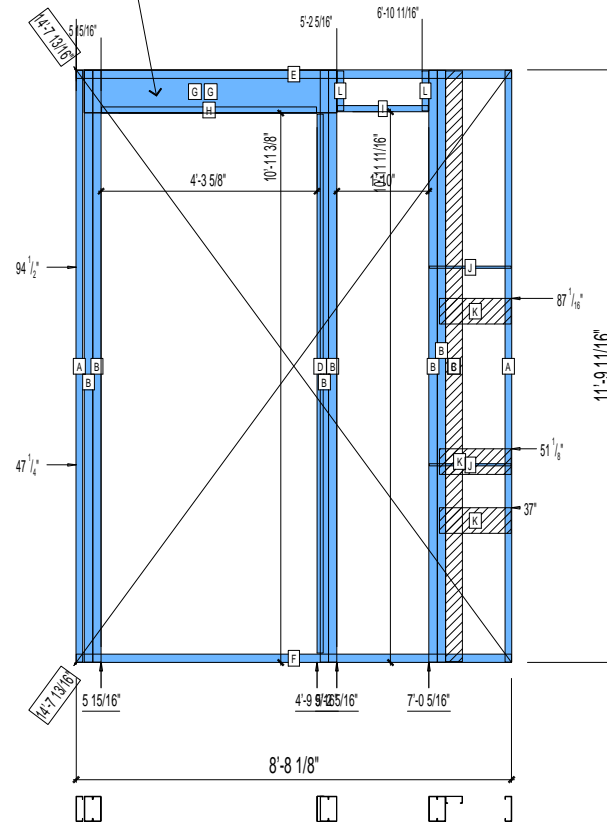
1st STUD: 24"

WEIGHTS :

FRAME : 478 lbs

TOTAL: 478 lbs

10 SCREWS  
INTO EACH KING STUD



PIECES LIST

| LABEL | QTY | SIZE        | LENGTH     | USE                |
|-------|-----|-------------|------------|--------------------|
| A     | 2   | 600S162-97  | 11'-9 1/2" | STUD               |
| B     | 6   | 600S200-97  | 11'-9 1/2" | KING STUD          |
| C     | 1   | 400S162-33  | 11'-9 1/4" | BACKER-U           |
| D     | 1   | 600T150-54  | 10'-8 7/8" | CAP                |
| E     | 1   | 600T200-68  | 8'-8 1/8"  | TOP TRACK          |
| F     | 1   | 600T200-68  | 8'-8 1/8"  | BOTTOM TRACK       |
| G     | 2   | 1000T200-97 | 5'-0 3/8"  | HEADER             |
| H     | 1   | 600T150-54  | 4'-3 3/8"  | HEAD TRACK         |
| I     | 1   | 600T150-54  | 1'-9 3/4"  | HEAD TRACK         |
| J     | 2   | 150U50-54   | 1'-7 9/16" | HORIZONTAL BRACING |
| K     | 3   | 600T150-54  | 1'-5 3/16" | KITCHEN BACKING    |
| L     | 2   | 600S162-54  | 9 9/16"    | CRIPPLE            |

# 11-1178

Jewish Home for the Aging

1885 Victory Blvd. Reseda, CA

FrameMax, Inc.  
13915 Danielson St  
Suite 100  
Poway, CA 92064  
www.frame-max.com



© FrameMax Inc.

CREATED: 09/18/2008

FM-07-109

CREATED BY: AMB

HEIGHT : 11'-9 11/16"

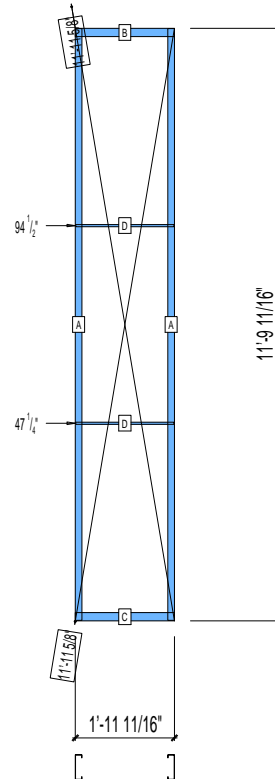
SPACING : 24"

1st STUD: 16"

WEIGHTS :

FRAME : 89 lbs

-----  
TOTAL: 89 lbs



### PIECES LIST

| LABEL | QTY | SIZE       | LENGTH       | USE                |
|-------|-----|------------|--------------|--------------------|
| A     | 2   | 600S162-97 | 11'-9 1/2"   | STUD               |
| B     | 1   | 600T200-68 | 1'-11 11/16" | TOP TRACK          |
| C     | 1   | 600T200-68 | 1'-11 11/16" | BOTTOM TRACK       |
| D     | 2   | 150U50-54  | 1'-11 1/2"   | HORIZONTAL BRACING |

# 11-1179

Jewish Home for the Aging

1885 Victory Blvd. Reseda, CA

FrameMax, Inc.  
13915 Danielson St  
Suite 100  
Poway, CA 92064  
www.frame-max.com



© FrameMax Inc.

CREATED: 09/18/2008

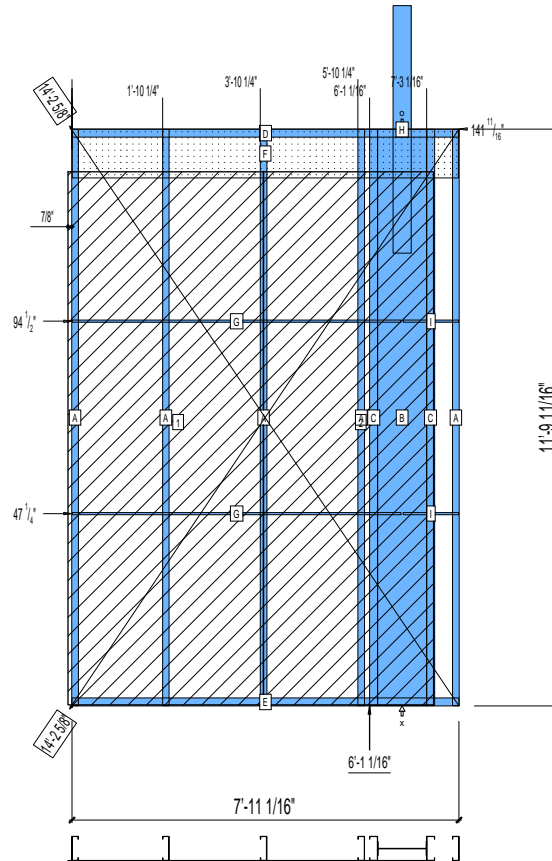
FM-07-109

CREATED BY: AMB

HEIGHT : 14'-3 15/16"  
SPACING : 24"  
1st STUD: 24"

WEIGHTS :  
FRAME : 484 lbs  
SHEATHING: 300 lbs

-----  
TOTAL: 784 lbs



PIECES LIST

| LABEL | QTY | SIZE          | LENGTH      | USE                |
|-------|-----|---------------|-------------|--------------------|
| A     | 5   | 600S162-97    | 11'-9 1/2"  | STUD               |
| B     | 1   | 1200i350p1062 | 11'-9 1/2"  | PACO               |
| C     | 2   | 600S200-68    | 11'-9 1/2"  | STUD               |
| D     | 1   | 600T200-68    | 7'-11 1/16" | TOP TRACK          |
| E     | 1   | 600T200-68    | 7'-11 1/16" | BOTTOM TRACK       |
| F     | 1   | 1200D-54      | 7'-10 7/8"  | STRAP              |
| G     | 2   | 150U50-54     | 6'-8 3/4"   | HORIZONTAL BRACING |
| H     | 1   | D             | 5'-0 3/4"   | HOLDDOWN           |
| I     | 2   | 150U50-54     | 1'-1 5/8"   | HORIZONTAL BRACING |

SHEATHING

| LABEL | QTY | CODE         | THICK | SIZE                    | SCREWS |
|-------|-----|--------------|-------|-------------------------|--------|
| 1     | 1   | SB-DENSARMOR | 5/8"  | 4'-0" X 10'-10 7/8"     | 2 - 12 |
| 2     | 1   | SB-DENSARMOR | 5/8"  | 3'-5 3/4" X 10'-10 7/8" | 2 - 12 |

# 11-1180

Jewish Home for the Aging

1885 Victory Blvd. Reseda, CA

FrameMax, Inc.  
13915 Danielson St  
Suite 100  
Poway, CA 92064  
www.frame-max.com



© FrameMax Inc.

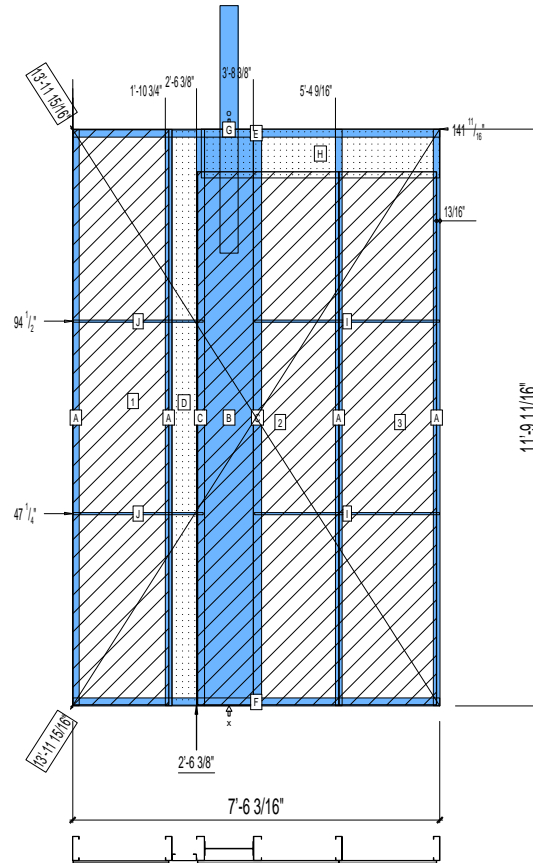
CREATED: 09/18/2008

FM-07-109

CREATED BY: AMB

HEIGHT : 14'-3 15/16" POINTS: 3.72 Points.  
SPACING : 24"  
1st STUD: 16"

WEIGHTS :  
FRAME : 457 lbs  
SHEATHING: 254 lbs  
-----  
TOTAL: 711 lbs



PIECES LIST

| LABEL | QTY | SIZE          | LENGTH     | USE                |
|-------|-----|---------------|------------|--------------------|
| A     | 4   | 600S162-97    | 11'-9 1/2" | STUD               |
| B     | 1   | 1200i350p1062 | 11'-9 1/2" | PACO               |
| C     | 2   | 600S200-68    | 11'-9 1/2" | STUD               |
| D     | 1   | 600S162-54    | 11'-9 1/4" | BACKER-U           |
| E     | 1   | 600T200-68    | 7'-6 3/16" | TOP TRACK          |
| F     | 1   | 600T200-68    | 7'-6 3/16" | BOTTOM TRACK       |
| G     | 1   | D             | 5'-0 3/4"  | HOLDDOWN           |
| H     | 1   | 1200D-54      | 4'-10 1/2" | STRAP              |
| I     | 2   | 150U50-54     | 3'-9 3/8"  | HORIZONTAL BRACING |
| J     | 2   | 150U50-54     | 2'-8"      | HORIZONTAL BRACING |

SHEATHING

| LABEL | QTY | CODE         | THICK | SIZE                     | SCREWS |
|-------|-----|--------------|-------|--------------------------|--------|
| 1     | 1   | DENSGLOSS    | 1/2"  | 1'-11 1/2" X 11'-9 1/4"  | 8 - 12 |
| 2     | 1   | SB-DENSARMOR | 5/8"  | 2'-10 3/4" X 10'-10 7/8" | 2 - 12 |
| 3     | 1   | SB-DENSARMOR | 5/8"  | 2'-0" X 10'-10 7/8"      | 2 - 12 |

# 11-1181

Jewish Home for the Aging

1885 Victory Blvd. Reseda, CA

FrameMax, Inc.  
13915 Danielson St  
Suite 100  
Poway, CA 92064  
www.framemax.com



© FrameMax Inc.

CREATED: 10/04/2008

FM-07-109

CREATED BY: AMB

HEIGHT : 11'-9 11/16" POINTS: 3.71 Points.

SPACING : 24"

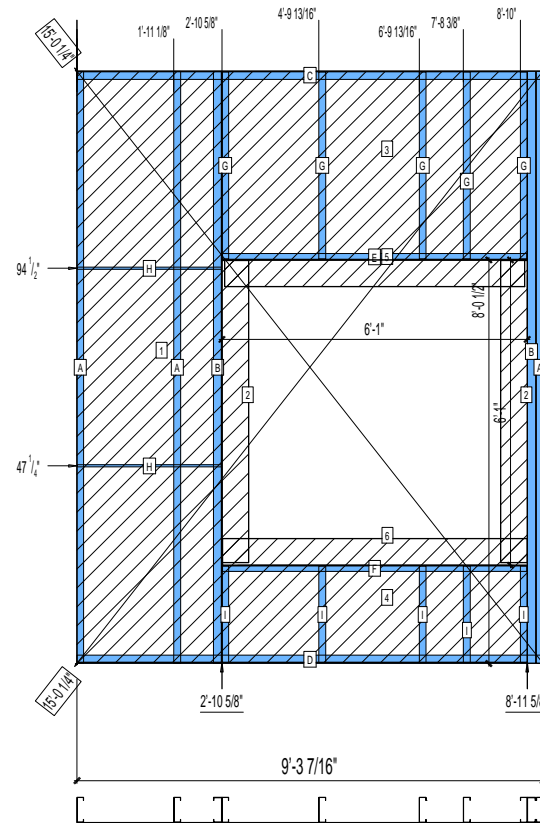
1st STUD: 24"

WEIGHTS :

FRAME : 319 lbs

SHEATHING: 203 lbs

TOTAL: 522 lbs



PIECES LIST

| LABEL | QTY | SIZE       | LENGTH      | USE                |
|-------|-----|------------|-------------|--------------------|
| A     | 4   | 600S162-68 | 11'-9 1/2"  | STUD               |
| B     | 2   | 600S200-97 | 11'-9 1/2"  | KING STUD          |
| C     | 1   | 600T200-68 | 9'-3 7/16"  | TOP TRACK          |
| D     | 1   | 600T200-68 | 9'-3 7/16"  | BOTTOM TRACK       |
| E     | 1   | 600T150-54 | 6'-0 3/4"   | HEAD TRACK         |
| F     | 1   | 600T150-54 | 6'-0 3/4"   | SILL               |
| G     | 5   | 600S162-54 | 3'-8 3/4"   | CRIPPLE            |
| H     | 2   | 150U50-54  | 2'-10 7/16" | HORIZONTAL BRACING |
| I     | 5   | 600S162-54 | 1'-11 1/16" | CRIPPLE            |

SHEATHING

| LABEL | QTY | CODE      | THICK | SIZE                     | SCREWS |
|-------|-----|-----------|-------|--------------------------|--------|
| 1     | 1   | DENSGLASS | 1/2"  | 2'-10 9/16" X 11'-9 1/4" | 8 - 12 |
| 2     | 2   | DENSGLASS | 1/2"  | 6 3/8" X 6'-0 1/4"       | 8 - 12 |
| 3     | 1   | DENSGLASS | 1/2"  | 6'-1" X 3'-8 15/16"      | 8 - 12 |
| 4     | 1   | DENSGLASS | 1/2"  | 6'-1" X 1'-11 1/8"       | 8 - 12 |
| 5     | 1   | DENSGLASS | 1/2"  | 5'-11 3/4" X 6 3/8"      | 8 - 12 |
| 6     | 1   | DENSGLASS | 1/2"  | 6'-0 7/8" X 6 3/8"       | 8 - 12 |

# 11-1182

Jewish Home for the Aging

1885 Victory Blvd. Reseda, CA

FM-07-109

CREATED BY: AMB

FrameMax, Inc.  
13915 Danielson St  
Suite 100  
Poway, CA 92064  
www.frame-max.com



© FrameMax Inc.

HEIGHT : 11'-9 11/16" POINTS: 5.93 Points.

SPACING : 24"

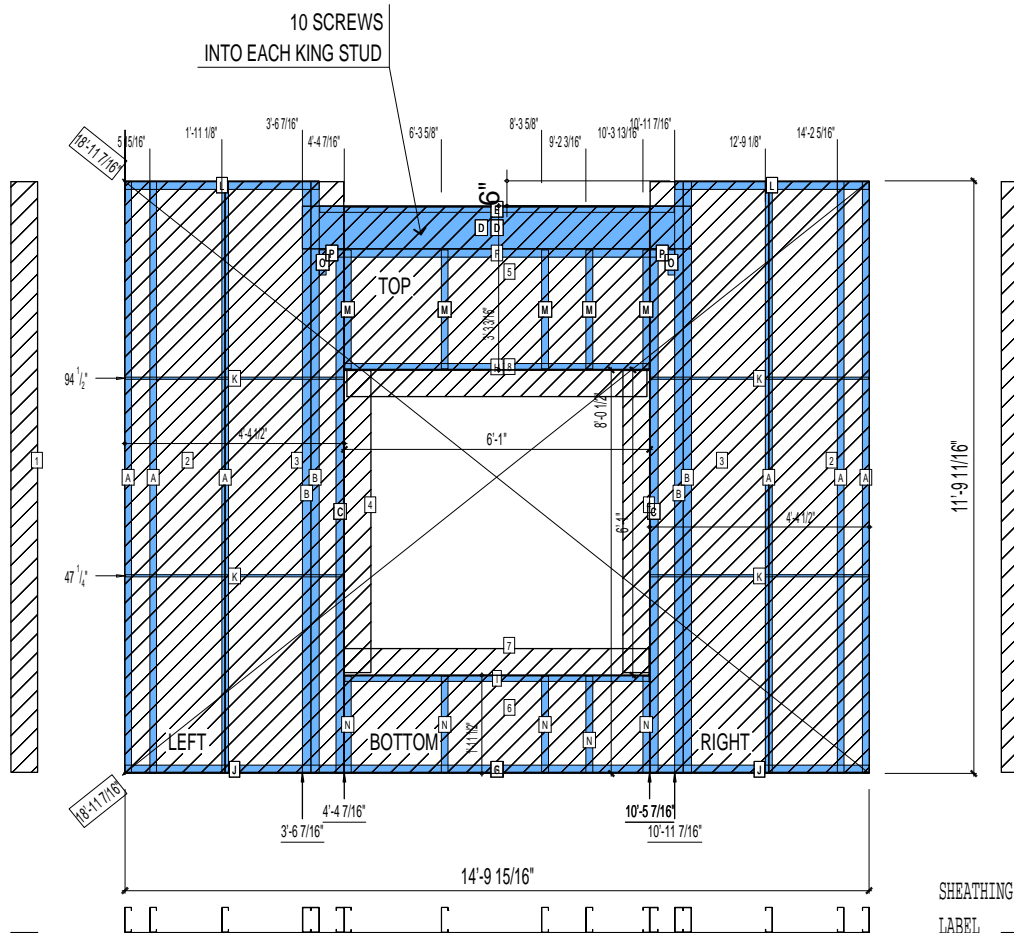
1st STUD: 24"

WEIGHTS :

FRAME : 646 lbs

SHEATHING: 399 lbs

TOTAL: 1045 lbs



PIECES LIST

| LABEL | QTY | SIZE        | LENGTH      | USE                |
|-------|-----|-------------|-------------|--------------------|
| A     | 6   | 600S162-68  | 11'-9 1/2"  | STUD               |
| B     | 4   | 600S200-97  | 11'-9 1/2"  | EXTRA STUD         |
| C     | 2   | 600S200-97  | 10'-5 1/8"  | KING STUD          |
| D     | 2   | 1000T200-97 | 7'-9"       | HEADER             |
| E     | 1   | 600T150-54  | 7'-0 3/4"   | HEAD TRACK         |
| F     | 1   | 600T200-68  | 6'-0 15/16" | TOP TRACK          |
| G     | 1   | 600T200-68  | 6'-0 15/16" | BOTTOM TRACK       |
| H     | 1   | 600T150-54  | 6'-0 3/4"   | HEAD TRACK         |
| I     | 1   | 600T150-54  | 6'-0 3/4"   | SILL               |
| J     | 2   | 600T200-68  | 4'-4 7/16"  | BOTTOM TRACK       |
| K     | 4   | 150U50-54   | 4'-4 1/4"   | HORIZONTAL BRACING |
| L     | 2   | 600T200-68  | 3'-10 7/16" | TOP TRACK          |
| M     | 5   | 600S162-54  | 2'-4 1/2"   | CRIPPLE            |
| N     | 5   | 600S162-54  | 1'-11 1/16" | CRIPPLE            |
| O     | 2   | 600S162-54  | 6"          | CRIPPLE            |
| P     | 2   | 600T200-68  | 5 15/16"    | TOP TRACK          |

SHEATHING

| LABEL | QTY | CODE      | THICK | SIZE                   | SCREWS |
|-------|-----|-----------|-------|------------------------|--------|
| 1     | 2   | DENSGLASS | 1/2"  | 6 3/8" X 11'-9 1/4"    | 8 - 12 |
| 2     | 2   | DENSGLASS | 1/2"  | 2'-0" X 11'-9 1/4"     | 8 - 12 |
| 3     | 2   | DENSGLASS | 1/2"  | 2'-4 3/8" X 11'-9 1/4" | 8 - 12 |
| 4     | 2   | DENSGLASS | 1/2"  | 6 3/8" X 6'-0 1/4"     | 8 - 12 |
| 5     | 1   | DENSGLASS | 1/2"  | 6'-1" X 3'-2 13/16"    | 8 - 12 |
| 6     | 1   | DENSGLASS | 1/2"  | 6'-1" X 1'-11 1/8"     | 8 - 12 |
| 7     | 1   | DENSGLASS | 1/2"  | 6'-0 7/8" X 6 3/8"     | 8 - 12 |
| 8     | 1   | DENSGLASS | 1/2"  | 5'-11 3/4" X 6 3/8"    | 8 - 12 |

# 11-1183

Jewish Home for the Aging

1885 Victory Blvd. Reseda, CA

FM-07-109

CREATED BY: AMB

FrameMax, Inc.  
13915 Danielson St  
Suite 100  
Poway, CA 92064  
www.frame-max.com

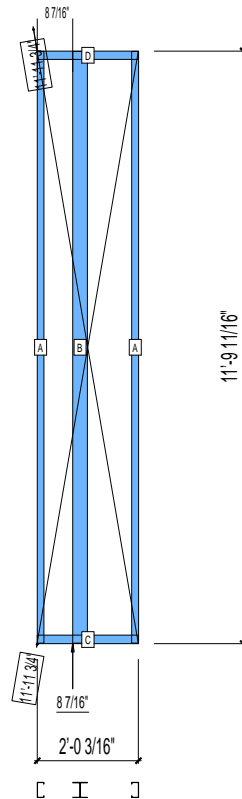


© FrameMax Inc.

HEIGHT : 11'-9 11/16"  
SPACING : 24"  
1st STUD: 24"

WEIGHTS :  
FRAME : 107 lbs

-----  
TOTAL: 107 lbs



### PIECES LIST

| LABEL | QTY | SIZE        | LENGTH     | USE          |
|-------|-----|-------------|------------|--------------|
| A     | 2   | 362S162-54  | 11'-9 1/2" | STUD         |
| B     | 1   | 363i350p554 | 11'-9 1/2" | PACO.COLUMN  |
| C     | 1   | 362T200-68  | 2'-0 3/16" | BOTTOM TRACK |
| D     | 1   | 362T200-68  | 2'-0 3/16" | TOP TRACK    |

# 11-1184

Jewish Home for the Aging

1885 Victory Blvd. Reseda, CA

FrameMax, Inc.  
13915 Danielson St  
Suite 100  
Poway, CA 92064  
www.frame-max.com



© FrameMax Inc.

CREATED: 09/17/2008

FM-07-109

CREATED BY: AMB

HEIGHT : 11'-9 11/16" POINTS: 0.89 Points.

SPACING : 24"

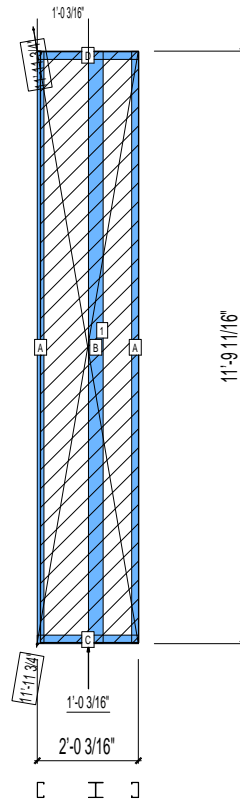
1st STUD: 24"

WEIGHTS :

FRAME : 107 lbs

SHEATHING: 57 lbs

-----  
TOTAL: 164 lbs



PIECES LIST

| LABEL | QTY | SIZE        | LENGTH     | USE          |
|-------|-----|-------------|------------|--------------|
| A     | 2   | 362S162-54  | 11'-9 1/2" | STUD         |
| B     | 1   | 363i350p554 | 11'-9 1/2" | PACO.COLUMN  |
| C     | 1   | 362T200-68  | 2'-0 3/16" | BOTTOM TRACK |
| D     | 1   | 362T200-68  | 2'-0 3/16" | TOP TRACK    |

SHEATHING

| LABEL | QTY | CODE      | THICK | SIZE                     | SCREWS |
|-------|-----|-----------|-------|--------------------------|--------|
| 1     | 1   | DENSGLASS | 1/2"  | 1'-11 7/16" X 11'-9 1/4" | 8 - 12 |

# 11-1185

Jewish Home for the Aging

1885 Victory Blvd. Reseda, CA

FrameMax, Inc.  
 13915 Danielson St  
 Suite 100  
 Poway, CA 92064  
 www.frame-max.com



© FrameMax Inc.

CREATED: 09/17/2008

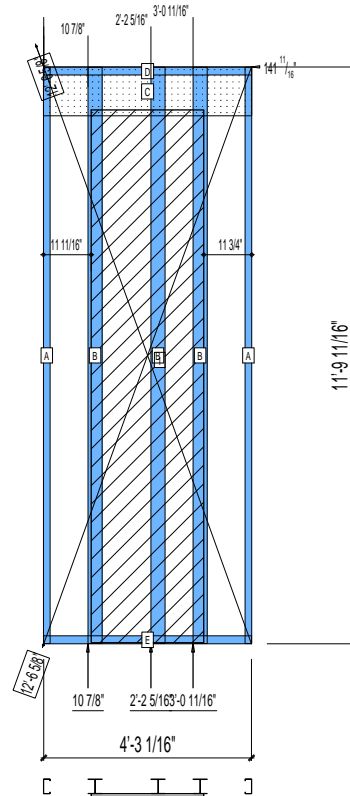
FM-07-109

CREATED BY: AMB

HEIGHT : 11'-9 11/16" POINTS: 1.84 Points.  
 SPACING : 24"  
 1st STUD: 24"

WEIGHTS :  
 FRAME : 256 lbs  
 SHEATHING: 92 lbs

-----  
 TOTAL: 348 lbs



PIECES LIST

| LABEL | QTY | SIZE        | LENGTH     | USE          |
|-------|-----|-------------|------------|--------------|
| A     | 2   | 362S162-54  | 11'-9 1/2" | STUD         |
| B     | 3   | 3631350p554 | 11'-9 1/2" | PACO COLUMN  |
| C     | 1   | 1200D-54    | 4'-3 1/8"  | STRAP        |
| D     | 1   | 362T200-68  | 4'-3 1/16" | TOP TRACK    |
| E     | 1   | 362T200-68  | 4'-3 1/16" | BOTTOM TRACK |

SHEATHING

| LABEL | QTY | CODE         | THICK | SIZE                    | SCREWS |
|-------|-----|--------------|-------|-------------------------|--------|
| 1     | 1   | SB-DENSARMOR | 5/8"  | 2'-3 5/8" X 10'-10 7/8" | 1 - 12 |

# 11-1186

Jewish Home for the Aging

1885 Victory Blvd. Reseda, CA

FrameMax, Inc.  
13915 Danielson St  
Suite 100  
Poway, CA 92064  
www.frame-max.com



© FrameMax Inc.

CREATED: 09/17/2008

FM-07-109

CREATED BY: AMB

HEIGHT : 11'-9 11/16" POINTS: 1.42 Points.

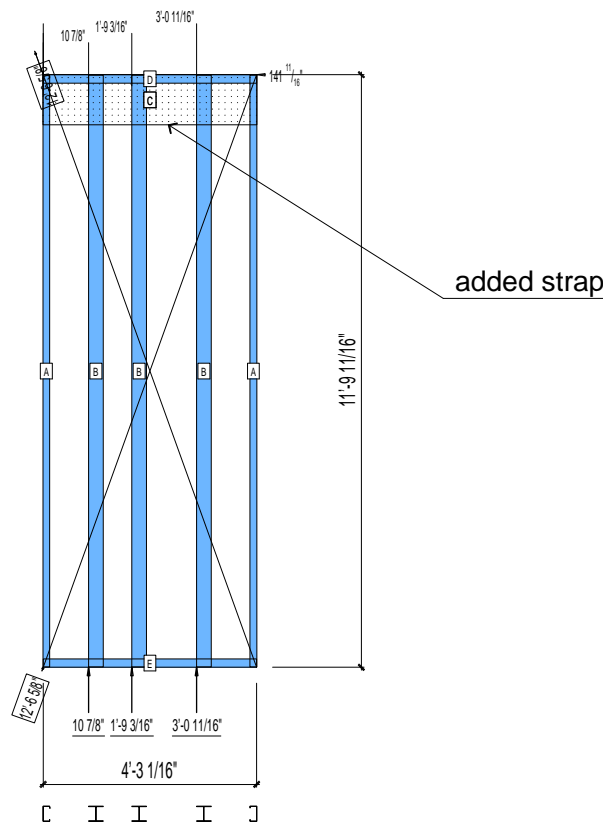
SPACING : 24"

1st STUD: 24"

WEIGHTS :

FRAME : 256 lbs

TOTAL: 256 lbs



PIECES LIST

| LABEL | QTY | SIZE        | LENGTH     | USE          |
|-------|-----|-------------|------------|--------------|
| A     | 2   | 362S162-54  | 11'-9 1/2" | STUD         |
| B     | 3   | 363i350p554 | 11'-9 1/2" | PACO. COLUMN |
| C     | 1   | 1200D-54    | 4'-3 1/8"  | STRAP        |
| D     | 1   | 362T200-68  | 4'-3 1/16" | TOP TRACK    |
| E     | 1   | 362T200-68  | 4'-3 1/16" | BOTTOM TRACK |

# 11-1187

Jewish Home for the Aging

1885 Victory Blvd. Reseda, CA

FM-07-109

CREATED BY: AMB

FrameMax, Inc.  
13915 Danielson St  
Suite 100  
Poway, CA 92064  
www.frame-max.com



© FrameMax Inc.

HEIGHT : 11'-9 11/16" POINTS: 2.75 Points.

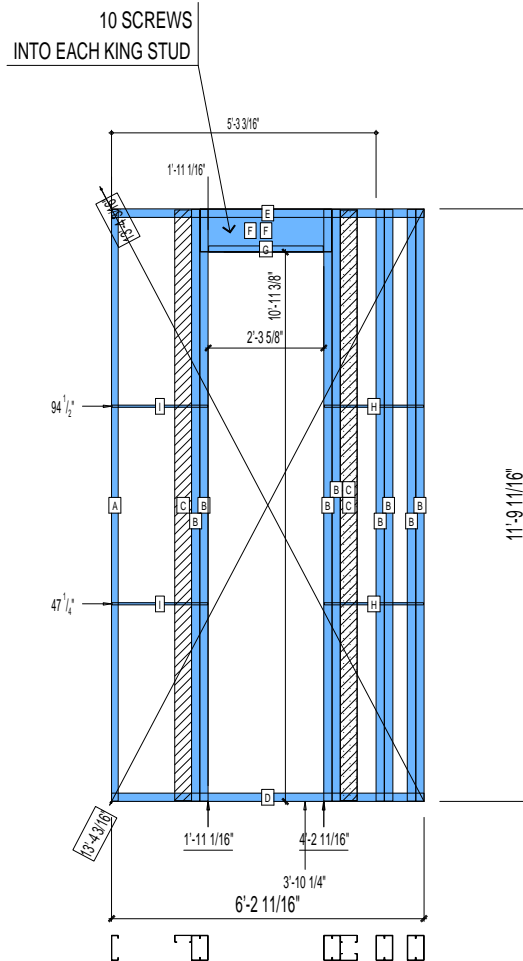
SPACING : 24"

1st STUD: 24"

WEIGHTS :

FRAME : 478 lbs

TOTAL: 478 lbs



PIECES LIST

| LABEL | QTY | SIZE        | LENGTH      | USE                |
|-------|-----|-------------|-------------|--------------------|
| A     | 1   | 600S162-97  | 11'-9 1/2"  | STUD               |
| B     | 8   | 600S200-97  | 11'-9 1/2"  | KING STUD          |
| C     | 3   | 400S162-33  | 11'-9 1/4"  | BACKER-U           |
| D     | 1   | 600T200-68  | 6'-2 11/16" | BOTTOM TRACK       |
| E     | 1   | 600T200-68  | 6'-2 11/16" | TOP TRACK          |
| F     | 2   | 1000T200-97 | 2'-7 3/8"   | HEADER             |
| G     | 1   | 600T150-54  | 2'-3 3/8"   | HEAD TRACK         |
| H     | 2   | 150U50-54   | 1'-11 3/4"  | HORIZONTAL BRACING |
| I     | 2   | 150U50-54   | 1'-10 7/8"  | HORIZONTAL BRACING |

# 11-1188

Jewish Home for the Aging

1885 Victory Blvd. Reseda, CA

FrameMax, Inc.  
13915 Danielson St  
Suite 100  
Poway, CA 92064  
www.frame-max.com



© FrameMax Inc.

CREATED: 09/17/2008

FM-07-109

CREATED BY: AMB

HEIGHT : 11'-9 11/16" POINTS: 2.68 Points.

SPACING : 24"

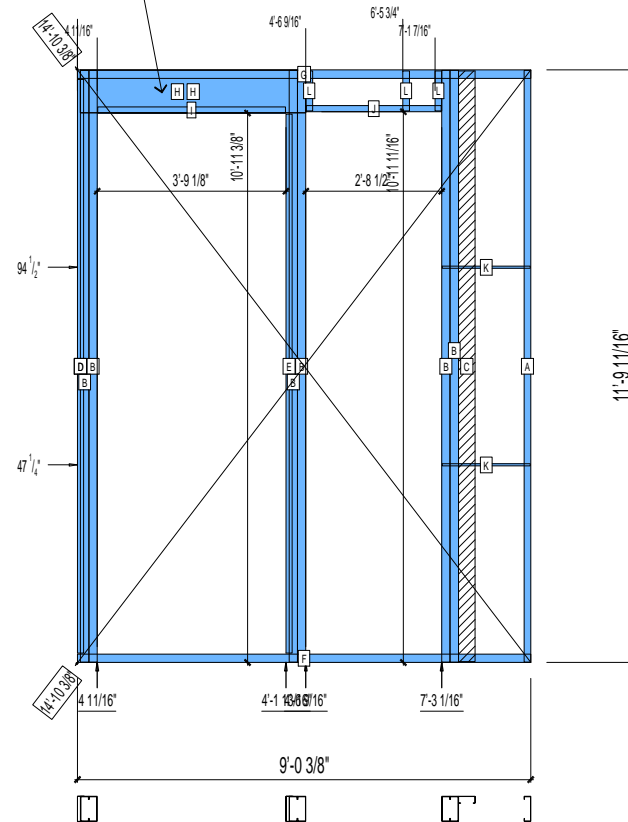
1st STUD: 24"

WEIGHTS :

FRAME : 450 lbs

TOTAL: 450 lbs

10 SCREWS  
INTO EACH KING STUD



PIECES LIST

| LABEL | QTY | SIZE        | LENGTH      | USE                |
|-------|-----|-------------|-------------|--------------------|
| A     | 1   | 600S162-97  | 11'-9 1/2"  | STUD               |
| B     | 6   | 600S200-97  | 11'-9 1/2"  | KING STUD          |
| C     | 1   | 400S162-33  | 11'-9 1/4"  | BACKER-U           |
| D     | 1   | 600T150-54  | 11'-5 3/16" | CAP                |
| E     | 1   | 600T150-54  | 10'-8 7/8"  | CAP                |
| F     | 1   | 600T200-68  | 9'-0 3/8"   | BOTTOM TRACK       |
| G     | 1   | 600T200-68  | 9'-0 3/8"   | TOP TRACK          |
| H     | 2   | 1000T200-97 | 4'-5 7/8"   | HEADER             |
| I     | 1   | 600T150-54  | 3'-8 7/8"   | HEAD TRACK         |
| J     | 1   | 600T150-54  | 2'-8 1/4"   | HEAD TRACK         |
| K     | 2   | 150U50-54   | 1'-9 1/16"  | HORIZONTAL BRACING |
| L     | 3   | 600S162-54  | 9 9/16"     | CRIPPLE            |

# 11-1189

Jewish Home for the Aging

1885 Victory Blvd. Reseda, CA

FM-07-109

CREATED BY: AMB

FrameMax, Inc.  
13915 Danielson St  
Suite 100  
Poway, CA 92064  
www.frame-max.com



© FrameMax Inc.

HEIGHT : 13'-5 1/16" POINTS: 5.30 Points.

SPACING : 24"

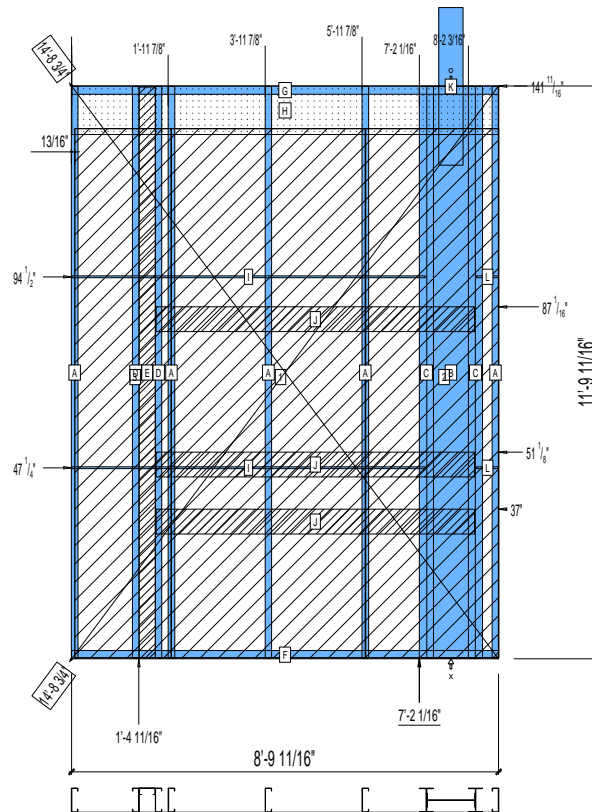
1st STUD: 24"

WEIGHTS :

FRAME : 673 lbs

SHEATHING: 351 lbs

TOTAL: 1024 lbs



PIECES LIST

| LABEL | QTY | SIZE          | LENGTH      | USE                |
|-------|-----|---------------|-------------|--------------------|
| A     | 5   | 600S162-97    | 11'-9 1/2"  | STUD               |
| B     | 1   | 1200i350p1062 | 11'-9 1/2"  | PACO               |
| C     | 2   | 600i350p680   | 11'-9 1/2"  | PACO               |
| D     | 2   | 600S162-33    | 11'-9 1/2"  | BACKER STUD        |
| E     | 1   | 400S162-33    | 11'-9 1/4"  | BACKER-U           |
| F     | 1   | 600T200-68    | 8'-9 11/16" | BOTTOM TRACK       |
| G     | 1   | 600T200-68    | 8'-9 11/16" | TOP TRACK          |
| H     | 1   | 1200D-54      | 8'-9 1/2"   | STRAP              |
| I     | 2   | 150U50-54     | 7'-3 7/16"  | HORIZONTAL BRACING |
| J     | 3   | 600T150-54    | 6'-6 3/4"   | KITCHEN BACKING    |
| K     | 1   | E             | 3'-3"       | HOLDDOWN           |
| L     | 2   | 150U50-54     | 5 5/16"     | HORIZONTAL BRACING |

SHEATHING

| LABEL | QTY | CODE         | THICK | SIZE                       | SCREWS |
|-------|-----|--------------|-------|----------------------------|--------|
| 1     | 1   | SB-DENSARMOR | 5/8"  | 4'-0" X 10'-10 7/8"        | 2 - 12 |
| 2     | 1   | SB-DENSARMOR | 5/8"  | 2'-8 15/16" X 10'-10 7/8"  | 2 - 12 |
| 3     | 1   | SB-DENSARMOR | 5/8"  | 1'-11 15/16" X 10'-10 7/8" | 2 - 12 |

# 11-1190

Jewish Home for the Aging

1885 Victory Blvd. Reseda, CA

FM-07-109

CREATED BY: AMB

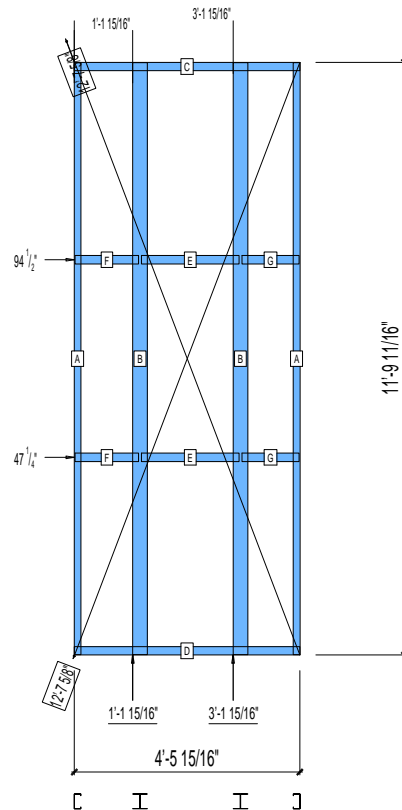
FrameMax, Inc.  
13915 Danielson St  
Suite 100  
Poway, CA 92064  
www.frame-max.com



© FrameMax Inc.

HEIGHT : 11'-9 11/16"  
SPACING : 24"  
1st STUD: 16"

WEIGHTS :  
FRAME : 198 lbs  
-----  
TOTAL: 198 lbs



PIECES LIST

| LABEL | QTY | SIZE        | LENGTH      | USE          |
|-------|-----|-------------|-------------|--------------|
| A     | 2   | 362S162-54  | 11'-9 1/2"  | STUD         |
| B     | 2   | 363i350p554 | 11'-9 1/2"  | PACO COLUMN  |
| C     | 1   | 362T200-68  | 4'-5 15/16" | TOP TRACK    |
| D     | 1   | 362T200-68  | 4'-5 15/16" | BOTTOM TRACK |
| E     | 2   | 362T200-68  | 1'-11 5/16" | BLOCK        |
| F     | 2   | 362T200-68  | 1'-3 3/16"  | BLOCK        |
| G     | 2   | 362T200-68  | 1'-1 11/16" | BLOCK        |

# 11-1191

Jewish Home for the Aging

1885 Victory Blvd. Reseda, CA

FrameMax, Inc.  
13915 Danielson St  
Suite 100  
Poway, CA 92064  
www.frame-max.com



© FrameMax Inc.

CREATED: 09/17/2008

FM-07-109

CREATED BY: AMB

HEIGHT : 11'-9 11/16" POINTS: 1.25 Points.

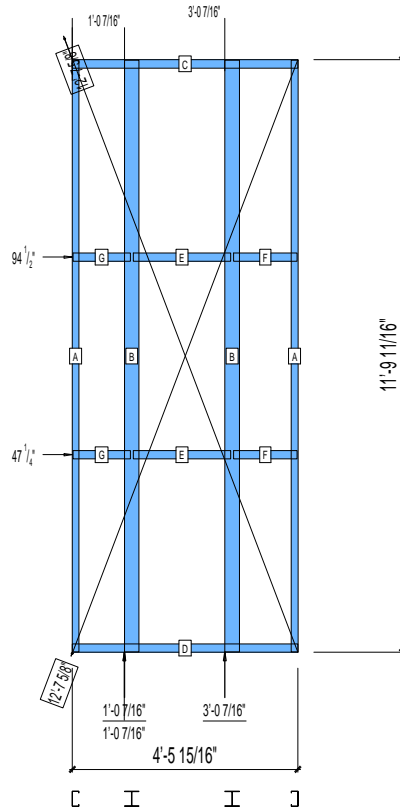
SPACING : 24"

1st STUD: 24"

WEIGHTS :

FRAME : 198 lbs

TOTAL: 198 lbs



### PIECES LIST

| LABEL | QTY | SIZE        | LENGTH      | USE          |
|-------|-----|-------------|-------------|--------------|
| A     | 2   | 362S162-54  | 11'-9 1/2"  | STUD         |
| B     | 2   | 363i350p554 | 11'-9 1/2"  | PACO.COLUMN  |
| C     | 1   | 362T200-68  | 4'-5 15/16" | TOP TRACK    |
| D     | 1   | 362T200-68  | 4'-5 15/16" | BOTTOM TRACK |
| E     | 2   | 362T200-68  | 1'-11 5/16" | BLOCK        |
| F     | 2   | 362T200-68  | 1'-3 3/16"  | BLOCK        |
| G     | 2   | 362T200-68  | 1'-1 11/16" | BLOCK        |

# 11-1192

Jewish Home for the Aging

1885 Victory Blvd. Reseda, CA

FrameMax, Inc.  
13915 Danielson St  
Suite 100  
Poway, CA 92064  
www.frame-max.com



© FrameMax Inc.

CREATED: 09/17/2008

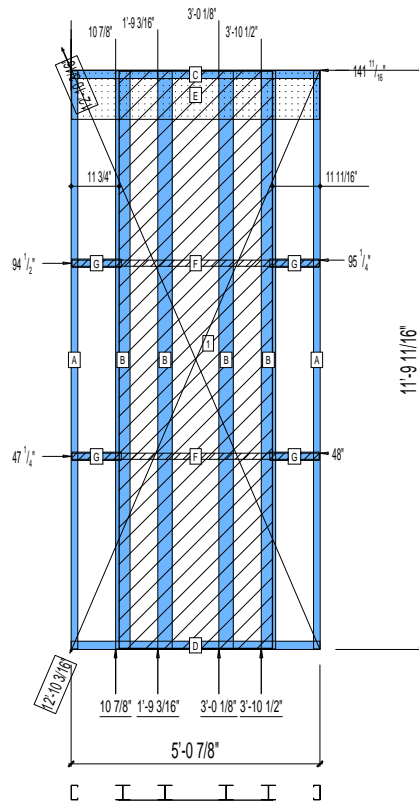
FM-07-109

CREATED BY: AMB

HEIGHT : 11'-9 11/16"  
SPACING : 24"  
1st STUD: 24"

WEIGHTS :  
FRAME : 336 lbs  
SHEATHING: 135 lbs

-----  
TOTAL: 471 lbs



PIECES LIST

| LABEL | QTY | SIZE        | LENGTH      | USE          |
|-------|-----|-------------|-------------|--------------|
| A     | 2   | 362S162-54  | 11'-9 1/2"  | STUD         |
| B     | 4   | 363I350p554 | 11'-9 1/2"  | PACO COLUMN  |
| C     | 1   | 362T200-68  | 5'-0 7/8"   | TOP TRACK    |
| D     | 1   | 362T200-68  | 5'-0 7/8"   | BOTTOM TRACK |
| E     | 1   | 1200D-54    | 5'-0 11/16" | STRAP        |
| F     | 2   | 150D-43     | 5'-0 11/16" | STRAP        |
| G     | 4   | 362T200-68  | 1'-0 1/16"  | BLOCK        |

SHEATHING

| LABEL | QTY | CODE         | THICK | SIZE                   | SCREWS |
|-------|-----|--------------|-------|------------------------|--------|
| 1     | 1   | SB-DENSGLASS | 1/2"  | 3'-1 1/2" X 11'-9 1/4" | 2 - 12 |

# 11-1193

Jewish Home for the Aging

1885 Victory Blvd. Reseda, CA

FM-07-109

CREATED BY: AMB

FrameMax, Inc.  
13915 Danielson St  
Suite 100  
Poway, CA 92064  
www.frame-max.com

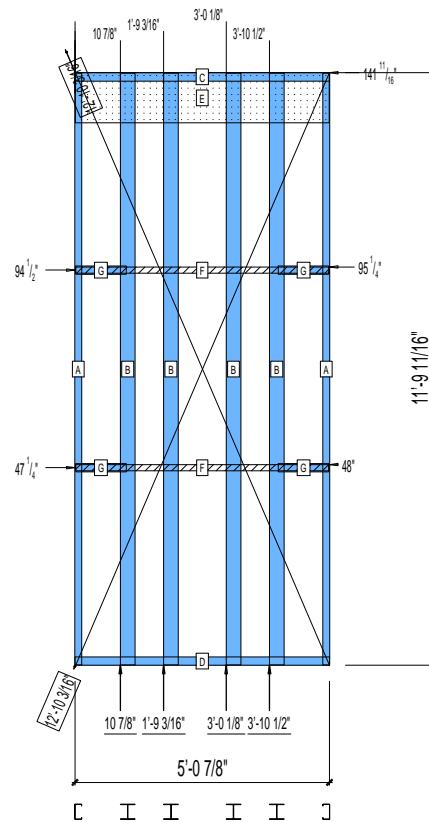


© FrameMax Inc.

HEIGHT : 11'-9 11/16"  
SPACING : 24"  
1st STUD: 24"

WEIGHTS :  
FRAME : 336 lbs

TOTAL: 336 lbs



PIECES LIST

| LABEL | QTY | SIZE        | LENGTH      | USE          |
|-------|-----|-------------|-------------|--------------|
| A     | 2   | 362S162-54  | 11'-9 1/2"  | STUD         |
| B     | 4   | 363i350p554 | 11'-9 1/2"  | PACO.COLUMN  |
| C     | 1   | 362T200-68  | 5'-0 7/8"   | TOP TRACK    |
| D     | 1   | 362T200-68  | 5'-0 7/8"   | BOTTOM TRACK |
| E     | 1   | 1200D-54    | 5'-0 11/16" | STRAP        |
| F     | 2   | 150D-43     | 5'-0 11/16" | STRAP        |
| G     | 4   | 362T200-68  | 1'-0 1/16"  | BLOCK        |

# 11-1194

Jewish Home for the Aging

1885 Victory Blvd. Reseda, CA

FM-07-109

CREATED BY: AMB

FrameMax, Inc.  
13915 Danielson St  
Suite 100  
Poway, CA 92064  
www.frame-max.com

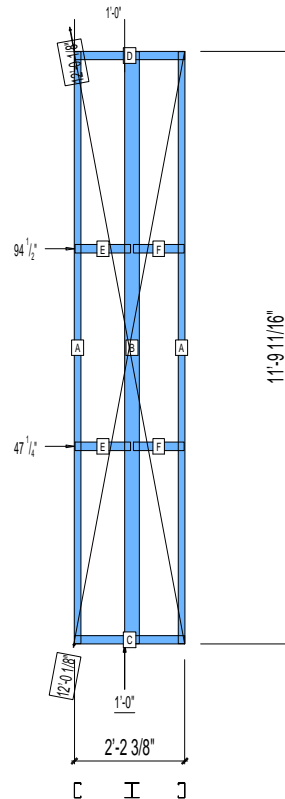


© FrameMax Inc.

HEIGHT : 11'-9 11/16"  
SPACING : 24"  
1st STUD: 24"

WEIGHTS :  
FRAME : 115 lbs

-----  
TOTAL: 115 lbs



### PIECES LIST

| LABEL | QTY | SIZE        | LENGTH     | USE          |
|-------|-----|-------------|------------|--------------|
| A     | 2   | 362S162-54  | 11'-9 1/2" | STUD         |
| B     | 1   | 363i350p554 | 11'-9 1/2" | PACO. COLUMN |
| C     | 1   | 362T200-68  | 2'-2 3/8"  | BOTTOM TRACK |
| D     | 1   | 362T200-68  | 2'-2 3/8"  | TOP TRACK    |
| E     | 2   | 362T200-68  | 1'-1 1/4"  | BLOCK        |
| F     | 2   | 362T200-68  | 1'-0 1/16" | BLOCK        |

# 11-1195

Jewish Home for the Aging

1885 Victory Blvd. Reseda, CA

FM-07-109

CREATED BY: AMB

FrameMax, Inc.  
13915 Danielson St  
Suite 100  
Poway, CA 92064  
www.frame-max.com

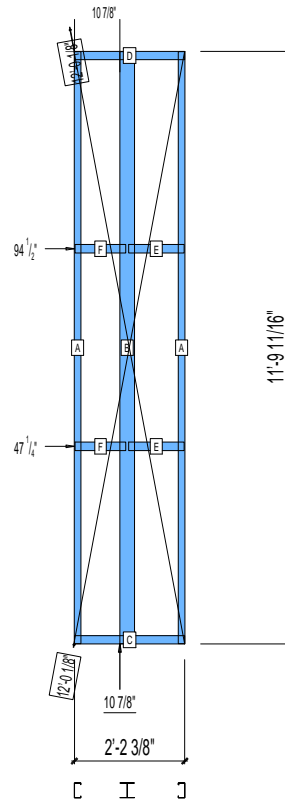


© FrameMax Inc.

HEIGHT : 11'-9 11/16"  
SPACING : 24"  
1st STUD: 24"

WEIGHTS :  
FRAME : 115 lbs

-----  
TOTAL: 115 lbs



PIECES LIST

| LABEL | QTY | SIZE        | LENGTH     | USE          |
|-------|-----|-------------|------------|--------------|
| A     | 2   | 362S162-54  | 11'-9 1/2" | STUD         |
| B     | 1   | 363i350p554 | 11'-9 1/2" | PACO. COLUMN |
| C     | 1   | 362T200-68  | 2'-2 3/8"  | BOTTOM TRACK |
| D     | 1   | 362T200-68  | 2'-2 3/8"  | TOP TRACK    |
| E     | 2   | 362T200-68  | 1'-1 1/4"  | BLOCK        |
| F     | 2   | 362T200-68  | 1'-0 1/16" | BLOCK        |

# 11-1196

Jewish Home for the Aging

1885 Victory Blvd. Reseda, CA

FrameMax, Inc.  
13915 Danielson St  
Suite 100  
Poway, CA 92064  
www.frame-max.com



© FrameMax Inc.

CREATED: 09/17/2008

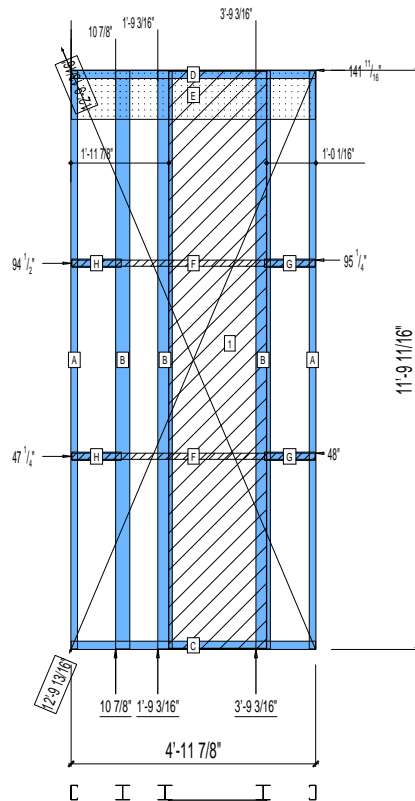
FM-07-109

CREATED BY: AMB

HEIGHT : 11'-9 11/16"  
SPACING : 24"  
1st STUD: 24"

WEIGHTS :  
FRAME : 270 lbs  
SHEATHING: 86 lbs

-----  
TOTAL: 356 lbs



PIECES LIST

| LABEL | QTY | SIZE        | LENGTH       | USE          |
|-------|-----|-------------|--------------|--------------|
| A     | 2   | 362S162-54  | 11'-9 1/2"   | STUD         |
| B     | 3   | 363i350p554 | 11'-9 1/2"   | PACO. COLUMN |
| C     | 1   | 362T200-68  | 4'-11 7/8"   | BOTTOM TRACK |
| D     | 1   | 362T200-68  | 4'-11 7/8"   | TOP TRACK    |
| E     | 1   | 1200D-54    | 4'-11 11/16" | STRAP        |
| F     | 2   | 150D-43     | 4'-11 11/16" | STRAP        |
| G     | 2   | 362T200-68  | 1'-0 3/8"    | BLOCK        |
| H     | 2   | 362T200-68  | 1'-0 1/16"   | BLOCK        |

SHEATHING

| LABEL | QTY | CODE         | THICK | SIZE           | SCREWS            |
|-------|-----|--------------|-------|----------------|-------------------|
| 1     | 1   | SB-DENSGLOSS | 1/2"  | 1'-11 15/16" X | 11'-9 1/4" 2 - 12 |

# 11-1197

Jewish Home for the Aging

1885 Victory Blvd. Reseda, CA

FM-07-109

CREATED BY: AMB

FrameMax, Inc.  
13915 Danielson St  
Suite 100  
Poway, CA 92064  
www.framemax.com

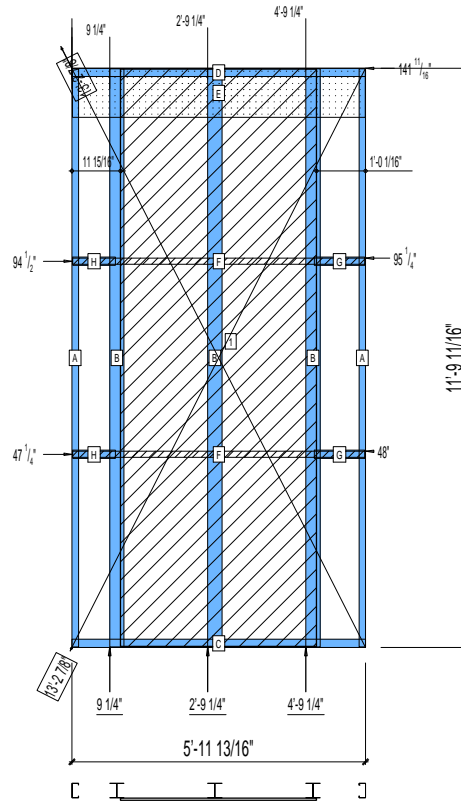


© FrameMax Inc.

HEIGHT : 11'-9 11/16"  
SPACING : 24"  
1st STUD: 24"

WEIGHTS :  
FRAME : 276 lbs  
SHEATHING: 173 lbs

-----  
TOTAL: 449 lbs



PIECES LIST

| LABEL | QTY | SIZE        | LENGTH       | USE          |
|-------|-----|-------------|--------------|--------------|
| A     | 2   | 362S162-54  | 11'-9 1/2"   | STUD         |
| B     | 3   | 363i350p554 | 11'-9 1/2"   | PACO. COLUMN |
| C     | 1   | 362T200-68  | 5'-11 13/16" | BOTTOM TRACK |
| D     | 1   | 362T200-68  | 5'-11 13/16" | TOP TRACK    |
| E     | 1   | 1200D-54    | 5'-11 5/8"   | STRAP        |
| F     | 2   | 150D-43     | 5'-11 5/8"   | STRAP        |
| G     | 2   | 362T200-68  | 1'-0 5/16"   | BLOCK        |
| H     | 2   | 362T200-68  | 10 7/16"     | BLOCK        |

SHEATHING

| LABEL | QTY | CODE         | THICK | SIZE                      | SCREWS |
|-------|-----|--------------|-------|---------------------------|--------|
| 1     | 1   | SB-DENSGLOSS | 1/2"  | 3'-11 15/16" X 11'-9 1/4" | 2 - 12 |

# 11-1198

Jewish Home for the Aging

1885 Victory Blvd. Reseda, CA

FM-07-109

CREATED BY: AMB

FrameMax, Inc.  
13915 Danielson St  
Suite 100  
Poway, CA 92064  
www.frame-max.com

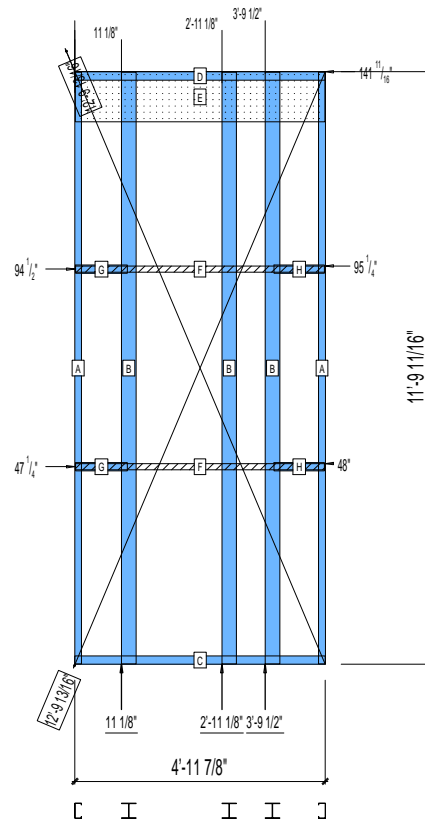


© FrameMax Inc.

HEIGHT : 11'-9 11/16"  
SPACING : 24"  
1st STUD: 24"

WEIGHTS :  
FRAME : 270 lbs

-----  
TOTAL: 270 lbs



PIECES LIST

| LABEL | QTY | SIZE        | LENGTH       | USE          |
|-------|-----|-------------|--------------|--------------|
| A     | 2   | 362S162-54  | 11'-9 1/2"   | STUD         |
| B     | 3   | 363i350p554 | 11'-9 1/2"   | PACO.COLUMN  |
| C     | 1   | 362T200-68  | 4'-11 7/8"   | BOTTOM TRACK |
| D     | 1   | 362T200-68  | 4'-11 7/8"   | TOP TRACK    |
| E     | 1   | 1200D-54    | 4'-11 11/16" | STRAP        |
| F     | 2   | 150D-43     | 4'-11 11/16" | STRAP        |
| G     | 2   | 362T200-68  | 1'-0 3/8"    | BLOCK        |
| H     | 2   | 362T200-68  | 1'-0 1/16"   | BLOCK        |

# 11-1199

Jewish Home for the Aging

1885 Victory Blvd. Reseda, CA

FM-07-109

CREATED BY: AMB

FrameMax, Inc.  
13915 Danielson St  
Suite 100  
Poway, CA 92064  
www.frame-max.com

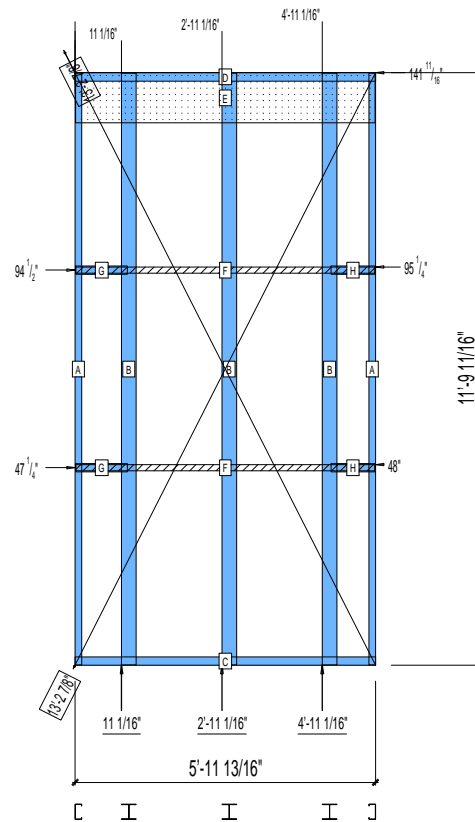


© FrameMax Inc.

HEIGHT : 11'-9 11/16"  
SPACING : 24"  
1st STUD: 24"

WEIGHTS :  
FRAME : 276 lbs

TOTAL: 276 lbs



PIECES LIST

| LABEL | QTY | SIZE        | LENGTH       | USE          |
|-------|-----|-------------|--------------|--------------|
| A     | 2   | 362S162-54  | 11'-9 1/2"   | STUD         |
| B     | 3   | 363i350p554 | 11'-9 1/2"   | PACO.COLUMN  |
| C     | 1   | 362T200-68  | 5'-11 13/16" | BOTTOM TRACK |
| D     | 1   | 362T200-68  | 5'-11 13/16" | TOP TRACK    |
| E     | 1   | 1200D-54    | 5'-11 5/8"   | STRAP        |
| F     | 2   | 150D-43     | 5'-11 5/8"   | STRAP        |
| G     | 2   | 362T200-68  | 1'-0 5/16"   | BLOCK        |
| H     | 2   | 362T200-68  | 10 7/16"     | BLOCK        |

# 11-1200

Jewish Home for the Aging

1885 Victory Blvd. Reseda, CA

FM-07-109

CREATED BY: AMB

FrameMax, Inc.  
13915 Danielson St  
Suite 100  
Poway, CA 92064  
www.frame-max.com



© FrameMax Inc.

HEIGHT : 11'-9 11/16" POINTS: 3.83 Points.

SPACING : 24"

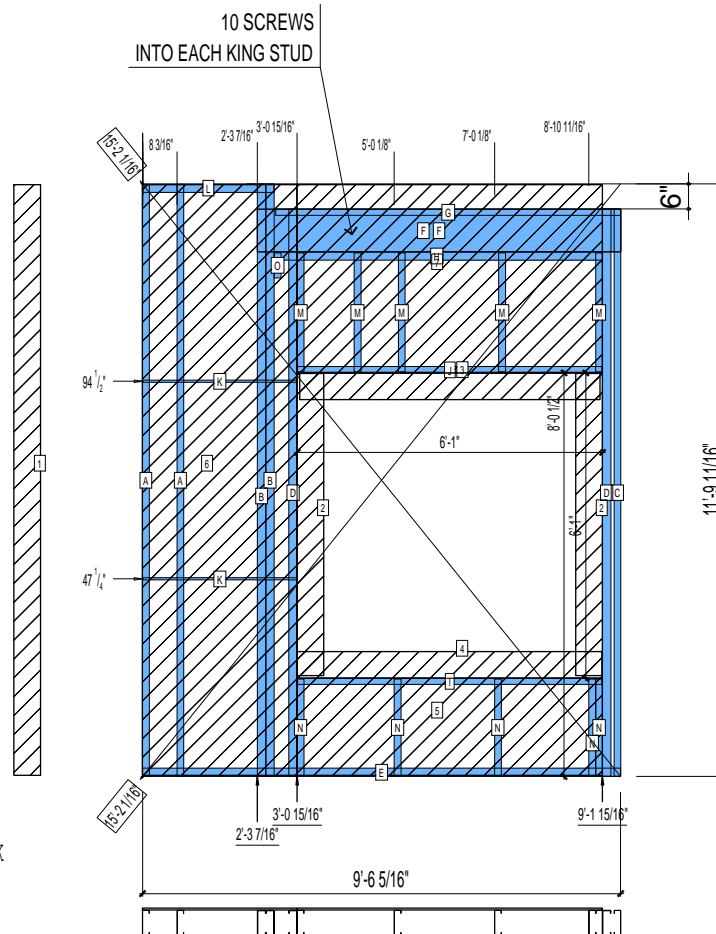
1st STUD: 24"

WEIGHTS :

FRAME : 444 lbs

SHEATHING: 224 lbs

TOTAL: 668 lbs



## PIECES LIST

| LABEL | QTY | SIZE        | LENGTH      | USE                |
|-------|-----|-------------|-------------|--------------------|
| A     | 2   | 600S162-68  | 11'-9 1/2"  | STUD               |
| B     | 2   | 600S200-97  | 11'-9 1/2"  | EXTRA STUD         |
| C     | 1   | 600S162-68  | 11'-3 9/16" | STUD               |
| D     | 2   | 600S200-97  | 11'-3 9/16" | KING STUD          |
| E     | 1   | 600T200-68  | 9'-6 5/16"  | BOTTOM TRACK       |
| F     | 2   | 1000T200-97 | 7'-2 7/8"   | HEADER             |
| G     | 1   | 600T150-54  | 6'-10 7/16" | HEAD TRACK         |
| H     | 1   | 600T200-68  | 6'-6 7/16"  | TOP TRACK          |
| I     | 1   | 600T150-54  | 6'-0 3/4"   | SILL               |
| J     | 1   | 600T150-54  | 6'-0 3/4"   | HEAD TRACK         |
| K     | 2   | 150U50-54   | 3'-0 3/4"   | HORIZONTAL BRACING |
| L     | 1   | 600T200-68  | 2'-7 7/16"  | TOP TRACK          |
| M     | 5   | 600S162-54  | 2'-4 1/2"   | CRIPPLE            |
| N     | 5   | 600S162-54  | 1'-11 1/16" | CRIPPLE            |
| O     | 1   | 600S162-54  | 6"          | CRIPPLE            |

## SHEATHING

| LABEL | QTY | CODE      | THICK | SIZE                   | SCREWS |
|-------|-----|-----------|-------|------------------------|--------|
| 1     | 1   | DENSGLASS | 1/2"  | 6 3/8" X 11'-9 1/4"    | 8 - 12 |
| 2     | 2   | DENSGLASS | 1/2"  | 6 3/8" X 6'-0 1/4"     | 8 - 12 |
| 3     | 1   | DENSGLASS | 1/2"  | 5'-11 3/4" X 6 3/8"    | 8 - 12 |
| 4     | 1   | DENSGLASS | 1/2"  | 6'-0 7/8" X 6 3/8"     | 8 - 12 |
| 5     | 1   | DENSGLASS | 1/2"  | 6'-1" X 1'-11 1/4"     | 8 - 12 |
| 6     | 1   | DENSGLASS | 1/2"  | 3'-0 7/8" X 11'-9 1/4" | 8 - 12 |
| 7     | 1   | DENSGLASS | 1/2"  | 6'-1" X 3'-8 15/16"    | 8 - 12 |

# 11-1201

Jewish Home for the Aging

1885 Victory Blvd. Reseda, CA

FrameMax, Inc.  
13915 Danielson St  
Suite 100  
Poway, CA 92064  
www.frame-max.com



© FrameMax Inc.

CREATED: 09/17/2008

FM-07-109

CREATED BY: AMB

HEIGHT : 11'-9 11/16" POINTS: 3.33 Points.

SPACING : 24"

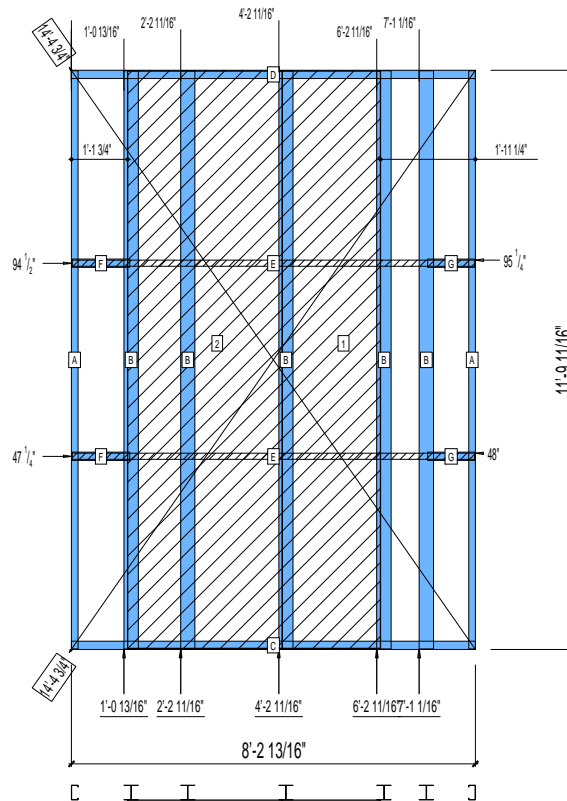
1st STUD: 24"

WEIGHTS :

FRAME : 403 lbs

SHEATHING: 223 lbs

-----  
TOTAL: 626 lbs



PIECES LIST

| LABEL | QTY | SIZE        | LENGTH      | USE          |
|-------|-----|-------------|-------------|--------------|
| A     | 2   | 362S162-54  | 11'-9 1/2"  | STUD         |
| B     | 5   | 3631350p554 | 11'-9 1/2"  | PACO. COLUMN |
| C     | 1   | 362T200-68  | 8'-2 13/16" | BOTTOM TRACK |
| D     | 1   | 362T200-68  | 8'-2 13/16" | TOP TRACK    |
| E     | 2   | 150D-43     | 8'-2 5/8"   | STRAP        |
| F     | 2   | 362T200-68  | 1'-2 1/16"  | BLOCK        |
| G     | 2   | 362T200-68  | 11 7/16"    | BLOCK        |

SHEATHING

| LABEL | QTY | CODE         | THICK | SIZE                     | SCREWS |
|-------|-----|--------------|-------|--------------------------|--------|
| 1     | 1   | SB-DENSGLOSS | 1/2"  | 2'-0" X 11'-9 1/4"       | 2 - 12 |
| 2     | 1   | SB-DENSGLOSS | 1/2"  | 3'-1 13/16" X 11'-9 1/4" | 2 - 12 |

# 11-1202

Jewish Home for the Aging

1885 Victory Blvd. Reseda, CA

FrameMax, Inc.  
13915 Danielson St  
Suite 100  
Poway, CA 92064  
www.frame-max.com



© FrameMax Inc.

CREATED: 09/17/2008

FM-07-109

CREATED BY: AMB

HEIGHT : 11'-9 11/16"

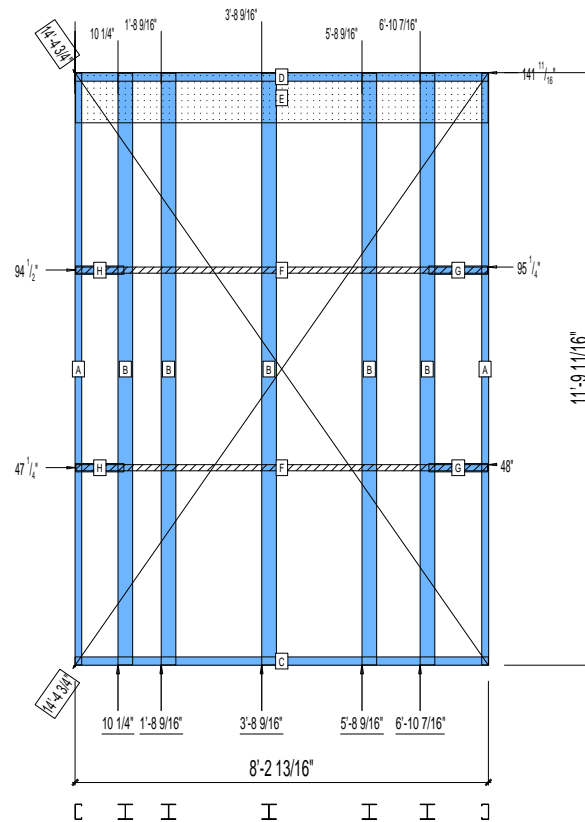
SPACING : 24"

1st STUD: 24"

WEIGHTS :

FRAME : 423 lbs

TOTAL: 423 lbs



PIECES LIST

| LABEL | QTY | SIZE        | LENGTH      | USE          |
|-------|-----|-------------|-------------|--------------|
| A     | 2   | 362S162-54  | 11'-9 1/2"  | STUD         |
| B     | 5   | 363i350p554 | 11'-9 1/2"  | PACO.COLUMN  |
| C     | 1   | 362T200-68  | 8'-2 13/16" | BOTTOM TRACK |
| D     | 1   | 362T200-68  | 8'-2 13/16" | TOP TRACK    |
| E     | 1   | 1200D-54    | 8'-2 5/8"   | STRAP        |
| F     | 2   | 150D-43     | 8'-2 5/8"   | STRAP        |
| G     | 2   | 362T200-68  | 1'-2 1/16"  | BLOCK        |
| H     | 2   | 362T200-68  | 11 7/16"    | BLOCK        |

# 11-1203

Jewish Home for the Aging

1885 Victory Blvd. Reseda, CA

FrameMax, Inc.  
13915 Danielson St  
Suite 100  
Poway, CA 92064  
www.framemax.com



© FrameMax Inc.

CREATED: 10/04/2008

FM-07-109

CREATED BY: AMB

HEIGHT : 11'-9 11/16" POINTS: 2.58 Points.

SPACING : 24"

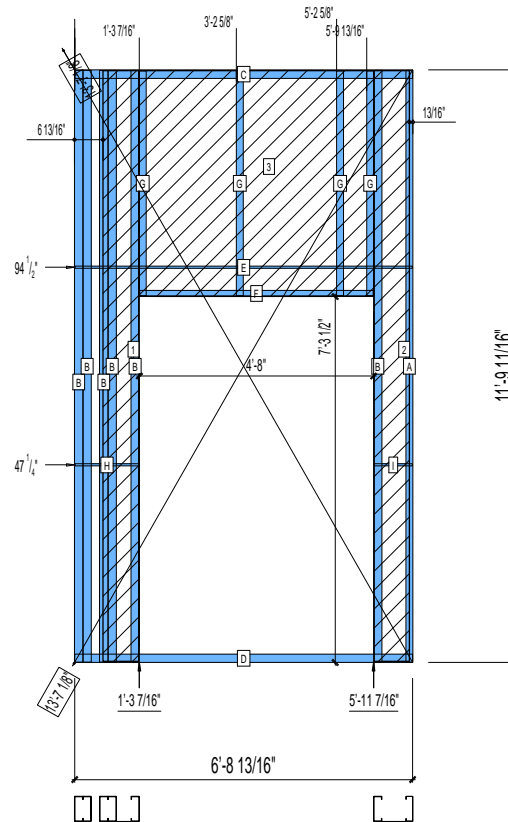
1st STUD: 24"

WEIGHTS :

FRAME : 363 lbs

SHEATHING: 94 lbs

TOTAL: 457 lbs



PIECES LIST

| LABEL | QTY | SIZE       | LENGTH      | USE                |
|-------|-----|------------|-------------|--------------------|
| A     | 1   | 600S162-68 | 11'-9 1/2"  | STUD               |
| B     | 6   | 600S200-97 | 11'-9 1/2"  | KING STUD          |
| C     | 1   | 600T200-68 | 6'-8 13/16" | TOP TRACK          |
| D     | 1   | 600T200-68 | 6'-8 13/16" | BOTTOM TRACK       |
| E     | 1   | 150U50-54  | 6'-8 5/8"   | HORIZONTAL BRACING |
| F     | 1   | 600T150-54 | 4'-7 3/4"   | HEAD TRACK         |
| G     | 4   | 600S162-54 | 4'-5 3/4"   | CRIPPLE            |
| H     | 1   | 150U50-54  | 1'-3 1/4"   | HORIZONTAL BRACING |
| I     | 1   | 150U50-54  | 9 1/8"      | HORIZONTAL BRACING |

SHEATHING

| LABEL | QTY | CODE      | THICK | SIZE                 | SCREWS |
|-------|-----|-----------|-------|----------------------|--------|
| 1     | 1   | DENSGLASS | 1/2"  | 8 9/16" X 11'-9 1/4" | 8 - 12 |
| 2     | 1   | DENSGLASS | 1/2"  | 8 7/16" X 11'-9 1/4" | 8 - 12 |
| 3     | 1   | DENSGLASS | 1/2"  | 4'-8" X 4'-5 15/16"  | 8 - 12 |

# 11-1204

Jewish Home for the Aging

1885 Victory Blvd. Reseda, CA

FM-07-109

CREATED BY: AMB

FrameMax, Inc.  
13915 Danielson St  
Suite 100  
Poway, CA 92064  
www.framemax.com



© FrameMax Inc.

HEIGHT : 11'-9 11/16" POINTS: 2.32 Points.

SPACING : 24"

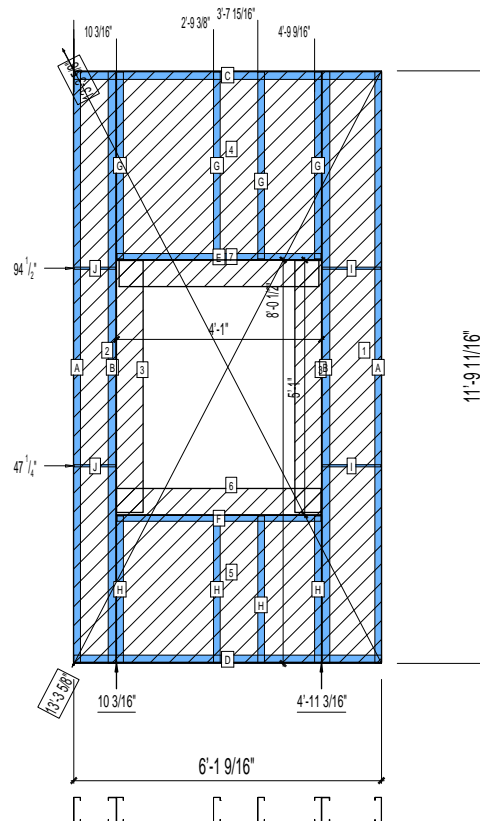
1st STUD: 24"

WEIGHTS :

FRAME : 237 lbs

SHEATHING: 152 lbs

TOTAL: 389 lbs



PIECES LIST

| LABEL | QTY | SIZE       | LENGTH      | USE                |
|-------|-----|------------|-------------|--------------------|
| A     | 2   | 600S162-68 | 11'-9 1/2"  | STUD               |
| B     | 2   | 600S200-97 | 11'-9 1/2"  | KING STUD          |
| C     | 1   | 600T200-68 | 6'-1 9/16"  | TOP TRACK          |
| D     | 1   | 600T200-68 | 6'-1 9/16"  | BOTTOM TRACK       |
| E     | 1   | 600T150-54 | 4'-0 3/4"   | HEAD TRACK         |
| F     | 1   | 600T150-54 | 4'-0 3/4"   | SILL               |
| G     | 4   | 600S162-54 | 3'-8 3/4"   | CRIPPLE            |
| H     | 4   | 600S162-54 | 2'-11 1/16" | CRIPPLE            |
| I     | 2   | 150U50-54  | 1'-2 1/8"   | HORIZONTAL BRACING |
| J     | 2   | 150U50-54  | 10"         | HORIZONTAL BRACING |

SHEATHING

| LABEL | QTY | CODE      | THICK | SIZE                   | SCREWS |
|-------|-----|-----------|-------|------------------------|--------|
| 1     | 1   | DENSGLASS | 1/2"  | 1'-2 1/4" X 11'-9 1/4" | 8 - 12 |
| 2     | 1   | DENSGLASS | 1/2"  | 10 1/8" X 11'-9 1/4"   | 8 - 12 |
| 3     | 2   | DENSGLASS | 1/2"  | 6 3/8" X 5'-0 1/4"     | 8 - 12 |
| 4     | 1   | DENSGLASS | 1/2"  | 4'-1" X 3'-9 1/16"     | 8 - 12 |
| 5     | 1   | DENSGLASS | 1/2"  | 4'-1" X 2'-11 1/4"     | 8 - 12 |
| 6     | 1   | DENSGLASS | 1/2"  | 4'-0 7/8" X 6 3/8"     | 8 - 12 |
| 7     | 1   | DENSGLASS | 1/2"  | 3'-11 3/4" X 6 3/8"    | 8 - 12 |

# 11-1205

Jewish Home for the Aging

1885 Victory Blvd. Reseda, CA

FrameMax, Inc.  
13915 Danielson St  
Suite 100  
Poway, CA 92064  
www.frame-max.com



© FrameMax Inc.

CREATED: 10/04/2008

FM-07-109

CREATED BY: AMB

HEIGHT : 11'-9 11/16" POINTS: 4.50 Points.

SPACING : 24"

1st STUD: 24"

WEIGHTS :

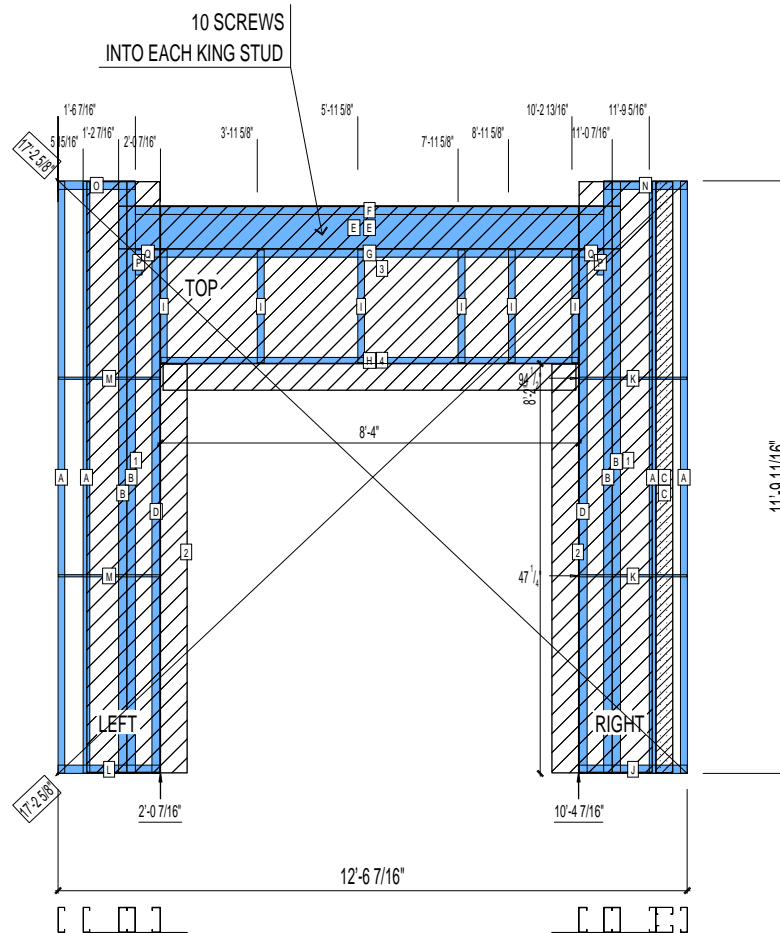
FRAME : 587 lbs

SHEATHING: 183 lbs

TOTAL: 770 lbs

PIECES LIST

| LABEL | QTY | SIZE        | LENGTH      | USE                |
|-------|-----|-------------|-------------|--------------------|
| A     | 4   | 600S162-68  | 11'-9 1/2"  | STUD               |
| B     | 4   | 600S200-97  | 11'-9 1/2"  | EXTRA STUD         |
| C     | 2   | 400S162-33  | 11'-9 5/16" | BACKER-U           |
| D     | 2   | 600S200-97  | 10'-5 1/8"  | KING STUD          |
| E     | 2   | 1000T200-97 | 10'-0"      | HEADER             |
| F     | 1   | 600T200-68  | 9'-3 15/16" | TOP TRACK          |
| G     | 1   | 600T200-68  | 8'-3 15/16" | TOP TRACK          |
| H     | 1   | 600T150-54  | 8'-3 3/4"   | HEAD TRACK         |
| I     | 6   | 600S162-54  | 2'-3"       | CRIPPLE            |
| J     | 1   | 600T200-68  | 2'-1 15/16" | BOTTOM TRACK       |
| K     | 2   | 150U50-54   | 2'-1 3/4"   | HORIZONTAL BRACING |
| L     | 1   | 600T200-68  | 2'-0 7/16"  | BOTTOM TRACK       |
| M     | 2   | 150U50-54   | 2'-0 1/4"   | HORIZONTAL BRACING |
| N     | 1   | 600T200-68  | 1'-7 15/16" | TOP TRACK          |
| O     | 1   | 600T200-68  | 1'-6 7/16"  | TOP TRACK          |
| P     | 2   | 600S162-54  | 6"          | CRIPPLE            |
| Q     | 2   | 600T200-68  | 5 15/16"    | TOP TRACK          |



SHEATHING

| LABEL | QTY | CODE      | THICK | SIZE                    | SCREWS |
|-------|-----|-----------|-------|-------------------------|--------|
| 1     | 1   | DENSGLASS | 1/2"  | 1'-5 7/16" X 11'-9 1/4" | 8 - 12 |
| 1     | 1   | DENSGLASS | 1/2"  | 1'-5 1/2" X 11'-9 1/4"  | 8 - 12 |
| 2     | 2   | DENSGLASS | 1/2"  | 6 3/8" X 8'-1 3/4"      | 8 - 12 |
| 3     | 1   | DENSGLASS | 1/2"  | 8'-4" X 3'-1 9/16"      | 8 - 12 |
| 4     | 1   | DENSGLASS | 1/2"  | 8'-2 3/4" X 6 3/8"      | 8 - 12 |

# 11-1206

Jewish Home for the Aging

1885 Victory Blvd. Reseda, CA

FrameMax, Inc.  
13915 Danielson St  
Suite 100  
Poway, CA 92064  
www.frame-max.com



© FrameMax Inc.

CREATED: 09/17/2008

FM-07-109

CREATED BY: AMB

HEIGHT : 11'-9 11/16"

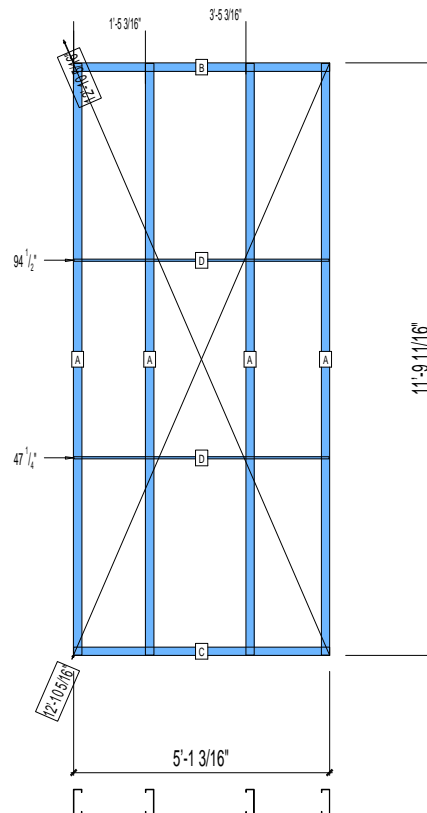
SPACING : 24"

1st STUD: 24"

WEIGHTS :

FRAME : 201 lbs

-----  
TOTAL: 201 lbs



PIECES LIST

| LABEL | QTY | SIZE       | LENGTH     | USE                |
|-------|-----|------------|------------|--------------------|
| A     | 4   | 600S200-97 | 11'-9 1/2" | STUD               |
| B     | 1   | 600T200-68 | 5'-1 3/16" | TOP TRACK          |
| C     | 1   | 600T200-68 | 5'-1 3/16" | BOTTOM TRACK       |
| D     | 2   | 150U50-54  | 5'-1"      | HORIZONTAL BRACING |

# 11-1207

Jewish Home for the Aging

1885 Victory Blvd. Reseda, CA

FM-07-109

CREATED BY: AMB

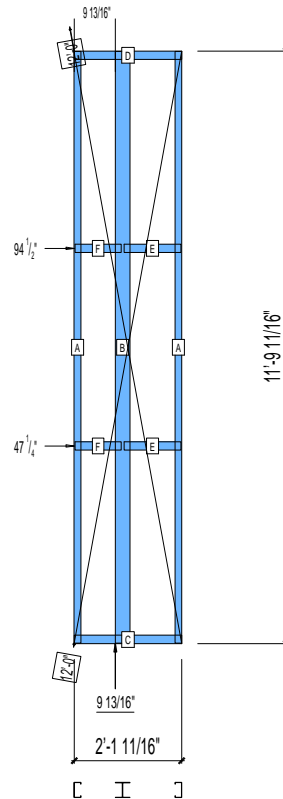
FrameMax, Inc.  
13915 Danielson St  
Suite 100  
Poway, CA 92064  
www.framemax.com



© FrameMax Inc.

HEIGHT : 11'-9 11/16"  
SPACING : 24"  
1st STUD: 24"

WEIGHTS :  
FRAME : 115 lbs  
-----  
TOTAL: 115 lbs



PIECES LIST

| LABEL | QTY | SIZE        | LENGTH      | USE          |
|-------|-----|-------------|-------------|--------------|
| A     | 2   | 362S162-54  | 11'-9 1/2"  | STUD         |
| B     | 1   | 363i350p554 | 11'-9 1/2"  | PACO. COLUMN |
| C     | 1   | 362T200-68  | 2'-1 11/16" | BOTTOM TRACK |
| D     | 1   | 362T200-68  | 2'-1 11/16" | TOP TRACK    |
| E     | 2   | 362T200-68  | 1'-1 9/16"  | BLOCK        |
| F     | 2   | 362T200-68  | 11"         | BLOCK        |

# 11-1208

Jewish Home for the Aging

1885 Victory Blvd. Reseda, CA

FrameMax, Inc.  
13915 Danielson St  
Suite 100  
Poway, CA 92064  
www.frame-max.com



© FrameMax Inc.

CREATED: 09/17/2008

FM-07-109

CREATED BY: AMB

HEIGHT : 11'-9 11/16" POINTS: 1.04 Points.

SPACING : 24"

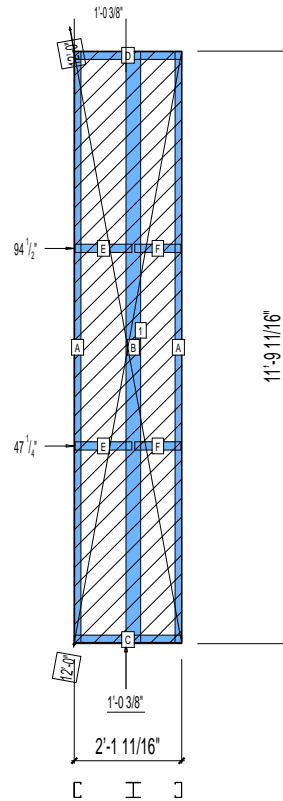
1st STUD: 24"

WEIGHTS :

FRAME : 115 lbs

SHEATHING: 63 lbs

-----  
TOTAL: 178 lbs



PIECES LIST

| LABEL | QTY | SIZE        | LENGTH      | USE          |
|-------|-----|-------------|-------------|--------------|
| A     | 2   | 362S162-54  | 11'-9 1/2"  | STUD         |
| B     | 1   | 363i350p554 | 11'-9 1/2"  | PACO. COLUMN |
| C     | 1   | 362T200-68  | 2'-1 11/16" | BOTTOM TRACK |
| D     | 1   | 362T200-68  | 2'-1 11/16" | TOP TRACK    |
| E     | 2   | 362T200-68  | 1'-1 9/16"  | BLOCK        |
| F     | 2   | 362T200-68  | 11"         | BLOCK        |

SHEATHING

| LABEL | QTY | CODE      | THICK | SIZE                   | SCREWS |
|-------|-----|-----------|-------|------------------------|--------|
| 1     | 1   | DENSGLOSS | 1/2"  | 2'-1 5/8" X 11'-9 1/4" | 8 - 12 |

# 11-1209

Jewish Home for the Aging

1885 Victory Blvd. Reseda, CA

FM-07-109

CREATED BY: AMB

FrameMax, Inc.  
13915 Danielson St  
Suite 100  
Poway, CA 92064  
www.frame-max.com

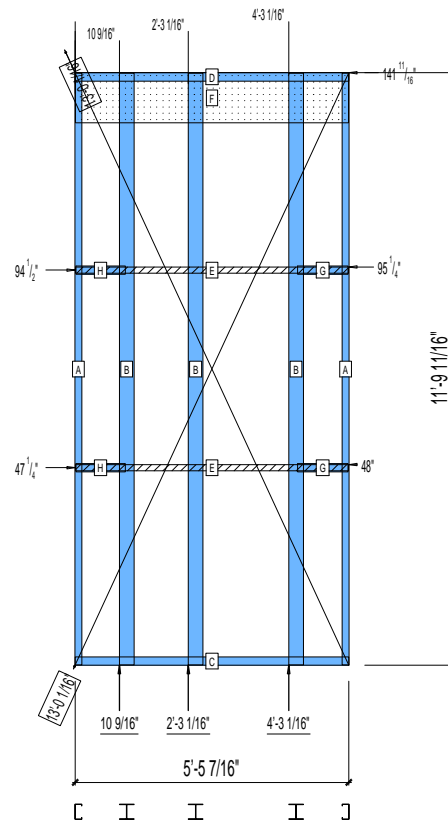


© FrameMax Inc.

HEIGHT : 11'-9 11/16"  
SPACING : 24"  
1st STUD: 24"

WEIGHTS :  
FRAME : 273 lbs

-----  
TOTAL: 273 lbs



PIECES LIST

| LABEL | QTY | SIZE        | LENGTH     | USE          |
|-------|-----|-------------|------------|--------------|
| A     | 2   | 362S162-54  | 11'-9 1/2" | STUD         |
| B     | 3   | 363i350p554 | 11'-9 1/2" | PACO.COLUMN  |
| C     | 1   | 362T200-68  | 5'-5 7/16" | BOTTOM TRACK |
| D     | 1   | 362T200-68  | 5'-5 7/16" | TOP TRACK    |
| E     | 2   | 150D-43     | 5'-5 1/4"  | STRAP        |
| F     | 1   | 1200D-54    | 5'-5 1/4"  | STRAP        |
| G     | 2   | 362T200-68  | 1'-0 1/16" | BLOCK        |
| H     | 2   | 362T200-68  | 11 3/4"    | BLOCK        |

# 11-1210

Jewish Home for the Aging

1885 Victory Blvd. Reseda, CA

FrameMax, Inc.  
13915 Danielson St  
Suite 100  
Poway, CA 92064  
www.frame-max.com



© FrameMax Inc.

CREATED: 09/17/2008

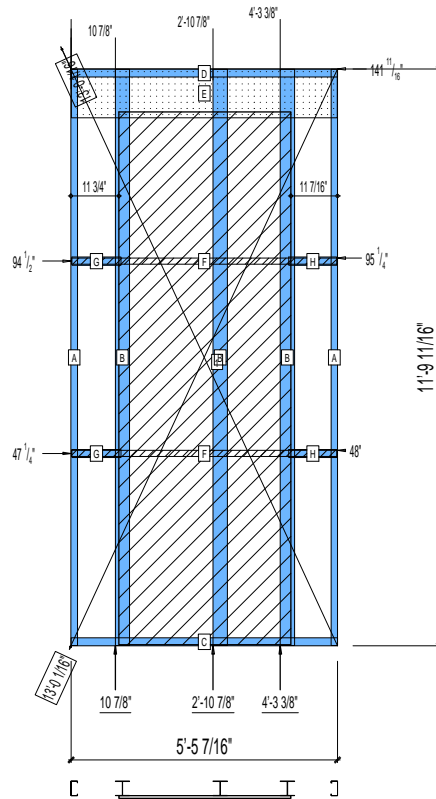
FM-07-109

CREATED BY: AMB

HEIGHT : 11'-9 11/16"  
SPACING : 24"  
1st STUD: 24"

WEIGHTS :  
FRAME : 273 lbs  
SHEATHING: 141 lbs

-----  
TOTAL: 414 lbs



PIECES LIST

| LABEL | QTY | SIZE        | LENGTH     | USE          |
|-------|-----|-------------|------------|--------------|
| A     | 2   | 362S162-54  | 11'-9 1/2" | STUD         |
| B     | 3   | 363i350p554 | 11'-9 1/2" | PACO.COLUMN  |
| C     | 1   | 362T200-68  | 5'-5 7/16" | BOTTOM TRACK |
| D     | 1   | 362T200-68  | 5'-5 7/16" | TOP TRACK    |
| E     | 1   | 1200D-54    | 5'-5 1/4"  | STRAP        |
| F     | 2   | 150D-43     | 5'-5 1/4"  | STRAP        |
| G     | 2   | 362T200-68  | 1'-0 1/16" | BLOCK        |
| H     | 2   | 362T200-68  | 11 3/4"    | BLOCK        |

SHEATHING

| LABEL | QTY | CODE         | THICK | SIZE                    | SCREWS |
|-------|-----|--------------|-------|-------------------------|--------|
| 1     | 1   | SB-DENSARMOR | 5/8"  | 3'-6 1/4" X 10'-10 7/8" | 1 - 12 |

# 11-1211

Jewish Home for the Aging

1885 Victory Blvd. Reseda, CA

FM-07-109

CREATED BY: AMB

FrameMax, Inc.  
13915 Danielson St  
Suite 100  
Poway, CA 92064  
www.frame-max.com



© FrameMax Inc.

HEIGHT : 11'-9 11/16" POINTS: 2.81 Points.

SPACING : 24"

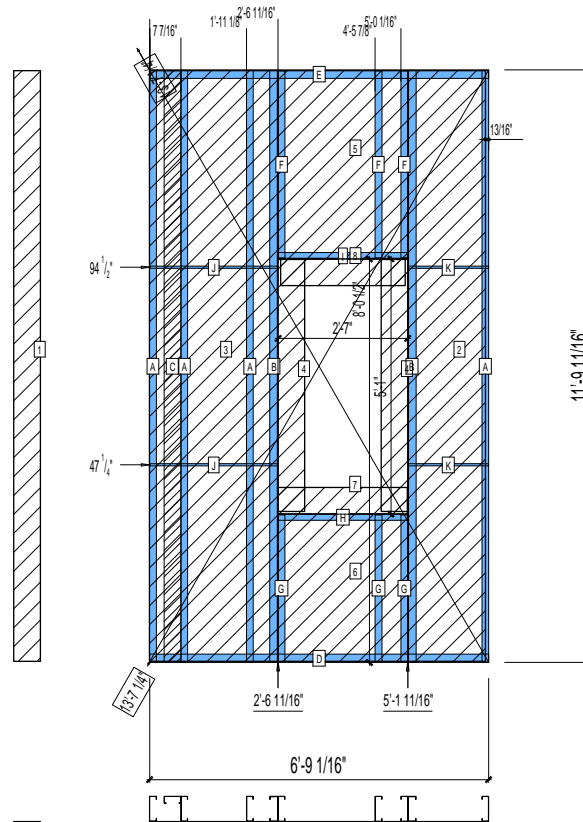
1st STUD: 24"

WEIGHTS :

FRAME : 291 lbs

SHEATHING: 199 lbs

TOTAL: 490 lbs



PIECES LIST

| LABEL | QTY | SIZE       | LENGTH      | USE                |
|-------|-----|------------|-------------|--------------------|
| A     | 4   | 600S162-68 | 11'-9 1/2"  | STUD               |
| B     | 2   | 600S200-97 | 11'-9 1/2"  | KING STUD          |
| C     | 1   | 400S162-33 | 11'-9 5/16" | BACKER-U           |
| D     | 1   | 600T200-68 | 6'-9 1/16"  | BOTTOM TRACK       |
| E     | 1   | 600T200-68 | 6'-9 1/16"  | TOP TRACK          |
| F     | 3   | 600S162-54 | 3'-8 3/4"   | CRIPPLE            |
| G     | 3   | 600S162-54 | 2'-11 1/16" | CRIPPLE            |
| H     | 1   | 600T150-54 | 2'-6 3/4"   | SILL               |
| I     | 1   | 600T150-54 | 2'-6 3/4"   | HEAD TRACK         |
| J     | 2   | 150U50-54  | 2'-6 1/2"   | HORIZONTAL BRACING |
| K     | 2   | 150U50-54  | 1'-7 1/8"   | HORIZONTAL BRACING |

SHEATHING

| LABEL | QTY | CODE      | THICK | SIZE                    | SCREWS |
|-------|-----|-----------|-------|-------------------------|--------|
| 1     | 1   | DENSGLOSS | 1/2"  | 6 3/8" X 11'-9 1/4"     | 2 - 12 |
| 2     | 1   | DENSGLOSS | 1/2"  | 1'-6 7/16" X 11'-9 1/4" | 2 - 12 |
| 3     | 1   | DENSGLOSS | 1/2"  | 2'-6 5/8" X 11'-9 1/4"  | 2 - 12 |
| 4     | 2   | DENSGLOSS | 1/2"  | 6 3/8" X 5'-0 1/4"      | 8 - 12 |
| 5     | 1   | DENSGLOSS | 1/2"  | 2'-7" X 3'-8 15/16"     | 2 - 12 |
| 6     | 1   | DENSGLOSS | 1/2"  | 2'-7" X 2'-11 1/4"      | 2 - 12 |
| 7     | 1   | DENSGLOSS | 1/2"  | 2'-6 7/8" X 6 3/8"      | 8 - 12 |
| 8     | 1   | DENSGLOSS | 1/2"  | 2'-5 3/4" X 6 3/8"      | 8 - 12 |

# 11-1212

Jewish Home for the Aging

1885 Victory Blvd. Reseda, CA

FrameMax, Inc.  
13915 Danielson St  
Suite 100  
Poway, CA 92064  
www.frame-max.com



© FrameMax Inc.

CREATED: 09/17/2008

FM-07-109

CREATED BY: AMB

HEIGHT : 11'-9 11/16" POINTS: 0.71 Points.

SPACING : 24"

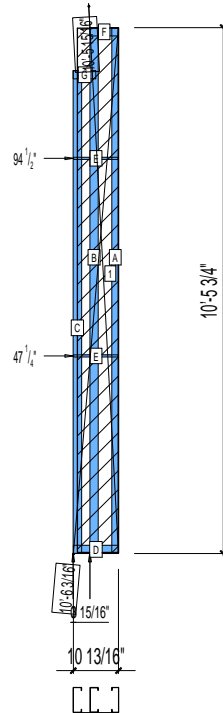
1st STUD: 24"

WEIGHTS :

FRAME : 93 lbs

SHEATHING: 21 lbs

-----  
TOTAL: 114 lbs



PIECES LIST

| LABEL | QTY | SIZE       | LENGTH      | USE                |
|-------|-----|------------|-------------|--------------------|
| A     | 1   | 600S162-68 | 10'-5 9/16" | STUD               |
| B     | 1   | 600S200-97 | 10'-5 9/16" | BEAM KING          |
| C     | 1   | 600S200-68 | 9'-7 5/16"  | BEAM JACK          |
| D     | 1   | 600T200-68 | 10 13/16"   | BOTTOM TRACK       |
| E     | 2   | 150U50-54  | 10 5/8"     | HORIZONTAL BRACING |
| F     | 1   | 600T200-68 | 6 13/16"    | TOP TRACK          |
| G     | 1   | 600T200-68 | 5 7/16"     | BEAM JACK          |

SHEATHING

| LABEL | QTY | CODE      | THICK | SIZE                | SCREWS |
|-------|-----|-----------|-------|---------------------|--------|
| 1     | 1   | DENSGLASS | 1/2"  | 9 3/4" X 10'-5 3/8" | 2 - 12 |

# 11-1213

Jewish Home for the Aging

1885 Victory Blvd. Reseda, CA

FrameMax, Inc.  
13915 Danielson St  
Suite 100  
Poway, CA 92064  
www.framemax.com



© FrameMax Inc.

CREATED: 10/04/2008

FM-07-109

CREATED BY: AMB

HEIGHT : 11'-9 11/16" POINTS: 2.54 Points.

SPACING : 24"

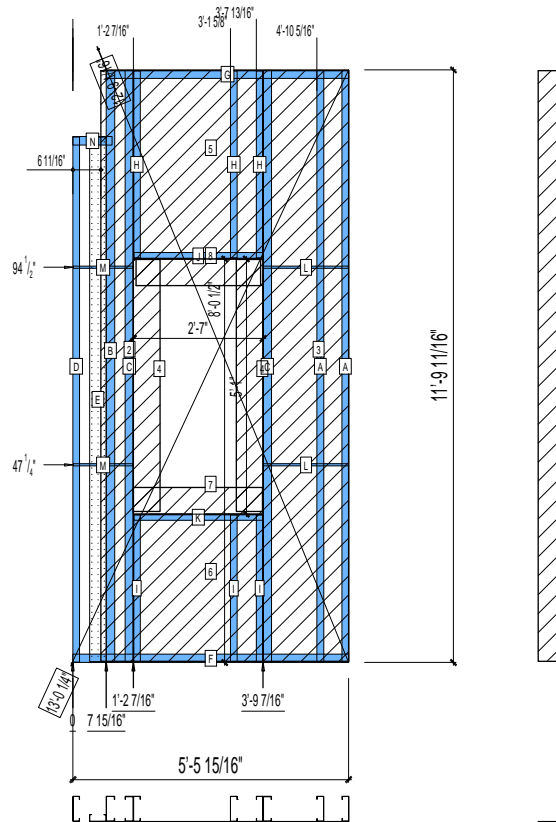
1st STUD: 24"

WEIGHTS :

FRAME : 283 lbs

SHEATHING: 148 lbs

TOTAL: 431 lbs



PIECES LIST

| LABEL | QTY | SIZE       | LENGTH      | USE                |
|-------|-----|------------|-------------|--------------------|
| A     | 2   | 600S162-68 | 11'-9 1/2"  | STUD               |
| B     | 1   | 600S200-68 | 11'-9 1/2"  | BEAM KING          |
| C     | 2   | 600S200-97 | 11'-9 1/2"  | KING STUD          |
| D     | 1   | 600S162-68 | 10'-5 9/16" | STUD               |
| E     | 1   | 400S162-33 | 10'-5 7/16" | BACKER-U           |
| F     | 1   | 600T200-68 | 5'-5 15/16" | BOTTOM TRACK       |
| G     | 1   | 600T200-68 | 4'-9 15/16" | TOP TRACK          |
| H     | 3   | 600S162-54 | 3'-8 3/4"   | CRIPPLE            |
| I     | 3   | 600S162-54 | 2'-11 1/16" | CRIPPLE            |
| J     | 1   | 600T150-54 | 2'-6 3/4"   | HEAD TRACK         |
| K     | 1   | 600T150-54 | 2'-6 3/4"   | SILL               |
| L     | 2   | 150U50-54  | 1'-8 1/4"   | HORIZONTAL BRACING |
| M     | 2   | 150U50-54  | 1'-2 1/4"   | HORIZONTAL BRACING |
| N     | 1   | 600T200-68 | 9 7/16"     | BEAM JACK          |

SHEATHING

| LABEL | QTY | CODE      | THICK | SIZE                    | SCREWS |
|-------|-----|-----------|-------|-------------------------|--------|
| 1     | 1   | DENSGLASS | 1/2"  | 6 3/8" X 11'-9 1/4"     | 8 - 12 |
| 2     | 1   | DENSGLASS | 1/2"  | 7 3/4" X 11'-9 1/4"     | 8 - 12 |
| 3     | 1   | DENSGLASS | 1/2"  | 1'-8 3/8" X 11'-9 1/4"  | 8 - 12 |
| 4     | 2   | DENSGLASS | 1/2"  | 6 3/8" X 5'-0 1/4"      | 8 - 12 |
| 5     | 1   | DENSGLASS | 1/2"  | 2'-6 7/8" X 3'-8 15/16" | 8 - 12 |
| 6     | 1   | DENSGLASS | 1/2"  | 2'-6 7/8" X 2'-11 1/8"  | 8 - 12 |
| 7     | 1   | DENSGLASS | 1/2"  | 2'-6 7/8" X 6 3/8"      | 8 - 12 |
| 8     | 1   | DENSGLASS | 1/2"  | 2'-5 3/4" X 6 3/8"      | 8 - 12 |

# 11-1214

Jewish Home for the Aging

1885 Victory Blvd. Reseda, CA

FM-07-109

CREATED BY: AMB

FrameMax, Inc.  
13915 Danielson St  
Suite 100  
Poway, CA 92064  
www.frame-max.com



© FrameMax Inc.

HEIGHT : 11'-9 11/16" POINTS: 0.81 Points.

SPACING : 24"

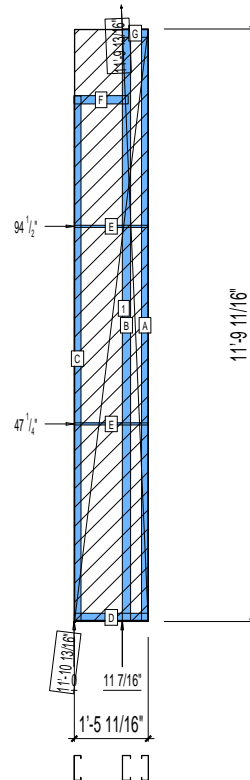
1st STUD: 16"

WEIGHTS :

FRAME : 92 lbs

SHEATHING: 43 lbs

-----  
TOTAL: 135 lbs



PIECES LIST

| LABEL | QTY | SIZE       | LENGTH      | USE                |
|-------|-----|------------|-------------|--------------------|
| A     | 1   | 600S162-68 | 11'-9 1/2"  | STUD               |
| B     | 1   | 600S200-68 | 11'-9 1/2"  | BEAM KING          |
| C     | 1   | 600S162-68 | 10'-5 9/16" | STUD               |
| D     | 1   | 600T200-68 | 1'-5 11/16" | BOTTOM TRACK       |
| E     | 2   | 150U50-54  | 1'-5 1/2"   | HORIZONTAL BRACING |
| F     | 1   | 600T200-68 | 1'-0 15/16" | BEAM JACK          |
| G     | 1   | 600T200-68 | 6 3/16"     | TOP TRACK          |

SHEATHING

| LABEL | QTY | CODE      | THICK | SIZE                   | SCREWS |
|-------|-----|-----------|-------|------------------------|--------|
| 1     | 1   | DENSGLASS | 1/2"  | 1'-5 1/2" X 11'-9 1/4" | 8 - 12 |

# 11-1215

Jewish Home for the Aging

1885 Victory Blvd. Reseda, CA

FrameMax, Inc.  
13915 Danielson St  
Suite 100  
Poway, CA 92064  
www.framemax.com



© FrameMax Inc.

CREATED: 09/28/2008

FM-07-109

CREATED BY: AMB

HEIGHT : 11'-9 11/16" POINTS: 2.68 Points.

SPACING : 24"

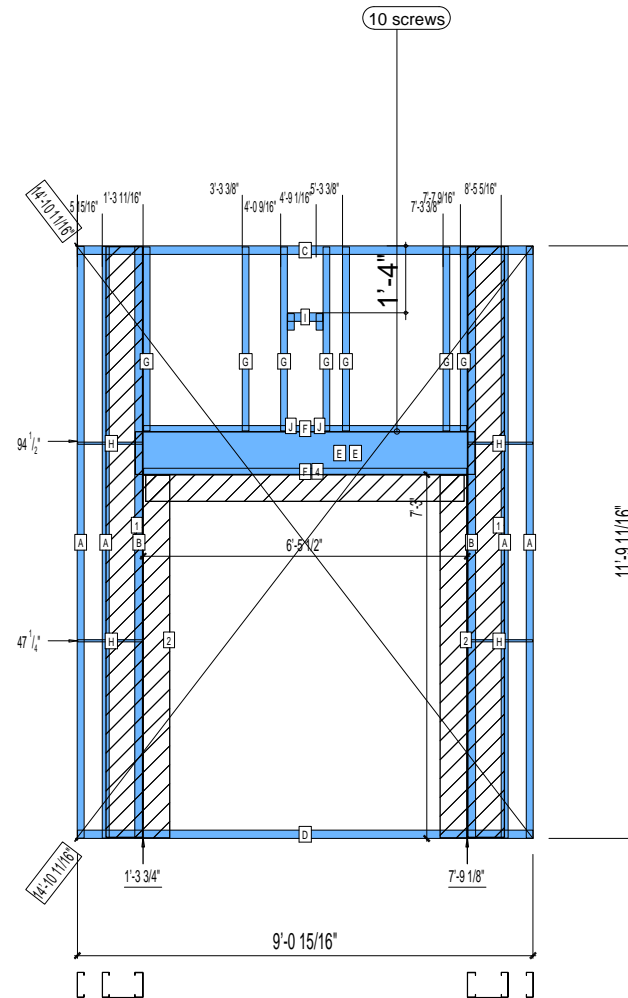
1st STUD: 24"

WEIGHTS :

FRAME : 383 lbs

SHEATHING: 43 lbs

TOTAL: 426 lbs



PIECES LIST

| LABEL | QTY | SIZE        | LENGTH      | USE                |
|-------|-----|-------------|-------------|--------------------|
| A     | 4   | 600S162-68  | 11'-9 1/2"  | STUD               |
| B     | 2   | 600S200-97  | 11'-9 1/2"  | KING STUD          |
| C     | 1   | 600T200-68  | 9'-0 15/16" | TOP TRACK          |
| D     | 1   | 600T200-68  | 9'-0 15/16" | BOTTOM TRACK       |
| E     | 2   | 1000T200-97 | 6'-9 1/4"   | HEADER             |
| F     | 2   | 600T150-54  | 6'-5 1/4"   | HEAD TRACK         |
| G     | 7   | 600S162-54  | 3'-8"       | CRIPPLE            |
| H     | 4   | 150U50-54   | 1'-3 1/2"   | HORIZONTAL BRACING |
| I     | 1   | 600T200-68  | 8 7/16"     | BEAM JACK          |
| J     | 2   | 600S162-54  | 4"          | CRIPPLE            |

SHEATHING

| LABEL | QTY | CODE      | THICK | SIZE                | SCREWS |
|-------|-----|-----------|-------|---------------------|--------|
| 1     | 2   | DENSGLOSS | 1/2"  | 8 3/4" X 11'-9 1/4" | 8 - 12 |

# 11-1216

Jewish Home for the Aging

1885 Victory Blvd. Reseda, CA

FrameMax, Inc.  
13915 Danielson St  
Suite 100  
Poway, CA 92064  
www.frame-max.com



© FrameMax Inc.

CREATED: 09/17/2008

FM-07-109

CREATED BY: AMB

HEIGHT : 11'-9 11/16" POINTS: 3.45 Points.

SPACING : 24"

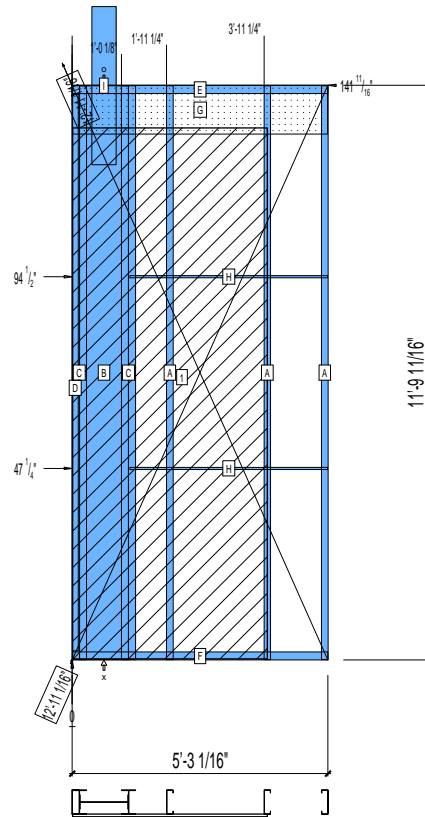
1st STUD: 24"

WEIGHTS :

FRAME : 514 lbs

SHEATHING: 161 lbs

-----  
TOTAL: 675 lbs



PIECES LIST

| LABEL | QTY | SIZE          | LENGTH      | USE                |
|-------|-----|---------------|-------------|--------------------|
| A     | 3   | 600S162-97    | 11'-9 1/2"  | STUD               |
| B     | 1   | 1200i350p1062 | 11'-9 1/2"  | PACO               |
| C     | 2   | 600i350p680   | 11'-9 1/2"  | PACO               |
| D     | 1   | 600T150-54    | 11'-5 3/16" | CAP                |
| E     | 1   | 600T200-68    | 5'-3 1/16"  | TOP TRACK          |
| F     | 1   | 600T200-68    | 5'-3 1/16"  | BOTTOM TRACK       |
| G     | 1   | 1200D-54      | 5'-2 13/16" | STRAP              |
| H     | 2   | 150U50-54     | 4'-0 3/4"   | HORIZONTAL BRACING |
| I     | 1   | E             | 3'-3"       | HOLDDOWN           |

SHEATHING

| LABEL | QTY | CODE         | THICK | SIZE                | SCREWS |
|-------|-----|--------------|-------|---------------------|--------|
| 1     | 1   | SB-DENSARMOR | 5/8"  | 4'-0" X 10'-10 7/8" | 2 - 12 |

# 11-1217

Jewish Home for the Aging

1885 Victory Blvd. Reseda, CA

FM-07-109

CREATED BY: AMB

FrameMax, Inc.  
13915 Danielson St  
Suite 100  
Poway, CA 92064  
www.frame-max.com



© FrameMax Inc.

HEIGHT : 11'-9 11/16" POINTS: 3.16 Points.

SPACING : 24"

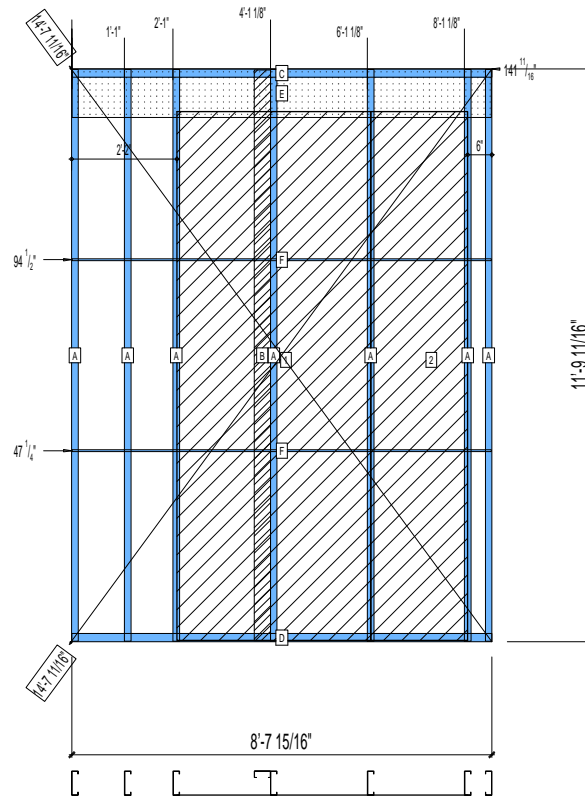
1st STUD: 24"

WEIGHTS :

FRAME : 354 lbs

SHEATHING: 241 lbs

TOTAL: 595 lbs



PIECES LIST

| LABEL | QTY | SIZE       | LENGTH      | USE                |
|-------|-----|------------|-------------|--------------------|
| A     | 7   | 600S162-97 | 11'-9 1/2"  | STUD               |
| B     | 1   | 400S162-33 | 11'-9 1/4"  | BACKER-U           |
| C     | 1   | 600T200-68 | 8'-7 15/16" | TOP TRACK          |
| D     | 1   | 600T200-68 | 8'-7 15/16" | BOTTOM TRACK       |
| E     | 1   | 1200D-54   | 8'-7 3/4"   | STRAP              |
| F     | 2   | 150U50-54  | 8'-7 3/4"   | HORIZONTAL BRACING |

SHEATHING

| LABEL | QTY | CODE         | THICK | SIZE                | SCREWS |
|-------|-----|--------------|-------|---------------------|--------|
| 1     | 1   | SB-DENSARMOR | 5/8"  | 4'-0" X 10'-10 7/8" | 2 - 12 |
| 2     | 1   | SB-DENSARMOR | 5/8"  | 2'-0" X 10'-10 7/8" | 2 - 12 |

# 11-1218

Jewish Home for the Aging

1885 Victory Blvd. Reseda, CA

FM-07-109

CREATED BY: AMB

FrameMax, Inc.  
13915 Danielson St  
Suite 100  
Poway, CA 92064  
www.frame-max.com



© FrameMax Inc.

HEIGHT : 13'-5 1/16" POINTS: 4.81 Points.

SPACING : 24"

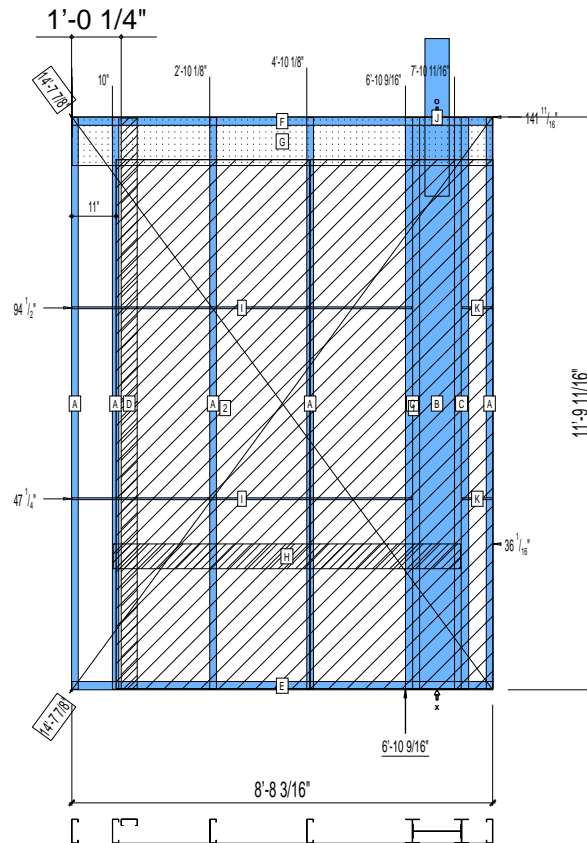
1st STUD: 24"

WEIGHTS :

FRAME : 623 lbs

SHEATHING: 312 lbs

TOTAL: 935 lbs



PIECES LIST

| LABEL | QTY | SIZE          | LENGTH      | USE                |
|-------|-----|---------------|-------------|--------------------|
| A     | 5   | 600S162-97    | 11'-9 1/2"  | STUD               |
| B     | 1   | 1200i350p1062 | 11'-9 1/2"  | PACO               |
| C     | 2   | 600i350p680   | 11'-9 1/2"  | PACO               |
| D     | 1   | 400S162-33    | 11'-9 1/4"  | BACKER-U           |
| E     | 1   | 600T200-68    | 8'-8 3/16"  | BOTTOM TRACK       |
| F     | 1   | 600T200-68    | 8'-8 3/16"  | TOP TRACK          |
| G     | 1   | 1200D-54      | 8'-8"       | STRAP              |
| H     | 1   | 600T150-54    | 7'-1 15/16" | GRAB BAR           |
| I     | 2   | 150U50-54     | 7'-0 1/16"  | HORIZONTAL BRACING |
| J     | 1   | E             | 3'-3"       | HOLDDOWN           |
| K     | 2   | 150U50-54     | 7 7/16"     | HORIZONTAL BRACING |

SHEATHING

| LABEL | QTY | CODE         | THICK | SIZE                    | SCREWS |
|-------|-----|--------------|-------|-------------------------|--------|
| 1     | 1   | SB-DENSARMOR | 5/8"  | 3'-9 1/4" X 10'-10 7/8" | 2 - 12 |
| 2     | 1   | SB-DENSARMOR | 5/8"  | 4'-0" X 10'-10 7/8"     | 2 - 12 |

# 11-1219

Jewish Home for the Aging

1885 Victory Blvd. Reseda, CA

FrameMax, Inc.  
13915 Danielson St  
Suite 100  
Poway, CA 92064  
www.frame-max.com



© FrameMax Inc.

CREATED: 09/17/2008

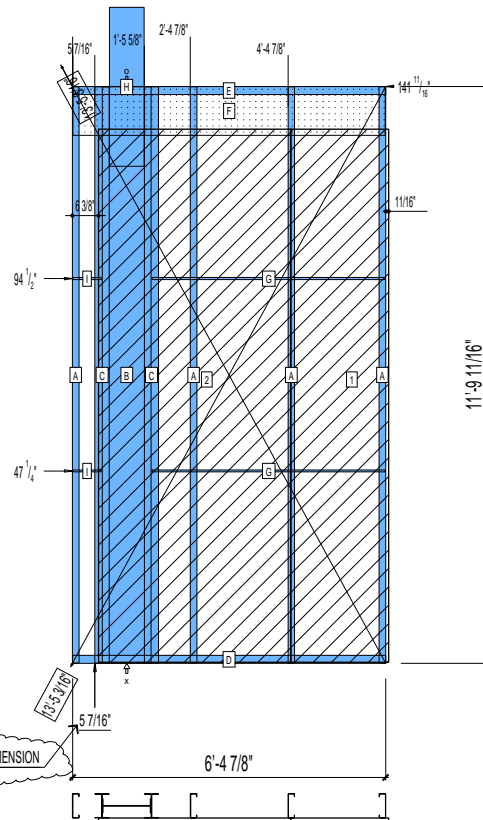
FM-07-109

CREATED BY: AMB

HEIGHT : 13'-5 1/16"  
SPACING : 24"  
1st STUD: 16"

WEIGHTS :  
FRAME : 697 lbs  
SHEATHING: 238 lbs

-----  
TOTAL: 935 lbs



PIECES LIST

| LABEL | QTY | SIZE          | LENGTH      | USE                |
|-------|-----|---------------|-------------|--------------------|
| A     | 4   | 600S162-97    | 11'-9 1/2"  | STUD               |
| B     | 1   | 1200i350p1420 | 11'-9 1/2"  | PACO               |
| C     | 2   | 600i350p968   | 11'-9 1/2"  | PACO               |
| D     | 1   | 600T200-68    | 6'-4 7/8"   | BOTTOM TRACK       |
| E     | 1   | 600T200-68    | 6'-4 7/8"   | TOP TRACK          |
| F     | 1   | 1200D-54      | 6'-4 11/16" | STRAP              |
| G     | 2   | 150U50-54     | 4'-9 1/4"   | HORIZONTAL BRACING |
| H     | 1   | F             | 3'-3"       | HOLDDOWN           |
| I     | 2   | 150U50-54     | 6 15/16"    | HORIZONTAL BRACING |

SHEATHING

| LABEL | QTY | CODE         | THICK | SIZE                     | SCREWS |
|-------|-----|--------------|-------|--------------------------|--------|
| 1     | 1   | SB-DENSARMOR | 5/8"  | 2'-0" X 10'-10 7/8"      | 2 - 12 |
| 2     | 1   | SB-DENSARMOR | 5/8"  | 3'-11 1/4" X 10'-10 7/8" | 2 - 12 |

# 11-1220

Jewish Home for the Aging

1885 Victory Blvd. Reseda, CA

FrameMax, Inc.  
13915 Danielson St  
Suite 100  
Poway, CA 92064  
www.frame-max.com



© FrameMax Inc.

CREATED: 09/17/2008

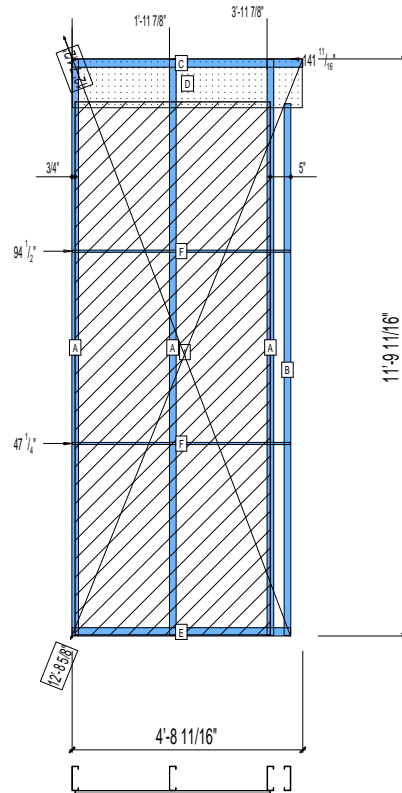
FM-07-109

CREATED BY: AMB

HEIGHT : 11'-9 11/16"  
SPACING : 24"  
1st STUD: 24"

WEIGHTS :  
FRAME : 190 lbs  
SHEATHING: 160 lbs

-----  
TOTAL: 350 lbs



PIECES LIST

| LABEL | QTY | SIZE       | LENGTH       | USE                |
|-------|-----|------------|--------------|--------------------|
| A     | 3   | 600S162-97 | 11'-9 1/2"   | STUD               |
| B     | 1   | 600S162-97 | 10'-10 9/16" | STUD               |
| C     | 1   | 600T200-68 | 4'-8 11/16"  | TOP TRACK          |
| D     | 1   | 1200D-54   | 4'-8 7/16"   | STRAP              |
| E     | 1   | 600T200-68 | 4'-5 11/16"  | BOTTOM TRACK       |
| F     | 2   | 150U50-54  | 4'-5 1/2"    | HORIZONTAL BRACING |

SHEATHING

| LABEL | QTY | CODE         | THICK | SIZE                       | SCREWS |
|-------|-----|--------------|-------|----------------------------|--------|
| 1     | 1   | SB-DENSARMOR | 5/8"  | 3'-11 15/16" X 10'-10 7/8" | 2 - 12 |

# 11-1221

Jewish Home for the Aging

1885 Victory Blvd. Reseda, CA

FM-07-109

CREATED BY: AMB

FrameMax, Inc.  
13915 Danielson St  
Suite 100  
Poway, CA 92064  
www.frame-max.com



© FrameMax Inc.

HEIGHT : 11'-9 11/16" POINTS: 3.06 Points.

SPACING : 24"

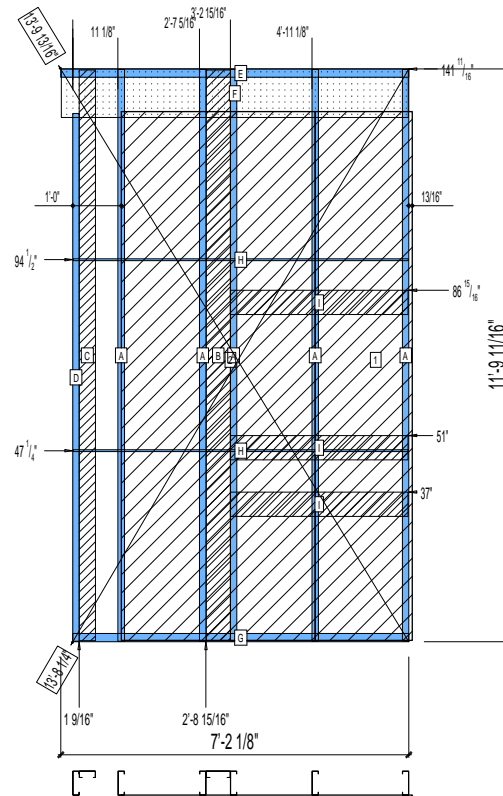
1st STUD: 24"

WEIGHTS :

FRAME : 326 lbs

SHEATHING: 241 lbs

TOTAL: 567 lbs



PIECES LIST

| LABEL | QTY | SIZE       | LENGTH       | USE                |
|-------|-----|------------|--------------|--------------------|
| A     | 5   | 600S162-97 | 11'-9 1/2"   | STUD               |
| B     | 1   | 600S162-33 | 11'-9 1/4"   | BACKER-U           |
| C     | 1   | 400S162-33 | 11'-9 1/4"   | BACKER-U           |
| D     | 1   | 600S162-97 | 10'-10 9/16" | STUD               |
| E     | 1   | 600T200-68 | 7'-2 1/8"    | TOP TRACK          |
| F     | 1   | 1200D-54   | 7'-1 7/8"    | STRAP              |
| G     | 1   | 600T200-68 | 6'-11 1/8"   | BOTTOM TRACK       |
| H     | 2   | 150U50-54  | 6'-10 15/16" | HORIZONTAL BRACING |
| I     | 3   | 600D-54    | 3'-7 15/16"  | KITCHEN BACKING    |

SHEATHING

| LABEL | QTY | CODE         | THICK | SIZE                | SCREWS |
|-------|-----|--------------|-------|---------------------|--------|
| 1     | 1   | SB-DENSARMOR | 5/8"  | 2'-0" X 10'-10 7/8" | 2 - 12 |
| 2     | 1   | SB-DENSARMOR | 5/8"  | 4'-0" X 10'-10 7/8" | 2 - 12 |

# 11-1222

Jewish Home for the Aging

1885 Victory Blvd. Reseda, CA

FrameMax, Inc.  
13915 Danielson St  
Suite 100  
Poway, CA 92064  
www.frame-max.com



© FrameMax Inc.

CREATED: 09/17/2008

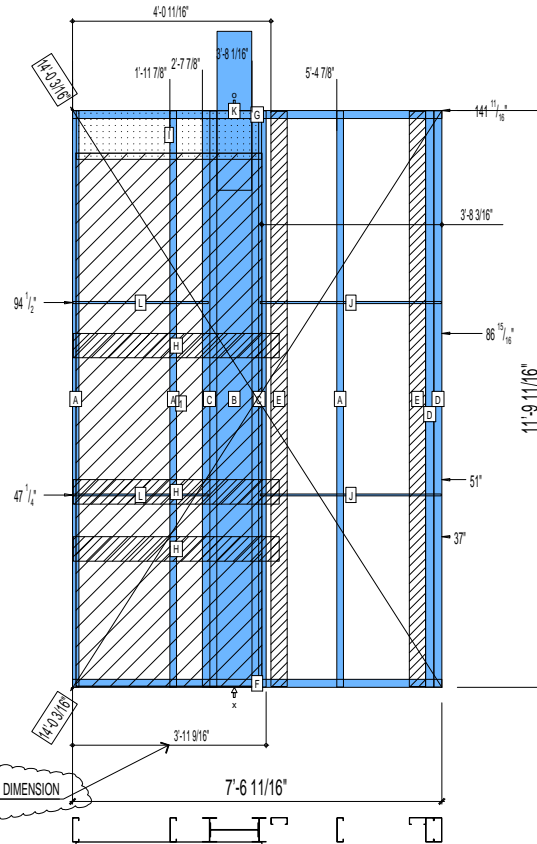
FM-07-109

CREATED BY: AMB

HEIGHT : 13'-5 1/16" POINTS: 4.84 Points.  
SPACING : 24"  
1st STUD: 24"

WEIGHTS :  
FRAME : 781 lbs  
SHEATHING: 153 lbs

TOTAL: 934 lbs



PIECES LIST

| LABEL | QTY | SIZE          | LENGTH      | USE                |
|-------|-----|---------------|-------------|--------------------|
| A     | 3   | 600S162-97    | 11'-9 1/2"  | STUD               |
| B     | 1   | 1200i350p1420 | 11'-9 1/2"  | PACO               |
| C     | 2   | 600i350p968   | 11'-9 1/2"  | PACO               |
| D     | 2   | 600S200-97    | 11'-9 1/2"  | KING STUD          |
| E     | 2   | 400S162-33    | 11'-9 1/4"  | BACKER-U           |
| F     | 1   | 600T200-68    | 7'-6 11/16" | BOTTOM TRACK       |
| G     | 1   | 600T200-68    | 7'-6 11/16" | TOP TRACK          |
| H     | 3   | 600D-54       | 4'-2 1/2"   | KITCHEN BACKING    |
| I     | 1   | 1200D-54      | 3'-9 1/2"   | STRAP              |
| J     | 2   | 150U50-54     | 3'-8 1/2"   | HORIZONTAL BRACING |
| K     | 1   | F             | 3'-3"       | HOLDDOWN           |
| L     | 2   | 150U50-54     | 2'-9 1/4"   | HORIZONTAL BRACING |

SHEATHING

| LABEL | QTY | CODE         | THICK | SIZE                      | SCREWS |
|-------|-----|--------------|-------|---------------------------|--------|
| 1     | 1   | SB-DENSARMOR | 5/8"  | 3'-9 11/16" X 10'-10 7/8" | 2 - 12 |

# 11-1223

Jewish Home for the Aging

1885 Victory Blvd. Reseda, CA

FrameMax, Inc.  
13915 Danielson St  
Suite 100  
Poway, CA 92064  
www.frame-max.com



© FrameMax Inc.

CREATED: 09/17/2008

FM-07-109

CREATED BY: AMB

HEIGHT : 11'-9 11/16"

SPACING : 24"

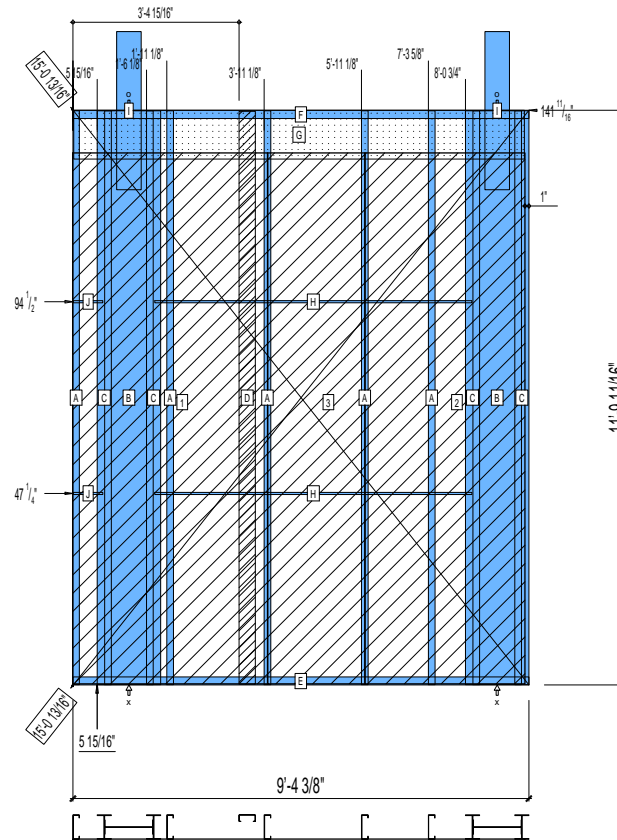
1st STUD: 24"

WEIGHTS :

FRAME : 950 lbs

SHEATHING: 373 lbs

TOTAL: 1323 lbs



PIECES LIST

| LABEL | QTY | SIZE          | LENGTH     | USE                |
|-------|-----|---------------|------------|--------------------|
| A     | 5   | 600S162-97    | 11'-9 1/2" | STUD               |
| B     | 2   | 1200i350p1062 | 11'-9 1/2" | PACO               |
| C     | 4   | 600i350p680   | 11'-9 1/2" | PACO               |
| D     | 1   | 400S162-33    | 11'-9 1/4" | BACKER-U           |
| E     | 1   | 600T200-68    | 9'-4 3/8"  | BOTTOM TRACK       |
| F     | 1   | 600T200-68    | 9'-4 3/8"  | TOP TRACK          |
| G     | 1   | 1200D-54      | 9'-3 1/8"  | STRAP              |
| H     | 2   | 150U50-54     | 6'-6 1/8"  | HORIZONTAL BRACING |
| I     | 2   | E             | 3'-3"      | HOLDDOWN           |
| J     | 2   | 150U50-54     | 7 5/16"    | HORIZONTAL BRACING |

SHEATHING

| LABEL | QTY | CODE         | THICK | SIZE                     | SCREWS |
|-------|-----|--------------|-------|--------------------------|--------|
| 1     | 1   | SB-DENSARMOR | 5/8"  | 4'-0" X 10'-10 7/8"      | 2 -12  |
| 2     | 1   | SB-DENSARMOR | 5/8"  | 3'-3 7/16" X 10'-10 7/8" | 2 -12  |
| 3     | 1   | SB-DENSARMOR | 5/8"  | 2'-0" X 10'-10 7/8"      | 2 -12  |

# 11-1224

Jewish Home for the Aging

1885 Victory Blvd. Reseda, CA

FrameMax, Inc.  
13915 Danielson St  
Suite 100  
Poway, CA 92064  
www.frame-max.com



© FrameMax Inc.

CREATED: 09/17/2008

FM-07-109

CREATED BY: AMB

HEIGHT : 11'-9 11/16"

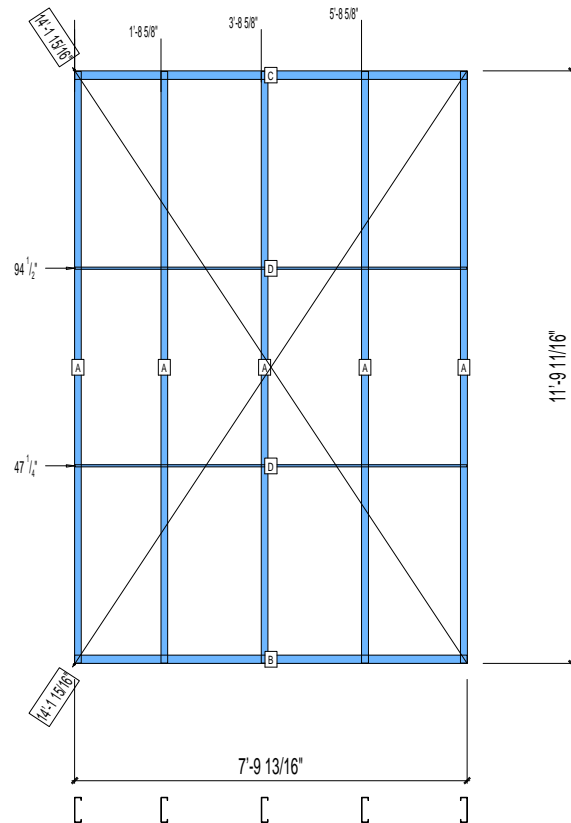
SPACING : 24"

1st STUD: 24"

WEIGHTS :

FRAME : 240 lbs

-----  
TOTAL: 240 lbs



PIECES LIST

| LABEL | QTY | SIZE       | LENGTH      | USE                |
|-------|-----|------------|-------------|--------------------|
| A     | 5   | 600S162-97 | 11'-9 1/2"  | STUD               |
| B     | 1   | 600T200-68 | 7'-9 13/16" | BOTTOM TRACK       |
| C     | 1   | 600T200-68 | 7'-9 13/16" | TOP TRACK          |
| D     | 2   | 150U50-54  | 7'-9 5/8"   | HORIZONTAL BRACING |

# 11-1225

Jewish Home for the Aging

1885 Victory Blvd. Reseda, CA

FM-07-109

CREATED BY: AMB

FrameMax, Inc.  
13915 Danielson St  
Suite 100  
Poway, CA 92064  
www.frame-max.com

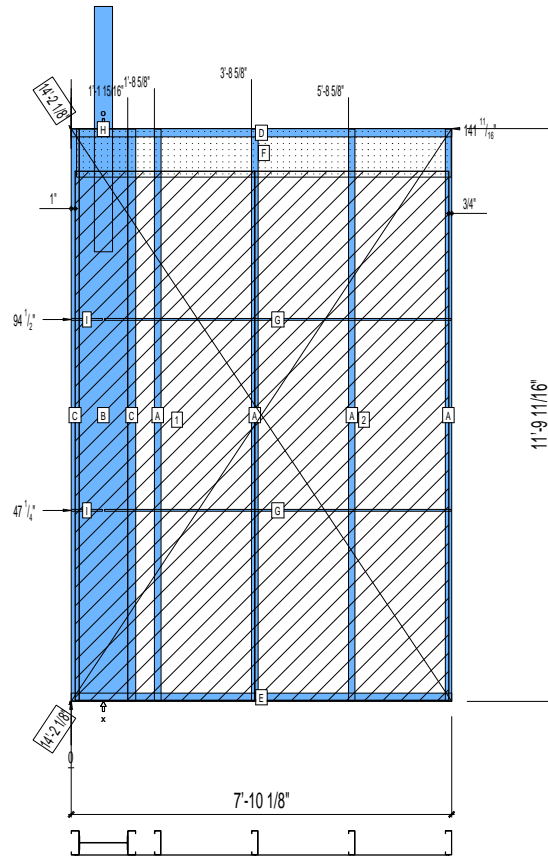


© FrameMax Inc.

HEIGHT : 11'-9 11/16"  
SPACING : 24"  
1st STUD: 24"

WEIGHTS :  
FRAME : 445 lbs  
SHEATHING: 309 lbs

TOTAL: 754 lbs



PIECES LIST

| LABEL | QTY | SIZE          | LENGTH      | USE                |
|-------|-----|---------------|-------------|--------------------|
| A     | 4   | 600S162-97    | 11'-9 1/2"  | STUD               |
| B     | 1   | 1200i350p1062 | 11'-9 1/2"  | PACO               |
| C     | 2   | 600S200-68    | 11'-9 1/2"  | STUD               |
| D     | 1   | 600T200-68    | 7'-10 1/8"  | TOP TRACK          |
| E     | 1   | 600T200-68    | 7'-10 1/8"  | BOTTOM TRACK       |
| F     | 1   | 1200D-54      | 7'-8 3/4"   | STRAP              |
| G     | 2   | 150U50-54     | 7'-1 13/16" | HORIZONTAL BRACING |
| H     | 1   | D             | 5'-0 3/4"   | HOLDDOWN           |
| I     | 2   | 150U50-54     | 7 5/8"      | HORIZONTAL BRACING |

SHEATHING

| LABEL | QTY | CODE         | THICK | SIZE                     | SCREWS |
|-------|-----|--------------|-------|--------------------------|--------|
| 1     | 1   | SB-DENSARMOR | 5/8"  | 3'-8 7/16" X 10'-10 7/8" | 2 - 12 |
| 2     | 1   | SB-DENSARMOR | 5/8"  | 4'-0" X 10'-10 7/8"      | 2 - 12 |

# 11-1226

Jewish Home for the Aging

1885 Victory Blvd. Reseda, CA

FrameMax, Inc.  
13915 Danielson St  
Suite 100  
Poway, CA 92064  
www.frame-max.com



© FrameMax Inc.

CREATED: 09/17/2008

FM-07-109

CREATED BY: AMB

HEIGHT : 11'-9 11/16" POINTS: 1.92 Points.

SPACING : 24"

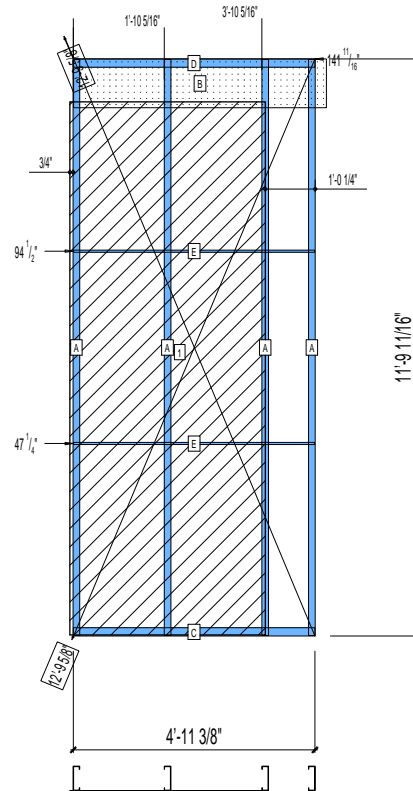
1st STUD: 24"

WEIGHTS :

FRAME : 196 lbs

SHEATHING: 160 lbs

-----  
TOTAL: 356 lbs



### PIECES LIST

| LABEL | QTY | SIZE       | LENGTH      | USE                |
|-------|-----|------------|-------------|--------------------|
| A     | 4   | 600S162-97 | 11'-9 1/2"  | STUD               |
| B     | 1   | 1200D-54   | 5'-2 1/16"  | STRAP              |
| C     | 1   | 600T200-68 | 4'-11 3/8"  | BOTTOM TRACK       |
| D     | 1   | 600T200-68 | 4'-11 3/8"  | TOP TRACK          |
| E     | 2   | 150U50-54  | 4'-11 3/16" | HORIZONTAL BRACING |

### SHEATHING

| LABEL | QTY | CODE         | THICK | SIZE                       | SCREWS |
|-------|-----|--------------|-------|----------------------------|--------|
| 1     | 1   | SB-DENSARMOR | 5/8"  | 3'-11 15/16" X 10'-10 7/8" | 2 - 12 |

# 11-1227

Jewish Home for the Aging

1885 Victory Blvd. Reseda, CA

FrameMax, Inc.  
13915 Danielson St  
Suite 100  
Poway, CA 92064  
www.frame-max.com



© FrameMax Inc.

CREATED: 09/17/2008

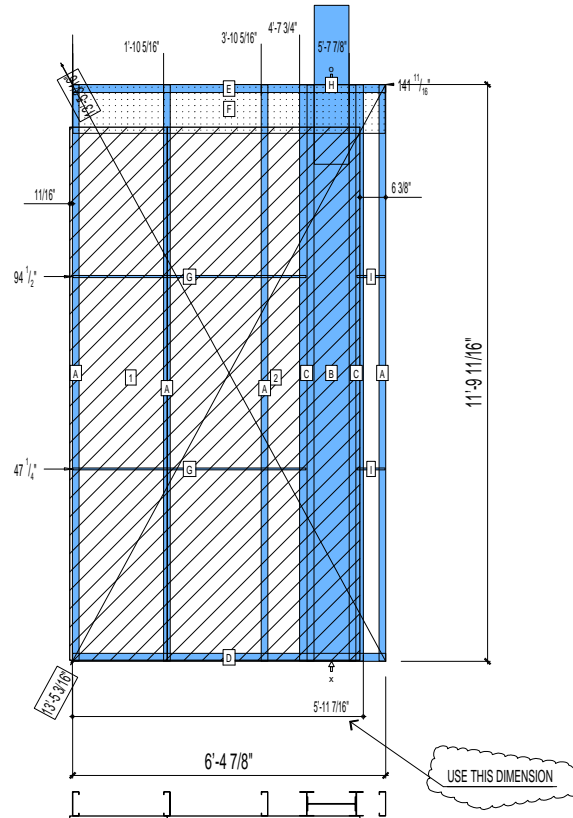
FM-07-109

CREATED BY: AMB

HEIGHT : 13'-5 1/16"  
SPACING : 24"  
1st STUD: 24"

WEIGHTS :  
FRAME : 697 lbs  
SHEATHING: 238 lbs

-----  
TOTAL: 935 lbs



PIECES LIST

| LABEL | QTY | SIZE          | LENGTH      | USE                |
|-------|-----|---------------|-------------|--------------------|
| A     | 4   | 600S162-97    | 11'-9 1/2"  | STUD               |
| B     | 1   | 1200i350p1420 | 11'-9 1/2"  | PACO               |
| C     | 2   | 600i350p968   | 11'-9 1/2"  | PACO               |
| D     | 1   | 600T200-68    | 6'-4 7/8"   | BOTTOM TRACK       |
| E     | 1   | 600T200-68    | 6'-4 7/8"   | TOP TRACK          |
| F     | 1   | 1200D-54      | 6'-4 11/16" | STRAP              |
| G     | 2   | 150U50-54     | 4'-9 1/4"   | HORIZONTAL BRACING |
| H     | 1   | F             | 3'-3"       | HOLDDOWN           |
| I     | 2   | 150U50-54     | 6 15/16"    | HORIZONTAL BRACING |

SHEATHING

| LABEL | QTY | CODE         | THICK | SIZE                     | SCREWS |
|-------|-----|--------------|-------|--------------------------|--------|
| 1     | 1   | SB-DENSARMOR | 5/8"  | 2'-0" X 10'-10 7/8"      | 2 - 12 |
| 2     | 1   | SB-DENSARMOR | 5/8"  | 3'-11 1/4" X 10'-10 7/8" | 2 - 12 |

# 11-1228

Jewish Home for the Aging

1885 Victory Blvd. Reseda, CA

FrameMax, Inc.  
13915 Danielson St  
Suite 100  
Poway, CA 92064  
www.frame-max.com



© FrameMax Inc.

CREATED: 09/17/2008

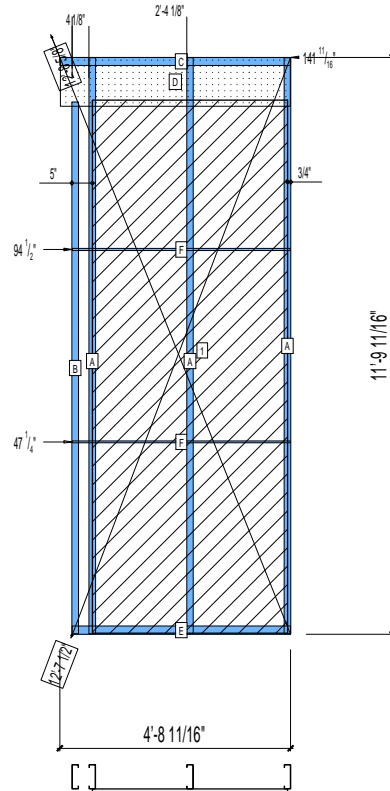
FM-07-109

CREATED BY: AMB

HEIGHT : 11'-9 11/16"  
SPACING : 24"  
1st STUD: 24"

WEIGHTS :  
FRAME : 190 lbs  
SHEATHING: 160 lbs

-----  
TOTAL: 350 lbs



PIECES LIST

| LABEL | QTY | SIZE       | LENGTH       | USE                |
|-------|-----|------------|--------------|--------------------|
| A     | 3   | 600S162-97 | 11'-9 1/2"   | STUD               |
| B     | 1   | 600S162-97 | 10'-10 9/16" | STUD               |
| C     | 1   | 600T200-68 | 4'-8 11/16"  | TOP TRACK          |
| D     | 1   | 1200D-54   | 4'-8 7/16"   | STRAP              |
| E     | 1   | 600T200-68 | 4'-5 11/16"  | BOTTOM TRACK       |
| F     | 2   | 150U50-54  | 4'-5 1/2"    | HORIZONTAL BRACING |

SHEATHING

| LABEL | QTY | CODE         | THICK | SIZE                       | SCREWS |
|-------|-----|--------------|-------|----------------------------|--------|
| 1     | 1   | SB-DENSARMOR | 5/8"  | 3'-11 15/16" X 10'-10 7/8" | 2 - 12 |

# 11-1229

Jewish Home for the Aging

1885 Victory Blvd. Reseda, CA

FM-07-109

CREATED BY: AMB

FrameMax, Inc.  
13915 Danielson St  
Suite 100  
Poway, CA 92064  
www.frame-max.com



© FrameMax Inc.

HEIGHT : 11'-9 11/16" POINTS: 3.06 Points.

SPACING : 24"

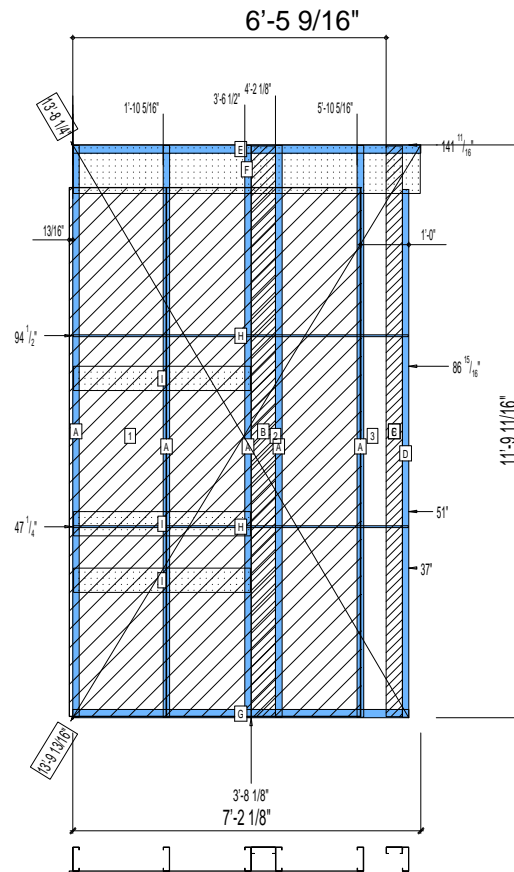
1st STUD: 24"

WEIGHTS :

FRAME : 326 lbs

SHEATHING: 241 lbs

TOTAL: 567 lbs



PIECES LIST

| LABEL | QTY | SIZE       | LENGTH       | USE                |
|-------|-----|------------|--------------|--------------------|
| A     | 5   | 600S162-97 | 11'-9 1/2"   | STUD               |
| B     | 1   | 600S162-33 | 11'-9 1/4"   | BACKER-U           |
| C     | 1   | 400S162-33 | 11'-9 1/4"   | BACKER-U           |
| D     | 1   | 600S162-97 | 10'-10 9/16" | STUD               |
| E     | 1   | 600T200-68 | 7'-2 1/8"    | TOP TRACK          |
| F     | 1   | 1200D-54   | 7'-1 7/8"    | STRAP              |
| G     | 1   | 600T200-68 | 6'-11 1/8"   | BOTTOM TRACK       |
| H     | 2   | 150U50-54  | 6'-10 15/16" | HORIZONTAL BRACING |
| I     | 3   | 600D-54    | 3'-7 11/16"  | KITCHEN BACKING    |

SHEATHING

| LABEL | QTY | CODE         | THICK | SIZE                   | SCREWS |
|-------|-----|--------------|-------|------------------------|--------|
| 1     | 1   | SB-DENSARMOR | 5/8"  | 2'-0" X 10'-10 7/8"    | 2 - 12 |
| 2     | 1   | SB-DENSARMOR | 5/8"  | 4'-0" X 10'-10 7/8"    | 2 - 12 |
| 3     | 1   | SB-DENSARMOR | 5/8"  | 0.012129 X 10'-10 7/8" | 2 - 12 |

# 11-1230

Jewish Home for the Aging

1885 Victory Blvd. Reseda, CA

FrameMax, Inc.  
13915 Danielson St  
Suite 100  
Poway, CA 92064  
www.frame-max.com



© FrameMax Inc.

CREATED: 09/17/2008

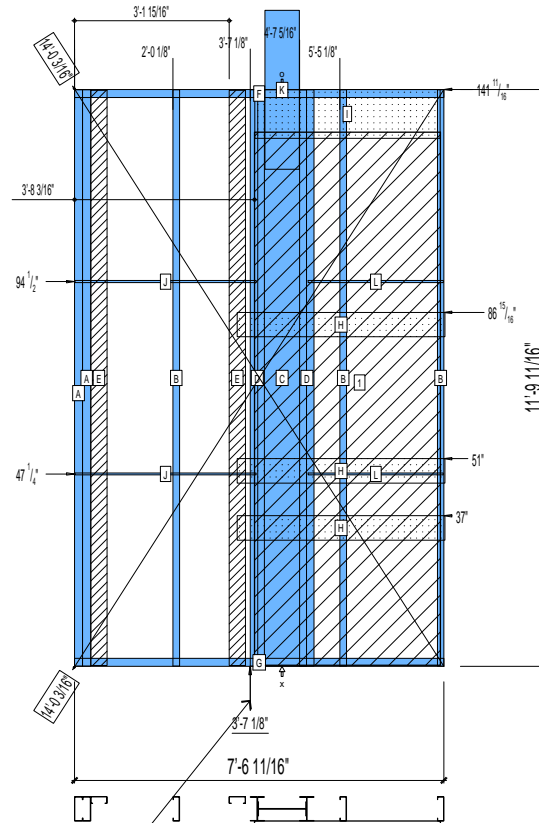
FM-07-109

CREATED BY: AMB

HEIGHT : 13'-5 1/16" POINTS: 4.84 Points.  
SPACING : 24"  
1st STUD: 24"

WEIGHTS :  
FRAME : 781 lbs  
SHEATHING: 153 lbs

TOTAL: 934 lbs



PIECES LIST

| LABEL | QTY | SIZE          | LENGTH      | USE                |
|-------|-----|---------------|-------------|--------------------|
| A     | 2   | 600S200-97    | 11'-9 1/2"  | KING STUD          |
| B     | 3   | 600S162-97    | 11'-9 1/2"  | STUD               |
| C     | 1   | 1200i350p1420 | 11'-9 1/2"  | PACO               |
| D     | 2   | 600i350p968   | 11'-9 1/2"  | PACO               |
| E     | 2   | 400S162-33    | 11'-9 1/4"  | BACKER-U           |
| F     | 1   | 600T200-68    | 7'-6 11/16" | TOP TRACK          |
| G     | 1   | 600T200-68    | 7'-6 11/16" | BOTTOM TRACK       |
| H     | 3   | 600D-54       | 4'-3"       | KITCHEN BACKING    |
| I     | 1   | 1200D-54      | 3'-9 1/2"   | STRAP              |
| J     | 2   | 150U50-54     | 3'-8 1/2"   | HORIZONTAL BRACING |
| K     | 1   | F             | 3'-3"       | HOLDDOWN           |
| L     | 2   | 150U50-54     | 2'-9 1/4"   | HORIZONTAL BRACING |

SHEATHING

| LABEL | QTY | CODE         | THICK | SIZE                      | SCREWS |
|-------|-----|--------------|-------|---------------------------|--------|
| 1     | 1   | SB-DENSARMOR | 5/8"  | 3'-9 11/16" X 10'-10 7/8" | 2 - 12 |

# 11-1231

Jewish Home for the Aging

1885 Victory Blvd. Reseda, CA

FrameMax, Inc.  
13915 Danielson St  
Suite 100  
Poway, CA 92064  
www.frame-max.com



© FrameMax Inc.

CREATED: 09/17/2008

FM-07-109

CREATED BY: AMB

HEIGHT : 11'-9 11/16"

SPACING : 24"

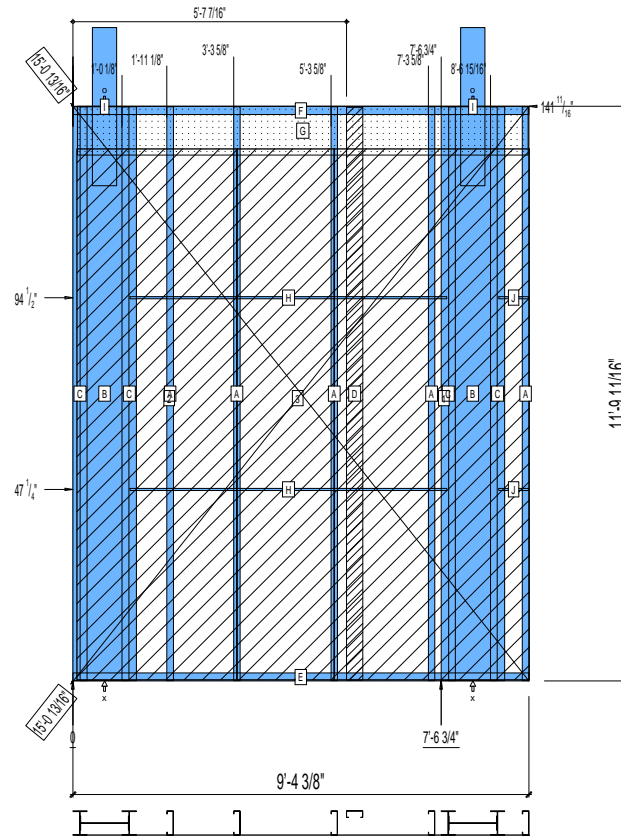
1st STUD: 24"

WEIGHTS :

FRAME : 950 lbs

SHEATHING: 373 lbs

TOTAL: 1323 lbs



PIECES LIST

| LABEL | QTY | SIZE          | LENGTH     | USE                |
|-------|-----|---------------|------------|--------------------|
| A     | 5   | 600S162-97    | 11'-9 1/2" | STUD               |
| B     | 2   | 1200i350p1062 | 11'-9 1/2" | PACO               |
| C     | 4   | 600i350p680   | 11'-9 1/2" | PACO               |
| D     | 1   | 400S162-33    | 11'-9 1/4" | BACKER-U           |
| E     | 1   | 600T200-68    | 9'-4 3/8"  | BOTTOM TRACK       |
| F     | 1   | 600T200-68    | 9'-4 3/8"  | TOP TRACK          |
| G     | 1   | 1200D-54      | 9'-3 1/8"  | STRAP              |
| H     | 2   | 150U50-54     | 6'-6 1/8"  | HORIZONTAL BRACING |
| I     | 2   | E             | 3'-3"      | HOLDDOWN           |
| J     | 2   | 150U50-54     | 7 5/16"    | HORIZONTAL BRACING |

SHEATHING

| LABEL | QTY | CODE         | THICK | SIZE                     | SCREWS |
|-------|-----|--------------|-------|--------------------------|--------|
| 1     | 1   | SB-DENSARMOR | 5/8"  | 4'-0" X 10'-10 7/8"      | 2 -12  |
| 2     | 1   | SB-DENSARMOR | 5/8"  | 3'-3 7/16" X 10'-10 7/8" | 2 -12  |
| 3     | 1   | SB-DENSARMOR | 5/8"  | 2'-0" X 10'-10 7/8"      | 2 -12  |

# 11-1232

Jewish Home for the Aging

1885 Victory Blvd. Reseda, CA

FrameMax, Inc.  
13915 Danielson St  
Suite 100  
Poway, CA 92064  
www.frame-max.com



© FrameMax Inc.

CREATED: 09/17/2008

FM-07-109

CREATED BY: AMB

HEIGHT : 11'-9 11/16"

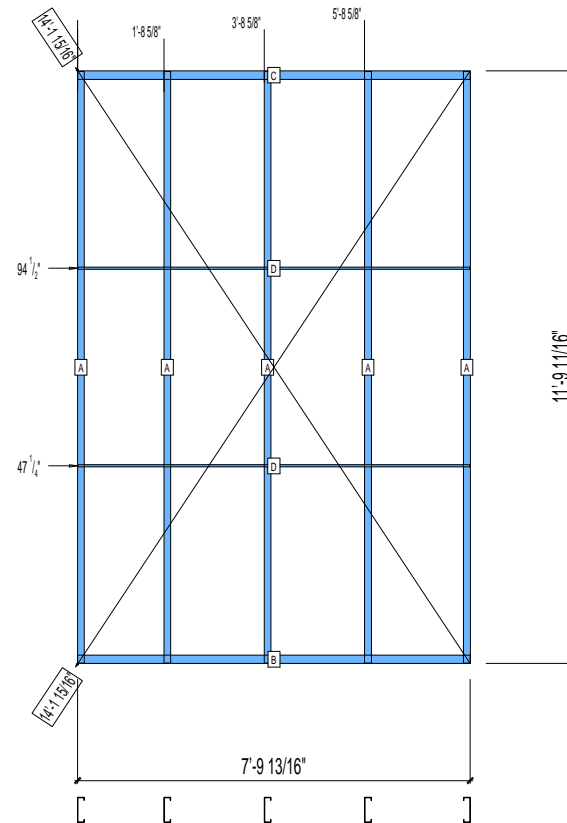
SPACING : 24"

1st STUD: 24"

WEIGHTS :

FRAME : 240 lbs

-----  
TOTAL: 240 lbs



### PIECES LIST

| LABEL | QTY | SIZE       | LENGTH      | USE                |
|-------|-----|------------|-------------|--------------------|
| A     | 5   | 600S162-97 | 11'-9 1/2"  | STUD               |
| B     | 1   | 600T200-68 | 7'-9 13/16" | BOTTOM TRACK       |
| C     | 1   | 600T200-68 | 7'-9 13/16" | TOP TRACK          |
| D     | 2   | 150U50-54  | 7'-9 5/8"   | HORIZONTAL BRACING |

# 11-1233

Jewish Home for the Aging

1885 Victory Blvd. Reseda, CA

FrameMax, Inc.  
13915 Danielson St  
Suite 100  
Poway, CA 92064  
www.frame-max.com



© FrameMax Inc.

CREATED: 09/17/2008

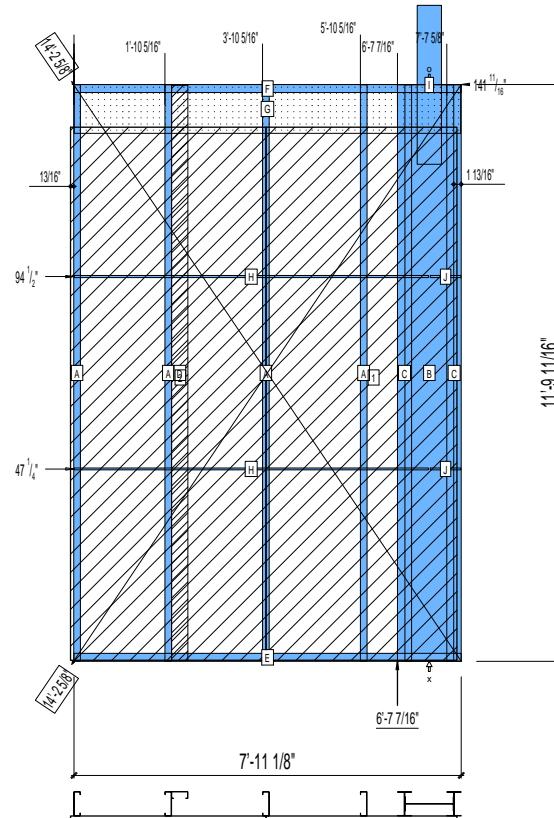
FM-07-109

CREATED BY: AMB

HEIGHT : 11'-9 11/16"  
SPACING : 24"  
1st STUD: 24"

WEIGHTS :  
FRAME : 567 lbs  
SHEATHING: 317 lbs

TOTAL: 884 lbs



PIECES LIST

| LABEL | QTY | SIZE          | LENGTH      | USE                |
|-------|-----|---------------|-------------|--------------------|
| A     | 4   | 600S162-97    | 11'-9 1/2"  | STUD               |
| B     | 1   | 1200i350p1062 | 11'-9 1/2"  | PACO               |
| C     | 2   | 600i350p680   | 11'-9 1/2"  | PACO               |
| D     | 1   | 400S162-33    | 11'-9 1/4"  | BACKER-U           |
| E     | 1   | 600T200-68    | 7'-11 1/8"  | BOTTOM TRACK       |
| F     | 1   | 600T200-68    | 7'-11 1/8"  | TOP TRACK          |
| G     | 1   | 1200D-54      | 7'-10 7/8"  | STRAP              |
| H     | 2   | 150U50-54     | 7'-2 15/16" | HORIZONTAL BRACING |
| I     | 1   | E             | 3'-3"       | HOLDDOWN           |
| J     | 2   | 150U50-54     | 7 1/2"      | HORIZONTAL BRACING |

SHEATHING

| LABEL | QTY | CODE         | THICK | SIZE                     | SCREWS |
|-------|-----|--------------|-------|--------------------------|--------|
| 1     | 1   | SB-DENSARMOR | 5/8"  | 3'-10 7/8" X 10'-10 7/8" | 2 - 12 |
| 2     | 1   | SB-DENSARMOR | 5/8"  | 4'-0" X 10'-10 7/8"      | 2 - 12 |

# 11-1234

Jewish Home for the Aging

1885 Victory Blvd. Reseda, CA

FrameMax, Inc.  
13915 Danielson St  
Suite 100  
Poway, CA 92064  
www.frame-max.com



© FrameMax Inc.

CREATED: 09/17/2008

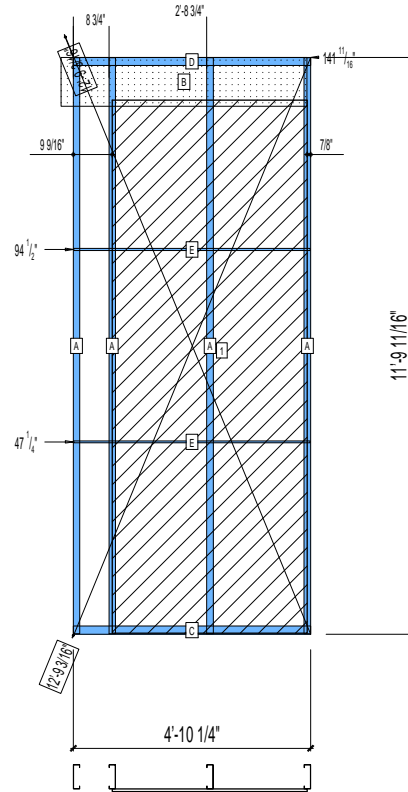
FM-07-109

CREATED BY: AMB

HEIGHT : 11'-9 11/16"  
SPACING : 24"  
1st STUD: 24"

WEIGHTS :  
FRAME : 196 lbs  
SHEATHING: 160 lbs

-----  
TOTAL: 356 lbs



PIECES LIST

| LABEL | QTY | SIZE       | LENGTH      | USE                |
|-------|-----|------------|-------------|--------------------|
| A     | 4   | 600S162-97 | 11'-9 1/2"  | STUD               |
| B     | 1   | 1200D-54   | 5'-0 3/8"   | STRAP              |
| C     | 1   | 600T200-68 | 4'-10 1/4"  | BOTTOM TRACK       |
| D     | 1   | 600T200-68 | 4'-10 1/4"  | TOP TRACK          |
| E     | 2   | 150U50-54  | 4'-10 1/16" | HORIZONTAL BRACING |

SHEATHING

| LABEL | QTY | CODE         | THICK | SIZE                     | SCREWS |
|-------|-----|--------------|-------|--------------------------|--------|
| 1     | 1   | SB-DENSARMOR | 5/8"  | 3'-11 7/8" X 10'-10 7/8" | 2 - 12 |

# 11-1235

Jewish Home for the Aging

1885 Victory Blvd. Reseda, CA

FM-07-109

CREATED BY: AMB

FrameMax, Inc.  
13915 Danielson St  
Suite 100  
Poway, CA 92064  
www.frame-max.com



© FrameMax Inc.

HEIGHT : 11'-9 11/16"

SPACING : 24"

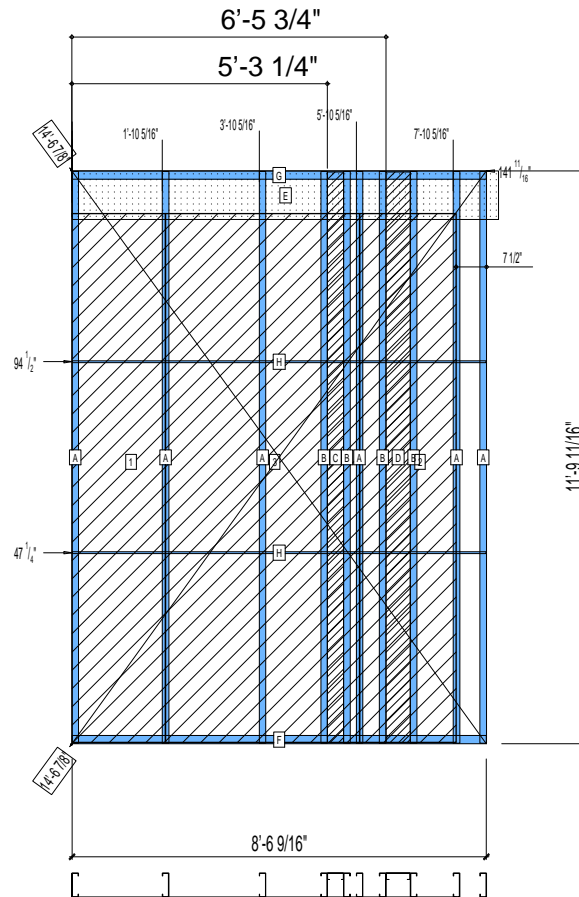
1st STUD: 24"

WEIGHTS :

FRAME : 384 lbs

SHEATHING: 318 lbs

TOTAL: 702 lbs



PIECES LIST

| LABEL | QTY | SIZE       | LENGTH     | USE                |
|-------|-----|------------|------------|--------------------|
| A     | 6   | 600S162-97 | 11'-9 1/2" | STUD               |
| B     | 4   | 600S162-33 | 11'-9 1/2" | BACKER STUD        |
| C     | 1   | 400S162-33 | 11'-9 1/4" | BACKER-U           |
| D     | 1   | 600S162-33 | 11'-9 1/4" | BACKER-U           |
| E     | 1   | 1200D-54   | 8'-9 1/2"  | STRAP              |
| F     | 1   | 600T200-68 | 8'-6 9/16" | BOTTOM TRACK       |
| G     | 1   | 600T200-68 | 8'-6 9/16" | TOP TRACK          |
| H     | 2   | 150U50-54  | 8'-6 3/8"  | HORIZONTAL BRACING |

SHEATHING

| LABEL | QTY | CODE         | THICK | SIZE                       | SCREWS |
|-------|-----|--------------|-------|----------------------------|--------|
| 1     | 1   | SB-DENSARMOR | 5/8"  | 1'-11 1/8" X 10'-10 7/8"   | 2 - 12 |
| 2     | 1   | SB-DENSARMOR | 5/8"  | 1'-11 15/16" X 10'-10 7/8" | 2 - 12 |
| 3     | 1   | SB-DENSARMOR | 5/8"  | 4'-0" X 10'-10 7/8"        | 2 - 12 |

# 11-1236

Jewish Home for the Aging

1885 Victory Blvd. Reseda, CA

FrameMax, Inc.  
13915 Danielson St  
Suite 100  
Poway, CA 92064  
www.frame-max.com



© FrameMax Inc.

CREATED: 09/17/2008

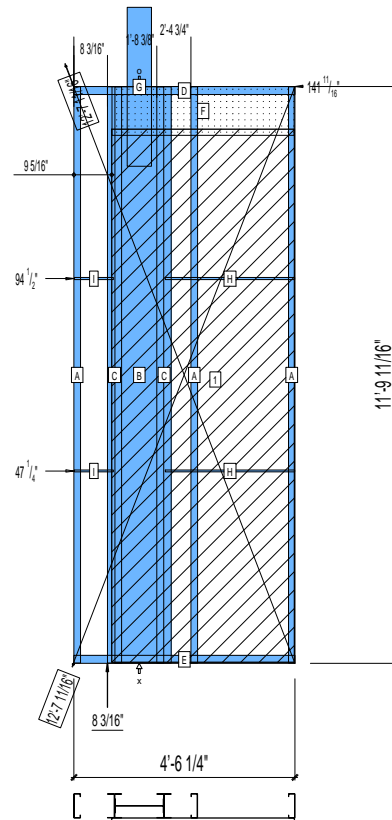
FM-07-109

CREATED BY: AMB

HEIGHT : 13'-5 1/16"  
SPACING : 24"  
1st STUD: 24"

WEIGHTS :  
FRAME : 486 lbs  
SHEATHING: 150 lbs

-----  
TOTAL: 636 lbs



PIECES LIST

| LABEL | QTY | SIZE          | LENGTH     | USE                |
|-------|-----|---------------|------------|--------------------|
| A     | 3   | 600S162-97    | 11'-9 1/2" | STUD               |
| B     | 1   | 1200i350p1062 | 11'-9 1/2" | PACO               |
| C     | 2   | 600i350p680   | 11'-9 1/2" | PACO               |
| D     | 1   | 600T200-68    | 4'-6 1/4"  | TOP TRACK          |
| E     | 1   | 600T200-68    | 4'-6 1/4"  | BOTTOM TRACK       |
| F     | 1   | 1200D-54      | 3'-8 3/4"  | STRAP              |
| G     | 1   | E             | 3'-3"      | HOLDDOWN           |
| H     | 2   | 150U50-54     | 2'-7 3/4"  | HORIZONTAL BRACING |
| I     | 2   | 150U50-54     | 9 9/16"    | HORIZONTAL BRACING |

SHEATHING

| LABEL | QTY | CODE         | THICK | SIZE                    | SCREWS |
|-------|-----|--------------|-------|-------------------------|--------|
| 1     | 1   | SB-DENSARMOR | 5/8"  | 3'-8 7/8" X 10'-10 7/8" | 2 - 12 |

# 11-1237

Jewish Home for the Aging

1885 Victory Blvd. Reseda, CA

FM-07-109

CREATED BY: AMB

FrameMax, Inc.  
13915 Danielson St  
Suite 100  
Poway, CA 92064  
www.frame-max.com



© FrameMax Inc.

HEIGHT : 13'-5 1/16" POINTS: 4.80 Points.

SPACING : 24"

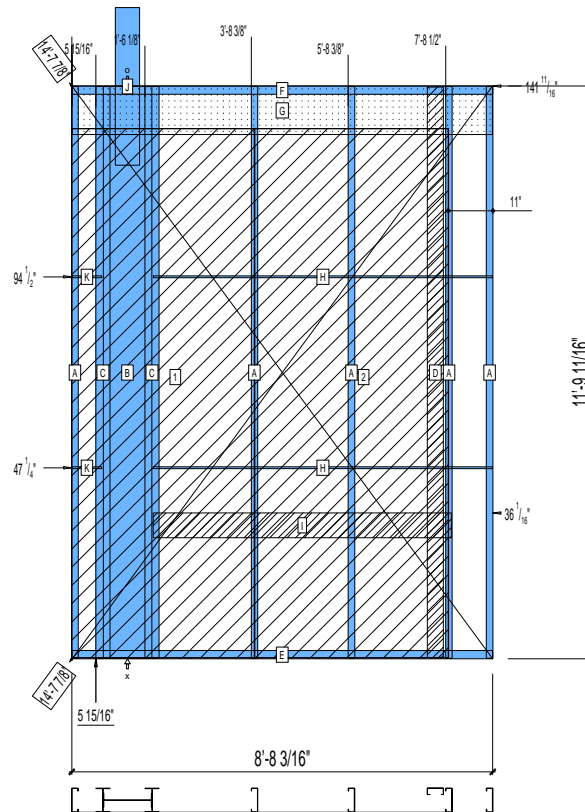
1st STUD: 16"

WEIGHTS :

FRAME : 621 lbs

SHEATHING: 312 lbs

TOTAL: 933 lbs



PIECES LIST

| LABEL | QTY | SIZE          | LENGTH      | USE                |
|-------|-----|---------------|-------------|--------------------|
| A     | 5   | 600S162-97    | 11'-9 1/2"  | STUD               |
| B     | 1   | 1200i350p1062 | 11'-9 1/2"  | PACO               |
| C     | 2   | 600i350p680   | 11'-9 1/2"  | PACO               |
| D     | 1   | 400S162-33    | 11'-9 1/4"  | BACKER-U           |
| E     | 1   | 600T200-68    | 8'-8 3/16"  | BOTTOM TRACK       |
| F     | 1   | 600T200-68    | 8'-8 3/16"  | TOP TRACK          |
| G     | 1   | 1200D-54      | 8'-8"       | STRAP              |
| H     | 2   | 150U50-54     | 6'-11 7/8"  | HORIZONTAL BRACING |
| I     | 1   | 600T150-54    | 6'-1 13/16" | GRAB BAR           |
| J     | 1   | E             | 3'-3"       | HOLDDOWN           |
| K     | 2   | 150U50-54     | 7 5/16"     | HORIZONTAL BRACING |

SHEATHING

| LABEL | QTY | CODE         | THICK | SIZE                     | SCREWS |
|-------|-----|--------------|-------|--------------------------|--------|
| 1     | 1   | SB-DENSARMOR | 5/8"  | 3'-9 3/16" X 10'-10 7/8" | 2 - 12 |
| 2     | 1   | SB-DENSARMOR | 5/8"  | 4'-0" X 10'-10 7/8"      | 2 - 12 |

# 11-1238

Jewish Home for the Aging

1885 Victory Blvd. Reseda, CA

FrameMax, Inc.  
13915 Danielson St  
Suite 100  
Poway, CA 92064  
www.frame-max.com



© FrameMax Inc.

CREATED: 09/17/2008

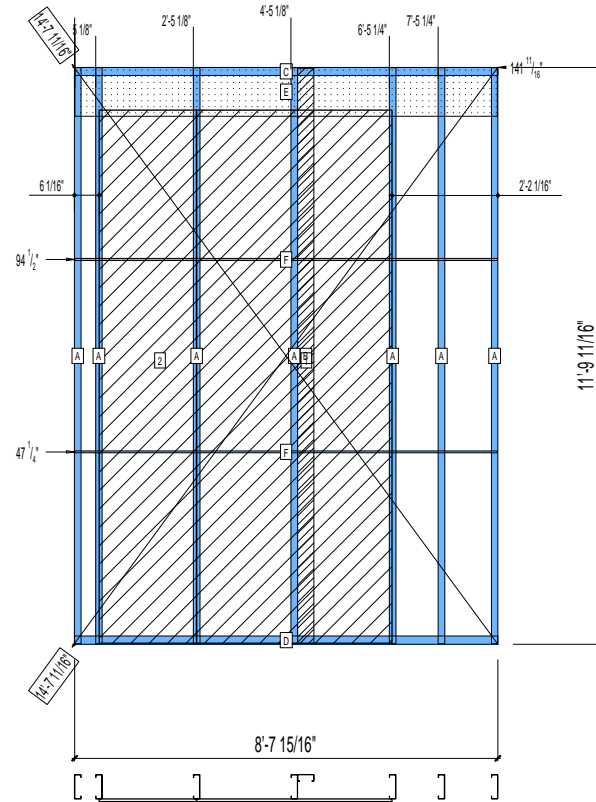
FM-07-109

CREATED BY: AMB

HEIGHT : 11'-9 11/16"  
SPACING : 24"  
1st STUD: 24"

WEIGHTS :  
FRAME : 354 lbs  
SHEATHING: 241 lbs

-----  
TOTAL: 595 lbs



PIECES LIST

| LABEL | QTY | SIZE       | LENGTH      | USE                |
|-------|-----|------------|-------------|--------------------|
| A     | 7   | 600S162-97 | 11'-9 1/2"  | STUD               |
| B     | 1   | 400S162-33 | 11'-9 1/4"  | BACKER-U           |
| C     | 1   | 600T200-68 | 8'-7 15/16" | TOP TRACK          |
| D     | 1   | 600T200-68 | 8'-7 15/16" | BOTTOM TRACK       |
| E     | 1   | 1200D-54   | 8'-7 3/4"   | STRAP              |
| F     | 2   | 150U50-54  | 8'-7 3/4"   | HORIZONTAL BRACING |

SHEATHING

| LABEL | QTY | CODE         | THICK | SIZE                       | SCREWS |
|-------|-----|--------------|-------|----------------------------|--------|
| 1     | 1   | SB-DENSARMOR | 5/8"  | 3'-11 15/16" X 10'-10 7/8" | 2 - 12 |
| 2     | 1   | SB-DENSARMOR | 5/8"  | 1'-11 15/16" X 10'-10 7/8" | 2 - 12 |

# 11-1239

Jewish Home for the Aging

1885 Victory Blvd. Reseda, CA

FrameMax, Inc.  
13915 Danielson St  
Suite 100  
Poway, CA 92064  
www.frame-max.com



© FrameMax Inc.

CREATED: 09/17/2008

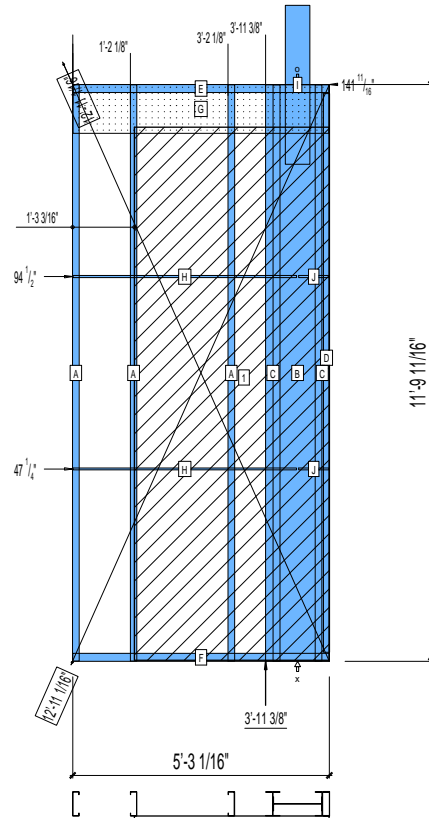
FM-07-109

CREATED BY: AMB

HEIGHT : 11'-9 11/16" POINTS: 3.49 Points.  
SPACING : 24"  
1st STUD: 24"

WEIGHTS :  
FRAME : 515 lbs  
SHEATHING: 160 lbs

-----  
TOTAL: 675 lbs



PIECES LIST

| LABEL | QTY | SIZE          | LENGTH      | USE                |
|-------|-----|---------------|-------------|--------------------|
| A     | 3   | 600S162-97    | 11'-9 1/2"  | STUD               |
| B     | 1   | 1200i350p1062 | 11'-9 1/2"  | PACO               |
| C     | 2   | 600i350p680   | 11'-9 1/2"  | PACO               |
| D     | 1   | 600T150-54    | 11'-5 3/16" | CAP                |
| E     | 1   | 600T200-68    | 5'-3 1/16"  | TOP TRACK          |
| F     | 1   | 600T200-68    | 5'-3 1/16"  | BOTTOM TRACK       |
| G     | 1   | 1200D-54      | 5'-2 13/16" | STRAP              |
| H     | 2   | 150U50-54     | 4'-6 7/8"   | HORIZONTAL BRACING |
| I     | 1   | E             | 3'-3"       | HOLDDOWN           |
| J     | 2   | 150U50-54     | 7 1/2"      | HORIZONTAL BRACING |

SHEATHING

| LABEL | QTY | CODE         | THICK | SIZE                       | SCREWS |
|-------|-----|--------------|-------|----------------------------|--------|
| 1     | 1   | SB-DENSARMOR | 5/8"  | 3'-11 13/16" X 10'-10 7/8" | 2 - 12 |

# 11-1240

Jewish Home for the Aging

1885 Victory Blvd. Reseda, CA

FM-07-109

CREATED BY: AMB

FrameMax, Inc.  
13915 Danielson St  
Suite 100  
Poway, CA 92064  
www.frame-max.com



© FrameMax Inc.

HEIGHT : 11'-9 11/16" POINTS: 2.29 Points.

SPACING : 24"

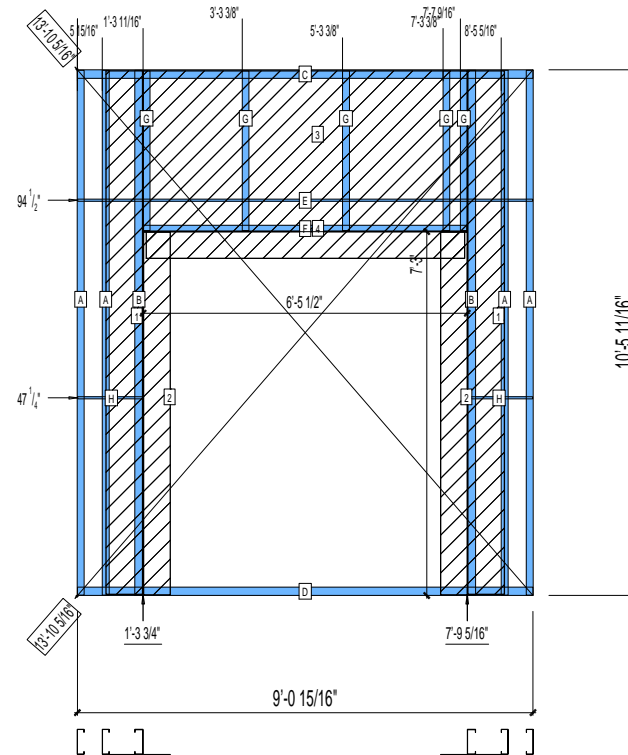
1st STUD: 24"

WEIGHTS :

FRAME : 266 lbs

SHEATHING: 117 lbs

-----  
TOTAL: 383 lbs



PIECES LIST

| LABEL | QTY | SIZE       | LENGTH      | USE                |
|-------|-----|------------|-------------|--------------------|
| A     | 4   | 600S162-68 | 10'-5 1/2"  | STUD               |
| B     | 2   | 600S200-97 | 10'-5 1/2"  | KING STUD          |
| C     | 1   | 600T200-68 | 9'-0 15/16" | TOP TRACK          |
| D     | 1   | 600T200-68 | 9'-0 15/16" | BOTTOM TRACK       |
| E     | 1   | 150U50-54  | 9'-0 3/4"   | HORIZONTAL BRACING |
| F     | 1   | 600T150-54 | 6'-5 1/4"   | HEAD TRACK         |
| G     | 5   | 600S162-54 | 3'-2 1/4"   | CRIPPLE            |
| H     | 2   | 150U50-54  | 1'-3 1/2"   | HORIZONTAL BRACING |

SHEATHING

| LABEL | QTY | CODE      | THICK | SIZE                   | SCREWS |
|-------|-----|-----------|-------|------------------------|--------|
| 1     | 2   | DENSGLASS | 1/2"  | 8 3/4" X 10'-5 3/16"   | 8 - 12 |
| 2     | 2   | DENSGLASS | 1/2"  | 6 3/8" X 7'-2 3/4"     | 8 - 12 |
| 3     | 1   | DENSGLASS | 1/2"  | 6'-5 1/2" X 3'-2 5/16" | 8 - 12 |
| 4     | 1   | DENSGLASS | 1/2"  | 6'-4 1/8" X 6 3/8"     | 8 - 12 |

# 11-1241

Jewish Home for the Aging

1885 Victory Blvd. Reseda, CA

FrameMax, Inc.  
13915 Danielson St  
Suite 100  
Poway, CA 92064  
www.frame-max.com



© FrameMax Inc.

CREATED: 09/17/2008

FM-07-109

CREATED BY: AMB

HEIGHT : 11'-9 11/16" POINTS: 0.83 Points.

SPACING : 24"

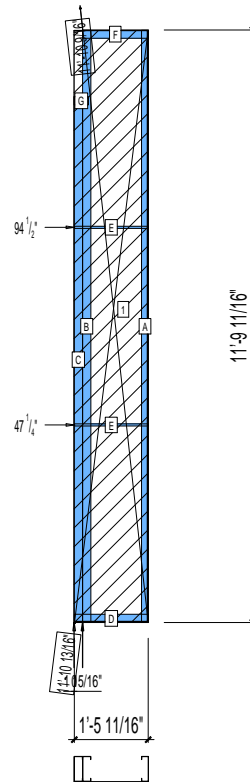
1st STUD: 24"

WEIGHTS :

FRAME : 95 lbs

SHEATHING: 43 lbs

-----  
TOTAL: 138 lbs



PIECES LIST

| LABEL | QTY | SIZE       | LENGTH      | USE                |
|-------|-----|------------|-------------|--------------------|
| A     | 1   | 600S162-68 | 11'-9 1/2"  | STUD               |
| B     | 1   | 600S200-68 | 11'-9 1/2"  | BEAM KING          |
| C     | 1   | 600S200-68 | 10'-5 9/16" | BEAM JACK          |
| D     | 1   | 600T200-68 | 1'-5 11/16" | BOTTOM TRACK       |
| E     | 2   | 150U50-54  | 1'-5 1/2"   | HORIZONTAL BRACING |
| F     | 1   | 600T200-68 | 1'-3 11/16" | TOP TRACK          |
| G     | 1   | 600T200-68 | 3 7/16"     | BEAM JACK          |

SHEATHING

| LABEL | QTY | CODE      | THICK | SIZE                   | SCREWS |
|-------|-----|-----------|-------|------------------------|--------|
| 1     | 1   | DENSGLASS | 1/2"  | 1'-5 1/2" X 11'-9 1/4" | 8 - 12 |

# 11-1242

Jewish Home for the Aging

1885 Victory Blvd. Reseda, CA

FrameMax, Inc.  
13915 Danielson St  
Suite 100  
Poway, CA 92064  
www.framemax.com



© FrameMax Inc.

CREATED: 10/04/2008

FM-07-109

CREATED BY: AMB

HEIGHT : 11'-9 11/16" POINTS: 2.54 Points.

SPACING : 24"

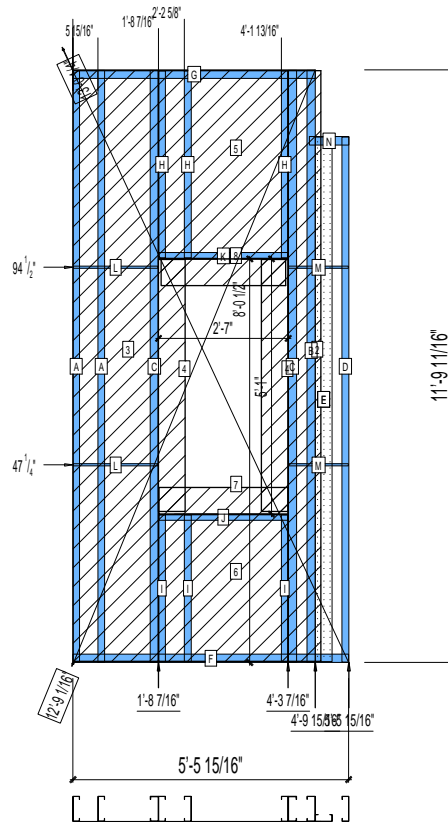
1st STUD: 24"

WEIGHTS :

FRAME : 283 lbs

SHEATHING: 148 lbs

TOTAL: 431 lbs



PIECES LIST

| LABEL | QTY | SIZE       | LENGTH      | USE                |
|-------|-----|------------|-------------|--------------------|
| A     | 2   | 600S162-68 | 11'-9 1/2"  | STUD               |
| B     | 1   | 600S200-68 | 11'-9 1/2"  | BEAM KING          |
| C     | 2   | 600S200-97 | 11'-9 1/2"  | KING STUD          |
| D     | 1   | 600S162-68 | 10'-5 9/16" | STUD               |
| E     | 1   | 400S162-33 | 10'-5 7/16" | BACKER-U           |
| F     | 1   | 600T200-68 | 5'-5 15/16" | BOTTOM TRACK       |
| G     | 1   | 600T200-68 | 4'-9 15/16" | TOP TRACK          |
| H     | 3   | 600S162-54 | 3'-8 3/4"   | CRIPPLE            |
| I     | 3   | 600S162-54 | 2'-11 1/16" | CRIPPLE            |
| J     | 1   | 600T150-54 | 2'-6 3/4"   | SILL               |
| K     | 1   | 600T150-54 | 2'-6 3/4"   | HEAD TRACK         |
| L     | 2   | 150U50-54  | 1'-8 1/4"   | HORIZONTAL BRACING |
| M     | 2   | 150U50-54  | 1'-2 1/4"   | HORIZONTAL BRACING |
| N     | 1   | 600T200-68 | 9 7/16"     | BEAM JACK          |

SHEATHING

| LABEL | QTY | CODE      | THICK | SIZE                    | SCREWS |
|-------|-----|-----------|-------|-------------------------|--------|
| 1     | 1   | DENSGLASS | 1/2"  | 6 3/8" X 11'-9 1/4"     | 8 - 12 |
| 2     | 1   | DENSGLASS | 1/2"  | 7 3/4" X 11'-9 1/4"     | 8 - 12 |
| 3     | 1   | DENSGLASS | 1/2"  | 1'-8 3/8" X 11'-9 1/4"  | 8 - 12 |
| 4     | 2   | DENSGLASS | 1/2"  | 6 3/8" X 5'-0 1/4"      | 8 - 12 |
| 5     | 1   | DENSGLASS | 1/2"  | 2'-6 7/8" X 3'-8 15/16" | 8 - 12 |
| 6     | 1   | DENSGLASS | 1/2"  | 2'-6 7/8" X 2'-11 1/8"  | 8 - 12 |
| 7     | 1   | DENSGLASS | 1/2"  | 2'-6 7/8" X 6 3/8"      | 8 - 12 |
| 8     | 1   | DENSGLASS | 1/2"  | 2'-5 3/4" X 6 3/8"      | 8 - 12 |

# 11-1243

Jewish Home for the Aging

1885 Victory Blvd. Reseda, CA

FM-07-109

CREATED BY: AMB

FrameMax, Inc.  
13915 Danielson St  
Suite 100  
Poway, CA 92064  
www.frame-max.com



© FrameMax Inc.

HEIGHT : 11'-9 11/16" POINTS: 0.71 Points.

SPACING : 24"

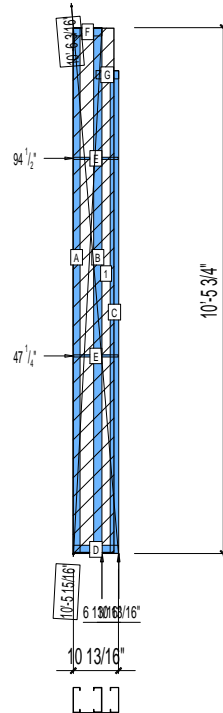
1st STUD: 16"

WEIGHTS :

FRAME : 93 lbs

SHEATHING: 21 lbs

-----  
TOTAL: 114 lbs



PIECES LIST

| LABEL | QTY | SIZE       | LENGTH      | USE                |
|-------|-----|------------|-------------|--------------------|
| A     | 1   | 600S162-68 | 10'-5 9/16" | STUD               |
| B     | 1   | 600S200-97 | 10'-5 9/16" | BEAM KING          |
| C     | 1   | 600S200-68 | 9'-7 5/16"  | BEAM JACK          |
| D     | 1   | 600T200-68 | 10 13/16"   | BOTTOM TRACK       |
| E     | 2   | 150U50-54  | 10 5/8"     | HORIZONTAL BRACING |
| F     | 1   | 600T200-68 | 6 13/16"    | TOP TRACK          |
| G     | 1   | 600T200-68 | 5 7/16"     | BEAM JACK          |

SHEATHING

| LABEL | QTY | CODE      | THICK | SIZE                | SCREWS |
|-------|-----|-----------|-------|---------------------|--------|
| 1     | 1   | DENSGLASS | 1/2"  | 9 3/4" X 10'-5 3/8" | 2 - 12 |

# 11-1244

Jewish Home for the Aging

1885 Victory Blvd. Reseda, CA

FrameMax, Inc.  
13915 Danielson St  
Suite 100  
Poway, CA 92064  
www.framemax.com



© FrameMax Inc.

CREATED: 10/04/2008

FM-07-109

CREATED BY: AMB

HEIGHT : 11'-9 11/16" POINTS: 2.81 Points.

SPACING : 24"

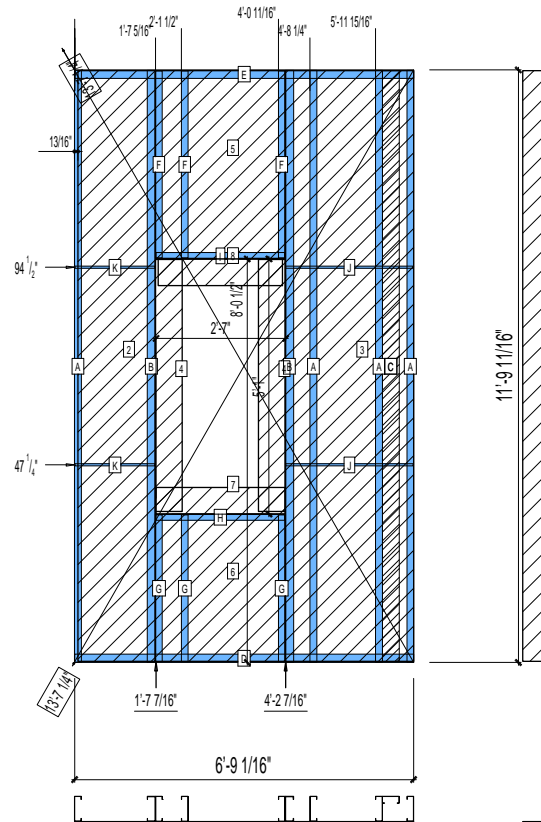
1st STUD: 24"

WEIGHTS :

FRAME : 291 lbs

SHEATHING: 199 lbs

TOTAL: 490 lbs



PIECES LIST

| LABEL | QTY | SIZE       | LENGTH      | USE                |
|-------|-----|------------|-------------|--------------------|
| A     | 4   | 600S162-68 | 11'-9 1/2"  | STUD               |
| B     | 2   | 600S200-97 | 11'-9 1/2"  | KING STUD          |
| C     | 1   | 400S162-33 | 11'-9 5/16" | BACKER-U           |
| D     | 1   | 600T200-68 | 6'-9 1/16"  | BOTTOM TRACK       |
| E     | 1   | 600T200-68 | 6'-9 1/16"  | TOP TRACK          |
| F     | 3   | 600S162-54 | 3'-8 3/4"   | CRIPPLE            |
| G     | 3   | 600S162-54 | 2'-11 1/16" | CRIPPLE            |
| H     | 1   | 600T150-54 | 2'-6 3/4"   | SILL               |
| I     | 1   | 600T150-54 | 2'-6 3/4"   | HEAD TRACK         |
| J     | 2   | 150U50-54  | 2'-6 1/2"   | HORIZONTAL BRACING |
| K     | 2   | 150U50-54  | 1'-7 1/8"   | HORIZONTAL BRACING |

SHEATHING

| LABEL | QTY | CODE      | THICK | SIZE                    | SCREWS |
|-------|-----|-----------|-------|-------------------------|--------|
| 1     | 1   | DENSGLASS | 1/2"  | 6 3/8" X 11'-9 1/4"     | 2 - 12 |
| 2     | 1   | DENSGLASS | 1/2"  | 1'-6 7/16" X 11'-9 1/4" | 2 - 12 |
| 3     | 1   | DENSGLASS | 1/2"  | 2'-6 5/8" X 11'-9 1/4"  | 2 - 12 |
| 4     | 2   | DENSGLASS | 1/2"  | 6 3/8" X 5'-0 1/4"      | 8 - 12 |
| 5     | 1   | DENSGLASS | 1/2"  | 2'-7" X 3'-8 15/16"     | 2 - 12 |
| 6     | 1   | DENSGLASS | 1/2"  | 2'-7" X 2'-11 1/4"      | 2 - 12 |
| 7     | 1   | DENSGLASS | 1/2"  | 2'-6 7/8" X 6 3/8"      | 8 - 12 |
| 8     | 1   | DENSGLASS | 1/2"  | 2'-5 3/4" X 6 3/8"      | 8 - 12 |

# 11-1245

Jewish Home for the Aging

1885 Victory Blvd. Reseda, CA

FM-07-109

CREATED BY: AMB

FrameMax, Inc.  
13915 Danielson St  
Suite 100  
Poway, CA 92064  
www.frame-max.com

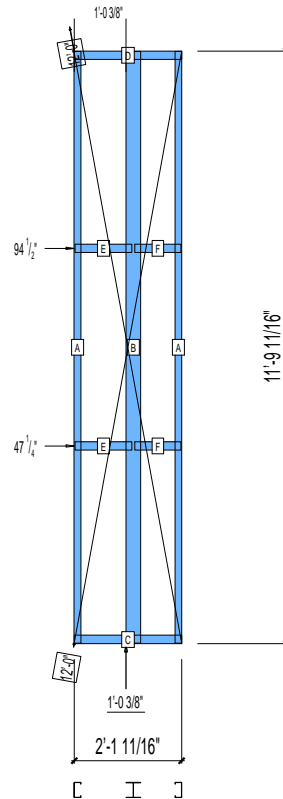


© FrameMax Inc.

HEIGHT : 11'-9 11/16"  
SPACING : 24"  
1st STUD: 24"

WEIGHTS :  
FRAME : 115 lbs

-----  
TOTAL: 115 lbs



PIECES LIST

| LABEL | QTY | SIZE        | LENGTH      | USE          |
|-------|-----|-------------|-------------|--------------|
| A     | 2   | 362S162-54  | 11'-9 1/2"  | STUD         |
| B     | 1   | 363i350p554 | 11'-9 1/2"  | PACO. COLUMN |
| C     | 1   | 362T200-68  | 2'-1 11/16" | BOTTOM TRACK |
| D     | 1   | 362T200-68  | 2'-1 11/16" | TOP TRACK    |
| E     | 2   | 362T200-68  | 1'-1 9/16"  | BLOCK        |
| F     | 2   | 362T200-68  | 11"         | BLOCK        |

# 11-1246

Jewish Home for the Aging

1885 Victory Blvd. Reseda, CA

FrameMax, Inc.  
13915 Danielson St  
Suite 100  
Poway, CA 92064  
www.frame-max.com



© FrameMax Inc.

CREATED: 09/17/2008

FM-07-109

CREATED BY: AMB

HEIGHT : 11'-9 11/16" POINTS: 1.04 Points.

SPACING : 24"

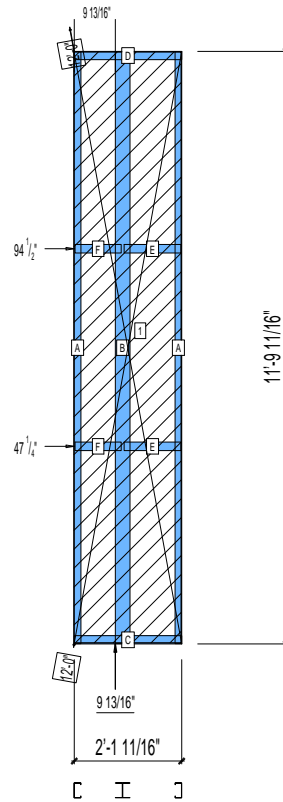
1st STUD: 16"

WEIGHTS :

FRAME : 115 lbs

SHEATHING: 63 lbs

-----  
TOTAL: 178 lbs



PIECES LIST

| LABEL | QTY | SIZE        | LENGTH      | USE          |
|-------|-----|-------------|-------------|--------------|
| A     | 2   | 362S162-54  | 11'-9 1/2"  | STUD         |
| B     | 1   | 363i350p554 | 11'-9 1/2"  | PACO. COLUMN |
| C     | 1   | 362T200-68  | 2'-1 11/16" | BOTTOM TRACK |
| D     | 1   | 362T200-68  | 2'-1 11/16" | TOP TRACK    |
| E     | 2   | 362T200-68  | 1'-1 9/16"  | BLOCK        |
| F     | 2   | 362T200-68  | 11"         | BLOCK        |

SHEATHING

| LABEL | QTY | CODE      | THICK | SIZE                   | SCREWS |
|-------|-----|-----------|-------|------------------------|--------|
| 1     | 1   | DENSGLASS | 1/2"  | 2'-1 5/8" X 11'-9 1/4" | 8 - 12 |

# 11-1247

Jewish Home for the Aging

1885 Victory Blvd. Reseda, CA

FM-07-109

CREATED BY: AMB

FrameMax, Inc.  
13915 Danielson St  
Suite 100  
Poway, CA 92064  
www.frame-max.com

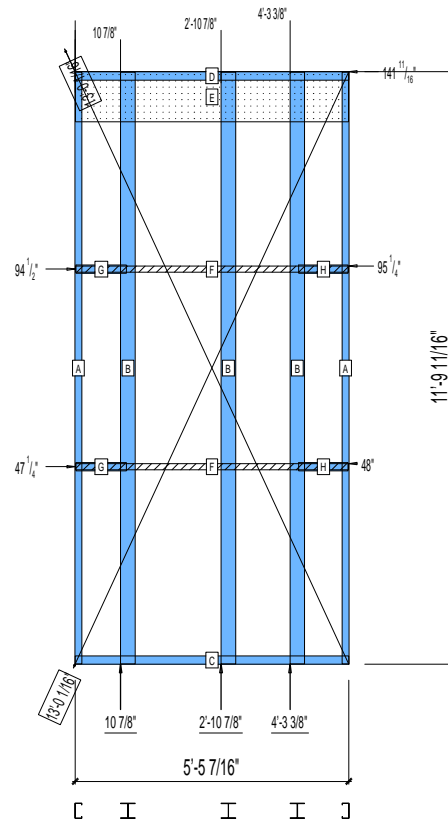


© FrameMax Inc.

HEIGHT : 11'-9 11/16"  
SPACING : 24"  
1st STUD: 24"

WEIGHTS :  
FRAME : 273 lbs

TOTAL: 273 lbs



PIECES LIST

| LABEL | QTY | SIZE        | LENGTH     | USE          |
|-------|-----|-------------|------------|--------------|
| A     | 2   | 362S162-54  | 11'-9 1/2" | STUD         |
| B     | 3   | 363i350p554 | 11'-9 1/2" | PACO.COLUMN  |
| C     | 1   | 362T200-68  | 5'-5 7/16" | BOTTOM TRACK |
| D     | 1   | 362T200-68  | 5'-5 7/16" | TOP TRACK    |
| E     | 1   | 1200D-54    | 5'-5 1/4"  | STRAP        |
| F     | 2   | 150D-43     | 5'-5 1/4"  | STRAP        |
| G     | 2   | 362T200-68  | 1'-0 1/16" | BLOCK        |
| H     | 2   | 362T200-68  | 11 3/4"    | BLOCK        |

# 11-1248

Jewish Home for the Aging

1885 Victory Blvd. Reseda, CA

FrameMax, Inc.  
13915 Danielson St  
Suite 100  
Poway, CA 92064  
www.frame-max.com



© FrameMax Inc.

CREATED: 09/17/2008

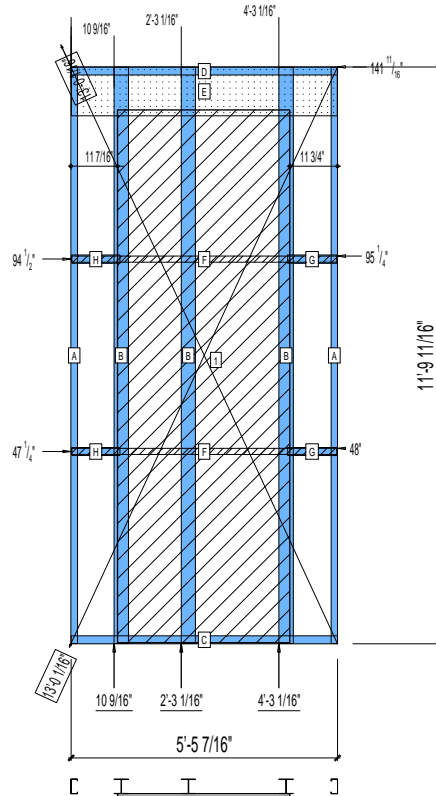
FM-07-109

CREATED BY: AMB

HEIGHT : 11'-9 11/16"  
SPACING : 24"  
1st STUD: 24"

WEIGHTS :  
FRAME : 273 lbs  
SHEATHING: 141 lbs

-----  
TOTAL: 414 lbs



PIECES LIST

| LABEL | QTY | SIZE        | LENGTH     | USE          |
|-------|-----|-------------|------------|--------------|
| A     | 2   | 362S162-54  | 11'-9 1/2" | STUD         |
| B     | 3   | 363i350p554 | 11'-9 1/2" | PACO. COLUMN |
| C     | 1   | 362T200-68  | 5'-5 7/16" | BOTTOM TRACK |
| D     | 1   | 362T200-68  | 5'-5 7/16" | TOP TRACK    |
| E     | 1   | 1200D-54    | 5'-5 1/4"  | STRAP        |
| F     | 2   | 150D-43     | 5'-5 1/4"  | STRAP        |
| G     | 2   | 362T200-68  | 1'-0 1/16" | BLOCK        |
| H     | 2   | 362T200-68  | 11 3/4"    | BLOCK        |

SHEATHING

| LABEL | QTY | CODE         | THICK | SIZE                    | SCREWS |
|-------|-----|--------------|-------|-------------------------|--------|
| 1     | 1   | SB-DENSARMOR | 5/8"  | 3'-6 1/4" X 10'-10 7/8" | 1 - 12 |

# 11-1249

Jewish Home for the Aging

1885 Victory Blvd. Reseda, CA

FrameMax, Inc.  
13915 Danielson St  
Suite 100  
Poway, CA 92064  
www.frame-max.com



© FrameMax Inc.

CREATED: 10/04/2008

FM-07-109

CREATED BY: AMB

HEIGHT : 11'-9 11/16" POINTS: 4.50 Points.

SPACING : 24"

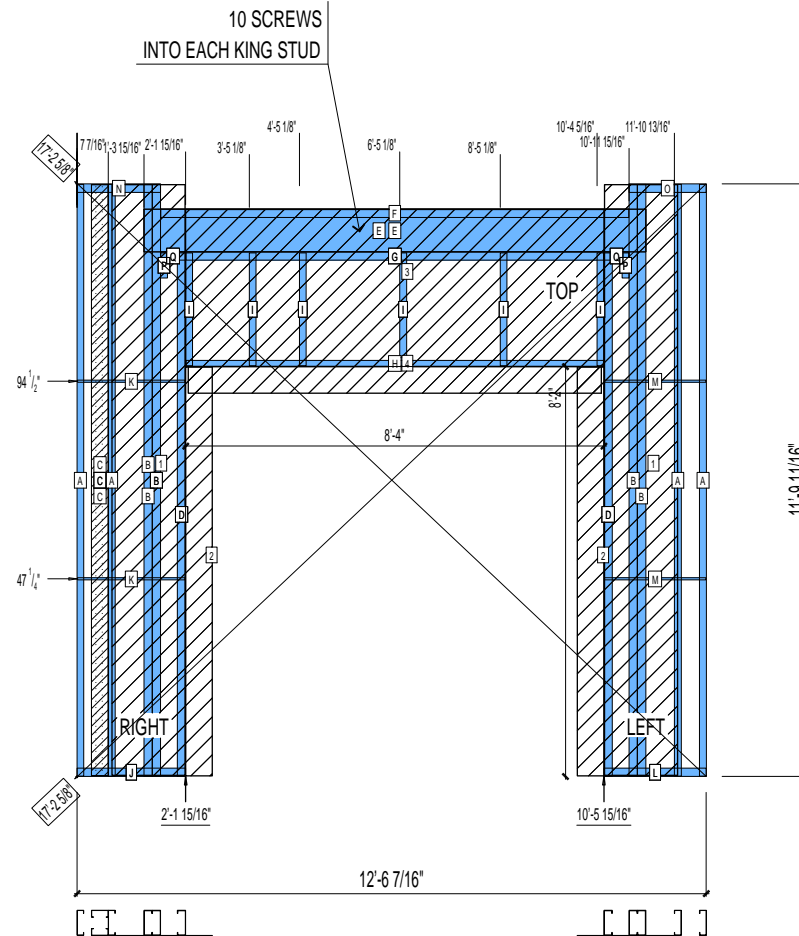
1st STUD: 24"

WEIGHTS :

FRAME : 587 lbs

SHEATHING: 183 lbs

TOTAL: 770 lbs



PIECES LIST

| LABEL | QTY | SIZE        | LENGTH      | USE                |
|-------|-----|-------------|-------------|--------------------|
| A     | 4   | 600S162-68  | 11'-9 1/2"  | STUD               |
| B     | 4   | 600S200-97  | 11'-9 1/2"  | EXTRA STUD         |
| C     | 2   | 400S162-33  | 11'-9 5/16" | BACKER-U           |
| D     | 2   | 600S200-97  | 10'-5 1/8"  | KING STUD          |
| E     | 2   | 1000T200-97 | 10'-0"      | HEADER             |
| F     | 1   | 600T200-68  | 9'-3 15/16" | TOP TRACK          |
| G     | 1   | 600T200-68  | 8'-3 15/16" | TOP TRACK          |
| H     | 1   | 600T150-54  | 8'-3 3/4"   | HEAD TRACK         |
| I     | 6   | 600S162-54  | 2'-3"       | CRIPPLE            |
| J     | 1   | 600T200-68  | 2'-1 15/16" | BOTTOM TRACK       |
| K     | 2   | 150U50-54   | 2'-1 3/4"   | HORIZONTAL BRACING |
| L     | 1   | 600T200-68  | 2'-0 7/16"  | BOTTOM TRACK       |
| M     | 2   | 150U50-54   | 2'-0 1/4"   | HORIZONTAL BRACING |
| N     | 1   | 600T200-68  | 1'-7 15/16" | TOP TRACK          |
| O     | 1   | 600T200-68  | 1'-6 7/16"  | TOP TRACK          |
| P     | 2   | 600S162-54  | 6"          | CRIPPLE            |
| Q     | 2   | 600T200-68  | 5 15/16"    | TOP TRACK          |

SHEATHING

| LABEL | QTY | CODE      | THICK | SIZE                    | SCREWS |
|-------|-----|-----------|-------|-------------------------|--------|
| 1     | 1   | DENSGLASS | 1/2"  | 1'-5 7/16" X 11'-9 1/4" | 8 - 12 |
| 1     | 1   | DENSGLASS | 1/2"  | 1'-5 1/2" X 11'-9 1/4"  | 8 - 12 |
| 2     | 2   | DENSGLASS | 1/2"  | 6 3/8" X 8'-1 3/4"      | 8 - 12 |
| 3     | 1   | DENSGLASS | 1/2"  | 8'-4" X 3'-1 9/16"      | 8 - 12 |
| 4     | 1   | DENSGLASS | 1/2"  | 8'-2 3/4" X 6 3/8"      | 8 - 12 |

# 11-1250

Jewish Home for the Aging

1885 Victory Blvd. Reseda, CA

FrameMax, Inc.  
13915 Danielson St  
Suite 100  
Poway, CA 92064  
www.frame-max.com



© FrameMax Inc.

CREATED: 09/17/2008

FM-07-109

CREATED BY: AMB

HEIGHT : 11'-9 11/16"

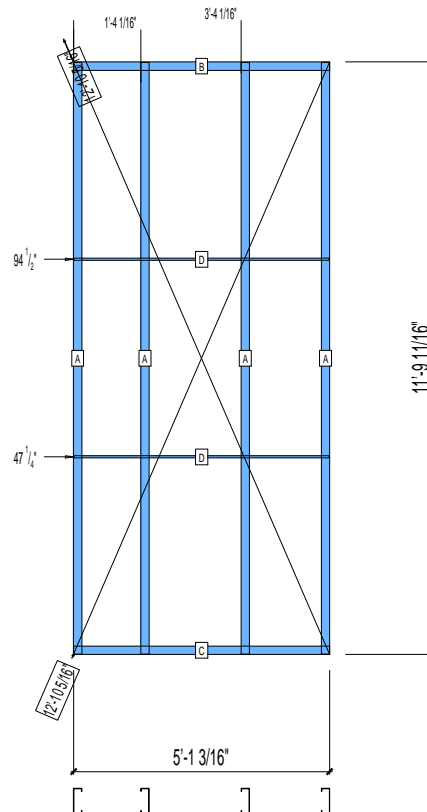
SPACING : 24"

1st STUD: 24"

WEIGHTS :

FRAME : 201 lbs

-----  
TOTAL: 201 lbs



### PIECES LIST

| LABEL | QTY | SIZE       | LENGTH     | USE                |
|-------|-----|------------|------------|--------------------|
| A     | 4   | 600S200-97 | 11'-9 1/2" | STUD               |
| B     | 1   | 600T200-68 | 5'-1 3/16" | TOP TRACK          |
| C     | 1   | 600T200-68 | 5'-1 3/16" | BOTTOM TRACK       |
| D     | 2   | 150U50-54  | 5'-1"      | HORIZONTAL BRACING |

# 11-1251

Jewish Home for the Aging

1885 Victory Blvd. Reseda, CA

FM-07-109

CREATED BY: AMB

FrameMax, Inc.  
13915 Danielson St  
Suite 100  
Poway, CA 92064  
www.framemax.com



© FrameMax Inc.

HEIGHT : 11'-9 11/16" POINTS: 2.32 Points.

SPACING : 24"

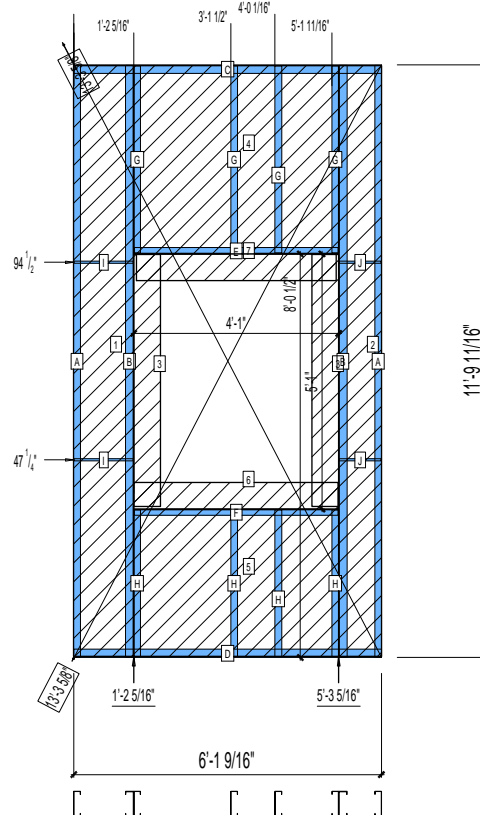
1st STUD: 24"

WEIGHTS :

FRAME : 237 lbs

SHEATHING: 152 lbs

TOTAL: 389 lbs



PIECES LIST

| LABEL | QTY | SIZE       | LENGTH      | USE                |
|-------|-----|------------|-------------|--------------------|
| A     | 2   | 600S162-68 | 11'-9 1/2"  | STUD               |
| B     | 2   | 600S200-97 | 11'-9 1/2"  | KING STUD          |
| C     | 1   | 600T200-68 | 6'-1 9/16"  | TOP TRACK          |
| D     | 1   | 600T200-68 | 6'-1 9/16"  | BOTTOM TRACK       |
| E     | 1   | 600T150-54 | 4'-0 3/4"   | HEAD TRACK         |
| F     | 1   | 600T150-54 | 4'-0 3/4"   | SILL               |
| G     | 4   | 600S162-54 | 3'-8 3/4"   | CRIPPLE            |
| H     | 4   | 600S162-54 | 2'-11 1/16" | CRIPPLE            |
| I     | 2   | 150U50-54  | 1'-2 1/8"   | HORIZONTAL BRACING |
| J     | 2   | 150U50-54  | 10"         | HORIZONTAL BRACING |

SHEATHING

| LABEL | QTY | CODE      | THICK | SIZE                   | SCREWS |
|-------|-----|-----------|-------|------------------------|--------|
| 1     | 1   | DENSGLASS | 1/2"  | 1'-2 1/4" X 11'-9 1/4" | 8 - 12 |
| 2     | 1   | DENSGLASS | 1/2"  | 10 1/8" X 11'-9 1/4"   | 8 - 12 |
| 3     | 2   | DENSGLASS | 1/2"  | 6 3/8" X 5'-0 1/4"     | 8 - 12 |
| 4     | 1   | DENSGLASS | 1/2"  | 4'-1" X 3'-8 15/16"    | 8 - 12 |
| 5     | 1   | DENSGLASS | 1/2"  | 4'-1" X 2'-11 1/8"     | 8 - 12 |
| 6     | 1   | DENSGLASS | 1/2"  | 4'-0 7/8" X 6 3/8"     | 8 - 12 |
| 7     | 1   | DENSGLASS | 1/2"  | 3'-11 3/4" X 6 3/8"    | 8 - 12 |

# 11-1252

Jewish Home for the Aging

1885 Victory Blvd. Reseda, CA

FM-07-109

CREATED BY: AMB

FrameMax, Inc.  
13915 Danielson St  
Suite 100  
Poway, CA 92064  
www.frame-max.com

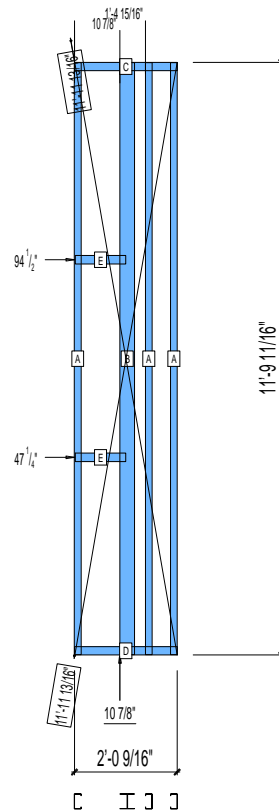


© FrameMax Inc.

HEIGHT : 11'-9 11/16"  
SPACING : 24"  
1st STUD: 24"

WEIGHTS :  
FRAME : 128 lbs

TOTAL: 128 lbs



PIECES LIST

| LABEL | QTY | SIZE        | LENGTH     | USE          |
|-------|-----|-------------|------------|--------------|
| A     | 3   | 362S162-54  | 11'-9 1/2" | STUD         |
| B     | 1   | 363i350p554 | 11'-9 1/2" | PACO. COLUMN |
| C     | 1   | 362T200-68  | 2'-0 9/16" | TOP TRACK    |
| D     | 1   | 362T200-68  | 2'-0 9/16" | BOTTOM TRACK |
| E     | 2   | 362T200-68  | 1'-0 1/16" | BLOCK        |

# 11-1253

Jewish Home for the Aging

1885 Victory Blvd. Reseda, CA

FM-07-109

CREATED BY: AMB

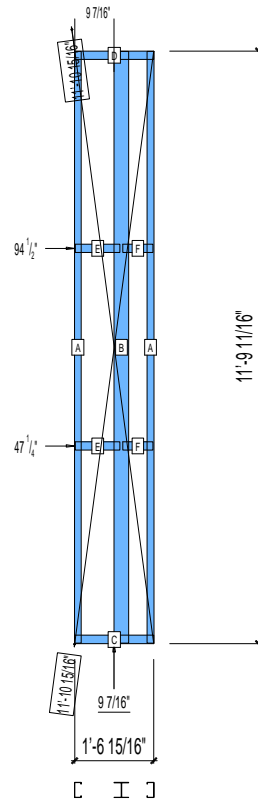
FrameMax, Inc.  
13915 Danielson St  
Suite 100  
Poway, CA 92064  
www.frame-max.com



© FrameMax Inc.

HEIGHT : 11'-9 11/16"  
SPACING : 24"  
1st STUD: 24"

WEIGHTS :  
FRAME : 111 lbs  
-----  
TOTAL: 111 lbs



PIECES LIST

| LABEL | QTY | SIZE        | LENGTH      | USE          |
|-------|-----|-------------|-------------|--------------|
| A     | 2   | 362S162-54  | 11'-9 1/2"  | STUD         |
| B     | 1   | 363i350p554 | 11'-9 1/2"  | PACO. COLUMN |
| C     | 1   | 362T200-68  | 1'-6 15/16" | BOTTOM TRACK |
| D     | 1   | 362T200-68  | 1'-6 15/16" | TOP TRACK    |
| E     | 2   | 362T200-68  | 10 5/8"     | BLOCK        |
| F     | 2   | 362T200-68  | 7 3/16"     | BLOCK        |

# 11-1254

Jewish Home for the Aging

1885 Victory Blvd. Reseda, CA

FM-07-109

CREATED BY: AMB

FrameMax, Inc.  
13915 Danielson St  
Suite 100  
Poway, CA 92064  
www.frame-max.com

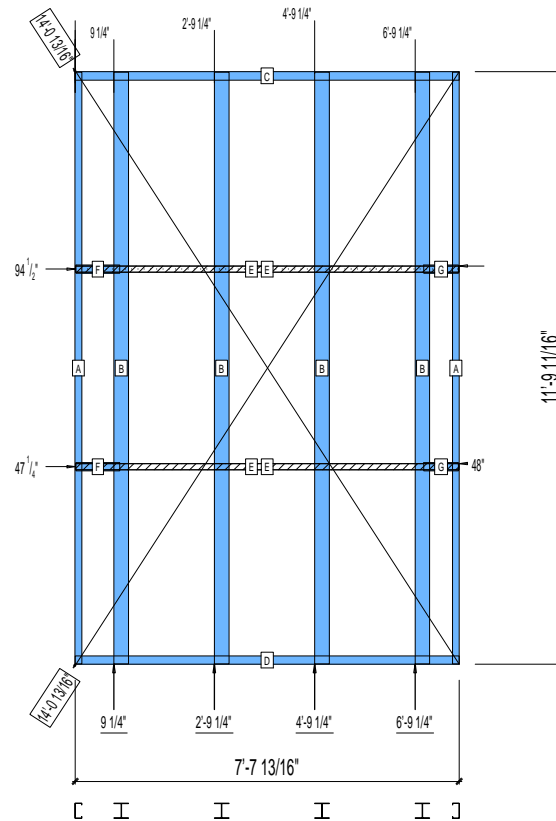


© FrameMax Inc.

HEIGHT : 11'-9 11/16"  
SPACING : 24"  
1st STUD: 24"

WEIGHTS :  
FRAME : 336 lbs

-----  
TOTAL: 336 lbs



PIECES LIST

| LABEL | QTY | SIZE        | LENGTH      | USE          |
|-------|-----|-------------|-------------|--------------|
| A     | 2   | 362S162-54  | 11'-9 1/2"  | STUD         |
| B     | 4   | 363i350p554 | 11'-9 1/2"  | PACO.COLUMN  |
| C     | 1   | 362T200-68  | 7'-7 13/16" | TOP TRACK    |
| D     | 1   | 362T200-68  | 7'-7 13/16" | BOTTOM TRACK |
| E     | 4   | 150D-43     | 7'-7 5/8"   | STRAP        |
| F     | 2   | 362T200-68  | 10 1/2"     | BLOCK        |
| G     | 2   | 362T200-68  | 8 1/4"      | BLOCK        |

# 11-1255

Jewish Home for the Aging

1885 Victory Blvd. Reseda, CA

FM-07-109

CREATED BY: AMB

FrameMax, Inc.  
13915 Danielson St  
Suite 100  
Poway, CA 92064  
www.framemax.com

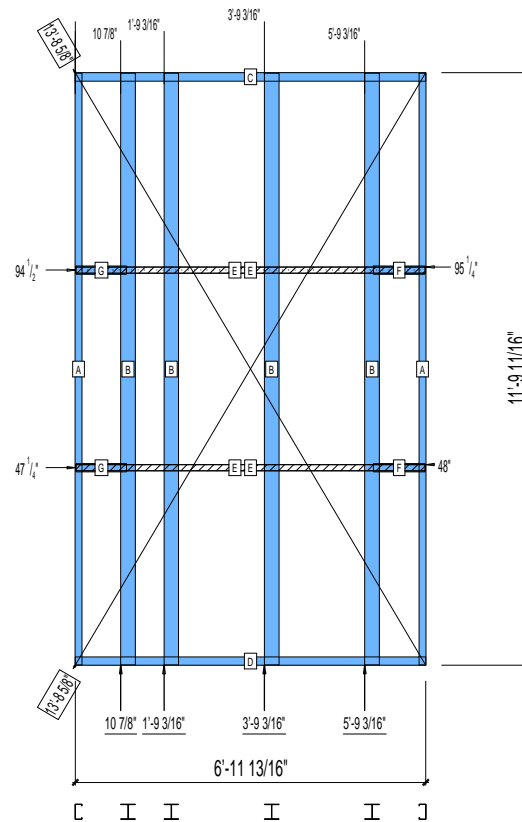


© FrameMax Inc.

HEIGHT : 11'-9 11/16"  
SPACING : 24"  
1st STUD: 24"

WEIGHTS :  
FRAME : 335 lbs

-----  
TOTAL: 335 lbs



PIECES LIST

| LABEL | QTY | SIZE        | LENGTH       | USE          |
|-------|-----|-------------|--------------|--------------|
| A     | 2   | 362S162-54  | 11'-9 1/2"   | STUD         |
| B     | 4   | 363i350p554 | 11'-9 1/2"   | PACO.COLUMN  |
| C     | 1   | 362T200-68  | 6'-11 13/16" | TOP TRACK    |
| D     | 1   | 362T200-68  | 6'-11 13/16" | BOTTOM TRACK |
| E     | 4   | 150D-43     | 6'-11 5/8"   | STRAP        |
| F     | 2   | 362T200-68  | 1'-0 5/16"   | BLOCK        |
| G     | 2   | 362T200-68  | 1'-0 1/16"   | BLOCK        |

# 11-1256

Jewish Home for the Aging

1885 Victory Blvd. Reseda, CA

FM-07-109

CREATED BY: AMB

FrameMax, Inc.  
13915 Danielson St  
Suite 100  
Poway, CA 92064  
www.frame-max.com



© FrameMax Inc.

HEIGHT : 10'-9 1/2" POINTS: 3.80 Points.

SPACING : 24"

1st STUD: 24"

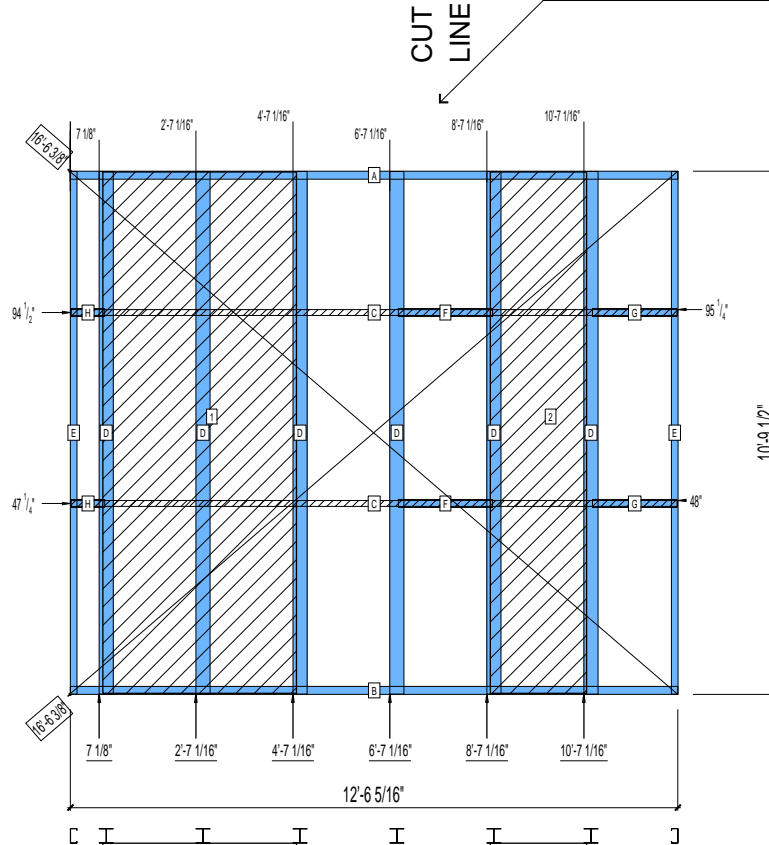
WEIGHTS :

FRAME : 458 lbs

SHEATHING: 236 lbs

TOTAL: 694 lbs

REMOVE BLOCKS AND SHIP LOOSE.  
CUT STRAPS, TRACKS AT CENTER OF  
STUD BAY. PROVIDE 2 STUD SECTION  
TO SPLICE TRACKS TOGETHER.



PIECES LIST

| LABEL | QTY | SIZE        | LENGTH      | USE          |
|-------|-----|-------------|-------------|--------------|
| A     | 1   | 362T200-68  | 12'-6 5/16" | TOP TRACK    |
| B     | 1   | 362T200-68  | 12'-6 5/16" | BOTTOM TRACK |
| C     | 2   | 150D-43     | 12'-6 1/8"  | STRAP        |
| D     | 6   | 3631350p554 | 10'-9 5/16" | PACO COLUMN  |
| E     | 2   | 362S162-54  | 10'-9 5/16" | STUD         |
| F     | 2   | 362T200-68  | 1'-11 5/16" | BLOCK        |
| G     | 2   | 362T200-68  | 1'-9"       | BLOCK        |
| H     | 2   | 362T200-68  | 8 5/16"     | BLOCK        |

SHEATHING

| LABEL | QTY | CODE         | THICK | SIZE           | SCREWS        |
|-------|-----|--------------|-------|----------------|---------------|
| 1     | 1   | SB-DENSARMOR | 5/8"  | 3'-11 7/8" X   | 10'-9" 2 - 12 |
| 2     | 1   | SB-DENSARMOR | 5/8"  | 1'-11 13/16" X | 10'-9" 2 - 12 |

# 11-1257

Jewish Home for the Aging

1885 Victory Blvd. Reseda, CA

FM-07-109

CREATED BY: AMB

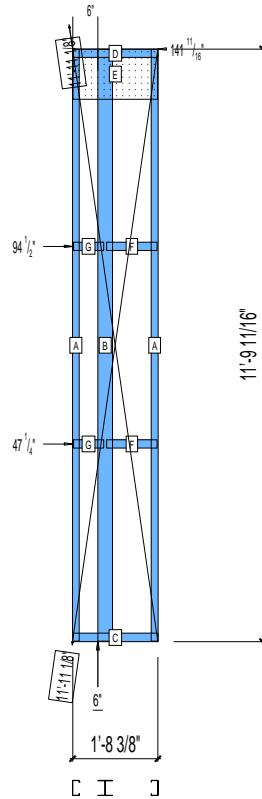
FrameMax, Inc.  
13915 Danielson St  
Suite 100  
Poway, CA 92064  
www.frame-max.com



© FrameMax Inc.

HEIGHT : 11'-9 11/16"  
SPACING : 24"  
1st STUD: 24"

WEIGHTS :  
FRAME : 116 lbs  
-----  
TOTAL: 116 lbs



PIECES LIST

| LABEL | QTY | SIZE        | LENGTH     | USE          |
|-------|-----|-------------|------------|--------------|
| A     | 2   | 362S162-54  | 11'-9 1/2" | STUD         |
| B     | 1   | 363i350p554 | 11'-9 1/2" | PACO COLUMN  |
| C     | 1   | 362T200-68  | 1'-8 3/8"  | BOTTOM TRACK |
| D     | 1   | 362T200-68  | 1'-8 3/8"  | TOP TRACK    |
| E     | 1   | 1200D-54    | 1'-8 3/16" | STRAP        |
| F     | 2   | 362T200-68  | 1'-0 1/16" | BLOCK        |
| G     | 2   | 362T200-68  | 7 1/4"     | BLOCK        |

# 11-1258

Jewish Home for the Aging

1885 Victory Blvd. Reseda, CA

FM-07-109

CREATED BY: AMB

FrameMax, Inc.  
13915 Danielson St  
Suite 100  
Poway, CA 92064  
www.frame-max.com

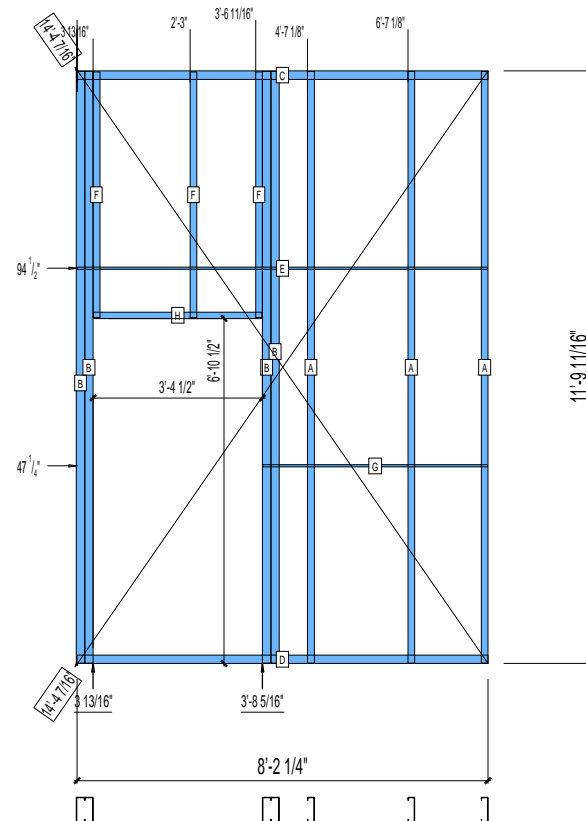


© FrameMax Inc.

HEIGHT : 11'-9 11/16"  
SPACING : 24"  
1st STUD: 24"

WEIGHTS :  
FRAME : 367 lbs

-----  
TOTAL: 367 lbs



PIECES LIST

| LABEL | QTY | SIZE       | LENGTH      | USE                |
|-------|-----|------------|-------------|--------------------|
| A     | 3   | 600S162-97 | 11'-9 1/2"  | STUD               |
| B     | 4   | 600S200-97 | 11'-9 1/2"  | KING STUD          |
| C     | 1   | 600T200-68 | 8'-2 1/4"   | TOP TRACK          |
| D     | 1   | 600T200-68 | 8'-2 1/4"   | BOTTOM TRACK       |
| E     | 1   | 150U50-54  | 8'-2 1/16"  | HORIZONTAL BRACING |
| F     | 3   | 600S162-54 | 4'-10 3/4"  | CRIPPLE            |
| G     | 1   | 150U50-54  | 4'-5 11/16" | HORIZONTAL BRACING |
| H     | 1   | 600T150-54 | 3'-4 1/4"   | HEAD TRACK         |

# 11-1259

Jewish Home for the Aging

1885 Victory Blvd. Reseda, CA

FM-07-109

CREATED BY: AMB

FrameMax, Inc.  
13915 Danielson St  
Suite 100  
Poway, CA 92064  
www.frame-max.com



© FrameMax Inc.

HEIGHT : 11'-9 11/16" POINTS: 1.56 Points.

SPACING : 24"

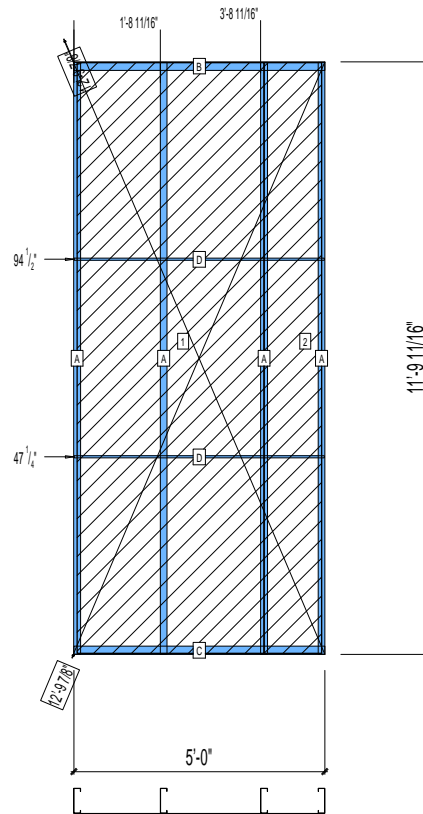
1st STUD: 24"

WEIGHTS :

FRAME : 140 lbs

SHEATHING: 143 lbs

TOTAL: 283 lbs



PIECES LIST

| LABEL | QTY | SIZE       | LENGTH       | USE                |
|-------|-----|------------|--------------|--------------------|
| A     | 4   | 600S162-68 | 11'-9 1/2"   | STUD               |
| B     | 1   | 600T200-68 | 5'-0"        | TOP TRACK          |
| C     | 1   | 600T200-68 | 5'-0"        | BOTTOM TRACK       |
| D     | 2   | 150U50-54  | 4'-11 13/16" | HORIZONTAL BRACING |

SHEATHING

| LABEL | QTY | CODE      | THICK | SIZE                     | SCREWS |
|-------|-----|-----------|-------|--------------------------|--------|
| 1     | 1   | DENSGLASS | 1/2"  | 3'-8 11/16" X 11'-9 1/4" | 8 - 12 |
| 2     | 1   | DENSGLASS | 1/2"  | 1'-1 3/4" X 11'-9 1/4"   | 8 - 12 |

# 11-1260

Jewish Home for the Aging

1885 Victory Blvd. Reseda, CA

FrameMax, Inc.  
13915 Danielson St  
Suite 100  
Poway, CA 92064  
www.framemax.com



© FrameMax Inc.

CREATED: 10/04/2008

FM-07-109

CREATED BY: AMB

HEIGHT : 11'-9 11/16" POINTS: 2.04 Points.

SPACING : 24"

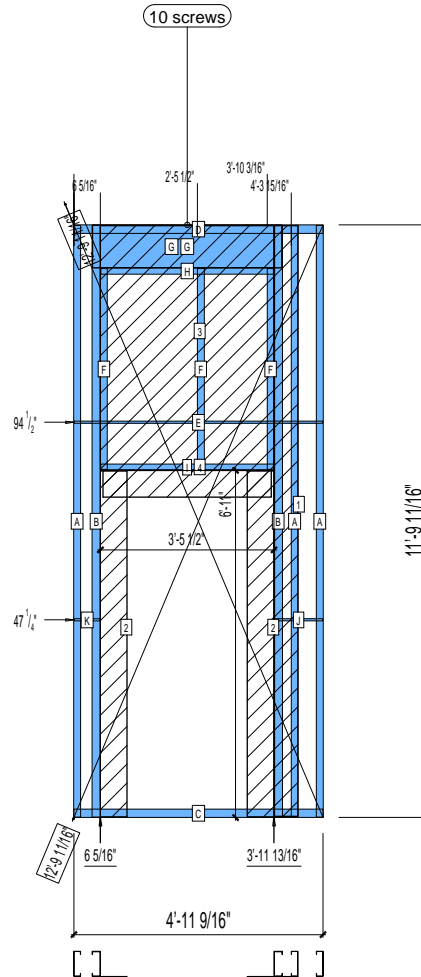
1st STUD: 24"

WEIGHTS :

FRAME : 268 lbs

SHEATHING: 79 lbs

TOTAL: 347 lbs



PIECES LIST

| LABEL | QTY | SIZE        | LENGTH      | USE                 |
|-------|-----|-------------|-------------|---------------------|
| A     | 3   | 600S162-68  | 11'-9 1/2"  | STUD                |
| B     | 2   | 600S200-97  | 11'-9 1/2"  | KING STUD           |
| C     | 1   | 600T200-68  | 4'-11 9/16" | BOTTOM TRACK        |
| D     | 1   | 600T200-68  | 4'-11 9/16" | TOP TRACK           |
| E     | 1   | 150U50-54   | 4'-11 3/8"  | HORIZONTAL BRACING  |
| F     | 3   | 600S162-54  | 4'-0"       | CRIPPLE             |
| G     | 2   | 1000T200-97 | 3'-9 1/4"   | HEADER              |
| H     | 1   | 600T150-54  | 3'-5 1/4"   | HEADER BOTTOM TRACK |
| I     | 1   | 600T150-54  | 3'-5 1/4"   | HEAD TRACK          |
| J     | 1   | 150U50-54   | 11 1/2"     | HORIZONTAL BRACING  |
| K     | 1   | 150U50-54   | 6 1/8"      | HORIZONTAL BRACING  |

SHEATHING

| LABEL | QTY | CODE      | THICK | SIZE                    | SCREWS |
|-------|-----|-----------|-------|-------------------------|--------|
| 1     | 1   | DENSGLASS | 1/2"  | 5 5/8" X 11'-9 1/4"     | 8 - 12 |
| 2     | 2   | DENSGLASS | 1/2"  | 6 3/8" X 6'-10 3/4"     | 8 - 12 |
| 3     | 1   | DENSGLASS | 1/2"  | 3'-5 1/2" X 4'-10 7/16" | 8 - 12 |
| 4     | 1   | DENSGLASS | 1/2"  | 3'-4 1/4" X 6 3/8"      | 8 - 12 |

# 11-1261

Jewish Home for the Aging

1885 Victory Blvd. Reseda, CA

FrameMax, Inc.  
13915 Danielson St  
Suite 100  
Poway, CA 92064  
www.frame-max.com



© FrameMax Inc.

CREATED: 09/17/2008

FM-07-109

CREATED BY: AMB

HEIGHT : 11'-9 11/16" POINTS: 1.12 Points.

SPACING : 24"

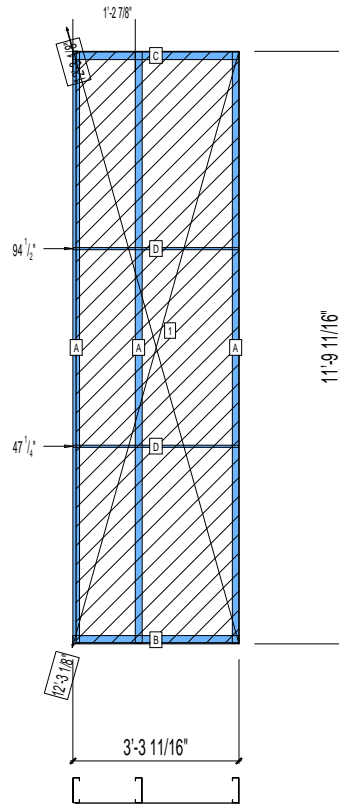
1st STUD: 16"

WEIGHTS :

FRAME : 103 lbs

SHEATHING: 95 lbs

TOTAL: 198 lbs



PIECES LIST

| LABEL | QTY | SIZE       | LENGTH      | USE                |
|-------|-----|------------|-------------|--------------------|
| A     | 3   | 600S162-68 | 11'-9 1/2"  | STUD               |
| B     | 1   | 600T200-68 | 3'-3 11/16" | BOTTOM TRACK       |
| C     | 1   | 600T200-68 | 3'-3 11/16" | TOP TRACK          |
| D     | 2   | 150U50-54  | 3'-3 1/2"   | HORIZONTAL BRACING |

SHEATHING

| LABEL | QTY | CODE      | THICK | SIZE                     | SCREWS |
|-------|-----|-----------|-------|--------------------------|--------|
| 1     | 1   | DENSGLASS | 1/2"  | 3'-2 15/16" X 11'-9 1/4" | 8 - 12 |

# 11-1262

Jewish Home for the Aging

1885 Victory Blvd. Reseda, CA

FM-07-109

CREATED BY: AMB

FrameMax, Inc.  
13915 Danielson St  
Suite 100  
Poway, CA 92064  
www.frame-max.com

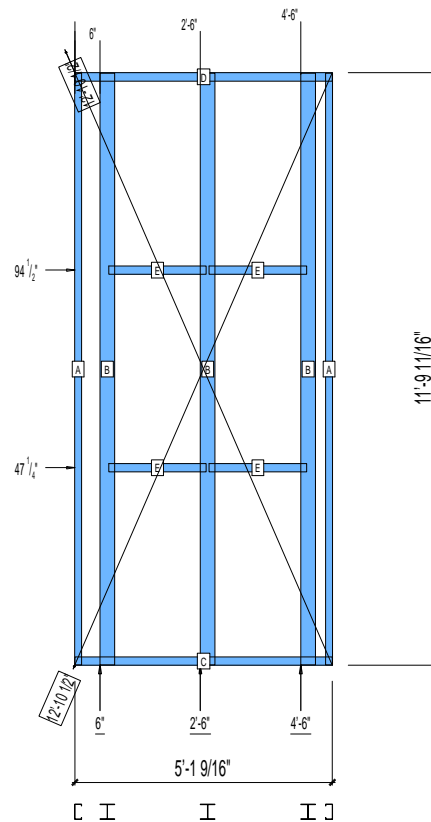


© FrameMax Inc.

HEIGHT : 11'-9 11/16"  
SPACING : 24"  
1st STUD: 24"

WEIGHTS :  
FRAME : 264 lbs

-----  
TOTAL: 264 lbs



PIECES LIST

| LABEL | QTY | SIZE        | LENGTH      | USE          |
|-------|-----|-------------|-------------|--------------|
| A     | 2   | 362S162-54  | 11'-9 1/2"  | STUD         |
| B     | 3   | 363i350p554 | 11'-9 1/2"  | PACO.COLUMN  |
| C     | 1   | 362T200-68  | 5'-1 9/16"  | BOTTOM TRACK |
| D     | 1   | 362T200-68  | 5'-1 9/16"  | TOP TRACK    |
| E     | 4   | 362T200-68  | 1'-11 5/16" | BLOCK        |

# 11-1263

Jewish Home for the Aging

1885 Victory Blvd. Reseda, CA

FM-07-109

CREATED BY: AMB

FrameMax, Inc.  
13915 Danielson St  
Suite 100  
Poway, CA 92064  
www.framemax.com



© FrameMax Inc.

HEIGHT : 11'-9 11/16" POINTS: 1.42 Points.

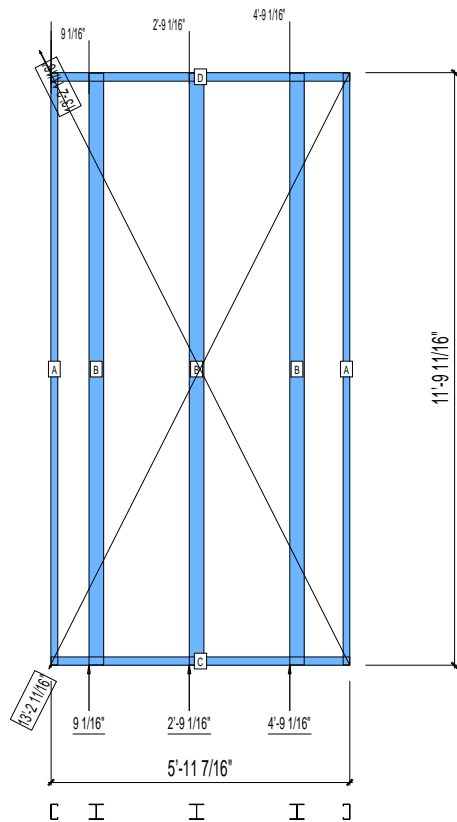
SPACING : 24"

1st STUD: 16"

WEIGHTS :

FRAME : 252 lbs

-----  
TOTAL: 252 lbs



### PIECES LIST

| LABEL | QTY | SIZE        | LENGTH      | USE          |
|-------|-----|-------------|-------------|--------------|
| A     | 2   | 362S162-54  | 11'-9 1/2"  | STUD         |
| B     | 3   | 363i350p554 | 11'-9 1/2"  | PACO.COLUMN  |
| C     | 1   | 362T200-68  | 5'-11 7/16" | BOTTOM TRACK |
| D     | 1   | 362T200-68  | 5'-11 7/16" | TOP TRACK    |

# 11-1264

Jewish Home for the Aging

1885 Victory Blvd. Reseda, CA

FM-07-109

CREATED BY: AMB

FrameMax, Inc.  
13915 Danielson St  
Suite 100  
Poway, CA 92064  
www.frame-max.com



© FrameMax Inc.

HEIGHT : 10'-9 1/2" POINTS: 3.80 Points.

SPACING : 24"

1st STUD: 24"

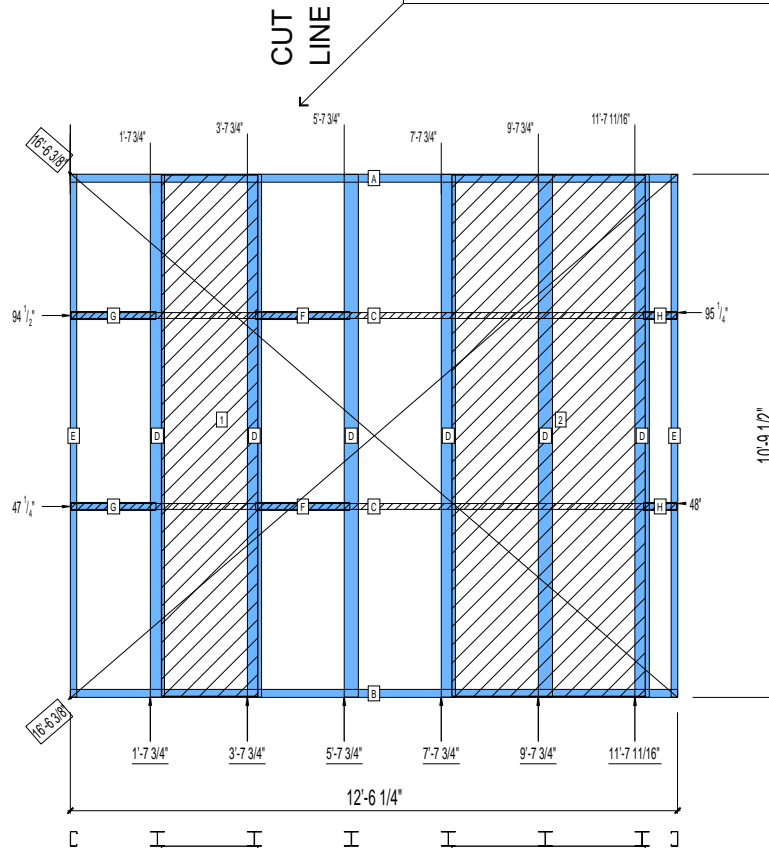
WEIGHTS :

FRAME : 458 lbs

SHEATHING: 236 lbs

TOTAL: 694 lbs

REMOVE BLOCKS AND SHIP LOOSE.  
CUT STRAPS, TRACKS AT CENTER OF  
STUD BAY. PROVIDE 2 STUD SECTION  
TO SPLICE TRACKS TOGETHER.



PIECES LIST

| LABEL | QTY | SIZE        | LENGTH      | USE          |
|-------|-----|-------------|-------------|--------------|
| A     | 1   | 362T200-68  | 12'-6 1/4"  | TOP TRACK    |
| B     | 1   | 362T200-68  | 12'-6 1/4"  | BOTTOM TRACK |
| C     | 2   | 150D-43     | 12'-6 1/16" | STRAP        |
| D     | 6   | 3631350p554 | 10'-9 5/16" | PACO COLUMN  |
| E     | 2   | 362S162-54  | 10'-9 5/16" | STUD         |
| F     | 2   | 362T200-68  | 1'-11 5/16" | BLOCK        |
| G     | 2   | 362T200-68  | 1'-9"       | BLOCK        |
| H     | 2   | 362T200-68  | 8 1/4"      | BLOCK        |

SHEATHING

| LABEL | QTY | CODE         | THICK | SIZE           | SCREWS        |
|-------|-----|--------------|-------|----------------|---------------|
| 1     | 1   | SB-DENSARMOR | 5/8"  | 1'-11 13/16" X | 10'-9" 2 - 12 |
| 2     | 1   | SB-DENSARMOR | 5/8"  | 3'-11 7/8" X   | 10'-9" 2 - 12 |

# 11-1265

Jewish Home for the Aging

1885 Victory Blvd. Reseda, CA

FM-07-109

CREATED BY: AMB

FrameMax, Inc.  
13915 Danielson St  
Suite 100  
Poway, CA 92064  
www.frame-max.com



© FrameMax Inc.

HEIGHT : 11'-9 11/16"

SPACING : 24"

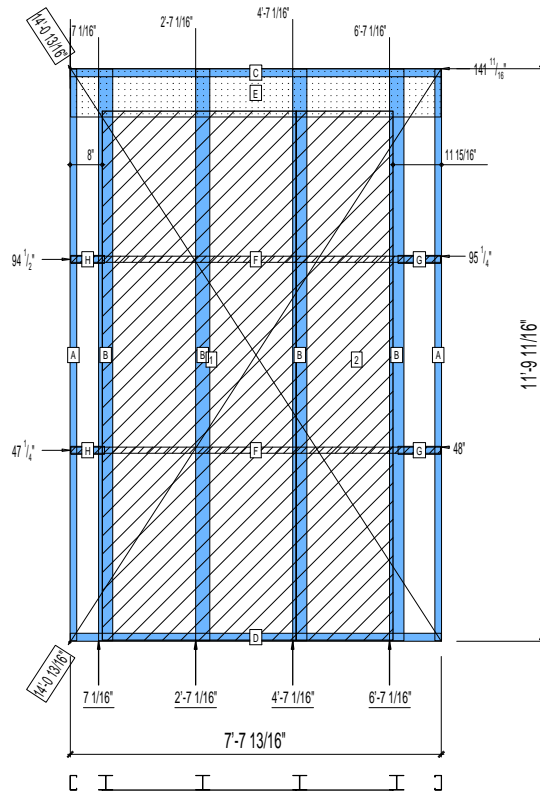
1st STUD: 24"

WEIGHTS :

FRAME : 351 lbs

SHEATHING: 241 lbs

TOTAL: 592 lbs



PIECES LIST

| LABEL | QTY | SIZE        | LENGTH      | USE          |
|-------|-----|-------------|-------------|--------------|
| A     | 2   | 362S162-54  | 11'-9 1/2"  | STUD         |
| B     | 4   | 363i350p554 | 11'-9 1/2"  | PACO. COLUMN |
| C     | 1   | 362T200-68  | 7'-7 13/16" | TOP TRACK    |
| D     | 1   | 362T200-68  | 7'-7 13/16" | BOTTOM TRACK |
| E     | 1   | 1200D-54    | 7'-7 5/8"   | STRAP        |
| F     | 2   | 150D-43     | 7'-7 5/8"   | STRAP        |
| G     | 2   | 362T200-68  | 10 1/2"     | BLOCK        |
| H     | 2   | 362T200-68  | 8 1/4"      | BLOCK        |

SHEATHING

| LABEL | QTY | CODE         | THICK | SIZE                | SCREWS |
|-------|-----|--------------|-------|---------------------|--------|
| 1     | 1   | SB-DENSARMOR | 5/8"  | 4'-0" X 10'-10 7/8" | 2 - 12 |
| 2     | 1   | SB-DENSARMOR | 5/8"  | 2'-0" X 10'-10 7/8" | 2 - 12 |

# 11-1266

Jewish Home for the Aging

1885 Victory Blvd. Reseda, CA

FrameMax, Inc.  
13915 Danielson St  
Suite 100  
Poway, CA 92064  
www.frame-max.com



© FrameMax Inc.

CREATED: 09/17/2008

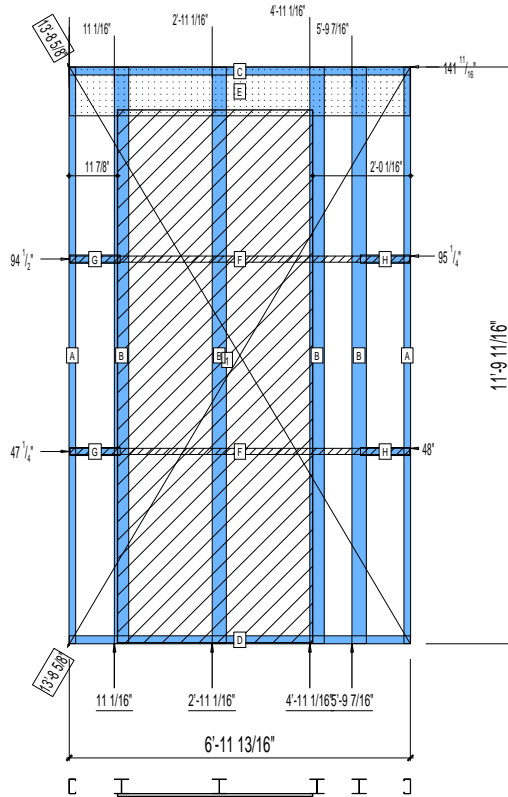
FM-07-109

CREATED BY: AMB

HEIGHT : 11'-9 11/16"  
SPACING : 24"  
1st STUD: 24"

WEIGHTS :  
FRAME : 349 lbs  
SHEATHING: 160 lbs

TOTAL: 509 lbs



PIECES LIST

| LABEL | QTY | SIZE        | LENGTH       | USE          |
|-------|-----|-------------|--------------|--------------|
| A     | 2   | 362S162-54  | 11'-9 1/2"   | STUD         |
| B     | 4   | 363i350p554 | 11'-9 1/2"   | PACO. COLUMN |
| C     | 1   | 362T200-68  | 6'-11 13/16" | TOP TRACK    |
| D     | 1   | 362T200-68  | 6'-11 13/16" | BOTTOM TRACK |
| E     | 1   | 1200D-54    | 6'-11 5/8"   | STRAP        |
| F     | 2   | 150D-43     | 6'-11 5/8"   | STRAP        |
| G     | 2   | 362T200-68  | 1'-0 5/16"   | BLOCK        |
| H     | 2   | 362T200-68  | 1'-0 1/16"   | BLOCK        |

SHEATHING

| LABEL | QTY | CODE         | THICK | SIZE                       | SCREWS |
|-------|-----|--------------|-------|----------------------------|--------|
| 1     | 1   | SB-DENSARMOR | 5/8"  | 3'-11 15/16" X 10'-10 7/8" | 2 - 12 |

# 11-1267

Jewish Home for the Aging

1885 Victory Blvd. Reseda, CA

FM-07-109

CREATED BY: AMB

FrameMax, Inc.  
13915 Danielson St  
Suite 100  
Poway, CA 92064  
www.frame-max.com

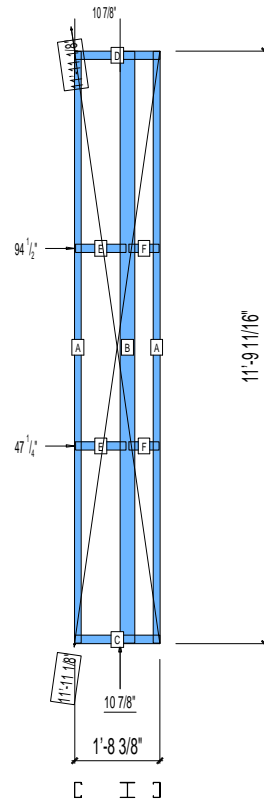


© FrameMax Inc.

HEIGHT : 11'-9 11/16"  
SPACING : 24"  
1st STUD: 24"

WEIGHTS :  
FRAME : 112 lbs

-----  
TOTAL: 112 lbs



PIECES LIST

| LABEL | QTY | SIZE        | LENGTH     | USE          |
|-------|-----|-------------|------------|--------------|
| A     | 2   | 362S162-54  | 11'-9 1/2" | STUD         |
| B     | 1   | 363i350p554 | 11'-9 1/2" | PACO. COLUMN |
| C     | 1   | 362T200-68  | 1'-8 3/8"  | BOTTOM TRACK |
| D     | 1   | 362T200-68  | 1'-8 3/8"  | TOP TRACK    |
| E     | 2   | 362T200-68  | 1'-0 1/16" | BLOCK        |
| F     | 2   | 362T200-68  | 7 1/4"     | BLOCK        |

# 11-1268

Jewish Home for the Aging

1885 Victory Blvd. Reseda, CA

FrameMax, Inc.  
13915 Danielson St  
Suite 100  
Poway, CA 92064  
www.frame-max.com



© FrameMax Inc.

CREATED: 09/17/2008

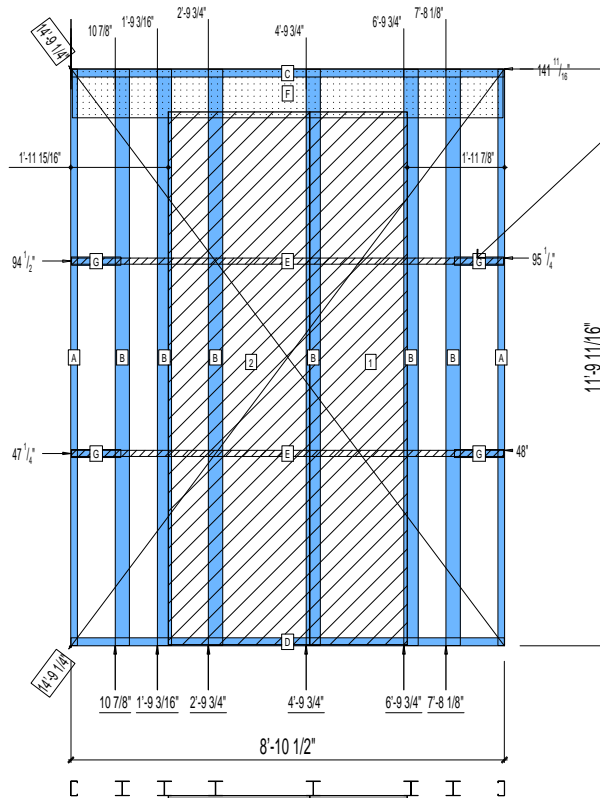
FM-07-109

CREATED BY: AMB

HEIGHT : 11'-9 11/16" POINTS: 3.67 Points.  
SPACING : 24"  
1st STUD: 24"

WEIGHTS :  
FRAME : 492 lbs  
SHEATHING: 196 lbs

TOTAL: 688 lbs



added block and strap

PIECES LIST

| LABEL | QTY | SIZE        | LENGTH      | USE          |
|-------|-----|-------------|-------------|--------------|
| A     | 2   | 362S162-54  | 11'-9 1/2"  | STUD         |
| B     | 6   | 363I350p554 | 11'-9 1/2"  | PACO. COLUMN |
| C     | 1   | 362T200-68  | 8'-10 1/2"  | TOP TRACK    |
| D     | 1   | 362T200-68  | 8'-10 1/2"  | BOTTOM TRACK |
| E     | 2   | 150D-43     | 8'-10 1/8"  | STRAP        |
| F     | 1   | 1200D-54    | 8'-9 13/16" | STRAP        |
| G     | 4   | 362T200-68  | 1'-0 1/16"  | BLOCK        |

SHEATHING

| LABEL | QTY | CODE         | THICK | SIZE                       | SCREWS |
|-------|-----|--------------|-------|----------------------------|--------|
| 1     | 1   | SB-DENSARMOR | 5/8"  | 2'-0" X 10'-10 7/8"        | 2 - 12 |
| 2     | 1   | SB-DENSARMOR | 5/8"  | 2'-10 11/16" X 10'-10 7/8" | 2 - 12 |

# 11-1269

Jewish Home for the Aging

1885 Victory Blvd. Reseda, CA

FM-07-109

CREATED BY: AMB

FrameMax, Inc.  
13915 Danielson St  
Suite 100  
Poway, CA 92064  
www.frame-max.com



© FrameMax Inc.

HEIGHT : 11'-9 11/16" POINTS: 2.78 Points.

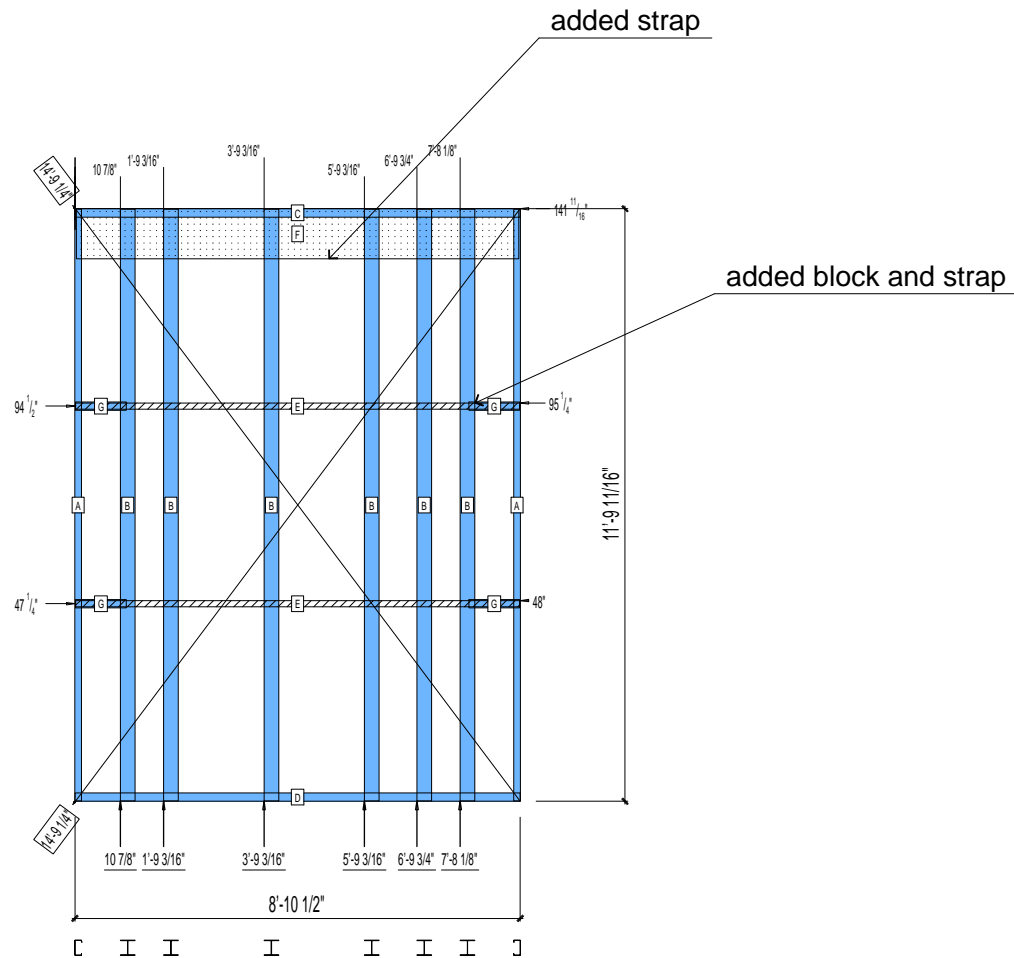
SPACING : 24"

1st STUD: 24"

WEIGHTS :

FRAME : 492 lbs

TOTAL: 492 lbs



PIECES LIST

| LABEL | QTY | SIZE        | LENGTH      | USE          |
|-------|-----|-------------|-------------|--------------|
| A     | 2   | 362S162-54  | 11'-9 1/2"  | STUD         |
| B     | 6   | 363i350p554 | 11'-9 1/2"  | PACO.COLUMN  |
| C     | 1   | 362T200-68  | 8'-10 1/2"  | TOP TRACK    |
| D     | 1   | 362T200-68  | 8'-10 1/2"  | BOTTOM TRACK |
| E     | 2   | 150D-43     | 8'-10 1/8"  | STRAP        |
| F     | 1   | 1200D-54    | 8'-9 13/16" | STRAP        |
| G     | 4   | 362T200-68  | 1'-0 1/16"  | BLOCK        |

# 11-1270

Jewish Home for the Aging

1885 Victory Blvd. Reseda, CA

FM-07-109

CREATED BY: AMB

FrameMax, Inc.  
13915 Danielson St  
Suite 100  
Poway, CA 92064  
www.framemax.com



© FrameMax Inc.

HEIGHT : 11'-9 11/16" POINTS: 5.86 Points.

SPACING : 24"

1st STUD: 24"

WEIGHTS :

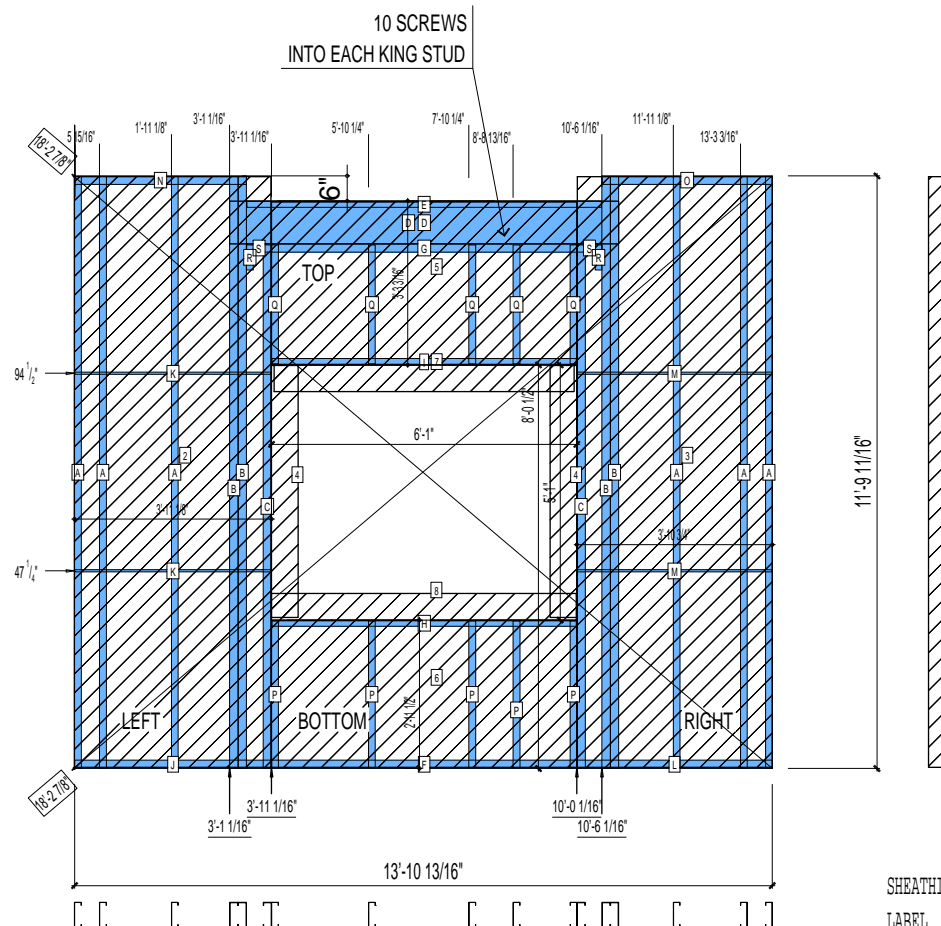
FRAME : 650 lbs

SHEATHING: 384 lbs

TOTAL: 1034 lbs

PIECES LIST

| LABEL | QTY | SIZE        | LENGTH       | USE                |
|-------|-----|-------------|--------------|--------------------|
| A     | 6   | 600S162-68  | 11'-9 1/2"   | STUD               |
| B     | 4   | 600S200-97  | 11'-9 1/2"   | EXTRA STUD         |
| C     | 2   | 600S200-97  | 10'-5 1/8"   | KING STUD          |
| D     | 2   | 1000T200-97 | 7'-9"        | HEADER             |
| E     | 1   | 600T150-54  | 7'-0 3/4"    | HEAD TRACK         |
| F     | 1   | 600T200-68  | 6'-0 15/16"  | BOTTOM TRACK       |
| G     | 1   | 600T200-68  | 6'-0 15/16"  | TOP TRACK          |
| H     | 1   | 600T150-54  | 6'-0 3/4"    | SILL               |
| I     | 1   | 600T150-54  | 6'-0 3/4"    | HEAD TRACK         |
| J     | 1   | 600T200-68  | 3'-11 1/16"  | BOTTOM TRACK       |
| K     | 2   | 150U50-54   | 3'-10 7/8"   | HORIZONTAL BRACING |
| L     | 1   | 600T200-68  | 3'-10 11/16" | BOTTOM TRACK       |
| M     | 2   | 150U50-54   | 3'-10 1/2"   | HORIZONTAL BRACING |
| N     | 1   | 600T200-68  | 3'-5 1/16"   | TOP TRACK          |
| O     | 1   | 600T200-68  | 3'-4 11/16"  | TOP TRACK          |
| P     | 5   | 600S162-54  | 2'-11 1/16"  | CRIPPLE            |
| Q     | 5   | 600S162-54  | 2'-4 1/2"    | CRIPPLE            |
| R     | 2   | 600S162-54  | 6"           | CRIPPLE            |
| S     | 2   | 600T200-68  | 5 15/16"     | TOP TRACK          |



SHEATHING

| LABEL | QTY | CODE      | THICK | SIZE                    | SCREWS |
|-------|-----|-----------|-------|-------------------------|--------|
| 1     | 2   | DENSGLASS | 1/2"  | 6 3/8" X 11'-9 1/4"     | 8 - 12 |
| 2     | 1   | DENSGLASS | 1/2"  | 3'-11" X 11'-9 1/4"     | 8 - 12 |
| 3     | 1   | DENSGLASS | 1/2"  | 3'-10 5/8" X 11'-9 1/4" | 8 - 12 |
| 4     | 2   | DENSGLASS | 1/2"  | 6 3/8" X 5'-0 1/4"      | 8 - 12 |
| 5     | 1   | DENSGLASS | 1/2"  | 6'-1" X 3'-2 13/16"     | 8 - 12 |
| 6     | 1   | DENSGLASS | 1/2"  | 6'-1" X 2'-11 1/8"      | 8 - 12 |
| 7     | 1   | DENSGLASS | 1/2"  | 5'-11 3/4" X 6 3/8"     | 8 - 12 |
| 8     | 1   | DENSGLASS | 1/2"  | 6'-0 7/8" X 6 3/8"      | 8 - 12 |

# 11-1271

Jewish Home for the Aging

1885 Victory Blvd. Reseda, CA

FrameMax, Inc.  
13915 Danielson St  
Suite 100  
Poway, CA 92064  
www.frame-max.com



© FrameMax Inc.

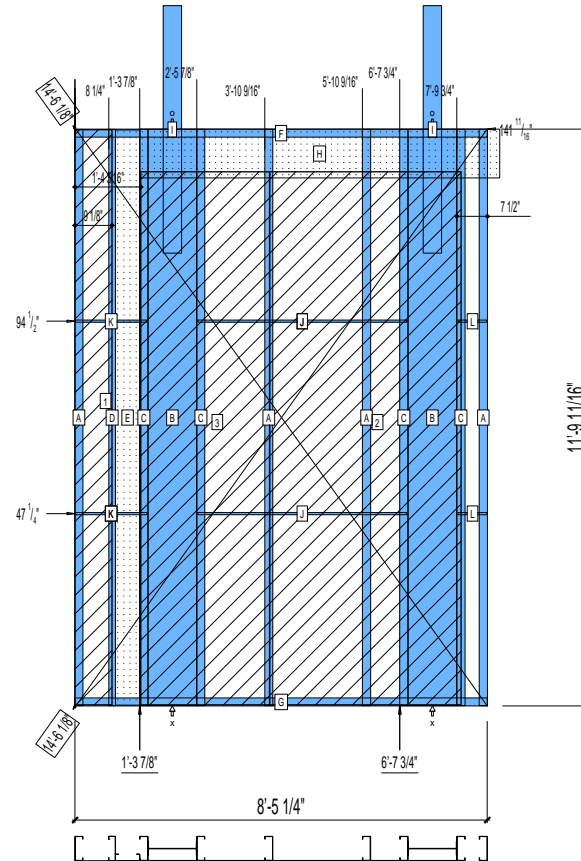
CREATED: 10/09/2008

FM-07-109

CREATED BY: AMB

HEIGHT : 14'-3 15/16" POINTS: 5.25 Points.  
SPACING : 24"  
1st STUD: 24"

WEIGHTS :  
FRAME : 723 lbs  
SHEATHING: 285 lbs  
-----  
TOTAL: 1008 lbs



PIECES LIST

| LABEL | QTY | SIZE          | LENGTH     | USE                |
|-------|-----|---------------|------------|--------------------|
| A     | 4   | 600S200-97    | 11'-9 1/2" | STUD               |
| B     | 2   | 1200i350p1062 | 11'-9 1/2" | PACO               |
| C     | 4   | 600S200-68    | 11'-9 1/2" | STUD               |
| D     | 1   | 600S162-33    | 11'-9 1/2" | BACKER STUD        |
| E     | 1   | 600S162-54    | 11'-9 1/4" | BACKER-U           |
| F     | 1   | 600T200-68    | 8'-5 1/4"  | TOP TRACK          |
| G     | 1   | 600T200-68    | 8'-5 1/4"  | BOTTOM TRACK       |
| H     | 1   | 1200D-54      | 7'-4 3/8"  | STRAP              |
| I     | 2   | D             | 5'-0 3/4"  | HOLDDOWN           |
| J     | 2   | 150U50-54     | 4'-3 5/16" | HORIZONTAL BRACING |
| K     | 2   | 150U50-54     | 1'-5 9/16" | HORIZONTAL BRACING |
| L     | 2   | 150U50-54     | 7 1/16"    | HORIZONTAL BRACING |

SHEATHING

| LABEL | QTY | CODE         | THICK | SIZE                    | SCREWS |
|-------|-----|--------------|-------|-------------------------|--------|
| 1     | 1   | DENSGLOSS    | 1/2"  | 9 1/8" X 11'-9 1/4"     | 8 - 12 |
| 2     | 1   | SB-DENSARMOR | 5/8"  | 3'-11" X 10'-10 7/8"    | 2 - 12 |
| 3     | 1   | SB-DENSARMOR | 5/8"  | 2'-7 5/8" X 10'-10 7/8" | 2 - 12 |

# 11-1272

Jewish Home for the Aging

1885 Victory Blvd. Reseda, CA

FM-07-109

CREATED BY: AMB

FrameMax, Inc.  
13915 Danielson St  
Suite 100  
Poway, CA 92064  
www.frame-max.com

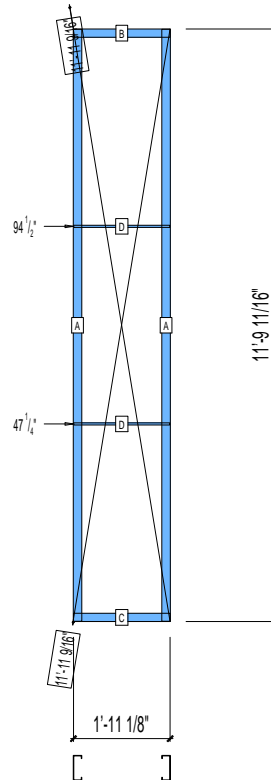


© FrameMax Inc.

HEIGHT : 11'-9 11/16"  
SPACING : 24"  
1st STUD: 24"

WEIGHTS :  
FRAME : 97 lbs

-----  
TOTAL: 97 lbs



### PIECES LIST

| LABEL | QTY | SIZE       | LENGTH       | USE                |
|-------|-----|------------|--------------|--------------------|
| A     | 2   | 600S200-97 | 11'-9 1/2"   | STUD               |
| B     | 1   | 600T200-68 | 1'-11 1/8"   | TOP TRACK          |
| C     | 1   | 600T200-68 | 1'-11 1/8"   | BOTTOM TRACK       |
| D     | 2   | 150U50-54  | 1'-10 15/16" | HORIZONTAL BRACING |

# 11-1273

Jewish Home for the Aging

1885 Victory Blvd. Reseda, CA

FM-07-109

CREATED BY: AMB

FrameMax, Inc.  
13915 Danielson St  
Suite 100  
Poway, CA 92064  
www.frame-max.com

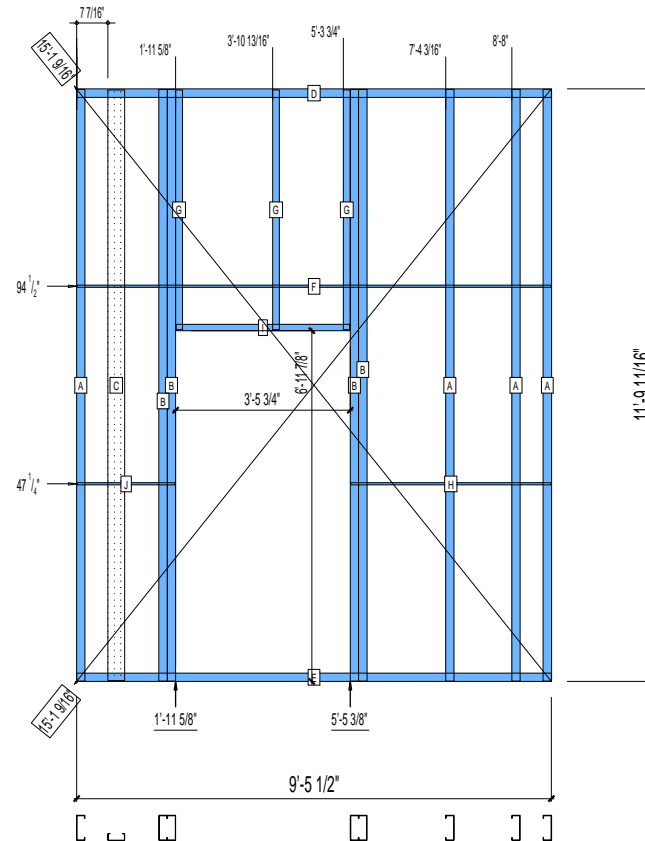


© FrameMax Inc.

HEIGHT : 11'-9 11/16"  
SPACING : 24"  
1st STUD: 24"

WEIGHTS :  
FRAME : 440 lbs

-----  
TOTAL: 440 lbs



PIECES LIST

| LABEL | QTY | SIZE       | LENGTH      | USE                |
|-------|-----|------------|-------------|--------------------|
| A     | 4   | 600S200-97 | 11'-9 1/2"  | STUD               |
| B     | 4   | 600S200-97 | 11'-9 1/2"  | KING STUD          |
| C     | 1   | 400S162-33 | 11'-9 1/4"  | BACKER-U           |
| D     | 1   | 600T200-68 | 9'-5 1/2"   | TOP TRACK          |
| E     | 1   | 600T200-68 | 9'-5 1/2"   | BOTTOM TRACK       |
| F     | 1   | 150U50-54  | 9'-5 5/16"  | HORIZONTAL BRACING |
| G     | 3   | 600S162-54 | 4'-9 3/8"   | CRIPPLE            |
| H     | 1   | 150U50-54  | 3'-11 7/8"  | HORIZONTAL BRACING |
| I     | 1   | 600T150-54 | 3'-5 1/2"   | HEAD TRACK         |
| J     | 1   | 150U50-54  | 1'-11 7/16" | HORIZONTAL BRACING |

# 11-1274

Jewish Home for the Aging

1885 Victory Blvd. Reseda, CA

FM-07-109

CREATED BY: AMB

FrameMax, Inc.  
13915 Danielson St  
Suite 100  
Poway, CA 92064  
www.frame-max.com



© FrameMax Inc.

HEIGHT : 11'-9 11/16" POINTS: 1.77 Points.

SPACING : 24"

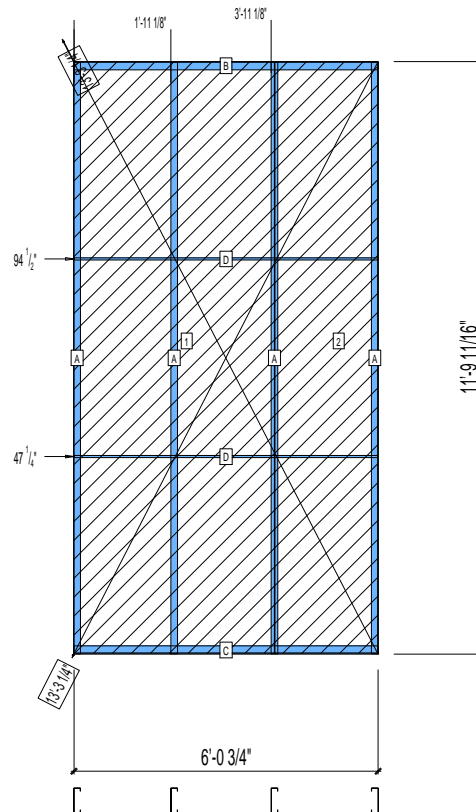
1st STUD: 24"

WEIGHTS :

FRAME : 147 lbs

SHEATHING: 178 lbs

TOTAL: 325 lbs



PIECES LIST

| LABEL | QTY | SIZE       | LENGTH     | USE                |
|-------|-----|------------|------------|--------------------|
| A     | 4   | 600S162-68 | 11'-9 1/2" | STUD               |
| B     | 1   | 600T200-68 | 6'-0 3/4"  | TOP TRACK          |
| C     | 1   | 600T200-68 | 6'-0 3/4"  | BOTTOM TRACK       |
| D     | 2   | 150U50-54  | 6'-0 9/16" | HORIZONTAL BRACING |

SHEATHING

| LABEL | QTY | CODE      | THICK | SIZE                     | SCREWS |
|-------|-----|-----------|-------|--------------------------|--------|
| 1     | 1   | DENSGLASS | 1/2"  | 4'-0" X 11'-9 1/4"       | 8 - 12 |
| 2     | 1   | DENSGLASS | 1/2"  | 2'-0 11/16" X 11'-9 1/4" | 8 - 12 |

# 11-1275

Jewish Home for the Aging

1885 Victory Blvd. Reseda, CA

FrameMax, Inc.  
13915 Danielson St  
Suite 100  
Poway, CA 92064  
www.framemax.com



© FrameMax Inc.

CREATED: 10/04/2008

FM-07-109

CREATED BY: AMB

HEIGHT : 11'-9 11/16" POINTS: 2.29 Points.

SPACING : 24"

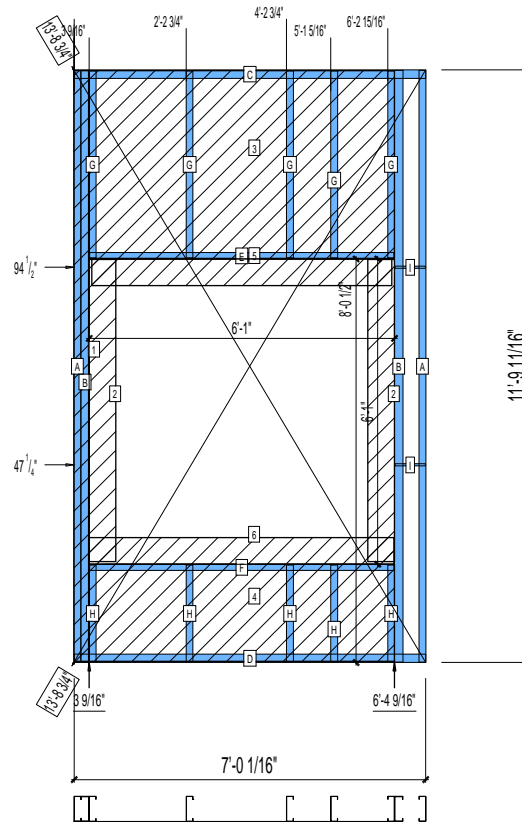
1st STUD: 24"

WEIGHTS :

FRAME : 250 lbs

SHEATHING: 127 lbs

TOTAL: 377 lbs



PIECES LIST

| LABEL | QTY | SIZE       | LENGTH      | USE                |
|-------|-----|------------|-------------|--------------------|
| A     | 2   | 600S162-68 | 11'-9 1/2"  | STUD               |
| B     | 2   | 600S200-97 | 11'-9 1/2"  | KING STUD          |
| C     | 1   | 600T200-68 | 7'-0 1/16"  | TOP TRACK          |
| D     | 1   | 600T200-68 | 7'-0 1/16"  | BOTTOM TRACK       |
| E     | 1   | 600T150-54 | 6'-0 3/4"   | HEAD TRACK         |
| F     | 1   | 600T150-54 | 6'-0 3/4"   | SILL               |
| G     | 5   | 600S162-54 | 3'-8 3/4"   | CRIPPLE            |
| H     | 5   | 600S162-54 | 1'-11 1/16" | CRIPPLE            |
| I     | 2   | 150U50-54  | 7 1/4"      | HORIZONTAL BRACING |

SHEATHING

| LABEL | QTY | CODE      | THICK | SIZE                | SCREWS |
|-------|-----|-----------|-------|---------------------|--------|
| 1     | 1   | DENSGLASS | 1/2"  | 3 1/2" X 11'-9 1/4" | 8 - 12 |
| 2     | 2   | DENSGLASS | 1/2"  | 6 3/8" X 6'-0 1/4"  | 8 - 12 |
| 3     | 1   | DENSGLASS | 1/2"  | 6'-1" X 3'-8 15/16" | 8 - 12 |
| 4     | 1   | DENSGLASS | 1/2"  | 6'-1" X 1'-11 1/4"  | 8 - 12 |
| 5     | 1   | DENSGLASS | 1/2"  | 5'-11 3/4" X 6 3/8" | 8 - 12 |
| 6     | 1   | DENSGLASS | 1/2"  | 6'-0 7/8" X 6 3/8"  | 8 - 12 |

# 11-1276

Jewish Home for the Aging

1885 Victory Blvd. Reseda, CA

FrameMax, Inc.  
13915 Danielson St  
Suite 100  
Poway, CA 92064  
www.frame-max.com



© FrameMax Inc.

CREATED: 09/17/2008

FM-07-109

CREATED BY: AMB

HEIGHT : 11'-9 11/16" POINTS: 1.37 Points.

SPACING : 24"

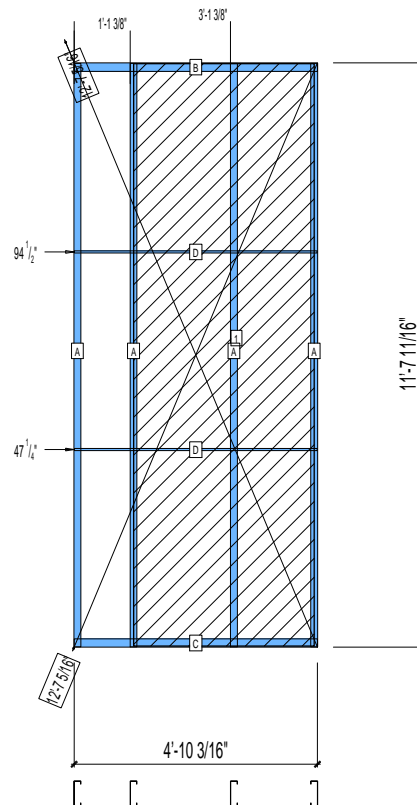
1st STUD: 24"

WEIGHTS :

FRAME : 138 lbs

SHEATHING: 104 lbs

-----  
TOTAL: 242 lbs



PIECES LIST

| LABEL | QTY | SIZE       | LENGTH      | USE                |
|-------|-----|------------|-------------|--------------------|
| A     | 4   | 600S162-68 | 11'-7 1/2"  | STUD               |
| B     | 1   | 600T200-68 | 4'-10 3/16" | TOP TRACK          |
| C     | 1   | 600T200-68 | 4'-10 3/16" | BOTTOM TRACK       |
| D     | 2   | 150U50-54  | 4'-10"      | HORIZONTAL BRACING |

SHEATHING

| LABEL | QTY | CODE      | THICK | SIZE                    | SCREWS |
|-------|-----|-----------|-------|-------------------------|--------|
| 1     | 1   | DENSGLASS | 1/2"  | 3'-7 3/16" X 11'-7 1/4" | 8 - 12 |

# 11-1277

Jewish Home for the Aging

1885 Victory Blvd. Reseda, CA

FrameMax, Inc.  
13915 Danielson St  
Suite 100  
Poway, CA 92064  
www.framemax.com



© FrameMax Inc.

CREATED: 10/04/2008

FM-07-109

CREATED BY: AMB

HEIGHT : 11'-9 11/16" POINTS: 3.42 Points.

SPACING : 24"

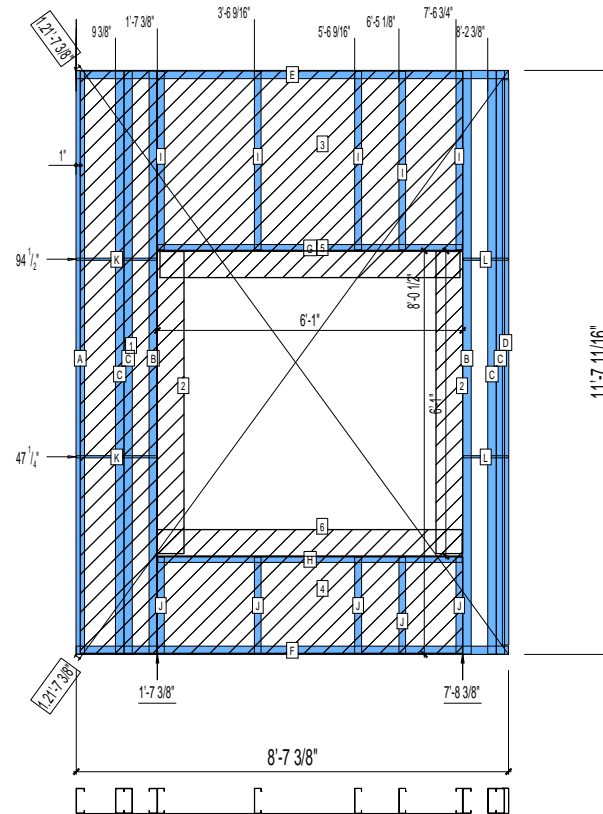
1st STUD: 24"

WEIGHTS :

FRAME : 432 lbs

SHEATHING: 160 lbs

TOTAL: 592 lbs



PIECES LIST

| LABEL | QTY | SIZE       | LENGTH      | USE                |
|-------|-----|------------|-------------|--------------------|
| A     | 1   | 600S200-97 | 11'-7 1/2"  | STUD               |
| B     | 2   | 600S200-97 | 11'-7 1/2"  | KING STUD          |
| C     | 4   | 600S200-97 | 11'-7 1/2"  | EXTRA STUD         |
| D     | 1   | 600T150-54 | 11'-3 3/16" | CAP                |
| E     | 1   | 600T200-68 | 8'-7 3/8"   | TOP TRACK          |
| F     | 1   | 600T200-68 | 8'-7 3/8"   | BOTTOM TRACK       |
| G     | 1   | 600T150-54 | 6'-0 3/4"   | HEAD TRACK         |
| H     | 1   | 600T150-54 | 6'-0 3/4"   | SILL               |
| I     | 5   | 600S162-54 | 3'-6 3/4"   | CRIPPLE            |
| J     | 5   | 600S162-54 | 1'-11 1/16" | CRIPPLE            |
| K     | 2   | 150U50-54  | 1'-7 3/16"  | HORIZONTAL BRACING |
| L     | 2   | 150U50-54  | 10 3/4"     | HORIZONTAL BRACING |

SHEATHING

| LABEL | QTY | CODE      | THICK | SIZE                    | SCREWS |
|-------|-----|-----------|-------|-------------------------|--------|
| 1     | 1   | DENSGLASS | 1/2"  | 1'-6 5/16" X 11'-7 1/4" | 8 - 12 |
| 2     | 2   | DENSGLASS | 1/2"  | 6 3/8" X 6'-0 1/4"      | 8 - 12 |
| 3     | 1   | DENSGLASS | 1/2"  | 6'-1" X 3'-6 15/16"     | 8 - 12 |
| 4     | 1   | DENSGLASS | 1/2"  | 6'-1" X 1'-11 1/8"      | 8 - 12 |
| 5     | 1   | DENSGLASS | 1/2"  | 5'-11 3/4" X 6 3/8"     | 8 - 12 |
| 6     | 1   | DENSGLASS | 1/2"  | 6'-0 7/8" X 6 3/8"      | 8 - 12 |

# 11-1278

Jewish Home for the Aging

1885 Victory Blvd. Reseda, CA

FM-07-109

CREATED BY: AMB

FrameMax, Inc.  
13915 Danielson St  
Suite 100  
Poway, CA 92064  
www.frame-max.com



© FrameMax Inc.

HEIGHT : 11'-9 11/16" POINTS: 2.71 Points.

SPACING : 24"

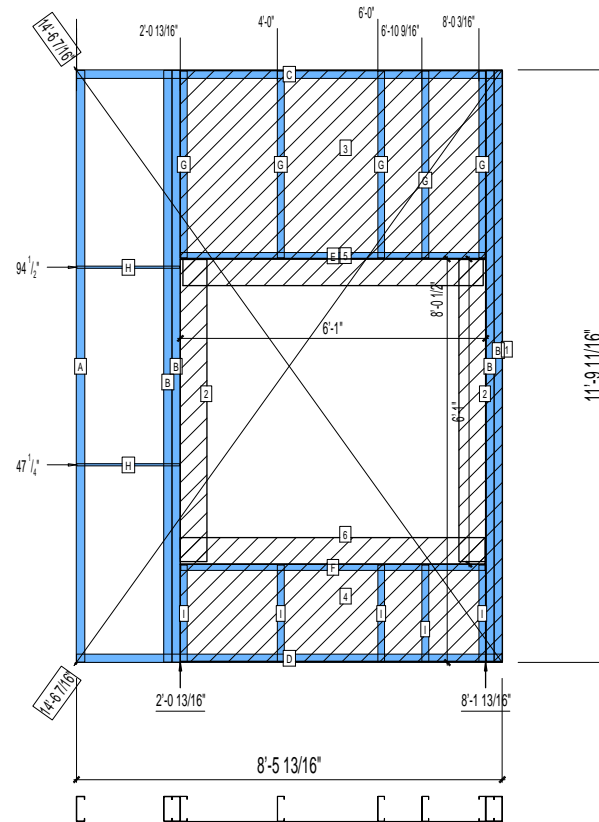
1st STUD: 24"

WEIGHTS :

FRAME : 331 lbs

SHEATHING: 128 lbs

TOTAL: 459 lbs



PIECES LIST

| LABEL | QTY | SIZE       | LENGTH      | USE                |
|-------|-----|------------|-------------|--------------------|
| A     | 1   | 600S200-97 | 11'-9 1/2"  | STUD               |
| B     | 4   | 600S200-97 | 11'-9 1/2"  | KING STUD          |
| C     | 1   | 600T200-68 | 8'-5 13/16" | TOP TRACK          |
| D     | 1   | 600T200-68 | 8'-5 13/16" | BOTTOM TRACK       |
| E     | 1   | 600T150-54 | 6'-0 3/4"   | HEAD TRACK         |
| F     | 1   | 600T150-54 | 6'-0 3/4"   | SILL               |
| G     | 5   | 600S162-54 | 3'-8 3/4"   | CRIPPLE            |
| H     | 2   | 150U50-54  | 2'-0 5/8"   | HORIZONTAL BRACING |
| I     | 5   | 600S162-54 | 1'-11 1/16" | CRIPPLE            |

SHEATHING

| LABEL | QTY | CODE      | THICK | SIZE                | SCREWS |
|-------|-----|-----------|-------|---------------------|--------|
| 1     | 1   | DENSGLASS | 1/2"  | 3 7/8" X 11'-9 1/4" | 8 - 12 |
| 2     | 2   | DENSGLASS | 1/2"  | 6 3/8" X 6'-0 1/4"  | 8 - 12 |
| 3     | 1   | DENSGLASS | 1/2"  | 6'-1" X 3'-8 15/16" | 8 - 12 |
| 4     | 1   | DENSGLASS | 1/2"  | 6'-1" X 1'-11 1/4"  | 8 - 12 |
| 5     | 1   | DENSGLASS | 1/2"  | 5'-11 3/4" X 6 3/8" | 8 - 12 |
| 6     | 1   | DENSGLASS | 1/2"  | 6'-0 7/8" X 6 3/8"  | 8 - 12 |

# 11-1279

Jewish Home for the Aging

1885 Victory Blvd. Reseda, CA

FrameMax, Inc.  
13915 Danielson St  
Suite 100  
Poway, CA 92064  
www.frame-max.com



© FrameMax Inc.

CREATED: 09/17/2008

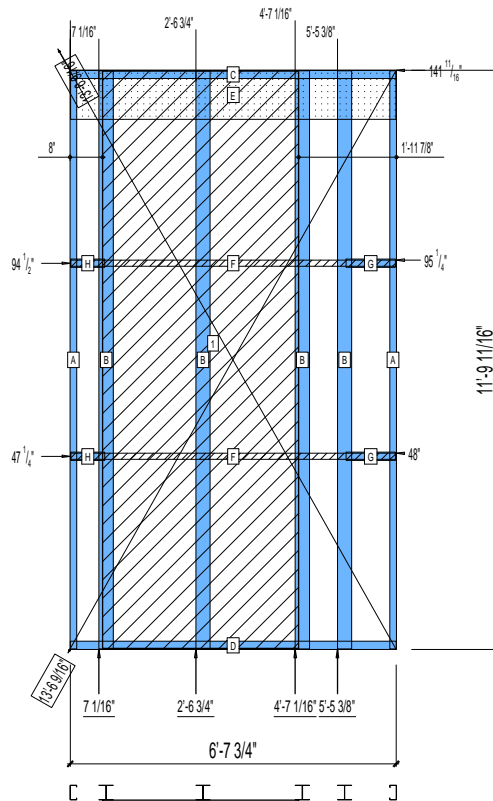
FM-07-109

CREATED BY: AMB

HEIGHT : 11'-9 11/16"  
SPACING : 24"  
1st STUD: 24"

WEIGHTS :  
FRAME : 345 lbs  
SHEATHING: 173 lbs

-----  
TOTAL: 518 lbs



PIECES LIST

| LABEL | QTY | SIZE        | LENGTH     | USE          |
|-------|-----|-------------|------------|--------------|
| A     | 2   | 362S162-54  | 11'-9 1/2" | STUD         |
| B     | 4   | 363i350p554 | 11'-9 1/2" | PACO. COLUMN |
| C     | 1   | 362T200-68  | 6'-7 3/4"  | TOP TRACK    |
| D     | 1   | 362T200-68  | 6'-7 3/4"  | BOTTOM TRACK |
| E     | 1   | 1200D-54    | 6'-7 9/16" | STRAP        |
| F     | 2   | 150D-43     | 6'-7 9/16" | STRAP        |
| G     | 2   | 362T200-68  | 1'-0 1/16" | BLOCK        |
| H     | 2   | 362T200-68  | 8 1/4"     | BLOCK        |

SHEATHING

| LABEL | QTY | CODE         | THICK | SIZE           | SCREWS            |
|-------|-----|--------------|-------|----------------|-------------------|
| 1     | 1   | SB-DENSGLASS | 1/2"  | 3'-11 15/16" X | 11'-9 1/4" 2 - 12 |

# 11-1280

Jewish Home for the Aging

1885 Victory Blvd. Reseda, CA

FM-07-109

CREATED BY: AMB

FrameMax, Inc.  
13915 Danielson St  
Suite 100  
Poway, CA 92064  
www.frame-max.com

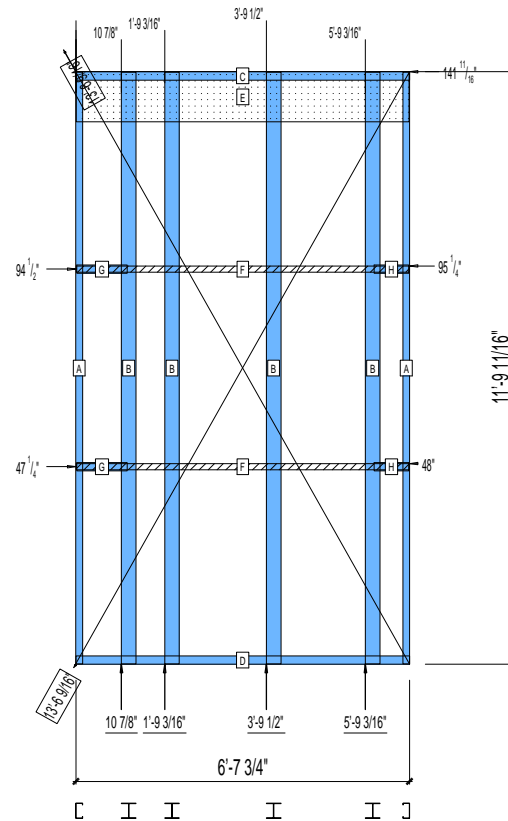


© FrameMax Inc.

HEIGHT : 11'-9 11/16"  
SPACING : 24"  
1st STUD: 24"

WEIGHTS :  
FRAME : 345 lbs

TOTAL: 345 lbs



PIECES LIST

| LABEL | QTY | SIZE        | LENGTH     | USE          |
|-------|-----|-------------|------------|--------------|
| A     | 2   | 362S162-54  | 11'-9 1/2" | STUD         |
| B     | 4   | 363i350p554 | 11'-9 1/2" | PACO.COLUMN  |
| C     | 1   | 362T200-68  | 6'-7 3/4"  | TOP TRACK    |
| D     | 1   | 362T200-68  | 6'-7 3/4"  | BOTTOM TRACK |
| E     | 1   | 1200D-54    | 6'-7 9/16" | STRAP        |
| F     | 2   | 150D-43     | 6'-7 9/16" | STRAP        |
| G     | 2   | 362T200-68  | 1'-0 1/16" | BLOCK        |
| H     | 2   | 362T200-68  | 8 1/4"     | BLOCK        |

# 11-1281

Jewish Home for the Aging

1885 Victory Blvd. Reseda, CA

FrameMax, Inc.  
13915 Danielson St  
Suite 100  
Poway, CA 92064  
www.frame-max.com



© FrameMax Inc.

CREATED: 09/17/2008

FM-07-109

CREATED BY: AMB

HEIGHT : 11'-9 11/16" POINTS: 4.09 Points.

SPACING : 24"

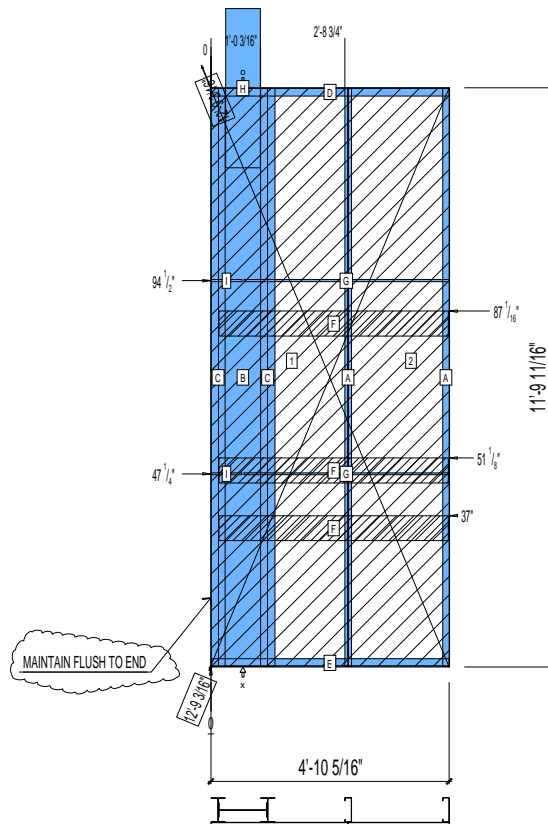
1st STUD: 16"

WEIGHTS :

FRAME : 598 lbs

SHEATHING: 211 lbs

-----  
TOTAL: 809 lbs



PIECES LIST

| LABEL | QTY | SIZE          | LENGTH      | USE                |
|-------|-----|---------------|-------------|--------------------|
| A     | 2   | 600S162-68    | 11'-9 1/2"  | STUD               |
| B     | 1   | 1200i350p1420 | 11'-9 1/2"  | PACO               |
| C     | 2   | 600i350p968   | 11'-9 1/2"  | PACO               |
| D     | 1   | 600T200-68    | 4'-10 5/16" | TOP TRACK          |
| E     | 1   | 600T200-68    | 4'-10 5/16" | BOTTOM TRACK       |
| F     | 3   | 600T150-54    | 4'-8 1/16"  | KITCHEN BACKING    |
| G     | 2   | 150U50-54     | 4'-2 1/8"   | HORIZONTAL BRACING |
| H     | 1   | F             | 3'-3"       | HOLDDOWN           |
| I     | 2   | 150U50-54     | 7 1/2"      | HORIZONTAL BRACING |

SHEATHING

| LABEL | QTY | CODE         | THICK | SIZE                    | SCREWS |
|-------|-----|--------------|-------|-------------------------|--------|
| 1     | 1   | SB-DENSGLOSS | 1/2"  | 2'-9 9/16" X 11'-9 1/4" | 2 - 12 |
| 2     | 1   | SB-DENSGLOSS | 1/2"  | 2'-0 3/4" X 11'-9 1/4"  | 2 - 12 |

# 11-1282

Jewish Home for the Aging

1885 Victory Blvd. Reseda, CA

FrameMax, Inc.  
13915 Danielson St  
Suite 100  
Poway, CA 92064  
www.frame-max.com



© FrameMax Inc.

CREATED: 09/17/2008

FM-07-109

CREATED BY: AMB

HEIGHT : 11'-9 11/16" POINTS: 5.21 Points.

SPACING : 24"

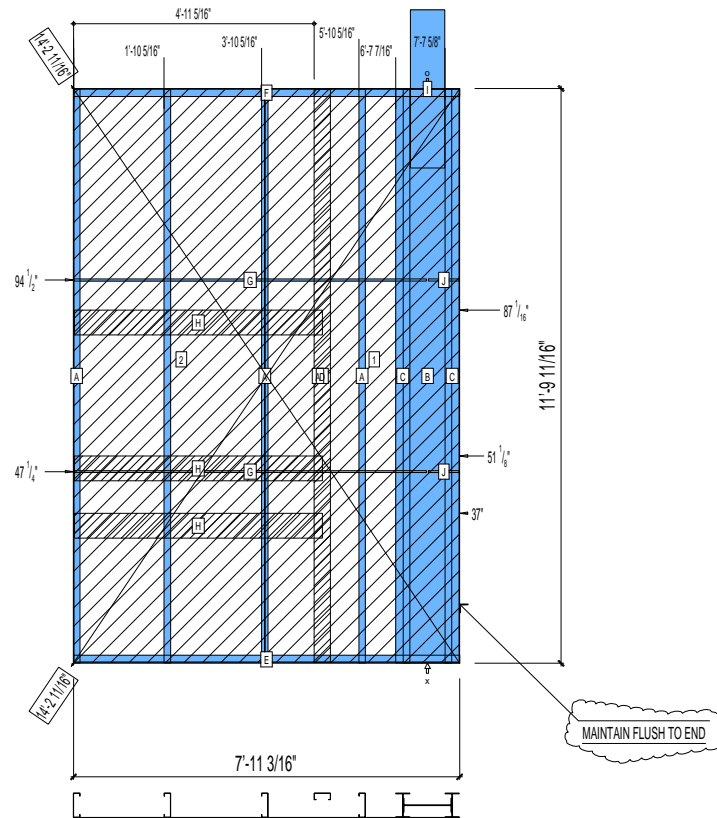
1st STUD: 24"

WEIGHTS :

FRAME : 685 lbs

SHEATHING: 343 lbs

TOTAL: 1028 lbs



PIECES LIST

| LABEL | QTY | SIZE          | LENGTH      | USE                |
|-------|-----|---------------|-------------|--------------------|
| A     | 4   | 600S162-68    | 11'-9 1/2"  | STUD               |
| B     | 1   | 1200i350p1420 | 11'-9 1/2"  | PACO               |
| C     | 2   | 600i350p968   | 11'-9 1/2"  | PACO               |
| D     | 1   | 400S162-33    | 11'-9 1/4"  | BACKER-U           |
| E     | 1   | 600T200-68    | 7'-11 3/16" | BOTTOM TRACK       |
| F     | 1   | 600T200-68    | 7'-11 3/16" | TOP TRACK          |
| G     | 2   | 150U50-54     | 7'-2 15/16" | HORIZONTAL BRACING |
| H     | 3   | 600T150-54    | 5'-1 1/8"   | KITCHEN BACKING    |
| I     | 1   | F             | 3'-3"       | HOLDDOWN           |
| J     | 2   | 150U50-54     | 7 9/16"     | HORIZONTAL BRACING |

SHEATHING

| LABEL | QTY | CODE         | THICK | SIZE                     | SCREWS |
|-------|-----|--------------|-------|--------------------------|--------|
| 1     | 1   | SB-DENSGLOSS | 1/2"  | 4'-0" X 11'-9 1/4"       | 2-12   |
| 2     | 1   | SB-DENSGLOSS | 1/2"  | 3'-11 1/16" X 11'-9 1/4" | 2-12   |

# 11-1283

Jewish Home for the Aging

1885 Victory Blvd. Reseda, CA

FM-07-109

CREATED BY: AMB

FrameMax, Inc.  
 13915 Danielson St  
 Suite 100  
 Poway, CA 92064  
 www.frame-max.com



© FrameMax Inc.

HEIGHT : 11'-9 11/16" POINTS: 0.95 Points.

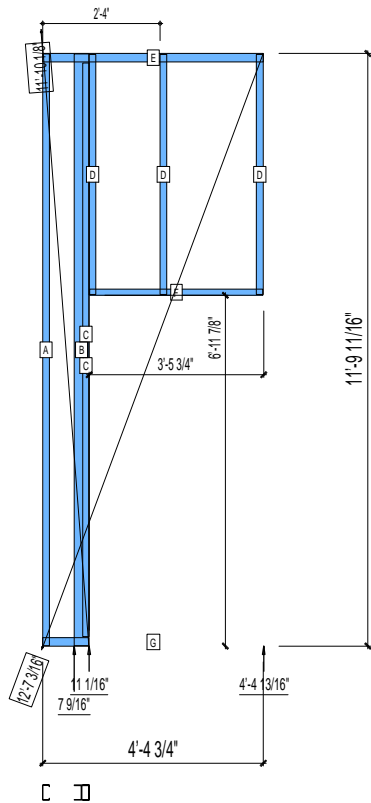
SPACING : 24"

1st STUD: 24"

WEIGHTS :

FRAME : 147 lbs

-----  
 TOTAL: 147 lbs



PIECES LIST

| LABEL | QTY | SIZE        | LENGTH      | USE          |
|-------|-----|-------------|-------------|--------------|
| A     | 1   | 362S162-54  | 11'-9 1/2"  | STUD         |
| B     | 1   | 363i350p680 | 11'-9 1/2"  | PACO COLUMN  |
| C     | 1   | 362T150-54  | 11'-5 3/16" | KING TRACK   |
| D     | 3   | 362S162-54  | 4'-9 3/8"   | CRIPPLE      |
| E     | 1   | 362T200-68  | 4'-4 3/4"   | TOP TRACK    |
| F     | 1   | 362T150-54  | 3'-5 3/8"   | HEAD TRACK   |
| G     | 1   | 362T200-68  | 11"         | BOTTOM TRACK |

# 11-1284

Jewish Home for the Aging

1885 Victory Blvd. Reseda, CA

FM-07-109

CREATED BY: AMB

FrameMax, Inc.  
13915 Danielson St  
Suite 100  
Poway, CA 92064  
www.frame-max.com



© FrameMax Inc.

HEIGHT : 11'-9 11/16" POINTS: 0.95 Points.

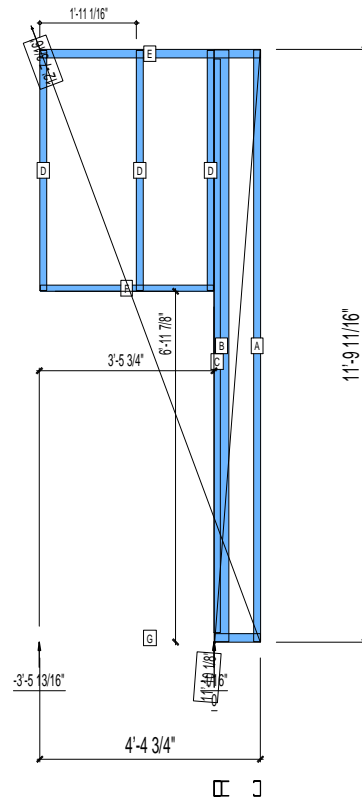
SPACING : 24"

1st STUD: 24"

WEIGHTS :

FRAME : 147 lbs

-----  
TOTAL: 147 lbs



PIECES LIST

| LABEL | QTY | SIZE        | LENGTH      | USE          |
|-------|-----|-------------|-------------|--------------|
| A     | 1   | 362S162-54  | 11'-9 1/2"  | STUD         |
| B     | 1   | 363i350p680 | 11'-9 1/2"  | PACO.COLUMN  |
| C     | 1   | 362T150-54  | 11'-5 3/16" | KING TRACK   |
| D     | 3   | 362S162-54  | 4'-9 3/8"   | CRIPPLE      |
| E     | 1   | 362T200-68  | 4'-4 3/4"   | TOP TRACK    |
| F     | 1   | 362T150-54  | 3'-5 3/8"   | HEAD TRACK   |
| G     | 1   | 362T200-68  | 11"         | BOTTOM TRACK |

# 11-1285

Jewish Home for the Aging

1885 Victory Blvd. Reseda, CA

FM-07-109

CREATED BY: AMB

FrameMax, Inc.  
13915 Danielson St  
Suite 100  
Poway, CA 92064  
www.frame-max.com



© FrameMax Inc.

HEIGHT : 11'-9 11/16" POINTS: 0.94 Points.

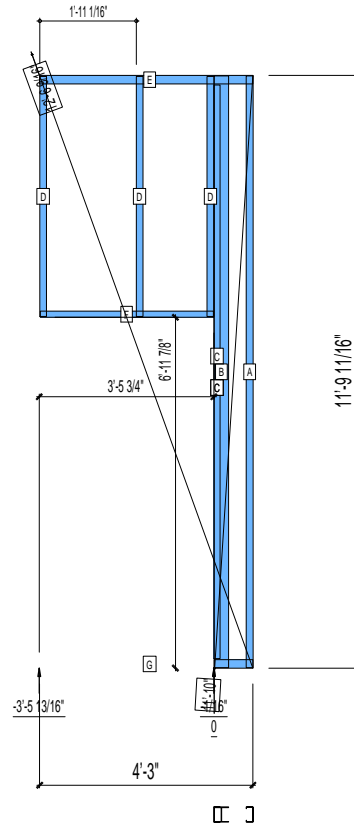
SPACING : 24"

1st STUD: 24"

WEIGHTS :

FRAME : 146 lbs

TOTAL: 146 lbs



PIECES LIST

| LABEL | QTY | SIZE        | LENGTH      | USE          |
|-------|-----|-------------|-------------|--------------|
| A     | 1   | 362S162-54  | 11'-9 1/2"  | STUD         |
| B     | 1   | 363i350p680 | 11'-9 1/2"  | PACO.COLUMN  |
| C     | 1   | 362T150-54  | 11'-5 3/16" | KING TRACK   |
| D     | 3   | 362S162-54  | 4'-9 3/8"   | CRIPPLE      |
| E     | 1   | 362T200-68  | 4'-3"       | TOP TRACK    |
| F     | 1   | 362T150-54  | 3'-5 3/8"   | HEAD TRACK   |
| G     | 1   | 362T200-68  | 9 1/4"      | BOTTOM TRACK |

# 11-1286

Jewish Home for the Aging

1885 Victory Blvd. Reseda, CA

FM-07-109

CREATED BY: AMB

FrameMax, Inc.  
13915 Danielson St  
Suite 100  
Poway, CA 92064  
www.frame-max.com



© FrameMax Inc.

HEIGHT : 11'-9 11/16" POINTS: 0.95 Points.

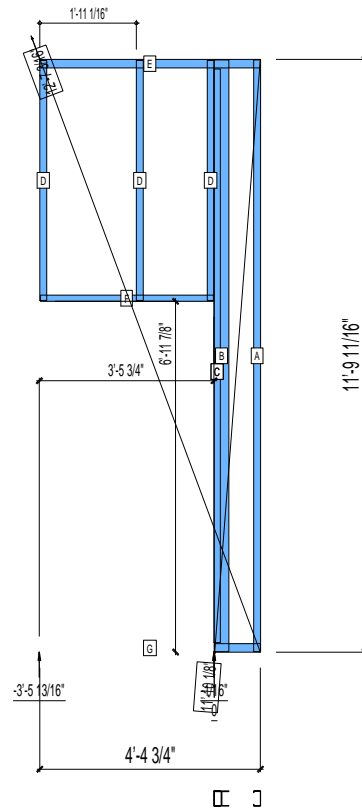
SPACING : 24"

1st STUD: 24"

WEIGHTS :

FRAME : 147 lbs

-----  
TOTAL: 147 lbs



PIECES LIST

| LABEL | QTY | SIZE        | LENGTH      | USE          |
|-------|-----|-------------|-------------|--------------|
| A     | 1   | 362S162-54  | 11'-9 1/2"  | STUD         |
| B     | 1   | 363i350p680 | 11'-9 1/2"  | PACO.COLUMN  |
| C     | 1   | 362T150-54  | 11'-5 3/16" | KING TRACK   |
| D     | 3   | 362S162-54  | 4'-9 3/8"   | CRIPPLE      |
| E     | 1   | 362T200-68  | 4'-4 3/4"   | TOP TRACK    |
| F     | 1   | 362T150-54  | 3'-5 3/8"   | HEAD TRACK   |
| G     | 1   | 362T200-68  | 11"         | BOTTOM TRACK |

# 11-1287

Jewish Home for the Aging

1885 Victory Blvd. Reseda, CA

FM-07-109

CREATED BY: AMB

FrameMax, Inc.  
13915 Danielson St  
Suite 100  
Poway, CA 92064  
www.frame-max.com



© FrameMax Inc.

HEIGHT : 11'-9 11/16" POINTS: 0.95 Points.

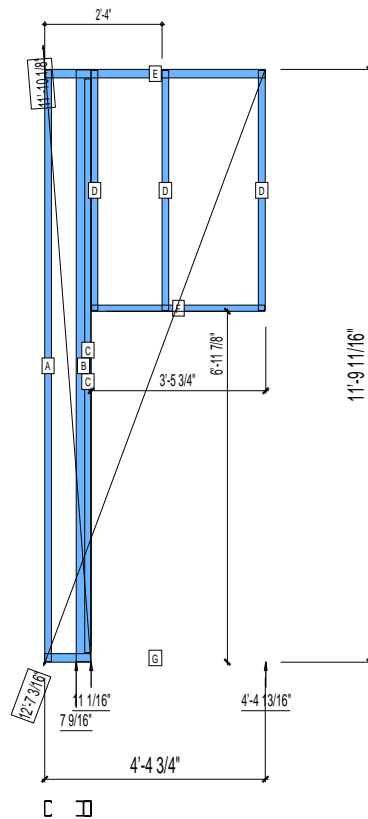
SPACING : 24"

1st STUD: 24"

WEIGHTS :

FRAME : 147 lbs

TOTAL: 147 lbs



PIECES LIST

| LABEL | QTY | SIZE        | LENGTH      | USE          |
|-------|-----|-------------|-------------|--------------|
| A     | 1   | 362S162-54  | 11'-9 1/2"  | STUD         |
| B     | 1   | 363i350p680 | 11'-9 1/2"  | PACO COLUMN  |
| C     | 1   | 362T150-54  | 11'-5 3/16" | KING TRACK   |
| D     | 3   | 362S162-54  | 4'-9 3/8"   | CRIPPLE      |
| E     | 1   | 362T200-68  | 4'-4 3/4"   | TOP TRACK    |
| F     | 1   | 362T150-54  | 3'-5 3/8"   | HEAD TRACK   |
| G     | 1   | 362T200-68  | 11"         | BOTTOM TRACK |

# 11-1288

Jewish Home for the Aging

1885 Victory Blvd. Reseda, CA

FM-07-109

CREATED BY: AMB

FrameMax, Inc.  
13915 Danielson St  
Suite 100  
Poway, CA 92064  
www.framemax.com



© FrameMax Inc.

HEIGHT : 11'-9 11/16" POINTS: 0.94 Points.

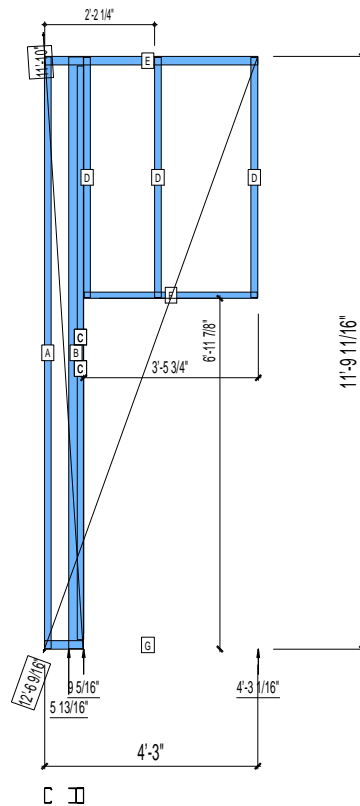
SPACING : 24"

1st STUD: 24"

WEIGHTS :

FRAME : 146 lbs

TOTAL: 146 lbs



PIECES LIST

| LABEL | QTY | SIZE        | LENGTH      | USE          |
|-------|-----|-------------|-------------|--------------|
| A     | 1   | 362S162-54  | 11'-9 1/2"  | STUD         |
| B     | 1   | 363i350p680 | 11'-9 1/2"  | PACO COLUMN  |
| C     | 1   | 362T150-54  | 11'-5 3/16" | KING TRACK   |
| D     | 3   | 362S162-54  | 4'-9 3/8"   | CRIPPLE      |
| E     | 1   | 362T200-68  | 4'-3"       | TOP TRACK    |
| F     | 1   | 362T150-54  | 3'-5 3/8"   | HEAD TRACK   |
| G     | 1   | 362T200-68  | 9 1/4"      | BOTTOM TRACK |

# 11-3001

Jewish Home for the Aging

1885 Victory Blvd. Reseda, CA

FM-07-109

CREATED BY: AMB

FrameMax, Inc.  
13915 Danielson St  
Suite 100  
Poway, CA 92064  
www.frame-max.com



© FrameMax Inc.

HEIGHT : 10'-9 7/16" POINTS: 1.22 Points.

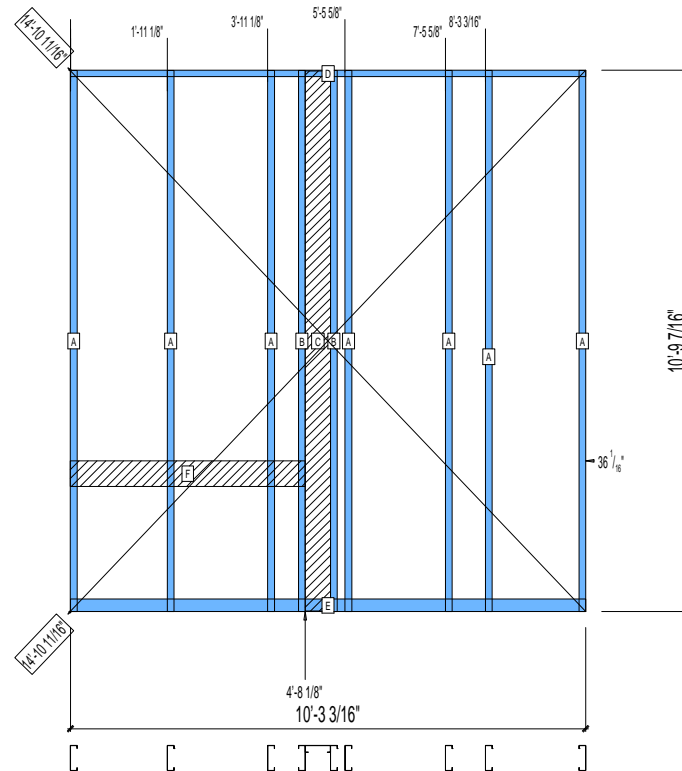
SPACING : 24"

1st STUD: 24"

WEIGHTS :

FRAME : 160 lbs

TOTAL: 160 lbs



PIECES LIST

| LABEL | QTY | SIZE       | LENGTH      | USE          |
|-------|-----|------------|-------------|--------------|
| A     | 7   | 600S162-33 | 10'-9 3/8"  | STUD         |
| B     | 2   | 600S162-33 | 10'-9 3/8"  | BACKER STUD  |
| C     | 1   | 600S162-33 | 10'-9 1/8"  | BACKER-U     |
| D     | 1   | 600T150-33 | 10'-3 3/16" | TOP TRACK    |
| E     | 1   | 600T300-33 | 10'-3 3/16" | BOTTOM TRACK |
| F     | 1   | 600T150-54 | 4'-8 3/16"  | GRAB BAR     |

# 11-3002

Jewish Home for the Aging

1885 Victory Blvd. Reseda, CA

FrameMax, Inc.  
13915 Danielson St  
Suite 100  
Poway, CA 92064  
www.frame-max.com



© FrameMax Inc.

CREATED: 09/18/2008

FM-07-109

CREATED BY: AMB

HEIGHT : 10'-9 7/16"

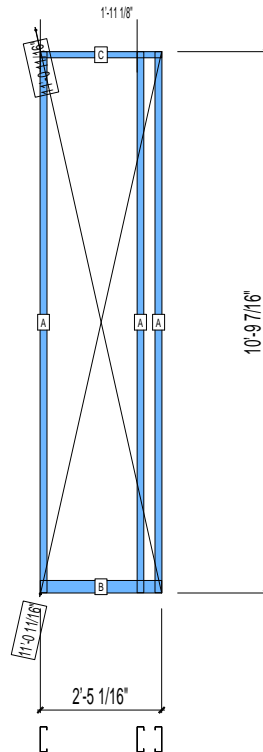
SPACING : 24"

1st STUD: 24"

WEIGHTS :

FRAME : 44 lbs

-----  
TOTAL: 44 lbs



### PIECES LIST

| LABEL | QTY | SIZE       | LENGTH     | USE          |
|-------|-----|------------|------------|--------------|
| A     | 3   | 600S162-33 | 10'-9 3/8" | STUD         |
| B     | 1   | 600T300-33 | 2'-5 1/16" | BOTTOM TRACK |
| C     | 1   | 600T150-33 | 2'-5 1/16" | TOP TRACK    |

# 11-3003

Jewish Home for the Aging

1885 Victory Blvd. Reseda, CA

FrameMax, Inc.  
13915 Danielson St  
Suite 100  
Poway, CA 92064  
www.frame-max.com



© FrameMax Inc.

CREATED: 09/18/2008

FM-07-109

CREATED BY: AMB

HEIGHT : 10'-9 7/16" POINTS: 0.35 Points.

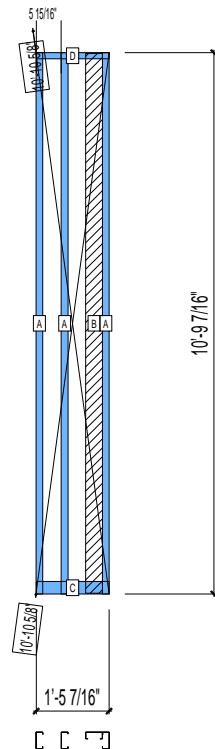
SPACING : 24"

1st STUD: 24"

WEIGHTS :

FRAME : 43 lbs

-----  
TOTAL: 43 lbs



### PIECES LIST

| LABEL | QTY | SIZE       | LENGTH      | USE          |
|-------|-----|------------|-------------|--------------|
| A     | 3   | 400S162-33 | 10'-9 3/8"  | STUD         |
| B     | 1   | 400S162-33 | 10'-9 1/16" | BACKER-U     |
| C     | 1   | 400T300-33 | 1'-5 7/16"  | BOTTOM TRACK |
| D     | 1   | 400T150-33 | 1'-5 7/16"  | TOP TRACK    |

# 11-3004

Jewish Home for the Aging

1885 Victory Blvd. Reseda, CA

FrameMax, Inc.  
13915 Danielson St  
Suite 100  
Poway, CA 92064  
www.frame-max.com



© FrameMax Inc.

CREATED: 09/18/2008

FM-07-109

CREATED BY: AMB

HEIGHT : 10'-9 7/16"

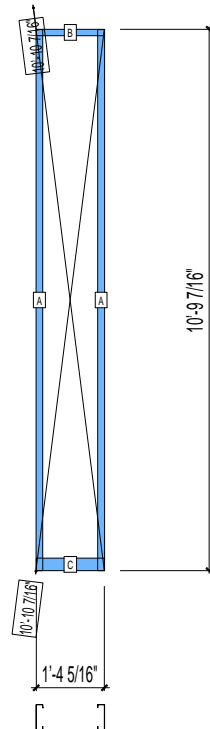
SPACING : 24"

1st STUD: 24"

WEIGHTS :

FRAME : 29 lbs

-----  
TOTAL: 29 lbs



### PIECES LIST

| LABEL | QTY | SIZE       | LENGTH     | USE          |
|-------|-----|------------|------------|--------------|
| A     | 2   | 600S162-33 | 10'-9 3/8" | STUD         |
| B     | 1   | 600T150-33 | 1'-4 5/16" | TOP TRACK    |
| C     | 1   | 600T300-33 | 1'-4 5/16" | BOTTOM TRACK |

# 11-3005

Jewish Home for the Aging

1885 Victory Blvd. Reseda, CA

FrameMax, Inc.  
13915 Danielson St  
Suite 100  
Poway, CA 92064  
www.frame-max.com



© FrameMax Inc.

CREATED: 09/18/2008

FM-07-109

CREATED BY: AMB

HEIGHT : 10'-9 7/16"

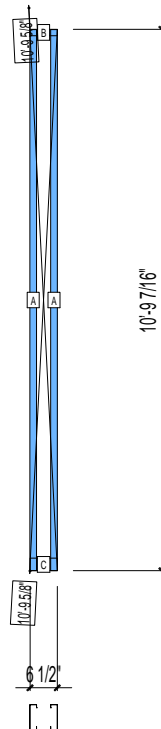
SPACING : 24"

1st STUD: 24"

WEIGHTS :

FRAME : 27 lbs

-----  
TOTAL: 27 lbs



### PIECES LIST

| LABEL | QTY | SIZE       | LENGTH     | USE          |
|-------|-----|------------|------------|--------------|
| A     | 2   | 600S162-33 | 10'-9 3/8" | STUD         |
| B     | 1   | 600T150-33 | 6 1/2"     | TOP TRACK    |
| C     | 1   | 600T300-33 | 6 1/2"     | BOTTOM TRACK |

# 11-3006

Jewish Home for the Aging

1885 Victory Blvd. Reseda, CA

FM-07-109

CREATED BY: AMB

FrameMax, Inc.  
13915 Danielson St  
Suite 100  
Poway, CA 92064  
www.framemax.com



© FrameMax Inc.

HEIGHT : 10'-9 7/16"

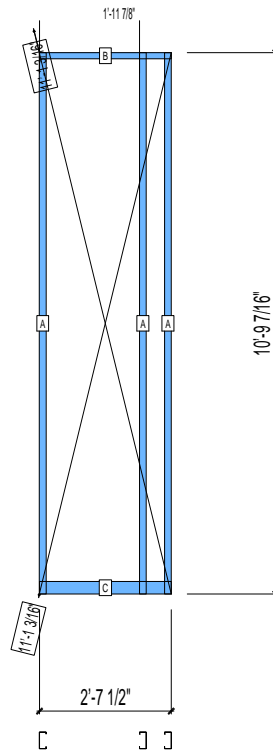
SPACING : 24"

1st STUD: 24"

WEIGHTS :

FRAME : 35 lbs

-----  
TOTAL: 35 lbs



### PIECES LIST

| LABEL | QTY | SIZE       | LENGTH     | USE          |
|-------|-----|------------|------------|--------------|
| A     | 3   | 400S162-33 | 10'-9 3/8" | STUD         |
| B     | 1   | 400T150-33 | 2'-7 1/2"  | TOP TRACK    |
| C     | 1   | 400T300-33 | 2'-7 1/2"  | BOTTOM TRACK |

# 11-3007

Jewish Home for the Aging

1885 Victory Blvd. Reseda, CA

FrameMax, Inc.  
13915 Danielson St  
Suite 100  
Poway, CA 92064  
www.frame-max.com



© FrameMax Inc.

CREATED: 09/18/2008

FM-07-109

CREATED BY: AMB

HEIGHT : 10'-9 7/16"

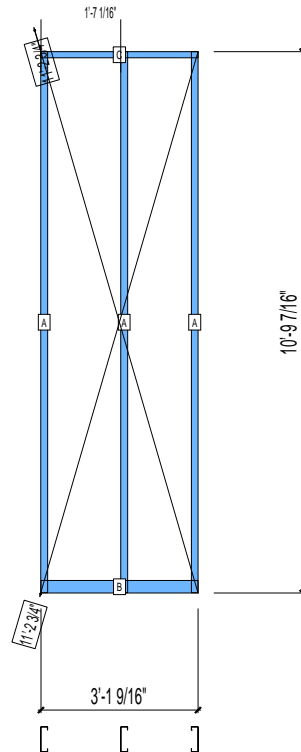
SPACING : 24"

1st STUD: 19 15/16"

WEIGHTS :

FRAME : 46 lbs

-----  
TOTAL: 46 lbs



### PIECES LIST

| LABEL | QTY | SIZE       | LENGTH     | USE          |
|-------|-----|------------|------------|--------------|
| A     | 3   | 600S162-33 | 10'-9 3/8" | STUD         |
| B     | 1   | 600T300-33 | 3'-1 9/16" | BOTTOM TRACK |
| C     | 1   | 600T150-33 | 3'-1 9/16" | TOP TRACK    |

# 11-3008

Jewish Home for the Aging

1885 Victory Blvd. Reseda, CA

FrameMax, Inc.  
13915 Danielson St  
Suite 100  
Poway, CA 92064  
www.frame-max.com



© FrameMax Inc.

CREATED: 09/18/2008

FM-07-109

CREATED BY: AMB

HEIGHT : 10'-9 7/16" POINTS: 0.35 Points.

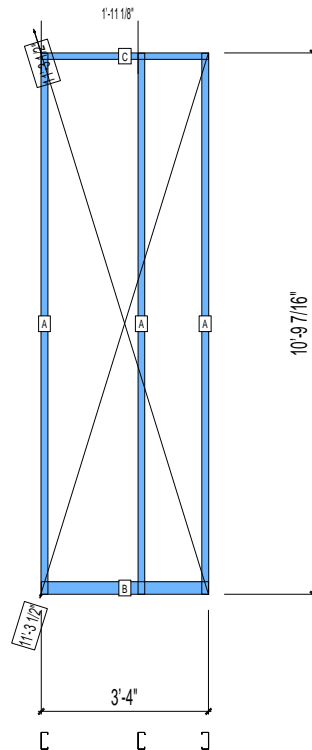
SPACING : 24"

1st STUD: 24"

WEIGHTS :

FRAME : 37 lbs

-----  
TOTAL: 37 lbs



### PIECES LIST

| LABEL | QTY | SIZE       | LENGTH     | USE          |
|-------|-----|------------|------------|--------------|
| A     | 3   | 400S162-33 | 10'-9 3/8" | STUD         |
| B     | 1   | 400T300-33 | 3'-4"      | BOTTOM TRACK |
| C     | 1   | 400T150-33 | 3'-4"      | TOP TRACK    |

# 11-3009

Jewish Home for the Aging

1885 Victory Blvd. Reseda, CA

FM-07-109

CREATED BY: AMB

FrameMax, Inc.  
13915 Danielson St  
Suite 100  
Poway, CA 92064  
www.frame-max.com



© FrameMax Inc.

HEIGHT : 10'-9 7/16"

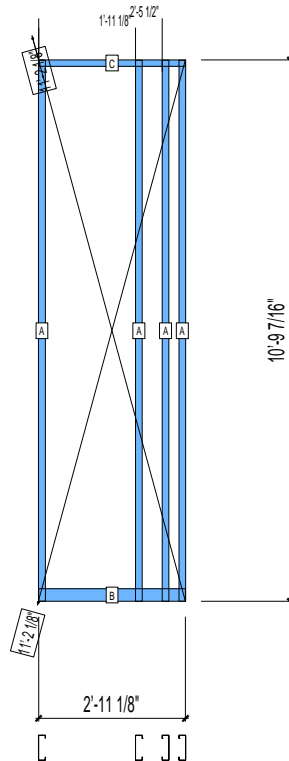
SPACING : 24"

1st STUD: 24"

WEIGHTS :

FRAME : 58 lbs

-----  
TOTAL: 58 lbs



### PIECES LIST

| LABEL | QTY | SIZE       | LENGTH     | USE          |
|-------|-----|------------|------------|--------------|
| A     | 4   | 600S162-33 | 10'-9 3/8" | STUD         |
| B     | 1   | 600T300-33 | 2'-11 1/8" | BOTTOM TRACK |
| C     | 1   | 600T150-33 | 2'-11 1/8" | TOP TRACK    |

# 11-3010

Jewish Home for the Aging

1885 Victory Blvd. Reseda, CA

FM-07-109

CREATED BY: AMB

FrameMax, Inc.  
13915 Danielson St  
Suite 100  
Poway, CA 92064  
www.frame-max.com



© FrameMax Inc.

HEIGHT : 10'-9 7/16" POINTS: 1.81 Points.

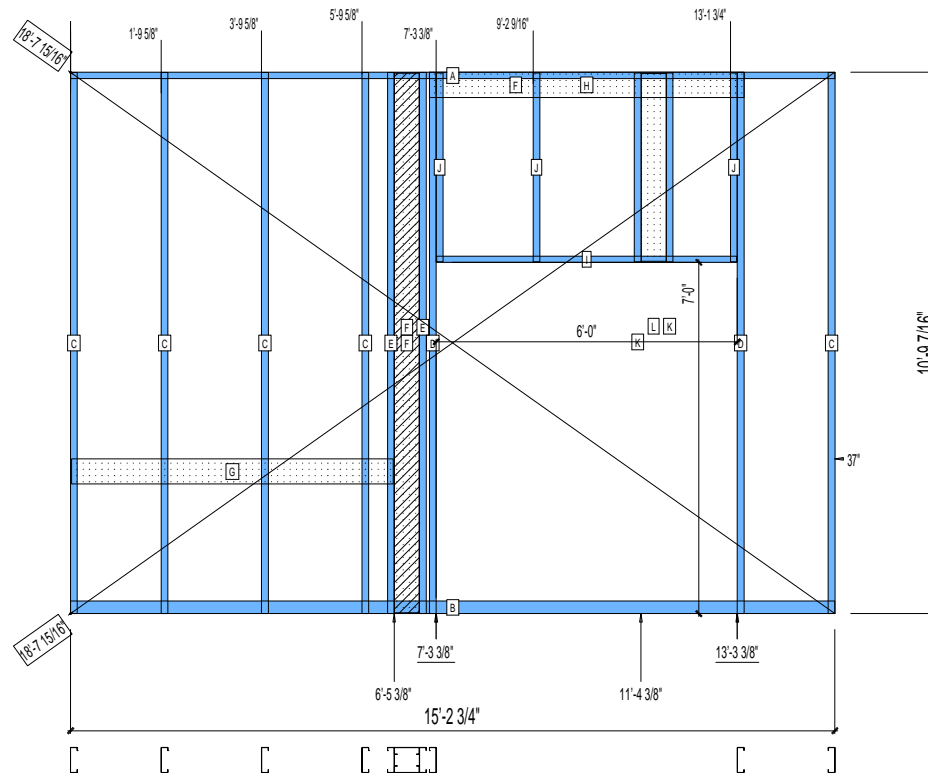
SPACING : 24"

1st STUD: 22 1/2"

WEIGHTS :

FRAME : 223 lbs

TOTAL: 223 lbs



PIECES LIST

| LABEL | QTY | SIZE       | LENGTH      | USE            |
|-------|-----|------------|-------------|----------------|
| A     | 1   | 600T150-33 | 15'-2 3/4"  | TOP TRACK      |
| B     | 1   | 600T300-33 | 15'-2 3/4"  | BOTTOM TRACK   |
| C     | 5   | 600S162-33 | 10'-9 3/8"  | STUD           |
| D     | 2   | 600S162-33 | 10'-9 3/8"  | KING STUD      |
| E     | 2   | 600S162-33 | 10'-9 3/8"  | BACKER STUD    |
| F     | 2   | 600S162-33 | 10'-9 1/8"  | BACKER-U       |
| G     | 1   | 600D-54    | 6'-4 15/16" | VANITY BACKING |
| H     | 1   | 600L150-33 | 6'-3 1/4"   | L-HEADER       |
| I     | 1   | 600T150-33 | 5'-11 3/4"  | HEAD TRACK     |
| J     | 3   | 600S162-33 | 3'-9 1/8"   | CRIPPLE        |
| K     | 2   | 600S162-33 | 3'-9 1/8"   | BACKER STUD    |
| L     | 1   | 600S162-33 | 3'-8 7/8"   | BACKER-U       |

# 11-3011

Jewish Home for the Aging

1885 Victory Blvd. Reseda, CA

FrameMax, Inc.  
 13915 Danielson St  
 Suite 100  
 Poway, CA 92064  
 www.frame-max.com



© FrameMax Inc.

CREATED: 09/18/2008

FM-07-109

CREATED BY: AMB

HEIGHT : 10'-9 7/16" POINTS: 0.54 Points.

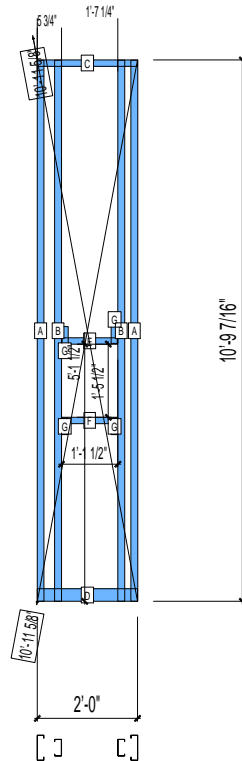
SPACING : 24"

1st STUD: 24"

WEIGHTS :

FRAME : 53 lbs

-----  
 TOTAL: 53 lbs



PIECES LIST

| LABEL | QTY | SIZE       | LENGTH     | USE          |
|-------|-----|------------|------------|--------------|
| A     | 2   | 600S162-33 | 10'-9 3/8" | STUD         |
| B     | 2   | 400S162-33 | 10'-9 3/8" | KING STUD    |
| C     | 1   | 600T150-33 | 2'-0"      | TOP TRACK    |
| D     | 1   | 600T300-33 | 2'-0"      | BOTTOM TRACK |
| E     | 1   | 400T150-33 | 1'-1 1/4"  | HEAD TRACK   |
| F     | 1   | 400T150-33 | 1'-1 1/4"  | SILL         |
| G     | 4   | 400S162-33 | 4"         | CRIPPLE      |

# 11-3012

Jewish Home for the Aging

1885 Victory Blvd. Reseda, CA

FrameMax, Inc.  
13915 Danielson St  
Suite 100  
Poway, CA 92064  
www.frame-max.com



© FrameMax Inc.

CREATED: 09/18/2008

FM-07-109

CREATED BY: AMB

HEIGHT : 10'-9 7/16"

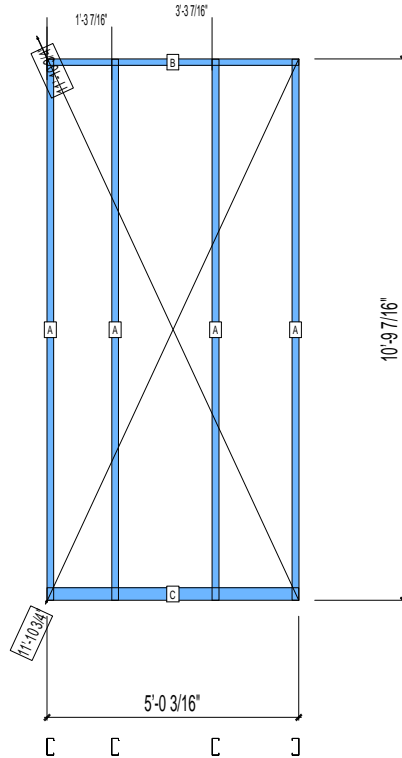
SPACING : 24"

1st STUD: 16 5/16"

WEIGHTS :

FRAME : 50 lbs

-----  
TOTAL: 50 lbs



### PIECES LIST

| LABEL | QTY | SIZE       | LENGTH     | USE          |
|-------|-----|------------|------------|--------------|
| A     | 4   | 400S162-33 | 10'-9 3/8" | STUD         |
| B     | 1   | 400T150-33 | 5'-0 3/16" | TOP TRACK    |
| C     | 1   | 400T300-33 | 5'-0 3/16" | BOTTOM TRACK |

# 11-3013

Jewish Home for the Aging

1885 Victory Blvd. Reseda, CA

FrameMax, Inc.  
13915 Danielson St  
Suite 100  
Poway, CA 92064  
www.framemax.com



© FrameMax Inc.

CREATED: 09/18/2008

FM-07-109

CREATED BY: AMB

HEIGHT : 10'-9 7/16"

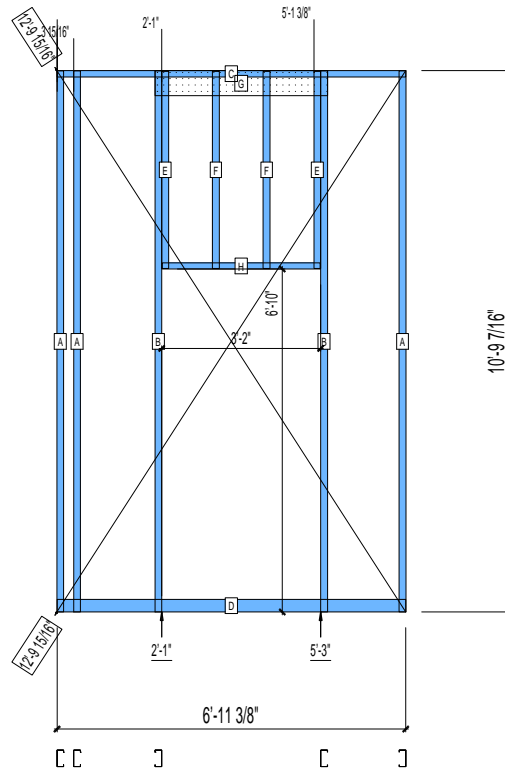
SPACING : 24"

1st STUD: 24"

WEIGHTS :

FRAME : 85 lbs

TOTAL: 85 lbs



PIECES LIST

| LABEL | QTY | SIZE       | LENGTH     | USE          |
|-------|-----|------------|------------|--------------|
| A     | 3   | 400S162-33 | 10'-9 3/8" | STUD         |
| B     | 2   | 400S162-33 | 10'-9 3/8" | KING STUD    |
| C     | 1   | 400T150-33 | 6'-11 3/8" | TOP TRACK    |
| D     | 1   | 400T300-33 | 6'-11 3/8" | BOTTOM TRACK |
| E     | 2   | 400S162-33 | 3'-11 1/8" | CRIPPLE      |
| F     | 2   | 400S162-33 | 3'-11 1/8" | KING STUD    |
| G     | 1   | 600L150-33 | 3'-5 1/4"  | L-HEADER     |
| H     | 1   | 400T150-33 | 3'-1 3/4"  | HEAD TRACK   |

# 11-3014

Jewish Home for the Aging

1885 Victory Blvd. Reseda, CA

FrameMax, Inc.  
13915 Danielson St  
Suite 100  
Poway, CA 92064  
www.frame-max.com



© FrameMax Inc.

CREATED: 09/18/2008

FM-07-109

CREATED BY: AMB

HEIGHT : 10'-9 7/16"

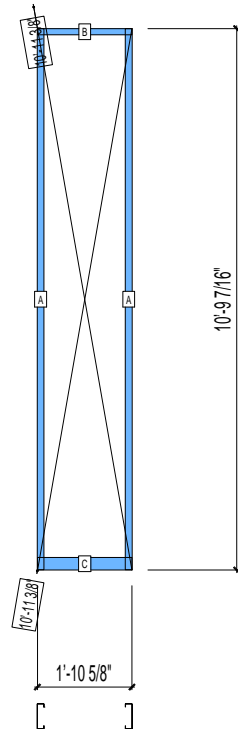
SPACING : 24"

1st STUD: 16"

WEIGHTS :

FRAME : 30 lbs

-----  
TOTAL: 30 lbs



### PIECES LIST

| LABEL | QTY | SIZE       | LENGTH     | USE          |
|-------|-----|------------|------------|--------------|
| A     | 2   | 600S162-33 | 10'-9 3/8" | STUD         |
| B     | 1   | 600T150-33 | 1'-10 5/8" | TOP TRACK    |
| C     | 1   | 600T300-33 | 1'-10 5/8" | BOTTOM TRACK |

# 11-3015

Jewish Home for the Aging

1885 Victory Blvd. Reseda, CA

FrameMax, Inc.  
13915 Danielson St  
Suite 100  
Poway, CA 92064  
www.frame-max.com



© FrameMax Inc.

CREATED: 09/18/2008

FM-07-109

CREATED BY: AMB

HEIGHT : 2'-11 1/2"    POINTS: 0.34 Points.

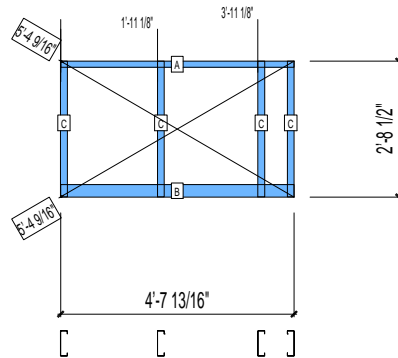
SPACING : 24"

1st STUD: 24"

WEIGHTS :

FRAME : 24 lbs

-----  
TOTAL: 24 lbs



### PIECES LIST

| LABEL | QTY | SIZE       | LENGTH      | USE          |
|-------|-----|------------|-------------|--------------|
| A     | 1   | 600T150-33 | 4'-7 13/16" | TOP TRACK    |
| B     | 1   | 600T300-33 | 4'-7 13/16" | BOTTOM TRACK |
| C     | 4   | 600S162-33 | 2'-8 7/16"  | STUD         |

# 11-3016

Jewish Home for the Aging

1885 Victory Blvd. Reseda, CA

FrameMax, Inc.  
13915 Danielson St  
Suite 100  
Poway, CA 92064  
www.frame-max.com



© FrameMax Inc.

CREATED: 09/18/2008

FM-07-109

CREATED BY: AMB

HEIGHT : 2'-11 1/2"    POINTS: 0.22 Points.

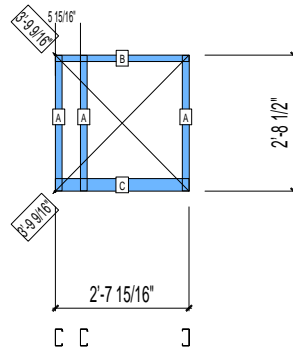
SPACING : 24"

1st STUD: 24"

WEIGHTS :

FRAME : 13 lbs

-----  
TOTAL: 13 lbs



### PIECES LIST

| LABEL | QTY | SIZE       | LENGTH      | USE          |
|-------|-----|------------|-------------|--------------|
| A     | 3   | 400S162-33 | 2'-8 7/16"  | STUD         |
| B     | 1   | 400T150-33 | 2'-7 15/16" | TOP TRACK    |
| C     | 1   | 400T300-33 | 2'-7 15/16" | BOTTOM TRACK |

# 11-3017

Jewish Home for the Aging

1885 Victory Blvd. Reseda, CA

FrameMax, Inc.  
13915 Danielson St  
Suite 100  
Poway, CA 92064  
www.frame-max.com



© FrameMax Inc.

CREATED: 09/18/2008

FM-07-109

CREATED BY: AMB

HEIGHT : 10'-9 7/16"

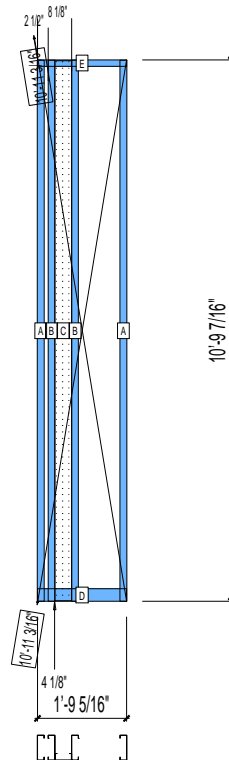
SPACING : 24"

1st STUD: 24"

WEIGHTS :

FRAME : 65 lbs

-----  
TOTAL: 65 lbs



### PIECES LIST

| LABEL | QTY | SIZE       | LENGTH     | USE          |
|-------|-----|------------|------------|--------------|
| A     | 2   | 600S162-33 | 10'-9 3/8" | STUD         |
| B     | 2   | 600S162-33 | 10'-9 3/8" | BACKER STUD  |
| C     | 1   | 400S162-33 | 10'-9 1/8" | BACKER-U     |
| D     | 1   | 600T300-33 | 1'-9 5/16" | BOTTOM TRACK |
| E     | 1   | 600T150-33 | 1'-9 5/16" | TOP TRACK    |

# 11-3018

Jewish Home for the Aging

1885 Victory Blvd. Reseda, CA

FrameMax, Inc.  
13915 Danielson St  
Suite 100  
Poway, CA 92064  
www.frame-max.com



© FrameMax Inc.

CREATED: 09/18/2008

FM-07-109

CREATED BY: AMB

HEIGHT : 10'-9 7/16"

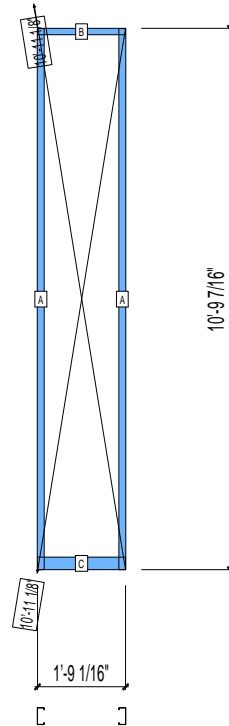
SPACING : 24"

1st STUD: 24"

WEIGHTS :

FRAME : 24 lbs

-----  
TOTAL: 24 lbs



### PIECES LIST

| LABEL | QTY | SIZE       | LENGTH     | USE          |
|-------|-----|------------|------------|--------------|
| A     | 2   | 400S162-33 | 10'-9 3/8" | STUD         |
| B     | 1   | 400T150-33 | 1'-9 1/16" | TOP TRACK    |
| C     | 1   | 400T300-33 | 1'-9 1/16" | BOTTOM TRACK |

# 11-3019

Jewish Home for the Aging

1885 Victory Blvd. Reseda, CA

FrameMax, Inc.  
13915 Danielson St  
Suite 100  
Poway, CA 92064  
www.frame-max.com



© FrameMax Inc.

CREATED: 09/18/2008

FM-07-109

CREATED BY: AMB

HEIGHT : 10'-9 7/16"

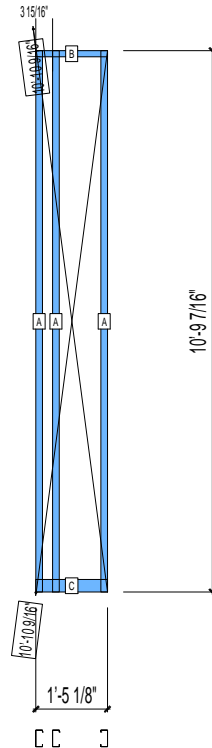
SPACING : 24"

1st STUD: 24"

WEIGHTS :

FRAME : 33 lbs

-----  
TOTAL: 33 lbs



### PIECES LIST

| LABEL | QTY | SIZE       | LENGTH     | USE          |
|-------|-----|------------|------------|--------------|
| A     | 3   | 400S162-33 | 10'-9 3/8" | STUD         |
| B     | 1   | 400T150-33 | 1'-5 1/8"  | TOP TRACK    |
| C     | 1   | 400T300-33 | 1'-5 1/8"  | BOTTOM TRACK |

# 11-3020

Jewish Home for the Aging

1885 Victory Blvd. Reseda, CA

FM-07-109

CREATED BY: AMB

FrameMax, Inc.  
13915 Danielson St  
Suite 100  
Poway, CA 92064  
www.framemax.com



© FrameMax Inc.

HEIGHT : 10'-9 7/16" POINTS: 1.22 Points.

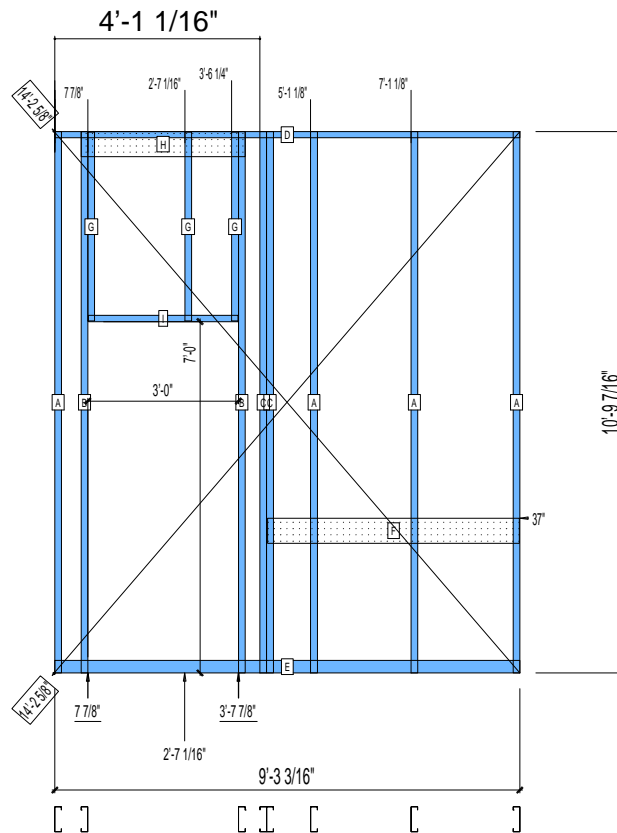
SPACING : 24"

1st STUD: 14"

WEIGHTS :

FRAME : 150 lbs

TOTAL: 150 lbs



PIECES LIST

| LABEL | QTY | SIZE       | LENGTH     | USE             |
|-------|-----|------------|------------|-----------------|
| A     | 4   | 600S162-33 | 10'-9 3/8" | STUD            |
| B     | 2   | 600S162-33 | 10'-9 3/8" | KING STUD       |
| C     | 2   | 600S162-33 | 10'-9 3/8" | BACKER STUD     |
| D     | 1   | 600T150-33 | 9'-3 3/16" | TOP TRACK       |
| E     | 1   | 600T300-33 | 9'-3 3/16" | BOTTOM TRACK    |
| F     | 1   | 600D-54    | 5'-0 3/16" | KITCHEN BACKING |
| G     | 3   | 600S162-33 | 3'-9 1/8"  | CRIPPLE         |
| H     | 1   | 600L150-33 | 3'-3 1/4"  | L-HEADER        |
| I     | 1   | 600T150-33 | 2'-11 3/4" | HEAD TRACK      |

# 11-3021

Jewish Home for the Aging

1885 Victory Blvd. Reseda, CA

FrameMax, Inc.  
13915 Danielson St  
Suite 100  
Poway, CA 92064  
www.frame-max.com



© FrameMax Inc.

CREATED: 09/18/2008

FM-07-109

CREATED BY: AMB

HEIGHT : 10'-9 7/16" POINTS: 0.52 Points.

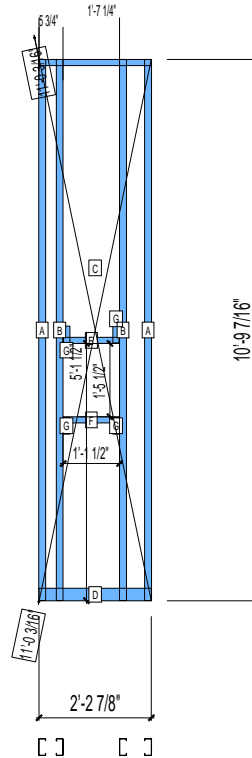
SPACING : 24"

1st STUD: 24"

WEIGHTS :

FRAME : 48 lbs

-----  
TOTAL: 48 lbs



PIECES LIST

| LABEL | QTY | SIZE       | LENGTH     | USE          |
|-------|-----|------------|------------|--------------|
| A     | 2   | 400S162-33 | 10'-9 3/8" | STUD         |
| B     | 2   | 400S162-33 | 10'-9 3/8" | KING STUD    |
| C     | 1   | 400T150-33 | 2'-2 7/8"  | TOP TRACK    |
| D     | 1   | 400T300-33 | 2'-2 7/8"  | BOTTOM TRACK |
| E     | 1   | 400T150-33 | 1'-1 1/4"  | HEAD TRACK   |
| F     | 1   | 400T150-33 | 1'-1 1/4"  | SILL         |
| G     | 4   | 400S162-33 | 4"         | CRIPPLE      |

# 11-3022

Jewish Home for the Aging

1885 Victory Blvd. Reseda, CA

FM-07-109

CREATED BY: AMB

FrameMax, Inc.  
13915 Danielson St  
Suite 100  
Poway, CA 92064  
www.frame-max.com



© FrameMax Inc.

HEIGHT : 10'-9 7/16"

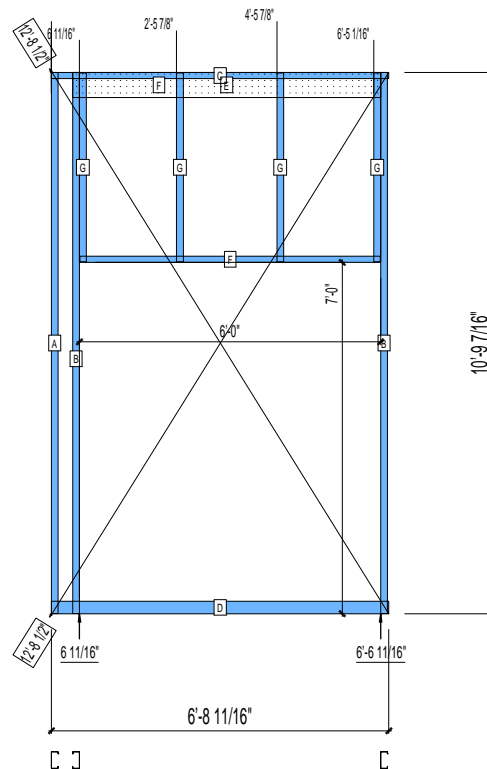
SPACING : 24"

1st STUD: 24"

WEIGHTS :

FRAME : 25 lbs

TOTAL: 25 lbs



PIECES LIST

| LABEL | QTY | SIZE       | LENGTH      | USE          |
|-------|-----|------------|-------------|--------------|
| A     | 1   | 400S162-33 | 10'-9 3/8"  | STUD         |
| B     | 2   | 400S162-33 | 10'-9 3/8"  | KING STUD    |
| C     | 1   | 400T150-33 | 6'-8 11/16" | TOP TRACK    |
| D     | 1   | 400T300-33 | 6'-8 11/16" | BOTTOM TRACK |
| E     | 1   | 600L150-33 | 6'-1 5/8"   | L-HEADER     |
| F     | 1   | 400T150-33 | 5'-11 3/4"  | HEAD TRACK   |
| G     | 4   | 400S162-33 | 3'-9 1/8"   | CRIPPLE      |

# 11-3023

Jewish Home for the Aging

1885 Victory Blvd. Reseda, CA

FM-07-109

CREATED BY: AMB

FrameMax, Inc.  
13915 Danielson St  
Suite 100  
Poway, CA 92064  
www.frame-max.com



© FrameMax Inc.

HEIGHT : 10'-9 7/16" POINTS: 0.69 Points.

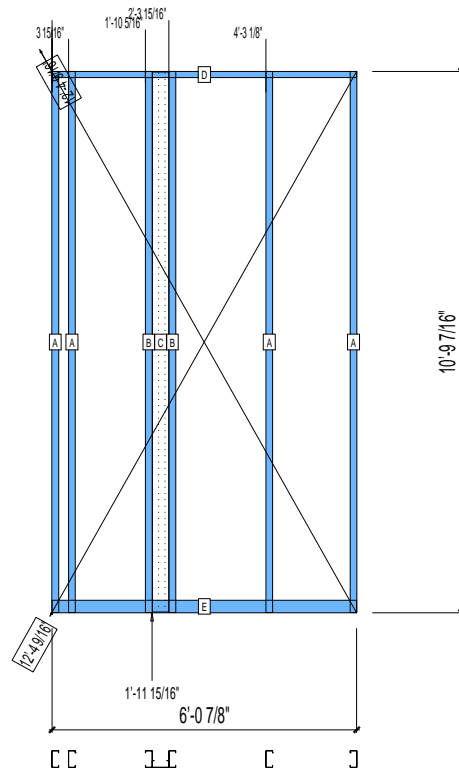
SPACING : 24"

1st STUD: 24"

WEIGHTS :

FRAME : 82 lbs

-----  
TOTAL: 82 lbs



### PIECES LIST

| LABEL | QTY | SIZE       | LENGTH     | USE          |
|-------|-----|------------|------------|--------------|
| A     | 4   | 400S162-33 | 10'-9 3/8" | STUD         |
| B     | 2   | 400S162-33 | 10'-9 3/8" | BACKER STUD  |
| C     | 1   | 400S162-33 | 10'-9 1/8" | BACKER-U     |
| D     | 1   | 400T150-33 | 6'-0 7/8"  | TOP TRACK    |
| E     | 1   | 400T300-33 | 6'-0 7/8"  | BOTTOM TRACK |

# 11-3024

Jewish Home for the Aging

1885 Victory Blvd. Reseda, CA

FM-07-109

CREATED BY: AMB

FrameMax, Inc.  
13915 Danielson St  
Suite 100  
Poway, CA 92064  
www.frame-max.com



© FrameMax Inc.

HEIGHT : 10'-9 7/16"

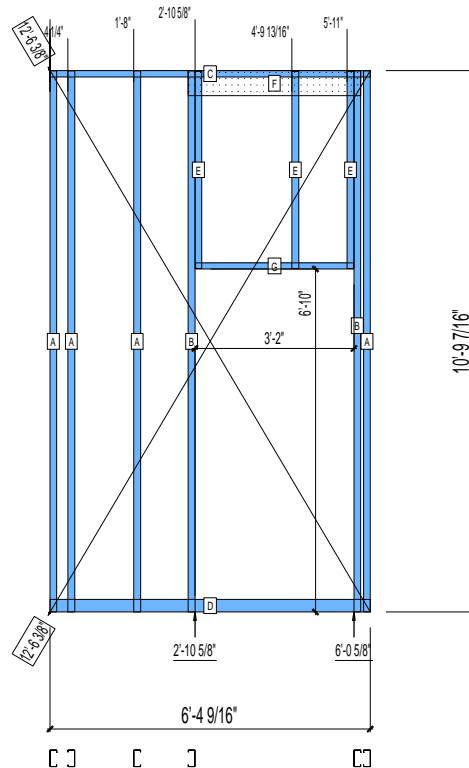
SPACING : 24"

1st STUD: 24"

WEIGHTS :

FRAME : 19 lbs

TOTAL: 19 lbs



PIECES LIST

| LABEL | QTY | SIZE       | LENGTH     | USE          |
|-------|-----|------------|------------|--------------|
| A     | 4   | 400S162-33 | 10'-9 3/8" | STUD         |
| B     | 2   | 400S162-33 | 10'-9 3/8" | KING STUD    |
| C     | 1   | 400T150-33 | 6'-4 9/16" | TOP TRACK    |
| D     | 1   | 400T300-33 | 6'-4 9/16" | BOTTOM TRACK |
| E     | 3   | 400S162-33 | 3'-11 1/8" | CRIPPLE      |
| F     | 1   | 600L150-33 | 3'-5 1/4"  | L-HEADER     |
| G     | 1   | 400T150-33 | 3'-1 3/4"  | HEAD TRACK   |

# 11-3025

Jewish Home for the Aging

1885 Victory Blvd. Reseda, CA

FM-07-109

CREATED BY: AMB

FrameMax, Inc.  
13915 Danielson St  
Suite 100  
Poway, CA 92064  
www.frame-max.com



© FrameMax Inc.

HEIGHT : 10'-9 7/16"

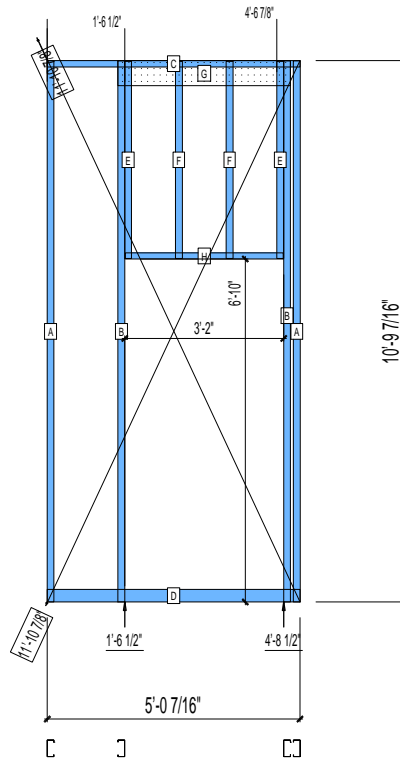
SPACING : 24"

1st STUD: 24"

WEIGHTS :

FRAME : 16 lbs

TOTAL: 16 lbs



PIECES LIST

| LABEL | QTY | SIZE       | LENGTH     | USE          |
|-------|-----|------------|------------|--------------|
| A     | 2   | 400S162-33 | 10'-9 3/8" | STUD         |
| B     | 2   | 400S162-33 | 10'-9 3/8" | KING STUD    |
| C     | 1   | 400T150-33 | 5'-0 7/16" | TOP TRACK    |
| D     | 1   | 400T300-33 | 5'-0 7/16" | BOTTOM TRACK |
| E     | 2   | 400S162-33 | 3'-11 1/8" | CRIPPLE      |
| F     | 2   | 400S162-33 | 3'-11 1/8" | KING STUD    |
| G     | 1   | 600L150-33 | 3'-5 1/4"  | L-HEADER     |
| H     | 1   | 400T150-33 | 3'-1 3/4"  | HEAD TRACK   |

# 11-3026

Jewish Home for the Aging

1885 Victory Blvd. Reseda, CA

FM-07-109

CREATED BY: AMB

FrameMax, Inc.  
13915 Danielson St  
Suite 100  
Poway, CA 92064  
www.frame-max.com



© FrameMax Inc.

HEIGHT : 10'-9 7/16" POINTS: 0.45 Points.

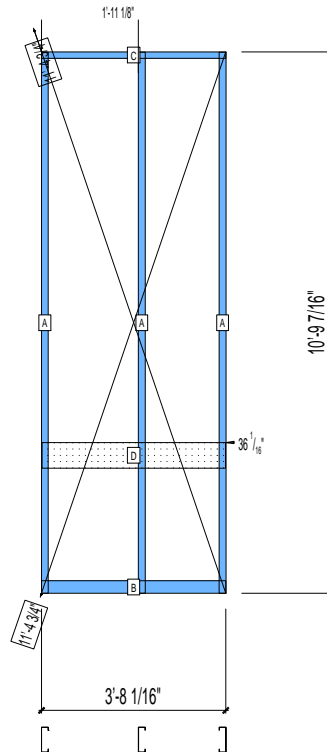
SPACING : 24"

1st STUD: 16"

WEIGHTS :

FRAME : 53 lbs

-----  
TOTAL: 53 lbs



### PIECES LIST

| LABEL | QTY | SIZE       | LENGTH     | USE          |
|-------|-----|------------|------------|--------------|
| A     | 3   | 600S162-33 | 10'-9 3/8" | STUD         |
| B     | 1   | 600T300-33 | 3'-8 1/16" | BOTTOM TRACK |
| C     | 1   | 600T150-33 | 3'-8 1/16" | TOP TRACK    |
| D     | 1   | 600T150-54 | 3'-7 7/8"  | GRAB BAR     |

# 11-3027

Jewish Home for the Aging

1885 Victory Blvd. Reseda, CA

FrameMax, Inc.  
13915 Danielson St  
Suite 100  
Poway, CA 92064  
www.frame-max.com



© FrameMax Inc.

CREATED: 09/18/2008

FM-07-109

CREATED BY: AMB

HEIGHT : 10'-9 7/16" POINTS: 0.44 Points.

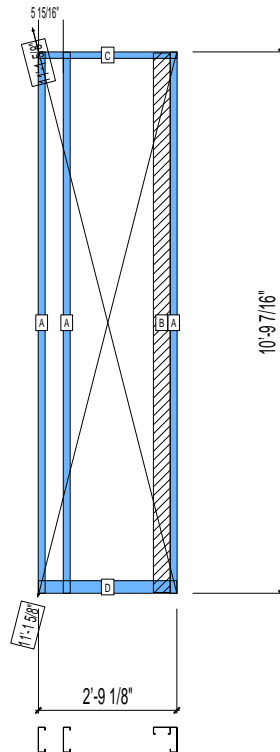
SPACING : 24"

1st STUD: 24"

WEIGHTS :

FRAME : 55 lbs

-----  
TOTAL: 55 lbs



### PIECES LIST

| LABEL | QTY | SIZE       | LENGTH     | USE          |
|-------|-----|------------|------------|--------------|
| A     | 3   | 600S162-33 | 10'-9 3/8" | STUD         |
| B     | 1   | 400S162-33 | 10'-9"     | BACKER-U     |
| C     | 1   | 600T150-33 | 2'-9 1/8"  | TOP TRACK    |
| D     | 1   | 600T300-33 | 2'-9 1/8"  | BOTTOM TRACK |

# 11-3028

Jewish Home for the Aging

1885 Victory Blvd. Reseda, CA

FrameMax, Inc.  
13915 Danielson St  
Suite 100  
Poway, CA 92064  
www.frame-max.com



© FrameMax Inc.

CREATED: 09/18/2008

FM-07-109

CREATED BY: AMB

HEIGHT : 10'-9 7/16"

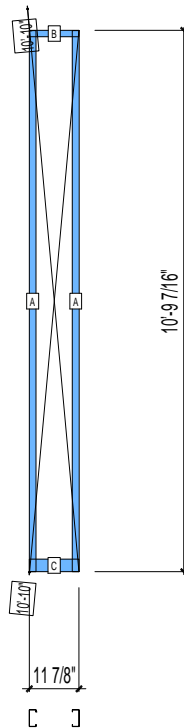
SPACING : 24"

1st STUD: 16"

WEIGHTS :

FRAME : 22 lbs

-----  
TOTAL: 22 lbs



### PIECES LIST

| LABEL | QTY | SIZE       | LENGTH     | USE          |
|-------|-----|------------|------------|--------------|
| A     | 2   | 400S162-33 | 10'-9 3/8" | STUD         |
| B     | 1   | 400T150-33 | 11 7/8"    | TOP TRACK    |
| C     | 1   | 400T300-33 | 11 7/8"    | BOTTOM TRACK |

# 11-3029

Jewish Home for the Aging

1885 Victory Blvd. Reseda, CA

FM-07-109

CREATED BY: AMB

FrameMax, Inc.  
13915 Danielson St  
Suite 100  
Poway, CA 92064  
www.frame-max.com

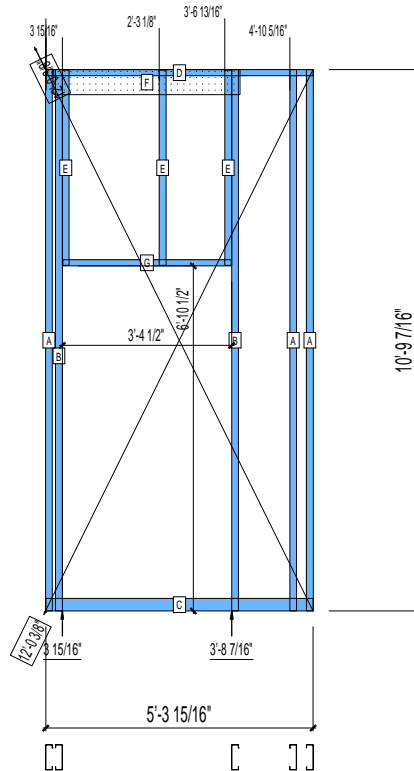


© FrameMax Inc.

HEIGHT : 10'-9 7/16"  
SPACING : 24"  
1st STUD: 24"

WEIGHTS :  
FRAME : 21 lbs

-----  
TOTAL: 21 lbs



PIECES LIST

| LABEL | QTY | SIZE       | LENGTH      | USE          |
|-------|-----|------------|-------------|--------------|
| A     | 3   | 600S162-33 | 10'-9 3/8"  | STUD         |
| B     | 2   | 600S162-33 | 10'-9 3/8"  | KING STUD    |
| C     | 1   | 600T300-33 | 5'-3 15/16" | BOTTOM TRACK |
| D     | 1   | 600T150-33 | 5'-3 15/16" | TOP TRACK    |
| E     | 3   | 600S162-33 | 3'-10 5/8"  | CRIPPLE      |
| F     | 1   | 600L150-33 | 3'-8 1/2"   | L-HEADER     |
| G     | 1   | 600T150-33 | 3'-4 1/4"   | HEAD TRACK   |

# 11-3051

Jewish Home for the Aging

1885 Victory Blvd. Reseda, CA

FM-07-109

CREATED BY: AMB

FrameMax, Inc.  
13915 Danielson St  
Suite 100  
Poway, CA 92064  
www.frame-max.com



© FrameMax Inc.

HEIGHT : 10'-9 7/16" POINTS: 0.53 Points.

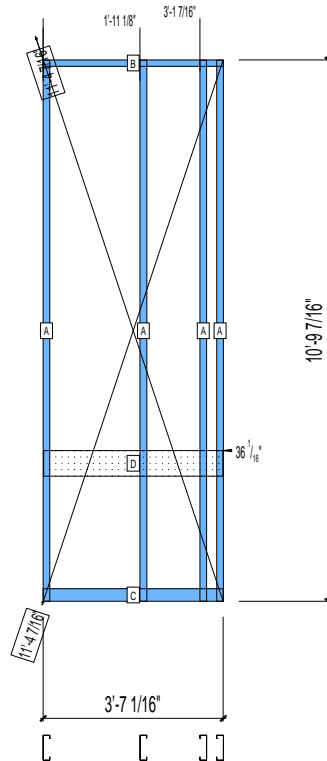
SPACING : 24"

1st STUD: 24"

WEIGHTS :

FRAME : 66 lbs

-----  
TOTAL: 66 lbs



### PIECES LIST

| LABEL | QTY | SIZE       | LENGTH     | USE          |
|-------|-----|------------|------------|--------------|
| A     | 4   | 600S162-33 | 10'-9 3/8" | STUD         |
| B     | 1   | 600T150-33 | 3'-7 1/16" | TOP TRACK    |
| C     | 1   | 600T300-33 | 3'-7 1/16" | BOTTOM TRACK |
| D     | 1   | 600T150-54 | 3'-6 7/8"  | GRAB BAR     |

# 11-3052

Jewish Home for the Aging

1885 Victory Blvd. Reseda, CA

FrameMax, Inc.  
13915 Danielson St  
Suite 100  
Poway, CA 92064  
www.frame-max.com



© FrameMax Inc.

CREATED: 09/19/2008

FM-07-109

CREATED BY: AMB

HEIGHT : 10'-9 7/16"

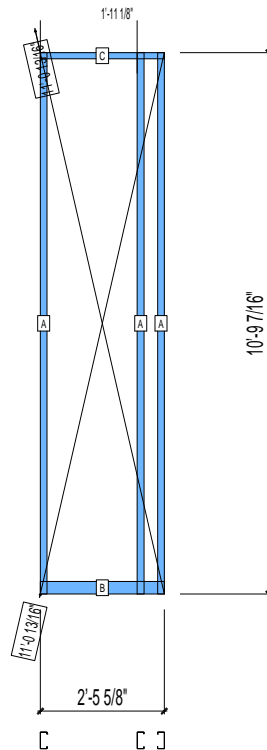
SPACING : 24"

1st STUD: 16"

WEIGHTS :

FRAME : 35 lbs

-----  
TOTAL: 35 lbs



### PIECES LIST

| LABEL | QTY | SIZE       | LENGTH     | USE          |
|-------|-----|------------|------------|--------------|
| A     | 3   | 400S162-33 | 10'-9 3/8" | STUD         |
| B     | 1   | 400T300-33 | 2'-5 5/8"  | BOTTOM TRACK |
| C     | 1   | 400T150-33 | 2'-5 5/8"  | TOP TRACK    |

# 11-3053

Jewish Home for the Aging

1885 Victory Blvd. Reseda, CA

FrameMax, Inc.  
13915 Danielson St  
Suite 100  
Poway, CA 92064  
www.frame-max.com



© FrameMax Inc.

CREATED: 09/19/2008

FM-07-109

CREATED BY: AMB

HEIGHT : 10'-9 7/16" POINTS: 0.48 Points.

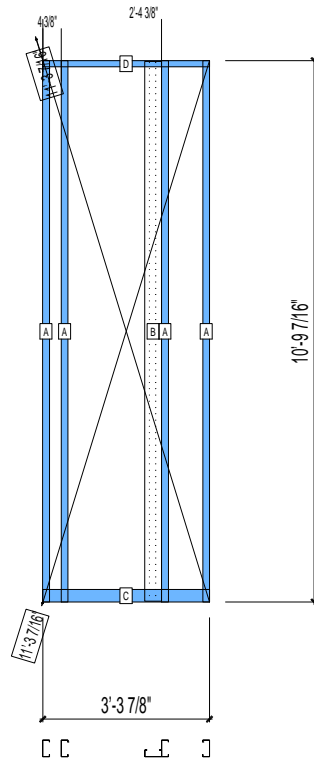
SPACING : 24"

1st STUD: 24"

WEIGHTS :

FRAME : 57 lbs

-----  
TOTAL: 57 lbs



### PIECES LIST

| LABEL | QTY | SIZE       | LENGTH      | USE          |
|-------|-----|------------|-------------|--------------|
| A     | 4   | 400S162-33 | 10'-9 3/8"  | STUD         |
| B     | 1   | 400S162-33 | 10'-9 1/16" | BACKER-U     |
| C     | 1   | 400T300-33 | 3'-3 7/8"   | BOTTOM TRACK |
| D     | 1   | 400T150-33 | 3'-3 7/8"   | TOP TRACK    |

# 11-3054

Jewish Home for the Aging

1885 Victory Blvd. Reseda, CA

FrameMax, Inc.  
13915 Danielson St  
Suite 100  
Poway, CA 92064  
www.frame-max.com



© FrameMax Inc.

CREATED: 09/19/2008

FM-07-109

CREATED BY: AMB

HEIGHT : 10'-9 7/16" POINTS: 0.45 Points.

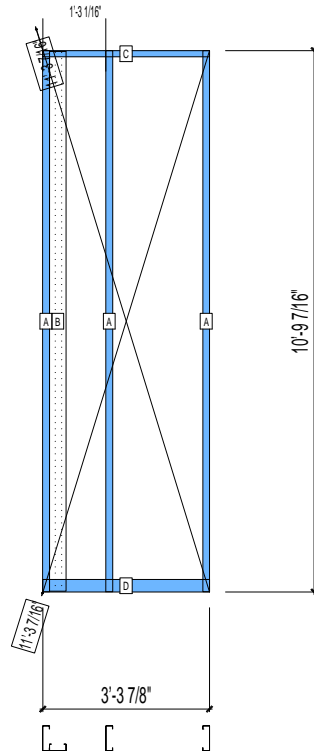
SPACING : 24"

1st STUD: 24"

WEIGHTS :

FRAME : 56 lbs

-----  
TOTAL: 56 lbs



### PIECES LIST

| LABEL | QTY | SIZE       | LENGTH      | USE          |
|-------|-----|------------|-------------|--------------|
| A     | 3   | 600S162-33 | 10'-9 3/8"  | STUD         |
| B     | 1   | 400S162-33 | 10'-9 1/16" | BACKER-U     |
| C     | 1   | 600T150-33 | 3'-3 7/8"   | TOP TRACK    |
| D     | 1   | 600T300-33 | 3'-3 7/8"   | BOTTOM TRACK |

# 11-3055

Jewish Home for the Aging

1885 Victory Blvd. Reseda, CA

FM-07-109

CREATED BY: AMB

FrameMax, Inc.  
13915 Danielson St  
Suite 100  
Poway, CA 92064  
www.framemax.com



© FrameMax Inc.

HEIGHT : 10'-9 7/16" POINTS: 0.46 Points.

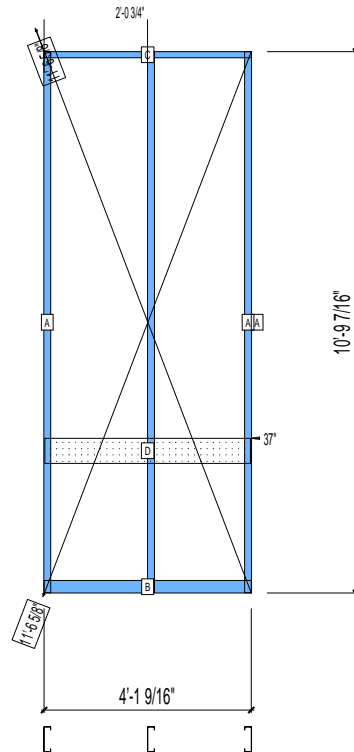
SPACING : 24"

1st STUD: 24"

WEIGHTS :

FRAME : 53 lbs

-----  
TOTAL: 53 lbs



### PIECES LIST

| LABEL | QTY | SIZE       | LENGTH     | USE            |
|-------|-----|------------|------------|----------------|
| A     | 3   | 600S162-33 | 10'-9 3/8" | STUD           |
| B     | 1   | 600T300-33 | 4'-1 9/16" | BOTTOM TRACK   |
| C     | 1   | 600T150-33 | 4'-1 9/16" | TOP TRACK      |
| D     | 1   | 600D-54    | 4'-1 1/8"  | VANITY BACKING |

# 11-3056

Jewish Home for the Aging

1885 Victory Blvd. Reseda, CA

FM-07-109

CREATED BY: AMB

FrameMax, Inc.  
13915 Danielson St  
Suite 100  
Poway, CA 92064  
www.frame-max.com



© FrameMax Inc.

HEIGHT : 10'-9 7/16" POINTS: 1.32 Points.

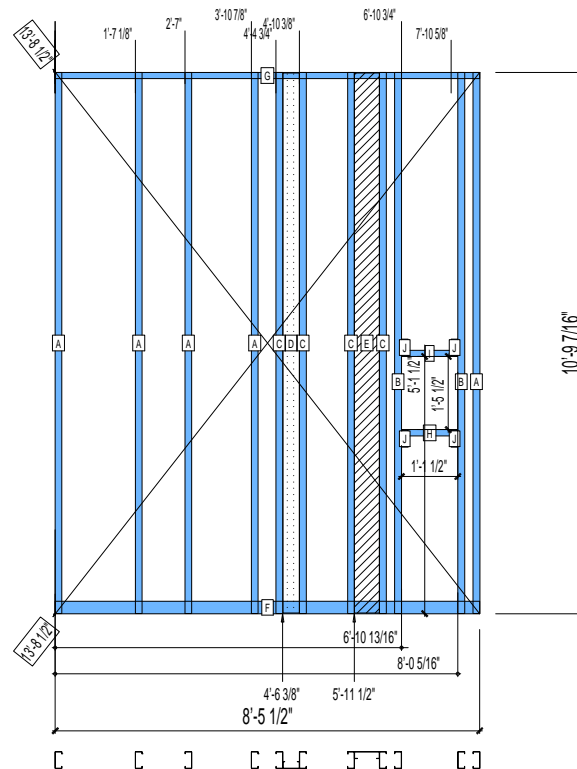
SPACING : 24"

1st STUD: 16"

WEIGHTS :

FRAME : 153 lbs

TOTAL: 153 lbs



PIECES LIST

| LABEL | QTY | SIZE       | LENGTH     | USE          |
|-------|-----|------------|------------|--------------|
| A     | 5   | 400S162-33 | 10'-9 3/8" | STUD         |
| B     | 2   | 400S162-33 | 10'-9 3/8" | KING STUD    |
| C     | 4   | 400S162-33 | 10'-9 3/8" | BACKER STUD  |
| D     | 1   | 400S162-33 | 10'-9 1/8" | BACKER-U     |
| E     | 1   | 600S162-33 | 10'-9 1/8" | BACKER-U     |
| F     | 1   | 400T300-33 | 8'-5 1/2"  | BOTTOM TRACK |
| G     | 1   | 400T150-33 | 8'-5 1/2"  | TOP TRACK    |
| H     | 1   | 400T150-33 | 1'-1 1/4"  | SILL         |
| I     | 1   | 400T150-33 | 1'-1 1/4"  | HEAD TRACK   |
| J     | 4   | 400S162-33 | 4"         | CRIPPLE      |

# 11-3057

Jewish Home for the Aging

1885 Victory Blvd. Reseda, CA

FrameMax, Inc.  
13915 Danielson St  
Suite 100  
Poway, CA 92064  
www.frame-max.com



© FrameMax Inc.

CREATED: 09/19/2008

FM-07-109

CREATED BY: AMB

HEIGHT : 10'-9 7/16"

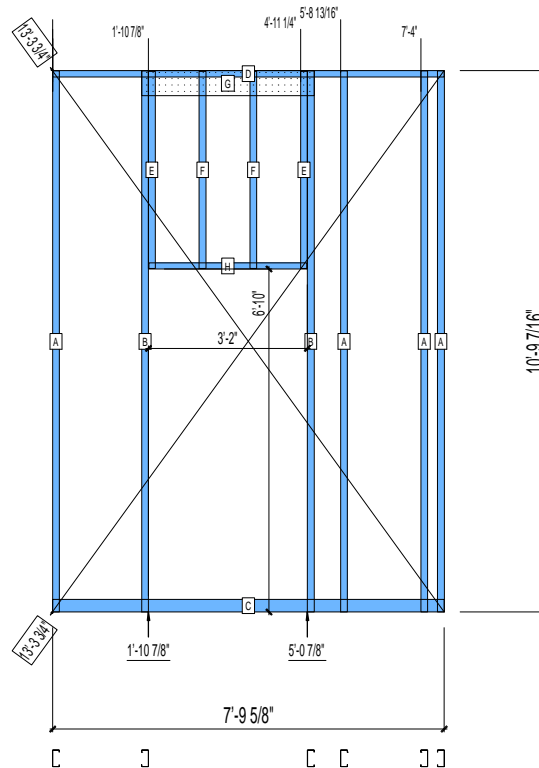
SPACING : 24"

1st STUD: 24"

WEIGHTS :

FRAME : 97 lbs

TOTAL: 97 lbs



PIECES LIST

| LABEL | QTY | SIZE       | LENGTH     | USE          |
|-------|-----|------------|------------|--------------|
| A     | 4   | 400S162-33 | 10'-9 3/8" | STUD         |
| B     | 2   | 400S162-33 | 10'-9 3/8" | KING STUD    |
| C     | 1   | 400T300-33 | 7'-9 5/8"  | BOTTOM TRACK |
| D     | 1   | 400T150-33 | 7'-9 5/8"  | TOP TRACK    |
| E     | 2   | 400S162-33 | 3'-11 1/8" | CRIPPLE      |
| F     | 2   | 400S162-33 | 3'-11 1/8" | KING STUD    |
| G     | 1   | 600L150-33 | 3'-5 1/4"  | L-HEADER     |
| H     | 1   | 400T150-33 | 3'-1 3/4"  | HEAD TRACK   |

# 11-3058

Jewish Home for the Aging

1885 Victory Blvd. Reseda, CA

FrameMax, Inc.  
13915 Danielson St  
Suite 100  
Poway, CA 92064  
www.frame-max.com



© FrameMax Inc.

CREATED: 09/19/2008

FM-07-109

CREATED BY: AMB

HEIGHT : 10'-9 7/16"

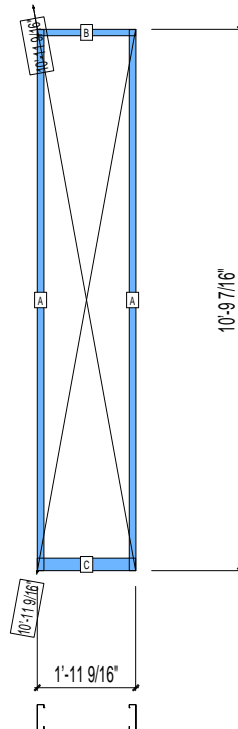
SPACING : 24"

1st STUD: 24"

WEIGHTS :

FRAME : 30 lbs

-----  
TOTAL: 30 lbs



### PIECES LIST

| LABEL | QTY | SIZE       | LENGTH      | USE          |
|-------|-----|------------|-------------|--------------|
| A     | 2   | 600S162-33 | 10'-9 3/8"  | STUD         |
| B     | 1   | 600T150-33 | 1'-11 9/16" | TOP TRACK    |
| C     | 1   | 600T300-33 | 1'-11 9/16" | BOTTOM TRACK |

# 11-3059

Jewish Home for the Aging

1885 Victory Blvd. Reseda, CA

FM-07-109

CREATED BY: AMB

FrameMax, Inc.  
13915 Danielson St  
Suite 100  
Poway, CA 92064  
www.frame-max.com



© FrameMax Inc.

HEIGHT : 10'-9 7/16" POINTS: 0.78 Points.

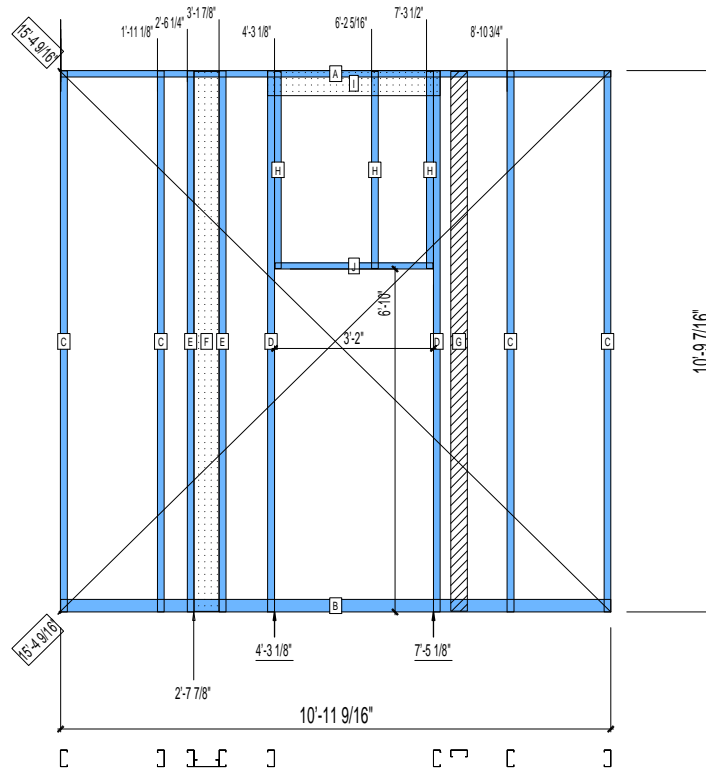
SPACING : 24"

1st STUD: 24"

WEIGHTS :

FRAME : 41 lbs

TOTAL: 41 lbs



PIECES LIST

| LABEL | QTY | SIZE       | LENGTH       | USE          |
|-------|-----|------------|--------------|--------------|
| A     | 1   | 400T150-33 | 10'-11 9/16" | TOP TRACK    |
| B     | 1   | 400T300-33 | 10'-11 9/16" | BOTTOM TRACK |
| C     | 4   | 400S162-33 | 10'-9 3/8"   | STUD         |
| D     | 2   | 400S162-33 | 10'-9 3/8"   | KING STUD    |
| E     | 2   | 400S162-33 | 10'-9 3/8"   | BACKER STUD  |
| F     | 1   | 600S162-33 | 10'-9 1/8"   | BACKER-U     |
| G     | 1   | 400S162-33 | 10'-9 1/16"  | BACKER-U     |
| H     | 3   | 400S162-33 | 3'-11 1/8"   | CRIPPLE      |
| I     | 1   | 600L150-33 | 3'-5 1/4"    | L-HEADER     |
| J     | 1   | 400T150-33 | 3'-1 3/4"    | HEAD TRACK   |

# 11-3060

Jewish Home for the Aging

1885 Victory Blvd. Reseda, CA

FM-07-109

CREATED BY: AMB

FrameMax, Inc.  
13915 Danielson St  
Suite 100  
Poway, CA 92064  
www.framemax.com



© FrameMax Inc.

HEIGHT : 10'-9 7/16"

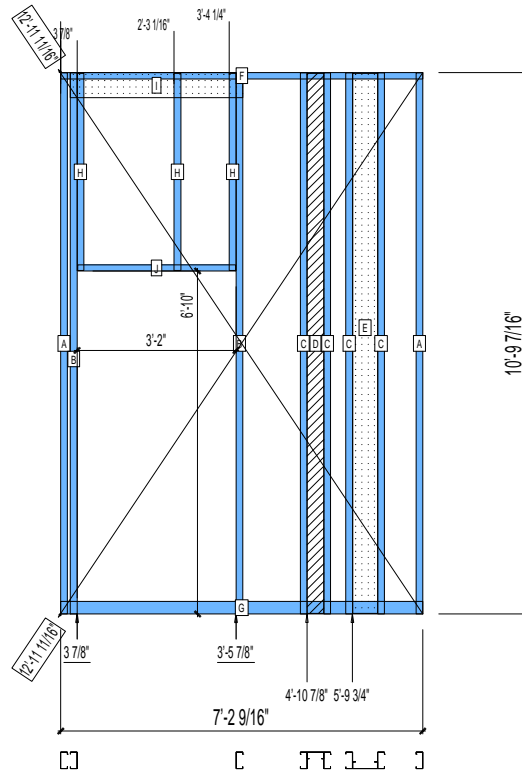
SPACING : 24"

1st STUD: 24"

WEIGHTS :

FRAME : 134 lbs

TOTAL: 134 lbs



PIECES LIST

| LABEL | QTY | SIZE       | LENGTH     | USE          |
|-------|-----|------------|------------|--------------|
| A     | 2   | 400S162-33 | 10'-9 3/8" | STUD         |
| B     | 2   | 400S162-33 | 10'-9 3/8" | KING STUD    |
| C     | 4   | 400S162-33 | 10'-9 3/8" | BACKER STUD  |
| D     | 1   | 400S162-33 | 10'-9 1/8" | BACKER-U     |
| E     | 1   | 600S162-33 | 10'-9 1/8" | BACKER-U     |
| F     | 1   | 400T150-33 | 7'-2 9/16" | TOP TRACK    |
| G     | 1   | 400T300-33 | 7'-2 9/16" | BOTTOM TRACK |
| H     | 3   | 400S162-33 | 3'-11 1/8" | CRIPPLE      |
| I     | 1   | 600L150-33 | 3'-5 1/4"  | L-HEADER     |
| J     | 1   | 400T150-33 | 3'-1 3/4"  | HEAD TRACK   |

# 11-3061

Jewish Home for the Aging

1885 Victory Blvd. Reseda, CA

FrameMax, Inc.  
13915 Danielson St  
Suite 100  
Poway, CA 92064  
www.framemax.com



© FrameMax Inc.

CREATED: 09/19/2008

FM-07-109

CREATED BY: AMB

HEIGHT : 10'-9 7/16"

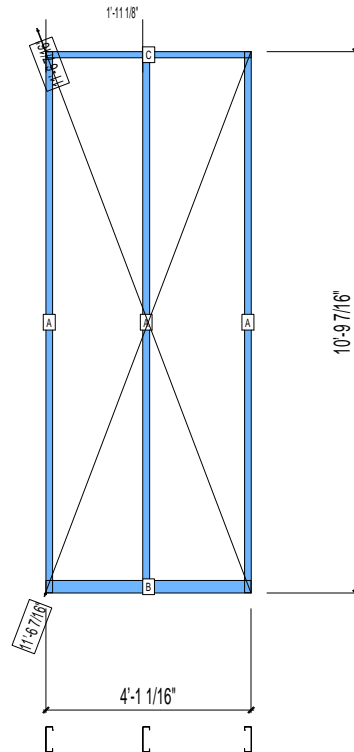
SPACING : 24"

1st STUD: 24"

WEIGHTS :

FRAME : 48 lbs

-----  
TOTAL: 48 lbs



### PIECES LIST

| LABEL | QTY | SIZE       | LENGTH     | USE          |
|-------|-----|------------|------------|--------------|
| A     | 3   | 600S162-33 | 10'-9 3/8" | STUD         |
| B     | 1   | 600T300-33 | 4'-1 1/16" | BOTTOM TRACK |
| C     | 1   | 600T150-33 | 4'-1 1/16" | TOP TRACK    |

# 11-3062

Jewish Home for the Aging

1885 Victory Blvd. Reseda, CA

FM-07-109

CREATED BY: AMB

FrameMax, Inc.  
13915 Danielson St  
Suite 100  
Poway, CA 92064  
www.frame-max.com



© FrameMax Inc.

HEIGHT : 10'-9 7/16"

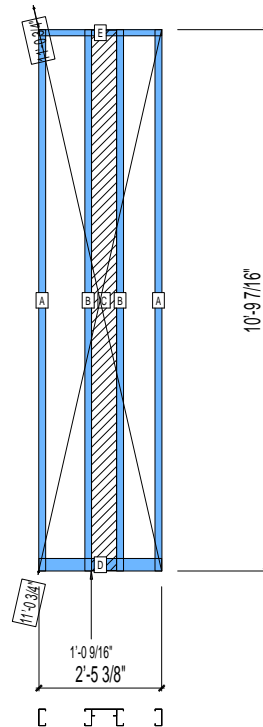
SPACING : 24"

1st STUD: 24"

WEIGHTS :

FRAME : 58 lbs

-----  
TOTAL: 58 lbs



### PIECES LIST

| LABEL | QTY | SIZE       | LENGTH     | USE          |
|-------|-----|------------|------------|--------------|
| A     | 2   | 400S162-33 | 10'-9 3/8" | STUD         |
| B     | 2   | 400S162-33 | 10'-9 3/8" | BACKER STUD  |
| C     | 1   | 600S162-33 | 10'-9 1/8" | BACKER-U     |
| D     | 1   | 400T300-33 | 2'-5 3/8"  | BOTTOM TRACK |
| E     | 1   | 400T150-33 | 2'-5 3/8"  | TOP TRACK    |

# 11-3063

Jewish Home for the Aging

1885 Victory Blvd. Reseda, CA

FM-07-109

CREATED BY: AMB

FrameMax, Inc.  
13915 Danielson St  
Suite 100  
Poway, CA 92064  
www.framemax.com



© FrameMax Inc.

HEIGHT : 10'-9 7/16"

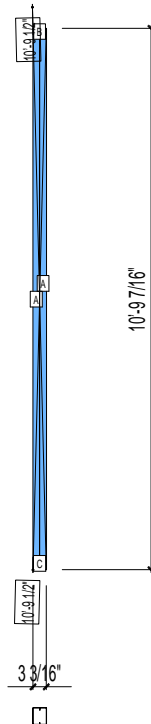
SPACING : 24"

1st STUD: 24"

WEIGHTS :

FRAME : 21 lbs

-----  
TOTAL: 21 lbs



### PIECES LIST

| LABEL | QTY | SIZE       | LENGTH     | USE          |
|-------|-----|------------|------------|--------------|
| A     | 2   | 400S162-33 | 10'-9 3/8" | STUD         |
| B     | 1   | 400T150-33 | 3 3/16"    | TOP TRACK    |
| C     | 1   | 400T300-33 | 3 3/16"    | BOTTOM TRACK |

# 11-3064

Jewish Home for the Aging

1885 Victory Blvd. Reseda, CA

FrameMax, Inc.  
13915 Danielson St  
Suite 100  
Poway, CA 92064  
www.frame-max.com



© FrameMax Inc.

CREATED: 09/19/2008

FM-07-109

CREATED BY: AMB

HEIGHT : 10'-9 7/16"

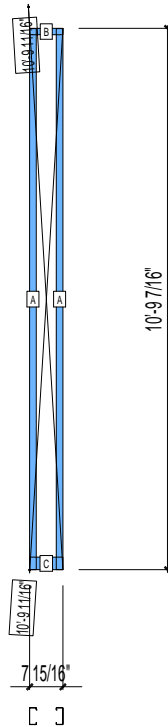
SPACING : 24"

1st STUD: 24"

WEIGHTS :

FRAME : 21 lbs

-----  
TOTAL: 21 lbs



### PIECES LIST

| LABEL | QTY | SIZE       | LENGTH     | USE          |
|-------|-----|------------|------------|--------------|
| A     | 2   | 400S162-33 | 10'-9 3/8" | STUD         |
| B     | 1   | 400T150-33 | 7 15/16"   | TOP TRACK    |
| C     | 1   | 400T300-33 | 7 15/16"   | BOTTOM TRACK |

# 11-3065

Jewish Home for the Aging

1885 Victory Blvd. Reseda, CA

FrameMax, Inc.  
13915 Danielson St  
Suite 100  
Poway, CA 92064  
www.frame-max.com



© FrameMax Inc.

CREATED: 09/19/2008

FM-07-109

CREATED BY: AMB

HEIGHT : 10'-9 7/16"

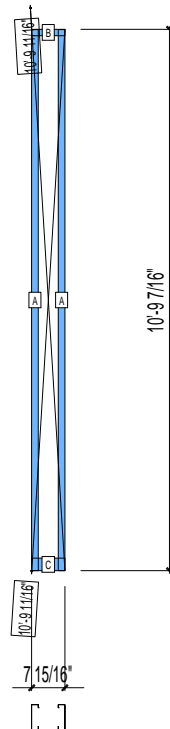
SPACING : 24"

1st STUD: 24"

WEIGHTS :

FRAME : 27 lbs

-----  
TOTAL: 27 lbs



### PIECES LIST

| LABEL | QTY | SIZE       | LENGTH     | USE          |
|-------|-----|------------|------------|--------------|
| A     | 2   | 600S162-33 | 10'-9 3/8" | STUD         |
| B     | 1   | 600T150-33 | 7 15/16"   | TOP TRACK    |
| C     | 1   | 600T300-33 | 7 15/16"   | BOTTOM TRACK |

# 11-3066

Jewish Home for the Aging

1885 Victory Blvd. Reseda, CA

FrameMax, Inc.  
13915 Danielson St  
Suite 100  
Poway, CA 92064  
www.frame-max.com



© FrameMax Inc.

CREATED: 09/19/2008

FM-07-109

CREATED BY: AMB

HEIGHT : 10'-9 7/16"

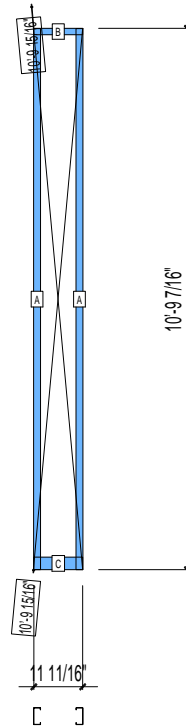
SPACING : 24"

1st STUD: 16"

WEIGHTS :

FRAME : 22 lbs

-----  
TOTAL: 22 lbs



### PIECES LIST

| LABEL | QTY | SIZE       | LENGTH     | USE          |
|-------|-----|------------|------------|--------------|
| A     | 2   | 400S162-33 | 10'-9 3/8" | STUD         |
| B     | 1   | 400T150-33 | 11 11/16"  | TOP TRACK    |
| C     | 1   | 400T300-33 | 11 11/16"  | BOTTOM TRACK |

# 11-3067

Jewish Home for the Aging

1885 Victory Blvd. Reseda, CA

FM-07-109

CREATED BY: AMB

FrameMax, Inc.  
13915 Danielson St  
Suite 100  
Poway, CA 92064  
www.framemax.com



© FrameMax Inc.

HEIGHT : 10'-9 7/16"

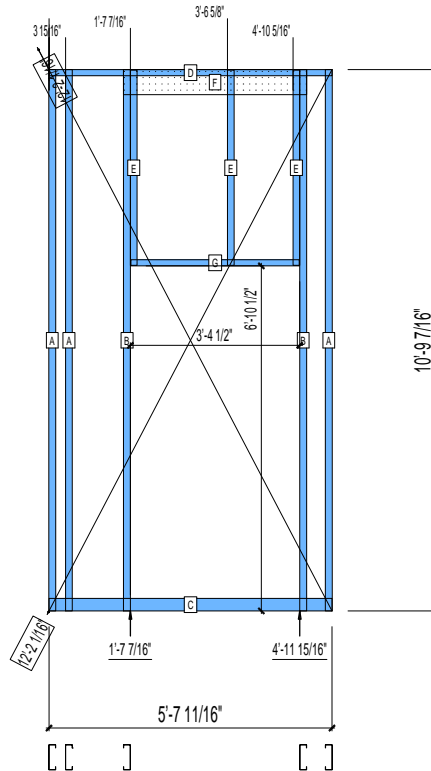
SPACING : 24"

1st STUD: 24"

WEIGHTS :

FRAME : 21 lbs

TOTAL: 21 lbs



PIECES LIST

| LABEL | QTY | SIZE       | LENGTH      | USE          |
|-------|-----|------------|-------------|--------------|
| A     | 3   | 600S162-33 | 10'-9 3/8"  | STUD         |
| B     | 2   | 600S162-33 | 10'-9 3/8"  | KING STUD    |
| C     | 1   | 600T300-33 | 5'-7 11/16" | BOTTOM TRACK |
| D     | 1   | 600T150-33 | 5'-7 11/16" | TOP TRACK    |
| E     | 3   | 600S162-33 | 3'-10 5/8"  | CRIPPLE      |
| F     | 1   | 600L150-33 | 3'-7 3/4"   | L-HEADER     |
| G     | 1   | 600T150-33 | 3'-4 1/4"   | HEAD TRACK   |

# 11-3068

Jewish Home for the Aging

1885 Victory Blvd. Reseda, CA

FrameMax, Inc.  
13915 Danielson St  
Suite 100  
Poway, CA 92064  
www.frame-max.com



© FrameMax Inc.

CREATED: 09/19/2008

FM-07-109

CREATED BY: AMB

HEIGHT : 10'-9 7/16"

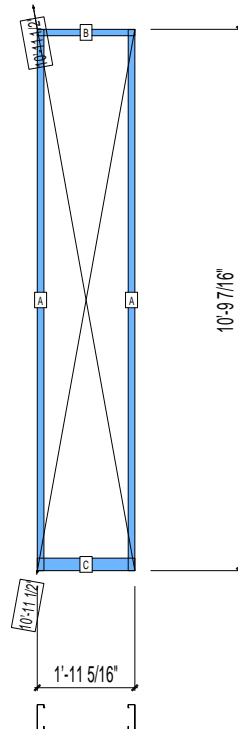
SPACING : 24"

1st STUD: 24"

WEIGHTS :

FRAME : 30 lbs

-----  
TOTAL: 30 lbs



### PIECES LIST

| LABEL | QTY | SIZE       | LENGTH      | USE          |
|-------|-----|------------|-------------|--------------|
| A     | 2   | 600S162-33 | 10'-9 3/8"  | STUD         |
| B     | 1   | 600T150-33 | 1'-11 5/16" | TOP TRACK    |
| C     | 1   | 600T300-33 | 1'-11 5/16" | BOTTOM TRACK |

# 11-3069

Jewish Home for the Aging

1885 Victory Blvd. Reseda, CA

FM-07-109

CREATED BY: AMB

FrameMax, Inc.  
13915 Danielson St  
Suite 100  
Poway, CA 92064  
www.frame-max.com



© FrameMax Inc.

HEIGHT : 2'-11 1/2"    POINTS: 0.45 Points.

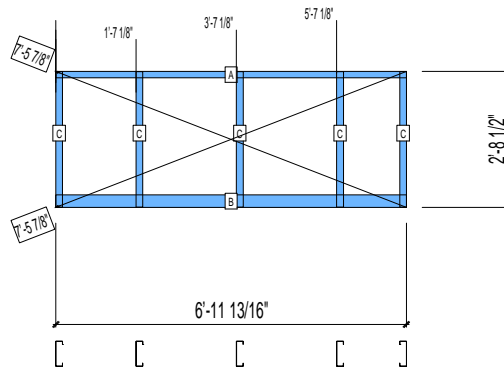
SPACING : 24"

1st STUD: 16"

WEIGHTS :

FRAME : 33 lbs

-----  
TOTAL: 33 lbs



### PIECES LIST

| LABEL | QTY | SIZE       | LENGTH       | USE          |
|-------|-----|------------|--------------|--------------|
| A     | 1   | 600T150-33 | 6'-11 13/16" | TOP TRACK    |
| B     | 1   | 600T300-33 | 6'-11 13/16" | BOTTOM TRACK |
| C     | 5   | 600S162-33 | 2'-8 7/16"   | STUD         |

# 11-3070

Jewish Home for the Aging

1885 Victory Blvd. Reseda, CA

FrameMax, Inc.  
13915 Danielson St  
Suite 100  
Poway, CA 92064  
www.frame-max.com



© FrameMax Inc.

CREATED: 09/19/2008

FM-07-109

CREATED BY: AMB

HEIGHT : 2'-11 1/2"    POINTS: 0.22 Points.

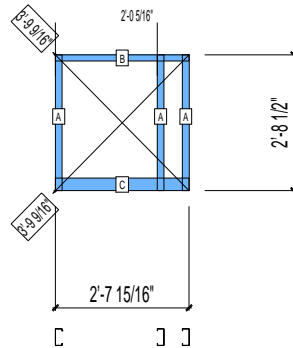
SPACING : 24"

1st STUD: 24"

WEIGHTS :

FRAME : 13 lbs

-----  
TOTAL: 13 lbs



### PIECES LIST

| LABEL | QTY | SIZE       | LENGTH      | USE          |
|-------|-----|------------|-------------|--------------|
| A     | 3   | 400S162-33 | 2'-8 7/16"  | STUD         |
| B     | 1   | 400T150-33 | 2'-7 15/16" | TOP TRACK    |
| C     | 1   | 400T300-33 | 2'-7 15/16" | BOTTOM TRACK |

# 11-3101

Jewish Home for the Aging

1885 Victory Blvd. Reseda, CA

FM-07-109

CREATED BY: AMB

FrameMax, Inc.  
13915 Danielson St  
Suite 100  
Poway, CA 92064  
www.frame-max.com



© FrameMax Inc.

HEIGHT : 10'-9 7/16" POINTS: 0.54 Points.

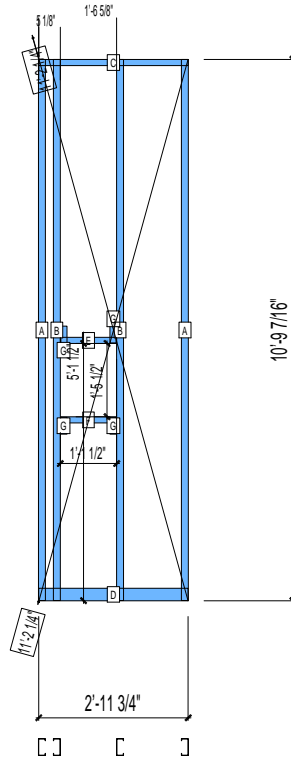
SPACING : 24"

1st STUD: 24"

WEIGHTS :

FRAME : 49 lbs

-----  
TOTAL: 49 lbs



### PIECES LIST

| LABEL | QTY | SIZE       | LENGTH     | USE          |
|-------|-----|------------|------------|--------------|
| A     | 2   | 400S162-33 | 10'-9 3/8" | STUD         |
| B     | 2   | 400S162-33 | 10'-9 3/8" | KING STUD    |
| C     | 1   | 400T150-33 | 2'-11 3/4" | TOP TRACK    |
| D     | 1   | 400T300-33 | 2'-11 3/4" | BOTTOM TRACK |
| E     | 1   | 400T150-33 | 1'-1 1/4"  | HEAD TRACK   |
| F     | 1   | 400T150-33 | 1'-1 1/4"  | SILL         |
| G     | 4   | 400S162-33 | 4"         | CRIPPLE      |

# 11-3102

Jewish Home for the Aging

1885 Victory Blvd. Reseda, CA

FrameMax, Inc.  
13915 Danielson St  
Suite 100  
Poway, CA 92064  
www.frame-max.com



© FrameMax Inc.

CREATED: 09/19/2008

FM-07-109

CREATED BY: AMB

HEIGHT : 10'-9 7/16" POINTS: 0.40 Points.

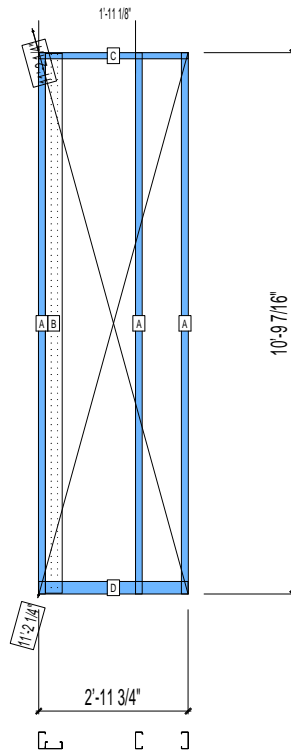
SPACING : 24"

1st STUD: 24"

WEIGHTS :

FRAME : 46 lbs

-----  
TOTAL: 46 lbs



### PIECES LIST

| LABEL | QTY | SIZE       | LENGTH      | USE          |
|-------|-----|------------|-------------|--------------|
| A     | 3   | 400S162-33 | 10'-9 3/8"  | STUD         |
| B     | 1   | 400S162-33 | 10'-9 1/16" | BACKER-U     |
| C     | 1   | 400T150-33 | 2'-11 3/4"  | TOP TRACK    |
| D     | 1   | 400T300-33 | 2'-11 3/4"  | BOTTOM TRACK |

# 11-3103

Jewish Home for the Aging

1885 Victory Blvd. Reseda, CA

FM-07-109

CREATED BY: AMB

FrameMax, Inc.  
13915 Danielson St  
Suite 100  
Poway, CA 92064  
www.frame-max.com



© FrameMax Inc.

HEIGHT : 10'-9 7/16"

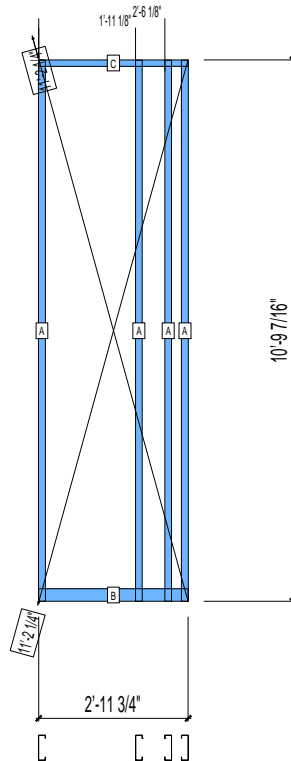
SPACING : 24"

1st STUD: 24"

WEIGHTS :

FRAME : 58 lbs

-----  
TOTAL: 58 lbs



### PIECES LIST

| LABEL | QTY | SIZE       | LENGTH     | USE          |
|-------|-----|------------|------------|--------------|
| A     | 4   | 600S162-33 | 10'-9 3/8" | STUD         |
| B     | 1   | 600T300-33 | 2'-11 3/4" | BOTTOM TRACK |
| C     | 1   | 600T150-33 | 2'-11 3/4" | TOP TRACK    |

# 11-3104

Jewish Home for the Aging

1885 Victory Blvd. Reseda, CA

FrameMax, Inc.  
13915 Danielson St  
Suite 100  
Poway, CA 92064  
www.frame-max.com



© FrameMax Inc.

CREATED: 09/19/2008

FM-07-109

CREATED BY: AMB

HEIGHT : 10'-9 7/16"

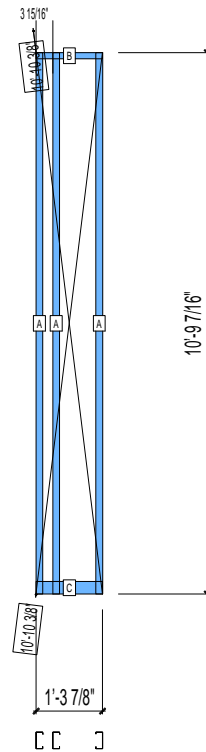
SPACING : 24"

1st STUD: 24"

WEIGHTS :

FRAME : 33 lbs

-----  
TOTAL: 33 lbs



### PIECES LIST

| LABEL | QTY | SIZE       | LENGTH     | USE          |
|-------|-----|------------|------------|--------------|
| A     | 3   | 400S162-33 | 10'-9 3/8" | STUD         |
| B     | 1   | 400T150-33 | 1'-3 7/8"  | TOP TRACK    |
| C     | 1   | 400T300-33 | 1'-3 7/8"  | BOTTOM TRACK |

# 11-3105

Jewish Home for the Aging

1885 Victory Blvd. Reseda, CA

FrameMax, Inc.  
13915 Danielson St  
Suite 100  
Poway, CA 92064  
www.frame-max.com



© FrameMax Inc.

CREATED: 09/19/2008

FM-07-109

CREATED BY: AMB

HEIGHT : 10'-9 7/16"

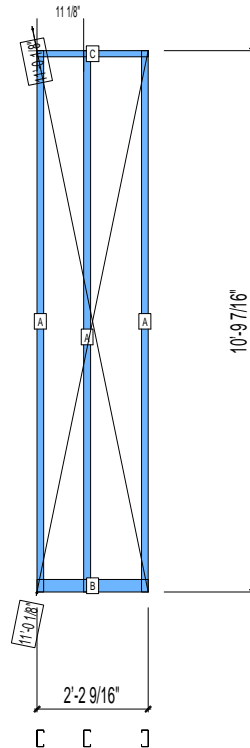
SPACING : 24"

1st STUD: 24"

WEIGHTS :

FRAME : 35 lbs

-----  
TOTAL: 35 lbs



### PIECES LIST

| LABEL | QTY | SIZE       | LENGTH     | USE          |
|-------|-----|------------|------------|--------------|
| A     | 3   | 400S162-33 | 10'-9 3/8" | STUD         |
| B     | 1   | 400T300-33 | 2'-2 9/16" | BOTTOM TRACK |
| C     | 1   | 400T150-33 | 2'-2 9/16" | TOP TRACK    |

# 11-3106

Jewish Home for the Aging

1885 Victory Blvd. Reseda, CA

FM-07-109

CREATED BY: AMB

FrameMax, Inc.  
13915 Danielson St  
Suite 100  
Poway, CA 92064  
www.framemax.com

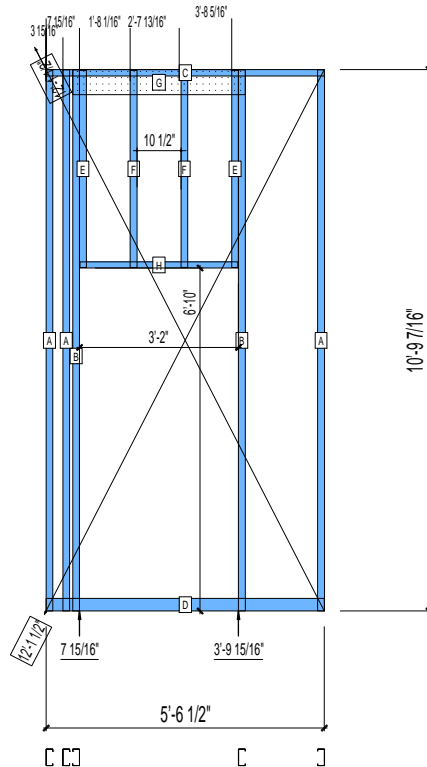


© FrameMax Inc.

HEIGHT : 10'-9 7/16"  
SPACING : 24"  
1st STUD: 24"

WEIGHTS :  
FRAME : 17 lbs

-----  
TOTAL: 17 lbs



### PIECES LIST

| LABEL | QTY | SIZE       | LENGTH     | USE          |
|-------|-----|------------|------------|--------------|
| A     | 3   | 400S162-33 | 10'-9 3/8" | STUD         |
| B     | 2   | 400S162-33 | 10'-9 3/8" | KING STUD    |
| C     | 1   | 400T150-33 | 5'-6 1/2"  | TOP TRACK    |
| D     | 1   | 400T300-33 | 5'-6 1/2"  | BOTTOM TRACK |
| E     | 2   | 400S162-33 | 3'-11 1/8" | CRIPPLE      |
| F     | 2   | 400S162-33 | 3'-11 1/8" | KING STUD    |
| G     | 1   | 600L150-33 | 3'-5 1/4"  | L-HEADER     |
| H     | 1   | 400T150-33 | 3'-1 3/4"  | HEAD TRACK   |

# 11-3107

Jewish Home for the Aging

1885 Victory Blvd. Reseda, CA

FrameMax, Inc.  
13915 Danielson St  
Suite 100  
Poway, CA 92064  
www.frame-max.com



© FrameMax Inc.

CREATED: 09/19/2008

FM-07-109

CREATED BY: AMB

HEIGHT : 10'-9 7/16" POINTS: 1.02 Points.

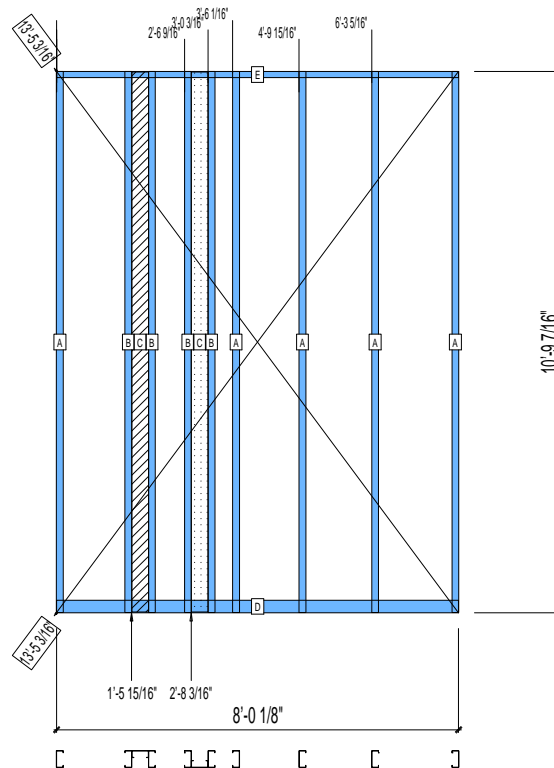
SPACING : 24"

1st STUD: 24"

WEIGHTS :

FRAME : 126 lbs

-----  
TOTAL: 126 lbs



PIECES LIST

| LABEL | QTY | SIZE       | LENGTH     | USE          |
|-------|-----|------------|------------|--------------|
| A     | 5   | 400S162-33 | 10'-9 3/8" | STUD         |
| B     | 4   | 400S162-33 | 10'-9 3/8" | BACKER STUD  |
| C     | 2   | 400S162-33 | 10'-9 1/8" | BACKER-U     |
| D     | 1   | 400T300-33 | 8'-0 1/8"  | BOTTOM TRACK |
| E     | 1   | 400T150-33 | 8'-0 1/8"  | TOP TRACK    |

# 11-3108

Jewish Home for the Aging

1885 Victory Blvd. Reseda, CA

FM-07-109

CREATED BY: AMB

FrameMax, Inc.  
13915 Danielson St  
Suite 100  
Poway, CA 92064  
www.frame-max.com



© FrameMax Inc.

HEIGHT : 10'-9 7/16" POINTS: 0.51 Points.

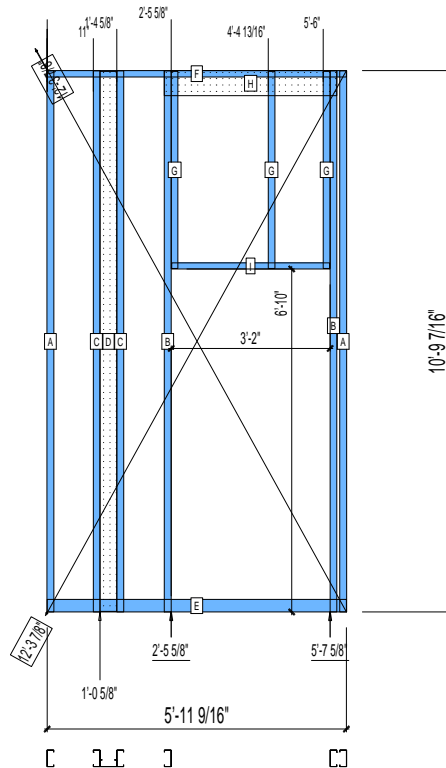
SPACING : 24"

1st STUD: 24"

WEIGHTS :

FRAME : 18 lbs

-----  
TOTAL: 18 lbs



PIECES LIST

| LABEL | QTY | SIZE       | LENGTH      | USE          |
|-------|-----|------------|-------------|--------------|
| A     | 2   | 400S162-33 | 10'-9 3/8"  | STUD         |
| B     | 2   | 400S162-33 | 10'-9 3/8"  | KING STUD    |
| C     | 2   | 400S162-33 | 10'-9 3/8"  | BACKER STUD  |
| D     | 1   | 400S162-33 | 10'-9 1/8"  | BACKER-U     |
| E     | 1   | 400T300-33 | 5'-11 9/16" | BOTTOM TRACK |
| F     | 1   | 400T150-33 | 5'-11 9/16" | TOP TRACK    |
| G     | 3   | 400S162-33 | 3'-11 1/8"  | CRIPPLE      |
| H     | 1   | 600L150-33 | 3'-5 1/4"   | L-HEADER     |
| I     | 1   | 400T150-33 | 3'-1 3/4"   | HEAD TRACK   |

# 11-3109

Jewish Home for the Aging

1885 Victory Blvd. Reseda, CA

FrameMax, Inc.  
13915 Danielson St  
Suite 100  
Poway, CA 92064  
www.frame-max.com



© FrameMax Inc.

CREATED: 09/19/2008

FM-07-109

CREATED BY: AMB

HEIGHT : 10'-9 7/16"

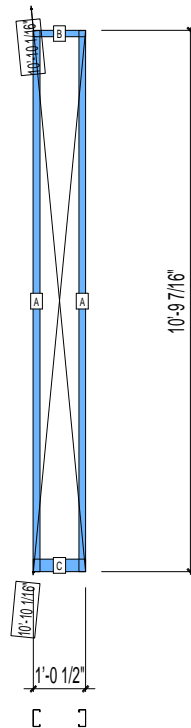
SPACING : 24"

1st STUD: 24"

WEIGHTS :

FRAME : 22 lbs

-----  
TOTAL: 22 lbs



### PIECES LIST

| LABEL | QTY | SIZE       | LENGTH     | USE          |
|-------|-----|------------|------------|--------------|
| A     | 2   | 400S162-33 | 10'-9 3/8" | STUD         |
| B     | 1   | 400T150-33 | 1'-0 1/2"  | TOP TRACK    |
| C     | 1   | 400T300-33 | 1'-0 1/2"  | BOTTOM TRACK |

# 11-3110

Jewish Home for the Aging

1885 Victory Blvd. Reseda, CA

FM-07-109

CREATED BY: AMB

FrameMax, Inc.  
13915 Danielson St  
Suite 100  
Poway, CA 92064  
www.frame-max.com



© FrameMax Inc.

HEIGHT : 10'-9 7/16"

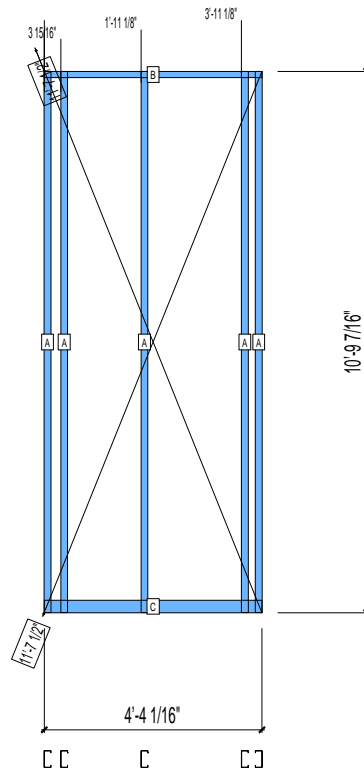
SPACING : 24"

1st STUD: 24"

WEIGHTS :

FRAME : 59 lbs

TOTAL: 59 lbs



### PIECES LIST

| LABEL | QTY | SIZE       | LENGTH     | USE          |
|-------|-----|------------|------------|--------------|
| A     | 5   | 400S162-33 | 10'-9 3/8" | STUD         |
| B     | 1   | 400T150-33 | 4'-4 1/16" | TOP TRACK    |
| C     | 1   | 400T300-33 | 4'-4 1/16" | BOTTOM TRACK |

# 11-3111

Jewish Home for the Aging

1885 Victory Blvd. Reseda, CA

FrameMax, Inc.  
13915 Danielson St  
Suite 100  
Poway, CA 92064  
www.frame-max.com



© FrameMax Inc.

CREATED: 09/19/2008

FM-07-109

CREATED BY: AMB

HEIGHT : 10'-9 7/16" POINTS: 0.40 Points.

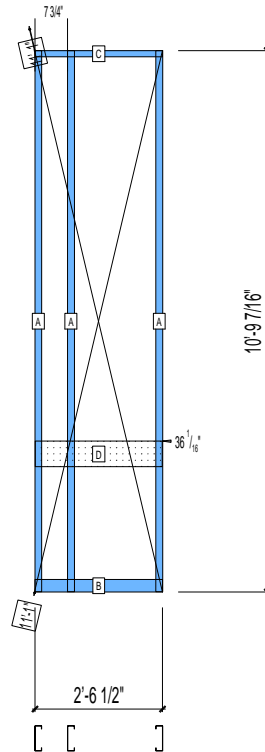
SPACING : 24"

1st STUD: 16"

WEIGHTS :

FRAME : 49 lbs

-----  
TOTAL: 49 lbs



### PIECES LIST

| LABEL | QTY | SIZE       | LENGTH     | USE          |
|-------|-----|------------|------------|--------------|
| A     | 3   | 600S162-33 | 10'-9 3/8" | STUD         |
| B     | 1   | 600T300-33 | 2'-6 1/2"  | BOTTOM TRACK |
| C     | 1   | 600T150-33 | 2'-6 1/2"  | TOP TRACK    |
| D     | 1   | 600T150-54 | 2'-6 5/16" | GRAB BAR     |

# 11-3112

Jewish Home for the Aging

1885 Victory Blvd. Reseda, CA

FM-07-109

CREATED BY: AMB

FrameMax, Inc.  
13915 Danielson St  
Suite 100  
Poway, CA 92064  
www.frame-max.com



© FrameMax Inc.

HEIGHT : 10'-9 7/16"

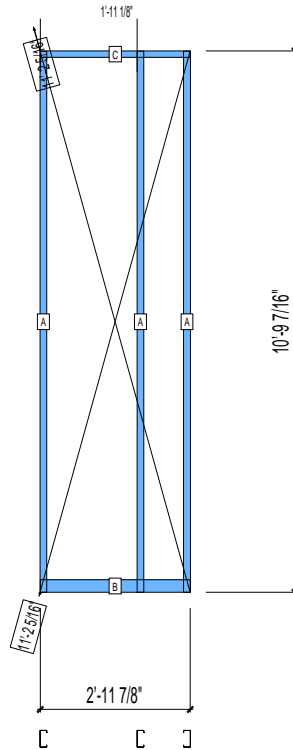
SPACING : 24"

1st STUD: 24"

WEIGHTS :

FRAME : 36 lbs

-----  
TOTAL: 36 lbs



### PIECES LIST

| LABEL | QTY | SIZE       | LENGTH     | USE          |
|-------|-----|------------|------------|--------------|
| A     | 3   | 400S162-33 | 10'-9 3/8" | STUD         |
| B     | 1   | 400T300-33 | 2'-11 7/8" | BOTTOM TRACK |
| C     | 1   | 400T150-33 | 2'-11 7/8" | TOP TRACK    |

# 11-3113

Jewish Home for the Aging

1885 Victory Blvd. Reseda, CA

FM-07-109

CREATED BY: AMB

FrameMax, Inc.  
13915 Danielson St  
Suite 100  
Poway, CA 92064  
www.frame-max.com



© FrameMax Inc.

HEIGHT : 10'-9 7/16"

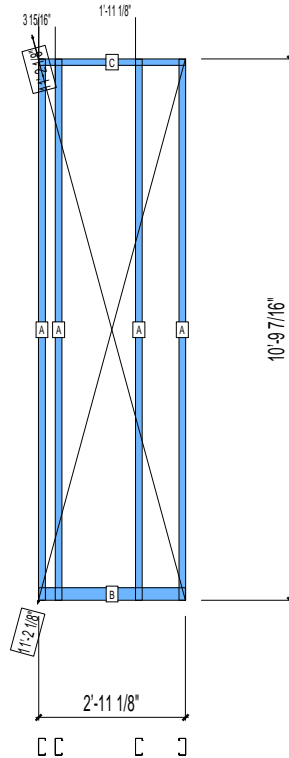
SPACING : 24"

1st STUD: 24"

WEIGHTS :

FRAME : 46 lbs

-----  
TOTAL: 46 lbs



### PIECES LIST

| LABEL | QTY | SIZE       | LENGTH     | USE          |
|-------|-----|------------|------------|--------------|
| A     | 4   | 400S162-33 | 10'-9 3/8" | STUD         |
| B     | 1   | 400T300-33 | 2'-11 1/8" | BOTTOM TRACK |
| C     | 1   | 400T150-33 | 2'-11 1/8" | TOP TRACK    |

# 11-3114

Jewish Home for the Aging

1885 Victory Blvd. Reseda, CA

FM-07-109

CREATED BY: AMB

FrameMax, Inc.  
13915 Danielson St  
Suite 100  
Poway, CA 92064  
www.frame-max.com



© FrameMax Inc.

HEIGHT : 10'-9 7/16"

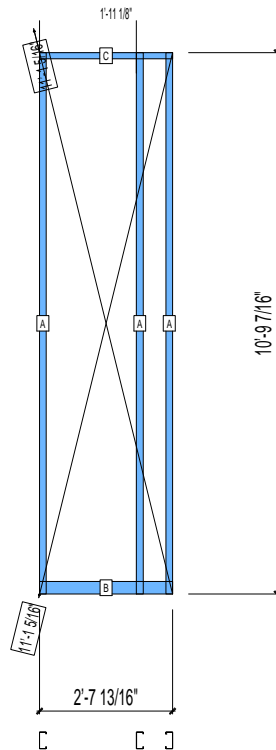
SPACING : 24"

1st STUD: 24"

WEIGHTS :

FRAME : 35 lbs

-----  
TOTAL: 35 lbs



### PIECES LIST

| LABEL | QTY | SIZE       | LENGTH      | USE          |
|-------|-----|------------|-------------|--------------|
| A     | 3   | 400S162-33 | 10'-9 3/8"  | STUD         |
| B     | 1   | 400T300-33 | 2'-7 13/16" | BOTTOM TRACK |
| C     | 1   | 400T150-33 | 2'-7 13/16" | TOP TRACK    |

# 11-3115

Jewish Home for the Aging

1885 Victory Blvd. Reseda, CA

FrameMax, Inc.  
13915 Danielson St  
Suite 100  
Poway, CA 92064  
www.frame-max.com



© FrameMax Inc.

CREATED: 09/19/2008

FM-07-109

CREATED BY: AMB

HEIGHT : 10'-9 7/16"

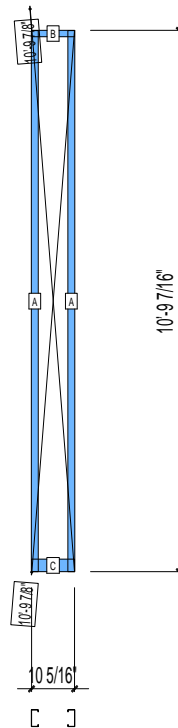
SPACING : 24"

1st STUD: 16"

WEIGHTS :

FRAME : 22 lbs

-----  
TOTAL: 22 lbs



### PIECES LIST

| LABEL | QTY | SIZE       | LENGTH     | USE          |
|-------|-----|------------|------------|--------------|
| A     | 2   | 400S162-33 | 10'-9 3/8" | STUD         |
| B     | 1   | 400T150-33 | 10 5/16"   | TOP TRACK    |
| C     | 1   | 400T300-33 | 10 5/16"   | BOTTOM TRACK |

# 11-3116

Jewish Home for the Aging

1885 Victory Blvd. Reseda, CA

FM-07-109

CREATED BY: AMB

FrameMax, Inc.  
13915 Danielson St  
Suite 100  
Poway, CA 92064  
www.frame-max.com



© FrameMax Inc.

HEIGHT : 10'-9 7/16"

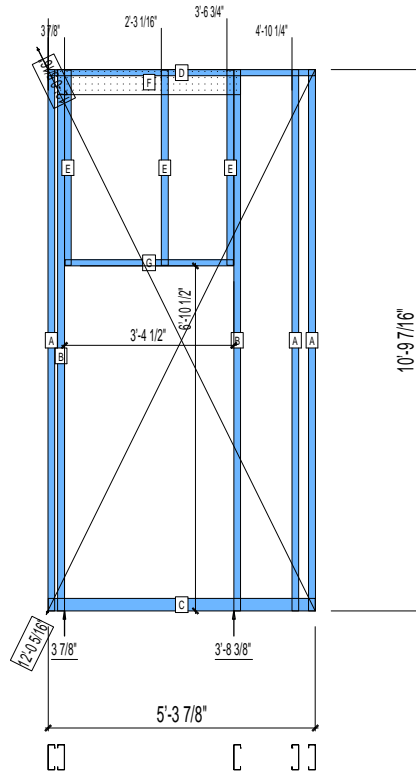
SPACING : 24"

1st STUD: 24"

WEIGHTS :

FRAME : 21 lbs

TOTAL: 21 lbs



PIECES LIST

| LABEL | QTY | SIZE       | LENGTH     | USE          |
|-------|-----|------------|------------|--------------|
| A     | 3   | 600S162-33 | 10'-9 3/8" | STUD         |
| B     | 2   | 600S162-33 | 10'-9 3/8" | KING STUD    |
| C     | 1   | 600T300-33 | 5'-3 7/8"  | BOTTOM TRACK |
| D     | 1   | 600T150-33 | 5'-3 7/8"  | TOP TRACK    |
| E     | 3   | 600S162-33 | 3'-10 5/8" | CRIPPLE      |
| F     | 1   | 600L150-33 | 3'-7 3/4"  | L-HEADER     |
| G     | 1   | 600T150-33 | 3'-4 1/4"  | HEAD TRACK   |

# 11-3117

Jewish Home for the Aging

1885 Victory Blvd. Reseda, CA

FrameMax, Inc.  
13915 Danielson St  
Suite 100  
Poway, CA 92064  
www.frame-max.com



© FrameMax Inc.

CREATED: 09/19/2008

FM-07-109

CREATED BY: AMB

HEIGHT : 10'-9 7/16"

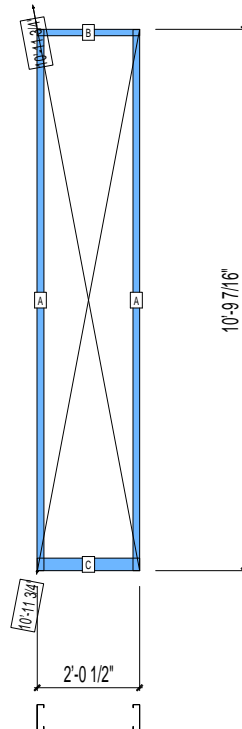
SPACING : 24"

1st STUD: 24"

WEIGHTS :

FRAME : 30 lbs

-----  
TOTAL: 30 lbs



### PIECES LIST

| LABEL | QTY | SIZE       | LENGTH     | USE          |
|-------|-----|------------|------------|--------------|
| A     | 2   | 600S162-33 | 10'-9 3/8" | STUD         |
| B     | 1   | 600T150-33 | 2'-0 1/2"  | TOP TRACK    |
| C     | 1   | 600T300-33 | 2'-0 1/2"  | BOTTOM TRACK |

# 11-3118

Jewish Home for the Aging

1885 Victory Blvd. Reseda, CA

FrameMax, Inc.  
13915 Danielson St  
Suite 100  
Poway, CA 92064  
www.frame-max.com



© FrameMax Inc.

CREATED: 09/19/2008

FM-07-109

CREATED BY: AMB

HEIGHT : 2'-11 1/2"    POINTS: 0.36 Points.

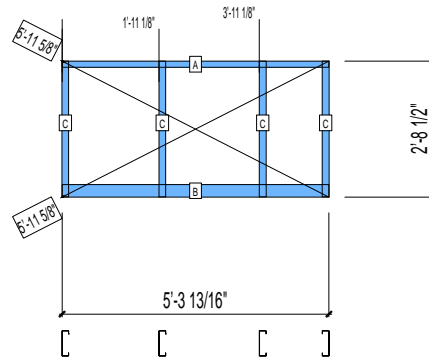
SPACING : 24"

1st STUD: 24"

WEIGHTS :

FRAME : 26 lbs

-----  
TOTAL: 26 lbs



### PIECES LIST

| LABEL | QTY | SIZE       | LENGTH      | USE          |
|-------|-----|------------|-------------|--------------|
| A     | 1   | 600T150-33 | 5'-3 13/16" | TOP TRACK    |
| B     | 1   | 600T300-33 | 5'-3 13/16" | BOTTOM TRACK |
| C     | 4   | 600S162-33 | 2'-8 7/16"  | STUD         |

# 11-3119

Jewish Home for the Aging

1885 Victory Blvd. Reseda, CA

FrameMax, Inc.  
13915 Danielson St  
Suite 100  
Poway, CA 92064  
www.frame-max.com



© FrameMax Inc.

CREATED: 09/19/2008

FM-07-109

CREATED BY: AMB

HEIGHT : 2'-11 1/2"    POINTS: 0.22 Points.

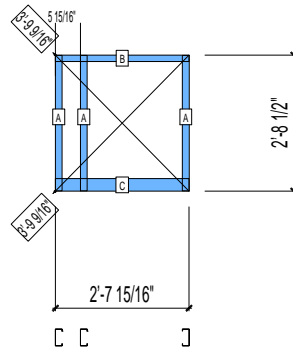
SPACING : 24"

1st STUD: 24"

WEIGHTS :

FRAME : 13 lbs

-----  
TOTAL: 13 lbs



### PIECES LIST

| LABEL | QTY | SIZE       | LENGTH      | USE          |
|-------|-----|------------|-------------|--------------|
| A     | 3   | 400S162-33 | 2'-8 7/16"  | STUD         |
| B     | 1   | 400T150-33 | 2'-7 15/16" | TOP TRACK    |
| C     | 1   | 400T300-33 | 2'-7 15/16" | BOTTOM TRACK |

# 11-3151

Jewish Home for the Aging

1885 Victory Blvd. Reseda, CA

FrameMax, Inc.  
13915 Danielson St  
Suite 100  
Poway, CA 92064  
www.frame-max.com



© FrameMax Inc.

CREATED: 09/19/2008

FM-07-109

CREATED BY: AMB

HEIGHT : 10'-9 7/16" POINTS: 0.54 Points.

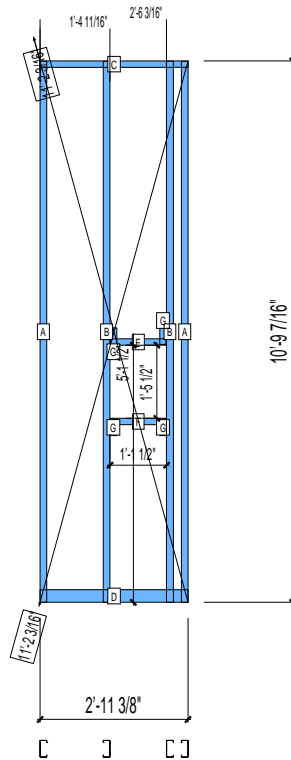
SPACING : 24"

1st STUD: 24"

WEIGHTS :

FRAME : 49 lbs

-----  
TOTAL: 49 lbs



PIECES LIST

| LABEL | QTY | SIZE       | LENGTH     | USE          |
|-------|-----|------------|------------|--------------|
| A     | 2   | 400S162-33 | 10'-9 3/8" | STUD         |
| B     | 2   | 400S162-33 | 10'-9 3/8" | KING STUD    |
| C     | 1   | 400T150-33 | 2'-11 3/8" | TOP TRACK    |
| D     | 1   | 400T300-33 | 2'-11 3/8" | BOTTOM TRACK |
| E     | 1   | 400T150-33 | 1'-1 1/4"  | HEAD TRACK   |
| F     | 1   | 400T150-33 | 1'-1 1/4"  | SILL         |
| G     | 4   | 400S162-33 | 4"         | CRIPPLE      |

# 11-3152

Jewish Home for the Aging

1885 Victory Blvd. Reseda, CA

FrameMax, Inc.  
13915 Danielson St  
Suite 100  
Poway, CA 92064  
www.frame-max.com



© FrameMax Inc.

CREATED: 09/19/2008

FM-07-109

CREATED BY: AMB

HEIGHT : 10'-9 7/16" POINTS: 0.40 Points.

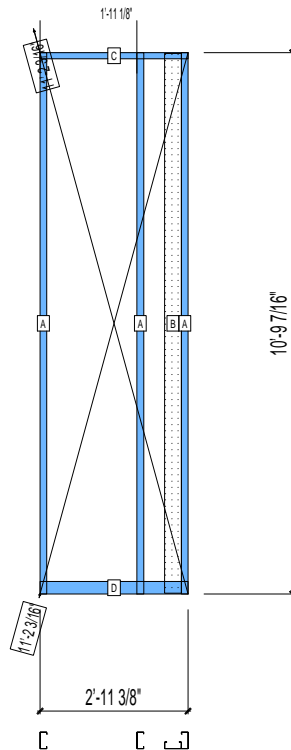
SPACING : 24"

1st STUD: 24"

WEIGHTS :

FRAME : 46 lbs

-----  
TOTAL: 46 lbs



### PIECES LIST

| LABEL | QTY | SIZE       | LENGTH      | USE          |
|-------|-----|------------|-------------|--------------|
| A     | 3   | 400S162-33 | 10'-9 3/8"  | STUD         |
| B     | 1   | 400S162-33 | 10'-9 1/16" | BACKER-U     |
| C     | 1   | 400T150-33 | 2'-11 3/8"  | TOP TRACK    |
| D     | 1   | 400T300-33 | 2'-11 3/8"  | BOTTOM TRACK |

# 11-3153

Jewish Home for the Aging

1885 Victory Blvd. Reseda, CA

FM-07-109

CREATED BY: AMB

FrameMax, Inc.  
13915 Danielson St  
Suite 100  
Poway, CA 92064  
www.framemax.com



© FrameMax Inc.

HEIGHT : 10'-9 7/16" POINTS: 0.40 Points.

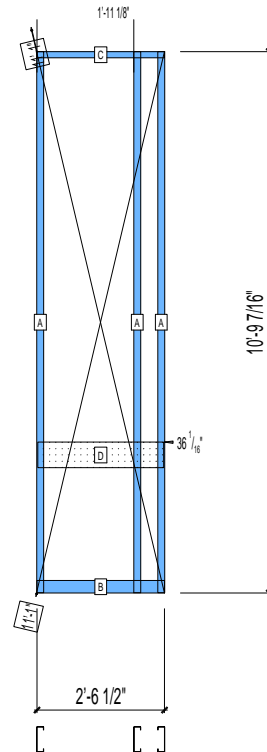
SPACING : 24"

1st STUD: 24"

WEIGHTS :

FRAME : 49 lbs

-----  
TOTAL: 49 lbs



### PIECES LIST

| LABEL | QTY | SIZE       | LENGTH     | USE          |
|-------|-----|------------|------------|--------------|
| A     | 3   | 600S162-33 | 10'-9 3/8" | STUD         |
| B     | 1   | 600T300-33 | 2'-6 1/2"  | BOTTOM TRACK |
| C     | 1   | 600T150-33 | 2'-6 1/2"  | TOP TRACK    |
| D     | 1   | 600T150-54 | 2'-6 1/16" | GRAB BAR     |

# 11-3154

Jewish Home for the Aging

1885 Victory Blvd. Reseda, CA

FrameMax, Inc.  
13915 Danielson St  
Suite 100  
Poway, CA 92064  
www.frame-max.com



© FrameMax Inc.

CREATED: 09/19/2008

FM-07-109

CREATED BY: AMB

HEIGHT : 10'-9 7/16" POINTS: 0.33 Points.

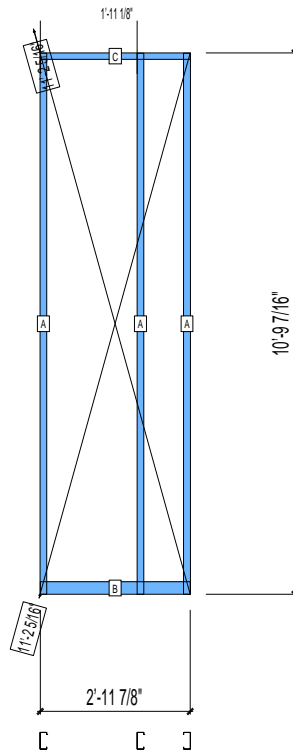
SPACING : 24"

1st STUD: 24"

WEIGHTS :

FRAME : 36 lbs

-----  
TOTAL: 36 lbs



### PIECES LIST

| LABEL | QTY | SIZE       | LENGTH     | USE          |
|-------|-----|------------|------------|--------------|
| A     | 3   | 400S162-33 | 10'-9 3/8" | STUD         |
| B     | 1   | 400T300-33 | 2'-11 7/8" | BOTTOM TRACK |
| C     | 1   | 400T150-33 | 2'-11 7/8" | TOP TRACK    |

# 11-3155

Jewish Home for the Aging

1885 Victory Blvd. Reseda, CA

FM-07-109

CREATED BY: AMB

FrameMax, Inc.  
13915 Danielson St  
Suite 100  
Poway, CA 92064  
www.frame-max.com



© FrameMax Inc.

HEIGHT : 10'-9 7/16"

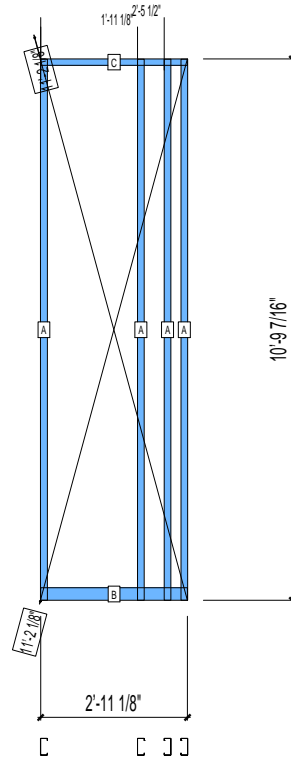
SPACING : 24"

1st STUD: 24"

WEIGHTS :

FRAME : 46 lbs

-----  
TOTAL: 46 lbs



### PIECES LIST

| LABEL | QTY | SIZE       | LENGTH     | USE          |
|-------|-----|------------|------------|--------------|
| A     | 4   | 400S162-33 | 10'-9 3/8" | STUD         |
| B     | 1   | 400T300-33 | 2'-11 1/8" | BOTTOM TRACK |
| C     | 1   | 400T150-33 | 2'-11 1/8" | TOP TRACK    |

# 11-3156

Jewish Home for the Aging

1885 Victory Blvd. Reseda, CA

FrameMax, Inc.  
13915 Danielson St  
Suite 100  
Poway, CA 92064  
www.frame-max.com



© FrameMax Inc.

CREATED: 09/19/2008

FM-07-109

CREATED BY: AMB

HEIGHT : 10'-9 7/16"

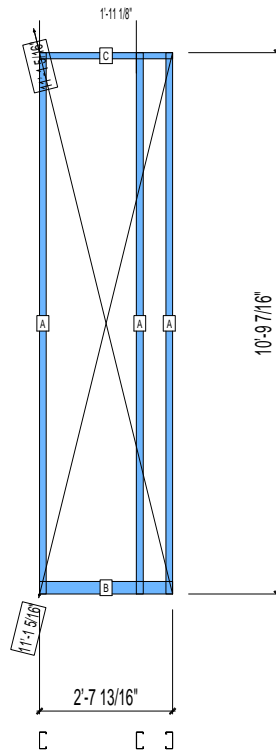
SPACING : 24"

1st STUD: 24"

WEIGHTS :

FRAME : 35 lbs

-----  
TOTAL: 35 lbs



### PIECES LIST

| LABEL | QTY | SIZE       | LENGTH      | USE          |
|-------|-----|------------|-------------|--------------|
| A     | 3   | 400S162-33 | 10'-9 3/8"  | STUD         |
| B     | 1   | 400T300-33 | 2'-7 13/16" | BOTTOM TRACK |
| C     | 1   | 400T150-33 | 2'-7 13/16" | TOP TRACK    |

# 11-3157

Jewish Home for the Aging

1885 Victory Blvd. Reseda, CA

FM-07-109

CREATED BY: AMB

FrameMax, Inc.  
13915 Danielson St  
Suite 100  
Poway, CA 92064  
www.frame-max.com



© FrameMax Inc.

HEIGHT : 10'-9 7/16"

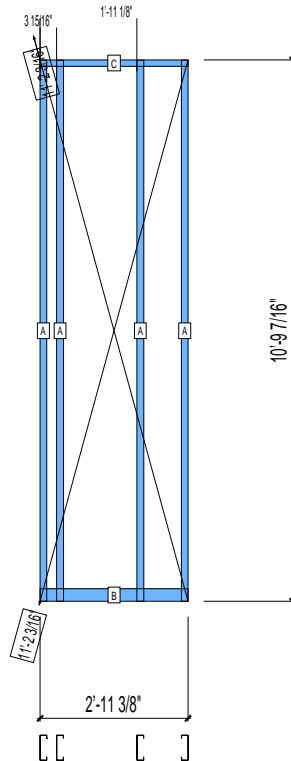
SPACING : 24"

1st STUD: 24"

WEIGHTS :

FRAME : 58 lbs

-----  
TOTAL: 58 lbs



### PIECES LIST

| LABEL | QTY | SIZE       | LENGTH     | USE          |
|-------|-----|------------|------------|--------------|
| A     | 4   | 600S162-33 | 10'-9 3/8" | STUD         |
| B     | 1   | 600T300-33 | 2'-11 3/8" | BOTTOM TRACK |
| C     | 1   | 600T150-33 | 2'-11 3/8" | TOP TRACK    |

# 11-3158

Jewish Home for the Aging

1885 Victory Blvd. Reseda, CA

FrameMax, Inc.  
13915 Danielson St  
Suite 100  
Poway, CA 92064  
www.frame-max.com



© FrameMax Inc.

CREATED: 09/19/2008

FM-07-109

CREATED BY: AMB

HEIGHT : 10'-9 7/16"

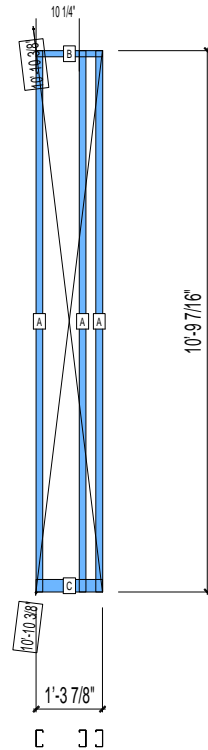
SPACING : 24"

1st STUD: 24"

WEIGHTS :

FRAME : 33 lbs

-----  
TOTAL: 33 lbs



### PIECES LIST

| LABEL | QTY | SIZE       | LENGTH     | USE          |
|-------|-----|------------|------------|--------------|
| A     | 3   | 400S162-33 | 10'-9 3/8" | STUD         |
| B     | 1   | 400T150-33 | 1'-3 7/8"  | TOP TRACK    |
| C     | 1   | 400T300-33 | 1'-3 7/8"  | BOTTOM TRACK |

# 11-3159

Jewish Home for the Aging

1885 Victory Blvd. Reseda, CA

FM-07-109

CREATED BY: AMB

FrameMax, Inc.  
13915 Danielson St  
Suite 100  
Poway, CA 92064  
www.frame-max.com



© FrameMax Inc.

HEIGHT : 10'-9 7/16"

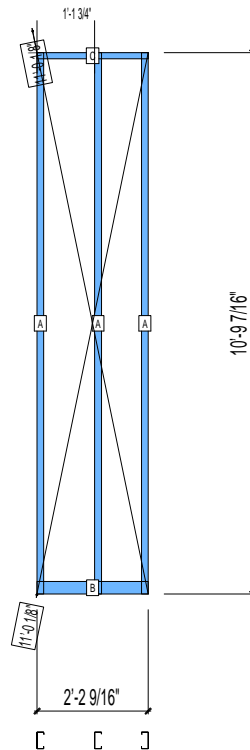
SPACING : 24"

1st STUD: 16"

WEIGHTS :

FRAME : 35 lbs

-----  
TOTAL: 35 lbs



### PIECES LIST

| LABEL | QTY | SIZE       | LENGTH     | USE          |
|-------|-----|------------|------------|--------------|
| A     | 3   | 400S162-33 | 10'-9 3/8" | STUD         |
| B     | 1   | 400T300-33 | 2'-2 9/16" | BOTTOM TRACK |
| C     | 1   | 400T150-33 | 2'-2 9/16" | TOP TRACK    |

# 11-3160

Jewish Home for the Aging

1885 Victory Blvd. Reseda, CA

FrameMax, Inc.  
13915 Danielson St  
Suite 100  
Poway, CA 92064  
www.frame-max.com



© FrameMax Inc.

CREATED: 09/19/2008

FM-07-109

CREATED BY: AMB

HEIGHT : 10'-9 7/16" POINTS: 1.02 Points.

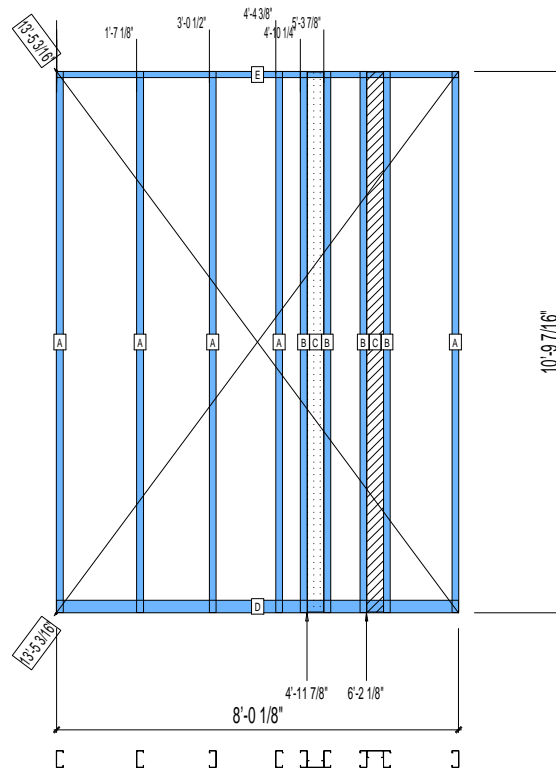
SPACING : 24"

1st STUD: 16"

WEIGHTS :

FRAME : 126 lbs

-----  
TOTAL: 126 lbs



PIECES LIST

| LABEL | QTY | SIZE       | LENGTH     | USE          |
|-------|-----|------------|------------|--------------|
| A     | 5   | 400S162-33 | 10'-9 3/8" | STUD         |
| B     | 4   | 400S162-33 | 10'-9 3/8" | BACKER STUD  |
| C     | 2   | 400S162-33 | 10'-9 1/8" | BACKER-U     |
| D     | 1   | 400T300-33 | 8'-0 1/8"  | BOTTOM TRACK |
| E     | 1   | 400T150-33 | 8'-0 1/8"  | TOP TRACK    |

# 11-3161

Jewish Home for the Aging

1885 Victory Blvd. Reseda, CA

FM-07-109

CREATED BY: AMB

FrameMax, Inc.  
13915 Danielson St  
Suite 100  
Poway, CA 92064  
www.frame-max.com

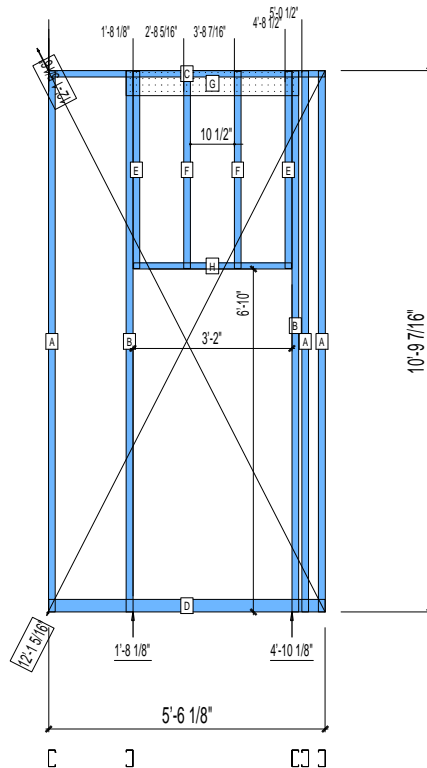


© FrameMax Inc.

HEIGHT : 10'-9 7/16"  
SPACING : 24"  
1st STUD: 24"

WEIGHTS :  
FRAME : 17 lbs

-----  
TOTAL: 17 lbs



PIECES LIST

| LABEL | QTY | SIZE       | LENGTH     | USE          |
|-------|-----|------------|------------|--------------|
| A     | 3   | 400S162-33 | 10'-9 3/8" | STUD         |
| B     | 2   | 400S162-33 | 10'-9 3/8" | KING STUD    |
| C     | 1   | 400T150-33 | 5'-6 1/8"  | TOP TRACK    |
| D     | 1   | 400T300-33 | 5'-6 1/8"  | BOTTOM TRACK |
| E     | 2   | 400S162-33 | 3'-11 1/8" | CRIPPLE      |
| F     | 2   | 400S162-33 | 3'-11 1/8" | KING STUD    |
| G     | 1   | 600L150-33 | 3'-5 1/4"  | L-HEADER     |
| H     | 1   | 400T150-33 | 3'-1 3/4"  | HEAD TRACK   |

# 11-3162

Jewish Home for the Aging

1885 Victory Blvd. Reseda, CA

FM-07-109

CREATED BY: AMB

FrameMax, Inc.  
13915 Danielson St  
Suite 100  
Poway, CA 92064  
www.framemax.com



© FrameMax Inc.

HEIGHT : 10'-9 7/16"

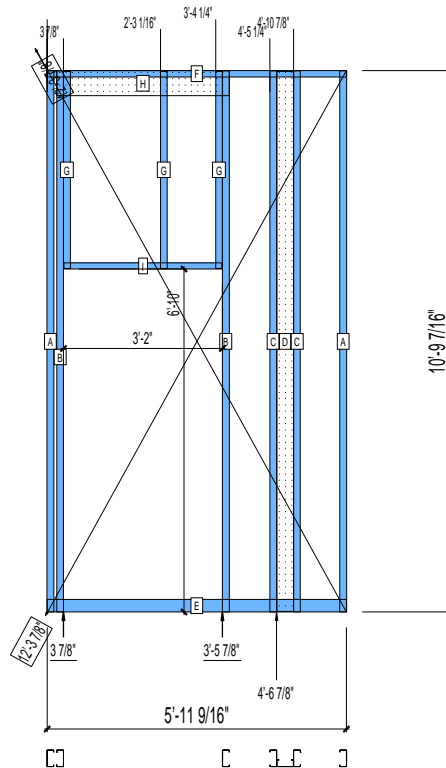
SPACING : 24"

1st STUD: 24"

WEIGHTS :

FRAME : 18 lbs

TOTAL: 18 lbs



PIECES LIST

| LABEL | QTY | SIZE       | LENGTH      | USE          |
|-------|-----|------------|-------------|--------------|
| A     | 2   | 400S162-33 | 10'-9 3/8"  | STUD         |
| B     | 2   | 400S162-33 | 10'-9 3/8"  | KING STUD    |
| C     | 2   | 400S162-33 | 10'-9 3/8"  | BACKER STUD  |
| D     | 1   | 400S162-33 | 10'-9 1/8"  | BACKER-U     |
| E     | 1   | 400T300-33 | 5'-11 9/16" | BOTTOM TRACK |
| F     | 1   | 400T150-33 | 5'-11 9/16" | TOP TRACK    |
| G     | 3   | 400S162-33 | 3'-11 1/8"  | CRIPPLE      |
| H     | 1   | 600L150-33 | 3'-5 1/4"   | L-HEADER     |
| I     | 1   | 400T150-33 | 3'-1 3/4"   | HEAD TRACK   |

# 11-3163

Jewish Home for the Aging

1885 Victory Blvd. Reseda, CA

FrameMax, Inc.  
13915 Danielson St  
Suite 100  
Poway, CA 92064  
www.frame-max.com



© FrameMax Inc.

CREATED: 09/19/2008

FM-07-109

CREATED BY: AMB

HEIGHT : 10'-9 7/16"

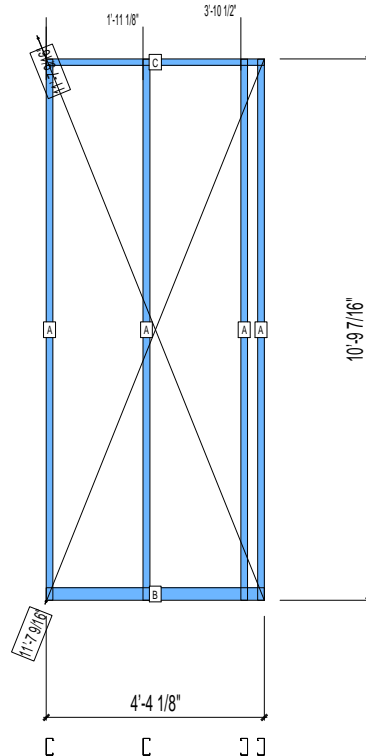
SPACING : 24"

1st STUD: 24"

WEIGHTS :

FRAME : 49 lbs

-----  
TOTAL: 49 lbs



### PIECES LIST

| LABEL | QTY | SIZE       | LENGTH     | USE          |
|-------|-----|------------|------------|--------------|
| A     | 4   | 400S162-33 | 10'-9 3/8" | STUD         |
| B     | 1   | 400T300-33 | 4'-4 1/8"  | BOTTOM TRACK |
| C     | 1   | 400T150-33 | 4'-4 1/8"  | TOP TRACK    |

# 11-3164

Jewish Home for the Aging

1885 Victory Blvd. Reseda, CA

FrameMax, Inc.  
13915 Danielson St  
Suite 100  
Poway, CA 92064  
www.frame-max.com



© FrameMax Inc.

CREATED: 09/19/2008

FM-07-109

CREATED BY: AMB

HEIGHT : 10'-9 7/16"

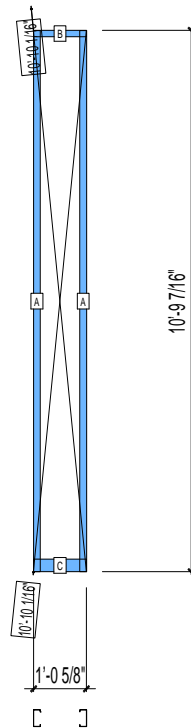
SPACING : 24"

1st STUD: 24"

WEIGHTS :

FRAME : 22 lbs

-----  
TOTAL: 22 lbs



### PIECES LIST

| LABEL | QTY | SIZE       | LENGTH     | USE          |
|-------|-----|------------|------------|--------------|
| A     | 2   | 400S162-33 | 10'-9 3/8" | STUD         |
| B     | 1   | 400T150-33 | 1'-0 5/8"  | TOP TRACK    |
| C     | 1   | 400T300-33 | 1'-0 5/8"  | BOTTOM TRACK |

# 11-3165

Jewish Home for the Aging

1885 Victory Blvd. Reseda, CA

FrameMax, Inc.  
13915 Danielson St  
Suite 100  
Poway, CA 92064  
www.frame-max.com



© FrameMax Inc.

CREATED: 09/19/2008

FM-07-109

CREATED BY: AMB

HEIGHT : 10'-9 7/16"

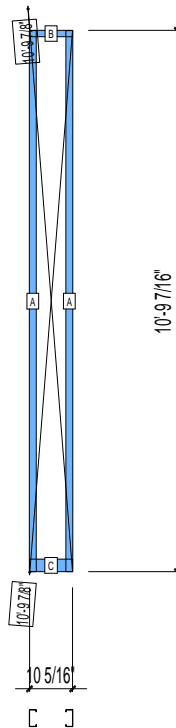
SPACING : 24"

1st STUD: 16"

WEIGHTS :

FRAME : 22 lbs

-----  
TOTAL: 22 lbs



### PIECES LIST

| LABEL | QTY | SIZE       | LENGTH     | USE          |
|-------|-----|------------|------------|--------------|
| A     | 2   | 400S162-33 | 10'-9 3/8" | STUD         |
| B     | 1   | 400T150-33 | 10 5/16"   | TOP TRACK    |
| C     | 1   | 400T300-33 | 10 5/16"   | BOTTOM TRACK |

# 11-3166

Jewish Home for the Aging

1885 Victory Blvd. Reseda, CA

FM-07-109

CREATED BY: AMB

FrameMax, Inc.  
13915 Danielson St  
Suite 100  
Poway, CA 92064  
www.frame-max.com



© FrameMax Inc.

HEIGHT : 10'-9 7/16"

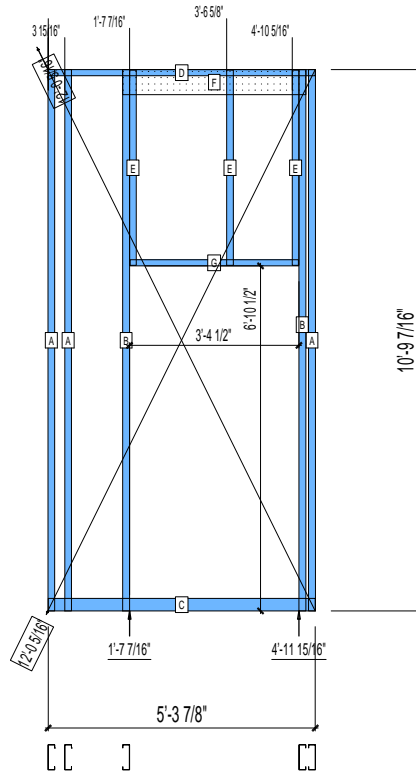
SPACING : 24"

1st STUD: 24"

WEIGHTS :

FRAME : 21 lbs

TOTAL: 21 lbs



PIECES LIST

| LABEL | QTY | SIZE       | LENGTH     | USE          |
|-------|-----|------------|------------|--------------|
| A     | 3   | 600S162-33 | 10'-9 3/8" | STUD         |
| B     | 2   | 600S162-33 | 10'-9 3/8" | KING STUD    |
| C     | 1   | 600T300-33 | 5'-3 7/8"  | BOTTOM TRACK |
| D     | 1   | 600T150-33 | 5'-3 7/8"  | TOP TRACK    |
| E     | 3   | 600S162-33 | 3'-10 5/8" | CRIPPLE      |
| F     | 1   | 600L150-33 | 3'-7 3/4"  | L-HEADER     |
| G     | 1   | 600T150-33 | 3'-4 1/4"  | HEAD TRACK   |

# 11-3167

Jewish Home for the Aging

1885 Victory Blvd. Reseda, CA

FrameMax, Inc.  
13915 Danielson St  
Suite 100  
Poway, CA 92064  
www.frame-max.com



© FrameMax Inc.

CREATED: 09/19/2008

FM-07-109

CREATED BY: AMB

HEIGHT : 10'-9 7/16"

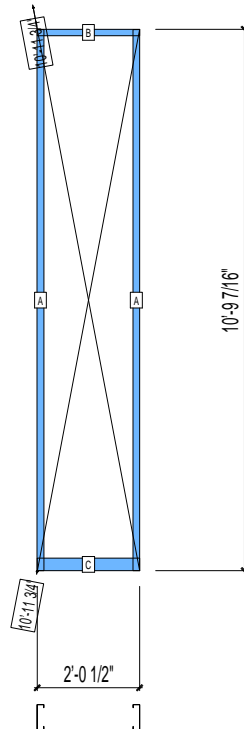
SPACING : 24"

1st STUD: 24"

WEIGHTS :

FRAME : 30 lbs

-----  
TOTAL: 30 lbs



### PIECES LIST

| LABEL | QTY | SIZE       | LENGTH     | USE          |
|-------|-----|------------|------------|--------------|
| A     | 2   | 600S162-33 | 10'-9 3/8" | STUD         |
| B     | 1   | 600T150-33 | 2'-0 1/2"  | TOP TRACK    |
| C     | 1   | 600T300-33 | 2'-0 1/2"  | BOTTOM TRACK |

# 11-3168

Jewish Home for the Aging

1885 Victory Blvd. Reseda, CA

FrameMax, Inc.  
13915 Danielson St  
Suite 100  
Poway, CA 92064  
www.frame-max.com



© FrameMax Inc.

CREATED: 09/19/2008

FM-07-109

CREATED BY: AMB

HEIGHT : 2'-11 1/2"    POINTS: 0.35 Points.

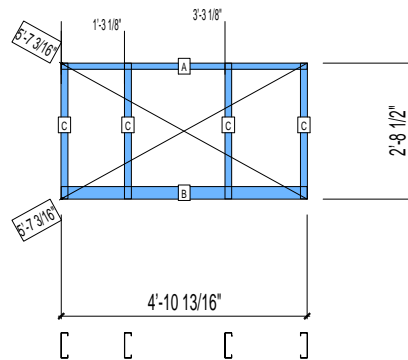
SPACING : 24"

1st STUD: 16"

WEIGHTS :

FRAME : 25 lbs

-----  
TOTAL: 25 lbs



### PIECES LIST

| LABEL | QTY | SIZE       | LENGTH       | USE          |
|-------|-----|------------|--------------|--------------|
| A     | 1   | 600T150-33 | 4'-10 13/16" | TOP TRACK    |
| B     | 1   | 600T300-33 | 4'-10 13/16" | BOTTOM TRACK |
| C     | 4   | 600S162-33 | 2'-8 7/16"   | STUD         |

# 11-3169

Jewish Home for the Aging

1885 Victory Blvd. Reseda, CA

FM-07-109

CREATED BY: AMB

FrameMax, Inc.  
13915 Danielson St  
Suite 100  
Poway, CA 92064  
www.frame-max.com



© FrameMax Inc.

HEIGHT : 2'-11 1/2"    POINTS: 0.22 Points.

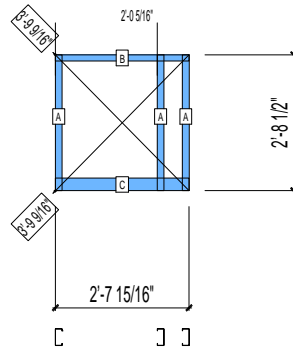
SPACING : 24"

1st STUD: 24"

WEIGHTS :

FRAME : 13 lbs

-----  
TOTAL: 13 lbs



### PIECES LIST

| LABEL | QTY | SIZE       | LENGTH      | USE          |
|-------|-----|------------|-------------|--------------|
| A     | 3   | 400S162-33 | 2'-8 7/16"  | STUD         |
| B     | 1   | 400T150-33 | 2'-7 15/16" | TOP TRACK    |
| C     | 1   | 400T300-33 | 2'-7 15/16" | BOTTOM TRACK |

# 11-3201

Jewish Home for the Aging

1885 Victory Blvd. Reseda, CA

FM-07-109

CREATED BY: AMB

FrameMax, Inc.  
13915 Danielson St  
Suite 100  
Poway, CA 92064  
www.framemax.com



© FrameMax Inc.

HEIGHT : 11'-9 11/16" POINTS: 1.05 Points.

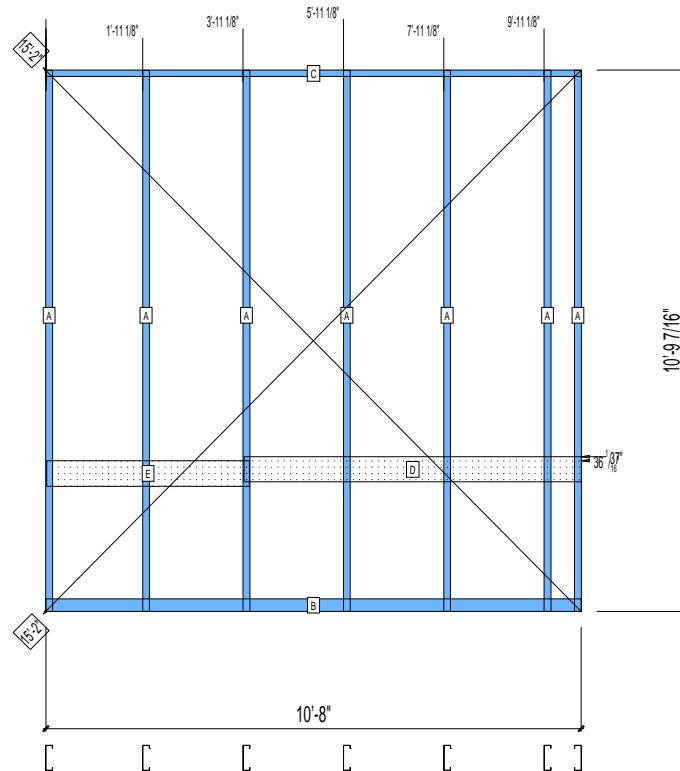
SPACING : 24"

1st STUD: 24"

WEIGHTS :

FRAME : 130 lbs

-----  
TOTAL: 130 lbs



### PIECES LIST

| LABEL | QTY | SIZE       | LENGTH     | USE            |
|-------|-----|------------|------------|----------------|
| A     | 7   | 600S162-33 | 10'-9 3/8" | STUD           |
| B     | 1   | 600T300-33 | 10'-8"     | BOTTOM TRACK   |
| C     | 1   | 600T150-33 | 10'-8"     | TOP TRACK      |
| D     | 1   | 600D-54    | 6'-8 5/8"  | VANITY BACKING |
| E     | 1   | 600T150-54 | 4'-0 7/16" | GRAB BAR       |

# 11-3202

Jewish Home for the Aging

1885 Victory Blvd. Reseda, CA

FM-07-109

CREATED BY: AMB

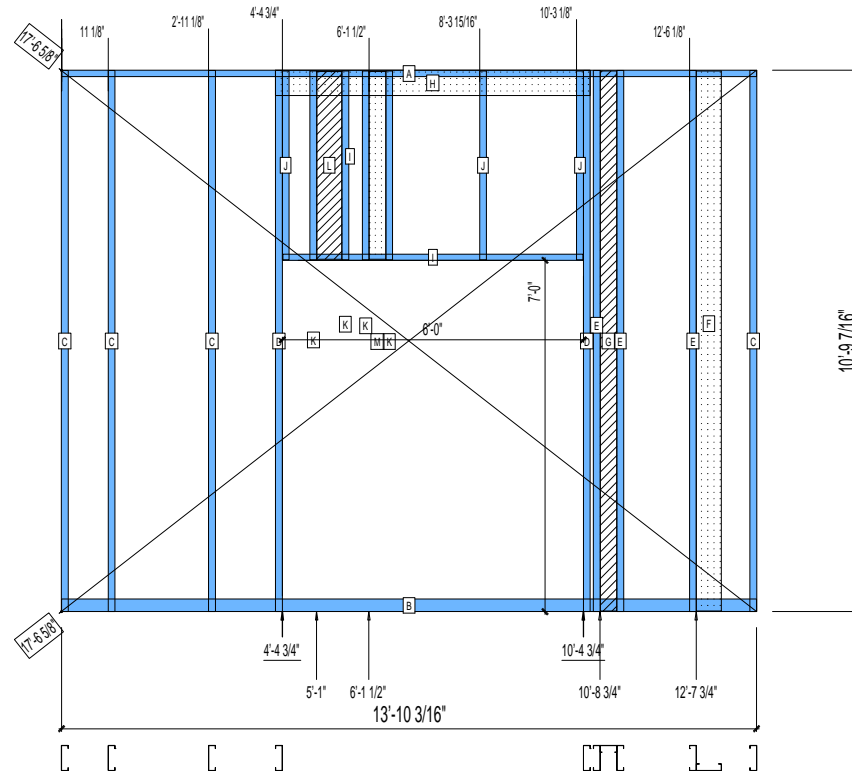
FrameMax, Inc.  
13915 Danielson St  
Suite 100  
Poway, CA 92064  
www.framemax.com



© FrameMax Inc.

HEIGHT : 10'-9 7/16"  
SPACING : 24"  
1st STUD: 24"

WEIGHTS :  
FRAME : 222 lbs  
-----  
TOTAL: 222 lbs



| PIECES LIST |     |            |                           |
|-------------|-----|------------|---------------------------|
| LABEL       | QTY | SIZE       | LENGTH USE                |
| A           | 1   | 600T150-33 | 13'-10 3/16" TOP TRACK    |
| B           | 1   | 600T300-33 | 13'-10 3/16" BOTTOM TRACK |
| C           | 4   | 600S162-33 | 10'-9 3/8" STUD           |
| D           | 2   | 600S162-33 | 10'-9 3/8" KING STUD      |
| E           | 3   | 600S162-33 | 10'-9 3/8" BACKER STUD    |
| F           | 1   | 600S162-33 | 10'-9 1/8" BACKER-U       |
| G           | 1   | 400S162-33 | 10'-9 1/8" BACKER-U       |
| H           | 1   | 600L150-33 | 6'-3 1/4" L-HEADER        |
| I           | 1   | 600T150-33 | 5'-11 3/4" HEAD TRACK     |
| J           | 3   | 600S162-33 | 3'-9 1/8" CRIPPLE         |
| K           | 4   | 600S162-33 | 3'-9 1/8" BACKER STUD     |
| L           | 1   | 600S162-33 | 3'-8 7/8" BACKER-U        |
| M           | 1   | 400S162-33 | 3'-8 7/8" BACKER-U        |

# 11-3203

Jewish Home for the Aging

1885 Victory Blvd. Reseda, CA

FrameMax, Inc.  
13915 Danielson St  
Suite 100  
Poway, CA 92064  
www.frame-max.com



© FrameMax Inc.

CREATED: 09/19/2008

FM-07-109

CREATED BY: AMB

HEIGHT : 10'-9 7/16"

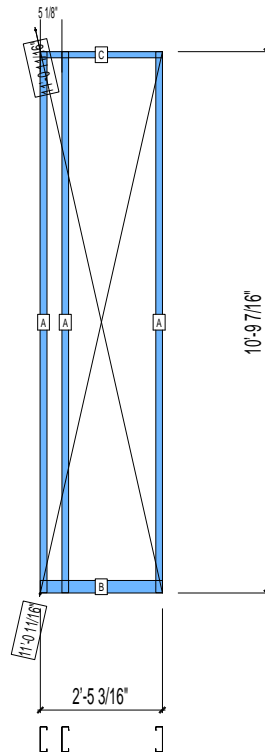
SPACING : 24"

1st STUD: 24"

WEIGHTS :

FRAME : 44 lbs

-----  
TOTAL: 44 lbs



### PIECES LIST

| LABEL | QTY | SIZE       | LENGTH     | USE          |
|-------|-----|------------|------------|--------------|
| A     | 3   | 600S162-33 | 10'-9 3/8" | STUD         |
| B     | 1   | 600T300-33 | 2'-5 3/16" | BOTTOM TRACK |
| C     | 1   | 600T150-33 | 2'-5 3/16" | TOP TRACK    |

# 11-3204

Jewish Home for the Aging

1885 Victory Blvd. Reseda, CA

FrameMax, Inc.  
13915 Danielson St  
Suite 100  
Poway, CA 92064  
www.frame-max.com



© FrameMax Inc.

CREATED: 09/19/2008

FM-07-109

CREATED BY: AMB

HEIGHT : 10'-9 7/16"

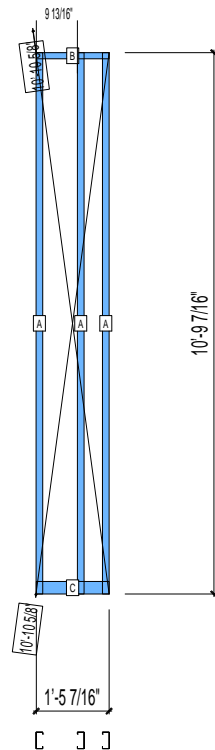
SPACING : 24"

1st STUD: 24"

WEIGHTS :

FRAME : 33 lbs

-----  
TOTAL: 33 lbs



### PIECES LIST

| LABEL | QTY | SIZE       | LENGTH     | USE          |
|-------|-----|------------|------------|--------------|
| A     | 3   | 400S162-33 | 10'-9 3/8" | STUD         |
| B     | 1   | 400T150-33 | 1'-5 7/16" | TOP TRACK    |
| C     | 1   | 400T300-33 | 1'-5 7/16" | BOTTOM TRACK |

# 11-3205

Jewish Home for the Aging

1885 Victory Blvd. Reseda, CA

FM-07-109

CREATED BY: AMB

FrameMax, Inc.  
13915 Danielson St  
Suite 100  
Poway, CA 92064  
www.frame-max.com



© FrameMax Inc.

HEIGHT : 10'-9 7/16"

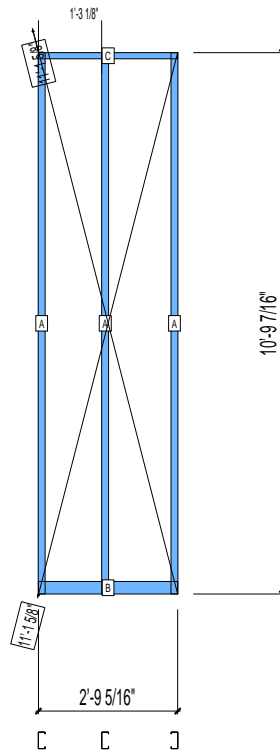
SPACING : 24"

1st STUD: 24"

WEIGHTS :

FRAME : 36 lbs

-----  
TOTAL: 36 lbs



### PIECES LIST

| LABEL | QTY | SIZE       | LENGTH     | USE          |
|-------|-----|------------|------------|--------------|
| A     | 3   | 400S162-33 | 10'-9 3/8" | STUD         |
| B     | 1   | 400T300-33 | 2'-9 5/16" | BOTTOM TRACK |
| C     | 1   | 400T150-33 | 2'-9 5/16" | TOP TRACK    |

# 11-3206

Jewish Home for the Aging

1885 Victory Blvd. Reseda, CA

FM-07-109

CREATED BY: AMB

FrameMax, Inc.  
13915 Danielson St  
Suite 100  
Poway, CA 92064  
www.frame-max.com



© FrameMax Inc.

HEIGHT : 10'-9 7/16" POINTS: 0.52 Points.

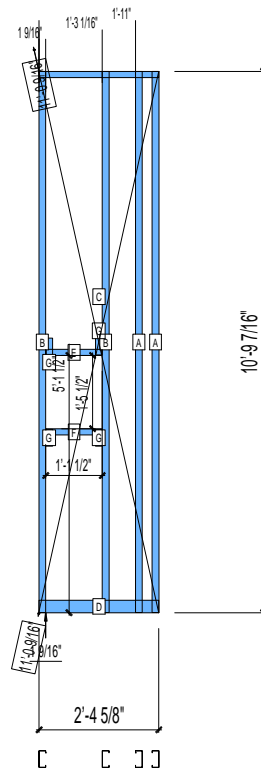
SPACING : 24"

1st STUD: 24"

WEIGHTS :

FRAME : 48 lbs

-----  
TOTAL: 48 lbs



PIECES LIST

| LABEL | QTY | SIZE       | LENGTH     | USE          |
|-------|-----|------------|------------|--------------|
| A     | 2   | 400S162-33 | 10'-9 3/8" | STUD         |
| B     | 2   | 400S162-33 | 10'-9 3/8" | KING STUD    |
| C     | 1   | 400T150-33 | 2'-4 5/8"  | TOP TRACK    |
| D     | 1   | 400T300-33 | 2'-4 5/8"  | BOTTOM TRACK |
| E     | 1   | 400T150-33 | 1'-1 1/4"  | HEAD TRACK   |
| F     | 1   | 400T150-33 | 1'-1 1/4"  | SILL         |
| G     | 4   | 400S162-33 | 4"         | CRIPPLE      |

# 11-3207

Jewish Home for the Aging

1885 Victory Blvd. Reseda, CA

FrameMax, Inc.  
13915 Danielson St  
Suite 100  
Poway, CA 92064  
www.frame-max.com



© FrameMax Inc.

CREATED: 09/19/2008

FM-07-109

CREATED BY: AMB

HEIGHT : 10'-9 7/16"

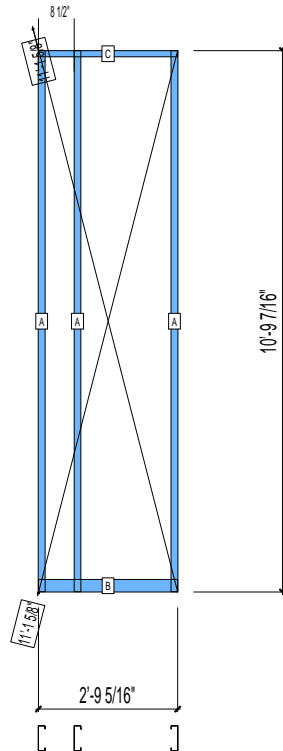
SPACING : 24"

1st STUD: 24"

WEIGHTS :

FRAME : 45 lbs

-----  
TOTAL: 45 lbs



### PIECES LIST

| LABEL | QTY | SIZE       | LENGTH     | USE          |
|-------|-----|------------|------------|--------------|
| A     | 3   | 600S162-33 | 10'-9 3/8" | STUD         |
| B     | 1   | 600T300-33 | 2'-9 5/16" | BOTTOM TRACK |
| C     | 1   | 600T150-33 | 2'-9 5/16" | TOP TRACK    |

# 11-3208

Jewish Home for the Aging

1885 Victory Blvd. Reseda, CA

FrameMax, Inc.  
13915 Danielson St  
Suite 100  
Poway, CA 92064  
www.frame-max.com



© FrameMax Inc.

CREATED: 09/19/2008

FM-07-109

CREATED BY: AMB

HEIGHT : 10'-9 7/16"

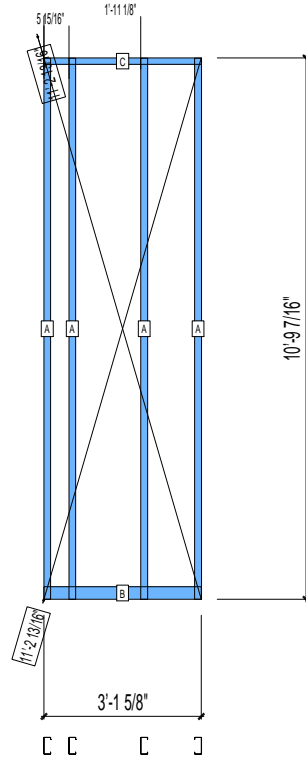
SPACING : 24"

1st STUD: 24"

WEIGHTS :

FRAME : 46 lbs

-----  
TOTAL: 46 lbs



### PIECES LIST

| LABEL | QTY | SIZE       | LENGTH     | USE          |
|-------|-----|------------|------------|--------------|
| A     | 4   | 400S162-33 | 10'-9 3/8" | STUD         |
| B     | 1   | 400T300-33 | 3'-1 5/8"  | BOTTOM TRACK |
| C     | 1   | 400T150-33 | 3'-1 5/8"  | TOP TRACK    |

# 11-3209

Jewish Home for the Aging

1885 Victory Blvd. Reseda, CA

FrameMax, Inc.  
13915 Danielson St  
Suite 100  
Poway, CA 92064  
www.frame-max.com



© FrameMax Inc.

CREATED: 09/19/2008

FM-07-109

CREATED BY: AMB

HEIGHT : 10'-9 7/16"

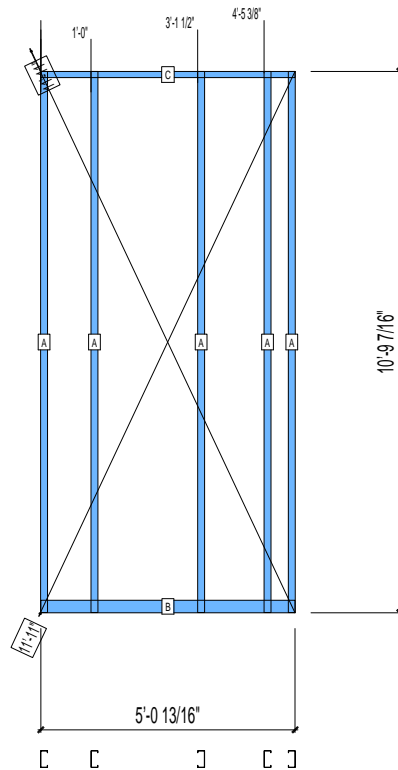
SPACING : 24"

1st STUD: 24"

WEIGHTS :

FRAME : 60 lbs

-----  
TOTAL: 60 lbs



### PIECES LIST

| LABEL | QTY | SIZE       | LENGTH      | USE          |
|-------|-----|------------|-------------|--------------|
| A     | 5   | 400S162-33 | 10'-9 3/8"  | STUD         |
| B     | 1   | 400T300-33 | 5'-0 13/16" | BOTTOM TRACK |
| C     | 1   | 400T150-33 | 5'-0 13/16" | TOP TRACK    |

# 11-3210

Jewish Home for the Aging

1885 Victory Blvd. Reseda, CA

FM-07-109

CREATED BY: AMB

FrameMax, Inc.  
13915 Danielson St  
Suite 100  
Poway, CA 92064  
www.frame-max.com

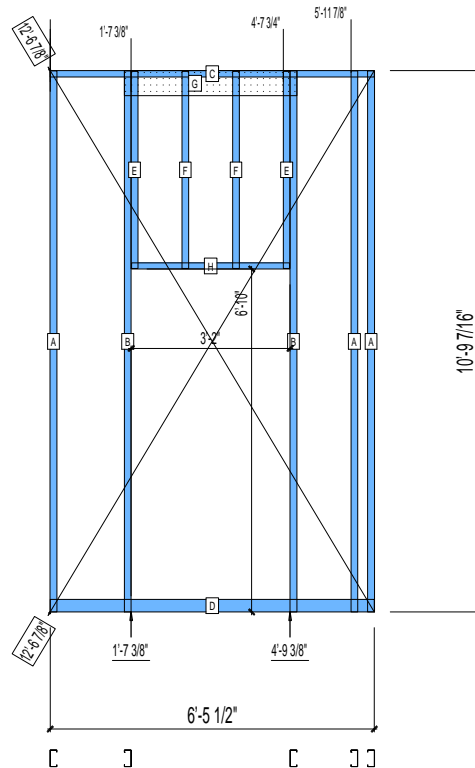


© FrameMax Inc.

HEIGHT : 10'-9 7/16"  
SPACING : 24"  
1st STUD: 24"

WEIGHTS :  
FRAME : 84 lbs

-----  
TOTAL: 84 lbs



PIECES LIST

| LABEL | QTY | SIZE       | LENGTH     | USE          |
|-------|-----|------------|------------|--------------|
| A     | 3   | 400S162-33 | 10'-9 3/8" | STUD         |
| B     | 2   | 400S162-33 | 10'-9 3/8" | KING STUD    |
| C     | 1   | 400T150-33 | 6'-5 1/2"  | TOP TRACK    |
| D     | 1   | 400T300-33 | 6'-5 1/2"  | BOTTOM TRACK |
| E     | 2   | 400S162-33 | 3'-11 1/8" | CRIPPLE      |
| F     | 2   | 400S162-33 | 3'-11 1/8" | KING STUD    |
| G     | 1   | 600L150-33 | 3'-5 1/4"  | L-HEADER     |
| H     | 1   | 400T150-33 | 3'-1 3/4"  | HEAD TRACK   |

# 11-3211

Jewish Home for the Aging

1885 Victory Blvd. Reseda, CA

FrameMax, Inc.  
13915 Danielson St  
Suite 100  
Poway, CA 92064  
www.frame-max.com



© FrameMax Inc.

CREATED: 09/19/2008

FM-07-109

CREATED BY: AMB

HEIGHT : 10'-9 7/16"

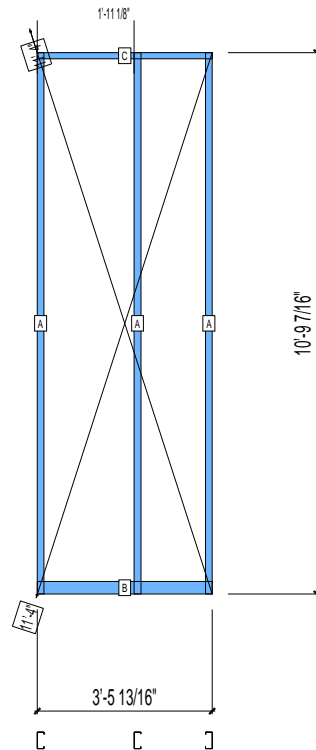
SPACING : 24"

1st STUD: 24"

WEIGHTS :

FRAME : 37 lbs

-----  
TOTAL: 37 lbs



### PIECES LIST

| LABEL | QTY | SIZE       | LENGTH      | USE          |
|-------|-----|------------|-------------|--------------|
| A     | 3   | 400S162-33 | 10'-9 3/8"  | STUD         |
| B     | 1   | 400T300-33 | 3'-5 13/16" | BOTTOM TRACK |
| C     | 1   | 400T150-33 | 3'-5 13/16" | TOP TRACK    |

# 11-3212

Jewish Home for the Aging

1885 Victory Blvd. Reseda, CA

FrameMax, Inc.  
13915 Danielson St  
Suite 100  
Poway, CA 92064  
www.frame-max.com



© FrameMax Inc.

CREATED: 09/19/2008

FM-07-109

CREATED BY: AMB

HEIGHT : 10'-9 7/16"

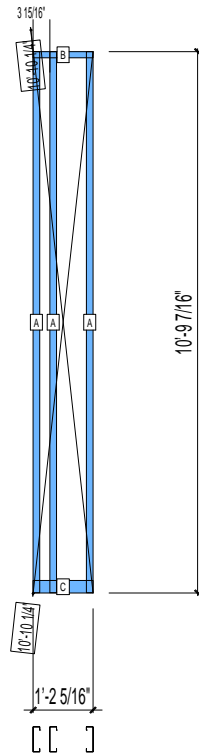
SPACING : 24"

1st STUD: 24"

WEIGHTS :

FRAME : 41 lbs

-----  
TOTAL: 41 lbs



### PIECES LIST

| LABEL | QTY | SIZE       | LENGTH     | USE          |
|-------|-----|------------|------------|--------------|
| A     | 3   | 600S162-33 | 10'-9 3/8" | STUD         |
| B     | 1   | 600T150-33 | 1'-2 5/16" | TOP TRACK    |
| C     | 1   | 600T300-33 | 1'-2 5/16" | BOTTOM TRACK |

# 11-3213

Jewish Home for the Aging

1885 Victory Blvd. Reseda, CA

FrameMax, Inc.  
13915 Danielson St  
Suite 100  
Poway, CA 92064  
www.frame-max.com



© FrameMax Inc.

CREATED: 09/19/2008

FM-07-109

CREATED BY: AMB

HEIGHT : 10'-9 7/16"

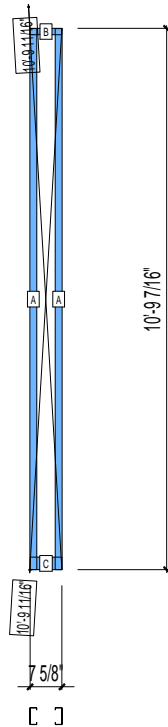
SPACING : 24"

1st STUD: 24"

WEIGHTS :

FRAME : 21 lbs

-----  
TOTAL: 21 lbs



### PIECES LIST

| LABEL | QTY | SIZE       | LENGTH     | USE          |
|-------|-----|------------|------------|--------------|
| A     | 2   | 400S162-33 | 10'-9 3/8" | STUD         |
| B     | 1   | 400T150-33 | 7 5/8"     | TOP TRACK    |
| C     | 1   | 400T300-33 | 7 5/8"     | BOTTOM TRACK |

# 11-3214

Jewish Home for the Aging

1885 Victory Blvd. Reseda, CA

FrameMax, Inc.  
13915 Danielson St  
Suite 100  
Poway, CA 92064  
www.framemax.com



© FrameMax Inc.

CREATED: 09/19/2008

FM-07-109

CREATED BY: AMB

HEIGHT : 10'-9 7/16"

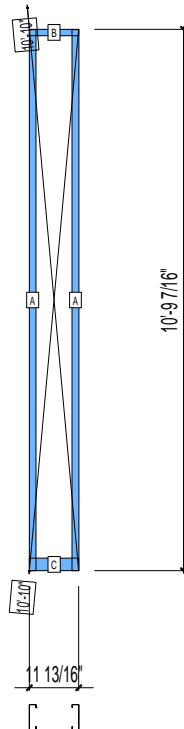
SPACING : 24"

1st STUD: 24"

WEIGHTS :

FRAME : 28 lbs

-----  
TOTAL: 28 lbs



### PIECES LIST

| LABEL | QTY | SIZE       | LENGTH     | USE          |
|-------|-----|------------|------------|--------------|
| A     | 2   | 600S162-33 | 10'-9 3/8" | STUD         |
| B     | 1   | 600T150-33 | 11 13/16"  | TOP TRACK    |
| C     | 1   | 600T300-33 | 11 13/16"  | BOTTOM TRACK |

# 11-3215

Jewish Home for the Aging

1885 Victory Blvd. Reseda, CA

FM-07-109

CREATED BY: AMB

FrameMax, Inc.  
13915 Danielson St  
Suite 100  
Poway, CA 92064  
www.frame-max.com



© FrameMax Inc.

HEIGHT : 10'-9 7/16"

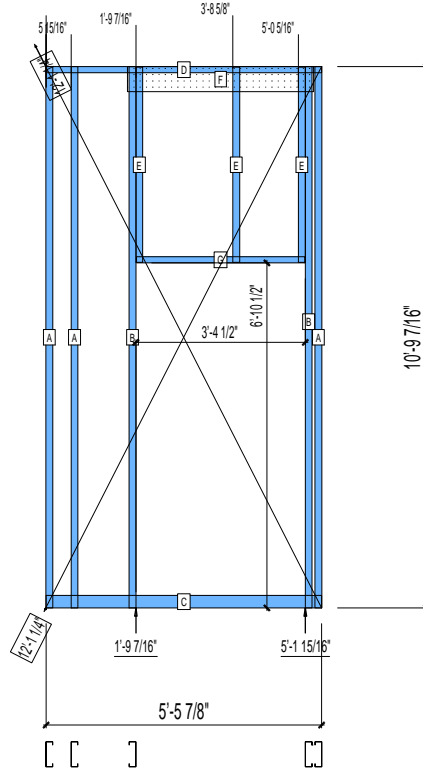
SPACING : 24"

1st STUD: 24"

WEIGHTS :

FRAME : 98 lbs

TOTAL: 98 lbs



PIECES LIST

| LABEL | QTY | SIZE       | LENGTH     | USE          |
|-------|-----|------------|------------|--------------|
| A     | 3   | 600S162-33 | 10'-9 3/8" | STUD         |
| B     | 2   | 600S162-33 | 10'-9 3/8" | KING STUD    |
| C     | 1   | 600T300-33 | 5'-5 7/8"  | BOTTOM TRACK |
| D     | 1   | 600T150-33 | 5'-5 7/8"  | TOP TRACK    |
| E     | 3   | 600S162-33 | 3'-10 5/8" | CRIPPLE      |
| F     | 1   | 600L150-33 | 3'-8 1/2"  | L-HEADER     |
| G     | 1   | 600T150-33 | 3'-4 1/4"  | HEAD TRACK   |

# 11-3216

Jewish Home for the Aging

1885 Victory Blvd. Reseda, CA

FrameMax, Inc.  
13915 Danielson St  
Suite 100  
Poway, CA 92064  
www.frame-max.com



© FrameMax Inc.

CREATED: 09/19/2008

FM-07-109

CREATED BY: AMB

HEIGHT : 10'-9 7/16" POINTS: 0.53 Points.

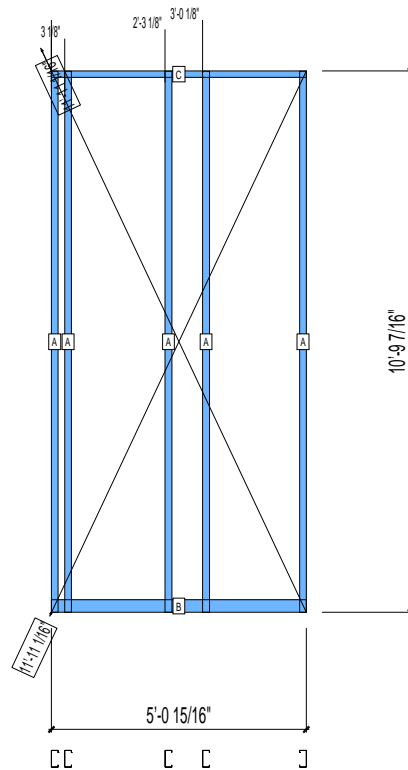
SPACING : 24"

1st STUD: 24"

WEIGHTS :

FRAME : 60 lbs

-----  
TOTAL: 60 lbs



### PIECES LIST

| LABEL | QTY | SIZE       | LENGTH      | USE          |
|-------|-----|------------|-------------|--------------|
| A     | 5   | 400S162-33 | 10'-9 3/8"  | STUD         |
| B     | 1   | 400T300-33 | 5'-0 15/16" | BOTTOM TRACK |
| C     | 1   | 400T150-33 | 5'-0 15/16" | TOP TRACK    |

# 11-3217

Jewish Home for the Aging

1885 Victory Blvd. Reseda, CA

FrameMax, Inc.  
13915 Danielson St  
Suite 100  
Poway, CA 92064  
www.frame-max.com



© FrameMax Inc.

CREATED: 09/19/2008

FM-07-109

CREATED BY: AMB

HEIGHT : 10'-9 7/16" POINTS: 1.13 Points.

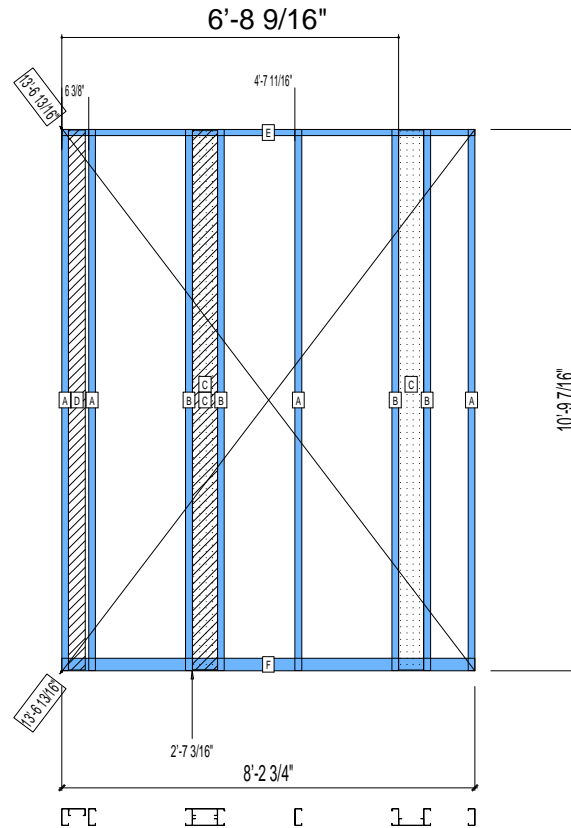
SPACING : 24"

1st STUD: 24"

WEIGHTS :

FRAME : 145 lbs

TOTAL: 145 lbs



PIECES LIST

| LABEL | QTY | SIZE       | LENGTH      | USE          |
|-------|-----|------------|-------------|--------------|
| A     | 4   | 400S162-33 | 10'-9 3/8"  | STUD         |
| B     | 4   | 400S162-33 | 10'-9 3/8"  | BACKER STUD  |
| C     | 3   | 600S162-33 | 10'-9 1/8"  | BACKER-U     |
| D     | 1   | 400S162-33 | 10'-9 1/16" | BACKER-U     |
| E     | 1   | 400T150-33 | 8'-2 3/4"   | TOP TRACK    |
| F     | 1   | 400T300-33 | 8'-2 3/4"   | BOTTOM TRACK |

# 11-3218

Jewish Home for the Aging

1885 Victory Blvd. Reseda, CA

FM-07-109

CREATED BY: AMB

FrameMax, Inc.  
13915 Danielson St  
Suite 100  
Poway, CA 92064  
www.frame-max.com



© FrameMax Inc.

HEIGHT : 10'-9 7/16"

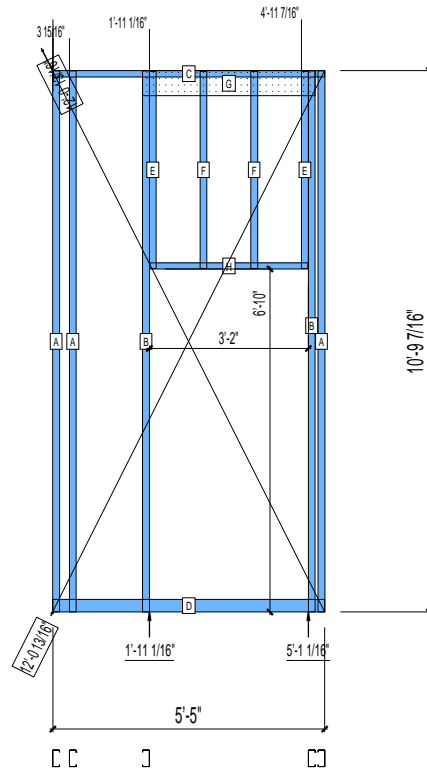
SPACING : 24"

1st STUD: 24"

WEIGHTS :

FRAME : 82 lbs

TOTAL: 82 lbs



PIECES LIST

| LABEL | QTY | SIZE       | LENGTH     | USE          |
|-------|-----|------------|------------|--------------|
| A     | 3   | 400S162-33 | 10'-9 3/8" | STUD         |
| B     | 2   | 400S162-33 | 10'-9 3/8" | KING STUD    |
| C     | 1   | 400T150-33 | 5'-5"      | TOP TRACK    |
| D     | 1   | 400T300-33 | 5'-5"      | BOTTOM TRACK |
| E     | 2   | 400S162-33 | 3'-11 1/8" | CRIPPLE      |
| F     | 2   | 400S162-33 | 3'-11 1/8" | KING STUD    |
| G     | 1   | 600L150-33 | 3'-5 1/4"  | L-HEADER     |
| H     | 1   | 400T150-33 | 3'-1 3/4"  | HEAD TRACK   |

# 11-3219

Jewish Home for the Aging

1885 Victory Blvd. Reseda, CA

FM-07-109

CREATED BY: AMB

FrameMax, Inc.  
13915 Danielson St  
Suite 100  
Poway, CA 92064  
www.framemax.com



© FrameMax Inc.

HEIGHT : 10'-9 7/16"

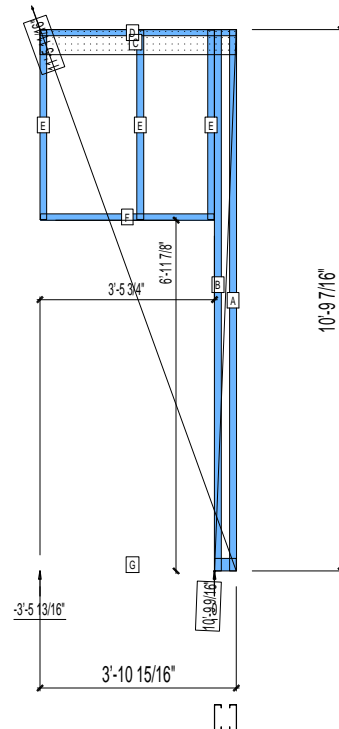
SPACING : 24"

1st STUD: 24"

WEIGHTS :

FRAME : 51 lbs

-----  
TOTAL: 51 lbs



### PIECES LIST

| LABEL | QTY | SIZE       | LENGTH       | USE          |
|-------|-----|------------|--------------|--------------|
| A     | 1   | 600S162-33 | 10'-9 3/8"   | STUD         |
| B     | 1   | 600S162-33 | 10'-9 3/8"   | KING STUD    |
| C     | 1   | 600L150-33 | 3'-11"       | L-HEADER     |
| D     | 1   | 600T150-33 | 3'-10 15/16" | TOP TRACK    |
| E     | 3   | 600S162-33 | 3'-9 1/4"    | CRIPPLE      |
| F     | 1   | 600T150-33 | 3'-5 1/2"    | HEAD TRACK   |
| G     | 1   | 600T300-33 | 5 3/16"      | BOTTOM TRACK |

# 11-3220

Jewish Home for the Aging

1885 Victory Blvd. Reseda, CA

FrameMax, Inc.  
13915 Danielson St  
Suite 100  
Poway, CA 92064  
www.frame-max.com



© FrameMax Inc.

CREATED: 09/19/2008

FM-07-109

CREATED BY: AMB

HEIGHT : 10'-9 7/16"

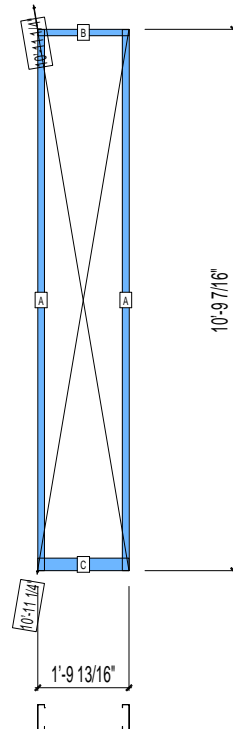
SPACING : 24"

1st STUD: 24"

WEIGHTS :

FRAME : 30 lbs

-----  
TOTAL: 30 lbs



### PIECES LIST

| LABEL | QTY | SIZE       | LENGTH      | USE          |
|-------|-----|------------|-------------|--------------|
| A     | 2   | 600S162-33 | 10'-9 3/8"  | STUD         |
| B     | 1   | 600T150-33 | 1'-9 13/16" | TOP TRACK    |
| C     | 1   | 600T300-33 | 1'-9 13/16" | BOTTOM TRACK |

# 11-3221

Jewish Home for the Aging

1885 Victory Blvd. Reseda, CA

FM-07-109

CREATED BY: AMB

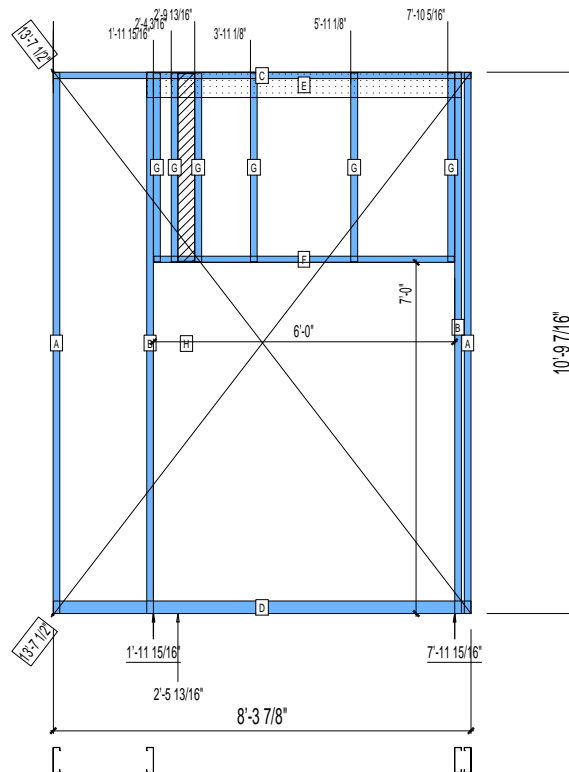
FrameMax, Inc.  
13915 Danielson St  
Suite 100  
Poway, CA 92064  
www.frame-max.com



© FrameMax Inc.

HEIGHT : 10'-9 7/16"  
SPACING : 24"  
1st STUD: 24"

WEIGHTS :  
FRAME : 114 lbs  
-----  
TOTAL: 114 lbs



PIECES LIST

| LABEL | QTY | SIZE       | LENGTH     | USE          |
|-------|-----|------------|------------|--------------|
| A     | 2   | 600S162-33 | 10'-9 3/8" | STUD         |
| B     | 2   | 600S162-33 | 10'-9 3/8" | KING STUD    |
| C     | 1   | 600T150-33 | 8'-3 7/8"  | TOP TRACK    |
| D     | 1   | 600T300-33 | 8'-3 7/8"  | BOTTOM TRACK |
| E     | 1   | 600L150-33 | 6'-3 1/4"  | L-HEADER     |
| F     | 1   | 600T150-33 | 5'-11 3/4" | HEAD TRACK   |
| G     | 6   | 600S162-33 | 3'-9 1/8"  | CRIPPLE      |
| H     | 1   | 400S162-33 | 3'-8 7/8"  | BACKER-U     |

# 11-3222

Jewish Home for the Aging

1885 Victory Blvd. Reseda, CA

FrameMax, Inc.  
13915 Danielson St  
Suite 100  
Poway, CA 92064  
www.frame-max.com



© FrameMax Inc.

CREATED: 09/19/2008

FM-07-109

CREATED BY: AMB

HEIGHT : 10'-9 7/16"

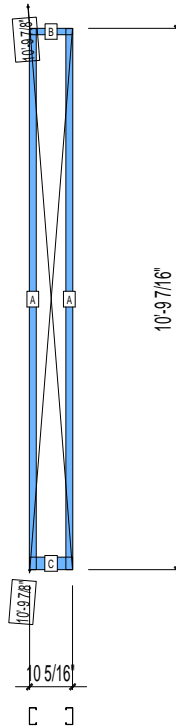
SPACING : 24"

1st STUD: 24"

WEIGHTS :

FRAME : 22 lbs

-----  
TOTAL: 22 lbs



### PIECES LIST

| LABEL | QTY | SIZE       | LENGTH     | USE          |
|-------|-----|------------|------------|--------------|
| A     | 2   | 400S162-33 | 10'-9 3/8" | STUD         |
| B     | 1   | 400T150-33 | 10 5/16"   | TOP TRACK    |
| C     | 1   | 400T300-33 | 10 5/16"   | BOTTOM TRACK |

# 11-3223

Jewish Home for the Aging

1885 Victory Blvd. Reseda, CA

FrameMax, Inc.  
13915 Danielson St  
Suite 100  
Poway, CA 92064  
www.frame-max.com



© FrameMax Inc.

CREATED: 09/19/2008

FM-07-109

CREATED BY: AMB

HEIGHT : 10'-9 7/16"

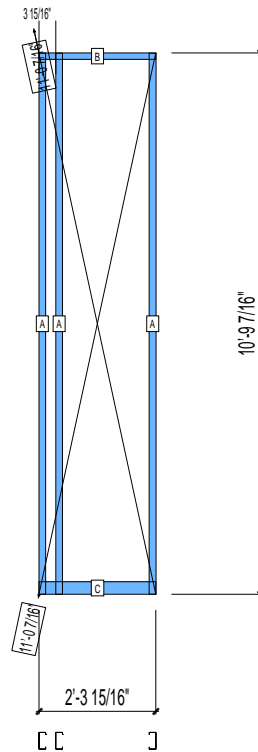
SPACING : 24"

1st STUD: 24"

WEIGHTS :

FRAME : 35 lbs

-----  
TOTAL: 35 lbs



### PIECES LIST

| LABEL | QTY | SIZE       | LENGTH      | USE          |
|-------|-----|------------|-------------|--------------|
| A     | 3   | 400S162-33 | 10'-9 3/8"  | STUD         |
| B     | 1   | 400T150-33 | 2'-3 15/16" | TOP TRACK    |
| C     | 1   | 400T300-33 | 2'-3 15/16" | BOTTOM TRACK |

# 11-3224

Jewish Home for the Aging

1885 Victory Blvd. Reseda, CA

FrameMax, Inc.  
13915 Danielson St  
Suite 100  
Poway, CA 92064  
www.frame-max.com



© FrameMax Inc.

CREATED: 09/19/2008

FM-07-109

CREATED BY: AMB

HEIGHT : 2'-11 1/2"    POINTS: 0.35 Points.

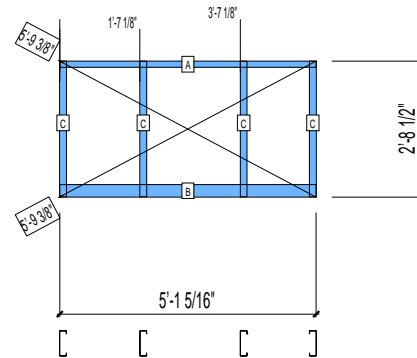
SPACING : 24"

1st STUD: 24"

WEIGHTS :

FRAME : 25 lbs

-----  
TOTAL: 25 lbs



### PIECES LIST

| LABEL | QTY | SIZE       | LENGTH     | USE          |
|-------|-----|------------|------------|--------------|
| A     | 1   | 600T150-33 | 5'-1 5/16" | TOP TRACK    |
| B     | 1   | 600T300-33 | 5'-1 5/16" | BOTTOM TRACK |
| C     | 4   | 600S162-33 | 2'-8 7/16" | STUD         |

# 11-3225

Jewish Home for the Aging

1885 Victory Blvd. Reseda, CA

FM-07-109

CREATED BY: AMB

FrameMax, Inc.  
13915 Danielson St  
Suite 100  
Poway, CA 92064  
www.frame-max.com



© FrameMax Inc.

HEIGHT : 2'-11 1/2"    POINTS: 0.22 Points.

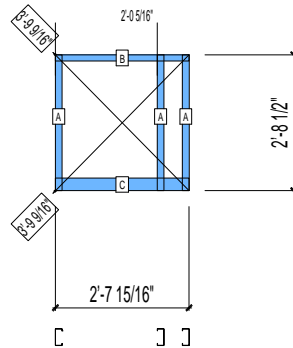
SPACING : 24"

1st STUD: 24"

WEIGHTS :

FRAME : 13 lbs

-----  
TOTAL: 13 lbs



### PIECES LIST

| LABEL | QTY | SIZE       | LENGTH      | USE          |
|-------|-----|------------|-------------|--------------|
| A     | 3   | 400S162-33 | 2'-8 7/16"  | STUD         |
| B     | 1   | 400T150-33 | 2'-7 15/16" | TOP TRACK    |
| C     | 1   | 400T300-33 | 2'-7 15/16" | BOTTOM TRACK |

# 11-3226

Jewish Home for the Aging

1885 Victory Blvd. Reseda, CA

FM-07-109

CREATED BY: AMB

FrameMax, Inc.  
13915 Danielson St  
Suite 100  
Poway, CA 92064  
www.frame-max.com



© FrameMax Inc.

HEIGHT : 10'-9 7/16" POINTS: 0.93 Points.

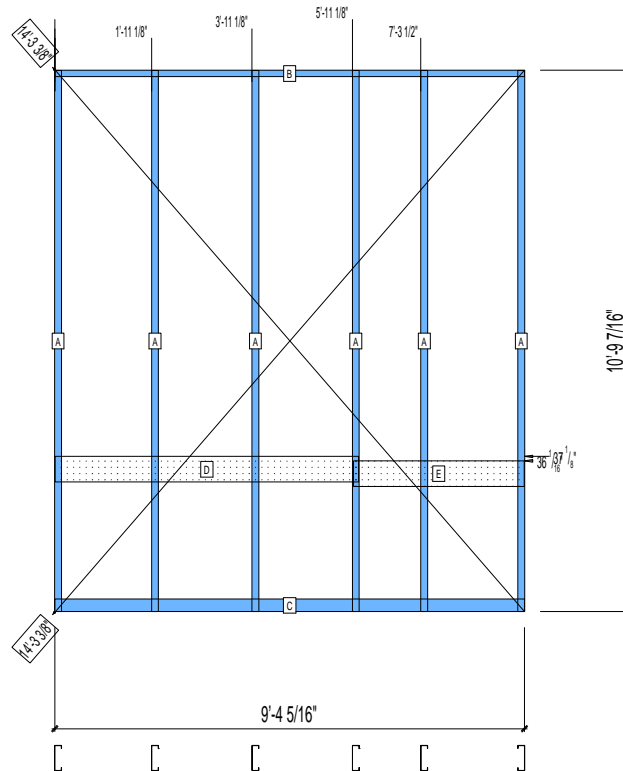
SPACING : 24"

1st STUD: 24"

WEIGHTS :

FRAME : 115 lbs

-----  
TOTAL: 115 lbs



PIECES LIST

| LABEL | QTY | SIZE       | LENGTH      | USE            |
|-------|-----|------------|-------------|----------------|
| A     | 6   | 600S162-33 | 10'-9 3/8"  | STUD           |
| B     | 1   | 600T150-33 | 9'-4 5/16"  | TOP TRACK      |
| C     | 1   | 600T300-33 | 9'-4 5/16"  | BOTTOM TRACK   |
| D     | 1   | 600T150-54 | 6'-0 9/16"  | VANITY BACKING |
| E     | 1   | 600T150-54 | 3'-4 13/16" | GRAB BAR       |

# 11-3251

Jewish Home for the Aging

1885 Victory Blvd. Reseda, CA

FrameMax, Inc.  
13915 Danielson St  
Suite 100  
Poway, CA 92064  
www.frame-max.com



© FrameMax Inc.

CREATED: 09/19/2008

FM-07-109

CREATED BY: AMB

HEIGHT : 10'-9 7/16"

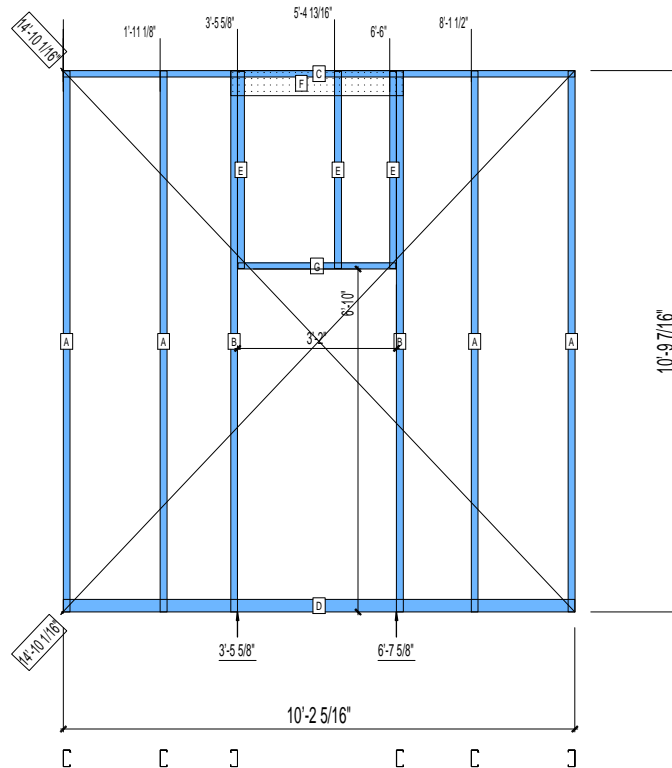
SPACING : 24"

1st STUD: 24"

WEIGHTS :

FRAME : 27 lbs

-----  
TOTAL: 27 lbs



PIECES LIST

| LABEL | QTY | SIZE       | LENGTH      | USE          |
|-------|-----|------------|-------------|--------------|
| A     | 4   | 400S162-33 | 10'-9 3/8"  | STUD         |
| B     | 2   | 400S162-33 | 10'-9 3/8"  | KING STUD    |
| C     | 1   | 400T150-33 | 10'-2 5/16" | TOP TRACK    |
| D     | 1   | 400T300-33 | 10'-2 5/16" | BOTTOM TRACK |
| E     | 3   | 400S162-33 | 3'-11 1/8"  | CRIPPLE      |
| F     | 1   | 600L150-33 | 3'-5 1/4"   | L-HEADER     |
| G     | 1   | 400T150-33 | 3'-1 3/4"   | HEAD TRACK   |

# 11-3252

Jewish Home for the Aging

1885 Victory Blvd. Reseda, CA

FM-07-109

CREATED BY: AMB

FrameMax, Inc.  
13915 Danielson St  
Suite 100  
Poway, CA 92064  
www.frame-max.com

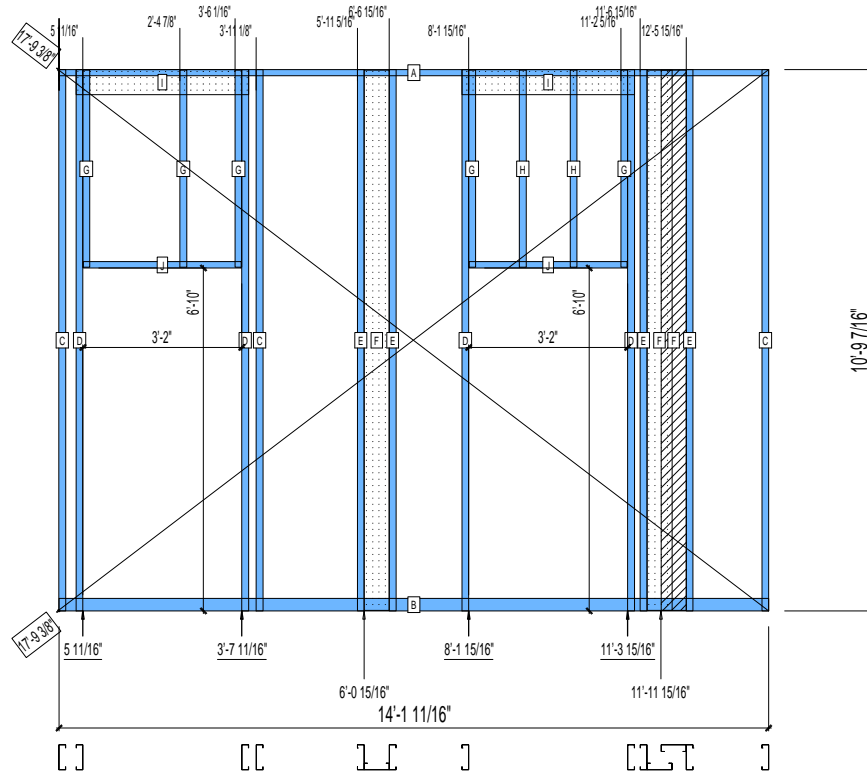


© FrameMax Inc.

HEIGHT : 10'-9 7/16"  
SPACING : 24"  
1st STUD: 24"

WEIGHTS :  
FRAME : 56 lbs

-----  
TOTAL: 56 lbs



| PIECES LIST |     |            |                           |
|-------------|-----|------------|---------------------------|
| LABEL       | QTY | SIZE       | LENGTH USE                |
| A           | 1   | 600T150-33 | 14'-1 11/16" TOP TRACK    |
| B           | 1   | 600T300-33 | 14'-1 11/16" BOTTOM TRACK |
| C           | 3   | 600S162-33 | 10'-9 3/8" STUD           |
| D           | 4   | 600S162-33 | 10'-9 3/8" KING STUD      |
| E           | 4   | 600S162-33 | 10'-9 3/8" BACKER STUD    |
| F           | 3   | 600S162-33 | 10'-9 1/8" BACKER-U       |
| G           | 5   | 600S162-33 | 3'-11 1/8" CRIPPLE        |
| H           | 2   | 400S162-33 | 3'-11 1/8" KING STUD      |
| I           | 2   | 600L150-33 | 3'-5 1/4" L-HEADER        |
| J           | 2   | 600T150-33 | 3'-1 3/4" HEAD TRACK      |

# 11-3253

Jewish Home for the Aging

1885 Victory Blvd. Reseda, CA

FrameMax, Inc.  
13915 Danielson St  
Suite 100  
Poway, CA 92064  
www.frame-max.com



© FrameMax Inc.

CREATED: 09/19/2008

FM-07-109

CREATED BY: AMB

HEIGHT : 10'-9 7/16" POINTS: 0.62 Points.

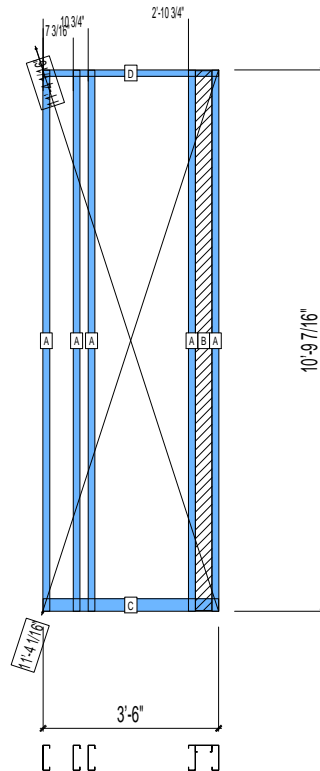
SPACING : 24"

1st STUD: 24"

WEIGHTS :

FRAME : 82 lbs

-----  
TOTAL: 82 lbs



### PIECES LIST

| LABEL | QTY | SIZE       | LENGTH      | USE          |
|-------|-----|------------|-------------|--------------|
| A     | 5   | 600S162-33 | 10'-9 3/8"  | STUD         |
| B     | 1   | 400S162-33 | 10'-9 1/16" | BACKER-U     |
| C     | 1   | 600T300-33 | 3'-6"       | BOTTOM TRACK |
| D     | 1   | 600T150-33 | 3'-6"       | TOP TRACK    |

# 11-3254

Jewish Home for the Aging

1885 Victory Blvd. Reseda, CA

FrameMax, Inc.  
13915 Danielson St  
Suite 100  
Poway, CA 92064  
www.frame-max.com



© FrameMax Inc.

CREATED: 09/19/2008

FM-07-109

CREATED BY: AMB

HEIGHT : 10'-9 7/16"

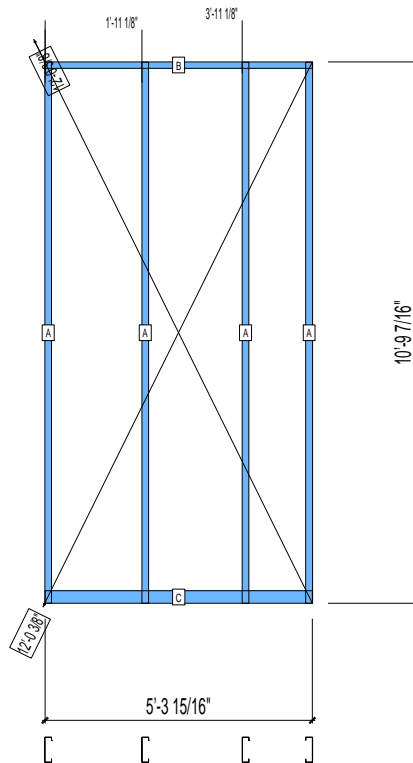
SPACING : 24"

1st STUD: 24"

WEIGHTS :

FRAME : 64 lbs

-----  
TOTAL: 64 lbs



### PIECES LIST

| LABEL | QTY | SIZE       | LENGTH      | USE          |
|-------|-----|------------|-------------|--------------|
| A     | 4   | 600S162-33 | 10'-9 3/8"  | STUD         |
| B     | 1   | 600T150-33 | 5'-3 15/16" | TOP TRACK    |
| C     | 1   | 600T300-33 | 5'-3 15/16" | BOTTOM TRACK |

# 11-3255

Jewish Home for the Aging

1885 Victory Blvd. Reseda, CA

FM-07-109

CREATED BY: AMB

FrameMax, Inc.  
13915 Danielson St  
Suite 100  
Poway, CA 92064  
www.frame-max.com



© FrameMax Inc.

HEIGHT : 10'-9 7/16" POINTS: 1.18 Points.

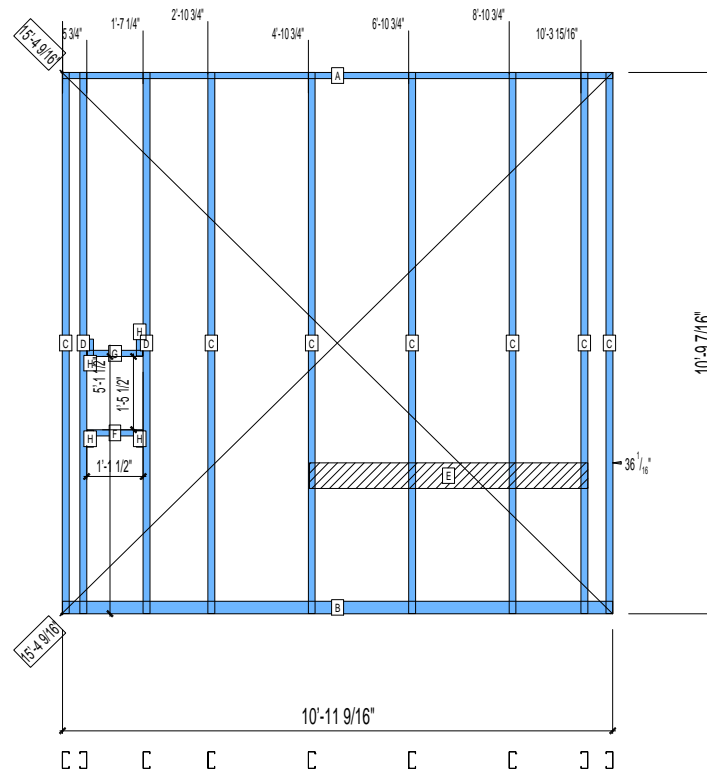
SPACING : 24"

1st STUD: 11 5/8"

WEIGHTS :

FRAME : 125 lbs

TOTAL: 125 lbs



PIECES LIST

| LABEL | QTY | SIZE       | LENGTH       | USE          |
|-------|-----|------------|--------------|--------------|
| A     | 1   | 400T150-33 | 10'-11 9/16" | TOP TRACK    |
| B     | 1   | 400T300-33 | 10'-11 9/16" | BOTTOM TRACK |
| C     | 7   | 400S162-33 | 10'-9 3/8"   | STUD         |
| D     | 2   | 400S162-33 | 10'-9 3/8"   | KING STUD    |
| E     | 1   | 600T150-54 | 5'-6 9/16"   | GRAB BAR     |
| F     | 1   | 400T150-33 | 1'-1 1/4"    | SILL         |
| G     | 1   | 400T150-33 | 1'-1 1/4"    | HEAD TRACK   |
| H     | 4   | 400S162-33 | 4"           | CRIPPLE      |

# 11-3256

Jewish Home for the Aging

1885 Victory Blvd. Reseda, CA

FM-07-109

CREATED BY: AMB

FrameMax, Inc.  
13915 Danielson St  
Suite 100  
Poway, CA 92064  
www.framemax.com



© FrameMax Inc.

HEIGHT : 10'-9 7/16" POINTS: 1.29 Points.

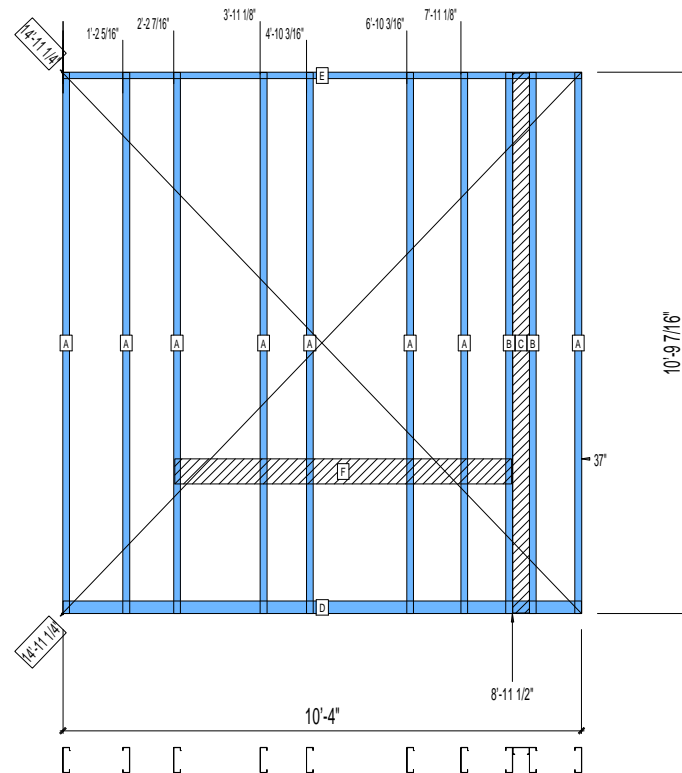
SPACING : 24"

1st STUD: 24"

WEIGHTS :

FRAME : 170 lbs

TOTAL: 170 lbs



PIECES LIST

| LABEL | QTY | SIZE       | LENGTH     | USE            |
|-------|-----|------------|------------|----------------|
| A     | 8   | 600S162-33 | 10'-9 3/8" | STUD           |
| B     | 2   | 600S162-33 | 10'-9 3/8" | BACKER STUD    |
| C     | 1   | 400S162-33 | 10'-9 1/8" | BACKER-U       |
| D     | 1   | 600T300-33 | 10'-4"     | BOTTOM TRACK   |
| E     | 1   | 600T150-33 | 10'-4"     | TOP TRACK      |
| F     | 1   | 600D-54    | 6'-8 9/16" | VANITY BACKING |

# 11-3257

Jewish Home for the Aging

1885 Victory Blvd. Reseda, CA

FM-07-109

CREATED BY: AMB

FrameMax, Inc.  
13915 Danielson St  
Suite 100  
Poway, CA 92064  
www.frame-max.com



© FrameMax Inc.

HEIGHT : 10'-9 7/16"

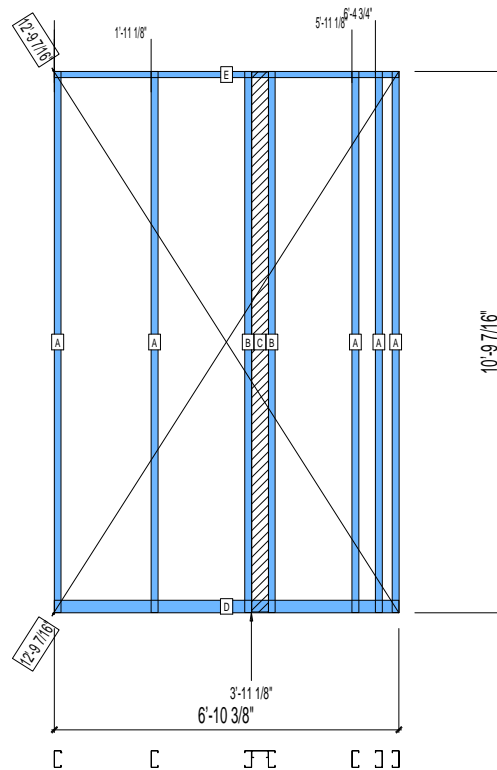
SPACING : 24"

1st STUD: 24"

WEIGHTS :

FRAME : 94 lbs

-----  
TOTAL: 94 lbs



### PIECES LIST

| LABEL | QTY | SIZE       | LENGTH     | USE          |
|-------|-----|------------|------------|--------------|
| A     | 5   | 400S162-33 | 10'-9 3/8" | STUD         |
| B     | 2   | 400S162-33 | 10'-9 3/8" | BACKER STUD  |
| C     | 1   | 400S162-33 | 10'-9 1/8" | BACKER-U     |
| D     | 1   | 400T300-33 | 6'-10 3/8" | BOTTOM TRACK |
| E     | 1   | 400T150-33 | 6'-10 3/8" | TOP TRACK    |

# 11-3258

Jewish Home for the Aging

1885 Victory Blvd. Reseda, CA

FrameMax, Inc.  
13915 Danielson St  
Suite 100  
Poway, CA 92064  
www.frame-max.com



© FrameMax Inc.

CREATED: 09/19/2008

FM-07-109

CREATED BY: AMB

HEIGHT : 10'-9 7/16"

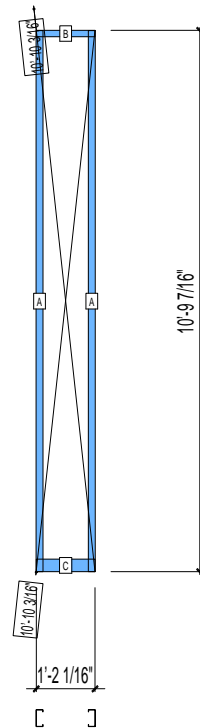
SPACING : 24"

1st STUD: 24"

WEIGHTS :

FRAME : 22 lbs

-----  
TOTAL: 22 lbs



### PIECES LIST

| LABEL | QTY | SIZE       | LENGTH     | USE          |
|-------|-----|------------|------------|--------------|
| A     | 2   | 400S162-33 | 10'-9 3/8" | STUD         |
| B     | 1   | 400T150-33 | 1'-2 1/16" | TOP TRACK    |
| C     | 1   | 400T300-33 | 1'-2 1/16" | BOTTOM TRACK |

# 11-3259

Jewish Home for the Aging

1885 Victory Blvd. Reseda, CA

FM-07-109

CREATED BY: AMB

FrameMax, Inc.  
13915 Danielson St  
Suite 100  
Poway, CA 92064  
www.frame-max.com



© FrameMax Inc.

HEIGHT : 10'-9 7/16"

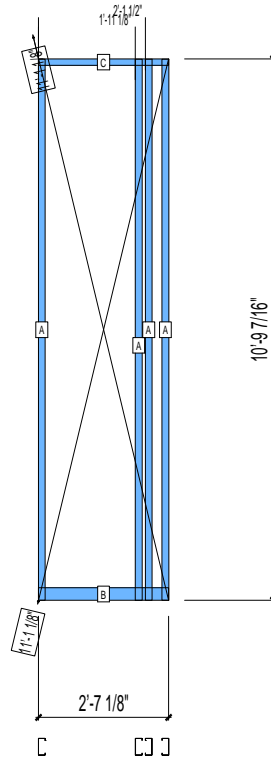
SPACING : 24"

1st STUD: 24"

WEIGHTS :

FRAME : 45 lbs

-----  
TOTAL: 45 lbs



### PIECES LIST

| LABEL | QTY | SIZE       | LENGTH     | USE          |
|-------|-----|------------|------------|--------------|
| A     | 4   | 400S162-33 | 10'-9 3/8" | STUD         |
| B     | 1   | 400T300-33 | 2'-7 1/8"  | BOTTOM TRACK |
| C     | 1   | 400T150-33 | 2'-7 1/8"  | TOP TRACK    |

# 11-3260

Jewish Home for the Aging

1885 Victory Blvd. Reseda, CA

FM-07-109

CREATED BY: AMB

FrameMax, Inc.  
13915 Danielson St  
Suite 100  
Poway, CA 92064  
www.framemax.com

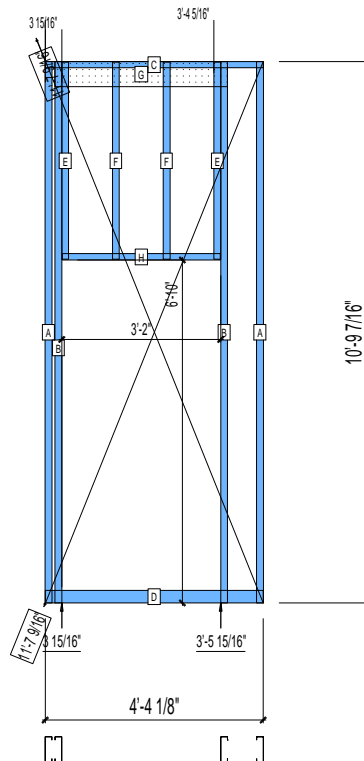


© FrameMax Inc.

HEIGHT : 10'-9 7/16"  
SPACING : 24"  
1st STUD: 24"

WEIGHTS :  
FRAME : 25 lbs

-----  
TOTAL: 25 lbs



PIECES LIST

| LABEL | QTY | SIZE       | LENGTH     | USE          |
|-------|-----|------------|------------|--------------|
| A     | 2   | 600S162-33 | 10'-9 3/8" | STUD         |
| B     | 2   | 600S162-33 | 10'-9 3/8" | KING STUD    |
| C     | 1   | 600T150-33 | 4'-4 1/8"  | TOP TRACK    |
| D     | 1   | 600T300-33 | 4'-4 1/8"  | BOTTOM TRACK |
| E     | 2   | 600S162-33 | 3'-11 1/8" | CRIPPLE      |
| F     | 2   | 400S162-33 | 3'-11 1/8" | KING STUD    |
| G     | 1   | 600L150-33 | 3'-5 1/4"  | L-HEADER     |
| H     | 1   | 600T150-33 | 3'-1 3/4"  | HEAD TRACK   |

# 11-3261

Jewish Home for the Aging

1885 Victory Blvd. Reseda, CA

FrameMax, Inc.  
13915 Danielson St  
Suite 100  
Poway, CA 92064  
www.frame-max.com



© FrameMax Inc.

CREATED: 09/19/2008

FM-07-109

CREATED BY: AMB

HEIGHT : 10'-9 7/16"

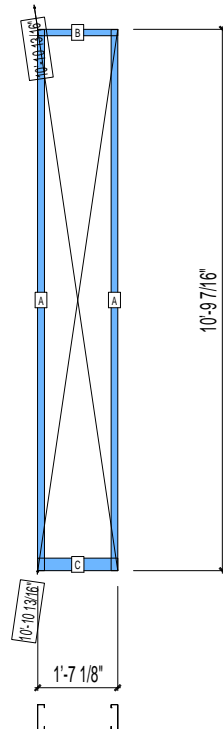
SPACING : 24"

1st STUD: 24"

WEIGHTS :

FRAME : 29 lbs

-----  
TOTAL: 29 lbs



### PIECES LIST

| LABEL | QTY | SIZE       | LENGTH     | USE          |
|-------|-----|------------|------------|--------------|
| A     | 2   | 600S162-33 | 10'-9 3/8" | STUD         |
| B     | 1   | 600T150-33 | 1'-7 1/8"  | TOP TRACK    |
| C     | 1   | 600T300-33 | 1'-7 1/8"  | BOTTOM TRACK |

# 11-3262

Jewish Home for the Aging

1885 Victory Blvd. Reseda, CA

FrameMax, Inc.  
13915 Danielson St  
Suite 100  
Poway, CA 92064  
www.frame-max.com



© FrameMax Inc.

CREATED: 09/19/2008

FM-07-109

CREATED BY: AMB

HEIGHT : 10'-9 7/16"

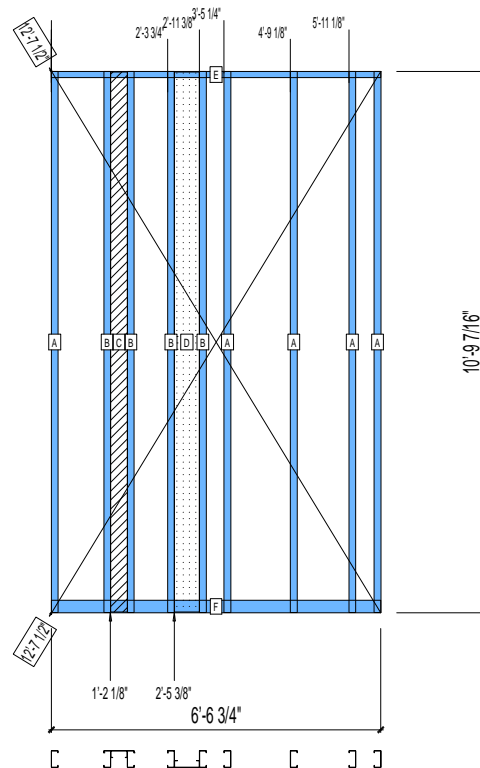
SPACING : 24"

1st STUD: 24"

WEIGHTS :

FRAME : 126 lbs

TOTAL: 126 lbs



PIECES LIST

| LABEL | QTY | SIZE       | LENGTH     | USE          |
|-------|-----|------------|------------|--------------|
| A     | 5   | 400S162-33 | 10'-9 3/8" | STUD         |
| B     | 4   | 400S162-33 | 10'-9 3/8" | BACKER STUD  |
| C     | 1   | 400S162-33 | 10'-9 1/8" | BACKER-U     |
| D     | 1   | 600S162-33 | 10'-9 1/8" | BACKER-U     |
| E     | 1   | 400T150-33 | 6'-6 3/4"  | TOP TRACK    |
| F     | 1   | 400T300-33 | 6'-6 3/4"  | BOTTOM TRACK |

# 11-3263

Jewish Home for the Aging

1885 Victory Blvd. Reseda, CA

FM-07-109

CREATED BY: AMB

FrameMax, Inc.  
13915 Danielson St  
Suite 100  
Poway, CA 92064  
www.frame-max.com



© FrameMax Inc.

HEIGHT : 10'-9 7/16" POINTS: 1.24 Points.

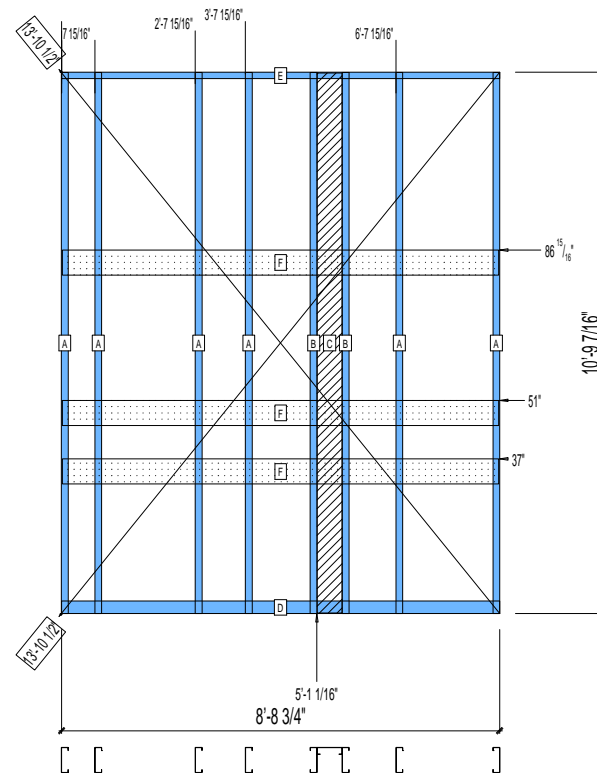
SPACING : 24"

1st STUD: 24"

WEIGHTS :

FRAME : 167 lbs

TOTAL: 167 lbs



PIECES LIST

| LABEL | QTY | SIZE       | LENGTH     | USE             |
|-------|-----|------------|------------|-----------------|
| A     | 6   | 600S162-33 | 10'-9 3/8" | STUD            |
| B     | 2   | 600S162-33 | 10'-9 3/8" | BACKER STUD     |
| C     | 1   | 600S162-33 | 10'-9 1/8" | BACKER-U        |
| D     | 1   | 600T300-33 | 8'-8 3/4"  | BOTTOM TRACK    |
| E     | 1   | 600T150-33 | 8'-8 3/4"  | TOP TRACK       |
| F     | 3   | 600D-54    | 8'-8 5/16" | KITCHEN BACKING |

# 11-3264

Jewish Home for the Aging

1885 Victory Blvd. Reseda, CA

FM-07-109

CREATED BY: AMB

FrameMax, Inc.  
13915 Danielson St  
Suite 100  
Poway, CA 92064  
www.frame-max.com



© FrameMax Inc.

HEIGHT : 10'-9 7/16" POINTS: 0.61 Points.

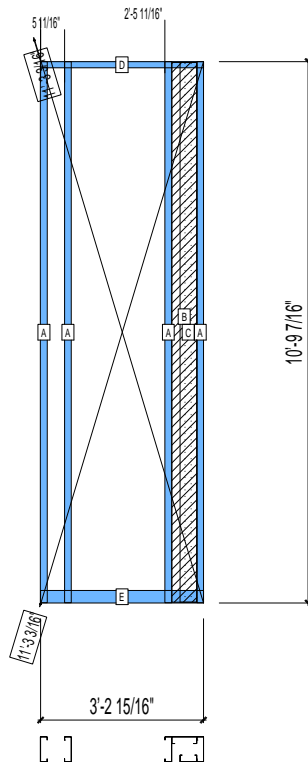
SPACING : 24"

1st STUD: 24"

WEIGHTS :

FRAME : 81 lbs

-----  
TOTAL: 81 lbs



### PIECES LIST

| LABEL | QTY | SIZE       | LENGTH      | USE          |
|-------|-----|------------|-------------|--------------|
| A     | 4   | 600S162-33 | 10'-9 3/8"  | STUD         |
| B     | 1   | 600S162-33 | 10'-9 1/16" | BACKER-U     |
| C     | 1   | 400S162-33 | 10'-9 1/16" | BACKER-U     |
| D     | 1   | 600T150-33 | 3'-2 15/16" | TOP TRACK    |
| E     | 1   | 600T300-33 | 3'-2 15/16" | BOTTOM TRACK |

# 11-3265

Jewish Home for the Aging

1885 Victory Blvd. Reseda, CA

FM-07-109

CREATED BY: AMB

FrameMax, Inc.  
13915 Danielson St  
Suite 100  
Poway, CA 92064  
www.frame-max.com

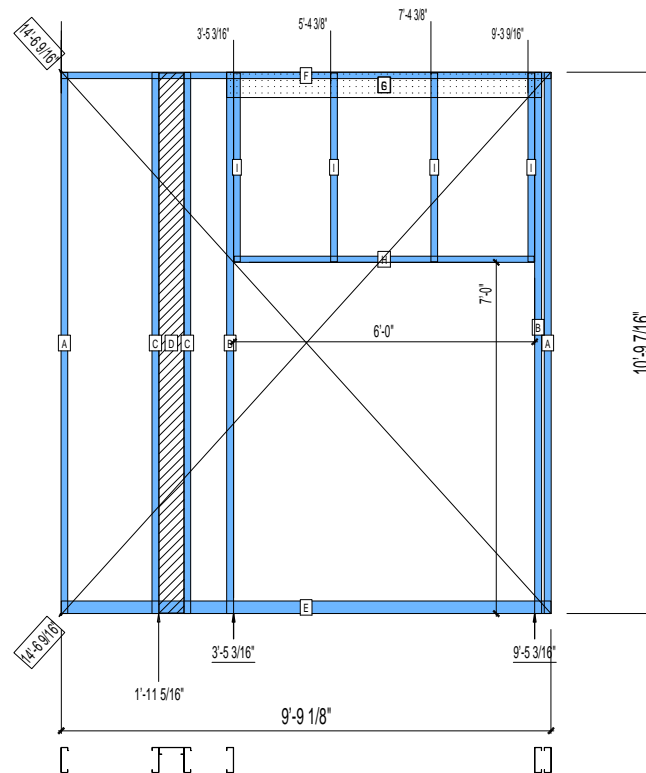


© FrameMax Inc.

HEIGHT : 10'-9 7/16"  
SPACING : 24"  
1st STUD: 24"

WEIGHTS :  
FRAME : 37 lbs

-----  
TOTAL: 37 lbs



PIECES LIST

| LABEL | QTY | SIZE       | LENGTH     | USE          |
|-------|-----|------------|------------|--------------|
| A     | 2   | 600S162-33 | 10'-9 3/8" | STUD         |
| B     | 2   | 600S162-33 | 10'-9 3/8" | KING STUD    |
| C     | 2   | 600S162-33 | 10'-9 3/8" | BACKER STUD  |
| D     | 1   | 600S162-33 | 10'-9 1/8" | BACKER-U     |
| E     | 1   | 600T300-33 | 9'-9 1/8"  | BOTTOM TRACK |
| F     | 1   | 600T150-33 | 9'-9 1/8"  | TOP TRACK    |
| G     | 1   | 600L150-33 | 6'-3 1/4"  | L-HEADER     |
| H     | 1   | 600T150-33 | 5'-11 3/4" | HEAD TRACK   |
| I     | 4   | 600S162-33 | 3'-9 1/8"  | CRIPPLE      |

# 11-3266

Jewish Home for the Aging

1885 Victory Blvd. Reseda, CA

FrameMax, Inc.  
13915 Danielson St  
Suite 100  
Poway, CA 92064  
www.frame-max.com



© FrameMax Inc.

CREATED: 09/19/2008

FM-07-109

CREATED BY: AMB

HEIGHT : 2'-11 1/2"    POINTS: 0.47 Points.

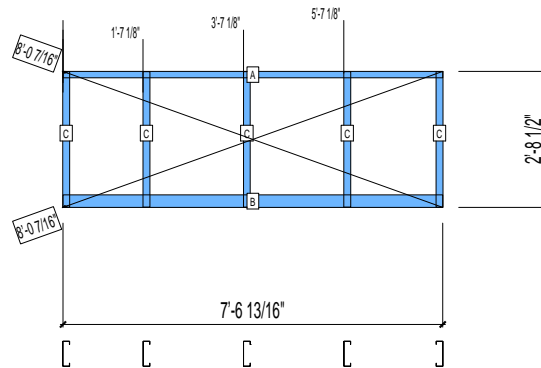
SPACING : 24"

1st STUD: 24"

WEIGHTS :

FRAME : 35 lbs

-----  
TOTAL: 35 lbs



### PIECES LIST

| LABEL | QTY | SIZE       | LENGTH      | USE          |
|-------|-----|------------|-------------|--------------|
| A     | 1   | 600T150-33 | 7'-6 13/16" | TOP TRACK    |
| B     | 1   | 600T300-33 | 7'-6 13/16" | BOTTOM TRACK |
| C     | 5   | 600S162-33 | 2'-8 7/16"  | STUD         |

# 11-3267

Jewish Home for the Aging

1885 Victory Blvd. Reseda, CA

FrameMax, Inc.  
13915 Danielson St  
Suite 100  
Poway, CA 92064  
www.frame-max.com



© FrameMax Inc.

CREATED: 09/19/2008

FM-07-109

CREATED BY: AMB

HEIGHT : 2'-11 1/2" POINTS: 0.22 Points.

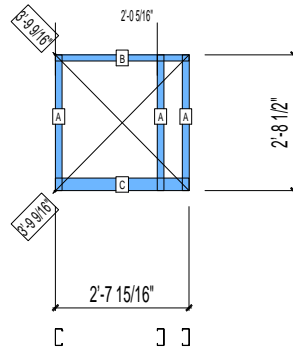
SPACING : 24"

1st STUD: 24"

WEIGHTS :

FRAME : 13 lbs

-----  
TOTAL: 13 lbs



### PIECES LIST

| LABEL | QTY | SIZE       | LENGTH      | USE          |
|-------|-----|------------|-------------|--------------|
| A     | 3   | 400S162-33 | 2'-8 7/16"  | STUD         |
| B     | 1   | 400T150-33 | 2'-7 15/16" | TOP TRACK    |
| C     | 1   | 400T300-33 | 2'-7 15/16" | BOTTOM TRACK |

# 11-3268

Jewish Home for the Aging

1885 Victory Blvd. Reseda, CA

FM-07-109

CREATED BY: AMB

FrameMax, Inc.  
13915 Danielson St  
Suite 100  
Poway, CA 92064  
www.frame-max.com



© FrameMax Inc.

HEIGHT : 10'-9 7/16"

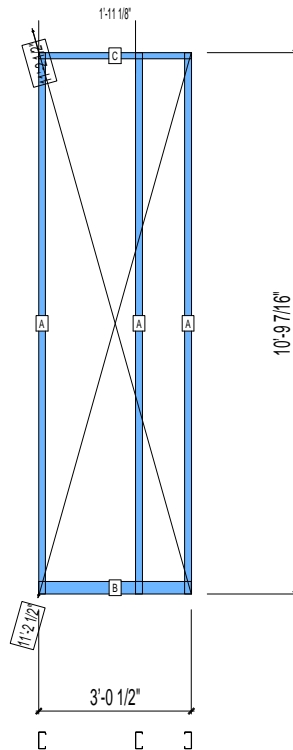
SPACING : 24"

1st STUD: 24"

WEIGHTS :

FRAME : 36 lbs

-----  
TOTAL: 36 lbs



### PIECES LIST

| LABEL | QTY | SIZE       | LENGTH     | USE          |
|-------|-----|------------|------------|--------------|
| A     | 3   | 400S162-33 | 10'-9 3/8" | STUD         |
| B     | 1   | 400T300-33 | 3'-0 1/2"  | BOTTOM TRACK |
| C     | 1   | 400T150-33 | 3'-0 1/2"  | TOP TRACK    |

# 11-3269

Jewish Home for the Aging

1885 Victory Blvd. Reseda, CA

FrameMax, Inc.  
13915 Danielson St  
Suite 100  
Poway, CA 92064  
www.frame-max.com



© FrameMax Inc.

CREATED: 09/19/2008

FM-07-109

CREATED BY: AMB

HEIGHT : 10'-9 7/16"

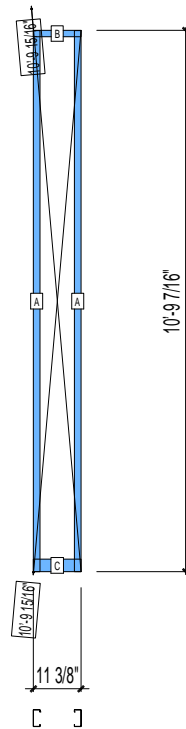
SPACING : 24"

1st STUD: 24"

WEIGHTS :

FRAME : 22 lbs

-----  
TOTAL: 22 lbs



### PIECES LIST

| LABEL | QTY | SIZE       | LENGTH     | USE          |
|-------|-----|------------|------------|--------------|
| A     | 2   | 400S162-33 | 10'-9 3/8" | STUD         |
| B     | 1   | 400T150-33 | 11 3/8"    | TOP TRACK    |
| C     | 1   | 400T300-33 | 11 3/8"    | BOTTOM TRACK |

# 11-3270

Jewish Home for the Aging

1885 Victory Blvd. Reseda, CA

FrameMax, Inc.  
13915 Danielson St  
Suite 100  
Poway, CA 92064  
www.frame-max.com



© FrameMax Inc.

CREATED: 09/19/2008

FM-07-109

CREATED BY: AMB

HEIGHT : 10'-9 7/16"

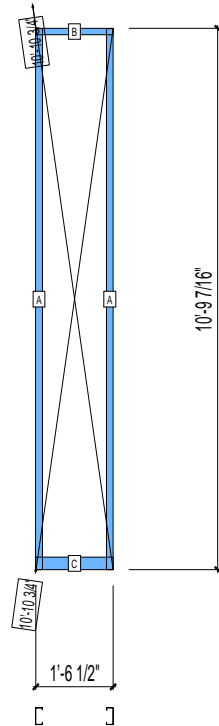
SPACING : 24"

1st STUD: 24"

WEIGHTS :

FRAME : 23 lbs

-----  
TOTAL: 23 lbs



### PIECES LIST

| LABEL | QTY | SIZE       | LENGTH     | USE          |
|-------|-----|------------|------------|--------------|
| A     | 2   | 400S162-33 | 10'-9 3/8" | STUD         |
| B     | 1   | 400T150-33 | 1'-6 1/2"  | TOP TRACK    |
| C     | 1   | 400T300-33 | 1'-6 1/2"  | BOTTOM TRACK |

# 11-3271

Jewish Home for the Aging

1885 Victory Blvd. Reseda, CA

FM-07-109

CREATED BY: AMB

FrameMax, Inc.  
13915 Danielson St  
Suite 100  
Poway, CA 92064  
www.frame-max.com



© FrameMax Inc.

HEIGHT : 10'-9 7/16" POINTS: 0.71 Points.

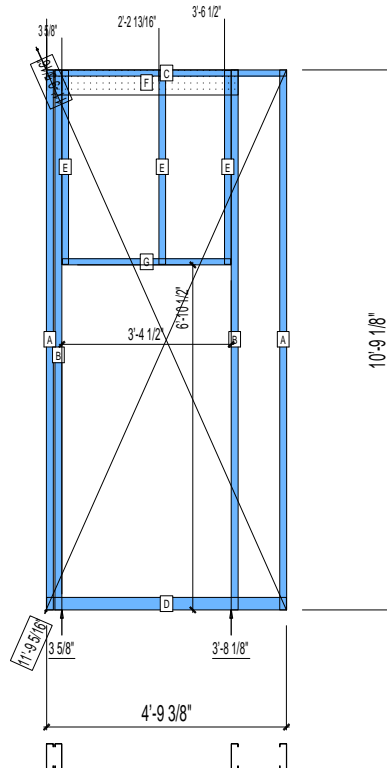
SPACING : 24"

1st STUD: 24"

WEIGHTS :

FRAME : 83 lbs

-----  
TOTAL: 83 lbs



PIECES LIST

| LABEL | QTY | SIZE       | LENGTH      | USE          |
|-------|-----|------------|-------------|--------------|
| A     | 2   | 600S162-33 | 10'-9 1/16" | STUD         |
| B     | 2   | 600S162-33 | 10'-9 1/16" | KING STUD    |
| C     | 1   | 600T150-33 | 4'-9 3/8"   | TOP TRACK    |
| D     | 1   | 600T300-33 | 4'-9 3/8"   | BOTTOM TRACK |
| E     | 3   | 600S162-33 | 3'-10 5/16" | CRIPPLE      |
| F     | 1   | 600L150-33 | 3'-7 3/4"   | L-HEADER     |
| G     | 1   | 600T150-33 | 3'-4 1/4"   | HEAD TRACK   |

# 11-3272

Jewish Home for the Aging

1885 Victory Blvd. Reseda, CA

FrameMax, Inc.  
13915 Danielson St  
Suite 100  
Poway, CA 92064  
www.frame-max.com



© FrameMax Inc.

CREATED: 09/19/2008

FM-07-109

CREATED BY: AMB

HEIGHT : 10'-9 7/16"

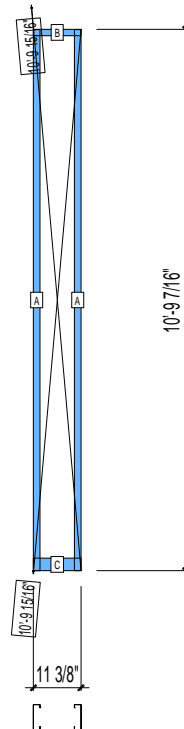
SPACING : 24"

1st STUD: 24"

WEIGHTS :

FRAME : 28 lbs

-----  
TOTAL: 28 lbs



### PIECES LIST

| LABEL | QTY | SIZE       | LENGTH     | USE          |
|-------|-----|------------|------------|--------------|
| A     | 2   | 600S162-33 | 10'-9 3/8" | STUD         |
| B     | 1   | 600T150-33 | 11 3/8"    | TOP TRACK    |
| C     | 1   | 600T300-33 | 11 3/8"    | BOTTOM TRACK |

# 11-3273

Jewish Home for the Aging

1885 Victory Blvd. Reseda, CA

FrameMax, Inc.  
13915 Danielson St  
Suite 100  
Poway, CA 92064  
www.frame-max.com



© FrameMax Inc.

CREATED: 09/19/2008

FM-07-109

CREATED BY: AMB

HEIGHT : 10'-9 7/16"

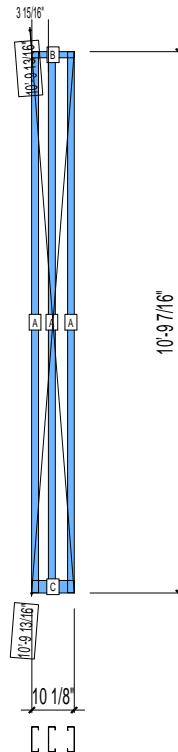
SPACING : 24"

1st STUD: 24"

WEIGHTS :

FRAME : 40 lbs

-----  
TOTAL: 40 lbs



## PIECES LIST

| LABEL | QTY | SIZE       | LENGTH     | USE          |
|-------|-----|------------|------------|--------------|
| A     | 3   | 600S162-33 | 10'-9 3/8" | STUD         |
| B     | 1   | 600T150-33 | 10 1/8"    | TOP TRACK    |
| C     | 1   | 600T300-33 | 10 1/8"    | BOTTOM TRACK |

# 11-3274

Jewish Home for the Aging

1885 Victory Blvd. Reseda, CA

FM-07-109

CREATED BY: AMB

FrameMax, Inc.  
13915 Danielson St  
Suite 100  
Poway, CA 92064  
www.frame-max.com

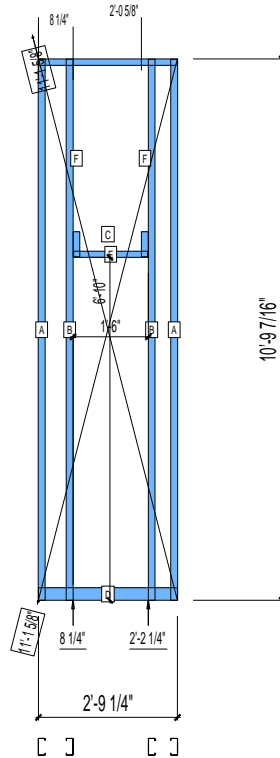


© FrameMax Inc.

HEIGHT : 10'-9 7/16"  
SPACING : 24"  
1st STUD: 24"

WEIGHTS :  
FRAME : 48 lbs

-----  
TOTAL: 48 lbs



PIECES LIST

| LABEL | QTY | SIZE       | LENGTH     | USE          |
|-------|-----|------------|------------|--------------|
| A     | 2   | 400S162-33 | 10'-9 3/8" | STUD         |
| B     | 2   | 400S162-33 | 10'-9 3/8" | KING STUD    |
| C     | 1   | 400T150-33 | 2'-9 1/4"  | TOP TRACK    |
| D     | 1   | 400T300-33 | 2'-9 1/4"  | BOTTOM TRACK |
| E     | 1   | 400T150-33 | 1'-5 3/4"  | HEAD TRACK   |
| F     | 2   | 400S162-33 | 6"         | CRIPPLE      |

# 11-3275

Jewish Home for the Aging

1885 Victory Blvd. Reseda, CA

FM-07-109

CREATED BY: AMB

FrameMax, Inc.  
13915 Danielson St  
Suite 100  
Poway, CA 92064  
www.framemax.com



© FrameMax Inc.

HEIGHT : 10'-9 7/16"

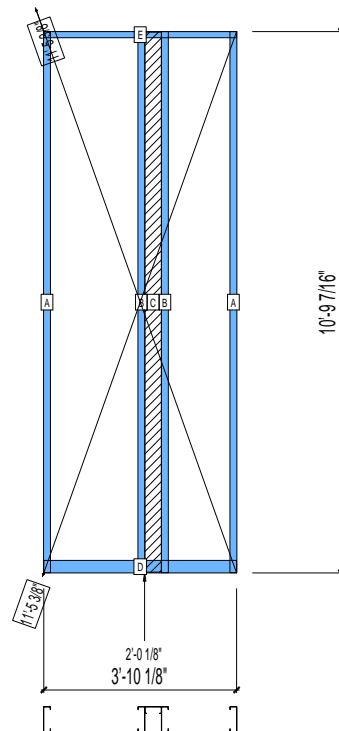
SPACING : 24"

1st STUD: 24"

WEIGHTS :

FRAME : 70 lbs

-----  
TOTAL: 70 lbs



### PIECES LIST

| LABEL | QTY | SIZE       | LENGTH     | USE          |
|-------|-----|------------|------------|--------------|
| A     | 2   | 600S162-33 | 10'-9 3/8" | STUD         |
| B     | 2   | 600S162-33 | 10'-9 3/8" | BACKER STUD  |
| C     | 1   | 400S162-33 | 10'-9 1/8" | BACKER-U     |
| D     | 1   | 600T300-33 | 3'-10 1/8" | BOTTOM TRACK |
| E     | 1   | 600T150-33 | 3'-10 1/8" | TOP TRACK    |

# 11-3276

Jewish Home for the Aging

1885 Victory Blvd. Reseda, CA

FM-07-109

CREATED BY: AMB

FrameMax, Inc.  
13915 Danielson St  
Suite 100  
Poway, CA 92064  
www.frame-max.com



© FrameMax Inc.

HEIGHT : 10'-9 7/16" POINTS: 1.15 Points.

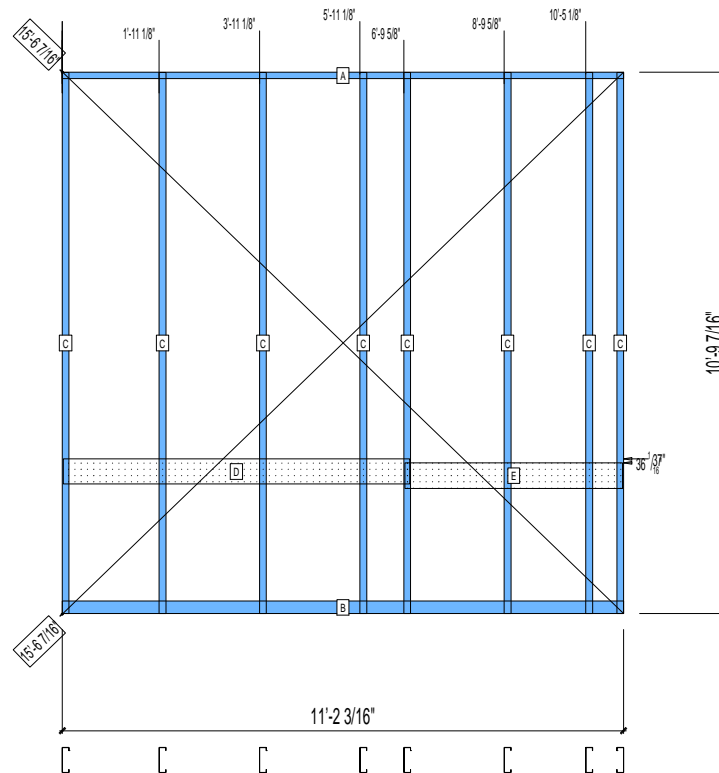
SPACING : 24"

1st STUD: 24"

WEIGHTS :

FRAME : 145 lbs

TOTAL: 145 lbs



PIECES LIST

| LABEL | QTY | SIZE       | LENGTH       | USE            |
|-------|-----|------------|--------------|----------------|
| A     | 1   | 600T150-33 | 11'-2 3/16"  | TOP TRACK      |
| B     | 1   | 600T300-33 | 11'-2 3/16"  | BOTTOM TRACK   |
| C     | 8   | 600S162-33 | 10'-9 3/8"   | STUD           |
| D     | 1   | 600D-54    | 6'-10 13/16" | VANITY BACKING |
| E     | 1   | 600T150-54 | 4'-4 1/16"   | GRAB BAR       |

# 11-3277

Jewish Home for the Aging

1885 Victory Blvd. Reseda, CA

FM-07-109

CREATED BY: AMB

FrameMax, Inc.  
13915 Danielson St  
Suite 100  
Poway, CA 92064  
www.frame-max.com



© FrameMax Inc.

HEIGHT : 10'-9 7/16" POINTS: 0.45 Points.

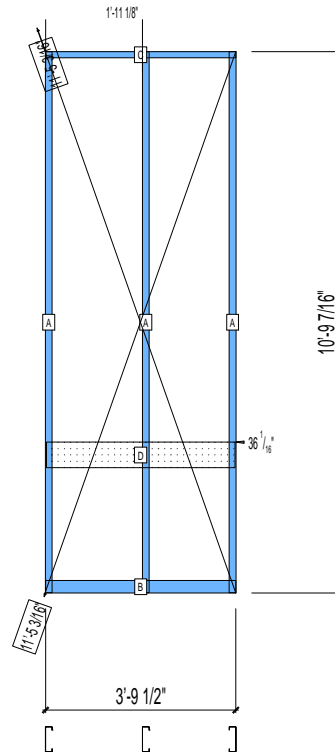
SPACING : 24"

1st STUD: 24"

WEIGHTS :

FRAME : 54 lbs

-----  
TOTAL: 54 lbs



### PIECES LIST

| LABEL | QTY | SIZE       | LENGTH     | USE          |
|-------|-----|------------|------------|--------------|
| A     | 3   | 600S162-33 | 10'-9 3/8" | STUD         |
| B     | 1   | 600T300-33 | 3'-9 1/2"  | BOTTOM TRACK |
| C     | 1   | 600T150-33 | 3'-9 1/2"  | TOP TRACK    |
| D     | 1   | 600T150-54 | 3'-9 1/16" | GRAB BAR     |

# 11-3301

Jewish Home for the Aging

1885 Victory Blvd. Reseda, CA

FM-07-109

CREATED BY: AMB

FrameMax, Inc.  
13915 Danielson St  
Suite 100  
Poway, CA 92064  
www.framemax.com

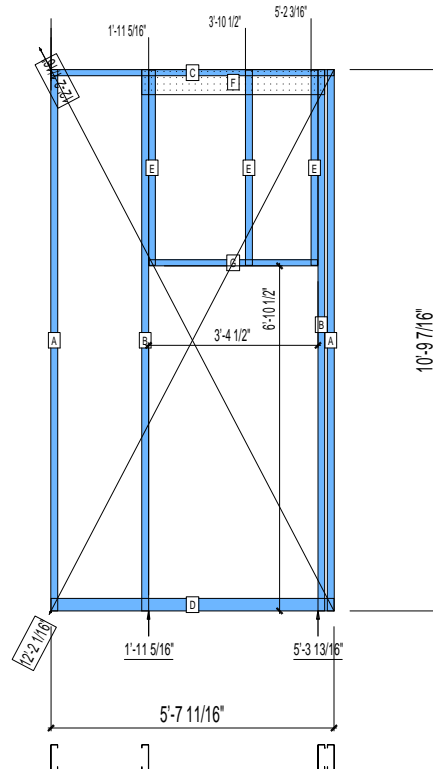


© FrameMax Inc.

HEIGHT : 10'-9 7/16"  
SPACING : 24"  
1st STUD: 24"

WEIGHTS :  
FRAME : 21 lbs

-----  
TOTAL: 21 lbs



PIECES LIST

| LABEL | QTY | SIZE       | LENGTH      | USE          |
|-------|-----|------------|-------------|--------------|
| A     | 2   | 600S162-33 | 10'-9 3/8"  | STUD         |
| B     | 2   | 600S162-33 | 10'-9 3/8"  | KING STUD    |
| C     | 1   | 600T150-33 | 5'-7 11/16" | TOP TRACK    |
| D     | 1   | 600T300-33 | 5'-7 11/16" | BOTTOM TRACK |
| E     | 3   | 600S162-33 | 3'-10 5/8"  | CRIPPLE      |
| F     | 1   | 600L150-33 | 3'-7 3/4"   | L-HEADER     |
| G     | 1   | 600T150-33 | 3'-4 1/4"   | HEAD TRACK   |

# 11-3302

Jewish Home for the Aging

1885 Victory Blvd. Reseda, CA

FM-07-109

CREATED BY: AMB

FrameMax, Inc.  
13915 Danielson St  
Suite 100  
Poway, CA 92064  
www.framemax.com

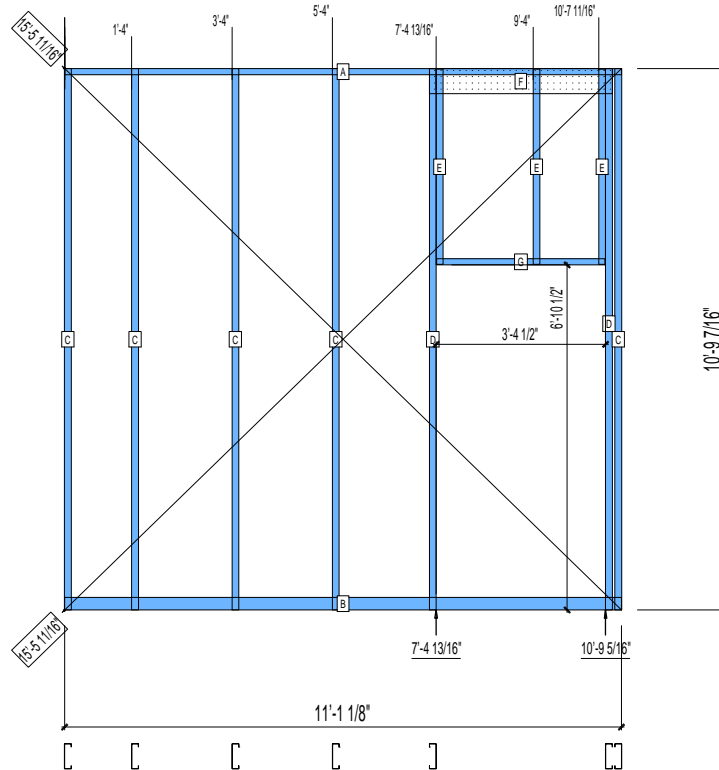


© FrameMax Inc.

HEIGHT : 10'-9 7/16"  
SPACING : 24"  
1st STUD: 16 7/8"

WEIGHTS :  
FRAME : 35 lbs

-----  
TOTAL: 35 lbs



PIECES LIST

| LABEL | QTY | SIZE       | LENGTH     | USE          |
|-------|-----|------------|------------|--------------|
| A     | 1   | 600T150-33 | 11'-1 1/8" | TOP TRACK    |
| B     | 1   | 600T300-33 | 11'-1 1/8" | BOTTOM TRACK |
| C     | 5   | 600S162-33 | 10'-9 3/8" | STUD         |
| D     | 2   | 600S162-33 | 10'-9 3/8" | KING STUD    |
| E     | 3   | 600S162-33 | 3'-10 5/8" | CRIPPLE      |
| F     | 1   | 600L150-33 | 3'-7 3/4"  | L-HEADER     |
| G     | 1   | 600T150-33 | 3'-4 1/4"  | HEAD TRACK   |

# 11-3351

Jewish Home for the Aging

1885 Victory Blvd. Reseda, CA

FrameMax, Inc.  
13915 Danielson St  
Suite 100  
Poway, CA 92064  
www.frame-max.com



© FrameMax Inc.

CREATED: 09/19/2008

FM-07-109

CREATED BY: AMB

HEIGHT : 10'-9 7/16" POINTS: 0.57 Points.

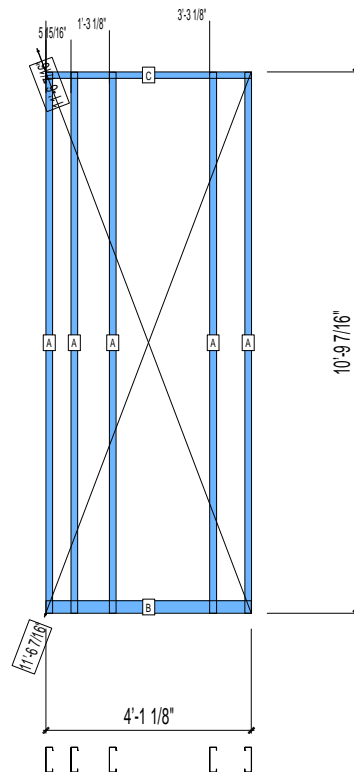
SPACING : 24"

1st STUD: 24"

WEIGHTS :

FRAME : 73 lbs

-----  
TOTAL: 73 lbs



### PIECES LIST

| LABEL | QTY | SIZE       | LENGTH     | USE          |
|-------|-----|------------|------------|--------------|
| A     | 5   | 600S162-33 | 10'-9 3/8" | STUD         |
| B     | 1   | 600T300-33 | 4'-1 1/8"  | BOTTOM TRACK |
| C     | 1   | 600T150-33 | 4'-1 1/8"  | TOP TRACK    |

# 11-3352

Jewish Home for the Aging

1885 Victory Blvd. Reseda, CA

FrameMax, Inc.  
13915 Danielson St  
Suite 100  
Poway, CA 92064  
www.frame-max.com



© FrameMax Inc.

CREATED: 09/19/2008

FM-07-109

CREATED BY: AMB

HEIGHT : 10'-9 7/16" POINTS: 0.34 Points.

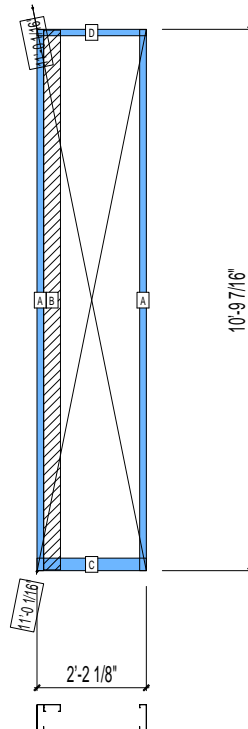
SPACING : 24"

1st STUD: 24"

WEIGHTS :

FRAME : 41 lbs

-----  
TOTAL: 41 lbs



### PIECES LIST

| LABEL | QTY | SIZE       | LENGTH      | USE          |
|-------|-----|------------|-------------|--------------|
| A     | 2   | 600S162-33 | 10'-9 3/8"  | STUD         |
| B     | 1   | 400S162-33 | 10'-9 1/16" | BACKER-U     |
| C     | 1   | 600T300-33 | 2'-2 1/8"   | BOTTOM TRACK |
| D     | 1   | 600T150-33 | 2'-2 1/8"   | TOP TRACK    |

# 11-3353

Jewish Home for the Aging

1885 Victory Blvd. Reseda, CA

FM-07-109

CREATED BY: AMB

FrameMax, Inc.  
13915 Danielson St  
Suite 100  
Poway, CA 92064  
www.frame-max.com



© FrameMax Inc.

HEIGHT : 10'-9 7/16" POINTS: 0.92 Points.

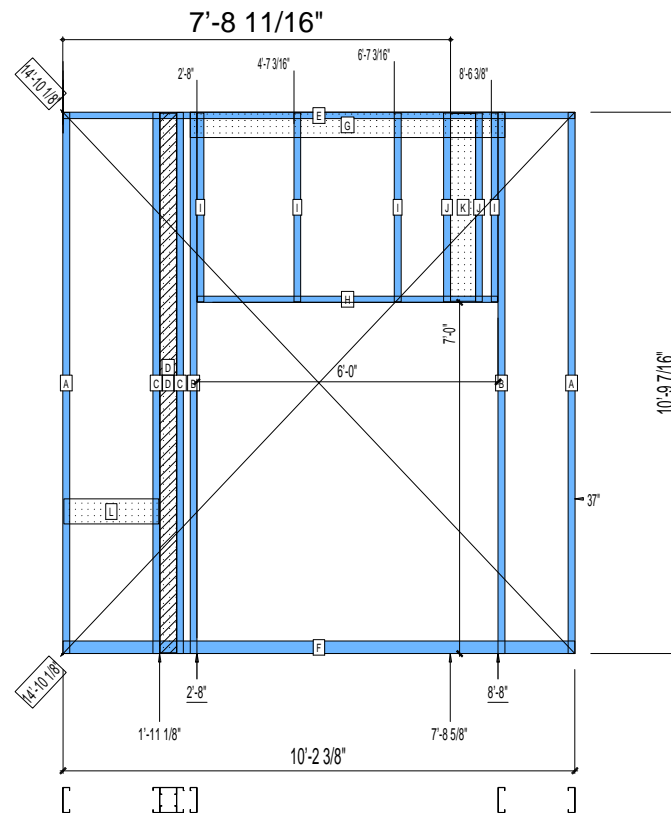
SPACING : 24"

1st STUD: 24"

WEIGHTS :

FRAME : 60 lbs

TOTAL: 60 lbs



PIECES LIST

| LABEL | QTY | SIZE       | LENGTH       | USE            |
|-------|-----|------------|--------------|----------------|
| A     | 2   | 600S162-33 | 10'-9 3/8"   | STUD           |
| B     | 2   | 600S162-33 | 10'-9 3/8"   | KING STUD      |
| C     | 2   | 600S162-33 | 10'-9 3/8"   | BACKER STUD    |
| D     | 2   | 400S162-33 | 10'-9 1/8"   | BACKER-U       |
| E     | 1   | 600T150-33 | 10'-2 3/8"   | TOP TRACK      |
| F     | 1   | 600T300-33 | 10'-2 3/8"   | BOTTOM TRACK   |
| G     | 1   | 600L150-33 | 6'-3 1/4"    | L-HEADER       |
| H     | 1   | 600T150-33 | 5'-11 3/4"   | HEAD TRACK     |
| I     | 4   | 600S162-33 | 3'-9 1/8"    | CRIPPLE        |
| J     | 2   | 600S162-33 | 3'-9 1/8"    | BACKER STUD    |
| K     | 1   | 600S162-33 | 3'-8 7/8"    | BACKER-U       |
| L     | 1   | 600D-54    | 1'-10 11/16" | VANITY BACKING |

# 11-3354

Jewish Home for the Aging

1885 Victory Blvd. Reseda, CA

FrameMax, Inc.  
13915 Danielson St  
Suite 100  
Poway, CA 92064  
www.framemax.com



© FrameMax Inc.

CREATED: 09/19/2008

FM-07-109

CREATED BY: AMB

HEIGHT : 10'-9 7/16" POINTS: 0.51 Points.

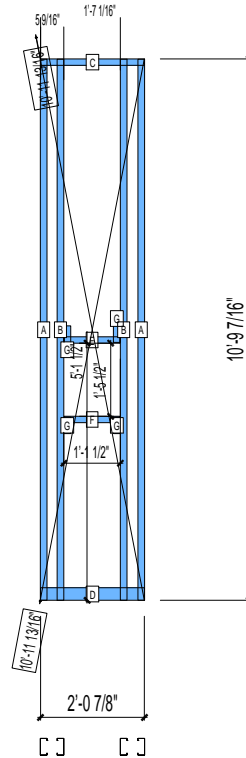
SPACING : 24"

1st STUD: 24"

WEIGHTS :

FRAME : 47 lbs

-----  
TOTAL: 47 lbs



PIECES LIST

| LABEL | QTY | SIZE       | LENGTH     | USE          |
|-------|-----|------------|------------|--------------|
| A     | 2   | 400S162-33 | 10'-9 3/8" | STUD         |
| B     | 2   | 400S162-33 | 10'-9 3/8" | KING STUD    |
| C     | 1   | 400T150-33 | 2'-0 7/8"  | TOP TRACK    |
| D     | 1   | 400T300-33 | 2'-0 7/8"  | BOTTOM TRACK |
| E     | 1   | 400T150-33 | 1'-1 1/4"  | HEAD TRACK   |
| F     | 1   | 400T150-33 | 1'-1 1/4"  | SILL         |
| G     | 4   | 400S162-33 | 4"         | CRIPPLE      |

# 11-3355

Jewish Home for the Aging

1885 Victory Blvd. Reseda, CA

FM-07-109

CREATED BY: AMB

FrameMax, Inc.  
13915 Danielson St  
Suite 100  
Poway, CA 92064  
www.framemax.com



© FrameMax Inc.

HEIGHT : 10'-9 7/16"

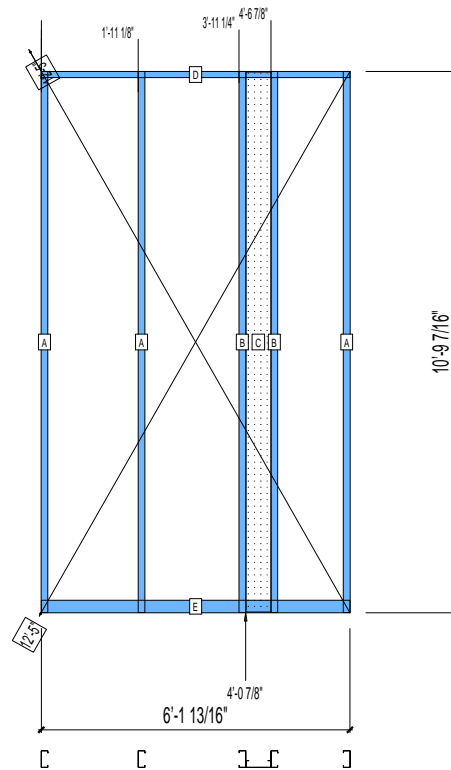
SPACING : 24"

1st STUD: 24"

WEIGHTS :

FRAME : 75 lbs

-----  
TOTAL: 75 lbs



### PIECES LIST

| LABEL | QTY | SIZE       | LENGTH      | USE          |
|-------|-----|------------|-------------|--------------|
| A     | 3   | 400S162-33 | 10'-9 3/8"  | STUD         |
| B     | 2   | 400S162-33 | 10'-9 3/8"  | BACKER STUD  |
| C     | 1   | 600S162-33 | 10'-9 1/8"  | BACKER-U     |
| D     | 1   | 400T150-33 | 6'-1 13/16" | TOP TRACK    |
| E     | 1   | 400T300-33 | 6'-1 13/16" | BOTTOM TRACK |

# 11-3356

Jewish Home for the Aging

1885 Victory Blvd. Reseda, CA

FM-07-109

CREATED BY: AMB

FrameMax, Inc.  
13915 Danielson St  
Suite 100  
Poway, CA 92064  
www.frame-max.com



© FrameMax Inc.

HEIGHT : 10'-9 7/16"

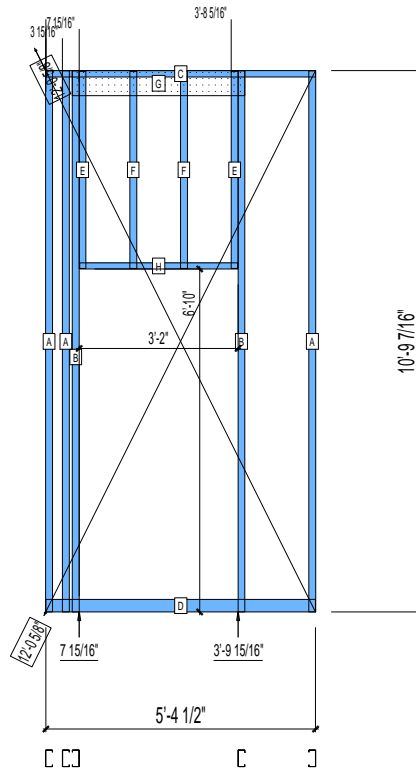
SPACING : 24"

1st STUD: 24"

WEIGHTS :

FRAME : 82 lbs

TOTAL: 82 lbs



PIECES LIST

| LABEL | QTY | SIZE       | LENGTH     | USE          |
|-------|-----|------------|------------|--------------|
| A     | 3   | 400S162-33 | 10'-9 3/8" | STUD         |
| B     | 2   | 400S162-33 | 10'-9 3/8" | KING STUD    |
| C     | 1   | 400T150-33 | 5'-4 1/2"  | TOP TRACK    |
| D     | 1   | 400T300-33 | 5'-4 1/2"  | BOTTOM TRACK |
| E     | 2   | 400S162-33 | 3'-11 1/8" | CRIPPLE      |
| F     | 2   | 400S162-33 | 3'-11 1/8" | KING STUD    |
| G     | 1   | 600L150-33 | 3'-5 1/4"  | L-HEADER     |
| H     | 1   | 400T150-33 | 3'-1 3/4"  | HEAD TRACK   |

# 11-3357

Jewish Home for the Aging

1885 Victory Blvd. Reseda, CA

FM-07-109

CREATED BY: AMB

FrameMax, Inc.  
13915 Danielson St  
Suite 100  
Poway, CA 92064  
www.framemax.com



© FrameMax Inc.

HEIGHT : 10'-9 7/16"

SPACING : 24"

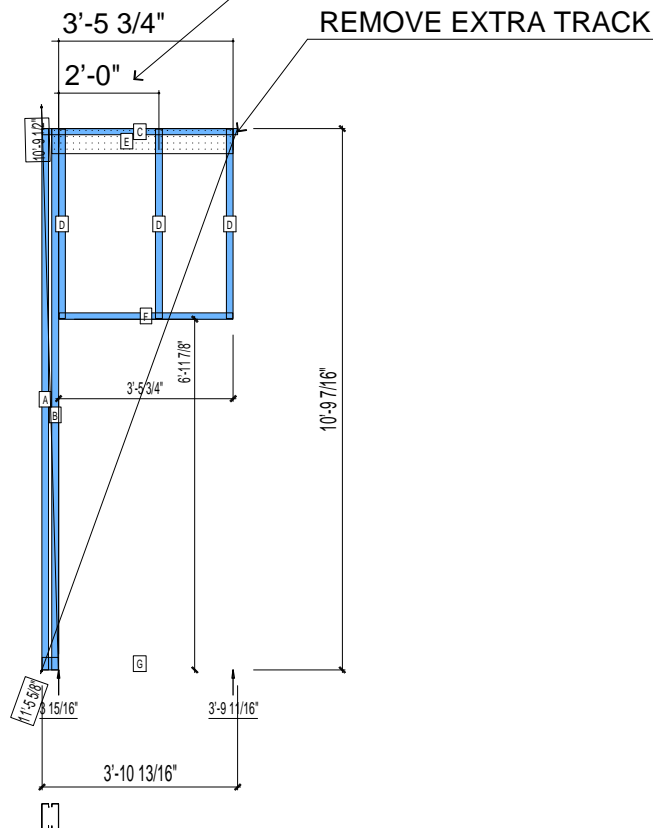
1st STUD: 24"

WEIGHTS :

FRAME : 12 lbs

TOTAL: 12 lbs

2'-0" IS TYPICAL FOR CRIPPLE CENTERLINE, SPACED FROM EDGE OF OPENING.



PIECES LIST

| LABEL | QTY | SIZE       | LENGTH       | USE          |
|-------|-----|------------|--------------|--------------|
| A     | 1   | 600S162-33 | 10'-9 3/8"   | STUD         |
| B     | 1   | 600S162-33 | 10'-9 3/8"   | KING STUD    |
| C     | 1   | 600T150-33 | 3'-10 13/16" | TOP TRACK    |
| D     | 3   | 600S162-33 | 3'-9 1/4"    | CRIPPLE      |
| E     | 1   | 600L150-33 | 3'-7 3/8"    | L-HEADER     |
| F     | 1   | 600T150-33 | 3'-5 1/2"    | HEAD TRACK   |
| G     | 1   | 600T300-33 | 3 15/16"     | BOTTOM TRACK |

# 11-3358

Jewish Home for the Aging

1885 Victory Blvd. Reseda, CA

FrameMax, Inc.  
13915 Danielson St  
Suite 100  
Poway, CA 92064  
www.frame-max.com



© FrameMax Inc.

CREATED: 09/19/2008

FM-07-109

CREATED BY: AMB

HEIGHT : 10'-9 7/16"

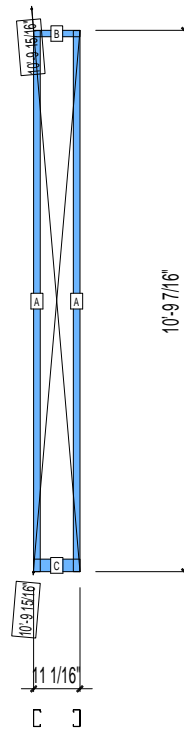
SPACING : 24"

1st STUD: 24"

WEIGHTS :

FRAME : 22 lbs

-----  
TOTAL: 22 lbs



### PIECES LIST

| LABEL | QTY | SIZE       | LENGTH     | USE          |
|-------|-----|------------|------------|--------------|
| A     | 2   | 400S162-33 | 10'-9 3/8" | STUD         |
| B     | 1   | 400T150-33 | 11 1/16"   | TOP TRACK    |
| C     | 1   | 400T300-33 | 11 1/16"   | BOTTOM TRACK |

# 11-3359

Jewish Home for the Aging

1885 Victory Blvd. Reseda, CA

FrameMax, Inc.  
13915 Danielson St  
Suite 100  
Poway, CA 92064  
www.frame-max.com



© FrameMax Inc.

CREATED: 09/19/2008

FM-07-109

CREATED BY: AMB

HEIGHT : 10'-9 7/16"

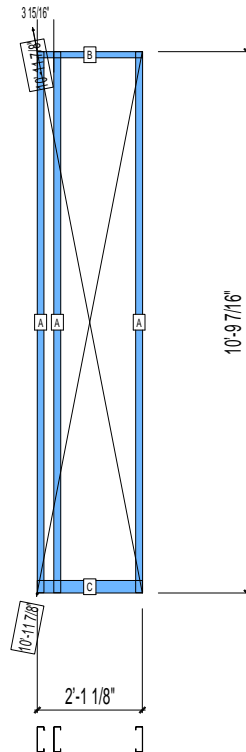
SPACING : 24"

1st STUD: 24"

WEIGHTS :

FRAME : 43 lbs

-----  
TOTAL: 43 lbs



### PIECES LIST

| LABEL | QTY | SIZE       | LENGTH     | USE          |
|-------|-----|------------|------------|--------------|
| A     | 3   | 600S162-33 | 10'-9 3/8" | STUD         |
| B     | 1   | 600T150-33 | 2'-1 1/8"  | TOP TRACK    |
| C     | 1   | 600T300-33 | 2'-1 1/8"  | BOTTOM TRACK |

# 11-3360

Jewish Home for the Aging

1885 Victory Blvd. Reseda, CA

FM-07-109

CREATED BY: AMB

FrameMax, Inc.  
13915 Danielson St  
Suite 100  
Poway, CA 92064  
www.frame-max.com



© FrameMax Inc.

HEIGHT : 2'-11 1/2"    POINTS: 0.36 Points.

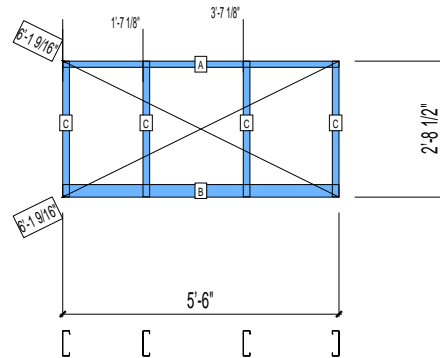
SPACING : 24"

1st STUD: 24"

WEIGHTS :

FRAME : 26 lbs

-----  
TOTAL: 26 lbs



### PIECES LIST

| LABEL | QTY | SIZE       | LENGTH     | USE          |
|-------|-----|------------|------------|--------------|
| A     | 1   | 600T150-33 | 5'-6"      | TOP TRACK    |
| B     | 1   | 600T300-33 | 5'-6"      | BOTTOM TRACK |
| C     | 4   | 600S162-33 | 2'-8 7/16" | STUD         |

# 11-3361

Jewish Home for the Aging

1885 Victory Blvd. Reseda, CA

FrameMax, Inc.  
13915 Danielson St  
Suite 100  
Poway, CA 92064  
www.frame-max.com



© FrameMax Inc.

CREATED: 09/19/2008

FM-07-109

CREATED BY: AMB

HEIGHT : 2'-11 1/2"    POINTS: 0.22 Points.

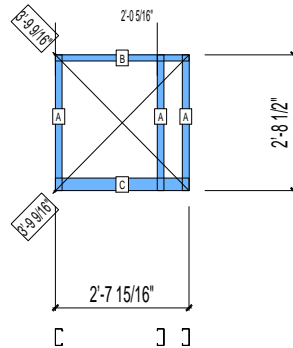
SPACING : 24"

1st STUD: 24"

WEIGHTS :

FRAME : 13 lbs

-----  
TOTAL: 13 lbs



### PIECES LIST

| LABEL | QTY | SIZE       | LENGTH      | USE          |
|-------|-----|------------|-------------|--------------|
| A     | 3   | 400S162-33 | 2'-8 7/16"  | STUD         |
| B     | 1   | 400T150-33 | 2'-7 15/16" | TOP TRACK    |
| C     | 1   | 400T300-33 | 2'-7 15/16" | BOTTOM TRACK |

# 11-3362

Jewish Home for the Aging

1885 Victory Blvd. Reseda, CA

FrameMax, Inc.  
13915 Danielson St  
Suite 100  
Poway, CA 92064  
www.frame-max.com



© FrameMax Inc.

CREATED: 09/19/2008

FM-07-109

CREATED BY: AMB

HEIGHT : 10'-9 7/16"

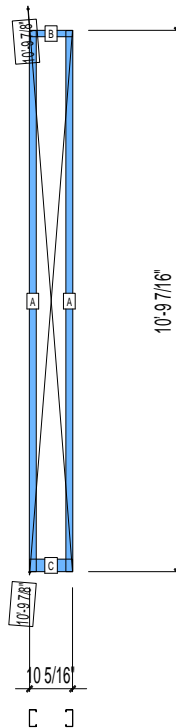
SPACING : 24"

1st STUD: 24"

WEIGHTS :

FRAME : 22 lbs

-----  
TOTAL: 22 lbs



### PIECES LIST

| LABEL | QTY | SIZE       | LENGTH     | USE          |
|-------|-----|------------|------------|--------------|
| A     | 2   | 400S162-33 | 10'-9 3/8" | STUD         |
| B     | 1   | 400T150-33 | 10 5/16"   | TOP TRACK    |
| C     | 1   | 400T300-33 | 10 5/16"   | BOTTOM TRACK |

# 11-3363

Jewish Home for the Aging

1885 Victory Blvd. Reseda, CA

FM-07-109

CREATED BY: AMB

FrameMax, Inc.  
13915 Danielson St  
Suite 100  
Poway, CA 92064  
www.frame-max.com



© FrameMax Inc.

HEIGHT : 10'-9 7/16"

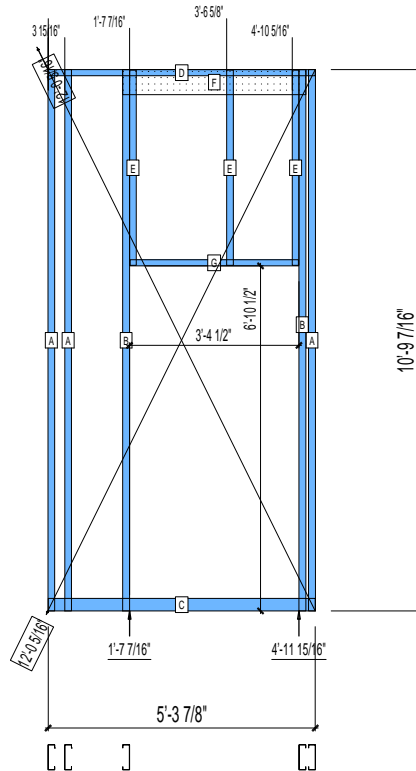
SPACING : 24"

1st STUD: 24"

WEIGHTS :

FRAME : 21 lbs

TOTAL: 21 lbs



PIECES LIST

| LABEL | QTY | SIZE       | LENGTH     | USE          |
|-------|-----|------------|------------|--------------|
| A     | 3   | 600S162-33 | 10'-9 3/8" | STUD         |
| B     | 2   | 600S162-33 | 10'-9 3/8" | KING STUD    |
| C     | 1   | 600T300-33 | 5'-3 7/8"  | BOTTOM TRACK |
| D     | 1   | 600T150-33 | 5'-3 7/8"  | TOP TRACK    |
| E     | 3   | 600S162-33 | 3'-10 5/8" | CRIPPLE      |
| F     | 1   | 600L150-33 | 3'-7 3/4"  | L-HEADER     |
| G     | 1   | 600T150-33 | 3'-4 1/4"  | HEAD TRACK   |

# 11-3364

Jewish Home for the Aging

1885 Victory Blvd. Reseda, CA

FrameMax, Inc.  
13915 Danielson St  
Suite 100  
Poway, CA 92064  
www.framemax.com



© FrameMax Inc.

CREATED: 09/19/2008

FM-07-109

CREATED BY: AMB

HEIGHT : 10'-9 7/16" POINTS: 1.06 Points.

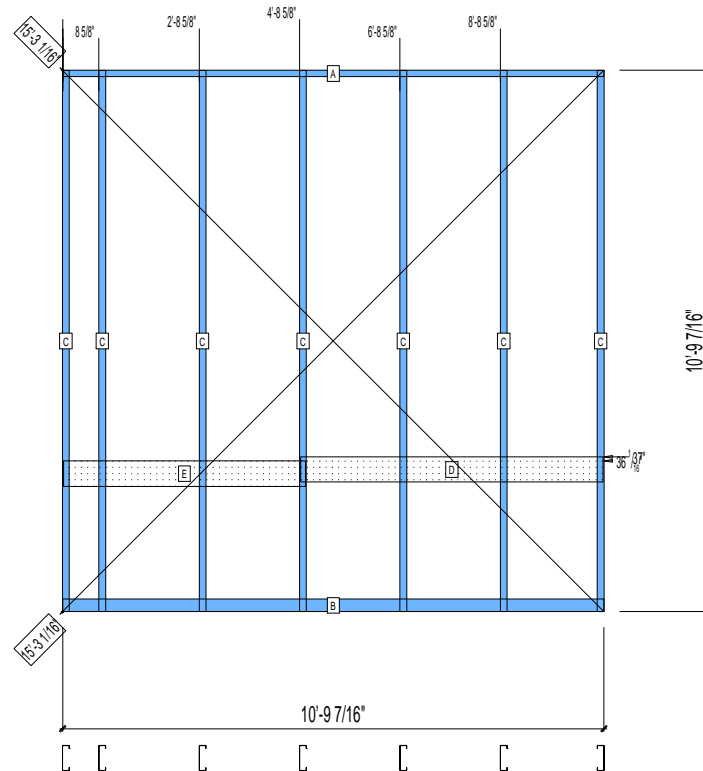
SPACING : 24"

1st STUD: 24"

WEIGHTS :

FRAME : 131 lbs

-----  
TOTAL: 131 lbs



PIECES LIST

| LABEL | QTY | SIZE       | LENGTH      | USE            |
|-------|-----|------------|-------------|----------------|
| A     | 1   | 600T150-33 | 10'-9 7/16" | TOP TRACK      |
| B     | 1   | 600T300-33 | 10'-9 7/16" | BOTTOM TRACK   |
| C     | 7   | 600S162-33 | 10'-9 3/8"  | STUD           |
| D     | 1   | 600D-54    | 6'-0 5/16"  | VANITY BACKING |
| E     | 1   | 600T150-54 | 4'-9 13/16" | GRAB BAR       |

# 11-3365

Jewish Home for the Aging

1885 Victory Blvd. Reseda, CA

FrameMax, Inc.  
13915 Danielson St  
Suite 100  
Poway, CA 92064  
www.frame-max.com



© FrameMax Inc.

CREATED: 09/24/2008

FM-07-109

CREATED BY: AMB

HEIGHT : 10'-9 7/16" POINTS: 0.49 Points.

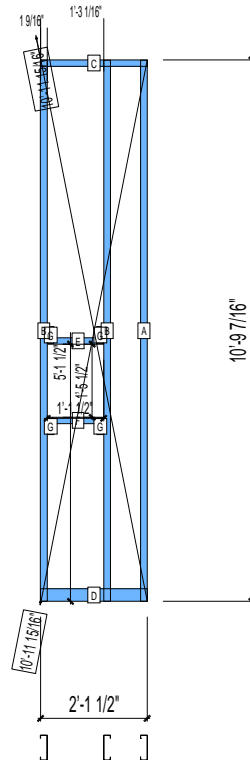
SPACING : 24"

1st STUD: 24"

WEIGHTS :

FRAME : 47 lbs

-----  
TOTAL: 47 lbs



PIECES LIST

| LABEL | QTY | SIZE       | LENGTH     | USE          |
|-------|-----|------------|------------|--------------|
| A     | 1   | 600S162-33 | 10'-9 3/8" | STUD         |
| B     | 2   | 600S162-33 | 10'-9 3/8" | KING STUD    |
| C     | 1   | 600T150-33 | 2'-1 1/2"  | TOP TRACK    |
| D     | 1   | 600T300-33 | 2'-1 1/2"  | BOTTOM TRACK |
| E     | 1   | 600T150-33 | 1'-1 1/4"  | HEAD TRACK   |
| F     | 1   | 600T150-33 | 1'-1 1/4"  | SILL         |
| G     | 4   | 600S162-33 | 4"         | CRIPPLE      |

# 11-3366

Jewish Home for the Aging

1885 Victory Blvd. Reseda, CA

FrameMax, Inc.  
13915 Danielson St  
Suite 100  
Poway, CA 92064  
www.frame-max.com



© FrameMax Inc.

CREATED: 09/24/2008

FM-07-109

CREATED BY: AMB

HEIGHT : 10'-9 7/16" POINTS: 0.40 Points.

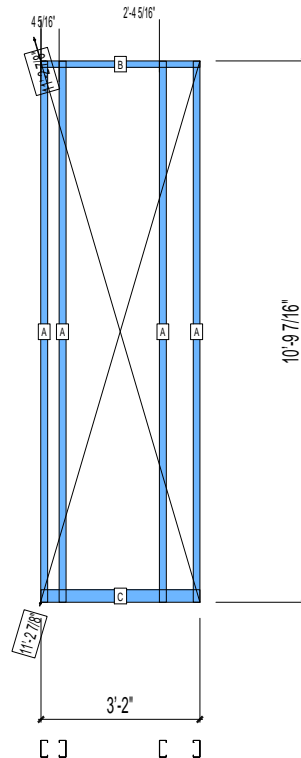
SPACING : 24"

1st STUD: 24"

WEIGHTS :

FRAME : 46 lbs

-----  
TOTAL: 46 lbs



### PIECES LIST

| LABEL | QTY | SIZE       | LENGTH     | USE          |
|-------|-----|------------|------------|--------------|
| A     | 4   | 400S162-33 | 10'-9 3/8" | STUD         |
| B     | 1   | 400T150-33 | 3'-2"      | TOP TRACK    |
| C     | 1   | 400T300-33 | 3'-2"      | BOTTOM TRACK |

# 11-3367

Jewish Home for the Aging

1885 Victory Blvd. Reseda, CA

FrameMax, Inc.  
13915 Danielson St  
Suite 100  
Poway, CA 92064  
www.frame-max.com



© FrameMax Inc.

CREATED: 09/19/2008

FM-07-109

CREATED BY: AMB

HEIGHT : 10'-9 7/16"

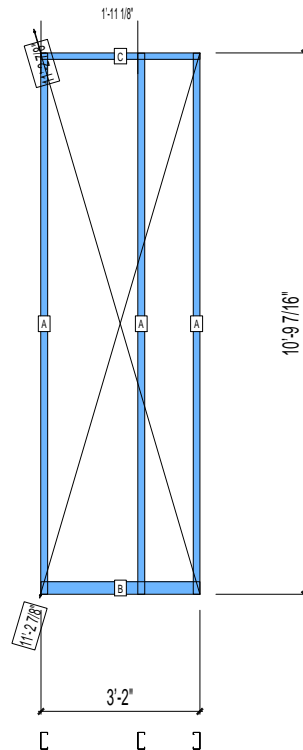
SPACING : 24"

1st STUD: 24"

WEIGHTS :

FRAME : 36 lbs

-----  
TOTAL: 36 lbs



### PIECES LIST

| LABEL | QTY | SIZE       | LENGTH     | USE          |
|-------|-----|------------|------------|--------------|
| A     | 3   | 400S162-33 | 10'-9 3/8" | STUD         |
| B     | 1   | 400T300-33 | 3'-2"      | BOTTOM TRACK |
| C     | 1   | 400T150-33 | 3'-2"      | TOP TRACK    |

# 11-3368

Jewish Home for the Aging

1885 Victory Blvd. Reseda, CA

FrameMax, Inc.  
13915 Danielson St  
Suite 100  
Poway, CA 92064  
www.frame-max.com



© FrameMax Inc.

CREATED: 09/19/2008

FM-07-109

CREATED BY: AMB

HEIGHT : 10'-9 7/16"

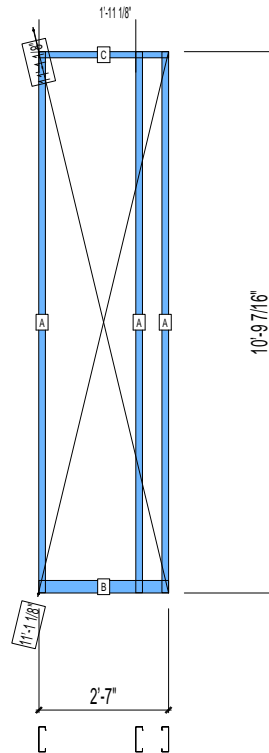
SPACING : 24"

1st STUD: 24"

WEIGHTS :

FRAME : 44 lbs

-----  
TOTAL: 44 lbs



### PIECES LIST

| LABEL | QTY | SIZE       | LENGTH     | USE          |
|-------|-----|------------|------------|--------------|
| A     | 3   | 600S162-33 | 10'-9 3/8" | STUD         |
| B     | 1   | 600T300-33 | 2'-7"      | BOTTOM TRACK |
| C     | 1   | 600T150-33 | 2'-7"      | TOP TRACK    |

# 11-3369

Jewish Home for the Aging

1885 Victory Blvd. Reseda, CA

FrameMax, Inc.  
13915 Danielson St  
Suite 100  
Poway, CA 92064  
www.frame-max.com



© FrameMax Inc.

CREATED: 09/19/2008

FM-07-109

CREATED BY: AMB

HEIGHT : 10'-9 7/16" POINTS: 0.72 Points.

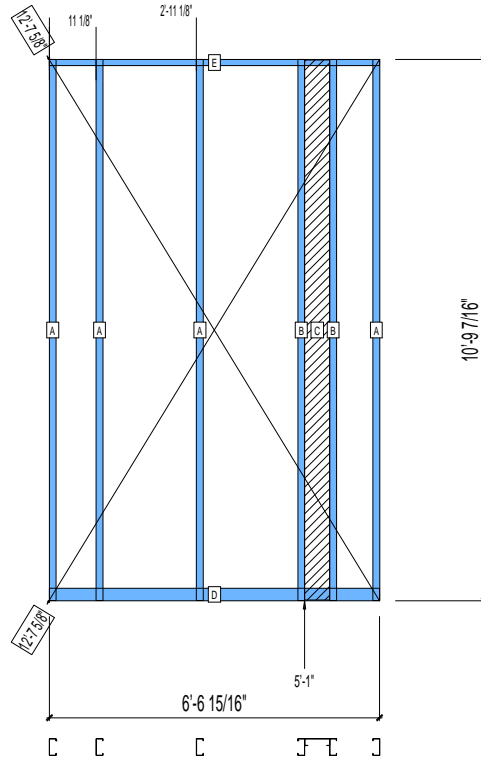
SPACING : 24"

1st STUD: 24"

WEIGHTS :

FRAME : 86 lbs

-----  
TOTAL: 86 lbs



### PIECES LIST

| LABEL | QTY | SIZE       | LENGTH      | USE          |
|-------|-----|------------|-------------|--------------|
| A     | 4   | 400S162-33 | 10'-9 3/8"  | STUD         |
| B     | 2   | 400S162-33 | 10'-9 3/8"  | BACKER STUD  |
| C     | 1   | 600S162-33 | 10'-9 1/8"  | BACKER-U     |
| D     | 1   | 400T300-33 | 6'-6 15/16" | BOTTOM TRACK |
| E     | 1   | 400T150-33 | 6'-6 15/16" | TOP TRACK    |

# 11-3370

Jewish Home for the Aging

1885 Victory Blvd. Reseda, CA

FM-07-109

CREATED BY: AMB

FrameMax, Inc.  
13915 Danielson St  
Suite 100  
Poway, CA 92064  
www.framemax.com



© FrameMax Inc.

HEIGHT : 10'-9 7/16" POINTS: 0.45 Points.

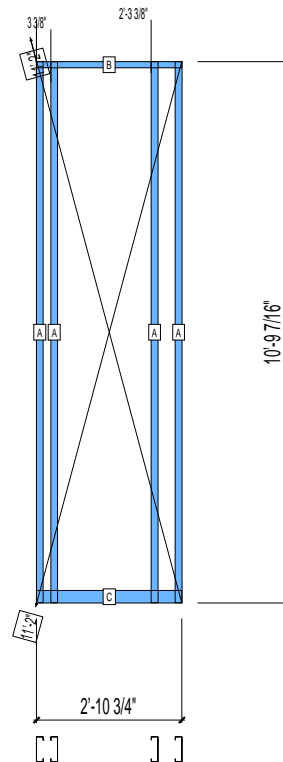
SPACING : 24"

1st STUD: 24"

WEIGHTS :

FRAME : 58 lbs

-----  
TOTAL: 58 lbs



### PIECES LIST

| LABEL | QTY | SIZE       | LENGTH     | USE          |
|-------|-----|------------|------------|--------------|
| A     | 4   | 600S162-33 | 10'-9 3/8" | STUD         |
| B     | 1   | 600T150-33 | 2'-10 3/4" | TOP TRACK    |
| C     | 1   | 600T300-33 | 2'-10 3/4" | BOTTOM TRACK |

# 11-3371

Jewish Home for the Aging

1885 Victory Blvd. Reseda, CA

FM-07-109

CREATED BY: AMB

FrameMax, Inc.  
13915 Danielson St  
Suite 100  
Poway, CA 92064  
www.frame-max.com

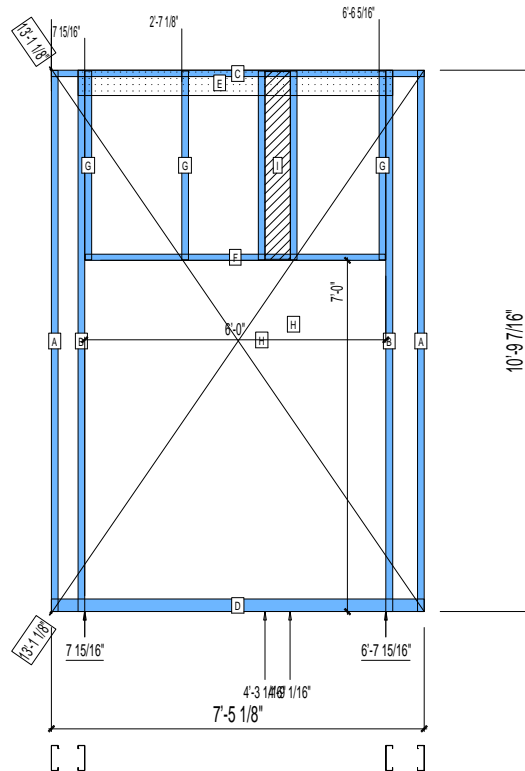


© FrameMax Inc.

HEIGHT : 10'-9 7/16"  
SPACING : 24"  
1st STUD: 24"

WEIGHTS :  
FRAME : 31 lbs

-----  
TOTAL: 31 lbs



F

PIECES LIST

| LABEL | QTY | SIZE       | LENGTH     | USE          |
|-------|-----|------------|------------|--------------|
| A     | 2   | 600S162-33 | 10'-9 3/8" | STUD         |
| B     | 2   | 600S162-33 | 10'-9 3/8" | KING STUD    |
| C     | 1   | 600T150-33 | 7'-5 1/8"  | TOP TRACK    |
| D     | 1   | 600T300-33 | 7'-5 1/8"  | BOTTOM TRACK |
| E     | 1   | 600L150-33 | 6'-3 1/4"  | L-HEADER     |
| F     | 1   | 600T150-33 | 5'-11 3/4" | HEAD TRACK   |
| G     | 3   | 600S162-33 | 3'-9 1/8"  | CRIPPLE      |
| H     | 2   | 600S162-33 | 3'-9 1/8"  | BACKER STUD  |
| I     | 1   | 600S162-33 | 3'-8 7/8"  | BACKER-U     |

# 11-3372

Jewish Home for the Aging

1885 Victory Blvd. Reseda, CA

FM-07-109

CREATED BY: AMB

FrameMax, Inc.  
13915 Danielson St  
Suite 100  
Poway, CA 92064  
www.frame-max.com



© FrameMax Inc.

HEIGHT : 10'-9 7/16"

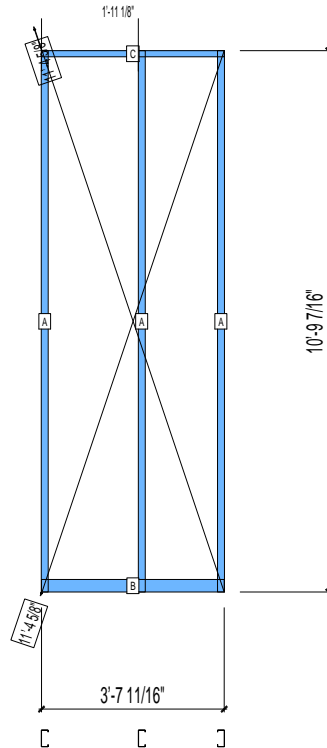
SPACING : 24"

1st STUD: 24"

WEIGHTS :

FRAME : 37 lbs

-----  
TOTAL: 37 lbs



### PIECES LIST

| LABEL | QTY | SIZE       | LENGTH      | USE          |
|-------|-----|------------|-------------|--------------|
| A     | 3   | 400S162-33 | 10'-9 3/8"  | STUD         |
| B     | 1   | 400T300-33 | 3'-7 11/16" | BOTTOM TRACK |
| C     | 1   | 400T150-33 | 3'-7 11/16" | TOP TRACK    |

# 11-3373

Jewish Home for the Aging

1885 Victory Blvd. Reseda, CA

FrameMax, Inc.  
13915 Danielson St  
Suite 100  
Poway, CA 92064  
www.frame-max.com



© FrameMax Inc.

CREATED: 09/19/2008

FM-07-109

CREATED BY: AMB

HEIGHT : 10'-9 7/16"

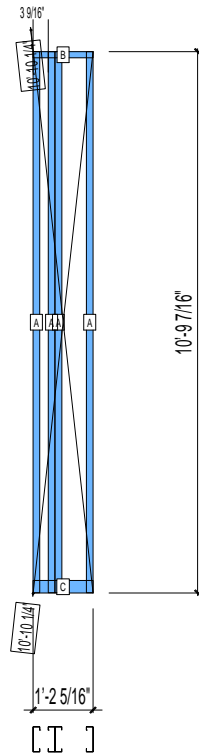
SPACING : 24"

1st STUD: 24"

WEIGHTS :

FRAME : 53 lbs

-----  
TOTAL: 53 lbs



### PIECES LIST

| LABEL | QTY | SIZE       | LENGTH     | USE          |
|-------|-----|------------|------------|--------------|
| A     | 4   | 600S162-33 | 10'-9 3/8" | STUD         |
| B     | 1   | 600T150-33 | 1'-2 5/16" | TOP TRACK    |
| C     | 1   | 600T300-33 | 1'-2 5/16" | BOTTOM TRACK |

# 11-3374

Jewish Home for the Aging

1885 Victory Blvd. Reseda, CA

FrameMax, Inc.  
13915 Danielson St  
Suite 100  
Poway, CA 92064  
www.frame-max.com



© FrameMax Inc.

CREATED: 09/19/2008

FM-07-109

CREATED BY: AMB

HEIGHT : 10'-9 7/16"

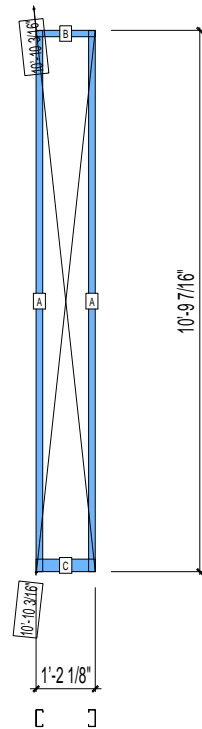
SPACING : 24"

1st STUD: 24"

WEIGHTS :

FRAME : 22 lbs

-----  
TOTAL: 22 lbs



### PIECES LIST

| LABEL | QTY | SIZE       | LENGTH     | USE          |
|-------|-----|------------|------------|--------------|
| A     | 2   | 400S162-33 | 10'-9 3/8" | STUD         |
| B     | 1   | 400T150-33 | 1'-2 1/8"  | TOP TRACK    |
| C     | 1   | 400T300-33 | 1'-2 1/8"  | BOTTOM TRACK |

# 11-3375

Jewish Home for the Aging

1885 Victory Blvd. Reseda, CA

FrameMax, Inc.  
13915 Danielson St  
Suite 100  
Poway, CA 92064  
www.frame-max.com



© FrameMax Inc.

CREATED: 09/19/2008

FM-07-109

CREATED BY: AMB

HEIGHT : 10'-9 7/16"

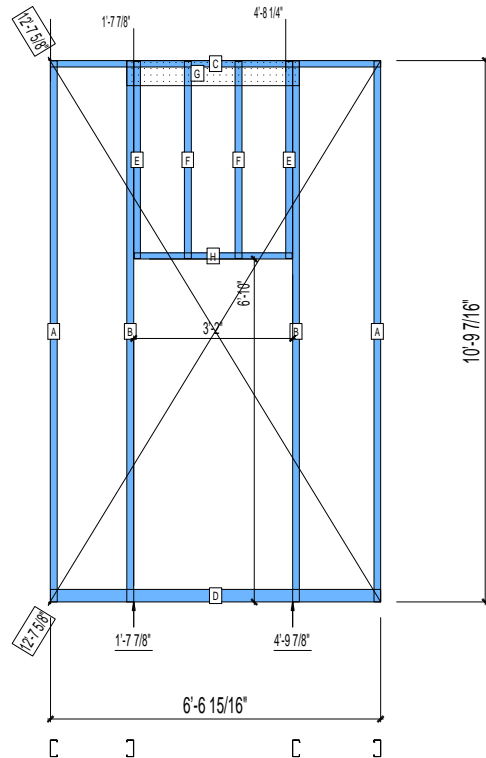
SPACING : 24"

1st STUD: 24"

WEIGHTS :

FRAME : 74 lbs

TOTAL: 74 lbs



PIECES LIST

| LABEL | QTY | SIZE       | LENGTH      | USE          |
|-------|-----|------------|-------------|--------------|
| A     | 2   | 400S162-33 | 10'-9 3/8"  | STUD         |
| B     | 2   | 400S162-33 | 10'-9 3/8"  | KING STUD    |
| C     | 1   | 400T150-33 | 6'-6 15/16" | TOP TRACK    |
| D     | 1   | 400T300-33 | 6'-6 15/16" | BOTTOM TRACK |
| E     | 2   | 400S162-33 | 3'-11 1/8"  | CRIPPLE      |
| F     | 2   | 400S162-33 | 3'-11 1/8"  | KING STUD    |
| G     | 1   | 600L150-33 | 3'-5 1/4"   | L-HEADER     |
| H     | 1   | 400T150-33 | 3'-1 3/4"   | HEAD TRACK   |

# 11-3376

Jewish Home for the Aging

1885 Victory Blvd. Reseda, CA

FM-07-109

CREATED BY: AMB

FrameMax, Inc.  
13915 Danielson St  
Suite 100  
Poway, CA 92064  
www.frame-max.com



© FrameMax Inc.

HEIGHT : 10'-9 7/16"

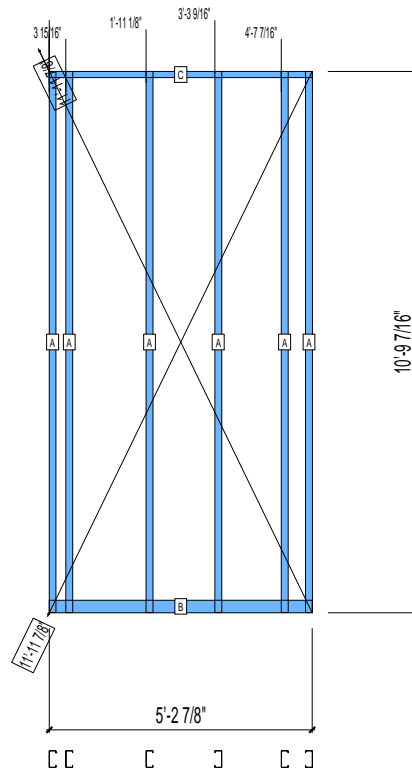
SPACING : 24"

1st STUD: 24"

WEIGHTS :

FRAME : 71 lbs

-----  
TOTAL: 71 lbs



### PIECES LIST

| LABEL | QTY | SIZE       | LENGTH     | USE          |
|-------|-----|------------|------------|--------------|
| A     | 6   | 400S162-33 | 10'-9 3/8" | STUD         |
| B     | 1   | 400T300-33 | 5'-2 7/8"  | BOTTOM TRACK |
| C     | 1   | 400T150-33 | 5'-2 7/8"  | TOP TRACK    |

# 11-3401

Jewish Home for the Aging

1885 Victory Blvd. Reseda, CA

FM-07-109

CREATED BY: AMB

FrameMax, Inc.  
13915 Danielson St  
Suite 100  
Poway, CA 92064  
www.frame-max.com

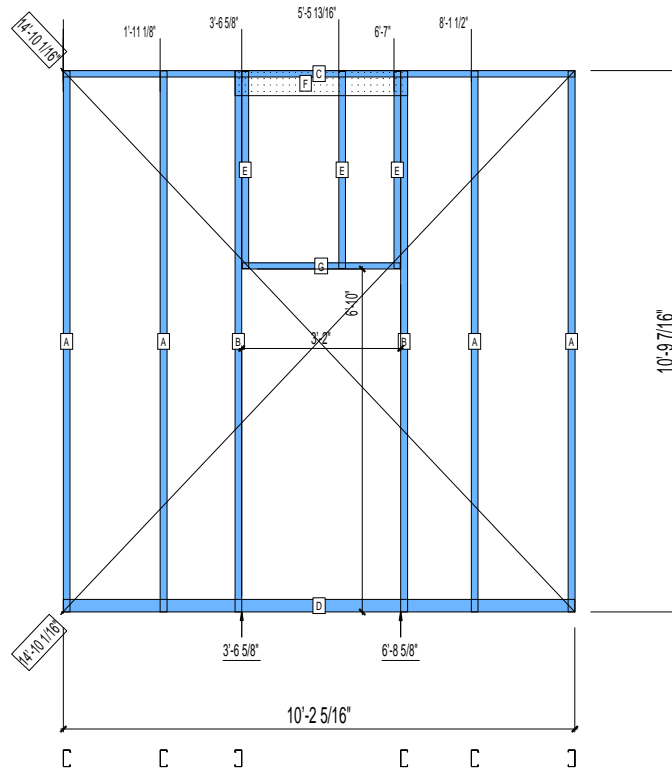


© FrameMax Inc.

HEIGHT : 10'-9 7/16"  
SPACING : 24"  
1st STUD: 24"

WEIGHTS :  
FRAME : 27 lbs

-----  
TOTAL: 27 lbs



PIECES LIST

| LABEL | QTY | SIZE       | LENGTH      | USE          |
|-------|-----|------------|-------------|--------------|
| A     | 4   | 400S162-33 | 10'-9 3/8"  | STUD         |
| B     | 2   | 400S162-33 | 10'-9 3/8"  | KING STUD    |
| C     | 1   | 400T150-33 | 10'-2 5/16" | TOP TRACK    |
| D     | 1   | 400T300-33 | 10'-2 5/16" | BOTTOM TRACK |
| E     | 3   | 400S162-33 | 3'-11 1/8"  | CRIPPLE      |
| F     | 1   | 600L150-33 | 3'-5 1/4"   | L-HEADER     |
| G     | 1   | 400T150-33 | 3'-1 3/4"   | HEAD TRACK   |

# 11-3402

Jewish Home for the Aging

1885 Victory Blvd. Reseda, CA

FM-07-109

CREATED BY: AMB

FrameMax, Inc.  
13915 Danielson St  
Suite 100  
Poway, CA 92064  
www.frame-max.com

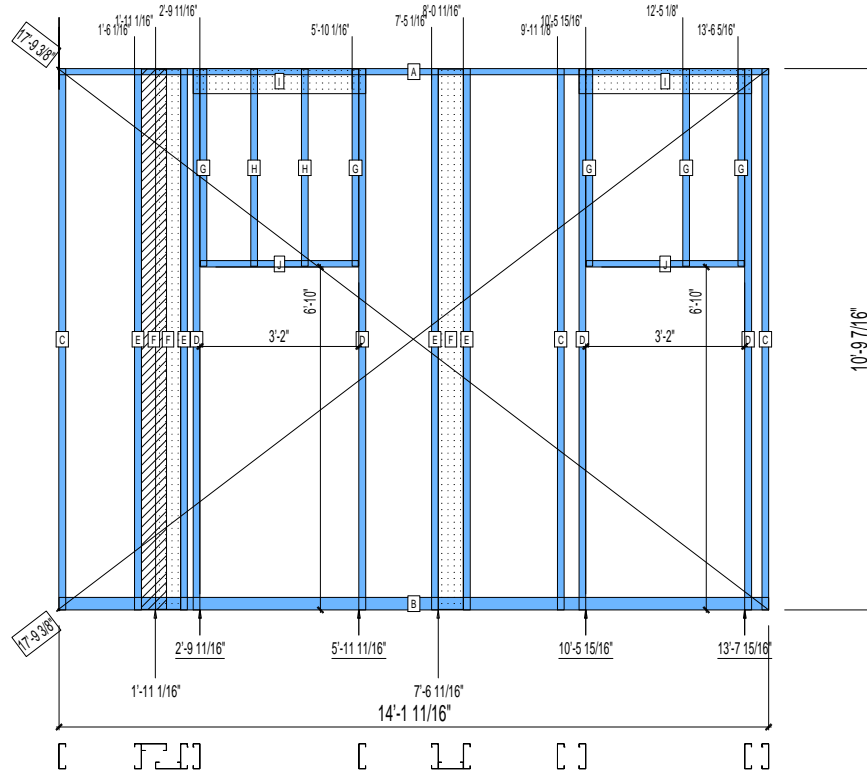


© FrameMax Inc.

HEIGHT : 10'-9 7/16"  
SPACING : 24"  
1st STUD: 24"

WEIGHTS :  
FRAME : 56 lbs

-----  
TOTAL: 56 lbs



PIECES LIST

| LABEL | QTY | SIZE       | LENGTH       | USE          |
|-------|-----|------------|--------------|--------------|
| A     | 1   | 600T150-33 | 14'-1 11/16" | TOP TRACK    |
| B     | 1   | 600T300-33 | 14'-1 11/16" | BOTTOM TRACK |
| C     | 3   | 600S162-33 | 10'-9 3/8"   | STUD         |
| D     | 4   | 600S162-33 | 10'-9 3/8"   | KING STUD    |
| E     | 4   | 600S162-33 | 10'-9 3/8"   | BACKER STUD  |
| F     | 3   | 600S162-33 | 10'-9 1/8"   | BACKER-U     |
| G     | 5   | 600S162-33 | 3'-11 1/8"   | CRIPPLE      |
| H     | 2   | 400S162-33 | 3'-11 1/8"   | KING STUD    |
| I     | 2   | 600L150-33 | 3'-5 1/4"    | L-HEADER     |
| J     | 2   | 600T150-33 | 3'-1 3/4"    | HEAD TRACK   |

# 11-3403

Jewish Home for the Aging

1885 Victory Blvd. Reseda, CA

FrameMax, Inc.  
13915 Danielson St  
Suite 100  
Poway, CA 92064  
www.frame-max.com



© FrameMax Inc.

CREATED: 09/19/2008

FM-07-109

CREATED BY: AMB

HEIGHT : 10'-9 7/16" POINTS: 0.53 Points.

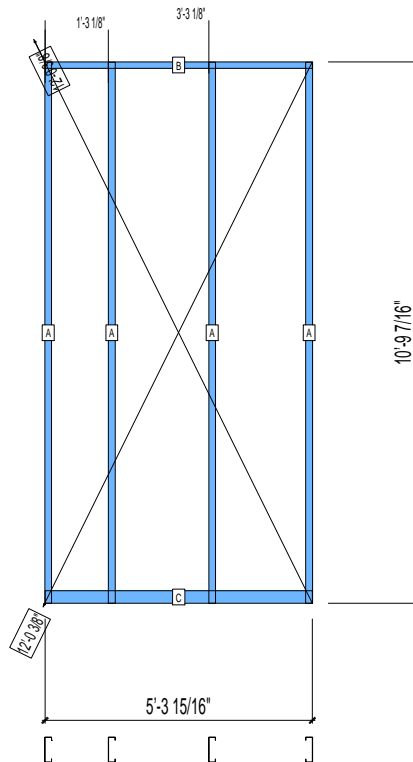
SPACING : 24"

1st STUD: 24"

WEIGHTS :

FRAME : 64 lbs

-----  
TOTAL: 64 lbs



### PIECES LIST

| LABEL | QTY | SIZE       | LENGTH      | USE          |
|-------|-----|------------|-------------|--------------|
| A     | 4   | 600S162-33 | 10'-9 3/8"  | STUD         |
| B     | 1   | 600T150-33 | 5'-3 15/16" | TOP TRACK    |
| C     | 1   | 600T300-33 | 5'-3 15/16" | BOTTOM TRACK |

# 11-3404

Jewish Home for the Aging

1885 Victory Blvd. Reseda, CA

FrameMax, Inc.  
13915 Danielson St  
Suite 100  
Poway, CA 92064  
www.frame-max.com



© FrameMax Inc.

CREATED: 09/19/2008

FM-07-109

CREATED BY: AMB

HEIGHT : 10'-9 7/16" POINTS: 0.54 Points.

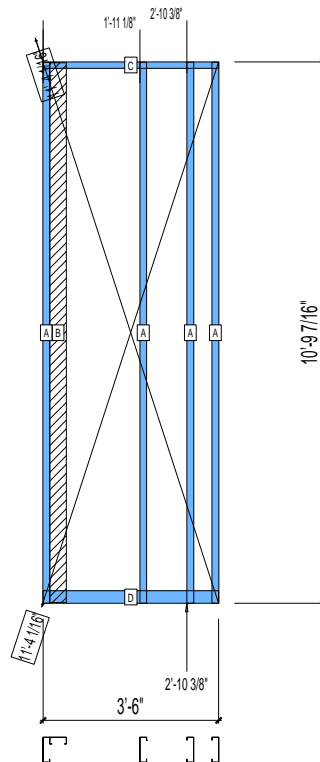
SPACING : 24"

1st STUD: 24"

WEIGHTS :

FRAME : 69 lbs

-----  
TOTAL: 69 lbs



### PIECES LIST

| LABEL | QTY | SIZE       | LENGTH      | USE          |
|-------|-----|------------|-------------|--------------|
| A     | 4   | 600S162-33 | 10'-9 3/8"  | STUD         |
| B     | 1   | 400S162-33 | 10'-9 1/16" | BACKER-U     |
| C     | 1   | 600T150-33 | 3'-6"       | TOP TRACK    |
| D     | 1   | 600T300-33 | 3'-6"       | BOTTOM TRACK |

# 11-3405

Jewish Home for the Aging

1885 Victory Blvd. Reseda, CA

FM-07-109

CREATED BY: AMB

FrameMax, Inc.  
13915 Danielson St  
Suite 100  
Poway, CA 92064  
www.frame-max.com



© FrameMax Inc.

HEIGHT : 10'-9 7/16" POINTS: 1.12 Points.

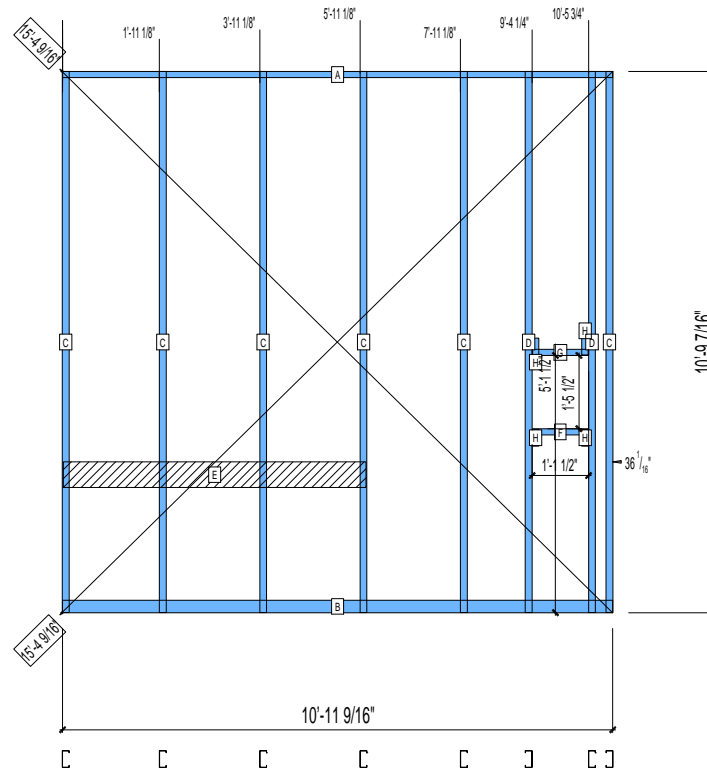
SPACING : 24"

1st STUD: 24"

WEIGHTS :

FRAME : 116 lbs

TOTAL: 116 lbs



PIECES LIST

| LABEL | QTY | SIZE       | LENGTH       | USE          |
|-------|-----|------------|--------------|--------------|
| A     | 1   | 400T150-33 | 10'-11 9/16" | TOP TRACK    |
| B     | 1   | 400T300-33 | 10'-11 9/16" | BOTTOM TRACK |
| C     | 6   | 400S162-33 | 10'-9 3/8"   | STUD         |
| D     | 2   | 400S162-33 | 10'-9 3/8"   | KING STUD    |
| E     | 1   | 600T150-54 | 6'-0 5/16"   | GRAB BAR     |
| F     | 1   | 400T150-33 | 1'-1 1/4"    | SILL         |
| G     | 1   | 400T150-33 | 1'-1 1/4"    | HEAD TRACK   |
| H     | 4   | 400S162-33 | 4"           | CRIPPLE      |

# 11-3406

Jewish Home for the Aging

1885 Victory Blvd. Reseda, CA

FM-07-109

CREATED BY: AMB

FrameMax, Inc.  
13915 Danielson St  
Suite 100  
Poway, CA 92064  
www.frame-max.com



© FrameMax Inc.

HEIGHT : 10'-9 7/16" POINTS: 1.30 Points.

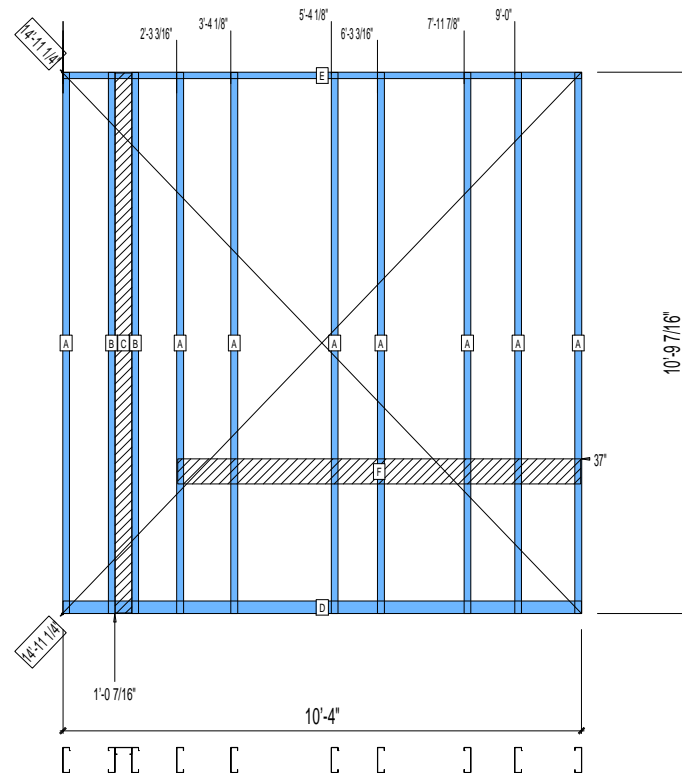
SPACING : 24"

1st STUD: 24"

WEIGHTS :

FRAME : 172 lbs

TOTAL: 172 lbs



PIECES LIST

| LABEL | QTY | SIZE       | LENGTH     | USE            |
|-------|-----|------------|------------|----------------|
| A     | 8   | 600S162-33 | 10'-9 3/8" | STUD           |
| B     | 2   | 600S162-33 | 10'-9 3/8" | BACKER STUD    |
| C     | 1   | 400S162-33 | 10'-9 1/8" | BACKER-U       |
| D     | 1   | 600T300-33 | 10'-4"     | BOTTOM TRACK   |
| E     | 1   | 600T150-33 | 10'-4"     | TOP TRACK      |
| F     | 1   | 600D-54    | 8'-0 5/16" | VANITY BACKING |

# 11-3407

Jewish Home for the Aging

1885 Victory Blvd. Reseda, CA

FM-07-109

CREATED BY: AMB

FrameMax, Inc.  
13915 Danielson St  
Suite 100  
Poway, CA 92064  
www.framemax.com



© FrameMax Inc.

HEIGHT : 10'-9 7/16"

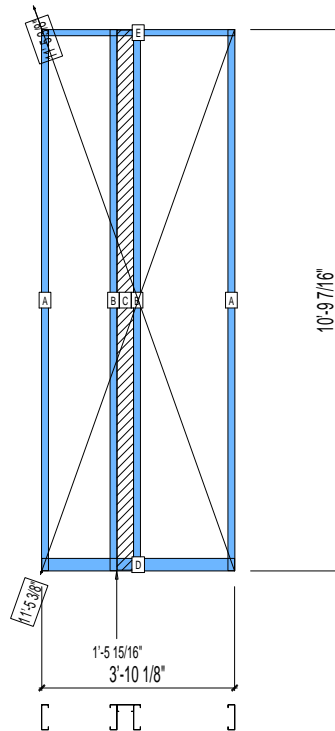
SPACING : 24"

1st STUD: 24"

WEIGHTS :

FRAME : 70 lbs

-----  
TOTAL: 70 lbs



### PIECES LIST

| LABEL | QTY | SIZE       | LENGTH     | USE          |
|-------|-----|------------|------------|--------------|
| A     | 2   | 600S162-33 | 10'-9 3/8" | STUD         |
| B     | 2   | 600S162-33 | 10'-9 3/8" | BACKER STUD  |
| C     | 1   | 400S162-33 | 10'-9 1/8" | BACKER-U     |
| D     | 1   | 600T300-33 | 3'-10 1/8" | BOTTOM TRACK |
| E     | 1   | 600T150-33 | 3'-10 1/8" | TOP TRACK    |

# 11-3408

Jewish Home for the Aging

1885 Victory Blvd. Reseda, CA

FM-07-109

CREATED BY: AMB

FrameMax, Inc.  
13915 Danielson St  
Suite 100  
Poway, CA 92064  
www.frame-max.com

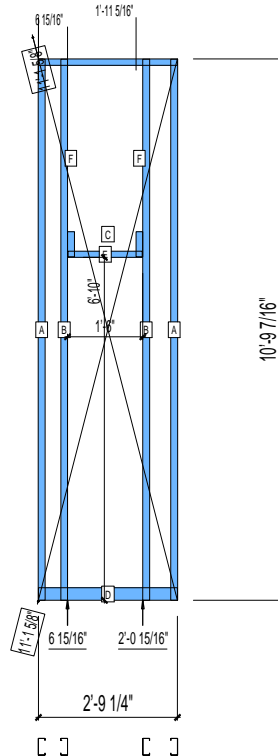


© FrameMax Inc.

HEIGHT : 10'-9 7/16"  
SPACING : 24"  
1st STUD: 24"

WEIGHTS :  
FRAME : 48 lbs

-----  
TOTAL: 48 lbs



PIECES LIST

| LABEL | QTY | SIZE       | LENGTH     | USE          |
|-------|-----|------------|------------|--------------|
| A     | 2   | 400S162-33 | 10'-9 3/8" | STUD         |
| B     | 2   | 400S162-33 | 10'-9 3/8" | KING STUD    |
| C     | 1   | 400T150-33 | 2'-9 1/4"  | TOP TRACK    |
| D     | 1   | 400T300-33 | 2'-9 1/4"  | BOTTOM TRACK |
| E     | 1   | 400T150-33 | 1'-5 3/4"  | HEAD TRACK   |
| F     | 2   | 400S162-33 | 6"         | CRIPPLE      |

# 11-3409

Jewish Home for the Aging

1885 Victory Blvd. Reseda, CA

FrameMax, Inc.  
13915 Danielson St  
Suite 100  
Poway, CA 92064  
www.frame-max.com



© FrameMax Inc.

CREATED: 09/19/2008

FM-07-109

CREATED BY: AMB

HEIGHT : 10'-9 7/16"

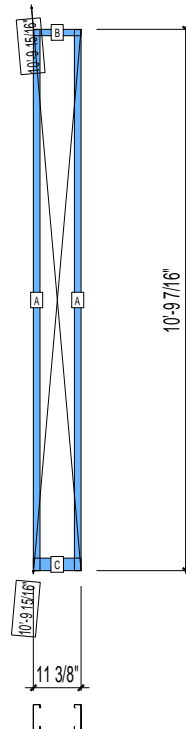
SPACING : 24"

1st STUD: 24"

WEIGHTS :

FRAME : 28 lbs

-----  
TOTAL: 28 lbs



### PIECES LIST

| LABEL | QTY | SIZE       | LENGTH     | USE          |
|-------|-----|------------|------------|--------------|
| A     | 2   | 600S162-33 | 10'-9 3/8" | STUD         |
| B     | 1   | 600T150-33 | 11 3/8"    | TOP TRACK    |
| C     | 1   | 600T300-33 | 11 3/8"    | BOTTOM TRACK |

# 11-3410

Jewish Home for the Aging

1885 Victory Blvd. Reseda, CA

FrameMax, Inc.  
13915 Danielson St  
Suite 100  
Poway, CA 92064  
www.frame-max.com



© FrameMax Inc.

CREATED: 09/19/2008

FM-07-109

CREATED BY: AMB

HEIGHT : 10'-9 7/16"

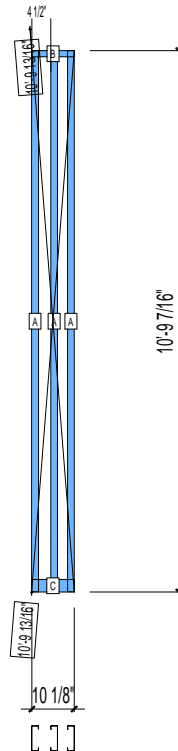
SPACING : 24"

1st STUD: 24"

WEIGHTS :

FRAME : 40 lbs

-----  
TOTAL: 40 lbs



### PIECES LIST

| LABEL | QTY | SIZE       | LENGTH     | USE          |
|-------|-----|------------|------------|--------------|
| A     | 3   | 600S162-33 | 10'-9 3/8" | STUD         |
| B     | 1   | 600T150-33 | 10 1/8"    | TOP TRACK    |
| C     | 1   | 600T300-33 | 10 1/8"    | BOTTOM TRACK |

# 11-3411

Jewish Home for the Aging

1885 Victory Blvd. Reseda, CA

FM-07-109

CREATED BY: AMB

FrameMax, Inc.  
13915 Danielson St  
Suite 100  
Poway, CA 92064  
www.frame-max.com



© FrameMax Inc.

HEIGHT : 10'-9 7/16" POINTS: 0.71 Points.

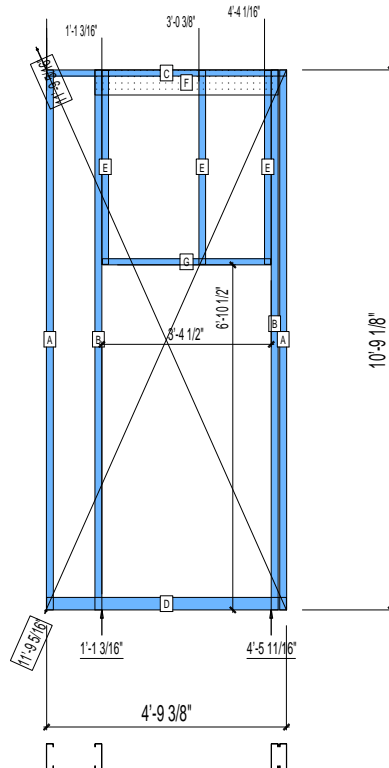
SPACING : 24"

1st STUD: 24"

WEIGHTS :

FRAME : 83 lbs

-----  
TOTAL: 83 lbs



PIECES LIST

| LABEL | QTY | SIZE       | LENGTH      | USE          |
|-------|-----|------------|-------------|--------------|
| A     | 2   | 600S162-33 | 10'-9 1/16" | STUD         |
| B     | 2   | 600S162-33 | 10'-9 1/16" | KING STUD    |
| C     | 1   | 600T150-33 | 4'-9 3/8"   | TOP TRACK    |
| D     | 1   | 600T300-33 | 4'-9 3/8"   | BOTTOM TRACK |
| E     | 3   | 600S162-33 | 3'-10 5/16" | CRIPPLE      |
| F     | 1   | 600L150-33 | 3'-7 3/4"   | L-HEADER     |
| G     | 1   | 600T150-33 | 3'-4 1/4"   | HEAD TRACK   |

# 11-3412

Jewish Home for the Aging

1885 Victory Blvd. Reseda, CA

FrameMax, Inc.  
13915 Danielson St  
Suite 100  
Poway, CA 92064  
www.frame-max.com



© FrameMax Inc.

CREATED: 09/19/2008

FM-07-109

CREATED BY: AMB

HEIGHT : 10'-9 7/16"

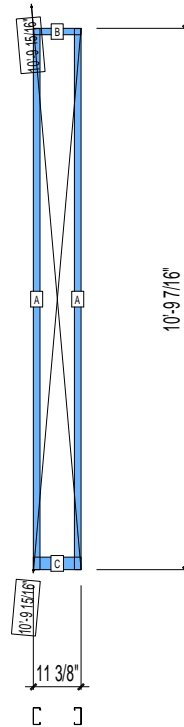
SPACING : 24"

1st STUD: 24"

WEIGHTS :

FRAME : 22 lbs

-----  
TOTAL: 22 lbs



### PIECES LIST

| LABEL | QTY | SIZE       | LENGTH     | USE          |
|-------|-----|------------|------------|--------------|
| A     | 2   | 400S162-33 | 10'-9 3/8" | STUD         |
| B     | 1   | 400T150-33 | 11 3/8"    | TOP TRACK    |
| C     | 1   | 400T300-33 | 11 3/8"    | BOTTOM TRACK |

# 11-3413

Jewish Home for the Aging

1885 Victory Blvd. Reseda, CA

FrameMax, Inc.  
13915 Danielson St  
Suite 100  
Poway, CA 92064  
www.frame-max.com



© FrameMax Inc.

CREATED: 09/19/2008

FM-07-109

CREATED BY: AMB

HEIGHT : 10'-9 7/16"

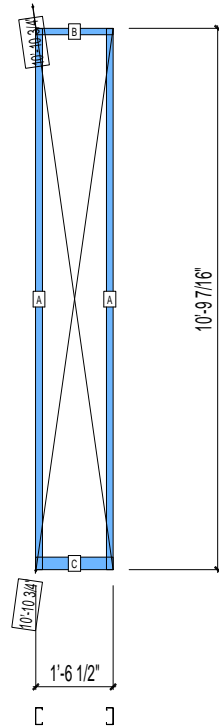
SPACING : 24"

1st STUD: 24"

WEIGHTS :

FRAME : 23 lbs

-----  
TOTAL: 23 lbs



### PIECES LIST

| LABEL | QTY | SIZE       | LENGTH     | USE          |
|-------|-----|------------|------------|--------------|
| A     | 2   | 400S162-33 | 10'-9 3/8" | STUD         |
| B     | 1   | 400T150-33 | 1'-6 1/2"  | TOP TRACK    |
| C     | 1   | 400T300-33 | 1'-6 1/2"  | BOTTOM TRACK |

# 11-3414

Jewish Home for the Aging

1885 Victory Blvd. Reseda, CA

FrameMax, Inc.  
13915 Danielson St  
Suite 100  
Poway, CA 92064  
www.frame-max.com



© FrameMax Inc.

CREATED: 09/19/2008

FM-07-109

CREATED BY: AMB

HEIGHT : 10'-9 7/16" POINTS: 0.33 Points.

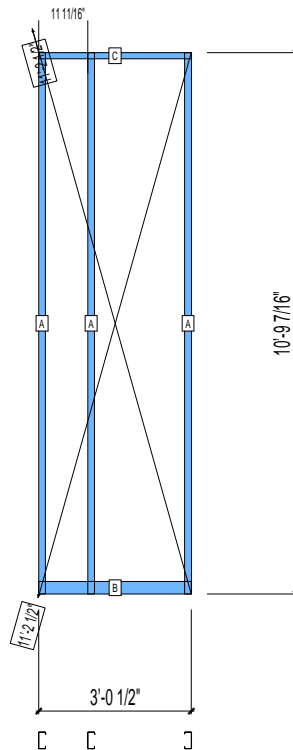
SPACING : 24"

1st STUD: 24"

WEIGHTS :

FRAME : 36 lbs

-----  
TOTAL: 36 lbs



### PIECES LIST

| LABEL | QTY | SIZE       | LENGTH     | USE          |
|-------|-----|------------|------------|--------------|
| A     | 3   | 400S162-33 | 10'-9 3/8" | STUD         |
| B     | 1   | 400T300-33 | 3'-0 1/2"  | BOTTOM TRACK |
| C     | 1   | 400T150-33 | 3'-0 1/2"  | TOP TRACK    |



# 11-3416

Jewish Home for the Aging

1885 Victory Blvd. Reseda, CA

FrameMax, Inc.  
13915 Danielson St  
Suite 100  
Poway, CA 92064  
www.frame-max.com



© FrameMax Inc.

CREATED: 09/19/2008

FM-07-109

CREATED BY: AMB

HEIGHT : 10'-9 7/16"

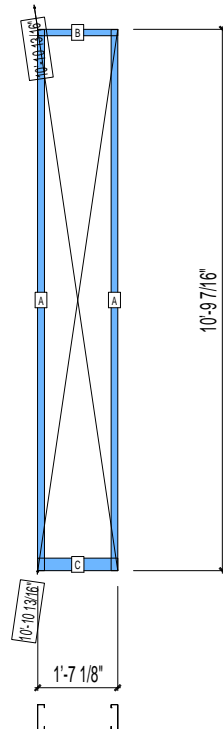
SPACING : 24"

1st STUD: 24"

WEIGHTS :

FRAME : 29 lbs

-----  
TOTAL: 29 lbs



### PIECES LIST

| LABEL | QTY | SIZE       | LENGTH     | USE          |
|-------|-----|------------|------------|--------------|
| A     | 2   | 600S162-33 | 10'-9 3/8" | STUD         |
| B     | 1   | 600T150-33 | 1'-7 1/8"  | TOP TRACK    |
| C     | 1   | 600T300-33 | 1'-7 1/8"  | BOTTOM TRACK |

# 11-3417

Jewish Home for the Aging

1885 Victory Blvd. Reseda, CA

FM-07-109

CREATED BY: AMB

FrameMax, Inc.  
13915 Danielson St  
Suite 100  
Poway, CA 92064  
www.frame-max.com



© FrameMax Inc.

HEIGHT : 10'-9 7/16"

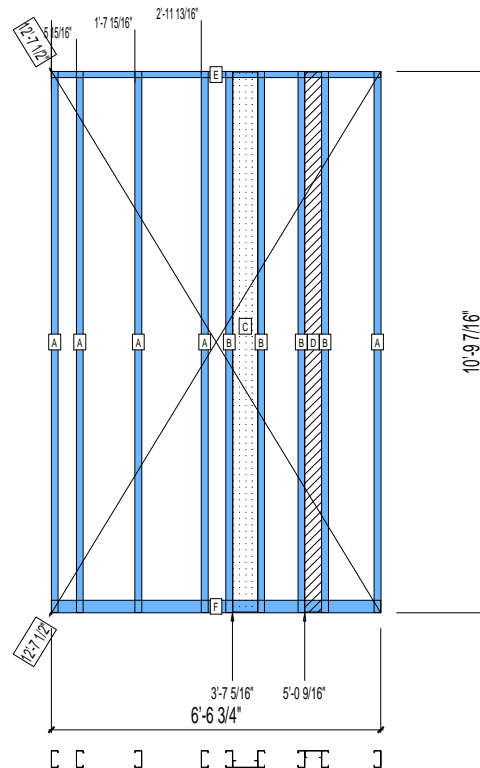
SPACING : 24"

1st STUD: 24"

WEIGHTS :

FRAME : 126 lbs

TOTAL: 126 lbs



PIECES LIST

| LABEL | QTY | SIZE       | LENGTH     | USE          |
|-------|-----|------------|------------|--------------|
| A     | 5   | 400S162-33 | 10'-9 3/8" | STUD         |
| B     | 4   | 400S162-33 | 10'-9 3/8" | BACKER STUD  |
| C     | 1   | 600S162-33 | 10'-9 1/8" | BACKER-U     |
| D     | 1   | 400S162-33 | 10'-9 1/8" | BACKER-U     |
| E     | 1   | 400T150-33 | 6'-6 3/4"  | TOP TRACK    |
| F     | 1   | 400T300-33 | 6'-6 3/4"  | BOTTOM TRACK |

# 11-3418

Jewish Home for the Aging

1885 Victory Blvd. Reseda, CA

FM-07-109

CREATED BY: AMB

FrameMax, Inc.  
13915 Danielson St  
Suite 100  
Poway, CA 92064  
www.framemax.com



© FrameMax Inc.

HEIGHT : 10'-9 7/16"

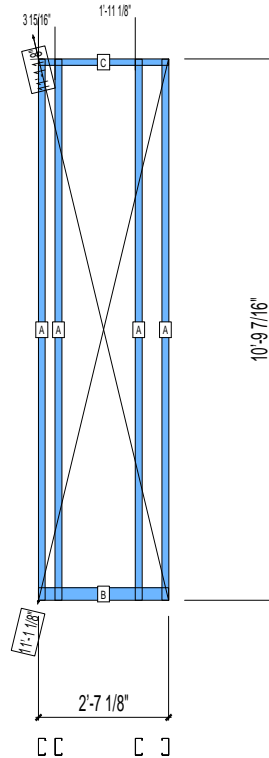
SPACING : 24"

1st STUD: 24"

WEIGHTS :

FRAME : 45 lbs

-----  
TOTAL: 45 lbs



### PIECES LIST

| LABEL | QTY | SIZE       | LENGTH     | USE          |
|-------|-----|------------|------------|--------------|
| A     | 4   | 400S162-33 | 10'-9 3/8" | STUD         |
| B     | 1   | 400T300-33 | 2'-7 1/8"  | BOTTOM TRACK |
| C     | 1   | 400T150-33 | 2'-7 1/8"  | TOP TRACK    |

# 11-3419

Jewish Home for the Aging

1885 Victory Blvd. Reseda, CA

FrameMax, Inc.  
13915 Danielson St  
Suite 100  
Poway, CA 92064  
www.frame-max.com



© FrameMax Inc.

CREATED: 09/19/2008

FM-07-109

CREATED BY: AMB

HEIGHT : 10'-9 7/16"

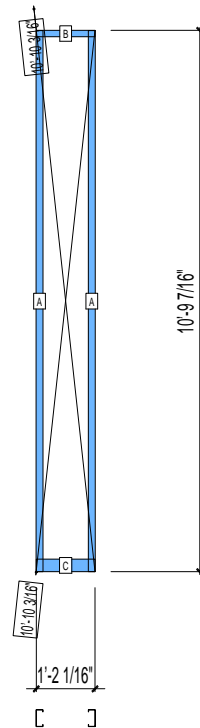
SPACING : 24"

1st STUD: 24"

WEIGHTS :

FRAME : 22 lbs

-----  
TOTAL: 22 lbs



### PIECES LIST

| LABEL | QTY | SIZE       | LENGTH     | USE          |
|-------|-----|------------|------------|--------------|
| A     | 2   | 400S162-33 | 10'-9 3/8" | STUD         |
| B     | 1   | 400T150-33 | 1'-2 1/16" | TOP TRACK    |
| C     | 1   | 400T300-33 | 1'-2 1/16" | BOTTOM TRACK |

# 11-3420

Jewish Home for the Aging

1885 Victory Blvd. Reseda, CA

FM-07-109

CREATED BY: AMB

FrameMax, Inc.  
13915 Danielson St  
Suite 100  
Poway, CA 92064  
www.framemax.com



© FrameMax Inc.

HEIGHT : 10'-9 7/16"

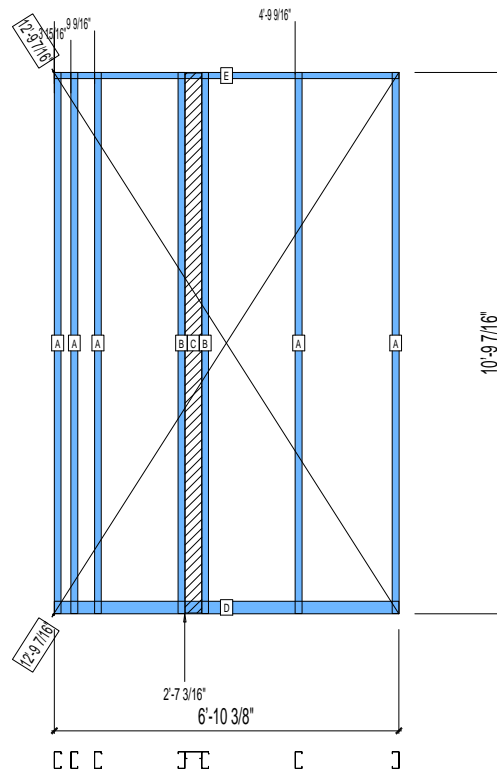
SPACING : 24"

1st STUD: 24"

WEIGHTS :

FRAME : 94 lbs

TOTAL: 94 lbs



PIECES LIST

| LABEL | QTY | SIZE       | LENGTH     | USE          |
|-------|-----|------------|------------|--------------|
| A     | 5   | 400S162-33 | 10'-9 3/8" | STUD         |
| B     | 2   | 400S162-33 | 10'-9 3/8" | BACKER STUD  |
| C     | 1   | 400S162-33 | 10'-9 1/8" | BACKER-U     |
| D     | 1   | 400T300-33 | 6'-10 3/8" | BOTTOM TRACK |
| E     | 1   | 400T150-33 | 6'-10 3/8" | TOP TRACK    |

# 11-3421

Jewish Home for the Aging

1885 Victory Blvd. Reseda, CA

FM-07-109

CREATED BY: AMB

FrameMax, Inc.  
13915 Danielson St  
Suite 100  
Poway, CA 92064  
www.frame-max.com



© FrameMax Inc.

HEIGHT : 10'-9 7/16"

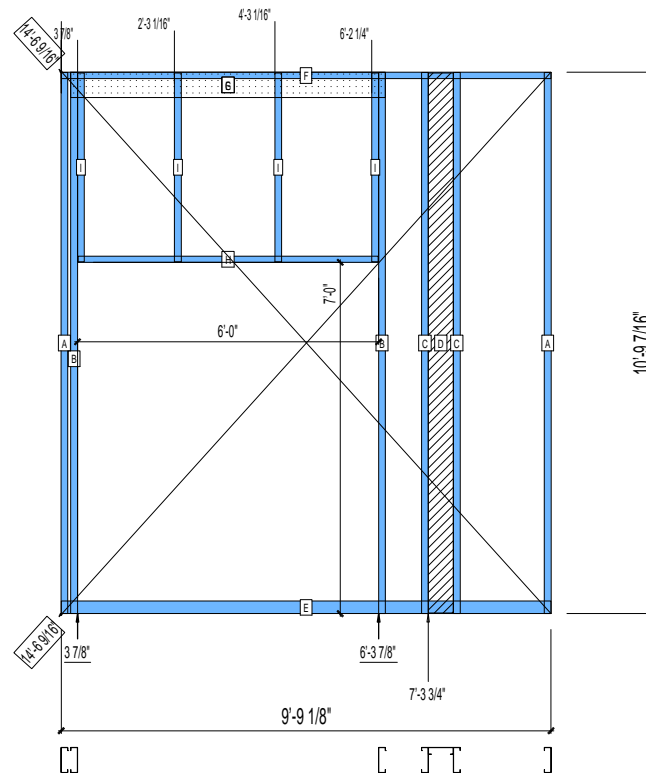
SPACING : 24"

1st STUD: 24"

WEIGHTS :

FRAME : 37 lbs

TOTAL: 37 lbs



PIECES LIST

| LABEL | QTY | SIZE       | LENGTH     | USE          |
|-------|-----|------------|------------|--------------|
| A     | 2   | 600S162-33 | 10'-9 3/8" | STUD         |
| B     | 2   | 600S162-33 | 10'-9 3/8" | KING STUD    |
| C     | 2   | 600S162-33 | 10'-9 3/8" | BACKER STUD  |
| D     | 1   | 600S162-33 | 10'-9 1/8" | BACKER-U     |
| E     | 1   | 600T300-33 | 9'-9 1/8"  | BOTTOM TRACK |
| F     | 1   | 600T150-33 | 9'-9 1/8"  | TOP TRACK    |
| G     | 1   | 600L150-33 | 6'-3 1/4"  | L-HEADER     |
| H     | 1   | 600T150-33 | 5'-11 3/4" | HEAD TRACK   |
| I     | 4   | 600S162-33 | 3'-9 1/8"  | CRIPPLE      |

# 11-3422

Jewish Home for the Aging

1885 Victory Blvd. Reseda, CA

FM-07-109

CREATED BY: AMB

FrameMax, Inc.  
13915 Danielson St  
Suite 100  
Poway, CA 92064  
www.frame-max.com



© FrameMax Inc.

HEIGHT : 10'-9 7/16" POINTS: 1.24 Points.

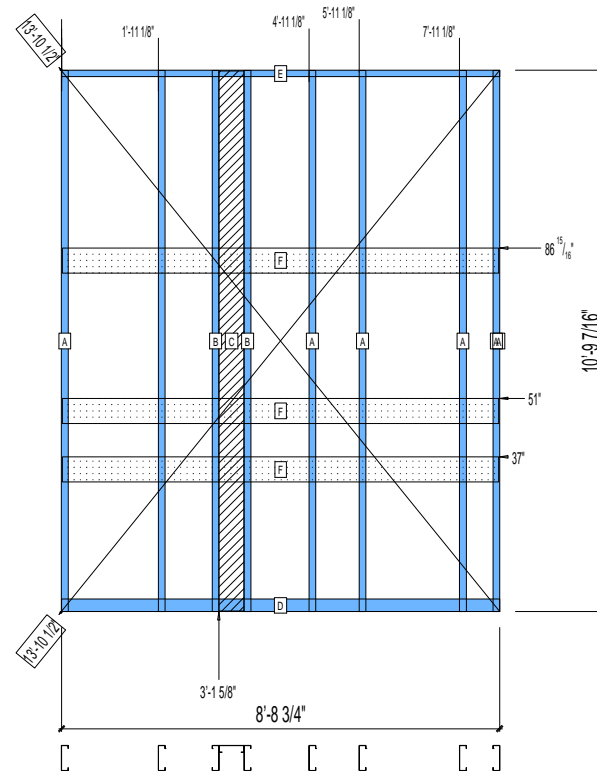
SPACING : 24"

1st STUD: 24"

WEIGHTS :

FRAME : 167 lbs

TOTAL: 167 lbs



PIECES LIST

| LABEL | QTY | SIZE       | LENGTH     | USE             |
|-------|-----|------------|------------|-----------------|
| A     | 6   | 600S162-33 | 10'-9 3/8" | STUD            |
| B     | 2   | 600S162-33 | 10'-9 3/8" | BACKER STUD     |
| C     | 1   | 600S162-33 | 10'-9 1/8" | BACKER-U        |
| D     | 1   | 600T300-33 | 8'-8 3/4"  | BOTTOM TRACK    |
| E     | 1   | 600T150-33 | 8'-8 3/4"  | TOP TRACK       |
| F     | 3   | 600D-54    | 8'-8 5/16" | KITCHEN BACKING |

# 11-3423

Jewish Home for the Aging

1885 Victory Blvd. Reseda, CA

FrameMax, Inc.  
13915 Danielson St  
Suite 100  
Poway, CA 92064  
www.frame-max.com



© FrameMax Inc.

CREATED: 09/19/2008

FM-07-109

CREATED BY: AMB

HEIGHT : 10'-9 7/16" POINTS: 0.61 Points.

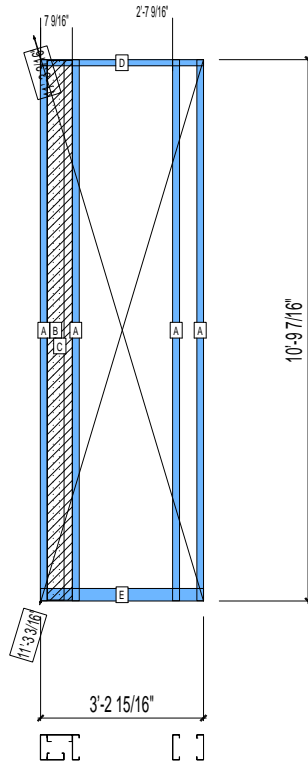
SPACING : 24"

1st STUD: 24"

WEIGHTS :

FRAME : 81 lbs

-----  
TOTAL: 81 lbs



### PIECES LIST

| LABEL | QTY | SIZE       | LENGTH      | USE          |
|-------|-----|------------|-------------|--------------|
| A     | 4   | 600S162-33 | 10'-9 3/8"  | STUD         |
| B     | 1   | 400S162-33 | 10'-9 1/16" | BACKER-U     |
| C     | 1   | 600S162-33 | 10'-9 1/16" | BACKER-U     |
| D     | 1   | 600T150-33 | 3'-2 15/16" | TOP TRACK    |
| E     | 1   | 600T300-33 | 3'-2 15/16" | BOTTOM TRACK |

# 11-3424

Jewish Home for the Aging

1885 Victory Blvd. Reseda, CA

FrameMax, Inc.  
13915 Danielson St  
Suite 100  
Poway, CA 92064  
www.frame-max.com



© FrameMax Inc.

CREATED: 09/19/2008

FM-07-109

CREATED BY: AMB

HEIGHT : 2'-11 1/2"    POINTS: 0.47 Points.

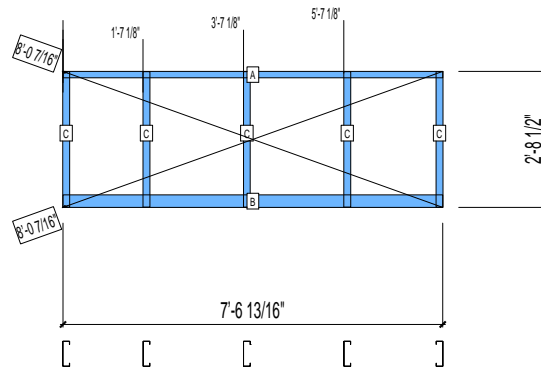
SPACING : 24"

1st STUD: 24"

WEIGHTS :

FRAME : 35 lbs

-----  
TOTAL: 35 lbs



### PIECES LIST

| LABEL | QTY | SIZE       | LENGTH      | USE          |
|-------|-----|------------|-------------|--------------|
| A     | 1   | 600T150-33 | 7'-6 13/16" | TOP TRACK    |
| B     | 1   | 600T300-33 | 7'-6 13/16" | BOTTOM TRACK |
| C     | 5   | 600S162-33 | 2'-8 7/16"  | STUD         |

# 11-3425

Jewish Home for the Aging

1885 Victory Blvd. Reseda, CA

FM-07-109

CREATED BY: AMB

FrameMax, Inc.  
13915 Danielson St  
Suite 100  
Poway, CA 92064  
www.frame-max.com



© FrameMax Inc.

HEIGHT : 2'-11 1/2"    POINTS: 0.22 Points.

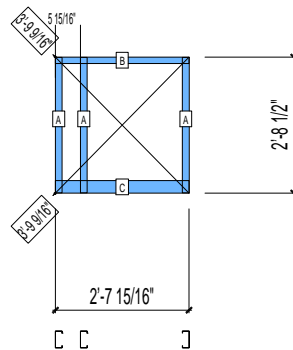
SPACING : 24"

1st STUD: 24"

WEIGHTS :

FRAME : 13 lbs

-----  
TOTAL: 13 lbs



### PIECES LIST

| LABEL | QTY | SIZE       | LENGTH      | USE          |
|-------|-----|------------|-------------|--------------|
| A     | 3   | 400S162-33 | 2'-8 7/16"  | STUD         |
| B     | 1   | 400T150-33 | 2'-7 15/16" | TOP TRACK    |
| C     | 1   | 400T300-33 | 2'-7 15/16" | BOTTOM TRACK |

# 11-3426

Jewish Home for the Aging

1885 Victory Blvd. Reseda, CA

FM-07-109

CREATED BY: AMB

FrameMax, Inc.  
13915 Danielson St  
Suite 100  
Poway, CA 92064  
www.frame-max.com



© FrameMax Inc.

HEIGHT : 10'-9 7/16" POINTS: 1.07 Points.

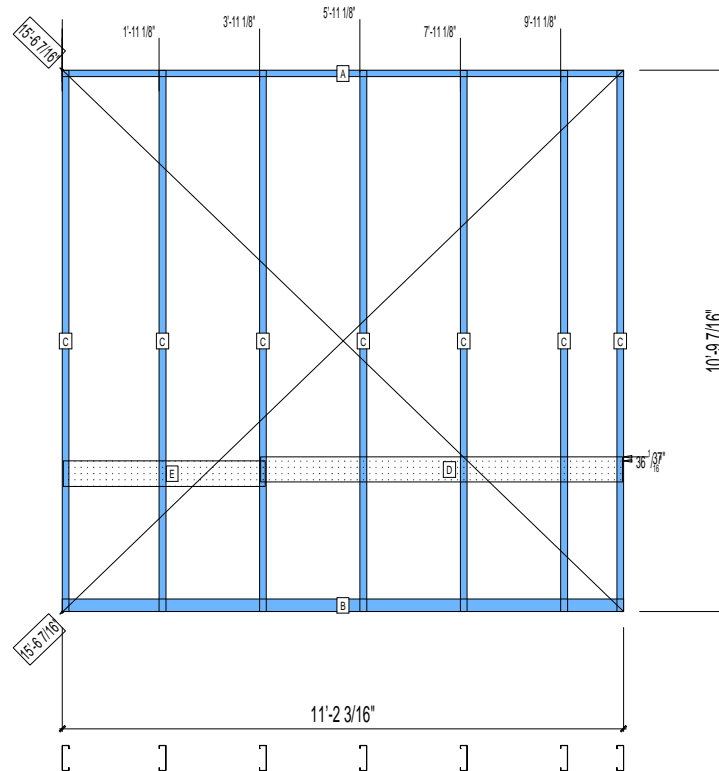
SPACING : 24"

1st STUD: 24"

WEIGHTS :

FRAME : 132 lbs

-----  
TOTAL: 132 lbs



PIECES LIST

| LABEL | QTY | SIZE       | LENGTH      | USE            |
|-------|-----|------------|-------------|----------------|
| A     | 1   | 600T150-33 | 11'-2 3/16" | TOP TRACK      |
| B     | 1   | 600T300-33 | 11'-2 3/16" | BOTTOM TRACK   |
| C     | 7   | 600S162-33 | 10'-9 3/8"  | STUD           |
| D     | 1   | 600D-54    | 7'-2 9/16"  | VANITY BACKING |
| E     | 1   | 600T150-54 | 4'-0 5/16"  | GRAB BAR       |

# 11-3427

Jewish Home for the Aging

1885 Victory Blvd. Reseda, CA

FM-07-109

CREATED BY: AMB

FrameMax, Inc.  
13915 Danielson St  
Suite 100  
Poway, CA 92064  
www.frame-max.com



© FrameMax Inc.

HEIGHT : 10'-9 7/16" POINTS: 0.45 Points.

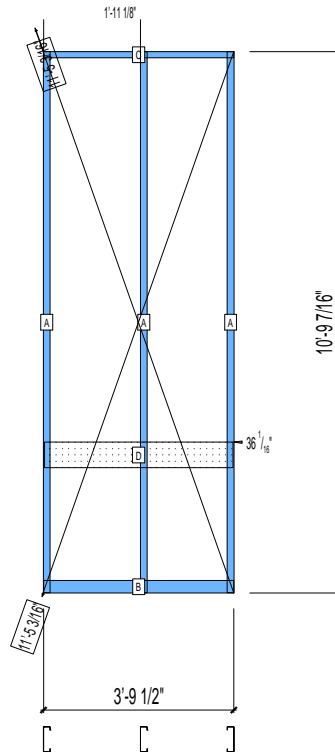
SPACING : 24"

1st STUD: 24"

WEIGHTS :

FRAME : 54 lbs

-----  
TOTAL: 54 lbs



### PIECES LIST

| LABEL | QTY | SIZE       | LENGTH     | USE          |
|-------|-----|------------|------------|--------------|
| A     | 3   | 600S162-33 | 10'-9 3/8" | STUD         |
| B     | 1   | 600T300-33 | 3'-9 1/2"  | BOTTOM TRACK |
| C     | 1   | 600T150-33 | 3'-9 1/2"  | TOP TRACK    |
| D     | 1   | 600T150-54 | 3'-9 1/16" | GRAB BAR     |

# 11-3451

Jewish Home for the Aging

1885 Victory Blvd. Reseda, CA

FM-07-109

CREATED BY: AMB

FrameMax, Inc.  
13915 Danielson St  
Suite 100  
Poway, CA 92064  
www.frame-max.com



© FrameMax Inc.

HEIGHT : 10'-9 7/16" POINTS: 0.55 Points.

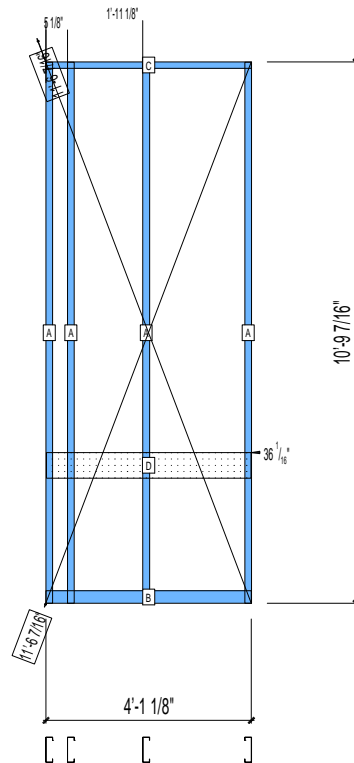
SPACING : 24"

1st STUD: 24"

WEIGHTS :

FRAME : 68 lbs

-----  
TOTAL: 68 lbs



### PIECES LIST

| LABEL | QTY | SIZE       | LENGTH      | USE          |
|-------|-----|------------|-------------|--------------|
| A     | 4   | 600S162-33 | 10'-9 3/8"  | STUD         |
| B     | 1   | 600T300-33 | 4'-1 1/8"   | BOTTOM TRACK |
| C     | 1   | 600T150-33 | 4'-1 1/8"   | TOP TRACK    |
| D     | 1   | 600T150-54 | 4'-0 15/16" | GRAB BAR     |

# 11-3452

Jewish Home for the Aging

1885 Victory Blvd. Reseda, CA

FrameMax, Inc.  
13915 Danielson St  
Suite 100  
Poway, CA 92064  
www.frame-max.com



© FrameMax Inc.

CREATED: 09/19/2008

FM-07-109

CREATED BY: AMB

HEIGHT : 10'-9 7/16"

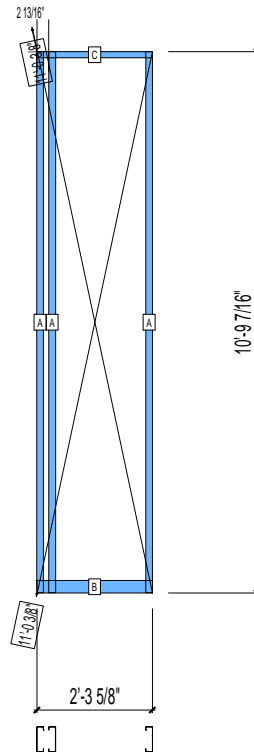
SPACING : 24"

1st STUD: 24"

WEIGHTS :

FRAME : 44 lbs

-----  
TOTAL: 44 lbs



### PIECES LIST

| LABEL | QTY | SIZE       | LENGTH     | USE          |
|-------|-----|------------|------------|--------------|
| A     | 3   | 600S162-33 | 10'-9 3/8" | STUD         |
| B     | 1   | 600T300-33 | 2'-3 5/8"  | BOTTOM TRACK |
| C     | 1   | 600T150-33 | 2'-3 5/8"  | TOP TRACK    |

# 11-3453

Jewish Home for the Aging

1885 Victory Blvd. Reseda, CA

FM-07-109

CREATED BY: AMB

FrameMax, Inc.  
13915 Danielson St  
Suite 100  
Poway, CA 92064  
www.frame-max.com



© FrameMax Inc.

HEIGHT : 10'-9 7/16" POINTS: 1.07 Points.

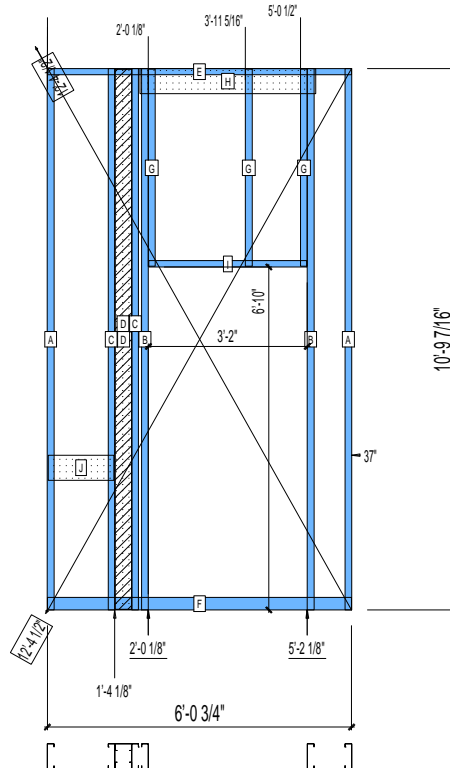
SPACING : 24"

1st STUD: 24"

WEIGHTS :

FRAME : 133 lbs

-----  
TOTAL: 133 lbs



PIECES LIST

| LABEL | QTY | SIZE       | LENGTH      | USE            |
|-------|-----|------------|-------------|----------------|
| A     | 2   | 600S162-33 | 10'-9 3/8"  | STUD           |
| B     | 2   | 600S162-33 | 10'-9 3/8"  | KING STUD      |
| C     | 2   | 600S162-33 | 10'-9 3/8"  | BACKER STUD    |
| D     | 2   | 400S162-33 | 10'-9 1/8"  | BACKER-U       |
| E     | 1   | 600T150-33 | 6'-0 3/4"   | TOP TRACK      |
| F     | 1   | 600T300-33 | 6'-0 3/4"   | BOTTOM TRACK   |
| G     | 3   | 600S162-33 | 3'-11 1/8"  | CRIPPLE        |
| H     | 1   | 600L150-33 | 3'-6"       | L-HEADER       |
| I     | 1   | 600T150-33 | 3'-1 3/4"   | HEAD TRACK     |
| J     | 1   | 600D-54    | 1'-3 11/16" | VANITY BACKING |

# 11-3454

Jewish Home for the Aging

1885 Victory Blvd. Reseda, CA

FrameMax, Inc.  
13915 Danielson St  
Suite 100  
Poway, CA 92064  
www.frame-max.com



© FrameMax Inc.

CREATED: 09/19/2008

FM-07-109

CREATED BY: AMB

HEIGHT : 10'-9 7/16" POINTS: 0.51 Points.

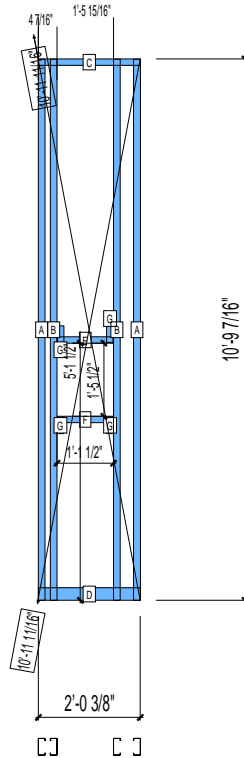
SPACING : 24"

1st STUD: 24"

WEIGHTS :

FRAME : 47 lbs

-----  
TOTAL: 47 lbs



### PIECES LIST

| LABEL | QTY | SIZE       | LENGTH     | USE          |
|-------|-----|------------|------------|--------------|
| A     | 2   | 400S162-33 | 10'-9 3/8" | STUD         |
| B     | 2   | 400S162-33 | 10'-9 3/8" | KING STUD    |
| C     | 1   | 400T150-33 | 2'-0 3/8"  | TOP TRACK    |
| D     | 1   | 400T300-33 | 2'-0 3/8"  | BOTTOM TRACK |
| E     | 1   | 400T150-33 | 1'-1 1/4"  | HEAD TRACK   |
| F     | 1   | 400T150-33 | 1'-1 1/4"  | SILL         |
| G     | 4   | 400S162-33 | 4"         | CRIPPLE      |



# 11-3456

Jewish Home for the Aging

1885 Victory Blvd. Reseda, CA

FM-07-109

CREATED BY: AMB

FrameMax, Inc.  
13915 Danielson St  
Suite 100  
Poway, CA 92064  
www.frame-max.com



© FrameMax Inc.

HEIGHT : 10'-9 7/16"

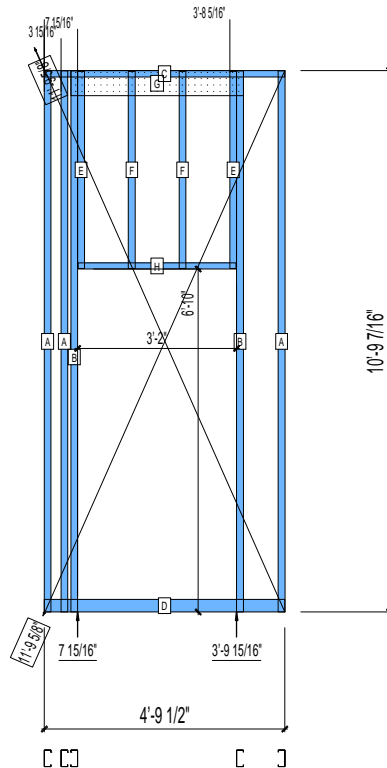
SPACING : 24"

1st STUD: 24"

WEIGHTS :

FRAME : 80 lbs

TOTAL: 80 lbs



PIECES LIST

| LABEL | QTY | SIZE       | LENGTH     | USE          |
|-------|-----|------------|------------|--------------|
| A     | 3   | 400S162-33 | 10'-9 3/8" | STUD         |
| B     | 2   | 400S162-33 | 10'-9 3/8" | KING STUD    |
| C     | 1   | 400T150-33 | 4'-9 1/2"  | TOP TRACK    |
| D     | 1   | 400T300-33 | 4'-9 1/2"  | BOTTOM TRACK |
| E     | 2   | 400S162-33 | 3'-11 1/8" | CRIPPLE      |
| F     | 2   | 400S162-33 | 3'-11 1/8" | KING STUD    |
| G     | 1   | 600L150-33 | 3'-5 1/4"  | L-HEADER     |
| H     | 1   | 400T150-33 | 3'-1 3/4"  | HEAD TRACK   |

# 11-3457

Jewish Home for the Aging

1885 Victory Blvd. Reseda, CA

FM-07-109

CREATED BY: AMB

FrameMax, Inc.  
13915 Danielson St  
Suite 100  
Poway, CA 92064  
www.frame-max.com



© FrameMax Inc.

HEIGHT : 10'-9 7/16"

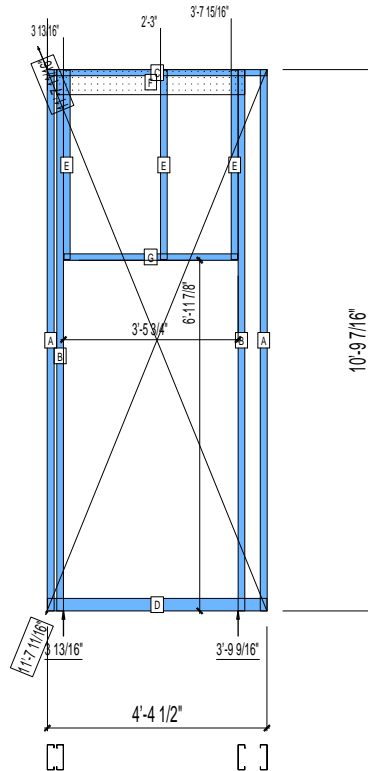
SPACING : 24"

1st STUD: 24"

WEIGHTS :

FRAME : 82 lbs

TOTAL: 82 lbs



PIECES LIST

| LABEL | QTY | SIZE       | LENGTH     | USE          |
|-------|-----|------------|------------|--------------|
| A     | 2   | 600S162-33 | 10'-9 3/8" | STUD         |
| B     | 2   | 600S162-33 | 10'-9 3/8" | KING STUD    |
| C     | 1   | 600T150-33 | 4'-4 1/2"  | TOP TRACK    |
| D     | 1   | 600T300-33 | 4'-4 1/2"  | BOTTOM TRACK |
| E     | 3   | 600S162-33 | 3'-9 1/4"  | CRIPPLE      |
| F     | 1   | 600L150-33 | 3'-9"      | L-HEADER     |
| G     | 1   | 600T150-33 | 3'-5 1/2"  | HEAD TRACK   |

# 11-3458

Jewish Home for the Aging

1885 Victory Blvd. Reseda, CA

FM-07-109

CREATED BY: AMB

FrameMax, Inc.  
13915 Danielson St  
Suite 100  
Poway, CA 92064  
www.frame-max.com



© FrameMax Inc.

HEIGHT : 10'-9 7/16"

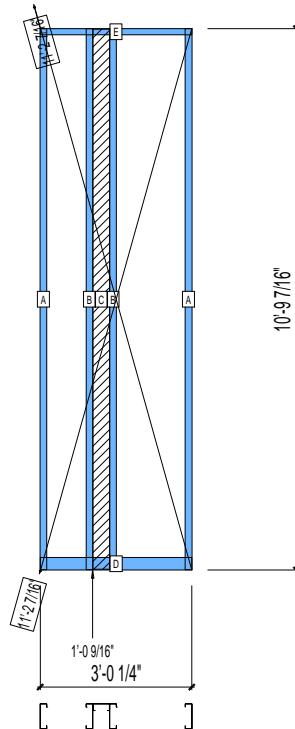
SPACING : 24"

1st STUD: 24"

WEIGHTS :

FRAME : 68 lbs

-----  
TOTAL: 68 lbs



### PIECES LIST

| LABEL | QTY | SIZE       | LENGTH     | USE          |
|-------|-----|------------|------------|--------------|
| A     | 2   | 600S162-33 | 10'-9 3/8" | STUD         |
| B     | 2   | 600S162-33 | 10'-9 3/8" | BACKER STUD  |
| C     | 1   | 400S162-33 | 10'-9 1/8" | BACKER-U     |
| D     | 1   | 600T300-33 | 3'-0 1/4"  | BOTTOM TRACK |
| E     | 1   | 600T150-33 | 3'-0 1/4"  | TOP TRACK    |

# 11-3459

Jewish Home for the Aging

1885 Victory Blvd. Reseda, CA

FrameMax, Inc.  
13915 Danielson St  
Suite 100  
Poway, CA 92064  
www.frame-max.com



© FrameMax Inc.

CREATED: 09/19/2008

FM-07-109

CREATED BY: AMB

HEIGHT : 10'-9 7/16"

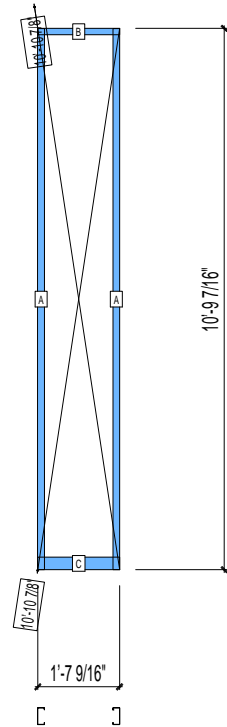
SPACING : 24"

1st STUD: 24"

WEIGHTS :

FRAME : 23 lbs

-----  
TOTAL: 23 lbs



### PIECES LIST

| LABEL | QTY | SIZE       | LENGTH     | USE          |
|-------|-----|------------|------------|--------------|
| A     | 2   | 400S162-33 | 10'-9 3/8" | STUD         |
| B     | 1   | 400T150-33 | 1'-7 9/16" | TOP TRACK    |
| C     | 1   | 400T300-33 | 1'-7 9/16" | BOTTOM TRACK |

# 11-3460

Jewish Home for the Aging

1885 Victory Blvd. Reseda, CA

FrameMax, Inc.  
13915 Danielson St  
Suite 100  
Poway, CA 92064  
www.frame-max.com



© FrameMax Inc.

CREATED: 09/19/2008

FM-07-109

CREATED BY: AMB

HEIGHT : 10'-9 7/16"

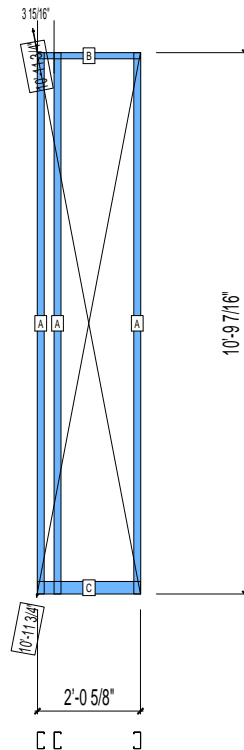
SPACING : 24"

1st STUD: 24"

WEIGHTS :

FRAME : 34 lbs

-----  
TOTAL: 34 lbs



### PIECES LIST

| LABEL | QTY | SIZE       | LENGTH     | USE          |
|-------|-----|------------|------------|--------------|
| A     | 3   | 400S162-33 | 10'-9 3/8" | STUD         |
| B     | 1   | 400T150-33 | 2'-0 5/8"  | TOP TRACK    |
| C     | 1   | 400T300-33 | 2'-0 5/8"  | BOTTOM TRACK |

# 11-3461

Jewish Home for the Aging

1885 Victory Blvd. Reseda, CA

FM-07-109

CREATED BY: AMB

FrameMax, Inc.  
13915 Danielson St  
Suite 100  
Poway, CA 92064  
www.frame-max.com



© FrameMax Inc.

HEIGHT : 2'-11 1/2"      POINTS: 0.42 Points.

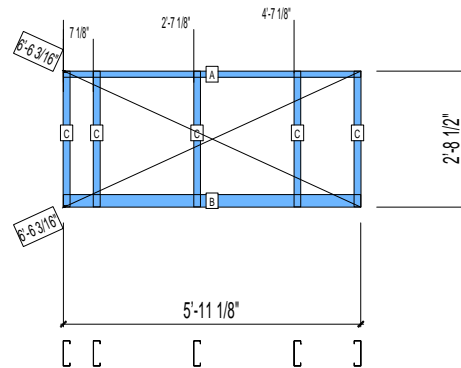
SPACING : 24"

1st STUD: 24"

WEIGHTS :

FRAME : 31 lbs

-----  
TOTAL: 31 lbs



### PIECES LIST

| LABEL | QTY | SIZE       | LENGTH     | USE          |
|-------|-----|------------|------------|--------------|
| A     | 1   | 600T150-33 | 5'-11 1/8" | TOP TRACK    |
| B     | 1   | 600T300-33 | 5'-11 1/8" | BOTTOM TRACK |
| C     | 5   | 600S162-33 | 2'-8 7/16" | STUD         |

# 11-3462

Jewish Home for the Aging

1885 Victory Blvd. Reseda, CA

FM-07-109

CREATED BY: AMB

FrameMax, Inc.  
13915 Danielson St  
Suite 100  
Poway, CA 92064  
www.frame-max.com



© FrameMax Inc.

HEIGHT : 2'-11 1/2"    POINTS: 0.22 Points.

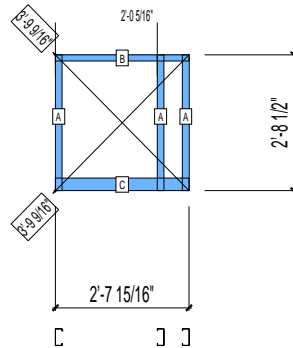
SPACING : 24"

1st STUD: 24"

WEIGHTS :

FRAME : 13 lbs

-----  
TOTAL: 13 lbs



### PIECES LIST

| LABEL | QTY | SIZE       | LENGTH      | USE          |
|-------|-----|------------|-------------|--------------|
| A     | 3   | 400S162-33 | 2'-8 7/16"  | STUD         |
| B     | 1   | 400T150-33 | 2'-7 15/16" | TOP TRACK    |
| C     | 1   | 400T300-33 | 2'-7 15/16" | BOTTOM TRACK |

# 11-3463

Jewish Home for the Aging

1885 Victory Blvd. Reseda, CA

FrameMax, Inc.  
13915 Danielson St  
Suite 100  
Poway, CA 92064  
www.frame-max.com



© FrameMax Inc.

CREATED: 09/19/2008

FM-07-109

CREATED BY: AMB

HEIGHT : 10'-9 7/16"

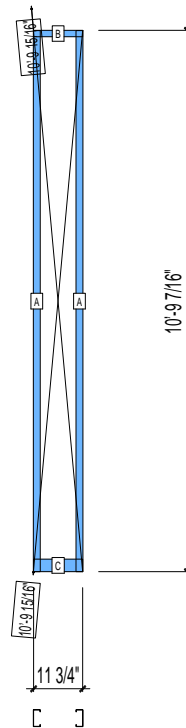
SPACING : 24"

1st STUD: 16"

WEIGHTS :

FRAME : 22 lbs

-----  
TOTAL: 22 lbs



### PIECES LIST

| LABEL | QTY | SIZE       | LENGTH     | USE          |
|-------|-----|------------|------------|--------------|
| A     | 2   | 400S162-33 | 10'-9 3/8" | STUD         |
| B     | 1   | 400T150-33 | 11 3/4"    | TOP TRACK    |
| C     | 1   | 400T300-33 | 11 3/4"    | BOTTOM TRACK |

# 11-3464

Jewish Home for the Aging

1885 Victory Blvd. Reseda, CA

FM-07-109

CREATED BY: AMB

FrameMax, Inc.  
13915 Danielson St  
Suite 100  
Poway, CA 92064  
www.framemax.com



© FrameMax Inc.

HEIGHT : 10'-9 7/16"

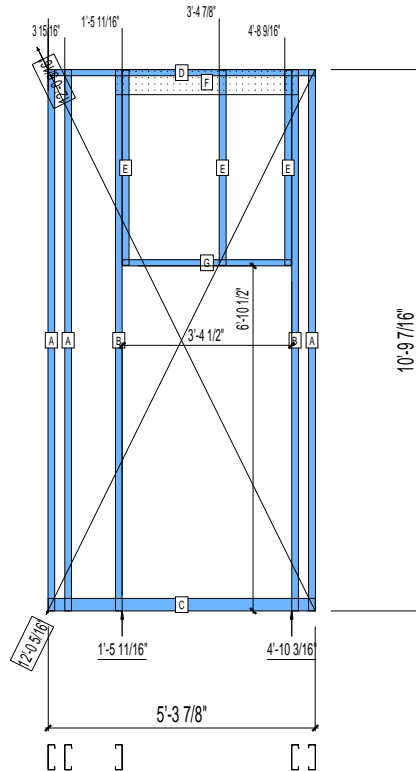
SPACING : 24"

1st STUD: 24"

WEIGHTS :

FRAME : 21 lbs

TOTAL: 21 lbs



PIECES LIST

| LABEL | QTY | SIZE       | LENGTH     | USE          |
|-------|-----|------------|------------|--------------|
| A     | 3   | 600S162-33 | 10'-9 3/8" | STUD         |
| B     | 2   | 600S162-33 | 10'-9 3/8" | KING STUD    |
| C     | 1   | 600T300-33 | 5'-3 7/8"  | BOTTOM TRACK |
| D     | 1   | 600T150-33 | 5'-3 7/8"  | TOP TRACK    |
| E     | 3   | 600S162-33 | 3'-10 5/8" | CRIPPLE      |
| F     | 1   | 600L150-33 | 3'-7 3/4"  | L-HEADER     |
| G     | 1   | 600T150-33 | 3'-4 1/4"  | HEAD TRACK   |

# 11-3465

Jewish Home for the Aging

1885 Victory Blvd. Reseda, CA

FM-07-109

CREATED BY: AMB

FrameMax, Inc.  
13915 Danielson St  
Suite 100  
Poway, CA 92064  
www.framemax.com



© FrameMax Inc.

HEIGHT : 10'-9 7/16" POINTS: 1.05 Points.

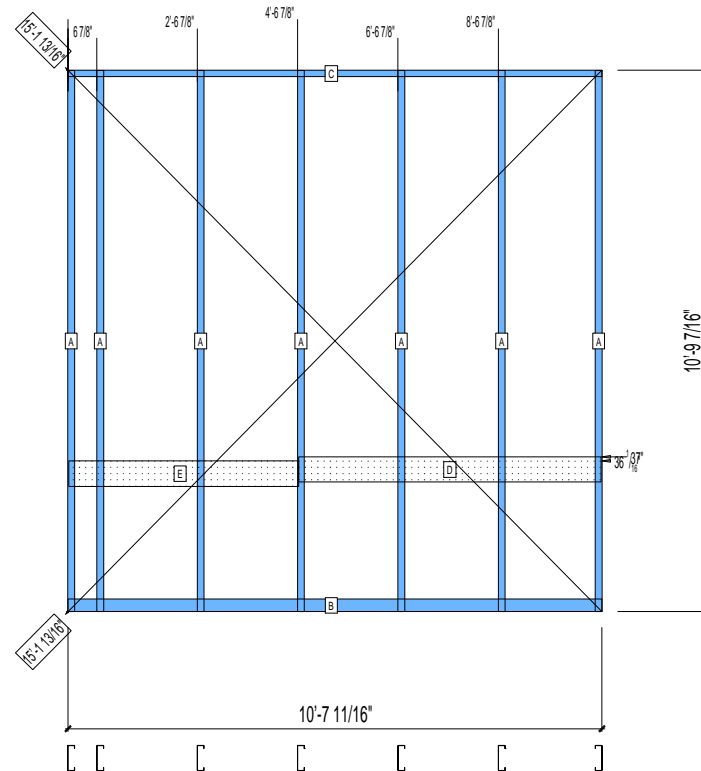
SPACING : 24"

1st STUD: 24"

WEIGHTS :

FRAME : 130 lbs

-----  
TOTAL: 130 lbs



PIECES LIST

| LABEL | QTY | SIZE       | LENGTH       | USE            |
|-------|-----|------------|--------------|----------------|
| A     | 7   | 600S162-33 | 10'-9 3/8"   | STUD           |
| B     | 1   | 600T300-33 | 10'-7 11/16" | BOTTOM TRACK   |
| C     | 1   | 600T150-33 | 10'-7 11/16" | TOP TRACK      |
| D     | 1   | 600D-54    | 6'-0 5/16"   | VANITY BACKING |
| E     | 1   | 600T150-54 | 4'-6 15/16"  | GRAB BAR       |

# 11-3466

Jewish Home for the Aging

1885 Victory Blvd. Reseda, CA

FrameMax, Inc.  
13915 Danielson St  
Suite 100  
Poway, CA 92064  
www.frame-max.com



© FrameMax Inc.

CREATED: 09/19/2008

FM-07-109

CREATED BY: AMB

HEIGHT : 10'-9 7/16"

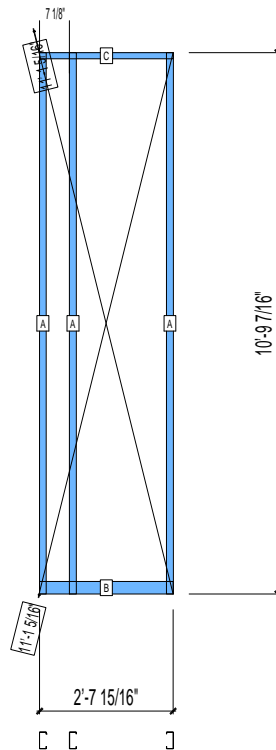
SPACING : 24"

1st STUD: 24"

WEIGHTS :

FRAME : 35 lbs

-----  
TOTAL: 35 lbs



### PIECES LIST

| LABEL | QTY | SIZE       | LENGTH      | USE          |
|-------|-----|------------|-------------|--------------|
| A     | 3   | 400S162-33 | 10'-9 3/8"  | STUD         |
| B     | 1   | 400T300-33 | 2'-7 15/16" | BOTTOM TRACK |
| C     | 1   | 400T150-33 | 2'-7 15/16" | TOP TRACK    |

# 11-3467

Jewish Home for the Aging

1885 Victory Blvd. Reseda, CA

FM-07-109

CREATED BY: AMB

FrameMax, Inc.  
13915 Danielson St  
Suite 100  
Poway, CA 92064  
www.frame-max.com



© FrameMax Inc.

HEIGHT : 10'-9 7/16" POINTS: 0.66 Points.

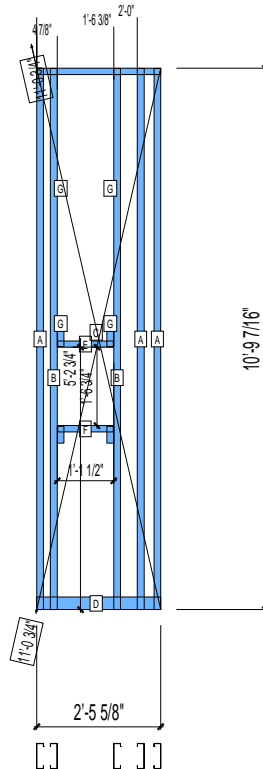
SPACING : 24"

1st STUD: 24"

WEIGHTS :

FRAME : 73 lbs

-----  
TOTAL: 73 lbs



PIECES LIST

| LABEL | QTY | SIZE       | LENGTH     | USE          |
|-------|-----|------------|------------|--------------|
| A     | 3   | 600S162-33 | 10'-9 3/8" | STUD         |
| B     | 2   | 600S162-33 | 10'-9 3/8" | KING STUD    |
| C     | 1   | 600T150-33 | 2'-5 5/8"  | TOP TRACK    |
| D     | 1   | 600T300-33 | 2'-5 5/8"  | BOTTOM TRACK |
| E     | 1   | 600T150-33 | 1'-1 1/4"  | HEAD TRACK   |
| F     | 1   | 600T150-33 | 1'-1 1/4"  | SILL         |
| G     | 4   | 600S162-33 | 4"         | CRIPPLE      |

# 11-3468

Jewish Home for the Aging

1885 Victory Blvd. Reseda, CA

FrameMax, Inc.  
13915 Danielson St  
Suite 100  
Poway, CA 92064  
www.frame-max.com



© FrameMax Inc.

CREATED: 09/19/2008

FM-07-109

CREATED BY: AMB

HEIGHT : 10'-9 7/16"

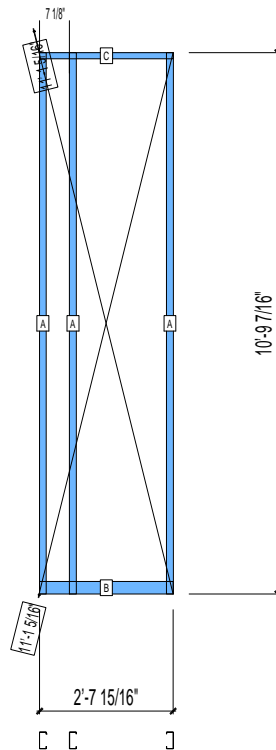
SPACING : 24"

1st STUD: 24"

WEIGHTS :

FRAME : 35 lbs

-----  
TOTAL: 35 lbs



### PIECES LIST

| LABEL | QTY | SIZE       | LENGTH      | USE          |
|-------|-----|------------|-------------|--------------|
| A     | 3   | 400S162-33 | 10'-9 3/8"  | STUD         |
| B     | 1   | 400T300-33 | 2'-7 15/16" | BOTTOM TRACK |
| C     | 1   | 400T150-33 | 2'-7 15/16" | TOP TRACK    |

# 11-3469

Jewish Home for the Aging

1885 Victory Blvd. Reseda, CA

FrameMax, Inc.  
13915 Danielson St  
Suite 100  
Poway, CA 92064  
www.frame-max.com



© FrameMax Inc.

CREATED: 09/19/2008

FM-07-109

CREATED BY: AMB

HEIGHT : 10'-9 7/16"

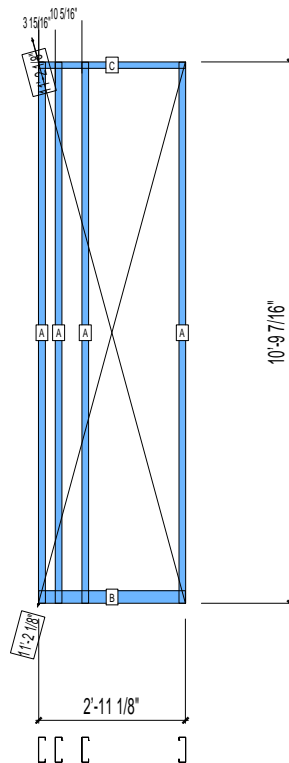
SPACING : 24"

1st STUD: 24"

WEIGHTS :

FRAME : 58 lbs

-----  
TOTAL: 58 lbs



### PIECES LIST

| LABEL | QTY | SIZE       | LENGTH     | USE          |
|-------|-----|------------|------------|--------------|
| A     | 4   | 600S162-33 | 10'-9 3/8" | STUD         |
| B     | 1   | 600T300-33 | 2'-11 1/8" | BOTTOM TRACK |
| C     | 1   | 600T150-33 | 2'-11 1/8" | TOP TRACK    |

# 11-3470

Jewish Home for the Aging

1885 Victory Blvd. Reseda, CA

FM-07-109

CREATED BY: AMB

FrameMax, Inc.  
13915 Danielson St  
Suite 100  
Poway, CA 92064  
www.frame-max.com



© FrameMax Inc.

HEIGHT : 10'-9 7/16" POINTS: 0.72 Points.

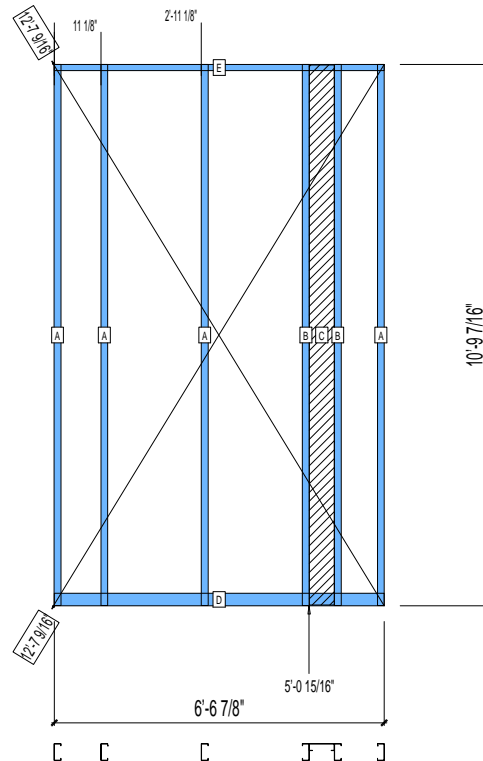
SPACING : 24"

1st STUD: 24"

WEIGHTS :

FRAME : 86 lbs

-----  
TOTAL: 86 lbs



### PIECES LIST

| LABEL | QTY | SIZE       | LENGTH     | USE          |
|-------|-----|------------|------------|--------------|
| A     | 4   | 400S162-33 | 10'-9 3/8" | STUD         |
| B     | 2   | 400S162-33 | 10'-9 3/8" | BACKER STUD  |
| C     | 1   | 600S162-33 | 10'-9 1/8" | BACKER-U     |
| D     | 1   | 400T300-33 | 6'-6 7/8"  | BOTTOM TRACK |
| E     | 1   | 400T150-33 | 6'-6 7/8"  | TOP TRACK    |

# 11-3471

Jewish Home for the Aging

1885 Victory Blvd. Reseda, CA

FrameMax, Inc.  
13915 Danielson St  
Suite 100  
Poway, CA 92064  
www.frame-max.com



© FrameMax Inc.

CREATED: 09/19/2008

FM-07-109

CREATED BY: AMB

HEIGHT : 10'-9 7/16" POINTS: 0.45 Points.

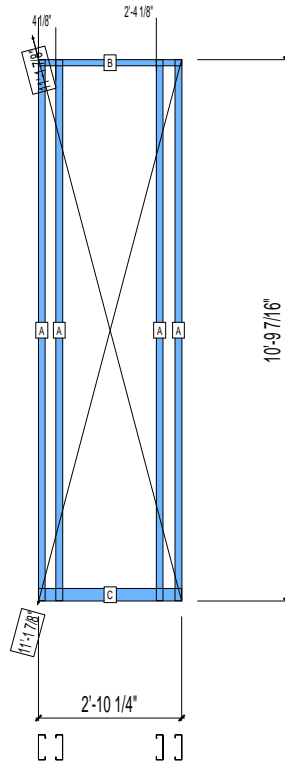
SPACING : 24"

1st STUD: 24"

WEIGHTS :

FRAME : 58 lbs

-----  
TOTAL: 58 lbs



### PIECES LIST

| LABEL | QTY | SIZE       | LENGTH     | USE          |
|-------|-----|------------|------------|--------------|
| A     | 4   | 600S162-33 | 10'-9 3/8" | STUD         |
| B     | 1   | 600T150-33 | 2'-10 1/4" | TOP TRACK    |
| C     | 1   | 600T300-33 | 2'-10 1/4" | BOTTOM TRACK |

# 11-3472

Jewish Home for the Aging

1885 Victory Blvd. Reseda, CA

FM-07-109

CREATED BY: AMB

FrameMax, Inc.  
13915 Danielson St  
Suite 100  
Poway, CA 92064  
www.frame-max.com



© FrameMax Inc.

HEIGHT : 10'-9 7/16"

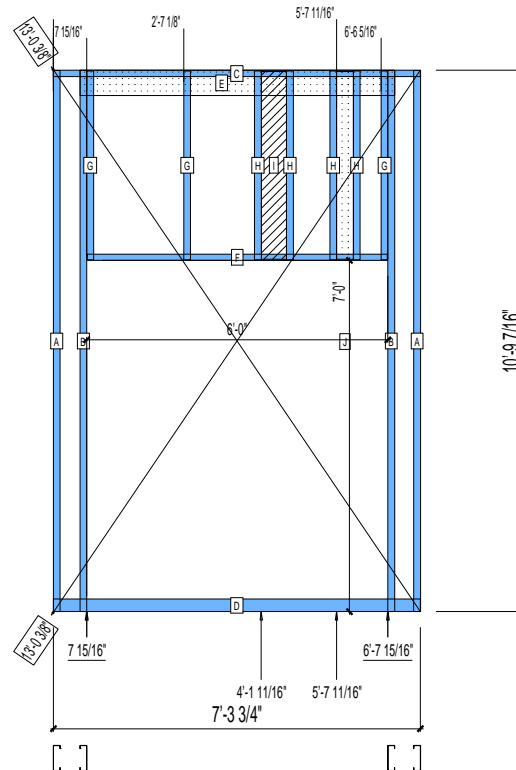
SPACING : 24"

1st STUD: 24"

WEIGHTS :

FRAME : 120 lbs

TOTAL: 120 lbs



PIECES LIST

| LABEL | QTY | SIZE       | LENGTH     | USE          |
|-------|-----|------------|------------|--------------|
| A     | 2   | 600S162-33 | 10'-9 3/8" | STUD         |
| B     | 2   | 600S162-33 | 10'-9 3/8" | KING STUD    |
| C     | 1   | 600T150-33 | 7'-3 3/4"  | TOP TRACK    |
| D     | 1   | 600T300-33 | 7'-3 3/4"  | BOTTOM TRACK |
| E     | 1   | 600L150-33 | 6'-3 1/4"  | L-HEADER     |
| F     | 1   | 600T150-33 | 5'-11 3/4" | HEAD TRACK   |
| G     | 3   | 600S162-33 | 3'-9 1/8"  | CRIPPLE      |
| H     | 4   | 600S162-33 | 3'-9 1/8"  | BACKER STUD  |
| I     | 1   | 600S162-33 | 3'-8 7/8"  | BACKER-U     |
| J     | 1   | 400S162-33 | 3'-8 7/8"  | BACKER-U     |

# 11-3473

Jewish Home for the Aging

1885 Victory Blvd. Reseda, CA

FrameMax, Inc.  
13915 Danielson St  
Suite 100  
Poway, CA 92064  
www.frame-max.com



© FrameMax Inc.

CREATED: 09/19/2008

FM-07-109

CREATED BY: AMB

HEIGHT : 10'-9 7/16"

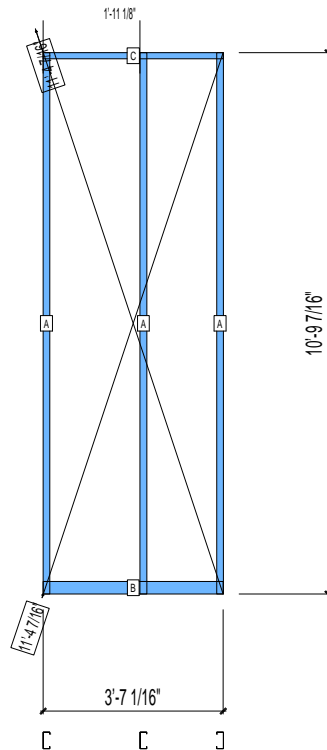
SPACING : 24"

1st STUD: 24"

WEIGHTS :

FRAME : 37 lbs

-----  
TOTAL: 37 lbs



### PIECES LIST

| LABEL | QTY | SIZE       | LENGTH     | USE          |
|-------|-----|------------|------------|--------------|
| A     | 3   | 400S162-33 | 10'-9 3/8" | STUD         |
| B     | 1   | 400T300-33 | 3'-7 1/16" | BOTTOM TRACK |
| C     | 1   | 400T150-33 | 3'-7 1/16" | TOP TRACK    |

# 11-3474

Jewish Home for the Aging

1885 Victory Blvd. Reseda, CA

FrameMax, Inc.  
13915 Danielson St  
Suite 100  
Poway, CA 92064  
www.frame-max.com



© FrameMax Inc.

CREATED: 09/19/2008

FM-07-109

CREATED BY: AMB

HEIGHT : 10'-9 7/16"

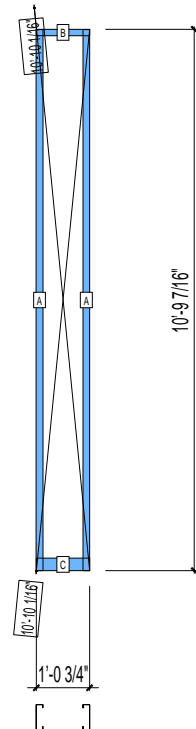
SPACING : 24"

1st STUD: 24"

WEIGHTS :

FRAME : 28 lbs

-----  
TOTAL: 28 lbs



### PIECES LIST

| LABEL | QTY | SIZE       | LENGTH     | USE          |
|-------|-----|------------|------------|--------------|
| A     | 2   | 600S162-33 | 10'-9 3/8" | STUD         |
| B     | 1   | 600T150-33 | 1'-0 3/4"  | TOP TRACK    |
| C     | 1   | 600T300-33 | 1'-0 3/4"  | BOTTOM TRACK |

# 11-3475

Jewish Home for the Aging

1885 Victory Blvd. Reseda, CA

FrameMax, Inc.  
13915 Danielson St  
Suite 100  
Poway, CA 92064  
www.frame-max.com



© FrameMax Inc.

CREATED: 09/19/2008

FM-07-109

CREATED BY: AMB

HEIGHT : 10'-9 7/16"

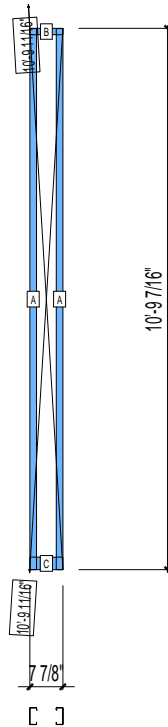
SPACING : 24"

1st STUD: 24"

WEIGHTS :

FRAME : 21 lbs

-----  
TOTAL: 21 lbs



### PIECES LIST

| LABEL | QTY | SIZE       | LENGTH     | USE          |
|-------|-----|------------|------------|--------------|
| A     | 2   | 400S162-33 | 10'-9 3/8" | STUD         |
| B     | 1   | 400T150-33 | 7 7/8"     | TOP TRACK    |
| C     | 1   | 400T300-33 | 7 7/8"     | BOTTOM TRACK |

# 11-3476

Jewish Home for the Aging

1885 Victory Blvd. Reseda, CA

FM-07-109

CREATED BY: AMB

FrameMax, Inc.  
13915 Danielson St  
Suite 100  
Poway, CA 92064  
www.frame-max.com

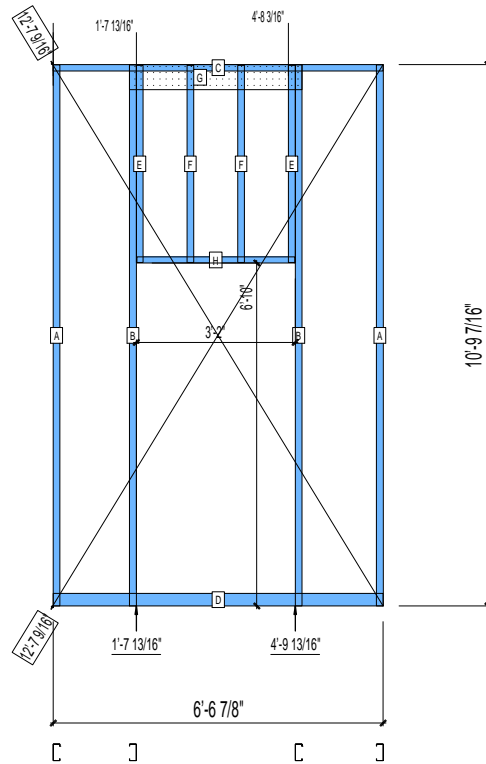


© FrameMax Inc.

HEIGHT : 10'-9 7/16"  
SPACING : 24"  
1st STUD: 24"

WEIGHTS :  
FRAME : 74 lbs

-----  
TOTAL: 74 lbs



| PIECES LIST |     |            |                        |
|-------------|-----|------------|------------------------|
| LABEL       | QTY | SIZE       | LENGTH USE             |
| A           | 2   | 400S162-33 | 10'-9 3/8" STUD        |
| B           | 2   | 400S162-33 | 10'-9 3/8" KING STUD   |
| C           | 1   | 400T150-33 | 6'-6 7/8" TOP TRACK    |
| D           | 1   | 400T300-33 | 6'-6 7/8" BOTTOM TRACK |
| E           | 2   | 400S162-33 | 3'-11 1/8" CRIPPLE     |
| F           | 2   | 400S162-33 | 3'-11 1/8" KING STUD   |
| G           | 1   | 600L150-33 | 3'-5 1/4" L-HEADER     |
| H           | 1   | 400T150-33 | 3'-1 3/4" HEAD TRACK   |

# 11-3477

Jewish Home for the Aging

1885 Victory Blvd. Reseda, CA

FM-07-109

CREATED BY: AMB

FrameMax, Inc.  
13915 Danielson St  
Suite 100  
Poway, CA 92064  
www.frame-max.com



© FrameMax Inc.

HEIGHT : 10'-9 7/16"

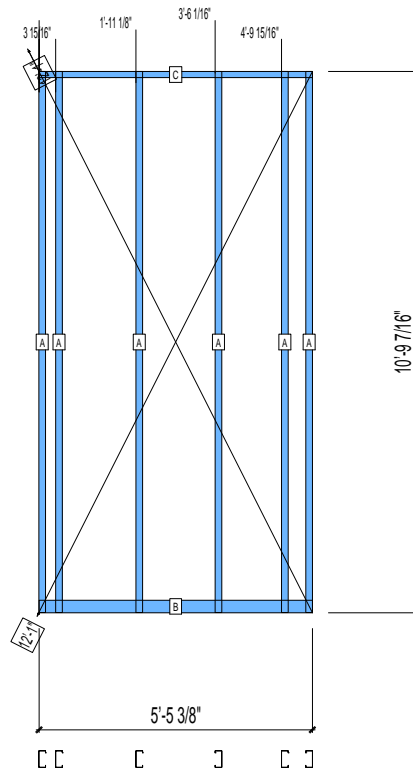
SPACING : 24"

1st STUD: 24"

WEIGHTS :

FRAME : 71 lbs

-----  
TOTAL: 71 lbs



### PIECES LIST

| LABEL | QTY | SIZE       | LENGTH     | USE          |
|-------|-----|------------|------------|--------------|
| A     | 6   | 400S162-33 | 10'-9 3/8" | STUD         |
| B     | 1   | 400T300-33 | 5'-5 3/8"  | BOTTOM TRACK |
| C     | 1   | 400T150-33 | 5'-5 3/8"  | TOP TRACK    |

# 11-3501

Jewish Home for the Aging

1885 Victory Blvd. Reseda, CA

FrameMax, Inc.  
13915 Danielson St  
Suite 100  
Poway, CA 92064  
www.frame-max.com



© FrameMax Inc.

CREATED: 09/19/2008

FM-07-109

CREATED BY: AMB

HEIGHT : 10'-9 7/16" POINTS: 0.52 Points.

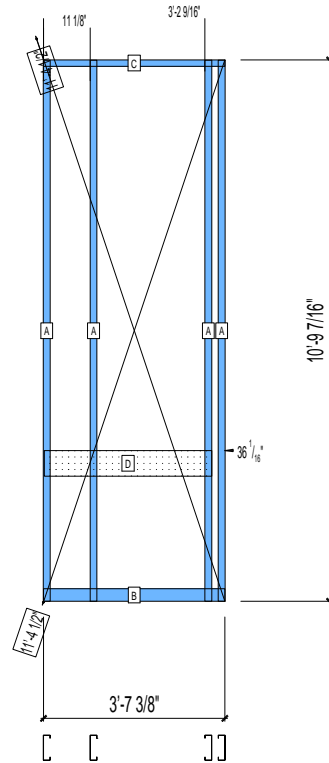
SPACING : 24"

1st STUD: 24"

WEIGHTS :

FRAME : 65 lbs

-----  
TOTAL: 65 lbs



### PIECES LIST

| LABEL | QTY | SIZE       | LENGTH     | USE          |
|-------|-----|------------|------------|--------------|
| A     | 4   | 600S162-33 | 10'-9 3/8" | STUD         |
| B     | 1   | 600T300-33 | 3'-7 3/8"  | BOTTOM TRACK |
| C     | 1   | 600T150-33 | 3'-7 3/8"  | TOP TRACK    |
| D     | 1   | 600T150-54 | 3'-4"      | GRAB BAR     |

# 11-3502

Jewish Home for the Aging

1885 Victory Blvd. Reseda, CA

FM-07-109

CREATED BY: AMB

FrameMax, Inc.  
13915 Danielson St  
Suite 100  
Poway, CA 92064  
www.frame-max.com



© FrameMax Inc.

HEIGHT : 10'-9 7/16" POINTS: 0.38 Points.

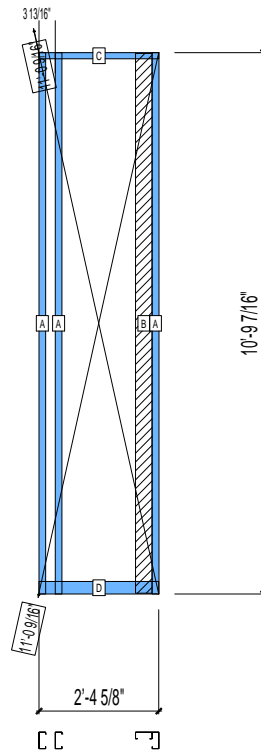
SPACING : 24"

1st STUD: 24"

WEIGHTS :

FRAME : 45 lbs

-----  
TOTAL: 45 lbs



### PIECES LIST

| LABEL | QTY | SIZE       | LENGTH      | USE          |
|-------|-----|------------|-------------|--------------|
| A     | 3   | 400S162-33 | 10'-9 3/8"  | STUD         |
| B     | 1   | 400S162-33 | 10'-9 1/16" | BACKER-U     |
| C     | 1   | 400T150-33 | 2'-4 5/8"   | TOP TRACK    |
| D     | 1   | 400T300-33 | 2'-4 5/8"   | BOTTOM TRACK |

# 11-3503

Jewish Home for the Aging

1885 Victory Blvd. Reseda, CA

FrameMax, Inc.  
13915 Danielson St  
Suite 100  
Poway, CA 92064  
www.frame-max.com



© FrameMax Inc.

CREATED: 09/19/2008

FM-07-109

CREATED BY: AMB

HEIGHT : 10'-9 7/16" POINTS: 0.48 Points.

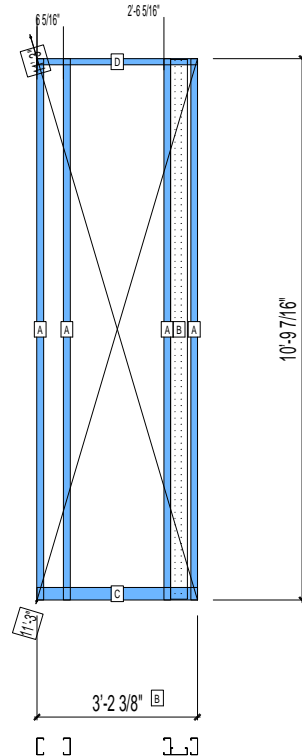
SPACING : 24"

1st STUD: 24"

WEIGHTS :

FRAME : 57 lbs

-----  
TOTAL: 57 lbs



### PIECES LIST

| LABEL | QTY | SIZE       | LENGTH      | USE          |
|-------|-----|------------|-------------|--------------|
| A     | 4   | 400S162-33 | 10'-9 3/8"  | STUD         |
| B     | 1   | 400S162-33 | 10'-9 1/16" | BACKER-U     |
| C     | 1   | 400T300-33 | 3'-2 3/8"   | BOTTOM TRACK |
| D     | 1   | 400T150-33 | 3'-2 3/8"   | TOP TRACK    |

# 11-3504

Jewish Home for the Aging

1885 Victory Blvd. Reseda, CA

FrameMax, Inc.  
13915 Danielson St  
Suite 100  
Poway, CA 92064  
www.frame-max.com



© FrameMax Inc.

CREATED: 09/19/2008

FM-07-109

CREATED BY: AMB

HEIGHT : 10'-9 7/16" POINTS: 0.53 Points.

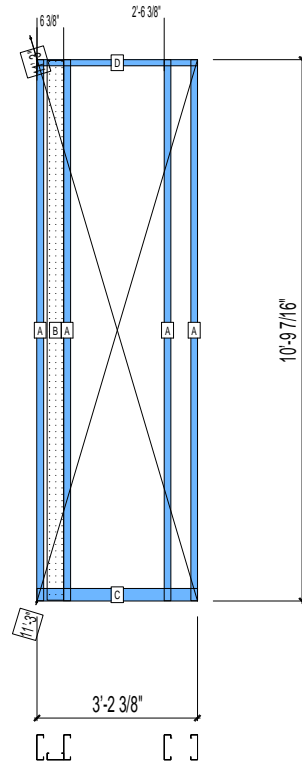
SPACING : 24"

1st STUD: 24"

WEIGHTS :

FRAME : 68 lbs

-----  
TOTAL: 68 lbs



B

### PIECES LIST

| LABEL | QTY | SIZE       | LENGTH      | USE          |
|-------|-----|------------|-------------|--------------|
| A     | 4   | 600S162-33 | 10'-9 3/8"  | STUD         |
| B     | 1   | 400S162-33 | 10'-9 1/16" | BACKER-U     |
| C     | 1   | 600T300-33 | 3'-2 3/8"   | BOTTOM TRACK |
| D     | 1   | 600T150-33 | 3'-2 3/8"   | TOP TRACK    |

# 11-3505

Jewish Home for the Aging

1885 Victory Blvd. Reseda, CA

FrameMax, Inc.  
13915 Danielson St  
Suite 100  
Poway, CA 92064  
www.frame-max.com



© FrameMax Inc.

CREATED: 09/19/2008

FM-07-109

CREATED BY: AMB

HEIGHT : 10'-9 7/16" POINTS: 0.79 Points.

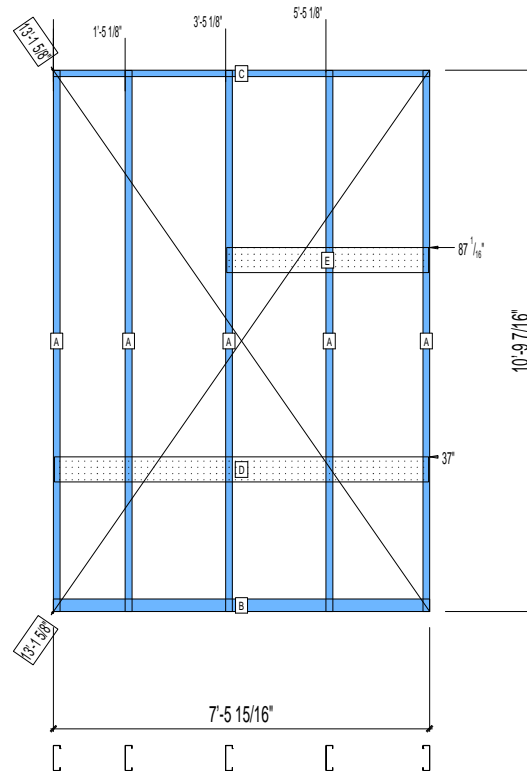
SPACING : 24"

1st STUD: 24"

WEIGHTS :

FRAME : 96 lbs

-----  
TOTAL: 96 lbs



PIECES LIST

| LABEL | QTY | SIZE       | LENGTH      | USE            |
|-------|-----|------------|-------------|----------------|
| A     | 5   | 600S162-33 | 10'-9 3/8"  | STUD           |
| B     | 1   | 600T300-33 | 7'-5 15/16" | BOTTOM TRACK   |
| C     | 1   | 600T150-33 | 7'-5 15/16" | TOP TRACK      |
| D     | 1   | 600D-54    | 7'-5 1/2"   | VANITY BACKING |
| E     | 1   | 600D-54    | 4'-0 5/16"  | VANITY BACKING |

# 11-3506

Jewish Home for the Aging

1885 Victory Blvd. Reseda, CA

FrameMax, Inc.  
13915 Danielson St  
Suite 100  
Poway, CA 92064  
www.frame-max.com



© FrameMax Inc.

CREATED: 09/19/2008

FM-07-109

CREATED BY: AMB

HEIGHT : 10'-9 7/16" POINTS: 1.31 Points.

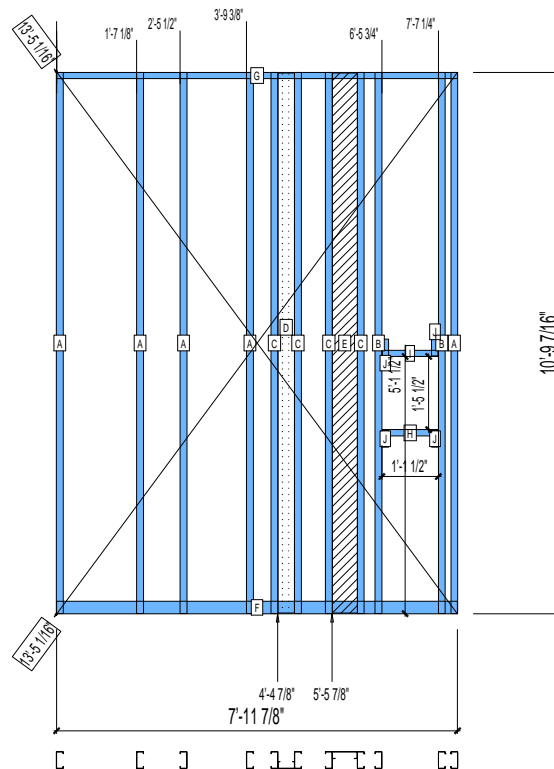
SPACING : 24"

1st STUD: 24"

WEIGHTS :

FRAME : 152 lbs

TOTAL: 152 lbs



PIECES LIST

| LABEL | QTY | SIZE       | LENGTH     | USE          |
|-------|-----|------------|------------|--------------|
| A     | 5   | 400S162-33 | 10'-9 3/8" | STUD         |
| B     | 2   | 400S162-33 | 10'-9 3/8" | KING STUD    |
| C     | 4   | 400S162-33 | 10'-9 3/8" | BACKER STUD  |
| D     | 1   | 400S162-33 | 10'-9 1/8" | BACKER-U     |
| E     | 1   | 600S162-33 | 10'-9 1/8" | BACKER-U     |
| F     | 1   | 400T300-33 | 7'-11 7/8" | BOTTOM TRACK |
| G     | 1   | 400T150-33 | 7'-11 7/8" | TOP TRACK    |
| H     | 1   | 400T150-33 | 1'-1 1/4"  | SILL         |
| I     | 1   | 400T150-33 | 1'-1 1/4"  | HEAD TRACK   |
| J     | 4   | 400S162-33 | 4"         | CRIPPLE      |

# 11-3507

Jewish Home for the Aging

1885 Victory Blvd. Reseda, CA

FM-07-109

CREATED BY: AMB

FrameMax, Inc.  
13915 Danielson St  
Suite 100  
Poway, CA 92064  
www.frame-max.com

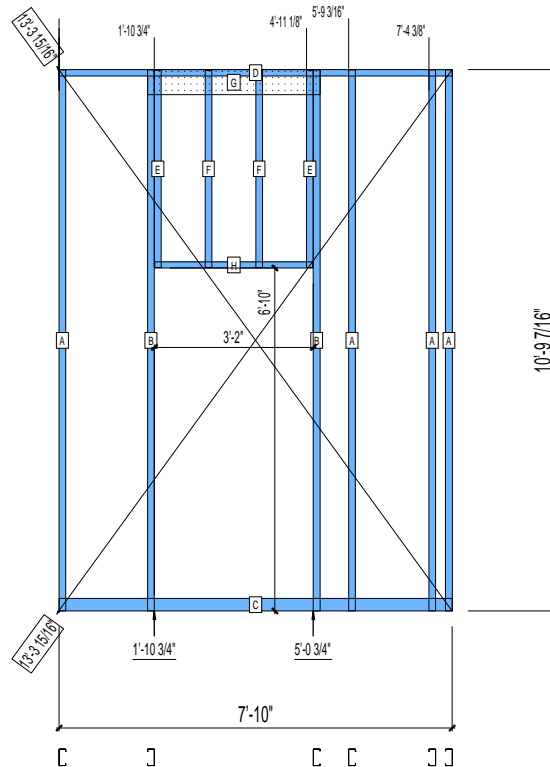


© FrameMax Inc.

HEIGHT : 10'-9 7/16"  
SPACING : 24"  
1st STUD: 24"

WEIGHTS :  
FRAME : 22 lbs

-----  
TOTAL: 22 lbs



PIECES LIST

| LABEL | QTY | SIZE       | LENGTH     | USE          |
|-------|-----|------------|------------|--------------|
| A     | 4   | 400S162-33 | 10'-9 3/8" | STUD         |
| B     | 2   | 400S162-33 | 10'-9 3/8" | KING STUD    |
| C     | 1   | 400T300-33 | 7'-10"     | BOTTOM TRACK |
| D     | 1   | 400T150-33 | 7'-10"     | TOP TRACK    |
| E     | 2   | 400S162-33 | 3'-11 1/8" | CRIPPLE      |
| F     | 2   | 400S162-33 | 3'-11 1/8" | KING STUD    |
| G     | 1   | 600L150-33 | 3'-5 1/4"  | L-HEADER     |
| H     | 1   | 400T150-33 | 3'-1 3/4"  | HEAD TRACK   |

# 11-3508

Jewish Home for the Aging

1885 Victory Blvd. Reseda, CA

FM-07-109

CREATED BY: AMB

FrameMax, Inc.  
13915 Danielson St  
Suite 100  
Poway, CA 92064  
www.frame-max.com



© FrameMax Inc.

HEIGHT : 10'-9 7/16"

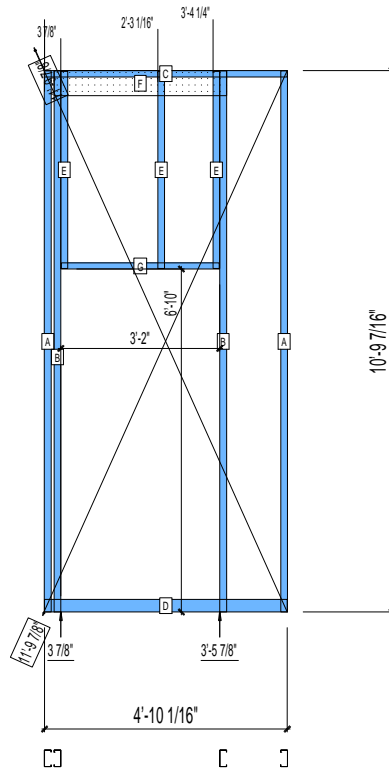
SPACING : 24"

1st STUD: 24"

WEIGHTS :

FRAME : 67 lbs

TOTAL: 67 lbs



PIECES LIST

| LABEL | QTY | SIZE       | LENGTH      | USE          |
|-------|-----|------------|-------------|--------------|
| A     | 2   | 400S162-33 | 10'-9 3/8"  | STUD         |
| B     | 2   | 400S162-33 | 10'-9 3/8"  | KING STUD    |
| C     | 1   | 400T150-33 | 4'-10 1/16" | TOP TRACK    |
| D     | 1   | 400T300-33 | 4'-10 1/16" | BOTTOM TRACK |
| E     | 3   | 400S162-33 | 3'-11 1/8"  | CRIPPLE      |
| F     | 1   | 600L150-33 | 3'-5 1/4"   | L-HEADER     |
| G     | 1   | 400T150-33 | 3'-1 3/4"   | HEAD TRACK   |

# 11-3509

Jewish Home for the Aging

1885 Victory Blvd. Reseda, CA

FrameMax, Inc.  
13915 Danielson St  
Suite 100  
Poway, CA 92064  
www.frame-max.com



© FrameMax Inc.

CREATED: 09/19/2008

FM-07-109

CREATED BY: AMB

HEIGHT : 10'-9 7/16"

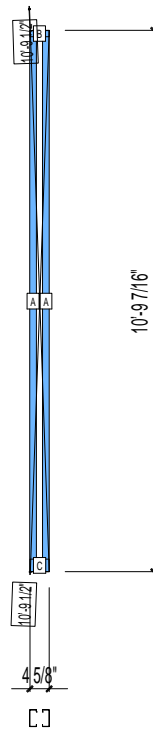
SPACING : 24"

1st STUD: 24"

WEIGHTS :

FRAME : 21 lbs

-----  
TOTAL: 21 lbs



### PIECES LIST

| LABEL | QTY | SIZE       | LENGTH     | USE          |
|-------|-----|------------|------------|--------------|
| A     | 2   | 400S162-33 | 10'-9 3/8" | STUD         |
| B     | 1   | 400T150-33 | 4 5/8"     | TOP TRACK    |
| C     | 1   | 400T300-33 | 4 5/8"     | BOTTOM TRACK |

# 11-3510

Jewish Home for the Aging

1885 Victory Blvd. Reseda, CA

FrameMax, Inc.  
13915 Danielson St  
Suite 100  
Poway, CA 92064  
www.framemax.com



© FrameMax Inc.

CREATED: 09/19/2008

FM-07-109

CREATED BY: AMB

HEIGHT : 10'-9 7/16"

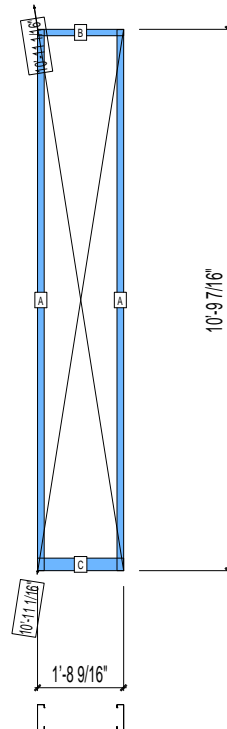
SPACING : 24"

1st STUD: 24"

WEIGHTS :

FRAME : 30 lbs

-----  
TOTAL: 30 lbs



### PIECES LIST

| LABEL | QTY | SIZE       | LENGTH     | USE          |
|-------|-----|------------|------------|--------------|
| A     | 2   | 600S162-33 | 10'-9 3/8" | STUD         |
| B     | 1   | 600T150-33 | 1'-8 9/16" | TOP TRACK    |
| C     | 1   | 600T300-33 | 1'-8 9/16" | BOTTOM TRACK |

# 11-3511

Jewish Home for the Aging

1885 Victory Blvd. Reseda, CA

FrameMax, Inc.  
13915 Danielson St  
Suite 100  
Poway, CA 92064  
www.frame-max.com



© FrameMax Inc.

CREATED: 09/19/2008

FM-07-109

CREATED BY: AMB

HEIGHT : 10'-9 7/16"

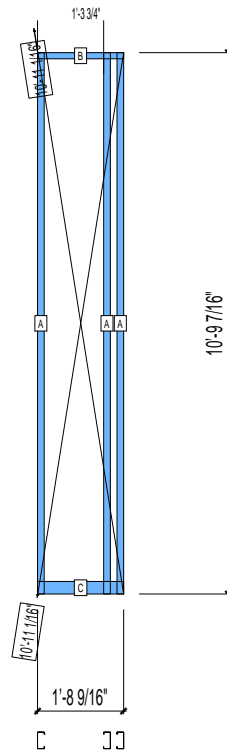
SPACING : 24"

1st STUD: 24"

WEIGHTS :

FRAME : 34 lbs

-----  
TOTAL: 34 lbs



### PIECES LIST

| LABEL | QTY | SIZE       | LENGTH     | USE          |
|-------|-----|------------|------------|--------------|
| A     | 3   | 400S162-33 | 10'-9 3/8" | STUD         |
| B     | 1   | 400T150-33 | 1'-8 9/16" | TOP TRACK    |
| C     | 1   | 400T300-33 | 1'-8 9/16" | BOTTOM TRACK |

# 11-3512

Jewish Home for the Aging

1885 Victory Blvd. Reseda, CA

FM-07-109

CREATED BY: AMB

FrameMax, Inc.  
13915 Danielson St  
Suite 100  
Poway, CA 92064  
www.frame-max.com



© FrameMax Inc.

HEIGHT : 10'-9 7/16"

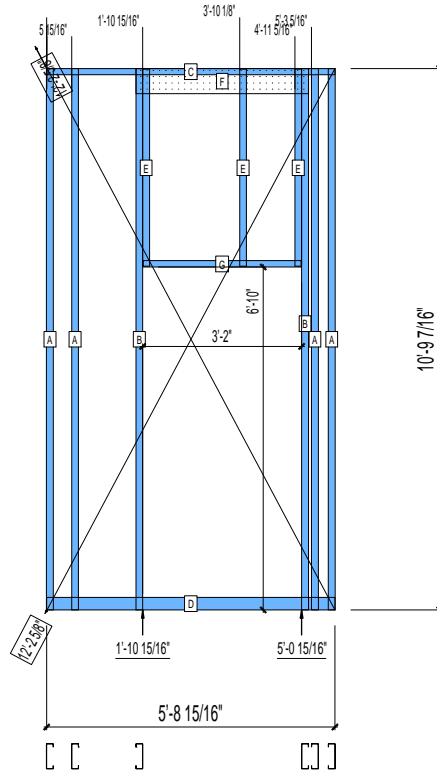
SPACING : 24"

1st STUD: 24"

WEIGHTS :

FRAME : 111 lbs

TOTAL: 111 lbs



PIECES LIST

| LABEL | QTY | SIZE       | LENGTH      | USE          |
|-------|-----|------------|-------------|--------------|
| A     | 4   | 600S162-33 | 10'-9 3/8"  | STUD         |
| B     | 2   | 600S162-33 | 10'-9 3/8"  | KING STUD    |
| C     | 1   | 600T150-33 | 5'-8 15/16" | TOP TRACK    |
| D     | 1   | 600T300-33 | 5'-8 15/16" | BOTTOM TRACK |
| E     | 3   | 600S162-33 | 3'-11 1/8"  | CRIPPLE      |
| F     | 1   | 600L150-33 | 3'-5 1/4"   | L-HEADER     |
| G     | 1   | 600T150-33 | 3'-1 3/4"   | HEAD TRACK   |

# 11-3513

Jewish Home for the Aging

1885 Victory Blvd. Reseda, CA

FrameMax, Inc.  
13915 Danielson St  
Suite 100  
Poway, CA 92064  
www.frame-max.com



© FrameMax Inc.

CREATED: 09/19/2008

FM-07-109

CREATED BY: AMB

HEIGHT : 10'-9 7/16"

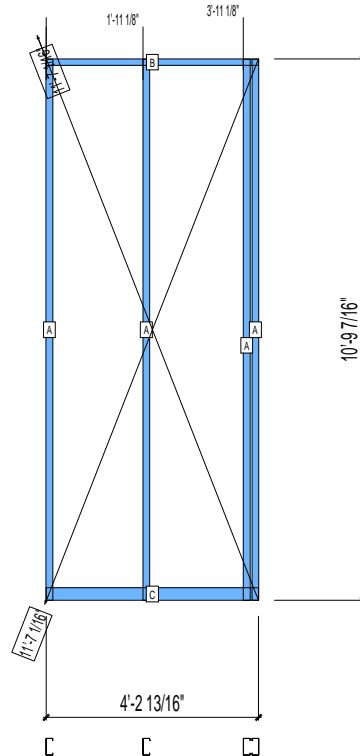
SPACING : 24"

1st STUD: 24"

WEIGHTS :

FRAME : 49 lbs

-----  
TOTAL: 49 lbs



### PIECES LIST

| LABEL | QTY | SIZE       | LENGTH      | USE          |
|-------|-----|------------|-------------|--------------|
| A     | 4   | 400S162-33 | 10'-9 3/8"  | STUD         |
| B     | 1   | 400T150-33 | 4'-2 13/16" | TOP TRACK    |
| C     | 1   | 400T300-33 | 4'-2 13/16" | BOTTOM TRACK |

# 11-3514

Jewish Home for the Aging

1885 Victory Blvd. Reseda, CA

FrameMax, Inc.  
13915 Danielson St  
Suite 100  
Poway, CA 92064  
www.frame-max.com



© FrameMax Inc.

CREATED: 09/19/2008

FM-07-109

CREATED BY: AMB

HEIGHT : 10'-9 7/16"

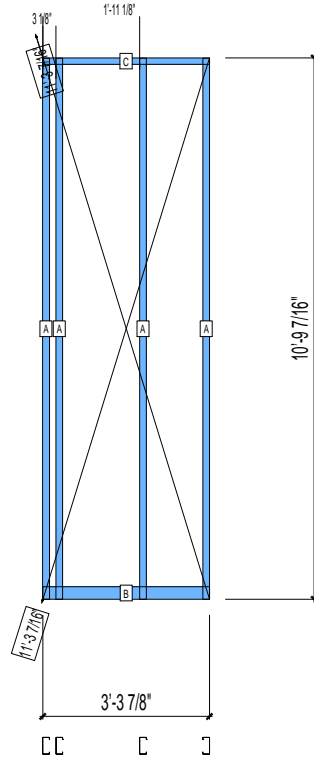
SPACING : 24"

1st STUD: 24"

WEIGHTS :

FRAME : 47 lbs

-----  
TOTAL: 47 lbs



### PIECES LIST

| LABEL | QTY | SIZE       | LENGTH     | USE          |
|-------|-----|------------|------------|--------------|
| A     | 4   | 400S162-33 | 10'-9 3/8" | STUD         |
| B     | 1   | 400T300-33 | 3'-3 7/8"  | BOTTOM TRACK |
| C     | 1   | 400T150-33 | 3'-3 7/8"  | TOP TRACK    |

# 11-3515

Jewish Home for the Aging

1885 Victory Blvd. Reseda, CA

FrameMax, Inc.  
13915 Danielson St  
Suite 100  
Poway, CA 92064  
www.frame-max.com



© FrameMax Inc.

CREATED: 09/19/2008

FM-07-109

CREATED BY: AMB

HEIGHT : 10'-9 7/16"

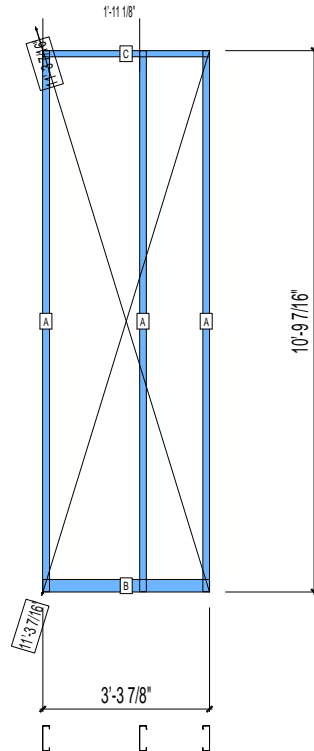
SPACING : 24"

1st STUD: 24"

WEIGHTS :

FRAME : 46 lbs

-----  
TOTAL: 46 lbs



### PIECES LIST

| LABEL | QTY | SIZE       | LENGTH     | USE          |
|-------|-----|------------|------------|--------------|
| A     | 3   | 600S162-33 | 10'-9 3/8" | STUD         |
| B     | 1   | 600T300-33 | 3'-3 7/8"  | BOTTOM TRACK |
| C     | 1   | 600T150-33 | 3'-3 7/8"  | TOP TRACK    |

# 11-3516

Jewish Home for the Aging

1885 Victory Blvd. Reseda, CA

FrameMax, Inc.  
13915 Danielson St  
Suite 100  
Poway, CA 92064  
www.frame-max.com



© FrameMax Inc.

CREATED: 09/19/2008

FM-07-109

CREATED BY: AMB

HEIGHT : 10'-9 7/16"

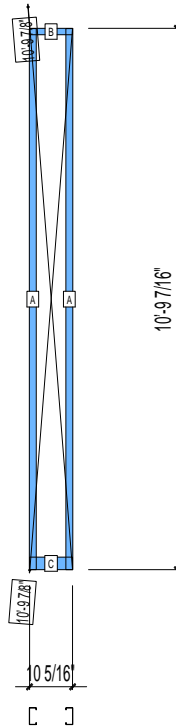
SPACING : 24"

1st STUD: 24"

WEIGHTS :

FRAME : 22 lbs

-----  
TOTAL: 22 lbs



### PIECES LIST

| LABEL | QTY | SIZE       | LENGTH     | USE          |
|-------|-----|------------|------------|--------------|
| A     | 2   | 400S162-33 | 10'-9 3/8" | STUD         |
| B     | 1   | 400T150-33 | 10 5/16"   | TOP TRACK    |
| C     | 1   | 400T300-33 | 10 5/16"   | BOTTOM TRACK |

# 11-3517

Jewish Home for the Aging

1885 Victory Blvd. Reseda, CA

FM-07-109

CREATED BY: AMB

FrameMax, Inc.  
13915 Danielson St  
Suite 100  
Poway, CA 92064  
www.frame-max.com



© FrameMax Inc.

HEIGHT : 10'-9 7/16"

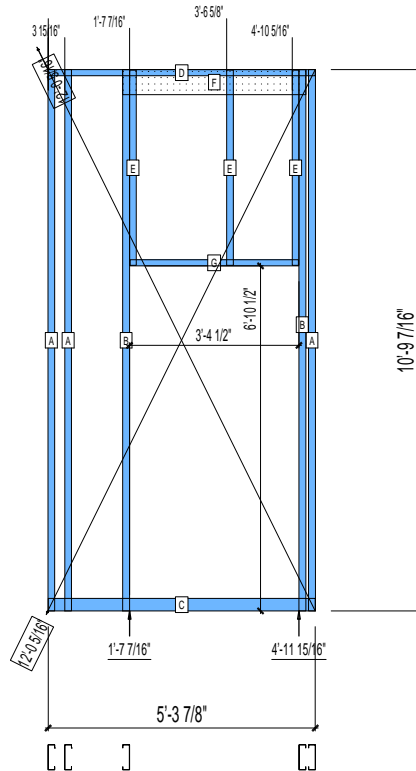
SPACING : 24"

1st STUD: 24"

WEIGHTS :

FRAME : 21 lbs

TOTAL: 21 lbs



PIECES LIST

| LABEL | QTY | SIZE       | LENGTH     | USE          |
|-------|-----|------------|------------|--------------|
| A     | 3   | 600S162-33 | 10'-9 3/8" | STUD         |
| B     | 2   | 600S162-33 | 10'-9 3/8" | KING STUD    |
| C     | 1   | 600T300-33 | 5'-3 7/8"  | BOTTOM TRACK |
| D     | 1   | 600T150-33 | 5'-3 7/8"  | TOP TRACK    |
| E     | 3   | 600S162-33 | 3'-10 5/8" | CRIPPLE      |
| F     | 1   | 600L150-33 | 3'-7 3/4"  | L-HEADER     |
| G     | 1   | 600T150-33 | 3'-4 1/4"  | HEAD TRACK   |

# 11-3518

Jewish Home for the Aging

1885 Victory Blvd. Reseda, CA

FrameMax, Inc.  
13915 Danielson St  
Suite 100  
Poway, CA 92064  
www.frame-max.com



© FrameMax Inc.

CREATED: 09/19/2008

FM-07-109

CREATED BY: AMB

HEIGHT : 10'-9 7/16"

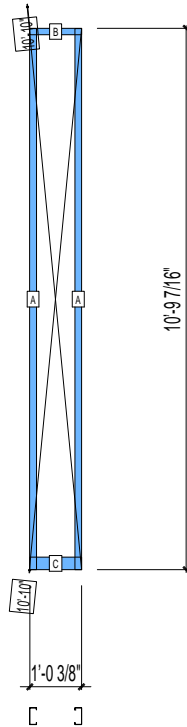
SPACING : 24"

1st STUD: 24"

WEIGHTS :

FRAME : 22 lbs

-----  
TOTAL: 22 lbs



### PIECES LIST

| LABEL | QTY | SIZE       | LENGTH     | USE          |
|-------|-----|------------|------------|--------------|
| A     | 2   | 400S162-33 | 10'-9 3/8" | STUD         |
| B     | 1   | 400T150-33 | 1'-0 3/8"  | TOP TRACK    |
| C     | 1   | 400T300-33 | 1'-0 3/8"  | BOTTOM TRACK |

# 11-3519

Jewish Home for the Aging

1885 Victory Blvd. Reseda, CA

FrameMax, Inc.  
13915 Danielson St  
Suite 100  
Poway, CA 92064  
www.frame-max.com



© FrameMax Inc.

CREATED: 09/19/2008

FM-07-109

CREATED BY: AMB

HEIGHT : 10'-9 7/16"

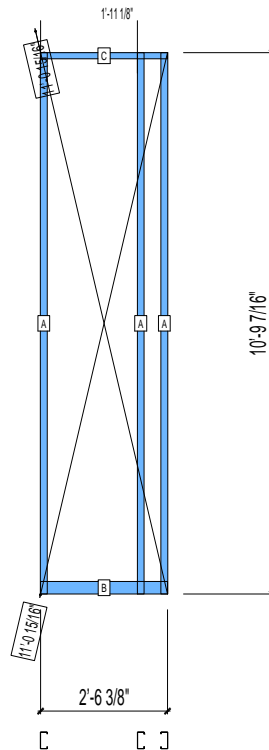
SPACING : 24"

1st STUD: 24"

WEIGHTS :

FRAME : 35 lbs

-----  
TOTAL: 35 lbs



### PIECES LIST

| LABEL | QTY | SIZE       | LENGTH     | USE          |
|-------|-----|------------|------------|--------------|
| A     | 3   | 400S162-33 | 10'-9 3/8" | STUD         |
| B     | 1   | 400T300-33 | 2'-6 3/8"  | BOTTOM TRACK |
| C     | 1   | 400T150-33 | 2'-6 3/8"  | TOP TRACK    |

# 11-3520

Jewish Home for the Aging

1885 Victory Blvd. Reseda, CA

FrameMax, Inc.  
13915 Danielson St  
Suite 100  
Poway, CA 92064  
www.frame-max.com



© FrameMax Inc.

CREATED: 09/19/2008

FM-07-109

CREATED BY: AMB

HEIGHT : 10'-9 7/16"

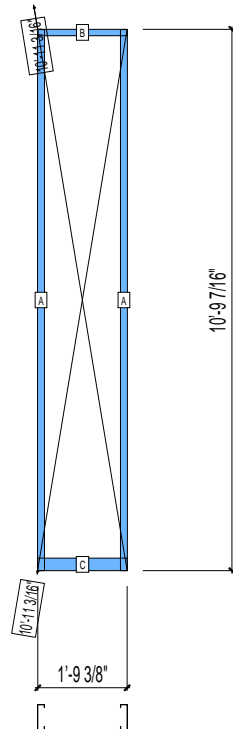
SPACING : 24"

1st STUD: 24"

WEIGHTS :

FRAME : 30 lbs

-----  
TOTAL: 30 lbs



### PIECES LIST

| LABEL | QTY | SIZE       | LENGTH     | USE          |
|-------|-----|------------|------------|--------------|
| A     | 2   | 600S162-33 | 10'-9 3/8" | STUD         |
| B     | 1   | 600T150-33 | 1'-9 3/8"  | TOP TRACK    |
| C     | 1   | 600T300-33 | 1'-9 3/8"  | BOTTOM TRACK |

# 11-3521

Jewish Home for the Aging

1885 Victory Blvd. Reseda, CA

FrameMax, Inc.  
13915 Danielson St  
Suite 100  
Poway, CA 92064  
www.frame-max.com



© FrameMax Inc.

CREATED: 09/19/2008

FM-07-109

CREATED BY: AMB

HEIGHT : 2'-11 1/2"    POINTS: 0.53 Points.

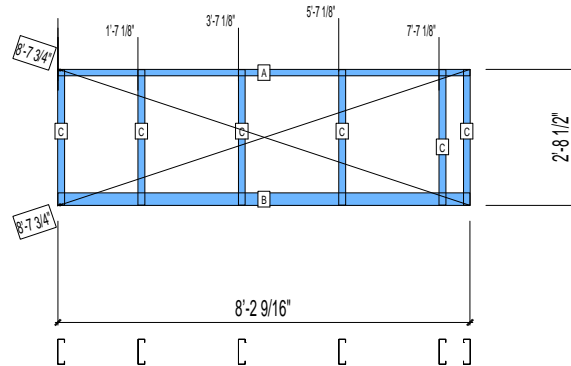
SPACING : 24"

1st STUD: 24"

WEIGHTS :

FRAME : 40 lbs

-----  
TOTAL: 40 lbs



### PIECES LIST

| LABEL | QTY | SIZE       | LENGTH     | USE          |
|-------|-----|------------|------------|--------------|
| A     | 1   | 600T150-33 | 8'-2 9/16" | TOP TRACK    |
| B     | 1   | 600T300-33 | 8'-2 9/16" | BOTTOM TRACK |
| C     | 6   | 600S162-33 | 2'-8 7/16" | STUD         |

# 11-3522

Jewish Home for the Aging

1885 Victory Blvd. Reseda, CA

FM-07-109

CREATED BY: AMB

FrameMax, Inc.  
13915 Danielson St  
Suite 100  
Poway, CA 92064  
www.frame-max.com



© FrameMax Inc.

HEIGHT : 2'-11 1/2" POINTS: 0.22 Points.

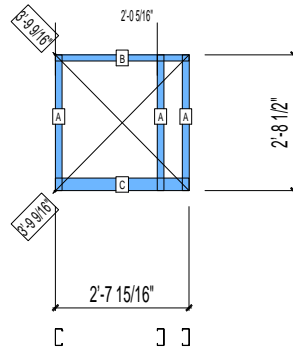
SPACING : 24"

1st STUD: 24"

WEIGHTS :

FRAME : 13 lbs

-----  
TOTAL: 13 lbs



### PIECES LIST

| LABEL | QTY | SIZE       | LENGTH      | USE          |
|-------|-----|------------|-------------|--------------|
| A     | 3   | 400S162-33 | 2'-8 7/16"  | STUD         |
| B     | 1   | 400T150-33 | 2'-7 15/16" | TOP TRACK    |
| C     | 1   | 400T300-33 | 2'-7 15/16" | BOTTOM TRACK |

# 11-6001

Jewish Home for the Aging

1885 Victory Blvd. Reseda, CA

FM-07-109

CREATED BY: AMB

FrameMax, Inc.  
13915 Danielson St  
Suite 100  
Poway, CA 92064  
www.frame-max.com



© FrameMax Inc.

HEIGHT : 11'-9 11/16" POINTS: 2.20 Points.

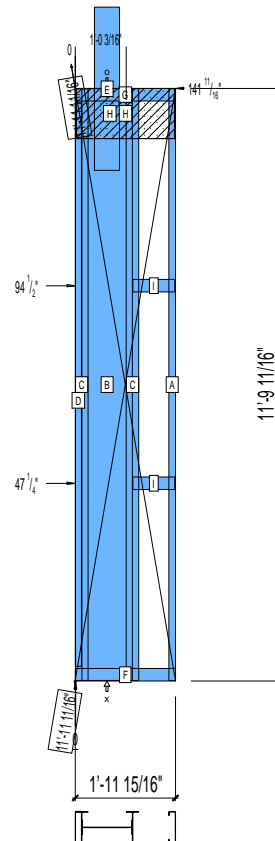
SPACING : 24"

1st STUD: 16"

WEIGHTS :

FRAME : 420 lbs

TOTAL: 420 lbs



PIECES LIST

| LABEL | QTY | SIZE          | LENGTH       | USE          |
|-------|-----|---------------|--------------|--------------|
| A     | 1   | 750S162-54    | 11'-9 1/2"   | STUD         |
| B     | 1   | 1200i350p1062 | 11'-9 1/2"   | PACO         |
| C     | 2   | 750i300p706   | 11'-9 1/2"   | PACO         |
| D     | 1   | 750T150-54    | 11'-2 11/16" | CAP          |
| E     | 1   | E             | 3'-3"        | HOLDDOWN     |
| F     | 1   | 750T300-68    | 1'-11 15/16" | BOTTOM TRACK |
| G     | 1   | 750T300-68    | 1'-11 15/16" | TOP TRACK    |
| H     | 2   | 1200D-54      | 1'-11 7/16"  | STRAP        |
| I     | 2   | 750T300-68    | 10 1/16"     | BLOCK        |

# 11-6002

Jewish Home for the Aging

1885 Victory Blvd. Reseda, CA

FM-07-109

CREATED BY: AMB

FrameMax, Inc.  
13915 Danielson St  
Suite 100  
Poway, CA 92064  
www.frame-max.com



© FrameMax Inc.

HEIGHT : 11'-9 11/16" POINTS: 2.20 Points.

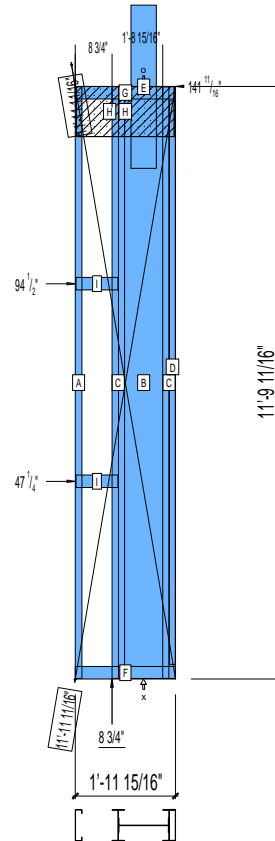
SPACING : 24"

1st STUD: 24"

WEIGHTS :

FRAME : 420 lbs

TOTAL: 420 lbs



PIECES LIST

| LABEL | QTY | SIZE          | LENGTH       | USE          |
|-------|-----|---------------|--------------|--------------|
| A     | 1   | 750S162-54    | 11'-9 1/2"   | STUD         |
| B     | 1   | 1200i350p1062 | 11'-9 1/2"   | PACO         |
| C     | 2   | 750i300p706   | 11'-9 1/2"   | PACO         |
| D     | 1   | 750T150-54    | 11'-2 11/16" | CAP          |
| E     | 1   | E             | 3'-3"        | HOLDDOWN     |
| F     | 1   | 750T300-68    | 1'-11 15/16" | BOTTOM TRACK |
| G     | 1   | 750T300-68    | 1'-11 15/16" | TOP TRACK    |
| H     | 2   | 1200D-54      | 1'-11 7/16"  | STRAP        |
| I     | 2   | 750T300-68    | 10"          | BLOCK        |

# 11-6003

Jewish Home for the Aging

1885 Victory Blvd. Reseda, CA

FM-07-109

CREATED BY: AMB

FrameMax, Inc.  
13915 Danielson St  
Suite 100  
Poway, CA 92064  
www.frame-max.com



© FrameMax Inc.

HEIGHT : 11'-9 11/16" POINTS: 3.19 Points.

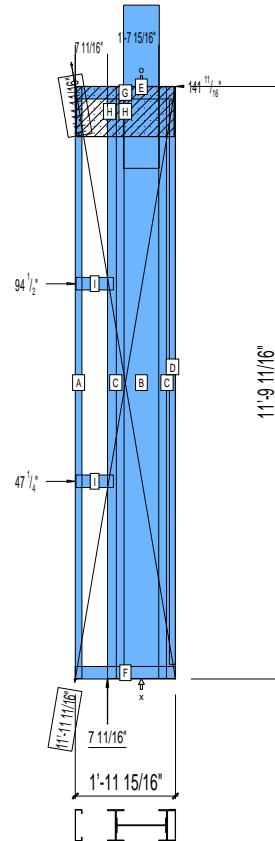
SPACING : 24"

1st STUD: 24"

WEIGHTS :

FRAME : 638 lbs

TOTAL: 638 lbs



PIECES LIST

| LABEL | QTY | SIZE          | LENGTH       | USE          |
|-------|-----|---------------|--------------|--------------|
| A     | 1   | 750S162-54    | 11'-9 1/2"   | STUD         |
| B     | 1   | 1200i350p1420 | 11'-9 1/2"   | PACO         |
| C     | 2   | 750i400p1268  | 11'-9 1/2"   | PACO         |
| D     | 1   | 750T150-54    | 11'-2 11/16" | CAP          |
| E     | 1   | F             | 3'-3"        | HOLDDOWN     |
| F     | 1   | 750T300-68    | 1'-11 15/16" | BOTTOM TRACK |
| G     | 1   | 750T300-68    | 1'-11 15/16" | TOP TRACK    |
| H     | 2   | 1200D-54      | 1'-11 7/16"  | STRAP        |
| I     | 2   | 750T300-68    | 8 15/16"     | BLOCK        |

# 11-6004

Jewish Home for the Aging

1885 Victory Blvd. Reseda, CA

FM-07-109

CREATED BY: AMB

FrameMax, Inc.  
13915 Danielson St  
Suite 100  
Poway, CA 92064  
www.frame-max.com



© FrameMax Inc.

HEIGHT : 11'-9 11/16" POINTS: 3.19 Points.

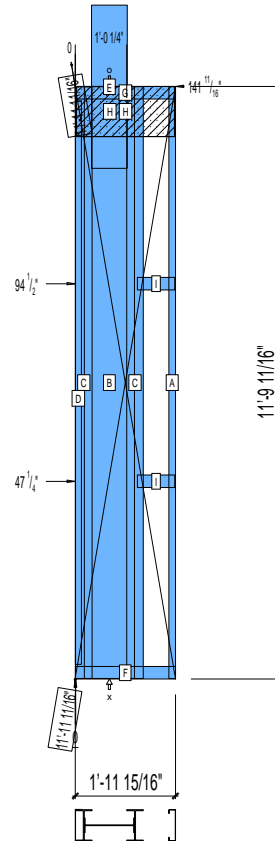
SPACING : 24"

1st STUD: 24"

WEIGHTS :

FRAME : 638 lbs

TOTAL: 638 lbs



PIECES LIST

| LABEL | QTY | SIZE          | LENGTH       | USE          |
|-------|-----|---------------|--------------|--------------|
| A     | 1   | 750S162-54    | 11'-9 1/2"   | STUD         |
| B     | 1   | 1200i350p1420 | 11'-9 1/2"   | PACO         |
| C     | 2   | 750i400p1268  | 11'-9 1/2"   | PACO         |
| D     | 1   | 750T150-54    | 11'-2 11/16" | CAP          |
| E     | 1   | F             | 3'-3"        | HOLDDOWN     |
| F     | 1   | 750T300-68    | 1'-11 15/16" | BOTTOM TRACK |
| G     | 1   | 750T300-68    | 1'-11 15/16" | TOP TRACK    |
| H     | 2   | 1200D-54      | 1'-11 7/16"  | STRAP        |
| I     | 2   | 750T300-68    | 8 15/16"     | BLOCK        |

# 11-6005

Jewish Home for the Aging

1885 Victory Blvd. Reseda, CA

FM-07-109

CREATED BY: AMB

FrameMax, Inc.  
13915 Danielson St  
Suite 100  
Poway, CA 92064  
www.frame-max.com



© FrameMax Inc.

HEIGHT : 11'-9 11/16" POINTS: 3.42 Points.

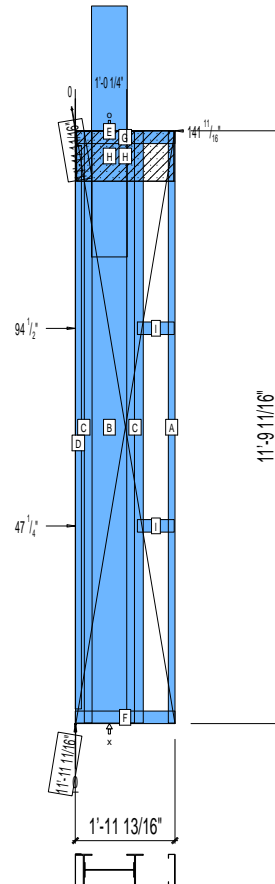
SPACING : 24"

1st STUD: 16"

WEIGHTS :

FRAME : 689 lbs

TOTAL: 689 lbs



PIECES LIST

| LABEL | QTY | SIZE          | LENGTH       | USE          |
|-------|-----|---------------|--------------|--------------|
| A     | 1   | 750S162-54    | 11'-9 1/2"   | STUD         |
| B     | 1   | 1200i350p1420 | 11'-9 1/2"   | PACO         |
| C     | 2   | 750i400p1268  | 11'-9 1/2"   | PACO         |
| D     | 1   | 750T150-54    | 11'-2 11/16" | CAP          |
| E     | 1   | G             | 5'-0"        | HOLDDOWN     |
| F     | 1   | 750T300-68    | 1'-11 13/16" | BOTTOM TRACK |
| G     | 1   | 750T300-68    | 1'-11 13/16" | TOP TRACK    |
| H     | 2   | 1200D-54      | 1'-11 5/16"  | STRAP        |
| I     | 2   | 750T300-68    | 8 13/16"     | BLOCK        |

# 11-6006

Jewish Home for the Aging

1885 Victory Blvd. Reseda, CA

FM-07-109

CREATED BY: AMB

FrameMax, Inc.  
13915 Danielson St  
Suite 100  
Poway, CA 92064  
www.frame-max.com



© FrameMax Inc.

HEIGHT : 11'-9 11/16" POINTS: 3.42 Points.

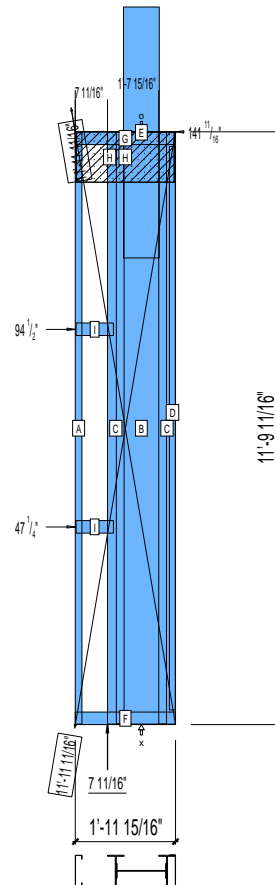
SPACING : 24"

1st STUD: 24"

WEIGHTS :

FRAME : 689 lbs

TOTAL: 689 lbs



PIECES LIST

| LABEL | QTY | SIZE          | LENGTH       | USE          |
|-------|-----|---------------|--------------|--------------|
| A     | 1   | 750S162-54    | 11'-9 1/2"   | STUD         |
| B     | 1   | 1200i350p1420 | 11'-9 1/2"   | PACO         |
| C     | 2   | 750i400p1268  | 11'-9 1/2"   | PACO         |
| D     | 1   | 750T150-54    | 11'-2 11/16" | CAP          |
| E     | 1   | G             | 5'-0"        | HOLDDOWN     |
| F     | 1   | 750T300-68    | 1'-11 15/16" | BOTTOM TRACK |
| G     | 1   | 750T300-68    | 1'-11 15/16" | TOP TRACK    |
| H     | 2   | 1200D-54      | 1'-11 7/16"  | STRAP        |
| I     | 2   | 750T300-68    | 8 15/16"     | BLOCK        |

# 11-6007

Jewish Home for the Aging

1885 Victory Blvd. Reseda, CA

FM-07-109

CREATED BY: AMB

FrameMax, Inc.  
13915 Danielson St  
Suite 100  
Poway, CA 92064  
www.frame-max.com

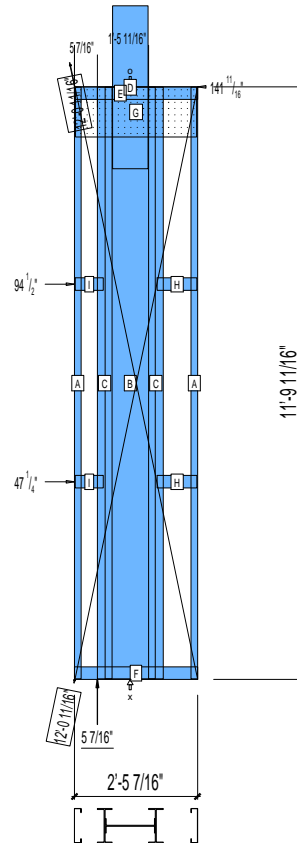


© FrameMax Inc.

HEIGHT : 11'-9 11/16"  
SPACING : 24"  
1st STUD: 24"

WEIGHTS :  
FRAME : 643 lbs

-----  
TOTAL: 643 lbs



PIECES LIST

| LABEL | QTY | SIZE          | LENGTH     | USE          |
|-------|-----|---------------|------------|--------------|
| A     | 2   | 825S162-54    | 11'-9 1/2" | STUD         |
| B     | 1   | 1200i350p1420 | 11'-9 1/2" | PACO         |
| C     | 2   | 825i350p1247  | 11'-9 1/2" | PACO         |
| D     | 1   | F             | 3'-3"      | HOLDDOWN     |
| E     | 1   | 825T300-68    | 2'-5 7/16" | TOP TRACK    |
| F     | 1   | 825T300-68    | 2'-5 7/16" | BOTTOM TRACK |
| G     | 1   | 1200D-54      | 2'-5"      | STRAP        |
| H     | 2   | 825T300-54    | 9 1/2"     | BLOCK        |
| I     | 2   | 825T300-54    | 6 3/4"     | BLOCK        |

# 11-6008

Jewish Home for the Aging

1885 Victory Blvd. Reseda, CA

FM-07-109

CREATED BY: AMB

FrameMax, Inc.  
13915 Danielson St  
Suite 100  
Poway, CA 92064  
www.frame-max.com



© FrameMax Inc.

HEIGHT : 11'-9 11/16" POINTS: 3.24 Points.

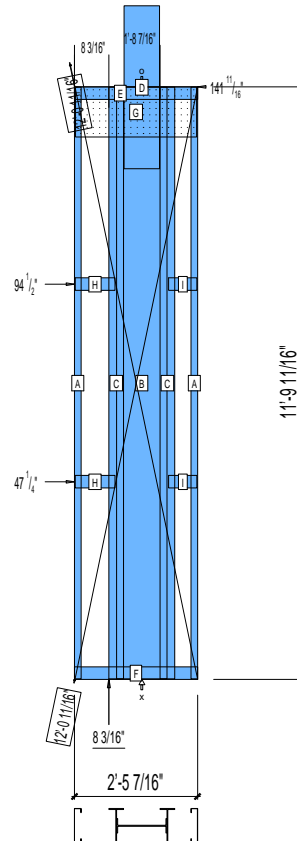
SPACING : 24"

1st STUD: 24"

WEIGHTS :

FRAME : 643 lbs

TOTAL: 643 lbs



PIECES LIST

| LABEL | QTY | SIZE          | LENGTH     | USE          |
|-------|-----|---------------|------------|--------------|
| A     | 2   | 825S162-54    | 11'-9 1/2" | STUD         |
| B     | 1   | 1200i350p1420 | 11'-9 1/2" | PACO         |
| C     | 2   | 825i350p1247  | 11'-9 1/2" | PACO         |
| D     | 1   | F             | 3'-3"      | HOLDDOWN     |
| E     | 1   | 825T300-68    | 2'-5 7/16" | TOP TRACK    |
| F     | 1   | 825T300-68    | 2'-5 7/16" | BOTTOM TRACK |
| G     | 1   | 1200D-54      | 2'-5"      | STRAP        |
| H     | 2   | 825T300-54    | 9 1/2"     | BLOCK        |
| I     | 2   | 825T300-54    | 6 3/4"     | BLOCK        |

# 11-6009

Jewish Home for the Aging

1885 Victory Blvd. Reseda, CA

FM-07-109

CREATED BY: AMB

FrameMax, Inc.  
13915 Danielson St  
Suite 100  
Poway, CA 92064  
www.frame-max.com

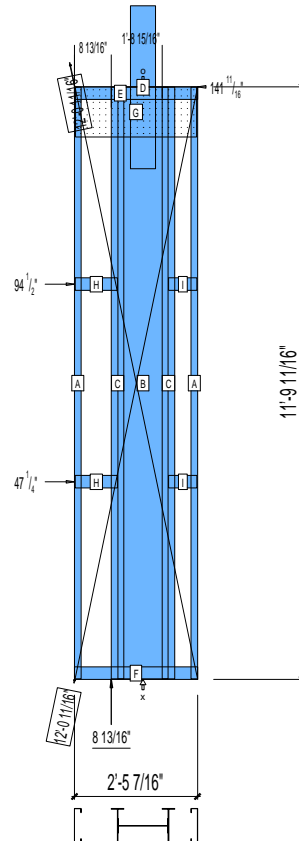


© FrameMax Inc.

HEIGHT : 11'-9 11/16"  
SPACING : 24"  
1st STUD: 24"

WEIGHTS :  
FRAME : 439 lbs

-----  
TOTAL: 439 lbs



PIECES LIST

| LABEL | QTY | SIZE          | LENGTH     | USE          |
|-------|-----|---------------|------------|--------------|
| A     | 2   | 825S162-54    | 11'-9 1/2" | STUD         |
| B     | 1   | 1200i350p1062 | 11'-9 1/2" | PACO         |
| C     | 2   | 825i300p746   | 11'-9 1/2" | PACO         |
| D     | 1   | E             | 3'-3"      | HOLDDOWN     |
| E     | 1   | 825T300-68    | 2'-5 7/16" | TOP TRACK    |
| F     | 1   | 825T300-68    | 2'-5 7/16" | BOTTOM TRACK |
| G     | 1   | 1200D-54      | 2'-5"      | STRAP        |
| H     | 2   | 825T300-54    | 10 1/8"    | BLOCK        |
| I     | 2   | 825T300-54    | 6 3/4"     | BLOCK        |

# 11-6010

Jewish Home for the Aging

1885 Victory Blvd. Reseda, CA

FM-07-109

CREATED BY: AMB

FrameMax, Inc.  
13915 Danielson St  
Suite 100  
Poway, CA 92064  
www.frame-max.com

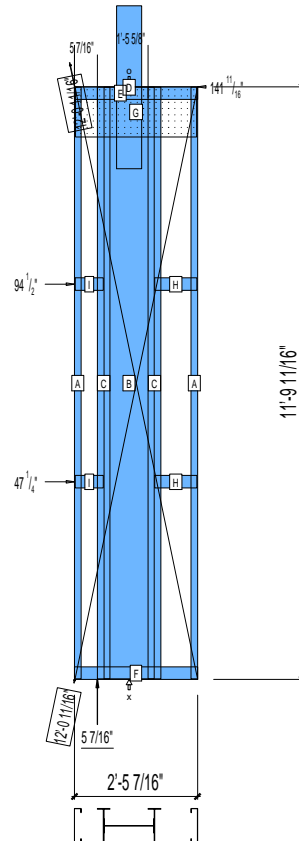


© FrameMax Inc.

HEIGHT : 11'-9 11/16"  
SPACING : 24"  
1st STUD: 24"

WEIGHTS :  
FRAME : 439 lbs

-----  
TOTAL: 439 lbs



PIECES LIST

| LABEL | QTY | SIZE          | LENGTH     | USE          |
|-------|-----|---------------|------------|--------------|
| A     | 2   | 825S162-54    | 11'-9 1/2" | STUD         |
| B     | 1   | 1200i350p1062 | 11'-9 1/2" | PACO         |
| C     | 2   | 825i300p746   | 11'-9 1/2" | PACO         |
| D     | 1   | E             | 3'-3"      | HOLDDOWN     |
| E     | 1   | 825T300-68    | 2'-5 7/16" | TOP TRACK    |
| F     | 1   | 825T300-68    | 2'-5 7/16" | BOTTOM TRACK |
| G     | 1   | 1200D-54      | 2'-5"      | STRAP        |
| H     | 2   | 825T300-54    | 10 1/8"    | BLOCK        |
| I     | 2   | 825T300-54    | 6 3/4"     | BLOCK        |

# 11-6011

Jewish Home for the Aging

1885 Victory Blvd. Reseda, CA

FM-07-109

CREATED BY: AMB

FrameMax, Inc.  
13915 Danielson St  
Suite 100  
Poway, CA 92064  
www.frame-max.com



© FrameMax Inc.

HEIGHT : 11'-9 11/16" POINTS: 3.20 Points.

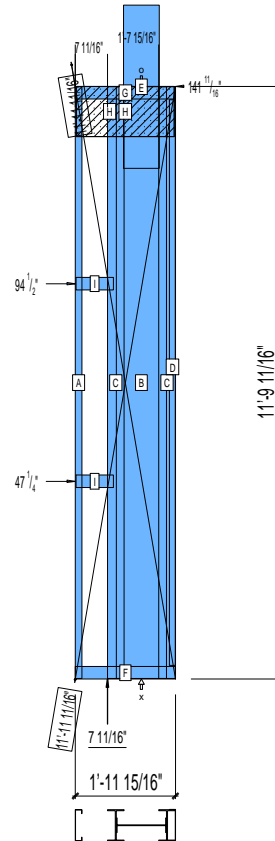
SPACING : 24"

1st STUD: 24"

WEIGHTS :

FRAME : 639 lbs

TOTAL: 639 lbs



PIECES LIST

| LABEL | QTY | SIZE          | LENGTH       | USE          |
|-------|-----|---------------|--------------|--------------|
| A     | 1   | 750S162-54    | 11'-9 1/2"   | STUD         |
| B     | 1   | 1200i350p1420 | 11'-9 1/2"   | PACO         |
| C     | 2   | 750i400p1268  | 11'-9 1/2"   | PACO         |
| D     | 1   | 750T150-54    | 11'-3 3/16"  | CAP          |
| E     | 1   | F             | 3'-3"        | HOLDDOWN     |
| F     | 1   | 750T300-68    | 1'-11 15/16" | BOTTOM TRACK |
| G     | 1   | 750T300-68    | 1'-11 15/16" | TOP TRACK    |
| H     | 2   | 1200D-54      | 1'-11 7/16"  | STRAP        |
| I     | 2   | 750T300-68    | 8 15/16"     | BLOCK        |

# 11-6012

Jewish Home for the Aging

1885 Victory Blvd. Reseda, CA

FM-07-109

CREATED BY: AMB

FrameMax, Inc.  
13915 Danielson St  
Suite 100  
Poway, CA 92064  
www.frame-max.com



© FrameMax Inc.

HEIGHT : 11'-9 11/16" POINTS: 3.20 Points.

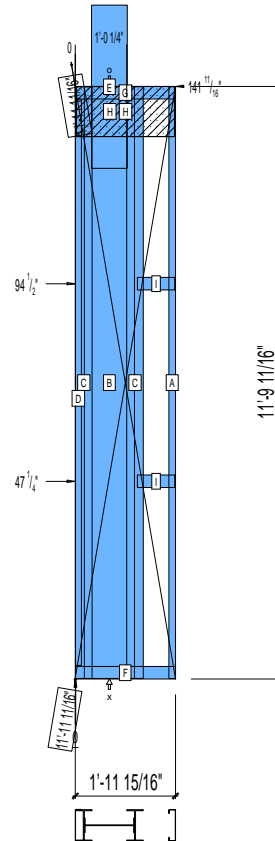
SPACING : 24"

1st STUD: 16"

WEIGHTS :

FRAME : 639 lbs

TOTAL: 639 lbs



PIECES LIST

| LABEL | QTY | SIZE          | LENGTH       | USE          |
|-------|-----|---------------|--------------|--------------|
| A     | 1   | 750S162-54    | 11'-9 1/2"   | STUD         |
| B     | 1   | 1200i350p1420 | 11'-9 1/2"   | PACO         |
| C     | 2   | 750i400p1268  | 11'-9 1/2"   | PACO         |
| D     | 1   | 750T150-54    | 11'-3 3/16"  | CAP          |
| E     | 1   | F             | 3'-3"        | HOLDDOWN     |
| F     | 1   | 750T300-68    | 1'-11 15/16" | BOTTOM TRACK |
| G     | 1   | 750T300-68    | 1'-11 15/16" | TOP TRACK    |
| H     | 2   | 1200D-54      | 1'-11 7/16"  | STRAP        |
| I     | 2   | 750T300-68    | 8 15/16"     | BLOCK        |

# 11-6013

Jewish Home for the Aging

1885 Victory Blvd. Reseda, CA

FrameMax, Inc.  
13915 Danielson St  
Suite 100  
Poway, CA 92064  
www.frame-max.com



© FrameMax Inc.

CREATED: 09/10/2008

FM-07-109

CREATED BY: AMB

HEIGHT : 11'-9 11/16" POINTS: 2.22 Points.

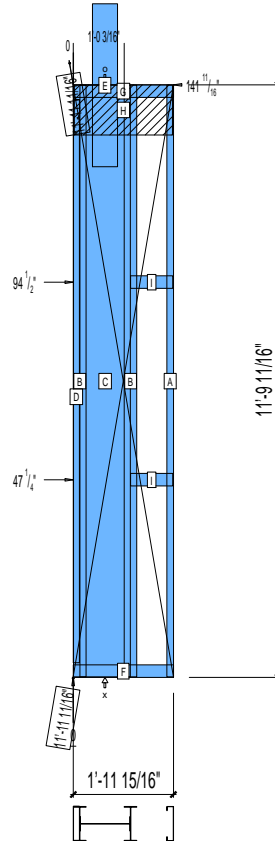
SPACING : 24"

1st STUD: 24"

WEIGHTS :

FRAME : 428 lbs

TOTAL: 428 lbs



PIECES LIST

| LABEL | QTY | SIZE          | LENGTH       | USE          |
|-------|-----|---------------|--------------|--------------|
| A     | 1   | 825S162-54    | 11'-9 1/2"   | STUD         |
| B     | 2   | 825i300p746   | 11'-9 1/2"   | PACO         |
| C     | 1   | 1200i350p1062 | 11'-9 1/2"   | PACO         |
| D     | 1   | 825T150-54    | 11'-2 11/16" | CAP          |
| E     | 1   | E             | 3'-3"        | HOLDDOWN     |
| F     | 1   | 825T300-68    | 1'-11 15/16" | BOTTOM TRACK |
| G     | 1   | 825T300-68    | 1'-11 15/16" | TOP TRACK    |
| H     | 1   | 1200D-54      | 1'-11 1/2"   | STRAP        |
| I     | 2   | 825T300-54    | 10 1/8"      | BLOCK        |

# 11-6014

Jewish Home for the Aging

1885 Victory Blvd. Reseda, CA

FM-07-109

CREATED BY: AMB

FrameMax, Inc.  
13915 Danielson St  
Suite 100  
Poway, CA 92064  
www.framemax.com



© FrameMax Inc.

HEIGHT : 11'-9 11/16" POINTS: 2.12 Points.

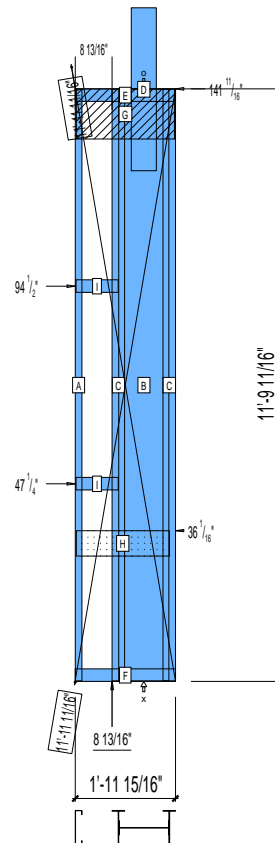
SPACING : 24"

1st STUD: 24"

WEIGHTS :

FRAME : 406 lbs

TOTAL: 406 lbs



PIECES LIST

| LABEL | QTY | SIZE          | LENGTH       | USE          |
|-------|-----|---------------|--------------|--------------|
| A     | 1   | 825S162-54    | 11'-9 1/2"   | STUD         |
| B     | 1   | 1200i350p1062 | 11'-9 1/2"   | PACO         |
| C     | 2   | 825i300p746   | 11'-9 1/2"   | PACO         |
| D     | 1   | E             | 3'-3"        | HOLDDOWN     |
| E     | 1   | 825T300-68    | 1'-11 15/16" | TOP TRACK    |
| F     | 1   | 825T300-68    | 1'-11 15/16" | BOTTOM TRACK |
| G     | 1   | 1200D-54      | 1'-11 1/2"   | STRAP        |
| H     | 1   | 600T150-54    | 1'-10 1/4"   | GRAB BAR     |
| I     | 2   | 825T300-54    | 10 1/8"      | BLOCK        |

# 11-6015

Jewish Home for the Aging

1885 Victory Blvd. Reseda, CA

FM-07-109

CREATED BY: AMB

FrameMax, Inc.  
13915 Danielson St  
Suite 100  
Poway, CA 92064  
www.frame-max.com



© FrameMax Inc.

HEIGHT : 11'-9 11/16" POINTS: 3.19 Points.

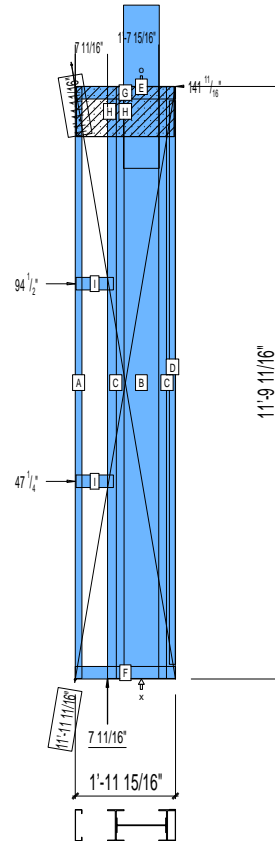
SPACING : 24"

1st STUD: 24"

WEIGHTS :

FRAME : 637 lbs

TOTAL: 637 lbs



PIECES LIST

| LABEL | QTY | SIZE          | LENGTH       | USE          |
|-------|-----|---------------|--------------|--------------|
| A     | 1   | 750S162-54    | 11'-9 1/2"   | STUD         |
| B     | 1   | 1200i350p1420 | 11'-9 1/2"   | PACO         |
| C     | 2   | 750i400p1268  | 11'-9 1/2"   | PACO         |
| D     | 1   | 750T150-54    | 11'-2 11/16" | CAP          |
| E     | 1   | F             | 3'-3"        | HOLDDOWN     |
| F     | 1   | 750T300-68    | 1'-11 15/16" | BOTTOM TRACK |
| G     | 1   | 750T300-68    | 1'-11 15/16" | TOP TRACK    |
| H     | 2   | 1200D-54      | 1'-11 7/16"  | STRAP        |
| I     | 2   | 750T300-54    | 8 15/16"     | BLOCK        |

# 11-6016

Jewish Home for the Aging

1885 Victory Blvd. Reseda, CA

FM-07-109

CREATED BY: AMB

FrameMax, Inc.  
13915 Danielson St  
Suite 100  
Poway, CA 92064  
www.frame-max.com



© FrameMax Inc.

HEIGHT : 11'-9 11/16" POINTS: 3.19 Points.

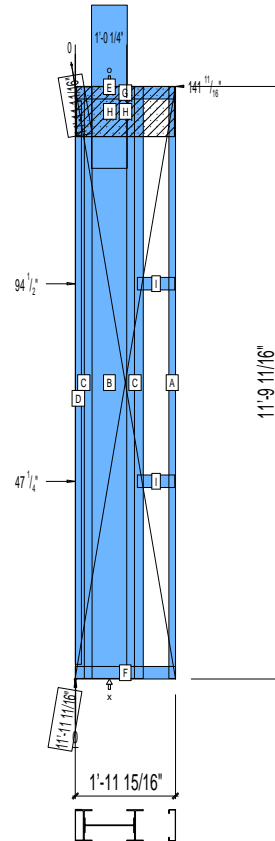
SPACING : 24"

1st STUD: 24"

WEIGHTS :

FRAME : 637 lbs

TOTAL: 637 lbs



PIECES LIST

| LABEL | QTY | SIZE          | LENGTH       | USE          |
|-------|-----|---------------|--------------|--------------|
| A     | 1   | 750S162-54    | 11'-9 1/2"   | STUD         |
| B     | 1   | 1200i350p1420 | 11'-9 1/2"   | PACO         |
| C     | 2   | 750i400p1268  | 11'-9 1/2"   | PACO         |
| D     | 1   | 750T150-54    | 11'-2 11/16" | CAP          |
| E     | 1   | F             | 3'-3"        | HOLDDOWN     |
| F     | 1   | 750T300-68    | 1'-11 15/16" | BOTTOM TRACK |
| G     | 1   | 750T300-68    | 1'-11 15/16" | TOP TRACK    |
| H     | 2   | 1200D-54      | 1'-11 7/16"  | STRAP        |
| I     | 2   | 750T300-54    | 8 15/16"     | BLOCK        |

# 11-6017

Jewish Home for the Aging

1885 Victory Blvd. Reseda, CA

FM-07-109

CREATED BY: AMB

FrameMax, Inc.  
13915 Danielson St  
Suite 100  
Poway, CA 92064  
www.frame-max.com

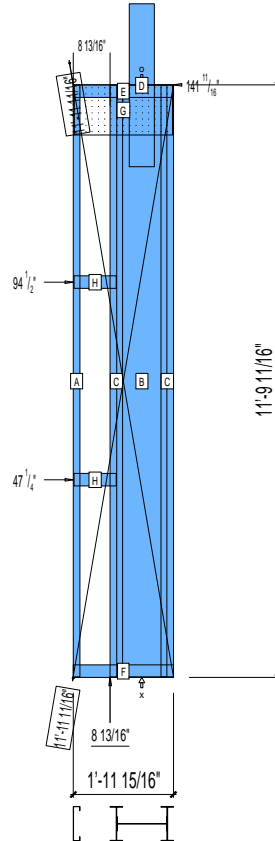


© FrameMax Inc.

HEIGHT : 11'-9 11/16"  
SPACING : 24"  
1st STUD: 24"

WEIGHTS :  
FRAME : 403 lbs

TOTAL: 403 lbs



PIECES LIST

| LABEL | QTY | SIZE          | LENGTH       | USE          |
|-------|-----|---------------|--------------|--------------|
| A     | 1   | 825S162-54    | 11'-9 1/2"   | STUD         |
| B     | 1   | 1200i350p1062 | 11'-9 1/2"   | PACO         |
| C     | 2   | 825i300p746   | 11'-9 1/2"   | PACO         |
| D     | 1   | E             | 3'-3"        | HOLDDOWN     |
| E     | 1   | 825T300-68    | 1'-11 15/16" | TOP TRACK    |
| F     | 1   | 825T300-68    | 1'-11 15/16" | BOTTOM TRACK |
| G     | 1   | 1200D-54      | 1'-11 1/2"   | STRAP        |
| H     | 2   | 825T300-54    | 10 1/8"      | BLOCK        |

# 11-6018

Jewish Home for the Aging

1885 Victory Blvd. Reseda, CA

FM-07-109

CREATED BY: AMB

FrameMax, Inc.  
13915 Danielson St  
Suite 100  
Poway, CA 92064  
www.frame-max.com



© FrameMax Inc.

HEIGHT : 11'-9 11/16" POINTS: 2.08 Points.

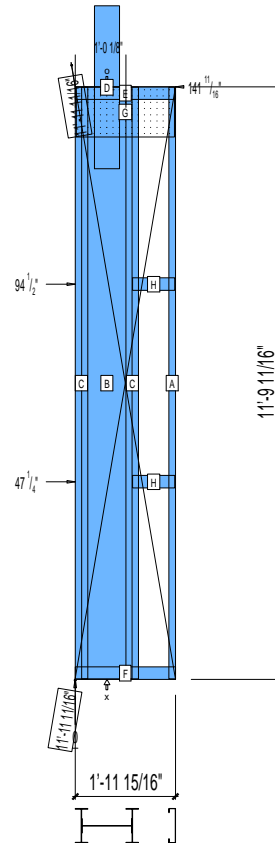
SPACING : 24"

1st STUD: 24"

WEIGHTS :

FRAME : 403 lbs

TOTAL: 403 lbs



PIECES LIST

| LABEL | QTY | SIZE          | LENGTH       | USE          |
|-------|-----|---------------|--------------|--------------|
| A     | 1   | 825S162-54    | 11'-9 1/2"   | STUD         |
| B     | 1   | 1200i350p1062 | 11'-9 1/2"   | PACO         |
| C     | 2   | 825i300p746   | 11'-9 1/2"   | PACO         |
| D     | 1   | E             | 3'-3"        | HOLDDOWN     |
| E     | 1   | 825T300-68    | 1'-11 15/16" | TOP TRACK    |
| F     | 1   | 825T300-68    | 1'-11 15/16" | BOTTOM TRACK |
| G     | 1   | 1200D-54      | 1'-11 1/2"   | STRAP        |
| H     | 2   | 825T300-54    | 10 1/8"      | BLOCK        |

# 11-6019

Jewish Home for the Aging

1885 Victory Blvd. Reseda, CA

FM-07-109

CREATED BY: AMB

FrameMax, Inc.  
13915 Danielson St  
Suite 100  
Poway, CA 92064  
www.frame-max.com



© FrameMax Inc.

HEIGHT : 11'-9 11/16" POINTS: 3.28 Points.

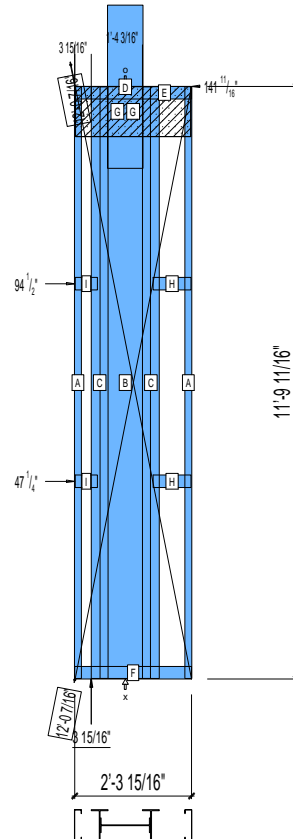
SPACING : 24"

1st STUD: 24"

WEIGHTS :

FRAME : 647 lbs

TOTAL: 647 lbs



PIECES LIST

| LABEL | QTY | SIZE          | LENGTH      | USE          |
|-------|-----|---------------|-------------|--------------|
| A     | 2   | 750S162-54    | 11'-9 1/2"  | STUD         |
| B     | 1   | 1200i350p1420 | 11'-9 1/2"  | PACO         |
| C     | 2   | 750i400p1268  | 11'-9 1/2"  | PACO         |
| D     | 1   | F             | 3'-3"       | HOLDDOWN     |
| E     | 1   | 750T300-68    | 2'-3 15/16" | TOP TRACK    |
| F     | 1   | 750T300-68    | 2'-3 15/16" | BOTTOM TRACK |
| G     | 2   | 1200D-54      | 2'-3 1/2"   | STRAP        |
| H     | 2   | 750T300-54    | 9"          | BLOCK        |
| I     | 2   | 750T300-54    | 5 1/4"      | BLOCK        |

# 11-6020

Jewish Home for the Aging

1885 Victory Blvd. Reseda, CA

FM-07-109

CREATED BY: AMB

FrameMax, Inc.  
13915 Danielson St  
Suite 100  
Poway, CA 92064  
www.frame-max.com



© FrameMax Inc.

HEIGHT : 11'-9 11/16" POINTS: 3.28 Points.

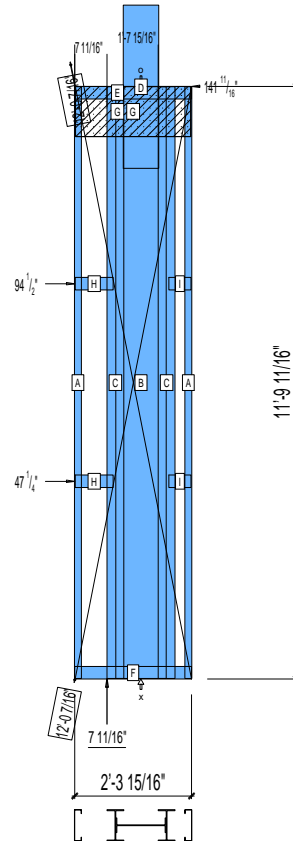
SPACING : 24"

1st STUD: 24"

WEIGHTS :

FRAME : 647 lbs

TOTAL: 647 lbs



PIECES LIST

| LABEL | QTY | SIZE          | LENGTH      | USE          |
|-------|-----|---------------|-------------|--------------|
| A     | 2   | 750S162-54    | 11'-9 1/2"  | STUD         |
| B     | 1   | 1200i350p1420 | 11'-9 1/2"  | PACO         |
| C     | 2   | 750i400p1268  | 11'-9 1/2"  | PACO         |
| D     | 1   | F             | 3'-3"       | HOLDDOWN     |
| E     | 1   | 750T300-68    | 2'-3 15/16" | TOP TRACK    |
| F     | 1   | 750T300-68    | 2'-3 15/16" | BOTTOM TRACK |
| G     | 2   | 1200D-54      | 2'-3 1/2"   | STRAP        |
| H     | 2   | 750T300-54    | 9"          | BLOCK        |
| I     | 2   | 750T300-54    | 5 1/4"      | BLOCK        |

# 11-6021

Jewish Home for the Aging

1885 Victory Blvd. Reseda, CA

FM-07-109

CREATED BY: AMB

FrameMax, Inc.  
13915 Danielson St  
Suite 100  
Poway, CA 92064  
www.frame-max.com

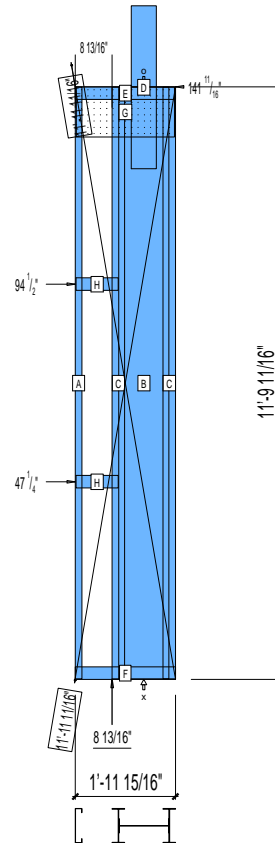


© FrameMax Inc.

HEIGHT : 11'-9 11/16"  
SPACING : 24"  
1st STUD: 24"

WEIGHTS :  
FRAME : 403 lbs

-----  
TOTAL: 403 lbs



PIECES LIST

| LABEL | QTY | SIZE          | LENGTH       | USE          |
|-------|-----|---------------|--------------|--------------|
| A     | 1   | 825S162-54    | 11'-9 1/2"   | STUD         |
| B     | 1   | 1200i350p1062 | 11'-9 1/2"   | PACO         |
| C     | 2   | 825i300p746   | 11'-9 1/2"   | PACO         |
| D     | 1   | E             | 3'-3"        | HOLDDOWN     |
| E     | 1   | 825T300-68    | 1'-11 15/16" | TOP TRACK    |
| F     | 1   | 825T300-68    | 1'-11 15/16" | BOTTOM TRACK |
| G     | 1   | 1200D-54      | 1'-11 1/2"   | STRAP        |
| H     | 2   | 825T300-54    | 10 1/8"      | BLOCK        |

# 11-6022

Jewish Home for the Aging

1885 Victory Blvd. Reseda, CA

FM-07-109

CREATED BY: AMB

FrameMax, Inc.  
13915 Danielson St  
Suite 100  
Poway, CA 92064  
www.frame-max.com

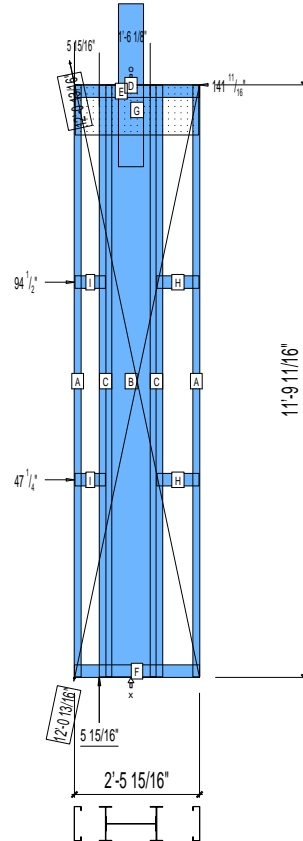


© FrameMax Inc.

HEIGHT : 11'-9 11/16"  
SPACING : 24"  
1st STUD: 24"

WEIGHTS :  
FRAME : 439 lbs

-----  
TOTAL: 439 lbs



PIECES LIST

| LABEL | QTY | SIZE          | LENGTH      | USE          |
|-------|-----|---------------|-------------|--------------|
| A     | 2   | 825S162-54    | 11'-9 1/2"  | STUD         |
| B     | 1   | 1200i350p1062 | 11'-9 1/2"  | PACO         |
| C     | 2   | 825i300p746   | 11'-9 1/2"  | PACO         |
| D     | 1   | E             | 3'-3"       | HOLDDOWN     |
| E     | 1   | 825T300-68    | 2'-5 15/16" | TOP TRACK    |
| F     | 1   | 825T300-68    | 2'-5 15/16" | BOTTOM TRACK |
| G     | 1   | 1200D-54      | 2'-5 1/2"   | STRAP        |
| H     | 2   | 825T300-54    | 10 1/8"     | BLOCK        |
| I     | 2   | 825T300-54    | 7 1/4"      | BLOCK        |

# 11-6023

Jewish Home for the Aging

1885 Victory Blvd. Reseda, CA

FM-07-109

CREATED BY: AMB

FrameMax, Inc.  
13915 Danielson St  
Suite 100  
Poway, CA 92064  
www.frame-max.com



© FrameMax Inc.

HEIGHT : 11'-9 11/16" POINTS: 3.14 Points.

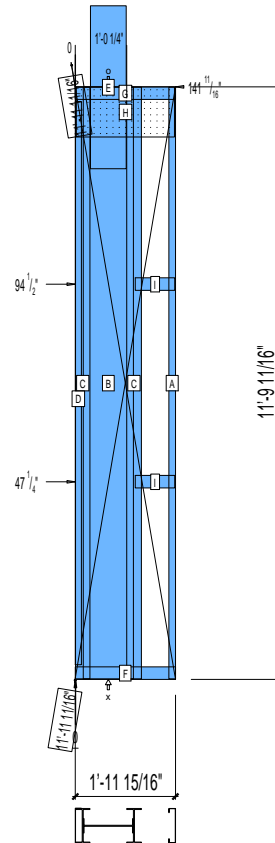
SPACING : 24"

1st STUD: 16"

WEIGHTS :

FRAME : 632 lbs

TOTAL: 632 lbs



PIECES LIST

| LABEL | QTY | SIZE          | LENGTH       | USE          |
|-------|-----|---------------|--------------|--------------|
| A     | 1   | 825S162-54    | 11'-9 1/2"   | STUD         |
| B     | 1   | 1200i350p1420 | 11'-9 1/2"   | PACO         |
| C     | 2   | 825i350p1247  | 11'-9 1/2"   | PACO         |
| D     | 1   | 825T150-54    | 11'-2 11/16" | CAP          |
| E     | 1   | F             | 3'-3"        | HOLDDOWN     |
| F     | 1   | 825T300-68    | 1'-11 15/16" | BOTTOM TRACK |
| G     | 1   | 825T300-68    | 1'-11 15/16" | TOP TRACK    |
| H     | 1   | 1200D-54      | 1'-11 7/16"  | STRAP        |
| I     | 2   | 825T300-54    | 9 7/16"      | BLOCK        |

# 11-6024

Jewish Home for the Aging

1885 Victory Blvd. Reseda, CA

FrameMax, Inc.  
13915 Danielson St  
Suite 100  
Poway, CA 92064  
www.frame-max.com



© FrameMax Inc.

CREATED: 09/11/2008

FM-07-109

CREATED BY: AMB

HEIGHT : 11'-9 11/16" POINTS: 3.14 Points.

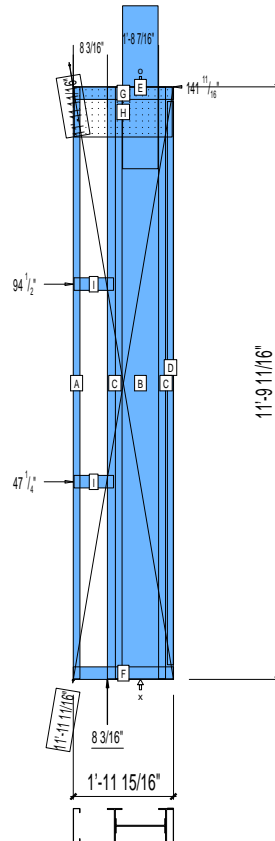
SPACING : 24"

1st STUD: 24"

WEIGHTS :

FRAME : 632 lbs

TOTAL: 632 lbs



PIECES LIST

| LABEL | QTY | SIZE          | LENGTH       | USE          |
|-------|-----|---------------|--------------|--------------|
| A     | 1   | 825S162-54    | 11'-9 1/2"   | STUD         |
| B     | 1   | 1200i350p1420 | 11'-9 1/2"   | PACO         |
| C     | 2   | 825i350p1247  | 11'-9 1/2"   | PACO         |
| D     | 1   | 825T150-54    | 11'-2 11/16" | CAP          |
| E     | 1   | F             | 3'-3"        | HOLDDOWN     |
| F     | 1   | 825T300-68    | 1'-11 15/16" | BOTTOM TRACK |
| G     | 1   | 825T300-68    | 1'-11 15/16" | TOP TRACK    |
| H     | 1   | 1200D-54      | 1'-11 7/16"  | STRAP        |
| I     | 2   | 825T300-54    | 9 7/16"      | BLOCK        |



# 11-6026

Jewish Home for the Aging

1885 Victory Blvd. Reseda, CA

FM-07-109

CREATED BY: AMB

FrameMax, Inc.  
13915 Danielson St  
Suite 100  
Poway, CA 92064  
www.frame-max.com



© FrameMax Inc.

HEIGHT : 11'-9 11/16" POINTS: 3.23 Points.

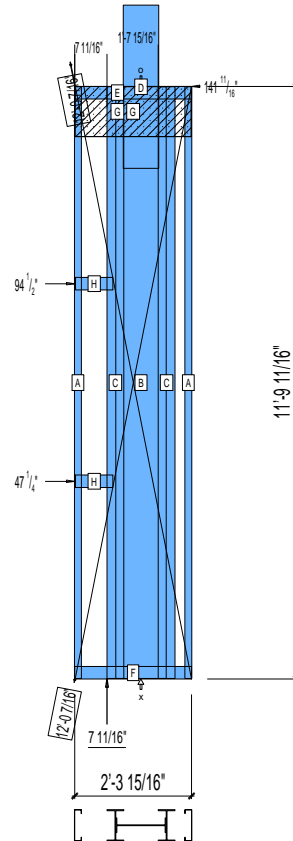
SPACING : 24"

1st STUD: 24"

WEIGHTS :

FRAME : 644 lbs

TOTAL: 644 lbs



PIECES LIST

| LABEL | QTY | SIZE          | LENGTH      | USE          |
|-------|-----|---------------|-------------|--------------|
| A     | 2   | 750S162-54    | 11'-9 1/2"  | STUD         |
| B     | 1   | 1200i350p1420 | 11'-9 1/2"  | PACO         |
| C     | 2   | 750i400p1268  | 11'-9 1/2"  | PACO         |
| D     | 1   | F             | 3'-3"       | HOLDDOWN     |
| E     | 1   | 750T300-68    | 2'-3 15/16" | TOP TRACK    |
| F     | 1   | 750T300-68    | 2'-3 15/16" | BOTTOM TRACK |
| G     | 2   | 1200D-54      | 2'-3 3/4"   | STRAP        |
| H     | 2   | 750T300-54    | 8 15/16"    | BLOCK        |

# 11-6027

Jewish Home for the Aging

1885 Victory Blvd. Reseda, CA

FM-07-109

CREATED BY: AMB

FrameMax, Inc.  
13915 Danielson St  
Suite 100  
Poway, CA 92064  
www.frame-max.com



© FrameMax Inc.

HEIGHT : 11'-9 11/16" POINTS: 3.19 Points.

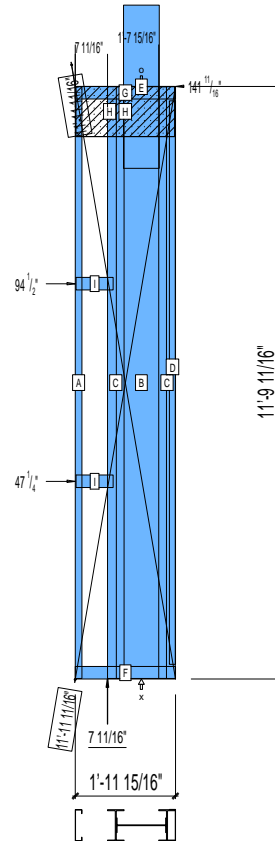
SPACING : 24"

1st STUD: 24"

WEIGHTS :

FRAME : 637 lbs

TOTAL: 637 lbs



PIECES LIST

| LABEL | QTY | SIZE          | LENGTH       | USE          |
|-------|-----|---------------|--------------|--------------|
| A     | 1   | 750S162-54    | 11'-9 1/2"   | STUD         |
| B     | 1   | 1200i350p1420 | 11'-9 1/2"   | PACO         |
| C     | 2   | 750i400p1268  | 11'-9 1/2"   | PACO         |
| D     | 1   | 750T150-54    | 11'-2 11/16" | CAP          |
| E     | 1   | F             | 3'-3"        | HOLDDOWN     |
| F     | 1   | 750T300-68    | 1'-11 15/16" | BOTTOM TRACK |
| G     | 1   | 750T300-68    | 1'-11 15/16" | TOP TRACK    |
| H     | 2   | 1200D-54      | 1'-11 11/16" | STRAP        |
| I     | 2   | 750T300-54    | 8 7/8"       | BLOCK        |

# 11-6028

Jewish Home for the Aging

1885 Victory Blvd. Reseda, CA

FM-07-109

CREATED BY: AMB

FrameMax, Inc.  
13915 Danielson St  
Suite 100  
Poway, CA 92064  
www.frame-max.com



© FrameMax Inc.

HEIGHT : 11'-9 11/16" POINTS: 3.19 Points.

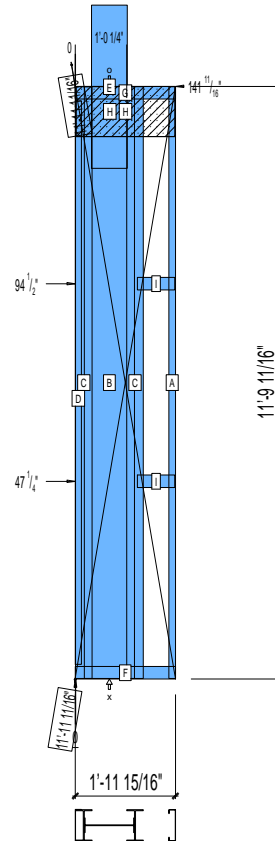
SPACING : 24"

1st STUD: 24"

WEIGHTS :

FRAME : 637 lbs

TOTAL: 637 lbs



PIECES LIST

| LABEL | QTY | SIZE          | LENGTH       | USE          |
|-------|-----|---------------|--------------|--------------|
| A     | 1   | 750S162-54    | 11'-9 1/2"   | STUD         |
| B     | 1   | 1200i350p1420 | 11'-9 1/2"   | PACO         |
| C     | 2   | 750i400p1268  | 11'-9 1/2"   | PACO         |
| D     | 1   | 750T150-54    | 11'-2 11/16" | CAP          |
| E     | 1   | F             | 3'-3"        | HOLDDOWN     |
| F     | 1   | 750T300-68    | 1'-11 15/16" | BOTTOM TRACK |
| G     | 1   | 750T300-68    | 1'-11 15/16" | TOP TRACK    |
| H     | 2   | 1200D-54      | 1'-11 11/16" | STRAP        |
| I     | 2   | 750T300-54    | 8 7/8"       | BLOCK        |

# 11-6029

Jewish Home for the Aging

1885 Victory Blvd. Reseda, CA

FM-07-109

CREATED BY: AMB

FrameMax, Inc.  
13915 Danielson St  
Suite 100  
Poway, CA 92064  
www.frame-max.com

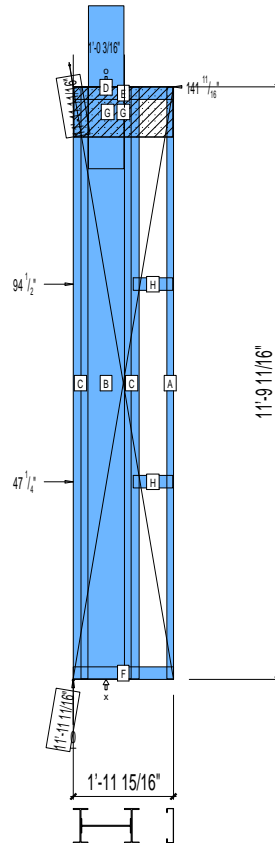


© FrameMax Inc.

HEIGHT : 11'-9 11/16"  
SPACING : 24"  
1st STUD: 24"

WEIGHTS :  
FRAME : 612 lbs

-----  
TOTAL: 612 lbs



PIECES LIST

| LABEL | QTY | SIZE          | LENGTH       | USE          |
|-------|-----|---------------|--------------|--------------|
| A     | 1   | 825S162-54    | 11'-9 1/2"   | STUD         |
| B     | 1   | 1200i350p1420 | 11'-9 1/2"   | PACO         |
| C     | 2   | 825i350p1247  | 11'-9 1/2"   | PACO         |
| D     | 1   | F             | 3'-3"        | HOLDDOWN     |
| E     | 1   | 825T300-68    | 1'-11 15/16" | TOP TRACK    |
| F     | 1   | 825T300-68    | 1'-11 15/16" | BOTTOM TRACK |
| G     | 2   | 1200D-54      | 1'-11 3/4"   | STRAP        |
| H     | 2   | 825T300-54    | 9 7/16"      | BLOCK        |

# 11-6030

Jewish Home for the Aging

1885 Victory Blvd. Reseda, CA

FM-07-109

CREATED BY: AMB

FrameMax, Inc.  
13915 Danielson St  
Suite 100  
Poway, CA 92064  
www.frame-max.com



© FrameMax Inc.

HEIGHT : 11'-9 11/16" POINTS: 3.08 Points.

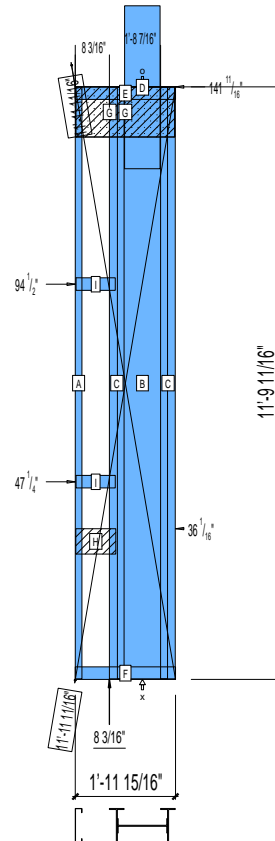
SPACING : 24"

1st STUD: 24"

WEIGHTS :

FRAME : 613 lbs

TOTAL: 613 lbs



PIECES LIST

| LABEL | QTY | SIZE          | LENGTH       | USE          |
|-------|-----|---------------|--------------|--------------|
| A     | 1   | 825S162-54    | 11'-9 1/2"   | STUD         |
| B     | 1   | 1200i350p1420 | 11'-9 1/2"   | PACO         |
| C     | 2   | 825i350p1247  | 11'-9 1/2"   | PACO         |
| D     | 1   | F             | 3'-3"        | HOLDDOWN     |
| E     | 1   | 825T300-68    | 1'-11 15/16" | TOP TRACK    |
| F     | 1   | 825T300-68    | 1'-11 15/16" | BOTTOM TRACK |
| G     | 2   | 1200D-54      | 1'-11 11/16" | STRAP        |
| H     | 1   | 600T150-54    | 9 9/16"      | GRAB BAR     |
| I     | 2   | 825T300-54    | 9 3/8"       | BLOCK        |



# 11-6032

Jewish Home for the Aging

1885 Victory Blvd. Reseda, CA

FM-07-109

CREATED BY: AMB

FrameMax, Inc.  
13915 Danielson St  
Suite 100  
Poway, CA 92064  
www.frame-max.com



© FrameMax Inc.

HEIGHT : 11'-9 11/16" POINTS: 2.15 Points.

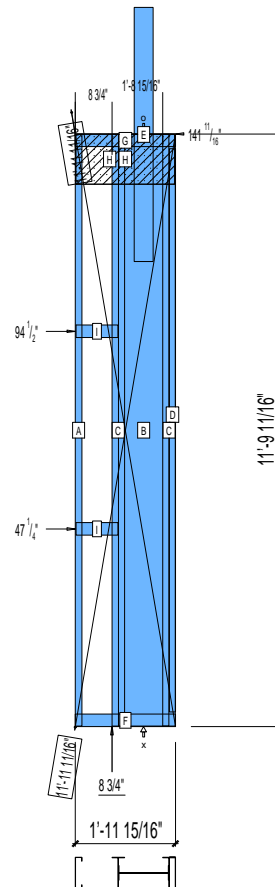
SPACING : 24"

1st STUD: 24"

WEIGHTS :

FRAME : 408 lbs

TOTAL: 408 lbs



PIECES LIST

| LABEL | QTY | SIZE          | LENGTH       | USE          |
|-------|-----|---------------|--------------|--------------|
| A     | 1   | 750S162-54    | 11'-9 1/2"   | STUD         |
| B     | 1   | 1200i350p1062 | 11'-9 1/2"   | PACO         |
| C     | 2   | 750i300p706   | 11'-9 1/2"   | PACO         |
| D     | 1   | 750T150-54    | 11'-2 11/16" | CAP          |
| E     | 1   | D             | 5'-0 3/4"    | HOLDDOWN     |
| F     | 1   | 750T300-68    | 1'-11 15/16" | BOTTOM TRACK |
| G     | 1   | 750T300-68    | 1'-11 15/16" | TOP TRACK    |
| H     | 2   | 1200D-54      | 1'-11 11/16" | STRAP        |
| I     | 2   | 750T300-54    | 9 15/16"     | BLOCK        |

# 11-6033

Jewish Home for the Aging

1885 Victory Blvd. Reseda, CA

FM-07-109

CREATED BY: AMB

FrameMax, Inc.  
13915 Danielson St  
Suite 100  
Poway, CA 92064  
www.frame-max.com

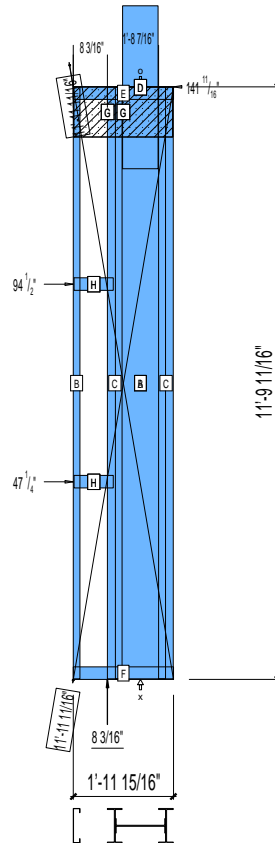


© FrameMax Inc.

HEIGHT : 11'-9 11/16"  
SPACING : 24"  
1st STUD: 24"

WEIGHTS :  
FRAME : 612 lbs

-----  
TOTAL: 612 lbs



PIECES LIST

| LABEL | QTY | SIZE          | LENGTH       | USE          |
|-------|-----|---------------|--------------|--------------|
| A     | 1   | 1200i350p1420 | 11'-9 1/2"   | PACO         |
| B     | 1   | 825S162-54    | 11'-9 1/2"   | STUD         |
| C     | 2   | 825i350p1247  | 11'-9 1/2"   | PACO         |
| D     | 1   | F             | 3'-3"        | HOLDDOWN     |
| E     | 1   | 825T300-68    | 1'-11 15/16" | TOP TRACK    |
| F     | 1   | 825T300-68    | 1'-11 15/16" | BOTTOM TRACK |
| G     | 2   | 1200D-54      | 1'-11 11/16" | STRAP        |
| H     | 2   | 825T300-54    | 9 3/8"       | BLOCK        |

# 11-6034

Jewish Home for the Aging

1885 Victory Blvd. Reseda, CA

FrameMax, Inc.  
13915 Danielson St  
Suite 100  
Poway, CA 92064  
www.frame-max.com



© FrameMax Inc.

CREATED: 09/17/2008

FM-07-109

CREATED BY: AMB

HEIGHT : 11'-9 11/16" POINTS: 3.19 Points.

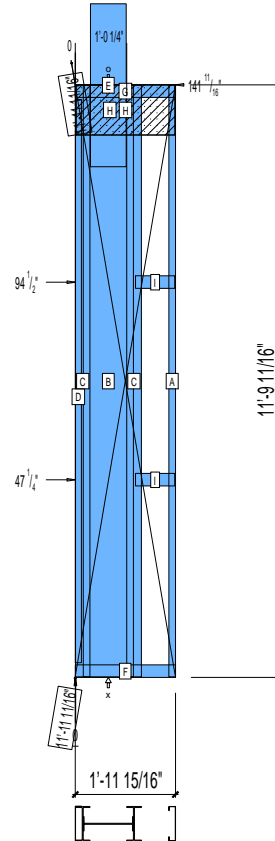
SPACING : 24"

1st STUD: 24"

WEIGHTS :

FRAME : 637 lbs

TOTAL: 637 lbs



PIECES LIST

| LABEL | QTY | SIZE          | LENGTH       | USE          |
|-------|-----|---------------|--------------|--------------|
| A     | 1   | 825S162-54    | 11'-9 1/2"   | STUD         |
| B     | 1   | 1200i350p1420 | 11'-9 1/2"   | PACO         |
| C     | 2   | 825i350p1247  | 11'-9 1/2"   | PACO         |
| D     | 1   | 825T150-54    | 11'-2 11/16" | CAP          |
| E     | 1   | F             | 3'-3"        | HOLDDOWN     |
| F     | 1   | 825T300-68    | 1'-11 15/16" | BOTTOM TRACK |
| G     | 1   | 825T300-68    | 1'-11 15/16" | TOP TRACK    |
| H     | 2   | 1200D-54      | 1'-11 11/16" | STRAP        |
| I     | 2   | 825T300-54    | 9 3/8"       | BLOCK        |

# 11-6035

Jewish Home for the Aging

1885 Victory Blvd. Reseda, CA

FM-07-109

CREATED BY: AMB

FrameMax, Inc.  
13915 Danielson St  
Suite 100  
Poway, CA 92064  
www.frame-max.com



© FrameMax Inc.

HEIGHT : 11'-9 11/16" POINTS: 3.19 Points.

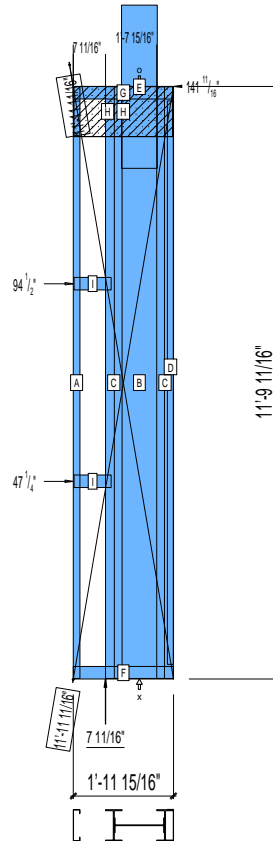
SPACING : 24"

1st STUD: 24"

WEIGHTS :

FRAME : 638 lbs

TOTAL: 638 lbs



PIECES LIST

| LABEL | QTY | SIZE          | LENGTH       | USE          |
|-------|-----|---------------|--------------|--------------|
| A     | 1   | 750S162-54    | 11'-9 1/2"   | STUD         |
| B     | 1   | 1200i350p1420 | 11'-9 1/2"   | PACO         |
| C     | 2   | 750i400p1268  | 11'-9 1/2"   | PACO         |
| D     | 1   | 750T150-54    | 11'-2 11/16" | CAP          |
| E     | 1   | F             | 3'-3"        | HOLDDOWN     |
| F     | 1   | 750T300-68    | 1'-11 15/16" | BOTTOM TRACK |
| G     | 1   | 750T300-68    | 1'-11 15/16" | TOP TRACK    |
| H     | 2   | 1200D-54      | 1'-11 11/16" | STRAP        |
| I     | 2   | 750T300-68    | 8 7/8"       | BLOCK        |

# 11-6036

Jewish Home for the Aging

1885 Victory Blvd. Reseda, CA

FM-07-109

CREATED BY: AMB

FrameMax, Inc.  
13915 Danielson St  
Suite 100  
Poway, CA 92064  
www.frame-max.com

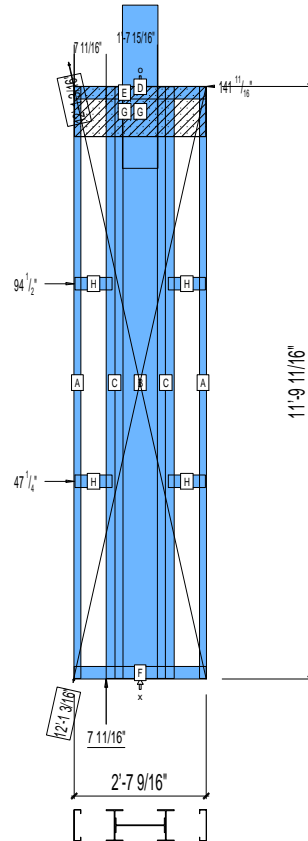


© FrameMax Inc.

HEIGHT : 11'-9 11/16"  
SPACING : 24"  
1st STUD: 24"

WEIGHTS :  
FRAME : 654 lbs

-----  
TOTAL: 654 lbs



| PIECES LIST |     |               |                         |
|-------------|-----|---------------|-------------------------|
| LABEL       | QTY | SIZE          | LENGTH USE              |
| A           | 2   | 750S162-54    | 11'-9 1/2" STUD         |
| B           | 1   | 1200i350p1420 | 11'-9 1/2" PACO         |
| C           | 2   | 750i400p1268  | 11'-9 1/2" PACO         |
| D           | 1   | F             | 3'-3" HOLDDOWN          |
| E           | 1   | 750T300-68    | 2'-7 9/16" TOP TRACK    |
| F           | 1   | 750T300-68    | 2'-7 9/16" BOTTOM TRACK |
| G           | 2   | 1200D-54      | 2'-7 3/8" STRAP         |
| H           | 4   | 750T300-68    | 8 7/8" BLOCK            |

# 11-6037

Jewish Home for the Aging

1885 Victory Blvd. Reseda, CA

FM-07-109

CREATED BY: AMB

FrameMax, Inc.  
13915 Danielson St  
Suite 100  
Poway, CA 92064  
www.frame-max.com

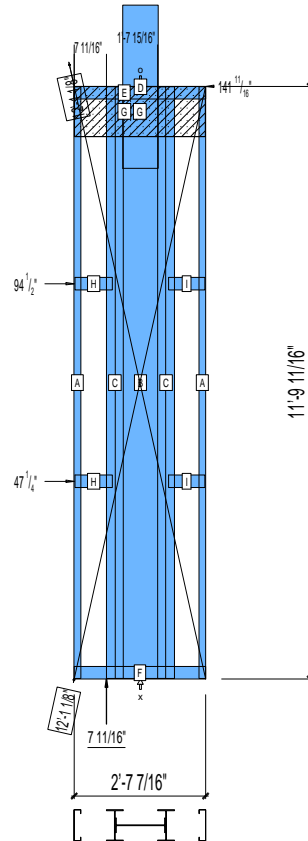


© FrameMax Inc.

HEIGHT : 11'-9 11/16"  
SPACING : 24"  
1st STUD: 24"

WEIGHTS :  
FRAME : 654 lbs

-----  
TOTAL: 654 lbs



PIECES LIST

| LABEL | QTY | SIZE          | LENGTH     | USE          |
|-------|-----|---------------|------------|--------------|
| A     | 2   | 750S162-54    | 11'-9 1/2" | STUD         |
| B     | 1   | 1200i350p1420 | 11'-9 1/2" | PACO         |
| C     | 2   | 750i400p1268  | 11'-9 1/2" | PACO         |
| D     | 1   | F             | 3'-3"      | HOLDDOWN     |
| E     | 1   | 750T300-68    | 2'-7 7/16" | TOP TRACK    |
| F     | 1   | 750T300-68    | 2'-7 7/16" | BOTTOM TRACK |
| G     | 2   | 1200D-54      | 2'-7 1/4"  | STRAP        |
| H     | 2   | 750T300-68    | 8 15/16"   | BLOCK        |
| I     | 2   | 750T300-68    | 8 11/16"   | BLOCK        |

# 11-6038

Jewish Home for the Aging

1885 Victory Blvd. Reseda, CA

FM-07-109

CREATED BY: AMB

FrameMax, Inc.  
13915 Danielson St  
Suite 100  
Poway, CA 92064  
www.frame-max.com

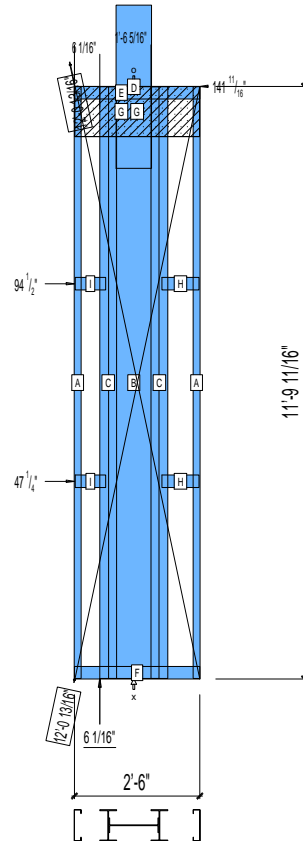


© FrameMax Inc.

HEIGHT : 11'-9 11/16"  
SPACING : 24"  
1st STUD: 24"

WEIGHTS :  
FRAME : 651 lbs

-----  
TOTAL: 651 lbs



PIECES LIST

| LABEL | QTY | SIZE          | LENGTH      | USE          |
|-------|-----|---------------|-------------|--------------|
| A     | 2   | 750S162-54    | 11'-9 1/2"  | STUD         |
| B     | 1   | 1200i350p1420 | 11'-9 1/2"  | PACO         |
| C     | 2   | 750i400p1268  | 11'-9 1/2"  | PACO         |
| D     | 1   | F             | 3'-3"       | HOLDDOWN     |
| E     | 1   | 750T300-68    | 2'-6"       | TOP TRACK    |
| F     | 1   | 750T300-68    | 2'-6"       | BOTTOM TRACK |
| G     | 2   | 1200D-54      | 2'-5 13/16" | STRAP        |
| H     | 2   | 750T300-68    | 8 7/8"      | BLOCK        |
| I     | 2   | 750T300-68    | 7 5/16"     | BLOCK        |

# 11-6039

Jewish Home for the Aging

1885 Victory Blvd. Reseda, CA

FM-07-109

CREATED BY: AMB

FrameMax, Inc.  
13915 Danielson St  
Suite 100  
Poway, CA 92064  
www.frame-max.com



© FrameMax Inc.

HEIGHT : 11'-9 11/16" POINTS: 3.46 Points.

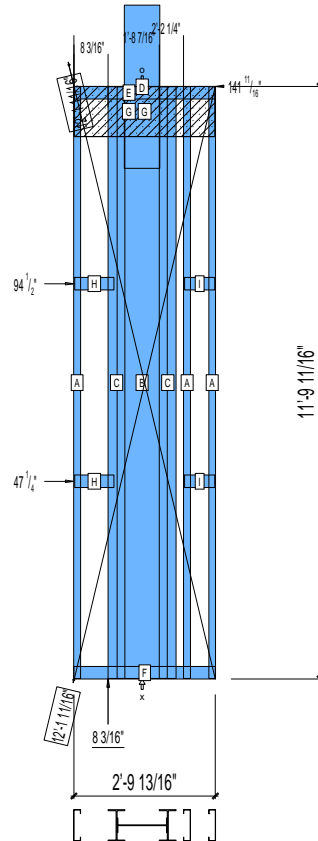
SPACING : 24"

1st STUD: 24"

WEIGHTS :

FRAME : 680 lbs

TOTAL: 680 lbs



PIECES LIST

| LABEL | QTY | SIZE          | LENGTH      | USE          |
|-------|-----|---------------|-------------|--------------|
| A     | 3   | 750S162-54    | 11'-9 1/2"  | STUD         |
| B     | 1   | 1200i350p1420 | 11'-9 1/2"  | PACO         |
| C     | 2   | 750i400p1268  | 11'-9 1/2"  | PACO         |
| D     | 1   | F             | 3'-3"       | HOLDDOWN     |
| E     | 1   | 750T300-68    | 2'-9 13/16" | TOP TRACK    |
| F     | 1   | 750T300-68    | 2'-9 13/16" | BOTTOM TRACK |
| G     | 2   | 1200D-54      | 2'-9 11/16" | STRAP        |
| H     | 2   | 750T300-54    | 9 7/16"     | BLOCK        |
| I     | 2   | 750T300-54    | 7 3/16"     | BLOCK        |

# 11-6040

Jewish Home for the Aging

1885 Victory Blvd. Reseda, CA

FM-07-109

CREATED BY: AMB

FrameMax, Inc.  
13915 Danielson St  
Suite 100  
Poway, CA 92064  
www.frame-max.com



© FrameMax Inc.

HEIGHT : 11'-9 11/16" POINTS: 3.19 Points.

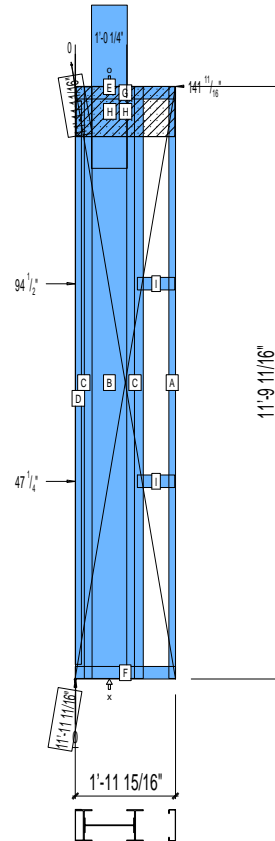
SPACING : 24"

1st STUD: 24"

WEIGHTS :

FRAME : 637 lbs

TOTAL: 637 lbs



PIECES LIST

| LABEL | QTY | SIZE          | LENGTH       | USE          |
|-------|-----|---------------|--------------|--------------|
| A     | 1   | 750S162-54    | 11'-9 1/2"   | STUD         |
| B     | 1   | 1200i350p1420 | 11'-9 1/2"   | PACO         |
| C     | 2   | 750i400p1268  | 11'-9 1/2"   | PACO         |
| D     | 1   | 750T150-54    | 11'-2 11/16" | CAP          |
| E     | 1   | F             | 3'-3"        | HOLDDOWN     |
| F     | 1   | 750T300-68    | 1'-11 15/16" | BOTTOM TRACK |
| G     | 1   | 750T300-68    | 1'-11 15/16" | TOP TRACK    |
| H     | 2   | 1200D-54      | 1'-11 11/16" | STRAP        |
| I     | 2   | 750T300-54    | 8 7/8"       | BLOCK        |

# 11-6041

Jewish Home for the Aging

1885 Victory Blvd. Reseda, CA

FM-07-109

CREATED BY: AMB

FrameMax, Inc.  
13915 Danielson St  
Suite 100  
Poway, CA 92064  
www.frame-max.com



© FrameMax Inc.

HEIGHT : 11'-9 11/16" POINTS: 3.19 Points.

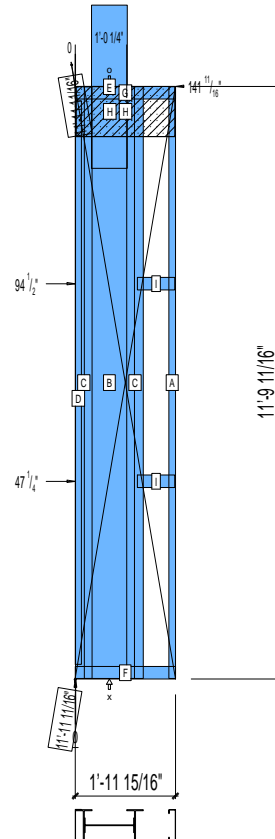
SPACING : 24"

1st STUD: 16"

WEIGHTS :

FRAME : 637 lbs

TOTAL: 637 lbs



PIECES LIST

| LABEL | QTY | SIZE          | LENGTH       | USE          |
|-------|-----|---------------|--------------|--------------|
| A     | 1   | 750S162-54    | 11'-9 1/2"   | STUD         |
| B     | 1   | 1200i350p1420 | 11'-9 1/2"   | PACO         |
| C     | 2   | 750i400p1268  | 11'-9 1/2"   | PACO         |
| D     | 1   | 750T150-54    | 11'-2 11/16" | CAP          |
| E     | 1   | F             | 3'-3"        | HOLDDOWN     |
| F     | 1   | 750T300-68    | 1'-11 15/16" | BOTTOM TRACK |
| G     | 1   | 750T300-68    | 1'-11 15/16" | TOP TRACK    |
| H     | 2   | 1200D-54      | 1'-11 11/16" | STRAP        |
| I     | 2   | 750T300-54    | 8 7/8"       | BLOCK        |

# 11-6042

Jewish Home for the Aging

1885 Victory Blvd. Reseda, CA

FM-07-109

CREATED BY: AMB

FrameMax, Inc.  
13915 Danielson St  
Suite 100  
Poway, CA 92064  
www.frame-max.com



© FrameMax Inc.

HEIGHT : 11'-9 11/16" POINTS: 3.32 Points.

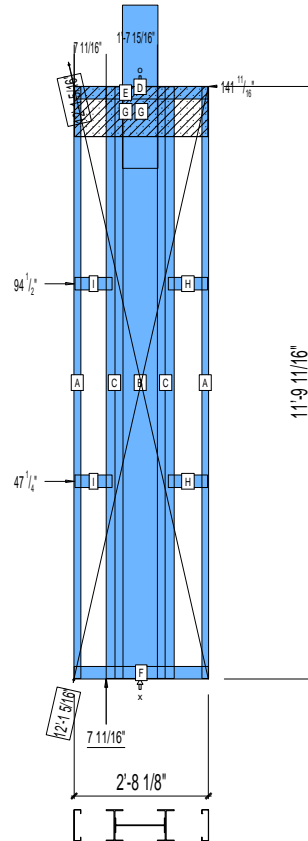
SPACING : 24"

1st STUD: 24"

WEIGHTS :

FRAME : 653 lbs

TOTAL: 653 lbs



PIECES LIST

| LABEL | QTY | SIZE          | LENGTH      | USE          |
|-------|-----|---------------|-------------|--------------|
| A     | 2   | 750S162-54    | 11'-9 1/2"  | STUD         |
| B     | 1   | 1200i350p1420 | 11'-9 1/2"  | PACO         |
| C     | 2   | 750i400p1268  | 11'-9 1/2"  | PACO         |
| D     | 1   | F             | 3'-3"       | HOLDDOWN     |
| E     | 1   | 750T300-68    | 2'-8 1/8"   | TOP TRACK    |
| F     | 1   | 750T300-68    | 2'-8 1/8"   | BOTTOM TRACK |
| G     | 2   | 1200D-54      | 2'-7 15/16" | STRAP        |
| H     | 2   | 750T300-54    | 9 7/16"     | BLOCK        |
| I     | 2   | 750T300-54    | 8 7/8"      | BLOCK        |

# 11-6043

Jewish Home for the Aging

1885 Victory Blvd. Reseda, CA

FM-07-109

CREATED BY: AMB

FrameMax, Inc.  
13915 Danielson St  
Suite 100  
Poway, CA 92064  
www.frame-max.com



© FrameMax Inc.

HEIGHT : 11'-9 11/16" POINTS: 3.30 Points.

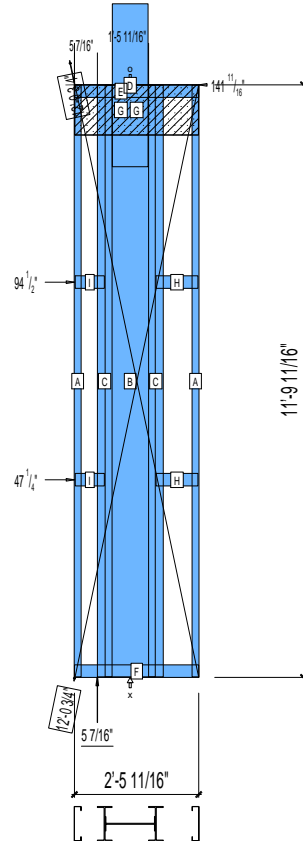
SPACING : 24"

1st STUD: 24"

WEIGHTS :

FRAME : 650 lbs

TOTAL: 650 lbs



PIECES LIST

| LABEL | QTY | SIZE          | LENGTH      | USE          |
|-------|-----|---------------|-------------|--------------|
| A     | 2   | 825S162-54    | 11'-9 1/2"  | STUD         |
| B     | 1   | 1200i350p1420 | 11'-9 1/2"  | PACO         |
| C     | 2   | 825i350p1247  | 11'-9 1/2"  | PACO         |
| D     | 1   | F             | 3'-3"       | HOLDDOWN     |
| E     | 1   | 825T300-68    | 2'-5 11/16" | TOP TRACK    |
| F     | 1   | 825T300-68    | 2'-5 11/16" | BOTTOM TRACK |
| G     | 2   | 1200D-54      | 2'-5 9/16"  | STRAP        |
| H     | 2   | 825T300-54    | 10"         | BLOCK        |
| I     | 2   | 825T300-54    | 7"          | BLOCK        |

# 11-6044

Jewish Home for the Aging

1885 Victory Blvd. Reseda, CA

FrameMax, Inc.  
13915 Danielson St  
Suite 100  
Poway, CA 92064  
www.frame-max.com



© FrameMax Inc.

CREATED: 09/27/2008

FM-07-109

CREATED BY: AMB

HEIGHT : 11'-9 11/16" POINTS: 3.29 Points.

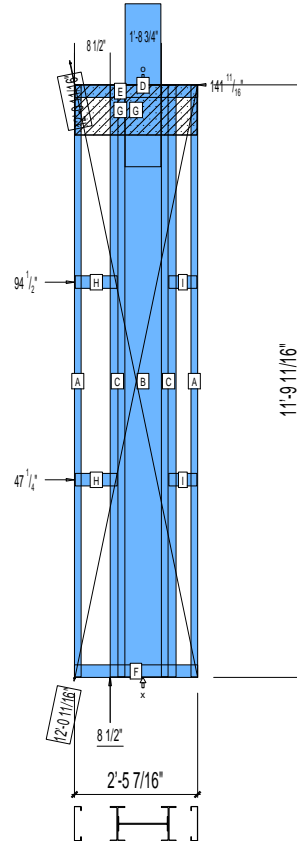
SPACING : 24"

1st STUD: 24"

WEIGHTS :

FRAME : 649 lbs

-----  
TOTAL: 649 lbs



PIECES LIST

| LABEL | QTY | SIZE          | LENGTH     | USE          |
|-------|-----|---------------|------------|--------------|
| A     | 2   | 825S162-54    | 11'-9 1/2" | STUD         |
| B     | 1   | 1200i350p1420 | 11'-9 1/2" | PACO         |
| C     | 2   | 825i350p1247  | 11'-9 1/2" | PACO         |
| D     | 1   | F             | 3'-3"      | HOLDDOWN     |
| E     | 1   | 825T300-68    | 2'-5 7/16" | TOP TRACK    |
| F     | 1   | 825T300-68    | 2'-5 7/16" | BOTTOM TRACK |
| G     | 2   | 1200D-54      | 2'-5 1/4"  | STRAP        |
| H     | 2   | 825T300-54    | 10"        | BLOCK        |
| I     | 2   | 825T300-54    | 6 11/16"   | BLOCK        |

# 11-6045

Jewish Home for the Aging

1885 Victory Blvd. Reseda, CA

FM-07-109

CREATED BY: AMB

FrameMax, Inc.  
13915 Danielson St  
Suite 100  
Poway, CA 92064  
www.frame-max.com



© FrameMax Inc.

HEIGHT : 11'-9 11/16" POINTS: 3.25 Points.

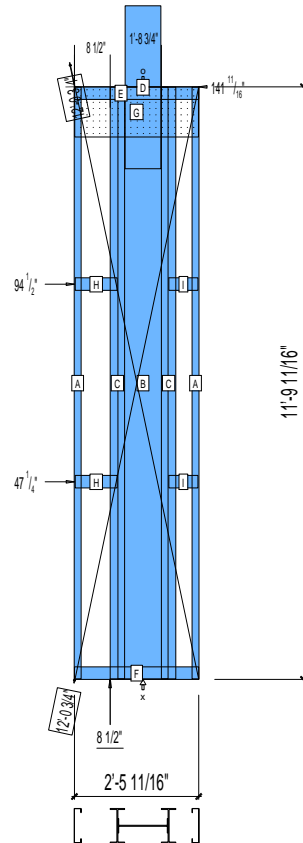
SPACING : 24"

1st STUD: 24"

WEIGHTS :

FRAME : 644 lbs

TOTAL: 644 lbs



PIECES LIST

| LABEL | QTY | SIZE          | LENGTH      | USE          |
|-------|-----|---------------|-------------|--------------|
| A     | 2   | 825S162-54    | 11'-9 1/2"  | STUD         |
| B     | 1   | 1200i350p1420 | 11'-9 1/2"  | PACO         |
| C     | 2   | 825i350p1247  | 11'-9 1/2"  | PACO         |
| D     | 1   | F             | 3'-3"       | HOLDDOWN     |
| E     | 1   | 825T300-68    | 2'-5 11/16" | TOP TRACK    |
| F     | 1   | 825T300-68    | 2'-5 11/16" | BOTTOM TRACK |
| G     | 1   | 1200D-54      | 2'-5 9/16"  | STRAP        |
| H     | 2   | 825T300-54    | 10"         | BLOCK        |
| I     | 2   | 825T300-54    | 7"          | BLOCK        |

# 11-6046

Jewish Home for the Aging

1885 Victory Blvd. Reseda, CA

FM-07-109

CREATED BY: AMB

FrameMax, Inc.  
13915 Danielson St  
Suite 100  
Poway, CA 92064  
www.frame-max.com



© FrameMax Inc.

HEIGHT : 11'-9 11/16" POINTS: 3.24 Points.

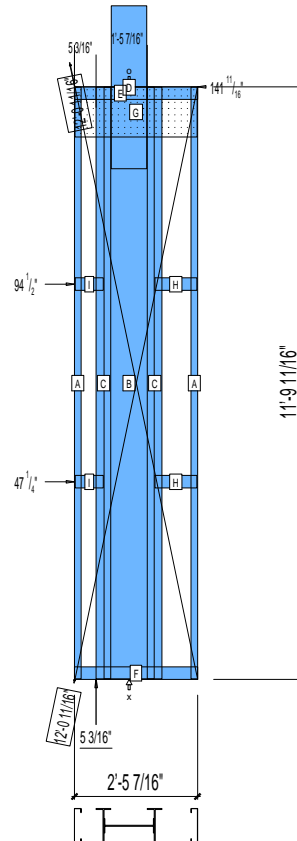
SPACING : 24"

1st STUD: 24"

WEIGHTS :

FRAME : 643 lbs

TOTAL: 643 lbs



PIECES LIST

| LABEL | QTY | SIZE          | LENGTH     | USE          |
|-------|-----|---------------|------------|--------------|
| A     | 2   | 825S162-54    | 11'-9 1/2" | STUD         |
| B     | 1   | 1200i350p1420 | 11'-9 1/2" | PACO         |
| C     | 2   | 825i350p1247  | 11'-9 1/2" | PACO         |
| D     | 1   | F             | 3'-3"      | HOLDDOWN     |
| E     | 1   | 825T300-68    | 2'-5 7/16" | TOP TRACK    |
| F     | 1   | 825T300-68    | 2'-5 7/16" | BOTTOM TRACK |
| G     | 1   | 1200D-54      | 2'-5 1/4"  | STRAP        |
| H     | 2   | 825T300-54    | 10"        | BLOCK        |
| I     | 2   | 825T300-54    | 6 11/16"   | BLOCK        |



# 11-6048

Jewish Home for the Aging

1885 Victory Blvd. Reseda, CA

FM-07-109

CREATED BY: AMB

FrameMax, Inc.  
13915 Danielson St  
Suite 100  
Poway, CA 92064  
www.frame-max.com



© FrameMax Inc.

HEIGHT : 11'-9 11/16" POINTS: 3.19 Points.

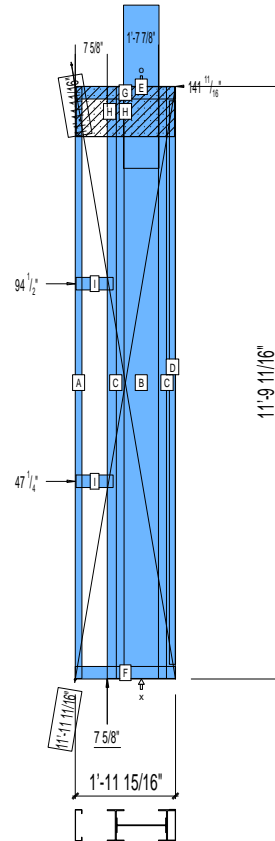
SPACING : 24"

1st STUD: 24"

WEIGHTS :

FRAME : 637 lbs

TOTAL: 637 lbs



PIECES LIST

| LABEL | QTY | SIZE          | LENGTH       | USE          |
|-------|-----|---------------|--------------|--------------|
| A     | 1   | 750S162-54    | 11'-9 1/2"   | STUD         |
| B     | 1   | 1200i350p1420 | 11'-9 1/2"   | PACO         |
| C     | 2   | 750i400p1268  | 11'-9 1/2"   | PACO         |
| D     | 1   | 750T150-54    | 11'-2 11/16" | CAP          |
| E     | 1   | F             | 3'-3"        | HOLDDOWN     |
| F     | 1   | 750T300-68    | 1'-11 15/16" | BOTTOM TRACK |
| G     | 1   | 750T300-68    | 1'-11 15/16" | TOP TRACK    |
| H     | 2   | 1200D-54      | 1'-11 5/8"   | STRAP        |
| I     | 2   | 750T300-54    | 8 7/8"       | BLOCK        |

# 11-6049

Jewish Home for the Aging

1885 Victory Blvd. Reseda, CA

FM-07-109

CREATED BY: AMB

FrameMax, Inc.  
13915 Danielson St  
Suite 100  
Poway, CA 92064  
www.frame-max.com



© FrameMax Inc.

HEIGHT : 11'-9 11/16" POINTS: 3.19 Points.

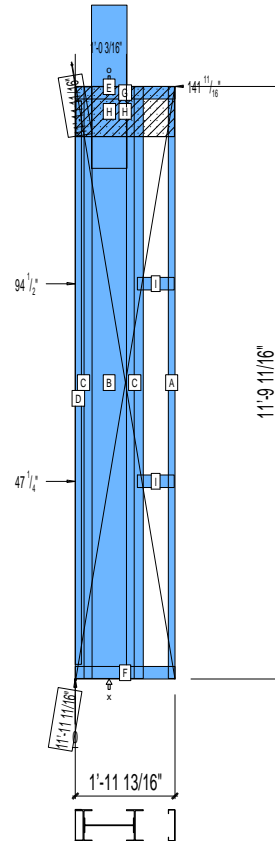
SPACING : 24"

1st STUD: 24"

WEIGHTS :

FRAME : 637 lbs

TOTAL: 637 lbs



PIECES LIST

| LABEL | QTY | SIZE          | LENGTH       | USE          |
|-------|-----|---------------|--------------|--------------|
| A     | 1   | 750S162-54    | 11'-9 1/2"   | STUD         |
| B     | 1   | 1200i350p1420 | 11'-9 1/2"   | PACO         |
| C     | 2   | 750i400p1268  | 11'-9 1/2"   | PACO         |
| D     | 1   | 750T150-54    | 11'-2 11/16" | CAP          |
| E     | 1   | F             | 3'-3"        | HOLDDOWN     |
| F     | 1   | 750T300-68    | 1'-11 13/16" | BOTTOM TRACK |
| G     | 1   | 750T300-68    | 1'-11 13/16" | TOP TRACK    |
| H     | 2   | 1200D-54      | 1'-11 5/8"   | STRAP        |
| I     | 2   | 750T300-54    | 8 13/16"     | BLOCK        |

# 11-6050

Jewish Home for the Aging

1885 Victory Blvd. Reseda, CA

FM-07-109

CREATED BY: AMB

FrameMax, Inc.  
13915 Danielson St  
Suite 100  
Poway, CA 92064  
www.frame-max.com



© FrameMax Inc.

HEIGHT : 11'-9 11/16" POINTS: 3.19 Points.

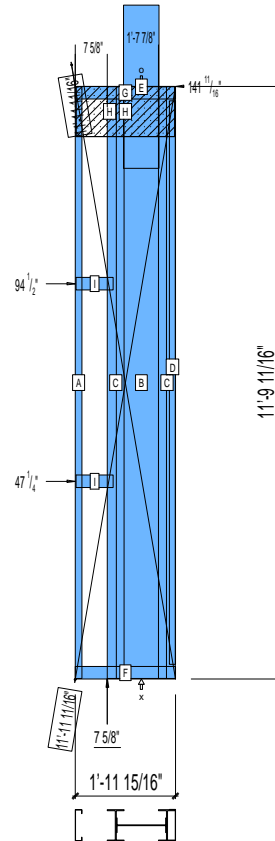
SPACING : 24"

1st STUD: 24"

WEIGHTS :

FRAME : 637 lbs

TOTAL: 637 lbs



PIECES LIST

| LABEL | QTY | SIZE          | LENGTH       | USE          |
|-------|-----|---------------|--------------|--------------|
| A     | 1   | 750S162-54    | 11'-9 1/2"   | STUD         |
| B     | 1   | 1200i350p1420 | 11'-9 1/2"   | PACO         |
| C     | 2   | 750i400p1268  | 11'-9 1/2"   | PACO         |
| D     | 1   | 750T150-54    | 11'-2 11/16" | CAP          |
| E     | 1   | F             | 3'-3"        | HOLDDOWN     |
| F     | 1   | 750T300-68    | 1'-11 15/16" | BOTTOM TRACK |
| G     | 1   | 750T300-68    | 1'-11 15/16" | TOP TRACK    |
| H     | 2   | 1200D-54      | 1'-11 5/8"   | STRAP        |
| I     | 2   | 750T300-54    | 8 7/8"       | BLOCK        |

# 11-7001

Jewish Home for the Aging

1885 Victory Blvd. Reseda, CA

FrameMax, Inc.  
13915 Danielson St  
Suite 100  
Poway, CA 92064  
www.frame-max.com



© FrameMax Inc.

CREATED: 09/18/2008

FM-07-109

CREATED BY: AMB

HEIGHT : 11'-9 11/16" POINTS: 0.33 Points.

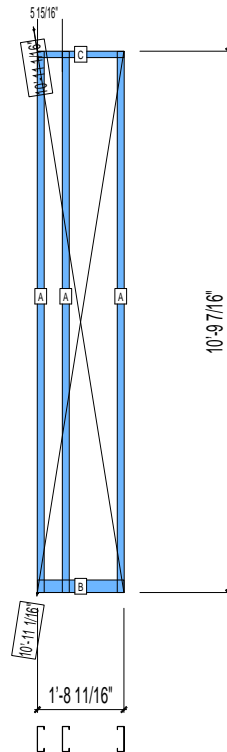
SPACING : 24"

1st STUD: 24"

WEIGHTS :

FRAME : 42 lbs

-----  
TOTAL: 42 lbs



### PIECES LIST

| LABEL | QTY | SIZE       | LENGTH      | USE          |
|-------|-----|------------|-------------|--------------|
| A     | 3   | 600S162-33 | 10'-9 3/8"  | STUD         |
| B     | 1   | 600T300-33 | 1'-8 11/16" | BOTTOM TRACK |
| C     | 1   | 600T150-33 | 1'-8 11/16" | TOP TRACK    |

# 11-7002

Jewish Home for the Aging

1885 Victory Blvd. Reseda, CA

FrameMax, Inc.  
13915 Danielson St  
Suite 100  
Poway, CA 92064  
www.frame-max.com



© FrameMax Inc.

CREATED: 09/18/2008

FM-07-109

CREATED BY: AMB

HEIGHT : 11'-9 11/16" POINTS: 0.36 Points.

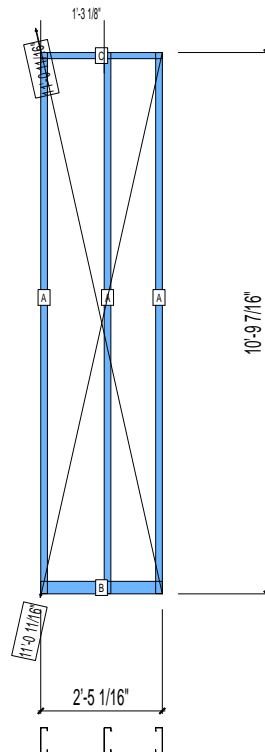
SPACING : 24"

1st STUD: 16"

WEIGHTS :

FRAME : 44 lbs

-----  
TOTAL: 44 lbs



### PIECES LIST

| LABEL | QTY | SIZE       | LENGTH     | USE          |
|-------|-----|------------|------------|--------------|
| A     | 3   | 600S162-33 | 10'-9 3/8" | STUD         |
| B     | 1   | 600T300-33 | 2'-5 1/16" | BOTTOM TRACK |
| C     | 1   | 600T150-33 | 2'-5 1/16" | TOP TRACK    |

# 11-7003

Jewish Home for the Aging

1885 Victory Blvd. Reseda, CA

FrameMax, Inc.  
13915 Danielson St  
Suite 100  
Poway, CA 92064  
www.frame-max.com



© FrameMax Inc.

CREATED: 09/18/2008

FM-07-109

CREATED BY: AMB

HEIGHT : 11'-9 11/16" POINTS: 0.33 Points.

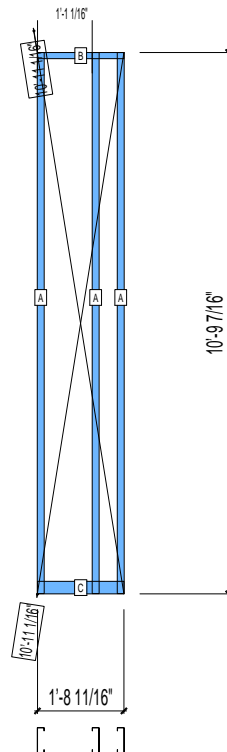
SPACING : 24"

1st STUD: 24"

WEIGHTS :

FRAME : 42 lbs

-----  
TOTAL: 42 lbs



### PIECES LIST

| LABEL | QTY | SIZE       | LENGTH      | USE          |
|-------|-----|------------|-------------|--------------|
| A     | 3   | 600S162-33 | 10'-9 3/8"  | STUD         |
| B     | 1   | 600T150-33 | 1'-8 11/16" | TOP TRACK    |
| C     | 1   | 600T300-33 | 1'-8 11/16" | BOTTOM TRACK |

# 11-7004

Jewish Home for the Aging

1885 Victory Blvd. Reseda, CA

FrameMax, Inc.  
13915 Danielson St  
Suite 100  
Poway, CA 92064  
www.frame-max.com



© FrameMax Inc.

CREATED: 09/18/2008

FM-07-109

CREATED BY: AMB

HEIGHT : 11'-9 11/16" POINTS: 0.28 Points.

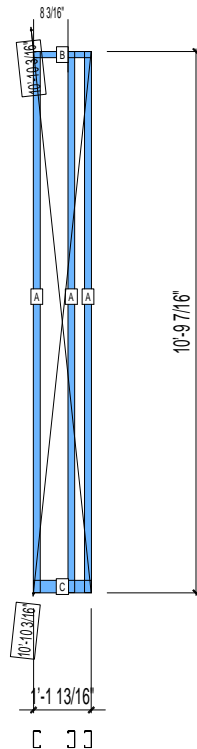
SPACING : 24"

1st STUD: 24"

WEIGHTS :

FRAME : 32 lbs

-----  
TOTAL: 32 lbs



### PIECES LIST

| LABEL | QTY | SIZE       | LENGTH      | USE          |
|-------|-----|------------|-------------|--------------|
| A     | 3   | 400S162-33 | 10'-9 3/8"  | STUD         |
| B     | 1   | 400T150-33 | 1'-1 13/16" | TOP TRACK    |
| C     | 1   | 400T300-33 | 1'-1 13/16" | BOTTOM TRACK |

# 11-7005

Jewish Home for the Aging

1885 Victory Blvd. Reseda, CA

FrameMax, Inc.  
13915 Danielson St  
Suite 100  
Poway, CA 92064  
www.frame-max.com



© FrameMax Inc.

CREATED: 09/18/2008

FM-07-109

CREATED BY: AMB

HEIGHT : 11'-9 11/16" POINTS: 0.31 Points.

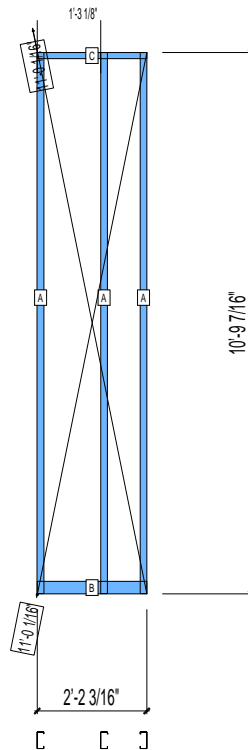
SPACING : 24"

1st STUD: 16"

WEIGHTS :

FRAME : 34 lbs

-----  
TOTAL: 34 lbs



### PIECES LIST

| LABEL | QTY | SIZE       | LENGTH     | USE          |
|-------|-----|------------|------------|--------------|
| A     | 3   | 400S162-33 | 10'-9 3/8" | STUD         |
| B     | 1   | 400T300-33 | 2'-2 3/16" | BOTTOM TRACK |
| C     | 1   | 400T150-33 | 2'-2 3/16" | TOP TRACK    |

# 11-7006

Jewish Home for the Aging

1885 Victory Blvd. Reseda, CA

FrameMax, Inc.  
13915 Danielson St  
Suite 100  
Poway, CA 92064  
www.frame-max.com



© FrameMax Inc.

CREATED: 09/19/2008

FM-07-109

CREATED BY: AMB

HEIGHT : 11'-9 11/16" POINTS: 0.41 Points.

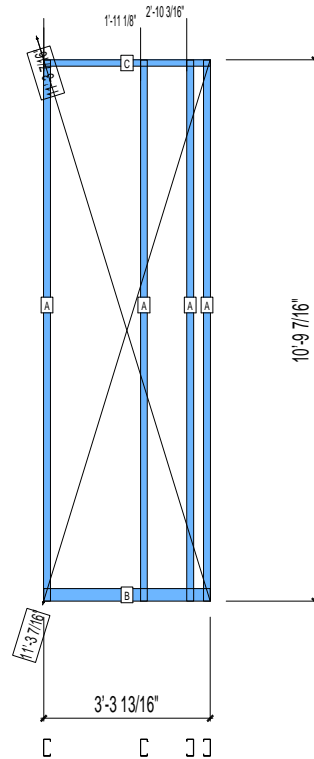
SPACING : 24"

1st STUD: 24"

WEIGHTS :

FRAME : 47 lbs

-----  
TOTAL: 47 lbs



### PIECES LIST

| LABEL | QTY | SIZE       | LENGTH      | USE          |
|-------|-----|------------|-------------|--------------|
| A     | 4   | 400S162-33 | 10'-9 3/8"  | STUD         |
| B     | 1   | 400T300-33 | 3'-3 13/16" | BOTTOM TRACK |
| C     | 1   | 400T150-33 | 3'-3 13/16" | TOP TRACK    |

# 11-7007

Jewish Home for the Aging

1885 Victory Blvd. Reseda, CA

FrameMax, Inc.  
13915 Danielson St  
Suite 100  
Poway, CA 92064  
www.frame-max.com



© FrameMax Inc.

CREATED: 09/19/2008

FM-07-109

CREATED BY: AMB

HEIGHT : 11'-9 11/16" POINTS: 0.28 Points.

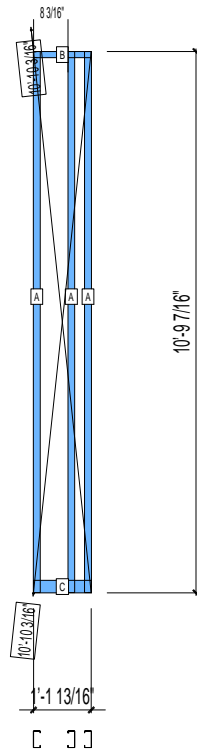
SPACING : 24"

1st STUD: 16"

WEIGHTS :

FRAME : 32 lbs

-----  
TOTAL: 32 lbs



### PIECES LIST

| LABEL | QTY | SIZE       | LENGTH      | USE          |
|-------|-----|------------|-------------|--------------|
| A     | 3   | 400S162-33 | 10'-9 3/8"  | STUD         |
| B     | 1   | 400T150-33 | 1'-1 13/16" | TOP TRACK    |
| C     | 1   | 400T300-33 | 1'-1 13/16" | BOTTOM TRACK |

# 11-7008

Jewish Home for the Aging

1885 Victory Blvd. Reseda, CA

FrameMax, Inc.  
13915 Danielson St  
Suite 100  
Poway, CA 92064  
www.frame-max.com



© FrameMax Inc.

CREATED: 09/19/2008

FM-07-109

CREATED BY: AMB

HEIGHT : 11'-9 11/16" POINTS: 0.41 Points.

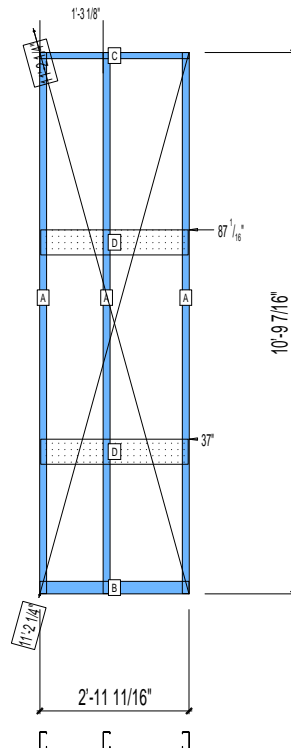
SPACING : 24"

1st STUD: 16"

WEIGHTS :

FRAME : 43 lbs

-----  
TOTAL: 43 lbs



### PIECES LIST

| LABEL | QTY | SIZE       | LENGTH       | USE            |
|-------|-----|------------|--------------|----------------|
| A     | 3   | 400S162-33 | 10'-9 3/8"   | STUD           |
| B     | 1   | 400T300-33 | 2'-11 11/16" | BOTTOM TRACK   |
| C     | 1   | 400T150-33 | 2'-11 11/16" | TOP TRACK      |
| D     | 2   | 600D-54    | 2'-11 1/4"   | VANITY BACKING |

# 11-7009

Jewish Home for the Aging

1885 Victory Blvd. Reseda, CA

FrameMax, Inc.  
13915 Danielson St  
Suite 100  
Poway, CA 92064  
www.frame-max.com



© FrameMax Inc.

CREATED: 09/19/2008

FM-07-109

CREATED BY: AMB

HEIGHT : 11'-9 11/16" POINTS: 0.22 Points.

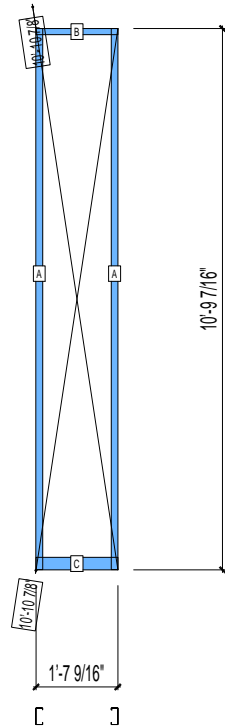
SPACING : 24"

1st STUD: 16"

WEIGHTS :

FRAME : 23 lbs

-----  
TOTAL: 23 lbs



### PIECES LIST

| LABEL | QTY | SIZE       | LENGTH     | USE          |
|-------|-----|------------|------------|--------------|
| A     | 2   | 400S162-33 | 10'-9 3/8" | STUD         |
| B     | 1   | 400T150-33 | 1'-7 9/16" | TOP TRACK    |
| C     | 1   | 400T300-33 | 1'-7 9/16" | BOTTOM TRACK |

# 11-7010

Jewish Home for the Aging

1885 Victory Blvd. Reseda, CA

FrameMax, Inc.  
13915 Danielson St  
Suite 100  
Poway, CA 92064  
www.frame-max.com



© FrameMax Inc.

CREATED: 09/19/2008

FM-07-109

CREATED BY: AMB

HEIGHT : 11'-9 11/16" POINTS: 0.31 Points.

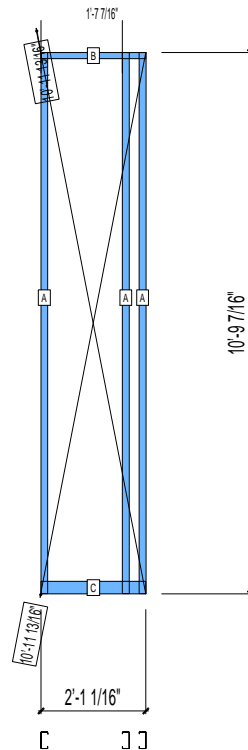
SPACING : 24"

1st STUD: 24"

WEIGHTS :

FRAME : 34 lbs

-----  
TOTAL: 34 lbs



### PIECES LIST

| LABEL | QTY | SIZE       | LENGTH     | USE          |
|-------|-----|------------|------------|--------------|
| A     | 3   | 400S162-33 | 10'-9 3/8" | STUD         |
| B     | 1   | 400T150-33 | 2'-1 1/16" | TOP TRACK    |
| C     | 1   | 400T300-33 | 2'-1 1/16" | BOTTOM TRACK |

# 11-7011

Jewish Home for the Aging

1885 Victory Blvd. Reseda, CA

FrameMax, Inc.  
13915 Danielson St  
Suite 100  
Poway, CA 92064  
www.frame-max.com



© FrameMax Inc.

CREATED: 09/19/2008

FM-07-109

CREATED BY: AMB

HEIGHT : 11'-9 11/16" POINTS: 0.31 Points.

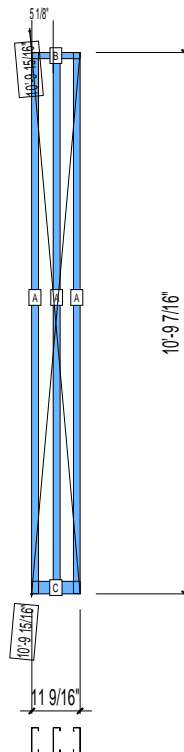
SPACING : 24"

1st STUD: 24"

WEIGHTS :

FRAME : 40 lbs

-----  
TOTAL: 40 lbs



### PIECES LIST

| LABEL | QTY | SIZE       | LENGTH     | USE          |
|-------|-----|------------|------------|--------------|
| A     | 3   | 600S162-33 | 10'-9 3/8" | STUD         |
| B     | 1   | 600T150-33 | 11 9/16"   | TOP TRACK    |
| C     | 1   | 600T300-33 | 11 9/16"   | BOTTOM TRACK |

# 11-7012

Jewish Home for the Aging

1885 Victory Blvd. Reseda, CA

FrameMax, Inc.  
13915 Danielson St  
Suite 100  
Poway, CA 92064  
www.frame-max.com



© FrameMax Inc.

CREATED: 09/19/2008

FM-07-109

CREATED BY: AMB

HEIGHT : 11'-9 11/16" POINTS: 0.40 Points.

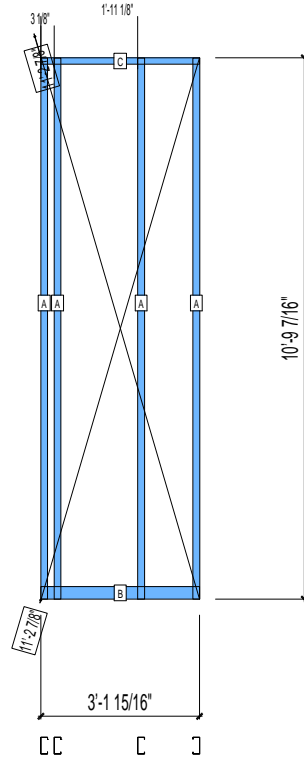
SPACING : 24"

1st STUD: 24"

WEIGHTS :

FRAME : 46 lbs

-----  
TOTAL: 46 lbs



### PIECES LIST

| LABEL | QTY | SIZE       | LENGTH      | USE          |
|-------|-----|------------|-------------|--------------|
| A     | 4   | 400S162-33 | 10'-9 3/8"  | STUD         |
| B     | 1   | 400T300-33 | 3'-1 15/16" | BOTTOM TRACK |
| C     | 1   | 400T150-33 | 3'-1 15/16" | TOP TRACK    |

# 11-7013

Jewish Home for the Aging

1885 Victory Blvd. Reseda, CA

FrameMax, Inc.  
13915 Danielson St  
Suite 100  
Poway, CA 92064  
www.frame-max.com



© FrameMax Inc.

CREATED: 09/19/2008

FM-07-109

CREATED BY: AMB

HEIGHT : 11'-9 11/16" POINTS: 0.20 Points.

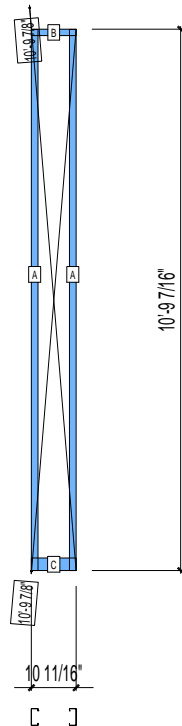
SPACING : 24"

1st STUD: 24"

WEIGHTS :

FRAME : 22 lbs

-----  
TOTAL: 22 lbs



### PIECES LIST

| LABEL | QTY | SIZE       | LENGTH     | USE          |
|-------|-----|------------|------------|--------------|
| A     | 2   | 400S162-33 | 10'-9 3/8" | STUD         |
| B     | 1   | 400T150-33 | 10 11/16"  | TOP TRACK    |
| C     | 1   | 400T300-33 | 10 11/16"  | BOTTOM TRACK |

# 11-7014

Jewish Home for the Aging

1885 Victory Blvd. Reseda, CA

FrameMax, Inc.  
13915 Danielson St  
Suite 100  
Poway, CA 92064  
www.frame-max.com



© FrameMax Inc.

CREATED: 09/19/2008

FM-07-109

CREATED BY: AMB

HEIGHT : 11'-9 11/16" POINTS: 0.32 Points.

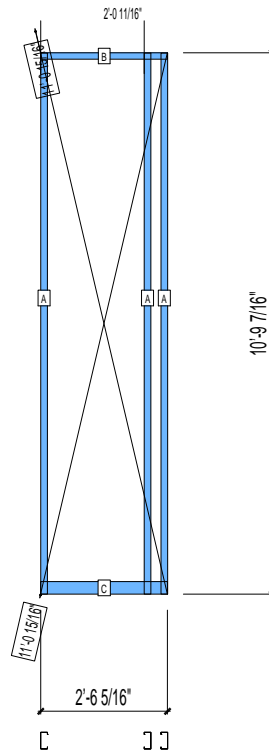
SPACING : 24"

1st STUD: 24"

WEIGHTS :

FRAME : 35 lbs

-----  
TOTAL: 35 lbs



### PIECES LIST

| LABEL | QTY | SIZE       | LENGTH     | USE          |
|-------|-----|------------|------------|--------------|
| A     | 3   | 400S162-33 | 10'-9 3/8" | STUD         |
| B     | 1   | 400T150-33 | 2'-6 5/16" | TOP TRACK    |
| C     | 1   | 400T300-33 | 2'-6 5/16" | BOTTOM TRACK |

# 11-7015

Jewish Home for the Aging

1885 Victory Blvd. Reseda, CA

FrameMax, Inc.  
13915 Danielson St  
Suite 100  
Poway, CA 92064  
www.frame-max.com



© FrameMax Inc.

CREATED: 09/19/2008

FM-07-109

CREATED BY: AMB

HEIGHT : 11'-9 11/16" POINTS: 0.24 Points.

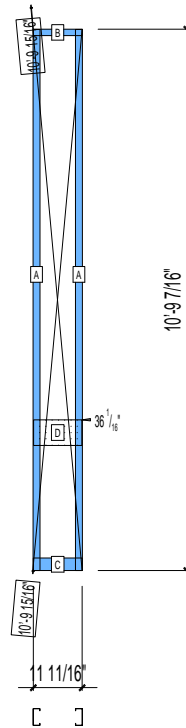
SPACING : 24"

1st STUD: 16"

WEIGHTS :

FRAME : 24 lbs

-----  
TOTAL: 24 lbs



### PIECES LIST

| LABEL | QTY | SIZE       | LENGTH     | USE          |
|-------|-----|------------|------------|--------------|
| A     | 2   | 400S162-33 | 10'-9 3/8" | STUD         |
| B     | 1   | 400T150-33 | 11 11/16"  | TOP TRACK    |
| C     | 1   | 400T300-33 | 11 11/16"  | BOTTOM TRACK |
| D     | 1   | 600T150-54 | 11 1/2"    | GRAB BAR     |

# 11-7016

Jewish Home for the Aging

1885 Victory Blvd. Reseda, CA

FrameMax, Inc.  
13915 Danielson St  
Suite 100  
Poway, CA 92064  
www.frame-max.com



© FrameMax Inc.

CREATED: 09/19/2008

FM-07-109

CREATED BY: AMB

HEIGHT : 11'-9 11/16" POINTS: 0.40 Points.

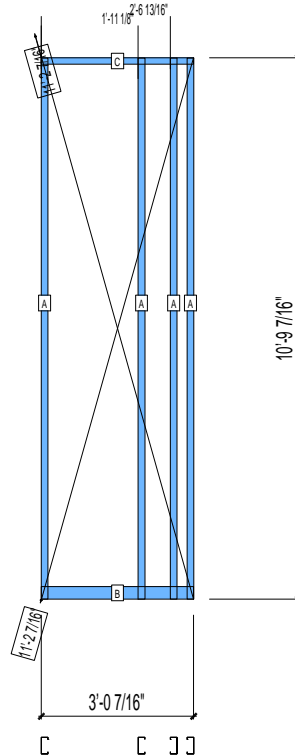
SPACING : 24"

1st STUD: 24"

WEIGHTS :

FRAME : 46 lbs

-----  
TOTAL: 46 lbs



### PIECES LIST

| LABEL | QTY | SIZE       | LENGTH     | USE          |
|-------|-----|------------|------------|--------------|
| A     | 4   | 400S162-33 | 10'-9 3/8" | STUD         |
| B     | 1   | 400T300-33 | 3'-0 7/16" | BOTTOM TRACK |
| C     | 1   | 400T150-33 | 3'-0 7/16" | TOP TRACK    |

# 11-7017

Jewish Home for the Aging

1885 Victory Blvd. Reseda, CA

FrameMax, Inc.  
13915 Danielson St  
Suite 100  
Poway, CA 92064  
www.frame-max.com



© FrameMax Inc.

CREATED: 09/19/2008

FM-07-109

CREATED BY: AMB

HEIGHT : 11'-9 11/16" POINTS: 0.24 Points.

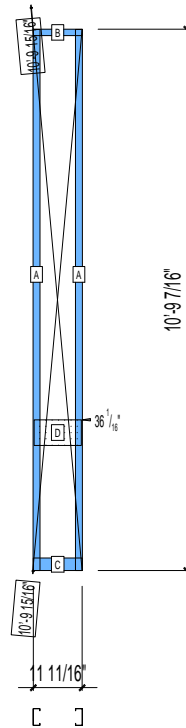
SPACING : 24"

1st STUD: 24"

WEIGHTS :

FRAME : 24 lbs

-----  
TOTAL: 24 lbs



### PIECES LIST

| LABEL | QTY | SIZE       | LENGTH     | USE          |
|-------|-----|------------|------------|--------------|
| A     | 2   | 400S162-33 | 10'-9 3/8" | STUD         |
| B     | 1   | 400T150-33 | 11 11/16"  | TOP TRACK    |
| C     | 1   | 400T300-33 | 11 11/16"  | BOTTOM TRACK |
| D     | 1   | 600T150-54 | 11 1/4"    | GRAB BAR     |

# 11-7018

Jewish Home for the Aging

1885 Victory Blvd. Reseda, CA

FrameMax, Inc.  
13915 Danielson St  
Suite 100  
Poway, CA 92064  
www.frame-max.com



© FrameMax Inc.

CREATED: 09/19/2008

FM-07-109

CREATED BY: AMB

HEIGHT : 11'-9 11/16" POINTS: 0.40 Points.

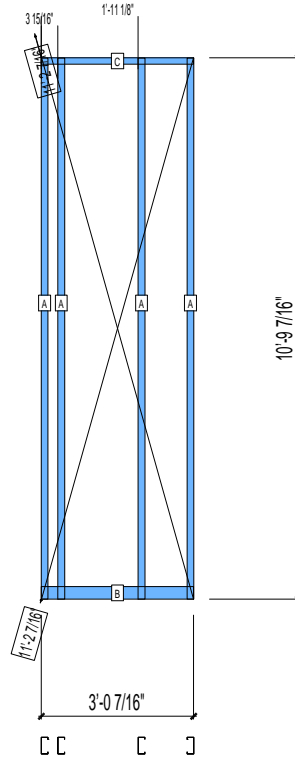
SPACING : 24"

1st STUD: 24"

WEIGHTS :

FRAME : 46 lbs

-----  
TOTAL: 46 lbs



### PIECES LIST

| LABEL | QTY | SIZE       | LENGTH     | USE          |
|-------|-----|------------|------------|--------------|
| A     | 4   | 400S162-33 | 10'-9 3/8" | STUD         |
| B     | 1   | 400T300-33 | 3'-0 7/16" | BOTTOM TRACK |
| C     | 1   | 400T150-33 | 3'-0 7/16" | TOP TRACK    |

# 11-7019

Jewish Home for the Aging

1885 Victory Blvd. Reseda, CA

FrameMax, Inc.  
13915 Danielson St  
Suite 100  
Poway, CA 92064  
www.frame-max.com



© FrameMax Inc.

CREATED: 09/19/2008

FM-07-109

CREATED BY: AMB

HEIGHT : 11'-9 11/16" POINTS: 0.28 Points.

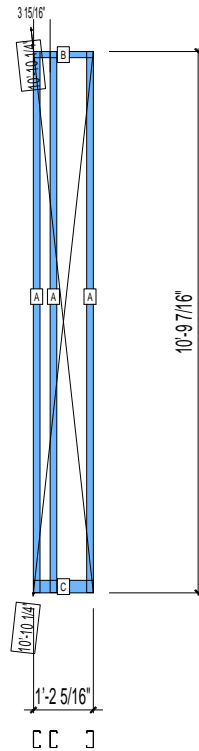
SPACING : 24"

1st STUD: 24"

WEIGHTS :

FRAME : 32 lbs

-----  
TOTAL: 32 lbs



### PIECES LIST

| LABEL | QTY | SIZE       | LENGTH     | USE          |
|-------|-----|------------|------------|--------------|
| A     | 3   | 400S162-33 | 10'-9 3/8" | STUD         |
| B     | 1   | 400T150-33 | 1'-2 5/16" | TOP TRACK    |
| C     | 1   | 400T300-33 | 1'-2 5/16" | BOTTOM TRACK |

# 11-7020

Jewish Home for the Aging

1885 Victory Blvd. Reseda, CA

FrameMax, Inc.  
13915 Danielson St  
Suite 100  
Poway, CA 92064  
www.frame-max.com



© FrameMax Inc.

CREATED: 09/19/2008

FM-07-109

CREATED BY: AMB

HEIGHT : 11'-9 11/16" POINTS: 0.33 Points.

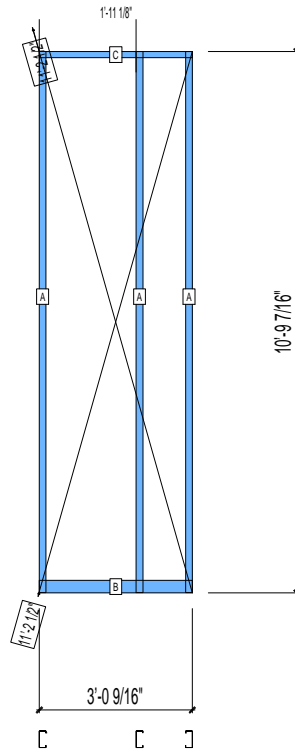
SPACING : 24"

1st STUD: 24"

WEIGHTS :

FRAME : 36 lbs

-----  
TOTAL: 36 lbs



### PIECES LIST

| LABEL | QTY | SIZE       | LENGTH     | USE          |
|-------|-----|------------|------------|--------------|
| A     | 3   | 400S162-33 | 10'-9 3/8" | STUD         |
| B     | 1   | 400T300-33 | 3'-0 9/16" | BOTTOM TRACK |
| C     | 1   | 400T150-33 | 3'-0 9/16" | TOP TRACK    |

# 11-7021

Jewish Home for the Aging

1885 Victory Blvd. Reseda, CA

FrameMax, Inc.  
13915 Danielson St  
Suite 100  
Poway, CA 92064  
www.frame-max.com



© FrameMax Inc.

CREATED: 09/19/2008

FM-07-109

CREATED BY: AMB

HEIGHT : 11'-9 11/16" POINTS: 0.30 Points.

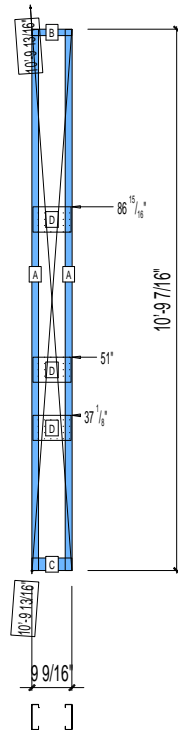
SPACING : 24"

1st STUD: 24"

WEIGHTS :

FRAME : 30 lbs

-----  
TOTAL: 30 lbs



### PIECES LIST

| LABEL | QTY | SIZE       | LENGTH     | USE             |
|-------|-----|------------|------------|-----------------|
| A     | 2   | 600S162-33 | 10'-9 3/8" | STUD            |
| B     | 1   | 600T150-33 | 9 9/16"    | TOP TRACK       |
| C     | 1   | 600T300-33 | 9 9/16"    | BOTTOM TRACK    |
| D     | 3   | 600D-54    | 9 1/8"     | KITCHEN BACKING |

# 11-7022

Jewish Home for the Aging

1885 Victory Blvd. Reseda, CA

FrameMax, Inc.  
13915 Danielson St  
Suite 100  
Poway, CA 92064  
www.frame-max.com



© FrameMax Inc.

CREATED: 09/19/2008

FM-07-109

CREATED BY: AMB

HEIGHT : 11'-9 11/16" POINTS: 0.45 Points.

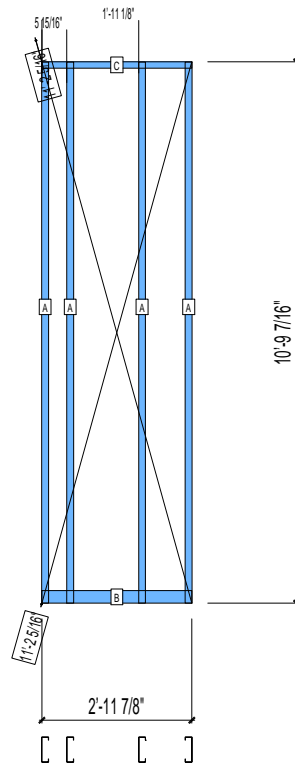
SPACING : 24"

1st STUD: 24"

WEIGHTS :

FRAME : 58 lbs

-----  
TOTAL: 58 lbs



### PIECES LIST

| LABEL | QTY | SIZE       | LENGTH     | USE          |
|-------|-----|------------|------------|--------------|
| A     | 4   | 600S162-33 | 10'-9 3/8" | STUD         |
| B     | 1   | 600T300-33 | 2'-11 7/8" | BOTTOM TRACK |
| C     | 1   | 600T150-33 | 2'-11 7/8" | TOP TRACK    |

# 11-7023

Jewish Home for the Aging

1885 Victory Blvd. Reseda, CA

FrameMax, Inc.  
13915 Danielson St  
Suite 100  
Poway, CA 92064  
www.frame-max.com



© FrameMax Inc.

CREATED: 09/19/2008

FM-07-109

CREATED BY: AMB

HEIGHT : 11'-9 11/16" POINTS: 0.28 Points.

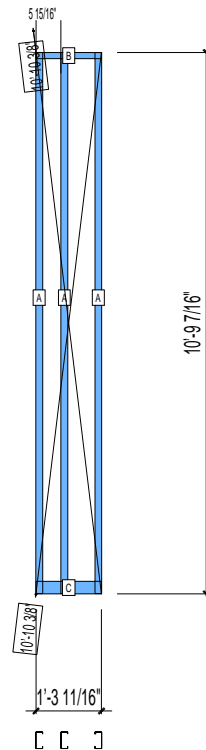
SPACING : 24"

1st STUD: 24"

WEIGHTS :

FRAME : 33 lbs

-----  
TOTAL: 33 lbs



### PIECES LIST

| LABEL | QTY | SIZE       | LENGTH      | USE          |
|-------|-----|------------|-------------|--------------|
| A     | 3   | 400S162-33 | 10'-9 3/8"  | STUD         |
| B     | 1   | 400T150-33 | 1'-3 11/16" | TOP TRACK    |
| C     | 1   | 400T300-33 | 1'-3 11/16" | BOTTOM TRACK |

# 11-7024

Jewish Home for the Aging

1885 Victory Blvd. Reseda, CA

FM-07-109

CREATED BY: AMB

FrameMax, Inc.  
13915 Danielson St  
Suite 100  
Poway, CA 92064  
www.framemax.com



© FrameMax Inc.

HEIGHT : 11'-9 11/16" POINTS: 0.40 Points.

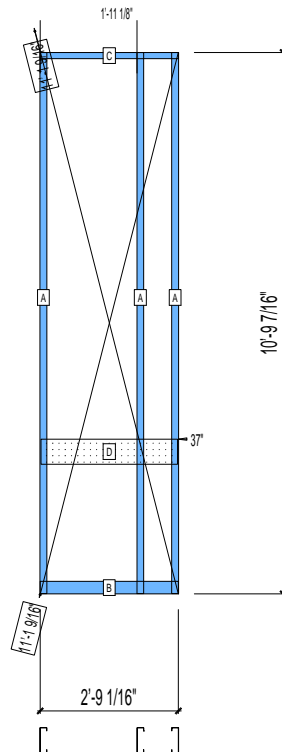
SPACING : 24"

1st STUD: 24"

WEIGHTS :

FRAME : 48 lbs

-----  
TOTAL: 48 lbs



### PIECES LIST

| LABEL | QTY | SIZE       | LENGTH     | USE            |
|-------|-----|------------|------------|----------------|
| A     | 3   | 600S162-33 | 10'-9 3/8" | STUD           |
| B     | 1   | 600T300-33 | 2'-9 1/16" | BOTTOM TRACK   |
| C     | 1   | 600T150-33 | 2'-9 1/16" | TOP TRACK      |
| D     | 1   | 600D-54    | 2'-8 5/8"  | VANITY BACKING |

# 11-7025

Jewish Home for the Aging

1885 Victory Blvd. Reseda, CA

FrameMax, Inc.  
13915 Danielson St  
Suite 100  
Poway, CA 92064  
www.frame-max.com



© FrameMax Inc.

CREATED: 09/19/2008

FM-07-109

CREATED BY: AMB

HEIGHT : 11'-9 11/16" POINTS: 0.29 Points.

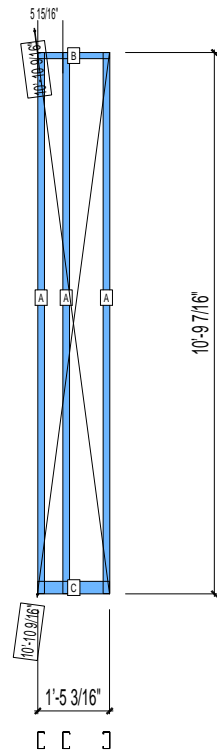
SPACING : 24"

1st STUD: 24"

WEIGHTS :

FRAME : 33 lbs

-----  
TOTAL: 33 lbs



### PIECES LIST

| LABEL | QTY | SIZE       | LENGTH     | USE          |
|-------|-----|------------|------------|--------------|
| A     | 3   | 400S162-33 | 10'-9 3/8" | STUD         |
| B     | 1   | 400T150-33 | 1'-5 3/16" | TOP TRACK    |
| C     | 1   | 400T300-33 | 1'-5 3/16" | BOTTOM TRACK |

# 11-7026

Jewish Home for the Aging

1885 Victory Blvd. Reseda, CA

FrameMax, Inc.  
13915 Danielson St  
Suite 100  
Poway, CA 92064  
www.frame-max.com



© FrameMax Inc.

CREATED: 09/19/2008

FM-07-109

CREATED BY: AMB

HEIGHT : 11'-9 11/16" POINTS: 0.40 Points.

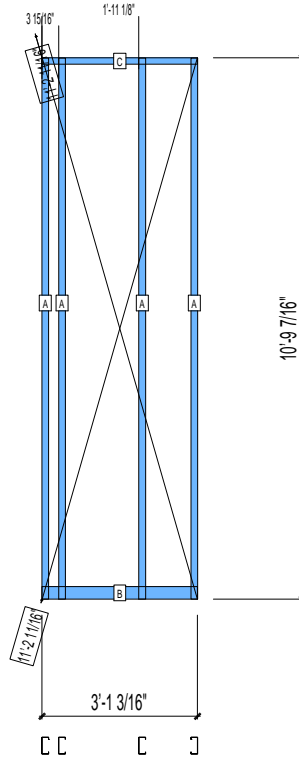
SPACING : 24"

1st STUD: 24"

WEIGHTS :

FRAME : 46 lbs

-----  
TOTAL: 46 lbs



### PIECES LIST

| LABEL | QTY | SIZE       | LENGTH     | USE          |
|-------|-----|------------|------------|--------------|
| A     | 4   | 400S162-33 | 10'-9 3/8" | STUD         |
| B     | 1   | 400T300-33 | 3'-1 3/16" | BOTTOM TRACK |
| C     | 1   | 400T150-33 | 3'-1 3/16" | TOP TRACK    |

# 11-7027

Jewish Home for the Aging

1885 Victory Blvd. Reseda, CA

FrameMax, Inc.  
13915 Danielson St  
Suite 100  
Poway, CA 92064  
www.frame-max.com



© FrameMax Inc.

CREATED: 09/19/2008

FM-07-109

CREATED BY: AMB

HEIGHT : 11'-9 11/16" POINTS: 0.22 Points.

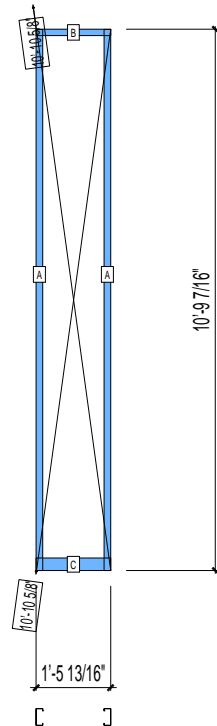
SPACING : 24"

1st STUD: 24"

WEIGHTS :

FRAME : 23 lbs

-----  
TOTAL: 23 lbs



### PIECES LIST

| LABEL | QTY | SIZE       | LENGTH      | USE          |
|-------|-----|------------|-------------|--------------|
| A     | 2   | 400S162-33 | 10'-9 3/8"  | STUD         |
| B     | 1   | 400T150-33 | 1'-5 13/16" | TOP TRACK    |
| C     | 1   | 400T300-33 | 1'-5 13/16" | BOTTOM TRACK |

# 11-7028

Jewish Home for the Aging

1885 Victory Blvd. Reseda, CA

FrameMax, Inc.  
13915 Danielson St  
Suite 100  
Poway, CA 92064  
www.frame-max.com



© FrameMax Inc.

CREATED: 09/19/2008

FM-07-109

CREATED BY: AMB

HEIGHT : 11'-9 11/16" POINTS: 0.37 Points.

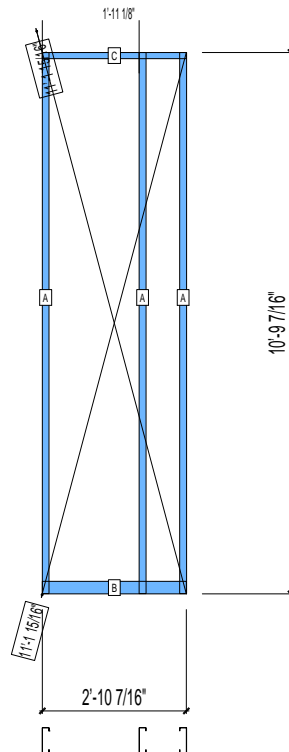
SPACING : 24"

1st STUD: 24"

WEIGHTS :

FRAME : 45 lbs

-----  
TOTAL: 45 lbs



### PIECES LIST

| LABEL | QTY | SIZE       | LENGTH      | USE          |
|-------|-----|------------|-------------|--------------|
| A     | 3   | 600S162-33 | 10'-9 3/8"  | STUD         |
| B     | 1   | 600T300-33 | 2'-10 7/16" | BOTTOM TRACK |
| C     | 1   | 600T150-33 | 2'-10 7/16" | TOP TRACK    |

# 11-7029

Jewish Home for the Aging

1885 Victory Blvd. Reseda, CA

FrameMax, Inc.  
13915 Danielson St  
Suite 100  
Poway, CA 92064  
www.frame-max.com



© FrameMax Inc.

CREATED: 09/19/2008

FM-07-109

CREATED BY: AMB

HEIGHT : 11'-9 11/16" POINTS: 0.40 Points.

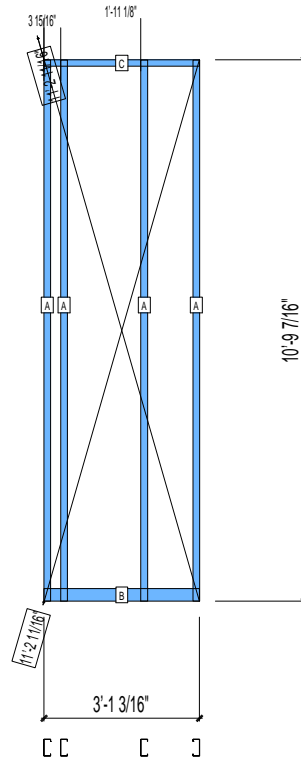
SPACING : 24"

1st STUD: 24"

WEIGHTS :

FRAME : 46 lbs

-----  
TOTAL: 46 lbs



### PIECES LIST

| LABEL | QTY | SIZE       | LENGTH     | USE          |
|-------|-----|------------|------------|--------------|
| A     | 4   | 400S162-33 | 10'-9 3/8" | STUD         |
| B     | 1   | 400T300-33 | 3'-1 3/16" | BOTTOM TRACK |
| C     | 1   | 400T150-33 | 3'-1 3/16" | TOP TRACK    |

# 11-7030

Jewish Home for the Aging

1885 Victory Blvd. Reseda, CA

FrameMax, Inc.  
13915 Danielson St  
Suite 100  
Poway, CA 92064  
www.frame-max.com



© FrameMax Inc.

CREATED: 09/19/2008

FM-07-109

CREATED BY: AMB

HEIGHT : 11'-9 11/16" POINTS: 0.29 Points.

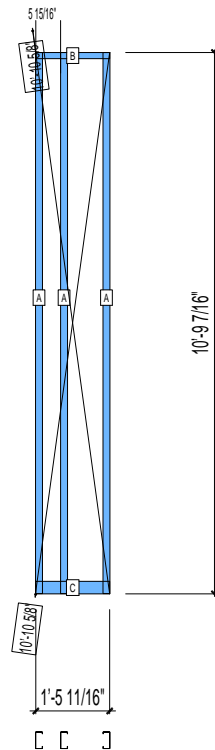
SPACING : 24"

1st STUD: 24"

WEIGHTS :

FRAME : 33 lbs

-----  
TOTAL: 33 lbs



### PIECES LIST

| LABEL | QTY | SIZE       | LENGTH      | USE          |
|-------|-----|------------|-------------|--------------|
| A     | 3   | 400S162-33 | 10'-9 3/8"  | STUD         |
| B     | 1   | 400T150-33 | 1'-5 11/16" | TOP TRACK    |
| C     | 1   | 400T300-33 | 1'-5 11/16" | BOTTOM TRACK |

# 11-7031

Jewish Home for the Aging

1885 Victory Blvd. Reseda, CA

FrameMax, Inc.  
13915 Danielson St  
Suite 100  
Poway, CA 92064  
www.frame-max.com



© FrameMax Inc.

CREATED: 09/19/2008

FM-07-109

CREATED BY: AMB

HEIGHT : 11'-9 11/16" POINTS: 0.40 Points.

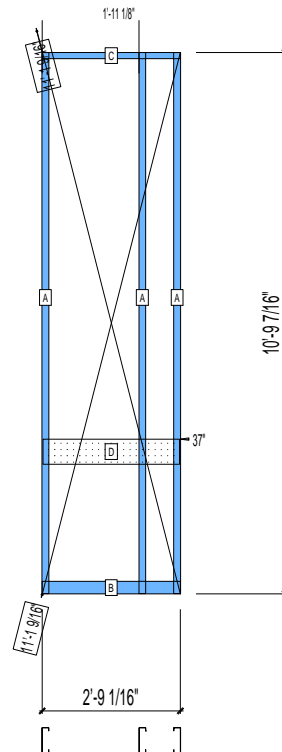
SPACING : 24"

1st STUD: 24"

WEIGHTS :

FRAME : 48 lbs

-----  
TOTAL: 48 lbs



### PIECES LIST

| LABEL | QTY | SIZE       | LENGTH     | USE            |
|-------|-----|------------|------------|----------------|
| A     | 3   | 600S162-33 | 10'-9 3/8" | STUD           |
| B     | 1   | 600T300-33 | 2'-9 1/16" | BOTTOM TRACK   |
| C     | 1   | 600T150-33 | 2'-9 1/16" | TOP TRACK      |
| D     | 1   | 600D-54    | 2'-8 5/8"  | VANITY BACKING |

# 11-7032

Jewish Home for the Aging

1885 Victory Blvd. Reseda, CA

FrameMax, Inc.  
13915 Danielson St  
Suite 100  
Poway, CA 92064  
www.frame-max.com



© FrameMax Inc.

CREATED: 09/19/2008

FM-07-109

CREATED BY: AMB

HEIGHT : 11'-9 11/16" POINTS: 0.31 Points.

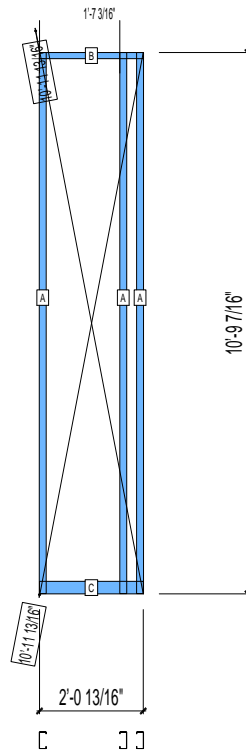
SPACING : 24"

1st STUD: 24"

WEIGHTS :

FRAME : 34 lbs

-----  
TOTAL: 34 lbs



### PIECES LIST

| LABEL | QTY | SIZE       | LENGTH      | USE          |
|-------|-----|------------|-------------|--------------|
| A     | 3   | 400S162-33 | 10'-9 3/8"  | STUD         |
| B     | 1   | 400T150-33 | 2'-0 13/16" | TOP TRACK    |
| C     | 1   | 400T300-33 | 2'-0 13/16" | BOTTOM TRACK |

# 11-7033

Jewish Home for the Aging

1885 Victory Blvd. Reseda, CA

FrameMax, Inc.  
13915 Danielson St  
Suite 100  
Poway, CA 92064  
www.frame-max.com



© FrameMax Inc.

CREATED: 09/19/2008

FM-07-109

CREATED BY: AMB

HEIGHT : 11'-9 11/16" POINTS: 0.24 Points.

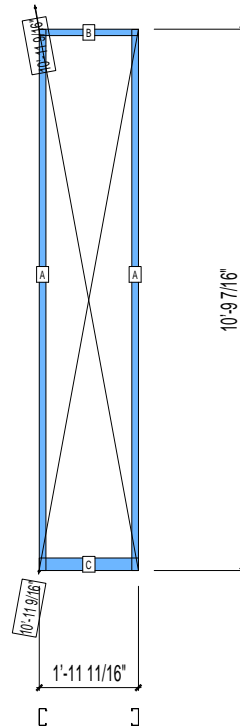
SPACING : 24"

1st STUD: 24"

WEIGHTS :

FRAME : 24 lbs

-----  
TOTAL: 24 lbs



### PIECES LIST

| LABEL | QTY | SIZE       | LENGTH       | USE          |
|-------|-----|------------|--------------|--------------|
| A     | 2   | 400S162-33 | 10'-9 3/8"   | STUD         |
| B     | 1   | 400T150-33 | 1'-11 11/16" | TOP TRACK    |
| C     | 1   | 400T300-33 | 1'-11 11/16" | BOTTOM TRACK |

# 11-7034

Jewish Home for the Aging

1885 Victory Blvd. Reseda, CA

FrameMax, Inc.  
13915 Danielson St  
Suite 100  
Poway, CA 92064  
www.frame-max.com



© FrameMax Inc.

CREATED: 09/25/2008

FM-07-109

CREATED BY: AMB

HEIGHT : 11'-9 11/16" POINTS: 0.32 Points.

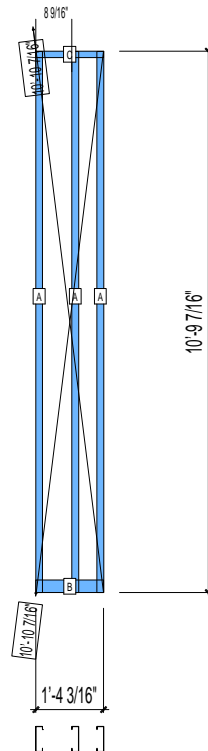
SPACING : 24"

1st STUD: 24"

WEIGHTS :

FRAME : 41 lbs

-----  
TOTAL: 41 lbs



### PIECES LIST

| LABEL | QTY | SIZE       | LENGTH     | USE          |
|-------|-----|------------|------------|--------------|
| A     | 3   | 600S162-33 | 10'-9 3/8" | STUD         |
| B     | 1   | 600T300-33 | 1'-4 3/16" | BOTTOM TRACK |
| C     | 1   | 600T150-33 | 1'-4 3/16" | TOP TRACK    |

# 11-7035

Jewish Home for the Aging

1885 Victory Blvd. Reseda, CA

FrameMax, Inc.  
13915 Danielson St  
Suite 100  
Poway, CA 92064  
www.frame-max.com



© FrameMax Inc.

CREATED: 09/25/2008

FM-07-109

CREATED BY: AMB

HEIGHT : 11'-9 11/16" POINTS: 0.37 Points.

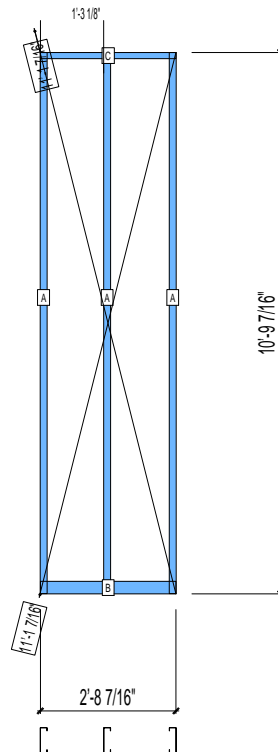
SPACING : 24"

1st STUD: 16"

WEIGHTS :

FRAME : 45 lbs

-----  
TOTAL: 45 lbs



### PIECES LIST

| LABEL | QTY | SIZE       | LENGTH     | USE          |
|-------|-----|------------|------------|--------------|
| A     | 3   | 600S162-33 | 10'-9 3/8" | STUD         |
| B     | 1   | 600T300-33 | 2'-8 7/16" | BOTTOM TRACK |
| C     | 1   | 600T150-33 | 2'-8 7/16" | TOP TRACK    |

# 11-7036

Jewish Home for the Aging

1885 Victory Blvd. Reseda, CA

FrameMax, Inc.  
13915 Danielson St  
Suite 100  
Poway, CA 92064  
www.frame-max.com



© FrameMax Inc.

CREATED: 09/19/2008

FM-07-109

CREATED BY: AMB

HEIGHT : 11'-9 11/16" POINTS: 0.39 Points.

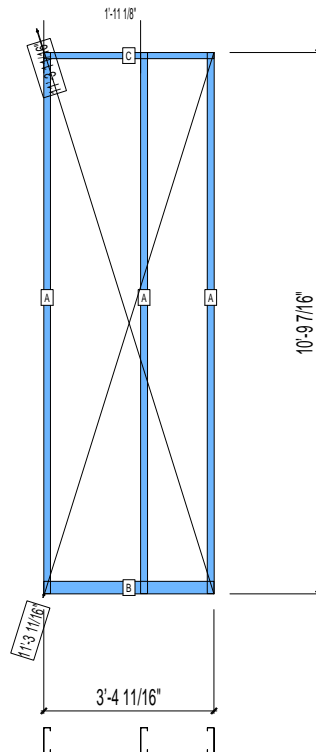
SPACING : 24"

1st STUD: 24"

WEIGHTS :

FRAME : 46 lbs

-----  
TOTAL: 46 lbs



### PIECES LIST

| LABEL | QTY | SIZE       | LENGTH      | USE          |
|-------|-----|------------|-------------|--------------|
| A     | 3   | 600S162-33 | 10'-9 3/8"  | STUD         |
| B     | 1   | 600T300-33 | 3'-4 11/16" | BOTTOM TRACK |
| C     | 1   | 600T150-33 | 3'-4 11/16" | TOP TRACK    |

# 11-7037

Jewish Home for the Aging

1885 Victory Blvd. Reseda, CA

FrameMax, Inc.  
13915 Danielson St  
Suite 100  
Poway, CA 92064  
www.frame-max.com



© FrameMax Inc.

CREATED: 09/19/2008

FM-07-109

CREATED BY: AMB

HEIGHT : 11'-9 11/16" POINTS: 0.28 Points.

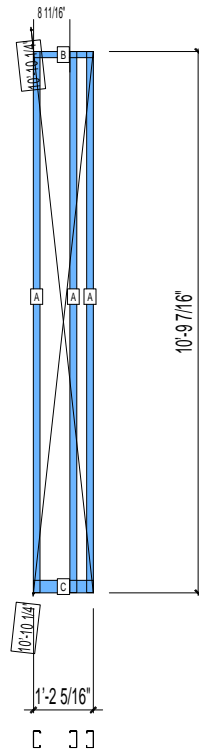
SPACING : 24"

1st STUD: 24"

WEIGHTS :

FRAME : 32 lbs

-----  
TOTAL: 32 lbs



### PIECES LIST

| LABEL | QTY | SIZE       | LENGTH     | USE          |
|-------|-----|------------|------------|--------------|
| A     | 3   | 400S162-33 | 10'-9 3/8" | STUD         |
| B     | 1   | 400T150-33 | 1'-2 5/16" | TOP TRACK    |
| C     | 1   | 400T300-33 | 1'-2 5/16" | BOTTOM TRACK |

# 11-7038

Jewish Home for the Aging

1885 Victory Blvd. Reseda, CA

FrameMax, Inc.  
13915 Danielson St  
Suite 100  
Poway, CA 92064  
www.frame-max.com



© FrameMax Inc.

CREATED: 09/19/2008

FM-07-109

CREATED BY: AMB

HEIGHT : 11'-9 11/16" POINTS: 0.33 Points.

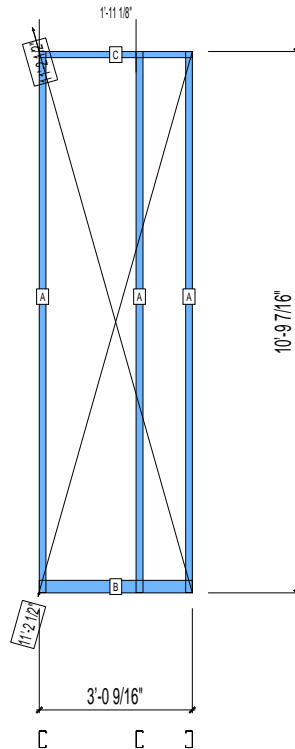
SPACING : 24"

1st STUD: 24"

WEIGHTS :

FRAME : 36 lbs

-----  
TOTAL: 36 lbs



### PIECES LIST

| LABEL | QTY | SIZE       | LENGTH     | USE          |
|-------|-----|------------|------------|--------------|
| A     | 3   | 400S162-33 | 10'-9 3/8" | STUD         |
| B     | 1   | 400T300-33 | 3'-0 9/16" | BOTTOM TRACK |
| C     | 1   | 400T150-33 | 3'-0 9/16" | TOP TRACK    |

# 11-7039

Jewish Home for the Aging

1885 Victory Blvd. Reseda, CA

FrameMax, Inc.  
13915 Danielson St  
Suite 100  
Poway, CA 92064  
www.frame-max.com



© FrameMax Inc.

CREATED: 09/19/2008

FM-07-109

CREATED BY: AMB

HEIGHT : 11'-9 11/16" POINTS: 0.30 Points.

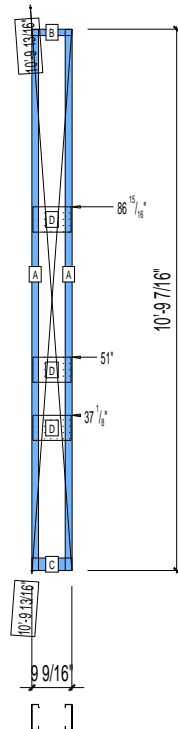
SPACING : 24"

1st STUD: 24"

WEIGHTS :

FRAME : 30 lbs

-----  
TOTAL: 30 lbs



### PIECES LIST

| LABEL | QTY | SIZE       | LENGTH     | USE             |
|-------|-----|------------|------------|-----------------|
| A     | 2   | 600S162-33 | 10'-9 3/8" | STUD            |
| B     | 1   | 600T150-33 | 9 9/16"    | TOP TRACK       |
| C     | 1   | 600T300-33 | 9 9/16"    | BOTTOM TRACK    |
| D     | 3   | 600D-54    | 9 1/8"     | KITCHEN BACKING |

# 11-7040

Jewish Home for the Aging

1885 Victory Blvd. Reseda, CA

FrameMax, Inc.  
13915 Danielson St  
Suite 100  
Poway, CA 92064  
www.frame-max.com



© FrameMax Inc.

CREATED: 09/19/2008

FM-07-109

CREATED BY: AMB

HEIGHT : 11'-9 11/16" POINTS: 0.28 Points.

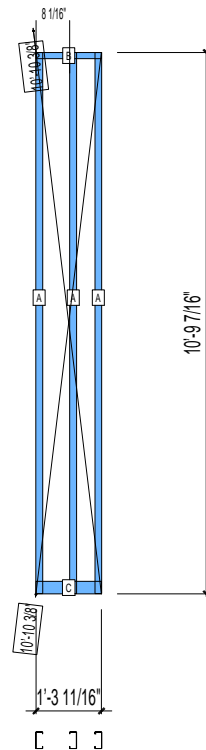
SPACING : 24"

1st STUD: 24"

WEIGHTS :

FRAME : 33 lbs

-----  
TOTAL: 33 lbs



### PIECES LIST

| LABEL | QTY | SIZE       | LENGTH      | USE          |
|-------|-----|------------|-------------|--------------|
| A     | 3   | 400S162-33 | 10'-9 3/8"  | STUD         |
| B     | 1   | 400T150-33 | 1'-3 11/16" | TOP TRACK    |
| C     | 1   | 400T300-33 | 1'-3 11/16" | BOTTOM TRACK |

# 11-7041

Jewish Home for the Aging

1885 Victory Blvd. Reseda, CA

FrameMax, Inc.  
13915 Danielson St  
Suite 100  
Poway, CA 92064  
www.frame-max.com



© FrameMax Inc.

CREATED: 09/19/2008

FM-07-109

CREATED BY: AMB

HEIGHT : 11'-9 11/16" POINTS: 0.45 Points.

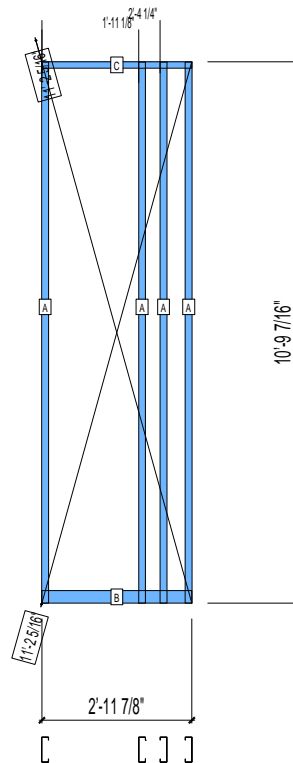
SPACING : 24"

1st STUD: 24"

WEIGHTS :

FRAME : 58 lbs

-----  
TOTAL: 58 lbs



### PIECES LIST

| LABEL | QTY | SIZE       | LENGTH     | USE          |
|-------|-----|------------|------------|--------------|
| A     | 4   | 600S162-33 | 10'-9 3/8" | STUD         |
| B     | 1   | 600T300-33 | 2'-11 7/8" | BOTTOM TRACK |
| C     | 1   | 600T150-33 | 2'-11 7/8" | TOP TRACK    |

# 11-7042

Jewish Home for the Aging

1885 Victory Blvd. Reseda, CA

FrameMax, Inc.  
13915 Danielson St  
Suite 100  
Poway, CA 92064  
www.frame-max.com



© FrameMax Inc.

CREATED: 09/19/2008

FM-07-109

CREATED BY: AMB

HEIGHT : 11'-9 11/16" POINTS: 0.47 Points.

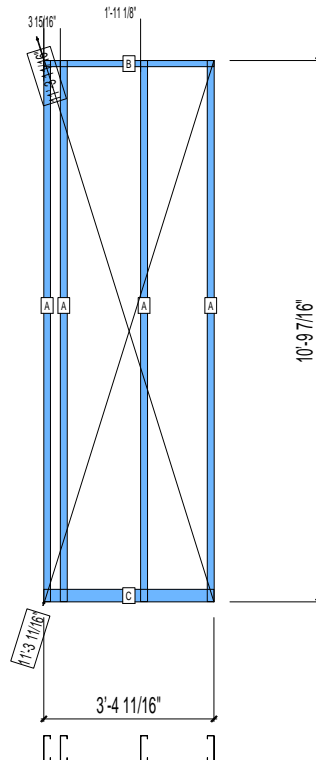
SPACING : 24"

1st STUD: 24"

WEIGHTS :

FRAME : 59 lbs

-----  
TOTAL: 59 lbs



### PIECES LIST

| LABEL | QTY | SIZE       | LENGTH      | USE          |
|-------|-----|------------|-------------|--------------|
| A     | 4   | 600S162-33 | 10'-9 3/8"  | STUD         |
| B     | 1   | 600T150-33 | 3'-4 11/16" | TOP TRACK    |
| C     | 1   | 600T300-33 | 3'-4 11/16" | BOTTOM TRACK |