

11-5000

CREATED: 10/22/2008

Jewish Home for the Aging

1885 Victory Blvd. Reseda, CA

FM-07-109

CREATED BY: AMB

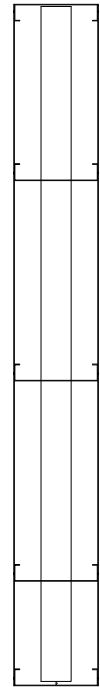
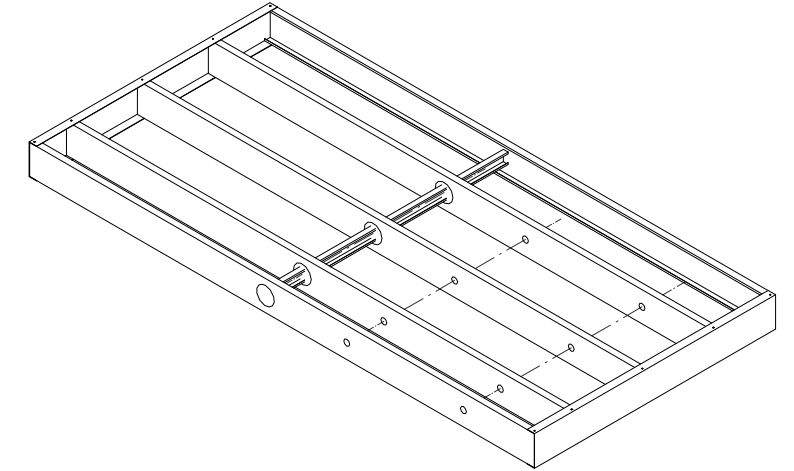
FrameMax, Inc.
13915 Danielson St
Suite 100
Poway, CA 92064
www.framemax.com



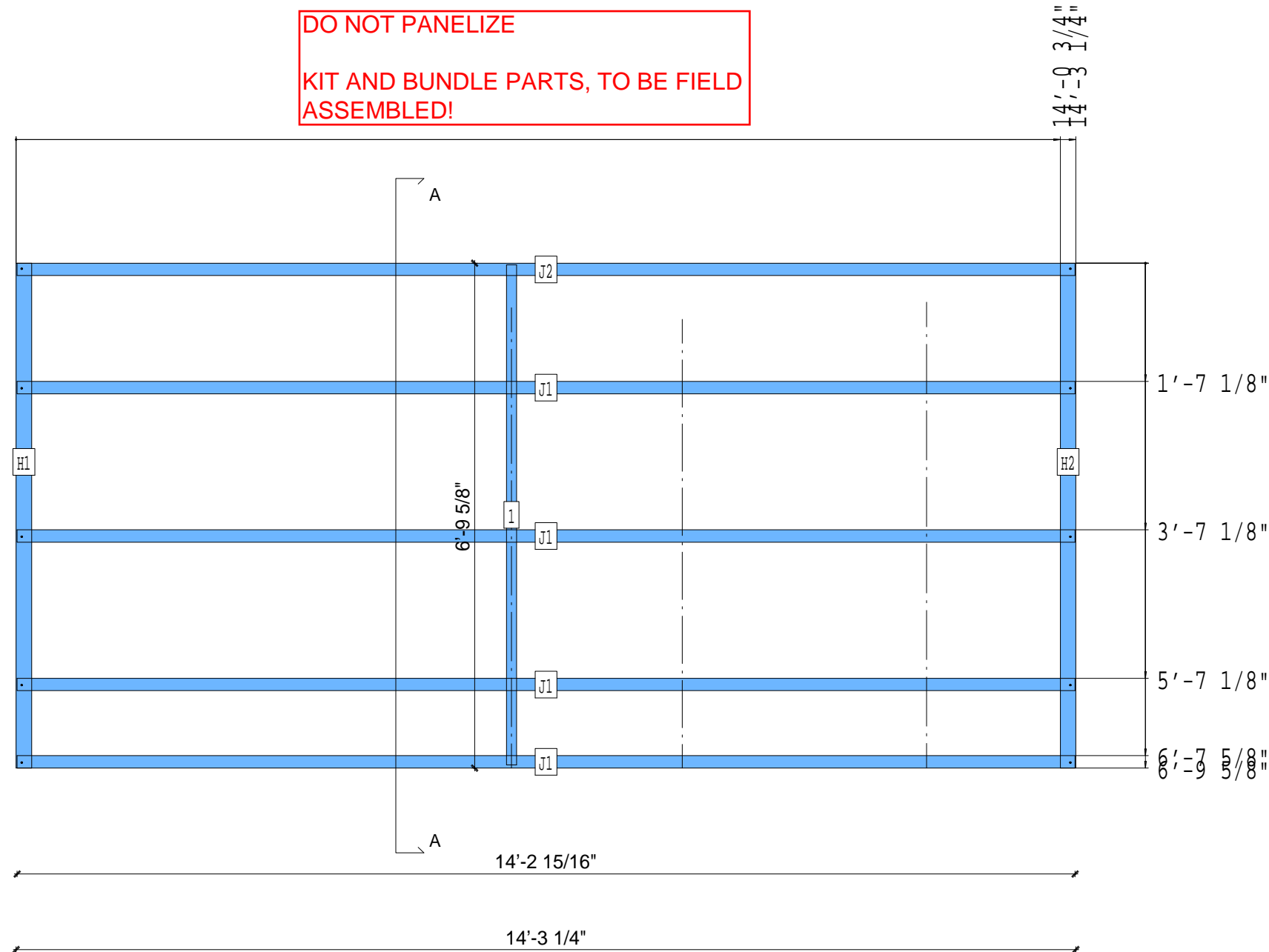
© FrameMax Inc.

APPROVED
By ijuarez at 3:55 pm, Oct 22, 2008

DO NOT PANELIZE
KIT AND BUNDLE PARTS, TO BE FIELD
ASSEMBLED!



A-A



PIECE SCHEDULE						
LAB	QTY	MATERIAL	DESCRIPTION	LENGTH	ANG1	ANG2
1	1	362S162-54	JOIST	6'-8 7/8"		
H1	1	1000T250-97	HEADER	6'-9 5/8"		
H2	1	1000T250-68	HEADER	6'-9 5/8"		
J1	4	1000S200-68	JOIST	14'-2 15/16"		
J2	1	1000S200-68	JOIST	14'-2 15/16"		

11-5001

CREATED: 10/22/2008

Jewish Home for the Aging

1885 Victory Blvd. Reseda, CA

FM-07-109

CREATED BY: AMB

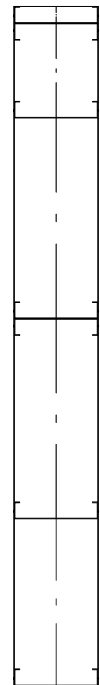
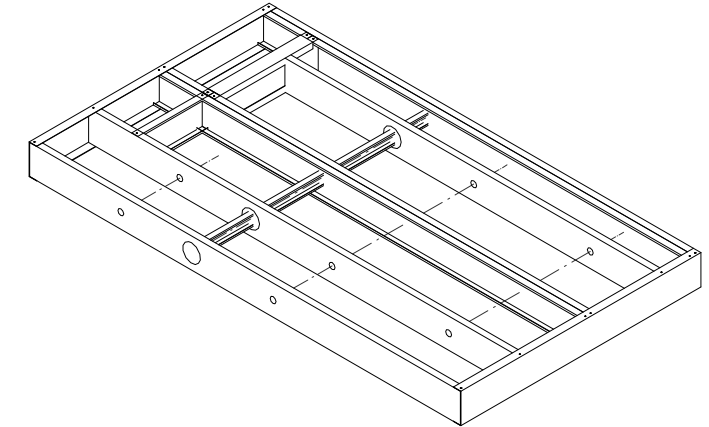
FrameMax, Inc.
13915 Danielson St
Suite 100
Poway, CA 92064
www.framemax.com



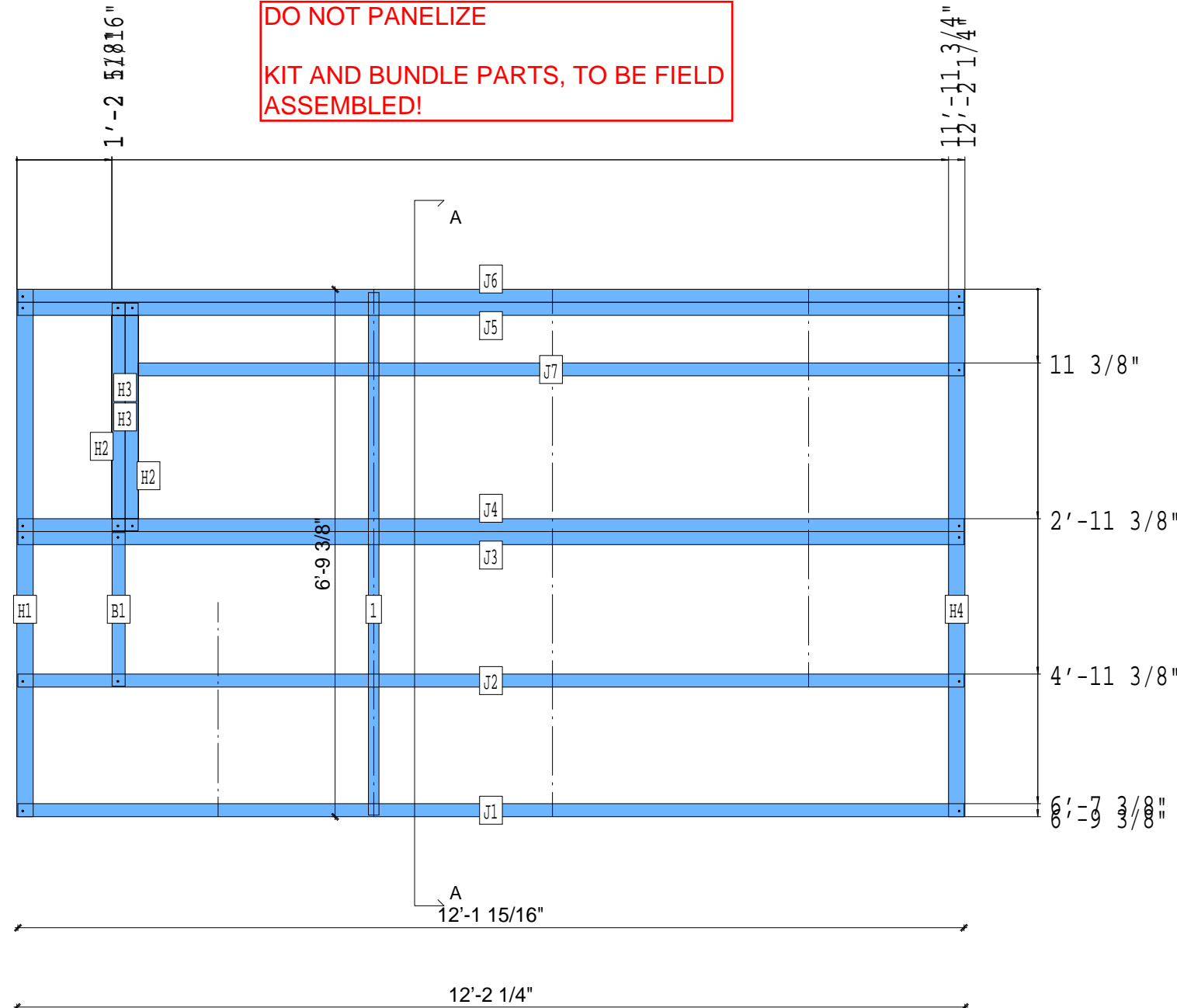
© FrameMax Inc.

APPROVED
By ijuarez at 3:55 pm, Oct 22, 2008

DO NOT PANELIZE
KIT AND BUNDLE PARTS, TO BE FIELD ASSEMBLED!



A-A



PIECE SCHEDULE						
LAB	QTY	MATERIAL	DESCRIPTION	LENGTH	ANG1	ANG2
1	1	362S162-54	JOIST	6'-8 5/8"		
B1	1	1000S200-68	BLOCK	1'-11 11/16"		
H1	1	1000T250-97	HEADER	6'-9 3/8"		
H2	2	1000S200-68	OPENING TRIM	2'-11 1/8"		
H3	2	400T200-68	OPENING TRIM	2'-7 3/8"		
H4	1	1000T250-68	HEADER	6'-9 3/8"		
J1	1	1000S200-68	JOIST	12'-1 15/16"		
J2	1	1000S200-68	JOIST	12'-1 15/16"		
J3	1	1000S200-68	OPENING TRIM	12'-1 15/16"		
J4	1	1000S200-68	OPENING TRIM	12'-1 15/16"		
J5	1	1000S200-68	OPENING TRIM	12'-1 15/16"		
J6	1	1000S200-68	JOIST	12'-1 15/16"		
J7	1	1000S200-68	JOIST	10'-7 7/16"		

11-5002

Jewish Home for the Aging

1885 Victory Blvd. Reseda, CA

FM-07-109

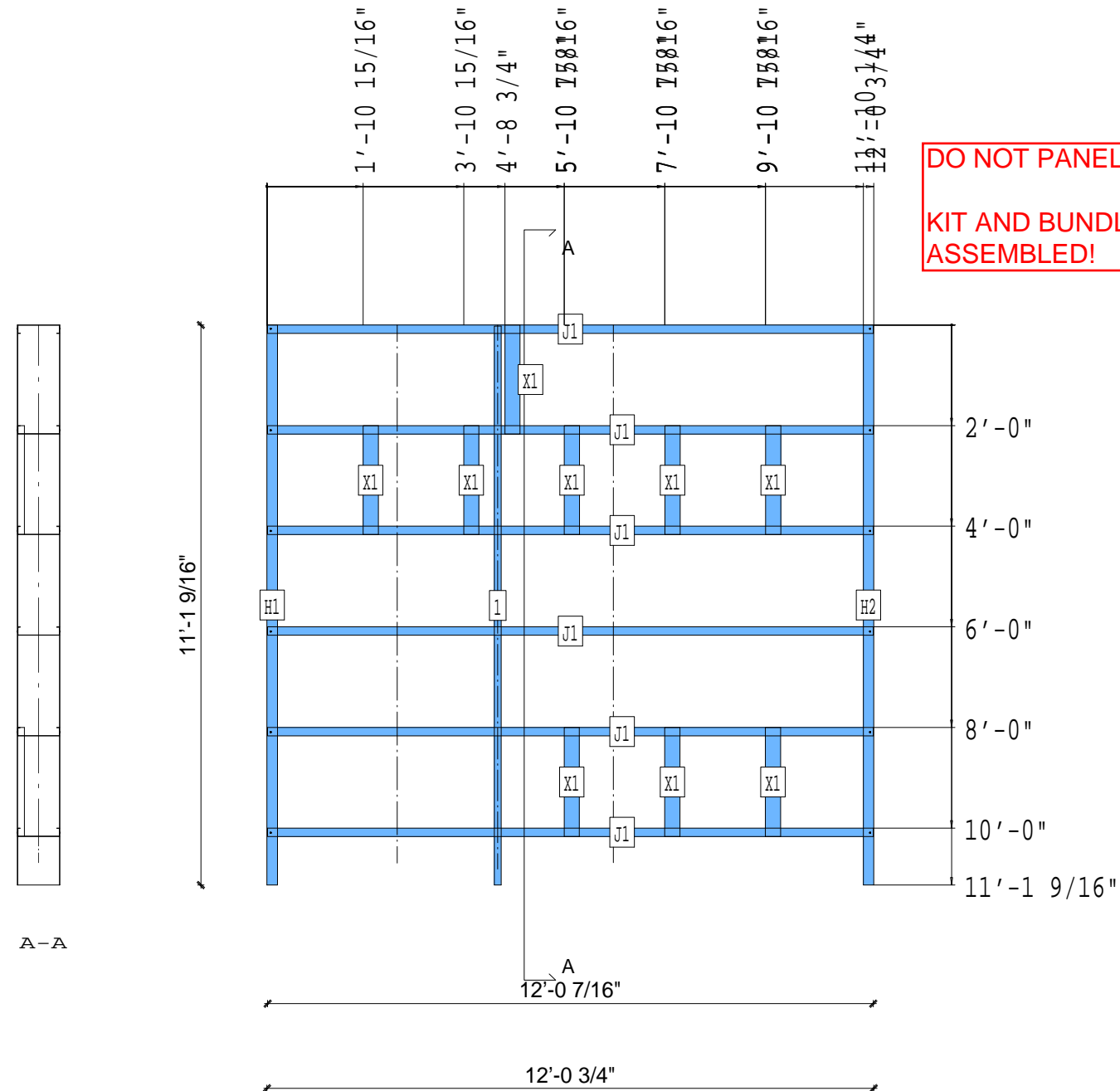
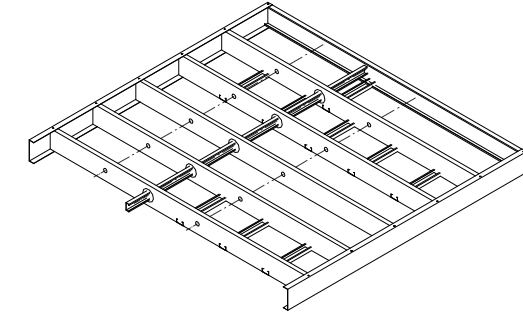
CREATED BY: AMB

FrameMax, Inc.
13915 Danielson St
Suite 100
Poway, CA 92064
www.framemax.com



© FrameMax Inc.

APPROVED
By ijuarez at 3:55 pm, Oct 22, 2008



PIECE SCHEDULE						
LAB	QTY	MATERIAL	DESCRIPTION	LENGTH	ANG1	ANG2
1	1	362S162-54	JOIST	11'-1 5/16"		
H1	1	1000T250-97	HEADER	11'-1 9/16"		
H2	1	1000T250-68	HEADER	11'-1 9/16"		
J1	6	1000S200-68	JOIST	12'-0 7/16"		
X1	9	362S162-33	FLAT TRACK B	2'-2"		

11-5003

Jewish Home for the Aging

1885 Victory Blvd. Reseda, CA

FM-07-109

CREATED BY: AMB

FrameMax, Inc.
13915 Danielson St
Suite 100
Poway, CA 92064
www.framemax.com

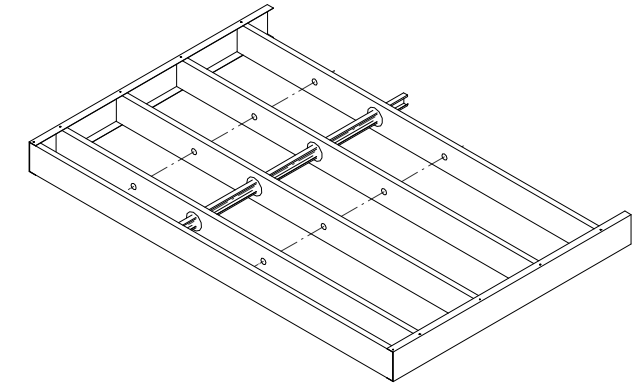


© FrameMax Inc.

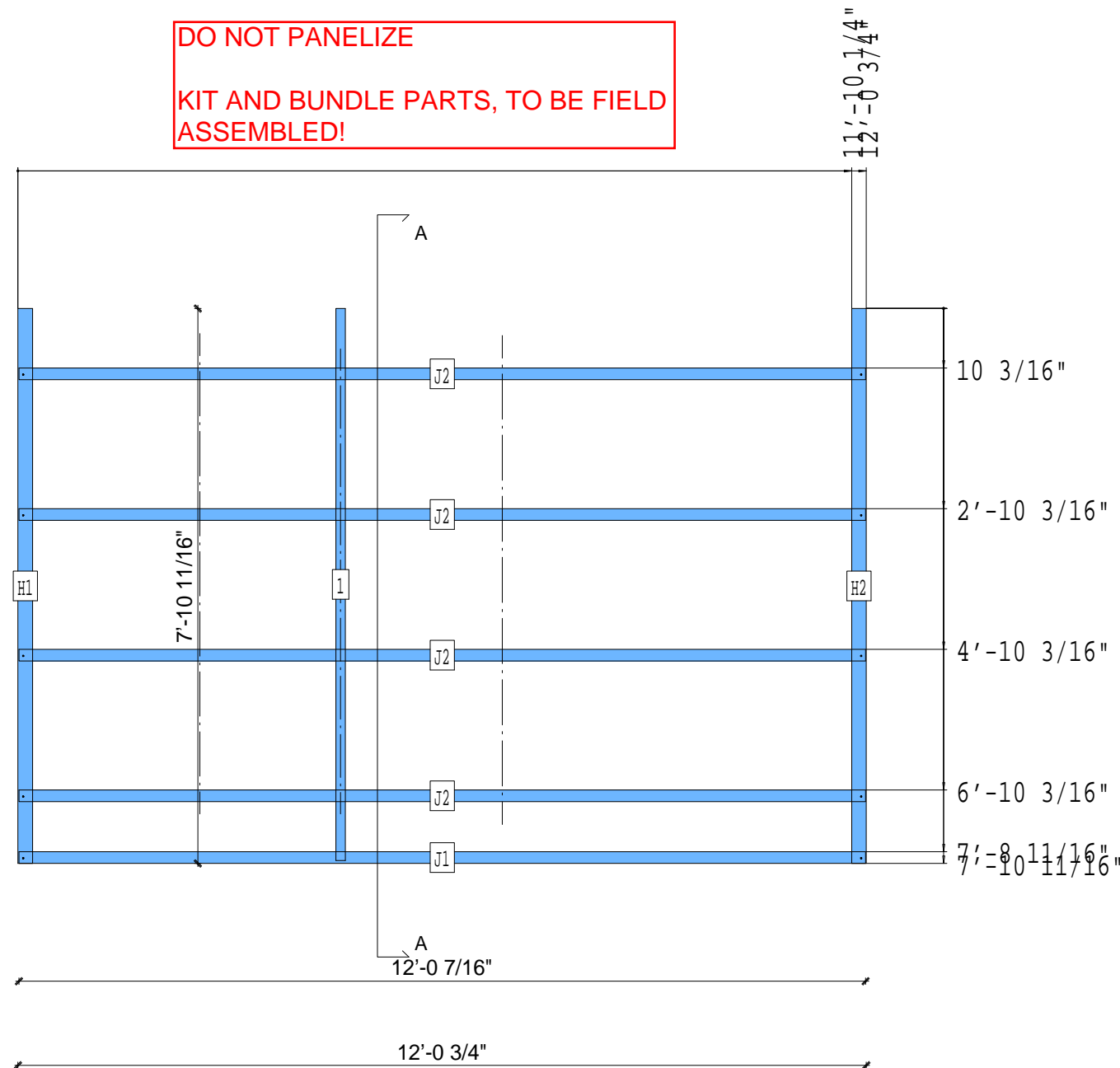
CREATED: 10/22/2008

APPROVED
By ijuarez at 3:55 pm, Oct 22, 2008

DO NOT PANELIZE
KIT AND BUNDLE PARTS, TO BE FIELD ASSEMBLED!



A-A



PIECE SCHEDULE						
LAB	QTY	MATERIAL	DESCRIPTION	LENGTH	ANG1	ANG2
1	1	362S162-54	JOIST	7'-10 3/16"		
H1	1	1000T250-97	HEADER	7'-10 11/16"		
H2	1	1000T250-68	HEADER	7'-10 11/16"		
J1	1	1000S200-68	JOIST	12'-0 7/16"		
J2	4	1000S200-68	JOIST	12'-0 7/16"		

11-5004

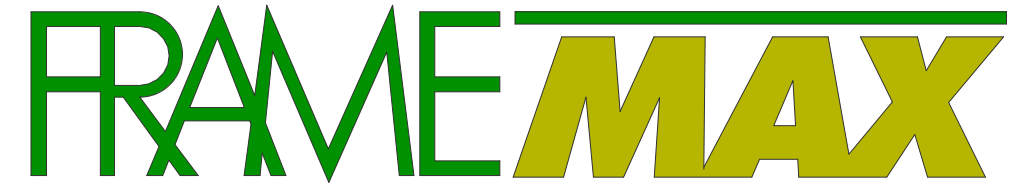
Jewish Home for the Aging

1885 Victory Blvd. Reseda, CA

FM-07-109

CREATED BY: AMB

FrameMax, Inc.
13915 Danielson St
Suite 100
Poway, CA 92064
www.framemax.com

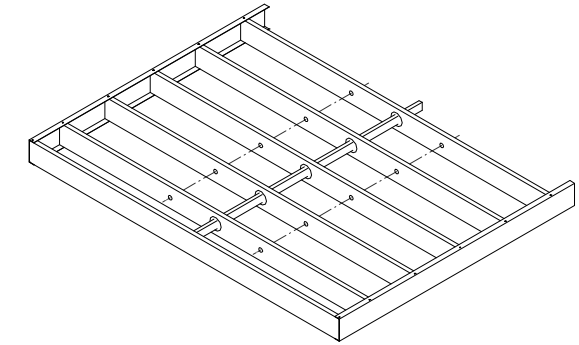


© FrameMax Inc.

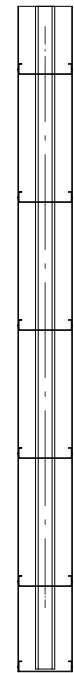
CREATED: 10/22/2008

APPROVED

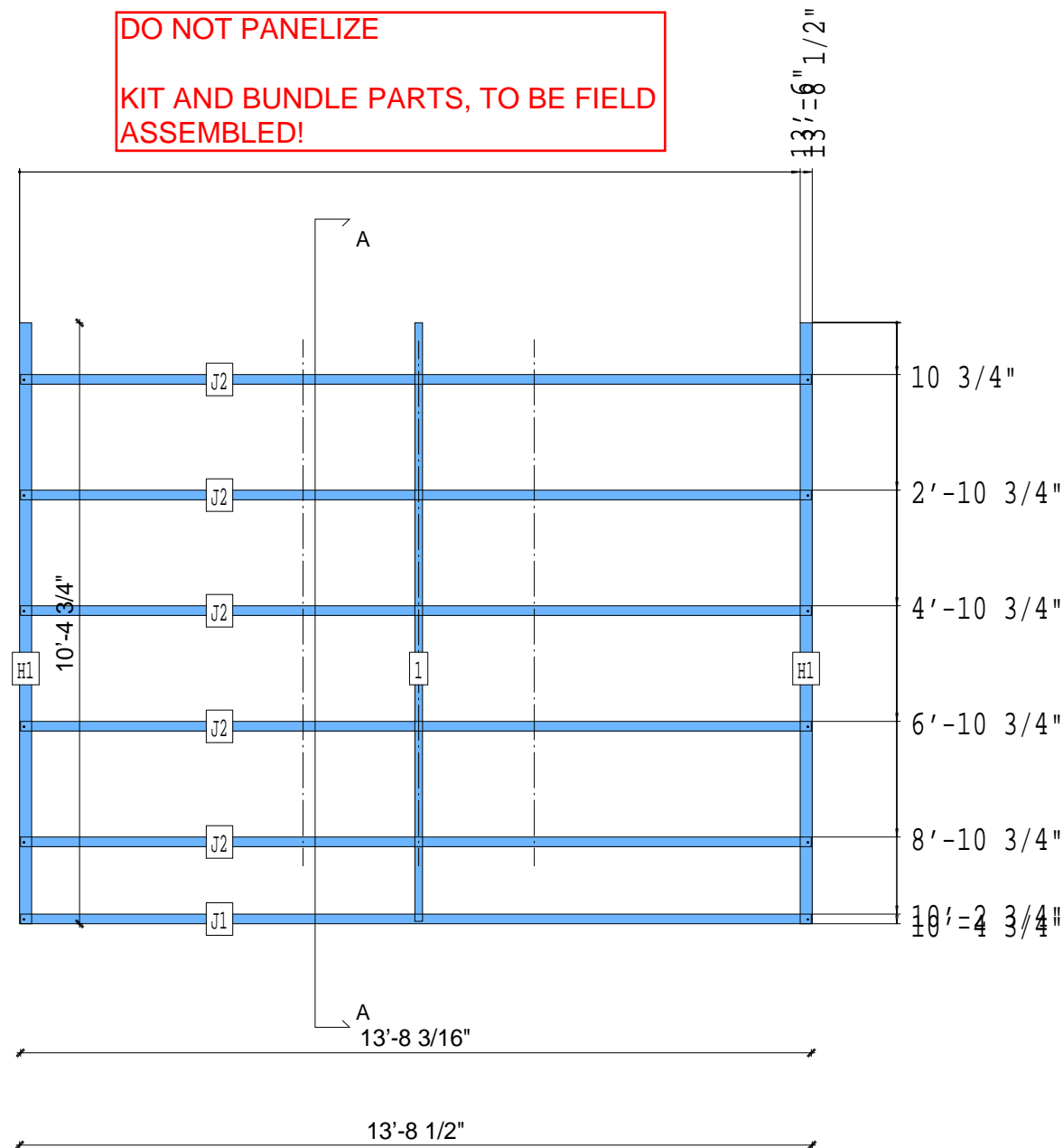
By ijuarez at 3:55 pm, Oct 22, 2008



**DO NOT PANELIZE
KIT AND BUNDLE PARTS, TO BE FIELD
ASSEMBLED!**



A-A



PIECE SCHEDULE						
LAB	QTY	MATERIAL	DESCRIPTION	LENGTH	ANG1	ANG2
1	1	362S162-54	JOIST	10'-4 1/4"		
H1	2	1000T250-97	HEADER	10'-4 3/4"		
J1	1	1000S200-97	JOIST	13'-8 3/16"		
J2	5	1000S200-97	JOIST	13'-8 3/16"		

11-5005

Jewish Home for the Aging

1885 Victory Blvd. Reseda, CA

FM-07-109

CREATED BY: AMB

FrameMax, Inc.
13915 Danielson St
Suite 100
Poway, CA 92064
www.framemax.com



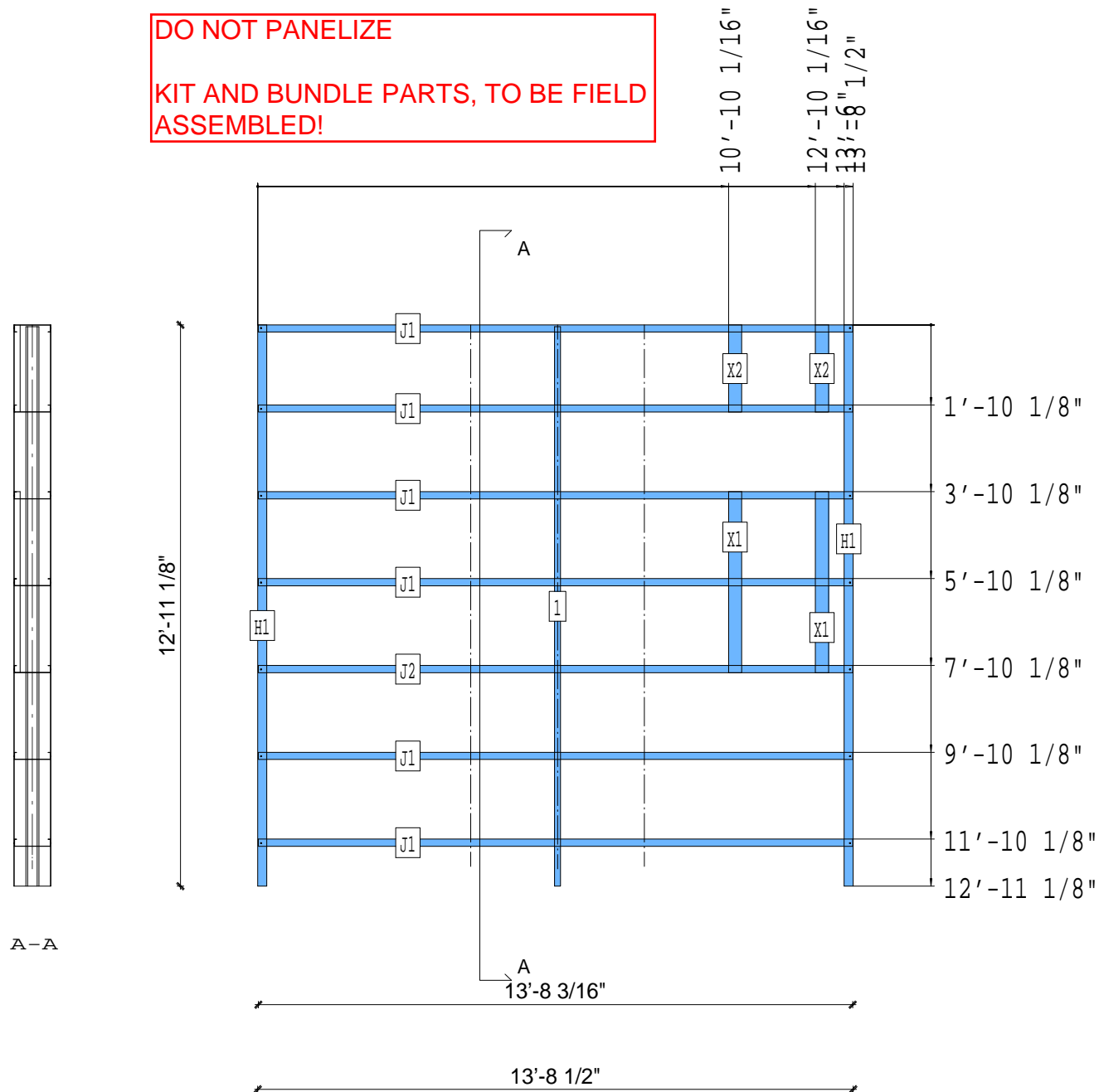
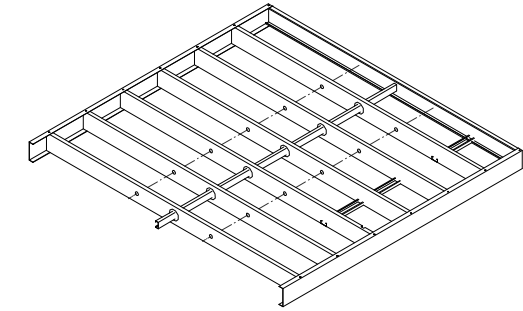
© FrameMax Inc.

CREATED: 10/22/2008

APPROVED

By ijuarez at 3:55 pm, Oct 22, 2008

DO NOT PANELIZE
KIT AND BUNDLE PARTS, TO BE FIELD ASSEMBLED!



PIECE SCHEDULE						
LAB	QTY	MATERIAL	DESCRIPTION	LENGTH	ANG1	ANG2
1	1	362S162-54	JOIST	12'-10 5/8"		
H1	2	1000T250-97	HEADER	12'-11 1/8"		
J1	6	1000S200-97	JOIST	13'-8 3/16"		
J2	1	1000S200-97	JOIST	13'-8 3/16"		
X1	2	362S162-33	FLAT TRACK B	4'-2"		
X2	2	362S162-33	FLAT TRACK B	2'-0 1/8"		

11-5006

Jewish Home for the Aging

1885 Victory Blvd. Reseda, CA

FM-07-109

CREATED BY: AMB

FrameMax, Inc.
13915 Danielson St
Suite 100
Poway, CA 92064
www.frame-max.com

FRAMEMAX

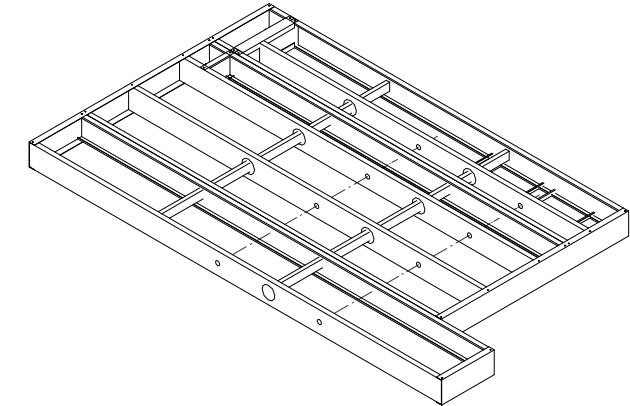
© FrameMax Inc.

CREATED: 10/22/2008

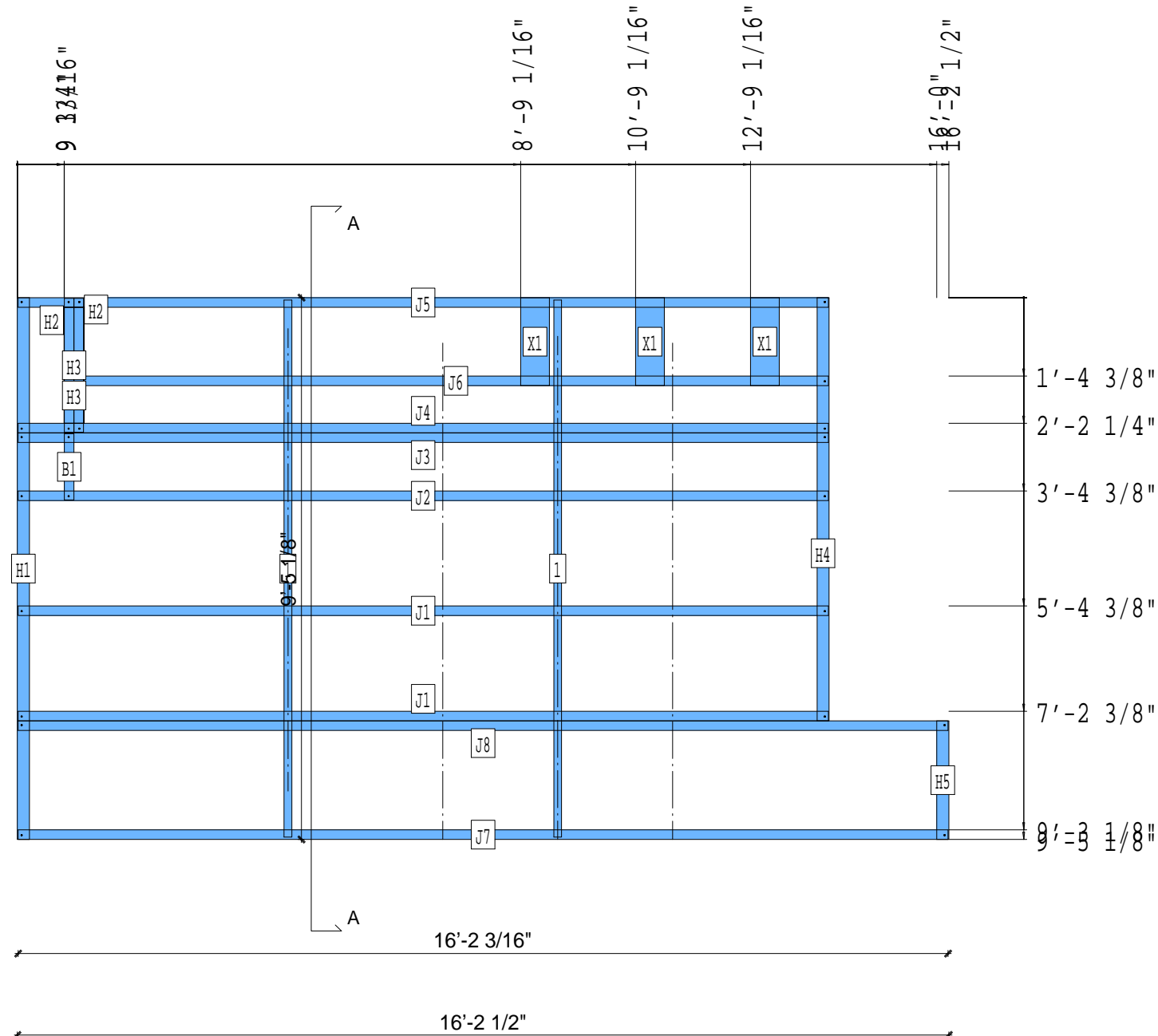
APPROVED

By ijuarez at 3:55 pm, Oct 22, 2008

DO NOT PANELIZE
KIT AND BUNDLE PARTS, TO BE FIELD ASSEMBLED!



A-A



PIECE SCHEDULE						
LAB	QTY	MATERIAL	DESCRIPTION	LENGTH	ANG1	ANG2
1	2	362S162-54	JOIST	9'-4 1/8"		
B1	1	1000S200-97	BLOCK	1'-1 13/16"		
H1	1	1000T250-97	HEADER	9'-5 1/8"		
H2	2	1000S200-97	OPENING TRIM	2'-3 15/16"		
H3	2	400T200-97	OPENING TRIM	2'-0 1/4"		
H4	1	1000T250-97	HEADER	7'-4 3/8"		
H5	1	1000T250-97	HEADER	2'-0 3/4"		
J1	2	1000S200-97	JOIST	14'-1 3/16"		
J2	1	1000S200-97	JOIST	14'-1 3/16"		
J3	1	1000S200-97	OPENING TRIM	14'-1 3/16"		
J4	1	1000S200-97	OPENING TRIM	14'-1 3/16"		
J5	1	1000S200-97	JOIST	14'-1 3/16"		
J6	1	1000S200-97	JOIST	12'-11 1/2"		
J7	1	1000S200-97	JOIST	16'-2 3/16"		
J8	1	1000S200-97	JOIST	16'-2 3/16"		
X1	3	600S162-33	FLAT TRACK B	1'-6 3/8"		

11-5007

Jewish Home for the Aging

1885 Victory Blvd. Reseda, CA

FM-07-109

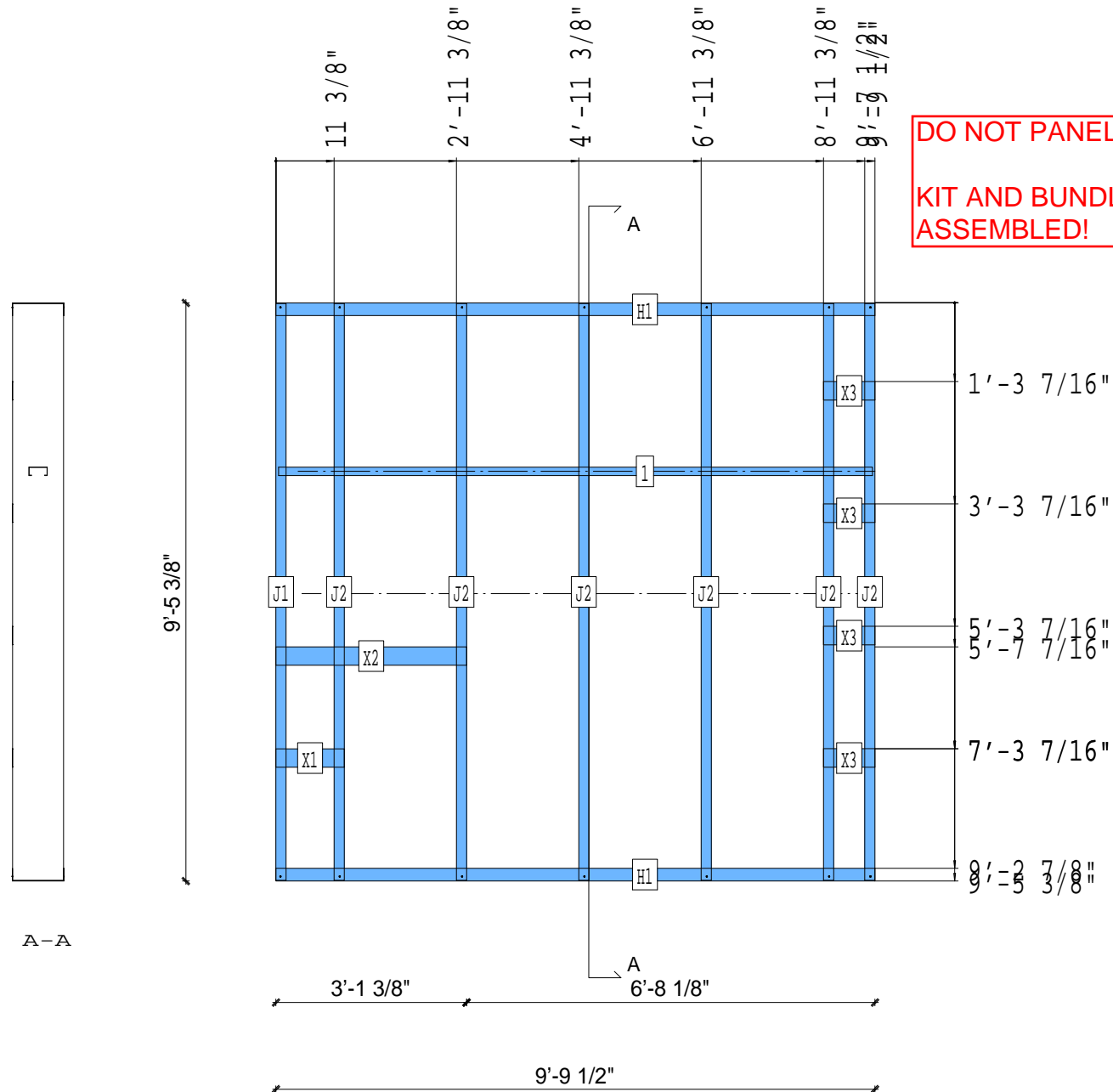
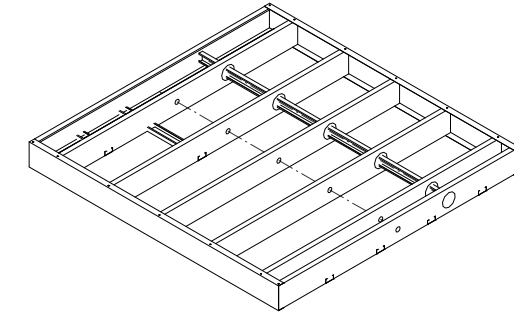
CREATED BY: AMB

FrameMax, Inc.
13915 Danielson St
Suite 100
Poway, CA 92064
www.framemax.com



© FrameMax Inc.

APPROVED
By ijuarez at 3:55 pm, Oct 22, 2008



DO NOT PANELIZE
KIT AND BUNDLE PARTS, TO BE FIELD ASSEMBLED!

PIECE SCHEDULE						
LAB	QTY	MATERIAL	DESCRIPTION	LENGTH	ANG1	ANG2
1	1	362S162-54	JOIST	9'-8 1/2"		
H1	2	1000T250-68	HEADER	9'-9 1/2"		
J1	1	1000S200-68	JOIST	9'-5 1/8"		
J2	6	1000S200-68	JOIST	9'-5 1/8"		
X1	1	362S162-33	FLAT TRACK B	1'-1 3/8"		
X2	1	362S162-33	FLAT TRACK B	3'-1 3/8"		
X3	4	362S162-33	FLAT TRACK B	10 1/8"		

11-5008

Jewish Home for the Aging

1885 Victory Blvd. Reseda, CA

FM-07-109

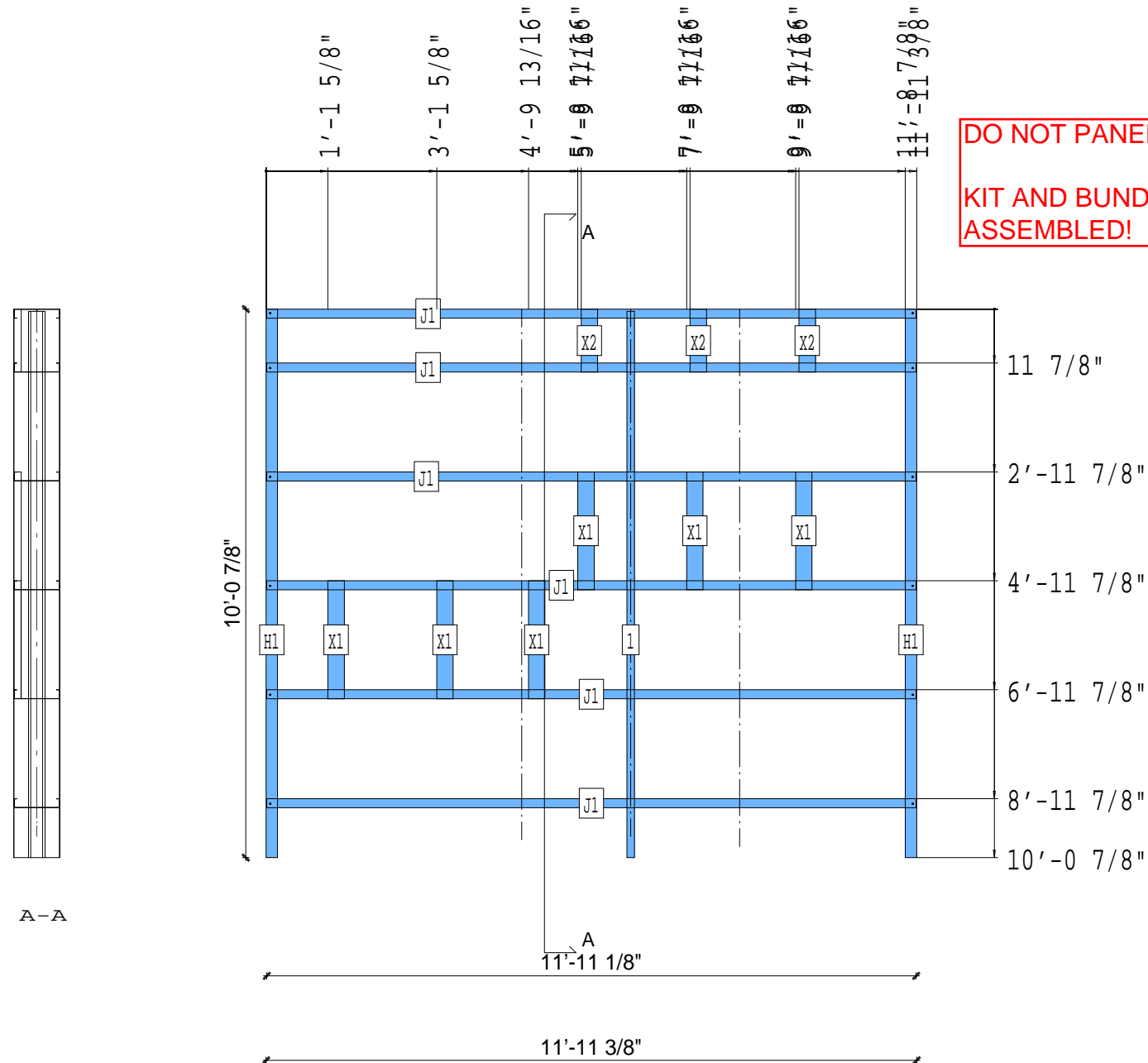
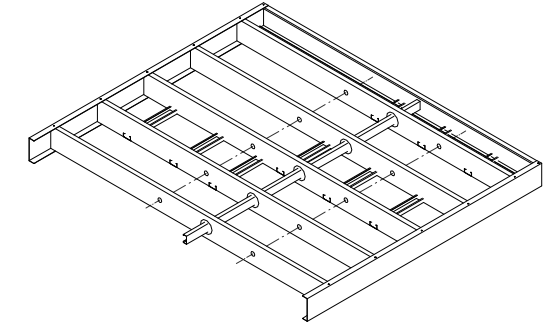
CREATED BY: AMB

FrameMax, Inc.
13915 Danielson St
Suite 100
Poway, CA 92064
www.frame-max.com



© FrameMax Inc.

APPROVED
By ijuarez at 3:55 pm, Oct 22, 2008



PIECE SCHEDULE						
LAB	QTY	MATERIAL	DESCRIPTION	LENGTH	ANG1	ANG2
1	1	362S162-54	JOIST	10'-0 3/8"		
H1	2	1000T250-68	HEADER	10'-0 7/8"		
J1	6	1000S200-68	JOIST	11'-11 1/8"		
X1	6	362S162-33	FLAT TRACK B	2'-2"		
X2	3	362S162-33	FLAT TRACK B	1'-1 7/8"		

11-5009

Jewish Home for the Aging

1885 Victory Blvd. Reseda, CA

FM-07-109

CREATED BY: AMB

FrameMax, Inc.
13915 Danielson St
Suite 100
Poway, CA 92064
www.framemax.com



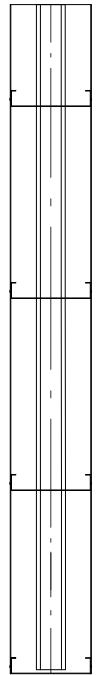
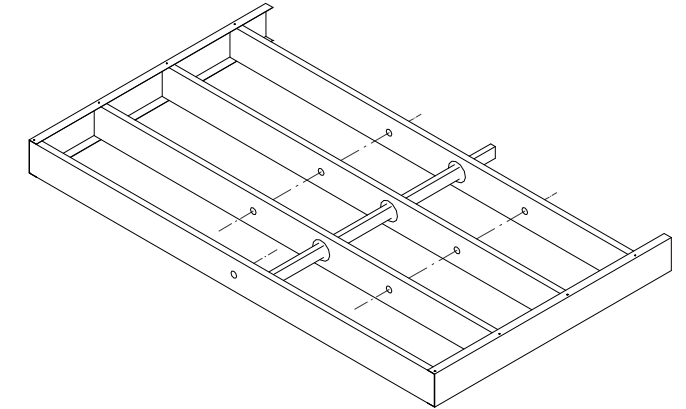
© FrameMax Inc.

CREATED: 10/22/2008

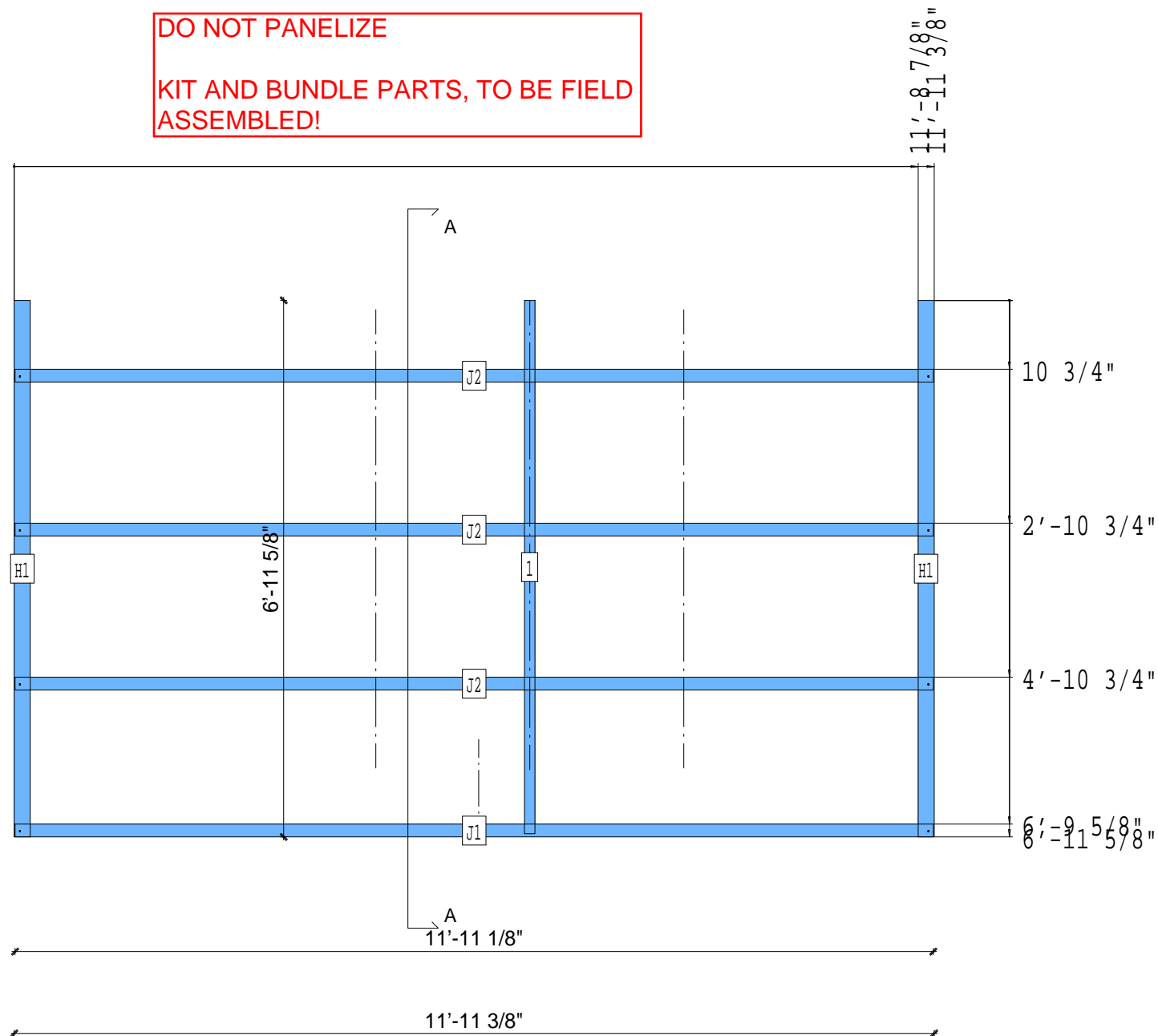
APPROVED

By ijuarez at 3:55 pm, Oct 22, 2008

DO NOT PANELIZE
KIT AND BUNDLE PARTS, TO BE FIELD ASSEMBLED!



A-A



PIECE SCHEDULE						
LAB	QTY	MATERIAL	DESCRIPTION	LENGTH	ANG1	ANG2
1	1	362S162-54	JOIST	6'-11 1/8"		
H1	2	1000T250-68	HEADER	6'-11 5/8"		
J1	1	1000S200-68	JOIST	11'-11 1/8"		
J2	3	1000S200-68	JOIST	11'-11 1/8"		

11-5010

Jewish Home for the Aging

1885 Victory Blvd. Reseda, CA

FM-07-109

CREATED BY: AMB

FrameMax, Inc.
13915 Danielson St
Suite 100
Poway, CA 92064
www.framemax.com

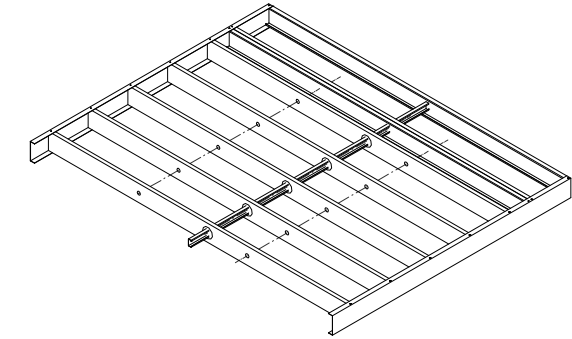


© FrameMax Inc.

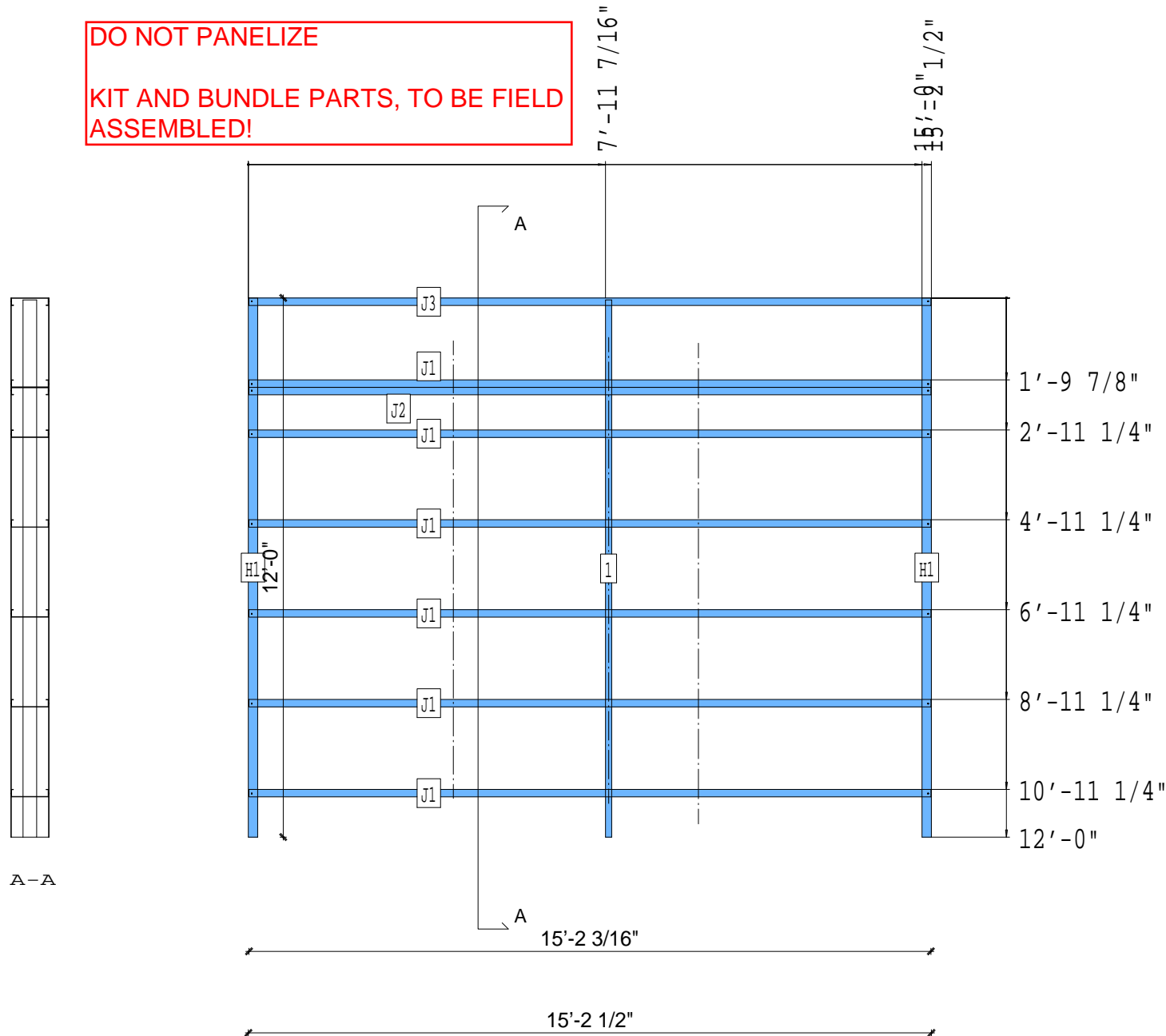
CREATED: 10/22/2008

APPROVED

By ijuarez at 3:55 pm, Oct 22, 2008



DO NOT PANELIZE
KIT AND BUNDLE PARTS, TO BE FIELD ASSEMBLED!



PIECE SCHEDULE						
LAB	QTY	MATERIAL	DESCRIPTION	LENGTH	ANG1	ANG2
1	1	362S162-54	JOIST	11'-11 1/2"		
H1	2	1000T250-97	HEADER	12'-0"		
J1	6	1000S200-97	JOIST	15'-2 3/16"		
J2	1	1000S200-97	JOIST	15'-2 3/16"		
J3	1	1000S200-97	JOIST	15'-2 3/16"		

11-5011

Jewish Home for the Aging

1885 Victory Blvd. Reseda, CA

CREATED: 10/22/2008

FM-07-109

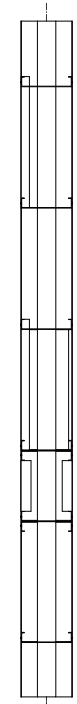
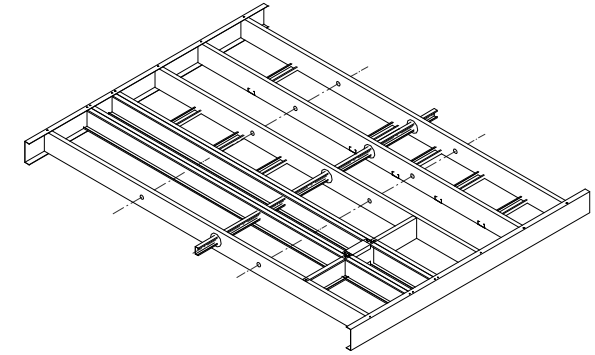
CREATED BY: AMB

FrameMax, Inc.
13915 Danielson St
Suite 100
Poway, CA 92064
www.framemax.com

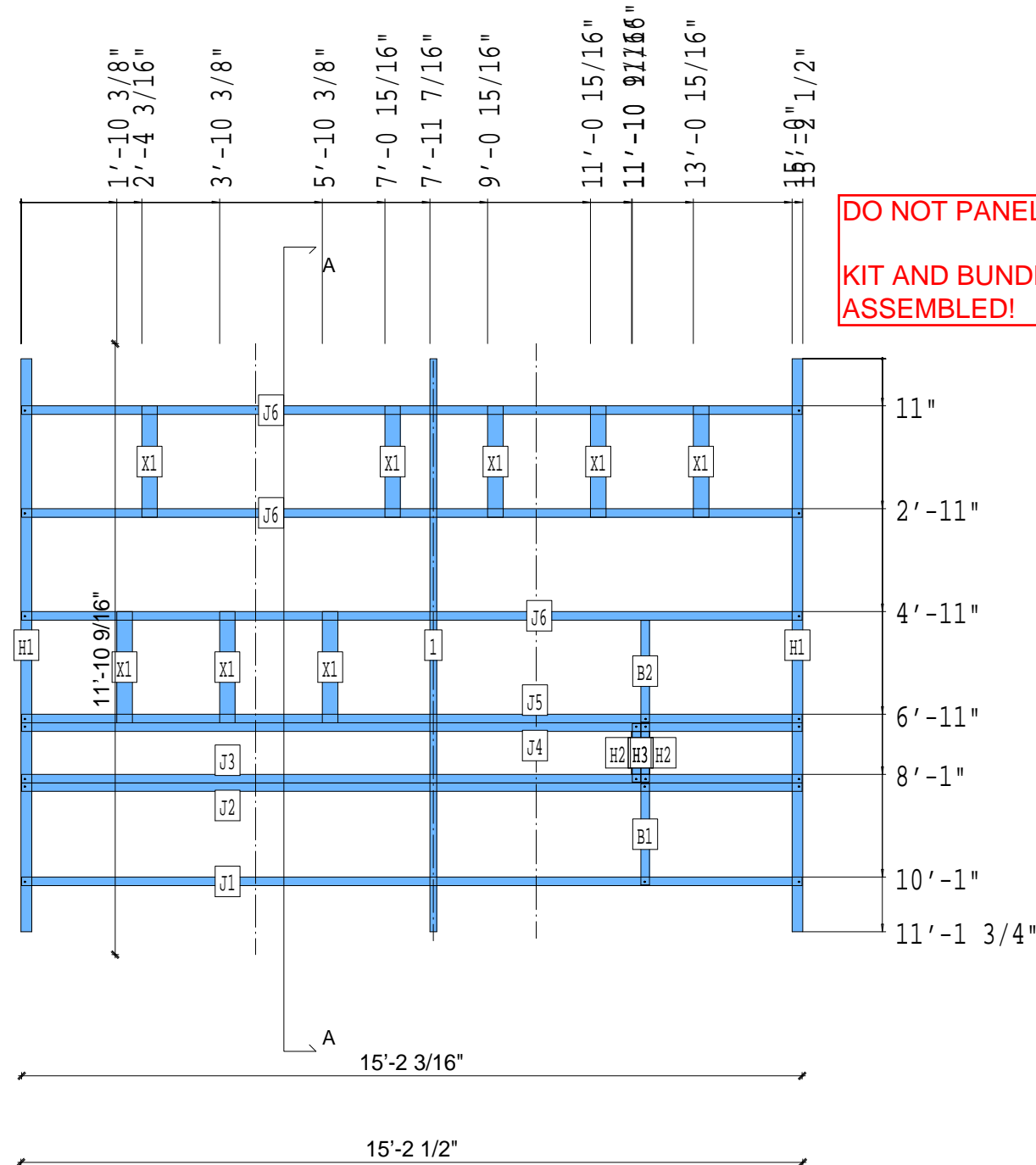


© FrameMax Inc.

APPROVED
By ijuarez at 3:55 pm, Oct 22, 2008



A-A



DO NOT PANELIZE
KIT AND BUNDLE PARTS, TO BE FIELD ASSEMBLED!

PIECE SCHEDULE						
LAB	QTY	MATERIAL	DESCRIPTION	LENGTH	ANG1	ANG2
1	1	362S162-54	JOIST	11'-1 3/4"		
B1	1	1000S200-97	BLOCK	1'-11 11/16"		
B2	1	1000S200-97	BLOCK	1'-11 3/4"		
H1	2	1000T250-97	HEADER	11'-1 3/4"		
H2	2	1000S200-97	OPENING TRIM	1'-1 11/16"		
H3	2	400T200-97	OPENING TRIM	10"		
J1	1	1000S200-97	JOIST	15'-2 3/16"		
J2	1	1000S200-97	OPENING TRIM	15'-2 3/16"		
J3	1	1000S200-97	OPENING TRIM	15'-2 3/16"		
J4	1	1000S200-97	OPENING TRIM	15'-2 3/16"		
J5	1	1000S200-97	OPENING TRIM	15'-2 3/16"		
J6	3	1000S200-97	JOIST	15'-2 3/16"		
X1	8	362S162-33	FLAT TRACK B	2'-2"		

11-5012

Jewish Home for the Aging

1885 Victory Blvd. Reseda, CA

FM-07-109

CREATED BY: AMB

FrameMax, Inc.
13915 Danielson St
Suite 100
Poway, CA 92064
www.framemax.com

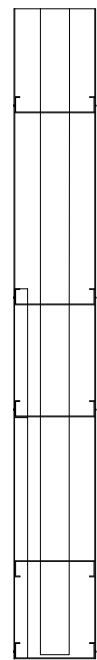
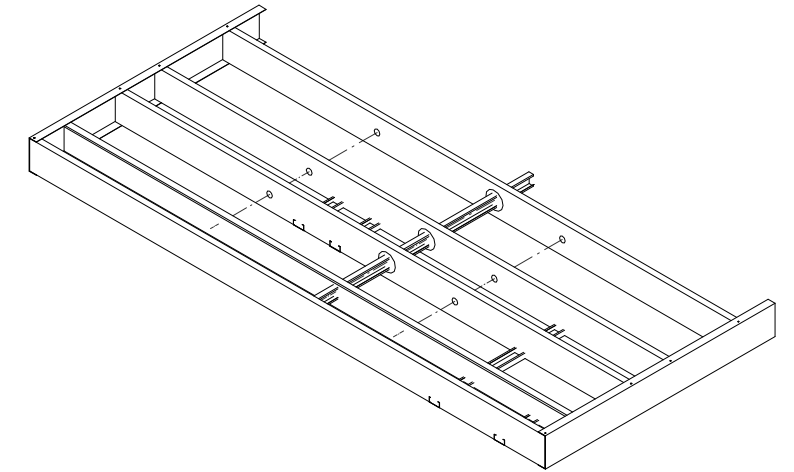


© FrameMax Inc.

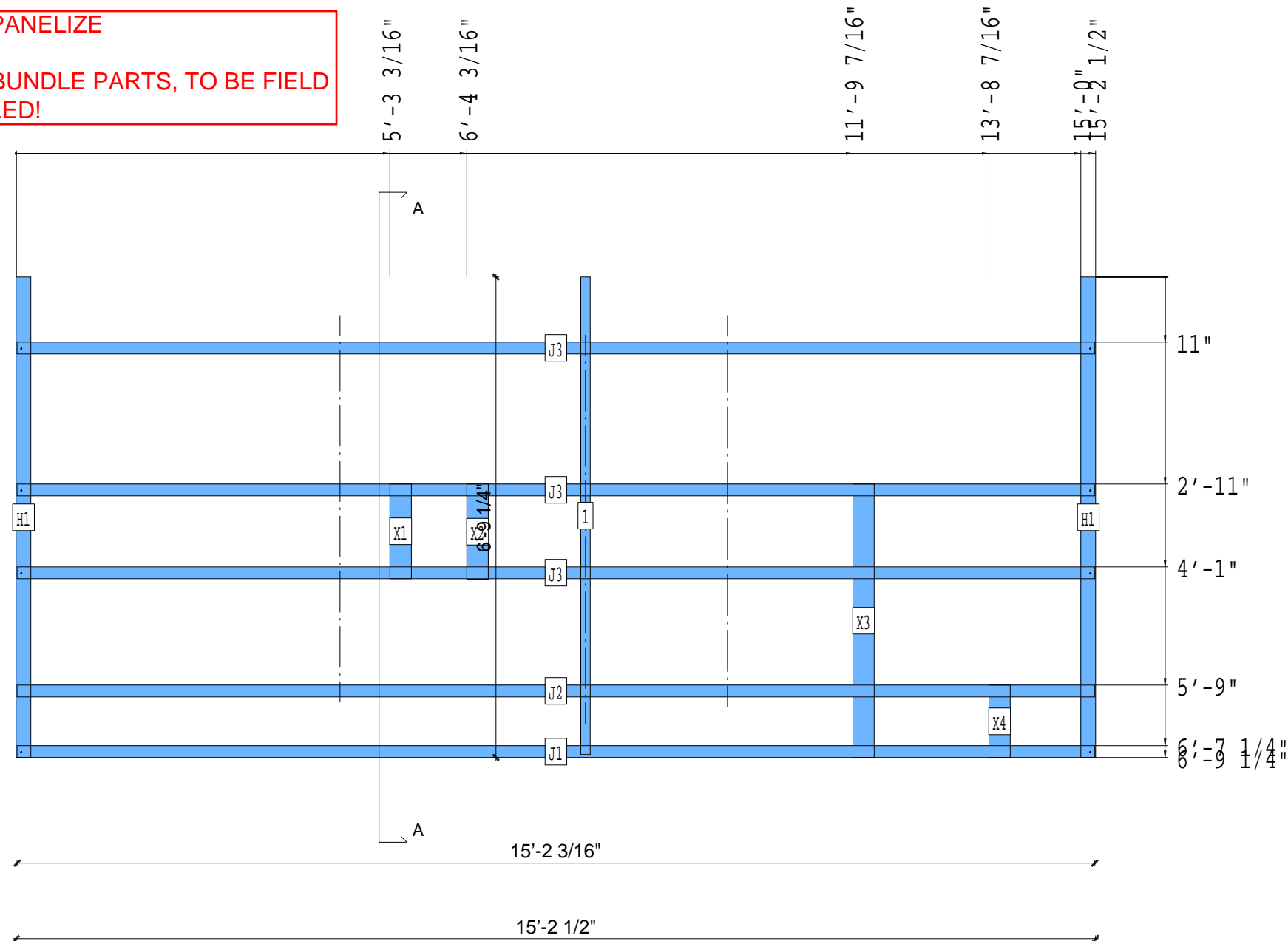
CREATED: 10/22/2008

APPROVED
By ijuarez at 3:55 pm, Oct 22, 2008

DO NOT PANELIZE
KIT AND BUNDLE PARTS, TO BE FIELD ASSEMBLED!



A-A



PIECE SCHEDULE						
LAB	QTY	MATERIAL	DESCRIPTION	LENGTH	ANG1	ANG2
1	1	362S162-54	JOIST	6'-8 3/4"		
H1	2	1000T250-97	HEADER	6'-9 1/4"		
J1	1	1000S200-97	JOIST	15'-2 3/16"		
J2	1	1000S200-97	JOIST	15'-2 3/16"		
J3	3	1000S200-97	JOIST	15'-2 3/16"		
X1	1	362S162-33	FLAT TRACK B	1'-4"		
X2	1	362S162-33	FLAT TRACK B	1'-4 1/8"		
X3	1	362S162-33	FLAT TRACK B	3'-10 1/4"		
X4	1	362S162-33	FLAT TRACK B	1'-0 1/4"		

11-5013

Jewish Home for the Aging

1885 Victory Blvd. Reseda, CA

FM-07-109

CREATED BY: AMB

FrameMax, Inc.
13915 Danielson St
Suite 100
Poway, CA 92064
www.framemax.com

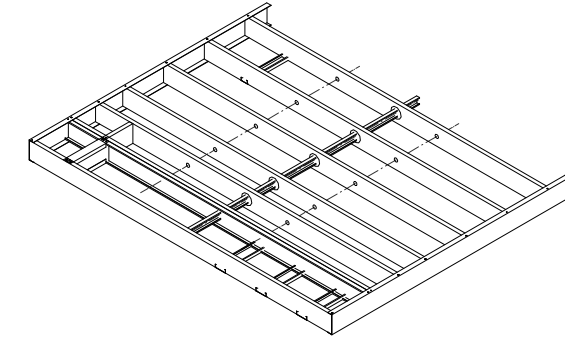


© FrameMax Inc.

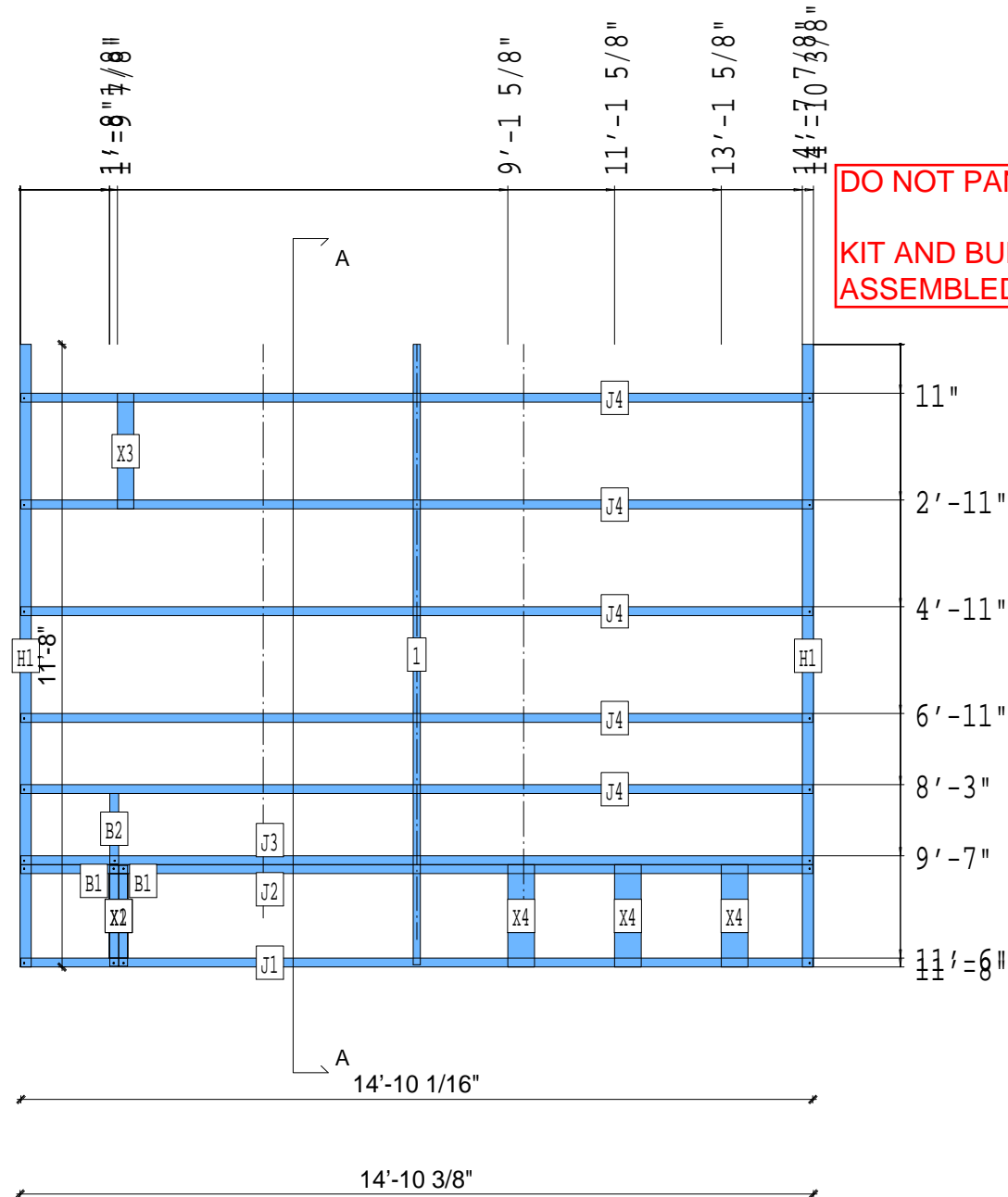
CREATED: 10/22/2008

APPROVED

By ijuarez at 3:55 pm, Oct 22, 2008



A-A



DO NOT PANELIZE
KIT AND BUNDLE PARTS, TO BE FIELD ASSEMBLED!

PIECE SCHEDULE						
LAB	QTY	MATERIAL	DESCRIPTION	LENGTH	ANG1	ANG2
1	1	362S162-54	JOIST	11'-7 1/2"		
B1	2	1000S200-97	BLOCK	1'-10 11/16"		
B2	1	1000S200-97	BLOCK	1'-3 13/16"		
H1	2	1000T250-97	HEADER	11'-8"		
J1	1	1000S200-97	JOIST	14'-10 1/16"		
J2	1	1000S200-97	JOIST	14'-10 1/16"		
J3	1	1000S200-97	JOIST	14'-10 1/16"		
J4	5	1000S200-97	JOIST	14'-10 1/16"		
X1	1	400T200-97	FLAT TRACK B	1'-6 15/16"		
X2	1	400T200-97	FLAT TRACK B	1'-7"		
X3	1	362S162-33	FLAT TRACK B	2'-2"		
X4	3	600S162-33	FLAT TRACK B	1'-11"		

11-5014

Jewish Home for the Aging

1885 Victory Blvd. Reseda, CA

FM-07-109

CREATED BY: AMB

FrameMax, Inc.
13915 Danielson St
Suite 100
Poway, CA 92064
www.framemax.com



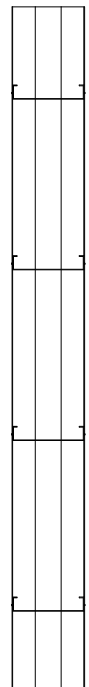
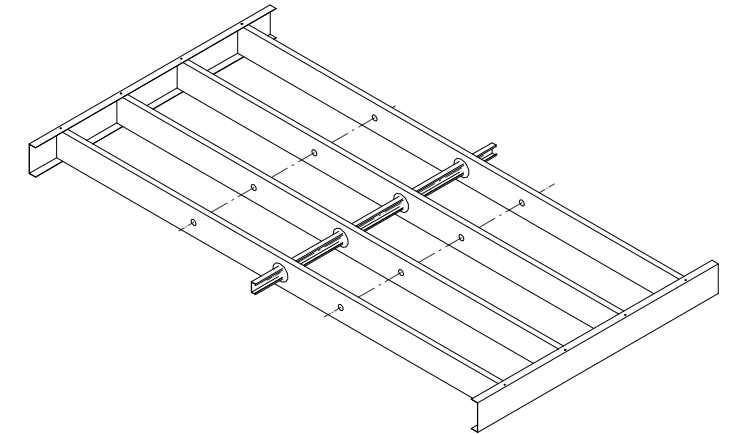
© FrameMax Inc.

CREATED: 10/22/2008

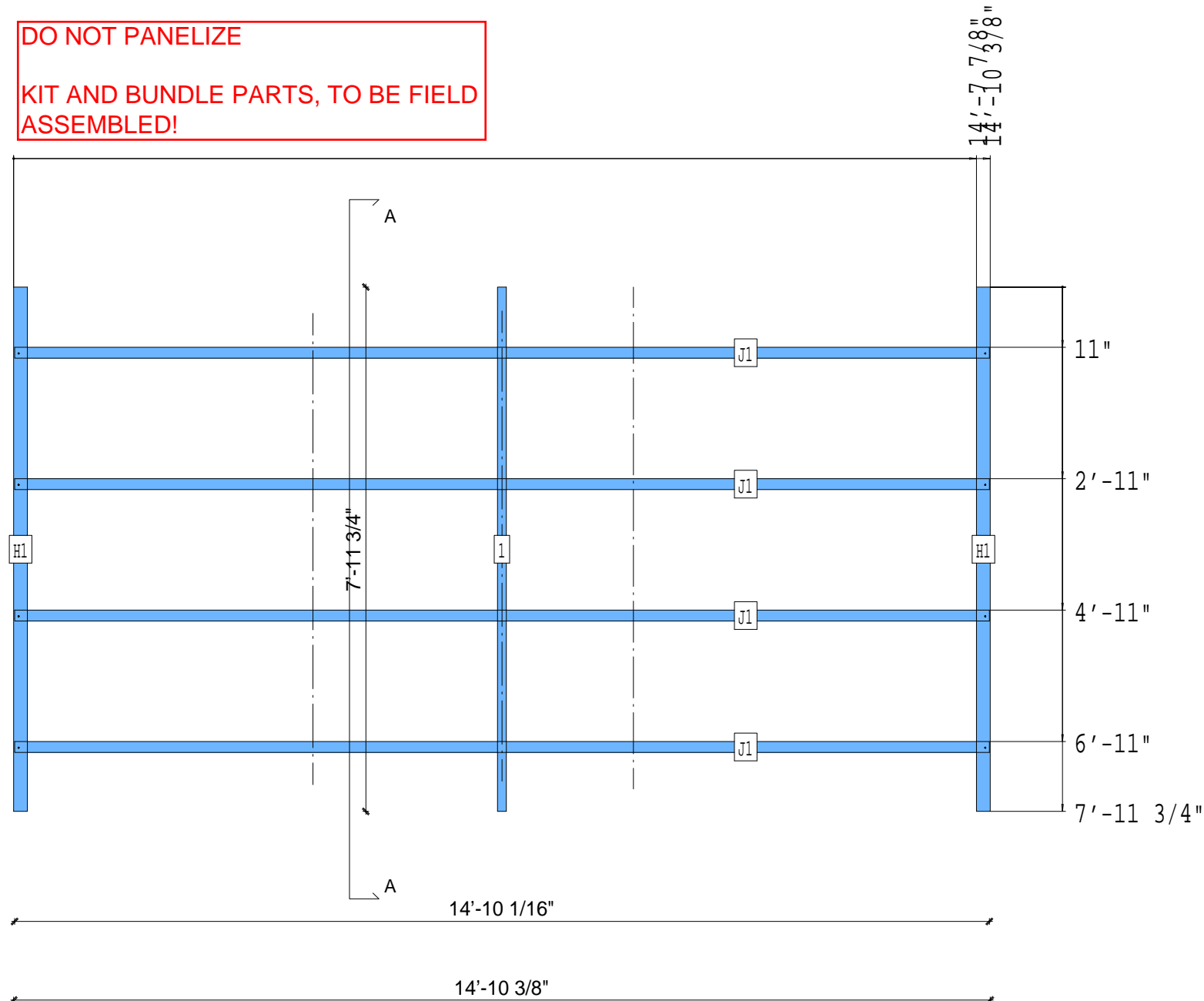
APPROVED

By ijuarez at 3:55 pm, Oct 22, 2008

DO NOT PANELIZE
KIT AND BUNDLE PARTS, TO BE FIELD ASSEMBLED!



A-A



PIECE SCHEDULE						
LAB	QTY	MATERIAL	DESCRIPTION	LENGTH	ANG1	ANG2
1	1	362S162-54	JOIST	7'-11 3/4"		
H1	2	1000T250-97	HEADER	7'-11 3/4"		
J1	4	1000S200-97	JOIST	14'-10 1/16"		

11-5015

Jewish Home for the Aging

1885 Victory Blvd. Reseda, CA

FM-07-109

CREATED BY: AMB

FrameMax, Inc.
13915 Danielson St
Suite 100
Poway, CA 92064
www.framemax.com

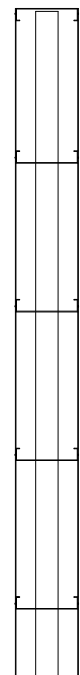
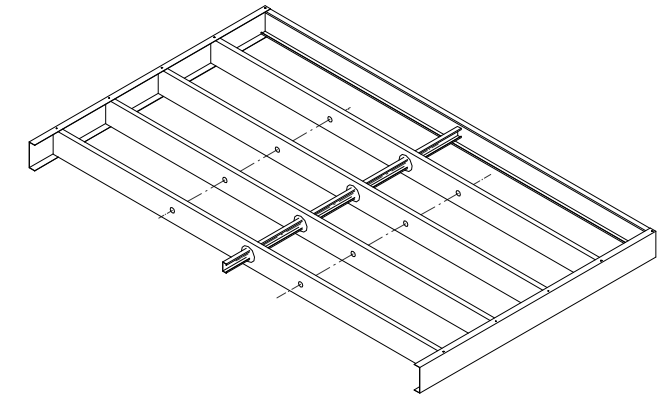
FRAME MAX

© FrameMax Inc.

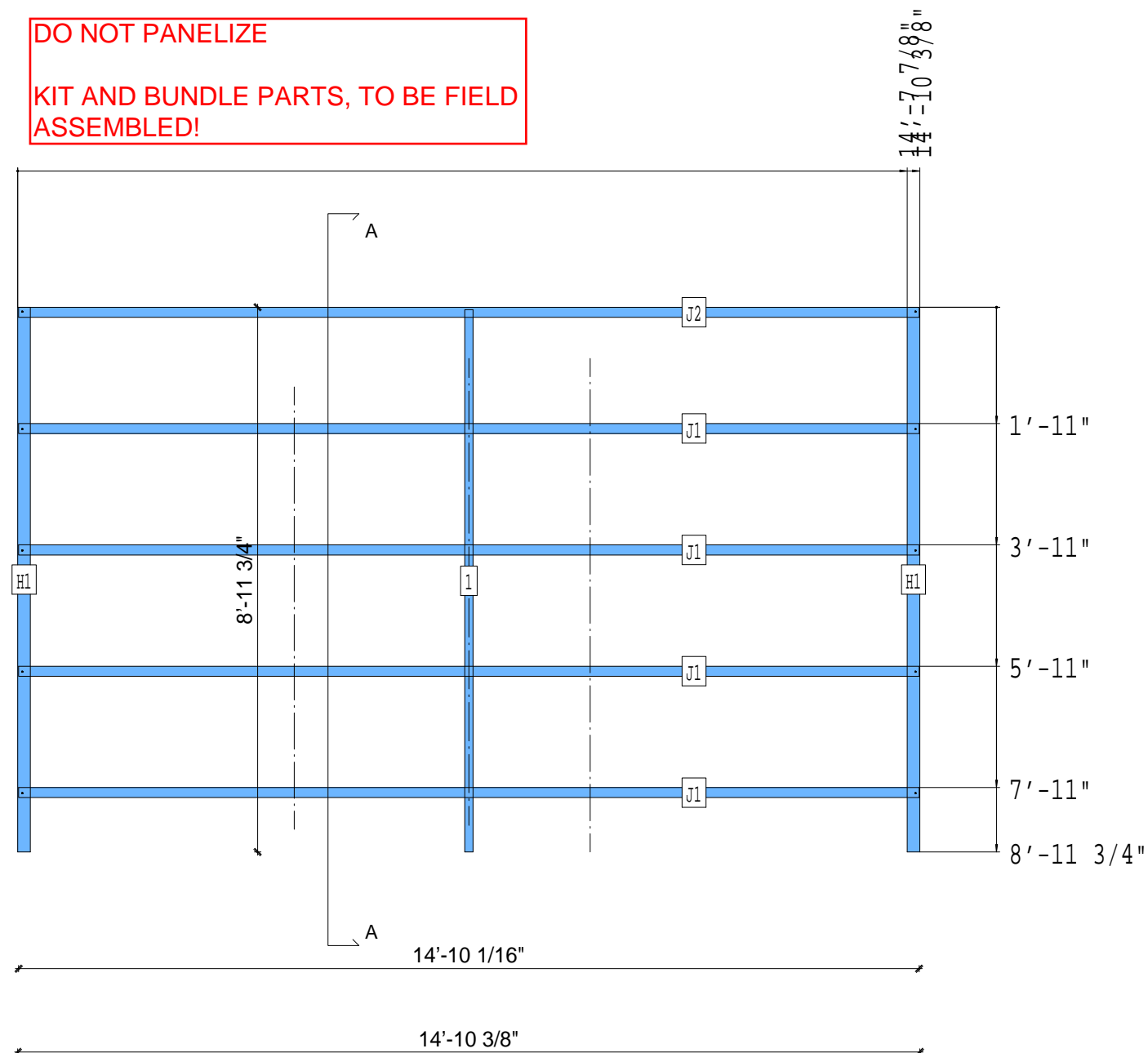
CREATED: 10/22/2008

APPROVED
By ijuarez at 3:55 pm, Oct 22, 2008

DO NOT PANELIZE
KIT AND BUNDLE PARTS, TO BE FIELD ASSEMBLED!



A-A



PIECE SCHEDULE						
LAB	QTY	MATERIAL	DESCRIPTION	LENGTH	ANG1	ANG2
1	1	362S162-54	JOIST	8'-11 1/4"		
H1	2	1000T250-97	HEADER	8'-11 3/4"		
J1	4	1000S200-97	JOIST	14'-10 1/16"		
J2	1	1000S200-97	JOIST	14'-10 1/16"		

11-5016

Jewish Home for the Aging

1885 Victory Blvd. Reseda, CA

FM-07-109

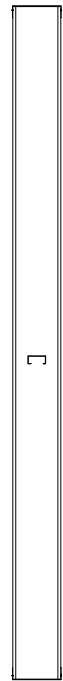
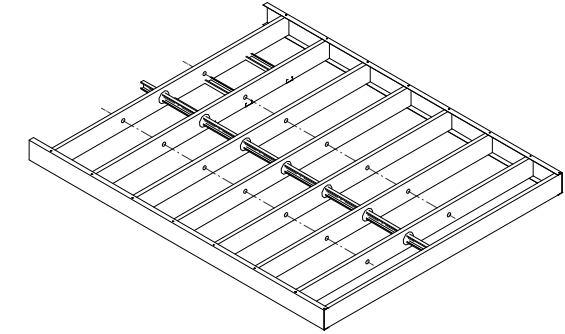
CREATED BY: AMB

FrameMax, Inc.
13915 Danielson St
Suite 100
Poway, CA 92064
www.framemax.com

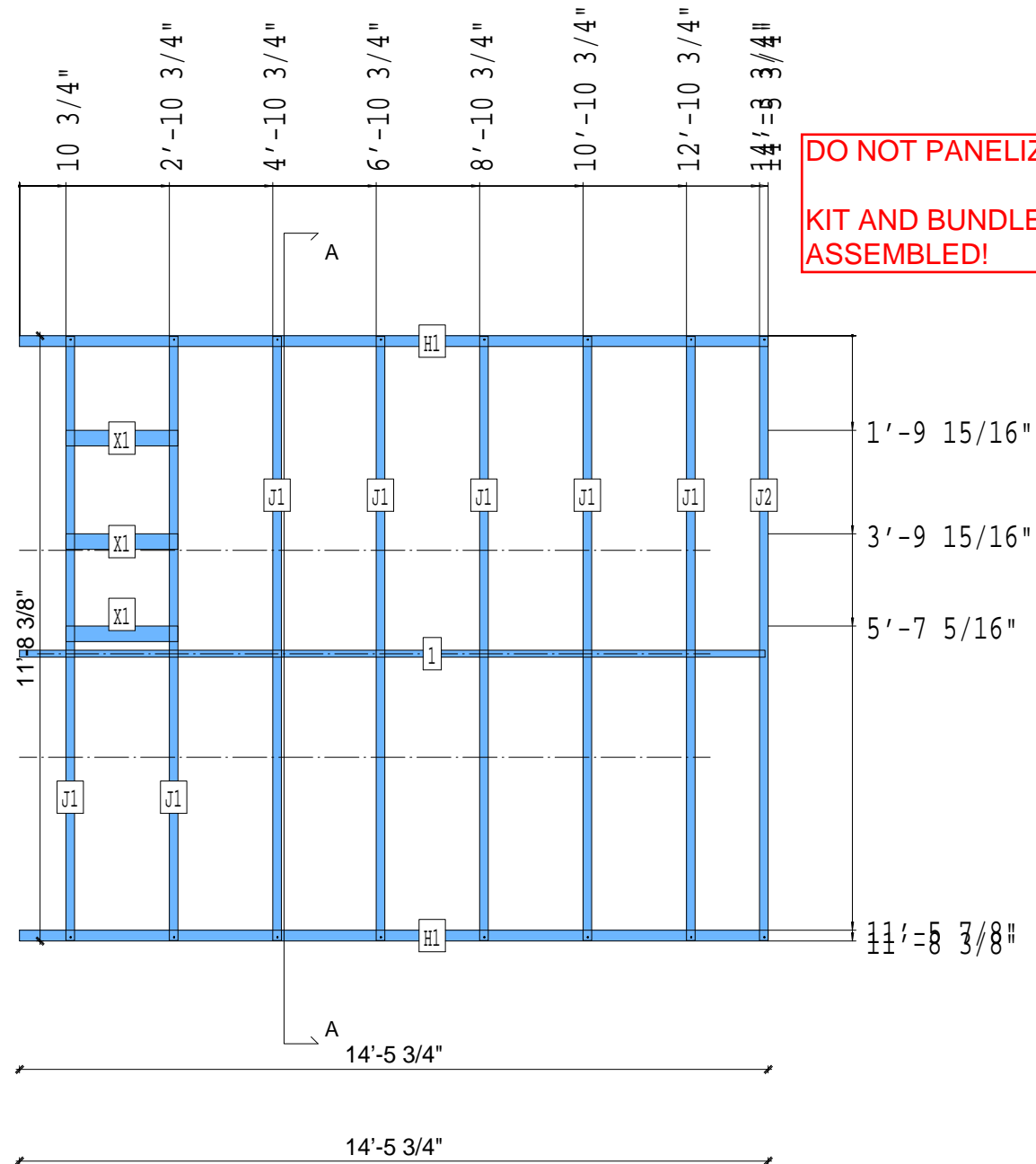


© FrameMax Inc.

APPROVED
By ijuarez at 3:55 pm, Oct 22, 2008



A-A



DO NOT PANELIZE
KIT AND BUNDLE PARTS, TO BE FIELD ASSEMBLED!

PIECE SCHEDULE						
LAB	QTY	MATERIAL	DESCRIPTION	LENGTH	ANG1	ANG2
1	1	362S162-54	JOIST	14'-5"		
H1	2	1000T250-68	HEADER	14'-5 3/4"		
J1	7	1000S200-68	JOIST	11'-8 1/8"		
J2	1	1000S200-68	JOIST	11'-8 1/8"		
X1	3	362S162-33	FLAT TRACK B	2'-2"		

11-5017

Jewish Home for the Aging

1885 Victory Blvd. Reseda, CA

FM-07-109

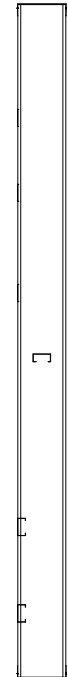
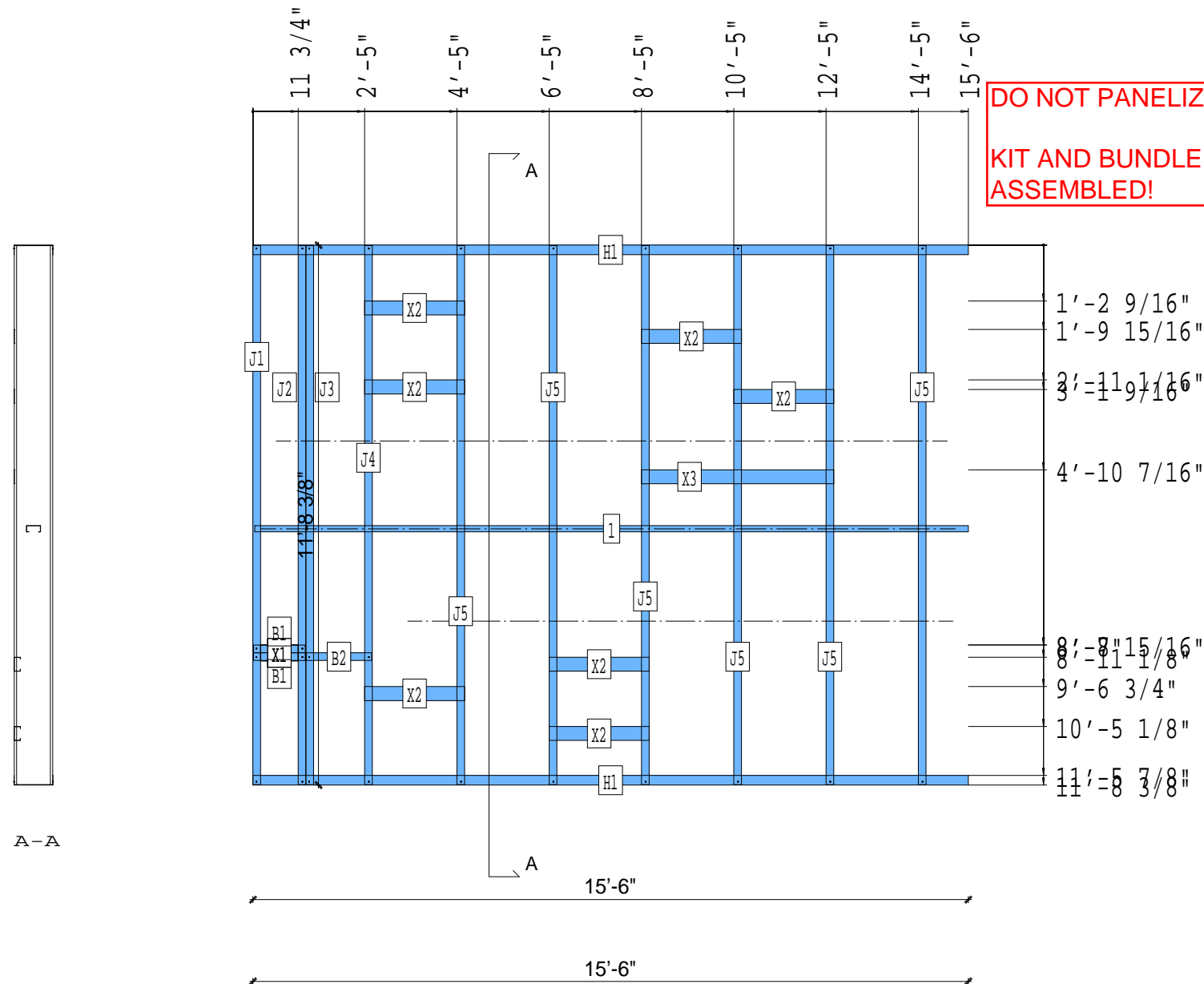
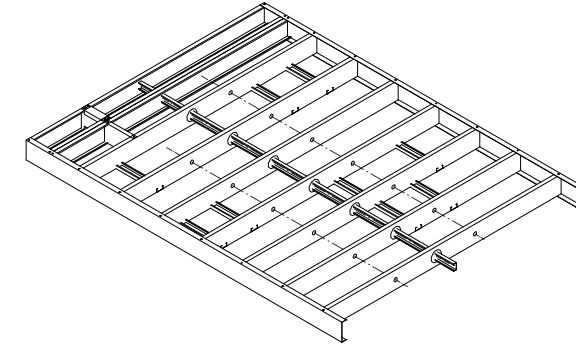
CREATED BY: AMB

FrameMax, Inc.
13915 Danielson St
Suite 100
Poway, CA 92064
www.framemax.com



© FrameMax Inc.

APPROVED
By ijuarez at 3:55 pm, Oct 22, 2008



A-A

PIECE SCHEDULE						
LAB	QTY	MATERIAL	DESCRIPTION	LENGTH	ANG1	ANG2
1	1	362S162-54	JOIST	15'-5 1/2"		
B1	2	1000S200-68	BLOCK	1'-1 1/2"		
B2	1	1000S200-68	BLOCK	1'-5"		
H1	2	1000T250-68	HEADER	15'-6"		
J1	1	1000S200-68	JOIST	11'-8 1/8"		
J2	1	1000S200-68	JOIST	11'-8 1/8"		
J3	1	1000S200-68	JOIST	11'-8 1/8"		
J4	1	1000S200-68	JOIST	11'-8 1/8"		
J5	6	1000S200-68	JOIST	11'-8 1/8"		
X1	2	400T200-68	FLAT TRACK B	9 3/4"		
X2	7	362S162-33	FLAT TRACK B	2'-2"		
X3	1	362S162-33	FLAT TRACK B	4'-2"		

11-5018

Jewish Home for the Aging

1885 Victory Blvd. Reseda, CA

FM-07-109

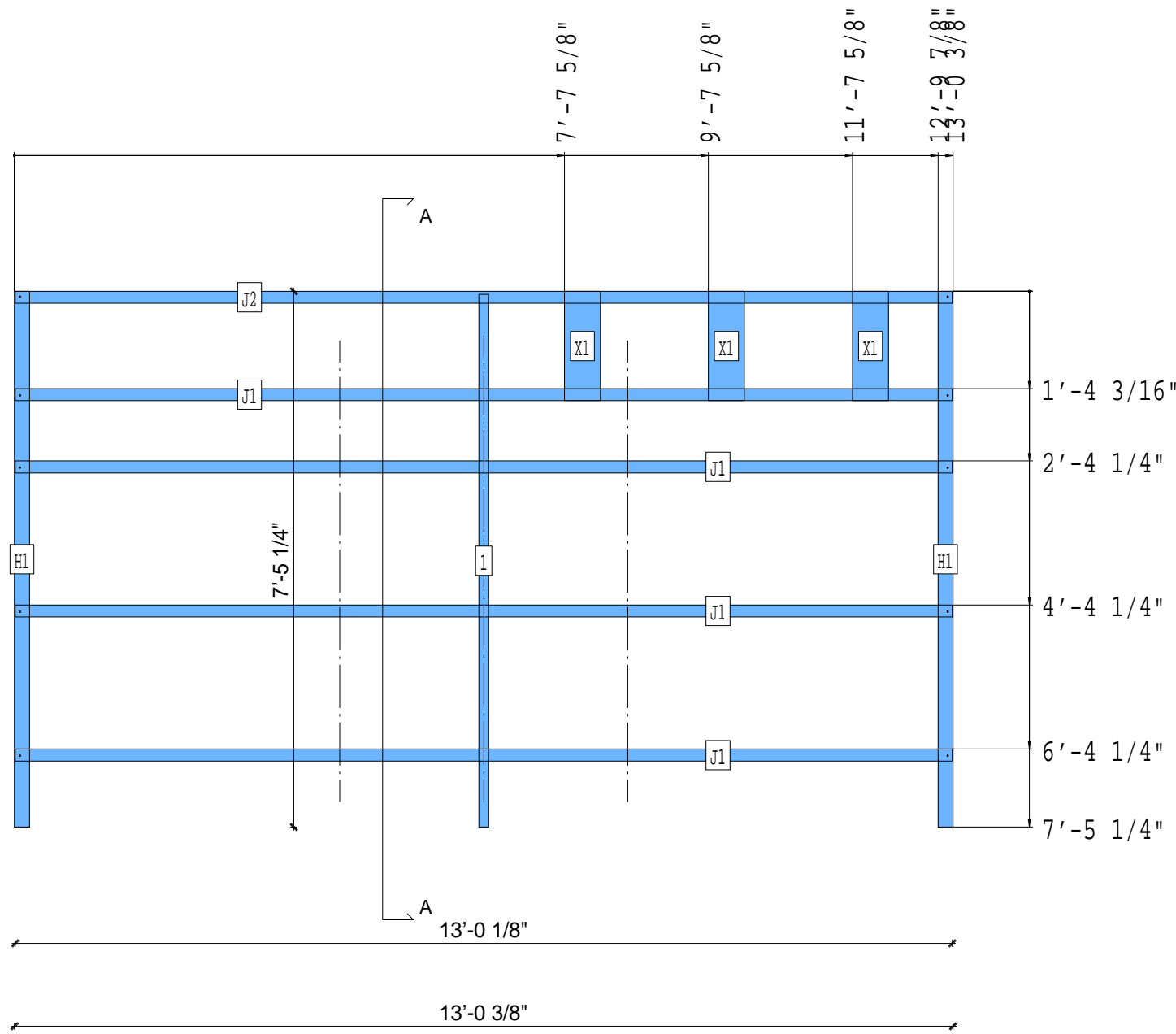
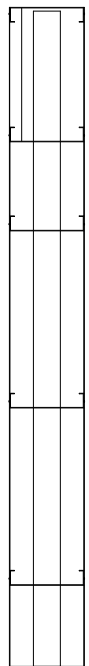
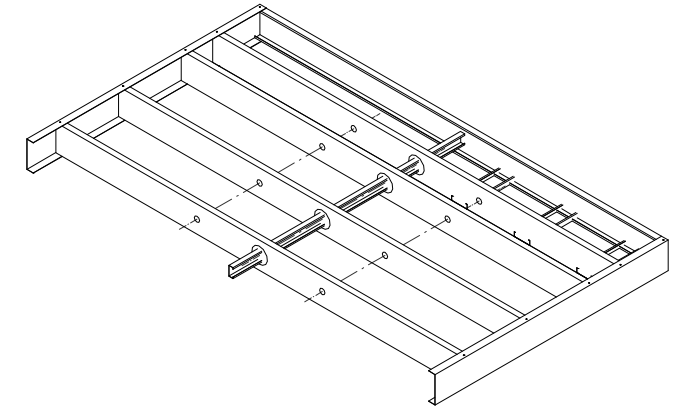
CREATED BY: AMB

FrameMax, Inc.
 13915 Danielson St
 Suite 100
 Poway, CA 92064
 www.framemax.com



© FrameMax Inc.

APPROVED
 By ijuarez at 3:55 pm, Oct 22, 2008



PIECE SCHEDULE						
LAB	QTY	MATERIAL	DESCRIPTION	LENGTH	ANG1	ANG2
1	1	362S162-54	JOIST	7'-4 3/4"		
H1	2	1000T250-68	HEADER	7'-5 1/4"		
J1	4	1000S200-68	JOIST	13'-0 1/8"		
J2	1	1000S200-68	JOIST	13'-0 1/8"		
X1	3	600S162-33	FLAT TRACK B	1'-6 3/16"		

11-5019

Jewish Home for the Aging

1885 Victory Blvd. Reseda, CA

FM-07-109

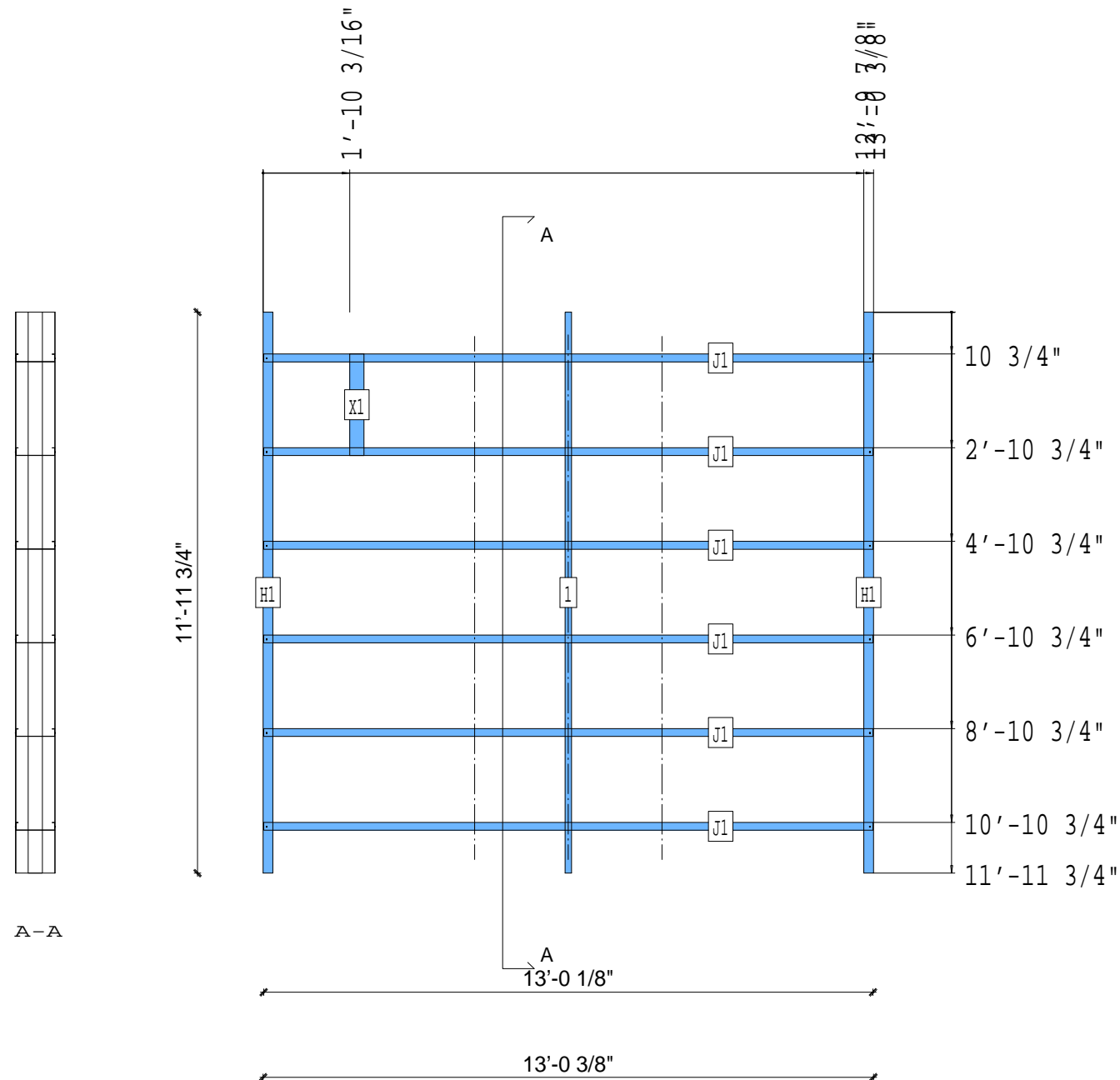
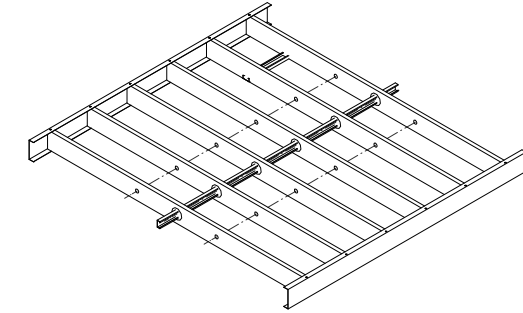
CREATED BY: AMB

FrameMax, Inc.
 13915 Danielson St
 Suite 100
 Poway, CA 92064
 www.framemax.com



© FrameMax Inc.

APPROVED
 By ijuarez at 3:55 pm, Oct 22, 2008



PIECE SCHEDULE						
LAB	QTY	MATERIAL	DESCRIPTION	LENGTH	ANG1	ANG2
1	1	362S162-54	JOIST	11'-11 3/4"		
H1	2	1000T250-68	HEADER	11'-11 3/4"		
J1	6	1000S200-68	JOIST	13'-0 1/8"		
X1	1	362S162-33	FLAT TRACK B	2'-2"		

11-5020

Jewish Home for the Aging

1885 Victory Blvd. Reseda, CA

FM-07-109

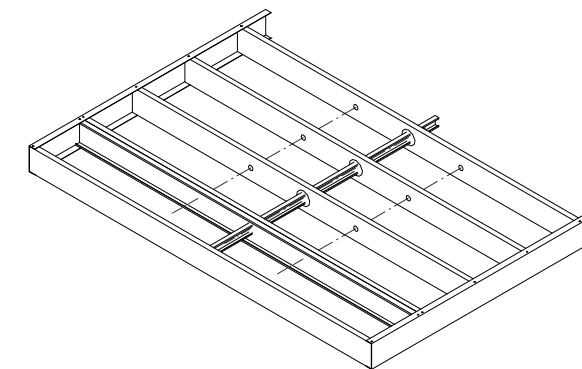
CREATED BY: AMB

FrameMax, Inc.
13915 Danielson St
Suite 100
Poway, CA 92064
www.frame-max.com

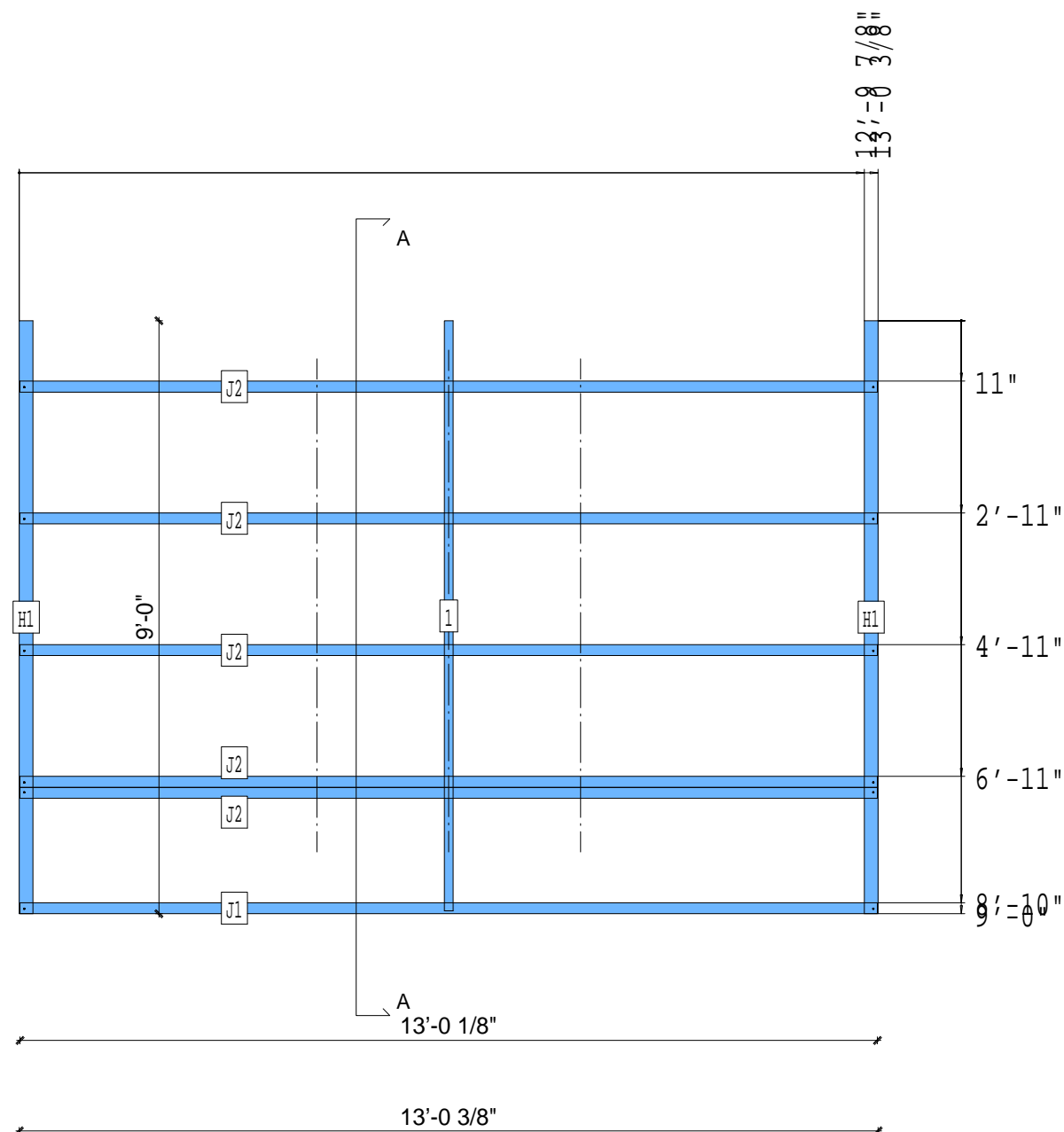
FRAMEMAX

© FrameMax Inc.

APPROVED
By ijuarez at 3:55 pm, Oct 22, 2008



A-A



PIECE SCHEDULE						
LAB	QTY	MATERIAL	DESCRIPTION	LENGTH	ANG1	ANG2
1	1	362S162-54	JOIST	8'-11 1/2"		
H1	2	1000T250-68	HEADER	9'-0"		
J1	1	1000S200-68	JOIST	13'-0 1/8"		
J2	5	1000S200-68	JOIST	13'-0 1/8"		

11-5021

Jewish Home for the Aging

1885 Victory Blvd. Reseda, CA

FM-07-109

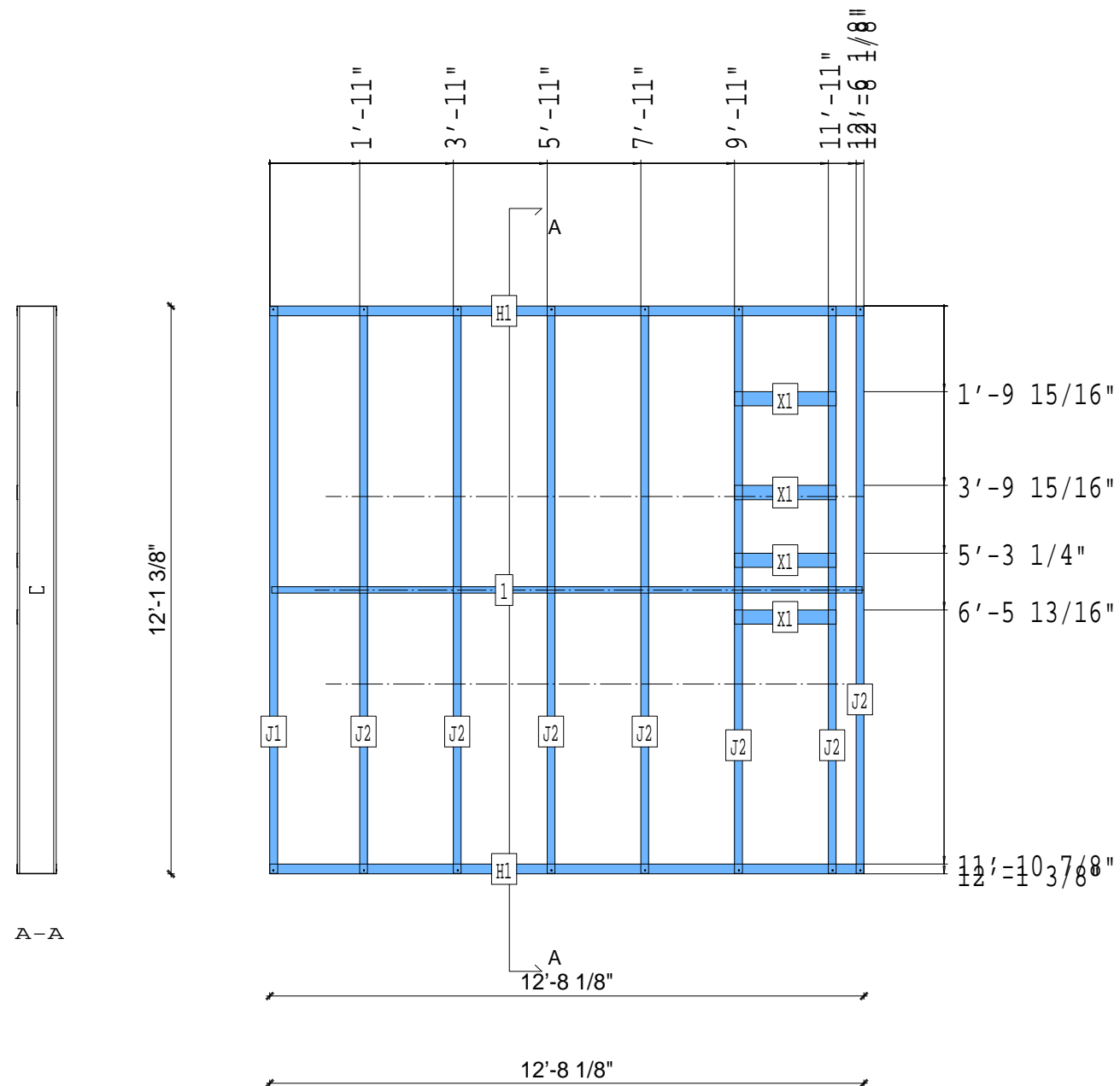
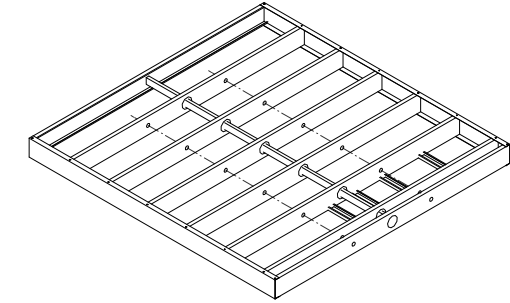
CREATED BY: AMB

FrameMax, Inc.
 13915 Danielson St
 Suite 100
 Poway, CA 92064
 www.framemax.com



© FrameMax Inc.

APPROVED
 By ijuarez at 3:55 pm, Oct 22, 2008



PIECE SCHEDULE						
LAB	QTY	MATERIAL	DESCRIPTION	LENGTH	ANG1	ANG2
1	1	362S162-54	JOIST	12'-7 1/8"		
H1	2	1000T250-68	HEADER	12'-8 1/8"		
J1	1	1000S200-68	JOIST	12'-1 1/8"		
J2	7	1000S200-68	JOIST	12'-1 1/8"		
X1	4	362S162-33	FLAT TRACK B	2'-2"		

11-5022

Jewish Home for the Aging

1885 Victory Blvd. Reseda, CA

FM-07-109

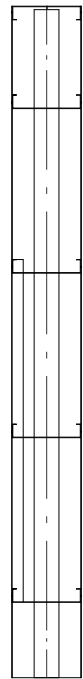
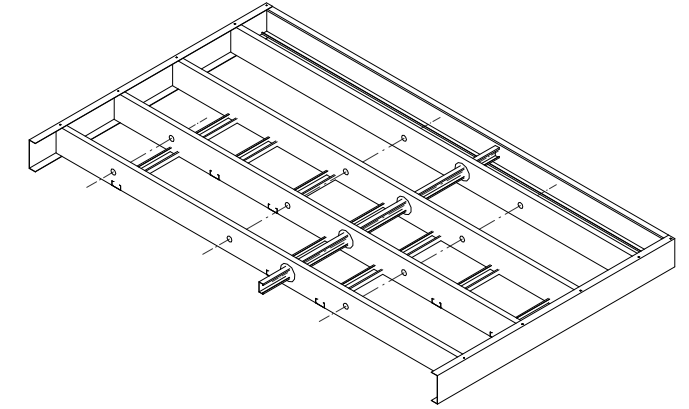
CREATED BY: AMB

FrameMax, Inc.
 13915 Danielson St
 Suite 100
 Poway, CA 92064
 www.frame-max.com

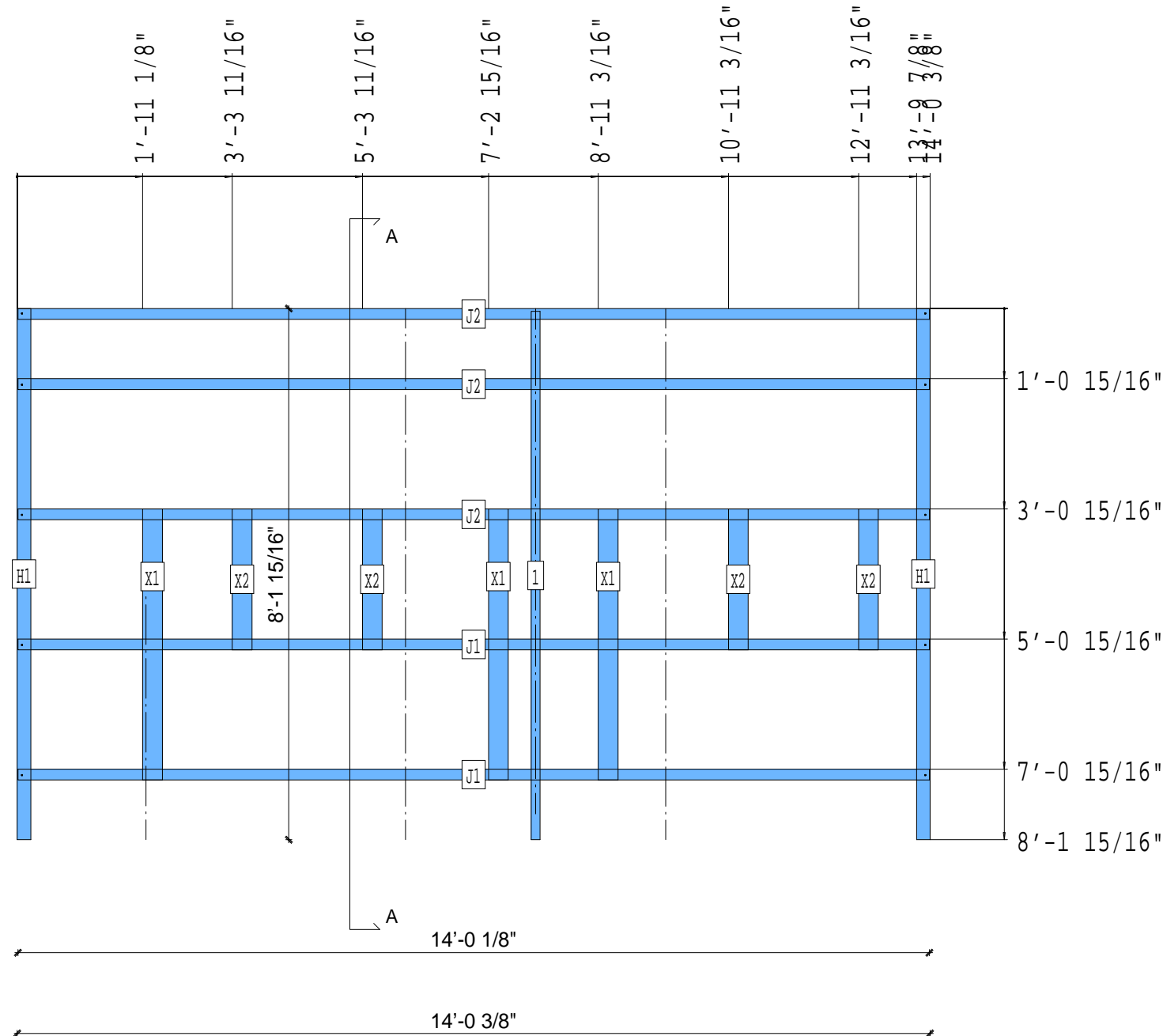


© FrameMax Inc.

APPROVED
 By ijuarez at 3:55 pm, Oct 22, 2008



A-A



PIECE SCHEDULE						
LAB	QTY	MATERIAL	DESCRIPTION	LENGTH	ANG1	ANG2
1	1	362S162-54	JOIST	8'-1 7/16"		
H1	2	1000T250-68	HEADER	8'-1 15/16"		
J1	2	1000S200-68	JOIST	14'-0 1/8"		
J2	3	1000S200-68	JOIST	14'-0 1/8"		
X1	3	362S162-33	FLAT TRACK B	4'-2"		
X2	4	362S162-33	FLAT TRACK B	2'-2"		

11-5023

Jewish Home for the Aging

1885 Victory Blvd. Reseda, CA

FM-07-109

CREATED BY: AMB

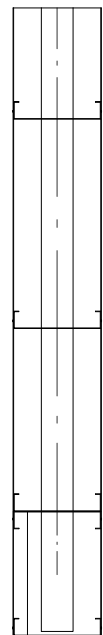
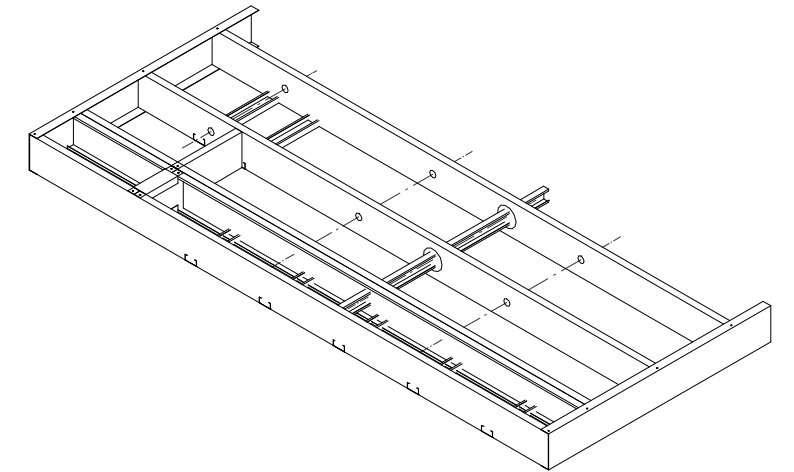
FrameMax, Inc.
13915 Danielson St
Suite 100
Poway, CA 92064
www.framemax.com



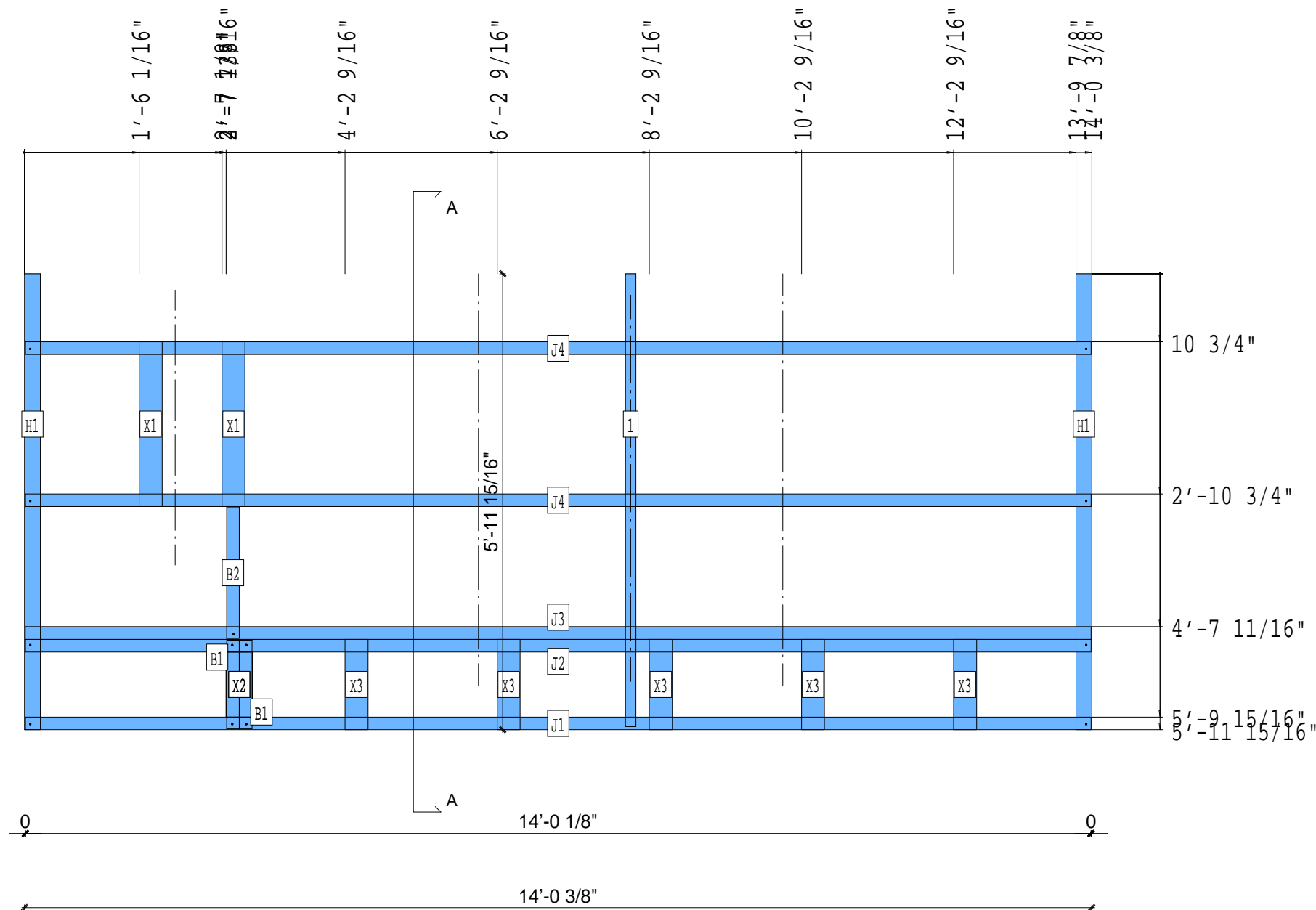
© FrameMax Inc.

CREATED: 10/22/2008

APPROVED
By ijuarez at 3:55 pm, Oct 22, 2008



A-A



PIECE SCHEDULE						
LAB	QTY	MATERIAL	DESCRIPTION	LENGTH	ANG1	ANG2
1	1	362S162-54	JOIST	5'-11 7/16"		
B1	2	1000S200-68	BLOCK	1'-2"		
B2	1	1000S200-68	BLOCK	1'-8 3/4"		
H1	2	1000T250-68	HEADER	5'-11 15/16"		
J1	1	1000S200-68	JOIST	14'-0 1/8"		
J2	1	1000S200-68	JOIST	14'-0 1/8"		
J3	1	1000S200-68	JOIST	14'-0 1/8"		
J4	2	1000S200-68	JOIST	14'-0 1/8"		
X1	2	362S162-33	FLAT TRACK B	2'-2"		
X2	2	400T200-68	FLAT TRACK B	10 1/4"		
X3	5	362S162-33	FLAT TRACK B	1'-2 1/4"		

11-5024

Jewish Home for the Aging

1885 Victory Blvd. Reseda, CA

FM-07-109

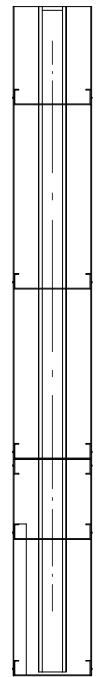
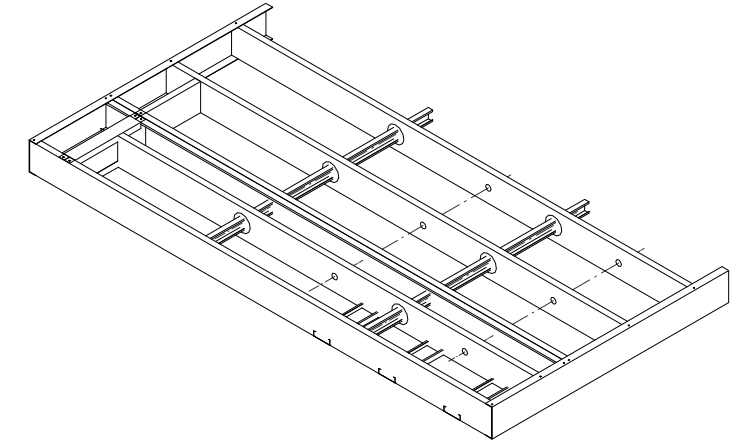
CREATED BY: AMB

FrameMax, Inc.
13915 Danielson St
Suite 100
Poway, CA 92064
www.frameMAX.com

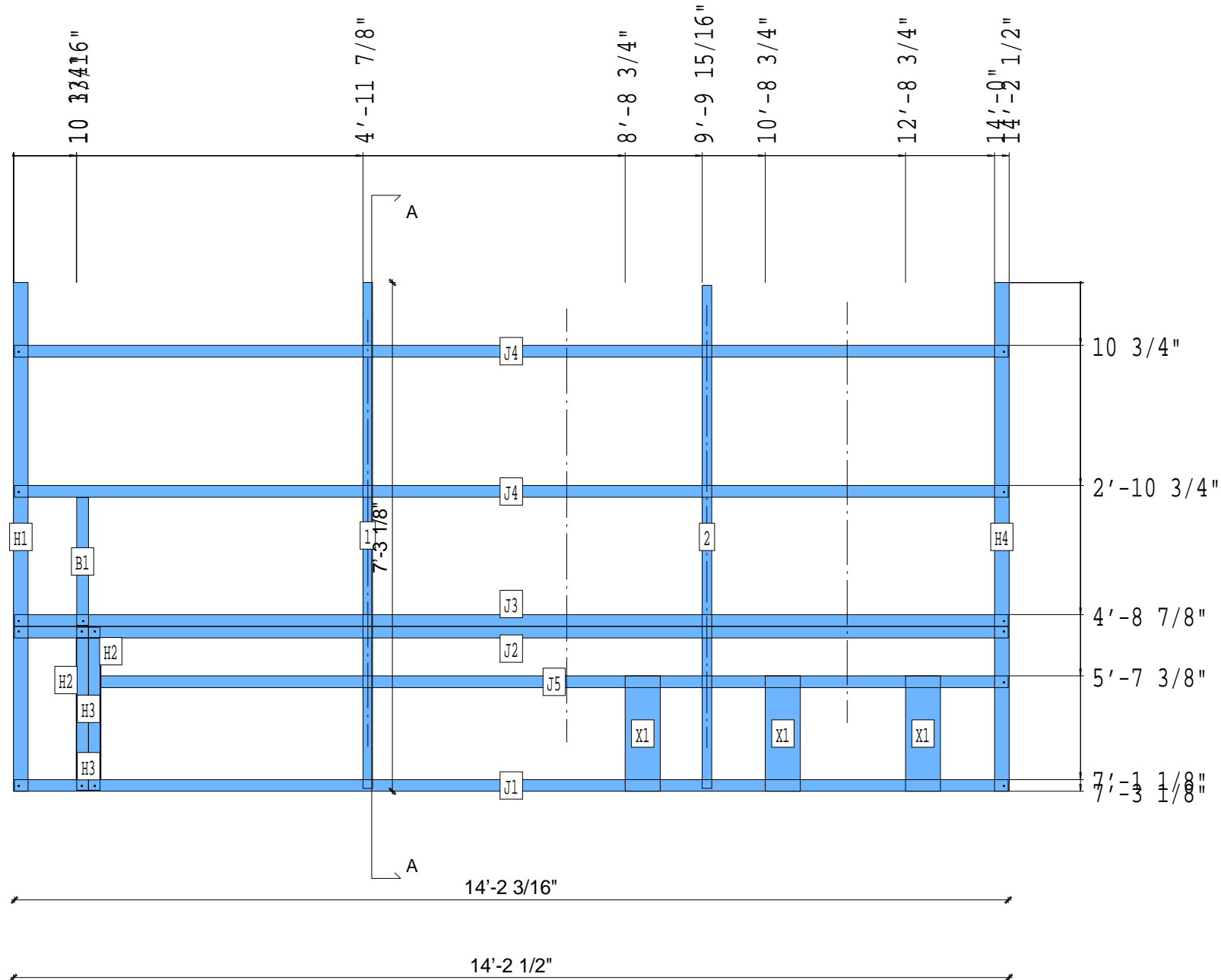


© FrameMax Inc.

APPROVED
By ijuarez at 3:55 pm, Oct 22, 2008



A-A



PIECE SCHEDULE						
LAB	QTY	MATERIAL	DESCRIPTION	LENGTH	ANG1	ANG2
1	1	362S162-54	JOIST	7'-2 5/8"		
2	1	362S162-54	JOIST	7'-2 1/8"		
B1	1	1000S200-97	BLOCK	1'-9 7/8"		
H1	1	1000T250-97	HEADER	7'-3 1/8"		
H2	2	1000S200-97	OPENING TRIM	2'-3 15/16"		
H3	2	400T200-97	OPENING TRIM	2'-0 1/4"		
H4	1	1000T250-97	HEADER	7'-3 1/8"		
J1	1	1000S200-97	JOIST	14'-2 3/16"		
J2	1	1000S200-97	OPENING TRIM	14'-2 3/16"		
J3	1	1000S200-97	OPENING TRIM	14'-2 3/16"		
J4	2	1000S200-97	JOIST	14'-2 3/16"		
J5	1	1000S200-97	JOIST	12'-11 1/2"		
X1	3	600S162-33	FLAT TRACK B	1'-7 3/4"		

11-5025

Jewish Home for the Aging

1885 Victory Blvd. Reseda, CA

FM-07-109

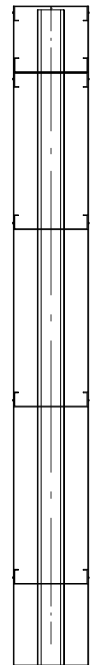
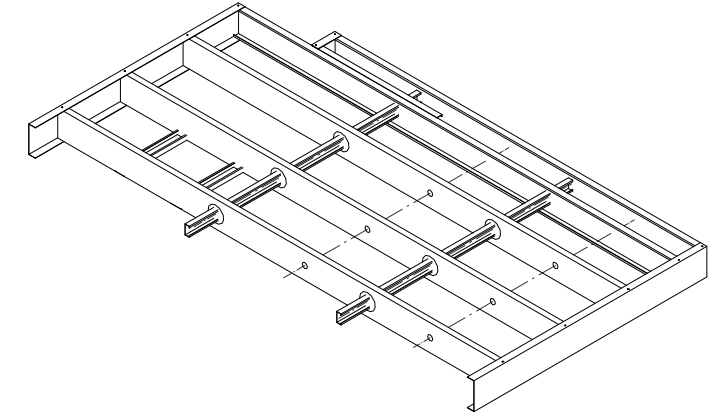
CREATED BY: AMB

FrameMax, Inc.
13915 Danielson St
Suite 100
Poway, CA 92064
www.framemax.com

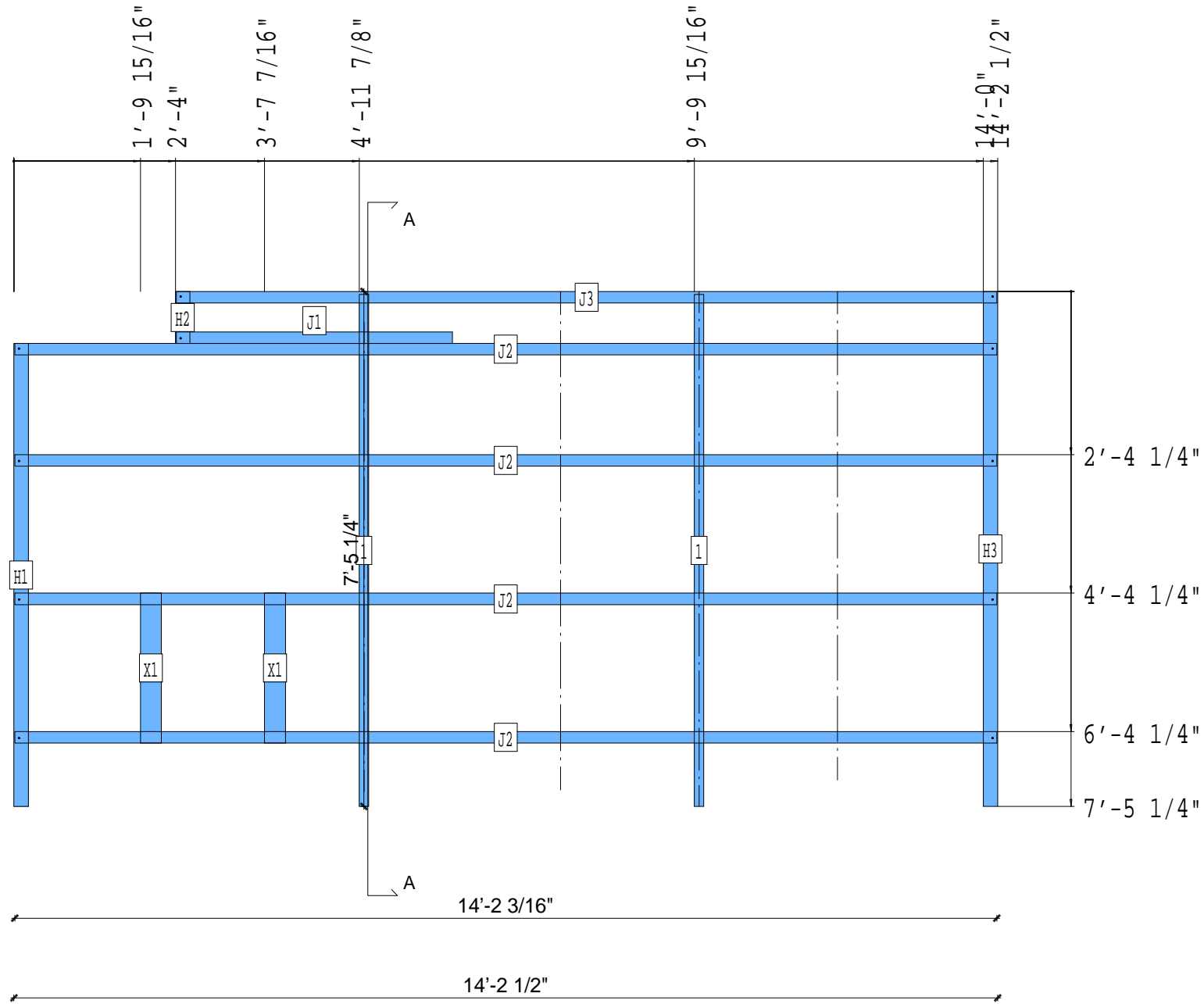


© FrameMax Inc.

APPROVED
By ijuarez at 3:55 pm, Oct 22, 2008



A-A



PIECE SCHEDULE						
LAB	QTY	MATERIAL	DESCRIPTION	LENGTH	ANG1	ANG2
1	2	362S162-54	JOIST	7'-4 3/4"		
H1	1	1000T250-97	HEADER	6'-8 1/4"		
H2	1	1000T250-97	HEADER	9"		
H3	1	1000T250-97	HEADER	7'-5 1/4"		
J1	1	1000S200-97	JOIST	3'-11 13/16"		
J2	4	1000S200-97	JOIST	14'-2 3/16"		
J3	1	1000S200-97	JOIST	11'-10 3/16"		
X1	2	362S162-33	FLAT TRACK B	2'-2"		

11-5026

Jewish Home for the Aging

1885 Victory Blvd. Reseda, CA

FM-07-109

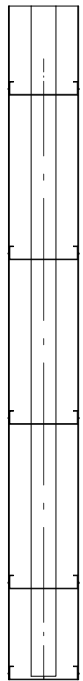
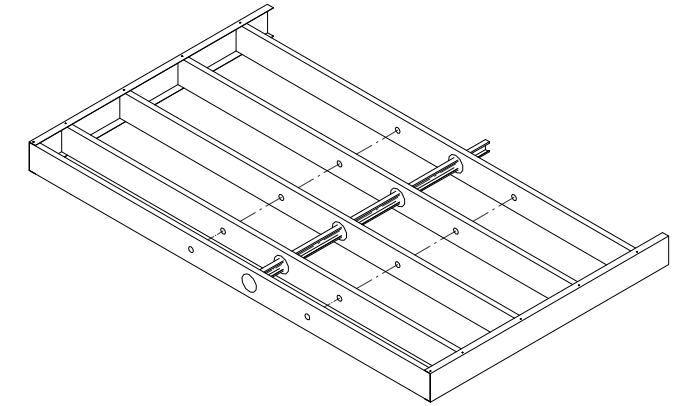
CREATED BY: AMB

FrameMax, Inc.
13915 Danielson St
Suite 100
Poway, CA 92064
www.framemax.com

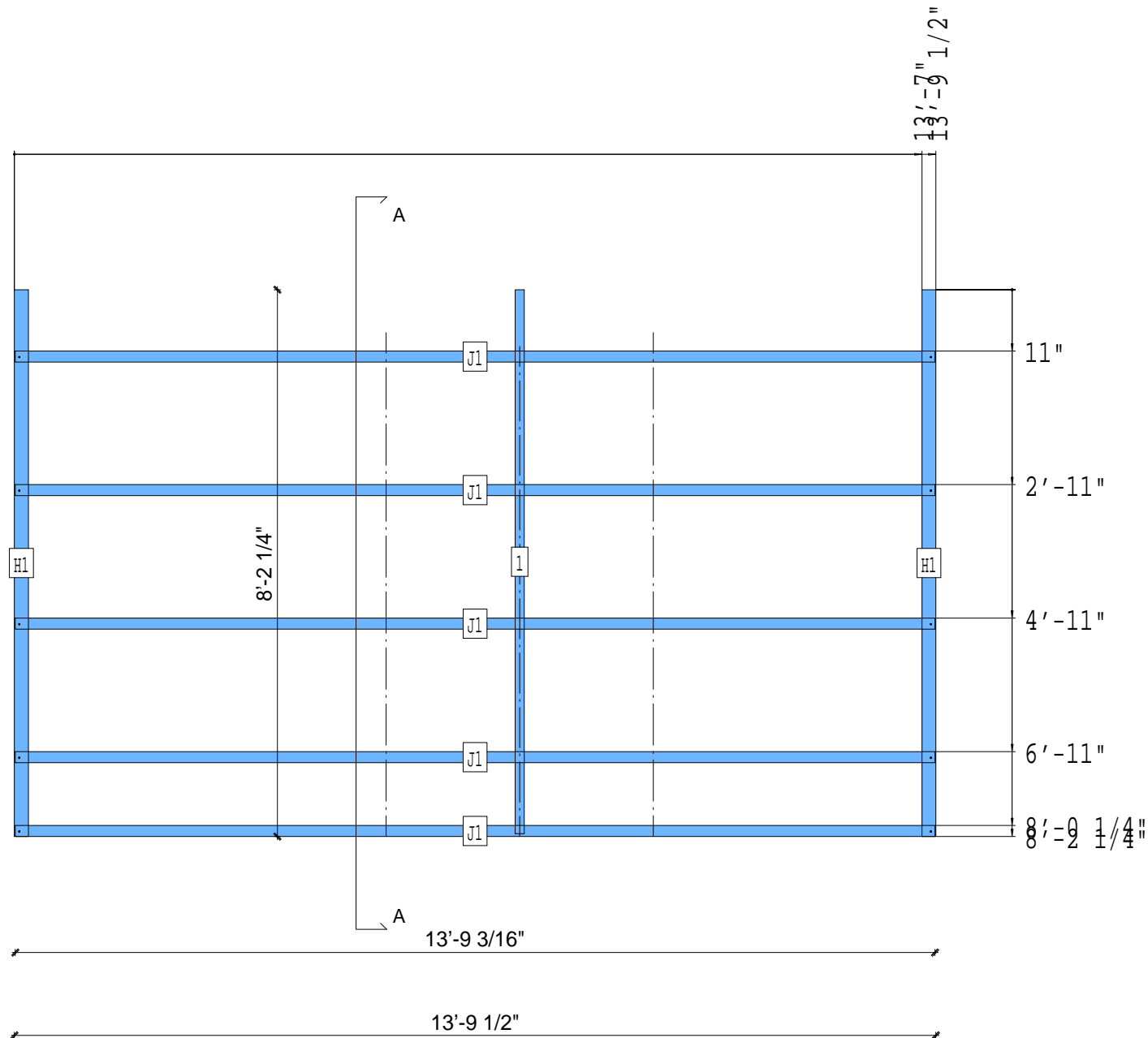


© FrameMax Inc.

APPROVED
By ijuarez at 3:55 pm, Oct 22, 2008



A-A



PIECE SCHEDULE						
LAB	QTY	MATERIAL	DESCRIPTION	LENGTH	ANG1	ANG2
1	1	362S162-54	JOIST	8'-1 3/4"		
H1	2	1000T250-97	HEADER	8'-2 1/4"		
J1	5	1000S200-97	JOIST	13'-9 3/16"		

11-5027

Jewish Home for the Aging

1885 Victory Blvd. Reseda, CA

FM-07-109

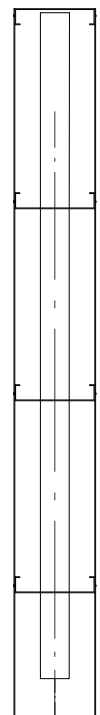
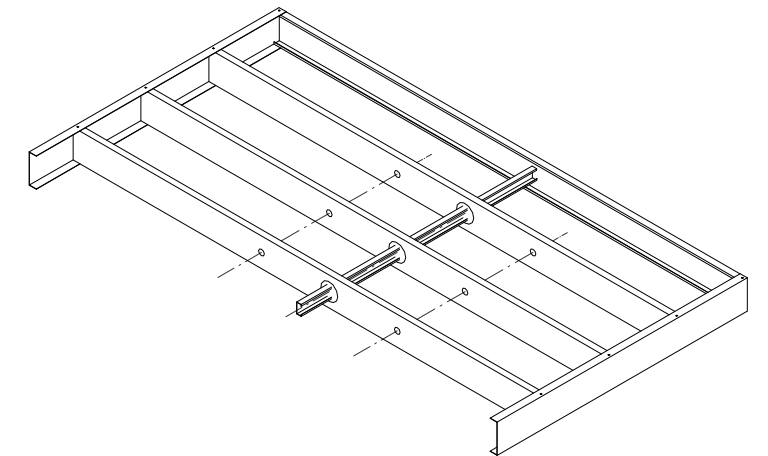
CREATED BY: AMB

FrameMax, Inc.
13915 Danielson St
Suite 100
Poway, CA 92064
www.framemax.com

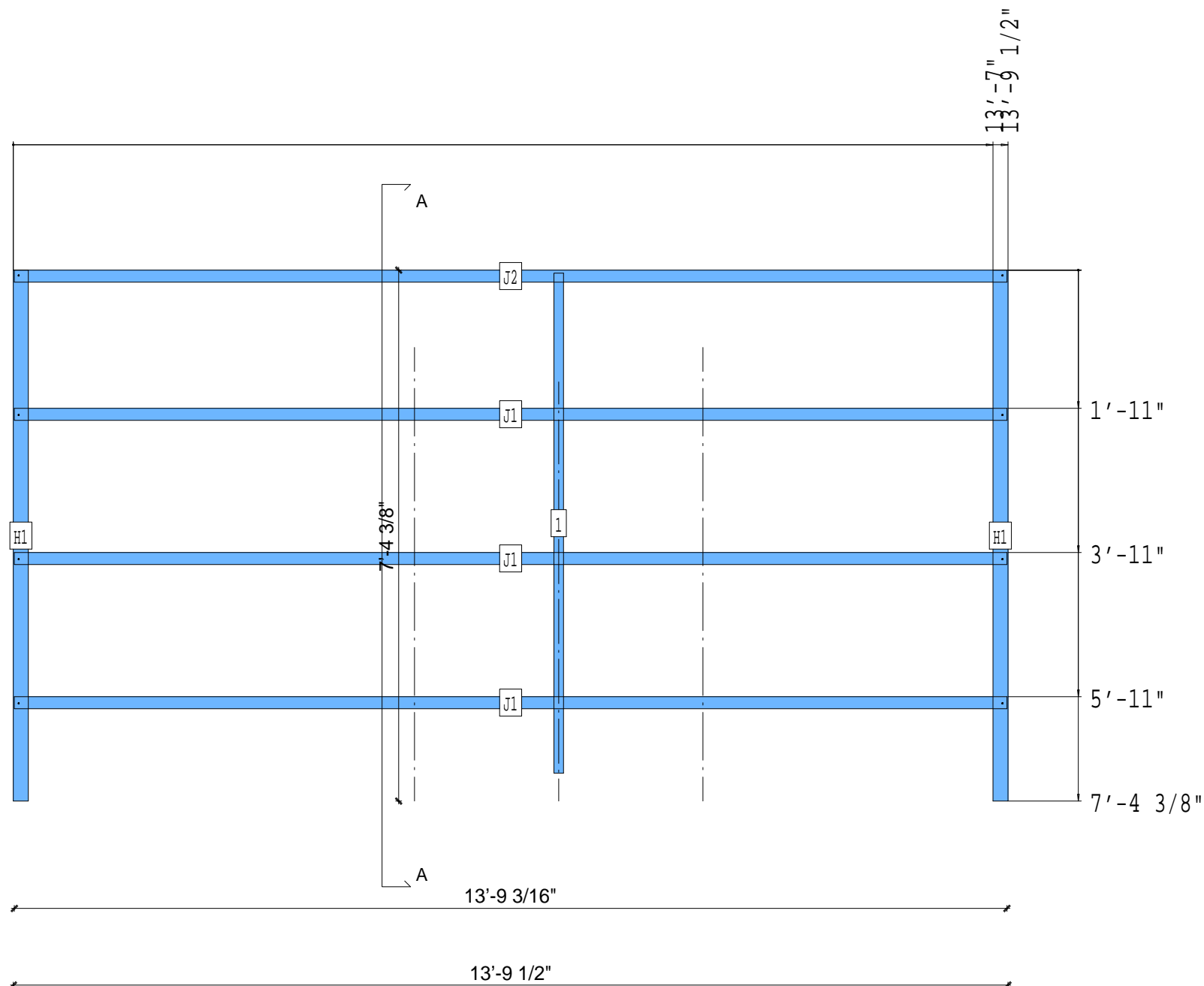
FRAMEMAX

© FrameMax Inc.

APPROVED
By ijuarez at 3:55 pm, Oct 22, 2008



A-A



PIECE SCHEDULE						
LAB	QTY	MATERIAL	DESCRIPTION	LENGTH	ANG1	ANG2
1	1	362S162-54	JOIST	6'-11 1/4"		
H1	2	1000T250-97	HEADER	7'-4 3/8"		
J1	3	1000S200-97	JOIST	13'-9 3/16"		
J2	1	1000S200-97	JOIST	13'-9 3/16"		

11-5028

Jewish Home for the Aging

1885 Victory Blvd. Reseda, CA

FM-07-109

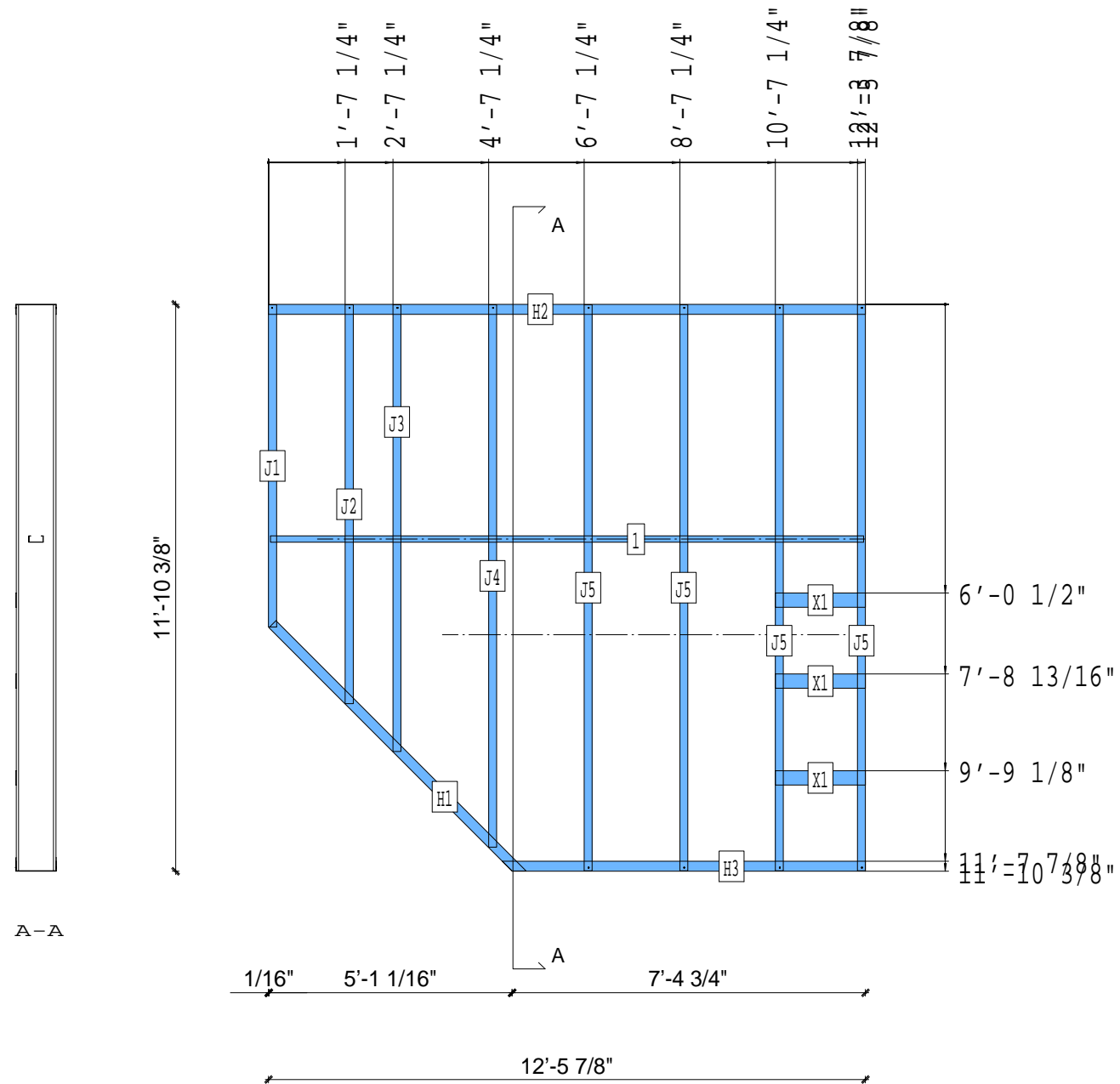
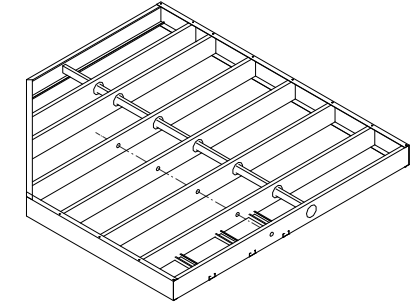
CREATED BY: AMB

FrameMax, Inc.
13915 Danielson St
Suite 100
Poway, CA 92064
www.framemax.com



© FrameMax Inc.

APPROVED
By ijuarez at 3:55 pm, Oct 22, 2008



PIECE SCHEDULE						
LAB	QTY	MATERIAL	DESCRIPTION	LENGTH	ANG1	ANG2
1	1	362S162-54	JOIST	12'-4 7/8"		
H1	1	1000T250-68	HEADER	7'-4 7/8"		-45.0
H2	1	1000T250-68	HEADER	12'-5 7/8"		
H3	1	1000T250-68	HEADER	7'-7 3/16"	45.0	
J1	1	1000S200-68	JOIST	6'-8 15/16"		
J2	1	1000S200-68	JOIST	8'-4 3/16"		
J3	1	1000S200-68	JOIST	9'-4 3/16"		
J4	1	1000S200-68	JOIST	11'-4 3/16"		
J5	4	1000S200-68	JOIST	11'-10 1/8"		
X1	3	362S162-33	FLAT TRACK B	1'-10 5/8"		

11-5029

Jewish Home for the Aging

1885 Victory Blvd. Reseda, CA

FM-07-109

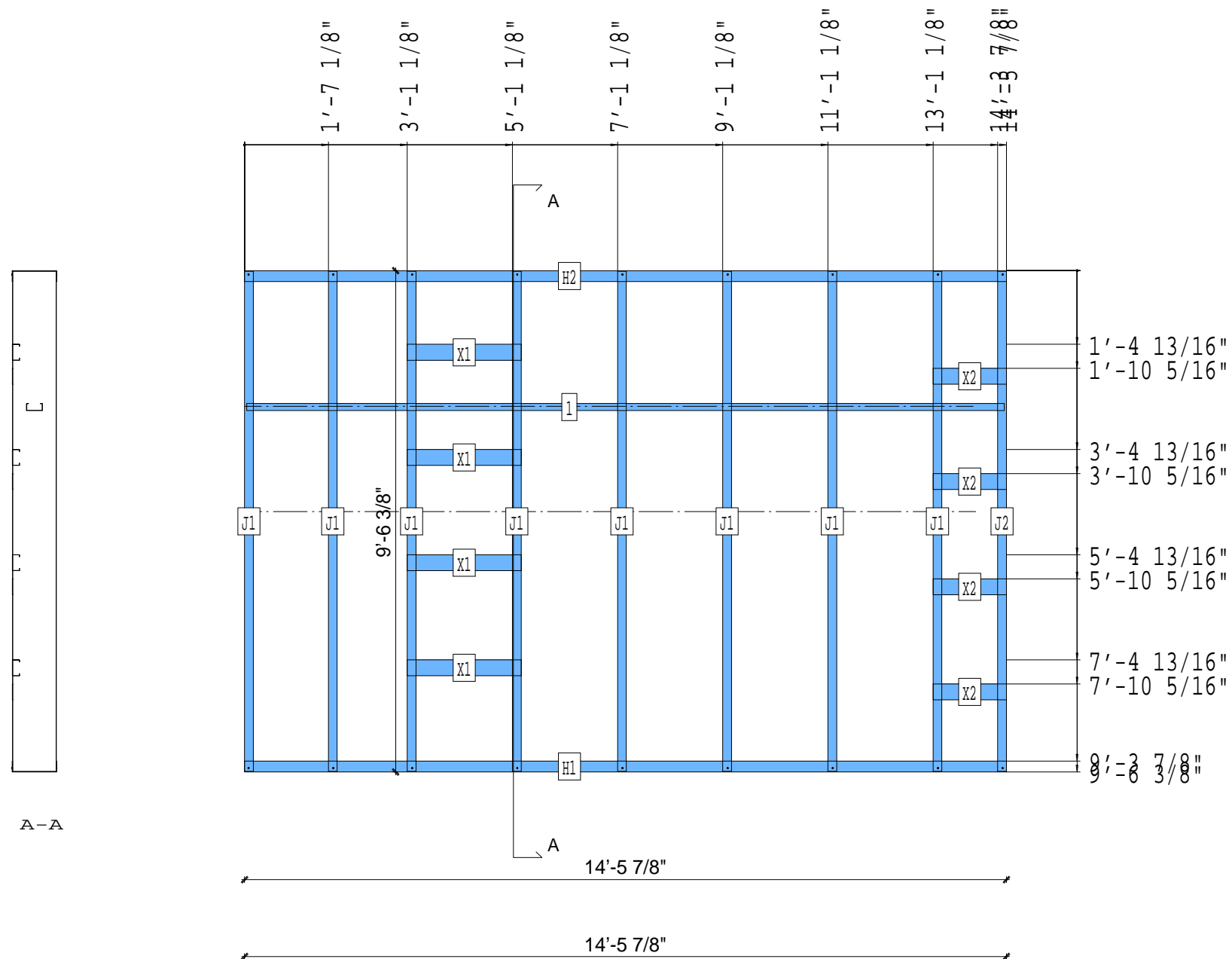
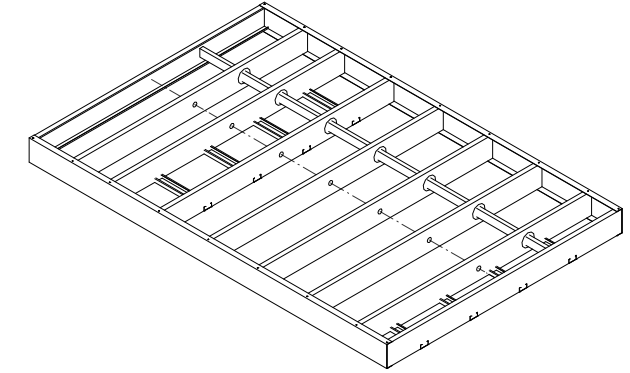
CREATED BY: AMB

FrameMax, Inc.
13915 Danielson St
Suite 100
Poway, CA 92064
www.framemax.com



© FrameMax Inc.

APPROVED
By ijuarez at 3:55 pm, Oct 22, 2008



PIECE SCHEDULE						
LAB	QTY	MATERIAL	DESCRIPTION	LENGTH	ANG1	ANG2
J1	8	1000S200-68	JOIST	9'-6 1/16"		
J2	1	1000S200-68	JOIST	9'-6 1/16"		
H1	1	1000T250-68	HEADER	14'-5 7/8"		
H2	1	1000T250-97	HEADER	14'-5 7/8"		
X1	4	362S162-33	FLAT TRACK B	2'-2"		
X2	4	362S162-33	FLAT TRACK B	1'-4 3/4"		

11-5030

Jewish Home for the Aging

1885 Victory Blvd. Reseda, CA

FM-07-109

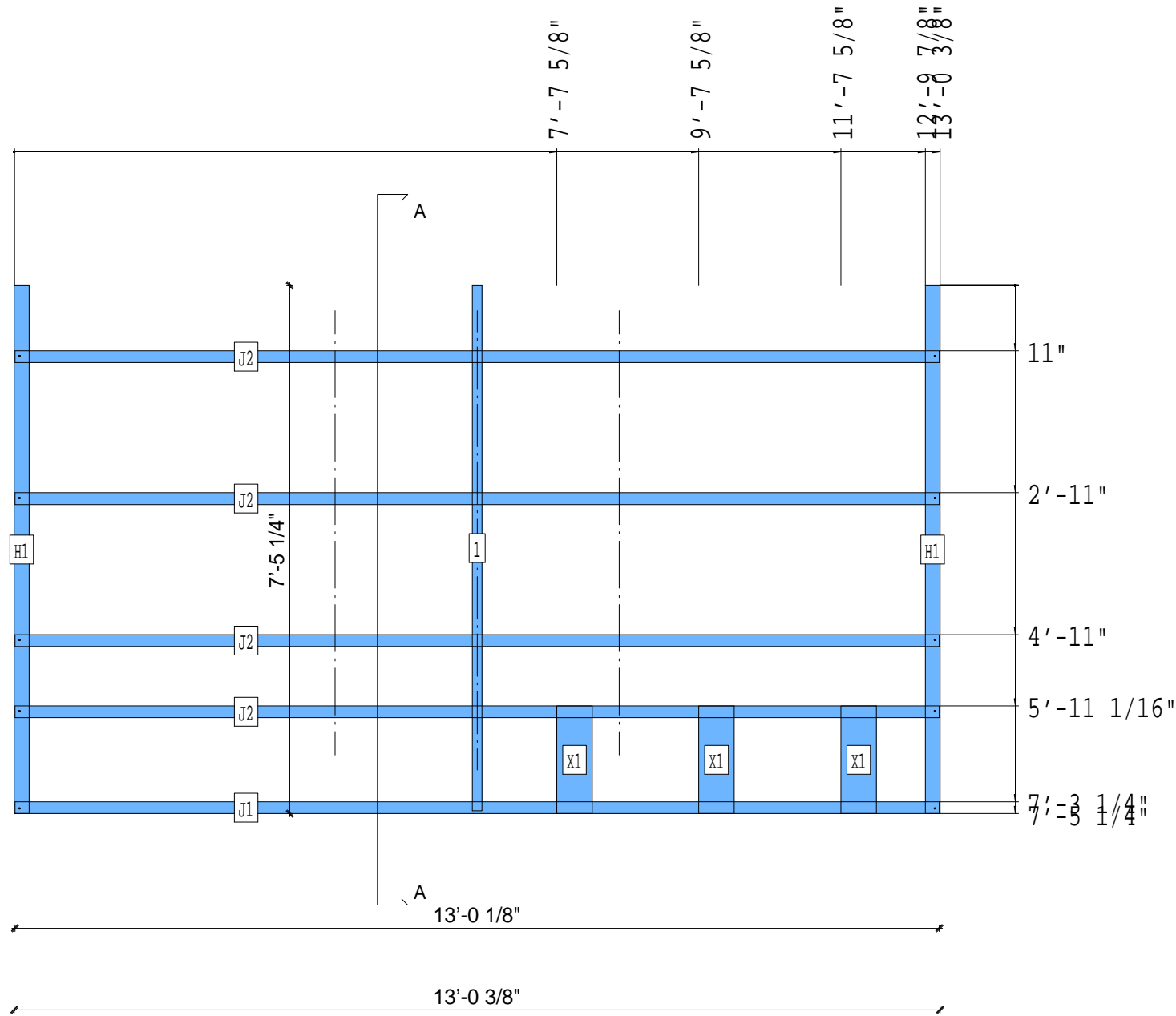
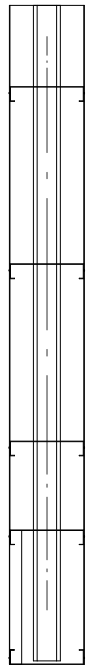
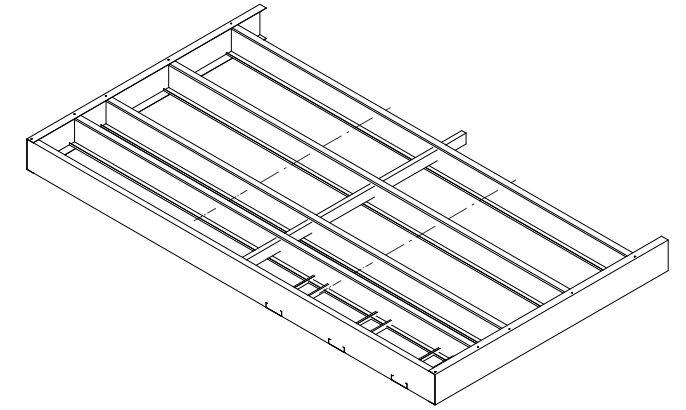
CREATED BY: AMB

FrameMax, Inc.
 13915 Danielson St
 Suite 100
 Poway, CA 92064
 www.framemax.com



© FrameMax Inc.

APPROVED
 By ijuarez at 3:55 pm, Oct 22, 2008



A-A

PIECE SCHEDULE						
LAB	QTY	MATERIAL	DESCRIPTION	LENGTH	ANG1	ANG2
1	1	362S162-54	JOIST	7'-4 3/4"		
H1	2	1000T250-68	HEADER	7'-5 1/4"		
J1	1	1000S200-68	JOIST	13'-0 1/8"		
J2	4	1000S200-68	JOIST	13'-0 1/8"		
X1	3	600S162-33	FLAT TRACK B	1'-6 3/16"		

11-5031

Jewish Home for the Aging

1885 Victory Blvd. Reseda, CA

FM-07-109

CREATED BY: AMB

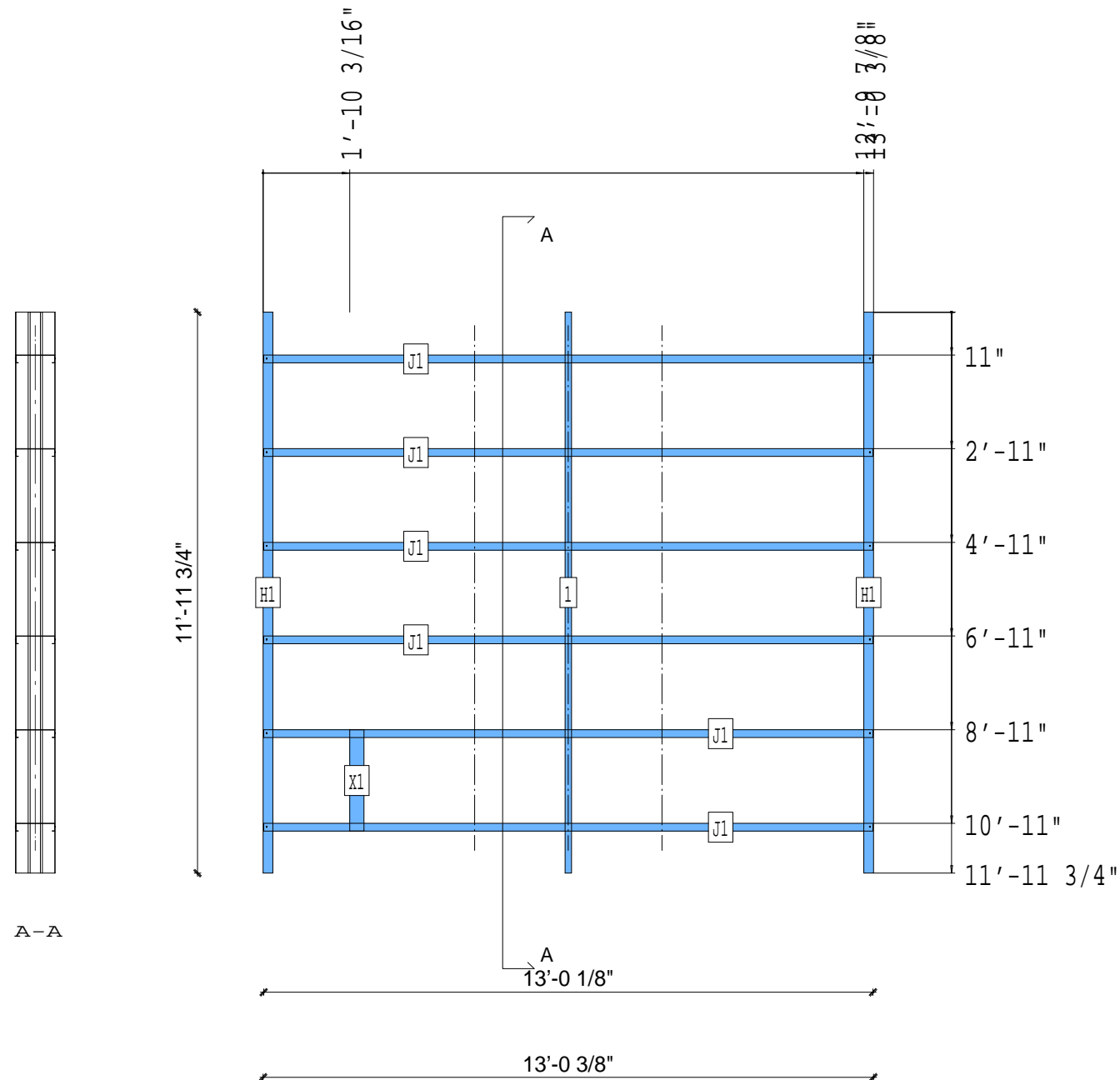
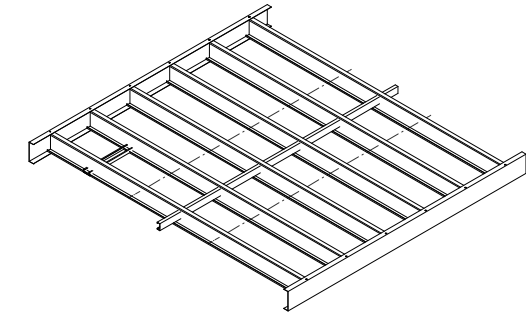
FrameMax, Inc.
13915 Danielson St
Suite 100
Poway, CA 92064
www.frame-max.com



© FrameMax Inc.

CREATED: 10/22/2008

APPROVED
By ijuarez at 3:55 pm, Oct 22, 2008



PIECE SCHEDULE						
LAB	QTY	MATERIAL	DESCRIPTION	LENGTH	ANG1	ANG2
I	1	362S162-54	JOIST	11'-11 3/4"		
H1	2	1000T250-68	HEADER	11'-11 3/4"		
J1	6	1000S200-68	JOIST	13'-0 1/8"		
X1	1	362S162-33	FLAT TRACK B	2'-2"		

11-5032

CREATED: 10/22/2008

Jewish Home for the Aging

1885 Victory Blvd. Reseda, CA

FM-07-109

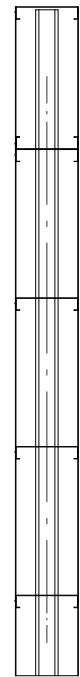
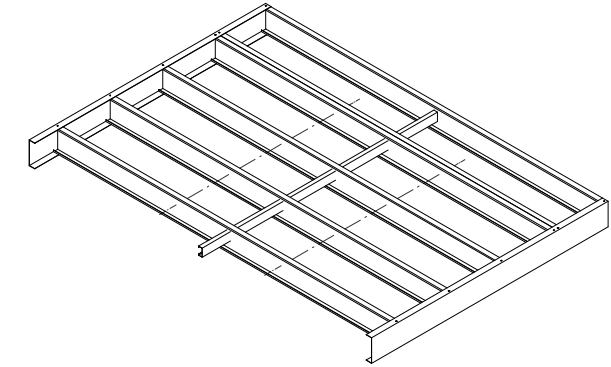
CREATED BY: AMB

FrameMax, Inc.
13915 Danielson St
Suite 100
Poway, CA 92064
www.framemax.com

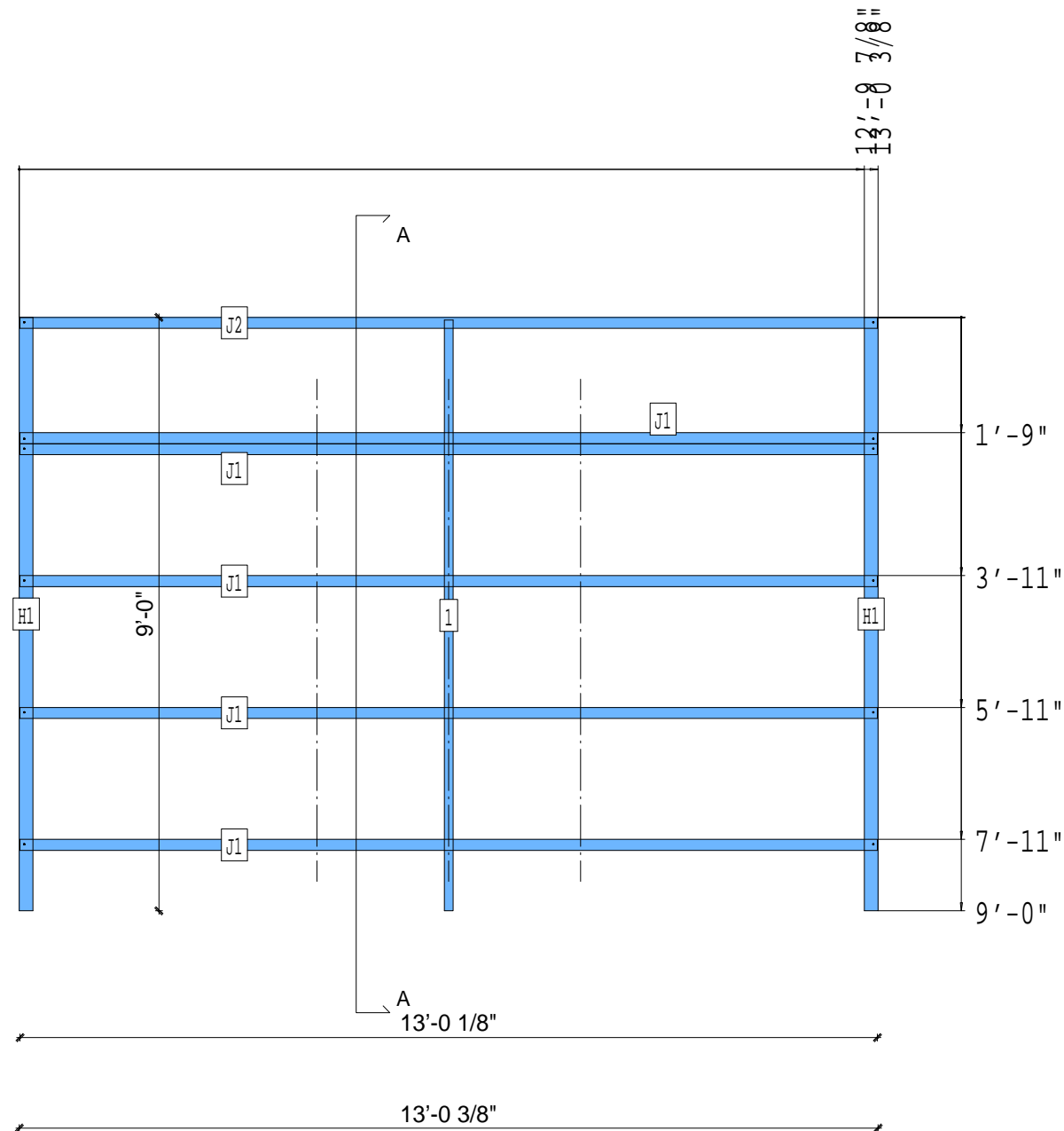


© FrameMax Inc.

APPROVED
By ijuarez at 3:55 pm, Oct 22, 2008



A-A



PIECE SCHEDULE						
LAB	QTY	MATERIAL	DESCRIPTION	LENGTH	ANG1	ANG2
1	1	362S162-54	JOIST	8'-11 1/2"		
H1	2	1000T250-68	HEADER	9'-0"		
J1	5	1000S200-68	JOIST	13'-0 1/8"		
J2	1	1000S200-68	JOIST	13'-0 1/8"		

11-5033

CREATED: 10/22/2008

Jewish Home for the Aging

1885 Victory Blvd. Reseda, CA

FM-07-109

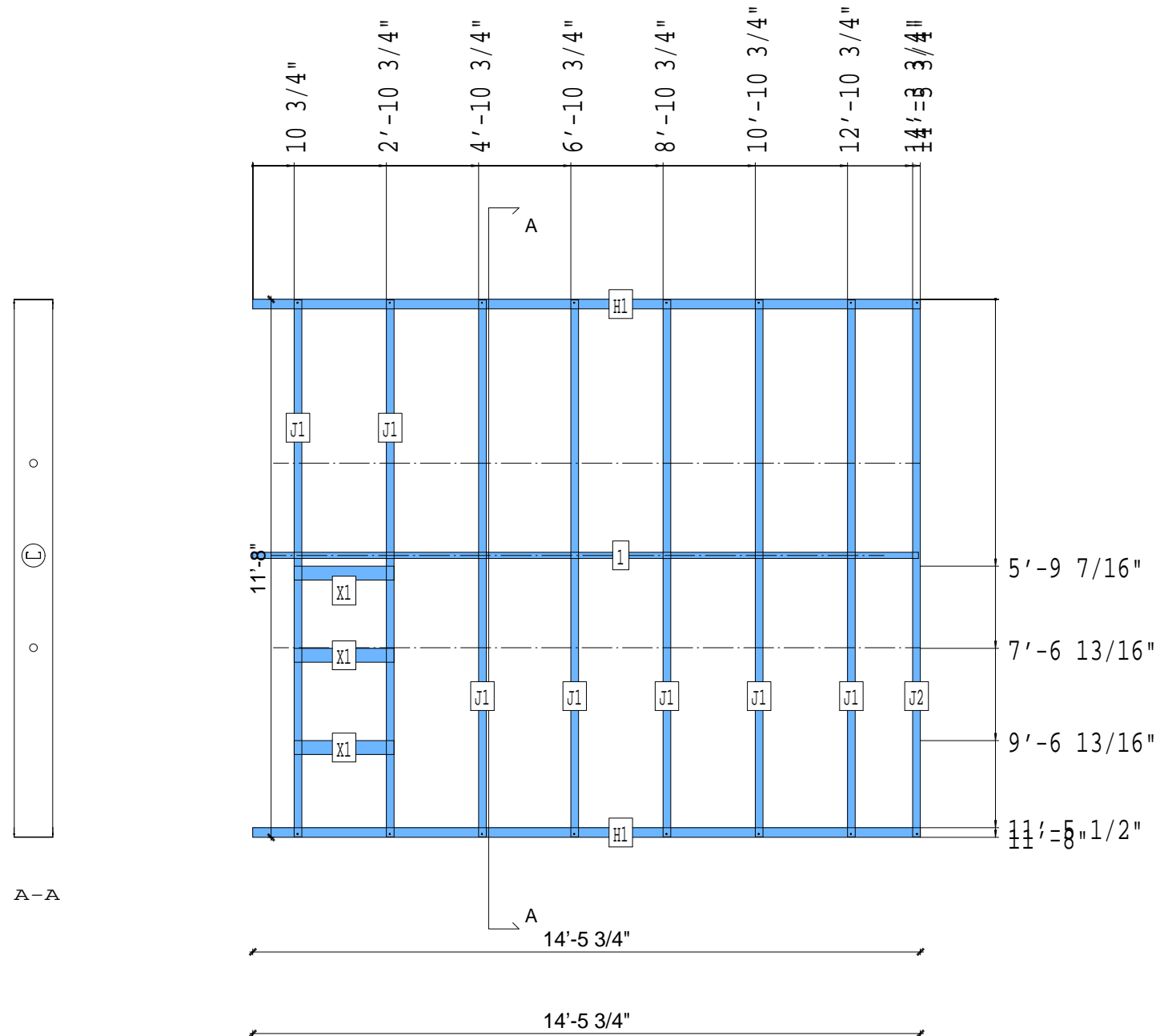
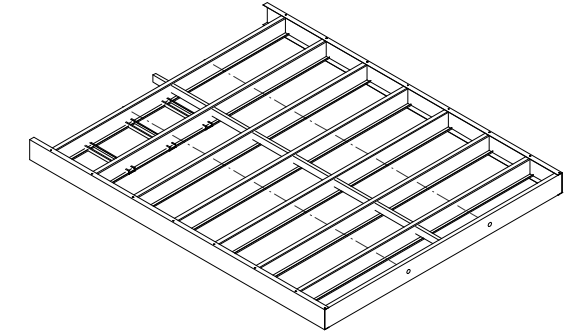
CREATED BY: AMB

FrameMax, Inc.
13915 Danielson St
Suite 100
Poway, CA 92064
www.framemax.com



© FrameMax Inc.

APPROVED
By ijuarez at 3:55 pm, Oct 22, 2008



PIECE SCHEDULE						
LAB	QTY	MATERIAL	DESCRIPTION	LENGTH	ANG1	ANG2
J1	7	1000S200-68	JOIST	11'-7 3/4"		
J2	1	1000S200-68	JOIST	11'-7 3/4"		
H1	2	1000T250-68	HEADER	14'-5 3/4"		
X1	3	362S162-33	FLAT TRACK B	2'-2"		

11-5034

Jewish Home for the Aging

1885 Victory Blvd. Reseda, CA

FM-07-109

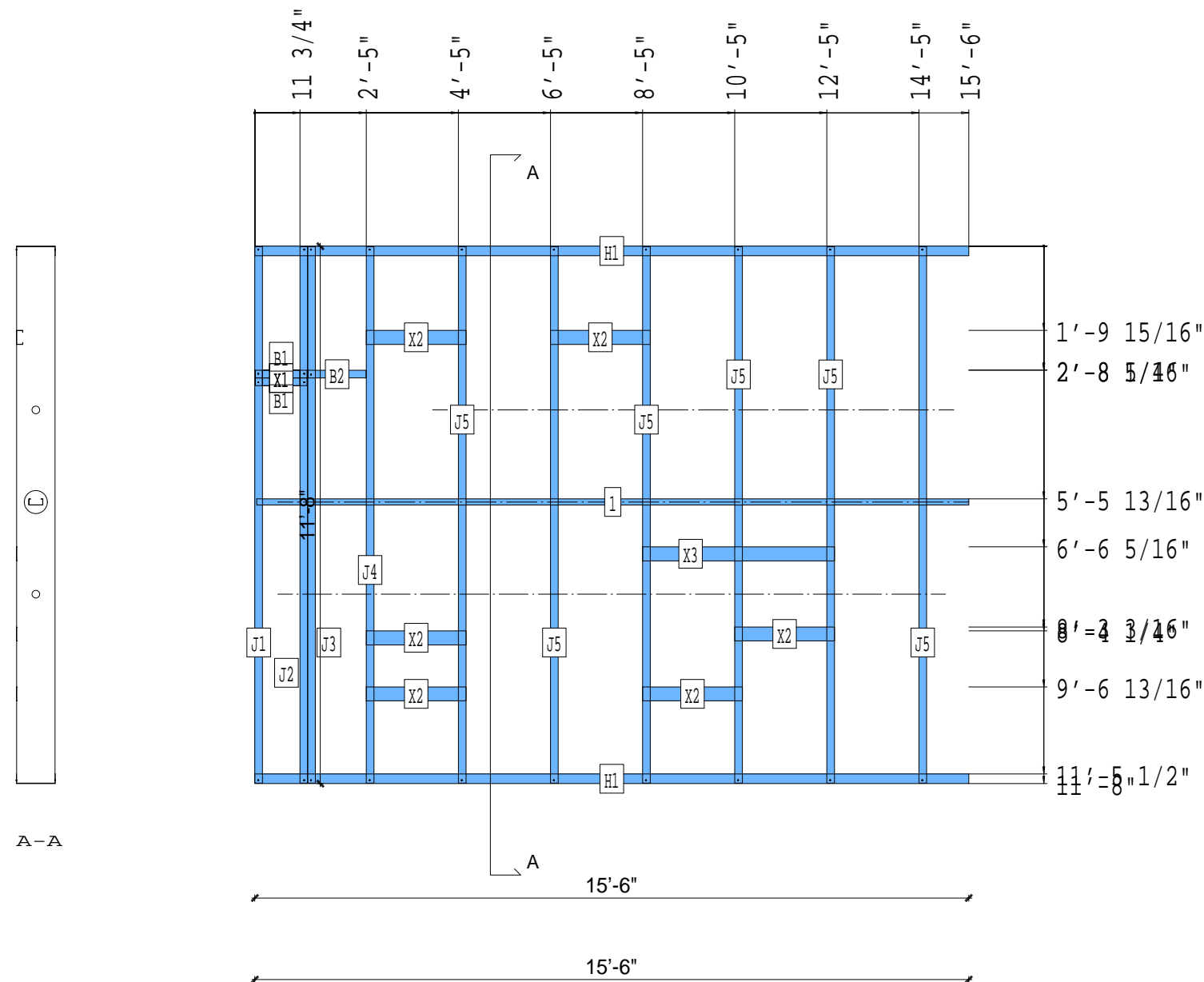
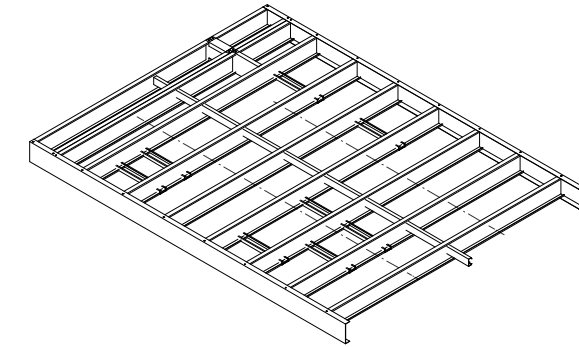
CREATED BY: AMB

FrameMax, Inc.
13915 Danielson St
Suite 100
Poway, CA 92064
www.framemax.com



© FrameMax Inc.

APPROVED
By ijuarez at 3:55 pm, Oct 22, 2008



PIECE SCHEDULE						
LAB	QTY	MATERIAL	DESCRIPTION	LENGTH	ANG1	ANG2
1	1	362S162-54	JOIST	15'-5 1/2"		
B1	2	1000S200-68	BLOCK	1'-1 1/2"		
B2	1	1000S200-68	BLOCK	1'-3 1/16"		
H1	2	1000T250-68	HEADER	15'-6"		
J1	1	1000S200-68	JOIST	11'-7 3/4"		
J2	1	1000S200-68	JOIST	11'-7 3/4"		
J3	1	1000S200-68	JOIST	11'-7 3/4"		
J4	1	1000S200-68	JOIST	11'-7 3/4"		
J5	6	1000S200-68	JOIST	11'-7 3/4"		
X1	2	400T200-68	FLAT TRACK B	9 3/4"		
X2	6	362S162-33	FLAT TRACK B	2'-2"		
X3	1	362S162-33	FLAT TRACK B	4'-2"		

11-5035

Jewish Home for the Aging

1885 Victory Blvd. Reseda, CA

FM-07-109

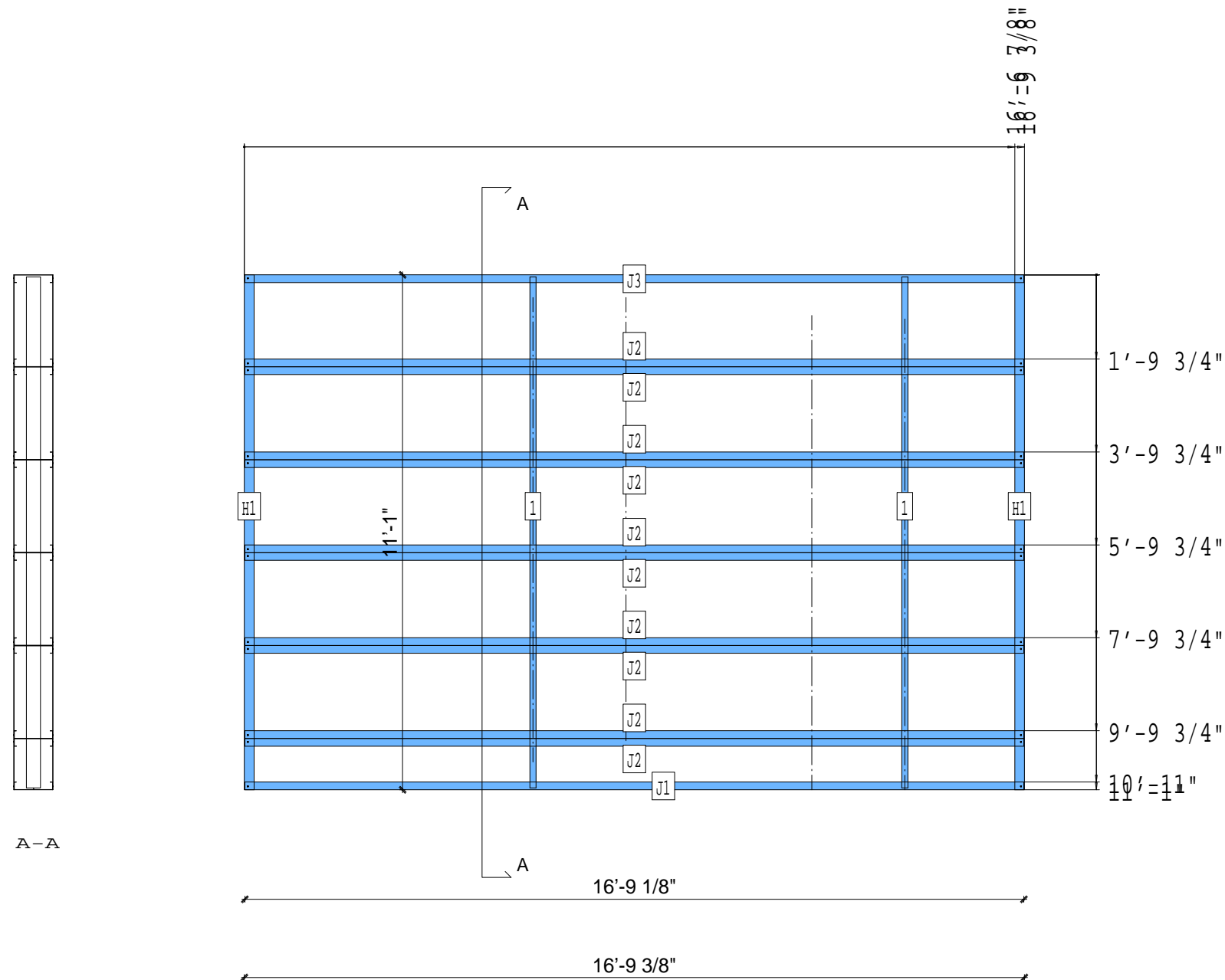
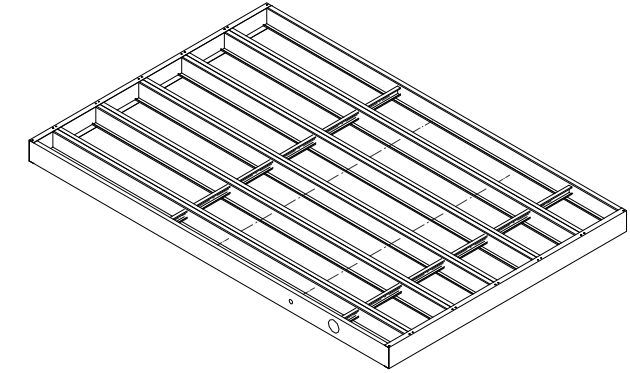
CREATED BY: AMB

FrameMax, Inc.
13915 Danielson St
Suite 100
Poway, CA 92064
www.framemax.com



© FrameMax Inc.

APPROVED
By ijuarez at 3:55 pm, Oct 22, 2008



A-A

PIECE SCHEDULE						
LAB	QTY	MATERIAL	DESCRIPTION	LENGTH	ANG1	ANG2
1	2	362S162-54	JOIST	11'-0"		
H1	2	1000T250-68	HEADER	11'-1"		
J1	1	1000S200-68	JOIST	16'-9 1/8"		
J2	10	1000S200-68	JOIST	16'-9 1/8"		
J3	1	1000S200-68	JOIST	16'-9 1/8"		

11-5036

CREATED: 10/22/2008

Jewish Home for the Aging

1885 Victory Blvd. Reseda, CA

FM-07-109

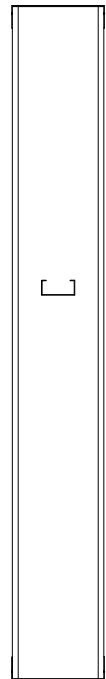
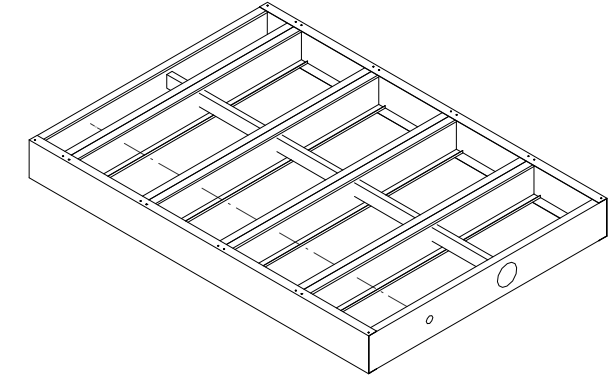
CREATED BY: AMB

FrameMax, Inc.
 13915 Danielson St
 Suite 100
 Poway, CA 92064
 www.framemax.com

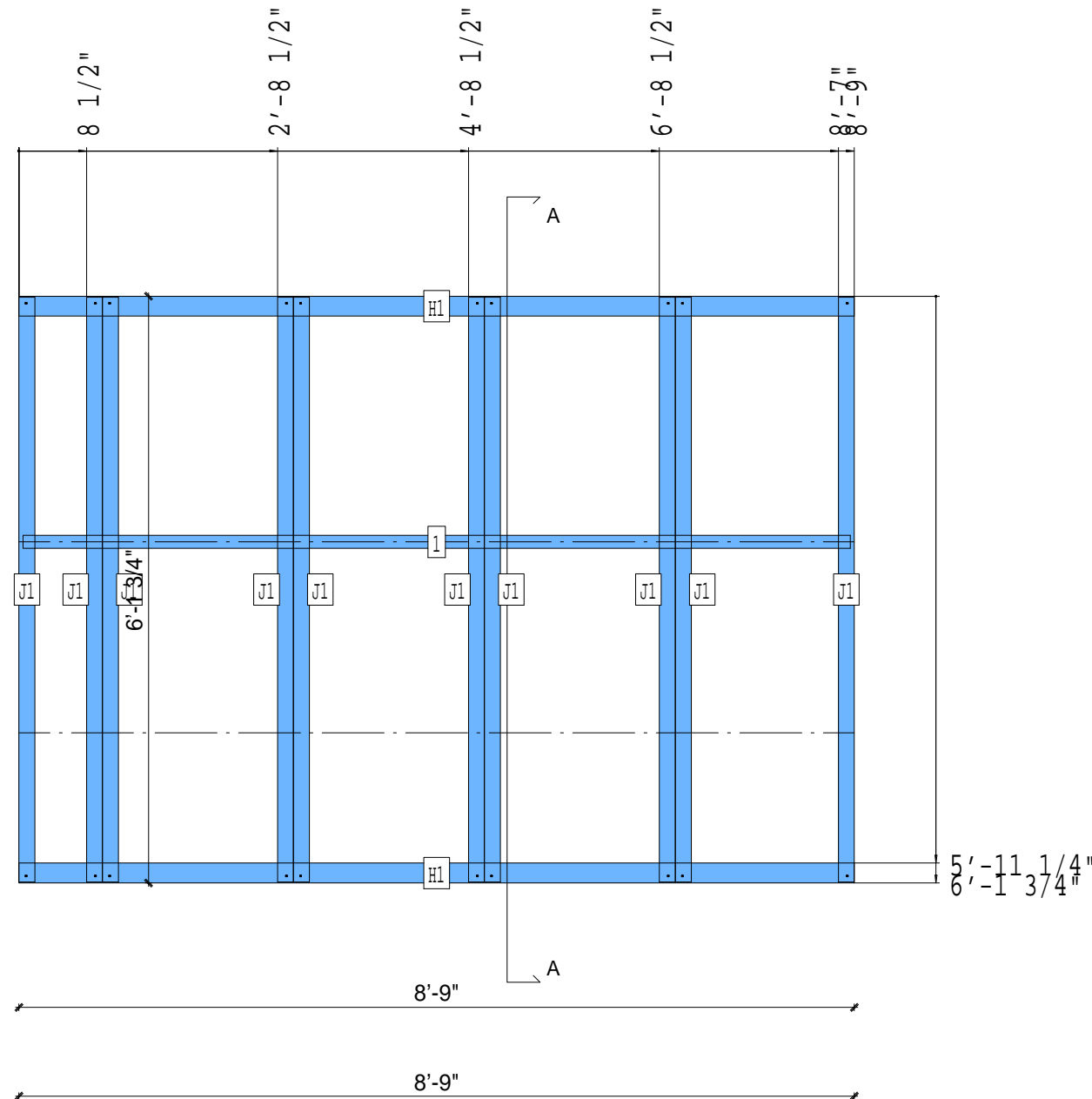


© FrameMax Inc.

APPROVED
 By ijuarez at 3:55 pm, Oct 22, 2008



A-A



PIECE SCHEDULE						
LAB	QTY	MATERIAL	DESCRIPTION	LENGTH	ANG1	ANG2
1	1	362S162-54	JOIST	8'-8"		
H1	2	1000T250-68	HEADER	8'-9"		
J1	10	1000S200-68	JOIST	6'-1 1/2"		

11-5037

CREATED: 10/22/2008

Jewish Home for the Aging

1885 Victory Blvd. Reseda, CA

FM-07-109

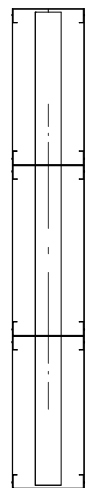
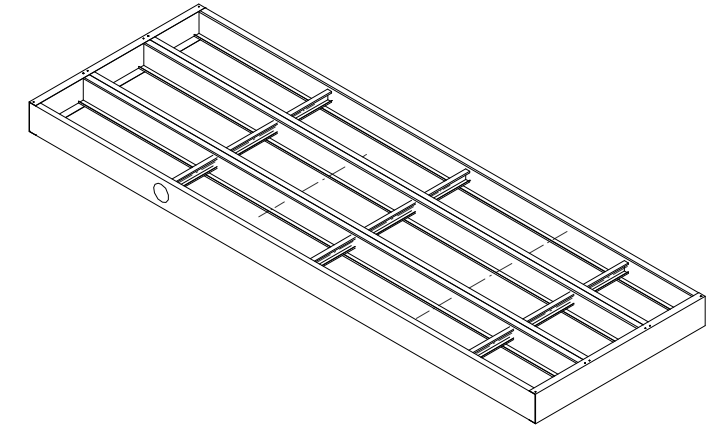
CREATED BY: AMB

FrameMax, Inc.
13915 Danielson St
Suite 100
Poway, CA 92064
www.frame-max.com

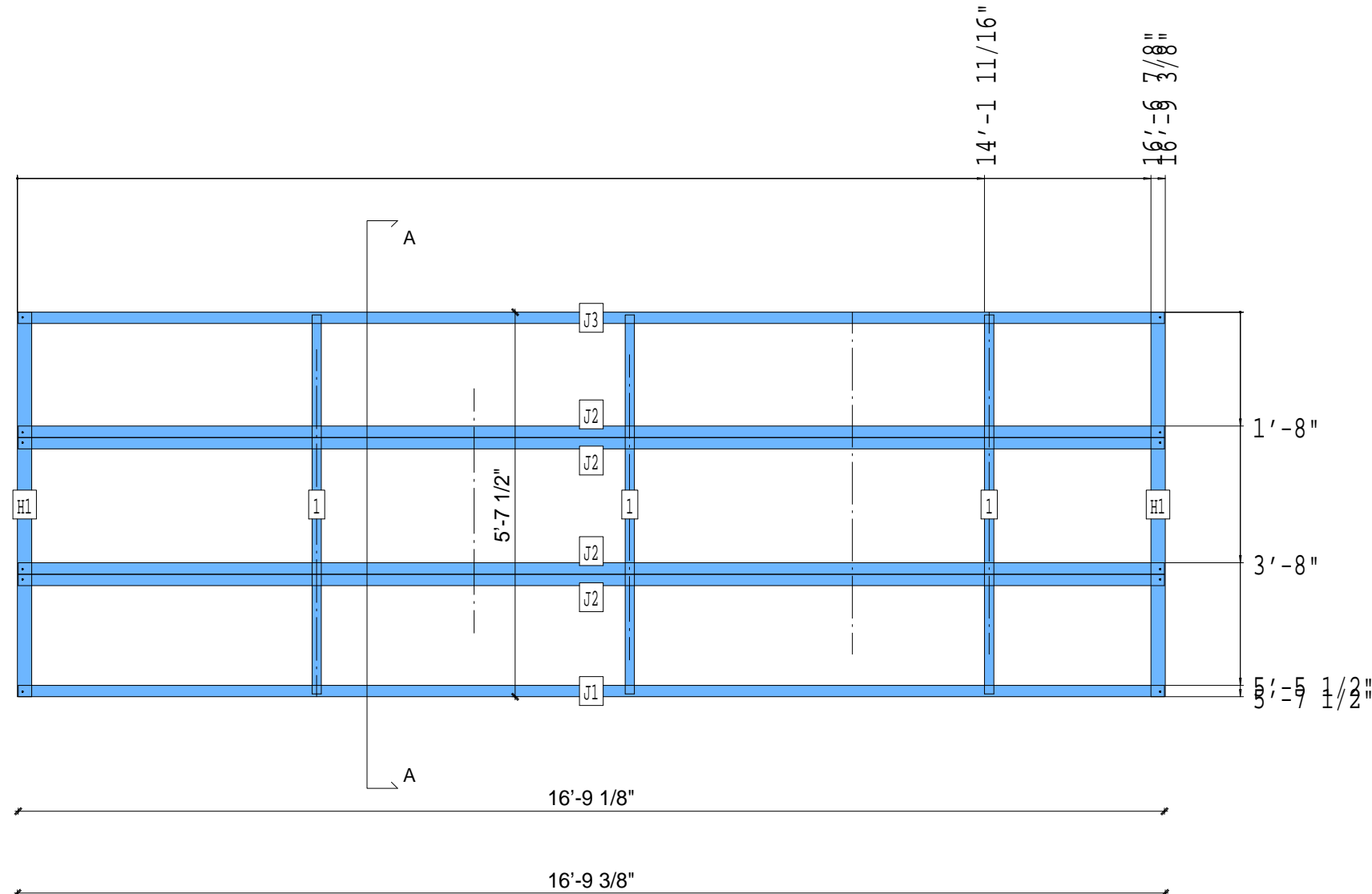


© FrameMax Inc.

APPROVED
By ijuarez at 3:55 pm, Oct 22, 2008



A-A



PIECE SCHEDULE						
LAB	QTY	MATERIAL	DESCRIPTION	LENGTH	ANG1	ANG2
1	3	362S162-54	JOIST	5'-6 1/2"		
H1	2	1000T250-68	HEADER	5'-7 1/2"		
J1	1	1000S200-68	JOIST	16'-9 1/8"		
J2	4	1000S200-68	JOIST	16'-9 1/8"		
J3	1	1000S200-68	JOIST	16'-9 1/8"		

11-5038

Jewish Home for the Aging

1885 Victory Blvd. Reseda, CA

FM-07-109

CREATED BY: AMB

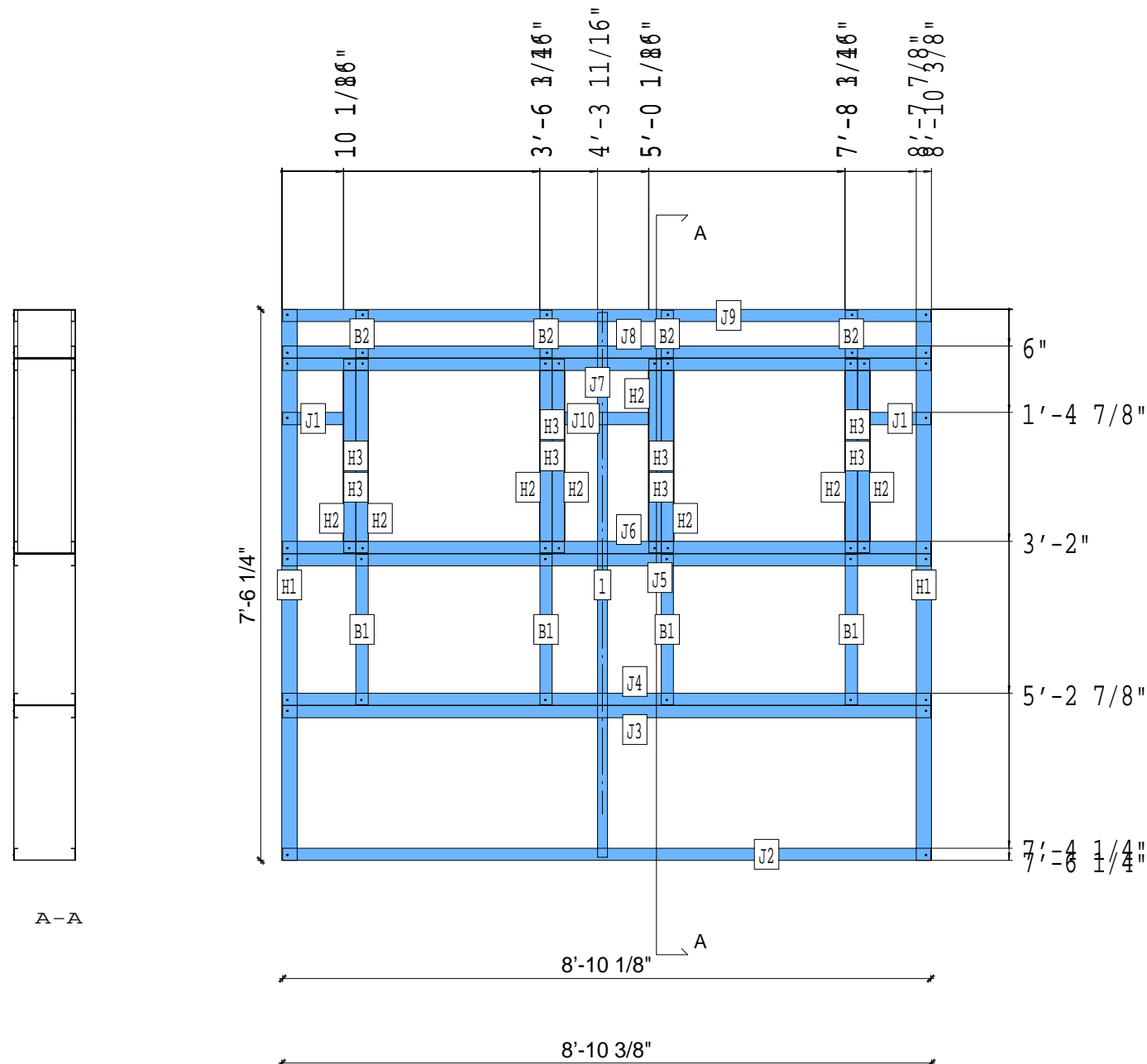
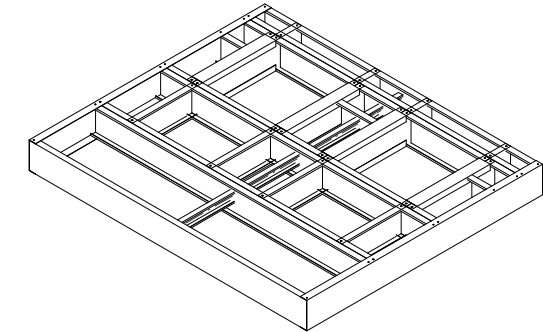
FrameMax, Inc.
13915 Danielson St
Suite 100
Poway, CA 92064
www.frameMAX.com



© FrameMax Inc.

CREATED: 10/22/2008

APPROVED
By ijuarez at 3:55 pm, Oct 22, 2008



PIECE SCHEDULE						
LAB	QTY	MATERIAL	DESCRIPTION	LENGTH	ANG1	ANG2
1	1	362S162-54	JOIST	7'-5 1/4"		
B1	4	1000S200-68	BLOCK	2'-0 5/8"		
B2	4	1000S200-68	BLOCK	7 3/4"		
H1	2	1000T250-68	HEADER	7'-6 1/4"		
H2	8	1000S200-68	OPENING TRIM	2'-7 3/4"		
H3	8	400T200-68	OPENING TRIM	2'-4"		
J1	2	1000S200-68	JOIST	10"		
J2	1	1000S200-68	JOIST	8'-10 1/8"		
J3	1	1000S200-68	JOIST	8'-10 1/8"		
J4	1	1000S200-68	JOIST	8'-10 1/8"		
J5	1	1000S200-68	OPENING TRIM	8'-10 1/8"		
J6	1	1000S200-68	OPENING TRIM	8'-10 1/8"		
J7	1	1000S200-68	OPENING TRIM	8'-10 1/8"		
J8	1	1000S200-68	OPENING TRIM	8'-10 1/8"		
J9	1	1000S200-68	JOIST	8'-10 1/8"		
J10	1	1000S200-68	JOIST	1'-1 7/8"		

11-5039

Jewish Home for the Aging

1885 Victory Blvd. Reseda, CA

FM-07-109

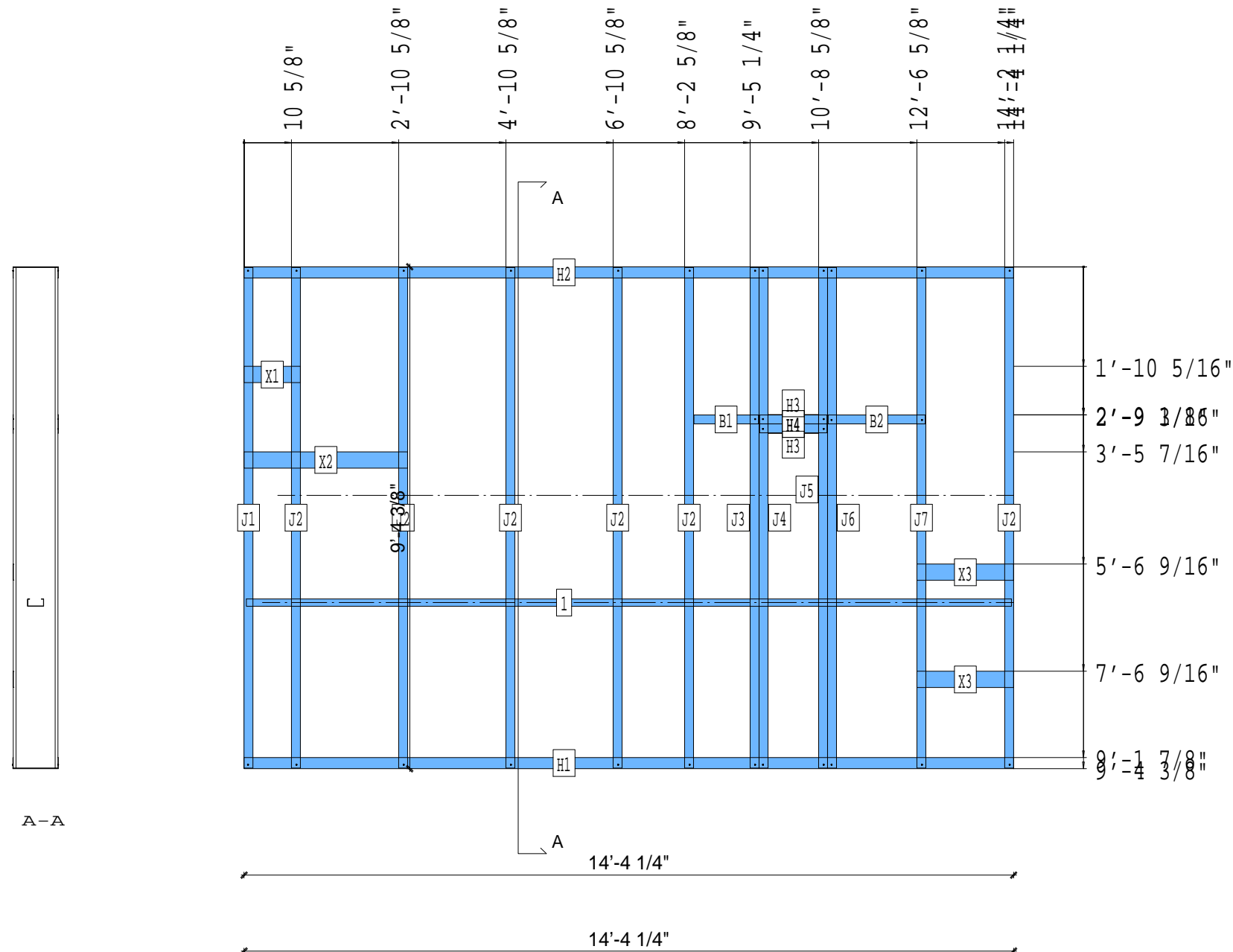
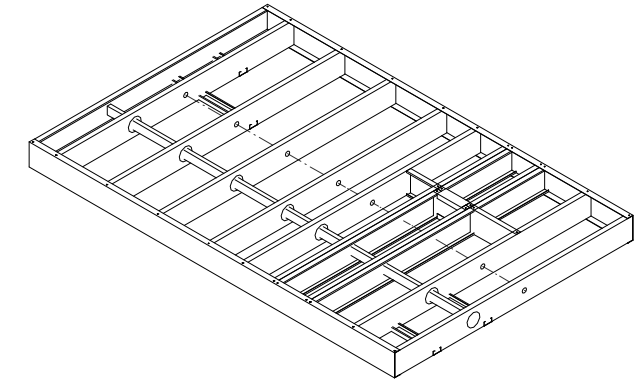
CREATED BY: AMB

FrameMax, Inc.
13915 Danielson St
Suite 100
Poway, CA 92064
www.framemax.com



© FrameMax Inc.

APPROVED
By ijuarez at 3:55 pm, Oct 22, 2008



PIECE SCHEDULE						
LAB	QTY	MATERIAL	DESCRIPTION	LENGTH	ANG1	ANG2
1	1	362S162-54	JOIST	14'-3 1/4"		
B1	1	1000S200-68	BLOCK	1'-2 7/16"		
B2	1	1000S200-68	BLOCK	1'-9 3/4"		
H1	1	1000T250-97	HEADER	14'-4 1/4"		
H2	1	1000T250-68	HEADER	14'-4 1/4"		
H3	2	1000S200-68	OPENING TRIM	1'-3 1/8"		
H4	2	400T200-68	OPENING TRIM	11 3/8"		
J1	1	1000S200-68	JOIST	9'-4 1/16"		
J2	6	1000S200-68	JOIST	9'-4 1/16"		
J3	1	1000S200-68	OPENING TRIM	9'-4 1/16"		
J4	1	1000S200-68	OPENING TRIM	9'-4 1/16"		
J5	1	1000S200-68	OPENING TRIM	9'-4 1/16"		
J6	1	1000S200-68	OPENING TRIM	9'-4 1/16"		
J7	1	1000S200-68	JOIST	9'-4 1/16"		
X1	1	362S162-33	FLAT TRACK B	1'-0 5/8"		
X2	1	362S162-33	FLAT TRACK B	3'-0 5/8"		
X3	2	362S162-33	FLAT TRACK B	1'-9 5/8"		

11-5040

CREATED: 10/22/2008

Jewish Home for the Aging

1885 Victory Blvd. Reseda, CA

FM-07-109

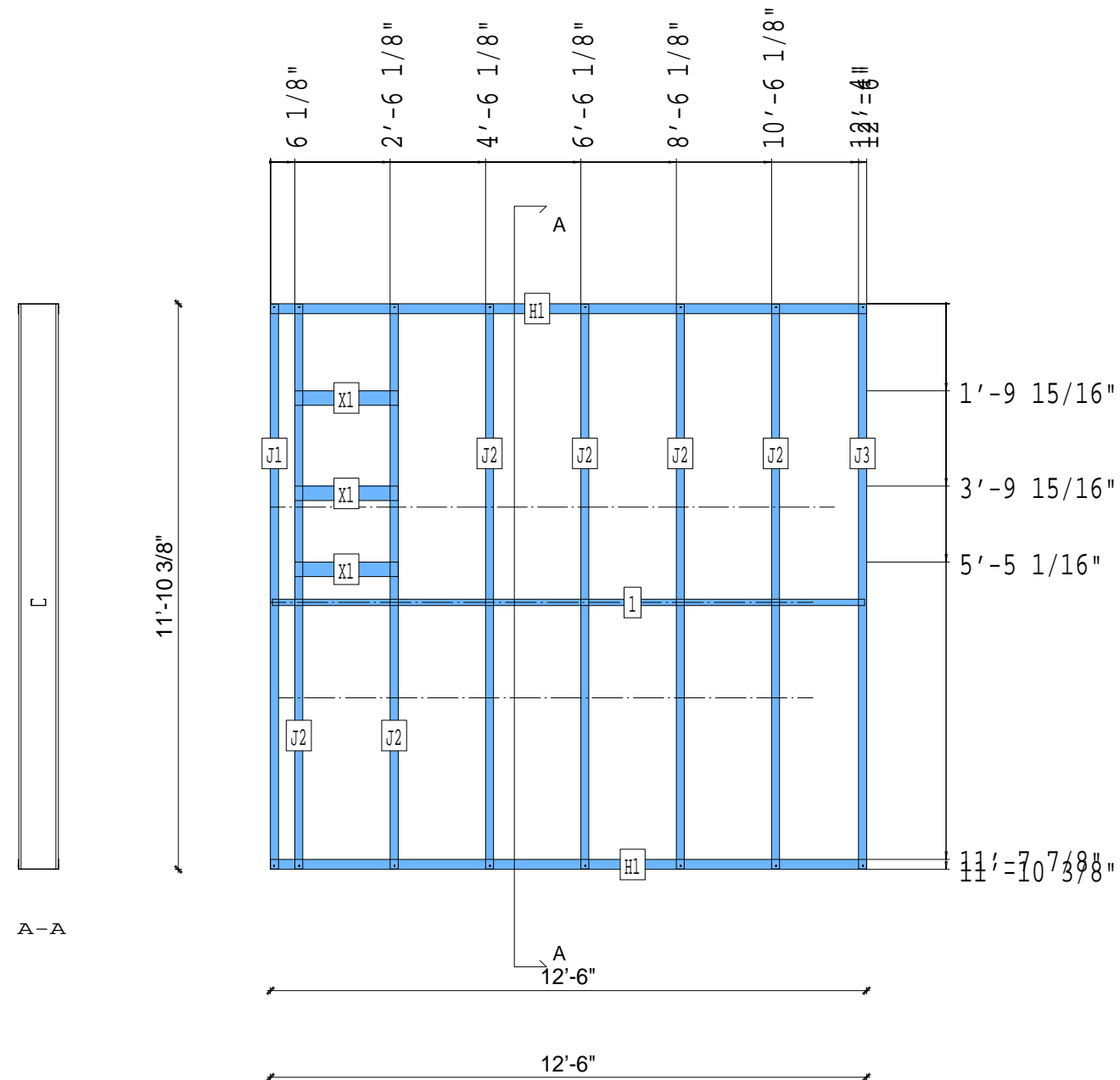
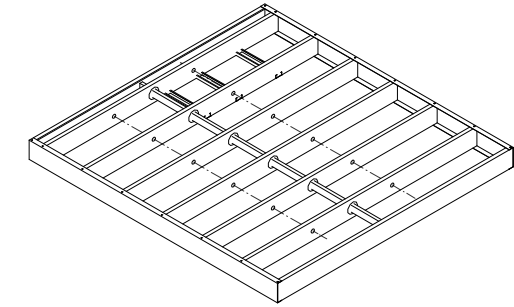
CREATED BY: AMB

FrameMax, Inc.
13915 Danielson St
Suite 100
Poway, CA 92064
www.framemax.com



© FrameMax Inc.

APPROVED
By ijuarez at 3:55 pm, Oct 22, 2008



PIECE SCHEDULE						
LAB	QTY	MATERIAL	DESCRIPTION	LENGTH	ANG1	ANG2
1	1	362S162-54	JOIST	12'-5"		
H1	2	1000T250-68	HEADER	12'-6"		
J1	1	1000S200-68	JOIST	11'-10 1/8"		
J2	6	1000S200-68	JOIST	11'-10 1/8"		
J3	1	1000S200-68	JOIST	11'-10 1/8"		
X1	3	362S162-33	FLAT TRACK B	2'-2"		

11-5041

Jewish Home for the Aging

1885 Victory Blvd. Reseda, CA

FM-07-109

CREATED BY: AMB

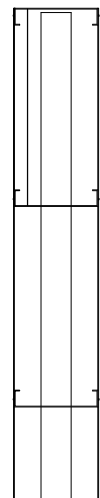
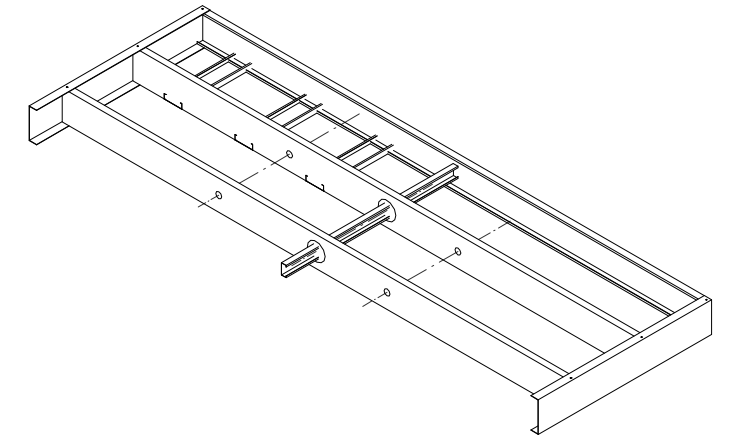
FrameMax, Inc.
13915 Danielson St
Suite 100
Poway, CA 92064
www.framemax.com



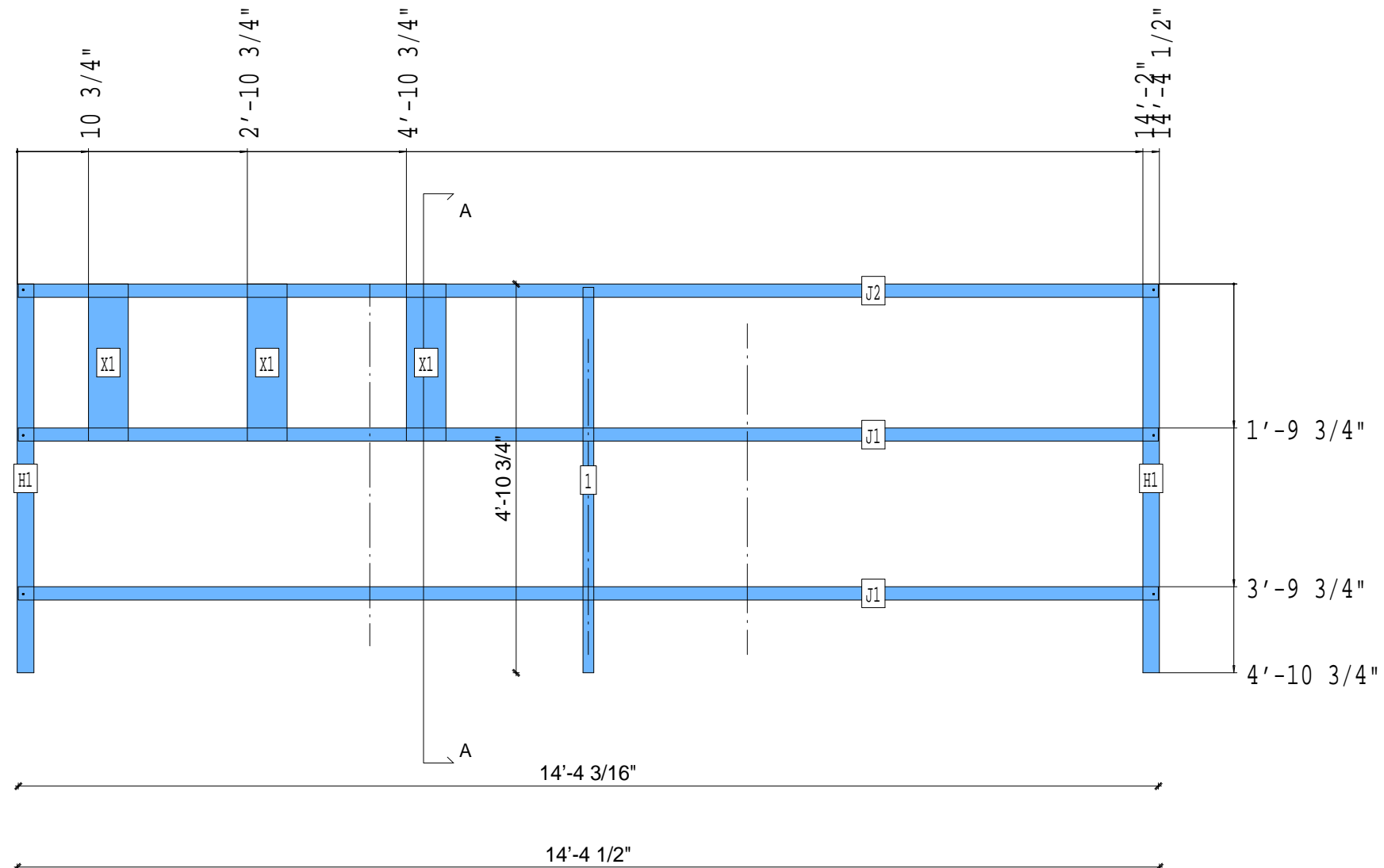
© FrameMax Inc.

CREATED: 10/22/2008

APPROVED
By ijuarez at 3:55 pm, Oct 22, 2008



A-A



PIECE SCHEDULE						
LAB	QTY	MATERIAL	DESCRIPTION	LENGTH	ANG1	ANG2
1	1	362S162-54	JOIST	4'-10 1/4"		
H1	2	1000T250-97	HEADER	4'-10 3/4"		
J1	2	1000S200-97	JOIST	14'-4 3/16"		
J2	1	1000S200-97	JOIST	14'-4 3/16"		
X1	3	600S162-33	FLAT TRACK B	1'-11 3/4"		

11-5042

Jewish Home for the Aging

1885 Victory Blvd. Reseda, CA

FM-07-109

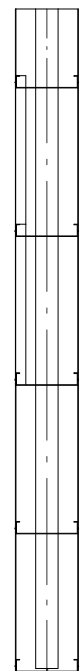
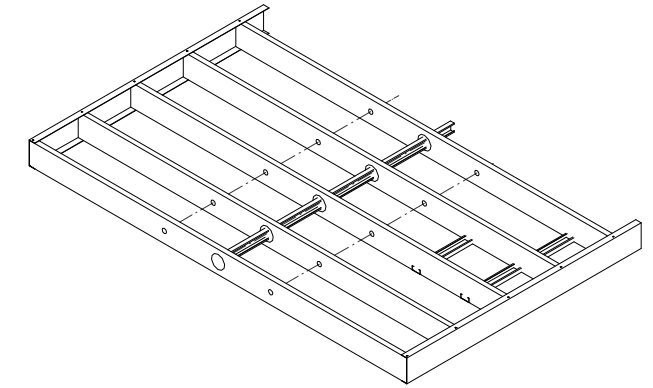
CREATED BY: AMB

FrameMax, Inc.
13915 Danielson St
Suite 100
Poway, CA 92064
www.frameMAX.com

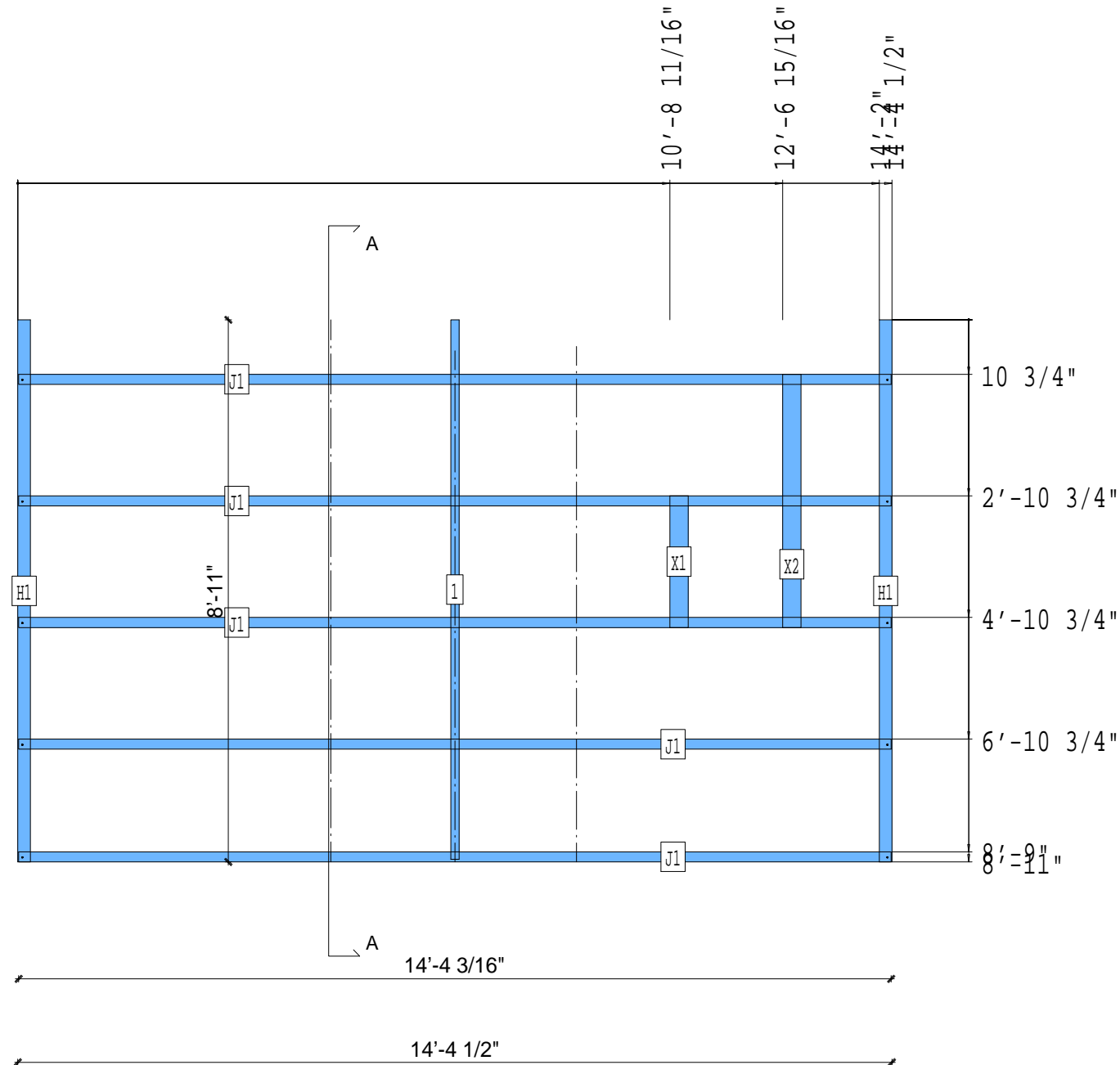


© FrameMax Inc.

APPROVED
By ijuarez at 3:55 pm, Oct 22, 2008



A-A



PIECE SCHEDULE						
LAB	QTY	MATERIAL	DESCRIPTION	LENGTH	ANG1	ANG2
1	1	362S162-54	JOIST	8'-10 1/2"		
H1	2	1000T250-97	HEADER	8'-11"		
J1	5	1000S200-97	JOIST	14'-4 3/16"		
X1	1	362S162-33	FLAT TRACK B	2'-2"		
X2	1	362S162-33	FLAT TRACK B	4'-2"		

11-5043

Jewish Home for the Aging

1885 Victory Blvd. Reseda, CA

FM-07-109

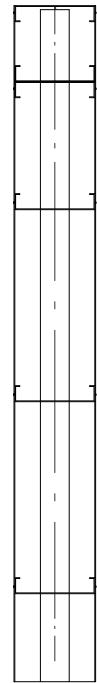
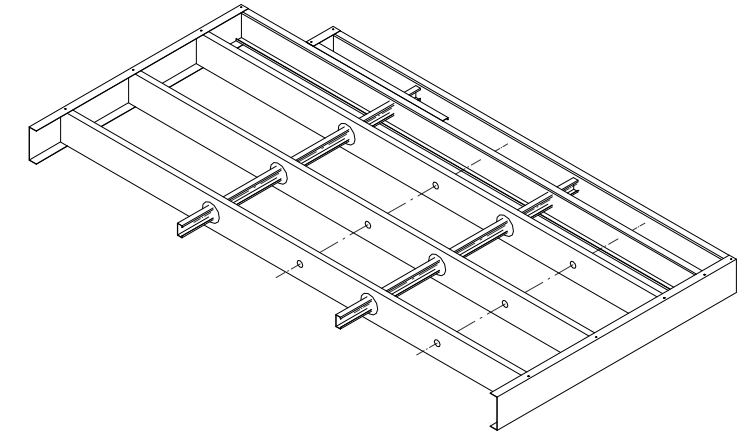
CREATED BY: AMB

FrameMax, Inc.
13915 Danielson St
Suite 100
Poway, CA 92064
www.framemax.com

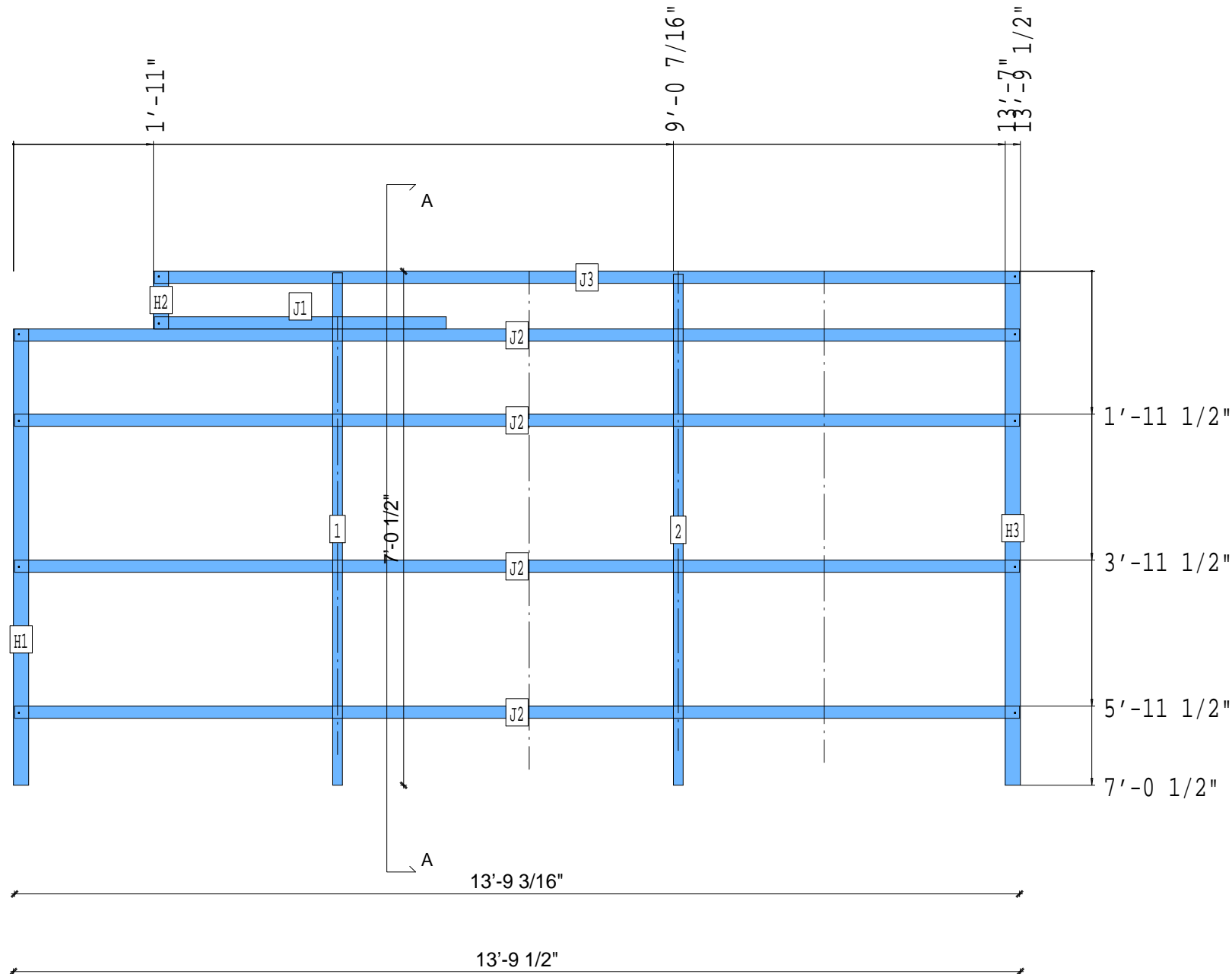


© FrameMax Inc.

APPROVED
By ijuarez at 3:55 pm, Oct 22, 2008



A-A



PIECE SCHEDULE						
LAB	QTY	MATERIAL	DESCRIPTION	LENGTH	ANG1	ANG2
1	1	362S162-54	JOIST	7'-0 1/4"		
2	1	362S162-54	JOIST	7'-0"		
H1	1	1000T250-97	HEADER	6'-3"		
H2	1	1000T250-97	HEADER	9 1/2"		
H3	1	1000T250-97	HEADER	7'-0 1/2"		
J1	1	1000S200-97	JOIST	3'-11 15/16"		
J2	4	1000S200-97	JOIST	13'-9 3/16"		
J3	1	1000S200-97	JOIST	11'-10 3/16"		

11-5044

CREATED: 10/22/2008

Jewish Home for the Aging

1885 Victory Blvd. Reseda, CA

FM-07-109

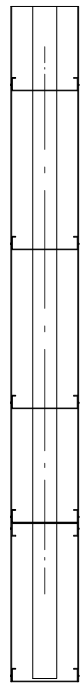
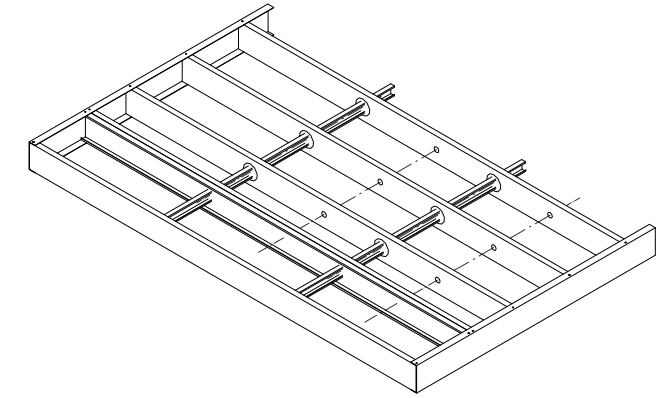
CREATED BY: AMB

FrameMax, Inc.
13915 Danielson St
Suite 100
Poway, CA 92064
www.framemax.com

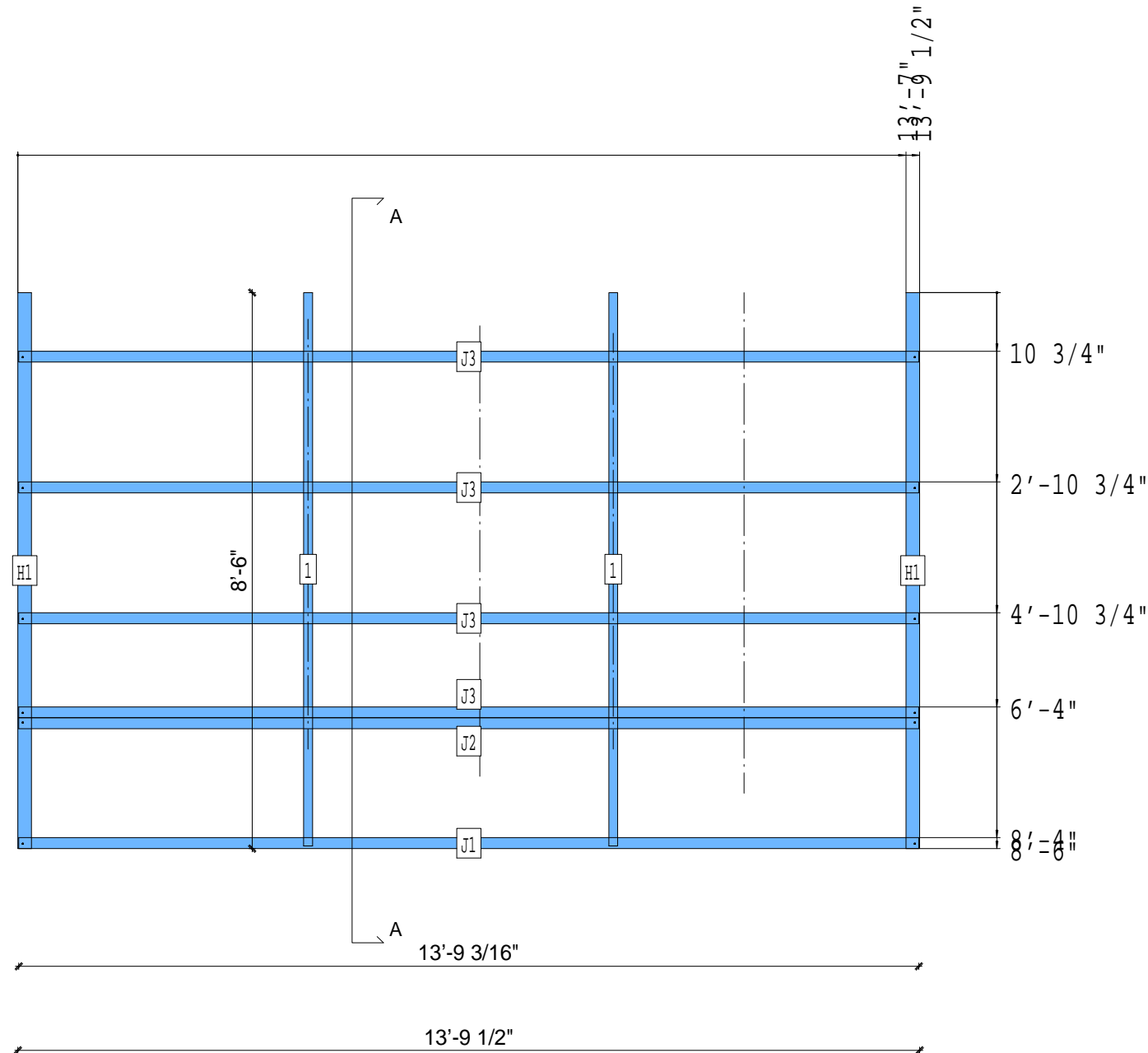


© FrameMax Inc.

APPROVED
By ijuarez at 3:55 pm, Oct 22, 2008



A-A



PIECE SCHEDULE						
LAB	QTY	MATERIAL	DESCRIPTION	LENGTH	ANG1	ANG2
1	2	362S162-54	JOIST	8'-5 1/2"		
H1	2	1000T250-97	HEADER	8'-6"		
J1	1	1000S200-97	JOIST	13'-9 3/16"		
J2	1	1000S200-97	JOIST	13'-9 3/16"		
J3	4	1000S200-97	JOIST	13'-9 3/16"		

11-5045

Jewish Home for the Aging

1885 Victory Blvd. Reseda, CA

FM-07-109

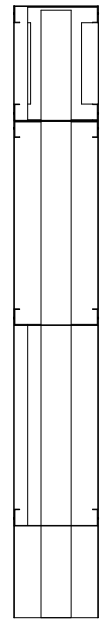
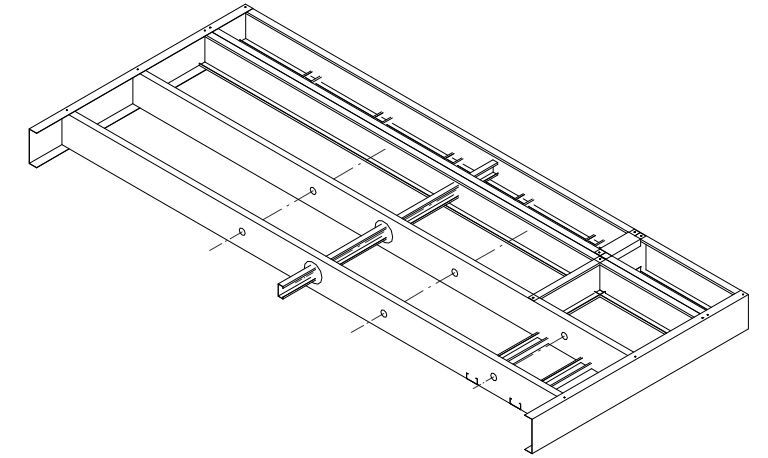
CREATED BY: AMB

FrameMax, Inc.
13915 Danielson St
Suite 100
Poway, CA 92064
www.framemax.com

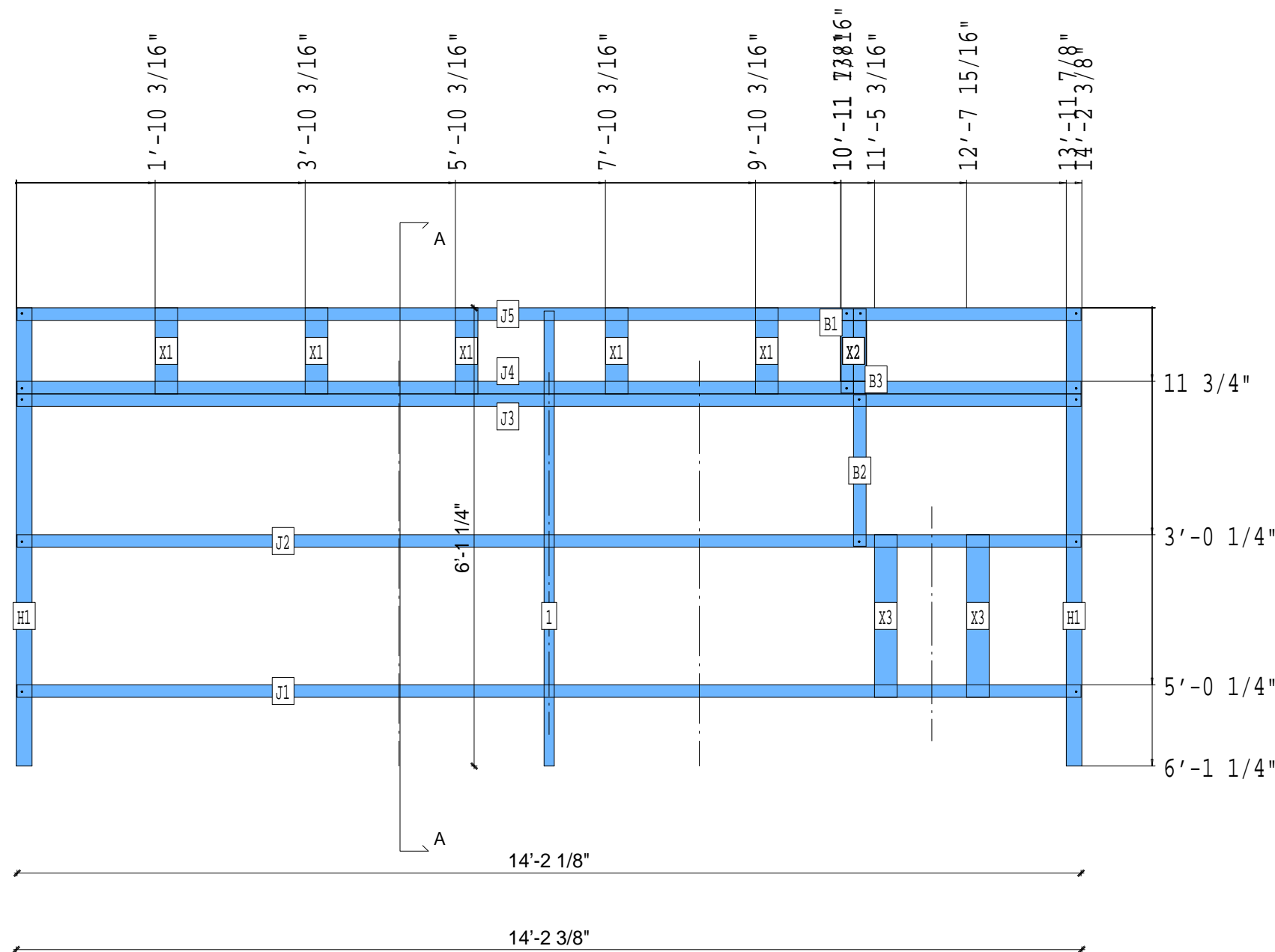


© FrameMax Inc.

APPROVED
By ijuarez at 3:55 pm, Oct 22, 2008



A-A



PIECE SCHEDULE						
LAB	QTY	MATERIAL	DESCRIPTION	LENGTH	ANG1	ANG2
1	1	362S162-54	JOIST	6'-0 3/4"		
B1	1	1000S200-68	BLOCK	1'-1 1/2"		
B2	1	1000S200-68	BLOCK	2'-0 1/4"		
B3	1	1000S200-68	BLOCK	1'-1 9/16"		
H1	2	1000T250-68	HEADER	6'-1 1/4"		
J1	1	1000S200-68	JOIST	14'-2 1/8"		
J2	1	1000S200-68	JOIST	14'-2 1/8"		
J3	1	1000S200-68	JOIST	14'-2 1/8"		
J4	1	1000S200-68	JOIST	14'-2 1/8"		
J5	1	1000S200-68	JOIST	14'-2 1/8"		
X1	5	362S162-33	FLAT TRACK B	1'-1 3/4"		
X2	2	400T200-68	FLAT TRACK B	9 3/4"		
X3	2	362S162-33	FLAT TRACK B	2'-2"		

11-5046

Jewish Home for the Aging

1885 Victory Blvd. Reseda, CA

FM-07-109

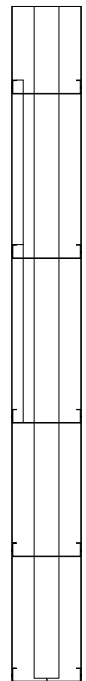
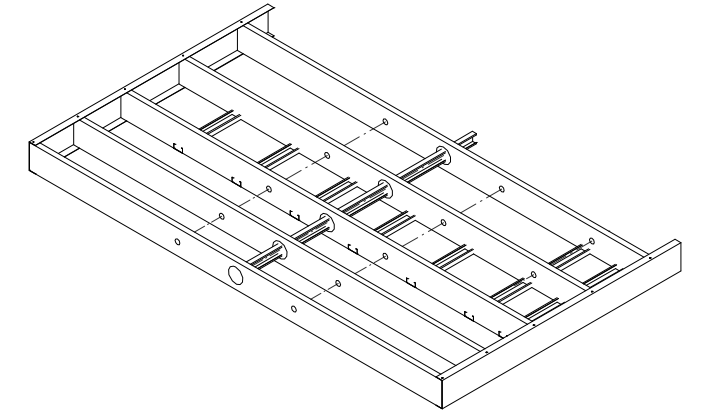
CREATED BY: AMB

FrameMax, Inc.
13915 Danielson St
Suite 100
Poway, CA 92064
www.framemax.com

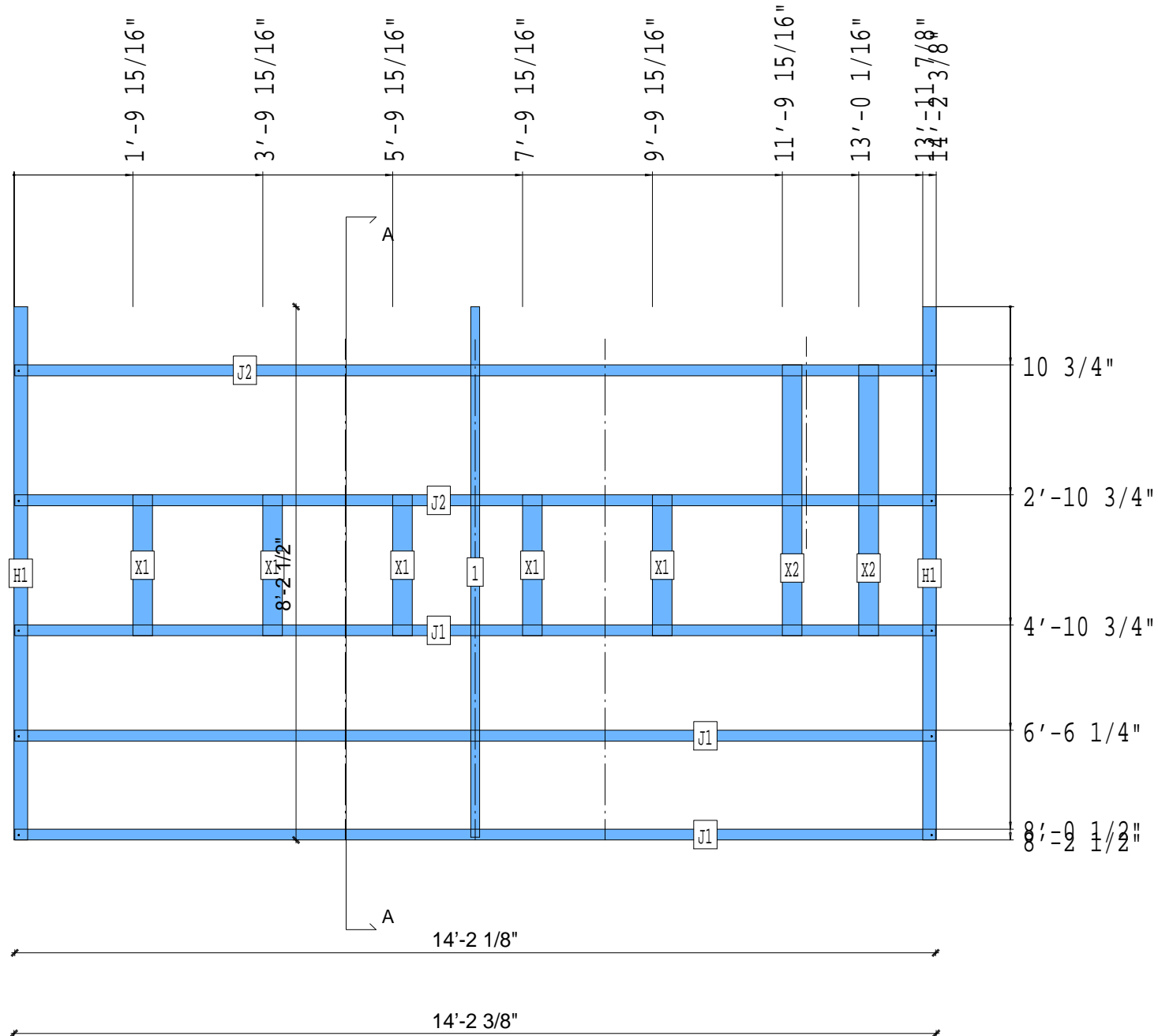


© FrameMax Inc.

APPROVED
By ijuarez at 3:55 pm, Oct 22, 2008



A-A



PIECE SCHEDULE						
LAB	QTY	MATERIAL	DESCRIPTION	LENGTH	ANG1	ANG2
1	1	362S162-54	JOIST	8'-2"		
H1	2	1000T250-68	HEADER	8'-2 1/2"		
J1	3	1000S200-68	JOIST	14'-2 1/8"		
J2	2	1000S200-68	JOIST	14'-2 1/8"		
X1	5	362S162-33	FLAT TRACK B	2'-2"		
X2	2	362S162-33	FLAT TRACK B	4'-2"		

11-5047

Jewish Home for the Aging

1885 Victory Blvd. Reseda, CA

FM-07-109

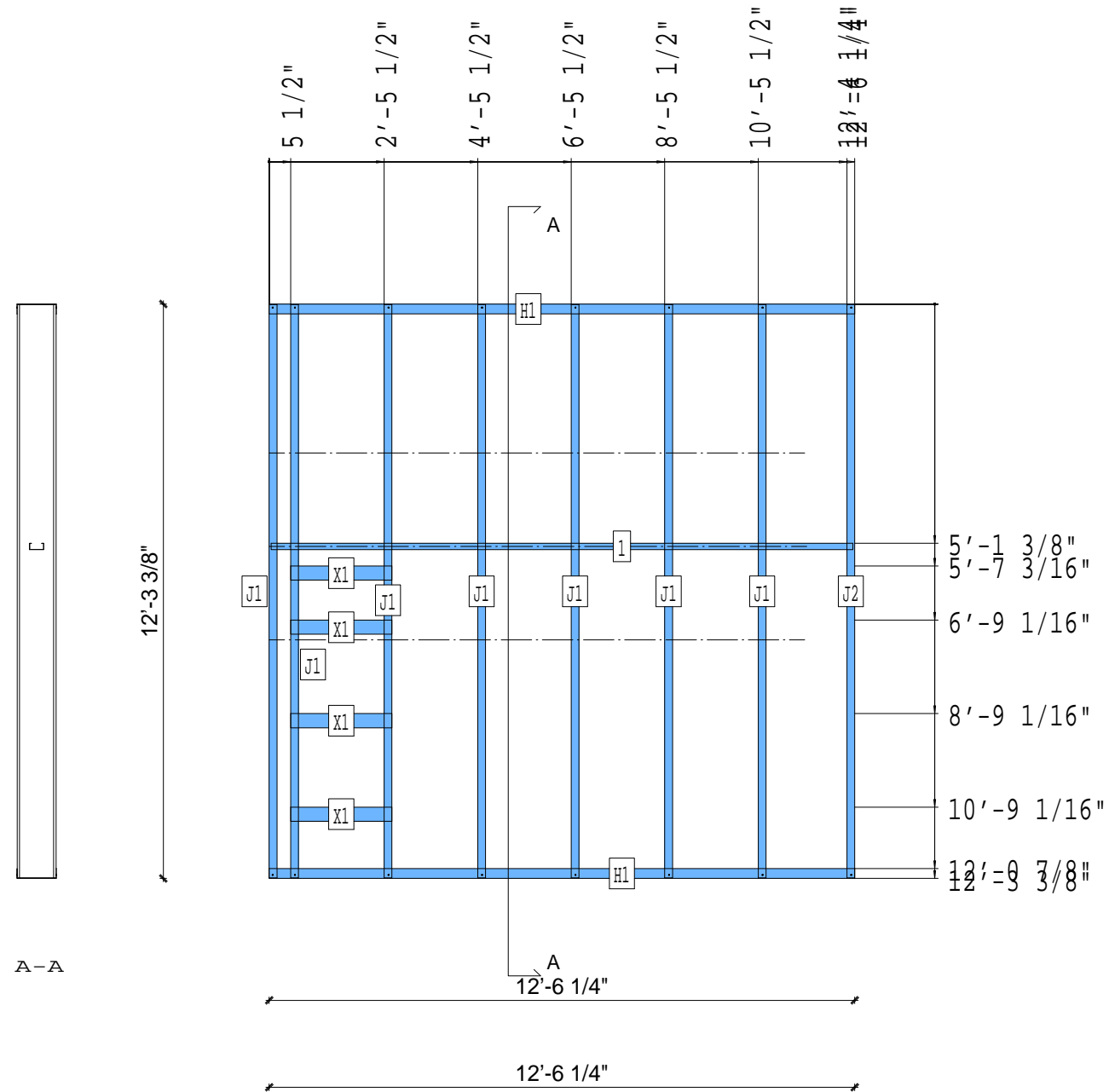
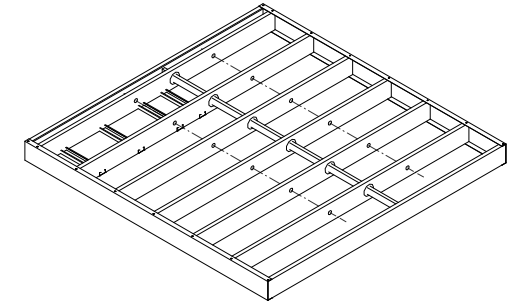
CREATED BY: AMB

FrameMax, Inc.
13915 Danielson St
Suite 100
Poway, CA 92064
www.frameMAX.com



© FrameMax Inc.

APPROVED
By ijuarez at 3:55 pm, Oct 22, 2008



PIECE SCHEDULE						
LAB	QTY	MATERIAL	DESCRIPTION	LENGTH	ANG1	ANG2
1	1	362S162-54	JOIST	12'-5 1/4"		
H1	2	1000T250-68	HEADER	12'-6 1/4"		
J1	7	1000S200-68	JOIST	12'-3 1/8"		
J2	1	1000S200-68	JOIST	12'-3 1/8"		
X1	4	362S162-33	FLAT TRACK B	2'-2"		

11-5048

Jewish Home for the Aging

1885 Victory Blvd. Reseda, CA

FM-07-109

CREATED BY: AMB

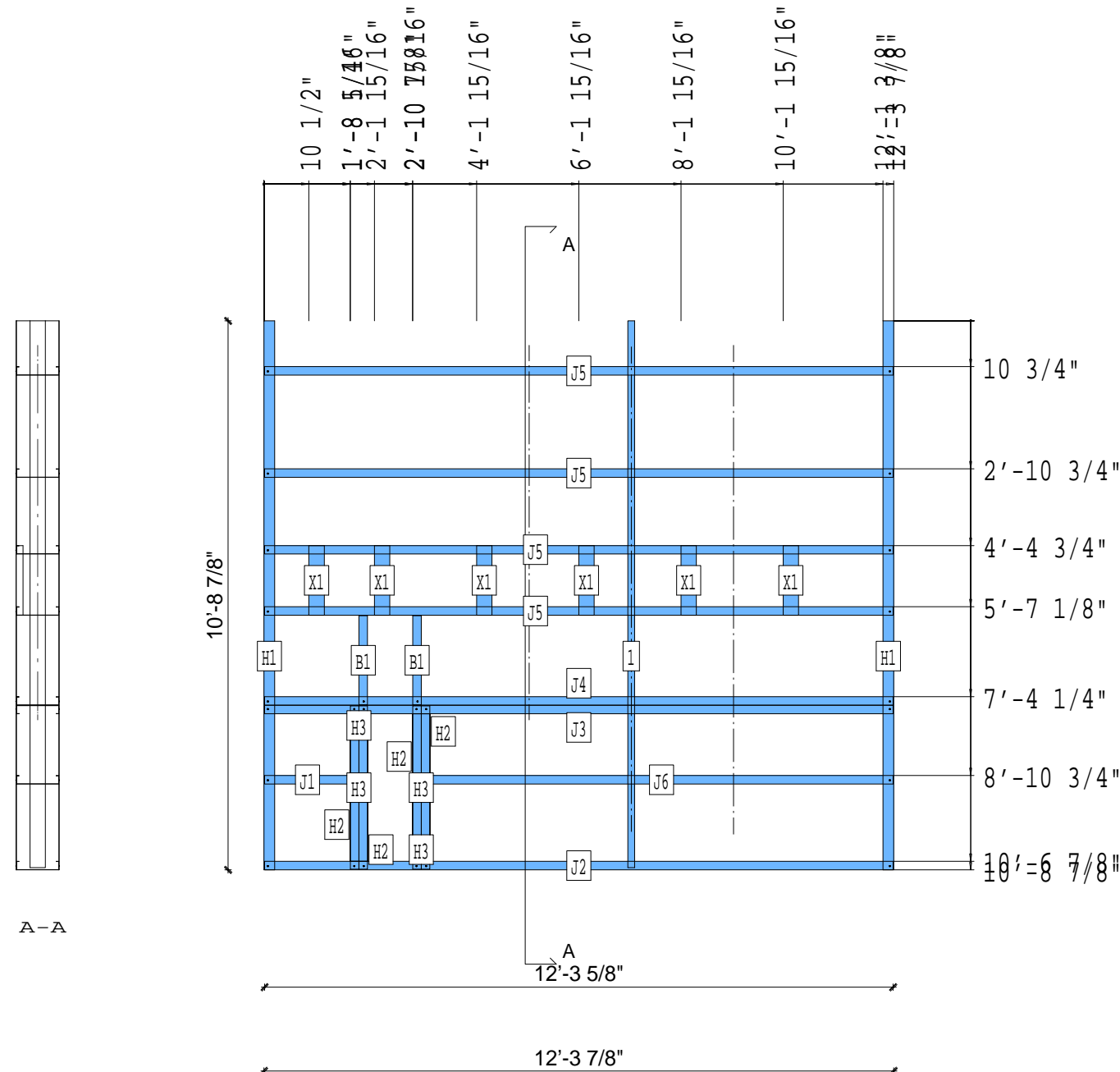
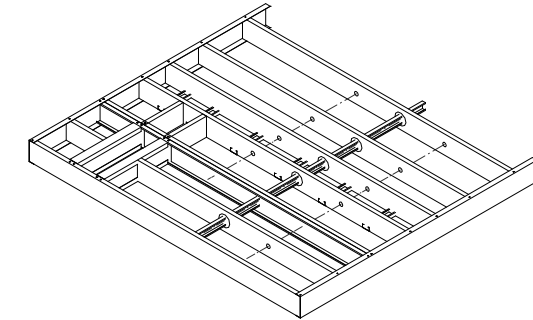
FrameMax, Inc.
13915 Danielson St
Suite 100
Poway, CA 92064
www.framemax.com



© FrameMax Inc.

CREATED: 10/22/2008

APPROVED
By ijuarez at 3:55 pm, Oct 22, 2008



A-A

PIECE SCHEDULE						
LAB	QTY	MATERIAL	DESCRIPTION	LENGTH	ANG1	ANG2
J1	1	362S162-54	JOIST	10'-8 3/8"		
B1	2	1000S200-68	BLOCK	1'-8 15/16"		
H1	2	1000T250-68	HEADER	10'-8 7/8"		
H2	4	1000S200-68	OPENING TRIM	3'-2 3/8"		
H3	4	400T200-68	OPENING TRIM	2'-10 5/8"		
J2	1	1000S200-68	JOIST	12'-3 5/8"		
J3	1	1000S200-68	OPENING TRIM	12'-3 5/8"		
J4	1	1000S200-68	OPENING TRIM	12'-3 5/8"		
J5	4	1000S200-68	JOIST	12'-3 5/8"		
J6	1	1000S200-68	JOIST	9'-0 13/16"		
X1	6	362S162-33	FLAT TRACK B	1'-4 3/8"		

11-5049

Jewish Home for the Aging

1885 Victory Blvd. Reseda, CA

FM-07-109

CREATED BY: AMB

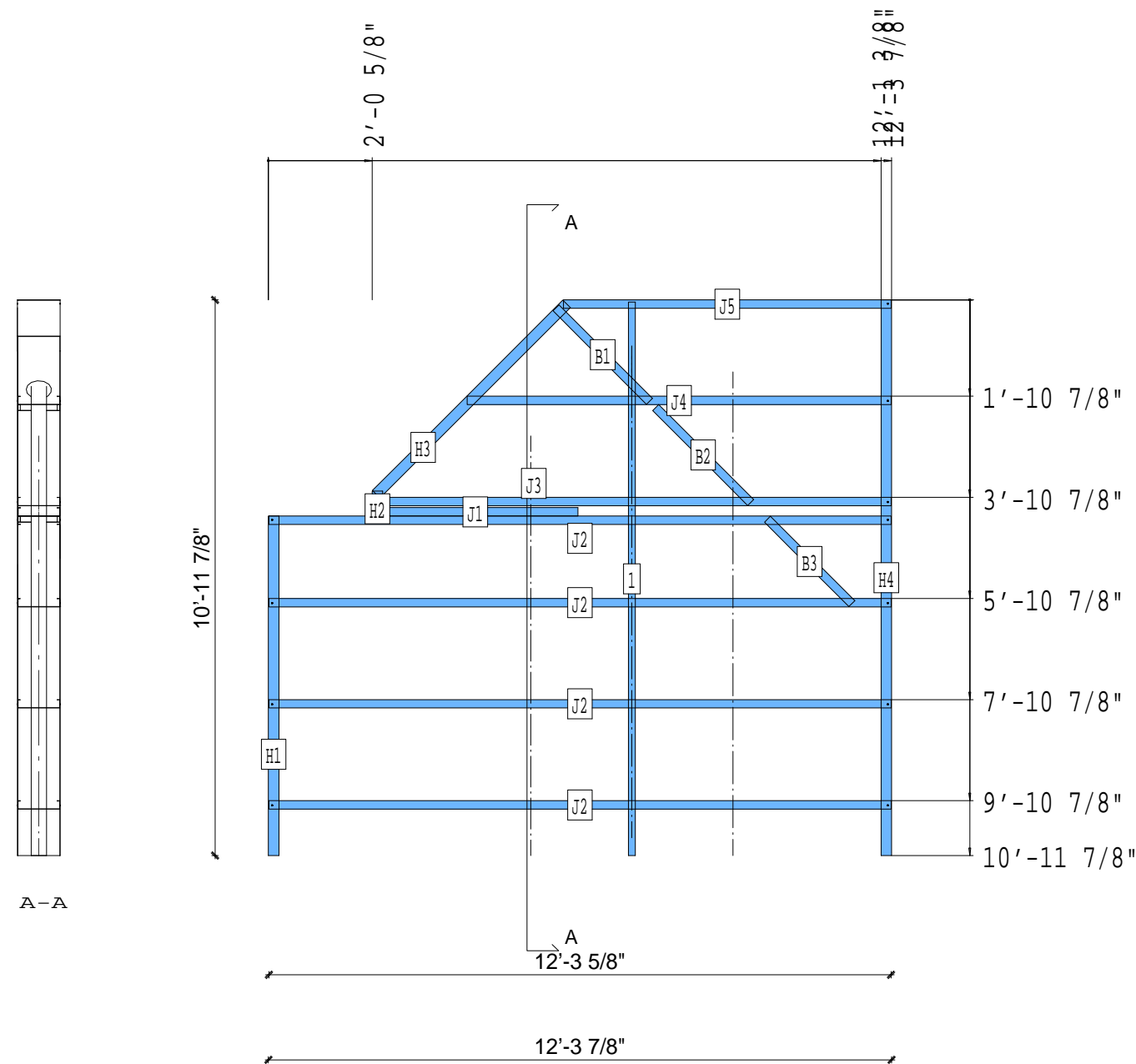
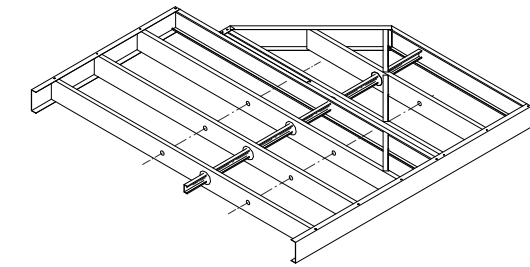
FrameMax, Inc.
13915 Danielson St
Suite 100
Poway, CA 92064
www.framemax.com



© FrameMax Inc.

CREATED: 10/22/2008

APPROVED
By ijuarez at 3:55 pm, Oct 22, 2008



A-A

PIECE SCHEDULE						
LAB	QTY	MATERIAL	DESCRIPTION	LENGTH	ANG1	ANG2
1	1	362S162-54	JOIST	10'-11 3/8"		
B1	1	1000S200-68	BLOCK	2'-7 3/8"		
B2	1	1000S200-68	BLOCK	2'-7 7/8"		
B3	1	1000S200-68	BLOCK	2'-4 5/16"		
H1	1	1000T250-68	HEADER	6'-8 9/16"		
H2	1	1000T250-68	HEADER	5 7/8"		
H3	1	1000T250-68	HEADER	5'-3 7/8"		
H4	1	1000T250-68	HEADER	10'-11 7/8"		
J1	1	1000S200-68	JOIST	4'-0 11/16"		
J2	4	1000S200-68	JOIST	12'-3 5/8"		
J3	1	1000S200-68	JOIST	10'-3"		
J4	1	1000S200-68	JOIST	8'-4 9/16"		
J5	1	1000S200-68	JOIST	6'-5 11/16"		

11-5050

CREATED: 10/22/2008

Jewish Home for the Aging

1885 Victory Blvd. Reseda, CA

FM-07-109

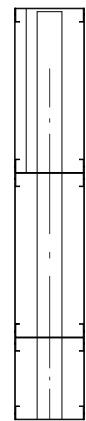
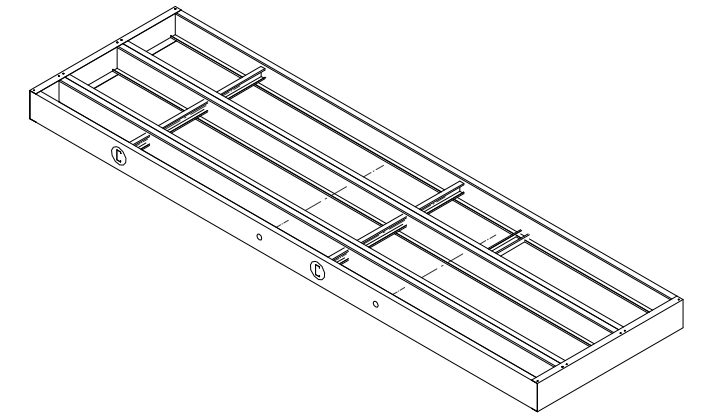
CREATED BY: AMB

FrameMax, Inc.
13915 Danielson St
Suite 100
Poway, CA 92064
www.frame-max.com

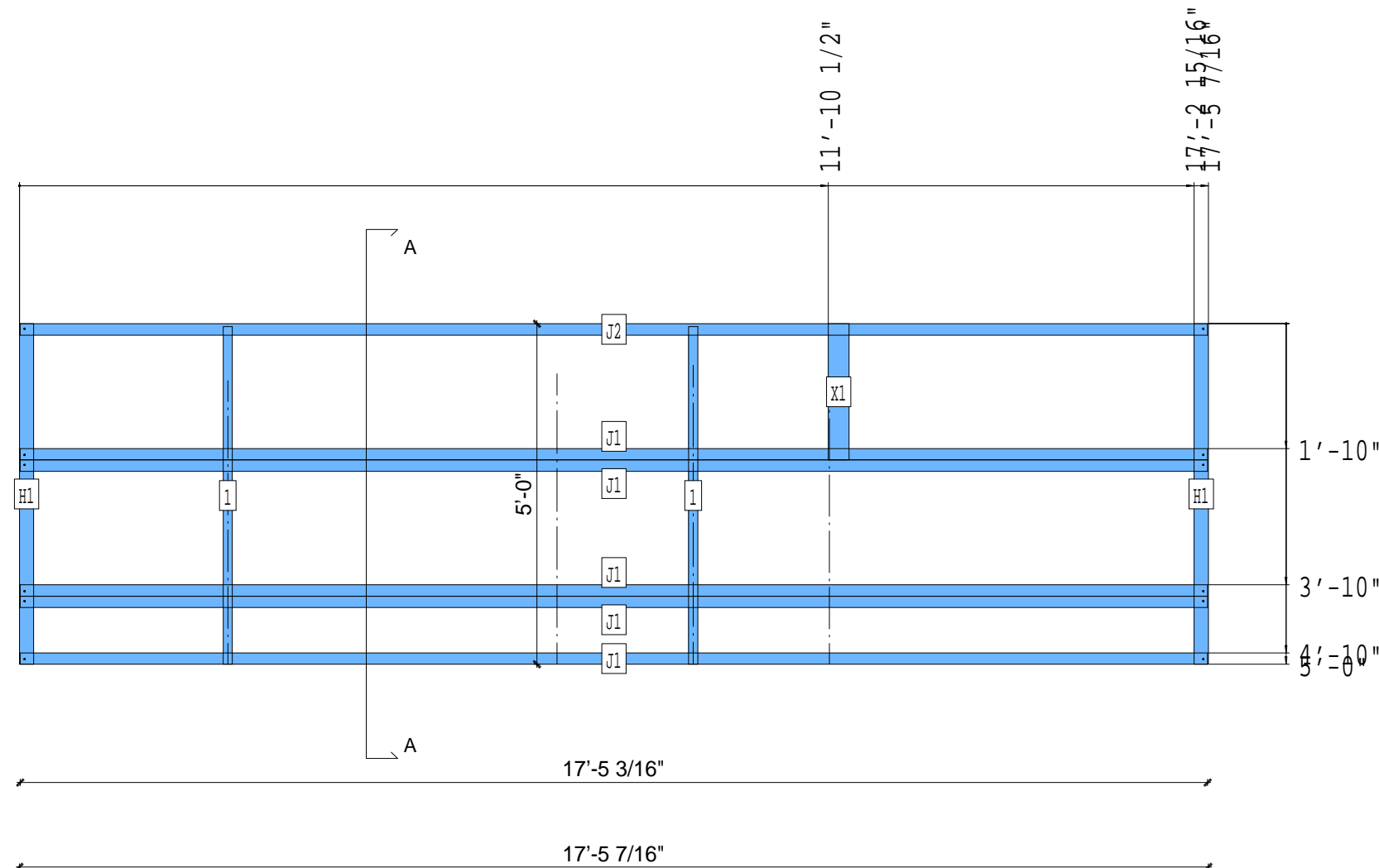


© FrameMax Inc.

APPROVED
By ijuarez at 3:55 pm, Oct 22, 2008



A-A



PIECE SCHEDULE						
LAB	QTY	MATERIAL	DESCRIPTION	LENGTH	ANG1	ANG2
1	2	362S162-54	JOIST	4'-11 1/2"		
H1	2	1000T250-68	HEADER	5'-0"		
J1	5	1000S200-68	JOIST	17'-5 3/16"		
J2	1	1000S200-68	JOIST	17'-5 3/16"		
X1	1	362S162-33	FLAT TRACK B	2'-0"		

11-5051

Jewish Home for the Aging

1885 Victory Blvd. Reseda, CA

FM-07-109

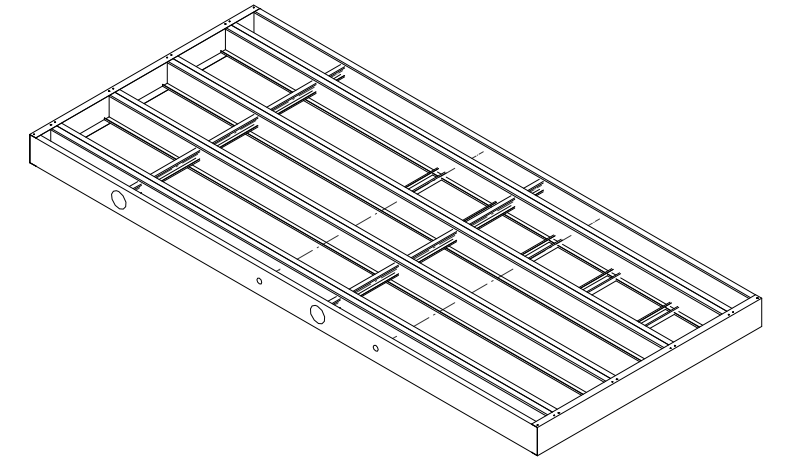
CREATED BY: AMB

FrameMax, Inc.
13915 Danielson St
Suite 100
Poway, CA 92064
www.framemax.com

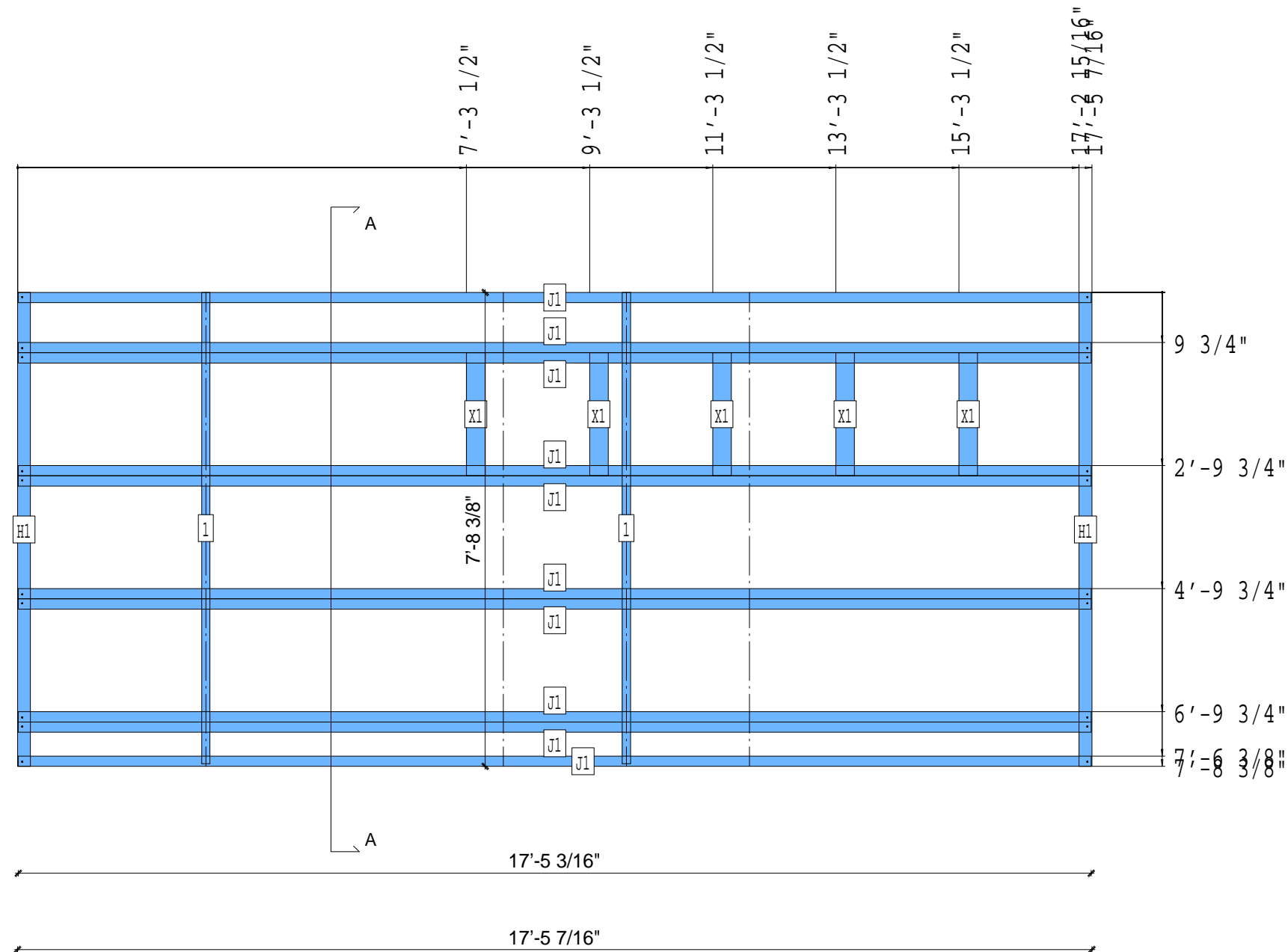


© FrameMax Inc.

APPROVED
By ijuarez at 3:55 pm, Oct 22, 2008



A-A



PIECE SCHEDULE						
LAB	QTY	MATERIAL	DESCRIPTION	LENGTH	ANG1	ANG2
I	2	362S162-54	JOIST	7'-7 7/8"		
H1	2	1000T250-68	HEADER	7'-8 3/8"		
J1	10	1000S200-68	JOIST	17'-5 3/16"		
X1	5	362S162-33	FLAT TRACK B	2'-0"		

11-5052

Jewish Home for the Aging

1885 Victory Blvd. Reseda, CA

FM-07-109

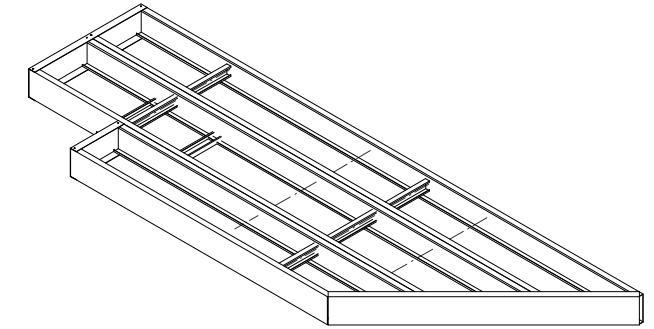
CREATED BY: AMB

FrameMax, Inc.
13915 Danielson St
Suite 100
Poway, CA 92064
www.frame-max.com

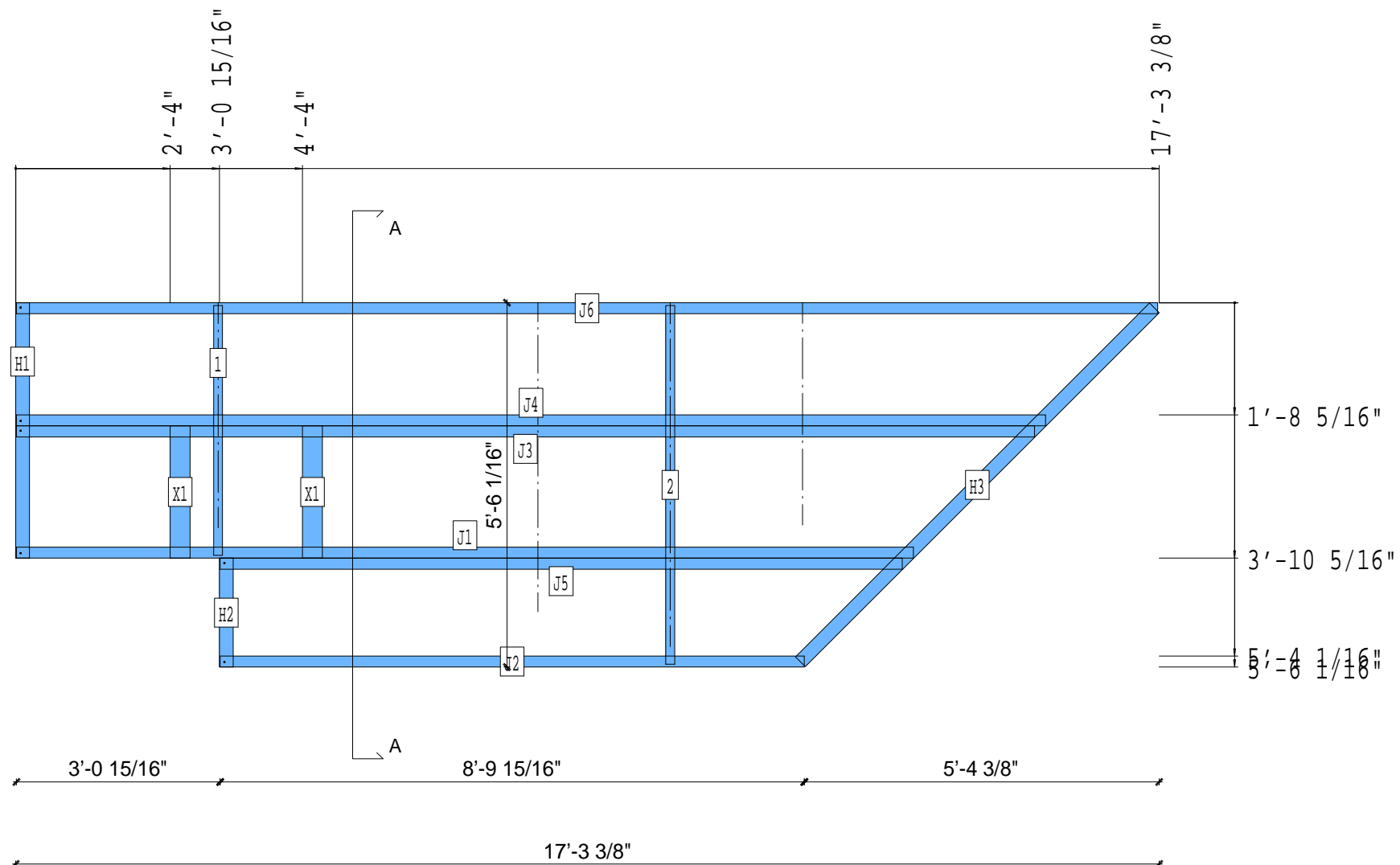


© FrameMax Inc.

APPROVED
By ijuarez at 3:55 pm, Oct 22, 2008



A-A



PIECE SCHEDULE						
LAB	QTY	MATERIAL	DESCRIPTION	LENGTH	ANG1	ANG2
1	1	362S162-54	JOIST	3'-9 5/16"		
2	1	362S162-54	JOIST	5'-5 1/16"		
H1	1	1000T250-68	HEADER	3'-10 5/16"		
H2	1	1000T250-68	HEADER	1'-7 3/4"		
H3	1	1000T250-68	HEADER	7'-6 3/4"		
J1	1	1000S200-68	JOIST	13'-6 11/16"		
J2	1	1000S200-68	JOIST	8'-9 15/16"		
J3	1	1000S200-68	JOIST	15'-4 5/8"		
J4	1	1000S200-68	JOIST	15'-6 5/8"		
J5	1	1000S200-68	JOIST	10'-3 11/16"		
J6	1	1000S200-68	JOIST	17'-3"		
X1	2	362S162-33	FLAT TRACK B	2'-0"		

11-5053

Jewish Home for the Aging

1885 Victory Blvd. Reseda, CA

FM-07-109

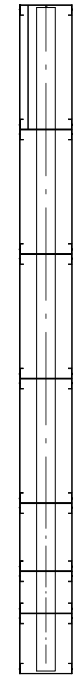
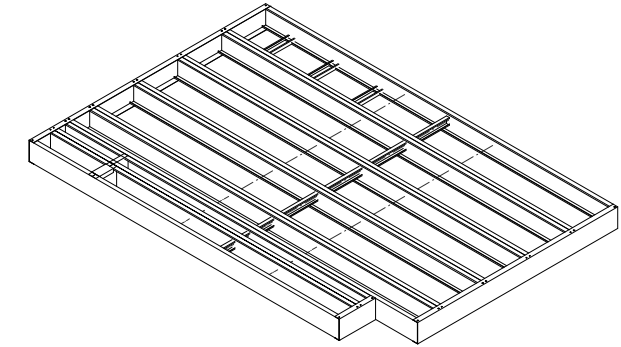
CREATED BY: AMB

FrameMax, Inc.
13915 Danielson St
Suite 100
Poway, CA 92064
www.framemax.com

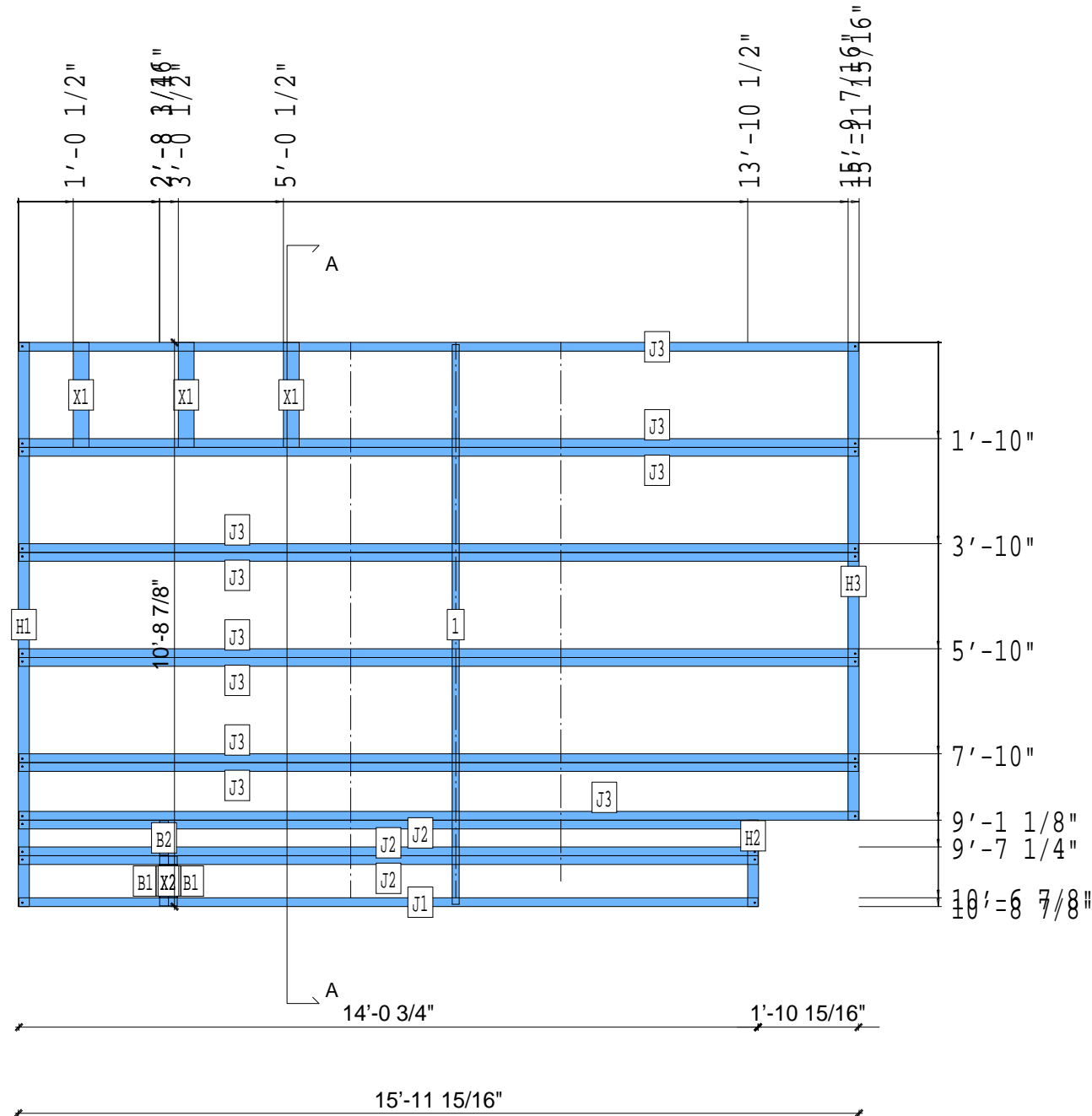


© FrameMax Inc.

APPROVED
By ijuarez at 3:55 pm, Oct 22, 2008



A-A



PIECE SCHEDULE						
LAB	QTY	MATERIAL	DESCRIPTION	LENGTH	ANG1	ANG2
1	1	362S162-54	JOIST	10'-7 7/8"		
B1	2	1000S200-68	BLOCK	11 3/8"		
B2	1	1000S200-68	BLOCK	7 7/8"		
H1	1	1000T250-68	HEADER	10'-8 7/8"		
H2	1	1000T250-68	HEADER	1'-7 3/4"		
H3	1	1000T250-68	HEADER	9'-1 1/8"		
J1	1	1000S200-68	JOIST	14'-0 3/4"		
J2	3	1000S200-68	JOIST	14'-0 3/4"		
J3	10	1000S200-68	JOIST	15'-11 11/16"		
X1	3	362S162-33	FLAT TRACK B	2'-0"		
X2	2	400T200-68	FLAT TRACK B	7 5/8"		

11-5054

Jewish Home for the Aging

1885 Victory Blvd. Reseda, CA

FM-07-109

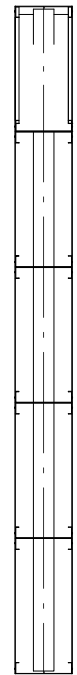
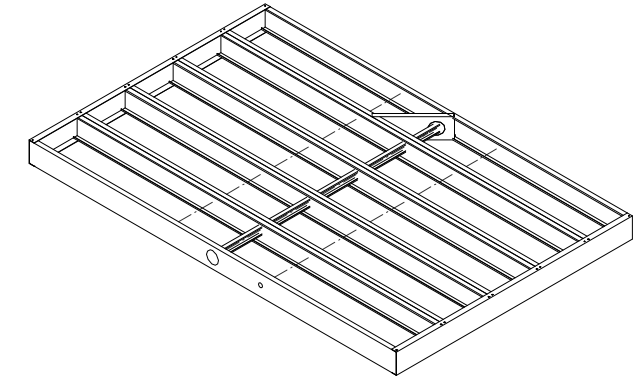
CREATED BY: AMB

FrameMax, Inc.
13915 Danielson St
Suite 100
Poway, CA 92064
www.frame-max.com

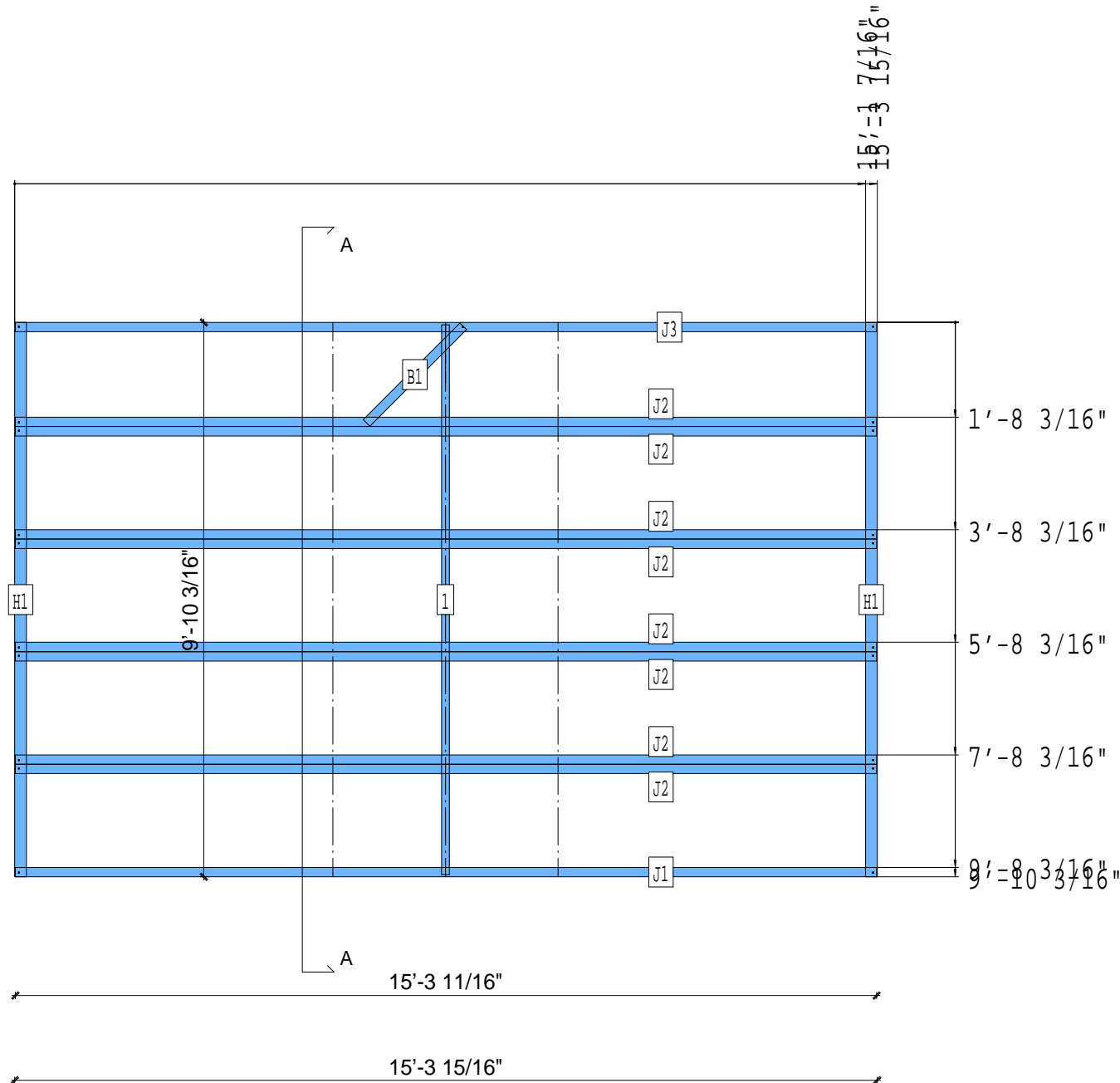


© FrameMax Inc.

APPROVED
By ijuarez at 3:55 pm, Oct 22, 2008



A-A



PIECE SCHEDULE						
LAB	QTY	MATERIAL	DESCRIPTION	LENGTH	ANG1	ANG2
1	1	362S162-54	JOIST	9'-9 3/16"		
B1	1	1000S200-68	BLOCK	2'-5 3/16"		
H1	2	1000T250-68	HEADER	9'-10 3/16"		
J1	1	1000S200-68	JOIST	15'-3 11/16"		
J2	8	1000S200-68	JOIST	15'-3 11/16"		
J3	1	1000S200-68	JOIST	15'-3 11/16"		

11-5055

Jewish Home for the Aging

1885 Victory Blvd. Reseda, CA

FM-07-109

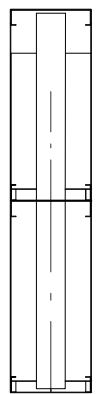
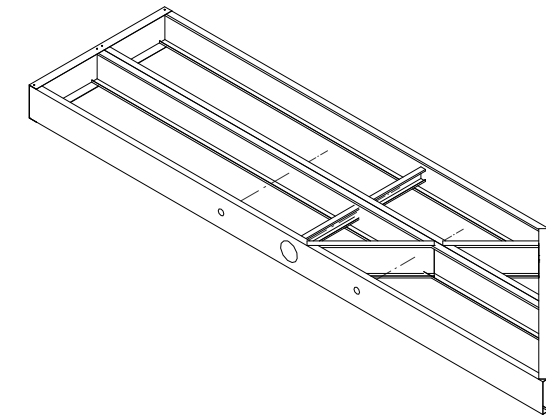
CREATED BY: AMB

FrameMax, Inc.
13915 Danielson St
Suite 100
Poway, CA 92064
www.framemax.com

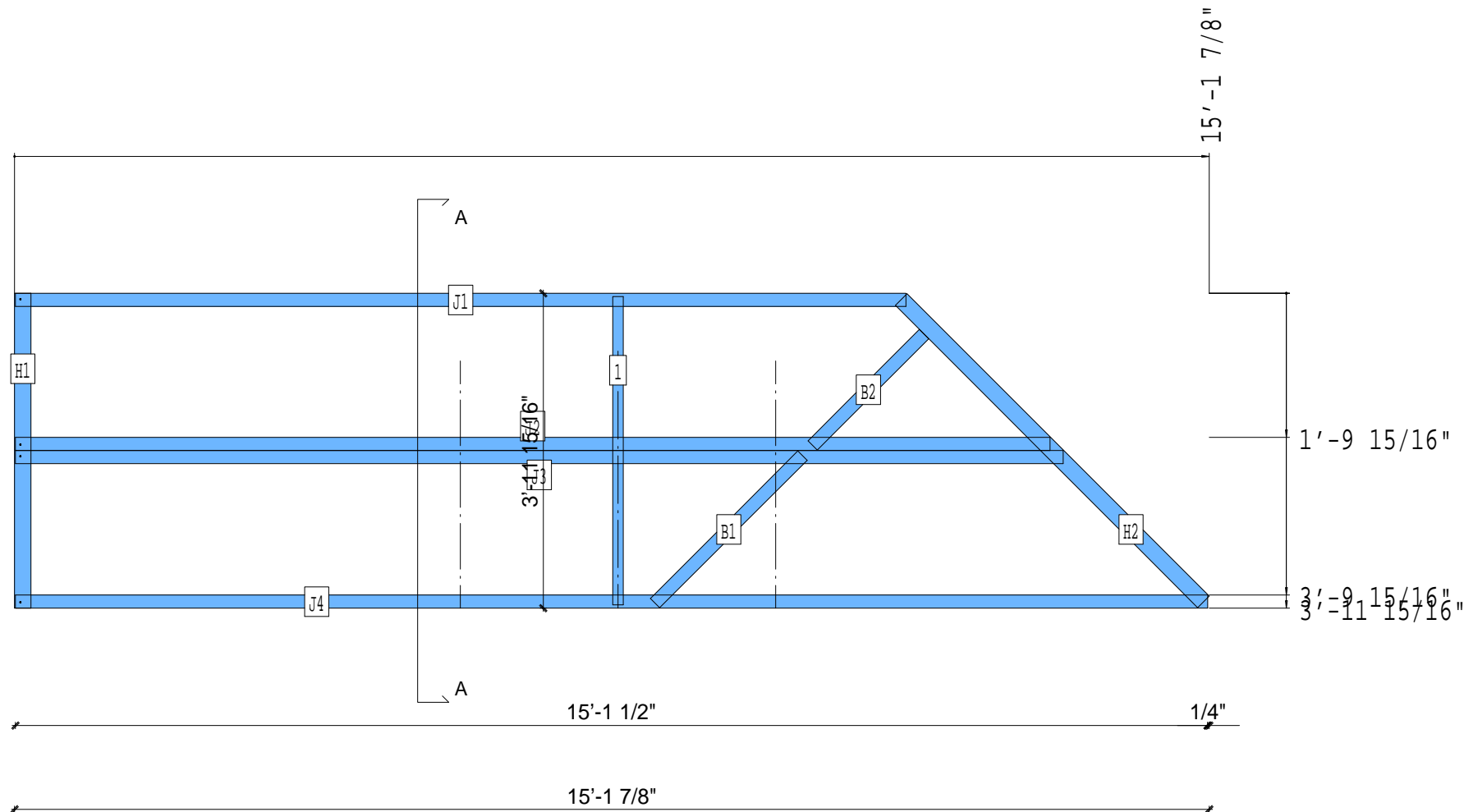


© FrameMax Inc.

APPROVED
By ijuarez at 3:55 pm, Oct 22, 2008



A-A



PIECE SCHEDULE						
LAB	QTY	MATERIAL	DESCRIPTION	LENGTH	ANG1	ANG2
J1	1	362S162-54	JOIST	3'-10 15/16"		
B1	1	1000S200-68	BLOCK	2'-7 3/4"		
B2	1	1000S200-68	BLOCK	1'-11 15/16"		
H1	1	1000T250-68	HEADER	3'-11 15/16"		
H2	1	1000T250-68	HEADER	5'-5 1/16"		
J2	1	1000S200-68	JOIST	11'-3 9/16"		
J3	1	1000S200-68	JOIST	13'-1 1/2"		
J4	1	1000S200-68	JOIST	13'-3 1/2"		
J4	1	1000S200-68	JOIST	15'-1 1/2"		

11-5056

Jewish Home for the Aging

1885 Victory Blvd. Reseda, CA

FM-07-109

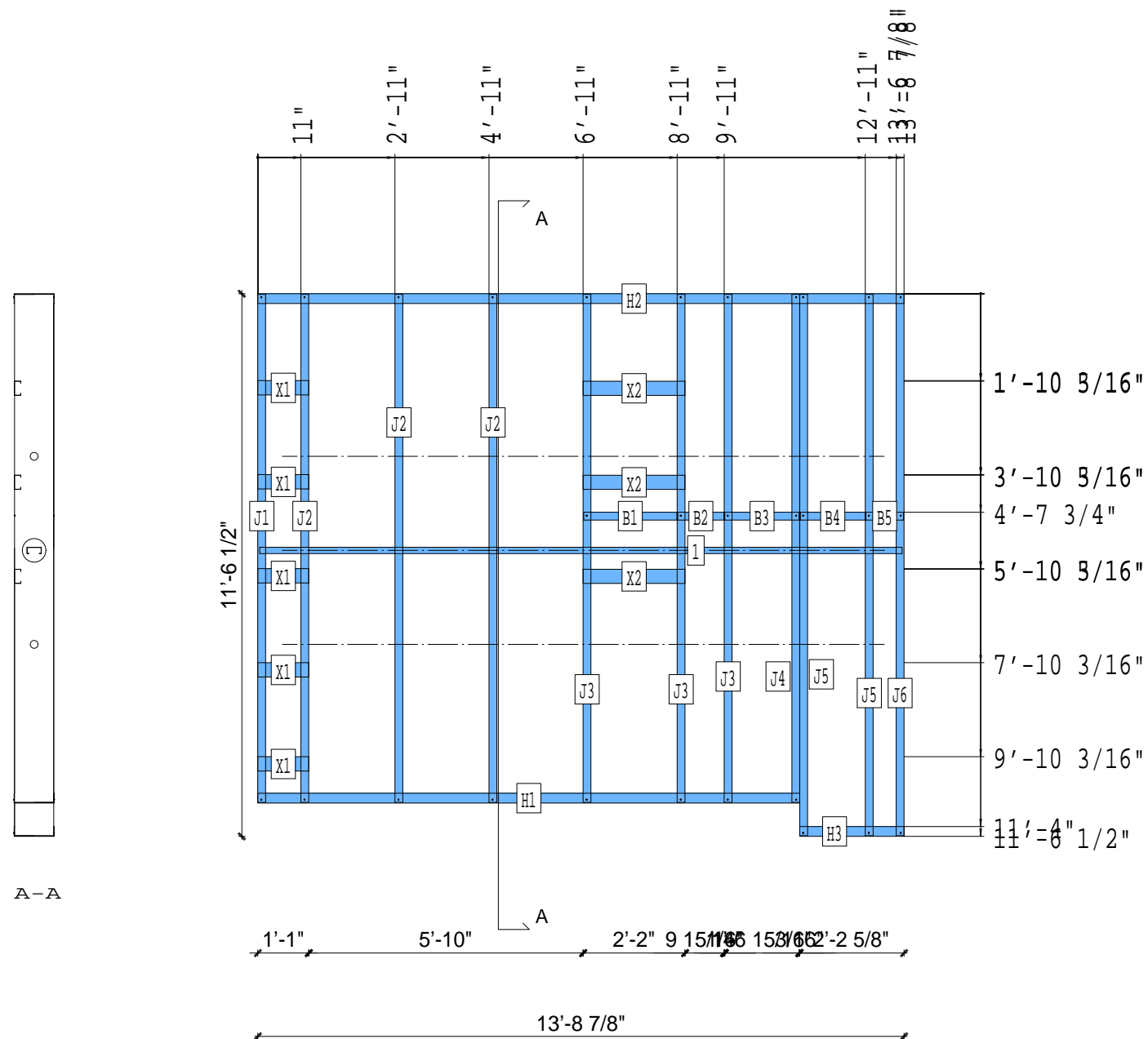
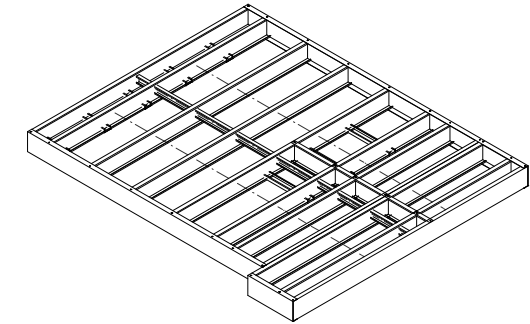
CREATED BY: AMB

FrameMax, Inc.
13915 Danielson St
Suite 100
Poway, CA 92064
www.framemax.com



© FrameMax Inc.

APPROVED
By ijuarez at 3:55 pm, Oct 22, 2008



PIECE SCHEDULE						
LAB	QTY	MATERIAL	DESCRIPTION	LENGTH	ANG1	ANG2
1	1	362S162-54	JOIST	13'-7 7/8"		
B1	1	1000S200-97	BLOCK	1'-11 3/4"		
B2	1	1000S200-97	BLOCK	11 3/4"		
B3	1	1000S200-97	BLOCK	1'-6 15/16"		
B4	1	1000S200-97	BLOCK	1'-4 1/2"		
B5	1	1000S200-97	BLOCK	9 9/16"		
H1	1	1000T250-97	HEADER	11'-6 1/4"		
H2	1	1000T250-97	HEADER	13'-8 7/8"		
H3	1	1000T250-97	HEADER	2'-2 5/8"		
J1	1	1000S200-97	JOIST	10'-9 11/16"		
J2	3	1000S200-97	JOIST	10'-9 11/16"		
J3	3	1000S200-97	JOIST	10'-9 11/16"		
J4	1	1000S200-97	JOIST	10'-9 11/16"		
J5	2	1000S200-97	JOIST	11'-6 3/16"		
J6	1	1000S200-97	JOIST	11'-6 3/16"		
X1	5	362S162-33	FLAT TRACK B	1'-1"		
X2	3	362S162-33	FLAT TRACK B	2'-2"		

11-5057

CREATED: 10/22/2008

Jewish Home for the Aging

1885 Victory Blvd. Reseda, CA

FM-07-109

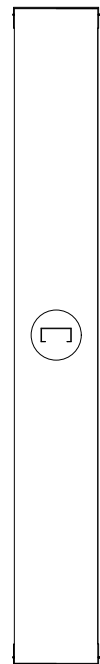
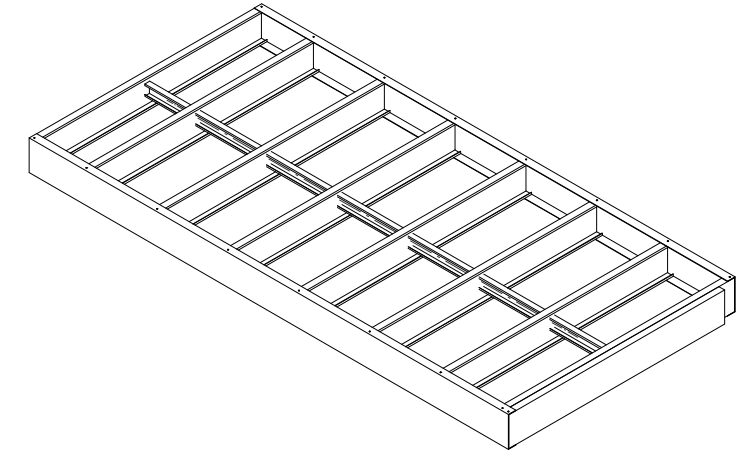
CREATED BY: AMB

FrameMax, Inc.
13915 Danielson St
Suite 100
Poway, CA 92064
www.framemax.com

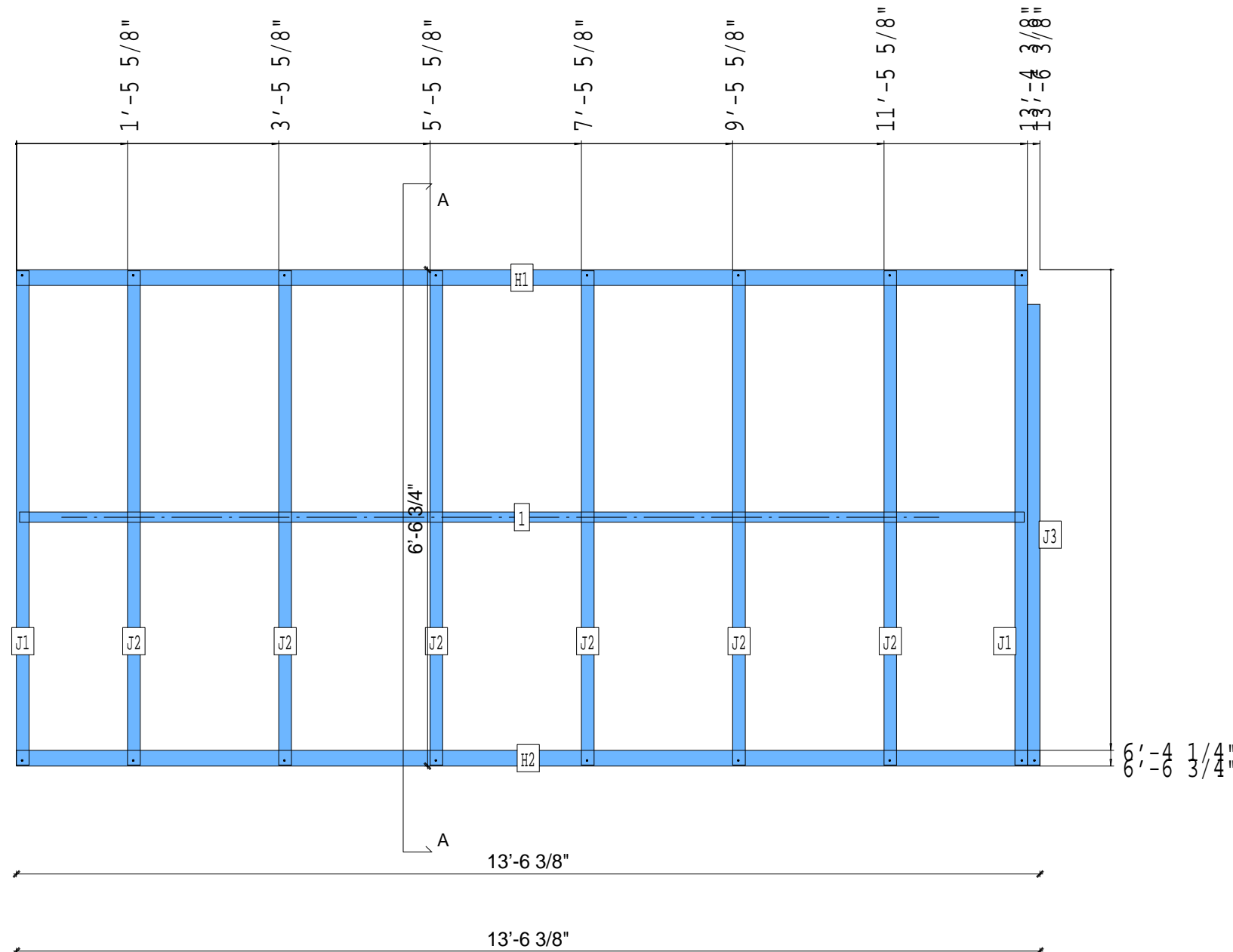


© FrameMax Inc.

APPROVED
By ijuarez at 3:55 pm, Oct 22, 2008



A-A



PIECE SCHEDULE						
LAB	QTY	MATERIAL	DESCRIPTION	LENGTH	ANG1	ANG2
1	1	362S162-54	JOIST	13'-3 3/8"		
H1	1	1000T250-97	HEADER	13'-4 3/8"		
H2	1	1000T250-97	HEADER	13'-6 3/8"		
J1	2	1000S200-97	JOIST	6'-6 7/16"		
J2	6	1000S200-97	JOIST	6'-6 7/16"		
J3	1	1000S200-97	JOIST	6'-1 1/8"		

11-5058

Jewish Home for the Aging

1885 Victory Blvd. Reseda, CA

FM-07-109

CREATED BY: AMB

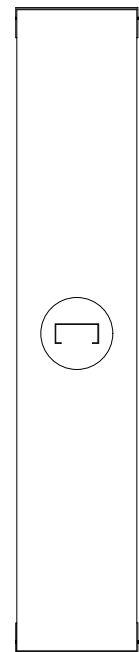
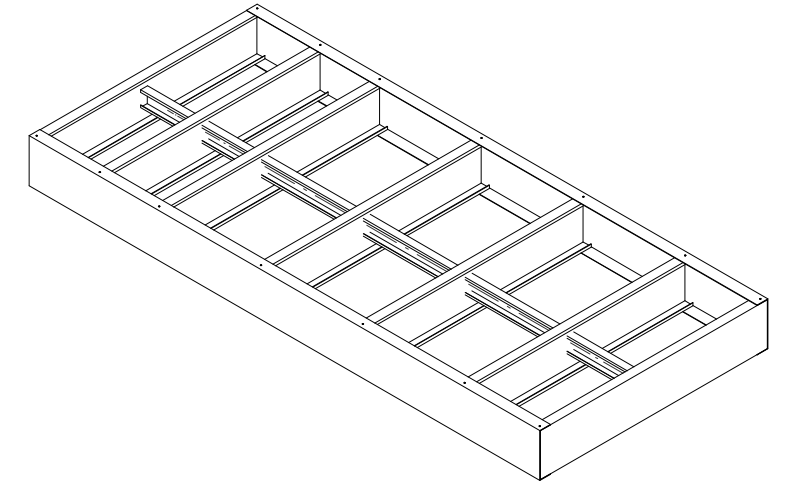
FrameMax, Inc.
13915 Danielson St
Suite 100
Poway, CA 92064
www.framemax.com



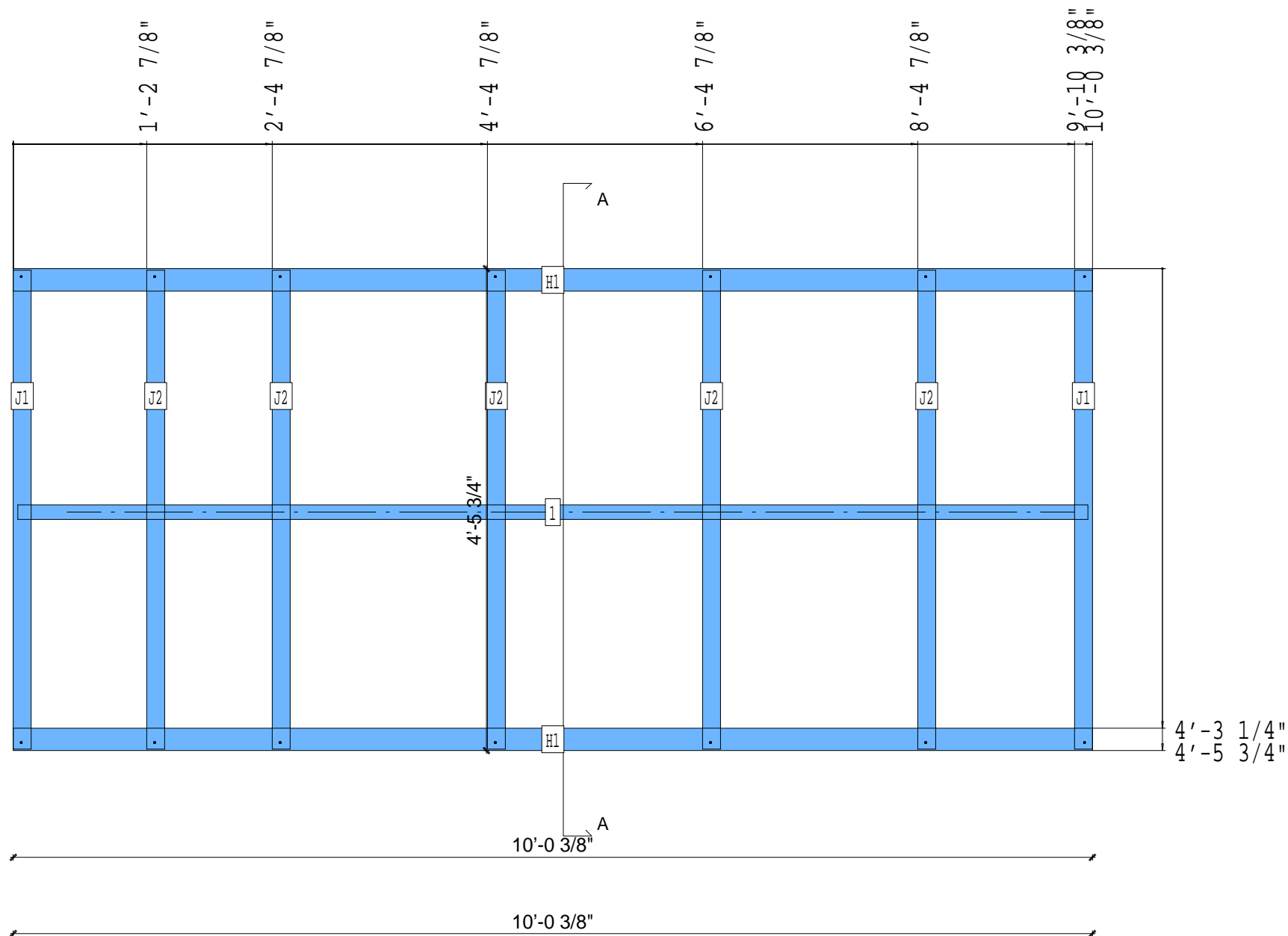
© FrameMax Inc.

CREATED: 10/22/2008

APPROVED
By *ijuarez* at 3:55 pm, Oct 22, 2008



A-A



PIECE SCHEDULE						
LAB	QTY	MATERIAL	DESCRIPTION	LENGTH	ANG1	ANG2
1	1	362S162-54	JOIST	9'-11 3/8"		
H1	2	1000T250-97	HEADER	10'-0 3/8"		
J1	2	1000S200-97	JOIST	4'-5 7/16"		
J2	5	1000S200-97	JOIST	4'-5 7/16"		

11-5059

Jewish Home for the Aging

1885 Victory Blvd. Reseda, CA

FM-07-109

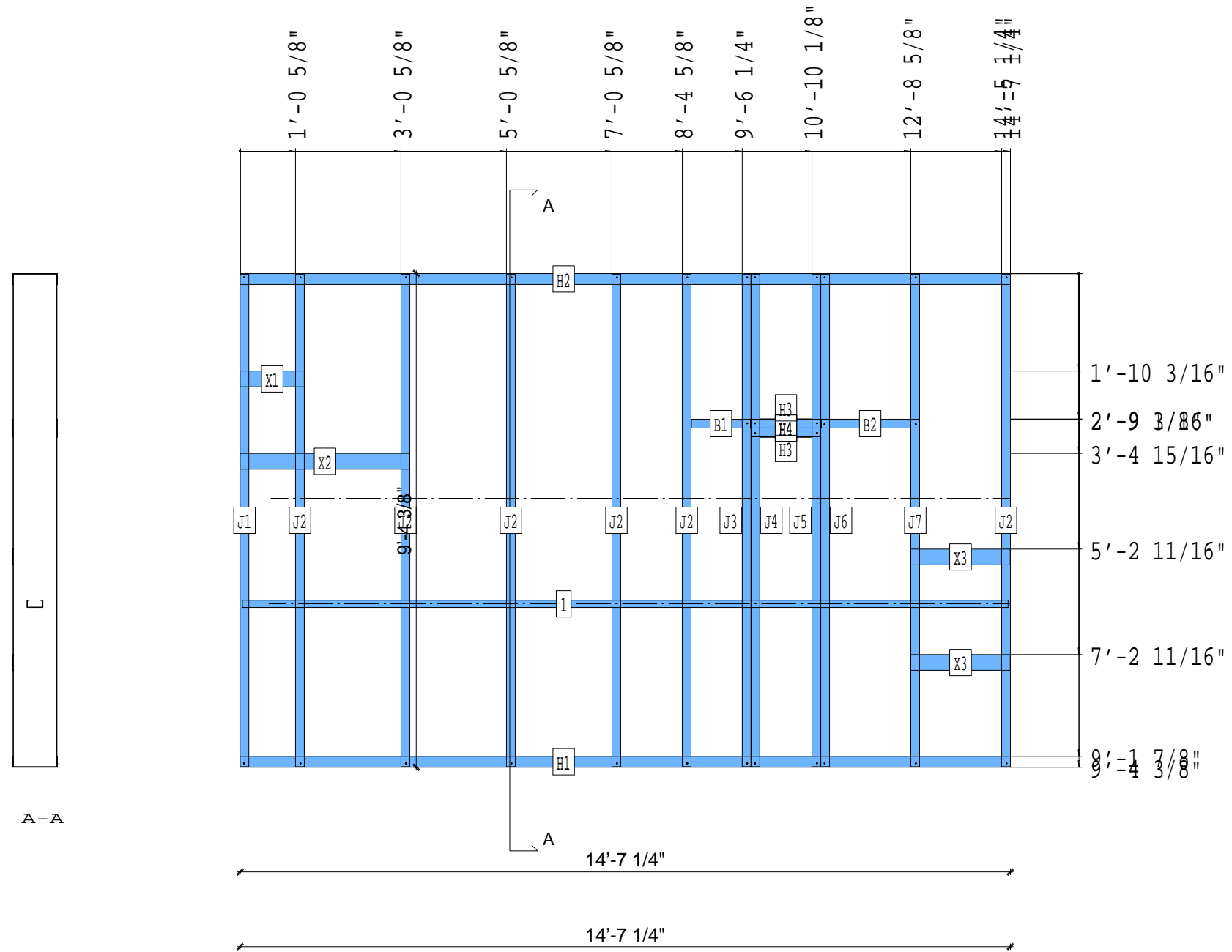
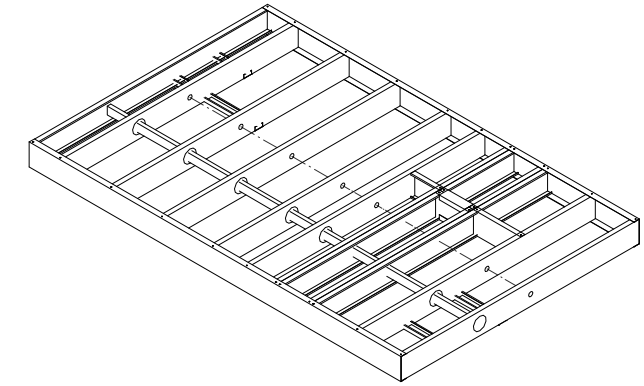
CREATED BY: AMB

FrameMax, Inc.
13915 Danielson St
Suite 100
Poway, CA 92064
www.framemax.com



© FrameMax Inc.

APPROVED
By *ijuarez* at 3:55 pm, Oct 22, 2008



PIECE SCHEDULE						
LAB	QTY	MATERIAL	DESCRIPTION	LENGTH	ANG1	ANG2
1	1	362S162-54	JOIST	14'-6 1/4"		
B1	1	1000S200-68	BLOCK	1'-1 7/16"		
B2	1	1000S200-68	BLOCK	1'-10 1/4"		
H1	1	1000T250-97	HEADER	14'-7 1/4"		
H2	1	1000T250-68	HEADER	14'-7 1/4"		
H3	2	1000S200-68	OPENING TRIM	1'-3 5/8"		
H4	2	400T200-68	OPENING TRIM	11 7/8"		
J1	1	1000S200-68	JOIST	9'-4 1/16"		
J2	6	1000S200-68	JOIST	9'-4 1/16"		
J3	1	1000S200-68	OPENING TRIM	9'-4 1/16"		
J4	1	1000S200-68	OPENING TRIM	9'-4 1/16"		
J5	1	1000S200-68	OPENING TRIM	9'-4 1/16"		
J6	1	1000S200-68	OPENING TRIM	9'-4 1/16"		
J7	1	1000S200-68	JOIST	9'-4 1/16"		
X1	1	362S162-33	FLAT TRACK B	1'-2 5/8"		
X2	1	362S162-33	FLAT TRACK B	3'-2 5/8"		
X3	2	362S162-33	FLAT TRACK B	1'-10 9/16"		

11-5060

Jewish Home for the Aging

1885 Victory Blvd. Reseda, CA

FM-07-109

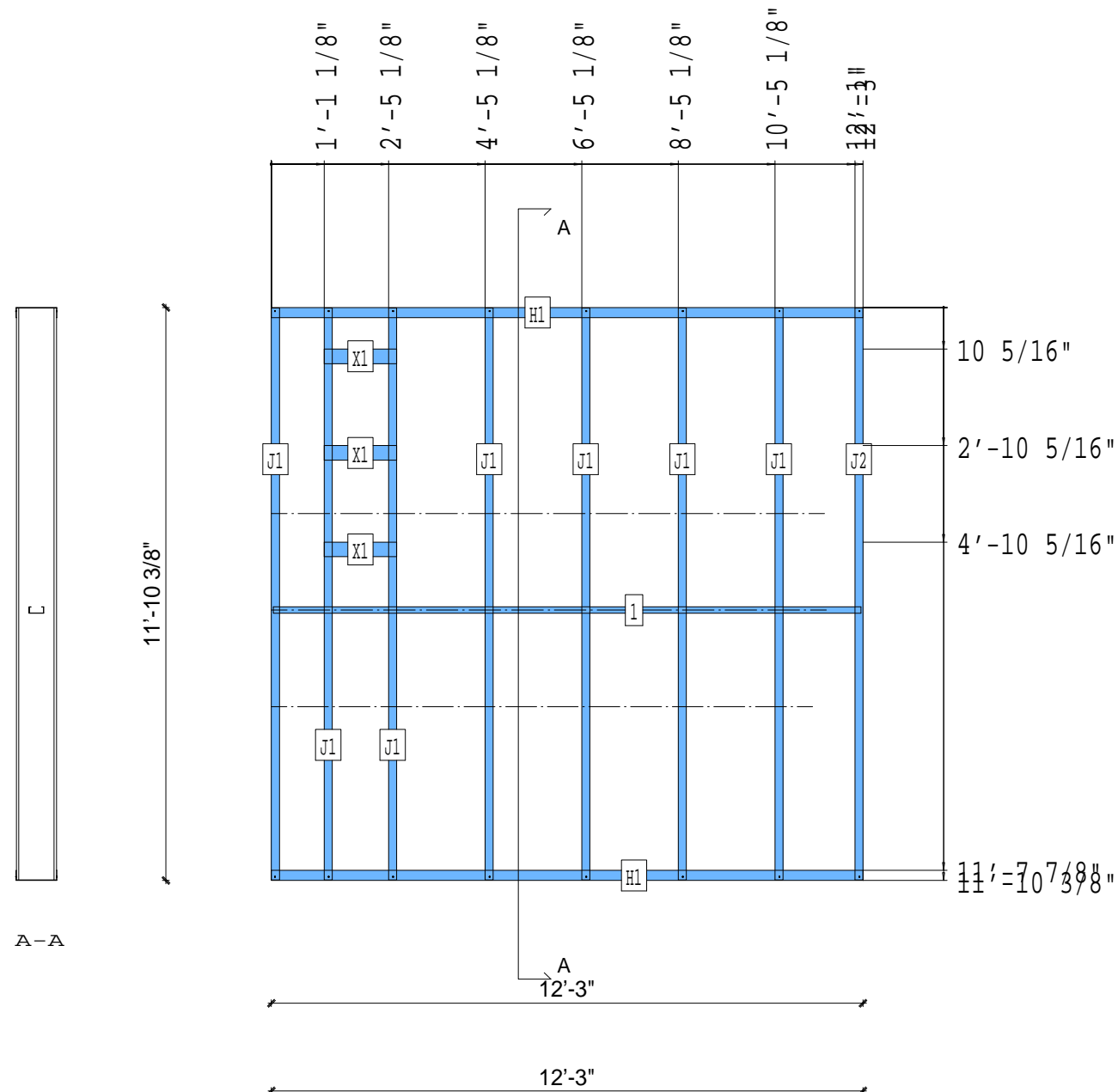
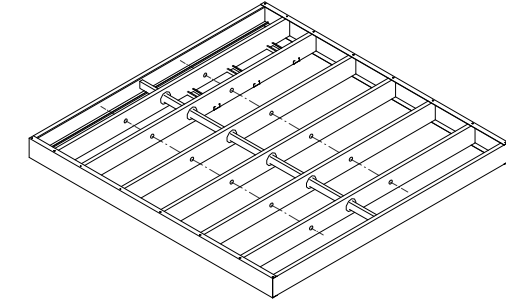
CREATED BY: AMB

FrameMax, Inc.
 13915 Danielson St
 Suite 100
 Poway, CA 92064
 www.framemax.com



© FrameMax Inc.

APPROVED
 By ijuarez at 3:55 pm, Oct 22, 2008



PIECE SCHEDULE						
LAB	QTY	MATERIAL	DESCRIPTION	LENGTH	ANG1	ANG2
1	1	362S162-54	JOIST	12'-2"		
H1	2	1000T250-68	HEADER	12'-3"		
J1	7	1000S200-68	JOIST	11'-10 1/8"		
J2	1	1000S200-68	JOIST	11'-10 1/8"		
X1	3	362S162-33	FLAT TRACK B	1'-6"		

11-5061

Jewish Home for the Aging

1885 Victory Blvd. Reseda, CA

FM-07-109

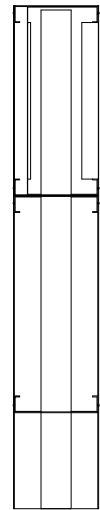
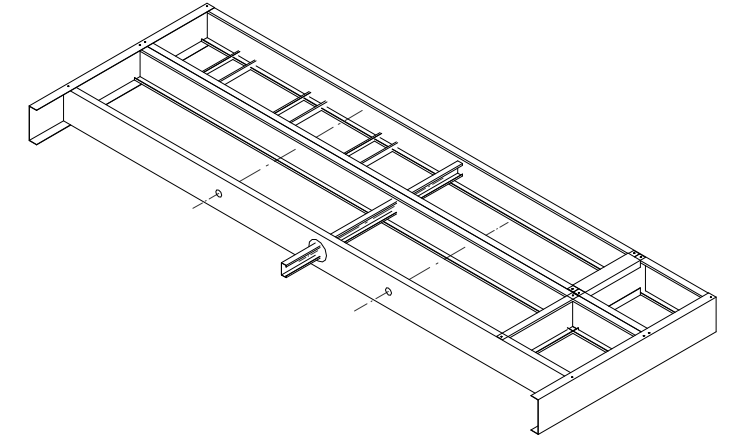
CREATED BY: AMB

FrameMax, Inc.
13915 Danielson St
Suite 100
Poway, CA 92064
www.framemax.com

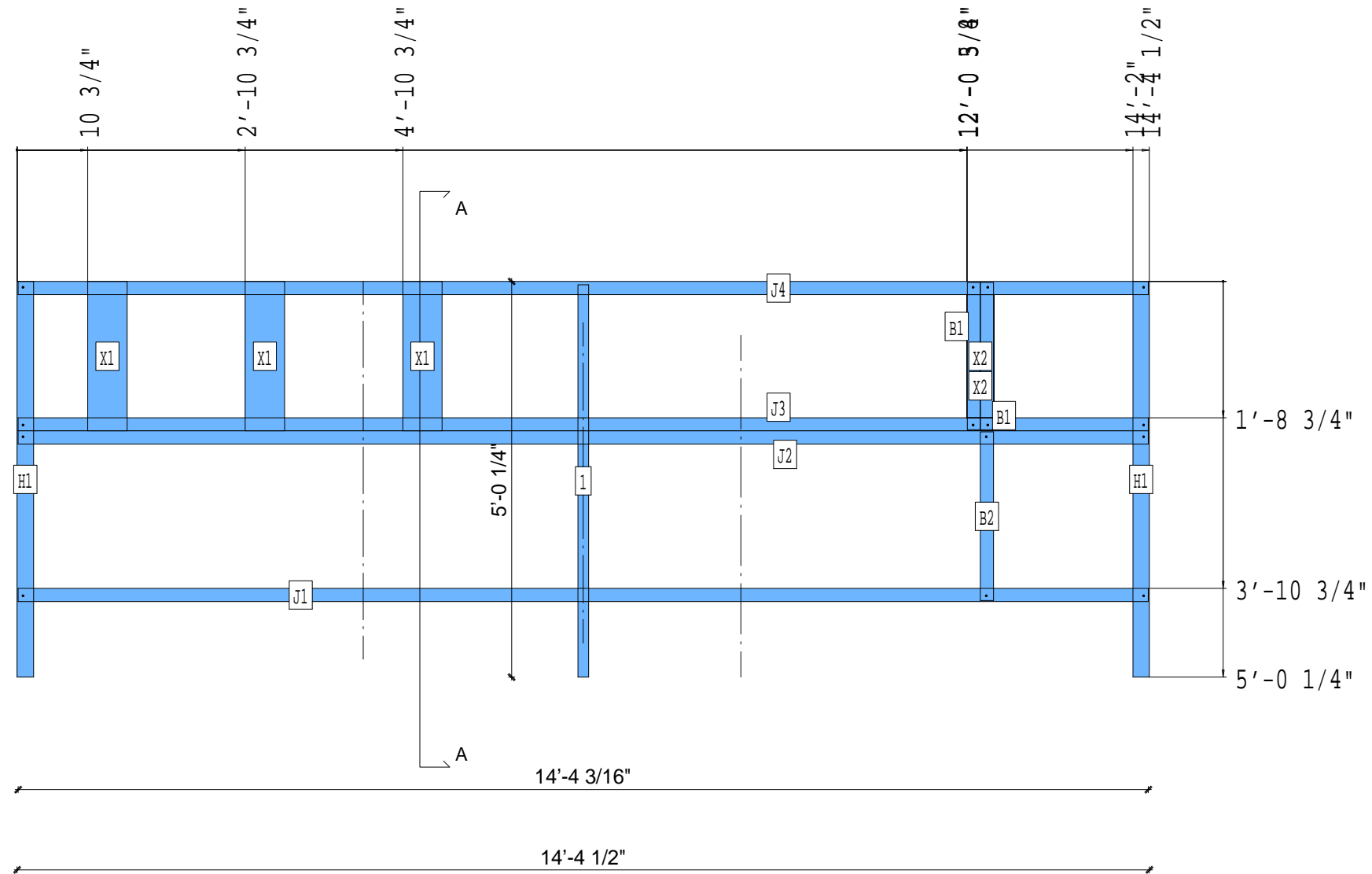


© FrameMax Inc.

APPROVED
By ijuarez at 3:55 pm, Oct 22, 2008



A-A



PIECE SCHEDULE						
LAB	QTY	MATERIAL	DESCRIPTION	LENGTH	ANG1	ANG2
1	1	362S162-54	JOIST	4'-11 3/4"		
B1	2	1000S200-97	BLOCK	1'-10 7/16"		
B2	1	1000S200-97	BLOCK	2'-1 11/16"		
H1	2	1000T250-97	HEADER	5'-0 1/4"		
J1	1	1000S200-97	JOIST	14'-4 3/16"		
J2	1	1000S200-97	JOIST	14'-4 3/16"		
J3	1	1000S200-97	JOIST	14'-4 3/16"		
J4	1	1000S200-97	JOIST	14'-4 3/16"		
X1	3	600S162-33	FLAT TRACK B	1'-10 3/4"		
X2	2	400T200-97	FLAT TRACK B	1'-6 3/4"		

11-5062

Jewish Home for the Aging

1885 Victory Blvd. Reseda, CA

FM-07-109

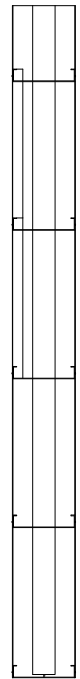
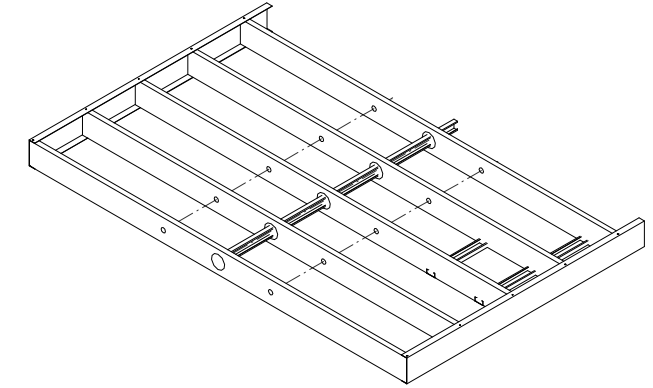
CREATED BY: AMB

FrameMax, Inc.
13915 Danielson St
Suite 100
Poway, CA 92064
www.framemax.com

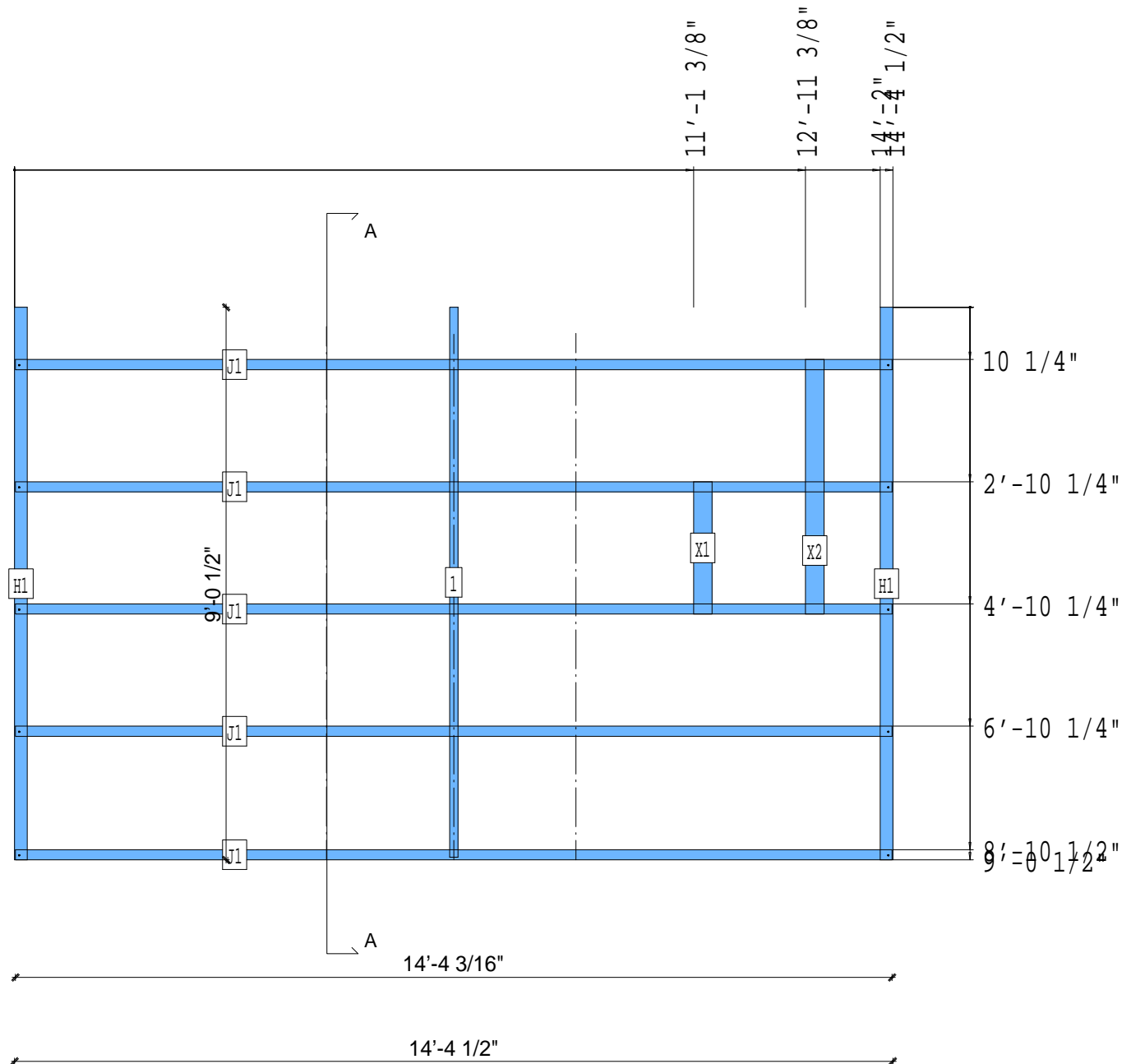


© FrameMax Inc.

APPROVED
By ijuarez at 3:55 pm, Oct 22, 2008



A-A



PIECE SCHEDULE						
LAB	QTY	MATERIAL	DESCRIPTION	LENGTH	ANG1	ANG2
1	1	362S162-54	JOIST	9'-0"		
H1	2	1000T250-97	HEADER	9'-0 1/2"		
J1	5	1000S200-97	JOIST	14'-4 3/16"		
X1	1	362S162-33	FLAT TRACK B	2'-2"		
X2	1	362S162-33	FLAT TRACK B	4'-2"		

11-5063

Jewish Home for the Aging

1885 Victory Blvd. Reseda, CA

FM-07-109

CREATED BY: AMB

FrameMax, Inc.
13915 Danielson St
Suite 100
Poway, CA 92064
www.framemax.com

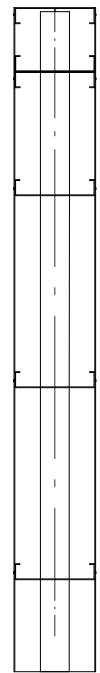
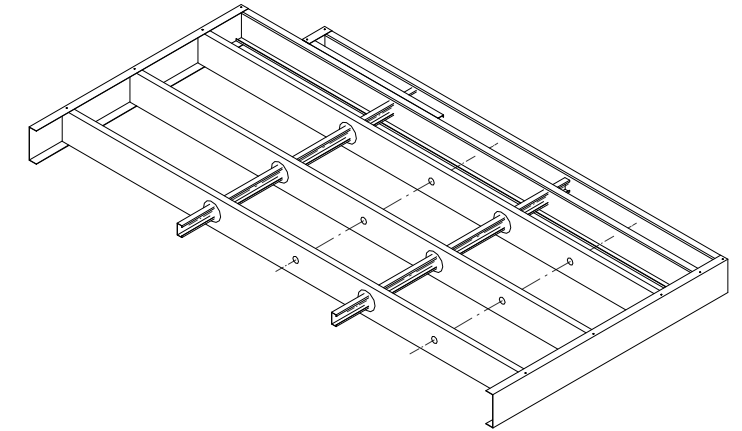


© FrameMax Inc.

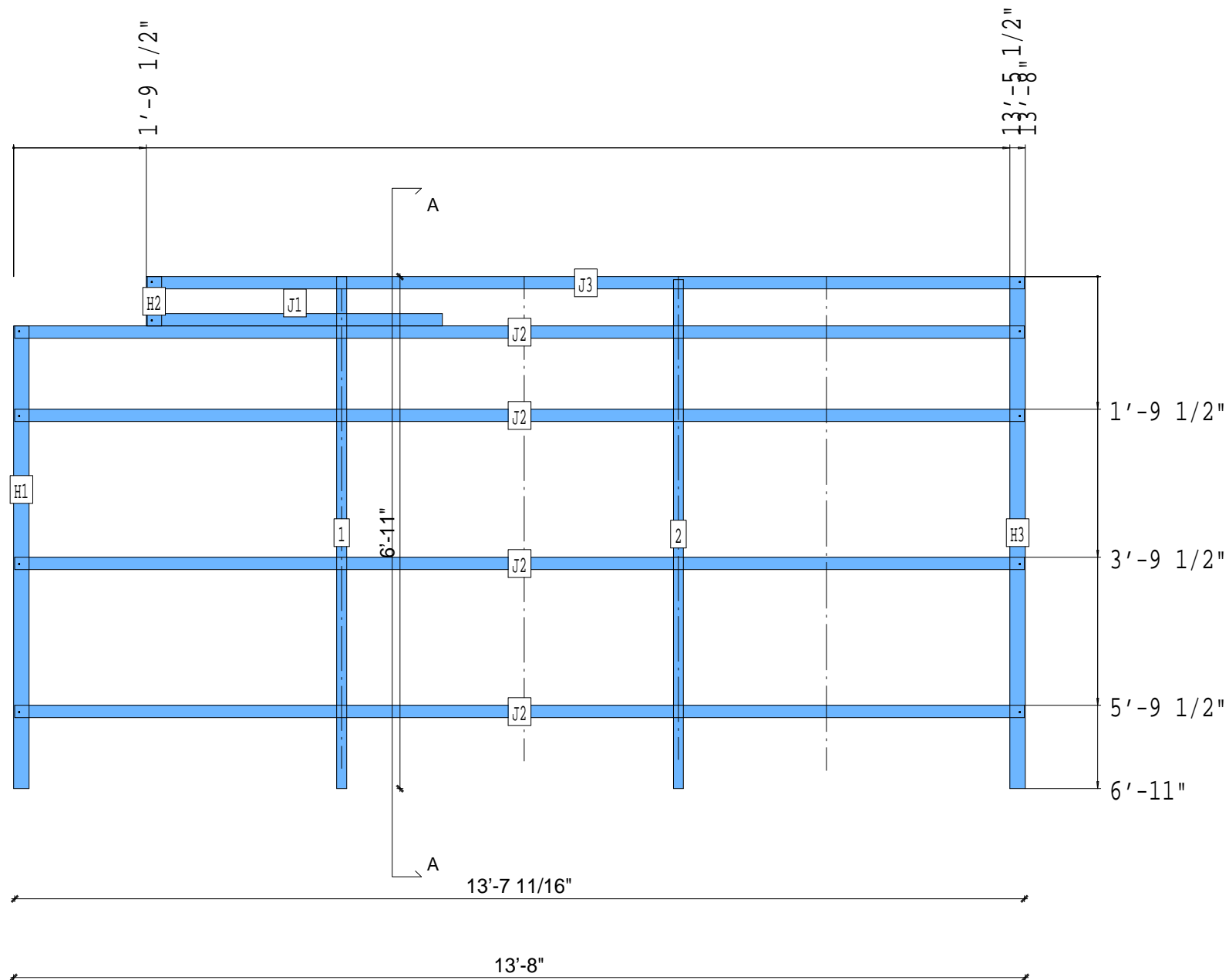
CREATED: 10/22/2008

APPROVED

By ijuarez at 3:55 pm, Oct 22, 2008



A-A



PIECE SCHEDULE						
LAB	QTY	MATERIAL	DESCRIPTION	LENGTH	ANG1	ANG2
1	1	362S162-54	JOIST	6'-11"		
2	1	362S162-54	JOIST	6'-10 1/2"		
H1	1	1000T250-97	HEADER	6'-3"		
H2	1	1000T250-97	HEADER	8"		
H3	1	1000T250-97	HEADER	6'-11"		
J1	1	1000S200-97	JOIST	3'-11 13/16"		
J2	4	1000S200-97	JOIST	13'-7 11/16"		
J3	1	1000S200-97	JOIST	11'-10 3/16"		

11-5064

Jewish Home for the Aging

1885 Victory Blvd. Reseda, CA

FM-07-109

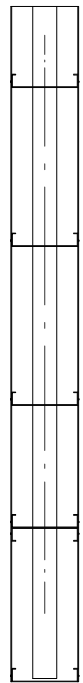
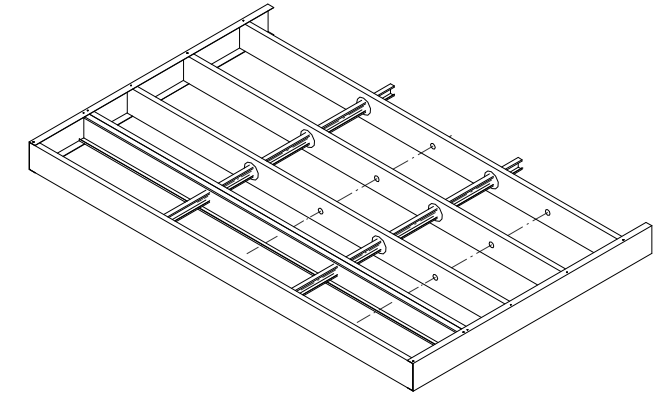
CREATED BY: AMB

FrameMax, Inc.
13915 Danielson St
Suite 100
Poway, CA 92064
www.framemax.com

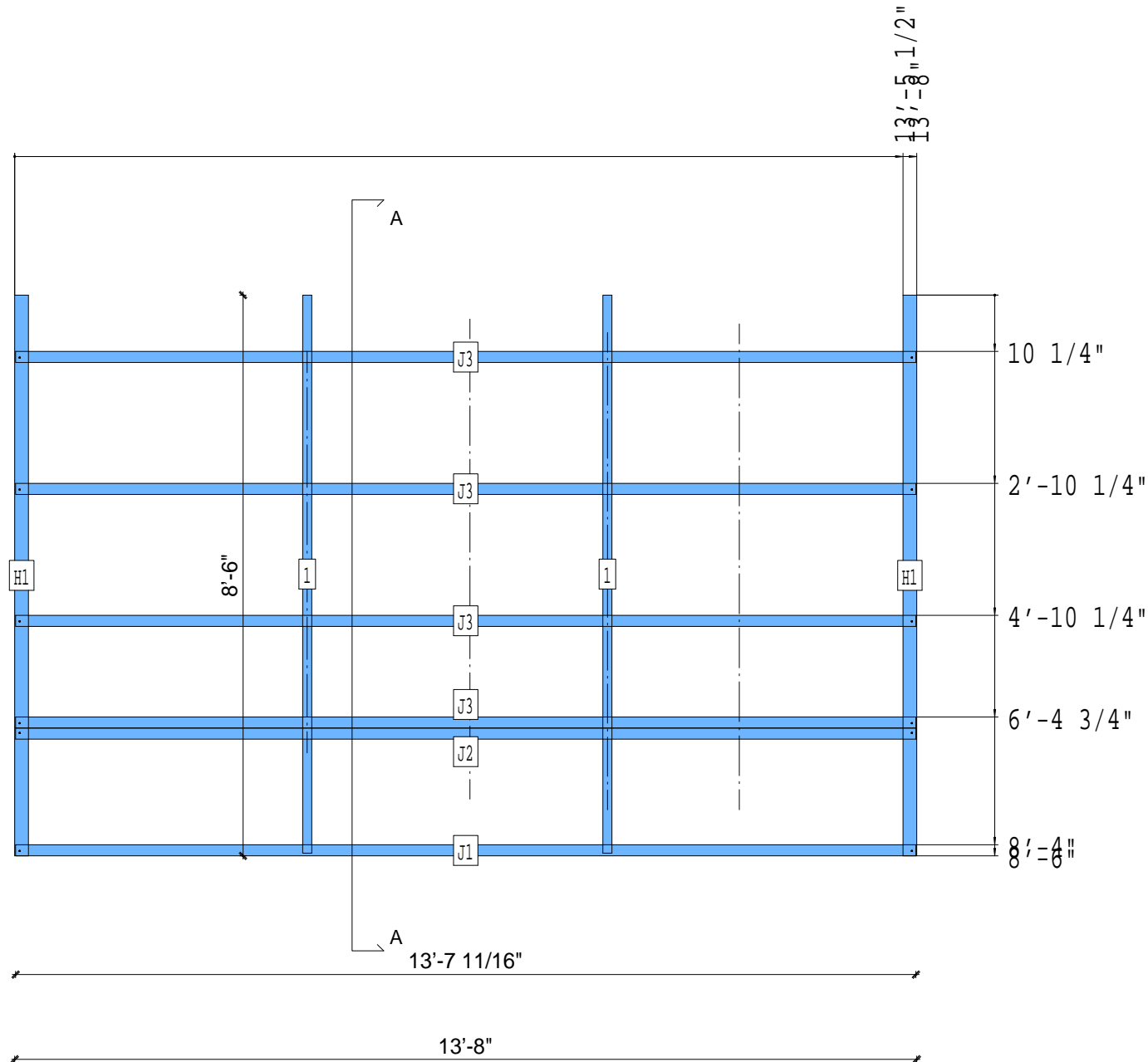


© FrameMax Inc.

APPROVED
By ijuarez at 3:55 pm, Oct 22, 2008



A-A



PIECE SCHEDULE						
LAB	QTY	MATERIAL	DESCRIPTION	LENGTH	ANG1	ANG2
1	2	362S162-54	JOIST	8'-5 1/2"		
H1	2	1000T250-97	HEADER	8'-6"		
J1	1	1000S200-97	JOIST	13'-7 11/16"		
J2	1	1000S200-97	JOIST	13'-7 11/16"		
J3	4	1000S200-97	JOIST	13'-7 11/16"		

11-5065

Jewish Home for the Aging

1885 Victory Blvd. Reseda, CA

FM-07-109

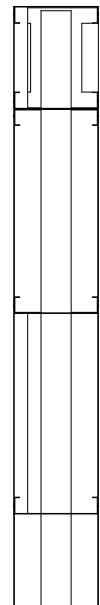
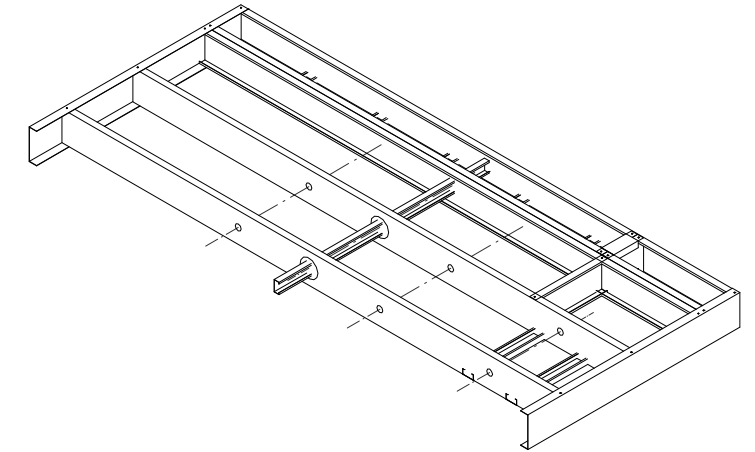
CREATED BY: AMB

FrameMax, Inc.
13915 Danielson St
Suite 100
Poway, CA 92064
www.framemax.com

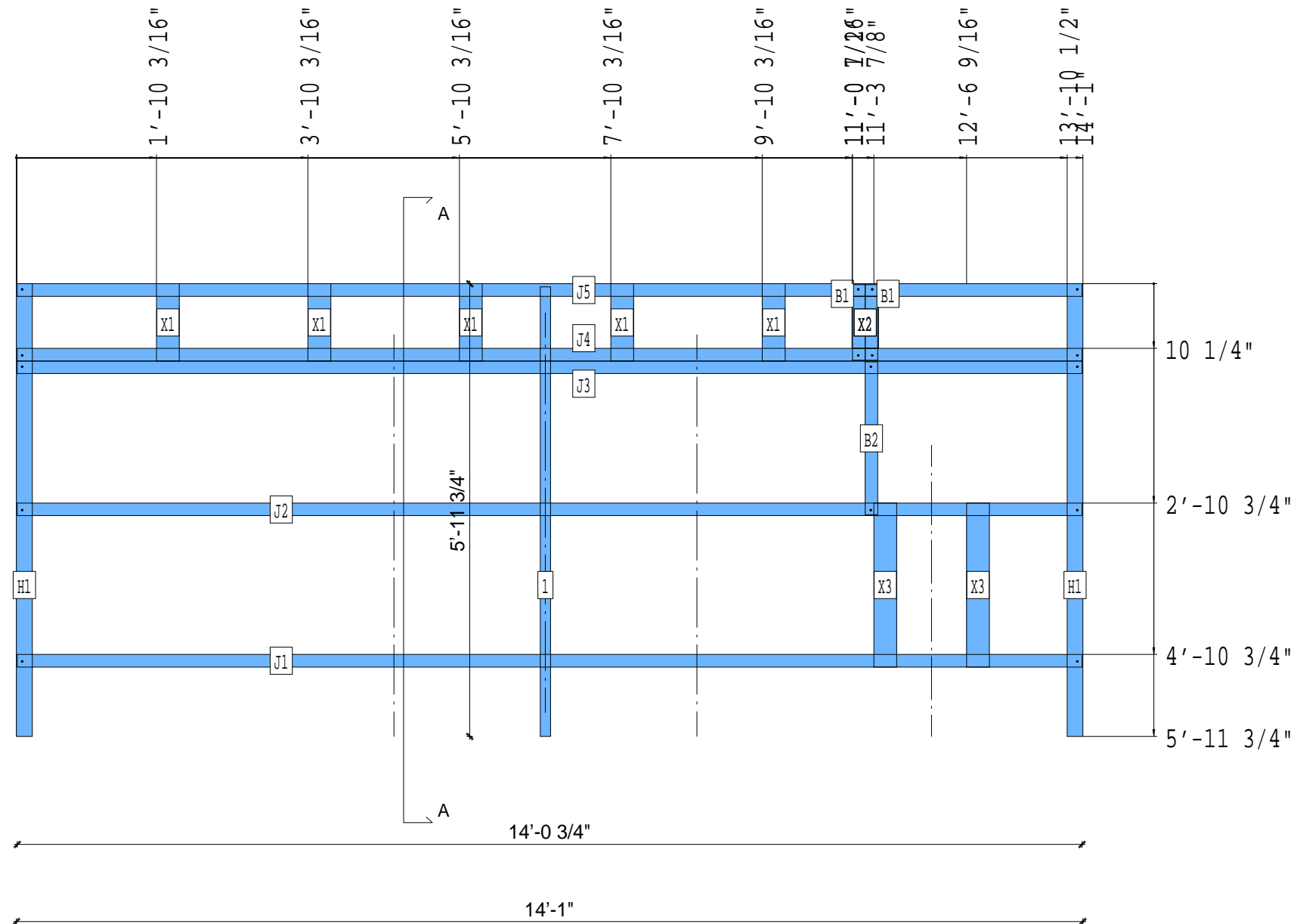


© FrameMax Inc.

APPROVED
By ijuarez at 3:55 pm, Oct 22, 2008



A-A



PIECE SCHEDULE						
LAB	QTY	MATERIAL	DESCRIPTION	LENGTH	ANG1	ANG2
1	1	362S162-54	JOIST	5'-11 1/4"		
B1	2	1000S200-68	BLOCK	1'-0"		
B2	1	1000S200-68	BLOCK	2'-0 1/4"		
H1	2	1000T250-68	HEADER	5'-11 3/4"		
J1	1	1000S200-68	JOIST	14'-0 3/4"		
J2	1	1000S200-68	JOIST	14'-0 3/4"		
J3	1	1000S200-68	JOIST	14'-0 3/4"		
J4	1	1000S200-68	JOIST	14'-0 3/4"		
J5	1	1000S200-68	JOIST	14'-0 3/4"		
X1	5	362S162-33	FLAT TRACK B	1'-0 1/4"		
X2	2	400T200-68	FLAT TRACK B	8 1/4"		
X3	2	362S162-33	FLAT TRACK B	2'-2"		

11-5066

Jewish Home for the Aging

1885 Victory Blvd. Reseda, CA

FM-07-109

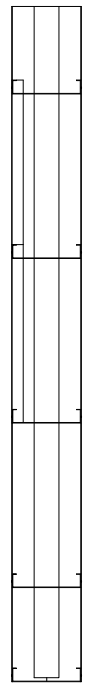
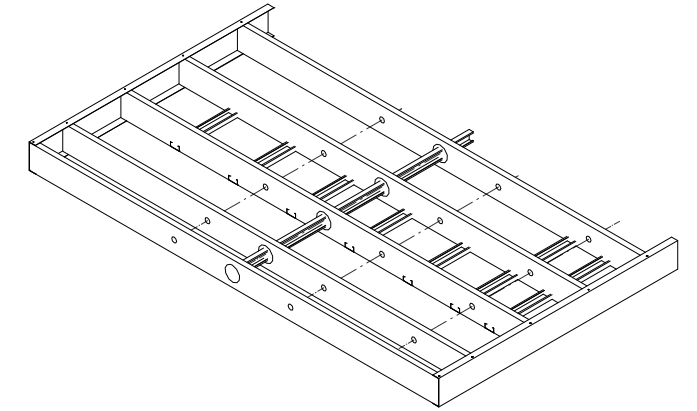
CREATED BY: AMB

FrameMax, Inc.
 13915 Danielson St
 Suite 100
 Poway, CA 92064
 www.frame-max.com

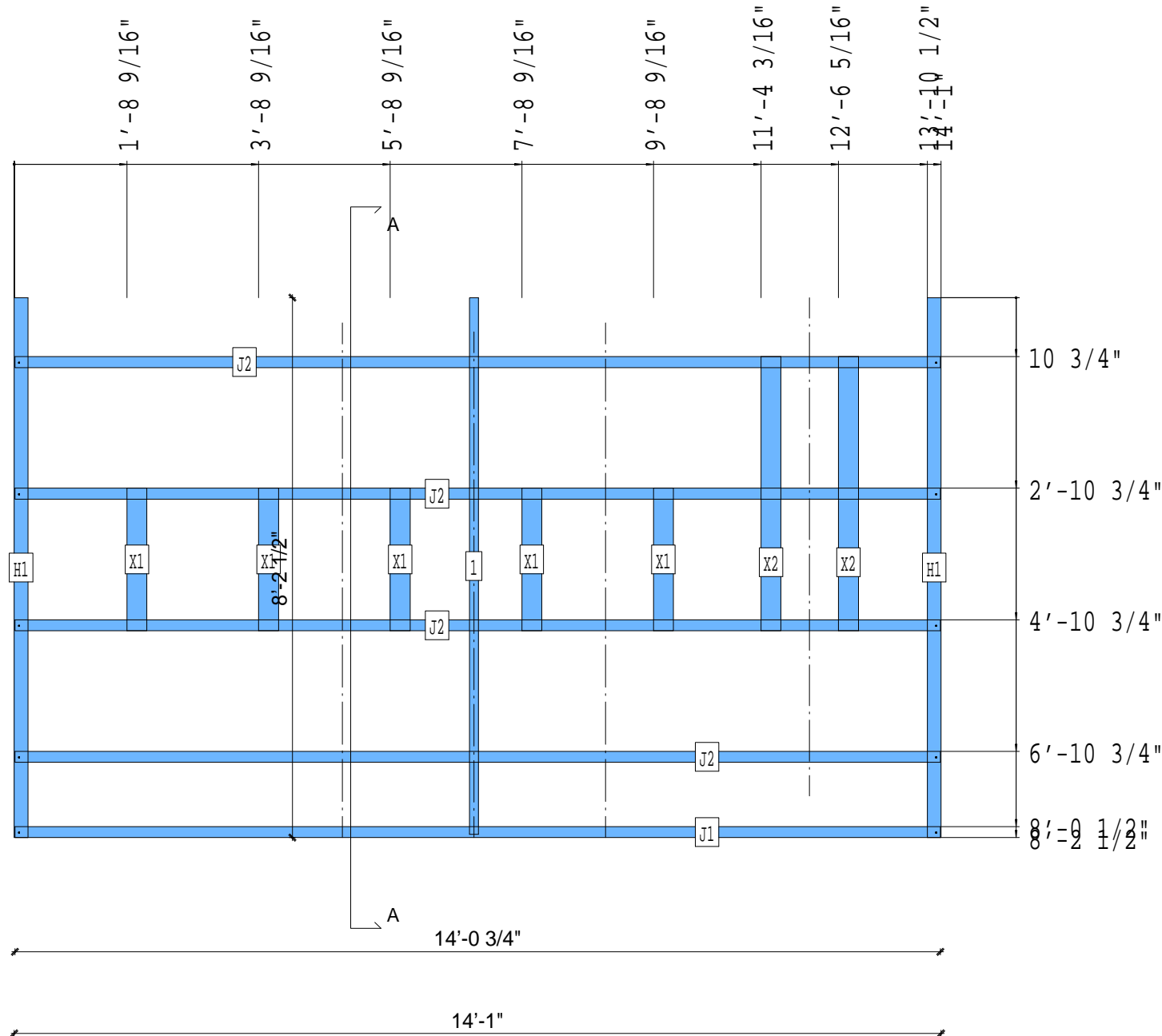


© FrameMax Inc.

APPROVED
 By ijuarez at 3:55 pm, Oct 22, 2008



A-A



PIECE SCHEDULE						
LAB	QTY	MATERIAL	DESCRIPTION	LENGTH	ANG1	ANG2
1	1	362S162-54	JOIST	8'-1 7/8"		
H1	2	1000T250-68	HEADER	8'-2 1/2"		
J1	1	1000S200-68	JOIST	14'-0 3/4"		
J2	4	1000S200-68	JOIST	14'-0 3/4"		
X1	5	362S162-33	FLAT TRACK B	2'-2"		
X2	2	362S162-33	FLAT TRACK B	4'-2"		

11-5067

Jewish Home for the Aging

1885 Victory Blvd. Reseda, CA

FM-07-109

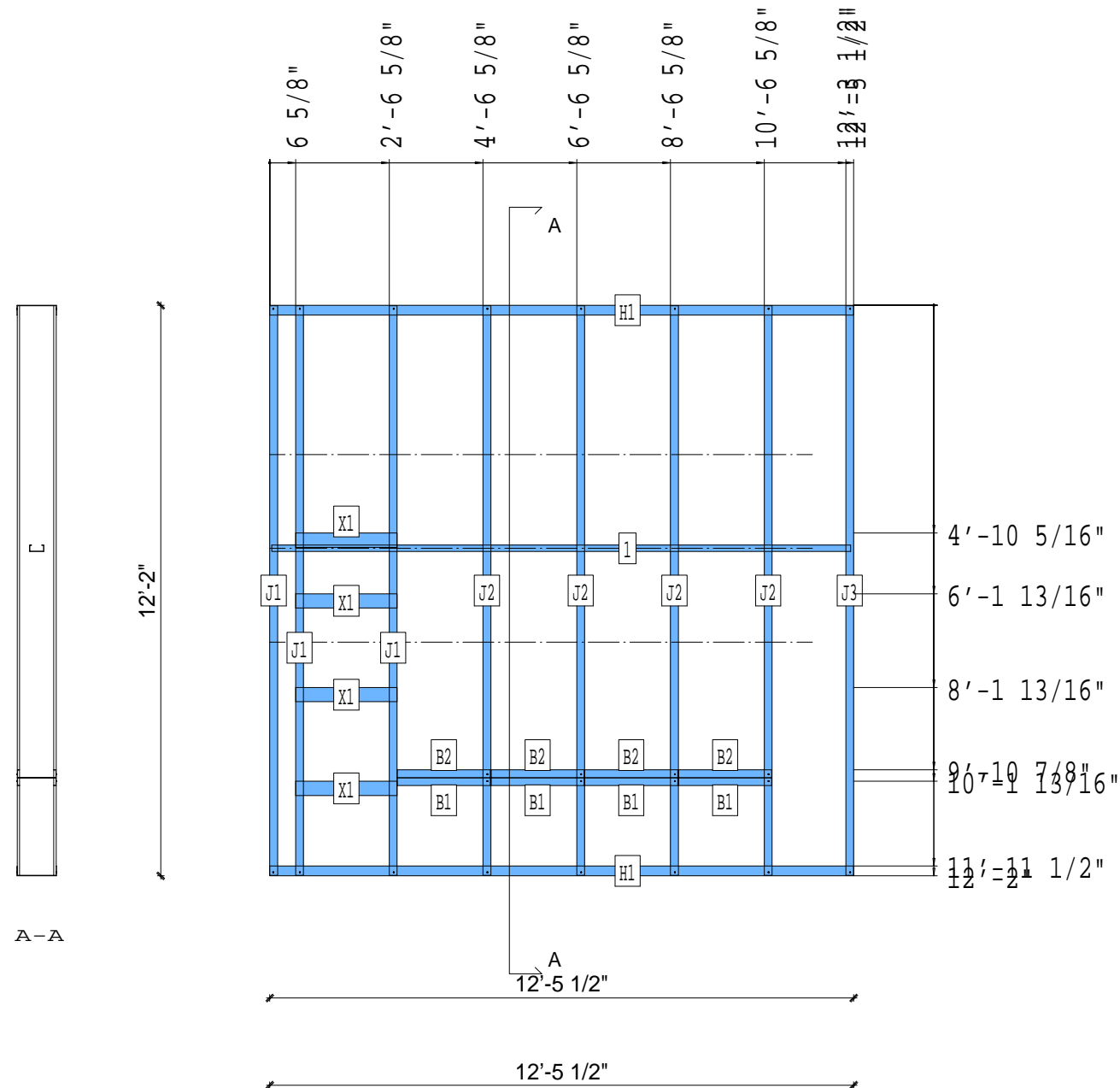
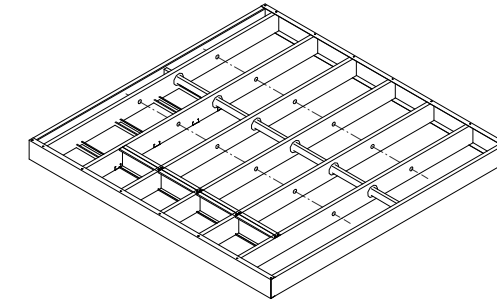
CREATED BY: AMB

FrameMax, Inc.
13915 Danielson St
Suite 100
Poway, CA 92064
www.framemax.com



© FrameMax Inc.

APPROVED
By ijuarez at 3:55 pm, Oct 22, 2008



A-A

PIECE SCHEDULE						
LAB	QTY	MATERIAL	DESCRIPTION	LENGTH	ANG1	ANG2
1	1	362S162-54	JOIST	12'-4 1/4"		
B1	4	1000S200-68	BLOCK	1'-11 13/16"		
B2	4	1000S200-68	BLOCK	1'-11 13/16"		
H1	2	1000T250-68	HEADER	12'-5 1/2"		
J1	3	1000S200-68	JOIST	12'-1 3/4"		
J2	4	1000S200-68	JOIST	12'-1 3/4"		
J3	1	1000S200-68	JOIST	12'-1 3/4"		
X1	4	362S162-33	FLAT TRACK B	2'-2"		

11-5068

Jewish Home for the Aging

1885 Victory Blvd. Reseda, CA

FM-07-109

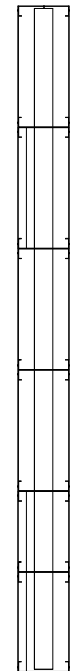
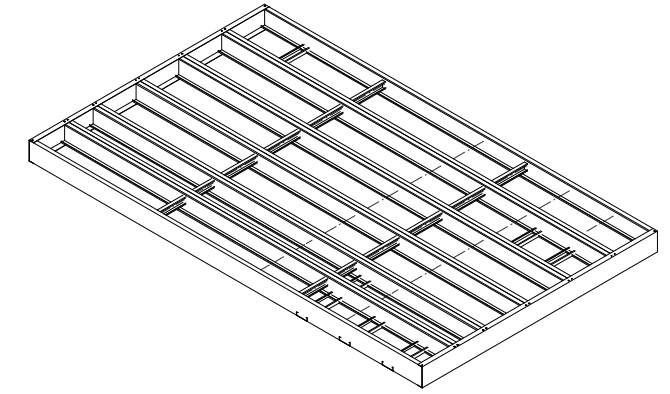
CREATED BY: AMB

FrameMax, Inc.
13915 Danielson St
Suite 100
Poway, CA 92064
www.framemax.com

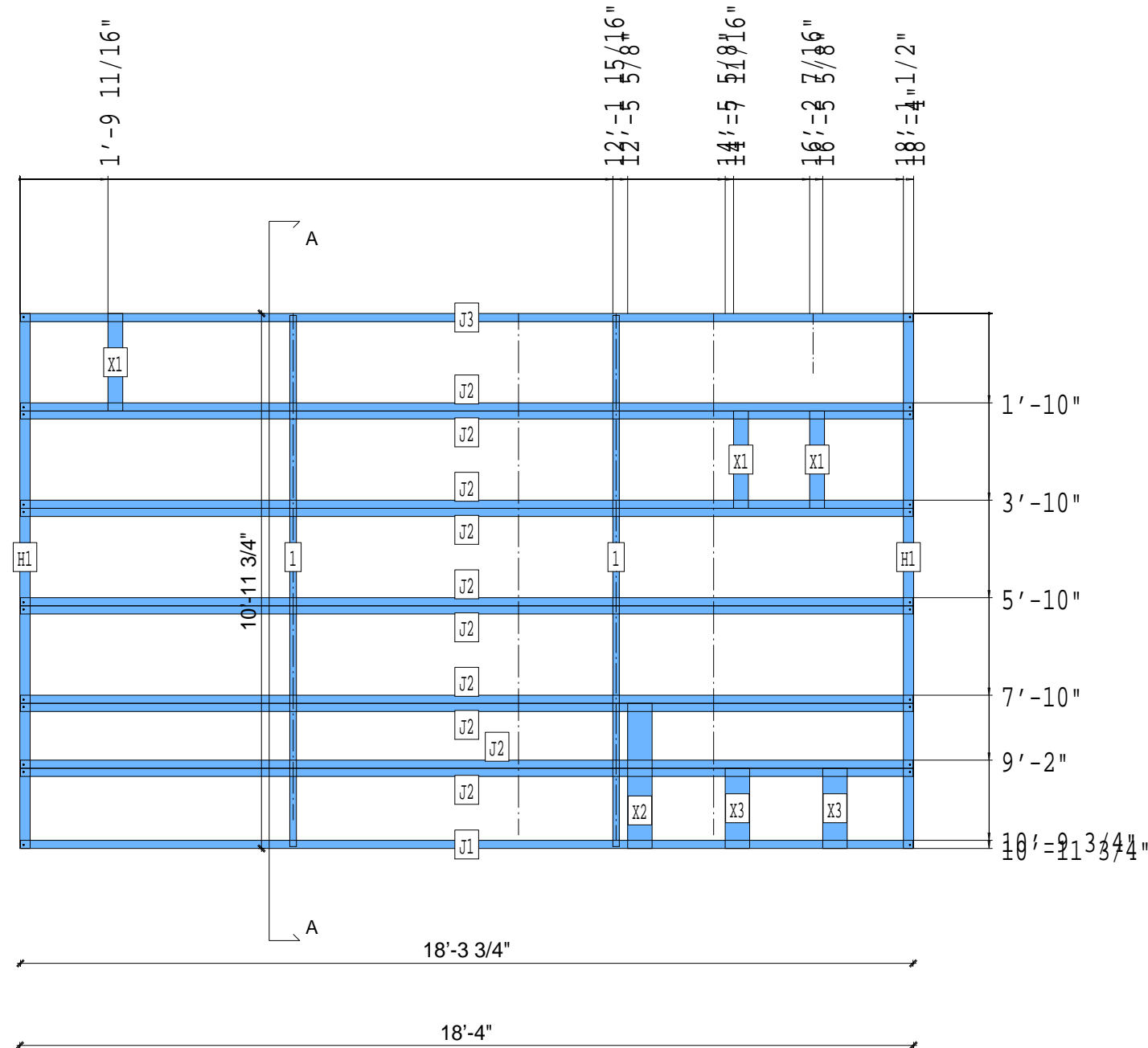


© FrameMax Inc.

APPROVED
By ijuarez at 3:55 pm, Oct 22, 2008



A-A



PIECE SCHEDULE						
LAB	QTY	MATERIAL	DESCRIPTION	LENGTH	ANG1	ANG2
1	2	362S162-54	JOIST	10'-10 3/4"		
H1	2	1000T250-68	HEADER	10'-11 3/4"		
J1	1	1000S200-68	JOIST	18'-3 3/4"		
J2	10	1000S200-68	JOIST	18'-3 3/4"		
J3	1	1000S200-68	JOIST	18'-3 3/4"		
X1	3	362S162-33	FLAT TRACK B	2'-0"		
X2	1	600S162-33	FLAT TRACK B	2'-11 3/4"		
X3	2	600S162-33	FLAT TRACK B	1'-7 3/4"		

11-5069

CREATED: 10/22/2008

Jewish Home for the Aging

1885 Victory Blvd. Reseda, CA

FM-07-109

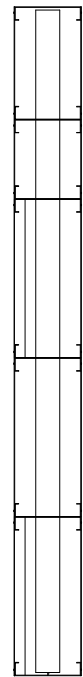
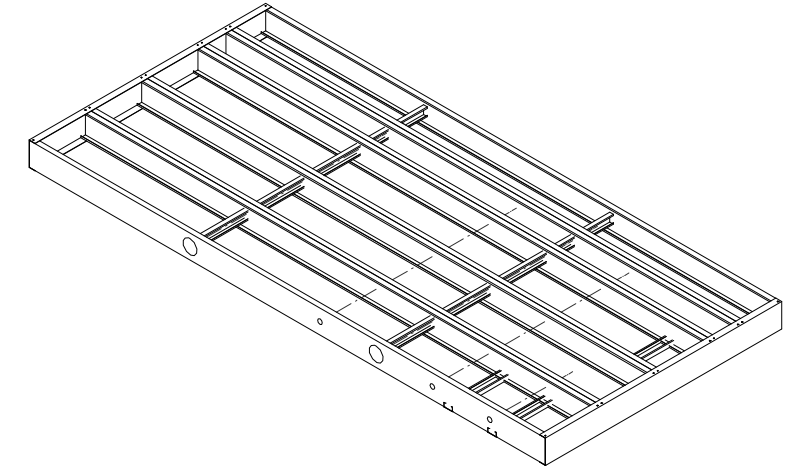
CREATED BY: AMB

FrameMax, Inc.
13915 Danielson St
Suite 100
Poway, CA 92064
www.framemax.com

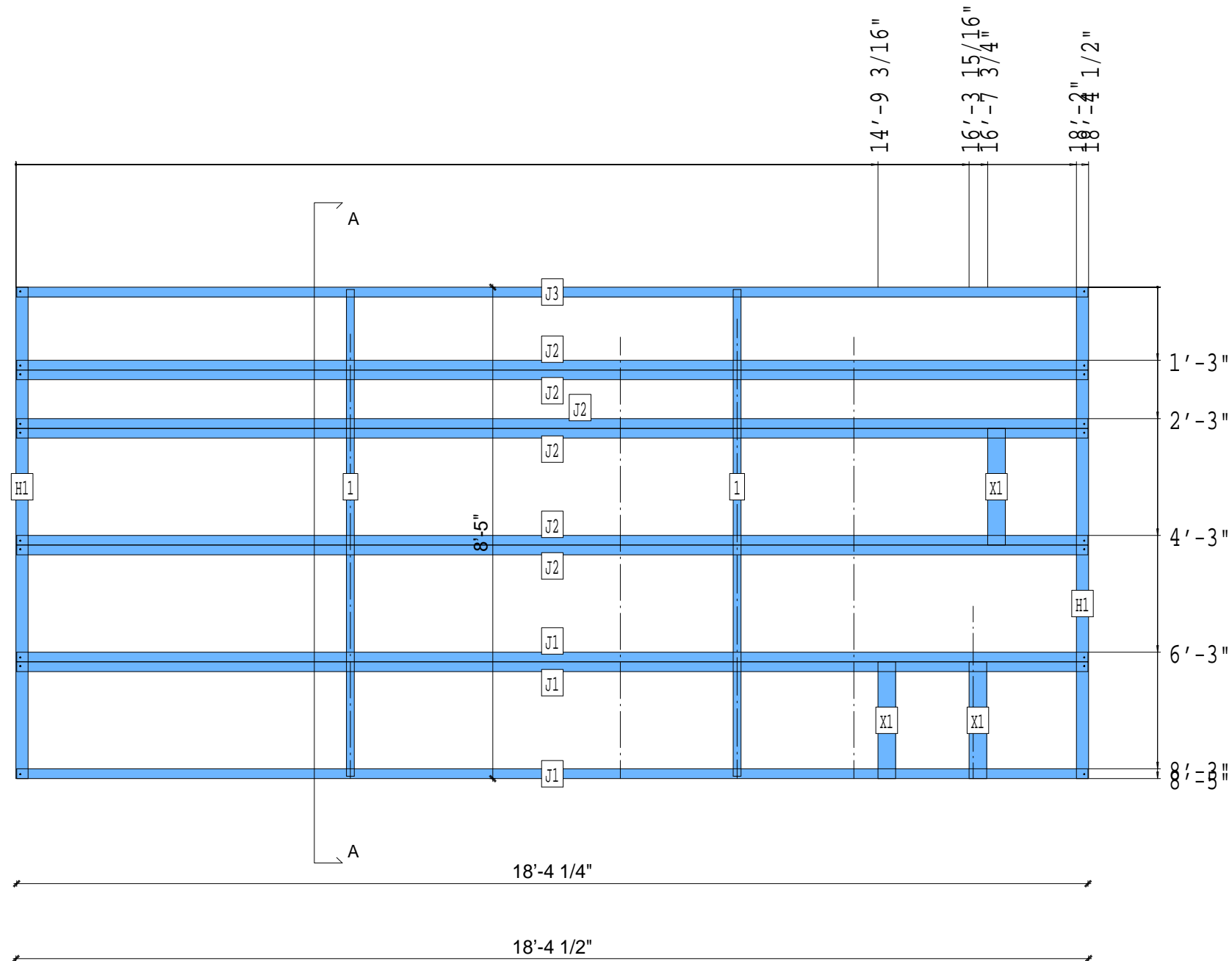


© FrameMax Inc.

APPROVED
By ijuarez at 3:55 pm, Oct 22, 2008



A-A



PIECE SCHEDULE						
LAB	QTY	MATERIAL	DESCRIPTION	LENGTH	ANG1	ANG2
1	2	362S162-54	JOIST	8'-4"		
H1	2	1000T250-68	HEADER	8'-5"		
J1	3	1000S200-68	JOIST	18'-4 1/4"		
J2	6	1000S200-68	JOIST	18'-4 1/4"		
J3	1	1000S200-68	JOIST	18'-4 1/4"		
X1	3	362S162-33	FLAT TRACK B	2'-0"		

11-5070

Jewish Home for the Aging

1885 Victory Blvd. Reseda, CA

FM-07-109

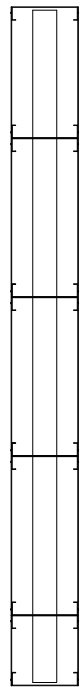
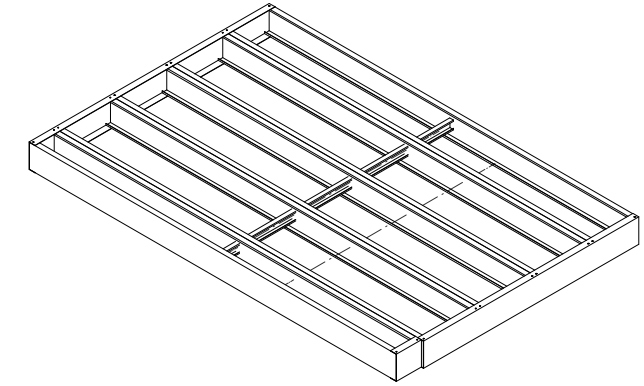
CREATED BY: AMB

FrameMax, Inc.
13915 Danielson St
Suite 100
Poway, CA 92064
www.framemax.com

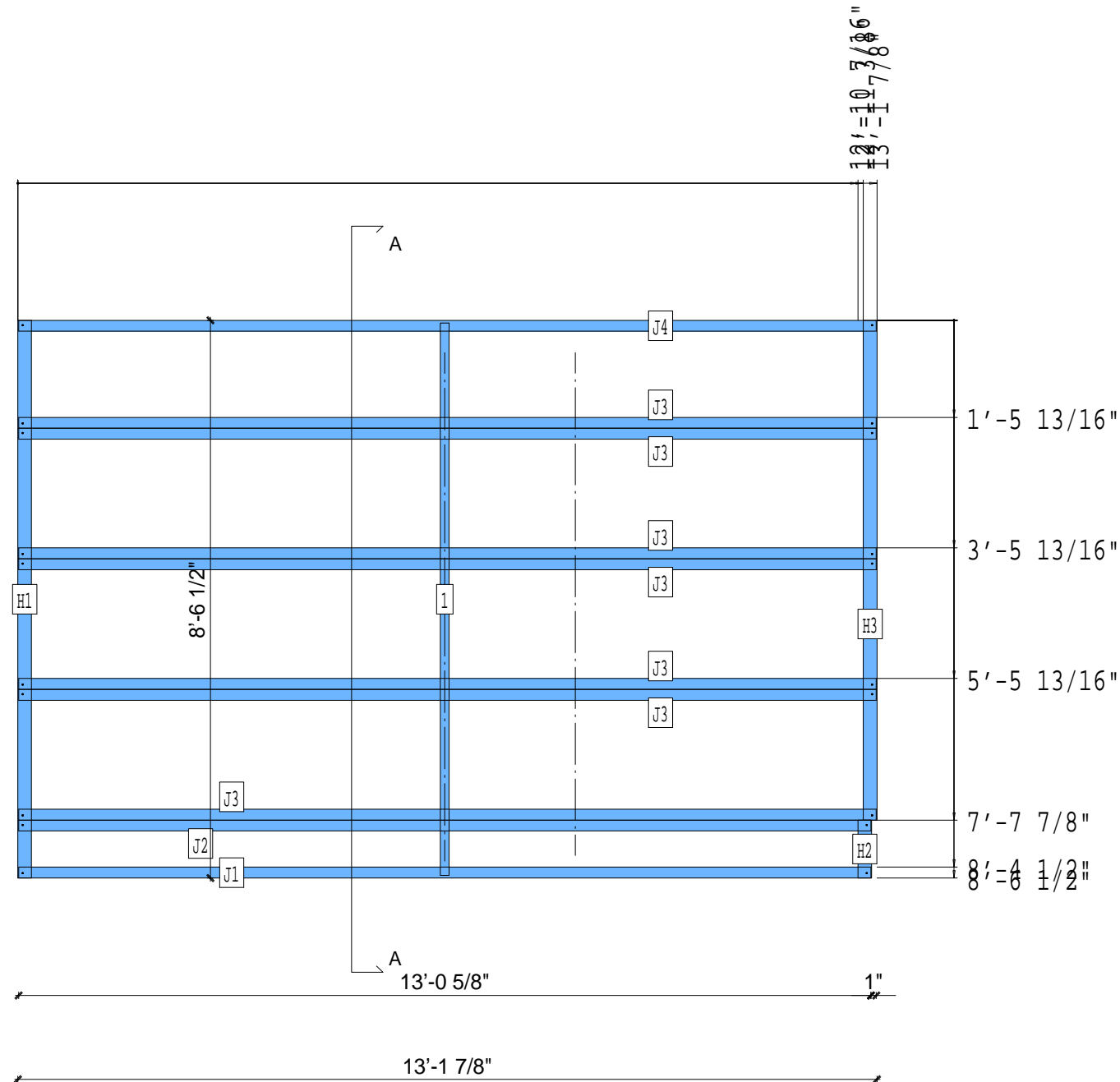


© FrameMax Inc.

APPROVED
By ijuarez at 3:55 pm, Oct 22, 2008



A-A



PIECE SCHEDULE						
LAB	QTY	MATERIAL	DESCRIPTION	LENGTH	ANG1	ANG2
1	1	362S162-54	JOIST	8'-5 1/2"		
H1	1	1000T250-68	HEADER	8'-6 1/2"		
H2	1	1000T250-68	HEADER	10 5/8"		
H3	1	1000T250-68	HEADER	7'-7 7/8"		
J1	1	1000S200-68	JOIST	13'-0 5/8"		
J2	1	1000S200-68	JOIST	13'-0 5/8"		
J3	7	1000S200-68	JOIST	13'-1 5/8"		
J4	1	1000S200-68	JOIST	13'-1 5/8"		

11-5071

Jewish Home for the Aging

1885 Victory Blvd. Reseda, CA

FM-07-109

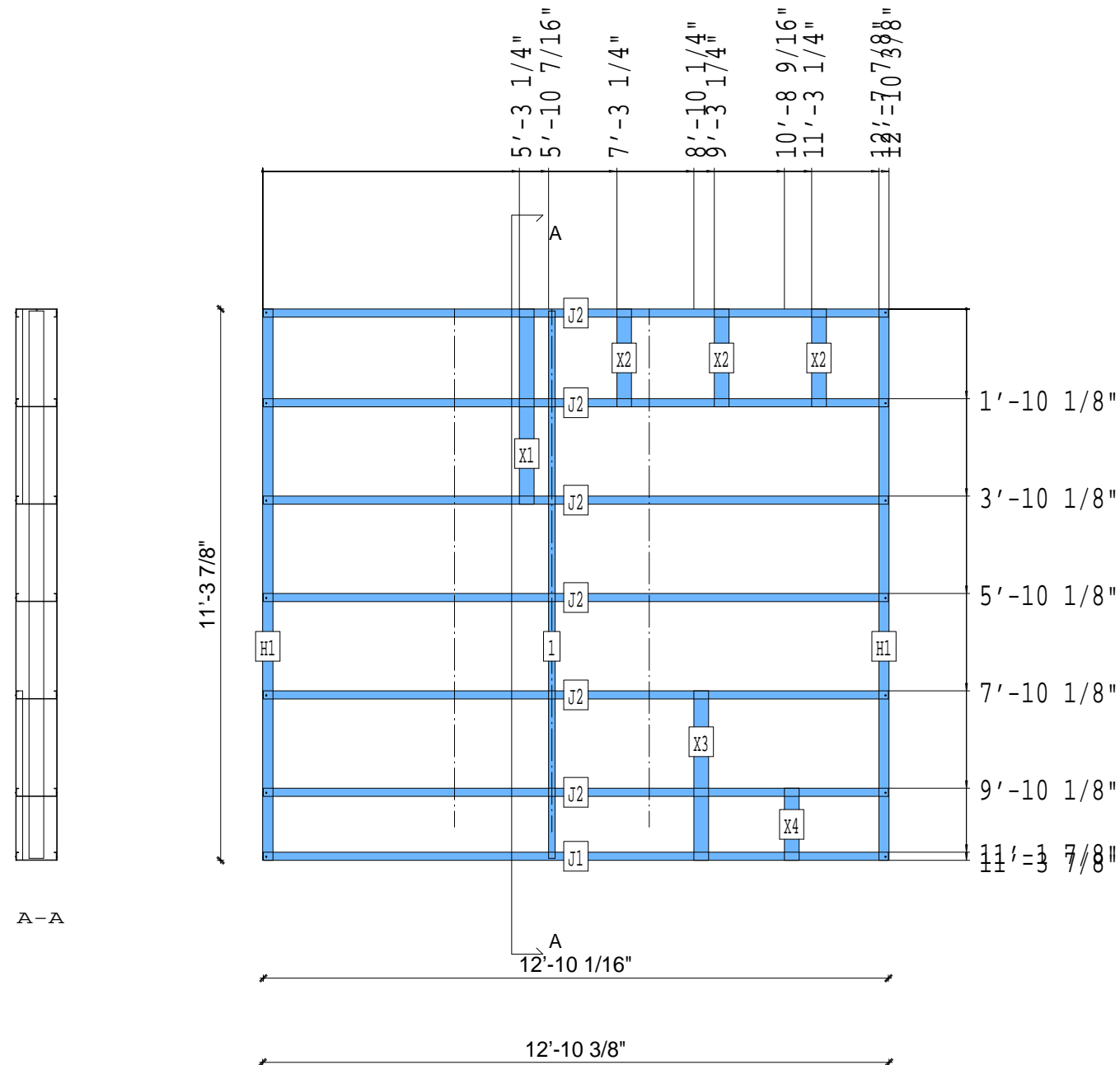
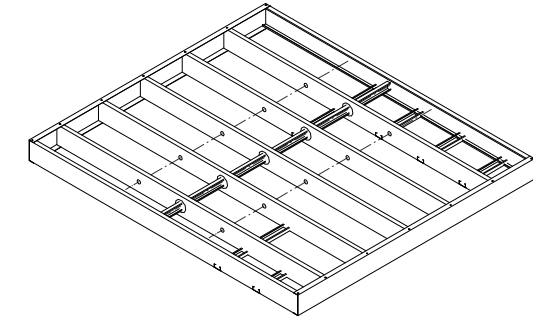
CREATED BY: AMB

FrameMax, Inc.
13915 Danielson St
Suite 100
Poway, CA 92064
www.framemax.com



© FrameMax Inc.

APPROVED
By ijuarez at 3:55 pm, Oct 22, 2008



PIECE SCHEDULE						
LAB	QTY	MATERIAL	DESCRIPTION	LENGTH	ANG1	ANG2
1	1	362S162-54	JOIST	11'-2 7/8"		
H1	2	1000T250-97	HEADER	11'-3 7/8"		
J1	1	1000S200-97	JOIST	12'-10 1/16"		
J2	6	1000S200-97	JOIST	12'-10 1/16"		
X1	1	362S162-33	FLAT TRACK B	4'-0 1/8"		
X2	3	362S162-33	FLAT TRACK B	2'-0 1/8"		
X3	1	362S162-33	FLAT TRACK B	3'-5 3/4"		
X4	1	362S162-33	FLAT TRACK B	1'-5 3/4"		

11-5072

Jewish Home for the Aging

1885 Victory Blvd. Reseda, CA

FM-07-109

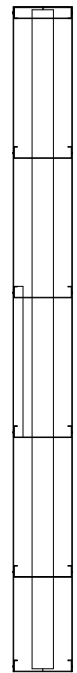
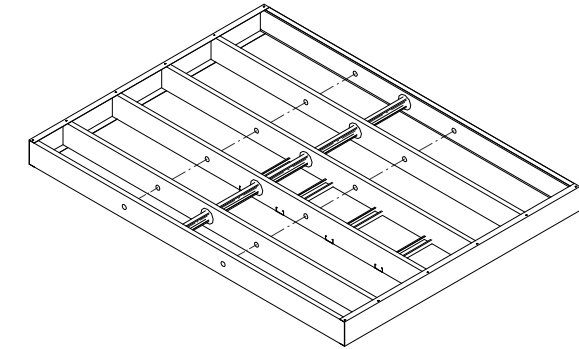
CREATED BY: AMB

FrameMax, Inc.
 13915 Danielson St
 Suite 100
 Poway, CA 92064
 www.framemax.com

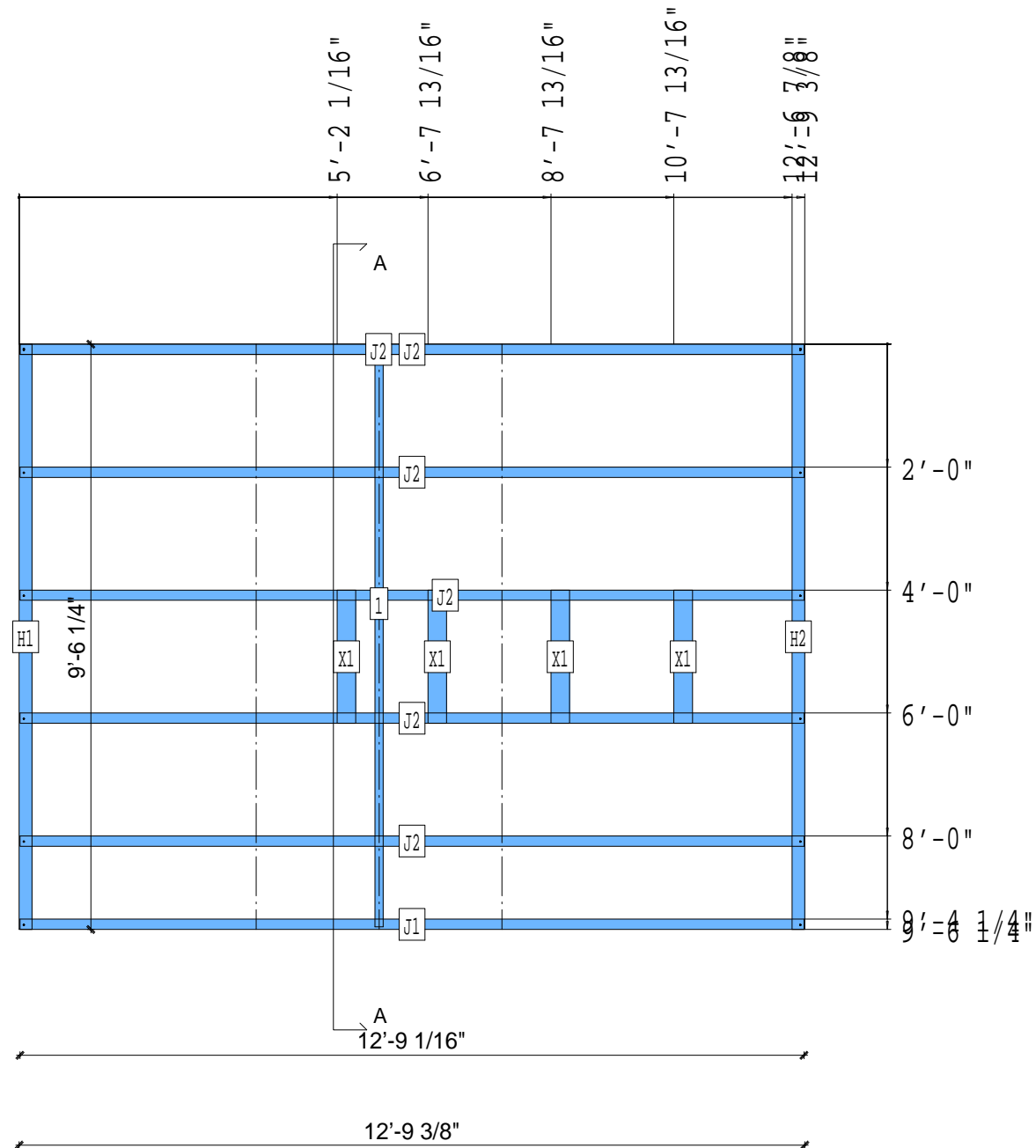


© FrameMax Inc.

APPROVED
 By ijuarez at 3:55 pm, Oct 22, 2008



A-A



PIECE SCHEDULE						
LAB	QTY	MATERIAL	DESCRIPTION	LENGTH	ANG1	ANG2
J1	1	362S162-54	JOIST	9'-5 1/4"		
H1	1	1000T250-97	HEADER	9'-6 1/4"		
H2	1	1000T250-97	HEADER	9'-6 1/4"		
J2	1	1000S200-97	JOIST	12'-9 1/16"		
J2	6	1000S200-97	JOIST	12'-9 1/16"		
X1	4	362S162-33	FLAT TRACK B	2'-2"		

11-5073

Jewish Home for the Aging

1885 Victory Blvd. Reseda, CA

FM-07-109

CREATED BY: AMB

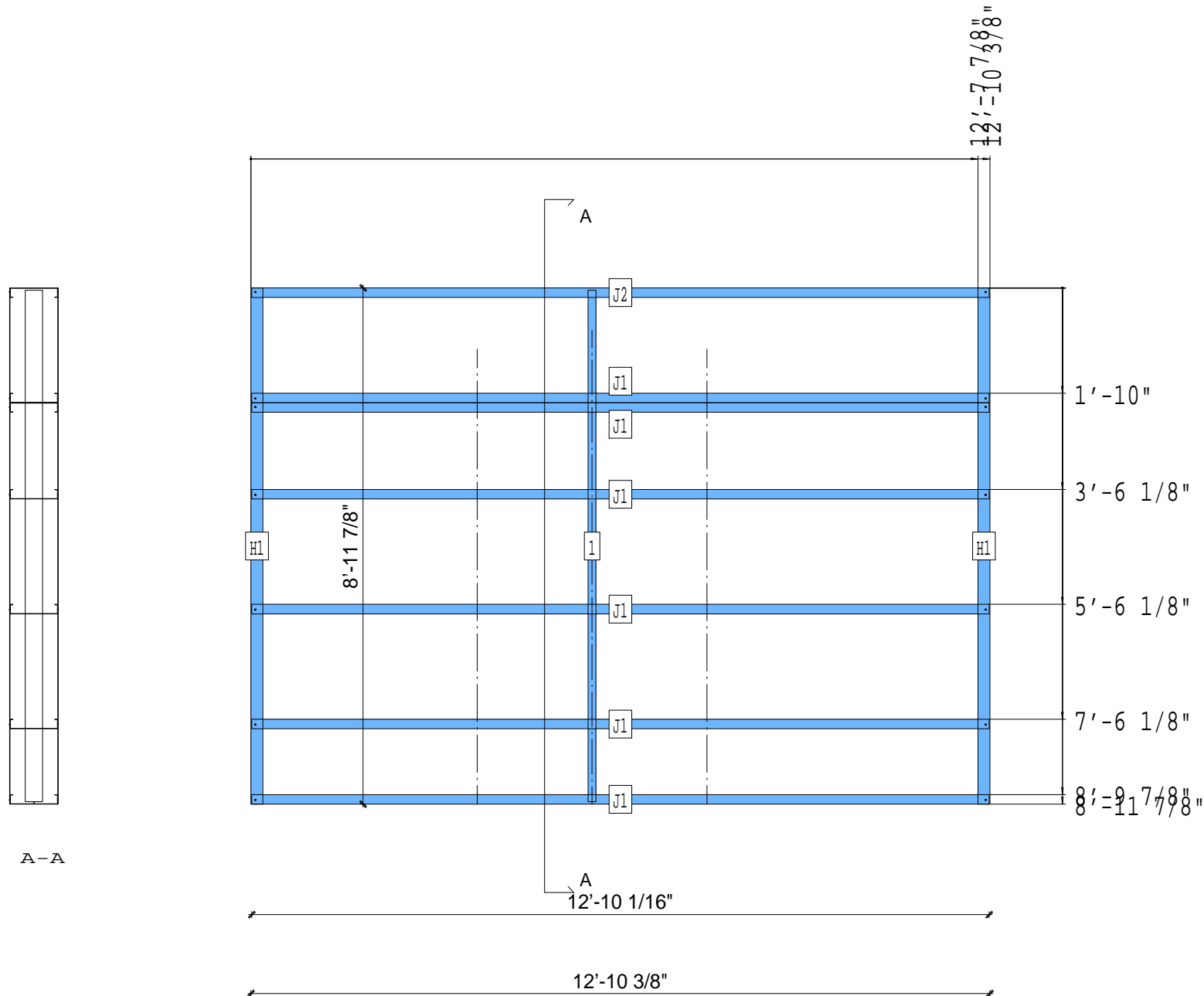
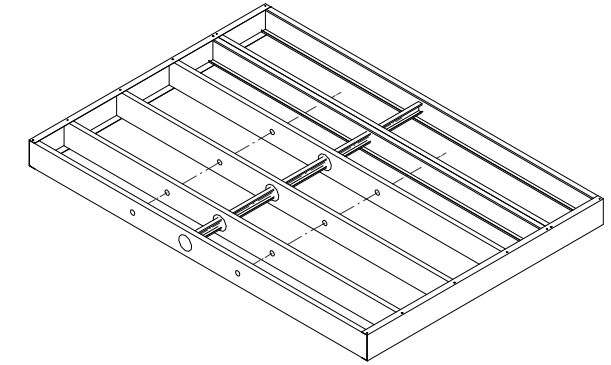
FrameMax, Inc.
13915 Danielson St
Suite 100
Poway, CA 92064
www.framemax.com

FRAME MAX

© FrameMax Inc.

APPROVED

By ijuarez at 3:55 pm, Oct 22, 2008



PIECE SCHEDULE						
LAB	QTY	MATERIAL	DESCRIPTION	LENGTH	ANG1	ANG2
1	1	362S162-54	JOIST	8'-10 7/8"		
H1	2	1000T250-97	HEADER	8'-11 7/8"		
J1	6	1000S200-97	JOIST	12'-10 1/16"		
J2	1	1000S200-97	JOIST	12'-10 1/16"		

11-5074

Jewish Home for the Aging

1885 Victory Blvd. Reseda, CA

FM-07-109

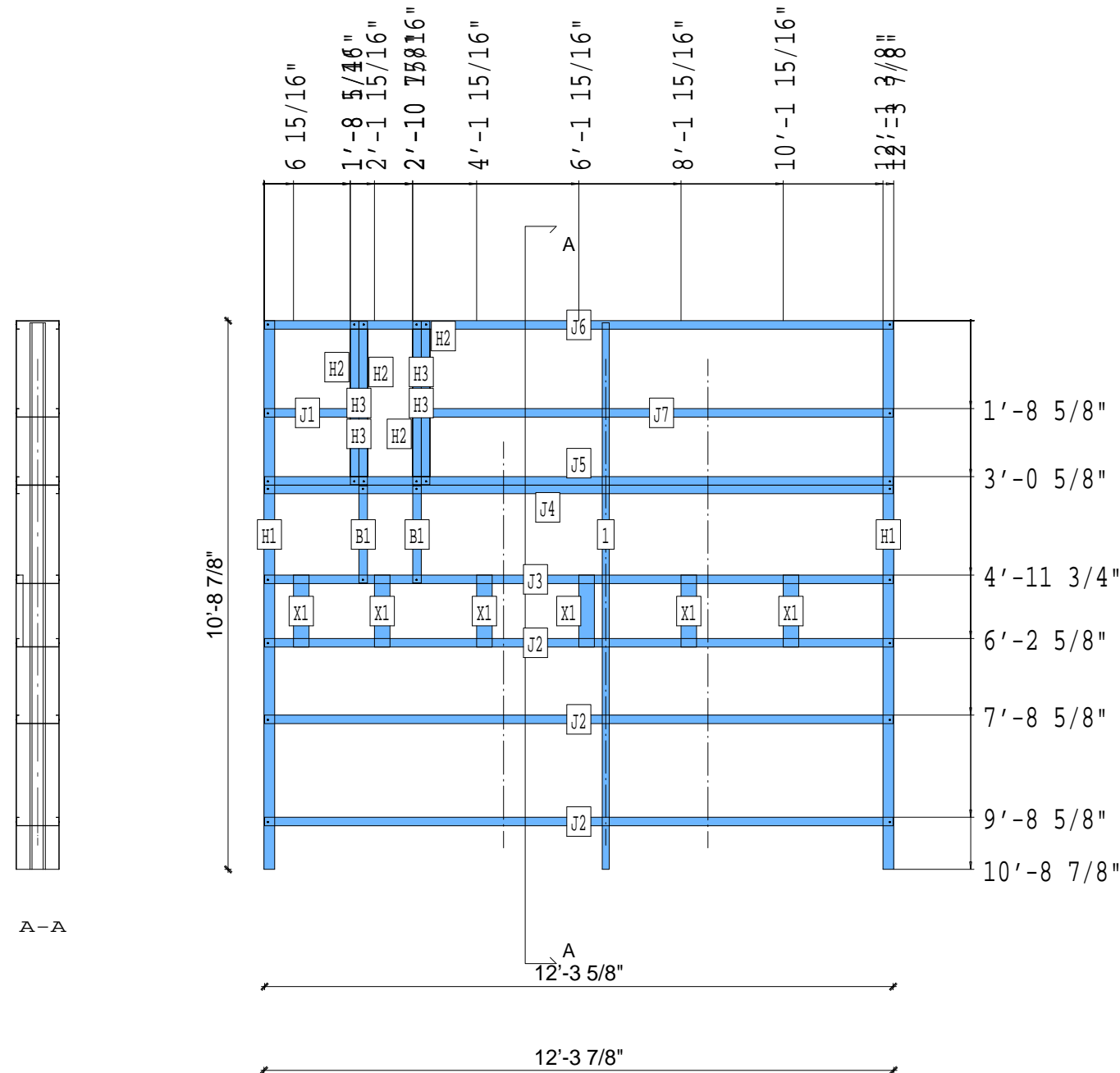
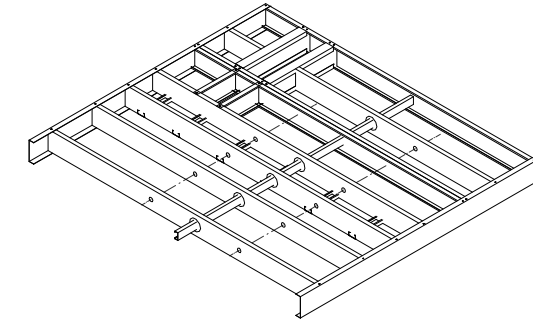
CREATED BY: AMB

FrameMax, Inc.
13915 Danielson St
Suite 100
Poway, CA 92064
www.framemax.com



© FrameMax Inc.

APPROVED
By ijuarez at 3:55 pm, Oct 22, 2008



PIECE SCHEDULE						
LAB	QTY	MATERIAL	DESCRIPTION	LENGTH	ANG1	ANG2
1	1	362S162-54	JOIST	10'-8 3/8"		
B1	2	1000S200-68	BLOCK	1'-10 7/8"		
H1	2	1000T250-68	HEADER	10'-8 7/8"		
H2	4	1000S200-68	OPENING TRIM	3'-2 3/8"		
H3	4	400T200-68	OPENING TRIM	2'-10 5/8"		
J1	1	1000S200-68	JOIST	1'-8 3/16"		
J2	3	1000S200-68	JOIST	12'-3 5/8"		
J3	1	1000S200-68	JOIST	12'-3 5/8"		
J4	1	1000S200-68	OPENING TRIM	12'-3 5/8"		
J5	1	1000S200-68	OPENING TRIM	12'-3 5/8"		
J6	1	1000S200-68	JOIST	12'-3 5/8"		
J7	1	1000S200-68	JOIST	9'-0 13/16"		
X1	6	362S162-33	FLAT TRACK B	1'-4 7/8"		

11-5075

Jewish Home for the Aging

1885 Victory Blvd. Reseda, CA

FM-07-109

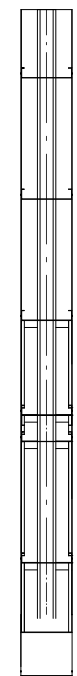
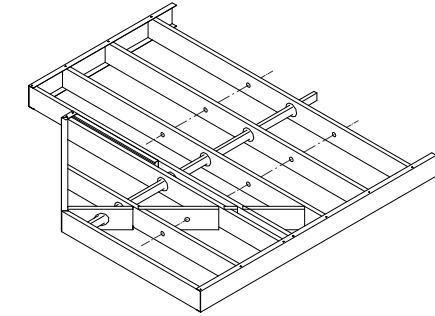
CREATED BY: AMB

FrameMax, Inc.
13915 Danielson St
Suite 100
Poway, CA 92064
www.framemax.com

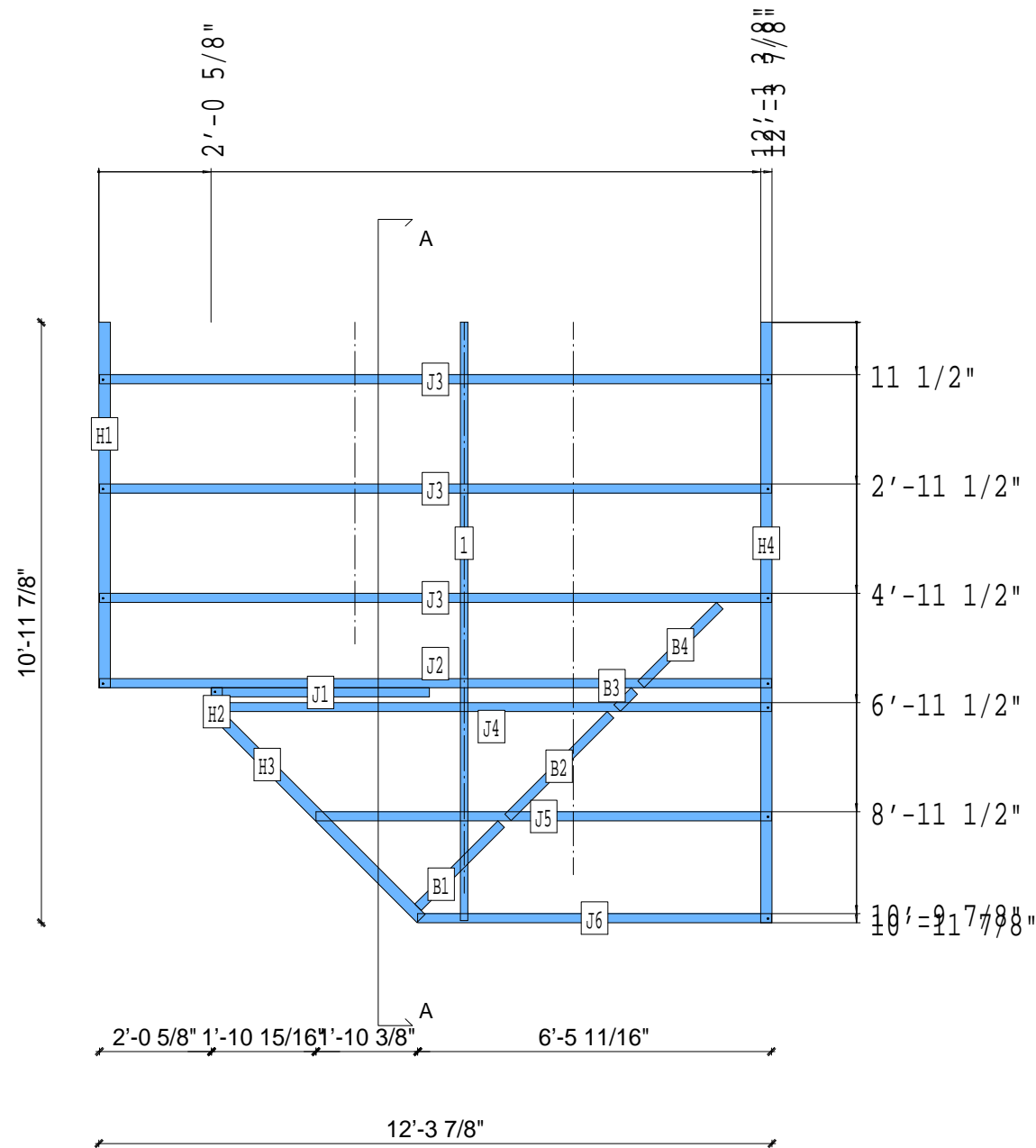


© FrameMax Inc.

APPROVED
By ijuarez at 3:55 pm, Oct 22, 2008



A-A



PIECE SCHEDULE						
LAB	QTY	MATERIAL	DESCRIPTION	LENGTH	ANG1	ANG2
1	1	362S162-54	JOIST	10'-11 7/16"		
B1	1	1000S200-68	BLOCK	2'-1 7/8"		
B2	1	1000S200-68	BLOCK	2'-7 7/8"		
B3	1	1000S200-68	BLOCK	5 5/16"		
B4	1	1000S200-68	BLOCK	2'-0 7/16"		
H1	1	1000T250-68	HEADER	6'-8 1/4"		
H2	1	1000T250-68	HEADER	6 1/4"		
H3	1	1000T250-68	HEADER	5'-3 7/8"		
H4	1	1000T250-68	HEADER	10'-11 7/8"		
J1	1	1000S200-68	JOIST	3'-11 7/8"		
J2	1	1000S200-68	JOIST	12'-3 5/8"		
J3	3	1000S200-68	JOIST	12'-3 5/8"		
J4	1	1000S200-68	JOIST	10'-3"		
J5	1	1000S200-68	JOIST	8'-4 1/16"		
J6	1	1000S200-68	JOIST	6'-5 11/16"		

11-5076

CREATED: 10/22/2008

Jewish Home for the Aging

1885 Victory Blvd. Reseda, CA

FM-07-109

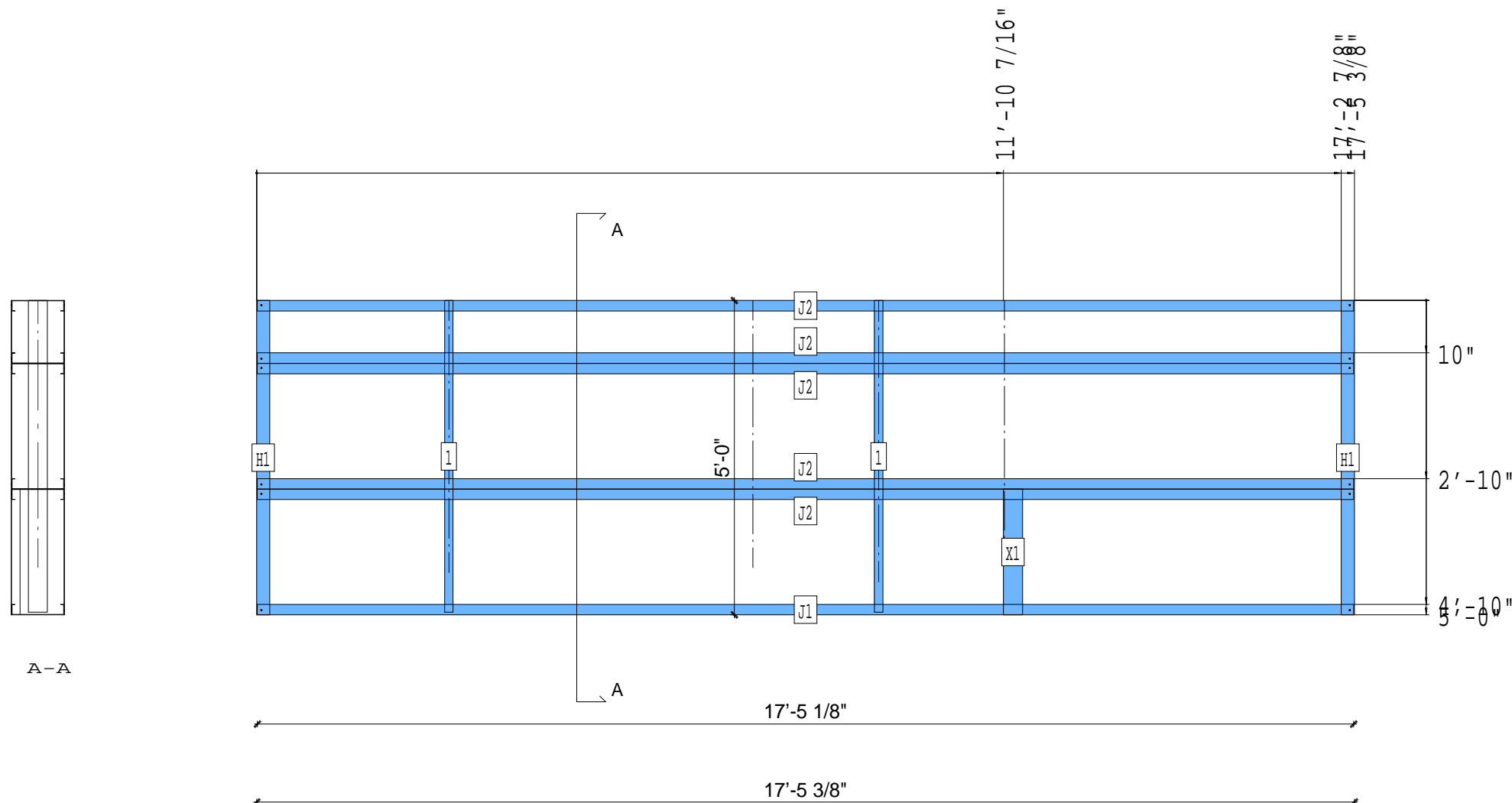
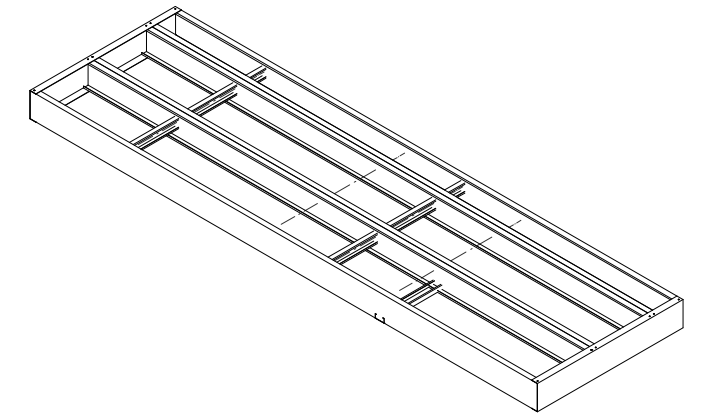
CREATED BY: AMB

FrameMax, Inc.
13915 Danielson St
Suite 100
Poway, CA 92064
www.framemax.com



© FrameMax Inc.

APPROVED
By ijuarez at 3:55 pm, Oct 22, 2008



PIECE SCHEDULE						
LAB	QTY	MATERIAL	DESCRIPTION	LENGTH	ANG1	ANG2
J1	1	1000S200-68	JOIST	17'-5 1/8"		
J2	5	1000S200-68	JOIST	17'-5 1/8"		
X1	1	362S162-33	FLAT TRACK B	2'-0"		
H1	2	1000T250-68	HEADER	5'-0"		
1	2	362S162-54	JOIST	4'-11 1/2"		

11-5077

CREATED: 10/22/2008

Jewish Home for the Aging

1885 Victory Blvd. Reseda, CA

FM-07-109

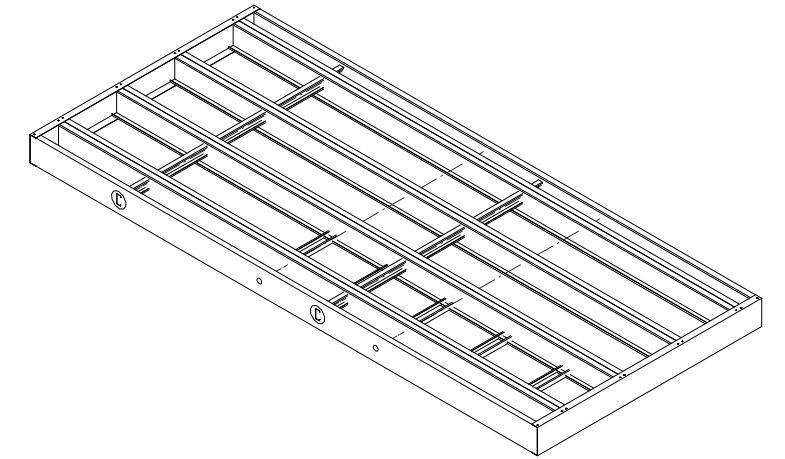
CREATED BY: AMB

FrameMax, Inc.
13915 Danielson St
Suite 100
Poway, CA 92064
www.framemax.com

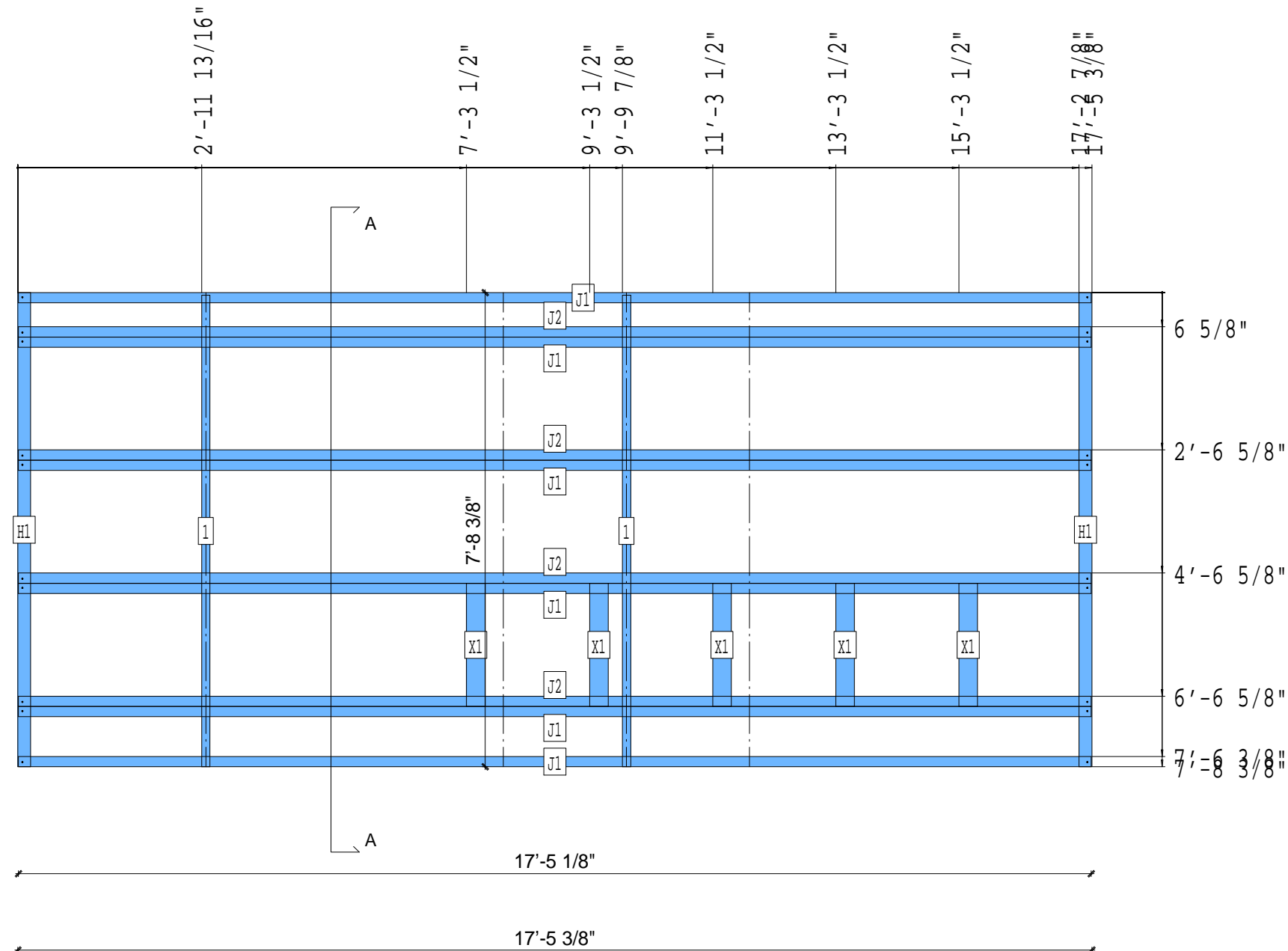


© FrameMax Inc.

APPROVED
By ijuarez at 3:55 pm, Oct 22, 2008



A-A



PIECE SCHEDULE						
LAB	QTY	MATERIAL	DESCRIPTION	LENGTH	ANG1	ANG2
J1	2	362S162-54	JOIST	7'-7 7/8"		
H1	2	1000T250-68	HEADER	7'-8 3/8"		
J1	6	1000S200-68	JOIST	17'-5 1/8"		
J2	4	1000S200-68	JOIST	17'-5 1/8"		
X1	5	362S162-33	FLAT TRACK B	2'-0"		

11-5078

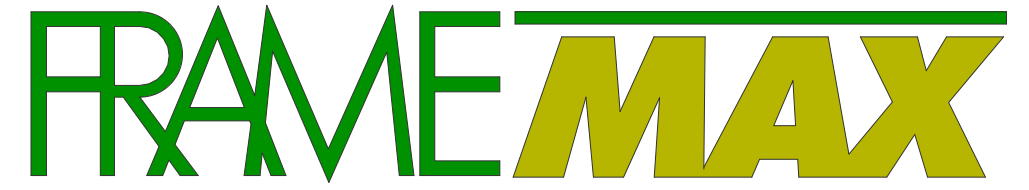
Jewish Home for the Aging

1885 Victory Blvd. Reseda, CA

FM-07-109

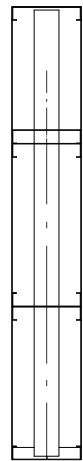
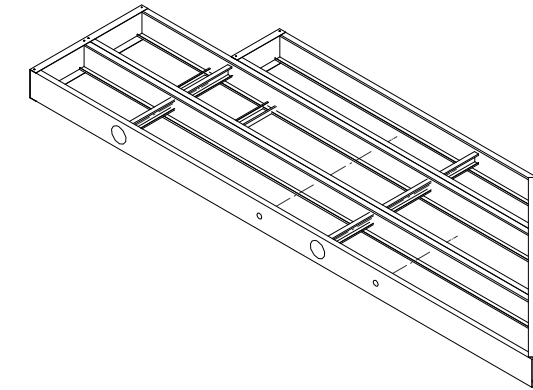
CREATED BY: AMB

FrameMax, Inc.
13915 Danielson St
Suite 100
Poway, CA 92064
www.framemax.com

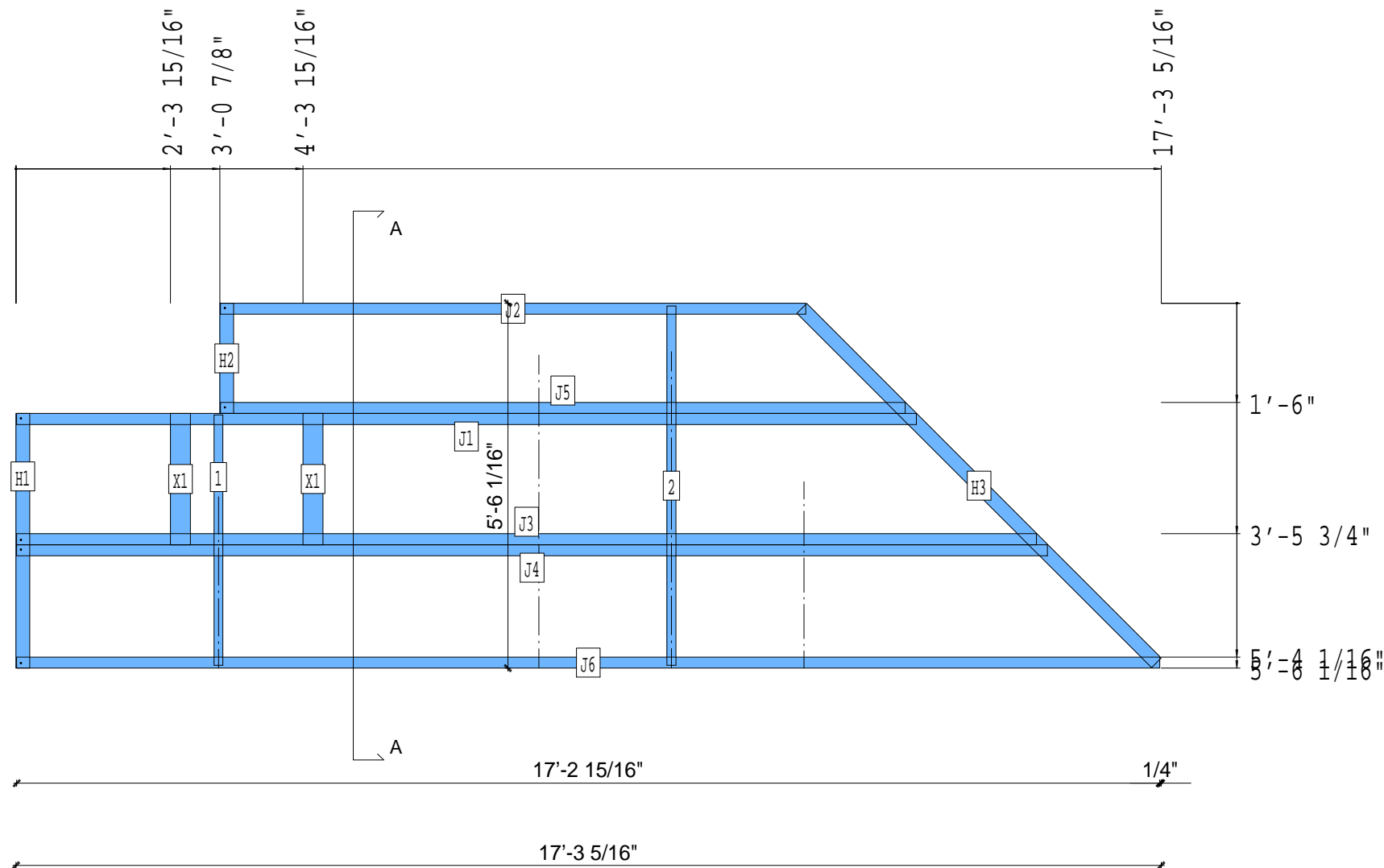


© FrameMax Inc.

APPROVED
By ijuarez at 3:55 pm, Oct 22, 2008



A-A



PIECE SCHEDULE						
LAB	QTY	MATERIAL	DESCRIPTION	LENGTH	ANG1	ANG2
1	1	362S162-54	JOIST	3'-9 5/16"		
2	1	362S162-54	JOIST	5'-5 1/16"		
H1	1	1000T250-68	HEADER	3'-10 1/8"		
H2	1	1000T250-68	HEADER	1'-8"		
H3	1	1000T250-68	HEADER	7'-6 3/4"		
J1	1	1000S200-68	JOIST	13'-6 7/8"		
J2	1	1000S200-68	JOIST	8'-9 15/16"		
J3	1	1000S200-68	JOIST	15'-4 9/16"		
J4	1	1000S200-68	JOIST	15'-6 9/16"		
J5	1	1000S200-68	JOIST	10'-3 15/16"		
J6	1	1000S200-68	JOIST	17'-2 15/16"		
X1	2	362S162-33	FLAT TRACK B	1'-11 3/4"		

11-5079

Jewish Home for the Aging

1885 Victory Blvd. Reseda, CA

FM-07-109

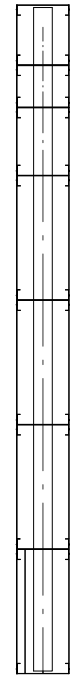
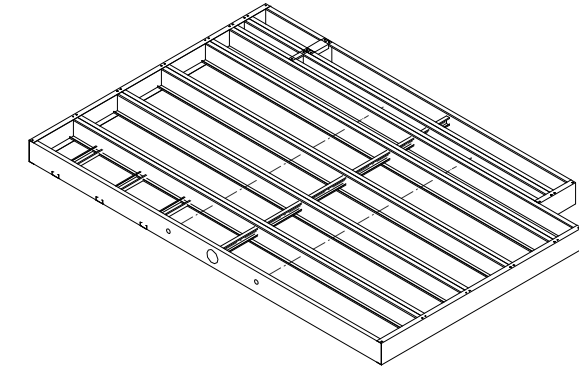
CREATED BY: AMB

FrameMax, Inc.
13915 Danielson St
Suite 100
Poway, CA 92064
www.framemax.com

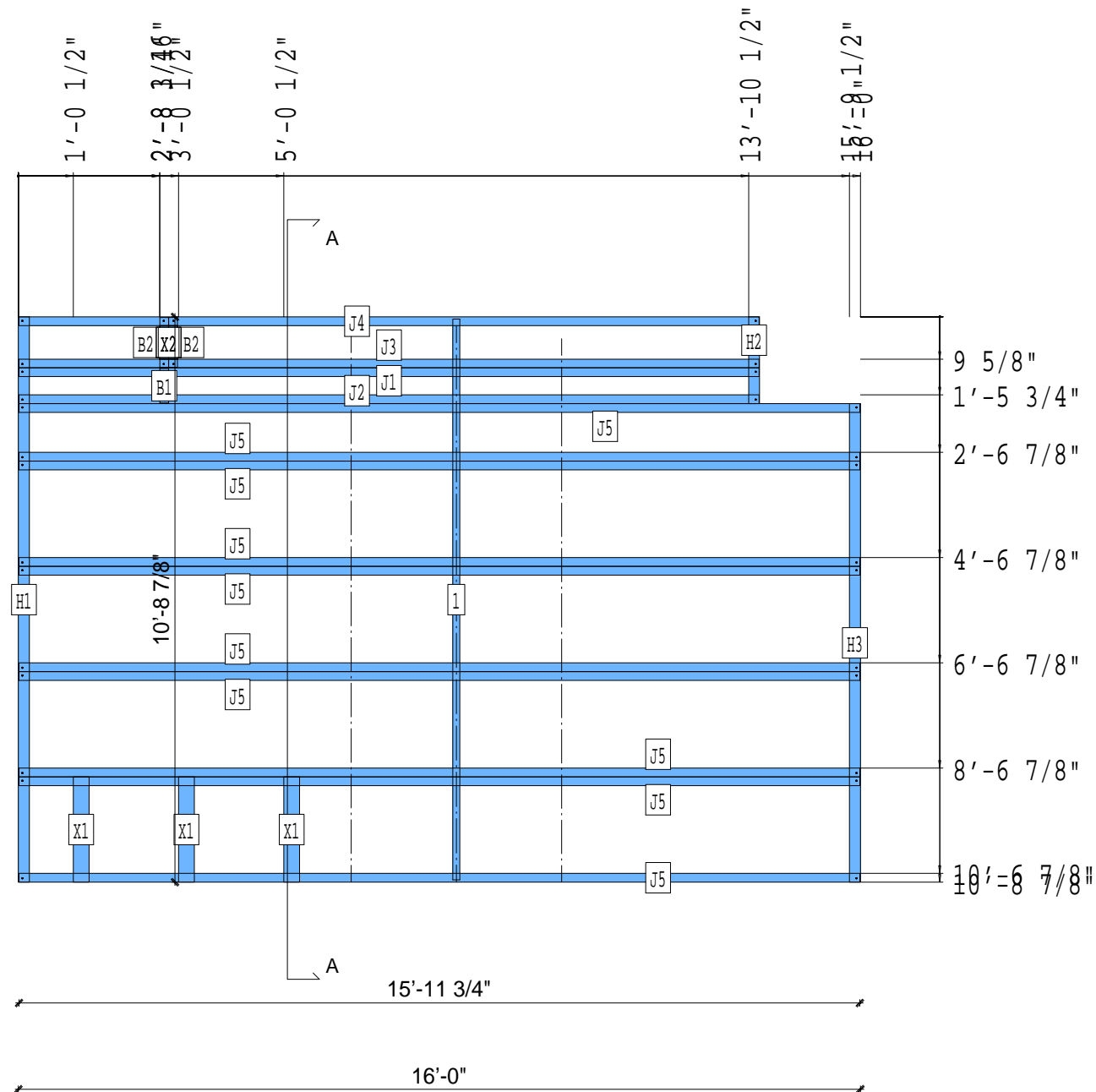


© FrameMax Inc.

APPROVED
By ijuarez at 3:55 pm, Oct 22, 2008



A-A



PIECE SCHEDULE						
LAB	QTY	MATERIAL	DESCRIPTION	LENGTH	ANG1	ANG2
1	1	362S162-54	JOIST	10'-7 7/8"		
B1	1	1000S200-68	BLOCK	7 7/8"		
B2	2	1000S200-68	BLOCK	11 3/8"		
H1	1	1000T250-68	HEADER	10'-8 7/8"		
H2	1	1000T250-68	HEADER	1'-7 3/4"		
H3	1	1000T250-68	HEADER	9'-1 1/8"		
J1	1	1000S200-68	JOIST	14'-0 3/4"		
J2	1	1000S200-68	JOIST	14'-0 3/4"		
J3	1	1000S200-68	JOIST	14'-0 3/4"		
J4	1	1000S200-68	JOIST	14'-0 3/4"		
J5	10	1000S200-68	JOIST	15'-11 3/4"		
X1	3	362S162-33	FLAT TRACK B	2'-0"		
X2	2	400T200-68	FLAT TRACK B	7 5/8"		

11-5080

CREATED: 10/22/2008

Jewish Home for the Aging

1885 Victory Blvd. Reseda, CA

FM-07-109

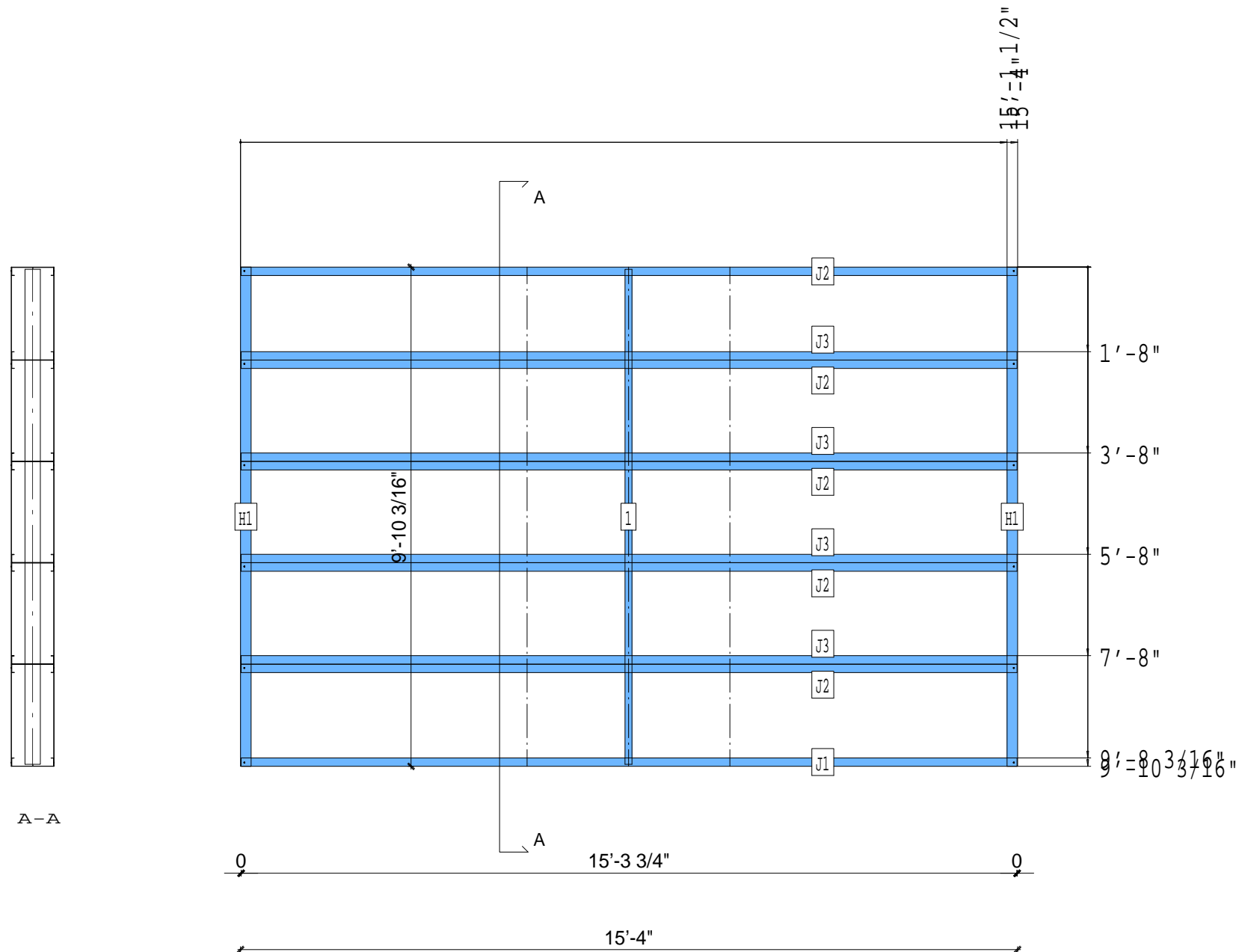
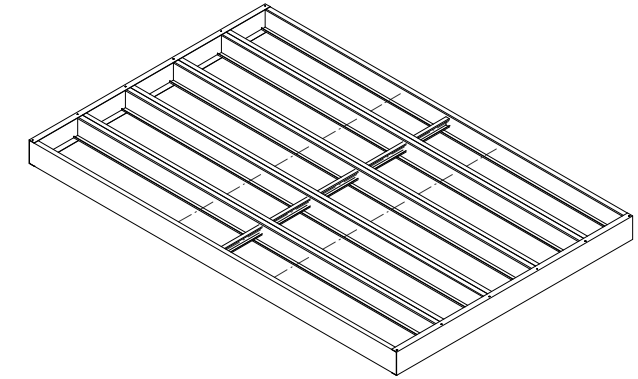
CREATED BY: AMB

FrameMax, Inc.
13915 Danielson St
Suite 100
Poway, CA 92064
www.frameMAX.com



© FrameMax Inc.

APPROVED
By ijuarez at 3:55 pm, Oct 22, 2008



A-A

PIECE SCHEDULE						
LAB	QTY	MATERIAL	DESCRIPTION	LENGTH	ANG1	ANG2
1	1	362S162-54	JOIST	9'-9 3/16"		
H1	2	1000T250-68	HEADER	9'-10 3/16"		
J1	1	1000S200-68	JOIST	15'-3 3/4"		
J2	5	1000S200-68	JOIST	15'-3 3/4"		
J3	4	1000S200-68	JOIST	15'-3 3/4"		

11-5081

Jewish Home for the Aging

1885 Victory Blvd. Reseda, CA

FM-07-109

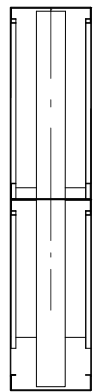
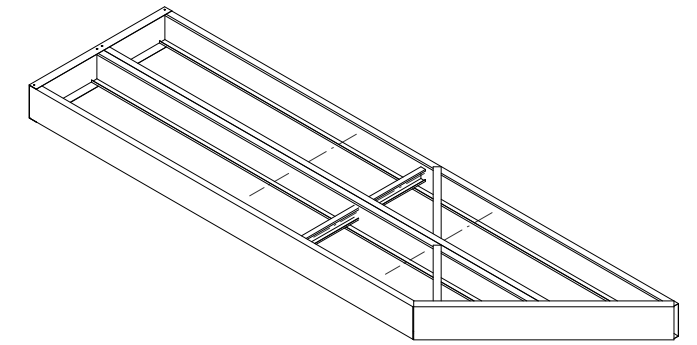
CREATED BY: AMB

FrameMax, Inc.
13915 Danielson St
Suite 100
Poway, CA 92064
www.frame-max.com

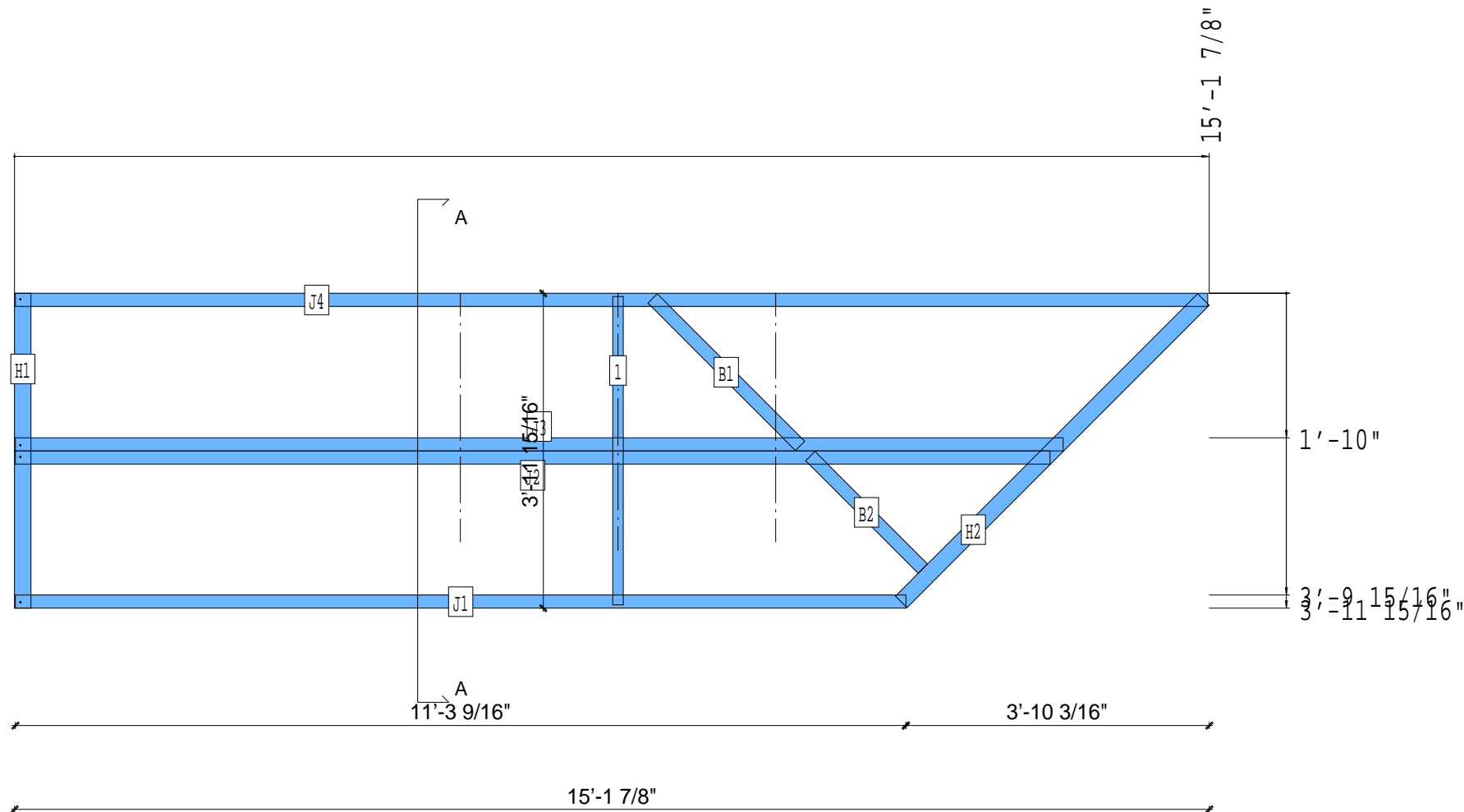


© FrameMax Inc.

APPROVED
By ijuarez at 3:55 pm, Oct 22, 2008



A-A



PIECE SCHEDULE						
LAB	QTY	MATERIAL	DESCRIPTION	LENGTH	ANG1	ANG2
1	1	362S162-54	JOIST	3'-10 15/16"		
B1	1	1000S200-68	BLOCK	2'-7 3/4"		
B2	1	1000S200-68	BLOCK	2'-0 1/4"		
H1	1	1000T250-68	HEADER	3'-11 15/16"		
H2	1	1000T250-68	HEADER	5'-5 1/16"		
J1	1	1000S200-68	JOIST	11'-3 9/16"		
J2	1	1000S200-68	JOIST	13'-1 1/2"		
J3	1	1000S200-68	JOIST	13'-3 1/2"		
J4	1	1000S200-68	JOIST	15'-1 1/2"		

11-5082

Jewish Home for the Aging

1885 Victory Blvd. Reseda, CA

FM-07-109

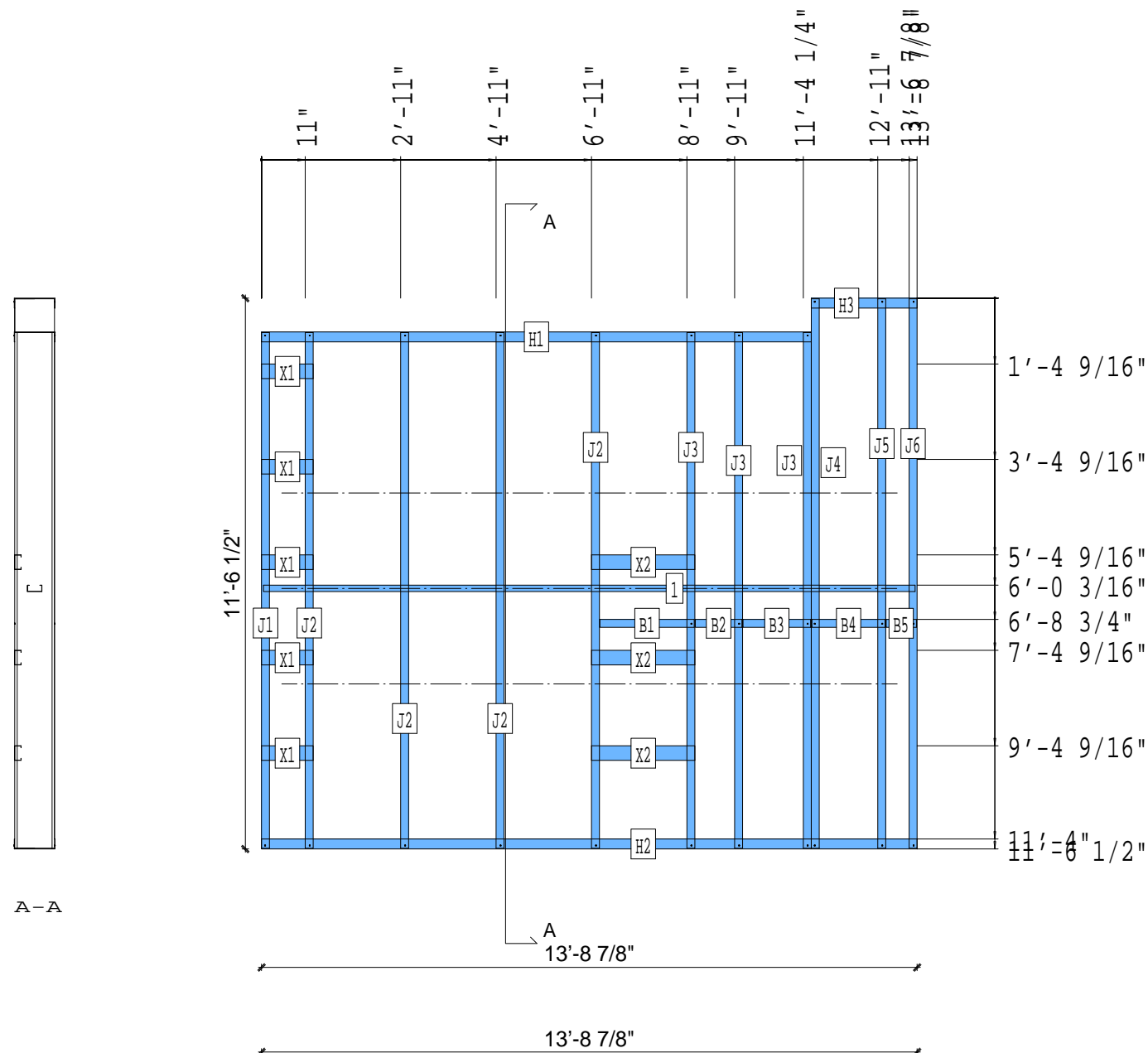
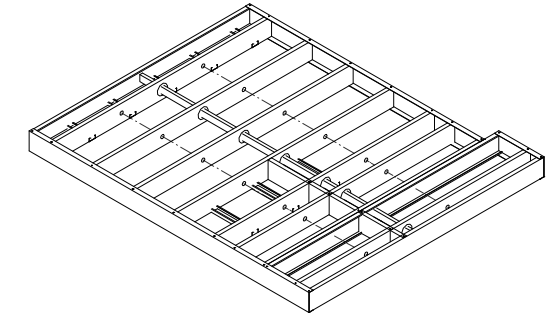
CREATED BY: AMB

FrameMax, Inc.
13915 Danielson St
Suite 100
Poway, CA 92064
www.frameMAX.com



© FrameMax Inc.

APPROVED
By ijuarez at 3:55 pm, Oct 22, 2008



PIECE SCHEDULE						
LAB	QTY	MATERIAL	DESCRIPTION	LENGTH	ANG1	ANG2
1	1	362S162-54	JOIST	13'-7 7/8"		
B1	1	1000S200-97	BLOCK	1'-11 3/4"		
B2	1	1000S200-97	BLOCK	11 3/4"		
B3	1	1000S200-97	BLOCK	1'-5"		
B4	1	1000S200-97	BLOCK	1'-6 7/16"		
B5	1	1000S200-97	BLOCK	7 5/8"		
H1	1	1000T250-97	HEADER	11'-6 1/4"		
H2	1	1000T250-97	HEADER	13'-8 7/8"		
H3	1	1000T250-97	HEADER	2'-2 5/8"		
J1	1	1000S200-97	JOIST	10'-9 11/16"		
J2	4	1000S200-97	JOIST	10'-9 11/16"		
J3	3	1000S200-97	JOIST	10'-9 11/16"		
J4	1	1000S200-97	JOIST	11'-6 3/16"		
J5	1	1000S200-97	JOIST	11'-6 3/16"		
J6	1	1000S200-97	JOIST	11'-6 3/16"		
X1	5	362S162-33	FLAT TRACK B	1'-1"		
X2	3	362S162-33	FLAT TRACK B	2'-2"		

11-5083

Jewish Home for the Aging

1885 Victory Blvd. Reseda, CA

FM-07-109

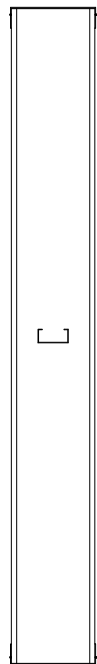
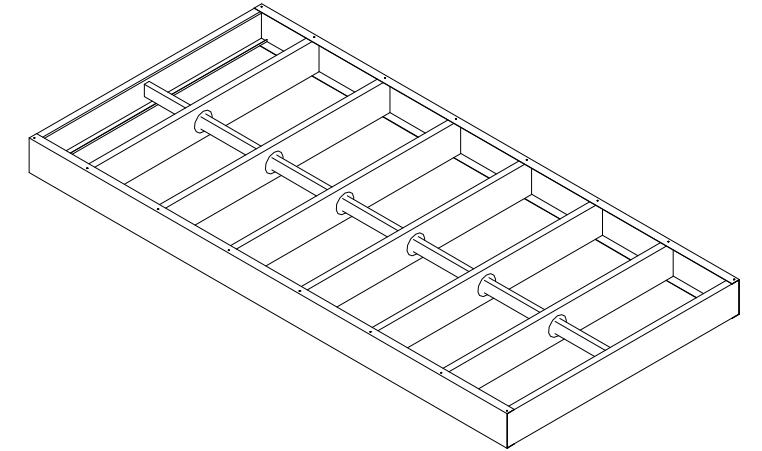
CREATED BY: AMB

FrameMax, Inc.
 13915 Danielson St
 Suite 100
 Poway, CA 92064
 www.framemax.com

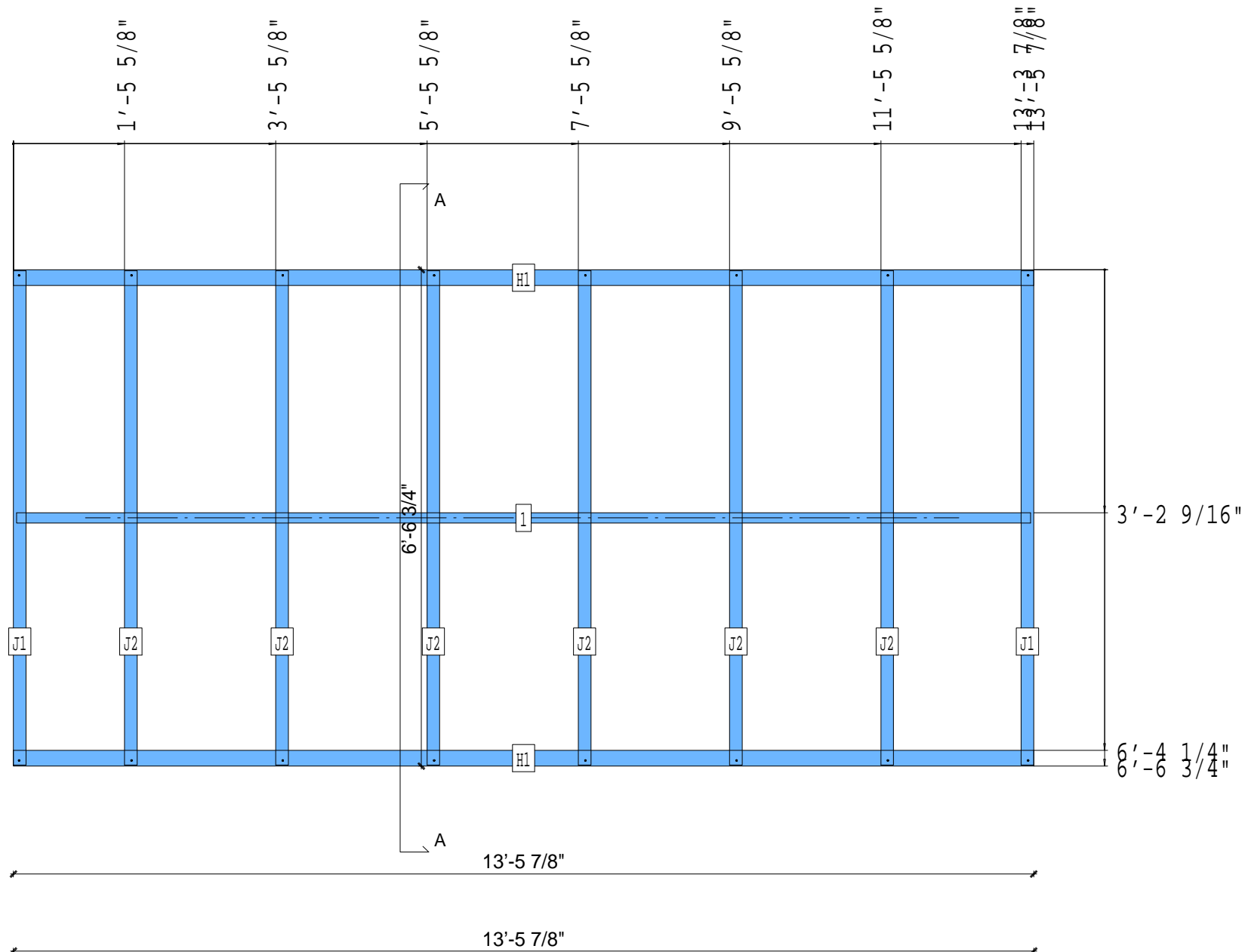


© FrameMax Inc.

APPROVED
 By ijuarez at 3:55 pm, Oct 22, 2008



A-A



PIECE SCHEDULE						
LAB	QTY	MATERIAL	DESCRIPTION	LENGTH	ANG1	ANG2
1	1	362S162-54	JOIST	13'-4 7/8"		
H1	2	1000T250-97	HEADER	13'-5 7/8"		
J1	2	1000S200-97	JOIST	6'-6 7/16"		
J2	6	1000S200-97	JOIST	6'-6 7/16"		

11-5084

Jewish Home for the Aging

1885 Victory Blvd. Reseda, CA

FM-07-109

CREATED BY: AMB

FrameMax, Inc.
13915 Danielson St
Suite 100
Poway, CA 92064
www.framemax.com

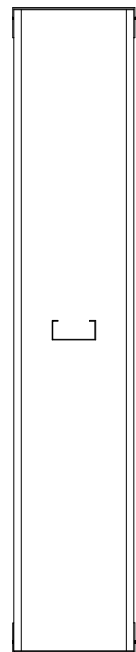
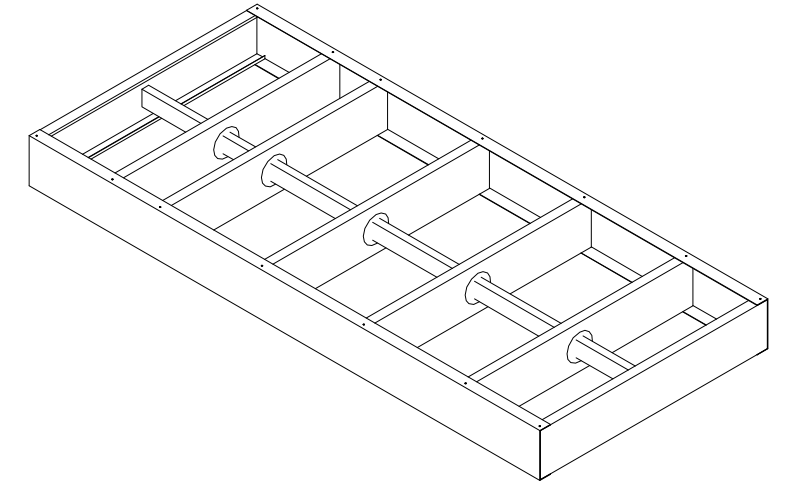


© FrameMax Inc.

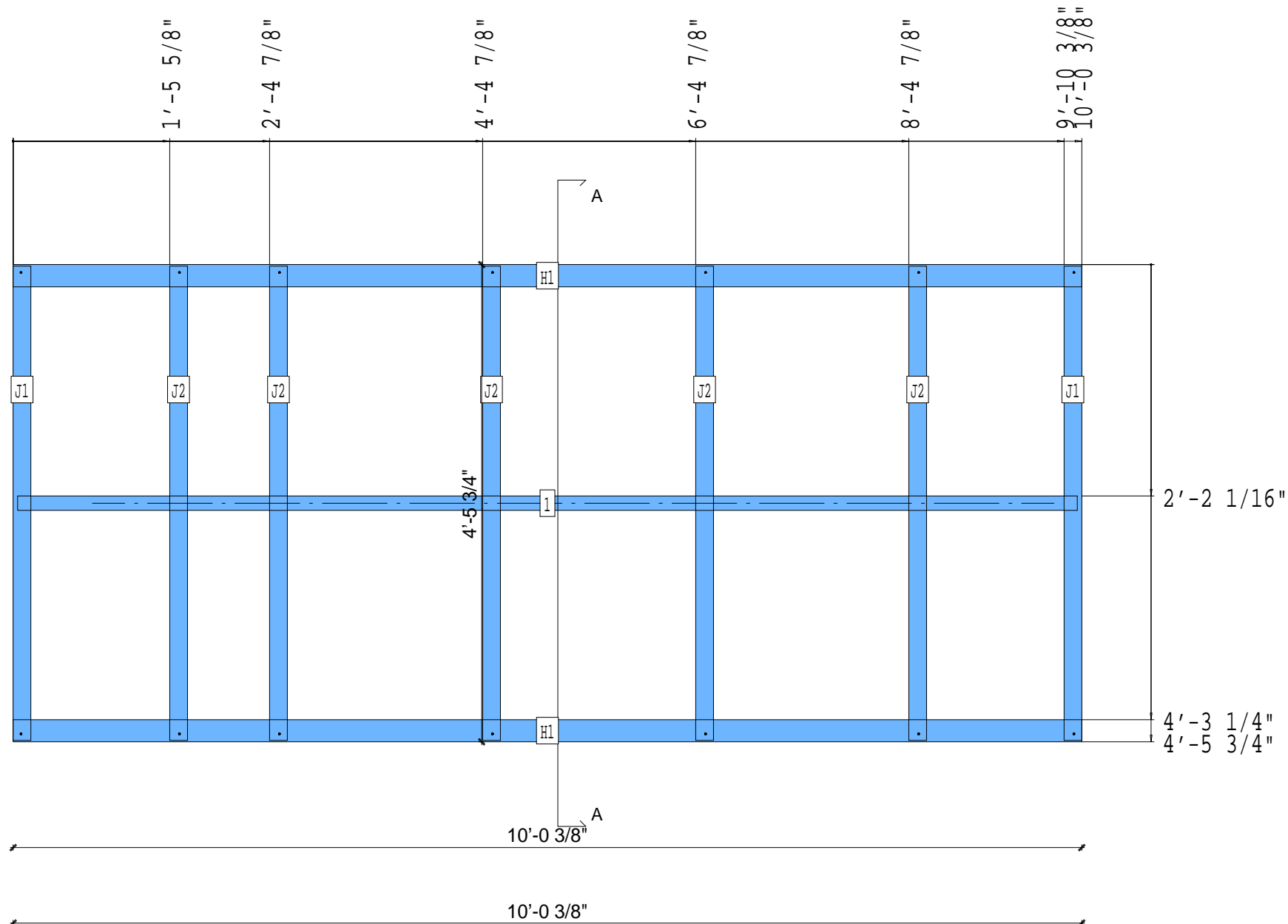
CREATED: 10/22/2008

APPROVED

By *ijuarez* at 3:55 pm, Oct 22, 2008



A-A



PIECE SCHEDULE						
LAB	QTY	MATERIAL	DESCRIPTION	LENGTH	ANG1	ANG2
1	1	362S162-54	JOIST	9'-11 3/8"		
H1	2	1000T250-97	HEADER	10'-0 3/8"		
J1	2	1000S200-97	JOIST	4'-5 7/16"		
J2	5	1000S200-97	JOIST	4'-5 7/16"		

11-5085

Jewish Home for the Aging

1885 Victory Blvd. Reseda, CA

FM-07-109

CREATED BY: AMB

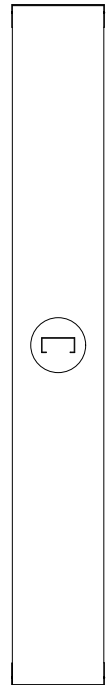
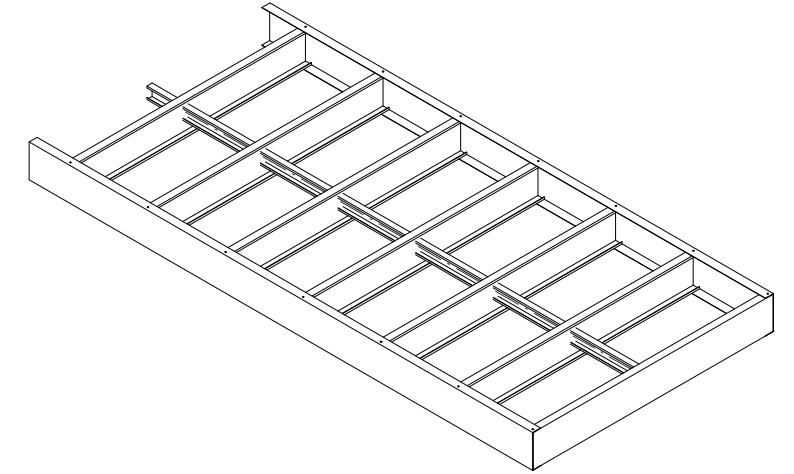
FrameMax, Inc.
13915 Danielson St
Suite 100
Poway, CA 92064
www.framemax.com



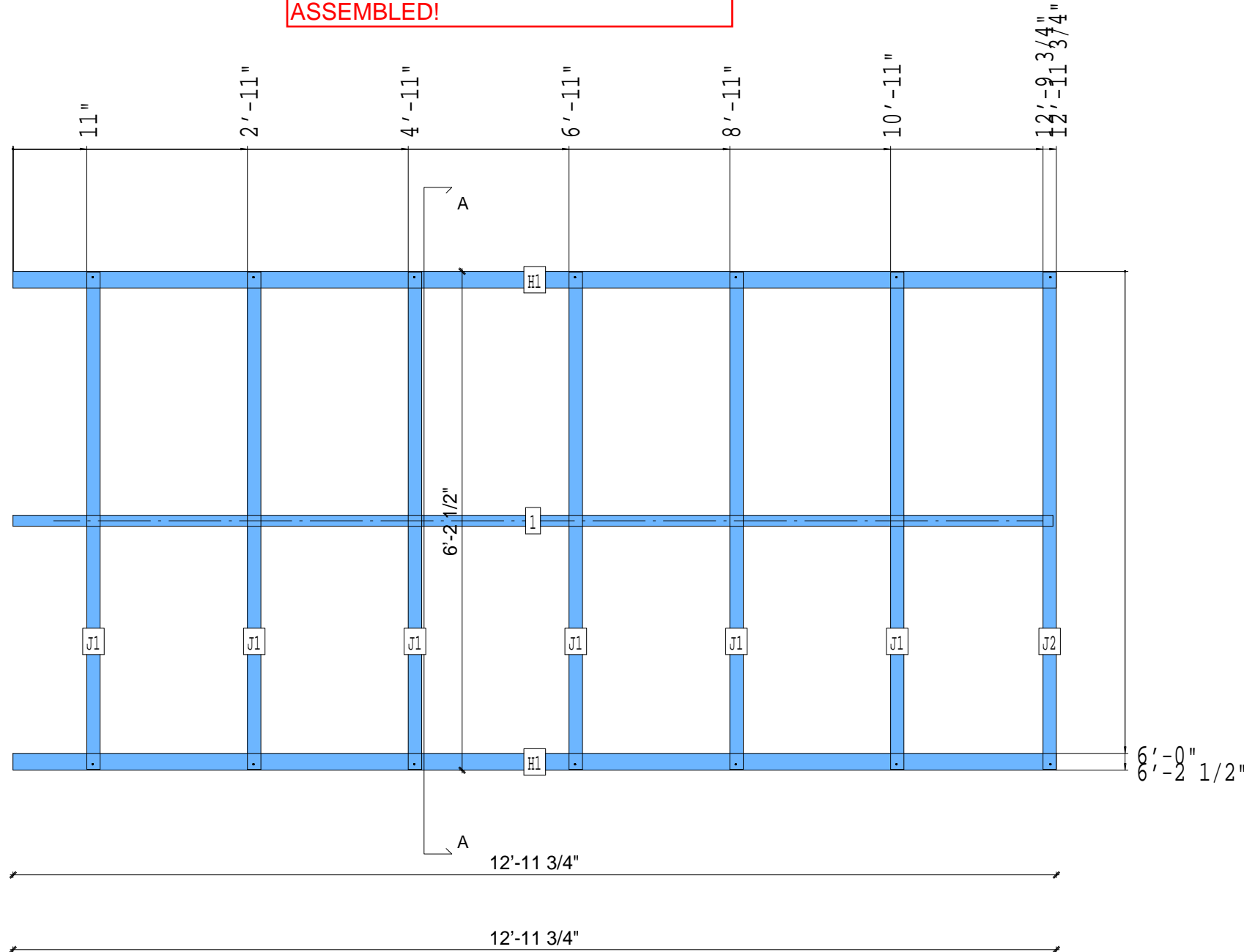
© FrameMax Inc.

APPROVED
By ijuarez at 3:55 pm, Oct 22, 2008

DO NOT PANELIZE
KIT AND BUNDLE PARTS, TO BE FIELD ASSEMBLED!



A-A



PIECE SCHEDULE						
LAB	QTY	MATERIAL	DESCRIPTION	LENGTH	ANG1	ANG2
1	1	362S162-54	JOIST	12'-11 1/4"		
H1	2	1000T250-68	HEADER	12'-11 3/4"		
J1	6	1000S200-68	JOIST	6'-2 1/4"		
J2	1	1000S200-68	JOIST	6'-2 1/4"		

11-5086

Jewish Home for the Aging

1885 Victory Blvd. Reseda, CA

FM-07-109

CREATED BY: AMB

FrameMax, Inc.
13915 Danielson St
Suite 100
Poway, CA 92064
www.framemax.com

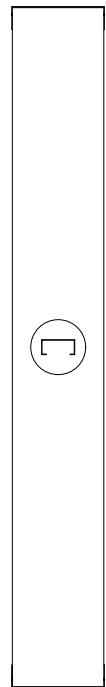
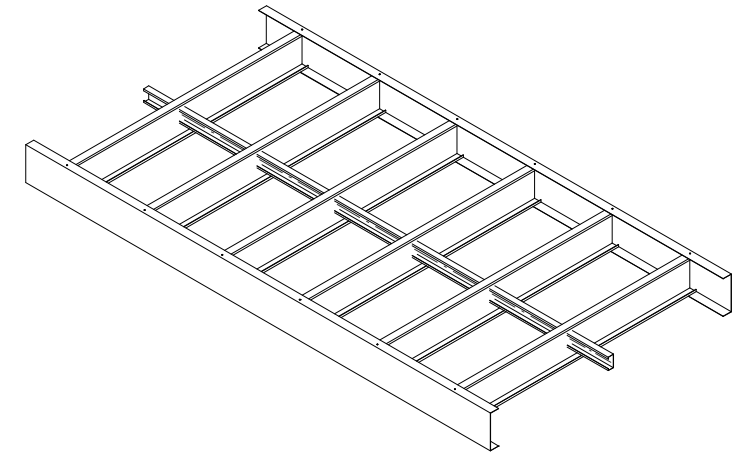


© FrameMax Inc.

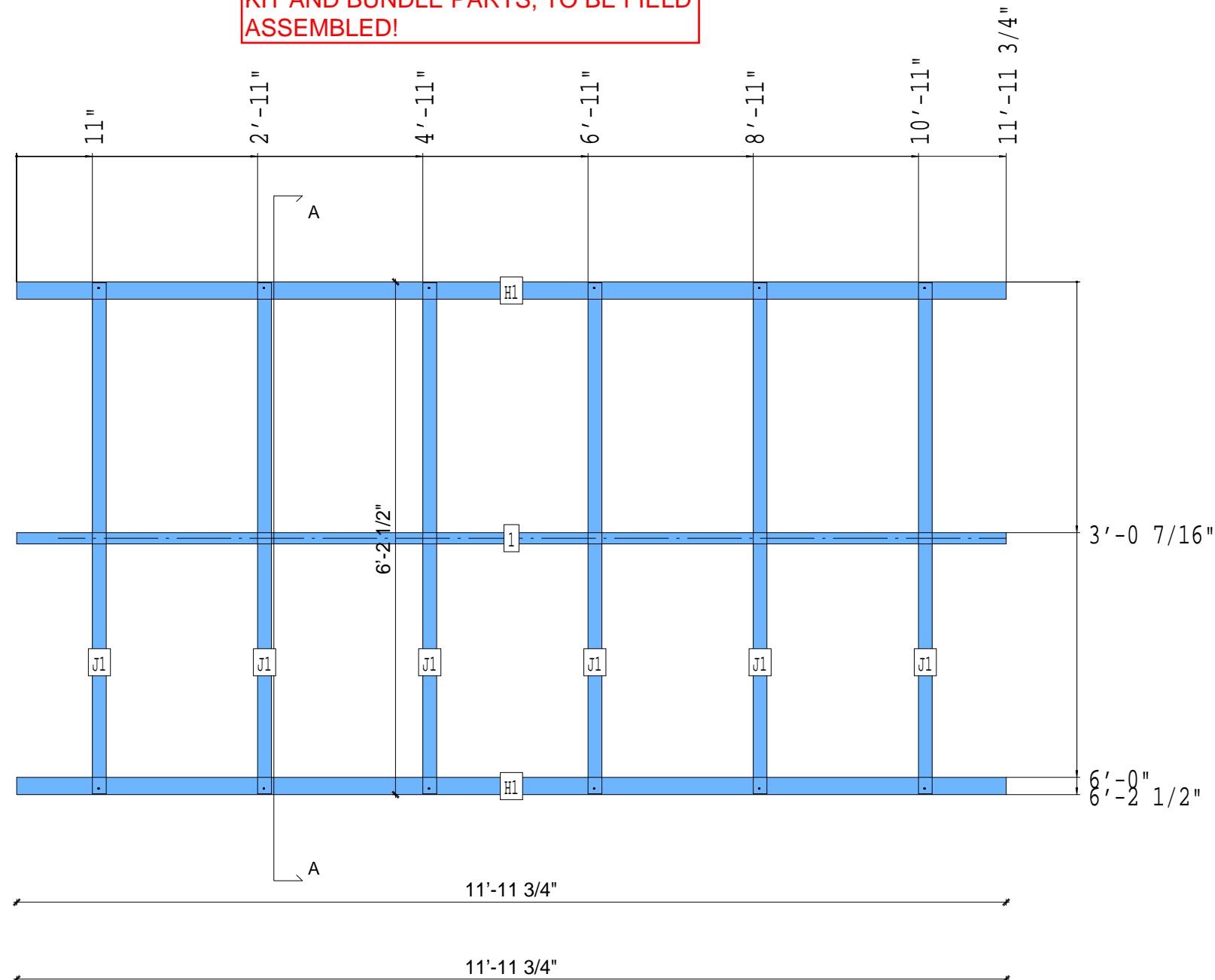
CREATED: 10/22/2008

APPROVED
By ijuarez at 3:55 pm, Oct 22, 2008

DO NOT PANELIZE
KIT AND BUNDLE PARTS, TO BE FIELD ASSEMBLED!



A-A



PIECE SCHEDULE						
LAB	QTY	MATERIAL	DESCRIPTION	LENGTH	ANG1	ANG2
1	1	362S162-54	JOIST	11'-11 3/4"		
H1	2	1000T250-68	HEADER	11'-11 3/4"		
J1	6	1000S200-68	JOIST	6'-2 1/4"		

11-5087

CREATED: 10/22/2008

Jewish Home for the Aging

1885 Victory Blvd. Reseda, CA

FM-07-109

CREATED BY: AMB

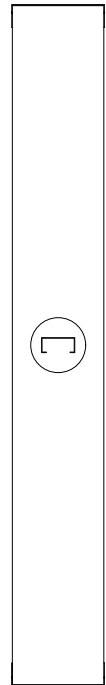
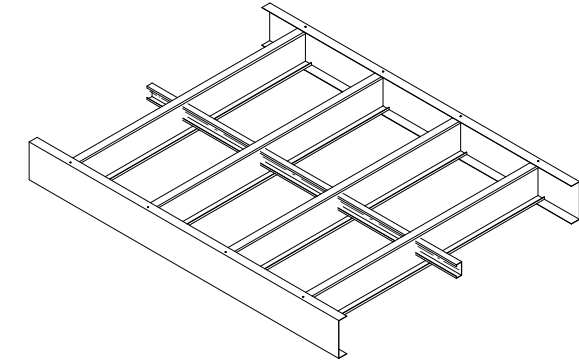
FrameMax, Inc.
13915 Danielson St
Suite 100
Poway, CA 92064
www.framemax.com



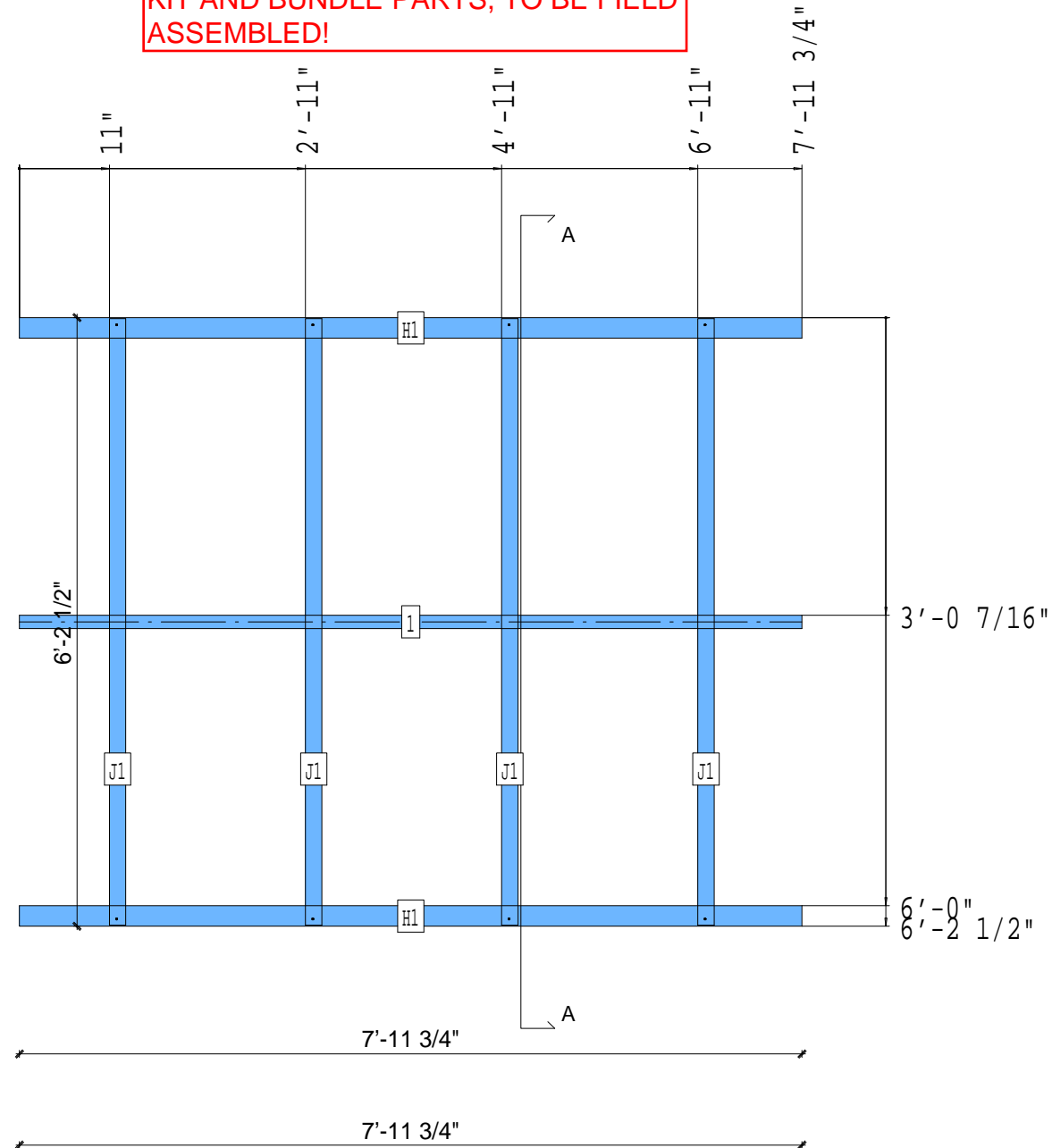
© FrameMax Inc.

APPROVED
By ijuarez at 3:55 pm, Oct 22, 2008

DO NOT PANELIZE
KIT AND BUNDLE PARTS, TO BE FIELD ASSEMBLED!



A-A



PIECE SCHEDULE						
LAB	QTY	MATERIAL	DESCRIPTION	LENGTH	ANG1	ANG2
1	1	362S162-54	JOIST	7'-11 3/4"		
H1	2	1000T250-68	HEADER	7'-11 3/4"		
J1	4	1000S200-68	JOIST	6'-2 1/4"		

11-5088

Jewish Home for the Aging

1885 Victory Blvd. Reseda, CA

FM-07-109

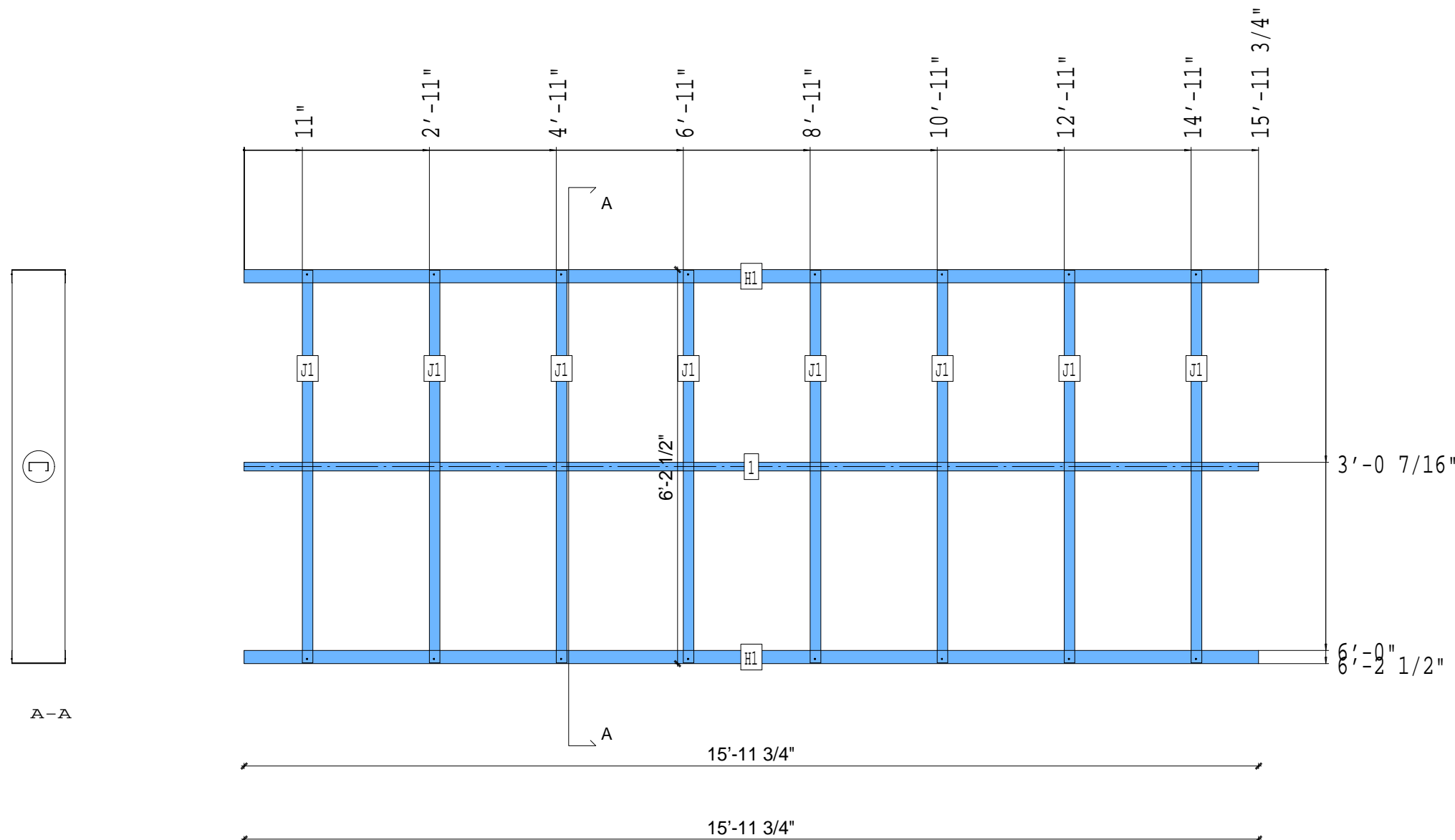
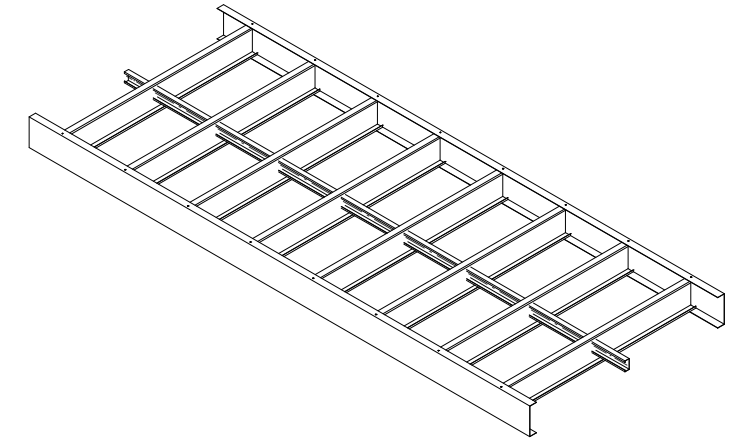
CREATED BY: AMB

FrameMax, Inc.
13915 Danielson St
Suite 100
Poway, CA 92064
www.framemax.com



© FrameMax Inc.

APPROVED
By ijuarez at 3:55 pm, Oct 22, 2008



PIECE SCHEDULE						
LAB	QTY	MATERIAL	DESCRIPTION	LENGTH	ANG1	ANG2
1	1	362S162-54	JOIST	15'-11 3/4"		
H1	2	1000T250-68	HEADER	15'-11 3/4"		
J1	8	1000S200-68	JOIST	6'-2 1/4"		

11-5089

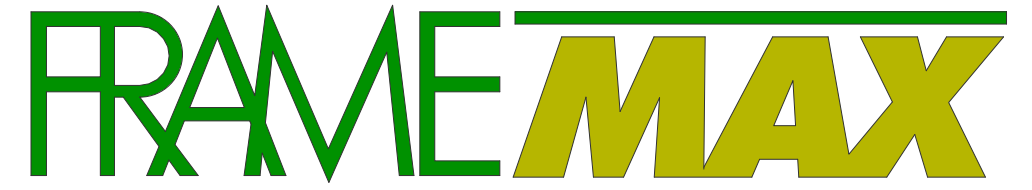
Jewish Home for the Aging

1885 Victory Blvd. Reseda, CA

FM-07-109

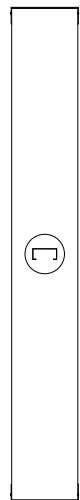
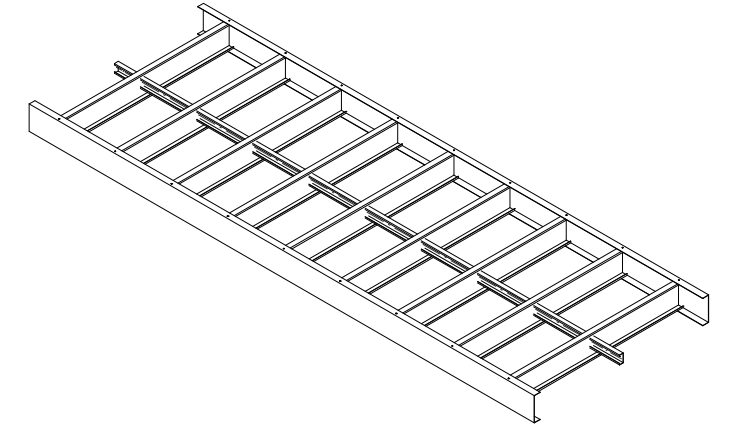
CREATED BY: AMB

FrameMax, Inc.
 13915 Danielson St
 Suite 100
 Poway, CA 92064
 www.framemax.com

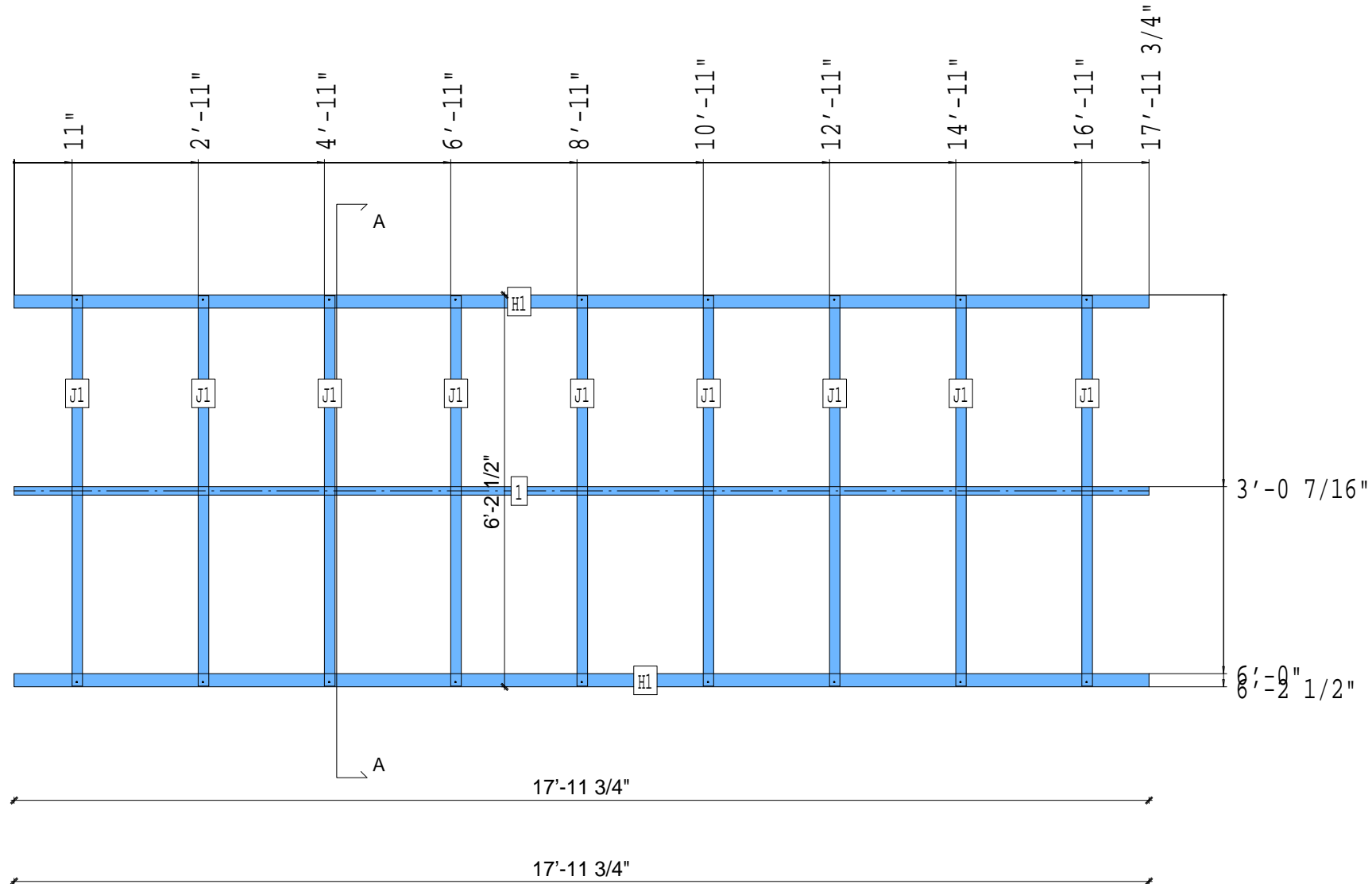


© FrameMax Inc.

APPROVED
 By ijuarez at 3:55 pm, Oct 22, 2008



A-A



PIECE SCHEDULE						
LAB	QTY	MATERIAL	DESCRIPTION	LENGTH	ANG1	ANG2
1	1	362S162-54	JOIST	17'-11 3/4"		
H1	2	1000T250-68	HEADER	17'-11 3/4"		
J1	9	1000S200-68	JOIST	6'-2 1/4"		

11-5090

Jewish Home for the Aging

1885 Victory Blvd. Reseda, CA

FM-07-109

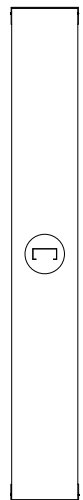
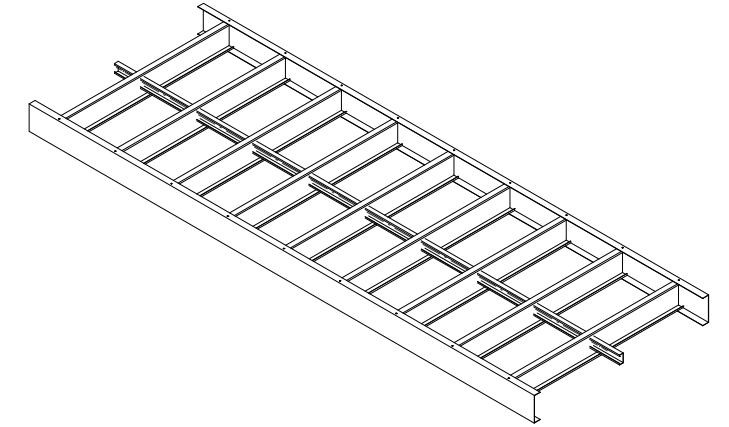
CREATED BY: AMB

FrameMax, Inc.
13915 Danielson St
Suite 100
Poway, CA 92064
www.framemax.com

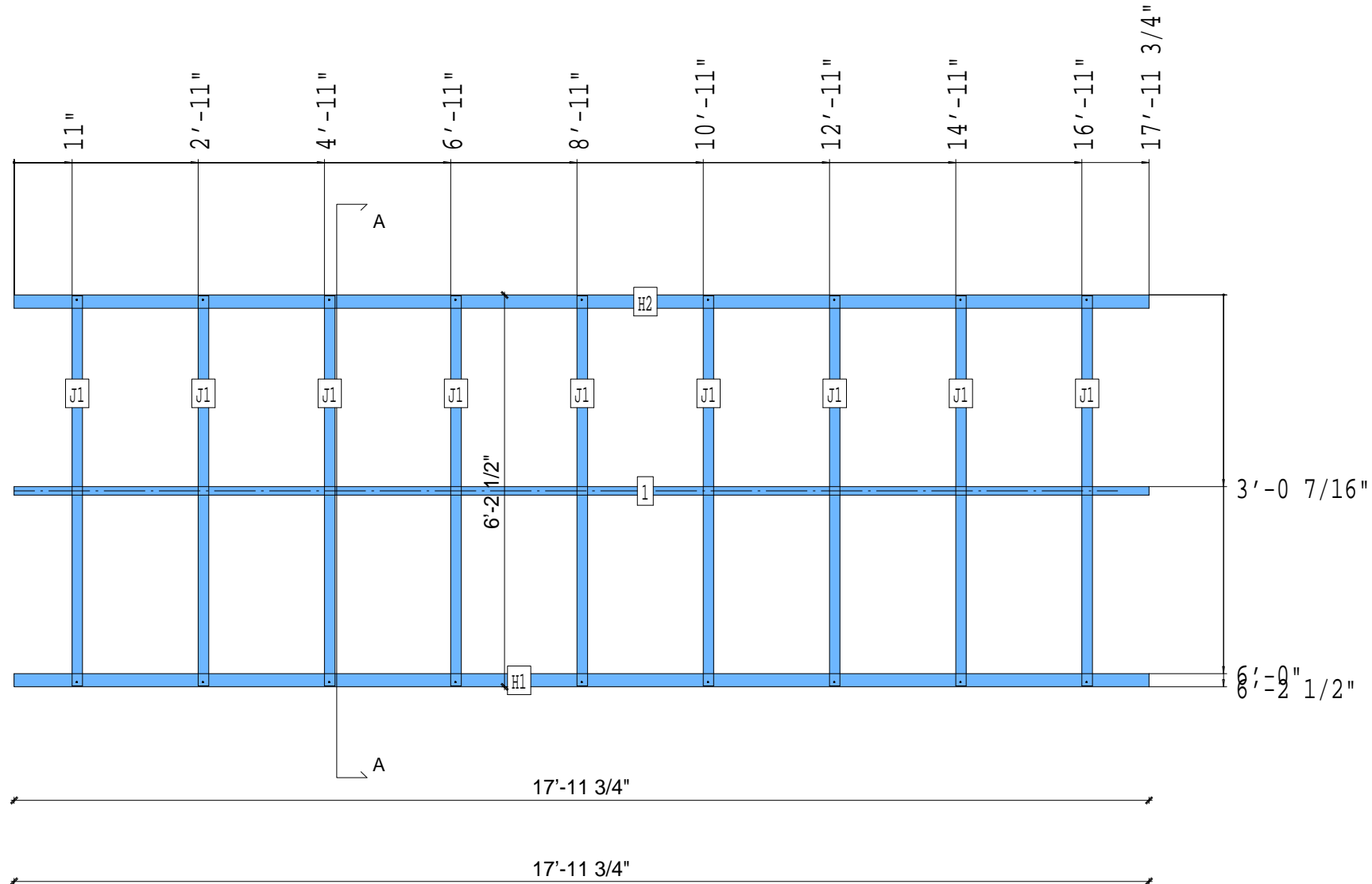


© FrameMax Inc.

APPROVED
By ijuarez at 3:55 pm, Oct 22, 2008



A-A



PIECE SCHEDULE						
LAB	QTY	MATERIAL	DESCRIPTION	LENGTH	ANG1	ANG2
1	1	362S162-54	JOIST	17'-11 3/4"		
H1	1	1000T250-97	HEADER	17'-11 3/4"		
H2	1	1000T250-68	HEADER	17'-11 3/4"		
J1	9	1000S200-68	JOIST	6'-2 3/16"		

11-5091

Jewish Home for the Aging

1885 Victory Blvd. Reseda, CA

FM-07-109

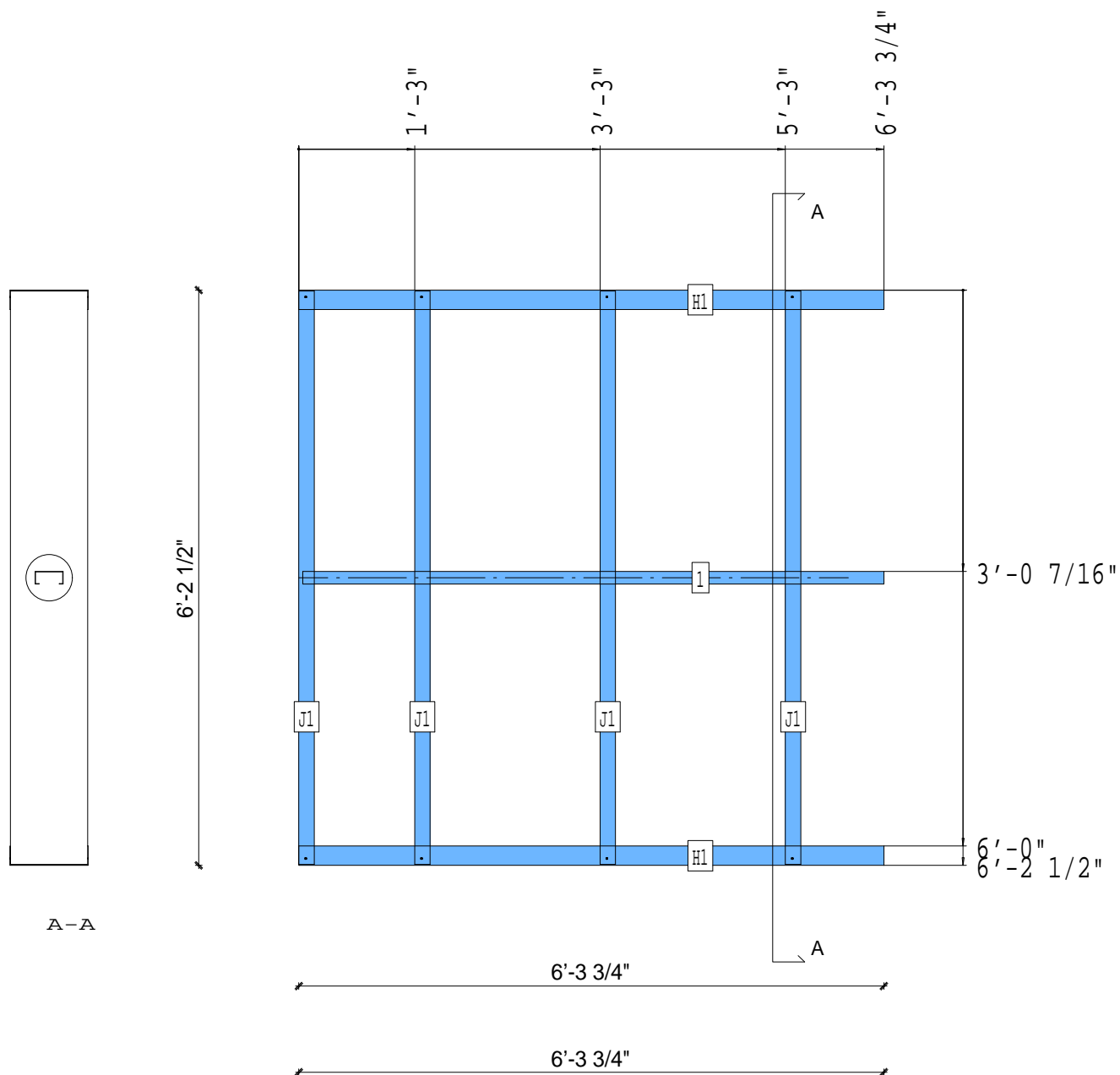
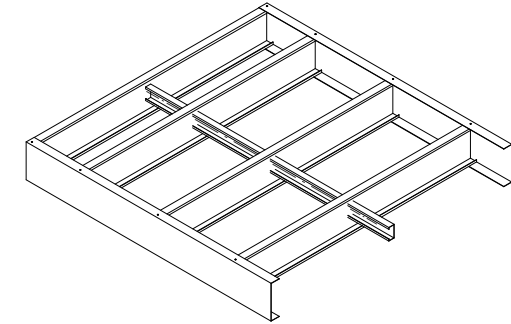
CREATED BY: AMB

FrameMax, Inc.
 13915 Danielson St
 Suite 100
 Poway, CA 92064
 www.framemax.com



© FrameMax Inc.

APPROVED
 By ijuarez at 3:55 pm, Oct 22, 2008



PIECE SCHEDULE						
LAB	QTY	MATERIAL	DESCRIPTION	LENGTH	ANG1	ANG2
1	1	362S162-54	JOIST	6'-3 1/4"		
H1	2	1000T250-68	HEADER	6'-3 3/4"		
J1	4	1000S200-68	JOIST	6'-2 1/4"		

11-5092

Jewish Home for the Aging

1885 Victory Blvd. Reseda, CA

FM-07-109

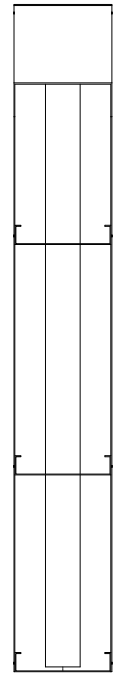
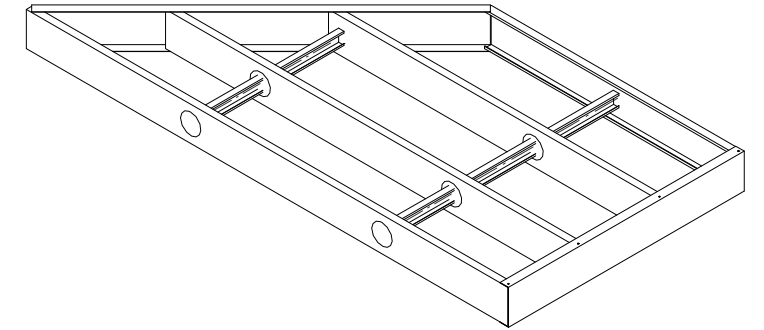
CREATED BY: AMB

FrameMax, Inc.
13915 Danielson St
Suite 100
Poway, CA 92064
www.framemax.com

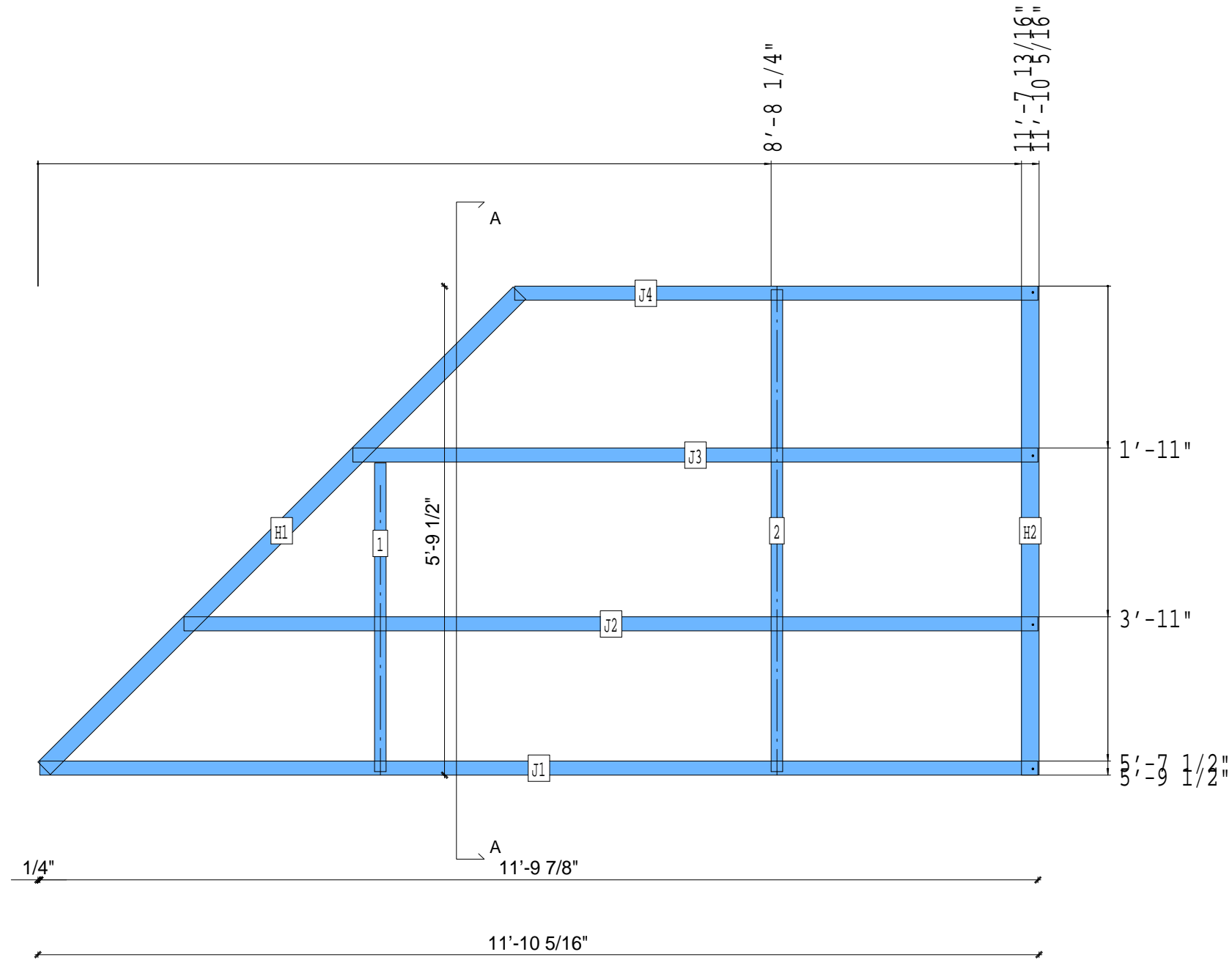


© FrameMax Inc.

APPROVED
By ijuarez at 3:55 pm, Oct 22, 2008



A-A



PIECE SCHEDULE						
LAB	QTY	MATERIAL	DESCRIPTION	LENGTH	ANG1	ANG2
1	1	362S162-54	JOIST	3'-7 7/8"		
2	1	362S162-54	JOIST	5'-8 1/2"		
H1	1	1000T250-97	HEADER	7'-11 1/2"		
H2	1	1000T250-97	HEADER	5'-9 1/2"		
J1	1	1000S200-97	JOIST	11'-9 7/8"		
J2	1	1000S200-97	JOIST	10'-1 3/8"		
J3	1	1000S200-97	JOIST	8'-1 3/8"		
J4	1	1000S200-97	JOIST	6'-2 3/8"		

11-5093

CREATED: 10/22/2008

Jewish Home for the Aging

1885 Victory Blvd. Reseda, CA

FM-07-109

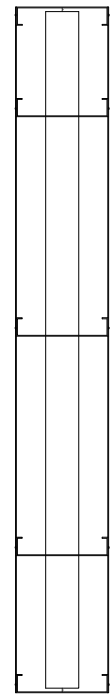
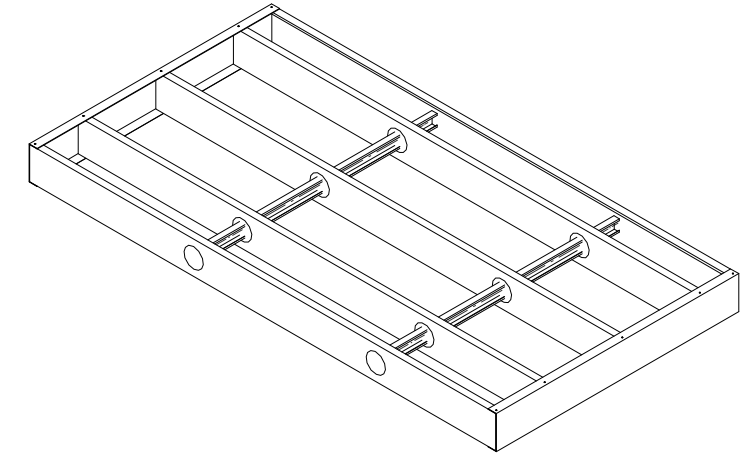
CREATED BY: AMB

FrameMax, Inc.
13915 Danielson St
Suite 100
Poway, CA 92064
www.framemax.com

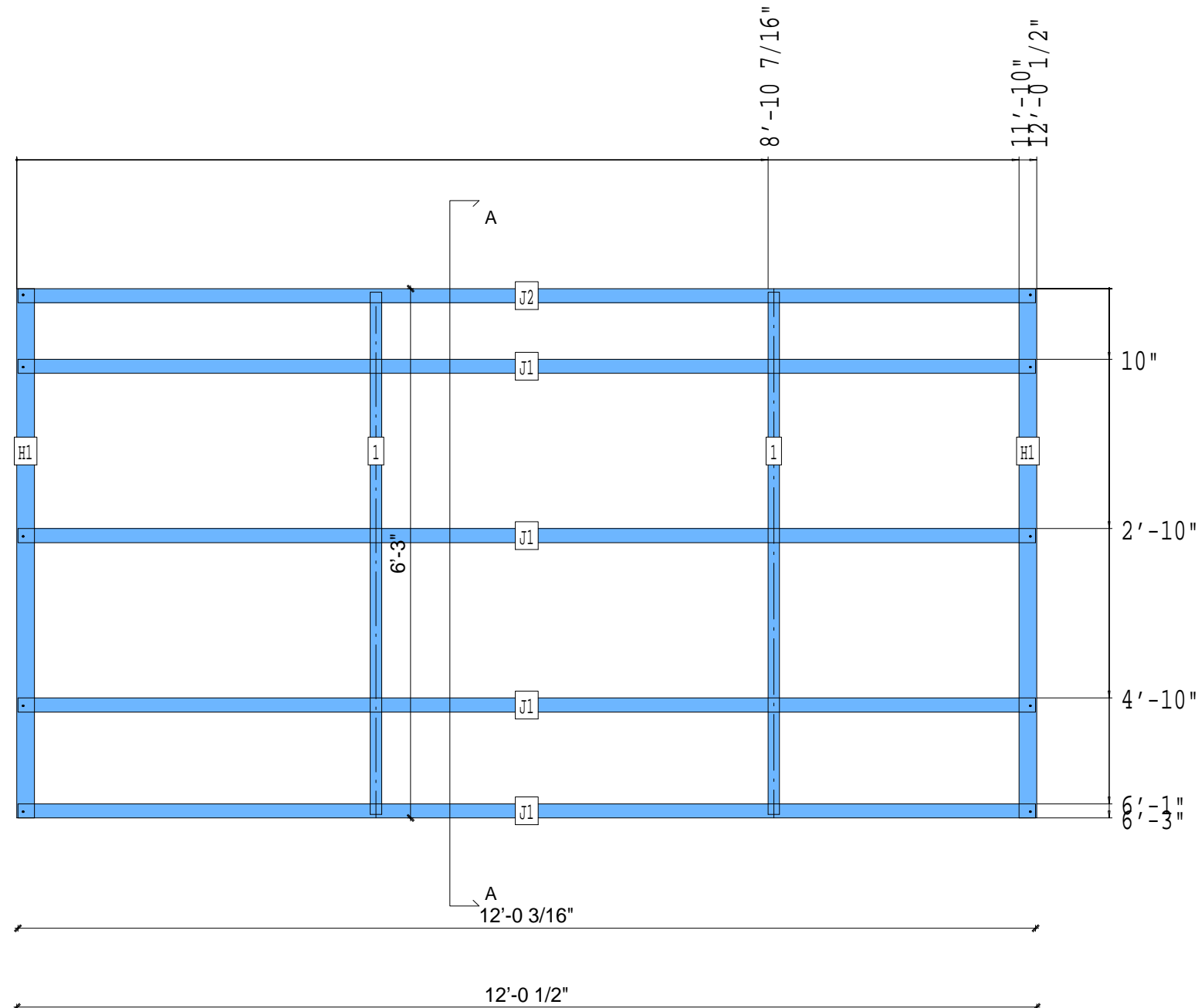


© FrameMax Inc.

APPROVED
By ijuarez at 3:55 pm, Oct 22, 2008



A-A



PIECE SCHEDULE						
LAB	QTY	MATERIAL	DESCRIPTION	LENGTH	ANG1	ANG2
1	2	362S162-54	JOIST	6'-2"		
H1	2	1000T250-97	HEADER	6'-3"		
J1	4	1000S200-97	JOIST	12'-0 3/16"		
J2	1	1000S200-97	JOIST	12'-0 3/16"		

11-5094

CREATED: 10/22/2008

Jewish Home for the Aging

1885 Victory Blvd. Reseda, CA

FM-07-109

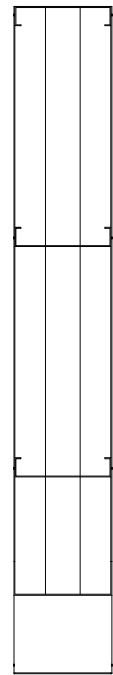
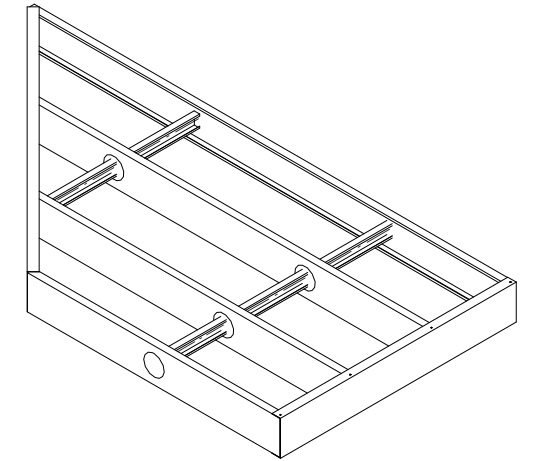
CREATED BY: AMB

FrameMax, Inc.
13915 Danielson St
Suite 100
Poway, CA 92064
www.framemax.com

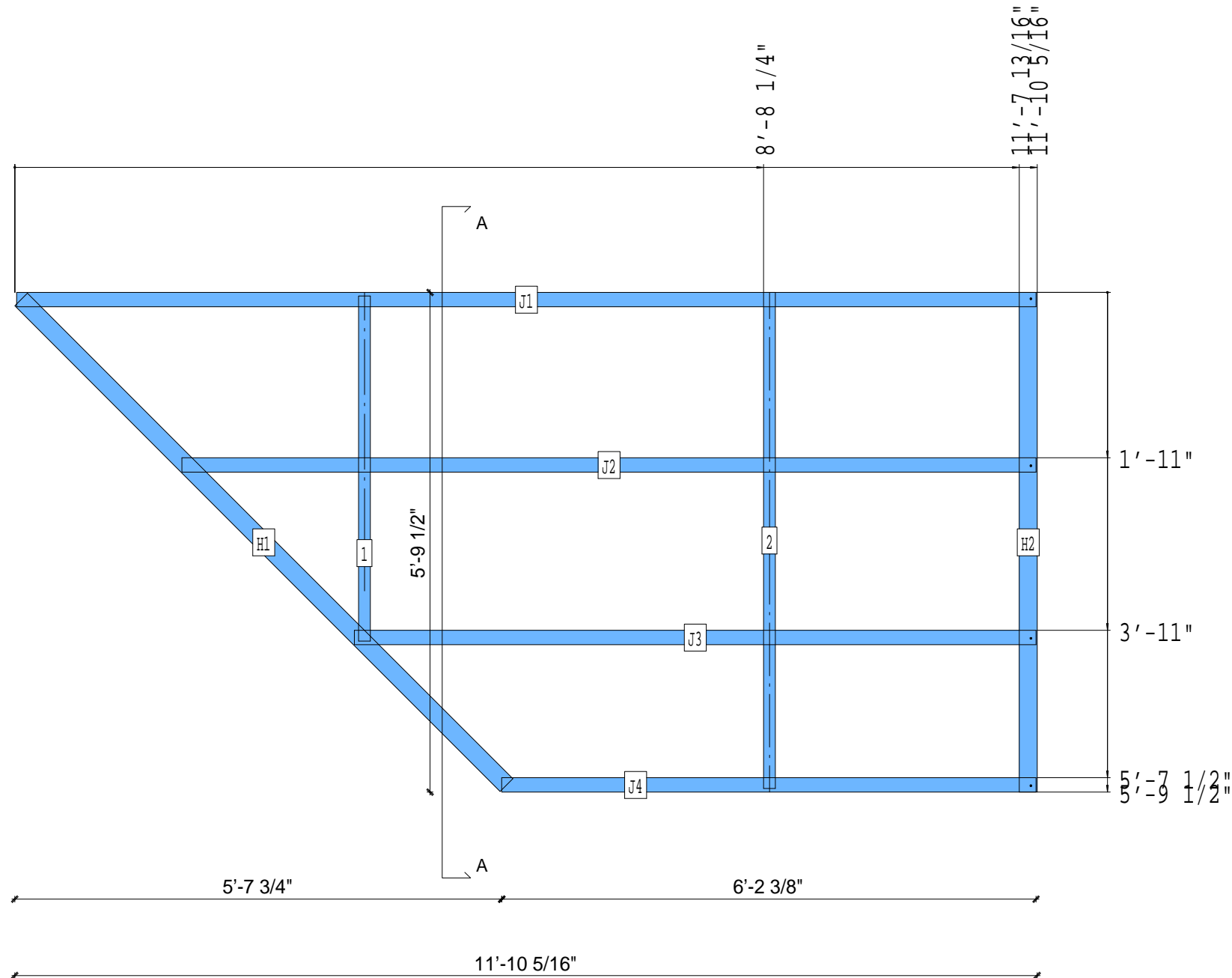


© FrameMax Inc.

APPROVED
By ijuarez at 3:55 pm, Oct 22, 2008



A-A



PIECE SCHEDULE						
LAB	QTY	MATERIAL	DESCRIPTION	LENGTH	ANG1	ANG2
1	1	362S162-54	JOIST	4'-0"		
2	1	362S162-54	JOIST	5'-9"		
H1	1	1000T250-97	HEADER	7'-11 1/2"		
H2	1	1000T250-97	HEADER	5'-9 1/2"		
J1	1	1000S200-97	JOIST	11'-9 7/8"		
J2	1	1000S200-97	JOIST	9'-10 7/8"		
J3	1	1000S200-97	JOIST	7'-10 7/8"		
J4	1	1000S200-97	JOIST	6'-2 3/8"		

11-5095

Jewish Home for the Aging

1885 Victory Blvd. Reseda, CA

FM-07-109

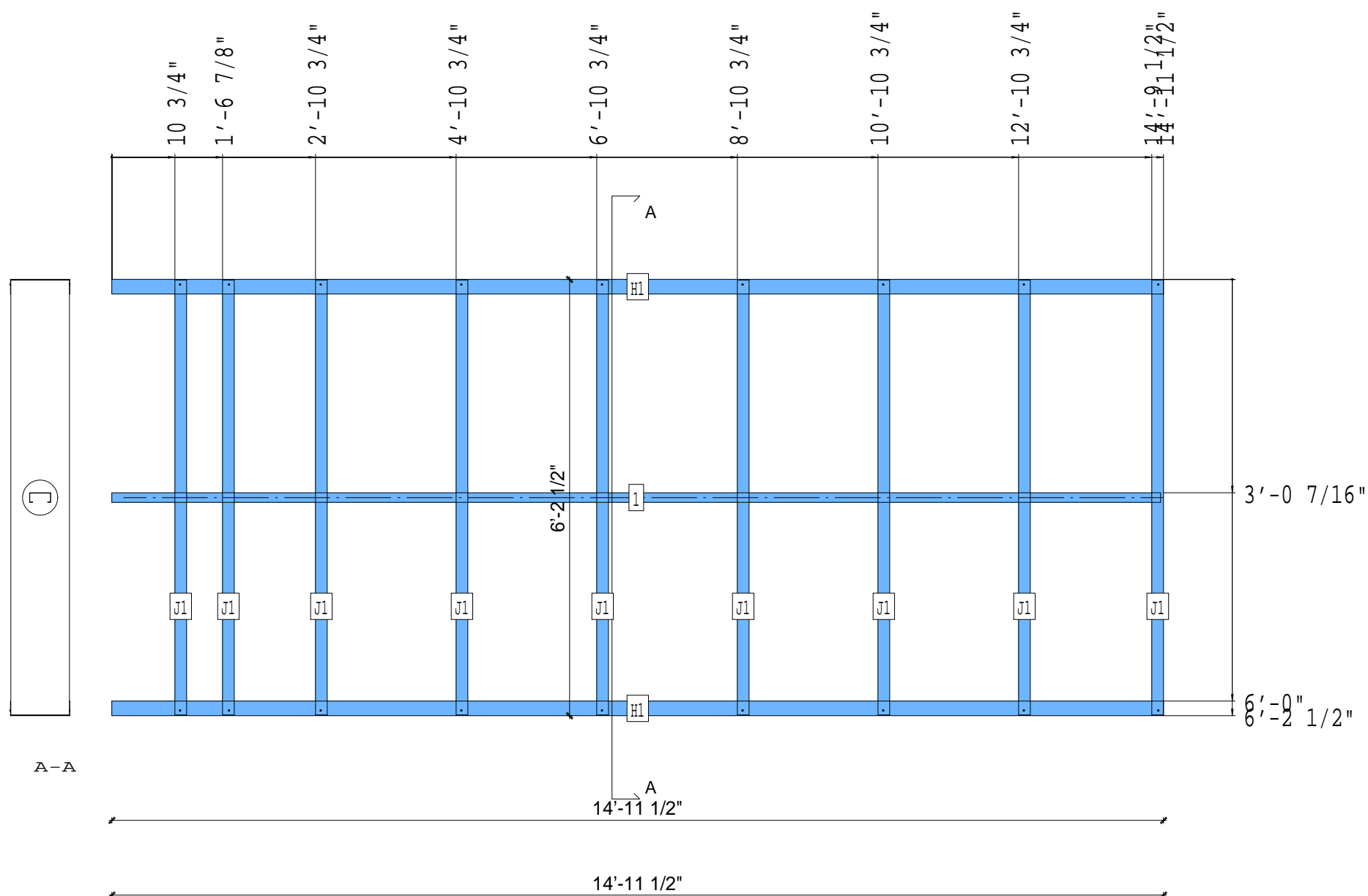
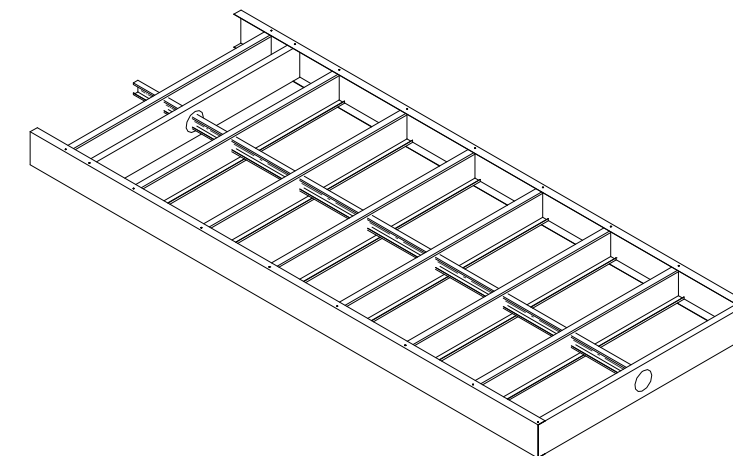
CREATED BY: AMB

FrameMax, Inc.
13915 Danielson St
Suite 100
Poway, CA 92064
www.framemax.com

FRAME MAX

© FrameMax Inc.

APPROVED
By ijuarez at 3:55 pm, Oct 22, 2008



PIECE SCHEDULE						
LAB	QTY	MATERIAL	DESCRIPTION	LENGTH	ANG1	ANG2
J1	9	1000S200-68	JOIST	14'-11"		
H1	2	1000T250-68	HEADER	14'-11 1/2"		
J1	9	1000S200-68	JOIST	6'-2 1/4"		

11-5096

Jewish Home for the Aging

1885 Victory Blvd. Reseda, CA

FM-07-109

CREATED BY: AMB

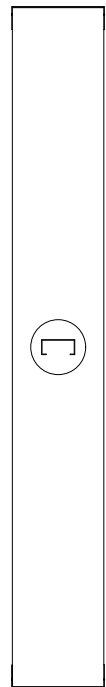
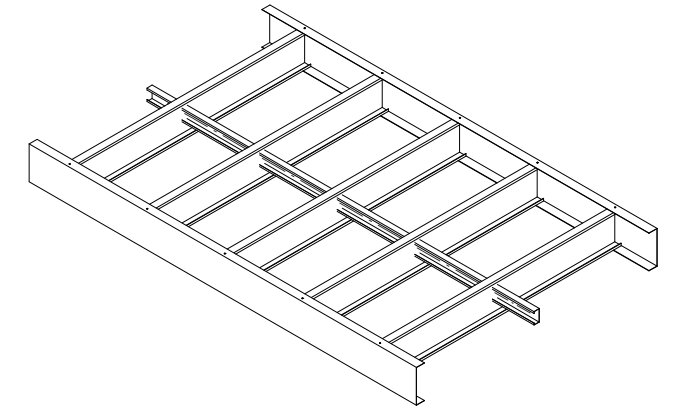
FrameMax, Inc.
 13915 Danielson St
 Suite 100
 Poway, CA 92064
 www.framemax.com



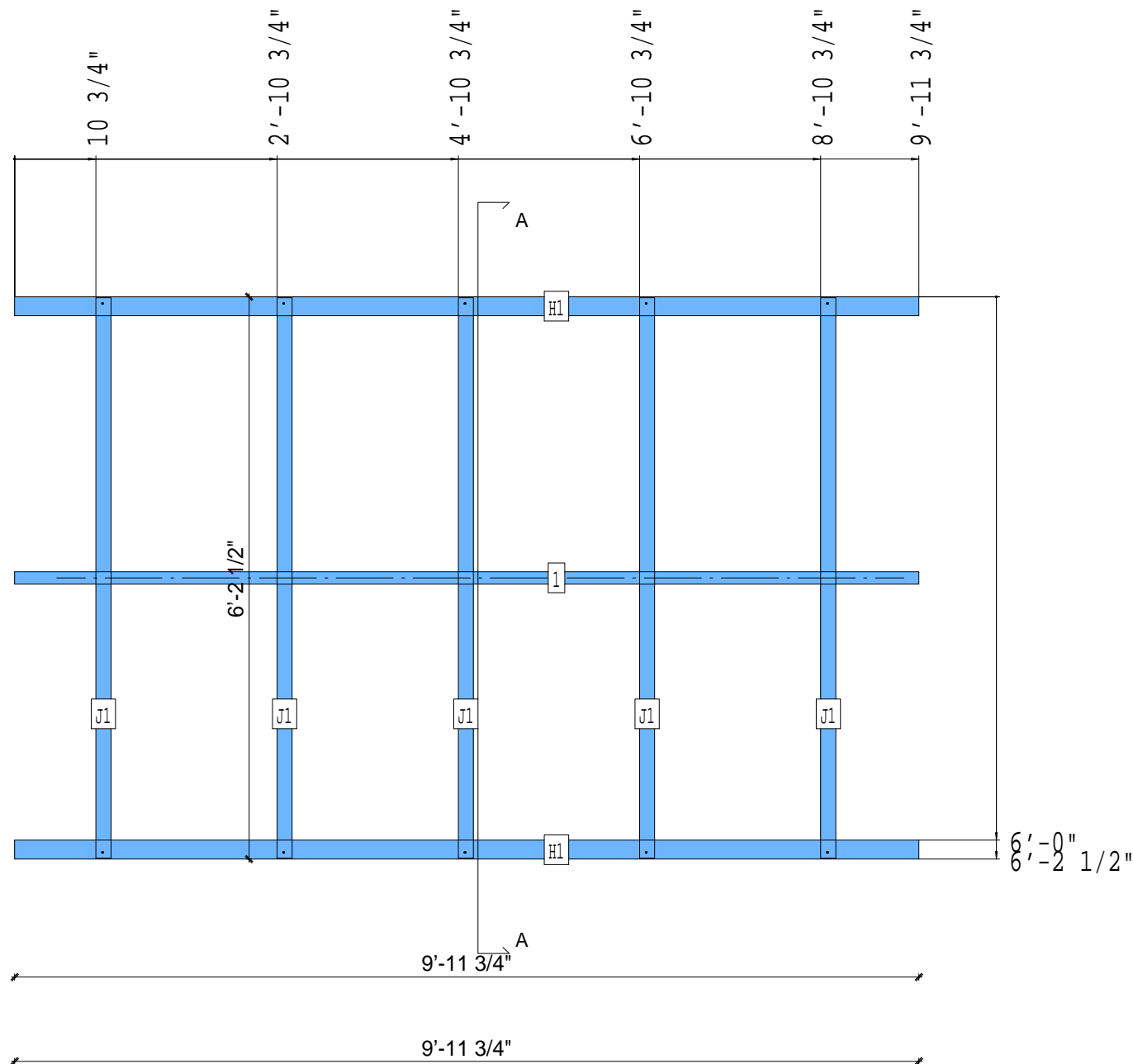
© FrameMax Inc.

CREATED: 10/22/2008

APPROVED
 By ijuarez at 3:55 pm, Oct 22, 2008



A-A



PIECE SCHEDULE						
LAB	QTY	MATERIAL	DESCRIPTION	LENGTH	ANG1	ANG2
J1	5	1000S200-68	JOIST	6'-2 1/4"		
H1	2	1000T250-68	HEADER	9'-11 3/4"		
J1	1	362S162-54	JOIST	9'-11 3/4"		

11-5097

Jewish Home for the Aging

1885 Victory Blvd. Reseda, CA

FM-07-109

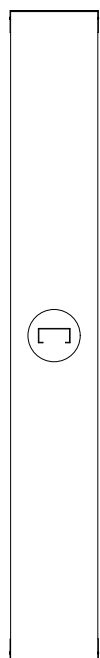
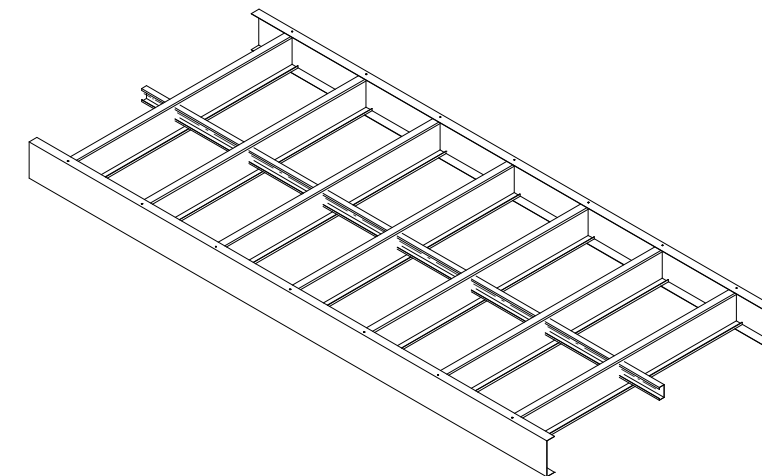
CREATED BY: AMB

FrameMax, Inc.
13915 Danielson St
Suite 100
Poway, CA 92064
www.framemax.com

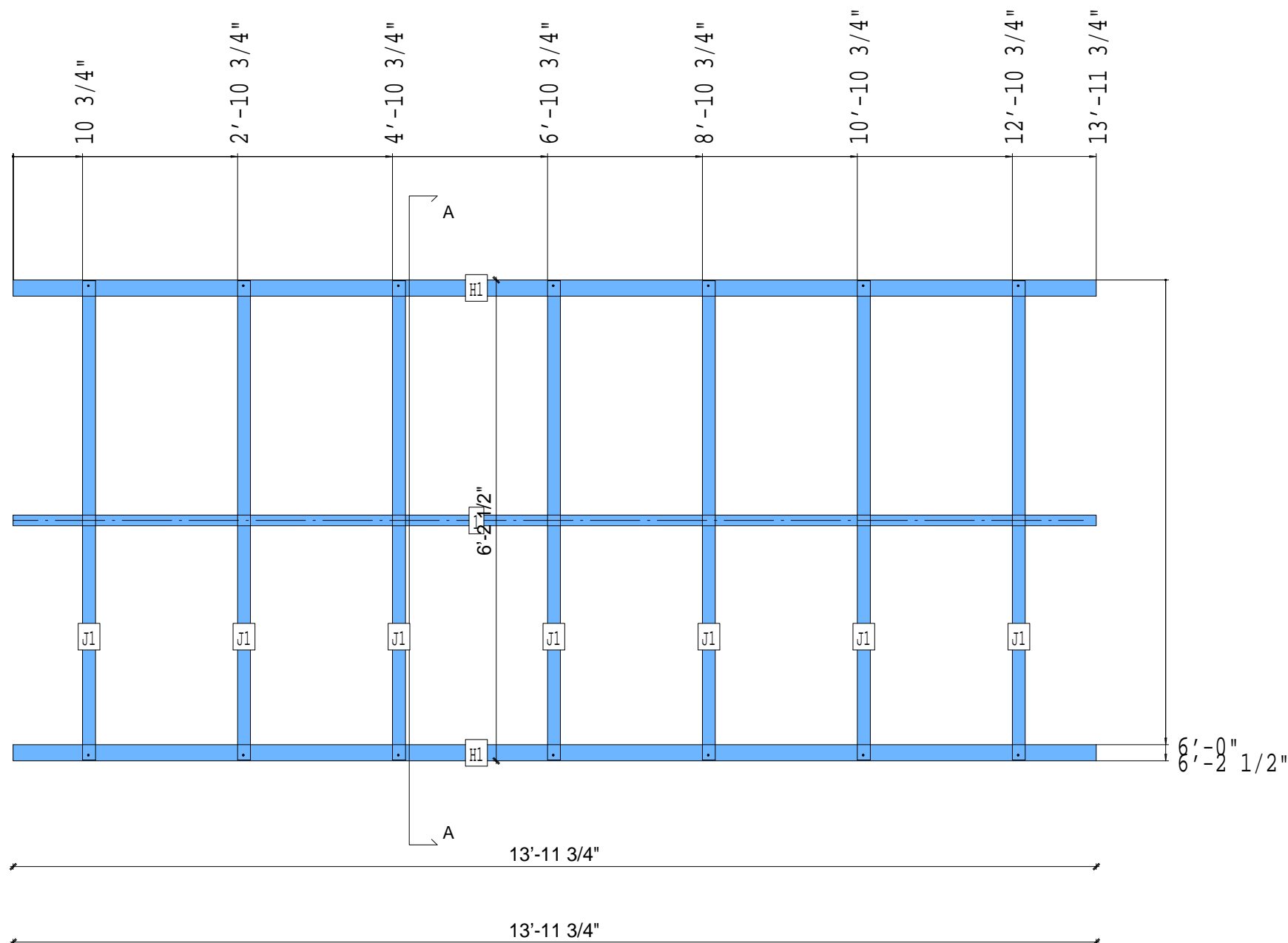
FRAMEMAX

© FrameMax Inc.

APPROVED
By ijuarez at 3:55 pm, Oct 22, 2008



A-A



PIECE SCHEDULE						
LAB	QTY	MATERIAL	DESCRIPTION	LENGTH	ANG1	ANG2
1	1	362S162-54	JOIST	13'-11 3/4"		
H1	2	1000T250-68	HEADER	13'-11 3/4"		
J1	7	1000S200-68	JOIST	6'-2 1/4"		

11-5098

CREATED: 10/22/2008

Jewish Home for the Aging

1885 Victory Blvd. Reseda, CA

FM-07-109

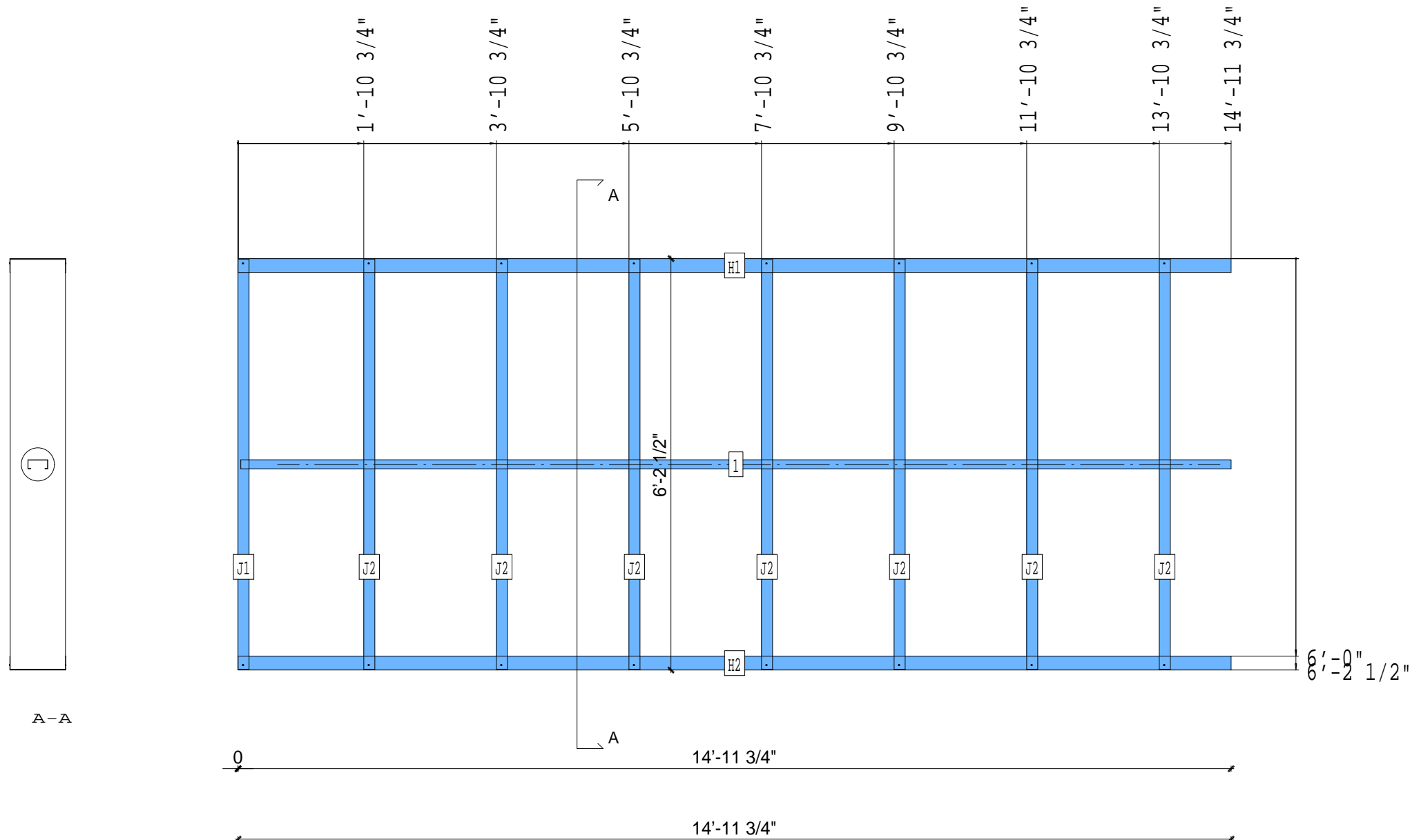
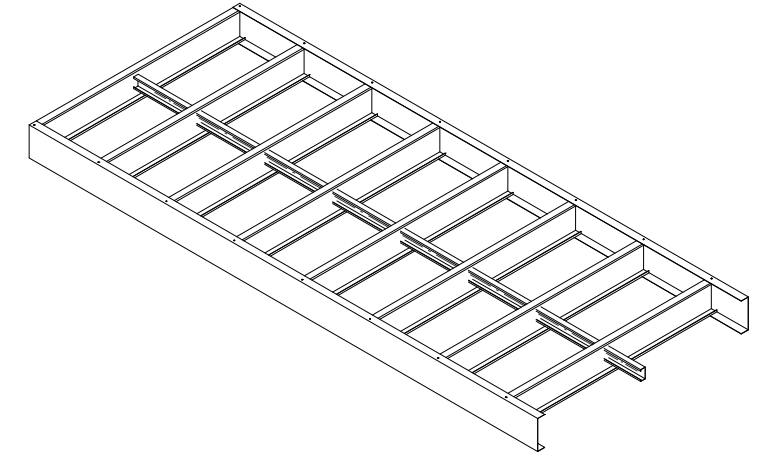
CREATED BY: AMB

FrameMax, Inc.
13915 Danielson St
Suite 100
Poway, CA 92064
www.framemax.com



© FrameMax Inc.

APPROVED
By ijuarez at 3:55 pm, Oct 22, 2008



PIECE SCHEDULE						
LAB	QTY	MATERIAL	DESCRIPTION	LENGTH	ANG1	ANG2
1	1	362S162-54	JOIST	14'-11 1/4"		
H1	1	1000T250-68	HEADER	14'-11 3/4"		
H2	1	1000T250-68	HEADER	14'-11 3/4"		
J1	1	1000S200-68	JOIST	6'-2 1/4"		
J2	7	1000S200-68	JOIST	6'-2 1/4"		

11-5099

Jewish Home for the Aging

1885 Victory Blvd. Reseda, CA

FM-07-109

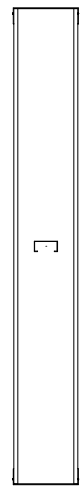
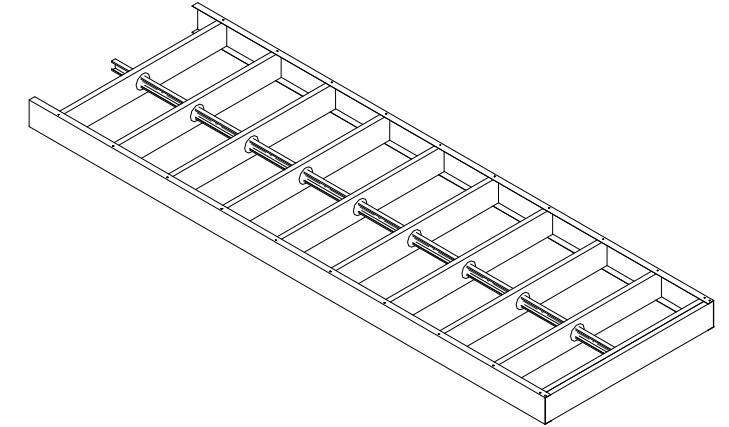
CREATED BY: AMB

FrameMax, Inc.
13915 Danielson St
Suite 100
Poway, CA 92064
www.framemax.com

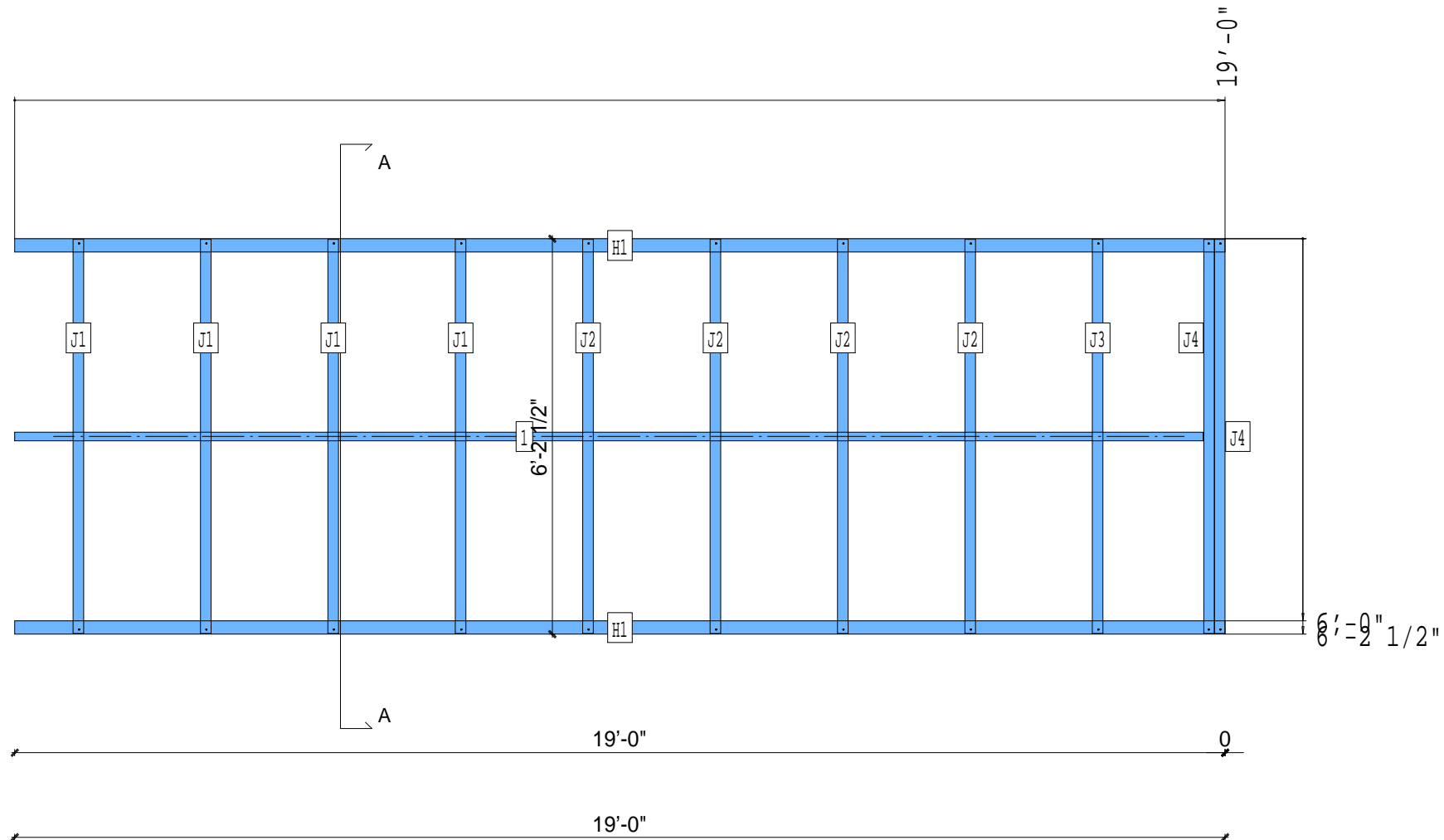


© FrameMax Inc.

APPROVED
By ijuarez at 3:55 pm, Oct 22, 2008



A-A



PIECE SCHEDULE						
LAB	QTY	MATERIAL	DESCRIPTION	LENGTH	ANG1	ANG2
J1	4	1000S200-68	JOIST	6'-2 1/4"		
J2	4	1000S200-68	JOIST	6'-2 1/4"		
J3	1	1000S200-68	JOIST	6'-2 1/4"		
J4	2	1000S200-68	JOIST	6'-2 1/4"		
H1	2	1000T250-68	HEADER	19'-0"		
J	1	362S162-54	JOIST	18'-7 7/8"		

11-5100

CREATED: 10/22/2008

Jewish Home for the Aging

1885 Victory Blvd. Reseda, CA

FM-07-109

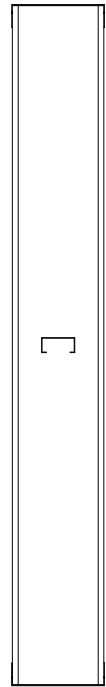
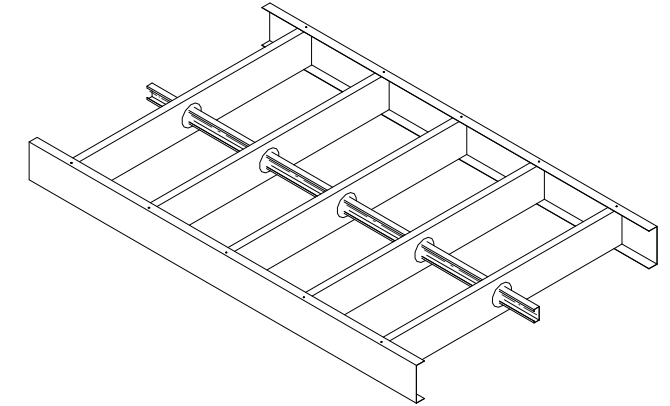
CREATED BY: AMB

FrameMax, Inc.
13915 Danielson St
Suite 100
Poway, CA 92064
www.framemax.com

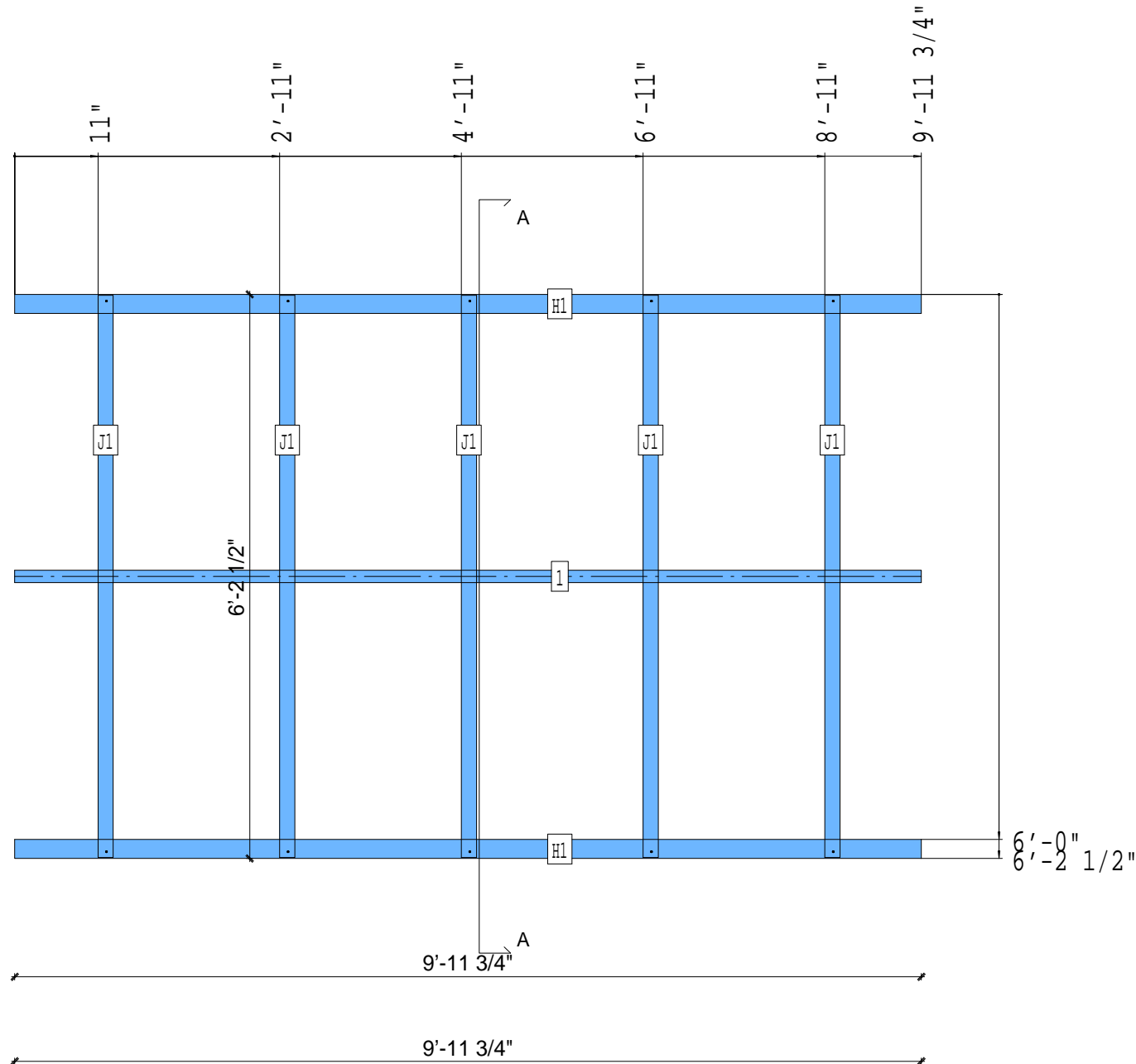


© FrameMax Inc.

APPROVED
By ijuarez at 3:55 pm, Oct 22, 2008



A-A



PIECE SCHEDULE						
LAB	QTY	MATERIAL	DESCRIPTION	LENGTH	ANG1	ANG2
1	1	362S162-54	JOIST	9'-11 3/4"		
H1	2	1000T250-68	HEADER	9'-11 3/4"		
J1	5	1000S200-68	JOIST	6'-2 1/4"		

11-5101

Jewish Home for the Aging

1885 Victory Blvd. Reseda, CA

FM-07-109

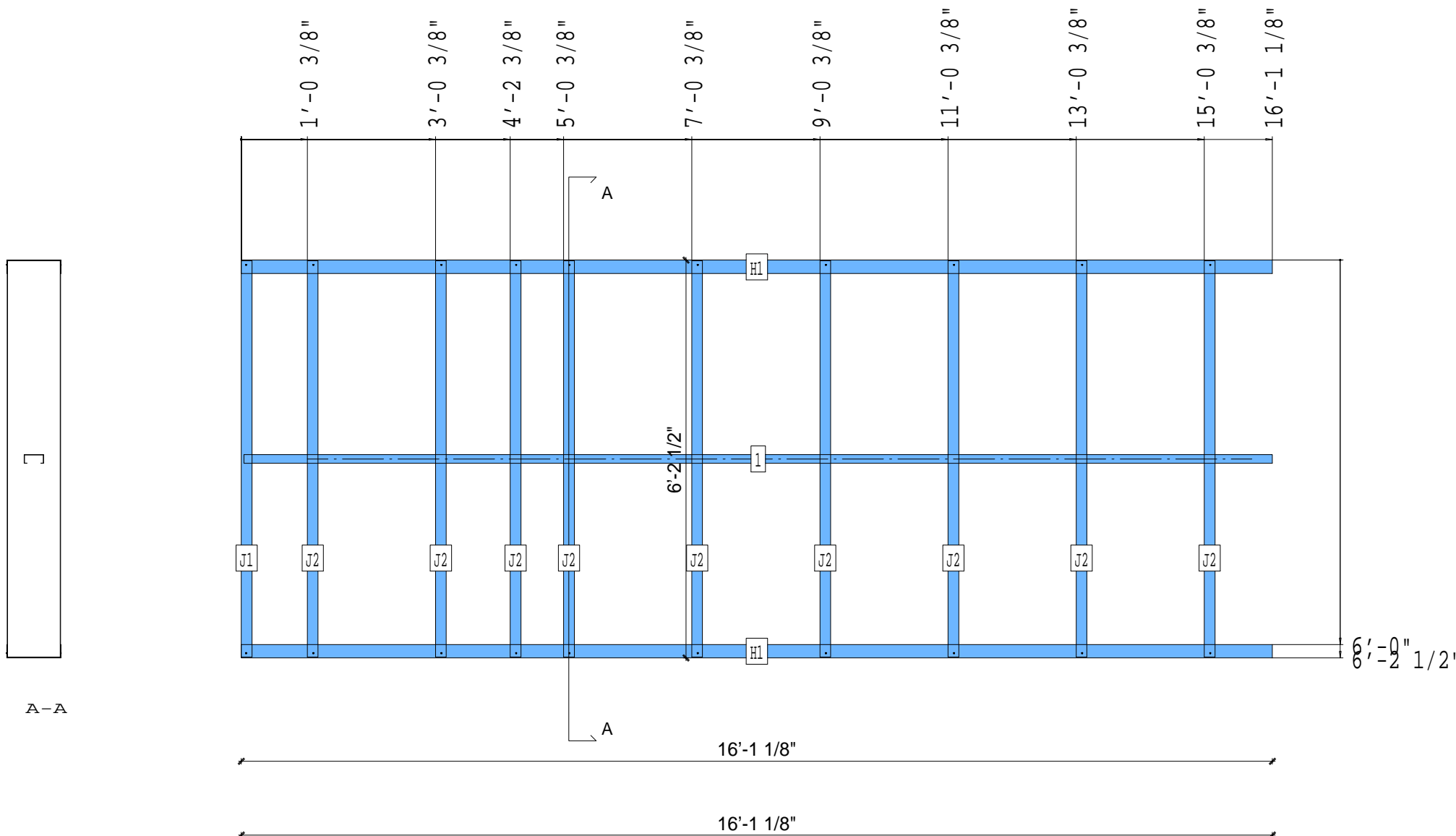
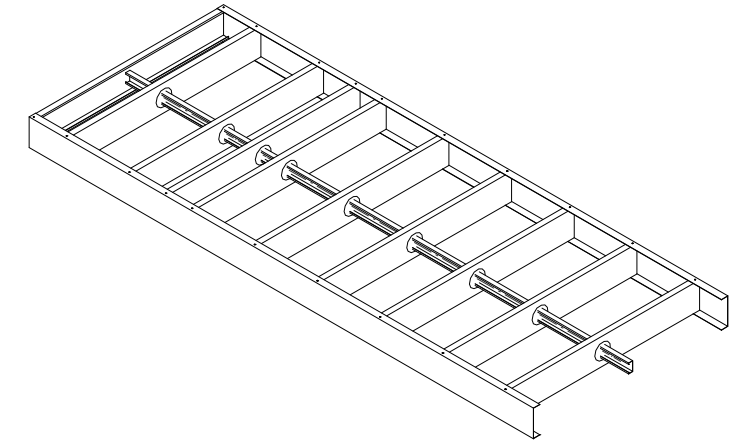
CREATED BY: AMB

FrameMax, Inc.
13915 Danielson St
Suite 100
Poway, CA 92064
www.framemax.com



© FrameMax Inc.

APPROVED
By ijuarez at 3:55 pm, Oct 22, 2008



PIECE SCHEDULE						
LAB	QTY	MATERIAL	DESCRIPTION	LENGTH	ANG1	ANG2
1	1	362S162-54	JOIST	16'-0 5/8"		
H1	2	1000T250-68	HEADER	16'-1 1/8"		
J1	1	1000S200-68	JOIST	6'-2 1/4"		
J2	9	1000S200-68	JOIST	6'-2 1/4"		

11-5102

Jewish Home for the Aging

1885 Victory Blvd. Reseda, CA

FM-07-109

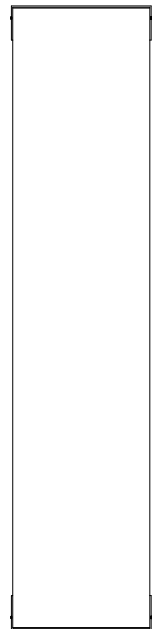
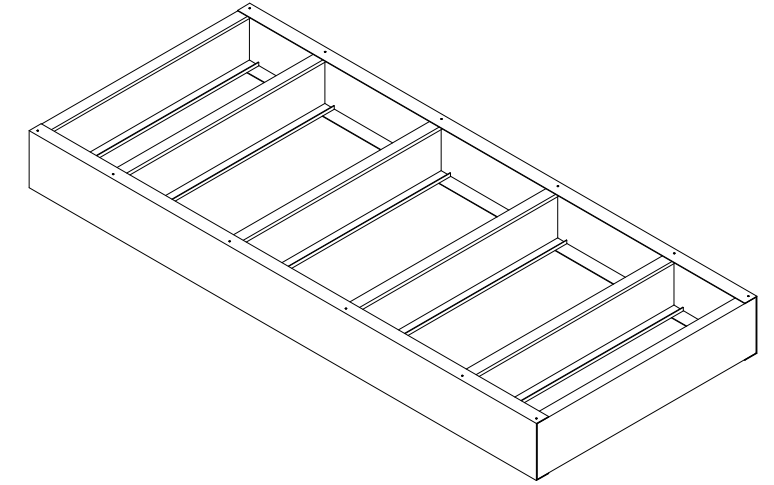
CREATED BY: AMB

FrameMax, Inc.
 13915 Danielson St
 Suite 100
 Poway, CA 92064
 www.framemax.com

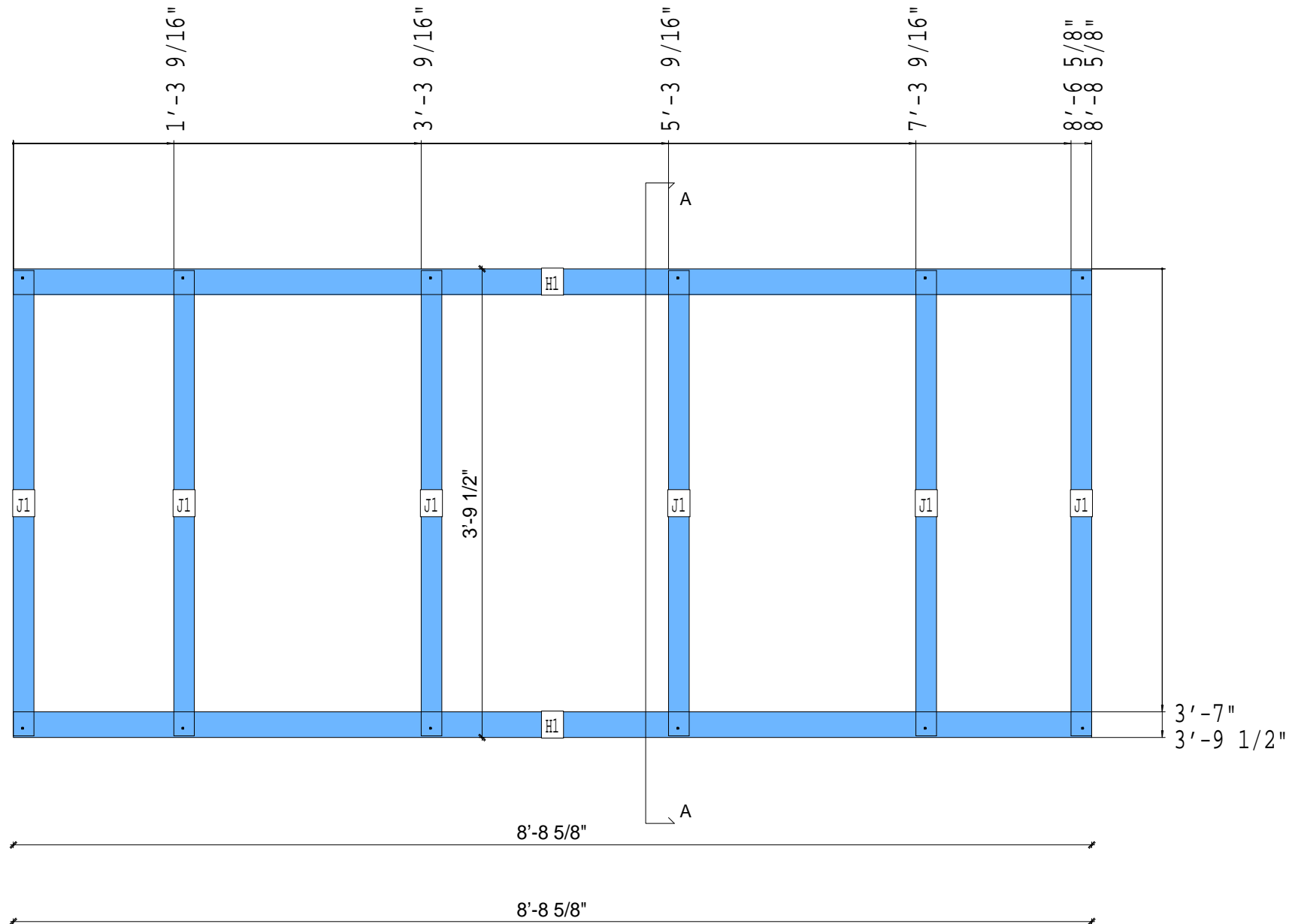


© FrameMax Inc.

APPROVED
 By ijuarez at 3:55 pm, Oct 22, 2008



A-A



PIECE SCHEDULE						
LAB	QTY	MATERIAL	DESCRIPTION	LENGTH	ANG1	ANG2
H1	2	1000T250-97	HEADER	8'-8 5/8"		
J1	6	1000S200-97	JOIST	3'-9 3/16"		

11-5103

Jewish Home for the Aging

1885 Victory Blvd. Reseda, CA

FM-07-109

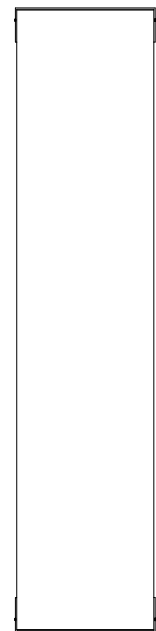
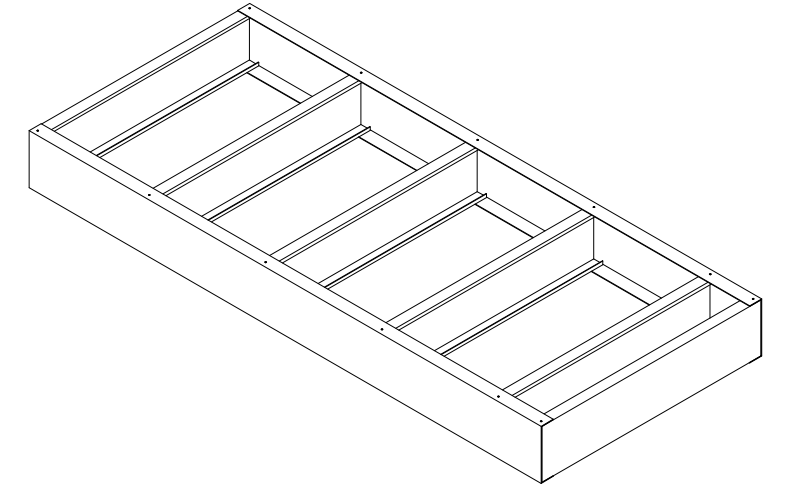
CREATED BY: AMB

FrameMax, Inc.
13915 Danielson St
Suite 100
Poway, CA 92064
www.framemax.com

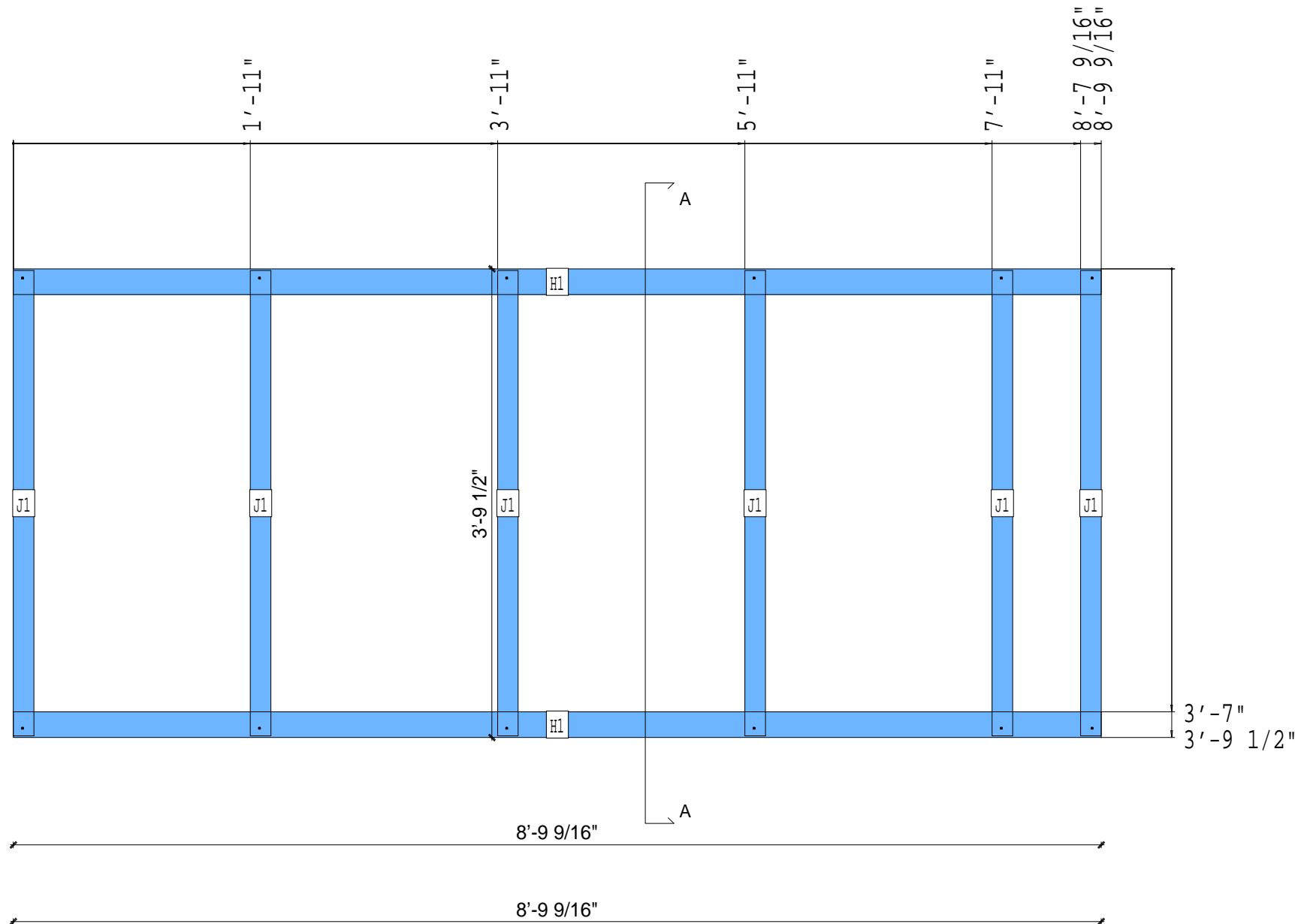


© FrameMax Inc.

APPROVED
By ijuarez at 3:55 pm, Oct 22, 2008



A-A



PIECE SCHEDULE						
LAB	QTY	MATERIAL	DESCRIPTION	LENGTH	ANG1	ANG2
H1	2	1000T250-97	HEADER	8'-9 9/16"		
J1	6	1000S200-97	JOIST	3'-9 3/16"		

11-5104

Jewish Home for the Aging

1885 Victory Blvd. Reseda, CA

FM-07-109

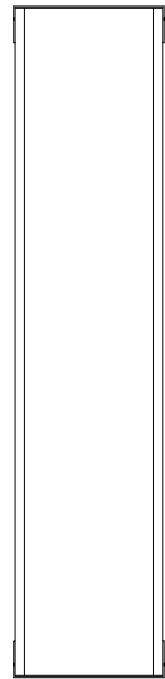
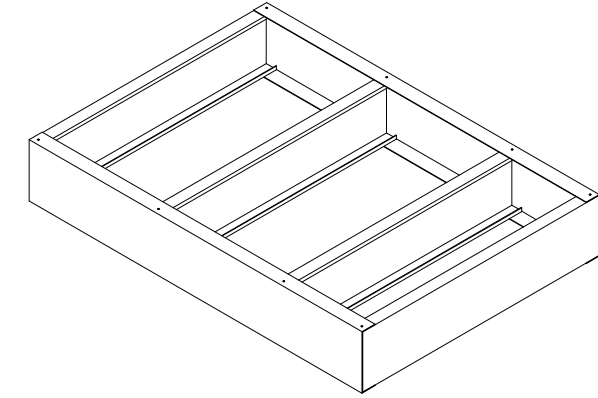
CREATED BY: AMB

FrameMax, Inc.
13915 Danielson St
Suite 100
Poway, CA 92064
www.framemax.com

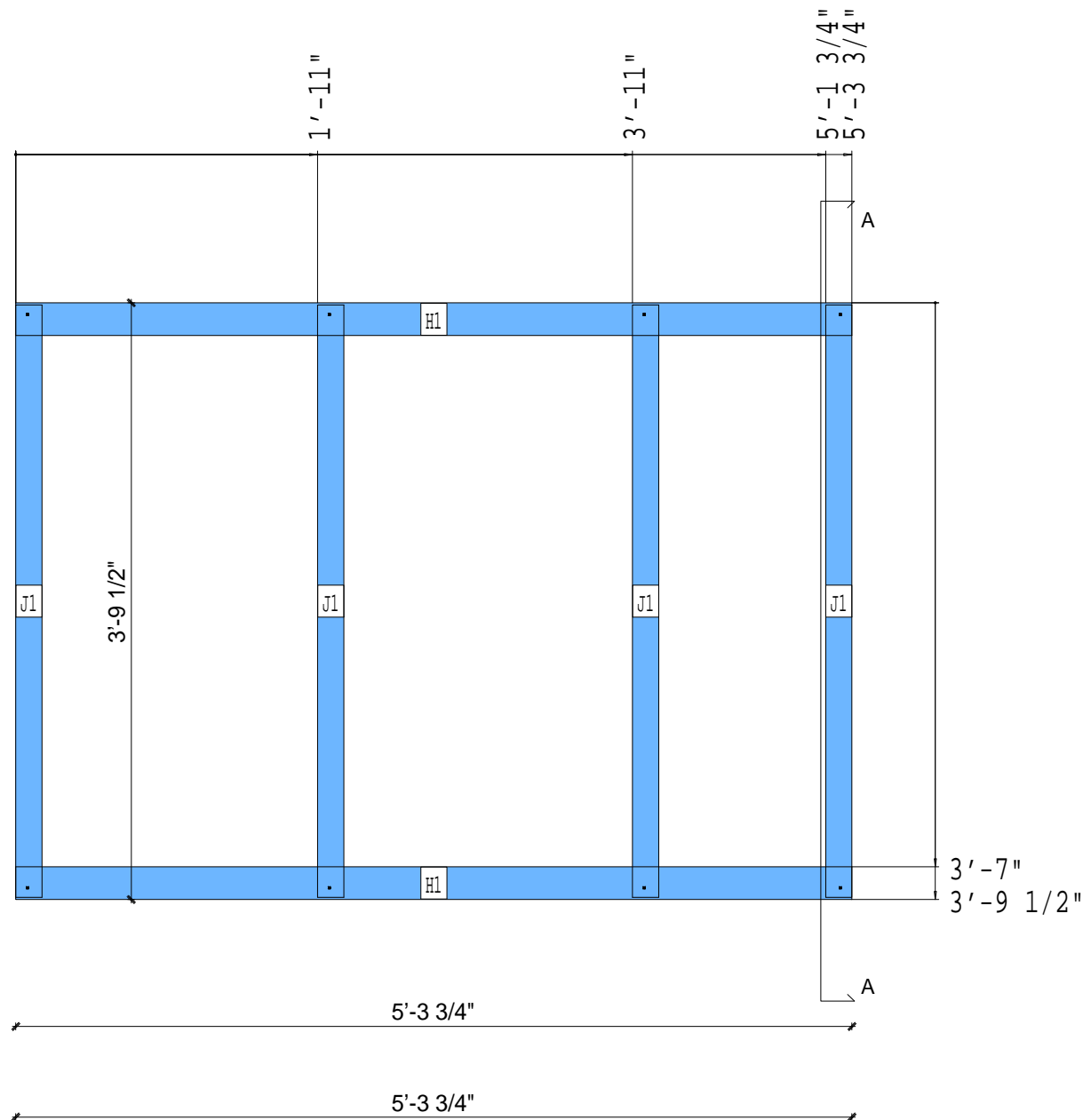


© FrameMax Inc.

APPROVED
By ijuarez at 3:55 pm, Oct 22, 2008



A-A



PIECE SCHEDULE						
LAB	QTY	MATERIAL	DESCRIPTION	LENGTH	ANG1	ANG2
H1	2	1000T250-97	HEADER	5'-3 3/4"		
J1	4	1000S200-97	JOIST	3'-9 3/16"		

11-5105

Jewish Home for the Aging

1885 Victory Blvd. Reseda, CA

FM-07-109

CREATED BY: AMB

FrameMax, Inc.
13915 Danielson St
Suite 100
Poway, CA 92064
www.framemax.com

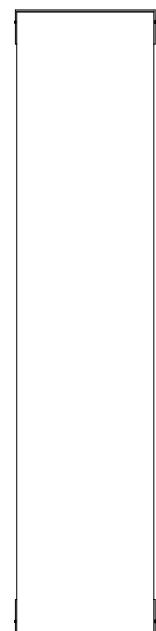
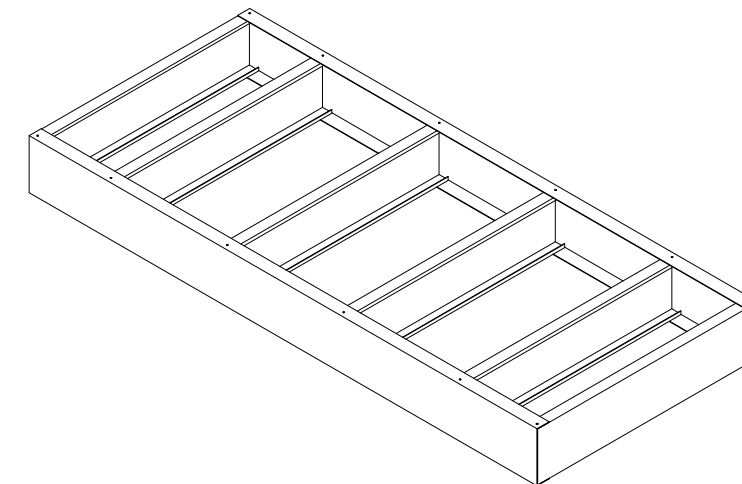


© FrameMax Inc.

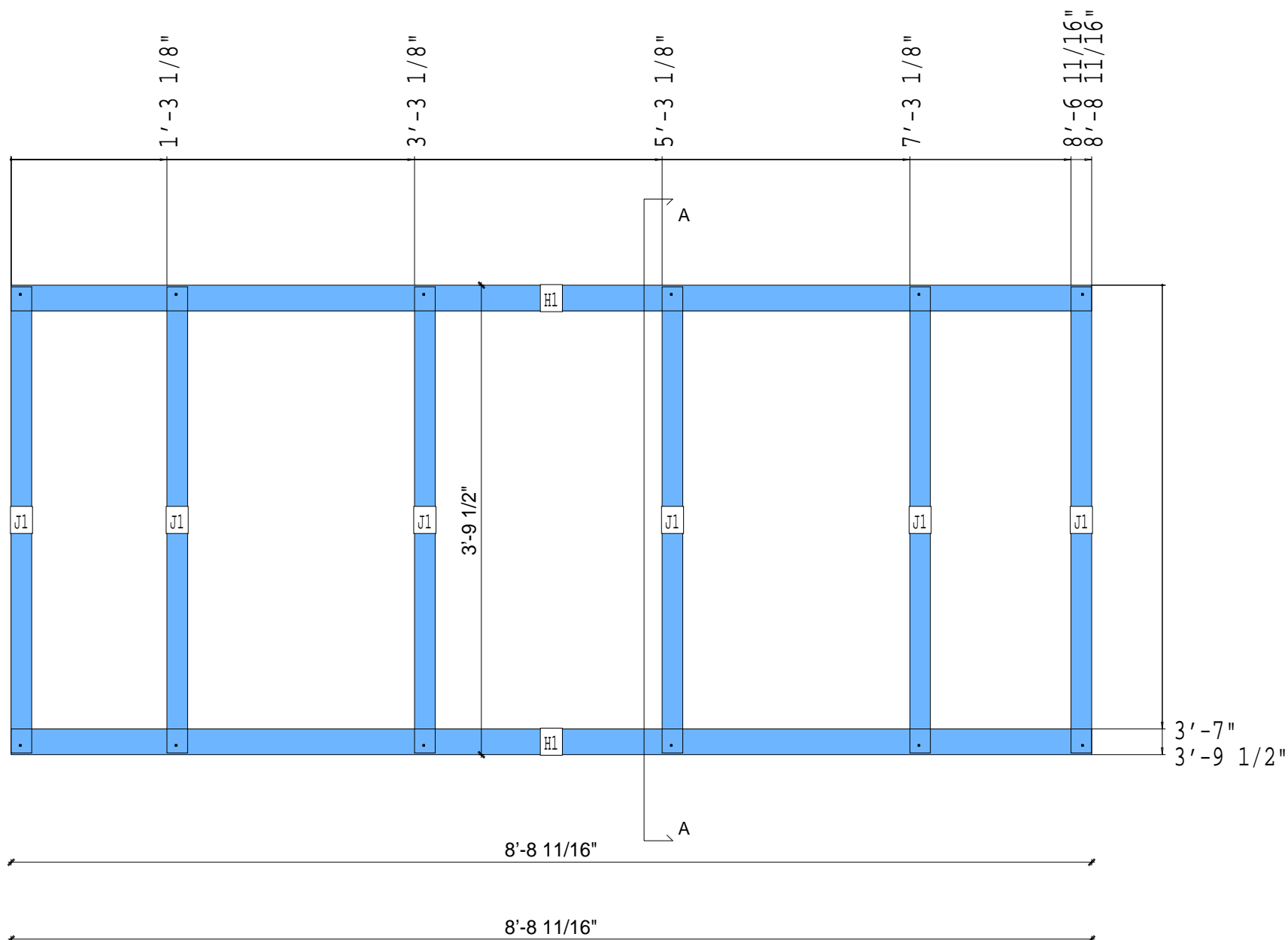
CREATED: 10/22/2008

APPROVED

By ijuarez at 3:55 pm, Oct 22, 2008



A-A



PIECE SCHEDULE						
LAB	QTY	MATERIAL	DESCRIPTION	LENGTH	ANG1	ANG2
H1	2	1000T250-97	HEADER	8'-8 11/16"		
J1	6	1000S200-97	JOIST	3'-9 3/16"		

11-5106

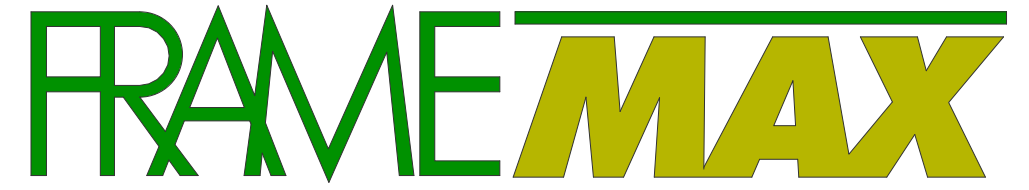
Jewish Home for the Aging

1885 Victory Blvd. Reseda, CA

FM-07-109

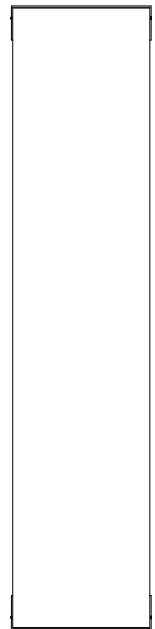
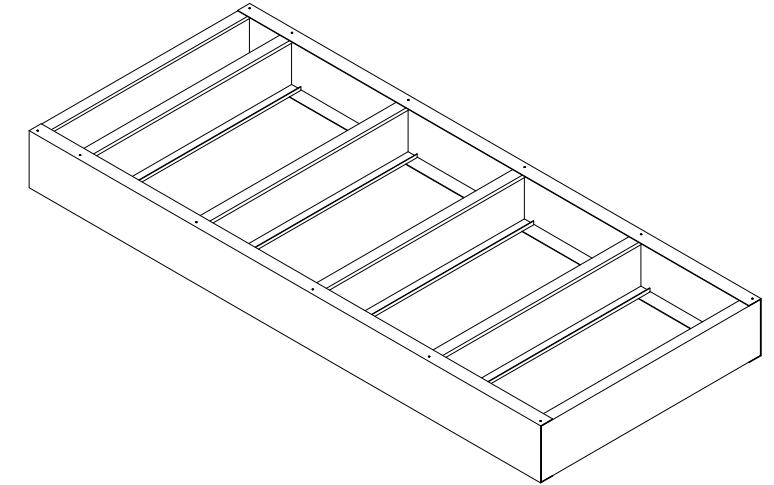
CREATED BY: AMB

FrameMax, Inc.
 13915 Danielson St
 Suite 100
 Poway, CA 92064
 www.framemax.com

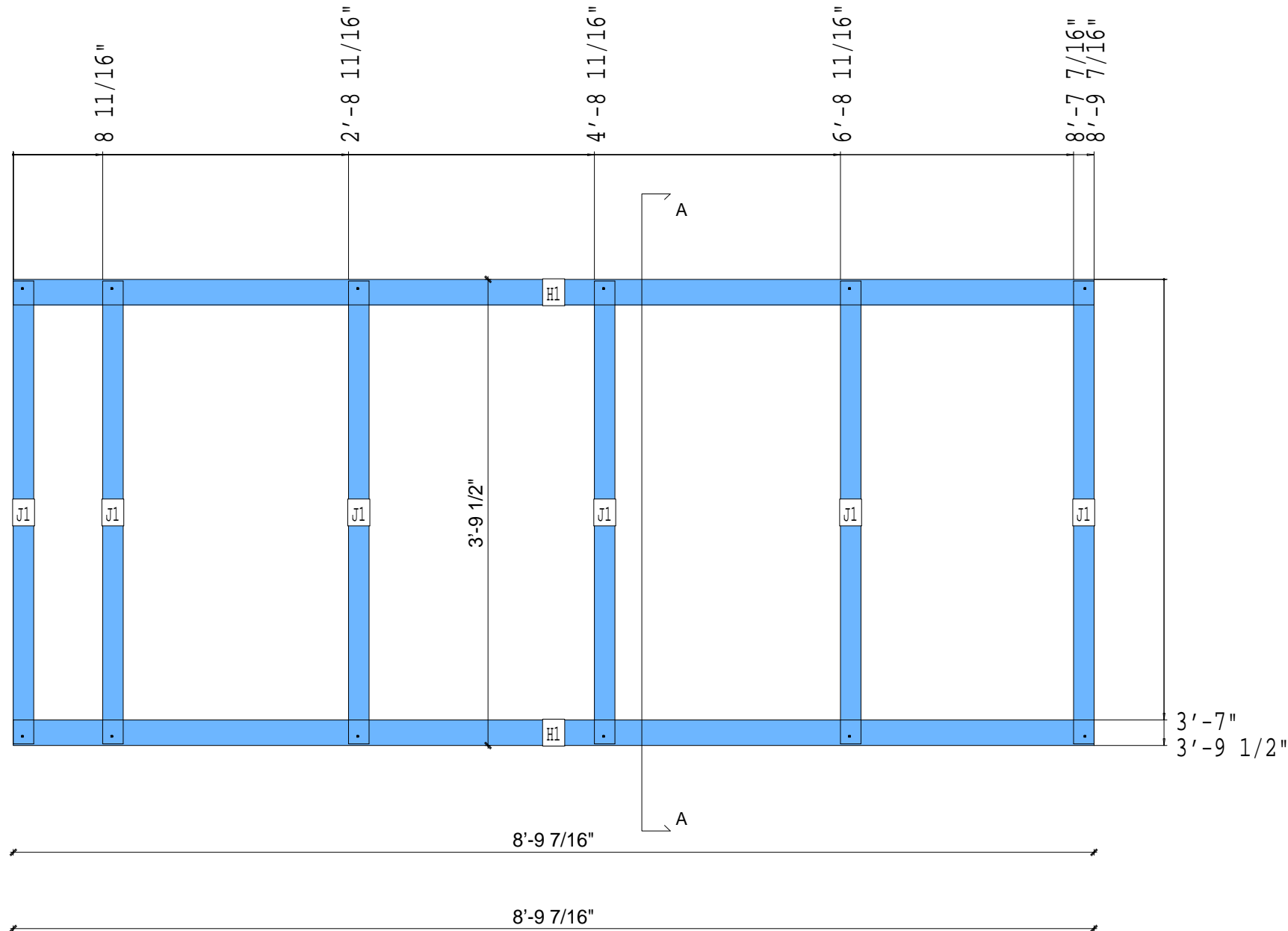


© FrameMax Inc.

APPROVED
 By ijuarez at 3:55 pm, Oct 22, 2008



A-A



PIECE SCHEDULE						
LAB	QTY	MATERIAL	DESCRIPTION	LENGTH	ANG1	ANG2
H1	2	1000T250-97	HEADER	8'-9 7/16"		
J1	6	1000S200-97	JOIST	3'-9 3/16"		

11-5107

CREATED: 10/22/2008

Jewish Home for the Aging

1885 Victory Blvd. Reseda, CA

FM-07-109

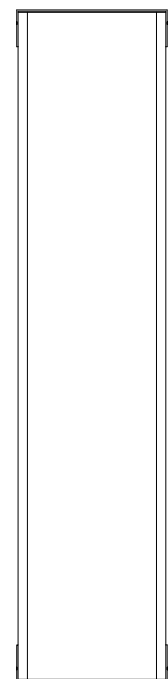
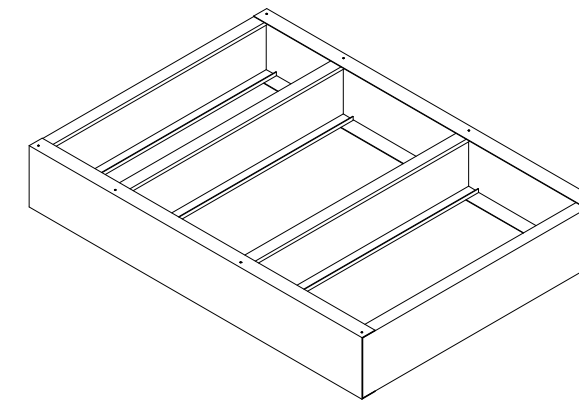
CREATED BY: AMB

FrameMax, Inc.
13915 Danielson St
Suite 100
Poway, CA 92064
www.framemax.com

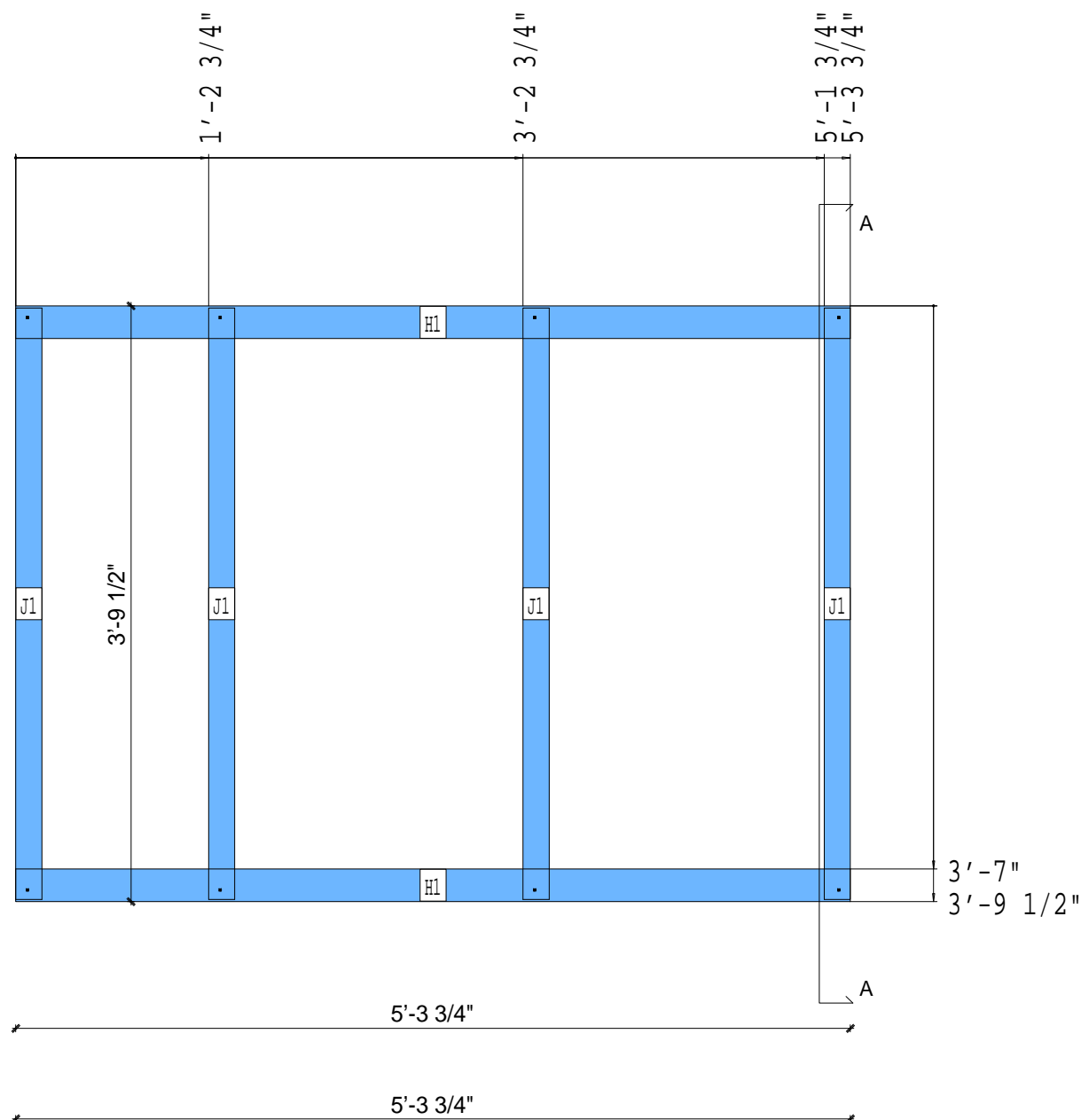


© FrameMax Inc.

APPROVED
By ijuarez at 3:55 pm, Oct 22, 2008



A-A



PIECE SCHEDULE						
LAB	QTY	MATERIAL	DESCRIPTION	LENGTH	ANG1	ANG2
H1	2	1000T250-97	HEADER	5'-3 3/4"		
J1	4	1000S200-97	JOIST	3'-9 3/16"		

11-5108

Jewish Home for the Aging

1885 Victory Blvd. Reseda, CA

FM-07-109

CREATED BY: AMB

FrameMax, Inc.
13915 Danielson St
Suite 100
Poway, CA 92064
www.framemax.com



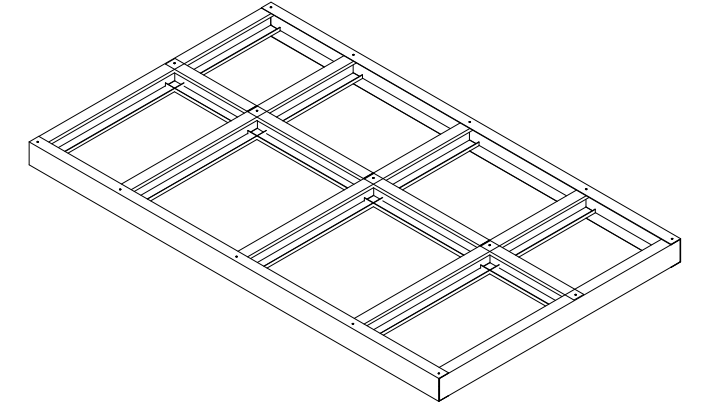
© FrameMax Inc.

CREATED: 10/22/2008

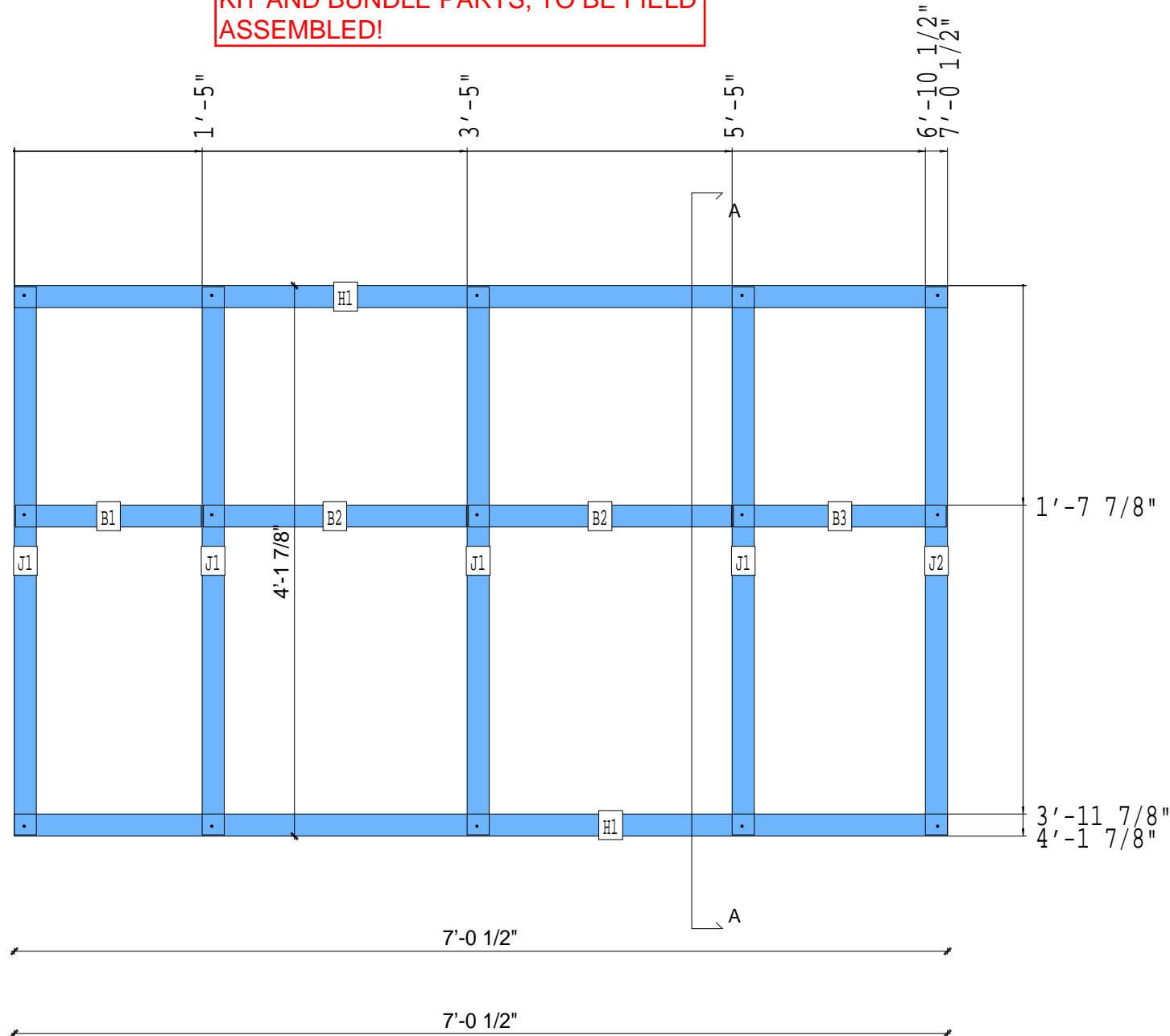
APPROVED

By ijuarez at 3:55 pm, Oct 22, 2008

DO NOT PANELIZE
KIT AND BUNDLE PARTS, TO BE FIELD ASSEMBLED!



A-A



PIECE SCHEDULE						
LAB	QTY	MATERIAL	DESCRIPTION	LENGTH	ANG1	ANG2
B1	1	400S200-54	BLOCK	1'-4 13/16"		
B2	2	400S200-54	BLOCK	1'-11 13/16"		
B3	1	400S200-54	BLOCK	1'-7 1/4"		
H1	2	400T200-54	HEADER	7'-0 1/2"		
J1	4	400S200-54	JOIST	4'-1 5/8"		
J2	1	400S200-54	JOIST	4'-1 5/8"		

11-5109

Jewish Home for the Aging

1885 Victory Blvd. Reseda, CA

FM-07-109

CREATED BY: AMB

FrameMax, Inc.
13915 Danielson St
Suite 100
Poway, CA 92064
www.framemax.com

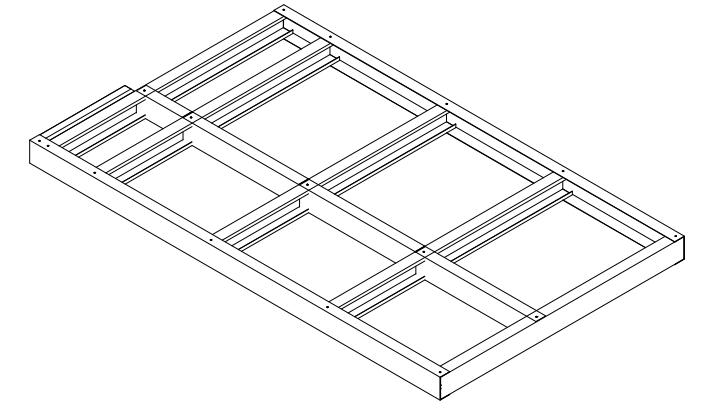


© FrameMax Inc.

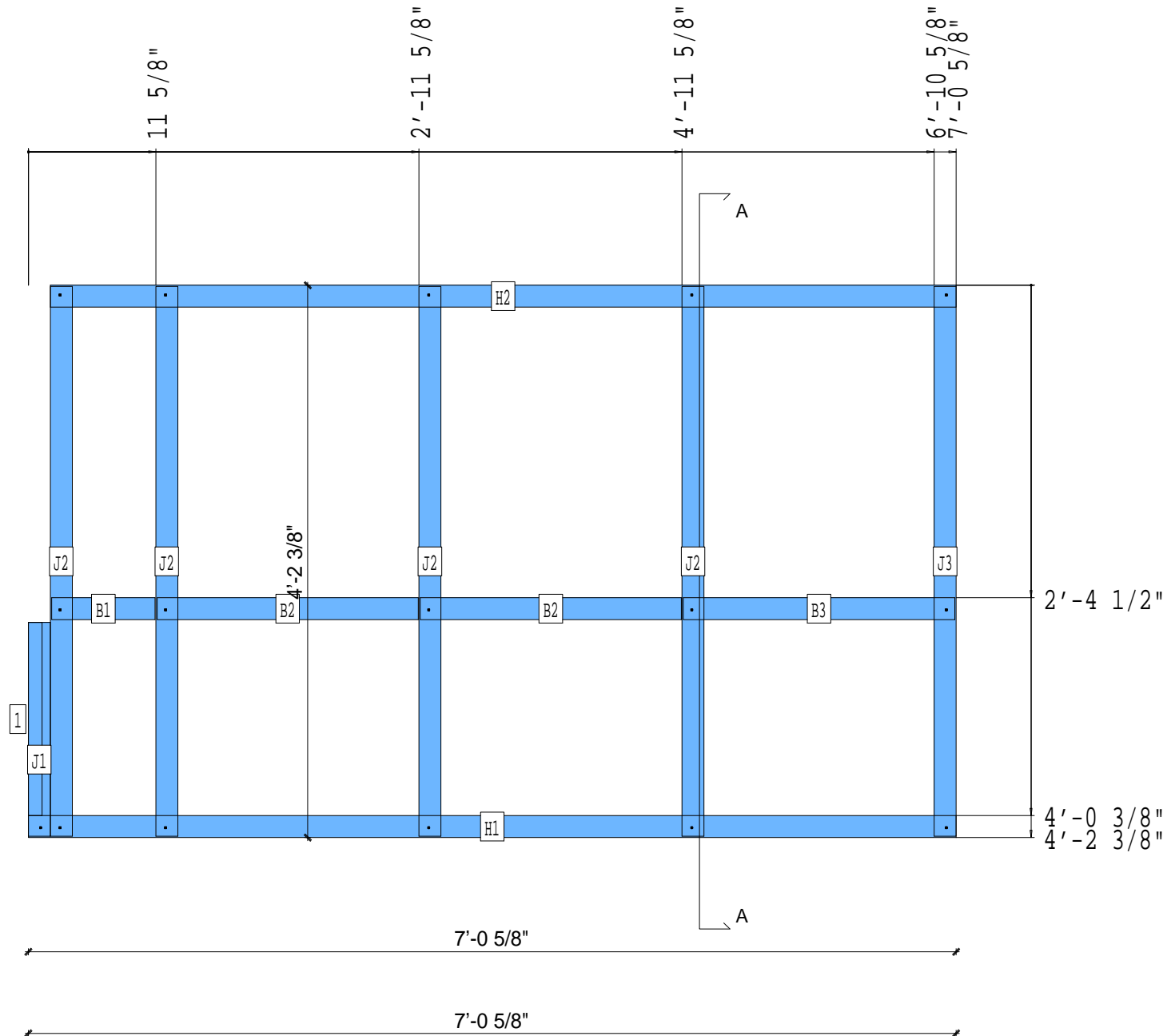
CREATED: 10/22/2008

APPROVED

By ijuarez at 3:55 pm, Oct 22, 2008



A-A



PIECE SCHEDULE						
LAB	QTY	MATERIAL	DESCRIPTION	LENGTH	ANG1	ANG2
1	1	400T125-54	JOIST	1'-5 5/8"		
B1	1	400S200-54	BLOCK	9 7/16"		
B2	2	400S200-54	BLOCK	1'-11 13/16"		
B3	1	400S200-54	BLOCK	2'-0 3/4"		
H1	1	400T200-54	HEADER	7'-0 5/8"		
H2	1	400T200-54	HEADER	6'-10 5/8"		
J1	1	400S200-54	JOIST	1'-7 1/2"		
J2	4	400S200-54	JOIST	4'-2 1/8"		
J3	1	400S200-54	JOIST	4'-2 1/8"		

11-5110

Jewish Home for the Aging

1885 Victory Blvd. Reseda, CA

FM-07-109

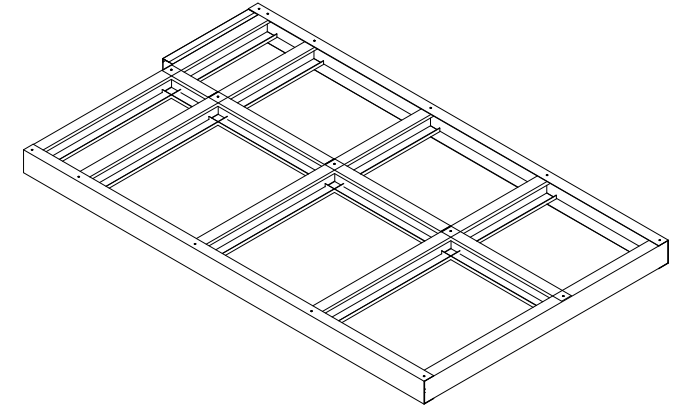
CREATED BY: AMB

FrameMax, Inc.
13915 Danielson St
Suite 100
Poway, CA 92064
www.framemax.com

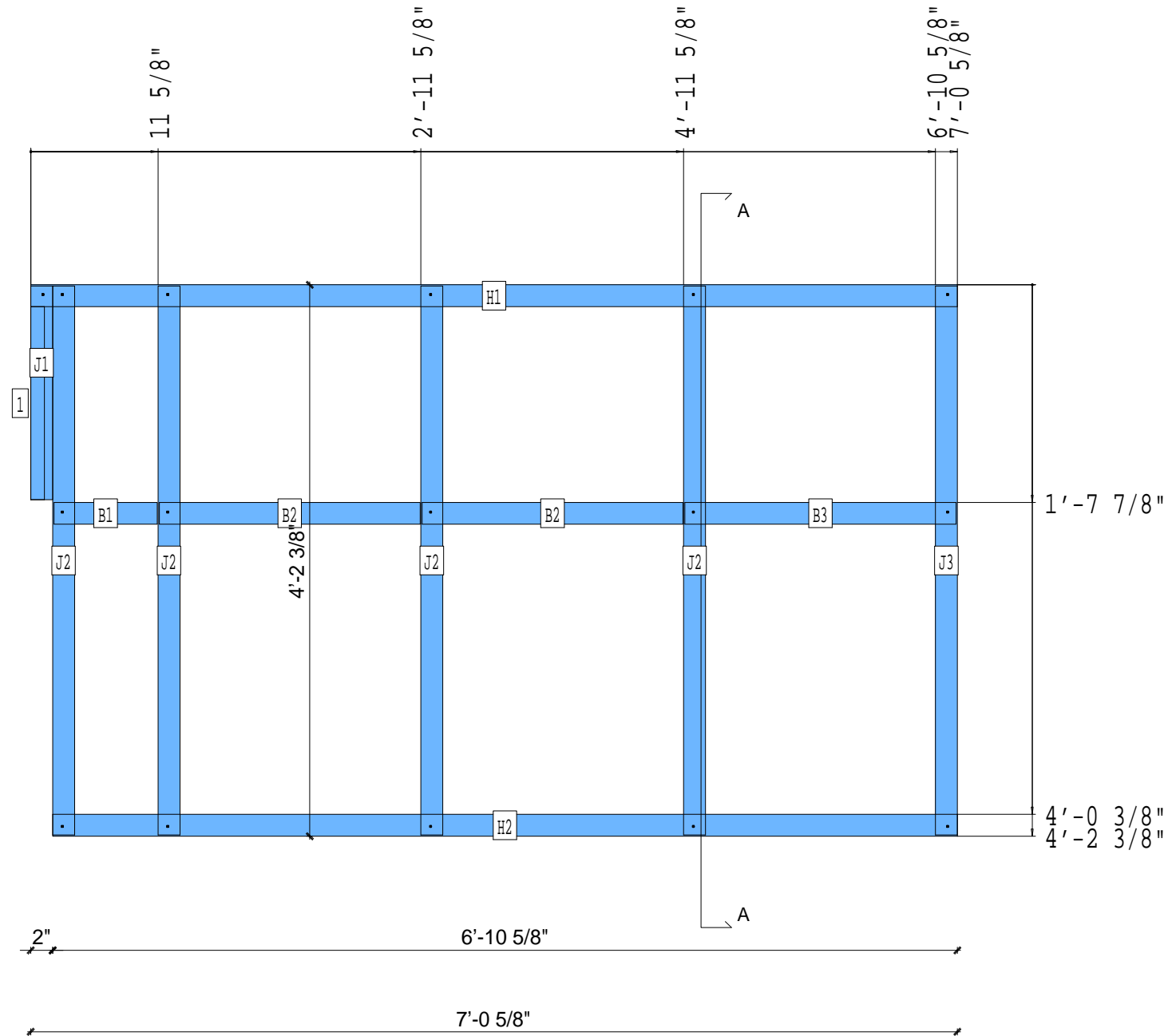


© FrameMax Inc.

APPROVED
By ijuarez at 3:55 pm, Oct 22, 2008



A-A



PIECE SCHEDULE						
LAB	QTY	MATERIAL	DESCRIPTION	LENGTH	ANG1	ANG2
J1	1	400T125-54	JOIST	1'-5 5/8"		
B1	1	400S200-54	BLOCK	9 7/16"		
B2	2	400S200-54	BLOCK	1'-11 13/16"		
B3	1	400S200-54	BLOCK	2'-0 3/4"		
H1	1	400T200-54	HEADER	7'-0 5/8"		
H2	1	400T200-54	HEADER	6'-10 5/8"		
J1	1	400S200-54	JOIST	1'-7 1/2"		
J2	4	400S200-54	JOIST	4'-2 1/8"		
J3	1	400S200-54	JOIST	4'-2 1/8"		

11-5111

Jewish Home for the Aging

1885 Victory Blvd. Reseda, CA

FM-07-109

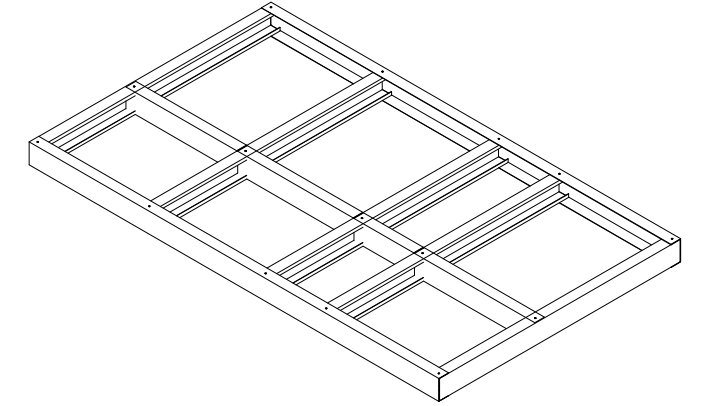
CREATED BY: AMB

FrameMax, Inc.
 13915 Danielson St
 Suite 100
 Poway, CA 92064
 www.framemax.com

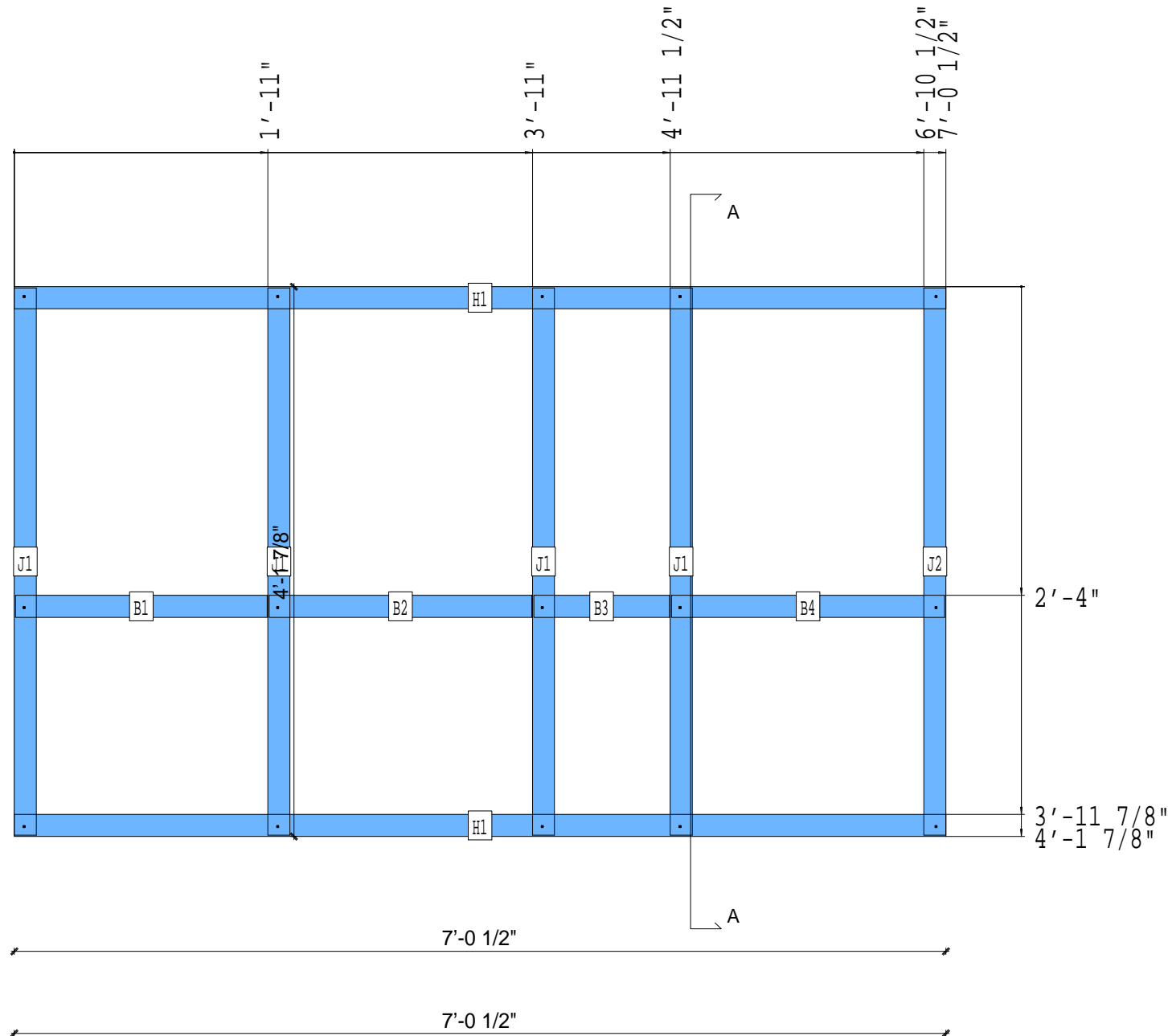


© FrameMax Inc.

APPROVED
 By ijuarez at 3:55 pm, Oct 22, 2008



A-A



PIECE SCHEDULE						
LAB	QTY	MATERIAL	DESCRIPTION	LENGTH	ANG1	ANG2
B1	1	400S200-54	BLOCK	1'-10 13/16"		
B2	1	400S200-54	BLOCK	1'-11 13/16"		
B3	1	400S200-54	BLOCK	1'-0 5/16"		
B4	1	400S200-54	BLOCK	2'-0 3/4"		
H1	2	400T200-54	HEADER	7'-0 1/2"		
J1	4	400S200-54	JOIST	4'-1 5/8"		
J2	1	400S200-54	JOIST	4'-1 5/8"		

11-5112

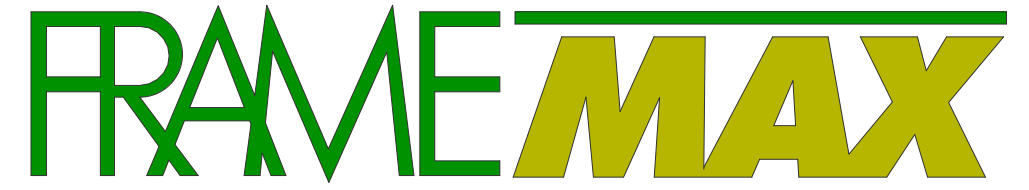
Jewish Home for the Aging

1885 Victory Blvd. Reseda, CA

FM-07-109

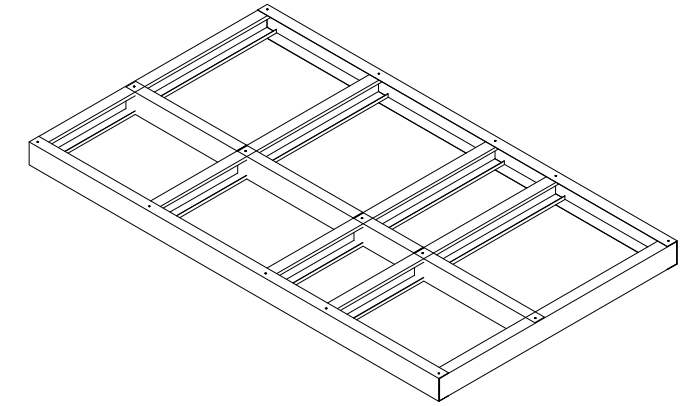
CREATED BY: AMB

FrameMax, Inc.
13915 Danielson St
Suite 100
Poway, CA 92064
www.framemax.com

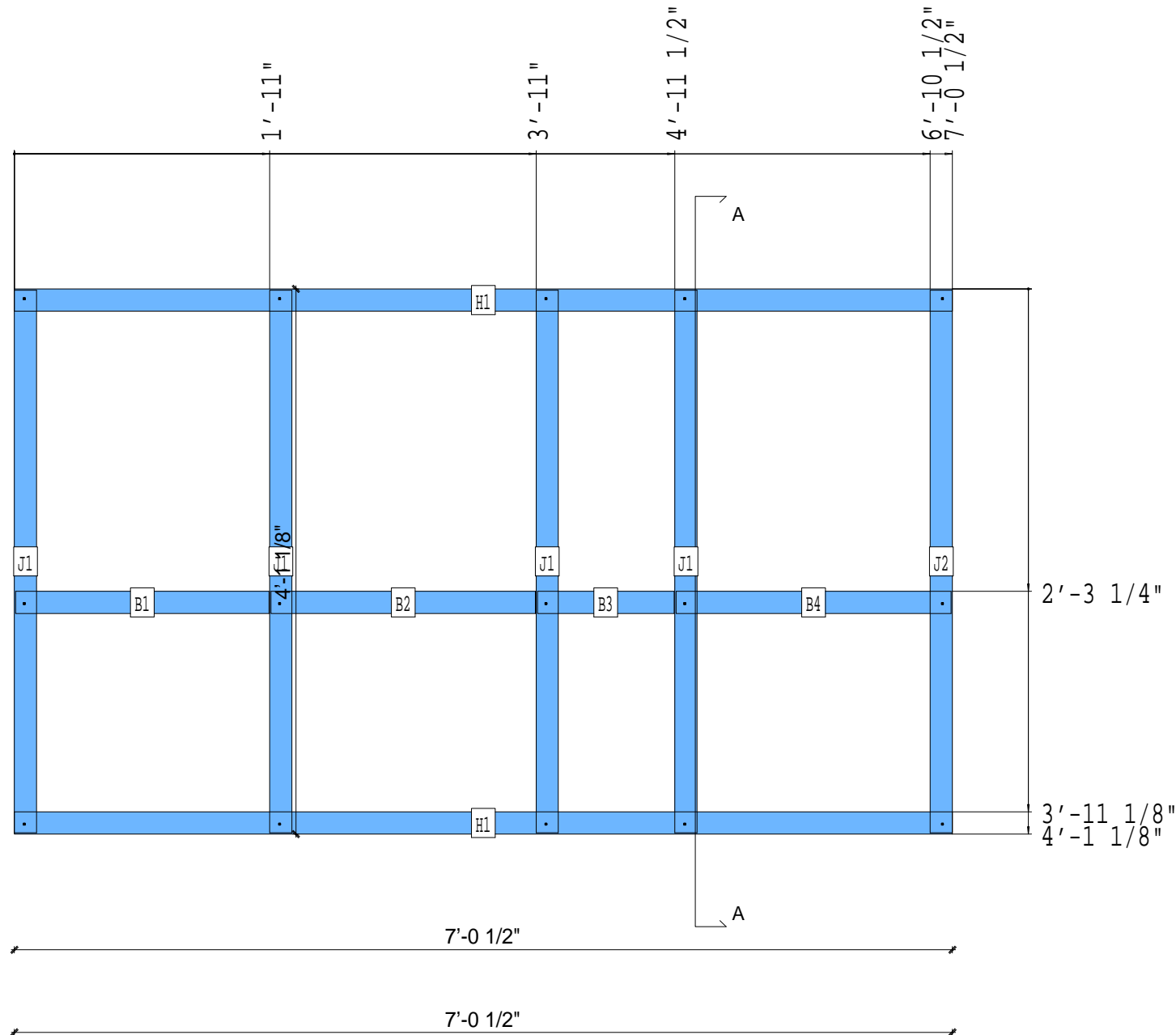


© FrameMax Inc.

APPROVED
By ijuarez at 3:55 pm, Oct 22, 2008



A-A



PIECE SCHEDULE						
LAB	QTY	MATERIAL	DESCRIPTION	LENGTH	ANG1	ANG2
B1	1	400S200-54	BLOCK	1'-10 13/16"		
B2	1	400S200-54	BLOCK	1'-11 13/16"		
B3	1	400S200-54	BLOCK	1'-0 5/16"		
B4	1	400S200-54	BLOCK	2'-0 3/4"		
H1	2	400T200-54	HEADER	7'-0 1/2"		
J1	4	400S200-54	JOIST	4'-0 7/8"		
J2	1	400S200-54	JOIST	4'-0 7/8"		

11-5113

CREATED: 10/22/2008

Jewish Home for the Aging

1885 Victory Blvd. Reseda, CA

FM-07-109

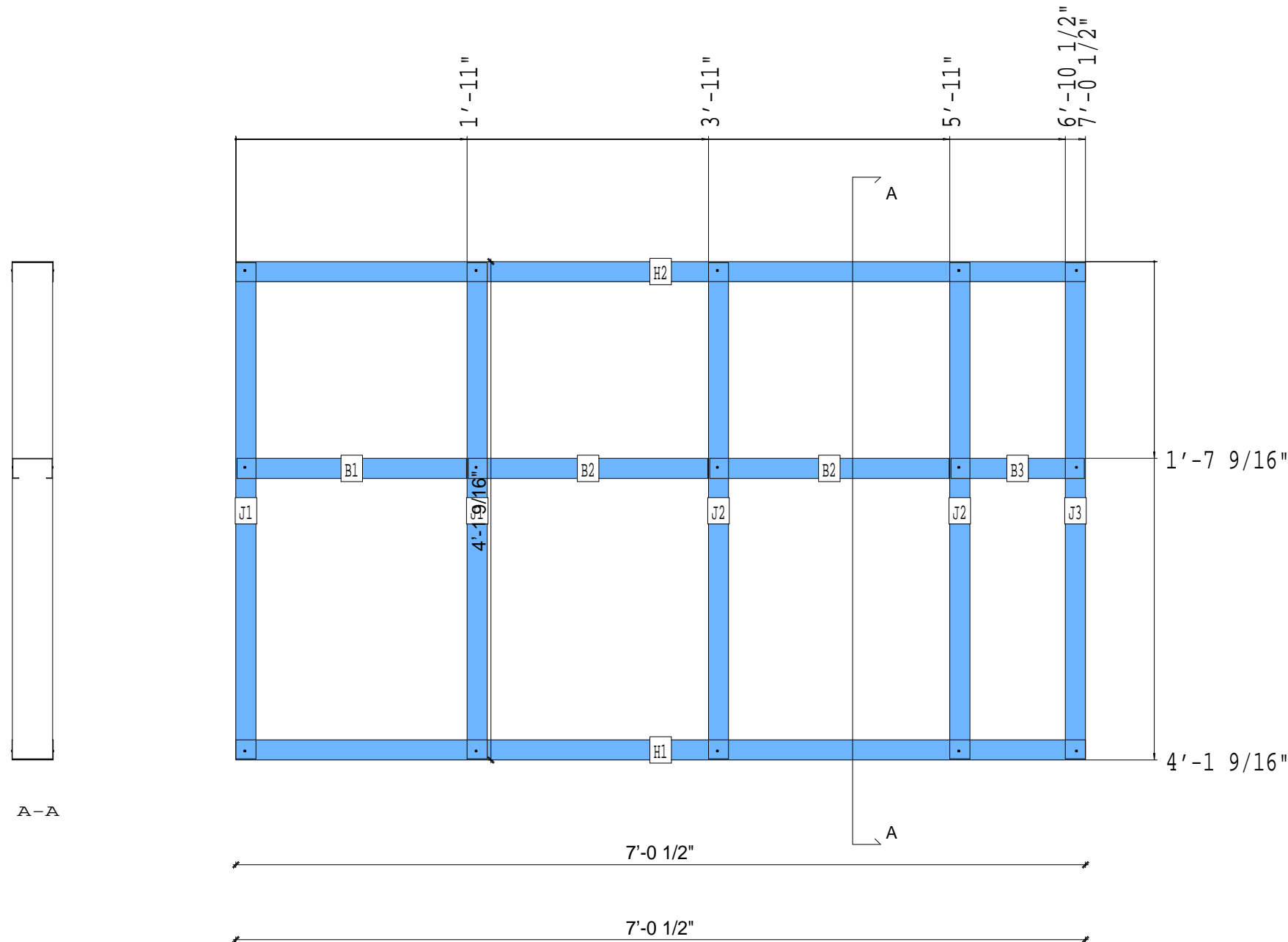
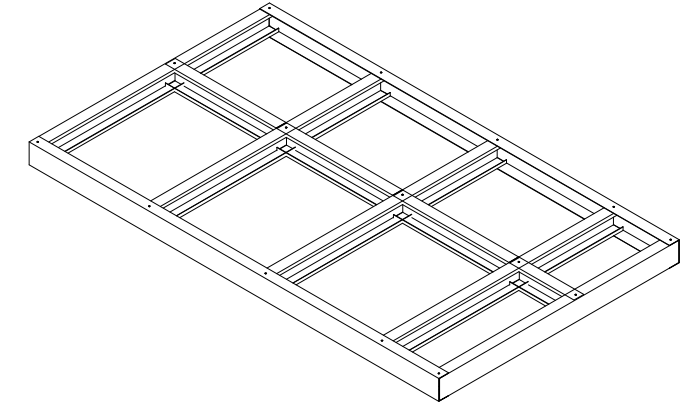
CREATED BY: AMB

FrameMax, Inc.
13915 Danielson St
Suite 100
Poway, CA 92064
www.framemax.com



© FrameMax Inc.

APPROVED
By ijuarez at 3:55 pm, Oct 22, 2008



PIECE SCHEDULE						
LAB	QTY	MATERIAL	DESCRIPTION	LENGTH	ANG1	ANG2
B1	1	400S200-54	BLOCK	1'-10 13/16"		
B2	2	400S200-54	BLOCK	1'-11 13/16"		
B3	1	400S200-54	BLOCK	1'-1 1/4"		
H1	1	400T200-54	HEADER	7'-0 1/2"		
H2	1	400T200-54	HEADER	7'-0 1/2"		
J1	2	400S200-54	JOIST	4'-1 5/16"		
J2	2	400S200-54	JOIST	4'-1 5/16"		
J3	1	400S200-54	JOIST	4'-1 5/16"		

11-5114

Jewish Home for the Aging

1885 Victory Blvd. Reseda, CA

FM-07-109

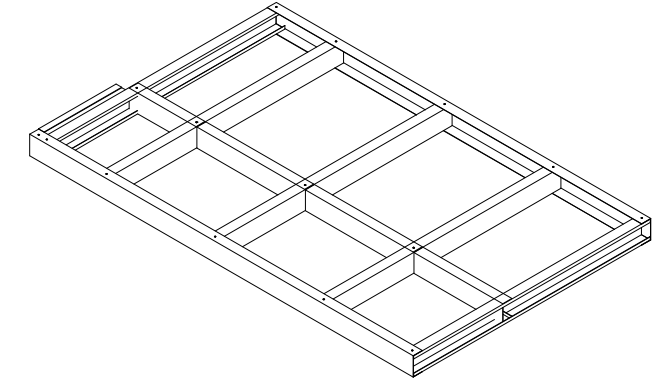
CREATED BY: AMB

FrameMax, Inc.
13915 Danielson St
Suite 100
Poway, CA 92064
www.framemax.com

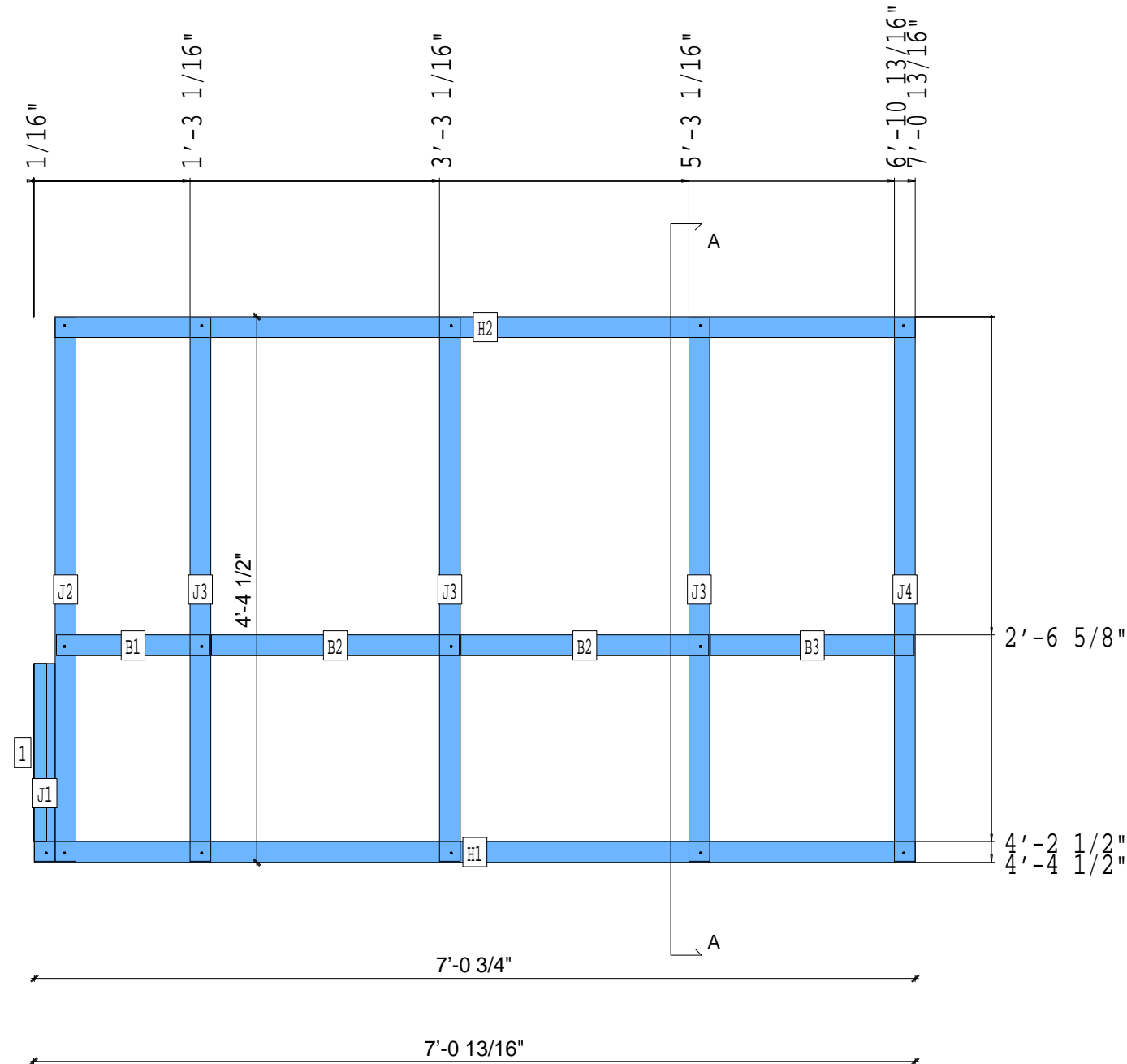


© FrameMax Inc.

APPROVED
By ijuarez at 3:55 pm, Oct 22, 2008



A-A



PIECE SCHEDULE						
LAB	QTY	MATERIAL	DESCRIPTION	LENGTH	ANG1	ANG2
1	1	400T125-54	JOIST	1'-5 1/8"		
B1	1	400S200-54	BLOCK	1'-2 3/4"		
B2	2	400S200-54	BLOCK	1'-11 13/16"		
B3	1	400S200-54	BLOCK	1'-7 5/8"		
H1	1	400T200-54	HEADER	7'-0 3/4"		
H2	1	400T200-54	HEADER	6'-10 3/4"		
J1	1	400S200-54	JOIST	1'-7"		
J2	1	400S200-54	JOIST	4'-4 1/4"		
J3	3	400S200-54	JOIST	4'-4 1/4"		
J4	1	400S200-54	JOIST	4'-4 1/4"		

11-5115

Jewish Home for the Aging

1885 Victory Blvd. Reseda, CA

FM-07-109

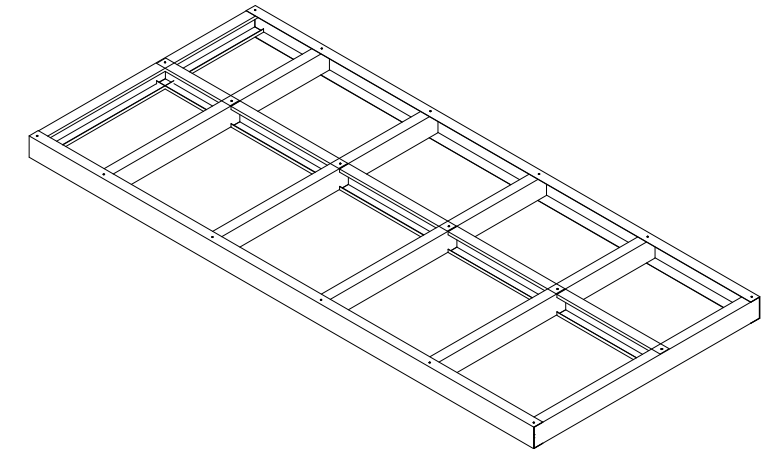
CREATED BY: AMB

FrameMax, Inc.
13915 Danielson St
Suite 100
Poway, CA 92064
www.framemax.com

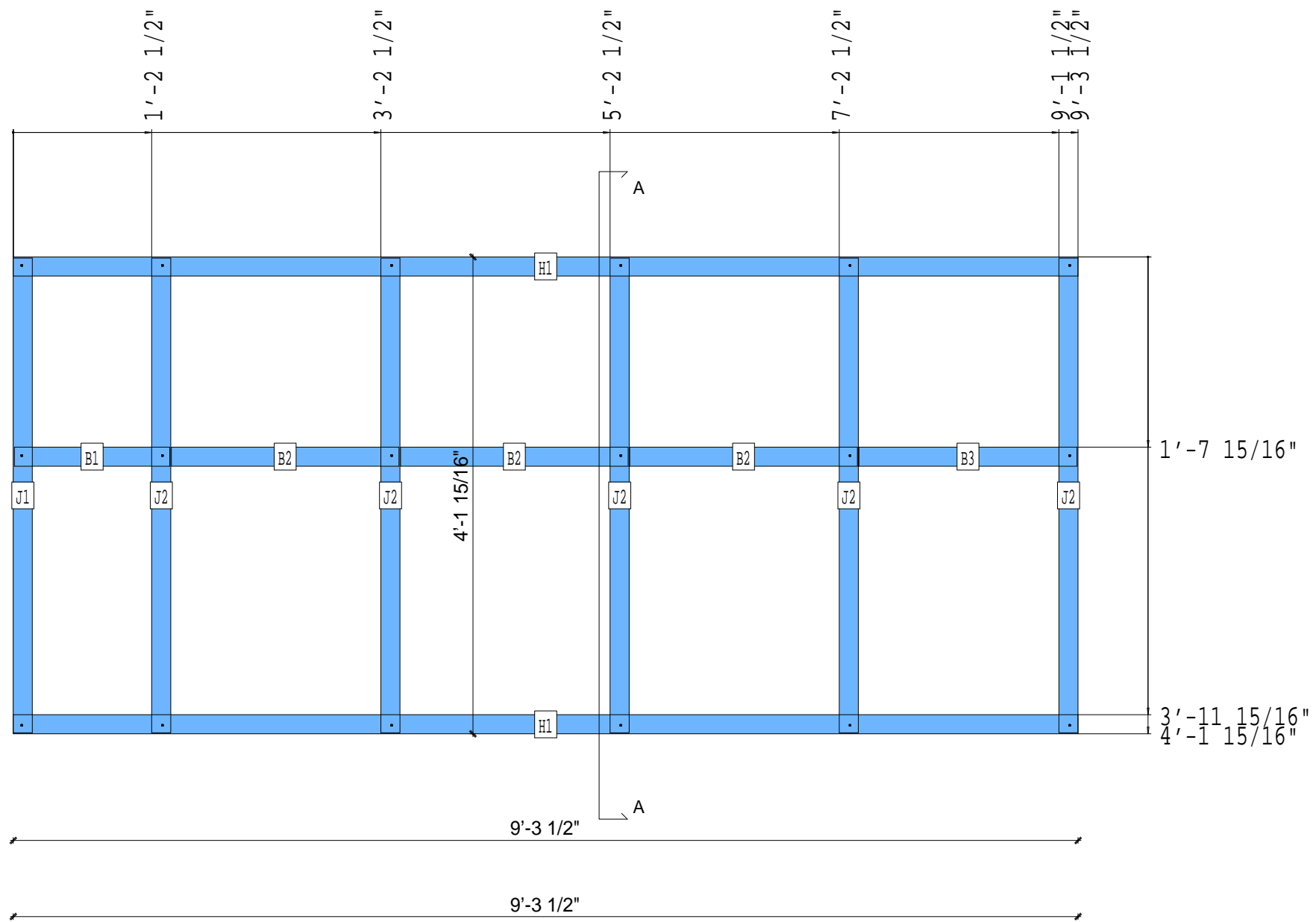


© FrameMax Inc.

APPROVED
By ijuarez at 3:55 pm, Oct 22, 2008



A-A



PIECE SCHEDULE						
LAB	QTY	MATERIAL	DESCRIPTION	LENGTH	ANG1	ANG2
B1	1	400S200-54	BLOCK	1'-4 1/4"		
B2	3	400S200-54	BLOCK	1'-11 13/16"		
B3	1	400S200-54	BLOCK	1'-10 13/16"		
H1	2	400T200-54	HEADER	9'-3 1/2"		
J1	1	400S200-54	JOIST	4'-1 11/16"		
J2	5	400S200-54	JOIST	4'-1 11/16"		

11-5116

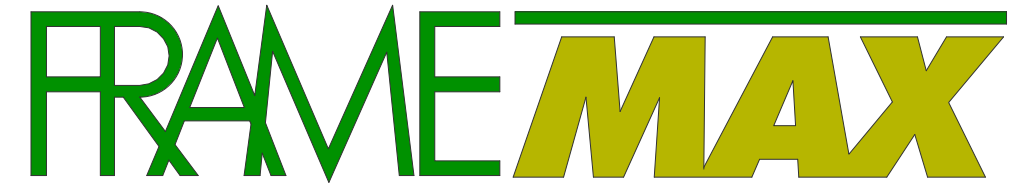
Jewish Home for the Aging

1885 Victory Blvd. Reseda, CA

FM-07-109

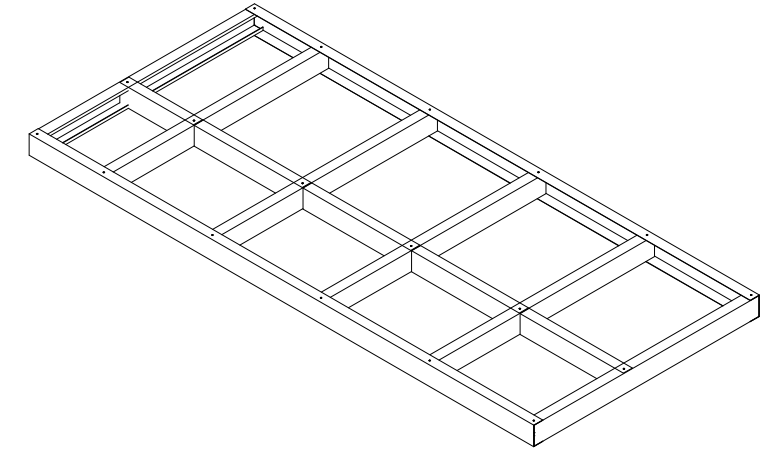
CREATED BY: AMB

FrameMax, Inc.
13915 Danielson St
Suite 100
Poway, CA 92064
www.framemax.com

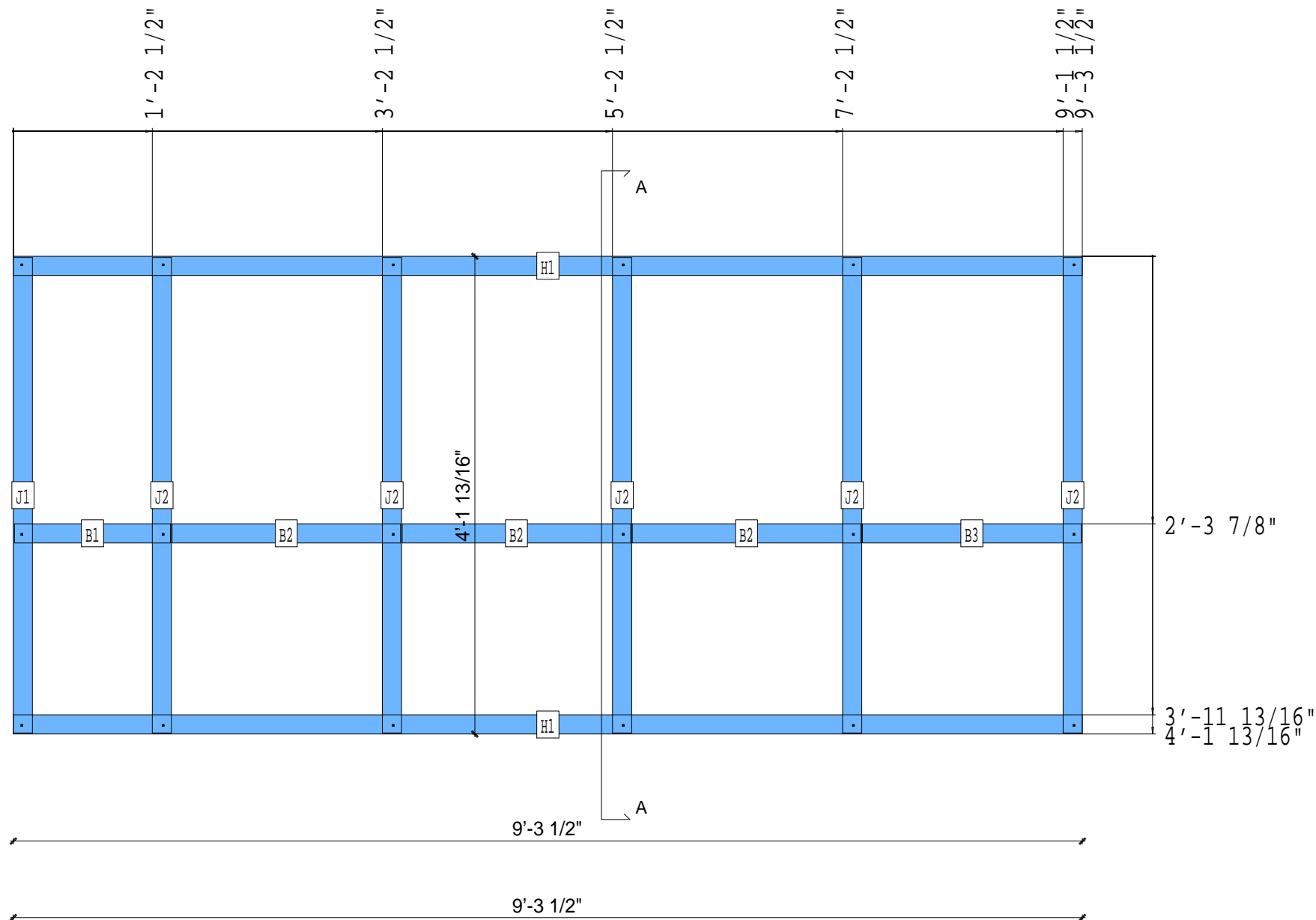


© FrameMax Inc.

APPROVED
By ijuarez at 3:55 pm, Oct 22, 2008



A-A



PIECE SCHEDULE						
LAB	QTY	MATERIAL	DESCRIPTION	LENGTH	ANG1	ANG2
B1	1	400S200-54	BLOCK	1'-4 1/4"		
B2	3	400S200-54	BLOCK	1'-11 13/16"		
B3	1	400S200-54	BLOCK	1'-10 13/16"		
H1	2	400T200-54	HEADER	9'-3 1/2"		
J1	1	400S200-54	JOIST	4'-1 9/16"		
J2	5	400S200-54	JOIST	4'-1 9/16"		