

21-1002

Jewish Home for the Aging

1885 Victory Blvd. Reseda, CA

FM-07-109

CREATED BY: AMB

FrameMax, Inc.
13915 Danielson St
Suite 100
Poway, CA 92064
www.frame-max.com



© FrameMax Inc.

HEIGHT : 11'-9 11/16" POINTS: 1.17 Points.

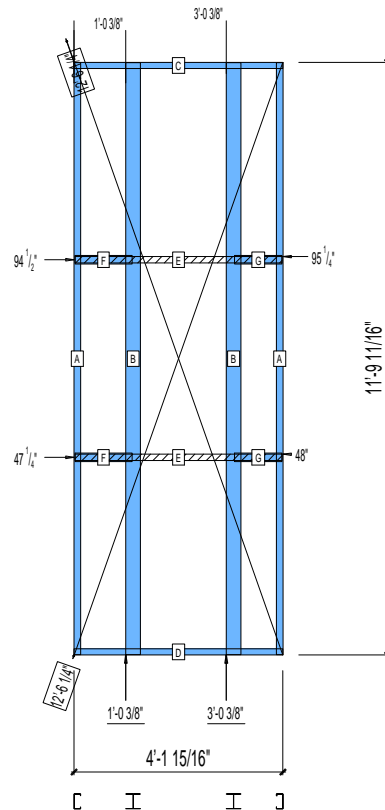
SPACING : 5000"

1st STUD: 5000"

WEIGHTS :

FRAME : 183 lbs

TOTAL: 183 lbs



PIECES LIST

LABEL	QTY	SIZE	LENGTH	USE
A	2	362S162-54	11'-9 9/16"	STUD
B	2	363i350p554	11'-9 9/16"	PACO.COLUMN
C	1	362T150-68	4'-1 15/16"	TOP TRACK
D	1	362T150-68	4'-1 15/16"	BOTTOM TRACK
E	2	150D-43	4'-1 1/2"	STRAP
F	2	362T200-68	1'-1 11/16"	BLOCK
G	2	362T200-68	11 5/16"	BLOCK

21-1003

Jewish Home for the Aging

1885 Victory Blvd. Reseda, CA

FM-07-109

CREATED BY: AMB

FrameMax, Inc.
13915 Danielson St
Suite 100
Poway, CA 92064
www.frame-max.com



© FrameMax Inc.

HEIGHT : 11'-9 11/16" POINTS: 1.17 Points.

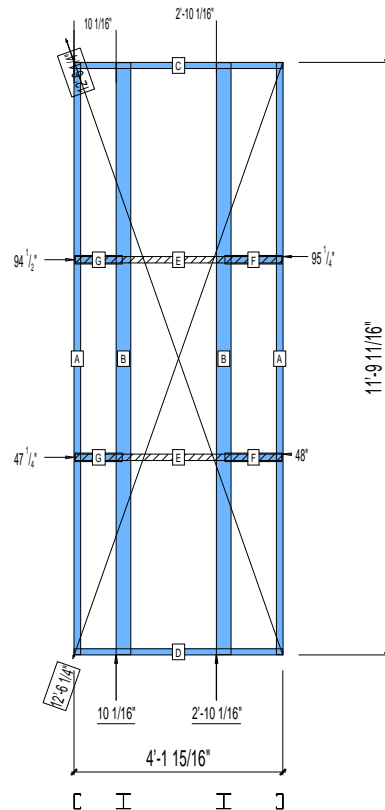
SPACING : 5000"

1st STUD: 5000"

WEIGHTS :

FRAME : 183 lbs

TOTAL: 183 lbs



PIECES LIST

LABEL	QTY	SIZE	LENGTH	USE
A	2	362S162-54	11'-9 9/16"	STUD
B	2	363i350p554	11'-9 9/16"	PACO.COLUMN
C	1	362T150-68	4'-1 15/16"	TOP TRACK
D	1	362T150-68	4'-1 15/16"	BOTTOM TRACK
E	2	150D-43	4'-1 1/2"	STRAP
F	2	362T200-68	1'-1 11/16"	BLOCK
G	2	362T200-68	11 5/16"	BLOCK

21-1005

Jewish Home for the Aging

1885 Victory Blvd. Reseda, CA

FM-07-109

CREATED BY: AMB

FrameMax, Inc.
13915 Danielson St
Suite 100
Poway, CA 92064
www.framemax.com



© FrameMax Inc.

HEIGHT : 11'-9 11/16" POINTS: 0.49 Points.

SPACING : 24"

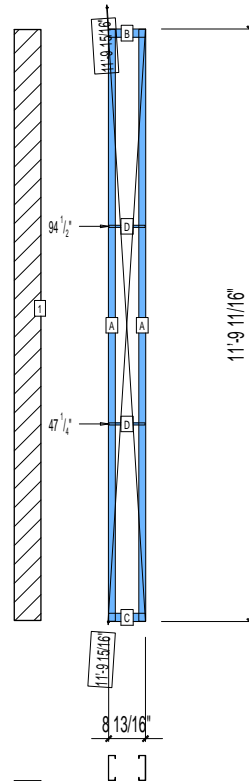
1st STUD: 24"

WEIGHTS :

FRAME : 60 lbs

SHEATHING: 16 lbs

TOTAL: 76 lbs



PIECES LIST

LABEL	QTY	SIZE	LENGTH	USE
A	2	600S162-68	11'-9 1/2"	STUD
B	1	600T200-68	8 13/16"	TOP TRACK
C	1	600T200-68	8 13/16"	BOTTOM TRACK
D	2	150U50-54	8 5/8"	HORIZONTAL BRACING

SHEATHING

LABEL	QTY	CODE	THICK	SIZE	SCREWS
1	1	DENSGLASS	1/2"	6 3/8" X 11'-9 1/4"	8 - 12

21-1006

Jewish Home for the Aging

1885 Victory Blvd. Reseda, CA

FM-07-109

CREATED BY: AMB

FrameMax, Inc.
13915 Danielson St
Suite 100
Poway, CA 92064
www.frame-max.com



© FrameMax Inc.

HEIGHT : 11'-9 11/16" POINTS: 2.16 Points.

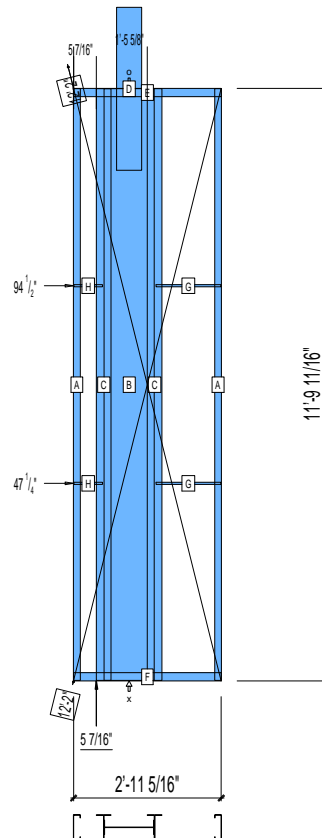
SPACING : 5000"

1st STUD: 5000"

WEIGHTS :

FRAME : 407 lbs

TOTAL: 407 lbs



PIECES LIST

LABEL	QTY	SIZE	LENGTH	USE
A	2	600S162-68	11'-9 1/2"	STUD
B	1	1200i350p1062	11'-9 1/2"	PACO
C	2	600i350p680	11'-9 1/2"	PACO
D	1	E	3'-3"	HOLDDOWN
E	1	600T200-68	2'-11 5/16"	TOP TRACK
F	1	600T200-68	2'-11 5/16"	BOTTOM TRACK
G	2	150U50-54	1'-3 1/2"	HORIZONTAL BRACING
H	2	150U50-54	6 13/16"	HORIZONTAL BRACING

21-1007

Jewish Home for the Aging

1885 Victory Blvd. Reseda, CA

FrameMax, Inc.
13915 Danielson St
Suite 100
Poway, CA 92064
www.frame-max.com



© FrameMax Inc.

CREATED: 10/13/2008

FM-07-109

CREATED BY: AMB

HEIGHT : 10'-7 3/8" POINTS: 4.22 Points.

SPACING : 24"

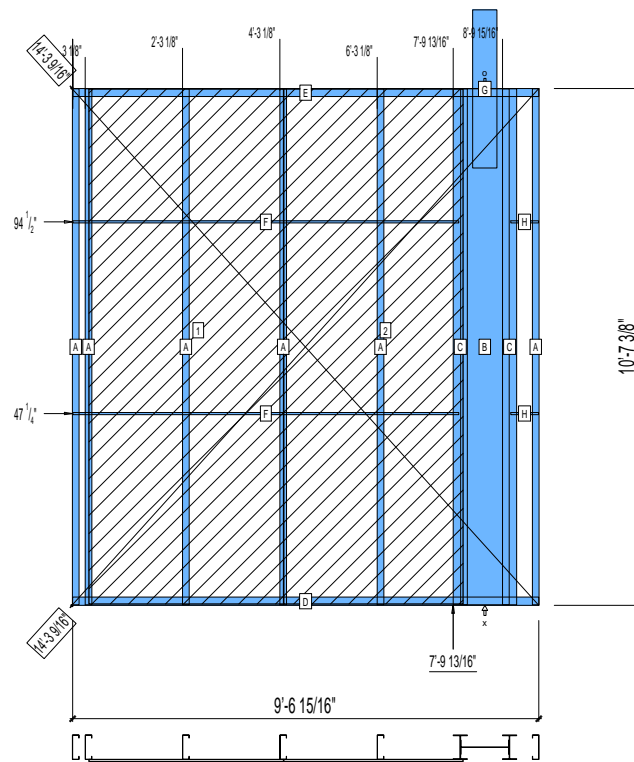
1st STUD: 3 15/16"

WEIGHTS :

FRAME : 511 lbs

SHEATHING: 299 lbs

TOTAL: 810 lbs



PIECES LIST

LABEL	QTY	SIZE	LENGTH	USE
A	6	600S162-68	10'-7 3/16"	STUD
B	1	1200i350p1062	10'-7 3/16"	PACO
C	2	600i350p680	10'-7 3/16"	PACO
D	1	600T200-68	9'-6 15/16"	BOTTOM TRACK
E	1	600T200-68	9'-6 15/16"	TOP TRACK
F	2	150U50-54	7'-11 1/8"	HORIZONTAL BRACING
G	1	E	3'-3"	HOLDDOWN
H	2	150U50-54	6 13/16"	HORIZONTAL BRACING

SHEATHING

LABEL	QTY	CODE	THICK	SIZE	SCREWS
1	1	SB-DENSGLOSS	1/2"	4'-0" X 10'-6 15/16"	2-12
2	1	SB-DENSGLOSS	1/2"	3'-8 1/4" X 10'-6 15/16"	2-12

21-1008

Jewish Home for the Aging

1885 Victory Blvd. Reseda, CA

FrameMax, Inc.
13915 Danielson St
Suite 100
Poway, CA 92064
www.frame-max.com



© FrameMax Inc.

CREATED: 09/26/2008

FM-07-109

CREATED BY: TNT

HEIGHT : 11'-9 11/16" POINTS: 1.89 Points.

SPACING : 24"

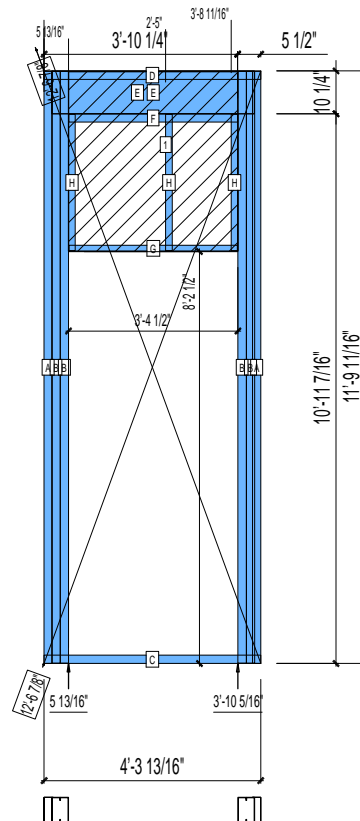
1st STUD: 24"

WEIGHTS :

FRAME : 295 lbs

SHEATHING: 30 lbs

TOTAL: 325 lbs



PIECES LIST

LABEL	QTY	SIZE	LENGTH	USE
A	2	600T300-33	11'-9 9/16"	CAP TRACK
B	4	600S200-97	11'-9 1/2"	KING STUD
C	1	600T200-68	4'-3 13/16"	BOTTOM TRACK
D	1	600T200-68	4'-3 13/16"	TOP TRACK
E	2	1000T200-97	4'-0 3/8"	HEADER
F	1	600T200-68	3'-4 3/8"	TOP TRACK
G	1	600T150-54	3'-4 1/4"	HEAD TRACK
H	3	600S162-54	2'-8 9/16"	CRIPPLE

SHEATHING

LABEL	QTY	CODE	THICK	SIZE	SCREWS
1	1	DENSGLASS	1/2"	3'-4 1/2" X 3'-6 15/16"	8 - 12

21-1009

Jewish Home for the Aging

1885 Victory Blvd. Reseda, CA

FM-07-109

CREATED BY: AMB

FrameMax, Inc.
13915 Danielson St
Suite 100
Poway, CA 92064
www.frame-max.com



© FrameMax Inc.

HEIGHT : 11'-9 11/16" POINTS: 0.47 Points.

SPACING : 24"

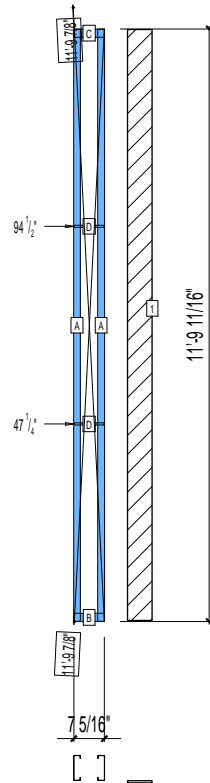
1st STUD: 24"

WEIGHTS :

FRAME : 59 lbs

SHEATHING: 14 lbs

TOTAL: 73 lbs



PIECES LIST

LABEL	QTY	SIZE	LENGTH	USE
A	2	600S162-68	11'-9 1/2"	STUD
B	1	600T200-68	7 5/16"	BOTTOM TRACK
C	1	600T200-68	7 5/16"	TOP TRACK
D	2	150U50-54	7 1/8"	HORIZONTAL BRACING

SHEATHING

LABEL	QTY	CODE	THICK	SIZE	SCREWS
1	1	DENSGLOSS	1/2"	5 7/8" X	11'-9 1/4" 8 - 12

21-1010

Jewish Home for the Aging

1885 Victory Blvd. Reseda, CA

FrameMax, Inc.
13915 Danielson St
Suite 100
Poway, CA 92064
www.frame-max.com



© FrameMax Inc.

CREATED: 09/26/2008

FM-07-109

CREATED BY: AMB

HEIGHT : 11'-9 11/16" POINTS: 2.41 Points.

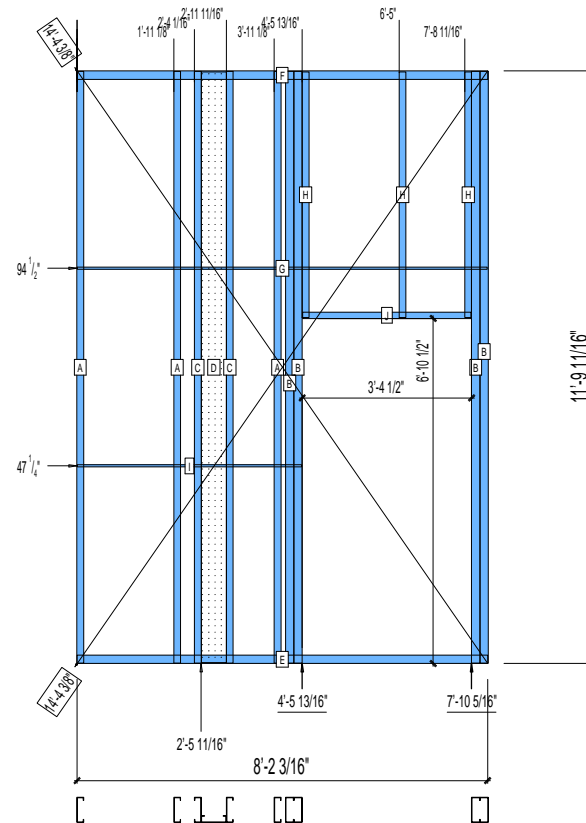
SPACING : 24"

1st STUD: 24"

WEIGHTS :

FRAME : 408 lbs

TOTAL: 408 lbs



PIECES LIST

LABEL	QTY	SIZE	LENGTH	USE
A	3	600S162-97	11'-9 1/2"	STUD
B	4	600S200-97	11'-9 1/2"	KING STUD
C	2	600S162-33	11'-9 1/2"	BACKER STUD
D	1	600S162-33	11'-9 1/4"	BACKER-U
E	1	600T200-68	8'-2 3/16"	BOTTOM TRACK
F	1	600T200-68	8'-2 3/16"	TOP TRACK
G	1	150U50-54	8'-2"	HORIZONTAL BRACING
H	3	600S162-54	4'-10 3/4"	CRIPPLE
I	1	150U50-54	4'-5 5/8"	HORIZONTAL BRACING
J	1	600T150-54	3'-4 1/4"	HEAD TRACK

21-1011

Jewish Home for the Aging

1885 Victory Blvd. Reseda, CA

FM-07-109

CREATED BY: AMB

FrameMax, Inc.
13915 Danielson St
Suite 100
Poway, CA 92064
www.frame-max.com



© FrameMax Inc.

HEIGHT : 11'-9 11/16" POINTS: 2.35 Points.

SPACING : 24"

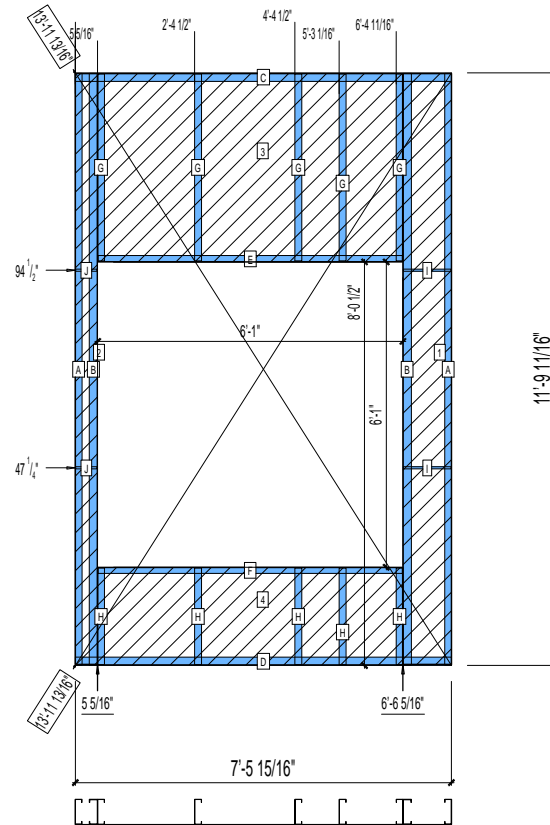
1st STUD: 24"

WEIGHTS :

FRAME : 253 lbs

SHEATHING: 127 lbs

TOTAL: 380 lbs



PIECES LIST

LABEL	QTY	SIZE	LENGTH	USE
A	2	600S162-68	11'-9 1/2"	STUD
B	2	600S200-97	11'-9 1/2"	KING STUD
C	1	600T200-68	7'-5 15/16"	TOP TRACK
D	1	600T200-68	7'-5 15/16"	BOTTOM TRACK
E	1	600T150-54	6'-0 3/4"	HEAD TRACK
F	1	600T150-54	6'-0 3/4"	SILL
G	5	600S162-54	3'-8 3/4"	CRIPPLE
H	5	600S162-54	1'-11 1/16"	CRIPPLE
I	2	150U50-54	11 3/8"	HORIZONTAL BRACING
J	2	150U50-54	5 1/8"	HORIZONTAL BRACING

SHEATHING

LABEL	QTY	CODE	THICK	SIZE	SCREWS
1	1	DENSGLASS	1/2"	11 1/2" X 11'-9 1/4"	8 - 12
2	1	DENSGLASS	1/2"	5 1/4" X 11'-9 1/4"	8 - 12
3	1	DENSGLASS	1/2"	6'-0 7/8" X 3'-9"	8 - 12
4	1	DENSGLASS	1/2"	6'-0 7/8" X 1'-11 5/16"	8 - 12

21-1012

Jewish Home for the Aging

1885 Victory Blvd. Reseda, CA

FM-07-109

CREATED BY: AMB

FrameMax, Inc.
13915 Danielson St
Suite 100
Poway, CA 92064
www.framemax.com



© FrameMax Inc.

HEIGHT : 11'-9 11/16" POINTS: 2.67 Points.

SPACING : 24"

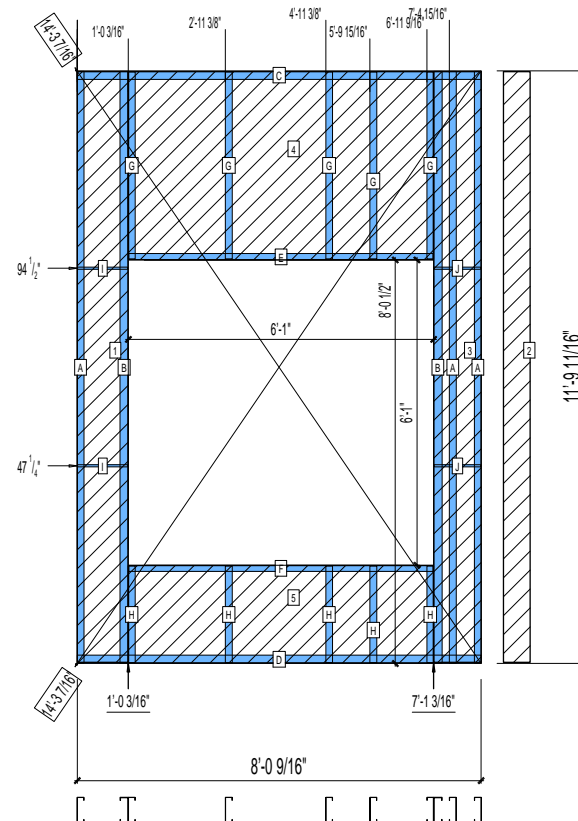
1st STUD: 5/8"

WEIGHTS :

FRAME : 284 lbs

SHEATHING: 159 lbs

TOTAL: 443 lbs



PIECES LIST

LABEL	QTY	SIZE	LENGTH	USE
A	3	600S162-68	11'-9 1/2"	STUD
B	2	600S200-97	11'-9 1/2"	KING STUD
C	1	600T200-68	8'-0 9/16"	TOP TRACK
D	1	600T200-68	8'-0 9/16"	BOTTOM TRACK
E	1	600T150-54	6'-0 3/4"	HEAD TRACK
F	1	600T150-54	6'-0 3/4"	SILL
G	5	600S162-54	3'-8 3/4"	CRIPPLE
H	5	600S162-54	1'-11 1/16"	CRIPPLE
I	2	150U50-54	1'-0"	HORIZONTAL BRACING
J	2	150U50-54	11 1/8"	HORIZONTAL BRACING

SHEATHING

LABEL	QTY	CODE	THICK	SIZE	SCREWS
1	1	DENSGLASS	1/2"	1'-0 1/8" X 11'-9 1/4"	8 - 12
2	1	DENSGLASS	1/2"	6 3/8" X 11'-9 1/4"	8 - 12
3	1	DENSGLASS	1/2"	11 1/4" X 11'-9 1/4"	8 - 12
4	1	DENSGLASS	1/2"	6'-0 7/8" X 3'-9"	8 - 12
5	1	DENSGLASS	1/2"	6'-0 7/8" X 1'-11 5/16"	8 - 12

21-1013

Jewish Home for the Aging

1885 Victory Blvd. Reseda, CA

FrameMax, Inc.
13915 Danielson St
Suite 100
Poway, CA 92064
www.frame-max.com



© FrameMax Inc.

CREATED: 10/13/2008

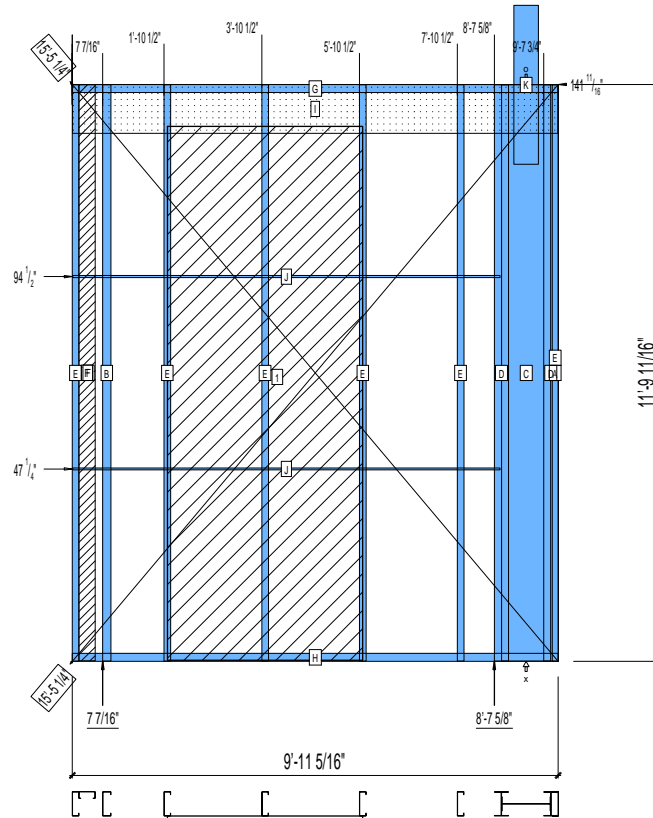
FM-07-109

CREATED BY: AMB

HEIGHT : 13'-5 1/16" POINTS: 4.07 Points.
SPACING : 24"
1st STUD: 23 3/8"

WEIGHTS :
FRAME : 609 lbs
SHEATHING: 161 lbs

TOTAL: 770 lbs



PIECES LIST

LABEL	QTY	SIZE	LENGTH	USE
A	1	600T150-33	11'-9 9/16"	CAP TRACK
B	1	600S200-68	11'-9 1/2"	EXTRA STUD
C	1	1200i350p1062	11'-9 1/2"	PACO
D	2	600i350p680	11'-9 1/2"	PACO
E	5	600S162-68	11'-9 1/2"	STUD
F	1	400S162-33	11'-9 1/2"	BACKER-U
G	1	600T200-68	9'-11 5/16"	TOP TRACK
H	1	600T200-68	9'-11 5/16"	BOTTOM TRACK
I	1	1200D-54	9'-11 3/16"	STRAP
J	2	150U50-54	8'-8 15/16"	HORIZONTAL BRACING
K	1	E	3'-3"	HOLDDOWN

SHEATHING

LABEL	QTY	CODE	THICK	SIZE	SCREWS
1	1	SB-DENSARMOR	5/8"	3'-11 7/8" X 10'-11 1/8"	2-12

21-1014

Jewish Home for the Aging

1885 Victory Blvd. Reseda, CA

FM-07-109

CREATED BY: AMB

FrameMax, Inc.
13915 Danielson St
Suite 100
Poway, CA 92064
www.framemax.com



© FrameMax Inc.

HEIGHT : 11'-9 11/16" POINTS: 1.18 Points.

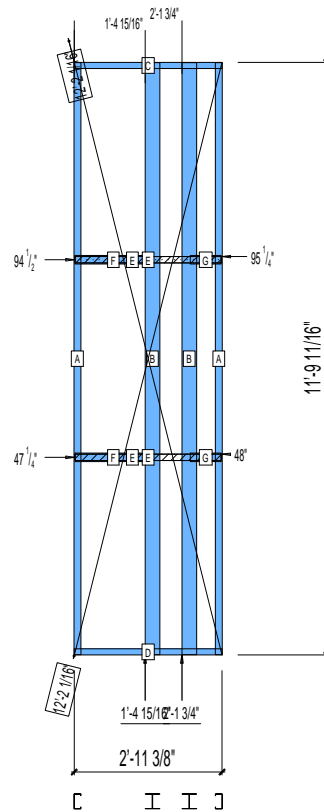
SPACING : 5000"

1st STUD: 5000"

WEIGHTS :

FRAME : 181 lbs

TOTAL: 181 lbs



PIECES LIST

LABEL	QTY	SIZE	LENGTH	USE
A	2	362S162-54	11'-9 9/16"	STUD
B	2	363i350p554	11'-9 9/16"	PACO.COLUMN
C	1	362T150-68	2'-11 3/8"	TOP TRACK
D	1	362T150-68	2'-11 3/8"	BOTTOM TRACK
E	4	150D-43	2'-10 15/16"	STRAP
F	2	362T200-68	1'-6 1/4"	BLOCK
G	2	362T200-68	7 3/8"	BLOCK

21-1015

Jewish Home for the Aging

1885 Victory Blvd. Reseda, CA

FrameMax, Inc.
13915 Danielson St
Suite 100
Poway, CA 92064
www.frame-max.com



© FrameMax Inc.

CREATED: 09/26/2008

FM-07-109

CREATED BY: AMB

HEIGHT : 10'-7 3/8" POINTS: 1.13 Points.

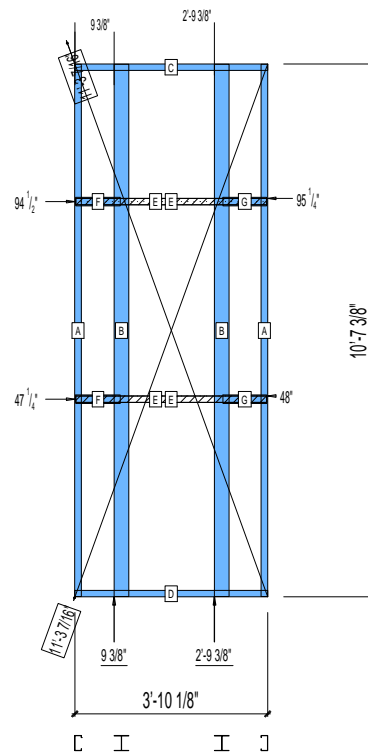
SPACING : 5000"

1st STUD: 5000"

WEIGHTS :

FRAME : 166 lbs

TOTAL: 166 lbs



PIECES LIST

LABEL	QTY	SIZE	LENGTH	USE
A	2	362S162-54	10'-7 1/4"	STUD
B	2	363i350p554	10'-7 1/4"	PACO.COLUMN
C	1	362T150-68	3'-10 1/8"	TOP TRACK
D	1	362T150-68	3'-10 1/8"	BOTTOM TRACK
E	4	150D-43	3'-9 11/16"	STRAP
F	2	362T200-68	10 11/16"	BLOCK
G	2	362T200-68	10 1/2"	BLOCK

21-1016

Jewish Home for the Aging

1885 Victory Blvd. Reseda, CA

FrameMax, Inc.
13915 Danielson St
Suite 100
Poway, CA 92064
www.framemax.com



© FrameMax Inc.

CREATED: 09/26/2008

FM-07-109

CREATED BY: AMB

HEIGHT : 10'-7 3/8" POINTS: 1.48 Points.

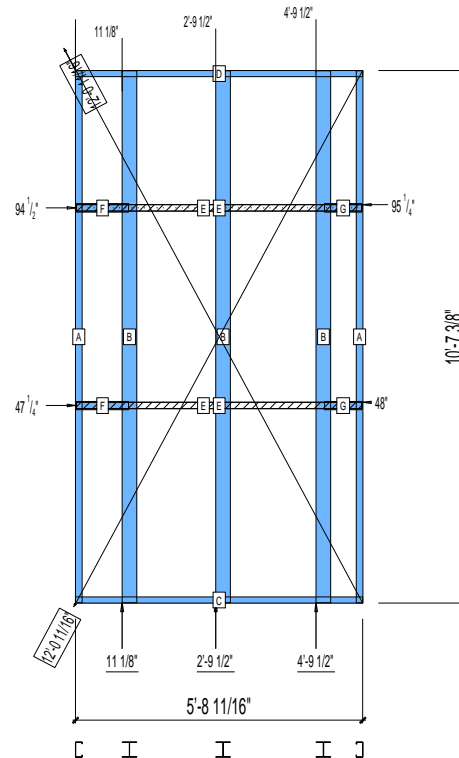
SPACING : 5000"

1st STUD: 5000"

WEIGHTS :

FRAME : 230 lbs

TOTAL: 230 lbs



PIECES LIST

LABEL	QTY	SIZE	LENGTH	USE
A	2	362S162-54	10'-7 1/4"	STUD
B	3	363i350p554	10'-7 1/4"	PACO.COLUMN
C	1	362T150-68	5'-8 11/16"	BOTTOM TRACK
D	1	362T150-68	5'-8 11/16"	TOP TRACK
E	4	150D-43	5'-8 1/4"	STRAP
F	2	362T200-68	1'-0 7/16"	BLOCK
G	2	362T200-68	8 15/16"	BLOCK

21-1017

Jewish Home for the Aging

1885 Victory Blvd. Reseda, CA

FM-07-109

CREATED BY: AMB

FrameMax, Inc.
13915 Danielson St
Suite 100
Poway, CA 92064
www.frame-max.com



© FrameMax Inc.

HEIGHT : 11'-9 11/16" POINTS: 0.73 Points.

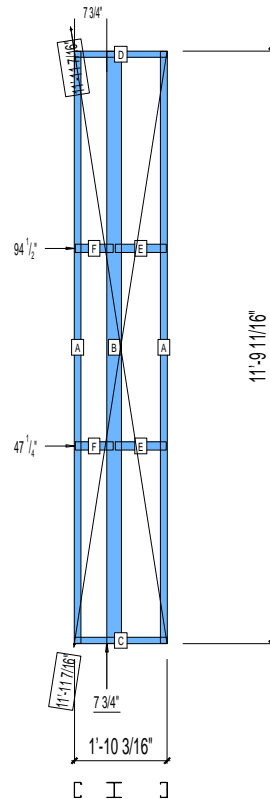
SPACING : 5000"

1st STUD: 5000"

WEIGHTS :

FRAME : 110 lbs

TOTAL: 110 lbs



PIECES LIST

LABEL	QTY	SIZE	LENGTH	USE
A	2	362S162-54	11'-9 9/16"	STUD
B	1	363i350p554	11'-9 9/16"	PACO. COLUMN
C	1	362T150-68	1'-10 3/16"	BOTTOM TRACK
D	1	362T150-68	1'-10 3/16"	TOP TRACK
E	2	362T200-68	1'-0 3/16"	BLOCK
F	2	362T200-68	9 1/16"	BLOCK

21-1018

Jewish Home for the Aging

1885 Victory Blvd. Reseda, CA

FrameMax, Inc.
13915 Danielson St
Suite 100
Poway, CA 92064
www.frame-max.com



© FrameMax Inc.

CREATED: 09/26/2008

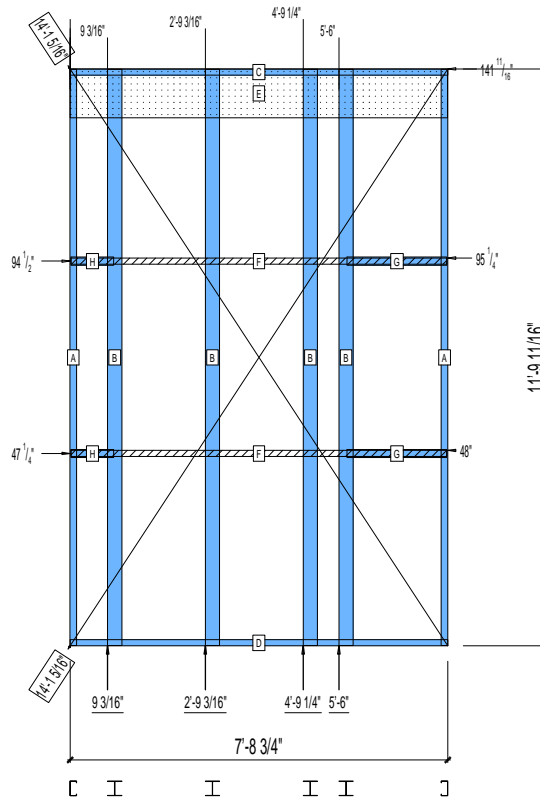
FM-07-109

CREATED BY: AMB

HEIGHT : 11'-9 11/16" POINTS: 2.04 Points.
SPACING : 5000"
1st STUD: 5000"

WEIGHTS :
FRAME : 344 lbs

TOTAL: 344 lbs



PIECES LIST

LABEL	QTY	SIZE	LENGTH	USE
A	2	362S162-54	11'-9 9/16"	STUD
B	4	363i350p554	11'-9 9/16"	PACO.COLUMN
C	1	362T150-68	7'-8 3/4"	TOP TRACK
D	1	362T150-68	7'-8 3/4"	BOTTOM TRACK
E	1	1200D-54	7'-8 11/16"	STRAP
F	2	150D-43	7'-8 5/16"	STRAP
G	2	362T200-68	2'-0 1/2"	BLOCK
H	2	362T200-68	10 1/2"	BLOCK

21-1019

Jewish Home for the Aging

1885 Victory Blvd. Reseda, CA

FM-07-109

CREATED BY: AMB

FrameMax, Inc.
13915 Danielson St
Suite 100
Poway, CA 92064
www.frame-max.com



© FrameMax Inc.

HEIGHT : 11'-9 11/16" POINTS: 2.17 Points.

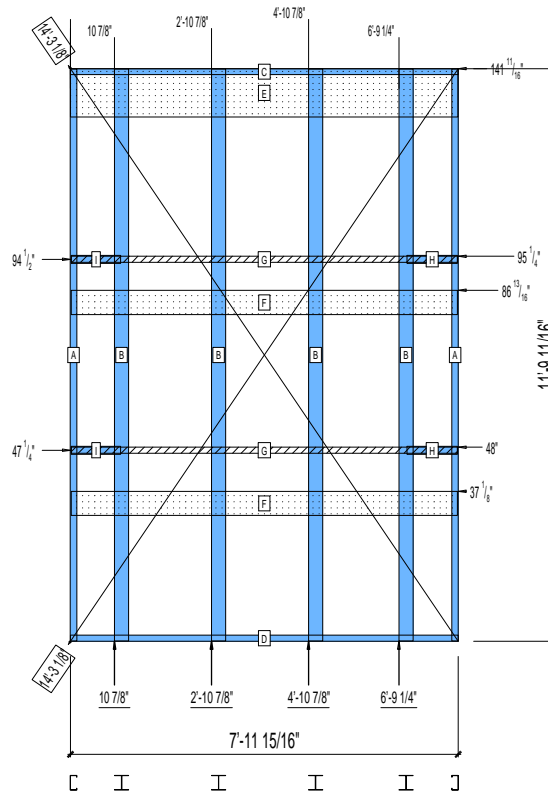
SPACING : 5000"

1st STUD: 5000"

WEIGHTS :

FRAME : 362 lbs

TOTAL: 362 lbs



PIECES LIST

LABEL	QTY	SIZE	LENGTH	USE
A	2	362S162-54	11'-9 9/16"	STUD
B	4	363I350p554	11'-9 9/16"	PACO. COLUMN
C	1	362T150-68	7'-11 15/16"	TOP TRACK
D	1	362T150-68	7'-11 15/16"	BOTTOM TRACK
E	1	1200D-54	7'-11 7/8"	STRAP
F	2	600D-54	7'-11 1/2"	KITCHEN BACKING
G	2	150D-43	7'-11 1/2"	STRAP
H	2	362T200-68	1'-0 7/16"	BLOCK
I	2	362T200-68	1'-0 3/16"	BLOCK

21-1022

Jewish Home for the Aging

1885 Victory Blvd. Reseda, CA

FrameMax, Inc.
13915 Danielson St
Suite 100
Poway, CA 92064
www.frame-max.com



© FrameMax Inc.

CREATED: 09/26/2008

FM-07-109

CREATED BY: AMB

HEIGHT : 11'-9 11/16" POINTS: 1.65 Points.

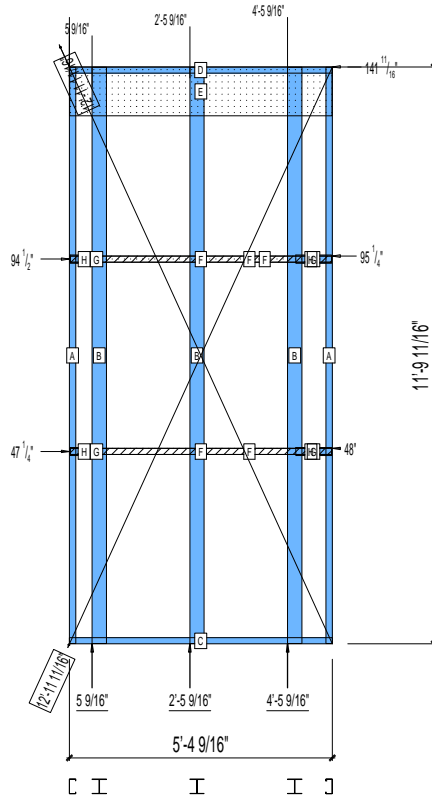
SPACING : 5000"

1st STUD: 5000"

WEIGHTS :

FRAME : 264 lbs

TOTAL: 264 lbs



PIECES LIST

LABEL	QTY	SIZE	LENGTH	USE
A	2	362S162-54	11'-9 9/16"	STUD
B	3	363i350p554	11'-9 9/16"	PACO. COLUMN
C	1	362T150-68	5'-4 9/16"	BOTTOM TRACK
D	1	362T150-68	5'-4 9/16"	TOP TRACK
E	1	1200D-54	5'-4 1/2"	STRAP
F	4	150D-43	5'-4 1/8"	STRAP
G	2	362T200-68	8 3/4"	BLOCK
H	2	362T200-68	6 7/8"	BLOCK

21-1023

Jewish Home for the Aging

1885 Victory Blvd. Reseda, CA

FrameMax, Inc.
13915 Danielson St
Suite 100
Poway, CA 92064
www.frame-max.com



© FrameMax Inc.

CREATED: 09/26/2008

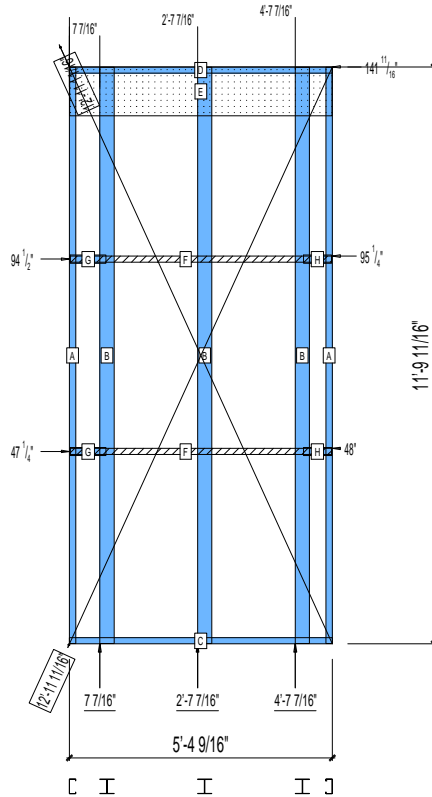
FM-07-109

CREATED BY: AMB

HEIGHT : 11'-9 11/16" POINTS: 1.60 Points.
SPACING : 5000"
1st STUD: 5000"

WEIGHTS :
FRAME : 261 lbs

TOTAL: 261 lbs



PIECES LIST

LABEL	QTY	SIZE	LENGTH	USE
A	2	362S162-54	11'-9 9/16"	STUD
B	3	363i350p554	11'-9 9/16"	PACO.COLUMN
C	1	362T150-68	5'-4 9/16"	BOTTOM TRACK
D	1	362T150-68	5'-4 9/16"	TOP TRACK
E	1	1200D-54	5'-4 1/2"	STRAP
F	2	150D-43	5'-4 1/8"	STRAP
G	2	362T200-68	8 3/4"	BLOCK
H	2	362T200-68	6 7/8"	BLOCK

21-1025

Jewish Home for the Aging

1885 Victory Blvd. Reseda, CA

FM-07-109

CREATED BY: TNT

FrameMax, Inc.
13915 Danielson St
Suite 100
Poway, CA 92064
www.frame-max.com



© FrameMax Inc.

HEIGHT : 11'-9 11/16" POINTS: 6.33 Points.

SPACING : 24"

1st STUD: 24"

WEIGHTS :

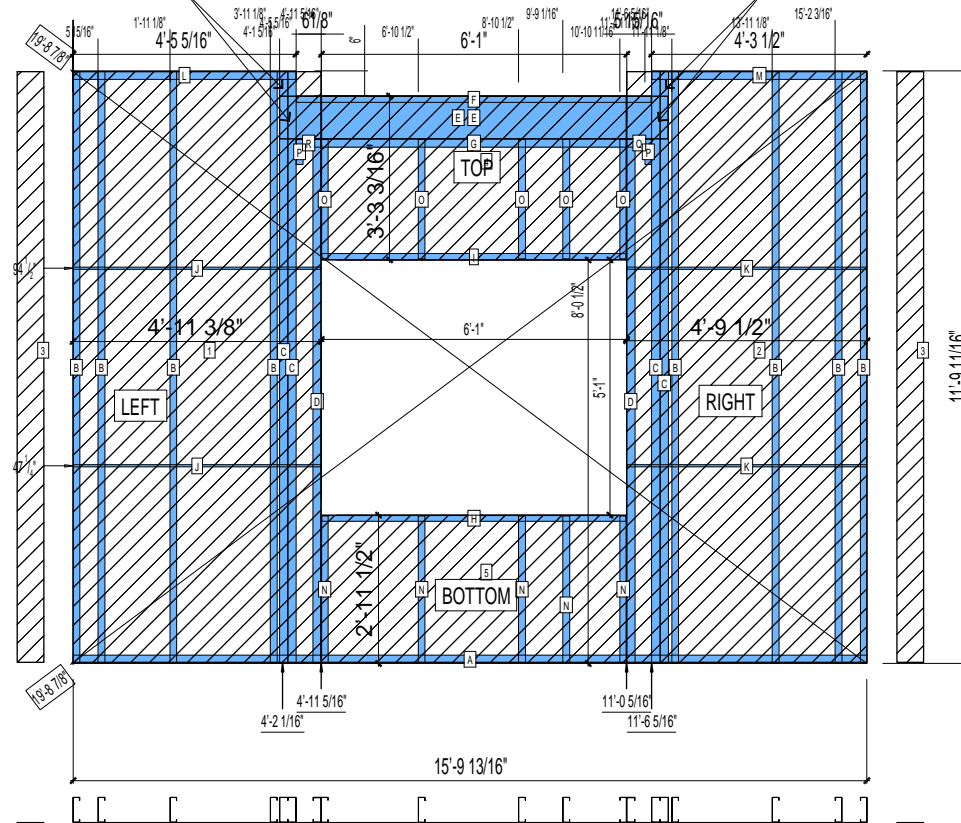
FRAME : 717 lbs

SHEATHING: 411 lbs

TOTAL: 1128 lbs

10SCREWS EA. KING STUD

10SCREWS EA. KING STUD



PIECES LIST

LABEL	QTY	SIZE	LENGTH	USE
A	1	600T200-68	15'-9 13/16"	BOTTOM TRACK
B	8	600S162-68	11'-9 1/2"	STUD
C	4	600S200-97	11'-9 1/2"	EXTRA STUD
D	2	600S200-97	10'-5 3/16"	KING STUD
E	2	1000T200-97	7'-8 7/8"	HEADER
F	1	600T150-54	7'-0 3/4"	HEAD TRACK
G	1	600T200-68	6'-0 7/8"	TOP TRACK
H	1	600T150-54	6'-0 3/4"	SILL
I	1	600T150-54	6'-0 3/4"	HEAD TRACK
J	2	150U50-54	4'-11 1/8"	HORIZONTAL BRACING
K	2	150U50-54	4'-9 1/4"	HORIZONTAL BRACING
L	1	600T200-68	4'-5 5/16"	TOP TRACK
M	1	600T200-68	4'-3 7/16"	TOP TRACK
N	5	600S162-54	2'-11 1/16"	CRIPPLE
O	5	600S162-54	2'-4 9/16"	CRIPPLE
P	2	600S162-54	6"	CRIPPLE
Q	1	600T200-68	5 15/16"	TOP TRACK
R	1	600T200-68	5 7/8"	TOP TRACK

SHEATHING

LABEL	QTY	CODE	THICK	SIZE	SCREWS
1	1	DENSGLASS	1/2"	4'-11 1/4" X 11'-9 1/4"	8 - 12
2	1	DENSGLASS	1/2"	4'-9 3/8" X 11'-9 1/4"	8 - 12
3	2	DENSGLASS	1/2"	6 3/8" X 11'-9 1/4"	8 - 12
4	1	DENSGLASS	1/2"	6'-0 7/8" X 3'-3 1/16"	8 - 12
5	1	DENSGLASS	1/2"	6'-0 7/8" X 2'-11 3/16"	8 - 12

21-1026

Jewish Home for the Aging

1885 Victory Blvd. Reseda, CA

FrameMax, Inc.
13915 Danielson St
Suite 100
Poway, CA 92064
www.frame-max.com



© FrameMax Inc.

CREATED: 10/13/2008

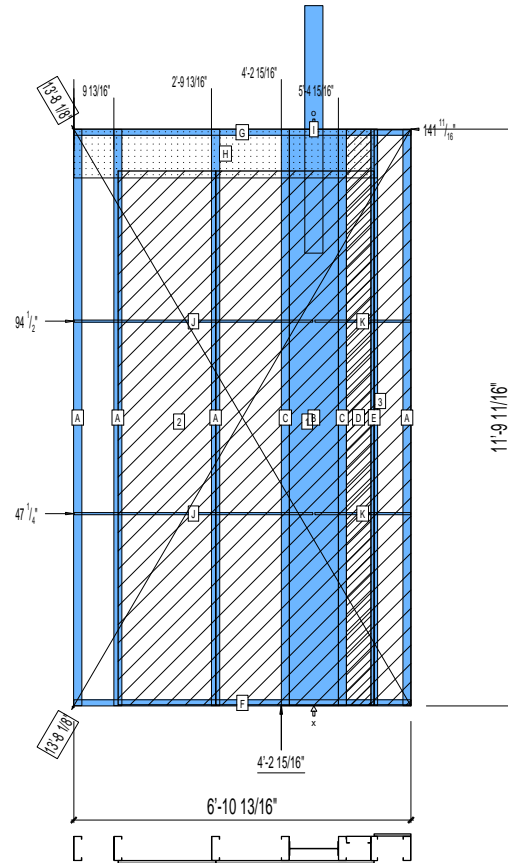
FM-07-109

CREATED BY: TNT

HEIGHT : 14'-4" POINTS: 3.72 Points.
SPACING : 24"
1st STUD: 10 7/8"

WEIGHTS :
FRAME : 476 lbs
SHEATHING: 233 lbs

TOTAL: 709 lbs



PIECES LIST

LABEL	QTY	SIZE	LENGTH	USE
A	4	600S200-97	11'-9 9/16"	STUD
B	1	1200i350p1062	11'-9 9/16"	PACO
C	2	600S200-68	11'-9 9/16"	STUD
D	1	600S162-33	11'-9 1/2"	BACKER-U
E	1	600S162-33	11'-9 1/2"	BACKER STUD
F	1	600T150-68	6'-10 13/16"	BOTTOM TRACK
G	1	600T150-68	6'-10 13/16"	TOP TRACK
H	1	1200D-54	6'-2 1/2"	STRAP
I	1	D	5'-0 3/4"	HOLDDOWN
J	2	150U50-54	4'-10 5/8"	HORIZONTAL BRACING
K	2	150U50-54	1'-11 1/2"	HORIZONTAL BRACING

SHEATHING

LABEL	QTY	CODE	THICK	SIZE	SCREWS
1	1	SB-DENSARMOR	5/8"	3'-2 15/16" X 10'-11 1/8"	2-12
2	1	SB-DENSARMOR	5/8"	1'-11 15/16" X 10'-11 1/8"	2-12
3	1	DENSGLOSS	1/2"	9" X 11'-9 1/4"	8 - 12

21-1027

Jewish Home for the Aging

1885 Victory Blvd. Reseda, CA

FrameMax, Inc.
13915 Danielson St
Suite 100
Poway, CA 92064
www.frame-max.com



© FrameMax Inc.

CREATED: 10/13/2008

FM-07-109

CREATED BY: AMB

HEIGHT : 11'-9 11/16" POINTS: 3.47 Points.

SPACING : 5000"

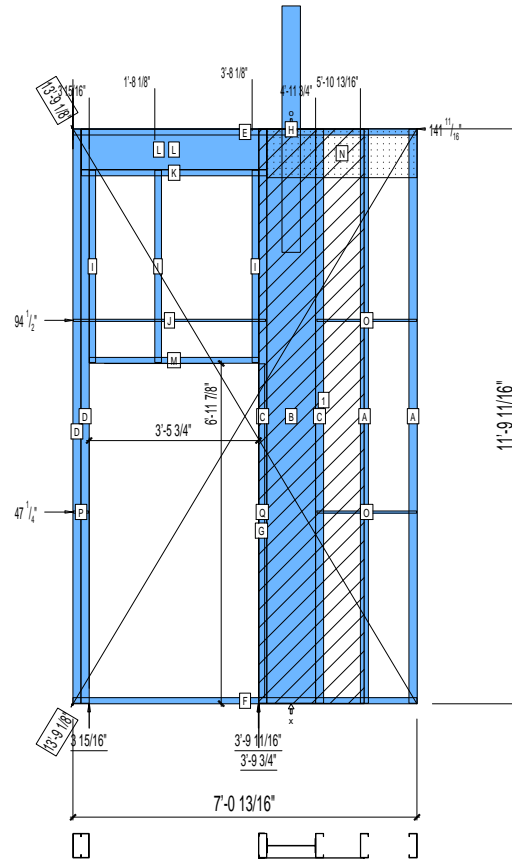
1st STUD: 20 5/8"

WEIGHTS :

FRAME : 525 lbs

SHEATHING: 94 lbs

TOTAL: 619 lbs



PIECES LIST

LABEL	QTY	SIZE	LENGTH	USE
A	2	600S200-97	11'-9 9/16"	STUD
B	1	1200i350p1062	11'-9 9/16"	PACO
C	2	600S200-68	11'-9 9/16"	STUD
D	2	600S200-97	11'-9 9/16"	KING STUD
E	1	600T150-68	7'-0 13/16"	TOP TRACK
F	1	600T150-68	7'-0 13/16"	BOTTOM TRACK
G	1	600T150-54	6'-10 1/4"	KING TRACK
H	1	D	5'-0 3/4"	HOLDDOWN
I	3	600S162-54	3'-11 7/16"	CRIPPLE
J	1	150U50-54	3'-11 3/8"	HORIZONTAL BRACING
K	1	600T150-54	3'-9 5/8"	HEADER BOTTOM TRACK
L	2	1000S200-97	3'-9 5/8"	HEADER
M	1	600T150-54	3'-5 11/16"	HEAD TRACK
N	1	1200D-54	3'-0 15/16"	STRAP
O	2	150U50-54	2'-0 5/8"	HORIZONTAL BRACING
P	1	150U50-54	3 3/4"	HORIZONTAL BRACING
Q	1	150U50-54	1 5/8"	HORIZONTAL BRACING

SHEATHING

LABEL	QTY	CODE	THICK	SIZE	SCREWS
1	1	SB-DENSARMOR	5/8"	2'-2" X 11'-9 5/8"	2-12

21-1028

Jewish Home for the Aging

1885 Victory Blvd. Reseda, CA

FM-07-109

CREATED BY: TNT

FrameMax, Inc.
13915 Danielson St
Suite 100
Poway, CA 92064
www.frame-max.com



© FrameMax Inc.

HEIGHT : 11'-9 11/16" POINTS: 1.78 Points.

SPACING : 24"

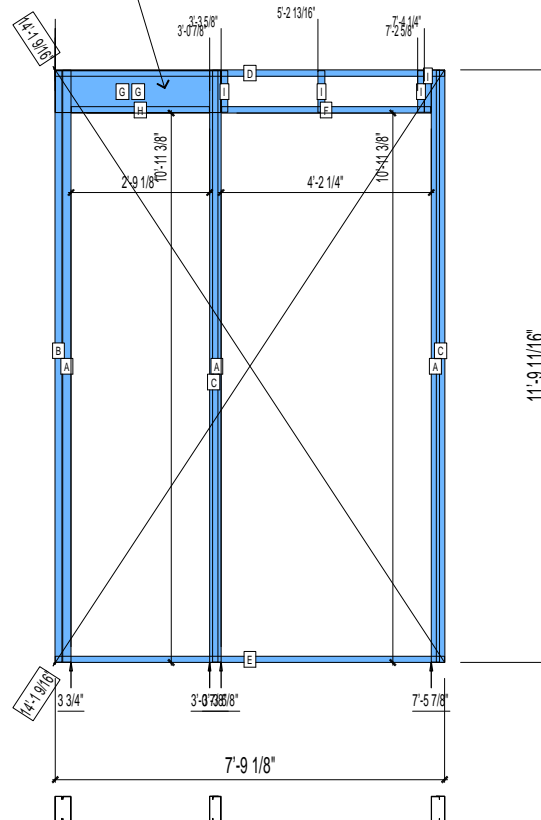
1st STUD: 23 1/16"

WEIGHTS :

FRAME : 281 lbs

TOTAL: 281 lbs

10 SCREWS
INTO EACH KING STUD



PIECES LIST

LABEL	QTY	SIZE	LENGTH	USE
A	3	600S200-97	11'-9 9/16"	KING STUD
B	1	600S162-97	11'-9 1/2"	KING STUD
C	2	600T200-33	11'-9 1/2"	CAP TRACK
D	1	600T150-68	7'-9 1/8"	TOP TRACK
E	1	600T150-68	7'-9 1/8"	BOTTOM TRACK
F	1	600T150-54	4'-2"	HEAD TRACK
G	2	1000S200-97	3'-3 9/16"	HEADER
H	1	600T150-54	2'-9"	HEADER BOTTOM TRACK
I	4	600S162-54	9 15/16"	CRIPPLE

21-1029

Jewish Home for the Aging

1885 Victory Blvd. Reseda, CA

FM-07-109

CREATED BY: TNT

FrameMax, Inc.
13915 Danielson St
Suite 100
Poway, CA 92064
www.frame-max.com



© FrameMax Inc.

HEIGHT : 11'-9 11/16" POINTS: 1.78 Points.

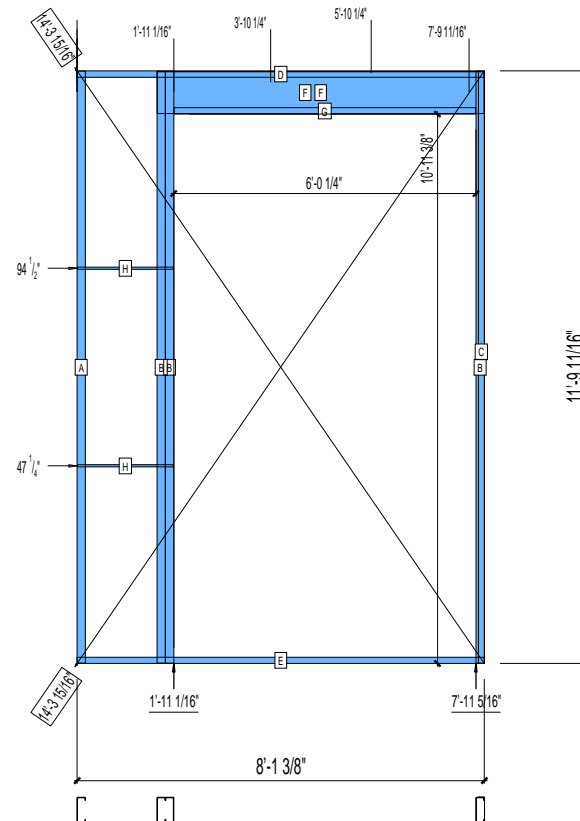
SPACING : 24"

1st STUD: 24"

WEIGHTS :

FRAME : 299 lbs

TOTAL: 299 lbs



PIECES LIST

LABEL	QTY	SIZE	LENGTH	USE
A	1	600S200-97	11'-9 9/16"	STUD
B	3	600S200-97	11'-9 9/16"	KING STUD
C	1	600T150-33	11'-9 1/2"	CAP TRACK
D	1	600T150-68	8'-1 3/8"	TOP TRACK
E	1	600T150-68	8'-1 3/8"	BOTTOM TRACK
F	2	1000S200-97	6'-6 3/16"	HEADER
G	1	600T150-54	6'-0 1/8"	HEADER BOTTOM TRACK
H	2	150U50-54	1'-10 7/8"	HORIZONTAL BRACING

21-1031

Jewish Home for the Aging

1885 Victory Blvd. Reseda, CA

FrameMax, Inc.
13915 Danielson St
Suite 100
Poway, CA 92064
www.frame-max.com



© FrameMax Inc.

CREATED: 10/20/2008

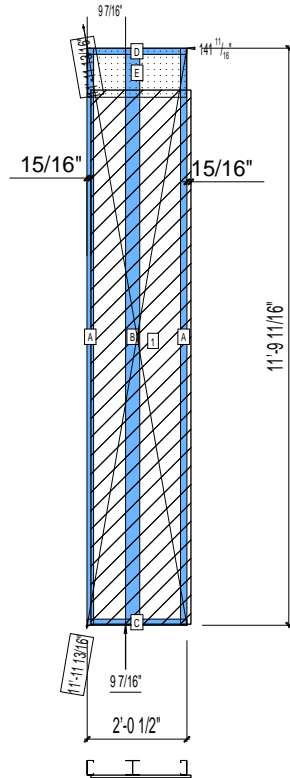
FM-07-109

CREATED BY: TNT

HEIGHT : 11'-9 11/16" POINTS: 1.04 Points.
SPACING : 5000"
1st STUD: 5000"

WEIGHTS :
FRAME : 109 lbs
SHEATHING: 82 lbs

TOTAL: 191 lbs



PIECES LIST

LABEL	QTY	SIZE	LENGTH	USE
A	2	362S162-54	11'-9 9/16"	STUD
B	1	3631350p554	11'-9 9/16"	PACO.COLUMN
C	1	362T150-68	2'-0 1/2"	BOTTOM TRACK
D	1	362T150-68	2'-0 1/2"	TOP TRACK
E	1	1200D-54	2'-0 1/4"	STRAP

SHEATHING

LABEL	QTY	CODE	THICK	SIZE	SCREWS
1	1	SB-DENSARMOR	5/8"	2'-0 9/16" X 10'-11 1/8"	2-12

21-1032

Jewish Home for the Aging

1885 Victory Blvd. Reseda, CA

FrameMax, Inc.
13915 Danielson St
Suite 100
Poway, CA 92064
www.frame-max.com



© FrameMax Inc.

CREATED: 09/26/2008

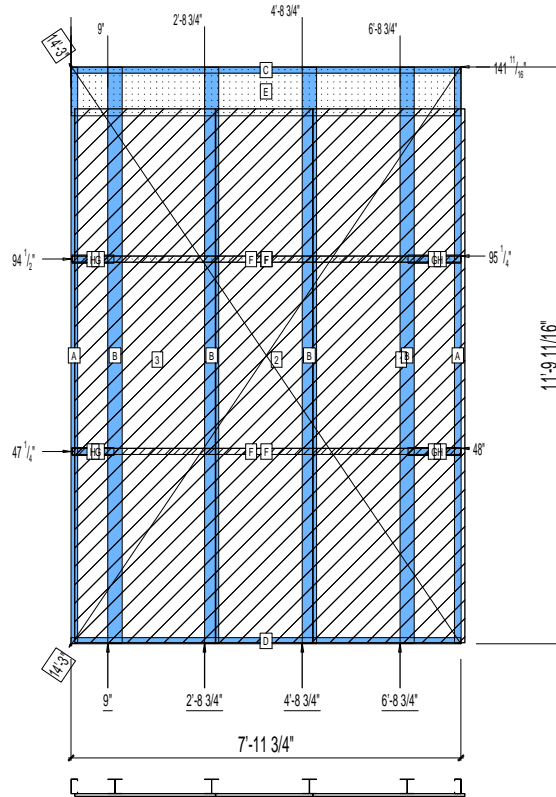
FM-07-109

CREATED BY: TNT

HEIGHT : 11'-9 11/16" POINTS: 3.55 Points.
SPACING : 5000"
1st STUD: 5000"

WEIGHTS :
FRAME : 345 lbs
SHEATHING: 321 lbs

TOTAL: 666 lbs



PIECES LIST

LABEL	QTY	SIZE	LENGTH	USE
A	2	362S162-54	11'-9 9/16"	STUD
B	4	363i350p554	11'-9 9/16"	PACO. COLUMN
C	1	362T150-68	7'-11 3/4"	TOP TRACK
D	1	362T150-68	7'-11 3/4"	BOTTOM TRACK
E	1	1200D-54	7'-11 11/16"	STRAP
F	4	150D-43	7'-11 1/2"	STRAP
G	2	362T200-68	1'-0 15/16"	BLOCK
H	2	362T200-68	10 5/16"	BLOCK

SHEATHING

LABEL	QTY	CODE	THICK	SIZE	SCREWS
1	1	SB-DENSARMOR	5/8"	3'-1 5/16" X 10'-11 1/8"	2-12
2	1	SB-DENSARMOR	5/8"	1'-11 15/16" X 10'-11 1/8"	2-12
3	1	SB-DENSARMOR	5/8"	2'-10 9/16" X 10'-11 1/8"	2-12

21-1033

Jewish Home for the Aging

1885 Victory Blvd. Reseda, CA

FrameMax, Inc.
13915 Danielson St
Suite 100
Poway, CA 92064
www.frame-max.com



© FrameMax Inc.

CREATED: 09/26/2008

FM-07-109

CREATED BY: TNT

HEIGHT : 11'-9 11/16" POINTS: 3.50 Points.

SPACING : 5000"

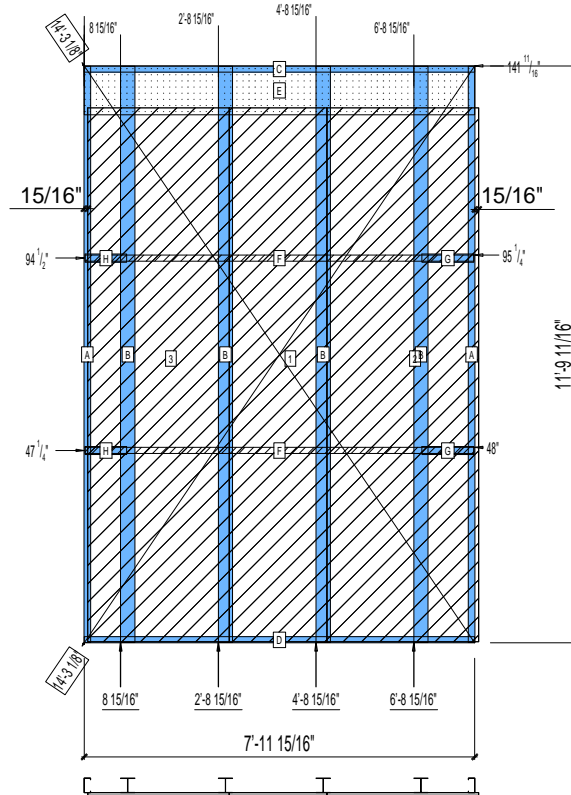
1st STUD: 5000"

WEIGHTS :

FRAME : 342 lbs

SHEATHING: 322 lbs

TOTAL: 664 lbs



PIECES LIST

LABEL	QTY	SIZE	LENGTH	USE
A	2	362S162-54	11'-9 9/16"	STUD
B	4	363i350p554	11'-9 9/16"	PACO. COLUMN
C	1	362T150-68	7'-11 15/16"	TOP TRACK
D	1	362T150-68	7'-11 15/16"	BOTTOM TRACK
E	1	1200D-54	7'-11 7/8"	STRAP
F	2	150D-43	7'-11 1/2"	STRAP
G	2	362T200-68	1'-0 3/4"	BLOCK
H	2	362T200-68	10 1/4"	BLOCK

SHEATHING

LABEL	QTY	CODE	THICK	SIZE	SCREWS
1	1	SB-DENSARMOR	5/8"	1'-11 15/16" X 10'-11 1/8"	2-12
2	1	SB-DENSARMOR	5/8"	3'-1 1/4" X 10'-11 1/8"	2-12
3	1	SB-DENSARMOR	5/8"	2'-10 3/4" X 10'-11 1/8"	2-12

21-1034

Jewish Home for the Aging

1885 Victory Blvd. Reseda, CA

FrameMax, Inc.
13915 Danielson St
Suite 100
Poway, CA 92064
www.frame-max.com



© FrameMax Inc.

CREATED: 09/26/2008

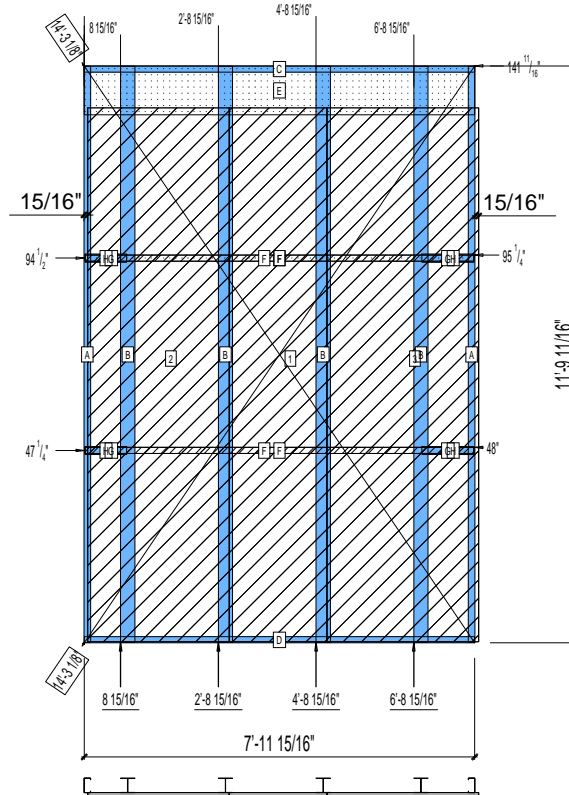
FM-07-109

CREATED BY: TNT

HEIGHT : 11'-9 11/16" POINTS: 3.56 Points.
SPACING : 5000"
1st STUD: 5000"

WEIGHTS :
FRAME : 345 lbs
SHEATHING: 322 lbs

TOTAL: 667 lbs



PIECES LIST

LABEL	QTY	SIZE	LENGTH	USE
A	2	362S162-54	11'-9 9/16"	STUD
B	4	363i350p554	11'-9 9/16"	PACO. COLUMN
C	1	362T150-68	7'-11 15/16"	TOP TRACK
D	1	362T150-68	7'-11 15/16"	BOTTOM TRACK
E	1	1200D-54	7'-11 7/8"	STRAP
F	4	150D-43	7'-11 1/2"	STRAP
G	2	362T200-68	1'-0 3/4"	BLOCK
H	2	362T200-68	10 1/4"	BLOCK

SHEATHING

LABEL	QTY	CODE	THICK	SIZE	SCREWS
1	1	SB-DENSARMOR	5/8"	1'-11 15/16" X 10'-11 1/8"	2-12
2	1	SB-DENSARMOR	5/8"	2'-10 3/4" X 10'-11 1/8"	2-12
3	1	SB-DENSARMOR	5/8"	3'-1 5/16" X 10'-11 1/8"	2-12

21-1035

Jewish Home for the Aging

1885 Victory Blvd. Reseda, CA

FrameMax, Inc.
13915 Danielson St
Suite 100
Poway, CA 92064
www.frame-max.com



© FrameMax Inc.

CREATED: 10/12/2008

FM-07-109

CREATED BY: AMB

HEIGHT : 11'-9 11/16" POINTS: 0.74 Points.

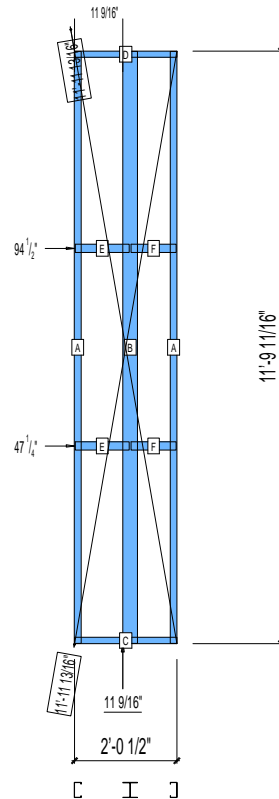
SPACING : 5000"

1st STUD: 5000"

WEIGHTS :

FRAME : 111 lbs

TOTAL: 111 lbs



PIECES LIST

LABEL	QTY	SIZE	LENGTH	USE
A	2	362S162-54	11'-9 9/16"	STUD
B	1	363i350p554	11'-9 9/16"	PACO. COLUMN
C	1	362T150-68	2'-0 1/2"	BOTTOM TRACK
D	1	362T150-68	2'-0 1/2"	TOP TRACK
E	2	362T200-68	1'-0 13/16"	BLOCK
F	2	362T200-68	10 3/4"	BLOCK

21-1036

Jewish Home for the Aging

1885 Victory Blvd. Reseda, CA

FrameMax, Inc.
13915 Danielson St
Suite 100
Poway, CA 92064
www.frame-max.com



© FrameMax Inc.

CREATED: 09/26/2008

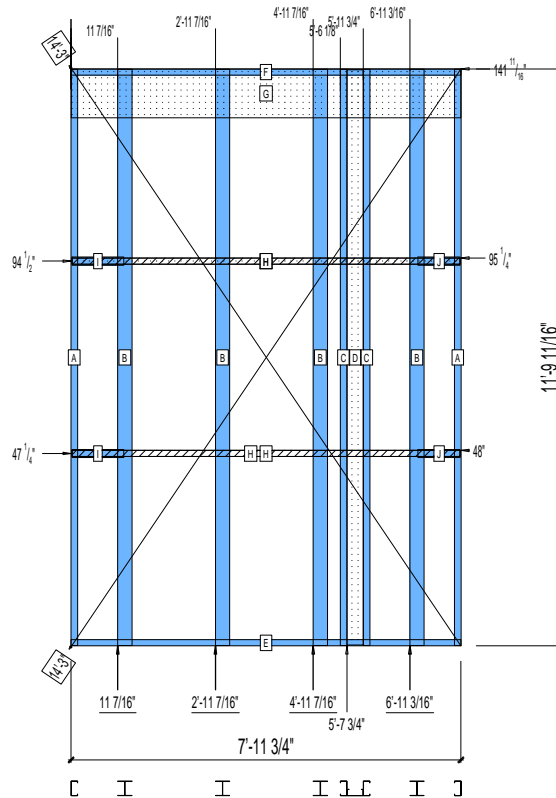
FM-07-109

CREATED BY: AMB

HEIGHT : 11'-9 11/16" POINTS: 2.40 Points.
SPACING : 5000"
1st STUD: 5000"

WEIGHTS :
FRAME : 398 lbs

TOTAL: 398 lbs



PIECES LIST

LABEL	QTY	SIZE	LENGTH	USE
A	2	362S162-54	11'-9 9/16"	STUD
B	4	363i350p554	11'-9 9/16"	PACO. COLUMN
C	2	362S162-54	11'-9 9/16"	BACKER STUD
D	1	400S162-54	11'-9 5/16"	BACKER-U
E	1	362T150-68	7'-11 3/4"	BOTTOM TRACK
F	1	362T150-68	7'-11 3/4"	TOP TRACK
G	1	1200D-54	7'-11 11/16"	STRAP
H	4	150D-43	7'-11 5/16"	STRAP
I	2	362T200-68	1'-0 3/4"	BLOCK
J	2	362T200-68	10 5/16"	BLOCK

21-1037

Jewish Home for the Aging

1885 Victory Blvd. Reseda, CA

FrameMax, Inc.
13915 Danielson St
Suite 100
Poway, CA 92064
www.frame-max.com



© FrameMax Inc.

CREATED: 09/26/2008

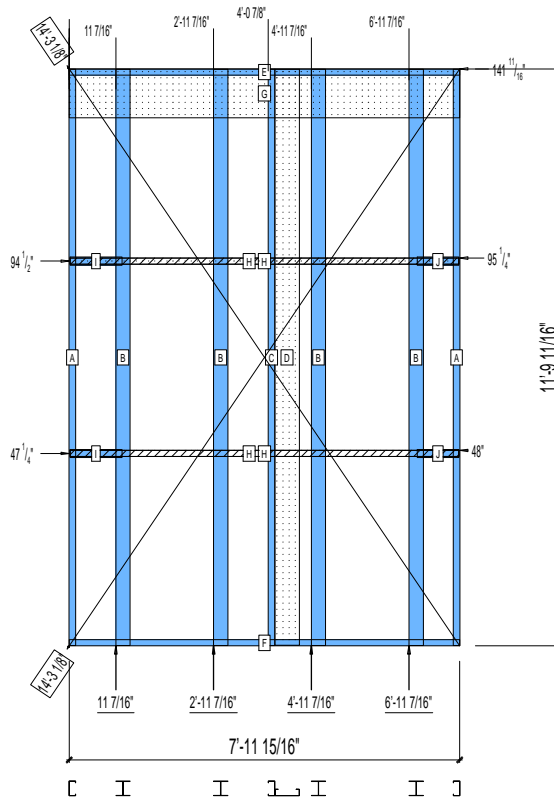
FM-07-109

CREATED BY: AMB

HEIGHT : 11'-9 11/16" POINTS: 2.25 Points.
SPACING : 5000"
1st STUD: 5000"

WEIGHTS :
FRAME : 370 lbs

TOTAL: 370 lbs



PIECES LIST

LABEL	QTY	SIZE	LENGTH	USE
A	2	362S162-54	11'-9 9/16"	STUD
B	4	363i350p554	11'-9 9/16"	PACO. COLUMN
C	1	362S162-33	11'-9 9/16"	BACKER STUD
D	1	600S162-33	11'-9 1/2"	BACKER-U
E	1	362T150-68	7'-11 15/16"	TOP TRACK
F	1	362T150-68	7'-11 15/16"	BOTTOM TRACK
G	1	1200D-54	7'-11 7/8"	STRAP
H	4	150D-43	7'-11 1/2"	STRAP
I	2	362T200-68	1'-0 3/4"	BLOCK
J	2	362T200-68	10 1/4"	BLOCK

21-1038

Jewish Home for the Aging

1885 Victory Blvd. Reseda, CA

FrameMax, Inc.
13915 Danielson St
Suite 100
Poway, CA 92064
www.frame-max.com



© FrameMax Inc.

CREATED: 09/26/2008

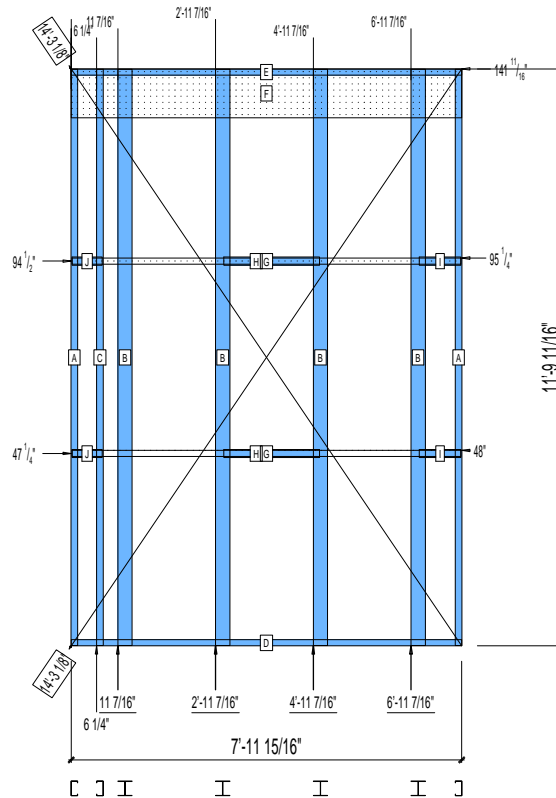
FM-07-109

CREATED BY: AMB

HEIGHT : 11'-9 11/16" POINTS: 2.26 Points.
SPACING : 5000"
1st STUD: 5000"

WEIGHTS :
FRAME : 377 lbs

TOTAL: 377 lbs



PIECES LIST

LABEL	QTY	SIZE	LENGTH	USE
A	2	362S162-54	11'-9 9/16"	STUD
B	4	363i350p554	11'-9 9/16"	PACO. COLUMN
C	1	362S162-54	11'-9 9/16"	BACKER STUD
D	1	362T150-68	7'-11 15/16"	BOTTOM TRACK
E	1	362T150-68	7'-11 15/16"	TOP TRACK
F	1	1200D-54	7'-11 7/8"	STRAP
G	2	150D-43	7'-11 1/2"	STRAP
H	2	362T200-68	1'-11 1/2"	BLOCK
I	2	362T200-68	10 1/4"	BLOCK
J	2	362T200-68	7 7/16"	BLOCK

21-1041

Jewish Home for the Aging

1885 Victory Blvd. Reseda, CA

FM-07-109

CREATED BY: TNT

FrameMax, Inc.
13915 Danielson St
Suite 100
Poway, CA 92064
www.frame-max.com



© FrameMax Inc.

HEIGHT : 11'-9 11/16" POINTS: 3.66 Points.

SPACING : 5000"

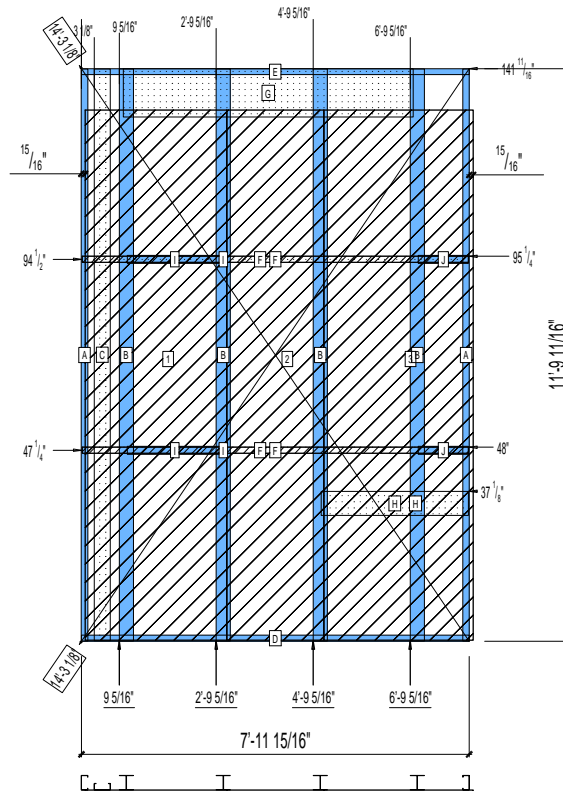
1st STUD: 5000"

WEIGHTS :

FRAME : 359 lbs

SHEATHING: 322 lbs

TOTAL: 681 lbs



PIECES LIST

LABEL	QTY	SIZE	LENGTH	USE
A	2	362S162-54	11'-9 9/16"	STUD
B	4	363I350p554	11'-9 9/16"	PACO. COLUMN
C	1	400S162-33	11'-9 1/2"	BACKER-U
D	1	362T150-68	7'-11 15/16"	BOTTOM TRACK
E	1	362T150-68	7'-11 15/16"	TOP TRACK
F	4	150D-43	7'-11 1/2"	STRAP
G	1	1200D-54	5'-11 3/4"	STRAP
H	1	600D-54	3'-0 3/8"	VANITY BACKING
I	2	362T200-68	1'-11 1/2"	BLOCK
J	2	362T200-68	1'-0 3/8"	BLOCK

SHEATHING

LABEL	QTY	CODE	THICK	SIZE	SCREWS
1	1	SB-DENSARMOR	5/8"	2'-11 1/16" X 10'-11 1/8"	2-12
2	1	SB-DENSARMOR	5/8"	2'-0" X 10'-11 1/8"	2-12
3	1	SB-DENSARMOR	5/8"	3'-0 15/16" X 10'-11 1/8"	2-12

21-1042

Jewish Home for the Aging

1885 Victory Blvd. Reseda, CA

FM-07-109

CREATED BY: TNT

FrameMax, Inc.
13915 Danielson St
Suite 100
Poway, CA 92064
www.frame-max.com



© FrameMax Inc.

HEIGHT : 11'-9 11/16" POINTS: 3.90 Points.

SPACING : 5000"

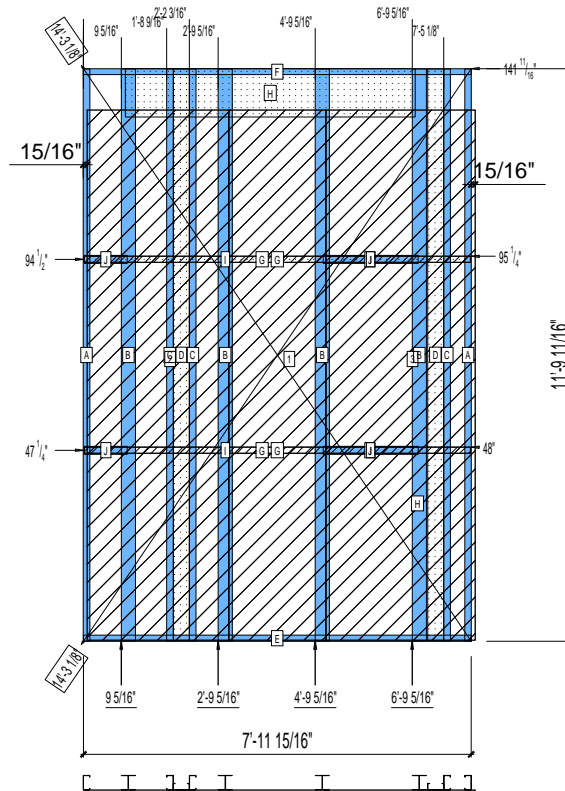
1st STUD: 5000"

WEIGHTS :

FRAME : 397 lbs

SHEATHING: 322 lbs

TOTAL: 719 lbs



PIECES LIST

LABEL	QTY	SIZE	LENGTH	USE
A	2	362S162-54	11'-9 9/16"	STUD
B	4	363I350p554	11'-9 9/16"	PACO. COLUMN
C	3	362S162-33	11'-9 9/16"	BACKER STUD
D	2	400S162-33	11'-9 1/2"	BACKER-U
E	1	362T150-68	7'-11 15/16"	BOTTOM TRACK
F	1	362T150-68	7'-11 15/16"	TOP TRACK
G	4	150D-43	7'-11 1/2"	STRAP
H	1	1200D-54	5'-11 3/4"	STRAP
I	2	362T200-68	1'-11 1/2"	BLOCK
J	2	362T200-68	10 5/8"	BLOCK

SHEATHING

LABEL	QTY	CODE	THICK	SIZE	SCREWS
1	1	SB-DENSARMOR	5/8"	2'-0" X 10'-11 1/8"	2-12
2	1	SB-DENSARMOR	5/8"	2'-11 1/16" X 10'-11 1/8"	2-12
3	1	SB-DENSARMOR	5/8"	3'-0 15/16" X 10'-11 1/8"	2-12

21-1043

Jewish Home for the Aging

1885 Victory Blvd. Reseda, CA

FM-07-109

CREATED BY: TNT

FrameMax, Inc.
13915 Danielson St
Suite 100
Poway, CA 92064
www.frame-max.com



© FrameMax Inc.

HEIGHT : 11'-9 11/16" POINTS: 3.28 Points.

SPACING : 5000"

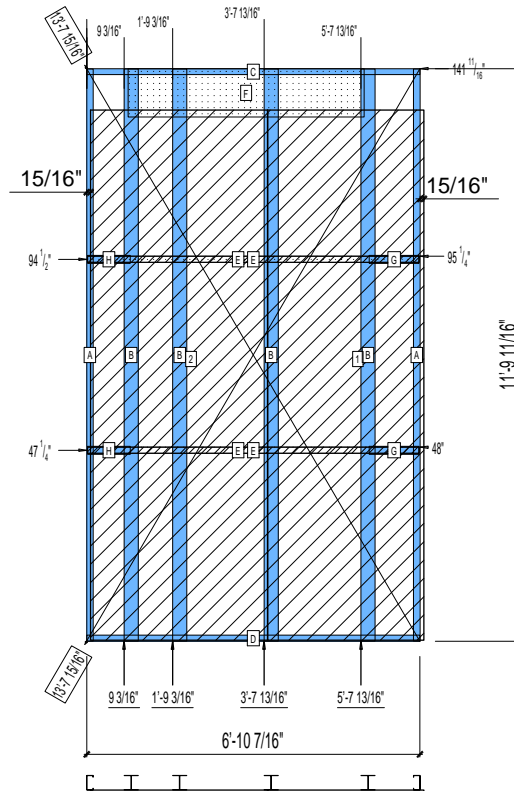
1st STUD: 5000"

WEIGHTS :

FRAME : 335 lbs

SHEATHING: 276 lbs

TOTAL: 611 lbs



PIECES LIST

LABEL	QTY	SIZE	LENGTH	USE
A	2	362S162-54	11'-9 9/16"	STUD
B	4	363I350p554	11'-9 9/16"	PACO. COLUMN
C	1	362T150-68	6'-10 7/16"	TOP TRACK
D	1	362T150-68	6'-10 7/16"	BOTTOM TRACK
E	4	150D-43	6'-10"	STRAP
F	1	1200D-54	4'-10 3/8"	STRAP
G	2	362T200-68	1'-0 3/8"	BLOCK
H	2	362T200-68	10 1/2"	BLOCK

SHEATHING

LABEL	QTY	CODE	THICK	SIZE	SCREWS
1	1	SB-DENSARMOR	5/8"	3'-2 11/16" X 10'-11 1/8"	2-12
2	1	SB-DENSARMOR	5/8"	3'-7 13/16" X 10'-11 1/8"	2-12

21-1044

Jewish Home for the Aging

1885 Victory Blvd. Reseda, CA

FM-07-109

CREATED BY: TNT

FrameMax, Inc.
13915 Danielson St
Suite 100
Poway, CA 92064
www.frame-max.com



© FrameMax Inc.

HEIGHT : 11'-9 11/16" POINTS: 2.06 Points.

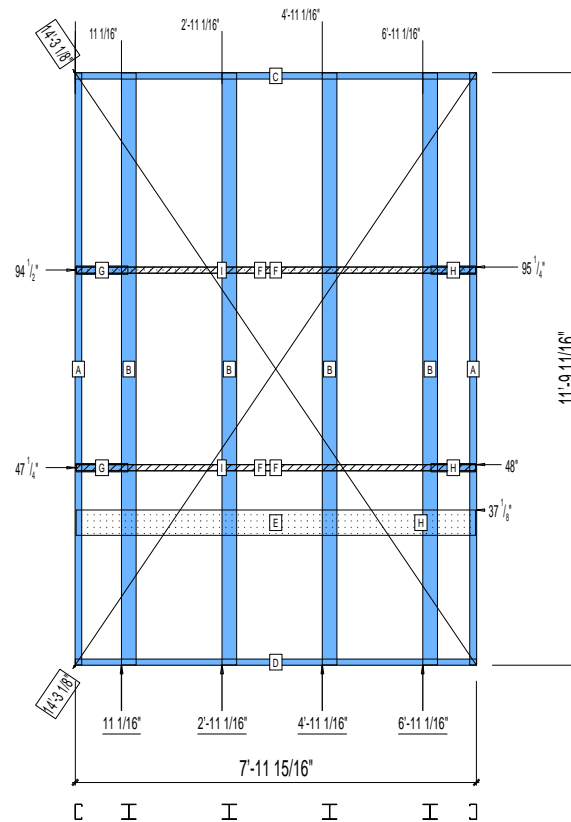
SPACING : 5000"

1st STUD: 5000"

WEIGHTS :

FRAME : 336 lbs

TOTAL: 336 lbs



PIECES LIST

LABEL	QTY	SIZE	LENGTH	USE
A	2	362S162-54	11'-9 9/16"	STUD
B	4	363i350p554	11'-9 9/16"	PACO.COLUMN
C	1	362T150-68	7'-11 15/16"	TOP TRACK
D	1	362T150-68	7'-11 15/16"	BOTTOM TRACK
E	1	600D-54	7'-11 1/2"	VANITY BACKING
F	4	150D-43	7'-11 1/2"	STRAP
G	2	362T200-68	1'-0 3/8"	BLOCK
H	2	362T200-68	10 5/8"	BLOCK

21-1045

Jewish Home for the Aging

1885 Victory Blvd. Reseda, CA

FrameMax, Inc.
13915 Danielson St
Suite 100
Poway, CA 92064
www.frame-max.com



© FrameMax Inc.

CREATED: 10/19/2008

FM-07-109

CREATED BY: TNT

HEIGHT : 11'-9 11/16" POINTS: 2.30 Points.

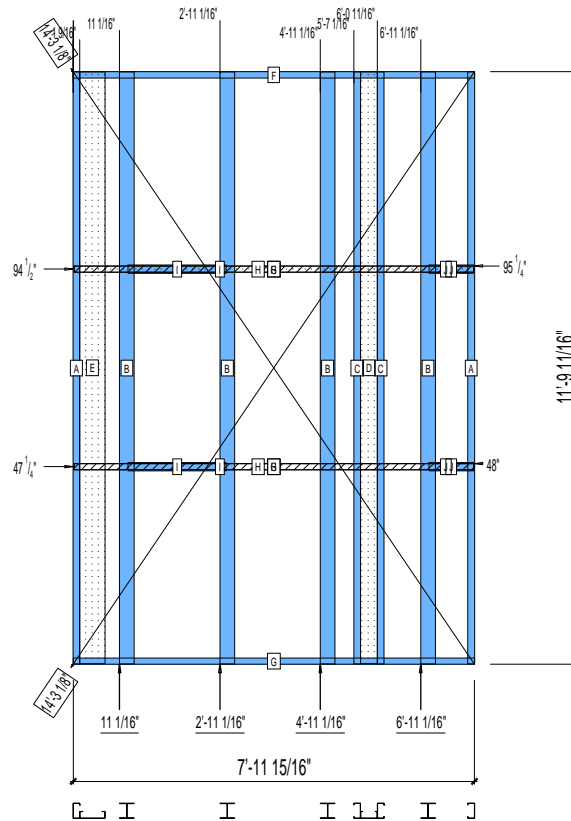
SPACING : 5000"

1st STUD: 5000"

WEIGHTS :

FRAME : 375 lbs

TOTAL: 375 lbs



PIECES LIST

LABEL	QTY	SIZE	LENGTH	USE
A	2	362S162-54	11'-9 9/16"	STUD
B	4	363i350p554	11'-9 9/16"	PACO. COLUMN
C	2	362S162-33	11'-9 9/16"	BACKER STUD
D	1	400S162-33	11'-9 1/2"	BACKER-U
E	1	600S162-33	11'-9 1/2"	BACKER-U
F	1	362T150-68	7'-11 15/16"	TOP TRACK
G	1	362T150-68	7'-11 15/16"	BOTTOM TRACK
H	4	150D-43	7'-11 1/2"	STRAP
I	2	362T200-68	1'-11 1/2"	BLOCK
J	2	362T200-68	10 5/8"	BLOCK

21-1046

Jewish Home for the Aging

1885 Victory Blvd. Reseda, CA

FrameMax, Inc.
13915 Danielson St
Suite 100
Poway, CA 92064
www.framemax.com



© FrameMax Inc.

CREATED: 10/19/2008

FM-07-109

CREATED BY: TNT

HEIGHT : 11'-9 11/16" POINTS: 1.95 Points.

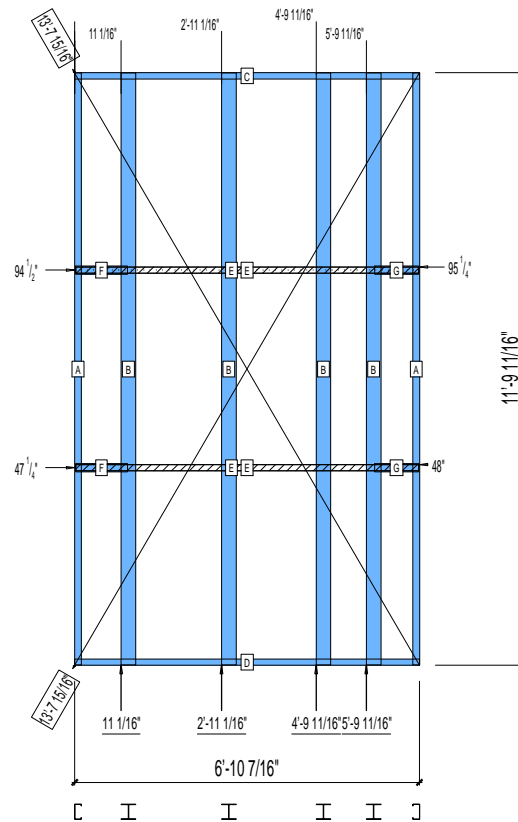
SPACING : 5000"

1st STUD: 5000"

WEIGHTS :

FRAME : 323 lbs

TOTAL: 323 lbs



PIECES LIST

LABEL	QTY	SIZE	LENGTH	USE
A	2	362S162-54	11'-9 9/16"	STUD
B	4	363i350p554	11'-9 9/16"	PACO.COLUMN
C	1	362T150-68	6'-10 7/16"	TOP TRACK
D	1	362T150-68	6'-10 7/16"	BOTTOM TRACK
E	4	150D-43	6'-10"	STRAP
F	2	362T200-68	1'-0 3/8"	BLOCK
G	2	362T200-68	10 1/2"	BLOCK

21-1048

Jewish Home for the Aging

1885 Victory Blvd. Reseda, CA

FrameMax, Inc.
13915 Danielson St
Suite 100
Poway, CA 92064
www.frame-max.com



© FrameMax Inc.

CREATED: 10/14/2008

FM-07-109

CREATED BY: AMB

HEIGHT : 11'-9 11/16" POINTS: 0.98 Points.

SPACING : 24"

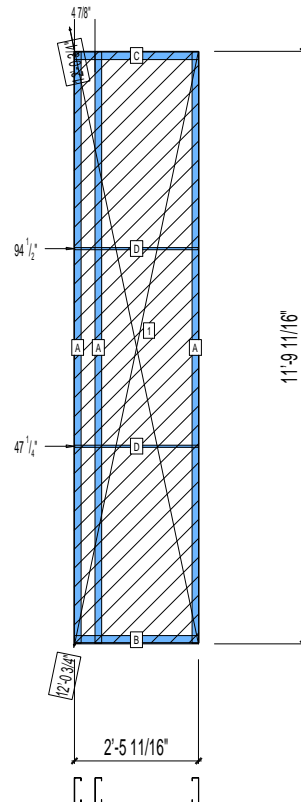
1st STUD: 5 3/4"

WEIGHTS :

FRAME : 98 lbs

SHEATHING: 73 lbs

TOTAL: 171 lbs



PIECES LIST

LABEL	QTY	SIZE	LENGTH	USE
A	3	600S162-68	11'-9 1/2"	STUD
B	1	600T200-68	2'-5 11/16"	BOTTOM TRACK
C	1	600T200-68	2'-5 11/16"	TOP TRACK
D	2	150U50-54	2'-5 1/2"	HORIZONTAL BRACING

SHEATHING

LABEL	QTY	CODE	THICK	SIZE	SCREWS
1	1	DENSGLASS	1/2"	2'-5 3/4" X 11'-9 1/4"	8 - 12

21-1049

Jewish Home for the Aging

1885 Victory Blvd. Reseda, CA

FrameMax, Inc.
13915 Danielson St
Suite 100
Poway, CA 92064
www.frame-max.com



© FrameMax Inc.

CREATED: 10/20/2008

FM-07-109

CREATED BY: TNT

HEIGHT : 11'-9 11/16" POINTS: 1.85 Points.

SPACING : 24"

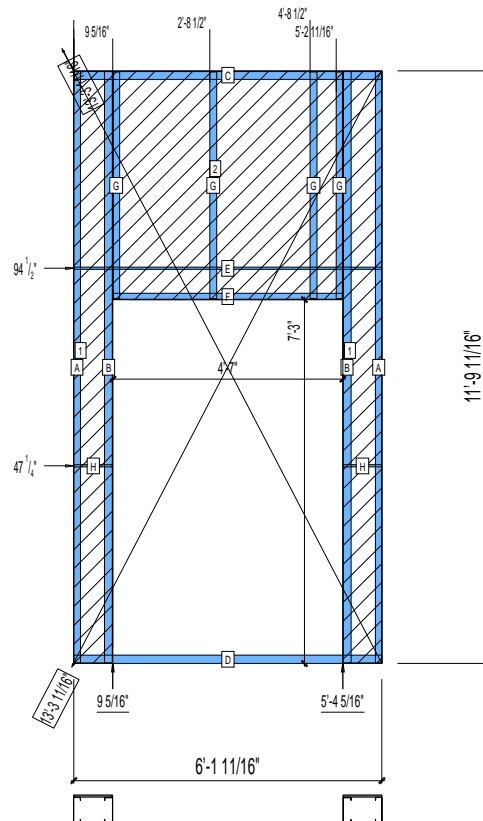
1st STUD: 24"

WEIGHTS :

FRAME : 217 lbs

SHEATHING: 97 lbs

TOTAL: 314 lbs



PIECES LIST

LABEL	QTY	SIZE	LENGTH	USE
A	2	600S162-68	11'-9 1/2"	STUD
B	2	600S200-97	11'-9 1/2"	KING STUD
C	1	600T200-68	6'-1 11/16"	TOP TRACK
D	1	600T200-68	6'-1 11/16"	BOTTOM TRACK
E	1	150U50-54	6'-1 1/2"	HORIZONTAL BRACING
F	1	600T150-54	4'-6 3/4"	HEAD TRACK
G	4	600S162-54	4'-6 1/4"	CRIPPLE
H	2	150U50-54	9 1/8"	HORIZONTAL BRACING

SHEATHING

LABEL	QTY	CODE	THICK	SIZE	SCREWS
1	2	DENSGLASS	1/2"	9 1/4" X 11'-9 1/2"	2-12
2	1	DENSGLASS	1/2"	4'-6 7/8" X 4'-6 9/16"	2-12

21-1051

Jewish Home for the Aging

1885 Victory Blvd. Reseda, CA

FrameMax, Inc.
13915 Danielson St
Suite 100
Poway, CA 92064
www.frame-max.com



© FrameMax Inc.

CREATED: 09/26/2008

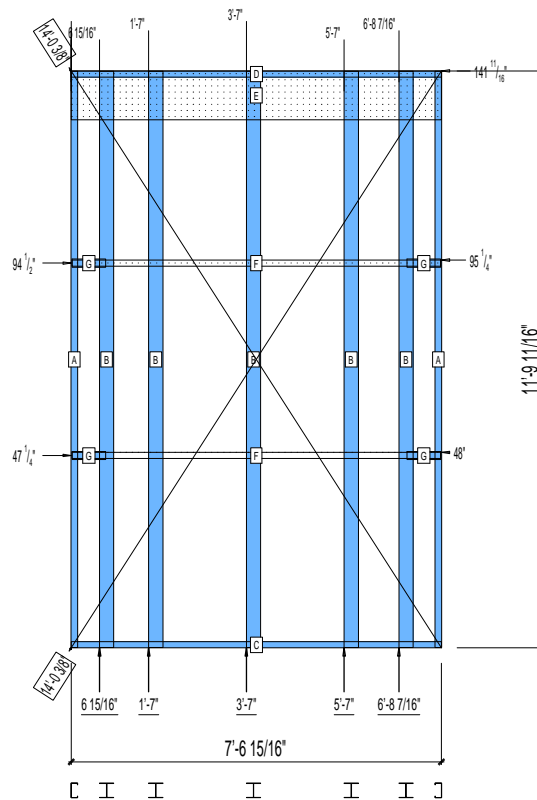
FM-07-109

CREATED BY: AMB

HEIGHT : 11'-9 11/16" POINTS: 2.33 Points.
SPACING : 5000"
1st STUD: 5000"

WEIGHTS :
FRAME : 403 lbs

TOTAL: 403 lbs



PIECES LIST

LABEL	QTY	SIZE	LENGTH	USE
A	2	362S162-54	11'-9 9/16"	STUD
B	5	363I350p554	11'-9 9/16"	PACO COLUMN
C	1	362T150-68	7'-6 15/16"	BOTTOM TRACK
D	1	362T150-68	7'-6 15/16"	TOP TRACK
E	1	1200D-54	7'-6 7/8"	STRAP
F	2	150D-43	7'-6 1/2"	STRAP
G	4	362T200-68	8 1/4"	BLOCK

21-1052

Jewish Home for the Aging

1885 Victory Blvd. Reseda, CA

FrameMax, Inc.
13915 Danielson St
Suite 100
Poway, CA 92064
www.frame-max.com



© FrameMax Inc.

CREATED: 09/26/2008

FM-07-109

CREATED BY: AMB

HEIGHT : 11'-9 11/16" POINTS: 2.41 Points.

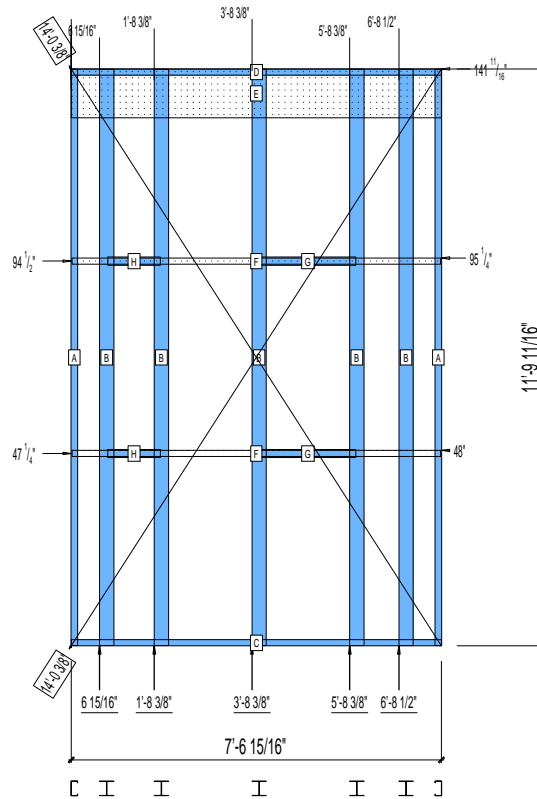
SPACING : 5000"

1st STUD: 5000"

WEIGHTS :

FRAME : 421 lbs

TOTAL: 421 lbs



PIECES LIST

LABEL	QTY	SIZE	LENGTH	USE
A	2	362S162-54	11'-9 9/16"	STUD
B	5	363i350p554	11'-9 9/16"	PACO. COLUMN
C	1	362T150-68	7'-6 15/16"	BOTTOM TRACK
D	1	362T150-68	7'-6 15/16"	TOP TRACK
E	1	1200D-54	7'-6 7/8"	STRAP
F	2	150D-43	7'-6 1/2"	STRAP
G	2	362T200-68	1'-11 1/2"	BLOCK
H	2	362T200-68	1'-0 15/16"	BLOCK

21-1054

Jewish Home for the Aging

1885 Victory Blvd. Reseda, CA

FrameMax, Inc.
13915 Danielson St
Suite 100
Poway, CA 92064
www.frame-max.com



© FrameMax Inc.

CREATED: 09/26/2008

FM-07-109

CREATED BY: AMB

HEIGHT : 11'-9 11/16" POINTS: 0.64 Points.

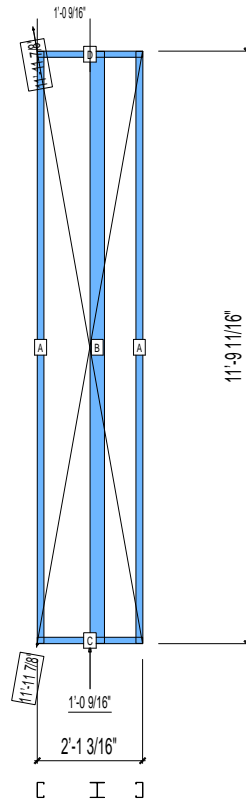
SPACING : 5000"

1st STUD: 5000"

WEIGHTS :

FRAME : 107 lbs

TOTAL: 107 lbs



PIECES LIST

LABEL	QTY	SIZE	LENGTH	USE
A	2	362S162-54	11'-9 9/16"	STUD
B	1	363i350p554	11'-9 9/16"	PACO.COLUMN
C	1	362T150-68	2'-1 3/16"	BOTTOM TRACK
D	1	362T150-68	2'-1 3/16"	TOP TRACK

21-1055

Jewish Home for the Aging

1885 Victory Blvd. Reseda, CA

FM-07-109

CREATED BY: AMB

FrameMax, Inc.
13915 Danielson St
Suite 100
Poway, CA 92064
www.frame-max.com



© FrameMax Inc.

HEIGHT : 11'-9 11/16" POINTS: 0.68 Points.

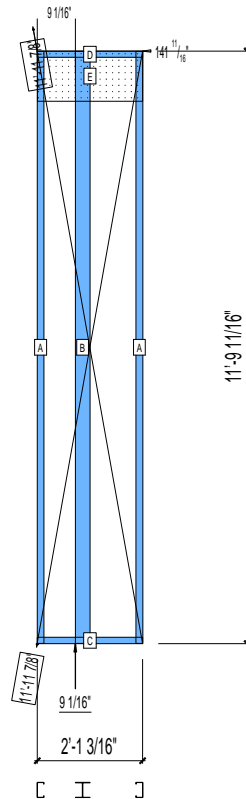
SPACING : 5000"

1st STUD: 5000"

WEIGHTS :

FRAME : 112 lbs

TOTAL: 112 lbs



PIECES LIST

LABEL	QTY	SIZE	LENGTH	USE
A	2	362S162-54	11'-9 9/16"	STUD
B	1	363i350p554	11'-9 9/16"	PACO. COLUMN
C	1	362T150-68	2'-1 3/16"	BOTTOM TRACK
D	1	362T150-68	2'-1 3/16"	TOP TRACK
E	1	1200D-54	2'-1 1/8"	STRAP

21-1056

Jewish Home for the Aging

1885 Victory Blvd. Reseda, CA

FrameMax, Inc.
13915 Danielson St
Suite 100
Poway, CA 92064
www.frame-max.com



© FrameMax Inc.

CREATED: 10/14/2008

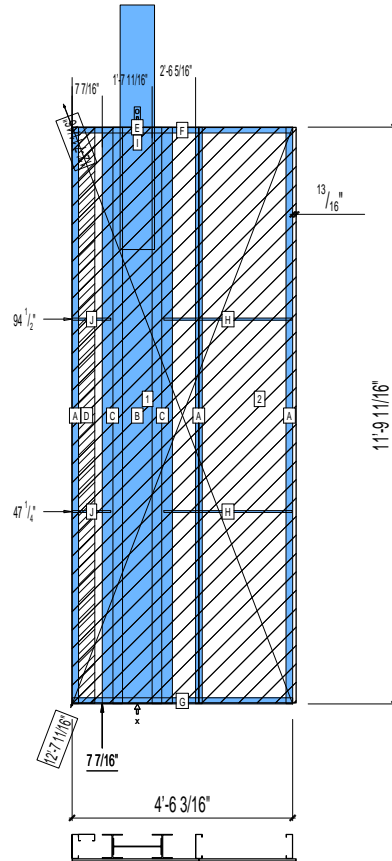
FM-07-109

CREATED BY: TNT

HEIGHT : 11'-9 11/16" POINTS: 4.71 Points.
SPACING : 24"
1st STUD: 24"

WEIGHTS :
FRAME : 749 lbs
SHEATHING: 199 lbs

TOTAL: 948 lbs



PIECES LIST

LABEL	QTY	SIZE	LENGTH	USE
A	3	600S162-68	11'-9 9/16"	STUD
B	1	1200i400p1504	11'-9 9/16"	PACO
C	2	600i500p1309	11'-9 9/16"	PACO
D	1	400S162-33	11'-9 1/2"	BACKER-U
E	1	G	5'-0"	HOLDDOWN
F	1	600T150-68	4'-6 3/16"	TOP TRACK
G	1	600T150-68	4'-6 3/16"	BOTTOM TRACK
H	2	150U50-54	2'-7 9/16"	HORIZONTAL BRACING
I	1	150D-33	10"	HOLDDOWN
J	2	150U50-54	9 7/16"	HORIZONTAL BRACING

SHEATHING

LABEL	QTY	CODE	THICK	SIZE	SCREWS
1	1	SB-DENSGLOSS	1/2"	2'-7 1/8" X 11'-9 5/16"	2-12
2	1	SB-DENSGLOSS	1/2"	1'-11 7/8" X 11'-9 5/16"	2-12

21-1057

Jewish Home for the Aging

1885 Victory Blvd. Reseda, CA

FrameMax, Inc.
13915 Danielson St
Suite 100
Poway, CA 92064
www.frame-max.com



© FrameMax Inc.

CREATED: 10/14/2008

FM-07-109

CREATED BY: AMB

HEIGHT : 11'-9 11/16" POINTS: 2.90 Points.

SPACING : 24"

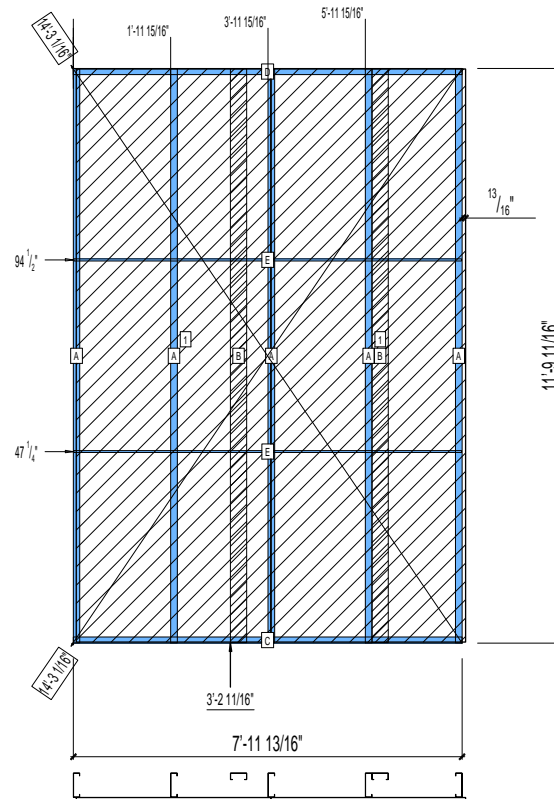
1st STUD: 24"

WEIGHTS :

FRAME : 204 lbs

SHEATHING: 346 lbs

TOTAL: 550 lbs



PIECES LIST

LABEL	QTY	SIZE	LENGTH	USE
A	5	600S162-68	11'-9 9/16"	STUD
B	2	400S162-33	11'-9 1/2"	BACKER-U
C	1	600T150-68	7'-11 13/16"	BOTTOM TRACK
D	1	600T150-68	7'-11 13/16"	TOP TRACK
E	2	150U50-54	7'-11 5/8"	HORIZONTAL BRACING

SHEATHING

LABEL	QTY	CODE	THICK	SIZE	SCREWS
1	2	SB-DENSGLOSS	1/2"	4'-0" X 11'-9 1/4"	2-12

21-1058

Jewish Home for the Aging

1885 Victory Blvd. Reseda, CA

FrameMax, Inc.
13915 Danielson St
Suite 100
Poway, CA 92064
www.frame-max.com



© FrameMax Inc.

CREATED: 10/14/2008

FM-07-109

CREATED BY: TNT

HEIGHT : 11'-9 11/16" POINTS: 2.83 Points.

SPACING : 24"

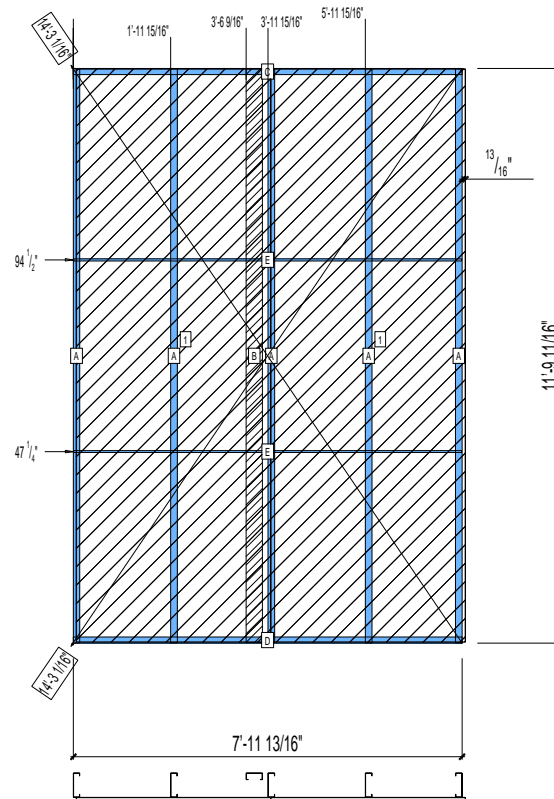
1st STUD: 24"

WEIGHTS :

FRAME : 193 lbs

SHEATHING: 346 lbs

TOTAL: 539 lbs



PIECES LIST

LABEL	QTY	SIZE	LENGTH	USE
A	5	600S162-68	11'-9 9/16"	STUD
B	1	400S162-33	11'-9 1/2"	BACKER-U
C	1	600T150-68	7'-11 13/16"	TOP TRACK
D	1	600T150-68	7'-11 13/16"	BOTTOM TRACK
E	2	150U50-54	7'-11 5/8"	HORIZONTAL BRACING

SHEATHING

LABEL	QTY	CODE	THICK	SIZE	SCREWS
1	2	SB-DENSGLOSS	1/2"	4'-0" X 11'-9 1/4"	2-12

21-1059

Jewish Home for the Aging

1885 Victory Blvd. Reseda, CA

FrameMax, Inc.
13915 Danielson St
Suite 100
Poway, CA 92064
www.frame-max.com



© FrameMax Inc.

CREATED: 10/14/2008

FM-07-109

CREATED BY: AMB

HEIGHT : 11'-9 11/16" POINTS: 5.15 Points.

SPACING : 24"

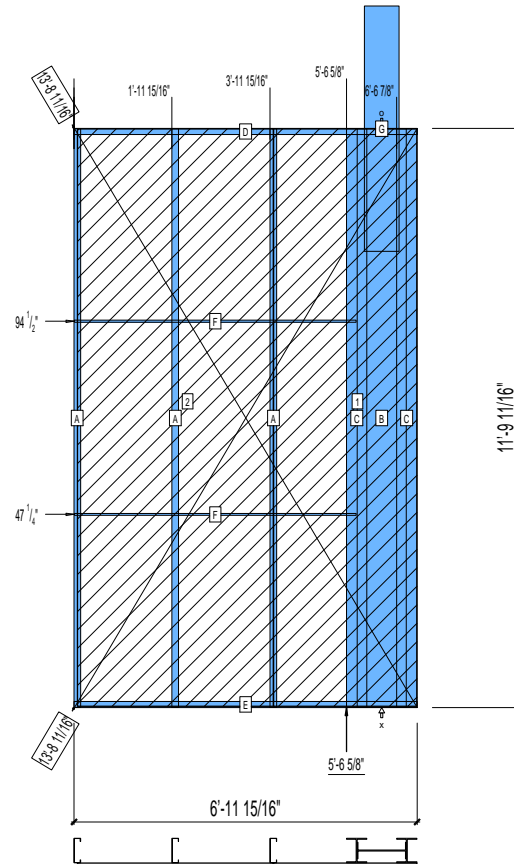
1st STUD: 24"

WEIGHTS :

FRAME : 751 lbs

SHEATHING: 300 lbs

TOTAL: 1051 lbs



PIECES LIST

LABEL	QTY	SIZE	LENGTH	USE
A	3	600S162-68	11'-9 9/16"	STUD
B	1	1200i400p1504	11'-9 9/16"	PACO
C	2	600i500p1309	11'-9 9/16"	PACO
D	1	600T150-68	6'-11 15/16"	TOP TRACK
E	1	600T150-68	6'-11 15/16"	BOTTOM TRACK
F	2	150U50-54	5'-8 15/16"	HORIZONTAL BRACING
G	1	G	5'-0"	HOLDDOWN

SHEATHING

LABEL	QTY	CODE	THICK	SIZE	SCREWS
1	1	SB-DENSGGLASS	1/2"	2'-11 1/8" X 11'-9 1/4"	2-12
2	1	SB-DENSGGLASS	1/2"	3'-11 15/16" X 11'-9 1/4"	2-12

21-1060

Jewish Home for the Aging

1885 Victory Blvd. Reseda, CA

FrameMax, Inc.
13915 Danielson St
Suite 100
Poway, CA 92064
www.framemax.com



© FrameMax Inc.

CREATED: 10/10/2008

FM-07-109

CREATED BY: AMB

HEIGHT : 11'-9 11/16" POINTS: 3.93 Points.

SPACING : 24"

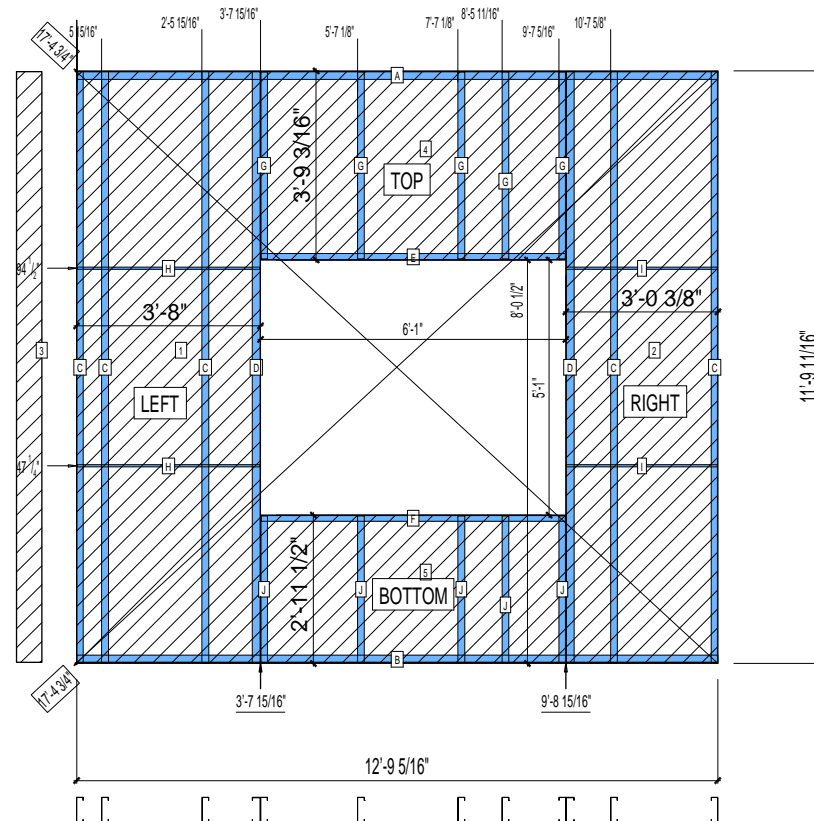
1st STUD: 8 1/2"

WEIGHTS :

FRAME : 377 lbs

SHEATHING: 313 lbs

TOTAL: 690 lbs



PIECES LIST

LABEL	QTY	SIZE	LENGTH	USE
A	1	600T200-68	12'-9 5/16"	TOP TRACK
B	1	600T200-68	12'-9 5/16"	BOTTOM TRACK
C	5	600S162-68	11'-9 1/2"	STUD
D	2	600S200-97	11'-9 1/2"	KING STUD
E	1	600T150-54	6'-0 3/4"	HEAD TRACK
F	1	600T150-54	6'-0 3/4"	SILL
G	5	600S162-54	3'-8 3/4"	CRIPPLE
H	2	150U50-54	3'-7 3/4"	HORIZONTAL BRACING
I	2	150U50-54	3'-0 1/8"	HORIZONTAL BRACING
J	5	600S162-54	2'-11 1/16"	CRIPPLE

SHEATHING

LABEL	QTY	CODE	THICK	SIZE	SCREWS
1	1	DENSGLASS	1/2"	3'-7 7/8" X 11'-9 1/4"	8 - 12
2	1	DENSGLASS	1/2"	3'-0 1/4" X 11'-9 1/4"	8 - 12
3	1	DENSGLASS	1/2"	6" X 11'-9 1/4"	8 - 12
4	1	DENSGLASS	1/2"	6'-0 7/8" X 3'-9"	8 - 12
5	1	DENSGLASS	1/2"	6'-0 7/8" X 2'-11 3/16"	8 - 12

21-1061

Jewish Home for the Aging

1885 Victory Blvd. Reseda, CA

FrameMax, Inc.
13915 Danielson St
Suite 100
Poway, CA 92064
www.frame-max.com



© FrameMax Inc.

CREATED: 10/14/2008

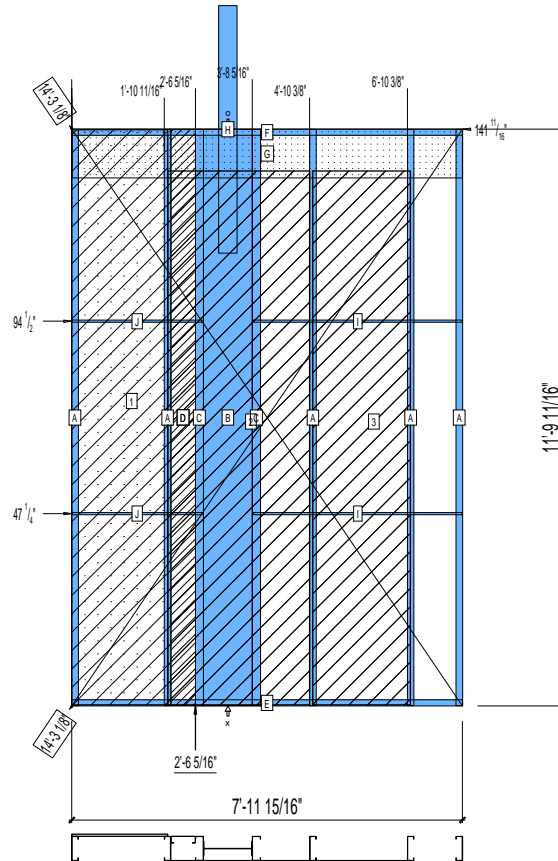
FM-07-109

CREATED BY: AMB

HEIGHT : 14'-4"
POINTS: 3.93 Points.
SPACING : 24"
1st STUD: 11 1/4"

WEIGHTS :
FRAME : 494 lbs
SHEATHING: 255 lbs

TOTAL: 749 lbs



PIECES LIST

LABEL	QTY	SIZE	LENGTH	USE
A	5	600S162-97	11'-9 9/16"	STUD
B	1	1200i350p1062	11'-9 9/16"	PACO
C	2	600S200-68	11'-9 9/16"	STUD
D	1	600S162-33	11'-9 1/2"	BACKER-U
E	1	600T150-68	7'-11 15/16"	BOTTOM TRACK
F	1	600T150-68	7'-11 15/16"	TOP TRACK
G	1	1200D-54	7'-11 13/16"	STRAP
H	1	D	5'-0 3/4"	HOLDDOWN
I	2	150U50-54	4'-3 3/16"	HORIZONTAL BRACING
J	2	150U50-54	2'-7 15/16"	HORIZONTAL BRACING

SHEATHING

LABEL	QTY	CODE	THICK	SIZE	SCREWS
1	1	DENSGLOSS	1/2"	1'-11 9/16" X 11'-9 1/4"	8 - 12
2	1	SB-DENSARMOR	5/8"	2'-10 7/8" X 10'-11 1/8"	2-12
3	1	SB-DENSARMOR	5/8"	1'-11 15/16" X 10'-11 1/8"	2-12

21-1062

Jewish Home for the Aging

1885 Victory Blvd. Reseda, CA

FM-07-109

CREATED BY: AMB

FrameMax, Inc.
13915 Danielson St
Suite 100
Poway, CA 92064
www.frame-max.com

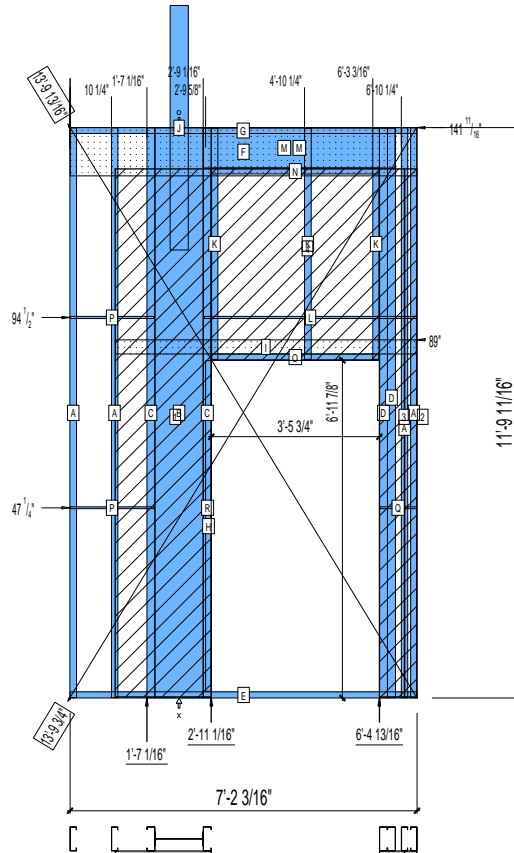


© FrameMax Inc.

HEIGHT : 14'-4"
SPACING : 24"
1st STUD: 11 1/8"

WEIGHTS :
FRAME : 611 lbs
SHEATHING: 162 lbs

TOTAL: 773 lbs



PIECES LIST

LABEL	QTY	SIZE	LENGTH	USE
A	4	600S162-97	11'-9 9/16"	STUD
B	1	1200i350p1062	11'-9 9/16"	PACO
C	2	600S200-68	11'-9 9/16"	STUD
D	2	600S200-97	11'-9 9/16"	KING STUD
E	1	600T150-68	7'-2 3/16"	BOTTOM TRACK
F	1	1200D-54	7'-2 1/8"	STRAP
G	1	600T150-68	7'-2 1/16"	TOP TRACK
H	1	600T150-33	6'-10 3/16"	CAP TRACK
I	1	350T125-33	6'-2 3/4"	NOTCHED TRACK
J	1	D	5'-0 3/4"	HOLDDOWN
K	3	600S162-54	4'-9 3/8"	CRIPPLE
L	1	150U50-54	4'-4 11/16"	HORIZONTAL BRACING
M	2	1000S200-97	3'-11 5/8"	HEADER
N	1	600T150-54	3'-5 5/8"	HEADER BOTTOM TRACK
O	1	600T150-54	3'-5 1/2"	HEAD TRACK
P	2	150U50-54	1'-8 11/16"	HORIZONTAL BRACING
Q	1	150U50-54	9 1/8"	HORIZONTAL BRACING
R	1	150U50-54	1 9/16"	HORIZONTAL BRACING

SHEATHING

LABEL	QTY	CODE	THICK	SIZE	SCREWS
1	1	SB-DENSARMOR	5/8"	1'-11 7/8" X 10'-11 1/8"	2-12
2	1	SB-DENSARMOR	5/8"	3" X 10'-11 1/8"	2-12
3	1	SB-DENSARMOR	5/8"	6 1/4" X 10'-11 1/8"	2-12
4	1	SB-DENSARMOR	5/8"	3'-5 11/16" X 3'-11 1/2"	2-12

21-1063

Jewish Home for the Aging

1885 Victory Blvd. Reseda, CA

FM-07-109

CREATED BY: TNT

FrameMax, Inc.
13915 Danielson St
Suite 100
Poway, CA 92064
www.framemax.com



© FrameMax Inc.

HEIGHT : 11'-9 11/16" POINTS: 2.41 Points.

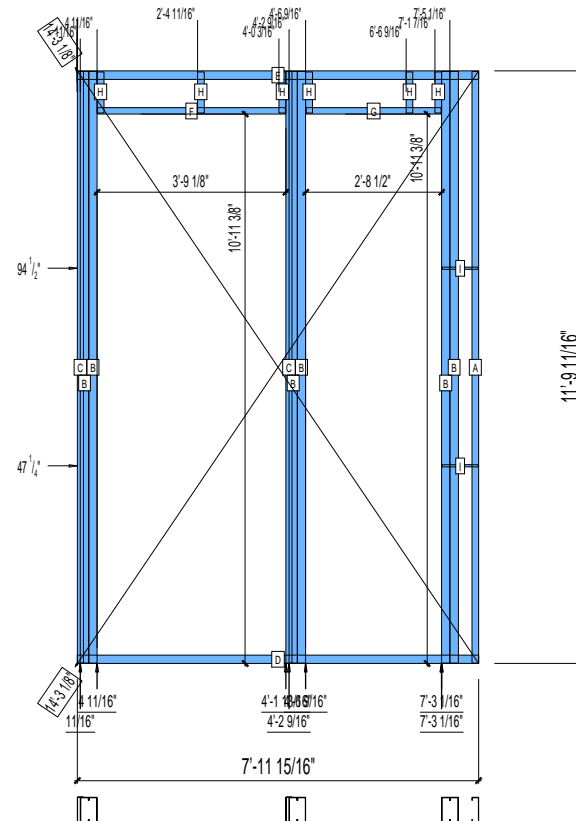
SPACING : 5000"

1st STUD: 5000"

WEIGHTS :

FRAME : 396 lbs

TOTAL: 396 lbs



PIECES LIST

LABEL	QTY	SIZE	LENGTH	USE
A	1	600S162-97	11'-9 1/2"	STUD
B	6	600S200-97	11'-9 1/2"	EXTRA STUD
C	2	600T150-54	11'-9 1/2"	CAP
D	1	600T200-68	7'-11 15/16"	BOTTOM TRACK
E	1	600T200-68	7'-11 15/16"	TOP TRACK
F	1	600T150-54	3'-8 7/8"	HEAD TRACK
G	1	600T150-54	2'-8 1/4"	HEAD TRACK
H	6	600S162-54	9 7/8"	CRIPPLE
I	2	150U50-54	8 5/8"	HORIZONTAL BRACING

21-1064

Jewish Home for the Aging

1885 Victory Blvd. Reseda, CA

FM-07-109

CREATED BY: AMB

FrameMax, Inc.
13915 Danielson St
Suite 100
Poway, CA 92064
www.frame-max.com



© FrameMax Inc.

HEIGHT : 11'-9 11/16" POINTS: 2.08 Points.

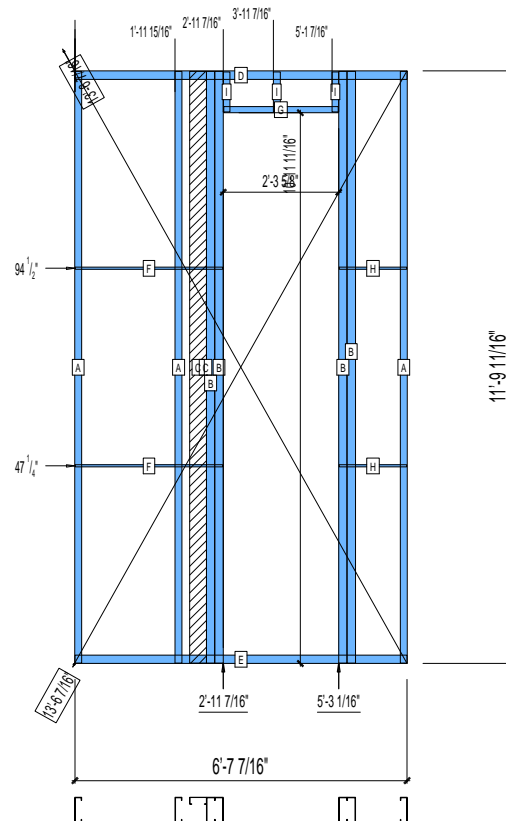
SPACING : 5000"

1st STUD: 5000"

WEIGHTS :

FRAME : 343 lbs

TOTAL: 343 lbs



PIECES LIST

LABEL	QTY	SIZE	LENGTH	USE
A	3	600S162-97	11'-9 1/2"	STUD
B	4	600S200-97	11'-9 1/2"	KING STUD
C	1	400S162-33	11'-9 7/16"	BACKER-U
D	1	600T200-68	6'-7 7/16"	TOP TRACK
E	1	600T200-68	6'-7 7/16"	BOTTOM TRACK
F	2	150U50-54	2'-11 1/4"	HORIZONTAL BRACING
G	1	600T150-54	2'-3 3/8"	HEAD TRACK
H	2	150U50-54	1'-4 1/8"	HORIZONTAL BRACING
I	3	600S162-54	9 9/16"	CRIPPLE

21-1066

Jewish Home for the Aging

1885 Victory Blvd. Reseda, CA

FrameMax, Inc.
13915 Danielson St
Suite 100
Poway, CA 92064
www.frame-max.com



© FrameMax Inc.

CREATED: 10/19/2008

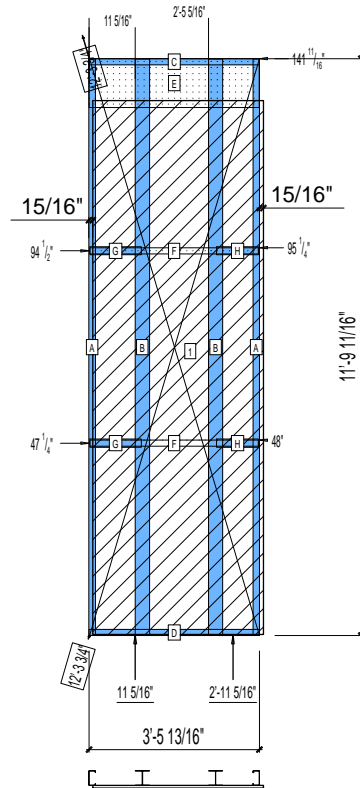
FM-07-109

CREATED BY: TNT

HEIGHT : 11'-9 11/16" POINTS: 1.84 Points.
SPACING : 5000"
1st STUD: 5000"

WEIGHTS :
FRAME : 189 lbs
SHEATHING: 140 lbs

TOTAL: 329 lbs



PIECES LIST

LABEL	QTY	SIZE	LENGTH	USE
A	2	362S162-54	11'-9 9/16"	STUD
B	2	363i350p554	11'-9 9/16"	PACO.COLUMN
C	1	362T150-68	3'-5 13/16"	TOP TRACK
D	1	362T150-68	3'-5 13/16"	BOTTOM TRACK
E	1	1200D-54	3'-5 13/16"	STRAP
F	2	150D-43	3'-5 7/16"	STRAP
G	2	362T200-68	1'-0 5/8"	BLOCK
H	2	362T200-68	10 5/16"	BLOCK

SHEATHING

LABEL	QTY	CODE	THICK	SIZE	SCREWS
1	1	SB-DENSARMOR	5/8"	3'-5 15/16" X 10'-11 1/8"	2-12

21-1067

Jewish Home for the Aging

1885 Victory Blvd. Reseda, CA

FM-07-109

CREATED BY: TNT

FrameMax, Inc.
13915 Danielson St
Suite 100
Poway, CA 92064
www.frame-max.com



© FrameMax Inc.

HEIGHT : 11'-9 11/16" POINTS: 3.50 Points.

SPACING : 5000"

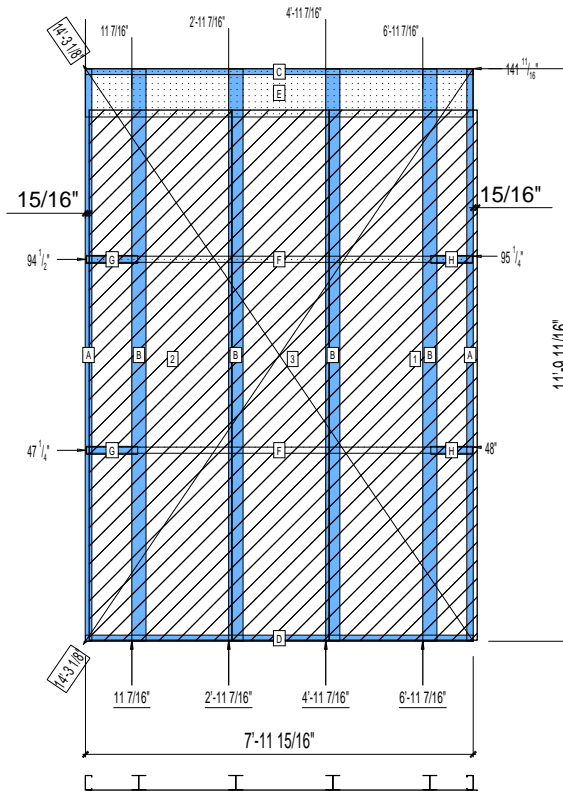
1st STUD: 5000"

WEIGHTS :

FRAME : 342 lbs

SHEATHING: 322 lbs

TOTAL: 664 lbs



PIECES LIST

LABEL	QTY	SIZE	LENGTH	USE
A	2	362S162-54	11'-9 9/16"	STUD
B	4	3631350p554	11'-9 9/16"	PACO. COLUMN
C	1	362T150-68	7'-11 15/16"	TOP TRACK
D	1	362T150-68	7'-11 15/16"	BOTTOM TRACK
E	1	1200D-54	7'-11 7/8"	STRAP
F	2	150D-43	7'-11 1/2"	STRAP
G	2	362T200-68	1'-0 3/4"	BLOCK
H	2	362T200-68	10 1/4"	BLOCK

SHEATHING

LABEL	QTY	CODE	THICK	SIZE	SCREWS
1	1	SB-DENSARMOR	5/8"	3'-0 5/8" X 10'-11 1/8"	2-12
2	1	SB-DENSARMOR	5/8"	2'-11 5/16" X 10'-11 1/8"	2-12
3	1	SB-DENSARMOR	5/8"	2'-0 1/16" X 10'-11 1/8"	2-12

21-1068

Jewish Home for the Aging

1885 Victory Blvd. Reseda, CA

FrameMax, Inc.
13915 Danielson St
Suite 100
Poway, CA 92064
www.frame-max.com



© FrameMax Inc.

CREATED: 09/26/2008

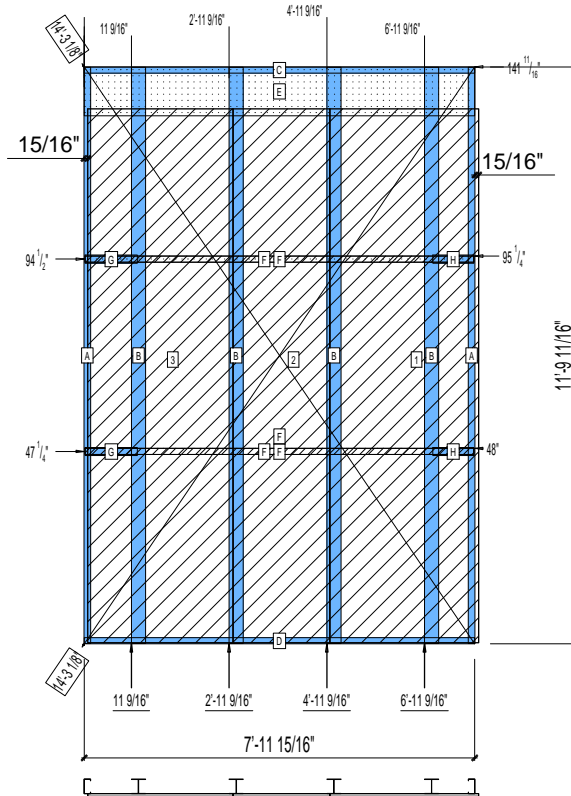
FM-07-109

CREATED BY: TNT

HEIGHT : 11'-9 11/16" POINTS: 3.56 Points.
SPACING : 5000"
1st STUD: 5000"

WEIGHTS :
FRAME : 345 lbs
SHEATHING: 322 lbs

TOTAL: 667 lbs



PIECES LIST

LABEL	QTY	SIZE	LENGTH	USE
A	2	362S162-54	11'-9 9/16"	STUD
B	4	363i350p554	11'-9 9/16"	PACO. COLUMN
C	1	362T150-68	7'-11 15/16"	TOP TRACK
D	1	362T150-68	7'-11 15/16"	BOTTOM TRACK
E	1	1200D-54	7'-11 7/8"	STRAP
F	4	150D-43	7'-11 1/2"	STRAP
G	2	362T200-68	1'-0 7/8"	BLOCK
H	2	362T200-68	10 1/8"	BLOCK

SHEATHING

LABEL	QTY	CODE	THICK	SIZE	SCREWS
1	1	SB-DENSARMOR	5/8"	3'-0 9/16" X 10'-11 1/8"	2-12
2	1	SB-DENSARMOR	5/8"	1'-11 3/4" X 10'-11 1/8"	2-12
3	1	SB-DENSARMOR	5/8"	2'-11 11/16" X 10'-11 1/8"	2-12

21-1069

Jewish Home for the Aging

1885 Victory Blvd. Reseda, CA

FrameMax, Inc.
13915 Danielson St
Suite 100
Poway, CA 92064
www.frame-max.com



© FrameMax Inc.

CREATED: 09/26/2008

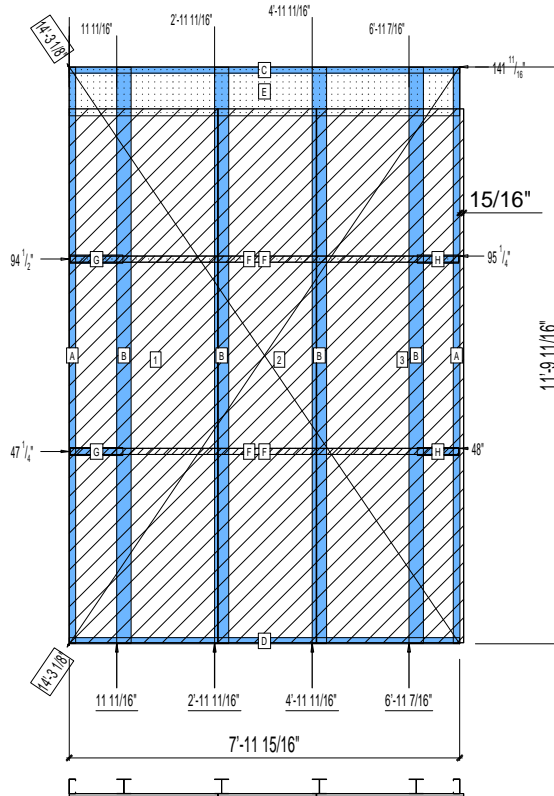
FM-07-109

CREATED BY: TNT

HEIGHT : 11'-9 11/16" POINTS: 3.57 Points.
SPACING : 5000"
1st STUD: 5000"

WEIGHTS :
FRAME : 346 lbs
SHEATHING: 324 lbs

TOTAL: 670 lbs



PIECES LIST

LABEL	QTY	SIZE	LENGTH	USE
A	2	362S162-54	11'-9 9/16"	STUD
B	4	363i350p554	11'-9 9/16"	PACO. COLUMN
C	1	362T150-68	7'-11 15/16"	TOP TRACK
D	1	362T150-68	7'-11 15/16"	BOTTOM TRACK
E	1	1200D-54	7'-11 7/8"	STRAP
F	4	150D-43	7'-11 1/2"	STRAP
G	2	362T200-68	1'-1"	BLOCK
H	2	362T200-68	10 1/4"	BLOCK

SHEATHING

LABEL	QTY	CODE	THICK	SIZE	SCREWS
1	1	SB-DENSARMOR	5/8"	3'-0 1/2" X 10'-11 1/8"	2-12
2	1	SB-DENSARMOR	5/8"	2'-0 3/16" X 10'-11 1/8"	2-12
3	1	SB-DENSARMOR	5/8"	3'-0 1/8" X 10'-11 1/8"	2-12

21-1070

Jewish Home for the Aging

1885 Victory Blvd. Reseda, CA

FM-07-109

CREATED BY: TNT

FrameMax, Inc.
13915 Danielson St
Suite 100
Poway, CA 92064
www.frame-max.com



© FrameMax Inc.

HEIGHT : 11'-9 11/16" POINTS: 1.27 Points.

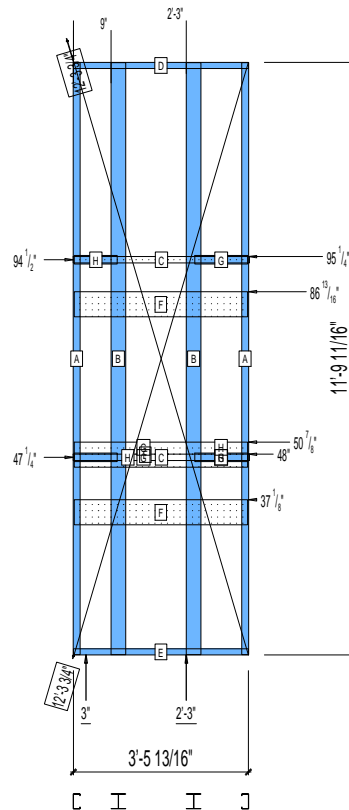
SPACING : 5000"

1st STUD: 5000"

WEIGHTS :

FRAME : 193 lbs

TOTAL: 193 lbs



PIECES LIST

LABEL	QTY	SIZE	LENGTH	USE
A	2	362S162-54	11'-9 9/16"	STUD
B	2	363i350p554	11'-9 9/16"	PACO.COLUMN
C	2	150D-43	3'-6 3/16"	STRAP
D	1	362T150-68	3'-5 13/16"	TOP TRACK
E	1	362T150-68	3'-5 13/16"	BOTTOM TRACK
F	3	600D-54	3'-5 7/16"	KITCHEN BACKING
G	2	362T200-68	1'-0 5/8"	BLOCK
H	2	362T200-68	10 5/16"	BLOCK

21-1071

Jewish Home for the Aging

1885 Victory Blvd. Reseda, CA

FM-07-109

CREATED BY: AMB

FrameMax, Inc.
13915 Danielson St
Suite 100
Poway, CA 92064
www.frame-max.com



© FrameMax Inc.

HEIGHT : 11'-9 11/16" POINTS: 2.32 Points.

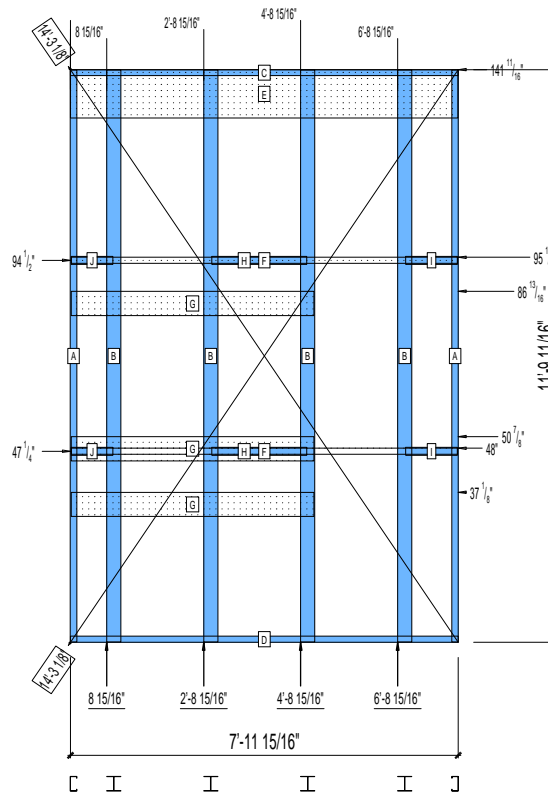
SPACING : 5000"

1st STUD: 5000"

WEIGHTS :

FRAME : 379 lbs

TOTAL: 379 lbs



PIECES LIST

LABEL	QTY	SIZE	LENGTH	USE
A	2	362S162-54	11'-9 9/16"	STUD
B	4	363I350p554	11'-9 9/16"	PACO. COLUMN
C	1	362T150-68	7'-11 15/16"	TOP TRACK
D	1	362T150-68	7'-11 15/16"	BOTTOM TRACK
E	1	1200D-54	7'-11 7/8"	STRAP
F	2	150D-43	7'-11 1/2"	STRAP
G	3	600D-54	5'-0"	KITCHEN BACKING
H	2	362T200-68	1'-11 1/2"	BLOCK
I	2	362T200-68	1'-0 3/4"	BLOCK
J	2	362T200-68	10 1/4"	BLOCK

21-1072

Jewish Home for the Aging

1885 Victory Blvd. Reseda, CA

FrameMax, Inc.
13915 Danielson St
Suite 100
Poway, CA 92064
www.frame-max.com



© FrameMax Inc.

CREATED: 09/26/2008

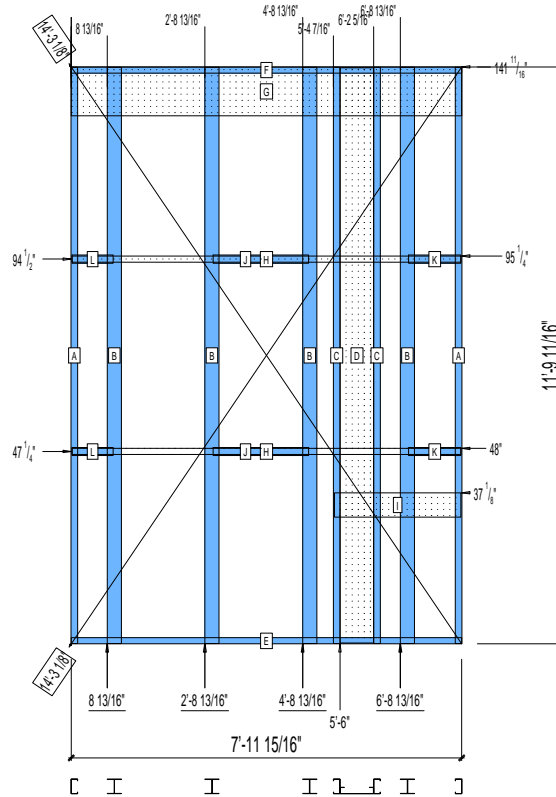
FM-07-109

CREATED BY: AMB

HEIGHT : 11'-9 11/16" POINTS: 2.44 Points.
SPACING : 5000"
1st STUD: 5000"

WEIGHTS :
FRAME : 402 lbs

TOTAL: 402 lbs



PIECES LIST

LABEL	QTY	SIZE	LENGTH	USE
A	2	362S162-54	11'-9 9/16"	STUD
B	4	3631350p554	11'-9 9/16"	PACO.COLUMN
C	2	362S162-33	11'-9 9/16"	BACKER STUD
D	1	825S162-54	11'-9 5/16"	BACKER-U
E	1	362T150-68	7'-11 15/16"	BOTTOM TRACK
F	1	362T150-68	7'-11 15/16"	TOP TRACK
G	1	1200D-54	7'-11 7/8"	STRAP
H	2	150D-43	7'-11 1/2"	STRAP
I	1	600D-54	2'-7 1/16"	VANITY BACKING
J	2	362T200-68	1'-11 1/2"	BLOCK
K	2	362T200-68	1'-0 7/8"	BLOCK
L	2	362T200-68	10 1/8"	BLOCK

21-1073

Jewish Home for the Aging

1885 Victory Blvd. Reseda, CA

FrameMax, Inc.
13915 Danielson St
Suite 100
Poway, CA 92064
www.frame-max.com



© FrameMax Inc.

CREATED: 09/26/2008

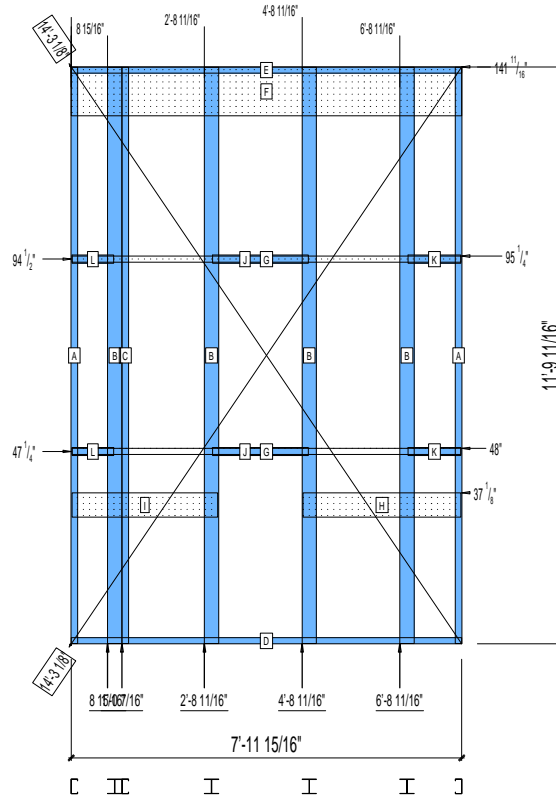
FM-07-109

CREATED BY: AMB

HEIGHT : 11'-9 11/16" POINTS: 2.35 Points.
SPACING : 5000"
1st STUD: 5000"

WEIGHTS :
FRAME : 386 lbs

TOTAL: 386 lbs



PIECES LIST

LABEL	QTY	SIZE	LENGTH	USE
A	2	362S162-54	11'-9 9/16"	STUD
B	4	3631350p554	11'-9 9/16"	PACO.COLUMN
C	1	362S162-54	11'-9 9/16"	EXTRA STUD
D	1	362T150-68	7'-11 15/16"	BOTTOM TRACK
E	1	362T150-68	7'-11 15/16"	TOP TRACK
F	1	1200D-54	7'-11 7/8"	STRAP
G	2	150D-43	7'-11 1/2"	STRAP
H	1	600D-54	3'-2 3/4"	VANITY BACKING
I	1	600D-54	2'-11 3/4"	VANITY BACKING
J	2	362T200-68	1'-11 1/2"	BLOCK
K	2	362T200-68	1'-1"	BLOCK
L	2	362T200-68	10 1/4"	BLOCK

21-1075

Jewish Home for the Aging

1885 Victory Blvd. Reseda, CA

FrameMax, Inc.
13915 Danielson St
Suite 100
Poway, CA 92064
www.framemax.com



© FrameMax Inc.

CREATED: 10/14/2008

FM-07-109

CREATED BY: AMB

HEIGHT : 11'-9 11/16" POINTS: 5.25 Points.

SPACING : 24"

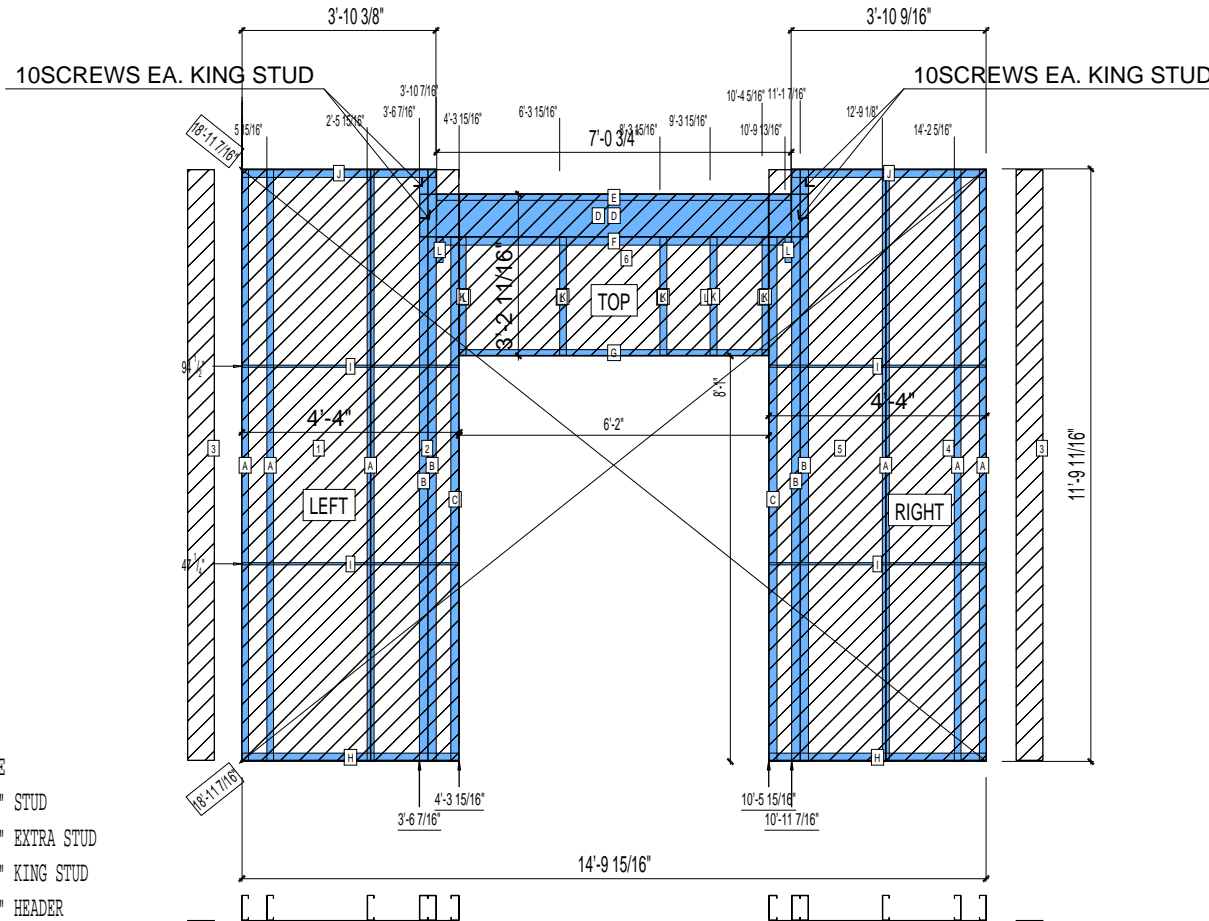
1st STUD: 10"

WEIGHTS :

FRAME : 602 lbs

SHEATHING: 335 lbs

TOTAL: 937 lbs



PIECES LIST

LABEL	QTY	SIZE	LENGTH	USE
A	6	600S162-68	11'-9 1/2"	STUD
B	4	600S200-97	11'-9 1/2"	EXTRA STUD
C	2	600S200-97	10'-5 3/16"	KING STUD
D	2	1000T200-97	7'-8 7/8"	HEADER
E	1	600T150-54	7'-0 3/4"	HEAD TRACK
F	1	600T200-68	7'-0 3/4"	TOP TRACK
G	1	600T150-54	6'-1 7/8"	HEAD TRACK
H	2	600T200-68	4'-3 7/8"	BOTTOM TRACK
I	4	150U50-54	4'-3 3/4"	HORIZONTAL BRACING
J	2	600T200-68	3'-10 3/8"	TOP TRACK
K	5	600S162-54	2'-4 3/16"	CRIPPLE
L	2	600S162-54	6"	CRIPPLE

SHEATHING

LABEL	QTY	CODE	THICK	SIZE	SCREWS
1	1	DENSGLASS	1/2"	2'-6 13/16" X 11'-9 1/4"	8 - 12
2	1	DENSGLASS	1/2"	1'-9 1/8" X 11'-9 1/4"	8 - 12
3	2	DENSGLASS	1/2"	6 3/8" X 11'-9 1/4"	8 - 12
4	1	DENSGLASS	1/2"	2'-0" X 11'-9 1/4"	8 - 12
5	1	DENSGLASS	1/2"	2'-3 15/16" X 11'-9 1/4"	8 - 12
6	1	DENSGLASS	1/2"	6'-1 7/8" X 3'-2 9/16"	8 - 12

21-1076

Jewish Home for the Aging

1885 Victory Blvd. Reseda, CA

FrameMax, Inc.
13915 Danielson St
Suite 100
Poway, CA 92064
www.frame-max.com



© FrameMax Inc.

CREATED: 10/15/2008

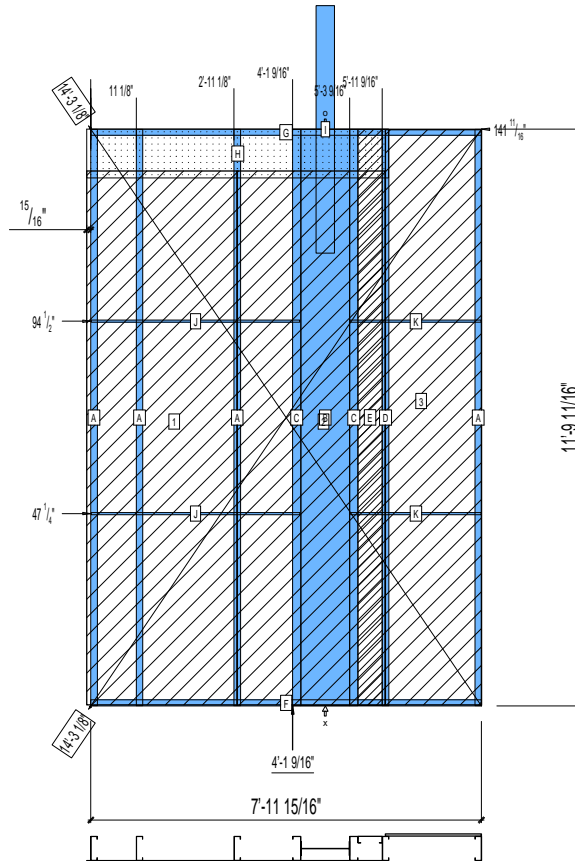
FM-07-109

CREATED BY: TNT

HEIGHT : 14'-4" POINTS: 4.17 Points.
SPACING : 24"
1st STUD: 12"

WEIGHTS :
FRAME : 498 lbs
SHEATHING: 303 lbs

TOTAL: 801 lbs



PIECES LIST

LABEL	QTY	SIZE	LENGTH	USE
A	4	600S162-97	11'-9 9/16"	STUD
B	1	1200i350p1062	11'-9 9/16"	PACO
C	2	600S200-68	11'-9 9/16"	STUD
D	1	600S162-97	11'-9 9/16"	BACKER STUD
E	1	600S162-54	11'-9 1/2"	BACKER-U
F	1	600T150-68	7'-11 15/16"	BOTTOM TRACK
G	1	600T150-68	7'-11 15/16"	TOP TRACK
H	1	1200D-54	6'-2 1/8"	STRAP
I	1	D	5'-0 3/4"	HOLDDOWN
J	2	150U50-54	4'-3 1/4"	HORIZONTAL BRACING
K	2	150U50-54	2'-8"	HORIZONTAL BRACING

SHEATHING

LABEL	QTY	CODE	THICK	SIZE	SCREWS
1	1	SB-DENSARMOR	5/8"	3'-0 15/16" X 10'-11 1/8"	2-12
2	1	SB-DENSARMOR	5/8"	3'-0 5/16" X 10'-11 1/8"	2-12
3	1	DENSGLOSS	1/2"	1'-11 9/16" X 11'-9 1/4"	8 - 12

21-1077

Jewish Home for the Aging

1885 Victory Blvd. Reseda, CA

FM-07-109

CREATED BY: AMB

FrameMax, Inc.
13915 Danielson St
Suite 100
Poway, CA 92064
www.frame-max.com

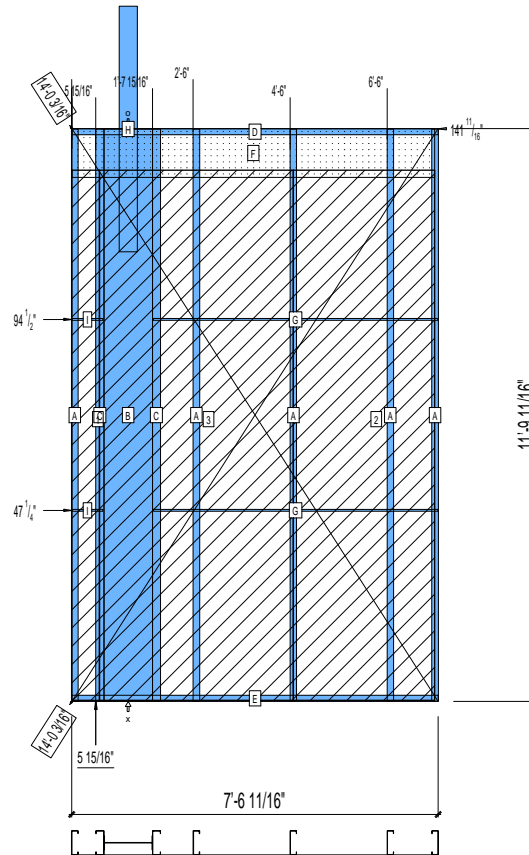


© FrameMax Inc.

HEIGHT : 14'-4" POINTS: 4.03 Points.
SPACING : 24"
1st STUD: 6 7/8"

WEIGHTS :
FRAME : 477 lbs
SHEATHING: 301 lbs

TOTAL: 778 lbs



PIECES LIST

LABEL	QTY	SIZE	LENGTH	USE
A	5	600S162-97	11'-9 9/16"	STUD
B	1	1200i350p1062	11'-9 9/16"	PACO
C	2	600S200-68	11'-9 9/16"	STUD
D	1	600T150-68	7'-6 11/16"	TOP TRACK
E	1	600T150-68	7'-6 11/16"	BOTTOM TRACK
F	1	1200D-54	7'-5 11/16"	STRAP
G	2	150U50-54	5'-10 3/8"	HORIZONTAL BRACING
H	1	D	5'-0 3/4"	HOLDDOWN
I	2	150U50-54	7 5/8"	HORIZONTAL BRACING

SHEATHING

LABEL	QTY	CODE	THICK	SIZE	SCREWS
1	1	SB-DENSARMOR	5/8"	6 13/16" X 10'-11 1/8"	2-12
2	1	SB-DENSARMOR	5/8"	2'-11" X 10'-11 1/8"	2-12
3	1	SB-DENSARMOR	5/8"	4'-0" X 10'-11 1/8"	2-12

21-1078

Jewish Home for the Aging

1885 Victory Blvd. Reseda, CA

FM-07-109

CREATED BY: TNT

FrameMax, Inc.
13915 Danielson St
Suite 100
Poway, CA 92064
www.framemax.com



© FrameMax Inc.

HEIGHT : 11'-9 11/16" POINTS: 1.77 Points.

SPACING : 24"

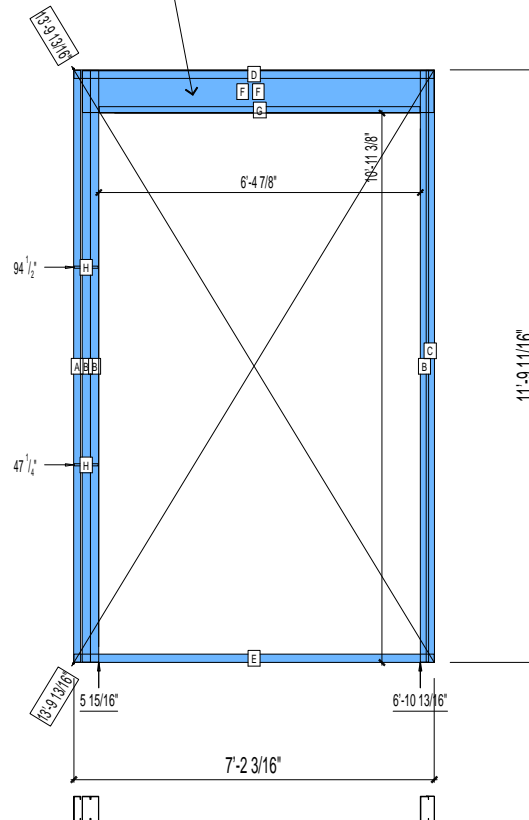
1st STUD: 24"

WEIGHTS :

FRAME : 300 lbs

TOTAL: 300 lbs

10 SCREWS
INTO EACH KING STUD



PIECES LIST

LABEL	QTY	SIZE	LENGTH	USE
A	1	600S162-97	11'-9 1/2"	STUD
B	3	600S200-97	11'-9 1/2"	KING STUD
C	1	600T200-33	11'-9 1/2"	CAP TRACK
D	1	600T200-68	7'-2 3/16"	TOP TRACK
E	1	600T200-68	7'-2 3/16"	BOTTOM TRACK
F	2	1000S200-97	7'-0 1/8"	HEADER
G	1	600T150-54	6'-4 11/16"	HEADER BOTTOM TRACK
H	2	150U50-54	5 3/4"	HORIZONTAL BRACING

21-1079

Jewish Home for the Aging

1885 Victory Blvd. Reseda, CA

FM-07-109

CREATED BY: TNT

FrameMax, Inc.
13915 Danielson St
Suite 100
Poway, CA 92064
www.framemax.com



© FrameMax Inc.

HEIGHT : 11'-9 11/16" POINTS: 1.41 Points.

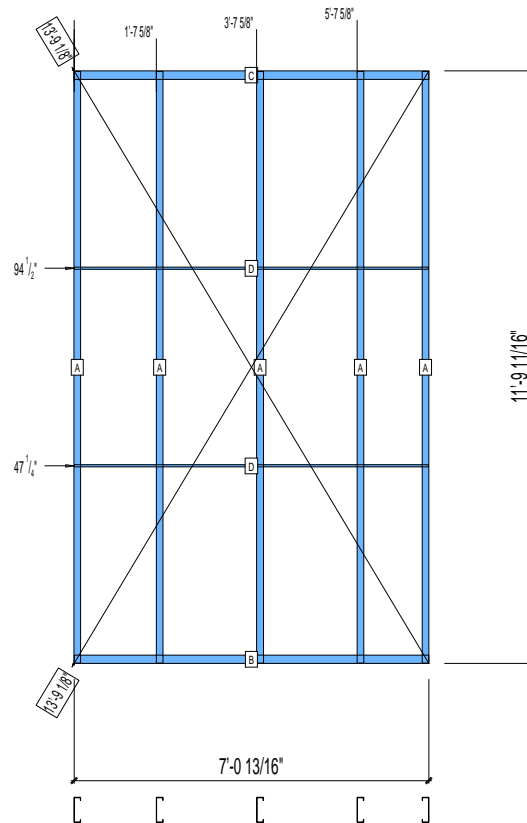
SPACING : 24"

1st STUD: 20 1/2"

WEIGHTS :

FRAME : 235 lbs

TOTAL: 235 lbs



PIECES LIST

LABEL	QTY	SIZE	LENGTH	USE
A	5	600S162-97	11'-9 1/2"	STUD
B	1	600T200-68	7'-0 13/16"	BOTTOM TRACK
C	1	600T200-68	7'-0 13/16"	TOP TRACK
D	2	150U50-54	7'-0 5/8"	HORIZONTAL BRACING

21-1080

Jewish Home for the Aging

1885 Victory Blvd. Reseda, CA

FrameMax, Inc.
13915 Danielson St
Suite 100
Poway, CA 92064
www.frame-max.com



© FrameMax Inc.

CREATED: 10/20/2008

FM-07-109

CREATED BY: TNT

HEIGHT : 11'-9 11/16" POINTS: 2.00 Points.

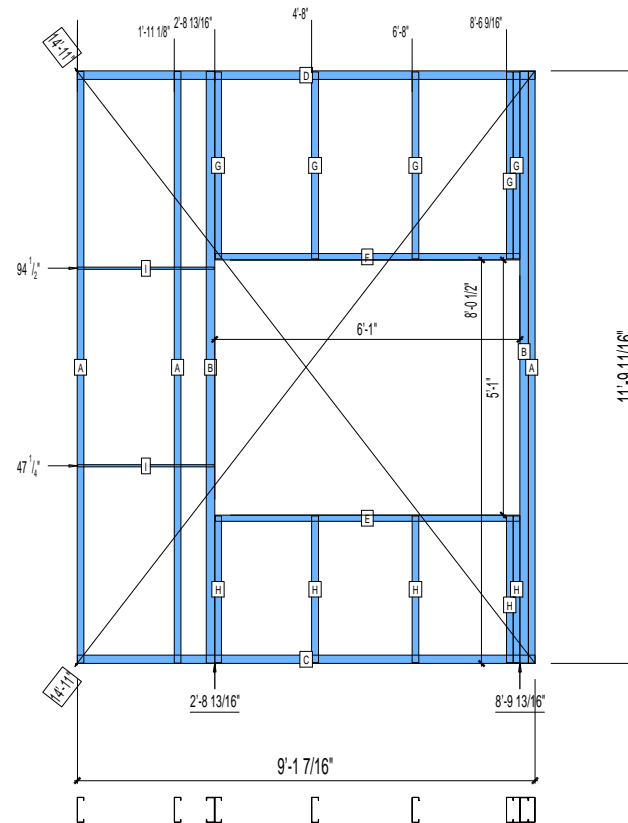
SPACING : 24"

1st STUD: 24"

WEIGHTS :

FRAME : 300 lbs

TOTAL: 300 lbs



PIECES LIST

LABEL	QTY	SIZE	LENGTH	USE
A	3	600S162-68	11'-9 1/2"	STUD
B	2	600S200-97	11'-9 1/2"	KING STUD
C	1	600T200-68	9'-1 7/16"	BOTTOM TRACK
D	1	600T200-68	9'-1 7/16"	TOP TRACK
E	1	600T150-54	6'-0 3/4"	SILL
F	1	600T150-54	6'-0 3/4"	HEAD TRACK
G	5	600S162-54	3'-8 3/4"	CRIPPLE
H	5	600S162-54	2'-11 1/16"	CRIPPLE
I	2	150U50-54	2'-8 5/8"	HORIZONTAL BRACING

21-1082

Jewish Home for the Aging

1885 Victory Blvd. Reseda, CA

FM-07-109

CREATED BY: TNT

FrameMax, Inc.
13915 Danielson St
Suite 100
Poway, CA 92064
www.frame-max.com



© FrameMax Inc.

HEIGHT : 11'-9 11/16" POINTS: 0.75 Points.

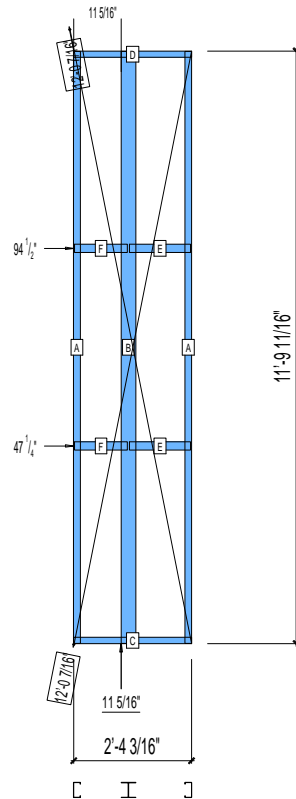
SPACING : 5000"

1st STUD: 5000"

WEIGHTS :

FRAME : 113 lbs

TOTAL: 113 lbs



PIECES LIST

LABEL	QTY	SIZE	LENGTH	USE
A	2	362S162-54	11'-9 9/16"	STUD
B	1	363i350p554	11'-9 9/16"	PACO. COLUMN
C	1	362T150-68	2'-4 3/16"	BOTTOM TRACK
D	1	362T150-68	2'-4 3/16"	TOP TRACK
E	2	362T200-68	1'-2 5/8"	BLOCK
F	2	362T200-68	1'-0 5/8"	BLOCK

21-1083

Jewish Home for the Aging

1885 Victory Blvd. Reseda, CA

FM-07-109

CREATED BY: TNT

FrameMax, Inc.
13915 Danielson St
Suite 100
Poway, CA 92064
www.frame-max.com



© FrameMax Inc.

HEIGHT : 11'-9 11/16" POINTS: 0.75 Points.

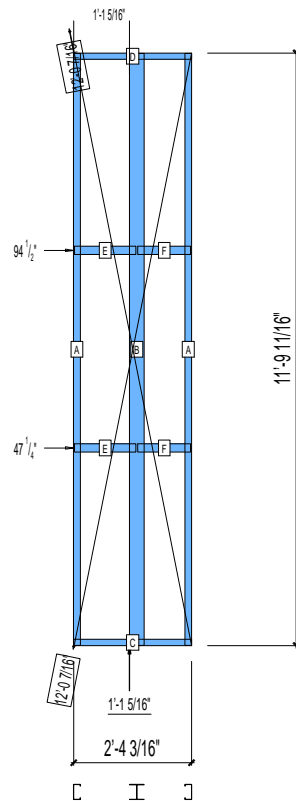
SPACING : 5000"

1st STUD: 5000"

WEIGHTS :

FRAME : 113 lbs

TOTAL: 113 lbs



PIECES LIST

LABEL	QTY	SIZE	LENGTH	USE
A	2	362S162-54	11'-9 9/16"	STUD
B	1	363i350p554	11'-9 9/16"	PACO. COLUMN
C	1	362T150-68	2'-4 3/16"	BOTTOM TRACK
D	1	362T150-68	2'-4 3/16"	TOP TRACK
E	2	362T200-68	1'-2 5/8"	BLOCK
F	2	362T200-68	1'-0 5/8"	BLOCK

21-1085

Jewish Home for the Aging

1885 Victory Blvd. Reseda, CA

FM-07-109

CREATED BY: TNT

FrameMax, Inc.
13915 Danielson St
Suite 100
Poway, CA 92064
www.frame-max.com



© FrameMax Inc.

HEIGHT : 11'-9 11/16" POINTS: 2.01 Points.

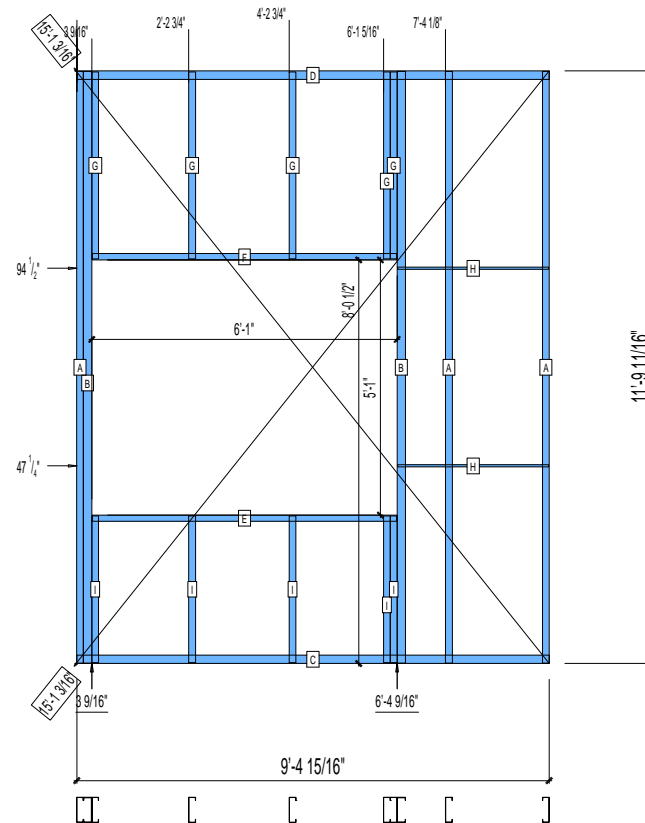
SPACING : 24"

1st STUD: 17"

WEIGHTS :

FRAME : 301 lbs

TOTAL: 301 lbs



PIECES LIST

LABEL	QTY	SIZE	LENGTH	USE
A	3	600S162-68	11'-9 1/2"	STUD
B	2	600S200-97	11'-9 1/2"	KING STUD
C	1	600T200-68	9'-4 15/16"	BOTTOM TRACK
D	1	600T200-68	9'-4 15/16"	TOP TRACK
E	1	600T150-54	6'-0 3/4"	SILL
F	1	600T150-54	6'-0 3/4"	HEAD TRACK
G	5	600S162-54	3'-8 3/4"	CRIPPLE
H	2	150U50-54	3'-0 1/8"	HORIZONTAL BRACING
I	5	600S162-54	2'-11 1/16"	CRIPPLE

21-1087

Jewish Home for the Aging

1885 Victory Blvd. Reseda, CA

FrameMax, Inc.
13915 Danielson St
Suite 100
Poway, CA 92064
www.frame-max.com



© FrameMax Inc.

CREATED: 10/20/2008

FM-07-109

CREATED BY: TNT

HEIGHT : 11'-9 11/16" POINTS: 3.26 Points.

SPACING : 5000"

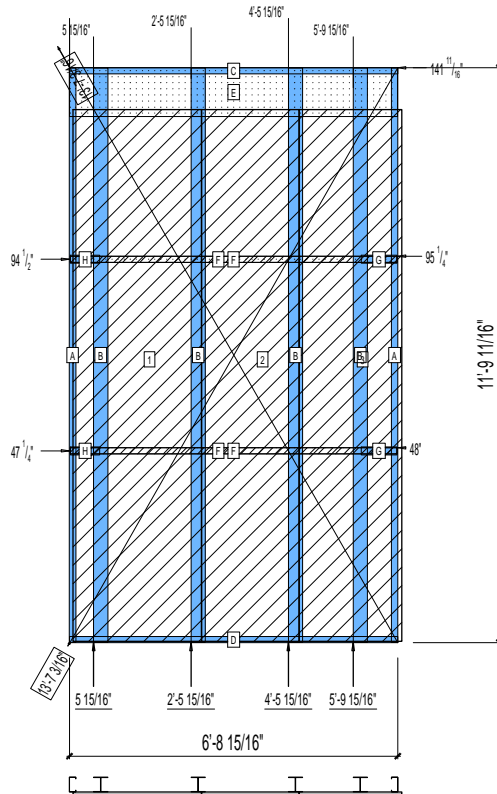
1st STUD: 5000"

WEIGHTS :

FRAME : 337 lbs

SHEATHING: 271 lbs

TOTAL: 608 lbs



PIECES LIST

LABEL	QTY	SIZE	LENGTH	USE
A	2	362S162-54	11'-9 9/16"	STUD
B	4	363i350p554	11'-9 9/16"	PACO. COLUMN
C	1	362T150-68	6'-8 15/16"	TOP TRACK
D	1	362T150-68	6'-8 15/16"	BOTTOM TRACK
E	1	1200D-54	6'-8 7/8"	STRAP
F	4	150D-43	6'-8 1/2"	STRAP
G	2	362T200-68	8 13/16"	BLOCK
H	2	362T200-68	7 1/4"	BLOCK

SHEATHING

LABEL	QTY	CODE	THICK	SIZE	SCREWS
1	1	SB-DENSARMOR	5/8"	2'-7 11/16" X 10'-11 1/8"	2-12
2	1	SB-DENSARMOR	5/8"	2'-0" X 10'-11 1/8"	2-12
3	1	SB-DENSARMOR	5/8"	2'-1 5/16" X 10'-11 1/8"	2-12

21-1088

Jewish Home for the Aging

1885 Victory Blvd. Reseda, CA

FrameMax, Inc.
13915 Danielson St
Suite 100
Poway, CA 92064
www.frame-max.com



© FrameMax Inc.

CREATED: 09/26/2008

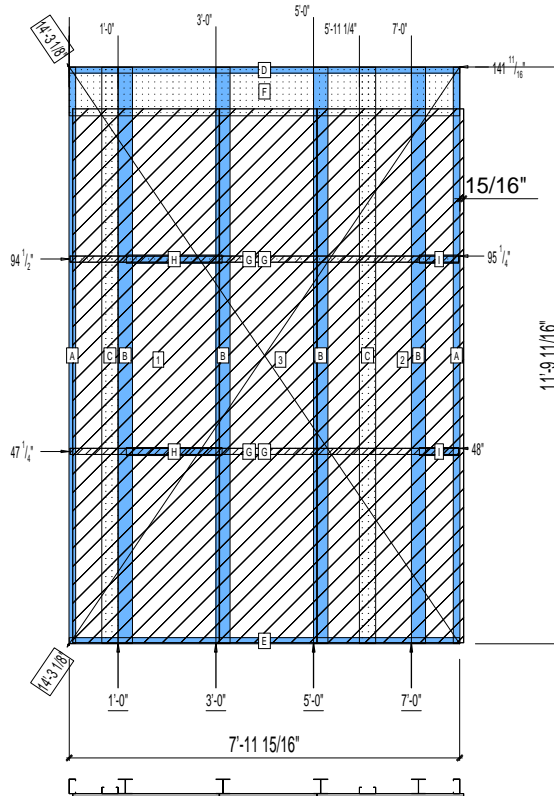
FM-07-109

CREATED BY: TNT

HEIGHT : 11'-9 11/16" POINTS: 3.72 Points.
SPACING : 5000"
1st STUD: 5000"

WEIGHTS :
FRAME : 371 lbs
SHEATHING: 322 lbs

TOTAL: 693 lbs



PIECES LIST

LABEL	QTY	SIZE	LENGTH	USE
A	2	362S162-54	11'-9 9/16"	STUD
B	4	363i350p554	11'-9 9/16"	PACO. COLUMN
C	2	400S162-33	11'-9 9/16"	BACKER-U
D	1	362T150-68	7'-11 15/16"	TOP TRACK
E	1	362T150-68	7'-11 15/16"	BOTTOM TRACK
F	1	1200D-54	7'-11 7/8"	STRAP
G	4	150D-43	7'-11 1/2"	STRAP
H	2	362T200-68	1'-11 1/2"	BLOCK
I	2	362T200-68	9 11/16"	BLOCK

SHEATHING

LABEL	QTY	CODE	THICK	SIZE	SCREWS
1	1	SB-DENSARMOR	5/8"	3'-0" X 10'-11 1/8"	2-12
2	1	SB-DENSARMOR	5/8"	3'-0 1/16" X 10'-11 1/8"	2-12
3	1	SB-DENSARMOR	5/8"	1'-11 15/16" X 10'-11 1/8"	2-12

21-1089

Jewish Home for the Aging

1885 Victory Blvd. Reseda, CA

FrameMax, Inc.
13915 Danielson St
Suite 100
Poway, CA 92064
www.frame-max.com



© FrameMax Inc.

CREATED: 09/26/2008

FM-07-109

CREATED BY: TNT

HEIGHT : 11'-9 11/16" POINTS: 3.51 Points.

SPACING : 5000"

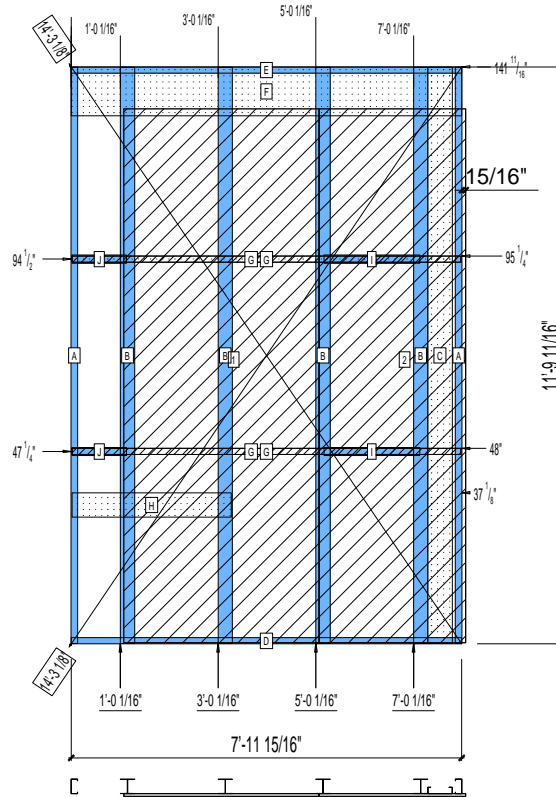
1st STUD: 5000"

WEIGHTS :

FRAME : 367 lbs

SHEATHING: 281 lbs

TOTAL: 648 lbs



PIECES LIST

LABEL	QTY	SIZE	LENGTH	USE
A	2	362S162-54	11'-9 9/16"	STUD
B	4	363I350p554	11'-9 9/16"	PACO. COLUMN
C	1	600S162-33	11'-9 9/16"	BACKER-U
D	1	362T150-68	7'-11 15/16"	BOTTOM TRACK
E	1	362T150-68	7'-11 15/16"	TOP TRACK
F	1	1200D-54	7'-11 7/8"	STRAP
G	4	150D-43	7'-11 1/2"	STRAP
H	1	600D-54	3'-3 1/8"	VANITY BACKING
I	2	362T200-68	1'-11 1/2"	BLOCK
J	2	362T200-68	1'-1 3/8"	BLOCK

SHEATHING

LABEL	QTY	CODE	THICK	SIZE	SCREWS
1	1	SB-DENSARMOR	5/8"	3'-11 15/16" X 10'-11 1/8"	2-12
2	1	SB-DENSARMOR	5/8"	3'-0" X 10'-11 1/8"	2-12

21-1090

Jewish Home for the Aging

1885 Victory Blvd. Reseda, CA

FrameMax, Inc.
13915 Danielson St
Suite 100
Poway, CA 92064
www.frame-max.com



© FrameMax Inc.

CREATED: 10/20/2008

FM-07-109

CREATED BY: TNT

HEIGHT : 11'-9 11/16" POINTS: 1.94 Points.

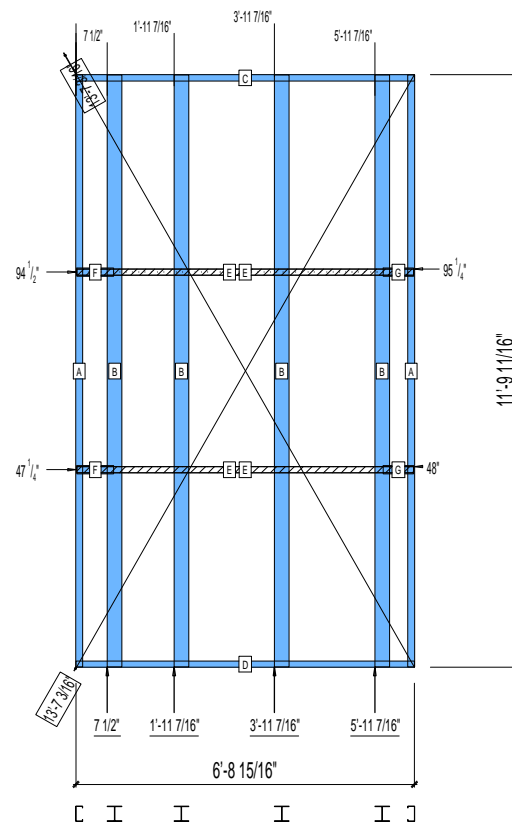
SPACING : 5000"

1st STUD: 5000"

WEIGHTS :

FRAME : 320 lbs

TOTAL: 320 lbs



PIECES LIST

LABEL	QTY	SIZE	LENGTH	USE
A	2	362S162-54	11'-9 9/16"	STUD
B	4	363i350p554	11'-9 9/16"	PACO.COLUMN
C	1	362T150-68	6'-8 15/16"	TOP TRACK
D	1	362T150-68	6'-8 15/16"	BOTTOM TRACK
E	4	150D-43	6'-8 1/2"	STRAP
F	2	362T200-68	8 13/16"	BLOCK
G	2	362T200-68	7 1/4"	BLOCK

21-1091

Jewish Home for the Aging

1885 Victory Blvd. Reseda, CA

FrameMax, Inc.
13915 Danielson St
Suite 100
Poway, CA 92064
www.frame-max.com



© FrameMax Inc.

CREATED: 09/26/2008

FM-07-109

CREATED BY: AMB

HEIGHT : 11'-9 11/16" POINTS: 2.17 Points.

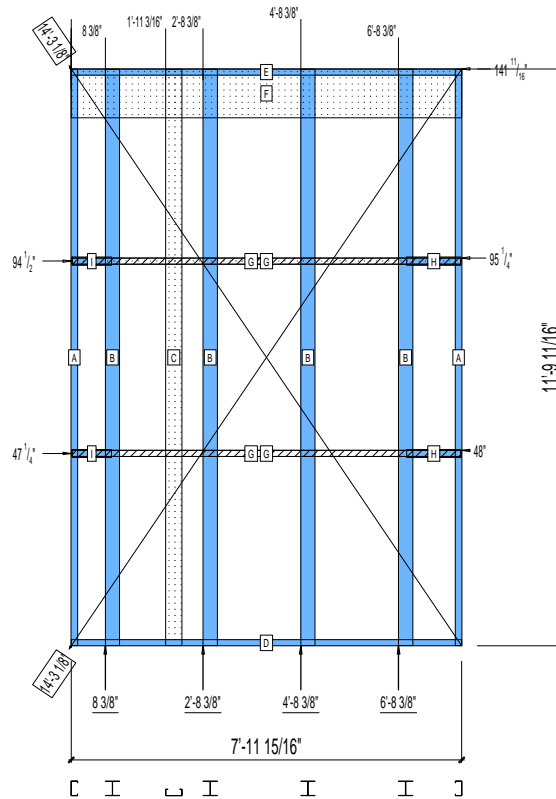
SPACING : 5000"

1st STUD: 5000"

WEIGHTS :

FRAME : 356 lbs

TOTAL: 356 lbs



PIECES LIST

LABEL	QTY	SIZE	LENGTH	USE
A	2	362S162-54	11'-9 9/16"	STUD
B	4	3631350p554	11'-9 9/16"	PACO.COLUMN
C	1	400S162-33	11'-9 9/16"	BACKER-U
D	1	362T150-68	7'-11 15/16"	BOTTOM TRACK
E	1	362T150-68	7'-11 15/16"	TOP TRACK
F	1	1200D-54	7'-11 7/8"	STRAP
G	4	150D-43	7'-11 1/2"	STRAP
H	2	362T200-68	1'-1 5/16"	BLOCK
I	2	362T200-68	9 11/16"	BLOCK

21-1092

Jewish Home for the Aging

1885 Victory Blvd. Reseda, CA

FrameMax, Inc.
13915 Danielson St
Suite 100
Poway, CA 92064
www.frame-max.com



© FrameMax Inc.

CREATED: 09/26/2008

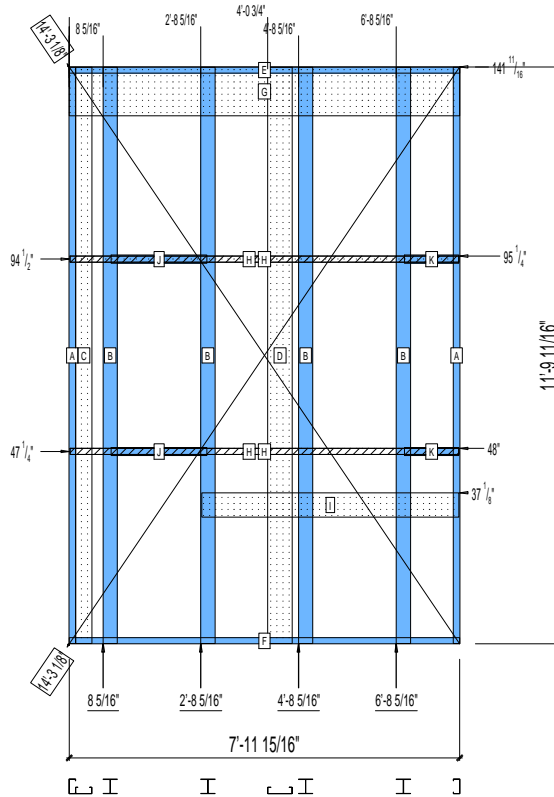
FM-07-109

CREATED BY: AMB

HEIGHT : 11'-9 11/16" POINTS: 2.32 Points.
SPACING : 5000"
1st STUD: 5000"

WEIGHTS :
FRAME : 381 lbs

TOTAL: 381 lbs



PIECES LIST

LABEL	QTY	SIZE	LENGTH	USE
A	2	362S162-54	11'-9 9/16"	STUD
B	4	363I350p554	11'-9 9/16"	PACO. COLUMN
C	1	400S162-33	11'-9 9/16"	BACKER-U
D	1	600S162-33	11'-9 9/16"	BACKER-U
E	1	362T150-68	7'-11 15/16"	TOP TRACK
F	1	362T150-68	7'-11 15/16"	BOTTOM TRACK
G	1	1200D-54	7'-11 7/8"	STRAP
H	4	150D-43	7'-11 1/2"	STRAP
I	1	600D-54	5'-3 1/8"	VANITY BACKING
J	2	362T200-68	1'-11 1/2"	BLOCK
K	2	362T200-68	1'-1 3/8"	BLOCK

21-1094

Jewish Home for the Aging

1885 Victory Blvd. Reseda, CA

FrameMax, Inc.
13915 Danielson St
Suite 100
Poway, CA 92064
www.frame-max.com



© FrameMax Inc.

CREATED: 10/15/2008

FM-07-109

CREATED BY: AMB

HEIGHT : 11'-9 11/16" POINTS: 4.02 Points.

SPACING : 24"

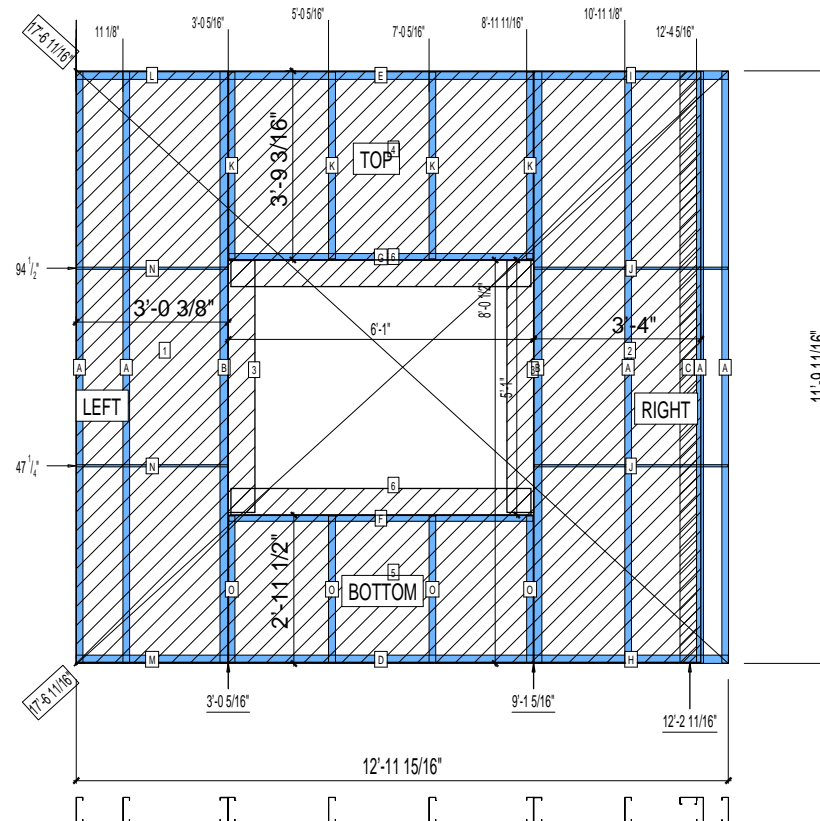
1st STUD: 12"

WEIGHTS :

FRAME : 377 lbs

SHEATHING: 317 lbs

TOTAL: 694 lbs



PIECES LIST

LABEL	QTY	SIZE	LENGTH	USE
A	5	600S162-68	11'-9 1/2"	STUD
B	2	600S200-97	11'-9 1/2"	KING STUD
C	1	400S162-33	11'-9 7/16"	BACKER-U
D	1	600T200-68	6'-0 15/16"	BOTTOM TRACK
E	1	600T200-68	6'-0 15/16"	TOP TRACK
F	1	600T150-54	6'-0 3/4"	SILL
G	1	600T150-54	6'-0 3/4"	HEAD TRACK
H	1	600T200-68	3'-10 9/16"	BOTTOM TRACK
I	1	600T200-68	3'-10 9/16"	TOP TRACK
J	2	150U50-54	3'-10 3/8"	HORIZONTAL BRACING
K	4	600S162-54	3'-8 3/4"	CRIPPLE
L	1	600T200-68	3'-0 5/16"	TOP TRACK
M	1	600T200-68	3'-0 5/16"	BOTTOM TRACK
N	2	150U50-54	3'-0 1/8"	HORIZONTAL BRACING
O	4	600S162-54	2'-11 1/16"	CRIPPLE

SHEATHING

LABEL	QTY	CODE	THICK	SIZE	SCREWS
1	1	DENSGLASS	1/2"	3'-0 1/4" X 11'-9 1/4"	8 - 12
2	1	DENSGLASS	1/2"	3'-3 15/16" X 11'-9 1/4"	8 - 12
3	2	DENSGLASS	1/2"	6 3/8" X 5'-0 1/4"	8 - 12
4	1	DENSGLASS	1/2"	6'-0 7/8" X 3'-9"	8 - 12
5	1	DENSGLASS	1/2"	6'-0 7/8" X 2'-11 3/16"	8 - 12
6	2	DENSGLASS	1/2"	5'-11 3/4" X 6 3/8"	8 - 12

21-1095

Jewish Home for the Aging

1885 Victory Blvd. Reseda, CA

FrameMax, Inc.
13915 Danielson St
Suite 100
Poway, CA 92064
www.frame-max.com



© FrameMax Inc.

CREATED: 10/16/2008

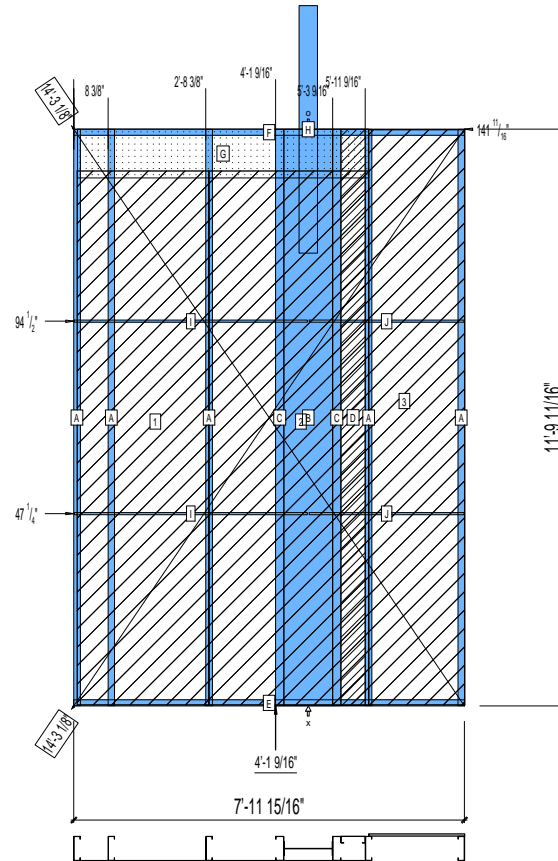
FM-07-109

CREATED BY: TNT

HEIGHT : 14'-4" POINTS: 4.11 Points.
SPACING : 24"
1st STUD: 9 1/4"

WEIGHTS :
FRAME : 490 lbs
SHEATHING: 298 lbs

TOTAL: 788 lbs



PIECES LIST

LABEL	QTY	SIZE	LENGTH	USE
A	5	600S162-97	11'-9 9/16"	STUD
B	1	1200i350p1062	11'-9 9/16"	PACO
C	2	600S200-68	11'-9 9/16"	STUD
D	1	600S162-33	11'-9 1/2"	BACKER-U
E	1	600T150-68	7'-11 15/16"	BOTTOM TRACK
F	1	600T150-68	7'-11 15/16"	TOP TRACK
G	1	1200D-54	5'-11 1/2"	STRAP
H	1	D	5'-0 3/4"	HOLDDOWN
I	2	150U50-54	4'-9 1/4"	HORIZONTAL BRACING
J	2	150U50-54	3'-2"	HORIZONTAL BRACING

SHEATHING

LABEL	QTY	CODE	THICK	SIZE	SCREWS
1	1	SB-DENSARMOR	5/8"	2'-8 7/16" X 10'-11 1/8"	2-12
2	1	SB-DENSARMOR	5/8"	3'-3 3/16" X 10'-11 1/8"	2-12
3	1	DENSGLOSS	1/2"	1'-11 9/16" X 11'-9 1/4"	8 - 12

21-1096

Jewish Home for the Aging

1885 Victory Blvd. Reseda, CA

FrameMax, Inc.
13915 Danielson St
Suite 100
Poway, CA 92064
www.frame-max.com



© FrameMax Inc.

CREATED: 10/16/2008

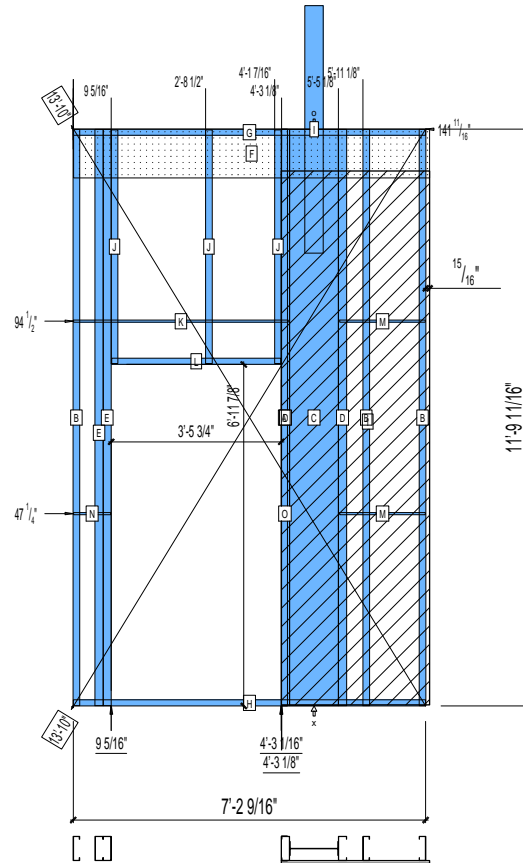
FM-07-109

CREATED BY: AMB

HEIGHT : 14'-4" POINTS: 3.56 Points.
SPACING : 24"
1st STUD: 24"

WEIGHTS :
FRAME : 526 lbs
SHEATHING: 122 lbs

TOTAL: 648 lbs



PIECES LIST

LABEL	QTY	SIZE	LENGTH	USE
A	1	600T150-33	11'-9 5/8"	CAP TRACK
B	3	600S162-97	11'-9 9/16"	STUD
C	1	1200i350p1062	11'-9 9/16"	PACO
D	2	600S200-68	11'-9 9/16"	STUD
E	2	600S200-97	11'-9 9/16"	KING STUD
F	1	1200D-54	7'-3 7/16"	STRAP
G	1	600T150-68	7'-2 9/16"	TOP TRACK
H	1	600T150-68	7'-2 9/16"	BOTTOM TRACK
I	1	D	5'-0 3/4"	HOLDDOWN
J	3	600S162-54	4'-9 3/8"	CRIPPLE
K	1	150U50-54	4'-4 3/4"	HORIZONTAL BRACING
L	1	600T150-54	3'-5 1/2"	HEAD TRACK
M	2	150U50-54	1'-9"	HORIZONTAL BRACING
N	1	150U50-54	9 1/8"	HORIZONTAL BRACING
O	1	150U50-54	1 5/8"	HORIZONTAL BRACING

SHEATHING

LABEL	QTY	CODE	THICK	SIZE	SCREWS
1	1	SB-DENSARMOR	5/8"	3'-0 7/16" X 10'-11 1/8"	2-12

21-1097

Jewish Home for the Aging

1885 Victory Blvd. Reseda, CA

FrameMax, Inc.
13915 Danielson St
Suite 100
Poway, CA 92064
www.frame-max.com



© FrameMax Inc.

CREATED: 10/15/2008

FM-07-109

CREATED BY: AMB

HEIGHT : 11'-9 11/16" POINTS: 2.56 Points.

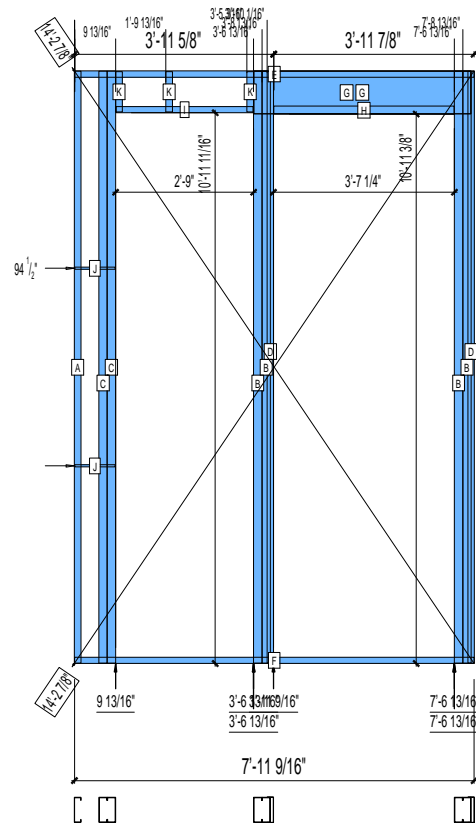
SPACING : 5000"

1st STUD: 5000"

WEIGHTS :

FRAME : 432 lbs

TOTAL: 432 lbs



PIECES LIST

LABEL	QTY	SIZE	LENGTH	USE
A	1	600S162-97	11'-9 9/16"	STUD
B	4	600S200-97	11'-9 9/16"	EXTRA STUD
C	2	600S200-97	11'-9 9/16"	KING STUD
D	2	600T150-54	11'-9 1/2"	CAP
E	1	600T150-68	7'-11 9/16"	TOP TRACK
F	1	600T150-68	7'-11 9/16"	BOTTOM TRACK
G	2	1000T200-97	4'-3 7/8"	HEADER
H	1	600T200-68	3'-7 1/8"	TOP TRACK
I	1	600T150-54	2'-8 3/4"	HEAD TRACK
J	2	150U50-54	9 5/8"	HORIZONTAL BRACING
K	3	600S162-54	9 5/8"	CRIPPLE

21-1098

Jewish Home for the Aging

1885 Victory Blvd. Reseda, CA

FM-07-109

CREATED BY: TNT

FrameMax, Inc.
13915 Danielson St
Suite 100
Poway, CA 92064
www.framemax.com



© FrameMax Inc.

HEIGHT : 11'-9 11/16" POINTS: 2.27 Points.

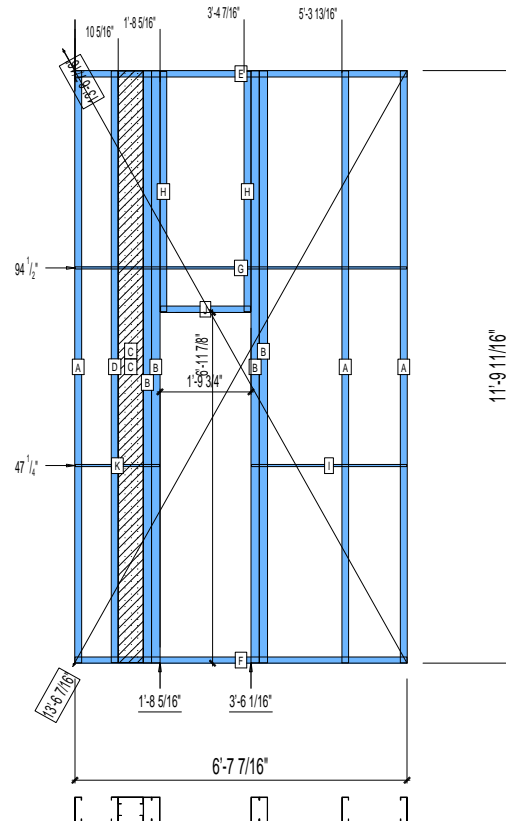
SPACING : 5000"

1st STUD: 16"

WEIGHTS :

FRAME : 385 lbs

TOTAL: 385 lbs



PIECES LIST

LABEL	QTY	SIZE	LENGTH	USE
A	3	600S162-97	11'-9 9/16"	STUD
B	4	600S200-97	11'-9 9/16"	KING STUD
C	2	600S162-33	11'-9 1/2"	BACKER-U
D	1	600S162-33	11'-9 1/2"	BACKER STUD
E	1	600T150-68	6'-7 7/16"	TOP TRACK
F	1	600T150-68	6'-7 7/16"	BOTTOM TRACK
G	1	150U50-54	6'-7 1/4"	HORIZONTAL BRACING
H	2	600S162-54	4'-9 7/16"	CRIPPLE
I	1	150U50-54	3'-1 1/8"	HORIZONTAL BRACING
J	1	600T150-54	1'-9 1/2"	HEAD TRACK
K	1	150U50-54	1'-8 1/8"	HORIZONTAL BRACING

21-1099

Jewish Home for the Aging

1885 Victory Blvd. Reseda, CA

FM-07-109

CREATED BY: TNT

FrameMax, Inc.
13915 Danielson St
Suite 100
Poway, CA 92064
www.frame-max.com



© FrameMax Inc.

HEIGHT : 11'-9 11/16" POINTS: 5.23 Points.

SPACING : 24"

1st STUD: 24"

WEIGHTS :

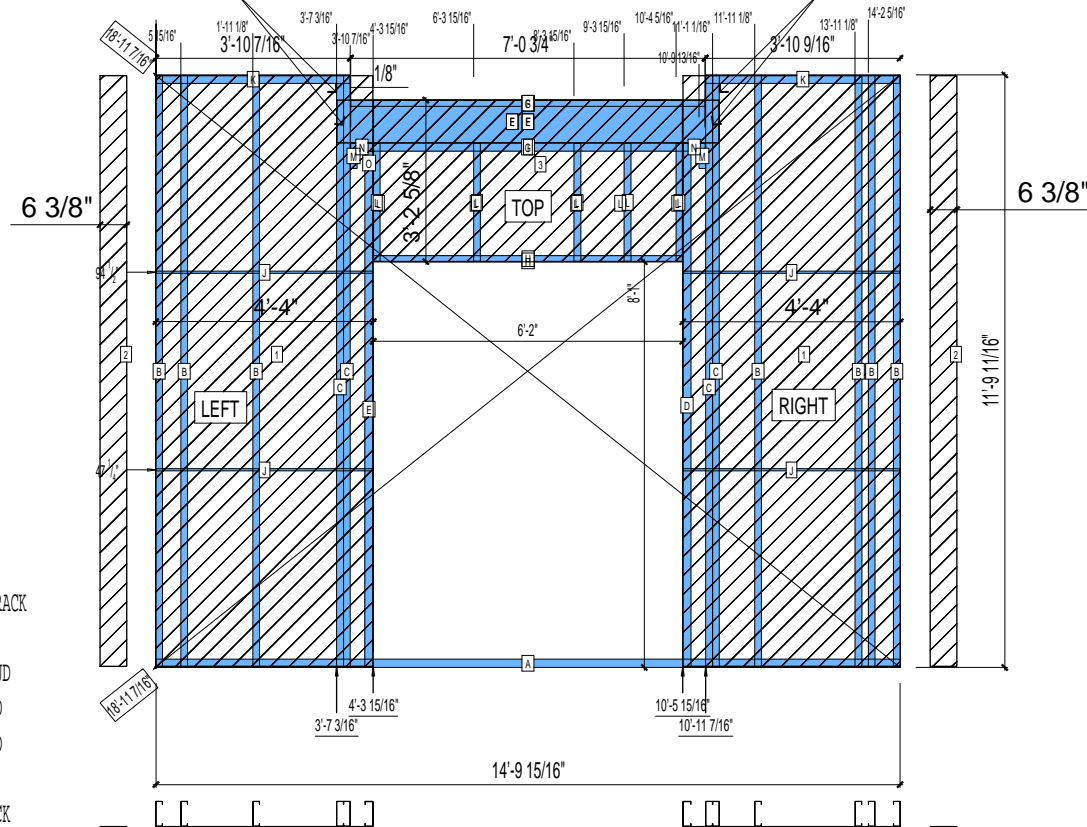
FRAME : 584 lbs

SHEATHING: 335 lbs

TOTAL: 919 lbs

10SCREWS EA. KING STUD

10SCREWS EA. KING STUD



PIECES LIST

LABEL	QTY	SIZE	LENGTH	USE
A	1	600T200-68	14'-9 15/16"	BOTTOM TRACK
B	7	600S162-68	11'-9 1/2"	STUD
C	4	600S162-68	11'-9 1/2"	EXTRA STUD
D	1	600S200-97	10'-5 3/16"	KING STUD
E	1	600S200-97	10'-3 5/16"	KING STUD
F	2	1000T200-97	7'-7 3/8"	HEADER
G	1	600T150-54	7'-0 3/4"	HEAD TRACK
H	1	600T150-54	6'-1 7/8"	HEAD TRACK
I	1	600T200-68	6'-1 7/8"	TOP TRACK
J	4	150U50-54	4'-3 3/4"	HORIZONTAL BRACING
K	2	600T200-68	3'-10 7/16"	TOP TRACK
L	5	600S162-54	2'-4 3/16"	CRIPPLE
M	2	600S162-54	6"	CRIPPLE
N	2	600T200-68	5 5/16"	TOP TRACK
O	1	600S200-97	11 7/8"	KING STUD

SHEATHING

LABEL	QTY	CODE	THICK	SIZE	SCREWS
1	2	DENSGLASS	1/2"	4'-3 15/16" X 11'-9 1/4"	8 - 12
2	2	DENSGLASS	1/2"	6 3/8" X 11'-9 1/4"	8 - 12
3	1	DENSGLASS	1/2"	6'-1 7/8" X 3'-2 9/16"	8 - 12

21-1100

Jewish Home for the Aging

1885 Victory Blvd. Reseda, CA

FM-07-109

CREATED BY: TNT

FrameMax, Inc.
13915 Danielson St
Suite 100
Poway, CA 92064
www.frame-max.com



© FrameMax Inc.

HEIGHT : 14'-4" POINTS: 4.04 Points.

SPACING : 24"

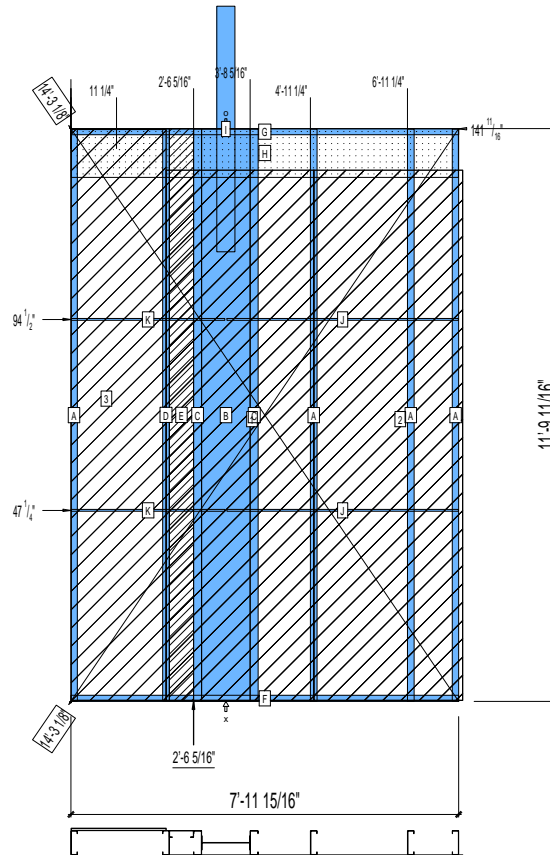
1st STUD: 12 1/8"

WEIGHTS :

FRAME : 470 lbs

SHEATHING: 304 lbs

TOTAL: 774 lbs



PIECES LIST

LABEL	QTY	SIZE	LENGTH	USE
A	4	600S162-97	11'-9 9/16"	STUD
B	1	1200i350p1062	11'-9 9/16"	PACO
C	2	600S200-68	11'-9 9/16"	STUD
D	1	600S162-33	11'-9 1/2"	BACKER STUD
E	1	600S162-33	11'-9 1/2"	BACKER-U
F	1	600T150-68	7'-11 15/16"	BOTTOM TRACK
G	1	600T150-68	7'-11 15/16"	TOP TRACK
H	1	1200D-54	7'-11 3/4"	STRAP
I	1	D	5'-0 3/4"	HOLDDOWN
J	2	150U50-54	4'-9 1/4"	HORIZONTAL BRACING
K	2	150U50-54	3'-2"	HORIZONTAL BRACING

SHEATHING

LABEL	QTY	CODE	THICK	SIZE	SCREWS
1	1	SB-DENSARMOR	5/8"	3'-0 9/16" X 10'-11 1/8"	2-12
2	1	SB-DENSARMOR	5/8"	3'-0 13/16" X 10'-11 1/8"	2-12
3	1	DENSGLOSS	1/2"	1'-11 1/2" X 11'-9 1/4"	8 - 12

21-1101

Jewish Home for the Aging

1885 Victory Blvd. Reseda, CA

FM-07-109

CREATED BY: AMB

FrameMax, Inc.
13915 Danielson St
Suite 100
Poway, CA 92064
www.frame-max.com

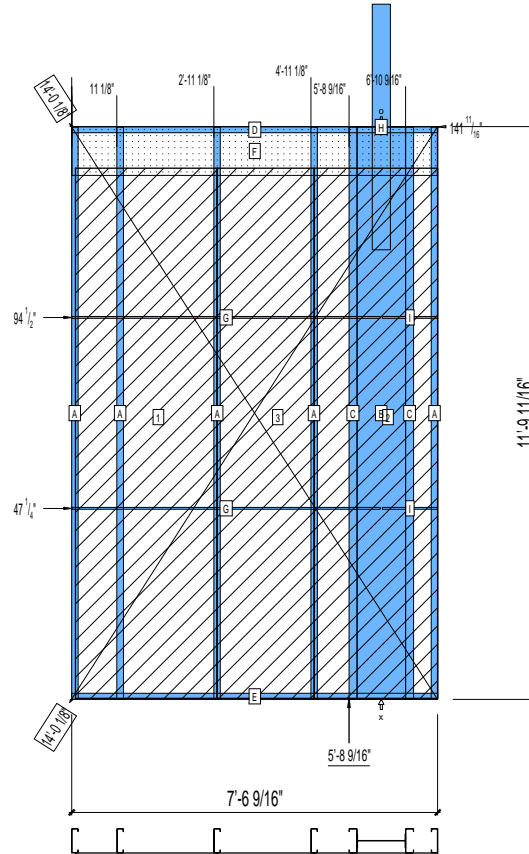


© FrameMax Inc.

HEIGHT : 14'-4"
POINTS: 4.03 Points.
SPACING : 24"
1st STUD: 12"

WEIGHTS :
FRAME : 478 lbs
SHEATHING: 300 lbs

TOTAL: 778 lbs



PIECES LIST

LABEL	QTY	SIZE	LENGTH	USE
A	5	600S162-97	11'-9 9/16"	STUD
B	1	1200i350p1062	11'-9 9/16"	PACO
C	2	600S200-68	11'-9 9/16"	STUD
D	1	600T150-68	7'-6 9/16"	TOP TRACK
E	1	600T150-68	7'-6 9/16"	BOTTOM TRACK
F	1	1200D-54	7'-6 3/8"	STRAP
G	2	150U50-54	6'-4 1/4"	HORIZONTAL BRACING
H	1	D	5'-0 3/4"	HOLDDOWN
I	2	150U50-54	1'-1 5/8"	HORIZONTAL BRACING

SHEATHING

LABEL	QTY	CODE	THICK	SIZE	SCREWS
1	1	SB-DENSARMOR	5/8"	2'-11 1/16" X 10'-11 1/8"	3-12
2	1	SB-DENSARMOR	5/8"	2'-6 9/16" X 10'-11 1/8"	3-12
3	1	SB-DENSARMOR	5/8"	2'-0" X 10'-11 1/8"	3-12

21-1102

Jewish Home for the Aging

1885 Victory Blvd. Reseda, CA

FM-07-109

CREATED BY: TNT

FrameMax, Inc.
13915 Danielson St
Suite 100
Poway, CA 92064
www.framemax.com



© FrameMax Inc.

HEIGHT : 11'-9 11/16" POINTS: 1.85 Points.

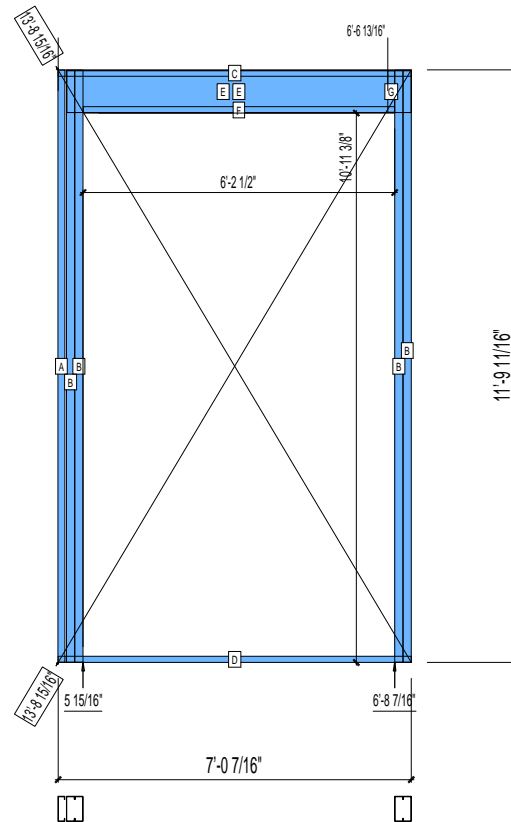
SPACING : 24"

1st STUD: 24"

WEIGHTS :

FRAME : 324 lbs

TOTAL: 324 lbs



PIECES LIST

LABEL	QTY	SIZE	LENGTH	USE
A	1	600S162-97	11'-9 9/16"	STUD
B	4	600S200-97	11'-9 9/16"	KING STUD
C	1	600T150-68	7'-0 7/16"	TOP TRACK
D	1	600T150-68	7'-0 7/16"	BOTTOM TRACK
E	2	1000S200-97	6'-10 3/8"	HEADER
F	1	600T150-54	6'-2 3/8"	HEADER BOTTOM TRACK
G	1	600S162-54	9 15/16"	CRIPPLE

21-1103

Jewish Home for the Aging

1885 Victory Blvd. Reseda, CA

FM-07-109

CREATED BY: TNT

FrameMax, Inc.
13915 Danielson St
Suite 100
Poway, CA 92064
www.framemax.com



© FrameMax Inc.

HEIGHT : 11'-9 11/16" POINTS: 1.82 Points.

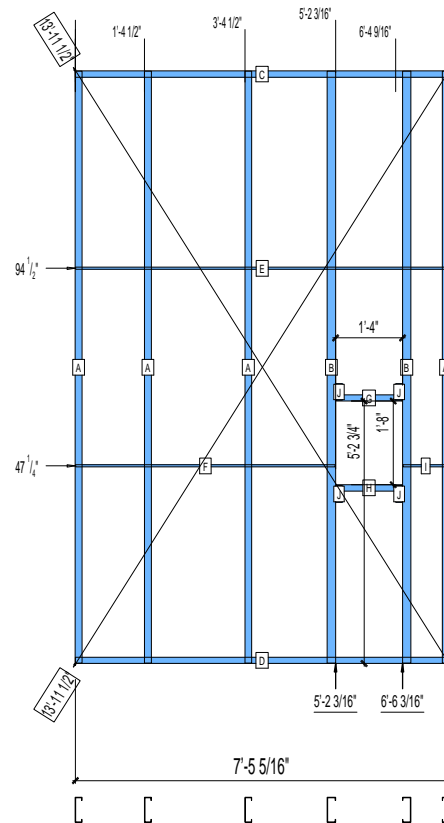
SPACING : 24"

1st STUD: 17 3/8"

WEIGHTS :

FRAME : 287 lbs

TOTAL: 287 lbs



PIECES LIST

LABEL	QTY	SIZE	LENGTH	USE
A	4	600S162-97	11'-9 9/16"	STUD
B	2	600S200-97	11'-9 9/16"	KING STUD
C	1	600T150-68	7'-5 5/16"	TOP TRACK
D	1	600T150-68	7'-5 5/16"	BOTTOM TRACK
E	1	150U50-54	7'-5 1/8"	HORIZONTAL BRACING
F	1	150U50-54	5'-2"	HORIZONTAL BRACING
G	1	600T150-54	1'-3 3/4"	HEAD TRACK
H	1	600T150-54	1'-3 3/4"	SILL
I	1	150U50-54	10 7/8"	HORIZONTAL BRACING
J	4	600S162-54	4"	CRIPPLE

21-1104

Jewish Home for the Aging

1885 Victory Blvd. Reseda, CA

FM-07-109

CREATED BY: AMB

FrameMax, Inc.
13915 Danielson St
Suite 100
Poway, CA 92064
www.framemax.com



© FrameMax Inc.

HEIGHT : 11'-9 11/16" POINTS: 2.47 Points.

SPACING : 24"

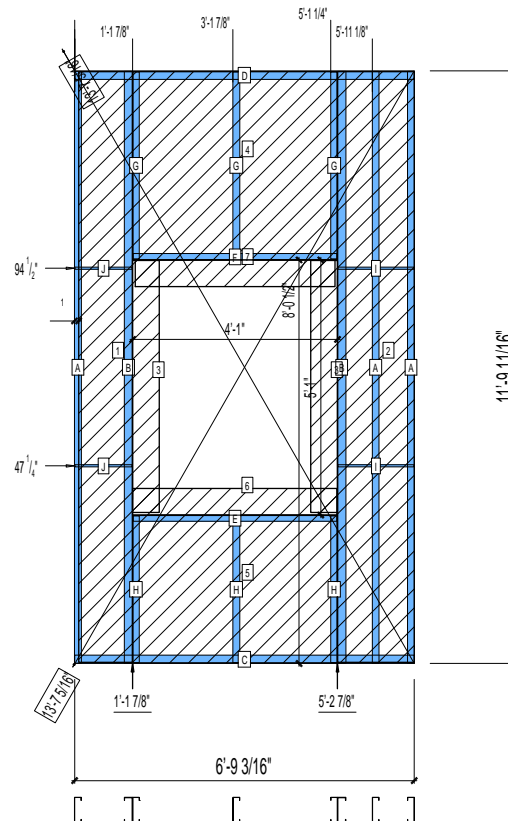
1st STUD: 24"

WEIGHTS :

FRAME : 256 lbs

SHEATHING: 168 lbs

TOTAL: 424 lbs



PIECES LIST

LABEL	QTY	SIZE	LENGTH	USE
A	3	600S162-68	11'-9 1/2"	STUD
B	2	600S200-97	11'-9 1/2"	KING STUD
C	1	600T200-68	6'-9 3/16"	BOTTOM TRACK
D	1	600T200-68	6'-9 3/16"	TOP TRACK
E	1	600T150-54	4'-0 3/4"	SILL
F	1	600T150-54	4'-0 3/4"	HEAD TRACK
G	3	600S162-54	3'-8 3/4"	CRIPPLE
H	3	600S162-54	2'-11 1/16"	CRIPPLE
I	2	150U50-54	1'-6 1/8"	HORIZONTAL BRACING
J	2	150U50-54	1'-1 5/8"	HORIZONTAL BRACING

SHEATHING

LABEL	QTY	CODE	THICK	SIZE	SCREWS
1	1	DENSGLASS	1/2"	1'-0 13/16" X 11'-9 1/4"	8 - 12
2	1	DENSGLASS	1/2"	1'-6 1/4" X 11'-9 1/4"	8 - 12
3	2	DENSGLASS	1/2"	6 3/8" X 5'-0 1/4"	8 - 12
4	1	DENSGLASS	1/2"	4'-0 7/8" X 3'-9"	8 - 12
5	1	DENSGLASS	1/2"	4'-0 7/8" X 2'-11 5/16"	8 - 12
6	1	DENSGLASS	1/2"	4'-0 7/8" X 6 3/8"	8 - 12
7	1	DENSGLASS	1/2"	3'-11 3/4" X 6 3/8"	8 - 12

21-1105

Jewish Home for the Aging

1885 Victory Blvd. Reseda, CA

FM-07-109

CREATED BY: AMB

FrameMax, Inc.
13915 Danielson St
Suite 100
Poway, CA 92064
www.frame-max.com



© FrameMax Inc.

HEIGHT : 11'-9 11/16" POINTS: 2.12 Points.

SPACING : 24"

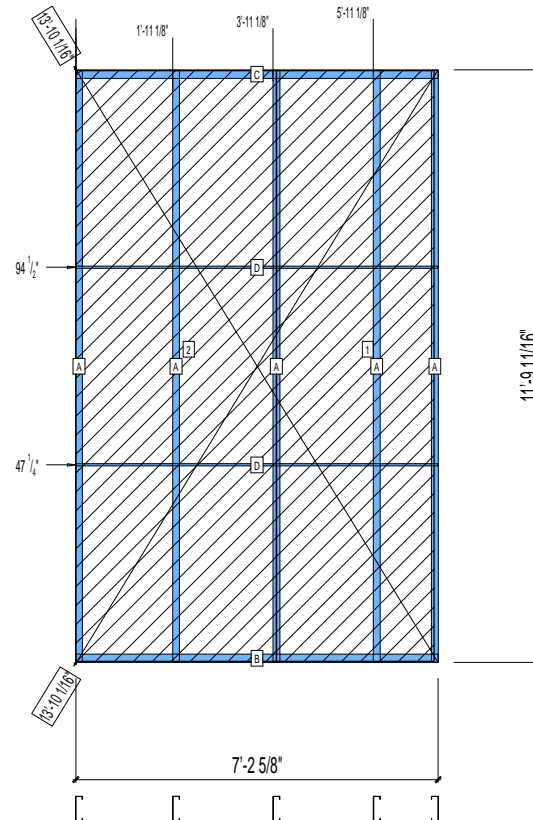
1st STUD: 24"

WEIGHTS :

FRAME : 181 lbs

SHEATHING: 210 lbs

TOTAL: 391 lbs



PIECES LIST

LABEL	QTY	SIZE	LENGTH	USE
A	5	600S162-68	11'-9 1/2"	STUD
B	1	600T200-68	7'-2 5/8"	BOTTOM TRACK
C	1	600T200-68	7'-2 5/8"	TOP TRACK
D	2	150U50-54	7'-2 7/16"	HORIZONTAL BRACING

SHEATHING

LABEL	QTY	CODE	THICK	SIZE	SCREWS
1	1	DENSGLASS	1/2"	3'-1 11/16" X 11'-9 1/4"	8 - 12
2	1	DENSGLASS	1/2"	3'-11 15/16" X 11'-9 1/4"	8 - 12

21-1106

Jewish Home for the Aging

1885 Victory Blvd. Reseda, CA

FrameMax, Inc.
13915 Danielson St
Suite 100
Poway, CA 92064
www.frame-max.com



© FrameMax Inc.

CREATED: 10/16/2008

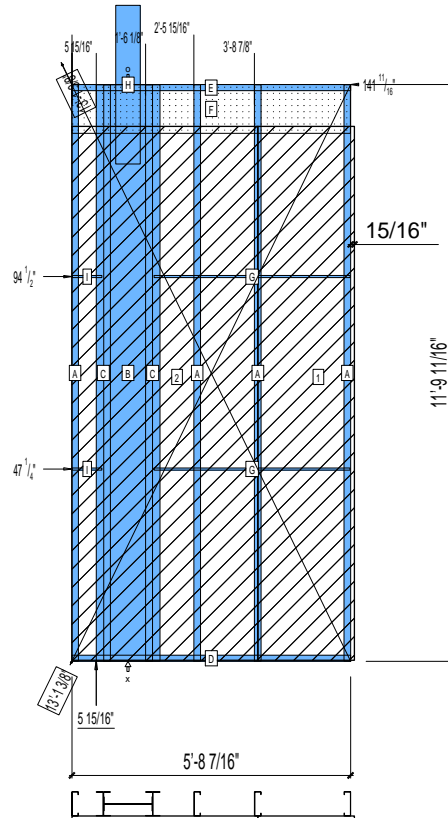
FM-07-109

CREATED BY: TNT

HEIGHT : 13'-5 1/8" POINTS: 3.92 Points.
SPACING : 5000"
1st STUD: 5000"

WEIGHTS :
FRAME : 534 lbs
SHEATHING: 233 lbs

TOTAL: 767 lbs



PIECES LIST

LABEL	QTY	SIZE	LENGTH	USE
A	4	600S162-97	11'-9 9/16"	STUD
B	1	1200i350p1062	11'-9 9/16"	PACO
C	2	600i350p680	11'-9 9/16"	PACO
D	1	600T150-68	5'-8 7/16"	BOTTOM TRACK
E	1	600T150-68	5'-8 7/16"	TOP TRACK
F	1	1200D-54	5'-8 3/8"	STRAP
G	2	150U50-54	4'-0 3/16"	HORIZONTAL BRACING
H	1	E	3'-3"	HOLDDOWN
I	2	150U50-54	7 5/16"	HORIZONTAL BRACING

SHEATHING

LABEL	QTY	CODE	THICK	SIZE	SCREWS
1	1	SB-DENSARMOR	5/8"	1'-11 3/4" X 10'-11 1/8"	2-12
2	1	SB-DENSARMOR	5/8"	3'-9 11/16" X 10'-11 1/8"	2-12

21-1107

Jewish Home for the Aging

1885 Victory Blvd. Reseda, CA

FM-07-109

CREATED BY: AMB

FrameMax, Inc.
13915 Danielson St
Suite 100
Poway, CA 92064
www.frame-max.com



© FrameMax Inc.

HEIGHT : 11'-9 11/16" POINTS: 3.00 Points.

SPACING : 24"

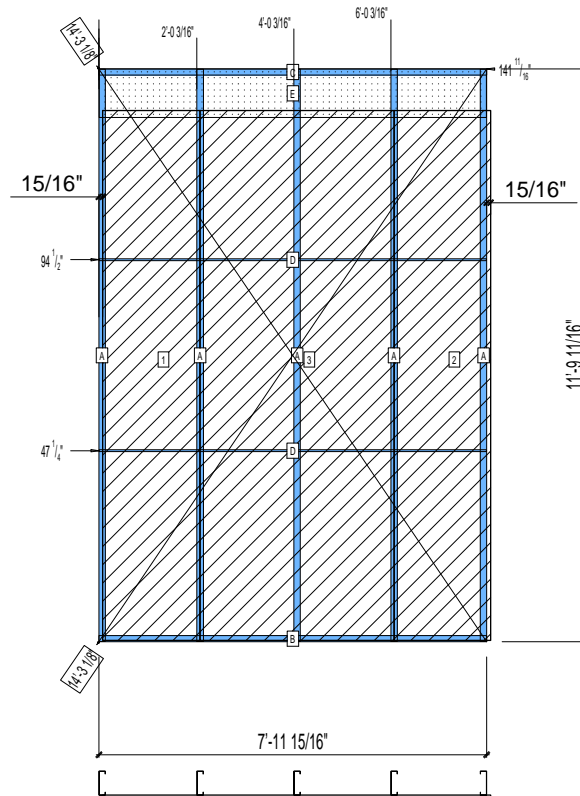
1st STUD: 24"

WEIGHTS :

FRAME : 256 lbs

SHEATHING: 322 lbs

TOTAL: 578 lbs



PIECES LIST

LABEL	QTY	SIZE	LENGTH	USE
A	5	600S162-97	11'-9 9/16"	STUD
B	1	600T150-68	7'-11 15/16"	BOTTOM TRACK
C	1	600T150-68	7'-11 15/16"	TOP TRACK
D	2	150U50-54	7'-11 3/4"	HORIZONTAL BRACING
E	1	1200D-54	7'-11 3/4"	STRAP

SHEATHING

LABEL	QTY	CODE	THICK	SIZE	SCREWS
1	1	SB-DENSARMOR	5/8"	2'-0 1/8" X 10'-11 1/8"	2-12
2	1	SB-DENSARMOR	5/8"	1'-11 7/8" X 10'-11 1/8"	2-12
3	1	SB-DENSARMOR	5/8"	4'-0" X 10'-11 1/8"	2-12

21-1108

Jewish Home for the Aging

1885 Victory Blvd. Reseda, CA

FM-07-109

CREATED BY: AMB

FrameMax, Inc.
13915 Danielson St
Suite 100
Poway, CA 92064
www.frame-max.com



© FrameMax Inc.

HEIGHT : 11'-9 11/16" POINTS: 3.00 Points.

SPACING : 24"

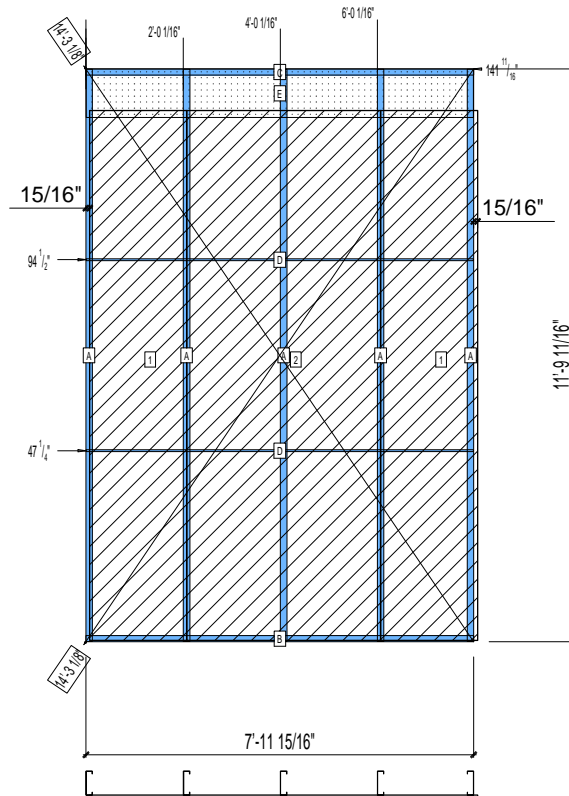
1st STUD: 24"

WEIGHTS :

FRAME : 256 lbs

SHEATHING: 322 lbs

TOTAL: 578 lbs



PIECES LIST

LABEL	QTY	SIZE	LENGTH	USE
A	5	600S162-97	11'-9 9/16"	STUD
B	1	600T150-68	7'-11 15/16"	BOTTOM TRACK
C	1	600T150-68	7'-11 15/16"	TOP TRACK
D	2	150U50-54	7'-11 3/4"	HORIZONTAL BRACING
E	1	1200D-54	7'-11 3/4"	STRAP

SHEATHING

LABEL	QTY	CODE	THICK	SIZE	SCREWS
1	2	SB-DENSARMOR	5/8"	2'-0" X 10'-11 1/8"	2-12
2	1	SB-DENSARMOR	5/8"	4'-0" X 10'-11 1/8"	2-12

21-1110

Jewish Home for the Aging

1885 Victory Blvd. Reseda, CA

FrameMax, Inc.
13915 Danielson St
Suite 100
Poway, CA 92064
www.frame-max.com



© FrameMax Inc.

CREATED: 09/26/2008

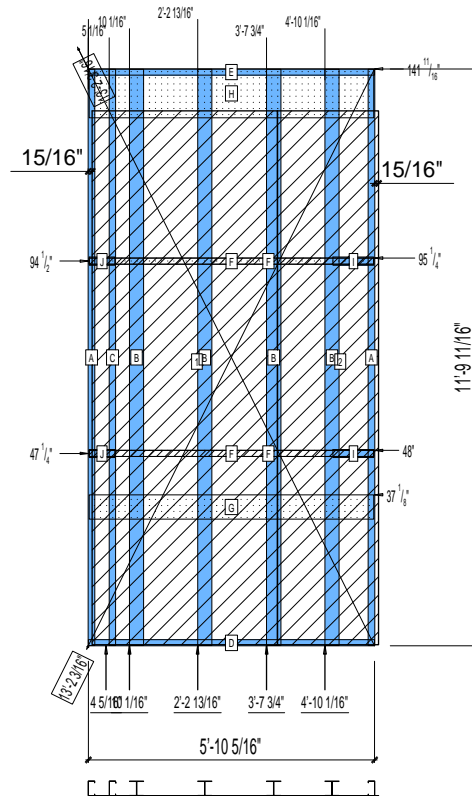
FM-07-109

CREATED BY: TNT

HEIGHT : 11'-9 11/16" POINTS: 3.21 Points.
SPACING : 5000"
1st STUD: 5000"

WEIGHTS :
FRAME : 356 lbs
SHEATHING: 236 lbs

TOTAL: 592 lbs



PIECES LIST

LABEL	QTY	SIZE	LENGTH	USE
A	2	362S162-54	11'-9 9/16"	STUD
B	4	363i350p554	11'-9 9/16"	PACO.COLUMN
C	1	362S162-54	11'-9 9/16"	EXTRA STUD
D	1	362T150-68	5'-10 5/16"	BOTTOM TRACK
E	1	362T150-68	5'-10 5/16"	TOP TRACK
F	4	150D-43	5'-9 7/8"	STRAP
G	1	600D-54	5'-9 7/8"	VANITY BACKING
H	1	1200D-54	5'-9 7/8"	STRAP
I	2	362T200-68	10"	BLOCK
J	2	362T200-68	6 1/4"	BLOCK

SHEATHING

LABEL	QTY	CODE	THICK	SIZE	SCREWS
1	1	SB-DENSARMOR	5/8"	3'-9 9/16" X 10'-11 1/8"	2-12
2	1	SB-DENSARMOR	5/8"	2'-0 13/16" X 10'-11 1/8"	2-12

21-1111

Jewish Home for the Aging

1885 Victory Blvd. Reseda, CA

FrameMax, Inc.
13915 Danielson St
Suite 100
Poway, CA 92064
www.frame-max.com



© FrameMax Inc.

CREATED: 09/26/2008

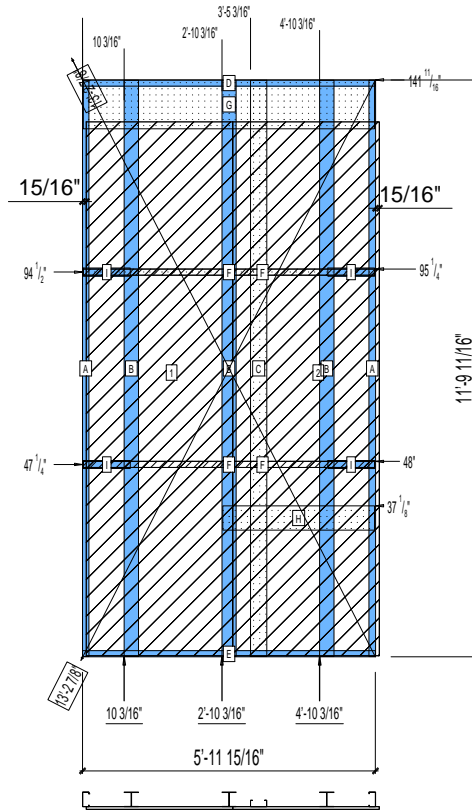
FM-07-109

CREATED BY: TNT

HEIGHT : 11'-9 11/16" POINTS: 2.89 Points.
SPACING : 5000"
1st STUD: 5000"

WEIGHTS :
FRAME : 284 lbs
SHEATHING: 241 lbs

TOTAL: 525 lbs



PIECES LIST

LABEL	QTY	SIZE	LENGTH	USE
A	2	362S162-54	11'-9 9/16"	STUD
B	3	3631350p554	11'-9 9/16"	PACO. COLUMN
C	1	400S162-33	11'-9 9/16"	BACKER-U
D	1	362T150-68	5'-11 15/16"	TOP TRACK
E	1	362T150-68	5'-11 15/16"	BOTTOM TRACK
F	4	150D-43	5'-11 1/2"	STRAP
G	1	1200D-54	5'-11 1/2"	STRAP
H	1	600D-54	3'-1 1/4"	VANITY BACKING
I	4	362T200-68	11 1/2"	BLOCK

SHEATHING

LABEL	QTY	CODE	THICK	SIZE	SCREWS
1	1	SB-DENSARMOR	5/8"	2'-11 15/16" X 10'-11 1/8"	2-12
2	1	SB-DENSARMOR	5/8"	3'-0 1/16" X 10'-11 1/8"	2-12

21-1112

Jewish Home for the Aging

1885 Victory Blvd. Reseda, CA

FrameMax, Inc.
13915 Danielson St
Suite 100
Poway, CA 92064
www.frame-max.com



© FrameMax Inc.

CREATED: 09/26/2008

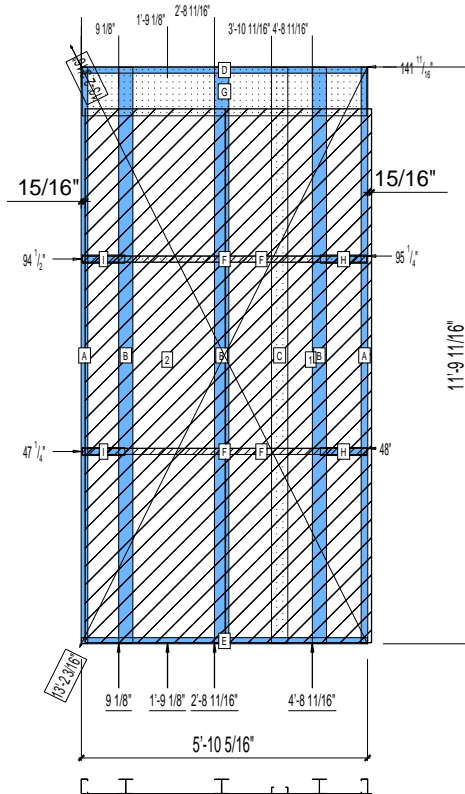
FM-07-109

CREATED BY: TNT

HEIGHT : 11'-9 11/16" POINTS: 2.82 Points.
SPACING : 5000"
1st STUD: 5000"

WEIGHTS :
FRAME : 279 lbs
SHEATHING: 236 lbs

TOTAL: 515 lbs



PIECES LIST

LABEL	QTY	SIZE	LENGTH	USE
A	2	362S162-54	11'-9 9/16"	STUD
B	3	363I350p554	11'-9 9/16"	PACO. COLUMN
C	1	400S162-33	11'-9 9/16"	BACKER-U
D	1	362T150-68	5'-10 5/16"	TOP TRACK
E	1	362T150-68	5'-10 5/16"	BOTTOM TRACK
F	4	150D-43	5'-9 7/8"	STRAP
G	1	1200D-54	5'-9 7/8"	STRAP
H	2	362T200-68	11 3/8"	BLOCK
I	2	362T200-68	10 7/16"	BLOCK

SHEATHING

LABEL	QTY	CODE	THICK	SIZE	SCREWS
1	1	SB-DENSARMOR	5/8"	2'-11 15/16" X 10'-11 1/8"	2-12
2	1	SB-DENSARMOR	5/8"	2'-10 7/16" X 10'-11 1/8"	2-12

21-1113

Jewish Home for the Aging

1885 Victory Blvd. Reseda, CA

FrameMax, Inc.
13915 Danielson St
Suite 100
Poway, CA 92064
www.frame-max.com



© FrameMax Inc.

CREATED: 09/26/2008

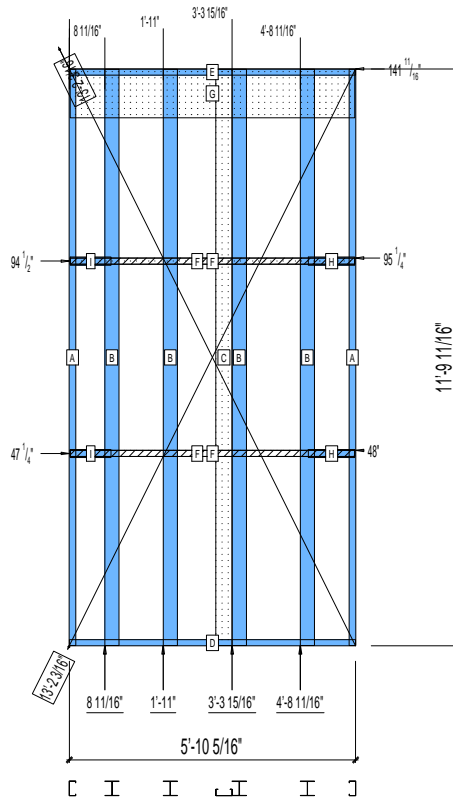
FM-07-109

CREATED BY: AMB

HEIGHT : 11'-9 11/16" POINTS: 2.07 Points.
SPACING : 5000"
1st STUD: 5000"

WEIGHTS :
FRAME : 344 lbs

TOTAL: 344 lbs



PIECES LIST

LABEL	QTY	SIZE	LENGTH	USE
A	2	362S162-54	11'-9 9/16"	STUD
B	4	3631350p554	11'-9 9/16"	PACO. COLUMN
C	1	400S162-33	11'-9 9/16"	BACKER-U
D	1	362T150-68	5'-10 5/16"	BOTTOM TRACK
E	1	362T150-68	5'-10 5/16"	TOP TRACK
F	4	150D-43	5'-9 7/8"	STRAP
G	1	1200D-54	5'-9 7/8"	STRAP
H	2	362T200-68	11 3/8"	BLOCK
I	2	362T200-68	10"	BLOCK

21-1114

Jewish Home for the Aging

1885 Victory Blvd. Reseda, CA

FrameMax, Inc.
13915 Danielson St
Suite 100
Poway, CA 92064
www.frame-max.com



© FrameMax Inc.

CREATED: 09/26/2008

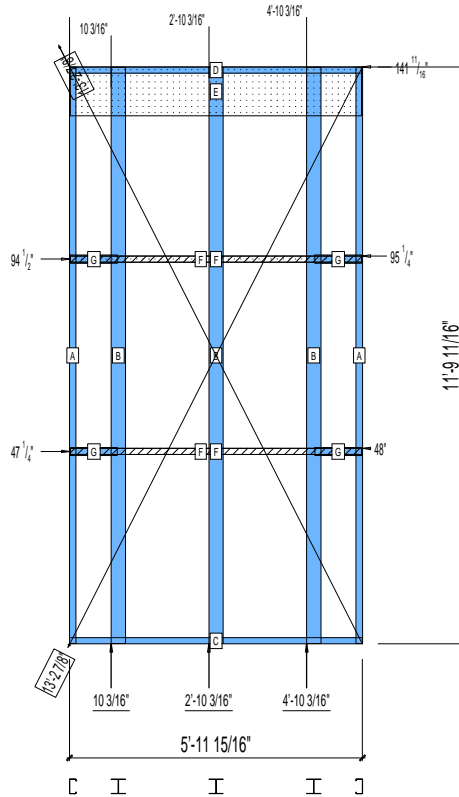
FM-07-109

CREATED BY: AMB

HEIGHT : 11'-9 11/16" POINTS: 1.69 Points.
SPACING : 5000"
1st STUD: 5000"

WEIGHTS :
FRAME : 269 lbs

TOTAL: 269 lbs



PIECES LIST

LABEL	QTY	SIZE	LENGTH	USE
A	2	362S162-54	11'-9 9/16"	STUD
B	3	363I350p554	11'-9 9/16"	PACO. COLUMN
C	1	362T150-68	5'-11 15/16"	BOTTOM TRACK
D	1	362T150-68	5'-11 15/16"	TOP TRACK
E	1	1200D-54	5'-11 1/2"	STRAP
F	4	150D-43	5'-11 1/2"	STRAP
G	4	362T200-68	11 1/2"	BLOCK

21-1115

Jewish Home for the Aging

1885 Victory Blvd. Reseda, CA

FrameMax, Inc.
13915 Danielson St
Suite 100
Poway, CA 92064
www.frame-max.com



© FrameMax Inc.

CREATED: 09/26/2008

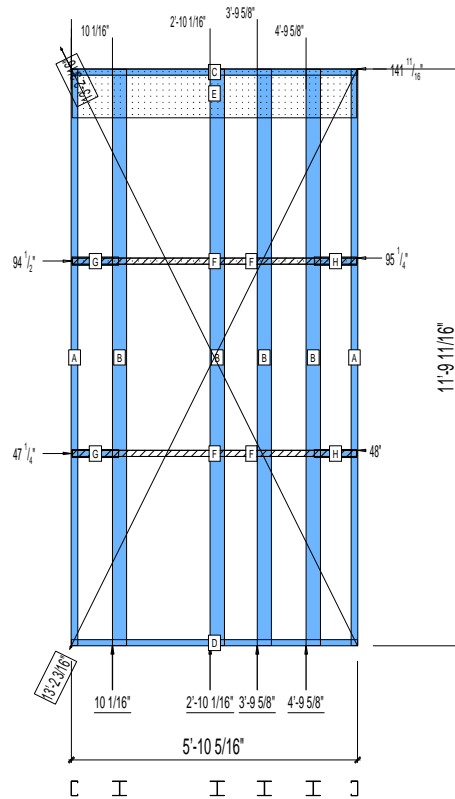
FM-07-109

CREATED BY: AMB

HEIGHT : 11'-9 11/16" POINTS: 2.00 Points.
SPACING : 5000"
1st STUD: 5000"

WEIGHTS :
FRAME : 334 lbs

TOTAL: 334 lbs



PIECES LIST

LABEL	QTY	SIZE	LENGTH	USE
A	2	362S162-54	11'-9 9/16"	STUD
B	4	363i350p554	11'-9 9/16"	PACO COLUMN
C	1	362T150-68	5'-10 5/16"	TOP TRACK
D	1	362T150-68	5'-10 5/16"	BOTTOM TRACK
E	1	1200D-54	5'-9 7/8"	STRAP
F	4	150D-43	5'-9 7/8"	STRAP
G	2	362T200-68	11 3/8"	BLOCK
H	2	362T200-68	10 7/16"	BLOCK

21-1117

Jewish Home for the Aging

1885 Victory Blvd. Reseda, CA

FrameMax, Inc.
13915 Danielson St
Suite 100
Poway, CA 92064
www.framemax.com



© FrameMax Inc.

CREATED: 10/17/2008

FM-07-109

CREATED BY: TNT

HEIGHT : 11'-9 11/16" POINTS: 2.41 Points.

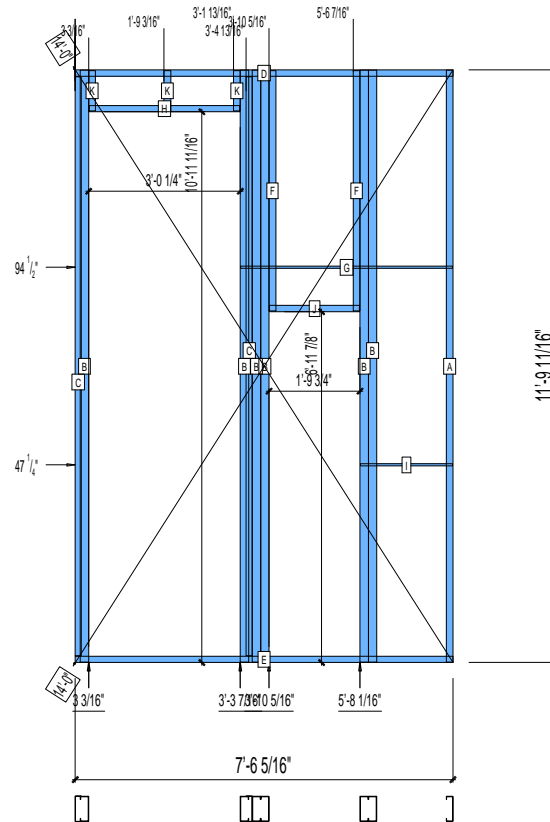
SPACING : 5000"

1st STUD: 5000"

WEIGHTS :

FRAME : 402 lbs

TOTAL: 402 lbs



PIECES LIST

LABEL	QTY	SIZE	LENGTH	USE
A	1	600S162-97	11'-9 9/16"	STUD
B	6	600S200-97	11'-9 9/16"	KING STUD
C	2	600T150-54	11'-6 7/16"	CAP
D	1	600T150-68	7'-6 5/16"	TOP TRACK
E	1	600T150-68	7'-6 5/16"	BOTTOM TRACK
F	2	600S162-54	4'-9 7/16"	CRIPPLE
G	1	150U50-54	4'-2 5/8"	HORIZONTAL BRACING
H	1	600T150-54	3'-0"	HEAD TRACK
I	1	150U50-54	1'-10"	HORIZONTAL BRACING
J	1	600T150-54	1'-9 1/2"	HEAD TRACK
K	3	600S162-54	9 5/8"	CRIPPLE

21-1118

Jewish Home for the Aging

1885 Victory Blvd. Reseda, CA

FM-07-109

CREATED BY: TNT

FrameMax, Inc.
13915 Danielson St
Suite 100
Poway, CA 92064
www.framemax.com



© FrameMax Inc.

HEIGHT : 11'-9 11/16" POINTS: 2.97 Points.

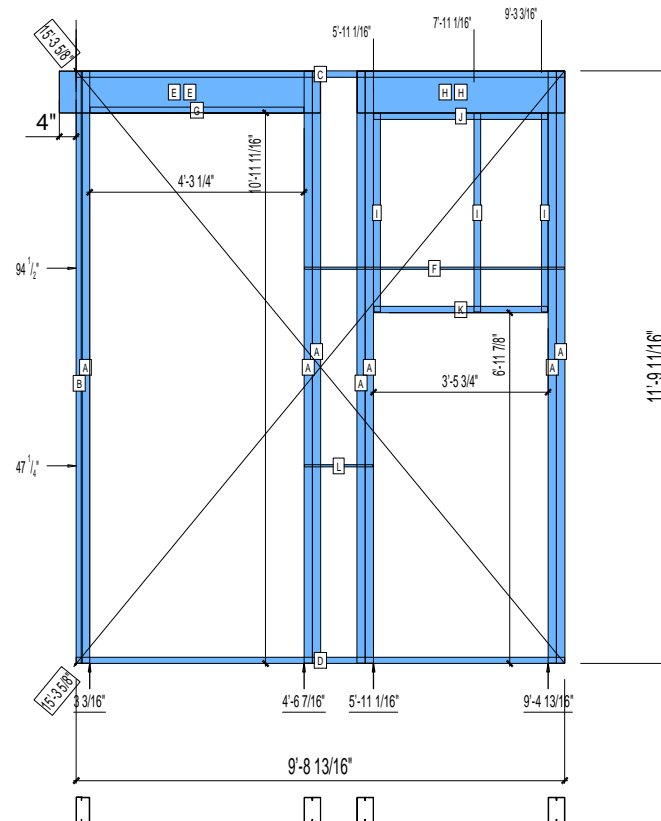
SPACING : 5000"

1st STUD: 5000"

WEIGHTS :

FRAME : 504 lbs

TOTAL: 504 lbs



PIECES LIST

LABEL	QTY	SIZE	LENGTH	USE
A	7	600S200-97	11'-9 9/16"	KING STUD
B	1	600T150-54	11'-9 7/16"	CAP
C	1	600T150-68	9'-8 13/16"	TOP TRACK
D	1	600T150-68	9'-8 13/16"	BOTTOM TRACK
E	2	1000S200-97	5'-2 7/16"	HEADER
F	1	150U50-54	5'-2 1/8"	HORIZONTAL BRACING
G	1	600T150-54	4'-3 1/8"	HEAD TRACK
H	2	1000S200-97	4'-1 5/8"	HEADER
I	3	600S162-54	3'-11 7/16"	CRIPPLE
J	1	600T150-54	3'-5 5/8"	HEADER BOTTOM TRACK
K	1	600T150-54	3'-5 1/2"	HEAD TRACK
L	1	150U50-54	1'-4 3/8"	HORIZONTAL BRACING

21-1119

Jewish Home for the Aging

1885 Victory Blvd. Reseda, CA

FrameMax, Inc.
13915 Danielson St
Suite 100
Poway, CA 92064
www.frame-max.com



© FrameMax Inc.

CREATED: 10/17/2008

FM-07-109

CREATED BY: TNT

HEIGHT : 11'-9 11/16" POINTS: 3.05 Points.

SPACING : 5000"

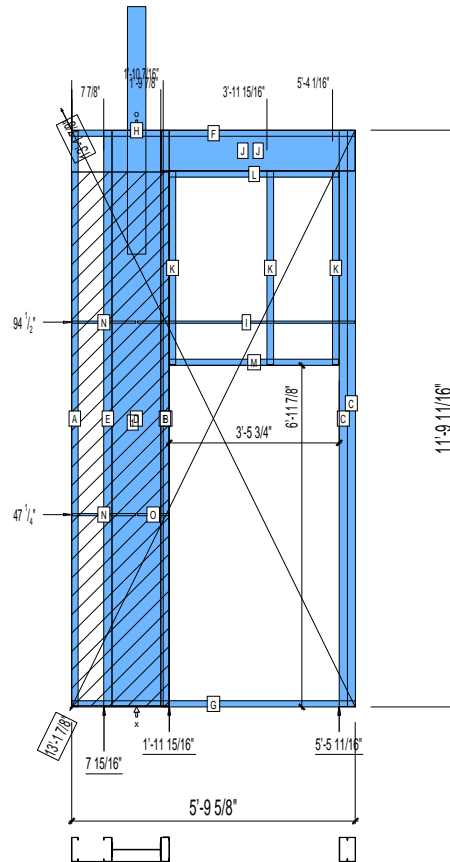
1st STUD: 5000"

WEIGHTS :

FRAME : 467 lbs

SHEATHING: 80 lbs

TOTAL: 547 lbs



PIECES LIST

LABEL	QTY	SIZE	LENGTH	USE
A	1	600S162-97	11'-9 9/16"	STUD
B	1	600T150-33	11'-9 9/16"	CAP TRACK
C	2	600S200-97	11'-9 9/16"	KING STUD
D	1	1200i350p1062	11'-9 9/16"	PACO
E	2	600S200-68	11'-9 9/16"	STUD
F	1	600T150-68	5'-9 5/8"	TOP TRACK
G	1	600T150-68	5'-9 5/8"	BOTTOM TRACK
H	1	D	5'-0 3/4"	HOLDDOWN
I	1	150U50-54	4'-5 3/8"	HORIZONTAL BRACING
J	2	1000S200-97	3'-11 11/16"	HEADER
K	3	600S162-54	3'-11 7/16"	CRIPPLE
L	1	600T150-54	3'-5 5/8"	HEADER BOTTOM TRACK
M	1	600T150-54	3'-5 1/2"	HEAD TRACK
N	2	150U50-54	1'-3 5/8"	HORIZONTAL BRACING
O	1	150U50-54	7 5/8"	HORIZONTAL BRACING

SHEATHING

LABEL	QTY	CODE	THICK	SIZE	SCREWS
1	1	SB-DENSARMOR	5/8"	1'-11 7/8" X 10'-11 1/8"	2-12

21-1120

Jewish Home for the Aging

1885 Victory Blvd. Reseda, CA

FrameMax, Inc.
13915 Danielson St
Suite 100
Poway, CA 92064
www.frame-max.com



© FrameMax Inc.

CREATED: 10/17/2008

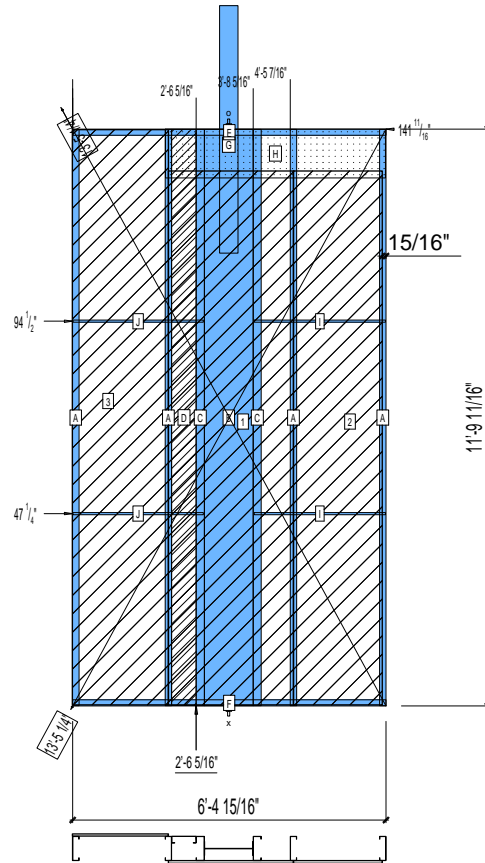
FM-07-109

CREATED BY: TNT

HEIGHT : 14'-4" POINTS: 3.57 Points.
SPACING : 5000"
1st STUD: 54 1/4"

WEIGHTS :
FRAME : 447 lbs
SHEATHING: 234 lbs

TOTAL: 681 lbs



PIECES LIST

LABEL	QTY	SIZE	LENGTH	USE
A	4	600S162-97	11'-9 9/16"	STUD
B	1	1200i350p1062	11'-9 9/16"	PACO
C	2	600S200-68	11'-9 9/16"	STUD
D	1	600S162-54	11'-9 1/2"	BACKER-U
E	1	600T150-68	6'-4 15/16"	TOP TRACK
F	1	600T150-68	6'-4 15/16"	BOTTOM TRACK
G	1	D	5'-0 3/4"	HOLDDOWN
H	1	1200D-54	4'-6 1/16"	STRAP
I	2	150U50-54	2'-8 1/4"	HORIZONTAL BRACING
J	2	150U50-54	2'-8"	HORIZONTAL BRACING

SHEATHING

LABEL	QTY	CODE	THICK	SIZE	SCREWS
1	1	SB-DENSARMOR	5/8"	2'-6 11/16" X 10'-11 1/8"	2-12
2	1	SB-DENSARMOR	5/8"	1'-9 13/16" X 10'-11 1/8"	2-12
3	1	DENSGLOSS	1/2"	1'-11 9/16" X 11'-9 1/4"	8 - 12

21-1121

Jewish Home for the Aging

1885 Victory Blvd. Reseda, CA

FM-07-109

CREATED BY: TNT

FrameMax, Inc.
13915 Danielson St
Suite 100
Poway, CA 92064
www.frame-max.com



© FrameMax Inc.

HEIGHT : 11'-9 11/16" POINTS: 1.12 Points.

SPACING : 24"

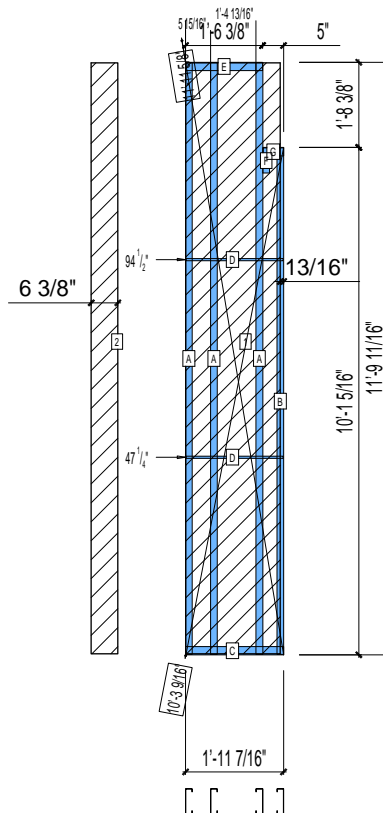
1st STUD: 24"

WEIGHTS :

FRAME : 119 lbs

SHEATHING: 71 lbs

TOTAL: 190 lbs



PIECES LIST

LABEL	QTY	SIZE	LENGTH	USE
A	3	600S162-68	11'-9 1/2"	STUD
B	1	600S162-68	10'-1 1/16"	STUD
C	1	600T200-68	1'-11 7/16"	BOTTOM TRACK
D	2	150U50-54	1'-11 1/4"	HORIZONTAL BRACING
E	1	600T200-68	1'-6 3/8"	TOP TRACK
F	1	600S162-33	6"	BACKER STUD
G	1	600T200-68	4 7/8"	TOP TRACK

SHEATHING

LABEL	QTY	CODE	THICK	SIZE	SCREWS
1	1	DENSGLASS	1/2"	1'-10 5/8" X 11'-9 1/4"	8 - 12
2	1	DENSGLASS	1/2"	6 3/8" X 11'-9 1/4"	8 - 12

21-1122

Jewish Home for the Aging

1885 Victory Blvd. Reseda, CA

FrameMax, Inc.
13915 Danielson St
Suite 100
Poway, CA 92064
www.frame-max.com



© FrameMax Inc.

CREATED: 10/16/2008

FM-07-109

CREATED BY: TNT

HEIGHT : 11'-9 11/16" POINTS: 4.39 Points.

SPACING : 24"

1st STUD: 5/8"

WEIGHTS :

FRAME : 525 lbs

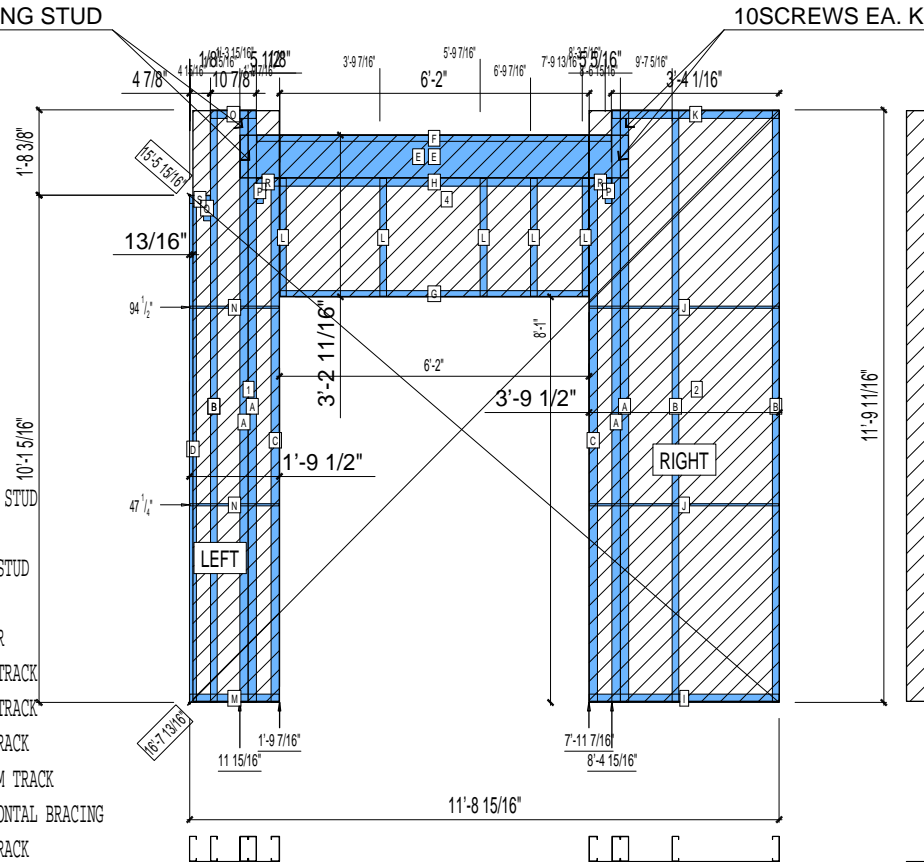
SHEATHING: 227 lbs 10SCREWS EA. KING STUD

10SCREWS EA. KING STUD

TOTAL: 752 lbs

PIECES LIST

LABEL	QTY	SIZE	LENGTH	USE
A	4	600S200-97	11'-9 1/2"	EXTRA STUD
B	3	600S162-68	11'-9 1/2"	STUD
C	2	600S200-97	10'-5 3/16"	KING STUD
D	1	600S162-68	10'-1 1/16"	STUD
E	2	1000T200-97	7'-8 7/8"	HEADER
F	1	600T150-54	7'-0 3/4"	HEAD TRACK
G	1	600T150-54	6'-1 7/8"	HEAD TRACK
H	1	600T200-68	6'-1 7/8"	TOP TRACK
I	1	600T200-68	3'-9 3/8"	BOTTOM TRACK
J	2	150U50-54	3'-9 1/4"	HORIZONTAL BRACING
K	1	600T200-68	3'-3 7/8"	TOP TRACK
L	5	600S162-54	2'-4 3/16"	CRIPPLE
M	1	600T200-68	1'-9 3/8"	BOTTOM TRACK
N	2	150U50-54	1'-9 1/4"	HORIZONTAL BRACING
O	1	600T200-68	10 7/8"	TOP TRACK
P	2	600S162-54	6"	CRIPPLE
Q	1	600S162-33	6"	BACKER STUD
R	2	600T200-68	5 5/16"	TOP TRACK
S	1	600T200-68	4 7/8"	TOP TRACK



SHEATHING

LABEL	QTY	CODE	THICK	SIZE	SCREWS
1	1	DENSGLASS	1/2"	1'-8 5/8" X 11'-9 1/4"	8 - 12
2	1	DENSGLASS	1/2"	3'-9 7/16" X 11'-9 1/4"	8 - 12
3	1	DENSGLASS	1/2"	6 3/8" X 11'-9 1/4"	8 - 12
4	1	DENSGLASS	1/2"	6'-1 7/8" X 3'-2 9/16"	8 - 12

21-1123

Jewish Home for the Aging

1885 Victory Blvd. Reseda, CA

FrameMax, Inc.
13915 Danielson St
Suite 100
Poway, CA 92064
www.frame-max.com



© FrameMax Inc.

CREATED: 09/26/2008

FM-07-109

CREATED BY: TNT

HEIGHT : 11'-9 11/16" POINTS: 1.43 Points.

SPACING : 24"

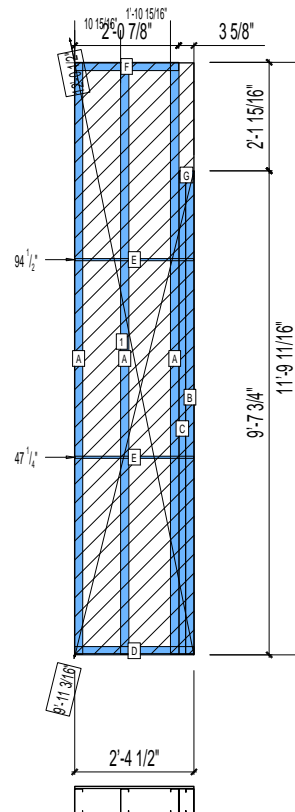
1st STUD: 24"

WEIGHTS :

FRAME : 188 lbs

SHEATHING: 70 lbs

TOTAL: 258 lbs



PIECES LIST

LABEL	QTY	SIZE	LENGTH	USE
A	3	600S200-97	11'-9 1/2"	STUD
B	1	600S200-97	9'-7 1/2"	STUD
C	1	600S162-33	9'-7 1/2"	BACKER STUD
D	1	600T200-68	2'-4 1/2"	BOTTOM TRACK
E	2	150U50-54	2'-4 3/8"	HORIZONTAL BRACING
F	1	600T200-68	2'-0 7/8"	TOP TRACK
G	1	600T200-68	3 1/2"	TOP TRACK

SHEATHING

LABEL	QTY	CODE	THICK	SIZE	SCREWS
1	1	DENSGLASS	1/2"	2'-4 1/2" X 11'-9 1/4"	8 - 12

21-1124

Jewish Home for the Aging

1885 Victory Blvd. Reseda, CA

FrameMax, Inc.
13915 Danielson St
Suite 100
Poway, CA 92064
www.frame-max.com



© FrameMax Inc.

CREATED: 10/01/2008

FM-07-109

CREATED BY: TNT

HEIGHT : 11'-9 11/16" POINTS: 2.54 Points.

SPACING : 5000"

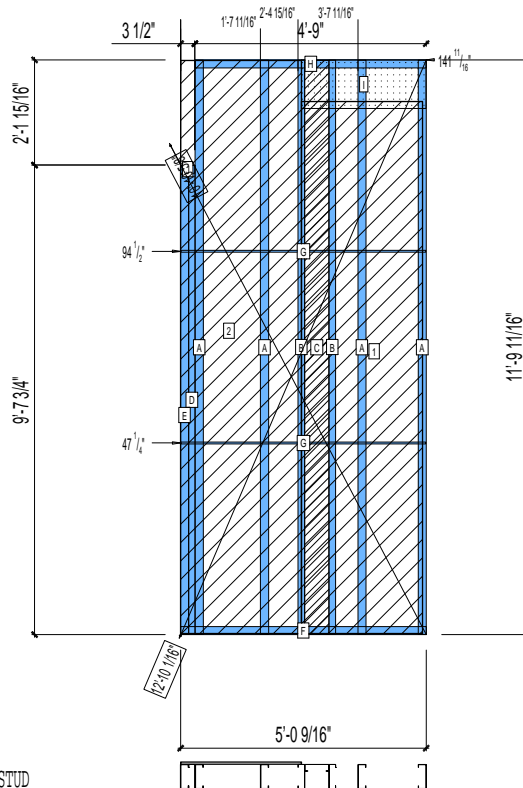
1st STUD: 5000"

WEIGHTS :

FRAME : 294 lbs

SHEATHING: 173 lbs

TOTAL: 467 lbs



PIECES LIST

LABEL	QTY	SIZE	LENGTH	USE
A	4	600S200-97	11'-9 1/2"	STUD
B	2	600S162-33	11'-9 1/2"	BACKER STUD
C	1	600S162-33	11'-9 7/16"	BACKER-U
D	1	600S162-33	9'-7 1/2"	BACKER STUD
E	1	600S200-97	9'-7 1/2"	STUD
F	1	600T200-68	5'-0 9/16"	BOTTOM TRACK
G	2	150U50-54	5'-0 3/8"	HORIZONTAL BRACING
H	1	600T200-68	4'-8 7/8"	TOP TRACK
I	1	1200D-54	2'-6 3/4"	STRAP
J	1	600T200-68	3 1/2"	TOP TRACK

SHEATHING

LABEL	QTY	CODE	THICK	SIZE	SCREWS
1	1	SB-DENSARMOR	5/8"	2'-5 7/8" X 10'-11 1/8"	2-12
2	1	DENSGLOSS	1/2"	2'-5 3/4" X 11'-9 1/4"	8 - 12

21-1125

Jewish Home for the Aging

1885 Victory Blvd. Reseda, CA

FrameMax, Inc.
13915 Danielson St
Suite 100
Poway, CA 92064
www.frame-max.com



© FrameMax Inc.

CREATED: 10/01/2008

FM-07-109

CREATED BY: TNT

HEIGHT : 14'-3 15/16" POINTS: 4.26 Points.

SPACING : 5000"

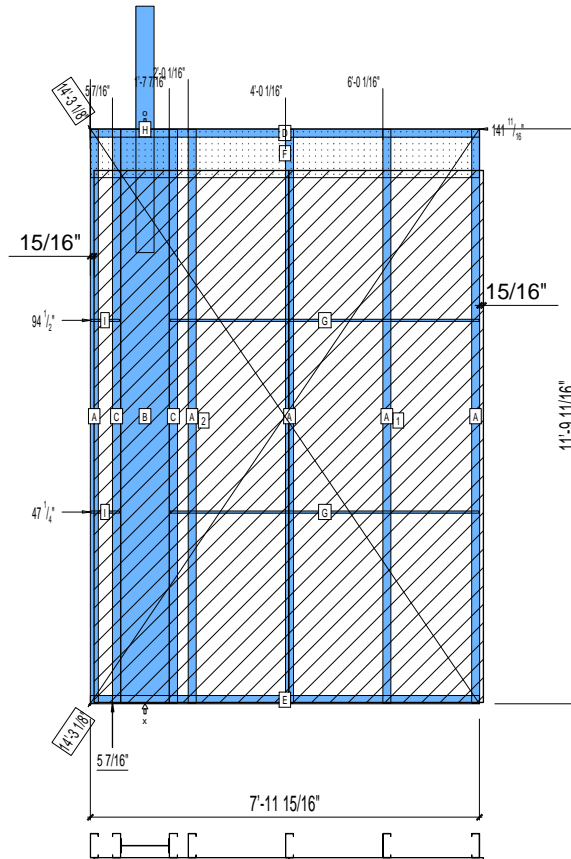
1st STUD: 5000"

WEIGHTS :

FRAME : 504 lbs

SHEATHING: 322 lbs

TOTAL: 826 lbs



PIECES LIST

LABEL	QTY	SIZE	LENGTH	USE
A	5	600S200-97	11'-9 1/2"	STUD
B	1	1200i350p1062	11'-9 1/2"	PACO
C	2	600S200-68	11'-9 1/2"	STUD
D	1	600T200-68	7'-11 15/16"	TOP TRACK
E	1	600T200-68	7'-11 15/16"	BOTTOM TRACK
F	1	1200D-54	7'-11 7/8"	STRAP
G	2	150U50-54	6'-4 1/16"	HORIZONTAL BRACING
H	1	D	5'-0 3/4"	HOLDDOWN
I	2	150U50-54	7 1/16"	HORIZONTAL BRACING

SHEATHING

LABEL	QTY	CODE	THICK	SIZE	SCREWS
1	1	SB-DENSARMOR	5/8"	4'-0" X 10'-11 1/8"	2-12
2	1	SB-DENSARMOR	5/8"	4'-0" X 10'-11 1/8"	2-12

21-1126

Jewish Home for the Aging

1885 Victory Blvd. Reseda, CA

FrameMax, Inc.
13915 Danielson St
Suite 100
Poway, CA 92064
www.frame-max.com



© FrameMax Inc.

CREATED: 10/01/2008

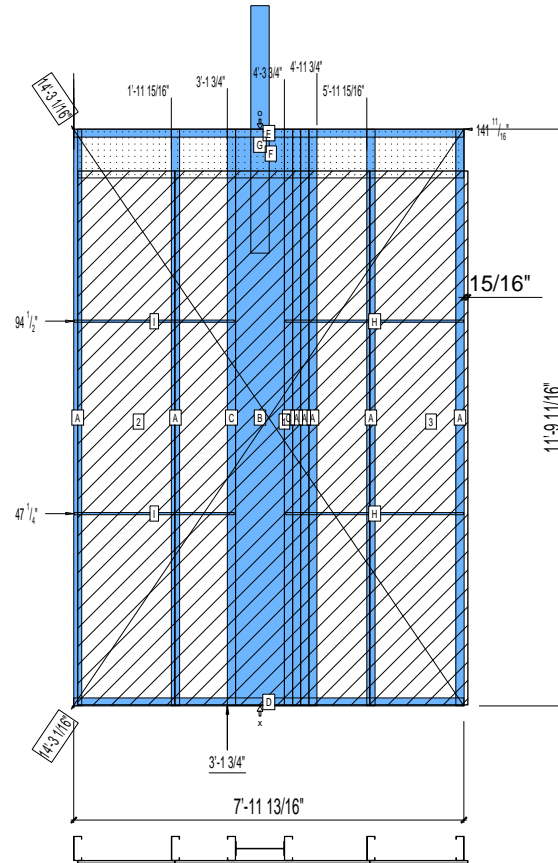
FM-07-109

CREATED BY: AMB

HEIGHT : 14'-3 15/16" POINTS: 4.04 Points.
SPACING : 5000"
1st STUD: 5000"

WEIGHTS :
FRAME : 461 lbs
SHEATHING: 321 lbs

TOTAL: 782 lbs



PIECES LIST

LABEL	QTY	SIZE	LENGTH	USE
A	4	600S200-97	11'-9 1/2"	STUD
B	1	1200i350p1062	11'-9 1/2"	PACO
C	2	600S200-68	11'-9 1/2"	STUD
D	1	600T200-68	7'-11 13/16"	BOTTOM TRACK
E	1	600T200-68	7'-11 13/16"	TOP TRACK
F	1	1200D-54	7'-10 13/16"	STRAP
G	1	D	5'-0 3/4"	HOLDDOWN
H	2	150U50-54	3'-7 11/16"	HORIZONTAL BRACING
I	2	150U50-54	3'-3 5/16"	HORIZONTAL BRACING

SHEATHING

LABEL	QTY	CODE	THICK	SIZE	SCREWS
1	1	SB-DENSARMOR	5/8"	3'-11 15/16" X 10'-11 1/8"	2-12
2	1	SB-DENSARMOR	5/8"	1'-11 13/16" X 10'-11 1/8"	2-12
3	1	SB-DENSARMOR	5/8"	2'-0 1/16" X 10'-11 1/8"	2-12

21-1127

Jewish Home for the Aging

1885 Victory Blvd. Reseda, CA

FM-07-109

CREATED BY: TNT

FrameMax, Inc.
13915 Danielson St
Suite 100
Poway, CA 92064
www.frame-max.com



© FrameMax Inc.

HEIGHT : 11'-9 11/16" POINTS: 3.62 Points.

SPACING : 5000"

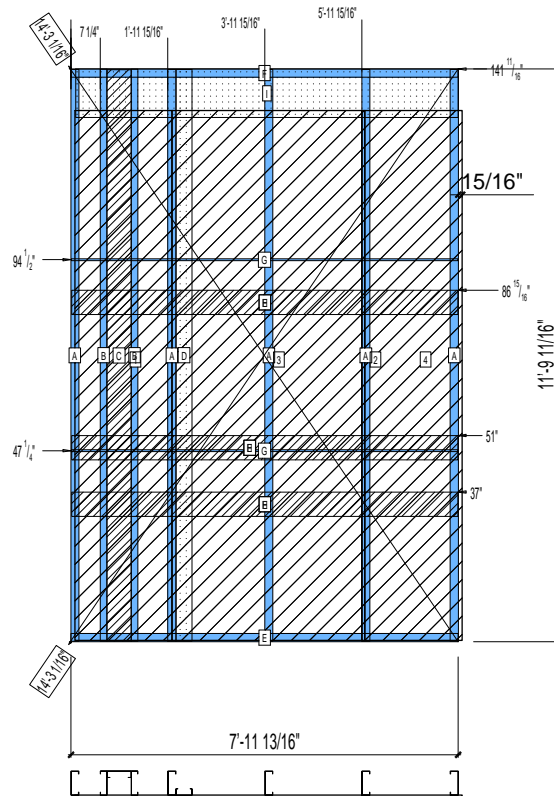
1st STUD: 5000"

WEIGHTS :

FRAME : 361 lbs

SHEATHING: 321 lbs

TOTAL: 682 lbs



PIECES LIST

LABEL	QTY	SIZE	LENGTH	USE
A	5	600S200-97	11'-9 1/2"	STUD
B	2	600S162-33	11'-9 1/2"	BACKER STUD
C	1	600S162-33	11'-9 7/16"	BACKER-U
D	1	400S162-33	11'-9 7/16"	BACKER-U
E	1	600T200-68	7'-11 13/16"	BOTTOM TRACK
F	1	600T200-68	7'-11 13/16"	TOP TRACK
G	2	150U50-54	7'-11 5/8"	HORIZONTAL BRACING
H	3	600D-54	7'-11 1/2"	KITCHEN BACKING
I	1	1200D-54	7'-10 5/8"	STRAP

SHEATHING

LABEL	QTY	CODE	THICK	SIZE	SCREWS
1	1	SB-DENSARMOR	5/8"	2'-0" X 10'-11 1/8"	2-12
2	1	SB-DENSARMOR	5/8"	3/4" X 10'-11 1/8"	2-12
3	1	SB-DENSARMOR	5/8"	3'-11" X 10'-11 1/8"	2-12
4	1	SB-DENSARMOR	5/8"	2'-0 1/16" X 10'-11 1/8"	2-12

21-1128

Jewish Home for the Aging

1885 Victory Blvd. Reseda, CA

FrameMax, Inc.
13915 Danielson St
Suite 100
Poway, CA 92064
www.frame-max.com



© FrameMax Inc.

CREATED: 10/01/2008

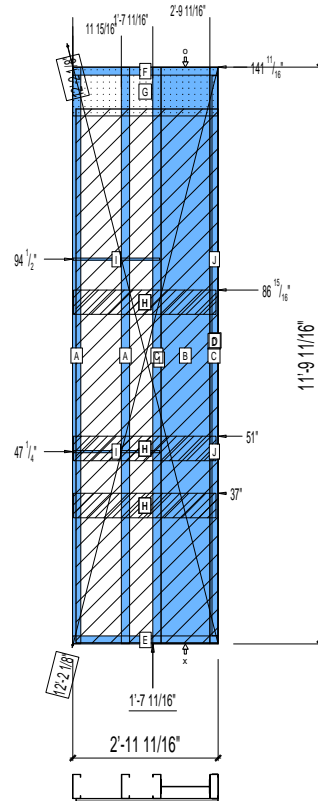
FM-07-109

CREATED BY: TNT

HEIGHT : 11'-9 11/16" POINTS: 2.38 Points.
SPACING : 5000"
1st STUD: 5000"

WEIGHTS :
FRAME : 318 lbs
SHEATHING: 117 lbs

TOTAL: 435 lbs



PIECES LIST

LABEL	QTY	SIZE	LENGTH	USE
A	2	600S200-97	11'-9 1/2"	STUD
B	1	1200i350p1062	11'-9 1/2"	PACO
C	2	600S200-68	11'-9 1/2"	STUD
D	1	600T150-33	11'-5 1/2"	CAP TRACK
E	1	600T200-68	2'-11 11/16"	BOTTOM TRACK
F	1	600T200-68	2'-11 11/16"	TOP TRACK
G	1	1200D-54	2'-11 9/16"	STRAP
H	3	600D-54	2'-11"	KITCHEN BACKING
I	2	150U50-54	1'-9 1/4"	HORIZONTAL BRACING
J	2	150U50-54	1 5/8"	HORIZONTAL BRACING

SHEATHING

LABEL	QTY	CODE	THICK	SIZE	SCREWS
1	1	SB-DENSARMOR	5/8"	2'-10 7/8" X 10'-11 1/8"	2-12

21-1129

Jewish Home for the Aging

1885 Victory Blvd. Reseda, CA

FrameMax, Inc.
13915 Danielson St
Suite 100
Poway, CA 92064
www.frame-max.com



© FrameMax Inc.

CREATED: 10/17/2008

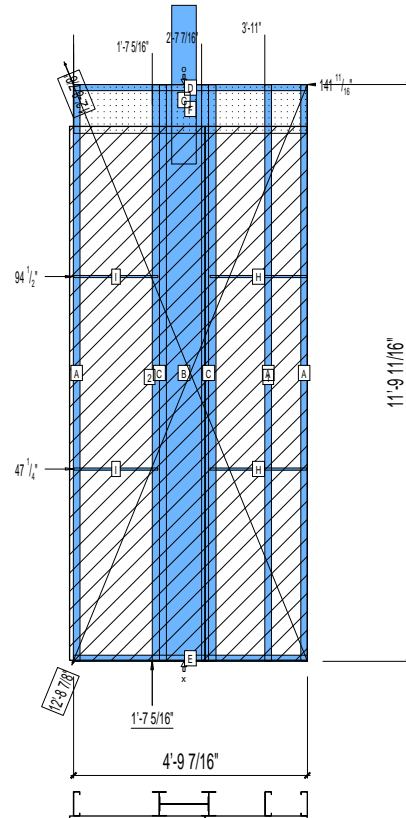
FM-07-109

CREATED BY: TNT

HEIGHT : 13'-5 1/8" POINTS: 3.50 Points.
SPACING : 5000"
1st STUD: 5000"

WEIGHTS :
FRAME : 488 lbs
SHEATHING: 196 lbs

TOTAL: 684 lbs



PIECES LIST

LABEL	QTY	SIZE	LENGTH	USE
A	3	600S162-97	11'-9 9/16"	STUD
B	1	1200i350p1062	11'-9 9/16"	PACO
C	2	600i350p680	11'-9 9/16"	PACO
D	1	600T150-68	4'-9 7/16"	TOP TRACK
E	1	600T150-68	4'-9 7/16"	BOTTOM TRACK
F	1	1200D-54	4'-9 1/4"	STRAP
G	1	E	3'-3"	HOLDDOWN
H	2	150U50-54	1'-11 13/16"	HORIZONTAL BRACING
I	2	150U50-54	1'-8 5/8"	HORIZONTAL BRACING

SHEATHING

LABEL	QTY	CODE	THICK	SIZE	SCREWS
1	1	SB-DENSARMOR	5/8"	2'-1 1/8" X 10'-11 1/8"	2-12
2	1	SB-DENSARMOR	5/8"	2'-9 1/4" X 10'-11 1/8"	2-12

21-1130

Jewish Home for the Aging

1885 Victory Blvd. Reseda, CA

FM-07-109

CREATED BY: TNT

FrameMax, Inc.
13915 Danielson St
Suite 100
Poway, CA 92064
www.frame-max.com



© FrameMax Inc.

HEIGHT : 11'-9 11/16" POINTS: 3.99 Points.

SPACING : 5000"

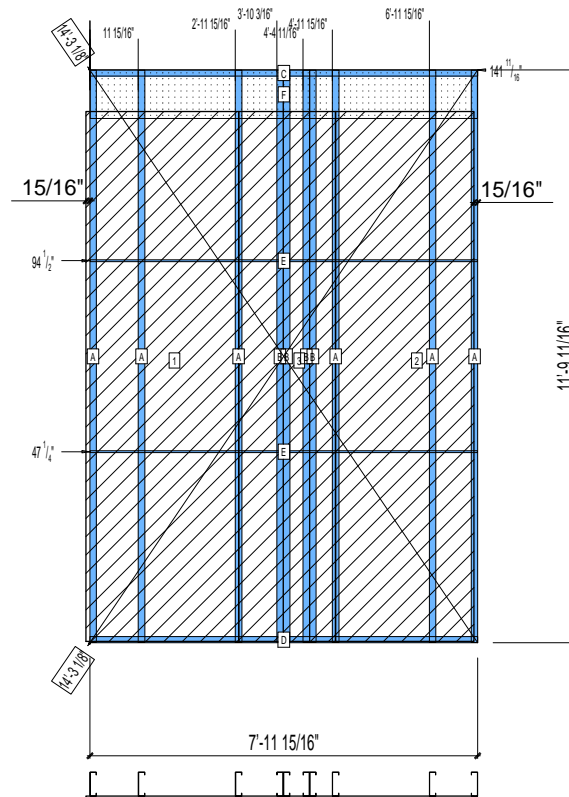
1st STUD: 5000"

WEIGHTS :

FRAME : 450 lbs

SHEATHING: 322 lbs

TOTAL: 772 lbs



PIECES LIST

LABEL	QTY	SIZE	LENGTH	USE
A	6	600S162-97	11'-9 9/16"	STUD
B	4	600S162-97	11'-9 9/16"	POST
C	1	600T150-68	7'-11 15/16"	TOP TRACK
D	1	600T150-68	7'-11 15/16"	BOTTOM TRACK
E	2	150U50-54	7'-11 3/4"	HORIZONTAL BRACING
F	1	1200D-54	7'-11 3/4"	STRAP

SHEATHING

LABEL	QTY	CODE	THICK	SIZE	SCREWS
1	1	SB-DENSARMOR	5/8"	3'-1 3/4" X 10'-11 1/8"	2-12
2	1	SB-DENSARMOR	5/8"	2'-10 1/4" X 10'-11 1/8"	2-12
3	1	SB-DENSARMOR	5/8"	2'-0" X 10'-11 1/8"	2-12

21-1131

Jewish Home for the Aging

1885 Victory Blvd. Reseda, CA

FM-07-109

CREATED BY: TNT

FrameMax, Inc.
13915 Danielson St
Suite 100
Poway, CA 92064
www.frame-max.com



© FrameMax Inc.

HEIGHT : 11'-9 11/16" POINTS: 3.38 Points.

SPACING : 5000"

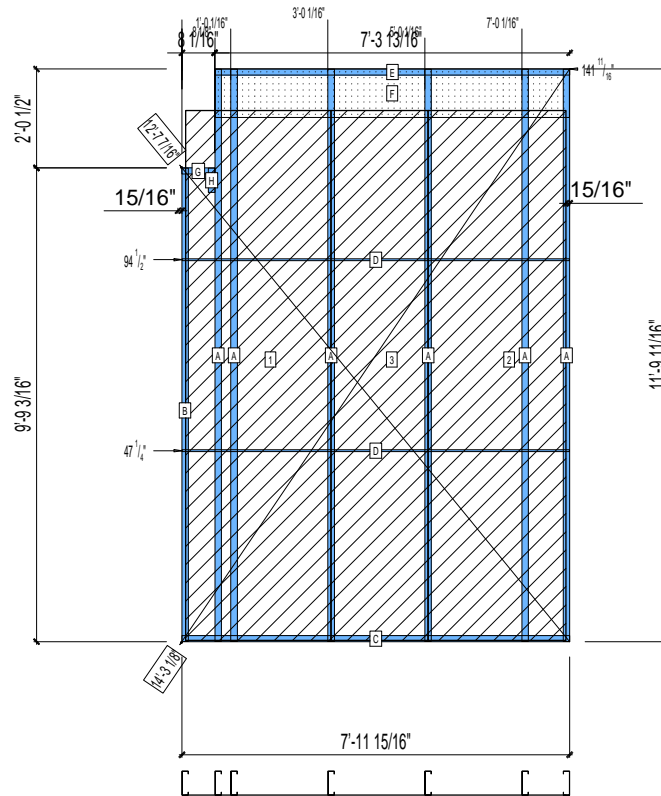
1st STUD: 5000"

WEIGHTS :

FRAME : 326 lbs

SHEATHING: 315 lbs

TOTAL: 641 lbs



PIECES LIST

LABEL	QTY	SIZE	LENGTH	USE
A	6	600S162-97	11'-9 9/16"	STUD
B	1	600S162-97	9'-9 1/16"	STUD
C	1	600T150-68	7'-11 15/16"	BOTTOM TRACK
D	2	150U50-54	7'-11 3/4"	HORIZONTAL BRACING
E	1	600T150-68	7'-3 11/16"	TOP TRACK
F	1	120D-54	7'-3 5/8"	STRAP
G	1	600T150-68	8 1/16"	TOP TRACK
H	1	600S162-33	6"	BACKER STUD

SHEATHING

LABEL	QTY	CODE	THICK	SIZE	SCREWS
1	1	SB-DENSARMOR	5/8"	3'-0" X 10'-11 1/8"	2-12
2	1	SB-DENSARMOR	5/8"	2'-10 1/8" X 10'-11 1/8"	2-12
3	1	SB-DENSARMOR	5/8"	2'-0" X 10'-11 1/8"	2-12

21-1132

Jewish Home for the Aging

1885 Victory Blvd. Reseda, CA

FrameMax, Inc.
13915 Danielson St
Suite 100
Poway, CA 92064
www.frame-max.com



© FrameMax Inc.

CREATED: 10/17/2008

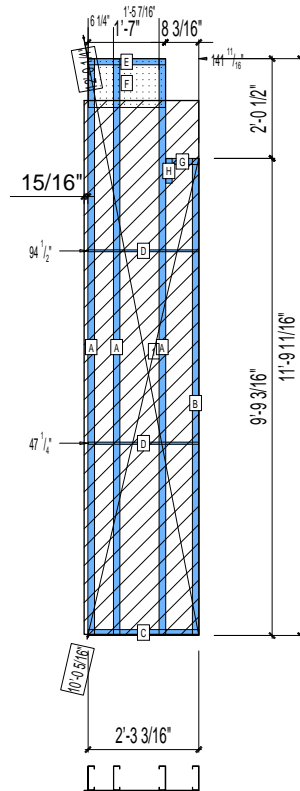
FM-07-109

CREATED BY: TNT

HEIGHT : 11'-9 11/16" POINTS: 1.46 Points.
SPACING : 5000"
1st STUD: 5000"

WEIGHTS :
FRAME : 165 lbs
SHEATHING: 94 lbs

TOTAL: 259 lbs



PIECES LIST

LABEL	QTY	SIZE	LENGTH	USE
A	3	600S162-97	11'-9 9/16"	STUD
B	1	600S162-97	9'-9 1/16"	STUD
C	1	600T150-68	2'-3 3/16"	BOTTOM TRACK
D	2	150U50-54	2'-3 1/16"	HORIZONTAL BRACING
E	1	600T150-68	1'-7"	TOP TRACK
F	1	1200D-54	1'-6 7/8"	STRAP
G	1	600T150-68	8 1/16"	TOP TRACK
H	1	600S162-33	6"	BACKER STUD

SHEATHING

LABEL	QTY	CODE	THICK	SIZE	SCREWS
1	1	SB-DENSARMOR	5/8"	2'-4 3/16" X 10'-11 1/8"	2-12

21-1133

Jewish Home for the Aging

1885 Victory Blvd. Reseda, CA

FM-07-109

CREATED BY: TNT

FrameMax, Inc.
13915 Danielson St
Suite 100
Poway, CA 92064
www.frame-max.com



© FrameMax Inc.

HEIGHT : 11'-9 11/16" POINTS: 3.18 Points.

SPACING : 5000"

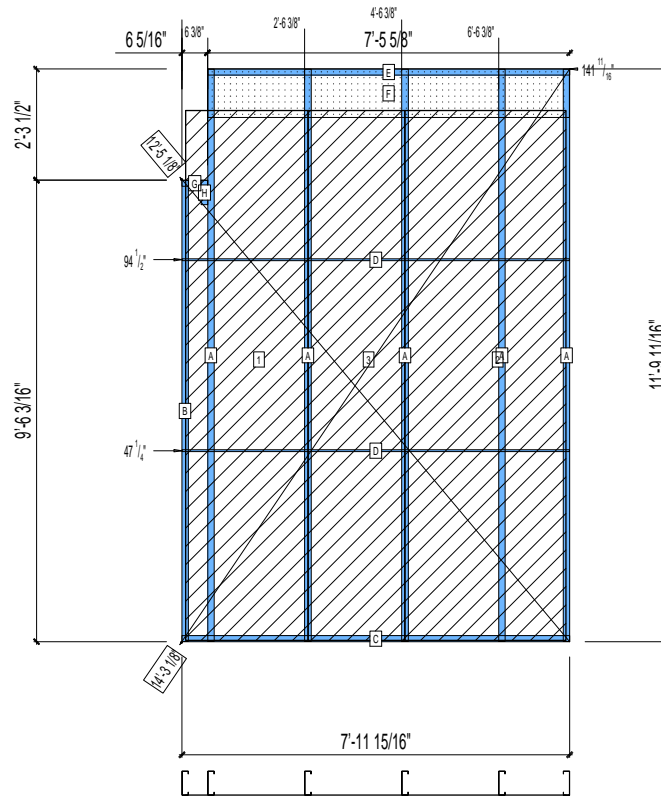
1st STUD: 5000"

WEIGHTS :

FRAME : 287 lbs

SHEATHING: 315 lbs

TOTAL: 602 lbs



PIECES LIST

LABEL	QTY	SIZE	LENGTH	USE
A	5	600S162-97	11'-9 9/16"	STUD
B	1	600S162-97	9'-6 1/16"	STUD
C	1	600T150-68	7'-11 15/16"	BOTTOM TRACK
D	2	150U50-54	7'-11 3/4"	HORIZONTAL BRACING
E	1	600T150-68	7'-5 1/2"	TOP TRACK
F	1	120D-54	7'-5 7/16"	STRAP
G	1	600T150-68	6 5/16"	TOP TRACK
H	1	600S162-33	6"	BACKER STUD

SHEATHING

LABEL	QTY	CODE	THICK	SIZE	SCREWS
1	1	SB-DENSARMOR	5/8"	2'-6 1/4" X 10'-11 1/8"	2-12
2	1	SB-DENSARMOR	5/8"	3'-3 7/8" X 10'-11 1/8"	2-12
3	1	SB-DENSARMOR	5/8"	2'-0" X 10'-11 1/8"	2-12

21-1134

Jewish Home for the Aging

1885 Victory Blvd. Reseda, CA

FM-07-109

CREATED BY: TNT

FrameMax, Inc.
13915 Danielson St
Suite 100
Poway, CA 92064
www.frame-max.com



© FrameMax Inc.

HEIGHT : 11'-9 11/16" POINTS: 2.94 Points.

SPACING : 5000"

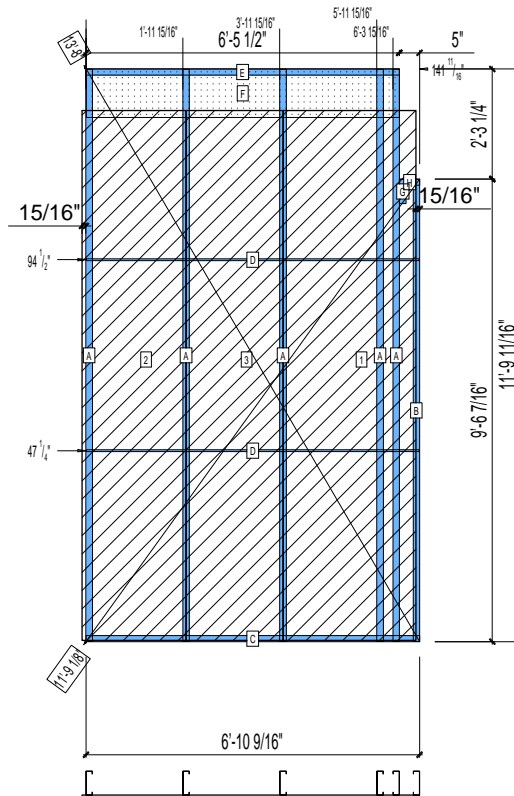
1st STUD: 5000"

WEIGHTS :

FRAME : 278 lbs

SHEATHING: 277 lbs

TOTAL: 555 lbs



PIECES LIST

LABEL	QTY	SIZE	LENGTH	USE
A	5	600S162-97	11'-9 9/16"	STUD
B	1	600S162-97	9'-6 5/16"	STUD
C	1	600T150-68	6'-10 9/16"	BOTTOM TRACK
D	2	150U50-54	6'-10 3/8"	HORIZONTAL BRACING
E	1	600T150-68	6'-5 1/2"	TOP TRACK
F	1	1200D-54	6'-5 7/16"	STRAP
G	1	600S162-33	6"	BACKER STUD
H	1	600T150-68	4 7/8"	TOP TRACK

SHEATHING

LABEL	QTY	CODE	THICK	SIZE	SCREWS
1	1	SB-DENSARMOR	5/8"	2'-8 7/8" X 10'-11 1/8"	2-12
2	1	SB-DENSARMOR	5/8"	2'-1 3/4" X 10'-11 1/8"	2-12
3	1	SB-DENSARMOR	5/8"	2'-0" X 10'-11 1/8"	2-12

21-1135

Jewish Home for the Aging

1885 Victory Blvd. Reseda, CA

FrameMax, Inc.
13915 Danielson St
Suite 100
Poway, CA 92064
www.frame-max.com



© FrameMax Inc.

CREATED: 10/17/2008

FM-07-109

CREATED BY: TNT

HEIGHT : 11'-9 11/16" POINTS: 4.42 Points.

SPACING : 5000"

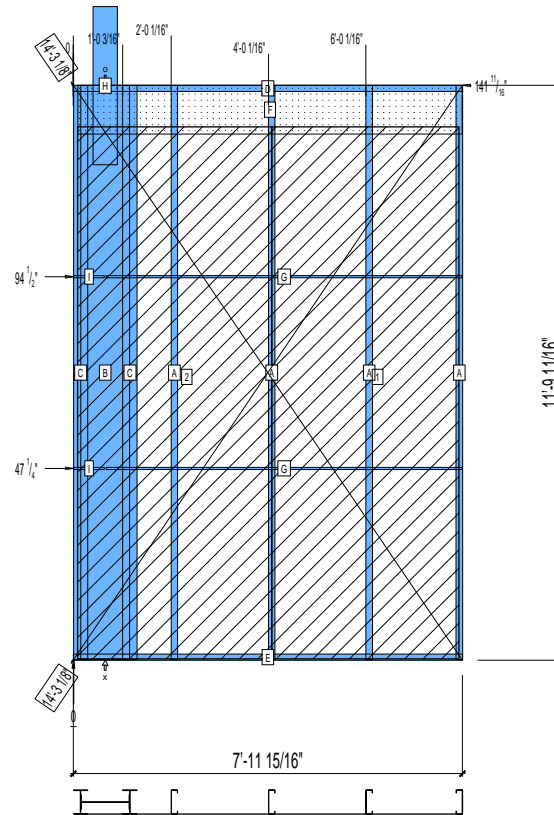
1st STUD: 5000"

WEIGHTS :

FRAME : 552 lbs

SHEATHING: 315 lbs

TOTAL: 867 lbs



PIECES LIST

LABEL	QTY	SIZE	LENGTH	USE
A	4	600S162-97	11'-9 9/16"	STUD
B	1	1200i350p1062	11'-9 9/16"	PACO
C	2	600i350p680	11'-9 9/16"	PACO
D	1	600T150-68	7'-11 15/16"	TOP TRACK
E	1	600T150-68	7'-11 15/16"	BOTTOM TRACK
F	1	1200D-54	7'-10 3/4"	STRAP
G	2	150U50-54	7'-3 3/4"	HORIZONTAL BRACING
H	1	E	3'-3"	HOLDDOWN
I	2	150U50-54	7 1/2"	HORIZONTAL BRACING

SHEATHING

LABEL	QTY	CODE	THICK	SIZE	SCREWS
1	1	SB-DENSARMOR	5/8"	3'-10 1/8" X 10'-11 1/8"	2-12
2	1	SB-DENSARMOR	5/8"	3'-11 7/8" X 10'-11 1/8"	2-12

21-1136

Jewish Home for the Aging

1885 Victory Blvd. Reseda, CA

FrameMax, Inc.
13915 Danielson St
Suite 100
Poway, CA 92064
www.frame-max.com



© FrameMax Inc.

CREATED: 09/26/2008

FM-07-109

CREATED BY: AMB

HEIGHT : 11'-9 11/16" POINTS: 1.40 Points.

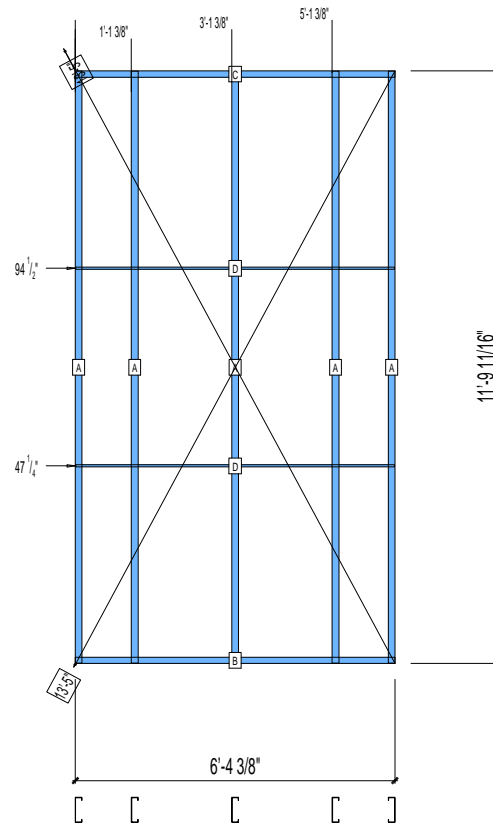
SPACING : 24"

1st STUD: 14 1/4"

WEIGHTS :

FRAME : 236 lbs

TOTAL: 236 lbs



PIECES LIST

LABEL	QTY	SIZE	LENGTH	USE
A	5	600S162-97	11'-9 9/16"	STUD
B	1	600T150-68	6'-4 3/8"	BOTTOM TRACK
C	1	600T150-68	6'-4 3/8"	TOP TRACK
D	2	150U50-54	6'-4 1/4"	HORIZONTAL BRACING

21-1137

Jewish Home for the Aging

1885 Victory Blvd. Reseda, CA

FM-07-109

CREATED BY: TNT

FrameMax, Inc.
13915 Danielson St
Suite 100
Poway, CA 92064
www.framemax.com



© FrameMax Inc.

HEIGHT : 11'-9 11/16" POINTS: 3.07 Points.

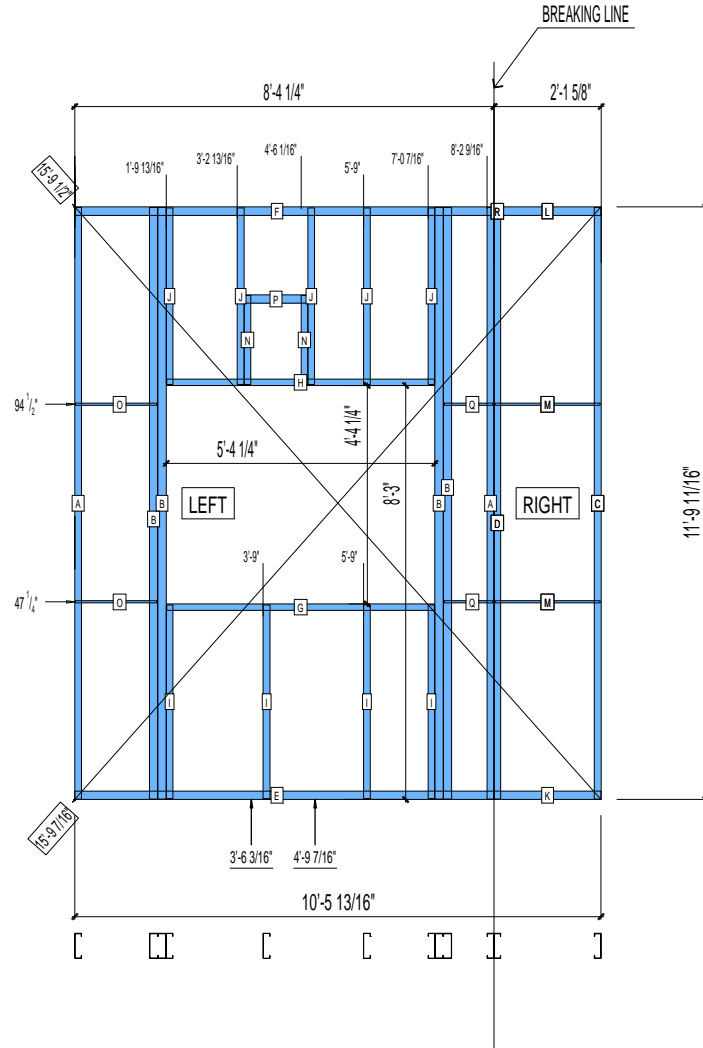
SPACING : 24"

1st STUD: 24"

WEIGHTS :

FRAME : 472 lbs

TOTAL: 472 lbs



PIECES LIST

LABEL	QTY	SIZE	LENGTH	USE
A	2	600S162-97	11'-9 1/2"	STUD
B	4	600S200-97	11'-9 1/2"	KING STUD
C	1	600S162-97	11'-9 7/16"	STUD
D	1	600S162-97	11'-7 9/16"	STUD
E	1	600T200-68	8'-4 3/16"	BOTTOM TRACK
F	1	600T200-68	8'-4 3/16"	TOP TRACK
G	1	600T150-54	5'-4"	SILL
H	1	600T150-54	5'-4"	HEAD TRACK
I	4	600S162-54	3'-10 5/16"	CRIPPLE
J	5	600S162-54	3'-6 1/4"	CRIPPLE
K	1	600T200-68	2'-1 9/16"	BOTTOM TRACK
L	1	600T200-68	2'-1 1/2"	TOP TRACK
M	2	150U50-54	2'-1 1/8"	HORIZONTAL BRACING
N	2	600S162-54	1'-9 5/16"	CRIPPLE
O	2	150U50-54	1'-7 1/2"	HORIZONTAL BRACING
P	1	600T200-68	1'-2 7/8"	BEAM JACK
Q	2	150U50-54	11 5/8"	HORIZONTAL BRACING
R	1	600S162-97	1 7/8"	STUD

21-1138

Jewish Home for the Aging

1885 Victory Blvd. Reseda, CA

FM-07-109

CREATED BY: AMB

FrameMax, Inc.
13915 Danielson St
Suite 100
Poway, CA 92064
www.framemax.com



© FrameMax Inc.

HEIGHT : 11'-9 11/16" POINTS: 2.73 Points.

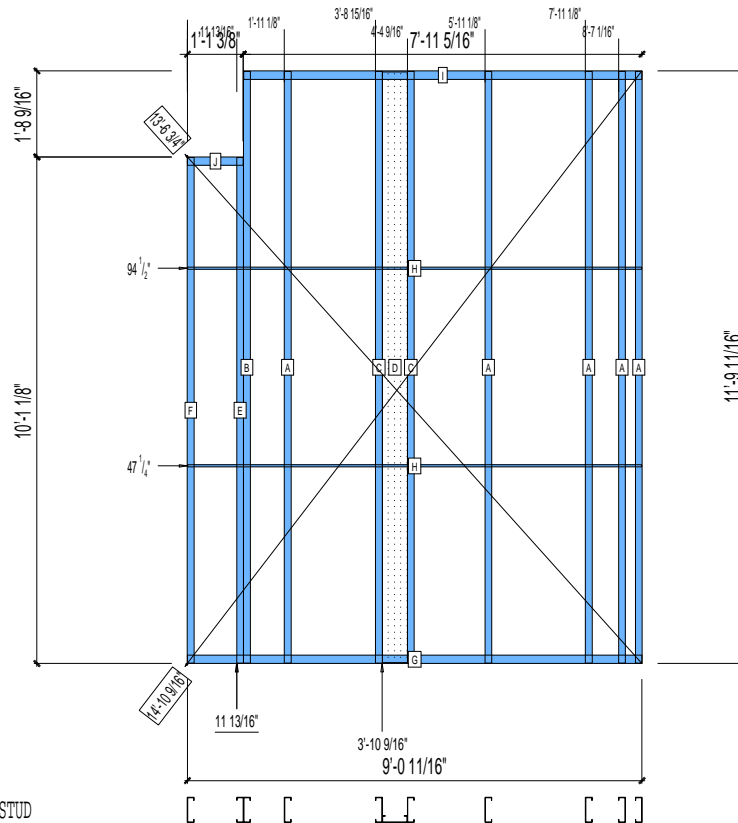
SPACING : 24"

1st STUD: 24"

WEIGHTS :

FRAME : 485 lbs

TOTAL: 485 lbs



PIECES LIST

LABEL	QTY	SIZE	LENGTH	USE
A	5	600S162-97	11'-9 1/2"	STUD
B	1	600S162-97	11'-9 1/2"	EXTRA STUD
C	2	600S162-97	11'-9 1/2"	BACKER STUD
D	1	600S162-97	11'-9 1/4"	BACKER-U
E	1	600S162-97	10'-0 7/8"	EXTRA STUD
F	1	600S162-97	10'-0 7/8"	STUD
G	1	600T200-68	9'-0 11/16"	BOTTOM TRACK
H	2	150U50-54	9'-0 1/2"	HORIZONTAL BRACING
I	1	600T200-68	7'-11 3/16"	TOP TRACK
J	1	600T200-68	1'-1 3/8"	TOP TRACK

21-1140

Jewish Home for the Aging

1885 Victory Blvd. Reseda, CA

FrameMax, Inc.
13915 Danielson St
Suite 100
Poway, CA 92064
www.frame-max.com



© FrameMax Inc.

CREATED: 09/26/2008

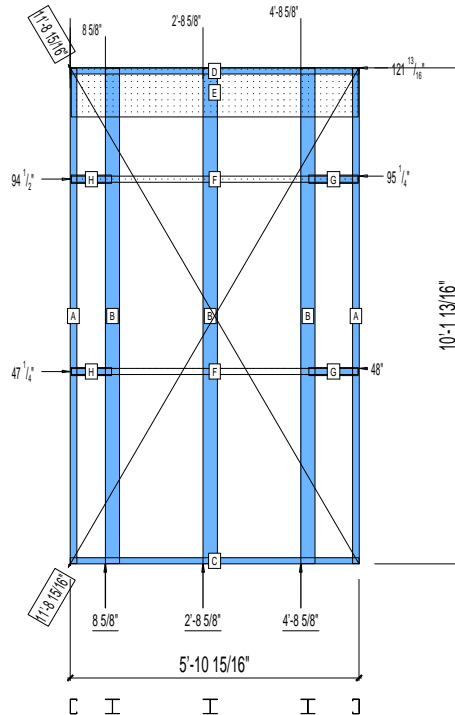
FM-07-109

CREATED BY: AMB

HEIGHT : 10'-1 13/16" POINTS: 1.52 Points.
SPACING : 5000"
1st STUD: 5000"

WEIGHTS :
FRAME : 242 lbs

TOTAL: 242 lbs



PIECES LIST

LABEL	QTY	SIZE	LENGTH	USE
A	2	362S162-54	10'-1 11/16"	STUD
B	3	363i350p554	10'-1 11/16"	PACO. COLUMN
C	1	362T150-68	5'-10 15/16"	BOTTOM TRACK
D	1	362T150-68	5'-10 15/16"	TOP TRACK
E	1	1200D-54	5'-10 1/2"	STRAP
F	2	150D-43	5'-10 1/2"	STRAP
G	2	362T200-68	1'-0 1/8"	BLOCK
H	2	362T200-68	9 7/8"	BLOCK

21-1141

Jewish Home for the Aging

1885 Victory Blvd. Reseda, CA

FrameMax, Inc.
13915 Danielson St
Suite 100
Poway, CA 92064
www.frame-max.com



© FrameMax Inc.

CREATED: 09/26/2008

FM-07-109

CREATED BY: AMB

HEIGHT : 10'-1 13/16" POINTS: 1.68 Points.

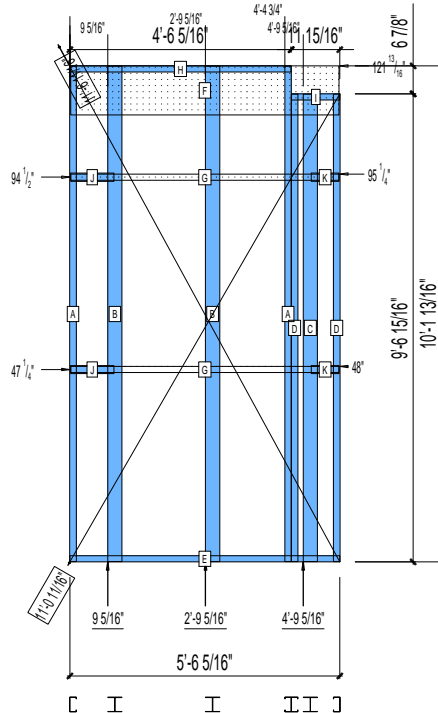
SPACING : 5000"

1st STUD: 5000"

WEIGHTS :

FRAME : 264 lbs

TOTAL: 264 lbs



PIECES LIST

LABEL	QTY	SIZE	LENGTH	USE
A	2	362S162-54	10'-1 11/16"	STUD
B	2	363i350p554	10'-1 11/16"	PACO.COLUMN
C	1	363i350p554	9'-6 13/16"	PACO.COLUMN
D	2	362S162-54	9'-6 13/16"	STUD
E	1	362T150-68	5'-6 5/16"	BOTTOM TRACK
F	1	1200D-54	5'-5 7/8"	STRAP
G	2	150D-43	5'-5 7/8"	STRAP
H	1	362T150-68	4'-6 5/16"	TOP TRACK
I	1	362T150-68	11 13/16"	TOP TRACK
J	2	362T200-68	10 9/16"	BLOCK
K	2	362T200-68	6 13/16"	BLOCK

21-1142

Jewish Home for the Aging

1885 Victory Blvd. Reseda, CA

FrameMax, Inc.
13915 Danielson St
Suite 100
Poway, CA 92064
www.frame-max.com



© FrameMax Inc.

CREATED: 09/26/2008

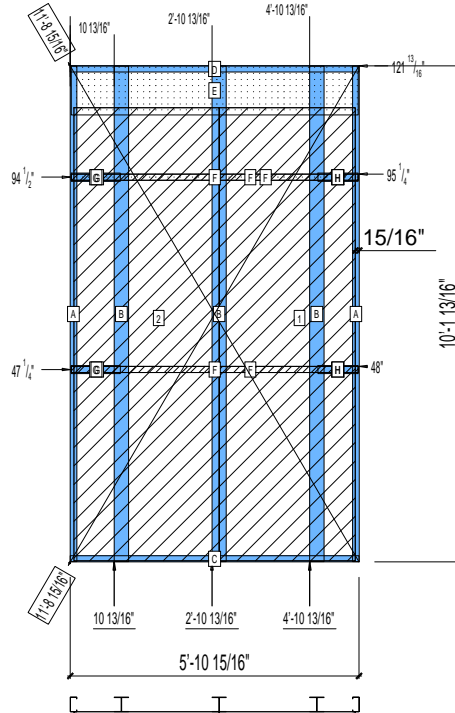
FM-07-109

CREATED BY: TNT

HEIGHT : 10'-1 13/16" POINTS: 2.43 Points.
SPACING : 5000"
1st STUD: 5000"

WEIGHTS :
FRAME : 236 lbs
SHEATHING: 197 lbs

TOTAL: 433 lbs



PIECES LIST

LABEL	QTY	SIZE	LENGTH	USE
A	2	362S162-54	10'-1 11/16"	STUD
B	3	363i350p554	10'-1 11/16"	PACO. COLUMN
C	1	362T150-68	5'-10 15/16"	BOTTOM TRACK
D	1	362T150-68	5'-10 15/16"	TOP TRACK
E	1	1200D-54	5'-10 1/2"	STRAP
F	4	150D-43	5'-10 1/2"	STRAP
G	2	362T200-68	1'-0 1/8"	BLOCK
H	2	362T200-68	9 7/8"	BLOCK

SHEATHING

LABEL	QTY	CODE	THICK	SIZE	SCREWS
1	1	SB-DENSARMOR	5/8"	2'-9 7/16" X	9'-3 1/4" 2-12
2	1	SB-DENSARMOR	5/8"	2'-11 11/16" X	9'-3 1/4" 2-12

21-1143

Jewish Home for the Aging

1885 Victory Blvd. Reseda, CA

FrameMax, Inc.
13915 Danielson St
Suite 100
Poway, CA 92064
www.frame-max.com



© FrameMax Inc.

CREATED: 09/26/2008

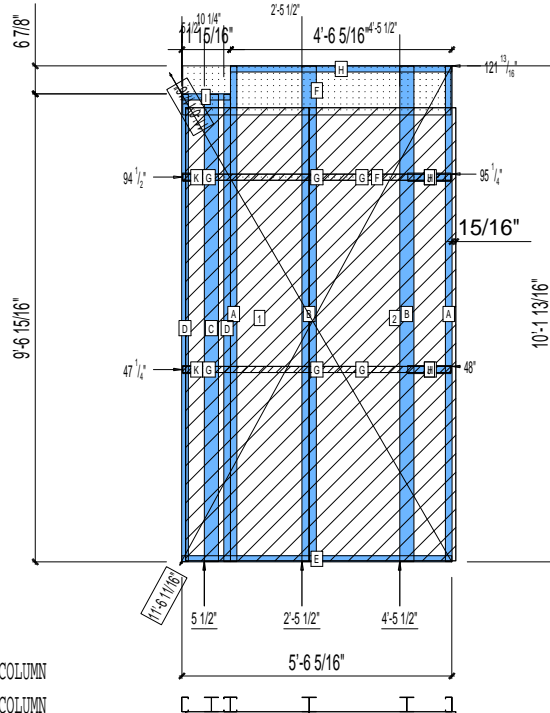
FM-07-109

CREATED BY: TNT

HEIGHT : 10'-1 13/16" POINTS: 2.55 Points.
SPACING : 5000"
1st STUD: 5000"

WEIGHTS :
FRAME : 257 lbs
SHEATHING: 189 lbs

TOTAL: 446 lbs



PIECES LIST

LABEL	QTY	SIZE	LENGTH	USE
A	2	362S162-54	10'-1 11/16"	STUD
B	2	363I350p554	10'-1 11/16"	PACO.COLUMN
C	1	363I350p554	9'-6 3/4"	PACO.COLUMN
D	2	362S162-54	9'-6 3/4"	STUD
E	1	362T150-68	5'-6 5/16"	BOTTOM TRACK
F	1	1200D-54	5'-5 7/8"	STRAP
G	4	150D-43	5'-5 7/8"	STRAP
H	1	362T150-68	4'-6 5/16"	TOP TRACK
I	1	362T150-68	11 13/16"	TOP TRACK
J	2	362T200-68	10 9/16"	BLOCK
K	2	362T200-68	6 13/16"	BLOCK

SHEATHING

LABEL	QTY	CODE	THICK	SIZE	SCREWS
1	1	SB-DENSARMOR	5/8"	2'-6 3/8" X	9'-3 1/4" 2-12
2	1	SB-DENSARMOR	5/8"	3'-0" X	9'-3 1/4" 2-12

21-1145

Jewish Home for the Aging

1885 Victory Blvd. Reseda, CA

FM-07-109

CREATED BY: TNT

FrameMax, Inc.
13915 Danielson St
Suite 100
Poway, CA 92064
www.frame-max.com



© FrameMax Inc.

HEIGHT : 14'-3 15/16" POINTS: 3.91 Points.

SPACING : 24"

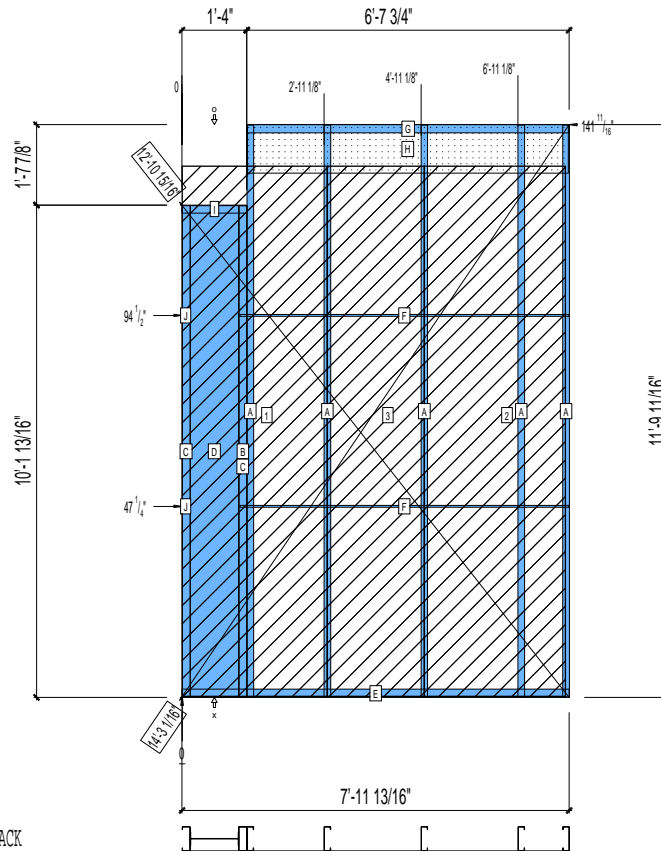
1st STUD: 12"

WEIGHTS :

FRAME : 428 lbs

SHEATHING: 318 lbs

TOTAL: 746 lbs



PIECES LIST

LABEL	QTY	SIZE	LENGTH	USE
A	5	600S162-97	11'-9 1/2"	STUD
B	1	600T200-33	10'-1 5/8"	CAP TRACK
C	2	600S200-68	10'-1 9/16"	STUD
D	1	1200i350p1062	10'-1 9/16"	PACO
E	1	600T200-68	7'-11 13/16"	BOTTOM TRACK
F	2	150U50-54	6'-9 3/8"	HORIZONTAL BRACING
G	1	600T200-68	6'-7 5/8"	TOP TRACK
H	1	1200D-54	6'-7 7/16"	STRAP
I	1	600T200-68	1'-4"	TOP TRACK
J	2	150U50-54	1 5/8"	HORIZONTAL BRACING

SHEATHING

LABEL	QTY	CODE	THICK	SIZE	SCREWS
1	1	SB-DENSARMOR	5/8"	2'-11 15/16" X 10'-11 1/8"	2-12
2	1	SB-DENSARMOR	5/8"	2'-10 15/16" X 10'-11 1/8"	2-12
3	1	SB-DENSARMOR	5/8"	2'-0" X 10'-11 1/8"	2-12

21-1146

Jewish Home for the Aging

1885 Victory Blvd. Reseda, CA

FM-07-109

CREATED BY: TNT

FrameMax, Inc.
13915 Danielson St
Suite 100
Poway, CA 92064
www.frame-max.com



© FrameMax Inc.

HEIGHT : 11'-9 11/16" POINTS: 3.31 Points.

SPACING : 24"

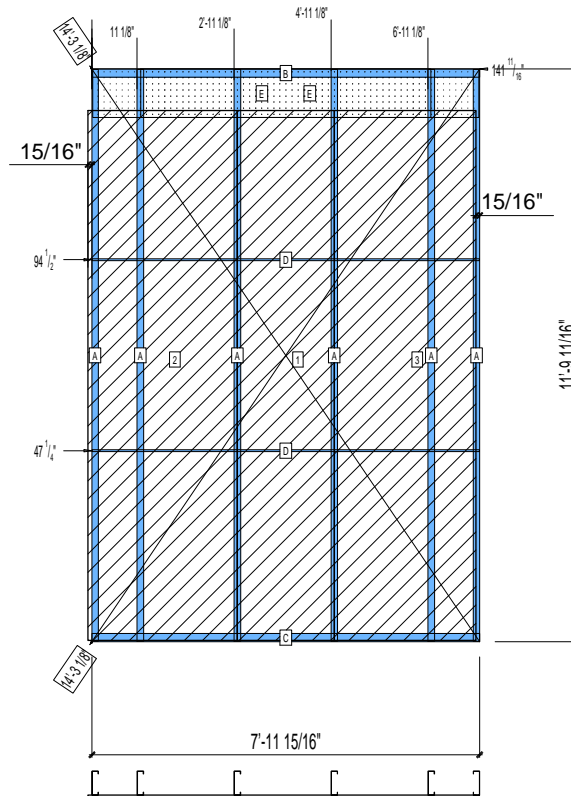
1st STUD: 12"

WEIGHTS :

FRAME : 313 lbs

SHEATHING: 322 lbs

TOTAL: 635 lbs



PIECES LIST

LABEL	QTY	SIZE	LENGTH	USE
A	6	600S162-97	11'-9 1/2"	STUD
B	1	600T200-68	7'-11 15/16"	TOP TRACK
C	1	600T200-68	7'-11 15/16"	BOTTOM TRACK
D	2	150U50-54	7'-11 3/4"	HORIZONTAL BRACING
E	2	1200D-54	6'-11 5/8"	STRAP

SHEATHING

LABEL	QTY	CODE	THICK	SIZE	SCREWS
1	1	SB-DENSARMOR	5/8"	2'-0" X 10'-11 1/8"	2-12
2	1	SB-DENSARMOR	5/8"	3'-0 15/16" X 10'-11 1/8"	2-12
3	1	SB-DENSARMOR	5/8"	2'-11 1/16" X 10'-11 1/8"	2-12

21-1147

Jewish Home for the Aging

1885 Victory Blvd. Reseda, CA

FrameMax, Inc.
13915 Danielson St
Suite 100
Poway, CA 92064
www.frame-max.com



© FrameMax Inc.

CREATED: 09/26/2008

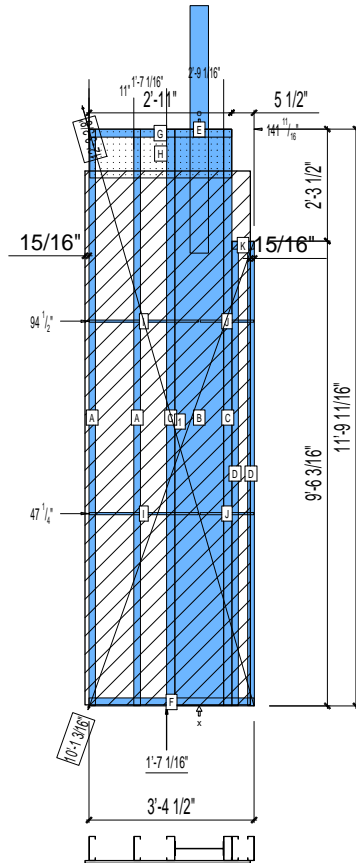
FM-07-109

CREATED BY: TNT

HEIGHT : 14'-3 15/16" POINTS: 2.81 Points.
SPACING : 24"
1st STUD: 11 7/8"

WEIGHTS :
FRAME : 392 lbs
SHEATHING: 136 lbs

TOTAL: 528 lbs



PIECES LIST

LABEL	QTY	SIZE	LENGTH	USE
A	2	600S162-97	11'-9 1/2"	STUD
B	1	1200i350p1062	11'-9 1/2"	PACO
C	2	600S200-68	11'-9 1/2"	STUD
D	2	600S162-97	9'-5 15/16"	STUD
E	1	D	5'-0 3/4"	HOLDDOWN
F	1	600T200-68	3'-4 1/2"	BOTTOM TRACK
G	1	600T200-68	2'-11"	TOP TRACK
H	1	1200D-54	2'-10 13/16"	STRAP
I	2	150U50-54	2'-2 3/4"	HORIZONTAL BRACING
J	2	150U50-54	1'-1 1/8"	HORIZONTAL BRACING
K	1	600T200-68	5 3/8"	TOP TRACK

SHEATHING

LABEL	QTY	CODE	THICK	SIZE	SCREWS
1	1	SB-DENSARMOR	5/8"	3'-4 5/8" X 10'-11 1/8"	2-12

21-1148

Jewish Home for the Aging

1885 Victory Blvd. Reseda, CA

FrameMax, Inc.
13915 Danielson St
Suite 100
Poway, CA 92064
www.frame-max.com



© FrameMax Inc.

CREATED: 09/26/2008

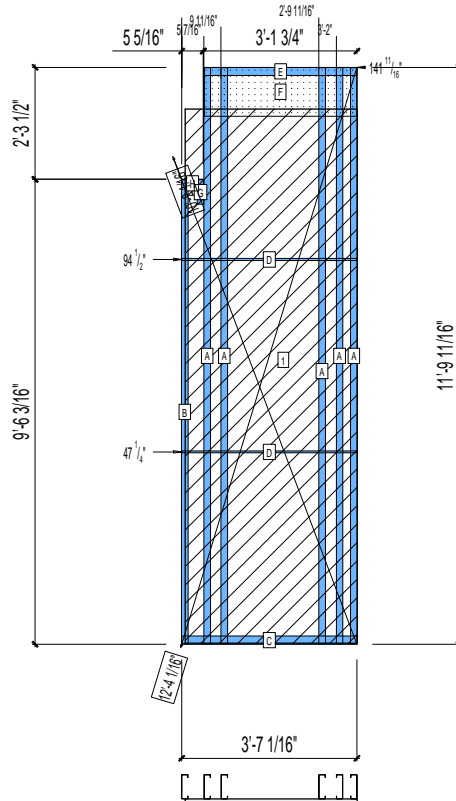
FM-07-109

CREATED BY: TNT

HEIGHT : 11'-9 11/16" POINTS: 2.14 Points.
SPACING : 24"
1st STUD: 10 1/2"

WEIGHTS :
FRAME : 254 lbs
SHEATHING: 141 lbs

TOTAL: 395 lbs



PIECES LIST

LABEL	QTY	SIZE	LENGTH	USE
A	5	600S162-97	11'-9 1/2"	STUD
B	1	600S162-97	9'-5 15/16"	STUD
C	1	600T200-68	3'-7 1/16"	BOTTOM TRACK
D	2	150U50-54	3'-6 7/8"	HORIZONTAL BRACING
E	1	600T200-68	3'-1 1/2"	TOP TRACK
F	1	1200D-54	3'-1 3/8"	STRAP
G	1	600S162-33	6"	BACKER STUD
H	1	600T200-68	5 5/16"	TOP TRACK

SHEATHING

LABEL	QTY	CODE	THICK	SIZE	SCREWS
1	1	SB-DENSARMOR	5/8"	3'-6 3/16" X 10'-11 1/8"	2-12

21-1149

Jewish Home for the Aging

1885 Victory Blvd. Reseda, CA

FrameMax, Inc.
13915 Danielson St
Suite 100
Poway, CA 92064
www.frame-max.com



© FrameMax Inc.

CREATED: 09/26/2008

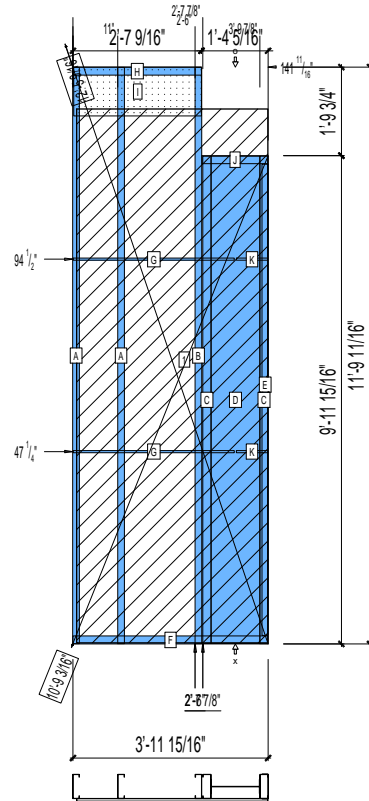
FM-07-109

CREATED BY: TNT

HEIGHT : 11'-9 11/16" POINTS: 2.40 Points.
SPACING : 24"
1st STUD: 11 7/8"

WEIGHTS :
FRAME : 281 lbs
SHEATHING: 158 lbs

TOTAL: 439 lbs



PIECES LIST

LABEL	QTY	SIZE	LENGTH	USE
A	2	600S162-68	11'-9 1/2"	STUD
B	1	600S162-68	11'-9 1/2"	EXTRA STUD
C	2	600S200-68	9'-11 11/16"	STUD
D	1	1200i350p1062	9'-11 11/16"	PACO
E	1	600T150-33	9'-7 11/16"	CAP TRACK
F	1	600T200-68	3'-11 15/16"	BOTTOM TRACK
G	2	150U50-54	3'-3 9/16"	HORIZONTAL BRACING
H	1	600T200-68	2'-7 9/16"	TOP TRACK
I	1	1200D-54	2'-7 3/8"	STRAP
J	1	600T200-68	1'-4 3/16"	TOP TRACK
K	2	150U50-54	7 11/16"	HORIZONTAL BRACING

SHEATHING

LABEL	QTY	CODE	THICK	SIZE	SCREWS
1	1	SB-DENSARMOR	5/8"	3'-11" X 10'-11 1/8"	2-12

21-1150

Jewish Home for the Aging

1885 Victory Blvd. Reseda, CA

FrameMax, Inc.
13915 Danielson St
Suite 100
Poway, CA 92064
www.frame-max.com



© FrameMax Inc.

CREATED: 09/26/2008

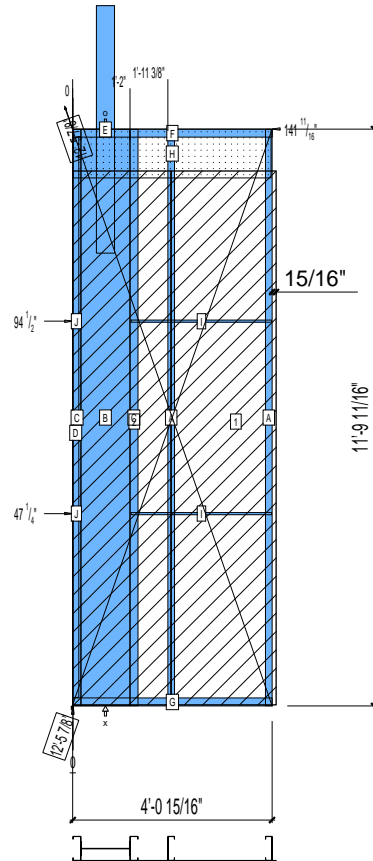
FM-07-109

CREATED BY: TNT

HEIGHT : 14'-3 15/16" POINTS: 2.62 Points.
SPACING : 24"
1st STUD: 13"

WEIGHTS :
FRAME : 326 lbs
SHEATHING: 167 lbs

TOTAL: 493 lbs



PIECES LIST

LABEL	QTY	SIZE	LENGTH	USE
A	2	600S162-68	11'-9 1/2"	STUD
B	1	1200i350p1062	11'-9 1/2"	PACO
C	2	600S200-68	11'-9 1/2"	STUD
D	1	600T150-33	11'-5 7/16"	CAP TRACK
E	1	D	5'-0 3/4"	HOLDDOWN
F	1	600T200-68	4'-0 15/16"	TOP TRACK
G	1	600T200-68	4'-0 15/16"	BOTTOM TRACK
H	1	1200D-54	4'-0 5/8"	STRAP
I	2	150U50-54	2'-10 1/2"	HORIZONTAL BRACING
J	2	150U50-54	1 5/8"	HORIZONTAL BRACING

SHEATHING

LABEL	QTY	CODE	THICK	SIZE	SCREWS
1	1	SB-DENSARMOR	5/8"	2'-1 3/4" X 10'-11 1/8"	2-12
2	1	SB-DENSARMOR	5/8"	2'-0 1/8" X 10'-11 1/8"	2-12

21-1151

Jewish Home for the Aging

1885 Victory Blvd. Reseda, CA

FM-07-109

CREATED BY: AMB

FrameMax, Inc.
13915 Danielson St
Suite 100
Poway, CA 92064
www.frame-max.com



© FrameMax Inc.

HEIGHT : 11'-9 11/16" POINTS: 3.00 Points.

SPACING : 24"

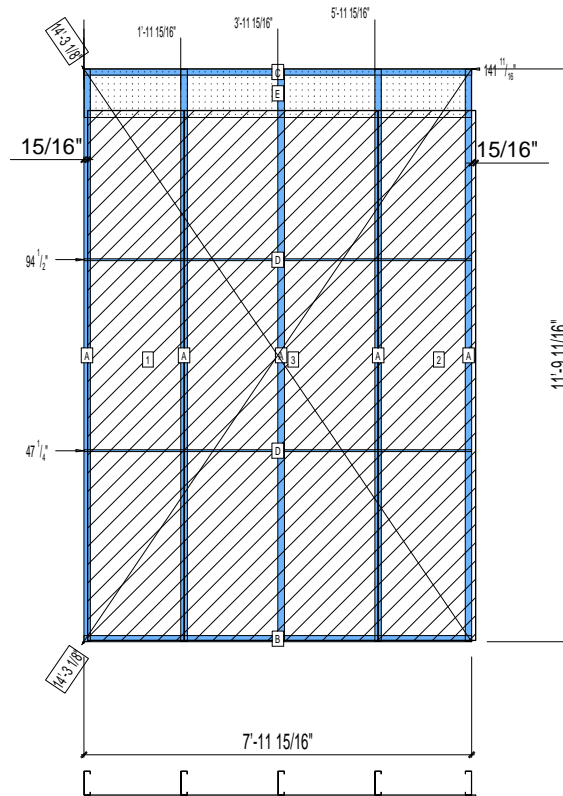
1st STUD: 24"

WEIGHTS :

FRAME : 256 lbs

SHEATHING: 322 lbs

TOTAL: 578 lbs



PIECES LIST

LABEL	QTY	SIZE	LENGTH	USE
A	5	600S162-97	11'-9 9/16"	STUD
B	1	600T150-68	7'-11 15/16"	BOTTOM TRACK
C	1	600T150-68	7'-11 15/16"	TOP TRACK
D	2	150U50-54	7'-11 3/4"	HORIZONTAL BRACING
E	1	1200D-54	7'-11 3/4"	STRAP

SHEATHING

LABEL	QTY	CODE	THICK	SIZE	SCREWS
1	1	SB-DENSARMOR	5/8"	1'-11 7/8" X 10'-11 1/8"	2-12
2	1	SB-DENSARMOR	5/8"	2'-0 1/8" X 10'-11 1/8"	2-12
3	1	SB-DENSARMOR	5/8"	4'-0" X 10'-11 1/8"	2-12

21-1152

Jewish Home for the Aging

1885 Victory Blvd. Reseda, CA

FrameMax, Inc.
13915 Danielson St
Suite 100
Poway, CA 92064
www.frame-max.com



© FrameMax Inc.

CREATED: 10/16/2008

FM-07-109

CREATED BY: AMB

HEIGHT : 11'-9 11/16" POINTS: 1.31 Points.

SPACING : 5000"

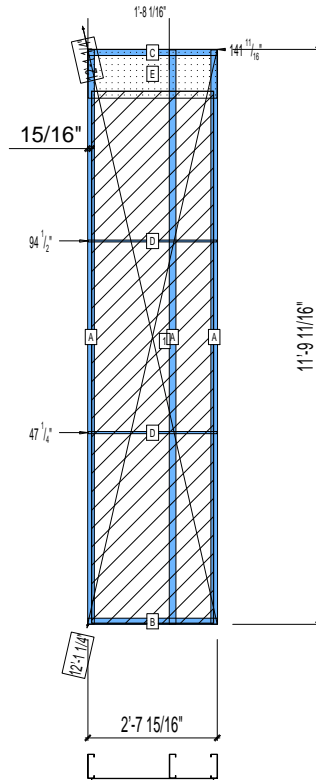
1st STUD: 5000"

WEIGHTS :

FRAME : 137 lbs

SHEATHING: 101 lbs

TOTAL: 238 lbs



PIECES LIST

LABEL	QTY	SIZE	LENGTH	USE
A	3	600S162-97	11'-9 9/16"	STUD
B	1	600T150-68	2'-7 15/16"	BOTTOM TRACK
C	1	600T150-68	2'-7 15/16"	TOP TRACK
D	2	150U50-54	2'-7 3/4"	HORIZONTAL BRACING
E	1	1200D-54	2'-7 11/16"	STRAP

SHEATHING

LABEL	QTY	CODE	THICK	SIZE	SCREWS
1	1	SB-DENSGLOSS	5/8"	2'-6 1/16" X 10'-11 1/8"	2-12

21-1153

Jewish Home for the Aging

1885 Victory Blvd. Reseda, CA

FrameMax, Inc.
13915 Danielson St
Suite 100
Poway, CA 92064
www.frame-max.com



© FrameMax Inc.

CREATED: 10/16/2008

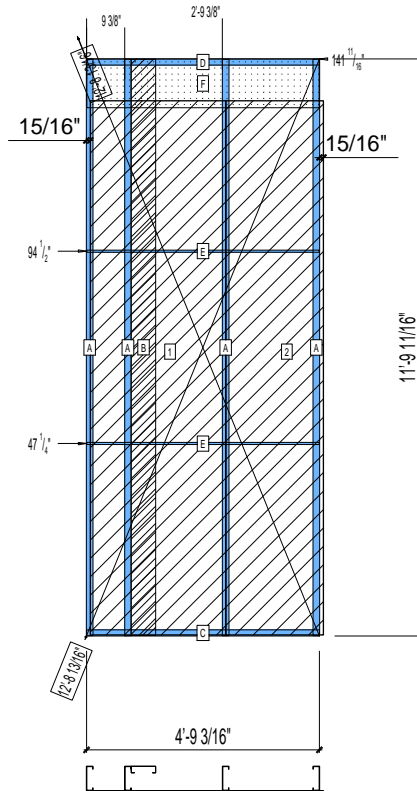
FM-07-109

CREATED BY: AMB

HEIGHT : 11'-9 11/16" POINTS: 2.12 Points.
SPACING : 5000"
1st STUD: 5000"

WEIGHTS :
FRAME : 206 lbs
SHEATHING: 192 lbs

TOTAL: 398 lbs



PIECES LIST

LABEL	QTY	SIZE	LENGTH	USE
A	4	600S162-97	11'-9 9/16"	STUD
B	1	600S162-33	11'-9 1/2"	BACKER-U
C	1	600T150-68	4'-9 3/16"	BOTTOM TRACK
D	1	600T150-68	4'-9 3/16"	TOP TRACK
E	2	150U50-54	4'-9"	HORIZONTAL BRACING
F	1	1200D-54	4'-9"	STRAP

SHEATHING

LABEL	QTY	CODE	THICK	SIZE	SCREWS
1	1	SB-DENSARMOR	5/8"	2'-9 1/4" X 10'-11 1/8"	2-12
2	1	SB-DENSARMOR	5/8"	2'-0" X 10'-11 1/8"	2-12

21-1154

Jewish Home for the Aging

1885 Victory Blvd. Reseda, CA

FM-07-109

CREATED BY: TNT

FrameMax, Inc.
13915 Danielson St
Suite 100
Poway, CA 92064
www.frame-max.com



© FrameMax Inc.

HEIGHT : 11'-9 11/16" POINTS: 4.50 Points.

SPACING : 5000"

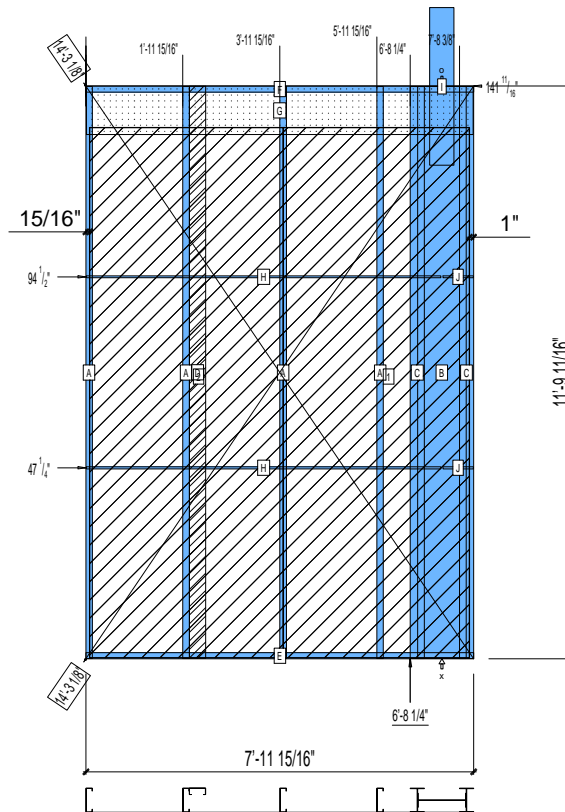
1st STUD: 5000"

WEIGHTS :

FRAME : 564 lbs

SHEATHING: 315 lbs

TOTAL: 879 lbs



PIECES LIST

LABEL	QTY	SIZE	LENGTH	USE
A	4	600S162-97	11'-9 9/16"	STUD
B	1	1200i350p1062	11'-9 9/16"	PACO
C	2	600i350p680	11'-9 9/16"	PACO
D	1	400S162-33	11'-9 1/2"	BACKER-U
E	1	600T150-68	7'-11 15/16"	BOTTOM TRACK
F	1	600T150-68	7'-11 15/16"	TOP TRACK
G	1	1200D-54	7'-11 11/16"	STRAP
H	2	150U50-54	7'-3 3/4"	HORIZONTAL BRACING
I	1	E	3'-3"	HOLDDOWN
J	2	150U50-54	7 1/2"	HORIZONTAL BRACING

SHEATHING

LABEL	QTY	CODE	THICK	SIZE	SCREWS
1	1	SB-DENSARMOR	5/8"	3'-10 1/16" X 10'-11 1/8"	2-12
2	1	SB-DENSARMOR	5/8"	3'-11 15/16" X 10'-11 1/8"	2-12

21-1155

Jewish Home for the Aging

1885 Victory Blvd. Reseda, CA

FrameMax, Inc.
13915 Danielson St
Suite 100
Poway, CA 92064
www.frame-max.com



© FrameMax Inc.

CREATED: 09/26/2008

FM-07-109

CREATED BY: AMB

HEIGHT : 11'-9 11/16" POINTS: 1.46 Points.

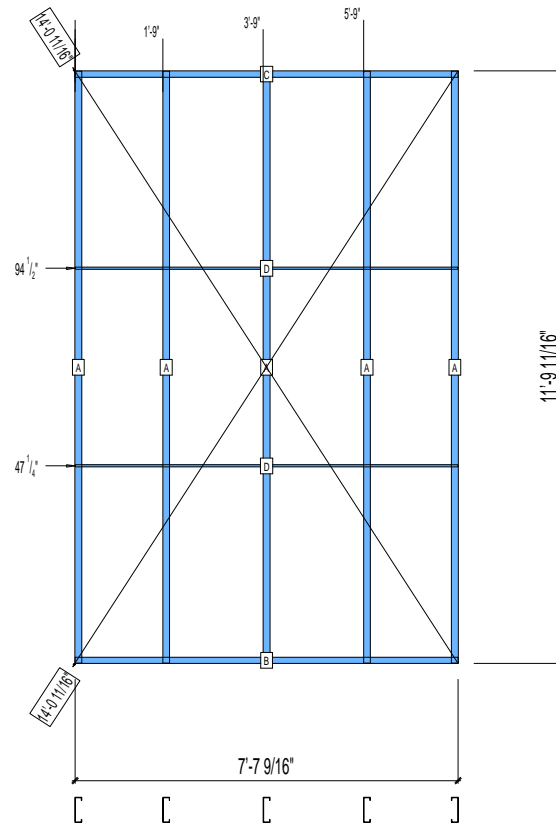
SPACING : 24"

1st STUD: 21 13/16"

WEIGHTS :

FRAME : 243 lbs

TOTAL: 243 lbs



PIECES LIST

LABEL	QTY	SIZE	LENGTH	USE
A	5	600S162-97	11'-9 9/16"	STUD
B	1	600T150-68	7'-7 9/16"	BOTTOM TRACK
C	1	600T150-68	7'-7 9/16"	TOP TRACK
D	2	150U50-54	7'-7 3/8"	HORIZONTAL BRACING

21-1157

Jewish Home for the Aging

1885 Victory Blvd. Reseda, CA

FrameMax, Inc.
13915 Danielson St
Suite 100
Poway, CA 92064
www.frame-max.com



© FrameMax Inc.

CREATED: 09/26/2008

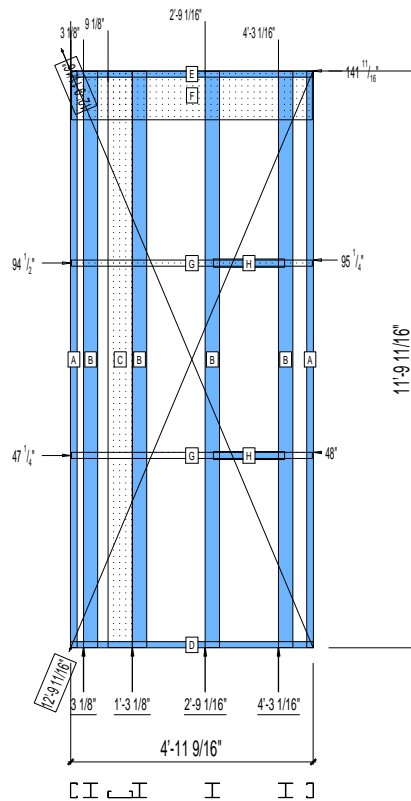
FM-07-109

CREATED BY: AMB

HEIGHT : 11'-9 11/16" POINTS: 1.98 Points.
SPACING : 5000"
1st STUD: 5000"

WEIGHTS :
FRAME : 347 lbs

TOTAL: 347 lbs



PIECES LIST

LABEL	QTY	SIZE	LENGTH	USE
A	2	362S162-54	11'-9 9/16"	STUD
B	4	363i350p554	11'-9 9/16"	PACO. COLUMN
C	1	600S162-33	11'-9 1/2"	BACKER-U
D	1	362T150-68	4'-11 9/16"	BOTTOM TRACK
E	1	362T150-68	4'-11 9/16"	TOP TRACK
F	1	1200D-54	4'-11 1/8"	STRAP
G	2	150D-43	4'-11 1/8"	STRAP
H	2	362T200-68	1'-5 1/2"	BLOCK

21-1158

Jewish Home for the Aging

1885 Victory Blvd. Reseda, CA

FrameMax, Inc.
13915 Danielson St
Suite 100
Poway, CA 92064
www.frame-max.com



© FrameMax Inc.

CREATED: 09/26/2008

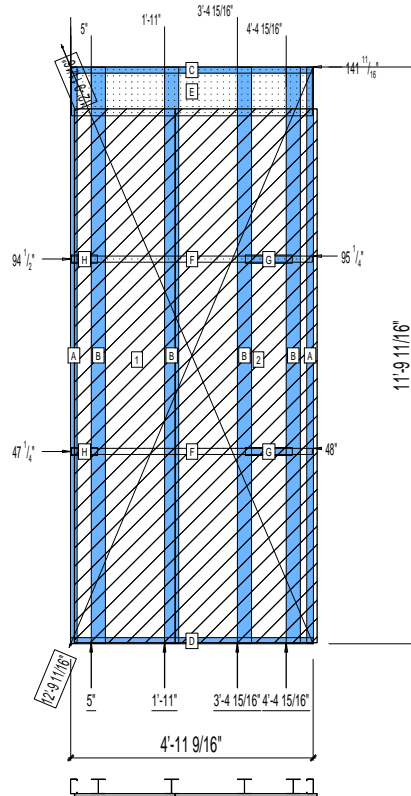
FM-07-109

CREATED BY: TNT

HEIGHT : 11'-9 11/16" POINTS: 2.81 Points.
SPACING : 5000"
1st STUD: 5000"

WEIGHTS :
FRAME : 325 lbs
SHEATHING: 200 lbs

TOTAL: 525 lbs



PIECES LIST

LABEL	QTY	SIZE	LENGTH	USE
A	2	362S162-54	11'-9 9/16"	STUD
B	4	363i350p554	11'-9 9/16"	PACO. COLUMN
C	1	362T150-68	4'-11 9/16"	TOP TRACK
D	1	362T150-68	4'-11 9/16"	BOTTOM TRACK
E	1	1200D-54	4'-11 1/8"	STRAP
F	2	150D-43	4'-11 1/8"	STRAP
G	2	362T200-68	11 1/2"	BLOCK
H	2	362T200-68	6 5/16"	BLOCK

SHEATHING

LABEL	QTY	CODE	THICK	SIZE	SCREWS
1	1	SB-DENSARMOR	5/8"	2'-0 3/4" X 10'-11 1/8"	2-12
2	1	SB-DENSARMOR	5/8"	2'-10 7/8" X 10'-11 1/8"	2-12

21-1160

Jewish Home for the Aging

1885 Victory Blvd. Reseda, CA

FM-07-109

CREATED BY: TNT

FrameMax, Inc.
13915 Danielson St
Suite 100
Poway, CA 92064
www.frame-max.com



© FrameMax Inc.

HEIGHT : 13'-5 1/8" POINTS: 5.36 Points.

SPACING : 24"

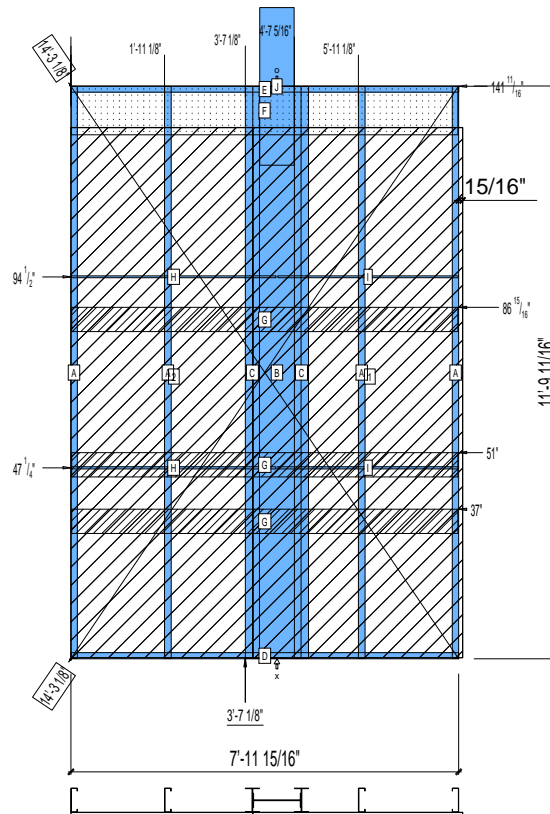
1st STUD: 24"

WEIGHTS :

FRAME : 736 lbs

SHEATHING: 325 lbs

TOTAL: 1061 lbs



PIECES LIST

LABEL	QTY	SIZE	LENGTH	USE
A	4	600S162-97	11'-9 9/16"	STUD
B	1	1200i350p1420	11'-9 9/16"	PACO
C	2	600i350p968	11'-9 9/16"	PACO
D	1	600T150-68	7'-11 15/16"	BOTTOM TRACK
E	1	600T150-68	7'-11 15/16"	TOP TRACK
F	1	1200D-54	7'-11 5/8"	STRAP
G	3	600D-54	7'-11 1/2"	KITCHEN BACKING
H	2	150U50-54	4'-2 5/8"	HORIZONTAL BRACING
I	2	150U50-54	3'-8 5/8"	HORIZONTAL BRACING
J	1	F	3'-3"	HOLDDOWN

SHEATHING

LABEL	QTY	CODE	THICK	SIZE	SCREWS
1	1	SB-DENSARMOR	5/8"	4'-3 15/16" X 10'-11 1/8"	2-12
2	1	SB-DENSARMOR	5/8"	3'-9" X 10'-11 1/8"	2-12

21-1161

Jewish Home for the Aging

1885 Victory Blvd. Reseda, CA

FrameMax, Inc.
13915 Danielson St
Suite 100
Poway, CA 92064
www.frame-max.com



© FrameMax Inc.

CREATED: 09/26/2008

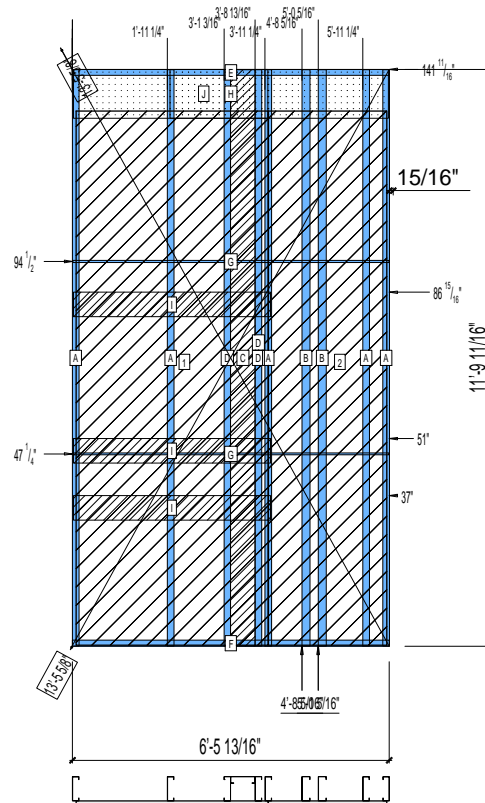
FM-07-109

CREATED BY: TNT

HEIGHT : 11'-9 11/16" POINTS: 3.31 Points.
SPACING : 24"
1st STUD: 1/8"

WEIGHTS :
FRAME : 354 lbs
SHEATHING: 256 lbs

TOTAL: 610 lbs



PIECES LIST

LABEL	QTY	SIZE	LENGTH	USE
A	5	600S162-97	11'-9 9/16"	STUD
B	2	600S200-54	11'-9 9/16"	EXTRA STUD
C	1	600S162-33	11'-9 9/16"	BACKER-U
D	2	600S162-33	11'-9 9/16"	BACKER STUD
E	1	600T150-68	6'-5 13/16"	TOP TRACK
F	1	600T150-68	6'-5 13/16"	BOTTOM TRACK
G	2	150U50-54	6'-5 5/8"	HORIZONTAL BRACING
H	1	1200D-54	6'-5 3/8"	STRAP
I	3	600D-54	4'-0 7/16"	KITCHEN BACKING
J	1	1200D-54	2'-0"	STRAP

SHEATHING

LABEL	QTY	CODE	THICK	SIZE	SCREWS
1	1	SB-DENSARMOR	5/8"	3'-11 3/16" X 10'-11 1/8"	2-12
2	1	SB-DENSARMOR	5/8"	2'-5 1/8" X 10'-11 1/8"	2-12

21-1162

Jewish Home for the Aging

1885 Victory Blvd. Reseda, CA

FrameMax, Inc.
13915 Danielson St
Suite 100
Poway, CA 92064
www.frame-max.com



© FrameMax Inc.

CREATED: 09/26/2008

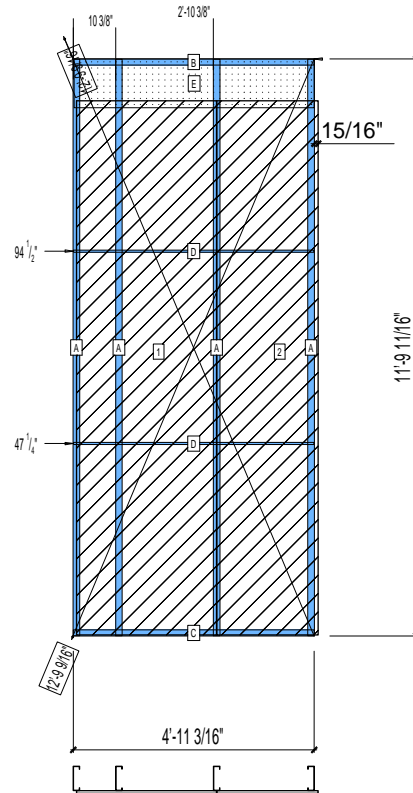
FM-07-109

CREATED BY: TNT

HEIGHT : 11'-9 11/16" POINTS: 2.07 Points.
SPACING : 24"
1st STUD: 11 1/4"

WEIGHTS :
FRAME : 193 lbs
SHEATHING: 199 lbs

TOTAL: 392 lbs



PIECES LIST

LABEL	QTY	SIZE	LENGTH	USE
A	4	600S162-97	11'-9 9/16"	STUD
B	1	600T150-68	4'-11 3/16"	TOP TRACK
C	1	600T150-68	4'-11 3/16"	BOTTOM TRACK
D	2	150U50-54	4'-11"	HORIZONTAL BRACING
E	1	1200D-54	4'-10 15/16"	STRAP

SHEATHING

LABEL	QTY	CODE	THICK	SIZE	SCREWS
1	1	SB-DENSARMOR	5/8"	2'-10 7/16" X 10'-11 1/8"	2-12
2	1	SB-DENSARMOR	5/8"	2'-0 15/16" X 10'-11 1/8"	2-12

21-1163

Jewish Home for the Aging

1885 Victory Blvd. Reseda, CA

FrameMax, Inc.
13915 Danielson St
Suite 100
Poway, CA 92064
www.frame-max.com



© FrameMax Inc.

CREATED: 09/26/2008

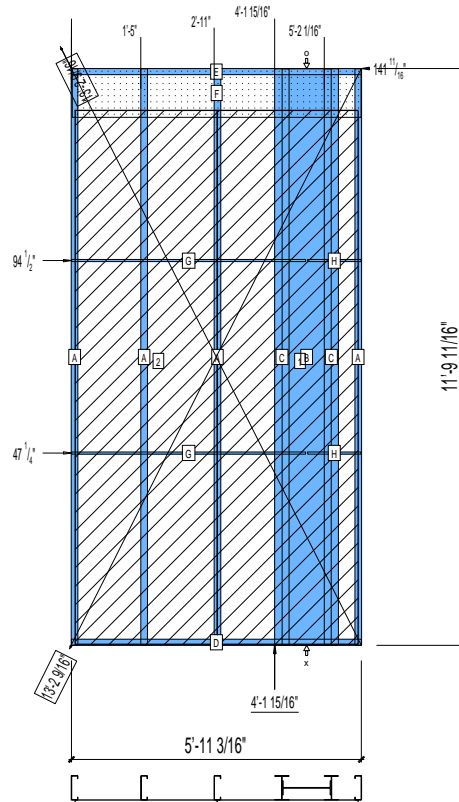
FM-07-109

CREATED BY: TNT

HEIGHT : 13'-5 1/8" POINTS: 4.19 Points.
SPACING : 24"
1st STUD: 23 7/8"

WEIGHTS :
FRAME : 597 lbs
SHEATHING: 233 lbs

TOTAL: 830 lbs



PIECES LIST

LABEL	QTY	SIZE	LENGTH	USE
A	4	600S162-97	11'-9 9/16"	STUD
B	1	1200i350p1420	11'-9 9/16"	PACO
C	2	600i350p968	11'-9 9/16"	PACO
D	1	600T150-68	5'-11 3/16"	BOTTOM TRACK
E	1	600T150-68	5'-11 3/16"	TOP TRACK
F	1	1200D-54	5'-10 7/8"	STRAP
G	2	150U50-54	4'-9 7/16"	HORIZONTAL BRACING
H	2	150U50-54	1'-1 1/16"	HORIZONTAL BRACING

SHEATHING

LABEL	QTY	CODE	THICK	SIZE	SCREWS
1	1	SB-DENSARMOR	5/8"	2'-10 9/16" X 10'-11 1/8"	2-12
2	1	SB-DENSARMOR	5/8"	2'-10 15/16" X 10'-11 1/8"	2-12

21-1164

Jewish Home for the Aging

1885 Victory Blvd. Reseda, CA

FM-07-109

CREATED BY: AMB

FrameMax, Inc.
13915 Danielson St
Suite 100
Poway, CA 92064
www.frame-max.com



© FrameMax Inc.

HEIGHT : 13'-5 1/8" POINTS: 4.86 Points.

SPACING : 24"

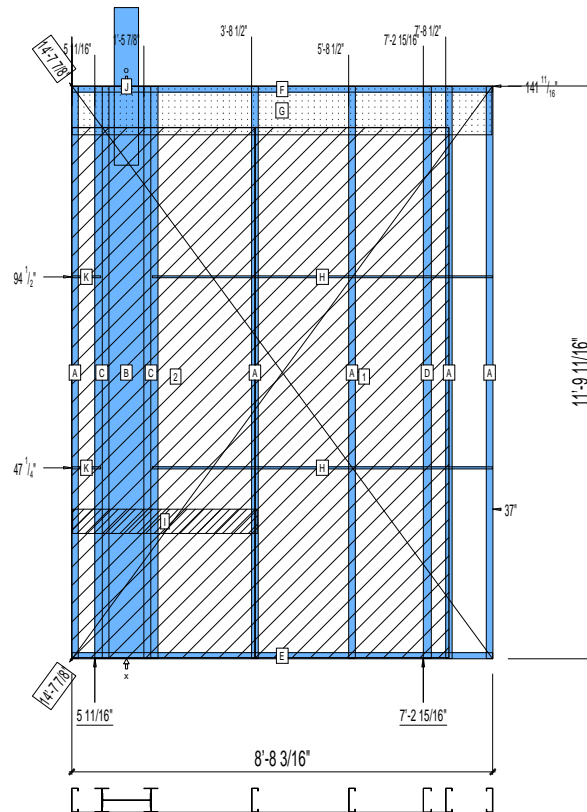
1st STUD: 21 3/8"

WEIGHTS :

FRAME : 634 lbs

SHEATHING: 313 lbs

TOTAL: 947 lbs



PIECES LIST

LABEL	QTY	SIZE	LENGTH	USE
A	5	600S162-97	11'-9 9/16"	STUD
B	1	1200i350p1062	11'-9 9/16"	PACO
C	2	600i350p680	11'-9 9/16"	PACO
D	1	600S200-54	11'-9 9/16"	EXTRA STUD
E	1	600T150-68	8'-8 3/16"	BOTTOM TRACK
F	1	600T150-68	8'-8 3/16"	TOP TRACK
G	1	1200D-54	8'-7 7/8"	STRAP
H	2	150U50-54	7'-0 1/8"	HORIZONTAL BRACING
I	1	600D-54	3'-9 11/16"	VANITY BACKING
J	1	E	3'-3"	HOLDDOWN
K	2	150U50-54	7 1/16"	HORIZONTAL BRACING

SHEATHING

LABEL	QTY	CODE	THICK	SIZE	SCREWS
1	1	SB-DENSARMOR	5/8"	4'-0" X 10'-11 1/8"	2-12
2	1	SB-DENSARMOR	5/8"	3'-9 5/16" X 10'-11 1/8"	2-12

21-1165

Jewish Home for the Aging

1885 Victory Blvd. Reseda, CA

FrameMax, Inc.
13915 Danielson St
Suite 100
Poway, CA 92064
www.frame-max.com



© FrameMax Inc.

CREATED: 09/26/2008

FM-07-109

CREATED BY: TNT

HEIGHT : 11'-9 11/16" POINTS: 2.50 Points.

SPACING : 24"

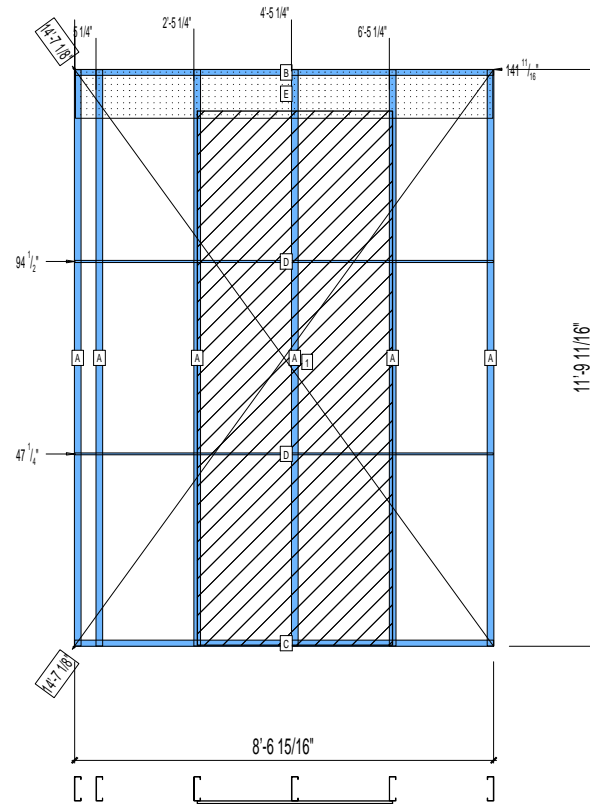
1st STUD: 6 1/8"

WEIGHTS :

FRAME : 299 lbs

SHEATHING: 161 lbs

TOTAL: 460 lbs



PIECES LIST

LABEL	QTY	SIZE	LENGTH	USE
A	6	600S162-97	11'-9 9/16"	STUD
B	1	600T150-68	8'-6 15/16"	TOP TRACK
C	1	600T150-68	8'-6 15/16"	BOTTOM TRACK
D	2	150U50-54	8'-6 3/4"	HORIZONTAL BRACING
E	1	1200D-54	8'-6 1/2"	STRAP

SHEATHING

LABEL	QTY	CODE	THICK	SIZE	SCREWS
1	1	SB-DENSARMOR	5/8"	3'-11 15/16" X 10'-11 1/8"	2-12

21-1166

Jewish Home for the Aging

1885 Victory Blvd. Reseda, CA

FrameMax, Inc.
13915 Danielson St
Suite 100
Poway, CA 92064
www.frame-max.com



© FrameMax Inc.

CREATED: 09/26/2008

FM-07-109

CREATED BY: AMB

HEIGHT : 11'-9 11/16" POINTS: 3.47 Points.

SPACING : 24"

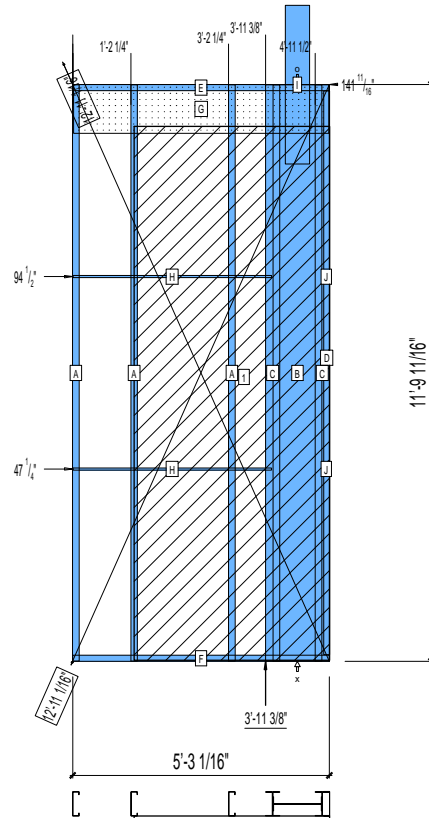
1st STUD: 15 1/8"

WEIGHTS :

FRAME : 509 lbs

SHEATHING: 161 lbs

TOTAL: 670 lbs



PIECES LIST

LABEL	QTY	SIZE	LENGTH	USE
A	3	600S162-97	11'-9 9/16"	STUD
B	1	1200i350p1062	11'-9 9/16"	PACO
C	2	600i350p680	11'-9 9/16"	PACO
D	1	600T150-33	11'-6 7/16"	CAP TRACK
E	1	600T150-68	5'-3 1/16"	TOP TRACK
F	1	600T150-68	5'-3 1/16"	BOTTOM TRACK
G	1	1200D-54	5'-2 11/16"	STRAP
H	2	150U50-54	4'-0 11/16"	HORIZONTAL BRACING
I	1	E	3'-3"	HOLDDOWN
J	2	150U50-54	1 3/8"	HORIZONTAL BRACING

SHEATHING

LABEL	QTY	CODE	THICK	SIZE	SCREWS
1	1	SB-DENSARMOR	5/8"	3'-11 15/16" X 10'-11 1/8"	2-12

21-1167

Jewish Home for the Aging

1885 Victory Blvd. Reseda, CA

FM-07-109

CREATED BY: AMB

FrameMax, Inc.
13915 Danielson St
Suite 100
Poway, CA 92064
www.framemax.com



© FrameMax Inc.

HEIGHT : 11'-9 11/16" POINTS: 0.97 Points.

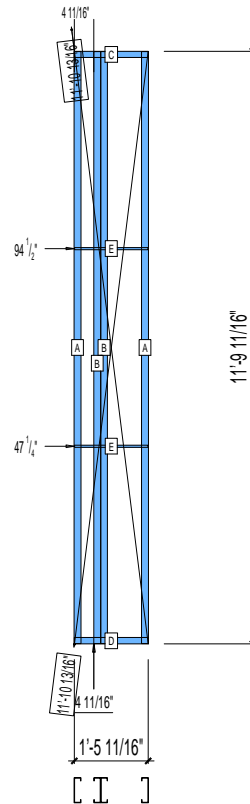
SPACING : 24"

1st STUD: 24"

WEIGHTS :

FRAME : 169 lbs

TOTAL: 169 lbs



PIECES LIST

LABEL	QTY	SIZE	LENGTH	USE
A	2	600S162-97	11'-9 9/16"	STUD
B	2	600S162-97	11'-9 9/16"	EXTRA STUD
C	1	600T150-68	1'-5 11/16"	TOP TRACK
D	1	600T150-68	1'-5 11/16"	BOTTOM TRACK
E	2	150U50-54	1'-5 1/2"	HORIZONTAL BRACING

21-1168

Jewish Home for the Aging

1885 Victory Blvd. Reseda, CA

FrameMax, Inc.
13915 Danielson St
Suite 100
Poway, CA 92064
www.frame-max.com



© FrameMax Inc.

CREATED: 10/07/2008

FM-07-109

CREATED BY: TNT

HEIGHT : 10'-7 1/4" POINTS: 2.50 Points.

SPACING : 24"

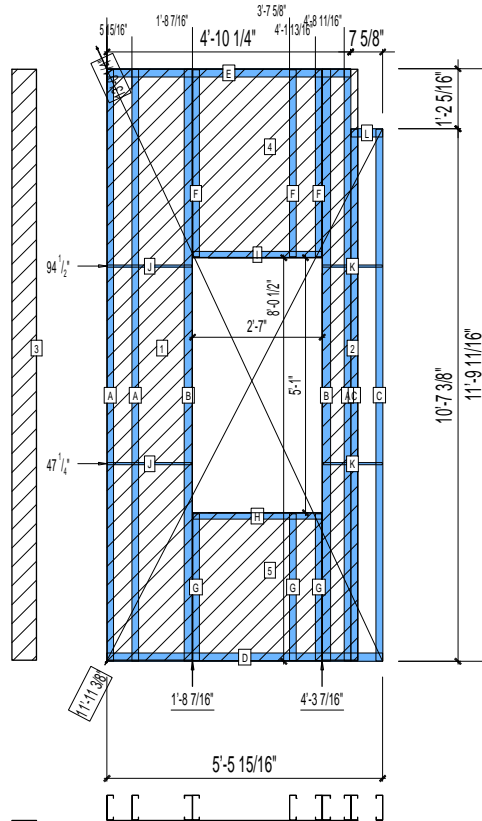
1st STUD: 24"

WEIGHTS :

FRAME : 295 lbs

SHEATHING: 128 lbs

TOTAL: 423 lbs



PIECES LIST

LABEL	QTY	SIZE	LENGTH	USE
A	3	600S162-68	11'-9 1/2"	STUD
B	2	600S200-97	11'-9 1/2"	KING STUD
C	2	600S162-68	10'-7 1/16"	STUD
D	1	600T200-68	5'-5 15/16"	BOTTOM TRACK
E	1	600T200-68	4'-10 1/4"	TOP TRACK
F	3	600S162-54	3'-8 3/4"	CRIPPLE
G	3	600S162-54	2'-11 1/16"	CRIPPLE
H	1	600T150-54	2'-6 3/4"	SILL
I	1	600T150-54	2'-6 3/4"	HEAD TRACK
J	2	150U50-54	1'-8 1/4"	HORIZONTAL BRACING
K	2	150U50-54	1'-2 1/4"	HORIZONTAL BRACING
L	1	600T200-68	7 1/2"	TOP TRACK

SHEATHING

LABEL	QTY	CODE	THICK	SIZE	SCREWS
1	1	DENSGLASS	1/2"	1'-8 3/8" X 11'-9 5/16"	8 - 12
2	1	DENSGLASS	1/2"	8 7/16" X 11'-9 5/16"	8 - 12
3	1	DENSGLASS	1/2"	5 7/8" X 11'-9 5/16"	8 - 12
4	1	DENSGLASS	1/2"	2'-6 7/8" X 3'-9"	8 - 12
5	1	DENSGLASS	1/2"	2'-6 7/8" X 2'-11 5/16"	8 - 12

21-1169

Jewish Home for the Aging

1885 Victory Blvd. Reseda, CA

FrameMax, Inc.
13915 Danielson St
Suite 100
Poway, CA 92064
www.frame-max.com



© FrameMax Inc.

CREATED: 09/26/2008

FM-07-109

CREATED BY: TNT

HEIGHT : 10'-7 1/4" POINTS: 0.77 Points.

SPACING : 24"

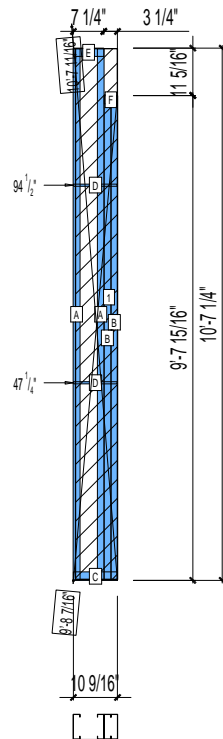
1st STUD: 24"

WEIGHTS :

FRAME : 101 lbs

SHEATHING: 22 lbs

TOTAL: 123 lbs



PIECES LIST

LABEL	QTY	SIZE	LENGTH	USE
A	2	600S162-68	10'-7 1/16"	STUD
B	2	600S162-68	9'-7 11/16"	STUD
C	1	600T200-68	10 9/16"	BOTTOM TRACK
D	2	150U50-54	10 3/8"	HORIZONTAL BRACING
E	1	600T200-68	7 1/4"	TOP TRACK
F	1	600T200-68	3 1/8"	TOP TRACK

SHEATHING

LABEL	QTY	CODE	THICK	SIZE	SCREWS
1	1	DENSGLASS	1/2"	10" X 10'-6 7/8"	8 - 12

21-1170

Jewish Home for the Aging

1885 Victory Blvd. Reseda, CA

FrameMax, Inc.
13915 Danielson St
Suite 100
Poway, CA 92064
www.framemax.com



© FrameMax Inc.

CREATED: 10/07/2008

FM-07-109

CREATED BY: TNT

HEIGHT : 11'-9 11/16" POINTS: 2.71 Points.

SPACING : 24"

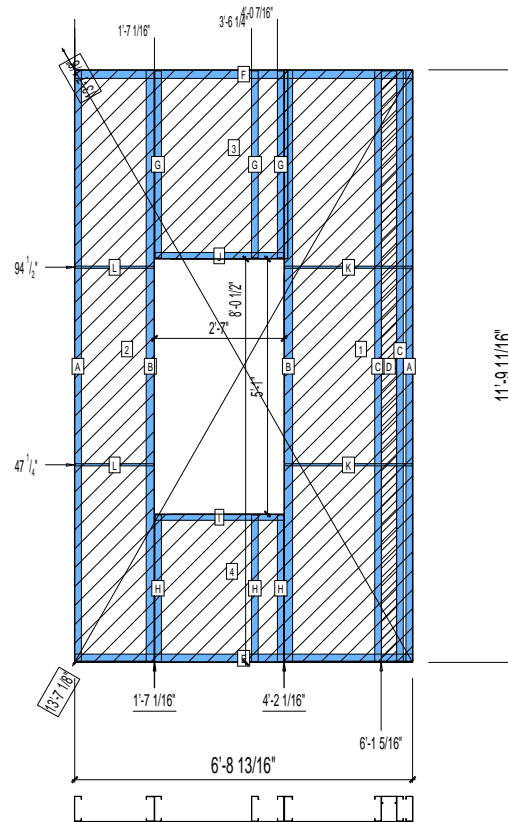
1st STUD: 24"

WEIGHTS :

FRAME : 301 lbs

SHEATHING: 166 lbs

TOTAL: 467 lbs



PIECES LIST

LABEL	QTY	SIZE	LENGTH	USE
A	2	600S162-68	11'-9 1/2"	STUD
B	2	600S200-97	11'-9 1/2"	KING STUD
C	2	600S162-68	11'-9 1/2"	BACKER STUD
D	1	362S162-68	11'-9 1/4"	BACKER-U
E	1	600T200-68	6'-8 13/16"	BOTTOM TRACK
F	1	600T200-68	6'-8 13/16"	TOP TRACK
G	3	600S162-54	3'-8 3/4"	CRIPPLE
H	3	600S162-54	2'-11 1/16"	CRIPPLE
I	1	600T150-54	2'-6 3/4"	SILL
J	1	600T150-54	2'-6 3/4"	HEAD TRACK
K	2	150U50-54	2'-6 1/2"	HORIZONTAL BRACING
L	2	150U50-54	1'-6 7/8"	HORIZONTAL BRACING

SHEATHING

LABEL	QTY	CODE	THICK	SIZE	SCREWS
1	1	DENSGLASS	1/2"	2'-6 5/8" X 11'-9 3/8"	8 - 12
2	1	DENSGLASS	1/2"	1'-7" X 11'-9 3/8"	8 - 12
3	1	DENSGLASS	1/2"	2'-7 13/16" X 3'-9 1/16"	8 - 12
4	1	DENSGLASS	1/2"	2'-6 7/8" X 2'-11 5/16"	8 - 12

21-1171

Jewish Home for the Aging

1885 Victory Blvd. Reseda, CA

FrameMax, Inc.
 13915 Danielson St
 Suite 100
 Poway, CA 92064
 www.frame-max.com



© FrameMax Inc.

CREATED: 09/26/2008

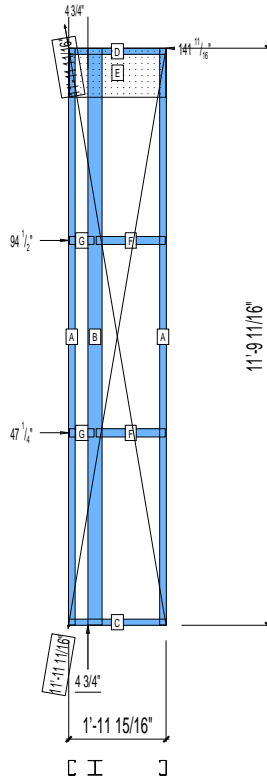
FM-07-109

CREATED BY: AMB

HEIGHT : 11'-9 11/16" POINTS: 0.78 Points.
 SPACING : 5000"
 1st STUD: 5000"

WEIGHTS :
 FRAME : 115 lbs

 TOTAL: 115 lbs



PIECES LIST

LABEL	QTY	SIZE	LENGTH	USE
A	2	362S162-54	11'-9 9/16"	STUD
B	1	363i350p554	11'-9 9/16"	PACO.COLUMN
C	1	362T150-68	1'-11 15/16"	BOTTOM TRACK
D	1	362T150-68	1'-11 15/16"	TOP TRACK
E	1	1200D-54	1'-11 5/8"	STRAP
F	2	362T200-68	1'-5"	BLOCK
G	2	362T200-68	6"	BLOCK

21-1172

Jewish Home for the Aging

1885 Victory Blvd. Reseda, CA

FrameMax, Inc.
13915 Danielson St
Suite 100
Poway, CA 92064
www.frame-max.com



© FrameMax Inc.

CREATED: 09/26/2008

FM-07-109

CREATED BY: TNT

HEIGHT : 11'-9 11/16" POINTS: 1.01 Points.

SPACING : 5000"

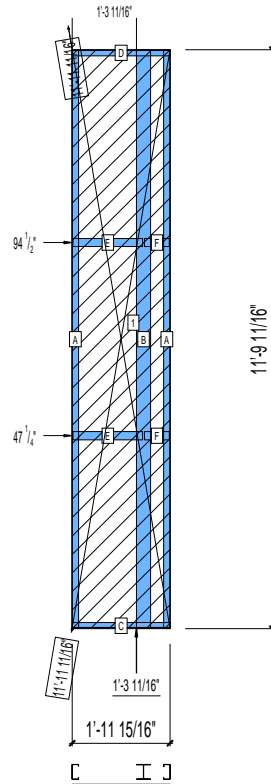
1st STUD: 5000"

WEIGHTS :

FRAME : 111 lbs

SHEATHING: 59 lbs

TOTAL: 170 lbs



PIECES LIST

LABEL	QTY	SIZE	LENGTH	USE
A	2	362S162-54	11'-9 9/16"	STUD
B	1	363I350p554	11'-9 9/16"	PACO COLUMN
C	1	362T150-68	1'-11 15/16"	BOTTOM TRACK
D	1	362T150-68	1'-11 15/16"	TOP TRACK
E	2	362T200-68	1'-5"	BLOCK
F	2	362T200-68	6"	BLOCK

SHEATHING

LABEL	QTY	CODE	THICK	SIZE	SCREWS
1	1	DENSGLOSS	1/2"	1'-11 7/8" X 11'-9 1/4"	8 - 12

21-1174

Jewish Home for the Aging

1885 Victory Blvd. Reseda, CA

FrameMax, Inc.
13915 Danielson St
Suite 100
Poway, CA 92064
www.frame-max.com



© FrameMax Inc.

CREATED: 09/26/2008

FM-07-109

CREATED BY: AMB

HEIGHT : 11'-9 11/16" POINTS: 1.66 Points.

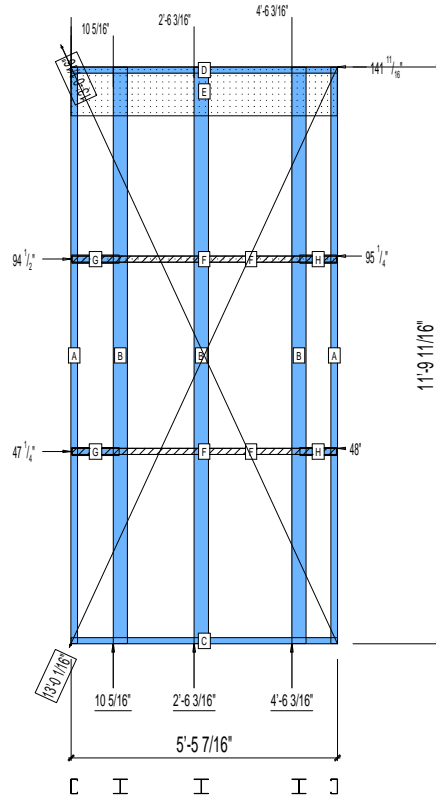
SPACING : 5000"

1st STUD: 5000"

WEIGHTS :

FRAME : 266 lbs

TOTAL: 266 lbs



PIECES LIST

LABEL	QTY	SIZE	LENGTH	USE
A	2	362S162-54	11'-9 9/16"	STUD
B	3	363i350p554	11'-9 9/16"	PACO COLUMN
C	1	362T150-68	5'-5 7/16"	BOTTOM TRACK
D	1	362T150-68	5'-5 7/16"	TOP TRACK
E	1	1200D-54	5'-5 3/8"	STRAP
F	4	150D-43	5'-5"	STRAP
G	2	362T200-68	11 5/8"	BLOCK
H	2	362T200-68	9"	BLOCK

21-1175

Jewish Home for the Aging

1885 Victory Blvd. Reseda, CA

FrameMax, Inc.
13915 Danielson St
Suite 100
Poway, CA 92064
www.frame-max.com



© FrameMax Inc.

CREATED: 09/26/2008

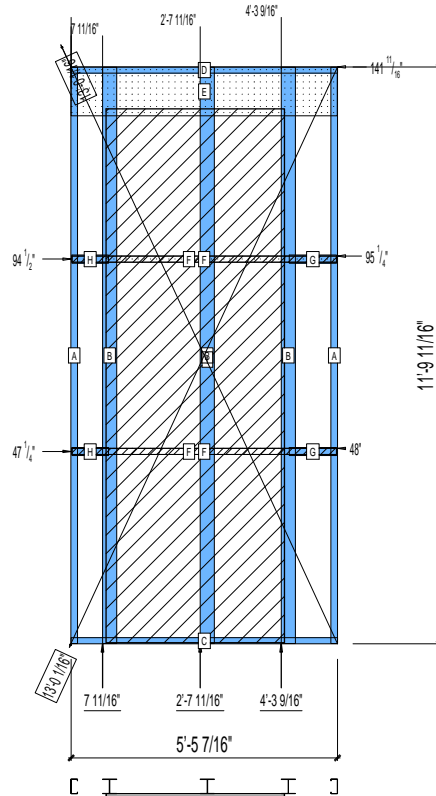
FM-07-109

CREATED BY: AMB

HEIGHT : 11'-9 11/16" POINTS: 2.33 Points.
SPACING : 5000"
1st STUD: 5000"

WEIGHTS :
FRAME : 266 lbs
SHEATHING: 147 lbs

TOTAL: 413 lbs



PIECES LIST

LABEL	QTY	SIZE	LENGTH	USE
A	2	362S162-54	11'-9 9/16"	STUD
B	3	363i350p554	11'-9 9/16"	PACO. COLUMN
C	1	362T150-68	5'-5 7/16"	BOTTOM TRACK
D	1	362T150-68	5'-5 7/16"	TOP TRACK
E	1	1200D-54	5'-5 3/8"	STRAP
F	4	150D-43	5'-5"	STRAP
G	2	362T200-68	11 5/8"	BLOCK
H	2	362T200-68	9"	BLOCK

SHEATHING

LABEL	QTY	CODE	THICK	SIZE	SCREWS
1	1	SB-DENSARMOR	5/8"	3'-7 13/16" X 10'-11 1/8"	2-12

21-1177

Jewish Home for the Aging

1885 Victory Blvd. Reseda, CA

FM-07-109

CREATED BY: TNT

FrameMax, Inc.
13915 Danielson St
Suite 100
Poway, CA 92064
www.frame-max.com



© FrameMax Inc.

HEIGHT : 11'-9 11/16" POINTS: 1.15 Points.

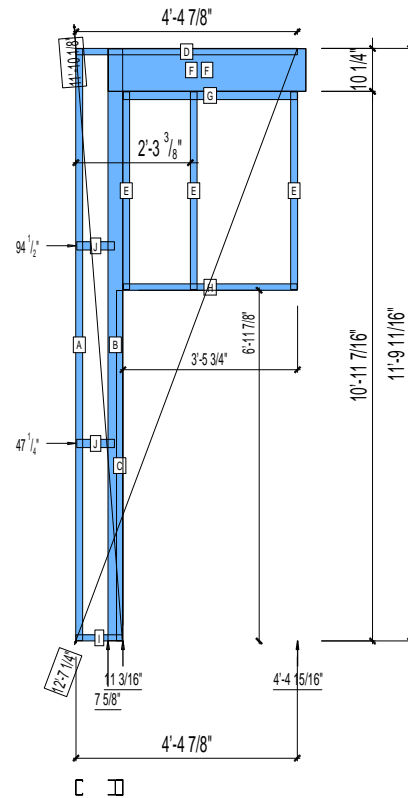
SPACING : 5000"

1st STUD: 5000"

WEIGHTS :

FRAME : 166 lbs

TOTAL: 166 lbs



PIECES LIST

LABEL	QTY	SIZE	LENGTH	USE
A	1	362S162-54	11'-9 9/16"	STUD
B	1	363i350p554	11'-9 9/16"	PACO. COLUMN
C	1	362T150-68	6'-11 13/16"	JAMB TRACK
D	1	362T150-68	4'-4 7/8"	TOP TRACK
E	3	362S162-54	3'-11 1/4"	CRIPPLE
F	2	1000T200-97	3'-11 1/4"	HEADER
G	1	600T200-68	3'-5 5/8"	TOP TRACK
H	1	362T150-68	3'-5 1/2"	HEAD TRACK
I	1	362T150-68	11 1/16"	BOTTOM TRACK
J	2	362T200-68	8 15/16"	BLOCK

21-1178

Jewish Home for the Aging

1885 Victory Blvd. Reseda, CA

FM-07-109

CREATED BY: TNT

FrameMax, Inc.
13915 Danielson St
Suite 100
Poway, CA 92064
www.frame-max.com



© FrameMax Inc.

HEIGHT : 11'-9 11/16" POINTS: 1.15 Points.

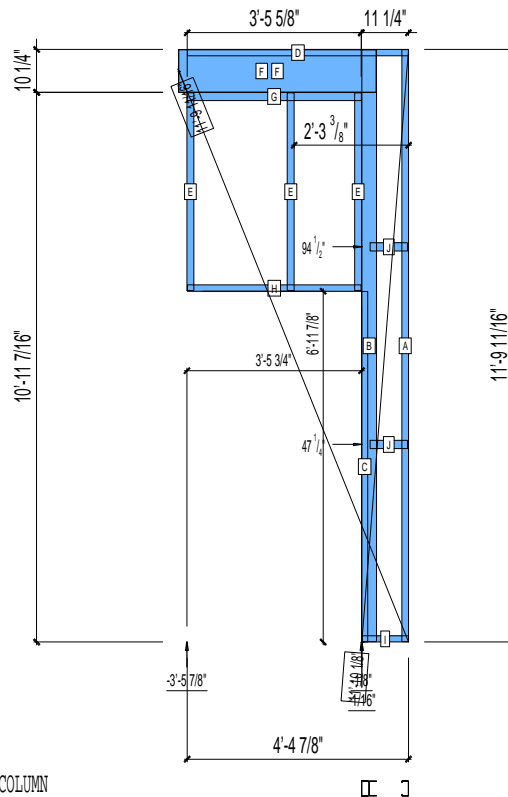
SPACING : 5000"

1st STUD: 5000"

WEIGHTS :

FRAME : 166 lbs

TOTAL: 166 lbs



PIECES LIST

LABEL	QTY	SIZE	LENGTH	USE
A	1	362S162-54	11'-9 9/16"	STUD
B	1	363i350p554	11'-9 9/16"	PACO. COLUMN
C	1	362T150-68	6'-11 13/16"	JAMB TRACK
D	1	362T150-68	4'-4 13/16"	TOP TRACK
E	3	362S162-54	3'-11 1/4"	CRIPPLE
F	2	1000T200-97	3'-11 1/4"	HEADER
G	1	600T200-68	3'-5 5/8"	TOP TRACK
H	1	362T150-68	3'-5 1/2"	HEAD TRACK
I	1	362T150-68	11 1/16"	BOTTOM TRACK
J	2	362T200-68	8 15/16"	BLOCK

21-1179

Jewish Home for the Aging

1885 Victory Blvd. Reseda, CA

FrameMax, Inc.
13915 Danielson St
Suite 100
Poway, CA 92064
www.frame-max.com



© FrameMax Inc.

CREATED: 10/14/2008

FM-07-109

CREATED BY: AMB

HEIGHT : 11'-9 11/16" POINTS: 4.16 Points.

SPACING : 24"

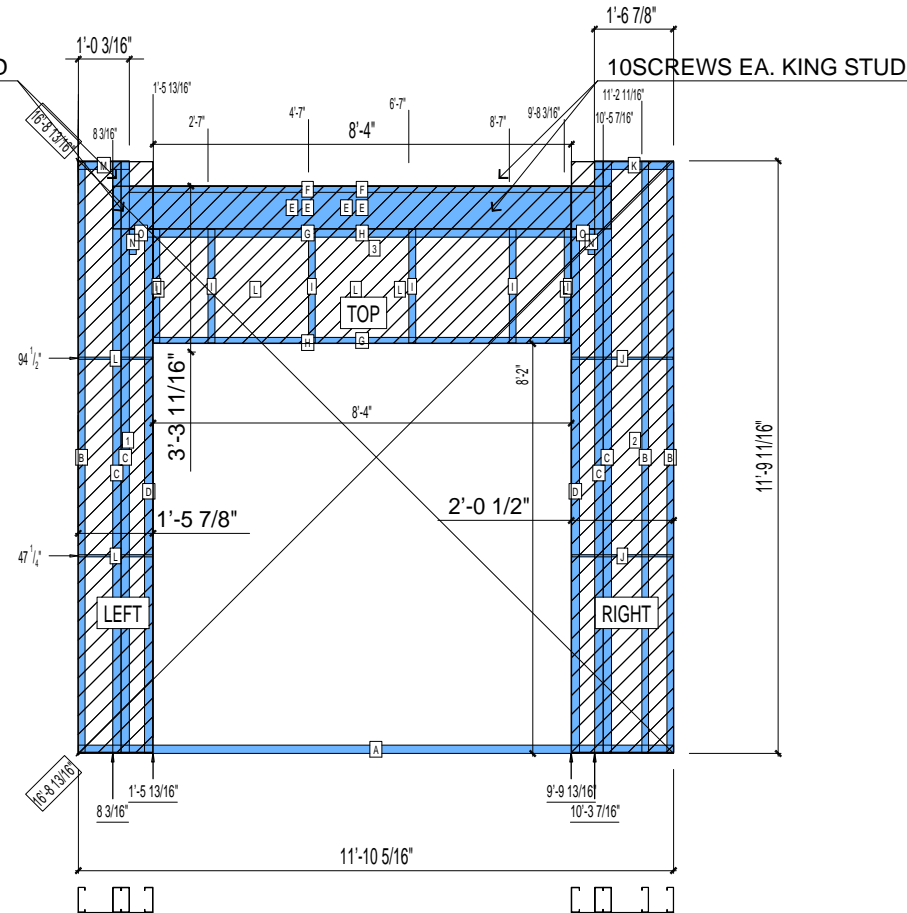
1st STUD: 24"

WEIGHTS :

FRAME : 547 lbs

SHEATHING: 169 lbs 10SCREWS EA. KING STUD

TOTAL: 716 lbs



PIECES LIST

LABEL	QTY	SIZE	LENGTH	USE
A	1	600T200-68	11'-10 5/16"	BOTTOM TRACK
B	3	600S162-68	11'-9 1/2"	STUD
C	4	600S200-97	11'-9 1/2"	EXTRA STUD
D	2	600S200-97	10'-5 3/16"	KING STUD
E	2	1000T200-97	9'-11 1/8"	HEADER
F	1	600T150-54	9'-3 1/8"	HEAD TRACK
G	1	600T150-54	8'-3 7/8"	HEAD TRACK
H	1	600T200-68	8'-3 7/8"	TOP TRACK
I	6	600S162-54	2'-3 3/16"	CRIPPLE
J	2	150U50-54	2'-0 1/4"	HORIZONTAL BRACING
K	1	600T200-68	1'-6 13/16"	TOP TRACK
L	2	150U50-54	1'-5 5/8"	HORIZONTAL BRACING
M	1	600T200-68	1'-0 3/16"	TOP TRACK
N	2	600S162-54	6"	CRIPPLE
O	2	600T200-68	5 1/2"	TOP TRACK

SHEATHING

LABEL	QTY	CODE	THICK	SIZE	SCREWS
1	1	DENSGLASS	1/2"	1'-5 13/16" X 11'-9 1/4"	8 - 12
2	1	DENSGLASS	1/2"	2'-0 7/16" X 11'-9 1/4"	8 - 12
3	1	DENSGLASS	1/2"	8'-3 7/8" X 3'-1 9/16"	8 - 12

21-1180

Jewish Home for the Aging

1885 Victory Blvd. Reseda, CA

FM-07-109

CREATED BY: TNT

FrameMax, Inc.
13915 Danielson St
Suite 100
Poway, CA 92064
www.frame-max.com



© FrameMax Inc.

HEIGHT : 11'-9 11/16" POINTS: 2.42 Points.

SPACING : 24"

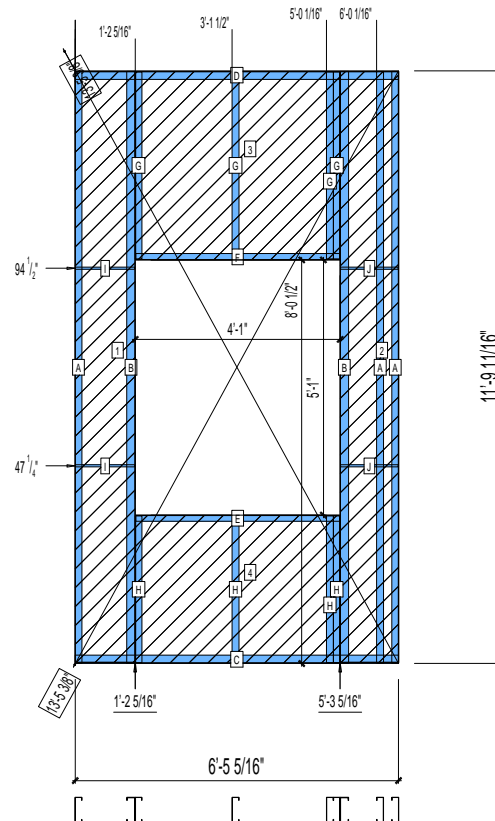
1st STUD: 24"

WEIGHTS :

FRAME : 267 lbs

SHEATHING: 137 lbs

TOTAL: 404 lbs



PIECES LIST

LABEL	QTY	SIZE	LENGTH	USE
A	3	600S162-68	11'-9 1/2"	STUD
B	2	600S200-97	11'-9 1/2"	KING STUD
C	1	600T200-68	6'-5 5/16"	BOTTOM TRACK
D	1	600T200-68	6'-5 5/16"	TOP TRACK
E	1	600T150-54	4'-0 3/4"	SILL
F	1	600T150-54	4'-0 3/4"	HEAD TRACK
G	4	600S162-54	3'-8 3/4"	CRIPPLE
H	4	600S162-54	2'-11 1/16"	CRIPPLE
I	2	150U50-54	1'-2 1/8"	HORIZONTAL BRACING
J	2	150U50-54	1'-1 3/4"	HORIZONTAL BRACING

SHEATHING

LABEL	QTY	CODE	THICK	SIZE	SCREWS
1	1	DENSGLASS	1/2"	1'-2 1/4" X 11'-9 1/4"	8 - 12
2	1	DENSGLASS	1/2"	1'-1 7/8" X 11'-9 1/4"	8 - 12
3	1	DENSGLASS	1/2"	4'-0 7/8" X 3'-9"	8 - 12
4	1	DENSGLASS	1/2"	4'-0 7/8" X 2'-11 5/16"	8 - 12

21-1181

Jewish Home for the Aging

1885 Victory Blvd. Reseda, CA

FrameMax, Inc.
13915 Danielson St
Suite 100
Poway, CA 92064
www.frame-max.com



© FrameMax Inc.

CREATED: 09/26/2008

FM-07-109

CREATED BY: AMB

HEIGHT : 11'-9 11/16" POINTS: 1.14 Points.

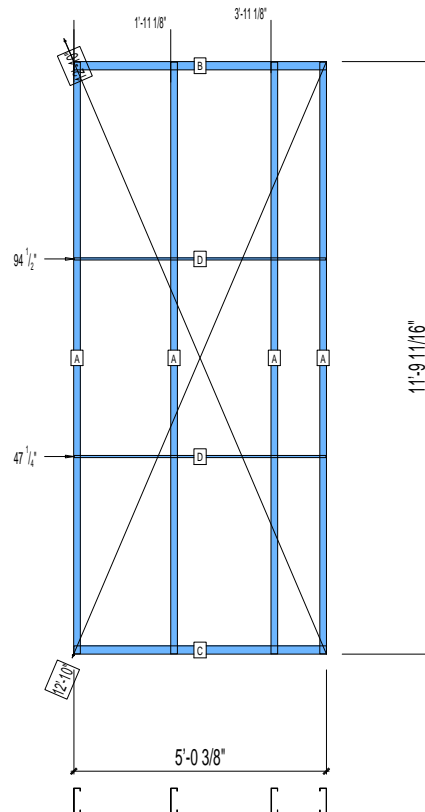
SPACING : 24"

1st STUD: 24"

WEIGHTS :

FRAME : 191 lbs

TOTAL: 191 lbs



PIECES LIST

LABEL	QTY	SIZE	LENGTH	USE
A	4	600S162-97	11'-9 1/2"	STUD
B	1	600T200-68	5'-0 3/8"	TOP TRACK
C	1	600T200-68	5'-0 3/8"	BOTTOM TRACK
D	2	150U50-54	5'-0 3/16"	HORIZONTAL BRACING

21-1182

Jewish Home for the Aging

1885 Victory Blvd. Reseda, CA

FrameMax, Inc.
13915 Danielson St
Suite 100
Poway, CA 92064
www.frame-max.com



© FrameMax Inc.

CREATED: 09/26/2008

FM-07-109

CREATED BY: TNT

HEIGHT : 10'-7 1/4" POINTS: 0.74 Points.

SPACING : 24"

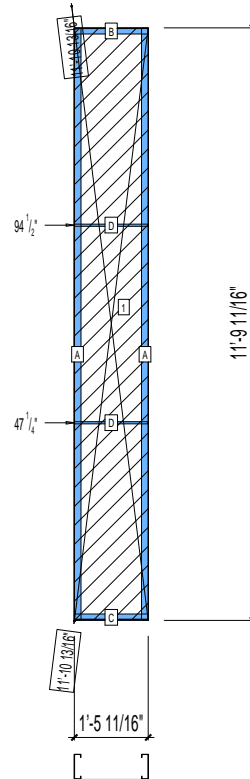
1st STUD: 24"

WEIGHTS :

FRAME : 85 lbs

SHEATHING: 43 lbs

TOTAL: 128 lbs



PIECES LIST

LABEL	QTY	SIZE	LENGTH	USE
A	2	600S162-97	11'-9 9/16"	STUD
B	1	600T150-68	1'-5 11/16"	TOP TRACK
C	1	600T150-68	1'-5 11/16"	BOTTOM TRACK
D	2	150U50-54	1'-5 1/2"	HORIZONTAL BRACING

SHEATHING

LABEL	QTY	CODE	THICK	SIZE	SCREWS
1	1	DENSGLASS	1/2"	1'-5 5/8" X 11'-9 1/4"	8 - 12

21-1183

Jewish Home for the Aging

1885 Victory Blvd. Reseda, CA

FrameMax, Inc.
13915 Danielson St
Suite 100
Poway, CA 92064
www.frame-max.com



© FrameMax Inc.

CREATED: 09/26/2008

FM-07-109

CREATED BY: TNT

HEIGHT : 12'-2 11/16" POINTS: 3.66 Points.

SPACING : 24"

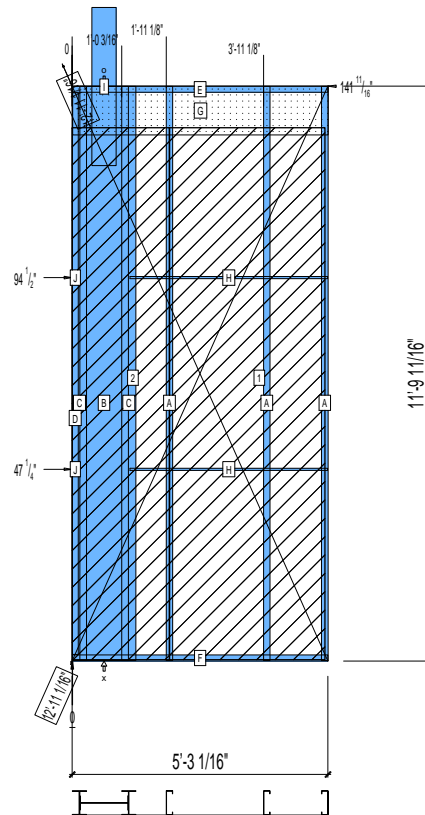
1st STUD: 24"

WEIGHTS :

FRAME : 504 lbs

SHEATHING: 209 lbs

TOTAL: 713 lbs



PIECES LIST

LABEL	QTY	SIZE	LENGTH	USE
A	3	600S162-97	11'-9 9/16"	STUD
B	1	1200i350p1062	11'-9 9/16"	PACO
C	2	600i350p680	11'-9 9/16"	PACO
D	1	600T150-33	11'-6 7/16"	CAP TRACK
E	1	600T150-68	5'-3 1/16"	TOP TRACK
F	1	600T150-68	5'-3 1/16"	BOTTOM TRACK
G	1	1200D-54	5'-2 15/16"	STRAP
H	2	150U50-54	4'-0 11/16"	HORIZONTAL BRACING
I	1	E	3'-3"	HOLDDOWN
J	2	150U50-54	1 3/8"	HORIZONTAL BRACING

SHEATHING

LABEL	QTY	CODE	THICK	SIZE	SCREWS
1	1	SB-DENSARMOR	5/8"	3'-2 5/16" X 10'-11 1/8"	2-12
2	1	SB-DENSARMOR	5/8"	2'-0" X 10'-11 1/8"	2-12

21-1184

Jewish Home for the Aging

1885 Victory Blvd. Reseda, CA

FrameMax, Inc.
13915 Danielson St
Suite 100
Poway, CA 92064
www.frame-max.com



© FrameMax Inc.

CREATED: 09/26/2008

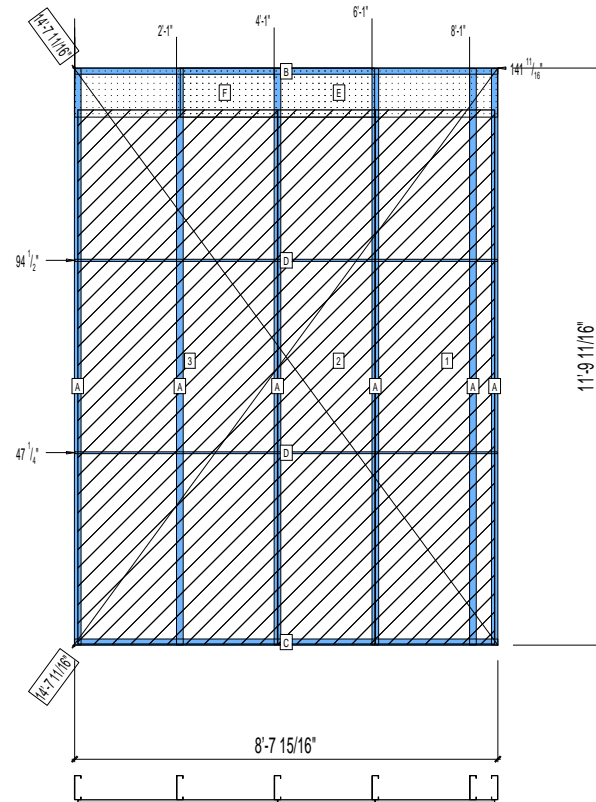
FM-07-109

CREATED BY: TNT

HEIGHT : 10'-7 1/4" POINTS: 3.40 Points.
SPACING : 24"
1st STUD: 1 7/8"

WEIGHTS :
FRAME : 310 lbs
SHEATHING: 343 lbs

TOTAL: 653 lbs



PIECES LIST

LABEL	QTY	SIZE	LENGTH	USE
A	6	600S162-97	11'-9 9/16"	STUD
B	1	600T150-68	8'-7 15/16"	TOP TRACK
C	1	600T150-68	8'-7 15/16"	BOTTOM TRACK
D	2	150U50-54	8'-7 3/4"	HORIZONTAL BRACING
E	1	1200D-54	6'-5 15/16"	STRAP
F	1	1200D-54	6'-1 11/16"	STRAP

SHEATHING

LABEL	QTY	CODE	THICK	SIZE	SCREWS
1	1	SB-DENSARMOR	5/8"	2'-5 5/16" X 10'-11 1/8"	2-12
2	1	SB-DENSARMOR	5/8"	2'-0" X 10'-11 1/8"	2-12
3	1	SB-DENSARMOR	5/8"	4'-1 1/16" X 10'-11 1/8"	2-12

21-1185

Jewish Home for the Aging

1885 Victory Blvd. Reseda, CA

FM-07-109

CREATED BY: TNT

FrameMax, Inc.
13915 Danielson St
Suite 100
Poway, CA 92064
www.frame-max.com



© FrameMax Inc.

HEIGHT : 12'-2 11/16" POINTS: 4.90 Points.

SPACING : 24"

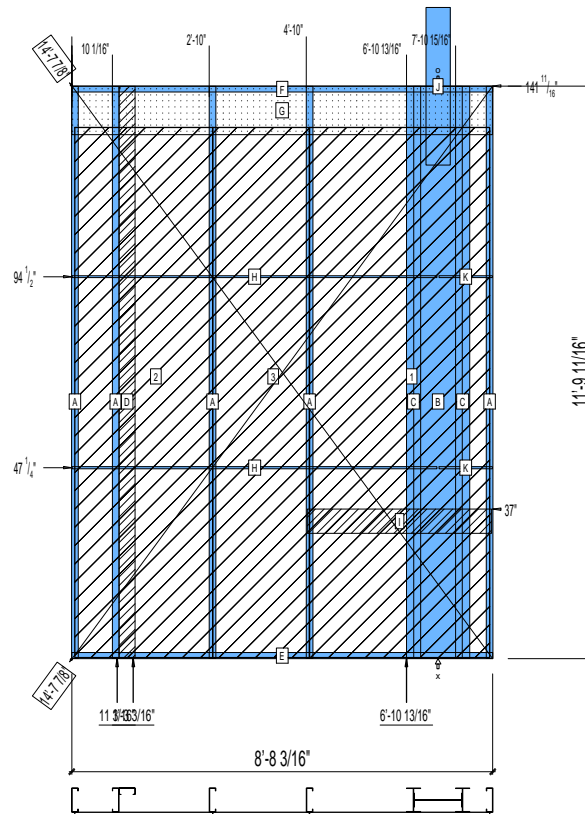
1st STUD: 10 7/8"

WEIGHTS :

FRAME : 612 lbs

SHEATHING: 344 lbs

TOTAL: 956 lbs



PIECES LIST

LABEL	QTY	SIZE	LENGTH	USE
A	5	600S162-97	11'-9 9/16"	STUD
B	1	1200i350p1062	11'-9 9/16"	PACO
C	2	600i350p680	11'-9 9/16"	PACO
D	1	400S162-33	11'-9 1/2"	BACKER-U
E	1	600T150-68	8'-8 3/16"	BOTTOM TRACK
F	1	600T150-68	8'-8 3/16"	TOP TRACK
G	1	1200D-54	8'-8 1/16"	STRAP
H	2	150U50-54	7'-6 5/16"	HORIZONTAL BRACING
I	1	600D-54	3'-9 5/8"	VANITY BACKING
J	1	E	3'-3"	HOLDDOWN
K	2	150U50-54	1'-1 3/16"	HORIZONTAL BRACING

SHEATHING

LABEL	QTY	CODE	THICK	SIZE	SCREWS
1	1	SB-DENSARMOR	5/8"	3'-8 9/16" X 10'-11 1/8"	2-12
2	1	SB-DENSARMOR	5/8"	2'-10 1/16" X 10'-11 1/8"	2-12
3	1	SB-DENSARMOR	5/8"	2'-0" X 10'-11 1/8"	2-12

21-1186

Jewish Home for the Aging

1885 Victory Blvd. Reseda, CA

FrameMax, Inc.
13915 Danielson St
Suite 100
Poway, CA 92064
www.frame-max.com



© FrameMax Inc.

CREATED: 09/26/2008

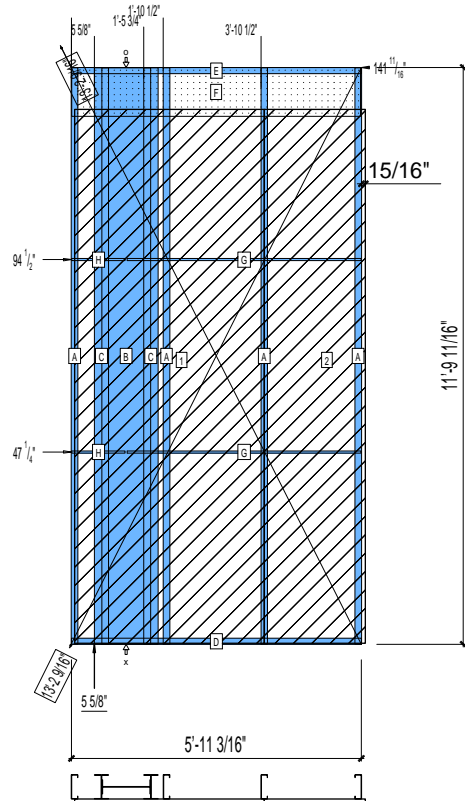
FM-07-109

CREATED BY: TNT

HEIGHT : 13'-5 1/8" POINTS: 4.22 Points.
SPACING : 24"
1st STUD: 23 3/8"

WEIGHTS :
FRAME : 597 lbs
SHEATHING: 239 lbs

TOTAL: 836 lbs



PIECES LIST

LABEL	QTY	SIZE	LENGTH	USE
A	4	600S162-97	11'-9 9/16"	STUD
B	1	1200i350p1420	11'-9 9/16"	PACO
C	2	600i350p968	11'-9 9/16"	PACO
D	1	600T150-68	5'-11 3/16"	BOTTOM TRACK
E	1	600T150-68	5'-11 3/16"	TOP TRACK
F	1	1200D-54	5'-10 7/8"	STRAP
G	2	150U50-54	4'-9 7/16"	HORIZONTAL BRACING
H	2	150U50-54	1'-1 1/16"	HORIZONTAL BRACING

SHEATHING

LABEL	QTY	CODE	THICK	SIZE	SCREWS
1	1	SB-DENSARMOR	5/8"	3'-10 9/16" X 10'-11 1/8"	2-12
2	1	SB-DENSARMOR	5/8"	2'-0 13/16" X 10'-11 1/8"	2-12

21-1187

Jewish Home for the Aging

1885 Victory Blvd. Reseda, CA

FrameMax, Inc.
13915 Danielson St
Suite 100
Poway, CA 92064
www.frame-max.com



© FrameMax Inc.

CREATED: 09/26/2008

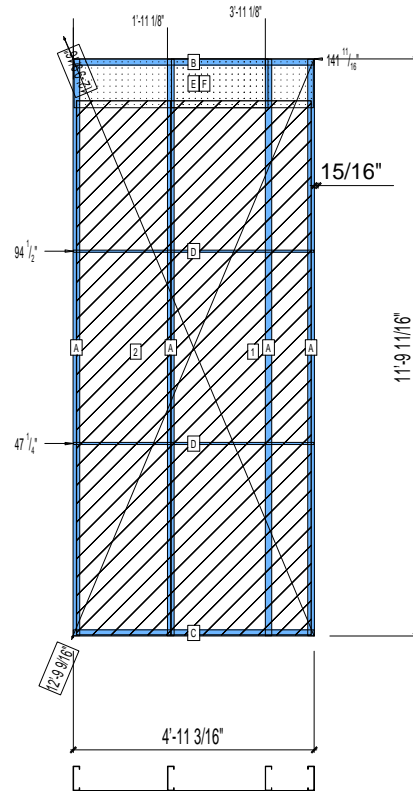
FM-07-109

CREATED BY: TNT

HEIGHT : 11'-9 11/16" POINTS: 2.09 Points.
SPACING : 24"
1st STUD: 24"

WEIGHTS :
FRAME : 198 lbs
SHEATHING: 193 lbs

TOTAL: 391 lbs



PIECES LIST

LABEL	QTY	SIZE	LENGTH	USE
A	4	600S162-97	11'-9 9/16"	STUD
B	1	600T150-68	4'-11 3/16"	TOP TRACK
C	1	600T150-68	4'-11 3/16"	BOTTOM TRACK
D	2	150U50-54	4'-11"	HORIZONTAL BRACING
E	1	1200D-54	4'-10 3/4"	STRAP
F	1	1200D-54	1'-11 3/4"	STRAP

SHEATHING

LABEL	QTY	CODE	THICK	SIZE	SCREWS
1	1	SB-DENSARMOR	5/8"	2'-10 7/16" X 10'-11 1/8"	2-12
2	1	SB-DENSARMOR	5/8"	1'-11 3/16" X 10'-11 1/8"	2-12

21-1188

Jewish Home for the Aging

1885 Victory Blvd. Reseda, CA

FrameMax, Inc.
13915 Danielson St
Suite 100
Poway, CA 92064
www.frame-max.com



© FrameMax Inc.

CREATED: 09/26/2008

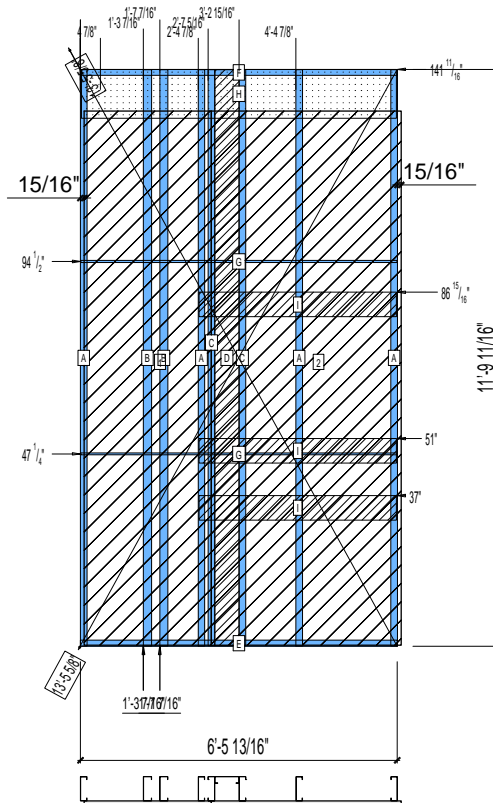
FM-07-109

CREATED BY: TNT

HEIGHT : 11'-9 11/16" POINTS: 3.09 Points.
SPACING : 24"
1st STUD: 5 3/4"

WEIGHTS :
FRAME : 311 lbs
SHEATHING: 261 lbs

TOTAL: 572 lbs



PIECES LIST

LABEL	QTY	SIZE	LENGTH	USE
A	4	600S162-97	11'-9 9/16"	STUD
B	2	600S200-54	11'-9 9/16"	EXTRA STUD
C	2	600S162-33	11'-9 1/2"	BACKER STUD
D	1	600S162-33	11'-9 1/2"	BACKER-U
E	1	600T150-68	6'-5 13/16"	BOTTOM TRACK
F	1	600T150-68	6'-5 13/16"	TOP TRACK
G	2	150U50-54	6'-5 5/8"	HORIZONTAL BRACING
H	1	1200D-54	6'-5 3/8"	STRAP
I	3	600D-54	4'-0 7/16"	KITCHEN BACKING

SHEATHING

LABEL	QTY	CODE	THICK	SIZE	SCREWS
1	1	SB-DENSARMOR	5/8"	2'-7 1/4" X 10'-11 1/8"	2-12
2	1	SB-DENSARMOR	5/8"	3'-10 5/8" X 10'-11 1/8"	2-12

21-1189

Jewish Home for the Aging

1885 Victory Blvd. Reseda, CA

FM-07-109

CREATED BY: TNT

FrameMax, Inc.
13915 Danielson St
Suite 100
Poway, CA 92064
www.frame-max.com



© FrameMax Inc.

HEIGHT : 13'-5 1/8" POINTS: 5.33 Points.

SPACING : 24"

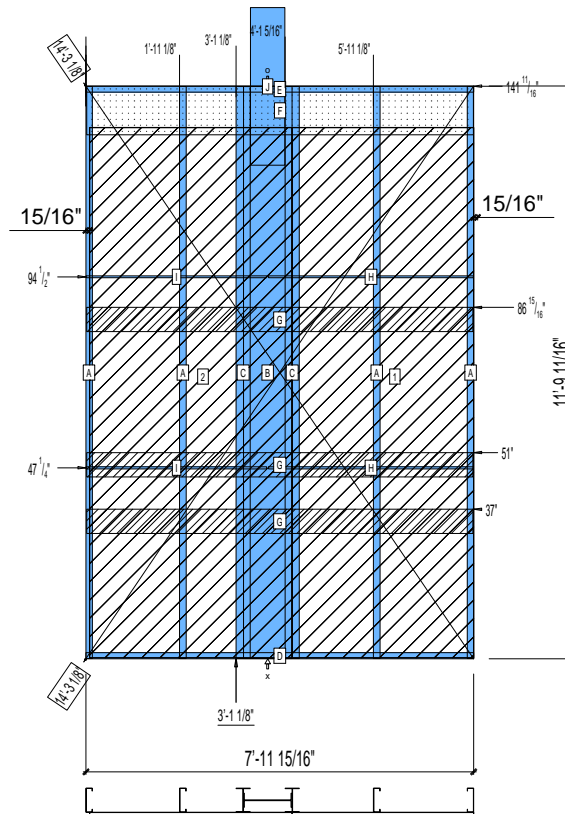
1st STUD: 24"

WEIGHTS :

FRAME : 736 lbs

SHEATHING: 318 lbs

TOTAL: 1054 lbs



PIECES LIST

LABEL	QTY	SIZE	LENGTH	USE
A	4	600S162-97	11'-9 9/16"	STUD
B	1	1200i350p1420	11'-9 9/16"	PACO
C	2	600i350p968	11'-9 9/16"	PACO
D	1	600T150-68	7'-11 15/16"	BOTTOM TRACK
E	1	600T150-68	7'-11 15/16"	TOP TRACK
F	1	1200D-54	7'-11 5/8"	STRAP
G	3	600D-54	7'-11 1/2"	KITCHEN BACKING
H	2	150U50-54	4'-2 5/8"	HORIZONTAL BRACING
I	2	150U50-54	3'-8 5/8"	HORIZONTAL BRACING
J	1	F	3'-3"	HOLDDOWN

SHEATHING

LABEL	QTY	CODE	THICK	SIZE	SCREWS
1	1	SB-DENSARMOR	5/8"	3'-8 15/16" X 10'-11 1/8"	2-12
2	1	SB-DENSARMOR	5/8"	4'-2 1/16" X 10'-11 1/8"	2-12

21-1191

Jewish Home for the Aging

1885 Victory Blvd. Reseda, CA

FrameMax, Inc.
13915 Danielson St
Suite 100
Poway, CA 92064
www.frame-max.com



© FrameMax Inc.

CREATED: 09/26/2008

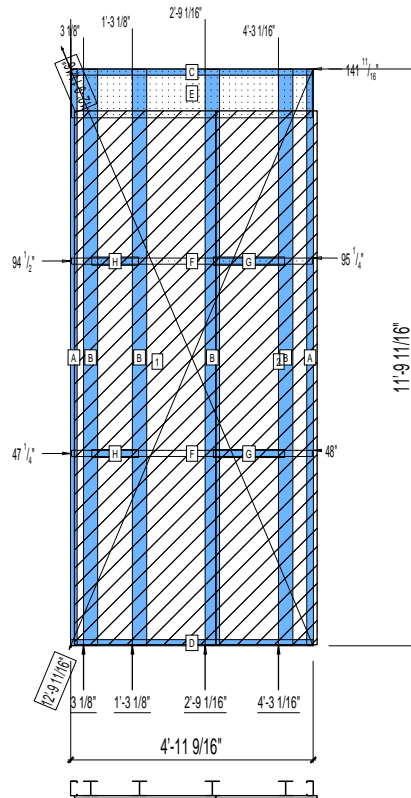
FM-07-109

CREATED BY: TNT

HEIGHT : 11'-9 11/16" POINTS: 2.82 Points.
SPACING : 5000"
1st STUD: 5000"

WEIGHTS :
FRAME : 329 lbs
SHEATHING: 200 lbs

TOTAL: 529 lbs



PIECES LIST

LABEL	QTY	SIZE	LENGTH	USE
A	2	362S162-54	11'-9 9/16"	STUD
B	4	363i350p554	11'-9 9/16"	PACO. COLUMN
C	1	362T150-68	4'-11 9/16"	TOP TRACK
D	1	362T150-68	4'-11 9/16"	BOTTOM TRACK
E	1	1200D-54	4'-11 1/8"	STRAP
F	2	150D-43	4'-11 1/8"	STRAP
G	2	362T200-68	1'-5 1/2"	BLOCK
H	2	362T200-68	11 1/2"	BLOCK

SHEATHING

LABEL	QTY	CODE	THICK	SIZE	SCREWS
1	1	SB-DENSARMOR	5/8"	2'-10 3/4" X 10'-11 1/8"	2-12
2	1	SB-DENSARMOR	5/8"	2'-0 7/8" X 10'-11 1/8"	2-12

21-1192

Jewish Home for the Aging

1885 Victory Blvd. Reseda, CA

FrameMax, Inc.
13915 Danielson St
Suite 100
Poway, CA 92064
www.frame-max.com



© FrameMax Inc.

CREATED: 09/26/2008

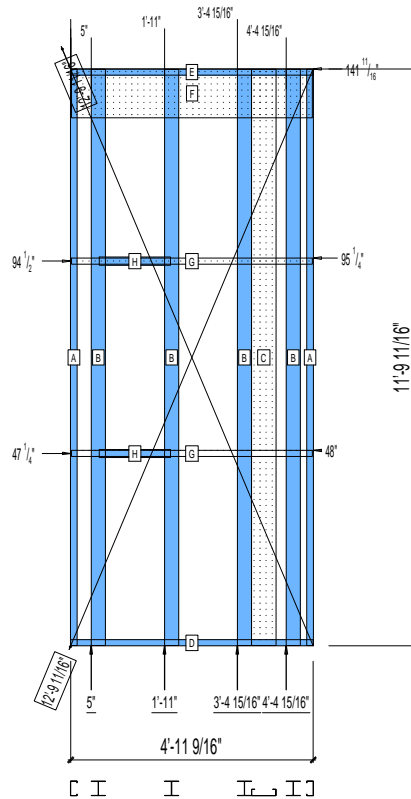
FM-07-109

CREATED BY: AMB

HEIGHT : 11'-9 11/16" POINTS: 1.98 Points.
SPACING : 5000"
1st STUD: 5000"

WEIGHTS :
FRAME : 347 lbs

TOTAL: 347 lbs



PIECES LIST

LABEL	QTY	SIZE	LENGTH	USE
A	2	362S162-54	11'-9 9/16"	STUD
B	4	363i350p554	11'-9 9/16"	PACO. COLUMN
C	1	600S162-33	11'-9 1/2"	BACKER-U
D	1	362T150-68	4'-11 9/16"	BOTTOM TRACK
E	1	362T150-68	4'-11 9/16"	TOP TRACK
F	1	1200D-54	4'-11 1/8"	STRAP
G	2	150D-43	4'-11 1/8"	STRAP
H	2	362T200-68	1'-5 1/2"	BLOCK

21-1194

Jewish Home for the Aging

1885 Victory Blvd. Reseda, CA

FrameMax, Inc.
13915 Danielson St
Suite 100
Poway, CA 92064
www.frame-max.com



© FrameMax Inc.

CREATED: 09/26/2008

FM-07-109

CREATED BY: AMB

HEIGHT : 11'-9 11/16" POINTS: 1.46 Points.

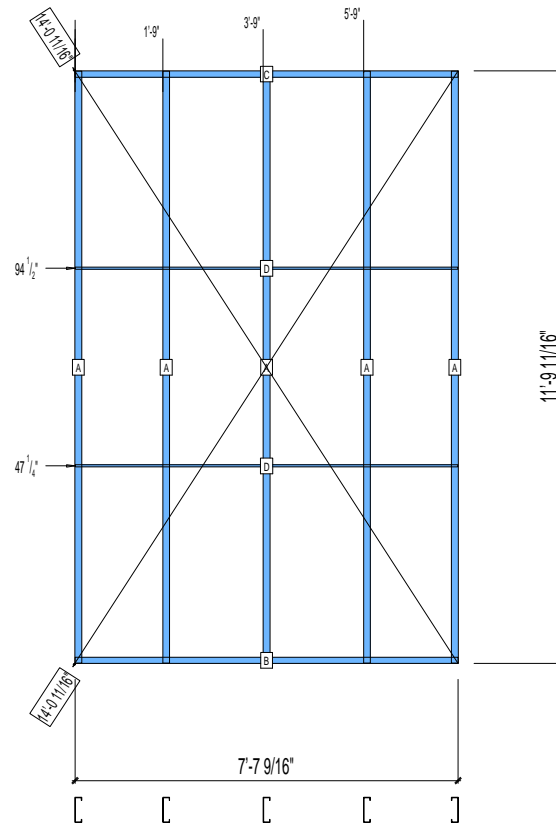
SPACING : 24"

1st STUD: 21 13/16"

WEIGHTS :

FRAME : 243 lbs

TOTAL: 243 lbs



PIECES LIST

LABEL	QTY	SIZE	LENGTH	USE
A	5	600S162-97	11'-9 9/16"	STUD
B	1	600T150-68	7'-7 9/16"	BOTTOM TRACK
C	1	600T150-68	7'-7 9/16"	TOP TRACK
D	2	150U50-54	7'-7 3/8"	HORIZONTAL BRACING

21-1195

Jewish Home for the Aging

1885 Victory Blvd. Reseda, CA

FM-07-109

CREATED BY: TNT

FrameMax, Inc.
13915 Danielson St
Suite 100
Poway, CA 92064
www.frame-max.com



© FrameMax Inc.

HEIGHT : 11'-9 11/16" POINTS: 4.42 Points.

SPACING : 5000"

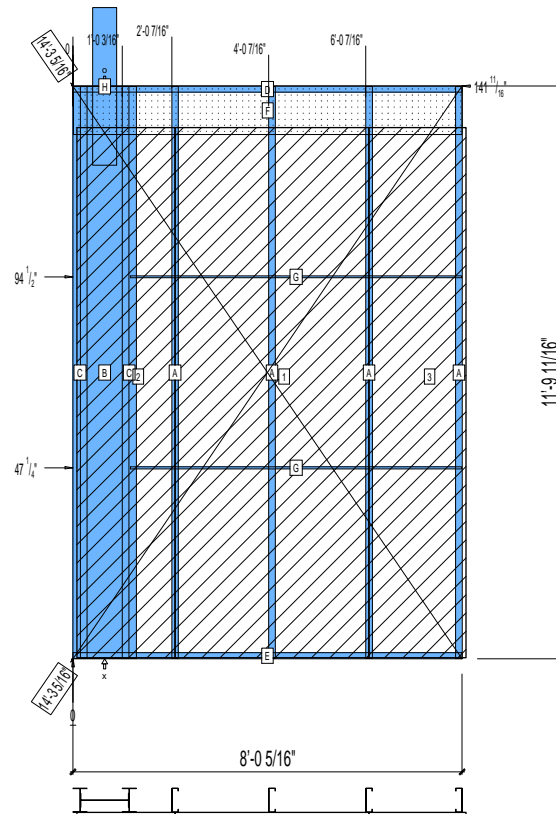
1st STUD: 5000"

WEIGHTS :

FRAME : 552 lbs

SHEATHING: 323 lbs

TOTAL: 875 lbs



PIECES LIST

LABEL	QTY	SIZE	LENGTH	USE
A	4	600S162-97	11'-9 9/16"	STUD
B	1	1200i350p1062	11'-9 9/16"	PACO
C	2	600i350p680	11'-9 9/16"	PACO
D	1	600T150-68	8'-0 5/16"	TOP TRACK
E	1	600T150-68	8'-0 5/16"	BOTTOM TRACK
F	1	1200D-54	8'-0 1/8"	STRAP
G	2	150U50-54	6'-9 15/16"	HORIZONTAL BRACING
H	1	E	3'-3"	HOLDDOWN

SHEATHING

LABEL	QTY	CODE	THICK	SIZE	SCREWS
1	1	SB-DENSARMOR	5/8"	4'-0" X 10'-11 1/8"	2-12
2	1	SB-DENSARMOR	5/8"	2'-0 1/4" X 10'-11 1/8"	2-12
3	1	SB-DENSARMOR	5/8"	2'-0" X 10'-11 1/8"	2-12

21-1196

Jewish Home for the Aging

1885 Victory Blvd. Reseda, CA

FrameMax, Inc.
13915 Danielson St
Suite 100
Poway, CA 92064
www.frame-max.com



© FrameMax Inc.

CREATED: 10/01/2008

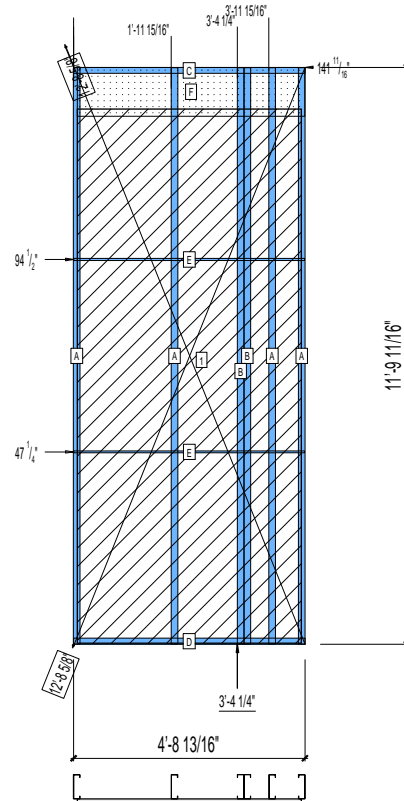
FM-07-109

CREATED BY: TNT

HEIGHT : 11'-9 11/16" POINTS: 2.24 Points.
SPACING : 5000"
1st STUD: 5000"

WEIGHTS :
FRAME : 236 lbs
SHEATHING: 184 lbs

TOTAL: 420 lbs



PIECES LIST

LABEL	QTY	SIZE	LENGTH	USE
A	4	600S162-97	11'-9 9/16"	STUD
B	2	600S162-54	11'-9 9/16"	EXTRA STUD
C	1	600T150-68	4'-8 13/16"	TOP TRACK
D	1	600T150-68	4'-8 13/16"	BOTTOM TRACK
E	2	150U50-54	4'-8 5/8"	HORIZONTAL BRACING
F	1	1200D-54	4'-7 7/8"	STRAP

SHEATHING

LABEL	QTY	CODE	THICK	SIZE	SCREWS
1	1	SB-DENSARMOR	5/8"	4'-7" X 10'-11 1/8"	2-12

21-1197

Jewish Home for the Aging

1885 Victory Blvd. Reseda, CA

FM-07-109

CREATED BY: TNT

FrameMax, Inc.
13915 Danielson St
Suite 100
Poway, CA 92064
www.frame-max.com



© FrameMax Inc.

HEIGHT : 11'-9 11/16" POINTS: 1.22 Points.

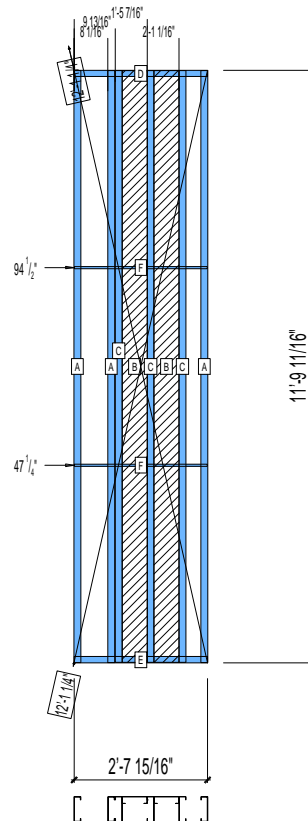
SPACING : 5000"

1st STUD: 5000"

WEIGHTS :

FRAME : 200 lbs

TOTAL: 200 lbs



PIECES LIST

LABEL	QTY	SIZE	LENGTH	USE
A	3	600S162-97	11'-9 9/16"	STUD
B	2	600S162-33	11'-9 1/2"	BACKER-U
C	3	600S162-33	11'-9 1/2"	BACKER STUD
D	1	600T150-68	2'-7 15/16"	TOP TRACK
E	1	600T150-68	2'-7 15/16"	BOTTOM TRACK
F	2	150U50-54	2'-7 3/4"	HORIZONTAL BRACING

21-1198

Jewish Home for the Aging

1885 Victory Blvd. Reseda, CA

FM-07-109

CREATED BY: AMB

FrameMax, Inc.
13915 Danielson St
Suite 100
Poway, CA 92064
www.frame-max.com



© FrameMax Inc.

HEIGHT : 11'-9 11/16" POINTS: 3.24 Points.

SPACING : 5000"

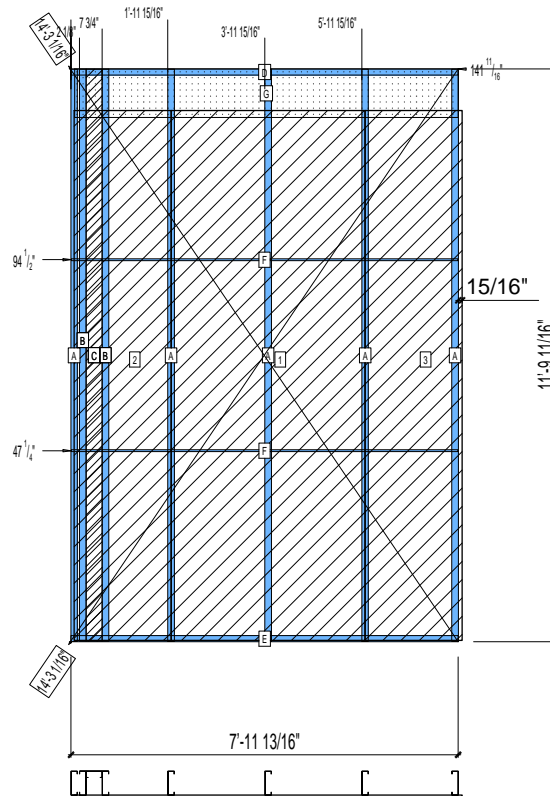
1st STUD: 5000"

WEIGHTS :

FRAME : 294 lbs

SHEATHING: 322 lbs

TOTAL: 616 lbs



PIECES LIST

LABEL	QTY	SIZE	LENGTH	USE
A	5	600S162-97	11'-9 9/16"	STUD
B	2	600S162-33	11'-9 1/2"	BACKER STUD
C	1	400S162-33	11'-9 1/2"	BACKER-U
D	1	600T150-68	7'-11 13/16"	TOP TRACK
E	1	600T150-68	7'-11 13/16"	BOTTOM TRACK
F	2	150U50-54	7'-11 5/8"	HORIZONTAL BRACING
G	1	1200D-54	7'-10 7/8"	STRAP

SHEATHING

LABEL	QTY	CODE	THICK	SIZE	SCREWS
1	1	SB-DENSARMOR	5/8"	4'-0" X 10'-11 1/8"	2-12
2	1	SB-DENSARMOR	5/8"	2'-0" X 10'-11 1/8"	2-12
3	1	SB-DENSARMOR	5/8"	2'-0" X 10'-11 1/8"	2-12

21-1199

Jewish Home for the Aging

1885 Victory Blvd. Reseda, CA

FM-07-109

CREATED BY: AMB

FrameMax, Inc.
13915 Danielson St
Suite 100
Poway, CA 92064
www.frame-max.com



© FrameMax Inc.

HEIGHT : 11'-9 11/16" POINTS: 3.17 Points.

SPACING : 5000"

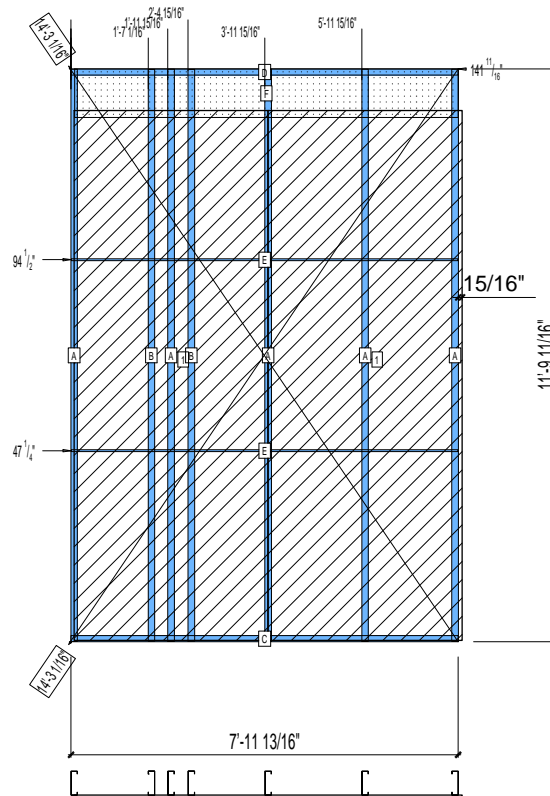
1st STUD: 5000"

WEIGHTS :

FRAME : 283 lbs

SHEATHING: 322 lbs

TOTAL: 605 lbs



PIECES LIST

LABEL	QTY	SIZE	LENGTH	USE
A	5	600S162-97	11'-9 9/16"	STUD
B	2	600S162-33	11'-9 7/16"	BACKER STUD
C	1	600T150-68	7'-11 13/16"	BOTTOM TRACK
D	1	600T150-68	7'-11 13/16"	TOP TRACK
E	2	150U50-54	7'-11 5/8"	HORIZONTAL BRACING
F	1	1200D-54	7'-10 7/8"	STRAP

SHEATHING

LABEL	QTY	CODE	THICK	SIZE	SCREWS
1	2	SB-DENSARMOR	5/8"	4'-0" X 10'-11 1/8"	2-12

21-1201

Jewish Home for the Aging

1885 Victory Blvd. Reseda, CA

FrameMax, Inc.
13915 Danielson St
Suite 100
Poway, CA 92064
www.frame-max.com



© FrameMax Inc.

CREATED: 09/26/2008

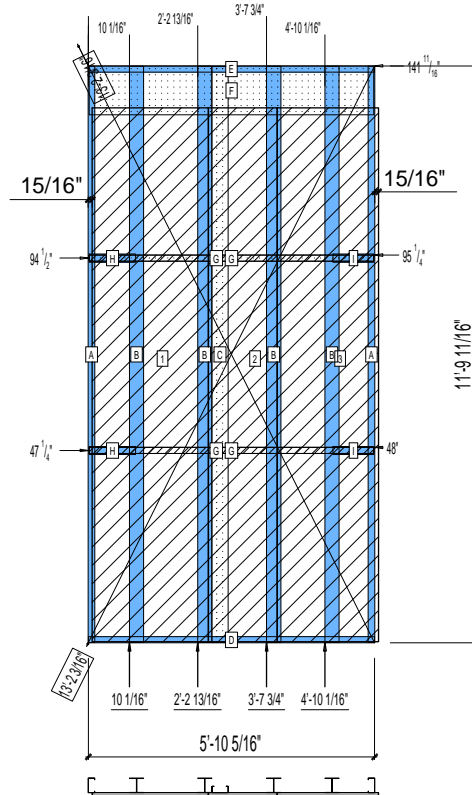
FM-07-109

CREATED BY: TNT

HEIGHT : 11'-9 11/16" POINTS: 3.14 Points.
SPACING : 5000"
1st STUD: 5000"

WEIGHTS :
FRAME : 344 lbs
SHEATHING: 236 lbs

TOTAL: 580 lbs



PIECES LIST

LABEL	QTY	SIZE	LENGTH	USE
A	2	362S162-54	11'-9 9/16"	STUD
B	4	3631350p554	11'-9 9/16"	PACO. COLUMN
C	1	400S162-33	11'-9 7/16"	BACKER-U
D	1	362T150-68	5'-10 5/16"	BOTTOM TRACK
E	1	362T150-68	5'-10 5/16"	TOP TRACK
F	1	1200D-54	5'-9 7/8"	STRAP
G	4	150D-43	5'-9 7/8"	STRAP
H	2	362T200-68	11 3/8"	BLOCK
I	2	362T200-68	10"	BLOCK

SHEATHING

LABEL	QTY	CODE	THICK	SIZE	SCREWS
1	1	SB-DENSARMOR	5/8"	2'-4 9/16" X 10'-11 1/8"	2-12
2	1	SB-DENSARMOR	5/8"	1'-4 15/16" X 10'-11 1/8"	2-12
3	1	SB-DENSARMOR	5/8"	2'-0 7/8" X 10'-11 1/8"	2-12

21-1202

Jewish Home for the Aging

1885 Victory Blvd. Reseda, CA

FrameMax, Inc.
13915 Danielson St
Suite 100
Poway, CA 92064
www.frame-max.com



© FrameMax Inc.

CREATED: 09/26/2008

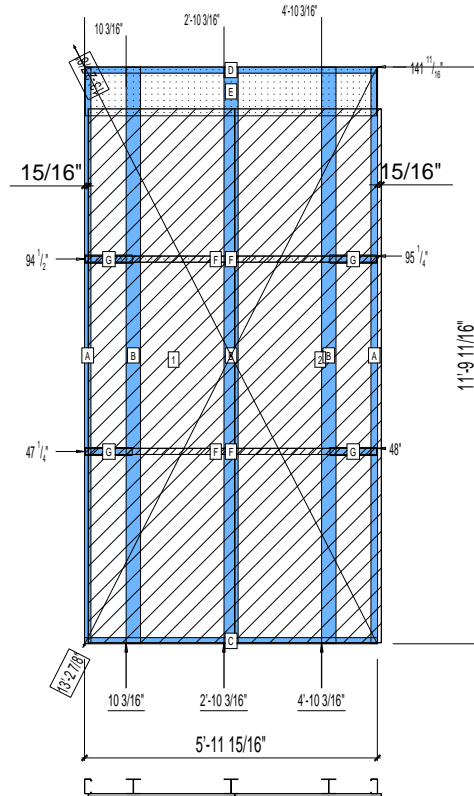
FM-07-109

CREATED BY: TNT

HEIGHT : 11'-9 11/16" POINTS: 2.78 Points.
SPACING : 5000"
1st STUD: 5000"

WEIGHTS :
FRAME : 269 lbs
SHEATHING: 241 lbs

TOTAL: 510 lbs



PIECES LIST

LABEL	QTY	SIZE	LENGTH	USE
A	2	362S162-54	11'-9 9/16"	STUD
B	3	363I350p554	11'-9 9/16"	PACO. COLUMN
C	1	362T150-68	5'-11 15/16"	BOTTOM TRACK
D	1	362T150-68	5'-11 15/16"	TOP TRACK
E	1	1200D-54	5'-11 1/2"	STRAP
F	4	150D-43	5'-11 1/2"	STRAP
G	4	362T200-68	11 1/2"	BLOCK

SHEATHING

LABEL	QTY	CODE	THICK	SIZE	SCREWS
1	1	SB-DENSARMOR	5/8"	2'-11 15/16" X 10'-11 1/8"	2-12
2	1	SB-DENSARMOR	5/8"	3'-0 1/16" X 10'-11 1/8"	2-12

21-1203

Jewish Home for the Aging

1885 Victory Blvd. Reseda, CA

FrameMax, Inc.
13915 Danielson St
Suite 100
Poway, CA 92064
www.frame-max.com



© FrameMax Inc.

CREATED: 09/26/2008

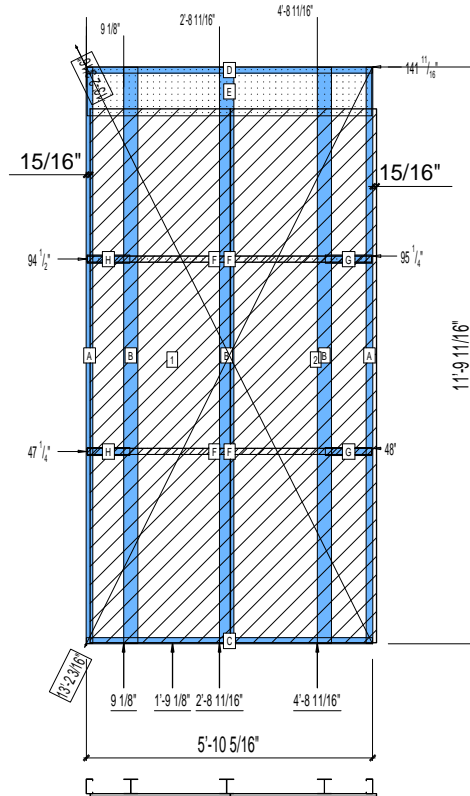
FM-07-109

CREATED BY: TNT

HEIGHT : 11'-9 11/16" POINTS: 2.75 Points.
SPACING : 5000"
1st STUD: 5000"

WEIGHTS :
FRAME : 268 lbs
SHEATHING: 236 lbs

TOTAL: 504 lbs



PIECES LIST

LABEL	QTY	SIZE	LENGTH	USE
A	2	362S162-54	11'-9 9/16"	STUD
B	3	363i350p554	11'-9 9/16"	PACO. COLUMN
C	1	362T150-68	5'-10 5/16"	BOTTOM TRACK
D	1	362T150-68	5'-10 5/16"	TOP TRACK
E	1	1200D-54	5'-9 7/8"	STRAP
F	4	150D-43	5'-9 7/8"	STRAP
G	2	362T200-68	11 3/8"	BLOCK
H	2	362T200-68	10 7/16"	BLOCK

SHEATHING

LABEL	QTY	CODE	THICK	SIZE	SCREWS
1	1	SB-DENSARMOR	5/8"	2'-10 7/16" X 10'-11 1/8"	2-12
2	1	SB-DENSARMOR	5/8"	2'-11 15/16" X 10'-11 1/8"	2-12

21-1204

Jewish Home for the Aging

1885 Victory Blvd. Reseda, CA

FrameMax, Inc.
13915 Danielson St
Suite 100
Poway, CA 92064
www.frame-max.com



© FrameMax Inc.

CREATED: 09/26/2008

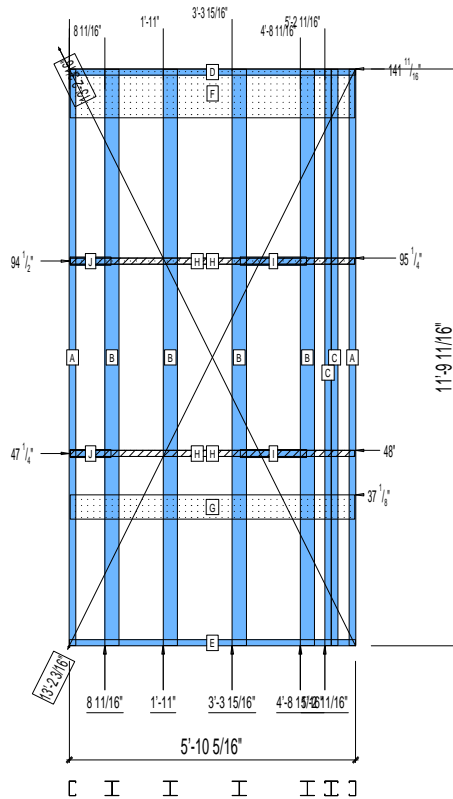
FM-07-109

CREATED BY: AMB

HEIGHT : 11'-9 11/16" POINTS: 2.26 Points.
SPACING : 5000"
1st STUD: 5000"

WEIGHTS :
FRAME : 376 lbs

TOTAL: 376 lbs



PIECES LIST

LABEL	QTY	SIZE	LENGTH	USE
A	2	362S162-54	11'-9 9/16"	STUD
B	4	363i350p554	11'-9 9/16"	PACO. COLUMN
C	2	362S162-54	11'-9 9/16"	EXTRA STUD
D	1	362T150-68	5'-10 5/16"	TOP TRACK
E	1	362T150-68	5'-10 5/16"	BOTTOM TRACK
F	1	1200D-54	5'-9 7/8"	STRAP
G	1	600D-54	5'-9 7/8"	VANITY BACKING
H	4	150D-43	5'-9 7/8"	STRAP
I	2	362T200-68	1'-4 1/4"	BLOCK
J	2	362T200-68	10"	BLOCK

21-1205

Jewish Home for the Aging

1885 Victory Blvd. Reseda, CA

FrameMax, Inc.
13915 Danielson St
Suite 100
Poway, CA 92064
www.frame-max.com



© FrameMax Inc.

CREATED: 09/26/2008

FM-07-109

CREATED BY: TNT

HEIGHT : 11'-9 11/16" POINTS: 1.81 Points.

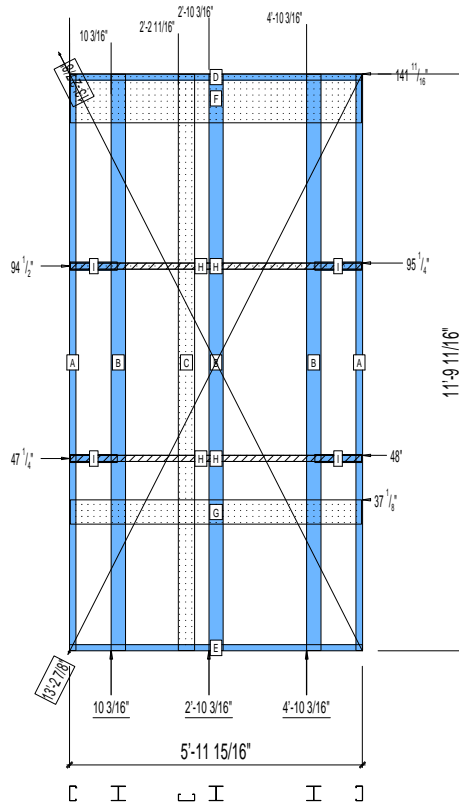
SPACING : 5000"

1st STUD: 5000"

WEIGHTS :

FRAME : 287 lbs

TOTAL: 287 lbs



PIECES LIST

LABEL	QTY	SIZE	LENGTH	USE
A	2	362S162-54	11'-9 9/16"	STUD
B	3	363I350p554	11'-9 9/16"	PACO. COLUMN
C	1	400S162-33	11'-9 1/2"	BACKER-U
D	1	362T150-68	5'-11 15/16"	TOP TRACK
E	1	362T150-68	5'-11 15/16"	BOTTOM TRACK
F	1	1200D-54	5'-11 1/2"	STRAP
G	1	600D-54	5'-11 1/2"	VANITY BACKING
H	4	150D-43	5'-11 1/2"	STRAP
I	4	362T200-68	11 1/2"	BLOCK

21-1206

Jewish Home for the Aging

1885 Victory Blvd. Reseda, CA

FrameMax, Inc.
13915 Danielson St
Suite 100
Poway, CA 92064
www.frame-max.com



© FrameMax Inc.

CREATED: 09/26/2008

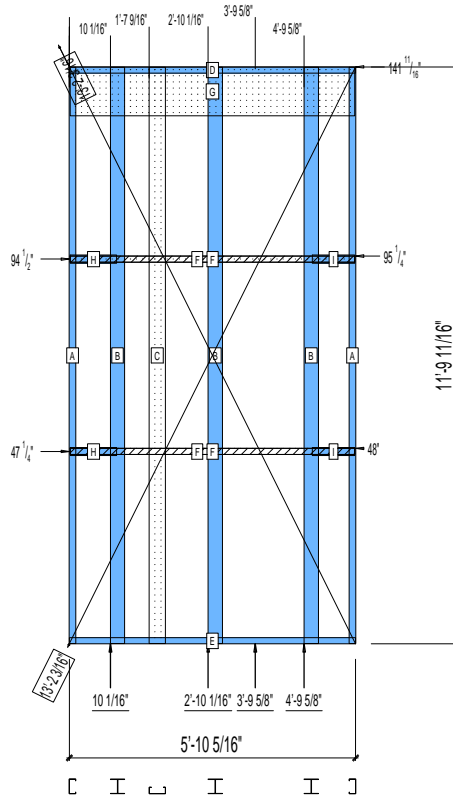
FM-07-109

CREATED BY: TNT

HEIGHT : 11'-9 11/16" POINTS: 1.75 Points.
SPACING : 5000"
1st STUD: 5000"

WEIGHTS :
FRAME : 279 lbs

TOTAL: 279 lbs



PIECES LIST

LABEL	QTY	SIZE	LENGTH	USE
A	2	362S162-54	11'-9 9/16"	STUD
B	3	363I350p554	11'-9 9/16"	PACO. COLUMN
C	1	400S162-33	11'-9 1/2"	BACKER-U
D	1	362T150-68	5'-10 5/16"	TOP TRACK
E	1	362T150-68	5'-10 5/16"	BOTTOM TRACK
F	4	150D-43	5'-9 7/8"	STRAP
G	1	1200D-54	5'-9 7/8"	STRAP
H	2	362T200-68	11 3/8"	BLOCK
I	2	362T200-68	10 7/16"	BLOCK

21-1208

Jewish Home for the Aging

1885 Victory Blvd. Reseda, CA

FM-07-109

CREATED BY: AMB

FrameMax, Inc.
13915 Danielson St
Suite 100
Poway, CA 92064
www.frame-max.com



© FrameMax Inc.

HEIGHT : 11'-9 11/16" POINTS: 2.60 Points.

SPACING : 24"

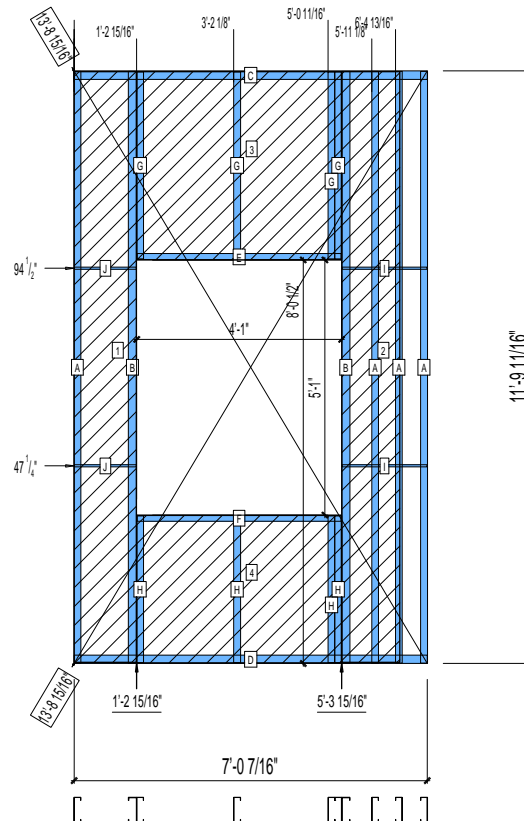
1st STUD: 24"

WEIGHTS :

FRAME : 298 lbs

SHEATHING: 138 lbs

TOTAL: 436 lbs



PIECES LIST

LABEL	QTY	SIZE	LENGTH	USE
A	4	600S162-68	11'-9 1/2"	STUD
B	2	600S200-97	11'-9 1/2"	KING STUD
C	1	600T200-68	7'-0 7/16"	TOP TRACK
D	1	600T200-68	7'-0 7/16"	BOTTOM TRACK
E	1	600T150-54	4'-0 3/4"	HEAD TRACK
F	1	600T150-54	4'-0 3/4"	SILL
G	4	600S162-54	3'-8 3/4"	CRIPPLE
H	4	600S162-54	2'-11 1/16"	CRIPPLE
I	2	150U50-54	1'-8 1/4"	HORIZONTAL BRACING
J	2	150U50-54	1'-2 3/4"	HORIZONTAL BRACING

SHEATHING

LABEL	QTY	CODE	THICK	SIZE	SCREWS
1	1	DENSGLASS	1/2"	1'-2 7/8" X 11'-9 1/4"	8 - 12
2	1	DENSGLASS	1/2"	1'-1 13/16" X 11'-9 1/4"	8 - 12
3	1	DENSGLASS	1/2"	4'-0 7/8" X 3'-9"	8 - 12
4	1	DENSGLASS	1/2"	4'-0 7/8" X 2'-11 5/16"	8 - 12

21-1209

Jewish Home for the Aging

1885 Victory Blvd. Reseda, CA

FrameMax, Inc.
13915 Danielson St
Suite 100
Poway, CA 92064
www.frame-max.com



© FrameMax Inc.

CREATED: 09/26/2008

FM-07-109

CREATED BY: AMB

HEIGHT : 11'-9 11/16" POINTS: 1.14 Points.

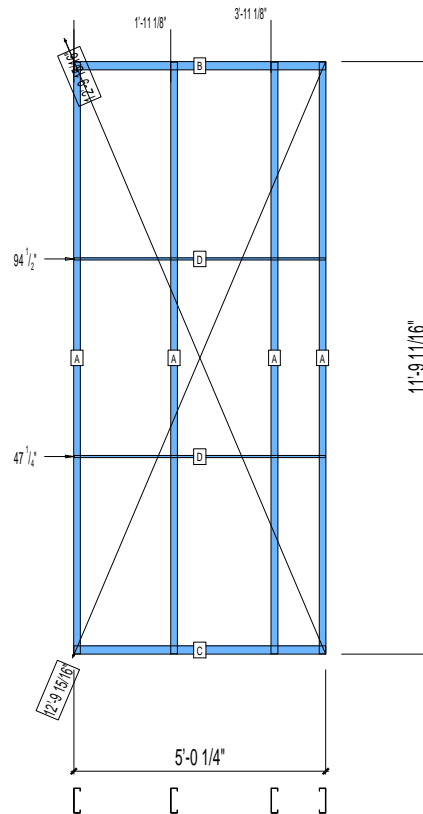
SPACING : 24"

1st STUD: 24"

WEIGHTS :

FRAME : 191 lbs

TOTAL: 191 lbs



PIECES LIST

LABEL	QTY	SIZE	LENGTH	USE
A	4	600S162-97	11'-9 1/2"	STUD
B	1	600T200-68	5'-0 1/4"	TOP TRACK
C	1	600T200-68	5'-0 1/4"	BOTTOM TRACK
D	2	150U50-54	5'-0 1/16"	HORIZONTAL BRACING

21-1210

Jewish Home for the Aging

1885 Victory Blvd. Reseda, CA

FM-07-109

CREATED BY: AMB

FrameMax, Inc.
13915 Danielson St
Suite 100
Poway, CA 92064
www.frame-max.com



© FrameMax Inc.

HEIGHT : 11'-9 11/16" POINTS: 3.85 Points.

SPACING : 24"

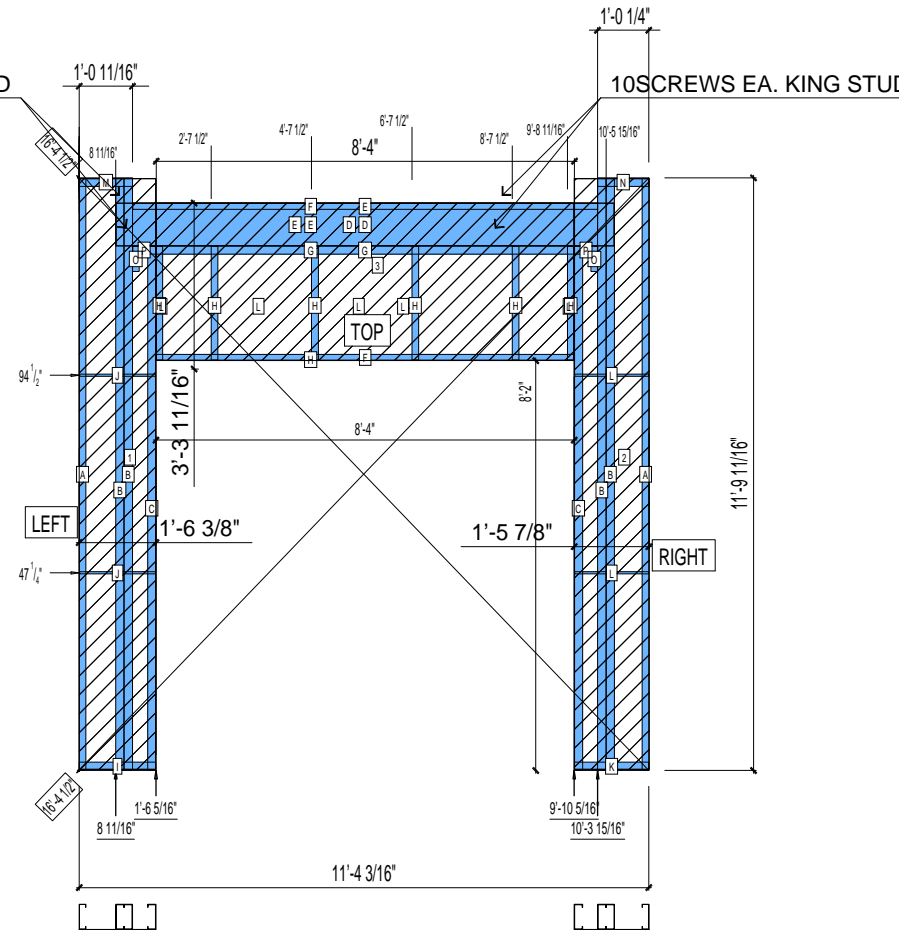
1st STUD: 24"

WEIGHTS :

FRAME : 496 lbs

SHEATHING: 154 lbs 10SCREWS EA. KING STUD

TOTAL: 650 lbs



PIECES LIST

LABEL	QTY	SIZE	LENGTH	USE
A	2	600S162-68	11'-9 1/2"	STUD
B	4	600S200-97	11'-9 1/2"	EXTRA STUD
C	2	600S200-97	10'-5 3/16"	KING STUD
D	2	1000T200-97	9'-11 1/8"	HEADER
E	1	600T150-54	9'-3 1/8"	HEAD TRACK
F	1	600T150-54	8'-3 7/8"	HEAD TRACK
G	1	600T200-68	8'-3 7/8"	TOP TRACK
H	6	600S162-54	2'-3 3/16"	CRIPPLE
I	1	600T200-68	1'-6 1/4"	BOTTOM TRACK
J	2	150U50-54	1'-6 1/8"	HORIZONTAL BRACING
K	1	600T200-68	1'-5 3/4"	BOTTOM TRACK
L	2	150U50-54	1'-5 5/8"	HORIZONTAL BRACING
M	1	600T200-68	1'-0 11/16"	TOP TRACK
N	1	600T200-68	1'-0 3/16"	TOP TRACK
O	2	600S162-54	6"	CRIPPLE
P	2	600T200-68	5 1/2"	TOP TRACK

SHEATHING

LABEL	QTY	CODE	THICK	SIZE	SCREWS
1	1	DENSGLASS	1/2"	1'-6 5/16" X 11'-9 1/4"	8 - 12
2	1	DENSGLASS	1/2"	1'-5 13/16" X 11'-9 1/4"	8 - 12
3	1	DENSGLASS	1/2"	8'-3 7/8" X 3'-1 9/16"	8 - 12

21-1211

Jewish Home for the Aging

1885 Victory Blvd. Reseda, CA

FrameMax, Inc.
13915 Danielson St
Suite 100
Poway, CA 92064
www.frame-max.com



© FrameMax Inc.

CREATED: 09/26/2008

FM-07-109

CREATED BY: TNT

HEIGHT : 11'-9 11/16" POINTS: 0.96 Points.

SPACING : 5000"

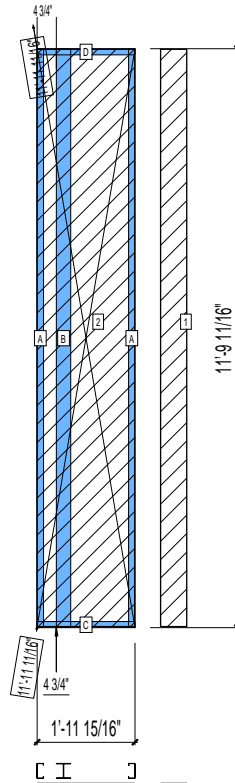
1st STUD: 5000"

WEIGHTS :

FRAME : 104 lbs

SHEATHING: 74 lbs

TOTAL: 178 lbs



PIECES LIST

LABEL	QTY	SIZE	LENGTH	USE
A	2	362S162-54	11'-9 9/16"	STUD
B	1	363I350p554	11'-9 9/16"	PACO.COLUMN
C	1	362T150-68	1'-11 15/16"	BOTTOM TRACK
D	1	362T150-68	1'-11 15/16"	TOP TRACK

SHEATHING

LABEL	QTY	CODE	THICK	SIZE	SCREWS
1	1	DENSGLOSS	1/2"	6 3/8" X 11'-9 1/4"	8 - 12
2	1	DENSGLOSS	1/2"	1'-11 7/8" X 11'-9 1/4"	8 - 12

21-1212

Jewish Home for the Aging

1885 Victory Blvd. Reseda, CA

FrameMax, Inc.
13915 Danielson St
Suite 100
Poway, CA 92064
www.frame-max.com



© FrameMax Inc.

CREATED: 09/26/2008

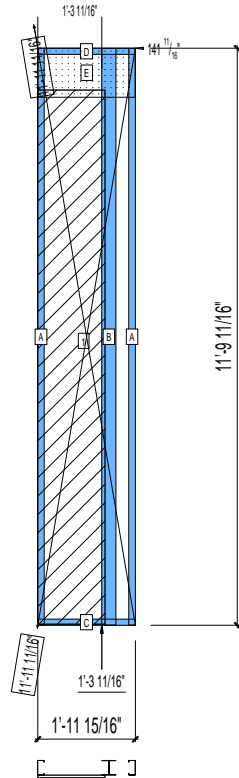
FM-07-109

CREATED BY: AMB

HEIGHT : 11'-9 11/16" POINTS: 0.93 Points.
SPACING : 5000"
1st STUD: 5000"

WEIGHTS :
FRAME : 112 lbs
SHEATHING: 55 lbs

TOTAL: 167 lbs



PIECES LIST

LABEL	QTY	SIZE	LENGTH	USE
A	2	362S162-54	11'-9 9/16"	STUD
B	1	3631350p554	11'-9 9/16"	PACO.COLUMN
C	1	362T150-68	1'-11 15/16"	BOTTOM TRACK
D	1	362T150-68	1'-11 15/16"	TOP TRACK
E	1	1200D-54	1'-11 13/16"	STRAP

SHEATHING

LABEL	QTY	CODE	THICK	SIZE	SCREWS
1	1	SB-DENSARMOR	5/8"	1'-4 1/2" X 10'-11 1/8"	2-12

21-1214

Jewish Home for the Aging

1885 Victory Blvd. Reseda, CA

FrameMax, Inc.
13915 Danielson St
Suite 100
Poway, CA 92064
www.frame-max.com



© FrameMax Inc.

CREATED: 09/26/2008

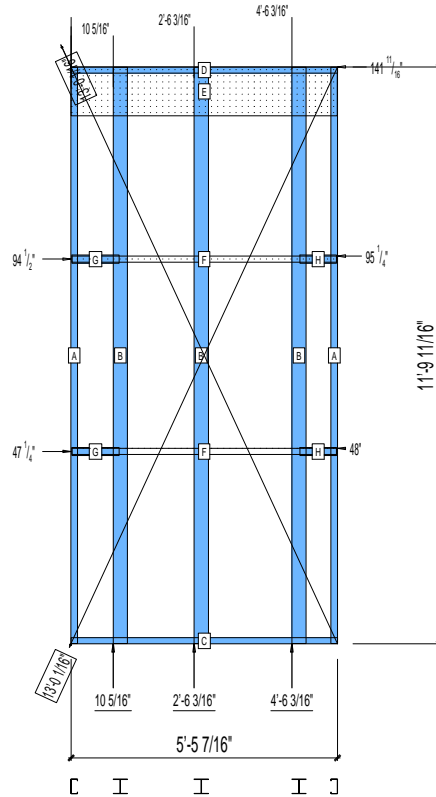
FM-07-109

CREATED BY: AMB

HEIGHT : 11'-9 11/16" POINTS: 1.65 Points.
SPACING : 5000"
1st STUD: 5000"

WEIGHTS :
FRAME : 272 lbs

TOTAL: 272 lbs



PIECES LIST

LABEL	QTY	SIZE	LENGTH	USE
A	2	362S162-54	11'-9 9/16"	STUD
B	3	363i350p554	11'-9 9/16"	PACO. COLUMN
C	1	362T150-68	5'-5 7/16"	BOTTOM TRACK
D	1	362T150-68	5'-5 7/16"	TOP TRACK
E	1	1200D-54	5'-5 3/8"	STRAP
F	2	150D-43	5'-5"	STRAP
G	2	362T200-68	11 5/8"	BLOCK
H	2	362T200-68	9"	BLOCK

21-1215

Jewish Home for the Aging

1885 Victory Blvd. Reseda, CA

FrameMax, Inc.
13915 Danielson St
Suite 100
Poway, CA 92064
www.frame-max.com



© FrameMax Inc.

CREATED: 09/26/2008

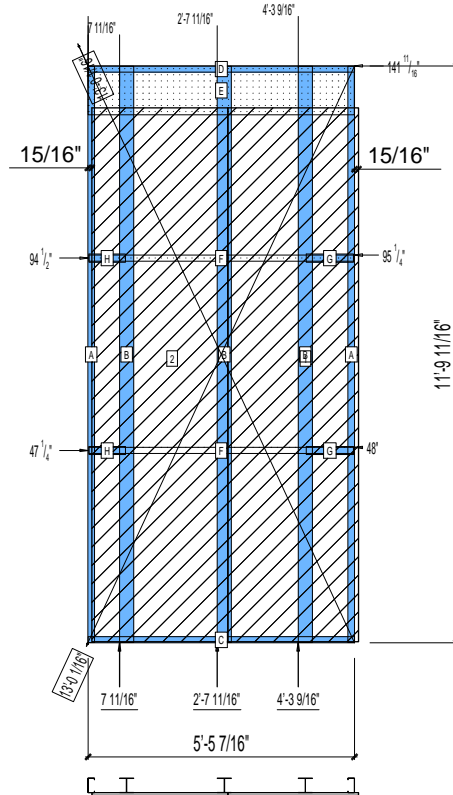
FM-07-109

CREATED BY: TNT

HEIGHT : 11'-9 11/16" POINTS: 2.60 Points.
SPACING : 5000"
1st STUD: 5000"

WEIGHTS :
FRAME : 263 lbs
SHEATHING: 219 lbs

TOTAL: 482 lbs



PIECES LIST

LABEL	QTY	SIZE	LENGTH	USE
A	2	362S162-54	11'-9 9/16"	STUD
B	3	363i350p554	11'-9 9/16"	PACO. COLUMN
C	1	362T150-68	5'-5 7/16"	BOTTOM TRACK
D	1	362T150-68	5'-5 7/16"	TOP TRACK
E	1	1200D-54	5'-5 3/8"	STRAP
F	2	150D-43	5'-5"	STRAP
G	2	362T200-68	11 5/8"	BLOCK
H	2	362T200-68	9"	BLOCK

SHEATHING

LABEL	QTY	CODE	THICK	SIZE	SCREWS
1	1	SB-DENSARMOR	5/8"	2'-8 1/16" X 10'-11 1/8"	2-12
2	1	SB-DENSARMOR	5/8"	2'-9 7/16" X 10'-11 1/8"	2-12

21-1217

Jewish Home for the Aging

1885 Victory Blvd. Reseda, CA

FM-07-109

CREATED BY: TNT

FrameMax, Inc.
13915 Danielson St
Suite 100
Poway, CA 92064
www.frame-max.com



© FrameMax Inc.

HEIGHT : 11'-9 11/16" POINTS: 1.16 Points.

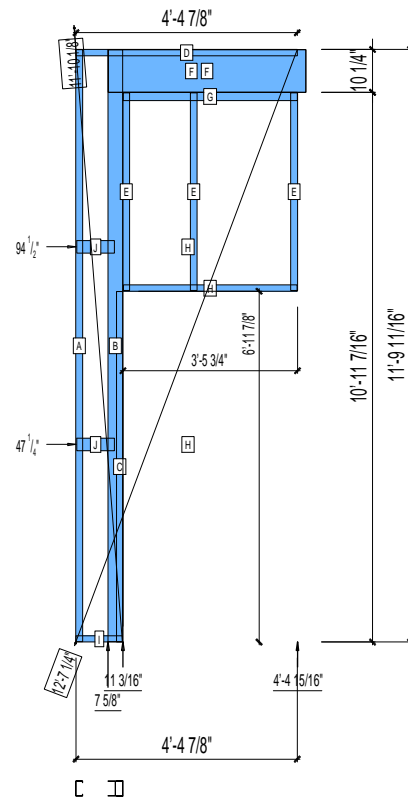
SPACING : 5000"

1st STUD: 5000"

WEIGHTS :

FRAME : 168 lbs

TOTAL: 168 lbs



PIECES LIST

LABEL	QTY	SIZE	LENGTH	USE
A	1	362S162-54	11'-9 9/16"	STUD
B	1	363i350p554	11'-9 9/16"	PACO. COLUMN
C	1	362T150-68	6'-11 13/16"	JAMB TRACK
D	1	362T150-68	4'-4 7/8"	TOP TRACK
E	3	362S162-54	3'-11 1/4"	CRIPPLE
F	2	1000T200-97	3'-11 1/4"	HEADER
G	1	600T200-68	3'-5 5/8"	TOP TRACK
H	1	362T150-68	3'-5 1/2"	HEAD TRACK
I	1	362T150-68	11 1/16"	BOTTOM TRACK
J	2	750T300-68	8 15/16"	BLOCK

21-1218

Jewish Home for the Aging

1885 Victory Blvd. Reseda, CA

FrameMax, Inc.
13915 Danielson St
Suite 100
Poway, CA 92064
www.frame-max.com



© FrameMax Inc.

CREATED: 10/13/2008

FM-07-109

CREATED BY: TNT

HEIGHT : 11'-9 11/16" POINTS: 1.16 Points.

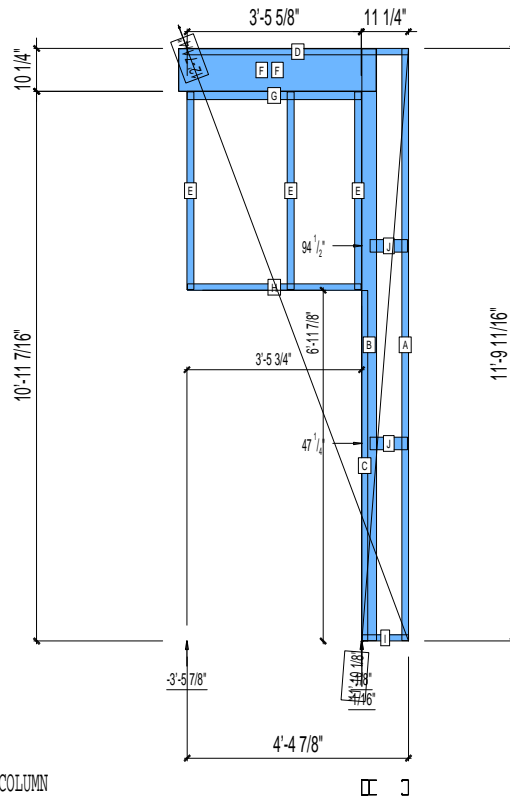
SPACING : 5000"

1st STUD: 5000"

WEIGHTS :

FRAME : 168 lbs

TOTAL: 168 lbs



PIECES LIST

LABEL	QTY	SIZE	LENGTH	USE
A	1	362S162-54	11'-9 9/16"	STUD
B	1	363i350p554	11'-9 9/16"	PACO. COLUMN
C	1	362T150-68	6'-11 13/16"	JAMB TRACK
D	1	362T150-68	4'-4 7/8"	TOP TRACK
E	3	362S162-54	3'-11 1/4"	CRIPPLE
F	2	1000T200-97	3'-11 1/4"	HEADER
G	1	600T200-68	3'-5 5/8"	TOP TRACK
H	1	362T150-68	3'-5 1/2"	HEAD TRACK
I	1	362T150-68	11 1/16"	BOTTOM TRACK
J	2	750T300-68	8 15/16"	BLOCK

21-1219

Jewish Home for the Aging

1885 Victory Blvd. Reseda, CA

FrameMax, Inc.
13915 Danielson St
Suite 100
Poway, CA 92064
www.frame-max.com



© FrameMax Inc.

CREATED: 10/07/2008

FM-07-109

CREATED BY: AMB

HEIGHT : 11'-9 11/16" POINTS: 3.00 Points.

SPACING : 24"

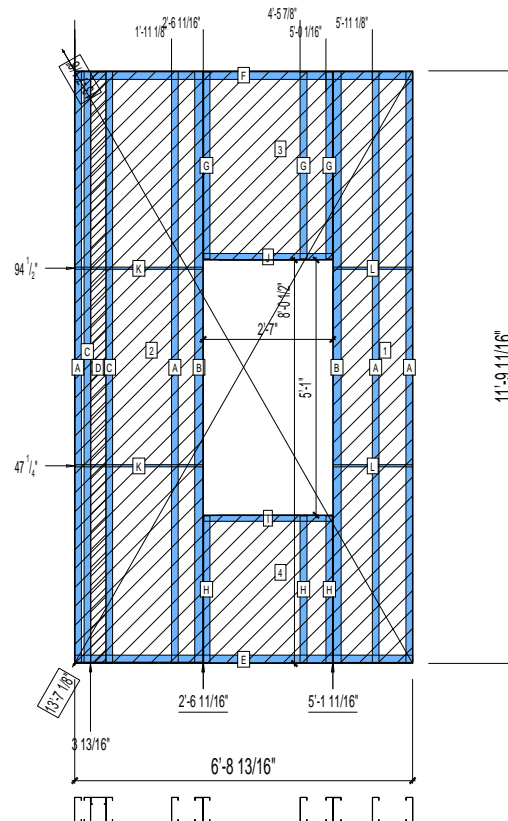
1st STUD: 24"

WEIGHTS :

FRAME : 357 lbs

SHEATHING: 165 lbs

TOTAL: 522 lbs



PIECES LIST

LABEL	QTY	SIZE	LENGTH	USE
A	4	600S162-68	11'-9 1/2"	STUD
B	2	600S200-97	11'-9 1/2"	KING STUD
C	2	600S162-68	11'-9 1/2"	BACKER STUD
D	1	362S162-68	11'-9 1/4"	BACKER-U
E	1	600T200-68	6'-8 13/16"	BOTTOM TRACK
F	1	600T200-68	6'-8 13/16"	TOP TRACK
G	3	600S162-54	3'-8 3/4"	CRIPPLE
H	3	600S162-54	2'-11 1/16"	CRIPPLE
I	1	600T150-54	2'-6 3/4"	SILL
J	1	600T150-54	2'-6 3/4"	HEAD TRACK
K	2	150U50-54	2'-6 1/2"	HORIZONTAL BRACING
L	2	150U50-54	1'-6 7/8"	HORIZONTAL BRACING

SHEATHING

LABEL	QTY	CODE	THICK	SIZE	SCREWS
1	1	DENSGLASS	1/2"	1'-7" X 11'-9 5/16"	8 - 12
2	1	DENSGLASS	1/2"	2'-6 9/16" X 11'-9 1/4"	8 - 12
3	1	DENSGLASS	1/2"	2'-6 7/8" X 3'-9"	8 - 12
4	1	DENSGLASS	1/2"	2'-6 7/8" X 2'-11 5/16"	8 - 12

21-1220

Jewish Home for the Aging

1885 Victory Blvd. Reseda, CA

FrameMax, Inc.
13915 Danielson St
Suite 100
Poway, CA 92064
www.frame-max.com



© FrameMax Inc.

CREATED: 09/26/2008

FM-07-109

CREATED BY: TNT

HEIGHT : 10'-7 1/4" POINTS: 0.49 Points.

SPACING : 24"

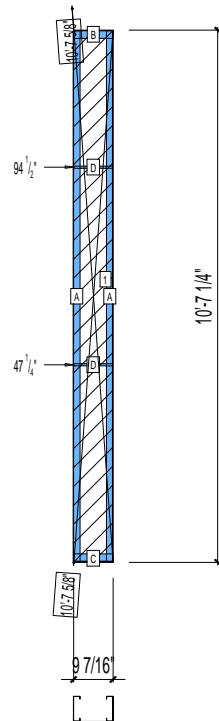
1st STUD: 24"

WEIGHTS :

FRAME : 55 lbs

SHEATHING: 21 lbs

TOTAL: 76 lbs



PIECES LIST

LABEL	QTY	SIZE	LENGTH	USE
A	2	600S162-68	10'-7 1/16"	STUD
B	1	600T200-68	9 7/16"	TOP TRACK
C	1	600T200-68	9 7/16"	BOTTOM TRACK
D	2	150U50-54	9 1/4"	HORIZONTAL BRACING

SHEATHING

LABEL	QTY	CODE	THICK	SIZE	SCREWS
1	1	DENSGLASS	1/2"	9 3/8" X 10'-6 7/8"	8 - 12

21-1221

Jewish Home for the Aging

1885 Victory Blvd. Reseda, CA

FrameMax, Inc.
13915 Danielson St
Suite 100
Poway, CA 92064
www.framemax.com



© FrameMax Inc.

CREATED: 10/07/2008

FM-07-109

CREATED BY: TNT

HEIGHT : 11'-9 11/16" POINTS: 2.57 Points.

SPACING : 24"

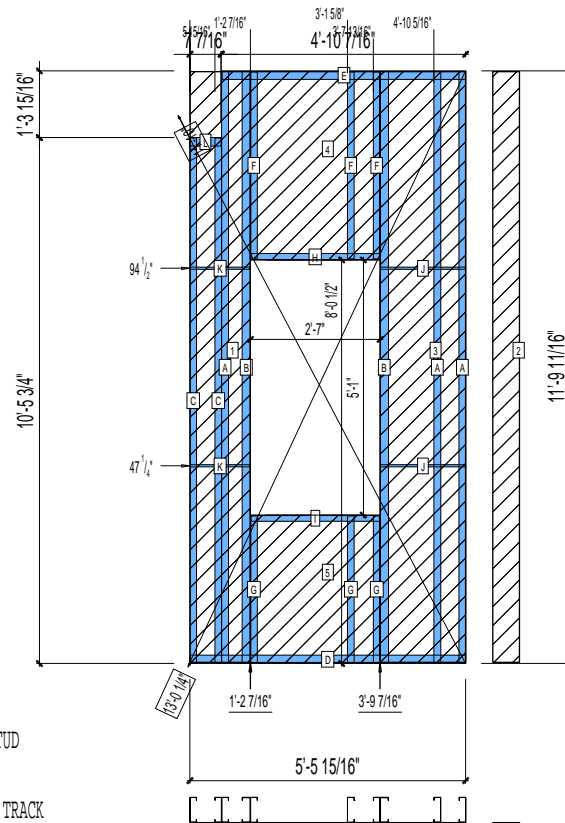
1st STUD: 24"

WEIGHTS :

FRAME : 294 lbs

SHEATHING: 144 lbs

TOTAL: 438 lbs



PIECES LIST

LABEL	QTY	SIZE	LENGTH	USE
A	3	600S162-68	11'-9 1/2"	STUD
B	2	600S200-97	11'-9 1/2"	KING STUD
C	2	600S162-68	10'-5 1/2"	STUD
D	1	600T200-68	5'-5 15/16"	BOTTOM TRACK
E	1	600T200-68	4'-10 3/16"	TOP TRACK
F	3	600S162-54	3'-8 3/4"	CRIPPLE
G	3	600S162-54	2'-11 1/16"	CRIPPLE
H	1	600T150-54	2'-6 3/4"	HEAD TRACK
I	1	600T150-54	2'-6 3/4"	SILL
J	2	150U50-54	1'-8 1/4"	HORIZONTAL BRACING
K	2	150U50-54	1'-2 1/4"	HORIZONTAL BRACING
L	1	600T200-68	7 7/16"	TOP TRACK

SHEATHING

LABEL	QTY	CODE	THICK	SIZE	SCREWS
1	1	DENSGLASS	1/2"	1'-2 3/8" X 11'-9 1/4"	8 - 12
2	1	DENSGLASS	1/2"	6 3/8" X 11'-9 1/4"	8 - 12
3	1	DENSGLASS	1/2"	1'-8 3/8" X 11'-9 1/4"	8 - 12
4	1	DENSGLASS	1/2"	2'-6 7/8" X 3'-9"	8 - 12
5	1	DENSGLASS	1/2"	2'-6 7/8" X 2'-11 3/16"	8 - 12

21-1222

Jewish Home for the Aging

1885 Victory Blvd. Reseda, CA

FrameMax, Inc.
13915 Danielson St
Suite 100
Poway, CA 92064
www.frame-max.com



© FrameMax Inc.

CREATED: 10/02/2008

FM-07-109

CREATED BY: TNT

HEIGHT : 11'-9 11/16" POINTS: 1.76 Points.

SPACING : 24"

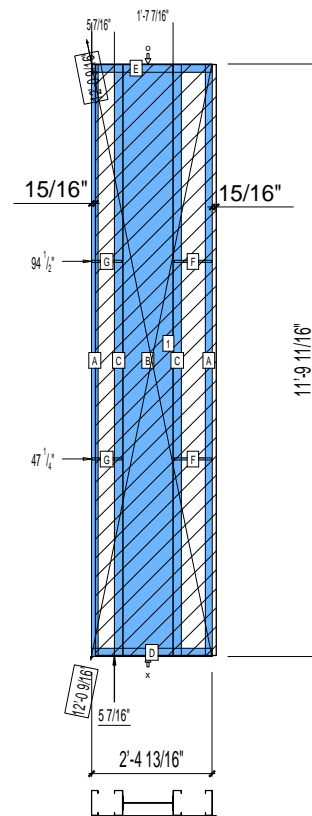
1st STUD: 24"

WEIGHTS :

FRAME : 255 lbs

SHEATHING: 71 lbs

TOTAL: 326 lbs



PIECES LIST

LABEL	QTY	SIZE	LENGTH	USE
A	2	600S162-68	11'-9 1/2"	STUD
B	1	1200i350p1062	11'-9 1/2"	PACO
C	2	600S200-68	11'-9 1/2"	STUD
D	1	600T200-68	2'-4 13/16"	BOTTOM TRACK
E	1	600T200-68	2'-4 13/16"	TOP TRACK
F	2	150U50-54	8 15/16"	HORIZONTAL BRACING
G	2	150U50-54	7 1/16"	HORIZONTAL BRACING

SHEATHING

LABEL	QTY	CODE	THICK	SIZE	SCREWS
1	1	DENSGLASS	1/2"	2'-4 7/8" X 11'-9 1/4"	8 - 12

21-1223

Jewish Home for the Aging

1885 Victory Blvd. Reseda, CA

FrameMax, Inc.
13915 Danielson St
Suite 100
Poway, CA 92064
www.frame-max.com



© FrameMax Inc.

CREATED: 10/02/2008

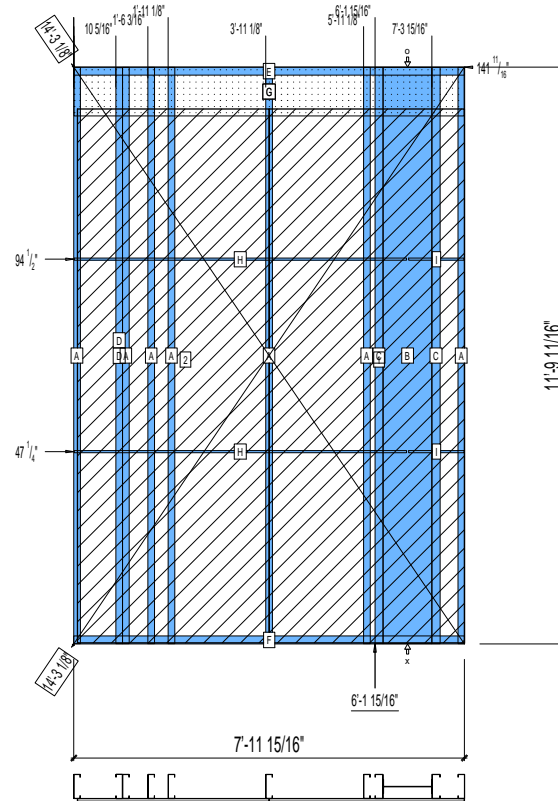
FM-07-109

CREATED BY: TNT

HEIGHT : 14'-3 15/16" POINTS: 4.09 Points.
SPACING : 24"
1st STUD: 24"

WEIGHTS :
FRAME : 461 lbs
SHEATHING: 318 lbs

TOTAL: 779 lbs



PIECES LIST

LABEL	QTY	SIZE	LENGTH	USE
A	7	600S162-68	11'-9 1/2"	STUD
B	1	1200i350p1062	11'-9 1/2"	PACO
C	2	600S200-68	11'-9 1/2"	STUD
D	1	600S162-33	11'-9 7/16"	BACKER STUD
E	1	600T200-68	7'-11 15/16"	TOP TRACK
F	1	600T200-68	7'-11 15/16"	BOTTOM TRACK
G	1	1200D-54	7'-11 13/16"	STRAP
H	2	150U50-54	6'-9 5/8"	HORIZONTAL BRACING
I	2	150U50-54	1'-1 5/8"	HORIZONTAL BRACING

SHEATHING

LABEL	QTY	CODE	THICK	SIZE	SCREWS
1	1	SB-DENSARMOR	5/8"	3'-11 15/16" X 10'-11 1/8"	2-12
2	1	SB-DENSARMOR	5/8"	3'-11 1/16" X 10'-11 1/8"	2-12

21-1224

Jewish Home for the Aging

1885 Victory Blvd. Reseda, CA

FM-07-109

CREATED BY: TNT

FrameMax, Inc.
13915 Danielson St
Suite 100
Poway, CA 92064
www.frame-max.com



© FrameMax Inc.

HEIGHT : 11'-9 11/16" POINTS: 2.51 Points.

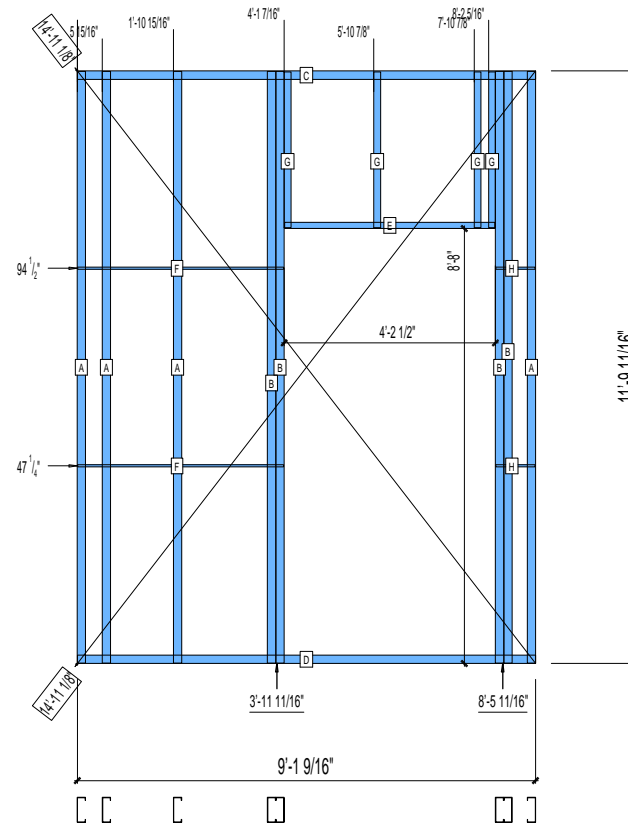
SPACING : 24"

1st STUD: 24"

WEIGHTS :

FRAME : 422 lbs

TOTAL: 422 lbs



PIECES LIST

LABEL	QTY	SIZE	LENGTH	USE
A	4	600S200-97	11'-9 1/2"	STUD
B	4	600S200-97	11'-9 1/2"	KING STUD
C	1	600T200-68	9'-1 9/16"	TOP TRACK
D	1	600T200-68	9'-1 9/16"	BOTTOM TRACK
E	1	600T150-54	4'-2 1/4"	HEAD TRACK
F	2	150U50-54	4'-1 1/4"	HORIZONTAL BRACING
G	4	600S162-54	3'-1 1/4"	CRIPPLE
H	2	150U50-54	9 3/8"	HORIZONTAL BRACING

21-1225

Jewish Home for the Aging

1885 Victory Blvd. Reseda, CA

FrameMax, Inc.
13915 Danielson St
Suite 100
Poway, CA 92064
www.frame-max.com



© FrameMax Inc.

CREATED: 10/09/2008

FM-07-109

CREATED BY: TNT

HEIGHT : 11'-9 11/16" POINTS: 2.56 Points.

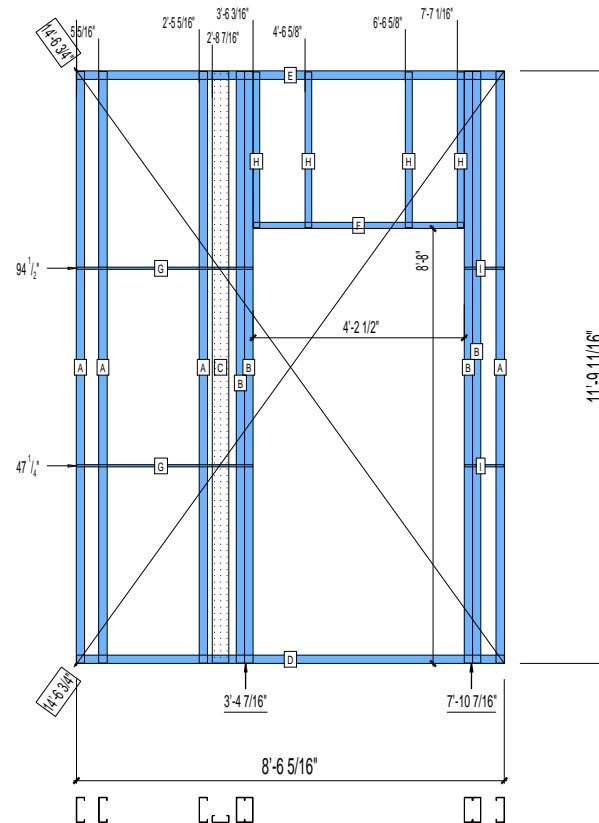
SPACING : 24"

1st STUD: 6 3/8"

WEIGHTS :

FRAME : 430 lbs

TOTAL: 430 lbs



PIECES LIST

LABEL	QTY	SIZE	LENGTH	USE
A	4	600S200-97	11'-9 1/2"	STUD
B	4	600S200-97	11'-9 1/2"	KING STUD
C	1	400S162-33	11'-9 7/16"	BACKER-U
D	1	600T200-68	8'-6 5/16"	BOTTOM TRACK
E	1	600T200-68	8'-6 5/16"	TOP TRACK
F	1	600T150-54	4'-2 1/4"	HEAD TRACK
G	2	150U50-54	3'-6"	HORIZONTAL BRACING
H	4	600S162-54	3'-1 1/4"	CRIPPLE
I	2	150U50-54	9 3/8"	HORIZONTAL BRACING

21-1226

Jewish Home for the Aging

1885 Victory Blvd. Reseda, CA

FrameMax, Inc.
13915 Danielson St
Suite 100
Poway, CA 92064
www.frame-max.com



© FrameMax Inc.

CREATED: 09/26/2008

FM-07-109

CREATED BY: AMB

HEIGHT : 11'-9 11/16" POINTS: 1.26 Points.

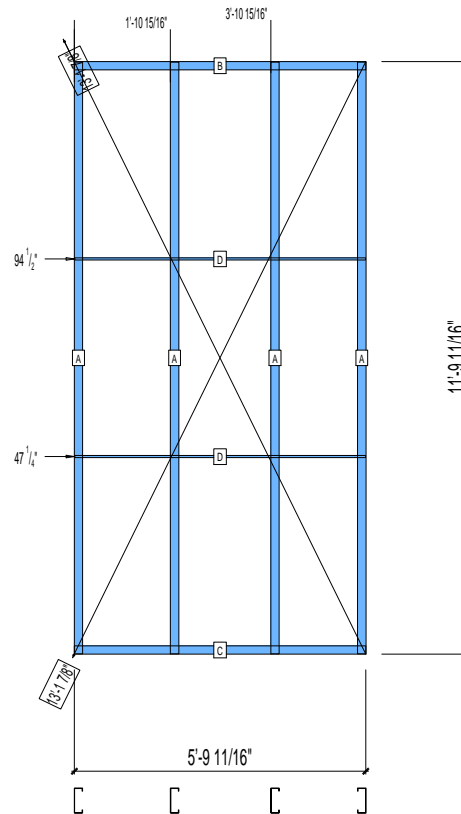
SPACING : 24"

1st STUD: 24"

WEIGHTS :

FRAME : 212 lbs

TOTAL: 212 lbs



PIECES LIST

LABEL	QTY	SIZE	LENGTH	USE
A	4	600S200-97	11'-9 1/2"	STUD
B	1	600T200-68	5'-9 11/16"	TOP TRACK
C	1	600T200-68	5'-9 11/16"	BOTTOM TRACK
D	2	150U50-54	5'-9 1/2"	HORIZONTAL BRACING

21-1227

Jewish Home for the Aging

1885 Victory Blvd. Reseda, CA

FrameMax, Inc.
13915 Danielson St
Suite 100
Poway, CA 92064
www.framemax.com



© FrameMax Inc.

CREATED: 10/30/2008

FM-07-109

CREATED BY: TNT

HEIGHT : 11'-9 11/16" POINTS: 2.63 Points.

SPACING : 5000"

1st STUD: 24"

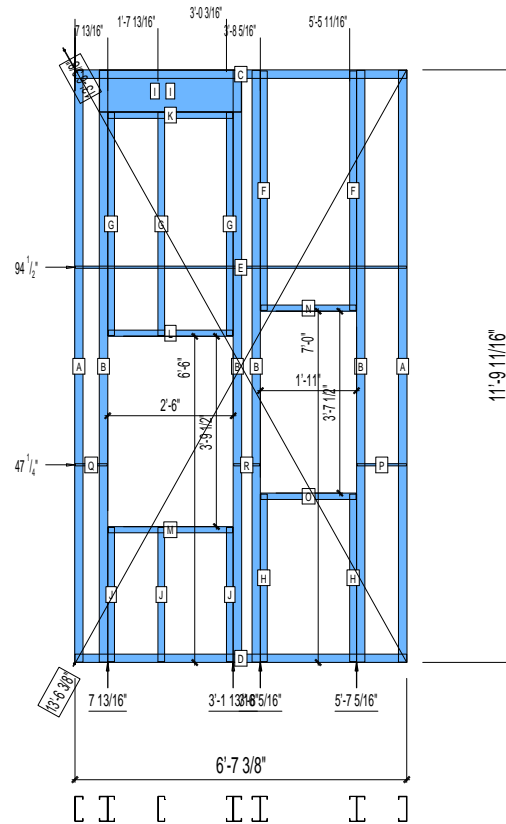
WEIGHTS :

FRAME : 413 lbs

TOTAL: 413 lbs

PIECES LIST

LABEL	QTY	SIZE	LENGTH	USE
A	2	600S200-97	11'-9 1/2"	STUD
B	4	600S200-97	11'-9 1/2"	KING STUD
C	1	600T200-68	6'-7 3/8"	TOP TRACK
D	1	600T200-68	6'-7 3/8"	BOTTOM TRACK
E	1	150U50-54	6'-7 3/16"	HORIZONTAL BRACING
F	2	600S162-54	4'-9 1/4"	CRIPPLE
G	3	600S162-54	4'-5 1/4"	CRIPPLE
H	2	600S162-54	3'-4 1/16"	CRIPPLE
I	2	1000S200-97	2'-9 7/8"	HEADER
J	3	600S162-54	2'-8 1/16"	CRIPPLE
K	1	600T150-54	2'-5 7/8"	HEADER BOTTOM TRACK
L	1	600T150-54	2'-5 3/4"	HEAD TRACK
M	1	600T150-54	2'-5 3/4"	SILL
N	1	600T150-54	1'-10 3/4"	HEAD TRACK
O	1	600T150-54	1'-10 3/4"	SILL
P	1	150U50-54	11 13/16"	HORIZONTAL BRACING
Q	1	150U50-54	7 5/8"	HORIZONTAL BRACING
R	1	150U50-54	6 1/4"	HORIZONTAL BRACING



21-1228

Jewish Home for the Aging

1885 Victory Blvd. Reseda, CA

FM-07-109

CREATED BY: AMB

FrameMax, Inc.
13915 Danielson St
Suite 100
Poway, CA 92064
www.framemax.com



© FrameMax Inc.

HEIGHT : 11'-9 11/16" POINTS: 0.86 Points.

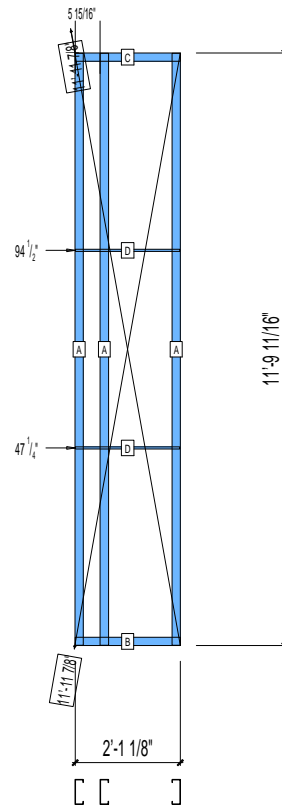
SPACING : 24"

1st STUD: 24"

WEIGHTS :

FRAME : 146 lbs

TOTAL: 146 lbs



PIECES LIST

LABEL	QTY	SIZE	LENGTH	USE
A	3	600S200-97	11'-9 1/2"	STUD
B	1	600T200-68	2'-1 1/8"	BOTTOM TRACK
C	1	600T200-68	2'-1 1/8"	TOP TRACK
D	2	150U50-54	2'-0 15/16"	HORIZONTAL BRACING

21-1229

Jewish Home for the Aging

1885 Victory Blvd. Reseda, CA

FrameMax, Inc.
13915 Danielson St
Suite 100
Poway, CA 92064
www.frame-max.com



© FrameMax Inc.

CREATED: 09/26/2008

FM-07-109

CREATED BY: AMB

HEIGHT : 11'-9 11/16" POINTS: 1.05 Points.

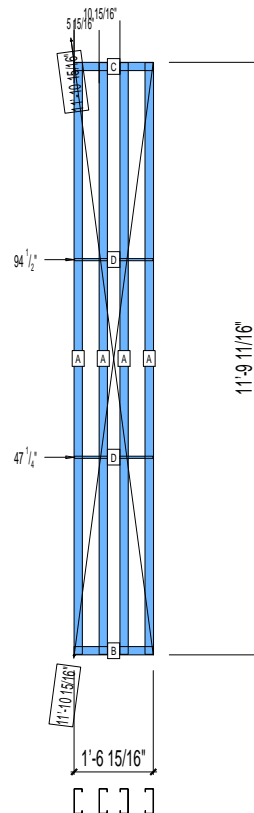
SPACING : 24"

1st STUD: 24"

WEIGHTS :

FRAME : 187 lbs

TOTAL: 187 lbs



PIECES LIST

LABEL	QTY	SIZE	LENGTH	USE
A	4	600S200-97	11'-9 1/2"	STUD
B	1	600T200-68	1'-6 15/16"	BOTTOM TRACK
C	1	600T200-68	1'-6 15/16"	TOP TRACK
D	2	150U50-54	1'-6 3/4"	HORIZONTAL BRACING

21-1230

Jewish Home for the Aging

1885 Victory Blvd. Reseda, CA

FrameMax, Inc.
13915 Danielson St
Suite 100
Poway, CA 92064
www.frame-max.com



© FrameMax Inc.

CREATED: 09/26/2008

FM-07-109

CREATED BY: AMB

HEIGHT : 11'-9 11/16" POINTS: 0.95 Points.

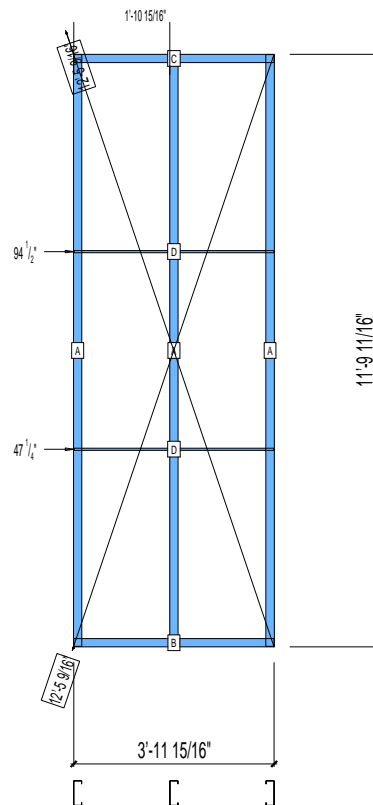
SPACING : 24"

1st STUD: 24"

WEIGHTS :

FRAME : 157 lbs

TOTAL: 157 lbs



PIECES LIST

LABEL	QTY	SIZE	LENGTH	USE
A	3	600S200-97	11'-9 1/2"	STUD
B	1	600T200-68	3'-11 15/16"	BOTTOM TRACK
C	1	600T200-68	3'-11 15/16"	TOP TRACK
D	2	150U50-54	3'-11 3/4"	HORIZONTAL BRACING

21-1231

Jewish Home for the Aging

1885 Victory Blvd. Reseda, CA

FrameMax, Inc.
13915 Danielson St
Suite 100
Poway, CA 92064
www.frame-max.com



© FrameMax Inc.

CREATED: 09/26/2008

FM-07-109

CREATED BY: AMB

HEIGHT : 11'-9 11/16" POINTS: 1.20 Points.

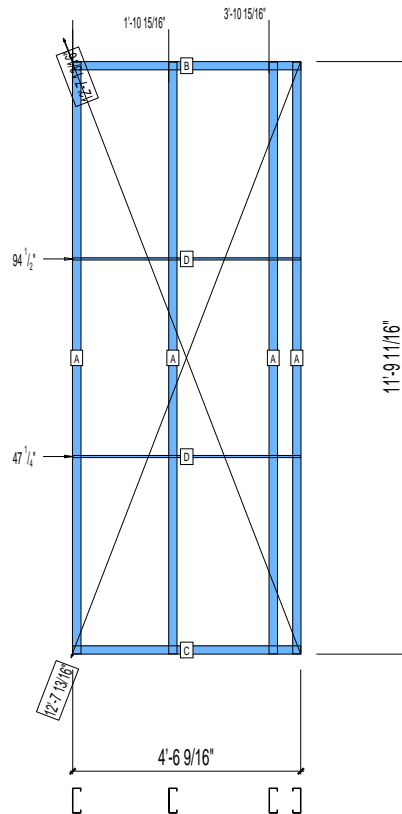
SPACING : 24"

1st STUD: 24"

WEIGHTS :

FRAME : 205 lbs

TOTAL: 205 lbs



PIECES LIST

LABEL	QTY	SIZE	LENGTH	USE
A	4	600S200-97	11'-9 1/2"	STUD
B	1	600T200-68	4'-6 9/16"	TOP TRACK
C	1	600T200-68	4'-6 9/16"	BOTTOM TRACK
D	2	150U50-54	4'-6 3/8"	HORIZONTAL BRACING

21-1232

Jewish Home for the Aging

1885 Victory Blvd. Reseda, CA

FrameMax, Inc.
13915 Danielson St
Suite 100
Poway, CA 92064
www.frame-max.com



© FrameMax Inc.

CREATED: 09/26/2008

FM-07-109

CREATED BY: TNT

HEIGHT : 11'-9 11/16" POINTS: 1.82 Points.

SPACING : 24"

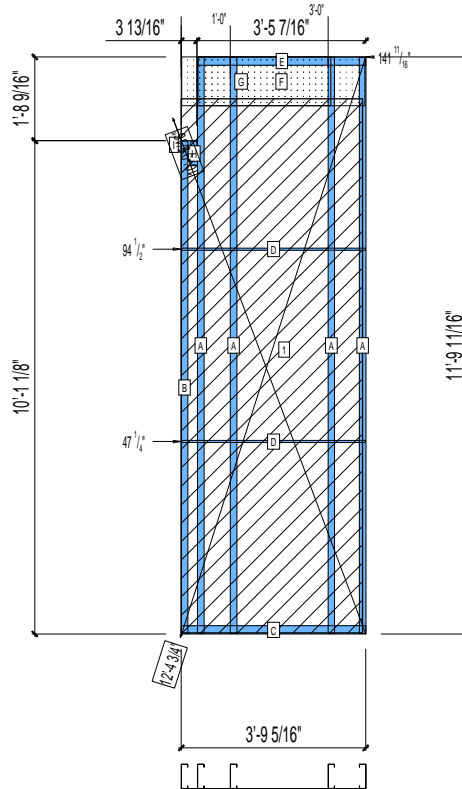
1st STUD: 12 7/8"

WEIGHTS :

FRAME : 173 lbs

SHEATHING: 149 lbs

TOTAL: 322 lbs



PIECES LIST

LABEL	QTY	SIZE	LENGTH	USE
A	4	600S162-68	11'-9 1/2"	STUD
B	1	600S162-68	10'-0 7/8"	STUD
C	1	600T200-68	3'-9 5/16"	BOTTOM TRACK
D	2	150U50-54	3'-9 1/8"	HORIZONTAL BRACING
E	1	600T200-68	3'-5 3/16"	TOP TRACK
F	1	1200D-54	3'-5"	STRAP
G	1	1200D-54	3'-0 5/8"	STRAP
H	1	600S162-33	6"	BACKER STUD
I	1	600T200-68	3 13/16"	TOP TRACK

SHEATHING

LABEL	QTY	CODE	THICK	SIZE	SCREWS
1	1	SB-DENSARMOR	5/8"	3'-8 9/16" X 10'-11 1/8"	2-12

21-1233

Jewish Home for the Aging

1885 Victory Blvd. Reseda, CA

FM-07-109

CREATED BY: TNT

FrameMax, Inc.
13915 Danielson St
Suite 100
Poway, CA 92064
www.frame-max.com

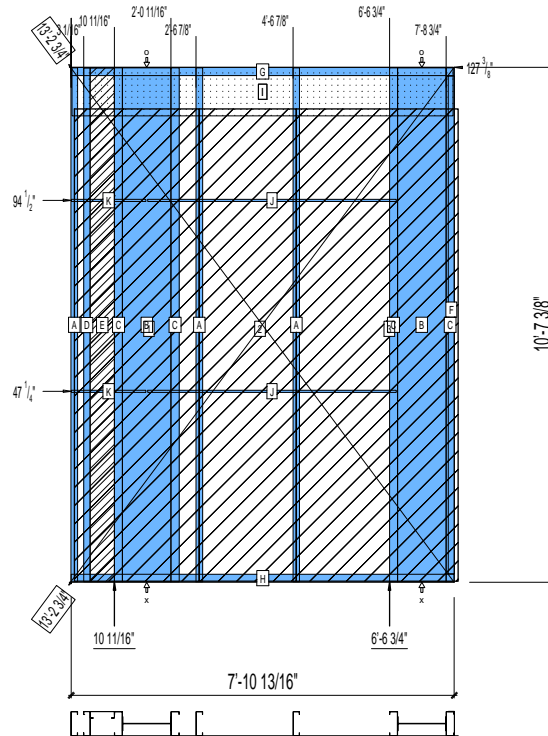


© FrameMax Inc.

HEIGHT : 10'-7 3/8" POINTS: 4.17 Points.
SPACING : 24"
1st STUD: 7 3/4"

WEIGHTS :
FRAME : 510 lbs
SHEATHING: 284 lbs

TOTAL: 794 lbs



PIECES LIST

LABEL	QTY	SIZE	LENGTH	USE
A	3	600S162-68	10'-7 3/16"	STUD
B	2	1200i350p1062	10'-7 3/16"	PACO
C	4	600S200-68	10'-7 3/16"	STUD
D	1	600S162-33	10'-7 1/8"	BACKER STUD
E	1	600S162-33	10'-7 1/8"	BACKER-U
F	1	600T150-33	10'-3 1/8"	CAP TRACK
G	1	600T200-68	7'-10 13/16"	TOP TRACK
H	1	600T200-68	7'-10 13/16"	BOTTOM TRACK
I	1	1200D-54	7'-10 5/16"	STRAP
J	2	150U50-54	5'-1 1/2"	HORIZONTAL BRACING
K	2	150U50-54	1'-6 3/8"	HORIZONTAL BRACING

SHEATHING

LABEL	QTY	CODE	THICK	SIZE	SCREWS
1	1	SB-DENSARMOR	5/8"	2'-6 15/16" X 9'-8 13/16"	2-12
2	1	SB-DENSARMOR	5/8"	2'-0" X 9'-8 13/16"	2-12
3	1	SB-DENSARMOR	5/8"	3'-4 1/16" X 9'-8 13/16"	2-12

21-1234

Jewish Home for the Aging

1885 Victory Blvd. Reseda, CA

FrameMax, Inc.
13915 Danielson St
Suite 100
Poway, CA 92064
www.frame-max.com



© FrameMax Inc.

CREATED: 09/26/2008

FM-07-109

CREATED BY: AMB

HEIGHT : 11'-9 11/16" POINTS: 1.27 Points.

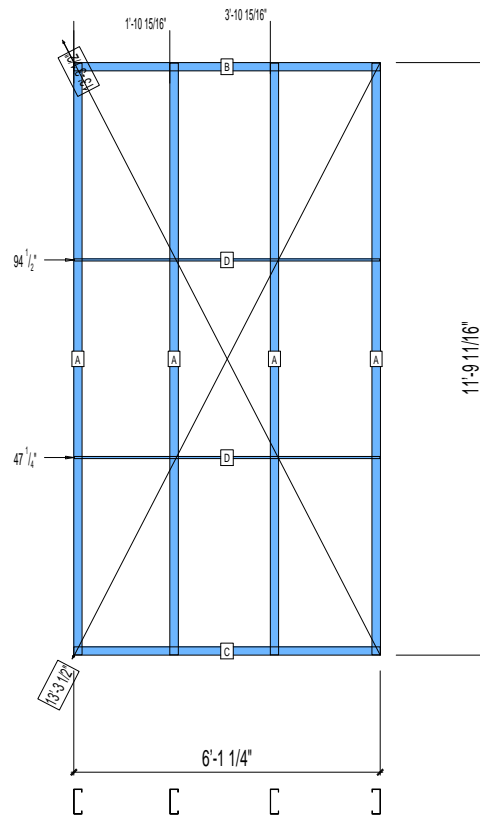
SPACING : 24"

1st STUD: 24"

WEIGHTS :

FRAME : 214 lbs

TOTAL: 214 lbs



PIECES LIST

LABEL	QTY	SIZE	LENGTH	USE
A	4	600S200-97	11'-9 1/2"	STUD
B	1	600T200-68	6'-1 1/4"	TOP TRACK
C	1	600T200-68	6'-1 1/4"	BOTTOM TRACK
D	2	150U50-54	6'-1 1/16"	HORIZONTAL BRACING

21-1235

Jewish Home for the Aging

1885 Victory Blvd. Reseda, CA

FM-07-109

CREATED BY: AMB

FrameMax, Inc.
13915 Danielson St
Suite 100
Poway, CA 92064
www.frame-max.com



© FrameMax Inc.

HEIGHT : 11'-9 11/16" POINTS: 1.20 Points.

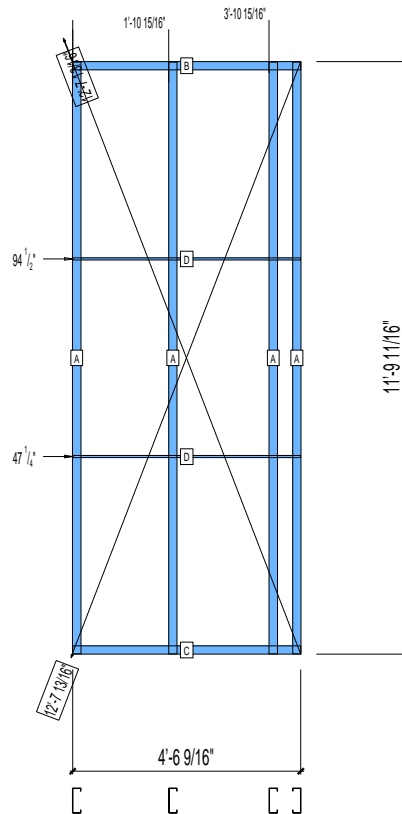
SPACING : 24"

1st STUD: 24"

WEIGHTS :

FRAME : 205 lbs

TOTAL: 205 lbs



PIECES LIST

LABEL	QTY	SIZE	LENGTH	USE
A	4	600S200-97	11'-9 1/2"	STUD
B	1	600T200-68	4'-6 9/16"	TOP TRACK
C	1	600T200-68	4'-6 9/16"	BOTTOM TRACK
D	2	150U50-54	4'-6 3/8"	HORIZONTAL BRACING

21-1236

Jewish Home for the Aging

1885 Victory Blvd. Reseda, CA

FrameMax, Inc.
13915 Danielson St
Suite 100
Poway, CA 92064
www.frame-max.com



© FrameMax Inc.

CREATED: 10/19/2008

FM-07-109

CREATED BY: TNT

HEIGHT : 10'-7 3/8" POINTS: 1.30 Points.

SPACING : 24"

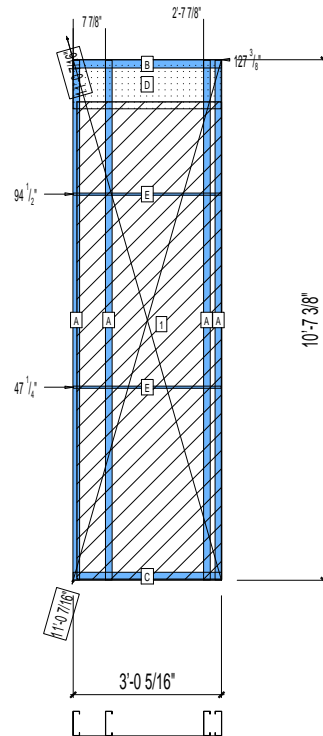
1st STUD: 8 3/4"

WEIGHTS :

FRAME : 125 lbs

SHEATHING: 106 lbs

TOTAL: 231 lbs



PIECES LIST

LABEL	QTY	SIZE	LENGTH	USE
A	4	600S162-68	10'-7 3/16"	STUD
B	1	600T200-68	3'-0 5/16"	TOP TRACK
C	1	600T200-68	3'-0 5/16"	BOTTOM TRACK
D	1	1200D-54	3'-0 3/16"	STRAP
E	2	150U50-54	3'-0 1/8"	HORIZONTAL BRACING

SHEATHING

LABEL	QTY	CODE	THICK	SIZE	SCREWS
1	1	SB-DENSGLASS	1/2"	2'-11 3/8" X 9'-8 13/16"	2-12

21-1237

Jewish Home for the Aging

1885 Victory Blvd. Reseda, CA

FrameMax, Inc.
13915 Danielson St
Suite 100
Poway, CA 92064
www.frame-max.com



© FrameMax Inc.

CREATED: 09/26/2008

FM-07-109

CREATED BY: AMB

HEIGHT : 11'-9 11/16" POINTS: 1.21 Points.

SPACING : 24"

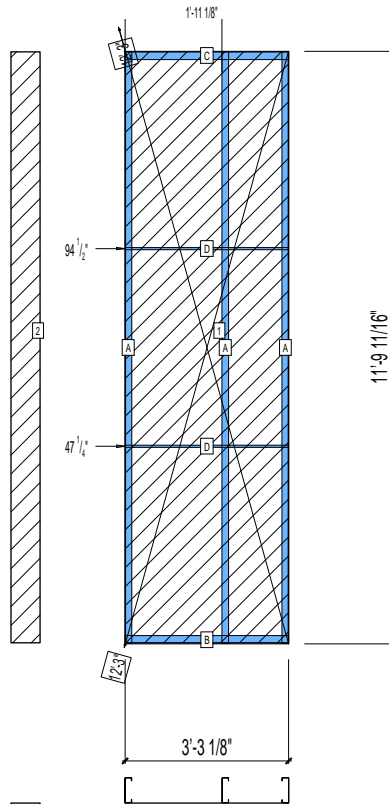
1st STUD: 24"

WEIGHTS :

FRAME : 106 lbs

SHEATHING: 113 lbs

TOTAL: 219 lbs



PIECES LIST

LABEL	QTY	SIZE	LENGTH	USE
A	3	600S162-68	11'-9 1/2"	STUD
B	1	600T200-68	3'-3 1/8"	BOTTOM TRACK
C	1	600T200-68	3'-3 1/8"	TOP TRACK
D	2	150U50-54	3'-2 15/16"	HORIZONTAL BRACING

SHEATHING

LABEL	QTY	CODE	THICK	SIZE	SCREWS
1	1	DENSGLASS	1/2"	3'-2 15/16" X 11'-9 1/4"	8 - 12
2	1	DENSGLASS	1/2"	7" X 11'-9 1/4"	8 - 12

21-1238

Jewish Home for the Aging

1885 Victory Blvd. Reseda, CA

FrameMax, Inc.
13915 Danielson St
Suite 100
Poway, CA 92064
www.frame-max.com



© FrameMax Inc.

CREATED: 09/26/2008

FM-07-109

CREATED BY: AMB

HEIGHT : 11'-9 11/16" POINTS: 1.49 Points.

SPACING : 24"

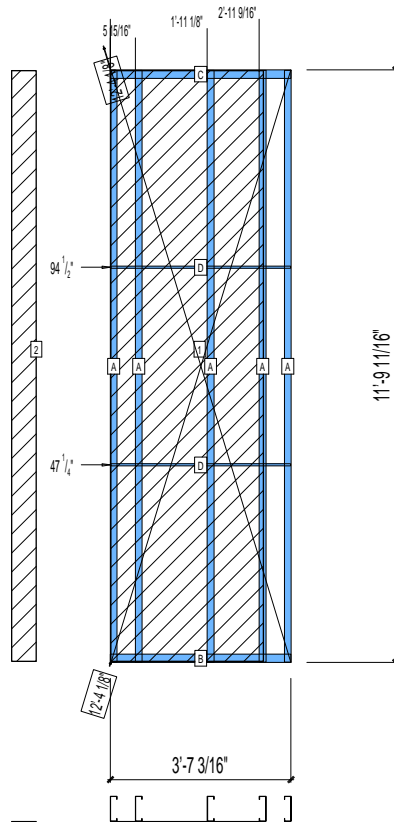
1st STUD: 24"

WEIGHTS :

FRAME : 165 lbs

SHEATHING: 104 lbs

TOTAL: 269 lbs



PIECES LIST

LABEL	QTY	SIZE	LENGTH	USE
A	5	600S162-68	11'-9 1/2"	STUD
B	1	600T200-68	3'-7 3/16"	BOTTOM TRACK
C	1	600T200-68	3'-7 3/16"	TOP TRACK
D	2	150U50-54	3'-7"	HORIZONTAL BRACING

SHEATHING

LABEL	QTY	CODE	THICK	SIZE	SCREWS
1	1	DENSGLASS	1/2"	3'-0 1/2" X 11'-9 1/4"	8 - 12
2	1	DENSGLASS	1/2"	5 7/8" X 11'-9 1/4"	8 - 12

21-1239

Jewish Home for the Aging

1885 Victory Blvd. Reseda, CA

FrameMax, Inc.
13915 Danielson St
Suite 100
Poway, CA 92064
www.frame-max.com



© FrameMax Inc.

CREATED: 10/07/2008

FM-07-109

CREATED BY: TNT

HEIGHT : 11'-9 11/16" POINTS: 4.75 Points.

SPACING : 24"

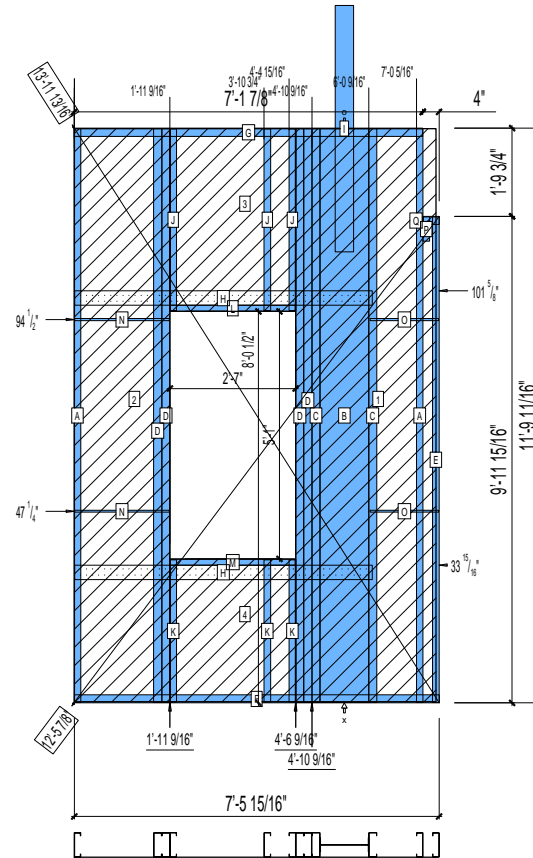
1st STUD: 24"

WEIGHTS :

FRAME : 602 lbs

SHEATHING: 273 lbs

TOTAL: 875 lbs



PIECES LIST

LABEL	QTY	SIZE	LENGTH	USE
A	2	600S162-97	11'-9 1/2"	STUD
B	1	1200i350p1062	11'-9 1/2"	PACO
C	2	600S200-68	11'-9 1/2"	STUD
D	4	600S200-97	11'-9 1/2"	KING STUD
E	1	600S162-97	9'-11 11/16"	STUD
F	1	600T200-68	7'-5 15/16"	BOTTOM TRACK
G	1	600T200-68	7'-1 7/8"	TOP TRACK
H	2	350T125-33	6'-1 3/8"	NOTCHED TRACK
I	1	D	5'-0 3/4"	HOLDDOWN
J	3	600S162-54	3'-8 11/16"	CRIPPLE
K	3	600S162-54	2'-11"	CRIPPLE
L	1	600T150-54	2'-6 3/4"	HEAD TRACK
M	1	600T150-54	2'-6 3/4"	SILL
N	2	150U50-54	1'-11 3/8"	HORIZONTAL BRACING
O	2	150U50-54	1'-4 15/16"	HORIZONTAL BRACING
P	1	600S162-33	6"	BACKER STUD
Q	1	600T200-68	3 7/8"	TOP TRACK

SHEATHING

LABEL	QTY	CODE	THICK	SIZE	SCREWS
1	1	SB-DENSGLOSS	1/2"	2'-10 9/16" X 11'-9 1/4"	2-12
2	1	SB-DENSGLOSS	1/2"	1'-11 1/2" X 11'-9 1/4"	2-12
3	1	SB-DENSGLOSS	1/2"	2'-6 15/16" X 3'-9"	2-12
4	1	SB-DENSGLOSS	1/2"	2'-6 15/16" X 2'-11 3/16"	2-12

21-1240

Jewish Home for the Aging

1885 Victory Blvd. Reseda, CA

FrameMax, Inc.
13915 Danielson St
Suite 100
Poway, CA 92064
www.frame-max.com



© FrameMax Inc.

CREATED: 09/26/2008

FM-07-109

CREATED BY: TNT

HEIGHT : 11'-9 11/16" POINTS: 4.06 Points.

SPACING : 24"

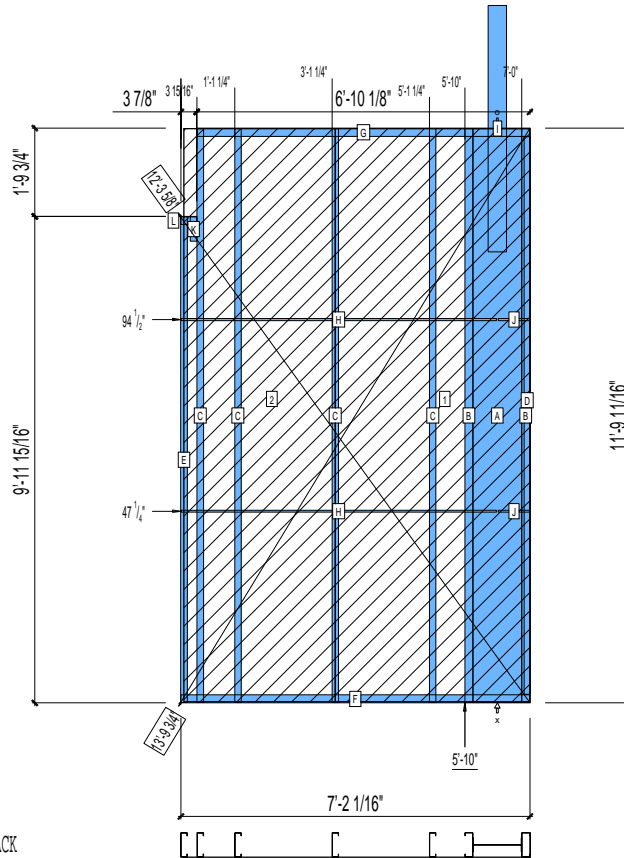
1st STUD: 14 1/8"

WEIGHTS :

FRAME : 468 lbs

SHEATHING: 308 lbs

TOTAL: 776 lbs



PIECES LIST

LABEL	QTY	SIZE	LENGTH	USE
A	1	1200i350p1062	11'-9 1/2"	PACO
B	2	600S200-68	11'-9 1/2"	STUD
C	4	600S162-97	11'-9 1/2"	STUD
D	1	600T150-33	11'-5 7/16"	CAP TRACK
E	1	600S162-97	9'-11 11/16"	STUD
F	1	600T200-68	7'-2 1/16"	BOTTOM TRACK
G	1	600T200-68	6'-10"	TOP TRACK
H	2	150U50-54	6'-5 11/16"	HORIZONTAL BRACING
I	1	D	5'-0 3/4"	HOLDDOWN
J	2	150U50-54	7 11/16"	HORIZONTAL BRACING
K	1	600S162-33	6"	BACKER STUD
L	1	600T200-68	3 7/8"	TOP TRACK

SHEATHING

LABEL	QTY	CODE	THICK	SIZE	SCREWS
1	1	SB-DENSGLOSS	1/2"	4'-0" X 11'-9 1/4"	2-12
2	1	SB-DENSGLOSS	1/2"	3'-1 5/16" X 11'-9 1/4"	2-12

21-1241

Jewish Home for the Aging

1885 Victory Blvd. Reseda, CA

FrameMax, Inc.
13915 Danielson St
Suite 100
Poway, CA 92064
www.frame-max.com



© FrameMax Inc.

CREATED: 09/26/2008

FM-07-109

CREATED BY: TNT

HEIGHT : 14'-3 15/16" POINTS: 3.59 Points.

SPACING : 24"

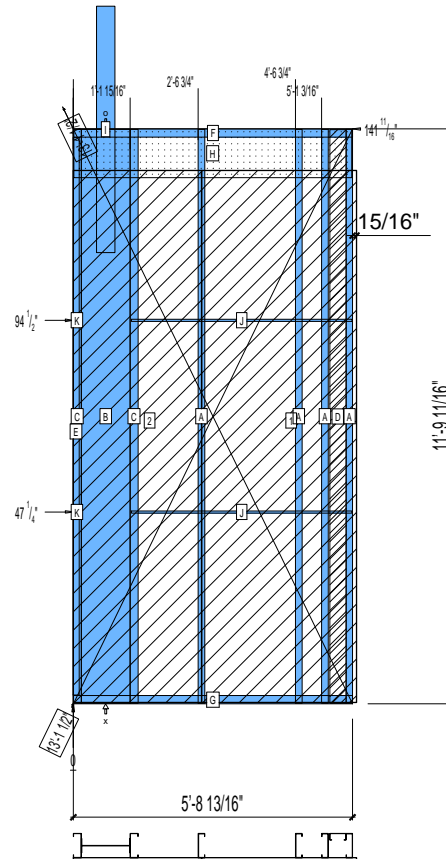
1st STUD: 7 5/8"

WEIGHTS :

FRAME : 450 lbs

SHEATHING: 234 lbs

TOTAL: 684 lbs



PIECES LIST

LABEL	QTY	SIZE	LENGTH	USE
A	4	600S162-97	11'-9 1/2"	STUD
B	1	1200i350p1062	11'-9 1/2"	PACO
C	2	600S200-68	11'-9 1/2"	STUD
D	1	400S162-33	11'-9 7/16"	BACKER-U
E	1	600T150-33	11'-5 7/16"	CAP TRACK
F	1	600T200-68	5'-8 13/16"	TOP TRACK
G	1	600T200-68	5'-8 13/16"	BOTTOM TRACK
H	1	1200D-54	5'-8 1/2"	STRAP
I	1	D	5'-0 3/4"	HOLDDOWN
J	2	150U50-54	4'-6 7/16"	HORIZONTAL BRACING
K	2	150U50-54	1 9/16"	HORIZONTAL BRACING

SHEATHING

LABEL	QTY	CODE	THICK	SIZE	SCREWS
1	1	SB-DENSARMOR	5/8"	3'-2 3/16" X 10'-11 1/8"	2-12
2	1	SB-DENSARMOR	5/8"	2'-7 5/8" X 10'-11 1/8"	2-12

21-1242

Jewish Home for the Aging

1885 Victory Blvd. Reseda, CA

FrameMax, Inc.
13915 Danielson St
Suite 100
Poway, CA 92064
www.frame-max.com



© FrameMax Inc.

CREATED: 09/26/2008

FM-07-109

CREATED BY: TNT

HEIGHT : 11'-9 11/16" POINTS: 3.19 Points.

SPACING : 24"

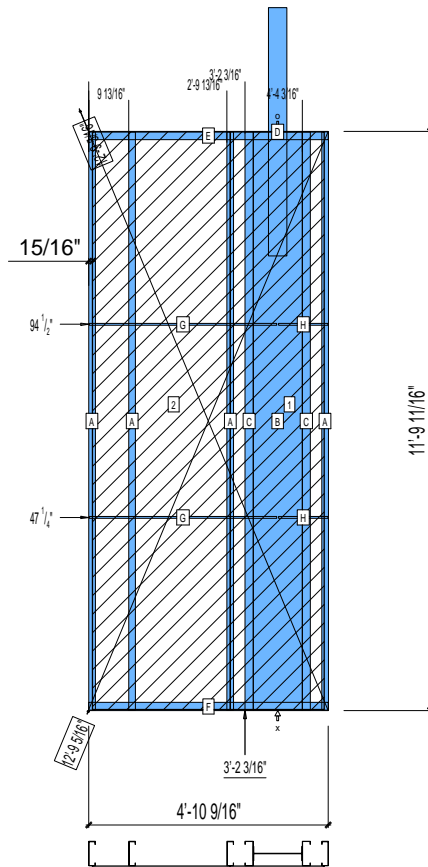
1st STUD: 10 5/8"

WEIGHTS :

FRAME : 409 lbs

SHEATHING: 205 lbs

TOTAL: 614 lbs



PIECES LIST

LABEL	QTY	SIZE	LENGTH	USE
A	4	600S162-97	11'-9 1/2"	STUD
B	1	1200i350p1062	11'-9 1/2"	PACO
C	2	600S200-68	11'-9 1/2"	STUD
D	1	D	5'-0 3/4"	HOLDDOWN
E	1	600T200-68	4'-10 9/16"	TOP TRACK
F	1	600T200-68	4'-10 9/16"	BOTTOM TRACK
G	2	150U50-54	3'-9 7/8"	HORIZONTAL BRACING
H	2	150U50-54	1'-0"	HORIZONTAL BRACING

SHEATHING

LABEL	QTY	CODE	THICK	SIZE	SCREWS
1	1	SB-DENSGLOSS	1/2"	1'-11" X 11'-9 1/4"	2-12
2	1	SB-DENSGLOSS	1/2"	2'-9 11/16" X 11'-9 1/4"	2-12

21-1243

Jewish Home for the Aging

1885 Victory Blvd. Reseda, CA

FM-07-109

CREATED BY: AMB

FrameMax, Inc.
13915 Danielson St
Suite 100
Poway, CA 92064
www.frame-max.com



© FrameMax Inc.

HEIGHT : 11'-9 11/16" POINTS: 0.75 Points.

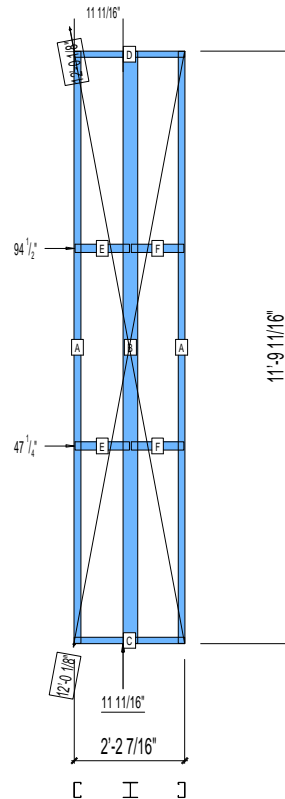
SPACING : 5000"

1st STUD: 5000"

WEIGHTS :

FRAME : 112 lbs

TOTAL: 112 lbs



PIECES LIST

LABEL	QTY	SIZE	LENGTH	USE
A	2	362S162-54	11'-9 9/16"	STUD
B	1	363i350p554	11'-9 9/16"	PACO. COLUMN
C	1	362T150-68	2'-2 7/16"	BOTTOM TRACK
D	1	362T150-68	2'-2 7/16"	TOP TRACK
E	2	362T200-68	1'-0 15/16"	BLOCK
F	2	362T200-68	1'-0 9/16"	BLOCK

21-1244

Jewish Home for the Aging

1885 Victory Blvd. Reseda, CA

FrameMax, Inc.
13915 Danielson St
Suite 100
Poway, CA 92064
www.frame-max.com



© FrameMax Inc.

CREATED: 09/26/2008

FM-07-109

CREATED BY: AMB

HEIGHT : 11'-9 11/16" POINTS: 0.35 Points.

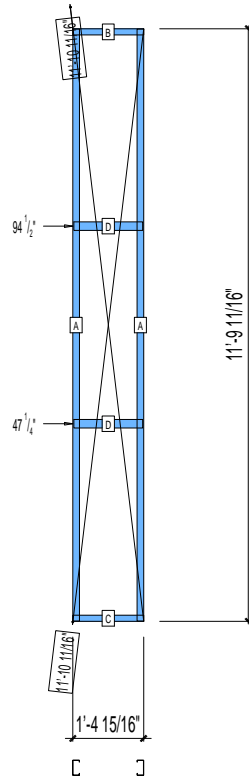
SPACING : 5000"

1st STUD: 5000"

WEIGHTS :

FRAME : 42 lbs

TOTAL: 42 lbs



PIECES LIST

LABEL	QTY	SIZE	LENGTH	USE
A	2	362S162-54	11'-9 9/16"	STUD
B	1	362T150-68	1'-4 15/16"	TOP TRACK
C	1	362T150-68	1'-4 15/16"	BOTTOM TRACK
D	2	362T200-68	1'-4 1/2"	BLOCK

21-1246

Jewish Home for the Aging

1885 Victory Blvd. Reseda, CA

FM-07-109

CREATED BY: AMB

FrameMax, Inc.
13915 Danielson St
Suite 100
Poway, CA 92064
www.frame-max.com



© FrameMax Inc.

HEIGHT : 11'-9 11/16" POINTS: 1.65 Points.

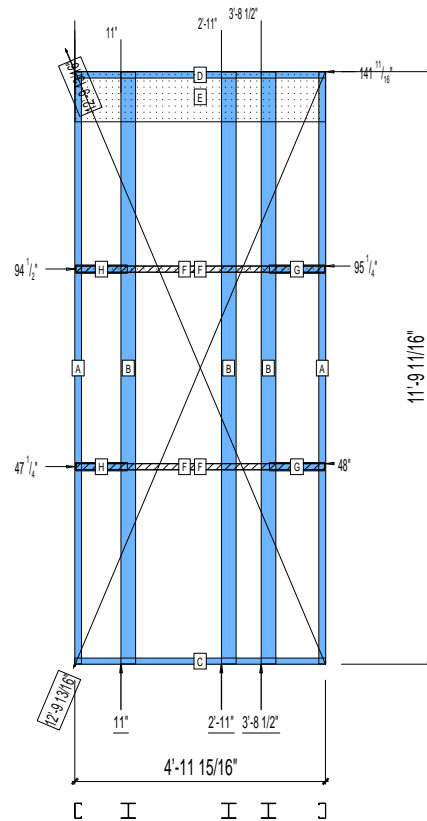
SPACING : 5000"

1st STUD: 5000"

WEIGHTS :

FRAME : 265 lbs

TOTAL: 265 lbs



PIECES LIST

LABEL	QTY	SIZE	LENGTH	USE
A	2	362S162-54	11'-9 9/16"	STUD
B	3	363i350p554	11'-9 9/16"	PACO.COLUMN
C	1	362T150-68	4'-11 15/16"	BOTTOM TRACK
D	1	362T150-68	4'-11 15/16"	TOP TRACK
E	1	1200D-54	4'-11 7/8"	STRAP
F	4	150D-43	4'-11 1/2"	STRAP
G	2	362T200-68	1'-1 3/16"	BLOCK
H	2	362T200-68	1'-0 5/16"	BLOCK

21-1247

Jewish Home for the Aging

1885 Victory Blvd. Reseda, CA

FM-07-109

CREATED BY: AMB

FrameMax, Inc.
13915 Danielson St
Suite 100
Poway, CA 92064
www.frame-max.com



© FrameMax Inc.

HEIGHT : 11'-9 11/16" POINTS: 1.64 Points.

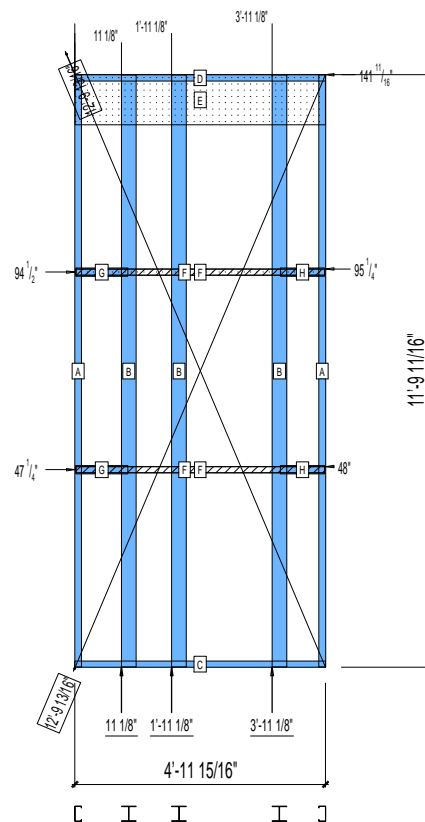
SPACING : 5000"

1st STUD: 5000"

WEIGHTS :

FRAME : 264 lbs

TOTAL: 264 lbs



PIECES LIST

LABEL	QTY	SIZE	LENGTH	USE
A	2	362S162-54	11'-9 9/16"	STUD
B	3	363i350p554	11'-9 9/16"	PACO.COLUMN
C	1	362T150-68	4'-11 15/16"	BOTTOM TRACK
D	1	362T150-68	4'-11 15/16"	TOP TRACK
E	1	1200D-54	4'-11 7/8"	STRAP
F	4	150D-43	4'-11 1/2"	STRAP
G	2	362T200-68	1'-0 7/16"	BLOCK
H	2	362T200-68	10 9/16"	BLOCK

21-1248

Jewish Home for the Aging

1885 Victory Blvd. Reseda, CA

FM-07-109

CREATED BY: AMB

FrameMax, Inc.
13915 Danielson St
Suite 100
Poway, CA 92064
www.frame-max.com



© FrameMax Inc.

HEIGHT : 11'-9 11/16" POINTS: 1.63 Points.

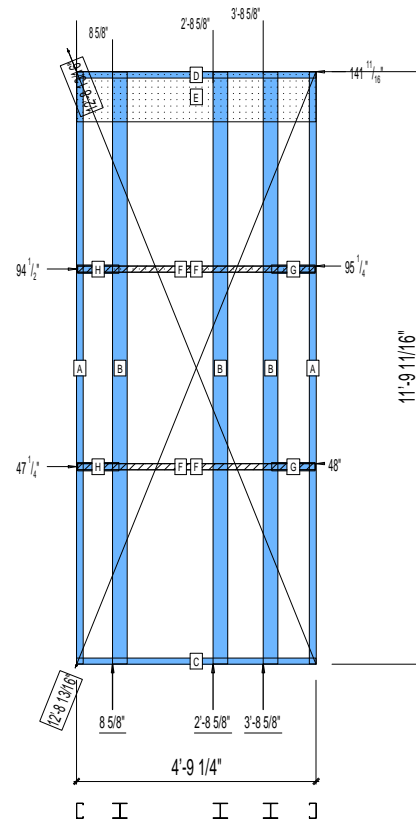
SPACING : 5000"

1st STUD: 5000"

WEIGHTS :

FRAME : 262 lbs

TOTAL: 262 lbs



PIECES LIST

LABEL	QTY	SIZE	LENGTH	USE
A	2	362S162-54	11'-9 9/16"	STUD
B	3	363i350p554	11'-9 9/16"	PACO.COLUMN
C	1	362T150-68	4'-9 1/4"	BOTTOM TRACK
D	1	362T150-68	4'-9 1/4"	TOP TRACK
E	1	1200D-54	4'-9 3/16"	STRAP
F	4	150D-43	4'-8 13/16"	STRAP
G	2	362T200-68	10 7/16"	BLOCK
H	2	362T200-68	9 7/8"	BLOCK

21-1249

Jewish Home for the Aging

1885 Victory Blvd. Reseda, CA

FrameMax, Inc.
13915 Danielson St
Suite 100
Poway, CA 92064
www.frame-max.com



© FrameMax Inc.

CREATED: 09/26/2008

FM-07-109

CREATED BY: TNT

HEIGHT : 10'-7 3/8" POINTS: 1.46 Points.

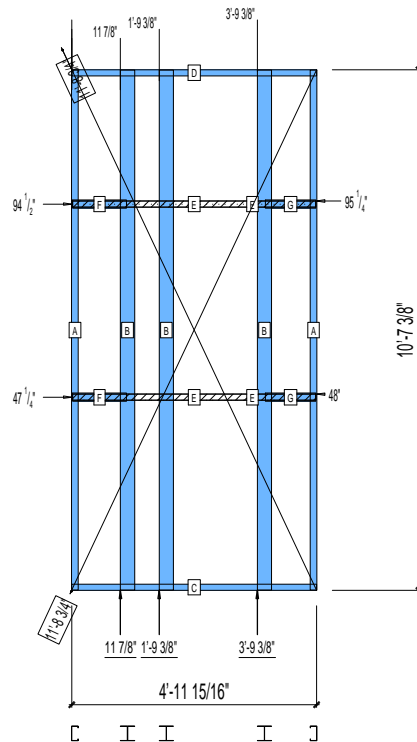
SPACING : 5000"

1st STUD: 5000"

WEIGHTS :

FRAME : 229 lbs

TOTAL: 229 lbs



PIECES LIST

LABEL	QTY	SIZE	LENGTH	USE
A	2	362S162-54	10'-7 1/4"	STUD
B	3	363I350p554	10'-7 1/4"	PACO.COLUMN
C	1	362T150-68	4'-11 15/16"	BOTTOM TRACK
D	1	362T150-68	4'-11 15/16"	TOP TRACK
E	4	150D-43	4'-11 1/2"	STRAP
F	2	362T200-68	1'-1 3/16"	BLOCK
G	2	362T200-68	1'-0 5/16"	BLOCK

21-1250

Jewish Home for the Aging

1885 Victory Blvd. Reseda, CA

FrameMax, Inc.
13915 Danielson St
Suite 100
Poway, CA 92064
www.frame-max.com



© FrameMax Inc.

CREATED: 09/26/2008

FM-07-109

CREATED BY: TNT

HEIGHT : 10'-7 3/8" POINTS: 1.46 Points.

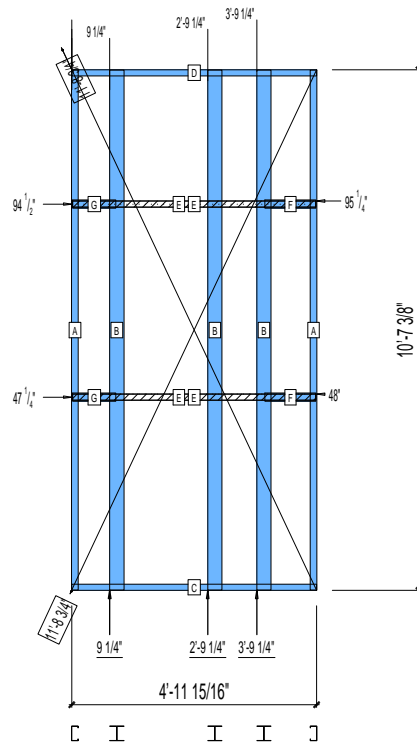
SPACING : 5000"

1st STUD: 5000"

WEIGHTS :

FRAME : 229 lbs

TOTAL: 229 lbs



PIECES LIST

LABEL	QTY	SIZE	LENGTH	USE
A	2	362S162-54	10'-7 1/4"	STUD
B	3	363I350p554	10'-7 1/4"	PACO COLUMN
C	1	362T150-68	4'-11 15/16"	BOTTOM TRACK
D	1	362T150-68	4'-11 15/16"	TOP TRACK
E	4	150D-43	4'-11 1/2"	STRAP
F	2	362T200-68	1'-0 7/16"	BLOCK
G	2	362T200-68	10 9/16"	BLOCK

21-1251

Jewish Home for the Aging

1885 Victory Blvd. Reseda, CA

FM-07-109

CREATED BY: AMB

FrameMax, Inc.
13915 Danielson St
Suite 100
Poway, CA 92064
www.frame-max.com



© FrameMax Inc.

HEIGHT : 10'-7 3/8" POINTS: 1.08 Points.

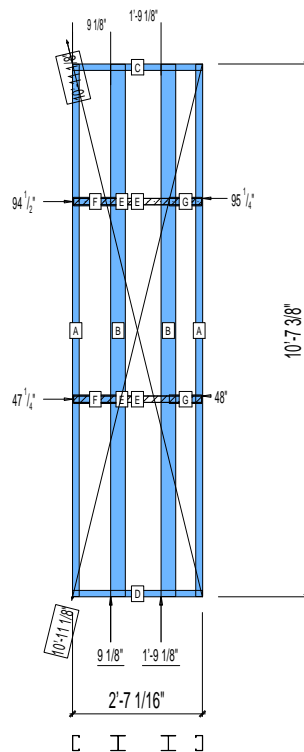
SPACING : 5000"

1st STUD: 5000"

WEIGHTS :

FRAME : 161 lbs

TOTAL: 161 lbs



PIECES LIST

LABEL	QTY	SIZE	LENGTH	USE
A	2	362S162-54	10'-7 1/4"	STUD
B	2	363i350p554	10'-7 1/4"	PACO.COLUMN
C	1	362T150-68	2'-7 1/16"	TOP TRACK
D	1	362T150-68	2'-7 1/16"	BOTTOM TRACK
E	4	150D-43	2'-6 5/8"	STRAP
F	2	362T200-68	10 7/16"	BLOCK
G	2	362T200-68	7 11/16"	BLOCK

21-1252

Jewish Home for the Aging

1885 Victory Blvd. Reseda, CA

FM-07-109

CREATED BY: AMB

FrameMax, Inc.
13915 Danielson St
Suite 100
Poway, CA 92064
www.frame-max.com



© FrameMax Inc.

HEIGHT : 11'-9 11/16" POINTS: 0.72 Points.

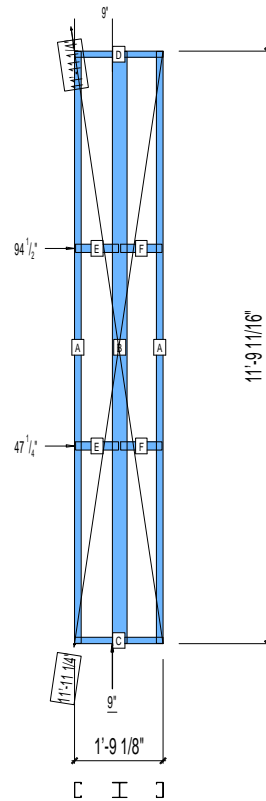
SPACING : 5000"

1st STUD: 5000"

WEIGHTS :

FRAME : 109 lbs

TOTAL: 109 lbs



PIECES LIST

LABEL	QTY	SIZE	LENGTH	USE
A	2	362S162-54	11'-9 9/16"	STUD
B	1	363i350p554	11'-9 9/16"	PACO. COLUMN
C	1	362T150-68	1'-9 1/8"	BOTTOM TRACK
D	1	362T150-68	1'-9 1/8"	TOP TRACK
E	2	362T200-68	10 5/16"	BLOCK
F	2	362T200-68	9 7/8"	BLOCK

21-1254

Jewish Home for the Aging

1885 Victory Blvd. Reseda, CA

FM-07-109

CREATED BY: TNT

FrameMax, Inc.
13915 Danielson St
Suite 100
Poway, CA 92064
www.frame-max.com



© FrameMax Inc.

HEIGHT : 11'-9 11/16" POINTS: 3.37 Points.

SPACING : 5000"

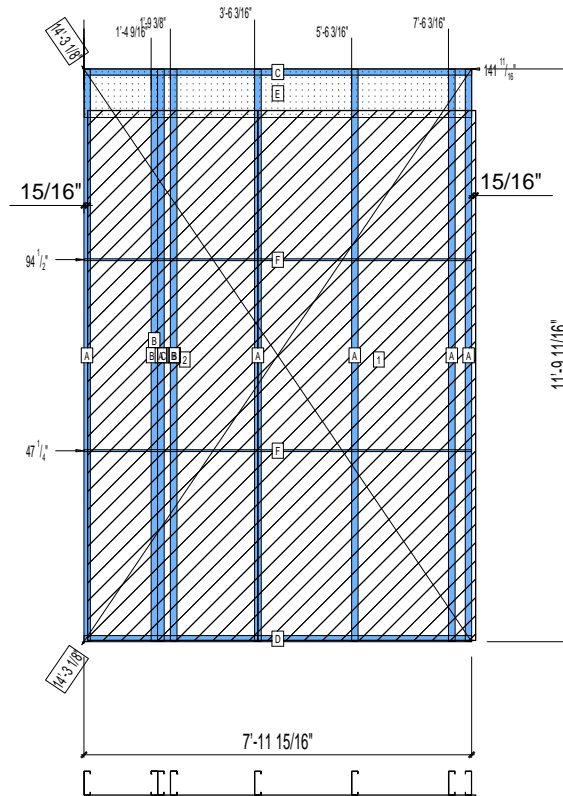
1st STUD: 5000"

WEIGHTS :

FRAME : 322 lbs

SHEATHING: 322 lbs

TOTAL: 644 lbs



PIECES LIST

LABEL	QTY	SIZE	LENGTH	USE
A	6	600S162-97	11'-9 9/16"	STUD
B	2	600S162-33	11'-9 1/2"	BACKER STUD
C	1	600T150-68	7'-11 15/16"	TOP TRACK
D	1	600T150-68	7'-11 15/16"	BOTTOM TRACK
E	1	1200D-54	7'-11 7/8"	STRAP
F	2	150U50-54	7'-11 3/4"	HORIZONTAL BRACING

SHEATHING

LABEL	QTY	CODE	THICK	SIZE	SCREWS
1	1	SB-DENSARMOR	5/8"	4'-5 7/8" X 10'-11 1/8"	2-12
2	1	SB-DENSARMOR	5/8"	3'-6 1/8" X 10'-11 1/8"	2-12

21-1255

Jewish Home for the Aging

1885 Victory Blvd. Reseda, CA

FrameMax, Inc.
13915 Danielson St
Suite 100
Poway, CA 92064
www.frame-max.com



© FrameMax Inc.

CREATED: 10/20/2008

FM-07-109

CREATED BY: TNT

HEIGHT : 11'-9 11/16" POINTS: 1.84 Points.

SPACING : 24"

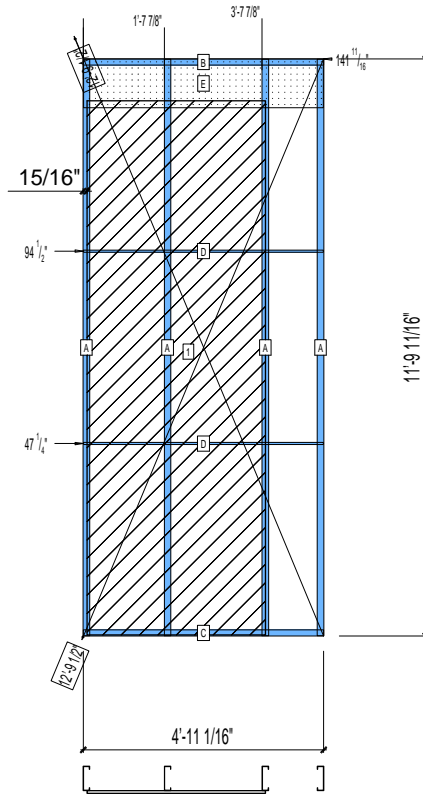
1st STUD: 20 3/4"

WEIGHTS :

FRAME : 193 lbs

SHEATHING: 147 lbs

TOTAL: 340 lbs



PIECES LIST

LABEL	QTY	SIZE	LENGTH	USE
A	4	600S162-97	11'-9 9/16"	STUD
B	1	600T150-68	4'-11 1/16"	TOP TRACK
C	1	600T150-68	4'-11 1/16"	BOTTOM TRACK
D	2	150U50-54	4'-10 7/8"	HORIZONTAL BRACING
E	1	1200D-54	4'-10 7/8"	STRAP

SHEATHING

LABEL	QTY	CODE	THICK	SIZE	SCREWS
1	1	SB-DENSARMOR	5/8"	3'-7 13/16" X 10'-11 1/8"	2-12

21-1256

Jewish Home for the Aging

1885 Victory Blvd. Reseda, CA

FrameMax, Inc.
13915 Danielson St
Suite 100
Poway, CA 92064
www.frame-max.com



© FrameMax Inc.

CREATED: 09/26/2008

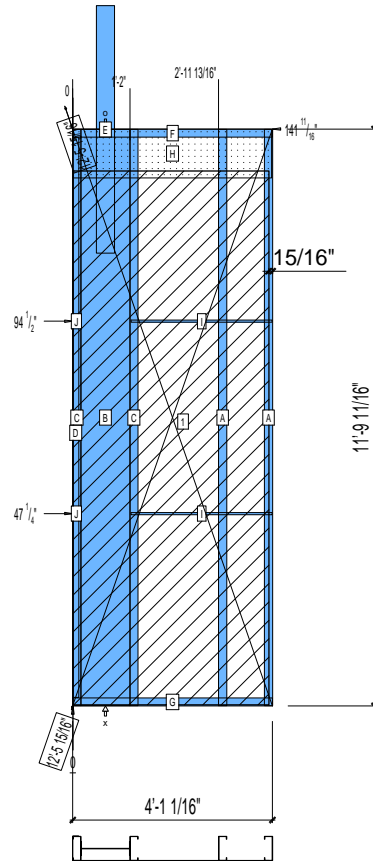
FM-07-109

CREATED BY: TNT

HEIGHT : 11'-9 11/16" POINTS: 2.73 Points.
SPACING : 24"
1st STUD: 12 7/8"

WEIGHTS :
FRAME : 356 lbs
SHEATHING: 161 lbs

TOTAL: 517 lbs



PIECES LIST

LABEL	QTY	SIZE	LENGTH	USE
A	2	600S200-97	11'-9 1/2"	STUD
B	1	1200i350p1062	11'-9 1/2"	PACO
C	2	600S200-68	11'-9 1/2"	STUD
D	1	600T150-33	11'-5 7/16"	CAP TRACK
E	1	D	5'-0 3/4"	HOLDDOWN
F	1	600T200-68	4'-1 1/16"	TOP TRACK
G	1	600T200-68	4'-1 1/16"	BOTTOM TRACK
H	1	1200D-54	4'-0 11/16"	STRAP
I	2	150U50-54	2'-10 5/8"	HORIZONTAL BRACING
J	2	150U50-54	1 5/8"	HORIZONTAL BRACING

SHEATHING

LABEL	QTY	CODE	THICK	SIZE	SCREWS
1	1	SB-DENSARMOR	5/8"	4'-0 1/16" X 10'-11 1/8"	2-12

21-1257

Jewish Home for the Aging

1885 Victory Blvd. Reseda, CA

FrameMax, Inc.
13915 Danielson St
Suite 100
Poway, CA 92064
www.frame-max.com



© FrameMax Inc.

CREATED: 09/26/2008

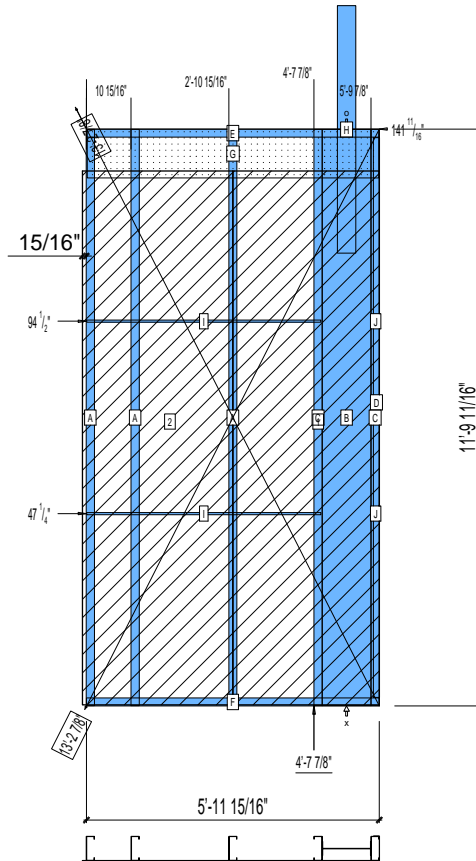
FM-07-109

CREATED BY: TNT

HEIGHT : 11'-9 11/16" POINTS: 3.43 Points.
SPACING : 24"
1st STUD: 12"

WEIGHTS :
FRAME : 414 lbs
SHEATHING: 244 lbs

TOTAL: 658 lbs



PIECES LIST

LABEL	QTY	SIZE	LENGTH	USE
A	3	600S200-97	11'-9 1/2"	STUD
B	1	1200i350p1062	11'-9 1/2"	PACO
C	2	600S200-68	11'-9 1/2"	STUD
D	1	600T150-33	11'-5 7/16"	CAP TRACK
E	1	600T200-68	5'-11 15/16"	TOP TRACK
F	1	600T200-68	5'-11 15/16"	BOTTOM TRACK
G	1	1200D-54	5'-11 9/16"	STRAP
H	1	D	5'-0 3/4"	HOLDDOWN
I	2	150U50-54	4'-9 1/2"	HORIZONTAL BRACING
J	2	150U50-54	1 5/8"	HORIZONTAL BRACING

SHEATHING

LABEL	QTY	CODE	THICK	SIZE	SCREWS
1	1	SB-DENSARMOR	5/8"	2'-11 15/16" X 10'-11 1/8"	2-12
2	1	SB-DENSARMOR	5/8"	3'-0 15/16" X 10'-11 1/8"	2-12

21-1258

Jewish Home for the Aging

1885 Victory Blvd. Reseda, CA

FrameMax, Inc.
13915 Danielson St
Suite 100
Poway, CA 92064
www.frame-max.com



© FrameMax Inc.

CREATED: 10/19/2008

FM-07-109

CREATED BY: TNT

HEIGHT : 14'-3 15/16" POINTS: 3.35 Points.

SPACING : 24"

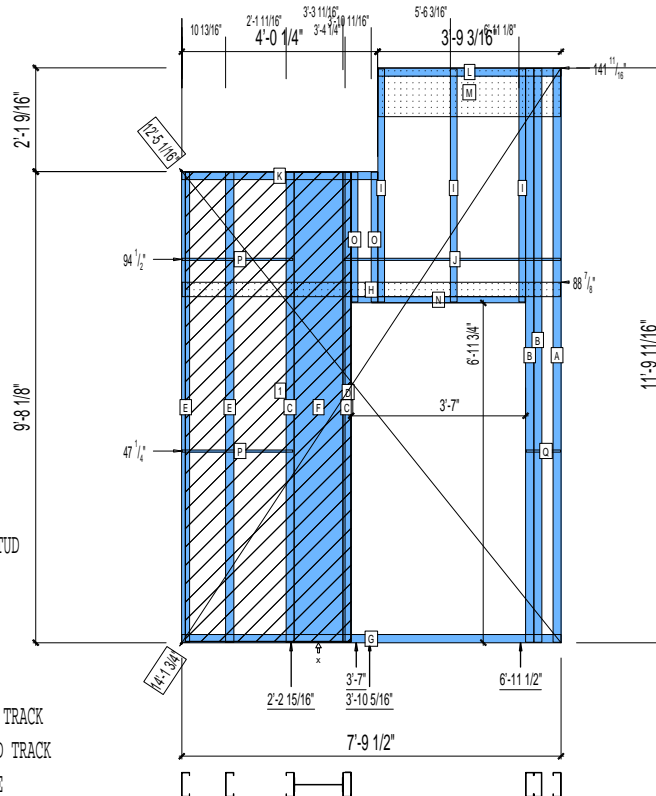
1st STUD: 11 7/8"

WEIGHTS :

FRAME : 468 lbs

SHEATHING: 121 lbs

TOTAL: 589 lbs



PIECES LIST

LABEL	QTY	SIZE	LENGTH	USE
A	1	600S200-97	11'-9 1/2"	STUD
B	2	600S200-97	11'-9 1/2"	KING STUD
C	2	600S200-68	9'-7 7/8"	STUD
D	1	600T150-54	9'-7 7/8"	CAP
E	2	600S200-97	9'-7 7/8"	STUD
F	1	1200i350p1062	9'-7 7/8"	PACO
G	1	600T200-68	7'-9 1/2"	BOTTOM TRACK
H	1	350T125-33	7'-9 5/16"	NOTCHED TRACK
I	3	600S162-54	4'-9 7/16"	CRIPPLE
J	1	150U50-54	4'-5 3/8"	HORIZONTAL BRACING
K	1	600T200-68	4'-0 1/4"	TOP TRACK
L	1	600T200-68	3'-9 1/16"	TOP TRACK
M	1	1200D-54	3'-9"	STRAP
N	1	600T150-54	3'-6 3/4"	HEAD TRACK
O	2	600S162-54	2'-8"	CRIPPLE
P	2	150U50-54	2'-3 5/16"	HORIZONTAL BRACING
Q	1	150U50-54	8 1/2"	HORIZONTAL BRACING

SHEATHING

LABEL	QTY	CODE	THICK	SIZE	SCREWS
1	1	SB-DENSARMOR	5/8"	3'-4 13/16" X	9'-7 3/4" 2-12

21-1259

Jewish Home for the Aging

1885 Victory Blvd. Reseda, CA

FrameMax, Inc.
13915 Danielson St
Suite 100
Poway, CA 92064
www.frame-max.com



© FrameMax Inc.

CREATED: 09/29/2008

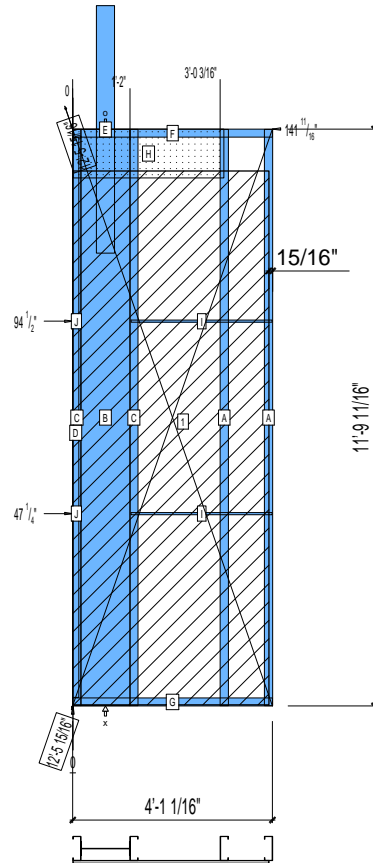
FM-07-109

CREATED BY: TNT

HEIGHT : 14'-3 15/16" POINTS: 2.72 Points.
SPACING : 24"
1st STUD: 13 1/4"

WEIGHTS :
FRAME : 353 lbs
SHEATHING: 161 lbs

TOTAL: 514 lbs



PIECES LIST

LABEL	QTY	SIZE	LENGTH	USE
A	2	600S200-97	11'-9 1/2"	STUD
B	1	1200i350p1062	11'-9 1/2"	PACO
C	2	600S200-68	11'-9 1/2"	STUD
D	1	600T150-33	11'-5 7/16"	CAP TRACK
E	1	D	5'-0 3/4"	HOLDDOWN
F	1	600T200-68	4'-1 1/16"	TOP TRACK
G	1	600T200-68	4'-1 1/16"	BOTTOM TRACK
H	1	1200D-54	3'-0 15/16"	STRAP
I	2	150U50-54	2'-10 5/8"	HORIZONTAL BRACING
J	2	150U50-54	1 5/8"	HORIZONTAL BRACING

SHEATHING

LABEL	QTY	CODE	THICK	SIZE	SCREWS
1	1	SB-DENSARMOR	5/8"	4'-0 1/16" X 10'-11 1/8"	2-12

21-1260

Jewish Home for the Aging

1885 Victory Blvd. Reseda, CA

FrameMax, Inc.
13915 Danielson St
Suite 100
Poway, CA 92064
www.frame-max.com



© FrameMax Inc.

CREATED: 09/26/2008

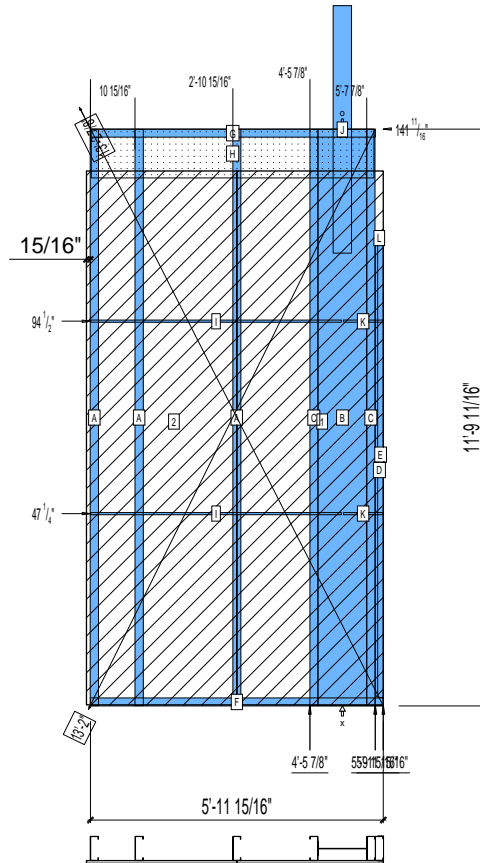
FM-07-109

CREATED BY: TNT

HEIGHT : 11'-9 11/16" POINTS: 3.62 Points.
SPACING : 24"
1st STUD: 12"

WEIGHTS :
FRAME : 447 lbs
SHEATHING: 244 lbs

TOTAL: 691 lbs



PIECES LIST

LABEL	QTY	SIZE	LENGTH	USE
A	3	600S200-97	11'-9 1/2"	STUD
B	1	1200i350p1062	11'-9 1/2"	PACO
C	2	600S200-68	11'-9 1/2"	STUD
D	1	600S200-97	9'-7 3/4"	BEAM JACK
E	1	600T150-33	9'-3 11/16"	CAP TRACK
F	1	600T200-68	5'-11 15/16"	BOTTOM TRACK
G	1	600T200-68	5'-9 15/16"	TOP TRACK
H	1	1200D-54	5'-9 7/16"	STRAP
I	2	150U50-54	5'-1 9/16"	HORIZONTAL BRACING
J	1	D	5'-0 3/4"	HOLDDOWN
K	2	150U50-54	9 11/16"	HORIZONTAL BRACING
L	1	600T200-68	2"	BEAM JACK

SHEATHING

LABEL	QTY	CODE	THICK	SIZE	SCREWS
1	1	SB-DENSARMOR	5/8"	2'-11 15/16" X 10'-11 1/8"	2-12
2	1	SB-DENSARMOR	5/8"	3'-0 15/16" X 10'-11 1/8"	2-12

21-1261

Jewish Home for the Aging

1885 Victory Blvd. Reseda, CA

FM-07-109

CREATED BY: TNT

FrameMax, Inc.
13915 Danielson St
Suite 100
Poway, CA 92064
www.frame-max.com

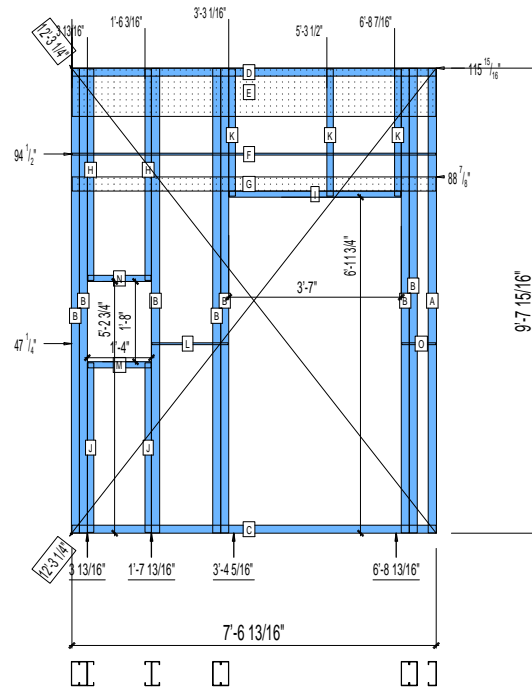


© FrameMax Inc.

HEIGHT : 9'-7 15/16" POINTS: 2.51 Points.
SPACING : 24"
1st STUD: 11 7/8"

WEIGHTS :
FRAME : 401 lbs

TOTAL: 401 lbs



PIECES LIST

LABEL	QTY	SIZE	LENGTH	USE
A	1	600S200-97	9'-7 3/4"	STUD
B	7	600S200-97	9'-7 3/4"	KING STUD
C	1	600T200-68	7'-6 13/16"	BOTTOM TRACK
D	1	600T200-68	7'-6 13/16"	TOP TRACK
E	1	1200D-54	7'-6 5/8"	STRAP
F	1	150U50-54	7'-6 5/8"	HORIZONTAL BRACING
G	1	350T125-33	7'-6 5/8"	NOTCHED TRACK
H	2	600S162-54	4'-4 11/16"	CRIPPLE
I	1	600T150-54	3'-6 3/4"	HEAD TRACK
J	2	600S162-54	3'-6 1/4"	CRIPPLE
K	3	600S162-54	2'-7 11/16"	CRIPPLE
L	1	150U50-54	1'-7"	HORIZONTAL BRACING
M	1	600T150-54	1'-3 3/4"	SILL
N	1	600T150-54	1'-3 3/4"	HEAD TRACK
O	1	150U50-54	8 1/2"	HORIZONTAL BRACING

21-1262

Jewish Home for the Aging

1885 Victory Blvd. Reseda, CA

FrameMax, Inc.
13915 Danielson St
Suite 100
Poway, CA 92064
www.frame-max.com



© FrameMax Inc.

CREATED: 09/26/2008

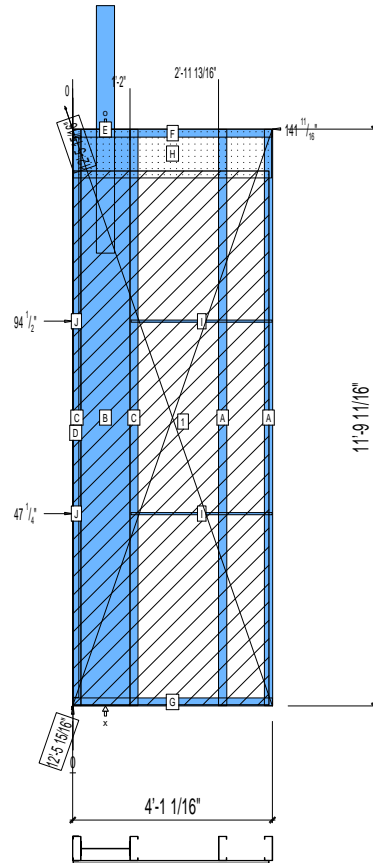
FM-07-109

CREATED BY: TNT

HEIGHT : 11'-9 11/16" POINTS: 2.73 Points.
SPACING : 24"
1st STUD: 12 7/8"

WEIGHTS :
FRAME : 356 lbs
SHEATHING: 161 lbs

TOTAL: 517 lbs



PIECES LIST

LABEL	QTY	SIZE	LENGTH	USE
A	2	600S200-97	11'-9 1/2"	STUD
B	1	1200i350p1062	11'-9 1/2"	PACO
C	2	600S200-68	11'-9 1/2"	STUD
D	1	600T150-33	11'-5 7/16"	CAP TRACK
E	1	D	5'-0 3/4"	HOLDDOWN
F	1	600T200-68	4'-1 1/16"	TOP TRACK
G	1	600T200-68	4'-1 1/16"	BOTTOM TRACK
H	1	1200D-54	4'-0 11/16"	STRAP
I	2	150U50-54	2'-10 5/8"	HORIZONTAL BRACING
J	2	150U50-54	1 5/8"	HORIZONTAL BRACING

SHEATHING

LABEL	QTY	CODE	THICK	SIZE	SCREWS
1	1	SB-DENSARMOR	5/8"	4'-0 1/16" X 10'-11 1/8"	2-12

21-1263

Jewish Home for the Aging

1885 Victory Blvd. Reseda, CA

FrameMax, Inc.
13915 Danielson St
Suite 100
Poway, CA 92064
www.frame-max.com



© FrameMax Inc.

CREATED: 09/26/2008

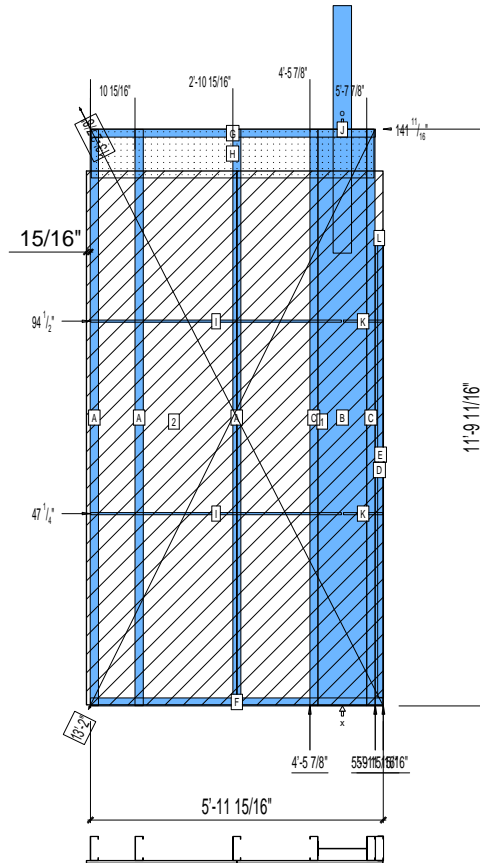
FM-07-109

CREATED BY: TNT

HEIGHT : 11'-9 11/16" POINTS: 3.62 Points.
SPACING : 24"
1st STUD: 12"

WEIGHTS :
FRAME : 447 lbs
SHEATHING: 244 lbs

TOTAL: 691 lbs



PIECES LIST

LABEL	QTY	SIZE	LENGTH	USE
A	3	600S200-97	11'-9 1/2"	STUD
B	1	1200i350p1062	11'-9 1/2"	PACO
C	2	600S200-68	11'-9 1/2"	STUD
D	1	600S200-97	9'-7 3/4"	BEAM JACK
E	1	600T150-33	9'-3 11/16"	CAP TRACK
F	1	600T200-68	5'-11 15/16"	BOTTOM TRACK
G	1	600T200-68	5'-9 15/16"	TOP TRACK
H	1	1200D-54	5'-9 7/16"	STRAP
I	2	150U50-54	5'-1 9/16"	HORIZONTAL BRACING
J	1	D	5'-0 3/4"	HOLDDOWN
K	2	150U50-54	9 11/16"	HORIZONTAL BRACING
L	1	600T200-68	2"	BEAM JACK

SHEATHING

LABEL	QTY	CODE	THICK	SIZE	SCREWS
1	1	SB-DENSARMOR	5/8"	2'-11 15/16" X 10'-11 1/8"	2-12
2	1	SB-DENSARMOR	5/8"	3'-0 15/16" X 10'-11 1/8"	2-12

21-1264

Jewish Home for the Aging

1885 Victory Blvd. Reseda, CA

FM-07-109

CREATED BY: TNT

FrameMax, Inc.
13915 Danielson St
Suite 100
Poway, CA 92064
www.frame-max.com



© FrameMax Inc.

HEIGHT : 9'-7 15/16" POINTS: 3.30 Points.

SPACING : 24"

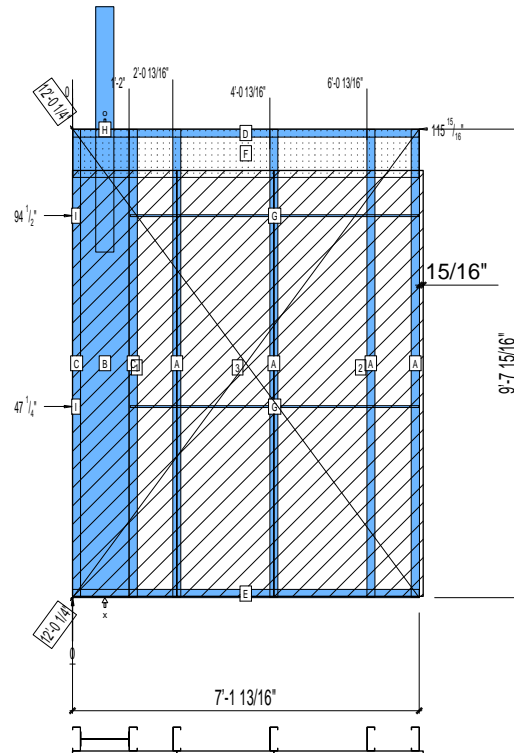
1st STUD: 1 7/8"

WEIGHTS :

FRAME : 389 lbs

SHEATHING: 234 lbs

TOTAL: 623 lbs



PIECES LIST

LABEL	QTY	SIZE	LENGTH	USE
A	4	600S200-97	9'-7 3/4"	STUD
B	1	1200i350p1062	9'-7 3/4"	PACO
C	2	600S200-68	9'-7 3/4"	STUD
D	1	600T200-68	7'-1 13/16"	TOP TRACK
E	1	600T200-68	7'-1 13/16"	BOTTOM TRACK
F	1	1200D-54	7'-1 9/16"	STRAP
G	2	150U50-54	5'-11 3/8"	HORIZONTAL BRACING
H	1	D	5'-0 3/4"	HOLDDOWN
I	2	150U50-54	1 5/8"	HORIZONTAL BRACING

SHEATHING

LABEL	QTY	CODE	THICK	SIZE	SCREWS
1	1	SB-DENSARMOR	5/8"	2'-1 7/8" X	8'-9 3/8" 2-12
2	1	SB-DENSARMOR	5/8"	3'-0 15/16" X	8'-9 3/8" 2-12
3	1	SB-DENSARMOR	5/8"	2'-0" X	8'-9 3/8" 2-12

21-1265

Jewish Home for the Aging

1885 Victory Blvd. Reseda, CA

FrameMax, Inc.
13915 Danielson St
Suite 100
Poway, CA 92064
www.frame-max.com



© FrameMax Inc.

CREATED: 10/01/2008

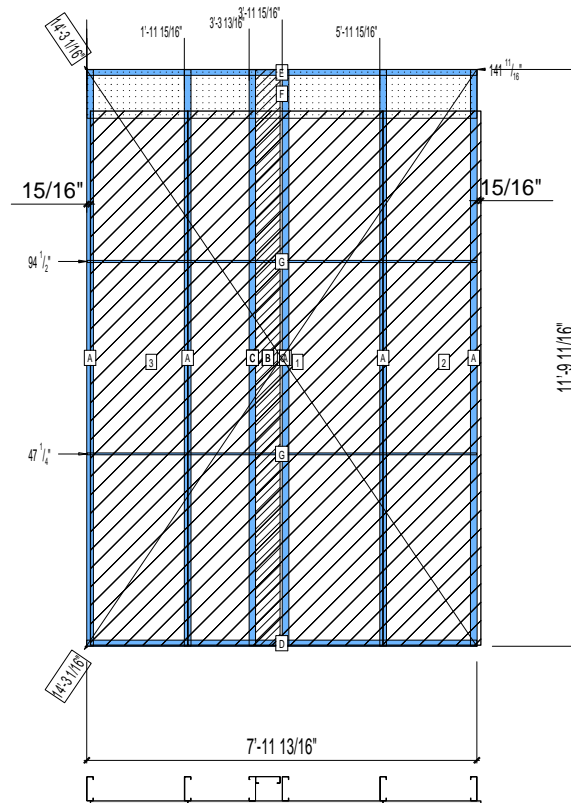
FM-07-109

CREATED BY: TNT

HEIGHT : 11'-9 11/16" POINTS: 3.17 Points.
SPACING : 5000"
1st STUD: 5000"

WEIGHTS :
FRAME : 284 lbs
SHEATHING: 321 lbs

TOTAL: 605 lbs



PIECES LIST

LABEL	QTY	SIZE	LENGTH	USE
A	5	600S162-97	11'-9 9/16"	STUD
B	1	600S162-33	11'-9 1/2"	BACKER-U
C	1	600S162-33	11'-9 1/2"	BACKER STUD
D	1	600T150-68	7'-11 13/16"	BOTTOM TRACK
E	1	600T150-68	7'-11 13/16"	TOP TRACK
F	1	1200D-54	7'-11 3/4"	STRAP
G	2	150U50-54	7'-11 5/8"	HORIZONTAL BRACING

SHEATHING

LABEL	QTY	CODE	THICK	SIZE	SCREWS
1	1	SB-DENSARMOR	5/8"	3'-11 15/16" X 10'-11 1/8"	2-12
2	1	SB-DENSARMOR	5/8"	2'-0" X 10'-11 1/8"	2-12
3	1	SB-DENSARMOR	5/8"	1'-11 7/8" X 10'-11 1/8"	2-12

21-1266

Jewish Home for the Aging

1885 Victory Blvd. Reseda, CA

FrameMax, Inc.
13915 Danielson St
Suite 100
Poway, CA 92064
www.frame-max.com



© FrameMax Inc.

CREATED: 10/01/2008

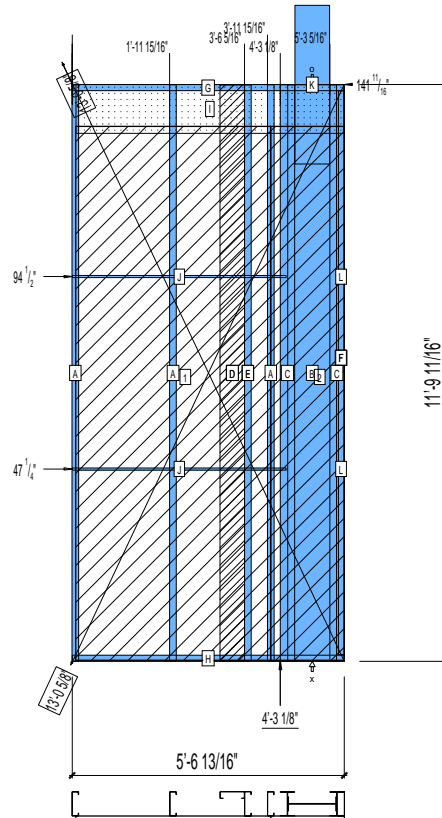
FM-07-109

CREATED BY: AMB

HEIGHT : 11'-9 11/16" POINTS: 4.60 Points.
SPACING : 5000"
1st STUD: 5000"

WEIGHTS :
FRAME : 688 lbs
SHEATHING: 221 lbs

TOTAL: 909 lbs



PIECES LIST

LABEL	QTY	SIZE	LENGTH	USE
A	3	600S162-97	11'-9 9/16"	STUD
B	1	1200i350p1420	11'-9 9/16"	PACO
C	2	600i350p968	11'-9 9/16"	PACO
D	1	600S162-33	11'-9 7/16"	BACKER-U
E	1	600S162-33	11'-9 7/16"	BACKER STUD
F	1	600T150-33	11'-6 7/16"	CAP TRACK
G	1	600T150-68	5'-6 13/16"	TOP TRACK
H	1	600T150-68	5'-6 13/16"	BOTTOM TRACK
I	1	1200D-54	5'-5 11/16"	STRAP
J	2	150U50-54	4'-4 1/2"	HORIZONTAL BRACING
K	1	F	3'-3"	HOLDDOWN
L	2	150U50-54	1 3/8"	HORIZONTAL BRACING

SHEATHING

LABEL	QTY	CODE	THICK	SIZE	SCREWS
1	1	SB-DENSARMOR	5/8"	3'-11 7/8" X 10'-11 1/8"	2-12
2	1	SB-DENSARMOR	5/8"	1'-6 1/16" X 10'-11 1/8"	2-12

21-1267

Jewish Home for the Aging

1885 Victory Blvd. Reseda, CA

FM-07-109

CREATED BY: AMB

FrameMax, Inc.
13915 Danielson St
Suite 100
Poway, CA 92064
www.framemax.com



© FrameMax Inc.

HEIGHT : 11'-9 11/16" POINTS: 1.40 Points.

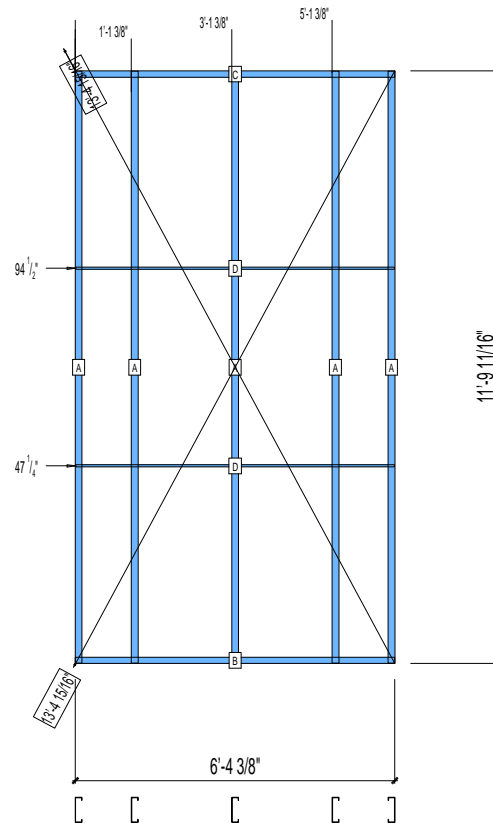
SPACING : 24"

1st STUD: 14 1/4"

WEIGHTS :

FRAME : 236 lbs

TOTAL: 236 lbs



PIECES LIST

LABEL	QTY	SIZE	LENGTH	USE
A	5	600S162-97	11'-9 9/16"	STUD
B	1	600T150-68	6'-4 3/8"	BOTTOM TRACK
C	1	600T150-68	6'-4 3/8"	TOP TRACK
D	2	150U50-54	6'-4 3/16"	HORIZONTAL BRACING

21-1268

Jewish Home for the Aging

1885 Victory Blvd. Reseda, CA

FrameMax, Inc.
13915 Danielson St
Suite 100
Poway, CA 92064
www.frame-max.com



© FrameMax Inc.

CREATED: 09/26/2008

FM-07-109

CREATED BY: TNT

HEIGHT : 14'-3 15/16" POINTS: 2.64 Points.

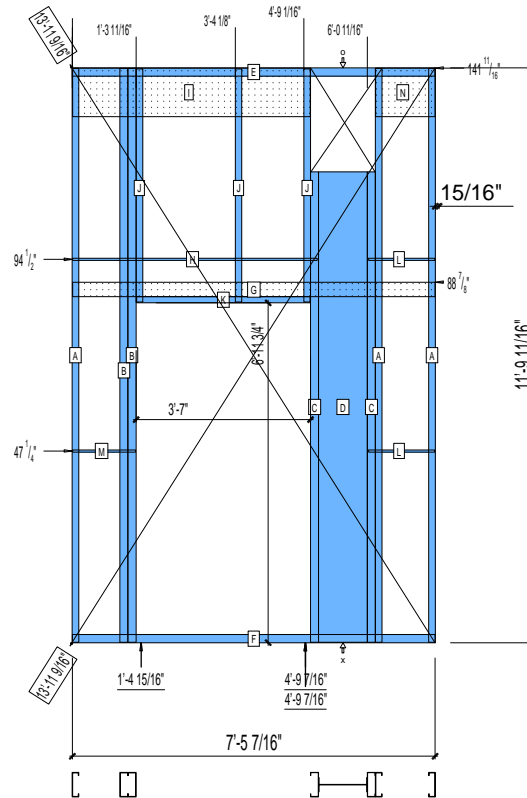
SPACING : 24"

1st STUD: 9 3/8"

WEIGHTS :

FRAME : 449 lbs

TOTAL: 449 lbs



PIECES LIST

LABEL	QTY	SIZE	LENGTH	USE
A	3	600S162-97	11'-9 1/2"	STUD
B	2	600S200-97	11'-9 1/2"	KING STUD
C	2	600S200-68	9'-7 15/16"	STUD
D	1	1200i350p1062	9'-7 15/16"	PACO
E	1	600T200-68	7'-5 7/16"	TOP TRACK
F	1	600T200-68	7'-5 7/16"	BOTTOM TRACK
G	1	350T125-33	7'-5 5/16"	NOTCHED TRACK
H	1	150U50-54	5'-0 5/16"	HORIZONTAL BRACING
I	1	1200D-54	4'-10 9/16"	STRAP
J	3	600S162-54	4'-9 7/16"	CRIPPLE
K	1	600T150-54	3'-6 3/4"	HEAD TRACK
L	2	150U50-54	1'-4 5/16"	HORIZONTAL BRACING
M	1	150U50-54	1'-3 1/2"	HORIZONTAL BRACING
N	1	1200D-54	1'-2 5/8"	STRAP

21-1269

Jewish Home for the Aging

1885 Victory Blvd. Reseda, CA

FrameMax, Inc.
13915 Danielson St
Suite 100
Poway, CA 92064
www.frame-max.com



© FrameMax Inc.

CREATED: 09/26/2008

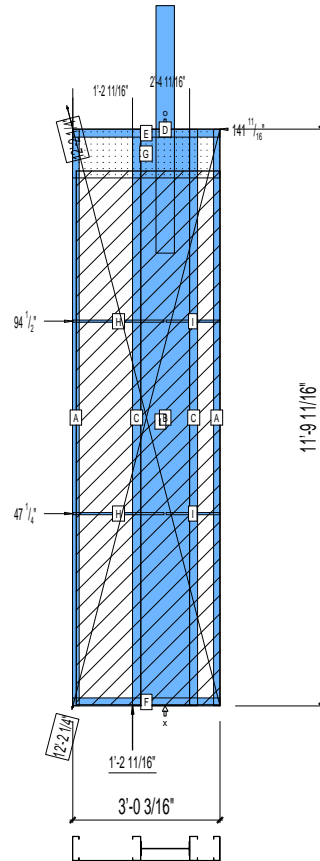
FM-07-109

CREATED BY: TNT

HEIGHT : 14'-3 15/16" POINTS: 2.36 Points.
SPACING : 24"
1st STUD: 24"

WEIGHTS :
FRAME : 328 lbs
SHEATHING: 118 lbs

TOTAL: 446 lbs



PIECES LIST

LABEL	QTY	SIZE	LENGTH	USE
A	2	600S162-97	11'-9 1/2"	STUD
B	1	1200i350p1062	11'-9 1/2"	PACO
C	2	600S200-68	11'-9 1/2"	STUD
D	1	D	5'-0 3/4"	HOLDDOWN
E	1	600T200-68	3'-0 3/16"	TOP TRACK
F	1	600T200-68	3'-0 3/16"	BOTTOM TRACK
G	1	1200D-54	3'-0 1/8"	STRAP
H	2	150U50-54	1'-10 3/8"	HORIZONTAL BRACING
I	2	150U50-54	1'-1 1/8"	HORIZONTAL BRACING

SHEATHING

LABEL	QTY	CODE	THICK	SIZE	SCREWS
1	1	SB-DENSARMOR	5/8"	2'-11 5/16" X 10'-11 1/8"	2-12

21-1270

Jewish Home for the Aging

1885 Victory Blvd. Reseda, CA

FrameMax, Inc.
13915 Danielson St
Suite 100
Poway, CA 92064
www.frame-max.com



© FrameMax Inc.

CREATED: 09/26/2008

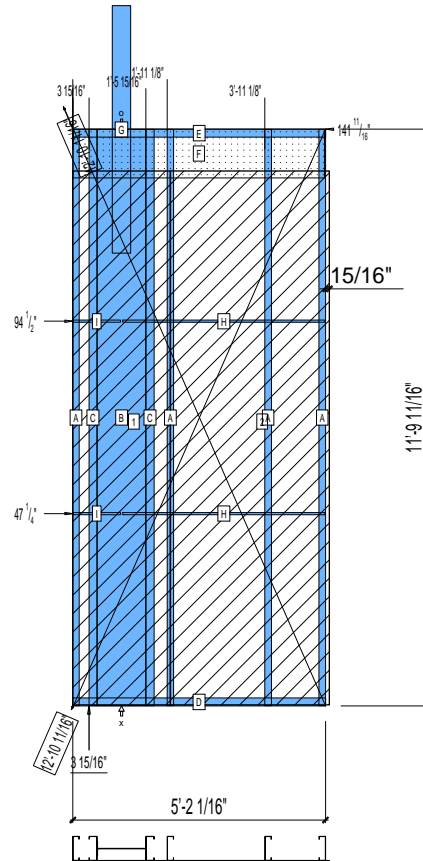
FM-07-109

CREATED BY: TNT

HEIGHT : 14'-3 15/16" POINTS: 3.30 Points.
SPACING : 24"
1st STUD: 24"

WEIGHTS :
FRAME : 423 lbs
SHEATHING: 211 lbs

TOTAL: 634 lbs



PIECES LIST

LABEL	QTY	SIZE	LENGTH	USE
A	4	600S162-97	11'-9 1/2"	STUD
B	1	1200i350p1062	11'-9 1/2"	PACO
C	2	600S200-68	11'-9 1/2"	STUD
D	1	600T200-68	5'-2 1/16"	BOTTOM TRACK
E	1	600T200-68	5'-2 1/16"	TOP TRACK
F	1	1200D-54	5'-1 3/4"	STRAP
G	1	D	5'-0 3/4"	HOLDDOWN
H	2	150U50-54	4'-1 3/4"	HORIZONTAL BRACING
I	2	150U50-54	11 5/8"	HORIZONTAL BRACING

SHEATHING

LABEL	QTY	CODE	THICK	SIZE	SCREWS
1	1	SB-DENSARMOR	5/8"	2'-0" X 10'-11 1/8"	2-12
2	1	SB-DENSARMOR	5/8"	3'-3 1/16" X 10'-11 1/8"	2-12

21-1271

Jewish Home for the Aging

1885 Victory Blvd. Reseda, CA

FrameMax, Inc.
13915 Danielson St
Suite 100
Poway, CA 92064
www.frame-max.com



© FrameMax Inc.

CREATED: 09/26/2008

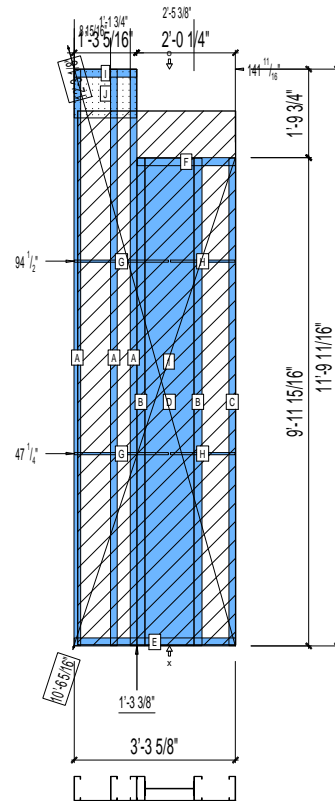
FM-07-109

CREATED BY: TNT

HEIGHT : 14'-3 15/16" POINTS: 2.47 Points.
SPACING : 24"
1st STUD: 9 13/16"

WEIGHTS :
FRAME : 329 lbs
SHEATHING: 130 lbs

TOTAL: 459 lbs



PIECES LIST

LABEL	QTY	SIZE	LENGTH	USE
A	3	600S162-97	11'-9 1/2"	STUD
B	2	600S200-68	9'-11 11/16"	STUD
C	1	600S162-97	9'-11 11/16"	STUD
D	1	1200i350p1062	9'-11 11/16"	PACO
E	1	600T200-68	3'-3 5/8"	BOTTOM TRACK
F	1	600T200-68	2'-0 1/8"	TOP TRACK
G	2	150U50-54	1'-11 1/16"	HORIZONTAL BRACING
H	2	150U50-54	1'-3 7/8"	HORIZONTAL BRACING
I	1	600T200-68	1'-3 5/16"	TOP TRACK
J	1	1200D-54	1'-3 5/16"	STRAP

SHEATHING

LABEL	QTY	CODE	THICK	SIZE	SCREWS
1	1	SB-DENSARMOR	5/8"	3'-2 3/4" X 10'-11 1/8"	2-12

21-1273

Jewish Home for the Aging

1885 Victory Blvd. Reseda, CA

FrameMax, Inc.
13915 Danielson St
Suite 100
Poway, CA 92064
www.frame-max.com



© FrameMax Inc.

CREATED: 09/26/2008

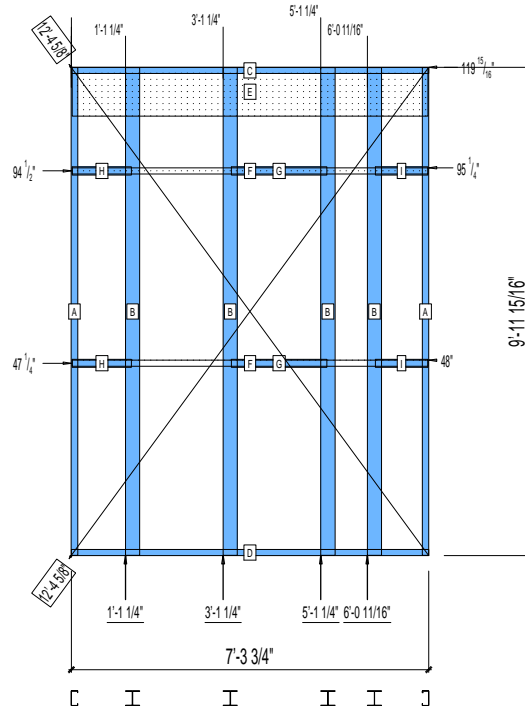
FM-07-109

CREATED BY: AMB

HEIGHT : 9'-11 15/16" POINTS: 1.94 Points.
SPACING : 5000"
1st STUD: 5000"

WEIGHTS :
FRAME : 313 lbs

TOTAL: 313 lbs



PIECES LIST

LABEL	QTY	SIZE	LENGTH	USE
A	2	362S162-54	9'-11 13/16"	STUD
B	4	363I350p554	9'-11 13/16"	PACO. COLUMN
C	1	362T150-68	7'-3 3/4"	TOP TRACK
D	1	362T150-68	7'-3 3/4"	BOTTOM TRACK
E	1	1200D-54	7'-3 5/16"	STRAP
F	2	150D-43	7'-3 5/16"	STRAP
G	2	362T200-68	1'-11 1/2"	BLOCK
H	2	362T200-68	1'-2 9/16"	BLOCK
I	2	362T200-68	1'-0 7/8"	BLOCK

21-1274

Jewish Home for the Aging

1885 Victory Blvd. Reseda, CA

FrameMax, Inc.
13915 Danielson St
Suite 100
Poway, CA 92064
www.frame-max.com



© FrameMax Inc.

CREATED: 09/26/2008

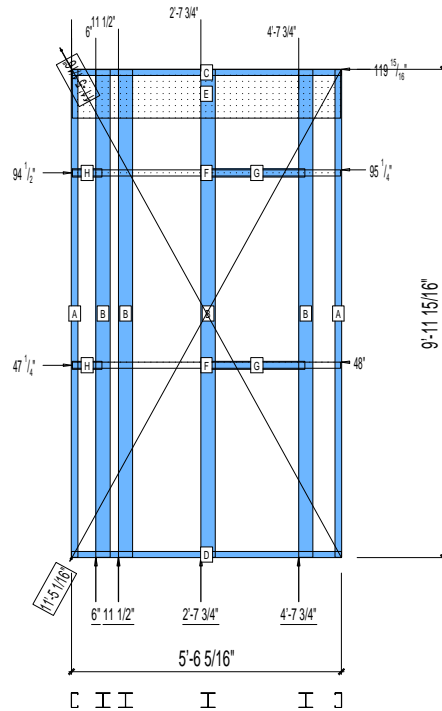
FM-07-109

CREATED BY: AMB

HEIGHT : 9'-11 15/16" POINTS: 1.78 Points.
SPACING : 5000"
1st STUD: 5000"

WEIGHTS :
FRAME : 295 lbs

TOTAL: 295 lbs



PIECES LIST

LABEL	QTY	SIZE	LENGTH	USE
A	2	362S162-54	9'-11 13/16"	STUD
B	4	363i350p554	9'-11 13/16"	PACO.COLUMN
C	1	362T150-68	5'-6 5/16"	TOP TRACK
D	1	362T150-68	5'-6 5/16"	BOTTOM TRACK
E	1	1200D-54	5'-5 7/8"	STRAP
F	2	150D-43	5'-5 7/8"	STRAP
G	2	362T200-68	1'-11 1/2"	BLOCK
H	2	362T200-68	7 1/4"	BLOCK

21-1275

Jewish Home for the Aging

1885 Victory Blvd. Reseda, CA

FrameMax, Inc.
13915 Danielson St
Suite 100
Poway, CA 92064
www.frame-max.com



© FrameMax Inc.

CREATED: 09/26/2008

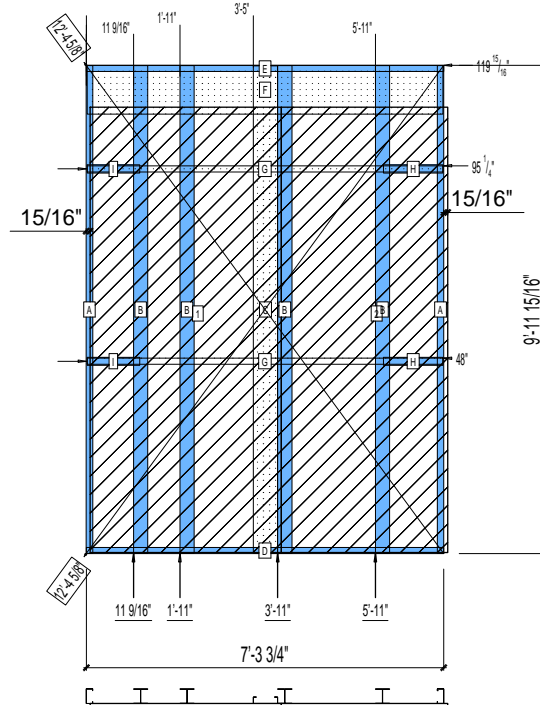
FM-07-109

CREATED BY: TNT

HEIGHT : 9'-11 15/16" POINTS: 3.00 Points.
SPACING : 5000"
1st STUD: 5000"

WEIGHTS :
FRAME : 306 lbs
SHEATHING: 246 lbs

TOTAL: 552 lbs



PIECES LIST

LABEL	QTY	SIZE	LENGTH	USE
A	2	362S162-54	9'-11 13/16"	STUD
B	4	3631350p554	9'-11 13/16"	PACO. COLUMN
C	1	600S162-33	9'-11 11/16"	BACKER-U
D	1	362T150-68	7'-3 3/4"	BOTTOM TRACK
E	1	362T150-68	7'-3 3/4"	TOP TRACK
F	1	1200D-54	7'-3 5/16"	STRAP
G	2	150D-43	7'-3 5/16"	STRAP
H	2	362T200-68	1'-2 9/16"	BLOCK
I	2	362T200-68	1'-0 7/8"	BLOCK

SHEATHING

LABEL	QTY	CODE	THICK	SIZE	SCREWS
1	1	SB-DENSARMOR	5/8"	3'-10 15/16" X	9'-1 3/8" 2-12
2	1	SB-DENSARMOR	5/8"	3'-4 7/8" X	9'-1 3/8" 2-12

21-1276

Jewish Home for the Aging

1885 Victory Blvd. Reseda, CA

FrameMax, Inc.
13915 Danielson St
Suite 100
Poway, CA 92064
www.frame-max.com



© FrameMax Inc.

CREATED: 09/26/2008

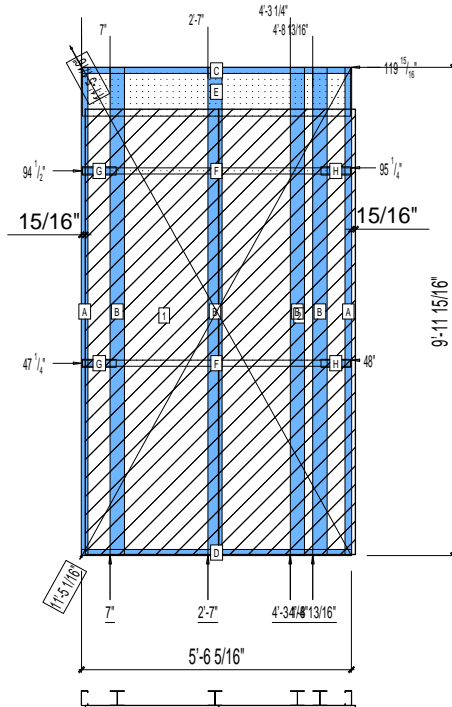
FM-07-109

CREATED BY: TNT

HEIGHT : 9'-11 15/16" POINTS: 2.56 Points.
SPACING : 5000"
1st STUD: 5000"

WEIGHTS :
FRAME : 282 lbs
SHEATHING: 186 lbs

TOTAL: 468 lbs



PIECES LIST

LABEL	QTY	SIZE	LENGTH	USE
A	2	362S162-54	9'-11 13/16"	STUD
B	4	363i350p554	9'-11 13/16"	PACO. COLUMN
C	1	362T150-68	5'-6 5/16"	TOP TRACK
D	1	362T150-68	5'-6 5/16"	BOTTOM TRACK
E	1	1200D-54	5'-5 7/8"	STRAP
F	2	150D-43	5'-5 7/8"	STRAP
G	2	362T200-68	8 5/16"	BLOCK
H	2	362T200-68	7 1/4"	BLOCK

SHEATHING

LABEL	QTY	CODE	THICK	SIZE	SCREWS
1	1	SB-DENSARMOR	5/8"	2'-8 3/4" X	9'-1 3/8" 2-12
2	1	SB-DENSARMOR	5/8"	2'-9 5/8" X	9'-1 3/8" 2-12

21-1278

Jewish Home for the Aging

1885 Victory Blvd. Reseda, CA

FrameMax, Inc.
13915 Danielson St
Suite 100
Poway, CA 92064
www.frame-max.com



© FrameMax Inc.

CREATED: 09/26/2008

FM-07-109

CREATED BY: AMB

HEIGHT : 11'-9 11/16" POINTS: 2.14 Points.

SPACING : 24"

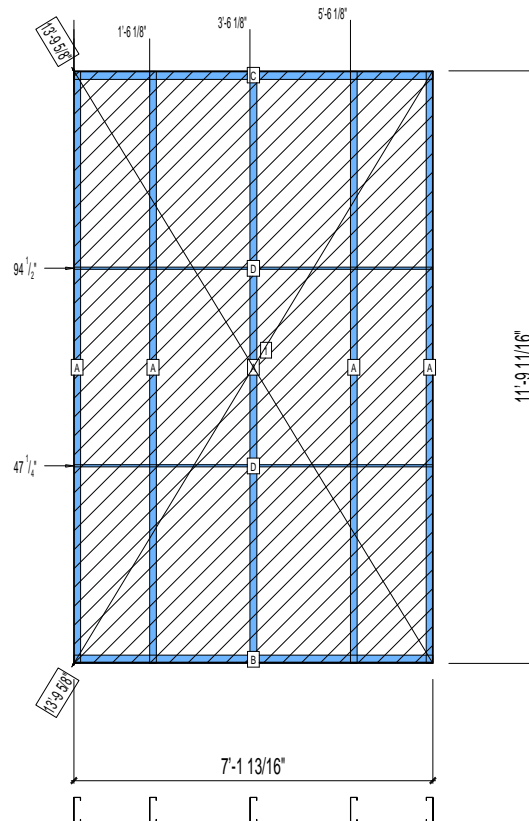
1st STUD: 18 15/16"

WEIGHTS :

FRAME : 187 lbs

SHEATHING: 210 lbs

TOTAL: 397 lbs



PIECES LIST

LABEL	QTY	SIZE	LENGTH	USE
A	5	600S162-68	11'-9 1/2"	STUD
B	1	600T200-68	7'-1 13/16"	BOTTOM TRACK
C	1	600T200-68	7'-1 13/16"	TOP TRACK
D	2	150U50-54	7'-1 5/8"	HORIZONTAL BRACING

SHEATHING

LABEL	QTY	CODE	THICK	SIZE	SCREWS
1	1	DENSGLASS	1/2"	7'-1 5/8" X 11'-9 1/4"	8 - 12

21-1279

Jewish Home for the Aging

1885 Victory Blvd. Reseda, CA

FrameMax, Inc.
13915 Danielson St
Suite 100
Poway, CA 92064
www.framemax.com



© FrameMax Inc.

CREATED: 10/07/2008

FM-07-109

CREATED BY: AMB

HEIGHT : 11'-9 11/16" POINTS: 2.48 Points.

SPACING : 24"

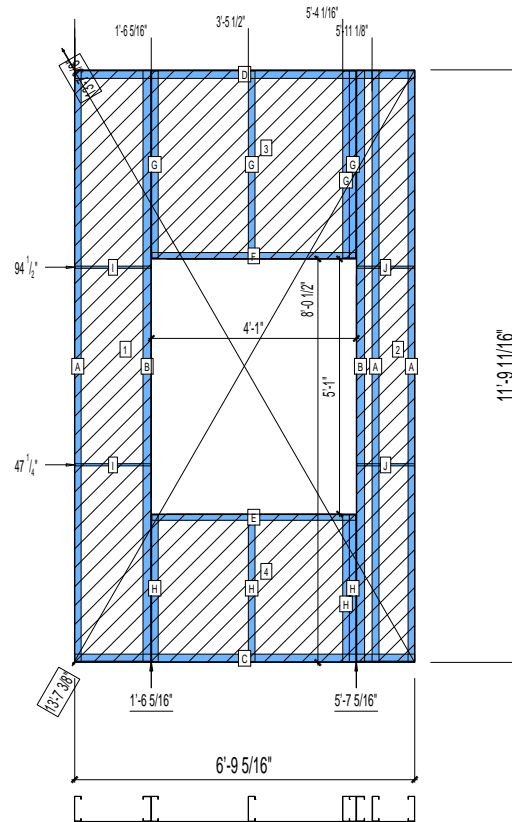
1st STUD: 24"

WEIGHTS :

FRAME : 269 lbs

SHEATHING: 147 lbs

TOTAL: 416 lbs



PIECES LIST

LABEL	QTY	SIZE	LENGTH	USE
A	3	600S162-68	11'-9 1/2"	STUD
B	2	600S200-97	11'-9 1/2"	KING STUD
C	1	600T200-68	6'-9 5/16"	BOTTOM TRACK
D	1	600T200-68	6'-9 5/16"	TOP TRACK
E	1	600T150-54	4'-0 3/4"	SILL
F	1	600T150-54	4'-0 3/4"	HEAD TRACK
G	4	600S162-54	3'-8 3/4"	CRIPPLE
H	4	600S162-54	2'-11 1/16"	CRIPPLE
I	2	150U50-54	1'-6 1/8"	HORIZONTAL BRACING
J	2	150U50-54	1'-1 3/4"	HORIZONTAL BRACING

SHEATHING

LABEL	QTY	CODE	THICK	SIZE	SCREWS
1	1	DENSGLASS	1/2"	1'-6 1/4" X 11'-9 1/4"	8 - 12
2	1	DENSGLASS	1/2"	1'-1 7/8" X 11'-9 1/4"	8 - 12
3	1	DENSGLASS	1/2"	4'-0 7/8" X 3'-9"	8 - 12
4	1	DENSGLASS	1/2"	4'-0 7/8" X 2'-11 5/16"	8 - 12

21-1280

Jewish Home for the Aging

1885 Victory Blvd. Reseda, CA

FM-07-109

CREATED BY: TNT

FrameMax, Inc.
13915 Danielson St
Suite 100
Poway, CA 92064
www.frame-max.com

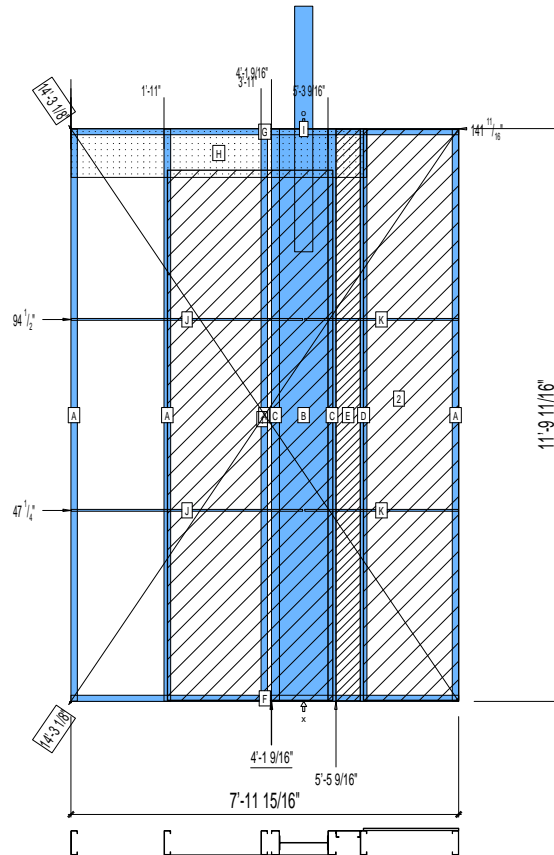


© FrameMax Inc.

HEIGHT : 14'-4" POINTS: 3.76 Points.
SPACING : 24"
1st STUD: 23 7/8"

WEIGHTS :
FRAME : 516 lbs
SHEATHING: 195 lbs

TOTAL: 711 lbs



PIECES LIST

LABEL	QTY	SIZE	LENGTH	USE
A	4	600S162-97	11'-9 9/16"	STUD
B	1	1200i350p1062	11'-9 9/16"	PACO
C	2	600S200-68	11'-9 9/16"	STUD
D	1	600S162-97	11'-9 9/16"	BACKER STUD
E	1	600S162-97	11'-9 5/16"	BACKER-U
F	1	600T150-68	7'-11 15/16"	BOTTOM TRACK
G	1	600T150-68	7'-11 15/16"	TOP TRACK
H	1	1200D-54	6'-1 1/8"	STRAP
I	1	D	5'-0 3/4"	HOLDDOWN
J	2	150U50-54	4'-9 1/4"	HORIZONTAL BRACING
K	2	150U50-54	3'-2"	HORIZONTAL BRACING

SHEATHING

LABEL	QTY	CODE	THICK	SIZE	SCREWS
1	1	SB-DENSARMOR	5/8"	3'-4 15/16" X 10'-11 1/8"	2-12
2	1	DENSGLOSS	1/2"	1'-11 1/2" X 11'-9 1/4"	8 - 12

21-1281

Jewish Home for the Aging

1885 Victory Blvd. Reseda, CA

FrameMax, Inc.
13915 Danielson St
Suite 100
Poway, CA 92064
www.frame-max.com



© FrameMax Inc.

CREATED: 09/29/2008

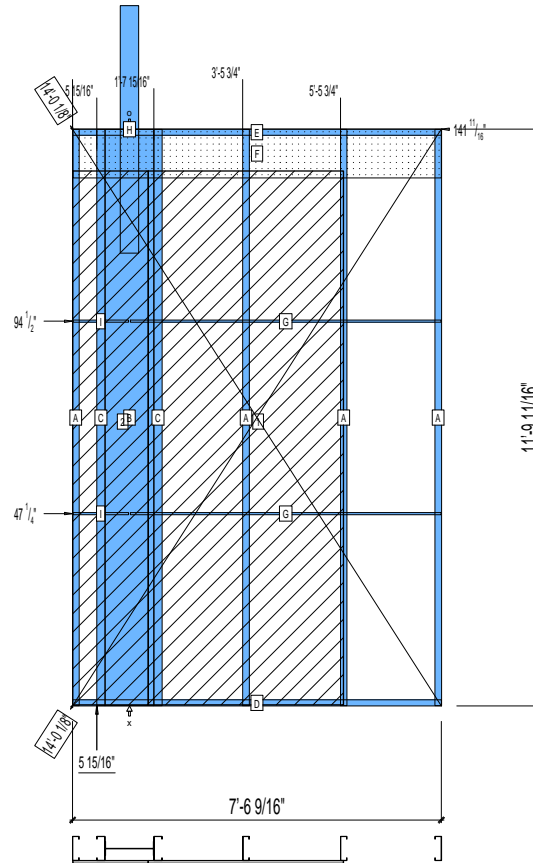
FM-07-109

CREATED BY: AMB

HEIGHT : 14'-4" POINTS: 3.52 Points.
SPACING : 24"
1st STUD: 18 5/8"

WEIGHTS :
FRAME : 448 lbs
SHEATHING: 223 lbs

TOTAL: 671 lbs



PIECES LIST

LABEL	QTY	SIZE	LENGTH	USE
A	4	600S162-97	11'-9 9/16"	STUD
B	1	1200i350p1062	11'-9 9/16"	PACO
C	2	600S200-68	11'-9 9/16"	STUD
D	1	600T150-68	7'-6 9/16"	BOTTOM TRACK
E	1	600T150-68	7'-6 9/16"	TOP TRACK
F	1	1200D-54	7'-6 7/16"	STRAP
G	2	150U50-54	6'-4 1/4"	HORIZONTAL BRACING
H	1	D	5'-0 3/4"	HOLDDOWN
I	2	150U50-54	1'-1 5/8"	HORIZONTAL BRACING

SHEATHING

LABEL	QTY	CODE	THICK	SIZE	SCREWS
1	1	SB-DENSARMOR	5/8"	3'-11 15/16" X 10'-11 1/8"	2-12
2	1	SB-DENSARMOR	5/8"	1'-6 9/16" X 10'-11 1/8"	2-12

21-1282

Jewish Home for the Aging

1885 Victory Blvd. Reseda, CA

FrameMax, Inc.
13915 Danielson St
Suite 100
Poway, CA 92064
www.framemax.com



© FrameMax Inc.

CREATED: 10/20/2008

FM-07-109

CREATED BY: TNT

HEIGHT : 11'-9 11/16" POINTS: 1.87 Points.

SPACING : 24"

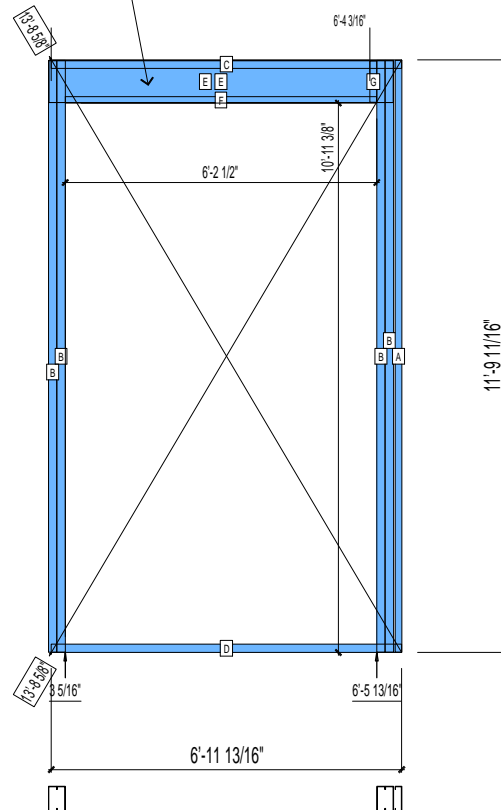
1st STUD: 24"

WEIGHTS :

FRAME : 327 lbs

TOTAL: 327 lbs

10 SCREWS
INTO EACH KING STUD



PIECES LIST

LABEL	QTY	SIZE	LENGTH	USE
A	1	600S162-97	11'-9 1/2"	STUD
B	4	600S200-97	11'-9 1/2"	KING STUD
C	1	600T200-68	6'-11 13/16"	TOP TRACK
D	1	600T200-68	6'-11 13/16"	BOTTOM TRACK
E	2	1000S200-97	6'-10 3/8"	HEADER
F	1	600T150-54	6'-2 3/8"	HEADER BOTTOM TRACK
G	1	600S162-54	9 7/8"	CRIPPLE

21-1283

Jewish Home for the Aging

1885 Victory Blvd. Reseda, CA

FM-07-109

CREATED BY: TNT

FrameMax, Inc.
13915 Danielson St
Suite 100
Poway, CA 92064
www.frame-max.com



© FrameMax Inc.

HEIGHT : 11'-9 11/16" POINTS: 1.43 Points.

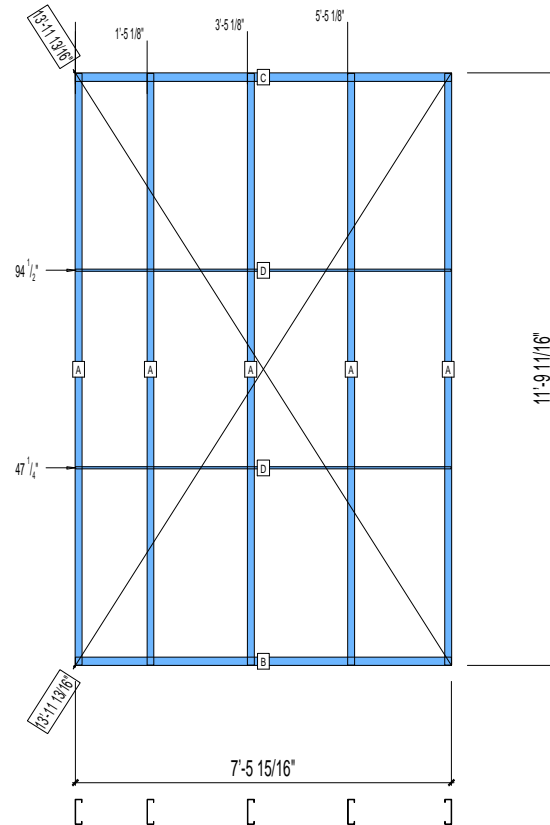
SPACING : 24"

1st STUD: 18"

WEIGHTS :

FRAME : 238 lbs

TOTAL: 238 lbs



PIECES LIST

LABEL	QTY	SIZE	LENGTH	USE
A	5	600S162-97	11'-9 1/2"	STUD
B	1	600T200-68	7'-5 15/16"	BOTTOM TRACK
C	1	600T200-68	7'-5 15/16"	TOP TRACK
D	2	150U50-54	7'-5 3/4"	HORIZONTAL BRACING

21-1284

Jewish Home for the Aging

1885 Victory Blvd. Reseda, CA

FrameMax, Inc.
13915 Danielson St
Suite 100
Poway, CA 92064
www.frame-max.com



© FrameMax Inc.

CREATED: 10/14/2008

FM-07-109

CREATED BY: AMB

HEIGHT : 11'-9 11/16" POINTS: 5.24 Points.

SPACING : 24"

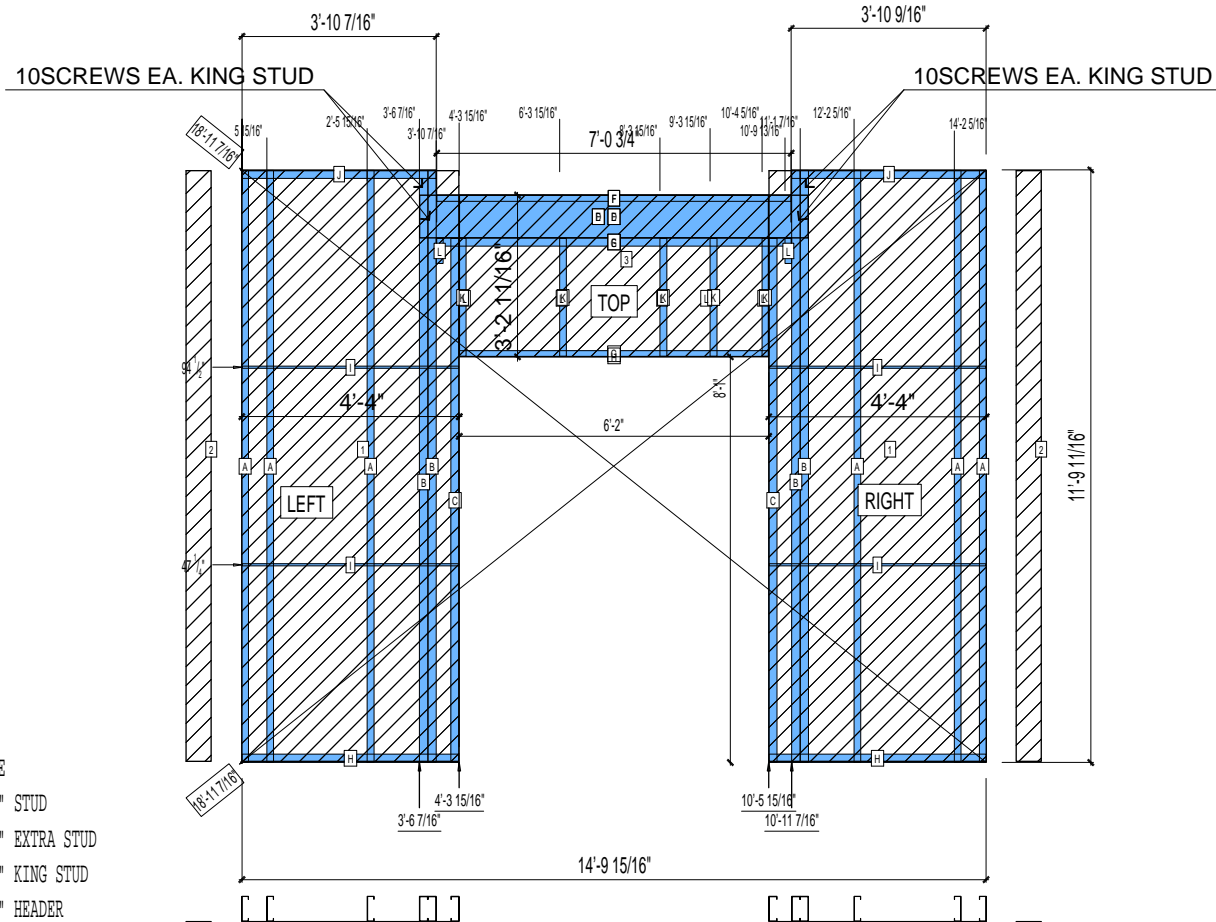
1st STUD: 24"

WEIGHTS :

FRAME : 602 lbs

SHEATHING: 334 lbs

TOTAL: 936 lbs



PIECES LIST

LABEL	QTY	SIZE	LENGTH	USE
A	6	600S162-68	11'-9 1/2"	STUD
B	4	600S200-97	11'-9 1/2"	EXTRA STUD
C	2	600S200-97	10'-5 3/16"	KING STUD
D	2	1000T200-97	7'-8 7/8"	HEADER
E	1	600T200-68	7'-0 3/4"	TOP TRACK
F	1	600T150-54	7'-0 3/4"	HEAD TRACK
G	1	600T150-54	6'-1 7/8"	HEAD TRACK
H	2	600T200-68	4'-3 7/8"	BOTTOM TRACK
I	4	150U50-54	4'-3 3/4"	HORIZONTAL BRACING
J	2	600T200-68	3'-10 7/16"	TOP TRACK
K	5	600S162-54	2'-4 3/16"	CRIPPLE
L	2	600S162-54	6"	CRIPPLE

SHEATHING

LABEL	QTY	CODE	THICK	SIZE	SCREWS
1	2	DENSGLASS	1/2"	4'-3 15/16" X 11'-9 1/4"	8 - 12
2	2	DENSGLASS	1/2"	6" X 11'-9 1/4"	8 - 12
3	1	DENSGLASS	1/2"	6'-1 7/8" X 3'-2 9/16"	8 - 12

21-1285

Jewish Home for the Aging

1885 Victory Blvd. Reseda, CA

FrameMax, Inc.
13915 Danielson St
Suite 100
Poway, CA 92064
www.frame-max.com



© FrameMax Inc.

CREATED: 09/29/2008

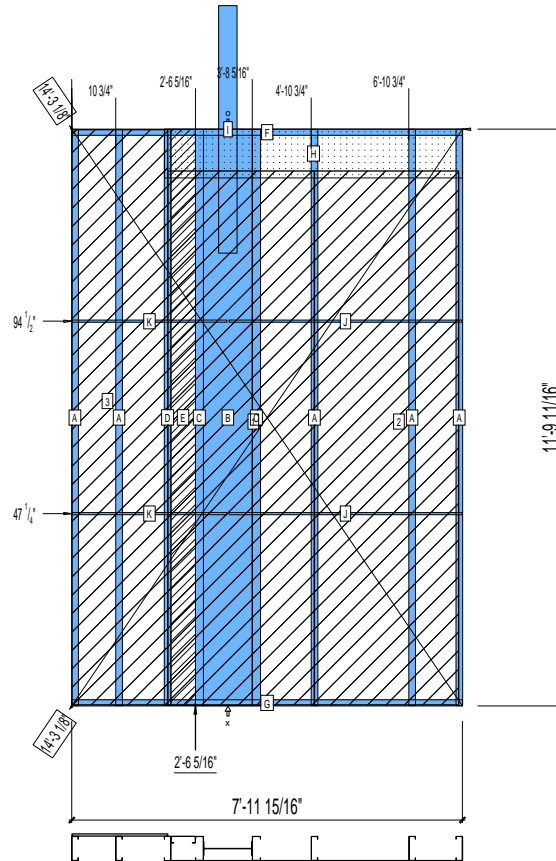
FM-07-109

CREATED BY: TNT

HEIGHT : 14'-4" POINTS: 4.19 Points.
SPACING : 24"
1st STUD: 11 5/8"

WEIGHTS :
FRAME : 504 lbs
SHEATHING: 297 lbs

TOTAL: 801 lbs



PIECES LIST

LABEL	QTY	SIZE	LENGTH	USE
A	5	600S162-97	11'-9 9/16"	STUD
B	1	1200i350p1062	11'-9 9/16"	PACO
C	2	600S200-68	11'-9 9/16"	STUD
D	1	600S162-33	11'-9 1/2"	BACKER STUD
E	1	600S162-33	11'-9 1/2"	BACKER-U
F	1	600T150-68	7'-11 15/16"	TOP TRACK
G	1	600T150-68	7'-11 15/16"	BOTTOM TRACK
H	1	1200D-54	6'-1 1/8"	STRAP
I	1	D	5'-0 3/4"	HOLDDOWN
J	2	150U50-54	4'-9 1/4"	HORIZONTAL BRACING
K	2	150U50-54	3'-2"	HORIZONTAL BRACING

SHEATHING

LABEL	QTY	CODE	THICK	SIZE	SCREWS
1	1	SB-DENSARMOR	5/8"	3'-0 1/16" X 10'-11 1/8"	2-12
2	1	SB-DENSARMOR	5/8"	2'-11 7/16" X 10'-11 1/8"	2-12
3	1	DENSGLOSS	1/2"	1'-11 1/2" X 11'-9 1/4"	8 - 12

21-1286

Jewish Home for the Aging

1885 Victory Blvd. Reseda, CA

FrameMax, Inc.
13915 Danielson St
Suite 100
Poway, CA 92064
www.frame-max.com



© FrameMax Inc.

CREATED: 10/19/2008

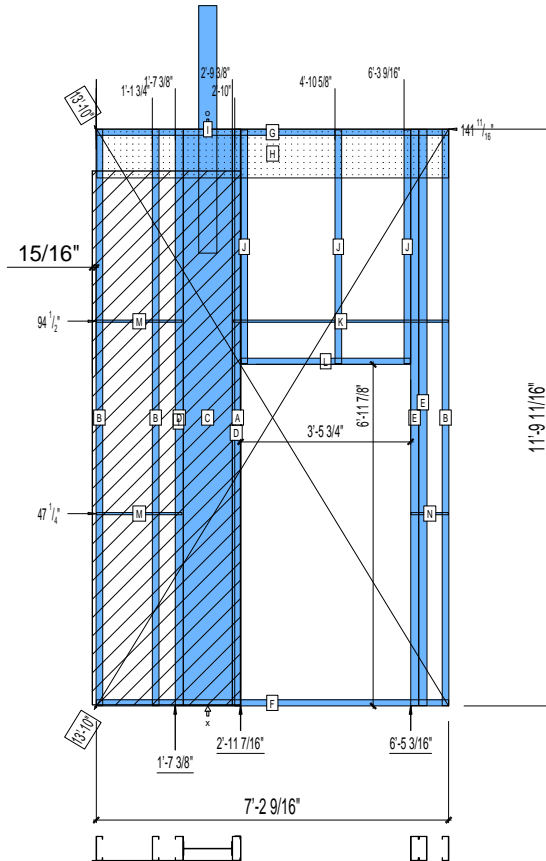
FM-07-109

CREATED BY: TNT

HEIGHT : 14'-4"
POINTS: 3.54 Points.
SPACING : 24"
1st STUD: 14 5/8"

WEIGHTS :
FRAME : 526 lbs
SHEATHING: 122 lbs

TOTAL: 648 lbs



PIECES LIST

LABEL	QTY	SIZE	LENGTH	USE
A	1	600T150-33	11'-9 5/8"	CAP TRACK
B	3	600S162-97	11'-9 9/16"	STUD
C	1	1200i350p1062	11'-9 9/16"	PACO
D	2	600S200-68	11'-9 9/16"	STUD
E	2	600S200-97	11'-9 9/16"	KING STUD
F	1	600T150-68	7'-2 9/16"	BOTTOM TRACK
G	1	600T150-68	7'-2 9/16"	TOP TRACK
H	1	1200D-54	7'-2 3/8"	STRAP
I	1	D	5'-0 3/4"	HOLDDOWN
J	3	600S162-54	4'-9 7/16"	CRIPPLE
K	1	150U50-54	4'-4 3/4"	HORIZONTAL BRACING
L	1	600T150-54	3'-5 1/2"	HEAD TRACK
M	2	150U50-54	1'-9"	HORIZONTAL BRACING
N	1	150U50-54	9 1/8"	HORIZONTAL BRACING

SHEATHING

LABEL	QTY	CODE	THICK	SIZE	SCREWS
1	1	SB-DENSARMOR	5/8"	3'-0 7/16" X 10'-11 1/8"	2-12

21-1288

Jewish Home for the Aging

1885 Victory Blvd. Reseda, CA

FM-07-109

CREATED BY: TNT

FrameMax, Inc.
13915 Danielson St
Suite 100
Poway, CA 92064
www.frame-max.com



© FrameMax Inc.

HEIGHT : 11'-9 11/16" POINTS: 2.14 Points.

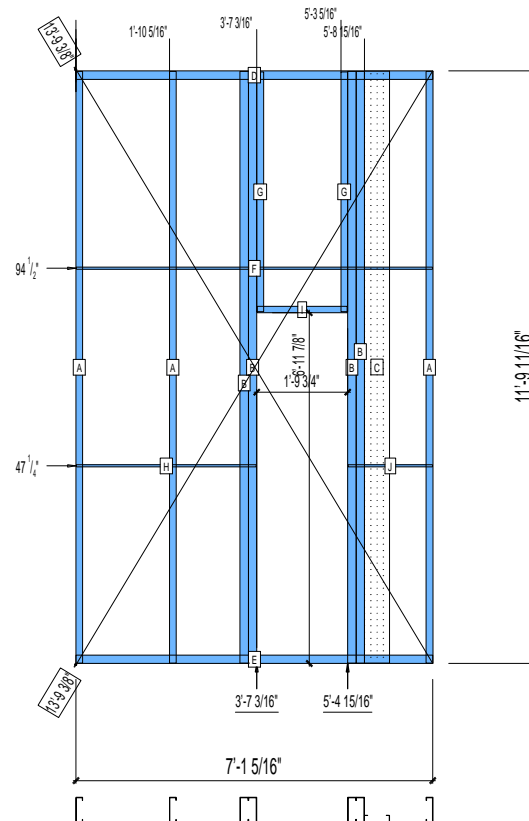
SPACING : 24"

1st STUD: 13 3/8"

WEIGHTS :

FRAME : 363 lbs

TOTAL: 363 lbs



PIECES LIST

LABEL	QTY	SIZE	LENGTH	USE
A	3	600S162-97	11'-9 1/2"	STUD
B	4	600S200-97	11'-9 1/2"	KING STUD
C	1	600S162-33	11'-9 1/2"	BACKER-U
D	1	600T200-68	7'-1 5/16"	TOP TRACK
E	1	600T200-68	7'-1 5/16"	BOTTOM TRACK
F	1	150U50-54	7'-1 1/8"	HORIZONTAL BRACING
G	2	600S162-54	4'-9 3/8"	CRIPPLE
H	1	150U50-54	3'-7"	HORIZONTAL BRACING
I	1	600T150-54	1'-9 1/2"	HEAD TRACK
J	1	150U50-54	1'-8 1/8"	HORIZONTAL BRACING

21-1289

Jewish Home for the Aging

1885 Victory Blvd. Reseda, CA

FrameMax, Inc.
13915 Danielson St
Suite 100
Poway, CA 92064
www.frame-max.com



© FrameMax Inc.

CREATED: 09/26/2008

FM-07-109

CREATED BY: AMB

HEIGHT : 11'-9 11/16" POINTS: 1.58 Points.

SPACING : 24"

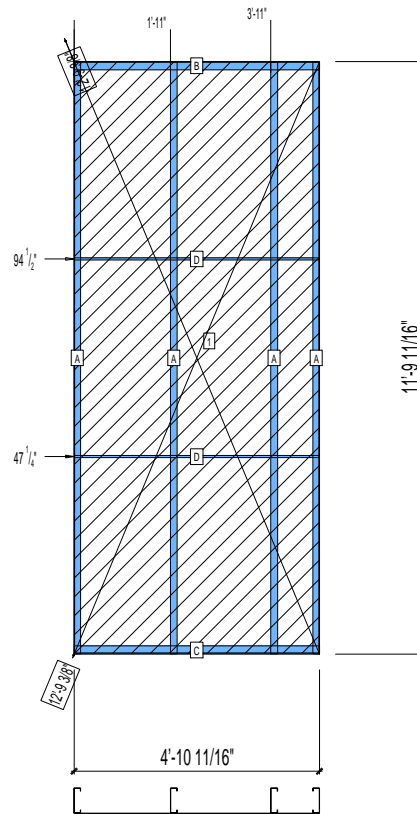
1st STUD: 23 7/8"

WEIGHTS :

FRAME : 144 lbs

SHEATHING: 143 lbs

TOTAL: 287 lbs



PIECES LIST

LABEL	QTY	SIZE	LENGTH	USE
A	4	600S162-68	11'-9 1/2"	STUD
B	1	600T200-68	4'-10 11/16"	TOP TRACK
C	1	600T200-68	4'-10 11/16"	BOTTOM TRACK
D	2	150U50-54	4'-10 1/2"	HORIZONTAL BRACING

SHEATHING

LABEL	QTY	CODE	THICK	SIZE	SCREWS
1	1	DENSGLASS	1/2"	4'-10 1/2" X 11'-9 1/4"	8 - 12

21-1290

Jewish Home for the Aging

1885 Victory Blvd. Reseda, CA

FM-07-109

CREATED BY: AMB

FrameMax, Inc.
13915 Danielson St
Suite 100
Poway, CA 92064
www.framemax.com



© FrameMax Inc.

HEIGHT : 11'-9 11/16" POINTS: 2.51 Points.

SPACING : 24"

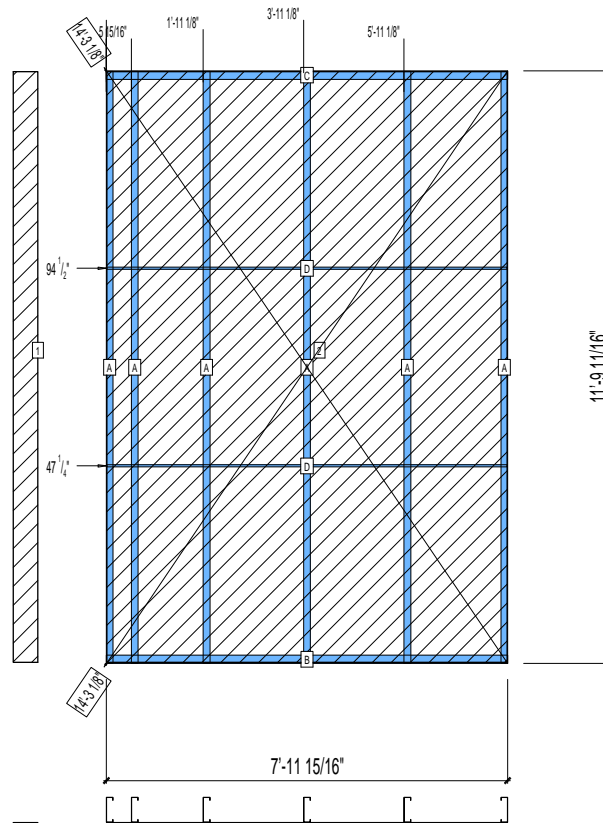
1st STUD: 24"

WEIGHTS :

FRAME : 221 lbs

SHEATHING: 249 lbs

TOTAL: 470 lbs



PIECES LIST

LABEL	QTY	SIZE	LENGTH	USE
A	6	600S162-68	11'-9 1/2"	STUD
B	1	600T200-68	7'-11 15/16"	BOTTOM TRACK
C	1	600T200-68	7'-11 15/16"	TOP TRACK
D	2	150U50-54	7'-11 3/4"	HORIZONTAL BRACING

SHEATHING

LABEL	QTY	CODE	THICK	SIZE	SCREWS
1	1	DENSGLASS	1/2"	5 7/8" X 11'-9 1/4"	8 - 12
2	1	DENSGLASS	1/2"	7'-11 3/4" X 11'-9 1/4"	8 - 12

21-1291

Jewish Home for the Aging

1885 Victory Blvd. Reseda, CA

FrameMax, Inc.
13915 Danielson St
Suite 100
Poway, CA 92064
www.framemax.com



© FrameMax Inc.

CREATED: 10/07/2008

FM-07-109

CREATED BY: AMB

HEIGHT : 11'-9 11/16" POINTS: 3.22 Points.

SPACING : 24"

1st STUD: 1/4"

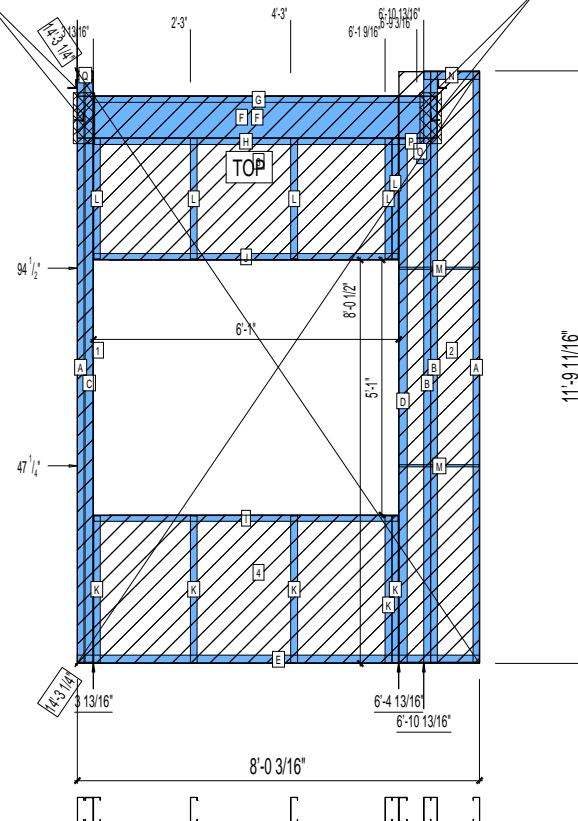
WEIGHTS :

FRAME : 385 lbs

SHEATHING: 151 10SCREWS EA. KING STUD

10SCREWS EA. KING STUD

TOTAL: 536 lbs



PIECES LIST

LABEL	QTY	SIZE	LENGTH	USE
A	2	600S162-68	11'-9 1/2"	STUD
B	2	600S162-68	11'-9 1/2"	EXTRA STUD
C	1	600S200-97	11'-9 1/2"	KING STUD
D	1	600S200-97	10'-5 3/8"	KING STUD
E	1	600T200-68	8'-0 3/16"	BOTTOM TRACK
F	2	1000S200-97	7'-2"	HEADER
G	1	600T150-54	6'-6 15/16"	HEADER BOTTOM TRACK
H	1	600T150-54	6'-0 7/8"	HEADER BOTTOM TRACK
I	1	600T150-54	6'-0 3/4"	SILL
J	1	600T150-54	6'-0 3/4"	HEAD TRACK
K	5	600S162-54	2'-11 1/16"	CRIPPLE
L	5	600S162-54	2'-4 3/4"	CRIPPLE
M	2	150U50-54	1'-7 1/8"	HORIZONTAL BRACING
N	1	600T200-68	1'-1 5/16"	TOP TRACK
O	1	600S162-54	6"	CRIPPLE
P	1	600T150-54	5 7/8"	HEADER BOTTOM TRACK
Q	1	600T200-68	3 13/16"	TOP TRACK

SHEATHING

LABEL	QTY	CODE	THICK	SIZE	SCREWS
1	1	DENSGLASS	1/2"	3 3/4" X 11'-9 1/4"	8 - 12
2	1	DENSGLASS	1/2"	1'-7 1/4" X 11'-9 1/4"	8 - 12
3	1	DENSGLASS	1/2"	6'-0 7/8" X 3'-3 1/16"	8 - 12
4	1	DENSGLASS	1/2"	6'-0 7/8" X 2'-11 5/16"	8 - 12

21-1293

Jewish Home for the Aging

1885 Victory Blvd. Reseda, CA

FrameMax, Inc.
13915 Danielson St
Suite 100
Poway, CA 92064
www.frame-max.com



© FrameMax Inc.

CREATED: 09/26/2008

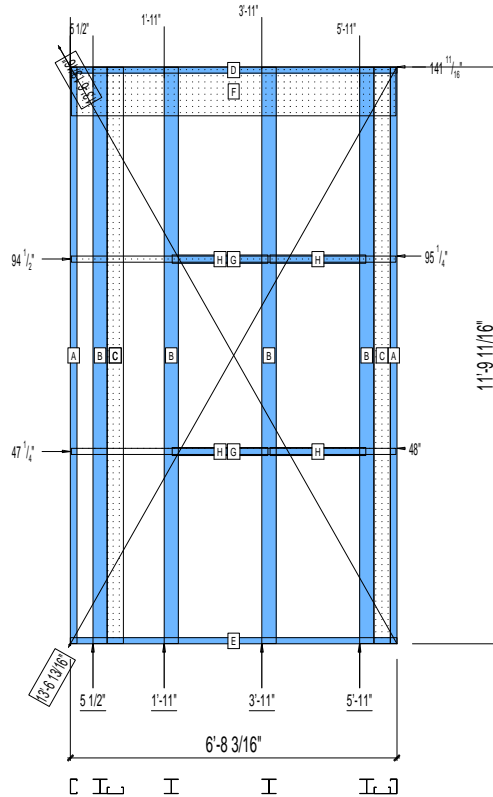
FM-07-109

CREATED BY: AMB

HEIGHT : 11'-9 11/16" POINTS: 2.21 Points.
SPACING : 5000"
1st STUD: 5000"

WEIGHTS :
FRAME : 375 lbs

TOTAL: 375 lbs



PIECES LIST

LABEL	QTY	SIZE	LENGTH	USE
A	2	362S162-54	11'-9 9/16"	STUD
B	4	363i350p554	11'-9 9/16"	PACO. COLUMN
C	2	400S162-33	11'-9 1/2"	BACKER-U
D	1	362T150-68	6'-8 3/16"	TOP TRACK
E	1	362T150-68	6'-8 3/16"	BOTTOM TRACK
F	1	1200D-54	6'-7 3/4"	STRAP
G	2	150D-43	6'-7 3/4"	STRAP
H	4	362T200-68	1'-11 1/2"	BLOCK

21-1294

Jewish Home for the Aging

1885 Victory Blvd. Reseda, CA

FM-07-109

CREATED BY: AMB

FrameMax, Inc.
13915 Danielson St
Suite 100
Poway, CA 92064
www.framemax.com



© FrameMax Inc.

HEIGHT : 11'-9 11/16" POINTS: 2.45 Points.

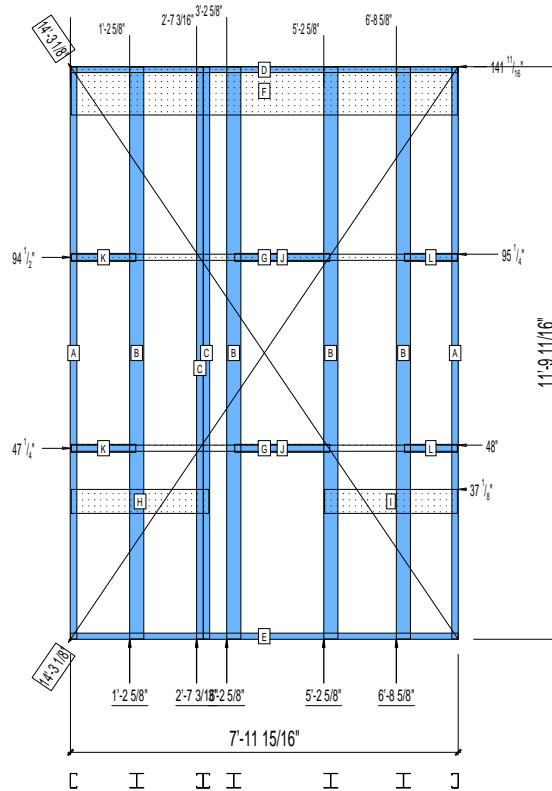
SPACING : 5000"

1st STUD: 5000"

WEIGHTS :

FRAME : 405 lbs

TOTAL: 405 lbs



PIECES LIST

LABEL	QTY	SIZE	LENGTH	USE
A	2	362S162-54	11'-9 9/16"	STUD
B	4	363I350P554	11'-9 9/16"	PACO COLUMN
C	2	362S162-54	11'-9 9/16"	EXTRA STUD
D	1	362T150-68	7'-11 15/16"	TOP TRACK
E	1	362T150-68	7'-11 15/16"	BOTTOM TRACK
F	1	1200D-54	7'-11 1/2"	STRAP
G	2	150D-43	7'-11 1/2"	STRAP
H	1	600D-54	2'-10"	VANITY BACKING
I	1	600D-54	2'-8 13/16"	VANITY BACKING
J	2	362T200-68	1'-11 1/2"	BLOCK
K	2	362T200-68	1'-3 15/16"	BLOCK
L	2	362T200-68	1'-1 1/16"	BLOCK

21-1295

Jewish Home for the Aging

1885 Victory Blvd. Reseda, CA

FrameMax, Inc.
13915 Danielson St
Suite 100
Poway, CA 92064
www.frame-max.com



© FrameMax Inc.

CREATED: 09/26/2008

FM-07-109

CREATED BY: TNT

HEIGHT : 11'-9 11/16" POINTS: 3.24 Points.

SPACING : 5000"

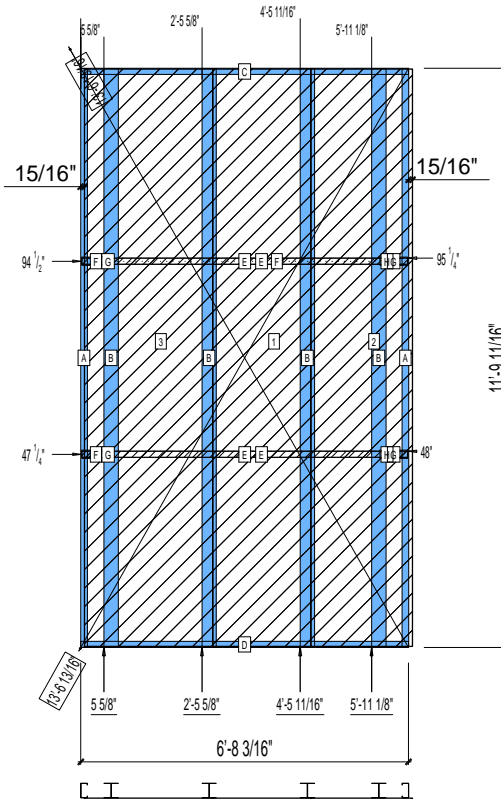
1st STUD: 5000"

WEIGHTS :

FRAME : 319 lbs

SHEATHING: 290 lbs

TOTAL: 609 lbs



PIECES LIST

LABEL	QTY	SIZE	LENGTH	USE
A	2	362S162-54	11'-9 9/16"	STUD
B	4	363I350p554	11'-9 9/16"	PACO COLUMN
C	1	362T150-68	6'-8 3/16"	TOP TRACK
D	1	362T150-68	6'-8 3/16"	BOTTOM TRACK
E	4	150D-43	6'-7 3/4"	STRAP
F	2	362T200-68	6 15/16"	BLOCK
G	2	362T200-68	6 13/16"	BLOCK

SHEATHING

LABEL	QTY	CODE	THICK	SIZE	SCREWS
1	1	SB-DENSGGLASS	1/2"	2'-0" X 11'-9 1/4"	2-12
2	1	SB-DENSGGLASS	1/2"	2'-0 7/8" X 11'-9 1/4"	2-12
3	1	SB-DENSGGLASS	1/2"	2'-7 3/8" X 11'-9 1/4"	2-12

21-1296

Jewish Home for the Aging

1885 Victory Blvd. Reseda, CA

FrameMax, Inc.
13915 Danielson St
Suite 100
Poway, CA 92064
www.frame-max.com



© FrameMax Inc.

CREATED: 09/26/2008

FM-07-109

CREATED BY: TNT

HEIGHT : 11'-9 11/16" POINTS: 3.57 Points.

SPACING : 5000"

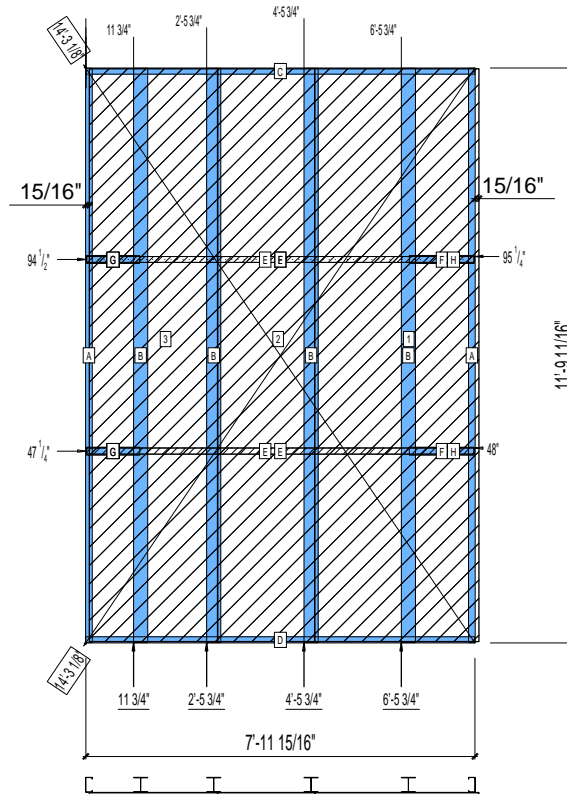
1st STUD: 5000"

WEIGHTS :

FRAME : 328 lbs

SHEATHING: 347 lbs

TOTAL: 675 lbs



PIECES LIST

LABEL	QTY	SIZE	LENGTH	USE
A	2	362S162-54	11'-9 9/16"	STUD
B	4	363I350p554	11'-9 9/16"	PACO COLUMN
C	1	362T150-68	7'-11 15/16"	TOP TRACK
D	1	362T150-68	7'-11 15/16"	BOTTOM TRACK
E	4	150D-43	7'-11 1/2"	STRAP
F	2	362T200-68	1'-3 15/16"	BLOCK
G	2	362T200-68	1'-1 1/16"	BLOCK

SHEATHING

LABEL	QTY	CODE	THICK	SIZE	SCREWS
1	1	SB-DENSGLOSS	1/2"	3'-4 1/2" X	11'-9 1/4" 2-12
2	1	SB-DENSGLOSS	1/2"	1'-11 15/16" X	11'-9 1/4" 2-12
3	1	SB-DENSGLOSS	1/2"	2'-7 9/16" X	11'-9 1/4" 2-12

21-1299

Jewish Home for the Aging

1885 Victory Blvd. Reseda, CA

FM-07-109

CREATED BY: AMB

FrameMax, Inc.
13915 Danielson St
Suite 100
Poway, CA 92064
www.frame-max.com



© FrameMax Inc.

HEIGHT : 11'-9 11/16" POINTS: 2.36 Points.

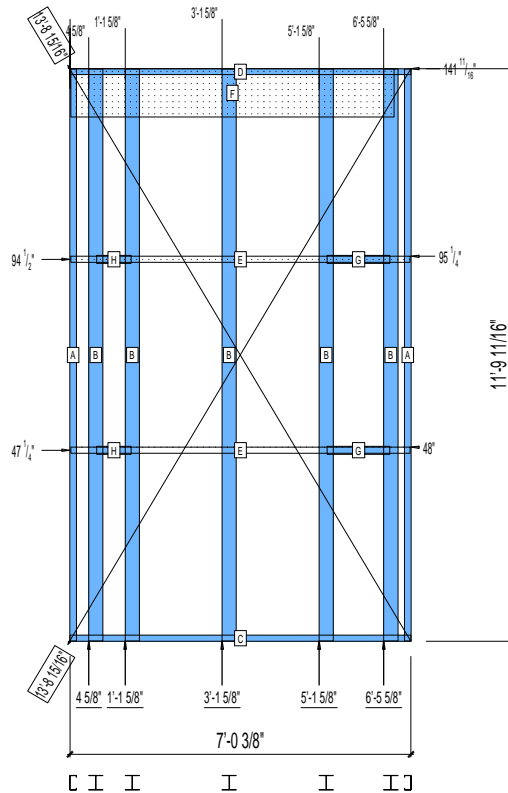
SPACING : 5000"

1st STUD: 5000"

WEIGHTS :

FRAME : 413 lbs

TOTAL: 413 lbs



PIECES LIST

LABEL	QTY	SIZE	LENGTH	USE
A	2	362S162-54	11'-9 9/16"	STUD
B	5	363I350p554	11'-9 9/16"	PACO. COLUMN
C	1	362T150-68	7'-0 3/8"	BOTTOM TRACK
D	1	362T150-68	7'-0 3/8"	TOP TRACK
E	2	150D-43	6'-11 15/16"	STRAP
F	1	1200D-54	6'-8"	STRAP
G	2	362T200-68	1'-3 1/2"	BLOCK
H	2	362T200-68	8 1/2"	BLOCK

21-1300

Jewish Home for the Aging

1885 Victory Blvd. Reseda, CA

FM-07-109

CREATED BY: TNT

FrameMax, Inc.
13915 Danielson St
Suite 100
Poway, CA 92064
www.frame-max.com



© FrameMax Inc.

HEIGHT : 11'-9 11/16" POINTS: 3.63 Points.

SPACING : 5000"

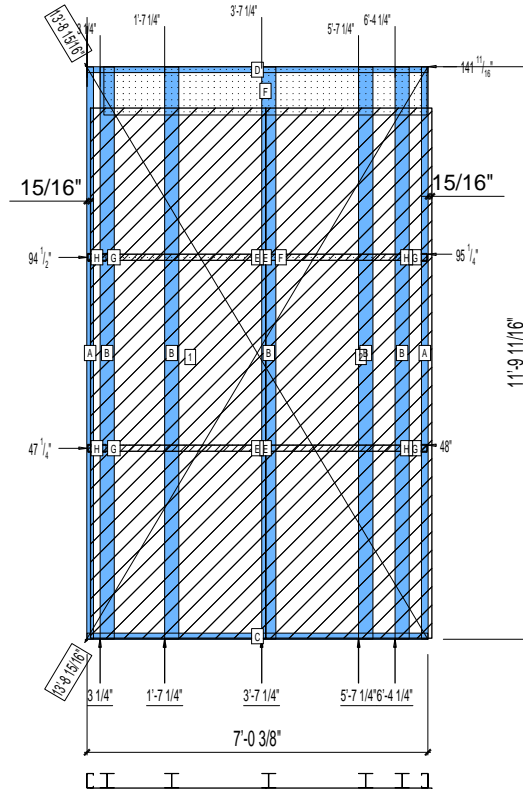
1st STUD: 5000"

WEIGHTS :

FRAME : 401 lbs

SHEATHING: 283 lbs

TOTAL: 684 lbs



PIECES LIST

LABEL	QTY	SIZE	LENGTH	USE
A	2	362S162-54	11'-9 9/16"	STUD
B	5	363I350p554	11'-9 9/16"	PACO. COLUMN
C	1	362T150-68	7'-0 3/8"	BOTTOM TRACK
D	1	362T150-68	7'-0 3/8"	TOP TRACK
E	4	150D-43	6'-11 15/16"	STRAP
F	1	1200D-54	6'-8"	STRAP
G	2	362T200-68	5 15/16"	BLOCK
H	2	362T200-68	4 1/2"	BLOCK

SHEATHING

LABEL	QTY	CODE	THICK	SIZE	SCREWS
1	1	SB-DENSARMOR	5/8"	3'-7 5/16" X 10'-11 1/8"	2-12
2	1	SB-DENSARMOR	5/8"	3'-5 1/8" X 10'-11 1/8"	2-12

21-1302

Jewish Home for the Aging

1885 Victory Blvd. Reseda, CA

FM-07-109

CREATED BY: TNT

FrameMax, Inc.
13915 Danielson St
Suite 100
Poway, CA 92064
www.frame-max.com



© FrameMax Inc.

HEIGHT : 11'-9 11/16" POINTS: 1.35 Points.

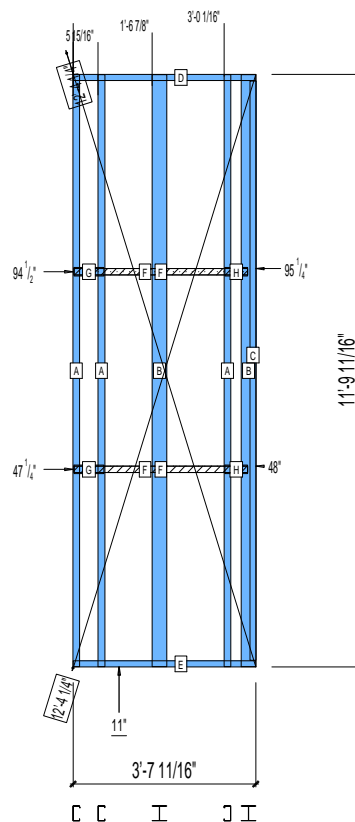
SPACING : 5000"

1st STUD: 5000"

WEIGHTS :

FRAME : 205 lbs

TOTAL: 205 lbs



PIECES LIST

LABEL	QTY	SIZE	LENGTH	USE
A	3	362S162-54	11'-9 9/16"	STUD
B	2	363i350p554	11'-9 9/16"	PACO.COLUMN
C	1	362T150-33	11'-6 7/16"	CAP TRACK
D	1	362T150-68	3'-7 11/16"	TOP TRACK
E	1	362T150-68	3'-7 11/16"	BOTTOM TRACK
F	4	150D-43	3'-5 1/2"	STRAP
G	2	362T200-68	7 1/8"	BLOCK
H	2	362T200-68	5 3/8"	BLOCK

21-1303

Jewish Home for the Aging

1885 Victory Blvd. Reseda, CA

FM-07-109

CREATED BY: TNT

FrameMax, Inc.
13915 Danielson St
Suite 100
Poway, CA 92064
www.frame-max.com



© FrameMax Inc.

HEIGHT : 11'-9 11/16" POINTS: 1.27 Points.

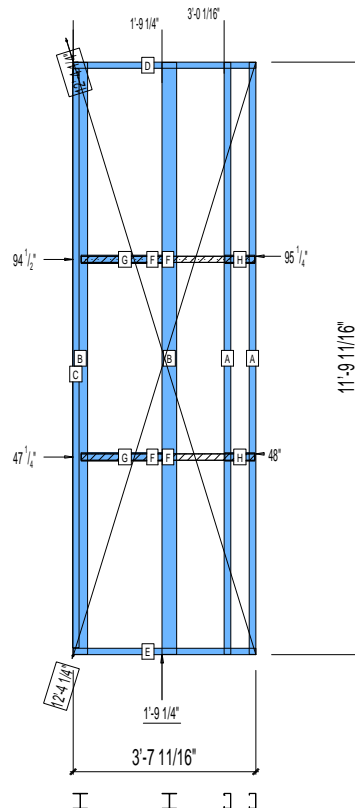
SPACING : 5000"

1st STUD: 5000"

WEIGHTS :

FRAME : 193 lbs

TOTAL: 193 lbs



PIECES LIST

LABEL	QTY	SIZE	LENGTH	USE
A	2	362S162-54	11'-9 9/16"	STUD
B	2	363i350p554	11'-9 9/16"	PACO.COLUMN
C	1	362T150-33	11'-6 7/16"	CAP TRACK
D	1	362T150-68	3'-7 11/16"	TOP TRACK
E	1	362T150-68	3'-7 11/16"	BOTTOM TRACK
F	4	150D-43	3'-5 1/2"	STRAP
G	2	362T200-68	1'-8 13/16"	BLOCK
H	2	362T200-68	7 1/8"	BLOCK

21-1304

Jewish Home for the Aging

1885 Victory Blvd. Reseda, CA

FM-07-109

CREATED BY: AMB

FrameMax, Inc.
13915 Danielson St
Suite 100
Poway, CA 92064
www.frame-max.com

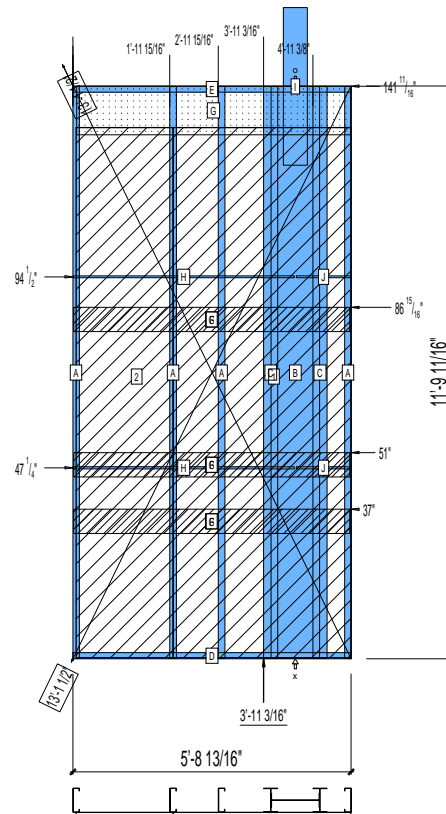


© FrameMax Inc.

HEIGHT : 13'-5 1/8" POINTS: 4.06 Points.
SPACING : 5000"
1st STUD: 5000"

WEIGHTS :
FRAME : 555 lbs
SHEATHING: 228 lbs

TOTAL: 783 lbs



PIECES LIST

LABEL	QTY	SIZE	LENGTH	USE
A	4	600S162-97	11'-9 9/16"	STUD
B	1	1200i350p1062	11'-9 9/16"	PACO
C	2	600i350p680	11'-9 9/16"	PACO
D	1	600T150-68	5'-8 13/16"	BOTTOM TRACK
E	1	600T150-68	5'-8 13/16"	TOP TRACK
F	3	600D-54	5'-8 1/4"	KITCHEN BACKING
G	1	1200D-54	5'-7 3/4"	STRAP
H	2	150U50-54	4'-6 11/16"	HORIZONTAL BRACING
I	1	E	3'-3"	HOLDDOWN
J	2	150U50-54	1'-1 7/16"	HORIZONTAL BRACING

SHEATHING

LABEL	QTY	CODE	THICK	SIZE	SCREWS
1	1	SB-DENSARMOR	5/8"	3'-8" X 10'-11 1/8"	2-12
2	1	SB-DENSARMOR	5/8"	2'-0" X 10'-11 1/8"	2-12

21-1305

Jewish Home for the Aging

1885 Victory Blvd. Reseda, CA

FM-07-109

CREATED BY: AMB

FrameMax, Inc.
13915 Danielson St
Suite 100
Poway, CA 92064
www.frame-max.com



© FrameMax Inc.

HEIGHT : 11'-9 11/16" POINTS: 3.54 Points.

SPACING : 5000"

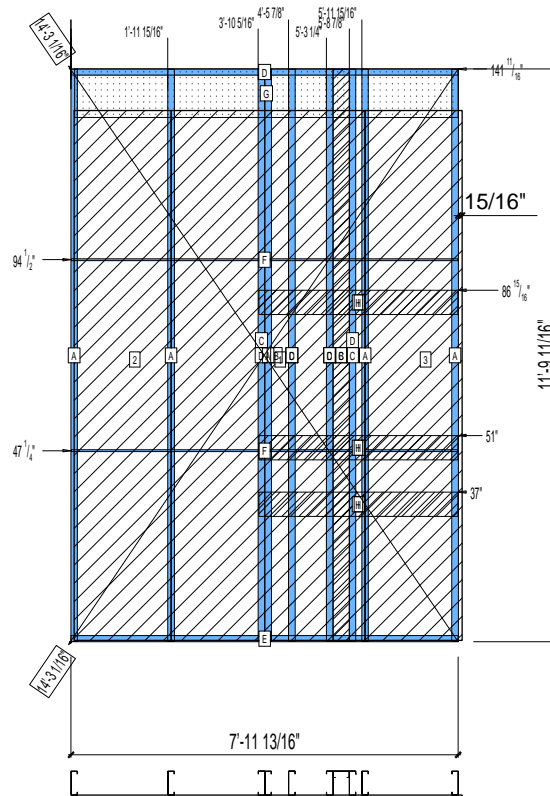
1st STUD: 5000"

WEIGHTS :

FRAME : 337 lbs

SHEATHING: 322 lbs

TOTAL: 659 lbs



PIECES LIST

LABEL	QTY	SIZE	LENGTH	USE
A	5	600S162-97	11'-9 9/16"	STUD
B	1	400S162-33	11'-9 1/2"	BACKER-U
C	4	600S162-33	11'-9 1/2"	BACKER STUD
D	1	600T150-68	7'-11 13/16"	TOP TRACK
E	1	600T150-68	7'-11 13/16"	BOTTOM TRACK
F	2	150U50-54	7'-11 5/8"	HORIZONTAL BRACING
G	1	1200D-54	7'-10 7/8"	STRAP
H	3	600D-54	4'-1 1/4"	KITCHEN BACKING

SHEATHING

LABEL	QTY	CODE	THICK	SIZE	SCREWS
1	1	SB-DENSARMOR	5/8"	4'-0" X 10'-11 1/8"	2-12
2	1	SB-DENSARMOR	5/8"	2'-0" X 10'-11 1/8"	2-12
3	1	SB-DENSARMOR	5/8"	2'-0" X 10'-11 1/8"	2-12

21-1306

Jewish Home for the Aging

1885 Victory Blvd. Reseda, CA

FM-07-109

CREATED BY: TNT

FrameMax, Inc.
13915 Danielson St
Suite 100
Poway, CA 92064
www.framemax.com



© FrameMax Inc.

HEIGHT : 11'-9 11/16" POINTS: 1.85 Points.

SPACING : 24"

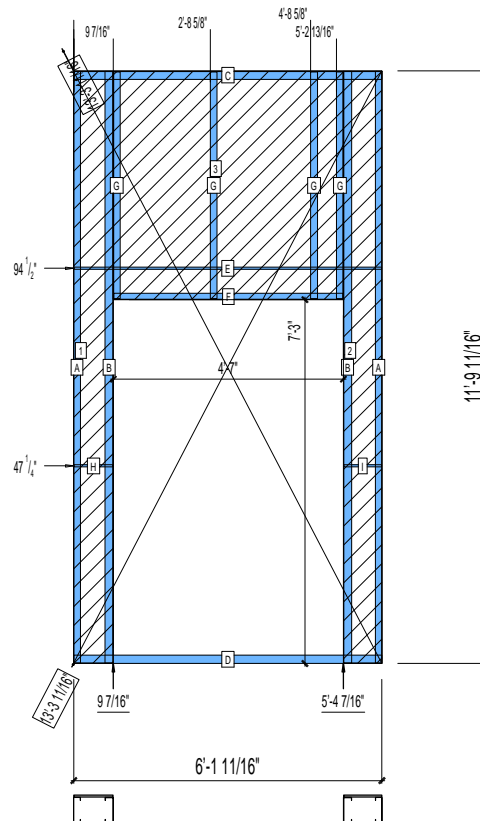
1st STUD: 16"

WEIGHTS :

FRAME : 217 lbs

SHEATHING: 97 lbs

TOTAL: 314 lbs



PIECES LIST

LABEL	QTY	SIZE	LENGTH	USE
A	2	600S162-68	11'-9 1/2"	STUD
B	2	600S200-97	11'-9 1/2"	KING STUD
C	1	600T200-68	6'-1 11/16"	TOP TRACK
D	1	600T200-68	6'-1 11/16"	BOTTOM TRACK
E	1	150U50-54	6'-1 1/2"	HORIZONTAL BRACING
F	1	600T150-54	4'-6 3/4"	HEAD TRACK
G	4	600S162-54	4'-6 1/4"	CRIPPLE
H	1	150U50-54	9 1/4"	HORIZONTAL BRACING
I	1	150U50-54	9"	HORIZONTAL BRACING

SHEATHING

LABEL	QTY	CODE	THICK	SIZE	SCREWS
1	1	DENSGLASS	1/2"	9 3/8" X 11'-9 1/2"	2-12
2	1	DENSGLASS	1/2"	9 1/8" X 11'-9 1/2"	2-12
3	1	DENSGLASS	1/2"	4'-6 7/8" X 4'-6 9/16"	2-12

21-1307

Jewish Home for the Aging

1885 Victory Blvd. Reseda, CA

FrameMax, Inc.
13915 Danielson St
Suite 100
Poway, CA 92064
www.frame-max.com



© FrameMax Inc.

CREATED: 10/01/2008

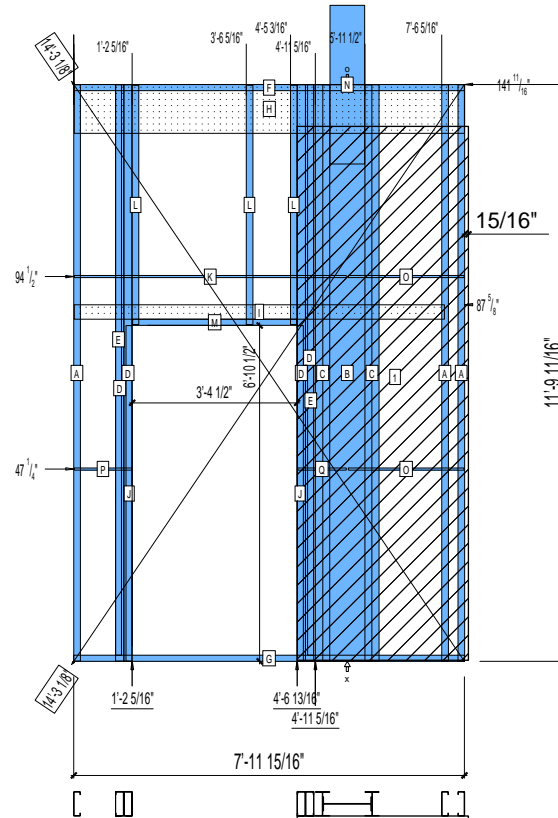
FM-07-109

CREATED BY: TNT

HEIGHT : 11'-9 11/16" POINTS: 5.67 Points.
SPACING : 5000"
1st STUD: 5000"

WEIGHTS :
FRAME : 941 lbs
SHEATHING: 141 lbs

TOTAL: 1082 lbs



PIECES LIST

LABEL	QTY	SIZE	LENGTH	USE
A	3	600S162-97	11'-9 9/16"	STUD
B	1	1200i350p1420	11'-9 9/16"	PACO
C	2	600i350p968	11'-9 9/16"	PACO
D	4	600S200-97	11'-9 9/16"	KING STUD
E	2	600T150-54	11'-8 1/8"	KING TRACK
F	1	600T150-68	7'-11 15/16"	TOP TRACK
G	1	600T150-68	7'-11 15/16"	BOTTOM TRACK
H	1	1200D-54	7'-11 13/16"	STRAP
I	1	350T125-33	7'-6 15/16"	NOTCHED TRACK
J	2	600T150-54	6'-10 7/16"	JAMB TRACK
K	1	150U50-54	5'-6 13/16"	HORIZONTAL BRACING
L	3	600S162-54	4'-10 3/4"	CRIPPLE
M	1	600T150-54	3'-4 1/4"	HEAD TRACK
N	1	F	3'-3"	HOLDDOWN
O	2	150U50-54	2'-4 7/16"	HORIZONTAL BRACING
P	1	150U50-54	1'-2 1/8"	HORIZONTAL BRACING
Q	1	150U50-54	11 15/16"	HORIZONTAL BRACING

SHEATHING

LABEL	QTY	CODE	THICK	SIZE	SCREWS
1	1	SB-DENSARMOR	5/8"	3'-6 1/16" X 10'-11 1/8"	2-12

21-1309

Jewish Home for the Aging

1885 Victory Blvd. Reseda, CA

FM-07-109

CREATED BY: AMB

FrameMax, Inc.
13915 Danielson St
Suite 100
Poway, CA 92064
www.frame-max.com



© FrameMax Inc.

HEIGHT : 11'-9 11/16" POINTS: 0.72 Points.

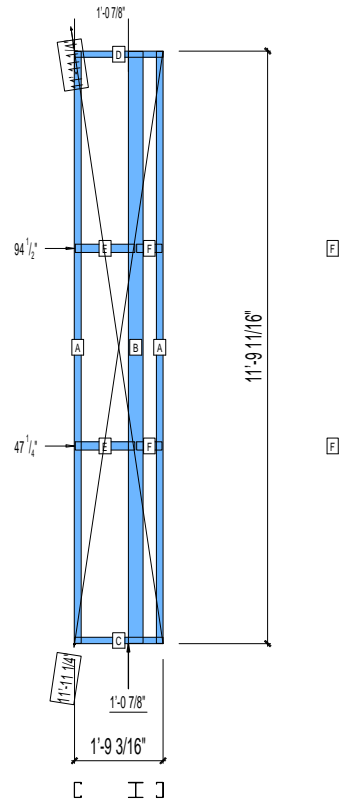
SPACING : 5000"

1st STUD: 5000"

WEIGHTS :

FRAME : 109 lbs

TOTAL: 109 lbs



PIECES LIST

LABEL	QTY	SIZE	LENGTH	USE
A	2	362S162-54	11'-9 9/16"	STUD
B	1	363i350p554	11'-9 9/16"	PACO. COLUMN
C	1	362T150-68	1'-9 3/16"	BOTTOM TRACK
D	1	362T150-68	1'-9 3/16"	TOP TRACK
E	2	362T200-68	1'-2 3/16"	BLOCK
F	2	362T200-68	6 1/16"	BLOCK

21-1310

Jewish Home for the Aging

1885 Victory Blvd. Reseda, CA

FrameMax, Inc.
13915 Danielson St
Suite 100
Poway, CA 92064
www.frame-max.com



© FrameMax Inc.

CREATED: 09/26/2008

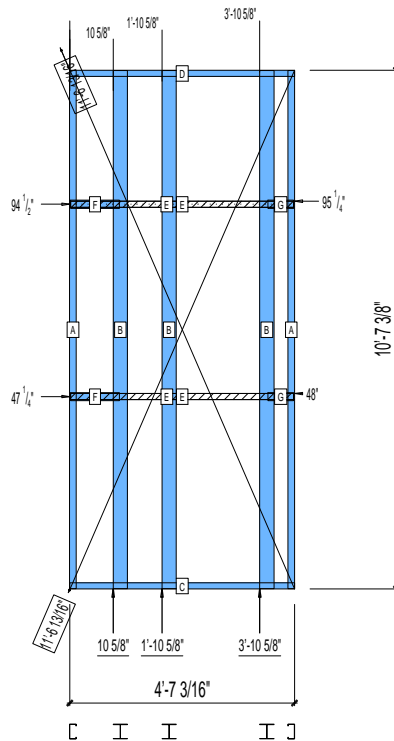
FM-07-109

CREATED BY: TNT

HEIGHT : 10'-7 3/8" POINTS: 1.44 Points.
SPACING : 5000"
1st STUD: 5000"

WEIGHTS :
FRAME : 226 lbs

TOTAL: 226 lbs



PIECES LIST

LABEL	QTY	SIZE	LENGTH	USE
A	2	362S162-54	10'-7 1/4"	STUD
B	3	363i350p554	10'-7 1/4"	PACO COLUMN
C	1	362T150-68	4'-7 3/16"	BOTTOM TRACK
D	1	362T150-68	4'-7 3/16"	TOP TRACK
E	4	150D-43	4'-6 3/4"	STRAP
F	2	362T200-68	11 15/16"	BLOCK
G	2	362T200-68	6 5/16"	BLOCK

21-1311

Jewish Home for the Aging

1885 Victory Blvd. Reseda, CA

FrameMax, Inc.
13915 Danielson St
Suite 100
Poway, CA 92064
www.frame-max.com



© FrameMax Inc.

CREATED: 09/26/2008

FM-07-109

CREATED BY: TNT

HEIGHT : 10'-7 3/8" POINTS: 1.85 Points.

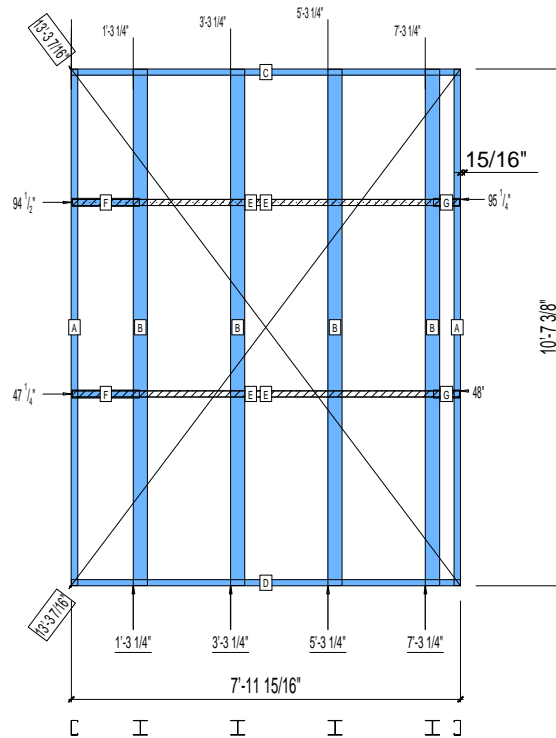
SPACING : 5000"

1st STUD: 5000"

WEIGHTS :

FRAME : 296 lbs

TOTAL: 296 lbs



PIECES LIST

LABEL	QTY	SIZE	LENGTH	USE
A	2	362S162-54	10'-7 1/4"	STUD
B	4	3631350p554	10'-7 1/4"	PACO. COLUMN
C	1	362T150-68	7'-11 15/16"	TOP TRACK
D	1	362T150-68	7'-11 15/16"	BOTTOM TRACK
E	4	150D-43	7'-11 1/2"	STRAP
F	2	362T200-68	1'-4 9/16"	BLOCK
G	2	362T200-68	6 7/16"	BLOCK

21-1312

Jewish Home for the Aging

1885 Victory Blvd. Reseda, CA

FrameMax, Inc.
13915 Danielson St
Suite 100
Poway, CA 92064
www.frame-max.com



© FrameMax Inc.

CREATED: 09/26/2008

FM-07-109

CREATED BY: AMB

HEIGHT : 11'-9 11/16" POINTS: 2.09 Points.

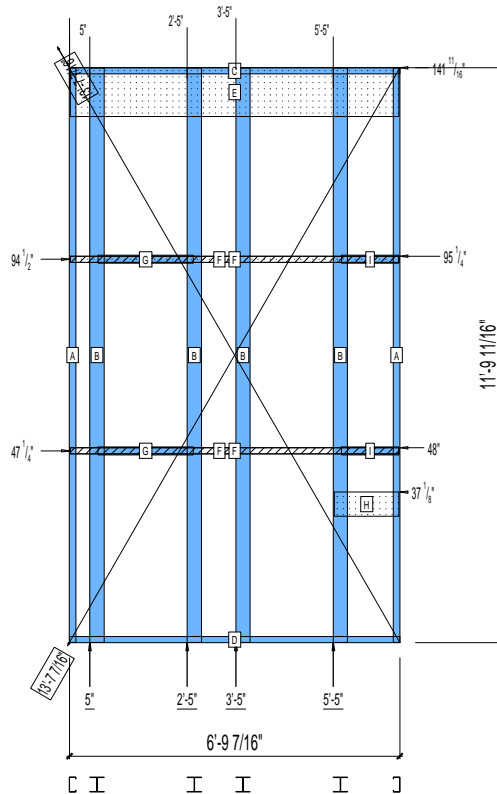
SPACING : 5000"

1st STUD: 5000"

WEIGHTS :

FRAME : 345 lbs

TOTAL: 345 lbs



PIECES LIST

LABEL	QTY	SIZE	LENGTH	USE
A	2	362S162-54	11'-9 9/16"	STUD
B	4	363i350p554	11'-9 9/16"	PACO. COLUMN
C	1	362T150-68	6'-9 7/16"	TOP TRACK
D	1	362T150-68	6'-9 7/16"	BOTTOM TRACK
E	1	1200D-54	6'-9"	STRAP
F	4	150D-43	6'-9"	STRAP
G	2	362T200-68	1'-11 1/2"	BLOCK
H	1	600D-54	1'-3 15/16"	VANITY BACKING
I	2	362T200-68	1'-2 3/16"	BLOCK

21-1313

Jewish Home for the Aging

1885 Victory Blvd. Reseda, CA

FM-07-109

CREATED BY: AMB

FrameMax, Inc.
13915 Danielson St
Suite 100
Poway, CA 92064
www.frame-max.com



© FrameMax Inc.

HEIGHT : 11'-9 11/16" POINTS: 2.12 Points.

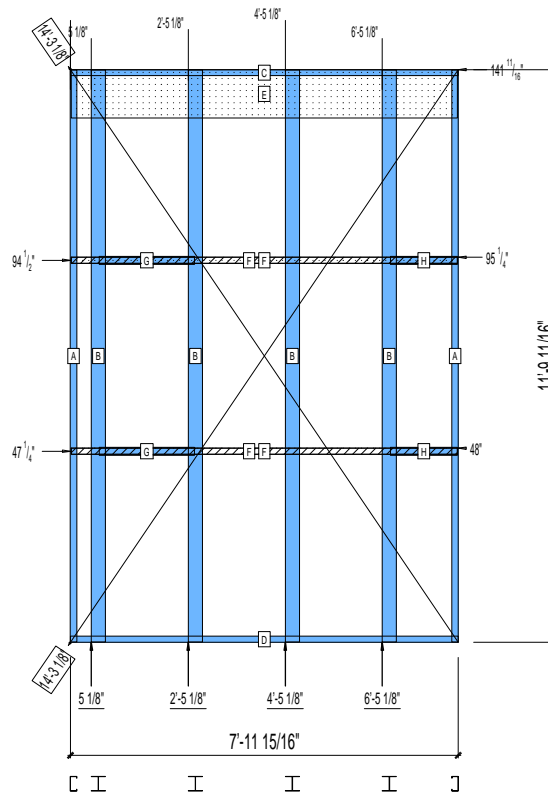
SPACING : 5000"

1st STUD: 5000"

WEIGHTS :

FRAME : 351 lbs

TOTAL: 351 lbs



PIECES LIST

LABEL	QTY	SIZE	LENGTH	USE
A	2	362S162-54	11'-9 9/16"	STUD
B	4	363I350p554	11'-9 9/16"	PACO. COLUMN
C	1	362T150-68	7'-11 15/16"	TOP TRACK
D	1	362T150-68	7'-11 15/16"	BOTTOM TRACK
E	1	1200D-54	7'-11 1/2"	STRAP
F	4	150D-43	7'-11 1/2"	STRAP
G	2	362T200-68	1'-11 1/2"	BLOCK
H	2	362T200-68	1'-4 9/16"	BLOCK

21-1315

Jewish Home for the Aging

1885 Victory Blvd. Reseda, CA

FM-07-109

CREATED BY: TNT

FrameMax, Inc.
13915 Danielson St
Suite 100
Poway, CA 92064
www.frame-max.com



© FrameMax Inc.

HEIGHT : 11'-9 11/16" POINTS: 1.55 Points.

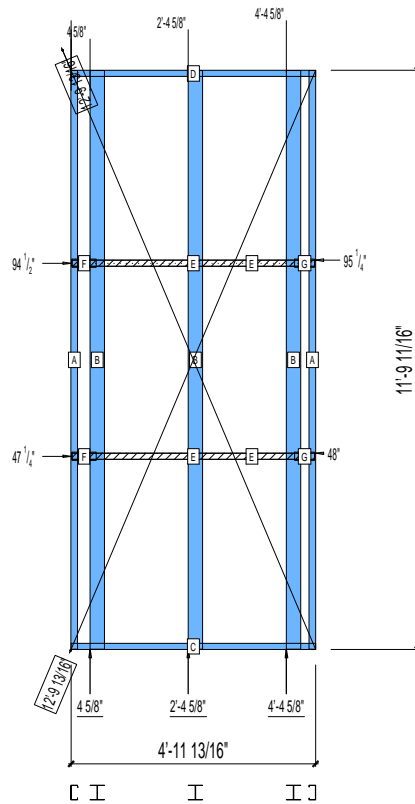
SPACING : 5000"

1st STUD: 5000"

WEIGHTS :

FRAME : 248 lbs

TOTAL: 248 lbs



PIECES LIST

LABEL	QTY	SIZE	LENGTH	USE
A	2	362S162-54	11'-9 9/16"	STUD
B	3	363i350p554	11'-9 9/16"	PACO COLUMN
C	1	362T150-68	4'-11 13/16"	BOTTOM TRACK
D	1	362T150-68	4'-11 13/16"	TOP TRACK
E	4	150D-43	4'-11 3/8"	STRAP
F	2	362T200-68	5 15/16"	BLOCK
G	2	362T200-68	4 15/16"	BLOCK

21-1316

Jewish Home for the Aging

1885 Victory Blvd. Reseda, CA

FrameMax, Inc.
13915 Danielson St
Suite 100
Poway, CA 92064
www.frame-max.com



© FrameMax Inc.

CREATED: 09/26/2008

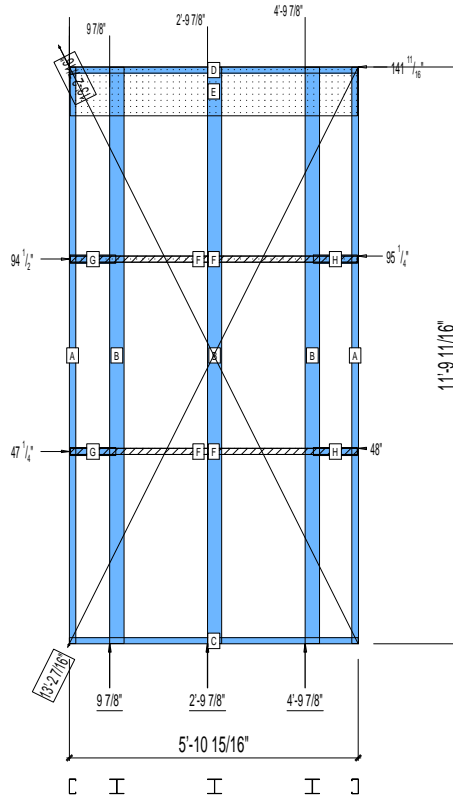
FM-07-109

CREATED BY: AMB

HEIGHT : 11'-9 11/16" POINTS: 1.68 Points.
SPACING : 5000"
1st STUD: 5000"

WEIGHTS :
FRAME : 268 lbs

TOTAL: 268 lbs



PIECES LIST

LABEL	QTY	SIZE	LENGTH	USE
A	2	362S162-54	11'-9 9/16"	STUD
B	3	363i350p554	11'-9 9/16"	PACO. COLUMN
C	1	362T150-68	5'-10 15/16"	BOTTOM TRACK
D	1	362T150-68	5'-10 15/16"	TOP TRACK
E	1	1200D-54	5'-10 1/2"	STRAP
F	4	150D-43	5'-10 1/2"	STRAP
G	2	362T200-68	11 3/16"	BLOCK
H	2	362T200-68	10 13/16"	BLOCK

21-1318

Jewish Home for the Aging

1885 Victory Blvd. Reseda, CA

FrameMax, Inc.
13915 Danielson St
Suite 100
Poway, CA 92064
www.frame-max.com



© FrameMax Inc.

CREATED: 10/19/2008

FM-07-109

CREATED BY: TNT

HEIGHT : 11'-9 11/16" POINTS: 1.02 Points.

SPACING : 5000"

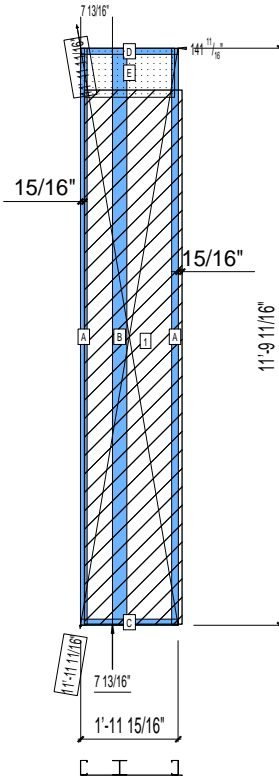
1st STUD: 5000"

WEIGHTS :

FRAME : 108 lbs

SHEATHING: 80 lbs

TOTAL: 188 lbs



PIECES LIST

LABEL	QTY	SIZE	LENGTH	USE
A	2	362S162-54	11'-9 9/16"	STUD
B	1	3631350p554	11'-9 9/16"	PACO.COLUMN
C	1	362T150-68	1'-11 15/16"	BOTTOM TRACK
D	1	362T150-68	1'-11 15/16"	TOP TRACK
E	1	1200D-54	1'-10 1/8"	STRAP

SHEATHING

LABEL	QTY	CODE	THICK	SIZE	SCREWS
1	1	SB-DENSARMOR	5/8"	2'-0" X 10'-11 1/8"	2-12

21-1319

Jewish Home for the Aging

1885 Victory Blvd. Reseda, CA

FrameMax, Inc.
13915 Danielson St
Suite 100
Poway, CA 92064
www.frame-max.com



© FrameMax Inc.

CREATED: 09/26/2008

FM-07-109

CREATED BY: TNT

HEIGHT : 11'-9 11/16" POINTS: 3.33 Points.

SPACING : 5000"

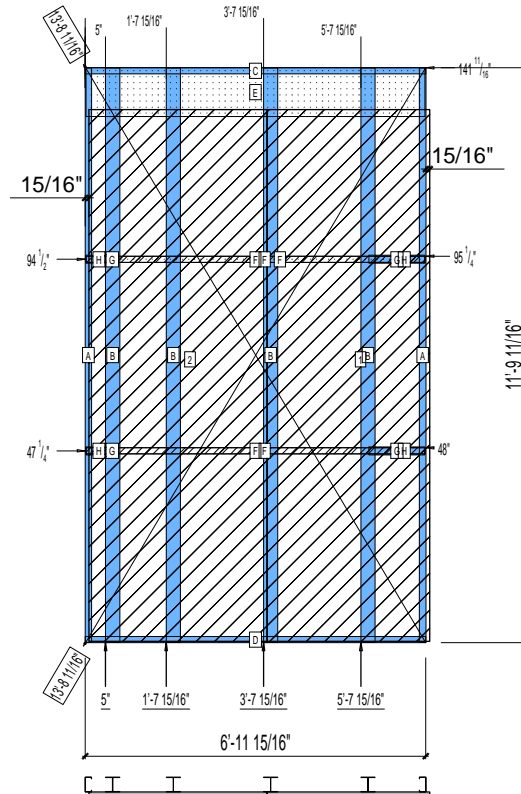
1st STUD: 5000"

WEIGHTS :

FRAME : 339 lbs

SHEATHING: 282 lbs

TOTAL: 621 lbs



PIECES LIST

LABEL	QTY	SIZE	LENGTH	USE
A	2	362S162-54	11'-9 9/16"	STUD
B	4	363I350p554	11'-9 9/16"	PACO. COLUMN
C	1	362T150-68	6'-11 15/16"	TOP TRACK
D	1	362T150-68	6'-11 15/16"	BOTTOM TRACK
E	1	1200D-54	6'-11 1/2"	STRAP
F	4	150D-43	6'-11 1/2"	STRAP
G	2	362T200-68	1'-1 3/4"	BLOCK
H	2	362T200-68	6 5/16"	BLOCK

SHEATHING

LABEL	QTY	CODE	THICK	SIZE	SCREWS
1	1	SB-DENSARMOR	5/8"	3'-4 1/8" X 10'-11 1/8"	2-12
2	1	SB-DENSARMOR	5/8"	3'-7 15/16" X 10'-11 1/8"	2-12

21-1320

Jewish Home for the Aging

1885 Victory Blvd. Reseda, CA

FM-07-109

CREATED BY: AMB

FrameMax, Inc.
13915 Danielson St
Suite 100
Poway, CA 92064
www.frame-max.com



© FrameMax Inc.

HEIGHT : 11'-9 11/16" POINTS: 0.80 Points.

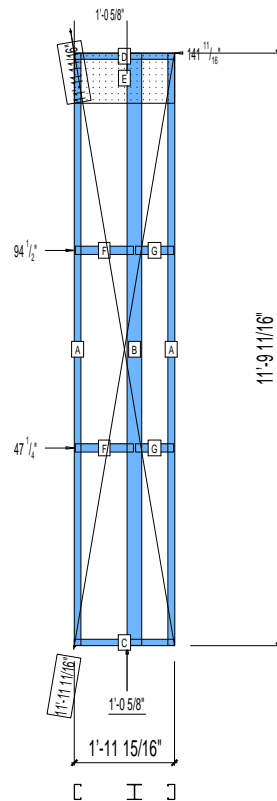
SPACING : 5000"

1st STUD: 5000"

WEIGHTS :

FRAME : 119 lbs

TOTAL: 119 lbs



PIECES LIST

LABEL	QTY	SIZE	LENGTH	USE
A	2	362S162-54	11'-9 9/16"	STUD
B	1	363i350p554	11'-9 9/16"	PACO.COLUMN
C	1	362T150-68	1'-11 15/16"	BOTTOM TRACK
D	1	362T150-68	1'-11 15/16"	TOP TRACK
E	1	1200D-54	1'-11 7/8"	STRAP
F	2	362T200-68	1'-1 15/16"	BLOCK
G	2	362T200-68	9 1/8"	BLOCK

21-1321

Jewish Home for the Aging

1885 Victory Blvd. Reseda, CA

FrameMax, Inc.
13915 Danielson St
Suite 100
Poway, CA 92064
www.frame-max.com



© FrameMax Inc.

CREATED: 09/26/2008

FM-07-109

CREATED BY: AMB

HEIGHT : 11'-9 11/16" POINTS: 2.20 Points.

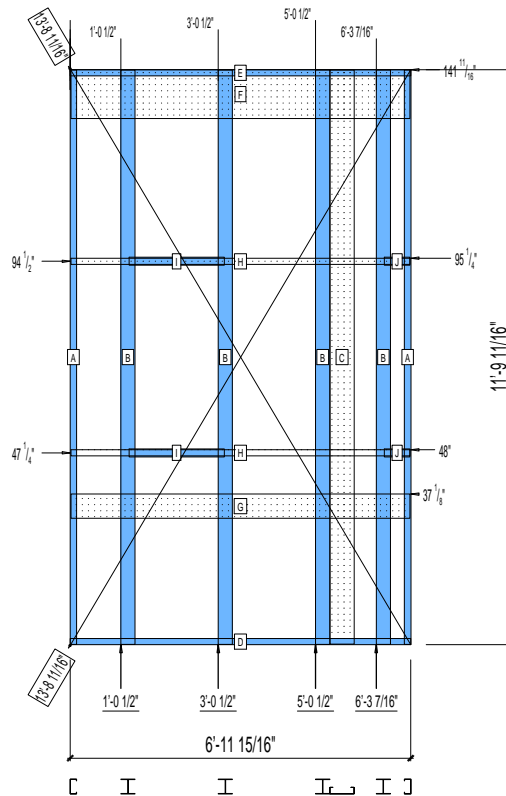
SPACING : 5000"

1st STUD: 5000"

WEIGHTS :

FRAME : 372 lbs

TOTAL: 372 lbs



PIECES LIST

LABEL	QTY	SIZE	LENGTH	USE
A	2	362S162-54	11'-9 9/16"	STUD
B	4	363i350p554	11'-9 9/16"	PACO. COLUMN
C	1	600S162-33	11'-9 1/2"	BACKER-U
D	1	362T150-68	6'-11 15/16"	BOTTOM TRACK
E	1	362T150-68	6'-11 15/16"	TOP TRACK
F	1	1200D-54	6'-11 1/2"	STRAP
G	1	600D-54	6'-11 1/2"	VANITY BACKING
H	2	150D-43	6'-11 1/2"	STRAP
I	2	362T200-68	1'-11 1/2"	BLOCK
J	2	362T200-68	6 5/16"	BLOCK

21-1322

Jewish Home for the Aging

1885 Victory Blvd. Reseda, CA

FrameMax, Inc.
13915 Danielson St
Suite 100
Poway, CA 92064
www.frame-max.com



© FrameMax Inc.

CREATED: 10/30/2008

FM-07-109

CREATED BY: TNT

HEIGHT : 11'-9 11/16" POINTS: 0.86 Points.

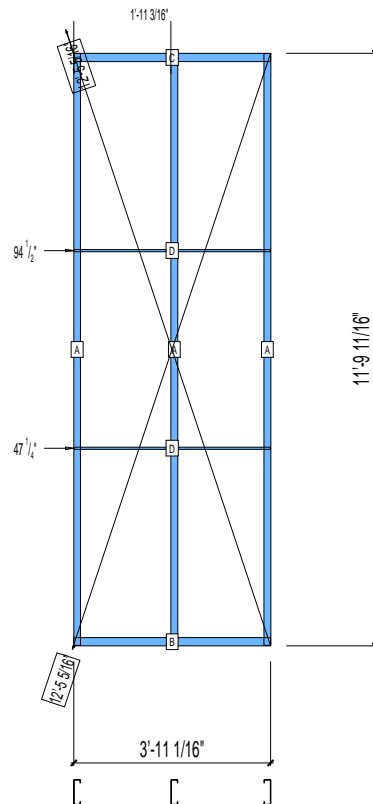
SPACING : 24"

1st STUD: 1/16"

WEIGHTS :

FRAME : 139 lbs

TOTAL: 139 lbs



PIECES LIST

LABEL	QTY	SIZE	LENGTH	USE
A	3	600S162-97	11'-9 1/2"	STUD
B	1	600T200-68	3'-11 1/16"	BOTTOM TRACK
C	1	600T200-68	3'-11 1/16"	TOP TRACK
D	2	150U50-54	3'-10 7/8"	HORIZONTAL BRACING

21-1323

Jewish Home for the Aging

1885 Victory Blvd. Reseda, CA

FrameMax, Inc.
13915 Danielson St
Suite 100
Poway, CA 92064
www.framemax.com



© FrameMax Inc.

CREATED: 11/18/2008

FM-07-109

CREATED BY: TNT

HEIGHT : 11'-9 11/16" POINTS: 2.77 Points.

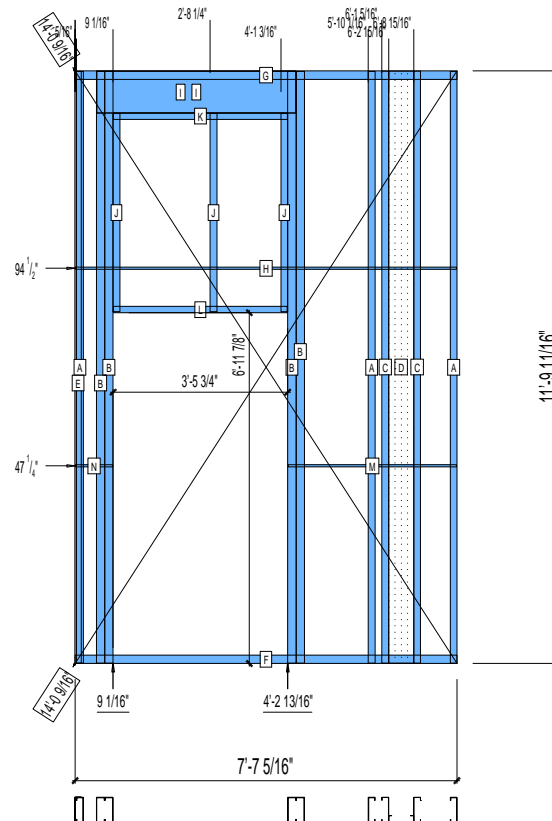
SPACING : 24"

1st STUD: 24"

WEIGHTS :

FRAME : 467 lbs

TOTAL: 467 lbs



PIECES LIST

LABEL	QTY	SIZE	LENGTH	USE
A	3	600S162-97	11'-9 1/2"	STUD
B	4	600S200-97	11'-9 1/2"	KING STUD
C	2	600S162-33	11'-9 1/2"	BACKER STUD
D	1	600S162-33	11'-9 1/2"	BACKER-U
E	1	600T150-54	11'-9 1/2"	CAP TRACK
F	1	600T200-68	7'-7 5/16"	BOTTOM TRACK
G	1	600T200-68	7'-7 5/16"	TOP TRACK
H	1	150U50-54	7'-7 1/8"	HORIZONTAL BRACING
I	2	1000S200-97	3'-11 5/8"	HEADER
J	3	600S162-54	3'-11 3/8"	CRIPPLE
K	1	600T150-54	3'-5 5/8"	HEADER BOTTOM TRACK
L	1	600T150-54	3'-5 1/2"	HEAD TRACK
M	1	150U50-54	3'-4 1/4"	HORIZONTAL BRACING
N	1	150U50-54	8 7/8"	HORIZONTAL BRACING

21-1324

Jewish Home for the Aging

1885 Victory Blvd. Reseda, CA

FrameMax, Inc.
13915 Danielson St
Suite 100
Poway, CA 92064
www.frame-max.com



© FrameMax Inc.

CREATED: 09/26/2008

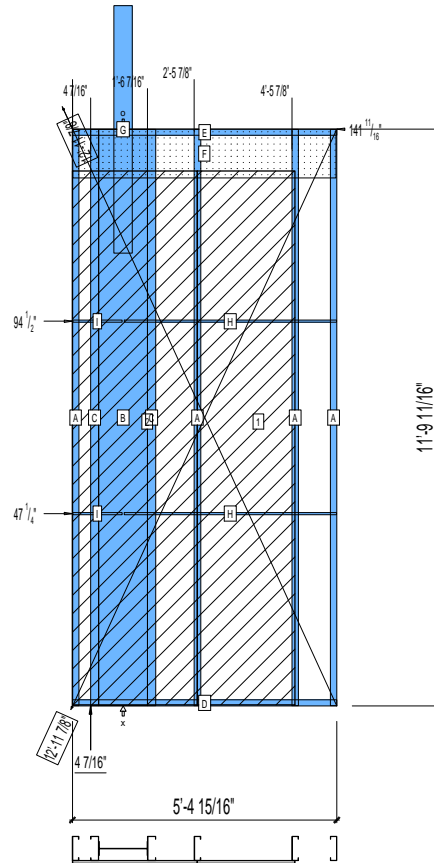
FM-07-109

CREATED BY: AMB

HEIGHT : 14'-4" POINTS: 3.22 Points.
SPACING : 24"
1st STUD: 6 3/4"

WEIGHTS :
FRAME : 431 lbs
SHEATHING: 183 lbs

TOTAL: 614 lbs



PIECES LIST

LABEL	QTY	SIZE	LENGTH	USE
A	4	600S162-97	11'-9 9/16"	STUD
B	1	1200i350p1062	11'-9 9/16"	PACO
C	2	600S200-68	11'-9 9/16"	STUD
D	1	600T150-68	5'-4 15/16"	BOTTOM TRACK
E	1	600T150-68	5'-4 15/16"	TOP TRACK
F	1	1200D-54	5'-4 5/8"	STRAP
G	1	D	5'-0 3/4"	HOLDDOWN
H	2	150U50-54	4'-4 1/8"	HORIZONTAL BRACING
I	2	150U50-54	1'-0 1/8"	HORIZONTAL BRACING

SHEATHING

LABEL	QTY	CODE	THICK	SIZE	SCREWS
1	1	SB-DENSARMOR	5/8"	1'-11 15/16" X 10'-11 1/8"	2-12
2	1	SB-DENSARMOR	5/8"	2'-6 11/16" X 10'-11 1/8"	2-12

21-1325

Jewish Home for the Aging

1885 Victory Blvd. Reseda, CA

FrameMax, Inc.
13915 Danielson St
Suite 100
Poway, CA 92064
www.frame-max.com



© FrameMax Inc.

CREATED: 09/26/2008

FM-07-109

CREATED BY: TNT

HEIGHT : 11'-9 11/16" POINTS: 2.04 Points.

SPACING : 24"

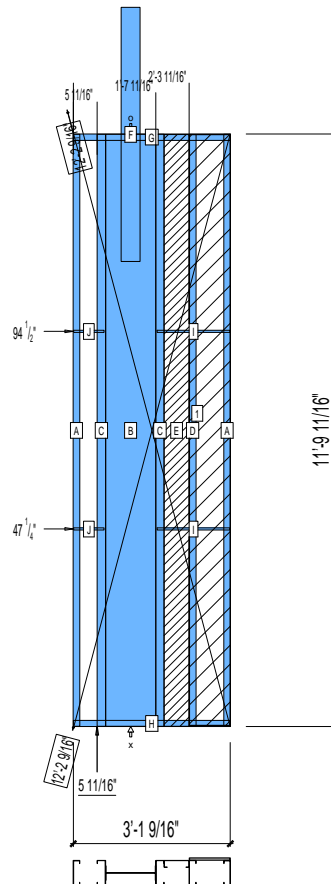
1st STUD: 24"

WEIGHTS :

FRAME : 346 lbs

SHEATHING: 24 lbs

TOTAL: 370 lbs



PIECES LIST

LABEL	QTY	SIZE	LENGTH	USE
A	2	600S162-97	11'-9 9/16"	STUD
B	1	1200i350p1062	11'-9 9/16"	PACO
C	2	600S200-68	11'-9 9/16"	STUD
D	1	600S162-33	11'-9 7/16"	BACKER STUD
E	1	600S162-33	11'-9 7/16"	BACKER-U
F	1	D	5'-0 3/4"	HOLDDOWN
G	1	600T150-68	3'-1 9/16"	TOP TRACK
H	1	600T150-68	3'-1 9/16"	BOTTOM TRACK
I	2	150U50-54	1'-5 7/16"	HORIZONTAL BRACING
J	2	150U50-54	7 5/16"	HORIZONTAL BRACING

SHEATHING

LABEL	QTY	CODE	THICK	SIZE	SCREWS
1	1	DENSGLASS	1/2"	9 3/4" X 11'-9 1/4"	8 - 12

21-1326

Jewish Home for the Aging

1885 Victory Blvd. Reseda, CA

FrameMax, Inc.
13915 Danielson St
Suite 100
Poway, CA 92064
www.frame-max.com



© FrameMax Inc.

CREATED: 11/18/2008

FM-07-109

CREATED BY: TNT

HEIGHT : 11'-9 11/16" POINTS: 1.15 Points.

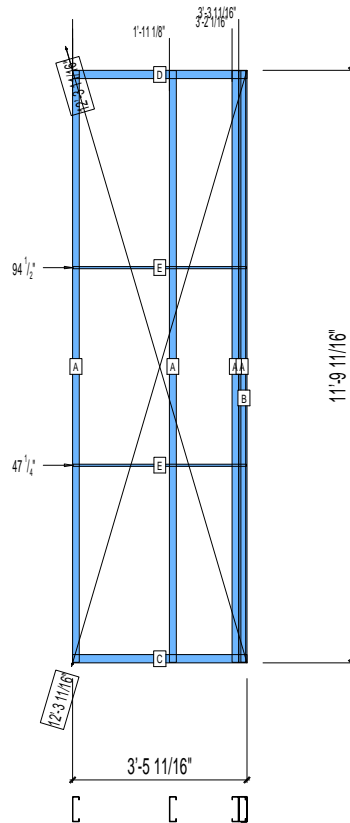
SPACING : 24"

1st STUD: 24"

WEIGHTS :

FRAME : 196 lbs

TOTAL: 196 lbs



PIECES LIST

LABEL	QTY	SIZE	LENGTH	USE
A	4	600S162-97	11'-9 1/2"	STUD
B	1	600T150-54	11'-9 1/2"	CAP TRACK
C	1	600T200-68	3'-5 11/16"	BOTTOM TRACK
D	1	600T200-68	3'-5 11/16"	TOP TRACK
E	2	150U50-54	3'-5 1/2"	HORIZONTAL BRACING

21-1327

Jewish Home for the Aging

1885 Victory Blvd. Reseda, CA

FrameMax, Inc.
13915 Danielson St
Suite 100
Poway, CA 92064
www.frame-max.com



© FrameMax Inc.

CREATED: 10/19/2008

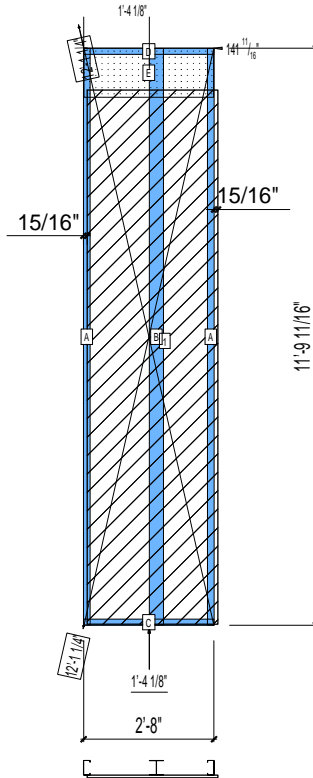
FM-07-109

CREATED BY: TNT

HEIGHT : 11'-9 11/16" POINTS: 1.18 Points.
SPACING : 5000"
1st STUD: 5000"

WEIGHTS :
FRAME : 111 lbs
SHEATHING: 108 lbs

TOTAL: 219 lbs



PIECES LIST

LABEL	QTY	SIZE	LENGTH	USE
A	2	362S162-54	11'-9 9/16"	STUD
B	1	3631350p554	11'-9 9/16"	PACO.COLUMN
C	1	362T150-68	2'-8"	BOTTOM TRACK
D	1	362T150-68	2'-8"	TOP TRACK
E	1	1200D-54	2'-7 7/8"	STRAP

SHEATHING

LABEL	QTY	CODE	THICK	SIZE	SCREWS
1	1	SB-DENSARMOR	5/8"	2'-8 1/8" X 10'-11 1/8"	2-12

21-1328

Jewish Home for the Aging

1885 Victory Blvd. Reseda, CA

FrameMax, Inc.
13915 Danielson St
Suite 100
Poway, CA 92064
www.frame-max.com



© FrameMax Inc.

CREATED: 09/26/2008

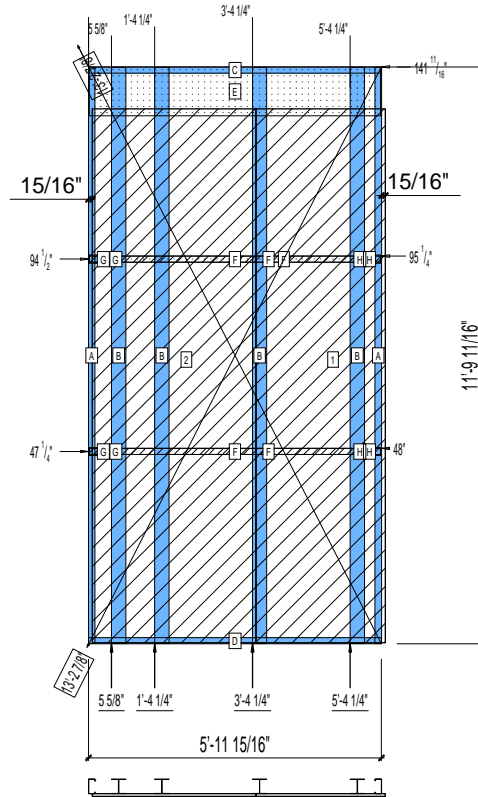
FM-07-109

CREATED BY: TNT

HEIGHT : 11'-9 11/16" POINTS: 3.08 Points.
SPACING : 5000"
1st STUD: 5000"

WEIGHTS :
FRAME : 331 lbs
SHEATHING: 241 lbs

TOTAL: 572 lbs



PIECES LIST

LABEL	QTY	SIZE	LENGTH	USE
A	2	362S162-54	11'-9 9/16"	STUD
B	4	363i350p554	11'-9 9/16"	PACO. COLUMN
C	1	362T150-68	5'-11 15/16"	TOP TRACK
D	1	362T150-68	5'-11 15/16"	BOTTOM TRACK
E	1	1200D-54	5'-11 1/2"	STRAP
F	4	150D-43	5'-11 1/2"	STRAP
G	2	362T200-68	6 15/16"	BLOCK
H	2	362T200-68	5 7/16"	BLOCK

SHEATHING

LABEL	QTY	CODE	THICK	SIZE	SCREWS
1	1	SB-DENSARMOR	5/8"	2'-7 3/4" X 10'-11 1/8"	2-12
2	1	SB-DENSARMOR	5/8"	3'-4 1/4" X 10'-11 1/8"	2-12

21-1329

Jewish Home for the Aging

1885 Victory Blvd. Reseda, CA

FM-07-109

CREATED BY: TNT

FrameMax, Inc.
13915 Danielson St
Suite 100
Poway, CA 92064
www.framemax.com



© FrameMax Inc.

HEIGHT : 11'-9 11/16" POINTS: 0.98 Points.

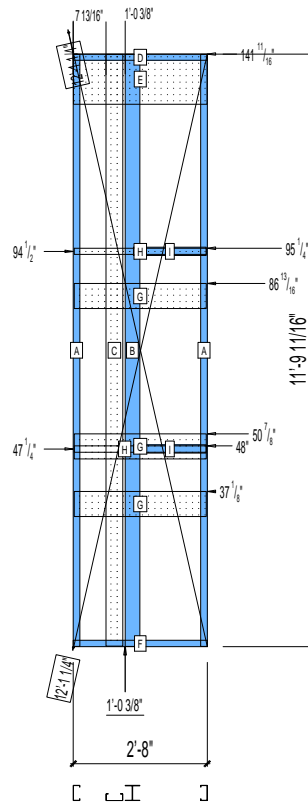
SPACING : 5000"

1st STUD: 5000"

WEIGHTS :

FRAME : 138 lbs

TOTAL: 138 lbs



PIECES LIST

LABEL	QTY	SIZE	LENGTH	USE
A	2	362S162-54	11'-9 9/16"	STUD
B	1	363i350p554	11'-9 9/16"	PACO.COLUMN
C	1	400S162-33	11'-9 1/2"	BACKER-U
D	1	362T150-68	2'-8"	TOP TRACK
E	1	1200D-54	2'-8"	STRAP
F	1	362T150-68	2'-8"	BOTTOM TRACK
G	3	600D-54	2'-7 5/8"	KITCHEN BACKING
H	2	150D-43	2'-7 5/8"	STRAP
I	2	362T200-68	1'-5 7/16"	BLOCK

21-1330

Jewish Home for the Aging

1885 Victory Blvd. Reseda, CA

FrameMax, Inc.
13915 Danielson St
Suite 100
Poway, CA 92064
www.frame-max.com



© FrameMax Inc.

CREATED: 09/26/2008

FM-07-109

CREATED BY: AMB

HEIGHT : 11'-9 11/16" POINTS: 2.16 Points.

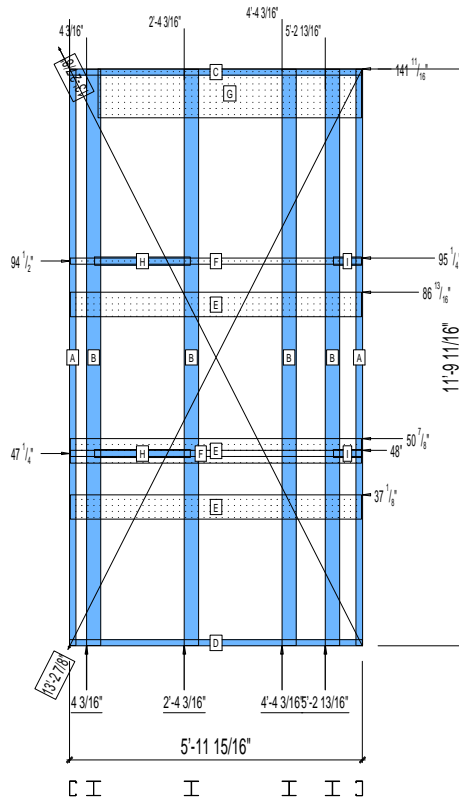
SPACING : 5000"

1st STUD: 5000"

WEIGHTS :

FRAME : 364 lbs

TOTAL: 364 lbs



PIECES LIST

LABEL	QTY	SIZE	LENGTH	USE
A	2	362S162-54	11'-9 9/16"	STUD
B	4	363I350p554	11'-9 9/16"	PACO. COLUMN
C	1	362T150-68	5'-11 15/16"	TOP TRACK
D	1	362T150-68	5'-11 15/16"	BOTTOM TRACK
E	3	600D-54	5'-11 1/2"	KITCHEN BACKING
F	2	150D-43	5'-11 1/2"	STRAP
G	1	1200D-54	5'-4 3/4"	STRAP
H	2	362T200-68	1'-11 1/2"	BLOCK
I	2	362T200-68	6 15/16"	BLOCK

21-1333

Jewish Home for the Aging

1885 Victory Blvd. Reseda, CA

FrameMax, Inc.
13915 Danielson St
Suite 100
Poway, CA 92064
www.frame-max.com



© FrameMax Inc.

CREATED: 09/26/2008

FM-07-109

CREATED BY: AMB

HEIGHT : 11'-9 11/16" POINTS: 2.22 Points.

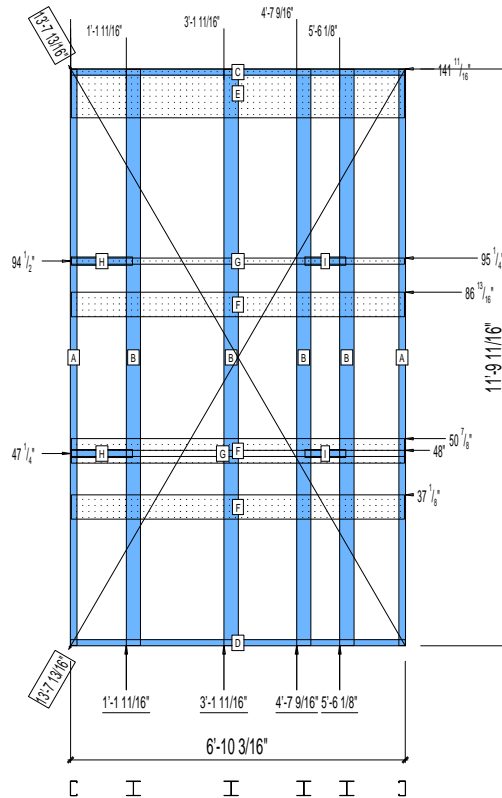
SPACING : 5000"

1st STUD: 5000"

WEIGHTS :

FRAME : 372 lbs

TOTAL: 372 lbs



PIECES LIST

LABEL	QTY	SIZE	LENGTH	USE
A	2	362S162-54	11'-9 9/16"	STUD
B	4	363I350p554	11'-9 9/16"	PACO.COLUMN
C	1	362T150-68	6'-10 3/16"	TOP TRACK
D	1	362T150-68	6'-10 3/16"	BOTTOM TRACK
E	1	1200D-54	6'-9 3/4"	STRAP
F	3	600D-54	6'-9 3/4"	KITCHEN BACKING
G	2	150D-43	6'-9 3/4"	STRAP
H	2	362T200-68	1'-2 15/16"	BLOCK
I	2	362T200-68	10 1/16"	BLOCK

21-1334

Jewish Home for the Aging

1885 Victory Blvd. Reseda, CA

FrameMax, Inc.
13915 Danielson St
Suite 100
Poway, CA 92064
www.frame-max.com



© FrameMax Inc.

CREATED: 09/26/2008

FM-07-109

CREATED BY: TNT

HEIGHT : 11'-9 11/16" POINTS: 3.25 Points.

SPACING : 5000"

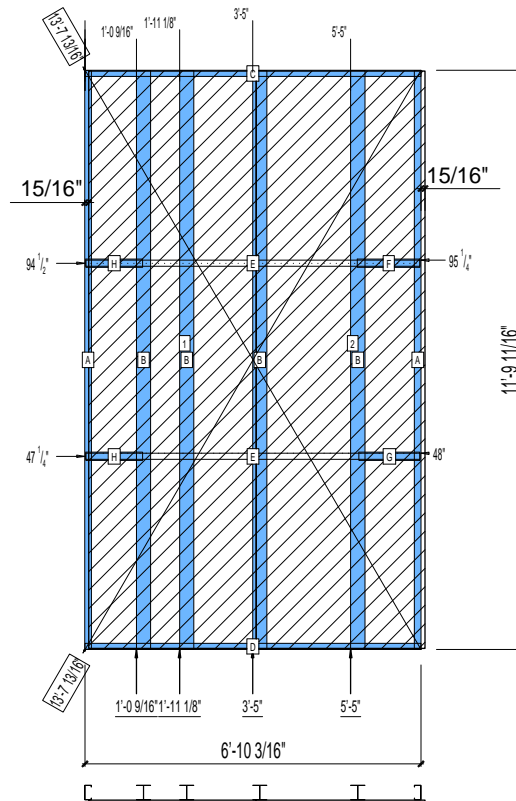
1st STUD: 5000"

WEIGHTS :

FRAME : 322 lbs

SHEATHING: 297 lbs

TOTAL: 619 lbs



PIECES LIST

LABEL	QTY	SIZE	LENGTH	USE
A	2	362S162-54	11'-9 9/16"	STUD
B	4	363i350p554	11'-9 9/16"	PACO.COLUMN
C	1	362T150-68	6'-10 3/16"	TOP TRACK
D	1	362T150-68	6'-10 3/16"	BOTTOM TRACK
E	2	150D-43	6'-9 3/4"	STRAP
F	1	362T200-68	1'-3 3/8"	BLOCK
G	1	362T200-68	1'-2 15/16"	BLOCK
H	2	362T200-68	1'-1 7/8"	BLOCK

SHEATHING

LABEL	QTY	CODE	THICK	SIZE	SCREWS
1	1	SB-DENSGGLASS	1/2"	3'-5" X 11'-9 1/4"	2-12
2	1	SB-DENSGGLASS	1/2"	3'-5 1/4" X 11'-9 1/4"	2-12

21-1336

Jewish Home for the Aging

1885 Victory Blvd. Reseda, CA

FM-07-109

CREATED BY: TNT

FrameMax, Inc.
13915 Danielson St
Suite 100
Poway, CA 92064
www.framemax.com



© FrameMax Inc.

HEIGHT : 11'-9 11/16" POINTS: 3.34 Points.

SPACING : 24"

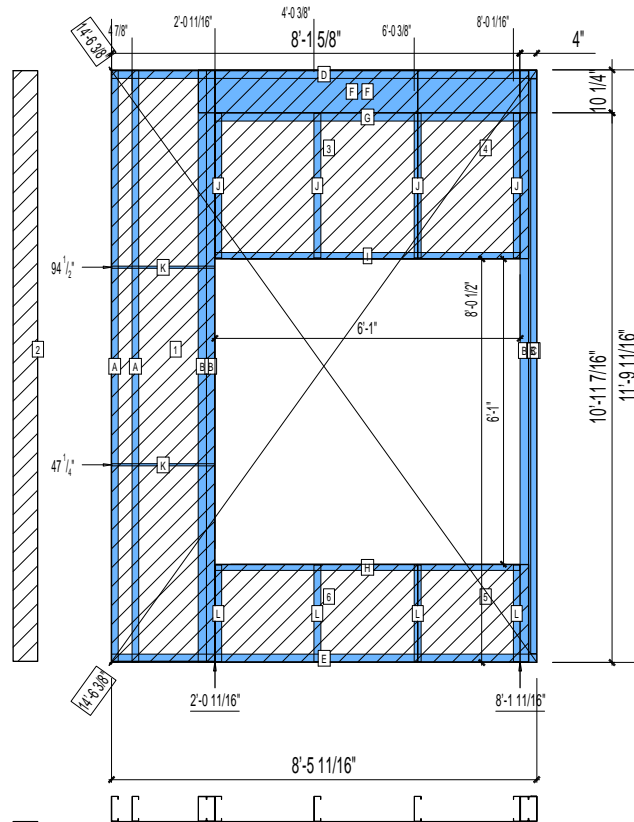
1st STUD: 5 3/4"

WEIGHTS :

FRAME : 420 lbs

SHEATHING: 164 lbs

TOTAL: 584 lbs



PIECES LIST

LABEL	QTY	SIZE	LENGTH	USE
A	2	600S162-68	11'-9 1/2"	STUD
B	4	600S200-97	11'-9 1/2"	KING STUD
C	1	600T150-33	11'-5 7/16"	CAP TRACK
D	1	600T200-68	8'-5 11/16"	TOP TRACK
E	1	600T200-68	8'-5 11/16"	BOTTOM TRACK
F	2	1000T200-97	6'-8 7/8"	HEADER
G	1	600T200-68	6'-0 7/8"	TOP TRACK
H	1	600T150-54	6'-0 3/4"	SILL
I	1	600T150-54	6'-0 3/4"	HEAD TRACK
J	4	600S162-54	2'-10 9/16"	CRIPPLE
K	2	150U50-54	2'-0 1/2"	HORIZONTAL BRACING
L	4	600S162-54	1'-11 1/16"	CRIPPLE

SHEATHING

LABEL	QTY	CODE	THICK	SIZE	SCREWS
1	1	DENSGLASS	1/2"	2'-0 5/8" X 11'-9 1/4"	8 - 12
2	1	DENSGLASS	1/2"	5 7/8" X 11'-9 1/4"	8 - 12
3	1	DENSGLASS	1/2"	4'-0 7/16" X 3'-9"	8 - 12
4	1	DENSGLASS	1/2"	2'-2 1/2" X 3'-9"	8 - 12
5	1	DENSGLASS	1/2"	2'-2 1/2" X 1'-11 5/16"	8 - 12
6	1	DENSGLASS	1/2"	4'-0 7/16" X 1'-11 5/16"	8 - 12

21-1337

Jewish Home for the Aging

1885 Victory Blvd. Reseda, CA

FrameMax, Inc.
13915 Danielson St
Suite 100
Poway, CA 92064
www.framemax.com



© FrameMax Inc.

CREATED: 10/07/2008

FM-07-109

CREATED BY: AMB

HEIGHT : 11'-9 11/16" POINTS: 2.53 Points.

SPACING : 24"

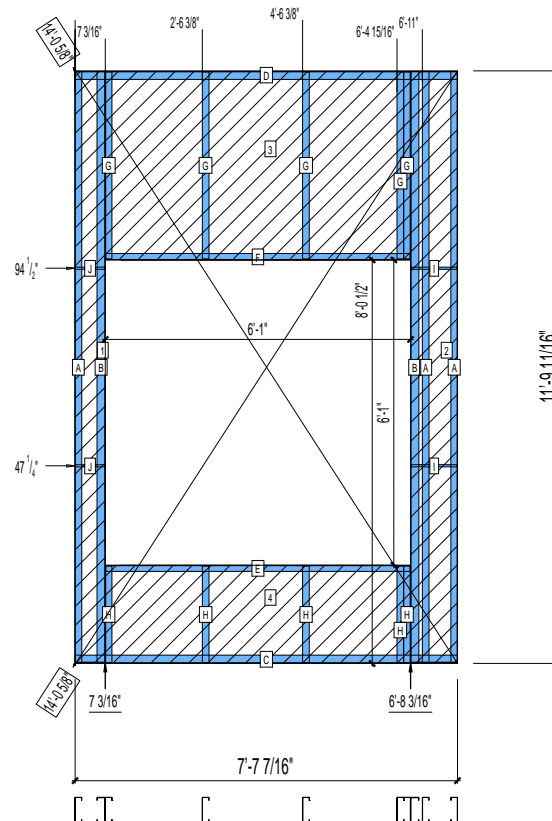
1st STUD: 11 7/8"

WEIGHTS :

FRAME : 282 lbs

SHEATHING: 131 lbs

TOTAL: 413 lbs



PIECES LIST

LABEL	QTY	SIZE	LENGTH	USE
A	3	600S162-68	11'-9 1/2"	STUD
B	2	600S200-97	11'-9 1/2"	KING STUD
C	1	600T200-68	7'-7 7/16"	BOTTOM TRACK
D	1	600T200-68	7'-7 7/16"	TOP TRACK
E	1	600T150-54	6'-0 3/4"	SILL
F	1	600T150-54	6'-0 3/4"	HEAD TRACK
G	5	600S162-54	3'-8 3/4"	CRIPPLE
H	5	600S162-54	1'-11 1/16"	CRIPPLE
I	2	150U50-54	11"	HORIZONTAL BRACING
J	2	150U50-54	7"	HORIZONTAL BRACING

SHEATHING

LABEL	QTY	CODE	THICK	SIZE	SCREWS
1	1	DENSGLASS	1/2"	7 1/8" X 11'-9 1/4"	8 - 12
2	1	DENSGLASS	1/2"	11 1/8" X 11'-9 1/4"	8 - 12
3	1	DENSGLASS	1/2"	6'-0 7/8" X 3'-9"	8 - 12
4	1	DENSGLASS	1/2"	6'-0 7/8" X 1'-11 5/16"	8 - 12

21-1338

Jewish Home for the Aging

1885 Victory Blvd. Reseda, CA

FM-07-109

CREATED BY: AMB

FrameMax, Inc.
13915 Danielson St
Suite 100
Poway, CA 92064
www.frame-max.com



© FrameMax Inc.

HEIGHT : 11'-9 11/16" POINTS: 0.63 Points.

SPACING : 24"

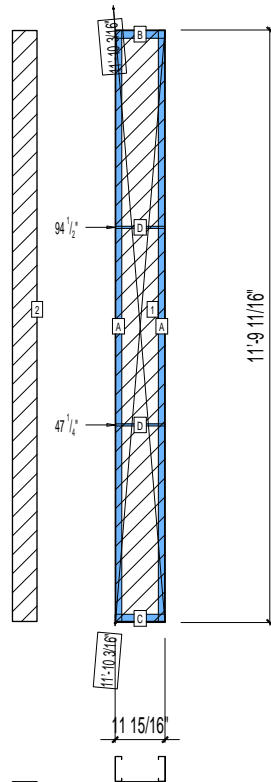
1st STUD: 16"

WEIGHTS :

FRAME : 63 lbs

SHEATHING: 43 lbs

TOTAL: 106 lbs



PIECES LIST

LABEL	QTY	SIZE	LENGTH	USE
A	2	600S162-68	11'-9 1/2"	STUD
B	1	600T200-68	11 15/16"	TOP TRACK
C	1	600T200-68	11 15/16"	BOTTOM TRACK
D	2	150U50-54	11 3/4"	HORIZONTAL BRACING

SHEATHING

LABEL	QTY	CODE	THICK	SIZE	SCREWS
1	1	DENSGLASS	1/2"	11 3/4" X	11'-9 1/4" 8 - 12
2	1	DENSGLASS	1/2"	5 7/8" X	11'-9 1/4" 8 - 12

21-1339

Jewish Home for the Aging

1885 Victory Blvd. Reseda, CA

FM-07-109

CREATED BY: AMB

FrameMax, Inc.
13915 Danielson St
Suite 100
Poway, CA 92064
www.framemax.com



© FrameMax Inc.

HEIGHT : 11'-9 11/16" POINTS: 1.67 Points.

SPACING : 24"

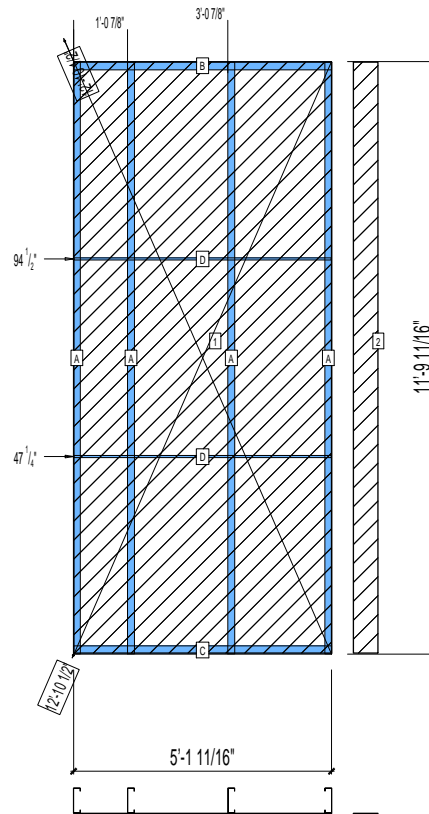
1st STUD: 13 3/4"

WEIGHTS :

FRAME : 141 lbs

SHEATHING: 165 lbs

TOTAL: 306 lbs



PIECES LIST

LABEL	QTY	SIZE	LENGTH	USE
A	4	600S162-68	11'-9 1/2"	STUD
B	1	600T200-68	5'-1 11/16"	TOP TRACK
C	1	600T200-68	5'-1 11/16"	BOTTOM TRACK
D	2	150U50-54	5'-1 1/2"	HORIZONTAL BRACING

SHEATHING

LABEL	QTY	CODE	THICK	SIZE	SCREWS
1	1	DENSGLASS	1/2"	5'-1 9/16" X 11'-9 1/4"	8 - 12
2	1	DENSGLASS	1/2"	5 7/8" X 11'-9 1/4"	8 - 12

21-1340

Jewish Home for the Aging

1885 Victory Blvd. Reseda, CA

FrameMax, Inc.
13915 Danielson St
Suite 100
Poway, CA 92064
www.framemax.com



© FrameMax Inc.

CREATED: 10/07/2008

FM-07-109

CREATED BY: AMB

HEIGHT : 11'-9 11/16" POINTS: 2.51 Points.

SPACING : 24"

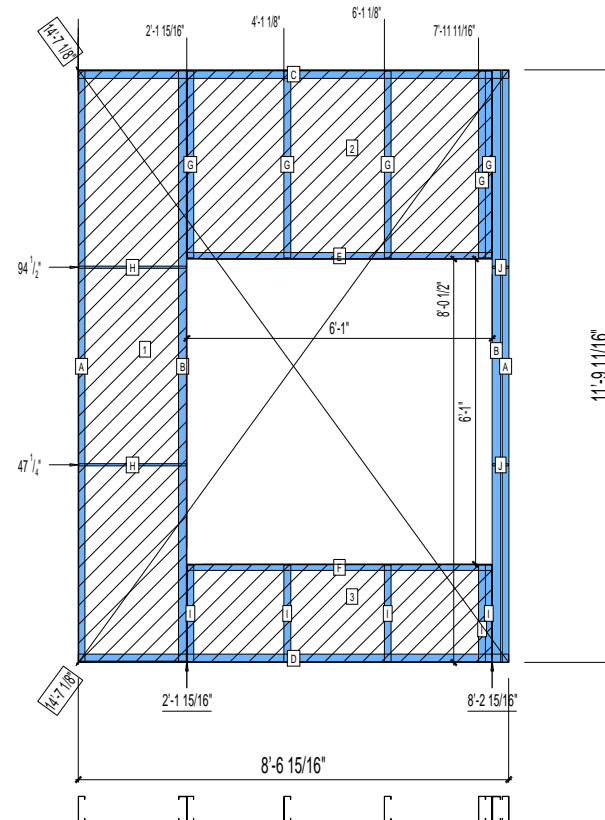
1st STUD: 24"

WEIGHTS :

FRAME : 260 lbs

SHEATHING: 150 lbs

TOTAL: 410 lbs



PIECES LIST

LABEL	QTY	SIZE	LENGTH	USE
A	2	600S162-68	11'-9 1/2"	STUD
B	2	600S200-97	11'-9 1/2"	KING STUD
C	1	600T200-68	8'-6 15/16"	TOP TRACK
D	1	600T200-68	8'-6 15/16"	BOTTOM TRACK
E	1	600T150-54	6'-0 3/4"	HEAD TRACK
F	1	600T150-54	6'-0 3/4"	SILL
G	5	600S162-54	3'-8 3/4"	CRIPPLE
H	2	150U50-54	2'-1 3/4"	HORIZONTAL BRACING
I	5	600S162-54	1'-11 1/16"	CRIPPLE
J	2	150U50-54	3 3/4"	HORIZONTAL BRACING

SHEATHING

LABEL	QTY	CODE	THICK	SIZE	SCREWS
1	1	DENSGLASS	1/2"	2'-1 7/8" X 11'-9 1/4"	8 - 12
2	1	DENSGLASS	1/2"	6'-0 7/8" X 3'-9"	8 - 12
3	1	DENSGLASS	1/2"	6'-0 7/8" X 1'-11 5/16"	8 - 12

21-1341

Jewish Home for the Aging

1885 Victory Blvd. Reseda, CA

FM-07-109

CREATED BY: AMB

FrameMax, Inc.
13915 Danielson St
Suite 100
Poway, CA 92064
www.frame-max.com



© FrameMax Inc.

HEIGHT : 11'-9 11/16" POINTS: 1.25 Points.

SPACING : 24"

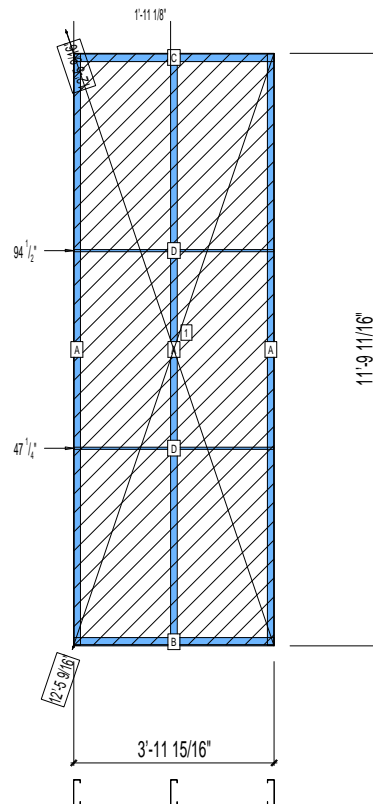
1st STUD: 24"

WEIGHTS :

FRAME : 107 lbs

SHEATHING: 117 lbs

TOTAL: 224 lbs



PIECES LIST

LABEL	QTY	SIZE	LENGTH	USE
A	3	600S162-68	11'-9 1/2"	STUD
B	1	600T200-68	3'-11 15/16"	BOTTOM TRACK
C	1	600T200-68	3'-11 15/16"	TOP TRACK
D	2	150U50-54	3'-11 3/4"	HORIZONTAL BRACING

SHEATHING

LABEL	QTY	CODE	THICK	SIZE	SCREWS
1	1	DENSGLASS	1/2"	3'-11 3/4" X 11'-9 1/4"	8 - 12

21-1342

Jewish Home for the Aging

1885 Victory Blvd. Reseda, CA

FM-07-109

CREATED BY: TNT

FrameMax, Inc.
13915 Danielson St
Suite 100
Poway, CA 92064
www.frame-max.com



© FrameMax Inc.

HEIGHT : 11'-9 11/16" POINTS: 5.42 Points.

SPACING : 24"

1st STUD: 3/8"

WEIGHTS :

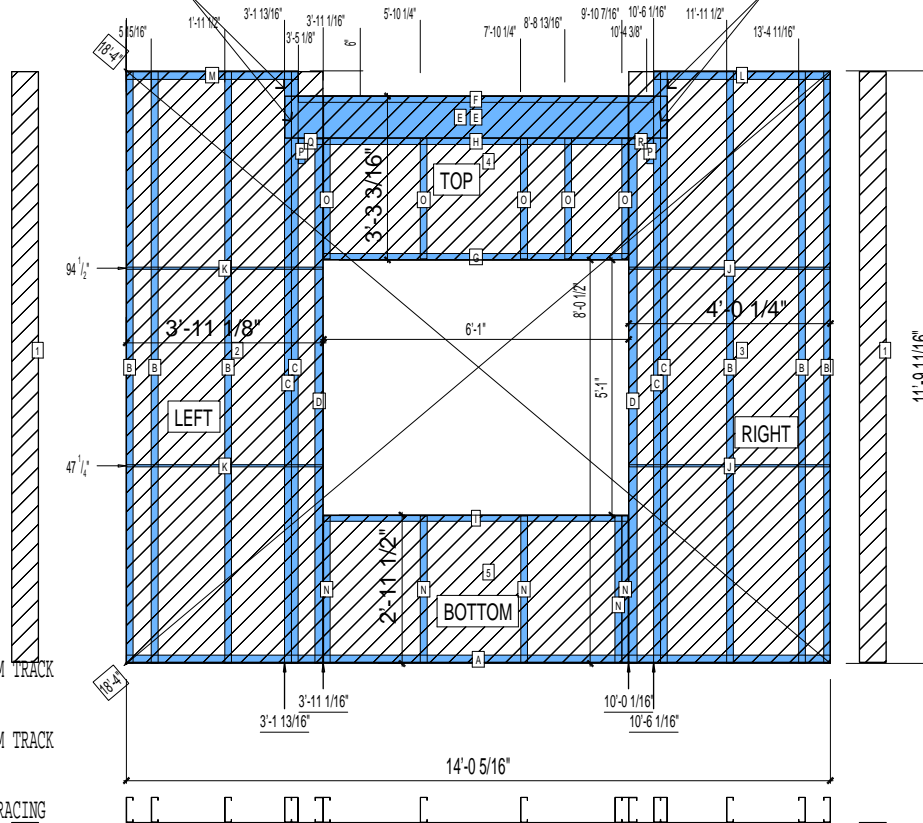
FRAME : 589 lbs

SHEATHING: 358 lbs

TOTAL: 947 lbs

10SCREWS EA. KING STUD

10SCREWS EA. KING STUD



PIECES LIST

LABEL	QTY	SIZE	LENGTH	USE
A	1	600T200-68	14'-0 5/16"	BOTTOM TRACK
B	6	600S162-68	11'-9 1/2"	STUD
C	4	600S162-68	11'-9 1/2"	EXTRA STUD
D	2	600S200-97	10'-5 3/8"	KING STUD
E	2	1000S200-97	7'-7 7/16"	HEADER
F	1	600T150-54	7'-0 15/16"	HEADER BOTTOM TRACK
G	1	600T150-54	6'-0 7/8"	HEAD TRACK
H	1	600T150-54	6'-0 7/8"	HEADER BOTTOM TRACK
I	1	600T150-54	6'-0 3/4"	SILL
J	2	150U50-54	4'-0"	HORIZONTAL BRACING
K	2	150U50-54	3'-10 7/8"	HORIZONTAL BRACING
L	1	600T200-68	3'-6 3/16"	TOP TRACK
M	1	600T200-68	3'-5 1/16"	TOP TRACK
N	5	600S162-54	2'-11 1/16"	CRIPPLE
O	5	600S162-54	2'-4 3/4"	CRIPPLE
P	2	600S162-54	6"	CRIPPLE
Q	1	600T150-54	5 7/8"	HEADER BOTTOM TRACK
R	1	600T150-54	5 13/16"	HEADER BOTTOM TRACK

SHEATHING

LABEL	QTY	CODE	THICK	SIZE	SCREWS
1	2	DENSGLASS	1/2"	6 3/8" X 11'-9 1/4"	8 - 12
2	1	DENSGLASS	1/2"	3'-11" X 11'-9 1/4"	8 - 12
3	1	DENSGLASS	1/2"	4'-0 1/8" X 11'-9 1/4"	8 - 12
4	1	DENSGLASS	1/2"	6'-0 7/8" X 3'-3 1/16"	8 - 12
5	1	DENSGLASS	1/2"	6'-0 7/8" X 2'-11 3/16"	8 - 12

21-1343

Jewish Home for the Aging

1885 Victory Blvd. Reseda, CA

FrameMax, Inc.
13915 Danielson St
Suite 100
Poway, CA 92064
www.frame-max.com



© FrameMax Inc.

CREATED: 09/26/2008

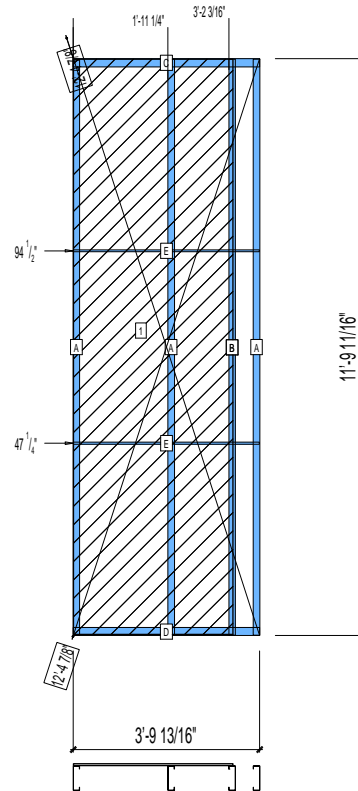
FM-07-109

CREATED BY: TNT

HEIGHT : 11'-9 11/16" POINTS: 1.23 Points.
SPACING : 24"
1st STUD: 1/16"

WEIGHTS :
FRAME : 120 lbs
SHEATHING: 96 lbs

TOTAL: 216 lbs



PIECES LIST

LABEL	QTY	SIZE	LENGTH	USE
A	3	600S162-68	11'-9 1/2"	STUD
B	1	600S162-33	11'-9 7/16"	BACKER STUD
C	1	600T200-68	3'-9 13/16"	TOP TRACK
D	1	600T200-68	3'-9 13/16"	BOTTOM TRACK
E	2	150U50-54	3'-9 5/8"	HORIZONTAL BRACING

SHEATHING

LABEL	QTY	CODE	THICK	SIZE	SCREWS
1	1	DENSGLASS	1/2"	3'-3 3/16" X 11'-9 1/4"	8 - 12

21-1344

Jewish Home for the Aging

1885 Victory Blvd. Reseda, CA

FrameMax, Inc.
13915 Danielson St
Suite 100
Poway, CA 92064
www.frame-max.com



© FrameMax Inc.

CREATED: 10/19/2008

FM-07-109

CREATED BY: TNT

HEIGHT : 11'-9 11/16" POINTS: 1.85 Points.

SPACING : 24"

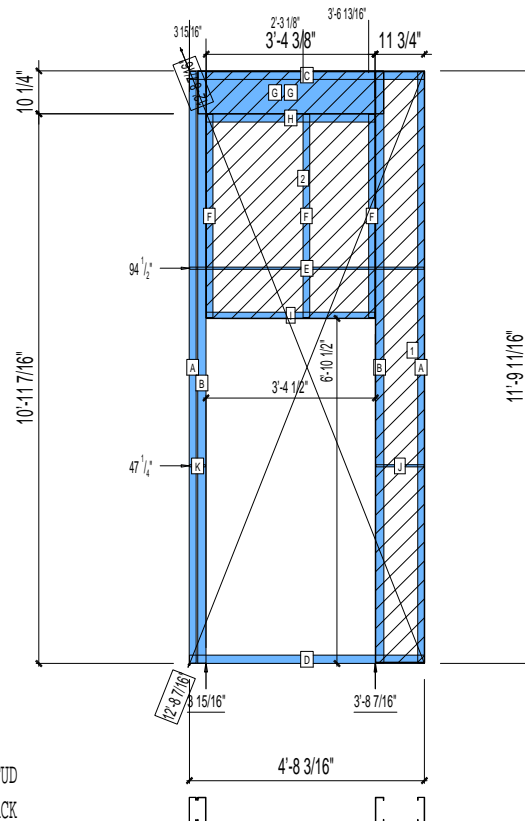
1st STUD: 24"

WEIGHTS :

FRAME : 240 lbs

SHEATHING: 70 lbs

TOTAL: 310 lbs



PIECES LIST

LABEL	QTY	SIZE	LENGTH	USE
A	2	600S162-68	11'-9 1/2"	STUD
B	2	600S200-97	11'-9 1/2"	KING STUD
C	1	600T200-68	4'-8 3/16"	TOP TRACK
D	1	600T200-68	4'-8 3/16"	BOTTOM TRACK
E	1	150U50-54	4'-8"	HORIZONTAL BRACING
F	3	600S162-54	4'-0 9/16"	CRIPPLE
G	2	1000T200-97	3'-8 3/8"	HEADER
H	1	600T200-68	3'-4 3/8"	TOP TRACK
I	1	600T150-54	3'-4 1/4"	HEAD TRACK
J	1	150U50-54	11 1/2"	HORIZONTAL BRACING
K	1	150U50-54	3 3/4"	HORIZONTAL BRACING

SHEATHING

LABEL	QTY	CODE	THICK	SIZE	SCREWS
1	1	DENSGLASS	1/2"	11 5/8" X 11'-9 1/4"	8 - 12
2	1	DENSGLASS	1/2"	3'-4 3/8" X 4'-11"	8 - 12

21-1345

Jewish Home for the Aging

1885 Victory Blvd. Reseda, CA

FrameMax, Inc.
13915 Danielson St
Suite 100
Poway, CA 92064
www.frame-max.com



© FrameMax Inc.

CREATED: 09/26/2008

FM-07-109

CREATED BY: TNT

HEIGHT : 11'-9 11/16" POINTS: 1.57 Points.

SPACING : 24"

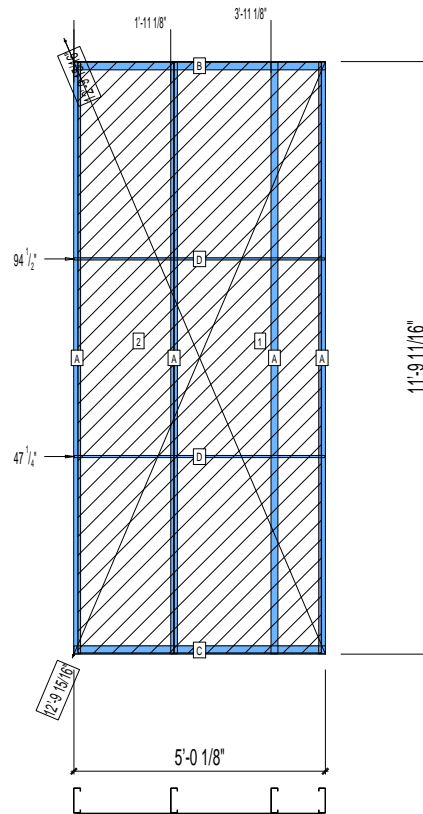
1st STUD: 24"

WEIGHTS :

FRAME : 141 lbs

SHEATHING: 143 lbs

TOTAL: 284 lbs



PIECES LIST

LABEL	QTY	SIZE	LENGTH	USE
A	4	600S162-68	11'-9 1/2"	STUD
B	1	600T200-68	5'-0 1/8"	TOP TRACK
C	1	600T200-68	5'-0 1/8"	BOTTOM TRACK
D	2	150U50-54	4'-11 15/16"	HORIZONTAL BRACING

SHEATHING

LABEL	QTY	CODE	THICK	SIZE	SCREWS
1	1	DENSGLASS	1/2"	2'-11 3/16" X 11'-9 1/4"	8 - 12
2	1	DENSGLASS	1/2"	1'-11" X 11'-9 1/4"	8 - 12

21-1346

Jewish Home for the Aging

1885 Victory Blvd. Reseda, CA

FrameMax, Inc.
13915 Danielson St
Suite 100
Poway, CA 92064
www.framemax.com



© FrameMax Inc.

CREATED: 10/28/2008

FM-07-109

CREATED BY: TNT

HEIGHT : 11'-9 11/16" POINTS: 0.54 Points.

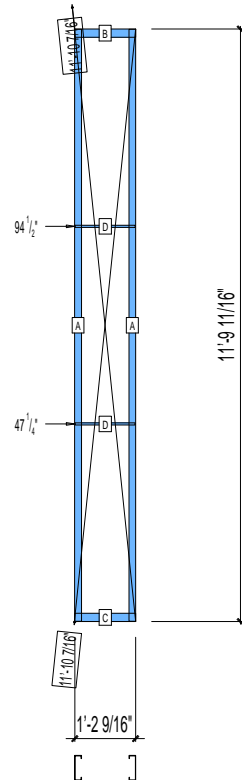
SPACING : 24"

1st STUD: 16"

WEIGHTS :

FRAME : 85 lbs

TOTAL: 85 lbs



PIECES LIST

LABEL	QTY	SIZE	LENGTH	USE
A	2	600S162-97	11'-9 1/2"	STUD
B	1	600T200-68	1'-2 9/16"	TOP TRACK
C	1	600T200-68	1'-2 9/16"	BOTTOM TRACK
D	2	150U50-54	1'-2 3/8"	HORIZONTAL BRACING

21-1347

Jewish Home for the Aging

1885 Victory Blvd. Reseda, CA

FrameMax, Inc.
13915 Danielson St
Suite 100
Poway, CA 92064
www.frame-max.com



© FrameMax Inc.

CREATED: 10/28/2008

FM-07-109

CREATED BY: TNT

HEIGHT : 11'-9 11/16" POINTS: 0.69 Points.

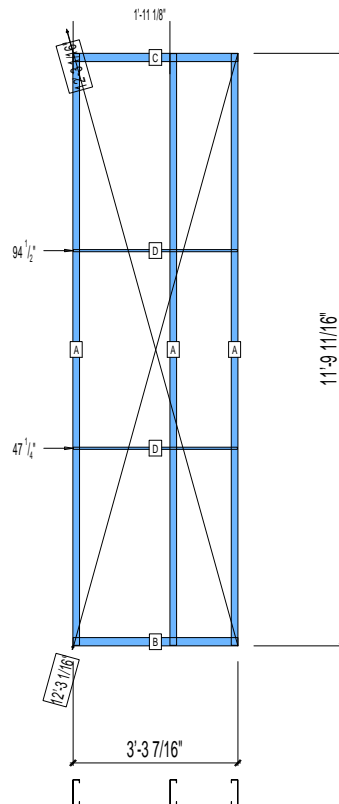
SPACING : 24"

1st STUD: 24"

WEIGHTS :

FRAME : 103 lbs

TOTAL: 103 lbs



PIECES LIST

LABEL	QTY	SIZE	LENGTH	USE
A	3	600S162-68	11'-9 1/2"	STUD
B	1	600T200-68	3'-3 7/16"	BOTTOM TRACK
C	1	600T200-68	3'-3 7/16"	TOP TRACK
D	2	150U50-54	3'-3 1/4"	HORIZONTAL BRACING

21-3001

Jewish Home for the Aging

1885 Victory Blvd. Reseda, CA

FrameMax, Inc.
13915 Danielson St
Suite 100
Poway, CA 92064
www.frame-max.com



© FrameMax Inc.

CREATED: 09/26/2008

FM-07-109

CREATED BY: AMB

HEIGHT : 10'-9 7/16" POINTS: 0.36 Points.

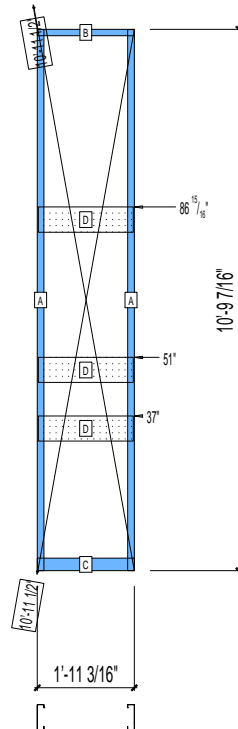
SPACING : 24"

1st STUD: 24"

WEIGHTS :

FRAME : 37 lbs

TOTAL: 37 lbs



PIECES LIST

LABEL	QTY	SIZE	LENGTH	USE
A	2	600S162-33	10'-9 3/8"	STUD
B	1	600T150-33	1'-11 3/16"	TOP TRACK
C	1	600T300-33	1'-11 3/16"	BOTTOM TRACK
D	3	600D-54	1'-10 3/4"	KITCHEN BACKING

21-3002

Jewish Home for the Aging

1885 Victory Blvd. Reseda, CA

FrameMax, Inc.
13915 Danielson St
Suite 100
Poway, CA 92064
www.frame-max.com



© FrameMax Inc.

CREATED: 09/26/2008

FM-07-109

CREATED BY: AMB

HEIGHT : 2'-8 1/2" POINTS: 0.46 Points.

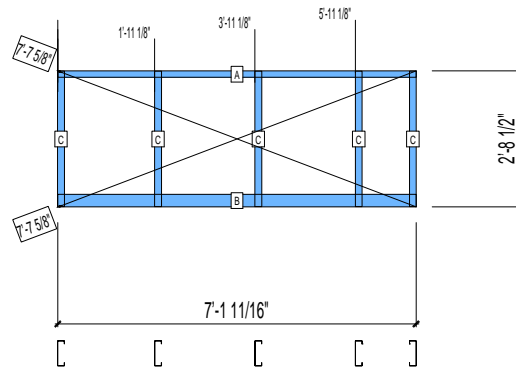
SPACING : 24"

1st STUD: 24"

WEIGHTS :

FRAME : 34 lbs

TOTAL: 34 lbs



PIECES LIST

LABEL	QTY	SIZE	LENGTH	USE
A	1	600T150-33	7'-1 11/16"	TOP TRACK
B	1	600T300-33	7'-1 11/16"	BOTTOM TRACK
C	5	600S162-33	2'-8 3/8"	STUD

21-3003

Jewish Home for the Aging

1885 Victory Blvd. Reseda, CA

FrameMax, Inc.
13915 Danielson St
Suite 100
Poway, CA 92064
www.frame-max.com



© FrameMax Inc.

CREATED: 09/26/2008

FM-07-109

CREATED BY: AMB

HEIGHT : 2'-8 1/2" POINTS: 0.22 Points.

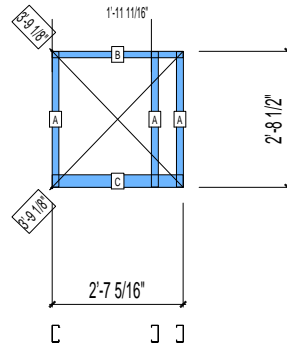
SPACING : 24"

1st STUD: 24"

WEIGHTS :

FRAME : 13 lbs

TOTAL: 13 lbs



PIECES LIST

LABEL	QTY	SIZE	LENGTH	USE
A	3	400S162-33	2'-8 3/8"	STUD
B	1	400T150-33	2'-7 5/16"	TOP TRACK
C	1	400T300-33	2'-7 5/16"	BOTTOM TRACK

21-3004

Jewish Home for the Aging

1885 Victory Blvd. Reseda, CA

FrameMax, Inc.
13915 Danielson St
Suite 100
Poway, CA 92064
www.framemax.com



© FrameMax Inc.

CREATED: 09/26/2008

FM-07-109

CREATED BY: TNT

HEIGHT : 10'-9 7/16" POINTS: 0.29 Points.

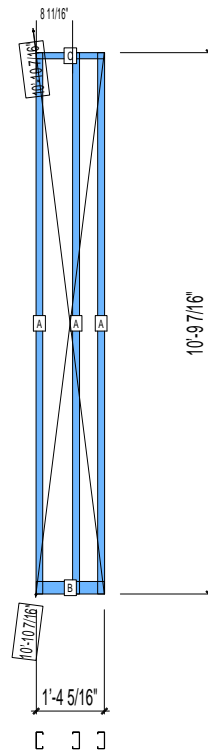
SPACING : 24"

1st STUD: 24"

WEIGHTS :

FRAME : 33 lbs

TOTAL: 33 lbs



PIECES LIST

LABEL	QTY	SIZE	LENGTH	USE
A	3	400S162-33	10'-9 3/8"	STUD
B	1	400T300-33	1'-4 5/16"	BOTTOM TRACK
C	1	400T150-33	1'-4 5/16"	TOP TRACK

21-3005

Jewish Home for the Aging

1885 Victory Blvd. Reseda, CA

FM-07-109

CREATED BY: TNT

FrameMax, Inc.
13915 Danielson St
Suite 100
Poway, CA 92064
www.frame-max.com



© FrameMax Inc.

HEIGHT : 10'-9 7/16" POINTS: 0.45 Points.

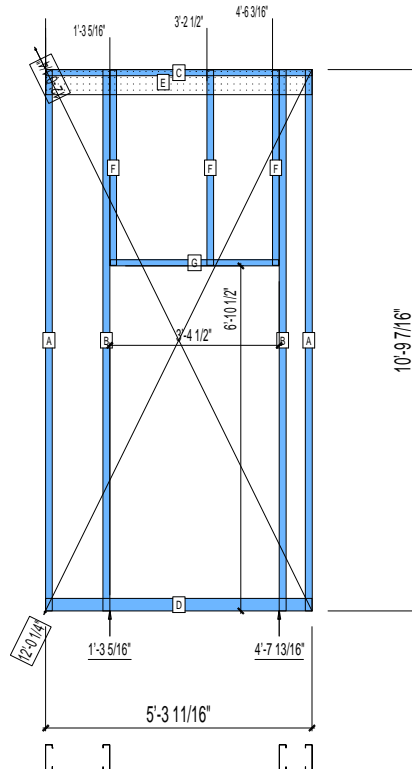
SPACING : 24"

1st STUD: 16"

WEIGHTS :

FRAME : 22 lbs

TOTAL: 22 lbs



PIECES LIST

LABEL	QTY	SIZE	LENGTH	USE
A	2	600S162-33	10'-9 3/8"	STUD
B	2	600S162-33	10'-9 3/8"	KING STUD
C	1	600T150-33	5'-3 11/16"	TOP TRACK
D	1	600T300-33	5'-3 11/16"	BOTTOM TRACK
E	1	600L150-33	5'-3 5/8"	L-HEADER
F	3	600S162-33	3'-10 5/8"	CRIPPLE
G	1	600T150-33	3'-4 1/4"	HEAD TRACK

21-3006

Jewish Home for the Aging

1885 Victory Blvd. Reseda, CA

FrameMax, Inc.
13915 Danielson St
Suite 100
Poway, CA 92064
www.frame-max.com



© FrameMax Inc.

CREATED: 09/26/2008

FM-07-109

CREATED BY: AMB

HEIGHT : 10'-9 7/16" POINTS: 0.19 Points.

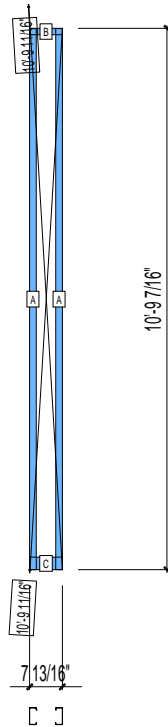
SPACING : 24"

1st STUD: 24"

WEIGHTS :

FRAME : 21 lbs

TOTAL: 21 lbs



PIECES LIST

LABEL	QTY	SIZE	LENGTH	USE
A	2	400S162-33	10'-9 3/8"	STUD
B	1	400T150-33	7 13/16"	TOP TRACK
C	1	400T300-33	7 13/16"	BOTTOM TRACK

21-3007

Jewish Home for the Aging

1885 Victory Blvd. Reseda, CA

FrameMax, Inc.
13915 Danielson St
Suite 100
Poway, CA 92064
www.frame-max.com



© FrameMax Inc.

CREATED: 10/20/2008

FM-07-109

CREATED BY: TNT

HEIGHT : 10'-9 7/16" POINTS: 0.34 Points.

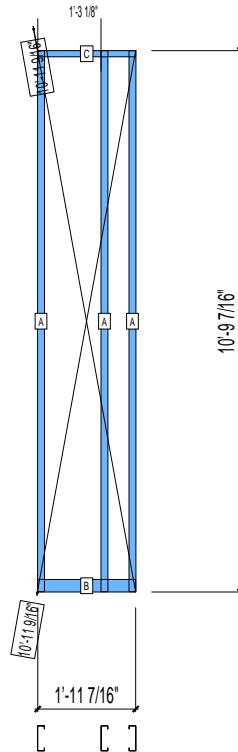
SPACING : 24"

1st STUD: 16"

WEIGHTS :

FRAME : 43 lbs

TOTAL: 43 lbs



PIECES LIST

LABEL	QTY	SIZE	LENGTH	USE
A	3	600S162-33	10'-9 3/8"	STUD
B	1	600T300-33	1'-11 7/16"	BOTTOM TRACK
C	1	600T150-33	1'-11 7/16"	TOP TRACK

21-3008

Jewish Home for the Aging

1885 Victory Blvd. Reseda, CA

FM-07-109

CREATED BY: AMB

FrameMax, Inc.
13915 Danielson St
Suite 100
Poway, CA 92064
www.frame-max.com



© FrameMax Inc.

HEIGHT : 10'-9 7/16" POINTS: 0.98 Points.

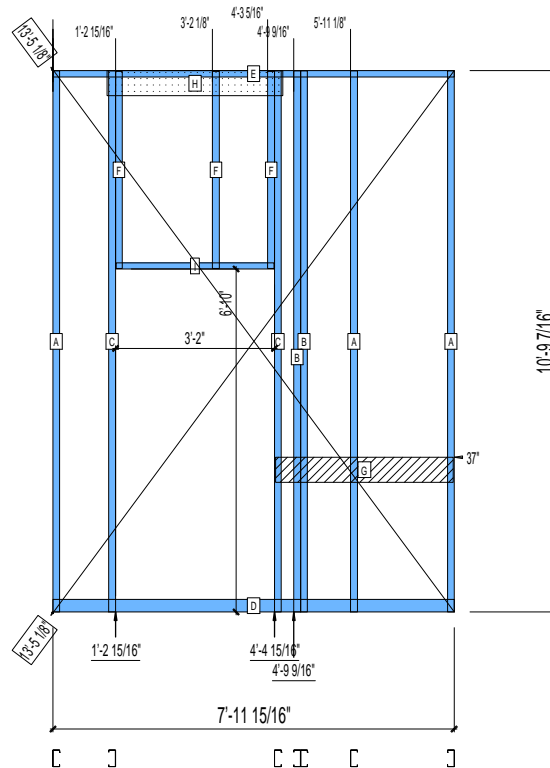
SPACING : 24"

1st STUD: 24"

WEIGHTS :

FRAME : 108 lbs

TOTAL: 108 lbs



PIECES LIST

LABEL	QTY	SIZE	LENGTH	USE
A	3	400S162-33	10'-9 3/8"	STUD
B	2	400S162-33	10'-9 3/8"	EXTRA STUD
C	2	400S162-33	10'-9 3/8"	KING STUD
D	1	400T300-33	7'-11 15/16"	BOTTOM TRACK
E	1	400T150-33	7'-11 15/16"	TOP TRACK
F	3	400S162-33	3'-11 1/8"	CRIPPLE
G	1	600D-54	3'-6 1/2"	VANITY BACKING
H	1	600L150-33	3'-6"	L-HEADER
I	1	400T150-33	3'-1 3/4"	HEAD TRACK

21-3009

Jewish Home for the Aging

1885 Victory Blvd. Reseda, CA

FrameMax, Inc.
13915 Danielson St
Suite 100
Poway, CA 92064
www.frame-max.com



© FrameMax Inc.

CREATED: 09/26/2008

FM-07-109

CREATED BY: AMB

HEIGHT : 10'-9 7/16" POINTS: 0.34 Points.

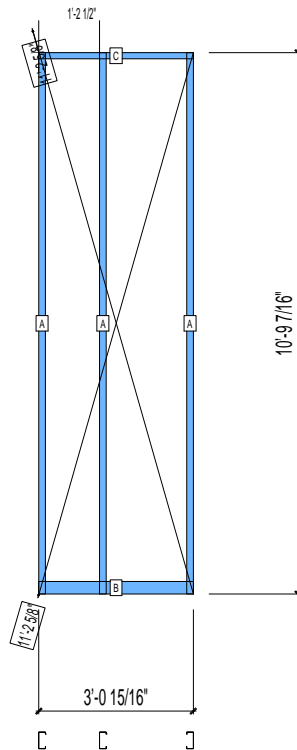
SPACING : 24"

1st STUD: 15 3/8"

WEIGHTS :

FRAME : 36 lbs

TOTAL: 36 lbs



PIECES LIST

LABEL	QTY	SIZE	LENGTH	USE
A	3	400S162-33	10'-9 3/8"	STUD
B	1	400T300-33	3'-0 15/16"	BOTTOM TRACK
C	1	400T150-33	3'-0 15/16"	TOP TRACK

21-3010

Jewish Home for the Aging

1885 Victory Blvd. Reseda, CA

FM-07-109

CREATED BY: AMB

FrameMax, Inc.
13915 Danielson St
Suite 100
Poway, CA 92064
www.frame-max.com



© FrameMax Inc.

HEIGHT : 10'-9 7/16" POINTS: 1.13 Points.

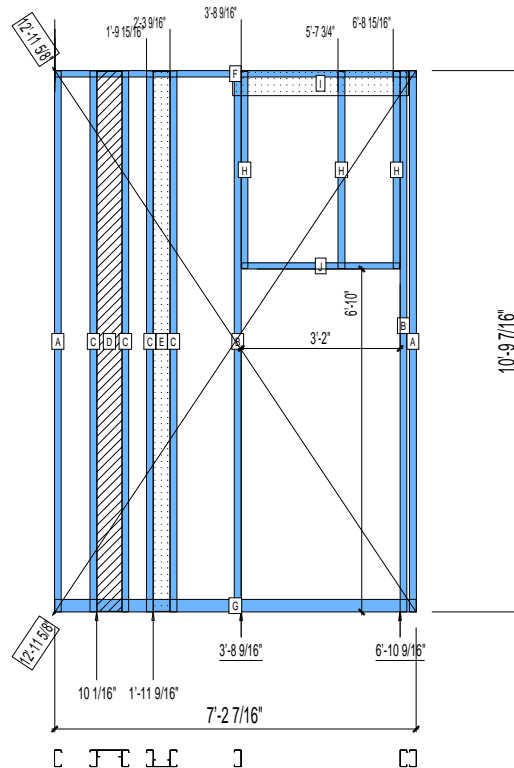
SPACING : 24"

1st STUD: 24"

WEIGHTS :

FRAME : 135 lbs

TOTAL: 135 lbs



PIECES LIST

LABEL	QTY	SIZE	LENGTH	USE
A	2	400S162-33	10'-9 3/8"	STUD
B	2	400S162-33	10'-9 3/8"	KING STUD
C	4	400S162-33	10'-9 3/8"	BACKER STUD
D	1	600S162-33	10'-9 1/8"	BACKER-U
E	1	400S162-33	10'-9 1/8"	BACKER-U
F	1	400T150-33	7'-2 7/16"	TOP TRACK
G	1	400T300-33	7'-2 7/16"	BOTTOM TRACK
H	3	400S162-33	3'-11 1/8"	CRIPPLE
I	1	600L150-33	3'-6"	L-HEADER
J	1	400T150-33	3'-1 3/4"	HEAD TRACK

21-3011

Jewish Home for the Aging

1885 Victory Blvd. Reseda, CA

FrameMax, Inc.
13915 Danielson St
Suite 100
Poway, CA 92064
www.frame-max.com



© FrameMax Inc.

CREATED: 09/26/2008

FM-07-109

CREATED BY: AMB

HEIGHT : 10'-9 7/16" POINTS: 0.52 Points.

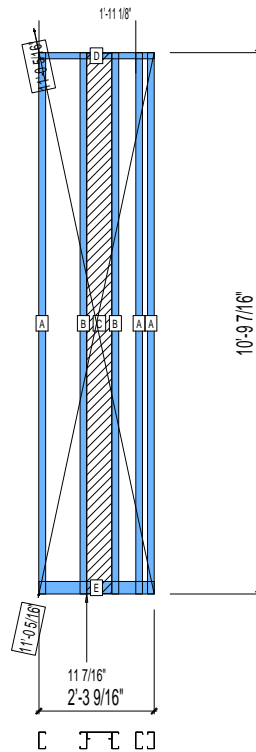
SPACING : 24"

1st STUD: 24"

WEIGHTS :

FRAME : 67 lbs

TOTAL: 67 lbs



PIECES LIST

LABEL	QTY	SIZE	LENGTH	USE
A	3	400S162-33	10'-9 3/8"	STUD
B	2	400S162-33	10'-9 3/8"	BACKER STUD
C	1	600S162-33	10'-9 1/8"	BACKER-U
D	1	400T150-33	2'-3 9/16"	TOP TRACK
E	1	400T300-33	2'-3 9/16"	BOTTOM TRACK

21-3012

Jewish Home for the Aging

1885 Victory Blvd. Reseda, CA

FrameMax, Inc.
13915 Danielson St
Suite 100
Poway, CA 92064
www.frame-max.com



© FrameMax Inc.

CREATED: 09/26/2008

FM-07-109

CREATED BY: AMB

HEIGHT : 10'-9 7/16" POINTS: 0.52 Points.

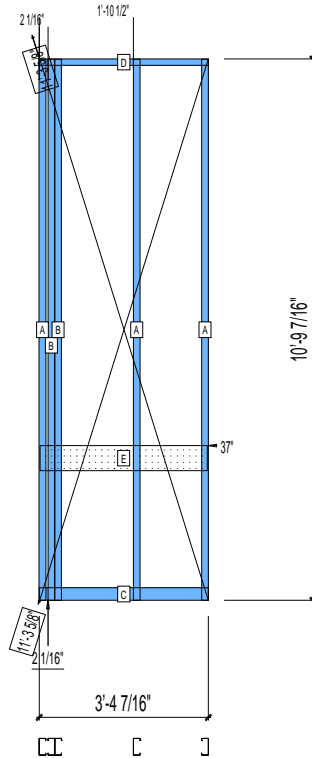
SPACING : 24"

1st STUD: 23 3/8"

WEIGHTS :

FRAME : 61 lbs

TOTAL: 61 lbs



PIECES LIST

LABEL	QTY	SIZE	LENGTH	USE
A	3	400S162-33	10'-9 3/8"	STUD
B	2	400S162-33	10'-9 3/8"	EXTRA STUD
C	1	400T300-33	3'-4 7/16"	BOTTOM TRACK
D	1	400T150-33	3'-4 7/16"	TOP TRACK
E	1	600D-54	3'-4"	VANITY BACKING

21-3013

Jewish Home for the Aging

1885 Victory Blvd. Reseda, CA

FrameMax, Inc.
13915 Danielson St
Suite 100
Poway, CA 92064
www.frame-max.com



© FrameMax Inc.

CREATED: 09/26/2008

FM-07-109

CREATED BY: AMB

HEIGHT : 10'-9 7/16" POINTS: 0.52 Points.

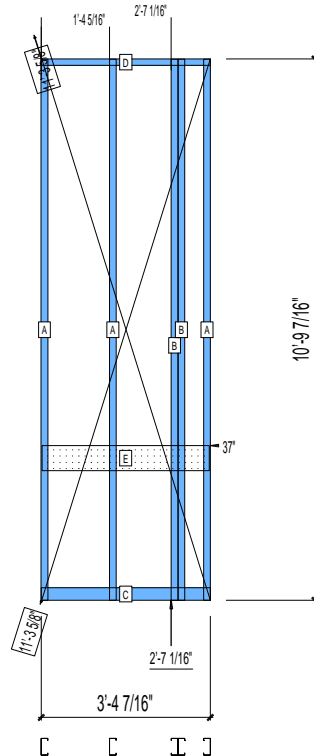
SPACING : 24"

1st STUD: 17 1/8"

WEIGHTS :

FRAME : 61 lbs

TOTAL: 61 lbs



PIECES LIST

LABEL	QTY	SIZE	LENGTH	USE
A	3	400S162-33	10'-9 3/8"	STUD
B	2	400S162-33	10'-9 3/8"	EXTRA STUD
C	1	400T300-33	3'-4 7/16"	BOTTOM TRACK
D	1	400T150-33	3'-4 7/16"	TOP TRACK
E	1	600D-54	3'-4"	VANITY BACKING

21-3014

Jewish Home for the Aging

1885 Victory Blvd. Reseda, CA

FM-07-109

CREATED BY: TNT

FrameMax, Inc.
13915 Danielson St
Suite 100
Poway, CA 92064
www.frame-max.com



© FrameMax Inc.

HEIGHT : 10'-9 7/16" POINTS: 0.51 Points.

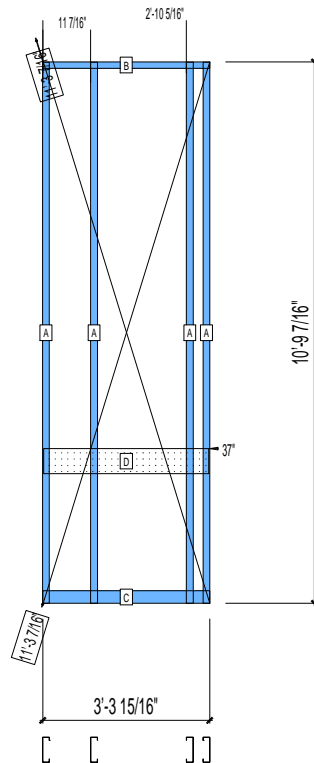
SPACING : 24"

1st STUD: 12 5/16"

WEIGHTS :

FRAME : 63 lbs

TOTAL: 63 lbs



PIECES LIST

LABEL	QTY	SIZE	LENGTH	USE
A	4	600S162-33	10'-9 3/8"	STUD
B	1	600T150-33	3'-3 15/16"	TOP TRACK
C	1	600T300-33	3'-3 15/16"	BOTTOM TRACK
D	1	600D-54	3'-3 1/2"	VANITY BACKING

21-3015

Jewish Home for the Aging

1885 Victory Blvd. Reseda, CA

FM-07-109

CREATED BY: TNT

FrameMax, Inc.
13915 Danielson St
Suite 100
Poway, CA 92064
www.frame-max.com



© FrameMax Inc.

HEIGHT : 10'-9 7/16" POINTS: 0.49 Points.

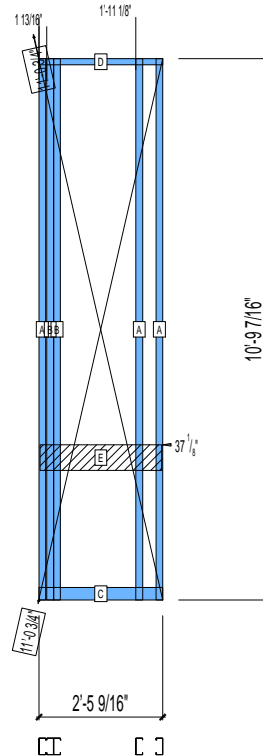
SPACING : 24"

1st STUD: 24"

WEIGHTS :

FRAME : 59 lbs

TOTAL: 59 lbs



PIECES LIST

LABEL	QTY	SIZE	LENGTH	USE
A	3	400S162-33	10'-9 3/8"	STUD
B	2	400S162-33	10'-9 3/8"	BACKER STUD
C	1	400T300-33	2'-5 9/16"	BOTTOM TRACK
D	1	400T150-33	2'-5 9/16"	TOP TRACK
E	1	600T150-54	2'-5 1/8"	VANITY BACKING

21-3016

Jewish Home for the Aging

1885 Victory Blvd. Reseda, CA

FM-07-109

CREATED BY: TNT

FrameMax, Inc.
13915 Danielson St
Suite 100
Poway, CA 92064
www.frame-max.com



© FrameMax Inc.

HEIGHT : 10'-9 7/16" POINTS: 0.59 Points.

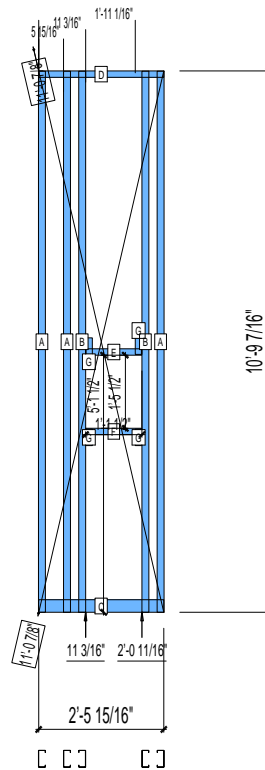
SPACING : 24"

1st STUD: 24"

WEIGHTS :

FRAME : 58 lbs

TOTAL: 58 lbs



PIECES LIST

LABEL	QTY	SIZE	LENGTH	USE
A	3	400S162-33	10'-9 3/8"	STUD
B	2	400S162-33	10'-9 3/8"	KING STUD
C	1	400T300-33	2'-5 15/16"	BOTTOM TRACK
D	1	400T150-33	2'-5 15/16"	TOP TRACK
E	1	400T150-33	1'-1 1/4"	HEAD TRACK
F	1	400T150-33	1'-1 1/4"	SILL
G	4	400S162-33	4"	CRIPPLE

21-3017

Jewish Home for the Aging

1885 Victory Blvd. Reseda, CA

FM-07-109

CREATED BY: TNT

FrameMax, Inc.
13915 Danielson St
Suite 100
Poway, CA 92064
www.frame-max.com



© FrameMax Inc.

HEIGHT : 10'-9 7/16" POINTS: 0.96 Points.

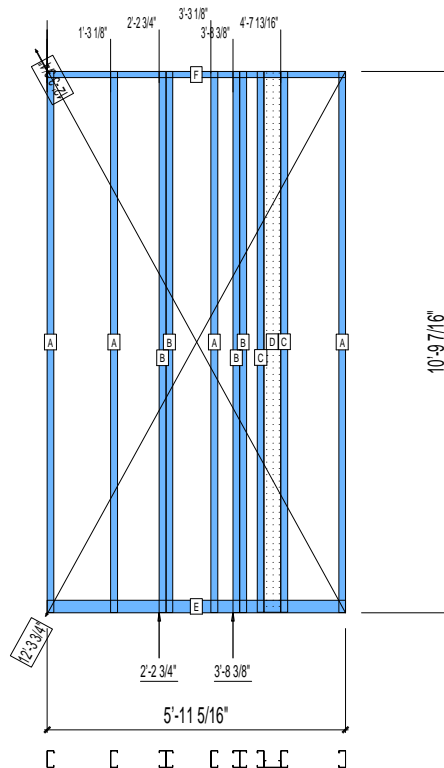
SPACING : 24"

1st STUD: 16"

WEIGHTS :

FRAME : 122 lbs

TOTAL: 122 lbs



PIECES LIST

LABEL	QTY	SIZE	LENGTH	USE
A	4	400S162-33	10'-9 3/8"	STUD
B	4	400S162-33	10'-9 3/8"	EXTRA STUD
C	2	400S162-33	10'-9 1/4"	BACKER STUD
D	1	400S162-33	10'-9 1/4"	BACKER-U
E	1	400T300-33	5'-11 5/16"	BOTTOM TRACK
F	1	400T150-33	5'-11 5/16"	TOP TRACK

21-3018

Jewish Home for the Aging

1885 Victory Blvd. Reseda, CA

FrameMax, Inc.
13915 Danielson St
Suite 100
Poway, CA 92064
www.frame-max.com



© FrameMax Inc.

CREATED: 09/26/2008

FM-07-109

CREATED BY: AMB

HEIGHT : 10'-9 7/16" POINTS: 0.41 Points.

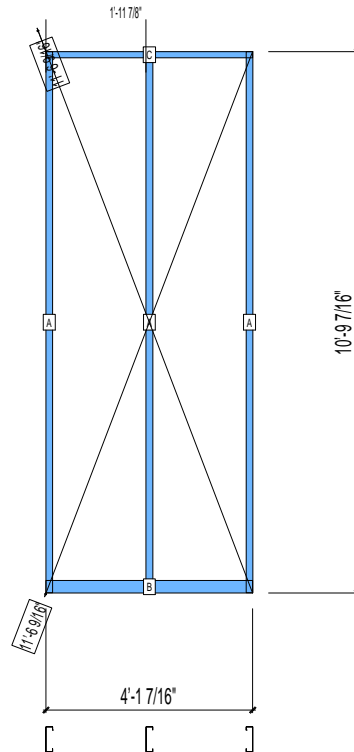
SPACING : 24"

1st STUD: 3/4"

WEIGHTS :

FRAME : 48 lbs

TOTAL: 48 lbs



PIECES LIST

LABEL	QTY	SIZE	LENGTH	USE
A	3	600S162-33	10'-9 3/8"	STUD
B	1	600T300-33	4'-1 7/16"	BOTTOM TRACK
C	1	600T150-33	4'-1 7/16"	TOP TRACK

21-3019

Jewish Home for the Aging

1885 Victory Blvd. Reseda, CA

FrameMax, Inc.
13915 Danielson St
Suite 100
Poway, CA 92064
www.framemax.com



© FrameMax Inc.

CREATED: 09/26/2008

FM-07-109

CREATED BY: TNT

HEIGHT : 10'-9 7/16" POINTS: 0.35 Points.

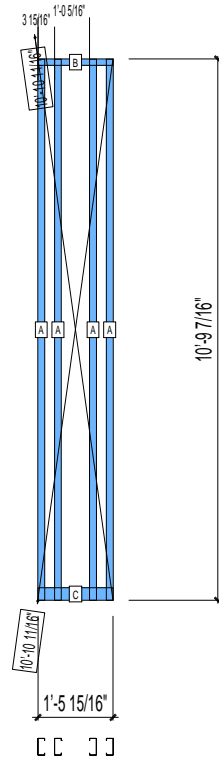
SPACING : 24"

1st STUD: 24"

WEIGHTS :

FRAME : 43 lbs

TOTAL: 43 lbs



PIECES LIST

LABEL	QTY	SIZE	LENGTH	USE
A	4	400S162-33	10'-9 3/8"	STUD
B	1	400T150-33	1'-5 15/16"	TOP TRACK
C	1	400T300-33	1'-5 15/16"	BOTTOM TRACK

21-3020

Jewish Home for the Aging

1885 Victory Blvd. Reseda, CA

FrameMax, Inc.
13915 Danielson St
Suite 100
Poway, CA 92064
www.frame-max.com



© FrameMax Inc.

CREATED: 09/26/2008

FM-07-109

CREATED BY: TNT

HEIGHT : 10'-9 7/16" POINTS: 0.32 Points.

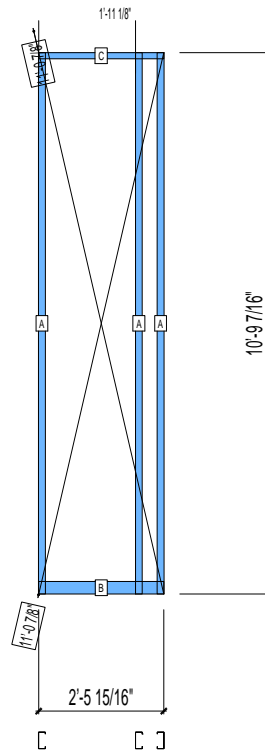
SPACING : 24"

1st STUD: 24"

WEIGHTS :

FRAME : 35 lbs

TOTAL: 35 lbs



PIECES LIST

LABEL	QTY	SIZE	LENGTH	USE
A	3	400S162-33	10'-9 3/8"	STUD
B	1	400T300-33	2'-5 15/16"	BOTTOM TRACK
C	1	400T150-33	2'-5 15/16"	TOP TRACK

21-3021

Jewish Home for the Aging

1885 Victory Blvd. Reseda, CA

FrameMax, Inc.
13915 Danielson St
Suite 100
Poway, CA 92064
www.frame-max.com



© FrameMax Inc.

CREATED: 09/26/2008

FM-07-109

CREATED BY: TNT

HEIGHT : 10'-9 7/16" POINTS: 0.32 Points.

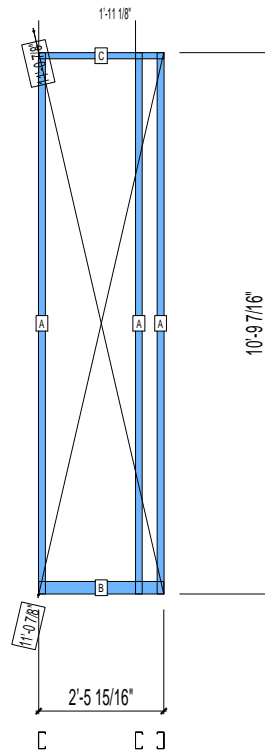
SPACING : 24"

1st STUD: 24"

WEIGHTS :

FRAME : 35 lbs

TOTAL: 35 lbs



PIECES LIST

LABEL	QTY	SIZE	LENGTH	USE
A	3	400S162-33	10'-9 3/8"	STUD
B	1	400T300-33	2'-5 15/16"	BOTTOM TRACK
C	1	400T150-33	2'-5 15/16"	TOP TRACK

21-3022

Jewish Home for the Aging

1885 Victory Blvd. Reseda, CA

FrameMax, Inc.
13915 Danielson St
Suite 100
Poway, CA 92064
www.frame-max.com



© FrameMax Inc.

CREATED: 09/26/2008

FM-07-109

CREATED BY: AMB

HEIGHT : 10'-9 7/16" POINTS: 0.89 Points.

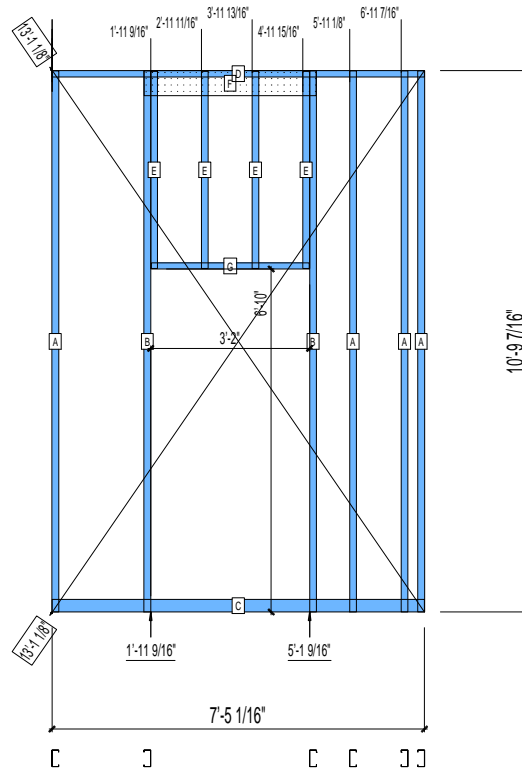
SPACING : 24"

1st STUD: 24"

WEIGHTS :

FRAME : 96 lbs

TOTAL: 96 lbs



PIECES LIST

LABEL	QTY	SIZE	LENGTH	USE
A	4	400S162-33	10'-9 3/8"	STUD
B	2	400S162-33	10'-9 3/8"	KING STUD
C	1	400T300-33	7'-5 1/16"	BOTTOM TRACK
D	1	400T150-33	7'-5 1/16"	TOP TRACK
E	4	400S162-33	3'-11 1/8"	CRIPPLE
F	1	600L150-33	3'-5 1/8"	L-HEADER
G	1	400T150-33	3'-1 3/4"	HEAD TRACK

21-3051

Jewish Home for the Aging

1885 Victory Blvd. Reseda, CA

FM-07-109

CREATED BY: AMB

FrameMax, Inc.
13915 Danielson St
Suite 100
Poway, CA 92064
www.frame-max.com



© FrameMax Inc.

HEIGHT : 10'-9 7/16" POINTS: 0.80 Points.

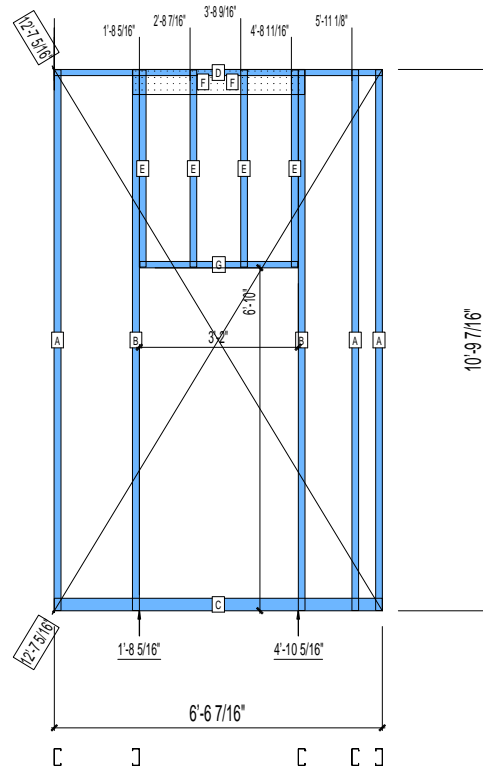
SPACING : 24"

1st STUD: 24"

WEIGHTS :

FRAME : 84 lbs

TOTAL: 84 lbs



PIECES LIST

LABEL	QTY	SIZE	LENGTH	USE
A	3	400S162-33	10'-9 5/16"	STUD
B	2	400S162-33	10'-9 5/16"	KING STUD
C	1	400T300-33	6'-6 7/16"	BOTTOM TRACK
D	1	400T150-33	6'-6 7/16"	TOP TRACK
E	4	400S162-33	3'-11 1/16"	CRIPPLE
F	1	600L150-33	3'-5 1/8"	L-HEADER
G	1	400T150-33	3'-1 3/4"	HEAD TRACK

21-3052

Jewish Home for the Aging

1885 Victory Blvd. Reseda, CA

FrameMax, Inc.
13915 Danielson St
Suite 100
Poway, CA 92064
www.frame-max.com



© FrameMax Inc.

CREATED: 10/15/2008

FM-07-109

CREATED BY: AMB

HEIGHT : 10'-9 7/16" POINTS: 0.70 Points.

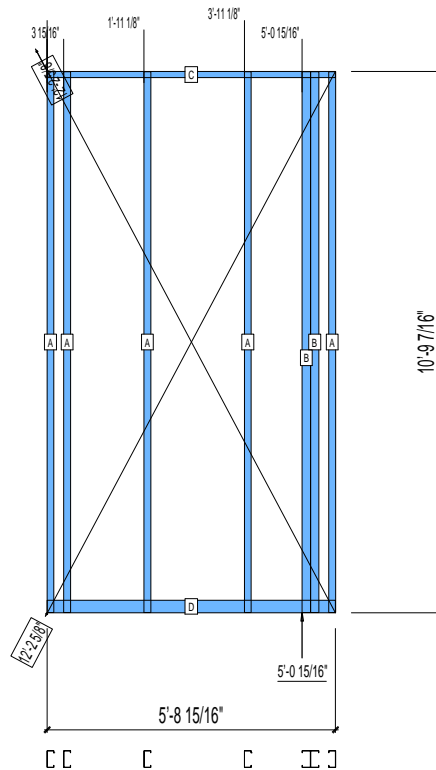
SPACING : 24"

1st STUD: 24"

WEIGHTS :

FRAME : 84 lbs

TOTAL: 84 lbs



PIECES LIST

LABEL	QTY	SIZE	LENGTH	USE
A	5	400S162-33	10'-9 5/16"	STUD
B	2	400S200-33	10'-9 5/16"	EXTRA STUD
C	1	400T150-33	5'-8 15/16"	TOP TRACK
D	1	400T300-33	5'-8 15/16"	BOTTOM TRACK

21-3053

Jewish Home for the Aging

1885 Victory Blvd. Reseda, CA

FrameMax, Inc.
13915 Danielson St
Suite 100
Poway, CA 92064
www.frame-max.com



© FrameMax Inc.

CREATED: 09/26/2008

FM-07-109

CREATED BY: AMB

HEIGHT : 10'-9 7/16" POINTS: 0.85 Points.

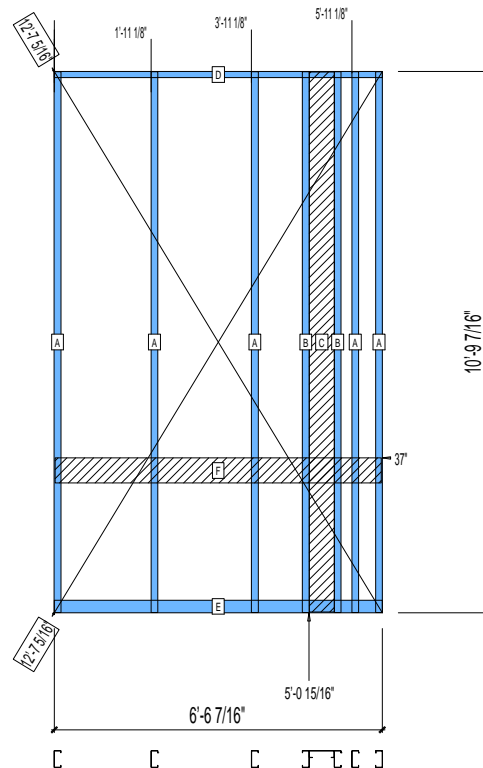
SPACING : 24"

1st STUD: 24"

WEIGHTS :

FRAME : 104 lbs

TOTAL: 104 lbs



PIECES LIST

LABEL	QTY	SIZE	LENGTH	USE
A	5	400S162-33	10'-9 5/16"	STUD
B	2	400S162-33	10'-9 5/16"	BACKER STUD
C	1	600S162-33	10'-9 1/16"	BACKER-U
D	1	400T150-33	6'-6 7/16"	TOP TRACK
E	1	400T300-33	6'-6 7/16"	BOTTOM TRACK
F	1	600D-54	6'-6"	VANITY BACKING

21-3054

Jewish Home for the Aging

1885 Victory Blvd. Reseda, CA

FM-07-109

CREATED BY: AMB

FrameMax, Inc.
13915 Danielson St
Suite 100
Poway, CA 92064
www.framemax.com



© FrameMax Inc.

HEIGHT : 10'-9 7/16" POINTS: 0.41 Points.

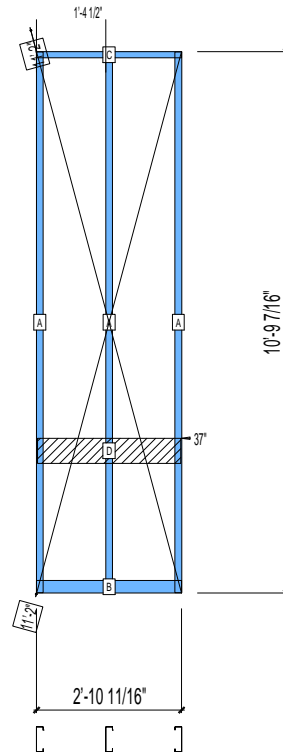
SPACING : 24"

1st STUD: 17 3/8"

WEIGHTS :

FRAME : 49 lbs

TOTAL: 49 lbs



PIECES LIST

LABEL	QTY	SIZE	LENGTH	USE
A	3	600S162-33	10'-9 5/16"	STUD
B	1	600T300-33	2'-10 11/16"	BOTTOM TRACK
C	1	600T150-33	2'-10 11/16"	TOP TRACK
D	1	600D-54	2'-10 1/4"	VANITY BACKING

21-3055

Jewish Home for the Aging

1885 Victory Blvd. Reseda, CA

FM-07-109

CREATED BY: AMB

FrameMax, Inc.
13915 Danielson St
Suite 100
Poway, CA 92064
www.frame-max.com



© FrameMax Inc.

HEIGHT : 10'-9 7/16" POINTS: 0.80 Points.

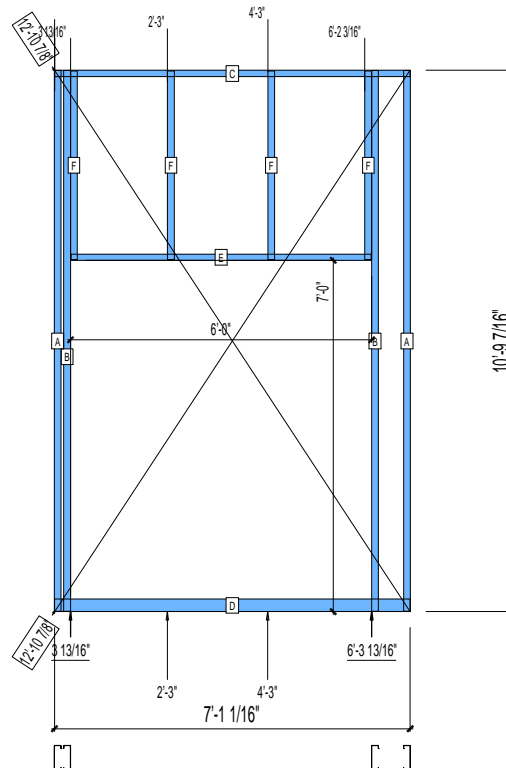
SPACING : 24"

1st STUD: 24"

WEIGHTS :

FRAME : 92 lbs

TOTAL: 92 lbs



PIECES LIST

LABEL	QTY	SIZE	LENGTH	USE
A	2	600S162-33	10'-9 5/16"	STUD
B	2	600S162-33	10'-9 5/16"	KING STUD
C	1	600T150-33	7'-1 1/16"	TOP TRACK
D	1	600T300-33	7'-1 1/16"	BOTTOM TRACK
E	1	600T150-33	5'-11 3/4"	HEAD TRACK
F	4	600S162-33	3'-9 1/16"	CRIPPLE

21-3056

Jewish Home for the Aging

1885 Victory Blvd. Reseda, CA

FrameMax, Inc.
13915 Danielson St
Suite 100
Poway, CA 92064
www.frame-max.com



© FrameMax Inc.

CREATED: 09/26/2008

FM-07-109

CREATED BY: AMB

HEIGHT : 10'-9 7/16" POINTS: 0.35 Points.

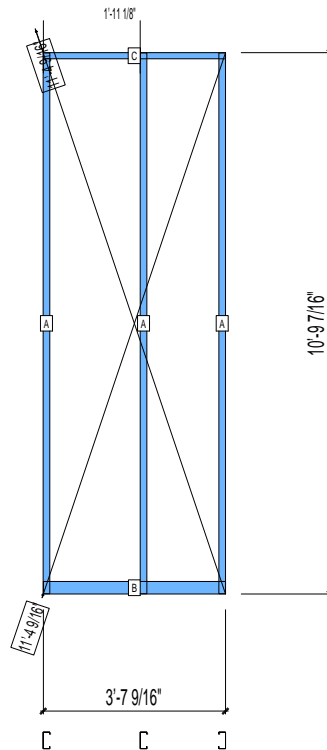
SPACING : 24"

1st STUD: 24"

WEIGHTS :

FRAME : 37 lbs

TOTAL: 37 lbs



PIECES LIST

LABEL	QTY	SIZE	LENGTH	USE
A	3	400S162-33	10'-9 5/16"	STUD
B	1	400T300-33	3'-7 9/16"	BOTTOM TRACK
C	1	400T150-33	3'-7 9/16"	TOP TRACK

21-3057

Jewish Home for the Aging

1885 Victory Blvd. Reseda, CA

FrameMax, Inc.
13915 Danielson St
Suite 100
Poway, CA 92064
www.frame-max.com



© FrameMax Inc.

CREATED: 09/26/2008

FM-07-109

CREATED BY: AMB

HEIGHT : 10'-9 7/16" POINTS: 0.32 Points.

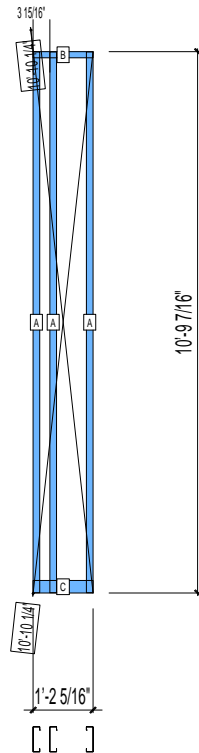
SPACING : 24"

1st STUD: 24"

WEIGHTS :

FRAME : 41 lbs

TOTAL: 41 lbs



PIECES LIST

LABEL	QTY	SIZE	LENGTH	USE
A	3	600S162-33	10'-9 5/16"	STUD
B	1	600T150-33	1'-2 5/16"	TOP TRACK
C	1	600T300-33	1'-2 5/16"	BOTTOM TRACK

21-3058

Jewish Home for the Aging

1885 Victory Blvd. Reseda, CA

FM-07-109

CREATED BY: AMB

FrameMax, Inc.
13915 Danielson St
Suite 100
Poway, CA 92064
www.frame-max.com



© FrameMax Inc.

HEIGHT : 10'-9 7/16" POINTS: 0.45 Points.

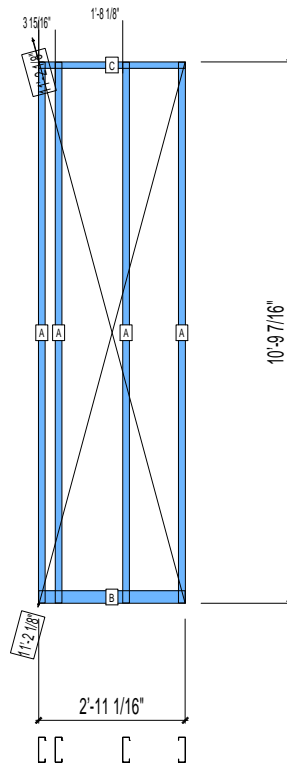
SPACING : 24"

1st STUD: 20 15/16"

WEIGHTS :

FRAME : 58 lbs

TOTAL: 58 lbs



PIECES LIST

LABEL	QTY	SIZE	LENGTH	USE
A	4	600S162-33	10'-9 5/16"	STUD
B	1	600T300-33	2'-11 1/16"	BOTTOM TRACK
C	1	600T150-33	2'-11 1/16"	TOP TRACK

21-3059

Jewish Home for the Aging

1885 Victory Blvd. Reseda, CA

FrameMax, Inc.
13915 Danielson St
Suite 100
Poway, CA 92064
www.frame-max.com



© FrameMax Inc.

CREATED: 09/26/2008

FM-07-109

CREATED BY: AMB

HEIGHT : 10'-9 7/16" POINTS: 0.32 Points.

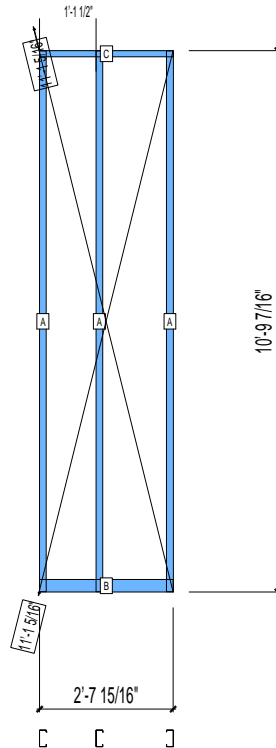
SPACING : 24"

1st STUD: 14 5/16"

WEIGHTS :

FRAME : 35 lbs

TOTAL: 35 lbs



PIECES LIST

LABEL	QTY	SIZE	LENGTH	USE
A	3	400S162-33	10'-9 5/16"	STUD
B	1	400T300-33	2'-7 15/16"	BOTTOM TRACK
C	1	400T150-33	2'-7 15/16"	TOP TRACK

21-3060

Jewish Home for the Aging

1885 Victory Blvd. Reseda, CA

FrameMax, Inc.
13915 Danielson St
Suite 100
Poway, CA 92064
www.frame-max.com



© FrameMax Inc.

CREATED: 09/26/2008

FM-07-109

CREATED BY: AMB

HEIGHT : 10'-9 7/16" POINTS: 0.32 Points.

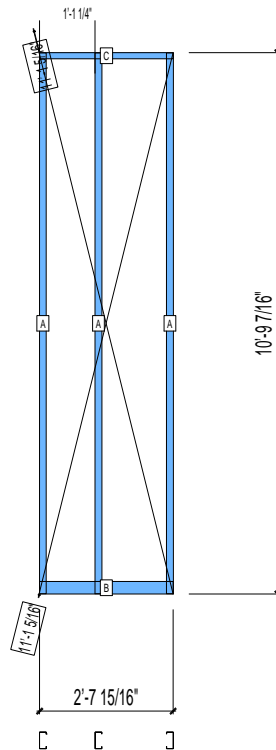
SPACING : 24"

1st STUD: 14 1/8"

WEIGHTS :

FRAME : 35 lbs

TOTAL: 35 lbs



PIECES LIST

LABEL	QTY	SIZE	LENGTH	USE
A	3	400S162-33	10'-9 5/16"	STUD
B	1	400T300-33	2'-7 15/16"	BOTTOM TRACK
C	1	400T150-33	2'-7 15/16"	TOP TRACK

21-3061

Jewish Home for the Aging

1885 Victory Blvd. Reseda, CA

FM-07-109

CREATED BY: AMB

FrameMax, Inc.
13915 Danielson St
Suite 100
Poway, CA 92064
www.frame-max.com



© FrameMax Inc.

HEIGHT : 10'-9 7/16" POINTS: 0.59 Points.

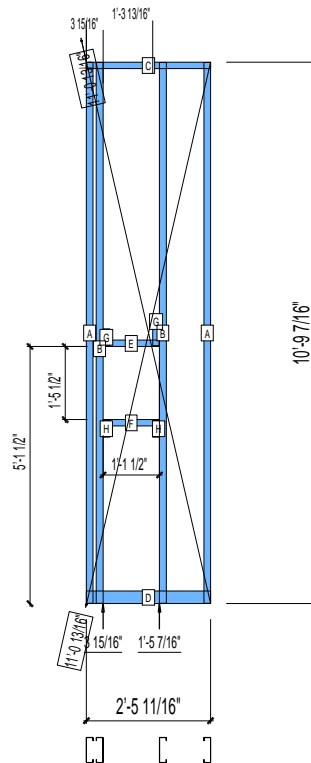
SPACING : 24"

1st STUD: 24"

WEIGHTS :

FRAME : 61 lbs

TOTAL: 61 lbs



PIECES LIST

LABEL	QTY	SIZE	LENGTH	USE
A	2	600S162-33	10'-9 5/16"	STUD
B	2	600S162-33	10'-9 5/16"	KING STUD
C	1	600T150-33	2'-5 11/16"	TOP TRACK
D	1	600T300-33	2'-5 11/16"	BOTTOM TRACK
E	1	600T150-33	1'-1 3/8"	HEAD TRACK
F	1	600T150-33	1'-1 3/8"	SILL
G	2	600S162-33	4"	CRIPPLE
H	2	600S162-33	3 15/16"	CRIPPLE

21-3062

Jewish Home for the Aging

1885 Victory Blvd. Reseda, CA

FM-07-109

CREATED BY: TNT

FrameMax, Inc.
13915 Danielson St
Suite 100
Poway, CA 92064
www.frame-max.com



© FrameMax Inc.

HEIGHT : 10'-9 7/16" POINTS: 0.46 Points.

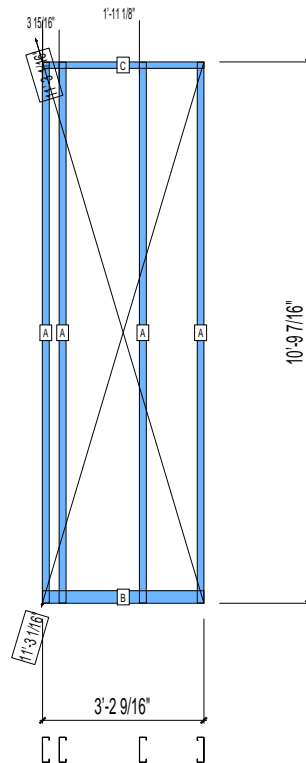
SPACING : 24"

1st STUD: 24"

WEIGHTS :

FRAME : 58 lbs

TOTAL: 58 lbs



PIECES LIST

LABEL	QTY	SIZE	LENGTH	USE
A	4	600S162-33	10'-9 5/16"	STUD
B	1	600T300-33	3'-2 9/16"	BOTTOM TRACK
C	1	600T150-33	3'-2 9/16"	TOP TRACK

21-3063

Jewish Home for the Aging

1885 Victory Blvd. Reseda, CA

FrameMax, Inc.
13915 Danielson St
Suite 100
Poway, CA 92064
www.frame-max.com



© FrameMax Inc.

CREATED: 09/26/2008

FM-07-109

CREATED BY: TNT

HEIGHT : 10'-9 7/16" POINTS: 0.20 Points.

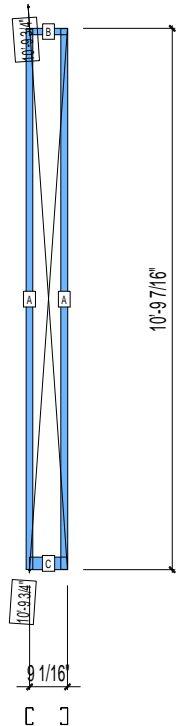
SPACING : 24"

1st STUD: 24"

WEIGHTS :

FRAME : 22 lbs

TOTAL: 22 lbs



PIECES LIST

LABEL	QTY	SIZE	LENGTH	USE
A	2	400S162-33	10'-9 5/16"	STUD
B	1	400T150-33	9 1/16"	TOP TRACK
C	1	400T300-33	9 1/16"	BOTTOM TRACK

21-3064

Jewish Home for the Aging

1885 Victory Blvd. Reseda, CA

FrameMax, Inc.
13915 Danielson St
Suite 100
Poway, CA 92064
www.frame-max.com



© FrameMax Inc.

CREATED: 09/26/2008

FM-07-109

CREATED BY: AMB

HEIGHT : 10'-9 7/16" POINTS: 0.70 Points.

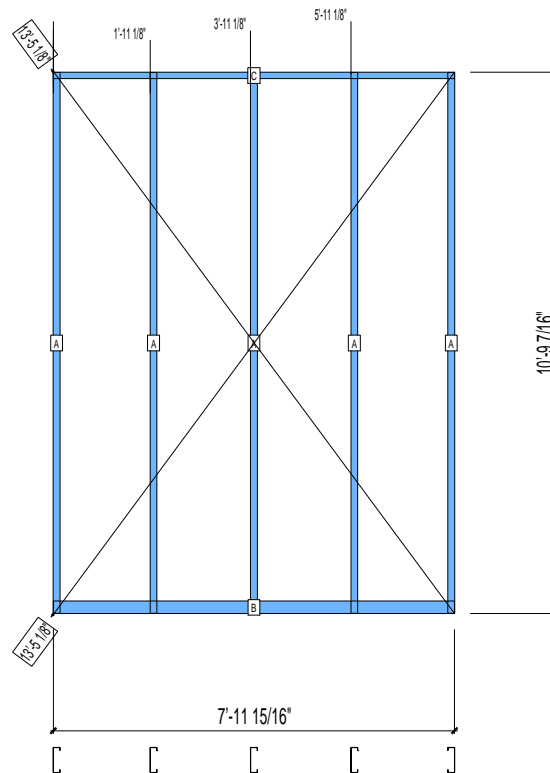
SPACING : 24"

1st STUD: 24"

WEIGHTS :

FRAME : 83 lbs

TOTAL: 83 lbs



PIECES LIST

LABEL	QTY	SIZE	LENGTH	USE
A	5	600S162-33	10'-9 5/16"	STUD
B	1	600T300-33	7'-11 15/16"	BOTTOM TRACK
C	1	600T150-33	7'-11 15/16"	TOP TRACK

21-3065

Jewish Home for the Aging

1885 Victory Blvd. Reseda, CA

FrameMax, Inc.
13915 Danielson St
Suite 100
Poway, CA 92064
www.frame-max.com



© FrameMax Inc.

CREATED: 09/26/2008

FM-07-109

CREATED BY: AMB

HEIGHT : 10'-9 7/16" POINTS: 0.40 Points.

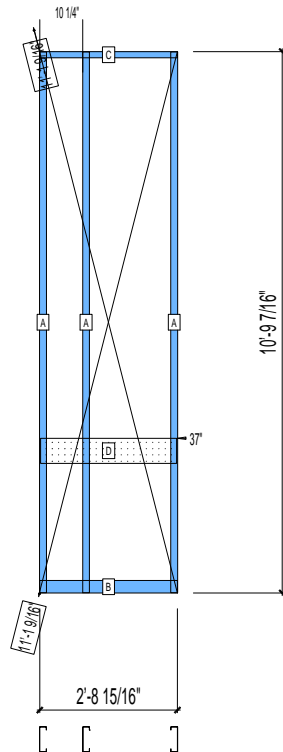
SPACING : 24"

1st STUD: 11 1/8"

WEIGHTS :

FRAME : 48 lbs

TOTAL: 48 lbs



PIECES LIST

LABEL	QTY	SIZE	LENGTH	USE
A	3	600S162-33	10'-9 5/16"	STUD
B	1	600T300-33	2'-8 15/16"	BOTTOM TRACK
C	1	600T150-33	2'-8 15/16"	TOP TRACK
D	1	600D-54	2'-8 1/2"	VANITY BACKING

21-3066

Jewish Home for the Aging

1885 Victory Blvd. Reseda, CA

FM-07-109

CREATED BY: AMB

FrameMax, Inc.
13915 Danielson St
Suite 100
Poway, CA 92064
www.frame-max.com



© FrameMax Inc.

HEIGHT : 10'-9 7/16" POINTS: 0.68 Points.

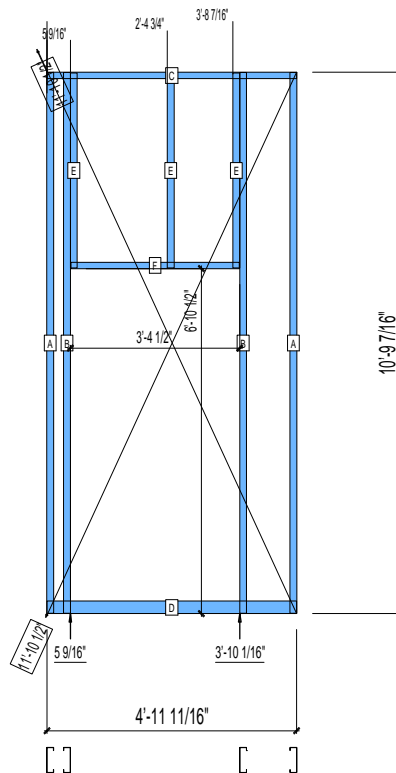
SPACING : 24"

1st STUD: 24"

WEIGHTS :

FRAME : 80 lbs

TOTAL: 80 lbs



PIECES LIST

LABEL	QTY	SIZE	LENGTH	USE
A	2	600S162-33	10'-9 5/16"	STUD
B	2	600S162-33	10'-9 5/16"	KING STUD
C	1	600T150-33	4'-11 11/16"	TOP TRACK
D	1	600T300-33	4'-11 11/16"	BOTTOM TRACK
E	3	600S162-33	3'-10 9/16"	CRIPPLE
F	1	600T150-33	3'-4 1/4"	HEAD TRACK

21-3067

Jewish Home for the Aging

1885 Victory Blvd. Reseda, CA

FrameMax, Inc.
13915 Danielson St
Suite 100
Poway, CA 92064
www.frame-max.com



© FrameMax Inc.

CREATED: 09/26/2008

FM-07-109

CREATED BY: AMB

HEIGHT : 10'-9 7/16" POINTS: 0.29 Points.

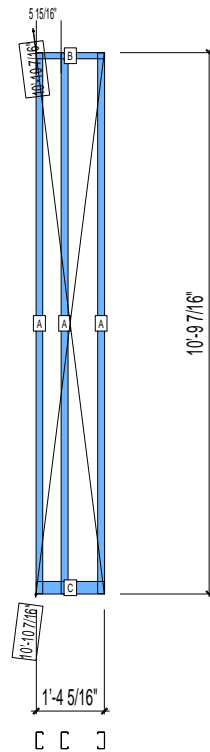
SPACING : 24"

1st STUD: 24"

WEIGHTS :

FRAME : 33 lbs

TOTAL: 33 lbs



PIECES LIST

LABEL	QTY	SIZE	LENGTH	USE
A	3	400S162-33	10'-9 5/16"	STUD
B	1	400T150-33	1'-4 5/16"	TOP TRACK
C	1	400T300-33	1'-4 5/16"	BOTTOM TRACK

21-3068

Jewish Home for the Aging

1885 Victory Blvd. Reseda, CA

FM-07-109

CREATED BY: AMB

FrameMax, Inc.
13915 Danielson St
Suite 100
Poway, CA 92064
www.frame-max.com



© FrameMax Inc.

HEIGHT : 2'-8 1/2" POINTS: 0.22 Points.

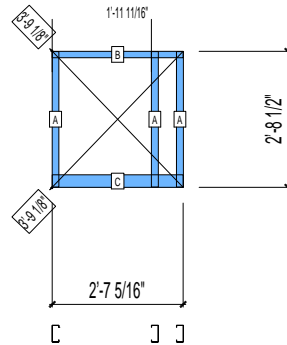
SPACING : 24"

1st STUD: 24"

WEIGHTS :

FRAME : 13 lbs

TOTAL: 13 lbs



PIECES LIST

LABEL	QTY	SIZE	LENGTH	USE
A	3	400S162-33	2'-8 3/8"	STUD
B	1	400T150-33	2'-7 5/16"	TOP TRACK
C	1	400T300-33	2'-7 5/16"	BOTTOM TRACK

21-3069

Jewish Home for the Aging

1885 Victory Blvd. Reseda, CA

FrameMax, Inc.
13915 Danielson St
Suite 100
Poway, CA 92064
www.frame-max.com



© FrameMax Inc.

CREATED: 09/26/2008

FM-07-109

CREATED BY: TNT

HEIGHT : 2'-8 1/2" POINTS: 0.40 Points.

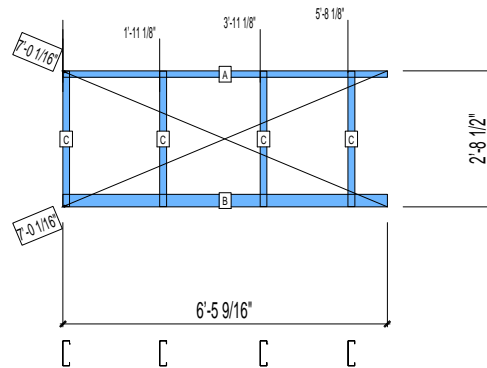
SPACING : 24"

1st STUD: 24"

WEIGHTS :

FRAME : 29 lbs

TOTAL: 29 lbs



PIECES LIST

LABEL	QTY	SIZE	LENGTH	USE
A	1	600T150-33	6'-5 9/16"	TOP TRACK
B	1	600T300-33	6'-5 9/16"	BOTTOM TRACK
C	4	600S162-33	2'-8 3/8"	STUD

21-3070

Jewish Home for the Aging

1885 Victory Blvd. Reseda, CA

FM-07-109

CREATED BY: TNT

FrameMax, Inc.
13915 Danielson St
Suite 100
Poway, CA 92064
www.frame-max.com



© FrameMax Inc.

HEIGHT : 10'-9 7/16" POINTS: 1.35 Points.

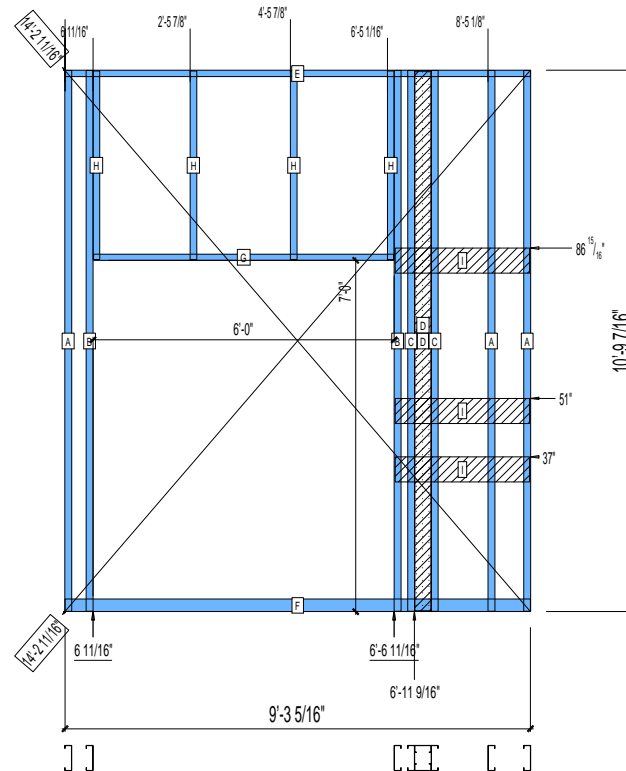
SPACING : 24"

1st STUD: 6"

WEIGHTS :

FRAME : 165 lbs

TOTAL: 165 lbs



PIECES LIST

LABEL	QTY	SIZE	LENGTH	USE
A	3	600S162-33	10'-9 5/16"	STUD
B	2	600S162-33	10'-9 5/16"	KING STUD
C	2	600S162-33	10'-9 5/16"	BACKER STUD
D	2	400S162-33	10'-9 1/16"	BACKER-U
E	1	600T150-33	9'-3 5/16"	TOP TRACK
F	1	600T300-33	9'-3 5/16"	BOTTOM TRACK
G	1	600T150-33	5'-11 3/4"	HEAD TRACK
H	4	600S162-33	3'-9 1/16"	CRIPPLE
I	3	600D-54	2'-8 1/8"	KITCHEN BACKING

21-3071

Jewish Home for the Aging

1885 Victory Blvd. Reseda, CA

FM-07-109

CREATED BY: AMB

FrameMax, Inc.
13915 Danielson St
Suite 100
Poway, CA 92064
www.frame-max.com



© FrameMax Inc.

HEIGHT : 10'-9 7/16" POINTS: 0.41 Points.

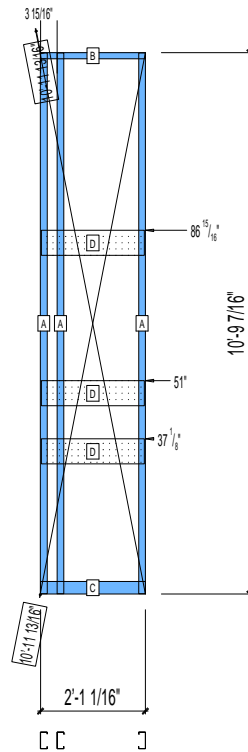
SPACING : 24"

1st STUD: 24"

WEIGHTS :

FRAME : 42 lbs

TOTAL: 42 lbs



PIECES LIST

LABEL	QTY	SIZE	LENGTH	USE
A	3	400S162-33	10'-9 5/16"	STUD
B	1	400T150-33	2'-1 1/16"	TOP TRACK
C	1	400T300-33	2'-1 1/16"	BOTTOM TRACK
D	3	600D-54	2'-0 5/8"	KITCHEN BACKING

21-3072

Jewish Home for the Aging

1885 Victory Blvd. Reseda, CA

FrameMax, Inc.
13915 Danielson St
Suite 100
Poway, CA 92064
www.frame-max.com



© FrameMax Inc.

CREATED: 09/26/2008

FM-07-109

CREATED BY: AMB

HEIGHT : 10'-9 7/16" POINTS: 0.29 Points.

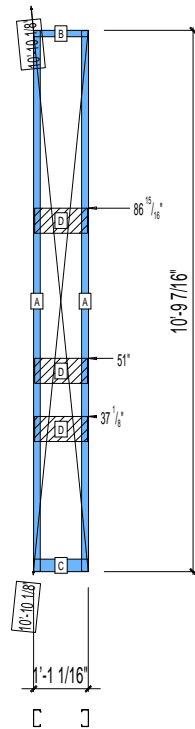
SPACING : 24"

1st STUD: 24"

WEIGHTS :

FRAME : 26 lbs

TOTAL: 26 lbs



PIECES LIST

LABEL	QTY	SIZE	LENGTH	USE
A	2	400S162-33	10'-9 5/16"	STUD
B	1	400T150-33	1'-1 1/16"	TOP TRACK
C	1	400T300-33	1'-1 1/16"	BOTTOM TRACK
D	3	600D-54	1'-0 5/8"	KITCHEN BACKING

21-3073

Jewish Home for the Aging

1885 Victory Blvd. Reseda, CA

FrameMax, Inc.
13915 Danielson St
Suite 100
Poway, CA 92064
www.frame-max.com



© FrameMax Inc.

CREATED: 10/22/2008

FM-07-109

CREATED BY: TNT

HEIGHT : 10'-9 7/16" POINTS: 0.26 Points.

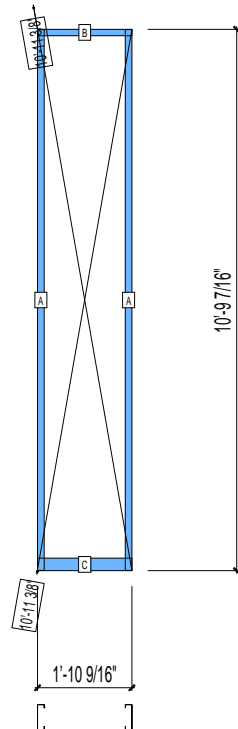
SPACING : 24"

1st STUD: 24"

WEIGHTS :

FRAME : 30 lbs

TOTAL: 30 lbs



PIECES LIST

LABEL	QTY	SIZE	LENGTH	USE
A	2	600S162-33	10'-9 5/16"	STUD
B	1	600T150-33	1'-10 9/16"	TOP TRACK
C	1	600T300-33	1'-10 9/16"	BOTTOM TRACK

21-3074

Jewish Home for the Aging

1885 Victory Blvd. Reseda, CA

FM-07-109

CREATED BY: TNT

FrameMax, Inc.
13915 Danielson St
Suite 100
Poway, CA 92064
www.frame-max.com



© FrameMax Inc.

HEIGHT : 10'-9 7/16" POINTS: 0.64 Points.

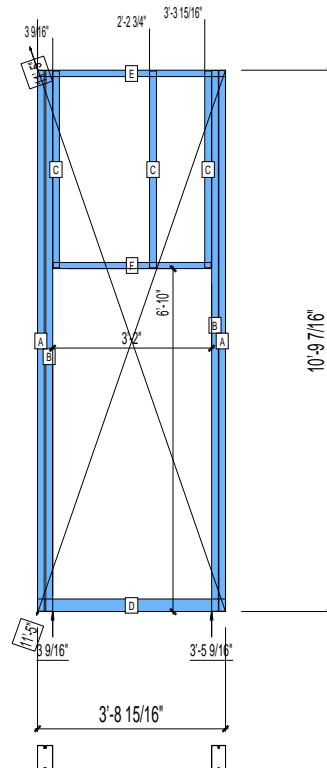
SPACING : 24"

1st STUD: 24"

WEIGHTS :

FRAME : 77 lbs

TOTAL: 77 lbs



PIECES LIST

LABEL	QTY	SIZE	LENGTH	USE
A	2	600S162-33	10'-9 5/16"	STUD
B	2	600S162-33	10'-9 5/16"	KING STUD
C	3	600S162-33	3'-11 1/16"	CRIPPLE
D	1	600T300-33	3'-8 15/16"	BOTTOM TRACK
E	1	600T150-33	3'-8 15/16"	TOP TRACK
F	1	600T150-33	3'-1 3/4"	HEAD TRACK

21-3075

Jewish Home for the Aging

1885 Victory Blvd. Reseda, CA

FM-07-109

CREATED BY: AMB

FrameMax, Inc.
13915 Danielson St
Suite 100
Poway, CA 92064
www.frame-max.com



© FrameMax Inc.

HEIGHT : 10'-9 7/16" POINTS: 0.84 Points.

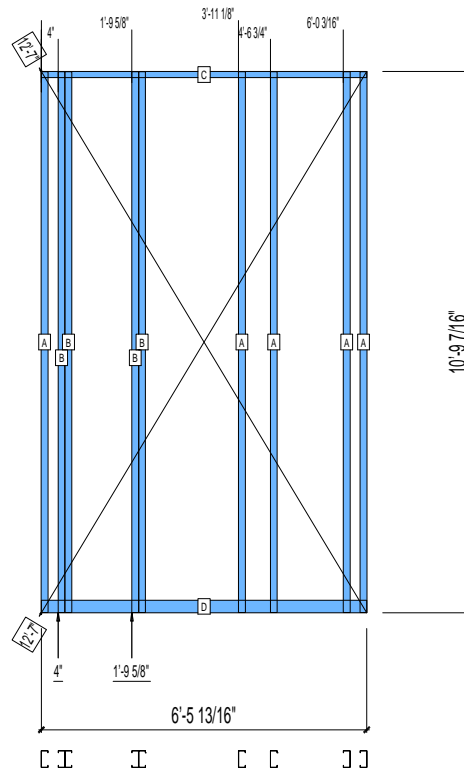
SPACING : 24"

1st STUD: 24"

WEIGHTS :

FRAME : 103 lbs

TOTAL: 103 lbs



PIECES LIST

LABEL	QTY	SIZE	LENGTH	USE
A	5	400S162-33	10'-9 5/16"	STUD
B	4	400S162-33	10'-9 5/16"	EXTRA STUD
C	1	400T150-33	6'-5 13/16"	TOP TRACK
D	1	400T300-33	6'-5 13/16"	BOTTOM TRACK

21-3076

Jewish Home for the Aging

1885 Victory Blvd. Reseda, CA

FM-07-109

CREATED BY: AMB

FrameMax, Inc.
13915 Danielson St
Suite 100
Poway, CA 92064
www.frame-max.com



© FrameMax Inc.

HEIGHT : 10'-9 7/16" POINTS: 0.75 Points.

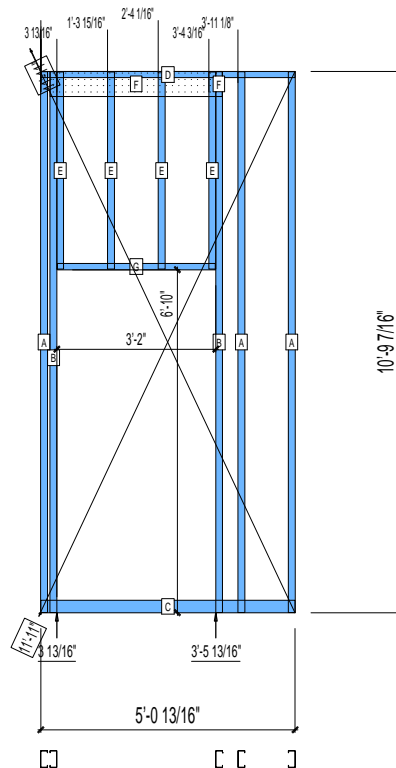
SPACING : 24"

1st STUD: 24"

WEIGHTS :

FRAME : 81 lbs

TOTAL: 81 lbs



PIECES LIST

LABEL	QTY	SIZE	LENGTH	USE
A	3	400S162-33	10'-9 5/16"	STUD
B	2	400S162-33	10'-9 5/16"	KING STUD
C	1	400T300-33	5'-0 13/16"	BOTTOM TRACK
D	1	400T150-33	5'-0 13/16"	TOP TRACK
E	4	400S162-33	3'-11 1/16"	CRIPPLE
F	1	600L150-33	3'-5 1/8"	L-HEADER
G	1	400T150-33	3'-1 3/4"	HEAD TRACK

21-3077

Jewish Home for the Aging

1885 Victory Blvd. Reseda, CA

FrameMax, Inc.
13915 Danielson St
Suite 100
Poway, CA 92064
www.frame-max.com



© FrameMax Inc.

CREATED: 09/26/2008

FM-07-109

CREATED BY: AMB

HEIGHT : 10'-9 7/16" POINTS: 0.24 Points.

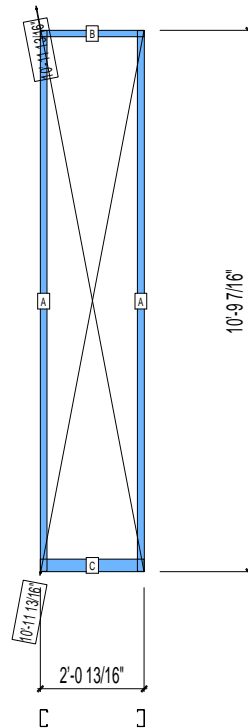
SPACING : 24"

1st STUD: 24"

WEIGHTS :

FRAME : 24 lbs

TOTAL: 24 lbs



PIECES LIST

LABEL	QTY	SIZE	LENGTH	USE
A	2	400S162-33	10'-9 5/16"	STUD
B	1	400T150-33	2'-0 13/16"	TOP TRACK
C	1	400T300-33	2'-0 13/16"	BOTTOM TRACK

21-3078

Jewish Home for the Aging

1885 Victory Blvd. Reseda, CA

FrameMax, Inc.
13915 Danielson St
Suite 100
Poway, CA 92064
www.frame-max.com



© FrameMax Inc.

CREATED: 09/26/2008

FM-07-109

CREATED BY: TNT

HEIGHT : 10'-9 7/16" POINTS: 0.37 Points.

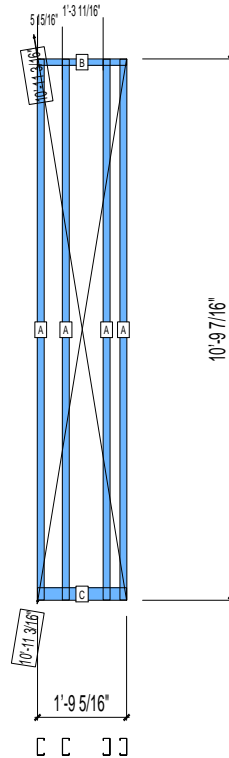
SPACING : 24"

1st STUD: 24"

WEIGHTS :

FRAME : 44 lbs

TOTAL: 44 lbs



PIECES LIST

LABEL	QTY	SIZE	LENGTH	USE
A	4	400S162-33	10'-9 5/16"	STUD
B	1	400T150-33	1'-9 5/16"	TOP TRACK
C	1	400T300-33	1'-9 5/16"	BOTTOM TRACK

21-3079

Jewish Home for the Aging

1885 Victory Blvd. Reseda, CA

FrameMax, Inc.
13915 Danielson St
Suite 100
Poway, CA 92064
www.frame-max.com



© FrameMax Inc.

CREATED: 09/26/2008

FM-07-109

CREATED BY: TNT

HEIGHT : 10'-9 7/16" POINTS: 0.32 Points.

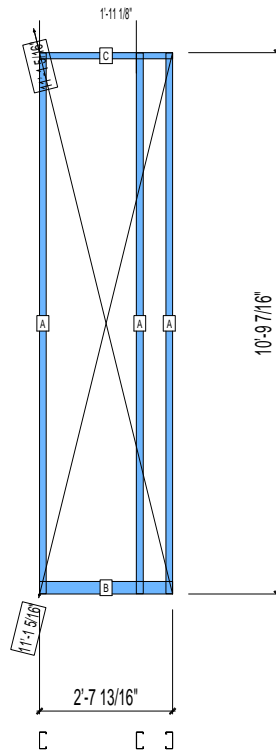
SPACING : 24"

1st STUD: 24"

WEIGHTS :

FRAME : 35 lbs

TOTAL: 35 lbs



PIECES LIST

LABEL	QTY	SIZE	LENGTH	USE
A	3	400S162-33	10'-9 5/16"	STUD
B	1	400T300-33	2'-7 13/16"	BOTTOM TRACK
C	1	400T150-33	2'-7 13/16"	TOP TRACK

21-3080

Jewish Home for the Aging

1885 Victory Blvd. Reseda, CA

FrameMax, Inc.
13915 Danielson St
Suite 100
Poway, CA 92064
www.frame-max.com



© FrameMax Inc.

CREATED: 09/26/2008

FM-07-109

CREATED BY: TNT

HEIGHT : 10'-9 7/16" POINTS: 0.36 Points.

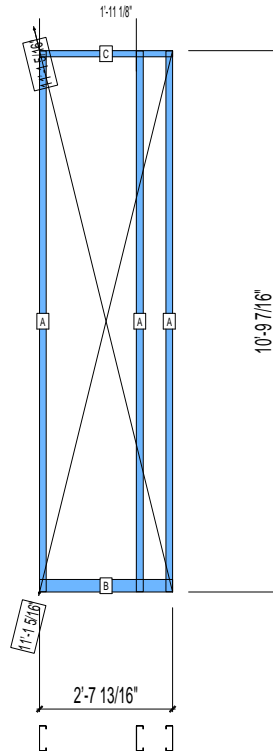
SPACING : 24"

1st STUD: 24"

WEIGHTS :

FRAME : 44 lbs

TOTAL: 44 lbs



PIECES LIST

LABEL	QTY	SIZE	LENGTH	USE
A	3	600S162-33	10'-9 5/16"	STUD
B	1	600T300-33	2'-7 13/16"	BOTTOM TRACK
C	1	600T150-33	2'-7 13/16"	TOP TRACK

21-3081

Jewish Home for the Aging

1885 Victory Blvd. Reseda, CA

FrameMax, Inc.
13915 Danielson St
Suite 100
Poway, CA 92064
www.frame-max.com



© FrameMax Inc.

CREATED: 09/26/2008

FM-07-109

CREATED BY: AMB

HEIGHT : 10'-9 7/16" POINTS: 0.36 Points.

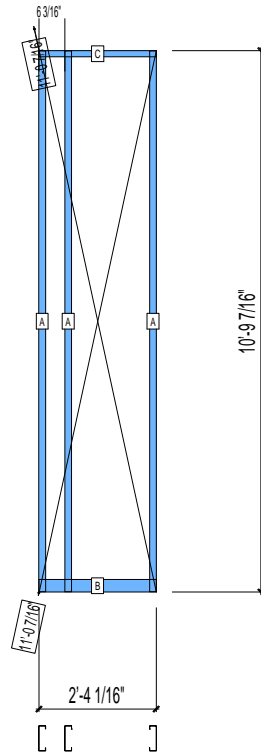
SPACING : 24"

1st STUD: 7"

WEIGHTS :

FRAME : 44 lbs

TOTAL: 44 lbs



PIECES LIST

LABEL	QTY	SIZE	LENGTH	USE
A	3	600S162-33	10'-9 5/16"	STUD
B	1	600T300-33	2'-4 1/16"	BOTTOM TRACK
C	1	600T150-33	2'-4 1/16"	TOP TRACK

21-3082

Jewish Home for the Aging

1885 Victory Blvd. Reseda, CA

FM-07-109

CREATED BY: AMB

FrameMax, Inc.
13915 Danielson St
Suite 100
Poway, CA 92064
www.frame-max.com



© FrameMax Inc.

HEIGHT : 10'-9 7/16" POINTS: 0.54 Points.

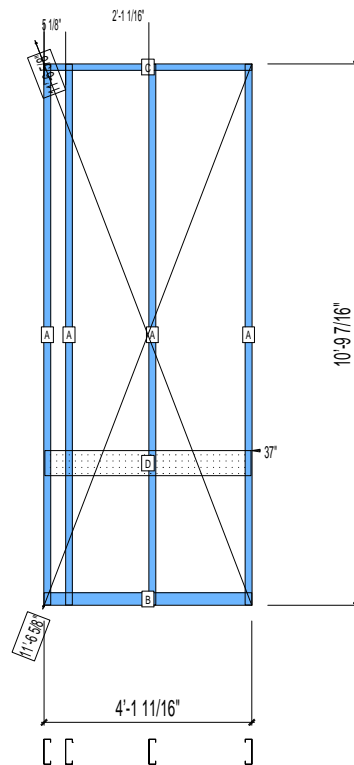
SPACING : 24"

1st STUD: 1 15/16"

WEIGHTS :

FRAME : 66 lbs

TOTAL: 66 lbs



PIECES LIST

LABEL	QTY	SIZE	LENGTH	USE
A	4	600S162-33	10'-9 5/16"	STUD
B	1	600T300-33	4'-1 11/16"	BOTTOM TRACK
C	1	600T150-33	4'-1 11/16"	TOP TRACK
D	1	600D-54	4'-1 1/4"	VANITY BACKING

21-3101

Jewish Home for the Aging

1885 Victory Blvd. Reseda, CA

FrameMax, Inc.
13915 Danielson St
Suite 100
Poway, CA 92064
www.frame-max.com



© FrameMax Inc.

CREATED: 09/26/2008

FM-07-109

CREATED BY: AMB

HEIGHT : 10'-9 7/16" POINTS: 0.53 Points.

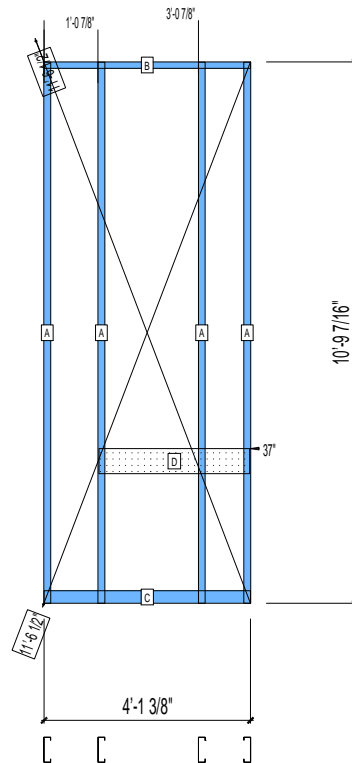
SPACING : 24"

1st STUD: 13 3/4"

WEIGHTS :

FRAME : 64 lbs

TOTAL: 64 lbs



PIECES LIST

LABEL	QTY	SIZE	LENGTH	USE
A	4	600S162-33	10'-9 3/8"	STUD
B	1	600T150-33	4'-1 3/8"	TOP TRACK
C	1	600T300-33	4'-1 3/8"	BOTTOM TRACK
D	1	600D-54	3'-0"	VANITY BACKING

21-3102

Jewish Home for the Aging

1885 Victory Blvd. Reseda, CA

FrameMax, Inc.
13915 Danielson St
Suite 100
Poway, CA 92064
www.frame-max.com



© FrameMax Inc.

CREATED: 09/26/2008

FM-07-109

CREATED BY: AMB

HEIGHT : 10'-9 7/16" POINTS: 0.66 Points.

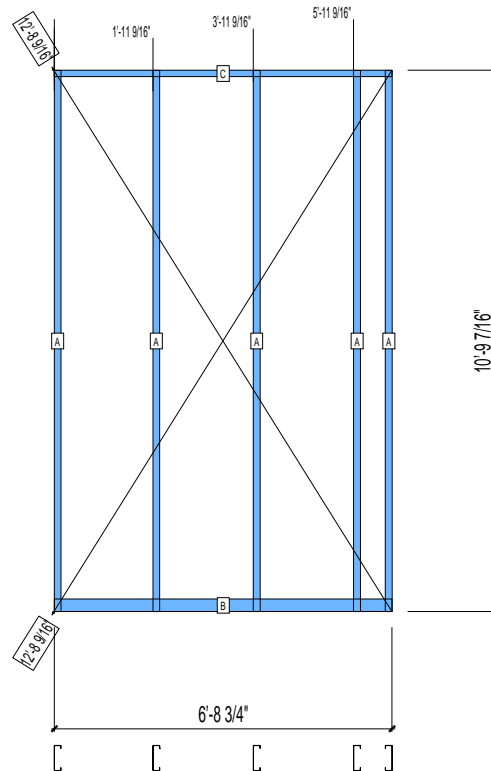
SPACING : 24"

1st STUD: 7/16"

WEIGHTS :

FRAME : 80 lbs

TOTAL: 80 lbs



PIECES LIST

LABEL	QTY	SIZE	LENGTH	USE
A	5	600S162-33	10'-9 3/8"	STUD
B	1	600T300-33	6'-8 3/4"	BOTTOM TRACK
C	1	600T150-33	6'-8 3/4"	TOP TRACK

21-3103

Jewish Home for the Aging

1885 Victory Blvd. Reseda, CA

FrameMax, Inc.
13915 Danielson St
Suite 100
Poway, CA 92064
www.frame-max.com



© FrameMax Inc.

CREATED: 09/26/2008

FM-07-109

CREATED BY: TNT

HEIGHT : 10'-9 7/16" POINTS: 0.32 Points.

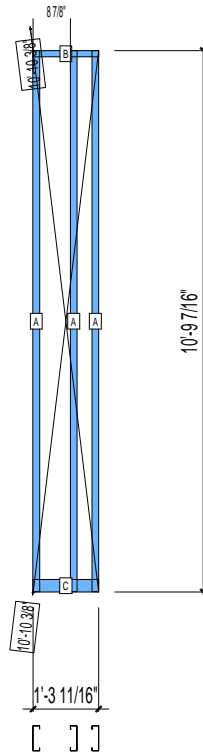
SPACING : 24"

1st STUD: 24"

WEIGHTS :

FRAME : 41 lbs

TOTAL: 41 lbs



PIECES LIST

LABEL	QTY	SIZE	LENGTH	USE
A	3	600S162-33	10'-9 3/8"	STUD
B	1	600T150-33	1'-3 11/16"	TOP TRACK
C	1	600T300-33	1'-3 11/16"	BOTTOM TRACK

21-3104

Jewish Home for the Aging

1885 Victory Blvd. Reseda, CA

FrameMax, Inc.
13915 Danielson St
Suite 100
Poway, CA 92064
www.frame-max.com



© FrameMax Inc.

CREATED: 09/26/2008

FM-07-109

CREATED BY: TNT

HEIGHT : 10'-9 7/16" POINTS: 0.32 Points.

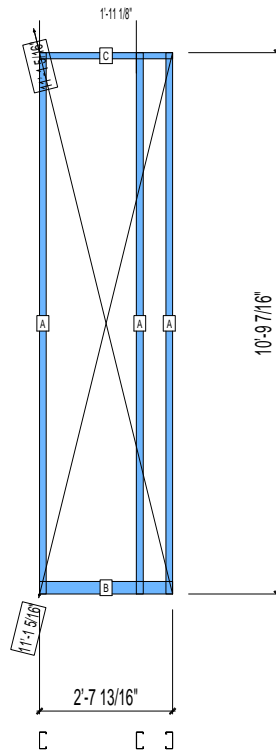
SPACING : 24"

1st STUD: 24"

WEIGHTS :

FRAME : 35 lbs

TOTAL: 35 lbs



PIECES LIST

LABEL	QTY	SIZE	LENGTH	USE
A	3	400S162-33	10'-9 3/8"	STUD
B	1	400T300-33	2'-7 13/16"	BOTTOM TRACK
C	1	400T150-33	2'-7 13/16"	TOP TRACK

21-3105

Jewish Home for the Aging

1885 Victory Blvd. Reseda, CA

FM-07-109

CREATED BY: AMB

FrameMax, Inc.
13915 Danielson St
Suite 100
Poway, CA 92064
www.frame-max.com



© FrameMax Inc.

HEIGHT : 10'-9 7/16" POINTS: 0.43 Points.

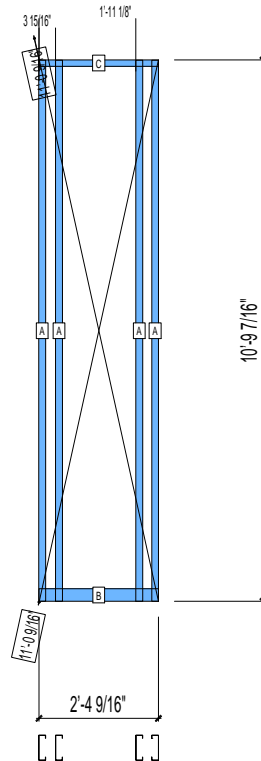
SPACING : 24"

1st STUD: 24"

WEIGHTS :

FRAME : 56 lbs

TOTAL: 56 lbs



PIECES LIST

LABEL	QTY	SIZE	LENGTH	USE
A	4	600S162-33	10'-9 3/8"	STUD
B	1	600T300-33	2'-4 9/16"	BOTTOM TRACK
C	1	600T150-33	2'-4 9/16"	TOP TRACK

21-3106

Jewish Home for the Aging

1885 Victory Blvd. Reseda, CA

FM-07-109

CREATED BY: AMB

FrameMax, Inc.
13915 Danielson St
Suite 100
Poway, CA 92064
www.frame-max.com



© FrameMax Inc.

HEIGHT : 10'-9 7/16" POINTS: 0.36 Points.

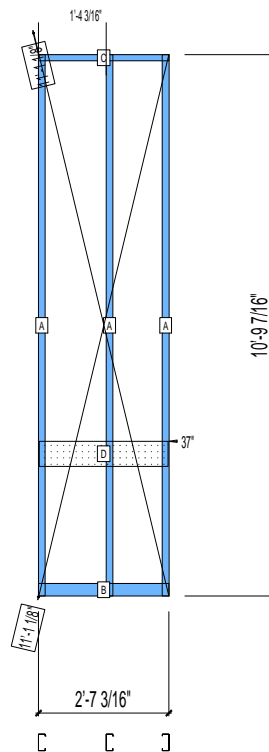
SPACING : 24"

1st STUD: 17"

WEIGHTS :

FRAME : 38 lbs

TOTAL: 38 lbs



PIECES LIST

LABEL	QTY	SIZE	LENGTH	USE
A	3	400S162-33	10'-9 3/8"	STUD
B	1	400T300-33	2'-7 3/16"	BOTTOM TRACK
C	1	400T150-33	2'-7 3/16"	TOP TRACK
D	1	600D-54	2'-6 3/4"	VANITY BACKING

21-3107

Jewish Home for the Aging

1885 Victory Blvd. Reseda, CA

FM-07-109

CREATED BY: AMB

FrameMax, Inc.
13915 Danielson St
Suite 100
Poway, CA 92064
www.frame-max.com



© FrameMax Inc.

HEIGHT : 10'-9 7/16" POINTS: 0.50 Points.

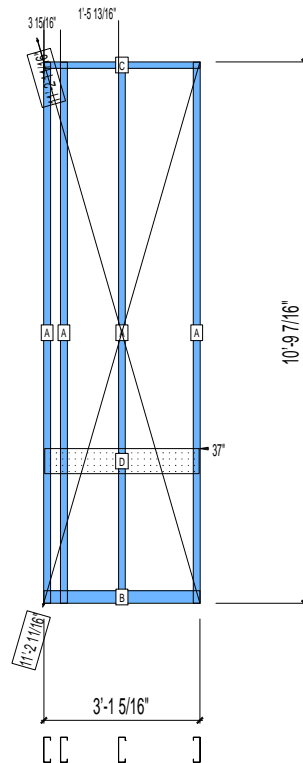
SPACING : 24"

1st STUD: 18 11/16"

WEIGHTS :

FRAME : 62 lbs

TOTAL: 62 lbs



PIECES LIST

LABEL	QTY	SIZE	LENGTH	USE
A	4	600S162-33	10'-9 3/8"	STUD
B	1	600T300-33	3'-1 5/16"	BOTTOM TRACK
C	1	600T150-33	3'-1 5/16"	TOP TRACK
D	1	600D-54	3'-0 7/8"	VANITY BACKING

21-3108

Jewish Home for the Aging

1885 Victory Blvd. Reseda, CA

FrameMax, Inc.
13915 Danielson St
Suite 100
Poway, CA 92064
www.frame-max.com



© FrameMax Inc.

CREATED: 09/26/2008

FM-07-109

CREATED BY: AMB

HEIGHT : 10'-9 7/16" POINTS: 0.32 Points.

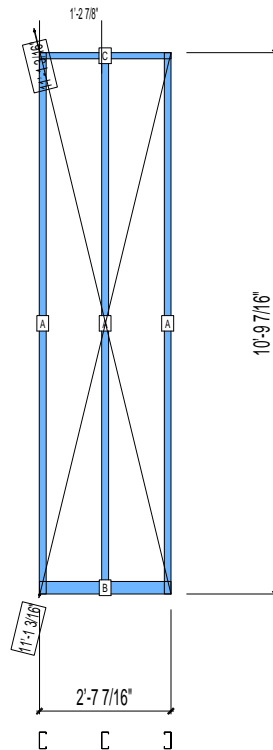
SPACING : 24"

1st STUD: 15 3/4"

WEIGHTS :

FRAME : 35 lbs

TOTAL: 35 lbs



PIECES LIST

LABEL	QTY	SIZE	LENGTH	USE
A	3	400S162-33	10'-9 3/8"	STUD
B	1	400T300-33	2'-7 7/16"	BOTTOM TRACK
C	1	400T150-33	2'-7 7/16"	TOP TRACK

21-3109

Jewish Home for the Aging

1885 Victory Blvd. Reseda, CA

FrameMax, Inc.
13915 Danielson St
Suite 100
Poway, CA 92064
www.frame-max.com



© FrameMax Inc.

CREATED: 09/26/2008

FM-07-109

CREATED BY: AMB

HEIGHT : 10'-9 7/16" POINTS: 0.21 Points.

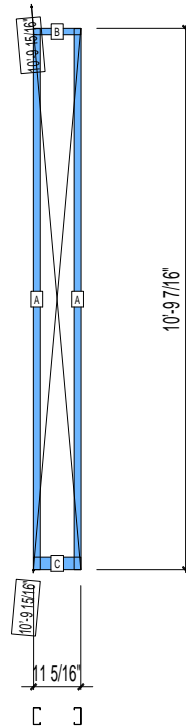
SPACING : 24"

1st STUD: 24"

WEIGHTS :

FRAME : 22 lbs

TOTAL: 22 lbs



PIECES LIST

LABEL	QTY	SIZE	LENGTH	USE
A	2	400S162-33	10'-9 3/8"	STUD
B	1	400T150-33	11 5/16"	TOP TRACK
C	1	400T300-33	11 5/16"	BOTTOM TRACK

21-3110

Jewish Home for the Aging

1885 Victory Blvd. Reseda, CA

FM-07-109

CREATED BY: AMB

FrameMax, Inc.
13915 Danielson St
Suite 100
Poway, CA 92064
www.frame-max.com



© FrameMax Inc.

HEIGHT : 10'-9 7/16" POINTS: 0.48 Points.

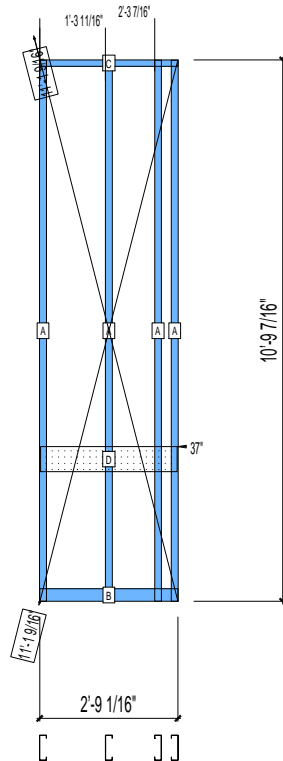
SPACING : 24"

1st STUD: 16 9/16"

WEIGHTS :

FRAME : 61 lbs

TOTAL: 61 lbs



PIECES LIST

LABEL	QTY	SIZE	LENGTH	USE
A	4	600S162-33	10'-9 3/8"	STUD
B	1	600T300-33	2'-9 1/16"	BOTTOM TRACK
C	1	600T150-33	2'-9 1/16"	TOP TRACK
D	1	600D-54	2'-8 5/8"	VANITY BACKING

21-3111

Jewish Home for the Aging

1885 Victory Blvd. Reseda, CA

FM-07-109

CREATED BY: AMB

FrameMax, Inc.
13915 Danielson St
Suite 100
Poway, CA 92064
www.frame-max.com



© FrameMax Inc.

HEIGHT : 10'-9 7/16" POINTS: 0.52 Points.

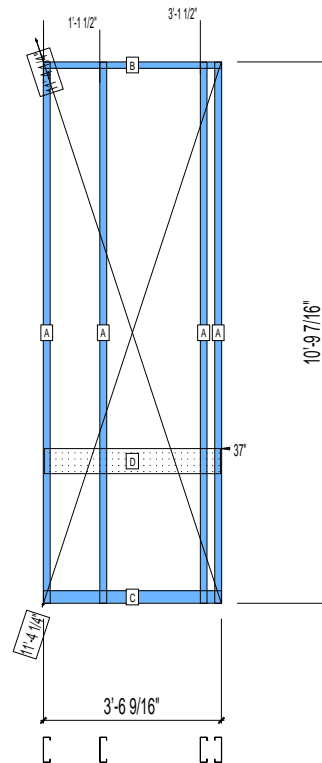
SPACING : 24"

1st STUD: 14 3/8"

WEIGHTS :

FRAME : 64 lbs

TOTAL: 64 lbs



PIECES LIST

LABEL	QTY	SIZE	LENGTH	USE
A	4	600S162-33	10'-9 3/8"	STUD
B	1	600T150-33	3'-6 9/16"	TOP TRACK
C	1	600T300-33	3'-6 9/16"	BOTTOM TRACK
D	1	600D-54	3'-6 1/8"	VANITY BACKING

21-3112

Jewish Home for the Aging

1885 Victory Blvd. Reseda, CA

FM-07-109

CREATED BY: TNT

FrameMax, Inc.
13915 Danielson St
Suite 100
Poway, CA 92064
www.framemax.com



© FrameMax Inc.

HEIGHT : 10'-9 7/16" POINTS: 1.08 Points.

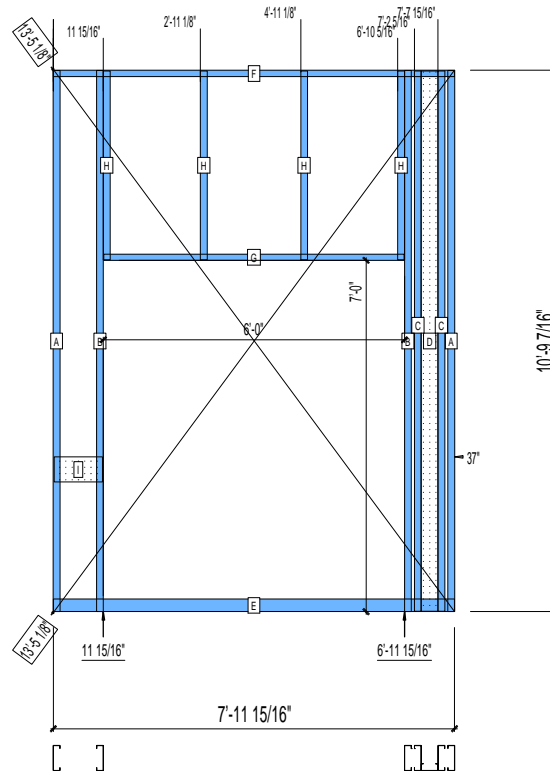
SPACING : 24"

1st STUD: 24"

WEIGHTS :

FRAME : 131 lbs

TOTAL: 131 lbs



PIECES LIST

LABEL	QTY	SIZE	LENGTH	USE
A	2	600S162-33	10'-9 3/8"	STUD
B	2	600S162-33	10'-9 3/8"	KING STUD
C	2	600S162-33	10'-9 1/8"	BACKER STUD
D	1	400S162-33	10'-9 1/8"	BACKER-U
E	1	600T300-33	7'-11 15/16"	BOTTOM TRACK
F	1	600T150-33	7'-11 15/16"	TOP TRACK
G	1	600T150-33	5'-11 3/4"	HEAD TRACK
H	4	600S162-33	3'-9 1/8"	CRIPPLE
I	1	600D-54	11 1/2"	VANITY BACKING

21-3113

Jewish Home for the Aging

1885 Victory Blvd. Reseda, CA

FrameMax, Inc.
13915 Danielson St
Suite 100
Poway, CA 92064
www.frame-max.com



© FrameMax Inc.

CREATED: 09/26/2008

FM-07-109

CREATED BY: AMB

HEIGHT : 10'-9 7/16" POINTS: 0.46 Points.

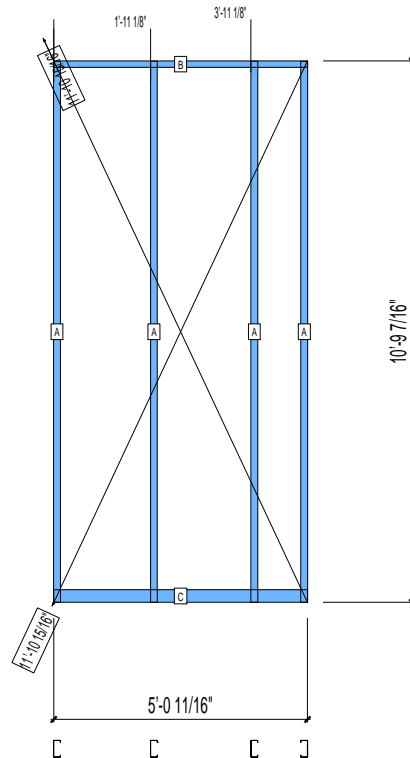
SPACING : 24"

1st STUD: 24"

WEIGHTS :

FRAME : 50 lbs

TOTAL: 50 lbs



PIECES LIST

LABEL	QTY	SIZE	LENGTH	USE
A	4	400S162-33	10'-9 3/8"	STUD
B	1	400T150-33	5'-0 11/16"	TOP TRACK
C	1	400T300-33	5'-0 11/16"	BOTTOM TRACK

21-3114

Jewish Home for the Aging

1885 Victory Blvd. Reseda, CA

FrameMax, Inc.
13915 Danielson St
Suite 100
Poway, CA 92064
www.frame-max.com



© FrameMax Inc.

CREATED: 09/26/2008

FM-07-109

CREATED BY: AMB

HEIGHT : 10'-9 7/16" POINTS: 0.52 Points.

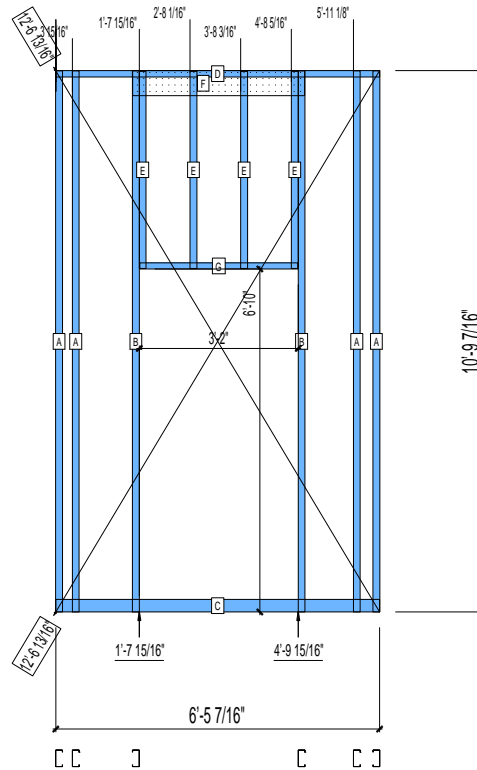
SPACING : 24"

1st STUD: 24"

WEIGHTS :

FRAME : 19 lbs

TOTAL: 19 lbs



PIECES LIST

LABEL	QTY	SIZE	LENGTH	USE
A	4	400S162-33	10'-9 3/8"	STUD
B	2	400S162-33	10'-9 3/8"	KING STUD
C	1	400T300-33	6'-5 7/16"	BOTTOM TRACK
D	1	400T150-33	6'-5 7/16"	TOP TRACK
E	4	400S162-33	3'-11 1/8"	CRIPPLE
F	1	600L150-33	3'-5 1/8"	L-HEADER
G	1	400T150-33	3'-1 3/4"	HEAD TRACK

21-3115

Jewish Home for the Aging

1885 Victory Blvd. Reseda, CA

FM-07-109

CREATED BY: AMB

FrameMax, Inc.
13915 Danielson St
Suite 100
Poway, CA 92064
www.frame-max.com



© FrameMax Inc.

HEIGHT : 10'-9 7/16" POINTS: 0.36 Points.

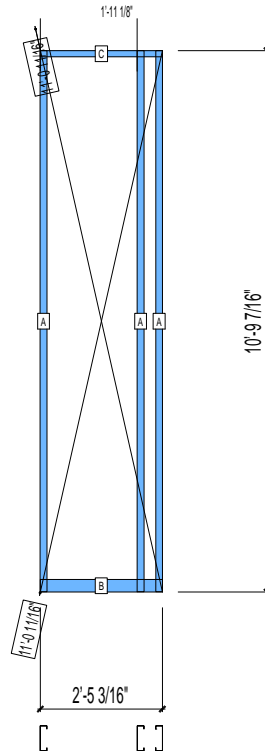
SPACING : 24"

1st STUD: 24"

WEIGHTS :

FRAME : 44 lbs

TOTAL: 44 lbs



PIECES LIST

LABEL	QTY	SIZE	LENGTH	USE
A	3	600S162-33	10'-9 3/8"	STUD
B	1	600T300-33	2'-5 3/16"	BOTTOM TRACK
C	1	600T150-33	2'-5 3/16"	TOP TRACK

21-3116

Jewish Home for the Aging

1885 Victory Blvd. Reseda, CA

FrameMax, Inc.
13915 Danielson St
Suite 100
Poway, CA 92064
www.frame-max.com



© FrameMax Inc.

CREATED: 09/26/2008

FM-07-109

CREATED BY: AMB

HEIGHT : 10'-9 7/16" POINTS: 0.43 Points.

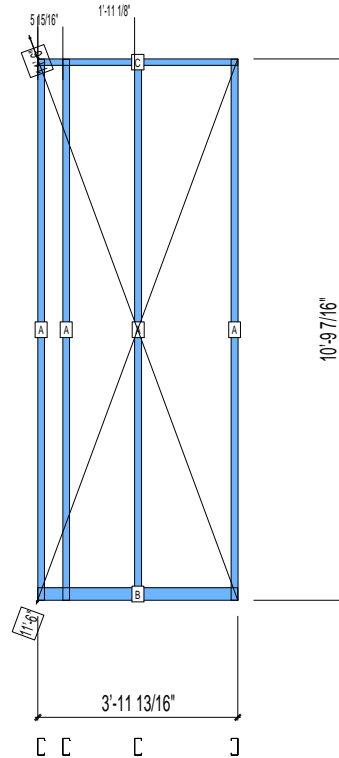
SPACING : 24"

1st STUD: 24"

WEIGHTS :

FRAME : 48 lbs

TOTAL: 48 lbs



PIECES LIST

LABEL	QTY	SIZE	LENGTH	USE
A	4	400S162-33	10'-9 3/8"	STUD
B	1	400T300-33	3'-11 13/16"	BOTTOM TRACK
C	1	400T150-33	3'-11 13/16"	TOP TRACK

21-3117

Jewish Home for the Aging

1885 Victory Blvd. Reseda, CA

FrameMax, Inc.
13915 Danielson St
Suite 100
Poway, CA 92064
www.frame-max.com



© FrameMax Inc.

CREATED: 09/26/2008

FM-07-109

CREATED BY: AMB

HEIGHT : 10'-9 7/16" POINTS: 0.23 Points.

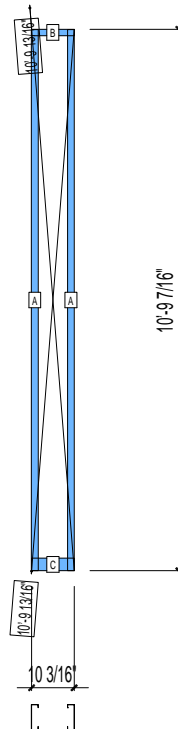
SPACING : 24"

1st STUD: 24"

WEIGHTS :

FRAME : 27 lbs

TOTAL: 27 lbs



PIECES LIST

LABEL	QTY	SIZE	LENGTH	USE
A	2	600S162-33	10'-9 3/8"	STUD
B	1	600T150-33	10 3/16"	TOP TRACK
C	1	600T300-33	10 3/16"	BOTTOM TRACK

21-3118

Jewish Home for the Aging

1885 Victory Blvd. Reseda, CA

FM-07-109

CREATED BY: AMB

FrameMax, Inc.
13915 Danielson St
Suite 100
Poway, CA 92064
www.framemax.com



© FrameMax Inc.

HEIGHT : 10'-9 7/16" POINTS: 0.80 Points.

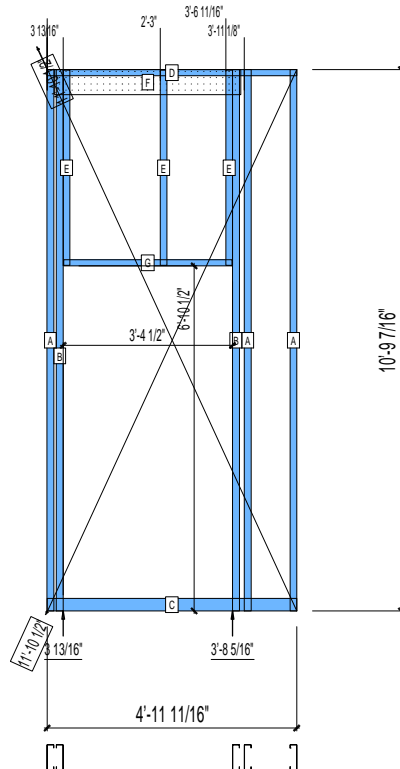
SPACING : 24"

1st STUD: 24"

WEIGHTS :

FRAME : 97 lbs

TOTAL: 97 lbs



PIECES LIST

LABEL	QTY	SIZE	LENGTH	USE
A	3	600S162-33	10'-9 3/8"	STUD
B	2	600S162-33	10'-9 3/8"	KING STUD
C	1	600T300-33	4'-11 11/16"	BOTTOM TRACK
D	1	600T150-33	4'-11 11/16"	TOP TRACK
E	3	600S162-33	3'-10 5/8"	CRIPPLE
F	1	600L150-33	3'-8 1/2"	L-HEADER
G	1	600T150-33	3'-4 1/4"	HEAD TRACK

21-3119

Jewish Home for the Aging

1885 Victory Blvd. Reseda, CA

FrameMax, Inc.
13915 Danielson St
Suite 100
Poway, CA 92064
www.frame-max.com



© FrameMax Inc.

CREATED: 09/26/2008

FM-07-109

CREATED BY: AMB

HEIGHT : 10'-9 7/16" POINTS: 0.33 Points.

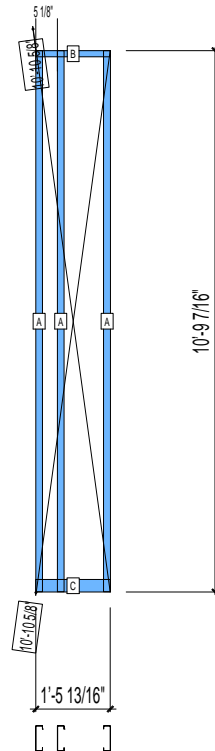
SPACING : 24"

1st STUD: 24"

WEIGHTS :

FRAME : 42 lbs

TOTAL: 42 lbs



PIECES LIST

LABEL	QTY	SIZE	LENGTH	USE
A	3	600S162-33	10'-9 3/8"	STUD
B	1	600T150-33	1'-5 13/16"	TOP TRACK
C	1	600T300-33	1'-5 13/16"	BOTTOM TRACK

21-3120

Jewish Home for the Aging

1885 Victory Blvd. Reseda, CA

FrameMax, Inc.
13915 Danielson St
Suite 100
Poway, CA 92064
www.frame-max.com



© FrameMax Inc.

CREATED: 09/26/2008

FM-07-109

CREATED BY: AMB

HEIGHT : 2'-8 1/2" POINTS: 0.25 Points.

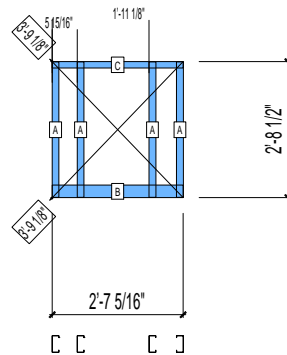
SPACING : 24"

1st STUD: 24"

WEIGHTS :

FRAME : 15 lbs

TOTAL: 15 lbs



PIECES LIST

LABEL	QTY	SIZE	LENGTH	USE
A	4	400S162-33	2'-8 3/8"	STUD
B	1	400T300-33	2'-7 5/16"	BOTTOM TRACK
C	1	400T150-33	2'-7 5/16"	TOP TRACK

21-3121

Jewish Home for the Aging

1885 Victory Blvd. Reseda, CA

FrameMax, Inc.
13915 Danielson St
Suite 100
Poway, CA 92064
www.frame-max.com



© FrameMax Inc.

CREATED: 09/26/2008

FM-07-109

CREATED BY: AMB

HEIGHT : 2'-8 1/2" POINTS: 0.35 Points.

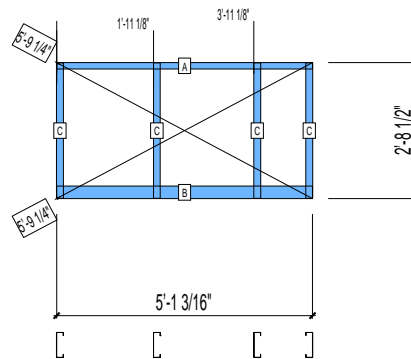
SPACING : 24"

1st STUD: 24"

WEIGHTS :

FRAME : 25 lbs

TOTAL: 25 lbs



PIECES LIST

LABEL	QTY	SIZE	LENGTH	USE
A	1	600T150-33	5'-1 3/16"	TOP TRACK
B	1	600T300-33	5'-1 3/16"	BOTTOM TRACK
C	4	600S162-33	2'-8 3/8"	STUD

21-3122

Jewish Home for the Aging

1885 Victory Blvd. Reseda, CA

FM-07-109

CREATED BY: AMB

FrameMax, Inc.
13915 Danielson St
Suite 100
Poway, CA 92064
www.frame-max.com



© FrameMax Inc.

HEIGHT : 10'-9 7/16" POINTS: 1.02 Points.

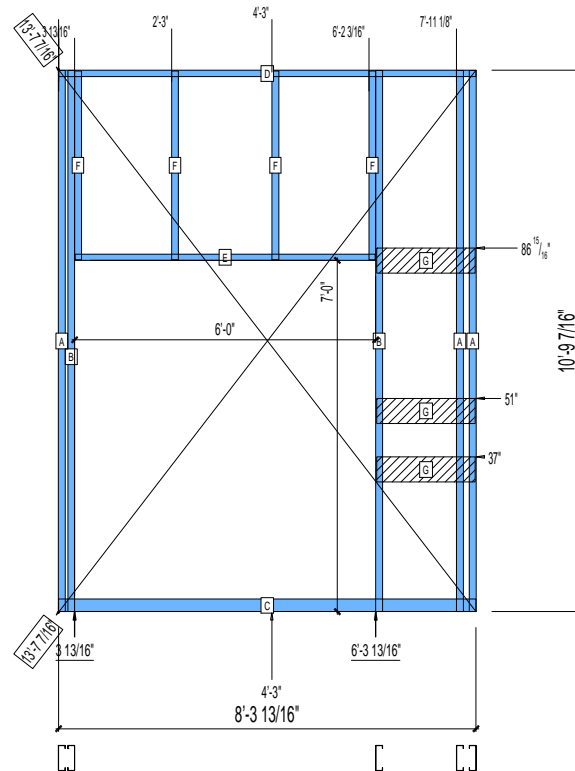
SPACING : 24"

1st STUD: 24"

WEIGHTS :

FRAME : 115 lbs

TOTAL: 115 lbs



PIECES LIST

LABEL	QTY	SIZE	LENGTH	USE
A	3	600S162-33	10'-9 3/8"	STUD
B	2	600S162-33	10'-9 3/8"	KING STUD
C	1	600T300-33	8'-3 13/16"	BOTTOM TRACK
D	1	600T150-33	8'-3 13/16"	TOP TRACK
E	1	600T150-33	5'-11 3/4"	HEAD TRACK
F	4	600S162-33	3'-9 1/8"	CRIPPLE
G	3	600D-54	1'-11 1/2"	KITCHEN BACKING

21-3123

Jewish Home for the Aging

1885 Victory Blvd. Reseda, CA

FrameMax, Inc.
13915 Danielson St
Suite 100
Poway, CA 92064
www.frame-max.com



© FrameMax Inc.

CREATED: 09/26/2008

FM-07-109

CREATED BY: TNT

HEIGHT : 10'-9 7/16" POINTS: 0.34 Points.

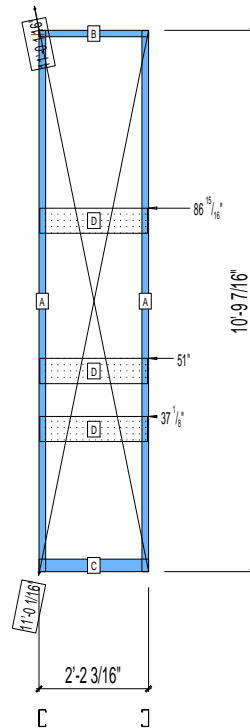
SPACING : 24"

1st STUD: 24"

WEIGHTS :

FRAME : 32 lbs

TOTAL: 32 lbs



PIECES LIST

LABEL	QTY	SIZE	LENGTH	USE
A	2	400S162-33	10'-9 3/8"	STUD
B	1	400T150-33	2'-2 3/16"	TOP TRACK
C	1	400T300-33	2'-2 3/16"	BOTTOM TRACK
D	3	600D-54	2'-1 3/4"	KITCHEN BACKING

21-3124

Jewish Home for the Aging

1885 Victory Blvd. Reseda, CA

FrameMax, Inc.
13915 Danielson St
Suite 100
Poway, CA 92064
www.frame-max.com



© FrameMax Inc.

CREATED: 09/26/2008

FM-07-109

CREATED BY: TNT

HEIGHT : 10'-9 7/16" POINTS: 0.36 Points.

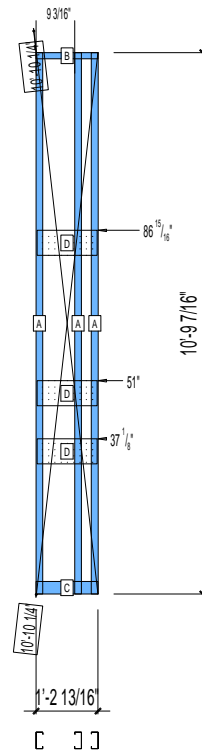
SPACING : 24"

1st STUD: 24"

WEIGHTS :

FRAME : 37 lbs

TOTAL: 37 lbs



PIECES LIST

LABEL	QTY	SIZE	LENGTH	USE
A	3	400S162-33	10'-9 3/8"	STUD
B	1	400T150-33	1'-2 13/16"	TOP TRACK
C	1	400T300-33	1'-2 13/16"	BOTTOM TRACK
D	3	600D-54	1'-2 3/8"	KITCHEN BACKING

21-3125

Jewish Home for the Aging

1885 Victory Blvd. Reseda, CA

FrameMax, Inc.
13915 Danielson St
Suite 100
Poway, CA 92064
www.frame-max.com



© FrameMax Inc.

CREATED: 09/26/2008

FM-07-109

CREATED BY: AMB

HEIGHT : 10'-9 7/16" POINTS: 0.28 Points.

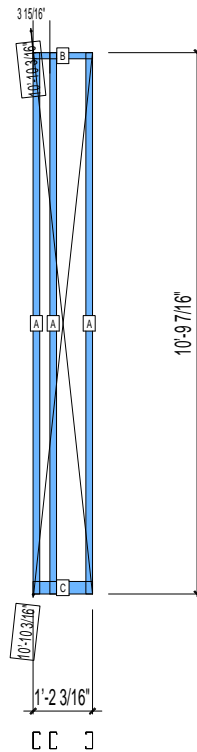
SPACING : 24"

1st STUD: 24"

WEIGHTS :

FRAME : 32 lbs

TOTAL: 32 lbs



PIECES LIST

LABEL	QTY	SIZE	LENGTH	USE
A	3	400S162-33	10'-9 3/8"	STUD
B	1	400T150-33	1'-2 3/16"	TOP TRACK
C	1	400T300-33	1'-2 3/16"	BOTTOM TRACK

21-3126

Jewish Home for the Aging

1885 Victory Blvd. Reseda, CA

FrameMax, Inc.
13915 Danielson St
Suite 100
Poway, CA 92064
www.frame-max.com



© FrameMax Inc.

CREATED: 09/26/2008

FM-07-109

CREATED BY: AMB

HEIGHT : 10'-9 7/16" POINTS: 0.24 Points.

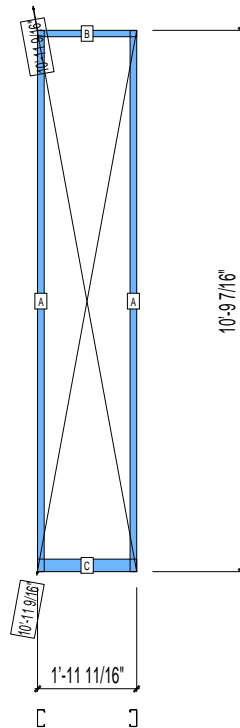
SPACING : 24"

1st STUD: 24"

WEIGHTS :

FRAME : 24 lbs

TOTAL: 24 lbs



PIECES LIST

LABEL	QTY	SIZE	LENGTH	USE
A	2	400S162-33	10'-9 3/8"	STUD
B	1	400T150-33	1'-11 11/16"	TOP TRACK
C	1	400T300-33	1'-11 11/16"	BOTTOM TRACK

21-3127

Jewish Home for the Aging

1885 Victory Blvd. Reseda, CA

FM-07-109

CREATED BY: AMB

FrameMax, Inc.
13915 Danielson St
Suite 100
Poway, CA 92064
www.framemax.com



© FrameMax Inc.

HEIGHT : 10'-9 7/16" POINTS: 0.48 Points.

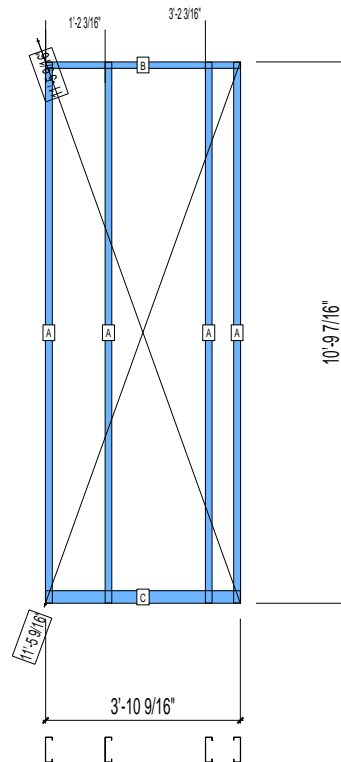
SPACING : 24"

1st STUD: 15 1/16"

WEIGHTS :

FRAME : 60 lbs

TOTAL: 60 lbs



PIECES LIST

LABEL	QTY	SIZE	LENGTH	USE
A	4	600S162-33	10'-9 5/16"	STUD
B	1	600T150-33	3'-10 9/16"	TOP TRACK
C	1	600T300-33	3'-10 9/16"	BOTTOM TRACK

21-3128

Jewish Home for the Aging

1885 Victory Blvd. Reseda, CA

FM-07-109

CREATED BY: AMB

FrameMax, Inc.
13915 Danielson St
Suite 100
Poway, CA 92064
www.frame-max.com



© FrameMax Inc.

HEIGHT : 10'-9 7/16" POINTS: 0.65 Points.

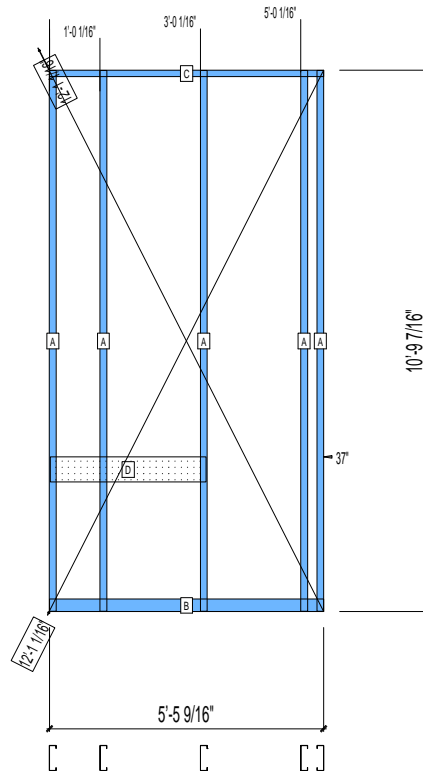
SPACING : 24"

1st STUD: 12 15/16"

WEIGHTS :

FRAME : 81 lbs

TOTAL: 81 lbs



PIECES LIST

LABEL	QTY	SIZE	LENGTH	USE
A	5	600S162-33	10'-9 5/16"	STUD
B	1	600T300-33	5'-5 9/16"	BOTTOM TRACK
C	1	600T150-33	5'-5 9/16"	TOP TRACK
D	1	600D-54	3'-1 1/4"	VANITY BACKING

21-3129

Jewish Home for the Aging

1885 Victory Blvd. Reseda, CA

FrameMax, Inc.
13915 Danielson St
Suite 100
Poway, CA 92064
www.framemax.com



© FrameMax Inc.

CREATED: 09/26/2008

FM-07-109

CREATED BY: TNT

HEIGHT : 10'-9 7/16" POINTS: 1.29 Points.

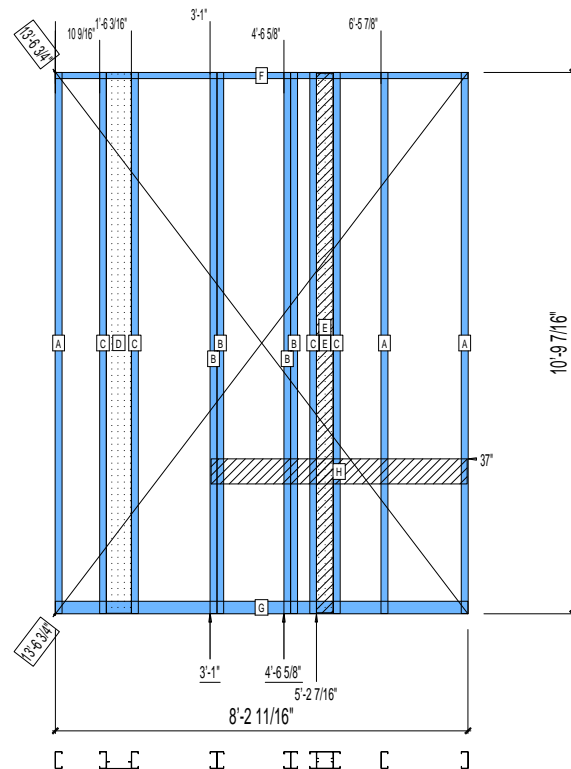
SPACING : 24"

1st STUD: 6 3/4"

WEIGHTS :

FRAME : 166 lbs

TOTAL: 166 lbs



PIECES LIST

LABEL	QTY	SIZE	LENGTH	USE
A	3	400S162-33	10'-9 3/8"	STUD
B	4	400S162-33	10'-9 3/8"	EXTRA STUD
C	4	400S162-33	10'-9 3/8"	BACKER STUD
D	1	600S162-33	10'-9 1/4"	BACKER-U
E	2	400S162-33	10'-9 1/8"	BACKER-U
F	1	400T150-33	8'-2 11/16"	TOP TRACK
G	1	400T300-33	8'-2 11/16"	BOTTOM TRACK
H	1	600D-54	5'-1 3/16"	VANITY BACKING

21-3130

Jewish Home for the Aging

1885 Victory Blvd. Reseda, CA

FM-07-109

CREATED BY: AMB

FrameMax, Inc.
13915 Danielson St
Suite 100
Poway, CA 92064
www.frame-max.com



© FrameMax Inc.

HEIGHT : 10'-9 7/16" POINTS: 0.52 Points.

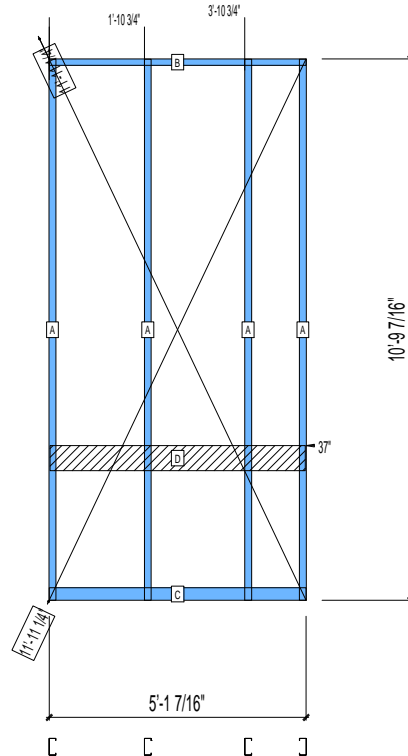
SPACING : 24"

1st STUD: 23 5/8"

WEIGHTS :

FRAME : 57 lbs

TOTAL: 57 lbs



PIECES LIST

LABEL	QTY	SIZE	LENGTH	USE
A	4	400S162-33	10'-9 3/8"	STUD
B	1	400T150-33	5'-1 7/16"	TOP TRACK
C	1	400T300-33	5'-1 7/16"	BOTTOM TRACK
D	1	600D-54	5'-1"	VANITY BACKING

21-3131

Jewish Home for the Aging

1885 Victory Blvd. Reseda, CA

FrameMax, Inc.
13915 Danielson St
Suite 100
Poway, CA 92064
www.frame-max.com



© FrameMax Inc.

CREATED: 10/22/2008

FM-07-109

CREATED BY: TNT

HEIGHT : 10'-9 7/16" POINTS: 0.26 Points.

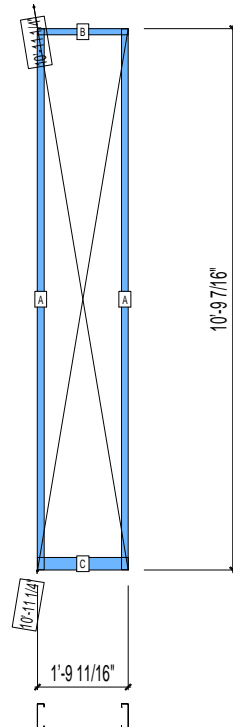
SPACING : 24"

1st STUD: 16"

WEIGHTS :

FRAME : 30 lbs

TOTAL: 30 lbs



PIECES LIST

LABEL	QTY	SIZE	LENGTH	USE
A	2	600S162-33	10'-9 5/16"	STUD
B	1	600T150-33	1'-9 11/16"	TOP TRACK
C	1	600T300-33	1'-9 11/16"	BOTTOM TRACK

21-3132

Jewish Home for the Aging

1885 Victory Blvd. Reseda, CA

FM-07-109

CREATED BY: TNT

FrameMax, Inc.
13915 Danielson St
Suite 100
Poway, CA 92064
www.frame-max.com



© FrameMax Inc.

HEIGHT : 10'-9 7/16" POINTS: 0.69 Points.

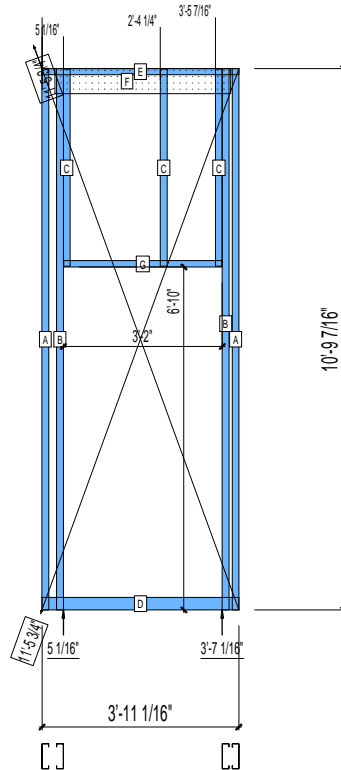
SPACING : 24"

1st STUD: 24"

WEIGHTS :

FRAME : 81 lbs

TOTAL: 81 lbs



PIECES LIST

LABEL	QTY	SIZE	LENGTH	USE
A	2	600S162-33	10'-9 3/8"	STUD
B	2	600S162-33	10'-9 3/8"	KING STUD
C	3	600S162-33	3'-11 1/8"	CRIPPLE
D	1	600T300-33	3'-11 1/16"	BOTTOM TRACK
E	1	600T150-33	3'-11 1/16"	TOP TRACK
F	1	600L150-33	3'-6"	L-HEADER
G	1	600T150-33	3'-1 3/4"	HEAD TRACK

21-3133

Jewish Home for the Aging

1885 Victory Blvd. Reseda, CA

FM-07-109

CREATED BY: AMB

FrameMax, Inc.
13915 Danielson St
Suite 100
Poway, CA 92064
www.frame-max.com



© FrameMax Inc.

HEIGHT : 10'-9 7/16" POINTS: 0.49 Points.

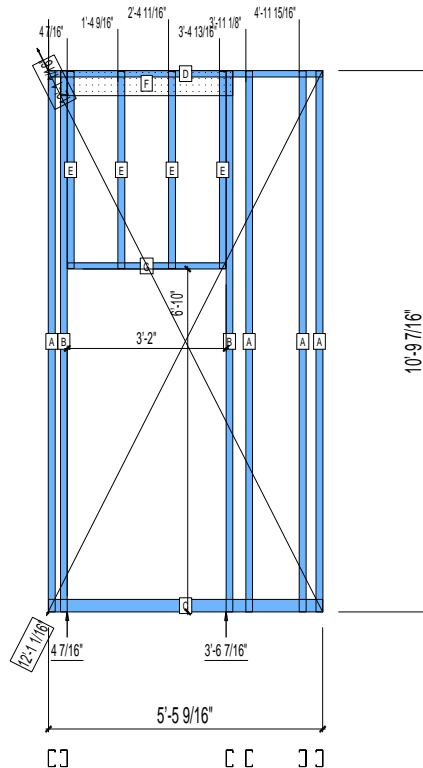
SPACING : 24"

1st STUD: 24"

WEIGHTS :

FRAME : 17 lbs

TOTAL: 17 lbs



PIECES LIST

LABEL	QTY	SIZE	LENGTH	USE
A	4	400S162-33	10'-9 3/8"	STUD
B	2	400S162-33	10'-9 3/8"	KING STUD
C	1	400T300-33	5'-5 9/16"	BOTTOM TRACK
D	1	400T150-33	5'-5 9/16"	TOP TRACK
E	4	400S162-33	3'-11 1/8"	CRIPPLE
F	1	600L150-33	3'-5 1/8"	L-HEADER
G	1	400T150-33	3'-1 3/4"	HEAD TRACK

21-3151

Jewish Home for the Aging

1885 Victory Blvd. Reseda, CA

FM-07-109

CREATED BY: AMB

FrameMax, Inc.
13915 Danielson St
Suite 100
Poway, CA 92064
www.frame-max.com



© FrameMax Inc.

HEIGHT : 10'-9 7/16" POINTS: 0.70 Points.

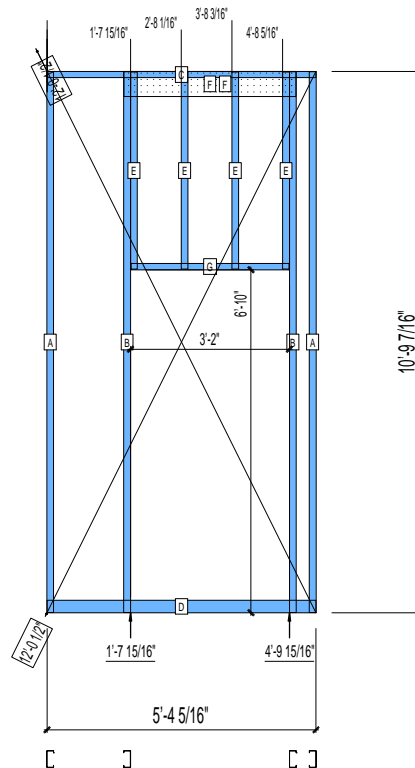
SPACING : 24"

1st STUD: 24"

WEIGHTS :

FRAME : 72 lbs

TOTAL: 72 lbs



PIECES LIST

LABEL	QTY	SIZE	LENGTH	USE
A	2	400S162-33	10'-9 5/16"	STUD
B	2	400S162-33	10'-9 5/16"	KING STUD
C	1	400T150-33	5'-4 5/16"	TOP TRACK
D	1	400T300-33	5'-4 5/16"	BOTTOM TRACK
E	4	400S162-33	3'-11 1/16"	CRIPPLE
F	1	600L150-33	3'-5 1/8"	L-HEADER
G	1	400T150-33	3'-1 3/4"	HEAD TRACK

21-3152

Jewish Home for the Aging

1885 Victory Blvd. Reseda, CA

FrameMax, Inc.
13915 Danielson St
Suite 100
Poway, CA 92064
www.frame-max.com



© FrameMax Inc.

CREATED: 09/26/2008

FM-07-109

CREATED BY: TNT

HEIGHT : 10'-9 7/16" POINTS: 1.04 Points.

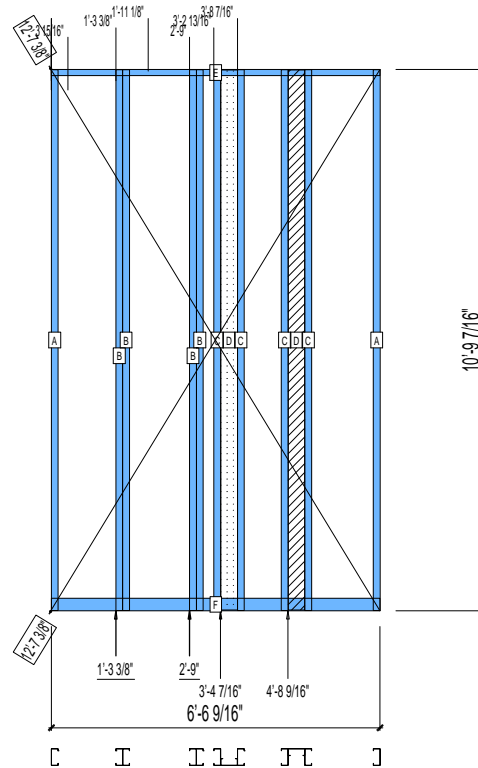
SPACING : 24"

1st STUD: 24"

WEIGHTS :

FRAME : 133 lbs

TOTAL: 133 lbs



PIECES LIST

LABEL	QTY	SIZE	LENGTH	USE
A	2	400S162-33	10'-9 5/16"	STUD
B	4	400S162-33	10'-9 5/16"	EXTRA STUD
C	4	400S162-33	10'-9 5/16"	BACKER STUD
D	2	400S162-33	10'-9 1/16"	BACKER-U
E	1	400T150-33	6'-6 9/16"	TOP TRACK
F	1	400T300-33	6'-6 9/16"	BOTTOM TRACK

21-3153

Jewish Home for the Aging

1885 Victory Blvd. Reseda, CA

FM-07-109

CREATED BY: AMB

FrameMax, Inc.
13915 Danielson St
Suite 100
Poway, CA 92064
www.frame-max.com



© FrameMax Inc.

HEIGHT : 10'-9 7/16" POINTS: 0.60 Points.

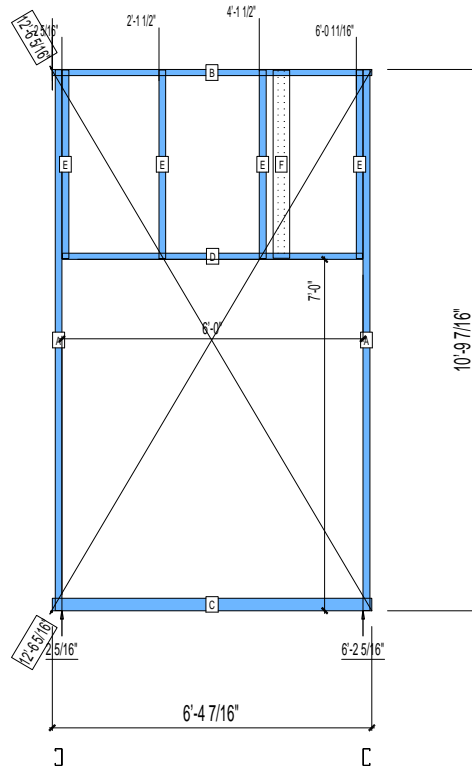
SPACING : 24"

1st STUD: 24"

WEIGHTS :

FRAME : 56 lbs

TOTAL: 56 lbs



PIECES LIST

LABEL	QTY	SIZE	LENGTH	USE
A	2	400S162-33	10'-9 5/16"	KING STUD
B	1	400T150-33	6'-4 7/16"	TOP TRACK
C	1	400T300-33	6'-4 7/16"	BOTTOM TRACK
D	1	400T150-33	5'-11 3/4"	HEAD TRACK
E	4	400S162-33	3'-9 1/16"	CRIPPLE
F	1	400S162-33	3'-8 15/16"	BACKER-U

21-3154

Jewish Home for the Aging

1885 Victory Blvd. Reseda, CA

FrameMax, Inc.
13915 Danielson St
Suite 100
Poway, CA 92064
www.frame-max.com



© FrameMax Inc.

CREATED: 09/26/2008

FM-07-109

CREATED BY: AMB

HEIGHT : 10'-9 7/16" POINTS: 0.45 Points.

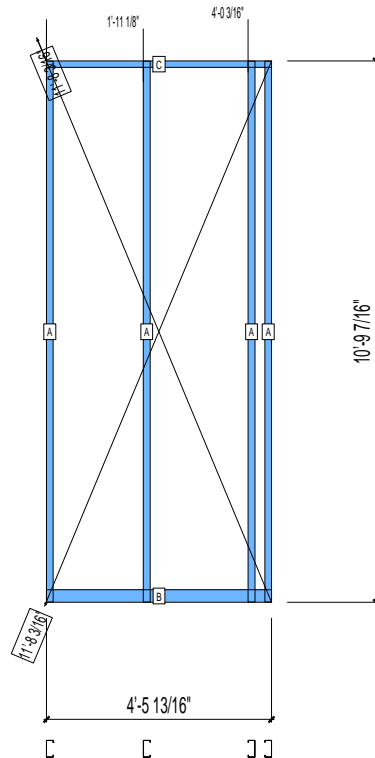
SPACING : 24"

1st STUD: 24"

WEIGHTS :

FRAME : 49 lbs

TOTAL: 49 lbs



PIECES LIST

LABEL	QTY	SIZE	LENGTH	USE
A	4	400S162-33	10'-9 5/16"	STUD
B	1	400T300-33	4'-5 13/16"	BOTTOM TRACK
C	1	400T150-33	4'-5 13/16"	TOP TRACK

21-3155

Jewish Home for the Aging

1885 Victory Blvd. Reseda, CA

FrameMax, Inc.
13915 Danielson St
Suite 100
Poway, CA 92064
www.frame-max.com



© FrameMax Inc.

CREATED: 09/26/2008

FM-07-109

CREATED BY: AMB

HEIGHT : 10'-9 7/16" POINTS: 0.22 Points.

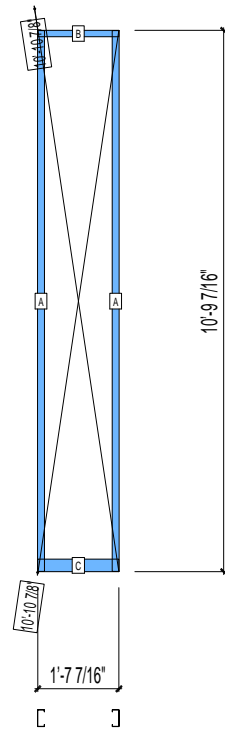
SPACING : 24"

1st STUD: 24"

WEIGHTS :

FRAME : 23 lbs

TOTAL: 23 lbs



PIECES LIST

LABEL	QTY	SIZE	LENGTH	USE
A	2	400S162-33	10'-9 5/16"	STUD
B	1	400T150-33	1'-7 7/16"	TOP TRACK
C	1	400T300-33	1'-7 7/16"	BOTTOM TRACK

21-3156

Jewish Home for the Aging

1885 Victory Blvd. Reseda, CA

FrameMax, Inc.
13915 Danielson St
Suite 100
Poway, CA 92064
www.frame-max.com



© FrameMax Inc.

CREATED: 09/26/2008

FM-07-109

CREATED BY: AMB

HEIGHT : 10'-9 7/16" POINTS: 0.39 Points.

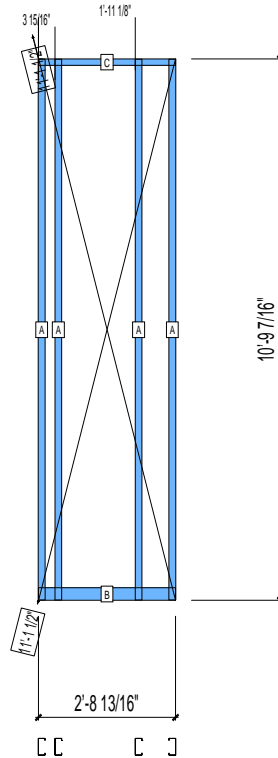
SPACING : 24"

1st STUD: 24"

WEIGHTS :

FRAME : 46 lbs

TOTAL: 46 lbs



PIECES LIST

LABEL	QTY	SIZE	LENGTH	USE
A	4	400S162-33	10'-9 5/16"	STUD
B	1	400T300-33	2'-8 13/16"	BOTTOM TRACK
C	1	400T150-33	2'-8 13/16"	TOP TRACK

21-3157

Jewish Home for the Aging

1885 Victory Blvd. Reseda, CA

FrameMax, Inc.
13915 Danielson St
Suite 100
Poway, CA 92064
www.frame-max.com



© FrameMax Inc.

CREATED: 09/26/2008

FM-07-109

CREATED BY: AMB

HEIGHT : 10'-9 7/16" POINTS: 0.21 Points.

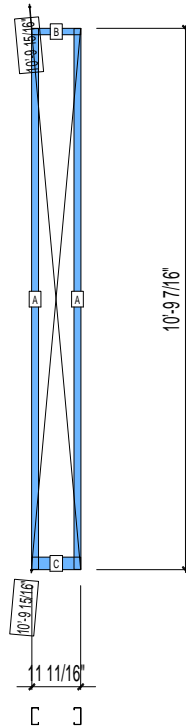
SPACING : 24"

1st STUD: 24"

WEIGHTS :

FRAME : 22 lbs

TOTAL: 22 lbs



PIECES LIST

LABEL	QTY	SIZE	LENGTH	USE
A	2	400S162-33	10'-9 5/16"	STUD
B	1	400T150-33	11 11/16"	TOP TRACK
C	1	400T300-33	11 11/16"	BOTTOM TRACK

21-3158

Jewish Home for the Aging

1885 Victory Blvd. Reseda, CA

FM-07-109

CREATED BY: AMB

FrameMax, Inc.
13915 Danielson St
Suite 100
Poway, CA 92064
www.frame-max.com



© FrameMax Inc.

HEIGHT : 10'-9 7/16" POINTS: 0.45 Points.

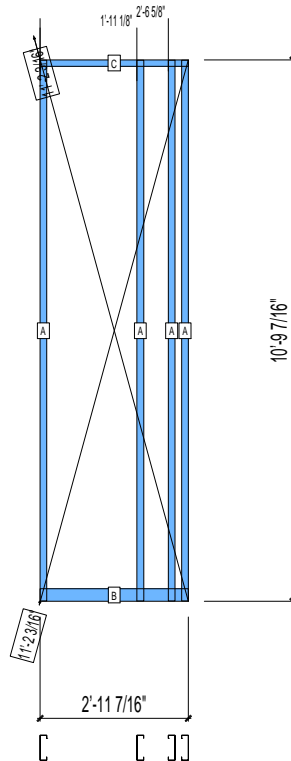
SPACING : 24"

1st STUD: 24"

WEIGHTS :

FRAME : 58 lbs

TOTAL: 58 lbs



PIECES LIST

LABEL	QTY	SIZE	LENGTH	USE
A	4	600S162-33	10'-9 5/16"	STUD
B	1	600T300-33	2'-11 7/16"	BOTTOM TRACK
C	1	600T150-33	2'-11 7/16"	TOP TRACK

21-3159

Jewish Home for the Aging

1885 Victory Blvd. Reseda, CA

FM-07-109

CREATED BY: AMB

FrameMax, Inc.
13915 Danielson St
Suite 100
Poway, CA 92064
www.frame-max.com



© FrameMax Inc.

HEIGHT : 10'-9 7/16" POINTS: 0.64 Points.

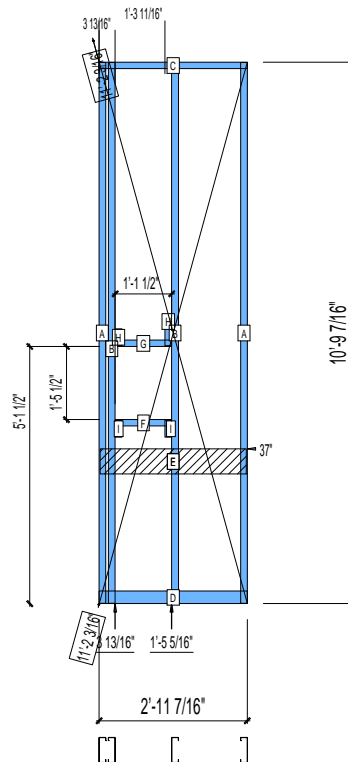
SPACING : 24"

1st STUD: 21 1/8"

WEIGHTS :

FRAME : 65 lbs

TOTAL: 65 lbs



PIECES LIST

LABEL	QTY	SIZE	LENGTH	USE
A	2	600S162-33	10'-9 5/16"	STUD
B	2	600S162-33	10'-9 5/16"	KING STUD
C	1	600T150-33	2'-11 7/16"	TOP TRACK
D	1	600T300-33	2'-11 7/16"	BOTTOM TRACK
E	1	600D-54	2'-11 1/16"	VANITY BACKING
F	1	600T150-33	1'-1 3/8"	SILL
G	1	600T150-33	1'-1 3/8"	HEAD TRACK
H	2	600S162-33	4"	CRIPPLE
I	2	600S162-33	3 15/16"	CRIPPLE

21-3160

Jewish Home for the Aging

1885 Victory Blvd. Reseda, CA

FrameMax, Inc.
13915 Danielson St
Suite 100
Poway, CA 92064
www.frame-max.com



© FrameMax Inc.

CREATED: 09/26/2008

FM-07-109

CREATED BY: AMB

HEIGHT : 10'-9 7/16" POINTS: 0.33 Points.

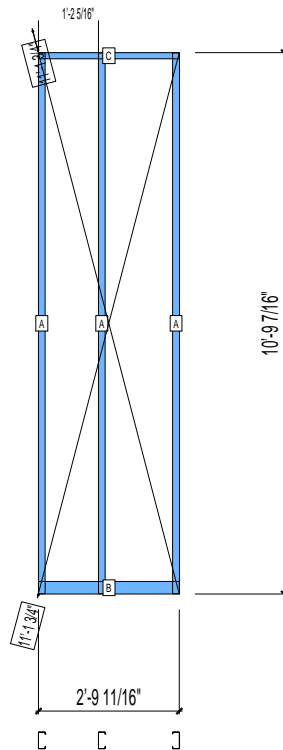
SPACING : 24"

1st STUD: 15 3/16"

WEIGHTS :

FRAME : 36 lbs

TOTAL: 36 lbs



PIECES LIST

LABEL	QTY	SIZE	LENGTH	USE
A	3	400S162-33	10'-9 5/16"	STUD
B	1	400T300-33	2'-9 11/16"	BOTTOM TRACK
C	1	400T150-33	2'-9 11/16"	TOP TRACK

21-3161

Jewish Home for the Aging

1885 Victory Blvd. Reseda, CA

FrameMax, Inc.
13915 Danielson St
Suite 100
Poway, CA 92064
www.frame-max.com



© FrameMax Inc.

CREATED: 09/26/2008

FM-07-109

CREATED BY: AMB

HEIGHT : 10'-9 7/16" POINTS: 0.55 Points.

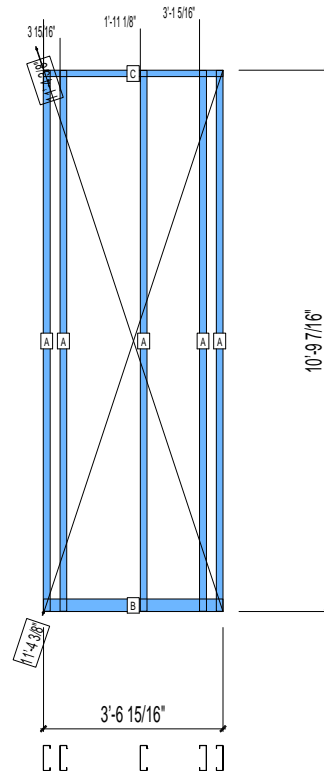
SPACING : 24"

1st STUD: 24"

WEIGHTS :

FRAME : 72 lbs

TOTAL: 72 lbs



PIECES LIST

LABEL	QTY	SIZE	LENGTH	USE
A	5	600S162-33	10'-9 5/16"	STUD
B	1	600T300-33	3'-6 15/16"	BOTTOM TRACK
C	1	600T150-33	3'-6 15/16"	TOP TRACK

21-3162

Jewish Home for the Aging

1885 Victory Blvd. Reseda, CA

FM-07-109

CREATED BY: AMB

FrameMax, Inc.
13915 Danielson St
Suite 100
Poway, CA 92064
www.frame-max.com



© FrameMax Inc.

HEIGHT : 10'-9 7/16" POINTS: 0.54 Points.

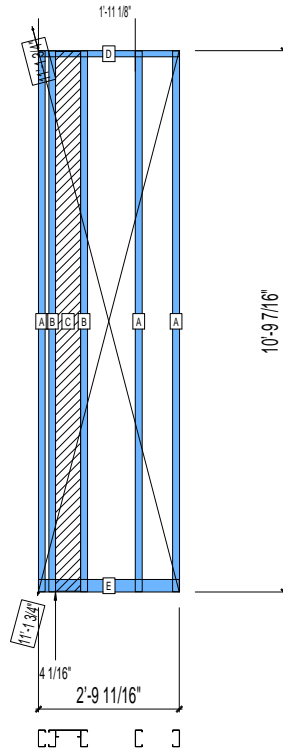
SPACING : 24"

1st STUD: 24"

WEIGHTS :

FRAME : 68 lbs

TOTAL: 68 lbs



PIECES LIST

LABEL	QTY	SIZE	LENGTH	USE
A	3	400S162-33	10'-9 5/16"	STUD
B	2	400S162-33	10'-9 5/16"	BACKER STUD
C	1	600S162-33	10'-9 1/16"	BACKER-U
D	1	400T150-33	2'-9 11/16"	TOP TRACK
E	1	400T300-33	2'-9 11/16"	BOTTOM TRACK

21-3163

Jewish Home for the Aging

1885 Victory Blvd. Reseda, CA

FM-07-109

CREATED BY: AMB

FrameMax, Inc.
13915 Danielson St
Suite 100
Poway, CA 92064
www.frame-max.com



© FrameMax Inc.

HEIGHT : 10'-9 7/16" POINTS: 0.52 Points.

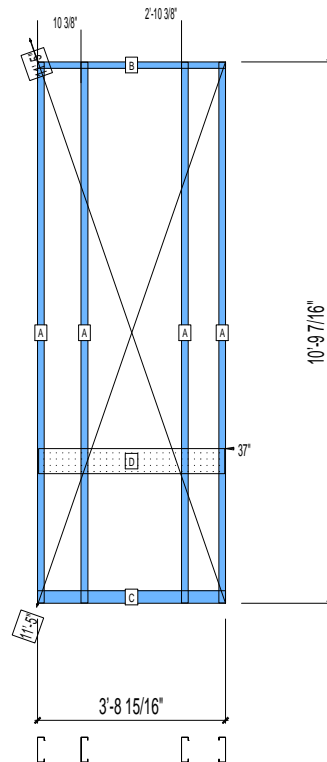
SPACING : 24"

1st STUD: 11 1/4"

WEIGHTS :

FRAME : 64 lbs

TOTAL: 64 lbs



PIECES LIST

LABEL	QTY	SIZE	LENGTH	USE
A	4	600S162-33	10'-9 5/16"	STUD
B	1	600T150-33	3'-8 15/16"	TOP TRACK
C	1	600T300-33	3'-8 15/16"	BOTTOM TRACK
D	1	600D-54	3'-8 1/2"	VANITY BACKING

21-3164

Jewish Home for the Aging

1885 Victory Blvd. Reseda, CA

FM-07-109

CREATED BY: TNT

FrameMax, Inc.
13915 Danielson St
Suite 100
Poway, CA 92064
www.frame-max.com



© FrameMax Inc.

HEIGHT : 10'-9 7/16" POINTS: 0.83 Points.

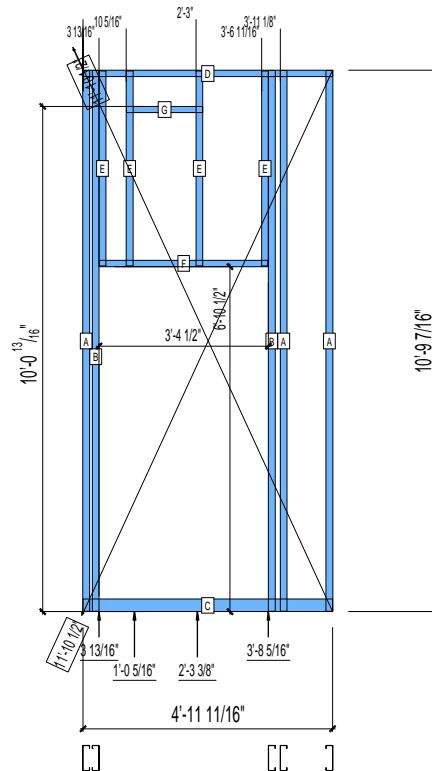
SPACING : 24"

1st STUD: 24"

WEIGHTS :

FRAME : 99 lbs

TOTAL: 99 lbs



PIECES LIST

LABEL	QTY	SIZE	LENGTH	USE
A	3	600S162-33	10'-9 5/16"	STUD
B	2	600S162-33	10'-9 5/16"	KING STUD
C	1	600T300-33	4'-11 11/16"	BOTTOM TRACK
D	1	600T150-33	4'-11 11/16"	TOP TRACK
E	4	600S162-33	3'-10 9/16"	CRIPPLE
F	1	600T150-33	3'-4 1/4"	HEAD TRACK
G	1	600T150-33	1'-6 1/4"	BEAM JACK

21-3165

Jewish Home for the Aging

1885 Victory Blvd. Reseda, CA

FrameMax, Inc.
13915 Danielson St
Suite 100
Poway, CA 92064
www.frame-max.com



© FrameMax Inc.

CREATED: 09/26/2008

FM-07-109

CREATED BY: AMB

HEIGHT : 10'-9 7/16" POINTS: 0.37 Points.

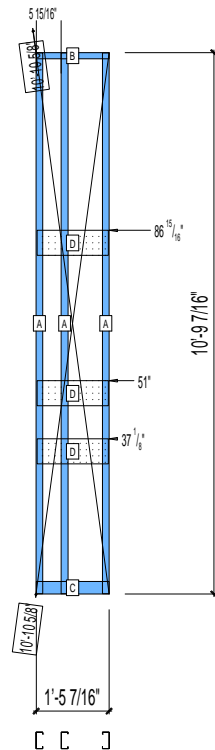
SPACING : 24"

1st STUD: 24"

WEIGHTS :

FRAME : 38 lbs

TOTAL: 38 lbs



PIECES LIST

LABEL	QTY	SIZE	LENGTH	USE
A	3	400S162-33	10'-9 5/16"	STUD
B	1	400T150-33	1'-5 7/16"	TOP TRACK
C	1	400T300-33	1'-5 7/16"	BOTTOM TRACK
D	3	600D-54	1'-5"	KITCHEN BACKING

21-3166

Jewish Home for the Aging

1885 Victory Blvd. Reseda, CA

FM-07-109

CREATED BY: AMB

FrameMax, Inc.
13915 Danielson St
Suite 100
Poway, CA 92064
www.frame-max.com



© FrameMax Inc.

HEIGHT : 2'-8 1/2" POINTS: 0.22 Points.

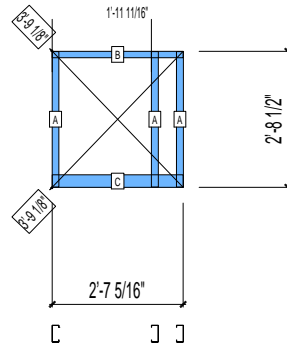
SPACING : 24"

1st STUD: 24"

WEIGHTS :

FRAME : 13 lbs

TOTAL: 13 lbs



PIECES LIST

LABEL	QTY	SIZE	LENGTH	USE
A	3	400S162-33	2'-8 3/8"	STUD
B	1	400T150-33	2'-7 5/16"	TOP TRACK
C	1	400T300-33	2'-7 5/16"	BOTTOM TRACK

21-3167

Jewish Home for the Aging

1885 Victory Blvd. Reseda, CA

FrameMax, Inc.
13915 Danielson St
Suite 100
Poway, CA 92064
www.frame-max.com



© FrameMax Inc.

CREATED: 09/26/2008

FM-07-109

CREATED BY: AMB

HEIGHT : 2'-8 1/2" POINTS: 0.38 Points.

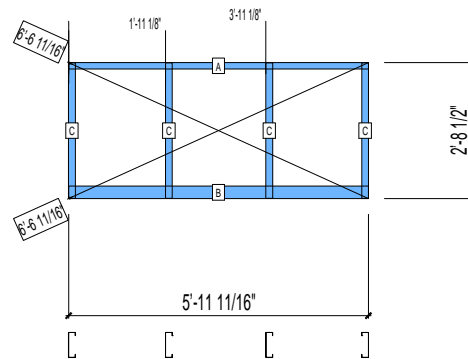
SPACING : 24"

1st STUD: 24"

WEIGHTS :

FRAME : 28 lbs

TOTAL: 28 lbs



PIECES LIST

LABEL	QTY	SIZE	LENGTH	USE
A	1	600T150-33	5'-11 11/16"	TOP TRACK
B	1	600T300-33	5'-11 11/16"	BOTTOM TRACK
C	4	600S162-33	2'-8 3/8"	STUD

21-3168

Jewish Home for the Aging

1885 Victory Blvd. Reseda, CA

FrameMax, Inc.
13915 Danielson St
Suite 100
Poway, CA 92064
www.framemax.com



© FrameMax Inc.

CREATED: 09/26/2008

FM-07-109

CREATED BY: AMB

HEIGHT : 10'-9 7/16" POINTS: 0.36 Points.

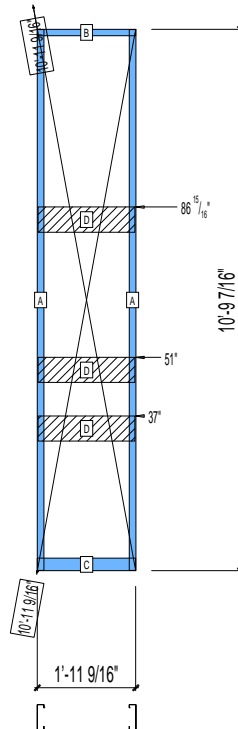
SPACING : 24"

1st STUD: 24"

WEIGHTS :

FRAME : 37 lbs

TOTAL: 37 lbs



PIECES LIST

LABEL	QTY	SIZE	LENGTH	USE
A	2	600S162-33	10'-9 5/16"	STUD
B	1	600T150-33	1'-11 9/16"	TOP TRACK
C	1	600T300-33	1'-11 9/16"	BOTTOM TRACK
D	3	600D-54	1'-11 1/8"	KITCHEN BACKING

21-3201

Jewish Home for the Aging

1885 Victory Blvd. Reseda, CA

FrameMax, Inc.
13915 Danielson St
Suite 100
Poway, CA 92064
www.frame-max.com



© FrameMax Inc.

CREATED: 09/26/2008

FM-07-109

CREATED BY: TNT

HEIGHT : 10'-9 7/16" POINTS: 0.41 Points.

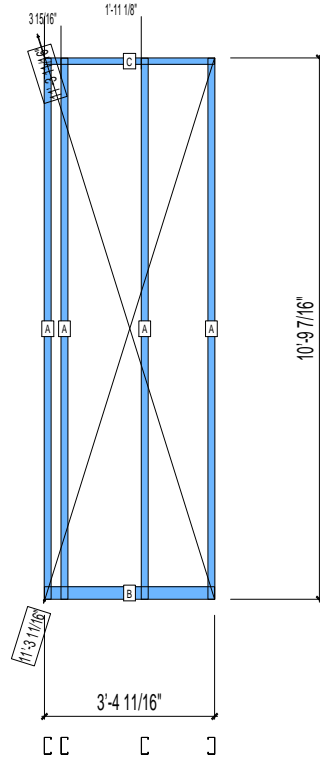
SPACING : 24"

1st STUD: 24"

WEIGHTS :

FRAME : 47 lbs

TOTAL: 47 lbs



PIECES LIST

LABEL	QTY	SIZE	LENGTH	USE
A	4	400S162-33	10'-9 3/8"	STUD
B	1	400T300-33	3'-4 11/16"	BOTTOM TRACK
C	1	400T150-33	3'-4 11/16"	TOP TRACK

21-3202

Jewish Home for the Aging

1885 Victory Blvd. Reseda, CA

FrameMax, Inc.
13915 Danielson St
Suite 100
Poway, CA 92064
www.frame-max.com



© FrameMax Inc.

CREATED: 09/26/2008

FM-07-109

CREATED BY: TNT

HEIGHT : 10'-9 7/16" POINTS: 0.20 Points.

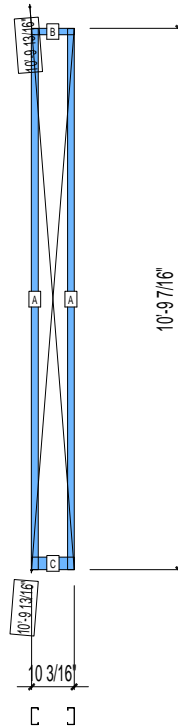
SPACING : 24"

1st STUD: 24"

WEIGHTS :

FRAME : 22 lbs

TOTAL: 22 lbs



PIECES LIST

LABEL	QTY	SIZE	LENGTH	USE
A	2	400S162-33	10'-9 3/8"	STUD
B	1	400T150-33	10 3/16"	TOP TRACK
C	1	400T300-33	10 3/16"	BOTTOM TRACK

21-3203

Jewish Home for the Aging

1885 Victory Blvd. Reseda, CA

FrameMax, Inc.
13915 Danielson St
Suite 100
Poway, CA 92064
www.frame-max.com



© FrameMax Inc.

CREATED: 10/21/2008

FM-07-109

CREATED BY: TNT

HEIGHT : 10'-9 7/16" POINTS: 0.39 Points.

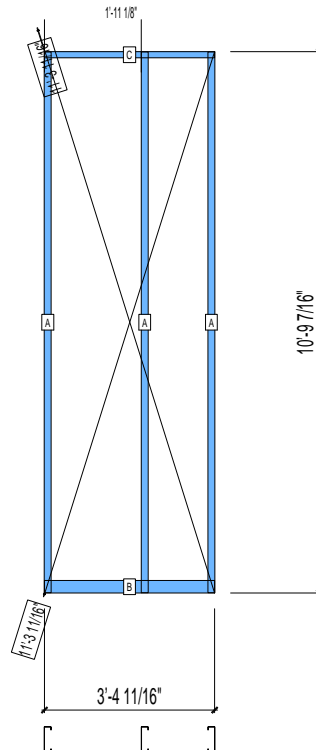
SPACING : 24"

1st STUD: 24"

WEIGHTS :

FRAME : 46 lbs

TOTAL: 46 lbs



PIECES LIST

LABEL	QTY	SIZE	LENGTH	USE
A	3	600S162-33	10'-9 5/16"	STUD
B	1	600T300-33	3'-4 11/16"	BOTTOM TRACK
C	1	600T150-33	3'-4 11/16"	TOP TRACK

21-3204

Jewish Home for the Aging

1885 Victory Blvd. Reseda, CA

FrameMax, Inc.
13915 Danielson St
Suite 100
Poway, CA 92064
www.framemax.com



© FrameMax Inc.

CREATED: 10/21/2008

FM-07-109

CREATED BY: TNT

HEIGHT : 10'-9 7/16" POINTS: 0.85 Points.

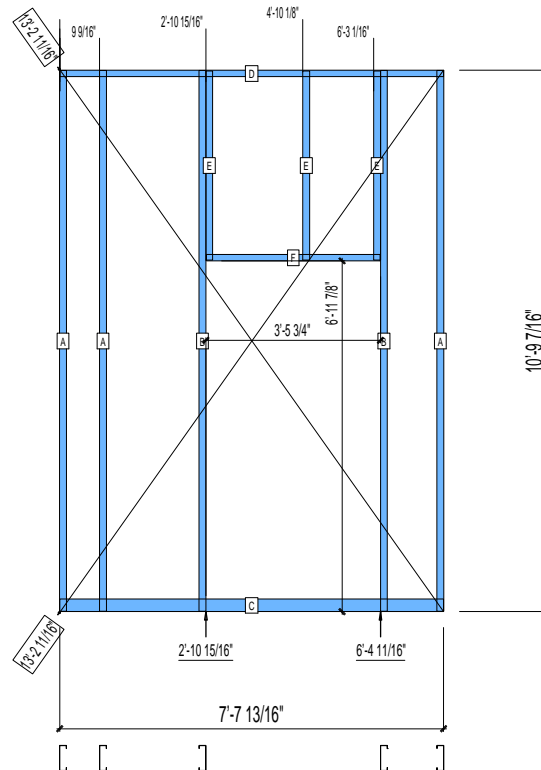
SPACING : 24"

1st STUD: 10 3/8"

WEIGHTS :

FRAME : 99 lbs

TOTAL: 99 lbs



PIECES LIST

LABEL	QTY	SIZE	LENGTH	USE
A	3	600S162-33	10'-9 5/16"	STUD
B	2	600S162-33	10'-9 5/16"	KING STUD
C	1	600T300-33	7'-7 13/16"	BOTTOM TRACK
D	1	600T150-33	7'-7 13/16"	TOP TRACK
E	3	600S162-33	3'-9 3/16"	CRIPPLE
F	1	600T150-33	3'-5 1/2"	HEAD TRACK

21-3205

Jewish Home for the Aging

1885 Victory Blvd. Reseda, CA

FrameMax, Inc.
13915 Danielson St
Suite 100
Poway, CA 92064
www.frame-max.com



© FrameMax Inc.

CREATED: 09/26/2008

FM-07-109

CREATED BY: AMB

HEIGHT : 10'-9 7/16" POINTS: 0.24 Points.

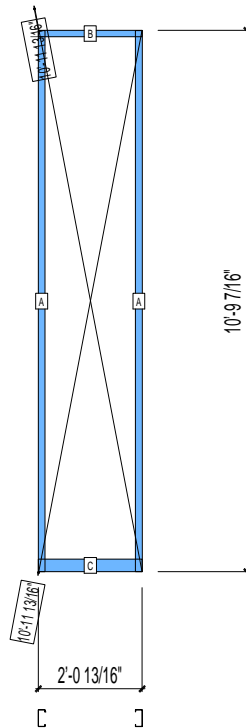
SPACING : 24"

1st STUD: 24"

WEIGHTS :

FRAME : 24 lbs

TOTAL: 24 lbs



PIECES LIST

LABEL	QTY	SIZE	LENGTH	USE
A	2	400S162-33	10'-9 3/8"	STUD
B	1	400T150-33	2'-0 13/16"	TOP TRACK
C	1	400T300-33	2'-0 13/16"	BOTTOM TRACK

21-3206

Jewish Home for the Aging

1885 Victory Blvd. Reseda, CA

FM-07-109

CREATED BY: AMB

FrameMax, Inc.
13915 Danielson St
Suite 100
Poway, CA 92064
www.framemax.com



© FrameMax Inc.

HEIGHT : 10'-9 7/16" POINTS: 0.81 Points.

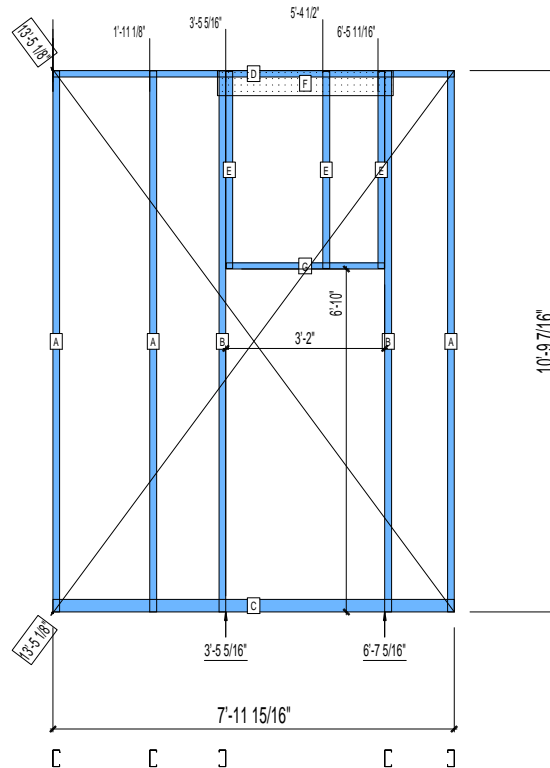
SPACING : 24"

1st STUD: 24"

WEIGHTS :

FRAME : 84 lbs

TOTAL: 84 lbs



PIECES LIST

LABEL	QTY	SIZE	LENGTH	USE
A	3	400S162-33	10'-9 3/8"	STUD
B	2	400S162-33	10'-9 3/8"	KING STUD
C	1	400T300-33	7'-11 15/16"	BOTTOM TRACK
D	1	400T150-33	7'-11 15/16"	TOP TRACK
E	3	400S162-33	3'-11 1/8"	CRIPPLE
F	1	600L150-33	3'-6"	L-HEADER
G	1	400T150-33	3'-1 3/4"	HEAD TRACK

21-3207

Jewish Home for the Aging

1885 Victory Blvd. Reseda, CA

FM-07-109

CREATED BY: TNT

FrameMax, Inc.
13915 Danielson St
Suite 100
Poway, CA 92064
www.framemax.com



© FrameMax Inc.

HEIGHT : 10'-9 7/16" POINTS: 0.81 Points.

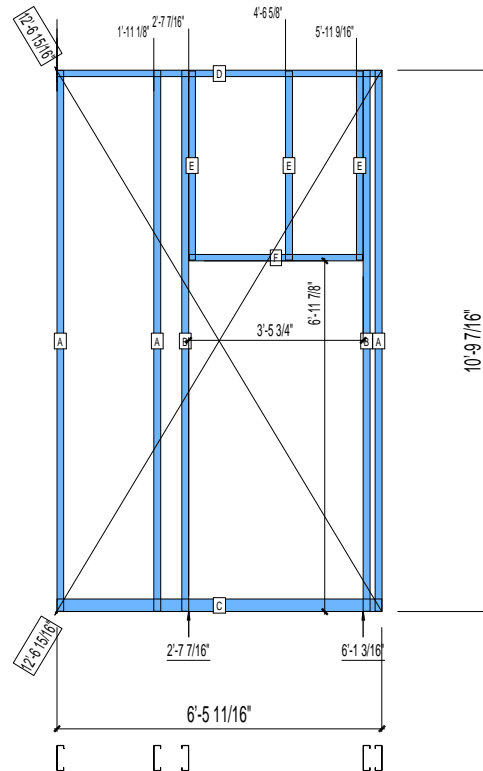
SPACING : 24"

1st STUD: 24"

WEIGHTS :

FRAME : 96 lbs

TOTAL: 96 lbs



PIECES LIST

LABEL	QTY	SIZE	LENGTH	USE
A	3	600S162-33	10'-9 5/16"	STUD
B	2	600S162-33	10'-9 5/16"	KING STUD
C	1	600T300-33	6'-5 11/16"	BOTTOM TRACK
D	1	600T150-33	6'-5 11/16"	TOP TRACK
E	3	600S162-33	3'-9 3/16"	CRIPPLE
F	1	600T150-33	3'-5 1/2"	HEAD TRACK

21-3208

Jewish Home for the Aging

1885 Victory Blvd. Reseda, CA

FrameMax, Inc.
13915 Danielson St
Suite 100
Poway, CA 92064
www.frame-max.com



© FrameMax Inc.

CREATED: 09/26/2008

FM-07-109

CREATED BY: AMB

HEIGHT : 10'-9 7/16" POINTS: 0.71 Points.

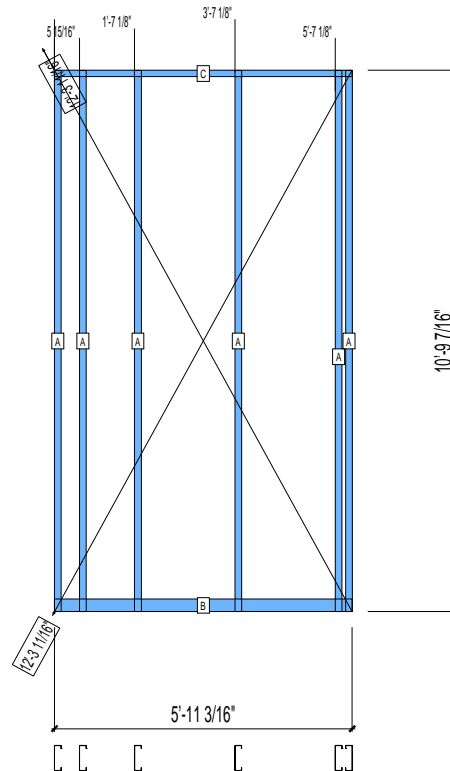
SPACING : 24"

1st STUD: 20"

WEIGHTS :

FRAME : 91 lbs

TOTAL: 91 lbs



PIECES LIST

LABEL	QTY	SIZE	LENGTH	USE
A	6	600S162-33	10'-9 3/8"	STUD
B	1	600T300-33	5'-11 3/16"	BOTTOM TRACK
C	1	600T150-33	5'-11 3/16"	TOP TRACK

21-3209

Jewish Home for the Aging

1885 Victory Blvd. Reseda, CA

FM-07-109

CREATED BY: AMB

FrameMax, Inc.
13915 Danielson St
Suite 100
Poway, CA 92064
www.frame-max.com



© FrameMax Inc.

HEIGHT : 10'-9 7/16" POINTS: 0.37 Points.

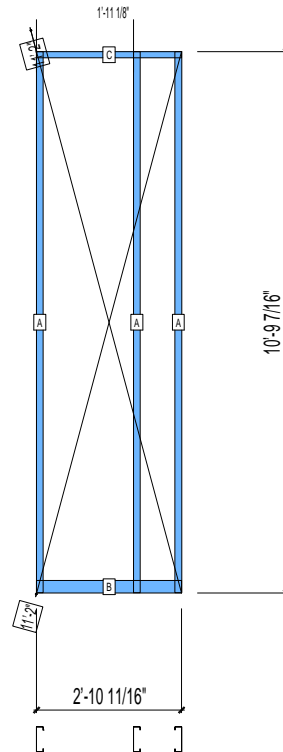
SPACING : 24"

1st STUD: 24"

WEIGHTS :

FRAME : 45 lbs

TOTAL: 45 lbs



PIECES LIST

LABEL	QTY	SIZE	LENGTH	USE
A	3	600S162-33	10'-9 3/8"	STUD
B	1	600T300-33	2'-10 11/16"	BOTTOM TRACK
C	1	600T150-33	2'-10 11/16"	TOP TRACK

21-3210

Jewish Home for the Aging

1885 Victory Blvd. Reseda, CA

FrameMax, Inc.
13915 Danielson St
Suite 100
Poway, CA 92064
www.frame-max.com



© FrameMax Inc.

CREATED: 10/21/2008

FM-07-109

CREATED BY: TNT

HEIGHT : 10'-9 7/16" POINTS: 0.68 Points.

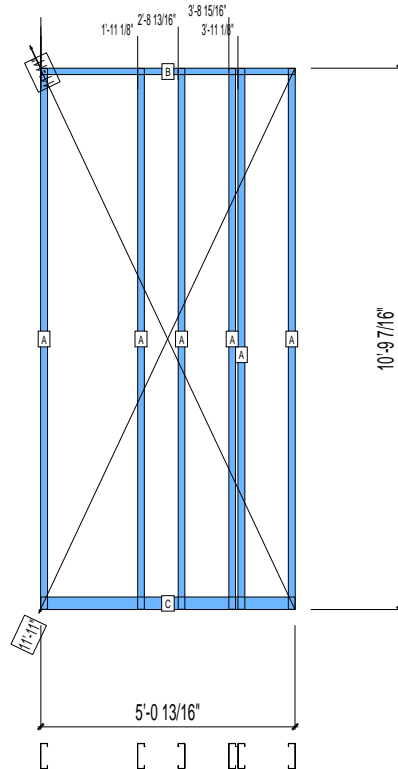
SPACING : 24"

1st STUD: 24"

WEIGHTS :

FRAME : 88 lbs

TOTAL: 88 lbs



PIECES LIST

LABEL	QTY	SIZE	LENGTH	USE
A	6	600S162-33	10'-9 5/16"	STUD
B	1	600T150-33	5'-0 13/16"	TOP TRACK
C	1	600T300-33	5'-0 13/16"	BOTTOM TRACK

21-3211

Jewish Home for the Aging

1885 Victory Blvd. Reseda, CA

FrameMax, Inc.
13915 Danielson St
Suite 100
Poway, CA 92064
www.frame-max.com



© FrameMax Inc.

CREATED: 10/21/2008

FM-07-109

CREATED BY: TNT

HEIGHT : 10'-9 7/16" POINTS: 0.53 Points.

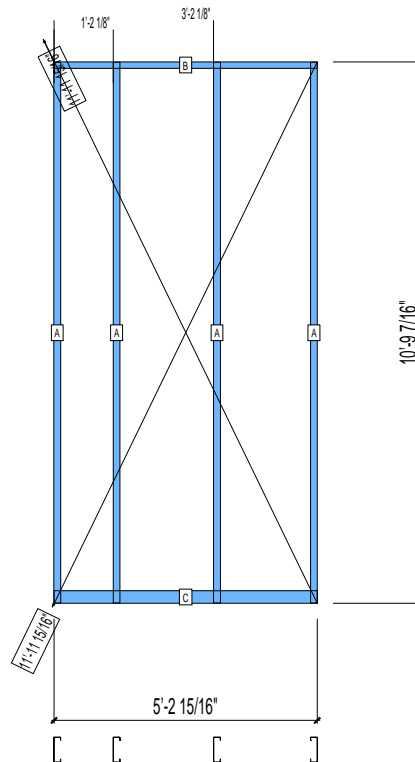
SPACING : 24"

1st STUD: 15"

WEIGHTS :

FRAME : 64 lbs

TOTAL: 64 lbs



PIECES LIST

LABEL	QTY	SIZE	LENGTH USE
A	4	600S162-33	10'-9 5/16" STUD
B	1	600T150-33	5'-2 15/16" TOP TRACK
C	1	600T300-33	5'-2 15/16" BOTTOM TRACK

21-3212

Jewish Home for the Aging

1885 Victory Blvd. Reseda, CA

FM-07-109

CREATED BY: AMB

FrameMax, Inc.
13915 Danielson St
Suite 100
Poway, CA 92064
www.frame-max.com



© FrameMax Inc.

HEIGHT : 10'-9 7/16" POINTS: 0.89 Points.

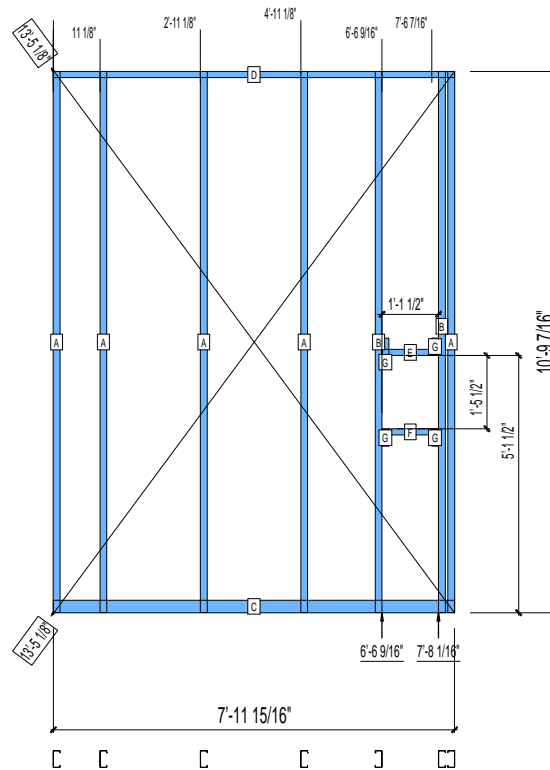
SPACING : 24"

1st STUD: 24"

WEIGHTS :

FRAME : 89 lbs

TOTAL: 89 lbs



PIECES LIST

LABEL	QTY	SIZE	LENGTH	USE
A	5	400S162-33	10'-9 3/8"	STUD
B	2	400S162-33	10'-9 3/8"	KING STUD
C	1	400T300-33	7'-11 15/16"	BOTTOM TRACK
D	1	400T150-33	7'-11 15/16"	TOP TRACK
E	1	400T150-33	1'-1 1/4"	HEAD TRACK
F	1	400T150-33	1'-1 1/4"	SILL
G	4	400S162-33	4"	CRIPPLE

21-3213

Jewish Home for the Aging

1885 Victory Blvd. Reseda, CA

FM-07-109

CREATED BY: AMB

FrameMax, Inc.
13915 Danielson St
Suite 100
Poway, CA 92064
www.frame-max.com



© FrameMax Inc.

HEIGHT : 10'-9 7/16" POINTS: 0.38 Points.

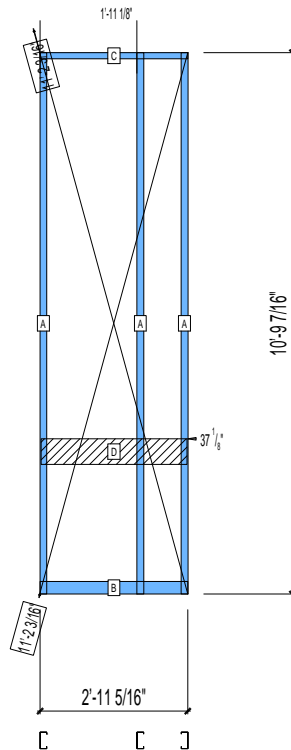
SPACING : 24"

1st STUD: 24"

WEIGHTS :

FRAME : 41 lbs

TOTAL: 41 lbs



PIECES LIST

LABEL	QTY	SIZE	LENGTH	USE
A	3	400S162-33	10'-9 3/8"	STUD
B	1	400T300-33	2'-11 5/16"	BOTTOM TRACK
C	1	400T150-33	2'-11 5/16"	TOP TRACK
D	1	600T150-54	2'-10 7/8"	VANITY BACKING

21-3214

Jewish Home for the Aging

1885 Victory Blvd. Reseda, CA

FM-07-109

CREATED BY: AMB

FrameMax, Inc.
13915 Danielson St
Suite 100
Poway, CA 92064
www.frame-max.com



© FrameMax Inc.

HEIGHT : 10'-9 7/16" POINTS: 0.52 Points.

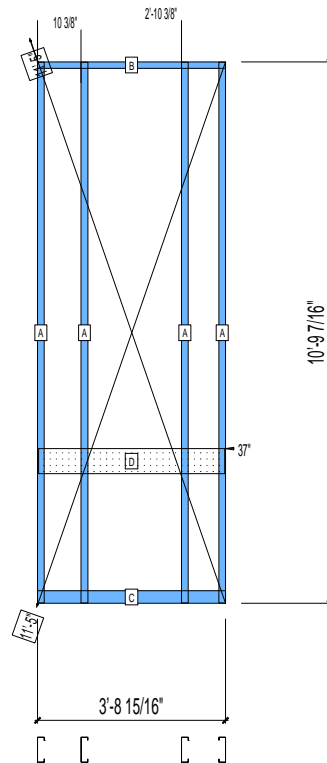
SPACING : 24"

1st STUD: 11 1/4"

WEIGHTS :

FRAME : 64 lbs

TOTAL: 64 lbs



PIECES LIST

LABEL	QTY	SIZE	LENGTH	USE
A	4	600S162-33	10'-9 5/16"	STUD
B	1	600T150-33	3'-8 15/16"	TOP TRACK
C	1	600T300-33	3'-8 15/16"	BOTTOM TRACK
D	1	600D-54	3'-8 1/2"	VANITY BACKING

21-3215

Jewish Home for the Aging

1885 Victory Blvd. Reseda, CA

FrameMax, Inc.
13915 Danielson St
Suite 100
Poway, CA 92064
www.frame-max.com



© FrameMax Inc.

CREATED: 10/22/2008

FM-07-109

CREATED BY: TNT

HEIGHT : 10'-9 7/16" POINTS: 0.55 Points.

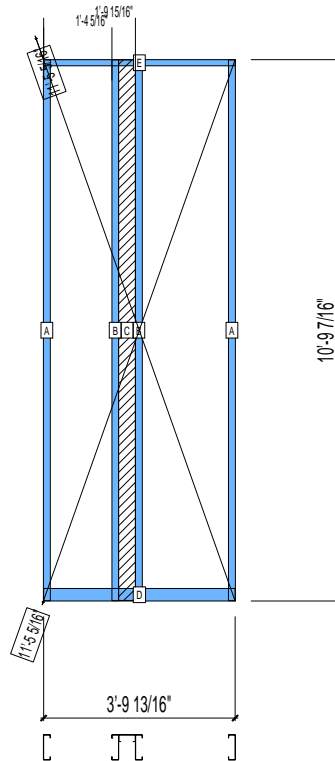
SPACING : 24"

1st STUD: 24"

WEIGHTS :

FRAME : 70 lbs

TOTAL: 70 lbs



PIECES LIST

LABEL	QTY	SIZE	LENGTH	USE
A	2	600S162-33	10'-9 5/16"	STUD
B	2	600S162-33	10'-9 5/16"	BACKER STUD
C	1	400S162-33	10'-9 1/4"	BACKER-U
D	1	600T300-33	3'-9 13/16"	BOTTOM TRACK
E	1	600T150-33	3'-9 13/16"	TOP TRACK

21-3216

Jewish Home for the Aging

1885 Victory Blvd. Reseda, CA

FM-07-109

CREATED BY: AMB

FrameMax, Inc.
13915 Danielson St
Suite 100
Poway, CA 92064
www.framemax.com



© FrameMax Inc.

HEIGHT : 10'-9 7/16" POINTS: 0.49 Points.

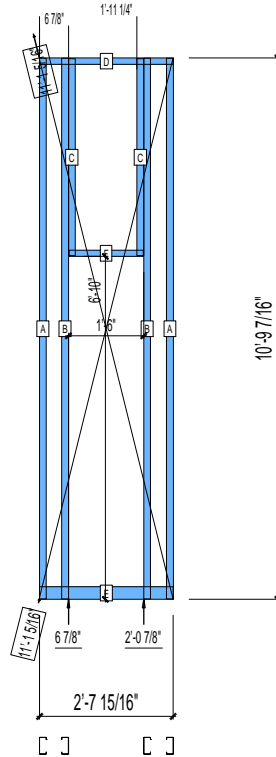
SPACING : 24"

1st STUD: 24"

WEIGHTS :

FRAME : 54 lbs

TOTAL: 54 lbs



PIECES LIST

LABEL	QTY	SIZE	LENGTH	USE
A	2	400S162-33	10'-9 5/16"	STUD
B	2	400S162-33	10'-9 5/16"	KING STUD
C	2	400S162-33	3'-11 1/16"	CRIPPLE
D	1	400T150-33	2'-7 15/16"	TOP TRACK
E	1	400T300-33	2'-7 15/16"	BOTTOM TRACK
F	1	400T150-33	1'-5 3/4"	HEAD TRACK

21-3217

Jewish Home for the Aging

1885 Victory Blvd. Reseda, CA

FrameMax, Inc.
13915 Danielson St
Suite 100
Poway, CA 92064
www.frame-max.com



© FrameMax Inc.

CREATED: 09/26/2008

FM-07-109

CREATED BY: AMB

HEIGHT : 10'-9 7/16" POINTS: 0.31 Points.

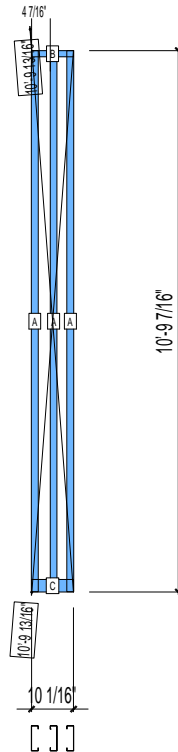
SPACING : 24"

1st STUD: 24"

WEIGHTS :

FRAME : 40 lbs

TOTAL: 40 lbs



PIECES LIST

LABEL	QTY	SIZE	LENGTH	USE
A	3	600S162-33	10'-9 3/8"	STUD
B	1	600T150-33	10 1/16"	TOP TRACK
C	1	600T300-33	10 1/16"	BOTTOM TRACK

21-3218

Jewish Home for the Aging

1885 Victory Blvd. Reseda, CA

FrameMax, Inc.
13915 Danielson St
Suite 100
Poway, CA 92064
www.frame-max.com



© FrameMax Inc.

CREATED: 09/26/2008

FM-07-109

CREATED BY: AMB

HEIGHT : 10'-9 7/16" POINTS: 0.23 Points.

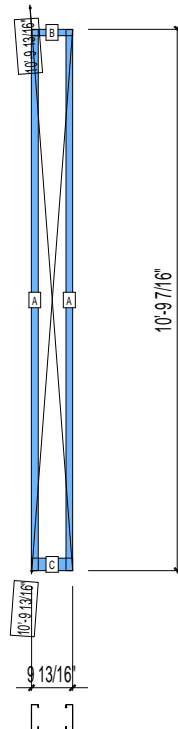
SPACING : 24"

1st STUD: 24"

WEIGHTS :

FRAME : 27 lbs

TOTAL: 27 lbs



PIECES LIST

LABEL	QTY	SIZE	LENGTH	USE
A	2	600S162-33	10'-9 3/8"	STUD
B	1	600T150-33	9 13/16"	TOP TRACK
C	1	600T300-33	9 13/16"	BOTTOM TRACK

21-3219

Jewish Home for the Aging

1885 Victory Blvd. Reseda, CA

FM-07-109

CREATED BY: AMB

FrameMax, Inc.
13915 Danielson St
Suite 100
Poway, CA 92064
www.framemax.com



© FrameMax Inc.

HEIGHT : 10'-9 7/16" POINTS: 0.79 Points.

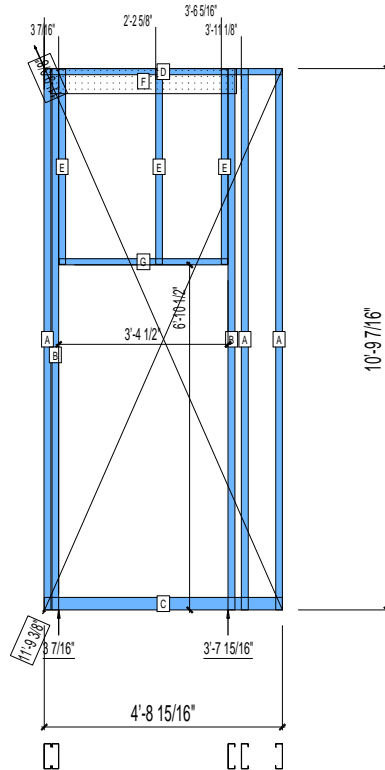
SPACING : 24"

1st STUD: 24"

WEIGHTS :

FRAME : 96 lbs

TOTAL: 96 lbs



PIECES LIST

LABEL	QTY	SIZE	LENGTH	USE
A	3	600S162-33	10'-9 3/8"	STUD
B	2	600S162-33	10'-9 3/8"	KING STUD
C	1	600T300-33	4'-8 15/16"	BOTTOM TRACK
D	1	600T150-33	4'-8 15/16"	TOP TRACK
E	3	600S162-33	3'-10 5/8"	CRIPPLE
F	1	600L150-33	3'-8 1/2"	L-HEADER
G	1	600T150-33	3'-4 1/4"	HEAD TRACK

21-3220

Jewish Home for the Aging

1885 Victory Blvd. Reseda, CA

FrameMax, Inc.
13915 Danielson St
Suite 100
Poway, CA 92064
www.frame-max.com



© FrameMax Inc.

CREATED: 09/26/2008

FM-07-109

CREATED BY: AMB

HEIGHT : 10'-9 7/16" POINTS: 0.22 Points.

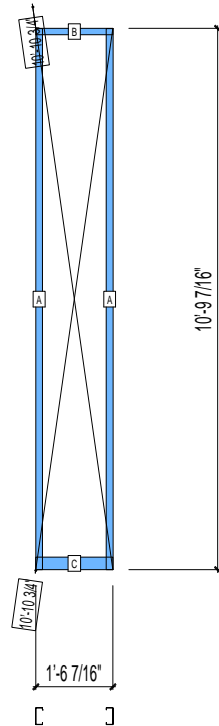
SPACING : 24"

1st STUD: 24"

WEIGHTS :

FRAME : 23 lbs

TOTAL: 23 lbs



PIECES LIST

LABEL	QTY	SIZE	LENGTH	USE
A	2	400S162-33	10'-9 3/8"	STUD
B	1	400T150-33	1'-6 7/16"	TOP TRACK
C	1	400T300-33	1'-6 7/16"	BOTTOM TRACK

21-3221

Jewish Home for the Aging

1885 Victory Blvd. Reseda, CA

FrameMax, Inc.
13915 Danielson St
Suite 100
Poway, CA 92064
www.frame-max.com



© FrameMax Inc.

CREATED: 09/26/2008

FM-07-109

CREATED BY: AMB

HEIGHT : 10'-9 7/16" POINTS: 0.21 Points.

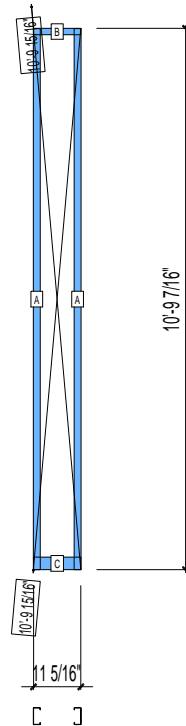
SPACING : 24"

1st STUD: 24"

WEIGHTS :

FRAME : 22 lbs

TOTAL: 22 lbs



PIECES LIST

LABEL	QTY	SIZE	LENGTH	USE
A	2	400S162-33	10'-9 3/8"	STUD
B	1	400T150-33	11 5/16"	TOP TRACK
C	1	400T300-33	11 5/16"	BOTTOM TRACK

21-3222

Jewish Home for the Aging

1885 Victory Blvd. Reseda, CA

FrameMax, Inc.
13915 Danielson St
Suite 100
Poway, CA 92064
www.frame-max.com



© FrameMax Inc.

CREATED: 09/26/2008

FM-07-109

CREATED BY: AMB

HEIGHT : 10'-9 7/16" POINTS: 0.33 Points.

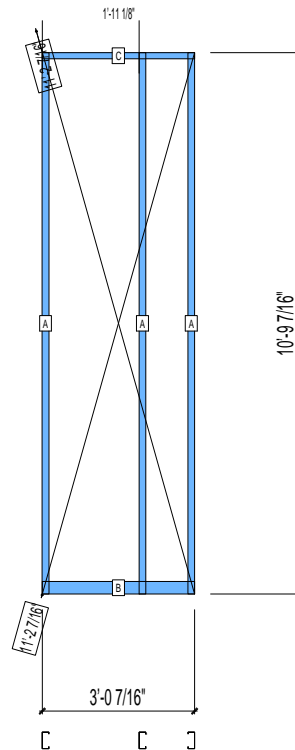
SPACING : 24"

1st STUD: 24"

WEIGHTS :

FRAME : 36 lbs

TOTAL: 36 lbs



PIECES LIST

LABEL	QTY	SIZE	LENGTH	USE
A	3	400S162-33	10'-9 3/8"	STUD
B	1	400T300-33	3'-0 7/16"	BOTTOM TRACK
C	1	400T150-33	3'-0 7/16"	TOP TRACK

21-3223

Jewish Home for the Aging

1885 Victory Blvd. Reseda, CA

FM-07-109

CREATED BY: AMB

FrameMax, Inc.
13915 Danielson St
Suite 100
Poway, CA 92064
www.frame-max.com



© FrameMax Inc.

HEIGHT : 2'-8 1/2" POINTS: 0.25 Points.

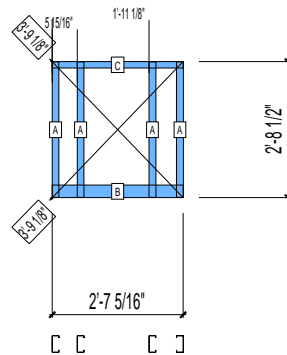
SPACING : 24"

1st STUD: 24"

WEIGHTS :

FRAME : 15 lbs

TOTAL: 15 lbs



PIECES LIST

LABEL	QTY	SIZE	LENGTH	USE
A	4	400S162-33	2'-8 3/8"	STUD
B	1	400T300-33	2'-7 5/16"	BOTTOM TRACK
C	1	400T150-33	2'-7 5/16"	TOP TRACK

21-3224

Jewish Home for the Aging

1885 Victory Blvd. Reseda, CA

FrameMax, Inc.
13915 Danielson St
Suite 100
Poway, CA 92064
www.frame-max.com



© FrameMax Inc.

CREATED: 09/26/2008

FM-07-109

CREATED BY: AMB

HEIGHT : 2'-8 1/2" POINTS: 0.47 Points.

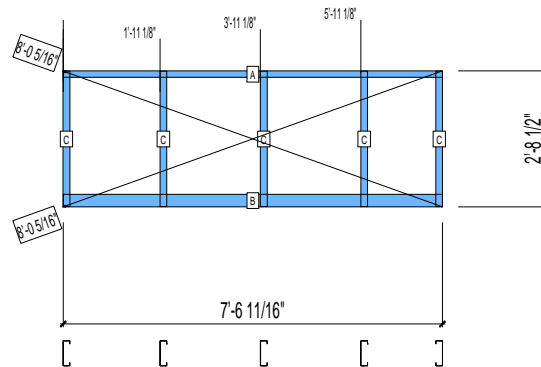
SPACING : 24"

1st STUD: 24"

WEIGHTS :

FRAME : 35 lbs

TOTAL: 35 lbs



PIECES LIST

LABEL	QTY	SIZE	LENGTH	USE
A	1	600T150-33	7'-6 11/16"	TOP TRACK
B	1	600T300-33	7'-6 11/16"	BOTTOM TRACK
C	5	600S162-33	2'-8 3/8"	STUD

21-3225

Jewish Home for the Aging

1885 Victory Blvd. Reseda, CA

FrameMax, Inc.
13915 Danielson St
Suite 100
Poway, CA 92064
www.frame-max.com



© FrameMax Inc.

CREATED: 09/26/2008

FM-07-109

CREATED BY: AMB

HEIGHT : 10'-9 7/16" POINTS: 0.36 Points.

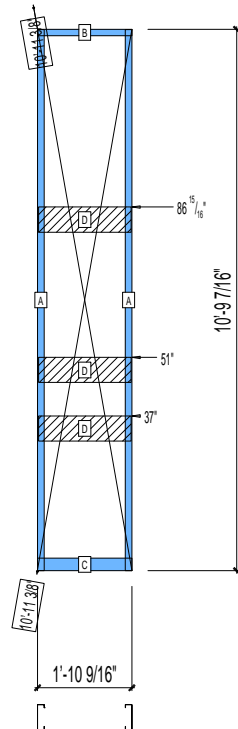
SPACING : 24"

1st STUD: 24"

WEIGHTS :

FRAME : 37 lbs

TOTAL: 37 lbs



PIECES LIST

LABEL	QTY	SIZE	LENGTH	USE
A	2	600S162-33	10'-9 3/8"	STUD
B	1	600T150-33	1'-10 9/16"	TOP TRACK
C	1	600T300-33	1'-10 9/16"	BOTTOM TRACK
D	3	600D-54	1'-10 1/8"	KITCHEN BACKING

21-3226

Jewish Home for the Aging

1885 Victory Blvd. Reseda, CA

FrameMax, Inc.
13915 Danielson St
Suite 100
Poway, CA 92064
www.frame-max.com



© FrameMax Inc.

CREATED: 10/21/2008

FM-07-109

CREATED BY: TNT

HEIGHT : 10'-9 7/16" POINTS: 0.49 Points.

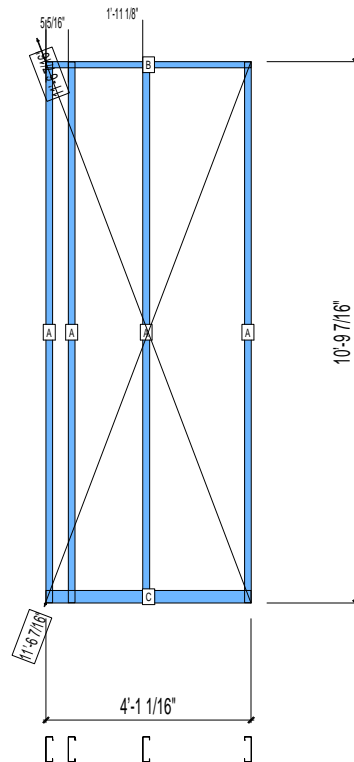
SPACING : 24"

1st STUD: 24"

WEIGHTS :

FRAME : 61 lbs

TOTAL: 61 lbs



PIECES LIST

LABEL	QTY	SIZE	LENGTH	USE
A	4	600S162-33	10'-9 5/16"	STUD
B	1	600T150-33	4'-1 1/16"	TOP TRACK
C	1	600T300-33	4'-1 1/16"	BOTTOM TRACK

21-3227

Jewish Home for the Aging

1885 Victory Blvd. Reseda, CA

FrameMax, Inc.
13915 Danielson St
Suite 100
Poway, CA 92064
www.frame-max.com



© FrameMax Inc.

CREATED: 10/21/2008

FM-07-109

CREATED BY: TNT

HEIGHT : 10'-9 7/16" POINTS: 0.65 Points.

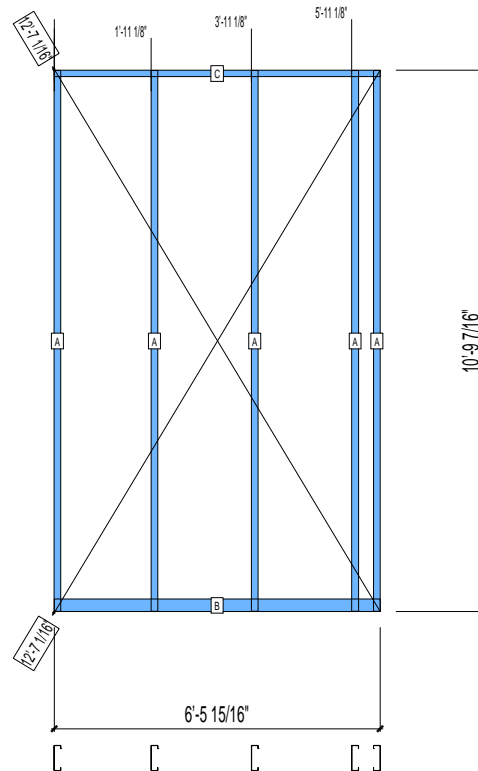
SPACING : 24"

1st STUD: 24"

WEIGHTS :

FRAME : 79 lbs

TOTAL: 79 lbs



PIECES LIST

LABEL	QTY	SIZE	LENGTH	USE
A	5	600S162-33	10'-9 5/16"	STUD
B	1	600T300-33	6'-5 15/16"	BOTTOM TRACK
C	1	600T150-33	6'-5 15/16"	TOP TRACK

21-3228

Jewish Home for the Aging

1885 Victory Blvd. Reseda, CA

FM-07-109

CREATED BY: AMB

FrameMax, Inc.
13915 Danielson St
Suite 100
Poway, CA 92064
www.frame-max.com



© FrameMax Inc.

HEIGHT : 10'-9 7/16" POINTS: 0.83 Points.

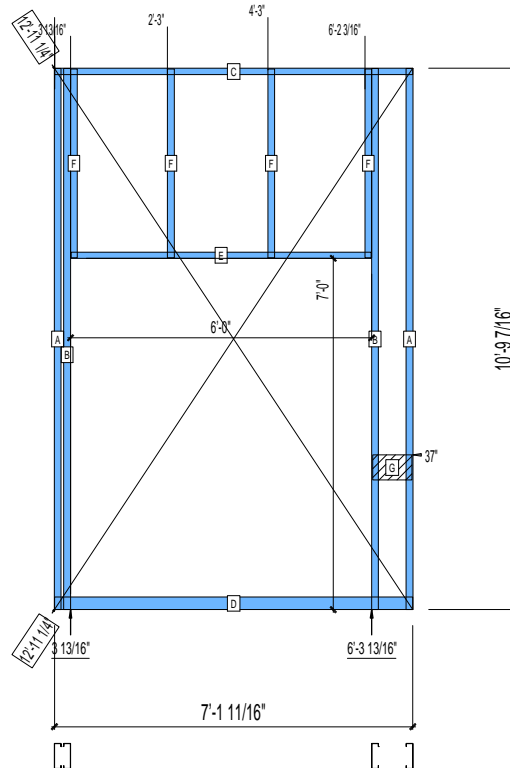
SPACING : 24"

1st STUD: 24"

WEIGHTS :

FRAME : 93 lbs

TOTAL: 93 lbs



PIECES LIST

LABEL	QTY	SIZE	LENGTH	USE
A	2	600S162-33	10'-9 3/8"	STUD
B	2	600S162-33	10'-9 3/8"	KING STUD
C	1	600T150-33	7'-1 11/16"	TOP TRACK
D	1	600T300-33	7'-1 11/16"	BOTTOM TRACK
E	1	600T150-33	5'-11 3/4"	HEAD TRACK
F	4	600S162-33	3'-9 1/8"	CRIPPLE
G	1	600D-54	9 3/8"	VANITY BACKING

21-3229

Jewish Home for the Aging

1885 Victory Blvd. Reseda, CA

FM-07-109

CREATED BY: AMB

FrameMax, Inc.
13915 Danielson St
Suite 100
Poway, CA 92064
www.frame-max.com



© FrameMax Inc.

HEIGHT : 10'-9 7/16" POINTS: 0.61 Points.

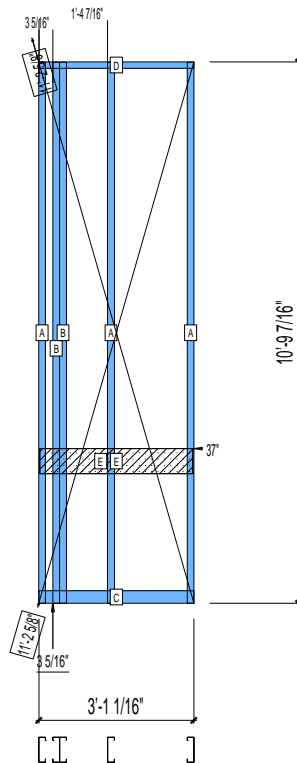
SPACING : 24"

1st STUD: 17 1/4"

WEIGHTS :

FRAME : 78 lbs

TOTAL: 78 lbs



PIECES LIST

LABEL	QTY	SIZE	LENGTH USE
A	3	600S162-33	10'-9 3/8" STUD
B	2	600S162-33	10'-9 3/8" EXTRA STUD
C	1	600T300-33	3'-1 1/16" BOTTOM TRACK
D	1	600T150-33	3'-1 1/16" TOP TRACK
E	2	600D-54	3'-0 5/8" VANITY BACKING

21-3230

Jewish Home for the Aging

1885 Victory Blvd. Reseda, CA

FrameMax, Inc.
13915 Danielson St
Suite 100
Poway, CA 92064
www.frame-max.com



© FrameMax Inc.

CREATED: 09/26/2008

FM-07-109

CREATED BY: TNT

HEIGHT : 10'-9 7/16" POINTS: 0.39 Points.

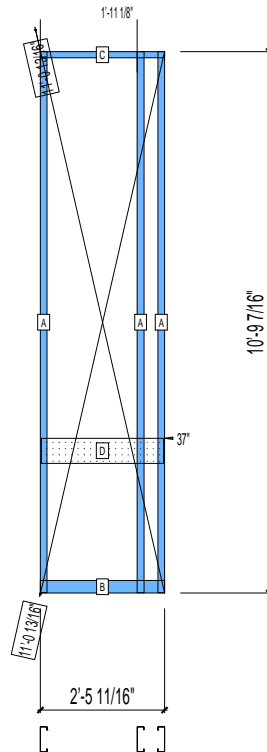
SPACING : 24"

1st STUD: 24"

WEIGHTS :

FRAME : 47 lbs

TOTAL: 47 lbs



PIECES LIST

LABEL	QTY	SIZE	LENGTH	USE
A	3	600S162-33	10'-9 3/8"	STUD
B	1	600T300-33	2'-5 11/16"	BOTTOM TRACK
C	1	600T150-33	2'-5 11/16"	TOP TRACK
D	1	600D-54	2'-5 1/4"	VANITY BACKING

21-3231

Jewish Home for the Aging

1885 Victory Blvd. Reseda, CA

FrameMax, Inc.
13915 Danielson St
Suite 100
Poway, CA 92064
www.framemax.com



© FrameMax Inc.

CREATED: 09/26/2008

FM-07-109

CREATED BY: TNT

HEIGHT : 10'-9 7/16" POINTS: 0.28 Points.

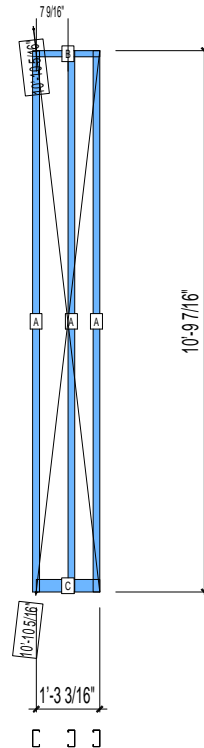
SPACING : 24"

1st STUD: 24"

WEIGHTS :

FRAME : 33 lbs

TOTAL: 33 lbs



PIECES LIST

LABEL	QTY	SIZE	LENGTH	USE
A	3	400S162-33	10'-9 3/8"	STUD
B	1	400T150-33	1'-3 3/16"	TOP TRACK
C	1	400T300-33	1'-3 3/16"	BOTTOM TRACK

21-3232

Jewish Home for the Aging

1885 Victory Blvd. Reseda, CA

FrameMax, Inc.
13915 Danielson St
Suite 100
Poway, CA 92064
www.frame-max.com



© FrameMax Inc.

CREATED: 09/26/2008

FM-07-109

CREATED BY: AMB

HEIGHT : 10'-9 7/16" POINTS: 0.64 Points.

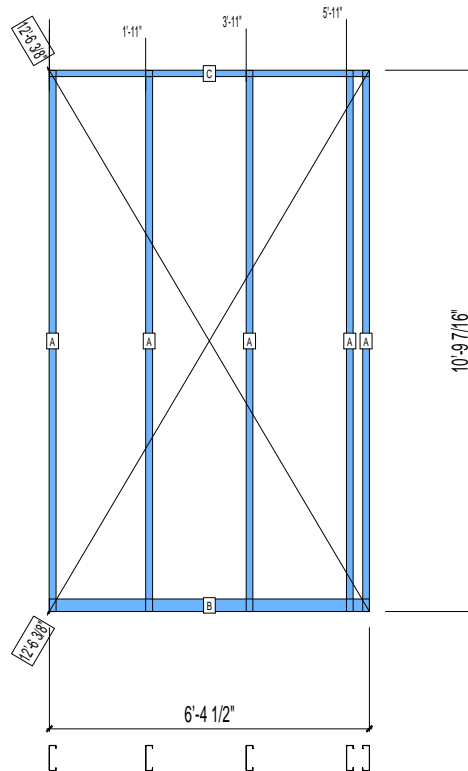
SPACING : 24"

1st STUD: 23 7/8"

WEIGHTS :

FRAME : 79 lbs

TOTAL: 79 lbs



PIECES LIST

LABEL	QTY	SIZE	LENGTH	USE
A	5	600S162-33	10'-9 3/8"	STUD
B	1	600T300-33	6'-4 1/2"	BOTTOM TRACK
C	1	600T150-33	6'-4 1/2"	TOP TRACK

21-3233

Jewish Home for the Aging

1885 Victory Blvd. Reseda, CA

FM-07-109

CREATED BY: AMB

FrameMax, Inc.
13915 Danielson St
Suite 100
Poway, CA 92064
www.frame-max.com



© FrameMax Inc.

HEIGHT : 10'-9 7/16" POINTS: 0.56 Points.

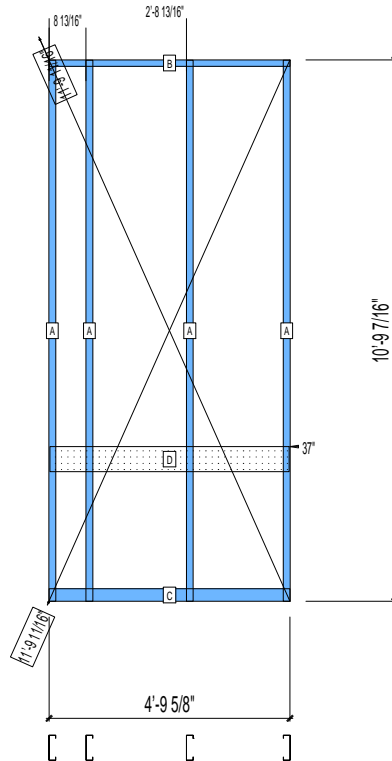
SPACING : 24"

1st STUD: 9 11/16"

WEIGHTS :

FRAME : 68 lbs

TOTAL: 68 lbs



PIECES LIST

LABEL	QTY	SIZE	LENGTH	USE
A	4	600S162-33	10'-9 3/8"	STUD
B	1	600T150-33	4'-9 5/8"	TOP TRACK
C	1	600T300-33	4'-9 5/8"	BOTTOM TRACK
D	1	600D-54	4'-9 3/16"	VANITY BACKING

21-3234

Jewish Home for the Aging

1885 Victory Blvd. Reseda, CA

FrameMax, Inc.
13915 Danielson St
Suite 100
Poway, CA 92064
www.frame-max.com



© FrameMax Inc.

CREATED: 09/26/2008

FM-07-109

CREATED BY: AMB

HEIGHT : 10'-9 7/16" POINTS: 1.17 Points.

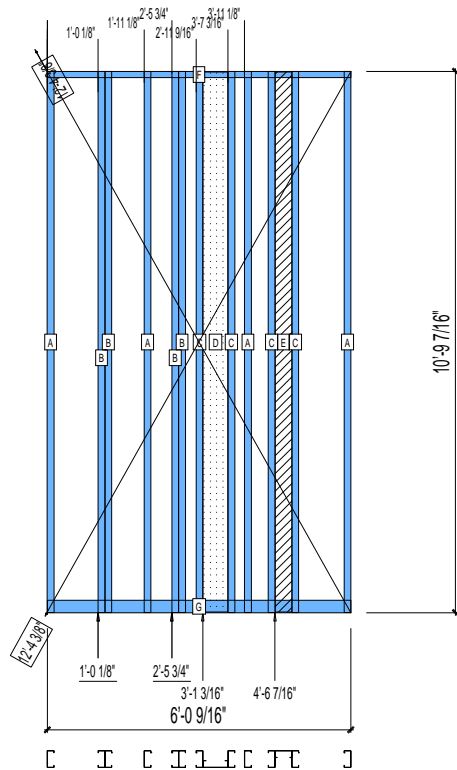
SPACING : 24"

1st STUD: 24"

WEIGHTS :

FRAME : 155 lbs

TOTAL: 155 lbs



PIECES LIST

LABEL	QTY	SIZE	LENGTH	USE
A	4	400S162-33	10'-9 3/8"	STUD
B	4	400S162-33	10'-9 3/8"	EXTRA STUD
C	4	400S162-33	10'-9 3/8"	BACKER STUD
D	1	600S162-33	10'-9 1/8"	BACKER-U
E	1	400S162-33	10'-9 1/8"	BACKER-U
F	1	400T150-33	6'-0 9/16"	TOP TRACK
G	1	400T300-33	6'-0 9/16"	BOTTOM TRACK

21-3235

Jewish Home for the Aging

1885 Victory Blvd. Reseda, CA

FrameMax, Inc.
13915 Danielson St
Suite 100
Poway, CA 92064
www.frame-max.com



© FrameMax Inc.

CREATED: 09/26/2008

FM-07-109

CREATED BY: AMB

HEIGHT : 10'-9 7/16" POINTS: 0.34 Points.

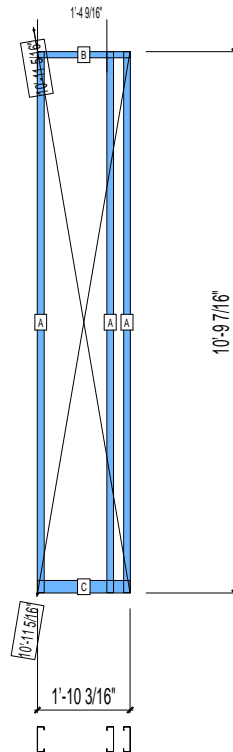
SPACING : 24"

1st STUD: 24"

WEIGHTS :

FRAME : 42 lbs

TOTAL: 42 lbs



PIECES LIST

LABEL	QTY	SIZE	LENGTH	USE
A	3	600S162-33	10'-9 3/8"	STUD
B	1	600T150-33	1'-10 3/16"	TOP TRACK
C	1	600T300-33	1'-10 3/16"	BOTTOM TRACK

21-3236

Jewish Home for the Aging

1885 Victory Blvd. Reseda, CA

FM-07-109

CREATED BY: AMB

FrameMax, Inc.
13915 Danielson St
Suite 100
Poway, CA 92064
www.frame-max.com



© FrameMax Inc.

HEIGHT : 10'-9 7/16" POINTS: 0.49 Points.

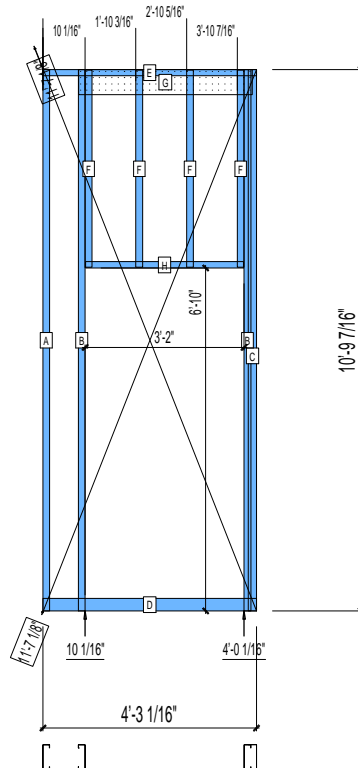
SPACING : 24"

1st STUD: 24"

WEIGHTS :

FRAME : 31 lbs

TOTAL: 31 lbs



PIECES LIST

LABEL	QTY	SIZE	LENGTH	USE
A	1	600S162-33	10'-9 3/8"	STUD
B	2	600S162-33	10'-9 3/8"	KING STUD
C	1	600T200-33	10'-9 3/8"	EXTRA STUD
D	1	600T300-33	4'-3 1/16"	BOTTOM TRACK
E	1	600T150-33	4'-3 1/16"	TOP TRACK
F	4	600S162-33	3'-11 1/8"	CRIPPLE
G	1	600L150-33	3'-5 1/2"	L-HEADER
H	1	600T150-33	3'-1 3/4"	HEAD TRACK

21-3237

Jewish Home for the Aging

1885 Victory Blvd. Reseda, CA

FrameMax, Inc.
13915 Danielson St
Suite 100
Poway, CA 92064
www.frame-max.com



© FrameMax Inc.

CREATED: 09/26/2008

FM-07-109

CREATED BY: AMB

HEIGHT : 10'-9 7/16" POINTS: 0.39 Points.

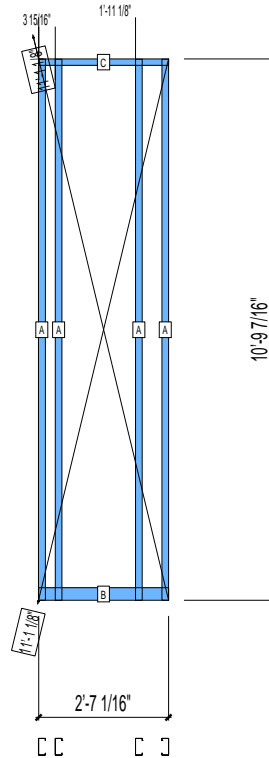
SPACING : 24"

1st STUD: 24"

WEIGHTS :

FRAME : 45 lbs

TOTAL: 45 lbs



PIECES LIST

LABEL	QTY	SIZE	LENGTH	USE
A	4	400S162-33	10'-9 3/8"	STUD
B	1	400T300-33	2'-7 1/16"	BOTTOM TRACK
C	1	400T150-33	2'-7 1/16"	TOP TRACK

21-3238

Jewish Home for the Aging

1885 Victory Blvd. Reseda, CA

FrameMax, Inc.
13915 Danielson St
Suite 100
Poway, CA 92064
www.frame-max.com



© FrameMax Inc.

CREATED: 09/26/2008

FM-07-109

CREATED BY: AMB

HEIGHT : 10'-9 7/16" POINTS: 0.21 Points.

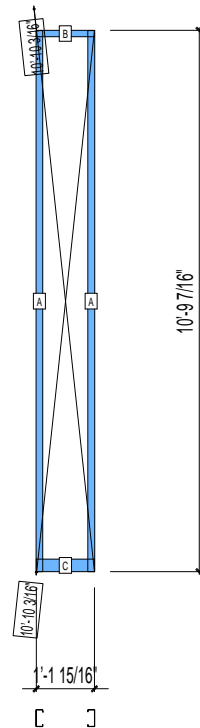
SPACING : 24"

1st STUD: 24"

WEIGHTS :

FRAME : 22 lbs

TOTAL: 22 lbs



PIECES LIST

LABEL	QTY	SIZE	LENGTH	USE
A	2	400S162-33	10'-9 3/8"	STUD
B	1	400T150-33	1'-1 15/16"	TOP TRACK
C	1	400T300-33	1'-1 15/16"	BOTTOM TRACK

21-3239

Jewish Home for the Aging

1885 Victory Blvd. Reseda, CA

FrameMax, Inc.
13915 Danielson St
Suite 100
Poway, CA 92064
www.frame-max.com



© FrameMax Inc.

CREATED: 09/26/2008

FM-07-109

CREATED BY: AMB

HEIGHT : 10'-9 7/16" POINTS: 0.85 Points.

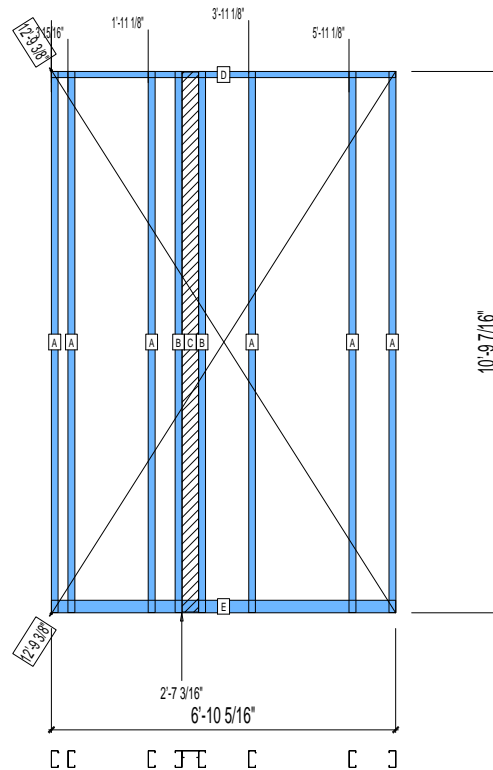
SPACING : 24"

1st STUD: 24"

WEIGHTS :

FRAME : 104 lbs

TOTAL: 104 lbs



PIECES LIST

LABEL	QTY	SIZE	LENGTH	USE
A	6	400S162-33	10'-9 3/8"	STUD
B	2	400S162-33	10'-9 3/8"	BACKER STUD
C	1	400S162-33	10'-9 1/8"	BACKER-U
D	1	400T150-33	6'-10 5/16"	TOP TRACK
E	1	400T300-33	6'-10 5/16"	BOTTOM TRACK

21-3251

Jewish Home for the Aging

1885 Victory Blvd. Reseda, CA

FM-07-109

CREATED BY: AMB

FrameMax, Inc.
13915 Danielson St
Suite 100
Poway, CA 92064
www.frame-max.com



© FrameMax Inc.

HEIGHT : 10'-9 7/16" POINTS: 0.75 Points.

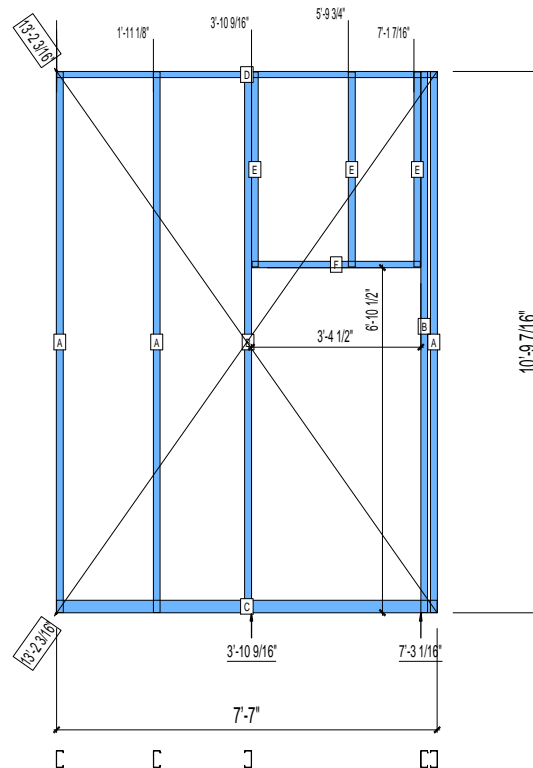
SPACING : 24"

1st STUD: 24"

WEIGHTS :

FRAME : 79 lbs

TOTAL: 79 lbs



PIECES LIST

LABEL	QTY	SIZE	LENGTH	USE
A	3	400S162-33	10'-9 5/16"	STUD
B	2	400S162-33	10'-9 5/16"	KING STUD
C	1	400T300-33	7'-7"	BOTTOM TRACK
D	1	400T150-33	7'-7"	TOP TRACK
E	3	400S162-33	3'-10 9/16"	CRIPPLE
F	1	400T150-33	3'-4 1/4"	HEAD TRACK

21-3252

Jewish Home for the Aging

1885 Victory Blvd. Reseda, CA

FM-07-109

CREATED BY: TNT

FrameMax, Inc.
13915 Danielson St
Suite 100
Poway, CA 92064
www.frame-max.com



© FrameMax Inc.

HEIGHT : 10'-9 7/16" POINTS: 0.98 Points.

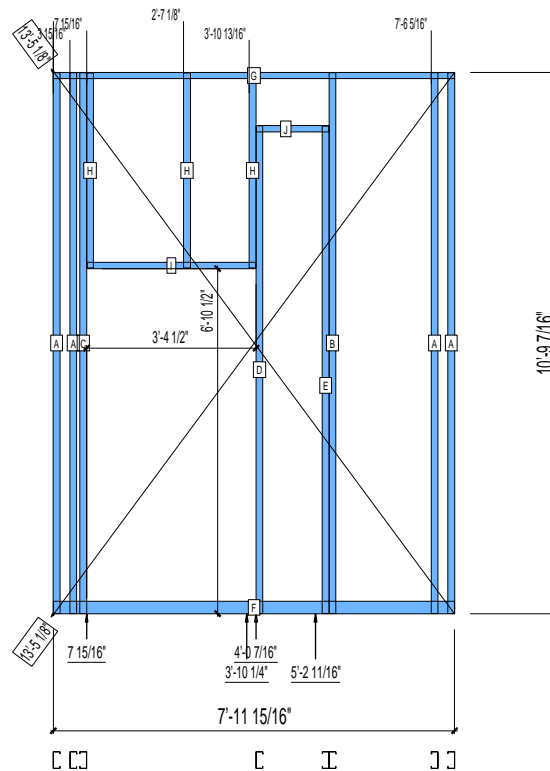
SPACING : 24"

1st STUD: 24"

WEIGHTS :

FRAME : 109 lbs

TOTAL: 109 lbs



PIECES LIST

LABEL	QTY	SIZE	LENGTH	USE
A	4	400S162-33	10'-9 5/16"	STUD
B	1	400S162-33	10'-9 5/16"	BEAM KING
C	1	400S162-33	10'-9 5/16"	KING STUD
D	1	400S162-33	9'-8 9/16"	KING STUD
E	1	400S162-33	9'-8 9/16"	BEAM JACK
F	1	400T300-33	7'-11 15/16"	BOTTOM TRACK
G	1	400T150-33	7'-11 15/16"	TOP TRACK
H	3	400S162-33	3'-10 9/16"	CRIPPLE
I	1	400T150-33	3'-4 1/4"	HEAD TRACK
J	1	400T150-33	1'-5 3/8"	BEAM JACK

21-3253

Jewish Home for the Aging

1885 Victory Blvd. Reseda, CA

FM-07-109

CREATED BY: AMB

FrameMax, Inc.
13915 Danielson St
Suite 100
Poway, CA 92064
www.frame-max.com



© FrameMax Inc.

HEIGHT : 10'-9 7/16" POINTS: 0.89 Points.

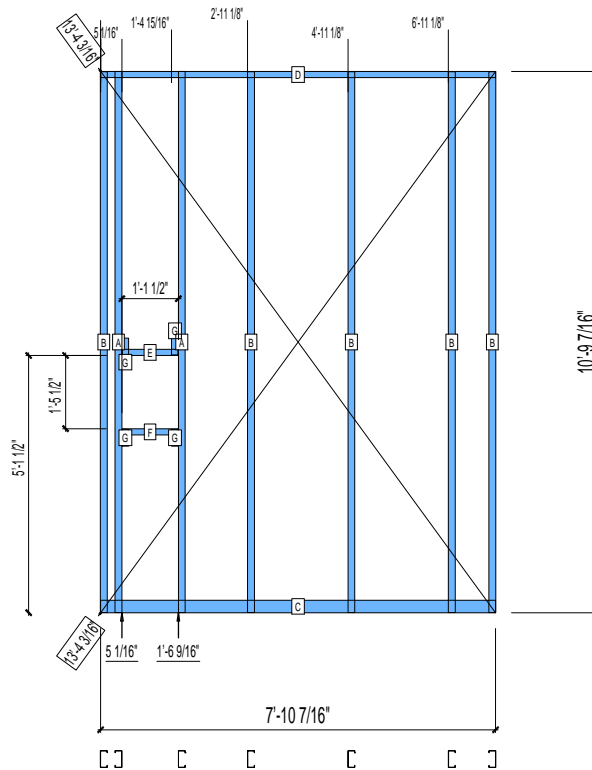
SPACING : 24"

1st STUD: 24"

WEIGHTS :

FRAME : 89 lbs

TOTAL: 89 lbs



PIECES LIST

LABEL	QTY	SIZE	LENGTH	USE
A	2	400S162-33	10'-9 3/8"	KING STUD
B	5	400S162-33	10'-9 5/16"	STUD
C	1	400T300-33	7'-10 7/16"	BOTTOM TRACK
D	1	400T150-33	7'-10 7/16"	TOP TRACK
E	1	400T150-33	1'-1 1/4"	HEAD TRACK
F	1	400T150-33	1'-1 1/4"	SILL
G	4	400S162-33	4"	CRIPPLE

21-3254

Jewish Home for the Aging

1885 Victory Blvd. Reseda, CA

FM-07-109

CREATED BY: TNT

FrameMax, Inc.
13915 Danielson St
Suite 100
Poway, CA 92064
www.frame-max.com



© FrameMax Inc.

HEIGHT : 10'-9 7/16" POINTS: 1.11 Points.

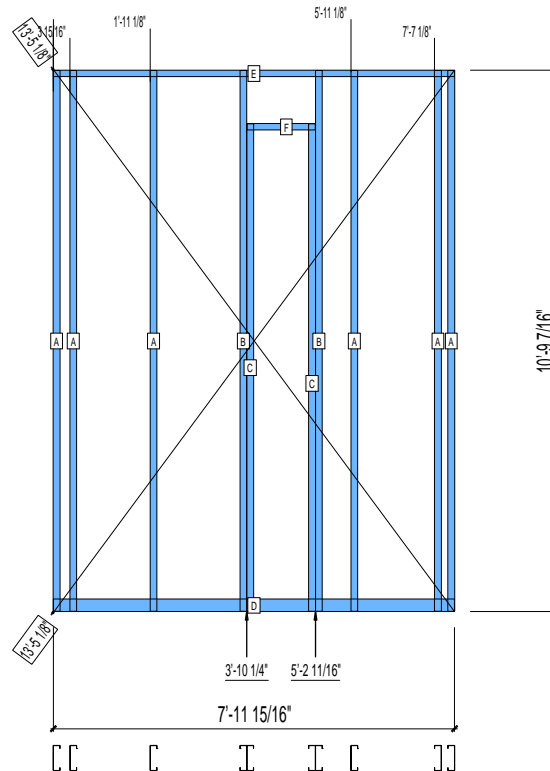
SPACING : 24"

1st STUD: 24"

WEIGHTS :

FRAME : 145 lbs

TOTAL: 145 lbs



PIECES LIST

LABEL	QTY	SIZE	LENGTH	USE
A	6	600S162-33	10'-9 5/16"	STUD
B	2	600S162-33	10'-9 5/16"	BEAM KING
C	2	600S162-33	9'-8 9/16"	BEAM JACK
D	1	600T300-33	7'-11 15/16"	BOTTOM TRACK
E	1	600T150-33	7'-11 15/16"	TOP TRACK
F	1	600T150-33	1'-4 5/16"	BEAM JACK

21-3255

Jewish Home for the Aging

1885 Victory Blvd. Reseda, CA

FrameMax, Inc.
13915 Danielson St
Suite 100
Poway, CA 92064
www.frame-max.com



© FrameMax Inc.

CREATED: 10/10/2008

FM-07-109

CREATED BY: AMB

HEIGHT : 10'-9 7/16" POINTS: 0.62 Points.

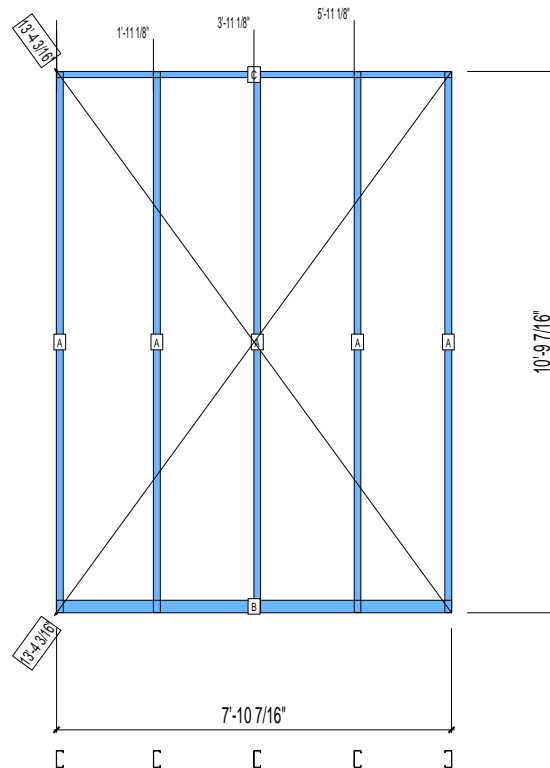
SPACING : 24"

1st STUD: 24"

WEIGHTS :

FRAME : 66 lbs

TOTAL: 66 lbs



PIECES LIST

LABEL	QTY	SIZE	LENGTH	USE
A	5	400S162-33	10'-9 5/16"	STUD
B	1	400T300-33	7'-10 7/16"	BOTTOM TRACK
C	1	400T150-33	7'-10 7/16"	TOP TRACK

21-3256

Jewish Home for the Aging

1885 Victory Blvd. Reseda, CA

FrameMax, Inc.
13915 Danielson St
Suite 100
Poway, CA 92064
www.frame-max.com



© FrameMax Inc.

CREATED: 09/26/2008

FM-07-109

CREATED BY: AMB

HEIGHT : 10'-9 7/16" POINTS: 0.37 Points.

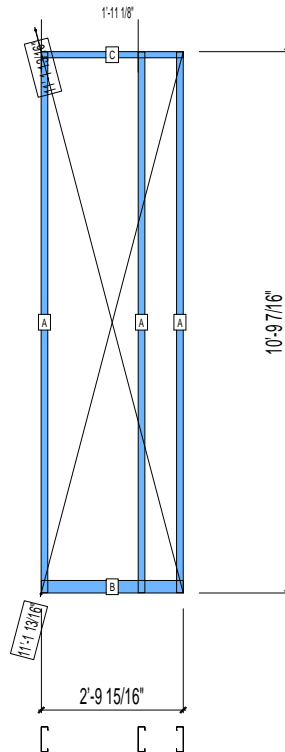
SPACING : 24"

1st STUD: 24"

WEIGHTS :

FRAME : 45 lbs

TOTAL: 45 lbs



PIECES LIST

LABEL	QTY	SIZE	LENGTH	USE
A	3	600S162-33	10'-9 5/16"	STUD
B	1	600T300-33	2'-9 15/16"	BOTTOM TRACK
C	1	600T150-33	2'-9 15/16"	TOP TRACK

21-3257

Jewish Home for the Aging

1885 Victory Blvd. Reseda, CA

FM-07-109

CREATED BY: AMB

FrameMax, Inc.
13915 Danielson St
Suite 100
Poway, CA 92064
www.frame-max.com



© FrameMax Inc.

HEIGHT : 10'-9 7/16" POINTS: 0.70 Points.

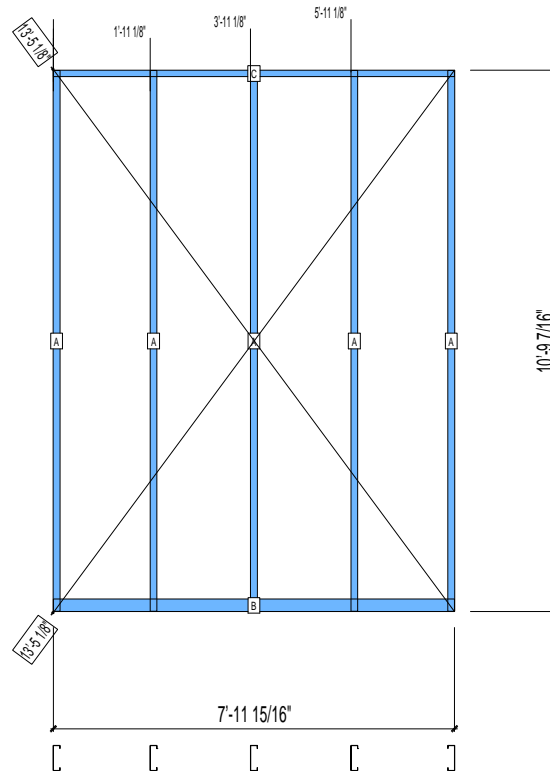
SPACING : 24"

1st STUD: 24"

WEIGHTS :

FRAME : 83 lbs

TOTAL: 83 lbs



PIECES LIST

LABEL	QTY	SIZE	LENGTH	USE
A	5	600S162-33	10'-9 5/16"	STUD
B	1	600T300-33	7'-11 15/16"	BOTTOM TRACK
C	1	600T150-33	7'-11 15/16"	TOP TRACK

21-3258

Jewish Home for the Aging

1885 Victory Blvd. Reseda, CA

FrameMax, Inc.
13915 Danielson St
Suite 100
Poway, CA 92064
www.framemax.com



© FrameMax Inc.

CREATED: 09/26/2008

FM-07-109

CREATED BY: AMB

HEIGHT : 10'-9 7/16" POINTS: 0.55 Points.

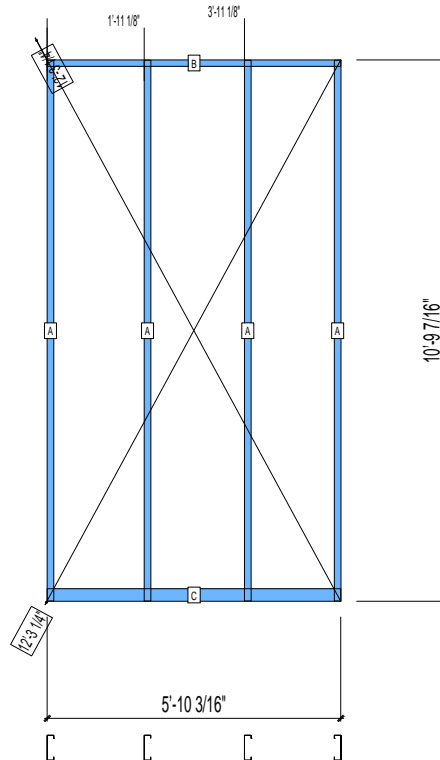
SPACING : 24"

1st STUD: 24"

WEIGHTS :

FRAME : 65 lbs

TOTAL: 65 lbs



PIECES LIST

LABEL	QTY	SIZE	LENGTH	USE
A	4	600S162-33	10'-9 5/16"	STUD
B	1	600T150-33	5'-10 3/16"	TOP TRACK
C	1	600T300-33	5'-10 3/16"	BOTTOM TRACK

21-3259

Jewish Home for the Aging

1885 Victory Blvd. Reseda, CA

FrameMax, Inc.
13915 Danielson St
Suite 100
Poway, CA 92064
www.frame-max.com



© FrameMax Inc.

CREATED: 09/26/2008

FM-07-109

CREATED BY: AMB

HEIGHT : 10'-9 7/16" POINTS: 0.70 Points.

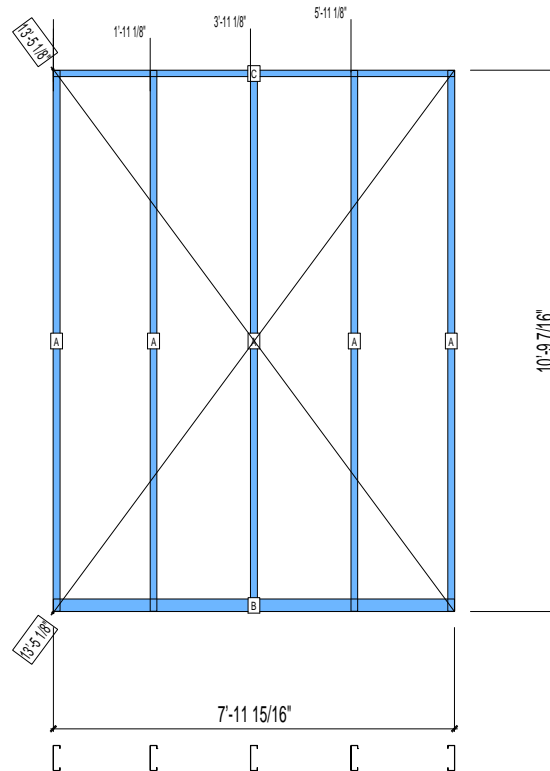
SPACING : 24"

1st STUD: 24"

WEIGHTS :

FRAME : 83 lbs

TOTAL: 83 lbs



PIECES LIST

LABEL	QTY	SIZE	LENGTH	USE
A	5	600S162-33	10'-9 5/16"	STUD
B	1	600T300-33	7'-11 15/16"	BOTTOM TRACK
C	1	600T150-33	7'-11 15/16"	TOP TRACK

21-3260

Jewish Home for the Aging

1885 Victory Blvd. Reseda, CA

FrameMax, Inc.
13915 Danielson St
Suite 100
Poway, CA 92064
www.frame-max.com



© FrameMax Inc.

CREATED: 09/26/2008

FM-07-109

CREATED BY: AMB

HEIGHT : 10'-9 7/16" POINTS: 0.50 Points.

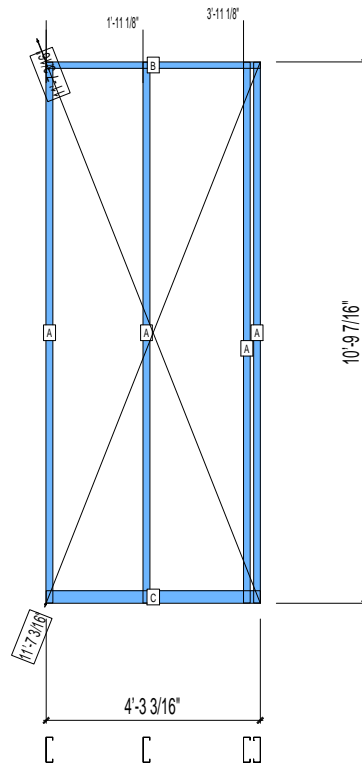
SPACING : 24"

1st STUD: 24"

WEIGHTS :

FRAME : 61 lbs

TOTAL: 61 lbs



PIECES LIST

LABEL	QTY	SIZE	LENGTH	USE
A	4	600S162-33	10'-9 5/16"	STUD
B	1	600T150-33	4'-3 3/16"	TOP TRACK
C	1	600T300-33	4'-3 3/16"	BOTTOM TRACK

21-3261

Jewish Home for the Aging

1885 Victory Blvd. Reseda, CA

FM-07-109

CREATED BY: AMB

FrameMax, Inc.
13915 Danielson St
Suite 100
Poway, CA 92064
www.framemax.com



© FrameMax Inc.

HEIGHT : 10'-9 7/16" POINTS: 0.32 Points.

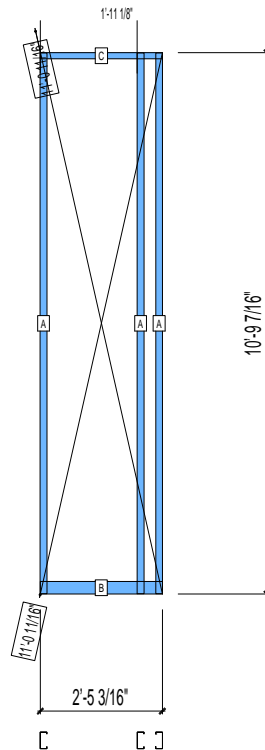
SPACING : 24"

1st STUD: 24"

WEIGHTS :

FRAME : 35 lbs

TOTAL: 35 lbs



PIECES LIST

LABEL	QTY	SIZE	LENGTH	USE
A	3	400S162-33	10'-9 5/16"	STUD
B	1	400T300-33	2'-5 3/16"	BOTTOM TRACK
C	1	400T150-33	2'-5 3/16"	TOP TRACK

21-3262

Jewish Home for the Aging

1885 Victory Blvd. Reseda, CA

FM-07-109

CREATED BY: AMB

FrameMax, Inc.
13915 Danielson St
Suite 100
Poway, CA 92064
www.frame-max.com



© FrameMax Inc.

HEIGHT : 10'-9 7/16" POINTS: 0.77 Points.

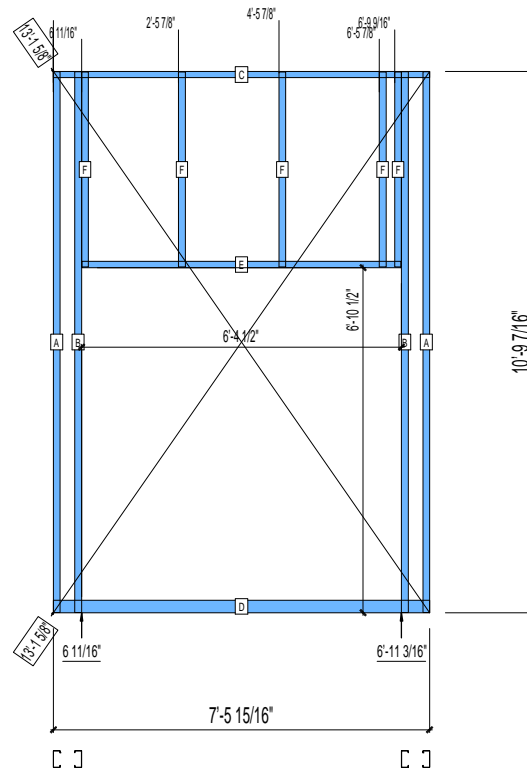
SPACING : 24"

1st STUD: 24"

WEIGHTS :

FRAME : 79 lbs

TOTAL: 79 lbs



PIECES LIST

LABEL	QTY	SIZE	LENGTH	USE
A	2	400S162-33	10'-9 5/16"	STUD
B	2	400S162-33	10'-9 5/16"	KING STUD
C	1	400T150-33	7'-5 15/16"	TOP TRACK
D	1	400T300-33	7'-5 15/16"	BOTTOM TRACK
E	1	400T150-33	6'-4 1/4"	HEAD TRACK
F	5	400S162-33	3'-10 9/16"	CRIPPLE

21-3263

Jewish Home for the Aging

1885 Victory Blvd. Reseda, CA

FrameMax, Inc.
13915 Danielson St
Suite 100
Poway, CA 92064
www.frame-max.com



© FrameMax Inc.

CREATED: 09/26/2008

FM-07-109

CREATED BY: AMB

HEIGHT : 10'-9 7/16" POINTS: 0.32 Points.

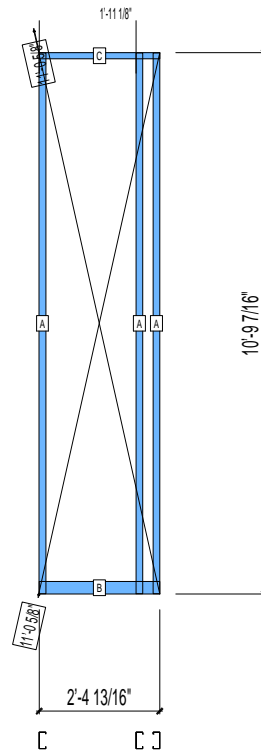
SPACING : 24"

1st STUD: 24"

WEIGHTS :

FRAME : 35 lbs

TOTAL: 35 lbs



PIECES LIST

LABEL	QTY	SIZE	LENGTH	USE
A	3	400S162-33	10'-9 5/16"	STUD
B	1	400T300-33	2'-4 13/16"	BOTTOM TRACK
C	1	400T150-33	2'-4 13/16"	TOP TRACK

21-3301

Jewish Home for the Aging

1885 Victory Blvd. Reseda, CA

FrameMax, Inc.
13915 Danielson St
Suite 100
Poway, CA 92064
www.frame-max.com



© FrameMax Inc.

CREATED: 10/22/2008

FM-07-109

CREATED BY: TNT

HEIGHT : 10'-9 7/16" POINTS: 0.55 Points.

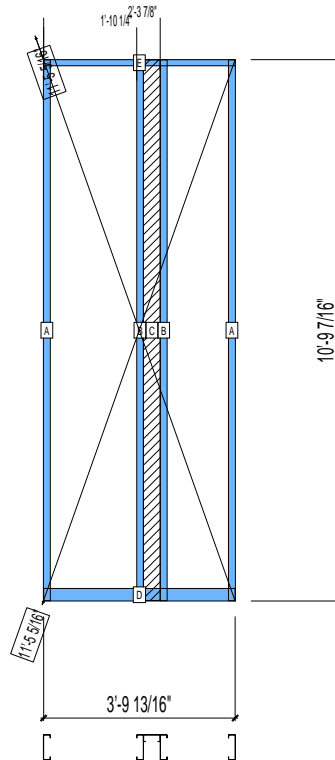
SPACING : 24"

1st STUD: 23 9/16"

WEIGHTS :

FRAME : 70 lbs

TOTAL: 70 lbs



PIECES LIST

LABEL	QTY	SIZE	LENGTH	USE
A	2	600S162-33	10'-9 5/16"	STUD
B	2	600S162-33	10'-9 5/16"	BACKER STUD
C	1	400S162-33	10'-9 1/4"	BACKER-U
D	1	600T300-33	3'-9 13/16"	BOTTOM TRACK
E	1	600T150-33	3'-9 13/16"	TOP TRACK

21-3302

Jewish Home for the Aging

1885 Victory Blvd. Reseda, CA

FM-07-109

CREATED BY: AMB

FrameMax, Inc.
13915 Danielson St
Suite 100
Poway, CA 92064
www.frame-max.com



© FrameMax Inc.

HEIGHT : 10'-9 7/16" POINTS: 0.49 Points.

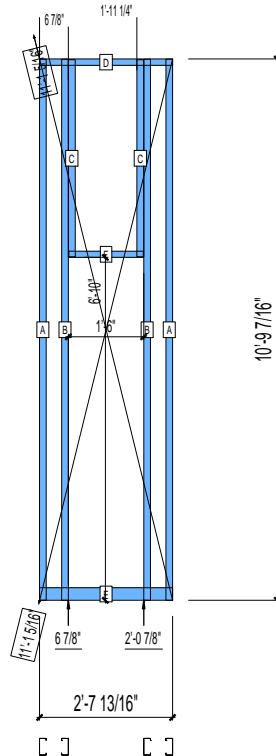
SPACING : 24"

1st STUD: 24"

WEIGHTS :

FRAME : 54 lbs

TOTAL: 54 lbs



PIECES LIST

LABEL	QTY	SIZE	LENGTH	USE
A	2	400S162-33	10'-9 3/8"	STUD
B	2	400S162-33	10'-9 3/8"	KING STUD
C	2	400S162-33	3'-11 1/8"	CRIPPLE
D	1	400T150-33	2'-7 13/16"	TOP TRACK
E	1	400T300-33	2'-7 13/16"	BOTTOM TRACK
F	1	400T150-33	1'-5 3/4"	HEAD TRACK

21-3303

Jewish Home for the Aging

1885 Victory Blvd. Reseda, CA

FrameMax, Inc.
13915 Danielson St
Suite 100
Poway, CA 92064
www.frame-max.com



© FrameMax Inc.

CREATED: 09/26/2008

FM-07-109

CREATED BY: AMB

HEIGHT : 10'-9 7/16" POINTS: 0.23 Points.

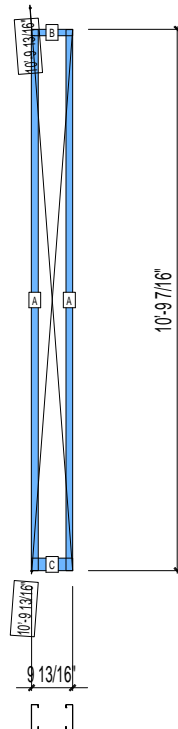
SPACING : 24"

1st STUD: 24"

WEIGHTS :

FRAME : 27 lbs

TOTAL: 27 lbs



PIECES LIST

LABEL	QTY	SIZE	LENGTH	USE
A	2	600S162-33	10'-9 3/8"	STUD
B	1	600T150-33	9 13/16"	TOP TRACK
C	1	600T300-33	9 13/16"	BOTTOM TRACK

21-3304

Jewish Home for the Aging

1885 Victory Blvd. Reseda, CA

FrameMax, Inc.
13915 Danielson St
Suite 100
Poway, CA 92064
www.frame-max.com



© FrameMax Inc.

CREATED: 09/26/2008

FM-07-109

CREATED BY: AMB

HEIGHT : 10'-9 7/16" POINTS: 0.31 Points.

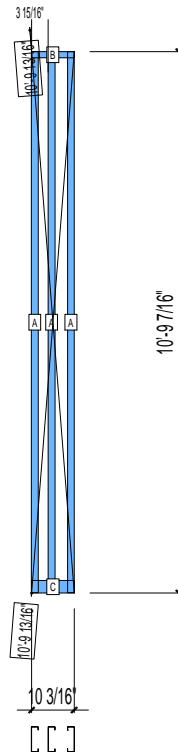
SPACING : 24"

1st STUD: 24"

WEIGHTS :

FRAME : 40 lbs

TOTAL: 40 lbs



PIECES LIST

LABEL	QTY	SIZE	LENGTH	USE
A	3	600S162-33	10'-9 3/8"	STUD
B	1	600T150-33	10 3/16"	TOP TRACK
C	1	600T300-33	10 3/16"	BOTTOM TRACK

21-3305

Jewish Home for the Aging

1885 Victory Blvd. Reseda, CA

FM-07-109

CREATED BY: AMB

FrameMax, Inc.
13915 Danielson St
Suite 100
Poway, CA 92064
www.framemax.com



© FrameMax Inc.

HEIGHT : 10'-9 7/16" POINTS: 0.71 Points.

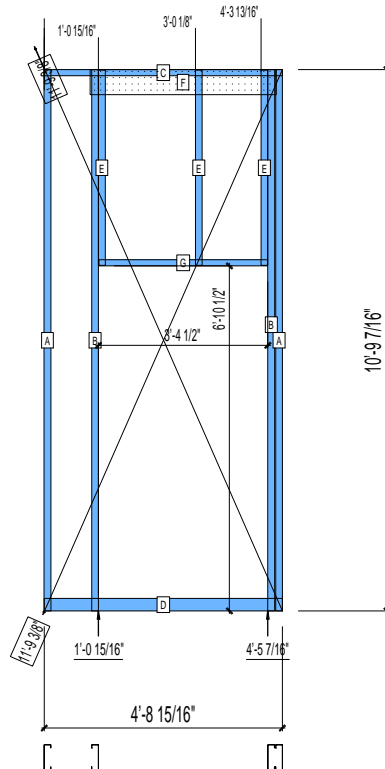
SPACING : 24"

1st STUD: 24"

WEIGHTS :

FRAME : 83 lbs

TOTAL: 83 lbs



PIECES LIST

LABEL	QTY	SIZE	LENGTH	USE
A	2	600S162-33	10'-9 3/8"	STUD
B	2	600S162-33	10'-9 3/8"	KING STUD
C	1	600T150-33	4'-8 15/16"	TOP TRACK
D	1	600T300-33	4'-8 15/16"	BOTTOM TRACK
E	3	600S162-33	3'-10 5/8"	CRIPPLE
F	1	600L150-33	3'-8 1/2"	L-HEADER
G	1	600T150-33	3'-4 1/4"	HEAD TRACK

21-3306

Jewish Home for the Aging

1885 Victory Blvd. Reseda, CA

FrameMax, Inc.
13915 Danielson St
Suite 100
Poway, CA 92064
www.frame-max.com



© FrameMax Inc.

CREATED: 09/26/2008

FM-07-109

CREATED BY: AMB

HEIGHT : 10'-9 7/16" POINTS: 0.21 Points.

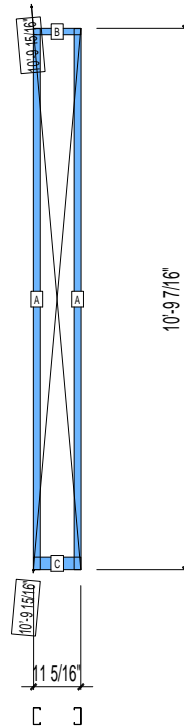
SPACING : 24"

1st STUD: 24"

WEIGHTS :

FRAME : 22 lbs

TOTAL: 22 lbs



PIECES LIST

LABEL	QTY	SIZE	LENGTH	USE
A	2	400S162-33	10'-9 3/8"	STUD
B	1	400T150-33	11 5/16"	TOP TRACK
C	1	400T300-33	11 5/16"	BOTTOM TRACK

21-3307

Jewish Home for the Aging

1885 Victory Blvd. Reseda, CA

FrameMax, Inc.
13915 Danielson St
Suite 100
Poway, CA 92064
www.frame-max.com



© FrameMax Inc.

CREATED: 09/26/2008

FM-07-109

CREATED BY: AMB

HEIGHT : 10'-9 7/16" POINTS: 0.22 Points.

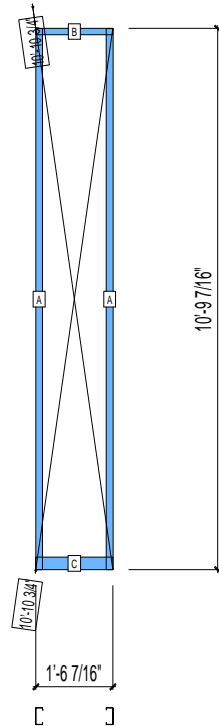
SPACING : 24"

1st STUD: 24"

WEIGHTS :

FRAME : 23 lbs

TOTAL: 23 lbs



PIECES LIST

LABEL	QTY	SIZE	LENGTH	USE
A	2	400S162-33	10'-9 3/8"	STUD
B	1	400T150-33	1'-6 7/16"	TOP TRACK
C	1	400T300-33	1'-6 7/16"	BOTTOM TRACK

21-3308

Jewish Home for the Aging

1885 Victory Blvd. Reseda, CA

FrameMax, Inc.
13915 Danielson St
Suite 100
Poway, CA 92064
www.frame-max.com



© FrameMax Inc.

CREATED: 09/26/2008

FM-07-109

CREATED BY: AMB

HEIGHT : 10'-9 7/16" POINTS: 0.33 Points.

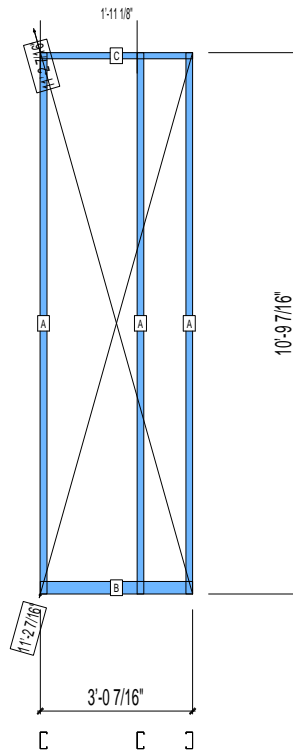
SPACING : 24"

1st STUD: 24"

WEIGHTS :

FRAME : 36 lbs

TOTAL: 36 lbs



PIECES LIST

LABEL	QTY	SIZE	LENGTH	USE
A	3	400S162-33	10'-9 3/8"	STUD
B	1	400T300-33	3'-0 7/16"	BOTTOM TRACK
C	1	400T150-33	3'-0 7/16"	TOP TRACK

21-3309

Jewish Home for the Aging

1885 Victory Blvd. Reseda, CA

FrameMax, Inc.
13915 Danielson St
Suite 100
Poway, CA 92064
www.frame-max.com



© FrameMax Inc.

CREATED: 10/22/2008

FM-07-109

CREATED BY: TNT

HEIGHT : 10'-9 7/16" POINTS: 0.80 Points.

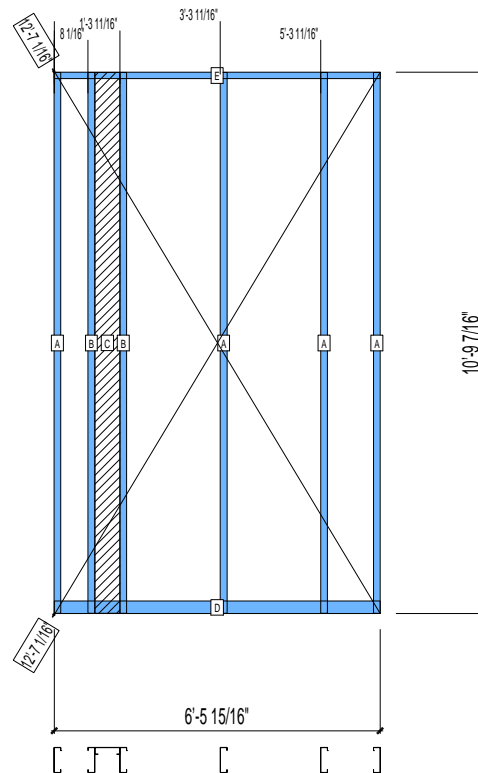
SPACING : 24"

1st STUD: 16 9/16"

WEIGHTS :

FRAME : 104 lbs

TOTAL: 104 lbs



PIECES LIST

LABEL	QTY	SIZE	LENGTH	USE
A	4	600S162-33	10'-9 5/16"	STUD
B	2	600S162-33	10'-9 5/16"	BACKER STUD
C	1	600S162-33	10'-9 1/4"	BACKER-U
D	1	600T300-33	6'-5 15/16"	BOTTOM TRACK
E	1	600T150-33	6'-5 15/16"	TOP TRACK

21-3310

Jewish Home for the Aging

1885 Victory Blvd. Reseda, CA

FrameMax, Inc.
13915 Danielson St
Suite 100
Poway, CA 92064
www.frame-max.com



© FrameMax Inc.

CREATED: 10/21/2008

FM-07-109

CREATED BY: TNT

HEIGHT : 10'-9 7/16" POINTS: 0.49 Points.

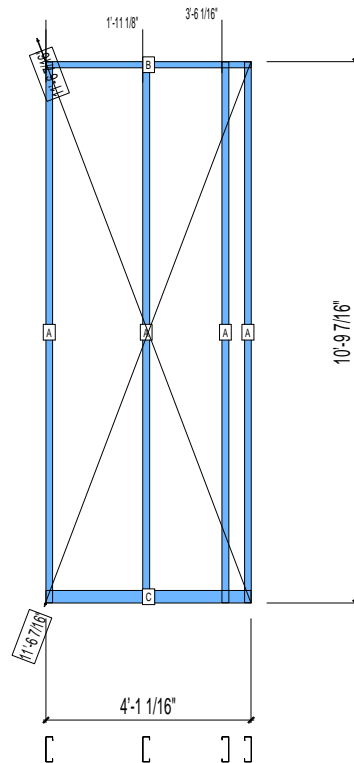
SPACING : 24"

1st STUD: 24"

WEIGHTS :

FRAME : 61 lbs

TOTAL: 61 lbs



PIECES LIST

LABEL	QTY	SIZE	LENGTH	USE
A	4	600S162-33	10'-9 5/16"	STUD
B	1	600T150-33	4'-1 1/16"	TOP TRACK
C	1	600T300-33	4'-1 1/16"	BOTTOM TRACK

21-3311

Jewish Home for the Aging

1885 Victory Blvd. Reseda, CA

FrameMax, Inc.
13915 Danielson St
Suite 100
Poway, CA 92064
www.frame-max.com



© FrameMax Inc.

CREATED: 09/26/2008

FM-07-109

CREATED BY: TNT

HEIGHT : 10'-9 7/16" POINTS: 0.39 Points.

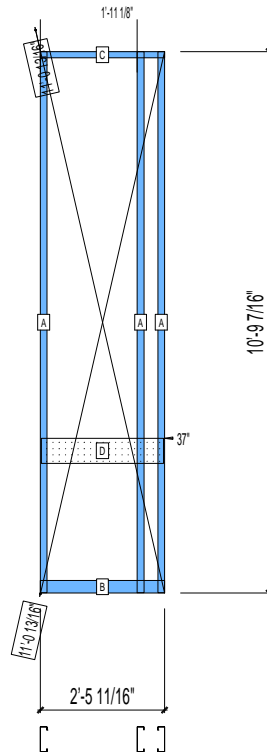
SPACING : 24"

1st STUD: 24"

WEIGHTS :

FRAME : 47 lbs

TOTAL: 47 lbs



PIECES LIST

LABEL	QTY	SIZE	LENGTH	USE
A	3	600S162-33	10'-9 3/8"	STUD
B	1	600T300-33	2'-5 11/16"	BOTTOM TRACK
C	1	600T150-33	2'-5 11/16"	TOP TRACK
D	1	600D-54	2'-5 1/4"	VANITY BACKING

21-3312

Jewish Home for the Aging

1885 Victory Blvd. Reseda, CA

FrameMax, Inc.
13915 Danielson St
Suite 100
Poway, CA 92064
www.framemax.com



© FrameMax Inc.

CREATED: 09/26/2008

FM-07-109

CREATED BY: TNT

HEIGHT : 10'-9 7/16" POINTS: 0.29 Points.

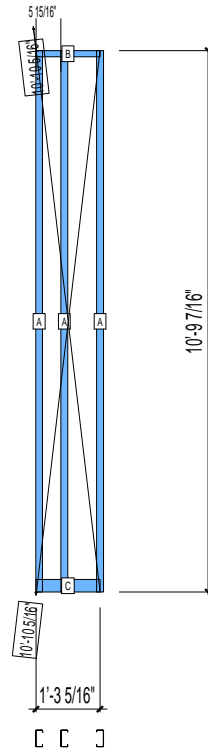
SPACING : 24"

1st STUD: 24"

WEIGHTS :

FRAME : 33 lbs

TOTAL: 33 lbs



PIECES LIST

LABEL	QTY	SIZE	LENGTH	USE
A	3	400S162-33	10'-9 3/8"	STUD
B	1	400T150-33	1'-3 5/16"	TOP TRACK
C	1	400T300-33	1'-3 5/16"	BOTTOM TRACK

21-3313

Jewish Home for the Aging

1885 Victory Blvd. Reseda, CA

FrameMax, Inc.
13915 Danielson St
Suite 100
Poway, CA 92064
www.frame-max.com



© FrameMax Inc.

CREATED: 09/26/2008

FM-07-109

CREATED BY: AMB

HEIGHT : 10'-9 7/16" POINTS: 0.78 Points.

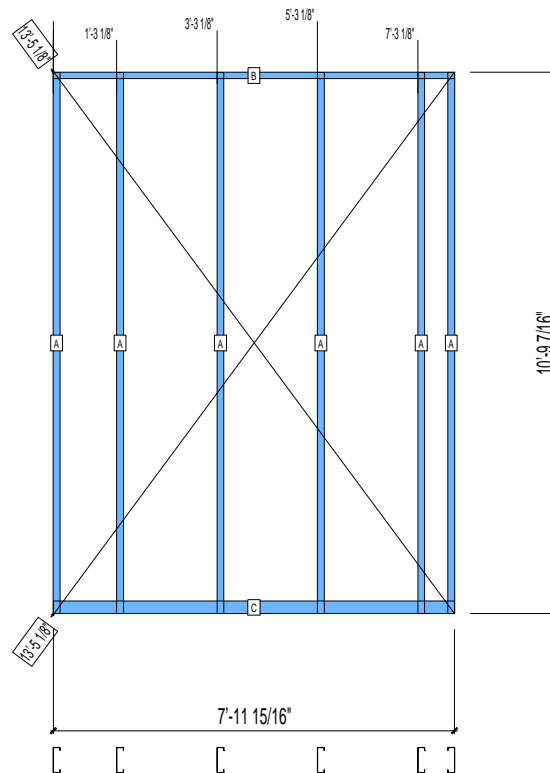
SPACING : 24"

1st STUD: 16"

WEIGHTS :

FRAME : 96 lbs

TOTAL: 96 lbs



PIECES LIST

LABEL	QTY	SIZE	LENGTH	USE
A	6	600S162-33	10'-9 3/8"	STUD
B	1	600T150-33	7'-11 15/16"	TOP TRACK
C	1	600T300-33	7'-11 15/16"	BOTTOM TRACK

21-3314

Jewish Home for the Aging

1885 Victory Blvd. Reseda, CA

FM-07-109

CREATED BY: AMB

FrameMax, Inc.
13915 Danielson St
Suite 100
Poway, CA 92064
www.frame-max.com



© FrameMax Inc.

HEIGHT : 10'-9 7/16" POINTS: 0.42 Points.

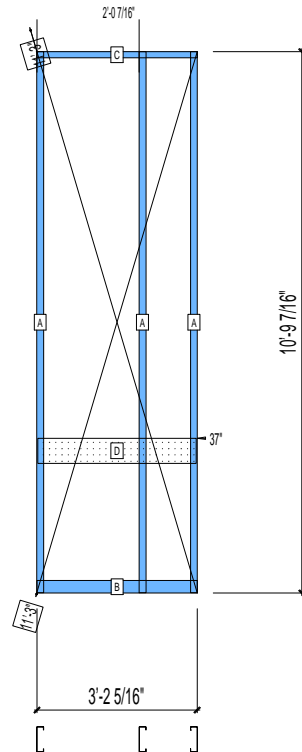
SPACING : 24"

1st STUD: 1 1/4"

WEIGHTS :

FRAME : 50 lbs

TOTAL: 50 lbs



PIECES LIST

LABEL	QTY	SIZE	LENGTH	USE
A	3	600S162-33	10'-9 3/8"	STUD
B	1	600T300-33	3'-2 5/16"	BOTTOM TRACK
C	1	600T150-33	3'-2 5/16"	TOP TRACK
D	1	600D-54	3'-1 7/8"	VANITY BACKING

21-3315

Jewish Home for the Aging

1885 Victory Blvd. Reseda, CA

FM-07-109

CREATED BY: AMB

FrameMax, Inc.
13915 Danielson St
Suite 100
Poway, CA 92064
www.frame-max.com



© FrameMax Inc.

HEIGHT : 10'-9 7/16" POINTS: 0.58 Points.

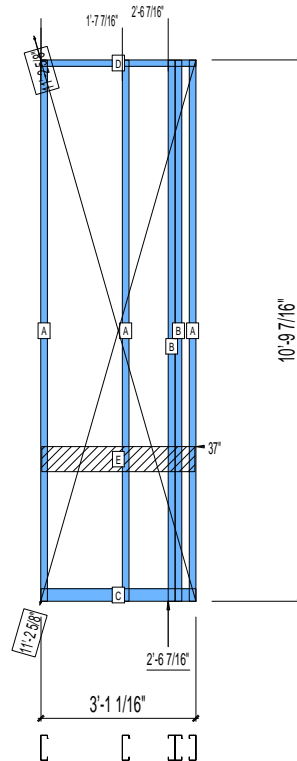
SPACING : 24"

1st STUD: 20 5/16"

WEIGHTS :

FRAME : 75 lbs

TOTAL: 75 lbs



PIECES LIST

LABEL	QTY	SIZE	LENGTH	USE
A	3	600S162-33	10'-9 3/8"	STUD
B	2	600S162-33	10'-9 3/8"	EXTRA STUD
C	1	600T300-33	3'-1 1/16"	BOTTOM TRACK
D	1	600T150-33	3'-1 1/16"	TOP TRACK
E	1	600D-54	3'-0 5/8"	VANITY BACKING

21-3316

Jewish Home for the Aging

1885 Victory Blvd. Reseda, CA

FrameMax, Inc.
13915 Danielson St
Suite 100
Poway, CA 92064
www.frame-max.com



© FrameMax Inc.

CREATED: 09/26/2008

FM-07-109

CREATED BY: AMB

HEIGHT : 2'-8 1/2" POINTS: 0.22 Points.

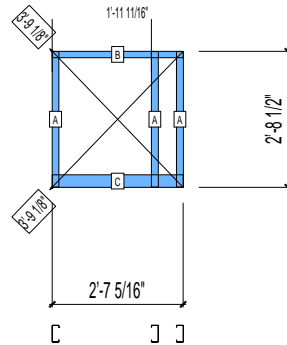
SPACING : 24"

1st STUD: 24"

WEIGHTS :

FRAME : 13 lbs

TOTAL: 13 lbs



PIECES LIST

LABEL	QTY	SIZE	LENGTH	USE
A	3	400S162-33	2'-8 3/8"	STUD
B	1	400T150-33	2'-7 5/16"	TOP TRACK
C	1	400T300-33	2'-7 5/16"	BOTTOM TRACK

21-3317

Jewish Home for the Aging

1885 Victory Blvd. Reseda, CA

FrameMax, Inc.
13915 Danielson St
Suite 100
Poway, CA 92064
www.frame-max.com



© FrameMax Inc.

CREATED: 09/26/2008

FM-07-109

CREATED BY: AMB

HEIGHT : 2'-8 1/2" POINTS: 0.47 Points.

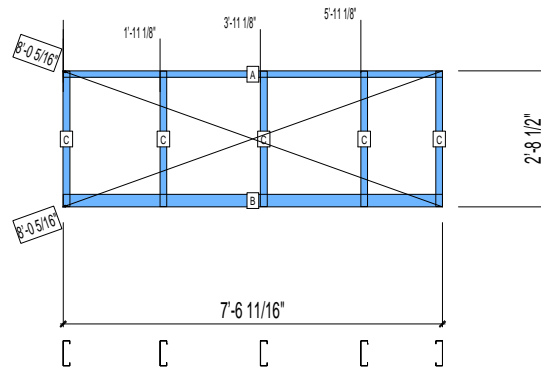
SPACING : 24"

1st STUD: 24"

WEIGHTS :

FRAME : 35 lbs

TOTAL: 35 lbs



PIECES LIST

LABEL	QTY	SIZE	LENGTH	USE
A	1	600T150-33	7'-6 11/16"	TOP TRACK
B	1	600T300-33	7'-6 11/16"	BOTTOM TRACK
C	5	600S162-33	2'-8 3/8"	STUD

21-3318

Jewish Home for the Aging

1885 Victory Blvd. Reseda, CA

FrameMax, Inc.
13915 Danielson St
Suite 100
Poway, CA 92064
www.frame-max.com



© FrameMax Inc.

CREATED: 09/26/2008

FM-07-109

CREATED BY: AMB

HEIGHT : 10'-9 7/16" POINTS: 0.36 Points.

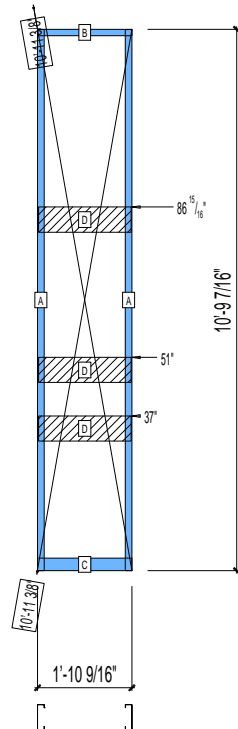
SPACING : 24"

1st STUD: 24"

WEIGHTS :

FRAME : 37 lbs

TOTAL: 37 lbs



PIECES LIST

LABEL	QTY	SIZE	LENGTH	USE
A	2	600S162-33	10'-9 3/8"	STUD
B	1	600T150-33	1'-10 9/16"	TOP TRACK
C	1	600T300-33	1'-10 9/16"	BOTTOM TRACK
D	3	600D-54	1'-10 1/8"	KITCHEN BACKING

21-3319

Jewish Home for the Aging

1885 Victory Blvd. Reseda, CA

FM-07-109

CREATED BY: AMB

FrameMax, Inc.
13915 Danielson St
Suite 100
Poway, CA 92064
www.frame-max.com



© FrameMax Inc.

HEIGHT : 10'-9 7/16" POINTS: 0.81 Points.

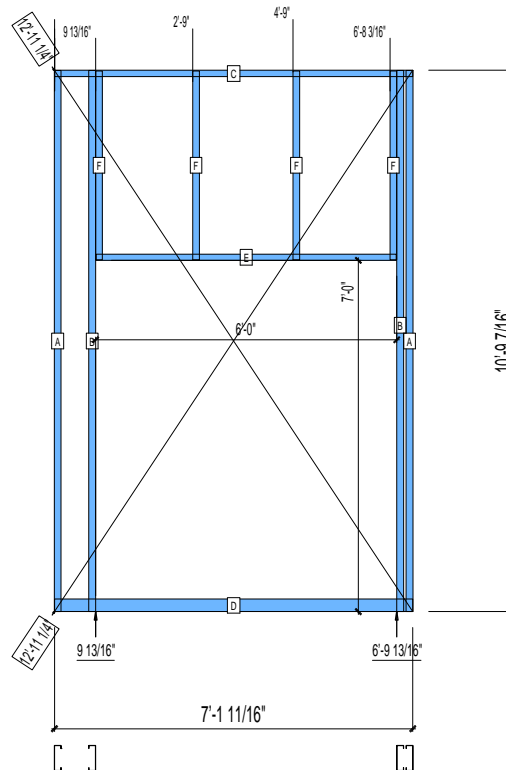
SPACING : 24"

1st STUD: 24"

WEIGHTS :

FRAME : 93 lbs

TOTAL: 93 lbs



PIECES LIST

LABEL	QTY	SIZE	LENGTH	USE
A	2	600S162-33	10'-9 3/8"	STUD
B	2	600S162-33	10'-9 3/8"	KING STUD
C	1	600T150-33	7'-1 11/16"	TOP TRACK
D	1	600T300-33	7'-1 11/16"	BOTTOM TRACK
E	1	600T150-33	5'-11 3/4"	HEAD TRACK
F	4	600S162-33	3'-9 1/8"	CRIPPLE

21-3320

Jewish Home for the Aging

1885 Victory Blvd. Reseda, CA

FM-07-109

CREATED BY: TNT

FrameMax, Inc.
13915 Danielson St
Suite 100
Poway, CA 92064
www.frame-max.com



© FrameMax Inc.

HEIGHT : 10'-9 7/16" POINTS: 1.05 Points.

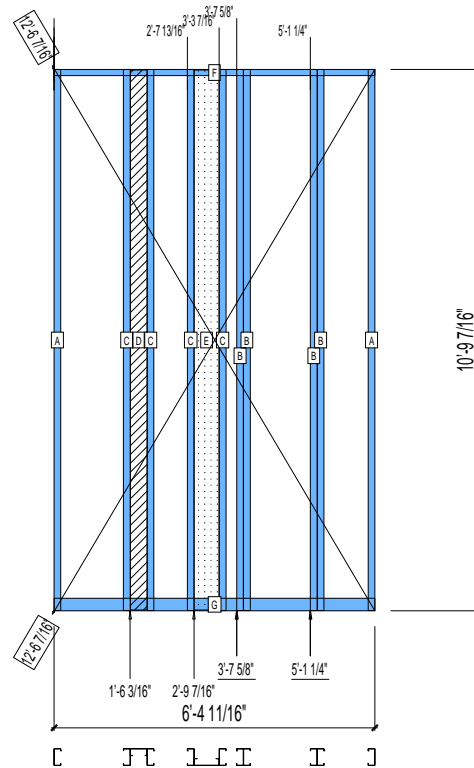
SPACING : 24"

1st STUD: 24"

WEIGHTS :

FRAME : 136 lbs

TOTAL: 136 lbs



PIECES LIST

LABEL	QTY	SIZE	LENGTH	USE
A	2	400S162-33	10'-9 3/8"	STUD
B	4	400S162-33	10'-9 3/8"	EXTRA STUD
C	4	400S162-33	10'-9 3/8"	BACKER STUD
D	1	400S162-33	10'-9 1/8"	BACKER-U
E	1	600S162-33	10'-9 1/8"	BACKER-U
F	1	400T150-33	6'-4 11/16"	TOP TRACK
G	1	400T300-33	6'-4 11/16"	BOTTOM TRACK

21-3321

Jewish Home for the Aging

1885 Victory Blvd. Reseda, CA

FrameMax, Inc.
13915 Danielson St
Suite 100
Poway, CA 92064
www.frame-max.com



© FrameMax Inc.

CREATED: 10/22/2008

FM-07-109

CREATED BY: TNT

HEIGHT : 10'-9 7/16" POINTS: 0.71 Points.

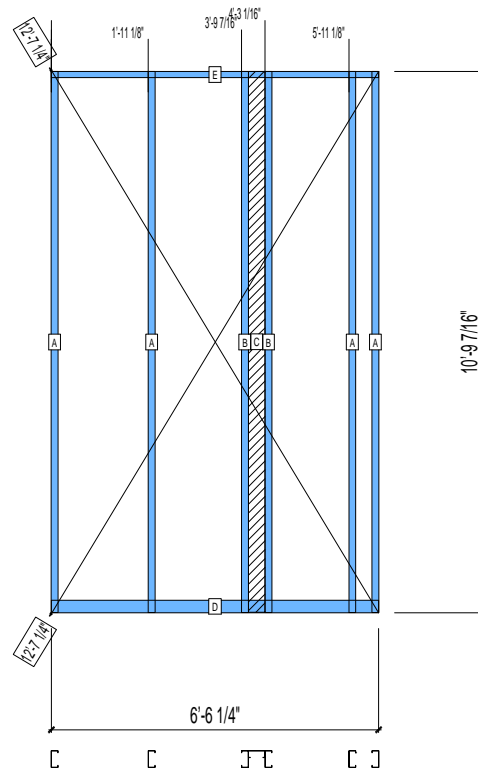
SPACING : 24"

1st STUD: 24"

WEIGHTS :

FRAME : 83 lbs

TOTAL: 83 lbs



PIECES LIST

LABEL	QTY	SIZE	LENGTH	USE
A	4	400S162-33	10'-9 3/8"	STUD
B	2	400S162-33	10'-9 3/8"	BACKER STUD
C	1	400S162-33	10'-9 1/4"	BACKER-U
D	1	400T300-33	6'-6 1/4"	BOTTOM TRACK
E	1	400T150-33	6'-6 1/4"	TOP TRACK

21-3322

Jewish Home for the Aging

1885 Victory Blvd. Reseda, CA

FrameMax, Inc.
13915 Danielson St
Suite 100
Poway, CA 92064
www.frame-max.com



© FrameMax Inc.

CREATED: 09/26/2008

FM-07-109

CREATED BY: AMB

HEIGHT : 10'-9 7/16" POINTS: 0.29 Points.

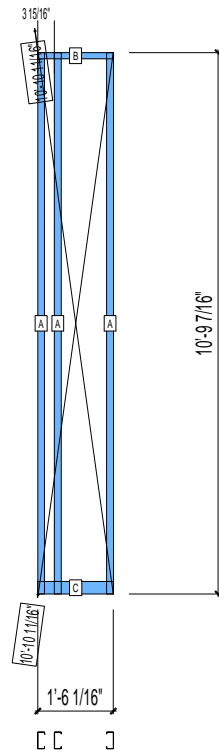
SPACING : 24"

1st STUD: 24"

WEIGHTS :

FRAME : 33 lbs

TOTAL: 33 lbs



PIECES LIST

LABEL	QTY	SIZE	LENGTH	USE
A	3	400S162-33	10'-9 3/8"	STUD
B	1	400T150-33	1'-6 1/16"	TOP TRACK
C	1	400T300-33	1'-6 1/16"	BOTTOM TRACK

21-3323

Jewish Home for the Aging

1885 Victory Blvd. Reseda, CA

FrameMax, Inc.
13915 Danielson St
Suite 100
Poway, CA 92064
www.frame-max.com



© FrameMax Inc.

CREATED: 09/26/2008

FM-07-109

CREATED BY: AMB

HEIGHT : 10'-9 7/16" POINTS: 0.31 Points.

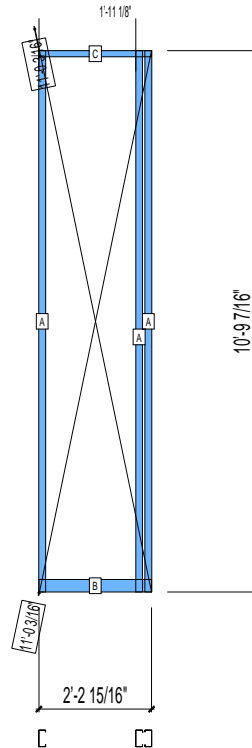
SPACING : 24"

1st STUD: 24"

WEIGHTS :

FRAME : 35 lbs

TOTAL: 35 lbs



PIECES LIST

LABEL	QTY	SIZE	LENGTH	USE
A	3	400S162-33	10'-9 3/8"	STUD
B	1	400T300-33	2'-2 15/16"	BOTTOM TRACK
C	1	400T150-33	2'-2 15/16"	TOP TRACK

21-3324

Jewish Home for the Aging

1885 Victory Blvd. Reseda, CA

FrameMax, Inc.
13915 Danielson St
Suite 100
Poway, CA 92064
www.frame-max.com



© FrameMax Inc.

CREATED: 09/26/2008

FM-07-109

CREATED BY: AMB

HEIGHT : 10'-9 7/16" POINTS: 0.34 Points.

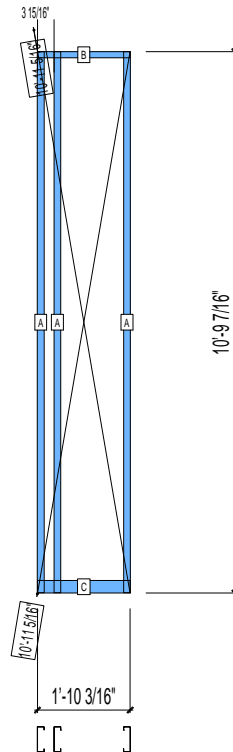
SPACING : 24"

1st STUD: 24"

WEIGHTS :

FRAME : 42 lbs

TOTAL: 42 lbs



PIECES LIST

LABEL	QTY	SIZE	LENGTH	USE
A	3	600S162-33	10'-9 3/8"	STUD
B	1	600T150-33	1'-10 3/16"	TOP TRACK
C	1	600T300-33	1'-10 3/16"	BOTTOM TRACK

21-3325

Jewish Home for the Aging

1885 Victory Blvd. Reseda, CA

FM-07-109

CREATED BY: AMB

FrameMax, Inc.
13915 Danielson St
Suite 100
Poway, CA 92064
www.frame-max.com



© FrameMax Inc.

HEIGHT : 10'-9 7/16" POINTS: 0.70 Points.

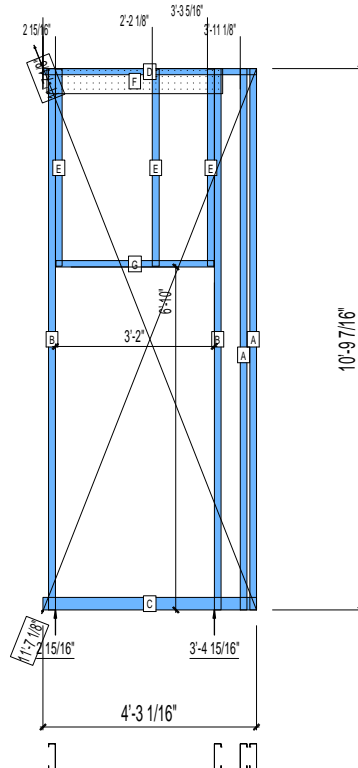
SPACING : 24"

1st STUD: 24"

WEIGHTS :

FRAME : 82 lbs

TOTAL: 82 lbs



PIECES LIST

LABEL	QTY	SIZE	LENGTH	USE
A	2	600S162-33	10'-9 3/8"	STUD
B	2	600S162-33	10'-9 3/8"	KING STUD
C	1	600T300-33	4'-3 1/16"	BOTTOM TRACK
D	1	600T150-33	4'-3 1/16"	TOP TRACK
E	3	600S162-33	3'-11 1/8"	CRIPPLE
F	1	600L150-33	3'-6"	L-HEADER
G	1	600T150-33	3'-1 3/4"	HEAD TRACK

21-3326

Jewish Home for the Aging

1885 Victory Blvd. Reseda, CA

FrameMax, Inc.
13915 Danielson St
Suite 100
Poway, CA 92064
www.frame-max.com



© FrameMax Inc.

CREATED: 09/26/2008

FM-07-109

CREATED BY: AMB

HEIGHT : 10'-9 7/16" POINTS: 0.74 Points.

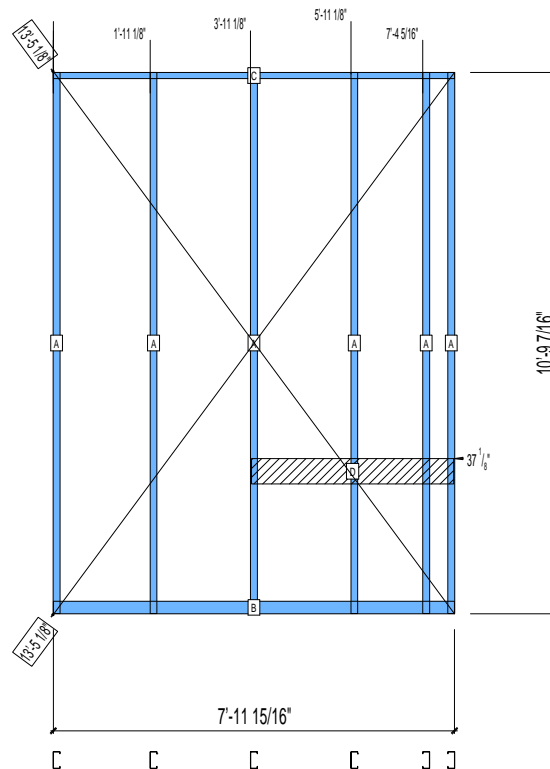
SPACING : 24"

1st STUD: 24"

WEIGHTS :

FRAME : 84 lbs

TOTAL: 84 lbs



PIECES LIST

LABEL	QTY	SIZE	LENGTH	USE
A	6	400S162-33	10'-9 3/8"	STUD
B	1	400T300-33	7'-11 15/16"	BOTTOM TRACK
C	1	400T150-33	7'-11 15/16"	TOP TRACK
D	1	600T150-54	4'-0 5/16"	VANITY BACKING

21-3327

Jewish Home for the Aging

1885 Victory Blvd. Reseda, CA

FM-07-109

CREATED BY: TNT

FrameMax, Inc.
13915 Danielson St
Suite 100
Poway, CA 92064
www.frame-max.com



© FrameMax Inc.

HEIGHT : 10'-9 7/16" POINTS: 0.54 Points.

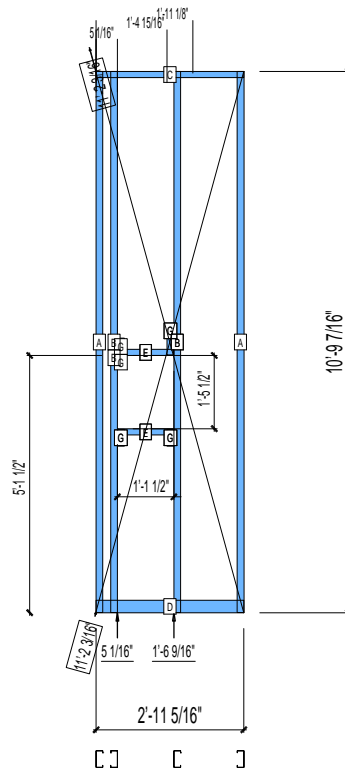
SPACING : 24"

1st STUD: 24"

WEIGHTS :

FRAME : 49 lbs

TOTAL: 49 lbs



PIECES LIST

LABEL	QTY	SIZE	LENGTH	USE
A	2	400S162-33	10'-9 3/8"	STUD
B	2	400S162-33	10'-9 3/8"	KING STUD
C	1	400T150-33	2'-11 5/16"	TOP TRACK
D	1	400T300-33	2'-11 5/16"	BOTTOM TRACK
E	1	400T150-33	1'-1 1/4"	SILL
F	1	400T150-33	1'-1 1/4"	HEAD TRACK
G	4	400S162-33	4"	CRIPPLE

21-3328

Jewish Home for the Aging

1885 Victory Blvd. Reseda, CA

FrameMax, Inc.
13915 Danielson St
Suite 100
Poway, CA 92064
www.frame-max.com



© FrameMax Inc.

CREATED: 09/26/2008

FM-07-109

CREATED BY: AMB

HEIGHT : 10'-9 7/16" POINTS: 0.44 Points.

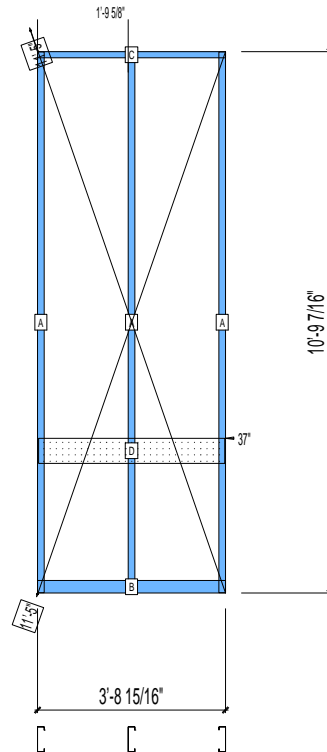
SPACING : 24"

1st STUD: 22 1/2"

WEIGHTS :

FRAME : 52 lbs

TOTAL: 52 lbs



PIECES LIST

LABEL	QTY	SIZE	LENGTH	USE
A	3	600S162-33	10'-9 5/16"	STUD
B	1	600T300-33	3'-8 15/16"	BOTTOM TRACK
C	1	600T150-33	3'-8 15/16"	TOP TRACK
D	1	600D-54	3'-8 1/2"	VANITY BACKING

21-3329

Jewish Home for the Aging

1885 Victory Blvd. Reseda, CA

FrameMax, Inc.
13915 Danielson St
Suite 100
Poway, CA 92064
www.frame-max.com



© FrameMax Inc.

CREATED: 10/21/2008

FM-07-109

CREATED BY: TNT

HEIGHT : 10'-9 7/16" POINTS: 0.63 Points.

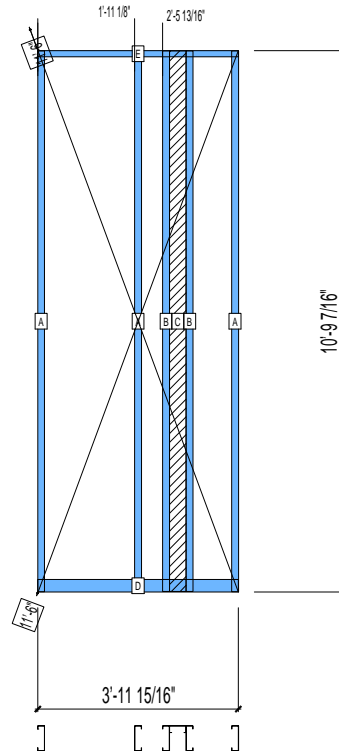
SPACING : 24"

1st STUD: 24"

WEIGHTS :

FRAME : 83 lbs

TOTAL: 83 lbs



PIECES LIST

LABEL	QTY	SIZE	LENGTH	USE
A	3	600S162-33	10'-9 5/16"	STUD
B	2	600S162-33	10'-9 1/4"	BACKER STUD
C	1	400S162-33	10'-9 1/4"	BACKER-U
D	1	600T300-33	3'-11 15/16"	BOTTOM TRACK
E	1	600T150-33	3'-11 15/16"	TOP TRACK

21-3330

Jewish Home for the Aging

1885 Victory Blvd. Reseda, CA

FrameMax, Inc.
13915 Danielson St
Suite 100
Poway, CA 92064
www.frame-max.com



© FrameMax Inc.

CREATED: 10/22/2008

FM-07-109

CREATED BY: TNT

HEIGHT : 10'-9 7/16" POINTS: 0.64 Points.

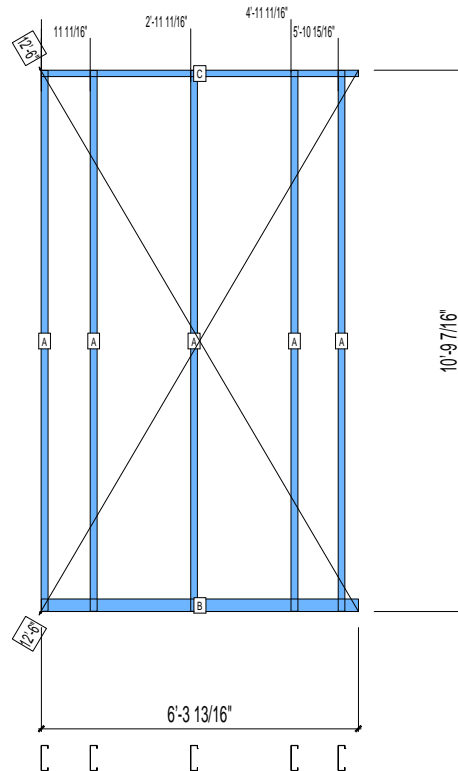
SPACING : 24"

1st STUD: 12 9/16"

WEIGHTS :

FRAME : 79 lbs

TOTAL: 79 lbs



PIECES LIST

LABEL	QTY	SIZE	LENGTH	USE
A	5	600S162-33	10'-9 5/16"	STUD
B	1	600T300-33	6'-3 13/16"	BOTTOM TRACK
C	1	600T150-33	6'-3 13/16"	TOP TRACK

21-3331

Jewish Home for the Aging

1885 Victory Blvd. Reseda, CA

FM-07-109

CREATED BY: AMB

FrameMax, Inc.
13915 Danielson St
Suite 100
Poway, CA 92064
www.frame-max.com



© FrameMax Inc.

HEIGHT : 10'-9 7/16" POINTS: 0.41 Points.

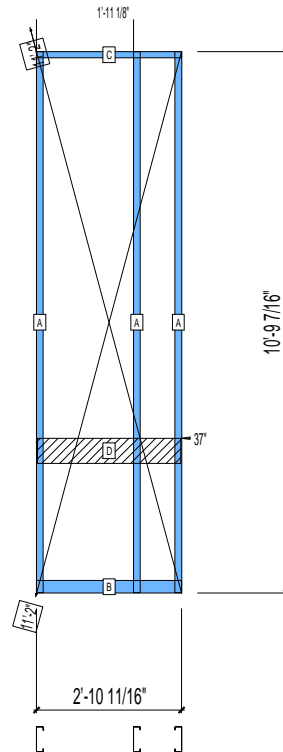
SPACING : 24"

1st STUD: 24"

WEIGHTS :

FRAME : 49 lbs

TOTAL: 49 lbs



PIECES LIST

LABEL	QTY	SIZE	LENGTH	USE
A	3	600S162-33	10'-9 3/8"	STUD
B	1	600T300-33	2'-10 11/16"	BOTTOM TRACK
C	1	600T150-33	2'-10 11/16"	TOP TRACK
D	1	600D-54	2'-10 1/4"	VANITY BACKING

21-3332

Jewish Home for the Aging

1885 Victory Blvd. Reseda, CA

FrameMax, Inc.
13915 Danielson St
Suite 100
Poway, CA 92064
www.frame-max.com



© FrameMax Inc.

CREATED: 09/26/2008

FM-07-109

CREATED BY: AMB

HEIGHT : 10'-9 7/16" POINTS: 0.76 Points.

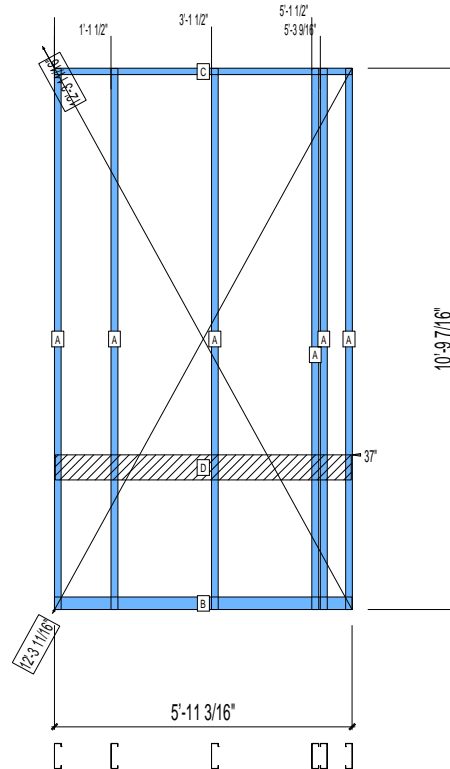
SPACING : 24"

1st STUD: 14 3/8"

WEIGHTS :

FRAME : 98 lbs

TOTAL: 98 lbs



PIECES LIST

LABEL	QTY	SIZE	LENGTH	USE
A	6	600S162-33	10'-9 3/8"	STUD
B	1	600T300-33	5'-11 3/16"	BOTTOM TRACK
C	1	600T150-33	5'-11 3/16"	TOP TRACK
D	1	600D-54	5'-10 3/4"	VANITY BACKING

21-3333

Jewish Home for the Aging

1885 Victory Blvd. Reseda, CA

FrameMax, Inc.
13915 Danielson St
Suite 100
Poway, CA 92064
www.frame-max.com



© FrameMax Inc.

CREATED: 10/21/2008

FM-07-109

CREATED BY: TNT

HEIGHT : 10'-9 7/16" POINTS: 0.47 Points.

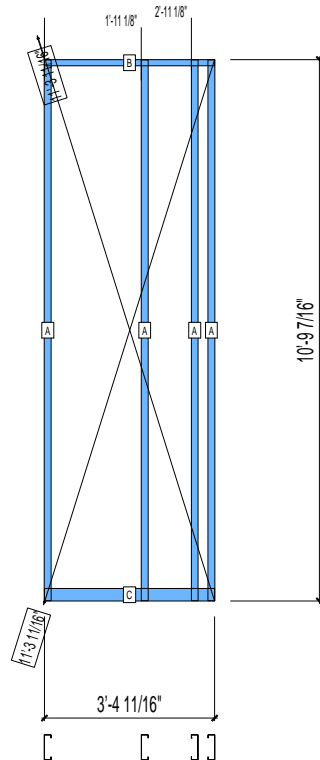
SPACING : 24"

1st STUD: 24"

WEIGHTS :

FRAME : 59 lbs

TOTAL: 59 lbs



PIECES LIST

LABEL	QTY	SIZE	LENGTH	USE
A	4	600S162-33	10'-9 5/16"	STUD
B	1	600T150-33	3'-4 11/16"	TOP TRACK
C	1	600T300-33	3'-4 11/16"	BOTTOM TRACK

21-3334

Jewish Home for the Aging

1885 Victory Blvd. Reseda, CA

FM-07-109

CREATED BY: TNT

FrameMax, Inc.
13915 Danielson St
Suite 100
Poway, CA 92064
www.frame-max.com



© FrameMax Inc.

HEIGHT : 10'-9 7/16" POINTS: 1.03 Points.

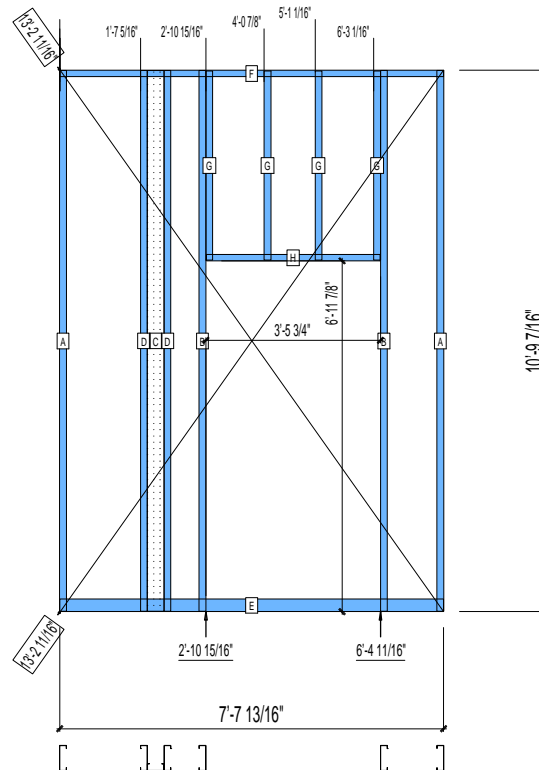
SPACING : 24"

1st STUD: 24"

WEIGHTS :

FRAME : 126 lbs

TOTAL: 126 lbs



PIECES LIST

LABEL	QTY	SIZE	LENGTH	USE
A	2	600S162-33	10'-9 5/16"	STUD
B	2	600S162-33	10'-9 5/16"	KING STUD
C	1	400S162-33	10'-9 1/4"	BACKER-U
D	2	600S162-33	10'-9 1/4"	BACKER STUD
E	1	600T300-33	7'-7 13/16"	BOTTOM TRACK
F	1	600T150-33	7'-7 13/16"	TOP TRACK
G	4	600S162-33	3'-9 3/16"	CRIPPLE
H	1	600T150-33	3'-5 1/2"	HEAD TRACK

21-3335

Jewish Home for the Aging

1885 Victory Blvd. Reseda, CA

FrameMax, Inc.
13915 Danielson St
Suite 100
Poway, CA 92064
www.framemax.com



© FrameMax Inc.

CREATED: 10/21/2008

FM-07-109

CREATED BY: TNT

HEIGHT : 10'-9 7/16" POINTS: 0.85 Points.

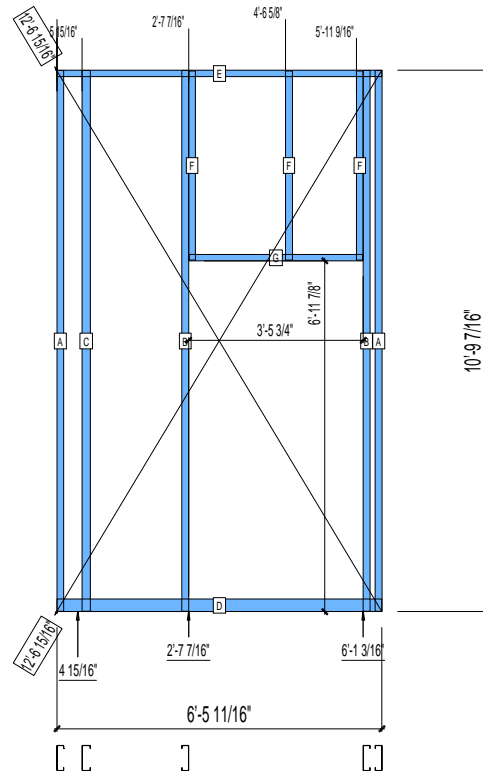
SPACING : 24"

1st STUD: 24"

WEIGHTS :

FRAME : 106 lbs

TOTAL: 106 lbs



PIECES LIST

LABEL	QTY	SIZE	LENGTH	USE
A	2	600S162-33	10'-9 5/16"	STUD
B	2	600S162-33	10'-9 5/16"	KING STUD
C	1	600S200-54	10'-9 5/16"	EXTRA STUD
D	1	600T300-33	6'-5 11/16"	BOTTOM TRACK
E	1	600T150-33	6'-5 11/16"	TOP TRACK
F	3	600S162-33	3'-9 3/16"	CRIPPLE
G	1	600T150-33	3'-5 1/2"	HEAD TRACK

21-3336

Jewish Home for the Aging

1885 Victory Blvd. Reseda, CA

FrameMax, Inc.
13915 Danielson St
Suite 100
Poway, CA 92064
www.frame-max.com



© FrameMax Inc.

CREATED: 09/26/2008

FM-07-109

CREATED BY: TNT

HEIGHT : 10'-9 7/16" POINTS: 0.33 Points.

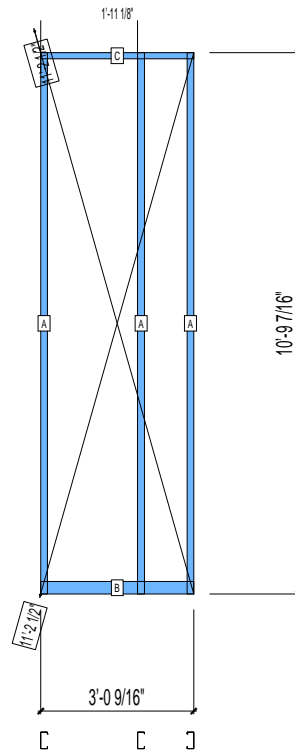
SPACING : 24"

1st STUD: 24"

WEIGHTS :

FRAME : 36 lbs

TOTAL: 36 lbs



PIECES LIST

LABEL	QTY	SIZE	LENGTH	USE
A	3	400S162-33	10'-9 3/8"	STUD
B	1	400T300-33	3'-0 9/16"	BOTTOM TRACK
C	1	400T150-33	3'-0 9/16"	TOP TRACK

21-3337

Jewish Home for the Aging

1885 Victory Blvd. Reseda, CA

FrameMax, Inc.
13915 Danielson St
Suite 100
Poway, CA 92064
www.frame-max.com



© FrameMax Inc.

CREATED: 10/22/2008

FM-07-109

CREATED BY: TNT

HEIGHT : 10'-9 7/16" POINTS: 0.28 Points.

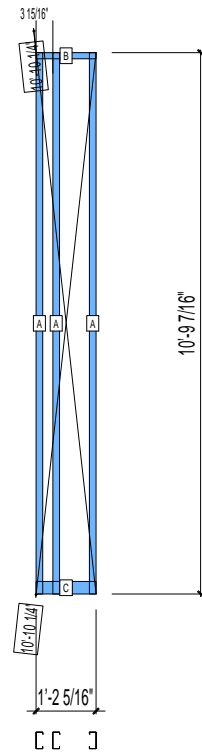
SPACING : 24"

1st STUD: 24"

WEIGHTS :

FRAME : 32 lbs

TOTAL: 32 lbs



PIECES LIST

LABEL	QTY	SIZE	LENGTH	USE
A	3	400S162-33	10'-9 3/8"	STUD
B	1	400T150-33	1'-2 5/16"	TOP TRACK
C	1	400T300-33	1'-2 5/16"	BOTTOM TRACK

21-3338

Jewish Home for the Aging

1885 Victory Blvd. Reseda, CA

FrameMax, Inc.
13915 Danielson St
Suite 100
Poway, CA 92064
www.frame-max.com



© FrameMax Inc.

CREATED: 10/22/2008

FM-07-109

CREATED BY: TNT

HEIGHT : 10'-9 7/16" POINTS: 0.24 Points.

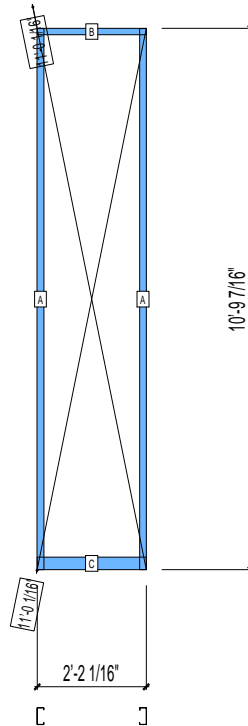
SPACING : 24"

1st STUD: 24"

WEIGHTS :

FRAME : 24 lbs

TOTAL: 24 lbs



PIECES LIST

LABEL	QTY	SIZE	LENGTH	USE
A	2	400S162-33	10'-9 3/8"	STUD
B	1	400T150-33	2'-2 1/16"	TOP TRACK
C	1	400T300-33	2'-2 1/16"	BOTTOM TRACK

21-3339

Jewish Home for the Aging

1885 Victory Blvd. Reseda, CA

FrameMax, Inc.
13915 Danielson St
Suite 100
Poway, CA 92064
www.framemax.com



© FrameMax Inc.

CREATED: 09/26/2008

FM-07-109

CREATED BY: AMB

HEIGHT : 10'-9 7/16" POINTS: 0.81 Points.

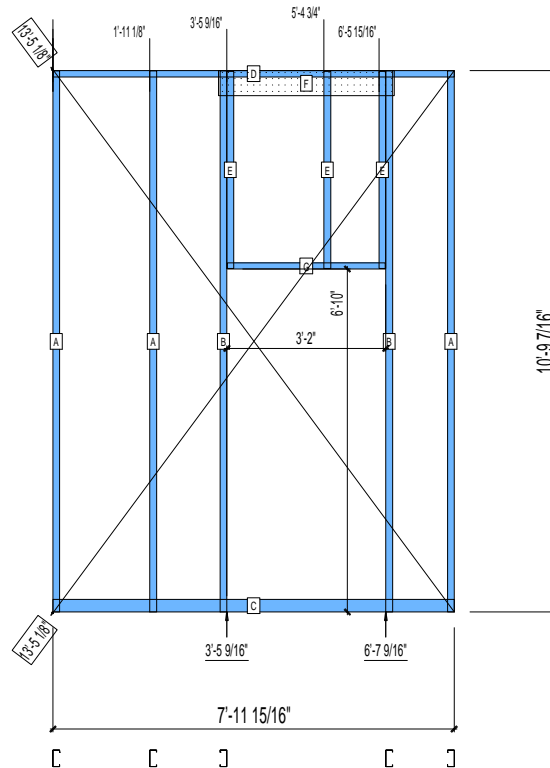
SPACING : 24"

1st STUD: 24"

WEIGHTS :

FRAME : 84 lbs

TOTAL: 84 lbs



PIECES LIST

LABEL	QTY	SIZE	LENGTH	USE
A	3	400S162-33	10'-9 3/8"	STUD
B	2	400S162-33	10'-9 3/8"	KING STUD
C	1	400T300-33	7'-11 15/16"	BOTTOM TRACK
D	1	400T150-33	7'-11 15/16"	TOP TRACK
E	3	400S162-33	3'-11 1/8"	CRIPPLE
F	1	600L150-33	3'-6"	L-HEADER
G	1	400T150-33	3'-1 3/4"	HEAD TRACK

21-3351

Jewish Home for the Aging

1885 Victory Blvd. Reseda, CA

FM-07-109

CREATED BY: AMB

FrameMax, Inc.
13915 Danielson St
Suite 100
Poway, CA 92064
www.frame-max.com



© FrameMax Inc.

HEIGHT : 10'-9 7/16" POINTS: 0.34 Points.

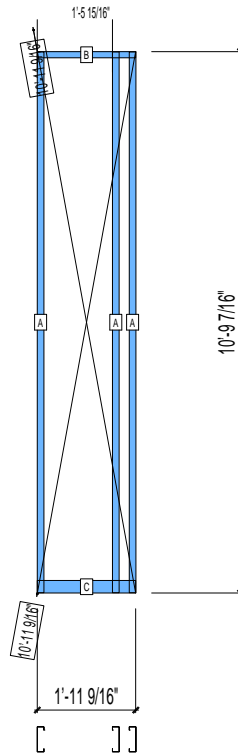
SPACING : 24"

1st STUD: 24"

WEIGHTS :

FRAME : 43 lbs

TOTAL: 43 lbs



PIECES LIST

LABEL	QTY	SIZE	LENGTH	USE
A	3	600S162-33	10'-9 5/16"	STUD
B	1	600T150-33	1'-11 9/16"	TOP TRACK
C	1	600T300-33	1'-11 9/16"	BOTTOM TRACK

21-3352

Jewish Home for the Aging

1885 Victory Blvd. Reseda, CA

FrameMax, Inc.
13915 Danielson St
Suite 100
Poway, CA 92064
www.frame-max.com



© FrameMax Inc.

CREATED: 09/26/2008

FM-07-109

CREATED BY: AMB

HEIGHT : 10'-9 7/16" POINTS: 0.21 Points.

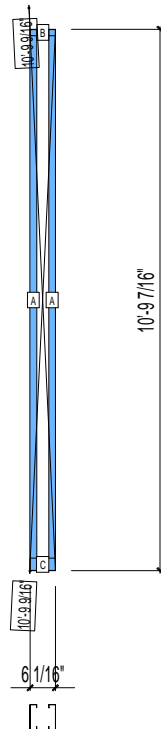
SPACING : 24"

1st STUD: 24"

WEIGHTS :

FRAME : 26 lbs

TOTAL: 26 lbs



PIECES LIST

LABEL	QTY	SIZE	LENGTH	USE
A	2	600S162-33	10'-9 5/16"	STUD
B	1	600T150-33	6 1/16"	TOP TRACK
C	1	600T300-33	6 1/16"	BOTTOM TRACK

21-3353

Jewish Home for the Aging

1885 Victory Blvd. Reseda, CA

FrameMax, Inc.
13915 Danielson St
Suite 100
Poway, CA 92064
www.frame-max.com



© FrameMax Inc.

CREATED: 10/09/2008

FM-07-109

CREATED BY: AMB

HEIGHT : 10'-9 7/16" POINTS: 0.66 Points.

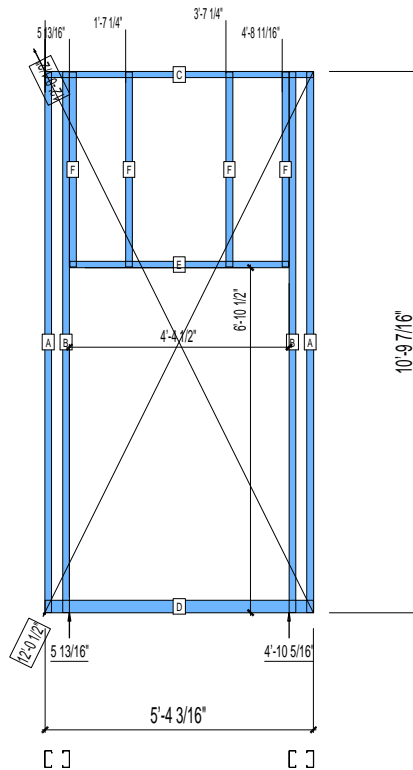
SPACING : 24"

1st STUD: 24"

WEIGHTS :

FRAME : 69 lbs

TOTAL: 69 lbs



PIECES LIST

LABEL	QTY	SIZE	LENGTH	USE
A	2	400S162-33	10'-9 5/16"	STUD
B	2	400S162-33	10'-9 5/16"	KING STUD
C	1	400T150-33	5'-4 3/16"	TOP TRACK
D	1	400T300-33	5'-4 3/16"	BOTTOM TRACK
E	1	400T150-33	4'-4 1/4"	HEAD TRACK
F	4	400S162-33	3'-10 9/16"	CRIPPLE

21-3354

Jewish Home for the Aging

1885 Victory Blvd. Reseda, CA

FrameMax, Inc.
13915 Danielson St
Suite 100
Poway, CA 92064
www.frame-max.com



© FrameMax Inc.

CREATED: 09/26/2008

FM-07-109

CREATED BY: AMB

HEIGHT : 10'-9 7/16" POINTS: 0.32 Points.

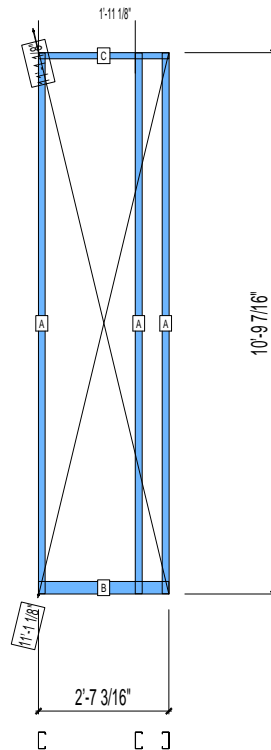
SPACING : 24"

1st STUD: 24"

WEIGHTS :

FRAME : 35 lbs

TOTAL: 35 lbs



PIECES LIST

LABEL	QTY	SIZE	LENGTH	USE
A	3	400S162-33	10'-9 5/16"	STUD
B	1	400T300-33	2'-7 3/16"	BOTTOM TRACK
C	1	400T150-33	2'-7 3/16"	TOP TRACK

21-3355

Jewish Home for the Aging

1885 Victory Blvd. Reseda, CA

FM-07-109

CREATED BY: TNT

FrameMax, Inc.
13915 Danielson St
Suite 100
Poway, CA 92064
www.frame-max.com



© FrameMax Inc.

HEIGHT : 10'-9 7/16" POINTS: 0.73 Points.

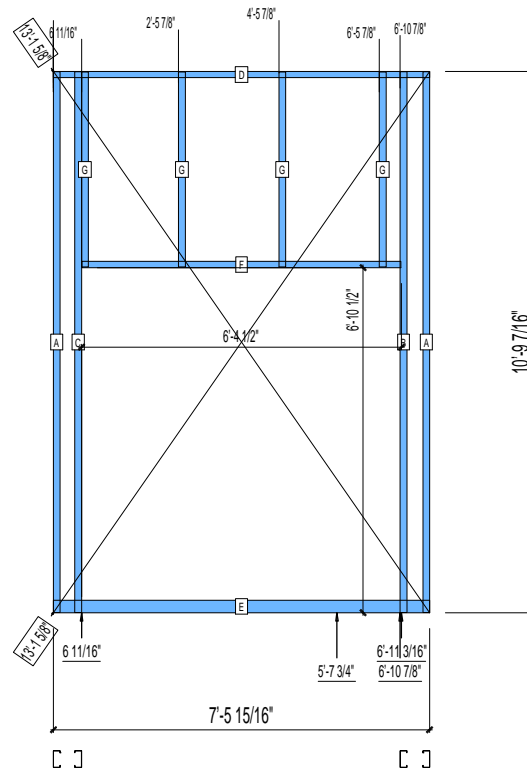
SPACING : 24"

1st STUD: 24"

WEIGHTS :

FRAME : 75 lbs

TOTAL: 75 lbs



PIECES LIST

LABEL	QTY	SIZE	LENGTH	USE
A	2	400S162-33	10'-9 5/16"	STUD
B	1	400S162-33	10'-9 5/16"	BEAM KING
C	1	400S162-33	10'-9 5/16"	KING STUD
D	1	400T150-33	7'-5 15/16"	TOP TRACK
E	1	400T300-33	7'-5 15/16"	BOTTOM TRACK
F	1	400T150-33	6'-4 1/4"	HEAD TRACK
G	4	400S162-33	3'-10 9/16"	CRIPPLE

21-3356

Jewish Home for the Aging

1885 Victory Blvd. Reseda, CA

FrameMax, Inc.
13915 Danielson St
Suite 100
Poway, CA 92064
www.frame-max.com



© FrameMax Inc.

CREATED: 09/26/2008

FM-07-109

CREATED BY: TNT

HEIGHT : 10'-9 7/16" POINTS: 0.32 Points.

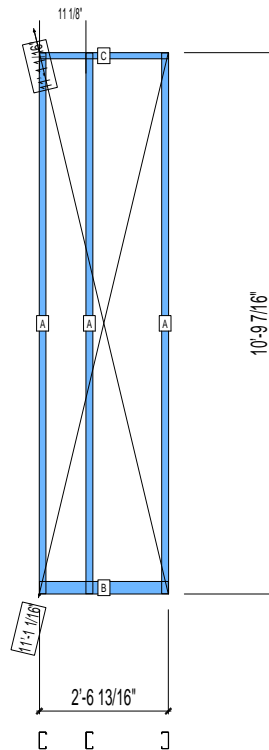
SPACING : 24"

1st STUD: 24"

WEIGHTS :

FRAME : 35 lbs

TOTAL: 35 lbs



PIECES LIST

LABEL	QTY	SIZE	LENGTH	USE
A	3	400S162-33	10'-9 5/16"	STUD
B	1	400T300-33	2'-6 13/16"	BOTTOM TRACK
C	1	400T150-33	2'-6 13/16"	TOP TRACK

21-3357

Jewish Home for the Aging

1885 Victory Blvd. Reseda, CA

FM-07-109

CREATED BY: AMB

FrameMax, Inc.
13915 Danielson St
Suite 100
Poway, CA 92064
www.frame-max.com



© FrameMax Inc.

HEIGHT : 10'-9 7/16" POINTS: 0.81 Points.

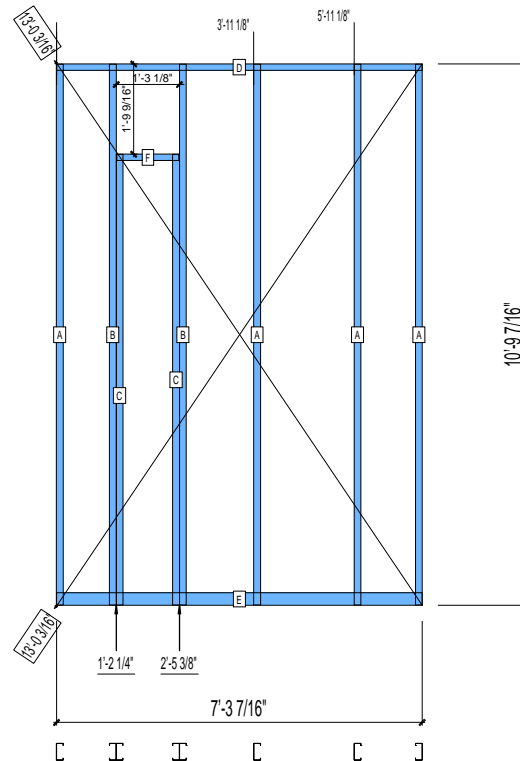
SPACING : 24"

1st STUD: 24"

WEIGHTS :

FRAME : 93 lbs

TOTAL: 93 lbs



PIECES LIST

LABEL	QTY	SIZE	LENGTH	USE
A	4	400S162-33	10'-9 5/16"	STUD
B	2	400S162-33	10'-9 5/16"	BEAM KING
C	2	400S162-33	8'-11 3/4"	BEAM JACK
D	1	400T150-33	7'-3 7/16"	TOP TRACK
E	1	400T300-33	7'-3 7/16"	BOTTOM TRACK
F	1	400T150-33	1'-2 3/4"	BEAM JACK

21-3358

Jewish Home for the Aging

1885 Victory Blvd. Reseda, CA

FM-07-109

CREATED BY: AMB

FrameMax, Inc.
13915 Danielson St
Suite 100
Poway, CA 92064
www.frame-max.com



© FrameMax Inc.

HEIGHT : 10'-9 7/16" POINTS: 0.76 Points.

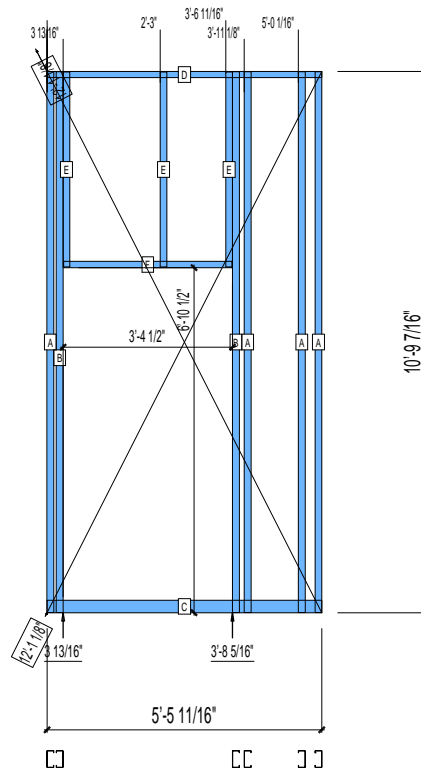
SPACING : 24"

1st STUD: 24"

WEIGHTS :

FRAME : 85 lbs

TOTAL: 85 lbs



PIECES LIST

LABEL	QTY	SIZE	LENGTH	USE
A	4	400S162-33	10'-9 5/16"	STUD
B	2	400S162-33	10'-9 5/16"	KING STUD
C	1	400T300-33	5'-5 11/16"	BOTTOM TRACK
D	1	400T150-33	5'-5 11/16"	TOP TRACK
E	3	400S162-33	3'-10 9/16"	CRIPPLE
F	1	400T150-33	3'-4 1/4"	HEAD TRACK

21-3360

Jewish Home for the Aging

1885 Victory Blvd. Reseda, CA

FrameMax, Inc.
13915 Danielson St
Suite 100
Poway, CA 92064
www.frame-max.com



© FrameMax Inc.

CREATED: 09/26/2008

FM-07-109

CREATED BY: AMB

HEIGHT : 10'-9 7/16" POINTS: 0.38 Points.

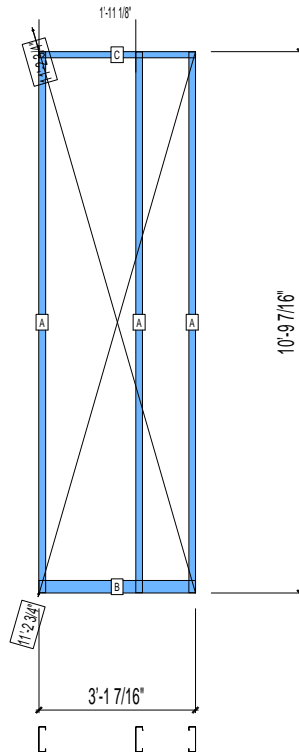
SPACING : 24"

1st STUD: 24"

WEIGHTS :

FRAME : 46 lbs

TOTAL: 46 lbs



PIECES LIST

LABEL	QTY	SIZE	LENGTH	USE
A	3	600S162-33	10'-9 5/16"	STUD
B	1	600T300-33	3'-1 7/16"	BOTTOM TRACK
C	1	600T150-33	3'-1 7/16"	TOP TRACK

21-3361

Jewish Home for the Aging

1885 Victory Blvd. Reseda, CA

FrameMax, Inc.
13915 Danielson St
Suite 100
Poway, CA 92064
www.frame-max.com



© FrameMax Inc.

CREATED: 09/26/2008

FM-07-109

CREATED BY: AMB

HEIGHT : 10'-9 7/16" POINTS: 0.25 Points.

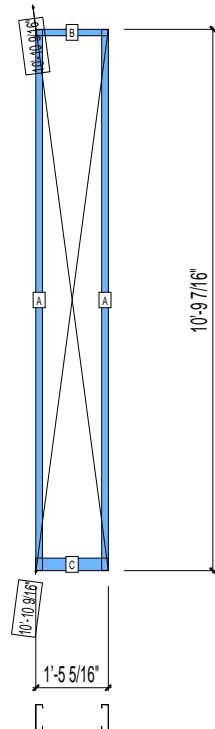
SPACING : 24"

1st STUD: 24"

WEIGHTS :

FRAME : 29 lbs

TOTAL: 29 lbs



PIECES LIST

LABEL	QTY	SIZE	LENGTH	USE
A	2	600S162-33	10'-9 5/16"	STUD
B	1	600T150-33	1'-5 5/16"	TOP TRACK
C	1	600T300-33	1'-5 5/16"	BOTTOM TRACK

21-3362

Jewish Home for the Aging

1885 Victory Blvd. Reseda, CA

FM-07-109

CREATED BY: TNT

FrameMax, Inc.
13915 Danielson St
Suite 100
Poway, CA 92064
www.frame-max.com



© FrameMax Inc.

HEIGHT : 10'-9 7/16" POINTS: 0.67 Points.

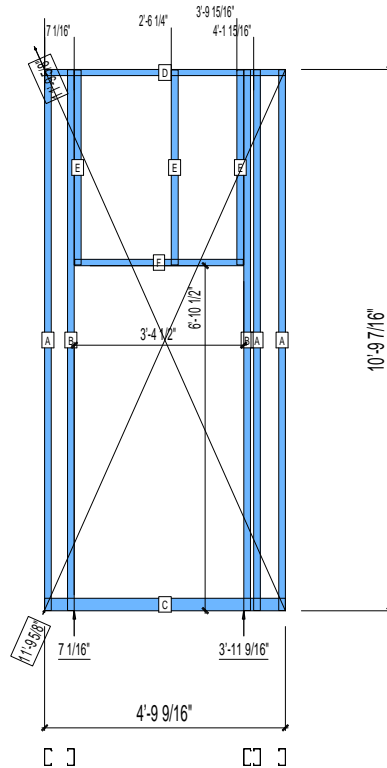
SPACING : 24"

1st STUD: 24"

WEIGHTS :

FRAME : 73 lbs

TOTAL: 73 lbs



PIECES LIST

LABEL	QTY	SIZE	LENGTH	USE
A	3	400S162-33	10'-9 5/16"	STUD
B	2	400S162-33	10'-9 5/16"	KING STUD
C	1	400T300-33	4'-9 9/16"	BOTTOM TRACK
D	1	400T150-33	4'-9 9/16"	TOP TRACK
E	3	400S162-33	3'-10 9/16"	CRIPPLE
F	1	400T150-33	3'-4 1/4"	HEAD TRACK

21-3363

Jewish Home for the Aging

1885 Victory Blvd. Reseda, CA

FM-07-109

CREATED BY: AMB

FrameMax, Inc.
13915 Danielson St
Suite 100
Poway, CA 92064
www.frame-max.com



© FrameMax Inc.

HEIGHT : 10'-9 7/16" POINTS: 0.95 Points.

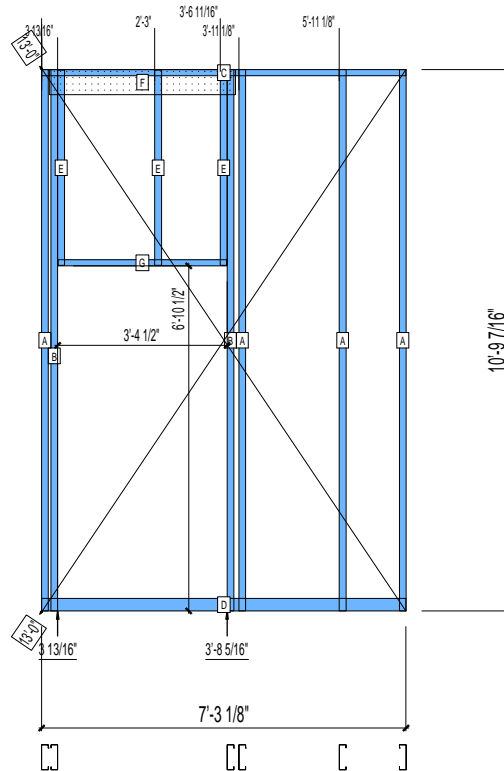
SPACING : 24"

1st STUD: 24"

WEIGHTS :

FRAME : 115 lbs

TOTAL: 115 lbs



PIECES LIST

LABEL	QTY	SIZE	LENGTH	USE
A	4	600S162-33	10'-9 3/8"	STUD
B	2	600S162-33	10'-9 3/8"	KING STUD
C	1	600T150-33	7'-3 1/8"	TOP TRACK
D	1	600T300-33	7'-3 1/8"	BOTTOM TRACK
E	3	600S162-33	3'-10 5/8"	CRIPPLE
F	1	600L150-33	3'-8 1/2"	L-HEADER
G	1	600T150-33	3'-4 1/4"	HEAD TRACK

21-3401

Jewish Home for the Aging

1885 Victory Blvd. Reseda, CA

FM-07-109

CREATED BY: AMB

FrameMax, Inc.
13915 Danielson St
Suite 100
Poway, CA 92064
www.frame-max.com



© FrameMax Inc.

HEIGHT : 10'-9 7/16" POINTS: 0.86 Points.

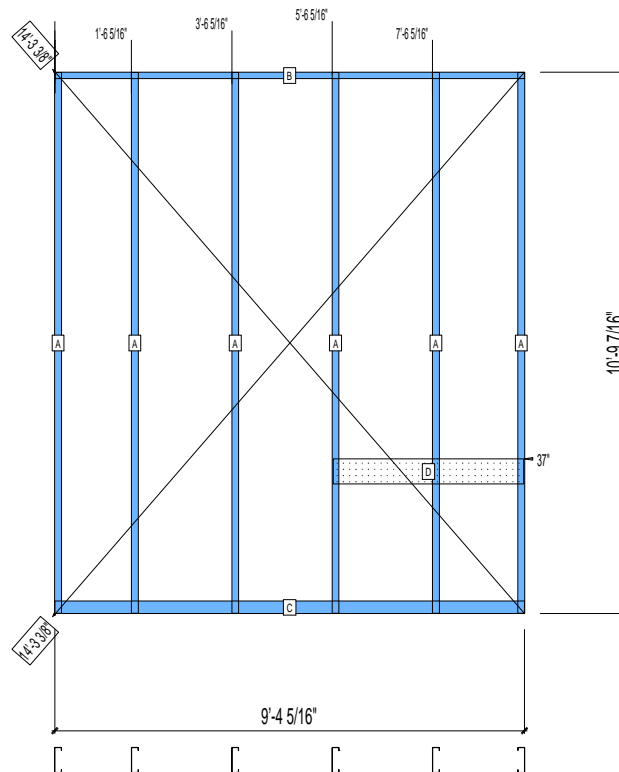
SPACING : 24"

1st STUD: 19 3/16"

WEIGHTS :

FRAME : 104 lbs

TOTAL: 104 lbs



PIECES LIST

LABEL	QTY	SIZE	LENGTH	USE
A	6	600S162-33	10'-9 5/16"	STUD
B	1	600T150-33	9'-4 5/16"	TOP TRACK
C	1	600T300-33	9'-4 5/16"	BOTTOM TRACK
D	1	600D-54	3'-9 1/2"	VANITY BACKING

21-3402

Jewish Home for the Aging

1885 Victory Blvd. Reseda, CA

FM-07-109

CREATED BY: AMB

FrameMax, Inc.
13915 Danielson St
Suite 100
Poway, CA 92064
www.frame-max.com



© FrameMax Inc.

HEIGHT : 10'-9 7/16" POINTS: 0.51 Points.

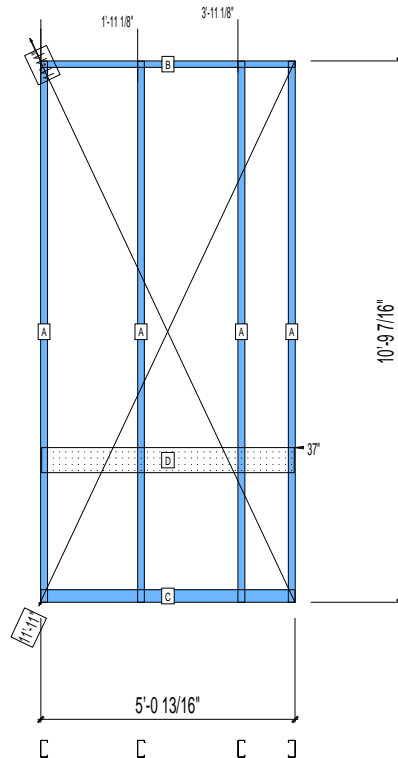
SPACING : 24"

1st STUD: 24"

WEIGHTS :

FRAME : 56 lbs

TOTAL: 56 lbs



PIECES LIST

LABEL	QTY	SIZE	LENGTH	USE
A	4	400S162-33	10'-9 3/8"	STUD
B	1	400T150-33	5'-0 13/16"	TOP TRACK
C	1	400T300-33	5'-0 13/16"	BOTTOM TRACK
D	1	600D-54	5'-0 3/8"	VANITY BACKING

21-3403

Jewish Home for the Aging

1885 Victory Blvd. Reseda, CA

FM-07-109

CREATED BY: AMB

FrameMax, Inc.
13915 Danielson St
Suite 100
Poway, CA 92064
www.frame-max.com



© FrameMax Inc.

HEIGHT : 10'-9 7/16" POINTS: 1.22 Points.

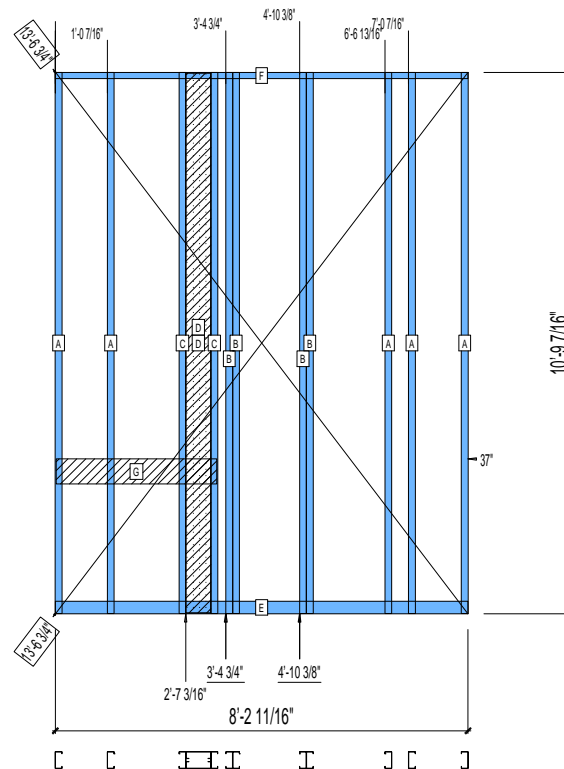
SPACING : 24"

1st STUD: 13 5/16"

WEIGHTS :

FRAME : 156 lbs

TOTAL: 156 lbs



PIECES LIST

LABEL	QTY	SIZE	LENGTH	USE
A	5	400S162-33	10'-9 3/8"	STUD
B	4	400S162-33	10'-9 3/8"	EXTRA STUD
C	2	400S162-33	10'-9 3/8"	BACKER STUD
D	2	600S162-33	10'-9 1/8"	BACKER-U
E	1	400T300-33	8'-2 11/16"	BOTTOM TRACK
F	1	400T150-33	8'-2 11/16"	TOP TRACK
G	1	600D-54	3'-2 3/8"	VANITY BACKING

21-3404

Jewish Home for the Aging

1885 Victory Blvd. Reseda, CA

FM-07-109

CREATED BY: AMB

FrameMax, Inc.
13915 Danielson St
Suite 100
Poway, CA 92064
www.frame-max.com



© FrameMax Inc.

HEIGHT : 10'-9 7/16" POINTS: 0.76 Points.

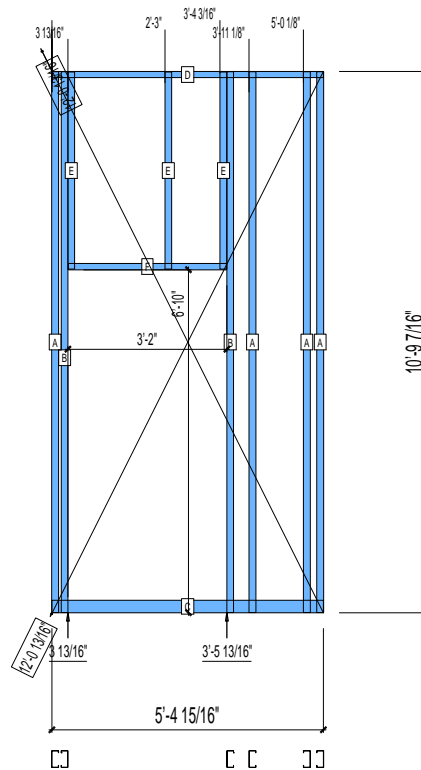
SPACING : 24"

1st STUD: 24"

WEIGHTS :

FRAME : 85 lbs

TOTAL: 85 lbs



PIECES LIST

LABEL	QTY	SIZE	LENGTH	USE
A	4	400S162-33	10'-9 5/16"	STUD
B	2	400S162-33	10'-9 5/16"	KING STUD
C	1	400T300-33	5'-4 15/16"	BOTTOM TRACK
D	1	400T150-33	5'-4 15/16"	TOP TRACK
E	3	400S162-33	3'-11 1/16"	CRIPPLE
F	1	400T150-33	3'-1 3/4"	HEAD TRACK

21-3405

Jewish Home for the Aging

1885 Victory Blvd. Reseda, CA

FM-07-109

CREATED BY: AMB

FrameMax, Inc.
13915 Danielson St
Suite 100
Poway, CA 92064
www.frame-max.com



© FrameMax Inc.

HEIGHT : 10'-9 7/16" POINTS: 1.06 Points.

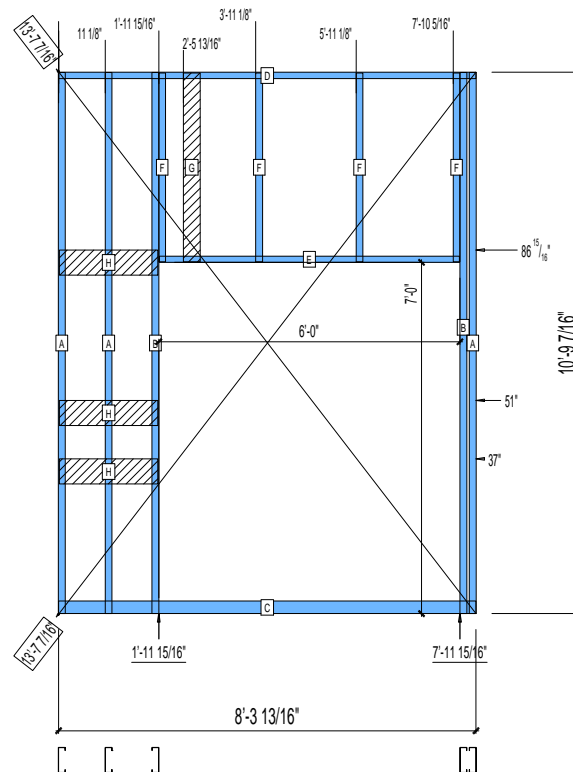
SPACING : 24"

1st STUD: 12"

WEIGHTS :

FRAME : 119 lbs

TOTAL: 119 lbs



PIECES LIST

LABEL	QTY	SIZE	LENGTH	USE
A	3	600S162-33	10'-9 3/8"	STUD
B	2	600S162-33	10'-9 3/8"	KING STUD
C	1	600T300-33	8'-3 13/16"	BOTTOM TRACK
D	1	600T150-33	8'-3 13/16"	TOP TRACK
E	1	600T150-33	5'-11 3/4"	HEAD TRACK
F	4	600S162-33	3'-9 1/8"	CRIPPLE
G	1	400S162-33	3'-9 1/8"	BACKER-U
H	3	600D-54	1'-11 1/2"	KITCHEN BACKING

21-3406

Jewish Home for the Aging

1885 Victory Blvd. Reseda, CA

FM-07-109

CREATED BY: TNT

FrameMax, Inc.
13915 Danielson St
Suite 100
Poway, CA 92064
www.frame-max.com



© FrameMax Inc.

HEIGHT : 10'-9 7/16" POINTS: 0.61 Points.

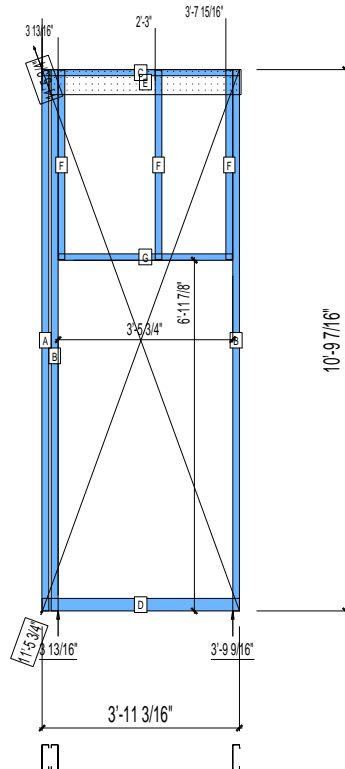
SPACING : 24"

1st STUD: 24"

WEIGHTS :

FRAME : 68 lbs

TOTAL: 68 lbs



PIECES LIST

LABEL	QTY	SIZE	LENGTH	USE
A	1	600S162-33	10'-9 3/8"	STUD
B	2	600S162-33	10'-9 3/8"	KING STUD
C	1	600T150-33	3'-11 3/16"	TOP TRACK
D	1	600T300-33	3'-11 3/16"	BOTTOM TRACK
E	1	600L150-33	3'-9 3/4"	L-HEADER
F	3	600S162-33	3'-9 1/4"	CRIPPLE
G	1	600T150-33	3'-5 1/2"	HEAD TRACK

21-3407

Jewish Home for the Aging

1885 Victory Blvd. Reseda, CA

FrameMax, Inc.
13915 Danielson St
Suite 100
Poway, CA 92064
www.frame-max.com



© FrameMax Inc.

CREATED: 10/22/2008

FM-07-109

CREATED BY: TNT

HEIGHT : 10'-9 7/16" POINTS: 0.26 Points.

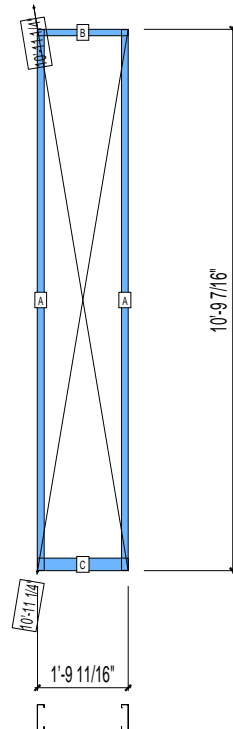
SPACING : 24"

1st STUD: 24"

WEIGHTS :

FRAME : 30 lbs

TOTAL: 30 lbs



PIECES LIST

LABEL	QTY	SIZE	LENGTH	USE
A	2	600S162-33	10'-9 5/16"	STUD
B	1	600T150-33	1'-9 11/16"	TOP TRACK
C	1	600T300-33	1'-9 11/16"	BOTTOM TRACK

21-3408

Jewish Home for the Aging

1885 Victory Blvd. Reseda, CA

FrameMax, Inc.
13915 Danielson St
Suite 100
Poway, CA 92064
www.frame-max.com



© FrameMax Inc.

CREATED: 09/26/2008

FM-07-109

CREATED BY: AMB

HEIGHT : 10'-9 7/16" POINTS: 0.24 Points.

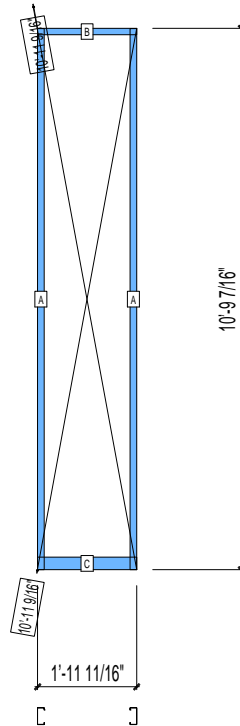
SPACING : 24"

1st STUD: 24"

WEIGHTS :

FRAME : 24 lbs

TOTAL: 24 lbs



PIECES LIST

LABEL	QTY	SIZE	LENGTH	USE
A	2	400S162-33	10'-9 3/8"	STUD
B	1	400T150-33	1'-11 11/16"	TOP TRACK
C	1	400T300-33	1'-11 11/16"	BOTTOM TRACK

21-3409

Jewish Home for the Aging

1885 Victory Blvd. Reseda, CA

FrameMax, Inc.
13915 Danielson St
Suite 100
Poway, CA 92064
www.frame-max.com



© FrameMax Inc.

CREATED: 09/26/2008

FM-07-109

CREATED BY: AMB

HEIGHT : 10'-9 7/16" POINTS: 0.28 Points.

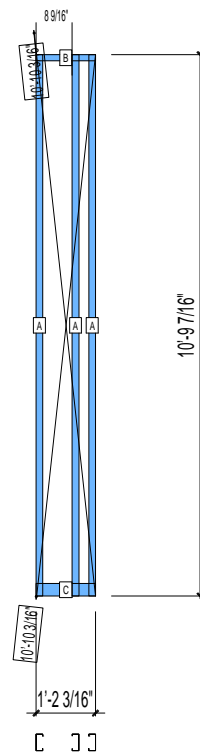
SPACING : 24"

1st STUD: 24"

WEIGHTS :

FRAME : 32 lbs

TOTAL: 32 lbs



PIECES LIST

LABEL	QTY	SIZE	LENGTH	USE
A	3	400S162-33	10'-9 3/8"	STUD
B	1	400T150-33	1'-2 3/16"	TOP TRACK
C	1	400T300-33	1'-2 3/16"	BOTTOM TRACK

21-3410

Jewish Home for the Aging

1885 Victory Blvd. Reseda, CA

FrameMax, Inc.
13915 Danielson St
Suite 100
Poway, CA 92064
www.frame-max.com



© FrameMax Inc.

CREATED: 09/26/2008

FM-07-109

CREATED BY: TNT

HEIGHT : 10'-9 7/16" POINTS: 0.36 Points.

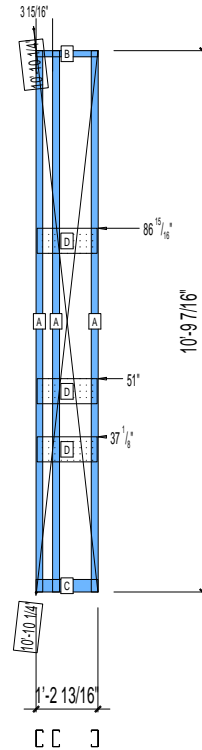
SPACING : 24"

1st STUD: 24"

WEIGHTS :

FRAME : 37 lbs

TOTAL: 37 lbs



PIECES LIST

LABEL	QTY	SIZE	LENGTH	USE
A	3	400S162-33	10'-9 3/8"	STUD
B	1	400T150-33	1'-2 13/16"	TOP TRACK
C	1	400T300-33	1'-2 13/16"	BOTTOM TRACK
D	3	600D-54	1'-2 3/8"	KITCHEN BACKING

21-3411

Jewish Home for the Aging

1885 Victory Blvd. Reseda, CA

FrameMax, Inc.
13915 Danielson St
Suite 100
Poway, CA 92064
www.frame-max.com



© FrameMax Inc.

CREATED: 09/26/2008

FM-07-109

CREATED BY: TNT

HEIGHT : 10'-9 7/16" POINTS: 0.34 Points.

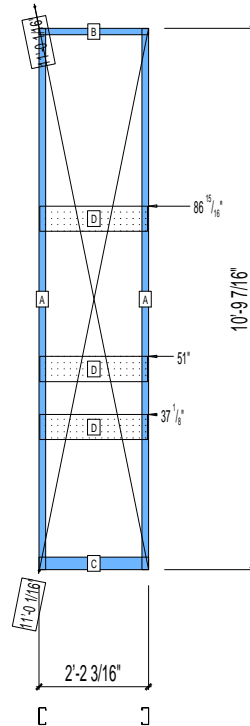
SPACING : 24"

1st STUD: 24"

WEIGHTS :

FRAME : 32 lbs

TOTAL: 32 lbs



PIECES LIST

LABEL	QTY	SIZE	LENGTH	USE
A	2	400S162-33	10'-9 3/8"	STUD
B	1	400T150-33	2'-2 3/16"	TOP TRACK
C	1	400T300-33	2'-2 3/16"	BOTTOM TRACK
D	3	600D-54	2'-1 3/4"	KITCHEN BACKING

21-3412

Jewish Home for the Aging

1885 Victory Blvd. Reseda, CA

FrameMax, Inc.
13915 Danielson St
Suite 100
Poway, CA 92064
www.frame-max.com



© FrameMax Inc.

CREATED: 09/26/2008

FM-07-109

CREATED BY: AMB

HEIGHT : 2'-8 1/2" POINTS: 0.35 Points.

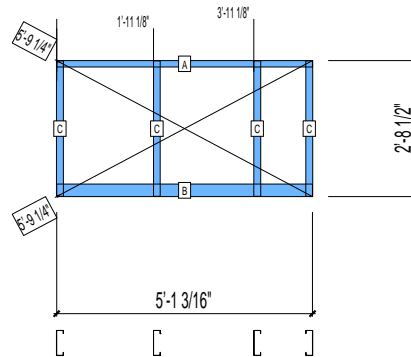
SPACING : 24"

1st STUD: 24"

WEIGHTS :

FRAME : 25 lbs

TOTAL: 25 lbs



PIECES LIST

LABEL	QTY	SIZE	LENGTH	USE
A	1	600T150-33	5'-1 3/16"	TOP TRACK
B	1	600T300-33	5'-1 3/16"	BOTTOM TRACK
C	4	600S162-33	2'-8 3/8"	STUD

21-3413

Jewish Home for the Aging

1885 Victory Blvd. Reseda, CA

FM-07-109

CREATED BY: AMB

FrameMax, Inc.
13915 Danielson St
Suite 100
Poway, CA 92064
www.frame-max.com



© FrameMax Inc.

HEIGHT : 2'-8 1/2" POINTS: 0.22 Points.

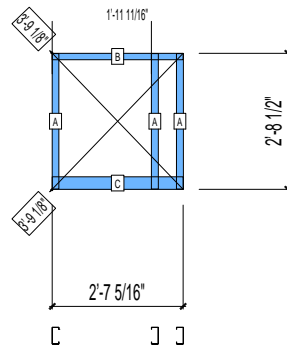
SPACING : 24"

1st STUD: 24"

WEIGHTS :

FRAME : 13 lbs

TOTAL: 13 lbs



PIECES LIST

LABEL	QTY	SIZE	LENGTH	USE
A	3	400S162-33	2'-8 3/8"	STUD
B	1	400T150-33	2'-7 5/16"	TOP TRACK
C	1	400T300-33	2'-7 5/16"	BOTTOM TRACK

21-3414

Jewish Home for the Aging

1885 Victory Blvd. Reseda, CA

FrameMax, Inc.
13915 Danielson St
Suite 100
Poway, CA 92064
www.frame-max.com



© FrameMax Inc.

CREATED: 09/26/2008

FM-07-109

CREATED BY: AMB

HEIGHT : 10'-9 7/16" POINTS: 0.33 Points.

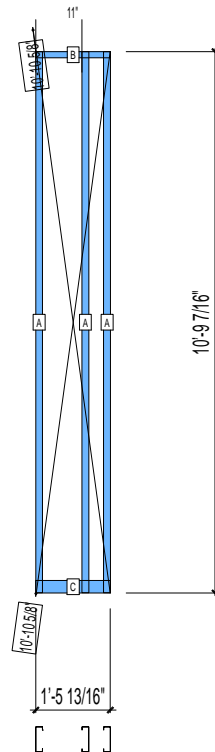
SPACING : 24"

1st STUD: 24"

WEIGHTS :

FRAME : 42 lbs

TOTAL: 42 lbs



PIECES LIST

LABEL	QTY	SIZE	LENGTH	USE
A	3	600S162-33	10'-9 3/8"	STUD
B	1	600T150-33	1'-5 13/16"	TOP TRACK
C	1	600T300-33	1'-5 13/16"	BOTTOM TRACK

21-3415

Jewish Home for the Aging

1885 Victory Blvd. Reseda, CA

FM-07-109

CREATED BY: AMB

FrameMax, Inc.
13915 Danielson St
Suite 100
Poway, CA 92064
www.framemax.com



© FrameMax Inc.

HEIGHT : 10'-9 7/16" POINTS: 0.72 Points.

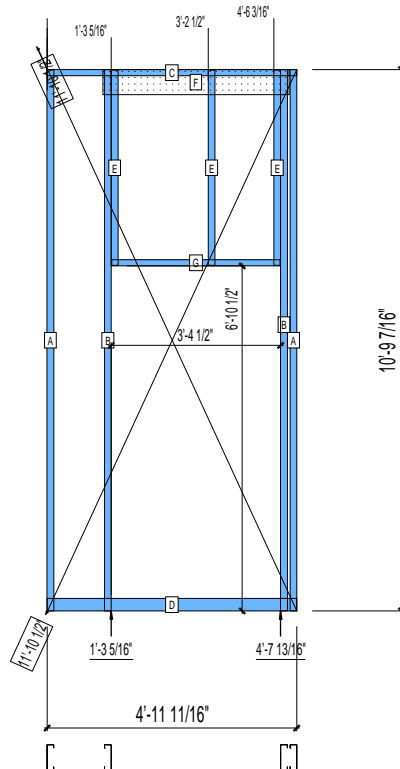
SPACING : 24"

1st STUD: 24"

WEIGHTS :

FRAME : 84 lbs

TOTAL: 84 lbs



PIECES LIST

LABEL	QTY	SIZE	LENGTH	USE
A	2	600S162-33	10'-9 3/8"	STUD
B	2	600S162-33	10'-9 3/8"	KING STUD
C	1	600T150-33	4'-11 11/16"	TOP TRACK
D	1	600T300-33	4'-11 11/16"	BOTTOM TRACK
E	3	600S162-33	3'-10 5/8"	CRIPPLE
F	1	600L150-33	3'-8 1/2"	L-HEADER
G	1	600T150-33	3'-4 1/4"	HEAD TRACK

21-3416

Jewish Home for the Aging

1885 Victory Blvd. Reseda, CA

FM-07-109

CREATED BY: AMB

FrameMax, Inc.
13915 Danielson St
Suite 100
Poway, CA 92064
www.frame-max.com



© FrameMax Inc.

HEIGHT : 10'-9 7/16" POINTS: 0.32 Points.

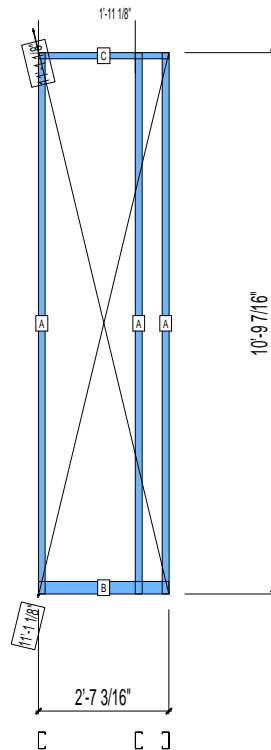
SPACING : 24"

1st STUD: 24"

WEIGHTS :

FRAME : 35 lbs

TOTAL: 35 lbs



PIECES LIST

LABEL	QTY	SIZE	LENGTH	USE
A	3	400S162-33	10'-9 3/8"	STUD
B	1	400T300-33	2'-7 3/16"	BOTTOM TRACK
C	1	400T150-33	2'-7 3/16"	TOP TRACK

21-3417

Jewish Home for the Aging

1885 Victory Blvd. Reseda, CA

FrameMax, Inc.
13915 Danielson St
Suite 100
Poway, CA 92064
www.frame-max.com



© FrameMax Inc.

CREATED: 09/26/2008

FM-07-109

CREATED BY: AMB

HEIGHT : 10'-9 7/16" POINTS: 0.32 Points.

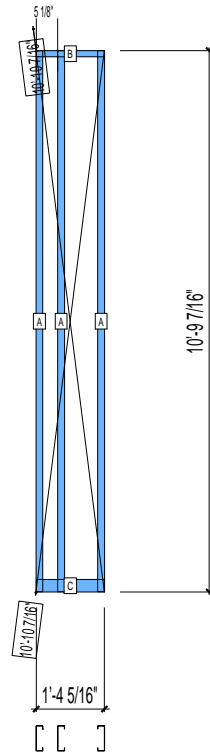
SPACING : 24"

1st STUD: 24"

WEIGHTS :

FRAME : 41 lbs

TOTAL: 41 lbs



PIECES LIST

LABEL	QTY	SIZE	LENGTH	USE
A	3	600S162-33	10'-9 3/8"	STUD
B	1	600T150-33	1'-4 5/16"	TOP TRACK
C	1	600T300-33	1'-4 5/16"	BOTTOM TRACK

21-3418

Jewish Home for the Aging

1885 Victory Blvd. Reseda, CA

FrameMax, Inc.
13915 Danielson St
Suite 100
Poway, CA 92064
www.frame-max.com



© FrameMax Inc.

CREATED: 10/21/2008

FM-07-109

CREATED BY: TNT

HEIGHT : 10'-9 7/16" POINTS: 0.52 Points.

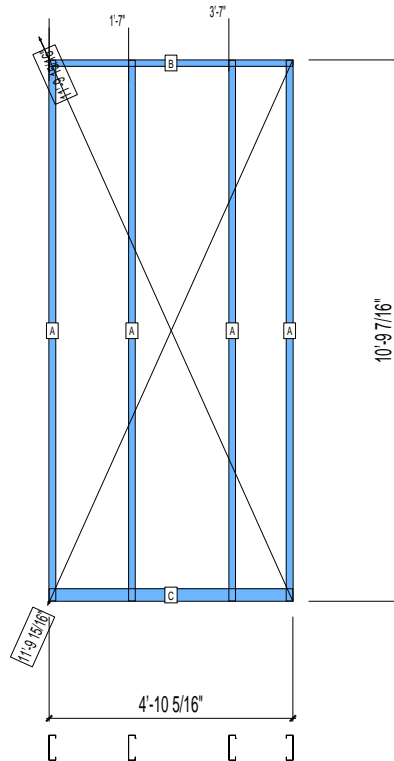
SPACING : 24"

1st STUD: 19 13/16"

WEIGHTS :

FRAME : 63 lbs

TOTAL: 63 lbs



PIECES LIST

LABEL	QTY	SIZE	LENGTH	USE
A	4	600S162-33	10'-9 5/16"	STUD
B	1	600T150-33	4'-10 5/16"	TOP TRACK
C	1	600T300-33	4'-10 5/16"	BOTTOM TRACK

21-3419

Jewish Home for the Aging

1885 Victory Blvd. Reseda, CA

FrameMax, Inc.
13915 Danielson St
Suite 100
Poway, CA 92064
www.frame-max.com



© FrameMax Inc.

CREATED: 10/21/2008

FM-07-109

CREATED BY: TNT

HEIGHT : 10'-9 7/16" POINTS: 0.63 Points.

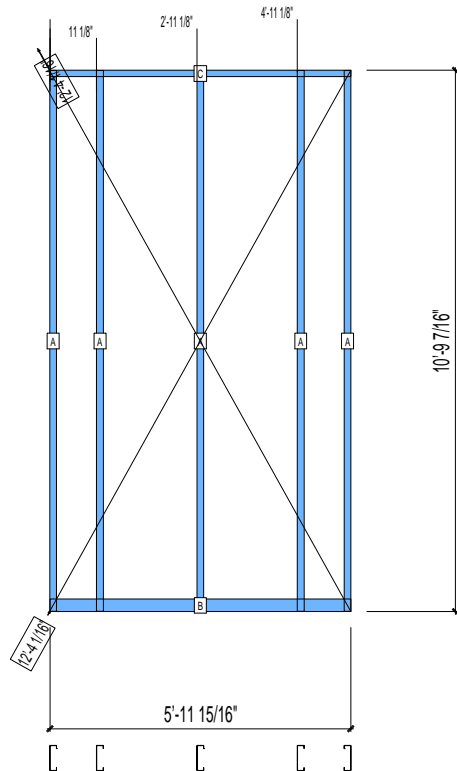
SPACING : 24"

1st STUD: 12"

WEIGHTS :

FRAME : 78 lbs

TOTAL: 78 lbs



PIECES LIST

LABEL	QTY	SIZE	LENGTH	USE
A	5	600S162-33	10'-9 5/16"	STUD
B	1	600T300-33	5'-11 15/16"	BOTTOM TRACK
C	1	600T150-33	5'-11 15/16"	TOP TRACK

21-3420

Jewish Home for the Aging

1885 Victory Blvd. Reseda, CA

FM-07-109

CREATED BY: AMB

FrameMax, Inc.
13915 Danielson St
Suite 100
Poway, CA 92064
www.framemax.com



© FrameMax Inc.

HEIGHT : 10'-9 7/16" POINTS: 0.51 Points.

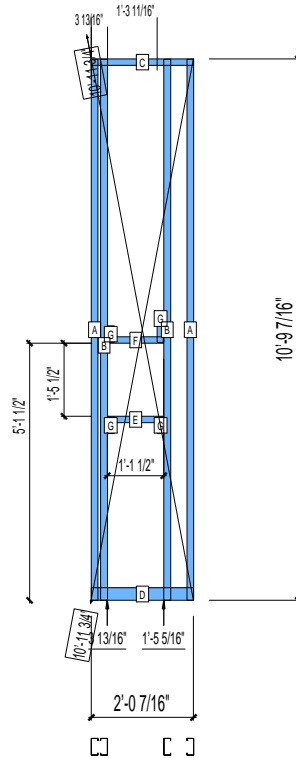
SPACING : 24"

1st STUD: 12 1/4"

WEIGHTS :

FRAME : 47 lbs

TOTAL: 47 lbs



PIECES LIST

LABEL	QTY	SIZE	LENGTH	USE
A	2	400S162-33	10'-9 3/8"	STUD
B	2	400S162-33	10'-9 3/8"	KING STUD
C	1	400T150-33	2'-0 7/16"	TOP TRACK
D	1	400T300-33	2'-0 7/16"	BOTTOM TRACK
E	1	400T150-33	1'-1 1/4"	SILL
F	1	400T150-33	1'-1 1/4"	HEAD TRACK
G	4	400S162-33	4"	CRIPPLE

21-3421

Jewish Home for the Aging

1885 Victory Blvd. Reseda, CA

FM-07-109

CREATED BY: AMB

FrameMax, Inc.
13915 Danielson St
Suite 100
Poway, CA 92064
www.frame-max.com



© FrameMax Inc.

HEIGHT : 10'-9 7/16" POINTS: 0.44 Points.

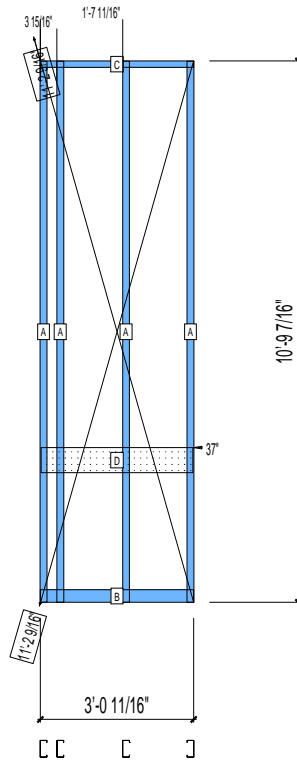
SPACING : 24"

1st STUD: 20 9/16"

WEIGHTS :

FRAME : 50 lbs

TOTAL: 50 lbs



PIECES LIST

LABEL	QTY	SIZE	LENGTH	USE
A	4	400S162-33	10'-9 3/8"	STUD
B	1	400T300-33	3'-0 11/16"	BOTTOM TRACK
C	1	400T150-33	3'-0 11/16"	TOP TRACK
D	1	600D-54	3'-0 1/4"	VANITY BACKING

21-3422

Jewish Home for the Aging

1885 Victory Blvd. Reseda, CA

FM-07-109

CREATED BY: AMB

FrameMax, Inc.
13915 Danielson St
Suite 100
Poway, CA 92064
www.framemax.com



© FrameMax Inc.

HEIGHT : 10'-9 7/16" POINTS: 0.50 Points.

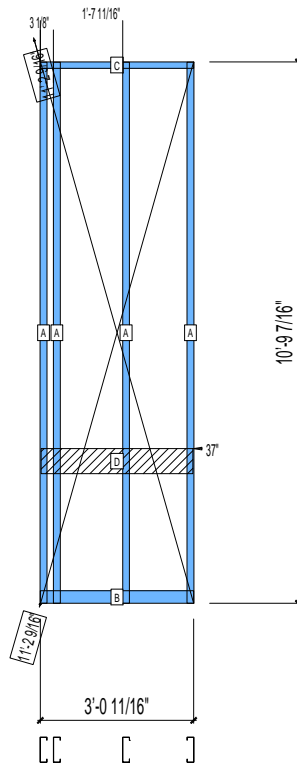
SPACING : 24"

1st STUD: 20 9/16"

WEIGHTS :

FRAME : 62 lbs

TOTAL: 62 lbs



PIECES LIST

LABEL	QTY	SIZE	LENGTH	USE
A	4	600S162-33	10'-9 3/8"	STUD
B	1	600T300-33	3'-0 11/16"	BOTTOM TRACK
C	1	600T150-33	3'-0 11/16"	TOP TRACK
D	1	600D-54	3'-0 1/4"	VANITY BACKING

21-3423

Jewish Home for the Aging

1885 Victory Blvd. Reseda, CA

FrameMax, Inc.
13915 Danielson St
Suite 100
Poway, CA 92064
www.frame-max.com



© FrameMax Inc.

CREATED: 09/26/2008

FM-07-109

CREATED BY: AMB

HEIGHT : 10'-9 7/16" POINTS: 0.32 Points.

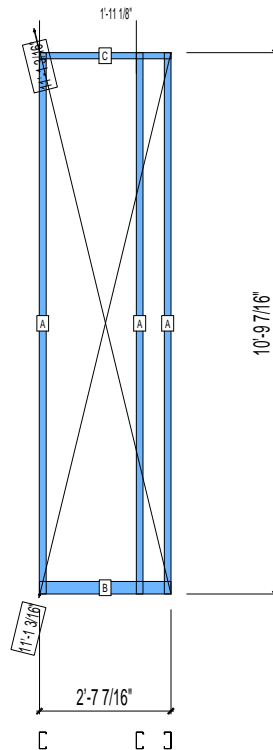
SPACING : 24"

1st STUD: 24"

WEIGHTS :

FRAME : 35 lbs

TOTAL: 35 lbs



PIECES LIST

LABEL	QTY	SIZE	LENGTH	USE
A	3	400S162-33	10'-9 3/8"	STUD
B	1	400T300-33	2'-7 7/16"	BOTTOM TRACK
C	1	400T150-33	2'-7 7/16"	TOP TRACK

21-3424

Jewish Home for the Aging

1885 Victory Blvd. Reseda, CA

FrameMax, Inc.
13915 Danielson St
Suite 100
Poway, CA 92064
www.frame-max.com



© FrameMax Inc.

CREATED: 09/26/2008

FM-07-109

CREATED BY: AMB

HEIGHT : 10'-9 7/16" POINTS: 0.49 Points.

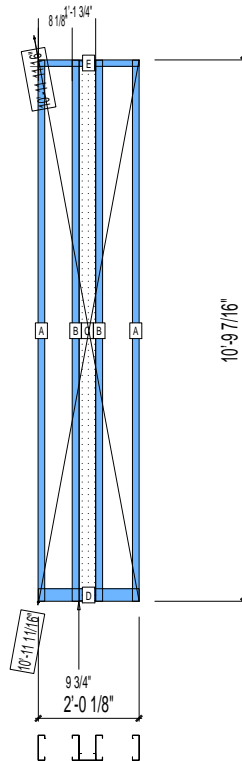
SPACING : 24"

1st STUD: 24"

WEIGHTS :

FRAME : 66 lbs

TOTAL: 66 lbs



PIECES LIST

LABEL	QTY	SIZE	LENGTH	USE
A	2	600S162-33	10'-9 3/8"	STUD
B	2	600S162-33	10'-9 3/8"	BACKER STUD
C	1	400S162-33	10'-9 1/8"	BACKER-U
D	1	600T300-33	2'-0 1/8"	BOTTOM TRACK
E	1	600T150-33	2'-0 1/8"	TOP TRACK

21-3425

Jewish Home for the Aging

1885 Victory Blvd. Reseda, CA

FrameMax, Inc.
13915 Danielson St
Suite 100
Poway, CA 92064
www.frame-max.com



© FrameMax Inc.

CREATED: 09/26/2008

FM-07-109

CREATED BY: AMB

HEIGHT : 10'-9 7/16" POINTS: 0.35 Points.

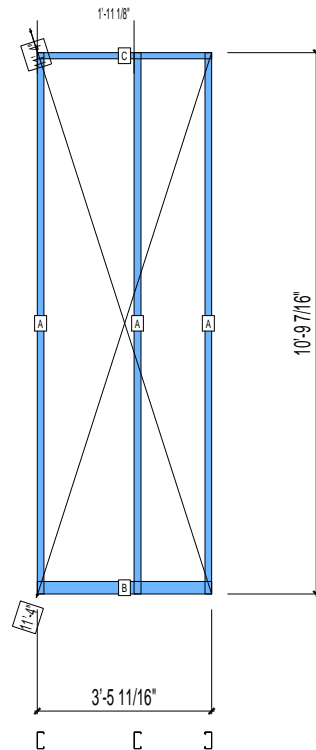
SPACING : 24"

1st STUD: 24"

WEIGHTS :

FRAME : 37 lbs

TOTAL: 37 lbs



PIECES LIST

LABEL	QTY	SIZE	LENGTH	USE
A	3	400S162-33	10'-9 3/8"	STUD
B	1	400T300-33	3'-5 11/16"	BOTTOM TRACK
C	1	400T150-33	3'-5 11/16"	TOP TRACK

21-3426

Jewish Home for the Aging

1885 Victory Blvd. Reseda, CA

FrameMax, Inc.
13915 Danielson St
Suite 100
Poway, CA 92064
www.frame-max.com



© FrameMax Inc.

CREATED: 10/22/2008

FM-07-109

CREATED BY: TNT

HEIGHT : 10'-9 7/16" POINTS: 0.32 Points.

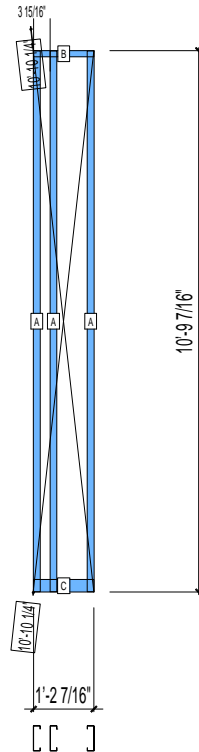
SPACING : 24"

1st STUD: 24"

WEIGHTS :

FRAME : 41 lbs

TOTAL: 41 lbs



PIECES LIST

LABEL	QTY	SIZE	LENGTH	USE
A	3	600S162-33	10'-9 5/16"	STUD
B	1	600T150-33	1'-2 7/16"	TOP TRACK
C	1	600T300-33	1'-2 7/16"	BOTTOM TRACK

21-3427

Jewish Home for the Aging

1885 Victory Blvd. Reseda, CA

FrameMax, Inc.
13915 Danielson St
Suite 100
Poway, CA 92064
www.frame-max.com



© FrameMax Inc.

CREATED: 09/26/2008

FM-07-109

CREATED BY: AMB

HEIGHT : 10'-9 7/16" POINTS: 0.20 Points.

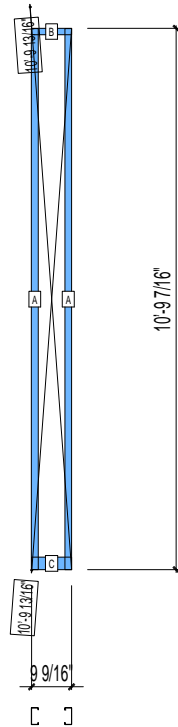
SPACING : 24"

1st STUD: 24"

WEIGHTS :

FRAME : 22 lbs

TOTAL: 22 lbs



PIECES LIST

LABEL	QTY	SIZE	LENGTH	USE
A	2	400S162-33	10'-9 3/8"	STUD
B	1	400T150-33	9 9/16"	TOP TRACK
C	1	400T300-33	9 9/16"	BOTTOM TRACK

21-3428

Jewish Home for the Aging

1885 Victory Blvd. Reseda, CA

FM-07-109

CREATED BY: TNT

FrameMax, Inc.
13915 Danielson St
Suite 100
Poway, CA 92064
www.frame-max.com



© FrameMax Inc.

HEIGHT : 10'-9 7/16" POINTS: 0.72 Points.

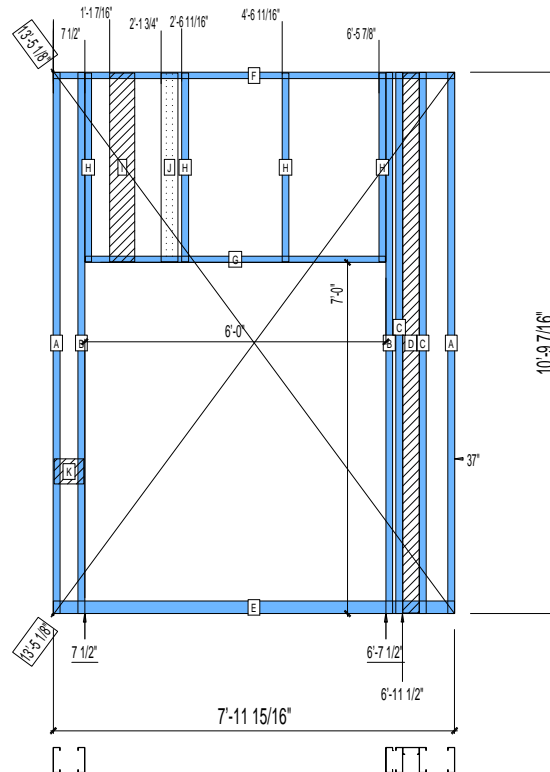
SPACING : 24"

1st STUD: 24"

WEIGHTS :

FRAME : 41 lbs

TOTAL: 41 lbs



PIECES LIST

LABEL	QTY	SIZE	LENGTH	USE
A	2	600S162-33	10'-9 3/8"	STUD
B	2	600S162-33	10'-9 3/8"	KING STUD
C	2	600S162-33	10'-9 3/8"	BACKER STUD
D	1	400S162-33	10'-9 1/8"	BACKER-U
E	1	600T300-33	7'-11 15/16"	BOTTOM TRACK
F	1	600T150-33	7'-11 15/16"	TOP TRACK
G	1	600T150-33	5'-11 3/4"	HEAD TRACK
H	4	600S162-33	3'-9 1/8"	CRIPPLE
I	1	600S162-33	3'-9 1/8"	BACKER-U
J	1	400S162-33	3'-9 1/8"	BACKER-U
K	1	600D-54	7 1/16"	VANITY BACKING

21-3429

Jewish Home for the Aging

1885 Victory Blvd. Reseda, CA

FM-07-109

CREATED BY: AMB

FrameMax, Inc.
13915 Danielson St
Suite 100
Poway, CA 92064
www.frame-max.com



© FrameMax Inc.

HEIGHT : 10'-9 7/16" POINTS: 0.48 Points.

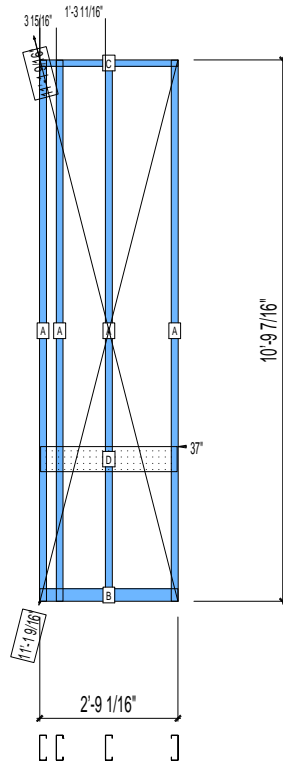
SPACING : 24"

1st STUD: 16 9/16"

WEIGHTS :

FRAME : 61 lbs

TOTAL: 61 lbs



PIECES LIST

LABEL	QTY	SIZE	LENGTH	USE
A	4	600S162-33	10'-9 3/8"	STUD
B	1	600T300-33	2'-9 1/16"	BOTTOM TRACK
C	1	600T150-33	2'-9 1/16"	TOP TRACK
D	1	600D-54	2'-8 5/8"	VANITY BACKING

21-3430

Jewish Home for the Aging

1885 Victory Blvd. Reseda, CA

FrameMax, Inc.
13915 Danielson St
Suite 100
Poway, CA 92064
www.frame-max.com



© FrameMax Inc.

CREATED: 09/26/2008

FM-07-109

CREATED BY: AMB

HEIGHT : 10'-9 7/16" POINTS: 0.21 Points.

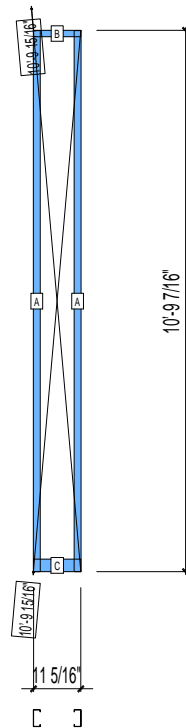
SPACING : 24"

1st STUD: 24"

WEIGHTS :

FRAME : 22 lbs

TOTAL: 22 lbs



PIECES LIST

LABEL	QTY	SIZE	LENGTH	USE
A	2	400S162-33	10'-9 3/8"	STUD
B	1	400T150-33	11 5/16"	TOP TRACK
C	1	400T300-33	11 5/16"	BOTTOM TRACK

21-3431

Jewish Home for the Aging

1885 Victory Blvd. Reseda, CA

FM-07-109

CREATED BY: AMB

FrameMax, Inc.
13915 Danielson St
Suite 100
Poway, CA 92064
www.frame-max.com



© FrameMax Inc.

HEIGHT : 10'-9 7/16" POINTS: 0.45 Points.

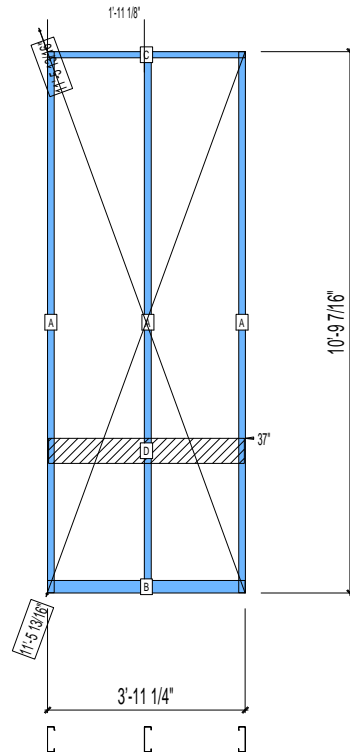
SPACING : 24"

1st STUD: 24"

WEIGHTS :

FRAME : 52 lbs

TOTAL: 52 lbs



PIECES LIST

LABEL	QTY	SIZE	LENGTH	USE
A	3	600S162-33	10'-9 3/8"	STUD
B	1	600T300-33	3'-11 1/4"	BOTTOM TRACK
C	1	600T150-33	3'-11 1/4"	TOP TRACK
D	1	600D-54	3'-10 13/16"	VANITY BACKING

21-3432

Jewish Home for the Aging

1885 Victory Blvd. Reseda, CA

FrameMax, Inc.
13915 Danielson St
Suite 100
Poway, CA 92064
www.framemax.com



© FrameMax Inc.

CREATED: 09/26/2008

FM-07-109

CREATED BY: AMB

HEIGHT : 10'-9 7/16" POINTS: 0.46 Points.

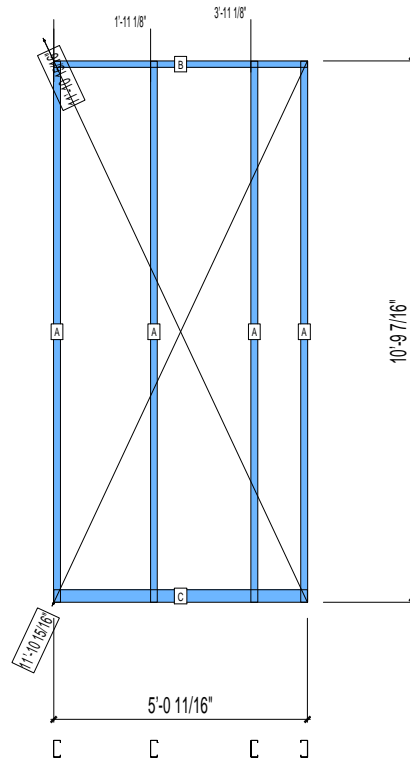
SPACING : 24"

1st STUD: 24"

WEIGHTS :

FRAME : 50 lbs

TOTAL: 50 lbs



PIECES LIST

LABEL	QTY	SIZE	LENGTH	USE
A	4	400S162-33	10'-9 3/8"	STUD
B	1	400T150-33	5'-0 11/16"	TOP TRACK
C	1	400T300-33	5'-0 11/16"	BOTTOM TRACK

21-3433

Jewish Home for the Aging

1885 Victory Blvd. Reseda, CA

FM-07-109

CREATED BY: AMB

FrameMax, Inc.
13915 Danielson St
Suite 100
Poway, CA 92064
www.frame-max.com



© FrameMax Inc.

HEIGHT : 10'-9 7/16" POINTS: 0.76 Points.

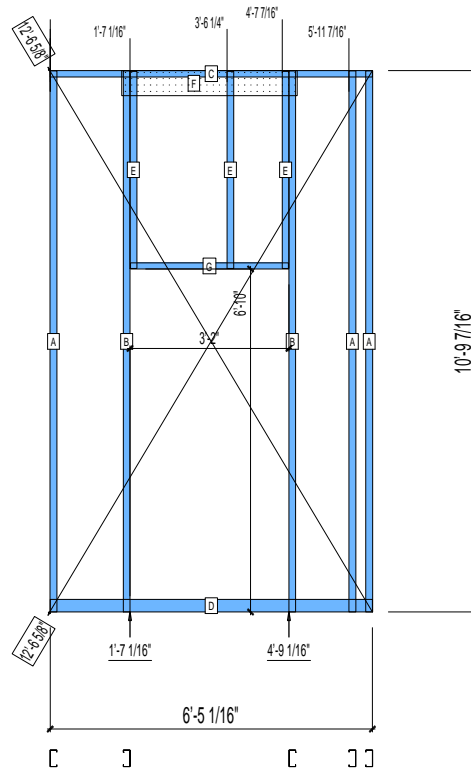
SPACING : 24"

1st STUD: 24"

WEIGHTS :

FRAME : 80 lbs

TOTAL: 80 lbs



PIECES LIST

LABEL	QTY	SIZE	LENGTH	USE
A	3	400S162-33	10'-9 3/8"	STUD
B	2	400S162-33	10'-9 3/8"	KING STUD
C	1	400T150-33	6'-5 1/16"	TOP TRACK
D	1	400T300-33	6'-5 1/16"	BOTTOM TRACK
E	3	400S162-33	3'-11 1/8"	CRIPPLE
F	1	600L150-33	3'-6"	L-HEADER
G	1	400T150-33	3'-1 3/4"	HEAD TRACK

21-3451

Jewish Home for the Aging

1885 Victory Blvd. Reseda, CA

FM-07-109

CREATED BY: AMB

FrameMax, Inc.
13915 Danielson St
Suite 100
Poway, CA 92064
www.frame-max.com



© FrameMax Inc.

HEIGHT : 10'-9 7/16" POINTS: 0.83 Points.

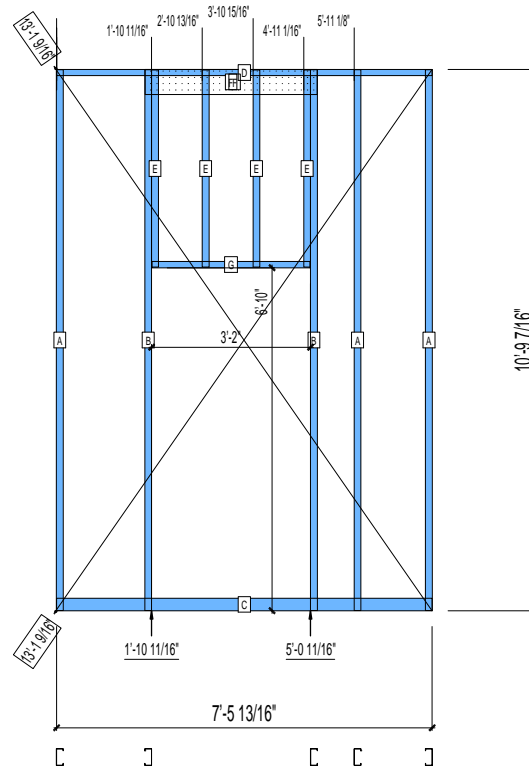
SPACING : 24"

1st STUD: 24"

WEIGHTS :

FRAME : 86 lbs

TOTAL: 86 lbs



PIECES LIST

LABEL	QTY	SIZE	LENGTH	USE
A	3	400S162-33	10'-9 5/16"	STUD
B	2	400S162-33	10'-9 5/16"	KING STUD
C	1	400T300-33	7'-5 13/16"	BOTTOM TRACK
D	1	400T150-33	7'-5 13/16"	TOP TRACK
E	4	400S162-33	3'-11 1/16"	CRIPPLE
F	1	600L150-33	3'-5 1/8"	L-HEADER
G	1	400T150-33	3'-1 3/4"	HEAD TRACK

21-3452

Jewish Home for the Aging

1885 Victory Blvd. Reseda, CA

FrameMax, Inc.
13915 Danielson St
Suite 100
Poway, CA 92064
www.frame-max.com



© FrameMax Inc.

CREATED: 10/16/2008

FM-07-109

CREATED BY: TNT

HEIGHT : 10'-9 7/16" POINTS: 1.12 Points.

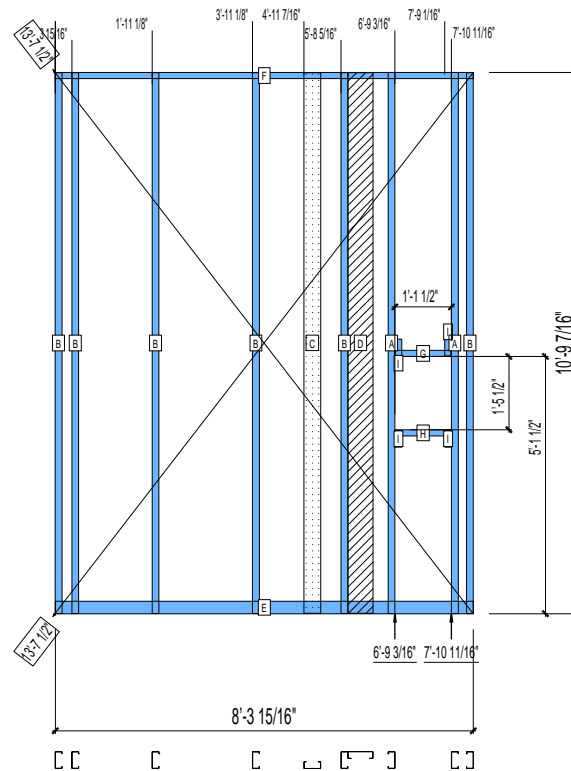
SPACING : 24"

1st STUD: 24"

WEIGHTS :

FRAME : 123 lbs

TOTAL: 123 lbs



PIECES LIST

LABEL	QTY	SIZE	LENGTH	USE
A	2	400S162-33	10'-9 3/8"	KING STUD
B	6	400S162-33	10'-9 5/16"	STUD
C	1	400S162-33	10'-9 1/4"	BACKER-U
D	1	600S162-33	10'-9 1/4"	BACKER-U
E	1	400T300-33	8'-3 15/16"	BOTTOM TRACK
F	1	400T150-33	8'-3 15/16"	TOP TRACK
G	1	400T150-33	1'-1 1/4"	HEAD TRACK
H	1	400T150-33	1'-1 1/4"	SILL
I	4	400S162-33	4"	CRIPPLE

21-3453

Jewish Home for the Aging

1885 Victory Blvd. Reseda, CA

FrameMax, Inc.
13915 Danielson St
Suite 100
Poway, CA 92064
www.frame-max.com



© FrameMax Inc.

CREATED: 09/26/2008

FM-07-109

CREATED BY: AMB

HEIGHT : 10'-9 7/16" POINTS: 0.76 Points.

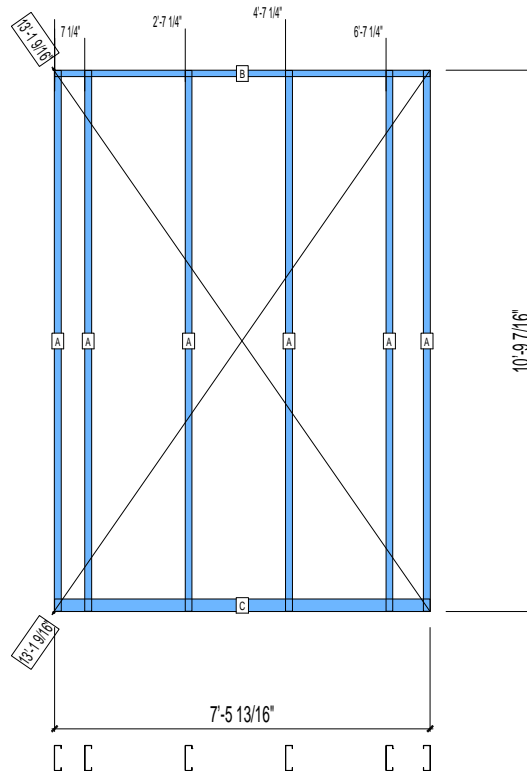
SPACING : 24"

1st STUD: 8 1/16"

WEIGHTS :

FRAME : 95 lbs

TOTAL: 95 lbs



PIECES LIST

LABEL	QTY	SIZE	LENGTH	USE
A	6	600S162-33	10'-9 5/16"	STUD
B	1	600T150-33	7'-5 13/16"	TOP TRACK
C	1	600T300-33	7'-5 13/16"	BOTTOM TRACK

21-3454

Jewish Home for the Aging

1885 Victory Blvd. Reseda, CA

FM-07-109

CREATED BY: AMB

FrameMax, Inc.
13915 Danielson St
Suite 100
Poway, CA 92064
www.frame-max.com



© FrameMax Inc.

HEIGHT : 10'-9 7/16" POINTS: 0.68 Points.

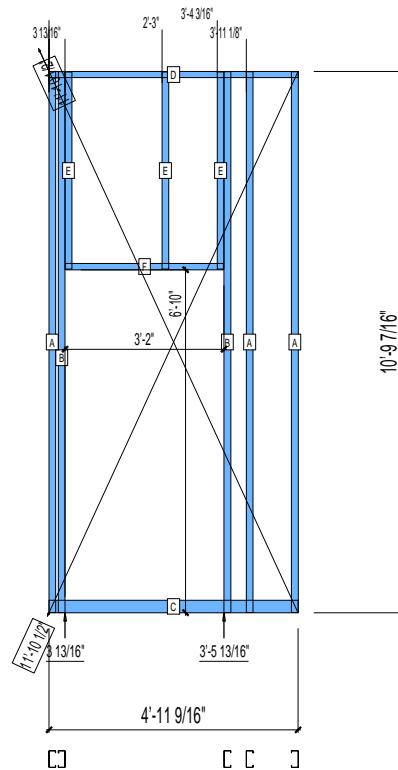
SPACING : 24"

1st STUD: 24"

WEIGHTS :

FRAME : 74 lbs

TOTAL: 74 lbs



PIECES LIST

LABEL	QTY	SIZE	LENGTH	USE
A	3	400S162-33	10'-9 5/16"	STUD
B	2	400S162-33	10'-9 5/16"	KING STUD
C	1	400T300-33	4'-11 9/16"	BOTTOM TRACK
D	1	400T150-33	4'-11 9/16"	TOP TRACK
E	3	400S162-33	3'-11 1/16"	CRIPPLE
F	1	400T150-33	3'-1 3/4"	HEAD TRACK

21-3455

Jewish Home for the Aging

1885 Victory Blvd. Reseda, CA

FM-07-109

CREATED BY: TNT

FrameMax, Inc.
13915 Danielson St
Suite 100
Poway, CA 92064
www.frame-max.com



© FrameMax Inc.

HEIGHT : 10'-9 7/16" POINTS: 0.53 Points.

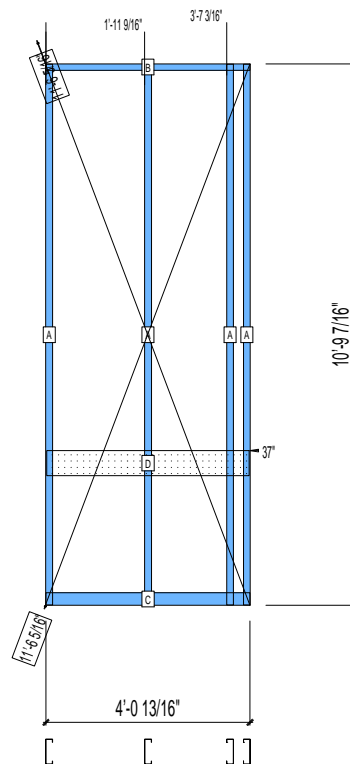
SPACING : 24"

1st STUD: 7/16"

WEIGHTS :

FRAME : 65 lbs

TOTAL: 65 lbs



PIECES LIST

LABEL	QTY	SIZE	LENGTH	USE
A	4	600S162-33	10'-9 5/16"	STUD
B	1	600T150-33	4'-0 13/16"	TOP TRACK
C	1	600T300-33	4'-0 13/16"	BOTTOM TRACK
D	1	600D-54	4'-0 3/8"	VANITY BACKING

21-3456

Jewish Home for the Aging

1885 Victory Blvd. Reseda, CA

FrameMax, Inc.
13915 Danielson St
Suite 100
Poway, CA 92064
www.frame-max.com



© FrameMax Inc.

CREATED: 09/26/2008

FM-07-109

CREATED BY: AMB

HEIGHT : 10'-9 7/16" POINTS: 0.39 Points.

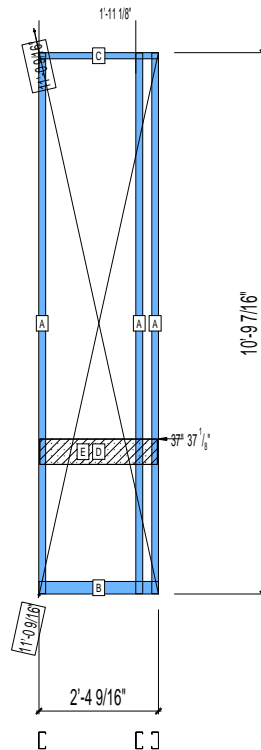
SPACING : 24"

1st STUD: 24"

WEIGHTS :

FRAME : 42 lbs

TOTAL: 42 lbs



PIECES LIST

LABEL	QTY	SIZE	LENGTH	USE
A	3	400S162-33	10'-9 5/16"	STUD
B	1	400T300-33	2'-4 9/16"	BOTTOM TRACK
C	1	400T150-33	2'-4 9/16"	TOP TRACK
D	1	600T150-54	2'-4 1/8"	VANITY BACKING
E	1	600D-54	2'-4 1/8"	VANITY BACKING

21-3457

Jewish Home for the Aging

1885 Victory Blvd. Reseda, CA

FM-07-109

CREATED BY: AMB

FrameMax, Inc.
13915 Danielson St
Suite 100
Poway, CA 92064
www.frame-max.com



© FrameMax Inc.

HEIGHT : 10'-9 7/16" POINTS: 0.69 Points.

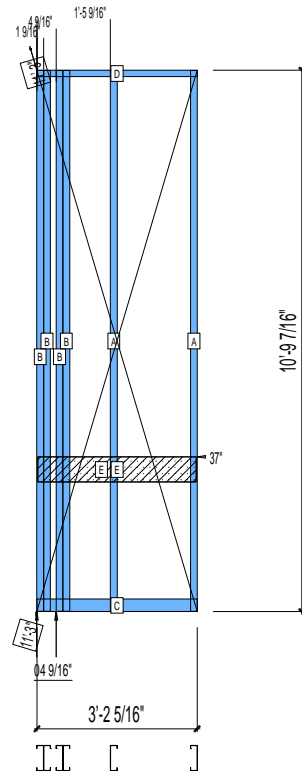
SPACING : 24"

1st STUD: 18 3/8"

WEIGHTS :

FRAME : 91 lbs

TOTAL: 91 lbs



PIECES LIST

LABEL	QTY	SIZE	LENGTH USE
A	2	600S162-33	10'-9 5/16" STUD
B	4	600S162-33	10'-9 5/16" EXTRA STUD
C	1	600T300-33	3'-2 5/16" BOTTOM TRACK
D	1	600T150-33	3'-2 5/16" TOP TRACK
E	2	600D-54	3'-1 7/8" VANITY BACKING

21-3458

Jewish Home for the Aging

1885 Victory Blvd. Reseda, CA

FrameMax, Inc.
13915 Danielson St
Suite 100
Poway, CA 92064
www.frame-max.com



© FrameMax Inc.

CREATED: 09/26/2008

FM-07-109

CREATED BY: AMB

HEIGHT : 10'-9 7/16" POINTS: 0.26 Points.

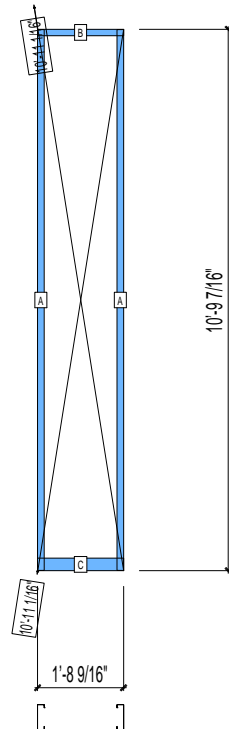
SPACING : 24"

1st STUD: 24"

WEIGHTS :

FRAME : 30 lbs

TOTAL: 30 lbs



PIECES LIST

LABEL	QTY	SIZE	LENGTH	USE
A	2	600S162-33	10'-9 5/16"	STUD
B	1	600T150-33	1'-8 9/16"	TOP TRACK
C	1	600T300-33	1'-8 9/16"	BOTTOM TRACK

21-3459

Jewish Home for the Aging

1885 Victory Blvd. Reseda, CA

FM-07-109

CREATED BY: AMB

FrameMax, Inc.
13915 Danielson St
Suite 100
Poway, CA 92064
www.framemax.com



© FrameMax Inc.

HEIGHT : 10'-9 7/16" POINTS: 0.86 Points.

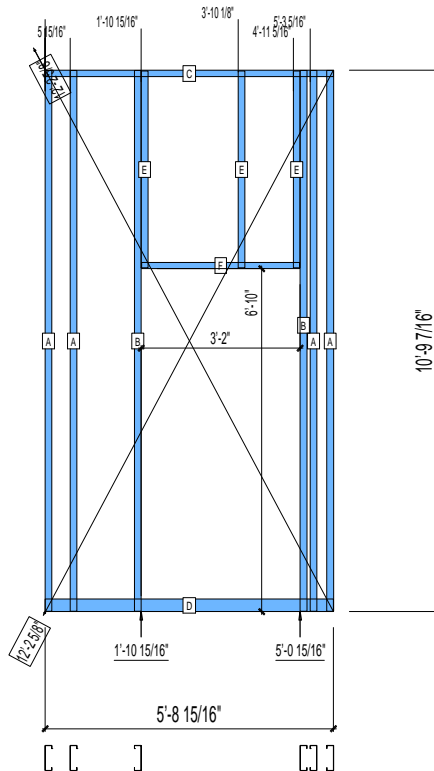
SPACING : 24"

1st STUD: 24"

WEIGHTS :

FRAME : 107 lbs

TOTAL: 107 lbs



PIECES LIST

LABEL	QTY	SIZE	LENGTH	USE
A	4	600S162-33	10'-9 5/16"	STUD
B	2	600S162-33	10'-9 5/16"	KING STUD
C	1	600T150-33	5'-8 15/16"	TOP TRACK
D	1	600T300-33	5'-8 15/16"	BOTTOM TRACK
E	3	600S162-33	3'-11 1/16"	CRIPPLE
F	1	600T150-33	3'-1 3/4"	HEAD TRACK

21-3460

Jewish Home for the Aging

1885 Victory Blvd. Reseda, CA

FrameMax, Inc.
13915 Danielson St
Suite 100
Poway, CA 92064
www.frame-max.com



© FrameMax Inc.

CREATED: 09/26/2008

FM-07-109

CREATED BY: AMB

HEIGHT : 10'-9 7/16" POINTS: 0.22 Points.

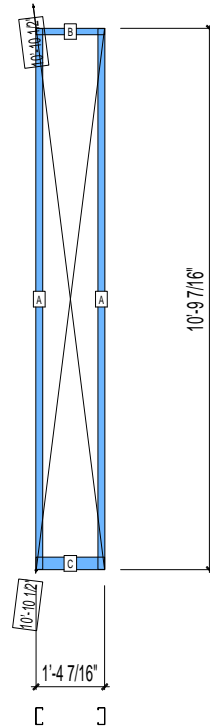
SPACING : 24"

1st STUD: 24"

WEIGHTS :

FRAME : 23 lbs

TOTAL: 23 lbs



PIECES LIST

LABEL	QTY	SIZE	LENGTH	USE
A	2	400S162-33	10'-9 5/16"	STUD
B	1	400T150-33	1'-4 7/16"	TOP TRACK
C	1	400T300-33	1'-4 7/16"	BOTTOM TRACK

21-3461

Jewish Home for the Aging

1885 Victory Blvd. Reseda, CA

FrameMax, Inc.
13915 Danielson St
Suite 100
Poway, CA 92064
www.frame-max.com



© FrameMax Inc.

CREATED: 09/26/2008

FM-07-109

CREATED BY: AMB

HEIGHT : 10'-9 7/16" POINTS: 0.59 Points.

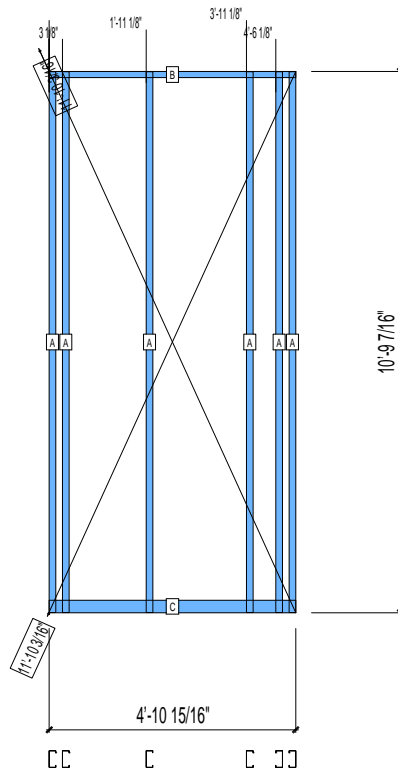
SPACING : 24"

1st STUD: 24"

WEIGHTS :

FRAME : 70 lbs

TOTAL: 70 lbs



PIECES LIST

LABEL	QTY	SIZE	LENGTH	USE
A	6	400S162-33	10'-9 5/16"	STUD
B	1	400T150-33	4'-10 15/16"	TOP TRACK
C	1	400T300-33	4'-10 15/16"	BOTTOM TRACK

21-3462

Jewish Home for the Aging

1885 Victory Blvd. Reseda, CA

FrameMax, Inc.
13915 Danielson St
Suite 100
Poway, CA 92064
www.frame-max.com



© FrameMax Inc.

CREATED: 09/26/2008

FM-07-109

CREATED BY: AMB

HEIGHT : 10'-9 7/16" POINTS: 0.33 Points.

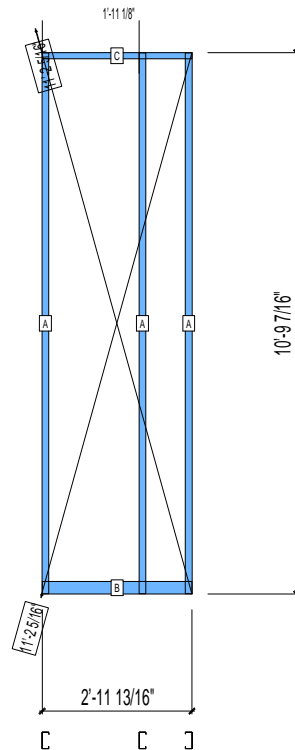
SPACING : 24"

1st STUD: 24"

WEIGHTS :

FRAME : 36 lbs

TOTAL: 36 lbs



PIECES LIST

LABEL	QTY	SIZE	LENGTH	USE
A	3	400S162-33	10'-9 5/16"	STUD
B	1	400T300-33	2'-11 13/16"	BOTTOM TRACK
C	1	400T150-33	2'-11 13/16"	TOP TRACK

21-3463

Jewish Home for the Aging

1885 Victory Blvd. Reseda, CA

FrameMax, Inc.
13915 Danielson St
Suite 100
Poway, CA 92064
www.frame-max.com



© FrameMax Inc.

CREATED: 09/26/2008

FM-07-109

CREATED BY: AMB

HEIGHT : 10'-9 7/16" POINTS: 0.39 Points.

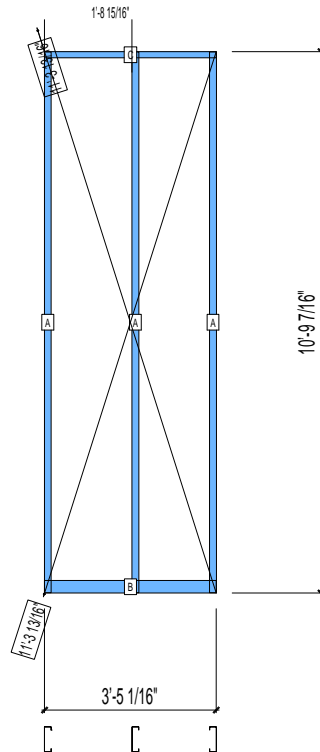
SPACING : 24"

1st STUD: 21 3/4"

WEIGHTS :

FRAME : 46 lbs

TOTAL: 46 lbs



PIECES LIST

LABEL	QTY	SIZE	LENGTH	USE
A	3	600S162-33	10'-9 5/16"	STUD
B	1	600T300-33	3'-5 1/16"	BOTTOM TRACK
C	1	600T150-33	3'-5 1/16"	TOP TRACK

21-3464

Jewish Home for the Aging

1885 Victory Blvd. Reseda, CA

FM-07-109

CREATED BY: AMB

FrameMax, Inc.
13915 Danielson St
Suite 100
Poway, CA 92064
www.frame-max.com



© FrameMax Inc.

HEIGHT : 10'-9 7/16" POINTS: 0.85 Points.

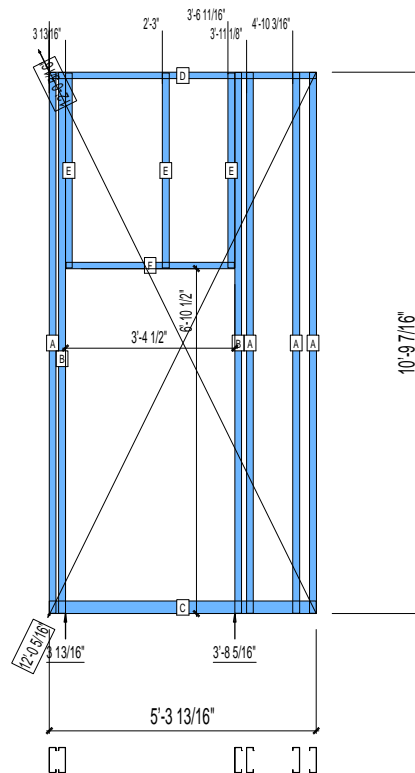
SPACING : 24"

1st STUD: 24"

WEIGHTS :

FRAME : 106 lbs

TOTAL: 106 lbs



PIECES LIST

LABEL	QTY	SIZE	LENGTH	USE
A	4	600S162-33	10'-9 5/16"	STUD
B	2	600S162-33	10'-9 5/16"	KING STUD
C	1	600T300-33	5'-3 13/16"	BOTTOM TRACK
D	1	600T150-33	5'-3 13/16"	TOP TRACK
E	3	600S162-33	3'-10 9/16"	CRIPPLE
F	1	600T150-33	3'-4 1/4"	HEAD TRACK

21-3465

Jewish Home for the Aging

1885 Victory Blvd. Reseda, CA

FrameMax, Inc.
13915 Danielson St
Suite 100
Poway, CA 92064
www.frame-max.com



© FrameMax Inc.

CREATED: 09/26/2008

FM-07-109

CREATED BY: AMB

HEIGHT : 10'-9 7/16" POINTS: 0.27 Points.

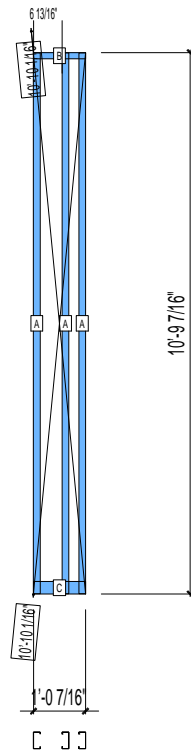
SPACING : 24"

1st STUD: 24"

WEIGHTS :

FRAME : 32 lbs

TOTAL: 32 lbs



PIECES LIST

LABEL	QTY	SIZE	LENGTH	USE
A	3	400S162-33	10'-9 5/16"	STUD
B	1	400T150-33	1'-0 7/16"	TOP TRACK
C	1	400T300-33	1'-0 7/16"	BOTTOM TRACK

21-3466

Jewish Home for the Aging

1885 Victory Blvd. Reseda, CA

FrameMax, Inc.
13915 Danielson St
Suite 100
Poway, CA 92064
www.frame-max.com



© FrameMax Inc.

CREATED: 09/26/2008

FM-07-109

CREATED BY: AMB

HEIGHT : 10'-9 7/16" POINTS: 0.20 Points.

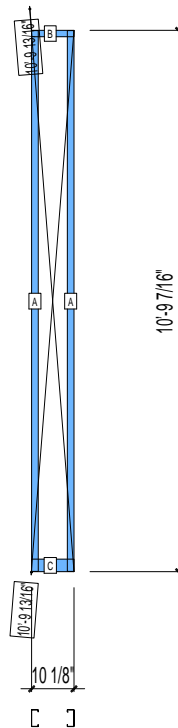
SPACING : 24"

1st STUD: 24"

WEIGHTS :

FRAME : 22 lbs

TOTAL: 22 lbs



PIECES LIST

LABEL	QTY	SIZE	LENGTH	USE
A	2	400S162-33	10'-9 5/16"	STUD
B	1	400T150-33	10 1/8"	TOP TRACK
C	1	400T300-33	10 1/8"	BOTTOM TRACK

21-3467

Jewish Home for the Aging

1885 Victory Blvd. Reseda, CA

FM-07-109

CREATED BY: AMB

FrameMax, Inc.
13915 Danielson St
Suite 100
Poway, CA 92064
www.framemax.com



© FrameMax Inc.

HEIGHT : 10'-9 7/16" POINTS: 0.50 Points.

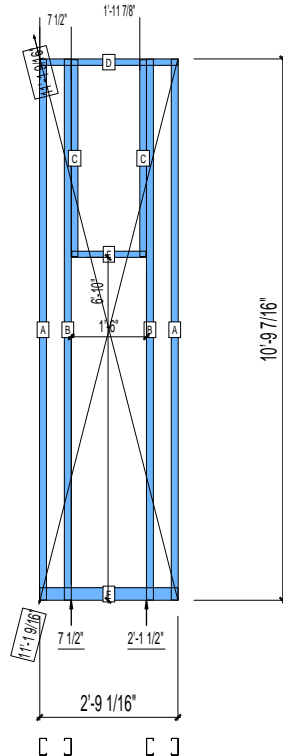
SPACING : 24"

1st STUD: 24"

WEIGHTS :

FRAME : 54 lbs

TOTAL: 54 lbs



PIECES LIST

LABEL	QTY	SIZE	LENGTH	USE
A	2	400S162-33	10'-9 5/16"	STUD
B	2	400S162-33	10'-9 5/16"	KING STUD
C	2	400S162-33	3'-11 1/16"	CRIPPLE
D	1	400T150-33	2'-9 1/16"	TOP TRACK
E	1	400T300-33	2'-9 1/16"	BOTTOM TRACK
F	1	400T150-33	1'-5 3/4"	HEAD TRACK

21-3468

Jewish Home for the Aging

1885 Victory Blvd. Reseda, CA

FM-07-109

CREATED BY: AMB

FrameMax, Inc.
13915 Danielson St
Suite 100
Poway, CA 92064
www.frame-max.com



© FrameMax Inc.

HEIGHT : 10'-9 7/16" POINTS: 0.48 Points.

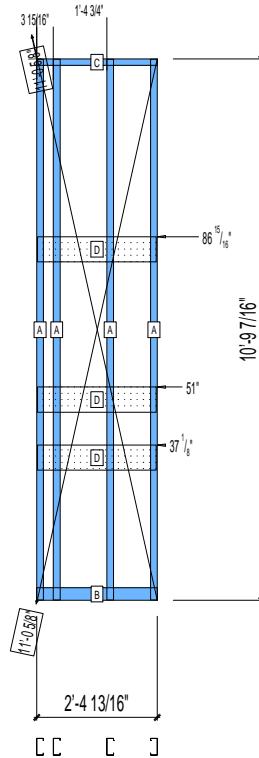
SPACING : 24"

1st STUD: 17 9/16"

WEIGHTS :

FRAME : 53 lbs

TOTAL: 53 lbs



PIECES LIST

LABEL	QTY	SIZE	LENGTH	USE
A	4	400S162-33	10'-9 5/16"	STUD
B	1	400T300-33	2'-4 13/16"	BOTTOM TRACK
C	1	400T150-33	2'-4 13/16"	TOP TRACK
D	3	600D-54	2'-4 3/8"	KITCHEN BACKING

21-3469

Jewish Home for the Aging

1885 Victory Blvd. Reseda, CA

FM-07-109

CREATED BY: AMB

FrameMax, Inc.
13915 Danielson St
Suite 100
Poway, CA 92064
www.frame-max.com



© FrameMax Inc.

HEIGHT : 2'-8 1/2" POINTS: 0.22 Points.

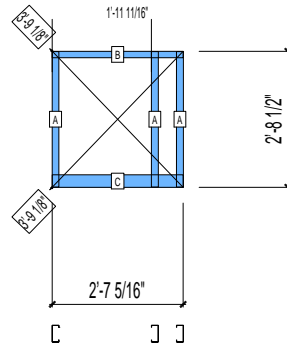
SPACING : 24"

1st STUD: 24"

WEIGHTS :

FRAME : 13 lbs

TOTAL: 13 lbs



PIECES LIST

LABEL	QTY	SIZE	LENGTH	USE
A	3	400S162-33	2'-8 3/8"	STUD
B	1	400T150-33	2'-7 5/16"	TOP TRACK
C	1	400T300-33	2'-7 5/16"	BOTTOM TRACK

21-3470

Jewish Home for the Aging

1885 Victory Blvd. Reseda, CA

FM-07-109

CREATED BY: AMB

FrameMax, Inc.
13915 Danielson St
Suite 100
Poway, CA 92064
www.frame-max.com



© FrameMax Inc.

HEIGHT : 2'-8 1/2" POINTS: 0.53 Points.

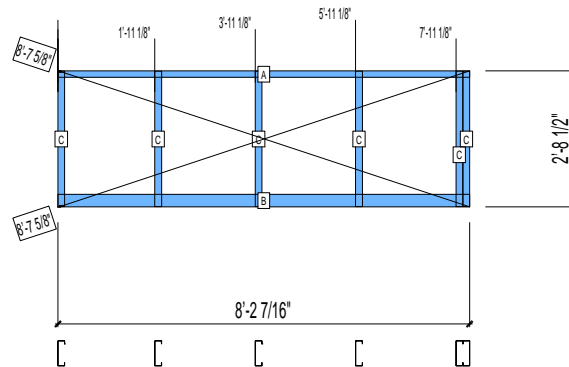
SPACING : 24"

1st STUD: 24"

WEIGHTS :

FRAME : 40 lbs

TOTAL: 40 lbs



PIECES LIST

LABEL	QTY	SIZE	LENGTH	USE
A	1	600T150-33	8'-2 7/16"	TOP TRACK
B	1	600T300-33	8'-2 7/16"	BOTTOM TRACK
C	6	600S162-33	2'-8 3/8"	STUD

21-3471

Jewish Home for the Aging

1885 Victory Blvd. Reseda, CA

FrameMax, Inc.
13915 Danielson St
Suite 100
Poway, CA 92064
www.frame-max.com



© FrameMax Inc.

CREATED: 09/26/2008

FM-07-109

CREATED BY: AMB

HEIGHT : 10'-9 7/16" POINTS: 0.34 Points.

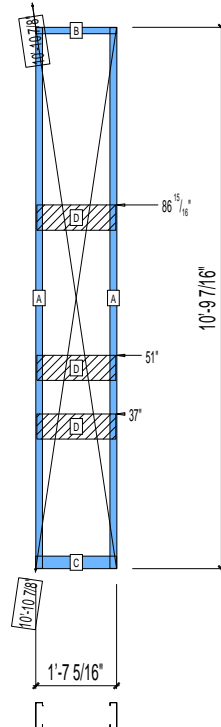
SPACING : 24"

1st STUD: 24"

WEIGHTS :

FRAME : 35 lbs

TOTAL: 35 lbs



PIECES LIST

LABEL	QTY	SIZE	LENGTH	USE
A	2	600S162-33	10'-9 5/16"	STUD
B	1	600T150-33	1'-7 5/16"	TOP TRACK
C	1	600T300-33	1'-7 5/16"	BOTTOM TRACK
D	3	600D-54	1'-6 7/8"	KITCHEN BACKING

21-3472

Jewish Home for the Aging

1885 Victory Blvd. Reseda, CA

FM-07-109

CREATED BY: AMB

FrameMax, Inc.
13915 Danielson St
Suite 100
Poway, CA 92064
www.frame-max.com



© FrameMax Inc.

HEIGHT : 10'-9 7/16" POINTS: 0.85 Points.

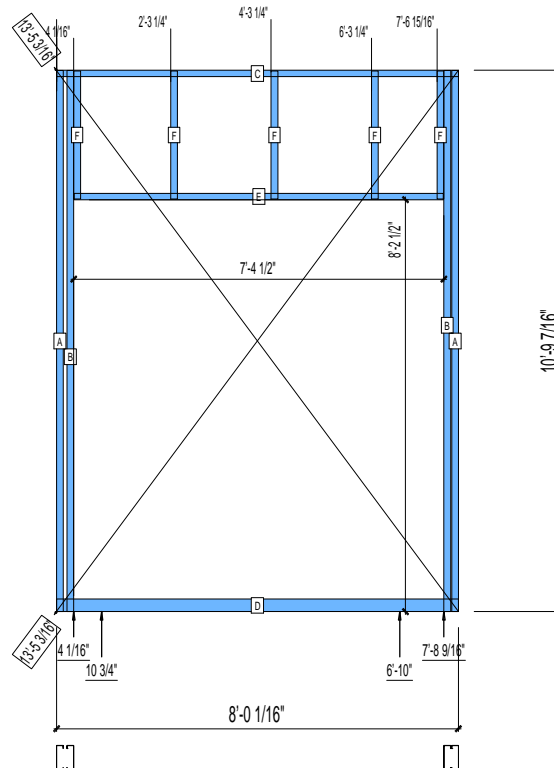
SPACING : 24"

1st STUD: 24"

WEIGHTS :

FRAME : 93 lbs

TOTAL: 93 lbs



PIECES LIST

LABEL	QTY	SIZE	LENGTH	USE
A	2	600S162-33	10'-9 3/8"	STUD
B	2	600S162-33	10'-9 3/8"	KING STUD
C	1	600T150-33	8'-0 1/16"	TOP TRACK
D	1	600T300-33	8'-0 1/16"	BOTTOM TRACK
E	1	600T150-33	7'-4 1/4"	HEAD TRACK
F	5	600S162-33	2'-6 5/8"	CRIPPLE

21-6001

Jewish Home for the Aging

1885 Victory Blvd. Reseda, CA

FM-07-109

CREATED BY: AMB

FrameMax, Inc.
13915 Danielson St
Suite 100
Poway, CA 92064
www.frame-max.com



© FrameMax Inc.

HEIGHT : 11'-9 11/16" POINTS: 3.07 Points.

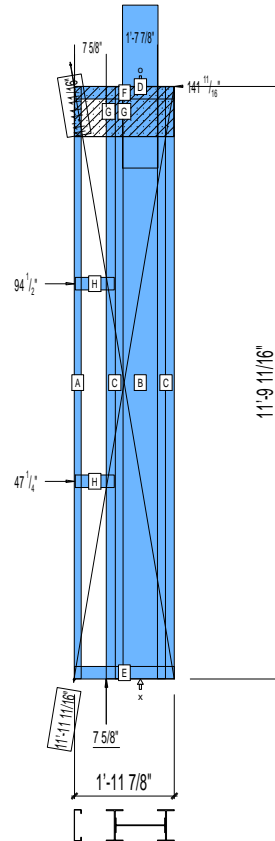
SPACING : 24"

1st STUD: 24"

WEIGHTS :

FRAME : 615 lbs

TOTAL: 615 lbs



PIECES LIST

LABEL	QTY	SIZE	LENGTH	USE
A	1	750S162-54	11'-9 9/16"	STUD
B	1	1200i350p1420	11'-9 9/16"	PACO
C	2	750i400p1268	11'-9 9/16"	PACO
D	1	F	3'-3"	HOLDDOWN
E	1	750T300-68	1'-11 7/8"	BOTTOM TRACK
F	1	750T300-68	1'-11 7/8"	TOP TRACK
G	2	1200D-54	1'-11 13/16"	STRAP
H	2	750T300-68	9 5/16"	BLOCK

21-6004

Jewish Home for the Aging

1885 Victory Blvd. Reseda, CA

FM-07-109

CREATED BY: AMB

FrameMax, Inc.
13915 Danielson St
Suite 100
Poway, CA 92064
www.framemax.com



© FrameMax Inc.

HEIGHT : 11'-9 11/16" POINTS: 3.22 Points.

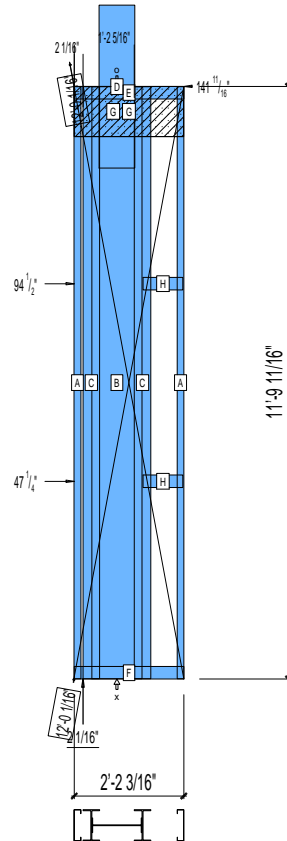
SPACING : 24"

1st STUD: 24"

WEIGHTS :

FRAME : 644 lbs

TOTAL: 644 lbs



PIECES LIST

LABEL	QTY	SIZE	LENGTH	USE
A	2	750S162-54	11'-9 9/16"	STUD
B	1	1200i350p1420	11'-9 9/16"	PACO
C	2	750i400p1268	11'-9 9/16"	PACO
D	1	F	3'-3"	HOLDDOWN
E	1	750T300-68	2'-2 3/16"	TOP TRACK
F	1	750T300-68	2'-2 3/16"	BOTTOM TRACK
G	2	1200D-54	2'-2 1/8"	STRAP
H	2	750T300-68	9 1/2"	BLOCK

21-6006

Jewish Home for the Aging

1885 Victory Blvd. Reseda, CA

FM-07-109

CREATED BY: TNT

FrameMax, Inc.
13915 Danielson St
Suite 100
Poway, CA 92064
www.frame-max.com



© FrameMax Inc.

HEIGHT : 11'-9 11/16" POINTS: 2.32 Points.

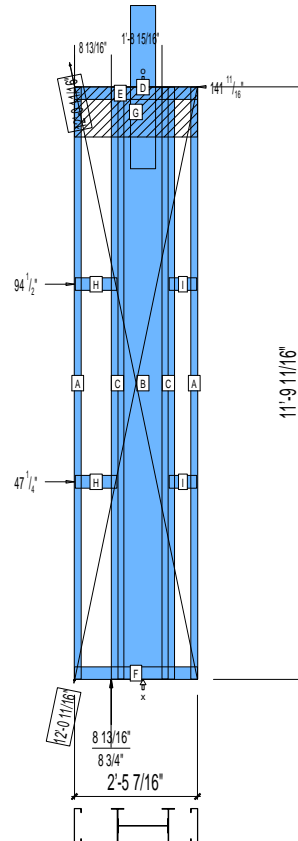
SPACING : 24"

1st STUD: 24"

WEIGHTS :

FRAME : 439 lbs

TOTAL: 439 lbs



PIECES LIST

LABEL	QTY	SIZE	LENGTH	USE
A	2	825S162-54	11'-9 9/16"	STUD
B	1	1200i350p1062	11'-9 9/16"	PACO
C	2	825i300p746	11'-9 9/16"	PACO
D	1	E	3'-3"	HOLDDOWN
E	1	825T300-68	2'-5 7/16"	TOP TRACK
F	1	825T300-68	2'-5 7/16"	BOTTOM TRACK
G	1	1200D-54	2'-5 3/8"	STRAP
H	2	825T300-54	9 15/16"	BLOCK
I	2	825T300-54	6 9/16"	BLOCK

21-6013

Jewish Home for the Aging

1885 Victory Blvd. Reseda, CA

FM-07-109

CREATED BY: AMB

FrameMax, Inc.
13915 Danielson St
Suite 100
Poway, CA 92064
www.frame-max.com



© FrameMax Inc.

HEIGHT : 11'-9 11/16" POINTS: 2.33 Points.

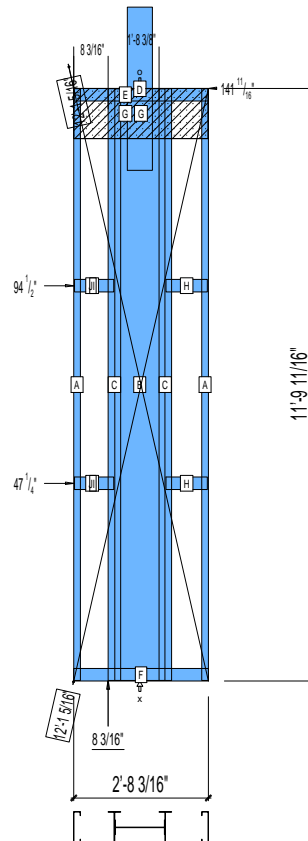
SPACING : 24"

1st STUD: 24"

WEIGHTS :

FRAME : 436 lbs

TOTAL: 436 lbs



PIECES LIST

LABEL	QTY	SIZE	LENGTH	USE
A	2	750S162-54	11'-9 1/2"	STUD
B	1	1200i350p1062	11'-9 1/2"	PACO
C	2	750i300p706	11'-9 1/2"	PACO
D	1	E	3'-3"	HOLDDOWN
E	1	750T300-68	2'-8 3/16"	TOP TRACK
F	1	750T300-68	2'-8 3/16"	BOTTOM TRACK
G	2	1200D-54	2'-8 1/8"	STRAP
H	2	750T300-68	9 15/16"	BLOCK
I	2	750T300-68	9 5/16"	BLOCK

21-6016

Jewish Home for the Aging

1885 Victory Blvd. Reseda, CA

FM-07-109

CREATED BY: AMB

FrameMax, Inc.
13915 Danielson St
Suite 100
Poway, CA 92064
www.frame-max.com



© FrameMax Inc.

HEIGHT : 11'-9 11/16" POINTS: 2.24 Points.

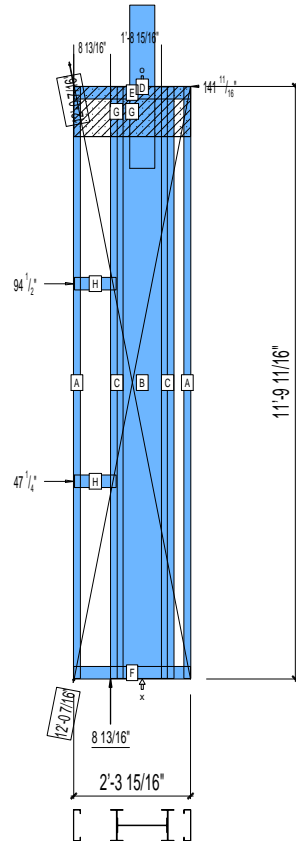
SPACING : 24"

1st STUD: 24"

WEIGHTS :

FRAME : 427 lbs

TOTAL: 427 lbs



PIECES LIST

LABEL	QTY	SIZE	LENGTH	USE
A	2	750S162-54	11'-9 1/2"	STUD
B	1	1200i350p1062	11'-9 1/2"	PACO
C	2	750i300p706	11'-9 1/2"	PACO
D	1	E	3'-3"	HOLDDOWN
E	1	750T300-68	2'-3 15/16"	TOP TRACK
F	1	750T300-68	2'-3 15/16"	BOTTOM TRACK
G	2	1200D-54	2'-3 7/8"	STRAP
H	2	750T300-68	9 15/16"	BLOCK

21-6017

Jewish Home for the Aging

1885 Victory Blvd. Reseda, CA

FM-07-109

CREATED BY: TNT

FrameMax, Inc.
13915 Danielson St
Suite 100
Poway, CA 92064
www.frame-max.com



© FrameMax Inc.

HEIGHT : 11'-9 11/16" POINTS: 3.22 Points.

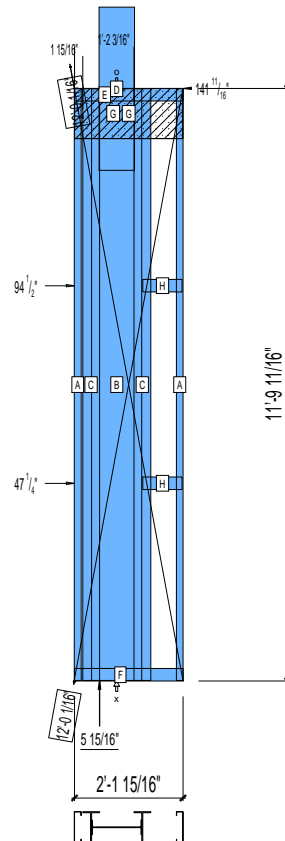
SPACING : 24"

1st STUD: 24"

WEIGHTS :

FRAME : 644 lbs

TOTAL: 644 lbs



PIECES LIST

LABEL	QTY	SIZE	LENGTH	USE
A	2	750S162-54	11'-9 1/2"	STUD
B	1	1200i350p1420	11'-9 1/2"	PACO
C	2	750i400p1268	11'-9 1/2"	PACO
D	1	F	3'-3"	HOLDDOWN
E	1	750T300-68	2'-1 15/16"	TOP TRACK
F	1	750T300-68	2'-1 15/16"	BOTTOM TRACK
G	2	1200D-54	2'-1 7/8"	STRAP
H	2	750T300-68	9 3/8"	BLOCK

21-6026

Jewish Home for the Aging

1885 Victory Blvd. Reseda, CA

FM-07-109

CREATED BY: AMB

FrameMax, Inc.
13915 Danielson St
Suite 100
Poway, CA 92064
www.frame-max.com



© FrameMax Inc.

HEIGHT : 11'-9 11/16" POINTS: 3.31 Points.

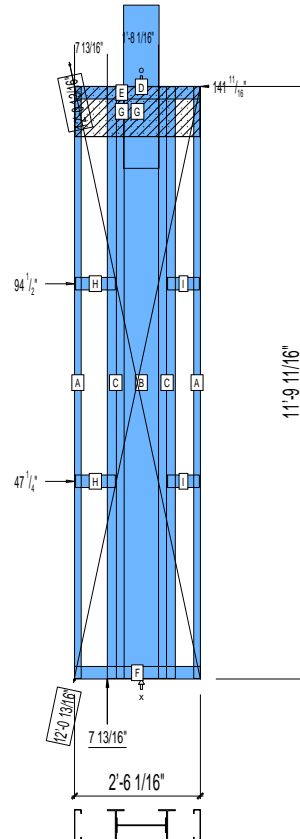
SPACING : 24"

1st STUD: 24"

WEIGHTS :

FRAME : 652 lbs

TOTAL: 652 lbs



PIECES LIST

LABEL	QTY	SIZE	LENGTH	USE
A	2	750S162-54	11'-9 1/2"	STUD
B	1	1200i350p1420	11'-9 1/2"	PACO
C	2	750i400p1268	11'-9 1/2"	PACO
D	1	F	3'-3"	HOLDDOWN
E	1	750T300-68	2'-6 1/16"	TOP TRACK
F	1	750T300-68	2'-6 1/16"	BOTTOM TRACK
G	2	1200D-54	2'-6"	STRAP
H	2	750T300-68	9 1/2"	BLOCK
I	2	750T300-68	7 5/8"	BLOCK

21-6027

Jewish Home for the Aging

1885 Victory Blvd. Reseda, CA

FM-07-109

CREATED BY: AMB

FrameMax, Inc.
13915 Danielson St
Suite 100
Poway, CA 92064
www.frame-max.com



© FrameMax Inc.

HEIGHT : 11'-9 11/16" POINTS: 3.07 Points.

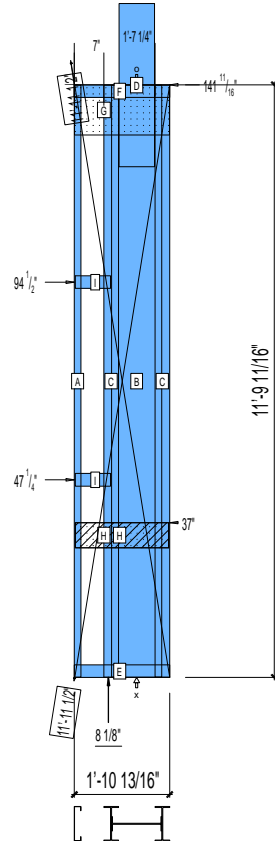
SPACING : 24"

1st STUD: 24"

WEIGHTS :

FRAME : 611 lbs

TOTAL: 611 lbs



PIECES LIST

LABEL	QTY	SIZE	LENGTH	USE
A	1	825S162-54	11'-9 9/16"	STUD
B	1	1200i350p1420	11'-9 9/16"	PACO
C	2	825i350p1247	11'-9 9/16"	PACO
D	1	F	3'-3"	HOLDDOWN
E	1	825T300-68	1'-10 13/16"	BOTTOM TRACK
F	1	825T300-68	1'-10 13/16"	TOP TRACK
G	1	1200D-54	1'-10 11/16"	STRAP
H	2	600D-54	1'-10 5/16"	VANITY BACKING
I	2	825T300-54	8 7/16"	BLOCK

21-6034

Jewish Home for the Aging

1885 Victory Blvd. Reseda, CA

FM-07-109

CREATED BY: AMB

FrameMax, Inc.
13915 Danielson St
Suite 100
Poway, CA 92064
www.framemax.com



© FrameMax Inc.

HEIGHT : 11'-9 11/16" POINTS: 3.15 Points.

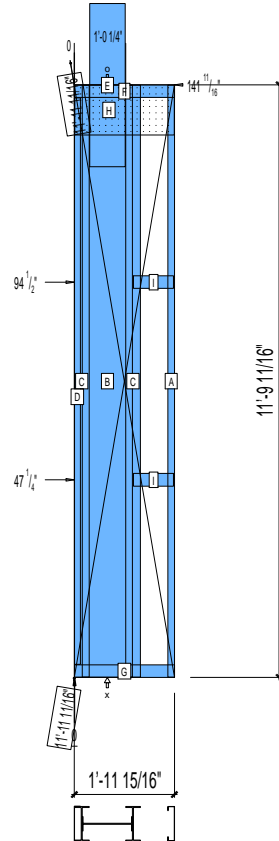
SPACING : 24"

1st STUD: 24"

WEIGHTS :

FRAME : 633 lbs

TOTAL: 633 lbs



PIECES LIST

LABEL	QTY	SIZE	LENGTH	USE
A	1	825S162-54	11'-9 9/16"	STUD
B	1	1200i350p1420	11'-9 9/16"	PACO
C	2	825i350p1247	11'-9 9/16"	PACO
D	1	825T150-54	11'-3 7/16"	CAP
E	1	F	3'-3"	HOLDDOWN
F	1	825T300-68	1'-11 15/16"	TOP TRACK
G	1	825T300-68	1'-11 15/16"	BOTTOM TRACK
H	1	1200D-54	1'-11 13/16"	STRAP
I	2	825T300-54	9 9/16"	BLOCK

21-6037

Jewish Home for the Aging

1885 Victory Blvd. Reseda, CA

FM-07-109

CREATED BY: AMB

FrameMax, Inc.
13915 Danielson St
Suite 100
Poway, CA 92064
www.frame-max.com



© FrameMax Inc.

HEIGHT : 11'-9 11/16" POINTS: 3.55 Points.

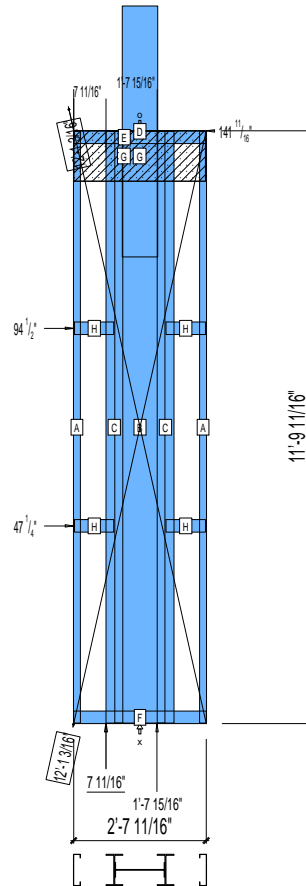
SPACING : 24"

1st STUD: 24"

WEIGHTS :

FRAME : 705 lbs

TOTAL: 705 lbs



PIECES LIST

LABEL	QTY	SIZE	LENGTH	USE
A	2	750S162-54	11'-9 1/2"	STUD
B	1	1200i350p1420	11'-9 1/2"	PACO
C	2	750i400p1268	11'-9 1/2"	PACO
D	1	G	5'-0"	HOLDDOWN
E	1	750T300-68	2'-7 11/16"	TOP TRACK
F	1	750T300-68	2'-7 11/16"	BOTTOM TRACK
G	2	1200D-54	2'-7 1/2"	STRAP
H	4	750T300-68	9 3/8"	BLOCK

21-6040

Jewish Home for the Aging

1885 Victory Blvd. Reseda, CA

FM-07-109

CREATED BY: AMB

FrameMax, Inc.
13915 Danielson St
Suite 100
Poway, CA 92064
www.frame-max.com



© FrameMax Inc.

HEIGHT : 11'-9 11/16" POINTS: 3.52 Points.

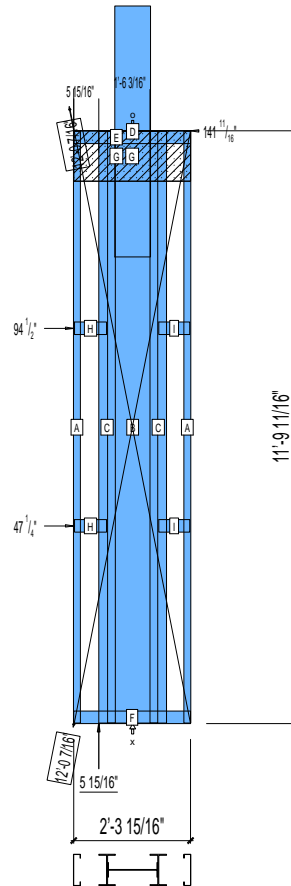
SPACING : 24"

1st STUD: 24"

WEIGHTS :

FRAME : 699 lbs

TOTAL: 699 lbs



PIECES LIST

LABEL	QTY	SIZE	LENGTH	USE
A	2	750S162-54	11'-9 1/2"	STUD
B	1	1200i350p1420	11'-9 1/2"	PACO
C	2	750i400p1268	11'-9 1/2"	PACO
D	1	G	5'-0"	HOLDDOWN
E	1	750T300-68	2'-3 15/16"	TOP TRACK
F	1	750T300-68	2'-3 15/16"	BOTTOM TRACK
G	2	1200D-54	2'-3 7/8"	STRAP
H	2	750T300-68	7 5/8"	BLOCK
I	2	750T300-68	7 3/8"	BLOCK

21-6041

Jewish Home for the Aging

1885 Victory Blvd. Reseda, CA

FM-07-109

CREATED BY: AMB

FrameMax, Inc.
13915 Danielson St
Suite 100
Poway, CA 92064
www.frame-max.com



© FrameMax Inc.

HEIGHT : 11'-9 11/16" POINTS: 3.19 Points.

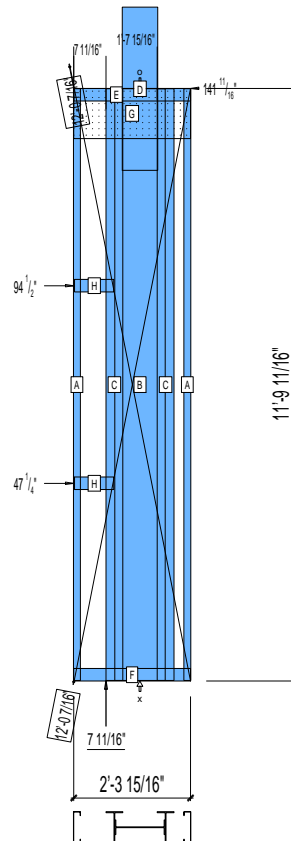
SPACING : 24"

1st STUD: 24"

WEIGHTS :

FRAME : 640 lbs

TOTAL: 640 lbs



PIECES LIST

LABEL	QTY	SIZE	LENGTH	USE
A	2	750S162-54	11'-9 1/2"	STUD
B	1	1200i350p1420	11'-9 1/2"	PACO
C	2	750i400p1268	11'-9 1/2"	PACO
D	1	F	3'-3"	HOLDDOWN
E	1	750T300-68	2'-3 15/16"	TOP TRACK
F	1	750T300-68	2'-3 15/16"	BOTTOM TRACK
G	1	1200D-54	2'-3 7/8"	STRAP
H	2	750T300-68	9 3/8"	BLOCK

21-6050

Jewish Home for the Aging

1885 Victory Blvd. Reseda, CA

FM-07-109

CREATED BY: AMB

FrameMax, Inc.
13915 Danielson St
Suite 100
Poway, CA 92064
www.frame-max.com



© FrameMax Inc.

HEIGHT : 11'-9 11/16" POINTS: 3.26 Points.

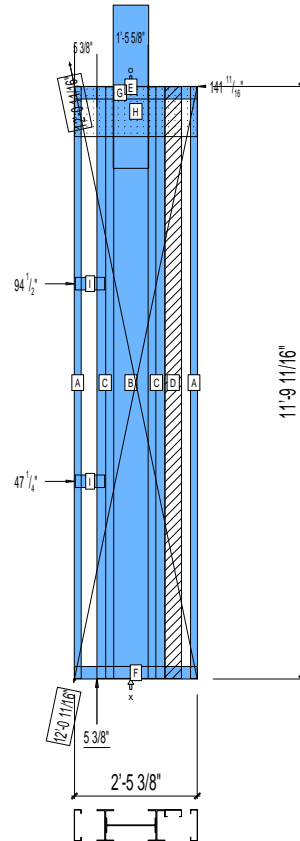
SPACING : 24"

1st STUD: 24"

WEIGHTS :

FRAME : 651 lbs

TOTAL: 651 lbs



PIECES LIST

LABEL	QTY	SIZE	LENGTH	USE
A	2	750S162-54	11'-9 1/2"	STUD
B	1	1200i350p1420	11'-9 1/2"	PACO
C	2	750i400p1268	11'-9 1/2"	PACO
D	1	400S162-33	11'-9 7/16"	BACKER-U
E	1	F	3'-3"	HOLDDOWN
F	1	750T300-68	2'-5 3/8"	BOTTOM TRACK
G	1	750T300-68	2'-5 3/8"	TOP TRACK
H	1	1200D-54	2'-5 5/16"	STRAP
I	2	750T300-68	7"	BLOCK

21-6051

Jewish Home for the Aging

1885 Victory Blvd. Reseda, CA

FrameMax, Inc.
13915 Danielson St
Suite 100
Poway, CA 92064
www.framemax.com



© FrameMax Inc.

CREATED: 09/26/2008

FM-07-109

CREATED BY: AMB

HEIGHT : 11'-9 11/16" POINTS: 3.05 Points.

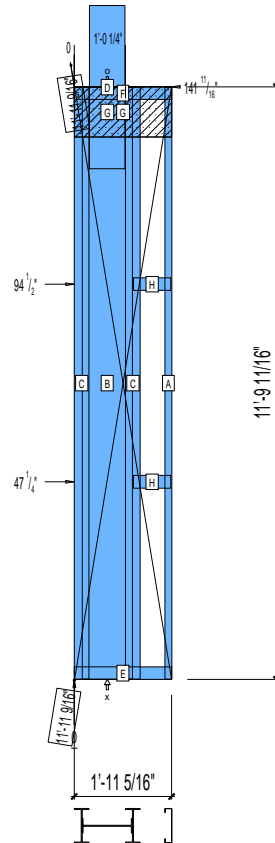
SPACING : 24"

1st STUD: 24"

WEIGHTS :

FRAME : 611 lbs

TOTAL: 611 lbs



PIECES LIST

LABEL	QTY	SIZE	LENGTH	USE
A	1	825S162-54	11'-9 9/16"	STUD
B	1	1200i350p1420	11'-9 9/16"	PACO
C	2	825i350p1247	11'-9 9/16"	PACO
D	1	F	3'-3"	HOLDDOWN
E	1	825T300-68	1'-11 5/16"	BOTTOM TRACK
F	1	825T300-68	1'-11 5/16"	TOP TRACK
G	2	1200D-54	1'-11 3/16"	STRAP
H	2	825T300-54	8 15/16"	BLOCK

21-6059

Jewish Home for the Aging

1885 Victory Blvd. Reseda, CA

FM-07-109

CREATED BY: AMB

FrameMax, Inc.
13915 Danielson St
Suite 100
Poway, CA 92064
www.frame-max.com



© FrameMax Inc.

HEIGHT : 11'-9 11/16" POINTS: 3.04 Points.

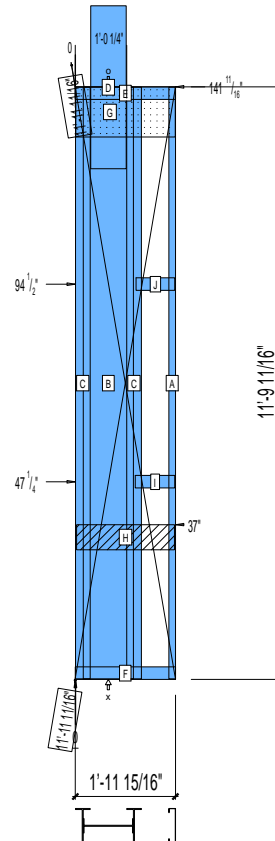
SPACING : 24"

1st STUD: 24"

WEIGHTS :

FRAME : 610 lbs

TOTAL: 610 lbs



PIECES LIST

LABEL	QTY	SIZE	LENGTH	USE
A	1	825S162-54	11'-9 1/2"	STUD
B	1	1200i350p1420	11'-9 1/2"	PACO
C	2	825i350p1247	11'-9 1/2"	PACO
D	1	F	3'-3"	HOLDDOWN
E	1	825T300-68	1'-11 15/16"	TOP TRACK
F	1	825T300-68	1'-11 15/16"	BOTTOM TRACK
G	1	1200D-54	1'-11 13/16"	STRAP
H	1	600D-54	1'-11 7/16"	VANITY BACKING
I	1	825T300-54	9 3/8"	BLOCK
J	1	825T300-54	9 1/4"	BLOCK

21-6060

Jewish Home for the Aging

1885 Victory Blvd. Reseda, CA

FM-07-109

CREATED BY: TNT

FrameMax, Inc.
13915 Danielson St
Suite 100
Poway, CA 92064
www.framemax.com



© FrameMax Inc.

HEIGHT : 11'-9 11/16" POINTS: 2.98 Points.

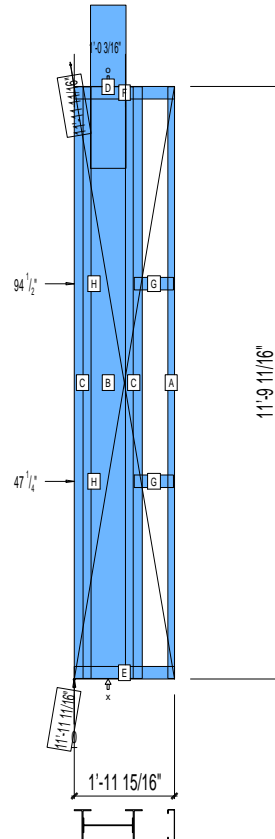
SPACING : 24"

1st STUD: 24"

WEIGHTS :

FRAME : 605 lbs

TOTAL: 605 lbs



PIECES LIST

LABEL	QTY	SIZE	LENGTH	USE
A	1	750S162-54	11'-9 1/2"	STUD
B	1	1200i350p1420	11'-9 1/2"	PACO
C	2	750i400p1268	11'-9 1/2"	PACO
D	1	F	3'-3"	HOLDDOWN
E	1	750T300-68	1'-11 15/16"	BOTTOM TRACK
F	1	750T300-68	1'-11 15/16"	TOP TRACK
G	2	825T300-54	9 3/8"	BLOCK

21-6061

Jewish Home for the Aging

1885 Victory Blvd. Reseda, CA

FM-07-109

CREATED BY: TNT

FrameMax, Inc.
13915 Danielson St
Suite 100
Poway, CA 92064
www.frame-max.com



© FrameMax Inc.

HEIGHT : 11'-9 11/16" POINTS: 2.98 Points.

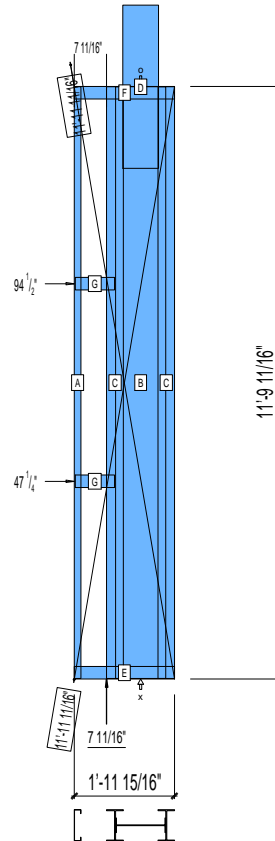
SPACING : 24"

1st STUD: 24"

WEIGHTS :

FRAME : 605 lbs

TOTAL: 605 lbs



PIECES LIST

LABEL	QTY	SIZE	LENGTH	USE
A	1	750S162-54	11'-9 1/2"	STUD
B	1	1200i350p1420	11'-9 1/2"	PACO
C	2	750i400p1268	11'-9 1/2"	PACO
D	1	F	3'-3"	HOLDDOWN
E	1	750T300-68	1'-11 15/16"	BOTTOM TRACK
F	1	750T300-68	1'-11 15/16"	TOP TRACK
G	2	825T300-54	9 3/8"	BLOCK

21-6066

Jewish Home for the Aging

1885 Victory Blvd. Reseda, CA

FM-07-109

CREATED BY: AMB

FrameMax, Inc.
13915 Danielson St
Suite 100
Poway, CA 92064
www.frame-max.com



© FrameMax Inc.

HEIGHT : 11'-9 11/16" POINTS: 3.01 Points.

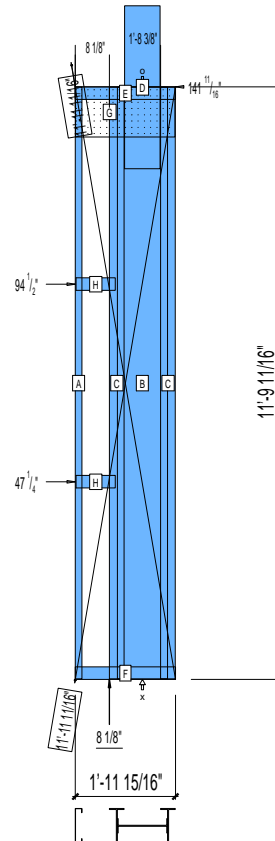
SPACING : 24"

1st STUD: 24"

WEIGHTS :

FRAME : 607 lbs

TOTAL: 607 lbs



PIECES LIST

LABEL	QTY	SIZE	LENGTH	USE
A	1	825S162-54	11'-9 1/2"	STUD
B	1	1200i350p1420	11'-9 1/2"	PACO
C	2	825i350p1247	11'-9 1/2"	PACO
D	1	F	3'-3"	HOLDDOWN
E	1	825T300-68	1'-11 15/16"	TOP TRACK
F	1	825T300-68	1'-11 15/16"	BOTTOM TRACK
G	1	1200D-54	1'-11 13/16"	STRAP
H	2	825T300-54	9 3/8"	BLOCK

21-6069

Jewish Home for the Aging

1885 Victory Blvd. Reseda, CA

FM-07-109

CREATED BY: AMB

FrameMax, Inc.
13915 Danielson St
Suite 100
Poway, CA 92064
www.frame-max.com



© FrameMax Inc.

HEIGHT : 11'-9 11/16" POINTS: 3.32 Points.

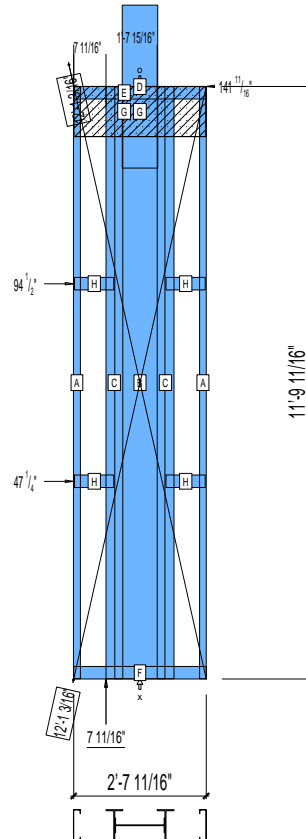
SPACING : 24"

1st STUD: 24"

WEIGHTS :

FRAME : 655 lbs

TOTAL: 655 lbs



PIECES LIST

LABEL	QTY	SIZE	LENGTH	USE
A	2	750S162-54	11'-9 9/16"	STUD
B	1	1200i350p1420	11'-9 9/16"	PACO
C	2	750i400p1268	11'-9 9/16"	PACO
D	1	F	3'-3"	HOLDDOWN
E	1	750T300-68	2'-7 11/16"	TOP TRACK
F	1	750T300-68	2'-7 11/16"	BOTTOM TRACK
G	2	1200D-54	2'-7 5/8"	STRAP
H	4	750T300-68	9 3/8"	BLOCK

21-6072

Jewish Home for the Aging

1885 Victory Blvd. Reseda, CA

FM-07-109

CREATED BY: TNT

FrameMax, Inc.
13915 Danielson St
Suite 100
Poway, CA 92064
www.frame-max.com



© FrameMax Inc.

HEIGHT : 11'-9 11/16" POINTS: 3.07 Points.

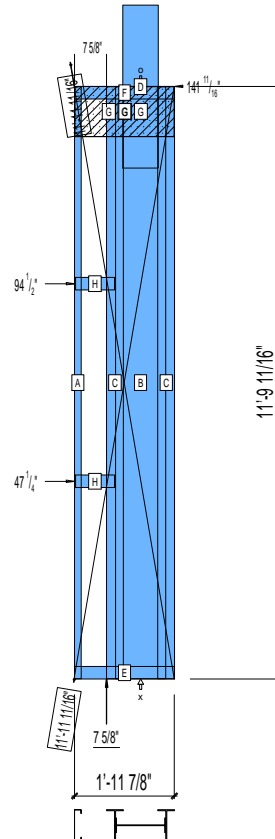
SPACING : 24"

1st STUD: 24"

WEIGHTS :

FRAME : 615 lbs

TOTAL: 615 lbs



PIECES LIST

LABEL	QTY	SIZE	LENGTH	USE
A	1	750S162-54	11'-9 9/16"	STUD
B	1	1200i350p1420	11'-9 9/16"	PACO
C	2	750i400p1268	11'-9 9/16"	PACO
D	1	F	3'-3"	HOLDDOWN
E	1	750T300-68	1'-11 7/8"	BOTTOM TRACK
F	1	750T300-68	1'-11 7/8"	TOP TRACK
G	2	1200D-54	1'-11 13/16"	STRAP
H	2	750T300-68	9 5/16"	BLOCK

21-6073

Jewish Home for the Aging

1885 Victory Blvd. Reseda, CA

FM-07-109

CREATED BY: AMB

FrameMax, Inc.
13915 Danielson St
Suite 100
Poway, CA 92064
www.frame-max.com



© FrameMax Inc.

HEIGHT : 11'-9 11/16" POINTS: 2.31 Points.

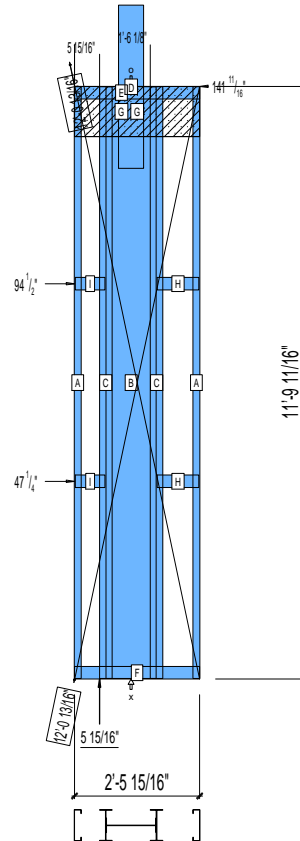
SPACING : 24"

1st STUD: 24"

WEIGHTS :

FRAME : 433 lbs

TOTAL: 433 lbs



PIECES LIST

LABEL	QTY	SIZE	LENGTH	USE
A	2	750S162-54	11'-9 1/2"	STUD
B	1	1200i350p1062	11'-9 1/2"	PACO
C	2	750i300p706	11'-9 1/2"	PACO
D	1	E	3'-3"	HOLDDOWN
E	1	750T300-68	2'-5 15/16"	TOP TRACK
F	1	750T300-68	2'-5 15/16"	BOTTOM TRACK
G	2	1200D-54	2'-5 7/8"	STRAP
H	2	750T300-68	9 15/16"	BLOCK
I	2	750T300-68	7 1/16"	BLOCK

21-6076

Jewish Home for the Aging

1885 Victory Blvd. Reseda, CA

FM-07-109

CREATED BY: AMB

FrameMax, Inc.
13915 Danielson St
Suite 100
Poway, CA 92064
www.frame-max.com



© FrameMax Inc.

HEIGHT : 11'-9 11/16" POINTS: 2.08 Points.

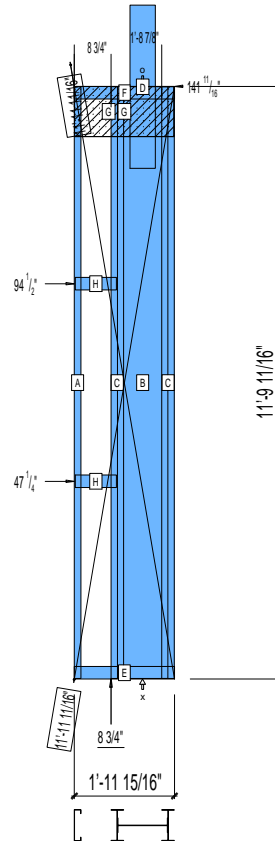
SPACING : 24"

1st STUD: 24"

WEIGHTS :

FRAME : 397 lbs

TOTAL: 397 lbs



PIECES LIST

LABEL	QTY	SIZE	LENGTH	USE
A	1	750S162-54	11'-9 1/2"	STUD
B	1	1200i350p1062	11'-9 1/2"	PACO
C	2	750i300p706	11'-9 1/2"	PACO
D	1	E	3'-3"	HOLDDOWN
E	1	750T300-68	1'-11 15/16"	BOTTOM TRACK
F	1	750T300-68	1'-11 15/16"	TOP TRACK
G	2	1200D-54	1'-11 13/16"	STRAP
H	2	750T300-68	9 7/8"	BLOCK

21-6082

Jewish Home for the Aging

1885 Victory Blvd. Reseda, CA

FM-07-109

CREATED BY: TNT

FrameMax, Inc.
13915 Danielson St
Suite 100
Poway, CA 92064
www.frame-max.com



© FrameMax Inc.

HEIGHT : 9'-7 15/16" POINTS: 1.78 Points.

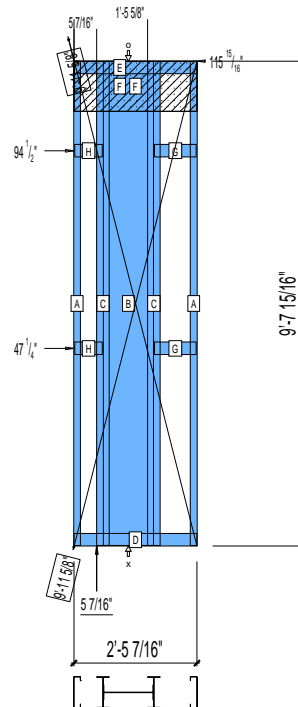
SPACING : 24"

1st STUD: 24"

WEIGHTS :

FRAME : 320 lbs

TOTAL: 320 lbs



PIECES LIST

LABEL	QTY	SIZE	LENGTH	USE
A	2	750S162-54	9'-7 3/4"	STUD
B	1	1200i350p1062	9'-7 3/4"	PACO
C	2	750i300p706	9'-7 3/4"	PACO
D	1	750T300-68	2'-5 7/16"	BOTTOM TRACK
E	1	750T300-68	2'-5 7/16"	TOP TRACK
F	2	1200D-54	2'-5 3/8"	STRAP
G	2	750T300-68	9 15/16"	BLOCK
H	2	750T300-68	6 9/16"	BLOCK

21-6083

Jewish Home for the Aging

1885 Victory Blvd. Reseda, CA

FM-07-109

CREATED BY: AMB

FrameMax, Inc.
13915 Danielson St
Suite 100
Poway, CA 92064
www.frame-max.com



© FrameMax Inc.

HEIGHT : 11'-9 11/16" POINTS: 2.31 Points.

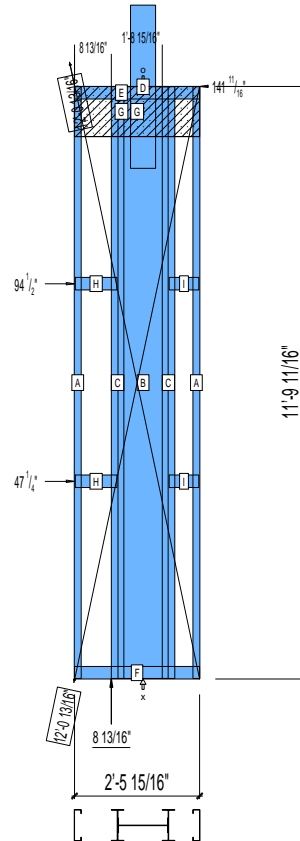
SPACING : 24"

1st STUD: 24"

WEIGHTS :

FRAME : 433 lbs

TOTAL: 433 lbs



PIECES LIST

LABEL	QTY	SIZE	LENGTH	USE
A	2	750S162-54	11'-9 1/2"	STUD
B	1	1200i350p1062	11'-9 1/2"	PACO
C	2	750i300p706	11'-9 1/2"	PACO
D	1	E	3'-3"	HOLDDOWN
E	1	750T300-68	2'-5 15/16"	TOP TRACK
F	1	750T300-68	2'-5 15/16"	BOTTOM TRACK
G	2	1200D-54	2'-5 7/8"	STRAP
H	2	750T300-68	9 15/16"	BLOCK
I	2	750T300-68	7 1/16"	BLOCK

21-6086

Jewish Home for the Aging

1885 Victory Blvd. Reseda, CA

FM-07-109

CREATED BY: AMB

FrameMax, Inc.
13915 Danielson St
Suite 100
Poway, CA 92064
www.frame-max.com



© FrameMax Inc.

HEIGHT : 11'-9 11/16" POINTS: 2.08 Points.

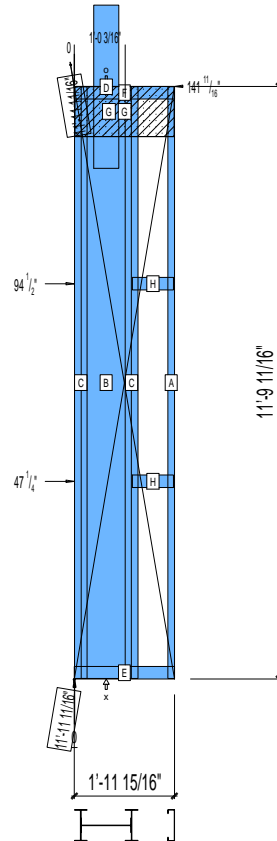
SPACING : 24"

1st STUD: 24"

WEIGHTS :

FRAME : 397 lbs

TOTAL: 397 lbs



PIECES LIST

LABEL	QTY	SIZE	LENGTH	USE
A	1	750S162-54	11'-9 1/2"	STUD
B	1	1200i350p1062	11'-9 1/2"	PACO
C	2	750i300p706	11'-9 1/2"	PACO
D	1	E	3'-3"	HOLDDOWN
E	1	750T300-68	1'-11 15/16"	BOTTOM TRACK
F	1	750T300-68	1'-11 15/16"	TOP TRACK
G	2	1200D-54	1'-11 13/16"	STRAP
H	2	750T300-68	9 7/8"	BLOCK

21-6090

Jewish Home for the Aging

1885 Victory Blvd. Reseda, CA

FM-07-109

CREATED BY: AMB

FrameMax, Inc.
13915 Danielson St
Suite 100
Poway, CA 92064
www.frame-max.com



© FrameMax Inc.

HEIGHT : 11'-9 11/16" POINTS: 3.32 Points.

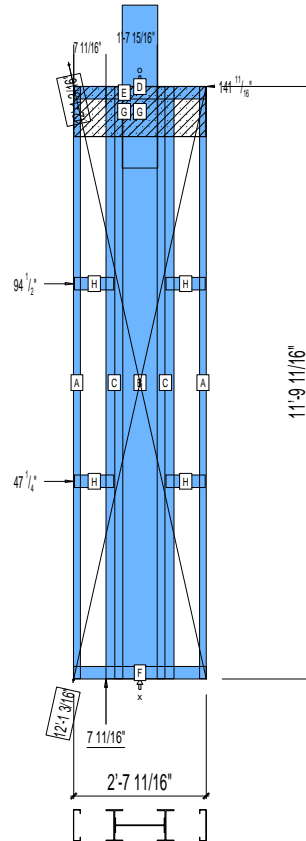
SPACING : 24"

1st STUD: 24"

WEIGHTS :

FRAME : 655 lbs

TOTAL: 655 lbs



PIECES LIST

LABEL	QTY	SIZE	LENGTH	USE
A	2	750S162-54	11'-9 9/16"	STUD
B	1	1200i350p1420	11'-9 9/16"	PACO
C	2	750i400p1268	11'-9 9/16"	PACO
D	1	F	3'-3"	HOLDDOWN
E	1	750T300-68	2'-7 11/16"	TOP TRACK
F	1	750T300-68	2'-7 11/16"	BOTTOM TRACK
G	2	1200D-54	2'-7 5/8"	STRAP
H	4	750T300-68	9 3/8"	BLOCK

21-6093

Jewish Home for the Aging

1885 Victory Blvd. Reseda, CA

FM-07-109

CREATED BY: AMB

FrameMax, Inc.
13915 Danielson St
Suite 100
Poway, CA 92064
www.frame-max.com



© FrameMax Inc.

HEIGHT : 11'-9 11/16" POINTS: 3.19 Points.

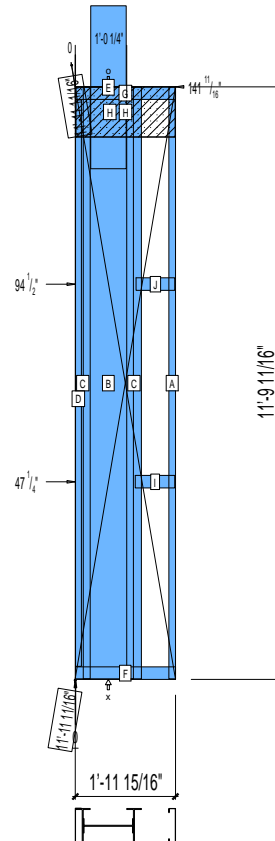
SPACING : 24"

1st STUD: 24"

WEIGHTS :

FRAME : 637 lbs

TOTAL: 637 lbs



PIECES LIST

LABEL	QTY	SIZE	LENGTH	USE
A	1	825S162-54	11'-9 1/2"	STUD
B	1	1200i350p1420	11'-9 1/2"	PACO
C	2	825i350p1247	11'-9 1/2"	PACO
D	1	825T150-54	11'-3 7/16"	CAP
E	1	F	3'-3"	HOLDDOWN
F	1	825T300-68	1'-11 15/16"	BOTTOM TRACK
G	1	825T300-68	1'-11 15/16"	TOP TRACK
H	2	1200D-54	1'-11 13/16"	STRAP
I	1	825T300-54	9 3/8"	BLOCK
J	1	825T300-54	9 1/4"	BLOCK

21-6100

Jewish Home for the Aging

1885 Victory Blvd. Reseda, CA

FM-07-109

CREATED BY: AMB

FrameMax, Inc.
13915 Danielson St
Suite 100
Poway, CA 92064
www.frame-max.com



© FrameMax Inc.

HEIGHT : 11'-9 11/16" POINTS: 3.05 Points.

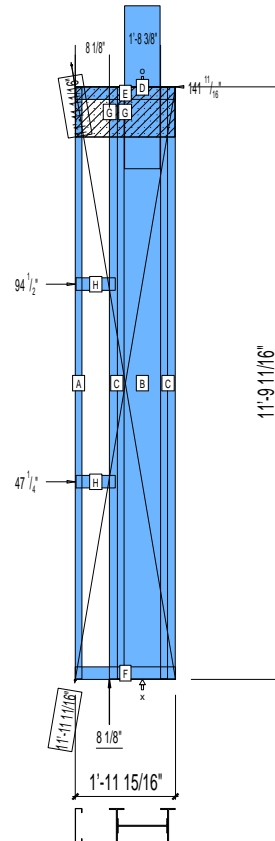
SPACING : 24"

1st STUD: 24"

WEIGHTS :

FRAME : 612 lbs

TOTAL: 612 lbs



PIECES LIST

LABEL	QTY	SIZE	LENGTH	USE
A	1	825S162-54	11'-9 1/2"	STUD
B	1	1200i350p1420	11'-9 1/2"	PACO
C	2	825i350p1247	11'-9 1/2"	PACO
D	1	F	3'-3"	HOLDDOWN
E	1	825T300-68	1'-11 15/16"	TOP TRACK
F	1	825T300-68	1'-11 15/16"	BOTTOM TRACK
G	2	1200D-54	1'-11 13/16"	STRAP
H	2	825T300-54	9 3/8"	BLOCK

21-6101

Jewish Home for the Aging

1885 Victory Blvd. Reseda, CA

FM-07-109

CREATED BY: TNT

FrameMax, Inc.
13915 Danielson St
Suite 100
Poway, CA 92064
www.frame-max.com



© FrameMax Inc.

HEIGHT : 9'-11 15/16" POINTS: 1.76 Points.

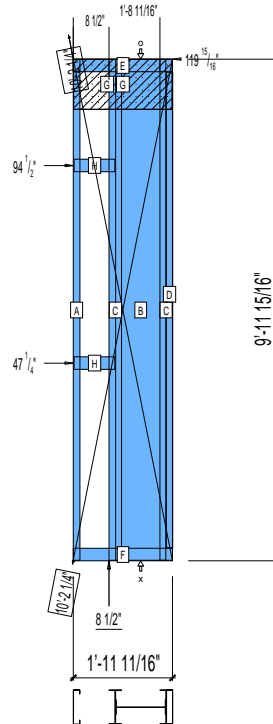
SPACING : 24"

1st STUD: 11 3/4"

WEIGHTS :

FRAME : 328 lbs

TOTAL: 328 lbs



PIECES LIST

LABEL	QTY	SIZE	LENGTH	USE
A	1	825S162-54	9'-11 3/4"	STUD
B	1	1200i350p1062	9'-11 3/4"	PACO
C	2	825i300p746	9'-11 3/4"	PACO
D	1	825T150-54	9'-5 11/16"	CAP
E	1	825T300-68	1'-11 11/16"	TOP TRACK
F	1	825T300-68	1'-11 11/16"	BOTTOM TRACK
G	2	1200D-54	1'-11 9/16"	STRAP
H	2	825T300-54	9 3/4"	BLOCK

21-6106

Jewish Home for the Aging

1885 Victory Blvd. Reseda, CA

FM-07-109

CREATED BY: TNT

FrameMax, Inc.
13915 Danielson St
Suite 100
Poway, CA 92064
www.frame-max.com



© FrameMax Inc.

HEIGHT : 9'-11 15/16" POINTS: 1.92 Points.

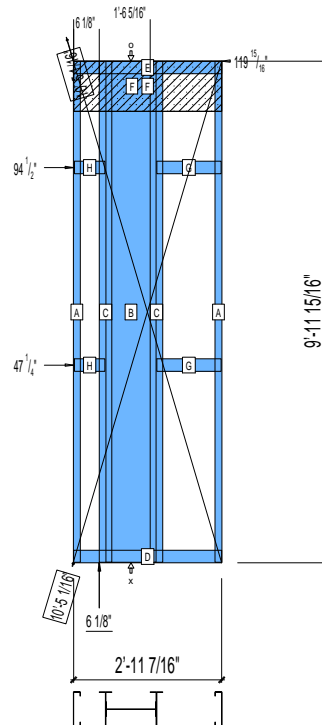
SPACING : 24"

1st STUD: 18 1/8"

WEIGHTS :

FRAME : 349 lbs

TOTAL: 349 lbs



PIECES LIST

LABEL	QTY	SIZE	LENGTH	USE
A	2	825S162-54	9'-11 3/4"	STUD
B	1	1200i350p1062	9'-11 3/4"	PACO
C	2	825i300p746	9'-11 3/4"	PACO
D	1	825T300-68	2'-11 7/16"	BOTTOM TRACK
E	1	825T300-68	2'-11 7/16"	TOP TRACK
F	2	1200D-54	2'-11 3/8"	STRAP
G	2	825T300-54	1'-3 3/8"	BLOCK
H	2	825T300-54	7 1/4"	BLOCK

21-6109

Jewish Home for the Aging

1885 Victory Blvd. Reseda, CA

FM-07-109

CREATED BY: AMB

FrameMax, Inc.
13915 Danielson St
Suite 100
Poway, CA 92064
www.frame-max.com



© FrameMax Inc.

HEIGHT : 10'-7 3/8" POINTS: 2.56 Points.

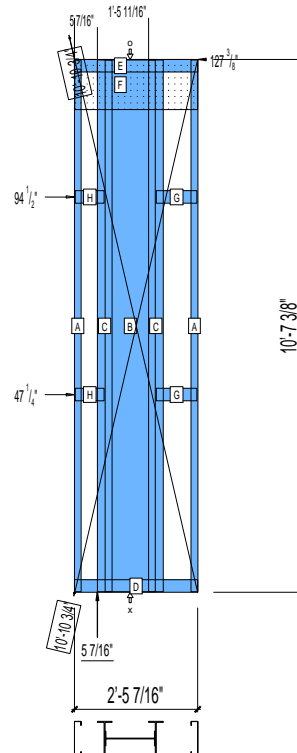
SPACING : 24"

1st STUD: 24"

WEIGHTS :

FRAME : 497 lbs

TOTAL: 497 lbs



PIECES LIST

LABEL	QTY	SIZE	LENGTH	USE
A	2	825S162-54	10'-7 3/16"	STUD
B	1	1200i350p1420	10'-7 3/16"	PACO
C	2	825i350p1247	10'-7 3/16"	PACO
D	1	825T300-68	2'-5 7/16"	BOTTOM TRACK
E	1	825T300-68	2'-5 7/16"	TOP TRACK
F	1	1200D-54	2'-5 7/16"	STRAP
G	2	825T300-54	9 11/16"	BLOCK
H	2	825T300-54	6 7/8"	BLOCK

21-6117

Jewish Home for the Aging

1885 Victory Blvd. Reseda, CA

FrameMax, Inc.
13915 Danielson St
Suite 100
Poway, CA 92064
www.framemax.com



© FrameMax Inc.

CREATED: 09/26/2008

FM-07-109

CREATED BY: AMB

HEIGHT : 11'-9 11/16" POINTS: 3.24 Points.

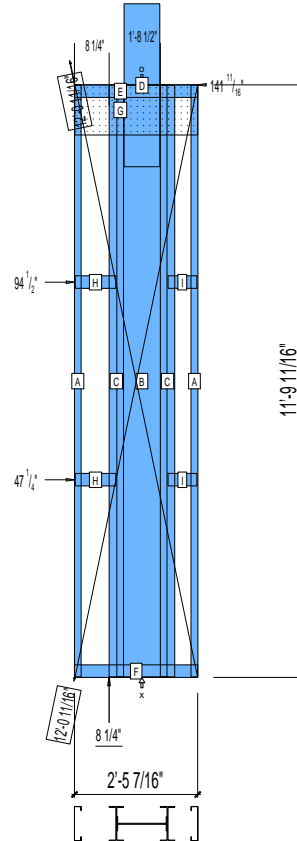
SPACING : 24"

1st STUD: 24"

WEIGHTS :

FRAME : 643 lbs

TOTAL: 643 lbs



PIECES LIST

LABEL	QTY	SIZE	LENGTH	USE
A	2	825S162-54	11'-9 1/2"	STUD
B	1	1200i350p1420	11'-9 1/2"	PACO
C	2	825i350p1247	11'-9 1/2"	PACO
D	1	F	3'-3"	HOLDDOWN
E	1	825T300-68	2'-5 7/16"	TOP TRACK
F	1	825T300-68	2'-5 7/16"	BOTTOM TRACK
G	1	1200D-54	2'-5 7/16"	STRAP
H	2	825T300-54	9 11/16"	BLOCK
I	2	825T300-54	6 7/8"	BLOCK

21-6121

Jewish Home for the Aging

1885 Victory Blvd. Reseda, CA

FM-07-109

CREATED BY: TNT

FrameMax, Inc.
13915 Danielson St
Suite 100
Poway, CA 92064
www.frame-max.com



© FrameMax Inc.

HEIGHT : 11'-9 11/16" POINTS: 3.22 Points.

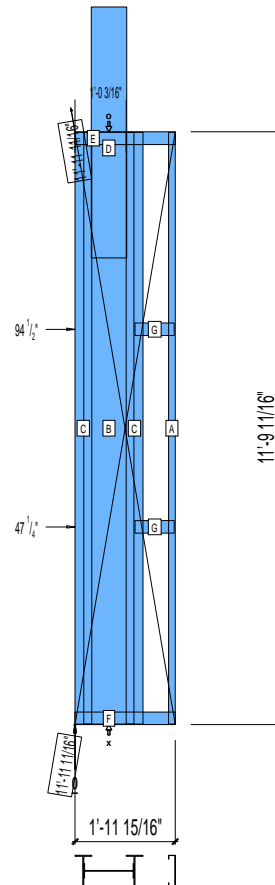
SPACING : 24"

1st STUD: 24"

WEIGHTS :

FRAME : 656 lbs

TOTAL: 656 lbs



PIECES LIST

LABEL	QTY	SIZE	LENGTH	USE
A	1	750S162-54	11'-9 1/2"	STUD
B	1	1200i350p1420	11'-9 1/2"	PACO
C	2	750i400p1268	11'-9 1/2"	PACO
D	1	G	5'-0"	HOLDDOWN
E	1	750T300-68	1'-11 15/16"	TOP TRACK
F	1	750T300-68	1'-11 15/16"	BOTTOM TRACK
G	2	750T300-68	9 3/8"	BLOCK

21-6124

Jewish Home for the Aging

1885 Victory Blvd. Reseda, CA

FM-07-109

CREATED BY: AMB

FrameMax, Inc.
13915 Danielson St
Suite 100
Poway, CA 92064
www.frame-max.com



© FrameMax Inc.

HEIGHT : 11'-9 11/16" POINTS: 3.34 Points.

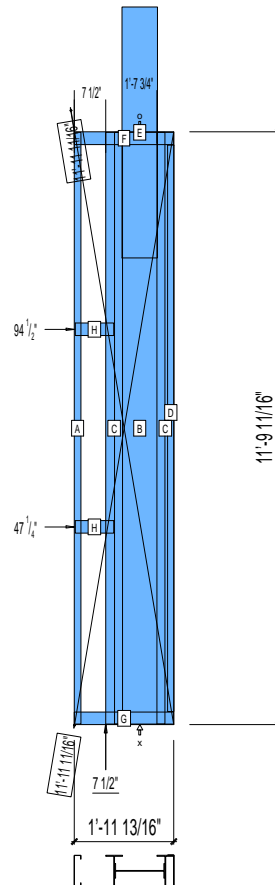
SPACING : 24"

1st STUD: 24"

WEIGHTS :

FRAME : 680 lbs

TOTAL: 680 lbs



PIECES LIST

LABEL	QTY	SIZE	LENGTH	USE
A	1	750S162-54	11'-9 1/2"	STUD
B	1	1200i350p1420	11'-9 1/2"	PACO
C	2	750i400p1268	11'-9 1/2"	PACO
D	1	750T150-54	11'-3 7/16"	CAP
E	1	G	5'-0"	HOLDDOWN
F	1	750T300-68	1'-11 13/16"	TOP TRACK
G	1	750T300-68	1'-11 13/16"	BOTTOM TRACK
H	2	750T300-68	9 3/16"	BLOCK

21-6125

Jewish Home for the Aging

1885 Victory Blvd. Reseda, CA

FM-07-109

CREATED BY: AMB

FrameMax, Inc.
13915 Danielson St
Suite 100
Poway, CA 92064
www.frame-max.com



© FrameMax Inc.

HEIGHT : 11'-9 11/16" POINTS: 3.34 Points.

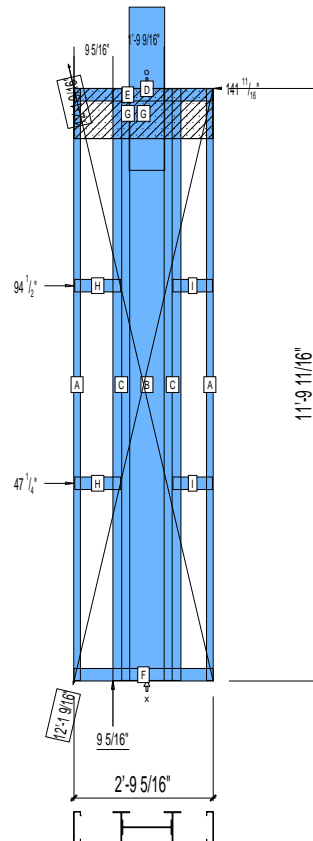
SPACING : 24"

1st STUD: 24"

WEIGHTS :

FRAME : 657 lbs

TOTAL: 657 lbs



PIECES LIST

LABEL	QTY	SIZE	LENGTH	USE
A	2	750S162-54	11'-9 1/2"	STUD
B	1	1200i350p1420	11'-9 1/2"	PACO
C	2	750i400p1268	11'-9 1/2"	PACO
D	1	F	3'-3"	HOLDDOWN
E	1	750T300-68	2'-9 5/16"	TOP TRACK
F	1	750T300-68	2'-9 5/16"	BOTTOM TRACK
G	2	1200D-54	2'-9 1/4"	STRAP
H	2	750T300-68	11"	BLOCK
I	2	750T300-68	9 3/8"	BLOCK

21-6130

Jewish Home for the Aging

1885 Victory Blvd. Reseda, CA

FM-07-109

CREATED BY: AMB

FrameMax, Inc.
13915 Danielson St
Suite 100
Poway, CA 92064
www.framemax.com



© FrameMax Inc.

HEIGHT : 11'-9 11/16" POINTS: 3.20 Points.

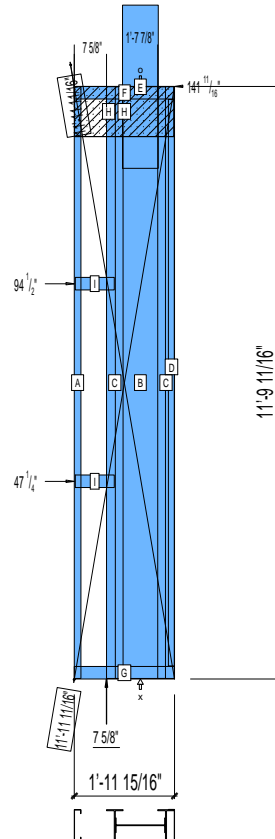
SPACING : 24"

1st STUD: 24"

WEIGHTS :

FRAME : 639 lbs

TOTAL: 639 lbs



PIECES LIST

LABEL	QTY	SIZE	LENGTH	USE
A	1	750S162-54	11'-9 1/2"	STUD
B	1	1200i350p1420	11'-9 1/2"	PACO
C	2	750i400p1268	11'-9 1/2"	PACO
D	1	750T150-54	11'-3 7/16"	CAP
E	1	F	3'-3"	HOLDDOWN
F	1	750T300-68	1'-11 15/16"	TOP TRACK
G	1	750T300-68	1'-11 15/16"	BOTTOM TRACK
H	2	1200D-54	1'-11 13/16"	STRAP
I	2	750T300-68	9 5/16"	BLOCK

21-6139

Jewish Home for the Aging

1885 Victory Blvd. Reseda, CA

FM-07-109

CREATED BY: AMB

FrameMax, Inc.
13915 Danielson St
Suite 100
Poway, CA 92064
www.frame-max.com



© FrameMax Inc.

HEIGHT : 11'-9 11/16" POINTS: 3.52 Points.

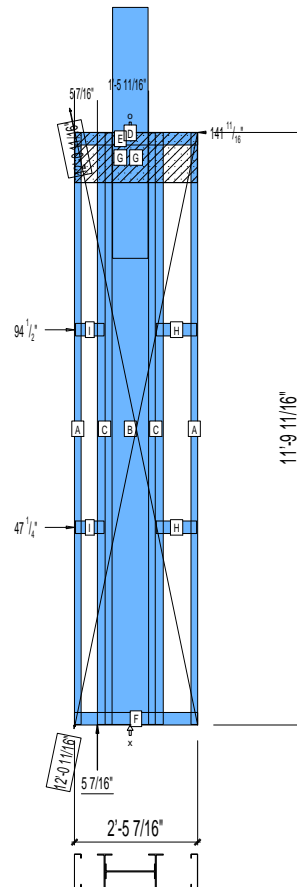
SPACING : 24"

1st STUD: 24"

WEIGHTS :

FRAME : 700 lbs

TOTAL: 700 lbs



PIECES LIST

LABEL	QTY	SIZE	LENGTH	USE
A	2	825S162-54	11'-9 1/2"	STUD
B	1	1200i350p1420	11'-9 1/2"	PACO
C	2	825i350p1247	11'-9 1/2"	PACO
D	1	G	5'-0"	HOLDDOWN
E	1	825T300-68	2'-5 7/16"	TOP TRACK
F	1	825T300-68	2'-5 7/16"	BOTTOM TRACK
G	2	1200D-54	2'-5 3/8"	STRAP
H	2	825T300-54	9 5/8"	BLOCK
I	2	825T300-54	6 7/8"	BLOCK

21-6140

Jewish Home for the Aging

1885 Victory Blvd. Reseda, CA

FM-07-109

CREATED BY: AMB

FrameMax, Inc.
13915 Danielson St
Suite 100
Poway, CA 92064
www.frame-max.com



© FrameMax Inc.

HEIGHT : 11'-9 11/16" POINTS: 3.46 Points.

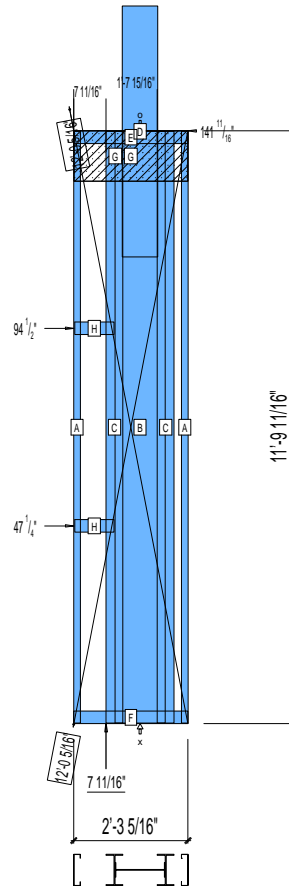
SPACING : 24"

1st STUD: 24"

WEIGHTS :

FRAME : 696 lbs

TOTAL: 696 lbs



PIECES LIST

LABEL	QTY	SIZE	LENGTH	USE
A	2	750S162-54	11'-9 1/2"	STUD
B	1	1200i350p1420	11'-9 1/2"	PACO
C	2	750i400p1268	11'-9 1/2"	PACO
D	1	G	5'-0"	HOLDDOWN
E	1	750T300-68	2'-3 5/16"	TOP TRACK
F	1	750T300-68	2'-3 5/16"	BOTTOM TRACK
G	2	1200D-54	2'-3 1/4"	STRAP
H	2	750T300-68	9 3/8"	BLOCK

21-6145

Jewish Home for the Aging

1885 Victory Blvd. Reseda, CA

FM-07-109

CREATED BY: AMB

FrameMax, Inc.
13915 Danielson St
Suite 100
Poway, CA 92064
www.frame-max.com



© FrameMax Inc.

HEIGHT : 11'-9 11/16" POINTS: 3.54 Points.

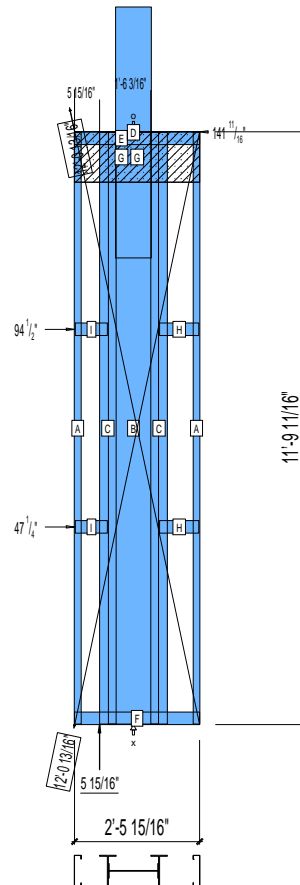
SPACING : 24"

1st STUD: 24"

WEIGHTS :

FRAME : 703 lbs

TOTAL: 703 lbs



PIECES LIST

LABEL	QTY	SIZE	LENGTH	USE
A	2	750S162-54	11'-9 1/2"	STUD
B	1	1200i350p1420	11'-9 1/2"	PACO
C	2	750i400p1268	11'-9 1/2"	PACO
D	1	G	5'-0"	HOLDDOWN
E	1	750T300-68	2'-5 15/16"	TOP TRACK
F	1	750T300-68	2'-5 15/16"	BOTTOM TRACK
G	2	1200D-54	2'-5 7/8"	STRAP
H	2	750T300-68	9 3/8"	BLOCK
I	2	750T300-68	7 5/8"	BLOCK

21-6146

Jewish Home for the Aging

1885 Victory Blvd. Reseda, CA

FM-07-109

CREATED BY: TNT

FrameMax, Inc.
13915 Danielson St
Suite 100
Poway, CA 92064
www.frame-max.com



© FrameMax Inc.

HEIGHT : 11'-9 11/16" POINTS: 3.44 Points.

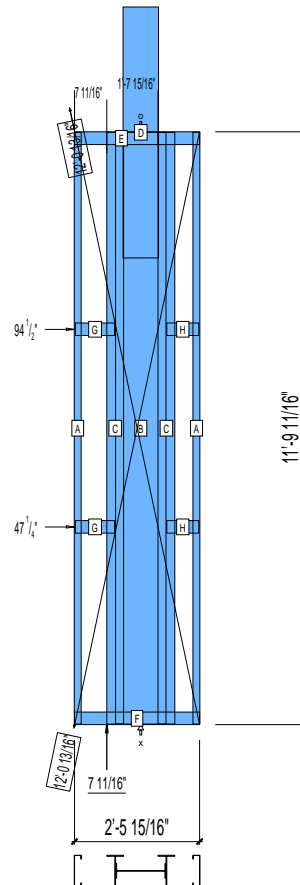
SPACING : 24"

1st STUD: 24"

WEIGHTS :

FRAME : 691 lbs

TOTAL: 691 lbs



PIECES LIST

LABEL	QTY	SIZE	LENGTH	USE
A	2	750S162-54	11'-9 1/2"	STUD
B	1	1200i350p1420	11'-9 1/2"	PACO
C	2	750i400p1268	11'-9 1/2"	PACO
D	1	G	5'-0"	HOLDDOWN
E	1	750T300-68	2'-5 15/16"	TOP TRACK
F	1	750T300-68	2'-5 15/16"	BOTTOM TRACK
G	2	750T300-68	9 3/8"	BLOCK
H	2	750T300-68	7 5/8"	BLOCK

21-6151

Jewish Home for the Aging

1885 Victory Blvd. Reseda, CA

FM-07-109

CREATED BY: AMB

FrameMax, Inc.
13915 Danielson St
Suite 100
Poway, CA 92064
www.framemax.com



© FrameMax Inc.

HEIGHT : 11'-9 11/16" POINTS: 3.42 Points.

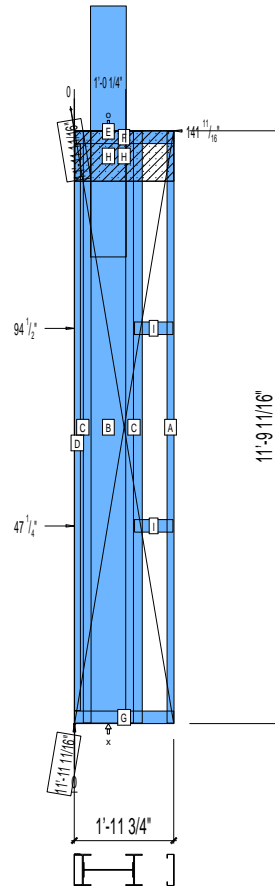
SPACING : 24"

1st STUD: 24"

WEIGHTS :

FRAME : 689 lbs

TOTAL: 689 lbs



PIECES LIST

LABEL	QTY	SIZE	LENGTH	USE
A	1	750S162-54	11'-9 1/2"	STUD
B	1	1200i350p1420	11'-9 1/2"	PACO
C	2	750i400p1268	11'-9 1/2"	PACO
D	1	750T150-54	11'-3 7/16"	CAP
E	1	G	5'-0"	HOLDDOWN
F	1	750T300-68	1'-11 3/4"	TOP TRACK
G	1	750T300-68	1'-11 3/4"	BOTTOM TRACK
H	2	1200D-54	1'-11 11/16"	STRAP
I	2	750T300-68	9 3/16"	BLOCK

21-6152

Jewish Home for the Aging

1885 Victory Blvd. Reseda, CA

FM-07-109

CREATED BY: TNT

FrameMax, Inc.
13915 Danielson St
Suite 100
Poway, CA 92064
www.frame-max.com



© FrameMax Inc.

HEIGHT : 11'-9 11/16" POINTS: 3.57 Points.

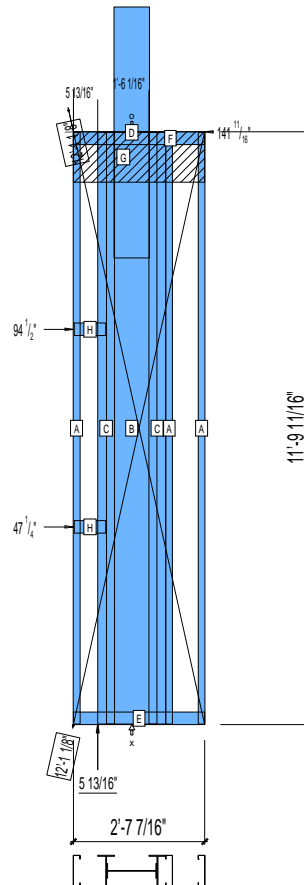
SPACING : 24"

1st STUD: 24"

WEIGHTS :

FRAME : 719 lbs

TOTAL: 719 lbs



PIECES LIST

LABEL	QTY	SIZE	LENGTH	USE
A	3	750S162-54	11'-9 1/2"	STUD
B	1	1200i350p1420	11'-9 1/2"	PACO
C	2	750i400p1268	11'-9 1/2"	PACO
D	1	G	5'-0"	HOLDDOWN
E	1	750T300-68	2'-7 7/16"	BOTTOM TRACK
F	1	750T300-68	2'-7 7/16"	TOP TRACK
G	1	1200D-54	2'-7 3/8"	STRAP
H	2	750T300-68	7 1/2"	BLOCK

21-7004

Jewish Home for the Aging

1885 Victory Blvd. Reseda, CA

FrameMax, Inc.
13915 Danielson St
Suite 100
Poway, CA 92064
www.frame-max.com



© FrameMax Inc.

CREATED: 09/26/2008

FM-07-109

CREATED BY: TNT

HEIGHT : 10'-9 7/16" POINTS: 0.31 Points.

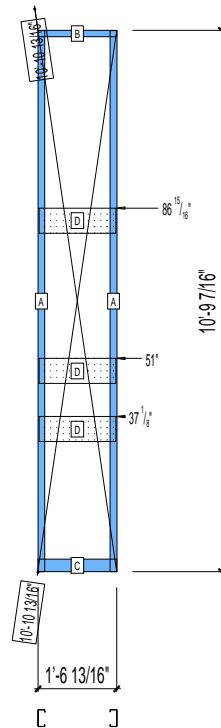
SPACING : 24"

1st STUD: 24"

WEIGHTS :

FRAME : 29 lbs

TOTAL: 29 lbs



PIECES LIST

LABEL	QTY	SIZE	LENGTH	USE
A	2	400S162-33	10'-9 3/8"	STUD
B	1	400T150-33	1'-6 13/16"	TOP TRACK
C	1	400T300-33	1'-6 13/16"	BOTTOM TRACK
D	3	600D-54	1'-6 3/8"	KITCHEN BACKING

21-7005

Jewish Home for the Aging

1885 Victory Blvd. Reseda, CA

FrameMax, Inc.
13915 Danielson St
Suite 100
Poway, CA 92064
www.frame-max.com



© FrameMax Inc.

CREATED: 09/26/2008

FM-07-109

CREATED BY: TNT

HEIGHT : 10'-9 7/16" POINTS: 0.40 Points.

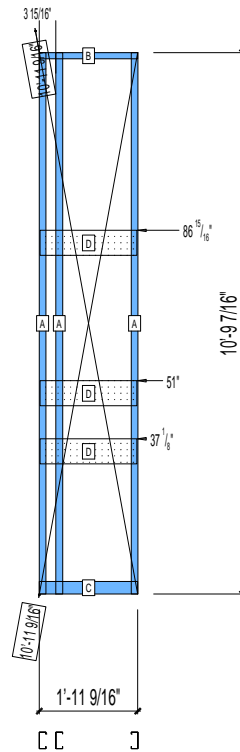
SPACING : 24"

1st STUD: 24"

WEIGHTS :

FRAME : 41 lbs

TOTAL: 41 lbs



PIECES LIST

LABEL	QTY	SIZE	LENGTH	USE
A	3	400S162-33	10'-9 3/8"	STUD
B	1	400T150-33	1'-11 9/16"	TOP TRACK
C	1	400T300-33	1'-11 9/16"	BOTTOM TRACK
D	3	600D-54	1'-11 1/8"	KITCHEN BACKING