

21-5001

Jewish Home for the Aging

1885 Victory Blvd. Reseda, CA

FM-07-109

CREATED BY: JLB

FrameMax, Inc.
13915 Danielson St
Suite 100
Poway, CA 92064
www.frame-max.com

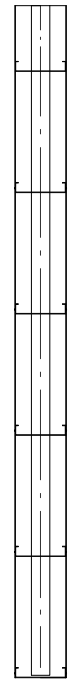
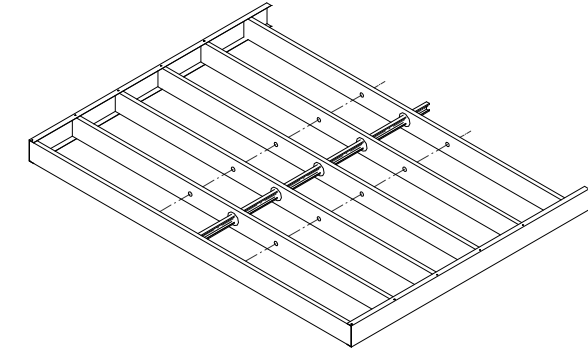


© FrameMax Inc.

APPROVED

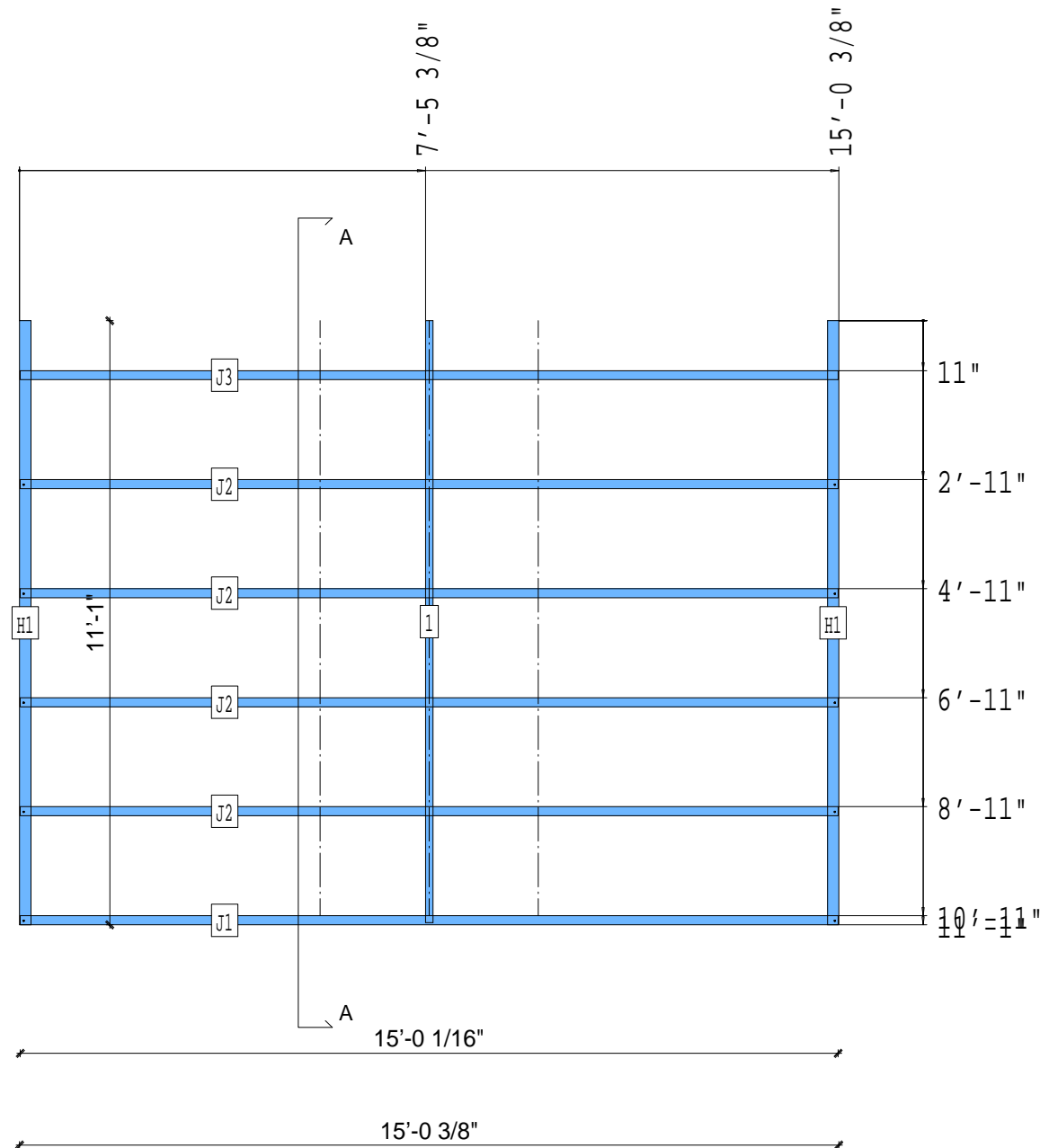
By jbonavries at 8:35 am, Oct 31, 2008

DO NOT PANELIZE
KIT AND BUNDLE PARTS, TO BE FIELD ASSEMBLED!



A-A

B



PIECE SCHEDULE						
LAB	QTY	MATERIAL	DESCRIPTION	LENGTH	ANG1	ANG2
1	1	362S162-54	JOIST	11'-0 1/2"		
H1	2	1000T250-97	HEADER	11'-1"		
J1	1	1000S200-97	JOIST	15'-0 1/16"		
J2	4	1000S200-97	JOIST	15'-0 1/16"		
J3	1	1000S200-97	JOIST	15'-0 1/16"		

21-5002

CREATED: 10/31/2008

Jewish Home for the Aging

1885 Victory Blvd. Reseda, CA

FM-07-109

CREATED BY: JLB

FrameMax, Inc.
13915 Danielson St
Suite 100
Poway, CA 92064
www.frame-max.com



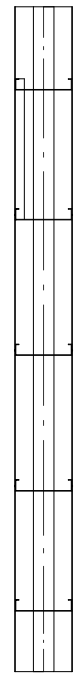
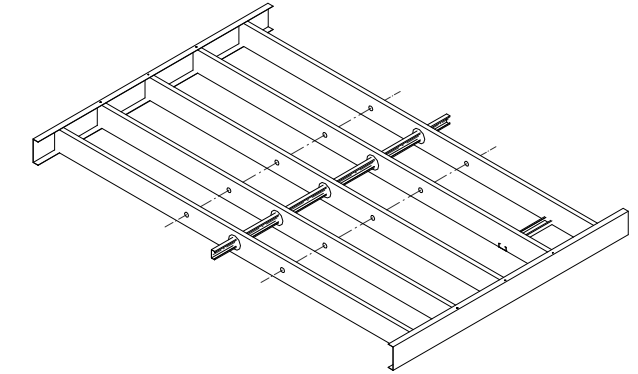
© FrameMax Inc.

APPROVED

By jbonavries at 8:35 am, Oct 31, 2008

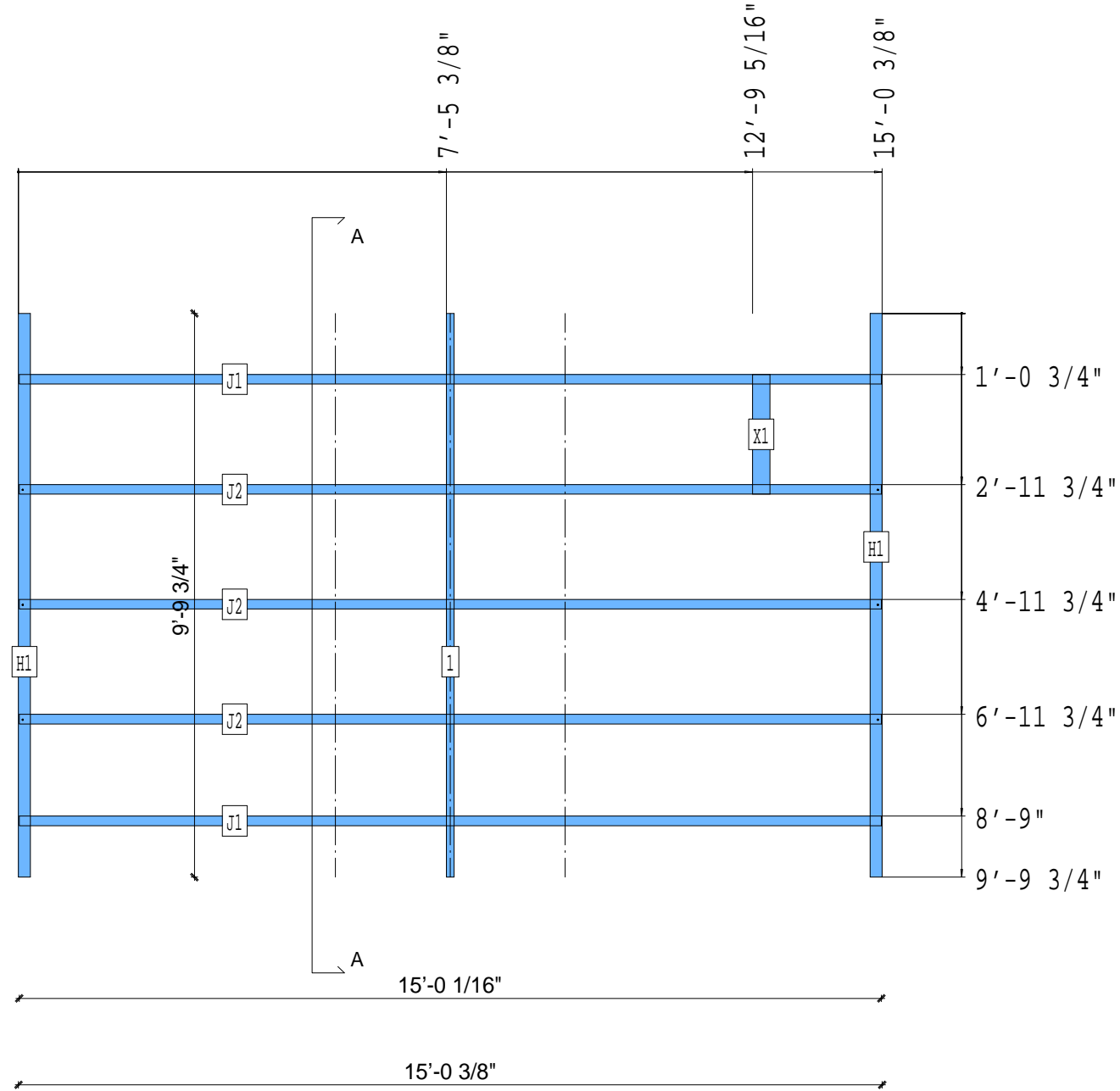
DO NOT PANELIZE

KIT AND BUNDLE PARTS, TO BE FIELD ASSEMBLED!



A-A

B



PIECE SCHEDULE						
LAB	QTY	MATERIAL	DESCRIPTION	LENGTH	ANG1	ANG2
1	1	362S162-54	JOIST	9'-9 3/4"		
H1	2	1000T250-97	HEADER	9'-9 3/4"		
J1	2	1000S200-97	JOIST	15'-0 1/16"		
J2	3	1000S200-97	JOIST	15'-0 1/16"		
X1	1	362S162-33	FLAT TRACK B	2'-1"		

21-5003

Jewish Home for the Aging

1885 Victory Blvd. Reseda, CA

FM-07-109

CREATED BY: JLB

FrameMax, Inc.
13915 Danielson St
Suite 100
Poway, CA 92064
www.frame-max.com



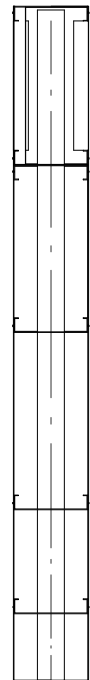
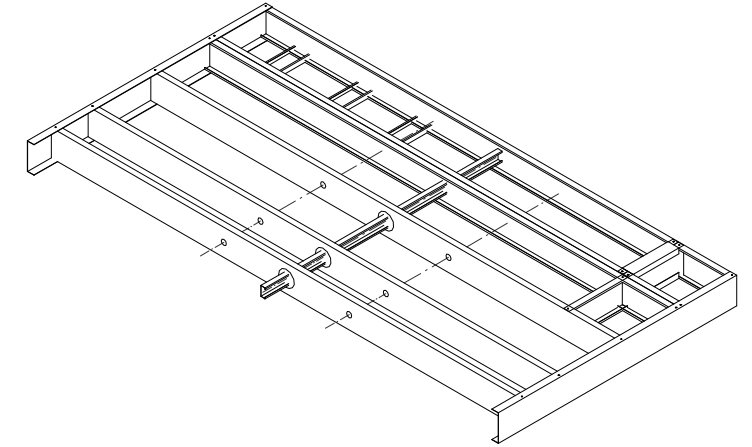
© FrameMax Inc.

CREATED: 10/31/2008

APPROVED

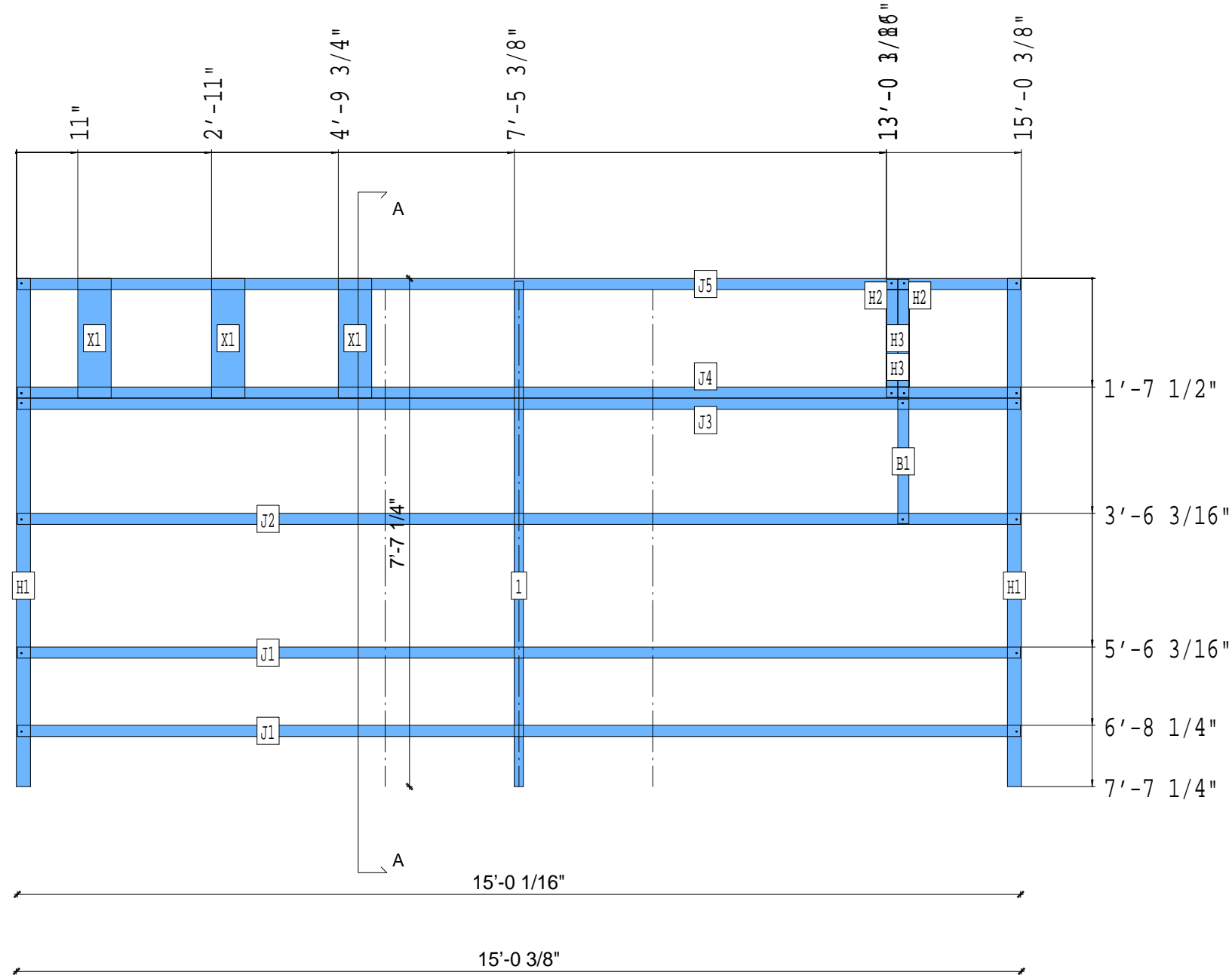
By jbonavries at 8:35 am, Oct 31, 2008

DO NOT PANELIZE
KIT AND BUNDLE PARTS, TO BE FIELD ASSEMBLED!



A-A

B



PIECE SCHEDULE						
LAB	QTY	MATERIAL	DESCRIPTION	LENGTH	ANG1	ANG2
1	1	362S162-54	JOIST	7'-6 3/4"		
B1	1	1000S200-97	BLOCK	1'-10 3/8"		
H1	2	1000T250-97	HEADER	7'-7 1/4"		
H2	2	1000S200-97	OPENING TRIM	1'-9 3/16"		
H3	2	400T200-68	OPENING TRIM	1'-5 1/2"		
J1	2	1000S200-97	JOIST	15'-0 1/16"		
J2	1	1000S200-97	JOIST	15'-0 1/16"		
J3	1	1000S200-97	OPENING TRIM	15'-0 1/16"		
J4	1	1000S200-97	OPENING TRIM	15'-0 1/16"		
J5	1	1000S200-97	JOIST	15'-0 1/16"		
X1	3	600S162-33	FLAT TRACK B	1'-9 1/2"		

21-5004

Jewish Home for the Aging

1885 Victory Blvd. Reseda, CA

FM-07-109

CREATED BY: JLB

FrameMax, Inc.
13915 Danielson St
Suite 100
Poway, CA 92064
www.framemax.com



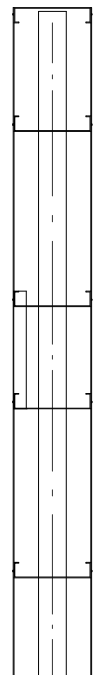
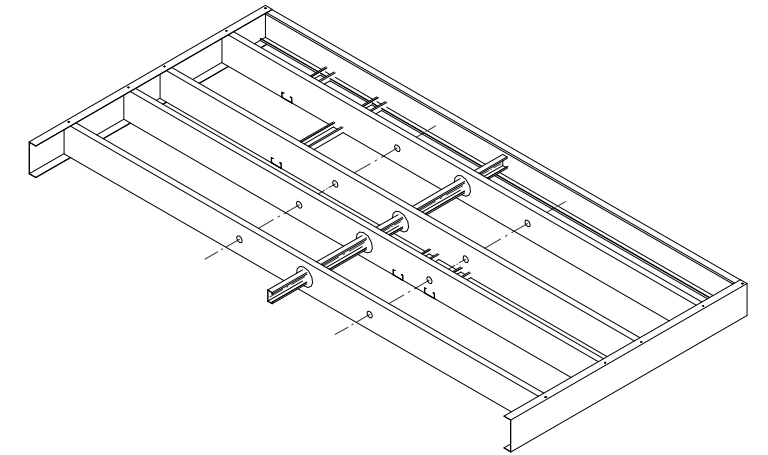
© FrameMax Inc.

APPROVED

By jbonavries at 8:35 am, Oct 31, 2008

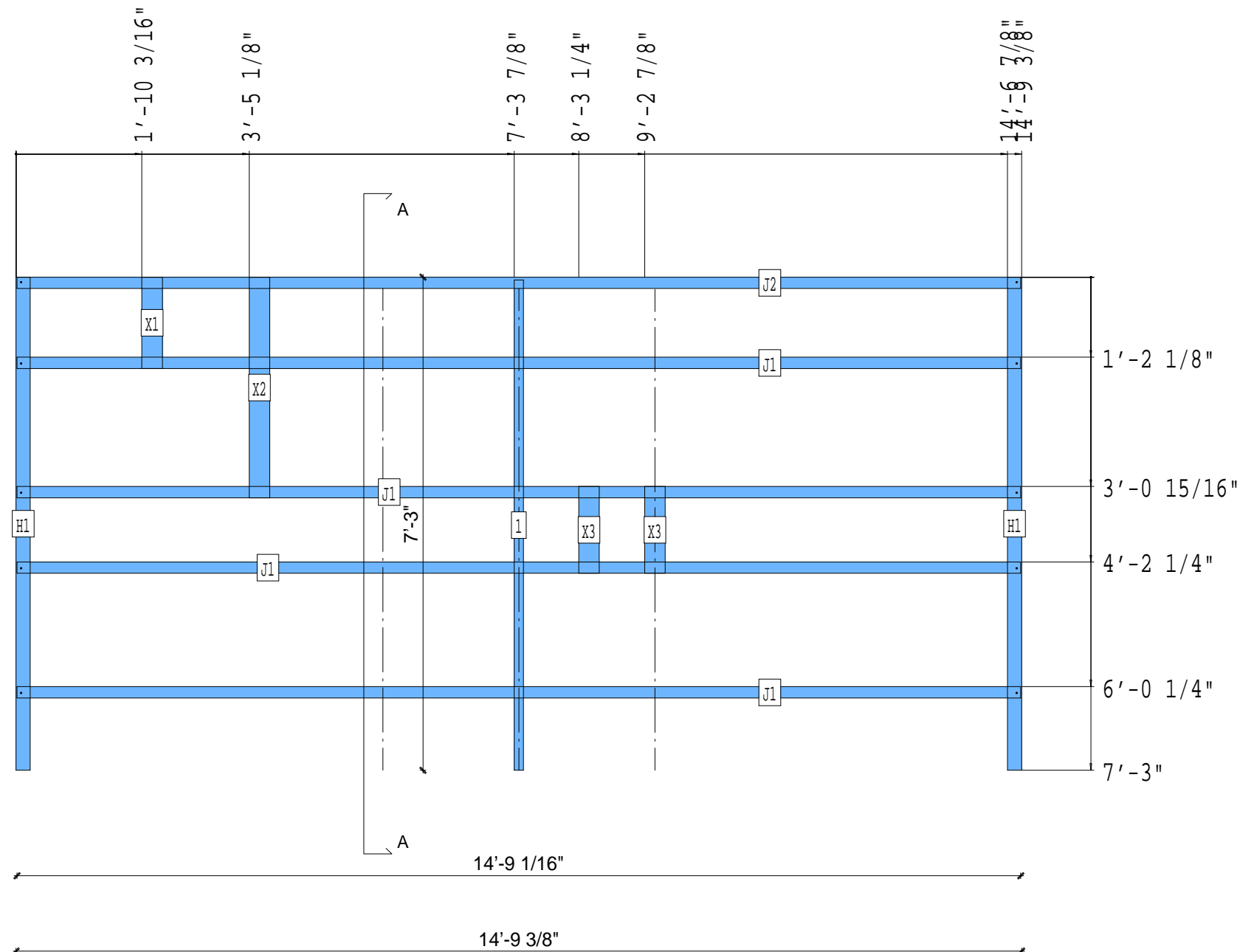
DO NOT PANELIZE

KIT AND BUNDLE PARTS, TO BE FIELD ASSEMBLED!



A-A

B



PIECE SCHEDULE						
LAB	QTY	MATERIAL	DESCRIPTION	LENGTH	ANG1	ANG2
1	1	362S162-54	JOIST	7'-2 1/2"		
H1	2	1000T250-97	HEADER	7'-3"		
J1	4	1000S200-97	JOIST	14'-9 1/16"		
J2	1	1000S200-97	JOIST	14'-9 1/16"		
X1	1	362S162-33	FLAT TRACK B	1'-4 1/8"		
X2	1	362S162-33	FLAT TRACK B	3'-2 15/16"		
X3	2	362S162-33	FLAT TRACK B	1'-3 5/16"		

21-5005

Jewish Home for the Aging

1885 Victory Blvd. Reseda, CA

FM-07-109

CREATED BY: JLB

FrameMax, Inc.
13915 Danielson St
Suite 100
Poway, CA 92064
www.frame-max.com



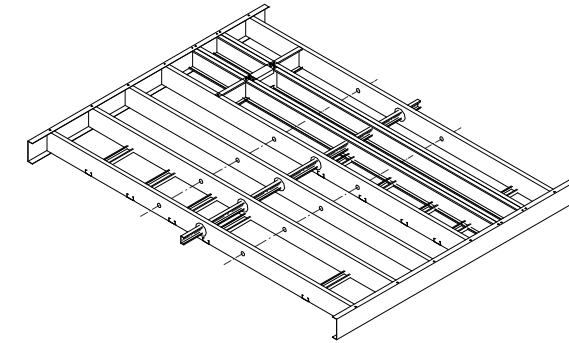
© FrameMax Inc.

APPROVED

By jbonavries at 8:35 am, Oct 31, 2008

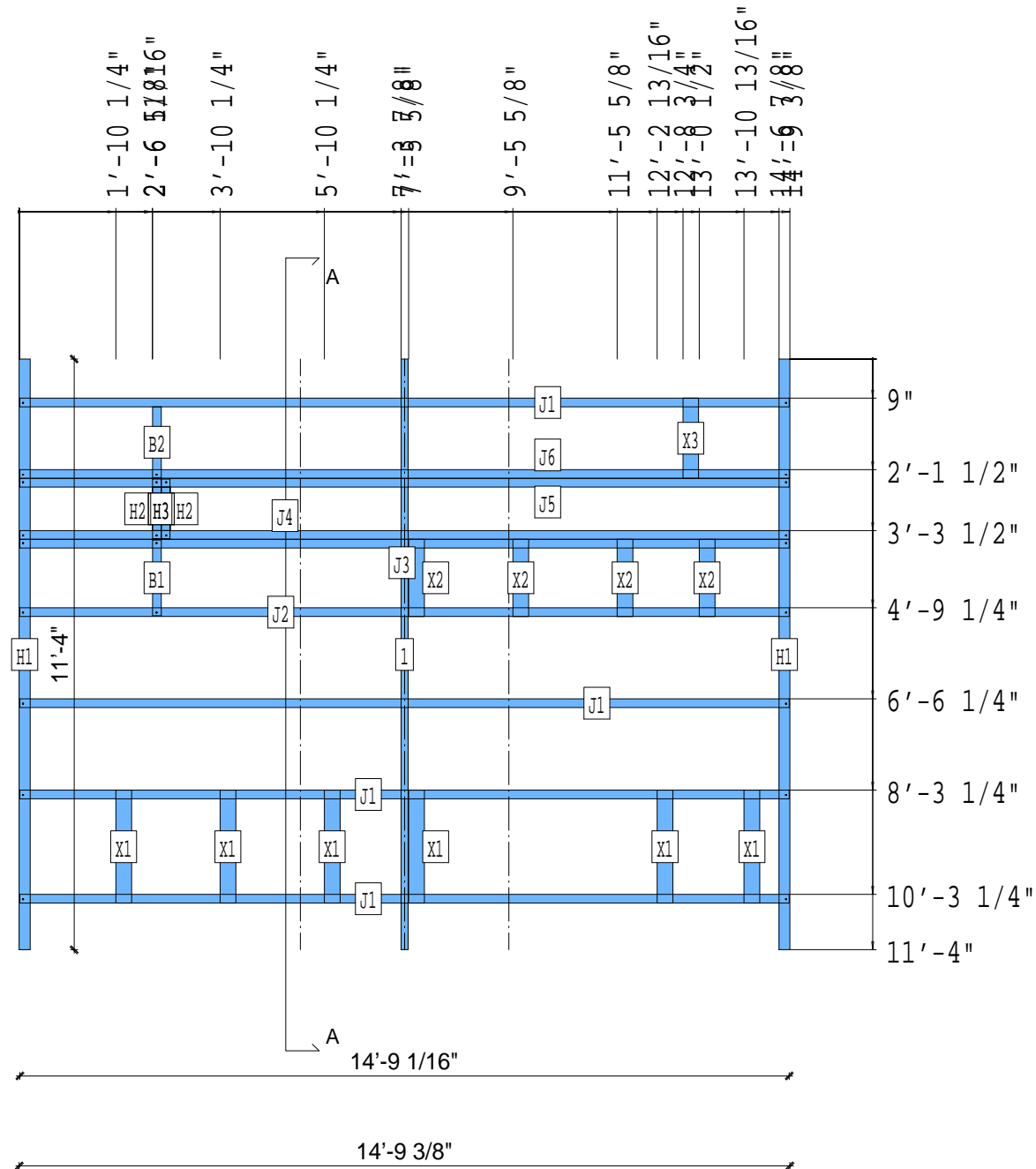
DO NOT PANELIZE

KIT AND BUNDLE PARTS, TO BE FIELD ASSEMBLED!



A-A

B



PIECE SCHEDULE						
LAB	QTY	MATERIAL	DESCRIPTION	LENGTH	ANG1	ANG2
1	1	362S162-54	JOIST	11'-4"		
B1	1	1000S200-97	BLOCK	1'-5 7/16"		
B2	1	1000S200-97	BLOCK	1'-4 5/16"		
H1	2	1000T250-97	HEADER	11'-4"		
H2	2	1000S200-97	OPENING TRIM	1'-1 11/16"		
H3	2	400T200-68	OPENING TRIM	10"		
J1	4	1000S200-97	JOIST	14'-9 1/16"		
J2	1	1000S200-97	JOIST	14'-9 1/16"		
J3	1	1000S200-97	OPENING TRIM	14'-9 1/16"		
J4	1	1000S200-97	OPENING TRIM	14'-9 1/16"		
J5	1	1000S200-97	OPENING TRIM	14'-9 1/16"		
J6	1	1000S200-97	OPENING TRIM	14'-9 1/16"		
X1	6	362S162-33	FLAT TRACK B	2'-2"		
X2	4	362S162-33	FLAT TRACK B	1'-5 3/4"		
X3	1	362S162-33	FLAT TRACK B	1'-6 1/2"		

21-5006

CREATED: 10/31/2008

Jewish Home for the Aging

1885 Victory Blvd. Reseda, CA

FM-07-109

CREATED BY: JLB

FrameMax, Inc.
13915 Danielson St
Suite 100
Poway, CA 92064
www.framemax.com

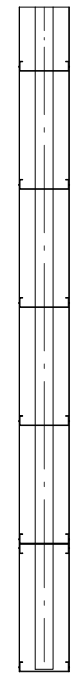
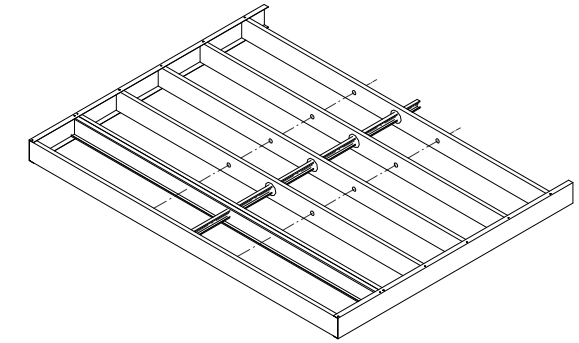


© FrameMax Inc.

APPROVED

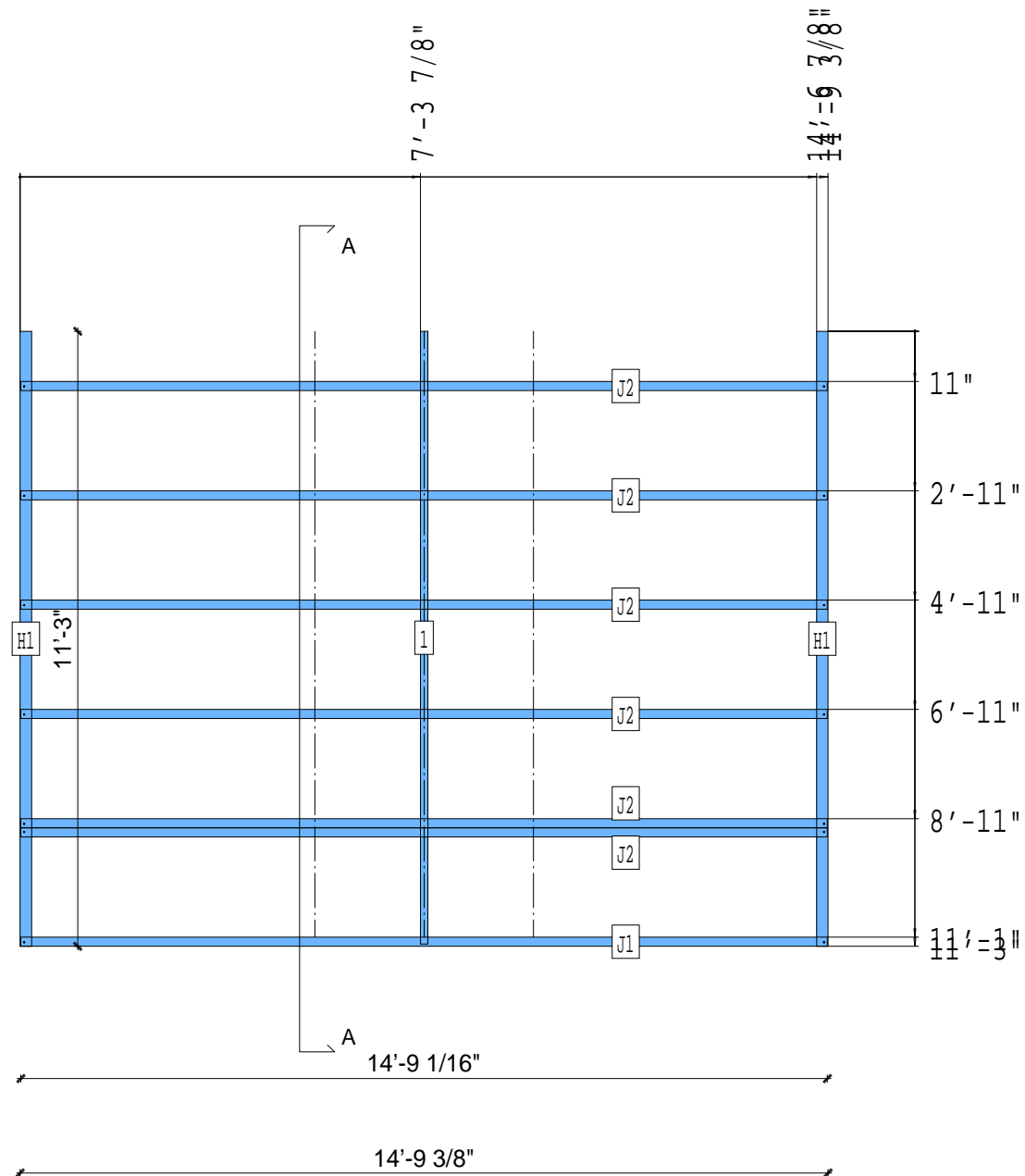
By jbonavries at 8:35 am, Oct 31, 2008

DO NOT PANELIZE
KIT AND BUNDLE PARTS, TO BE FIELD ASSEMBLED!



A-A

B



PIECE SCHEDULE						
LAB	QTY	MATERIAL	DESCRIPTION	LENGTH	ANG1	ANG2
1	1	362S162-54	JOIST	11'-2 1/2"		
H1	2	1000T250-97	HEADER	11'-3"		
J1	1	1000S200-97	JOIST	14'-9 1/16"		
J2	6	1000S200-97	JOIST	14'-9 1/16"		

21-5007

Jewish Home for the Aging

1885 Victory Blvd. Reseda, CA

FM-07-109

CREATED BY: JLB

FrameMax, Inc.
13915 Danielson St
Suite 100
Poway, CA 92064
www.framemax.com

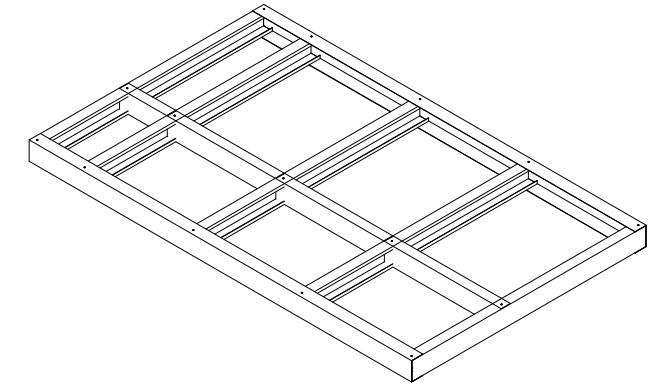


© FrameMax Inc.

APPROVED

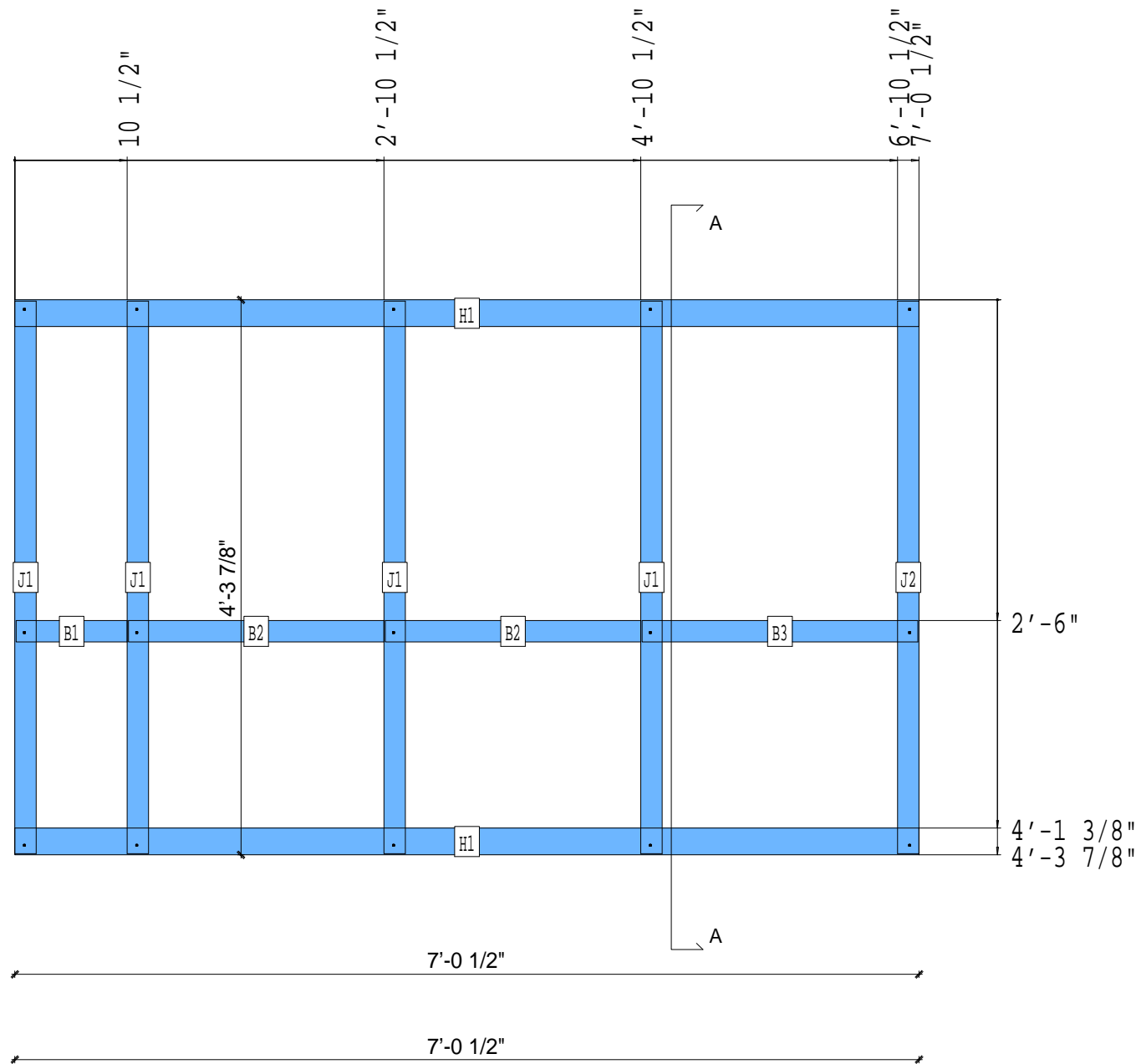
By jbonavries at 8:35 am, Oct 31, 2008

DO NOT PANELIZE
KIT AND BUNDLE PARTS, TO BE FIELD ASSEMBLED!



A-A

B



PIECE SCHEDULE						
LAB	QTY	MATERIAL	DESCRIPTION	LENGTH	ANG1	ANG2
B1	1	400S200-54	BLOCK	10 3/8"		
B2	2	400S200-54	BLOCK	1'-11 7/8"		
B3	1	400S200-54	BLOCK	2'-1 3/4"		
H1	2	400T250-54	HEADER	7'-0 1/2"		
J1	4	400S200-54	JOIST	4'-3 5/8"		
J2	1	400S200-54	JOIST	4'-3 5/8"		

21-5008

Jewish Home for the Aging

1885 Victory Blvd. Reseda, CA

FM-07-109

CREATED BY: JLB

FrameMax, Inc.
13915 Danielson St
Suite 100
Poway, CA 92064
www.framemax.com

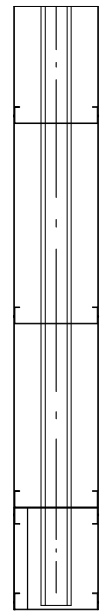
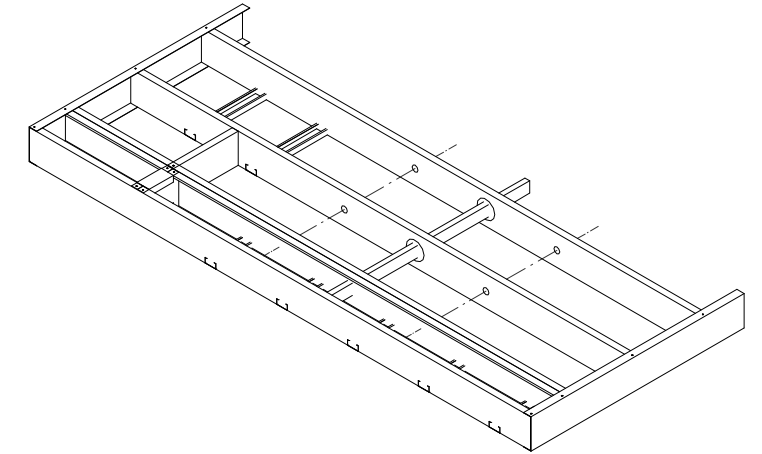


© FrameMax Inc.

APPROVED

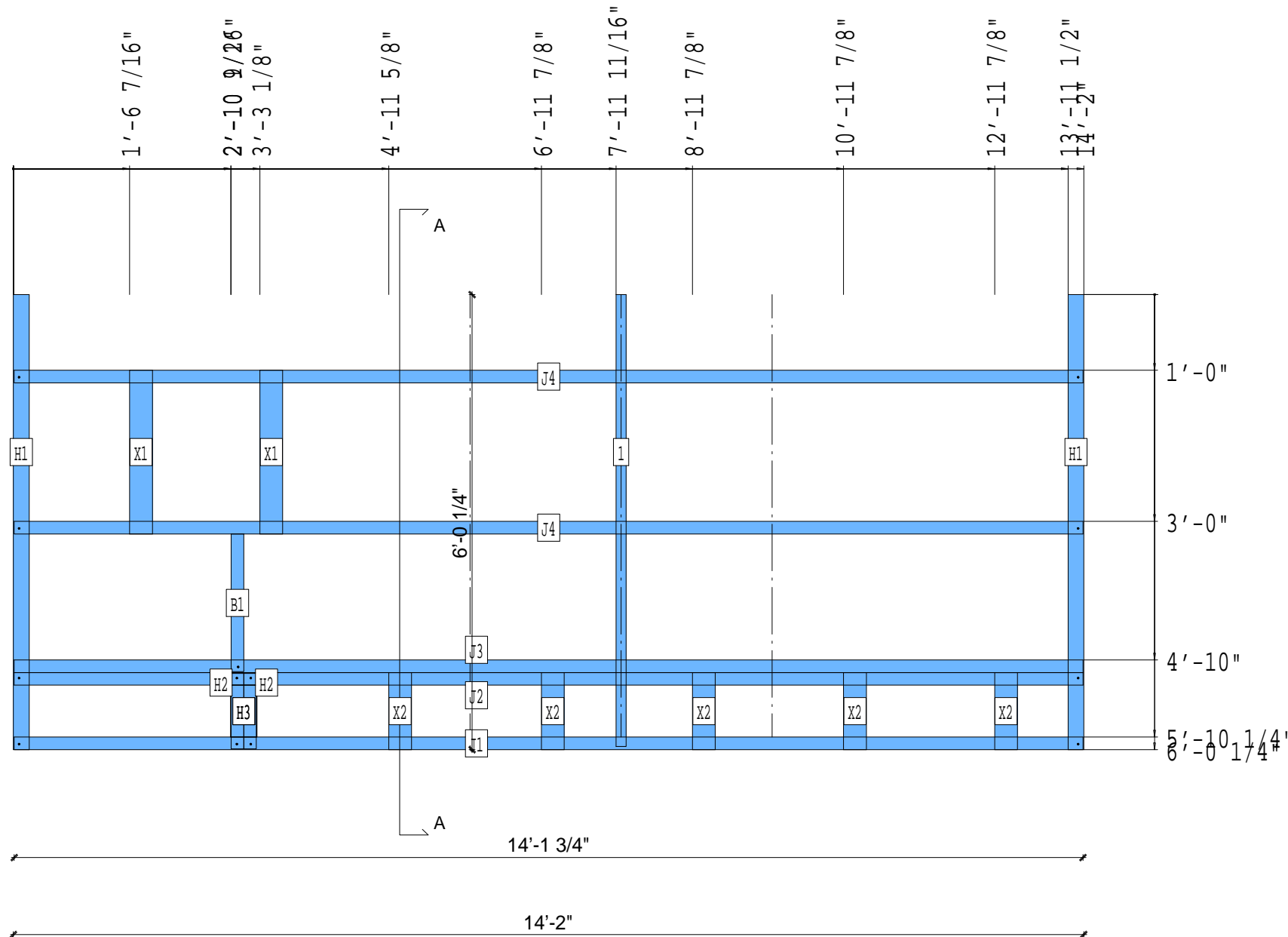
By jbonavries at 8:35 am, Oct 31, 2008

DO NOT PANELIZE
KIT AND BUNDLE PARTS, TO BE FIELD ASSEMBLED!



A-A

B



PIECE SCHEDULE						
LAB	QTY	MATERIAL	DESCRIPTION	LENGTH	ANG1	ANG2
1	1	362S162-54	JOIST	5'-11 3/4"		
B1	1	1000S200-68	BLOCK	1'-9 7/8"		
H1	2	1000T250-68	HEADER	6'-0 1/4"		
H2	2	1000S200-68	OPENING TRIM	1'-0"		
H3	2	400T200-68	OPENING TRIM	8 1/4"		
J1	1	1000S200-68	JOIST	14'-1 3/4"		
J2	1	1000S200-68	OPENING TRIM	14'-1 3/4"		
J3	1	1000S200-68	OPENING TRIM	14'-1 3/4"		
J4	2	1000S200-68	JOIST	14'-1 3/4"		
X1	2	362S162-33	FLAT TRACK B	2'-2"		
X2	5	362S162-33	FLAT TRACK B	1'-0 1/4"		

21-5009

Jewish Home for the Aging

1885 Victory Blvd. Reseda, CA

FM-07-109

CREATED BY: JLB

FrameMax, Inc.
13915 Danielson St
Suite 100
Poway, CA 92064
www.frame-max.com

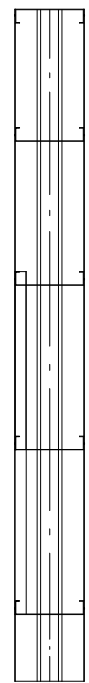
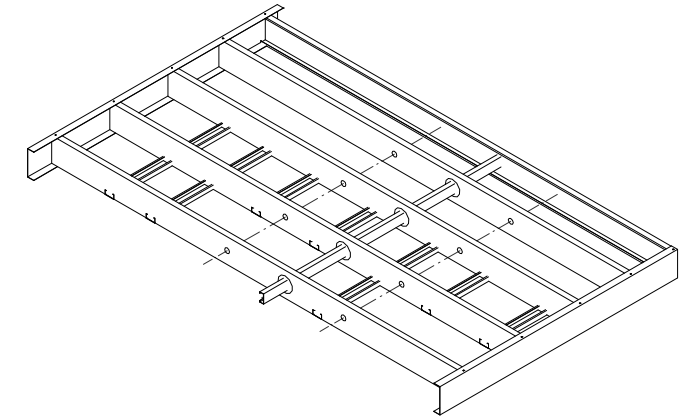


© FrameMax Inc.

APPROVED

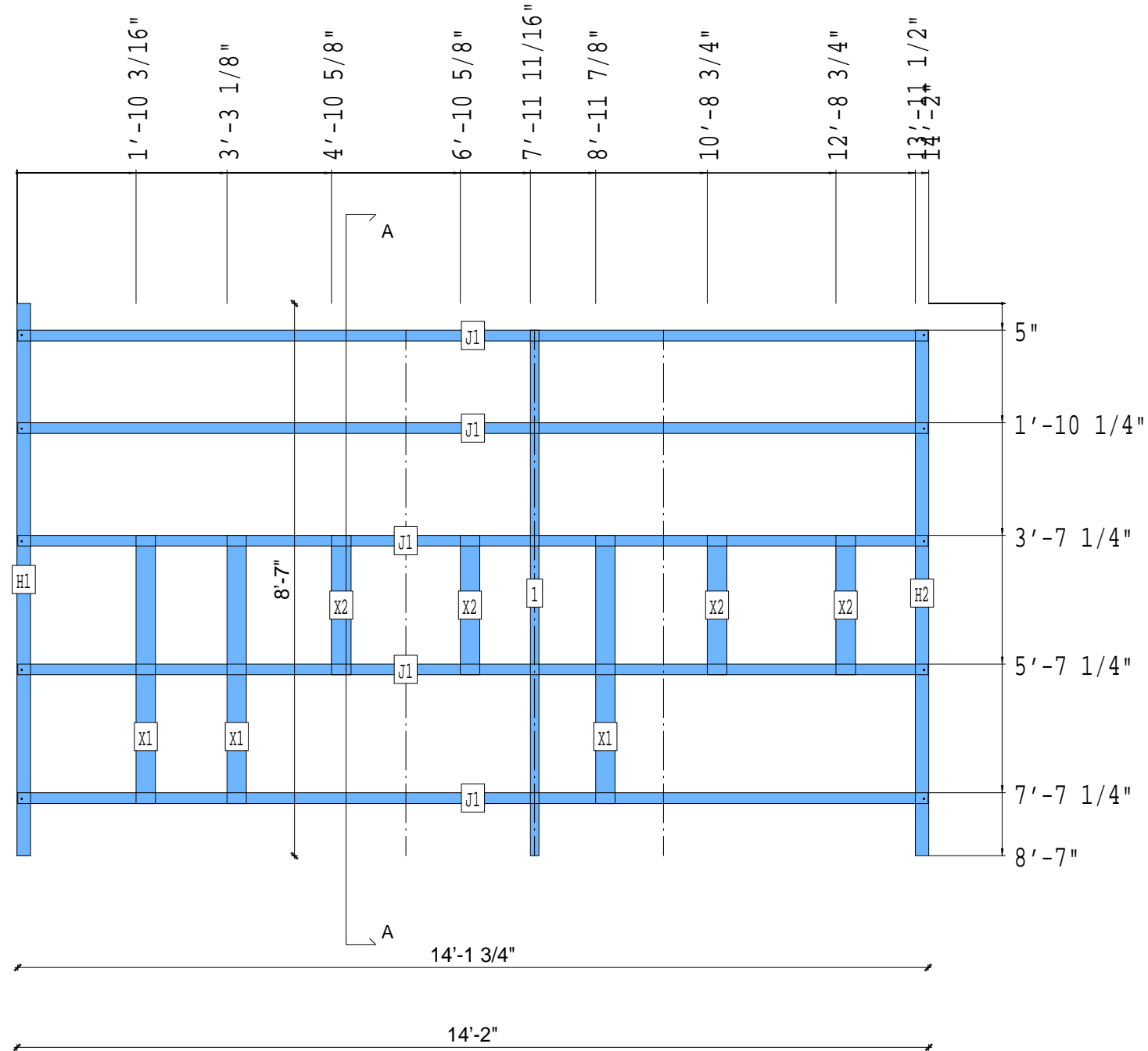
By jbonavries at 8:35 am, Oct 31, 2008

DO NOT PANELIZE
KIT AND BUNDLE PARTS, TO BE FIELD ASSEMBLED!



A-A

B



PIECE SCHEDULE						
LAB	QTY	MATERIAL	DESCRIPTION	LENGTH	ANG1	ANG2
1	1	362S162-54	JOIST	8'-2"		
H1	1	1000T250-68	HEADER	8'-7"		
H2	1	1000T250-68	HEADER	8'-2"		
J1	5	1000S200-68	JOIST	14'-1 3/4"		
X1	3	362S162-33	FLAT TRACK B	4'-2"		
X2	4	362S162-33	FLAT TRACK B	2'-2"		

21-5010

Jewish Home for the Aging

1885 Victory Blvd. Reseda, CA

FM-07-109

CREATED BY: JLB

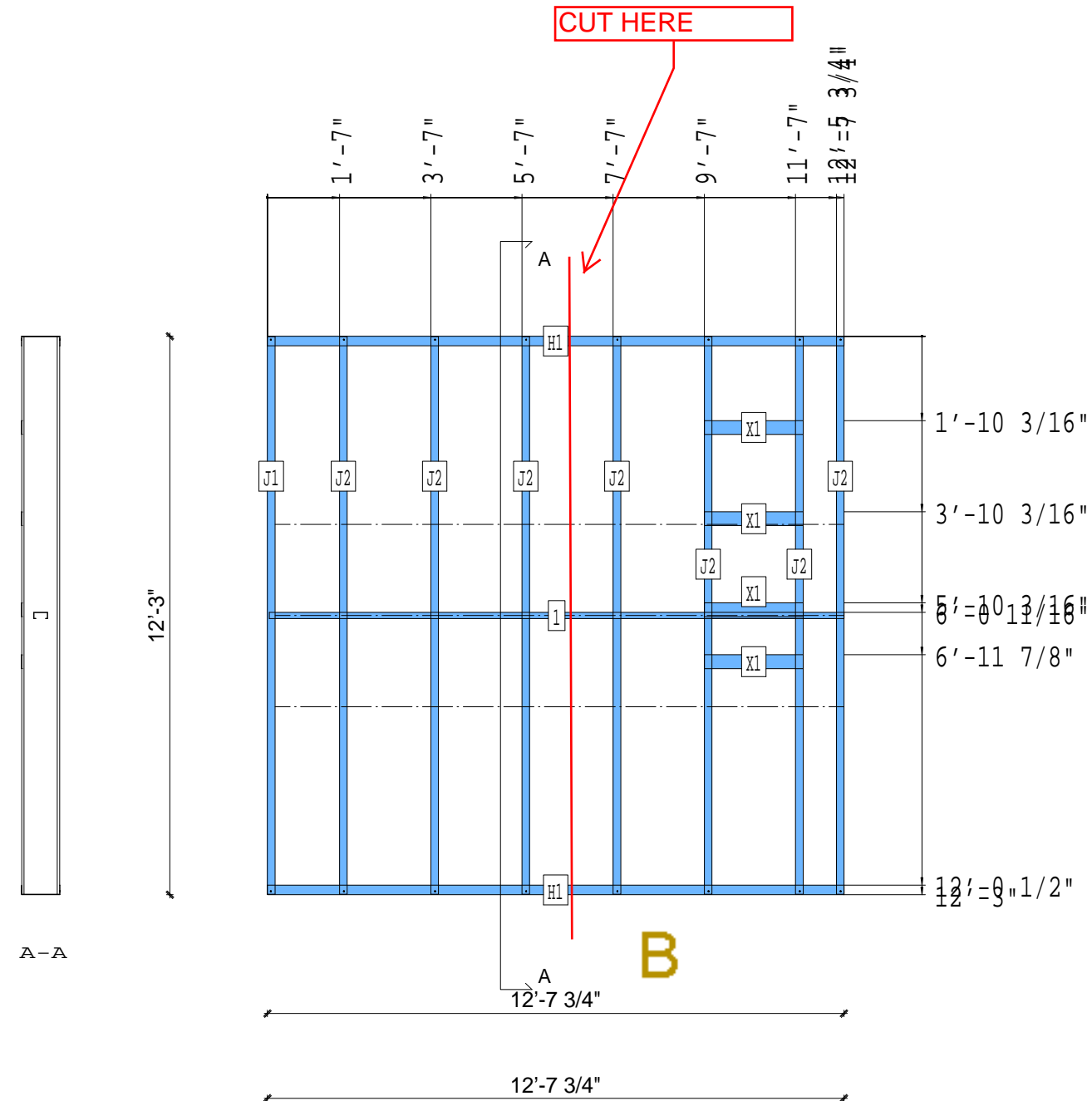
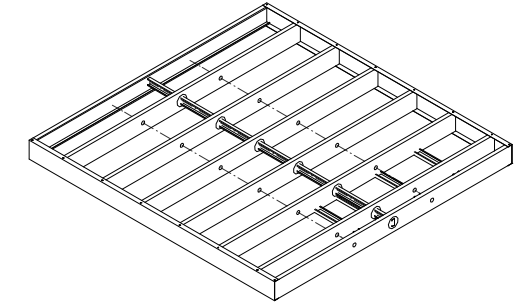
FrameMax, Inc.
13915 Danielson St
Suite 100
Poway, CA 92064
www.framemax.com



© FrameMax Inc.

DO NOT PANELIZE
KIT AND BUNDLE PARTS, TO BE FIELD ASSEMBLED!

APPROVED
By jbonavries at 8:35 am, Oct 31, 2008



PIECE SCHEDULE						
LAB	QTY	MATERIAL	DESCRIPTION	LENGTH	ANG1	ANG2
1	1	362S162-54	JOIST	12'-7 1/4"		
H1	2	1000T250-68	HEADER	12'-7 3/4"		
J1	1	1000S200-68	JOIST	12'-2 3/4"		
J2	7	1000S200-68	JOIST	12'-2 3/4"		
X1	4	362S162-33	FLAT TRACK B	2'-2"		

21-5011

Jewish Home for the Aging

1885 Victory Blvd. Reseda, CA

FM-07-109

CREATED BY: JLB

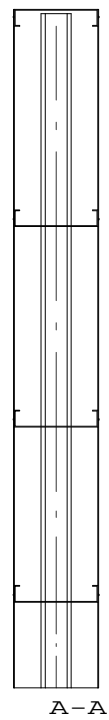
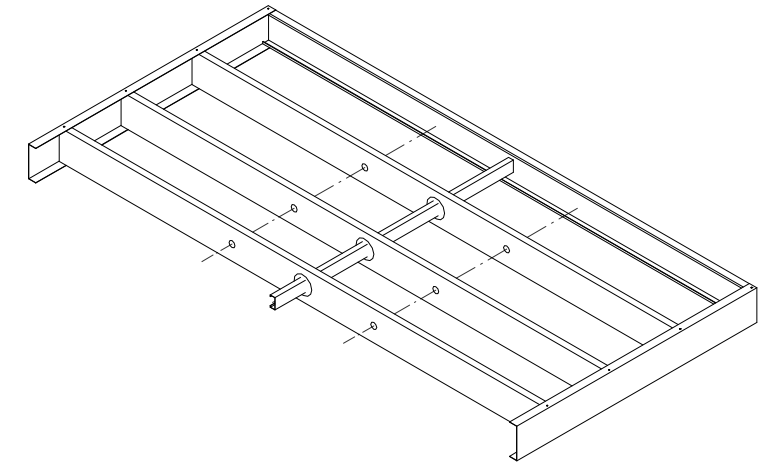
FrameMax, Inc.
13915 Danielson St
Suite 100
Poway, CA 92064
www.framemax.com



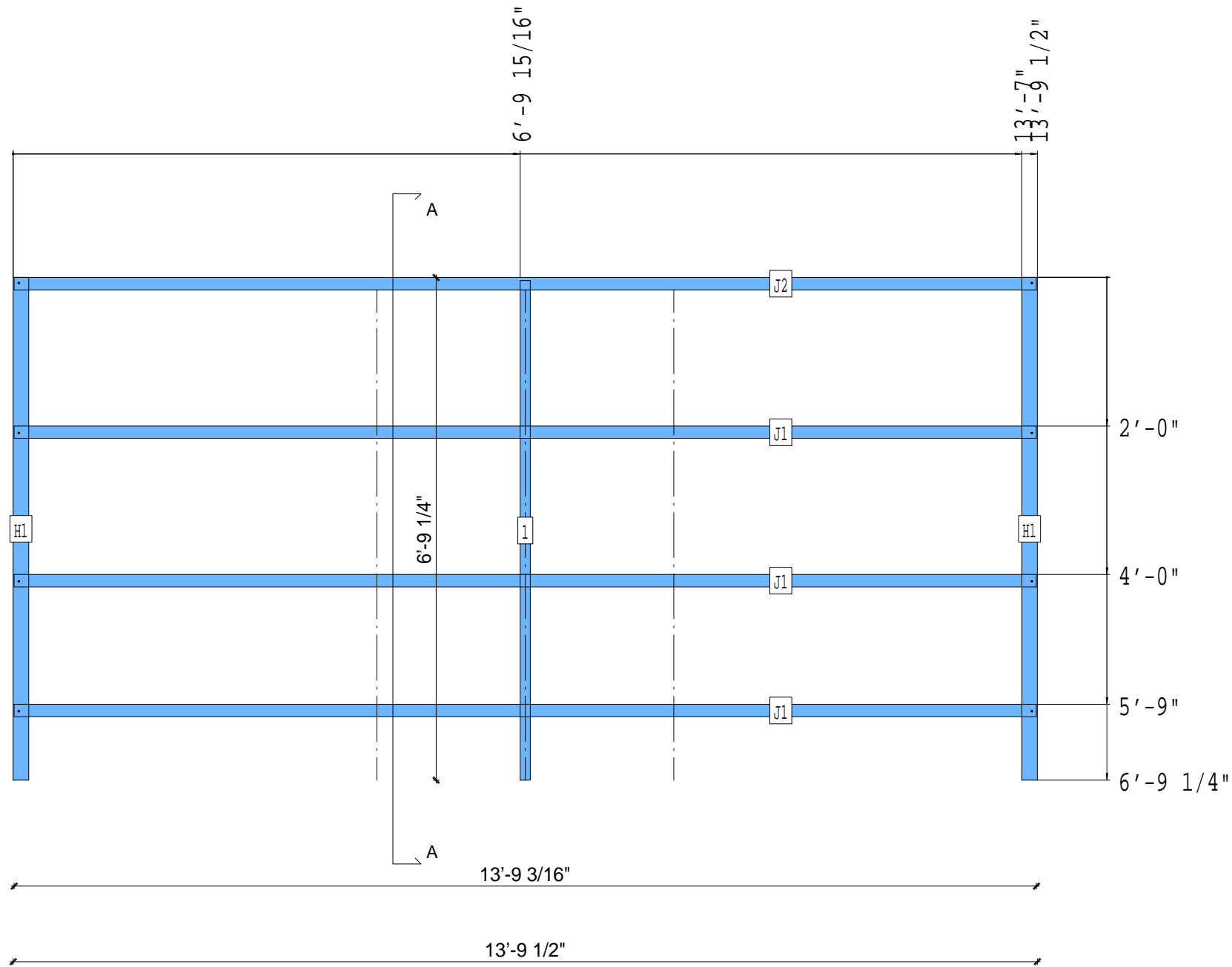
© FrameMax Inc.

APPROVED
By jbonavries at 8:35 am, Oct 31, 2008

DO NOT PANELIZE
KIT AND BUNDLE PARTS, TO BE FIELD ASSEMBLED!



B



PIECE SCHEDULE						
LAB	QTY	MATERIAL	DESCRIPTION	LENGTH	ANG1	ANG2
1	1	362S162-54	JOIST	6'-8 3/4"		
H1	2	1000T250-97	HEADER	6'-9 1/4"		
J1	3	1000S200-97	JOIST	13'-9 3/16"		
J2	1	1000S200-97	JOIST	13'-9 3/16"		

21-5012

Jewish Home for the Aging

1885 Victory Blvd. Reseda, CA

FM-07-109

CREATED BY: JLB

FrameMax, Inc.
13915 Danielson St
Suite 100
Poway, CA 92064
www.framemax.com



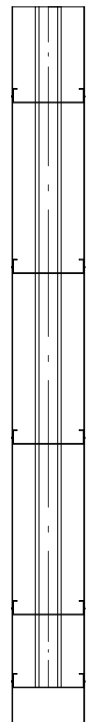
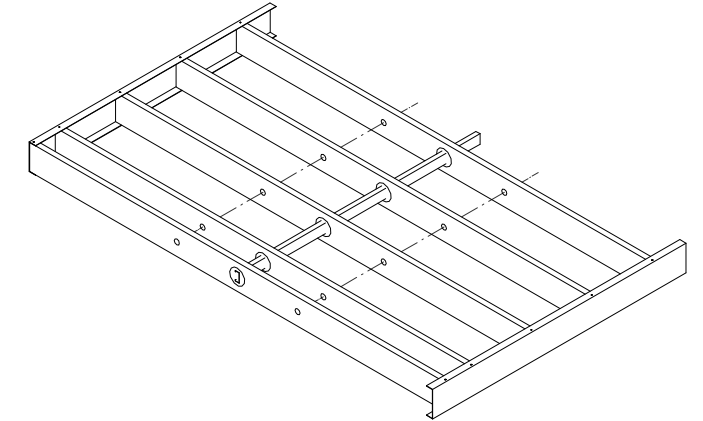
© FrameMax Inc.

CREATED: 10/31/2008

APPROVED

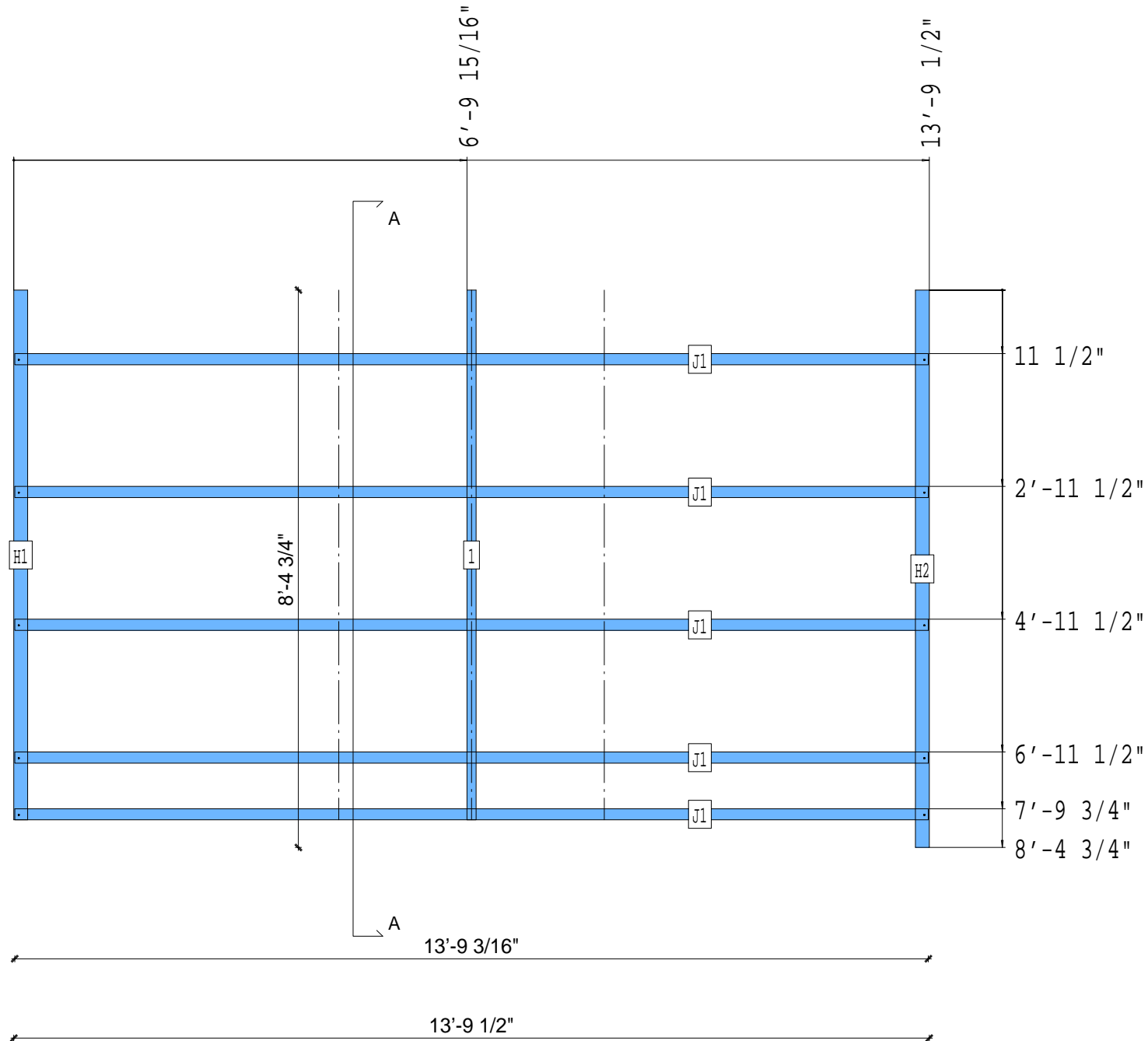
By jbonavries at 8:35 am, Oct 31, 2008

DO NOT PANELIZE
KIT AND BUNDLE PARTS, TO BE FIELD
ASSEMBLED!



A-A

B



PIECE SCHEDULE						
LAB	QTY	MATERIAL	DESCRIPTION	LENGTH	ANG1	ANG2
1	1	362S162-54	JOIST	7'-11 3/4"		
H1	1	1000T250-97	HEADER	7'-11 3/4"		
H2	1	1000T250-97	HEADER	8'-4 3/4"		
J1	5	1000S200-97	JOIST	13'-9 3/16"		

21-5013

Jewish Home for the Aging

1885 Victory Blvd. Reseda, CA

FM-07-109

CREATED BY: JLB

FrameMax, Inc.
13915 Danielson St
Suite 100
Poway, CA 92064
www.framemax.com

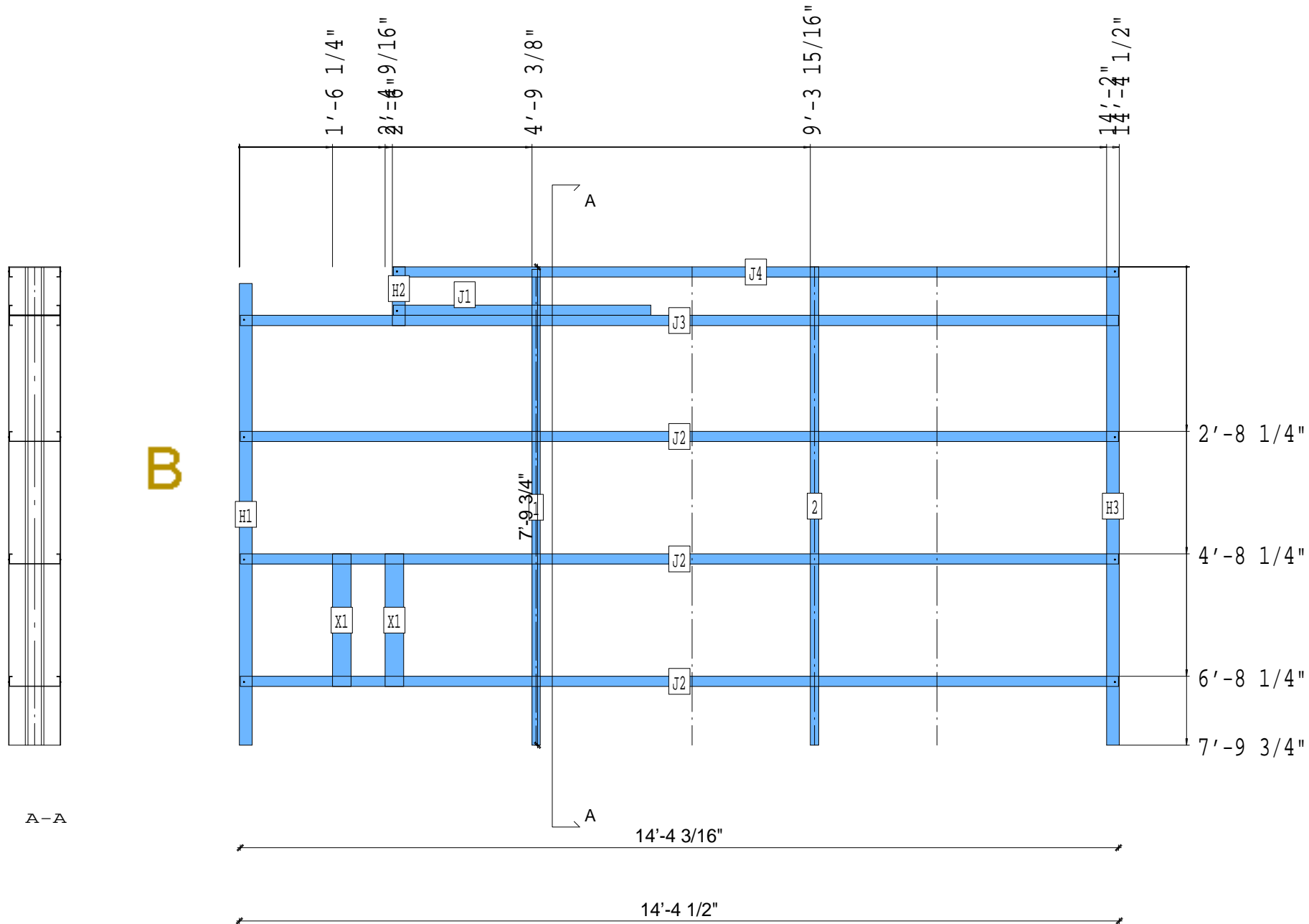
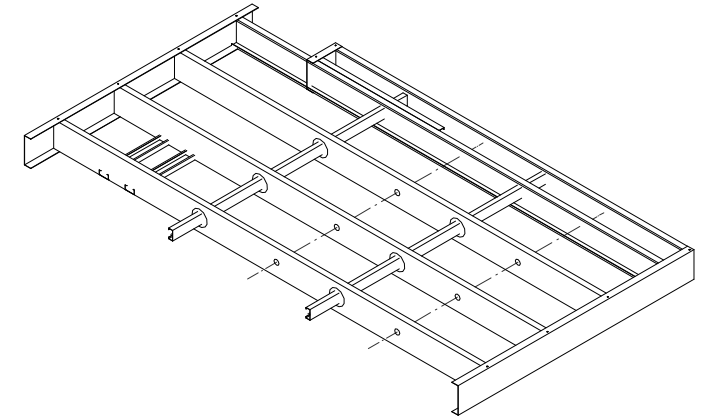


© FrameMax Inc.

APPROVED

By jbonavries at 8:35 am, Oct 31, 2008

DO NOT PANELIZE
KIT AND BUNDLE PARTS, TO BE FIELD ASSEMBLED!



PIECE SCHEDULE						
LAB	QTY	MATERIAL	DESCRIPTION	LENGTH	ANG1	ANG2
1	1	362S162-54	JOIST	7'-9 1/4"		
2	1	362S162-54	JOIST	7'-9 3/4"		
H1	1	1000T250-97	HEADER	7'-6 1/2"		
H2	1	1000T250-97	HEADER	11 1/2"		
H3	1	1000T250-97	HEADER	7'-9 3/4"		
J1	1	1000S200-97	JOIST	4'-2 1/2"		
J2	3	1000S200-97	JOIST	14'-4 3/16"		
J3	1	1000S200-97	JOIST	14'-4 3/16"		
J4	1	1000S200-97	JOIST	11'-10 3/16"		
X1	2	362S162-33	FLAT TRACK B	2'-2"		

21-5014

CREATED: 10/31/2008

Jewish Home for the Aging

1885 Victory Blvd. Reseda, CA

FM-07-109

CREATED BY: JLB

FrameMax, Inc.
13915 Danielson St
Suite 100
Poway, CA 92064
www.framemax.com



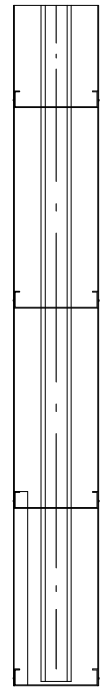
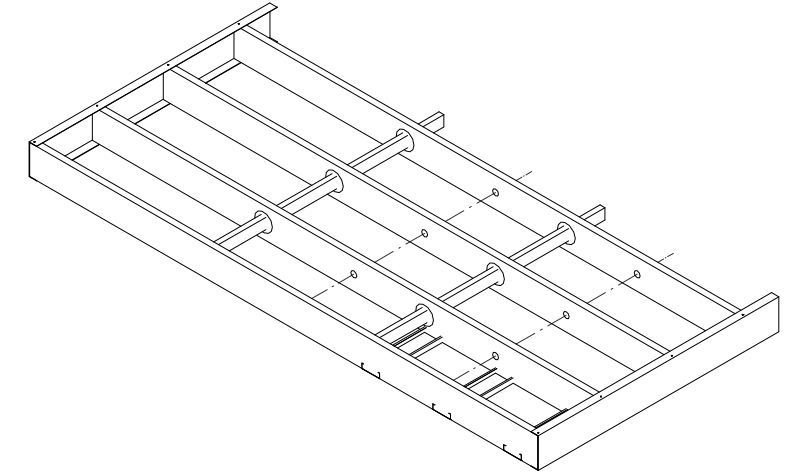
© FrameMax Inc.

APPROVED

By jbonavries at 8:35 am, Oct 31, 2008

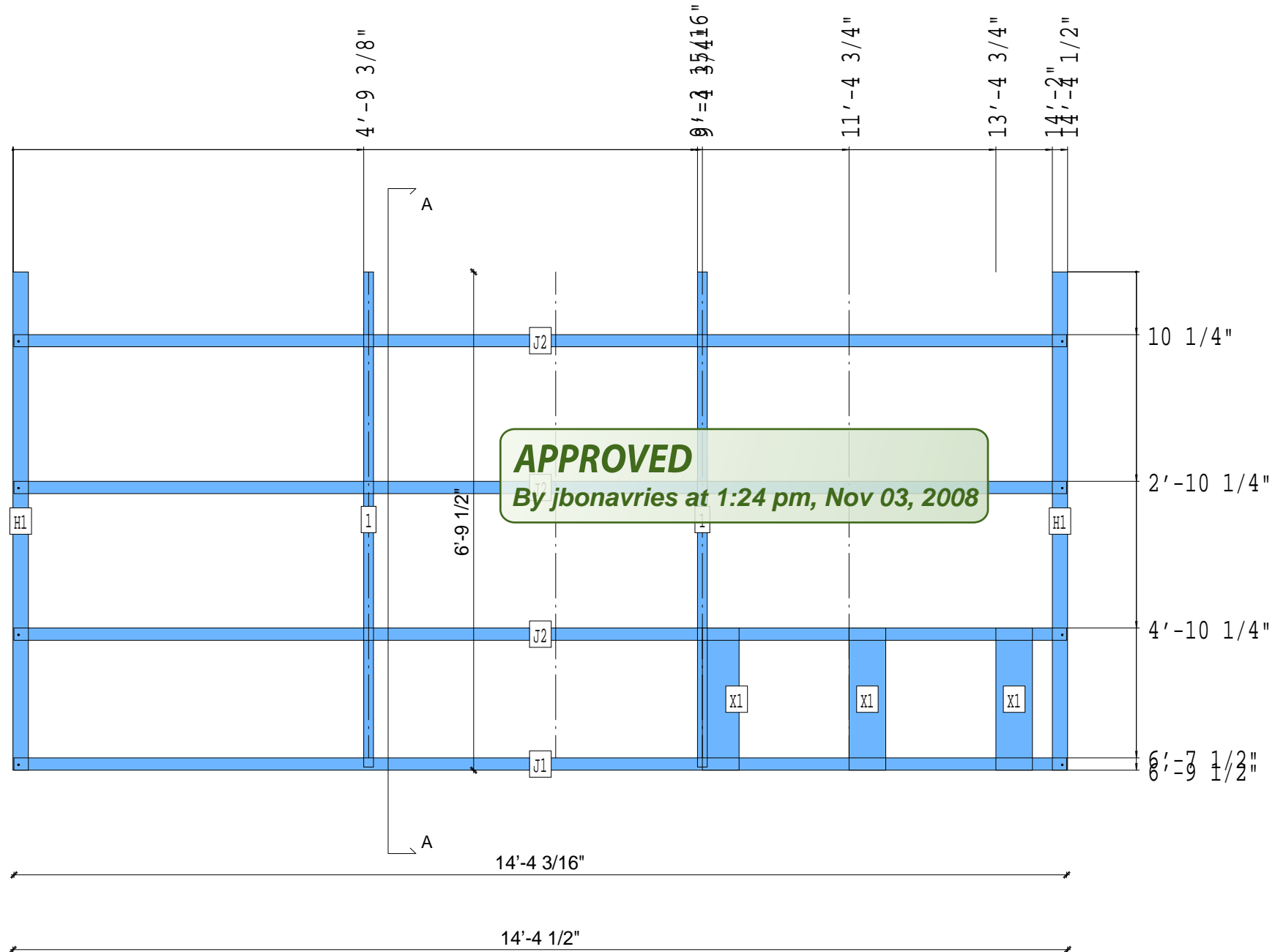
DO NOT PANELIZE

KIT AND BUNDLE PARTS, TO BE FIELD ASSEMBLED!



A-A

B



APPROVED

By jbonavries at 1:24 pm, Nov 03, 2008

PIECE SCHEDULE						
LAB	QTY	MATERIAL	DESCRIPTION	LENGTH	ANG1	ANG2
1	2	362S162-54	JOIST	6'-9"		
H1	2	1000T250-97	HEADER	6'-9 1/2"		
J1	1	1000S200-97	JOIST	14'-4 3/16"		
J2	3	1000S200-97	JOIST	14'-4 3/16"		
X1	3	600S162-33	FLAT TRACK B	1'-11 1/4"		

21-5015

Jewish Home for the Aging

1885 Victory Blvd. Reseda, CA

FM-07-109

CREATED BY: JLB

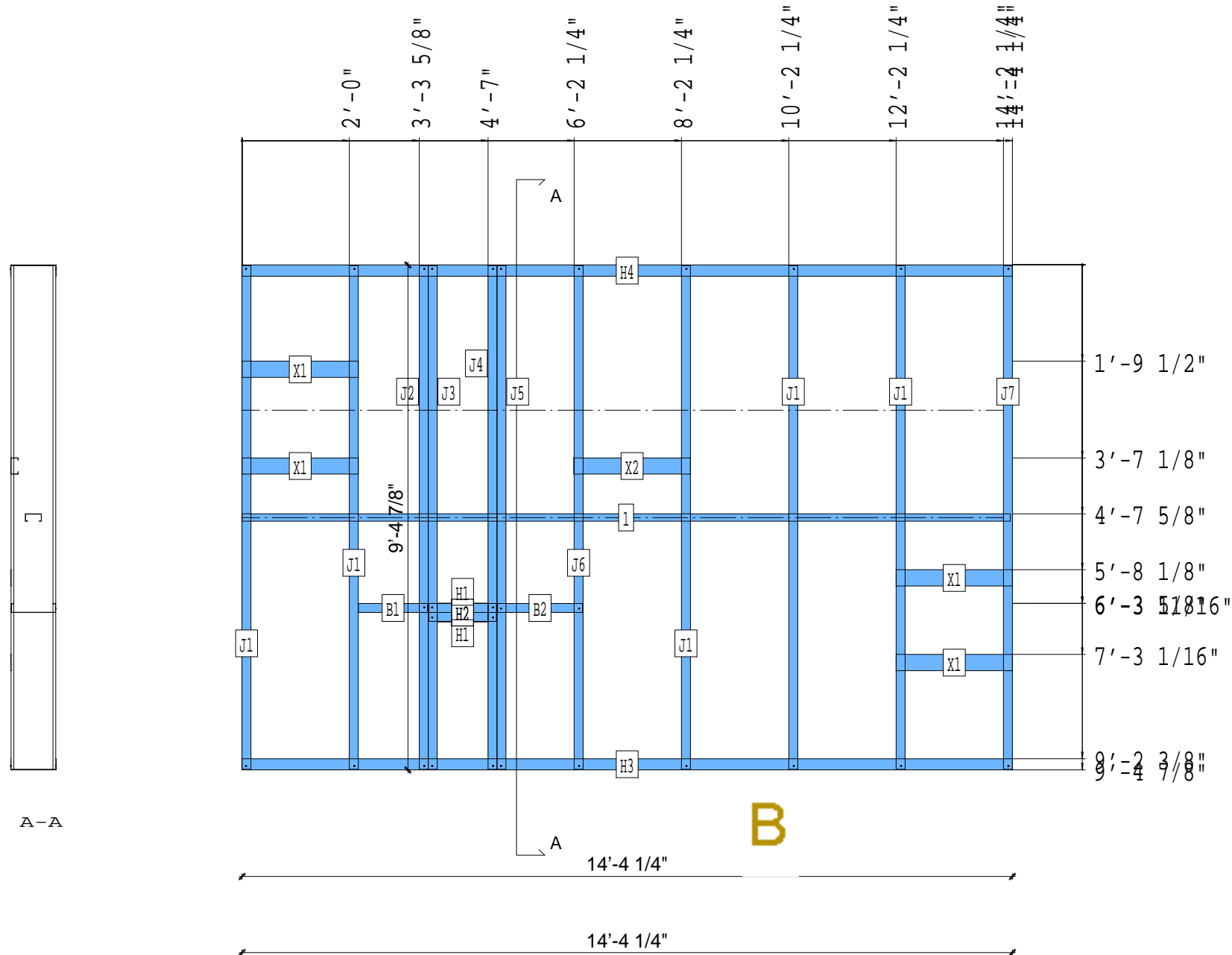
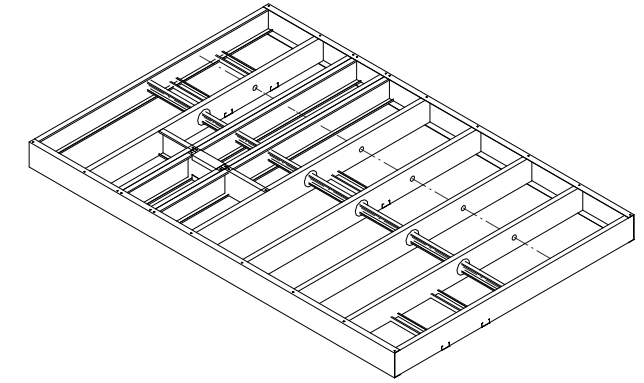
FrameMax, Inc.
13915 Danielson St
Suite 100
Poway, CA 92064
www.framemax.com



© FrameMax Inc.

APPROVED

By jbonavries at 8:35 am, Oct 31, 2008



PIECE SCHEDULE						
LAB	QTY	MATERIAL	DESCRIPTION	LENGTH	ANG1	ANG2
1	1	362S162-54	JOIST	14'-3 3/4"		
B1	1	1000S200-68	BLOCK	1'-3 1/2"		
B2	1	1000S200-68	BLOCK	1'-7"		
H1	2	1000S200-68	OPENING TRIM	1'-3 1/8"		
H2	2	400T200-68	OPENING TRIM	11 3/8"		
H3	1	1000T250-68	HEADER	14'-4 1/4"		
H4	1	1000T250-97	HEADER	14'-4 1/4"		
J1	5	1000S200-68	JOIST	9'-4 9/16"		
J2	1	1000S200-68	OPENING TRIM	9'-4 9/16"		
J3	1	1000S200-68	OPENING TRIM	9'-4 9/16"		
J4	1	1000S200-68	OPENING TRIM	9'-4 9/16"		
J5	1	1000S200-68	OPENING TRIM	9'-4 9/16"		
J6	1	1000S200-68	JOIST	9'-4 9/16"		
J7	1	1000S200-68	JOIST	9'-4 9/16"		
X1	4	362S162-33	FLAT TRACK B	2'-2"		
X2	1	362S162-33	FLAT TRACK B	2'-2 1/16"		

21-5016

CREATED: 10/31/2008

Jewish Home for the Aging

1885 Victory Blvd. Reseda, CA

FM-07-109

CREATED BY: JLB

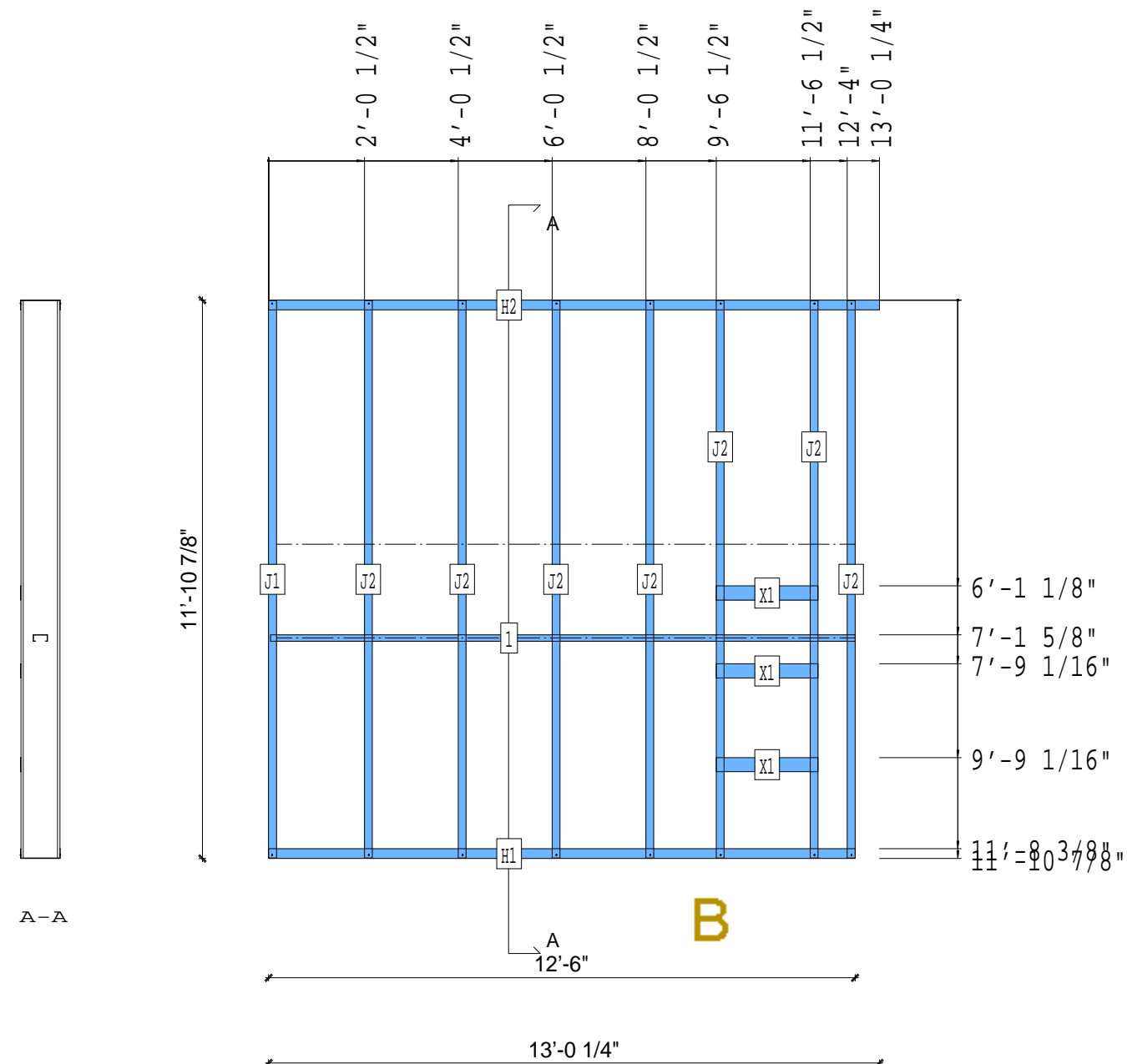
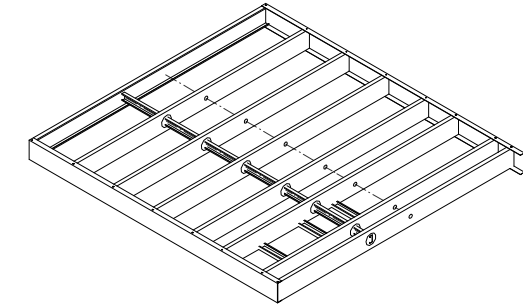
FrameMax, Inc.
13915 Danielson St
Suite 100
Poway, CA 92064
www.frame-max.com



© FrameMax Inc.

APPROVED

By jbonavries at 8:35 am, Oct 31, 2008



PIECE SCHEDULE						
LAB	QTY	MATERIAL	DESCRIPTION	LENGTH	ANG1	ANG2
1	1	362S162-54	JOIST	12'-5 1/2"		
H1	1	1000T250-68	HEADER	12'-6"		
H2	1	1000T250-68	HEADER	13'-0 1/4"		
J1	1	1000S200-68	JOIST	11'-10 5/8"		
J2	7	1000S200-68	JOIST	11'-10 5/8"		
X1	3	362S162-33	FLAT TRACK B	2'-2"		

21-5017

Jewish Home for the Aging

1885 Victory Blvd. Reseda, CA

FM-07-109

CREATED BY: JLB

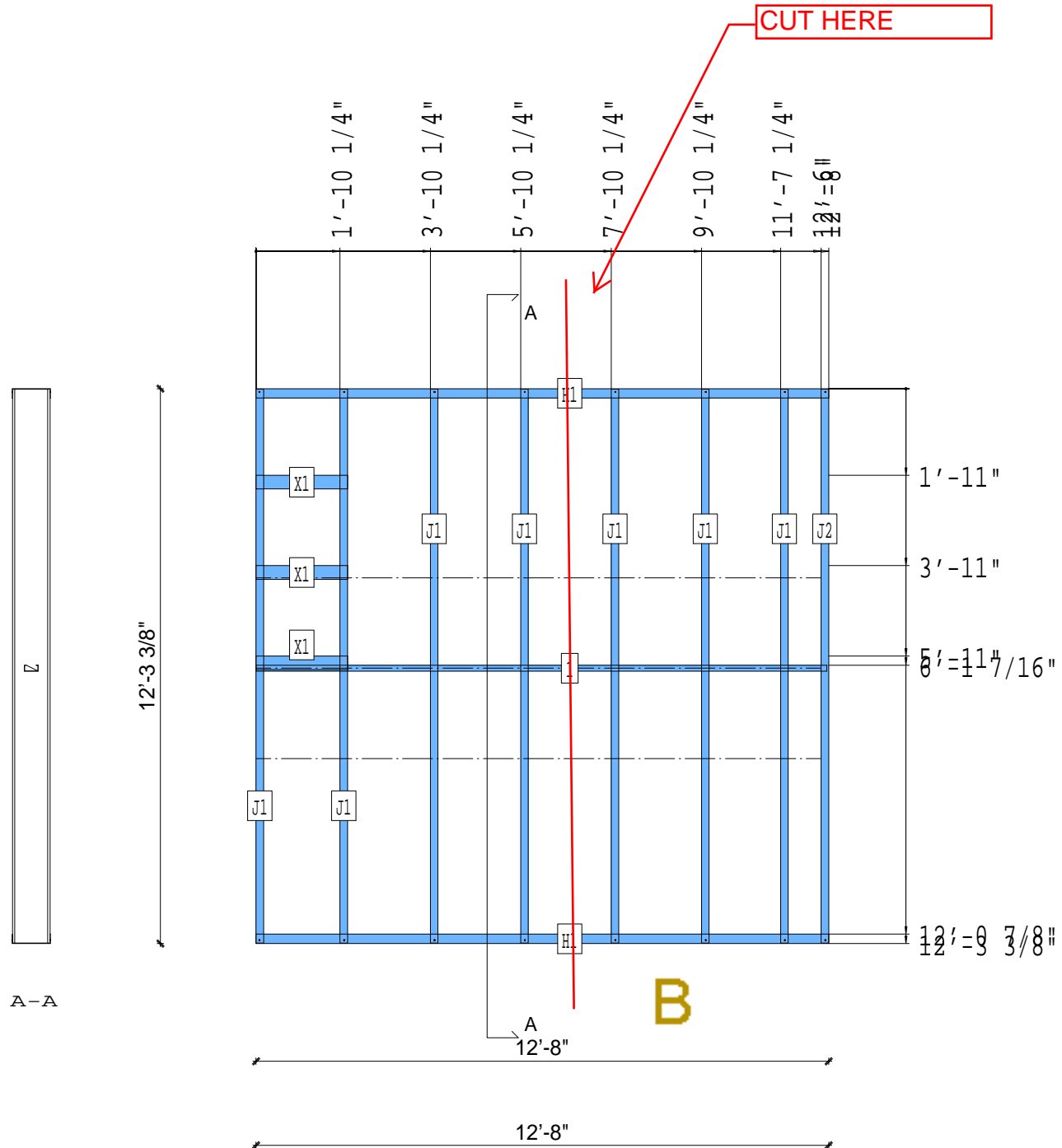
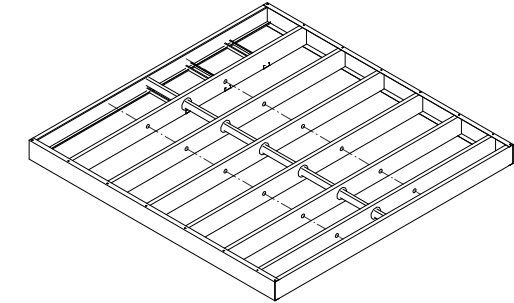
FrameMax, Inc.
13915 Danielson St
Suite 100
Poway, CA 92064
www.framemax.com



© FrameMax Inc.

APPROVED

By jbonavries at 8:35 am, Oct 31, 2008



PIECE SCHEDULE						
LAB	QTY	MATERIAL	DESCRIPTION	LENGTH	ANG1	ANG2
1	1	362S162-54	JOIST	12'-7 1/2"		
H1	2	1000T250-68	HEADER	12'-8"		
J1	7	1000S200-68	JOIST	12'-3 1/8"		
J2	1	1000S200-68	JOIST	12'-3 1/8"		
X1	3	362S162-33	FLAT TRACK B	2'-0 1/4"		

21-5018

CREATED: 10/31/2008

Jewish Home for the Aging

1885 Victory Blvd. Reseda, CA

FM-07-109

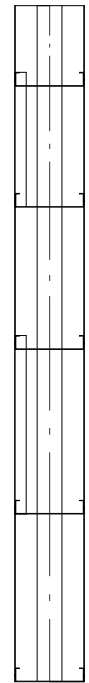
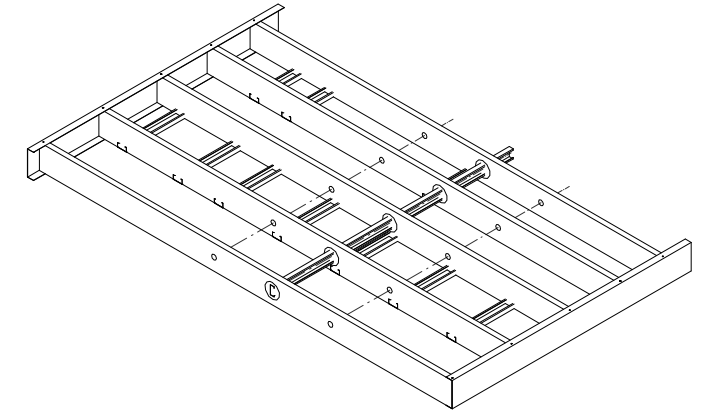
CREATED BY: JLB

FrameMax, Inc.
13915 Danielson St
Suite 100
Poway, CA 92064
www.frame-max.com



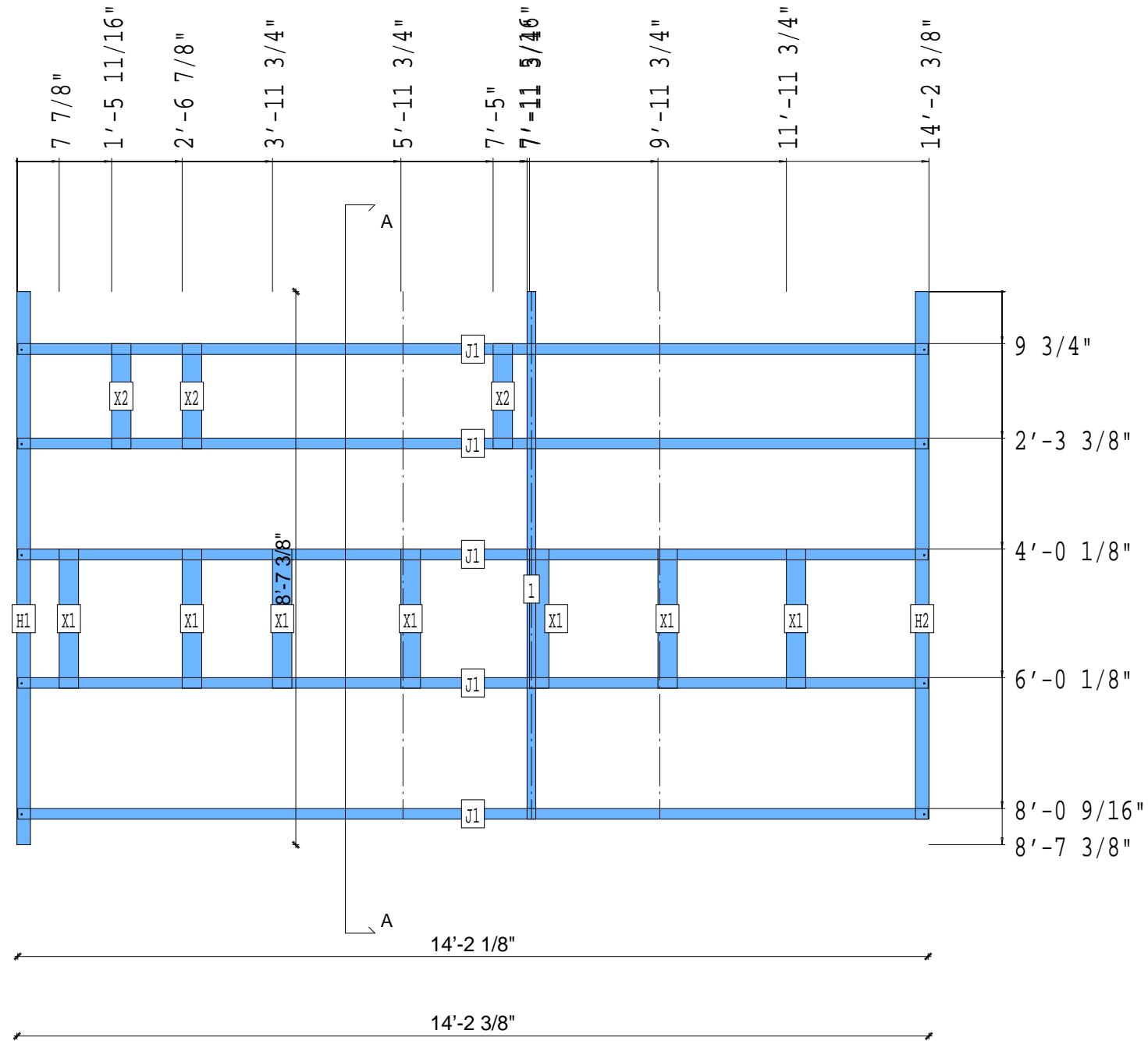
© FrameMax Inc.

APPROVED
By jbonavries at 8:35 am, Oct 31, 2008



A-A

B



PIECE SCHEDULE						
LAB	QTY	MATERIAL	DESCRIPTION	LENGTH	ANG1	ANG2
1	1	362S162-54	JOIST	8'-2 9/16"		
H1	1	1000T250-68	HEADER	8'-7 3/8"		
H2	1	1000T250-68	HEADER	8'-2 9/16"		
J1	5	1000S200-68	JOIST	14'-2 1/8"		
X1	7	362S162-33	FLAT TRACK B	2'-2"		
X2	3	362S162-33	FLAT TRACK B	1'-7 5/8"		

21-5019

Jewish Home for the Aging

1885 Victory Blvd. Reseda, CA

FM-07-109

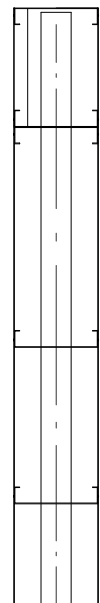
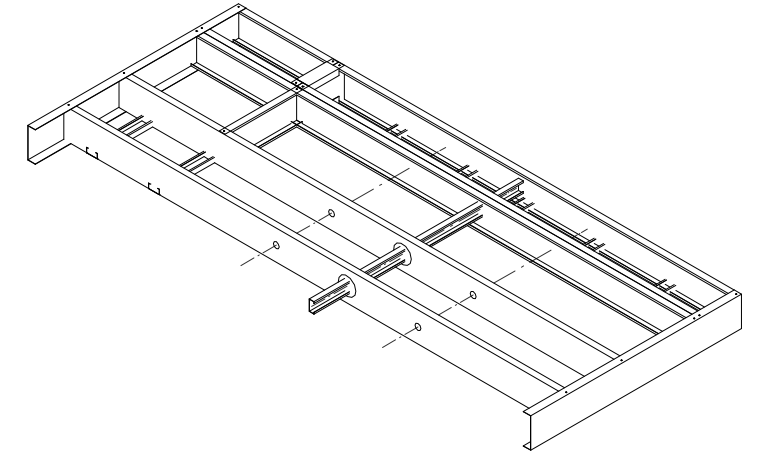
CREATED BY: JLB

FrameMax, Inc.
13915 Danielson St
Suite 100
Poway, CA 92064
www.framemax.com



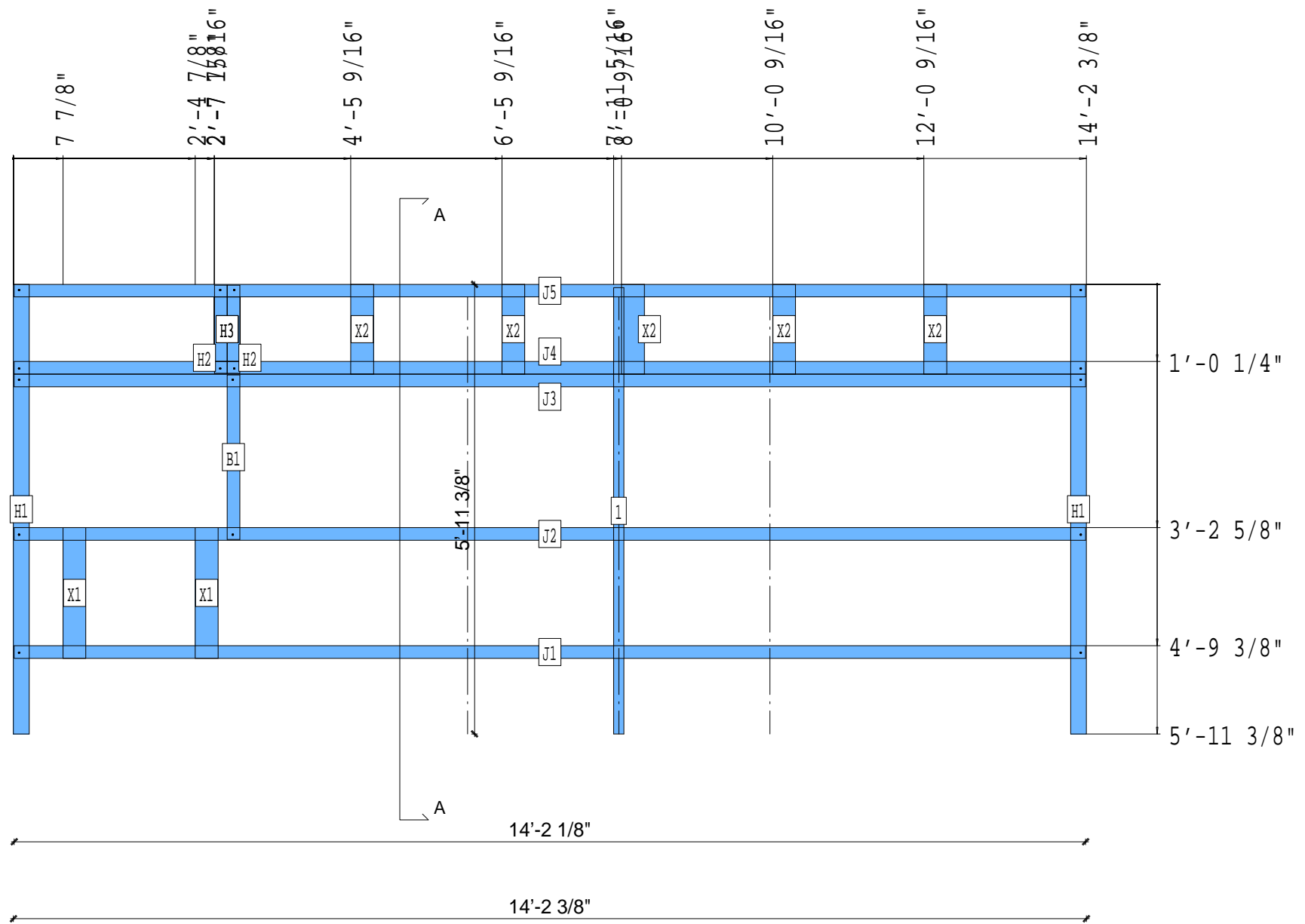
© FrameMax Inc.

APPROVED
By jbonavries at 8:35 am, Oct 31, 2008



A-A

B



PIECE SCHEDULE						
LAB	QTY	MATERIAL	DESCRIPTION	LENGTH	ANG1	ANG2
J1	1	362S162-54	JOIST	5'-10 7/8"		
B1	1	1000S200-68	BLOCK	2'-2 1/8"		
H1	2	1000T250-68	HEADER	5'-11 3/8"		
H2	2	1000S200-68	OPENING TRIM	1'-2"		
H3	2	400T200-68	OPENING TRIM	10 1/4"		
J2	1	1000S200-68	JOIST	14'-2 1/8"		
J3	1	1000S200-68	JOIST	14'-2 1/8"		
J4	1	1000S200-68	JOIST	14'-2 1/8"		
J5	1	1000S200-68	JOIST	14'-2 1/8"		
X1	2	362S162-33	FLAT TRACK B	1'-8 3/4"		
X2	5	362S162-33	FLAT TRACK B	1'-2 1/4"		

21-5020

Jewish Home for the Aging

1885 Victory Blvd. Reseda, CA

FM-07-109

CREATED BY: JLB

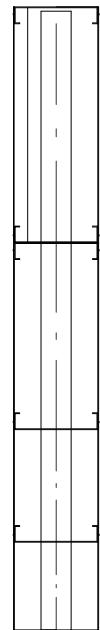
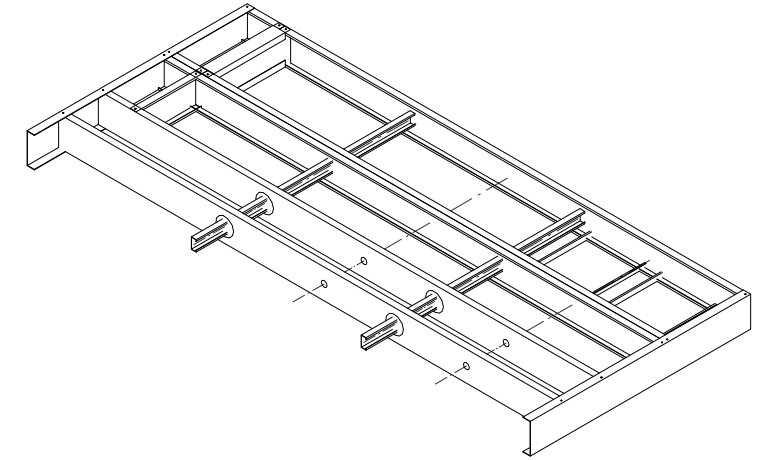
FrameMax, Inc.
13915 Danielson St
Suite 100
Poway, CA 92064
www.framemax.com



© FrameMax Inc.

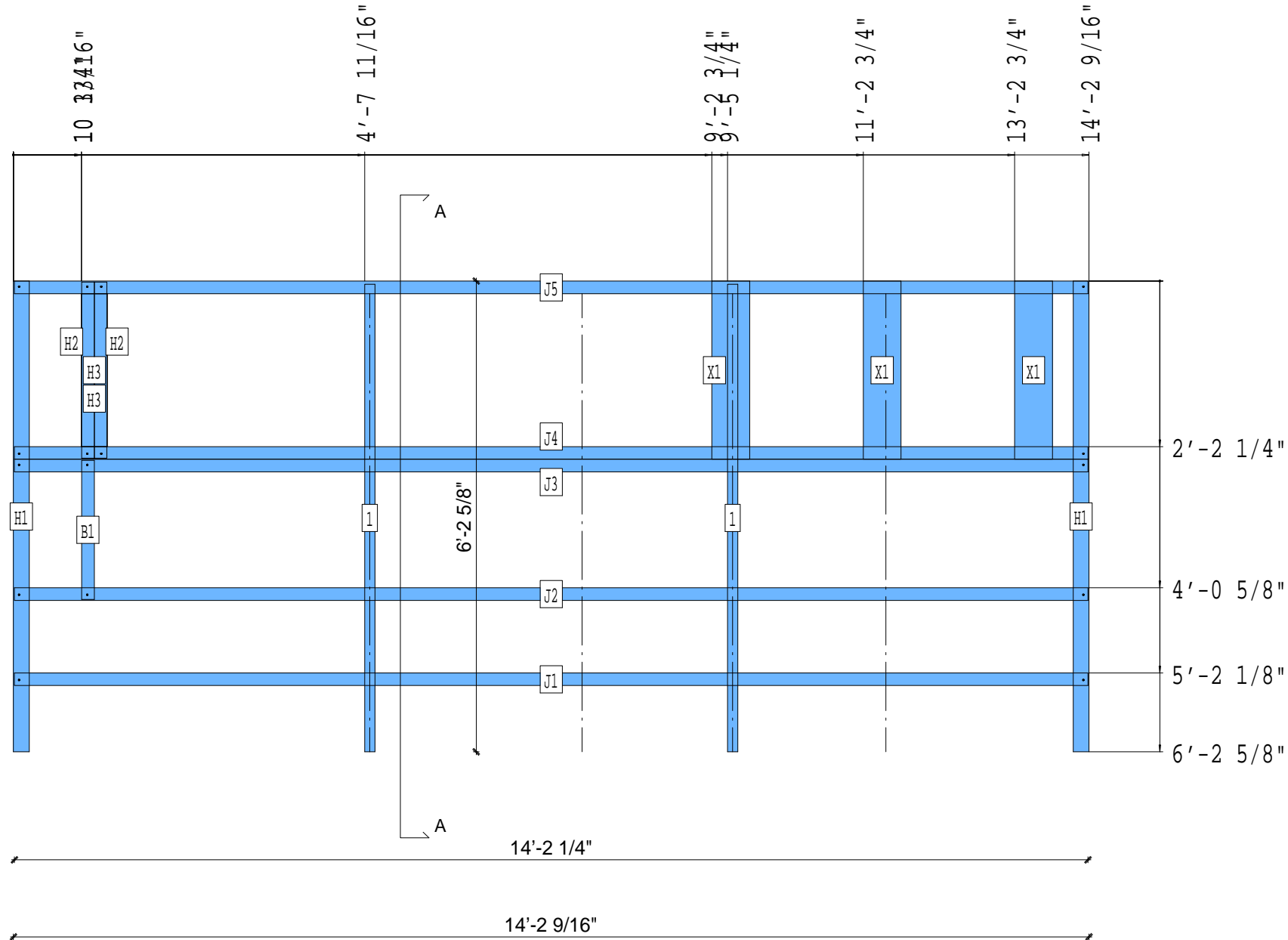
APPROVED

By jbonavries at 8:35 am, Oct 31, 2008



A-A

B



PIECE SCHEDULE						
LAB	QTY	MATERIAL	DESCRIPTION	LENGTH	ANG1	ANG2
1	2	362S162-54	JOIST	6'-2 1/8"		
B1	1	1000S200-97	BLOCK	1'-10 1/16"		
H1	2	1000T250-97	HEADER	6'-2 5/8"		
H2	2	1000S200-97	OPENING TRIM	2'-3 15/16"		
H3	2	400T200-68	OPENING TRIM	2'-0 1/4"		
J1	1	1000S200-97	JOIST	14'-2 1/4"		
J2	1	1000S200-97	JOIST	14'-2 1/4"		
J3	1	1000S200-97	OPENING TRIM	14'-2 1/4"		
J4	1	1000S200-97	OPENING TRIM	14'-2 1/4"		
J5	1	1000S200-97	JOIST	14'-2 1/4"		
X1	3	600S162-33	FLAT TRACK B	2'-4 1/4"		

21-5021

Jewish Home for the Aging

1885 Victory Blvd. Reseda, CA

FM-07-109

CREATED BY: JLB

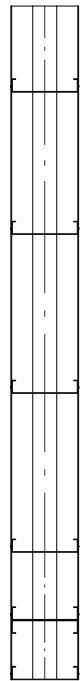
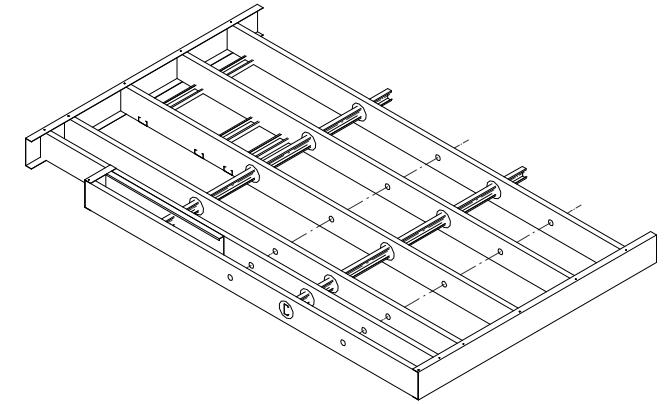
FrameMax, Inc.
13915 Danielson St
Suite 100
Poway, CA 92064
www.framemax.com



© FrameMax Inc.

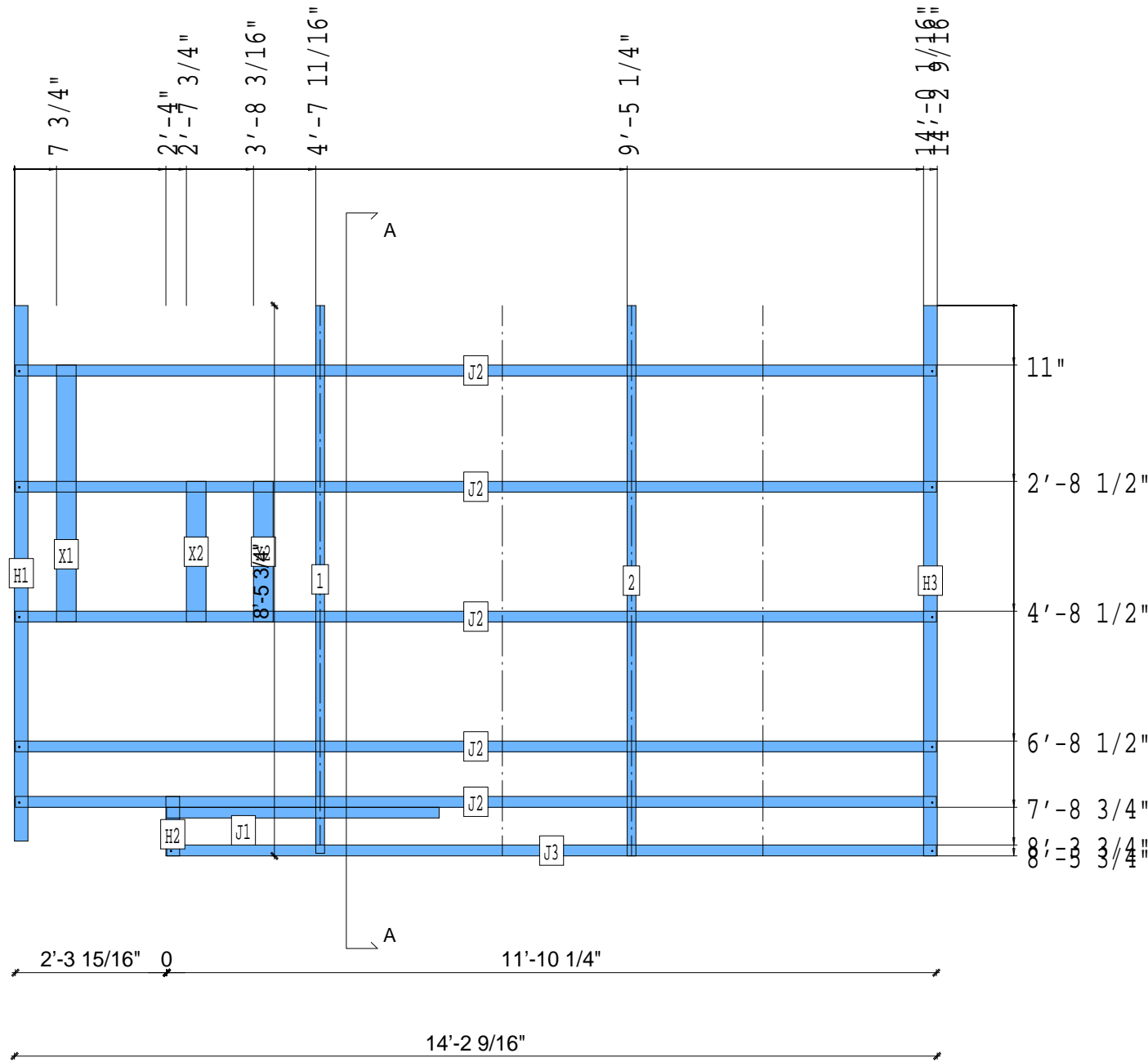
APPROVED

By jbonavries at 8:35 am, Oct 31, 2008



A-A

B



PIECE SCHEDULE						
LAB	QTY	MATERIAL	DESCRIPTION	LENGTH	ANG1	ANG2
1	1	362S162-54	JOIST	8'-5 1/4"		
2	1	362S162-54	JOIST	8'-5 3/4"		
H1	1	1000T250-97	HEADER	8'-3"		
H2	1	1000T250-97	HEADER	11"		
H3	1	1000T250-97	HEADER	8'-5 3/4"		
J1	1	1000S200-97	JOIST	4'-2 3/8"		
J2	5	1000S200-97	JOIST	14'-2 1/4"		
J3	1	1000S200-97	JOIST	11'-10 1/4"		
X1	1	362S162-33	FLAT TRACK B	3'-11 1/2"		
X2	2	362S162-33	FLAT TRACK B	2'-2"		

21-5022

CREATED: 10/31/2008

Jewish Home for the Aging

1885 Victory Blvd. Reseda, CA

FM-07-109

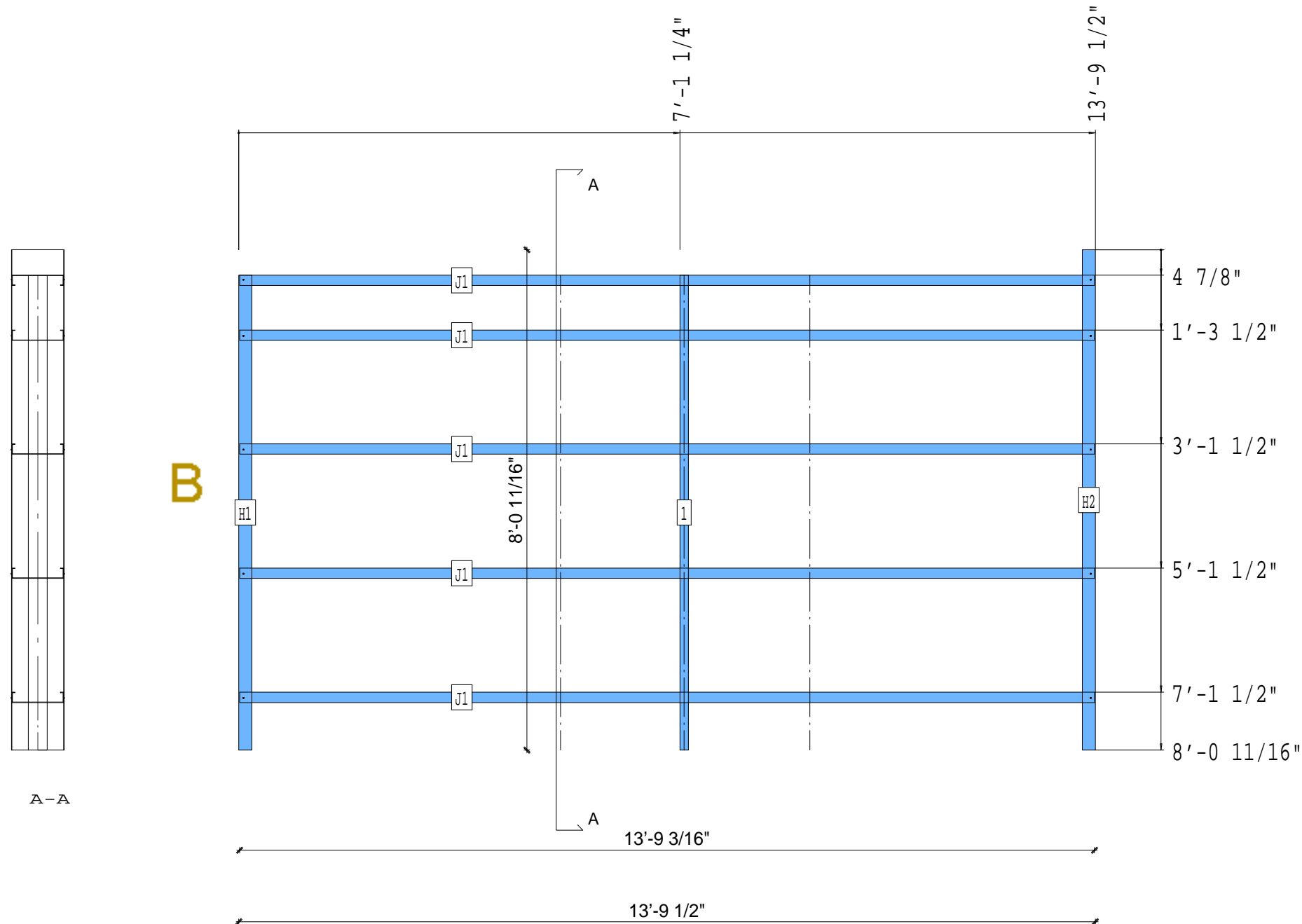
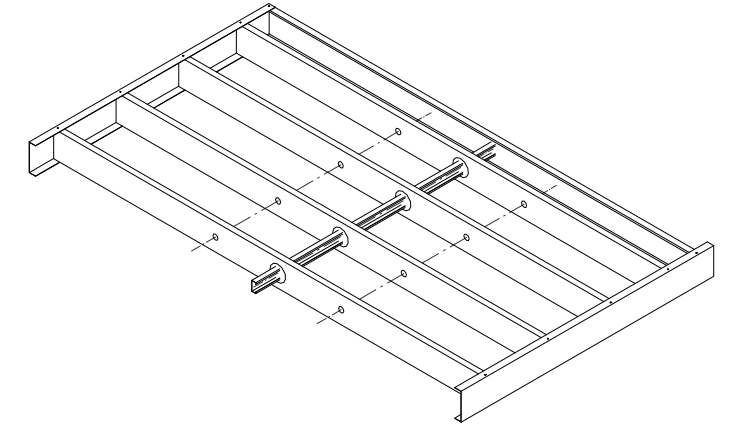
CREATED BY: JLB

FrameMax, Inc.
13915 Danielson St
Suite 100
Poway, CA 92064
www.framemax.com



© FrameMax Inc.

APPROVED
By jbonavries at 8:35 am, Oct 31, 2008



PIECE SCHEDULE						
LAB	QTY	MATERIAL	DESCRIPTION	LENGTH	ANG1	ANG2
1	1	362S162-54	JOIST	7'-7 13/16"		
H1	1	1000T250-97	HEADER	7'-7 13/16"		
H2	1	1000T250-97	HEADER	8'-0 11/16"		
J1	5	1000S200-97	JOIST	13'-9 3/16"		

21-5023

CREATED: 10/31/2008

Jewish Home for the Aging

1885 Victory Blvd. Reseda, CA

FM-07-109

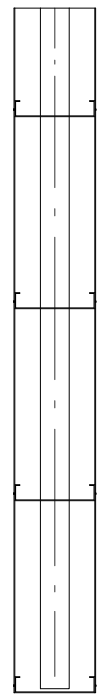
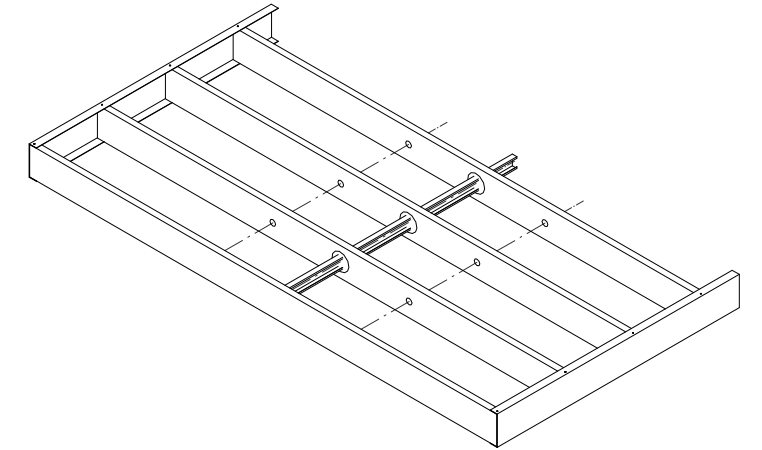
CREATED BY: JLB

FrameMax, Inc.
13915 Danielson St
Suite 100
Poway, CA 92064
www.framemax.com



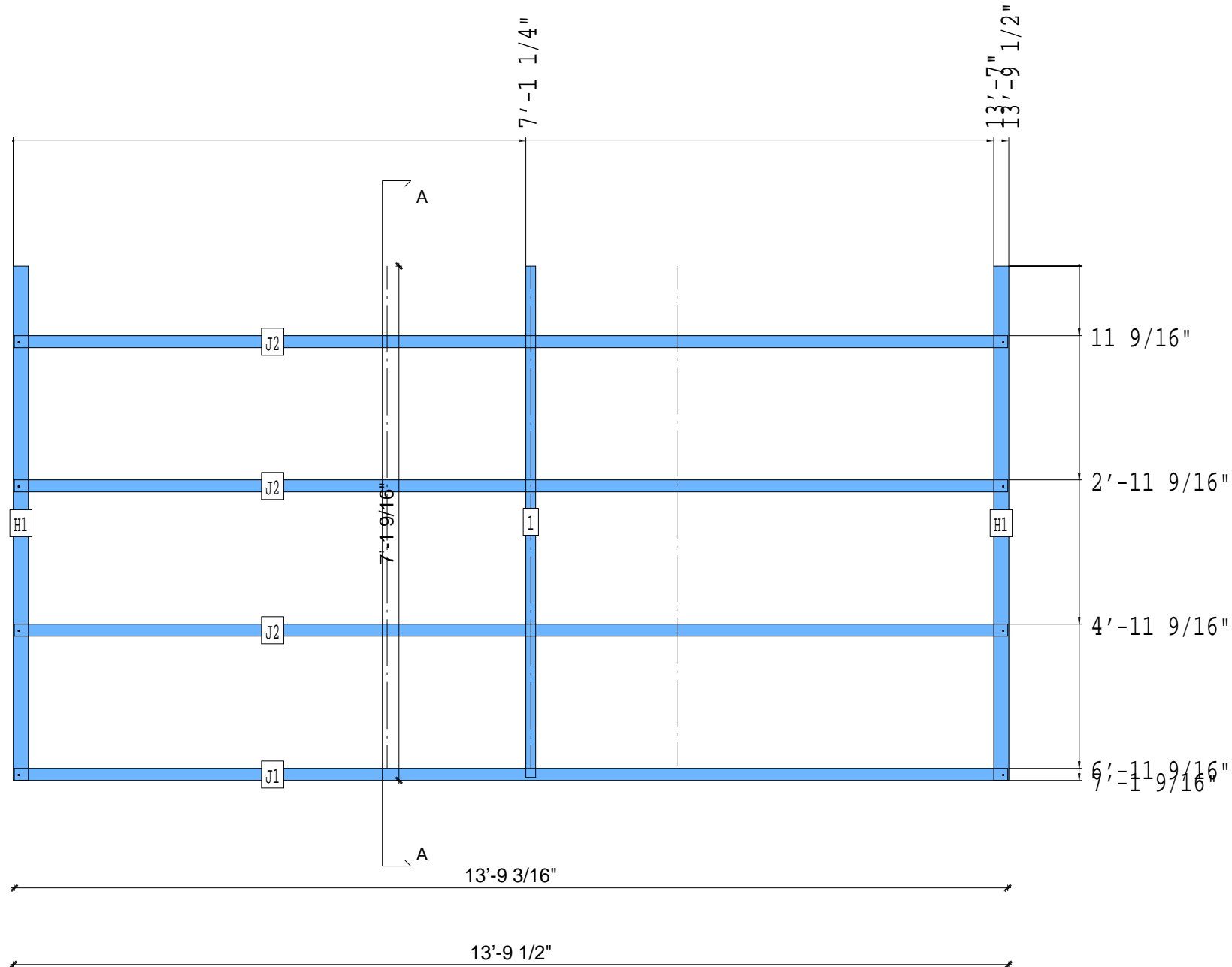
© FrameMax Inc.

APPROVED
By jbonavries at 8:35 am, Oct 31, 2008



A-A

B



PIECE SCHEDULE						
LAB	QTY	MATERIAL	DESCRIPTION	LENGTH	ANG1	ANG2
1	1	362S162-54	JOIST	7'-1 1/16"		
H1	2	1000T250-97	HEADER	7'-1 9/16"		
J1	1	1000S200-97	JOIST	13'-9 3/16"		
J2	3	1000S200-97	JOIST	13'-9 3/16"		

21-5024

Jewish Home for the Aging

1885 Victory Blvd. Reseda, CA

FM-07-109

CREATED BY: JLB

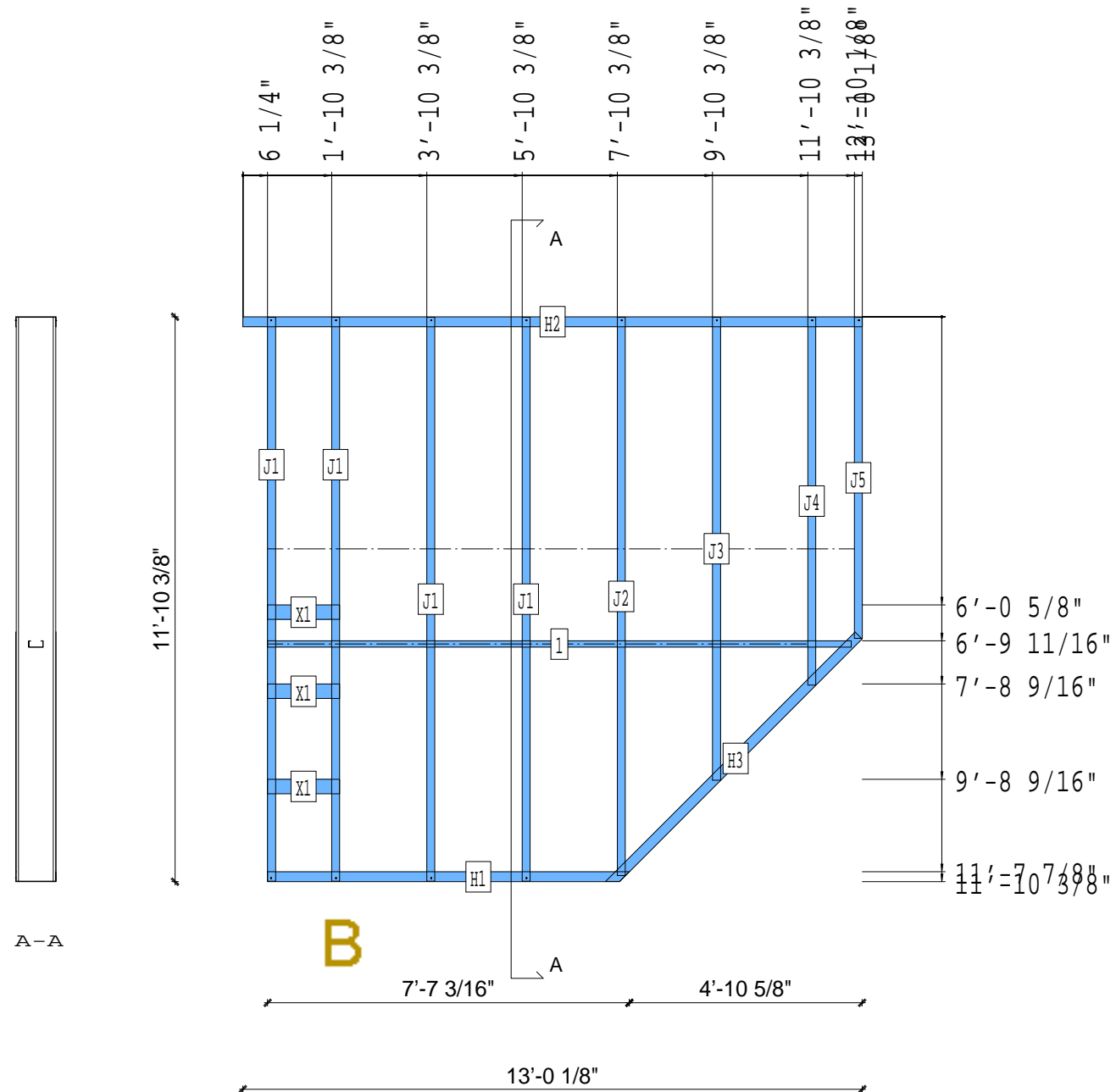
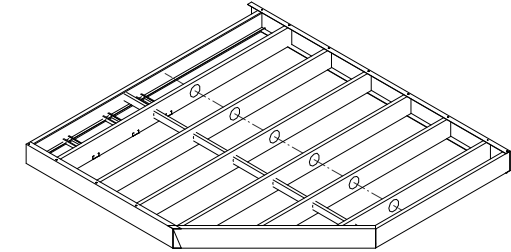
FrameMax, Inc.
13915 Danielson St
Suite 100
Poway, CA 92064
www.frameMAX.com



© FrameMax Inc.

APPROVED

By jbonavries at 8:35 am, Oct 31, 2008



PIECE SCHEDULE						
LAB	QTY	MATERIAL	DESCRIPTION	LENGTH	ANG1	ANG2
1	1	362S162-54	JOIST	12'-3 1/16"		
H1	1	1000T250-68	HEADER	7'-7 3/16"		-45.0
H2	1	1000T250-68	HEADER	13'-0 1/8"		
H3	1	1000T250-68	HEADER	7'-4 7/8"	45.0	
J1	4	1000S200-68	JOIST	11'-10 1/8"		
J2	1	1000S200-68	JOIST	11'-8 11/16"		
J3	1	1000S200-68	JOIST	9'-8 11/16"		
J4	1	1000S200-68	JOIST	7'-8 11/16"		
J5	1	1000S200-68	JOIST	6'-8 15/16"		
X1	3	362S162-33	FLAT TRACK B	1'-6 1/8"		

21-5025

CREATED: 10/31/2008

Jewish Home for the Aging

1885 Victory Blvd. Reseda, CA

FM-07-109

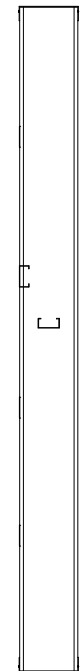
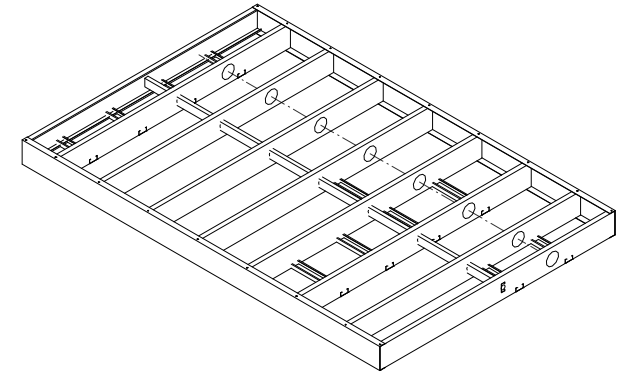
CREATED BY: JLB

FrameMax, Inc.
13915 Danielson St
Suite 100
Poway, CA 92064
www.frame-max.com

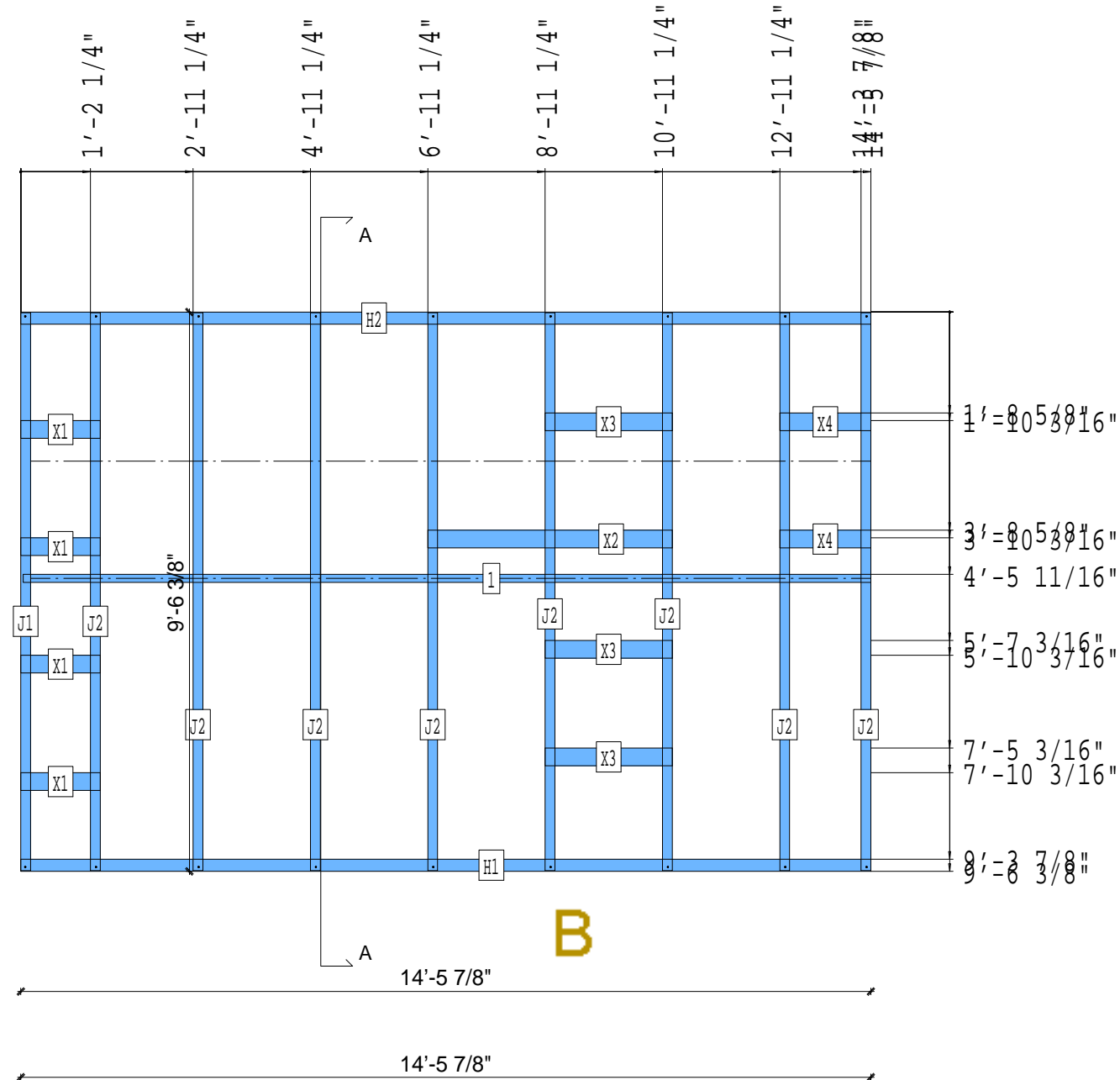


© FrameMax Inc.

APPROVED
By jbonavries at 8:35 am, Oct 31, 2008



A-A



PIECE SCHEDULE						
LAB	QTY	MATERIAL	DESCRIPTION	LENGTH	ANG1	ANG2
1	1	362S162-54	JOIST	14'-5 3/8"		
H1	1	1000T250-68	HEADER	14'-5 7/8"		
H2	1	1000T250-97	HEADER	14'-5 7/8"		
J1	1	1000S200-68	JOIST	9'-6 1/16"		
J2	8	1000S200-68	JOIST	9'-6 1/16"		
X1	4	362S162-33	FLAT TRACK B	1'-4 1/4"		
X2	1	362S162-33	FLAT TRACK B	4'-2"		
X3	3	362S162-33	FLAT TRACK B	2'-2"		
X4	2	362S162-33	FLAT TRACK B	1'-6 5/8"		

21-5026

CREATED: 10/31/2008

Jewish Home for the Aging

1885 Victory Blvd. Reseda, CA

FM-07-109

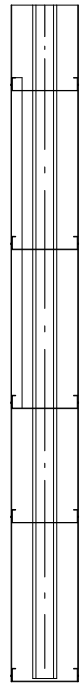
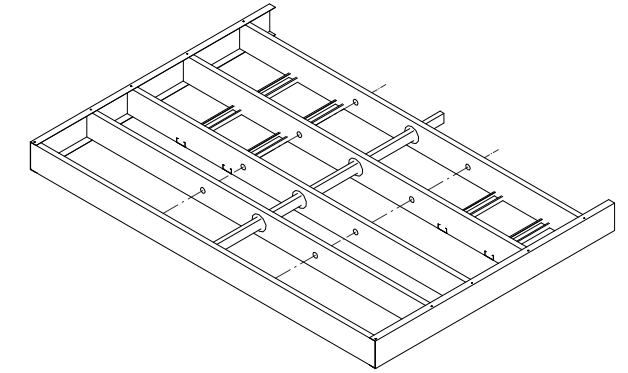
CREATED BY: JLB

FrameMax, Inc.
13915 Danielson St
Suite 100
Poway, CA 92064
www.framemax.com



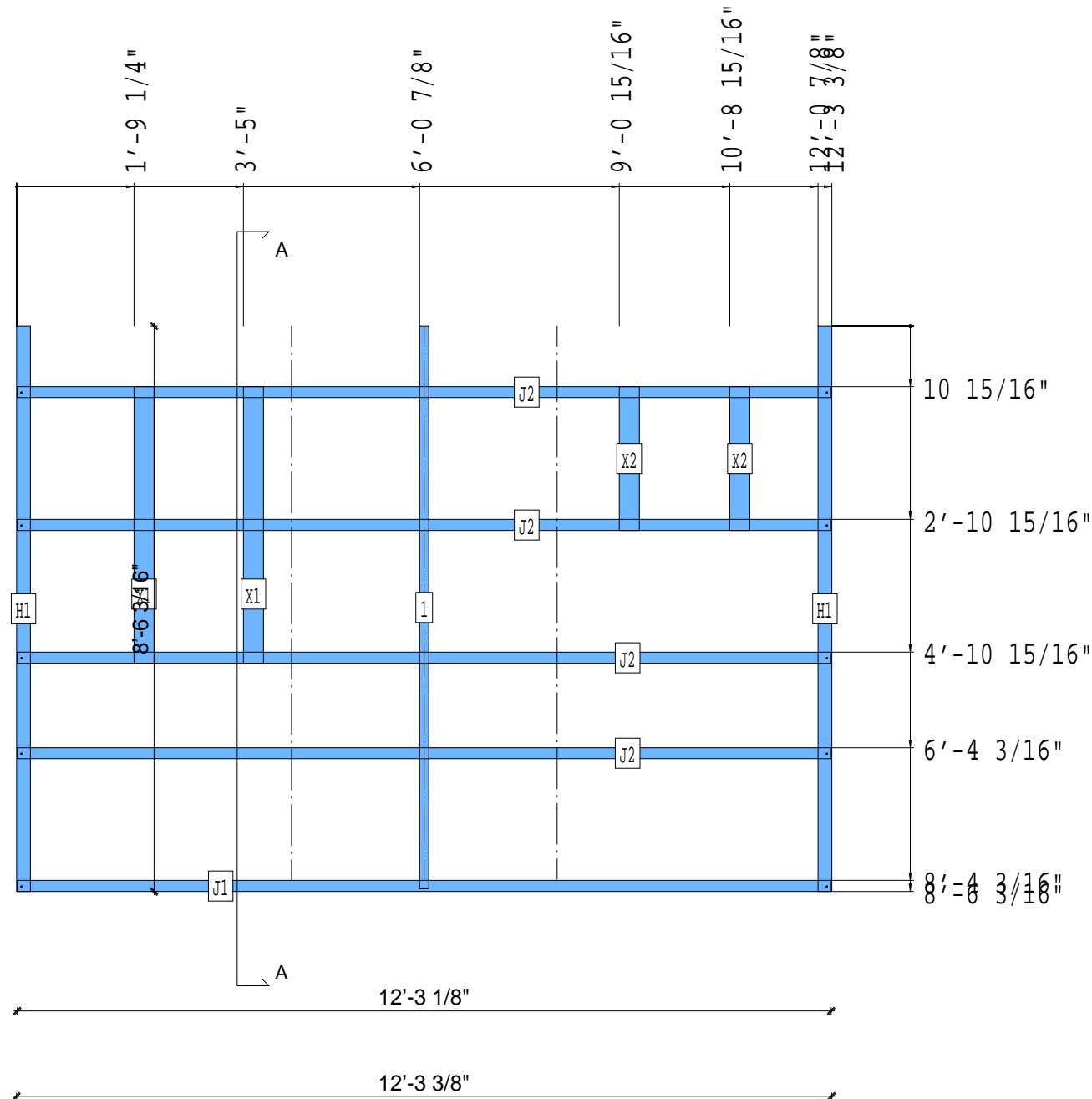
© FrameMax Inc.

APPROVED
By jbonavries at 8:35 am, Oct 31, 2008



A-A

B



PIECE SCHEDULE						
LAB	QTY	MATERIAL	DESCRIPTION	LENGTH	ANG1	ANG2
1	1	362S162-54	JOIST	8'-5 11/16"		
H1	2	1000T250-68	HEADER	8'-6 3/16"		
J1	1	1000S200-68	JOIST	12'-3 1/8"		
J2	4	1000S200-68	JOIST	12'-3 1/8"		
X1	2	362S162-33	FLAT TRACK B	4'-2"		
X2	2	362S162-33	FLAT TRACK B	2'-2"		

21-5027

CREATED: 10/31/2008

Jewish Home for the Aging

1885 Victory Blvd. Reseda, CA

FM-07-109

CREATED BY: JLB

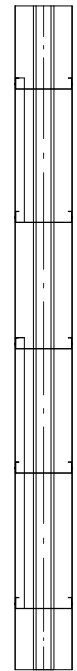
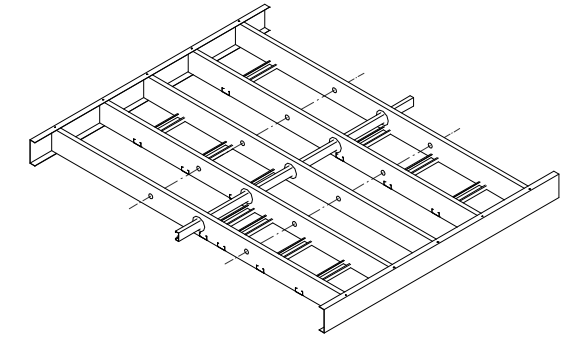
FrameMax, Inc.
13915 Danielson St
Suite 100
Poway, CA 92064
www.framemax.com



© FrameMax Inc.

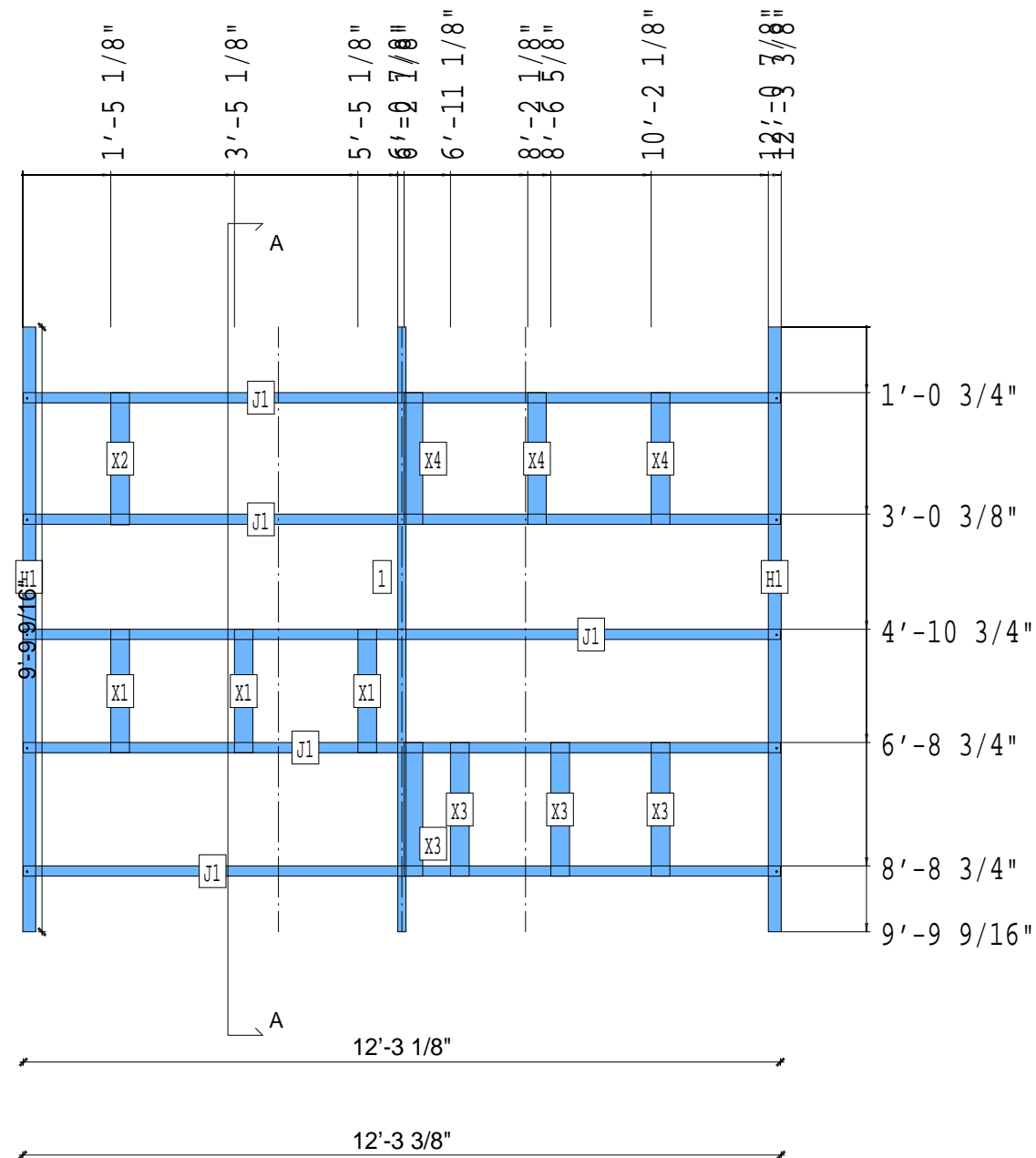
APPROVED

By jbonavries at 8:35 am, Oct 31, 2008



A-A

B



PIECE SCHEDULE

LAB	QTY	MATERIAL	DESCRIPTION	LENGTH	ANG1	ANG2
1	1	362S162-54	JOIST	9'-9 9/16"		
H1	2	1000T250-68	HEADER	9'-9 9/16"		
J1	5	1000S200-68	JOIST	12'-3 1/8"		
X1	3	362S162-33	FLAT TRACK B	2'-0"		
X2	1	362S162-33	FLAT TRACK B	2'-1 11/16"		
X3	4	362S162-33	FLAT TRACK B	2'-2"		
X4	3	362S162-33	FLAT TRACK B	2'-1 5/8"		

21-5028

CREATED: 10/31/2008

Jewish Home for the Aging

1885 Victory Blvd. Reseda, CA

FM-07-109

CREATED BY: JLB

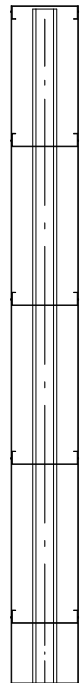
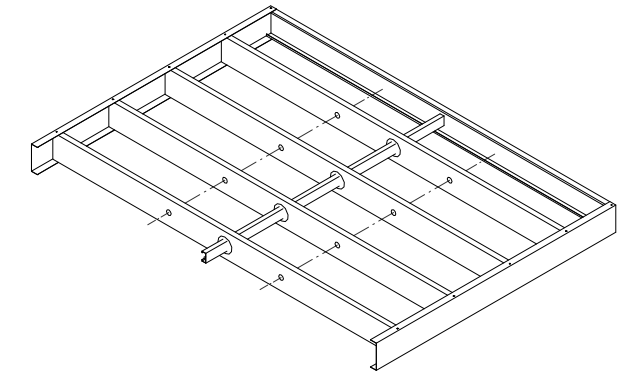
FrameMax, Inc.
13915 Danielson St
Suite 100
Poway, CA 92064
www.framemax.com



© FrameMax Inc.

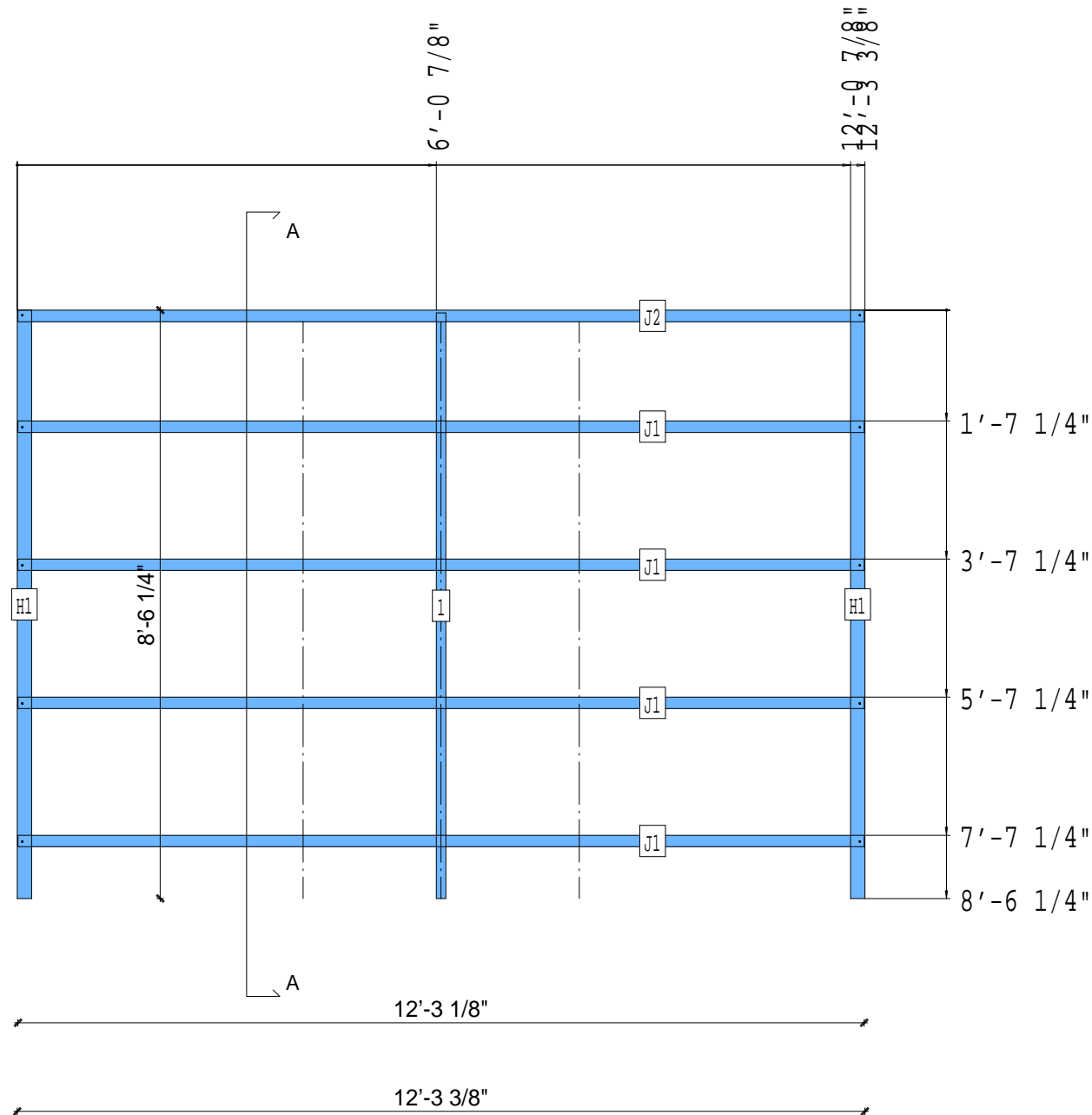
APPROVED

By jbonavries at 8:35 am, Oct 31, 2008



A-A

B



PIECE SCHEDULE						
LAB	QTY	MATERIAL	DESCRIPTION	LENGTH	ANG1	ANG2
1	1	362S162-54	JOIST	8'-5 3/4"		
H1	2	1000T250-68	HEADER	8'-6 1/4"		
J1	4	1000S200-68	JOIST	12'-3 1/8"		
J2	1	1000S200-68	JOIST	12'-3 1/8"		

21-5029

Jewish Home for the Aging

1885 Victory Blvd. Reseda, CA

FM-07-109

CREATED BY: JLB

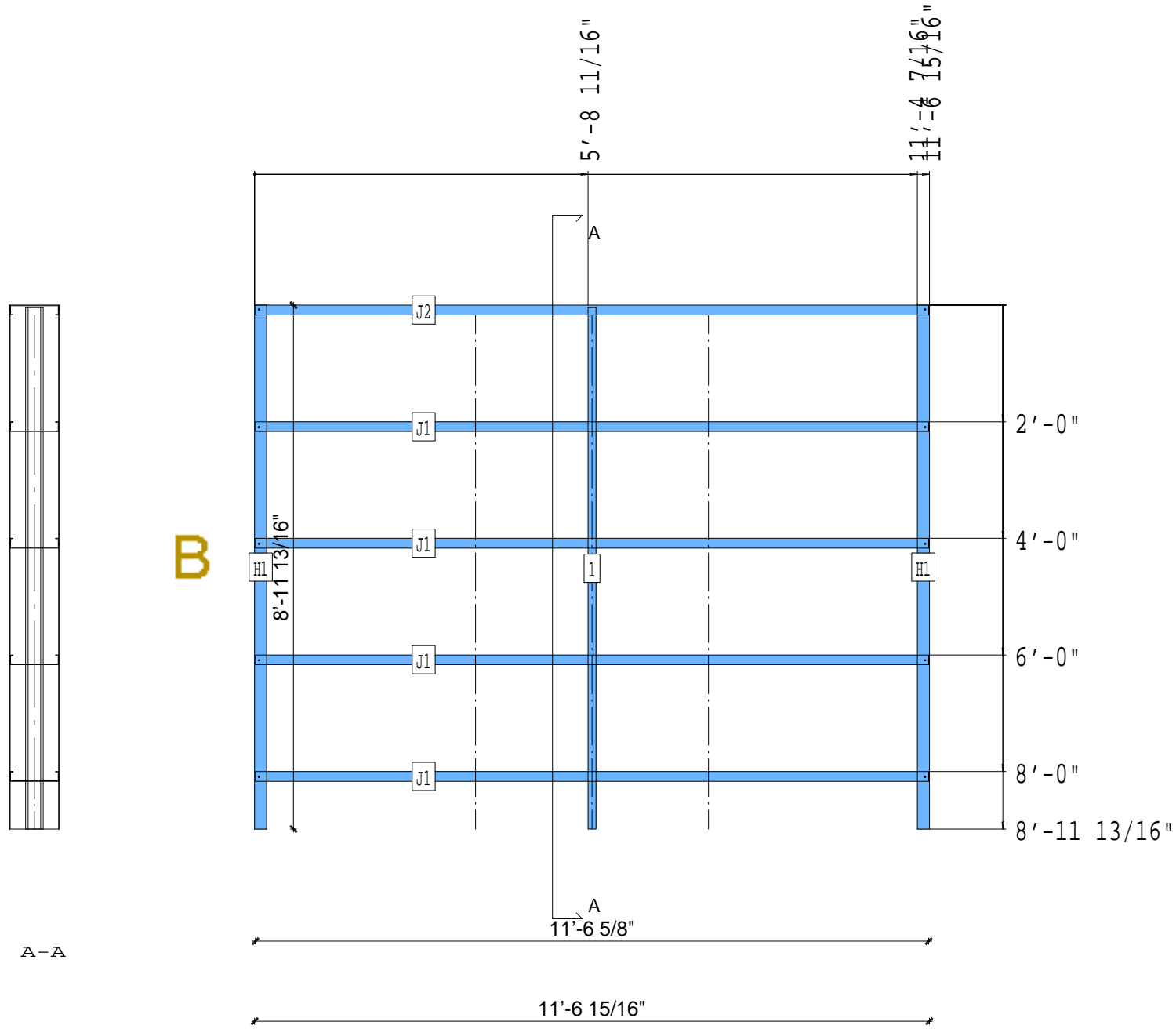
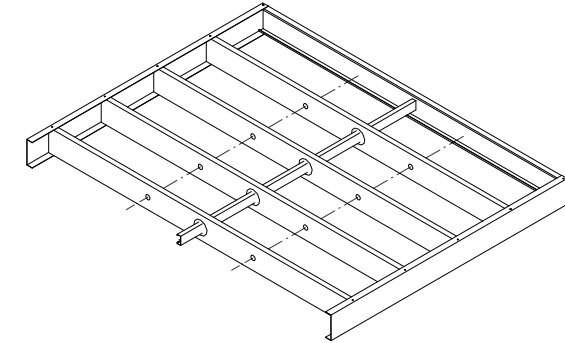
FrameMax, Inc.
13915 Danielson St
Suite 100
Poway, CA 92064
www.framemax.com



© FrameMax Inc.

APPROVED

By jbonavries at 8:35 am, Oct 31, 2008



PIECE SCHEDULE						
LAB	QTY	MATERIAL	DESCRIPTION	LENGTH	ANG1	ANG2
1	1	362S162-54	JOIST	8'-11 5/16"		
H1	2	1000T250-97	HEADER	8'-11 13/16"		
J1	4	1000S200-97	JOIST	11'-6 5/8"		
J2	1	1000S200-97	JOIST	11'-6 5/8"		

21-5030

Jewish Home for the Aging

1885 Victory Blvd. Reseda, CA

FM-07-109

CREATED BY: JLB

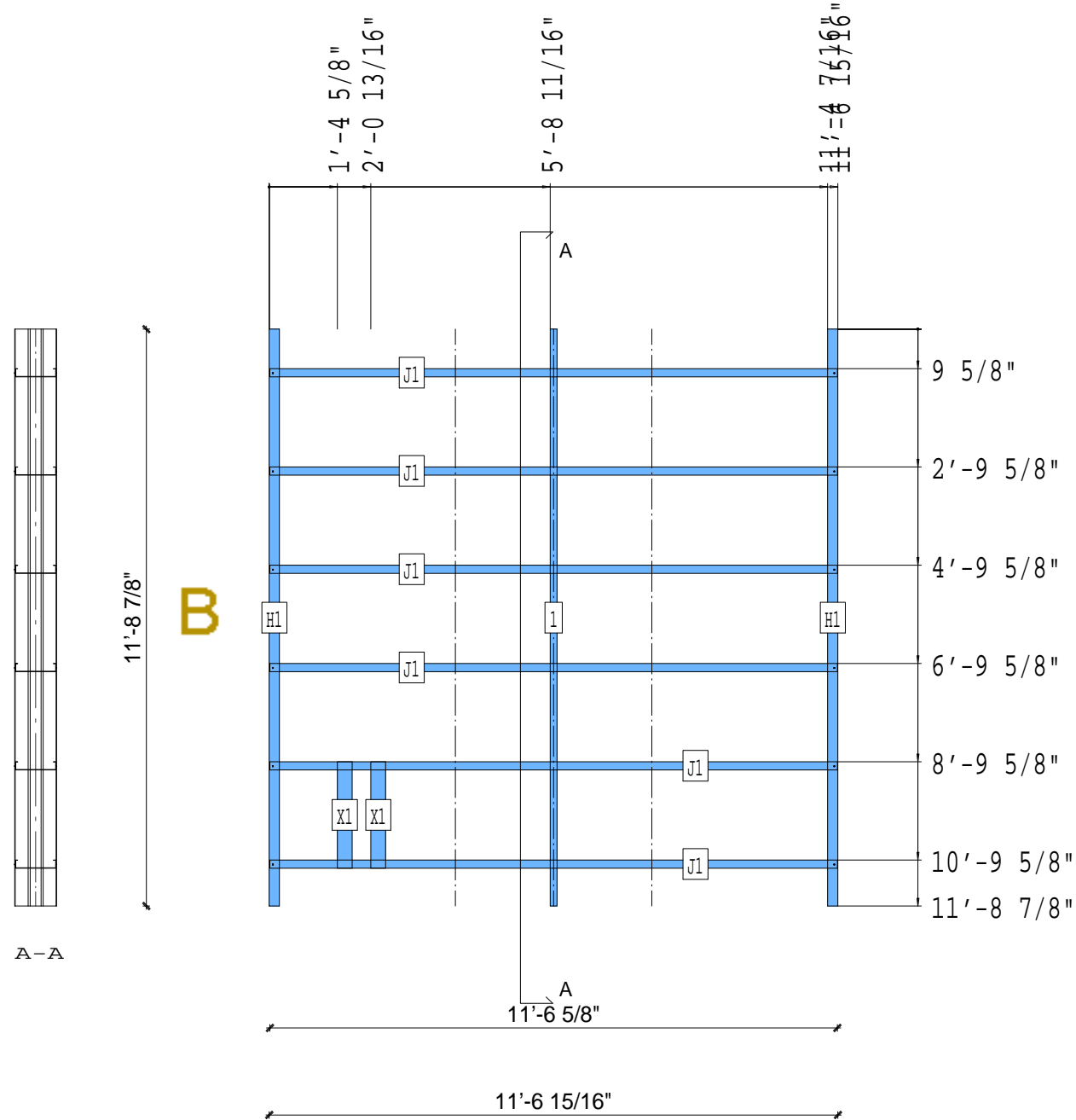
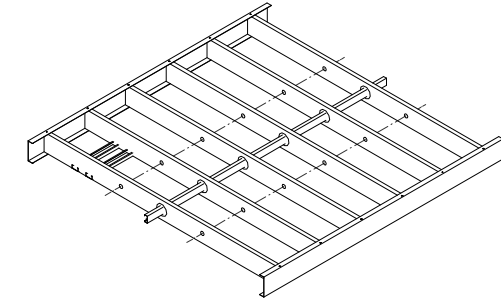
FrameMax, Inc.
13915 Danielson St
Suite 100
Poway, CA 92064
www.framemax.com



© FrameMax Inc.

APPROVED

By jbonavries at 8:35 am, Oct 31, 2008



PIECE SCHEDULE						
LAB	QTY	MATERIAL	DESCRIPTION	LENGTH	ANG1	ANG2
1	1	362S162-54	JOIST	11'-8 7/8"		
H1	2	1000T250-97	HEADER	11'-8 7/8"		
J1	6	1000S200-97	JOIST	11'-6 5/8"		
X1	2	362S162-33	FLAT TRACK B	2'-2"		

21-5031

CREATED: 10/31/2008

Jewish Home for the Aging

1885 Victory Blvd. Reseda, CA

FM-07-109

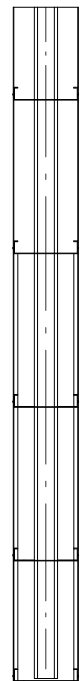
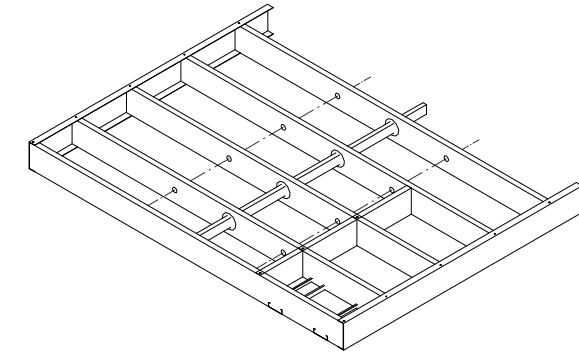
CREATED BY: JLB

FrameMax, Inc.
13915 Danielson St
Suite 100
Poway, CA 92064
www.frame-max.com



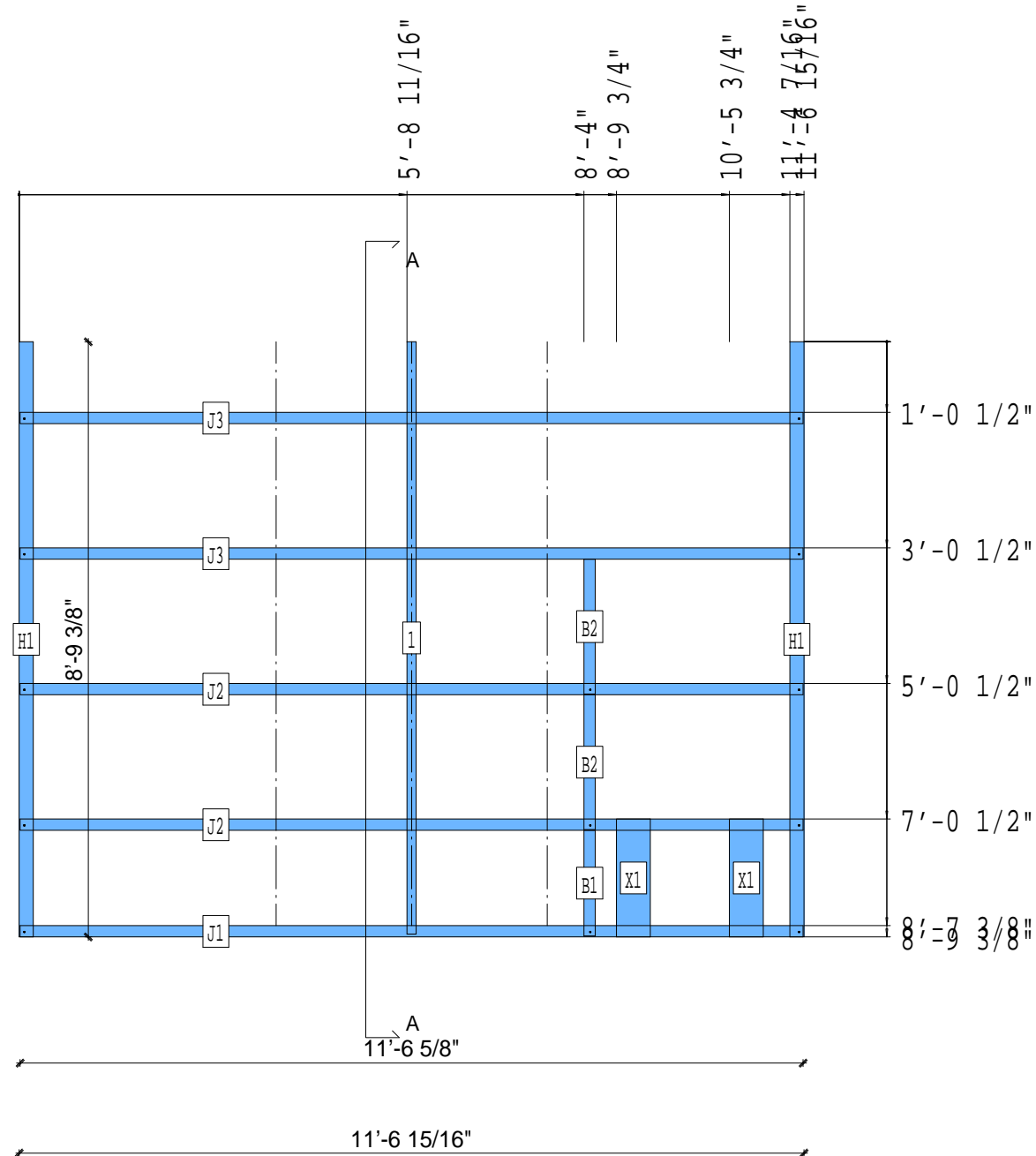
© FrameMax Inc.

APPROVED
By jbonavries at 8:35 am, Oct 31, 2008



A-A

B



PIECE SCHEDULE						
LAB	QTY	MATERIAL	DESCRIPTION	LENGTH	ANG1	ANG2
1	1	362S162-54	JOIST	8'-8 7/8"		
B1	1	1000S200-97	BLOCK	1'-6 11/16"		
B2	2	1000S200-97	BLOCK	1'-11 13/16"		
H1	2	1000T250-97	HEADER	8'-9 3/8"		
J1	1	1000S200-97	JOIST	11'-6 5/8"		
J2	2	1000S200-97	JOIST	11'-6 5/8"		
J3	2	1000S200-97	JOIST	11'-6 5/8"		
X1	2	600S162-33	FLAT TRACK B	1'-8 7/8"		

21-5032

CREATED: 10/31/2008

Jewish Home for the Aging

1885 Victory Blvd. Reseda, CA

FM-07-109

CREATED BY: JLB

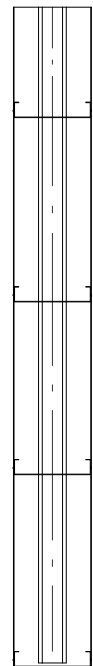
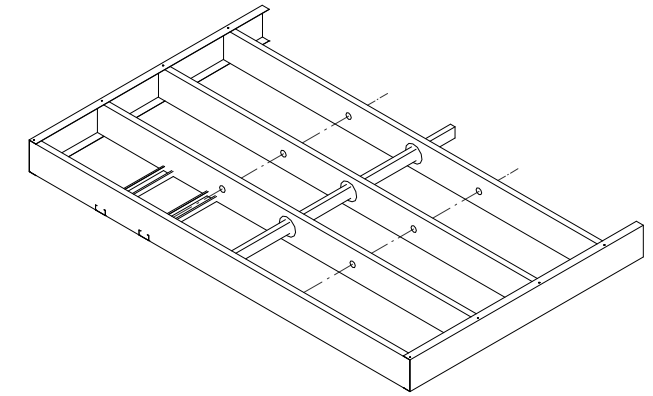
FrameMax, Inc.
13915 Danielson St
Suite 100
Poway, CA 92064
www.framemax.com



© FrameMax Inc.

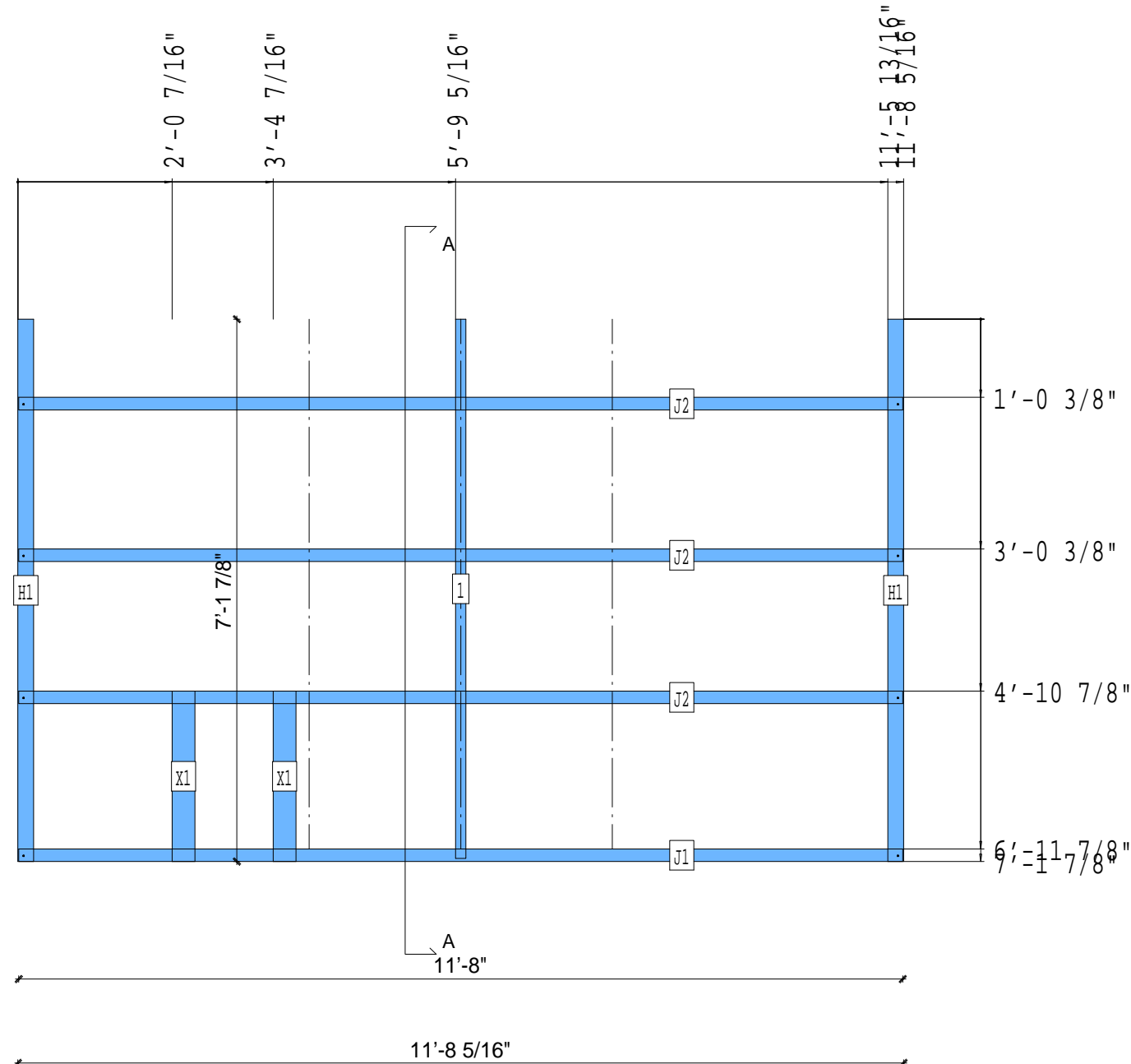
APPROVED

By jbonavries at 8:35 am, Oct 31, 2008



A-A

B



PIECE SCHEDULE						
LAB	QTY	MATERIAL	DESCRIPTION	LENGTH	ANG1	ANG2
1	1	362S162-54	JOIST	7'-1 3/8"		
H1	2	1000T250-68	HEADER	7'-1 7/8"		
J1	1	1000S200-68	JOIST	11'-8"		
J2	3	1000S200-68	JOIST	11'-8"		
X1	2	362S162-33	FLAT TRACK B	2'-3"		

21-5033

CREATED: 10/31/2008

Jewish Home for the Aging

1885 Victory Blvd. Reseda, CA

FM-07-109

CREATED BY: JLB

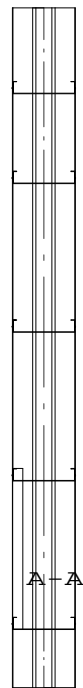
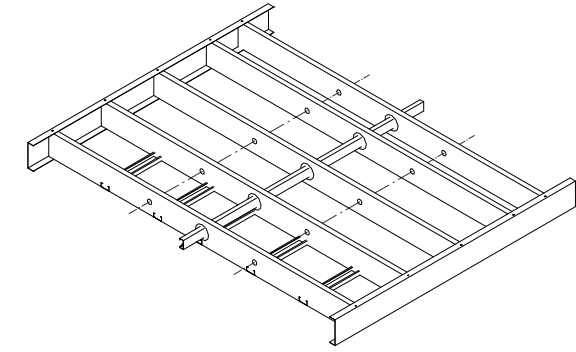
FrameMax, Inc.
13915 Danielson St
Suite 100
Poway, CA 92064
www.framemax.com



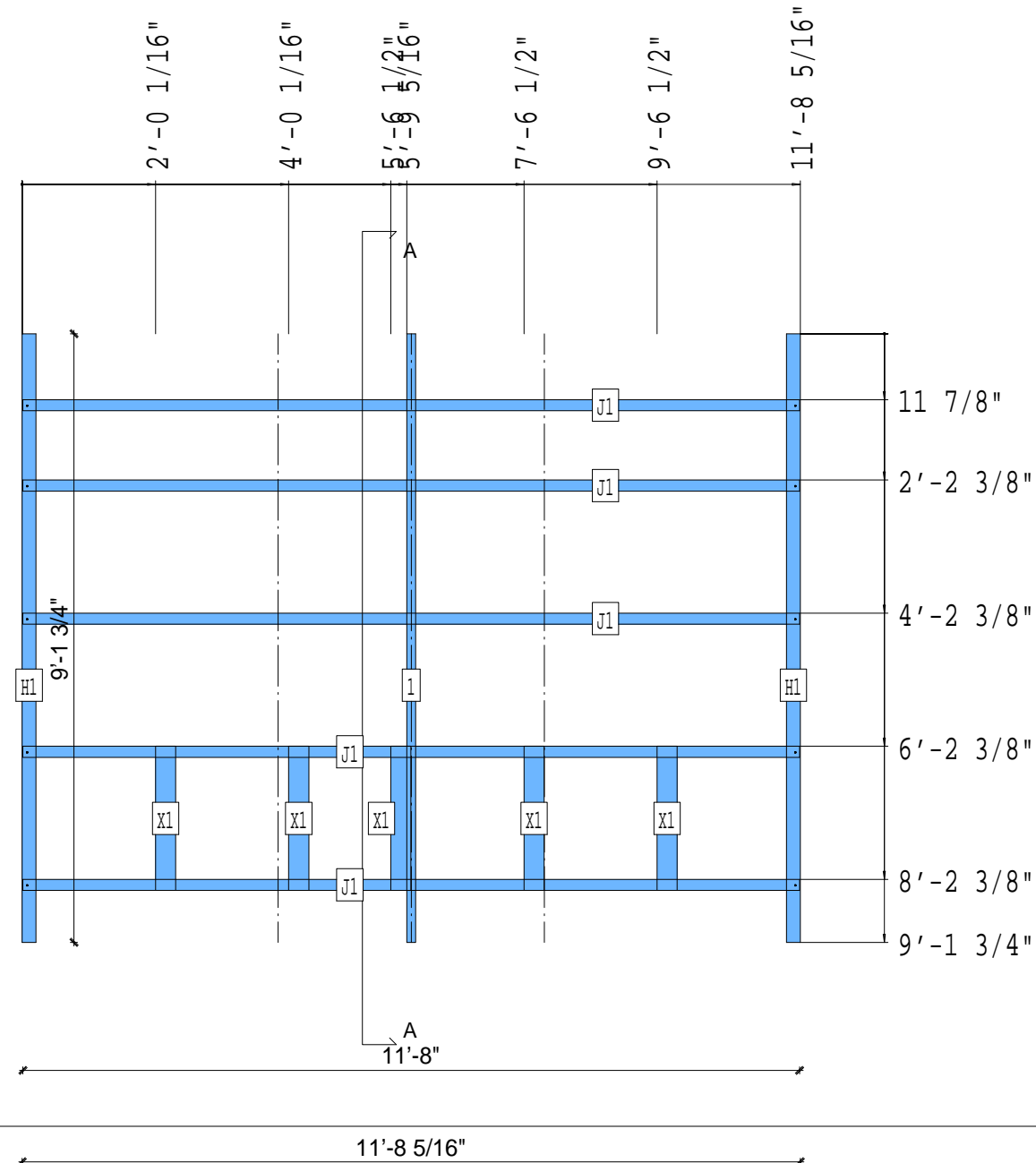
© FrameMax Inc.

APPROVED

By jbonavries at 8:35 am, Oct 31, 2008



B



PIECE SCHEDULE						
LAB	QTY	MATERIAL	DESCRIPTION	LENGTH	ANG1	ANG2
1	1	362S162-54	JOIST	9'-1 3/4"		
H1	2	1000T250-68	HEADER	9'-1 3/4"		
J1	5	1000S200-68	JOIST	11'-8"		
X1	5	362S162-33	FLAT TRACK B	2'-2"		

21-5034

CREATED: 10/31/2008

Jewish Home for the Aging

1885 Victory Blvd. Reseda, CA

FM-07-109

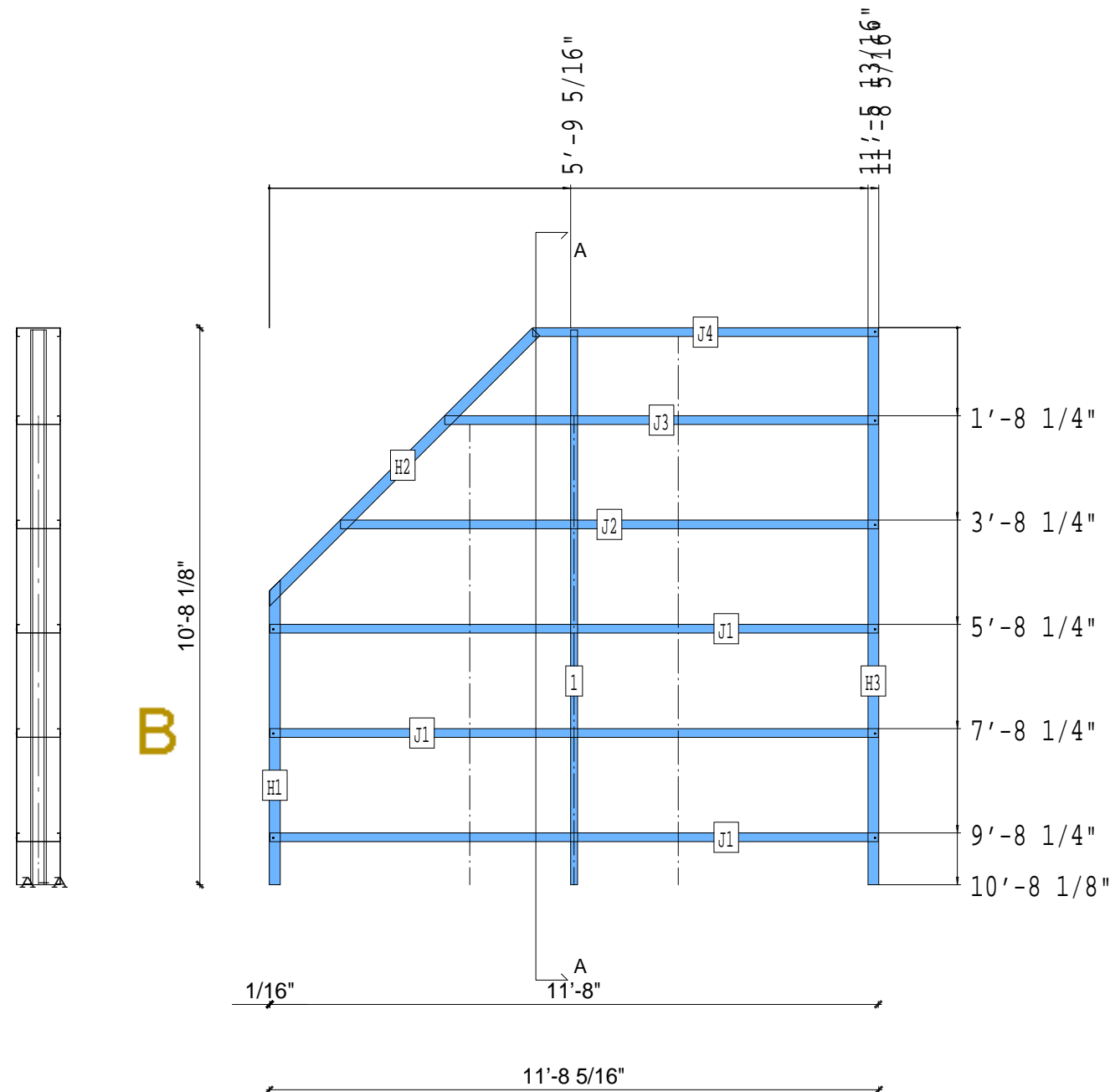
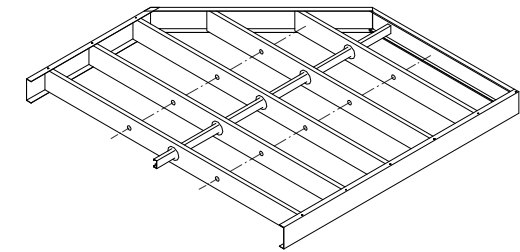
CREATED BY: JLB

FrameMax, Inc.
13915 Danielson St
Suite 100
Poway, CA 92064
www.framemax.com



© FrameMax Inc.

APPROVED
By jbonavries at 8:35 am, Oct 31, 2008



PIECE SCHEDULE						
LAB	QTY	MATERIAL	DESCRIPTION	LENGTH	ANG1	ANG2
1	1	362S162-54	JOIST	10'-7 5/8"		
H1	1	1000T250-68	HEADER	5'-10 1/16"	45.0	
H2	1	1000T250-68	HEADER	7'-3 15/16"		-45.0
H3	1	1000T250-68	HEADER	10'-8 1/8"		
J1	3	1000S200-68	JOIST	11'-8"		
J2	1	1000S200-68	JOIST	10'-3 3/4"		
J3	1	1000S200-68	JOIST	8'-3 3/4"		
J4	1	1000S200-68	JOIST	6'-7 1/2"		

21-5035

CREATED: 10/31/2008

Jewish Home for the Aging

1885 Victory Blvd. Reseda, CA

FM-07-109

CREATED BY: JLB

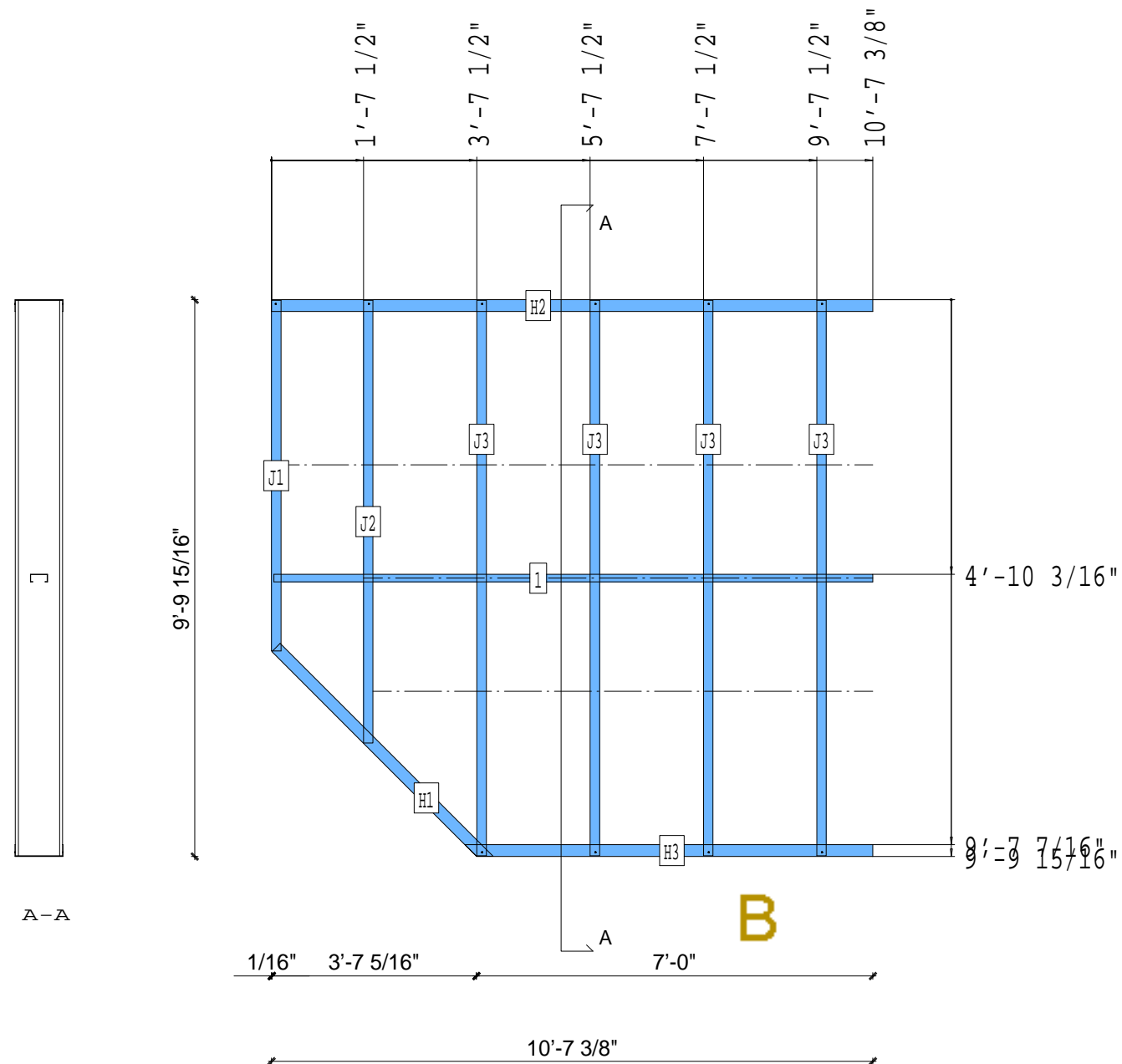
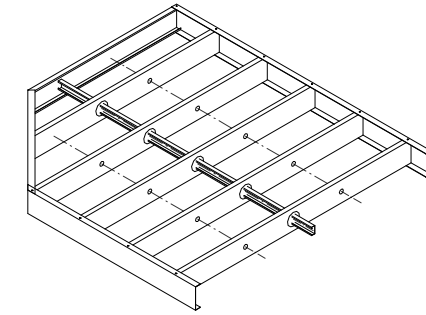
FrameMax, Inc.
13915 Danielson St
Suite 100
Poway, CA 92064
www.frameMAX.com



© FrameMax Inc.

APPROVED

By jbonavries at 8:35 am, Oct 31, 2008



PIECE SCHEDULE						
LAB	QTY	MATERIAL	DESCRIPTION	LENGTH	ANG1	ANG2
1	1	362S162-54	JOIST	10'-6 7/8"		
H1	1	1000T250-68	HEADER	5'-3 3/4"		-45.0
H2	1	1000T250-68	HEADER	10'-7 3/8"		
H3	1	1000T250-68	HEADER	7'-2 7/16"	45.0	
J1	1	1000S200-68	JOIST	6'-2 1/4"		
J2	1	1000S200-68	JOIST	7'-9 3/4"		
J3	4	1000S200-68	JOIST	9'-9 11/16"		

21-5036

CREATED: 10/31/2008

Jewish Home for the Aging

1885 Victory Blvd. Reseda, CA

FM-07-109

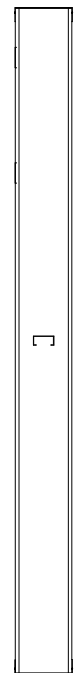
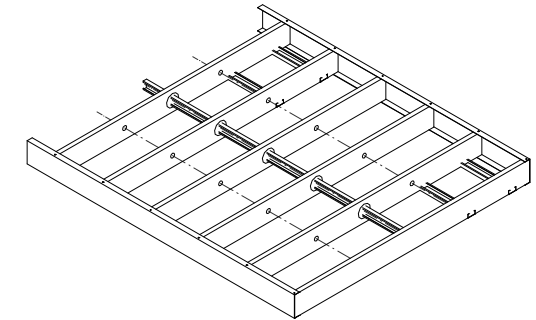
CREATED BY: JLB

FrameMax, Inc.
13915 Danielson St
Suite 100
Poway, CA 92064
www.frame-max.com

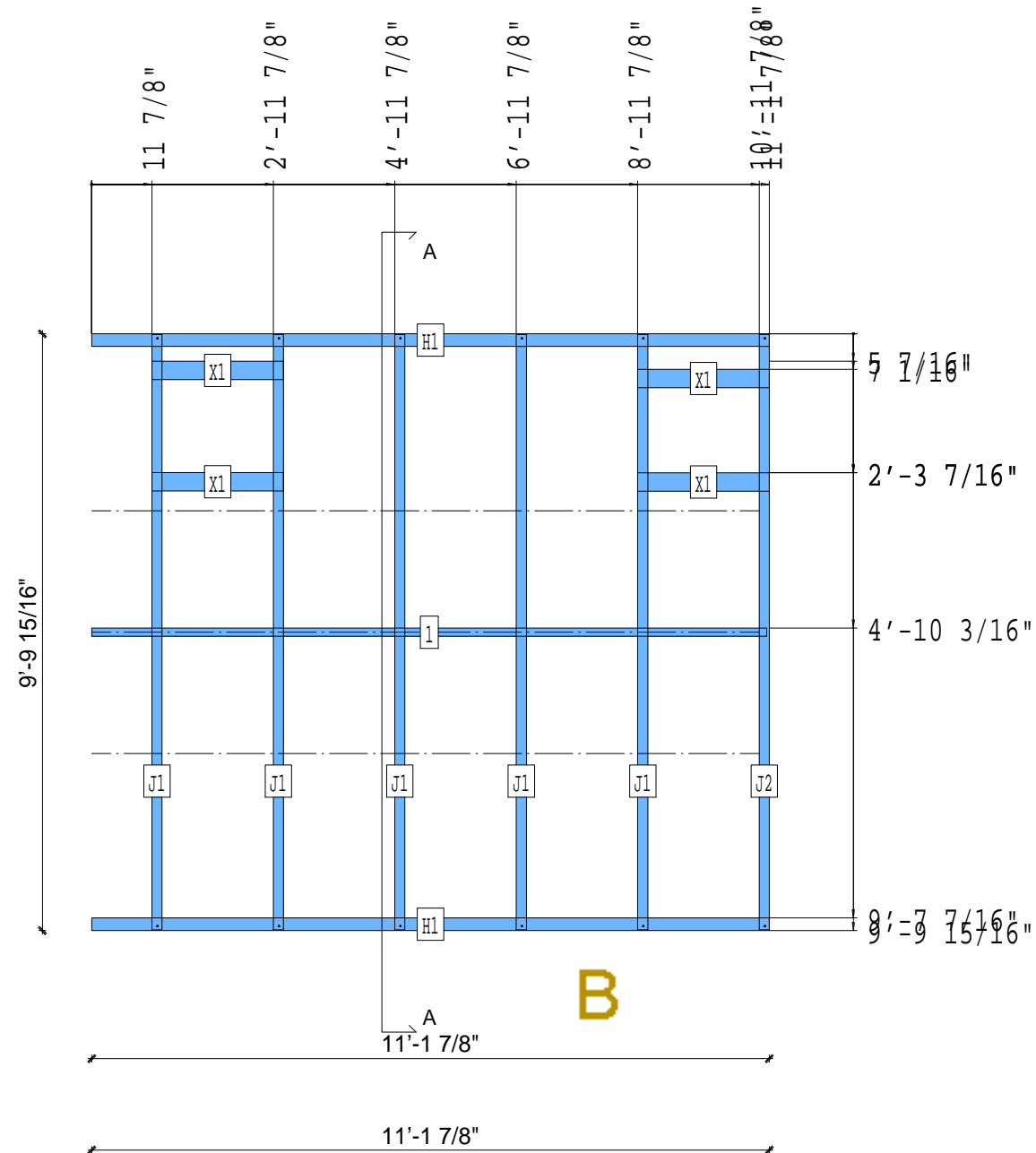


© FrameMax Inc.

APPROVED
By jbonavries at 8:35 am, Oct 31, 2008



A-A



PIECE SCHEDULE						
LAB	QTY	MATERIAL	DESCRIPTION	LENGTH	ANG1	ANG2
1	1	362S162-54	JOIST	11'-1 3/8"		
H1	2	1000T250-68	HEADER	11'-1 7/8"		
J1	5	1000S200-68	JOIST	9'-9 11/16"		
J2	1	1000S200-68	JOIST	9'-9 11/16"		
X1	4	362S162-33	FLAT TRACK B	2'-2"		

21-5037

CREATED: 10/31/2008

Jewish Home for the Aging

1885 Victory Blvd. Reseda, CA

FM-07-109

CREATED BY: JLB

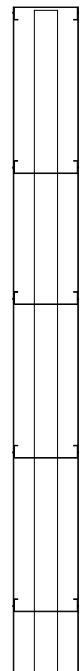
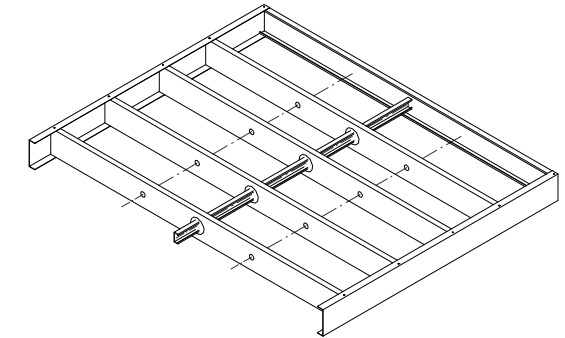
FrameMax, Inc.
13915 Danielson St
Suite 100
Poway, CA 92064
www.framemax.com



© FrameMax Inc.

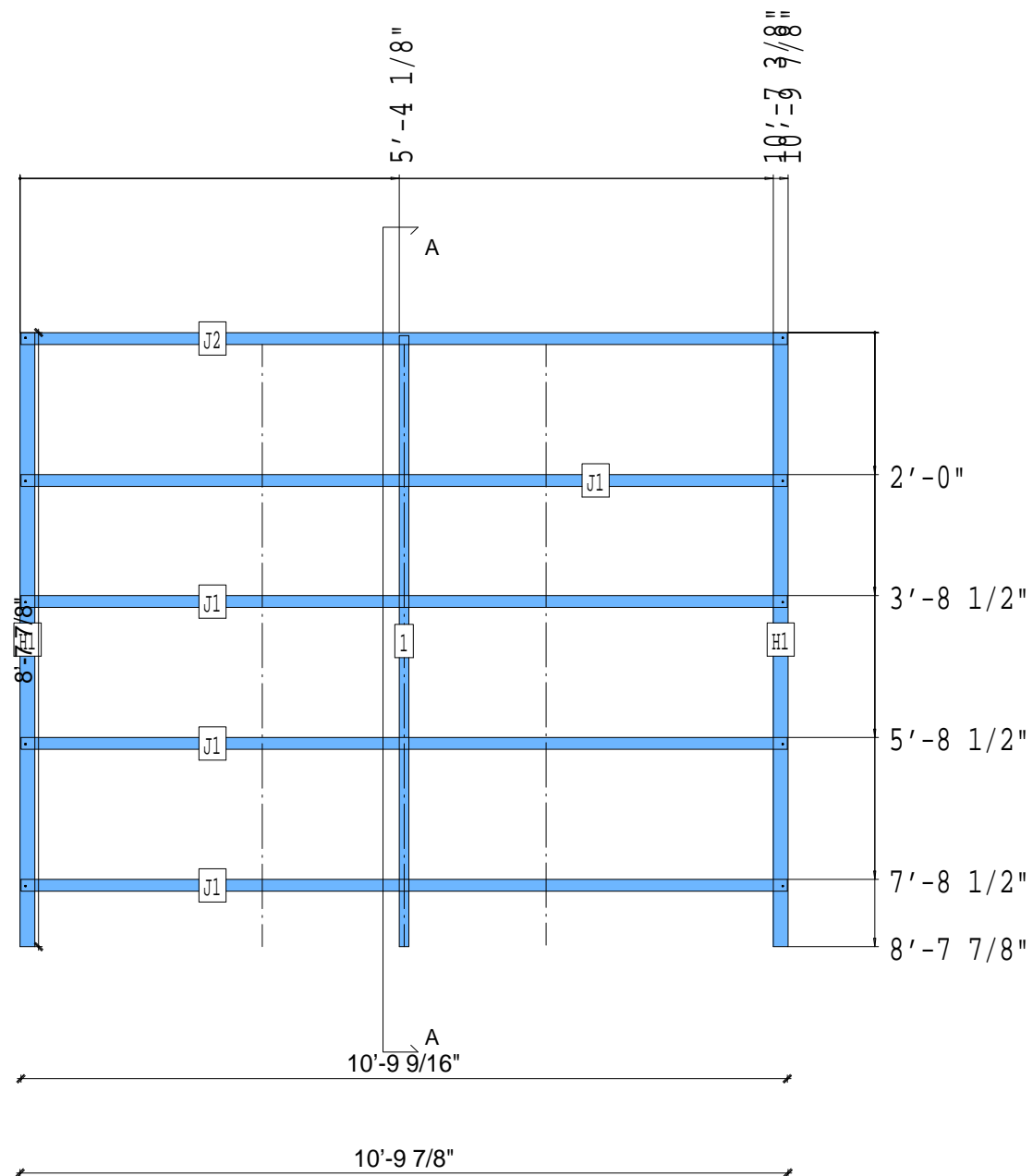
APPROVED

By jbonavries at 8:35 am, Oct 31, 2008



A-A

B



PIECE SCHEDULE						
LAB	QTY	MATERIAL	DESCRIPTION	LENGTH	ANG1	ANG2
1	1	362S162-54	JOIST	8'-7 3/8"		
H1	2	1000T250-68	HEADER	8'-7 7/8"		
J1	4	1000S200-68	JOIST	10'-9 9/16"		
J2	1	1000S200-68	JOIST	10'-9 9/16"		

21-5038

Jewish Home for the Aging

1885 Victory Blvd. Reseda, CA

FM-07-109

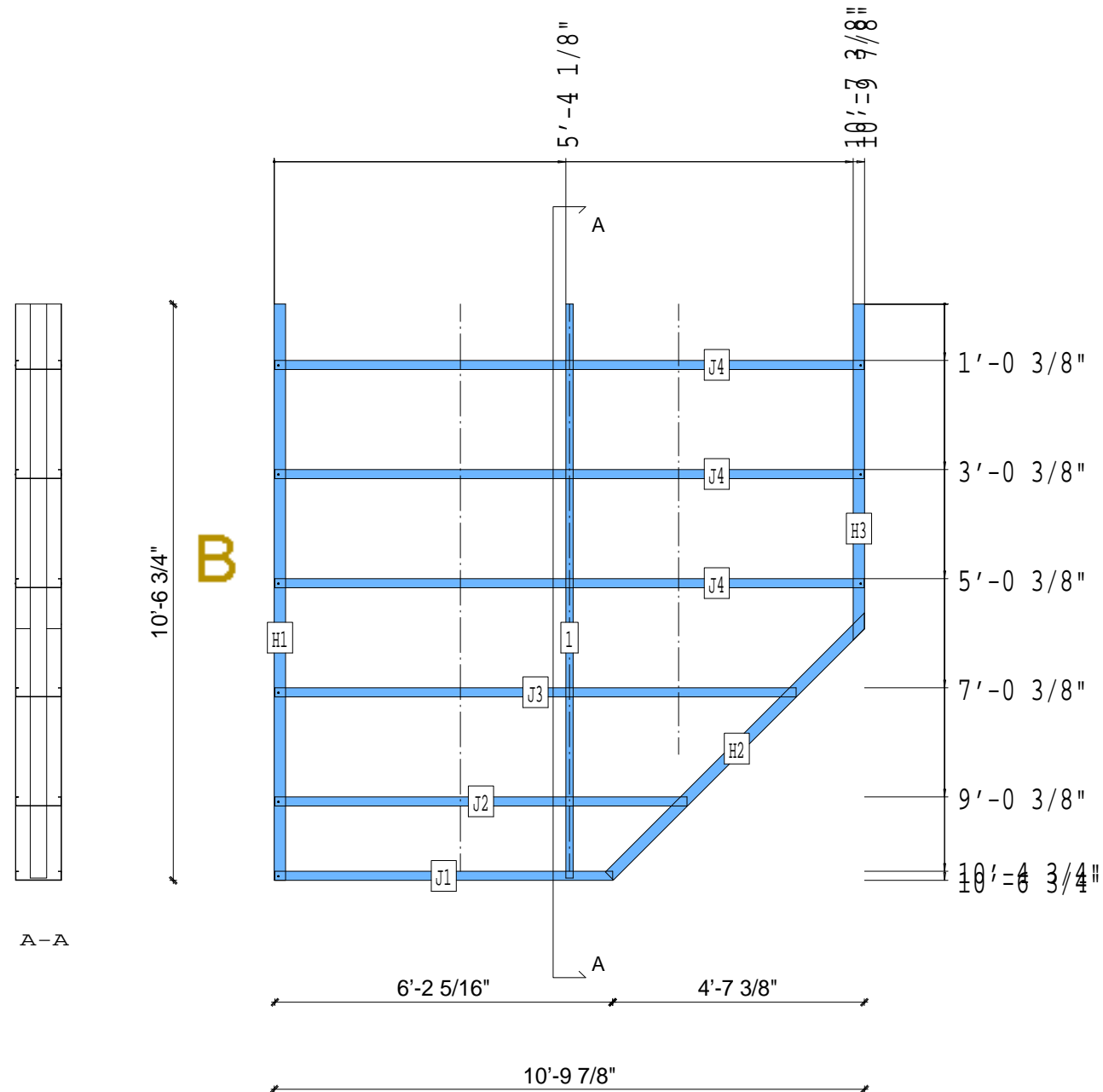
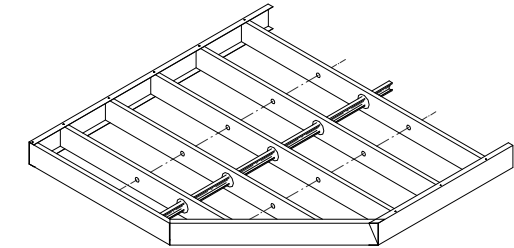
CREATED BY: JLB

FrameMax, Inc.
13915 Danielson St
Suite 100
Poway, CA 92064
www.framemax.com



© FrameMax Inc.

APPROVED
By jbonavries at 8:35 am, Oct 31, 2008



PIECE SCHEDULE						
LAB	QTY	MATERIAL	DESCRIPTION	LENGTH	ANG1	ANG2
1	1	362S162-54	JOIST	10'-6 1/4"		
H1	1	1000T250-68	HEADER	10'-6 3/4"		
H2	1	1000T250-68	HEADER	6'-8 9/16"		-45.0
H3	1	1000T250-68	HEADER	6'-1 15/16"	45.0	
J1	1	1000S200-68	JOIST	6'-2 5/16"		
J2	1	1000S200-68	JOIST	7'-6 11/16"		
J3	1	1000S200-68	JOIST	9'-6 11/16"		
J4	3	1000S200-68	JOIST	10'-9 9/16"		

21-5039

Jewish Home for the Aging

1885 Victory Blvd. Reseda, CA

FM-07-109

CREATED BY: JLB

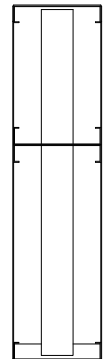
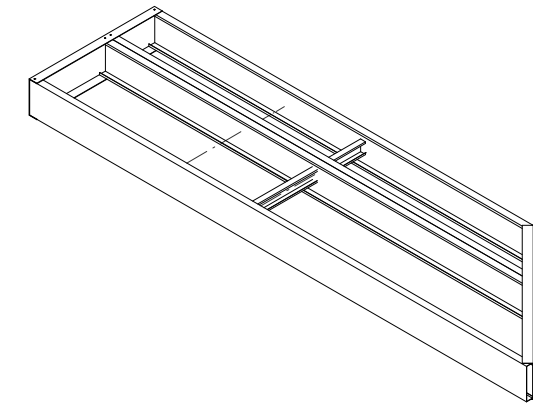
FrameMax, Inc.
13915 Danielson St
Suite 100
Poway, CA 92064
www.frame-max.com



© FrameMax Inc.

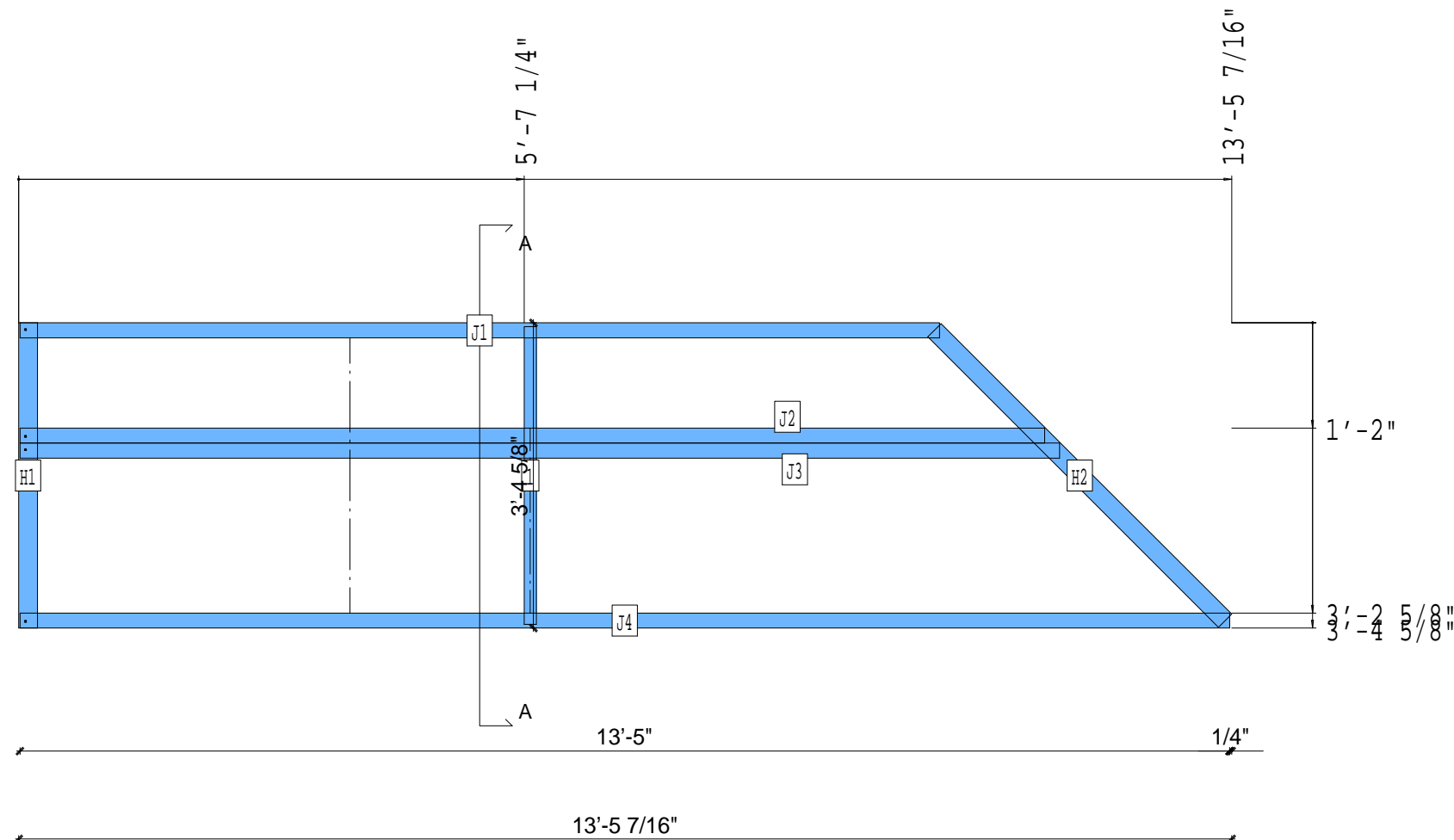
APPROVED

By jbonavries at 8:35 am, Oct 31, 2008



A-A

B



PIECE SCHEDULE						
LAB	QTY	MATERIAL	DESCRIPTION	LENGTH	ANG1	ANG2
1	1	362S162-54	JOIST	3'-3 5/8"		
H1	1	1000T250-97	HEADER	3'-4 5/8"		
H2	1	1000T250-97	HEADER	4'-6 11/16"		
J1	1	1000S200-97	JOIST	10'-2 3/8"		
J2	1	1000S200-97	JOIST	11'-4 3/8"		
J3	1	1000S200-97	JOIST	11'-6 3/8"		
J4	1	1000S200-97	JOIST	13'-5"		

21-5040

CREATED: 10/31/2008

Jewish Home for the Aging

1885 Victory Blvd. Reseda, CA

FM-07-109

CREATED BY: JLB

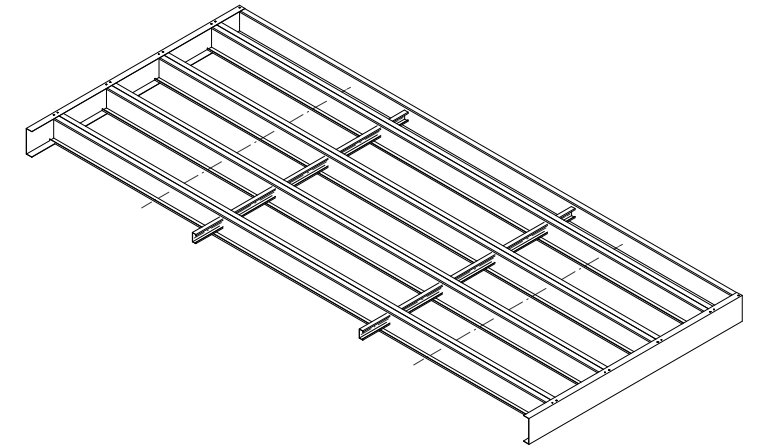
FrameMax, Inc.
13915 Danielson St
Suite 100
Poway, CA 92064
www.framemax.com



© FrameMax Inc.

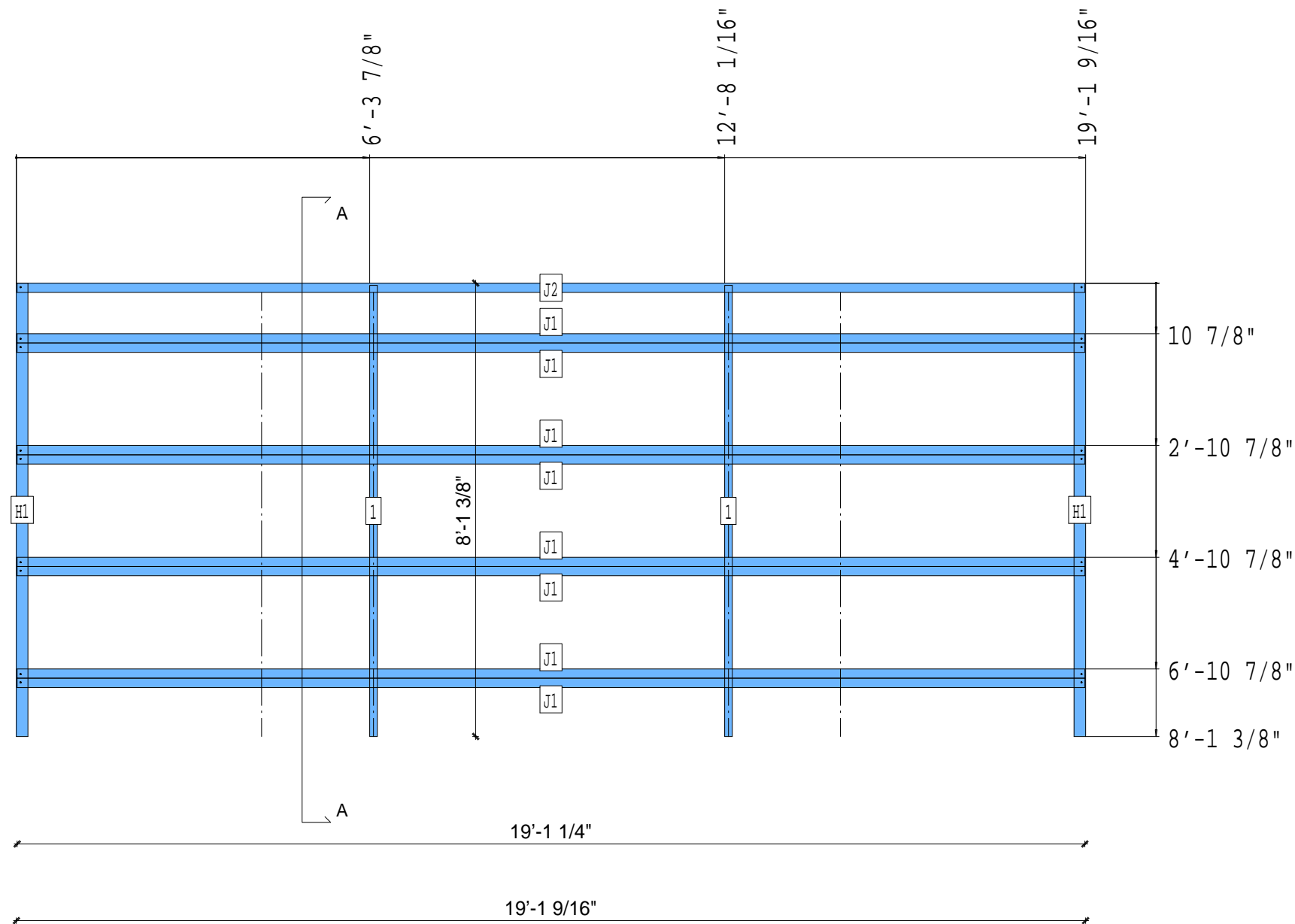
APPROVED

By jbonavries at 8:35 am, Oct 31, 2008



A-A

B



PIECE SCHEDULE						
LAB	QTY	MATERIAL	DESCRIPTION	LENGTH	ANG1	ANG2
1	2	362S162-54	JOIST	8'-0 7/8"		
H1	2	1000T250-97	HEADER	8'-1 3/8"		
J1	8	1000S200-97	JOIST	19'-1 1/4"		
J2	1	1000S200-97	JOIST	19'-1 1/4"		

21-5041

Jewish Home for the Aging

1885 Victory Blvd. Reseda, CA

FM-07-109

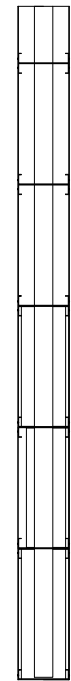
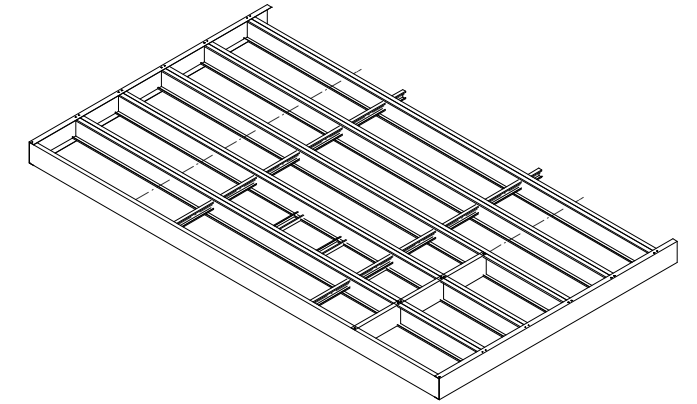
CREATED BY: JLB

FrameMax, Inc.
13915 Danielson St
Suite 100
Poway, CA 92064
www.framemax.com



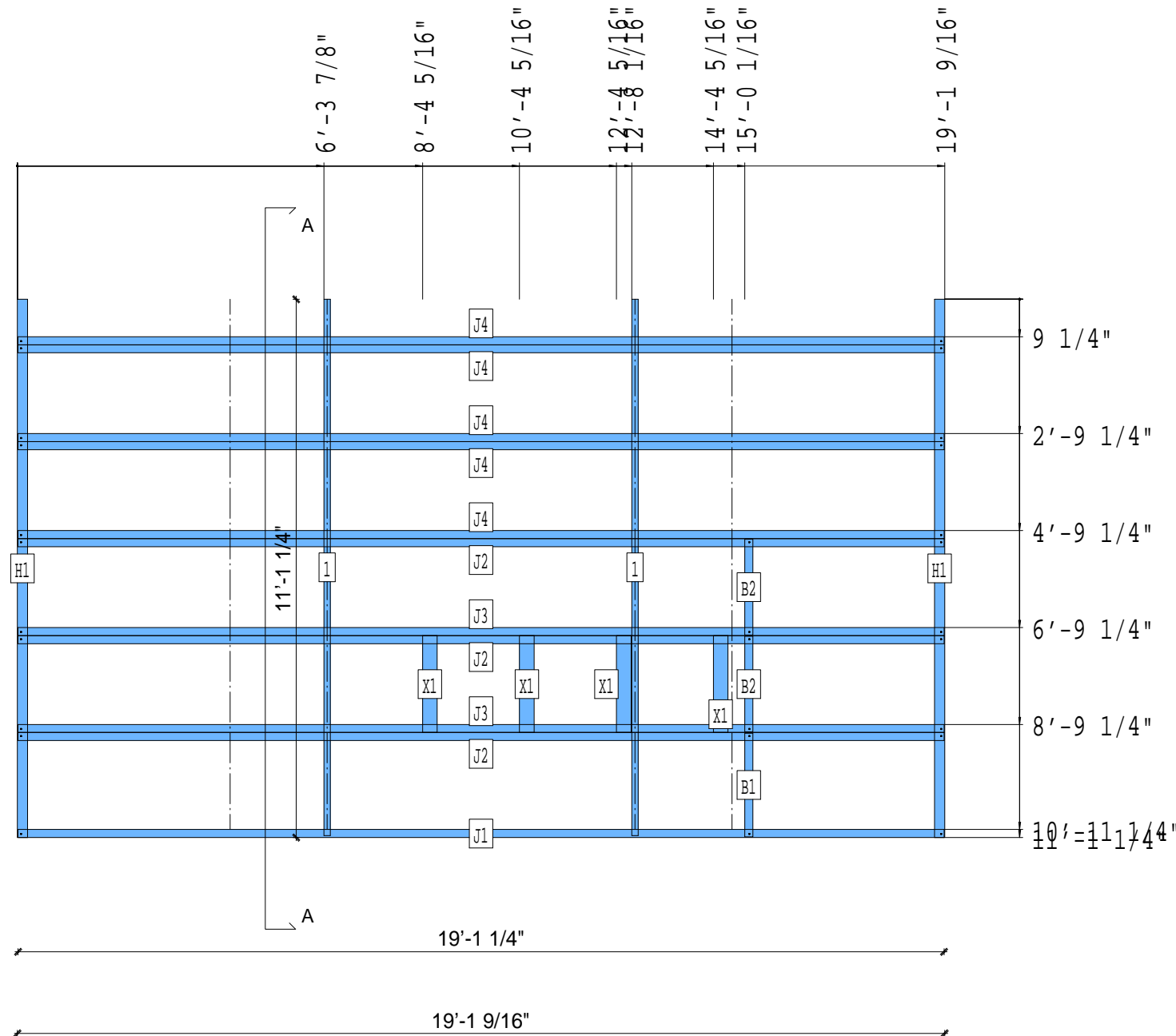
© FrameMax Inc.

APPROVED
By jbonavries at 8:35 am, Oct 31, 2008



A-A

B



PIECE SCHEDULE						
LAB	QTY	MATERIAL	DESCRIPTION	LENGTH	ANG1	ANG2
1	2	362S162-54	JOIST	11'-0 3/4"		
B1	1	1000S200-97	BLOCK	2'-1 11/16"		
B2	2	1000S200-97	BLOCK	1'-11 11/16"		
H1	2	1000T250-97	HEADER	11'-1 1/4"		
J1	1	1000S200-97	JOIST	19'-1 1/4"		
J2	3	1000S200-97	JOIST	19'-1 1/4"		
J3	2	1000S200-97	JOIST	19'-1 1/4"		
J4	5	1000S200-97	JOIST	19'-1 1/4"		
X1	4	362S162-33	FLAT TRACK B	2'-0"		

21-5042

Jewish Home for the Aging

1885 Victory Blvd. Reseda, CA

FM-07-109

CREATED BY: JLB

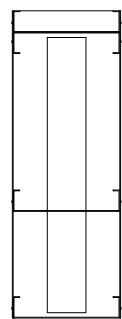
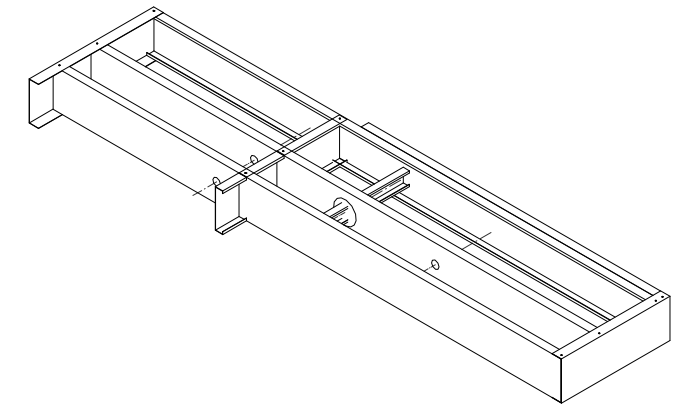
FrameMax, Inc.
13915 Danielson St
Suite 100
Poway, CA 92064
www.framemax.com



© FrameMax Inc.

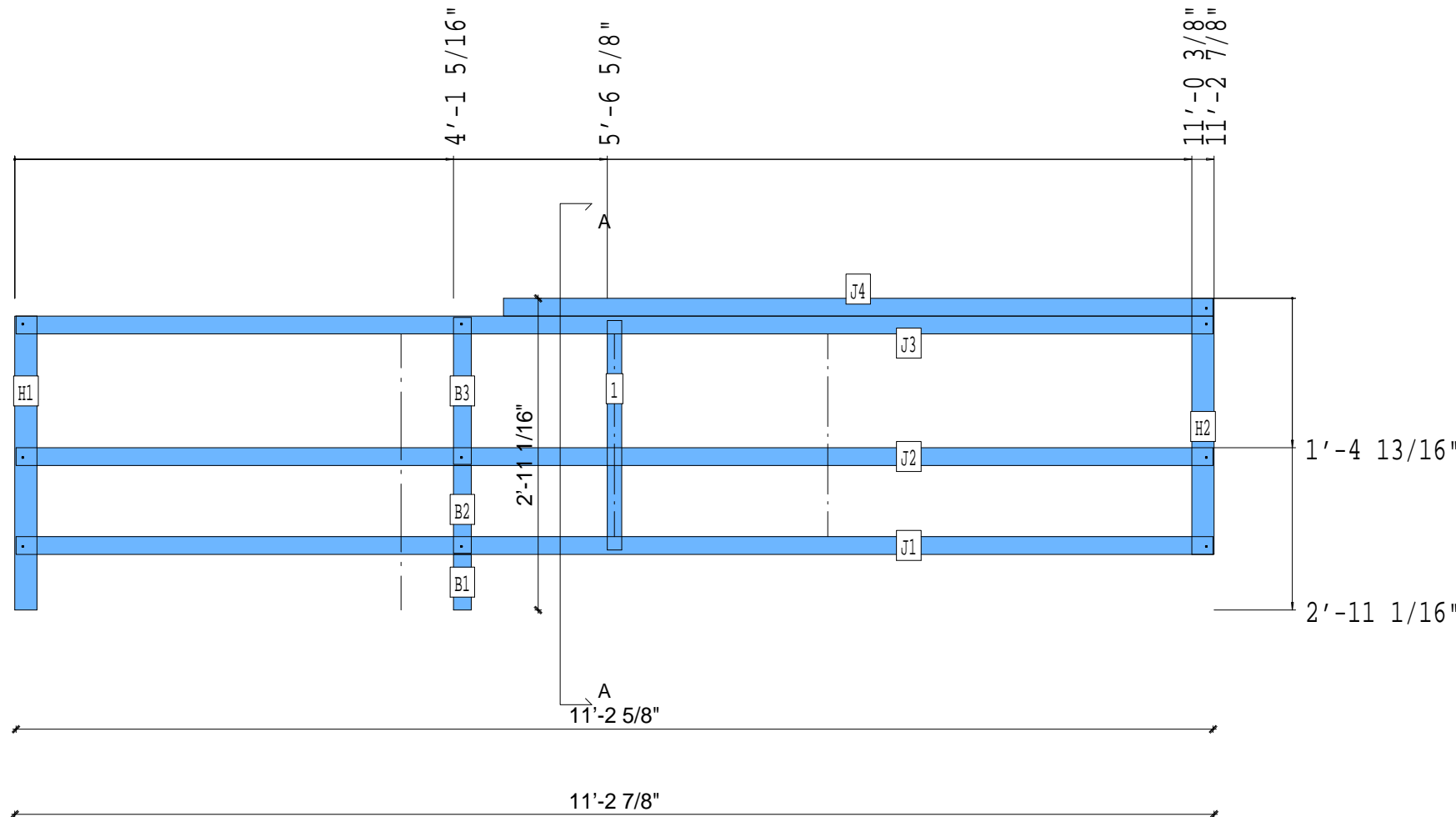
APPROVED

By jbonavries at 8:35 am, Oct 31, 2008



A-A

B



PIECE SCHEDULE						
LAB	QTY	MATERIAL	DESCRIPTION	LENGTH	ANG1	ANG2
1	1	362S162-54	JOIST	2'-1 13/16"		
B1	1	1000S200-68	BLOCK	6 1/4"		
B2	1	1000S200-68	BLOCK	9 7/8"		
B3	1	1000S200-68	BLOCK	1'-4 1/2"		
H1	1	1000T250-68	HEADER	2'-9 1/16"		
H2	1	1000T250-68	HEADER	2'-4 13/16"		
J1	1	1000S200-68	JOIST	11'-2 5/8"		
J2	1	1000S200-68	JOIST	11'-2 5/8"		
J3	1	1000S200-68	JOIST	11'-2 5/8"		
J4	1	1000S200-68	JOIST	6'-7 13/16"		

21-5043

Jewish Home for the Aging

1885 Victory Blvd. Reseda, CA

FM-07-109

CREATED BY: JLB

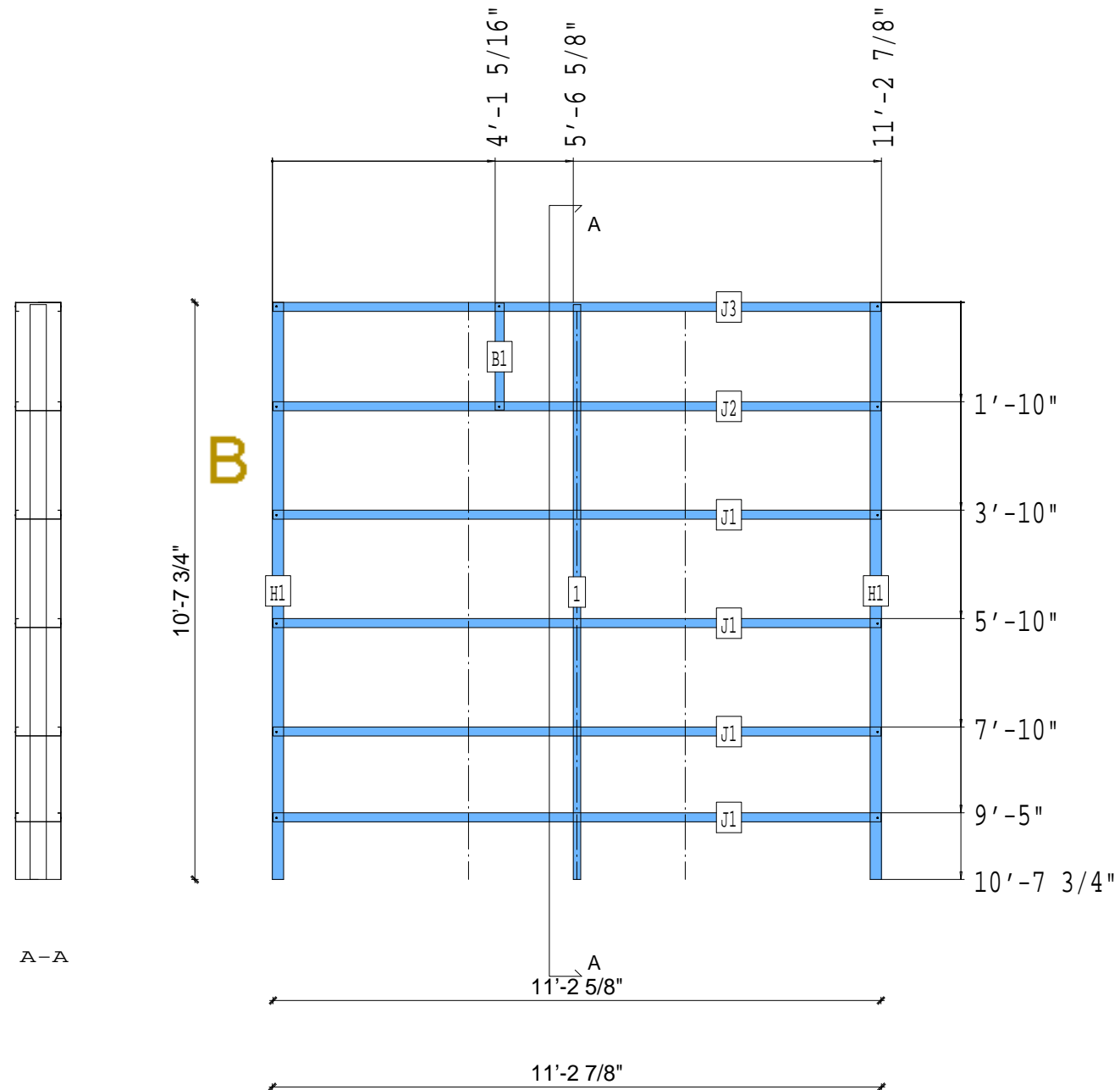
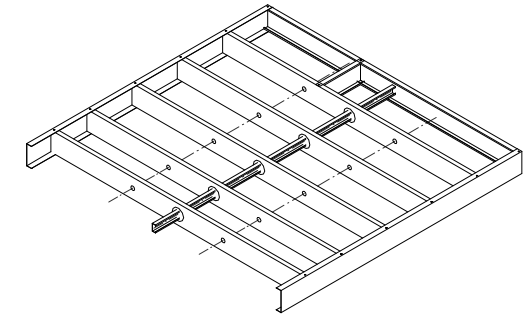
FrameMax, Inc.
13915 Danielson St
Suite 100
Poway, CA 92064
www.frame-max.com



© FrameMax Inc.

APPROVED

By jbonavries at 8:35 am, Oct 31, 2008



PIECE SCHEDULE						
LAB	QTY	MATERIAL	DESCRIPTION	LENGTH	ANG1	ANG2
1	1	362S162-54	JOIST	10'-7 1/4"		
B1	1	1000S200-68	BLOCK	1'-11 3/4"		
H1	2	1000T250-68	HEADER	10'-7 3/4"		
J1	4	1000S200-68	JOIST	11'-2 5/8"		
J2	1	1000S200-68	JOIST	11'-2 5/8"		
J3	1	1000S200-68	JOIST	11'-2 5/8"		

21-5044

CREATED: 10/31/2008

Jewish Home for the Aging

1885 Victory Blvd. Reseda, CA

FM-07-109

CREATED BY: JLB

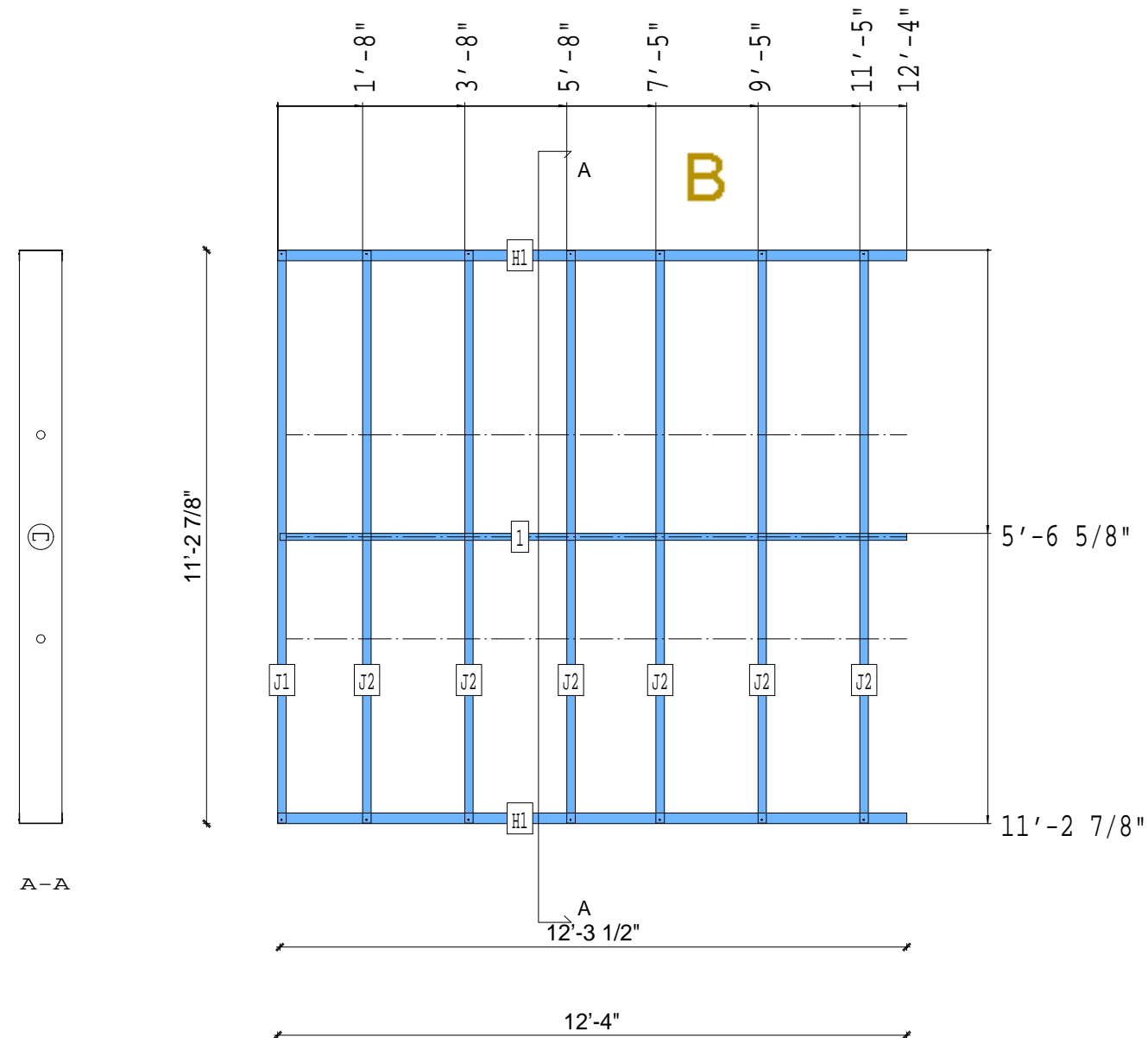
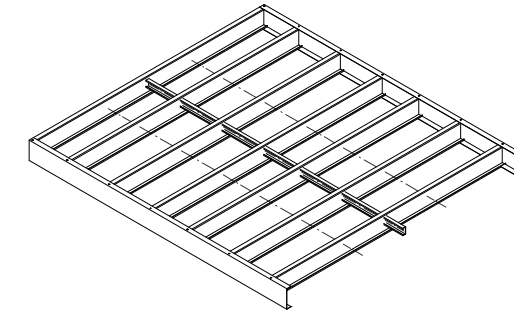
FrameMax, Inc.
13915 Danielson St
Suite 100
Poway, CA 92064
www.framemax.com



© FrameMax Inc.

APPROVED

By jbonavries at 8:35 am, Oct 31, 2008



PIECE SCHEDULE						
LAB	QTY	MATERIAL	DESCRIPTION	LENGTH	ANG1	ANG2
1	1	362S162-54	JOIST	12'-3 1/2"		
H1	2	1000T250-68	HEADER	12'-4"		
J1	1	1000S200-68	JOIST	11'-2 5/8"		
J2	6	1000S200-68	JOIST	11'-2 5/8"		

21-5045

Jewish Home for the Aging

1885 Victory Blvd. Reseda, CA

FM-07-109

CREATED BY: JLB

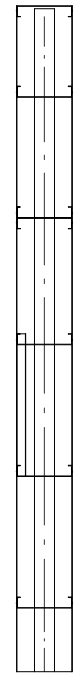
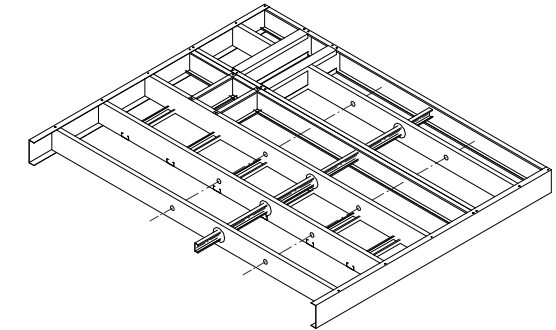
FrameMax, Inc.
13915 Danielson St
Suite 100
Poway, CA 92064
www.framemax.com



© FrameMax Inc.

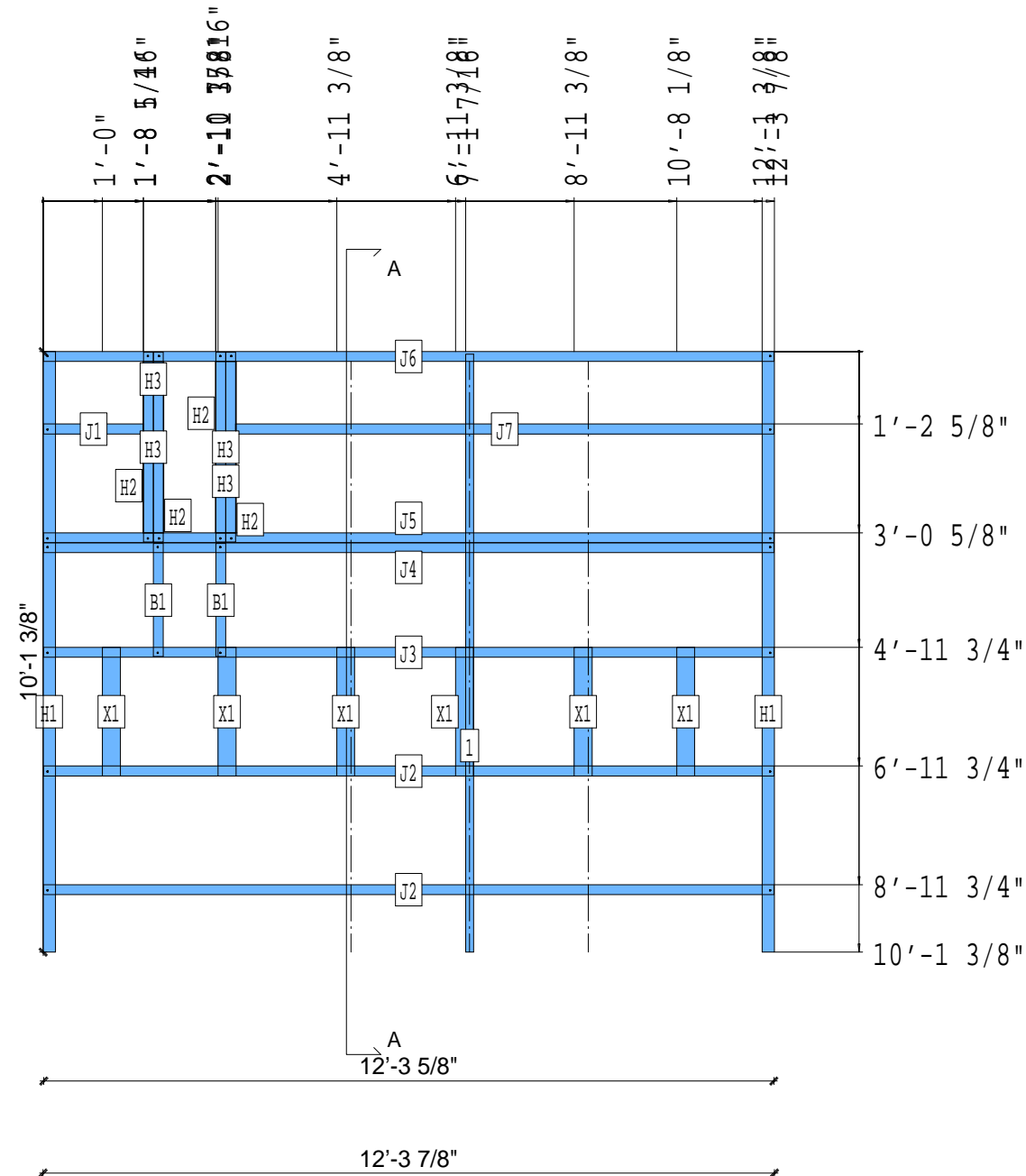
APPROVED

By jbonavries at 8:35 am, Oct 31, 2008



A-A

B



PIECE SCHEDULE						
LAB	QTY	MATERIAL	DESCRIPTION	LENGTH	ANG1	ANG2
1	1	362S162-54	JOIST	10'-0 7/8"		
B1	2	1000S200-68	BLOCK	1'-10 7/8"		
H1	2	1000T250-68	HEADER	10'-1 3/8"		
H2	4	1000S200-68	OPENING TRIM	3'-2 3/8"		
H3	4	400T200-68	OPENING TRIM	2'-10 5/8"		
J1	1	1000S200-68	JOIST	1'-8 3/16"		
J2	2	1000S200-68	JOIST	12'-3 5/8"		
J3	1	1000S200-68	JOIST	12'-3 5/8"		
J4	1	1000S200-68	OPENING TRIM	12'-3 5/8"		
J5	1	1000S200-68	OPENING TRIM	12'-3 5/8"		
J6	1	1000S200-68	JOIST	12'-3 5/8"		
J7	1	1000S200-68	JOIST	9'-0 13/16"		
X1	6	362S162-33	FLAT TRACK B	2'-2"		

21-5046

CREATED: 10/31/2008

Jewish Home for the Aging

1885 Victory Blvd. Reseda, CA

FM-07-109

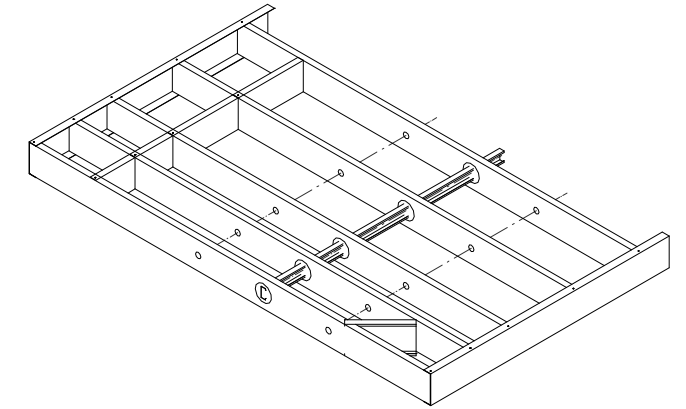
CREATED BY: JLB

FrameMax, Inc.
13915 Danielson St
Suite 100
Poway, CA 92064
www.frame-max.com



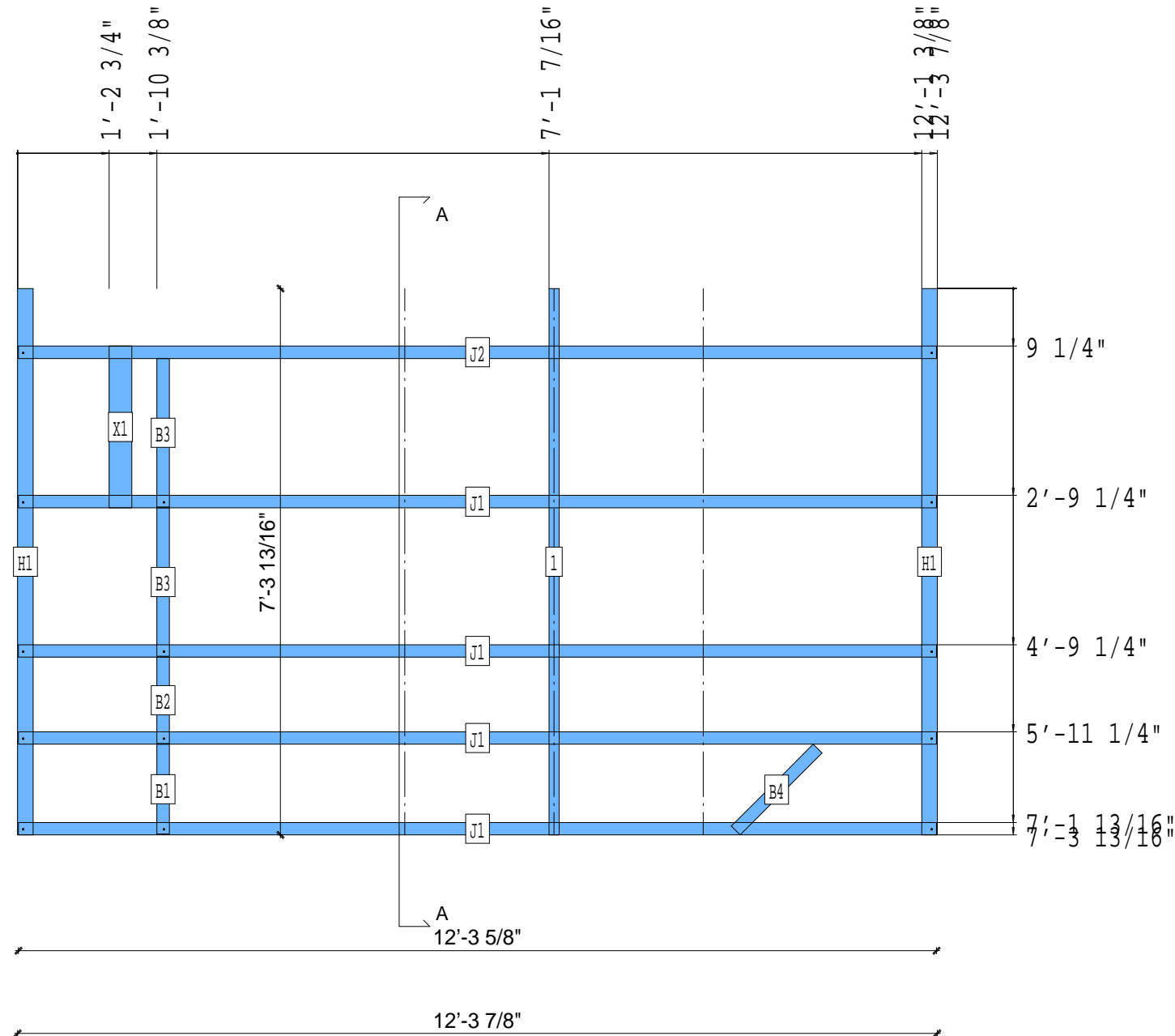
© FrameMax Inc.

APPROVED
By jbonavries at 8:35 am, Oct 31, 2008



A-A

B



PIECE SCHEDULE						
LAB	QTY	MATERIAL	DESCRIPTION	LENGTH	ANGL	ANG2
1	1	362S162-54	JOIST	7'-3 13/16"		
B1	1	1000S200-68	BLOCK	1'-2 7/16"		
B2	1	1000S200-68	BLOCK	1'-1 7/8"		
B3	2	1000S200-68	BLOCK	1'-11 7/8"		
B4	1	1000S200-68	BLOCK	1'-6 5/8"		
H1	2	1000T250-68	HEADER	7'-3 13/16"		
J1	4	1000S200-68	JOIST	12'-3 5/8"		
J2	1	1000S200-68	JOIST	12'-3 5/8"		
X1	1	362S162-33	FLAT TRACK B	2'-2"		

21-5047

Jewish Home for the Aging

1885 Victory Blvd. Reseda, CA

FM-07-109

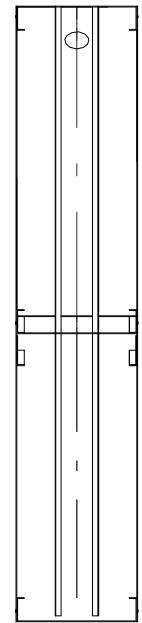
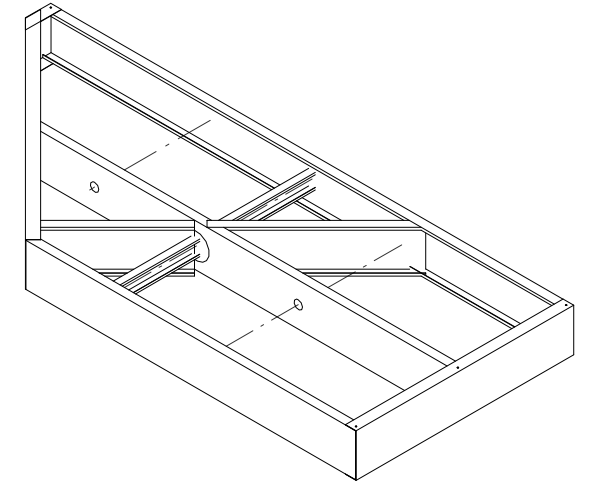
CREATED BY: JLB

FrameMax, Inc.
13915 Danielson St
Suite 100
Poway, CA 92064
www.framemax.com



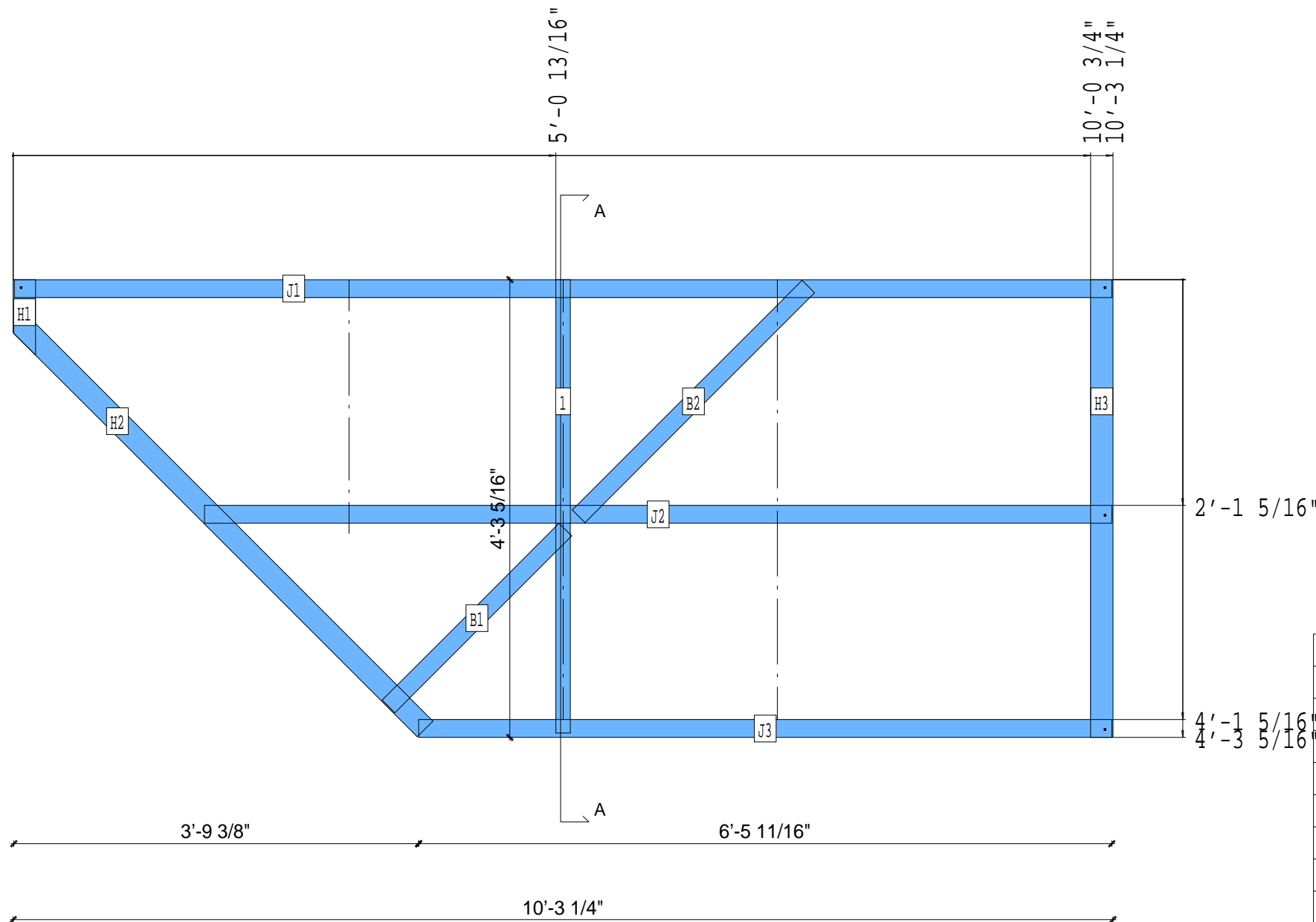
© FrameMax Inc.

APPROVED
By jbonavries at 8:35 am, Oct 31, 2008



A-A

B



PIECE SCHEDULE						
LAB	QTY	MATERIAL	DESCRIPTION	LENGTH	ANGL	ANG2
1	1	362S162-54	JOIST	4'-2 13/16"		
B1	1	1000S200-68	BLOCK	2'-4 1/16"		
B2	1	1000S200-68	BLOCK	3'-0 7/16"		
H1	1	1000T250-68	HEADER	8 7/16"		-45.0
H2	1	1000T250-68	HEADER	5'-6 7/16"	45.0	
H3	1	1000T250-68	HEADER	4'-3 5/16"		
J1	1	1000S200-68	JOIST	10'-3"		
J2	1	1000S200-68	JOIST	8'-5 11/16"		
J3	1	1000S200-68	JOIST	6'-5 11/16"		

21-5048

Jewish Home for the Aging

1885 Victory Blvd. Reseda, CA

FM-07-109

CREATED BY: JLB

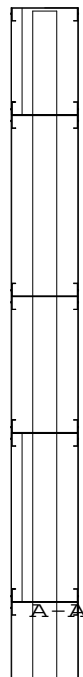
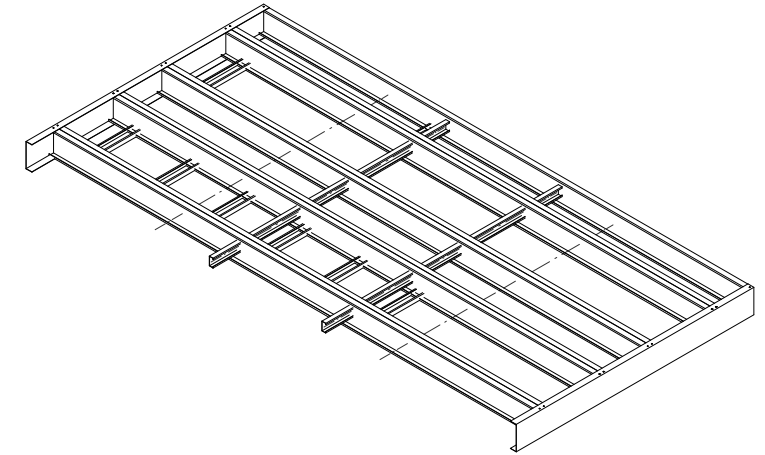
FrameMax, Inc.
13915 Danielson St
Suite 100
Poway, CA 92064
www.framemax.com



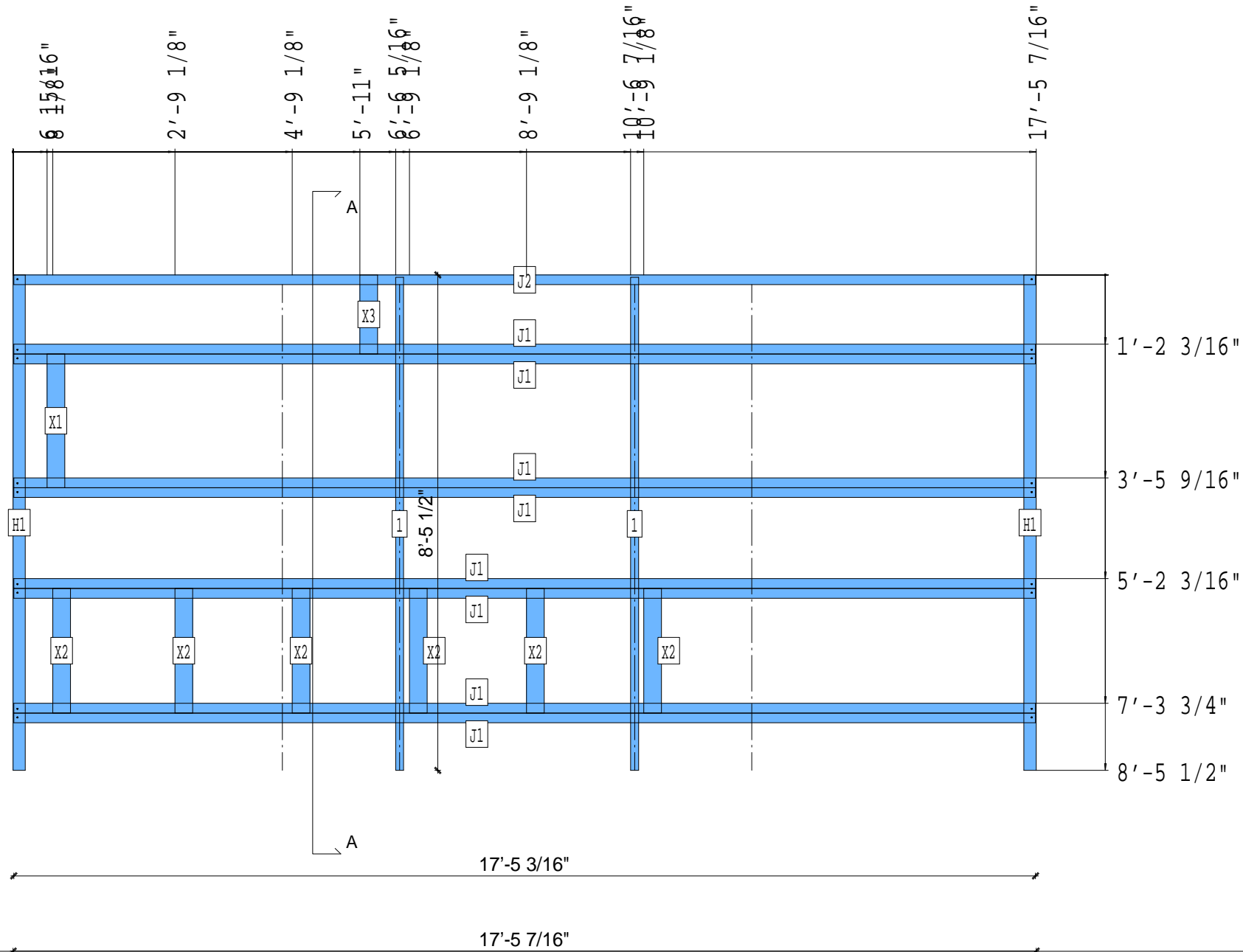
© FrameMax Inc.

APPROVED

By jbonavries at 8:35 am, Oct 31, 2008



B



PIECE SCHEDULE						
LAB	QTY	MATERIAL	DESCRIPTION	LENGTH	ANG1	ANG2
1	2	362S162-54	JOIST	8'-5"		
H1	2	1000T250-68	HEADER	8'-5 1/2"		
J1	8	1000S200-68	JOIST	17'-5 3/16"		
J2	1	1000S200-68	JOIST	17'-5 3/16"		
X1	1	362S162-33	FLAT TRACK B	2'-3 3/8"		
X2	6	362S162-33	FLAT TRACK B	2'-1 1/2"		
X3	1	362S162-33	FLAT TRACK B	1'-4 3/16"		

21-5049

Jewish Home for the Aging

1885 Victory Blvd. Reseda, CA

FM-07-109

CREATED BY: JLB

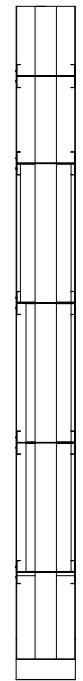
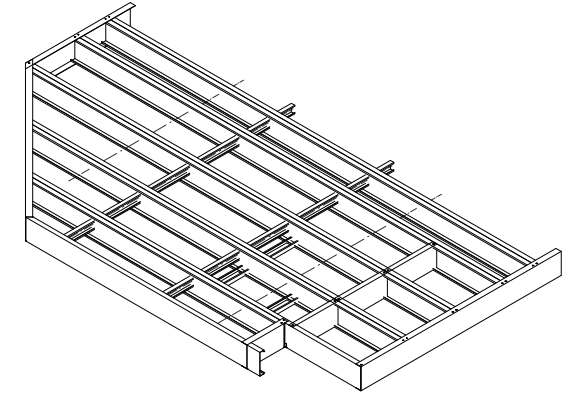
FrameMax, Inc.
13915 Danielson St
Suite 100
Poway, CA 92064
www.framemax.com



© FrameMax Inc.

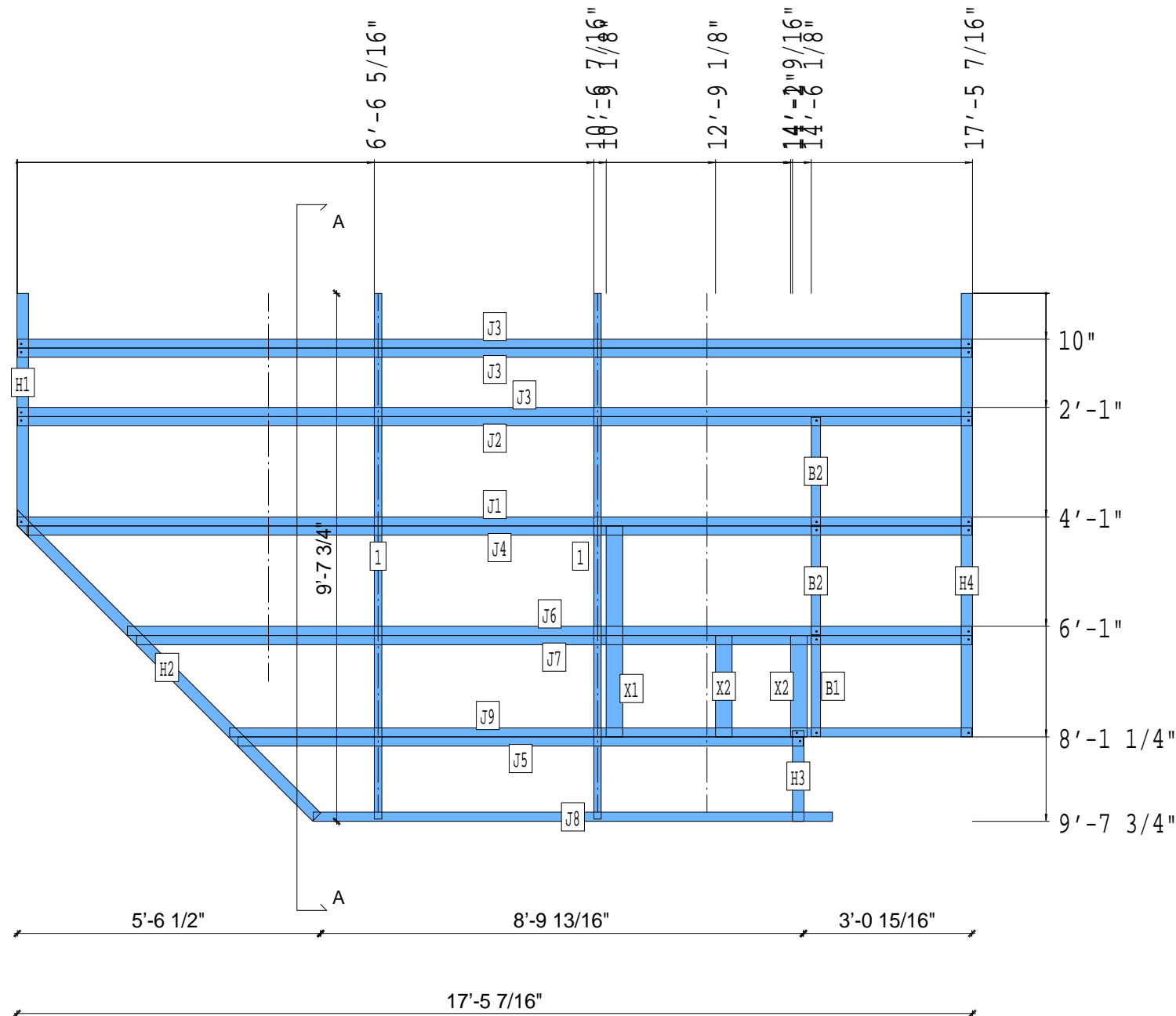
APPROVED

By jbonavries at 8:35 am, Oct 31, 2008



A-A

B



PIECE SCHEDULE						
LAB	QTY	MATERIAL	DESCRIPTION	LENGTH	ANG1	ANG2
1	2	362S162-54	JOIST	9'-7 1/4"		
B1	1	1000S200-68	BLOCK	1'-10"		
B2	2	1000S200-68	BLOCK	1'-11 3/4"		
H1	1	1000T250-68	HEADER	4'-5 7/16"		-45.0
H2	1	1000T250-68	HEADER	7'-10"	45.0	
H3	1	1000T250-68	HEADER	1'-7 7/8"		
H4	1	1000T250-68	HEADER	8'-1 1/4"		
J1	1	1000S200-68	JOIST	17'-5 3/16"		
J2	1	1000S200-68	JOIST	17'-5 3/16"		
J3	3	1000S200-68	JOIST	17'-5 3/16"		
J4	1	1000S200-68	JOIST	17'-3 1/8"		
J5	1	1000S200-68	JOIST	10'-3 15/16"		
J6	1	1000S200-68	JOIST	15'-5 1/8"		
J7	1	1000S200-68	JOIST	15'-3 1/8"		
J8	1	1000S200-68	JOIST	9'-5 13/16"		
J9	1	1000S200-68	JOIST	13'-6 3/4"		
X1	1	362S162-33	FLAT TRACK B	3'-10 3/16"		
X2	2	362S162-33	FLAT TRACK B	1'-10 1/4"		

21-5050

Jewish Home for the Aging

1885 Victory Blvd. Reseda, CA

FM-07-109

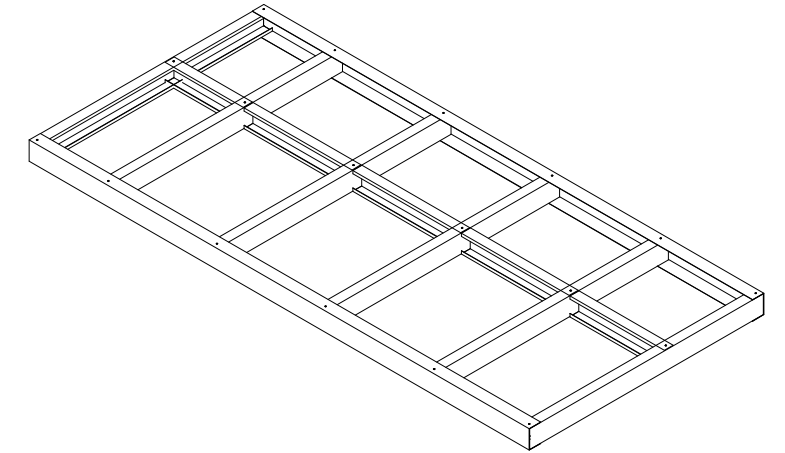
CREATED BY: JLB

FrameMax, Inc.
13915 Danielson St
Suite 100
Poway, CA 92064
www.frame-max.com

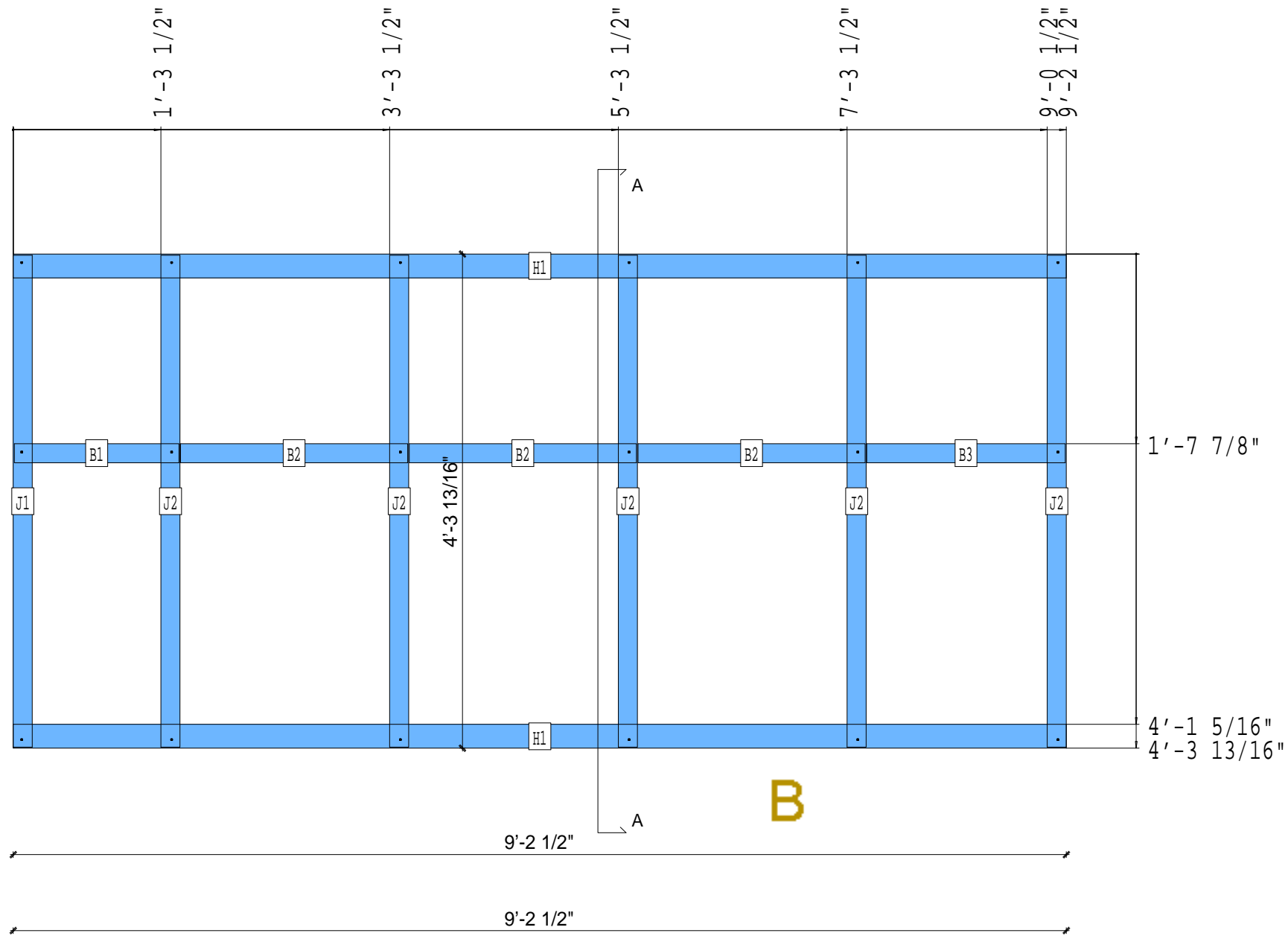


© FrameMax Inc.

APPROVED
By jbonavries at 8:35 am, Oct 31, 2008



A-A



PIECE SCHEDULE						
LAB	QTY	MATERIAL	DESCRIPTION	LENGTH	ANG1	ANG2
B1	1	400S200-54	BLOCK	1'-5 1/4"		
B2	3	400S200-54	BLOCK	1'-11 13/16"		
B3	1	400S200-54	BLOCK	1'-8 13/16"		
H1	2	400T250-54	HEADER	9'-2 1/2"		
J1	1	400S200-54	JOIST	4'-3 5/8"		
J2	5	400S200-54	JOIST	4'-3 5/8"		

21-5051

Jewish Home for the Aging

1885 Victory Blvd. Reseda, CA

FM-07-109

CREATED BY: JLB

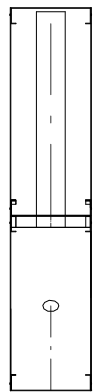
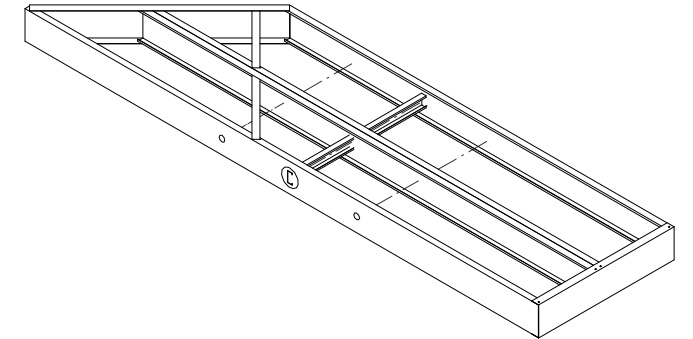
FrameMax, Inc.
13915 Danielson St
Suite 100
Poway, CA 92064
www.framemax.com



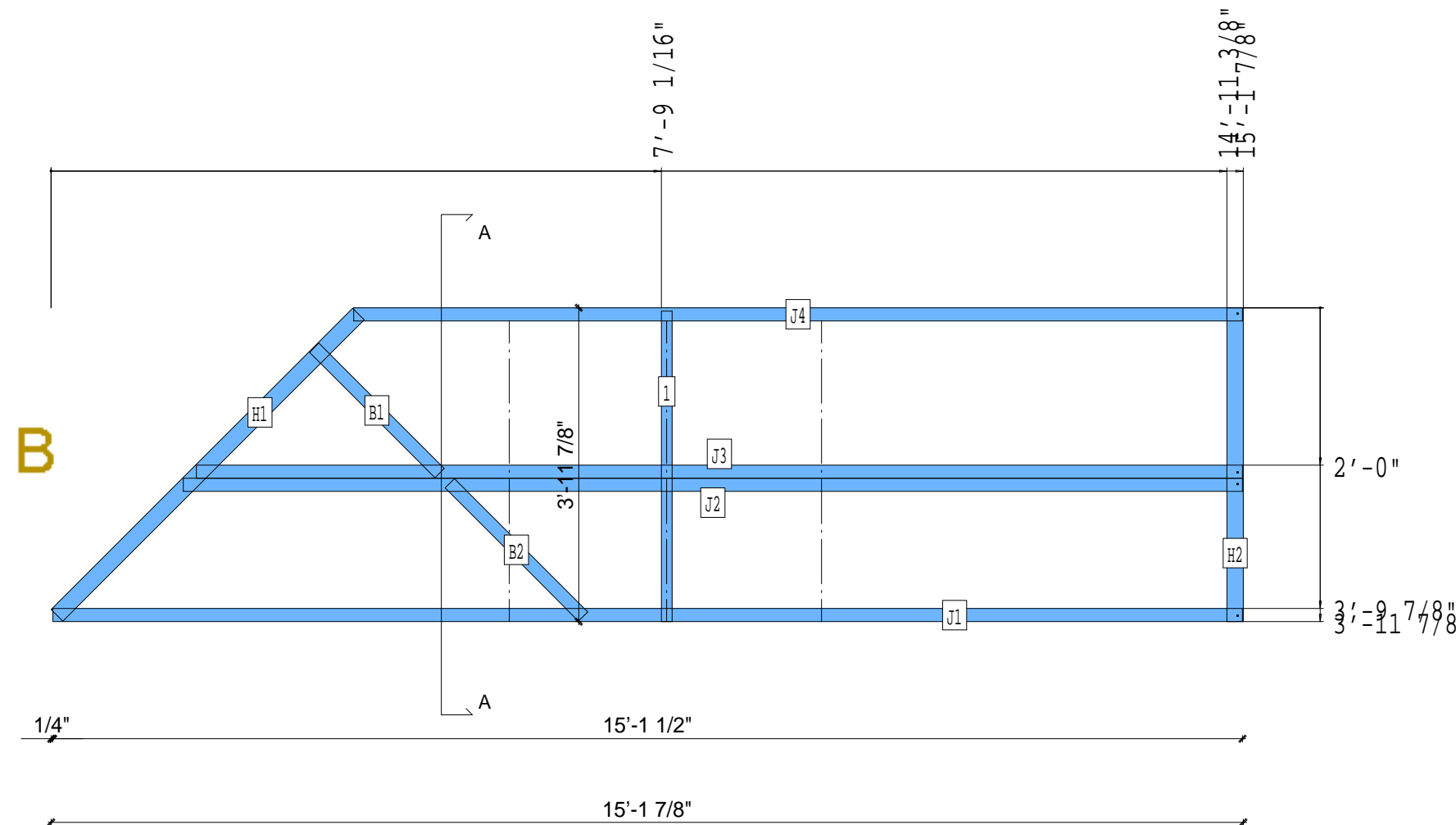
© FrameMax Inc.

APPROVED

By jbonavries at 8:35 am, Oct 31, 2008



A-A



PIECE SCHEDULE						
LAB	QTY	MATERIAL	DESCRIPTION	LENGTH	ANGL	ANG2
1	1	362S162-54	JOIST	3'-11 3/8"		
B1	1	1000S200-68	BLOCK	2'-3 1/16"		
B2	1	1000S200-68	BLOCK	2'-4 3/4"		
H1	1	1000T250-68	HEADER	5'-5"		
H2	1	1000T250-68	HEADER	3'-11 7/8"		
J1	1	1000S200-68	JOIST	15'-1 1/2"		
J2	1	1000S200-68	JOIST	13'-5 5/8"		
J3	1	1000S200-68	JOIST	13'-3 5/8"		
J4	1	1000S200-68	JOIST	11'-3 5/8"		

21-5052

Jewish Home for the Aging

1885 Victory Blvd. Reseda, CA

FM-07-109

CREATED BY: JLB

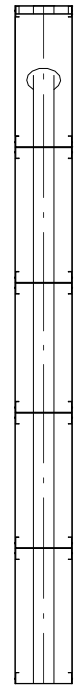
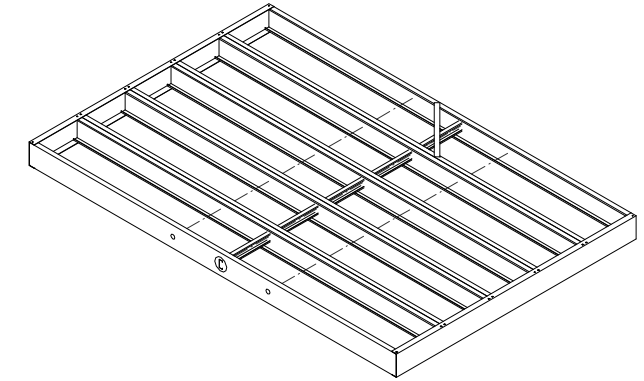
FrameMax, Inc.
13915 Danielson St
Suite 100
Poway, CA 92064
www.framemax.com



© FrameMax Inc.

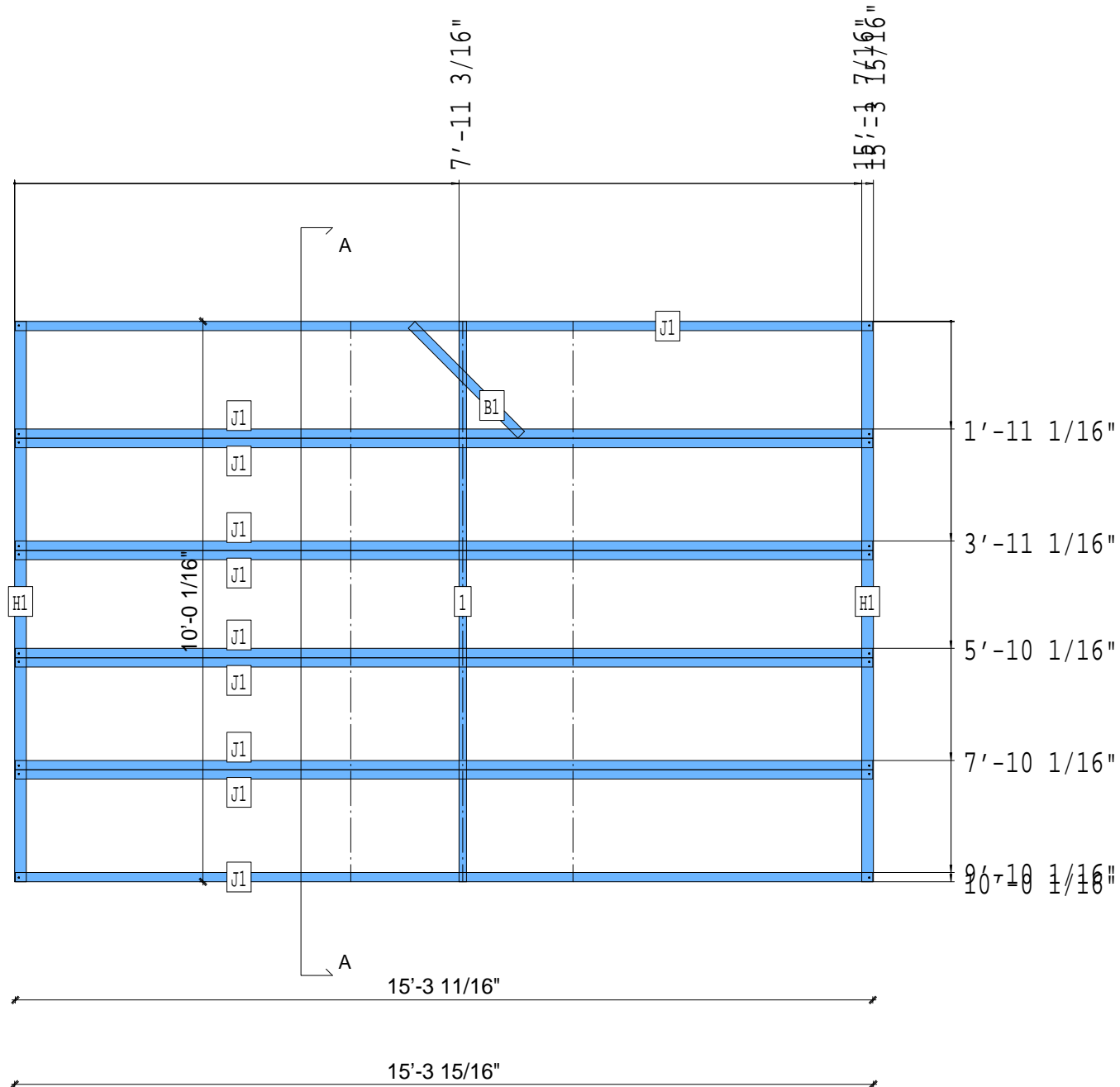
APPROVED

By jbonavries at 8:35 am, Oct 31, 2008



A-A

B



PIECE SCHEDULE						
LAB	QTY	MATERIAL	DESCRIPTION	LENGTH	ANG1	ANG2
1	1	362S162-54	JOIST	10'-0 1/16"		
B1	1	1000S200-68	BLOCK	2'-9 1/4"		
H1	2	1000T250-68	HEADER	10'-0 1/16"		
J1	10	1000S200-68	JOIST	15'-3 11/16"		

21-5053

Jewish Home for the Aging

1885 Victory Blvd. Reseda, CA

FM-07-109

CREATED BY: JLB

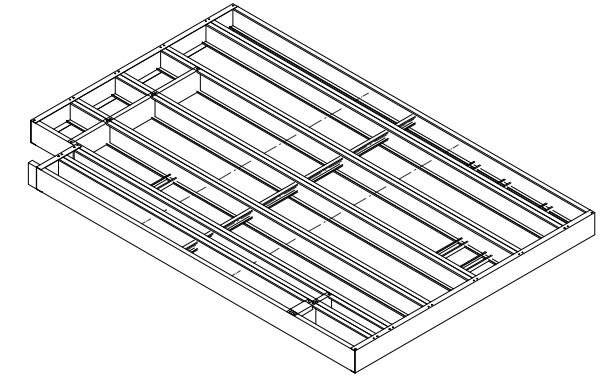
FrameMax, Inc.
13915 Danielson St
Suite 100
Poway, CA 92064
www.framemax.com



© FrameMax Inc.

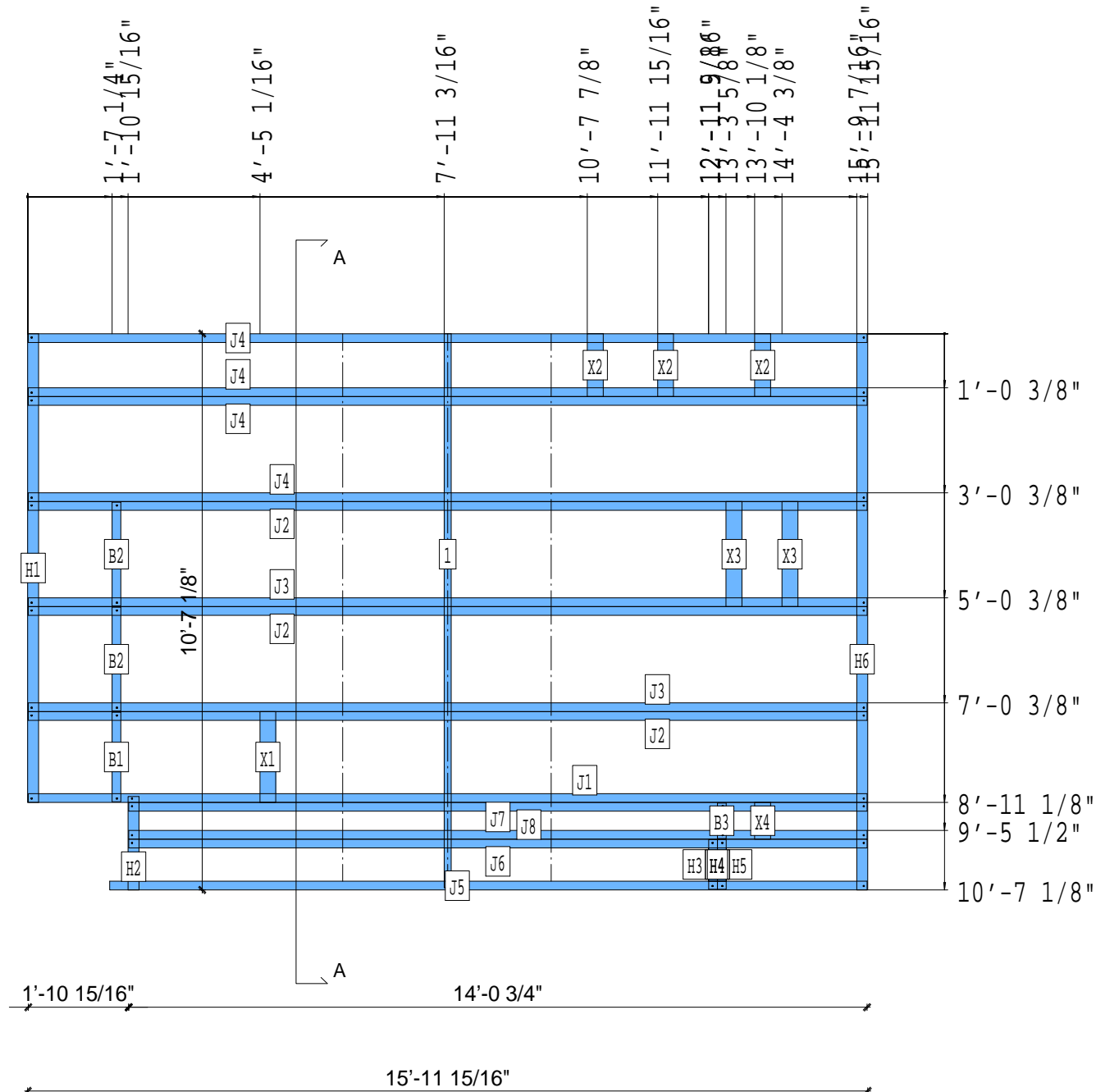
APPROVED

By jbonavries at 8:35 am, Oct 31, 2008



A-A

B



PIECE SCHEDULE						
LAB	QTY	MATERIAL	DESCRIPTION	LENGTH	ANG1	ANG2
1	1	362S162-54	JOIST	10'-6 5/8"		
B1	1	1000S200-68	BLOCK	1'-8 1/2"		
B2	2	1000S200-68	BLOCK	1'-11 3/4"		
B3	1	1000S200-68	BLOCK	8 1/8"		
H1	1	1000T250-68	HEADER	8'-11 1/8"		
H2	1	1000T250-68	HEADER	1'-9 3/8"		
H3	1	1000S200-68	OPENING TRIM	11 3/8"		
H4	2	400T200-68	OPENING TRIM	7 5/8"		
H5	1	1000S200-97	OPENING TRIM	11 3/8"		
H6	1	1000T250-68	HEADER	10'-7 1/8"		
J1	1	1000S200-68	JOIST	15'-11 11/16"		
J2	3	1000S200-68	JOIST	15'-11 11/16"		
J3	2	1000S200-68	JOIST	15'-11 11/16"		
J4	4	1000S200-68	JOIST	15'-11 11/16"		
J5	1	1000S200-68	JOIST	14'-5 1/16"		
J6	1	1000S200-68	OPENING TRIM	14'-0 3/4"		
J7	1	1000S200-68	OPENING TRIM	14'-0 3/4"		
J8	1	1000S200-68	JOIST	14'-0 3/4"		
X1	1	362S162-33	FLAT TRACK B	1'-8 3/4"		
X2	3	362S162-33	FLAT TRACK B	1'-2 3/8"		
X3	2	362S162-33	FLAT TRACK B	2'-0"		
X4	1	362S162-33	FLAT TRACK B	8 3/8"		

21-5054

Jewish Home for the Aging

1885 Victory Blvd. Reseda, CA

FM-07-109

CREATED BY: JLB

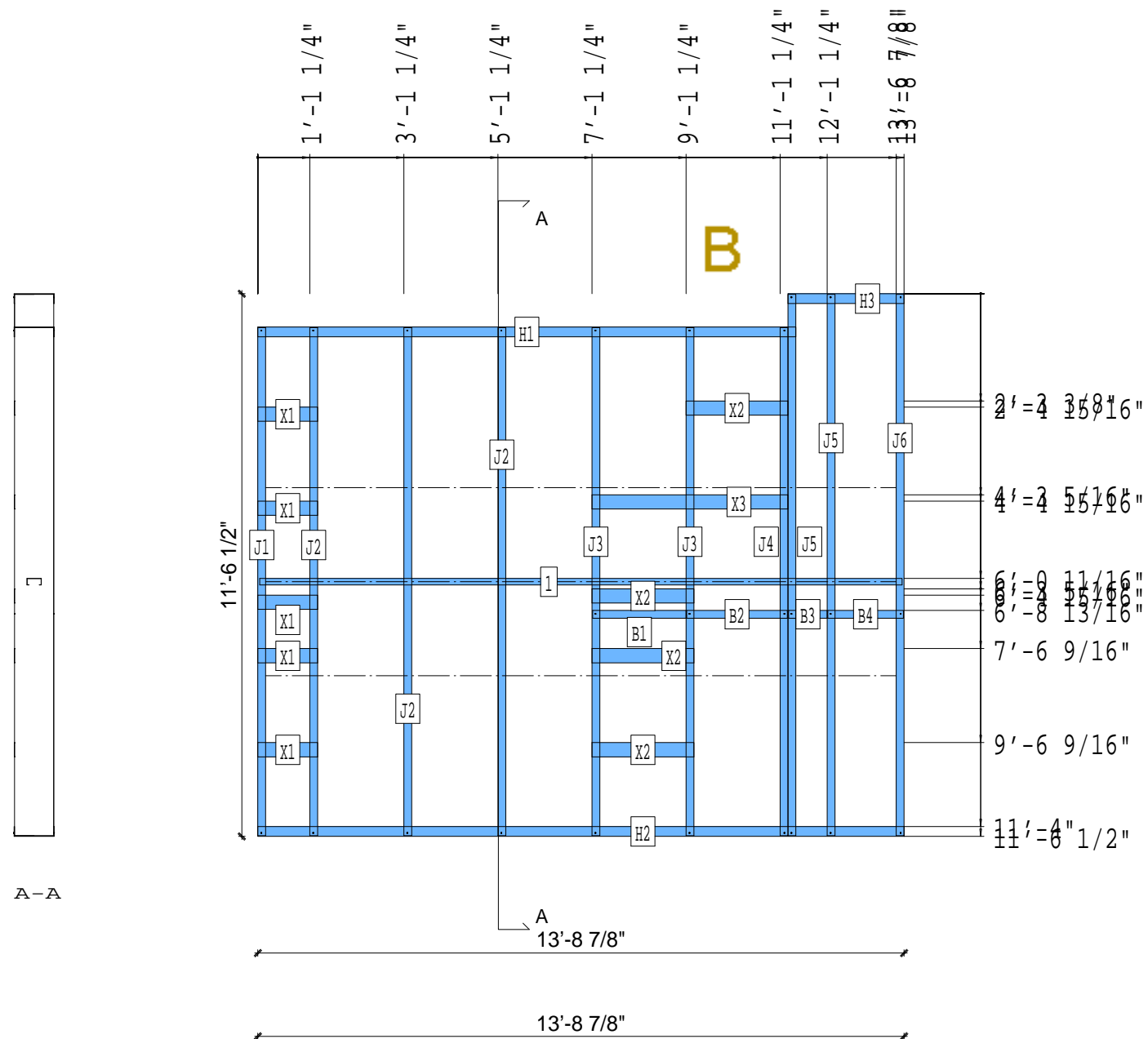
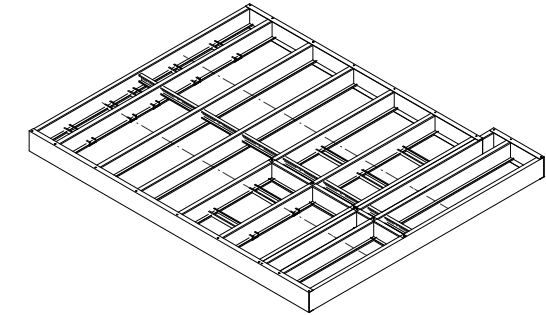
FrameMax, Inc.
13915 Danielson St
Suite 100
Poway, CA 92064
www.framemax.com



© FrameMax Inc.

APPROVED

By jbonavries at 8:35 am, Oct 31, 2008



PIECE SCHEDULE						
LAB	QTY	MATERIAL	DESCRIPTION	LENGTH	ANG1	ANG2
1	1	362S162-54	JOIST	13'-7 7/8"		
B1	1	1000S200-97	BLOCK	1'-11 13/16"		
B2	1	1000S200-97	BLOCK	2'-1 11/16"		
B3	1	1000S200-97	BLOCK	9 13/16"		
B4	1	1000S200-97	BLOCK	1'-7 5/16"		
H1	1	1000T250-97	HEADER	11'-5 1/4"		
H2	1	1000T250-97	HEADER	13'-8 7/8"		
H3	1	1000T250-97	HEADER	2'-5 5/8"		
J1	1	1000S200-97	JOIST	10'-9 11/16"		
J2	3	1000S200-97	JOIST	10'-9 11/16"		
J3	2	1000S200-97	JOIST	10'-9 11/16"		
J4	1	1000S200-97	JOIST	10'-9 11/16"		
J5	2	1000S200-97	JOIST	11'-6 3/16"		
J6	1	1000S200-97	JOIST	11'-6 3/16"		
X1	5	362S162-33	FLAT TRACK B	1'-3 1/4"		
X2	4	362S162-33	FLAT TRACK B	2'-2"		
X3	1	362S162-33	FLAT TRACK B	4'-2"		

21-5055

Jewish Home for the Aging

1885 Victory Blvd. Reseda, CA

FM-07-109

CREATED BY: JLB

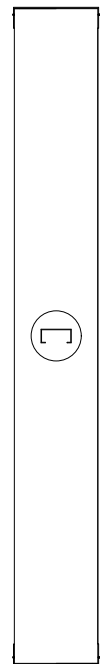
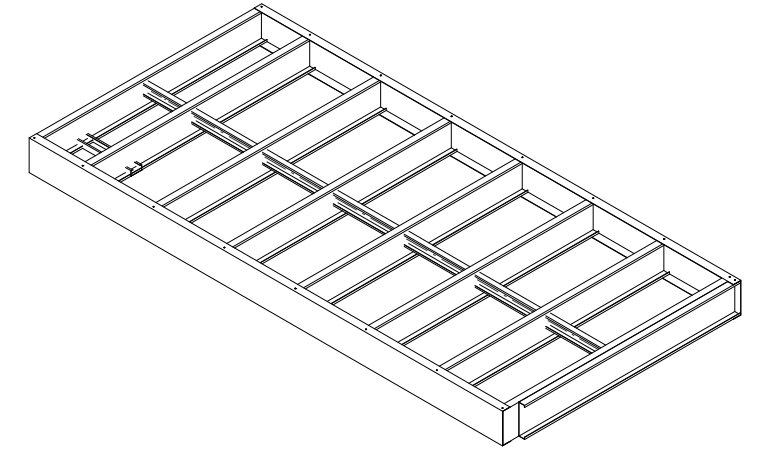
FrameMax, Inc.
13915 Danielson St
Suite 100
Poway, CA 92064
www.framemax.com



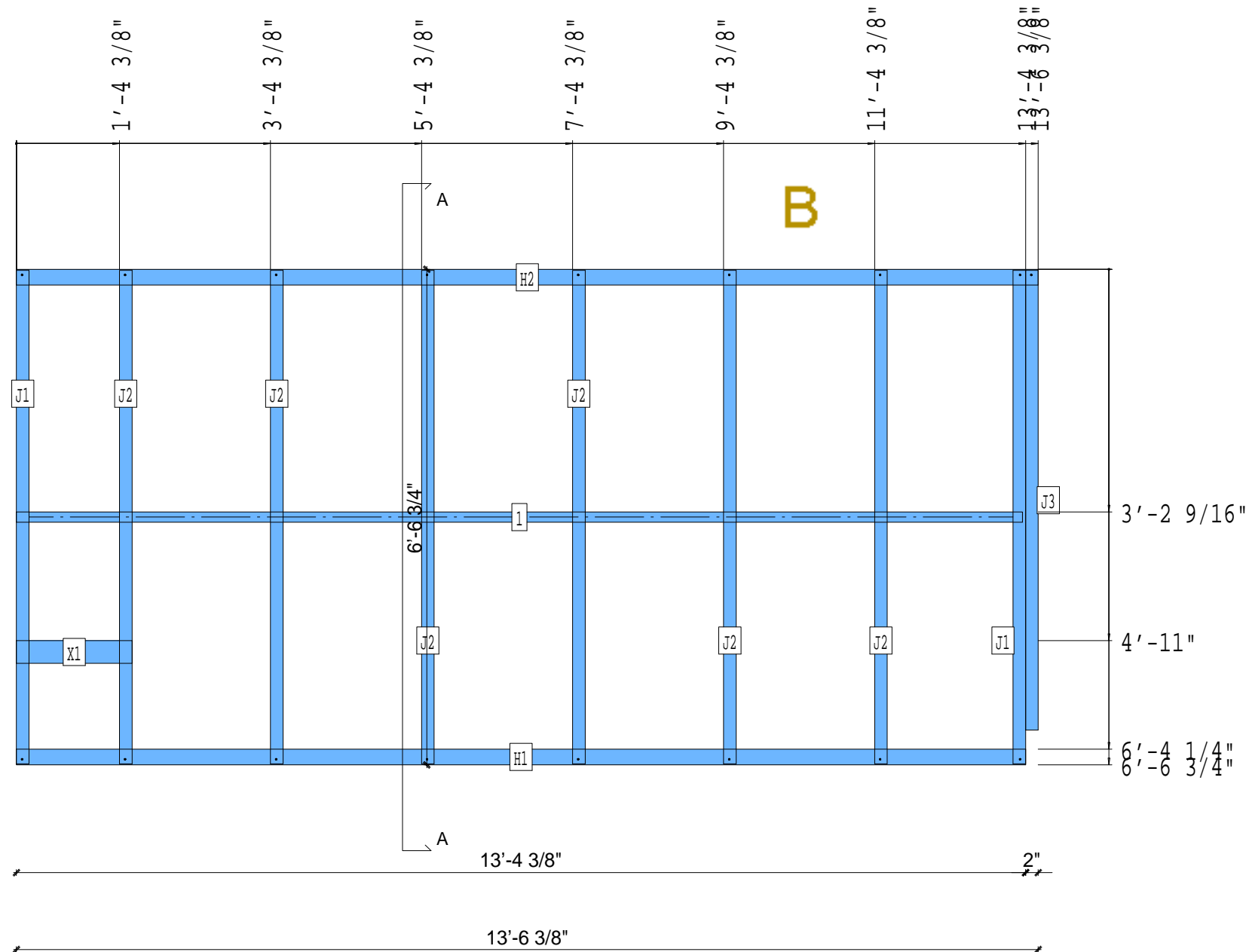
© FrameMax Inc.

APPROVED

By jbonavries at 8:35 am, Oct 31, 2008



A-A



PIECE SCHEDULE						
LAB	QTY	MATERIAL	DESCRIPTION	LENGTH	ANG1	ANG2
1	1	362S162-54	JOIST	13'-3 7/8"		
H1	1	1000T250-97	HEADER	13'-4 3/8"		
H2	1	1000T250-97	HEADER	13'-6 3/8"		
J1	2	1000S200-97	JOIST	6'-6 7/16"		
J2	6	1000S200-97	JOIST	6'-6 7/16"		
J3	1	1000S200-97	JOIST	6'-1 1/16"		
X1	1	362S162-33	FLAT TRACK B	1'-6 3/8"		

21-5056

Jewish Home for the Aging

1885 Victory Blvd. Reseda, CA

FM-07-109

CREATED BY: JLB

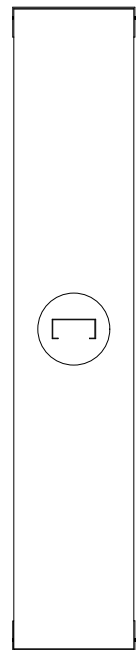
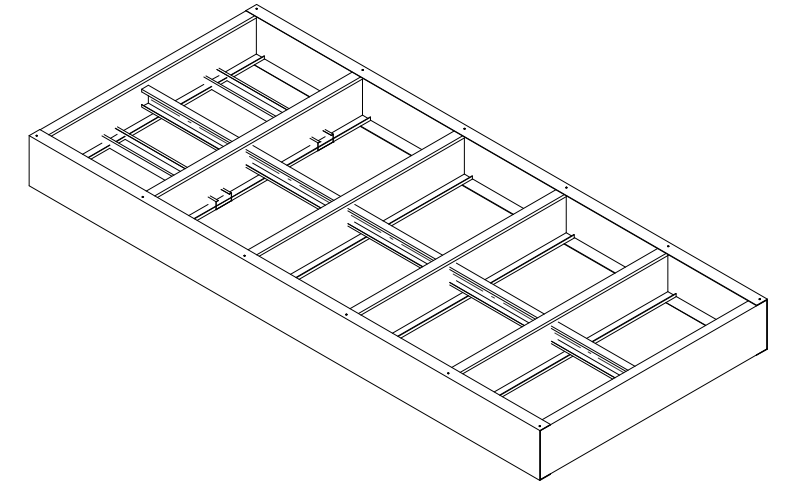
FrameMax, Inc.
13915 Danielson St
Suite 100
Poway, CA 92064
www.framemax.com



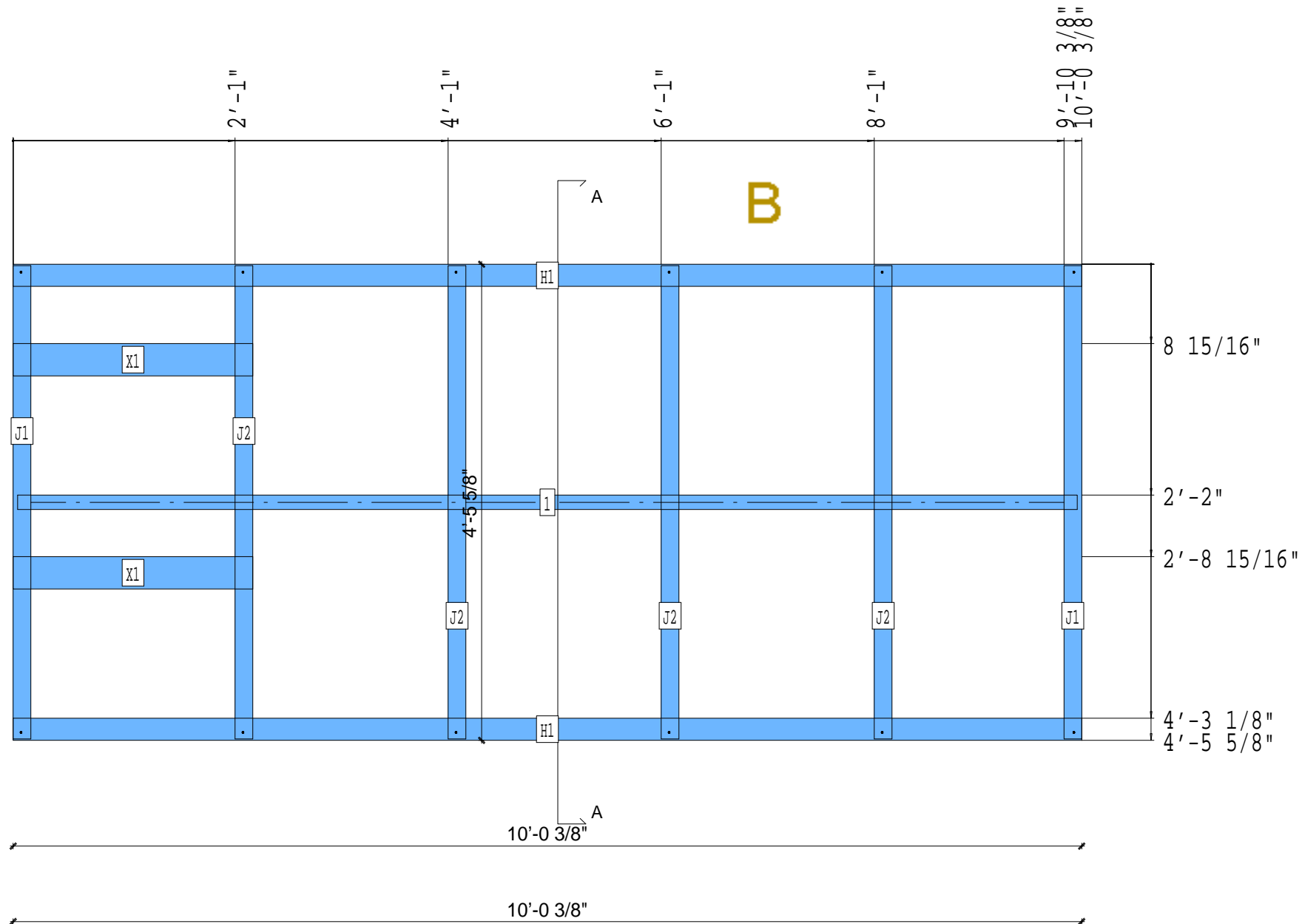
© FrameMax Inc.

APPROVED

By jbonavries at 8:35 am, Oct 31, 2008



A-A



PIECE SCHEDULE						
LAB	QTY	MATERIAL	DESCRIPTION	LENGTH	ANG1	ANG2
1	1	362S162-54	JOIST	9'-11 3/8"		
H1	2	1000T250-97	HEADER	10'-0 3/8"		
J1	2	1000S200-97	JOIST	4'-5 5/16"		
J2	4	1000S200-97	JOIST	4'-5 5/16"		
X1	2	362S162-33	FLAT TRACK B	2'-3"		

21-5057

CREATED: 10/31/2008

Jewish Home for the Aging

1885 Victory Blvd. Reseda, CA

FM-07-109

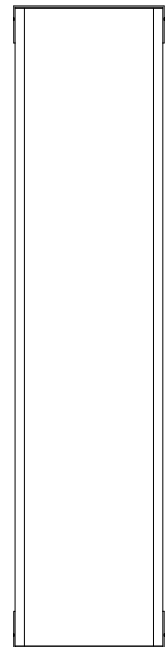
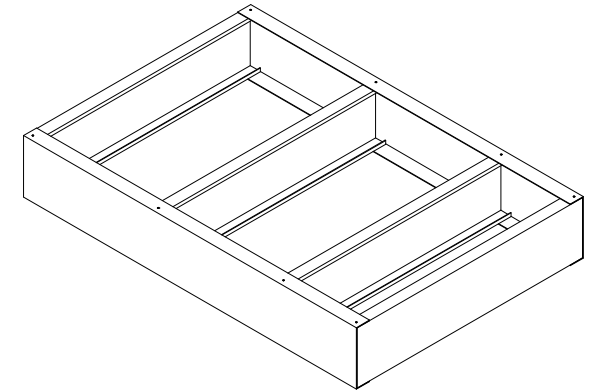
CREATED BY: JLB

FrameMax, Inc.
13915 Danielson St
Suite 100
Poway, CA 92064
www.framemax.com

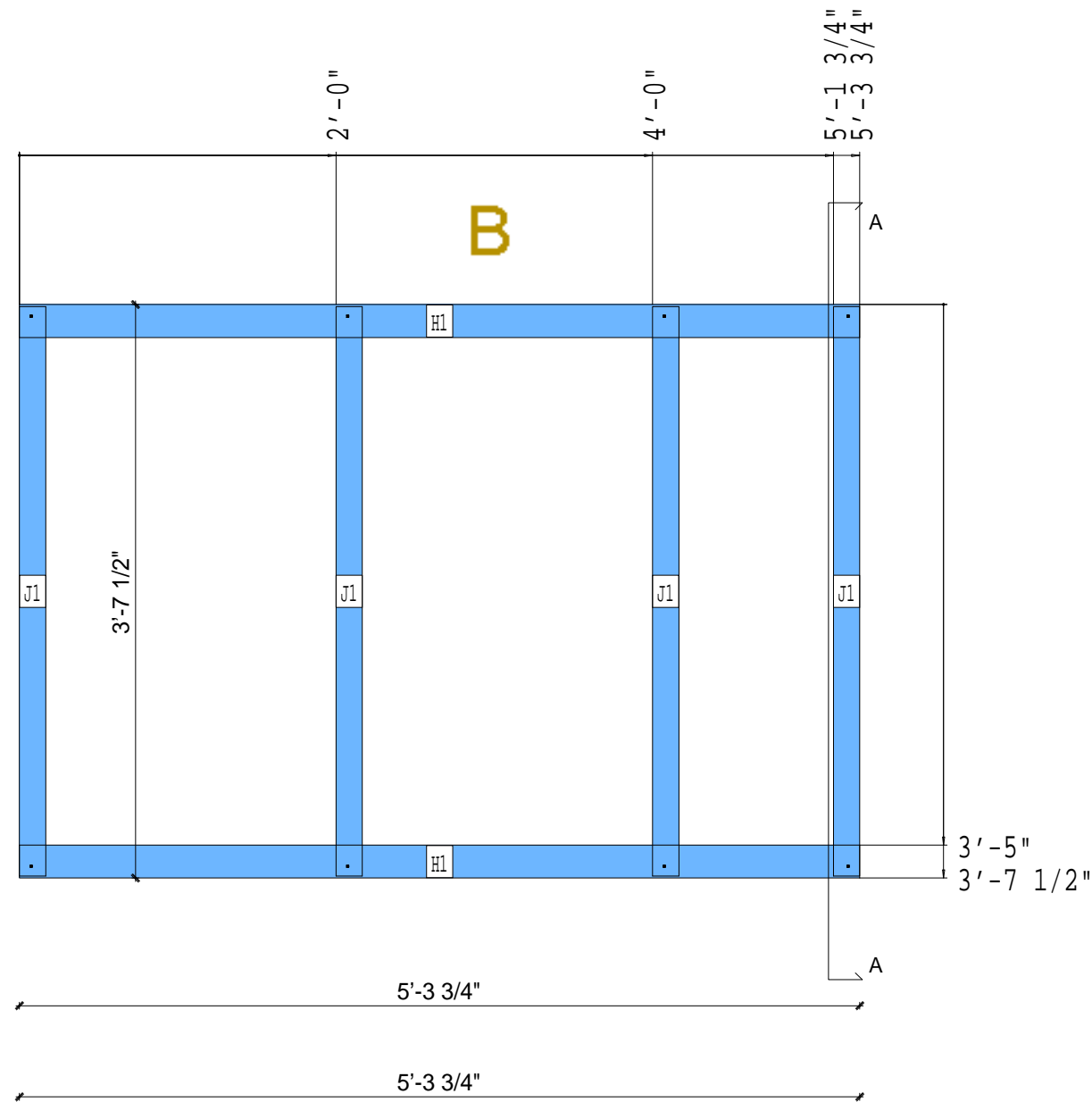


© FrameMax Inc.

APPROVED
By jbonavries at 8:35 am, Oct 31, 2008



A-A



PIECE SCHEDULE						
LAB	QTY	MATERIAL	DESCRIPTION	LENGTH	ANGL	ANG2
H1	2	1000T250-97	HEADER	5'-3 3/4"		
J1	4	1000S200-97	JOIST	3'-7 3/16"		

21-5058

CREATED: 10/31/2008

Jewish Home for the Aging

1885 Victory Blvd. Reseda, CA

FM-07-109

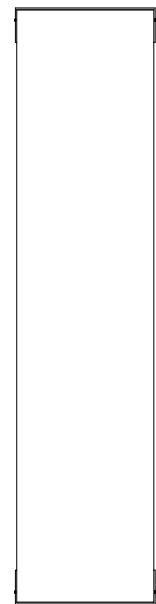
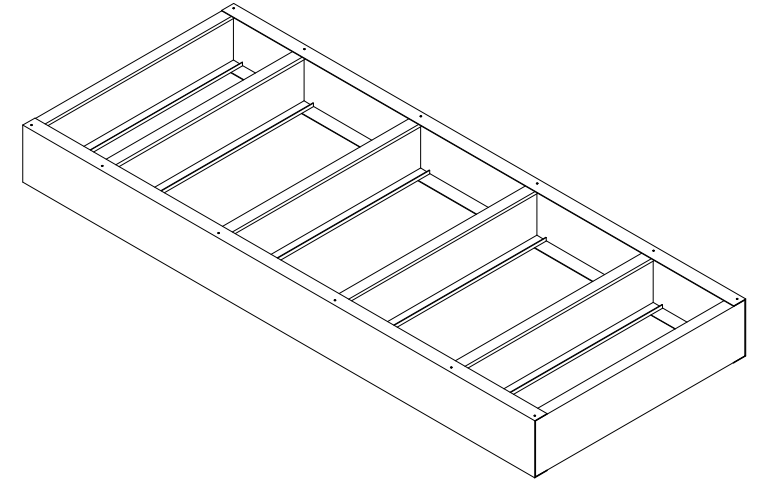
CREATED BY: JLB

FrameMax, Inc.
13915 Danielson St
Suite 100
Poway, CA 92064
www.framemax.com

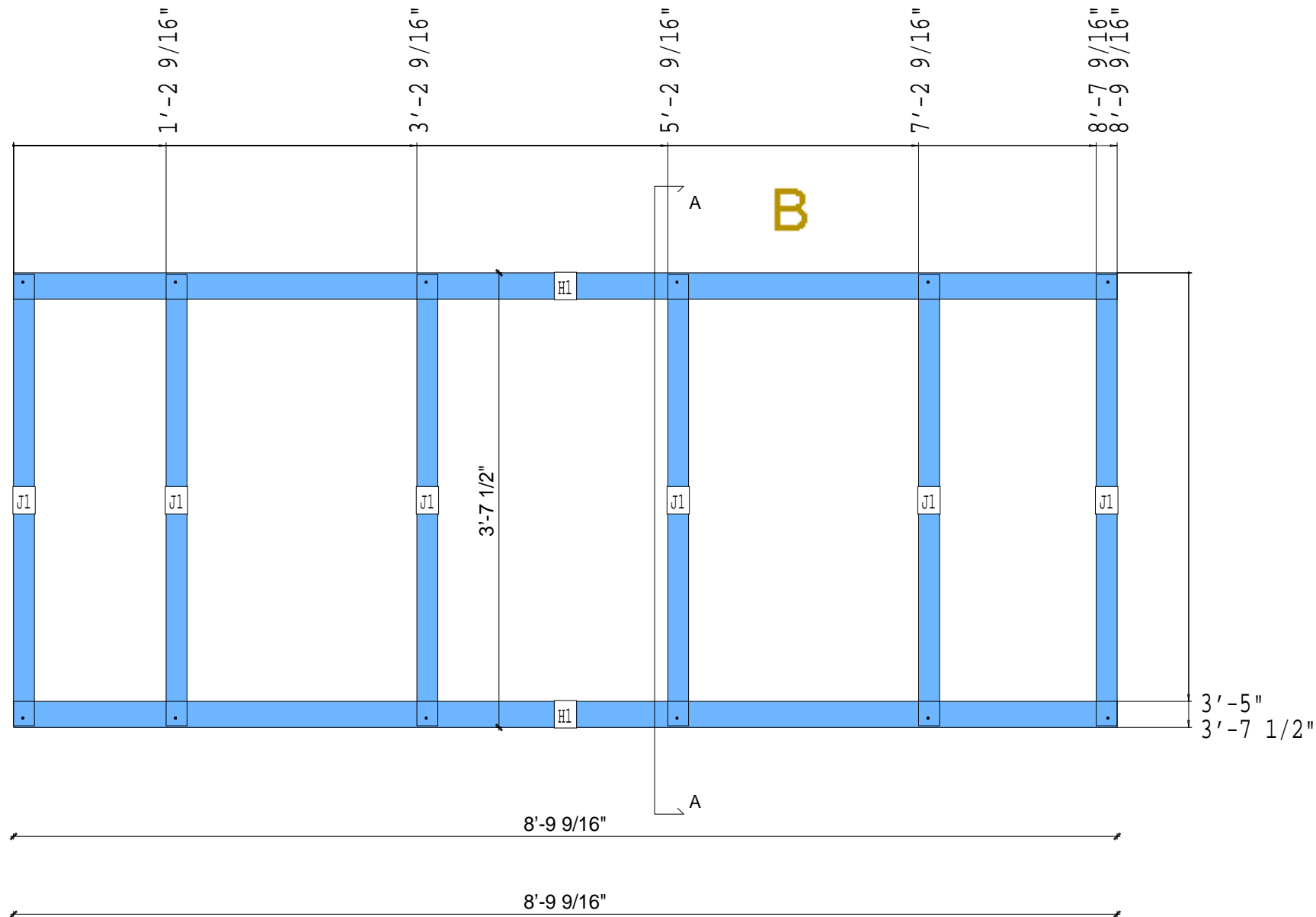


© FrameMax Inc.

APPROVED
By jbonavries at 8:35 am, Oct 31, 2008



A-A



PIECE SCHEDULE						
LAB	QTY	MATERIAL	DESCRIPTION	LENGTH	ANG1	ANG2
H1	2	1000T250-97	HEADER	8'-9 9/16"		
J1	6	1000S200-97	JOIST	3'-7 3/16"		

21-5059

Jewish Home for the Aging

1885 Victory Blvd. Reseda, CA

FM-07-109

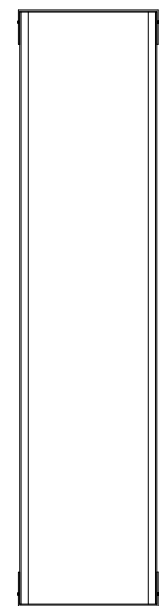
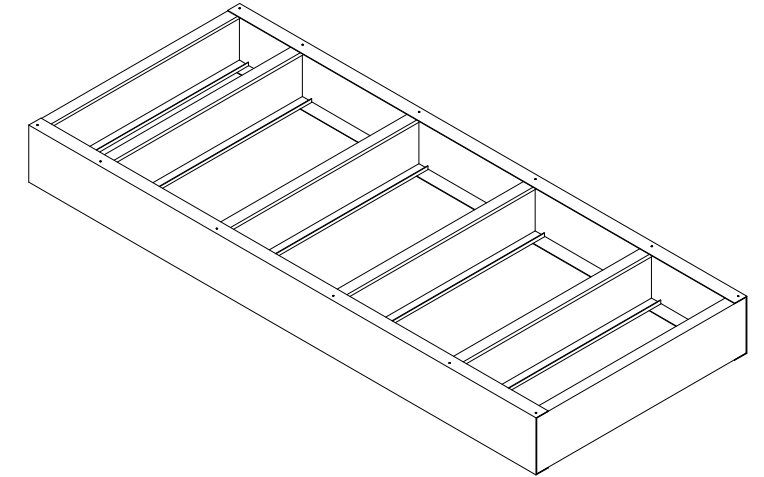
CREATED BY: JLB

FrameMax, Inc.
13915 Danielson St
Suite 100
Poway, CA 92064
www.framemax.com

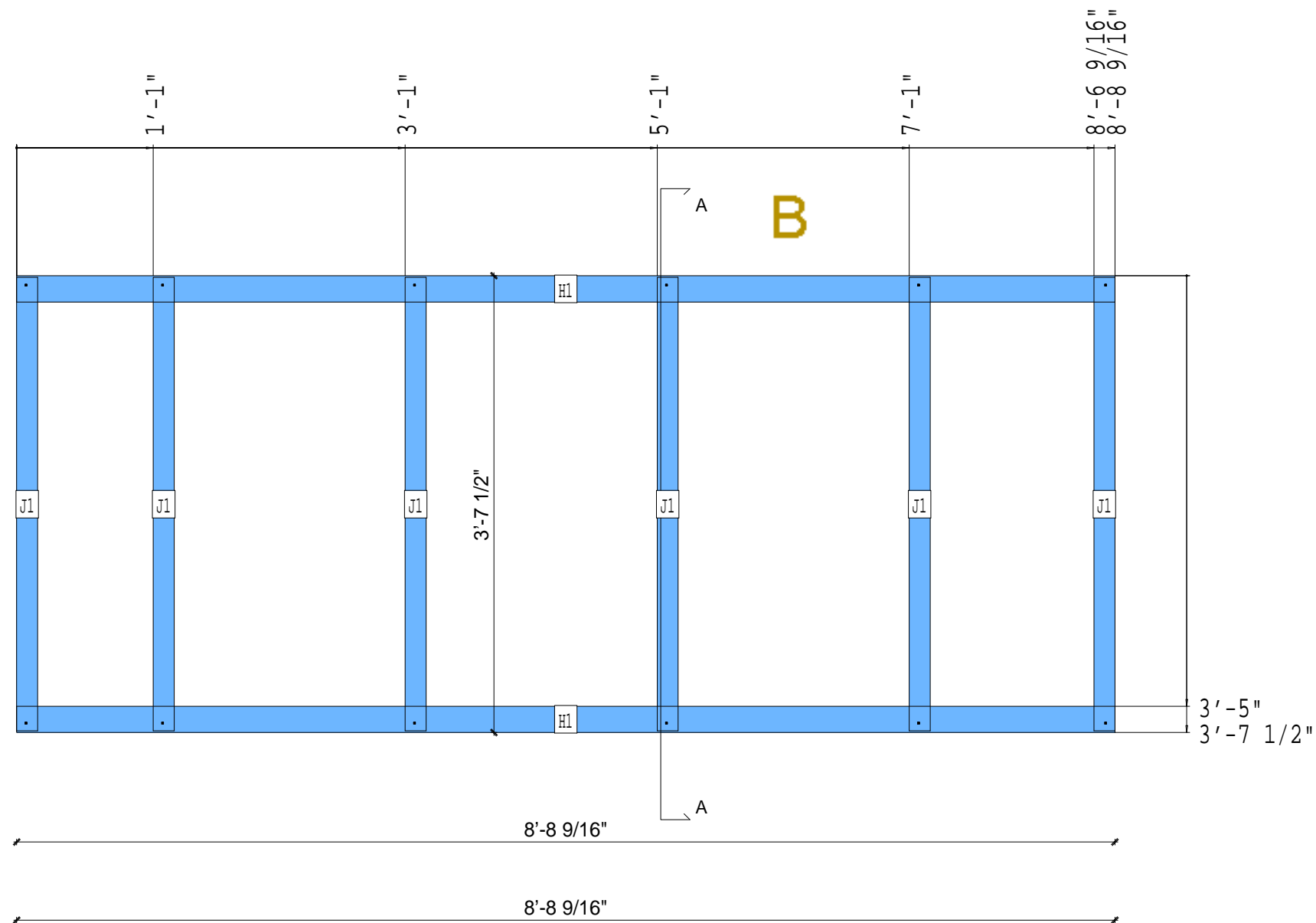


© FrameMax Inc.

APPROVED
By jbonavries at 8:35 am, Oct 31, 2008



A-A



PIECE SCHEDULE						
LAB	QTY	MATERIAL	DESCRIPTION	LENGTH	ANG1	ANG2
H1	2	1000T250-97	HEADER	8'-8 9/16"		
J1	6	1000S200-97	JOIST	3'-7 3/16"		

21-5060

CREATED: 10/31/2008

Jewish Home for the Aging

1885 Victory Blvd. Reseda, CA

FM-07-109

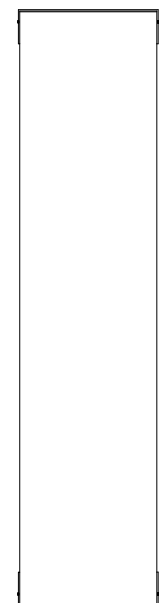
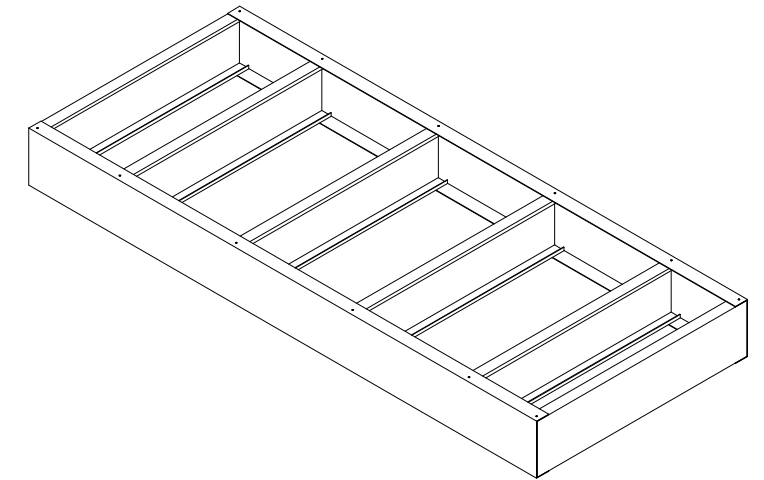
CREATED BY: JLB

FrameMax, Inc.
13915 Danielson St
Suite 100
Poway, CA 92064
www.framemax.com

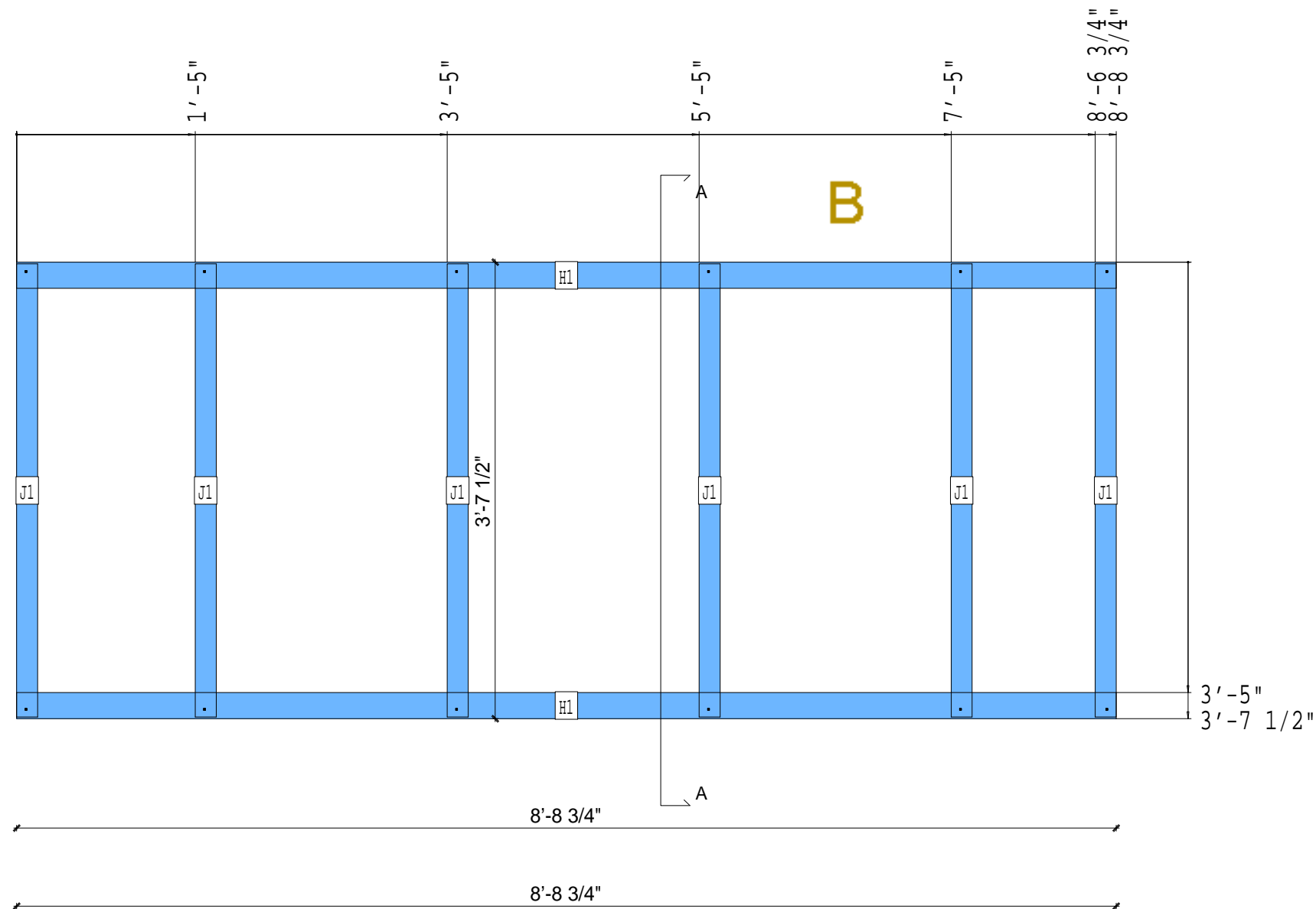


© FrameMax Inc.

APPROVED
By jbonavries at 8:35 am, Oct 31, 2008



A-A



PIECE SCHEDULE						
LAB	QTY	MATERIAL	DESCRIPTION	LENGTH	ANG1	ANG2
H1	2	1000T250-97	HEADER	8'-8 3/4"		
J1	6	1000S200-97	JOIST	3'-7 3/16"		

21-5061

Jewish Home for the Aging

1885 Victory Blvd. Reseda, CA

FM-07-109

CREATED BY: JLB

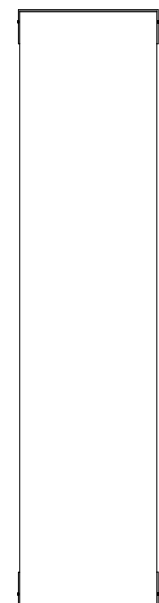
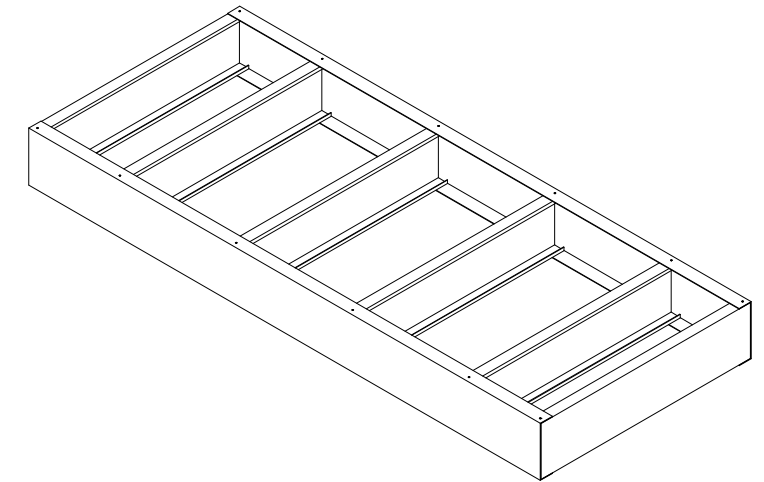
FrameMax, Inc.
13915 Danielson St
Suite 100
Poway, CA 92064
www.framemax.com



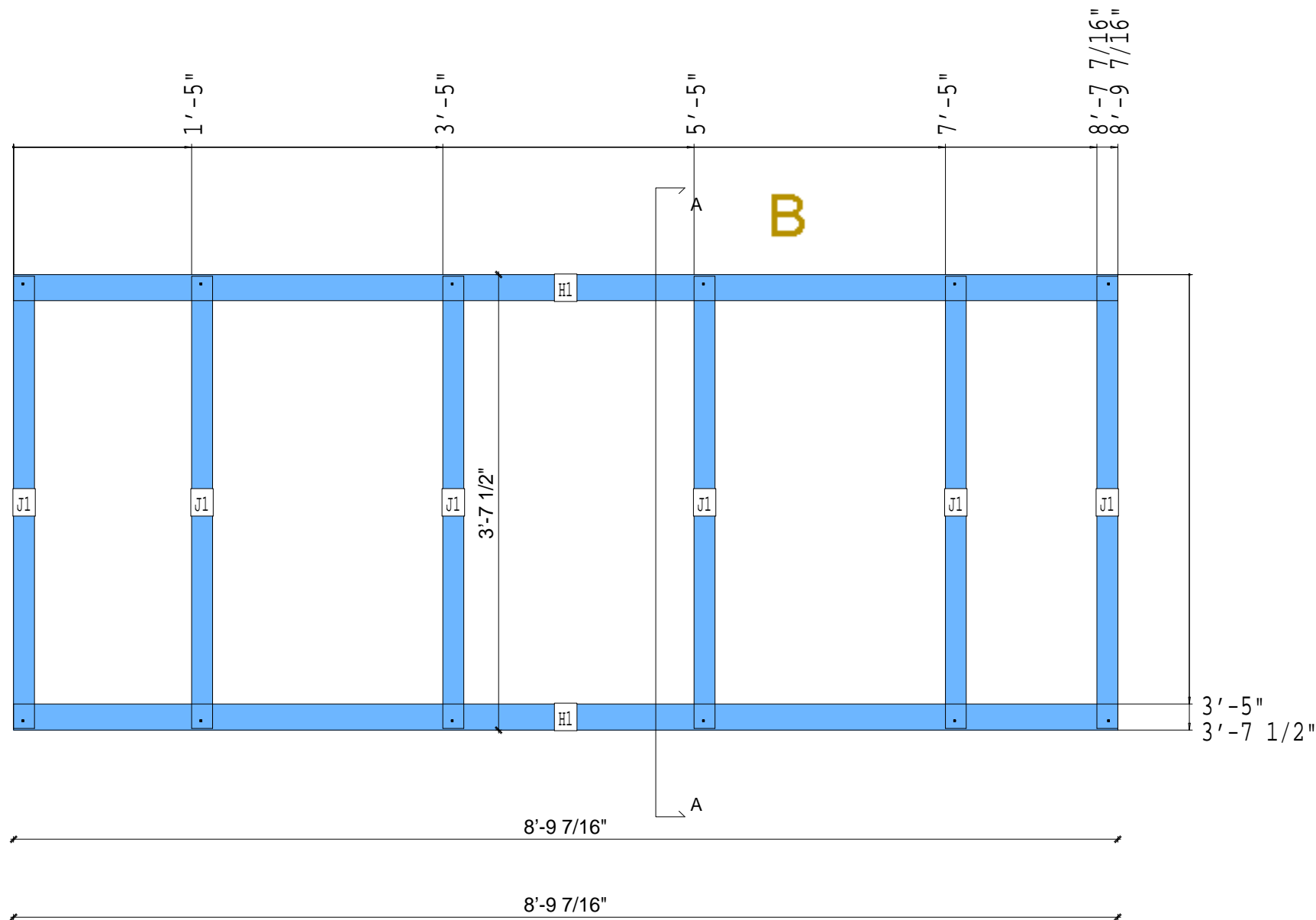
© FrameMax Inc.

APPROVED

By jbonavries at 8:35 am, Oct 31, 2008



A-A



PIECE SCHEDULE						
LAB	QTY	MATERIAL	DESCRIPTION	LENGTH	ANGL	ANG2
H1	2	1000T250-97	HEADER	8'-9 7/16"		
J1	6	1000S200-97	JOIST	3'-7 3/16"		

21-5062

CREATED: 10/31/2008

Jewish Home for the Aging

1885 Victory Blvd. Reseda, CA

FM-07-109

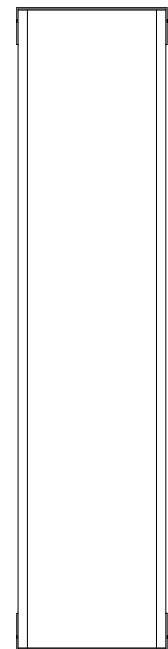
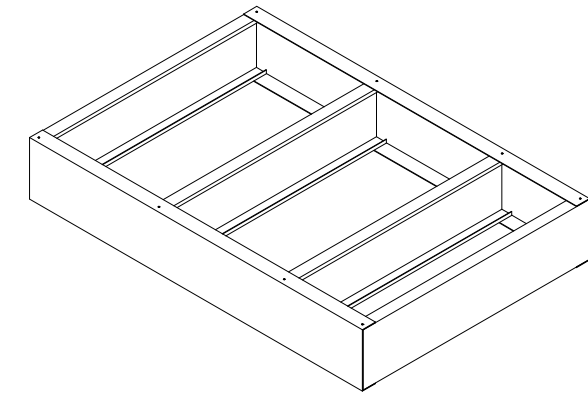
CREATED BY: JLB

FrameMax, Inc.
13915 Danielson St
Suite 100
Poway, CA 92064
www.framemax.com

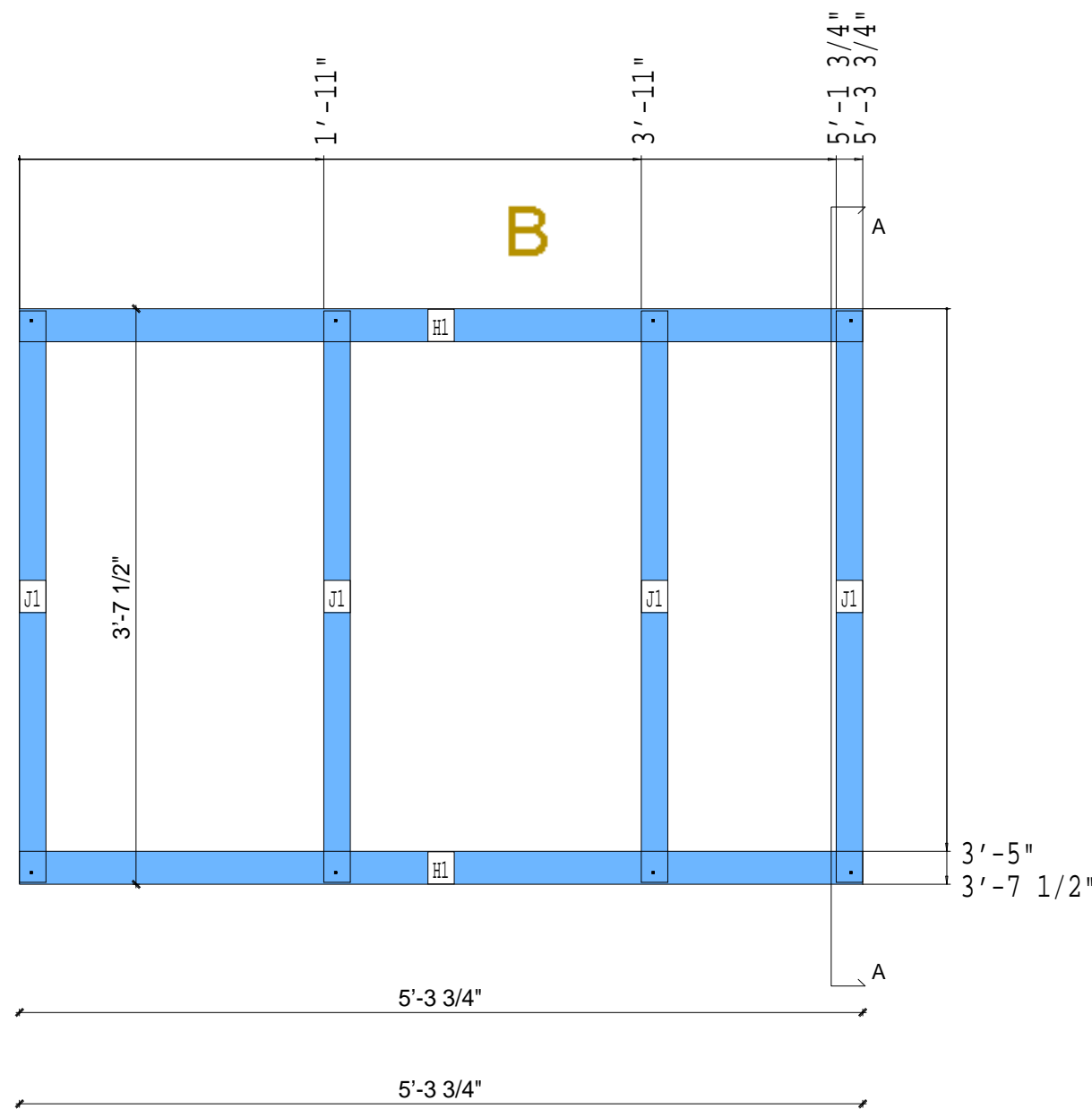


© FrameMax Inc.

APPROVED
By jbonavries at 8:35 am, Oct 31, 2008



A-A



PIECE SCHEDULE						
LAB	QTY	MATERIAL	DESCRIPTION	LENGTH	ANGL	ANG2
H1	2	1000T250-97	HEADER	5'-3 3/4"		
J1	4	1000S200-97	JOIST	3'-7 3/16"		

21-5063

Jewish Home for the Aging

1885 Victory Blvd. Reseda, CA

FM-07-109

CREATED BY: JLB

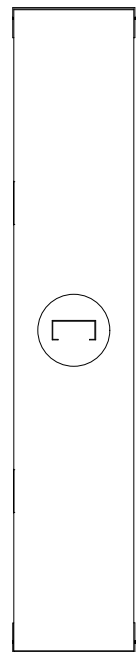
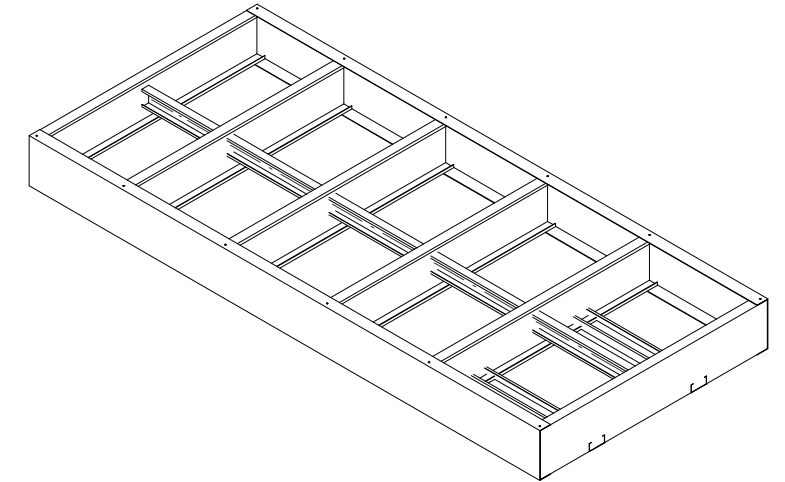
FrameMax, Inc.
13915 Danielson St
Suite 100
Poway, CA 92064
www.framemax.com



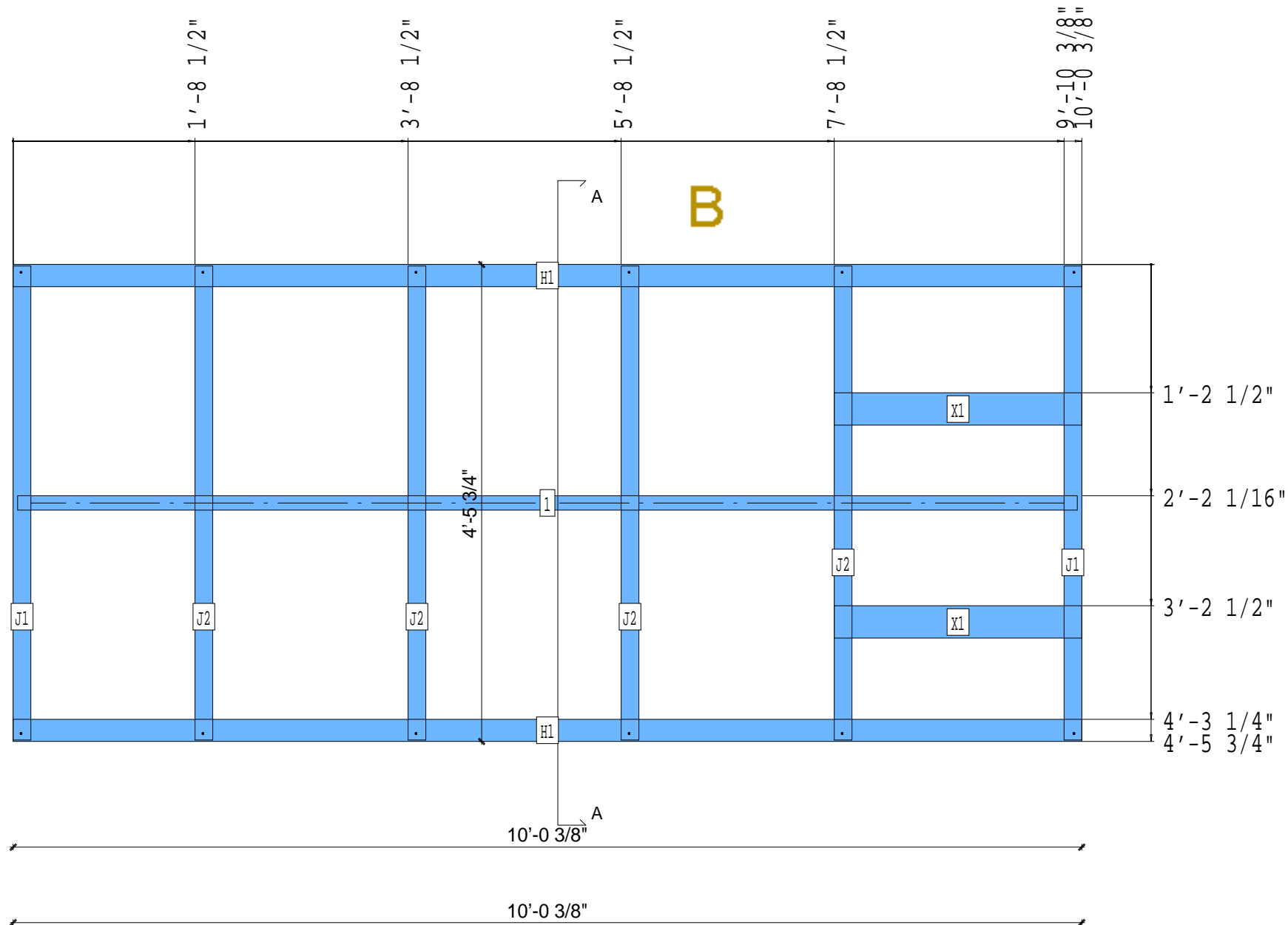
© FrameMax Inc.

APPROVED

By jbonavries at 8:35 am, Oct 31, 2008



A-A



PIECE SCHEDULE						
LAB	QTY	MATERIAL	DESCRIPTION	LENGTH	ANG1	ANG2
1	1	362S162-54	JOIST	9'-11 3/8"		
H1	2	1000T250-97	HEADER	10'-0 3/8"		
J1	2	1000S200-97	JOIST	4'-5 7/16"		
J2	4	1000S200-97	JOIST	4'-5 7/16"		
X1	2	362S162-33	FLAT TRACK B	2'-3 7/8"		

21-5064

Jewish Home for the Aging

1885 Victory Blvd. Reseda, CA

FM-07-109

CREATED BY: JLB

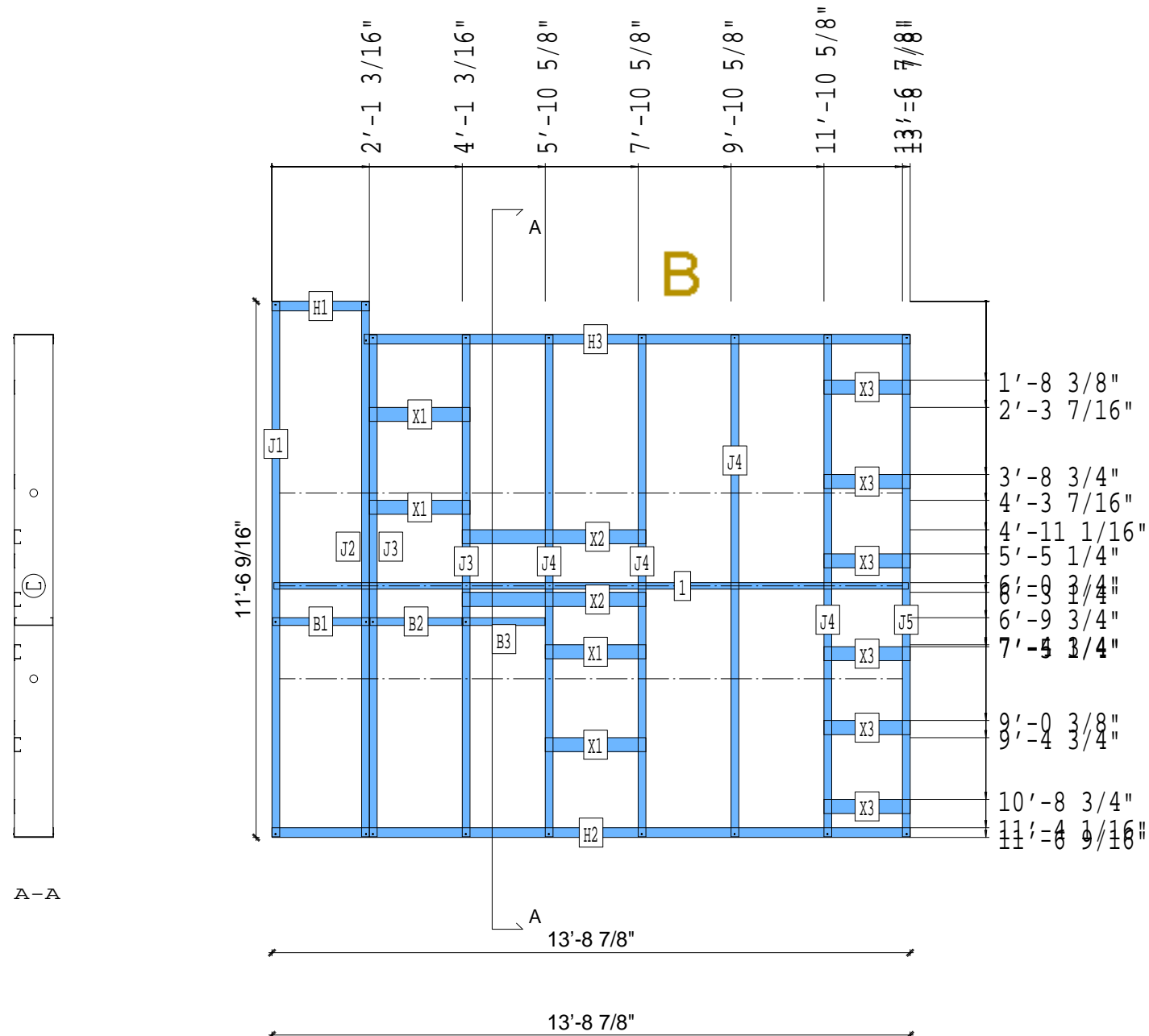
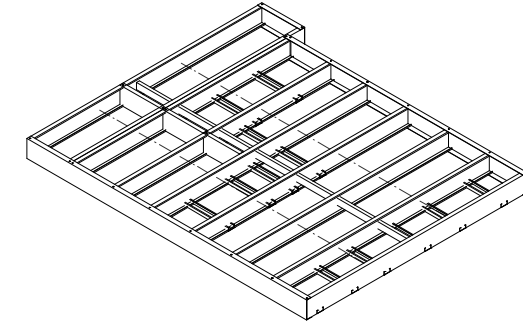
FrameMax, Inc.
13915 Danielson St
Suite 100
Poway, CA 92064
www.framemax.com



© FrameMax Inc.

APPROVED

By jbonavries at 8:35 am, Oct 31, 2008



PIECE SCHEDULE						
LAB	QTY	MATERIAL	DESCRIPTION	LENGTH	ANG1	ANG2
1	1	362S162-54	JOIST	13'-7 7/8"		
B1	1	1000S200-97	BLOCK	2'-0 7/8"		
B2	1	1000S200-97	BLOCK	1'-11 3/4"		
B3	1	1000S200-97	BLOCK	1'-9 3/16"		
H1	1	1000T250-97	HEADER	2'-1 3/16"		
H2	1	1000T250-97	HEADER	13'-8 7/8"		
H3	1	1000T250-97	HEADER	11'-9 1/16"		
J1	1	1000S200-97	JOIST	11'-6 1/4"		
J2	1	1000S200-97	JOIST	11'-6 1/4"		
J3	2	1000S200-97	JOIST	10'-9 11/16"		
J4	4	1000S200-97	JOIST	10'-9 11/16"		
J5	1	1000S200-97	JOIST	10'-9 11/16"		
X1	4	362S162-33	FLAT TRACK B	2'-2"		
X2	2	362S162-33	FLAT TRACK B	3'-11 7/16"		
X3	6	362S162-33	FLAT TRACK B	1'-10 1/4"		

21-5065

CREATED: 10/31/2008

Jewish Home for the Aging

1885 Victory Blvd. Reseda, CA

FM-07-109

CREATED BY: JLB

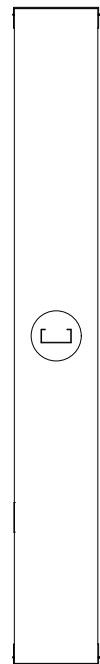
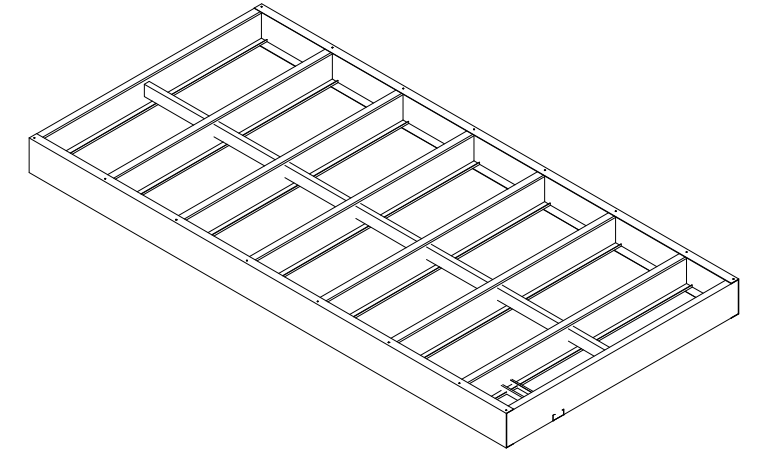
FrameMax, Inc.
13915 Danielson St
Suite 100
Poway, CA 92064
www.framemax.com



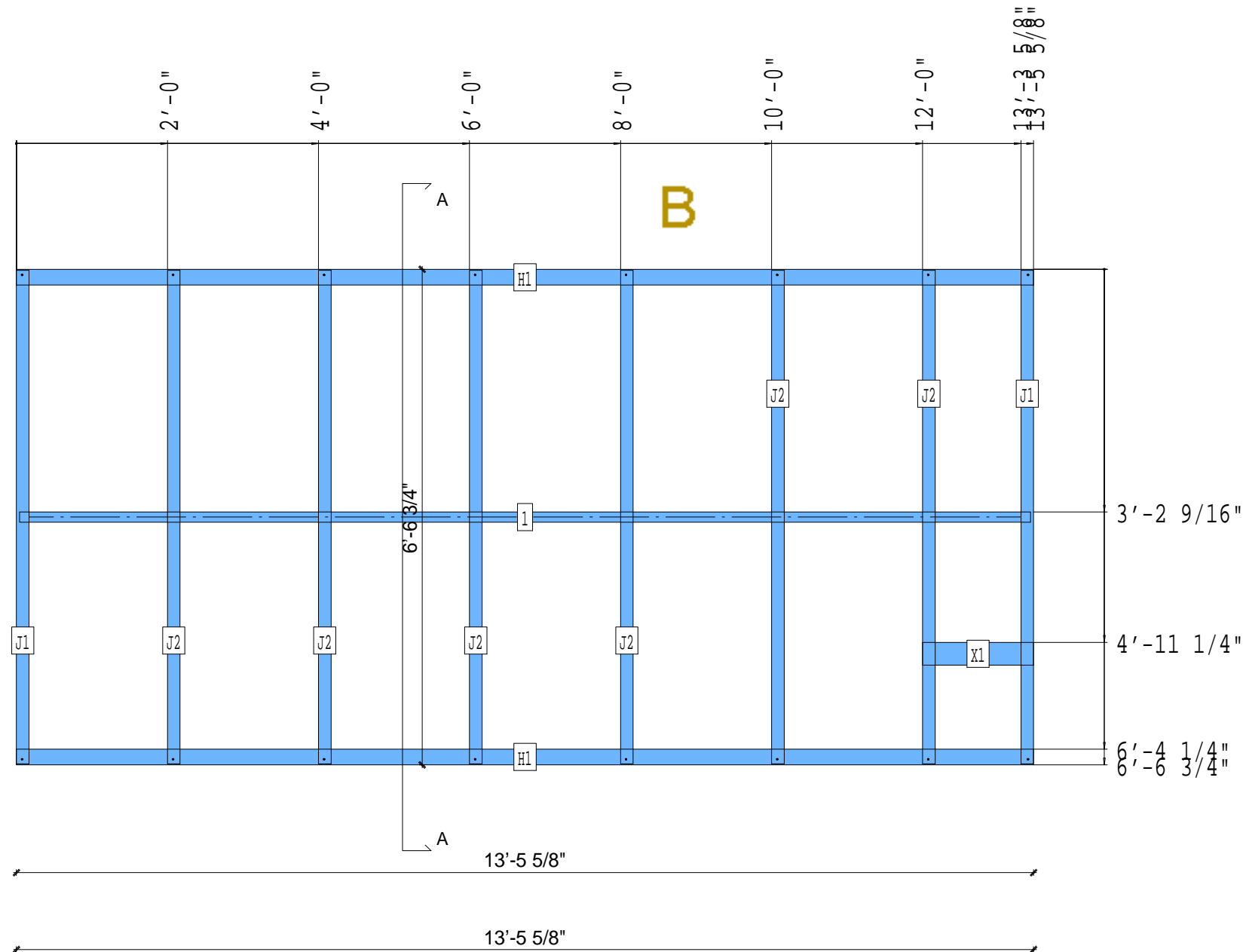
© FrameMax Inc.

APPROVED

By jbonavries at 8:35 am, Oct 31, 2008



A-A



PIECE SCHEDULE						
LAB	QTY	MATERIAL	DESCRIPTION	LENGTH	ANG1	ANG2
1	1	362S162-54	JOIST	13'-4 5/8"		
H1	2	1000T250-97	HEADER	13'-5 5/8"		
J1	2	1000S200-97	JOIST	6'-6 7/16"		
J2	6	1000S200-97	JOIST	6'-6 7/16"		
X1	1	362S162-33	FLAT TRACK B	1'-5 5/8"		

21-5066

CREATED: 10/31/2008

Jewish Home for the Aging

1885 Victory Blvd. Reseda, CA

FM-07-109

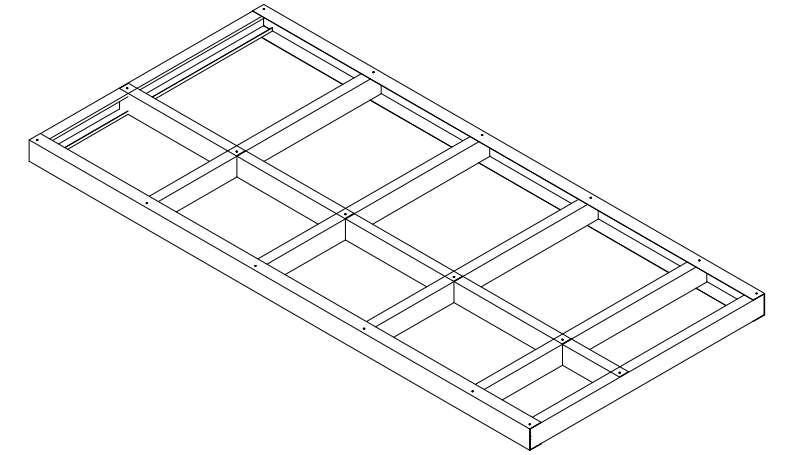
CREATED BY: JLB

FrameMax, Inc.
13915 Danielson St
Suite 100
Poway, CA 92064
www.framemax.com

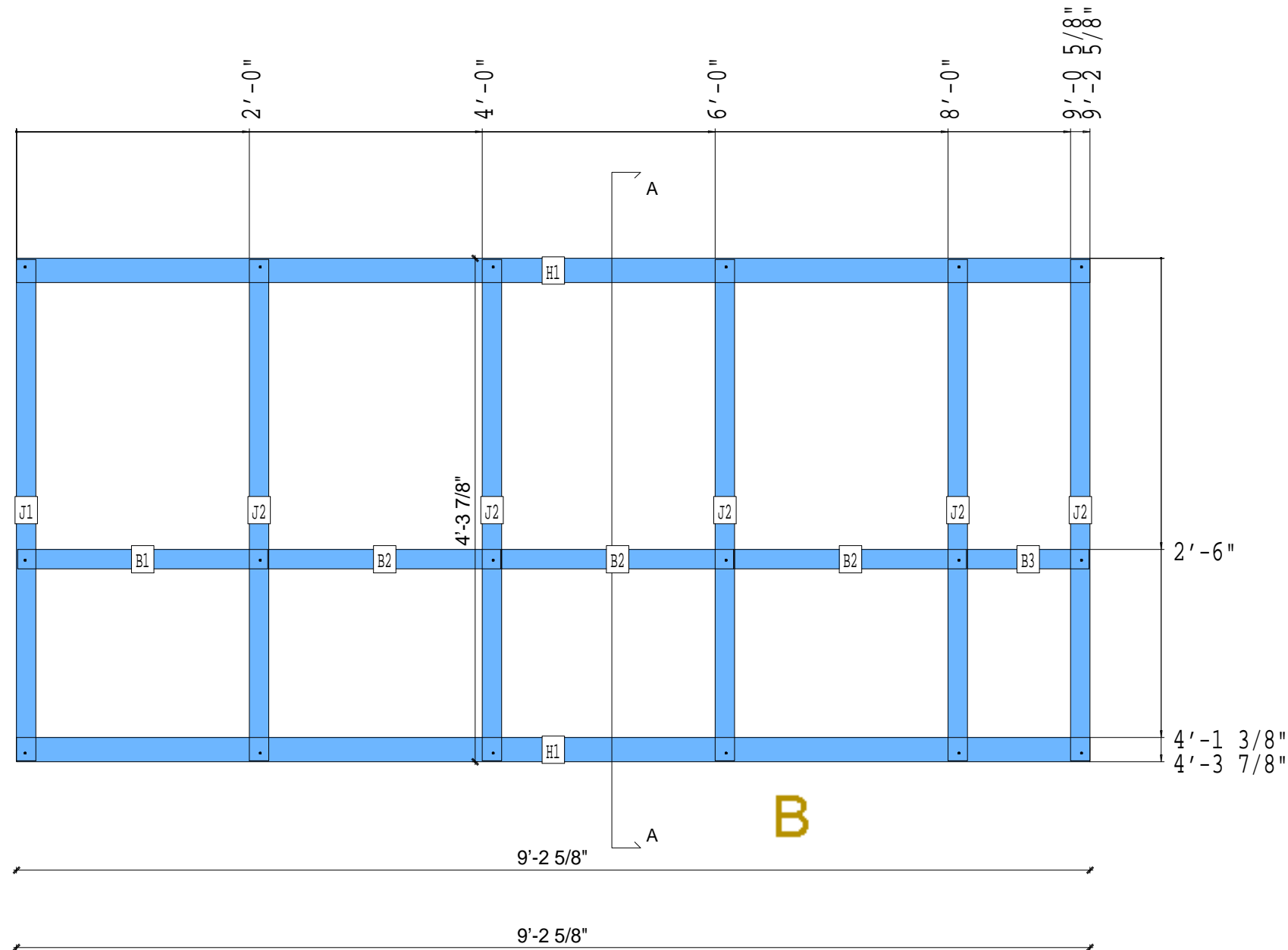


© FrameMax Inc.

APPROVED
By jbonavries at 8:35 am, Oct 31, 2008



A-A



PIECE SCHEDULE						
LAB	QTY	MATERIAL	DESCRIPTION	LENGTH	ANG1	ANG2
B1	1	400S200-54	BLOCK	2'-1 3/4"		
B2	3	400S200-54	BLOCK	1'-11 7/8"		
B3	1	400S200-54	BLOCK	1'-0 1/2"		
H1	2	400T250-54	HEADER	9'-2 5/8"		
J1	1	400S200-54	JOIST	4'-3 5/8"		
J2	5	400S200-54	JOIST	4'-3 5/8"		

21-5067

CREATED: 10/31/2008

Jewish Home for the Aging

1885 Victory Blvd. Reseda, CA

FM-07-109

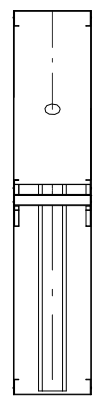
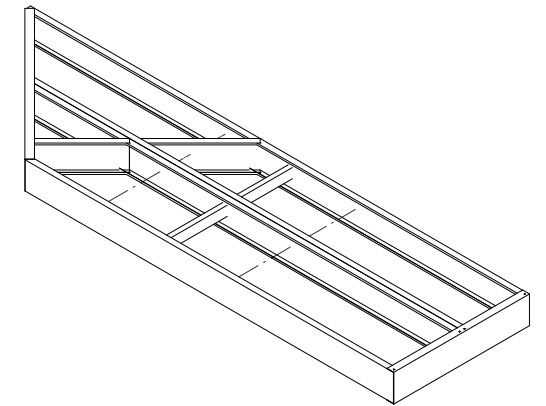
CREATED BY: JLB

FrameMax, Inc.
13915 Danielson St
Suite 100
Poway, CA 92064
www.framemax.com

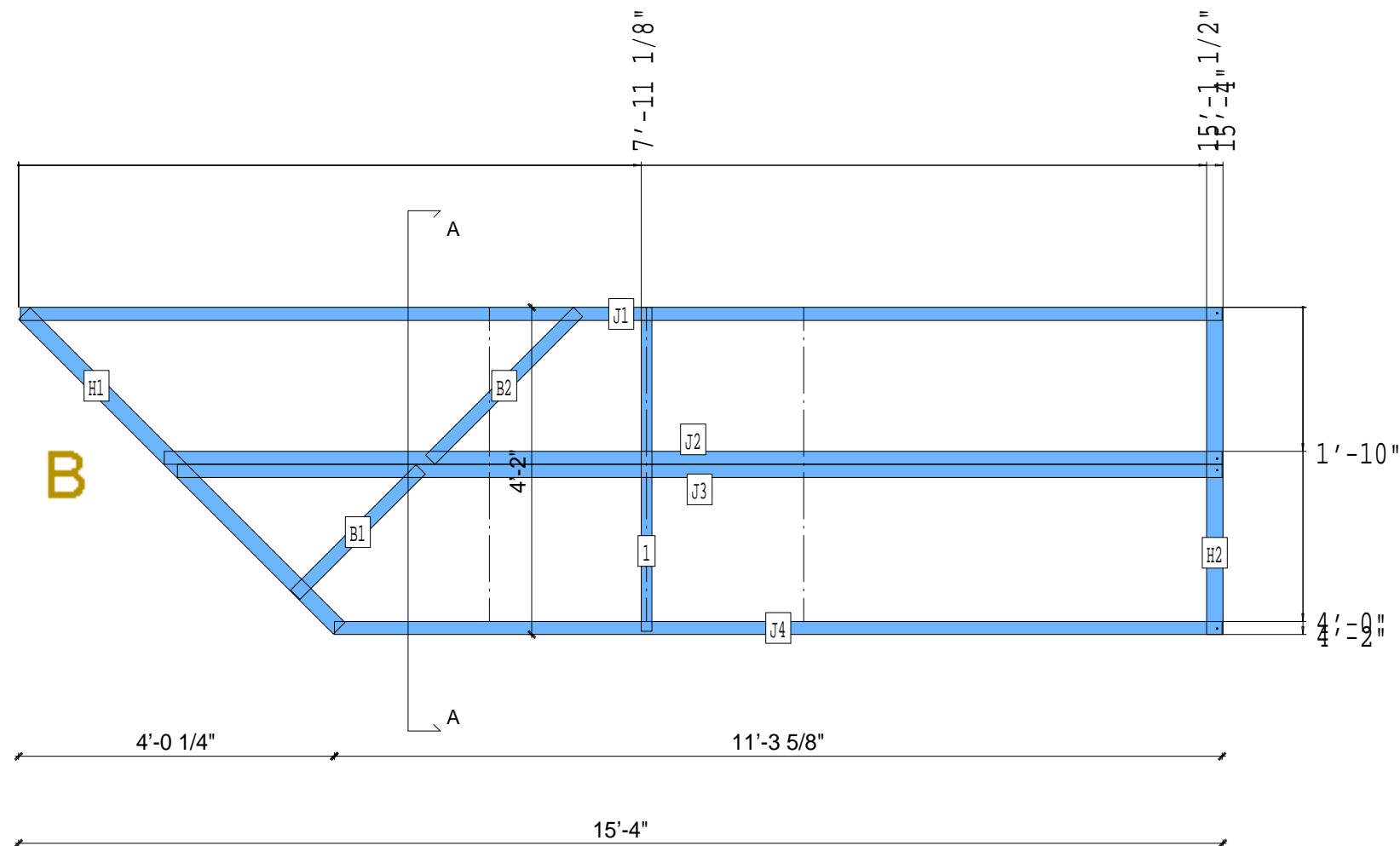


© FrameMax Inc.

APPROVED
By jbonavries at 8:35 am, Oct 31, 2008



A-A



PIECE SCHEDULE						
LAB	QTY	MATERIAL	DESCRIPTION	LENGTH	ANGL	ANG2
1	1	362S162-54	JOIST	4'-1 1/2"		
B1	1	1000S200-68	BLOCK	2'-3 1/16"		
B2	1	1000S200-68	BLOCK	2'-7 15/16"		
H1	1	1000T250-68	HEADER	5'-8"		
H2	1	1000T250-68	HEADER	4'-2"		
J1	1	1000S200-68	JOIST	15'-3 5/8"		
J2	1	1000S200-68	JOIST	13'-5 5/8"		
J3	1	1000S200-68	JOIST	13'-3 5/8"		
J4	1	1000S200-68	JOIST	11'-3 5/8"		

21-5068

CREATED: 10/31/2008

Jewish Home for the Aging

1885 Victory Blvd. Reseda, CA

FM-07-109

CREATED BY: JLB

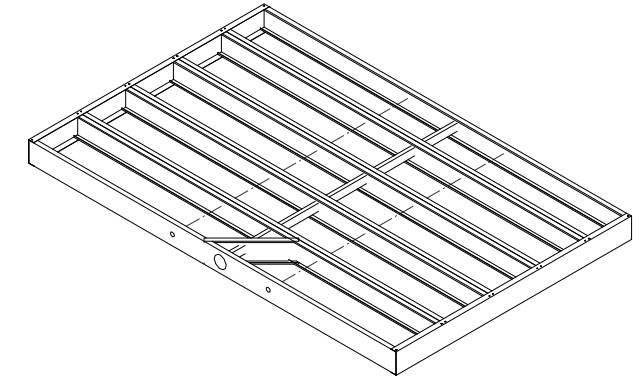
FrameMax, Inc.
13915 Danielson St
Suite 100
Poway, CA 92064
www.framemax.com



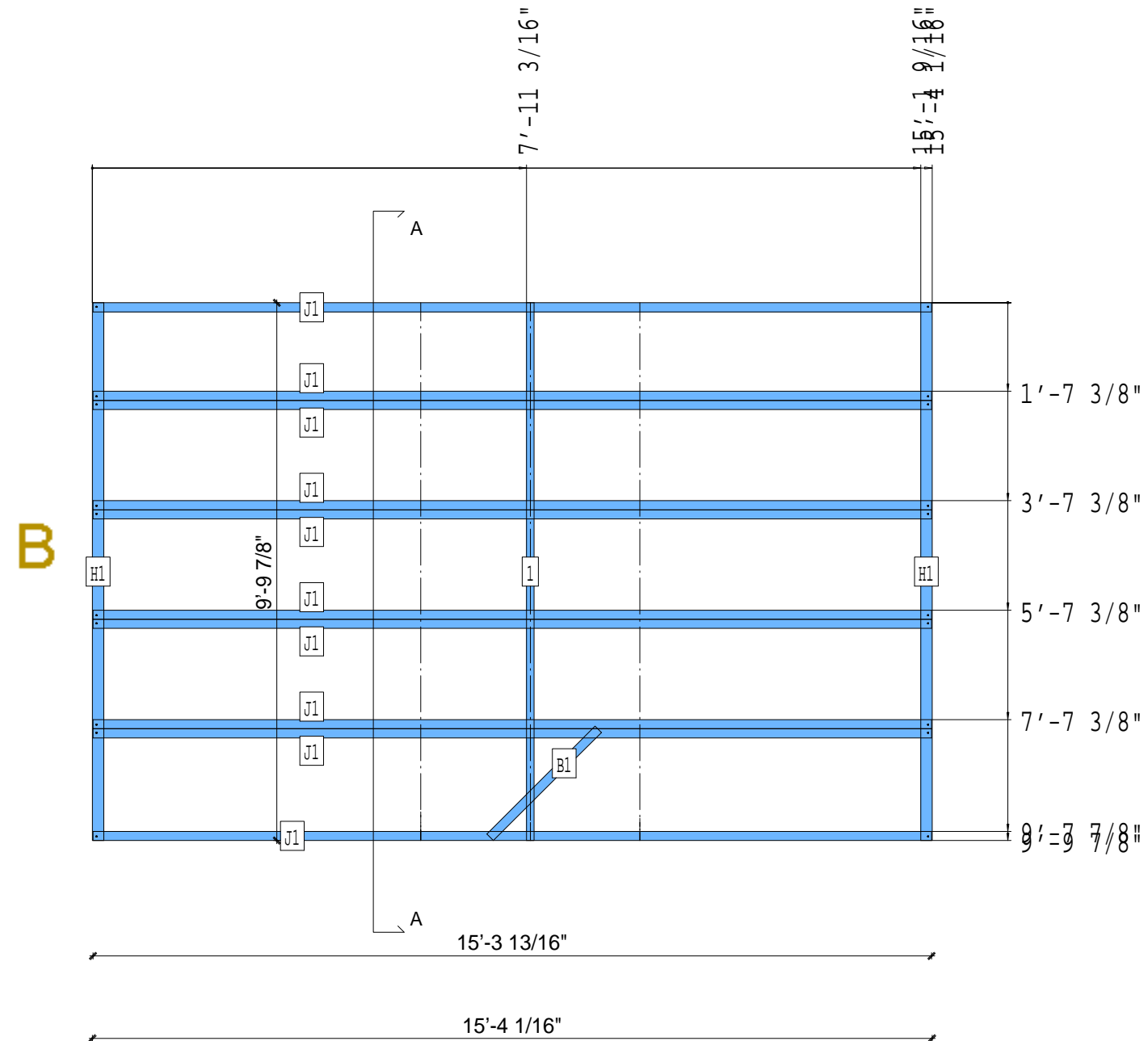
© FrameMax Inc.

APPROVED

By jbonavries at 8:35 am, Oct 31, 2008



A-A



PIECE SCHEDULE						
LAB	QTY	MATERIAL	DESCRIPTION	LENGTH	ANG1	ANG2
1	1	362S162-54	JOIST	9'-9 7/8"		
B1	1	1000S200-68	BLOCK	2'-9 1/2"		
H1	2	1000T250-68	HEADER	9'-9 7/8"		
J1	10	1000S200-68	JOIST	15'-3 13/16"		

21-5069

Jewish Home for the Aging

1885 Victory Blvd. Reseda, CA

FM-07-109

CREATED BY: JLB

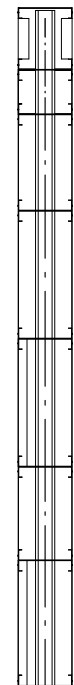
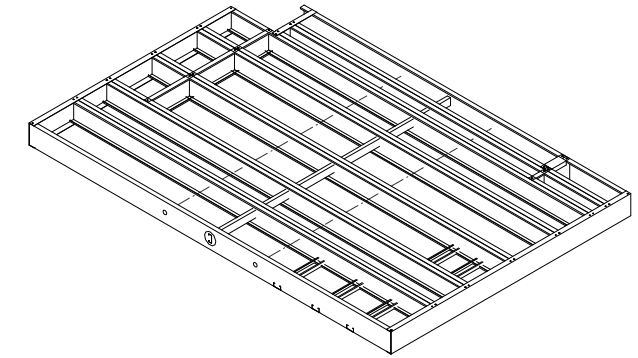
FrameMax, Inc.
13915 Danielson St
Suite 100
Poway, CA 92064
www.framemax.com



© FrameMax Inc.

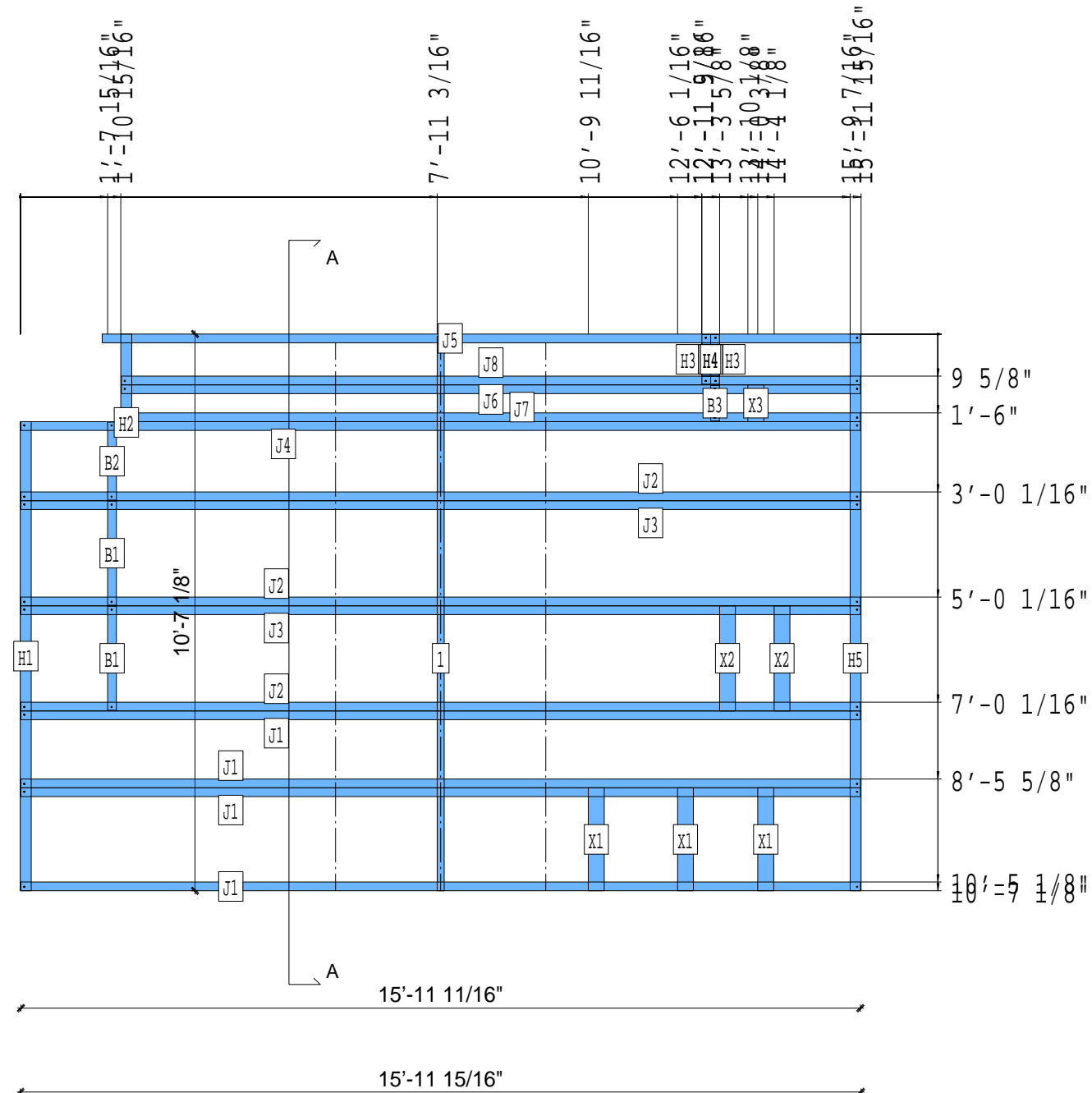
APPROVED

By jbonavries at 8:35 am, Oct 31, 2008



A-A

B



PIECE SCHEDULE						
LAB	QTY	MATERIAL	DESCRIPTION	LENGTH	ANG1	ANG2
1	1	362S162-54	JOIST	10'-6 5/8"		
B1	2	1000S200-68	BLOCK	1'-11 3/4"		
B2	1	1000S200-68	BLOCK	1'-5 13/16"		
B3	1	1000S200-68	BLOCK	8 1/8"		
H1	1	1000T250-68	HEADER	8'-11 1/8"		
H2	1	1000T250-68	HEADER	1'-9 3/8"		
H3	2	1000S200-68	OPENING TRIM	11 3/8"		
H4	2	400T200-68	OPENING TRIM	7 5/8"		
H5	1	1000T250-68	HEADER	10'-7 1/8"		
J1	4	1000S200-68	JOIST	15'-11 11/16"		
J2	3	1000S200-68	JOIST	15'-11 11/16"		
J3	2	1000S200-68	JOIST	15'-11 11/16"		
J4	1	1000S200-68	JOIST	15'-11 11/16"		
J5	1	1000S200-68	JOIST	14'-5 1/8"		
J6	1	1000S200-68	JOIST	14'-0 3/4"		
J7	1	1000S200-68	OPENING TRIM	14'-0 3/4"		
J8	1	1000S200-68	OPENING TRIM	14'-0 3/4"		
X1	3	362S162-33	FLAT TRACK B	1'-11 1/2"		
X2	2	362S162-33	FLAT TRACK B	2'-0"		
X3	1	362S162-33	FLAT TRACK B	8 3/8"		

21-5070

Jewish Home for the Aging

1885 Victory Blvd. Reseda, CA

FM-07-109

CREATED BY: JLB

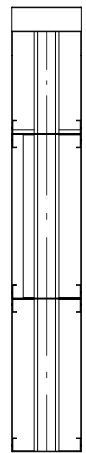
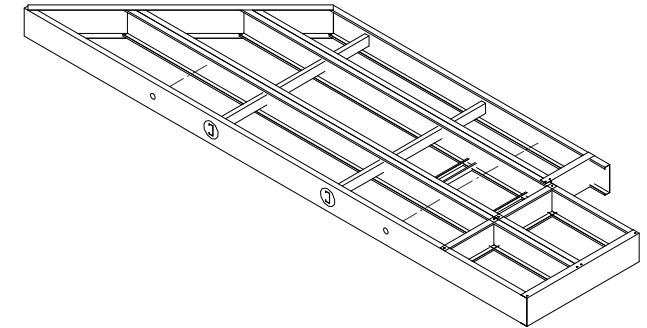
FrameMax, Inc.
13915 Danielson St
Suite 100
Poway, CA 92064
www.framemax.com



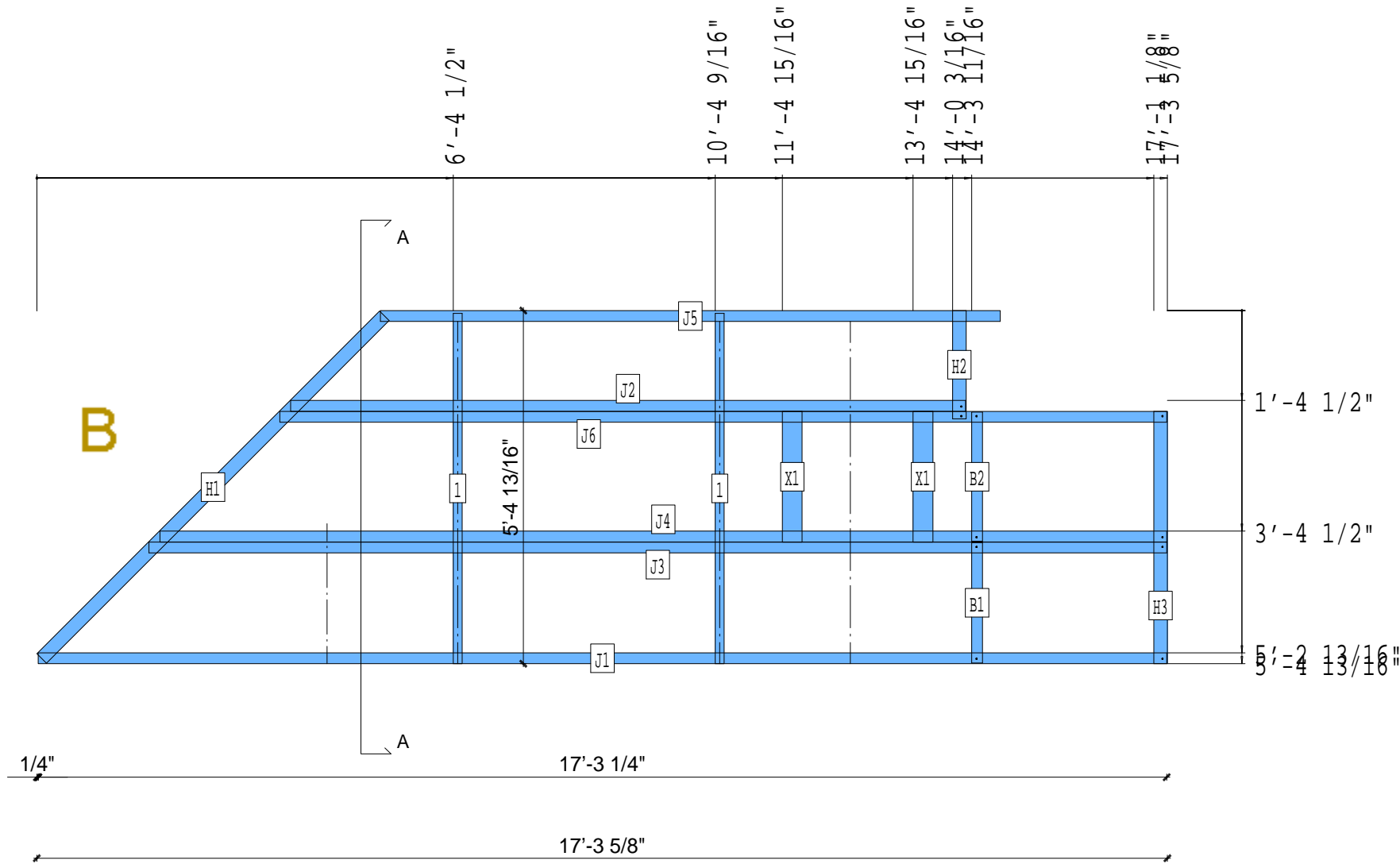
© FrameMax Inc.

APPROVED

By jbonavries at 8:35 am, Oct 31, 2008



A-A



PIECE SCHEDULE						
LAB	QTY	MATERIAL	DESCRIPTION	LENGTH	ANG1	ANG2
1	2	362S162-54	JOIST	5'-4 5/16"		
B1	1	1000S200-68	BLOCK	1'-10 1/16"		
B2	1	1000S200-68	BLOCK	1'-11 3/4"		
H1	1	1000T250-68	HEADER	7'-5"		
H2	1	1000T250-68	HEADER	1'-7 7/8"		
H3	1	1000T250-68	HEADER	3'-10 5/16"		
J1	1	1000S200-68	JOIST	17'-3 1/4"		
J2	1	1000S200-68	JOIST	10'-3 15/16"		
J3	1	1000S200-68	JOIST	15'-6 7/8"		
J4	1	1000S200-68	JOIST	15'-4 7/8"		
J5	1	1000S200-68	JOIST	9'-5 13/16"		
J6	1	1000S200-68	JOIST	13'-6 7/8"		
X1	2	362S162-33	FLAT TRACK B	2'-0"		

21-5071

CREATED: 10/31/2008

Jewish Home for the Aging

1885 Victory Blvd. Reseda, CA

FM-07-109

CREATED BY: JLB

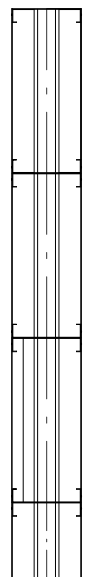
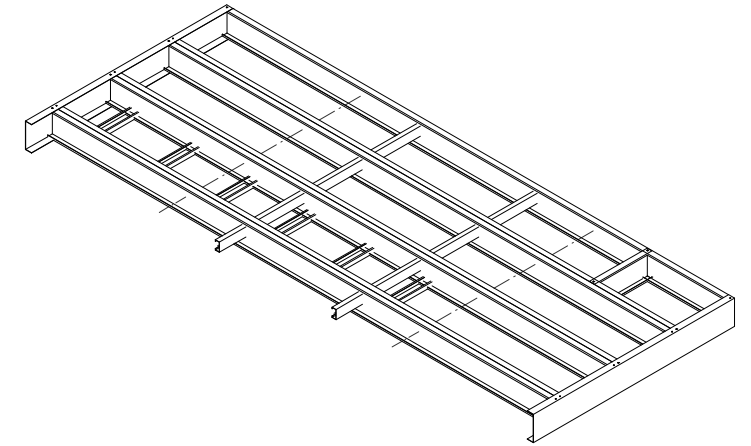
FrameMax, Inc.
13915 Danielson St
Suite 100
Poway, CA 92064
www.framemax.com



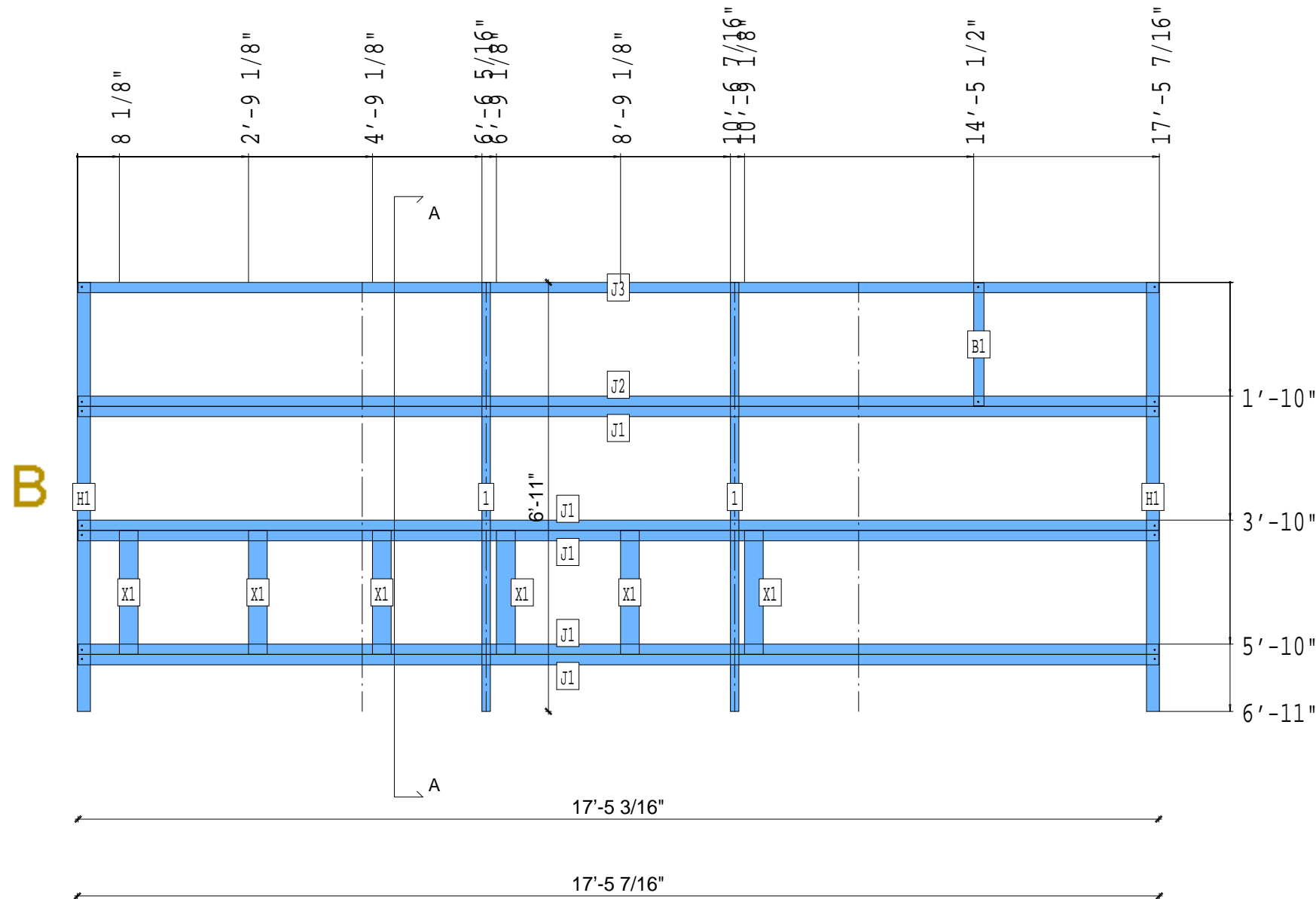
© FrameMax Inc.

APPROVED

By jbonavries at 8:35 am, Oct 31, 2008



A-A



PIECE SCHEDULE						
LAB	QTY	MATERIAL	DESCRIPTION	LENGTH	ANG1	ANG2
1	2	362S162-54	JOIST	6'-11"		
B1	1	1000S200-68	BLOCK	1'-11 3/4"		
H1	2	1000T250-68	HEADER	6'-11"		
J1	5	1000S200-68	JOIST	17'-5 3/16"		
J2	1	1000S200-68	JOIST	17'-5 3/16"		
J3	1	1000S200-68	JOIST	17'-5 3/16"		
X1	6	362S162-33	FLAT TRACK B	2'-0"		

21-5072

CREATED: 10/31/2008

Jewish Home for the Aging

1885 Victory Blvd. Reseda, CA

FM-07-109

CREATED BY: JLB

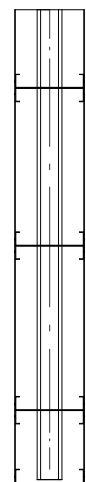
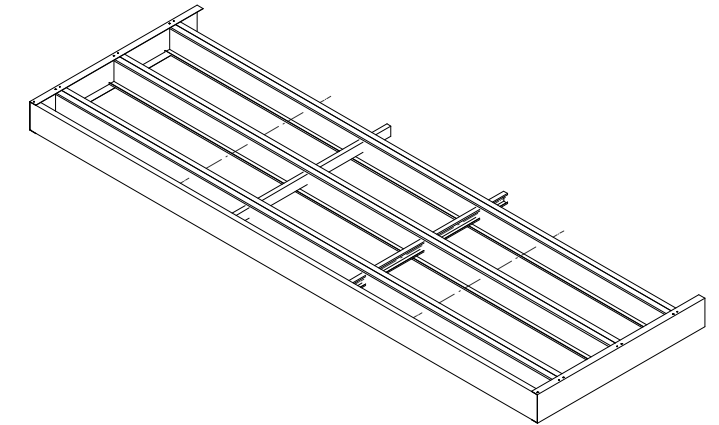
FrameMax, Inc.
13915 Danielson St
Suite 100
Poway, CA 92064
www.framemax.com



© FrameMax Inc.

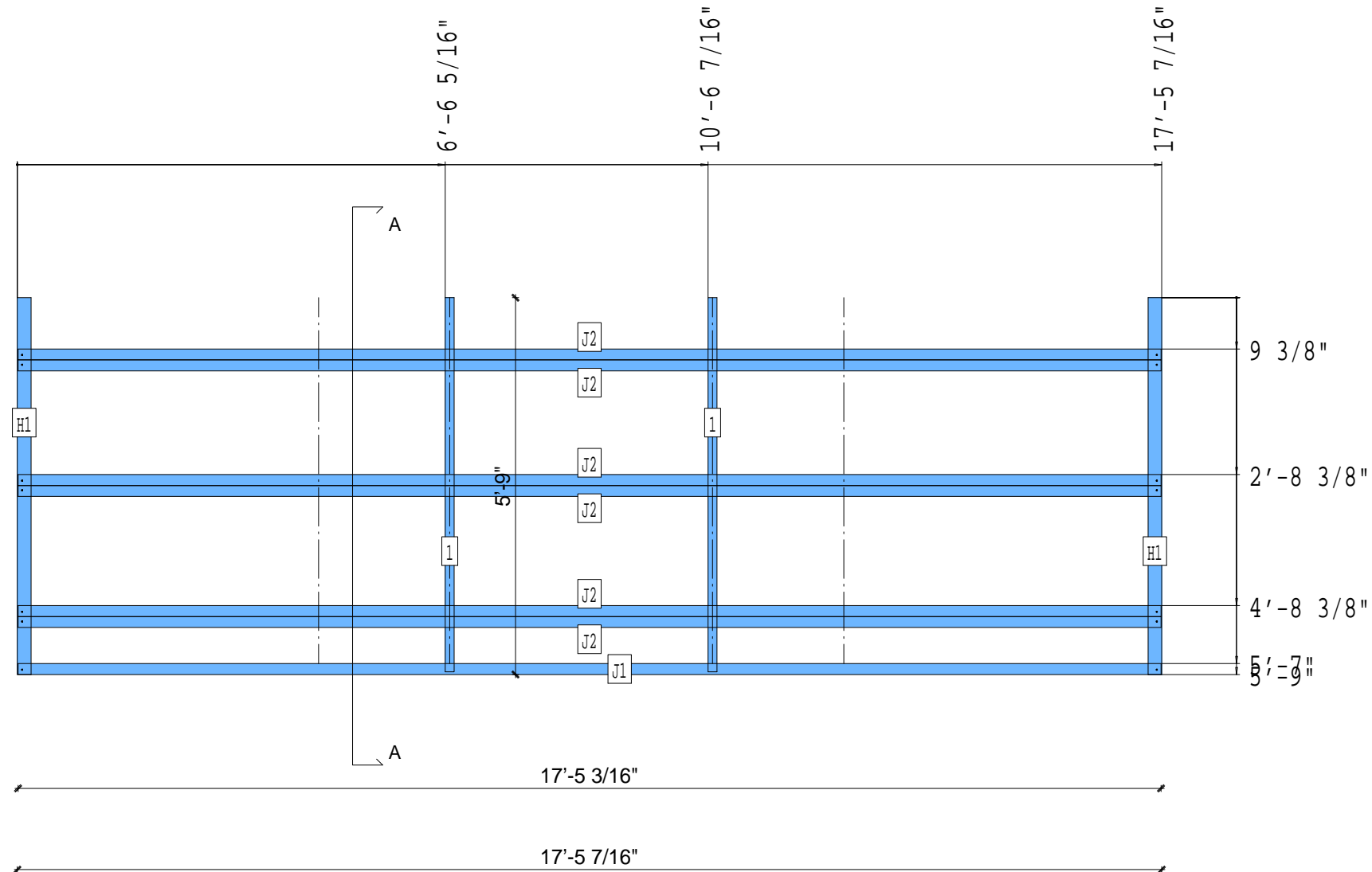
APPROVED

By jbonavries at 8:35 am, Oct 31, 2008



A-A

B



PIECE SCHEDULE						
LAB	QTY	MATERIAL	DESCRIPTION	LENGTH	ANG1	ANG2
1	2	362S162-54	JOIST	5'-8 1/2"		
H1	2	1000T250-68	HEADER	5'-9"		
J1	1	1000S200-68	JOIST	17'-5 3/16"		
J2	6	1000S200-68	JOIST	17'-5 3/16"		

21-5073

Jewish Home for the Aging

1885 Victory Blvd. Reseda, CA

FM-07-109

CREATED BY: JLB

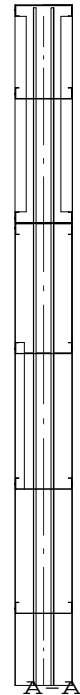
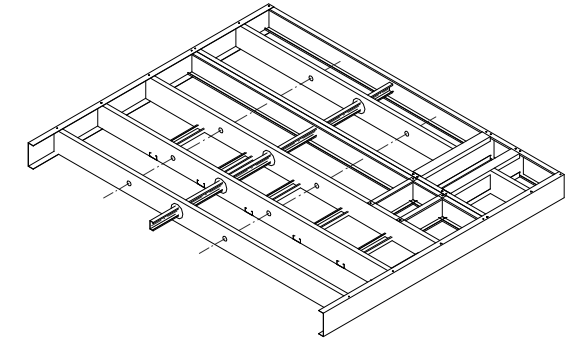
FrameMax, Inc.
13915 Danielson St
Suite 100
Poway, CA 92064
www.framemax.com



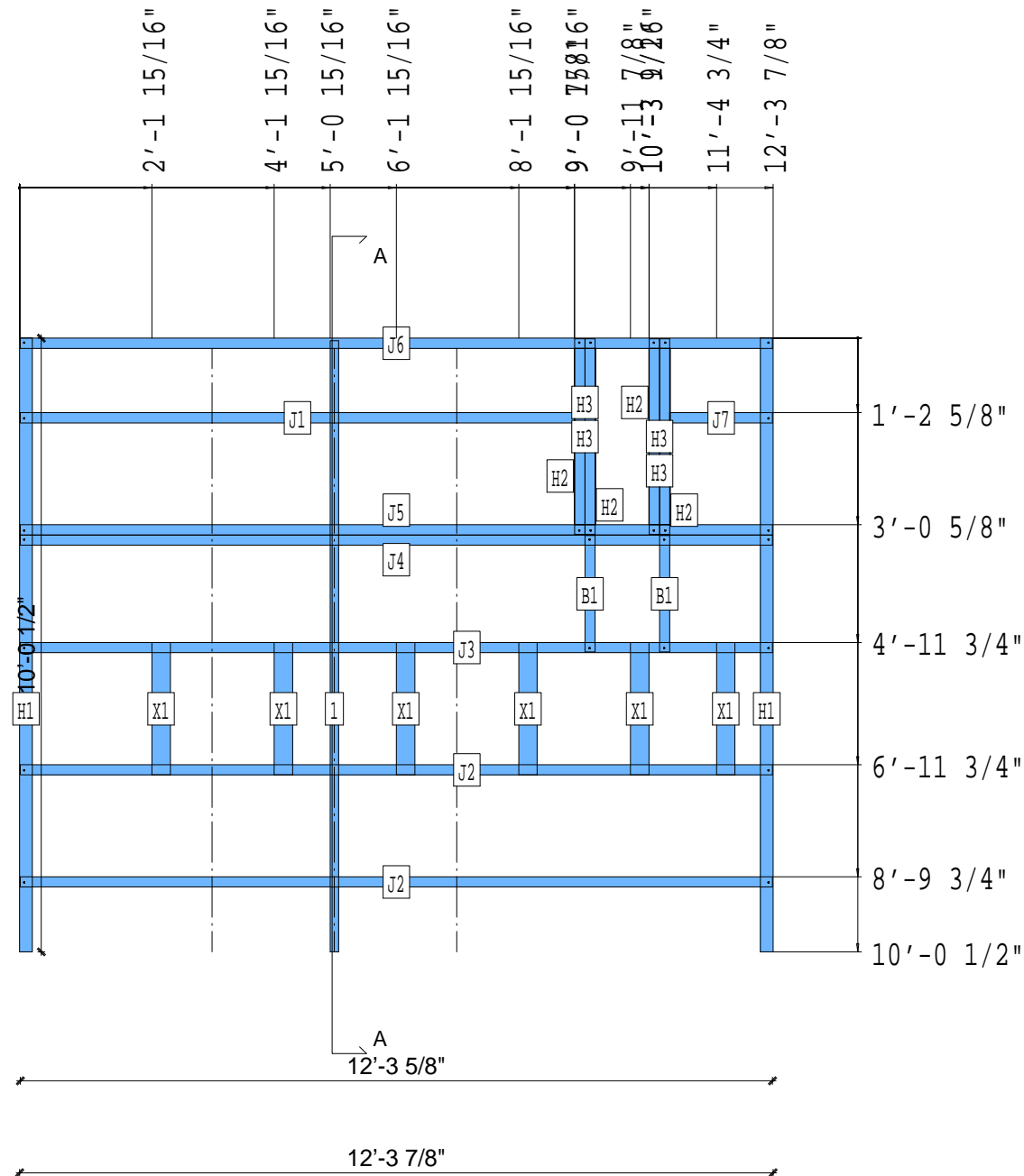
© FrameMax Inc.

APPROVED

By jbonavries at 8:35 am, Oct 31, 2008



B



PIECE SCHEDULE						
LAB	QTY	MATERIAL	DESCRIPTION	LENGTH	ANG1	ANG2
1	1	362S162-54	JOIST	10'-0"		
B1	2	1000S200-68	BLOCK	1'-10 7/8"		
H1	2	1000T250-68	HEADER	10'-0 1/2"		
H2	4	1000S200-68	OPENING TRIM	3'-2 3/8"		
H3	4	400T200-68	OPENING TRIM	2'-10 5/8"		
J1	1	1000S200-68	JOIST	9'-0 13/16"		
J2	2	1000S200-68	JOIST	12'-3 5/8"		
J3	1	1000S200-68	JOIST	12'-3 5/8"		
J4	1	1000S200-68	OPENING TRIM	12'-3 5/8"		
J5	1	1000S200-68	OPENING TRIM	12'-3 5/8"		
J6	1	1000S200-68	JOIST	12'-3 5/8"		
J7	1	1000S200-68	JOIST	1'-8 3/16"		
X1	6	362S162-33	FLAT TRACK B	2'-2"		

21-5074

Jewish Home for the Aging

1885 Victory Blvd. Reseda, CA

FM-07-109

CREATED BY: JLB

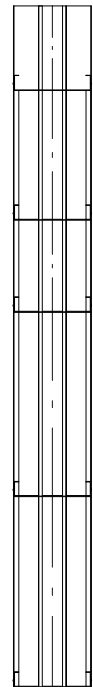
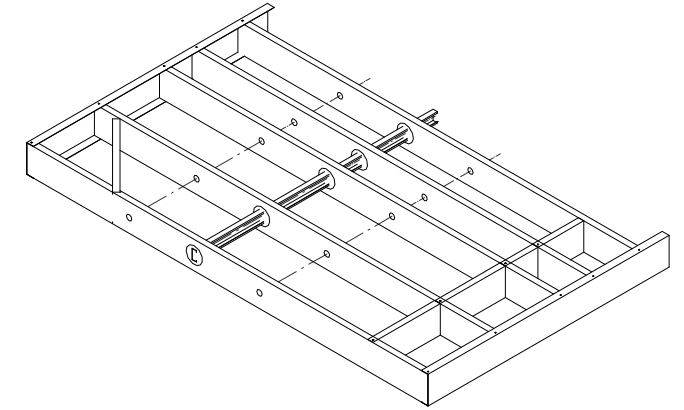
FrameMax, Inc.
13915 Danielson St
Suite 100
Poway, CA 92064
www.framemax.com



© FrameMax Inc.

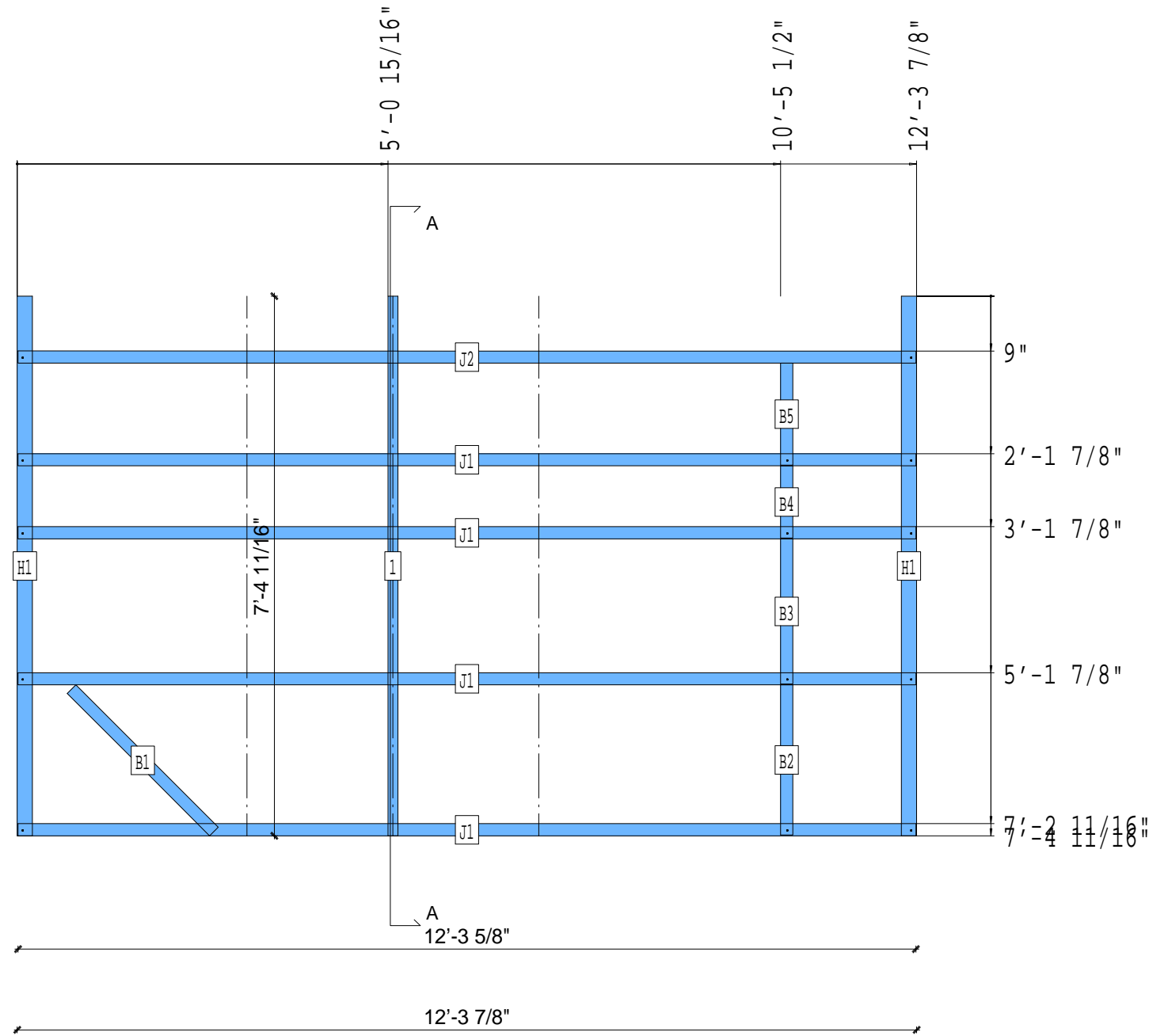
APPROVED

By jbonavries at 8:35 am, Oct 31, 2008



A-A

B



PIECE SCHEDULE						
LAB	QTY	MATERIAL	DESCRIPTION	LENGTH	ANG1	ANG2
1	1	362S162-54	JOIST	7'-4 11/16"		
B1	1	1000S200-68	BLOCK	2'-9 1/16"		
B2	1	1000S200-68	BLOCK	2'-0 11/16"		
B3	1	1000S200-68	BLOCK	1'-11 7/8"		
B4	1	1000S200-68	BLOCK	11 7/8"		
B5	1	1000S200-68	BLOCK	1'-4 3/4"		
H1	2	1000T250-68	HEADER	7'-4 11/16"		
J1	4	1000S200-68	JOIST	12'-3 5/8"		
J2	1	1000S200-68	JOIST	12'-3 5/8"		

21-5075

CREATED: 10/31/2008

Jewish Home for the Aging

1885 Victory Blvd. Reseda, CA

FM-07-109

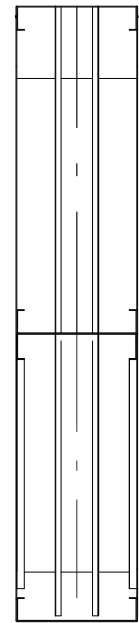
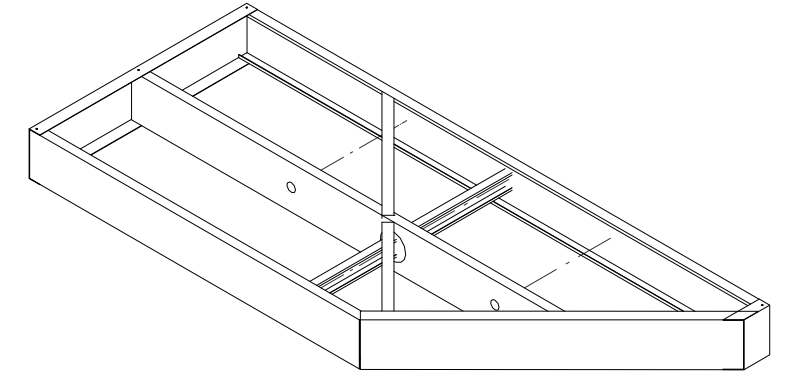
CREATED BY: JLB

FrameMax, Inc.
13915 Danielson St
Suite 100
Poway, CA 92064
www.framemax.com



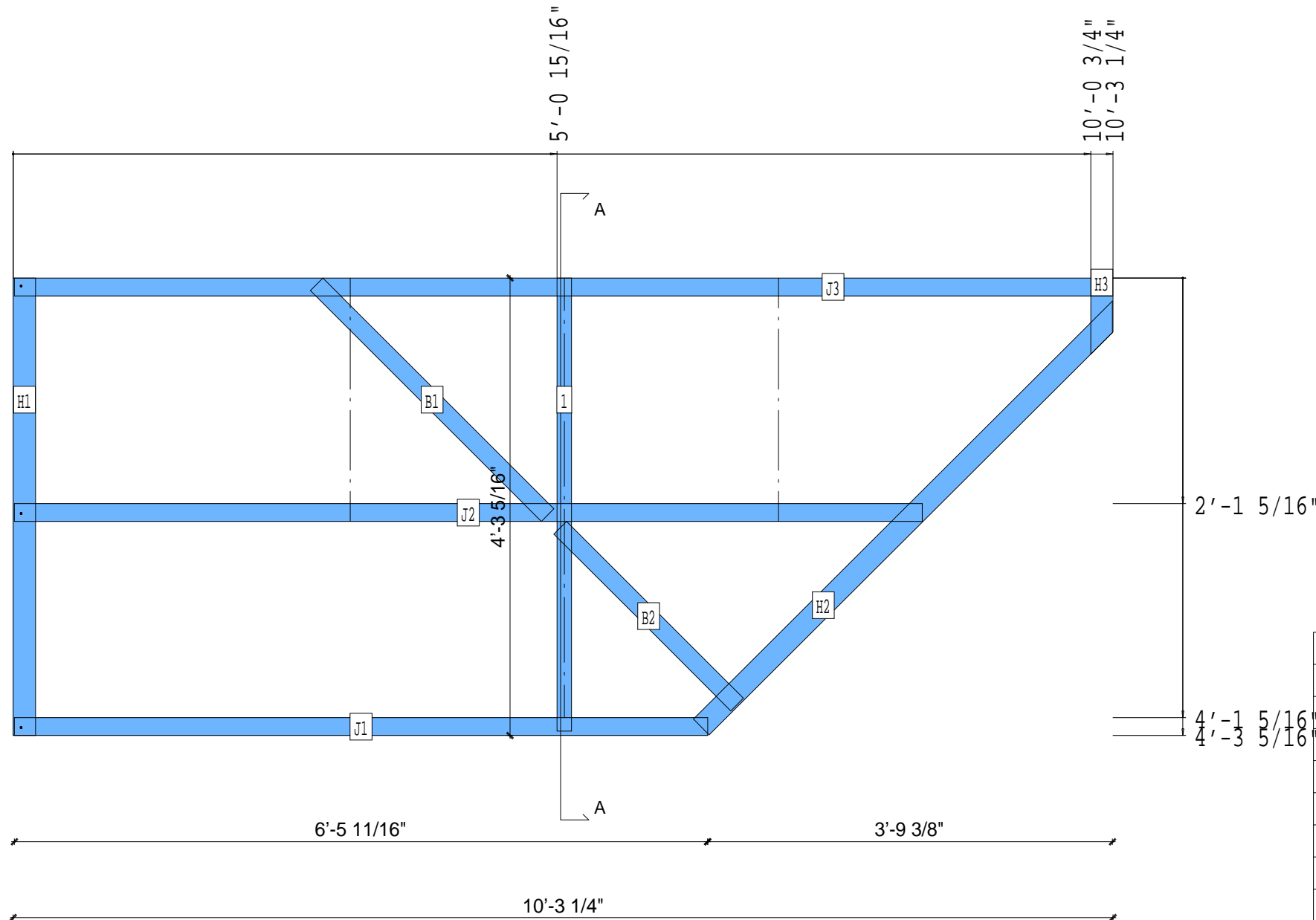
© FrameMax Inc.

APPROVED
By jbonavries at 8:35 am, Oct 31, 2008



A-A

B



PIECE SCHEDULE						
LAB	QTY	MATERIAL	DESCRIPTION	LENGTH	ANG1	ANG2
1	1	362S162-54	JOIST	4'-2 13/16"		
B1	1	1000S200-68	BLOCK	3'-0 5/8"		
B2	1	1000S200-68	BLOCK	2'-4 1/16"		
H1	1	1000T250-68	HEADER	4'-3 5/16"		
H2	1	1000T250-68	HEADER	5'-6 3/8"		-45.0
H3	1	1000T250-68	HEADER	8 9/16"	45.0	
J1	1	1000S200-68	JOIST	6'-5 11/16"		
J2	1	1000S200-68	JOIST	8'-5 3/4"		
J3	1	1000S200-68	JOIST	10'-3"		

21-5076

Jewish Home for the Aging

1885 Victory Blvd. Reseda, CA

FM-07-109

CREATED BY: JLB

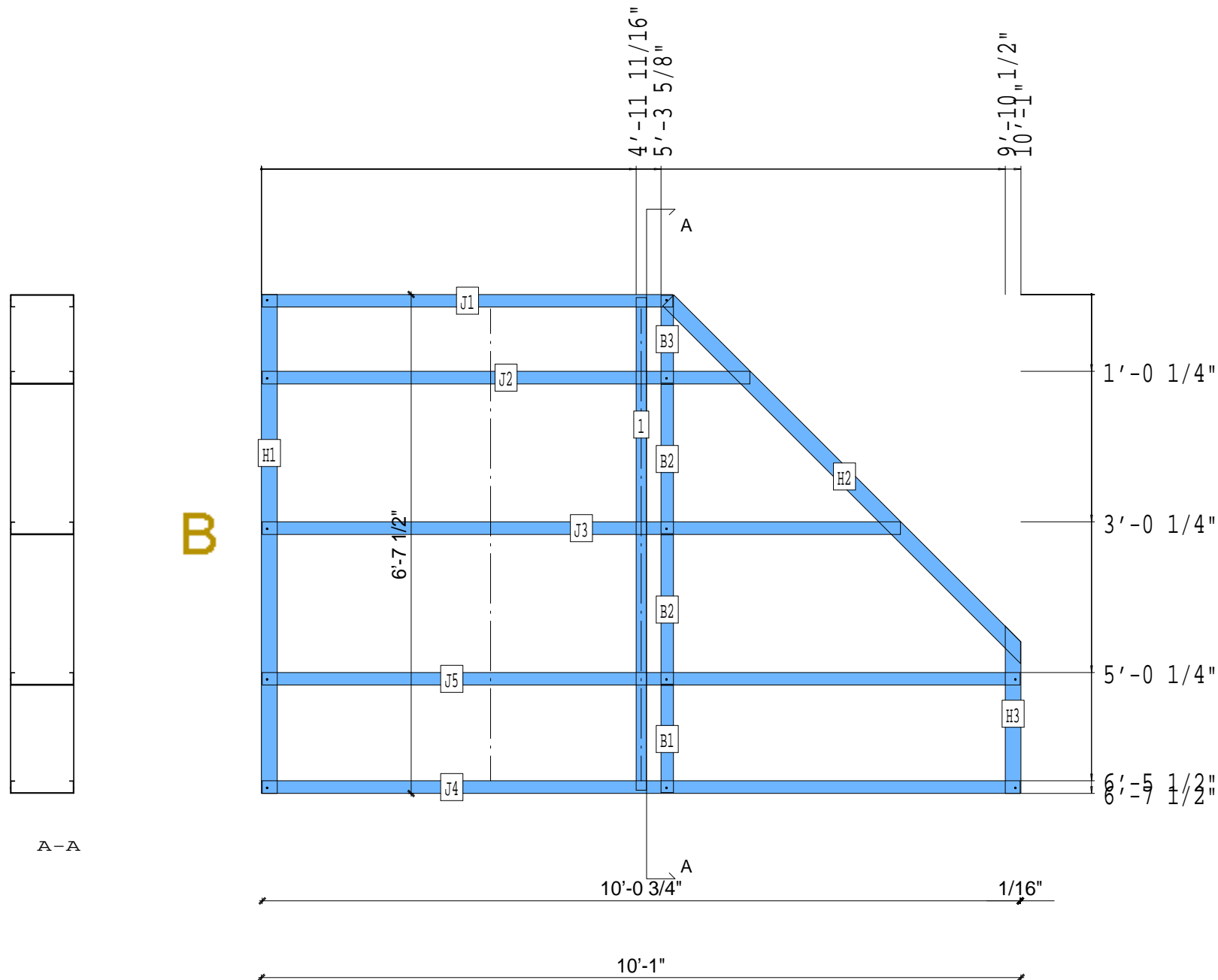
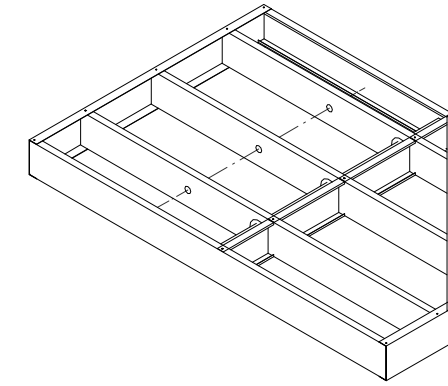
FrameMax, Inc.
13915 Danielson St
Suite 100
Poway, CA 92064
www.framemax.com



© FrameMax Inc.

APPROVED

By jbonavries at 8:35 am, Oct 31, 2008



PIECE SCHEDULE						
LAB	QTY	MATERIAL	DESCRIPTION	LENGTH	ANG1	ANG2
1	1	362S162-54	JOIST	6'-6 1/2"		
B1	1	1000S200-68	BLOCK	1'-5 1/16"		
B2	2	1000S200-68	BLOCK	1'-11 13/16"		
B3	1	1000S200-68	BLOCK	1'-2"		
H1	1	1000T250-68	HEADER	6'-7 1/2"		
H2	1	1000T250-68	HEADER	6'-8 5/8"	45.0	
H3	1	1000T250-68	HEADER	2'-2 11/16"		-45.0
J1	1	1000S200-68	JOIST	5'-5 7/16"		
J2	1	1000S200-68	JOIST	6'-5 11/16"		
J3	1	1000S200-68	JOIST	8'-5 11/16"		
J4	1	1000S200-68	JOIST	10'-0 3/4"		
J5	1	1000S200-68	JOIST	10'-0 3/4"		

21-5077

CREATED: 10/31/2008

Jewish Home for the Aging

1885 Victory Blvd. Reseda, CA

FM-07-109

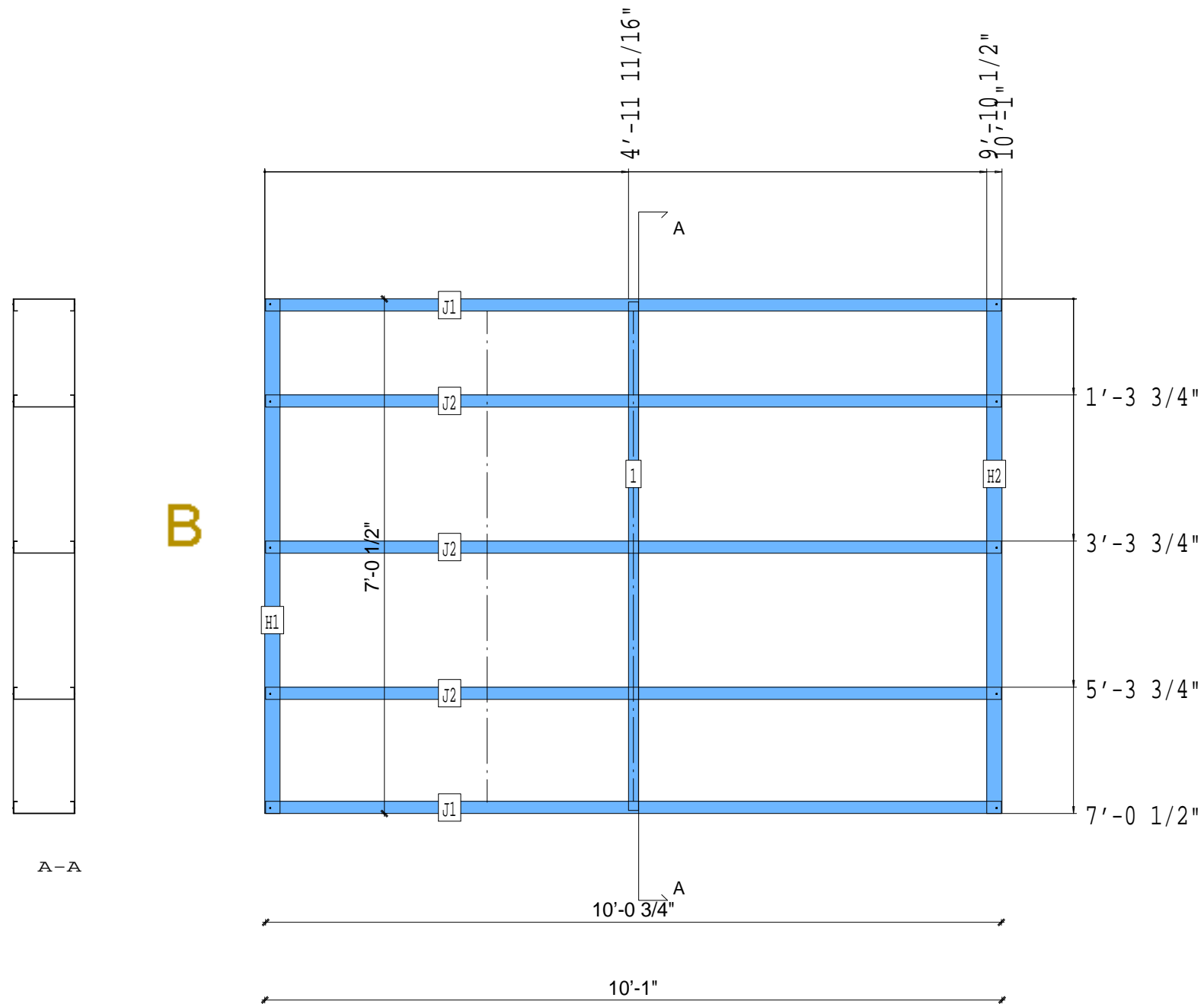
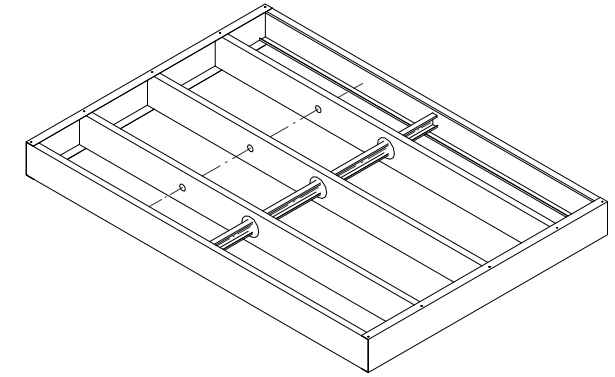
CREATED BY: JLB

FrameMax, Inc.
13915 Danielson St
Suite 100
Poway, CA 92064
www.framemax.com



© FrameMax Inc.

APPROVED
By jbonavries at 8:35 am, Oct 31, 2008



PIECE SCHEDULE						
LAB	QTY	MATERIAL	DESCRIPTION	LENGTH	ANG1	ANG2
1	1	362S162-54	JOIST	6'-11 1/2"		
H1	1	1000T250-68	HEADER	7'-0 1/2"		
H2	1	1000T250-68	HEADER	7'-0 1/2"		
J1	2	1000S200-68	JOIST	10'-0 3/4"		
J2	3	1000S200-68	JOIST	10'-0 3/4"		

21-5078

CREATED: 10/31/2008

Jewish Home for the Aging

1885 Victory Blvd. Reseda, CA

FM-07-109

CREATED BY: JLB

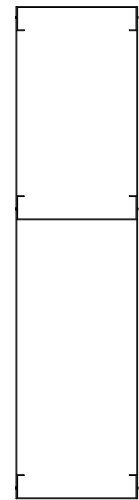
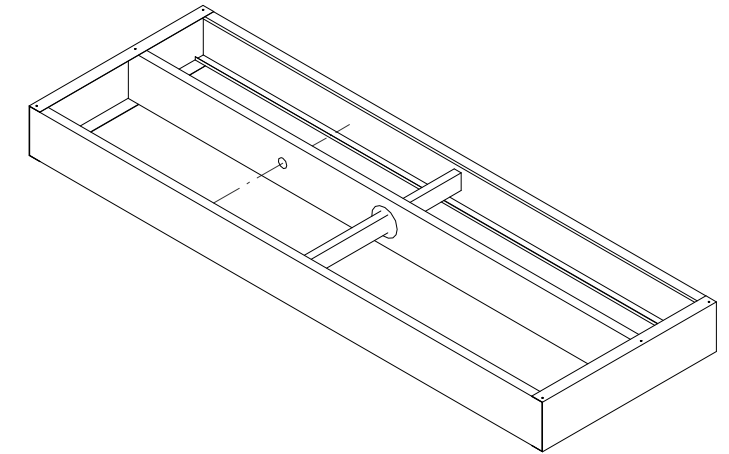
FrameMax, Inc.
13915 Danielson St
Suite 100
Poway, CA 92064
www.framemax.com



© FrameMax Inc.

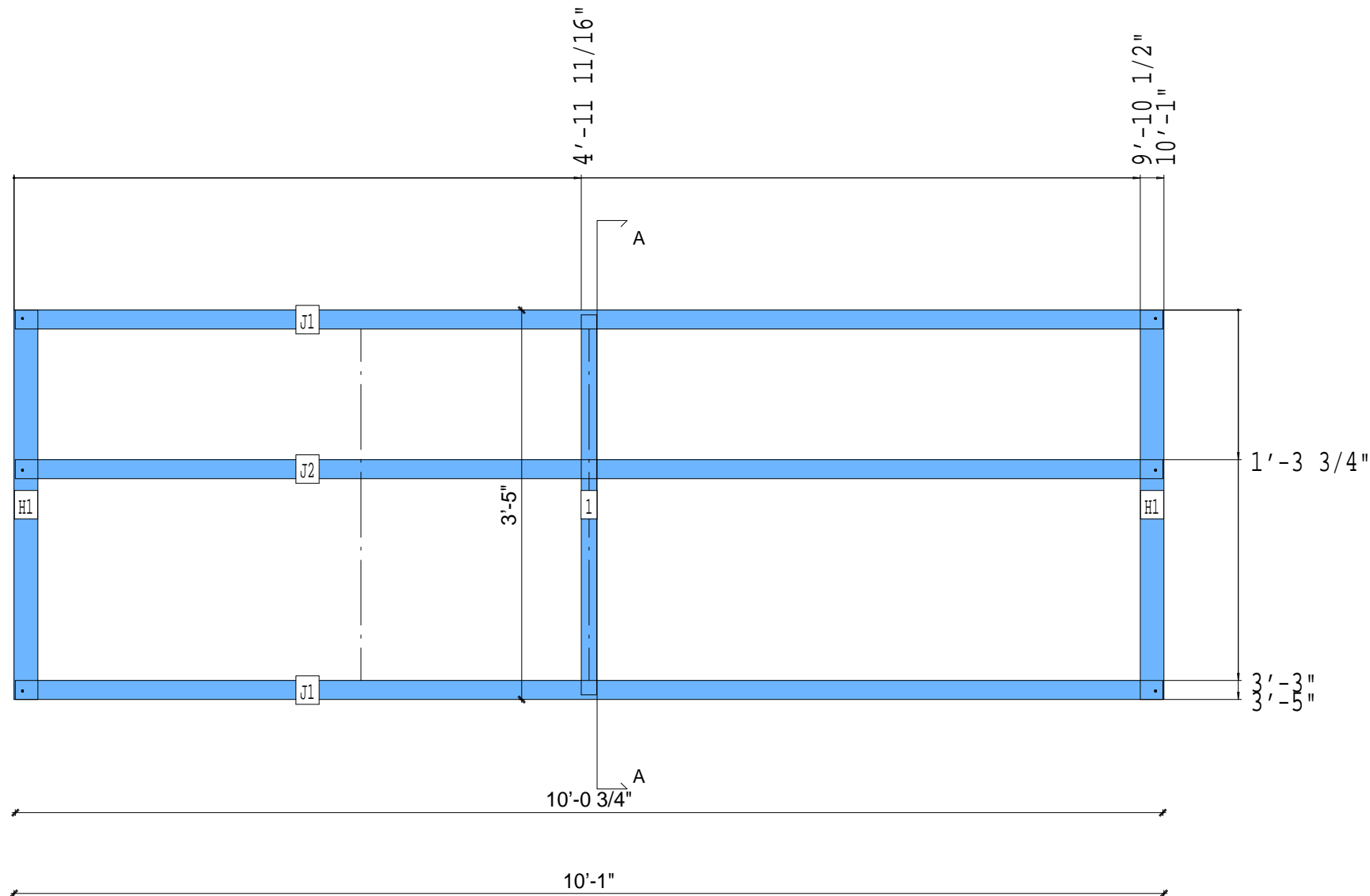
APPROVED

By jbonavries at 8:35 am, Oct 31, 2008



A-A

B



PIECE SCHEDULE						
LAB	QTY	MATERIAL	DESCRIPTION	LENGTH	ANG1	ANG2
1	1	362S162-54	JOIST	3'-4"		
H1	2	1000T250-68	HEADER	3'-5"		
J1	2	1000S200-68	JOIST	10'-0 3/4"		
J2	1	1000S200-68	JOIST	10'-0 3/4"		

21-5079

CREATED: 10/31/2008

Jewish Home for the Aging

1885 Victory Blvd. Reseda, CA

FM-07-109

CREATED BY: JLB

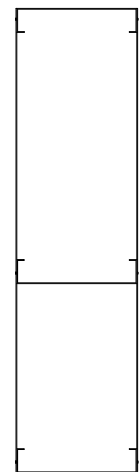
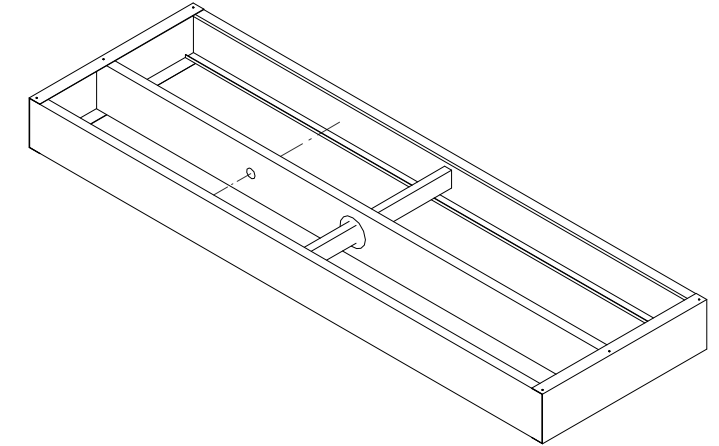
FrameMax, Inc.
13915 Danielson St
Suite 100
Poway, CA 92064
www.framemax.com



© FrameMax Inc.

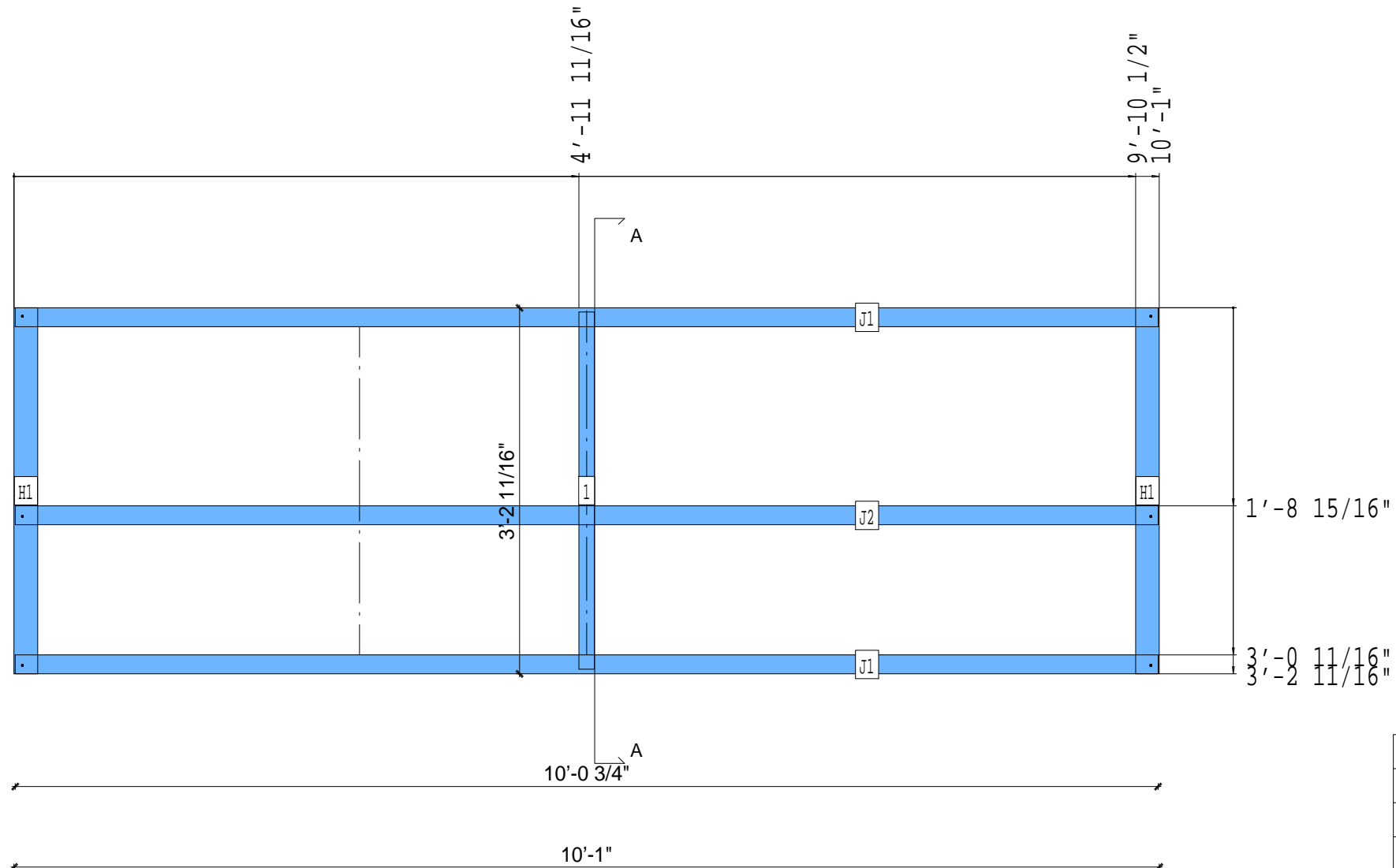
APPROVED

By jbonavries at 8:35 am, Oct 31, 2008



A-A

B



PIECE SCHEDULE						
LAB	QTY	MATERIAL	DESCRIPTION	LENGTH	ANG1	ANG2
1	1	362S162-54	JOIST	3'-1 3/4"		
H1	2	1000T250-68	HEADER	3'-2 11/16"		
J1	2	1000S200-68	JOIST	10'-0 3/4"		
J2	1	1000S200-68	JOIST	10'-0 3/4"		

21-5080

Jewish Home for the Aging

1885 Victory Blvd. Reseda, CA

FM-07-109

CREATED BY: JLB

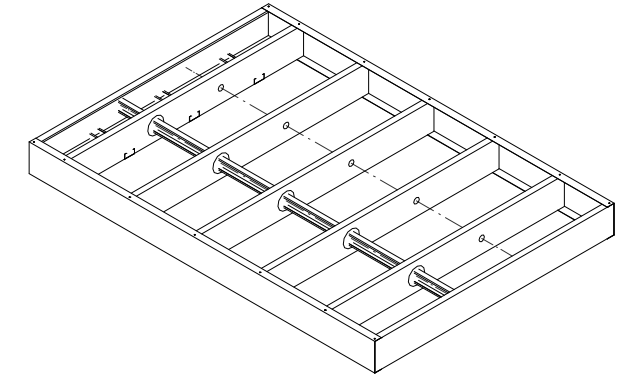
FrameMax, Inc.
13915 Danielson St
Suite 100
Poway, CA 92064
www.framemax.com



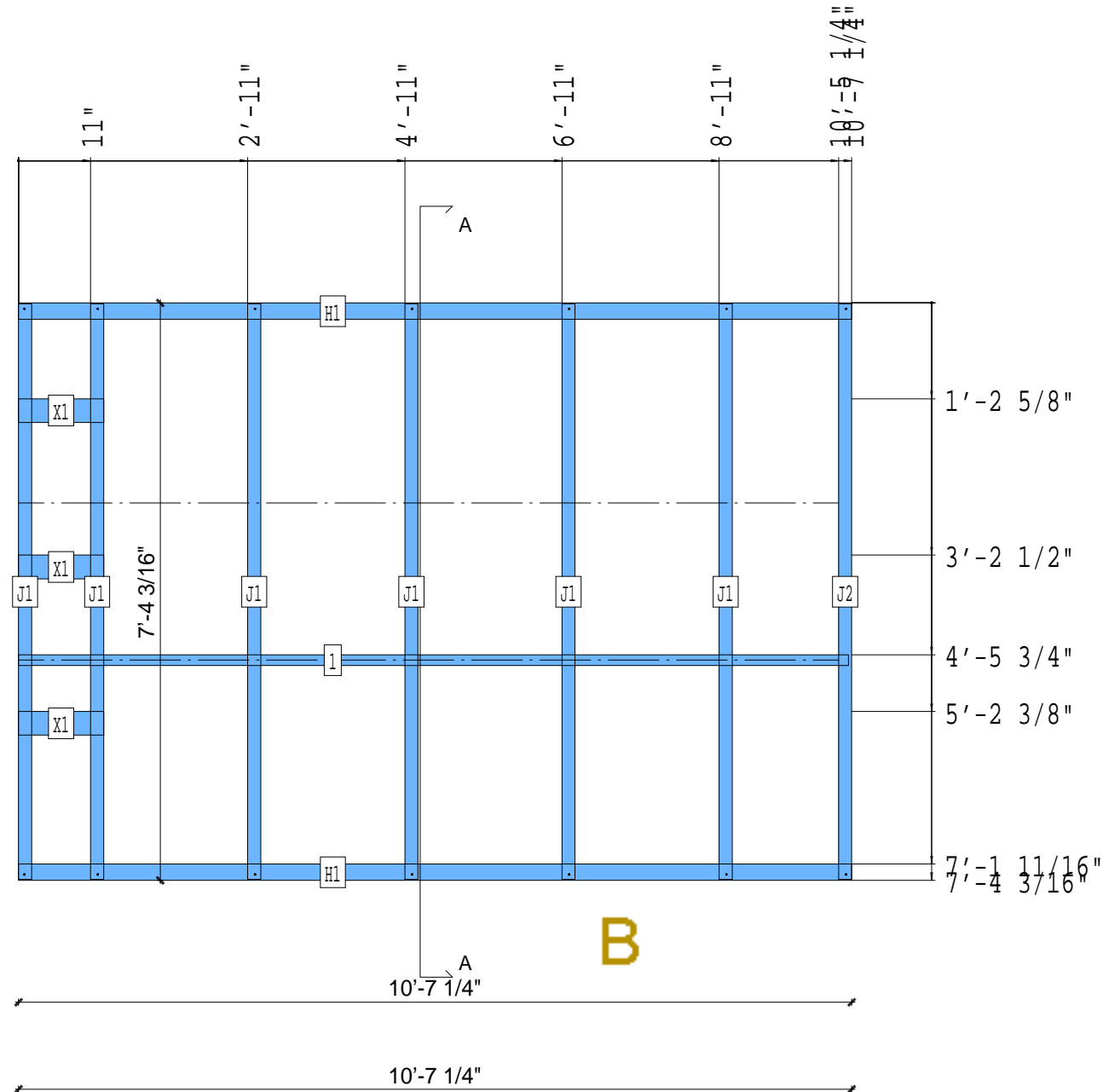
© FrameMax Inc.

APPROVED

By jbonavries at 8:35 am, Oct 31, 2008



A-A



PIECE SCHEDULE						
LAB	QTY	MATERIAL	DESCRIPTION	LENGTH	ANG1	ANG2
1	1	362S162-54	JOIST	10'-6 3/4"		
H1	2	1000T250-68	HEADER	10'-7 1/4"		
J1	6	1000S200-68	JOIST	7'-3 15/16"		
J2	1	1000S200-68	JOIST	7'-3 15/16"		
X1	3	362S162-33	FLAT TRACK B	1'-1"		

21-5081

Jewish Home for the Aging

1885 Victory Blvd. Reseda, CA

FM-07-109

CREATED BY: JLB

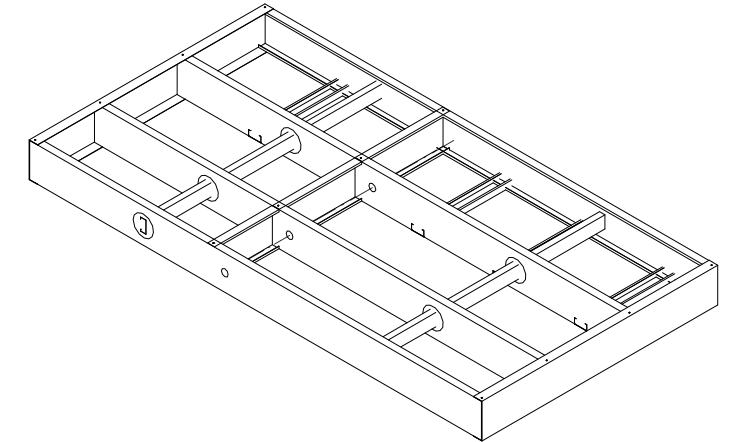
FrameMax, Inc.
13915 Danielson St
Suite 100
Poway, CA 92064
www.framemax.com



© FrameMax Inc.

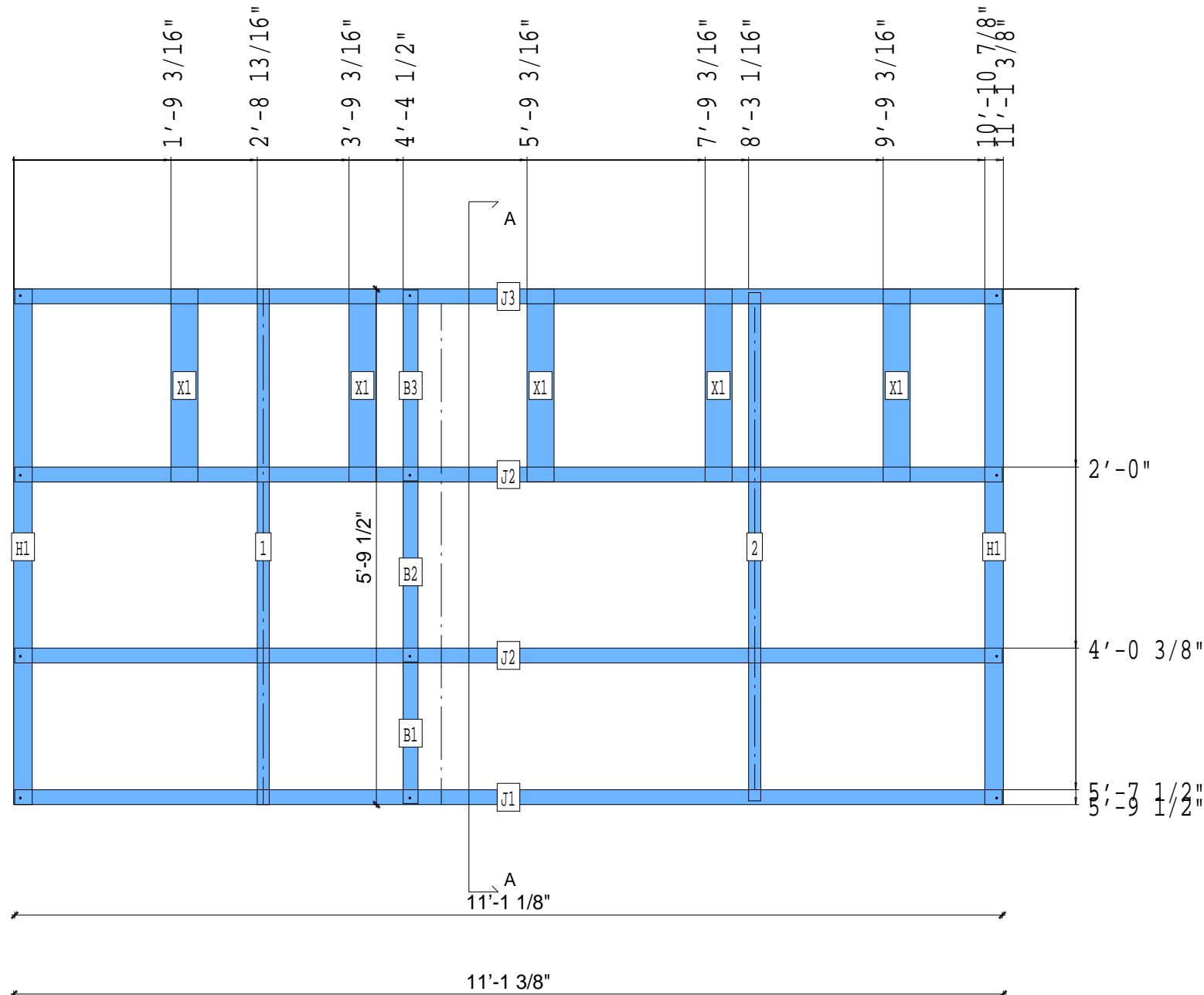
APPROVED

By jbonavries at 8:35 am, Oct 31, 2008



A-A

B



PIECE SCHEDULE						
LAB	QTY	MATERIAL	DESCRIPTION	LENGTH	ANG1	ANG2
1	1	362S162-54	JOIST	5'-9 1/2"		
2	1	362S162-54	JOIST	5'-8 1/2"		
B1	1	1000S200-68	BLOCK	1'-6 15/16"		
B2	1	1000S200-68	BLOCK	2'-0 1/4"		
B3	1	1000S200-68	BLOCK	2'-1 3/4"		
H1	2	1000T250-68	HEADER	5'-9 1/2"		
J1	1	1000S200-68	JOIST	11'-1 1/8"		
J2	2	1000S200-68	JOIST	11'-1 1/8"		
J3	1	1000S200-68	JOIST	11'-1 1/8"		
X1	5	362S162-33	FLAT TRACK B	2'-2"		

21-5082

CREATED: 10/31/2008

Jewish Home for the Aging

1885 Victory Blvd. Reseda, CA

FM-07-109

CREATED BY: JLB

FrameMax, Inc.
13915 Danielson St
Suite 100
Poway, CA 92064
www.frame-max.com



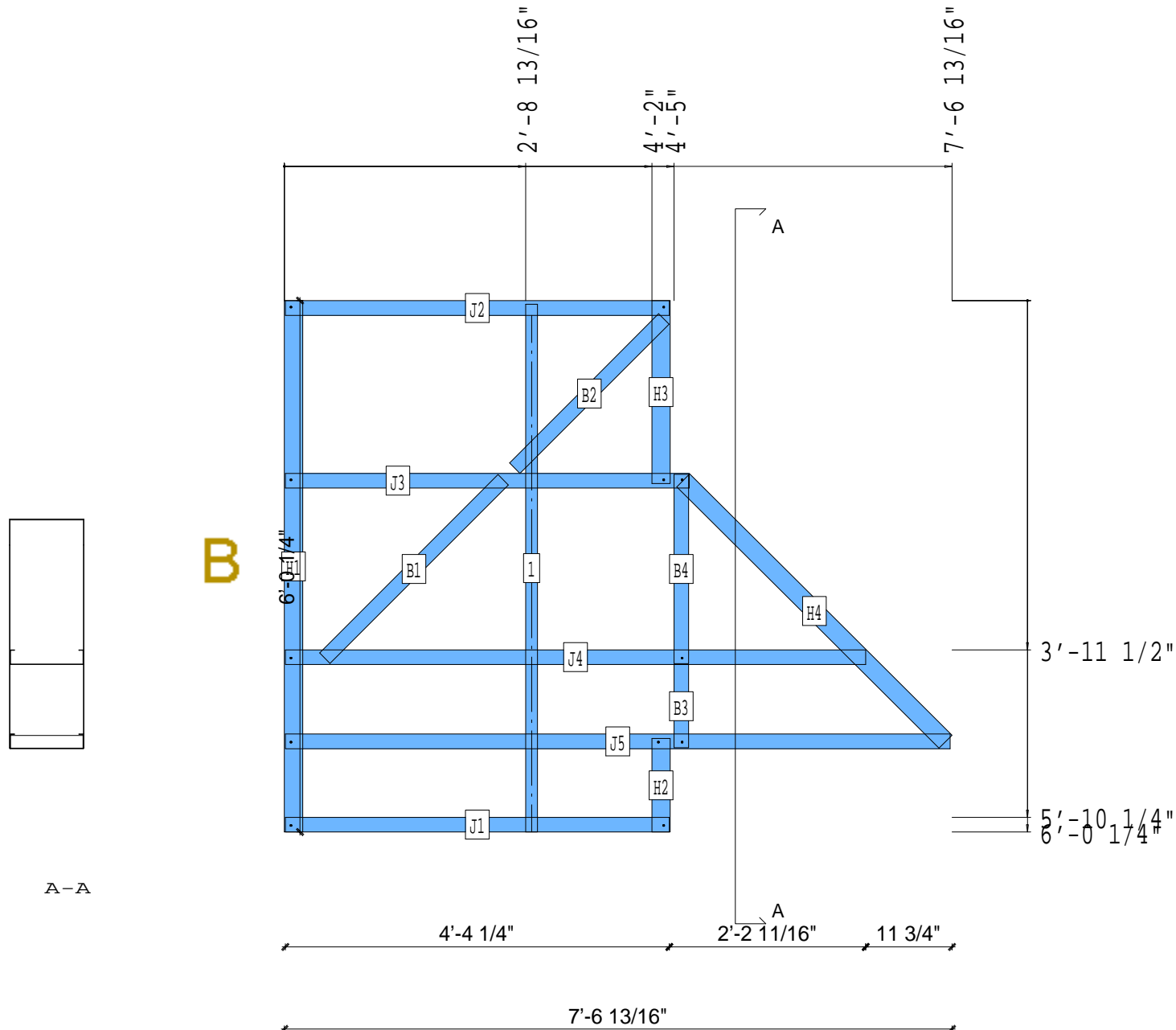
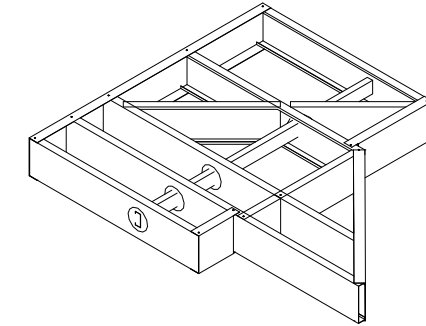
© FrameMax Inc.

APPROVED

By jbonavries at 8:35 am, Oct 31, 2008

DO NOT PANELIZE

KIT AND BUNDLE PARTS, TO BE FIELD ASSEMBLED!



PIECE SCHEDULE						
LAB	QTY	MATERIAL	DESCRIPTION	LENGTH	ANG1	ANG2
1	1	362S162-54	JOIST	5'-11 3/4"		
B1	1	1000S200-68	BLOCK	2'-10 5/16"		
B2	1	1000S200-68	BLOCK	2'-4 11/16"		
B3	1	1000S200-68	BLOCK	11 5/16"		
B4	1	1000S200-68	BLOCK	2'-1 3/4"		
H1	1	1000T250-68	HEADER	6'-0 1/4"		
H2	1	1000T250-68	HEADER	1'-0 11/16"		
H3	1	1000T250-68	HEADER	2'-0 7/8"		
H4	1	1000T250-68	HEADER	4'-2 3/8"		
J1	1	1000S200-68	JOIST	4'-4 1/4"		
J2	1	1000S200-68	JOIST	4'-4 1/4"		
J3	1	1000S200-68	JOIST	4'-6 15/16"		
J4	1	1000S200-68	JOIST	6'-6 15/16"		
J5	1	1000S200-68	JOIST	7'-6 7/16"		

21-5083

Jewish Home for the Aging

1885 Victory Blvd. Reseda, CA

FM-07-109

CREATED BY: JLB

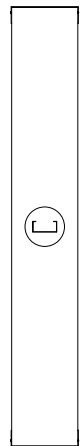
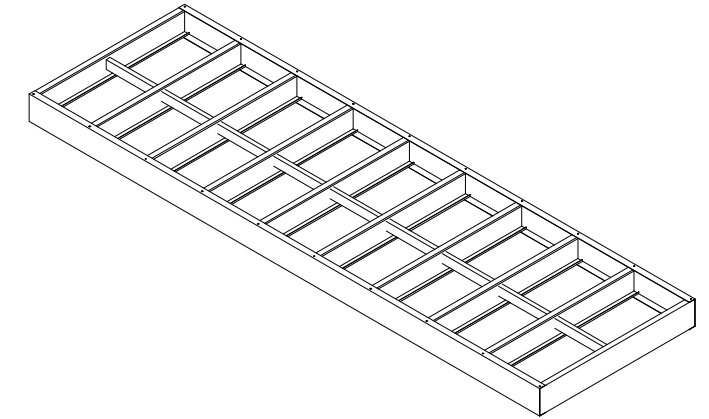
FrameMax, Inc.
13915 Danielson St
Suite 100
Poway, CA 92064
www.framemax.com



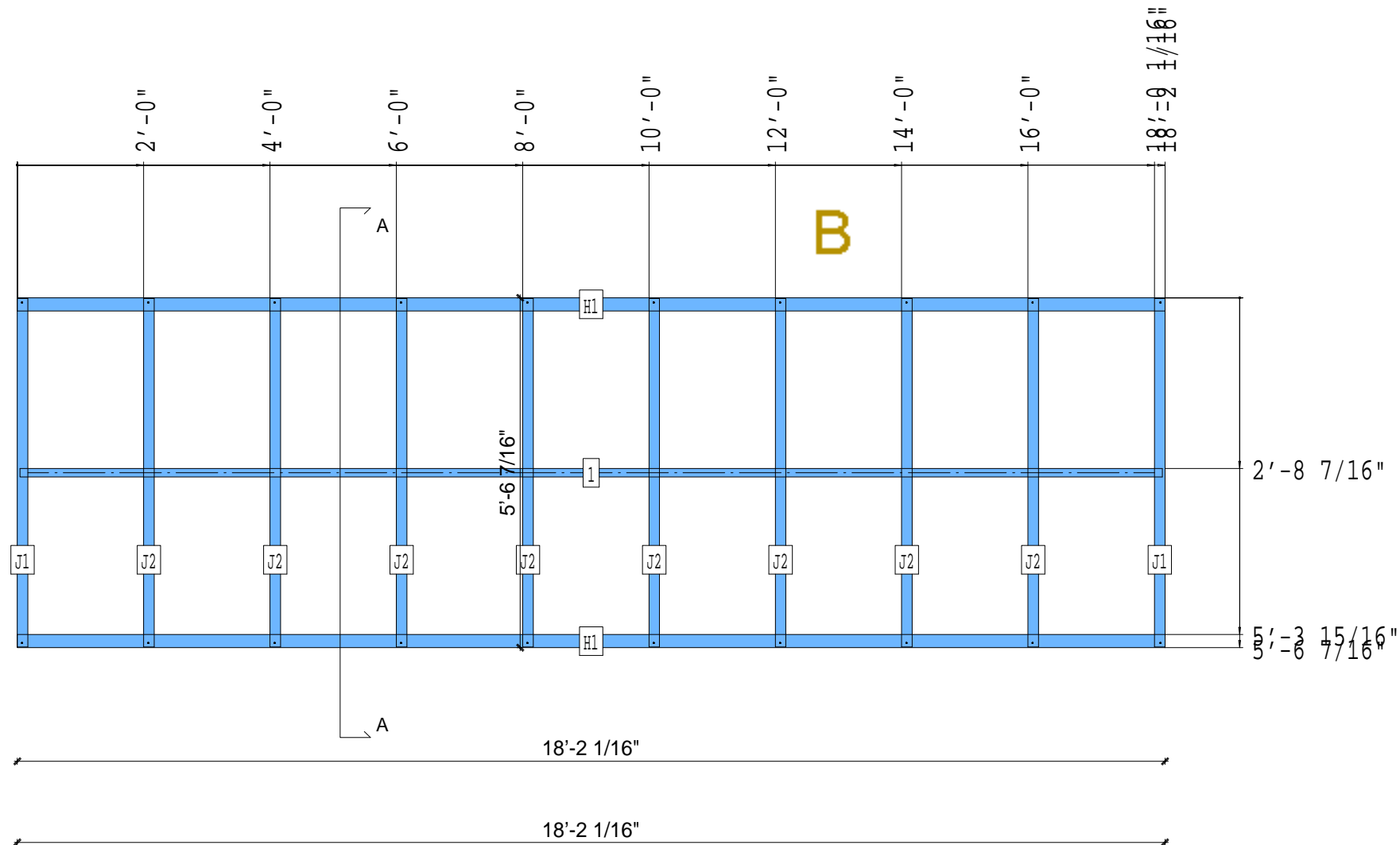
© FrameMax Inc.

APPROVED

By jbonavries at 8:35 am, Oct 31, 2008



A-A



PIECE SCHEDULE						
LAB	QTY	MATERIAL	DESCRIPTION	LENGTH	ANG1	ANG2
1	1	362S162-54	JOIST	18'-1 1/16"		
H1	2	1000T250-68	HEADER	18'-2 1/16"		
J1	2	1000S200-68	JOIST	5'-6 3/16"		
J2	8	1000S200-68	JOIST	5'-6 3/16"		

21-5084

CREATED: 10/31/2008

Jewish Home for the Aging

1885 Victory Blvd. Reseda, CA

FM-07-109

CREATED BY: JLB

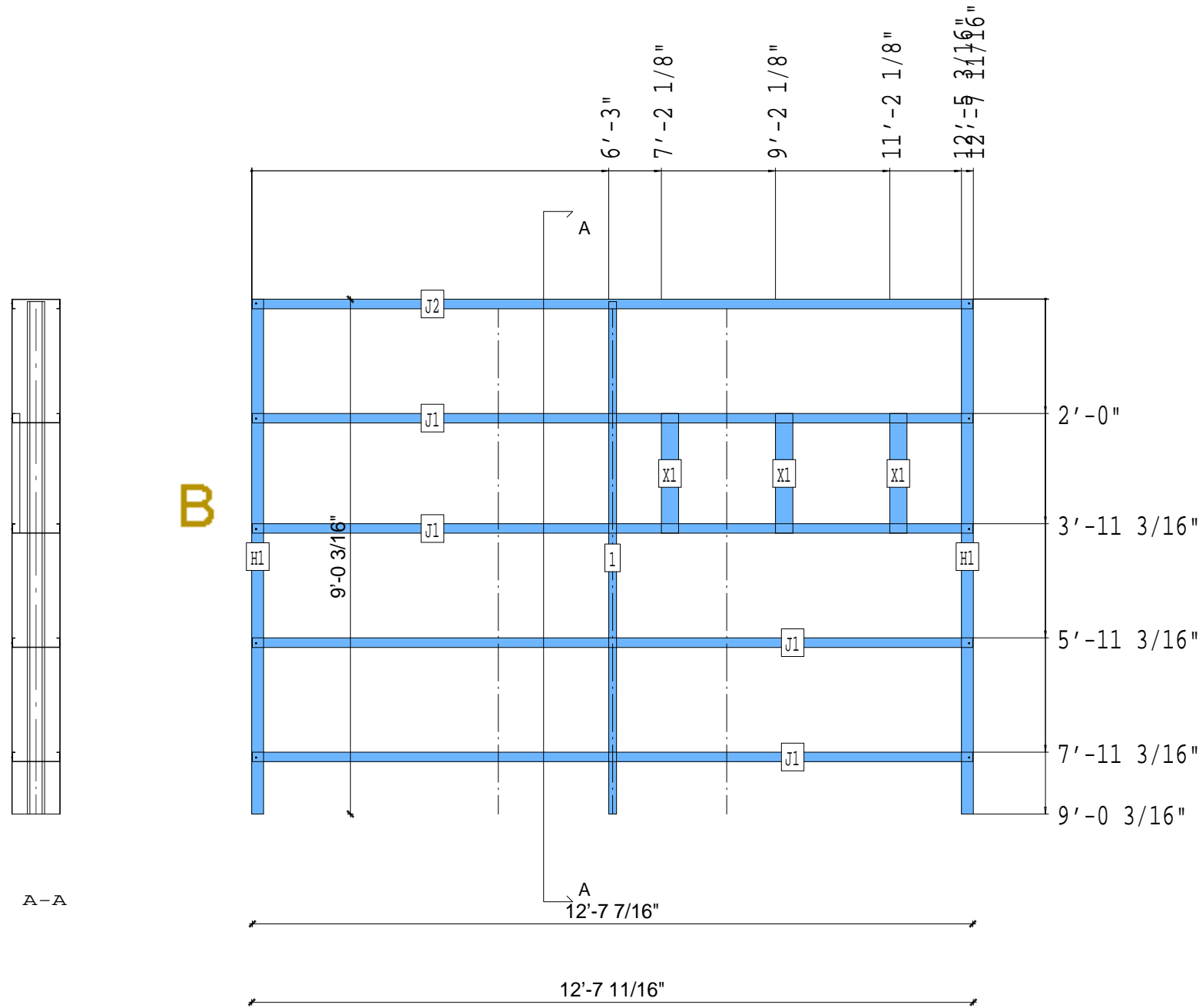
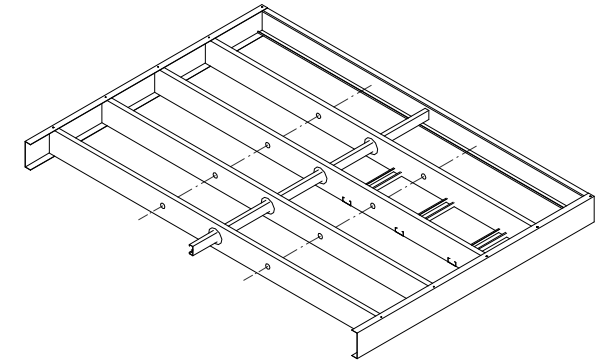
FrameMax, Inc.
13915 Danielson St
Suite 100
Poway, CA 92064
www.framemax.com



© FrameMax Inc.

APPROVED

By jbonavries at 8:35 am, Oct 31, 2008



PIECE SCHEDULE						
LAB	QTY	MATERIAL	DESCRIPTION	LENGTH	ANG1	ANG2
1	1	362S162-54	JOIST	8'-11 11/16"		
H1	2	1000T250-68	HEADER	9'-0 3/16"		
J1	4	1000S200-68	JOIST	12'-7 7/16"		
J2	1	1000S200-68	JOIST	12'-7 7/16"		
X1	3	362S162-33	FLAT TRACK B	2'-1 3/16"		

21-5085

CREATED: 10/31/2008

Jewish Home for the Aging

1885 Victory Blvd. Reseda, CA

FM-07-109

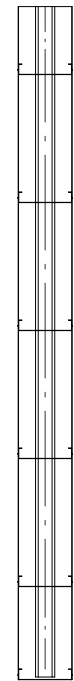
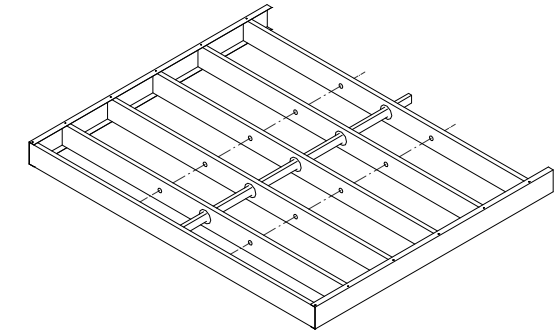
CREATED BY: JLB

FrameMax, Inc.
13915 Danielson St
Suite 100
Poway, CA 92064
www.framemax.com



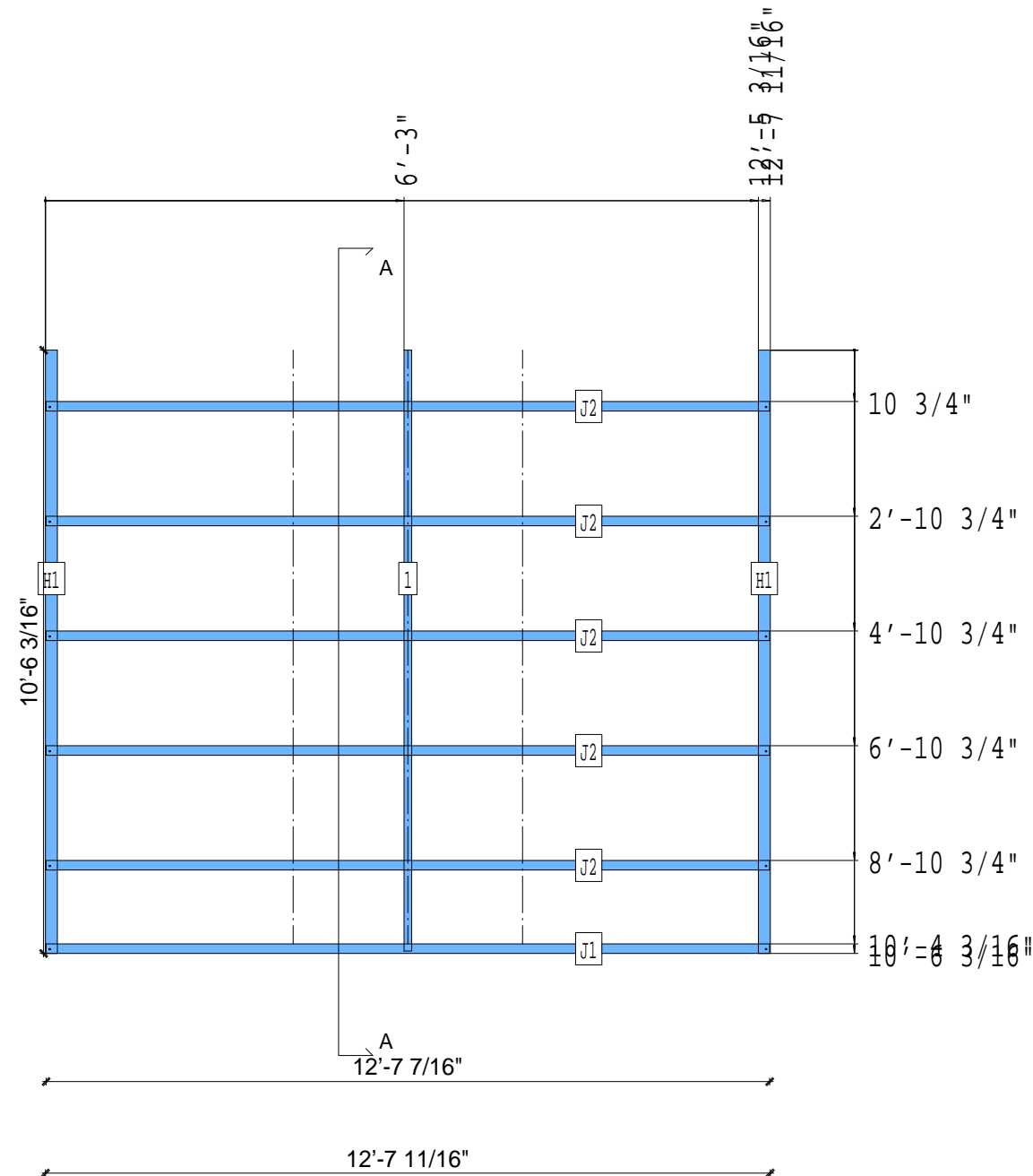
© FrameMax Inc.

APPROVED
By jbonavries at 8:35 am, Oct 31, 2008



A-A

B



PIECE SCHEDULE						
LAB	QTY	MATERIAL	DESCRIPTION	LENGTH	ANG1	ANG2
1	1	362S162-54	JOIST	10'-5 11/16"		
H1	2	1000T250-68	HEADER	10'-6 3/16"		
J1	1	1000S200-68	JOIST	12'-7 7/16"		
J2	5	1000S200-68	JOIST	12'-7 7/16"		

21-5086

Jewish Home for the Aging

1885 Victory Blvd. Reseda, CA

FM-07-109

CREATED BY: JLB

FrameMax, Inc.
13915 Danielson St
Suite 100
Poway, CA 92064
www.framemax.com

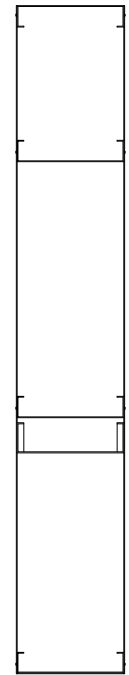
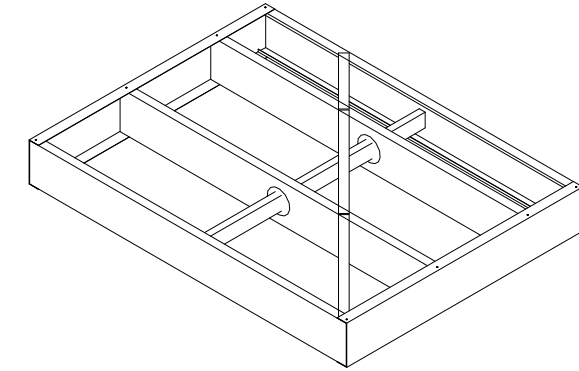


© FrameMax Inc.

CREATED: 10/31/2008

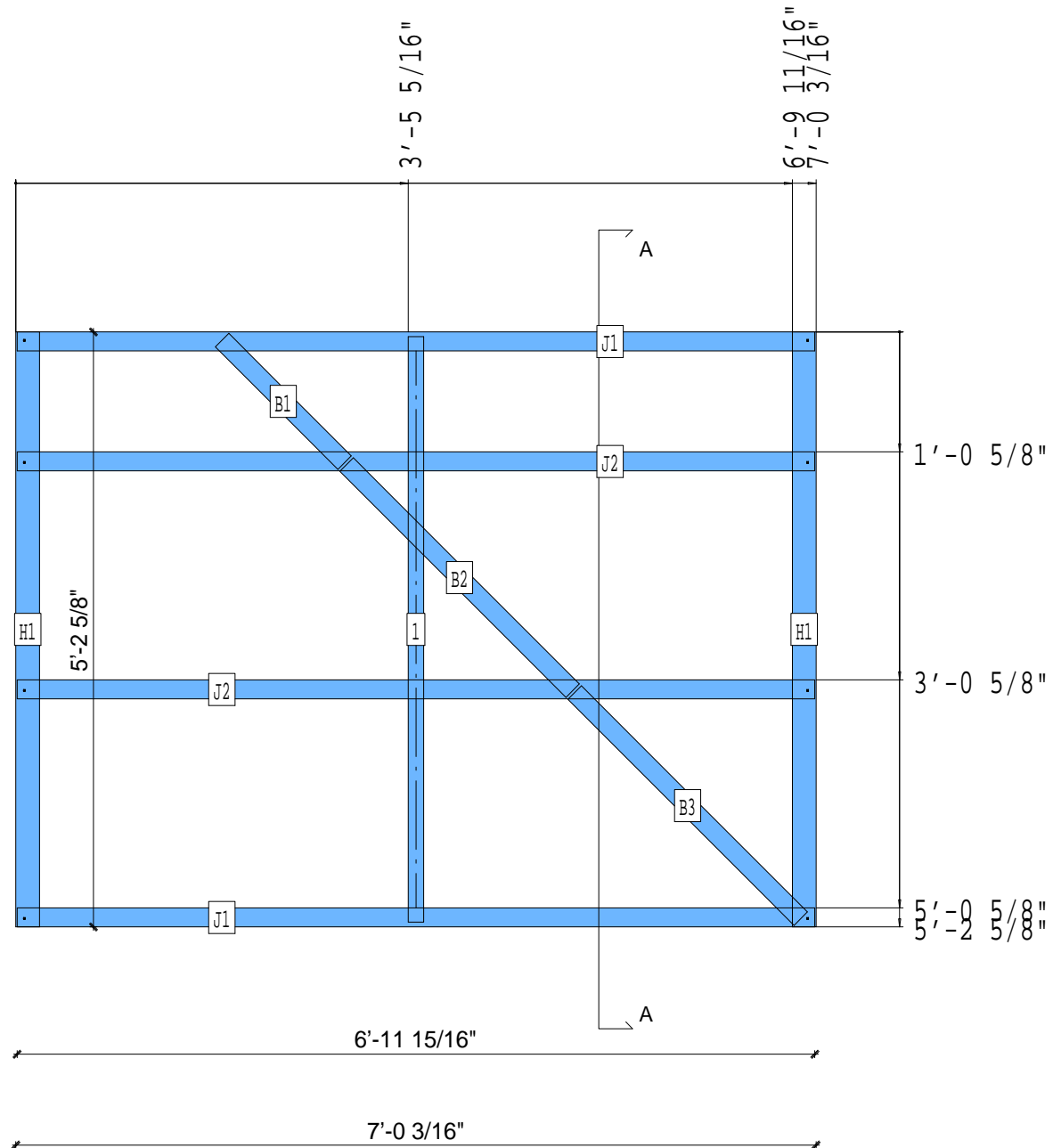
APPROVED

By jbonavries at 8:35 am, Oct 31, 2008



A-A

B



PIECE SCHEDULE						
LAB	QTY	MATERIAL	DESCRIPTION	LENGTH	ANG1	ANG2
1	1	362S162-54	JOIST	5'-1 5/8"		
B1	1	1000S200-68	BLOCK	1'-6 1/4"		
B2	1	1000S200-68	BLOCK	2'-9 5/8"		
B3	1	1000S200-68	BLOCK	2'-9 5/8"		
H1	2	1000T250-68	HEADER	5'-2 5/8"		
J1	2	1000S200-68	JOIST	6'-11 15/16"		
J2	2	1000S200-68	JOIST	6'-11 15/16"		

21-5087

Jewish Home for the Aging

1885 Victory Blvd. Reseda, CA

FM-07-109

CREATED BY: JLB

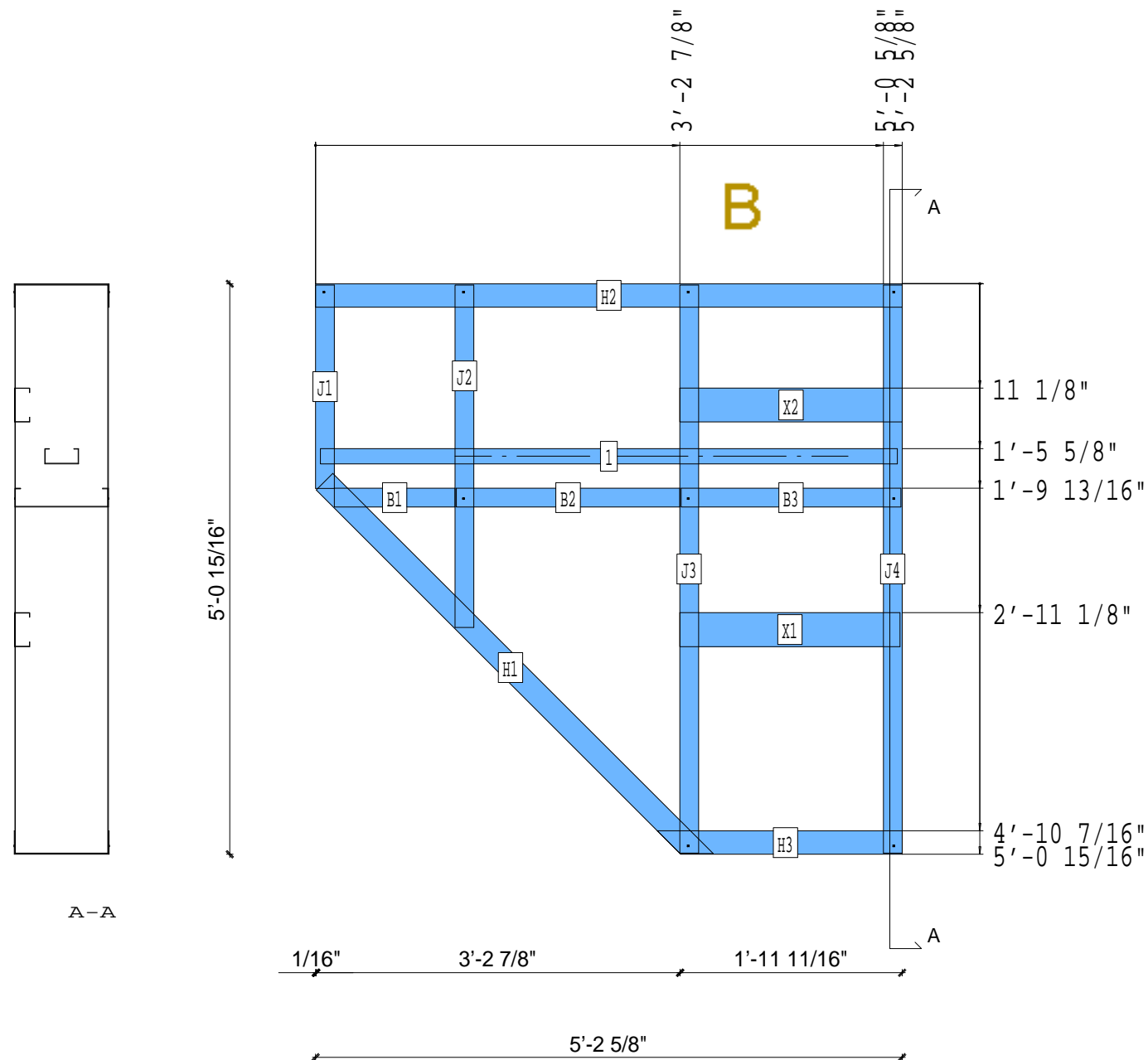
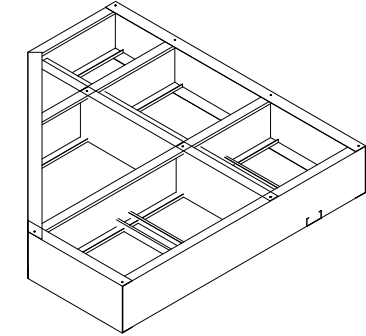
FrameMax, Inc.
13915 Danielson St
Suite 100
Poway, CA 92064
www.framemax.com



© FrameMax Inc.

APPROVED

By jbonavries at 8:35 am, Oct 31, 2008



PIECE SCHEDULE						
LAB	QTY	MATERIAL	DESCRIPTION	LENGTH	ANG1	ANG2
1	1	362S162-54	JOIST	5'-1 5/8"		
B1	1	1000S200-68	BLOCK	1'-0 7/8"		
B2	1	1000S200-68	BLOCK	1'-11 7/8"		
B3	1	1000S200-68	BLOCK	1'-11 1/2"		
H1	1	1000T250-68	HEADER	4'-9 7/16"		-45.0
H2	1	1000T250-68	HEADER	5'-2 5/8"		
H3	1	1000T250-68	HEADER	2'-2 1/8"	45.0	
J1	1	1000S200-68	JOIST	1'-9 3/4"		
J2	1	1000S200-68	JOIST	3'-0 9/16"		
J3	1	1000S200-68	JOIST	5'-0 11/16"		
J4	1	1000S200-68	JOIST	5'-0 11/16"		
X1	1	362S162-33	FLAT TRACK B	1'-11 1/2"		
X2	1	362S162-33	FLAT TRACK B	1'-11 3/4"		

21-5088

CREATED: 10/31/2008

Jewish Home for the Aging

1885 Victory Blvd. Reseda, CA

FM-07-109

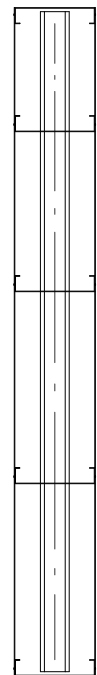
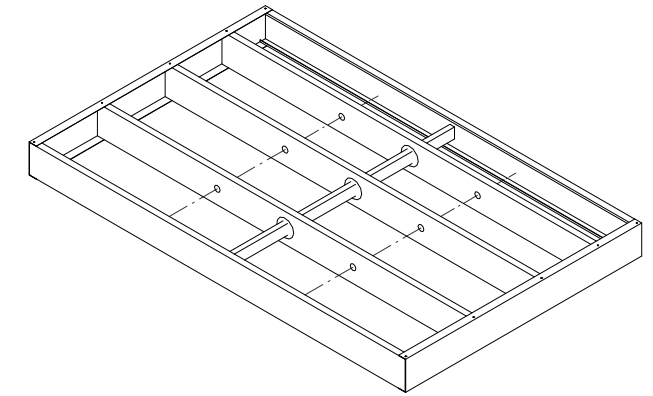
CREATED BY: JLB

FrameMax, Inc.
13915 Danielson St
Suite 100
Poway, CA 92064
www.framemax.com



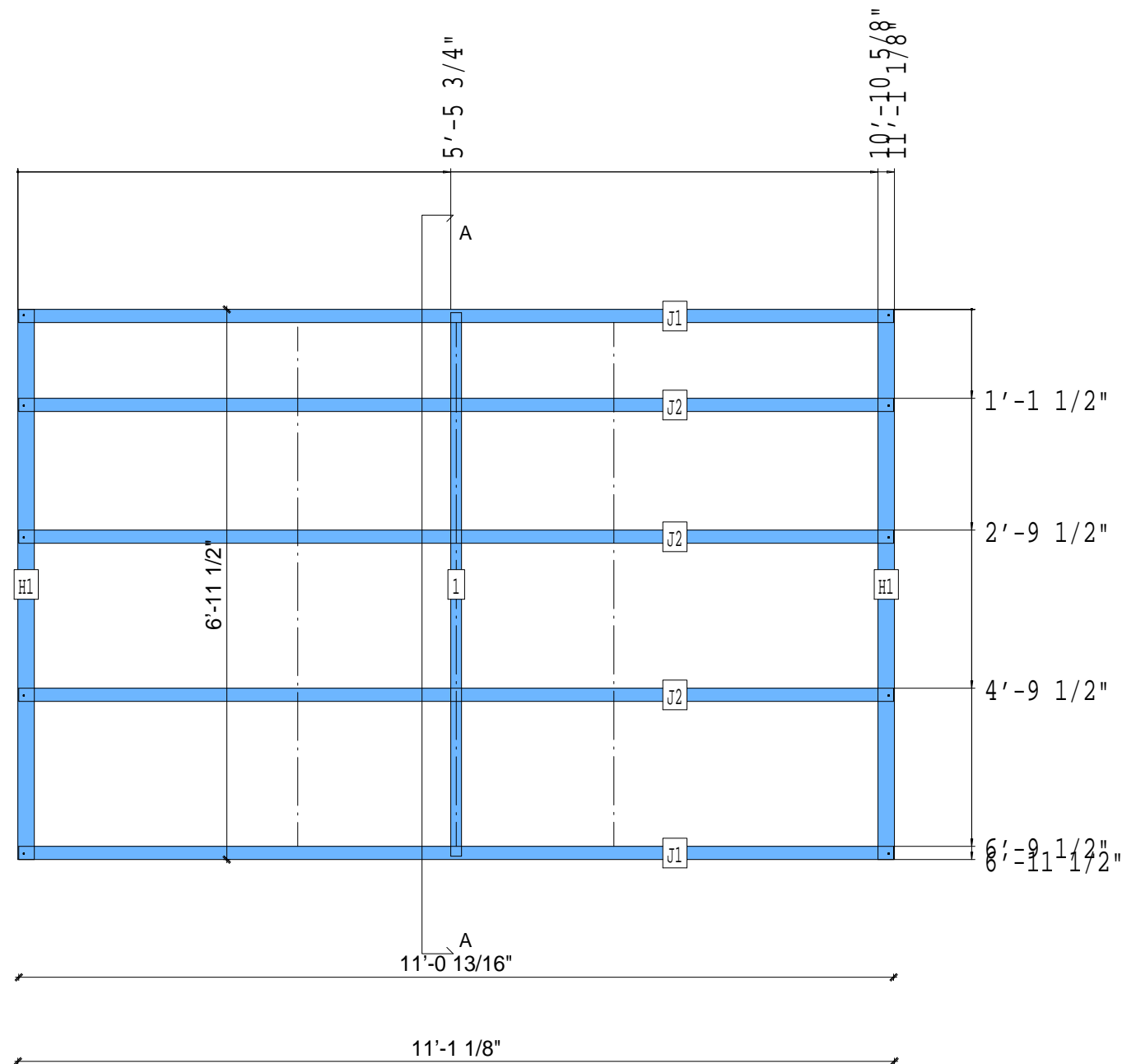
© FrameMax Inc.

APPROVED
By jbonavries at 8:35 am, Oct 31, 2008



A-A

B



PIECE SCHEDULE						
LAB	QTY	MATERIAL	DESCRIPTION	LENGTH	ANG1	ANG2
1	1	362S162-54	JOIST	6'-10 1/2"		
H1	2	1000T250-68	HEADER	6'-11 1/2"		
J1	2	1000S200-68	JOIST	11'-0 13/16"		
J2	3	1000S200-68	JOIST	11'-0 13/16"		

21-5089

CREATED: 10/31/2008

Jewish Home for the Aging

1885 Victory Blvd. Reseda, CA

FM-07-109

CREATED BY: JLB

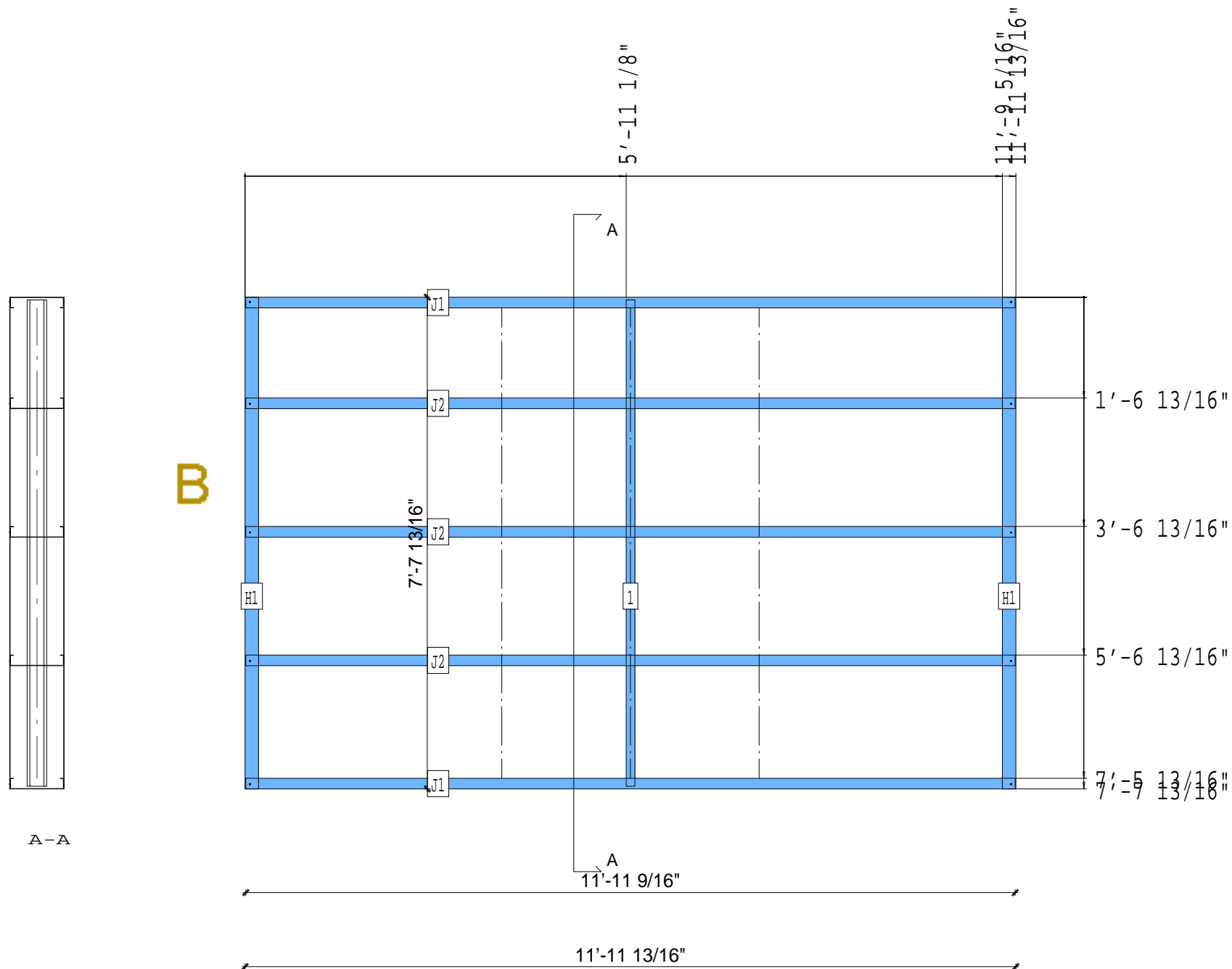
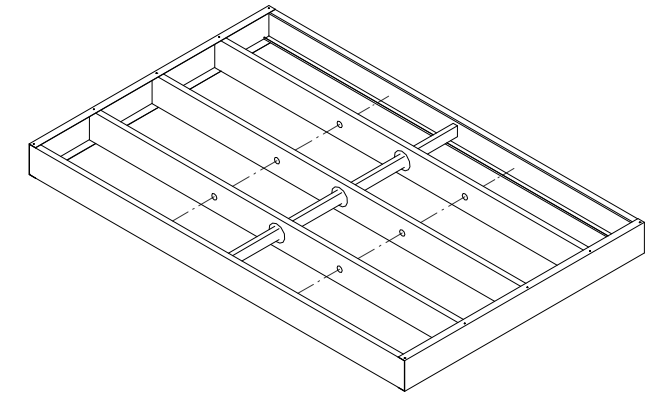
FrameMax, Inc.
13915 Danielson St
Suite 100
Poway, CA 92064
www.framemax.com



© FrameMax Inc.

APPROVED

By jbonavries at 8:35 am, Oct 31, 2008



PIECE SCHEDULE						
LAB	QTY	MATERIAL	DESCRIPTION	LENGTH	ANG1	ANG2
1	1	362S162-54	JOIST	7'-6 13/16"		
H1	2	1000T250-68	HEADER	7'-7 13/16"		
J1	2	1000S200-68	JOIST	11'-11 9/16"		
J2	3	1000S200-68	JOIST	11'-11 9/16"		

21-5090

CREATED: 10/31/2008

Jewish Home for the Aging

1885 Victory Blvd. Reseda, CA

FM-07-109

CREATED BY: JLB

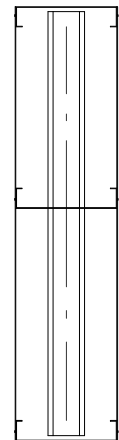
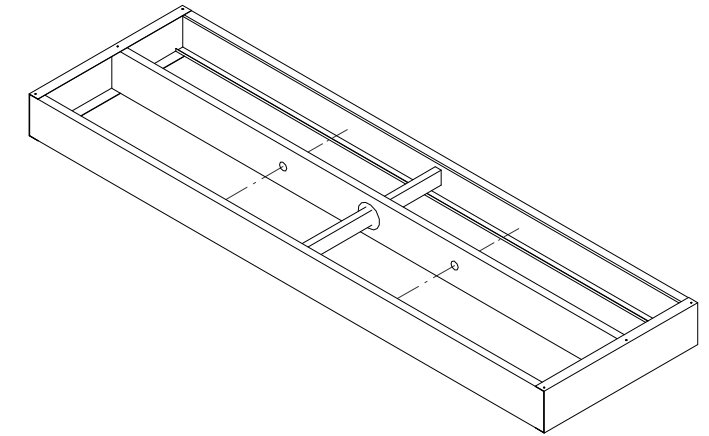
FrameMax, Inc.
13915 Danielson St
Suite 100
Poway, CA 92064
www.framemax.com



© FrameMax Inc.

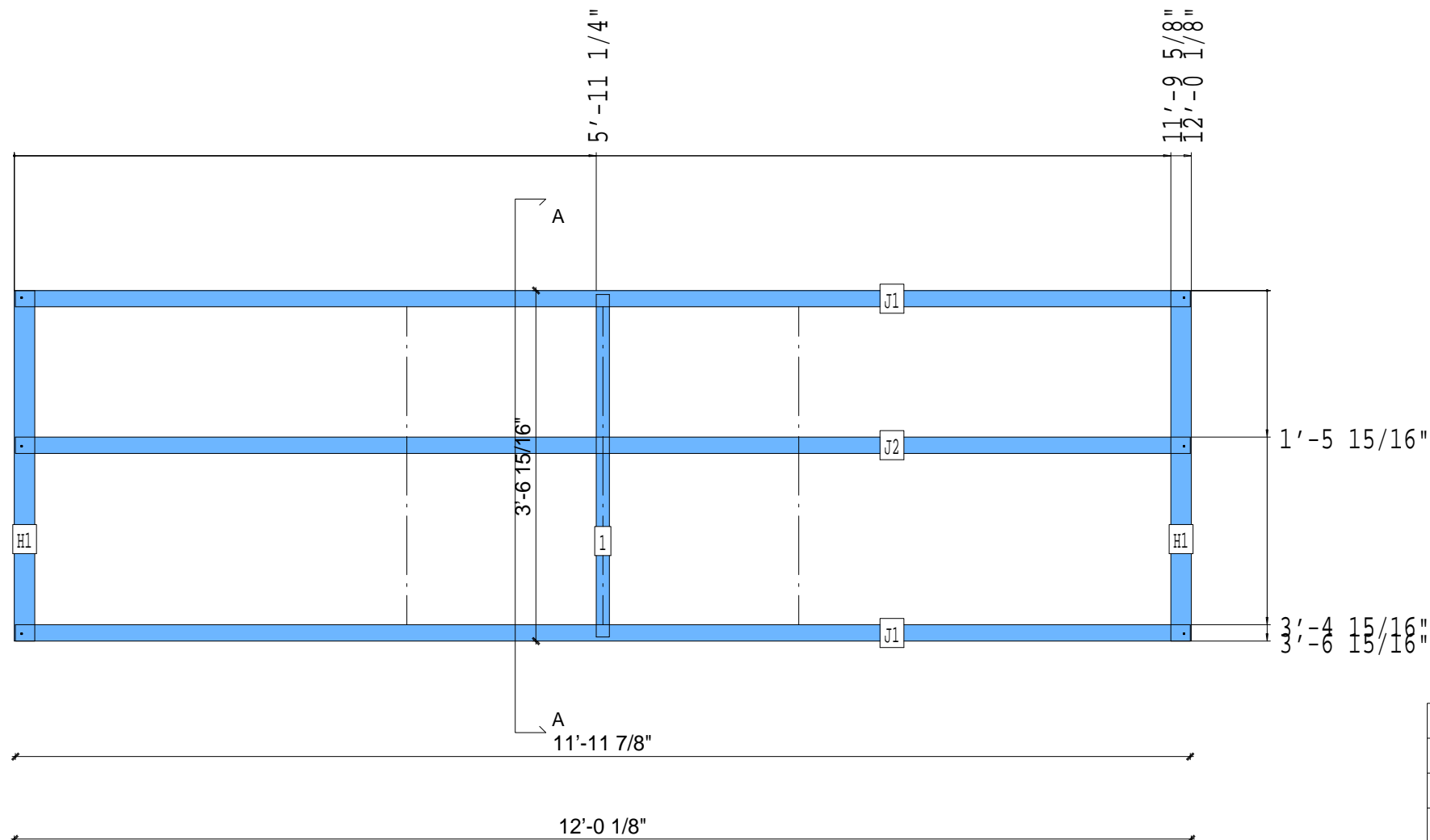
APPROVED

By jbonavries at 8:35 am, Oct 31, 2008



A-A

B



PIECE SCHEDULE						
LAB	QTY	MATERIAL	DESCRIPTION	LENGTH	ANG1	ANG2
1	1	362S162-54	JOIST	3'-5 15/16"		
H1	2	1000T250-68	HEADER	3'-6 15/16"		
J1	2	1000S200-68	JOIST	11'-11 7/8"		
J2	1	1000S200-68	JOIST	11'-11 7/8"		

21-5091

Jewish Home for the Aging

1885 Victory Blvd. Reseda, CA

FM-07-109

CREATED BY: JLB

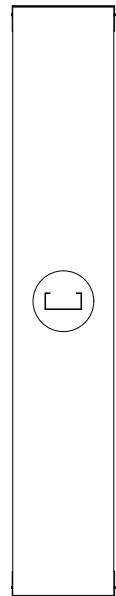
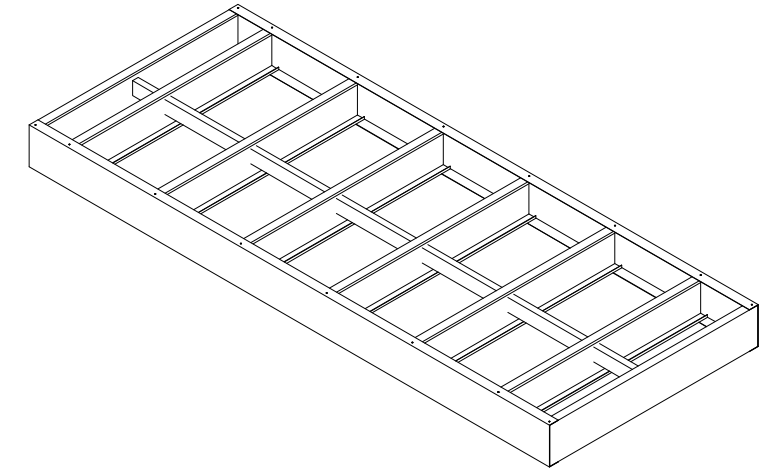
FrameMax, Inc.
13915 Danielson St
Suite 100
Poway, CA 92064
www.framemax.com



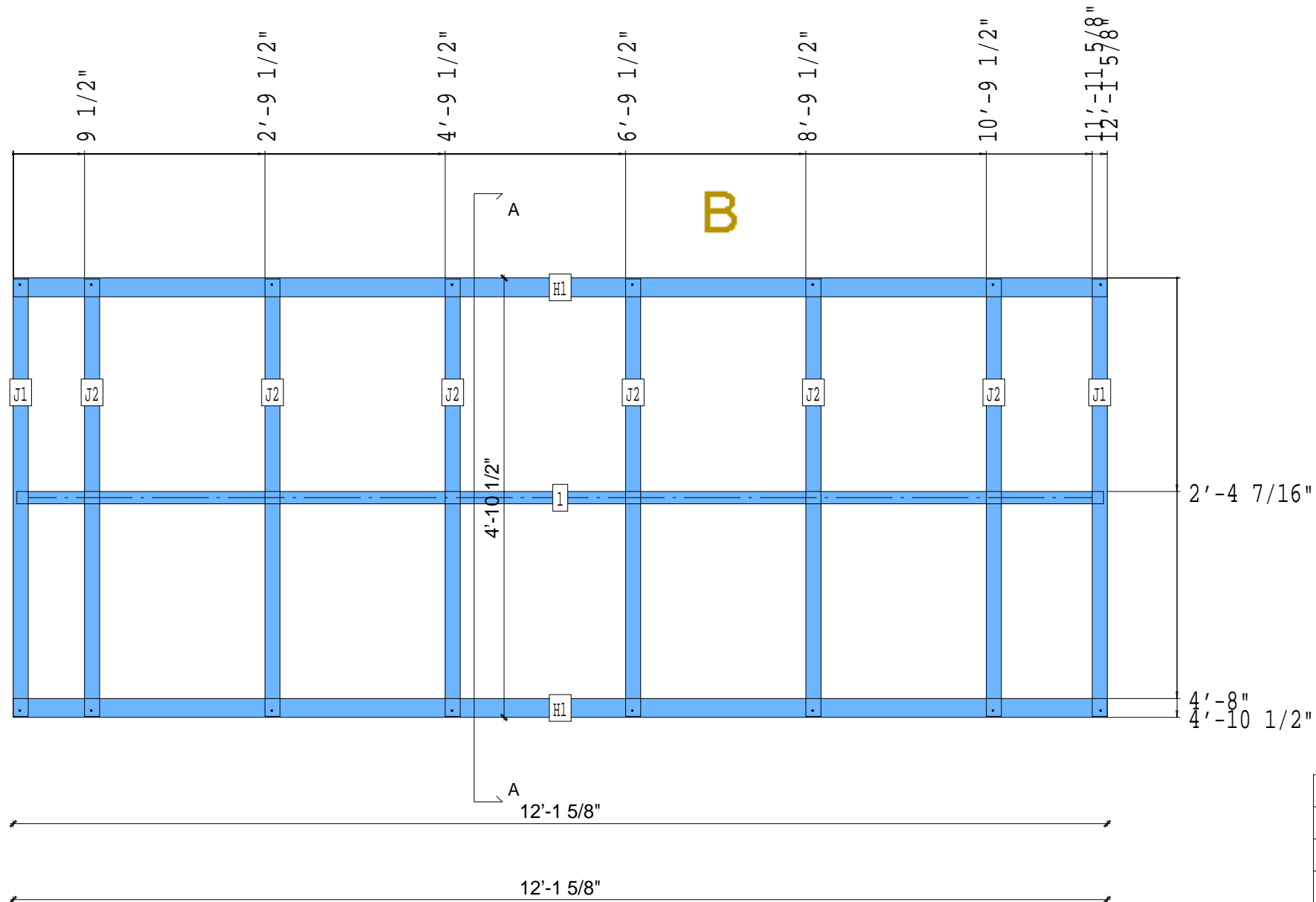
© FrameMax Inc.

APPROVED

By jbonavries at 8:35 am, Oct 31, 2008



A-A



PIECE SCHEDULE						
LAB	QTY	MATERIAL	DESCRIPTION	LENGTH	ANG1	ANG2
1	1	362S162-54	JOIST	12'-0 5/8"		
H1	2	1000T250-68	HEADER	12'-1 5/8"		
J1	2	1000S200-68	JOIST	4'-10 3/16"		
J2	6	1000S200-68	JOIST	4'-10 3/16"		

21-5092

Jewish Home for the Aging

1885 Victory Blvd. Reseda, CA

FM-07-109

CREATED BY: JLB

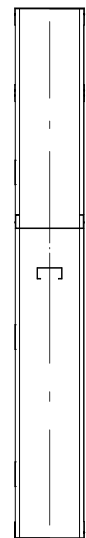
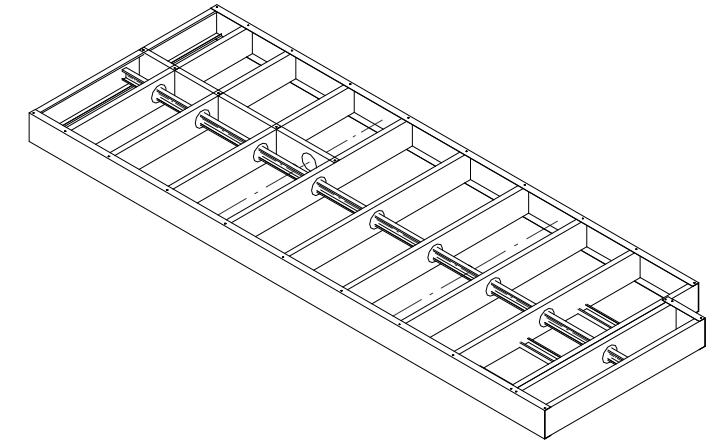
FrameMax, Inc.
13915 Danielson St
Suite 100
Poway, CA 92064
www.framemax.com



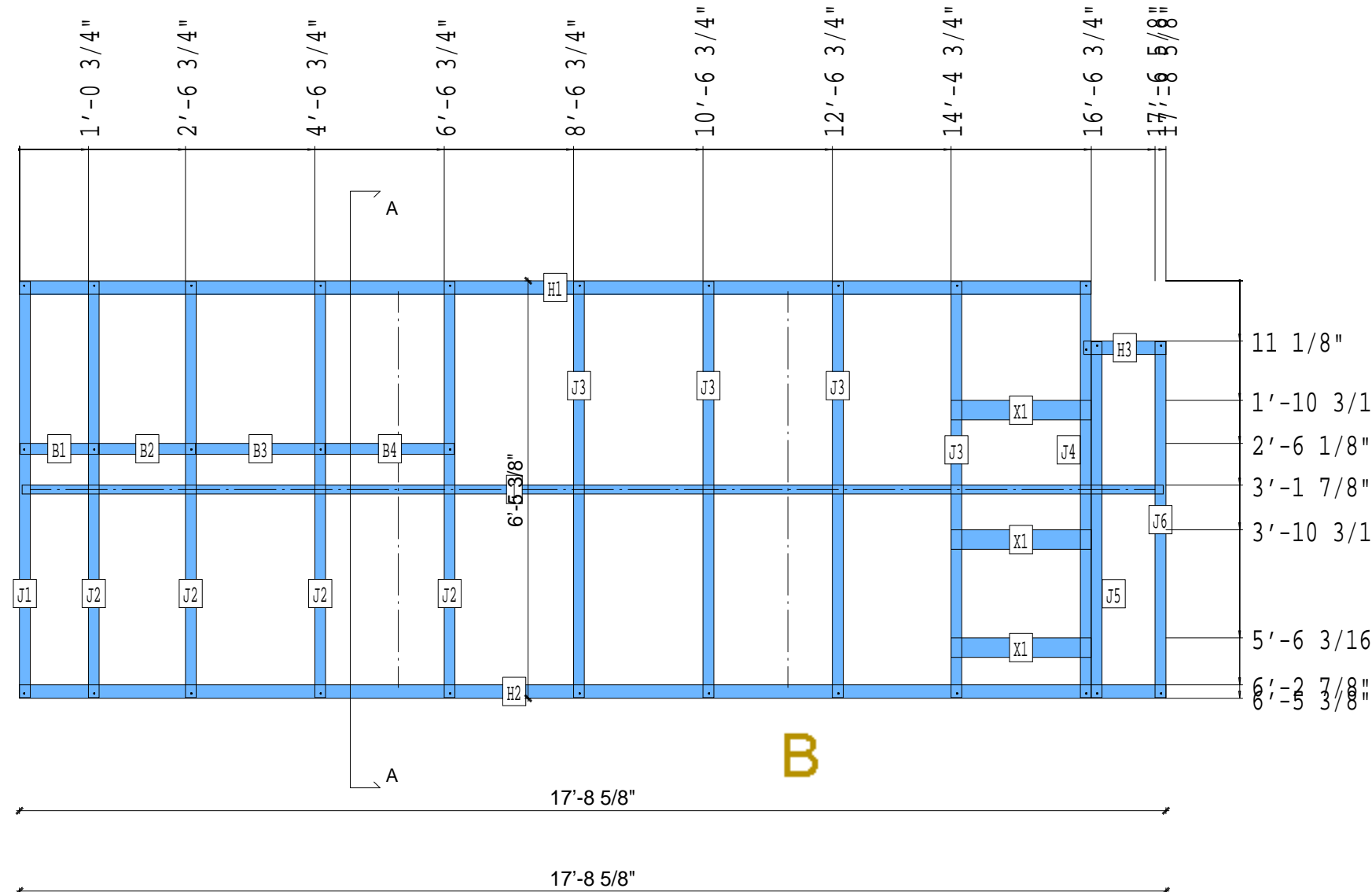
© FrameMax Inc.

APPROVED

By jbonavries at 8:35 am, Oct 31, 2008



A-A



PIECE SCHEDULE						
LAB	QTY	MATERIAL	DESCRIPTION	LENGTH	ANG1	ANG2
	1	362S162-54	JOIST	17'-7 5/8"		
B1	1	1000S200-68	BLOCK	1'-2 1/2"		
B2	1	1000S200-68	BLOCK	1'-5 7/8"		
B3	1	1000S200-68	BLOCK	1'-11 7/8"		
B4	1	1000S200-68	BLOCK	1'-11 7/8"		
H1	1	1000T250-68	HEADER	16'-6 3/4"		
H2	1	1000T250-68	HEADER	17'-8 5/8"		
H3	1	1000T250-68	HEADER	1'-3 1/4"		
J1	1	1000S200-68	JOIST	6'-5 1/8"		
J2	4	1000S200-68	JOIST	6'-5 1/8"		
J3	4	1000S200-68	JOIST	6'-5 1/8"		
J4	1	1000S200-68	JOIST	6'-5 1/8"		
J5	1	1000S200-68	JOIST	5'-6"		
J6	1	1000S200-68	JOIST	5'-6"		
X1	3	362S162-33	FLAT TRACK B	2'-2"		

21-5093

Jewish Home for the Aging

1885 Victory Blvd. Reseda, CA

FM-07-109

CREATED BY: JLB

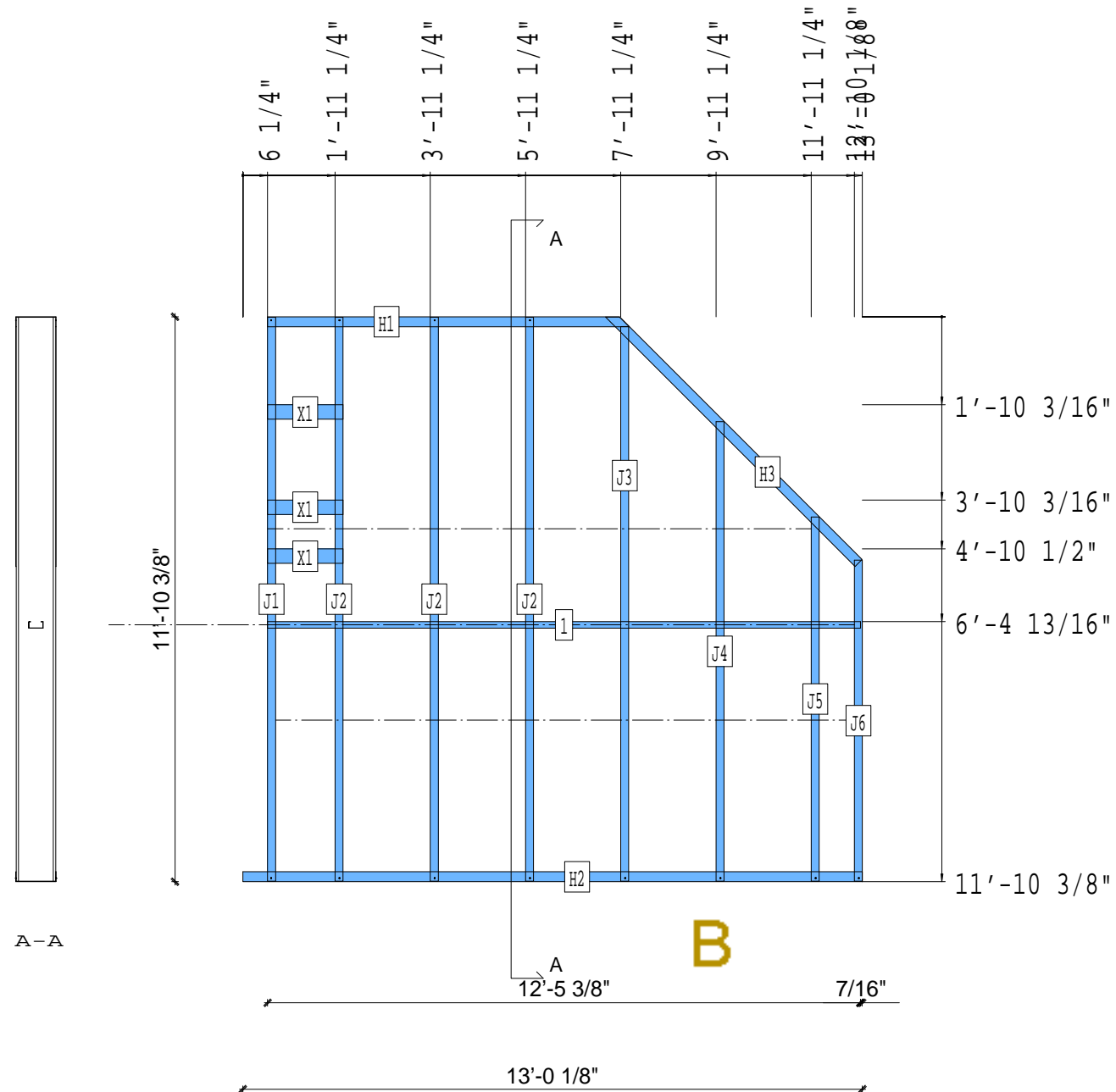
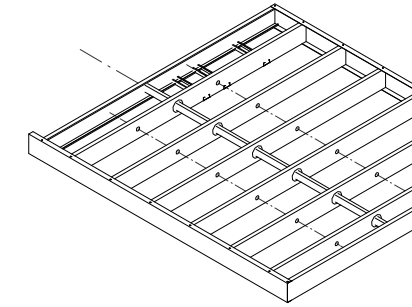
FrameMax, Inc.
13915 Danielson St
Suite 100
Poway, CA 92064
www.framemax.com



© FrameMax Inc.

APPROVED

By jbonavries at 8:35 am, Oct 31, 2008



PIECE SCHEDULE						
LAB	QTY	MATERIAL	DESCRIPTION	LENGTH	ANG1	ANG2
1	1	362S162-54	JOIST	12'-5 3/8"		
H1	1	1000T250-68	HEADER	7'-7 3/16"	45.0	
H2	1	1000T250-68	HEADER	13'-0 1/8"		
H3	1	1000T250-68	HEADER	7'-4 7/8"		-45.0
J1	1	1000S200-68	JOIST	11'-10 1/8"		
J2	3	1000S200-68	JOIST	11'-10 1/8"		
J3	1	1000S200-68	JOIST	11'-7 13/16"		
J4	1	1000S200-68	JOIST	9'-7 13/16"		
J5	1	1000S200-68	JOIST	7'-7 13/16"		
J6	1	1000S200-68	JOIST	6'-8 15/16"		
X1	3	362S162-33	FLAT TRACK B	1'-7"		

21-5094

Jewish Home for the Aging

1885 Victory Blvd. Reseda, CA

FM-07-109

CREATED BY: JLB

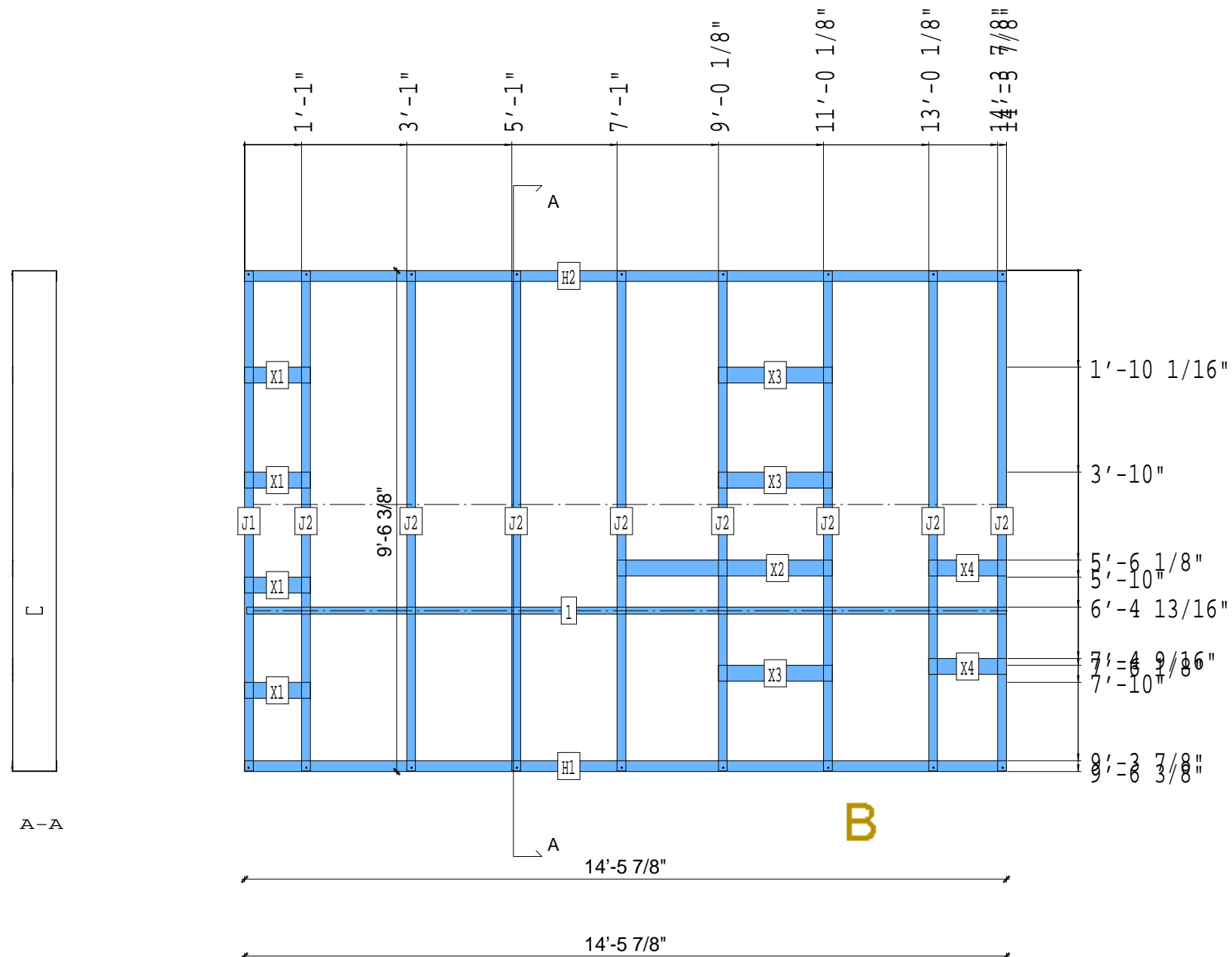
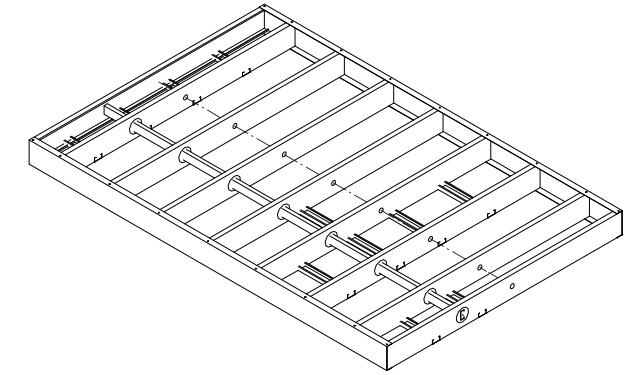
FrameMax, Inc.
13915 Danielson St
Suite 100
Poway, CA 92064
www.frameMAX.com



© FrameMax Inc.

APPROVED

By jbonavries at 8:35 am, Oct 31, 2008



PIECE SCHEDULE						
LAB	QTY	MATERIAL	DESCRIPTION	LENGTH	ANG1	ANG2
1	1	362S162-54	JOIST	14'-5 3/8"		
H1	1	1000T250-97	HEADER	14'-5 7/8"		
H2	1	1000T250-68	HEADER	14'-5 7/8"		
J1	1	1000S200-68	JOIST	9'-6 1/16"		
J2	8	1000S200-68	JOIST	9'-6 1/16"		
X1	4	362S162-33	FLAT TRACK B	1'-3"		
X2	1	362S162-33	FLAT TRACK B	4'-1 1/8"		
X3	3	362S162-33	FLAT TRACK B	2'-2"		
X4	2	362S162-33	FLAT TRACK B	1'-5 3/4"		

21-5095

Jewish Home for the Aging

1885 Victory Blvd. Reseda, CA

FM-07-109

CREATED BY: JLB

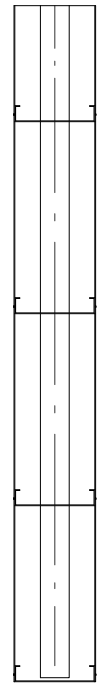
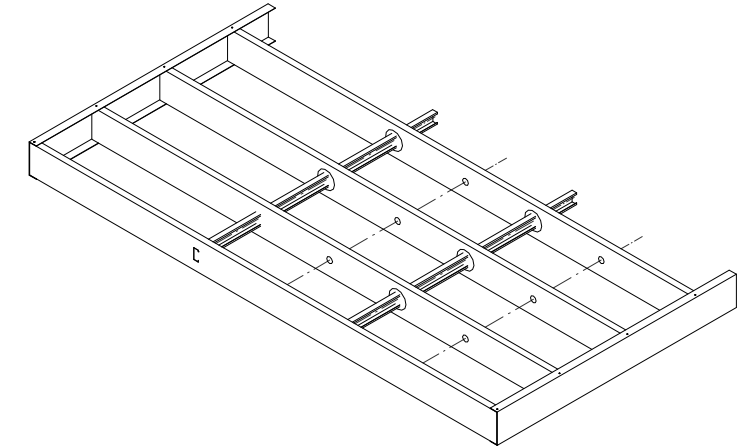
FrameMax, Inc.
13915 Danielson St
Suite 100
Poway, CA 92064
www.framemax.com



© FrameMax Inc.

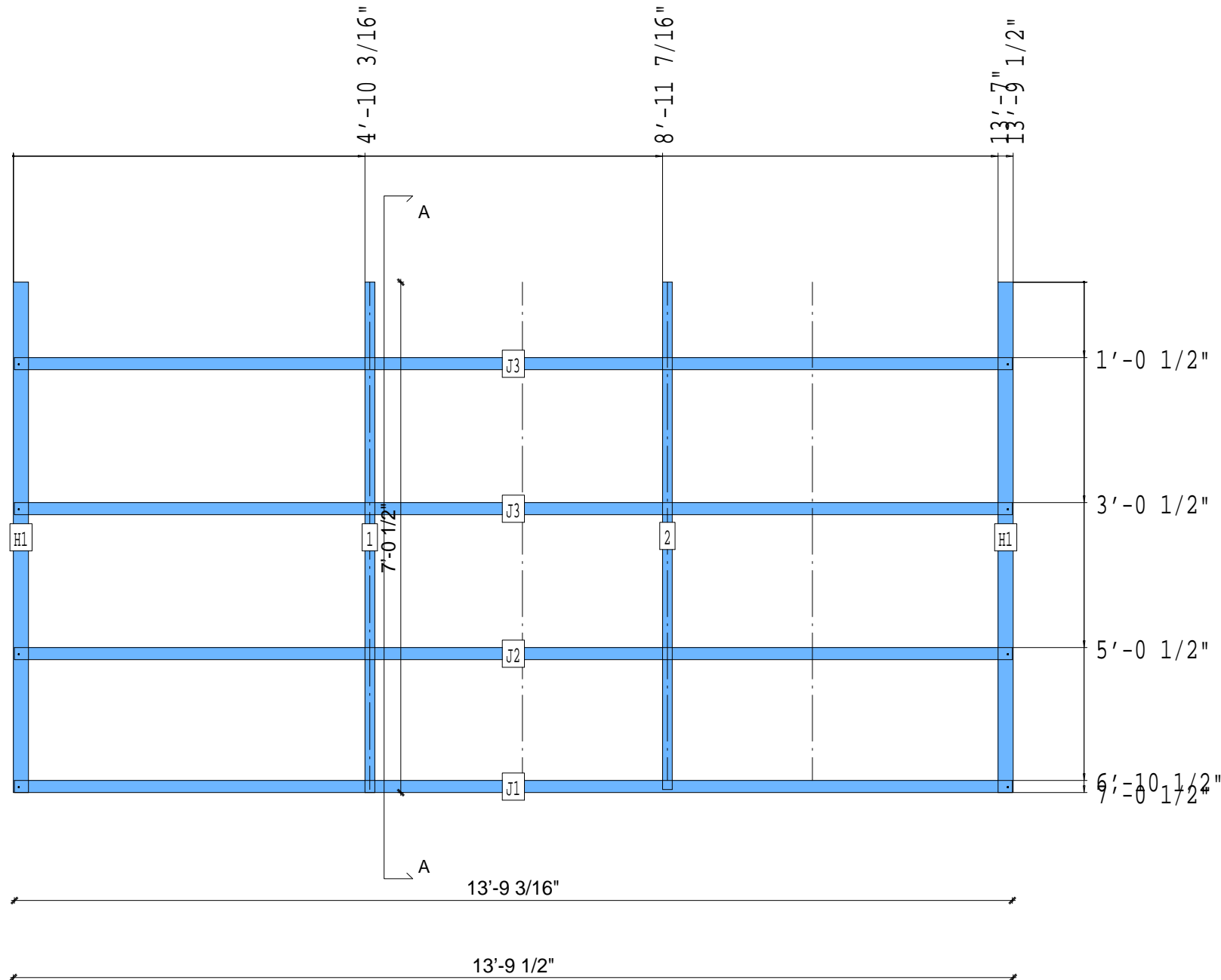
APPROVED

By jbonavries at 8:35 am, Oct 31, 2008



A-A

B



PIECE SCHEDULE						
LAB	QTY	MATERIAL	DESCRIPTION	LENGTH	ANG1	ANG2
1	1	362S162-54	JOIST	7'-0 1/2"		
2	1	362S162-54	JOIST	7'-0"		
H1	2	1000T250-97	HEADER	7'-0 1/2"		
J1	1	1000S200-97	JOIST	13'-9 3/16"		
J2	1	1000S200-97	JOIST	13'-9 3/16"		
J3	2	1000S200-97	JOIST	13'-9 3/16"		

21-5096

Jewish Home for the Aging

1885 Victory Blvd. Reseda, CA

FM-07-109

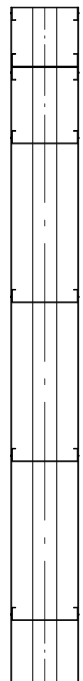
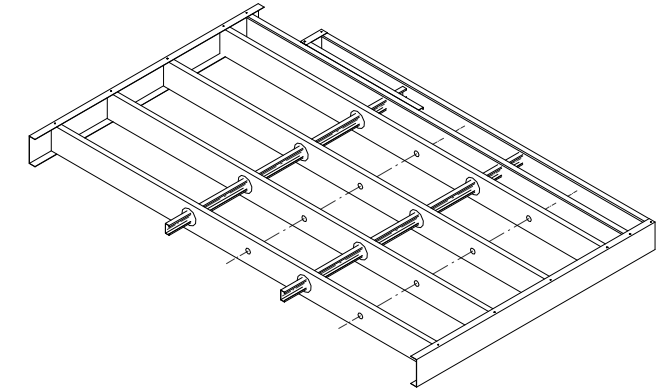
CREATED BY: JLB

FrameMax, Inc.
13915 Danielson St
Suite 100
Poway, CA 92064
www.framemax.com



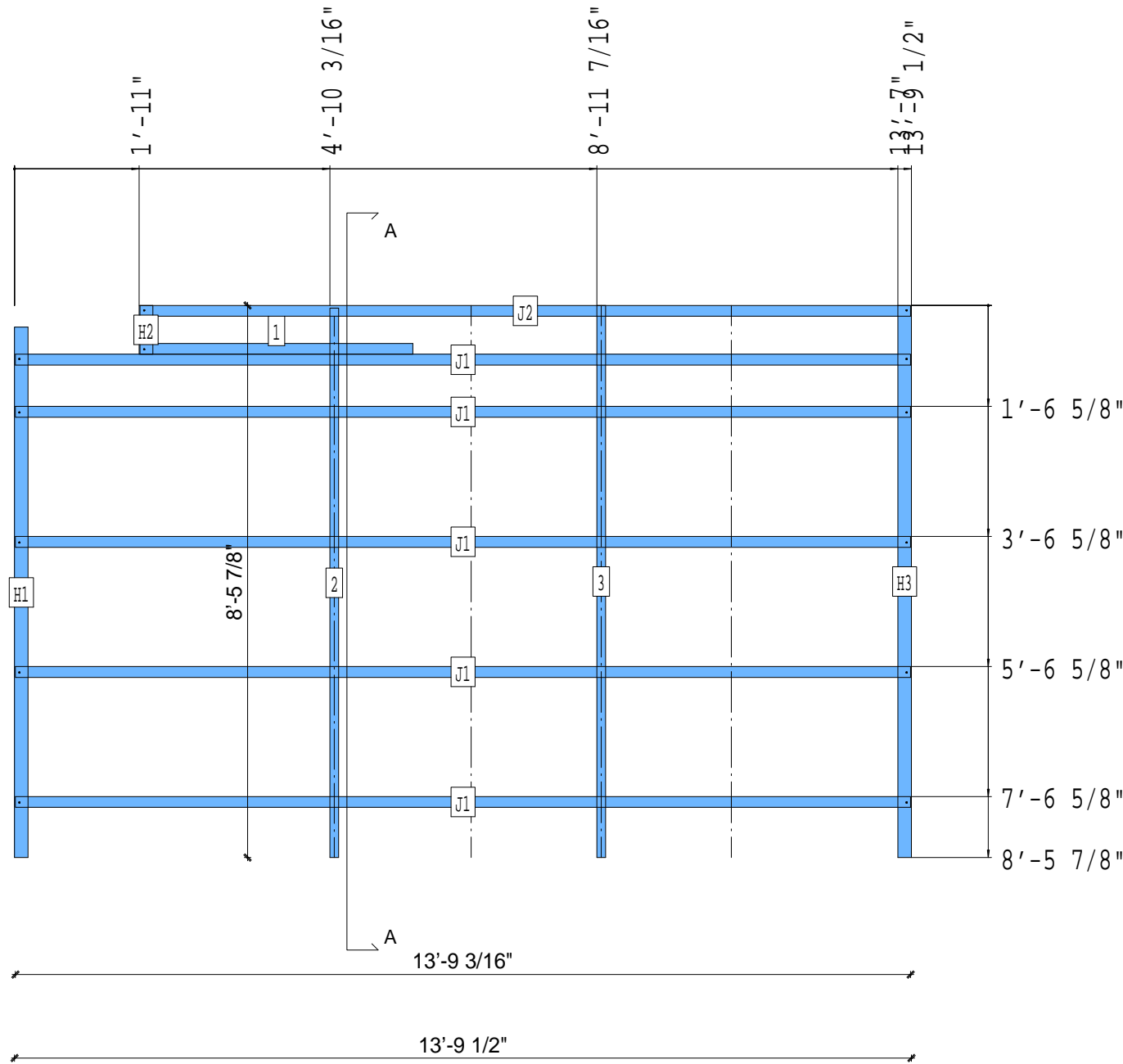
© FrameMax Inc.

APPROVED
By jbonavries at 8:35 am, Oct 31, 2008



A-A

B



PIECE SCHEDULE						
LAB	QTY	MATERIAL	DESCRIPTION	LENGTH	ANG1	ANG2
1	1	1000S200-97	JOIST	4'-2 5/16"		
2	1	362S162-54	JOIST	8'-5 3/8"		
3	1	362S162-54	JOIST	8'-5 7/8"		
H1	1	1000T250-97	HEADER	8'-1 7/8"		
H2	1	1000T250-97	HEADER	9"		
H3	1	1000T250-97	HEADER	8'-5 7/8"		
J1	5	1000S200-97	JOIST	13'-9 3/16"		
J2	1	1000S200-97	JOIST	11'-10 3/16"		

21-5097

Jewish Home for the Aging

1885 Victory Blvd. Reseda, CA

FM-07-109

CREATED BY: JLB

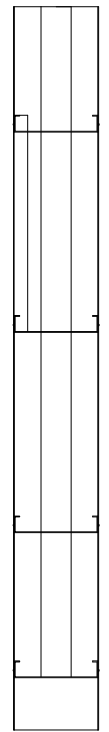
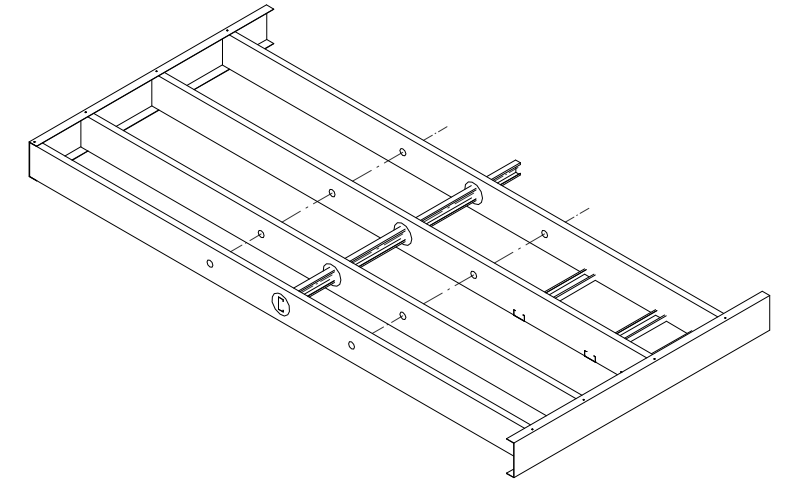
FrameMax, Inc.
13915 Danielson St
Suite 100
Poway, CA 92064
www.framemax.com



© FrameMax Inc.

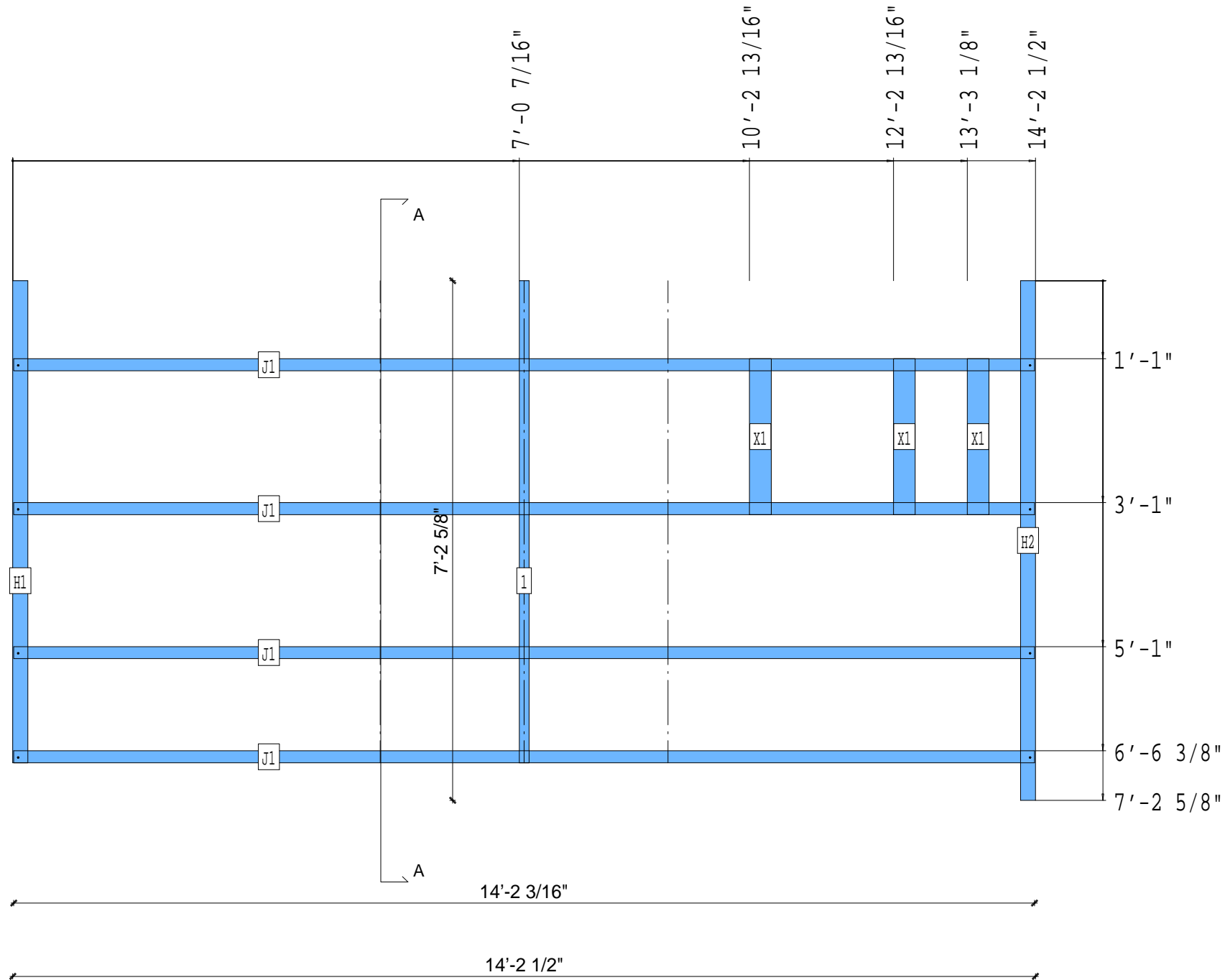
APPROVED

By jbonavries at 8:35 am, Oct 31, 2008



A-A

B



PIECE SCHEDULE						
LAB	QTY	MATERIAL	DESCRIPTION	LENGTH	ANG1	ANG2
1	1	362S162-54	JOIST	6'-8 3/8"		
H1	1	1000T250-97	HEADER	6'-8 3/8"		
H2	1	1000T250-97	HEADER	7'-2 5/8"		
J1	4	1000S200-97	JOIST	14'-2 3/16"		
X1	3	362S162-33	FLAT TRACK B	2'-2"		

21-5098

Jewish Home for the Aging

1885 Victory Blvd. Reseda, CA

FM-07-109

CREATED BY: JLB

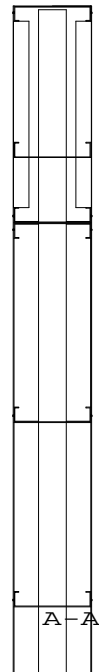
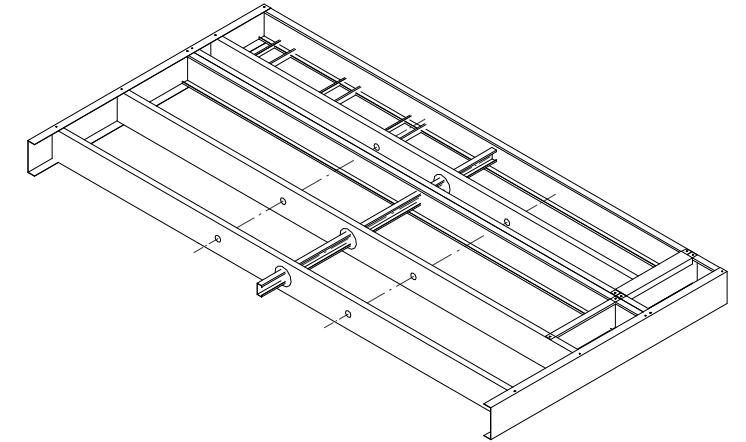
FrameMax, Inc.
13915 Danielson St
Suite 100
Poway, CA 92064
www.framemax.com



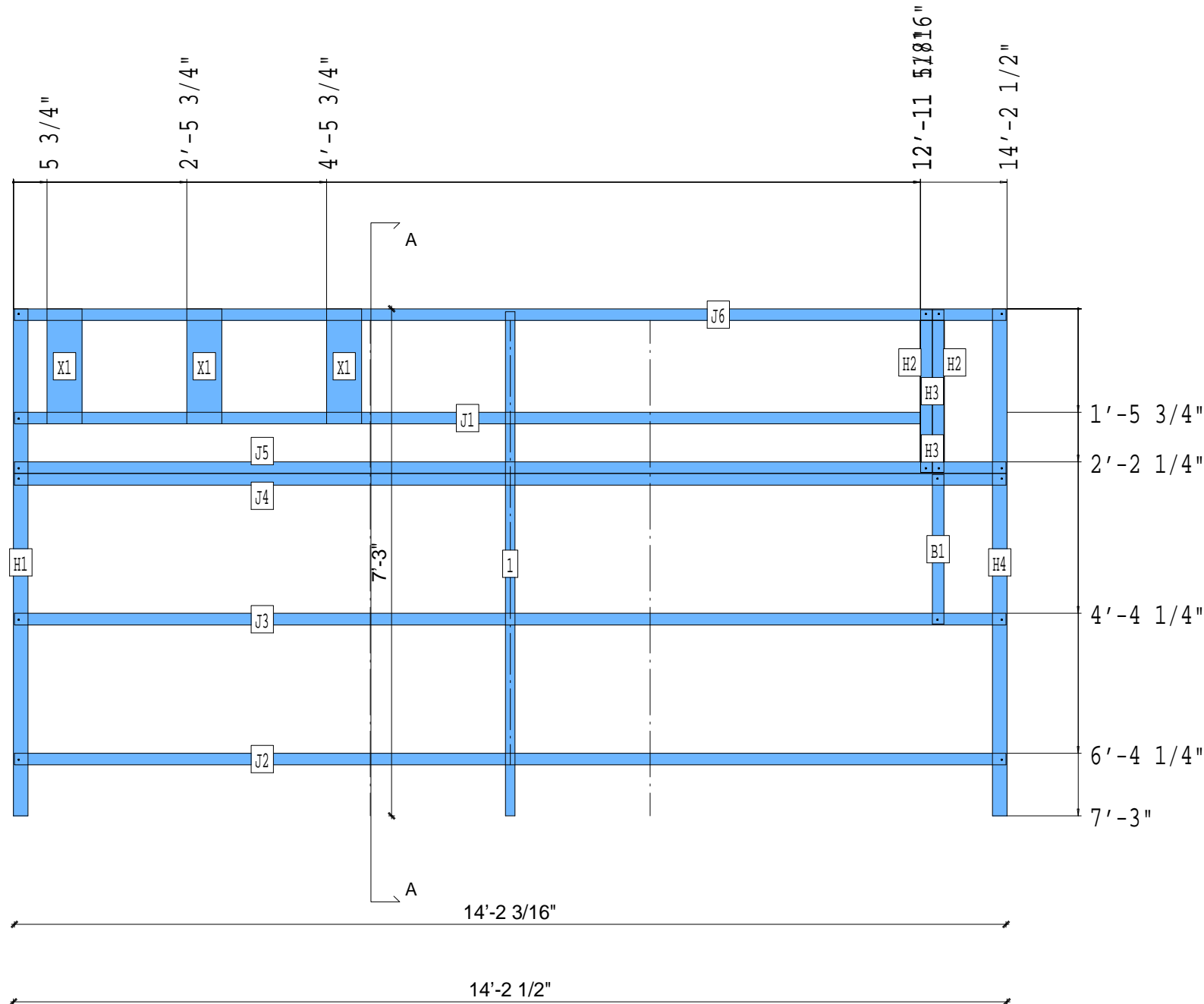
© FrameMax Inc.

APPROVED

By jbonavries at 8:35 am, Oct 31, 2008



B



PIECE SCHEDULE						
LAB	QTY	MATERIAL	DESCRIPTION	LENGTH	ANG1	ANG2
1	1	362S162-54	JOIST	7'-2 1/2"		
B1	1	1000S200-97	BLOCK	2'-1 11/16"		
H1	1	1000T250-97	HEADER	7'-3"		
H2	2	1000S200-97	OPENING TRIM	2'-3 15/16"		
H3	2	400T200-68	OPENING TRIM	2'-0 1/4"		
H4	1	1000T250-97	HEADER	7'-3"		
J1	1	1000S200-97	JOIST	12'-11 1/2"		
J2	1	1000S200-97	JOIST	14'-2 3/16"		
J3	1	1000S200-97	JOIST	14'-2 3/16"		
J4	1	1000S200-97	OPENING TRIM	14'-2 3/16"		
J5	1	1000S200-97	OPENING TRIM	14'-2 3/16"		
J6	1	1000S200-97	JOIST	14'-2 3/16"		
X1	3	600S162-33	FLAT TRACK B	1'-7 3/4"		

21-5099

Jewish Home for the Aging

1885 Victory Blvd. Reseda, CA

FM-07-109

CREATED BY: JLB

FrameMax, Inc.
13915 Danielson St
Suite 100
Poway, CA 92064
www.framemax.com

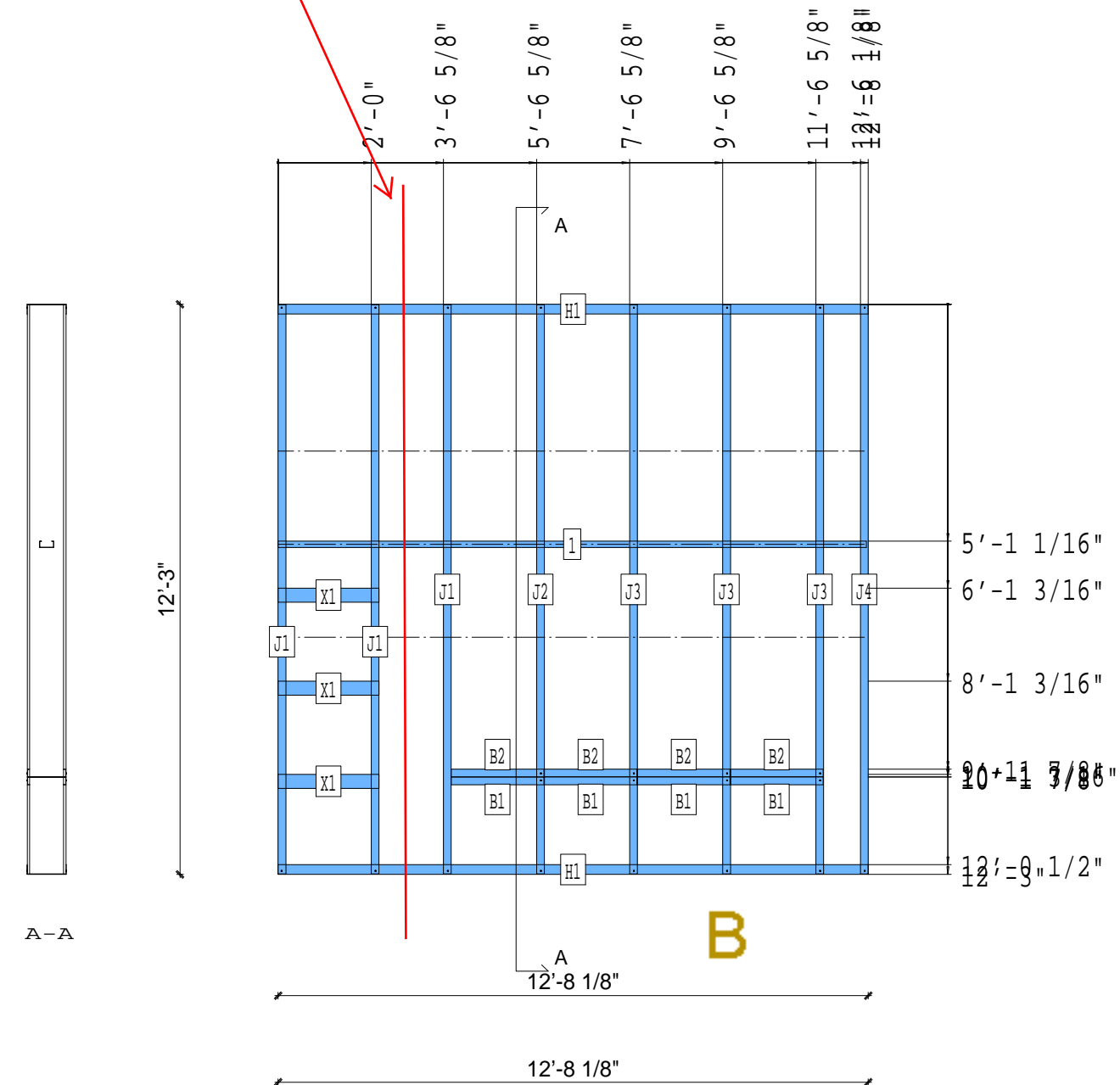
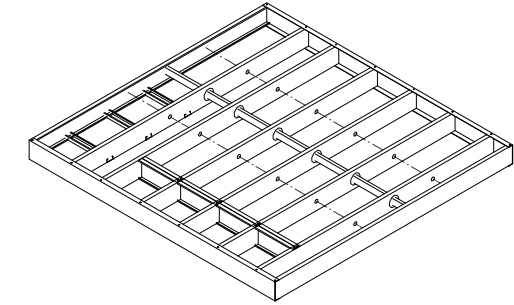


© FrameMax Inc.

APPROVED

By jbonavries at 8:35 am, Oct 31, 2008

CUT HERE



PIECE SCHEDULE						
LAB	QTY	MATERIAL	DESCRIPTION	LENGTH	ANG1	ANG2
1	1	362S162-54	JOIST	12'-7 5/8"		
B1	4	1000S200-68	BLOCK	1'-11 7/8"		
B2	4	1000S200-68	BLOCK	1'-11 7/8"		
H1	2	1000T250-68	HEADER	12'-8 1/8"		
J1	3	1000S200-68	JOIST	12'-2 3/4"		
J2	1	1000S200-68	JOIST	12'-2 3/4"		
J3	3	1000S200-68	JOIST	12'-2 3/4"		
J4	1	1000S200-68	JOIST	12'-2 3/4"		
X1	3	362S162-33	FLAT TRACK B	2'-2"		

21-5100

CREATED: 10/31/2008

Jewish Home for the Aging

1885 Victory Blvd. Reseda, CA

FM-07-109

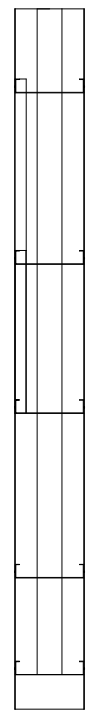
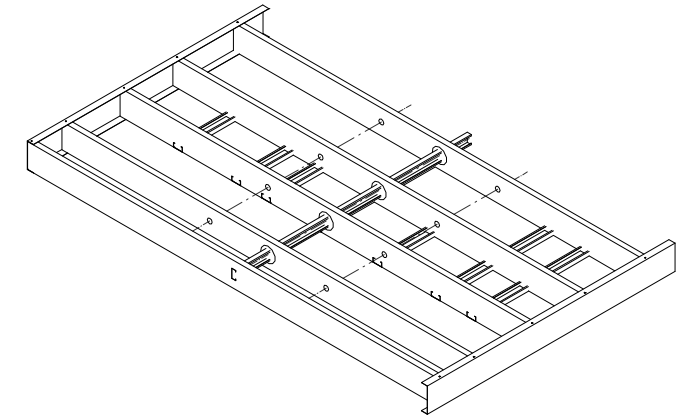
CREATED BY: JLB

FrameMax, Inc.
13915 Danielson St
Suite 100
Poway, CA 92064
www.framemax.com



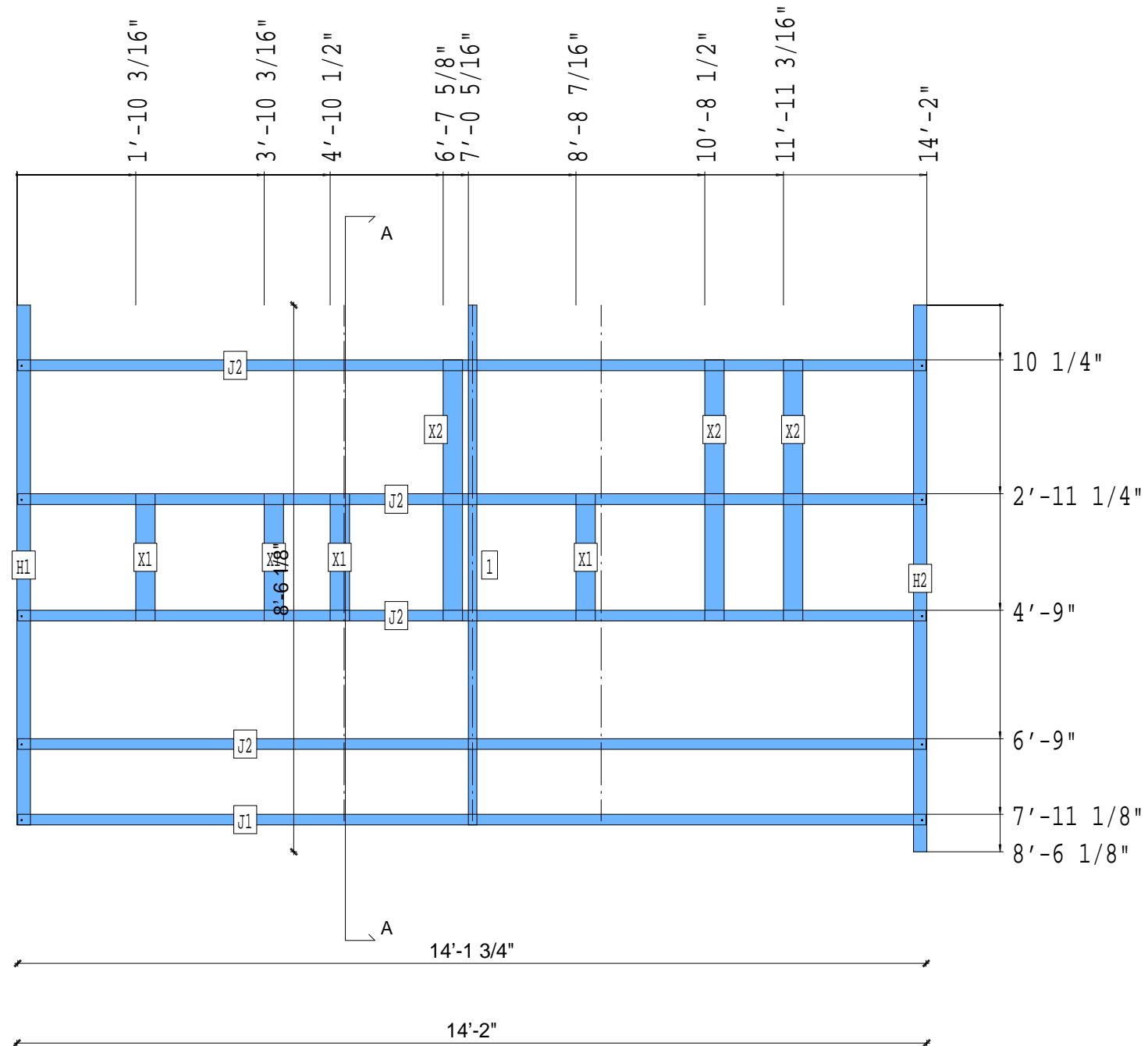
© FrameMax Inc.

APPROVED
By jbonavries at 8:35 am, Oct 31, 2008



A-A

B



PIECE SCHEDULE						
LAB	QTY	MATERIAL	DESCRIPTION	LENGTH	ANG1	ANG2
1	1	362S162-54	JOIST	8'-1 1/8"		
H1	1	1000T250-68	HEADER	8'-1 1/8"		
H2	1	1000T250-68	HEADER	8'-6 1/8"		
J1	1	1000S200-68	JOIST	14'-1 3/4"		
J2	4	1000S200-68	JOIST	14'-1 3/4"		
X1	4	362S162-33	FLAT TRACK B	1'-11 3/4"		
X2	3	362S162-33	FLAT TRACK B	4'-0 3/4"		

21-5101

Jewish Home for the Aging

1885 Victory Blvd. Reseda, CA

FM-07-109

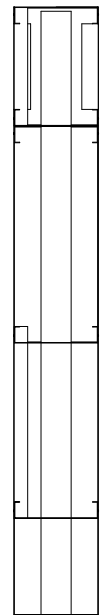
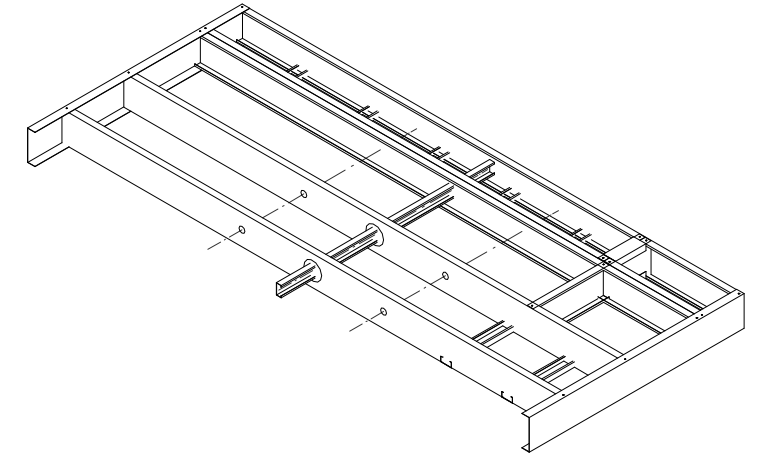
CREATED BY: JLB

FrameMax, Inc.
13915 Danielson St
Suite 100
Poway, CA 92064
www.framemax.com



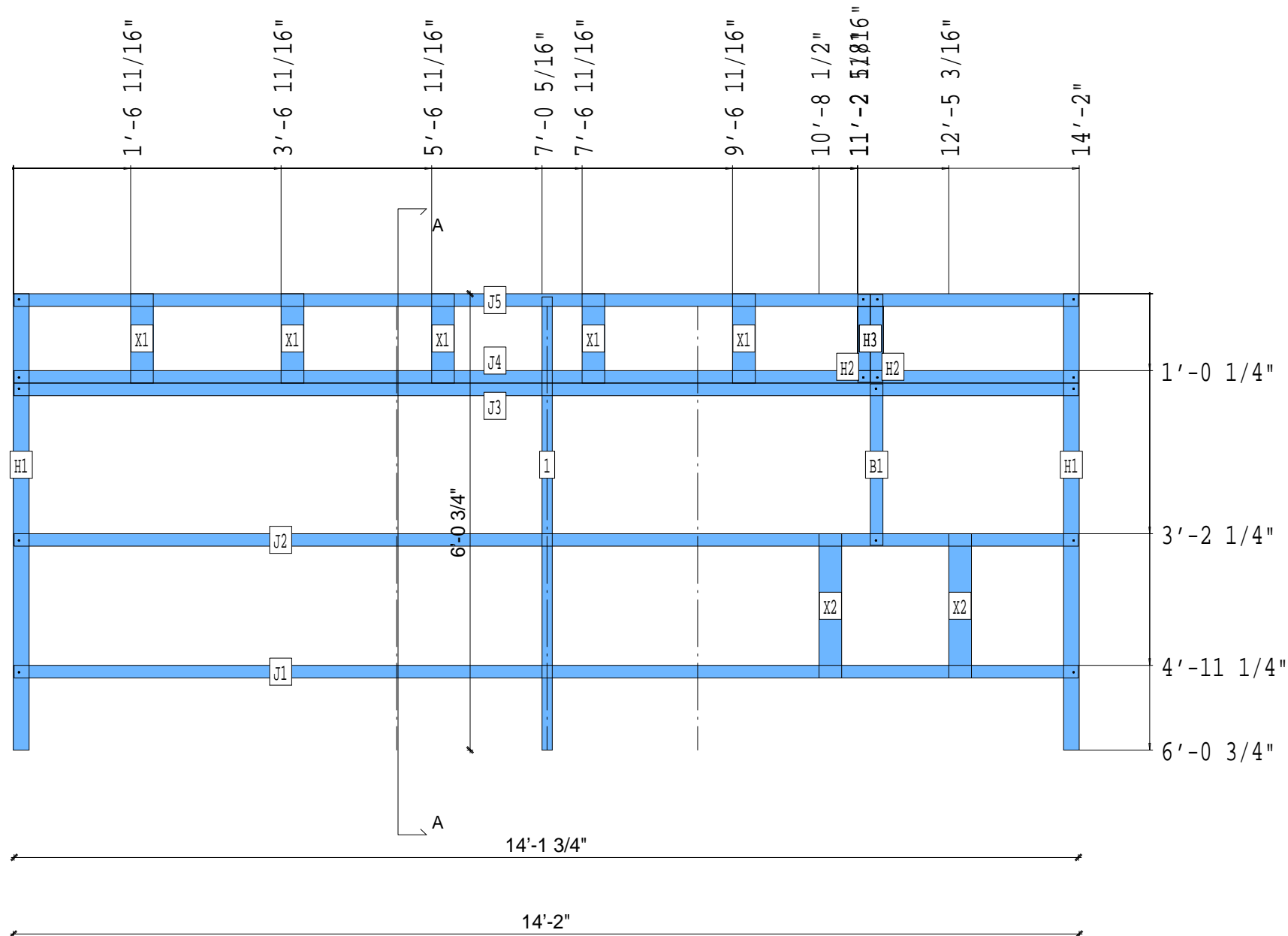
© FrameMax Inc.

APPROVED
By jbonavries at 8:35 am, Oct 31, 2008



A-A

B



PIECE SCHEDULE						
LAB	QTY	MATERIAL	DESCRIPTION	LENGTH	ANG1	ANG2
1	1	362S162-54	JOIST	6'-0 1/4"		
B1	1	1000S200-68	BLOCK	2'-1 3/4"		
H1	2	1000T250-68	HEADER	6'-0 3/4"		
H2	2	1000S200-68	OPENING TRIM	1'-2"		
H3	2	400T200-68	OPENING TRIM	10 1/4"		
J1	1	1000S200-68	JOIST	14'-1 3/4"		
J2	1	1000S200-68	JOIST	14'-1 3/4"		
J3	1	1000S200-68	OPENING TRIM	14'-1 3/4"		
J4	1	1000S200-68	OPENING TRIM	14'-1 3/4"		
J5	1	1000S200-68	JOIST	14'-1 3/4"		
X1	5	362S162-33	FLAT TRACK B	1'-2 1/4"		
X2	2	362S162-33	FLAT TRACK B	1'-11"		

21-5102

CREATED: 10/31/2008

Jewish Home for the Aging

1885 Victory Blvd. Reseda, CA

FM-07-109

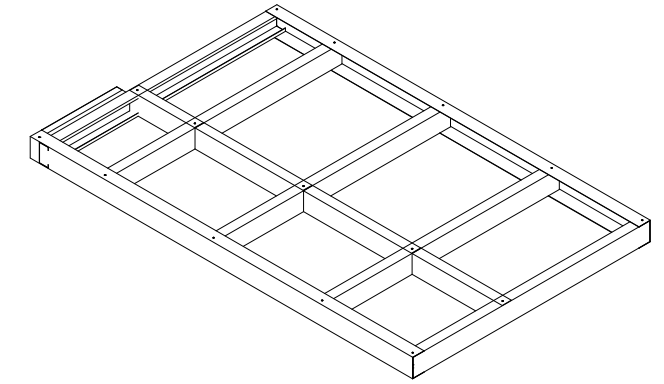
CREATED BY: JLB

FrameMax, Inc.
13915 Danielson St
Suite 100
Poway, CA 92064
www.framemax.com

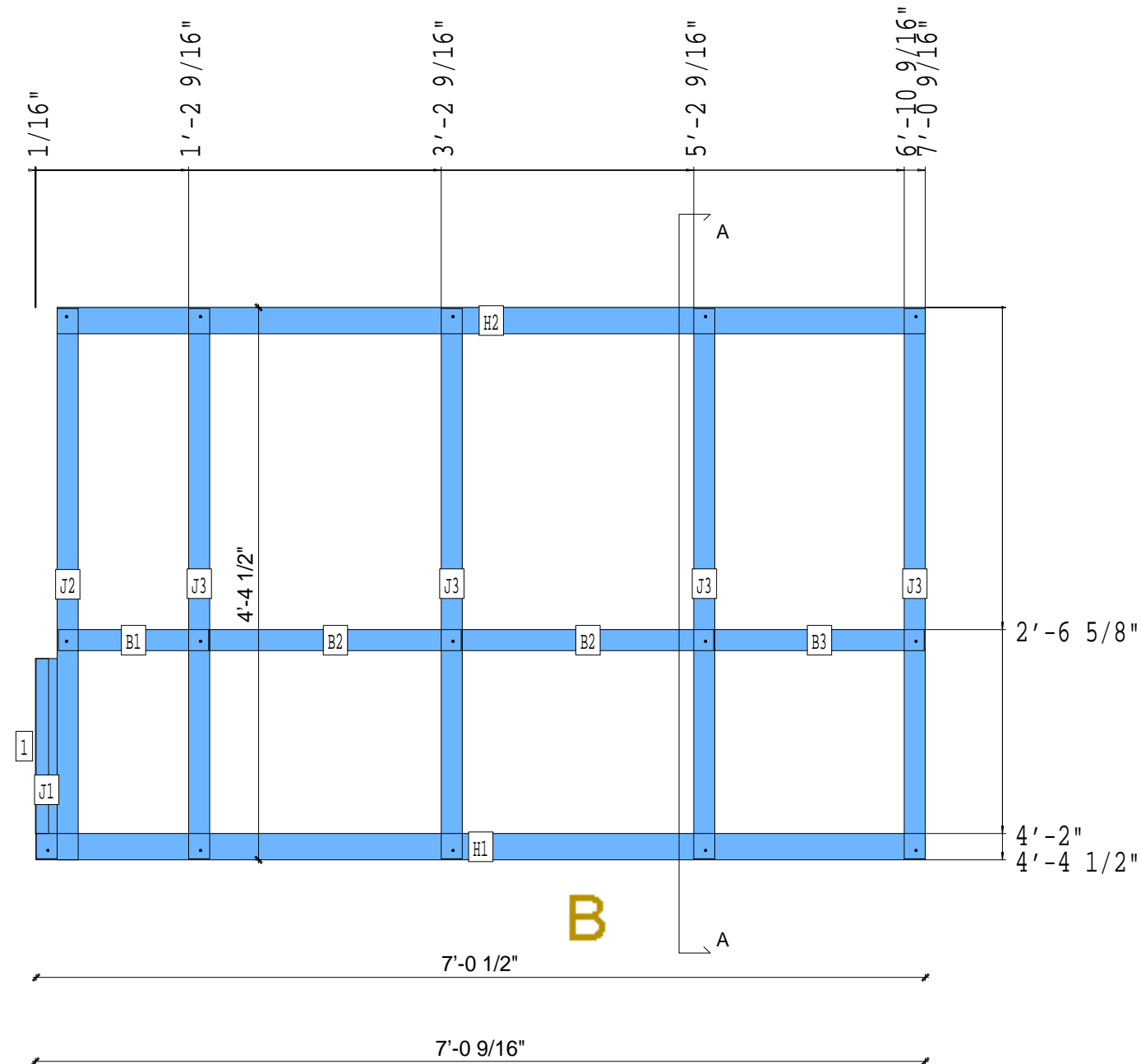


© FrameMax Inc.

APPROVED
By jbonavries at 8:35 am, Oct 31, 2008



A-A



PIECE SCHEDULE						
LAB	QTY	MATERIAL	DESCRIPTION	LENGTH	ANGL	ANG2
1	1	400T125-54	JOIST	1'-4 5/8"		
B1	1	400S200-54	BLOCK	1'-2 1/4"		
B2	2	400S200-54	BLOCK	1'-11 7/8"		
B3	1	400S200-54	BLOCK	1'-7 7/8"		
H1	1	400T250-54	HEADER	7'-0 1/2"		
H2	1	400T250-54	HEADER	6'-10 1/2"		
J1	1	400S200-54	JOIST	1'-7"		
J2	1	400S200-54	JOIST	4'-4 3/8"		
J3	4	400S200-54	JOIST	4'-4 1/4"		

21-5103

Jewish Home for the Aging

1885 Victory Blvd. Reseda, CA

FM-07-109

CREATED BY: JLB

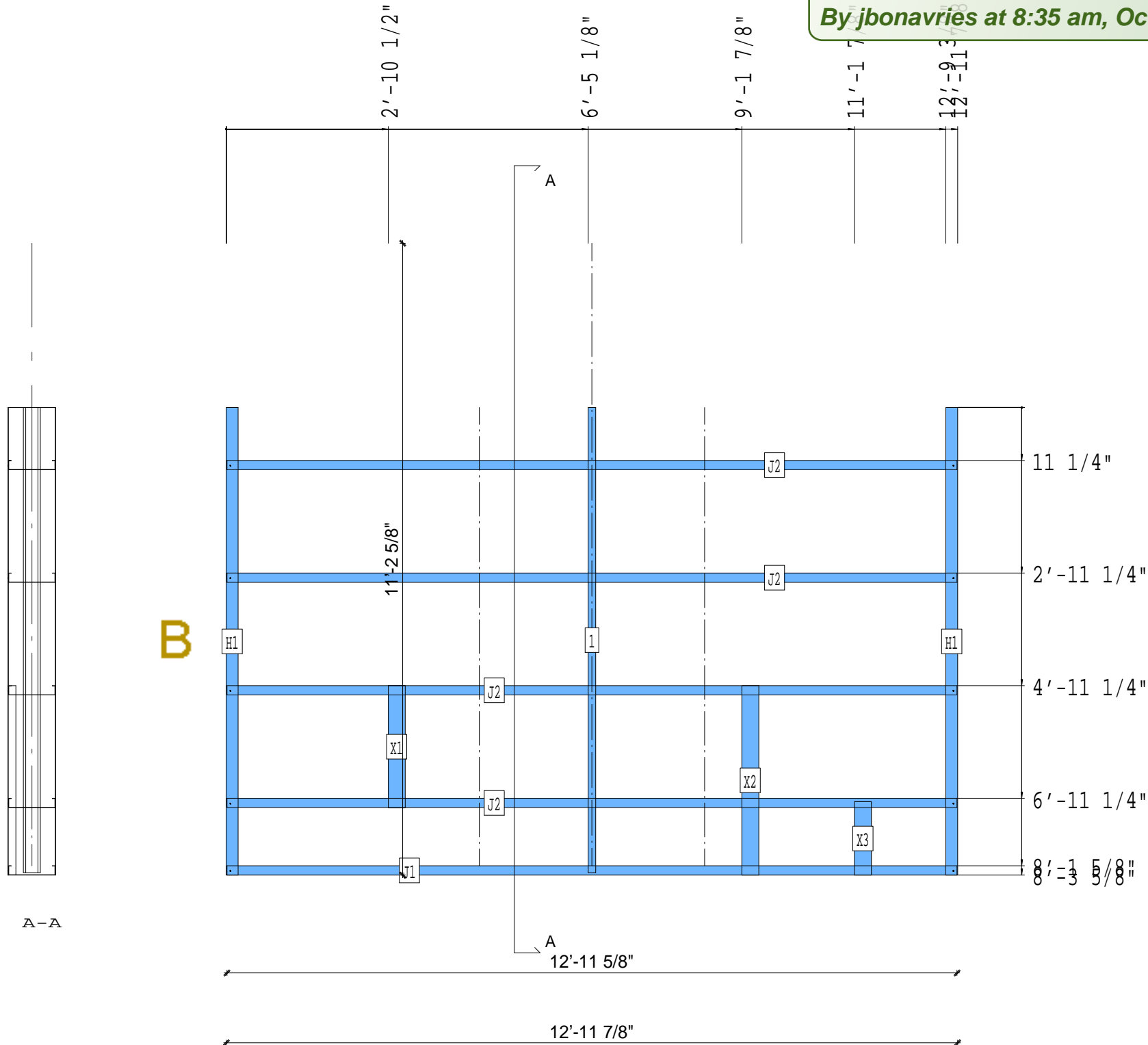
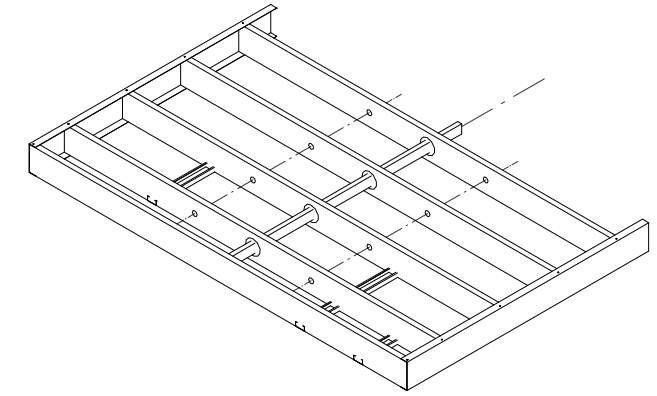
FrameMax, Inc.
13915 Danielson St
Suite 100
Poway, CA 92064
www.frame-max.com

FRAMEMAX

© FrameMax Inc.

APPROVED

By jbonavries at 8:35 am, Oct 31, 2008



PIECE SCHEDULE						
LAB	QTY	MATERIAL	DESCRIPTION	LENGTH	ANG1	ANG2
1	1	362S162-54	JOIST	8'-3 1/8"		
H1	2	1000T250-68	HEADER	8'-3 5/8"		
J1	1	1000S200-68	JOIST	12'-11 5/8"		
J2	4	1000S200-68	JOIST	12'-11 5/8"		
X1	1	362S162-33	FLAT TRACK B	2'-2 1/16"		
X2	1	362S162-33	FLAT TRACK B	3'-4 3/8"		
X3	1	362S162-33	FLAT TRACK B	1'-3 5/8"		

21-5104

Jewish Home for the Aging

1885 Victory Blvd. Reseda, CA

FM-07-109

CREATED BY: JLB

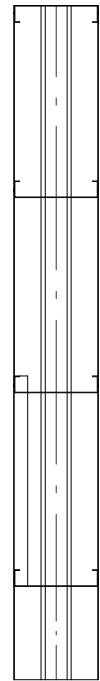
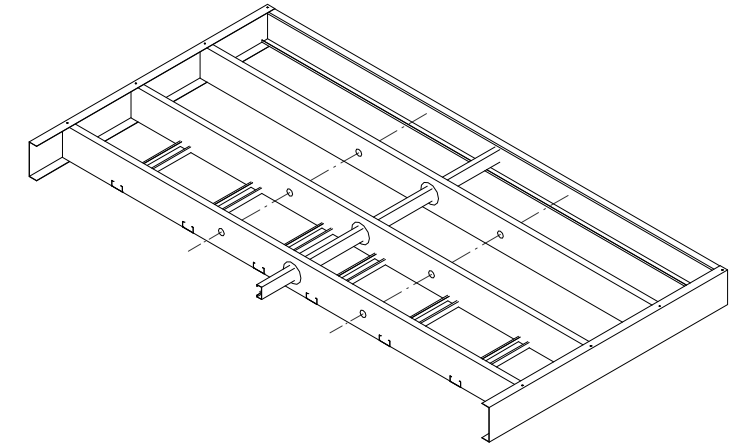
FrameMax, Inc.
13915 Danielson St
Suite 100
Poway, CA 92064
www.framemax.com



© FrameMax Inc.

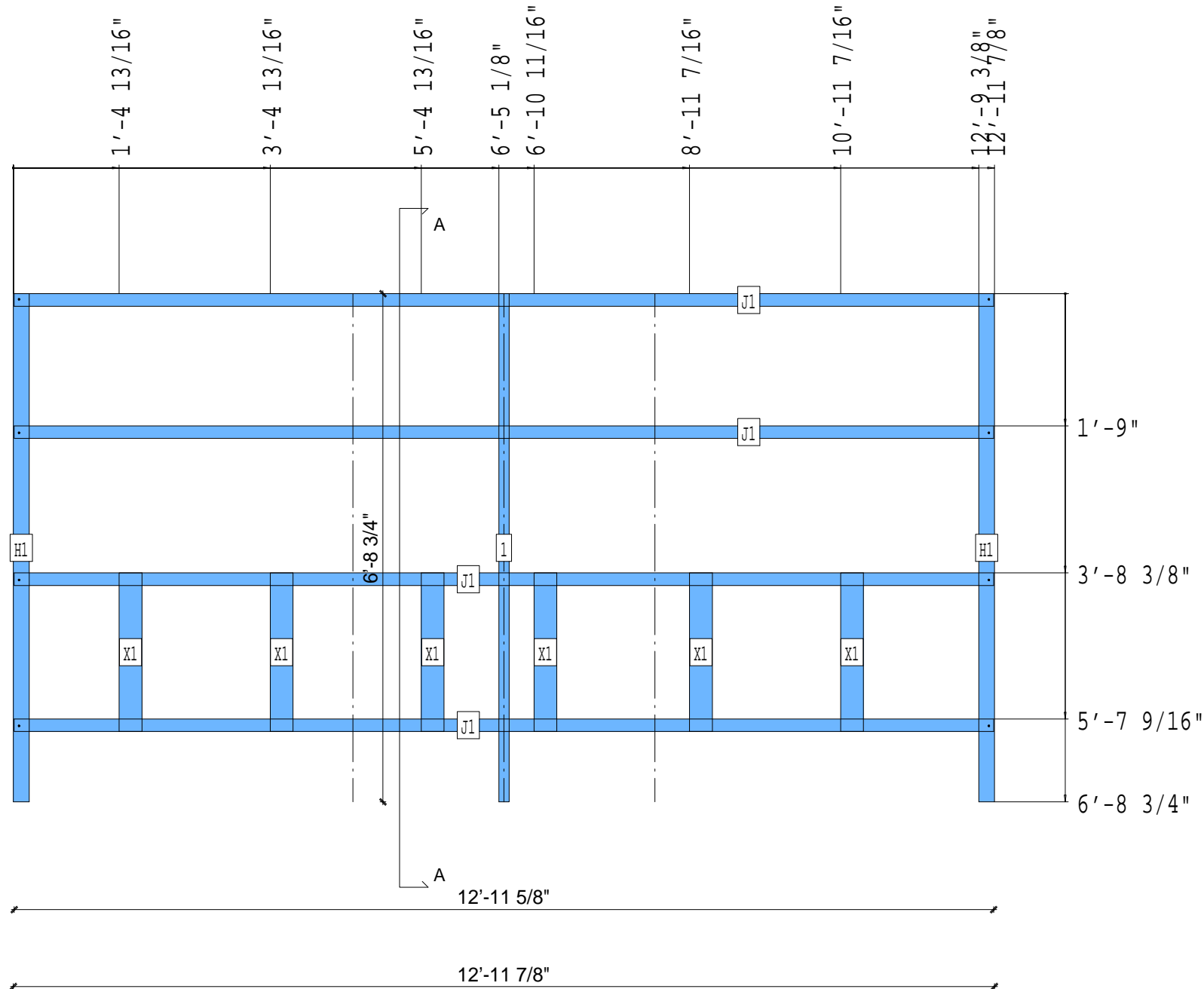
APPROVED

By jbonavries at 8:35 am, Oct 31, 2008



A-A

B



PIECE SCHEDULE						
LAB	QTY	MATERIAL	DESCRIPTION	LENGTH	ANG1	ANG2
1	1	362S162-54	JOIST	6'-8 3/4"		
H1	2	1000T250-68	HEADER	6'-8 3/4"		
J1	4	1000S200-68	JOIST	12'-11 5/8"		
X1	6	362S162-33	FLAT TRACK B	2'-1 3/16"		

21-5105

Jewish Home for the Aging

1885 Victory Blvd. Reseda, CA

FM-07-109

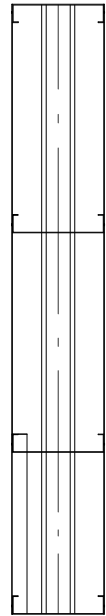
CREATED BY: JLB

FrameMax, Inc.
13915 Danielson St
Suite 100
Poway, CA 92064
www.frame-max.com

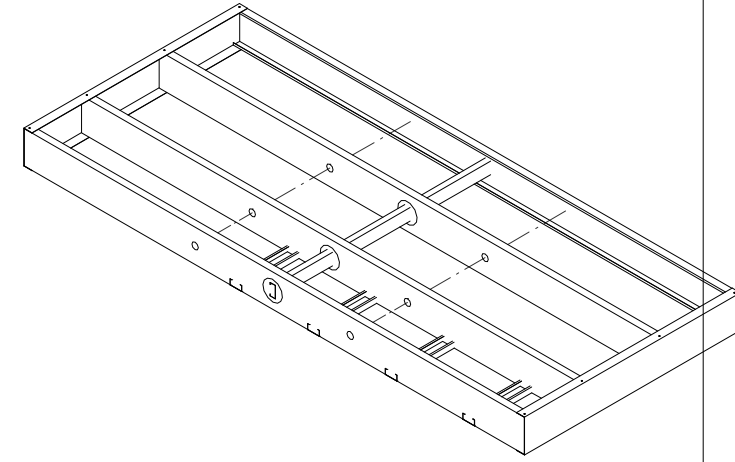
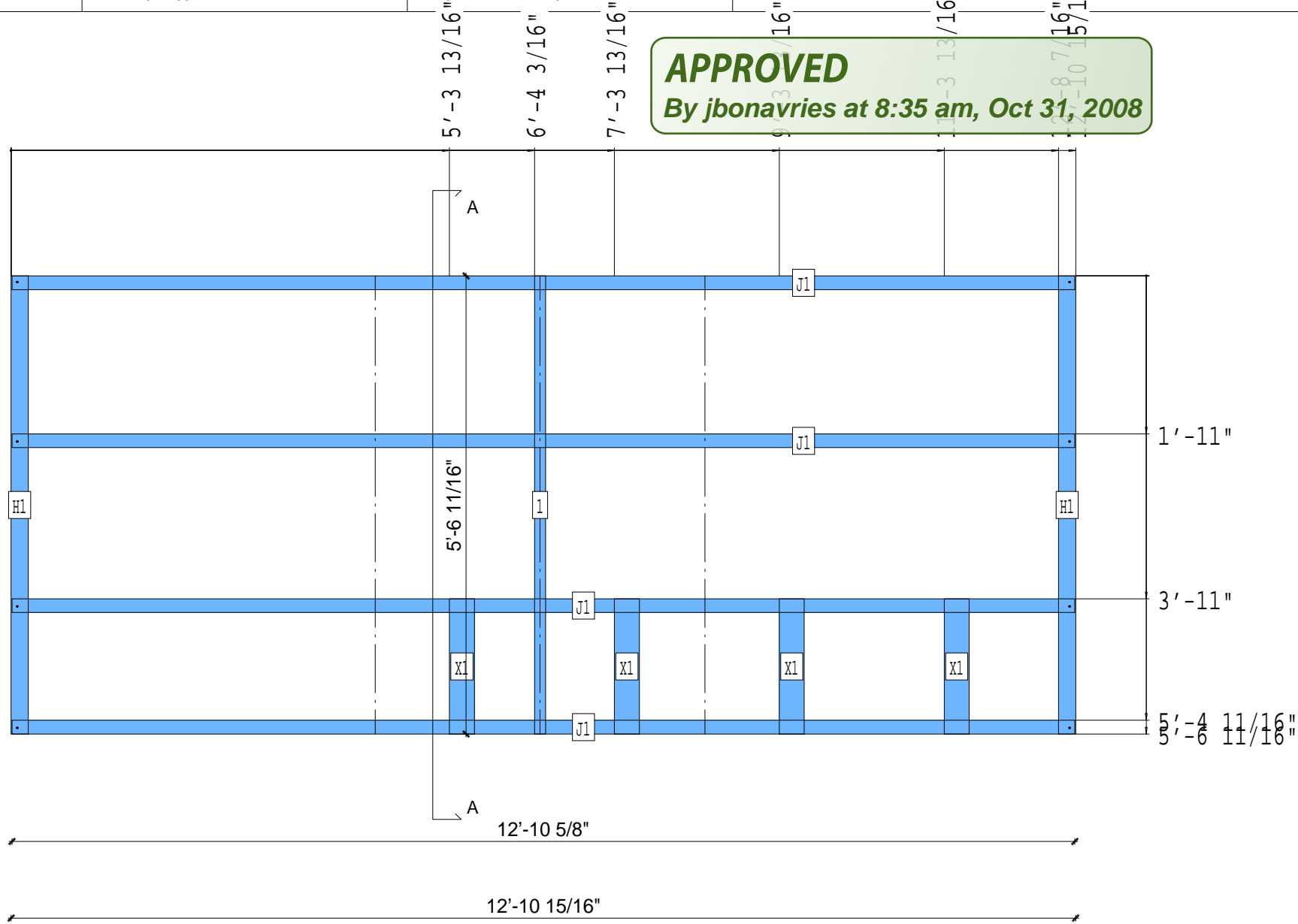


© FrameMax Inc.

APPROVED
By jbonavries at 8:35 am, Oct 31, 2008



B



A-A

PIECE SCHEDULE						
LAB	QTY	MATERIAL	DESCRIPTION	LENGTH	ANG1	ANG2
1	1	362S162-54	JOIST	5'-6 11/16"		
H1	2	1000T250-68	HEADER	5'-6 11/16"		
J1	4	1000S200-68	JOIST	12'-10 5/8"		
X1	4	362S162-33	FLAT TRACK B	1'-7 11/16"		

21-5106

CREATED: 10/31/2008

Jewish Home for the Aging

1885 Victory Blvd. Reseda, CA

FM-07-109

CREATED BY: JLB

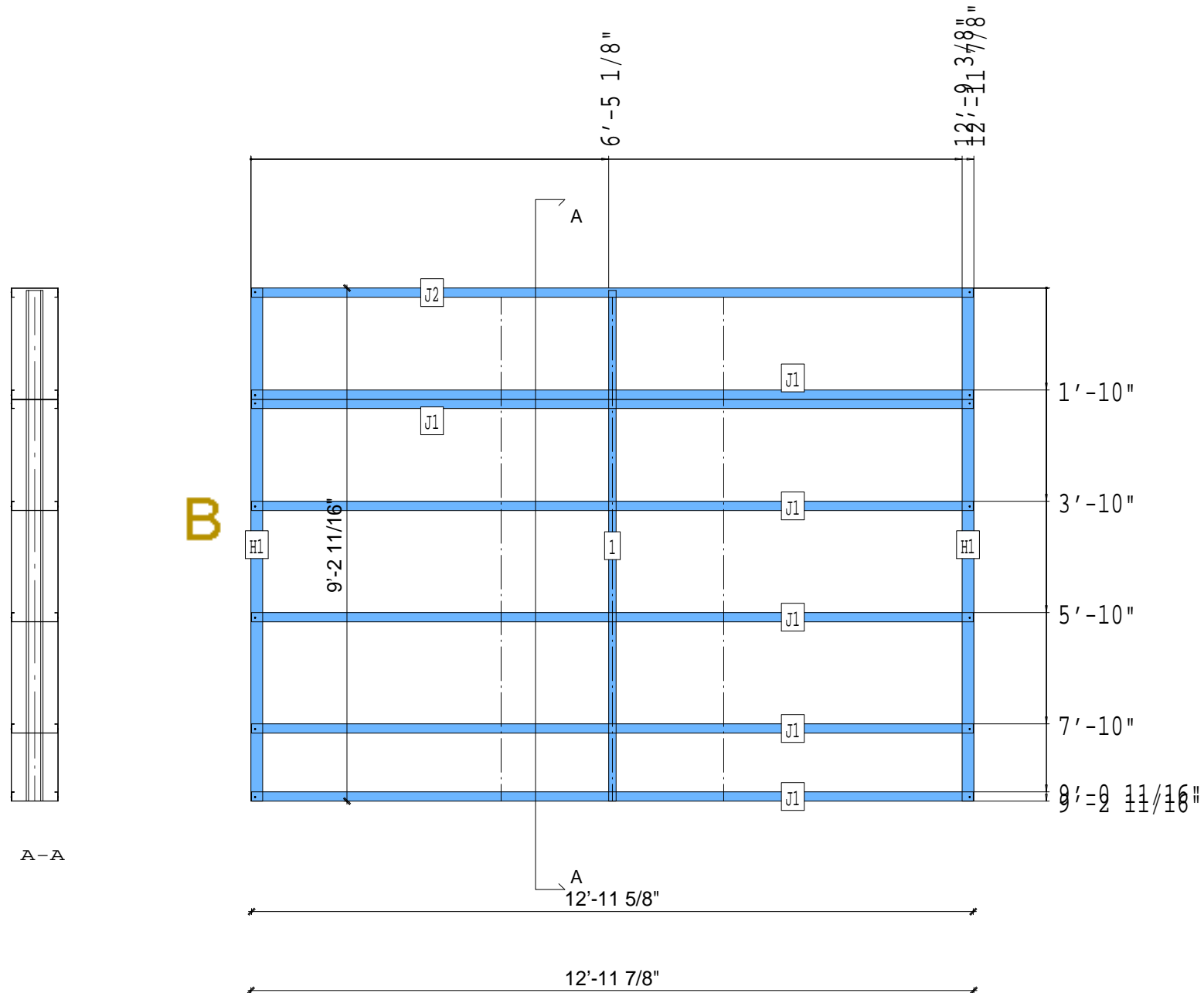
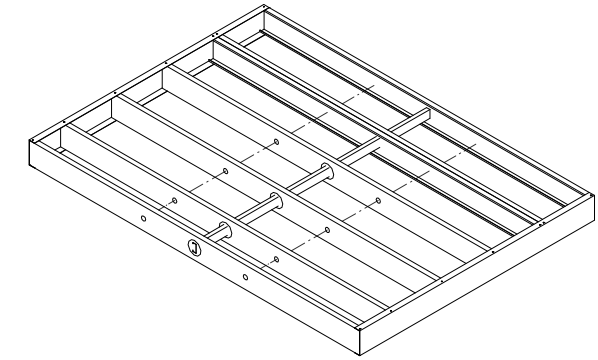
FrameMax, Inc.
13915 Danielson St
Suite 100
Poway, CA 92064
www.framemax.com



© FrameMax Inc.

APPROVED

By jbonavries at 8:35 am, Oct 31, 2008



PIECE SCHEDULE						
LAB	QTY	MATERIAL	DESCRIPTION	LENGTH	ANG1	ANG2
1	1	362S162-54	JOIST	9'-2 3/16"		
H1	2	1000T250-68	HEADER	9'-2 11/16"		
J1	6	1000S200-68	JOIST	12'-11 5/8"		
J2	1	1000S200-68	JOIST	12'-11 5/8"		

21-5107

Jewish Home for the Aging

1885 Victory Blvd. Reseda, CA

FM-07-109

CREATED BY: JLB

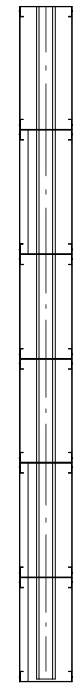
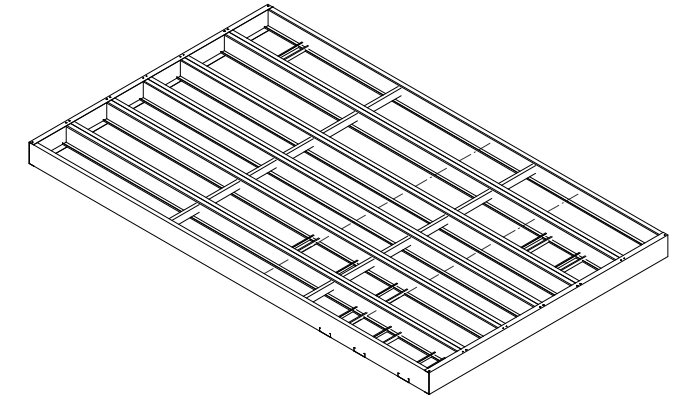
FrameMax, Inc.
13915 Danielson St
Suite 100
Poway, CA 92064
www.framemax.com



© FrameMax Inc.

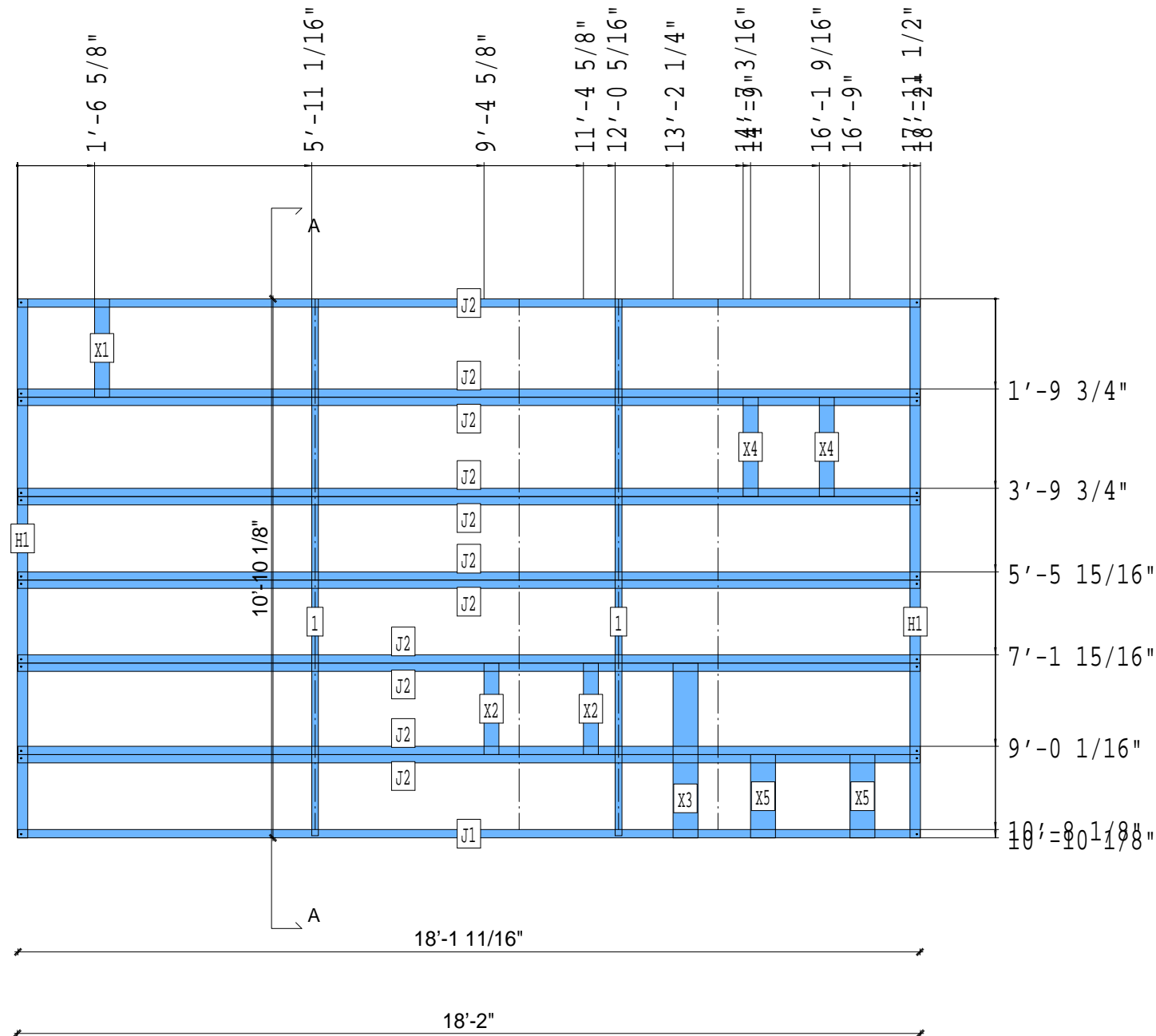
APPROVED

By jbonavries at 8:35 am, Oct 31, 2008



A-A

B



PIECE SCHEDULE						
LAB	QTY	MATERIAL	DESCRIPTION	LENGTH	ANG1	ANG2
1	2	362S162-54	JOIST	10'-9 5/8"		
H1	2	1000T250-68	HEADER	10'-10 1/8"		
J1	1	1000S200-68	JOIST	18'-1 11/16"		
J2	11	1000S200-68	JOIST	18'-1 11/16"		
X1	1	362S162-33	FLAT TRACK B	1'-11 3/4"		
X2	2	362S162-33	FLAT TRACK B	1'-10 1/8"		
X3	1	600S162-33	FLAT TRACK B	3'-6 3/16"		
X4	2	362S162-33	FLAT TRACK B	2'-0"		
X5	2	600S162-33	FLAT TRACK B	1'-8 1/8"		

21-5108

Jewish Home for the Aging

1885 Victory Blvd. Reseda, CA

FM-07-109

CREATED BY: JLB

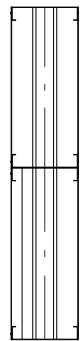
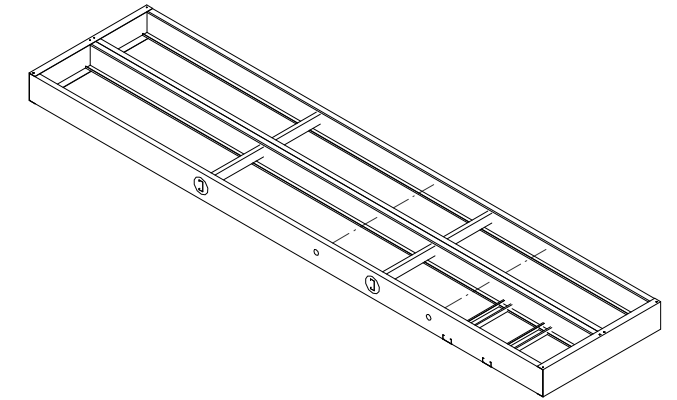
FrameMax, Inc.
13915 Danielson St
Suite 100
Poway, CA 92064
www.framemax.com



© FrameMax Inc.

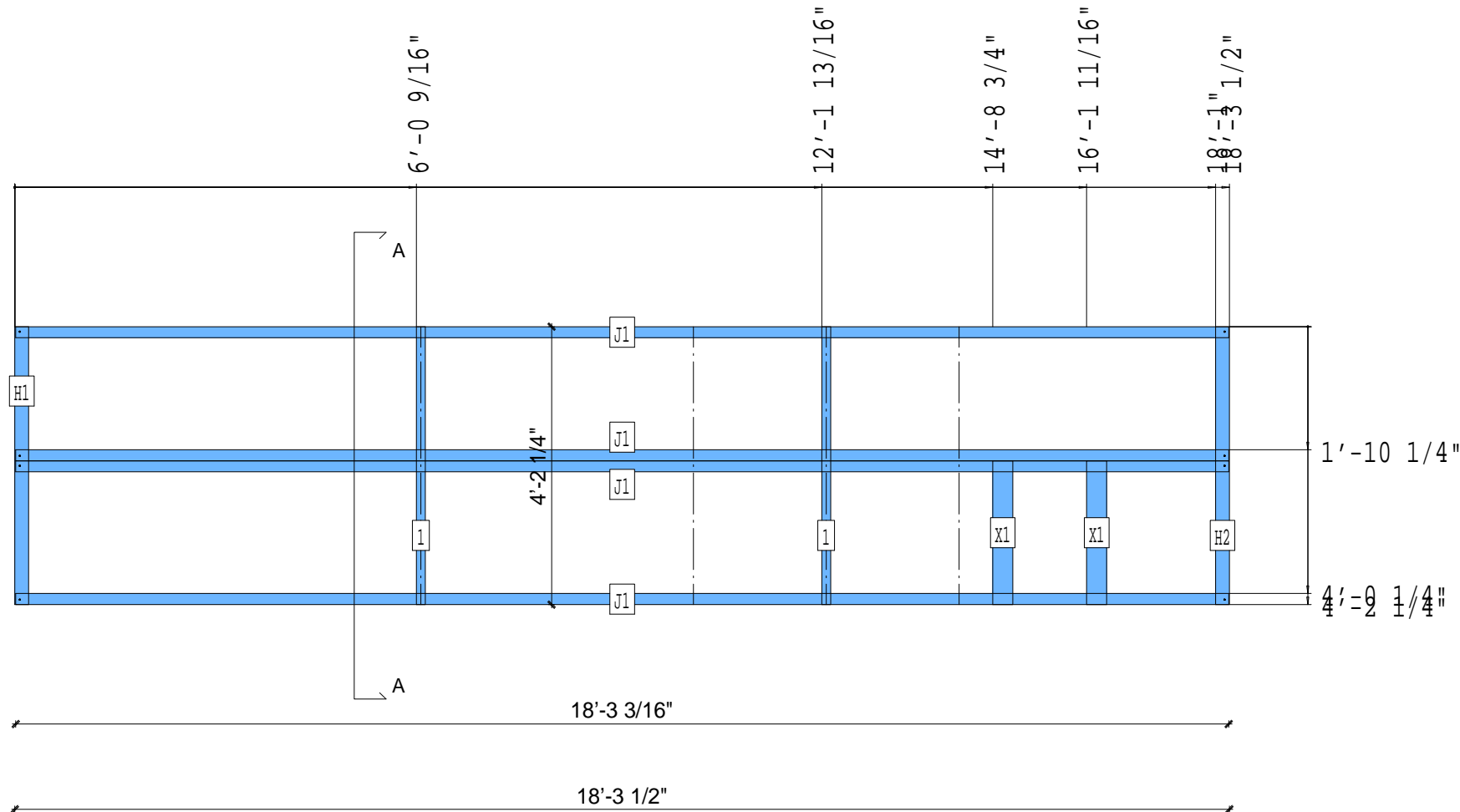
APPROVED

By jbonavries at 8:35 am, Oct 31, 2008



A-A

B



PIECE SCHEDULE						
LAB	QTY	MATERIAL	DESCRIPTION	LENGTH	ANG1	ANG2
1	2	362S162-54	JOIST	4'-2 1/4"		
H1	1	1000T250-97	HEADER	4'-2 1/4"		
H2	1	1000T250-68	HEADER	4'-2 1/4"		
J1	4	1000S200-68	JOIST	18'-3 3/16"		
X1	2	362S162-33	FLAT TRACK B	2'-2"		

21-5109

Jewish Home for the Aging

1885 Victory Blvd. Reseda, CA

FM-07-109

CREATED BY: JLB

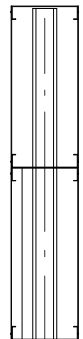
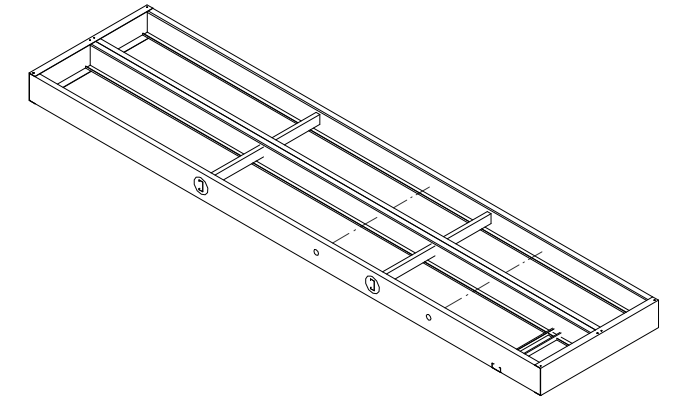
FrameMax, Inc.
13915 Danielson St
Suite 100
Poway, CA 92064
www.framemax.com



© FrameMax Inc.

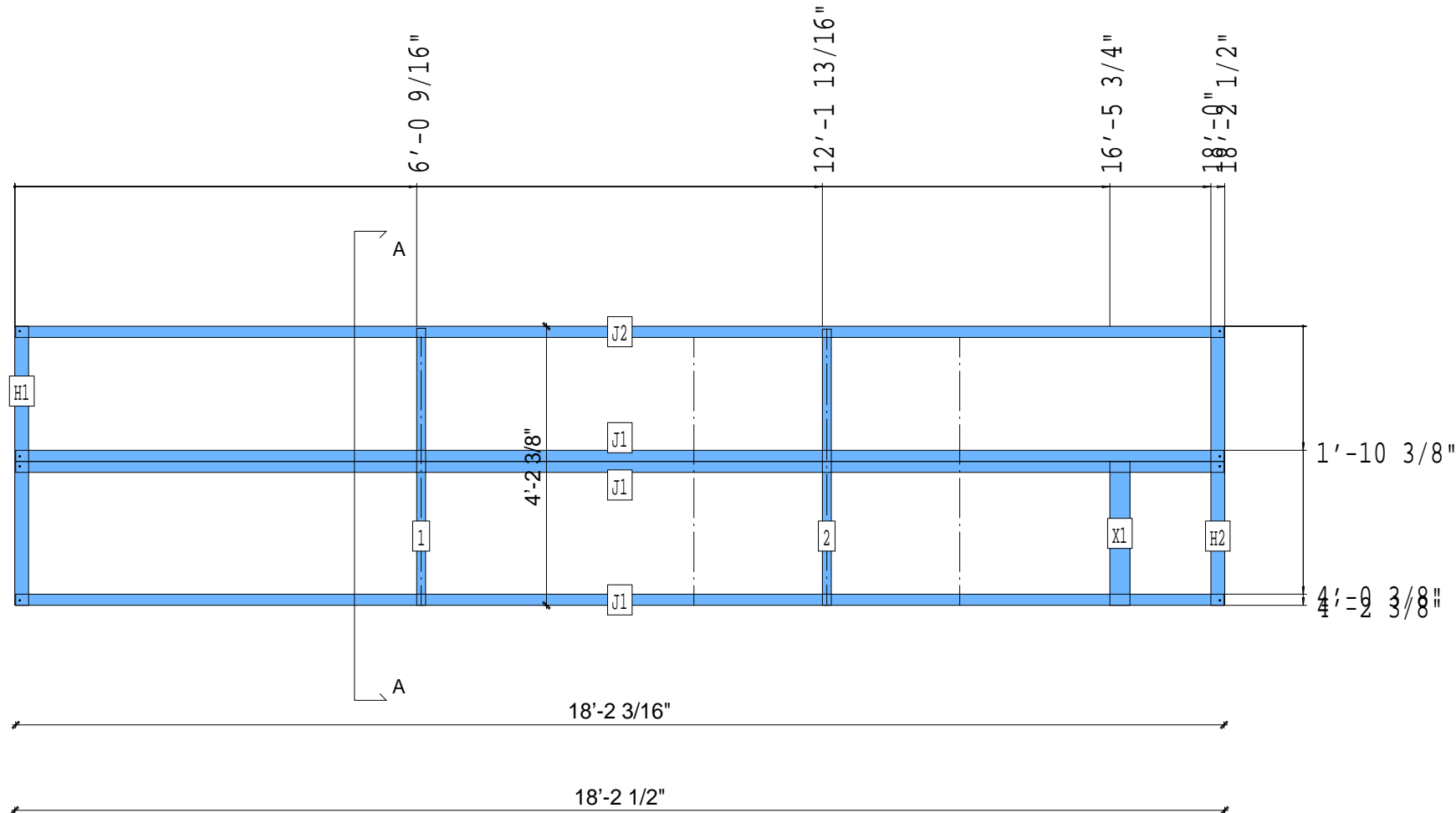
APPROVED

By jbonavries at 8:35 am, Oct 31, 2008



A-A

B



PIECE SCHEDULE						
LAB	QTY	MATERIAL	DESCRIPTION	LENGTH	ANG1	ANG2
1	1	362S162-54	JOIST	4'-2"		
2	1	362S162-54	JOIST	4'-1 7/8"		
H1	1	1000T250-97	HEADER	4'-2 3/8"		
H2	1	1000T250-68	HEADER	4'-2 3/8"		
J1	3	1000S200-68	JOIST	18'-2 3/16"		
J2	1	1000S200-68	JOIST	18'-2 3/16"		
X1	1	362S162-33	FLAT TRACK B	2'-2"		

21-5110

CREATED: 10/31/2008

Jewish Home for the Aging

1885 Victory Blvd. Reseda, CA

FM-07-109

CREATED BY: JLB

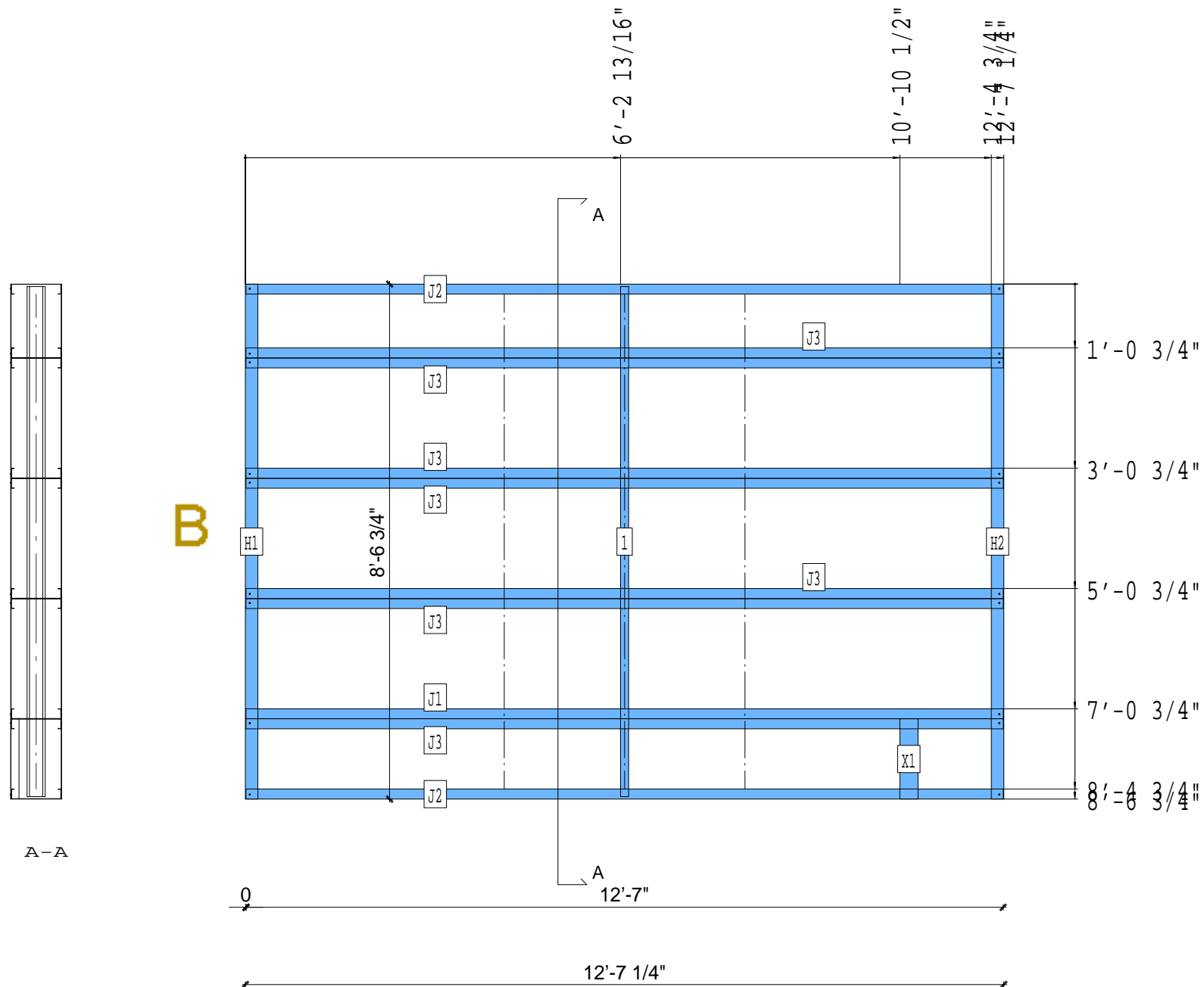
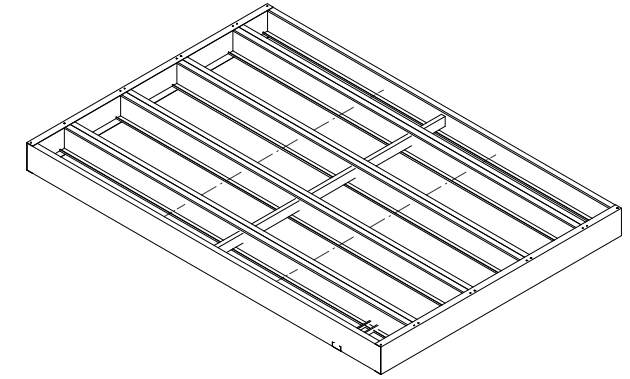
FrameMax, Inc.
13915 Danielson St
Suite 100
Poway, CA 92064
www.framemax.com



© FrameMax Inc.

APPROVED

By jbonavries at 8:35 am, Oct 31, 2008



PIECE SCHEDULE						
LAB	QTY	MATERIAL	DESCRIPTION	LENGTH	ANG1	ANG2
1	1	362S162-54	JOIST	8'-5 3/4"		
H1	1	1000T250-68	HEADER	8'-6 3/4"		
H2	1	1000T250-68	HEADER	8'-6 3/4"		
J1	1	1000S200-68	JOIST	12'-7"		
J2	2	1000S200-68	JOIST	12'-7"		
J3	7	1000S200-68	JOIST	12'-7"		
X1	1	362S162-33	FLAT TRACK B	1'-4"		

21-5111

Jewish Home for the Aging

1885 Victory Blvd. Reseda, CA

FM-07-109

CREATED BY: JLB

FrameMax, Inc.
13915 Danielson St
Suite 100
Poway, CA 92064
www.framemax.com

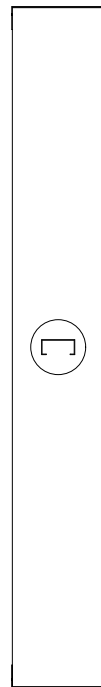
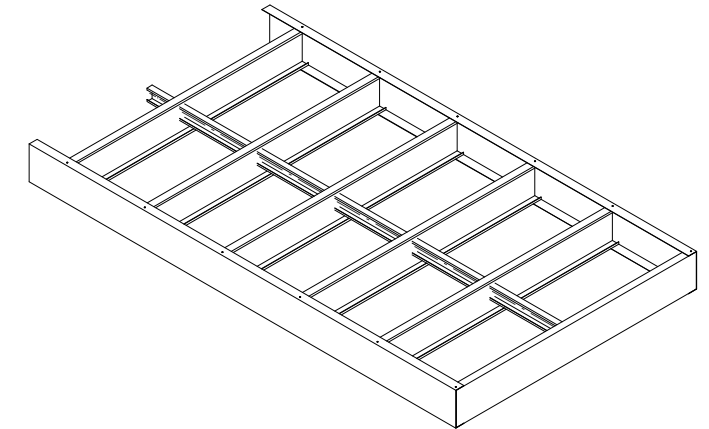


© FrameMax Inc.

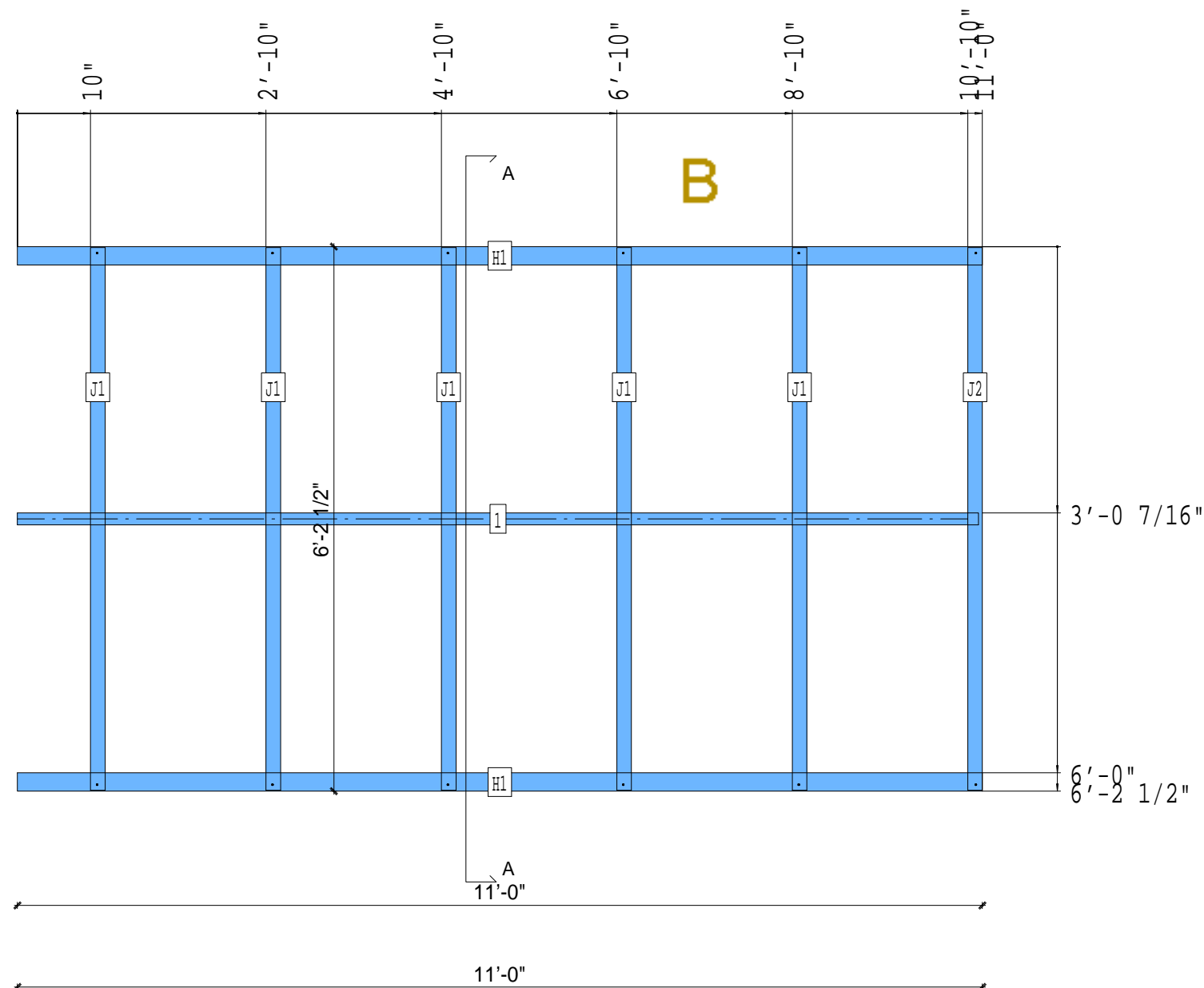
APPROVED

By jbonavries at 8:35 am, Oct 31, 2008

DO NOT PANELIZE
KIT AND BUNDLE PARTS, TO BE FIELD ASSEMBLED!



A-A



PIECE SCHEDULE						
LAB	QTY	MATERIAL	DESCRIPTION	LENGTH	ANG1	ANG2
1	1	362S162-54	JOIST	10'-11 1/2"		
H1	2	1000T250-68	HEADER	11'-0"		
J1	5	1000S200-68	JOIST	6'-2 1/4"		
J2	1	1000S200-68	JOIST	6'-2 1/4"		

21-5112

Jewish Home for the Aging

1885 Victory Blvd. Reseda, CA

FM-07-109

CREATED BY: JLB

FrameMax, Inc.
13915 Danielson St
Suite 100
Poway, CA 92064
www.framemax.com

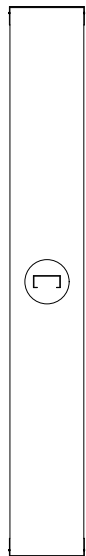
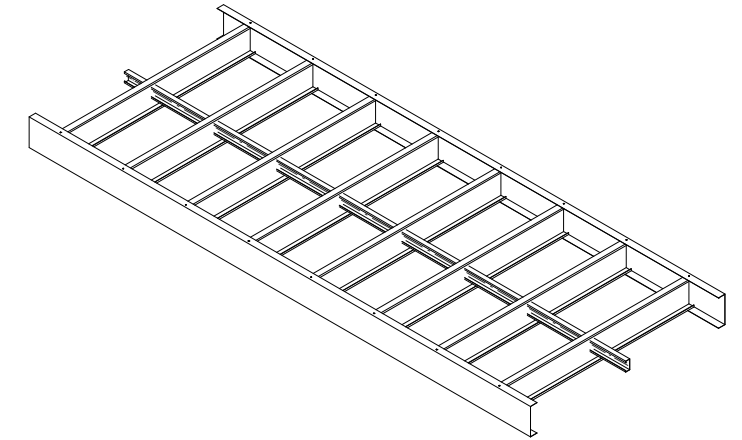


© FrameMax Inc.

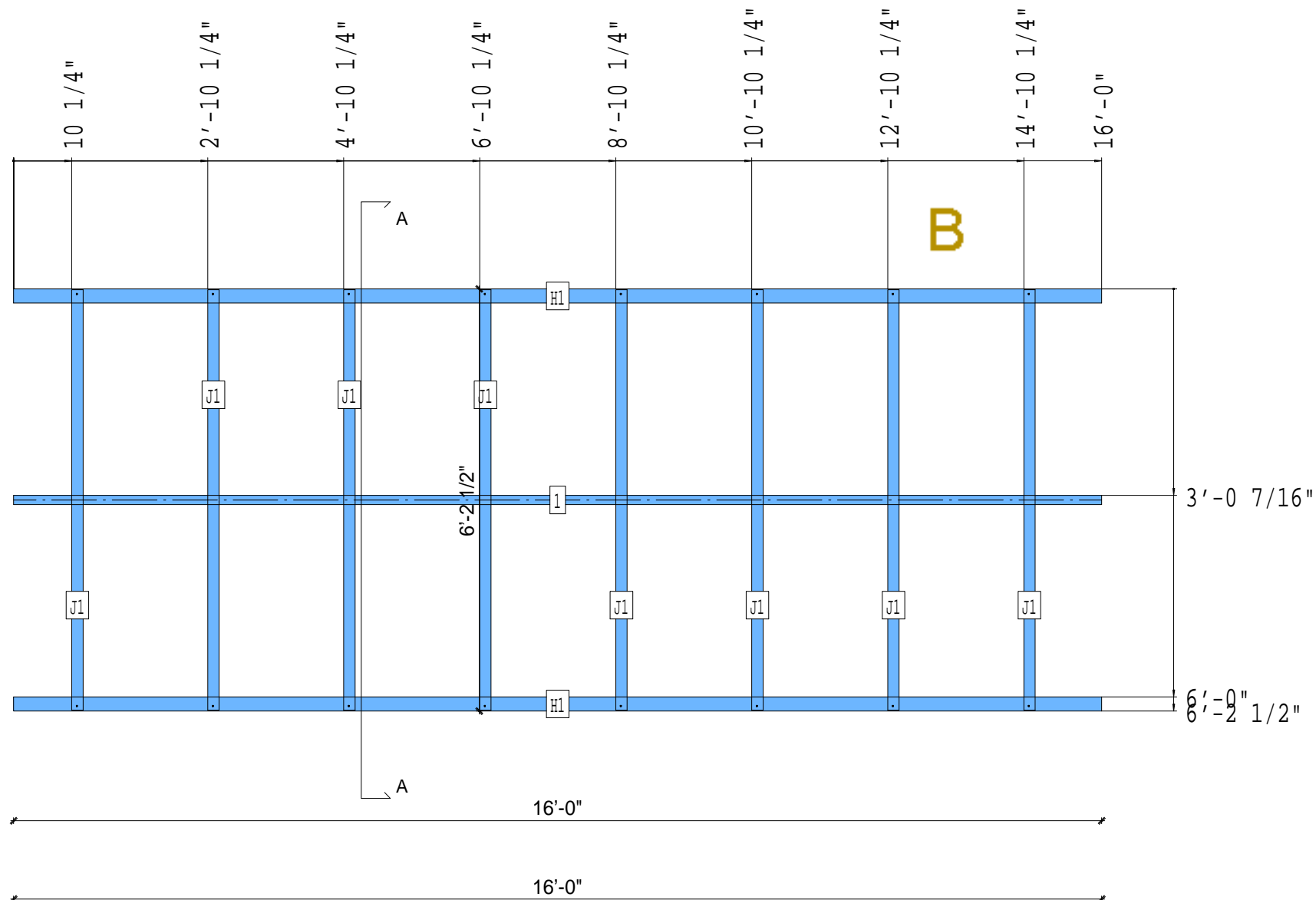
APPROVED

By jbonavries at 8:35 am, Oct 31, 2008

DO NOT PANELIZE
KIT AND BUNDLE PARTS, TO BE FIELD ASSEMBLED!



A-A



PIECE SCHEDULE						
LAB	QTY	MATERIAL	DESCRIPTION	LENGTH	ANG1	ANG2
1	1	362S162-54	JOIST	16'-0"		
H1	2	1000T250-68	HEADER	16'-0"		
J1	8	1000S200-68	JOIST	6'-2 1/4"		

21-5113

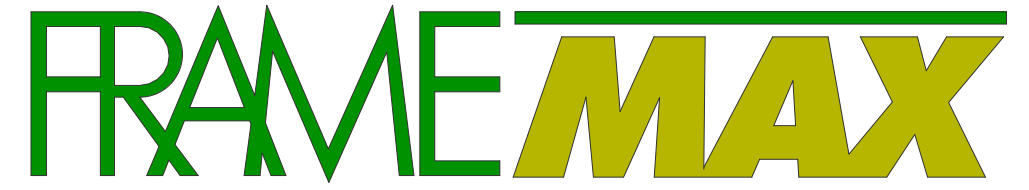
Jewish Home for the Aging

1885 Victory Blvd. Reseda, CA

FM-07-109

CREATED BY: JLB

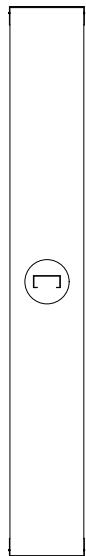
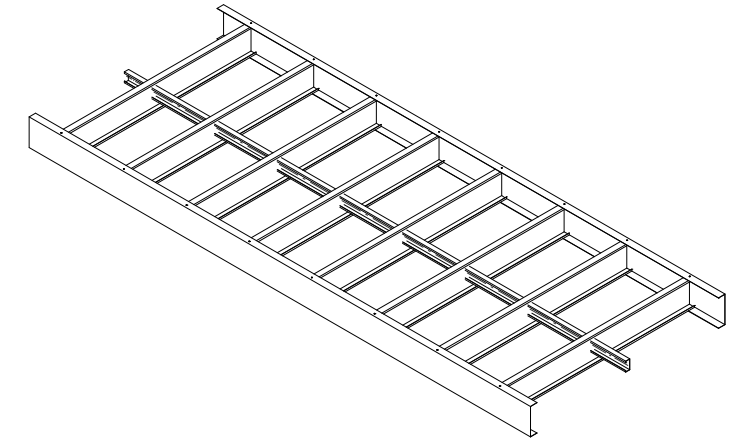
FrameMax, Inc.
13915 Danielson St
Suite 100
Poway, CA 92064
www.framemax.com



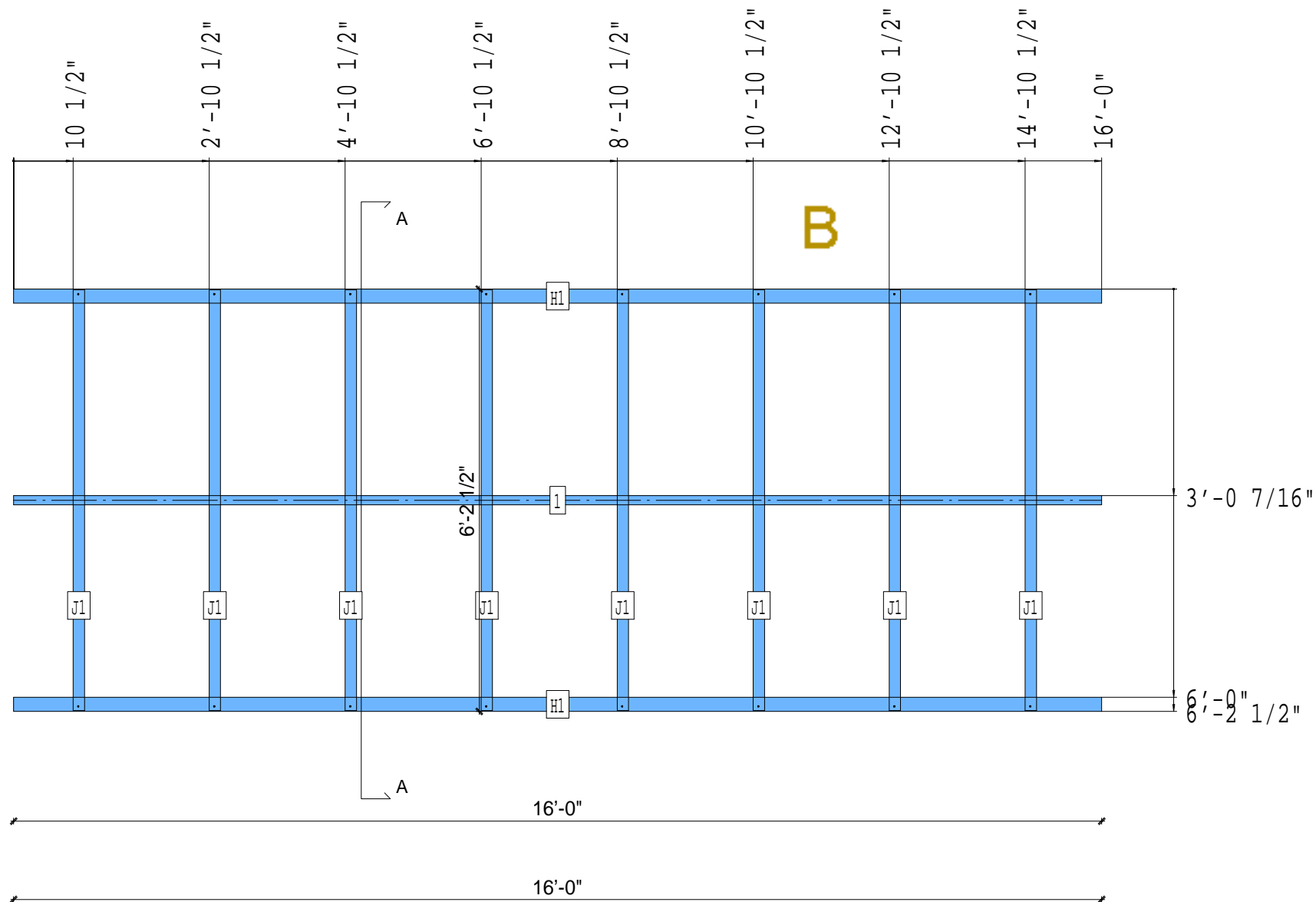
© FrameMax Inc.

APPROVED

By jbonavries at 8:35 am, Oct 31, 2008



A-A



PIECE SCHEDULE						
LAB	QTY	MATERIAL	DESCRIPTION	LENGTH	ANG1	ANG2
J1	8	1000S200-68	JOIST	6'-2 1/4"		
H1	2	1000T250-68	HEADER	16'-0"		
1	1	362S162-54	JOIST	16'-0"		

21-5114

CREATED: 10/31/2008

Jewish Home for the Aging

1885 Victory Blvd. Reseda, CA

FM-07-109

CREATED BY: JLB

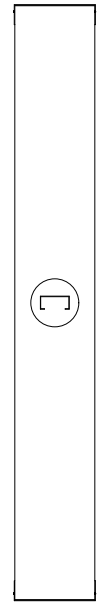
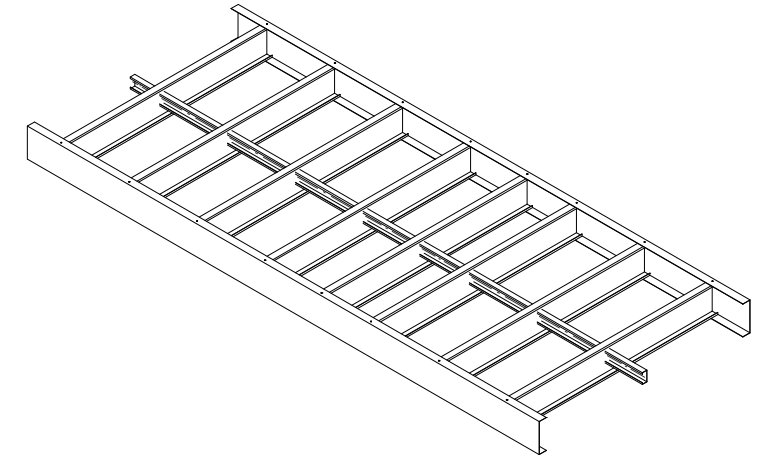
FrameMax, Inc.
13915 Danielson St
Suite 100
Poway, CA 92064
www.framemax.com



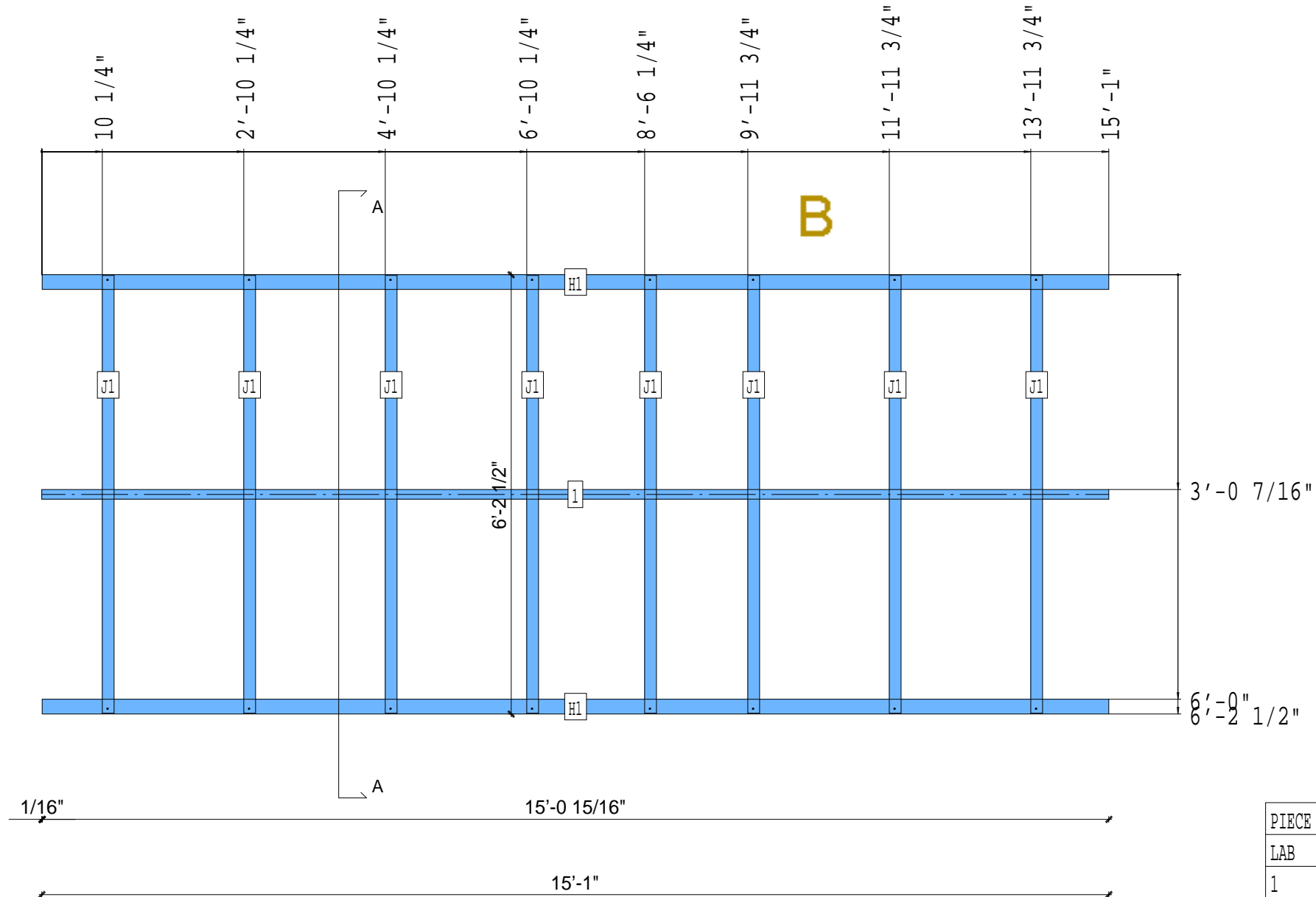
© FrameMax Inc.

APPROVED

By jbonavries at 8:35 am, Oct 31, 2008



A-A



PIECE SCHEDULE						
LAB	QTY	MATERIAL	DESCRIPTION	LENGTH	ANG1	ANG2
1	1	362S162-54	JOIST	15'-1"		
H1	2	1000T250-68	HEADER	15'-0 15/16"		
J1	8	1000S200-68	JOIST	6'-2 1/4"		

21-5115

Jewish Home for the Aging

1885 Victory Blvd. Reseda, CA

FM-07-109

CREATED BY: JLB

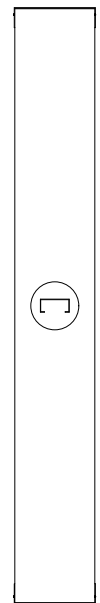
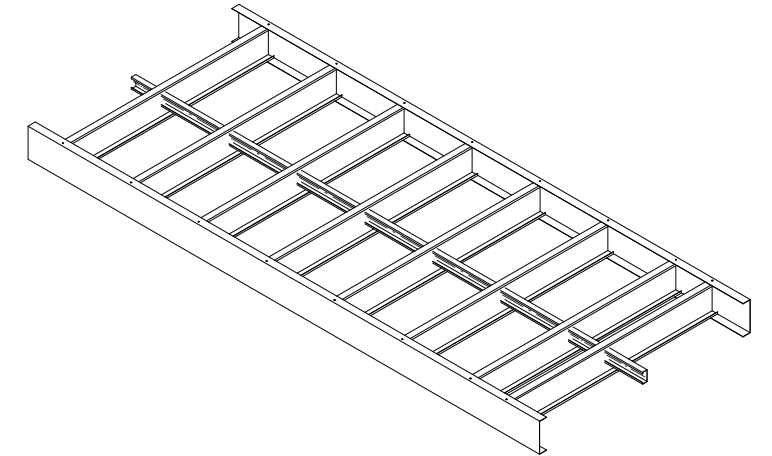
FrameMax, Inc.
13915 Danielson St
Suite 100
Poway, CA 92064
www.framemax.com



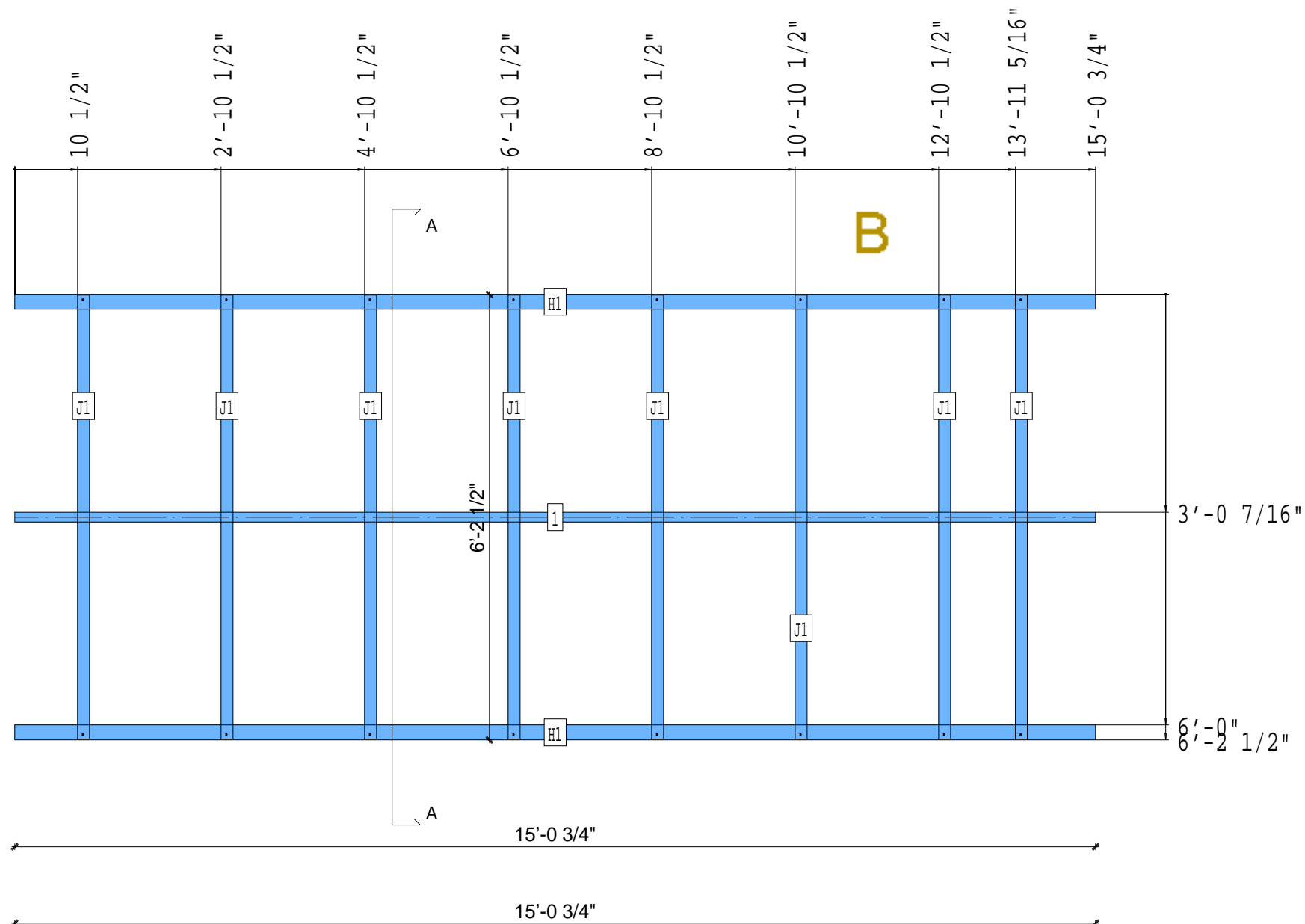
© FrameMax Inc.

APPROVED

By jbonavries at 8:35 am, Oct 31, 2008



A-A



PIECE SCHEDULE						
LAB	QTY	MATERIAL	DESCRIPTION	LENGTH	ANG1	ANG2
1	1	362S162-54	JOIST	15'-0 3/4"		
H1	2	1000T250-68	HEADER	15'-0 3/4"		
J1	8	1000S200-68	JOIST	6'-2 1/4"		

21-5116

CREATED: 10/31/2008

Jewish Home for the Aging

1885 Victory Blvd. Reseda, CA

FM-07-109

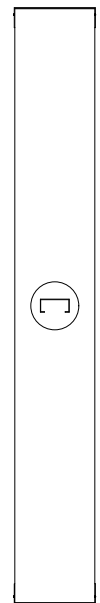
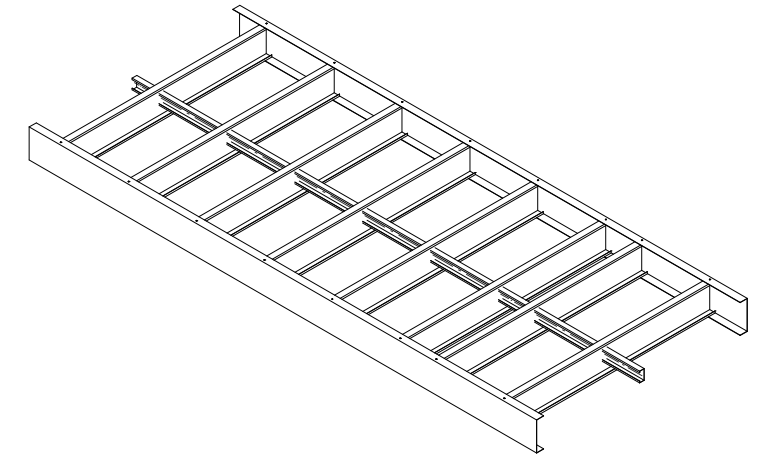
CREATED BY: JLB

FrameMax, Inc.
13915 Danielson St
Suite 100
Poway, CA 92064
www.framemax.com

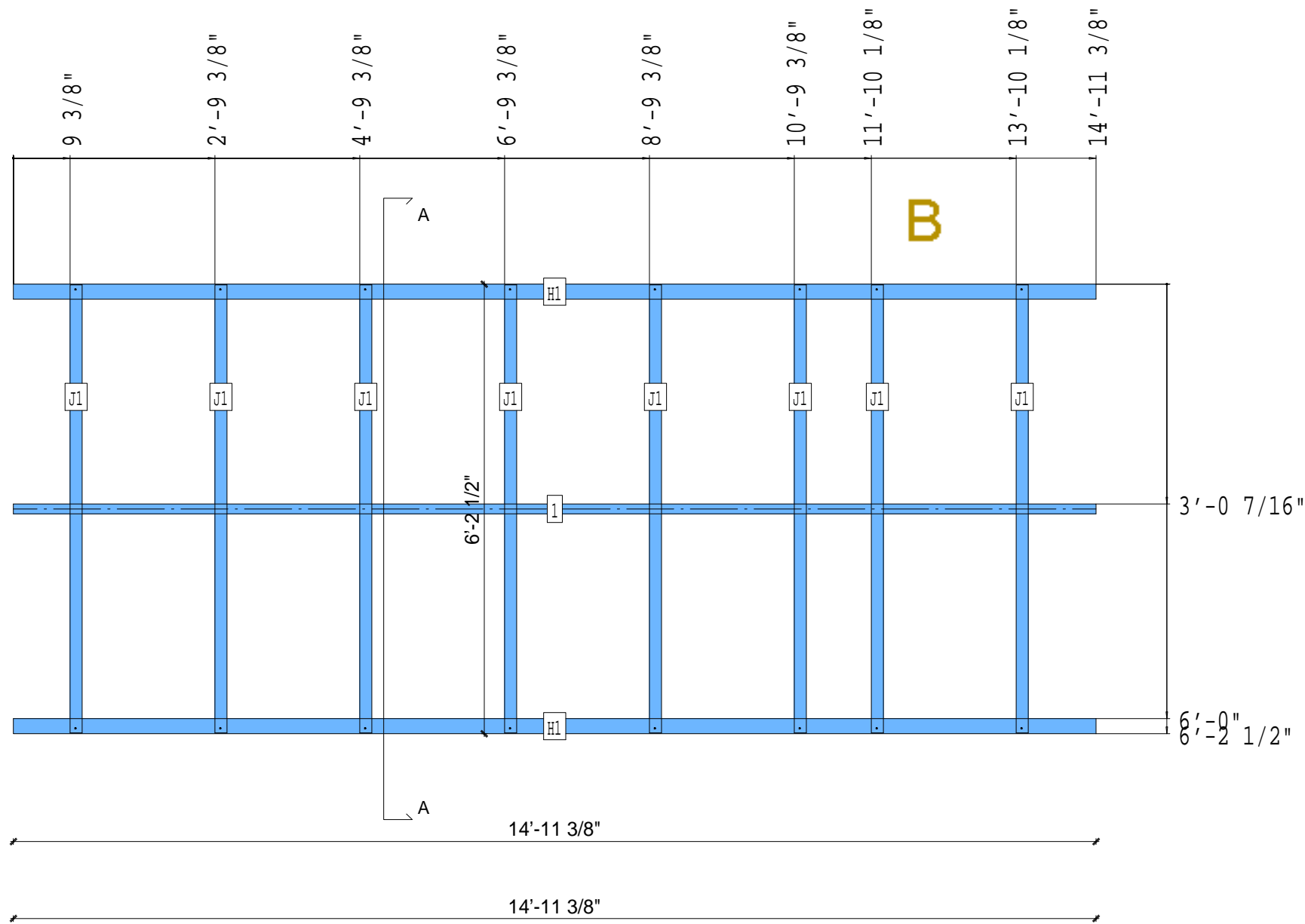


© FrameMax Inc.

APPROVED
By jbonavries at 8:35 am, Oct 31, 2008



A-A



PIECE SCHEDULE						
LAB	QTY	MATERIAL	DESCRIPTION	LENGTH	ANG1	ANG2
1	1	362S162-54	JOIST	14'-11 3/8"		
H1	2	1000T250-68	HEADER	14'-11 3/8"		
J1	8	1000S200-68	JOIST	6'-2 1/4"		

21-5117

Jewish Home for the Aging

1885 Victory Blvd. Reseda, CA

FM-07-109

CREATED BY: JLB

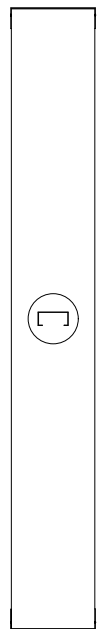
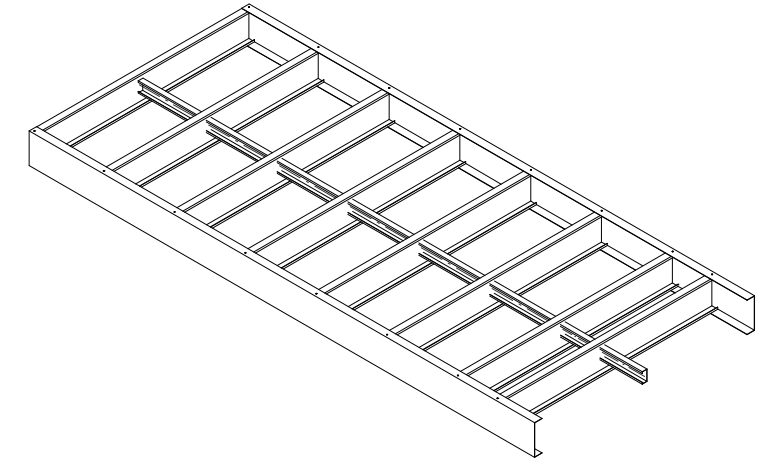
FrameMax, Inc.
13915 Danielson St
Suite 100
Poway, CA 92064
www.framemax.com



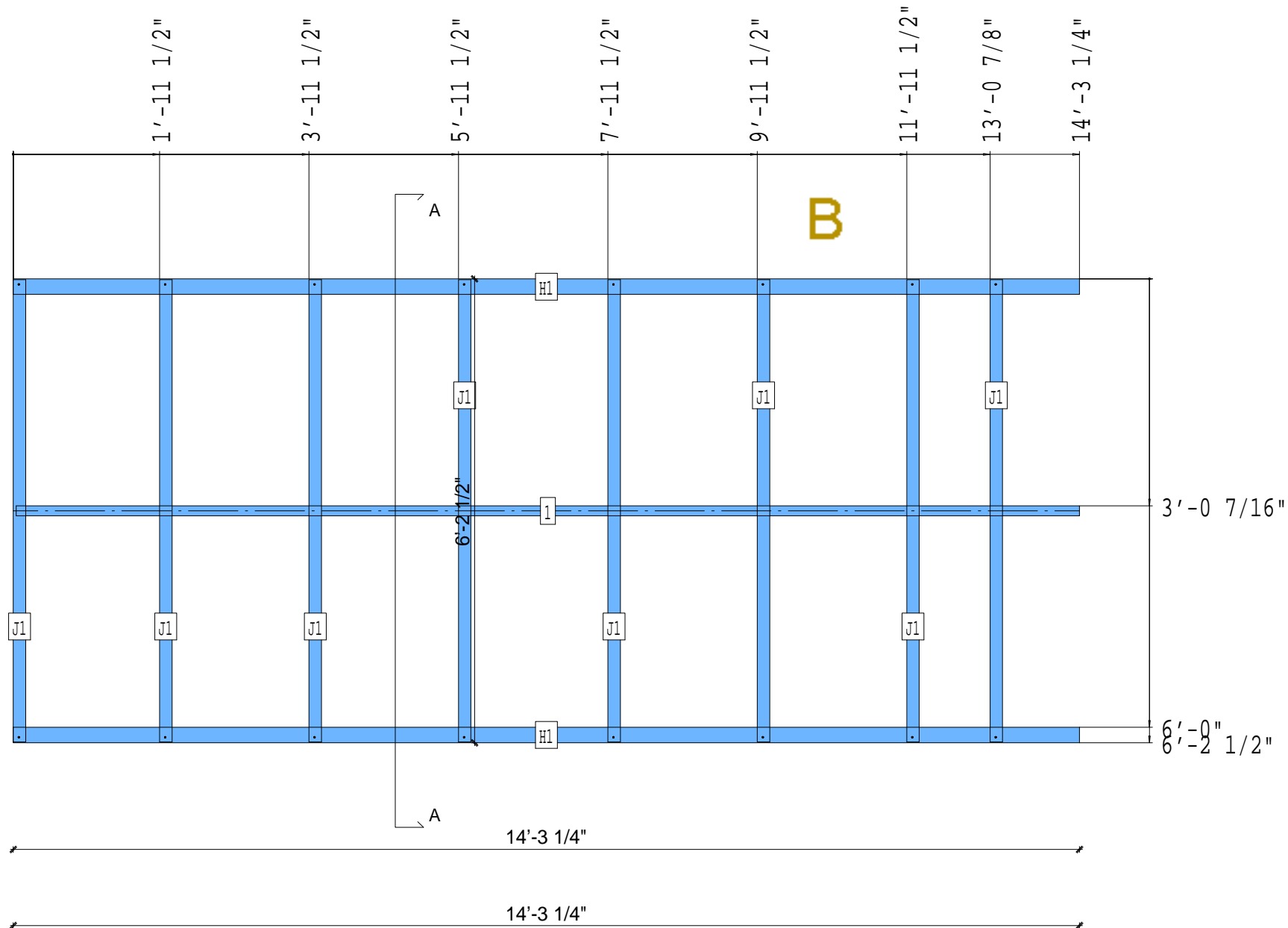
© FrameMax Inc.

APPROVED

By jbonavries at 8:35 am, Oct 31, 2008



A-A



PIECE SCHEDULE						
LAB	QTY	MATERIAL	DESCRIPTION	LENGTH	ANG1	ANG2
1	1	362S162-54	JOIST	14'-2 3/4"		
H1	2	1000T250-68	HEADER	14'-3 1/4"		
J1	8	1000S200-68	JOIST	6'-2 1/4"		

21-5118

CREATED: 10/31/2008

Jewish Home for the Aging

1885 Victory Blvd. Reseda, CA

FM-07-109

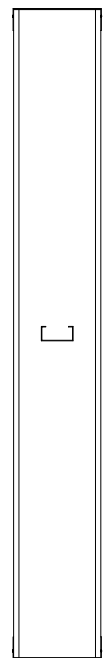
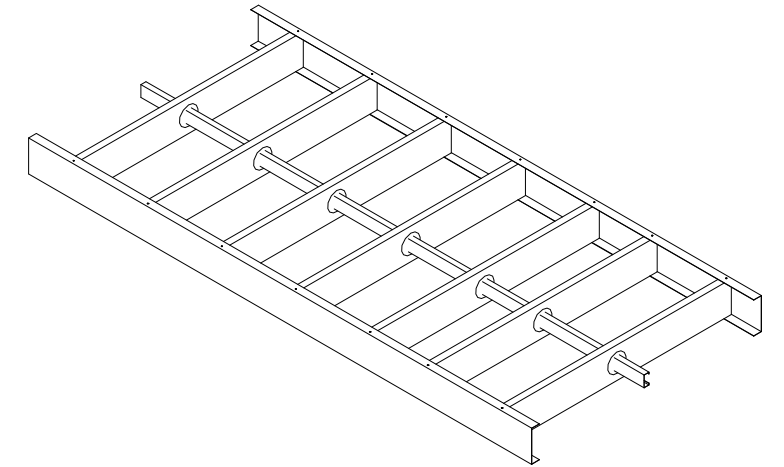
CREATED BY: JLB

FrameMax, Inc.
13915 Danielson St
Suite 100
Poway, CA 92064
www.framemax.com

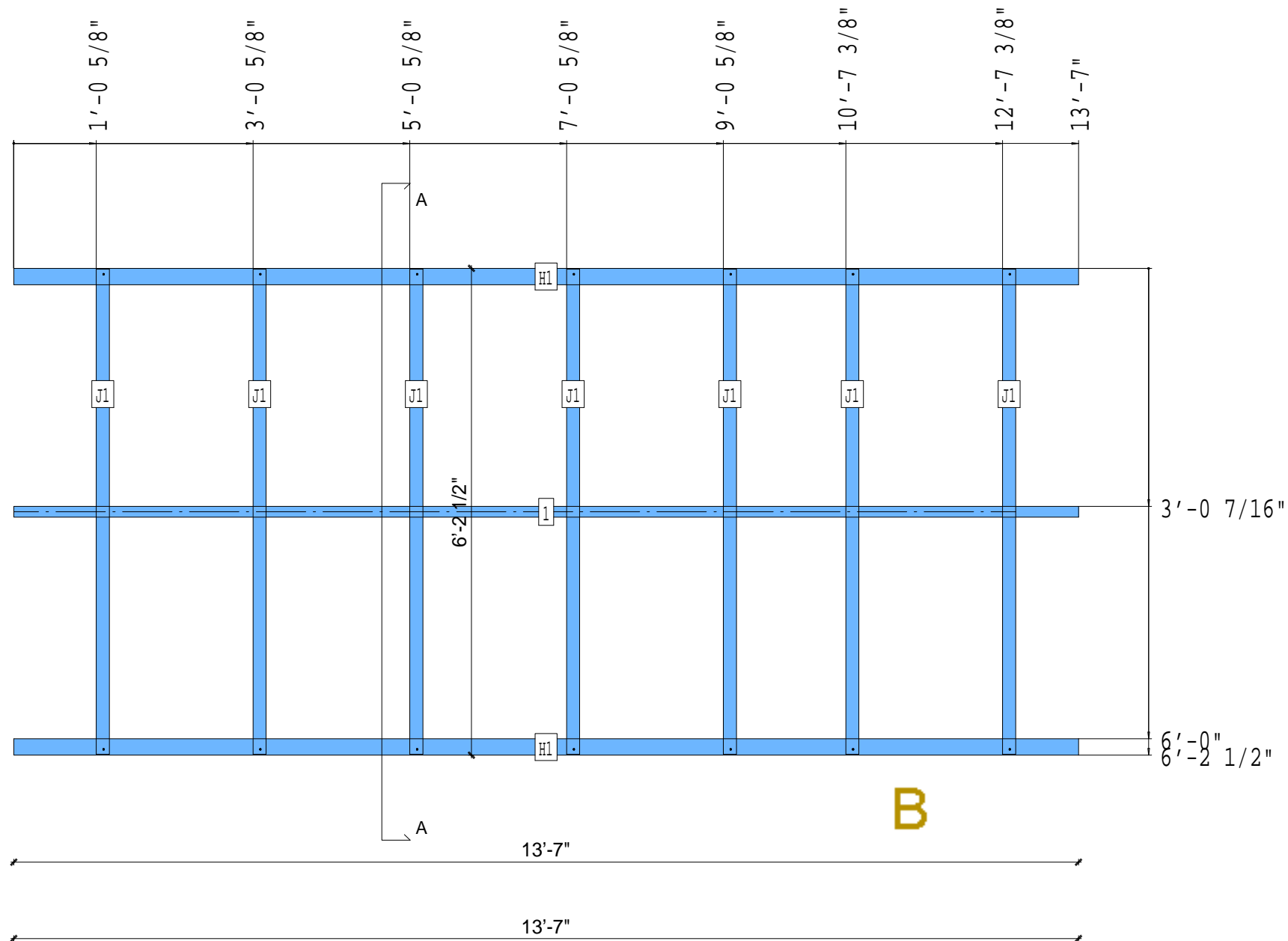


© FrameMax Inc.

APPROVED
By jbonavries at 8:35 am, Oct 31, 2008



A-A



PIECE SCHEDULE						
LAB	QTY	MATERIAL	DESCRIPTION	LENGTH	ANG1	ANG2
1	1	362S162-54	JOIST	13'-7"		
H1	2	1000T250-68	HEADER	13'-7"		
J1	7	1000S200-68	JOIST	6'-2 1/4"		

21-5119

CREATED: 10/31/2008

Jewish Home for the Aging

1885 Victory Blvd. Reseda, CA

FM-07-109

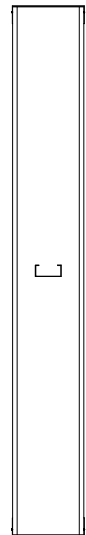
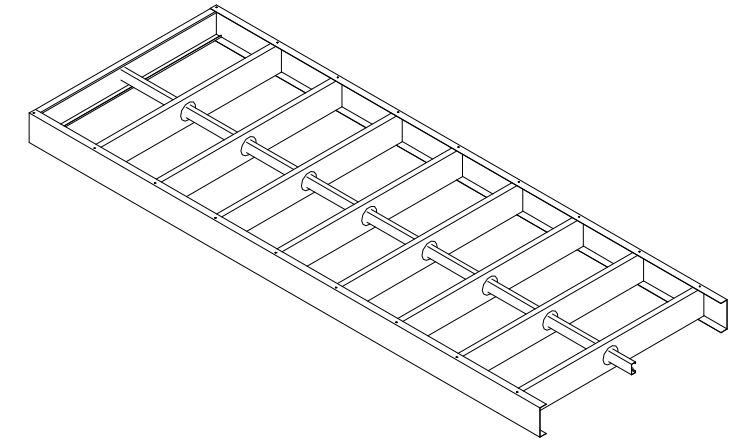
CREATED BY: JLB

FrameMax, Inc.
13915 Danielson St
Suite 100
Poway, CA 92064
www.framemax.com

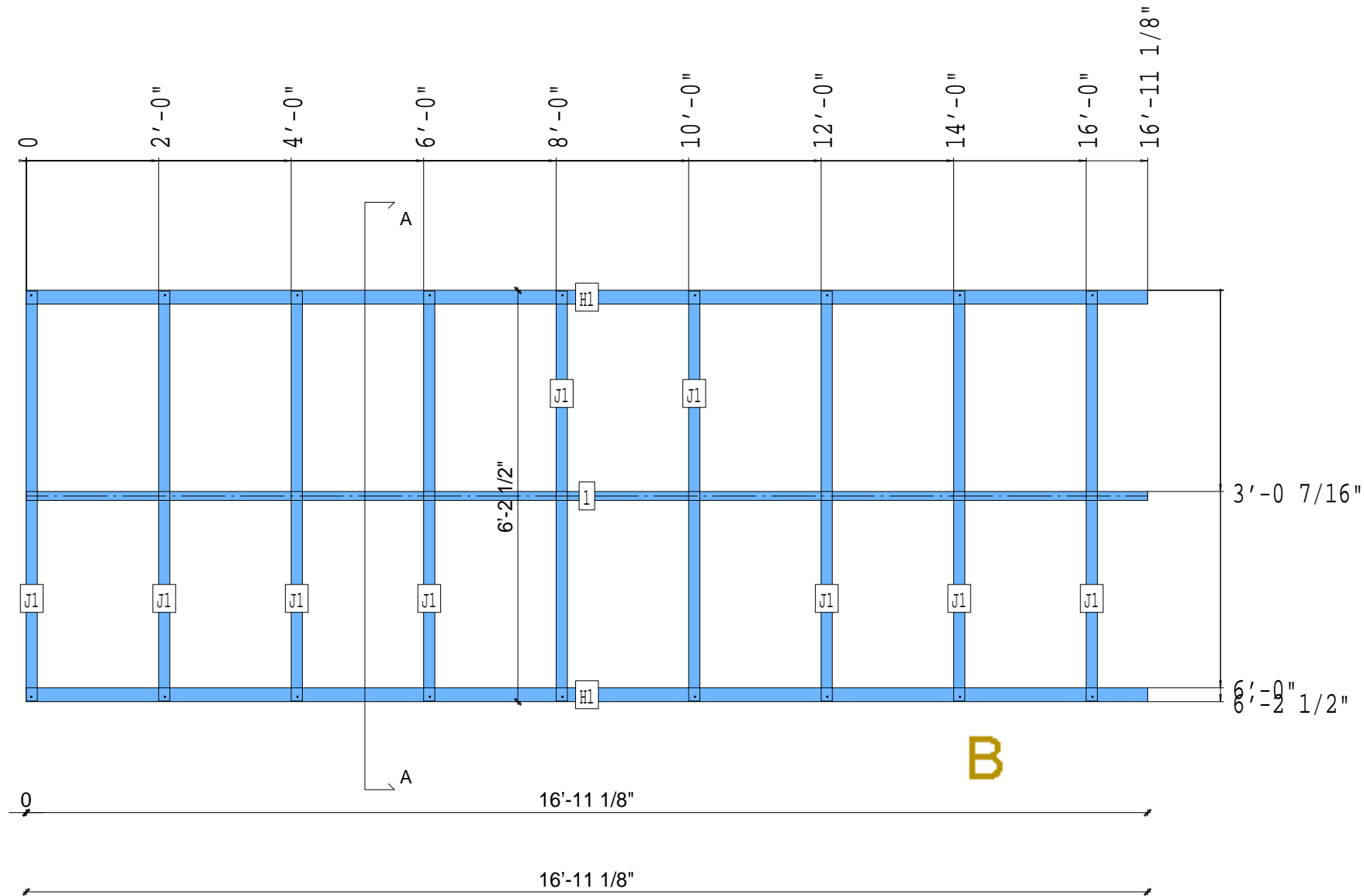


© FrameMax Inc.

APPROVED
By jbonavries at 8:35 am, Oct 31, 2008



A-A



PIECE SCHEDULE						
LAB	QTY	MATERIAL	DESCRIPTION	LENGTH	ANG1	ANG2
1	1	362S162-54	JOIST	16'-11 1/8"		
H1	2	1000T250-68	HEADER	16'-11 1/8"		
J1	9	1000S200-68	JOIST	6'-2 1/4"		

21-5120

Jewish Home for the Aging

1885 Victory Blvd. Reseda, CA

FM-07-109

CREATED BY: JLB

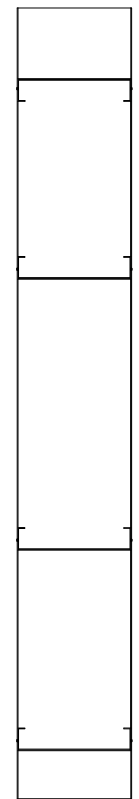
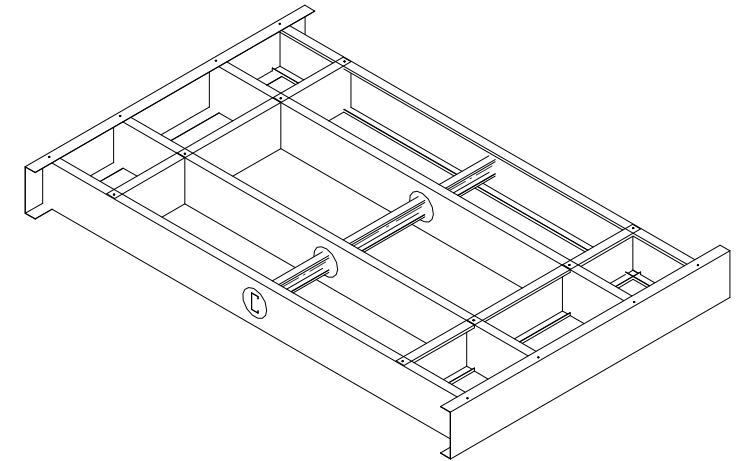
FrameMax, Inc.
13915 Danielson St
Suite 100
Poway, CA 92064
www.framemax.com



© FrameMax Inc.

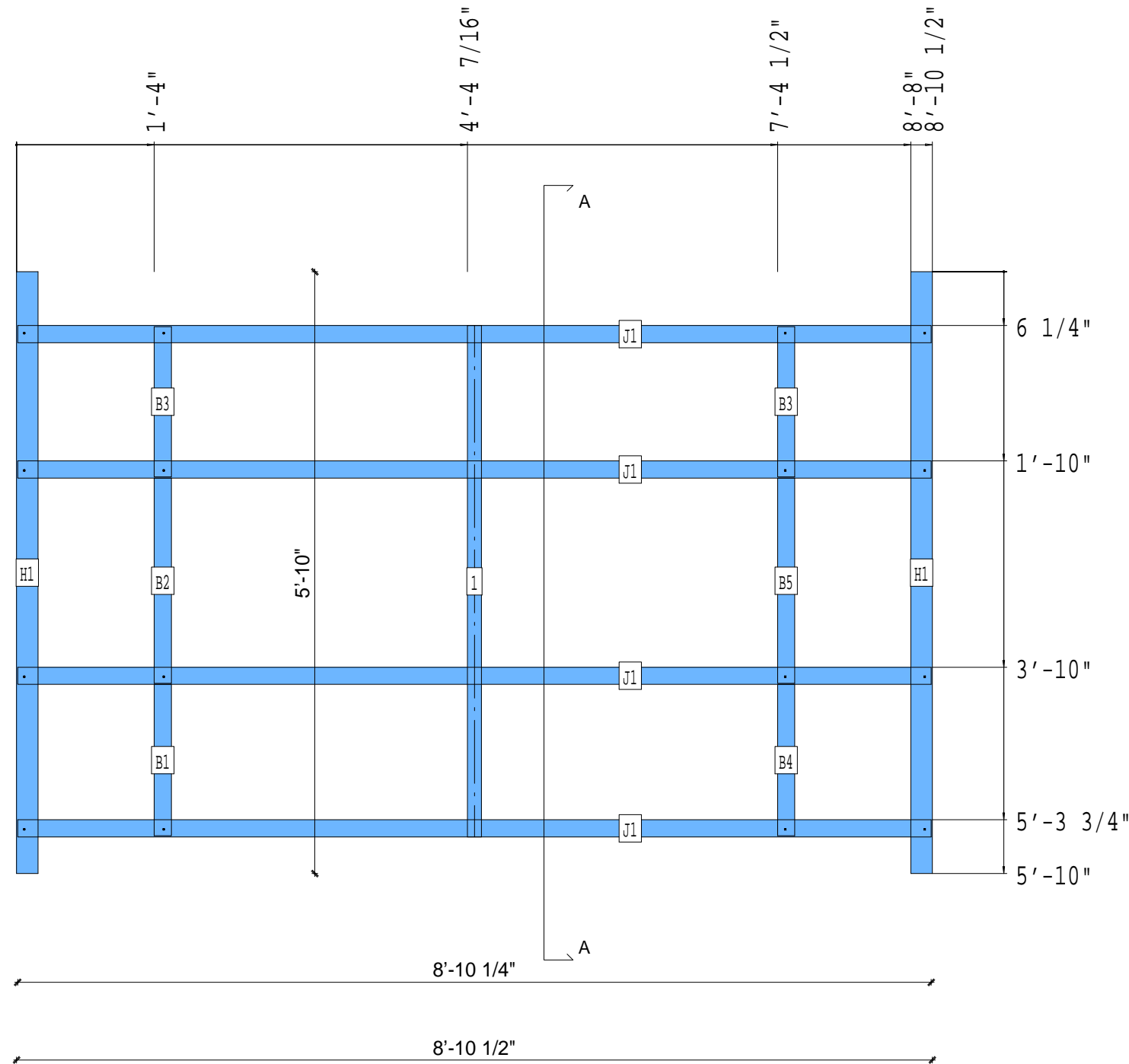
APPROVED

By jbonavries at 8:35 am, Oct 31, 2008



A-A

B



PIECE SCHEDULE						
LAB	QTY	MATERIAL	DESCRIPTION	LENGTH	ANG1	ANG2
1	1	362S162-54	JOIST	4'-11 1/2"		
B1	1	1000S200-68	BLOCK	1'-5 5/8"		
B2	1	1000S200-68	BLOCK	1'-11 7/8"		
B3	2	1000S200-68	BLOCK	1'-5 1/2"		
B4	1	1000S200-68	BLOCK	1'-5 5/8"		
B5	1	1000S200-68	BLOCK	1'-11 7/8"		
H1	2	1000T250-68	HEADER	5'-10"		
J1	4	1000S200-68	JOIST	8'-10 1/4"		

21-5121

Jewish Home for the Aging

1885 Victory Blvd. Reseda, CA

FM-07-109

CREATED BY: JLB

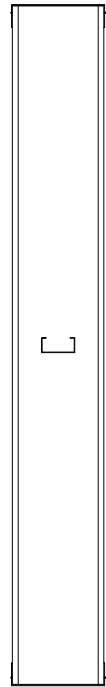
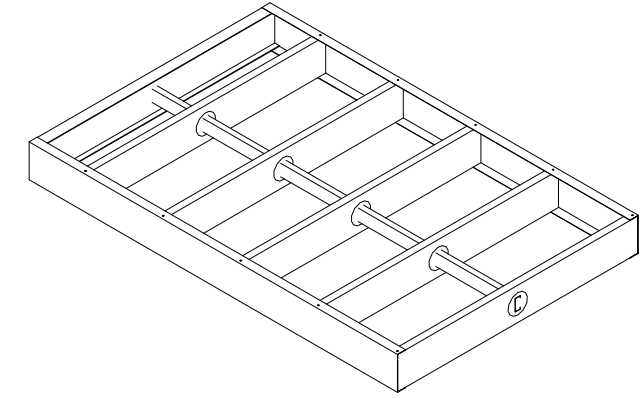
FrameMax, Inc.
13915 Danielson St
Suite 100
Poway, CA 92064
www.framemax.com



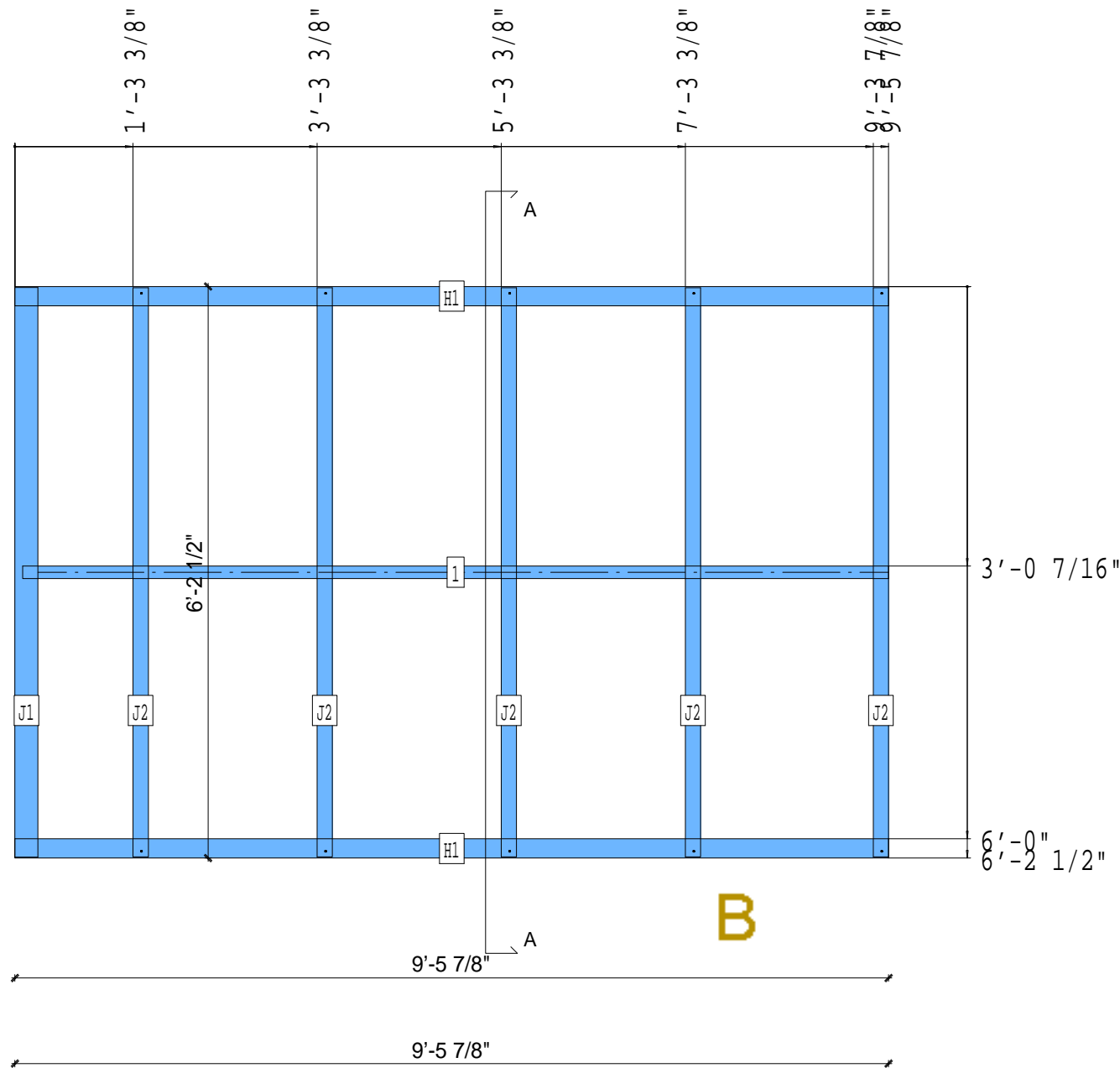
© FrameMax Inc.

DO NOT PANELIZE - J1
KIT AND BUNDLE J1, TO BE FIELD ASSEMBLED!
PANELIZE REST OF PANEL

APPROVED
By jbonavries at 8:35 am, Oct 31, 2008



A-A



PIECE SCHEDULE						
LAB	QTY	MATERIAL	DESCRIPTION	LENGTH	ANG1	ANG2
1	1	362S162-54	JOIST	9'-4 7/8"		
H1	2	1000T250-97	HEADER	9'-5 7/8"		
J1	1	1000i300p759	JOIST	6'-2 1/4"		
J2	5	1000S200-68	JOIST	6'-2 3/16"		

21-5122

CREATED: 10/31/2008

Jewish Home for the Aging

1885 Victory Blvd. Reseda, CA

FM-07-109

CREATED BY: JLB

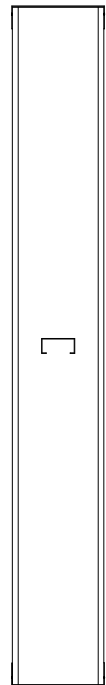
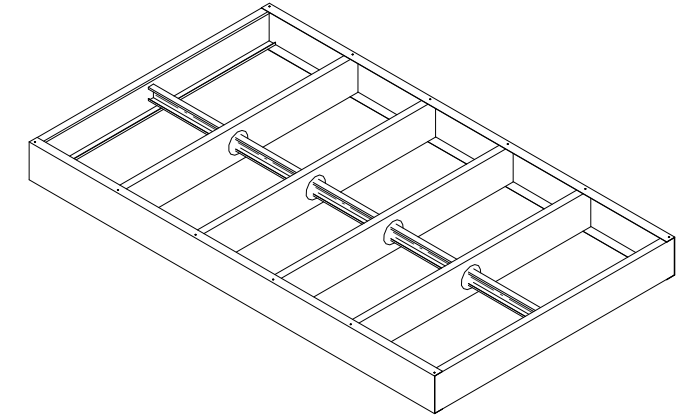
FrameMax, Inc.
13915 Danielson St
Suite 100
Poway, CA 92064
www.framemax.com



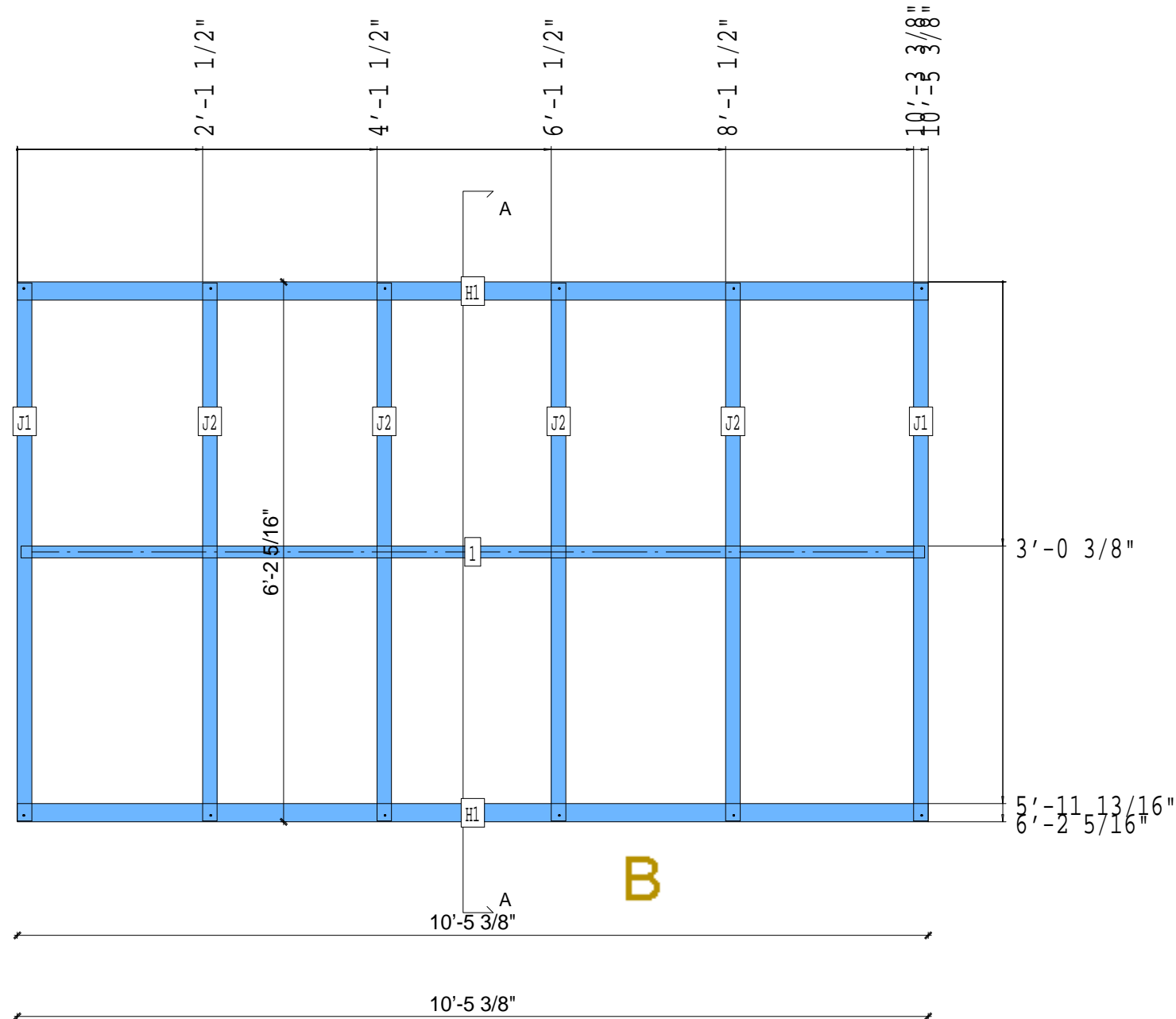
© FrameMax Inc.

APPROVED

By jbonavries at 8:35 am, Oct 31, 2008



A-A



PIECE SCHEDULE						
LAB	QTY	MATERIAL	DESCRIPTION	LENGTH	ANG1	ANG2
1	1	362S162-54	JOIST	10'-4 3/8"		
H1	2	1000T250-68	HEADER	10'-5 3/8"		
J1	2	1000S200-68	JOIST	6'-2 1/16"		
J2	4	1000S200-68	JOIST	6'-2 1/16"		

21-5123

CREATED: 10/31/2008

Jewish Home for the Aging

1885 Victory Blvd. Reseda, CA

FM-07-109

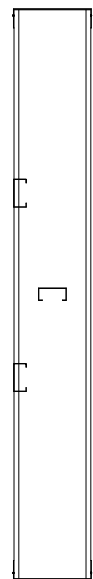
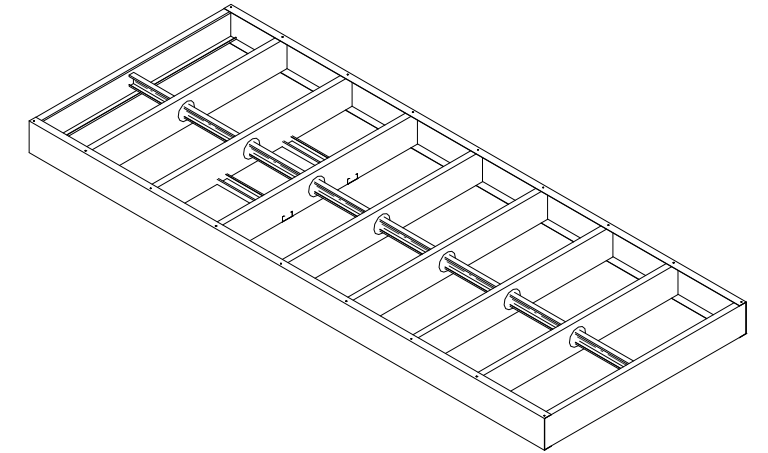
CREATED BY: JLB

FrameMax, Inc.
13915 Danielson St
Suite 100
Poway, CA 92064
www.framemax.com

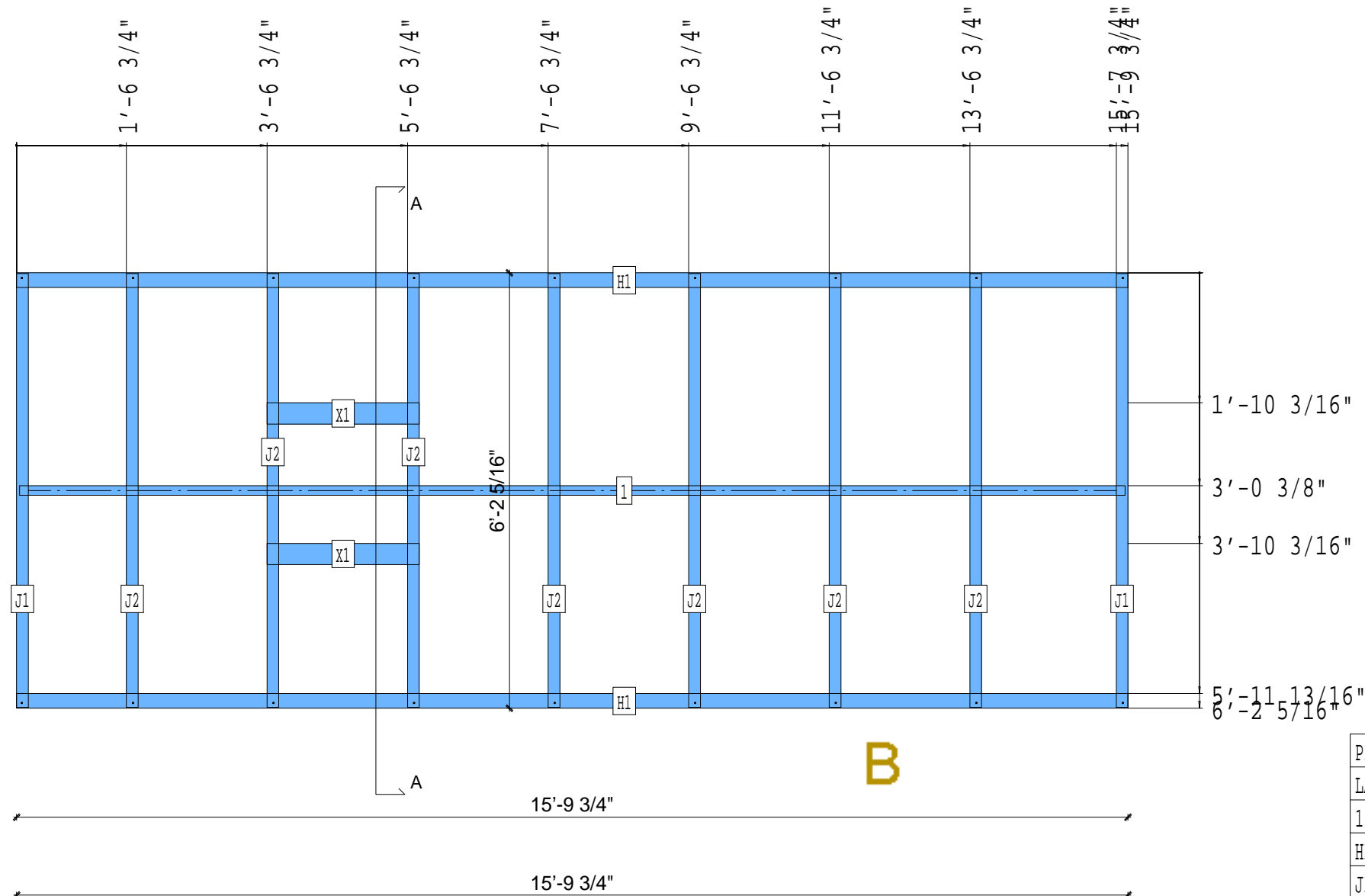


© FrameMax Inc.

APPROVED
By jbonavries at 8:35 am, Oct 31, 2008



A-A



PIECE SCHEDULE						
LAB	QTY	MATERIAL	DESCRIPTION	LENGTH	ANG1	ANG2
1	1	362S162-54	JOIST	15'-8 3/4"		
H1	2	1000T250-68	HEADER	15'-9 3/4"		
J1	2	1000S200-68	JOIST	6'-2 1/16"		
J2	7	1000S200-68	JOIST	6'-2 1/16"		
X1	2	362S162-33	FLAT TRACK B	2'-2"		

21-5124

Jewish Home for the Aging

1885 Victory Blvd. Reseda, CA

FM-07-109

CREATED BY: JLB

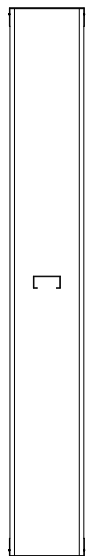
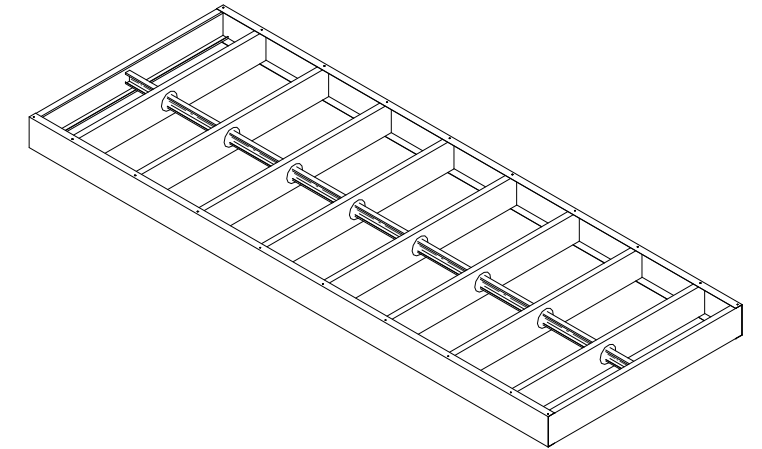
FrameMax, Inc.
13915 Danielson St
Suite 100
Poway, CA 92064
www.framemax.com



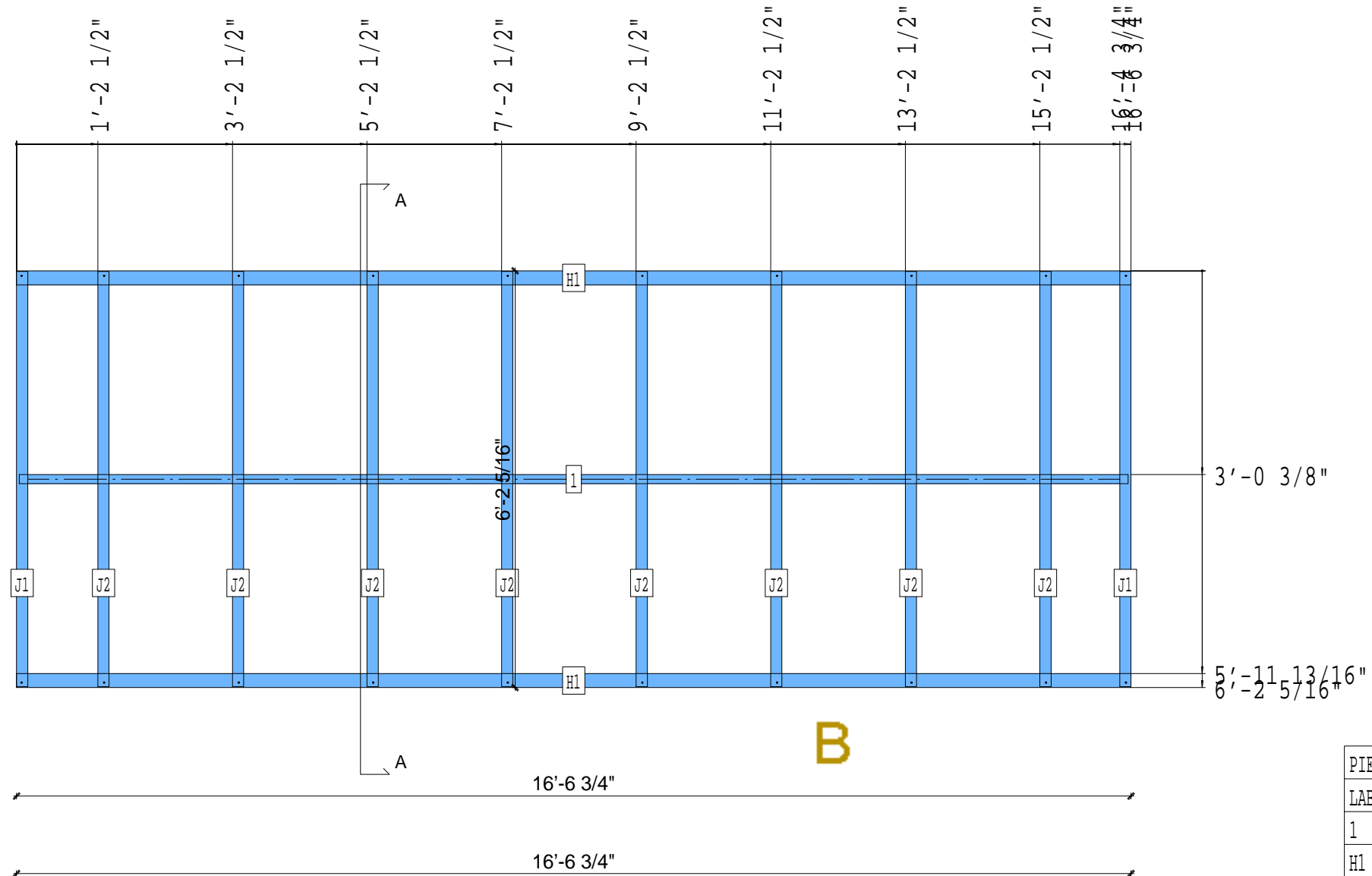
© FrameMax Inc.

APPROVED

By jbonavries at 8:35 am, Oct 31, 2008



A-A



PIECE SCHEDULE						
LAB	QTY	MATERIAL	DESCRIPTION	LENGTH	ANG1	ANG2
1	1	362S162-54	JOIST	16'-5 3/4"		
H1	2	1000T250-68	HEADER	16'-6 3/4"		
J1	2	1000S200-68	JOIST	6'-2 1/16"		
J2	8	1000S200-68	JOIST	6'-2 1/16"		

21-5125

Jewish Home for the Aging

1885 Victory Blvd. Reseda, CA

FM-07-109

CREATED BY: JLB

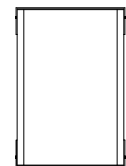
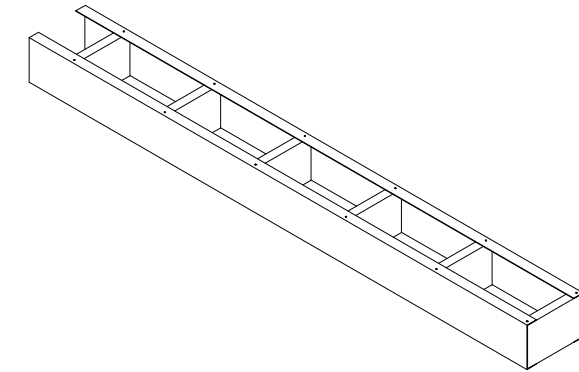
FrameMax, Inc.
13915 Danielson St
Suite 100
Poway, CA 92064
www.framemax.com



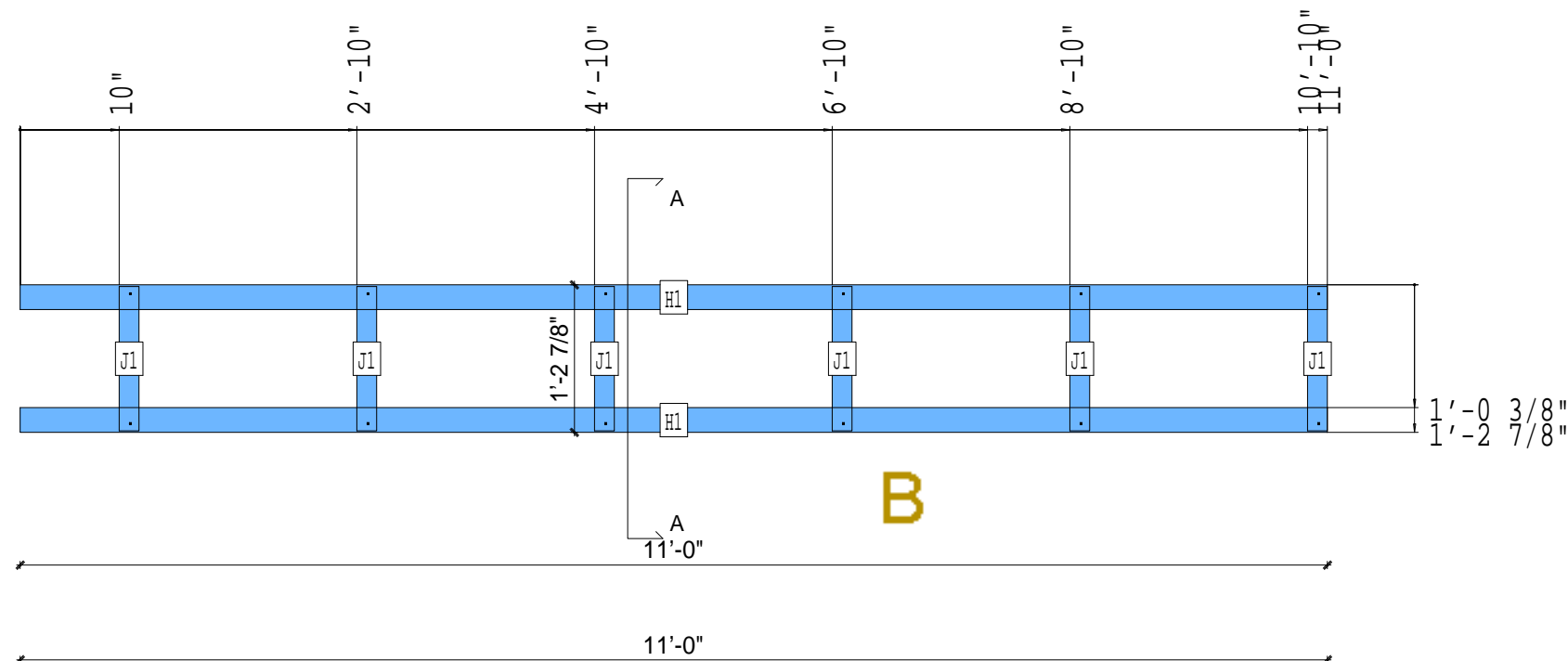
© FrameMax Inc.

APPROVED

By jbonavries at 8:35 am, Oct 31, 2008



A-A



PIECE SCHEDULE						
LAB	QTY	MATERIAL	DESCRIPTION	LENGTH	ANGL	ANG2
H1	2	1000T250-97	HEADER	11'-0"		
J1	6	1000S200-97	JOIST	1'-2 9/16"		

21-5126

Jewish Home for the Aging

1885 Victory Blvd. Reseda, CA

FM-07-109

CREATED BY: JLB

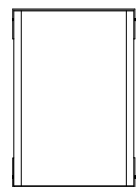
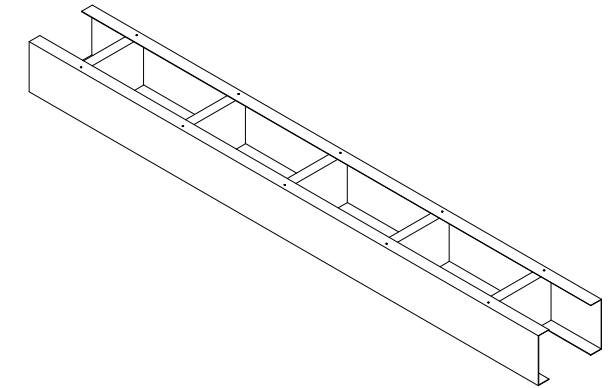
FrameMax, Inc.
13915 Danielson St
Suite 100
Poway, CA 92064
www.framemax.com



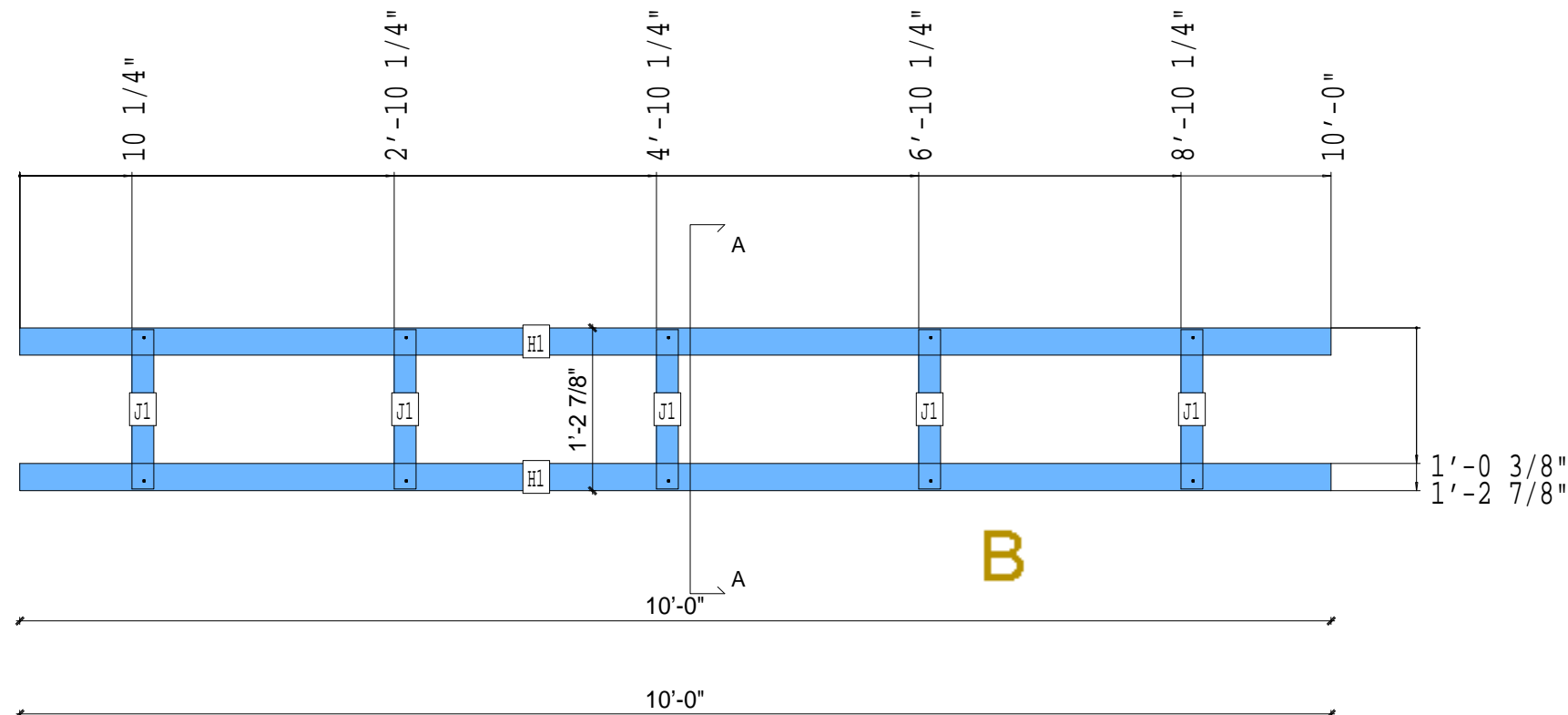
© FrameMax Inc.

APPROVED

By jbonavries at 8:35 am, Oct 31, 2008



A-A



PIECE SCHEDULE						
LAB	QTY	MATERIAL	DESCRIPTION	LENGTH	ANGL	ANG2
H1	2	1000T250-97	HEADER	10'-0"		
J1	5	1000S200-97	JOIST	1'-2 9/16"		

21-5127

CREATED: 10/31/2008

Jewish Home for the Aging

1885 Victory Blvd. Reseda, CA

FM-07-109

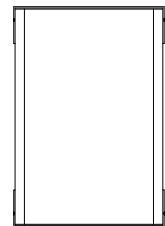
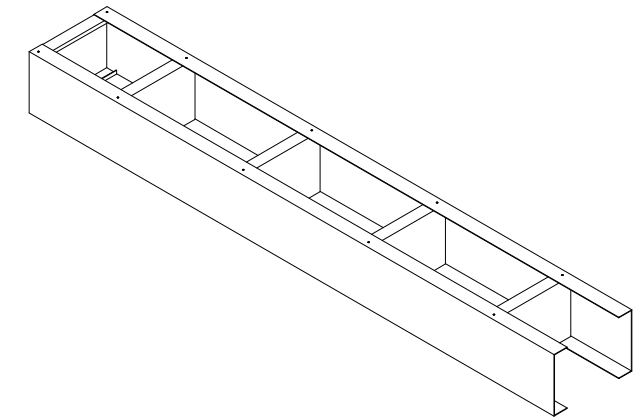
CREATED BY: JLB

FrameMax, Inc.
13915 Danielson St
Suite 100
Poway, CA 92064
www.framemax.com

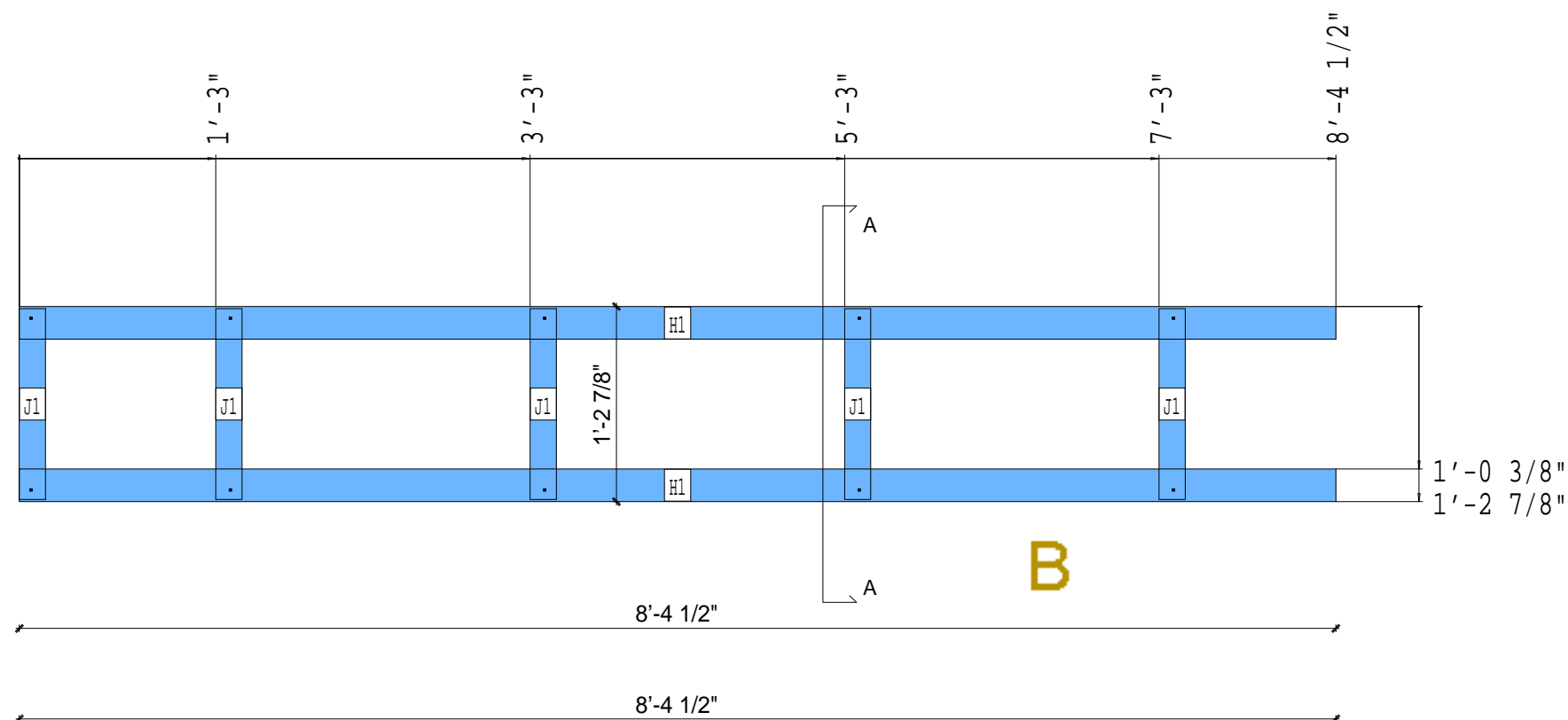


© FrameMax Inc.

APPROVED
By jbonavries at 8:35 am, Oct 31, 2008



A-A



PIECE SCHEDULE						
LAB	QTY	MATERIAL	DESCRIPTION	LENGTH	ANGL	ANG2
H1	2	1000T250-97	HEADER	8'-4 1/2"		
J1	5	1000S200-97	JOIST	1'-2 9/16"		

21-5128

CREATED: 10/31/2008

Jewish Home for the Aging

1885 Victory Blvd. Reseda, CA

FM-07-109

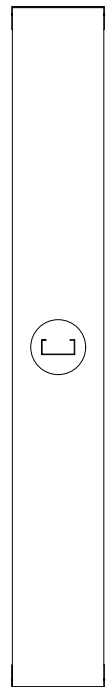
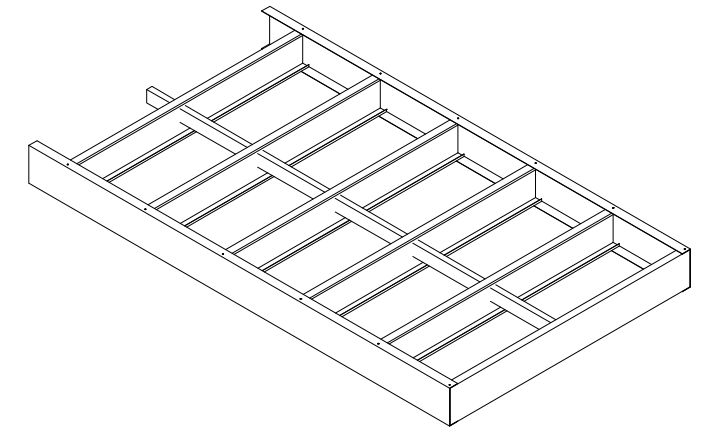
CREATED BY: JLB

FrameMax, Inc.
13915 Danielson St
Suite 100
Poway, CA 92064
www.framemax.com

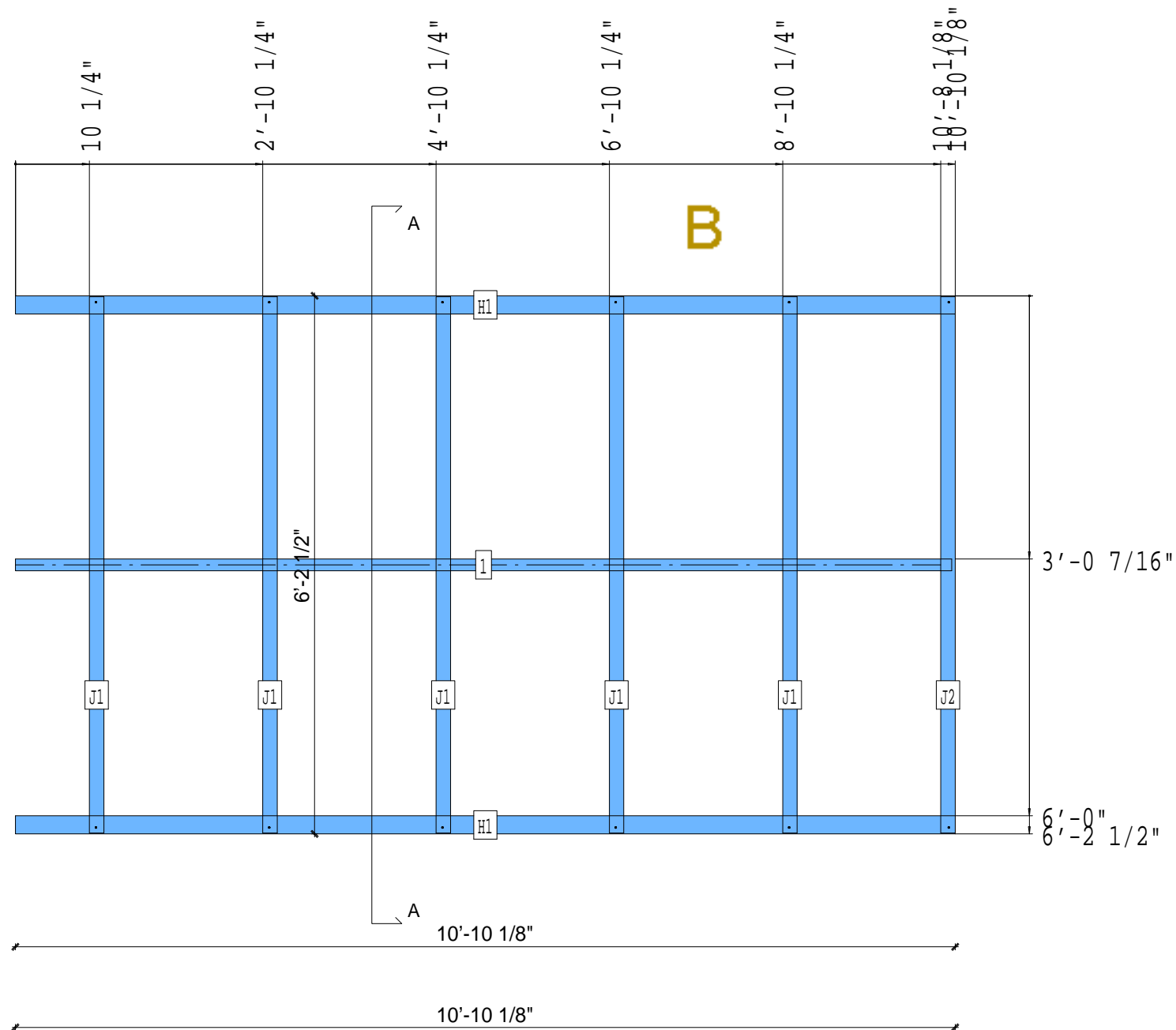


© FrameMax Inc.

APPROVED
By jbonavries at 8:35 am, Oct 31, 2008



A-A



PIECE SCHEDULE						
LAB	QTY	MATERIAL	DESCRIPTION	LENGTH	ANG1	ANG2
1	1	362S162-54	JOIST	10' - 9 5/8"		
H1	2	1000T250-68	HEADER	10' - 10 1/8"		
J1	5	1000S200-68	JOIST	6' - 2 1/4"		
J2	1	1000S200-68	JOIST	6' - 2 1/4"		

21-5129

Jewish Home for the Aging

1885 Victory Blvd. Reseda, CA

FM-07-109

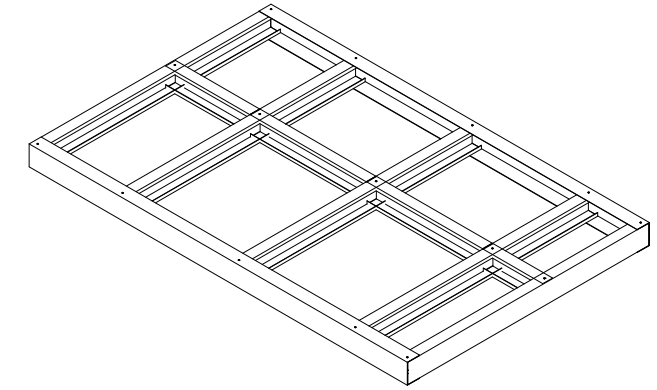
CREATED BY: JLB

FrameMax, Inc.
13915 Danielson St
Suite 100
Poway, CA 92064
www.framemax.com

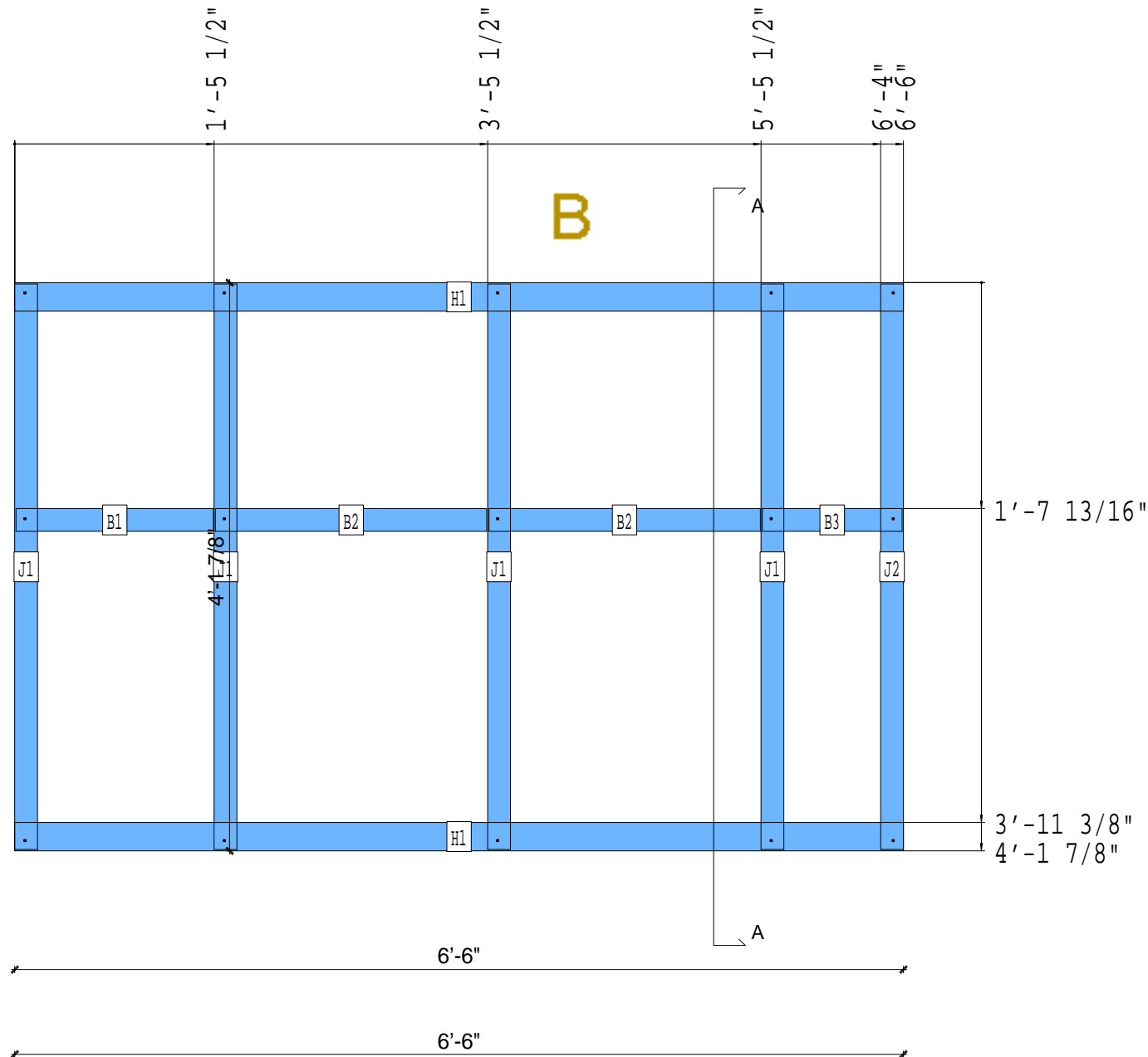


© FrameMax Inc.

APPROVED
By jbonavries at 8:35 am, Oct 31, 2008



A-A



PIECE SCHEDULE						
LAB	QTY	MATERIAL	DESCRIPTION	LENGTH	ANG1	ANG2
B1	1	400S200-54	BLOCK	1'-5 5/16"		
B2	2	400S200-54	BLOCK	1'-11 13/16"		
B3	1	400S200-54	BLOCK	1'-0 1/4"		
H1	2	400T250-54	HEADER	6'-6"		
J1	4	400S200-54	JOIST	4'-1 11/16"		
J2	1	400S200-54	JOIST	4'-1 11/16"		

21-5130

Jewish Home for the Aging

1885 Victory Blvd. Reseda, CA

FM-07-109

CREATED BY: JLB

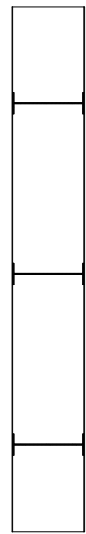
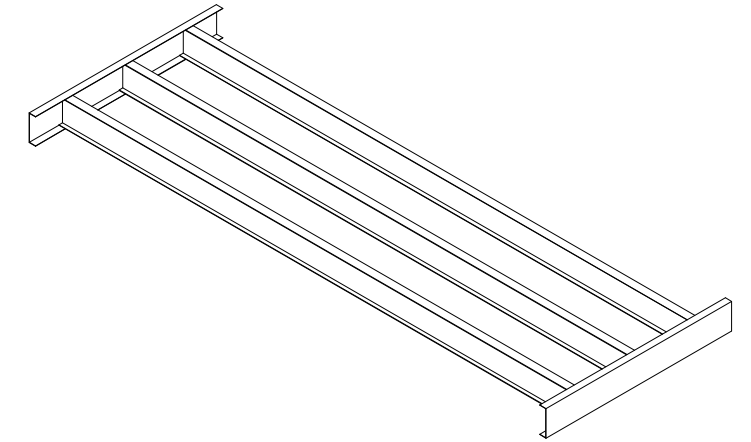
FrameMax, Inc.
13915 Danielson St
Suite 100
Poway, CA 92064
www.framemax.com



© FrameMax Inc.

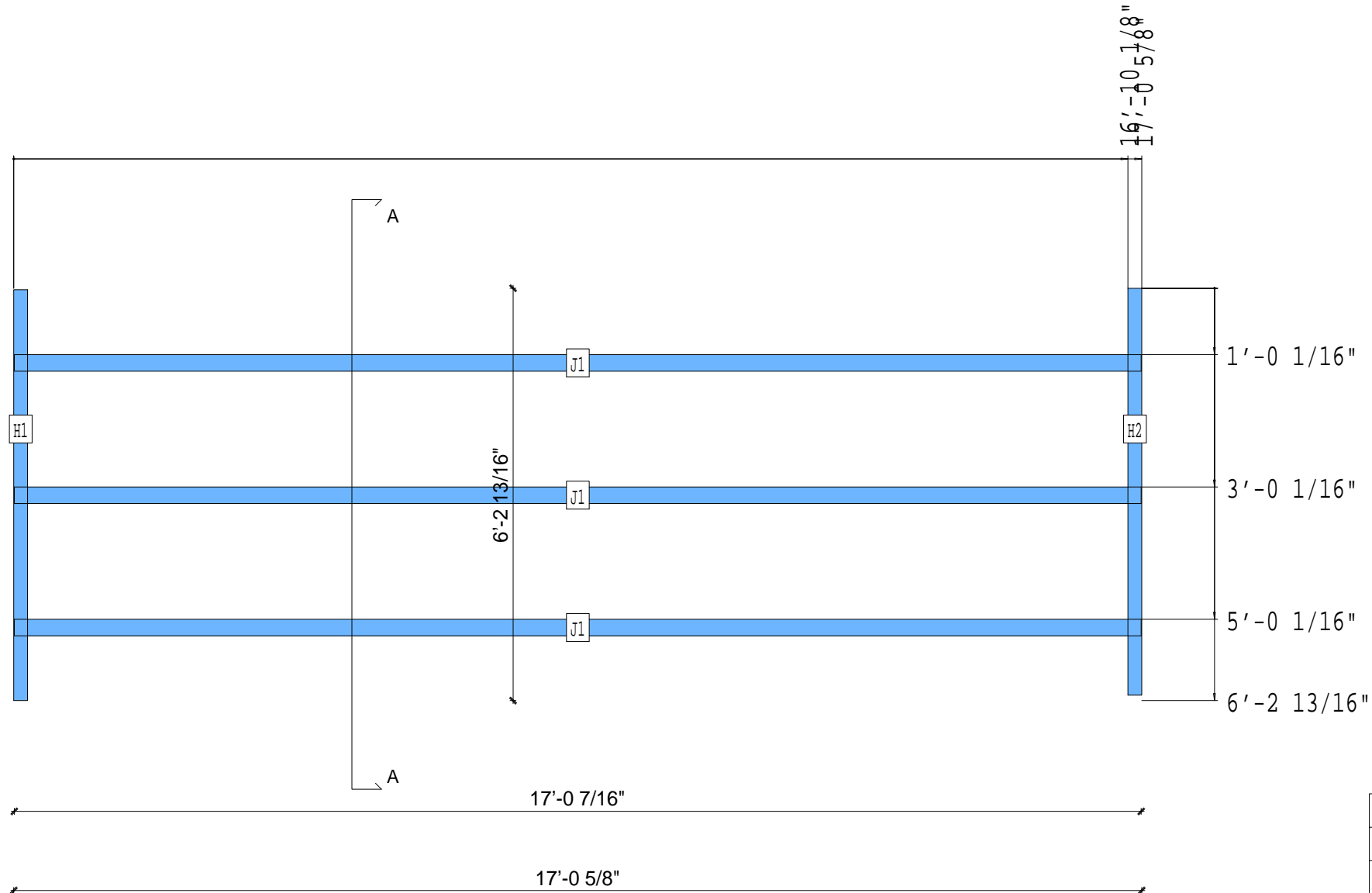
APPROVED

By jbonavries at 8:35 am, Oct 31, 2008



A-A

B



PIECE SCHEDULE						
LAB	QTY	MATERIAL	DESCRIPTION	LENGTH	ANG1	ANG2
H1	1	1000T250-97	HEADER	6'-2 1/2"		
H2	1	1000T250-97	HEADER	6'-1 13/16"		
J1	3	1000i300p759	JOIST	17'-0 7/16"		

21-5131

Jewish Home for the Aging

1885 Victory Blvd. Reseda, CA

FM-07-109

CREATED BY: JLB

FrameMax, Inc.
13915 Danielson St
Suite 100
Poway, CA 92064
www.framemax.com



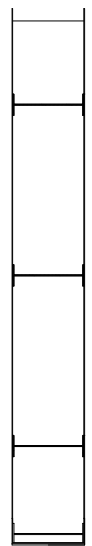
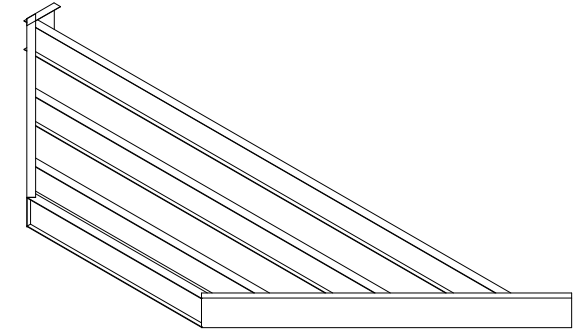
© FrameMax Inc.

APPROVED

By jbonavries at 8:35 am, Oct 31, 2008

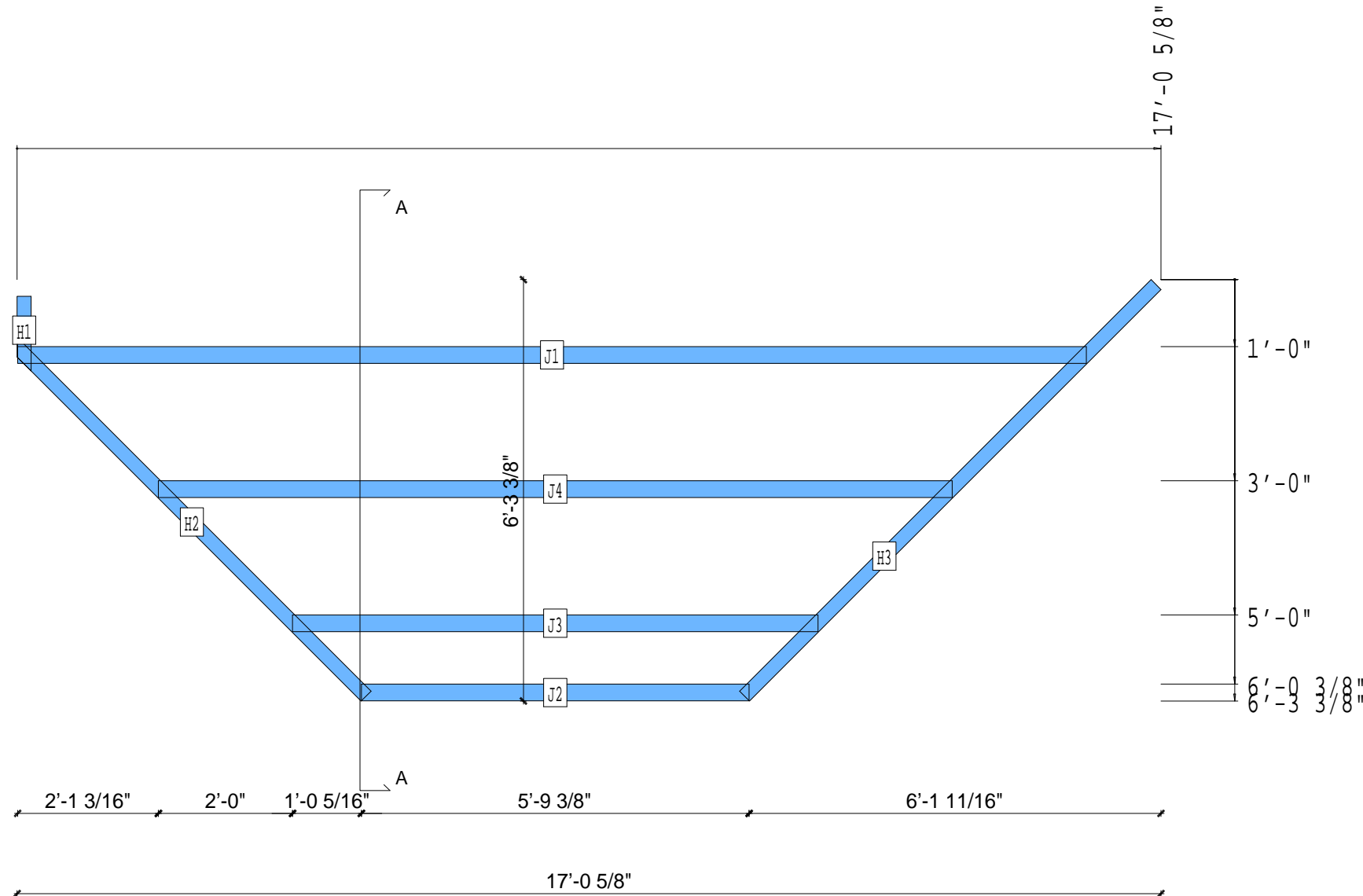
DO NOT PANELIZE

KIT AND BUNDLE PARTS, TO BE FIELD ASSEMBLED!



A-A

B



PIECE SCHEDULE						
LAB	QTY	MATERIAL	DESCRIPTION	LENGTH	ANG1	ANG2
H1	1	1000T250-97	HEADER	1'-1 3/8"		-45.0
H2	1	1000T250-97	HEADER	7'-5 3/8"	45.0	
H3	1	1000T250-97	HEADER	8'-8 1/8"		
J1	1	1000i300p759	JOIST	15'-11 3/16"		
J2	1	1000i300p759	JOIST	5'-9 3/8"		
J3	1	1000i300p759	JOIST	7'-10"		
J4	1	1000i300p759	JOIST	11'-10"		

21-5132

Jewish Home for the Aging

1885 Victory Blvd. Reseda, CA

FM-07-109

CREATED BY: JLB

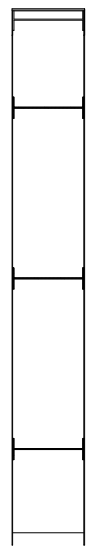
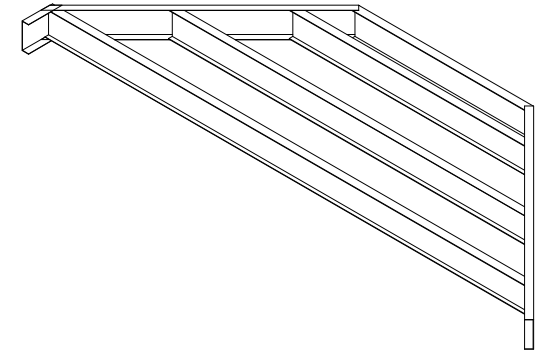
FrameMax, Inc.
13915 Danielson St
Suite 100
Poway, CA 92064
www.frameMAX.com



© FrameMax Inc.

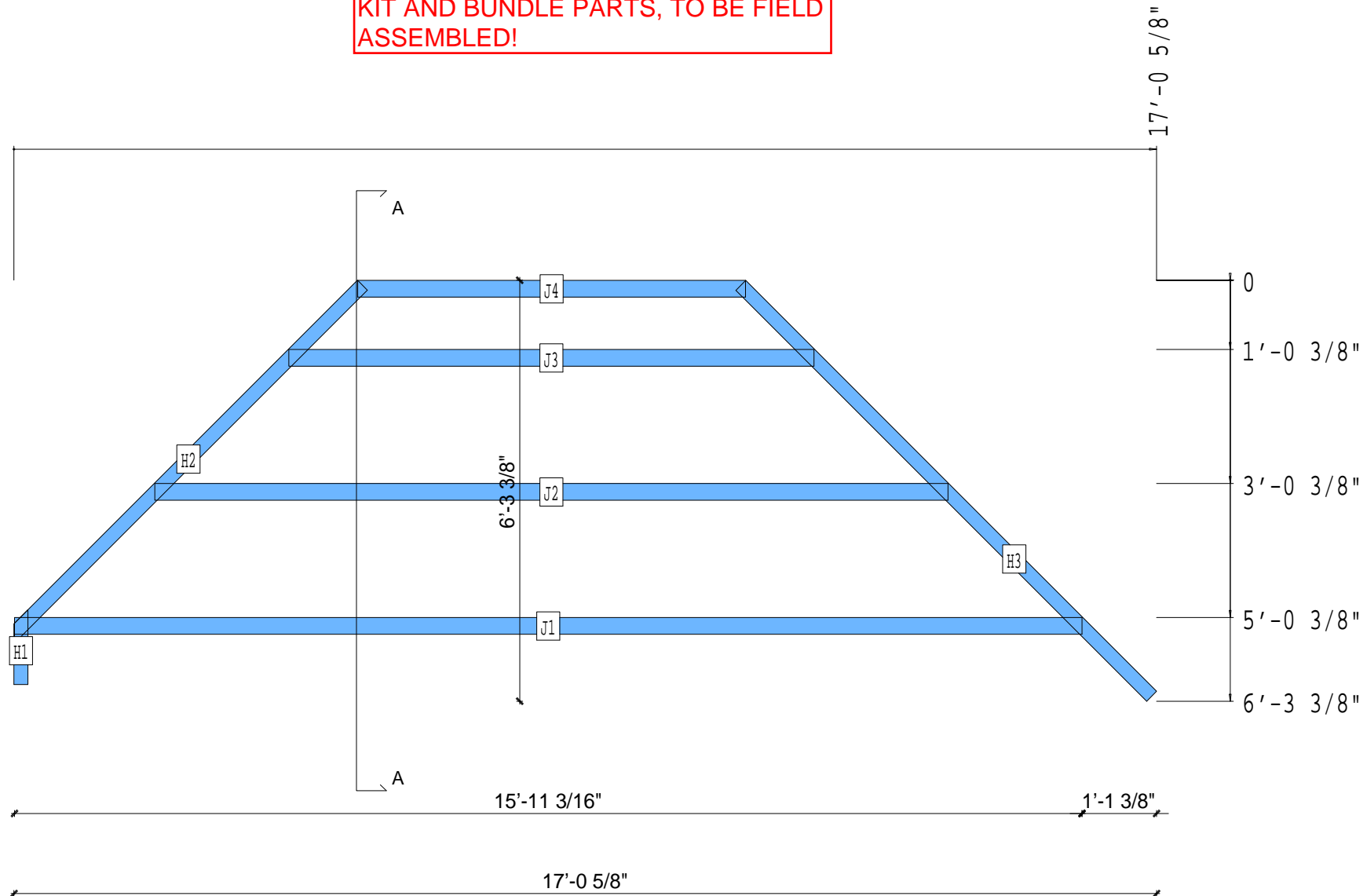
APPROVED
By jbonavries at 8:35 am, Oct 31, 2008

DO NOT PANELIZE
KIT AND BUNDLE PARTS, TO BE FIELD ASSEMBLED!



A-A

B



PIECE SCHEDULE						
LAB	QTY	MATERIAL	DESCRIPTION	LENGTH	ANGL	ANG2
H1	1	1000T250-97	HEADER	1'-1 3/8"	45.0	
H2	1	1000T250-97	HEADER	7'-5 3/8"		-45.0
H3	1	1000T250-97	HEADER	8'-8 1/16"		
J1	1	1000i300p759	JOIST	15'-11 3/16"		
J2	1	1000i300p759	JOIST	11'-10 1/16"		
J3	1	1000i300p759	JOIST	7'-10 1/16"		
J4	1	1000i300p759	JOIST	5'-9 7/16"		

21-5133

CREATED: 10/31/2008

Jewish Home for the Aging

1885 Victory Blvd. Reseda, CA

FM-07-109

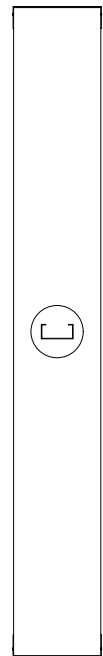
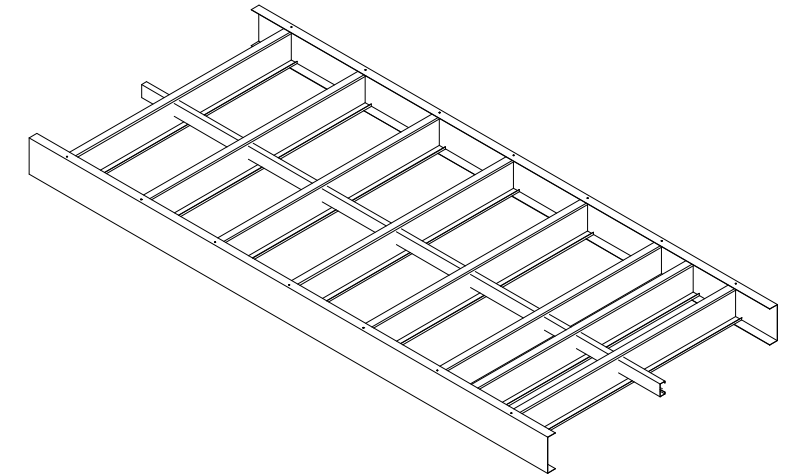
CREATED BY: JLB

FrameMax, Inc.
13915 Danielson St
Suite 100
Poway, CA 92064
www.framemax.com

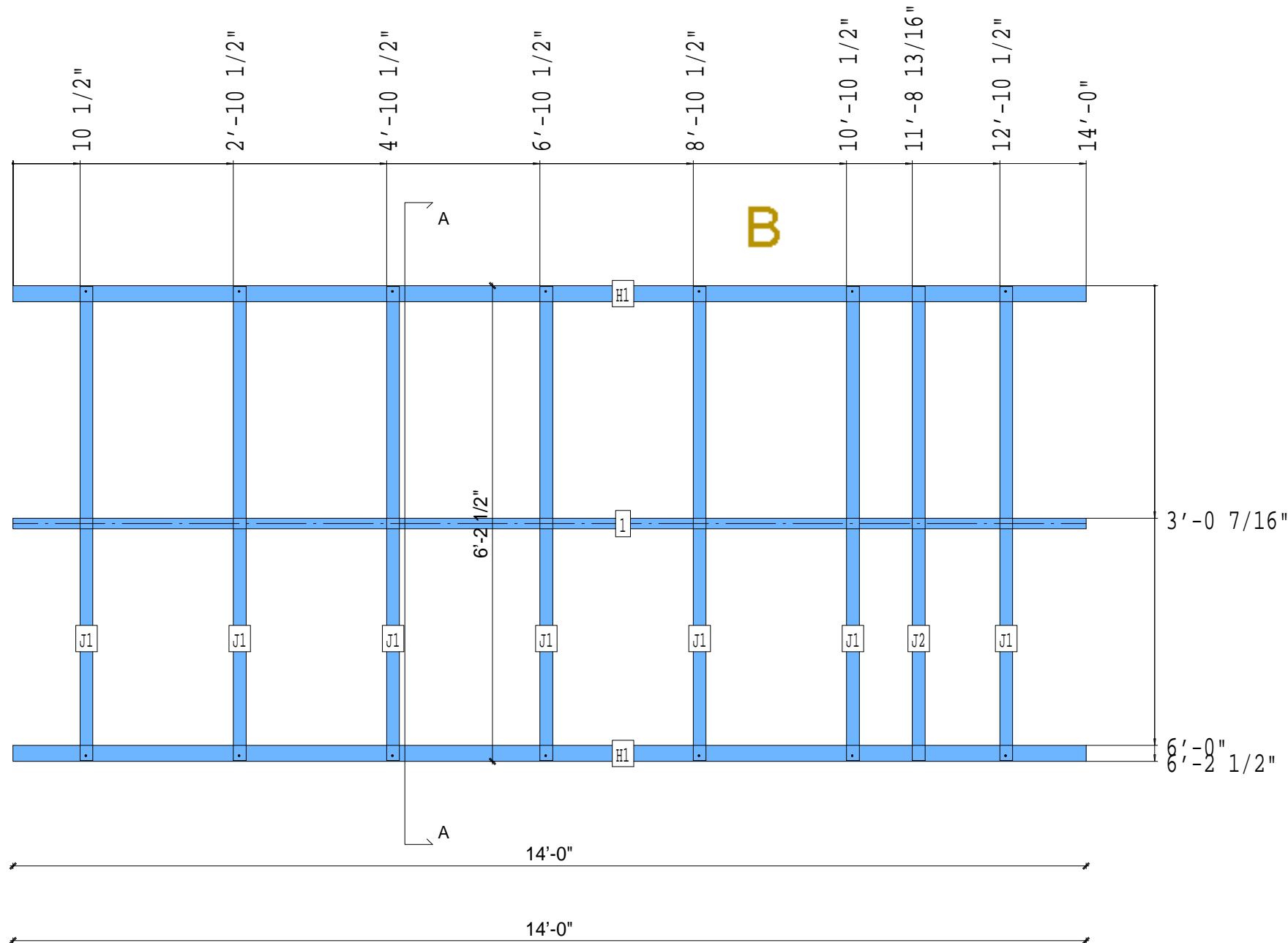


© FrameMax Inc.

APPROVED
By jbonavries at 8:35 am, Oct 31, 2008



A-A



PIECE SCHEDULE						
LAB	QTY	MATERIAL	DESCRIPTION	LENGTH	ANG1	ANG2
1	1	362S162-54	JOIST	14'-0"		
H1	2	1000T250-68	HEADER	14'-0"		
J1	7	1000S200-68	JOIST	6'-2 1/4"		
J2	1	1000S200-68	JOIST	6'-2 1/4"		

21-5134

CREATED: 10/31/2008

Jewish Home for the Aging

1885 Victory Blvd. Reseda, CA

FM-07-109

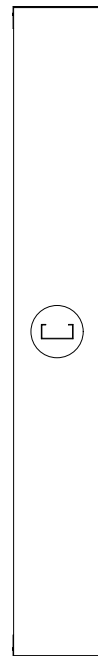
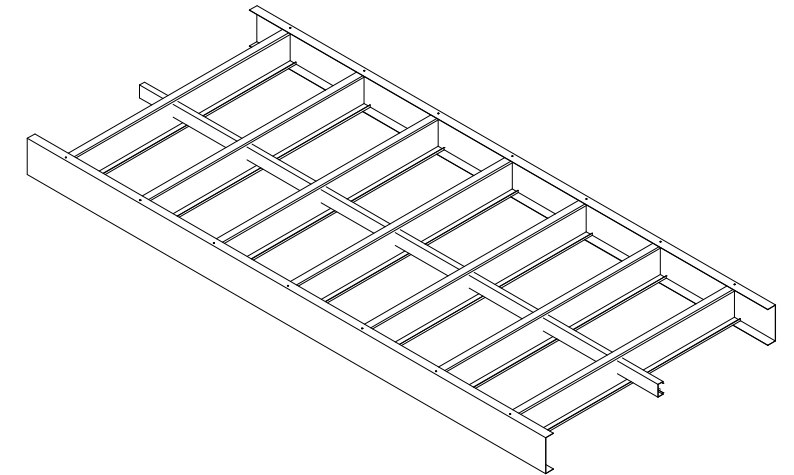
CREATED BY: JLB

FrameMax, Inc.
13915 Danielson St
Suite 100
Poway, CA 92064
www.framemax.com

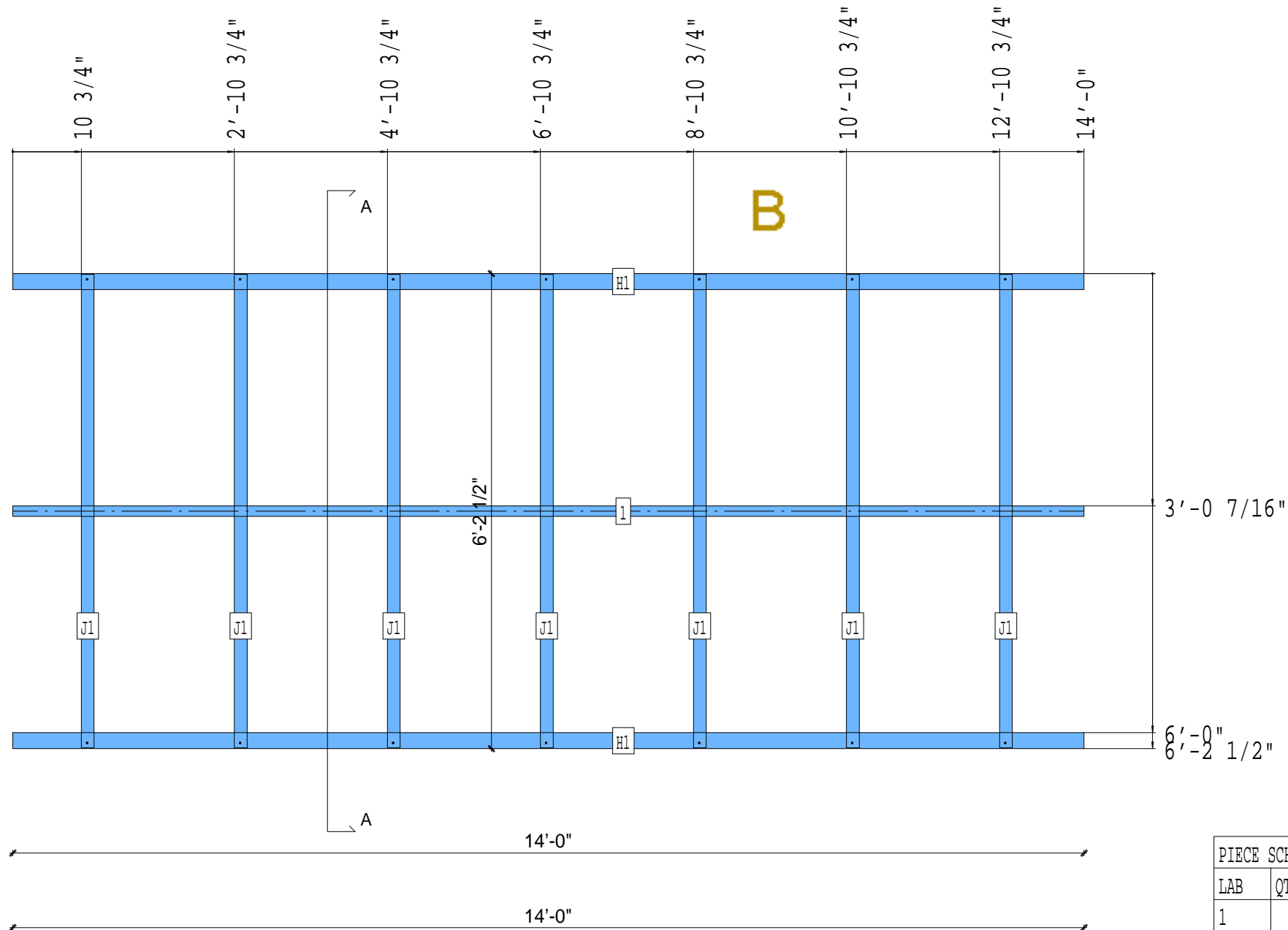


© FrameMax Inc.

APPROVED
By jbonavries at 8:35 am, Oct 31, 2008



A-A



PIECE SCHEDULE						
LAB	QTY	MATERIAL	DESCRIPTION	LENGTH	ANG1	ANG2
1	1	362S162-54	JOIST	14'-0"		
H1	2	1000T250-68	HEADER	14'-0"		
J1	7	1000S200-68	JOIST	6'-2 1/4"		

21-5135

Jewish Home for the Aging

1885 Victory Blvd. Reseda, CA

FM-07-109

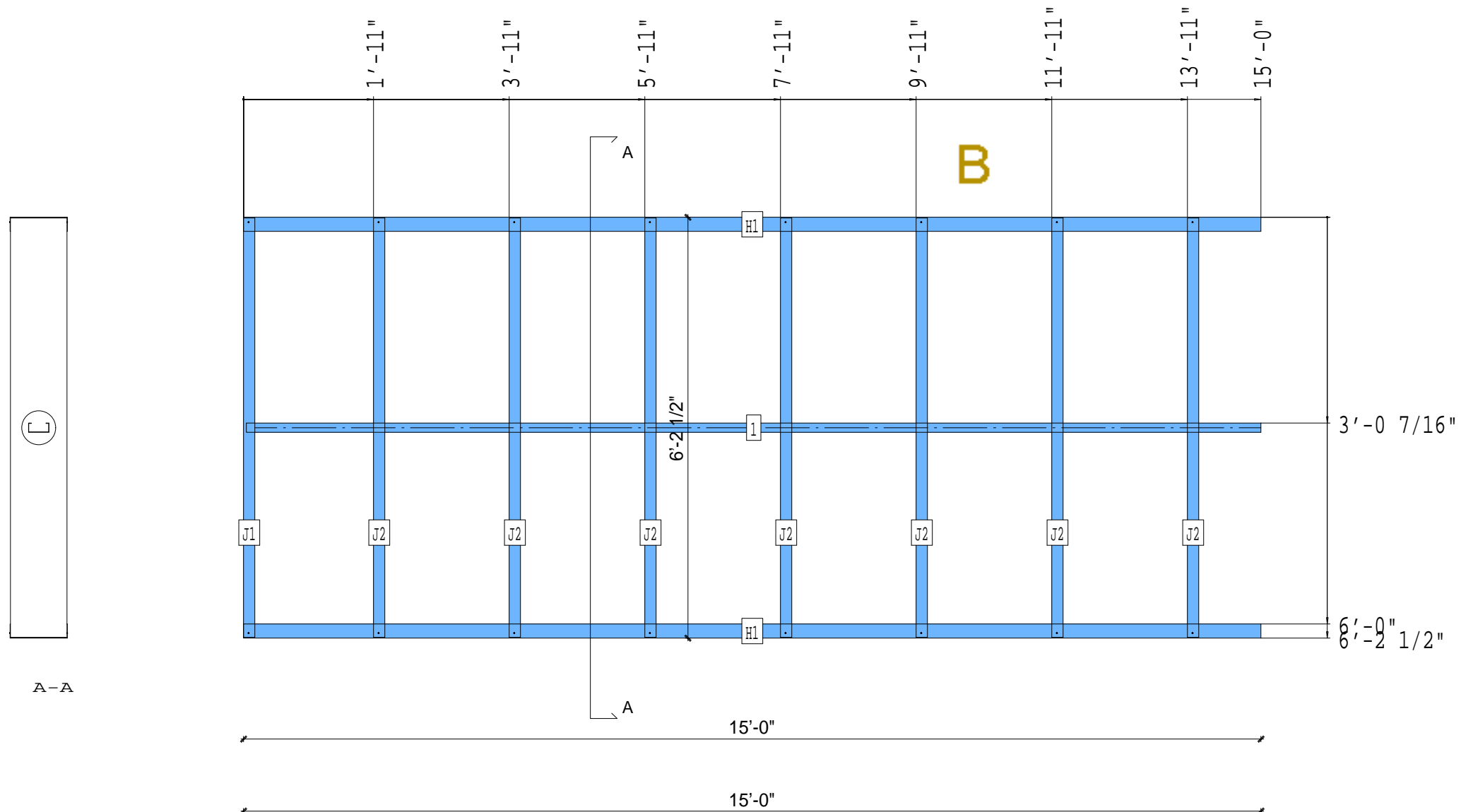
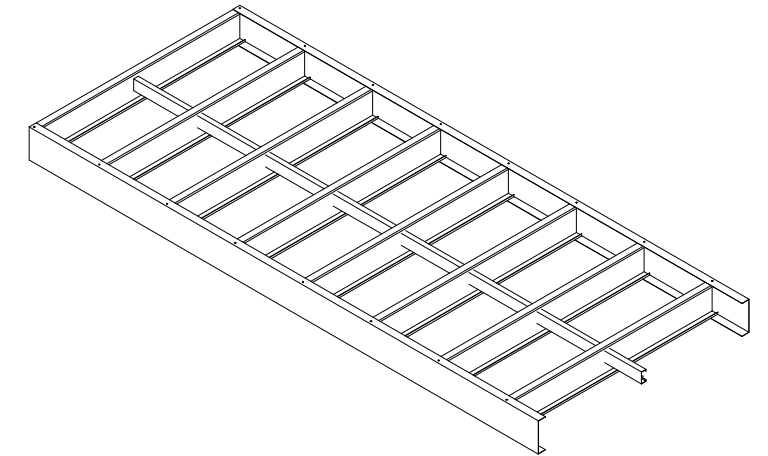
CREATED BY: JLB

FrameMax, Inc.
13915 Danielson St
Suite 100
Poway, CA 92064
www.framemax.com



© FrameMax Inc.

APPROVED
By jbonavries at 8:35 am, Oct 31, 2008



PIECE SCHEDULE						
LAB	QTY	MATERIAL	DESCRIPTION	LENGTH	ANG1	ANG2
1	1	362S162-54	JOIST	14'-11 1/2"		
H1	2	1000T250-68	HEADER	15'-0"		
J1	1	1000S200-68	JOIST	6'-2 1/4"		
J2	7	1000S200-68	JOIST	6'-2 1/4"		