

22-1001

Jewish Home for the Aging

1885 Victory Blvd. Reseda, CA

FrameMax, Inc.
13915 Danielson St
Suite 100
Poway, CA 92064
www.frame-max.com



© FrameMax Inc.

CREATED: 11/11/2008

FM-07-109

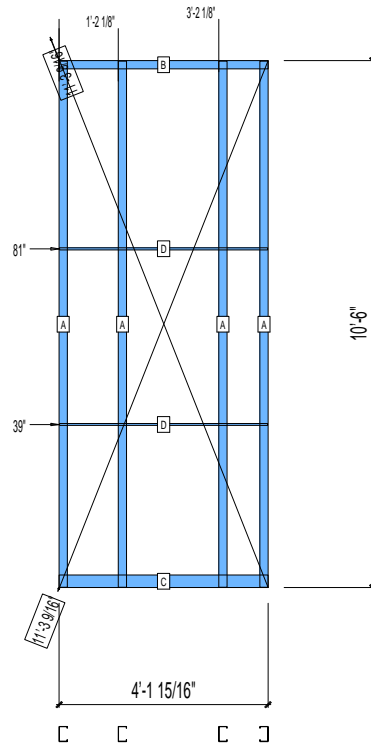
CREATED BY: TNT

HEIGHT : 10'-6"
SPACING : 5000"
1st STUD: 5000"

POINTS: 0.74 Points.

WEIGHTS :
FRAME : 107 lbs

TOTAL: 107 lbs



PIECES LIST

LABEL	QTY	SIZE	LENGTH	USE
A	4	362S200-68	10'-5 13/16"	STUD
B	1	362T200-68	4'-1 15/16"	TOP TRACK
C	1	362T300-68	4'-1 15/16"	BOTTOM TRACK
D	2	150U50-54	4'-1 3/4"	HORIZONTAL BRACING

22-1002

Jewish Home for the Aging

1885 Victory Blvd. Reseda, CA

FrameMax, Inc.
13915 Danielson St
Suite 100
Poway, CA 92064
www.frame-max.com



© FrameMax Inc.

CREATED: 11/11/2008

FM-07-109

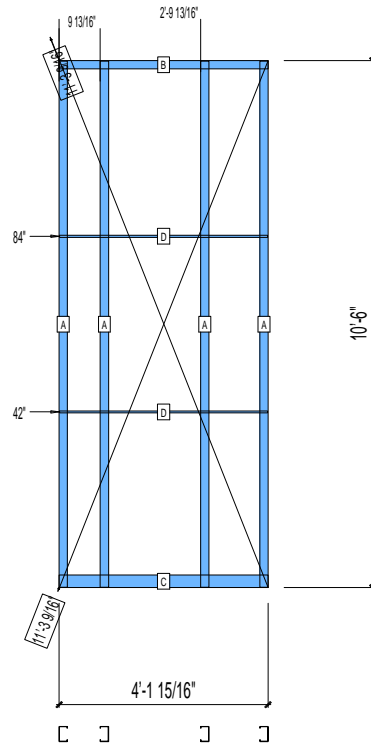
CREATED BY: TNT

HEIGHT : 10'-6"
SPACING : 5000"
1st STUD: 5000"

POINTS: 0.74 Points.

WEIGHTS :
FRAME : 107 lbs

TOTAL: 107 lbs



PIECES LIST

LABEL	QTY	SIZE	LENGTH	USE
A	4	362S200-68	10'-5 13/16"	STUD
B	1	362T200-68	4'-1 15/16"	TOP TRACK
C	1	362T300-68	4'-1 15/16"	BOTTOM TRACK
D	2	150U50-54	4'-1 3/4"	HORIZONTAL BRACING

22-1003

Jewish Home for the Aging

1885 Victory Blvd. Reseda, CA

FrameMax, Inc.
13915 Danielson St
Suite 100
Poway, CA 92064
www.frame-max.com



© FrameMax Inc.

CREATED: 11/11/2008

FM-07-109

CREATED BY: TNT

HEIGHT : 10'-6" POINTS: 0.34 Points.

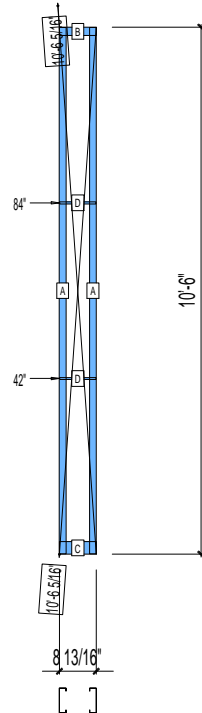
SPACING : 5000"

1st STUD: 5000"

WEIGHTS :

FRAME : 44 lbs

TOTAL: 44 lbs



PIECES LIST

LABEL	QTY	SIZE	LENGTH	USE
A	2	600S162-54	10'-5 13/16"	STUD
B	1	600T200-54	8 13/16"	TOP TRACK
C	1	600T300-54	8 13/16"	BOTTOM TRACK
D	2	150U50-54	8 5/8"	HORIZONTAL BRACING

22-1004

Jewish Home for the Aging

1885 Victory Blvd. Reseda, CA

FrameMax, Inc.
13915 Danielson St
Suite 100
Poway, CA 92064
www.frame-max.com



© FrameMax Inc.

CREATED: 11/11/2008

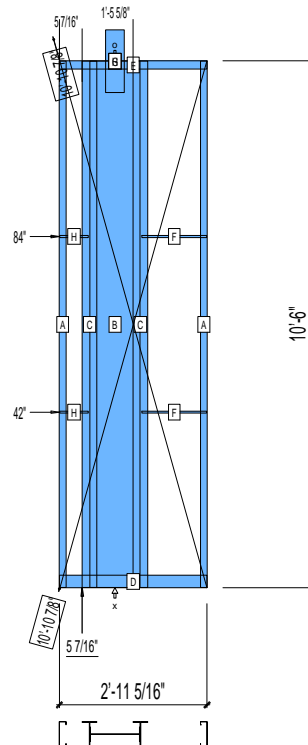
FM-07-109

CREATED BY: TNT

HEIGHT : 10'-6"
POINTS: 1.76 Points.
SPACING : 5000"
1st STUD: 5000"

WEIGHTS :
FRAME : 318 lbs

TOTAL: 318 lbs



PIECES LIST

LABEL	QTY	SIZE	LENGTH	USE
A	2	600S162-54	10'-5 13/16"	STUD
B	1	1200i350p1062	10'-5 13/16"	PACO
C	2	600i350p680	10'-5 13/16"	PACO
D	1	600T300-54	2'-11 5/16"	BOTTOM TRACK
E	1	600T200-54	2'-11 5/16"	TOP TRACK
F	2	150U50-54	1'-3 1/2"	HORIZONTAL BRACING
G	1	A	1'-3"	HOLDDOWN
H	2	150U50-54	6 13/16"	HORIZONTAL BRACING

22-1005

Jewish Home for the Aging

1885 Victory Blvd. Reseda, CA

FrameMax, Inc.
13915 Danielson St
Suite 100
Poway, CA 92064
www.frame-max.com



© FrameMax Inc.

CREATED: 11/11/2008

FM-07-109

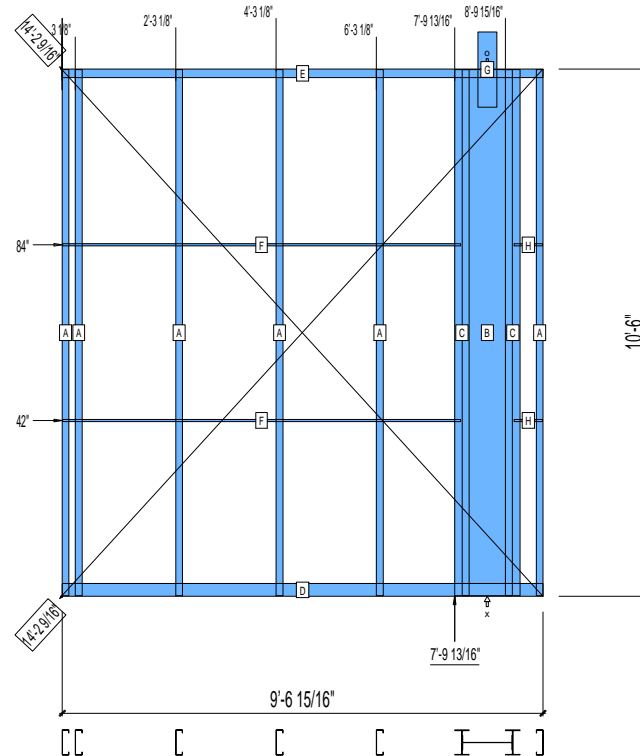
CREATED BY: TNT

HEIGHT : 10'-6"
SPACING : 5000"
1st STUD: 5000"

POINTS: 2.51 Points.

WEIGHTS :
FRAME : 434 lbs

TOTAL: 434 lbs



PIECES LIST

LABEL	QTY	SIZE	LENGTH	USE
A	6	600S162-54	10'-5 13/16"	STUD
B	1	1200i350p1062	10'-5 13/16"	PACO
C	2	600i350p680	10'-5 13/16"	PACO
D	1	600T300-54	9'-6 15/16"	BOTTOM TRACK
E	1	600T200-54	9'-6 15/16"	TOP TRACK
F	2	150U50-54	7'-11 1/8"	HORIZONTAL BRACING
G	1	A	1'-6"	HOLDDOWN
H	2	150U50-54	6 13/16"	HORIZONTAL BRACING

22-1006

Jewish Home for the Aging

1885 Victory Blvd. Reseda, CA

FrameMax, Inc.
13915 Danielson St
Suite 100
Poway, CA 92064
www.frame-max.com



© FrameMax Inc.

CREATED: 11/11/2008

FM-07-109

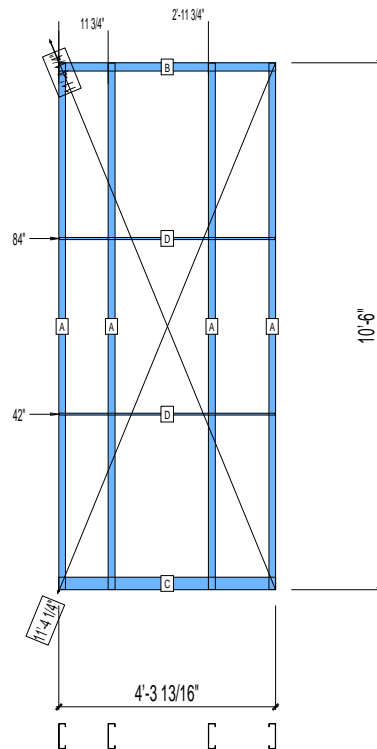
CREATED BY: TNT

HEIGHT : 10'-6"
SPACING : 5000"
1st STUD: 5000"

POINTS: 0.73 Points.

WEIGHTS :
FRAME : 102 lbs

TOTAL: 102 lbs



PIECES LIST

LABEL	QTY	SIZE	LENGTH	USE
A	4	600S162-54	10'-5 13/16"	STUD
B	1	600T200-54	4'-3 13/16"	TOP TRACK
C	1	600T300-54	4'-3 13/16"	BOTTOM TRACK
D	2	150U50-54	4'-3 5/8"	HORIZONTAL BRACING

22-1007

Jewish Home for the Aging

1885 Victory Blvd. Reseda, CA

FrameMax, Inc.
13915 Danielson St
Suite 100
Poway, CA 92064
www.frame-max.com



© FrameMax Inc.

CREATED: 11/11/2008

FM-07-109

CREATED BY: TNT

HEIGHT : 10'-6" POINTS: 0.34 Points.

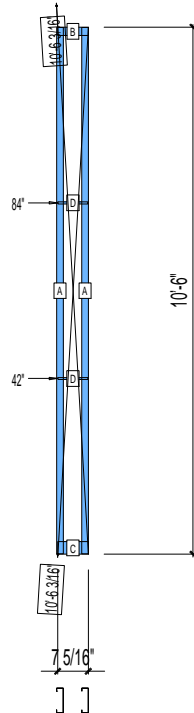
SPACING : 5000"

1st STUD: 5000"

WEIGHTS :

FRAME : 43 lbs

TOTAL: 43 lbs



PIECES LIST

LABEL	QTY	SIZE	LENGTH	USE
A	2	600S162-54	10'-5 13/16"	STUD
B	1	600T200-54	7 5/16"	TOP TRACK
C	1	600T300-54	7 5/16"	BOTTOM TRACK
D	2	150U50-54	7 1/8"	HORIZONTAL BRACING

22-1008

Jewish Home for the Aging

1885 Victory Blvd. Reseda, CA

FM-07-109

CREATED BY: TNT

FrameMax, Inc.
13915 Danielson St
Suite 100
Poway, CA 92064
www.frame-max.com



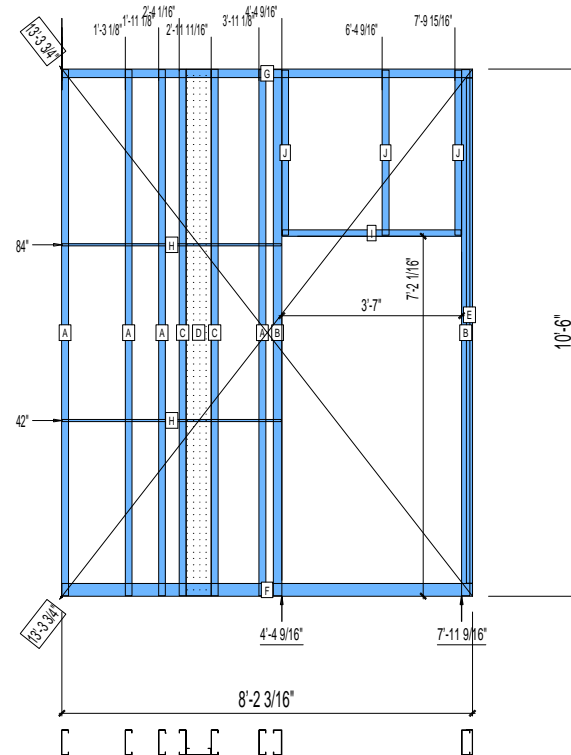
© FrameMax Inc.

HEIGHT : 10'-6"
SPACING : 5000"
1st STUD: 16"

POINTS: 1.80 Points.

WEIGHTS :
FRAME : 274 lbs

TOTAL: 274 lbs



PIECES LIST

LABEL	QTY	SIZE	LENGTH	USE
A	4	600S162-54	10'-5 13/16"	STUD
B	2	600S200-97	10'-5 13/16"	KING STUD
C	2	600S162-33	10'-5 13/16"	BACKER STUD
D	1	600S162-33	10'-5 13/16"	BACKER-U
E	1	600T150-54	10'-0 3/4"	CAP TRACK
F	1	600T300-54	8'-2 3/16"	BOTTOM TRACK
G	1	600T200-54	8'-2 3/16"	TOP TRACK
H	2	150U50-54	4'-4 3/8"	HORIZONTAL BRACING
I	1	600T150-54	3'-6 3/4"	HEAD TRACK
J	3	600S162-54	3'-3 1/2"	CRIPPLE

22-1009

Jewish Home for the Aging

1885 Victory Blvd. Reseda, CA

FrameMax, Inc.
13915 Danielson St
Suite 100
Poway, CA 92064
www.frame-max.com



© FrameMax Inc.

CREATED: 11/11/2008

FM-07-109

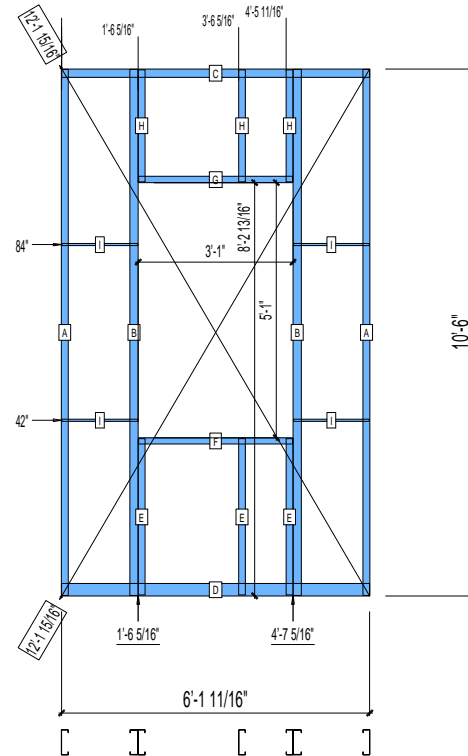
CREATED BY: TNT

HEIGHT : 10'-6"
SPACING : 5000"
1st STUD: 5000"

POINTS: 1.36 Points.

WEIGHTS :
FRAME : 186 lbs

TOTAL: 186 lbs



PIECES LIST

LABEL	QTY	SIZE	LENGTH	USE
A	2	600S162-54	10'-5 13/16"	STUD
B	2	600S200-97	10'-5 13/16"	KING STUD
C	1	600T200-54	6'-1 11/16"	TOP TRACK
D	1	600T300-54	6'-1 11/16"	BOTTOM TRACK
E	3	600S162-54	3'-1 3/8"	CRIPPLE
F	1	600T150-54	3'-0 3/4"	SILL
G	1	600T150-54	3'-0 3/4"	HEAD TRACK
H	3	600S162-54	2'-2 3/4"	CRIPPLE
I	4	150U50-54	1'-6 1/8"	HORIZONTAL BRACING

22-1010

Jewish Home for the Aging

1885 Victory Blvd. Reseda, CA

FrameMax, Inc.
13915 Danielson St
Suite 100
Poway, CA 92064
www.frame-max.com



© FrameMax Inc.

CREATED: 11/11/2008

FM-07-109

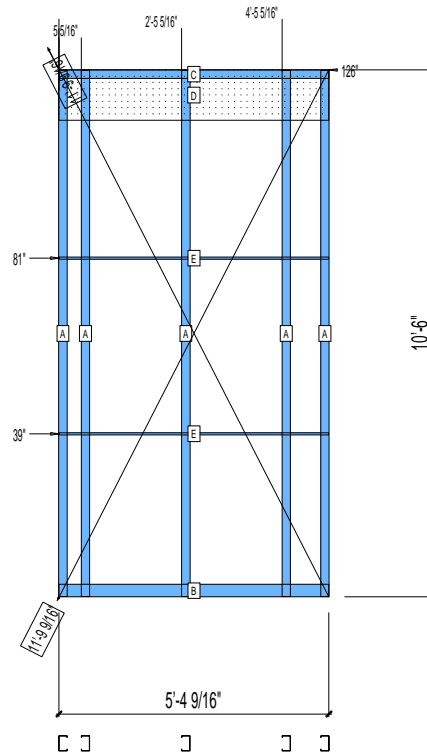
CREATED BY: TNT

HEIGHT : 10'-6"
SPACING : 5000"
1st STUD: 5000"

POINTS: 0.99 Points.

WEIGHTS :
FRAME : 147 lbs

TOTAL: 147 lbs



PIECES LIST

LABEL	QTY	SIZE	LENGTH	USE
A	5	362S200-68	10'-5 13/16"	STUD
B	1	362T300-68	5'-4 9/16"	BOTTOM TRACK
C	1	362T200-68	5'-4 9/16"	TOP TRACK
D	1	1200D-54	5'-4 1/2"	STRAP
E	2	150U50-54	5'-4 3/8"	HORIZONTAL BRACING

22-1011

Jewish Home for the Aging

1885 Victory Blvd. Reseda, CA

FrameMax, Inc.
13915 Danielson St
Suite 100
Poway, CA 92064
www.frame-max.com



© FrameMax Inc.

CREATED: 11/11/2008

FM-07-109

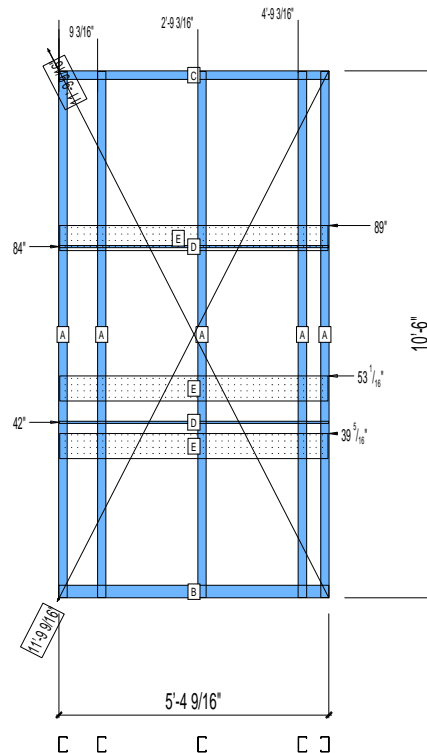
CREATED BY: TNT

HEIGHT : 10'-6"
SPACING : 5000"
1st STUD: 5000"

POINTS: 1.06 Points.

WEIGHTS :
FRAME : 153 lbs

TOTAL: 153 lbs



PIECES LIST

LABEL	QTY	SIZE	LENGTH	USE
A	5	362S200-68	10'-5 13/16"	STUD
B	1	362T300-68	5'-4 9/16"	BOTTOM TRACK
C	1	362T200-68	5'-4 9/16"	TOP TRACK
D	2	150U50-54	5'-4 3/8"	HORIZONTAL BRACING
E	3	600D-54	5'-4 1/8"	KITCHEN BACKING

22-1012

Jewish Home for the Aging

1885 Victory Blvd. Reseda, CA

FrameMax, Inc.
13915 Danielson St
Suite 100
Poway, CA 92064
www.frame-max.com



© FrameMax Inc.

CREATED: 11/11/2008

FM-07-109

CREATED BY: TNT

HEIGHT : 10'-6" POINTS: 0.56 Points.

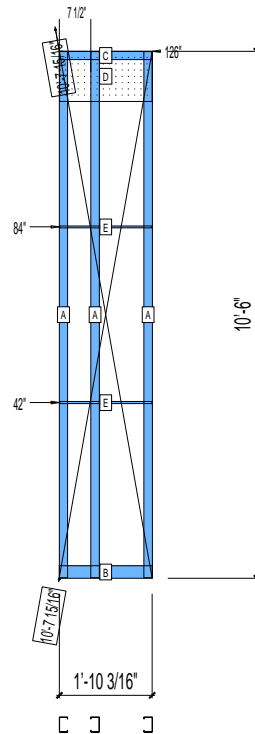
SPACING : 5000"

1st STUD: 5000"

WEIGHTS :

FRAME : 78 lbs

TOTAL: 78 lbs



PIECES LIST

LABEL	QTY	SIZE	LENGTH	USE
A	3	362S200-68	10'-5 13/16"	STUD
B	1	362T300-68	1'-10 3/16"	BOTTOM TRACK
C	1	362T200-68	1'-10 3/16"	TOP TRACK
D	1	1200D-54	1'-10 1/8"	STRAP
E	2	150U50-54	1'-10"	HORIZONTAL BRACING

22-1013

Jewish Home for the Aging

1885 Victory Blvd. Reseda, CA

FrameMax, Inc.
13915 Danielson St
Suite 100
Poway, CA 92064
www.frame-max.com



© FrameMax Inc.

CREATED: 11/11/2008

FM-07-109

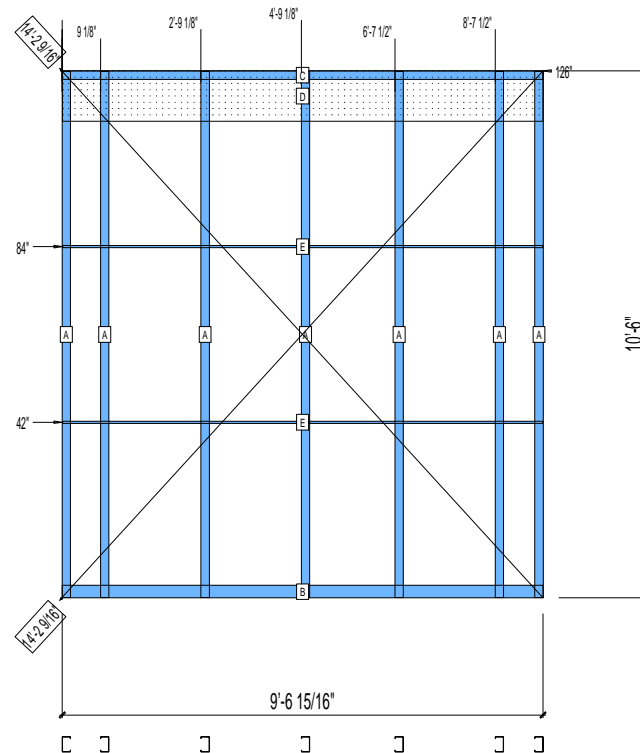
CREATED BY: TNT

HEIGHT : 10'-6"
SPACING : 5000"
1st STUD: 5000"

POINTS: 1.47 Points.

WEIGHTS :
FRAME : 222 lbs

TOTAL: 222 lbs



PIECES LIST

LABEL	QTY	SIZE	LENGTH	USE
A	7	362S200-68	10'-5 13/16"	STUD
B	1	362T300-68	9'-6 15/16"	BOTTOM TRACK
C	1	362T200-68	9'-6 15/16"	TOP TRACK
D	1	1200D-54	9'-6 7/8"	STRAP
E	2	150U50-54	9'-6 3/4"	HORIZONTAL BRACING

22-1014

Jewish Home for the Aging

1885 Victory Blvd. Reseda, CA

FrameMax, Inc.
13915 Danielson St
Suite 100
Poway, CA 92064
www.framemax.com



© FrameMax Inc.

CREATED: 11/11/2008

FM-07-109

CREATED BY: TNT

HEIGHT : 10'-6" POINTS: 0.74 Points.

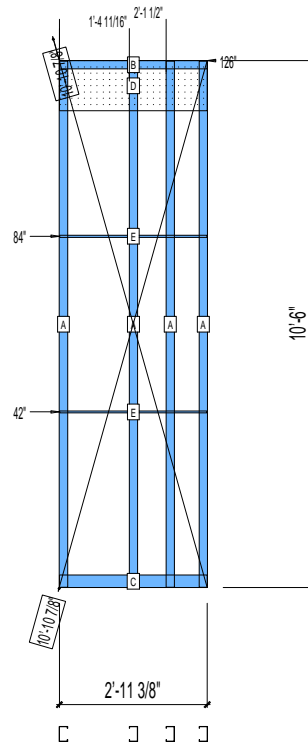
SPACING : 5000"

1st STUD: 5000"

WEIGHTS :

FRAME : 107 lbs

TOTAL: 107 lbs



PIECES LIST

LABEL	QTY	SIZE	LENGTH	USE
A	4	362S200-68	10'-5 13/16"	STUD
B	1	362T200-68	2'-11 3/8"	TOP TRACK
C	1	362T300-68	2'-11 3/8"	BOTTOM TRACK
D	1	1200D-54	2'-11 5/16"	STRAP
E	2	150U50-54	2'-11 3/16"	HORIZONTAL BRACING

22-1015

Jewish Home for the Aging

1885 Victory Blvd. Reseda, CA

FrameMax, Inc.
13915 Danielson St
Suite 100
Poway, CA 92064
www.frame-max.com



© FrameMax Inc.

CREATED: 11/11/2008

FM-07-109

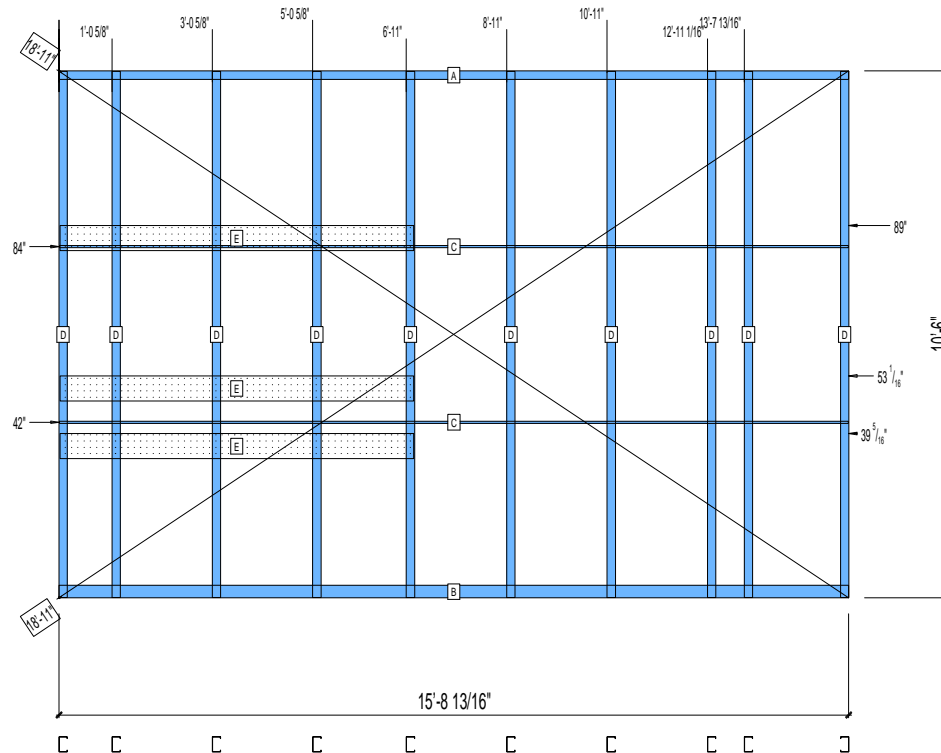
CREATED BY: TNT

HEIGHT : 10'-6"
SPACING : 5000"
1st STUD: 5000"

POINTS: 2.15 Points.

WEIGHTS :
FRAME : 320 lbs

TOTAL: 320 lbs



PIECES LIST

LABEL	QTY	SIZE	LENGTH	USE
A	1	362T200-68	15'-8 13/16"	TOP TRACK
B	1	362T300-68	15'-8 13/16"	BOTTOM TRACK
C	2	150U50-54	15'-8 5/8"	HORIZONTAL BRACING
D	10	362S200-68	10'-5 13/16"	STUD
E	3	600D-54	7'-0 9/16"	KITCHEN BACKING

22-1016

Jewish Home for the Aging

1885 Victory Blvd. Reseda, CA

FM-07-109

CREATED BY: TNT

FrameMax, Inc.
13915 Danielson St
Suite 100
Poway, CA 92064
www.frame-max.com



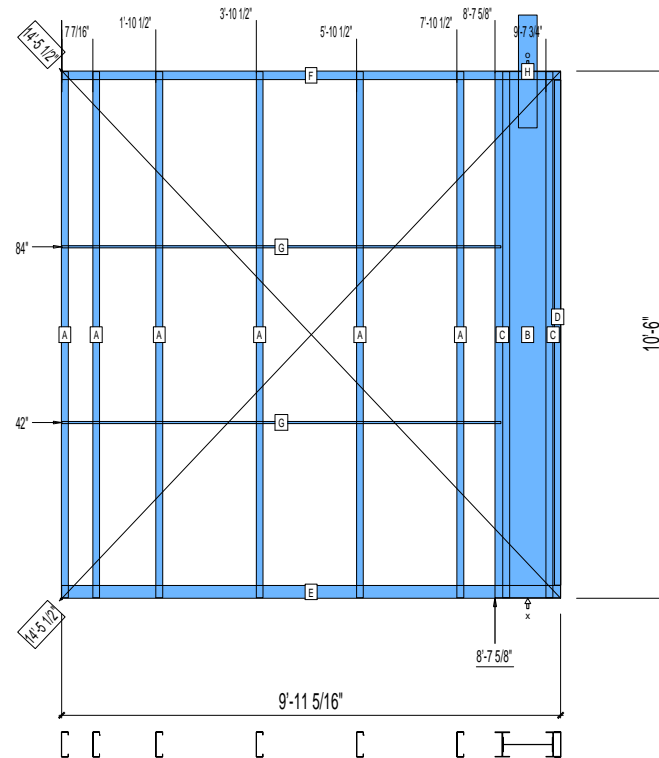
© FrameMax Inc.

HEIGHT : 10'-6"
SPACING : 5000"
1st STUD: 5000"

POINTS: 2.61 Points.

WEIGHTS :
FRAME : 459 lbs

TOTAL: 459 lbs



PIECES LIST

LABEL	QTY	SIZE	LENGTH	USE
A	6	600S162-54	10'-5 13/16"	STUD
B	1	1200i350p1062	10'-5 13/16"	PACO
C	2	600i350p680	10'-5 13/16"	PACO
D	1	600T150-54	10'-0 3/4"	CAP TRACK
E	1	600T300-54	9'-11 5/16"	BOTTOM TRACK
F	1	600T200-54	9'-11 5/16"	TOP TRACK
G	2	150U50-54	8'-8 15/16"	HORIZONTAL BRACING
H	1	B	2'-3"	HOLDDOWN

22-1017

Jewish Home for the Aging

1885 Victory Blvd. Reseda, CA

FrameMax, Inc.
13915 Danielson St
Suite 100
Poway, CA 92064
www.frame-max.com



© FrameMax Inc.

CREATED: 11/11/2008

FM-07-109

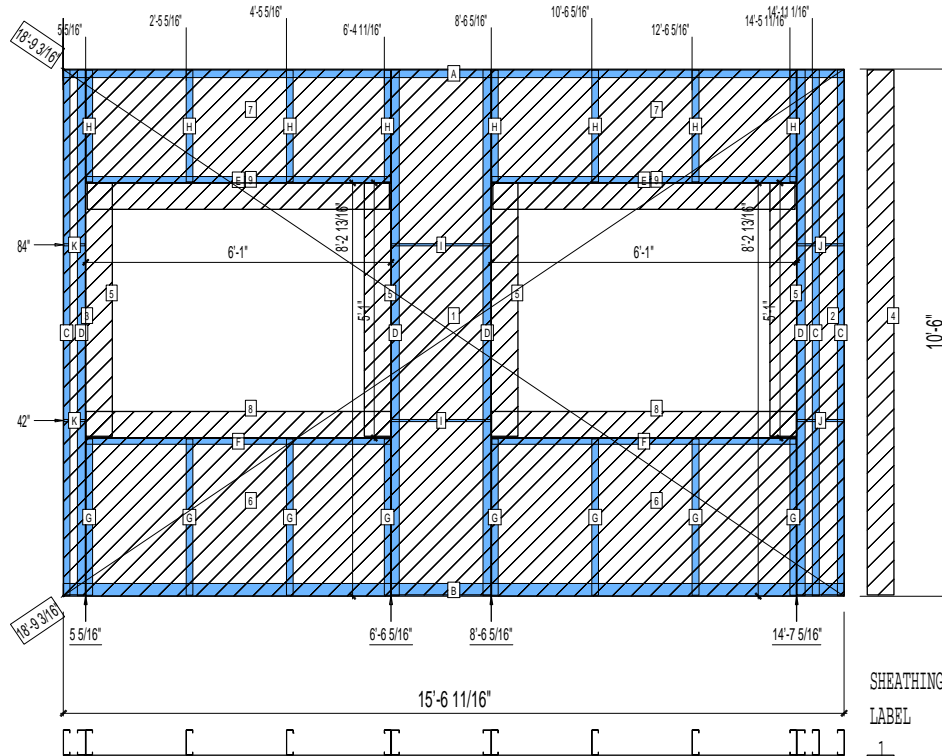
CREATED BY: TNT

HEIGHT : 10'-6"
SPACING : 5000"
1st STUD: 5000"

POINTS: 4.38 Points.

WEIGHTS :
FRAME : 405 lbs
SHEATHING: 324 lbs

TOTAL: 729 lbs



PIECES LIST

LABEL	QTY	SIZE	LENGTH	USE
A	1	600T200-54	15'-6 11/16"	TOP TRACK
B	1	600T300-54	15'-6 11/16"	BOTTOM TRACK
C	3	600S162-54	10'-5 13/16"	STUD
D	4	600S200-97	10'-5 13/16"	KING STUD
E	2	600T150-54	6'-0 3/4"	HEAD TRACK
F	2	600T150-54	6'-0 3/4"	SILL
G	8	600S162-54	3'-1 3/8"	CRIPPLE
H	8	600S162-54	2'-2 3/4"	CRIPPLE
I	2	150U50-54	1'-11 3/4"	HORIZONTAL BRACING
J	2	150U50-54	11 1/8"	HORIZONTAL BRACING
K	2	150U50-54	5 1/8"	HORIZONTAL BRACING

SHEATHING

LABEL	QTY	CODE	THICK	SIZE	SCREWS
1	1	DENSGLASS	1/2"	1'-11 7/8" X 10'-5 9/16"	8 - 12
2	1	DENSGLASS	1/2"	11 1/4" X 10'-5 9/16"	8 - 12
3	1	DENSGLASS	1/2"	5 1/4" X 10'-5 9/16"	8 - 12
4	1	DENSGLASS	1/2"	6 3/8" X 10'-5 9/16"	8 - 12
5	4	DENSGLASS	1/2"	6 3/8" X 5'-0 1/2"	8 - 12
6	2	DENSGLASS	1/2"	6'-0 7/8" X 3'-1 11/16"	8 - 12
7	2	DENSGLASS	1/2"	6'-0 7/8" X 2'-3"	8 - 12
8	2	DENSGLASS	1/2"	6'-0 7/8" X 6 5/16"	8 - 12
9	2	DENSGLASS	1/2"	6'-0 1/4" X 6 5/16"	8 - 12

22-1018

Jewish Home for the Aging

1885 Victory Blvd. Reseda, CA

FM-07-109

CREATED BY: TNT

FrameMax, Inc.
13915 Danielson St
Suite 100
Poway, CA 92064
www.frame-max.com

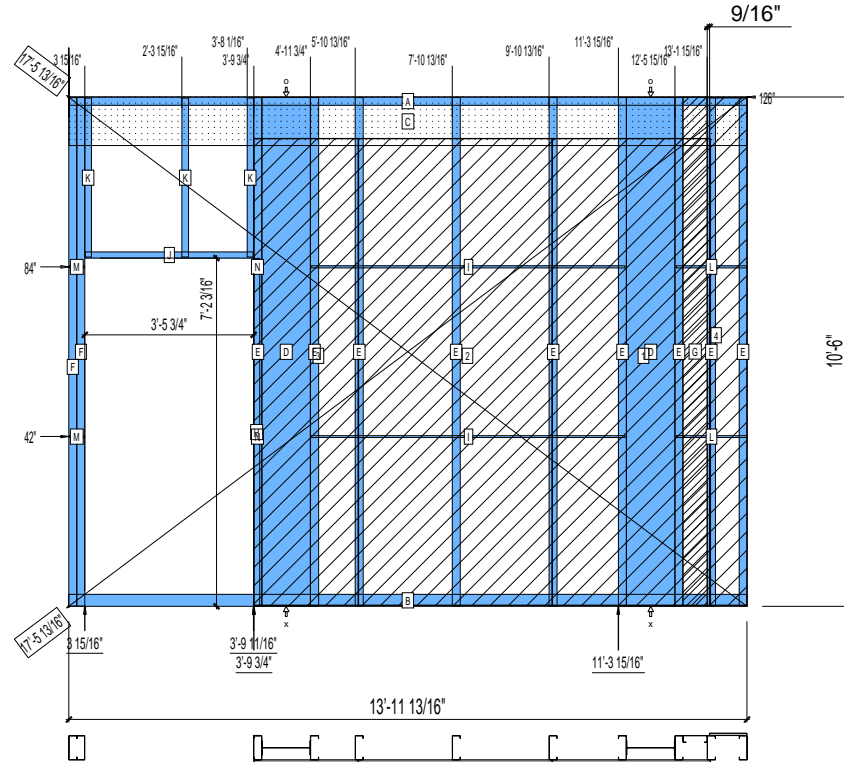


© FrameMax Inc.

HEIGHT : 10'-6"
SPACING : 5000"
1st STUD: 5000"

WEIGHTS :
FRAME : 689 lbs
SHEATHING: 353 lbs

TOTAL: 1042 lbs



PIECES LIST

LABEL	QTY	SIZE	LENGTH	USE
A	1	600T200-68	13'-11 13/16"	TOP TRACK
B	1	600T300-68	13'-11 13/16"	BOTTOM TRACK
C	1	1200D-54	13'-11 3/4"	STRAP
D	2	1200i350p1062	10'-5 13/16"	PACO
E	9	600S200-68	10'-5 13/16"	STUD
F	2	600S200-68	10'-5 13/16"	KING STUD
G	1	600S162-33	10'-5 13/16"	BACKER-U
H	1	600T150-54	7'-2"	CAP TRACK
I	2	150U50-54	6'-5 9/16"	HORIZONTAL BRACING
J	1	600T150-54	3'-5 1/2"	HEAD TRACK
K	3	600S162-54	3'-3 3/8"	CRIPPLE
L	2	150U50-54	1'-5 7/16"	HORIZONTAL BRACING
M	2	150U50-54	3 3/4"	HORIZONTAL BRACING
N	2	150U50-54	1 5/8"	HORIZONTAL BRACING

SHEATHING

LABEL	QTY	CODE	THICK	SIZE	SCREWS
1	1	SB-DENSARMOR	5/8"	3'-3 1/8" X 9'-7 7/16"	3-12
2	1	SB-DENSARMOR	5/8"	4'-0" X 9'-7 7/16"	3-12
3	1	SB-DENSARMOR	5/8"	2'-1 13/16" X 9'-7 7/16"	3-12
4	1	DENSGLOSS	1/2"	9 1/4" X 10'-5 9/16"	8 - 12

22-1019

Jewish Home for the Aging

1885 Victory Blvd. Reseda, CA

FrameMax, Inc.
13915 Danielson St
Suite 100
Poway, CA 92064
www.framemax.com



© FrameMax Inc.

CREATED: 11/11/2008

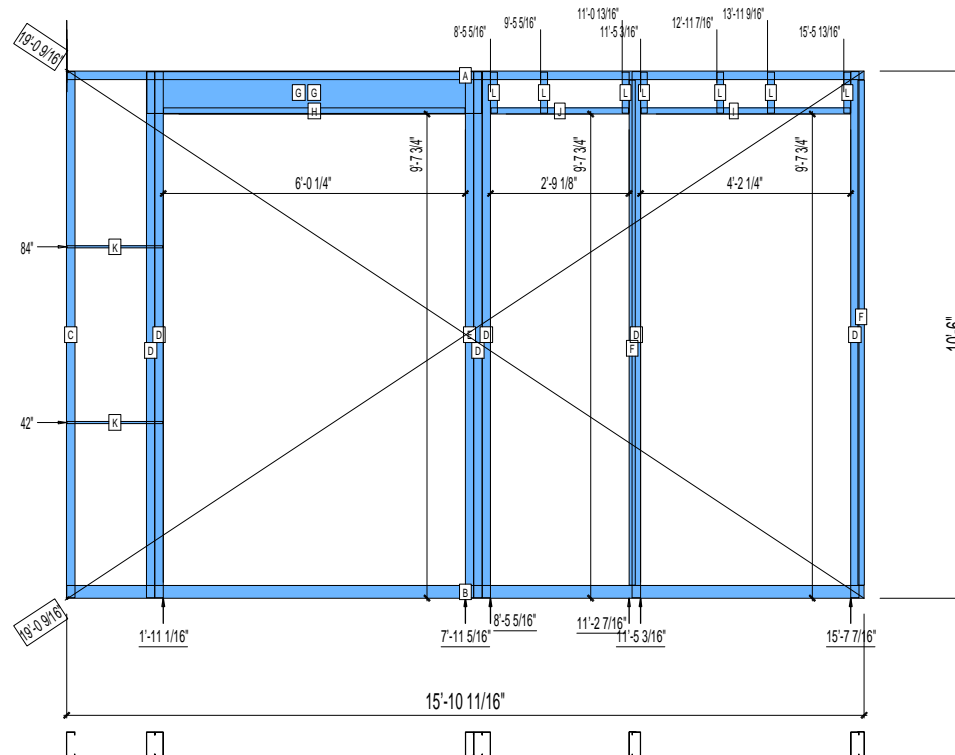
FM-07-109

CREATED BY: TNT

HEIGHT : 10'-6"
POINTS: 2.90 Points.
SPACING : 5000"
1st STUD: 5000"

WEIGHTS :
FRAME : 443 lbs

TOTAL: 443 lbs



PIECES LIST

LABEL	QTY	SIZE	LENGTH	USE
A	1	600T200-68	15'-10 11/16"	TOP TRACK
B	1	600T300-68	15'-10 11/16"	BOTTOM TRACK
C	1	600S200-68	10'-5 13/16"	STUD
D	6	600S200-68	10'-5 13/16"	KING STUD
E	1	600S200-68	10'-5 3/4"	KING STUD
F	2	600T150-54	10'-0 3/4"	CAP TRACK
G	2	1000S200-97	6'-8 1/8"	HEADER
H	1	600T150-54	6'-0 1/8"	HEADER BOTTOM TRACK
I	1	600T150-54	4'-2"	HEAD TRACK
J	1	600T150-54	2'-8 7/8"	HEAD TRACK
K	2	150U50-54	1'-10 7/8"	HORIZONTAL BRACING
L	7	600S162-54	9 13/16"	CRIPPLE

22-1020

Jewish Home for the Aging

1885 Victory Blvd. Reseda, CA

FrameMax, Inc.
13915 Danielson St
Suite 100
Poway, CA 92064
www.frame-max.com



© FrameMax Inc.

CREATED: 11/11/2008

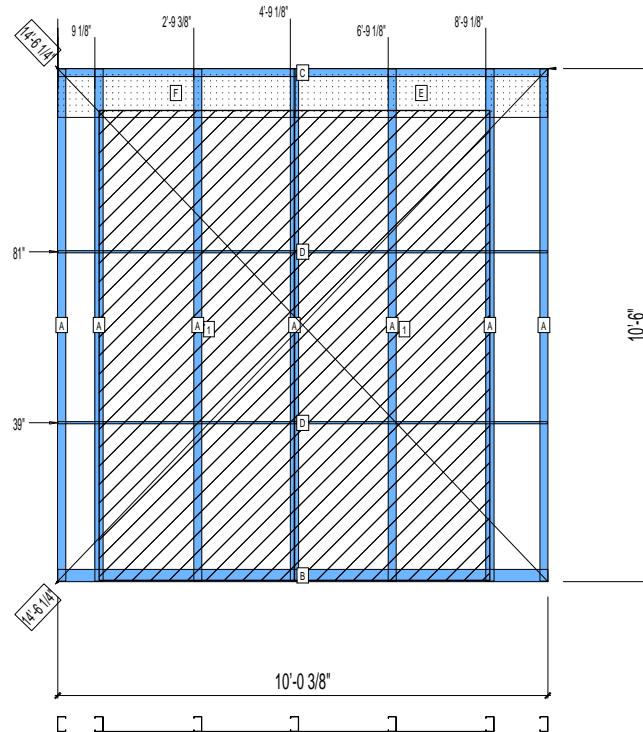
FM-07-109

CREATED BY: TNT

HEIGHT : 10'-6"
POINTS: 2.79 Points.
SPACING : 5000"
1st STUD: 5000"

WEIGHTS :
FRAME : 225 lbs
SHEATHING: 283 lbs

TOTAL: 508 lbs



PIECES LIST

LABEL	QTY	SIZE	LENGTH	USE
A	7	362S200-68	10'-5 13/16"	STUD
B	1	362T300-68	10'-0 3/8"	BOTTOM TRACK
C	1	362T200-68	10'-0 3/8"	TOP TRACK
D	2	150U50-54	10'-0 3/16"	HORIZONTAL BRACING
E	1	1200D-54	5'-2 1/16"	STRAP
F	1	1200D-54	4'-10"	STRAP

SHEATHING

LABEL	QTY	CODE	THICK	SIZE	SCREWS
1	2	SB-DENSARMOR	5/8"	3'-11 15/16" X 9'-7 7/16"	2-12

22-1021

Jewish Home for the Aging

1885 Victory Blvd. Reseda, CA

FM-07-109

CREATED BY: TNT

FrameMax, Inc.
13915 Danielson St
Suite 100
Poway, CA 92064
www.frame-max.com



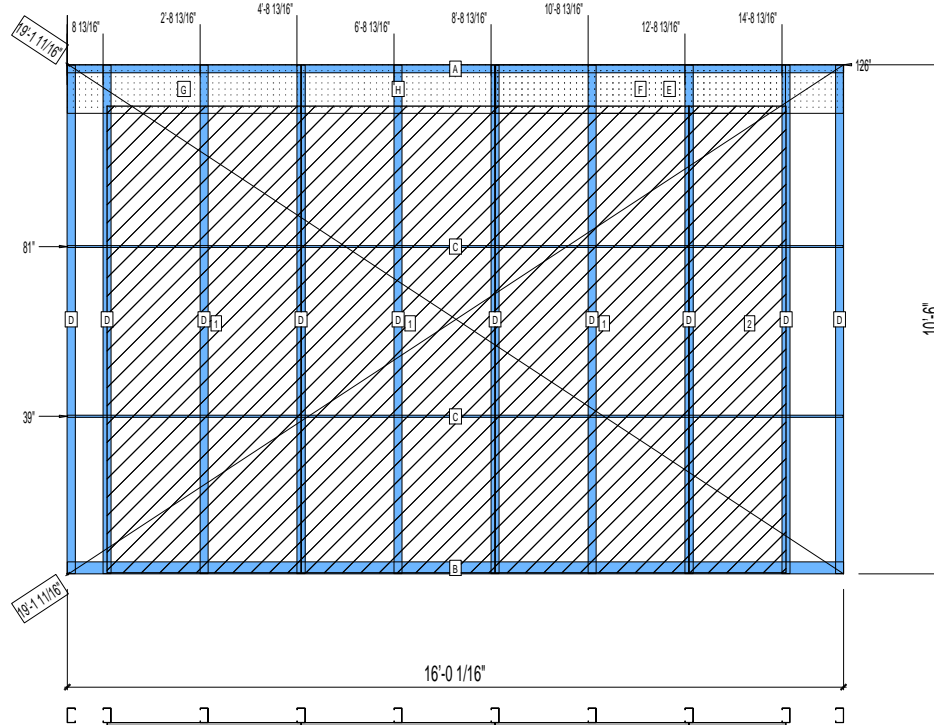
© FrameMax Inc.

HEIGHT : 10'-6"
SPACING : 5000"
1st STUD: 5000"

POINTS: 4.55 Points.

WEIGHTS :
FRAME : 349 lbs
SHEATHING: 495 lbs

TOTAL: 844 lbs



PIECES LIST

LABEL	QTY	SIZE	LENGTH	USE
A	1	362T200-68	16'-0 1/16"	TOP TRACK
B	1	362T300-68	16'-0 1/16"	BOTTOM TRACK
C	2	150U50-54	15'-11 7/8"	HORIZONTAL BRACING
D	10	362S200-68	10'-5 13/16"	STUD
E	1	1200D-54	7'-2 1/16"	STRAP
F	1	1200D-54	5'-11 3/4"	STRAP
G	1	1200D-54	4'-9 11/16"	STRAP
H	1	1200D-54	3'-11 3/4"	STRAP

SHEATHING

LABEL	QTY	CODE	THICK	SIZE	SCREWS
1	3	SB-DENSARMOR	5/8"	4'-0" X 9'-7 7/16"	2-12
2	1	SB-DENSARMOR	5/8"	2'-0" X 9'-7 7/16"	2-12

22-1022

Jewish Home for the Aging

1885 Victory Blvd. Reseda, CA

FrameMax, Inc.
13915 Danielson St
Suite 100
Poway, CA 92064
www.frame-max.com



© FrameMax Inc.

CREATED: 11/11/2008

FM-07-109

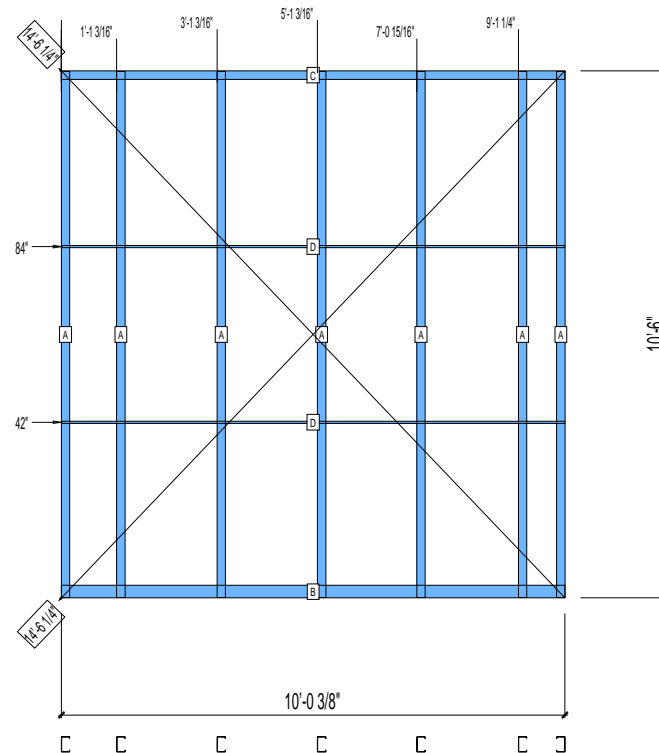
CREATED BY: TNT

HEIGHT : 10'-6"
SPACING : 5000"
1st STUD: 5000"

POINTS: 1.36 Points.

WEIGHTS :
FRAME : 201 lbs

TOTAL: 201 lbs



PIECES LIST

LABEL	QTY	SIZE	LENGTH	USE
A	7	362S200-68	10'-5 13/16"	STUD
B	1	362T300-68	10'-0 3/8"	BOTTOM TRACK
C	1	362T200-68	10'-0 3/8"	TOP TRACK
D	2	150U50-54	10'-0 3/16"	HORIZONTAL BRACING

22-1023

Jewish Home for the Aging

1885 Victory Blvd. Reseda, CA

FrameMax, Inc.
13915 Danielson St
Suite 100
Poway, CA 92064
www.frame-max.com



© FrameMax Inc.

CREATED: 11/11/2008

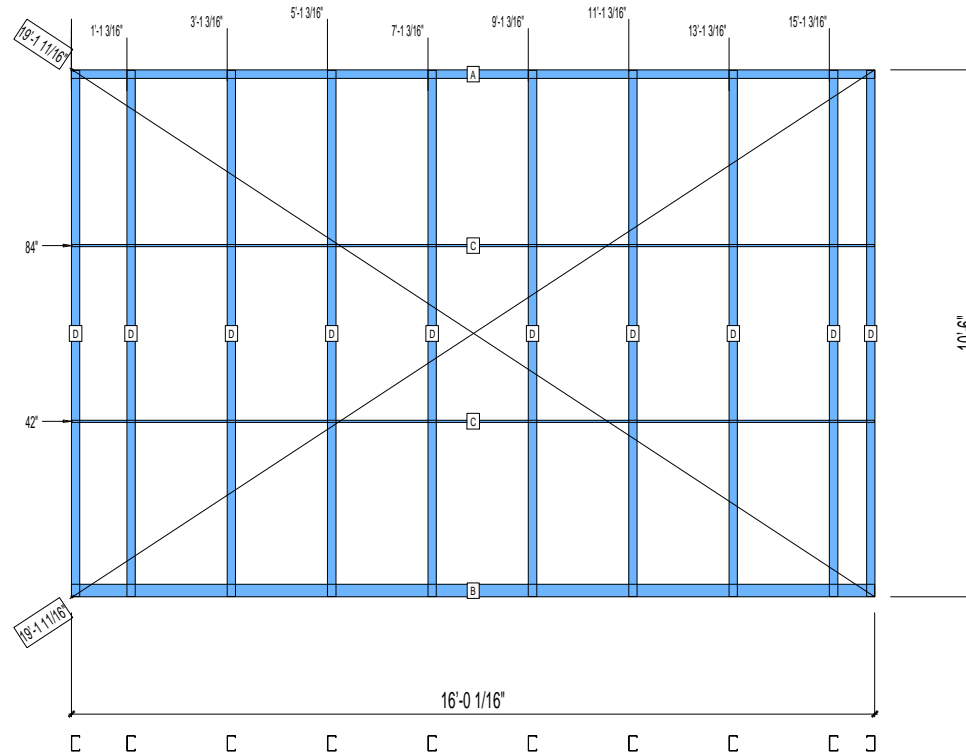
FM-07-109

CREATED BY: TNT

HEIGHT : 10'-6"
POINTS: 1.98 Points.
SPACING : 5000"
1st STUD: 5000"

WEIGHTS :
FRAME : 296 lbs

TOTAL: 296 lbs



PIECES LIST

LABEL	QTY	SIZE	LENGTH	USE
A	1	362T200-68	16'-0 1/16"	TOP TRACK
B	1	362T300-68	16'-0 1/16"	BOTTOM TRACK
C	2	150U50-54	15'-11 7/8"	HORIZONTAL BRACING
D	10	362S200-68	10'-5 13/16"	STUD

22-1024

Jewish Home for the Aging

1885 Victory Blvd. Reseda, CA

FM-07-109

CREATED BY: TNT

FrameMax, Inc.
13915 Danielson St
Suite 100
Poway, CA 92064
www.frame-max.com

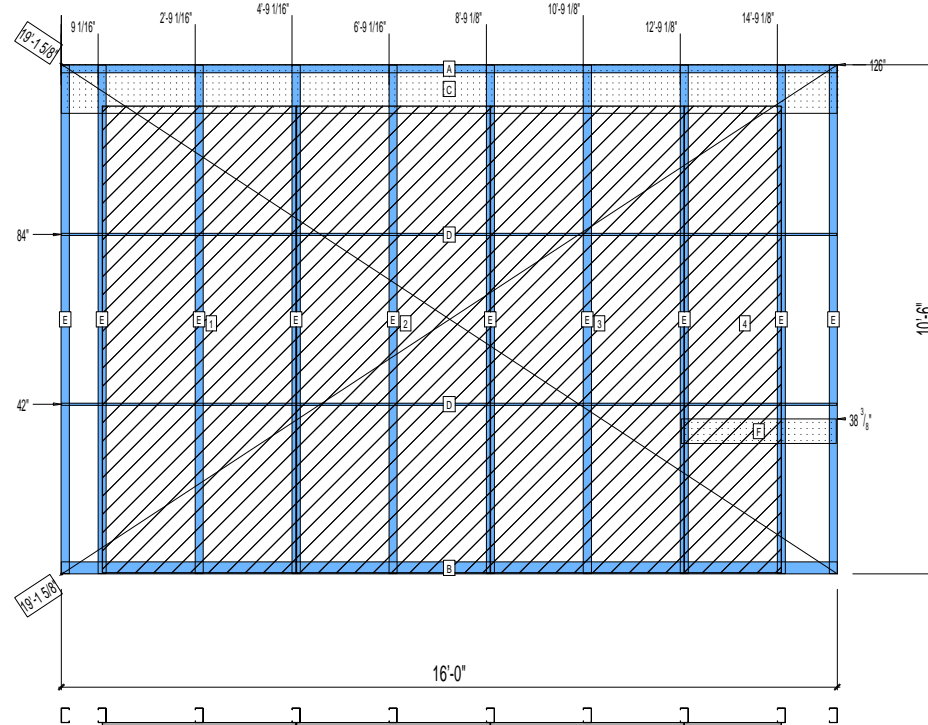


© FrameMax Inc.

HEIGHT : 10'-6"
POINTS: 4.47 Points.
SPACING : 5000"
1st STUD: 5000"

WEIGHTS :
FRAME : 340 lbs
SHEATHING: 495 lbs

TOTAL: 835 lbs



PIECES LIST

LABEL	QTY	SIZE	LENGTH	USE
A	1	362T200-68	16'-0"	TOP TRACK
B	1	362T300-68	16'-0"	BOTTOM TRACK
C	1	1200D-54	15'-11 15/16"	STRAP
D	2	150U50-54	15'-11 13/16"	HORIZONTAL BRACING
E	10	362S200-68	10'-5 13/16"	STUD
F	1	600T150-54	3'-2 3/8"	GRAB BAR

SHEATHING

LABEL	QTY	CODE	THICK	SIZE	SCREWS
1	1	SB-DENSARMOR	5/8"	3'-11 15/16" X 9'-7 7/16"	2-12
2	1	SB-DENSARMOR	5/8"	4'-0" X 9'-7 7/16"	2-12
3	1	SB-DENSARMOR	5/8"	4'-0" X 9'-7 7/16"	2-12
4	1	SB-DENSARMOR	5/8"	2'-0" X 9'-7 7/16"	2-12

22-1025

Jewish Home for the Aging

1885 Victory Blvd. Reseda, CA

FrameMax, Inc.
13915 Danielson St
Suite 100
Poway, CA 92064
www.frame-max.com



© FrameMax Inc.

CREATED: 11/11/2008

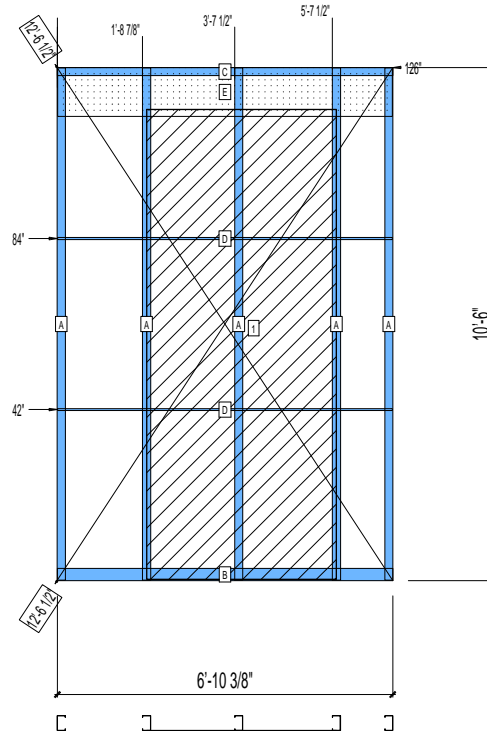
FM-07-109

CREATED BY: TNT

HEIGHT : 10'-6" POINTS: 1.70 Points.
SPACING : 5000"
1st STUD: 5000"

WEIGHTS :
FRAME : 158 lbs
SHEATHING: 137 lbs

TOTAL: 295 lbs



PIECES LIST

LABEL	QTY	SIZE	LENGTH	USE
A	5	362S200-68	10'-5 13/16"	STUD
B	1	362T300-68	6'-10 3/8"	BOTTOM TRACK
C	1	362T200-68	6'-10 3/8"	TOP TRACK
D	2	150U50-54	6'-10 3/16"	HORIZONTAL BRACING
E	1	1200D-54	6'-10 3/16"	STRAP

SHEATHING

LABEL	QTY	CODE	THICK	SIZE	SCREWS
1	1	SB-DENSARMOR	5/8"	3'-10 9/16" X	9'-7 7/16" 2-12

22-1026

Jewish Home for the Aging

1885 Victory Blvd. Reseda, CA

FM-07-109

CREATED BY: TNT

FrameMax, Inc.
13915 Danielson St
Suite 100
Poway, CA 92064
www.frame-max.com



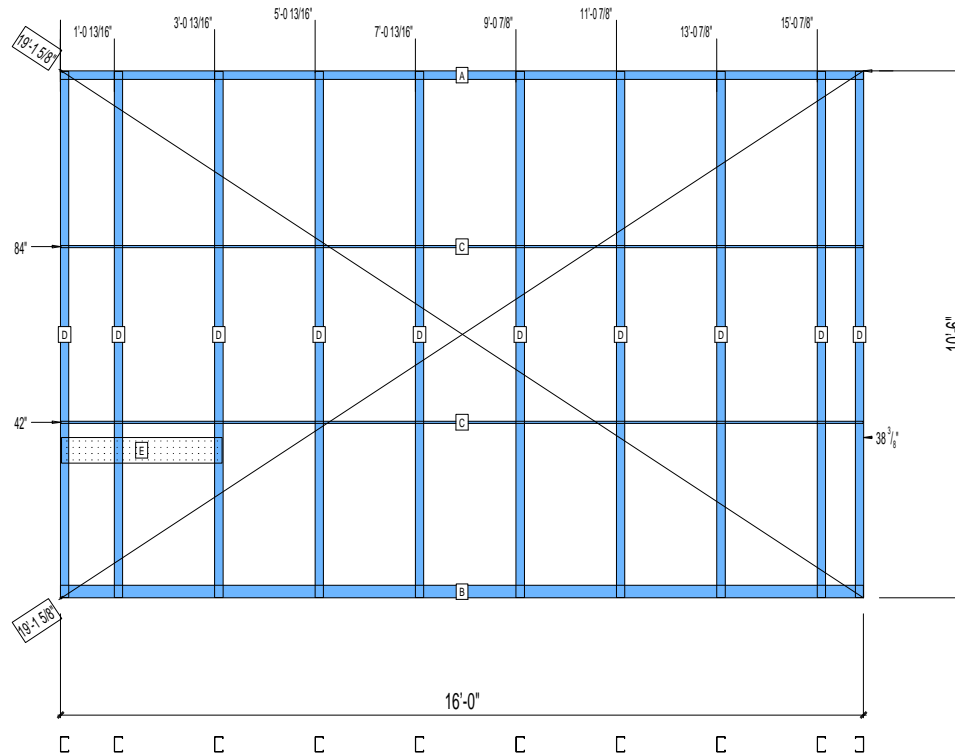
© FrameMax Inc.

HEIGHT : 10'-6"
SPACING : 5000"
1st STUD: 5000"

POINTS: 2.03 Points.

WEIGHTS :
FRAME : 301 lbs

TOTAL: 301 lbs



PIECES LIST

LABEL	QTY	SIZE	LENGTH	USE
A	1	362T200-68	16'-0"	TOP TRACK
B	1	362T300-68	16'-0"	BOTTOM TRACK
C	2	150U50-54	15'-11 13/16"	HORIZONTAL BRACING
D	10	362S200-68	10'-5 13/16"	STUD
E	1	600T150-54	3'-2 3/8"	GRAB BAR

22-1027

Jewish Home for the Aging

1885 Victory Blvd. Reseda, CA

FrameMax, Inc.
13915 Danielson St
Suite 100
Poway, CA 92064
www.frame-max.com



© FrameMax Inc.

CREATED: 11/11/2008

FM-07-109

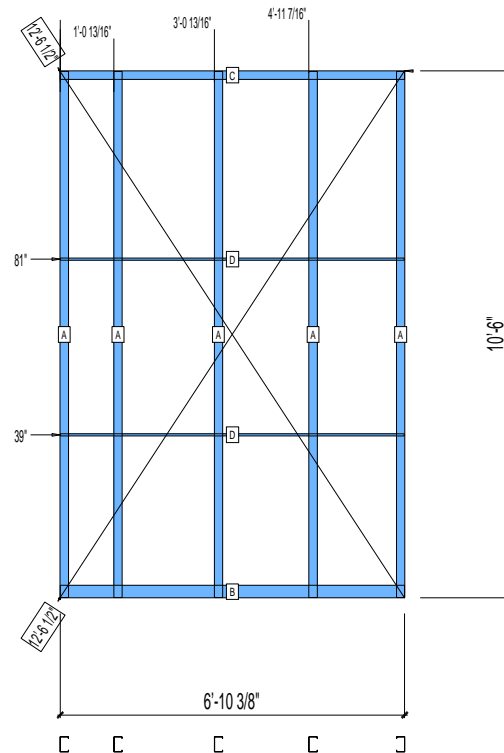
CREATED BY: TNT

HEIGHT : 10'-6"
SPACING : 5000"
1st STUD: 5000"

POINTS: 0.98 Points.

WEIGHTS :
FRAME : 142 lbs

TOTAL: 142 lbs



PIECES LIST

LABEL	QTY	SIZE	LENGTH	USE
A	5	362S200-68	10'-5 13/16"	STUD
B	1	362T300-68	6'-10 3/8"	BOTTOM TRACK
C	1	362T200-68	6'-10 3/8"	TOP TRACK
D	2	150U50-54	6'-10 3/16"	HORIZONTAL BRACING

22-1028

Jewish Home for the Aging

1885 Victory Blvd. Reseda, CA

FM-07-109

CREATED BY: TNT

FrameMax, Inc.
13915 Danielson St
Suite 100
Poway, CA 92064
www.frame-max.com

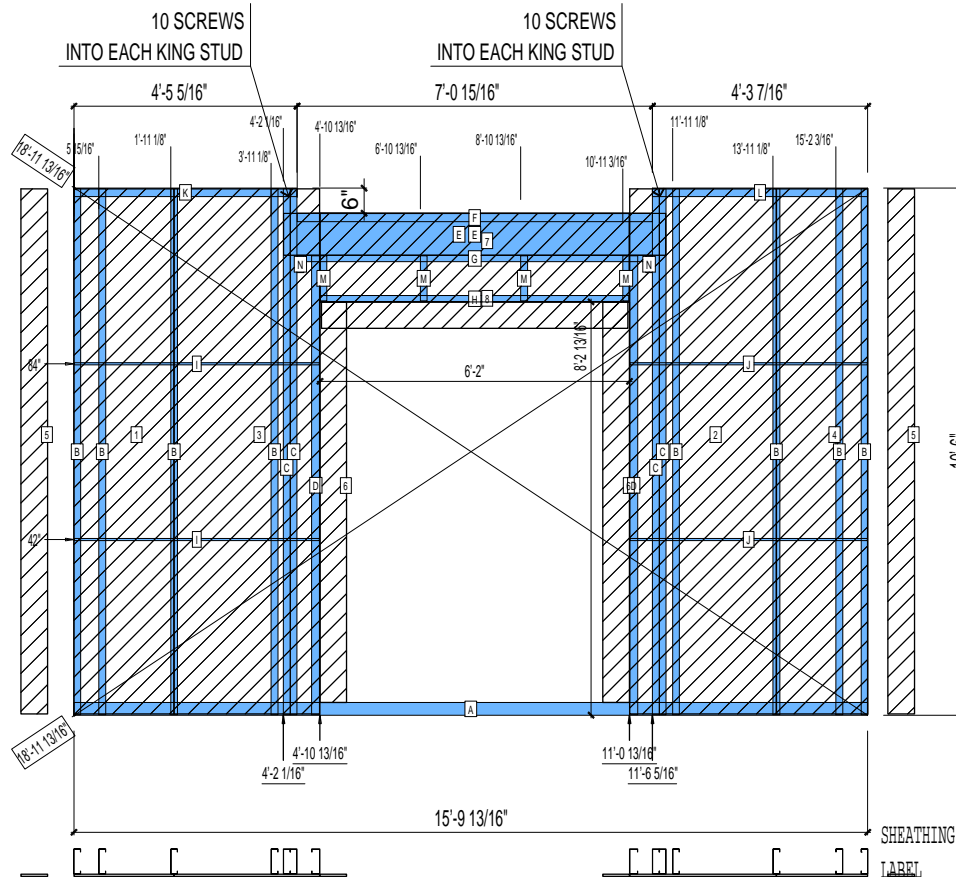


© FrameMax Inc.

HEIGHT : 10'-6"
POINTS: 4.86 Points.
SPACING : 5000"
1st STUD: 5000"

WEIGHTS :
FRAME : 511 lbs
SHEATHING: 336 lbs

TOTAL: 847 lbs



PIECES LIST			
LABEL	QTY	SIZE	LENGTH USE
A	1	600T300-54	15'-9 13/16" BOTTOM TRACK
B	8	600S162-54	10'-5 13/16" STUD
C	4	600S162-68	10'-5 13/16" EXTRA STUD
D	2	600S200-97	9'-1 3/4" KING STUD
E	2	1000S200-97	7'-7 3/8" HEADER
F	1	600T200-54	7'-0 15/16" TOP TRACK
G	1	600T150-54	7'-0 7/8" HEADER BOTTOM TRACK
H	1	600T150-54	6'-1 3/4" HEAD TRACK
I	2	150U50-54	4'-10 5/8" HORIZONTAL BRACING
J	2	150U50-54	4'-8 3/4" HORIZONTAL BRACING
K	1	600T200-54	4'-5 5/16" TOP TRACK
L	1	600T200-54	4'-3 7/16" TOP TRACK
M	4	600S162-54	10 13/16" CRIPPLE
N	2	600S162-33	4" BACKER STUD

LABEL	QTY	CODE	THICK	SIZE	SCREWS
1	1	DENSGLASS	1/2"	1'-11 15/16" X 10'-5 9/16"	8 - 12
2	1	DENSGLASS	1/2"	2'-11 1/16" X 10'-5 9/16"	8 - 12
3	1	DENSGLASS	1/2"	2'-10 13/16" X 10'-5 9/16"	8 - 12
4	1	DENSGLASS	1/2"	1'-9 13/16" X 10'-5 9/16"	8 - 12
5	2	DENSGLASS	1/2"	6 3/8" X 10'-5 9/16"	8 - 12
6	2	DENSGLASS	1/2"	6 3/8" X 7'-11 3/4"	8 - 12
7	1	DENSGLASS	1/2"	6'-1 7/8" X 1'-9 1/16"	8 - 12
8	1	DENSGLASS	1/2"	6'-1 1/4" X 6 5/16"	8 - 12

22-1029

Jewish Home for the Aging

1885 Victory Blvd. Reseda, CA

FM-07-109

CREATED BY: TNT

FrameMax, Inc.
13915 Danielson St
Suite 100
Poway, CA 92064
www.frame-max.com

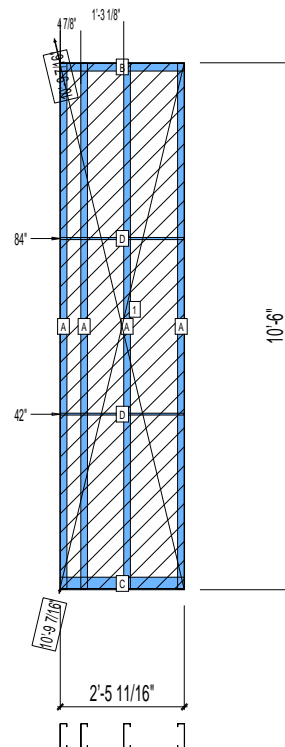


© FrameMax Inc.

HEIGHT : 10'-6"
POINTS: 0.94 Points.
SPACING : 5000"
1st STUD: 16"

WEIGHTS :
FRAME : 92 lbs
SHEATHING: 65 lbs

TOTAL: 157 lbs



PIECES LIST

LABEL	QTY	SIZE	LENGTH	USE
A	4	600S162-54	10'-5 13/16"	STUD
B	1	600T200-54	2'-5 11/16"	TOP TRACK
C	1	600T300-54	2'-5 11/16"	BOTTOM TRACK
D	2	150U50-54	2'-5 1/2"	HORIZONTAL BRACING

SHEATHING

LABEL	QTY	CODE	THICK	SIZE	SCREWS
1	1	DENSGLASS	1/2"	2'-5 5/8" X 10'-5 9/16"	8 - 12

22-1030

Jewish Home for the Aging

1885 Victory Blvd. Reseda, CA

FM-07-109

CREATED BY: TNT

FrameMax, Inc.
13915 Danielson St
Suite 100
Poway, CA 92064
www.frame-max.com



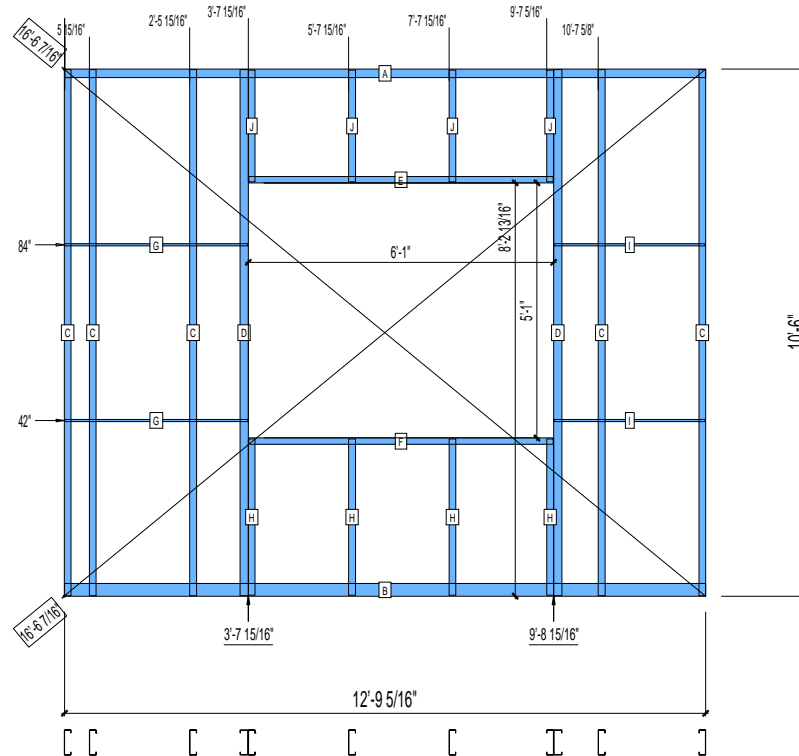
© FrameMax Inc.

HEIGHT : 10'-6"
SPACING : 5000"
1st STUD: 5000"

POINTS: 2.11 Points.

WEIGHTS :
FRAME : 298 lbs

TOTAL: 298 lbs



PIECES LIST

LABEL	QTY	SIZE	LENGTH	USE
A	1	600T200-54	12'-9 5/16"	TOP TRACK
B	1	600T300-54	12'-9 5/16"	BOTTOM TRACK
C	5	600S162-54	10'-5 13/16"	STUD
D	2	600S200-97	10'-5 13/16"	KING STUD
E	1	600T150-54	6'-0 3/4"	HEAD TRACK
F	1	600T150-54	6'-0 3/4"	SILL
G	2	150U50-54	3'-7 3/4"	HORIZONTAL BRACING
H	4	600S162-54	3'-1 3/8"	CRIPPLE
I	2	150U50-54	3'-0 1/8"	HORIZONTAL BRACING
J	4	600S162-54	2'-2 3/4"	CRIPPLE

22-1031

Jewish Home for the Aging

1885 Victory Blvd. Reseda, CA

FrameMax, Inc.
13915 Danielson St
Suite 100
Poway, CA 92064
www.frame-max.com



© FrameMax Inc.

CREATED: 11/11/2008

FM-07-109

CREATED BY: TNT

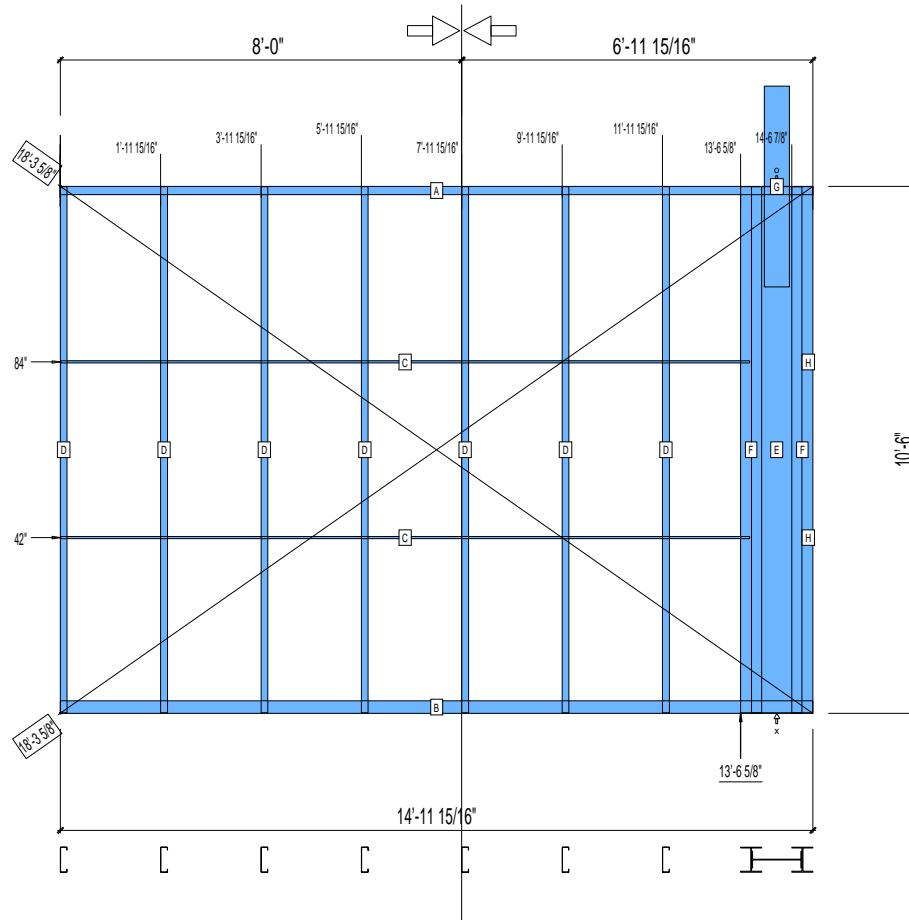
HEIGHT : 10'-6"
SPACING : 5000"
1st STUD: 5000"

POINTS: 3.91 Points.

WEIGHTS :
FRAME : 711 lbs

TOTAL: 711 lbs

SPLIT HERE



PIECES LIST			
LABEL	QTY	SIZE	LENGTH USE
A	1	600T200-54	14'-11 15/16" TOP TRACK
B	1	600T300-54	14'-11 15/16" BOTTOM TRACK
C	2	150U50-54	13'-8 11/16" HORIZONTAL BRACING
D	7	600S162-54	10'-5 13/16" STUD
E	1	1200i400p1504	10'-5 13/16" PACO
F	2	600i500p1309	10'-5 13/16" PACO
G	1	C	4'-0" HOLDDOWN
H	2	150U50-54	2 1/16" HORIZONTAL BRACING

22-1032

Jewish Home for the Aging

1885 Victory Blvd. Reseda, CA

FM-07-109

CREATED BY: TNT

FrameMax, Inc.
13915 Danielson St
Suite 100
Poway, CA 92064
www.frame-max.com



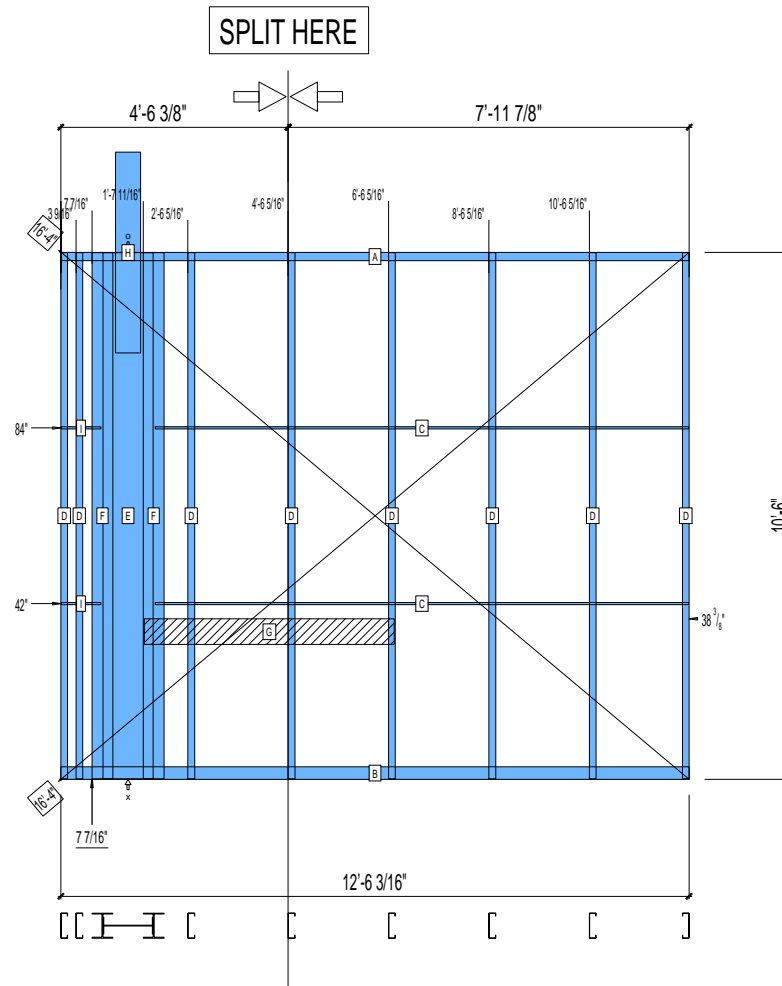
© FrameMax Inc.

HEIGHT : 10'-6"
SPACING : 5000"
1st STUD: 5000"

POINTS: 3.96 Points.

WEIGHTS :
FRAME : 726 lbs

TOTAL: 726 lbs



PIECES LIST

LABEL	QTY	SIZE	LENGTH	USE
A	1	600T200-54	12'-6 3/16"	TOP TRACK
B	1	600T300-54	12'-6 3/16"	BOTTOM TRACK
C	2	150U50-54	10'-7 9/16"	HORIZONTAL BRACING
D	8	600S162-54	10'-5 13/16"	STUD
E	1	1200i400p1504	10'-5 13/16"	PACO
F	2	600i500p1309	10'-5 13/16"	PACO
G	1	600T150-54	4'-11 13/16"	GRAB BAR
H	1	C	4'-0"	HOLDDOWN
I	2	150U50-54	9 7/16"	HORIZONTAL BRACING

22-1033

Jewish Home for the Aging

1885 Victory Blvd. Reseda, CA

FrameMax, Inc.
13915 Danielson St
Suite 100
Poway, CA 92064
www.frame-max.com



© FrameMax Inc.

CREATED: 11/11/2008

FM-07-109

CREATED BY: TNT

HEIGHT : 10'-6" POINTS: 0.53 Points.

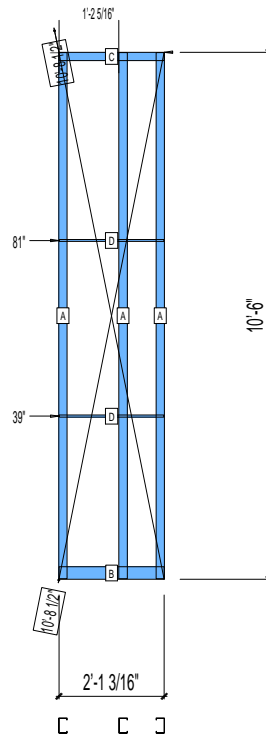
SPACING : 5000"

1st STUD: 5000"

WEIGHTS :

FRAME : 75 lbs

TOTAL: 75 lbs



PIECES LIST

LABEL	QTY	SIZE	LENGTH	USE
A	3	362S200-68	10'-5 13/16"	STUD
B	1	362T300-68	2'-1 3/16"	BOTTOM TRACK
C	1	362T200-68	2'-1 3/16"	TOP TRACK
D	2	150U50-54	2'-1"	HORIZONTAL BRACING

22-1034

Jewish Home for the Aging

1885 Victory Blvd. Reseda, CA

FrameMax, Inc.
13915 Danielson St
Suite 100
Poway, CA 92064
www.frame-max.com



© FrameMax Inc.

CREATED: 11/11/2008

FM-07-109

CREATED BY: TNT

HEIGHT : 10'-6" POINTS: 0.58 Points.

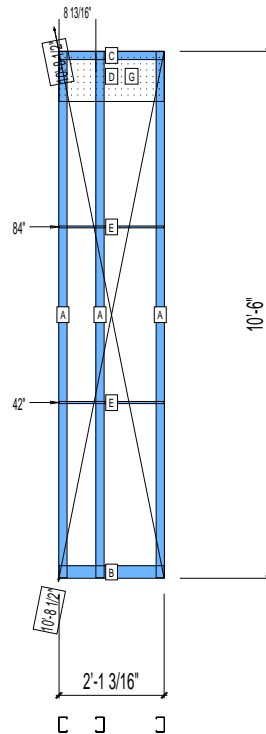
SPACING : 5000"

1st STUD: 5000"

WEIGHTS :

FRAME : 80 lbs

TOTAL: 80 lbs



PIECES LIST

LABEL	QTY	SIZE	LENGTH	USE
A	3	362S200-68	10'-5 13/16"	STUD
B	1	362T300-68	2'-1 3/16"	BOTTOM TRACK
C	1	362T200-68	2'-1 3/16"	TOP TRACK
D	1	1200D-54	2'-1 1/8"	STRAP
E	2	150U50-54	2'-1"	HORIZONTAL BRACING

22-1035

Jewish Home for the Aging

1885 Victory Blvd. Reseda, CA

FrameMax, Inc.
13915 Danielson St
Suite 100
Poway, CA 92064
www.framemax.com



© FrameMax Inc.

CREATED: 11/11/2008

FM-07-109

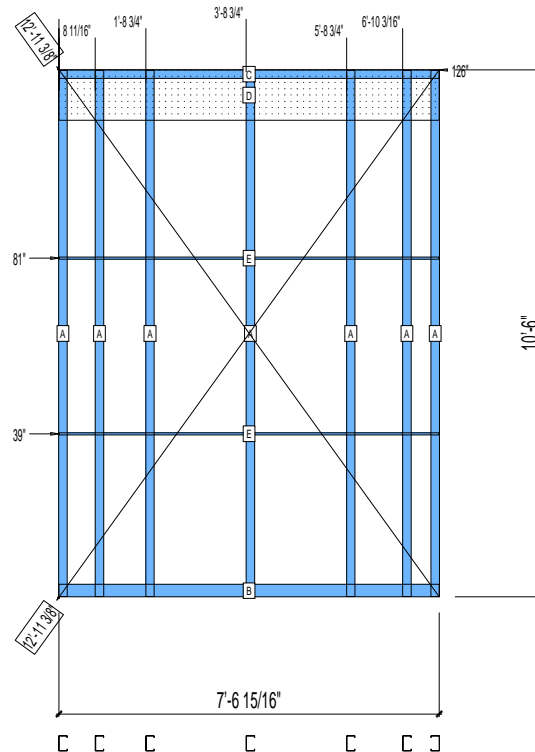
CREATED BY: TNT

HEIGHT : 10'-6"
SPACING : 5000"
1st STUD: 5000"

POINTS: 1.35 Points.

WEIGHTS :
FRAME : 206 lbs

TOTAL: 206 lbs



PIECES LIST

LABEL	QTY	SIZE	LENGTH	USE
A	7	362S200-68	10'-5 13/16"	STUD
B	1	362T300-68	7'-6 15/16"	BOTTOM TRACK
C	1	362T200-68	7'-6 15/16"	TOP TRACK
D	1	1200D-54	7'-6 7/8"	STRAP
E	2	150U50-54	7'-6 3/4"	HORIZONTAL BRACING

22-1036

Jewish Home for the Aging

1885 Victory Blvd. Reseda, CA

FrameMax, Inc.
13915 Danielson St
Suite 100
Poway, CA 92064
www.frame-max.com



© FrameMax Inc.

CREATED: 11/11/2008

FM-07-109

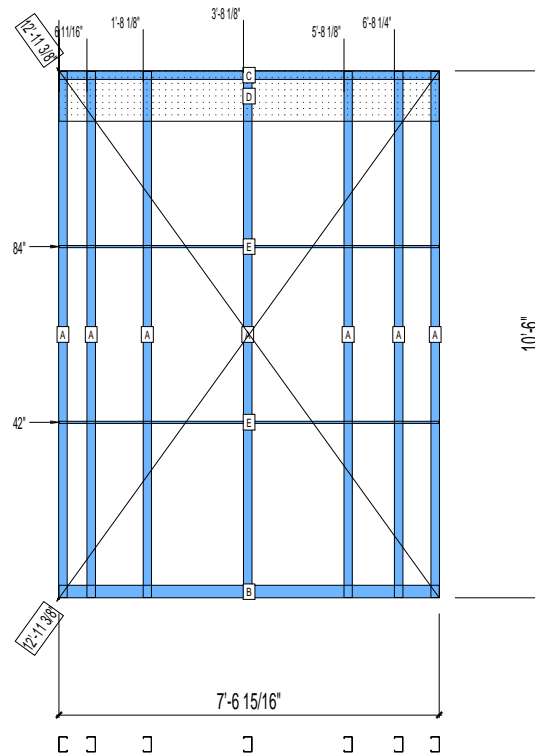
CREATED BY: TNT

HEIGHT : 10'-6"
SPACING : 5000"
1st STUD: 5000"

POINTS: 1.35 Points.

WEIGHTS :
FRAME : 206 lbs

TOTAL: 206 lbs



PIECES LIST

LABEL	QTY	SIZE	LENGTH	USE
A	7	362S200-68	10'-5 13/16"	STUD
B	1	362T300-68	7'-6 15/16"	BOTTOM TRACK
C	1	362T200-68	7'-6 15/16"	TOP TRACK
D	1	1200D-54	7'-6 7/8"	STRAP
E	2	150U50-54	7'-6 3/4"	HORIZONTAL BRACING

22-1037

Jewish Home for the Aging

1885 Victory Blvd. Reseda, CA

FrameMax, Inc.
13915 Danielson St
Suite 100
Poway, CA 92064
www.frame-max.com



© FrameMax Inc.

CREATED: 11/20/2008

FM-07-109

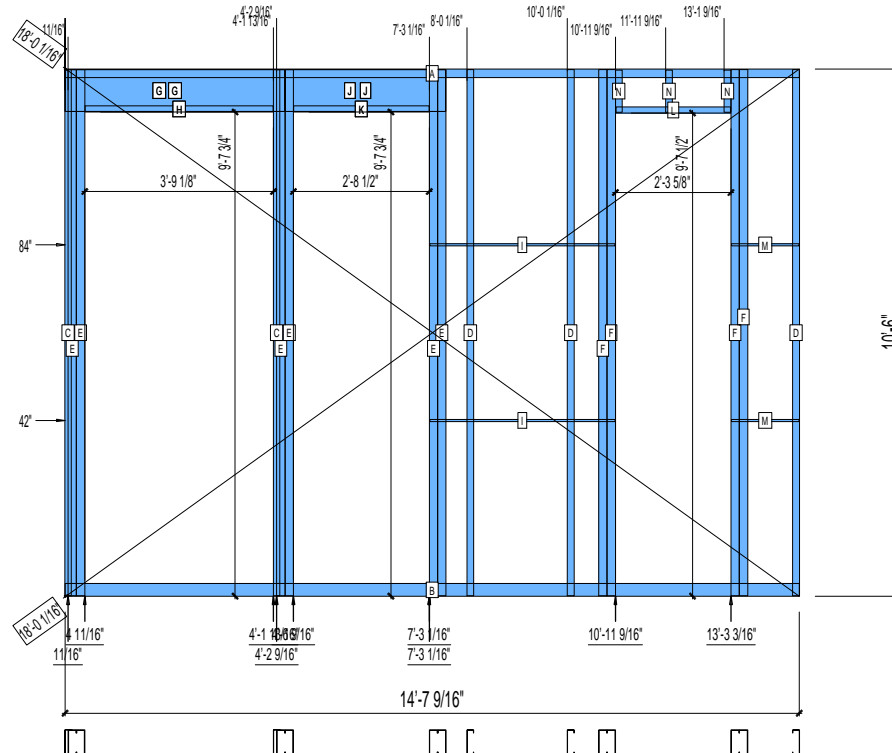
CREATED BY: TNT

HEIGHT : 10'-6"
SPACING : 5000"
1st STUD: 5000"

POINTS: 3.83 Points.

WEIGHTS :
FRAME : 630 lbs

TOTAL: 630 lbs



PIECES LIST

LABEL	QTY	SIZE	LENGTH	USE
A	1	600T200-68	14'-7 9/16"	TOP TRACK
B	1	600T300-68	14'-7 9/16"	BOTTOM TRACK
C	2	600T150-54	10'-5 13/16"	CAP TRACK
D	3	600S162-68	10'-5 13/16"	STUD
E	6	600S200-97	10'-5 13/16"	EXTRA STUD
F	4	600S200-68	10'-5 13/16"	KING STUD
G	2	1000S200-97	4'-4 1/2"	HEADER
H	1	600T150-54	3'-9"	HEADER BOTTOM TRACK
I	2	150U50-54	3'-8 1/4"	HORIZONTAL BRACING
J	2	1000S200-97	3'-2 3/8"	HEADER
K	1	600T150-54	2'-8 3/8"	HEADER BOTTOM TRACK
L	1	600T150-54	2'-3 3/8"	HEAD TRACK
M	2	150U50-54	1'-4 1/8"	HORIZONTAL BRACING
N	3	600S162-54	10 1/16"	CRIPPLE

22-1038

Jewish Home for the Aging

1885 Victory Blvd. Reseda, CA

FrameMax, Inc.
13915 Danielson St
Suite 100
Poway, CA 92064
www.frame-max.com



© FrameMax Inc.

CREATED: 11/11/2008

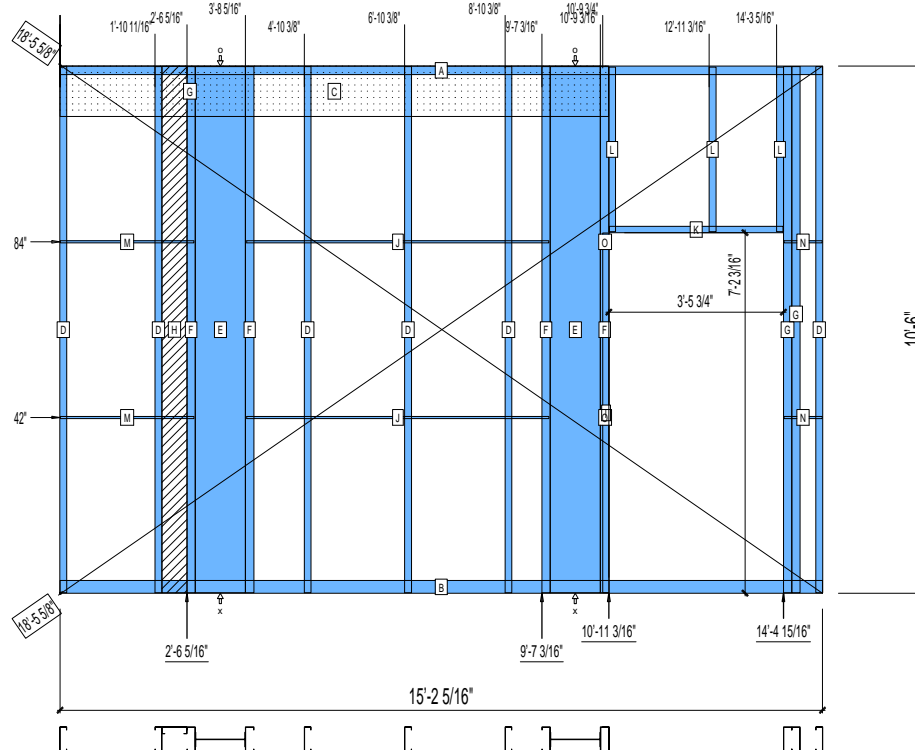
FM-07-109

CREATED BY: TNT

HEIGHT : 10'-6"
POINTS: 4.17 Points.
SPACING : 5000"
1st STUD: 5000"

WEIGHTS :
FRAME : 702 lbs

TOTAL: 702 lbs



PIECES LIST			
LABEL	QTY	SIZE	LENGTH USE
A	1	600T200-68	15'-2 5/16" TOP TRACK
B	1	600T300-68	15'-2 5/16" BOTTOM TRACK
C	1	1200D-54	10'-11 1/8" STRAP
D	6	600S162-68	10'-5 13/16" STUD
E	2	1200i350p1062	10'-5 13/16" PACO
F	4	600S200-68	10'-5 13/16" STUD
G	2	600S200-68	10'-5 13/16" KING STUD
H	1	600S162-33	10'-5 13/16" BACKER-U
I	1	600T150-54	7'-2" CAP TRACK
J	2	150U50-54	6'-0 1/4" HORIZONTAL BRACING
K	1	600T150-54	3'-5 1/2" HEAD TRACK
L	3	600S162-54	3'-3 3/8" CRIPPLE
M	2	150U50-54	2'-7 15/16" HORIZONTAL BRACING
N	2	150U50-54	9 1/8" HORIZONTAL BRACING
O	2	150U50-54	1 9/16" HORIZONTAL BRACING

22-1039

Jewish Home for the Aging

1885 Victory Blvd. Reseda, CA

FM-07-109

CREATED BY: TNT

FrameMax, Inc.
13915 Danielson St
Suite 100
Poway, CA 92064
www.frame-max.com



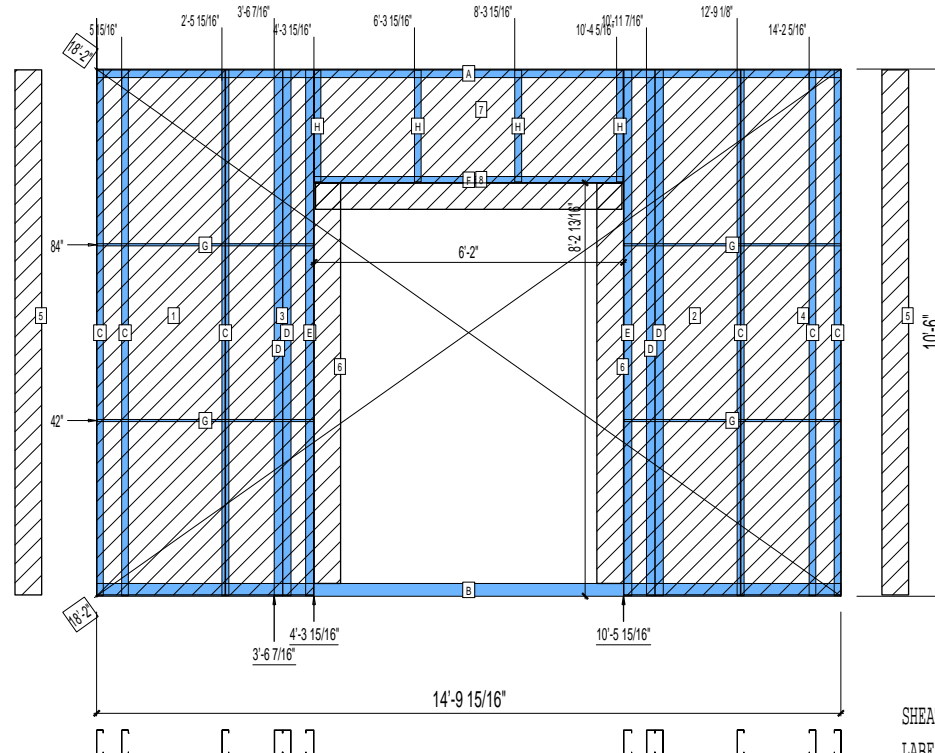
© FrameMax Inc.

HEIGHT : 10'-6"
SPACING : 5000"
1st STUD: 5000"

POINTS: 4.28 Points.

WEIGHTS :
FRAME : 447 lbs
SHEATHING: 318 lbs

TOTAL: 765 lbs



PIECES LIST

LABEL	QTY	SIZE	LENGTH	USE
A	1	600T200-54	14'-9 15/16"	TOP TRACK
B	1	600T300-54	14'-9 15/16"	BOTTOM TRACK
C	6	600S162-54	10'-5 13/16"	STUD
D	4	600S200-97	10'-5 13/16"	EXTRA STUD
E	2	600S200-97	10'-5 13/16"	KING STUD
F	1	600T150-54	6'-1 3/4"	HEAD TRACK
G	4	150U50-54	4'-3 3/4"	HORIZONTAL BRACING
H	4	600S162-54	2'-2 3/4"	CRIPPLE

SHEATHING

LABEL	QTY	CODE	THICK	SIZE	SCREWS
1	1	DENSGLASS	1/2"	2'-6 3/4" X 10'-5 9/16"	8 - 12
2	1	DENSGLASS	1/2"	2'-3 15/16" X 10'-5 9/16"	8 - 12
3	1	DENSGLASS	1/2"	1'-9 1/8" X 10'-5 9/16"	8 - 12
4	1	DENSGLASS	1/2"	1'-11 15/16" X 10'-5 9/16"	8 - 12
5	2	DENSGLASS	1/2"	6 3/8" X 10'-5 9/16"	8 - 12
6	2	DENSGLASS	1/2"	6 3/8" X 7'-11 3/4"	8 - 12
7	1	DENSGLASS	1/2"	6'-1 7/8" X 2'-3"	8 - 12
8	1	DENSGLASS	1/2"	6'-1 1/4" X 6 5/16"	8 - 12

22-1040

Jewish Home for the Aging

1885 Victory Blvd. Reseda, CA

FM-07-109

CREATED BY: TNT

FrameMax, Inc.
13915 Danielson St
Suite 100
Poway, CA 92064
www.frame-max.com

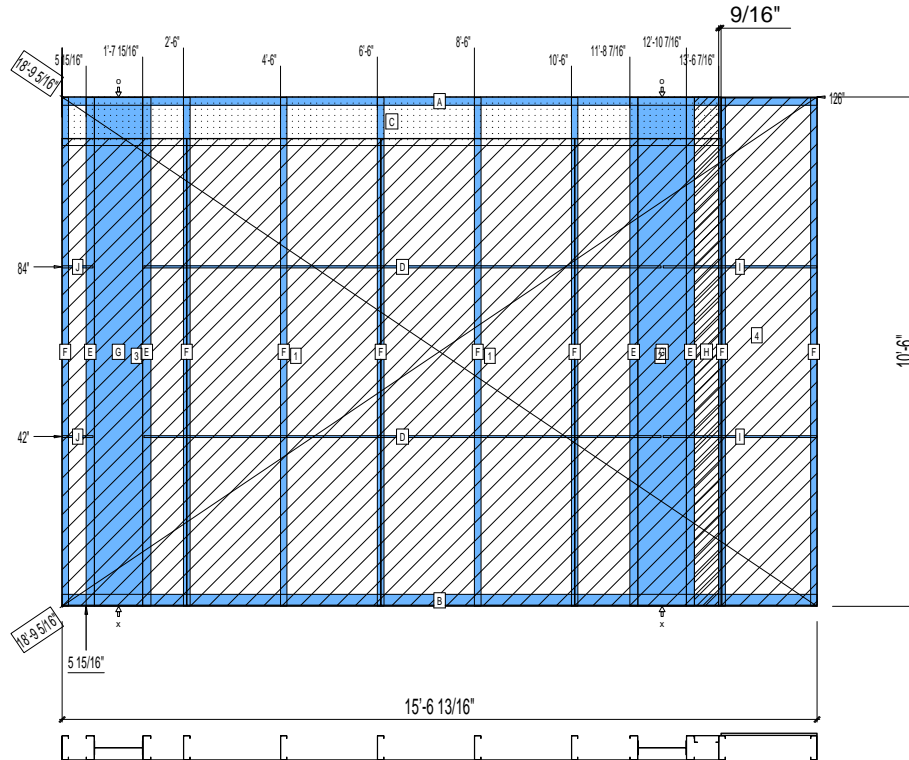


© FrameMax Inc.

HEIGHT : 10'-6"
SPACING : 5000"
1st STUD : 5000"

WEIGHTS :
FRAME : 673 lbs
SHEATHING : 533 lbs

TOTAL : 1206 lbs



PIECES LIST

LABEL	QTY	SIZE	LENGTH	USE
A	1	600T200-68	15'-6 13/16"	TOP TRACK
B	1	600T300-68	15'-6 13/16"	BOTTOM TRACK
C	1	1200D-54	13'-7 1/16"	STRAP
D	2	150U50-54	10'-7 15/16"	HORIZONTAL BRACING
E	4	600S200-68	10'-5 13/16"	STUD
F	8	600S162-68	10'-5 13/16"	STUD
G	2	1200i350p1062	10'-5 13/16"	PACO
H	1	600S162-33	10'-5 13/16"	BACKER-U
I	2	150U50-54	3'-2"	HORIZONTAL BRACING
J	2	150U50-54	7 9/16"	HORIZONTAL BRACING

SHEATHING

LABEL	QTY	CODE	THICK	SIZE	SCREWS
1	2	SB-DENSARMOR	5/8"	4'-0" X 9'-7 7/16"	3-12
2	1	SB-DENSARMOR	5/8"	3'-0 3/8" X 9'-7 7/16"	3-12
3	1	SB-DENSARMOR	5/8"	2'-6 13/16" X 9'-7 7/16"	3-12
4	1	DENSGLOSS	1/2"	1'-11 3/4" X 10'-5 9/16"	8 - 12

22-1041

Jewish Home for the Aging

1885 Victory Blvd. Reseda, CA

FrameMax, Inc.
13915 Danielson St
Suite 100
Poway, CA 92064
www.framemax.com



© FrameMax Inc.

CREATED: 11/12/2008

FM-07-109

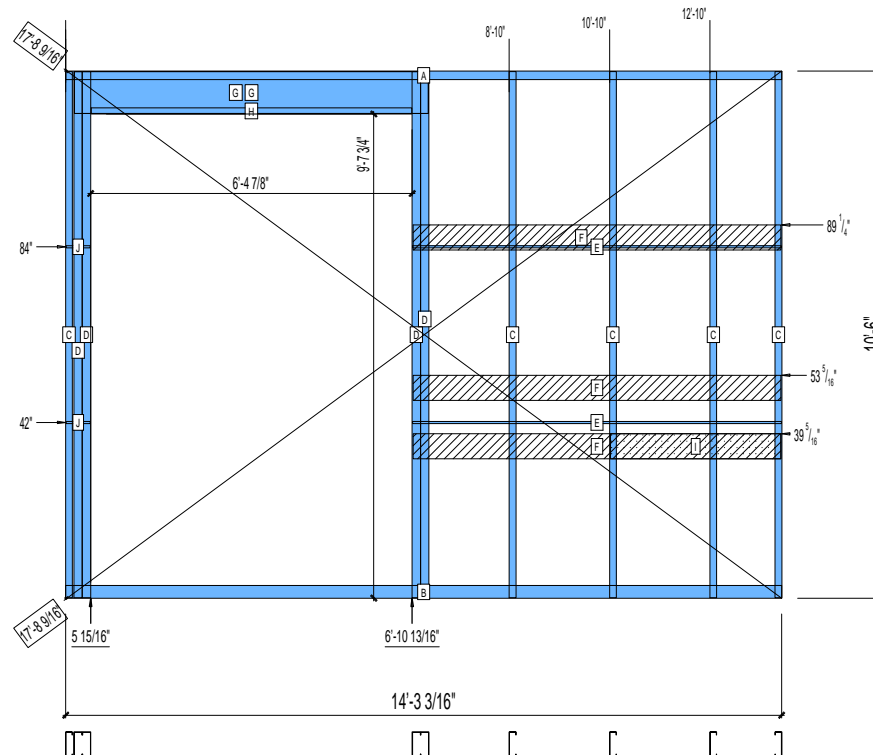
CREATED BY: TNT

HEIGHT : 10'-6"
SPACING : 5000"
1st STUD: 5000"

POINTS: 2.73 Points.

WEIGHTS :
FRAME : 432 lbs

TOTAL: 432 lbs



PIECES LIST

LABEL	QTY	SIZE	LENGTH	USE
A	1	600T200-68	14'-3 3/16"	TOP TRACK
B	1	600T300-68	14'-3 3/16"	BOTTOM TRACK
C	5	600S162-68	10'-5 13/16"	STUD
D	4	600S200-68	10'-5 13/16"	KING STUD
E	2	150U50-54	7'-4 1/8"	HORIZONTAL BRACING
F	3	600D-54	7'-3 7/8"	KITCHEN BACKING
G	2	1000S200-97	7'-0 5/8"	HEADER
H	1	600T150-54	6'-4 5/8"	HEADER BOTTOM TRACK
I	1	600D-54	3'-4 11/16"	VANITY BACKING
J	2	150U50-54	5 3/4"	HORIZONTAL BRACING

22-1042

Jewish Home for the Aging

1885 Victory Blvd. Reseda, CA

FM-07-109

CREATED BY: TNT

FrameMax, Inc.
13915 Danielson St
Suite 100
Poway, CA 92064
www.frame-max.com

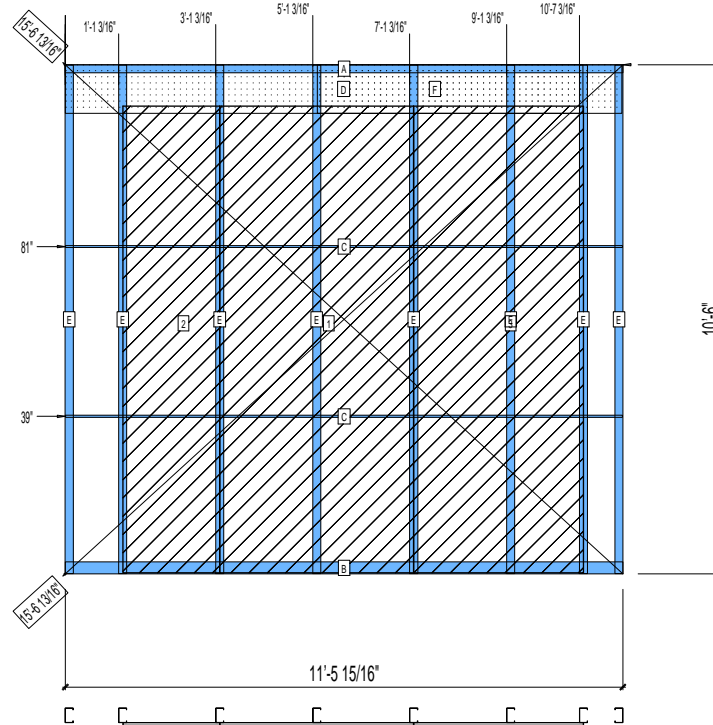


© FrameMax Inc.

HEIGHT : 10'-6"
POINTS: 3.30 Points.
SPACING : 5000"
1st STUD: 5000"

WEIGHTS :
FRAME : 271 lbs
SHEATHING: 336 lbs

TOTAL: 607 lbs



PIECES LIST

LABEL	QTY	SIZE	LENGTH	USE
A	1	362T200-68	11'-5 15/16"	TOP TRACK
B	1	362T300-68	11'-5 15/16"	BOTTOM TRACK
C	2	150U50-54	11'-5 13/16"	HORIZONTAL BRACING
D	1	1200D-54	11'-5 3/4"	STRAP
E	8	362S200-68	10'-5 13/16"	STUD
F	1	1200D-54	5'-5 3/4"	STRAP

SHEATHING

LABEL	QTY	CODE	THICK	SIZE	SCREWS
1	1	SB-DENSARMOR	5/8"	4'-0" X 9'-7 7/16"	2-12
2	1	SB-DENSARMOR	5/8"	2'-0" X 9'-7 7/16"	2-12
3	1	SB-DENSARMOR	5/8"	3'-6" X 9'-7 7/16"	2-12

22-1043

Jewish Home for the Aging

1885 Victory Blvd. Reseda, CA

FM-07-109

CREATED BY: TNT

FrameMax, Inc.
13915 Danielson St
Suite 100
Poway, CA 92064
www.frame-max.com



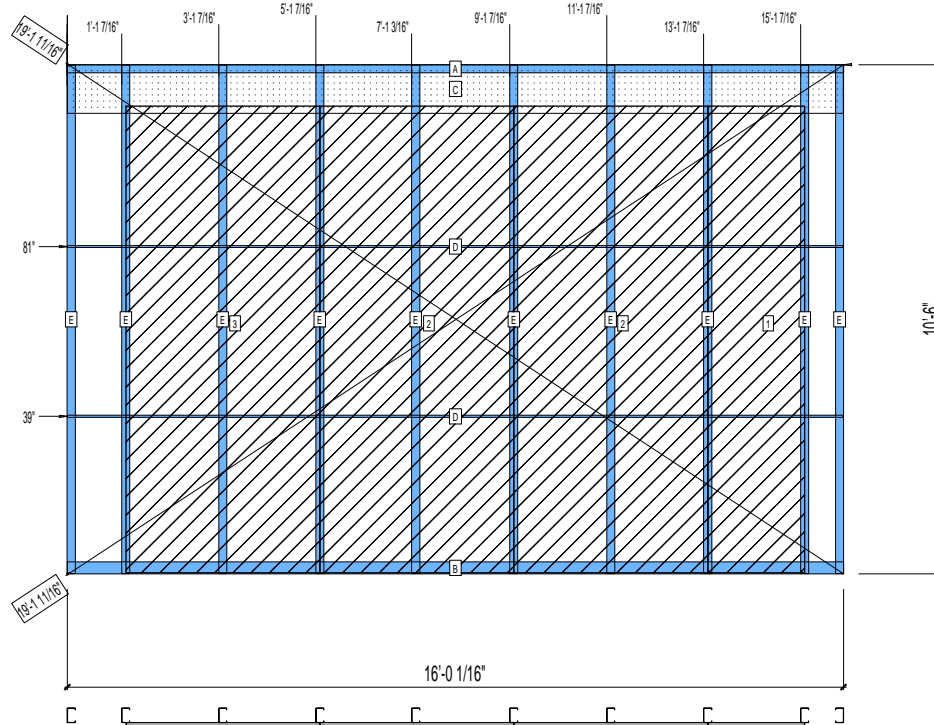
© FrameMax Inc.

HEIGHT : 10'-6"
SPACING : 5000"
1st STUD: 5000"

POINTS: 4.42 Points.

WEIGHTS :
FRAME : 334 lbs
SHEATHING: 495 lbs

TOTAL: 829 lbs



PIECES LIST

LABEL	QTY	SIZE	LENGTH	USE
A	1	362T200-68	16'-0 1/16"	TOP TRACK
B	1	362T300-68	16'-0 1/16"	BOTTOM TRACK
C	1	1200D-54	16'-0"	STRAP
D	2	150U50-54	15'-11 7/8"	HORIZONTAL BRACING
E	10	362S200-68	10'-5 13/16"	STUD

SHEATHING

LABEL	QTY	CODE	THICK	SIZE	SCREWS
1	1	SB-DENSARMOR	5/8"	1'-11 15/16" X 9'-7 7/16"	2-12
2	2	SB-DENSARMOR	5/8"	4'-0" X 9'-7 7/16"	2-12
3	1	SB-DENSARMOR	5/8"	3'-11 15/16" X 9'-7 7/16"	2-12

22-1044

Jewish Home for the Aging

1885 Victory Blvd. Reseda, CA

FrameMax, Inc.
13915 Danielson St
Suite 100
Poway, CA 92064
www.frame-max.com



© FrameMax Inc.

CREATED: 11/12/2008

FM-07-109

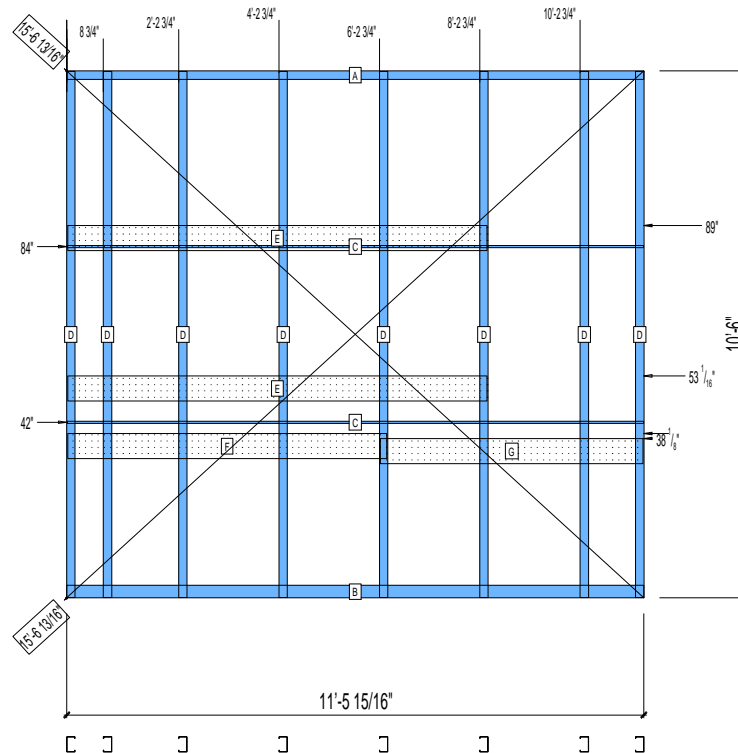
CREATED BY: TNT

HEIGHT : 10'-6"
SPACING : 5000"
1st STUD: 5000"

POINTS: 1.78 Points.

WEIGHTS :
FRAME : 264 lbs

TOTAL: 264 lbs



PIECES LIST

LABEL	QTY	SIZE	LENGTH	USE
A	1	362T200-68	11'-5 15/16"	TOP TRACK
B	1	362T300-68	11'-5 15/16"	BOTTOM TRACK
C	2	150U50-54	11'-5 13/16"	HORIZONTAL BRACING
D	8	362S200-68	10'-5 13/16"	STUD
E	2	600D-54	8'-4 5/16"	KITCHEN BACKING
F	1	600D-54	6'-4 5/16"	KITCHEN BACKING
G	1	600D-54	5'-2 3/4"	VANITY BACKING

22-1045

Jewish Home for the Aging

1885 Victory Blvd. Reseda, CA

FrameMax, Inc.
13915 Danielson St
Suite 100
Poway, CA 92064
www.frame-max.com



© FrameMax Inc.

CREATED: 11/11/2008

FM-07-109

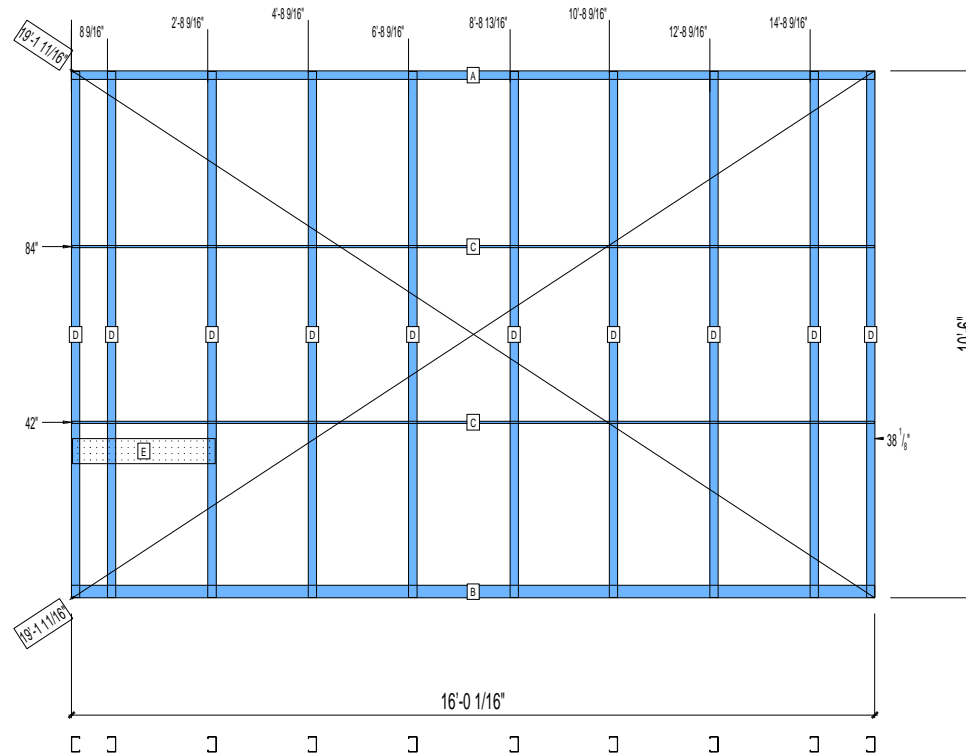
CREATED BY: TNT

HEIGHT : 10'-6"
SPACING : 5000"
1st STUD: 5000"

POINTS: 2.02 Points.

WEIGHTS :
FRAME : 299 lbs

TOTAL: 299 lbs



PIECES LIST

LABEL	QTY	SIZE	LENGTH	USE
A	1	362T200-68	16'-0 1/16"	TOP TRACK
B	1	362T300-68	16'-0 1/16"	BOTTOM TRACK
C	2	150U50-54	15'-11 7/8"	HORIZONTAL BRACING
D	10	362S200-68	10'-5 13/16"	STUD
E	1	600D-54	2'-10 1/8"	VANITY BACKING

22-1046

Jewish Home for the Aging

1885 Victory Blvd. Reseda, CA

FM-07-109

CREATED BY: TNT

FrameMax, Inc.
13915 Danielson St
Suite 100
Poway, CA 92064
www.frame-max.com

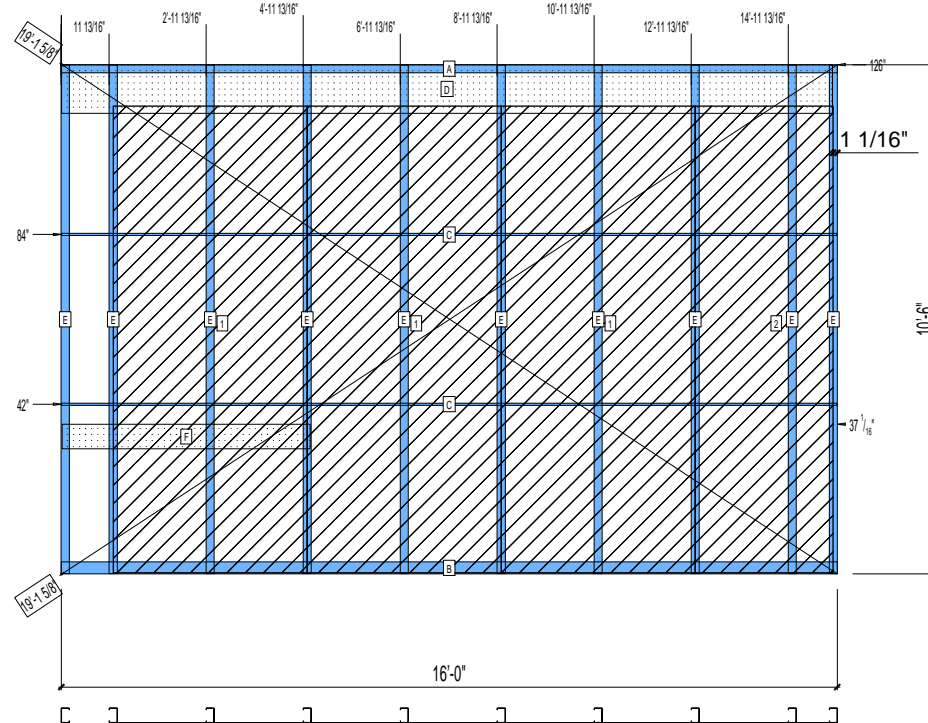


© FrameMax Inc.

HEIGHT : 10'-6"
POINTS: 4.62 Points.
SPACING : 5000"
1st STUD: 5000"

WEIGHTS :
FRAME : 343 lbs
SHEATHING: 525 lbs

TOTAL: 868 lbs



PIECES LIST

LABEL	QTY	SIZE	LENGTH	USE
A	1	362T200-68	16'-0"	TOP TRACK
B	1	362T300-68	16'-0"	BOTTOM TRACK
C	2	150U50-54	15'-11 13/16"	HORIZONTAL BRACING
D	1	1200D-54	15'-10 3/4"	STRAP
E	10	362S200-68	10'-5 13/16"	STUD
F	1	600T150-54	5'-1 3/8"	GRAB BAR

SHEATHING

LABEL	QTY	CODE	THICK	SIZE	SCREWS
1	3	SB-DENSARMOR	5/8"	4'-0" X 9'-7 7/16"	2-12
2	1	SB-DENSARMOR	5/8"	2'-10 1/8" X 9'-7 7/16"	2-12

22-1047

Jewish Home for the Aging

1885 Victory Blvd. Reseda, CA

FrameMax, Inc.
13915 Danielson St
Suite 100
Poway, CA 92064
www.frame-max.com



© FrameMax Inc.

CREATED: 11/12/2008

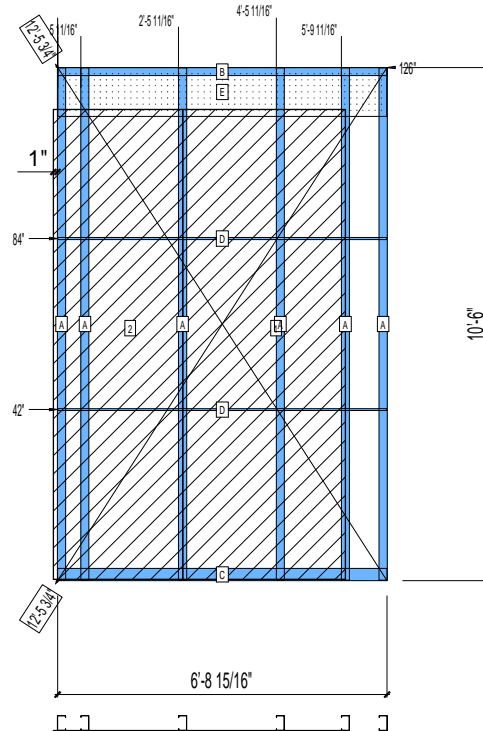
FM-07-109

CREATED BY: TNT

HEIGHT : 10'-6"
POINTS: 2.15 Points.
SPACING : 5000"
1st STUD: 5000"

WEIGHTS :
FRAME : 179 lbs
SHEATHING: 212 lbs

TOTAL: 391 lbs



PIECES LIST

LABEL	QTY	SIZE	LENGTH	USE
A	6	362S200-68	10'-5 13/16"	STUD
B	1	362T200-68	6'-8 15/16"	TOP TRACK
C	1	362T300-68	6'-8 15/16"	BOTTOM TRACK
D	2	150U50-54	6'-8 3/4"	HORIZONTAL BRACING
E	1	1200D-54	6'-8 3/4"	STRAP

SHEATHING

LABEL	QTY	CODE	THICK	SIZE	SCREWS
1	1	SB-DENSARMOR	5/8"	3'-3 15/16" X 9'-7 7/16"	2-12
2	1	SB-DENSARMOR	5/8"	2'-7 3/4" X 9'-7 7/16"	2-12

22-1048

Jewish Home for the Aging

1885 Victory Blvd. Reseda, CA

FM-07-109

CREATED BY: TNT

FrameMax, Inc.
13915 Danielson St
Suite 100
Poway, CA 92064
www.frame-max.com



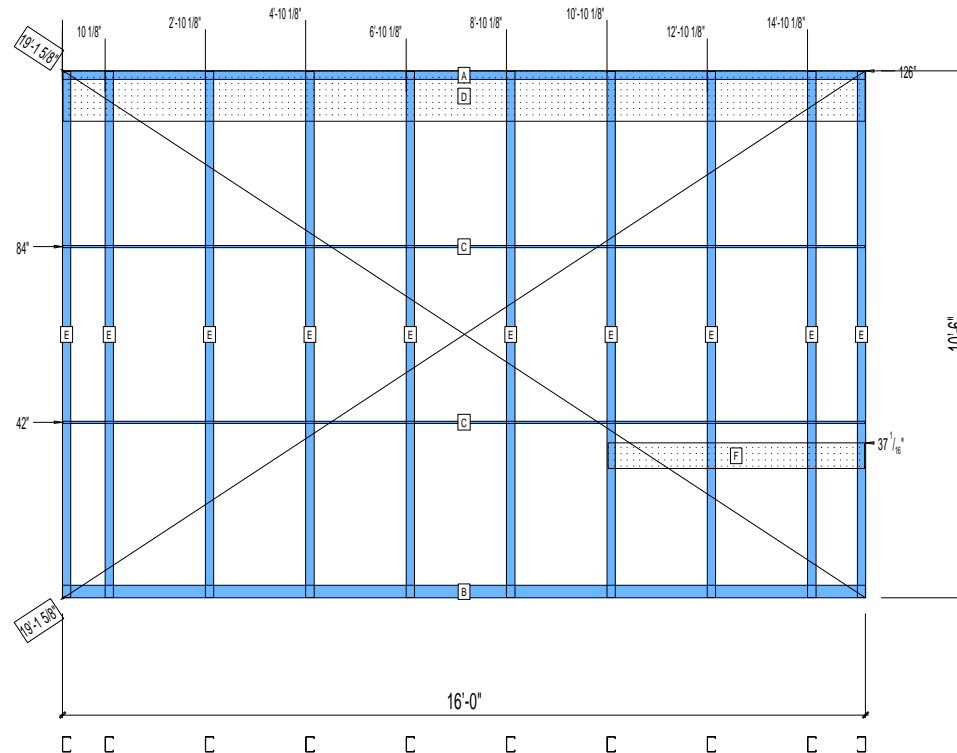
© FrameMax Inc.

HEIGHT : 10'-6"
SPACING : 5000"
1st STUD: 5000"

POINTS: 2.24 Points.

WEIGHTS :
FRAME : 343 lbs

TOTAL: 343 lbs



PIECES LIST

LABEL	QTY	SIZE	LENGTH	USE
A	1	362T200-68	16'-0"	TOP TRACK
B	1	362T300-68	16'-0"	BOTTOM TRACK
C	2	150U50-54	15'-11 13/16"	HORIZONTAL BRACING
D	1	1200D-54	15'-11 13/16"	STRAP
E	10	362S200-68	10'-5 13/16"	STUD
F	1	600T150-54	5'-1 3/8"	GRAB BAR

22-1049

Jewish Home for the Aging

1885 Victory Blvd. Reseda, CA

FrameMax, Inc.
13915 Danielson St
Suite 100
Poway, CA 92064
www.frame-max.com



© FrameMax Inc.

CREATED: 11/12/2008

FM-07-109

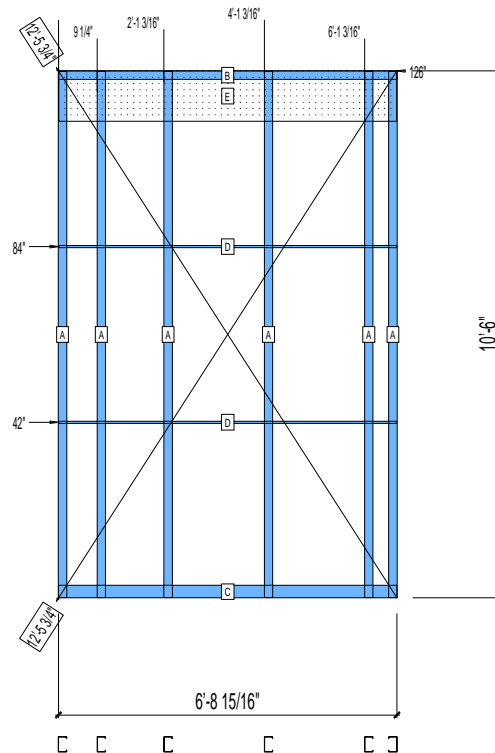
CREATED BY: TNT

HEIGHT : 10'-6"
SPACING : 5000"
1st STUD: 5000"

POINTS: 1.19 Points.

WEIGHTS :
FRAME : 179 lbs

TOTAL: 179 lbs



PIECES LIST

LABEL	QTY	SIZE	LENGTH	USE
A	6	362S200-68	10'-5 13/16"	STUD
B	1	362T200-68	6'-8 15/16"	TOP TRACK
C	1	362T300-68	6'-8 15/16"	BOTTOM TRACK
D	2	150U50-54	6'-8 3/4"	HORIZONTAL BRACING
E	1	1200D-54	6'-8 3/4"	STRAP

22-1050

Jewish Home for the Aging

1885 Victory Blvd. Reseda, CA

FrameMax, Inc.
13915 Danielson St
Suite 100
Poway, CA 92064
www.frame-max.com



© FrameMax Inc.

CREATED: 11/11/2008

FM-07-109

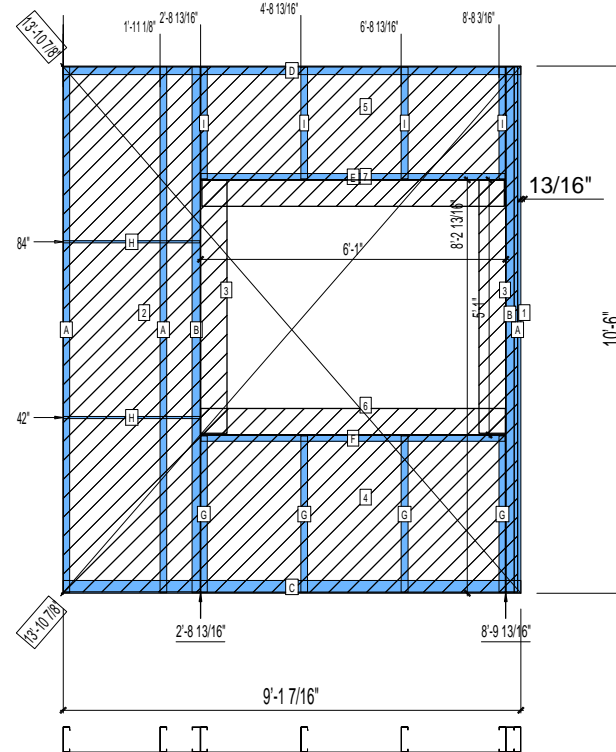
CREATED BY: TNT

HEIGHT : 10'-6"
SPACING : 5000"
1st STUD: 5000"

POINTS: 2.54 Points.

WEIGHTS :
FRAME : 239 lbs
SHEATHING: 188 lbs

TOTAL: 427 lbs



PIECES LIST

LABEL	QTY	SIZE	LENGTH	USE
A	3	600S162-54	10'-5 13/16"	STUD
B	2	600S200-97	10'-5 13/16"	KING STUD
C	1	600T300-54	9'-1 7/16"	BOTTOM TRACK
D	1	600T200-54	9'-1 7/16"	TOP TRACK
E	1	600T150-54	6'-0 3/4"	HEAD TRACK
F	1	600T150-54	6'-0 3/4"	SILL
G	4	600S162-54	3'-1 3/8"	CRIPPLE
H	2	150U50-54	2'-8 5/8"	HORIZONTAL BRACING
I	4	600S162-54	2'-2 3/4"	CRIPPLE

SHEATHING

LABEL	QTY	CODE	THICK	SIZE	SCREWS
1	1	DENSGLASS	1/2"	2 3/4" X 10'-5 9/16"	8 - 12
2	1	DENSGLASS	1/2"	2'-8 3/4" X 10'-5 9/16"	8 - 12
3	2	DENSGLASS	1/2"	6 3/8" X 5'-0 1/2"	8 - 12
4	1	DENSGLASS	1/2"	6'-0 7/8" X 3'-1 9/16"	8 - 12
5	1	DENSGLASS	1/2"	6'-0 7/8" X 2'-3"	8 - 12
6	1	DENSGLASS	1/2"	6'-0 7/8" X 6 5/16"	8 - 12
7	1	DENSGLASS	1/2"	6'-0 1/4" X 6 5/16"	8 - 12

22-1051

Jewish Home for the Aging

1885 Victory Blvd. Reseda, CA

FrameMax, Inc.
13915 Danielson St
Suite 100
Poway, CA 92064
www.frame-max.com



© FrameMax Inc.

CREATED: 11/11/2008

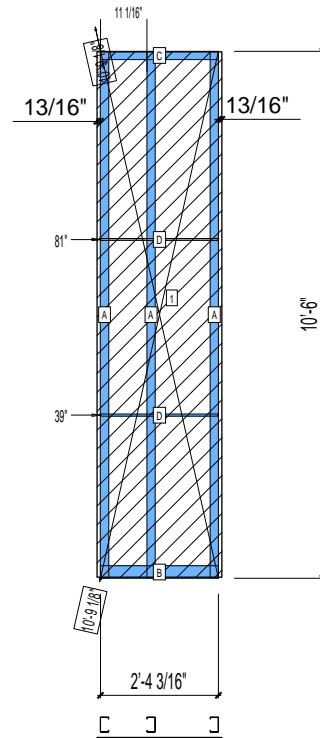
FM-07-109

CREATED BY: TNT

HEIGHT : 10'-6"
POINTS: 0.84 Points.
SPACING : 5000"
1st STUD: 5000"

WEIGHTS :
FRAME : 76 lbs
SHEATHING: 65 lbs

TOTAL: 141 lbs



PIECES LIST

LABEL	QTY	SIZE	LENGTH	USE
A	3	362S200-68	10'-5 13/16"	STUD
B	1	362T300-68	2'-4 3/16"	BOTTOM TRACK
C	1	362T200-68	2'-4 3/16"	TOP TRACK
D	2	150U50-54	2'-4"	HORIZONTAL BRACING

SHEATHING

LABEL	QTY	CODE	THICK	SIZE	SCREWS
1	1	DENSGLASS	1/2"	2'-5 7/8" X 10'-5 9/16"	8 - 12

22-1052

Jewish Home for the Aging

1885 Victory Blvd. Reseda, CA

FrameMax, Inc.
13915 Danielson St
Suite 100
Poway, CA 92064
www.frame-max.com



© FrameMax Inc.

CREATED: 11/11/2008

FM-07-109

CREATED BY: TNT

HEIGHT : 10'-6" POINTS: 0.59 Points.

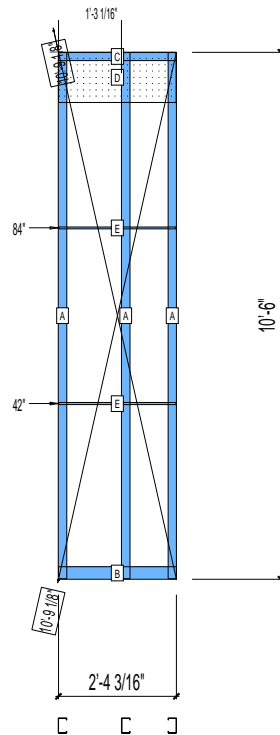
SPACING : 5000"

1st STUD: 5000"

WEIGHTS :

FRAME : 81 lbs

TOTAL: 81 lbs



PIECES LIST

LABEL	QTY	SIZE	LENGTH	USE
A	3	362S200-68	10'-5 13/16"	STUD
B	1	362T300-68	2'-4 3/16"	BOTTOM TRACK
C	1	362T200-68	2'-4 3/16"	TOP TRACK
D	1	1200D-54	2'-4 1/8"	STRAP
E	2	150U50-54	2'-4"	HORIZONTAL BRACING

22-1053

Jewish Home for the Aging

1885 Victory Blvd. Reseda, CA

FrameMax, Inc.
13915 Danielson St
Suite 100
Poway, CA 92064
www.framemax.com



© FrameMax Inc.

CREATED: 11/11/2008

FM-07-109

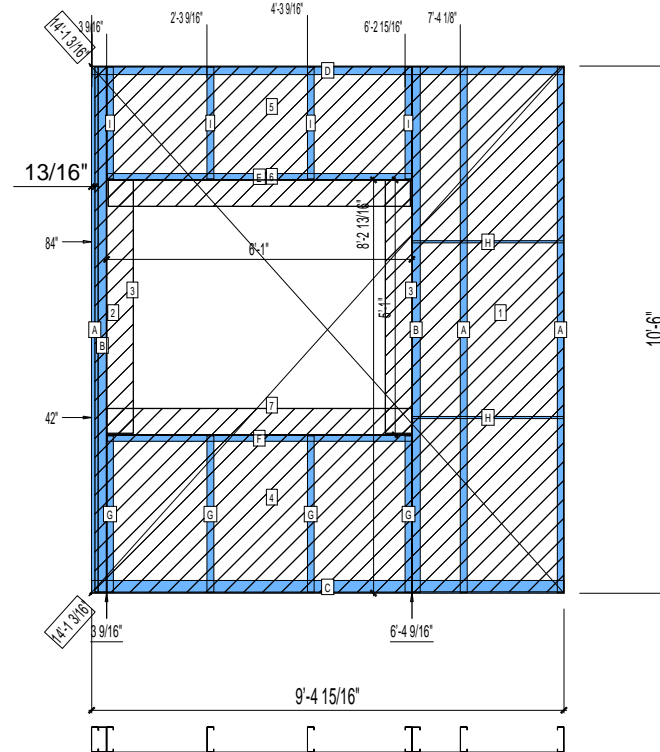
CREATED BY: TNT

HEIGHT : 10'-6"
SPACING : 5000"
1st STUD: 5000"

POINTS: 2.59 Points.

WEIGHTS :
FRAME : 241 lbs
SHEATHING: 196 lbs

TOTAL: 437 lbs



PIECES LIST

LABEL	QTY	SIZE	LENGTH	USE
A	3	600S162-54	10'-5 13/16"	STUD
B	2	600S200-97	10'-5 13/16"	KING STUD
C	1	600T300-54	9'-4 15/16"	BOTTOM TRACK
D	1	600T200-54	9'-4 15/16"	TOP TRACK
E	1	600T150-54	6'-0 3/4"	HEAD TRACK
F	1	600T150-54	6'-0 3/4"	SILL
G	4	600S162-54	3'-1 3/8"	CRIPPLE
H	2	150U50-54	3'-0 1/8"	HORIZONTAL BRACING
I	4	600S162-54	2'-2 3/4"	CRIPPLE

SHEATHING

LABEL	QTY	CODE	THICK	SIZE	SCREWS
1	1	DENSGLASS	1/2"	3'-0 1/4" X 10'-5 9/16"	8 - 12
2	1	DENSGLASS	1/2"	2 3/4" X 10'-5 9/16"	8 - 12
3	2	DENSGLASS	1/2"	6 3/8" X 5'-0 1/2"	8 - 12
4	1	DENSGLASS	1/2"	6'-0 7/8" X 3'-1 9/16"	8 - 12
5	1	DENSGLASS	1/2"	6'-0 7/8" X 2'-3"	8 - 12
6	1	DENSGLASS	1/2"	6'-0 1/4" X 6 5/16"	8 - 12
7	1	DENSGLASS	1/2"	6'-0 7/8" X 6 5/16"	8 - 12

22-1054

Jewish Home for the Aging

1885 Victory Blvd. Reseda, CA

FrameMax, Inc.
13915 Danielson St
Suite 100
Poway, CA 92064
www.frame-max.com



© FrameMax Inc.

CREATED: 11/11/2008

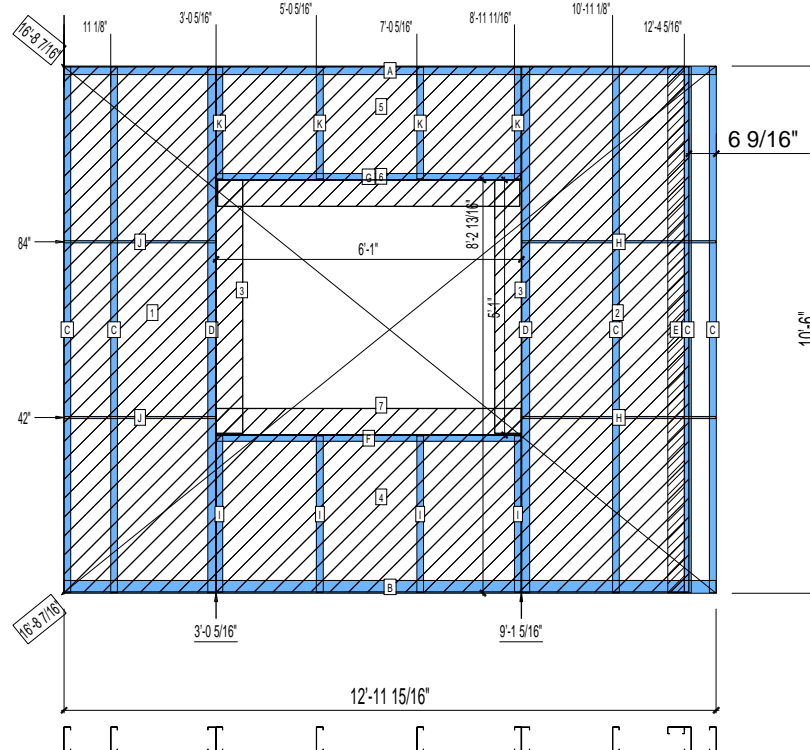
FM-07-109

CREATED BY: TNT

HEIGHT : 10'-6"
POINTS: 3.45 Points.
SPACING : 5000"
1st STUD: 5000"

WEIGHTS :
FRAME : 309 lbs
SHEATHING: 277 lbs

TOTAL: 586 lbs



PIECES LIST

LABEL	QTY	SIZE	LENGTH	USE
A	1	600T200-54	12'-11 15/16"	TOP TRACK
B	1	600T300-54	12'-11 15/16"	BOTTOM TRACK
C	5	600S162-54	10'-5 13/16"	STUD
D	2	600S200-97	10'-5 13/16"	KING STUD
E	1	400S162-33	10'-5 13/16"	BACKER-U
F	1	600T150-54	6'-0 3/4"	SILL
G	1	600T150-54	6'-0 3/4"	HEAD TRACK
H	2	150U50-54	3'-10 3/8"	HORIZONTAL BRACING
I	4	600S162-54	3'-1 3/8"	CRIPPLE
J	2	150U50-54	3'-0 1/8"	HORIZONTAL BRACING
K	4	600S162-54	2'-2 3/4"	CRIPPLE

SHEATHING

LABEL	QTY	CODE	THICK	SIZE	SCREWS
1	1	DENSGLASS	1/2"	3'-0 1/4" X 10'-5 9/16"	8 - 12
2	1	DENSGLASS	1/2"	3'-4" X 10'-5 9/16"	8 - 12
3	2	DENSGLASS	1/2"	6 3/8" X 5'-0 1/2"	8 - 12
4	1	DENSGLASS	1/2"	6'-0 7/8" X 3'-1 1/2"	8 - 12
5	1	DENSGLASS	1/2"	6'-0 7/8" X 2'-3"	8 - 12
6	1	DENSGLASS	1/2"	6'-0 1/4" X 6 5/16"	8 - 12
7	1	DENSGLASS	1/2"	6'-0 7/8" X 6 5/16"	8 - 12

22-1055

Jewish Home for the Aging

1885 Victory Blvd. Reseda, CA

FrameMax, Inc.
13915 Danielson St
Suite 100
Poway, CA 92064
www.frame-max.com



© FrameMax Inc.

CREATED: 11/11/2008

FM-07-109

CREATED BY: TNT

HEIGHT : 10'-6" POINTS: 5.90 Points.

SPACING : 5000"

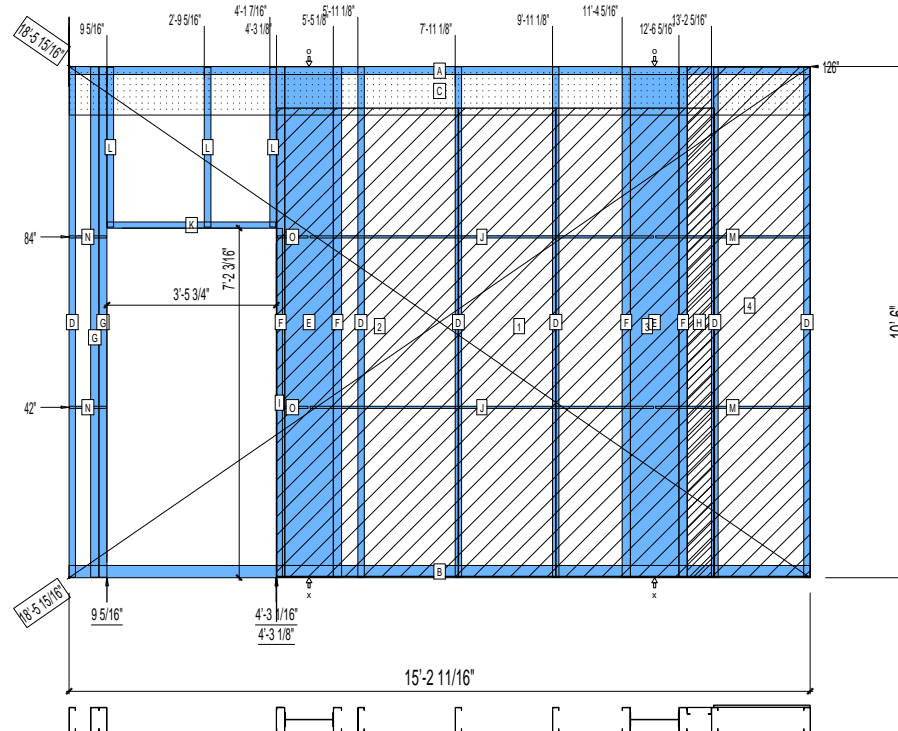
1st STUD: 5000"

WEIGHTS :

FRAME : 715 lbs

SHEATHING: 370 lbs

TOTAL: 1085 lbs



PIECES LIST

LABEL	QTY	SIZE	LENGTH	USE
A	1	600T200-68	15'-2 11/16"	TOP TRACK
B	1	600T300-68	15'-2 11/16"	BOTTOM TRACK
C	1	1200D-54	15'-2 5/8"	STRAP
D	6	600S162-68	10'-5 13/16"	STUD
E	2	1200i350p1062	10'-5 13/16"	PACO
F	4	600S200-68	10'-5 13/16"	STUD
G	2	600S200-68	10'-5 13/16"	KING STUD
H	1	600S162-33	10'-5 13/16"	BACKER-U
I	1	600T150-54	7'-2"	CAP TRACK
J	2	150U50-54	7'-0 11/16"	HORIZONTAL BRACING
K	1	600T150-54	3'-5 1/2"	HEAD TRACK
L	3	600S162-54	3'-3 3/8"	CRIPPLE
M	2	150U50-54	3'-2"	HORIZONTAL BRACING
N	2	150U50-54	9 1/8"	HORIZONTAL BRACING
O	2	150U50-54	7 11/16"	HORIZONTAL BRACING

SHEATHING

LABEL	QTY	CODE	THICK	SIZE	SCREWS
1	1	SB-DENSARMOR	5/8"	2'-0" X 9'-7 7/16"	3-12
2	1	SB-DENSARMOR	5/8"	3'-8 3/4" X 9'-7 7/16"	3-12
3	1	SB-DENSARMOR	5/8"	3'-3 1/8" X 9'-7 7/16"	3-12
4	1	DENSGLOSS	1/2"	1'-11 3/4" X 10'-5 9/16"	8 - 12

22-1056

Jewish Home for the Aging

1885 Victory Blvd. Reseda, CA

FM-07-109

CREATED BY: TNT

FrameMax, Inc.
13915 Danielson St
Suite 100
Poway, CA 92064
www.frame-max.com



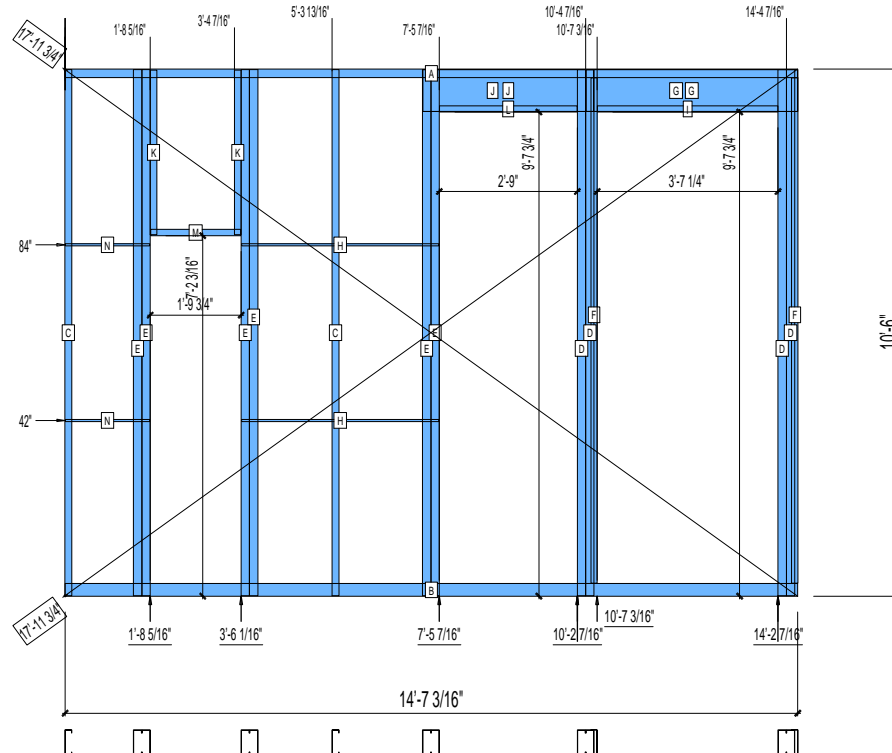
© FrameMax Inc.

HEIGHT : 10'-6"
SPACING : 5000"
1st STUD: 16"

POINTS: 3.60 Points.

WEIGHTS :
FRAME : 590 lbs

TOTAL: 590 lbs



PIECES LIST			
LABEL	QTY	SIZE	LENGTH USE
A	1	600T200-68	14'-7 3/16" TOP TRACK
B	1	600T300-68	14'-7 3/16" BOTTOM TRACK
C	2	600S162-68	10'-5 13/16" STUD
D	4	600S200-97	10'-5 13/16" EXTRA STUD
E	6	600S200-68	10'-5 13/16" KING STUD
F	2	600T150-54	10'-0 7/8" CAP TRACK
G	2	1000S200-97	4'-2 5/8" HEADER
H	2	150U50-54	3'-11 1/8" HORIZONTAL BRACING
I	1	600T150-54	3'-7 1/8" HEADER BOTTOM TRACK
J	2	1000S200-97	3'-4 7/8" HEADER
K	2	600S162-54	3'-3 3/8" CRIPPLE
L	1	600T150-54	2'-8 7/8" HEADER BOTTOM TRACK
M	1	600T150-54	1'-9 1/2" HEAD TRACK
N	2	150U50-54	1'-8 1/8" HORIZONTAL BRACING

22-1057

Jewish Home for the Aging

1885 Victory Blvd. Reseda, CA

FM-07-109

CREATED BY: TNT

FrameMax, Inc.
13915 Danielson St
Suite 100
Poway, CA 92064
www.framemax.com



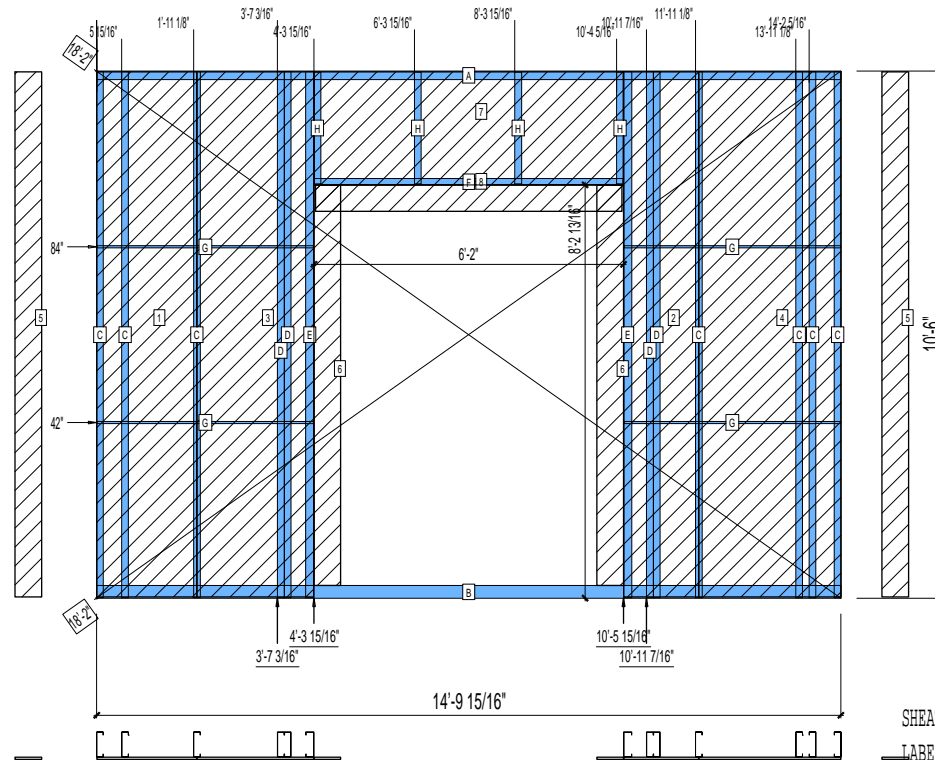
© FrameMax Inc.

HEIGHT : 10'-6"
SPACING : 5000"
1st STUD: 5000"

POINTS: 4.15 Points.

WEIGHTS :
FRAME : 414 lbs
SHEATHING: 318 lbs

TOTAL: 732 lbs



PIECES LIST			LENGTH	USE
LABEL	QTY	SIZE		
A	1	600T200-54	14'-9 15/16"	TOP TRACK
B	1	600T300-54	14'-9 15/16"	BOTTOM TRACK
C	7	600S162-54	10'-5 13/16"	STUD
D	4	600S162-68	10'-5 13/16"	EXTRA STUD
E	2	600S200-97	10'-5 13/16"	KING STUD
F	1	600T150-54	6'-1 3/4"	HEAD TRACK
G	4	150U50-54	4'-3 3/4"	HORIZONTAL BRACING
H	4	600S162-54	2'-2 3/4"	CRIPPLE

SHEATHING

LABEL	QTY	CODE	THICK	SIZE	SCREWS
1	1	DENSGLASS	1/2"	1'-11 15/16" X 10'-5 9/16"	8 - 12
2	1	DENSGLASS	1/2"	1'-5 15/16" X 10'-5 9/16"	8 - 12
3	1	DENSGLASS	1/2"	2'-3 15/16" X 10'-5 9/16"	8 - 12
4	1	DENSGLASS	1/2"	2'-9 15/16" X 10'-5 9/16"	8 - 12
5	2	DENSGLASS	1/2"	6 3/8" X 10'-5 9/16"	8 - 12
6	2	DENSGLASS	1/2"	6 3/8" X 7'-11 3/4"	8 - 12
7	1	DENSGLASS	1/2"	6'-1 7/8" X 2'-3"	8 - 12
8	1	DENSGLASS	1/2"	6'-1 1/4" X 6 5/16"	8 - 12

22-1058

Jewish Home for the Aging

1885 Victory Blvd. Reseda, CA

FM-07-109

CREATED BY: TNT

FrameMax, Inc.
13915 Danielson St
Suite 100
Poway, CA 92064
www.frame-max.com

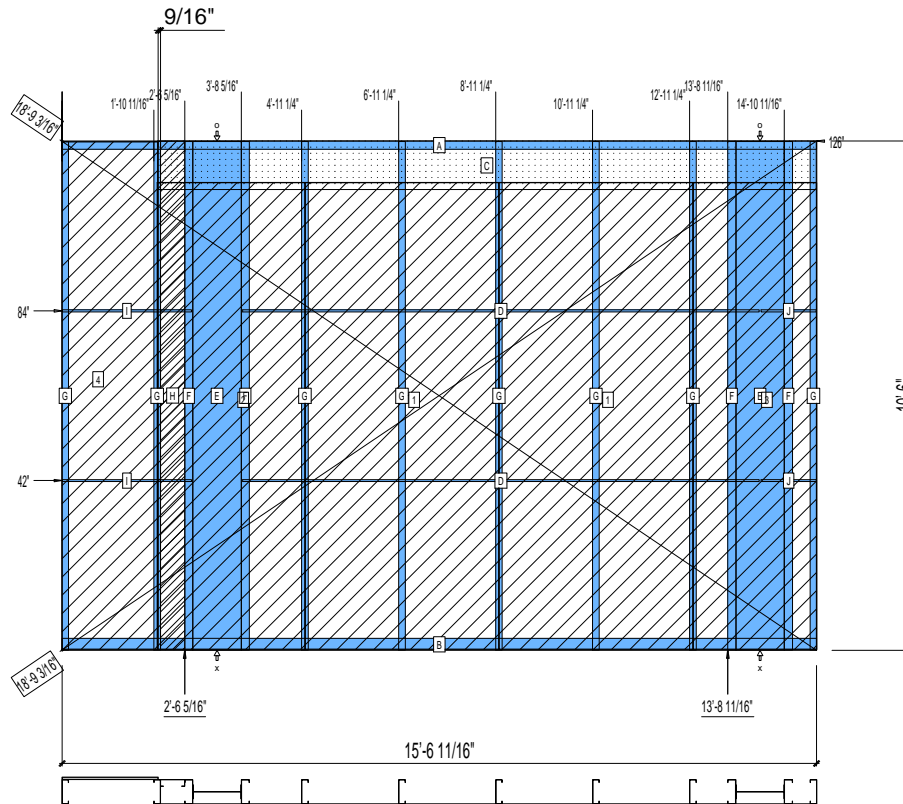


© FrameMax Inc.

HEIGHT : 10'-6"
SPACING : 5000"
1st STUD: 5000"

WEIGHTS :
FRAME : 673 lbs
SHEATHING: 533 lbs

TOTAL: 1206 lbs



PIECES LIST

LABEL	QTY	SIZE	LENGTH	USE
A	1	600T200-68	15'-6 11/16"	TOP TRACK
B	1	600T300-68	15'-6 11/16"	BOTTOM TRACK
C	1	1200D-54	13'-6 15/16"	STRAP
D	2	150U50-54	10'-7 13/16"	HORIZONTAL BRACING
E	2	1200i350p1062	10'-5 13/16"	PACO
F	4	600S200-68	10'-5 13/16"	STUD
G	8	600S162-68	10'-5 13/16"	STUD
H	1	600S162-33	10'-5 13/16"	BACKER-U
I	2	150U50-54	2'-7 15/16"	HORIZONTAL BRACING
J	2	150U50-54	1'-1 5/8"	HORIZONTAL BRACING

SHEATHING

LABEL	QTY	CODE	THICK	SIZE	SCREWS
1	2	SB-DENSARMOR	5/8"	4'-0" X 9'-7 7/16"	3-12
2	1	SB-DENSARMOR	5/8"	3'-0 9/16" X 9'-7 7/16"	3-12
3	1	SB-DENSARMOR	5/8"	2'-6 5/8" X 9'-7 7/16"	3-12
4	1	DENSGLOSS	1/2"	1'-11 3/4" X 10'-5 9/16"	8 - 12

22-1059

Jewish Home for the Aging

1885 Victory Blvd. Reseda, CA

FrameMax, Inc.
13915 Danielson St
Suite 100
Poway, CA 92064
www.frame-max.com



© FrameMax Inc.

CREATED: 11/11/2008

FM-07-109

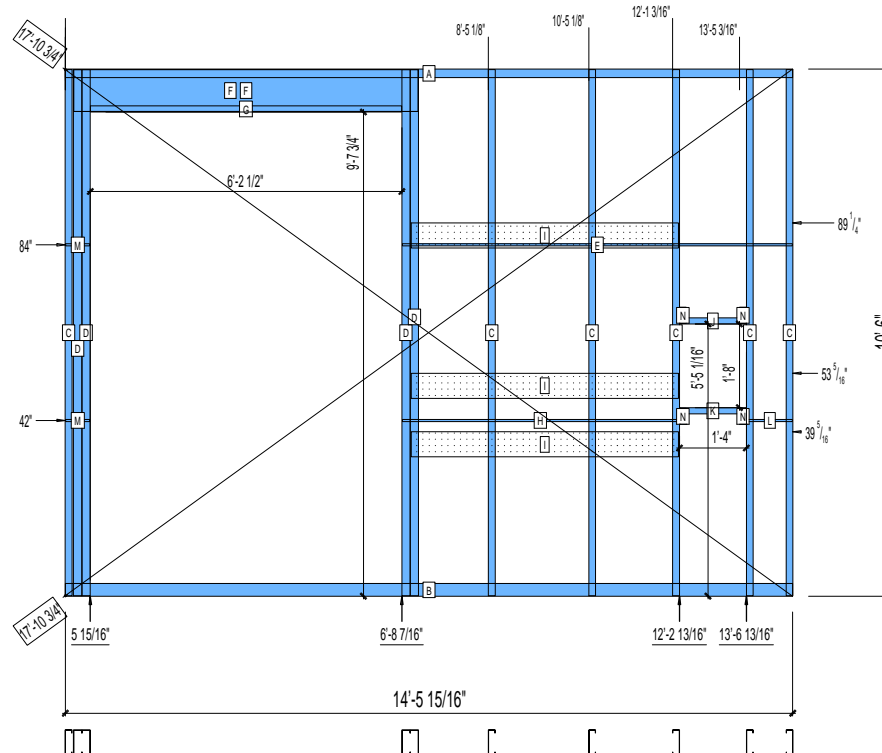
CREATED BY: TNT

HEIGHT : 10'-6"
SPACING : 5000"
1st STUD: 5000"

POINTS: 2.97 Points.

WEIGHTS :
FRAME : 451 lbs

TOTAL: 451 lbs



PIECES LIST			LENGTH	USE
LABEL	QTY	SIZE		
A	1	600T200-68	14'-5 15/16"	TOP TRACK
B	1	600T300-68	14'-5 15/16"	BOTTOM TRACK
C	6	600S162-68	10'-5 13/16"	STUD
D	4	600S200-68	10'-5 13/16"	KING STUD
E	1	150U50-54	7'-9 1/4"	HORIZONTAL BRACING
F	2	1000S200-97	6'-10 3/8"	HEADER
G	1	600T150-54	6'-2 3/8"	HEADER BOTTOM TRACK
H	1	150U50-54	5'-6"	HORIZONTAL BRACING
I	3	600D-54	5'-3 7/8"	KITCHEN BACKING
J	1	600T150-54	1'-3 3/4"	HEAD TRACK
K	1	600T150-54	1'-3 3/4"	SILL
L	1	150U50-54	10 3/4"	HORIZONTAL BRACING
M	2	150U50-54	5 3/4"	HORIZONTAL BRACING
N	4	600S162-54	3 7/8"	CRIPPLE

22-1060

Jewish Home for the Aging

1885 Victory Blvd. Reseda, CA

FrameMax, Inc.
13915 Danielson St
Suite 100
Poway, CA 92064
www.frame-max.com



© FrameMax Inc.

CREATED: 11/11/2008

FM-07-109

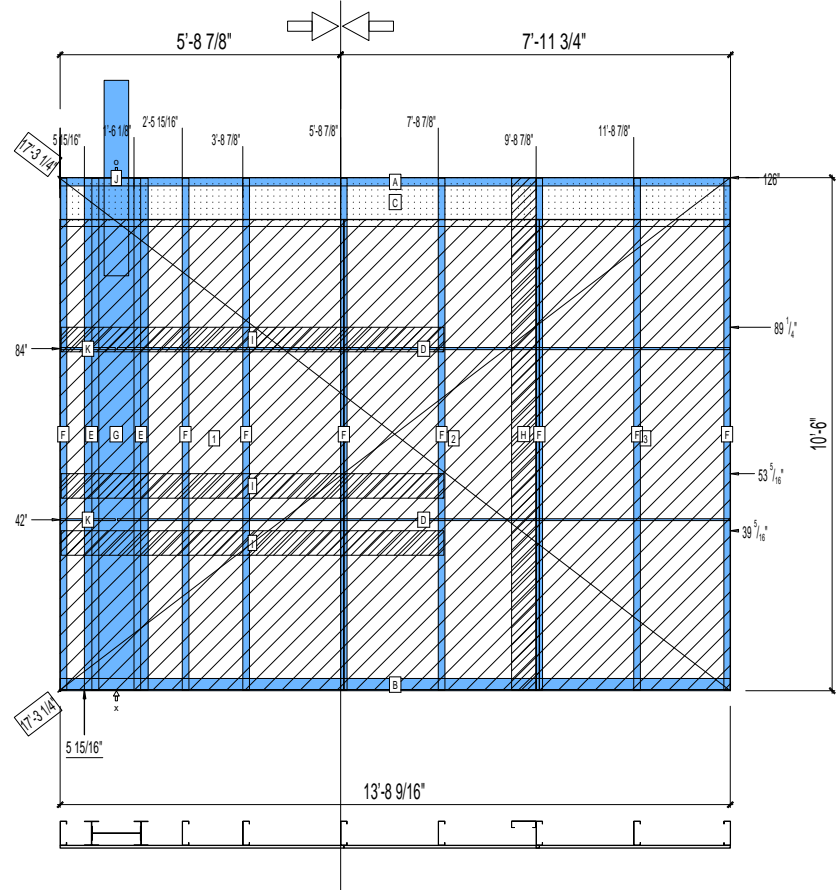
CREATED BY: TNT

HEIGHT : 12'-5 7/8" POINTS: 6.05 Points.
SPACING : 5000"
1st STUD: 5000"

WEIGHTS :
FRAME : 674 lbs
SHEATHING: 488 lbs

TOTAL: 1162 lbs

SPLIT HERE



PIECES LIST

LABEL	QTY	SIZE	LENGTH	USE
A	1	600T200-68	13'-8 9/16"	TOP TRACK
B	1	600T300-68	13'-8 9/16"	BOTTOM TRACK
C	1	1200D-54	13'-8 3/8"	STRAP
D	2	150U50-54	12'-6 7/16"	HORIZONTAL BRACING
E	2	600i350p680	10'-5 13/16"	PACO
F	8	600S162-68	10'-5 13/16"	STUD
G	1	1200i350p1062	10'-5 13/16"	PACO
H	1	600S162-33	10'-5 13/16"	BACKER-U
I	3	600D-54	7'-10"	KITCHEN BACKING
J	1	C	4'-0"	HOLDDOWN
K	2	150U50-54	1'-1 7/16"	HORIZONTAL BRACING

SHEATHING

LABEL	QTY	CODE	THICK	SIZE	SCREWS
1	1	SB-DENSARMOR	5/8"	5'-9 5/8" X 9'-7 7/16"	3-12
2	1	SB-DENSARMOR	5/8"	3'-11 15/16" X 9'-7 7/16"	3-12
3	1	SB-DENSARMOR	5/8"	3'-11 11/16" X 9'-7 7/16"	3-12

22-1061

Jewish Home for the Aging

1885 Victory Blvd. Reseda, CA

FrameMax, Inc.
13915 Danielson St
Suite 100
Poway, CA 92064
www.frame-max.com



© FrameMax Inc.

CREATED: 11/11/2008

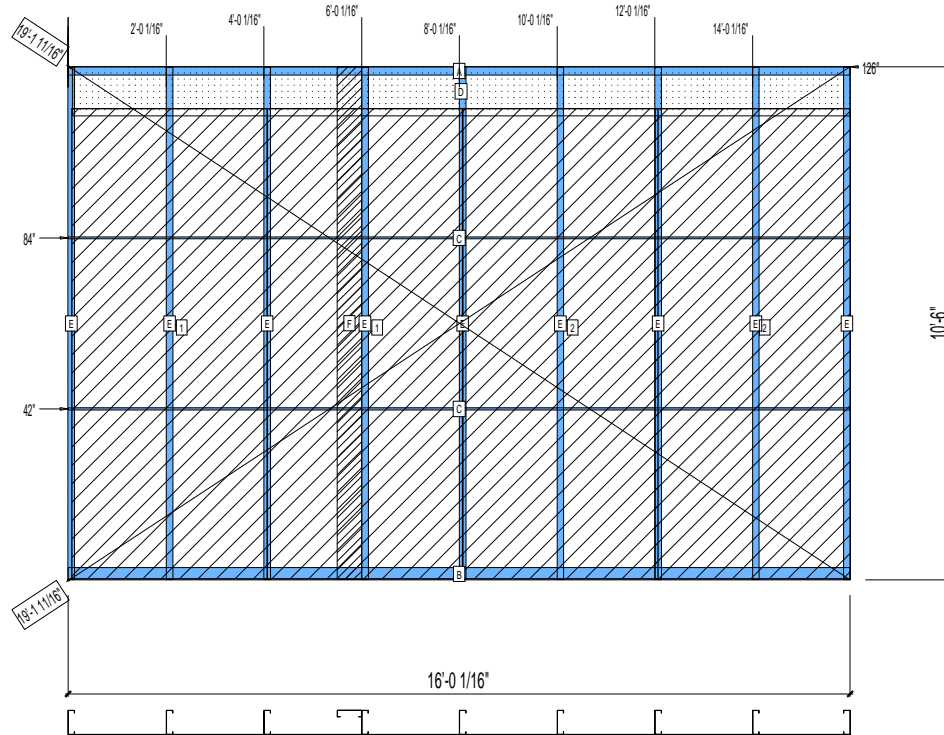
FM-07-109

CREATED BY: TNT

HEIGHT : 10'-6"
POINTS: 4.93 Points.
SPACING : 5000"
1st STUD: 5000"

WEIGHTS :
FRAME : 376 lbs
SHEATHING: 566 lbs

TOTAL: 942 lbs



PIECES LIST

LABEL	QTY	SIZE	LENGTH	USE
A	1	600T200-68	16'-0 1/16"	TOP TRACK
B	1	600T300-68	16'-0 1/16"	BOTTOM TRACK
C	2	150U50-54	15'-11 7/8"	HORIZONTAL BRACING
D	1	1200D-54	15'-11"	STRAP
E	9	600S162-68	10'-5 13/16"	STUD
F	1	600S162-33	10'-5 13/16"	BACKER-U

SHEATHING

LABEL	QTY	CODE	THICK	SIZE	SCREWS
1	2	SB-DENSARMOR	5/8"	4'-0" X 9'-7 7/16"	3-12
2	2	SB-DENSARMOR	5/8"	3'-11 15/16" X 9'-7 7/16"	3-12

22-1062

Jewish Home for the Aging

1885 Victory Blvd. Reseda, CA

FrameMax, Inc.
13915 Danielson St
Suite 100
Poway, CA 92064
www.framemax.com



© FrameMax Inc.

CREATED: 11/11/2008

FM-07-109

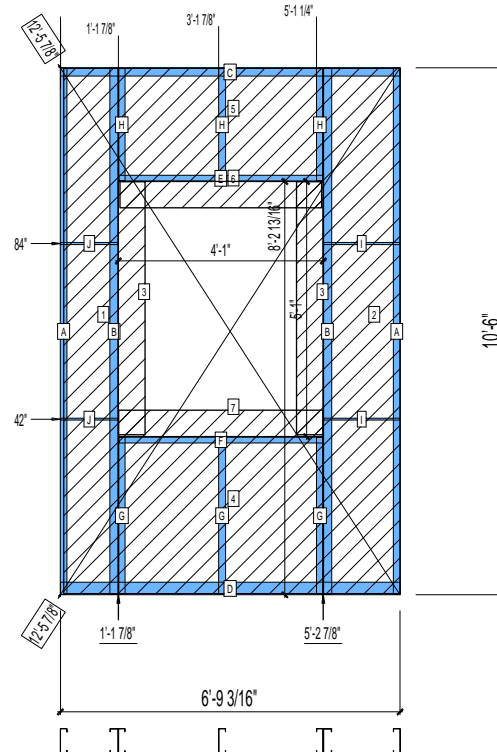
CREATED BY: TNT

HEIGHT : 10'-6"
SPACING : 5000"
1st STUD: 5000"

POINTS: 2.07 Points.

WEIGHTS :
FRAME : 192 lbs
SHEATHING: 147 lbs

TOTAL: 339 lbs



PIECES LIST

LABEL	QTY	SIZE	LENGTH	USE
A	2	600S162-54	10'-5 13/16"	STUD
B	2	600S200-97	10'-5 13/16"	KING STUD
C	1	600T200-54	6'-9 3/16"	TOP TRACK
D	1	600T300-54	6'-9 3/16"	BOTTOM TRACK
E	1	600T150-54	4'-0 3/4"	HEAD TRACK
F	1	600T150-54	4'-0 3/4"	SILL
G	3	600S162-54	3'-1 3/8"	CRIPPLE
H	3	600S162-54	2'-2 3/4"	CRIPPLE
I	2	150U50-54	1'-6 1/8"	HORIZONTAL BRACING
J	2	150U50-54	1'-1 5/8"	HORIZONTAL BRACING

SHEATHING

LABEL	QTY	CODE	THICK	SIZE	SCREWS
1	1	DENSGLOSS	1/2"	1'-1" X 10'-5 9/16"	8 - 12
2	1	DENSGLOSS	1/2"	1'-6 1/4" X 10'-5 9/16"	8 - 12
3	2	DENSGLOSS	1/2"	6 3/8" X 5'-0 1/2"	8 - 12
4	1	DENSGLOSS	1/2"	4'-0 7/8" X 3'-1 1/2"	8 - 12
5	1	DENSGLOSS	1/2"	4'-0 7/8" X 2'-3"	8 - 12
6	1	DENSGLOSS	1/2"	4'-0 1/4" X 6 5/16"	8 - 12
7	1	DENSGLOSS	1/2"	4'-0 7/8" X 6 5/16"	8 - 12

22-1063

Jewish Home for the Aging

1885 Victory Blvd. Reseda, CA

FM-07-109

CREATED BY: TNT

FrameMax, Inc.
13915 Danielson St
Suite 100
Poway, CA 92064
www.frame-max.com



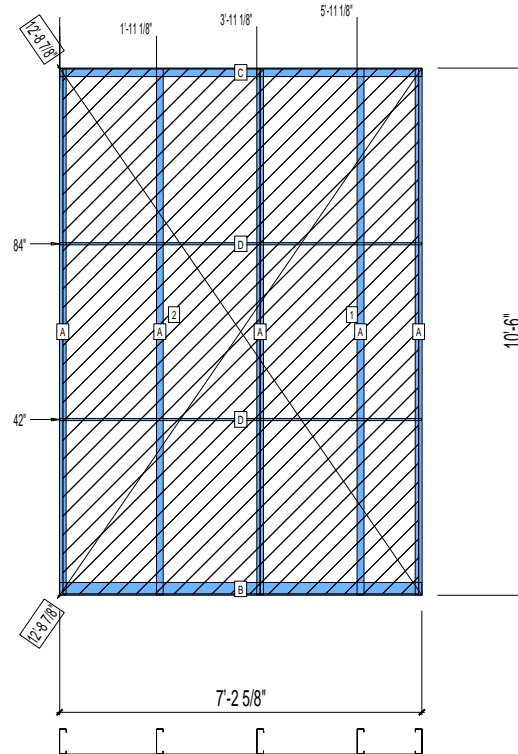
© FrameMax Inc.

HEIGHT : 10'-6"
SPACING : 5000"
1st STUD: 5000"

POINTS: 1.81 Points.

WEIGHTS :
FRAME : 137 lbs
SHEATHING: 185 lbs

TOTAL: 322 lbs



PIECES LIST

LABEL	QTY	SIZE	LENGTH	USE
A	5	600S162-54	10'-5 13/16"	STUD
B	1	600T300-54	7'-2 5/8"	BOTTOM TRACK
C	1	600T200-54	7'-2 5/8"	TOP TRACK
D	2	150U50-54	7'-2 7/16"	HORIZONTAL BRACING

SHEATHING

LABEL	QTY	CODE	THICK	SIZE	SCREWS
1	1	DENSGLASS	1/2"	3'-1 7/8" X 10'-5 9/16"	8 - 12
2	1	DENSGLASS	1/2"	3'-11 3/16" X 10'-5 9/16"	8 - 12

22-1064

Jewish Home for the Aging

1885 Victory Blvd. Reseda, CA

FM-07-109

CREATED BY: TNT

FrameMax, Inc.
13915 Danielson St
Suite 100
Poway, CA 92064
www.frame-max.com

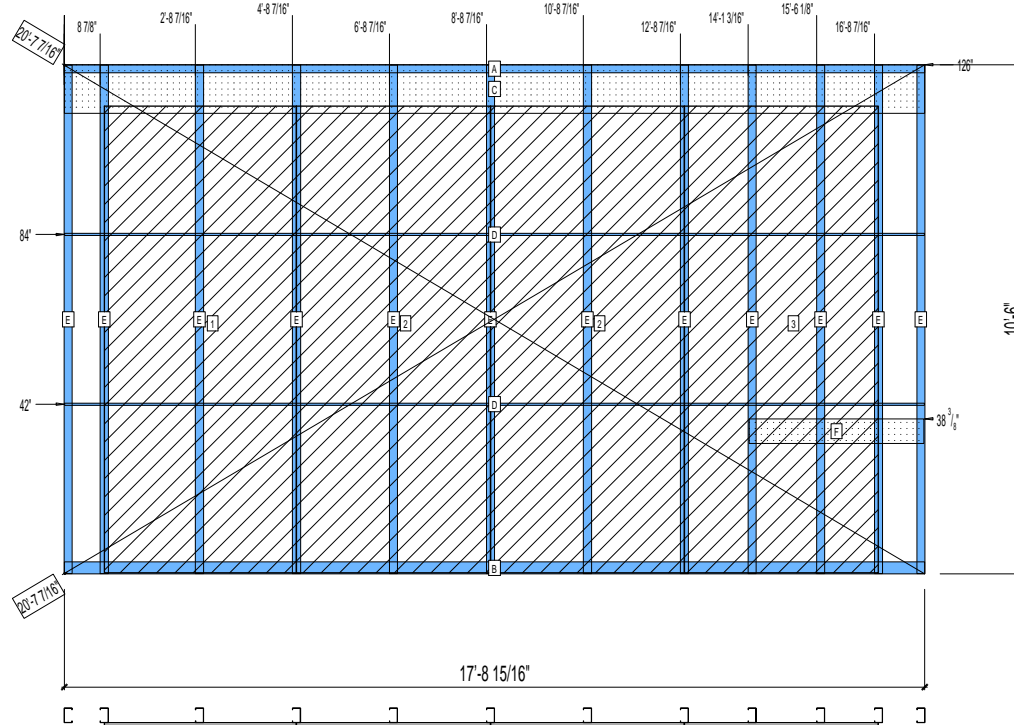


© FrameMax Inc.

HEIGHT : 10'-6"
POINTS: 5.12 Points.
SPACING : 5000"
1st STUD: 5000"

WEIGHTS :
FRAME : 396 lbs
SHEATHING: 565 lbs

TOTAL: 961 lbs



PIECES LIST

LABEL	QTY	SIZE	LENGTH	USE
A	1	362T200-68	17'-8 15/16"	TOP TRACK
B	1	362T300-68	17'-8 15/16"	BOTTOM TRACK
C	1	1200D-54	17'-8 7/8"	STRAP
D	2	150U50-54	17'-8 3/4"	HORIZONTAL BRACING
E	12	362S200-68	10'-5 13/16"	STUD
F	1	600T150-54	3'-7 1/4"	GRAB BAR

SHEATHING

LABEL	QTY	CODE	THICK	SIZE	SCREWS
1	1	SB-DENSARMOR	5/8"	3'-11 9/16" X 9'-7 7/16"	2-12
2	2	SB-DENSARMOR	5/8"	4'-0" X 9'-7 7/16"	2-12
3	1	SB-DENSARMOR	5/8"	4'-0" X 9'-7 7/16"	2-12

22-1065

Jewish Home for the Aging

1885 Victory Blvd. Reseda, CA

FrameMax, Inc.
13915 Danielson St
Suite 100
Poway, CA 92064
www.frame-max.com



© FrameMax Inc.

CREATED: 11/11/2008

FM-07-109

CREATED BY: TNT

HEIGHT : 10'-6" POINTS: 2.29 Points.

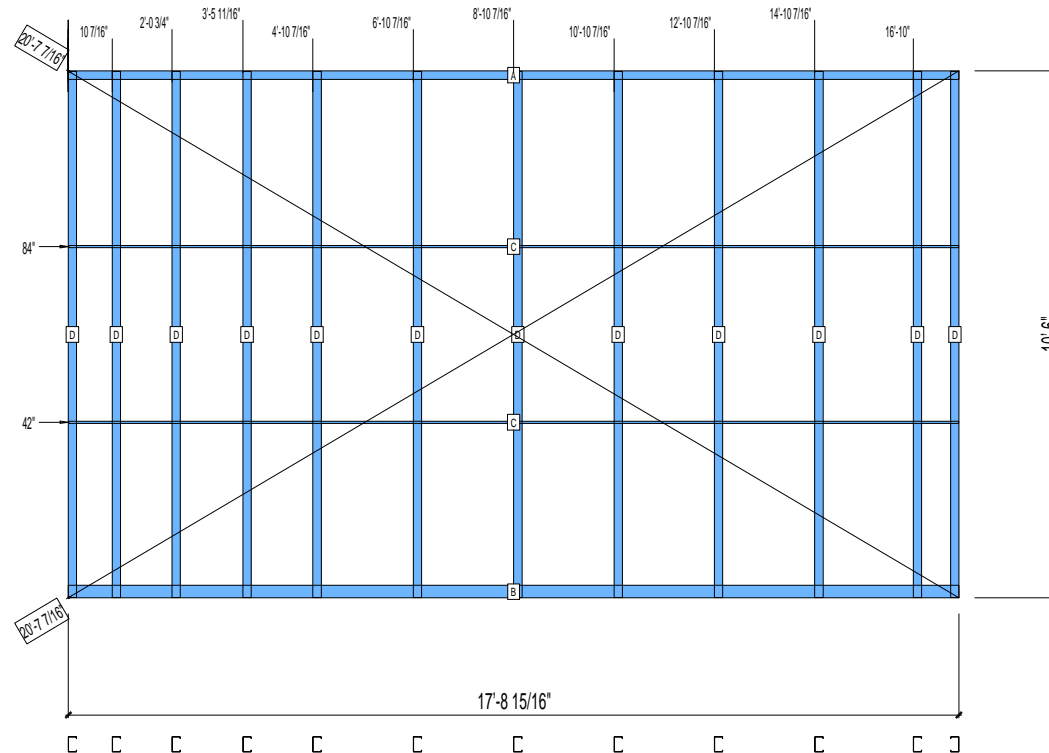
SPACING : 5000"

1st STUD: 5000"

WEIGHTS :

FRAME : 347 lbs

TOTAL: 347 lbs



PIECES LIST

LABEL	QTY	SIZE	LENGTH	USE
A	1	362T200-68	17'-8 15/16"	TOP TRACK
B	1	362T300-68	17'-8 15/16"	BOTTOM TRACK
C	2	150U50-54	17'-8 3/4"	HORIZONTAL BRACING
D	12	362S200-68	10'-5 13/16"	STUD

22-1066

Jewish Home for the Aging

1885 Victory Blvd. Reseda, CA

FrameMax, Inc.
13915 Danielson St
Suite 100
Poway, CA 92064
www.frame-max.com



© FrameMax Inc.

CREATED: 11/11/2008

FM-07-109

CREATED BY: TNT

HEIGHT : 10'-6" POINTS: 0.59 Points.

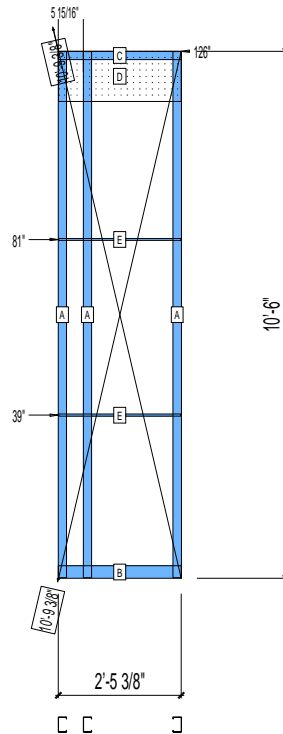
SPACING : 5000"

1st STUD: 5000"

WEIGHTS :

FRAME : 82 lbs

TOTAL: 82 lbs



PIECES LIST

LABEL	QTY	SIZE	LENGTH	USE
A	3	362S200-68	10'-5 13/16"	STUD
B	1	362T300-68	2'-5 3/8"	BOTTOM TRACK
C	1	362T200-68	2'-5 3/8"	TOP TRACK
D	1	1200D-54	2'-5 5/16"	STRAP
E	2	150U50-54	2'-5 3/16"	HORIZONTAL BRACING

22-1067

Jewish Home for the Aging

1885 Victory Blvd. Reseda, CA

FrameMax, Inc.
13915 Danielson St
Suite 100
Poway, CA 92064
www.frame-max.com



© FrameMax Inc.

CREATED: 11/11/2008

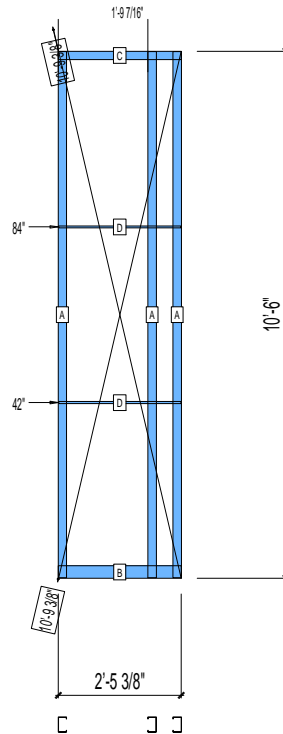
FM-07-109

CREATED BY: TNT

HEIGHT : 10'-6"
POINTS: 0.55 Points.
SPACING : 5000"
1st STUD: 5000"

WEIGHTS :
FRAME : 76 lbs

TOTAL: 76 lbs



PIECES LIST

LABEL	QTY	SIZE	LENGTH	USE
A	3	362S200-68	10'-5 13/16"	STUD
B	1	362T300-68	2'-5 3/8"	BOTTOM TRACK
C	1	362T200-68	2'-5 3/8"	TOP TRACK
D	2	150U50-54	2'-5 3/16"	HORIZONTAL BRACING

22-1068

Jewish Home for the Aging

1885 Victory Blvd. Reseda, CA

FrameMax, Inc.
13915 Danielson St
Suite 100
Poway, CA 92064
www.framemax.com



© FrameMax Inc.

CREATED: 11/12/2008

FM-07-109

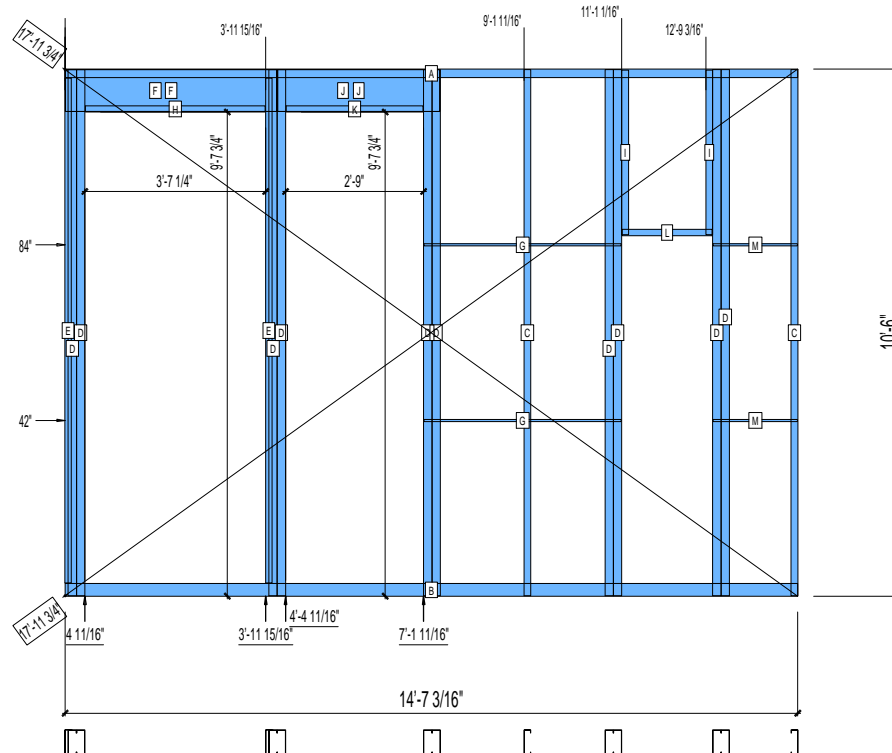
CREATED BY: TNT

HEIGHT : 10'-6"
SPACING : 5000"
1st STUD: 5000"

POINTS: 3.40 Points.

WEIGHTS :
FRAME : 545 lbs

TOTAL: 545 lbs



PIECES LIST			
LABEL	QTY	SIZE	LENGTH USE
A	1	600T200-68	14'-7 3/16" TOP TRACK
B	1	600T300-68	14'-7 3/16" BOTTOM TRACK
C	2	600S162-68	10'-5 13/16" STUD
D	10	600S200-68	10'-5 13/16" KING STUD
E	2	600T150-54	10'-0 3/4" CAP TRACK
F	2	1000S200-97	4'-2 1/2" HEADER
G	2	150U50-54	3'-11 1/8" HORIZONTAL BRACING
H	1	600T150-54	3'-7" HEADER BOTTOM TRACK
I	2	600S162-54	3'-3 3/8" CRIPPLE
J	2	1000S200-97	3'-2 3/4" HEADER
K	1	600T150-54	2'-8 3/4" HEADER BOTTOM TRACK
L	1	600T150-54	1'-9 1/2" HEAD TRACK
M	2	150U50-54	1'-8 1/8" HORIZONTAL BRACING

22-1069

Jewish Home for the Aging

1885 Victory Blvd. Reseda, CA

FrameMax, Inc.
13915 Danielson St
Suite 100
Poway, CA 92064
www.frame-max.com



© FrameMax Inc.

CREATED: 11/12/2008

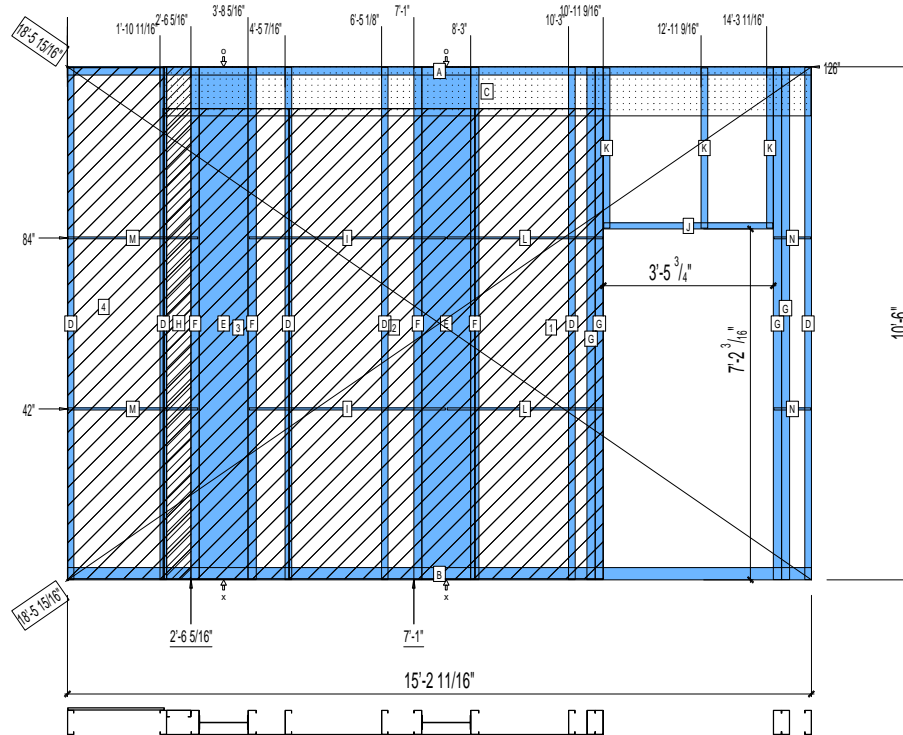
FM-07-109

CREATED BY: TNT

HEIGHT : 10'-6"
POINTS: 6.09 Points.
SPACING : 5000"
1st STUD: 5000"

WEIGHTS :
FRAME : 751 lbs
SHEATHING: 371 lbs

TOTAL: 1122 lbs



PIECES LIST

LABEL	QTY	SIZE	LENGTH	USE
A	1	600T200-68	15'-2 11/16"	TOP TRACK
B	1	600T300-68	15'-2 11/16"	BOTTOM TRACK
C	1	1200D-54	13'-3 1/16"	STRAP
D	6	600S162-68	10'-5 13/16"	STUD
E	2	1200i350p1062	10'-5 13/16"	PACO
F	4	600S200-68	10'-5 13/16"	STUD
G	4	600S200-68	10'-5 13/16"	KING STUD
H	1	600S162-33	10'-5 13/16"	BACKER-U
I	2	150U50-54	4'-0 1/8"	HORIZONTAL BRACING
J	1	600T150-54	3'-5 1/2"	HEAD TRACK
K	3	600S162-54	3'-3 3/8"	CRIPPLE
L	2	150U50-54	3'-2 3/16"	HORIZONTAL BRACING
M	2	150U50-54	2'-7 15/16"	HORIZONTAL BRACING
N	2	150U50-54	9 1/8"	HORIZONTAL BRACING

SHEATHING

LABEL	QTY	CODE	THICK	SIZE	SCREWS
1	1	SB-DENSARMOR	5/8"	2'-7 1/2" X 9'-7 7/16"	3-12
2	1	SB-DENSARMOR	5/8"	3'-9 5/8" X 9'-7 7/16"	3-12
3	1	SB-DENSARMOR	5/8"	2'-6 15/16" X 9'-7 7/16"	3-12
4	1	DENSGLOSS	1/2"	1'-11 3/4" X 10'-5 9/16"	8 - 12

22-1070

Jewish Home for the Aging

1885 Victory Blvd. Reseda, CA

FrameMax, Inc.
13915 Danielson St
Suite 100
Poway, CA 92064
www.frame-max.com



© FrameMax Inc.

CREATED: 11/12/2008

FM-07-109

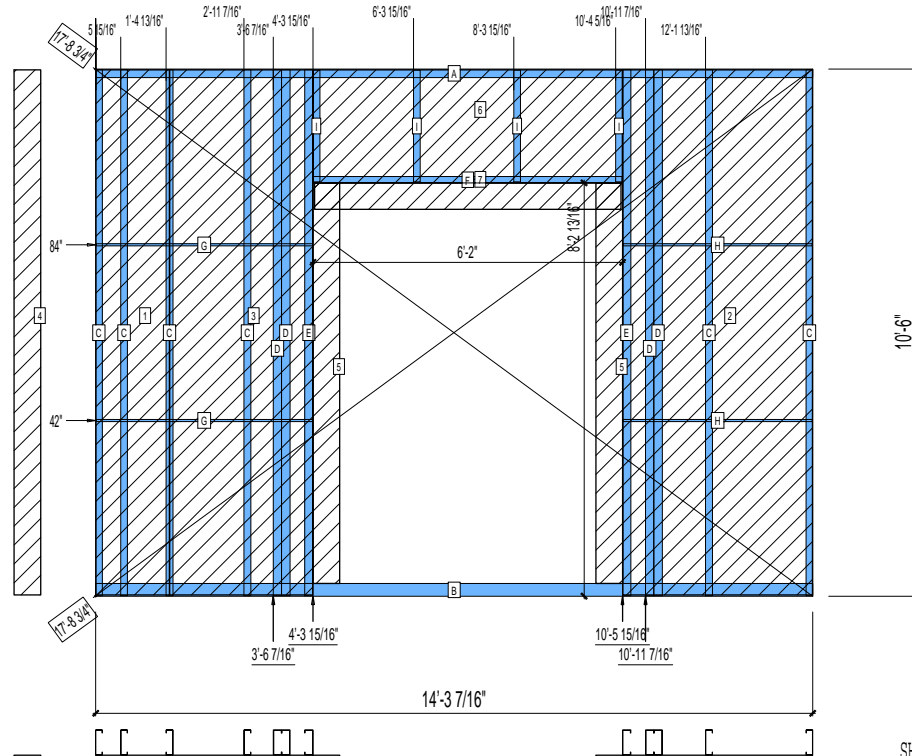
CREATED BY: TNT

HEIGHT : 10'-6"
SPACING : 5000"
1st STUD: 5000"

POINTS: 4.13 Points.

WEIGHTS :
FRAME : 445 lbs
SHEATHING: 290 lbs

TOTAL: 735 lbs



PIECES LIST

LABEL	QTY	SIZE	LENGTH	USE
A	1	600T200-54	14'-3 7/16"	TOP TRACK
B	1	600T300-54	14'-3 7/16"	BOTTOM TRACK
C	6	600S162-54	10'-5 13/16"	STUD
D	4	600S200-97	10'-5 13/16"	EXTRA STUD
E	2	600S200-97	10'-5 13/16"	KING STUD
F	1	600T150-54	6'-1 3/4"	HEAD TRACK
G	2	150U50-54	4'-3 3/4"	HORIZONTAL BRACING
H	2	150U50-54	3'-9 1/4"	HORIZONTAL BRACING
I	4	600S162-54	2'-2 3/4"	CRIPPLE

SHEATHING

LABEL	QTY	CODE	THICK	SIZE	SCREWS
1	1	DENSGLASS	1/2"	1'-5 5/8" X 10'-5 9/16"	8 - 12
2	1	DENSGLASS	1/2"	3'-9 3/8" X 10'-5 9/16"	8 - 12
3	1	DENSGLASS	1/2"	2'-10 1/4" X 10'-5 9/16"	8 - 12
4	1	DENSGLASS	1/2"	6 3/8" X 10'-5 9/16"	8 - 12
5	2	DENSGLASS	1/2"	6 3/8" X 7'-11 3/4"	8 - 12
6	1	DENSGLASS	1/2"	6'-1 7/8" X 2'-3"	8 - 12
7	1	DENSGLASS	1/2"	6'-1 1/4" X 6 5/16"	8 - 12

22-1071

Jewish Home for the Aging

1885 Victory Blvd. Reseda, CA

FM-07-109

CREATED BY: TNT

FrameMax, Inc.
13915 Danielson St
Suite 100
Poway, CA 92064
www.frame-max.com



© FrameMax Inc.

HEIGHT : 10'-6" POINTS: 7.15 Points.

SPACING : 5000"

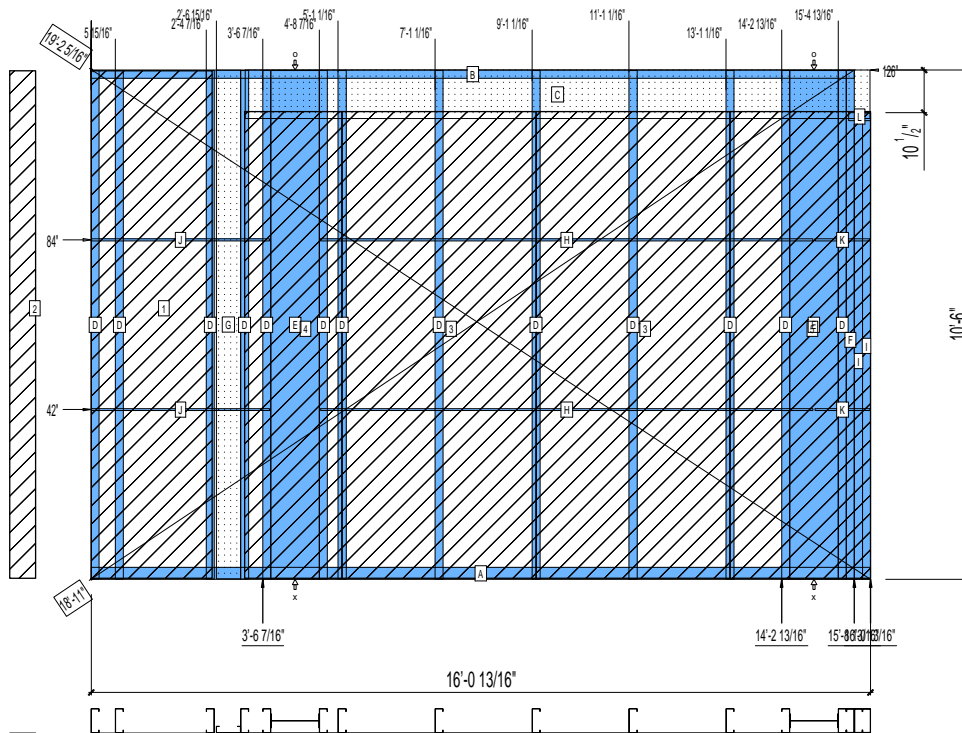
1st STUD: 5000"

WEIGHTS :

FRAME : 830 lbs

SHEATHING: 536 lbs

TOTAL: 1366 lbs



PIECES LIST

LABEL	QTY	SIZE	LENGTH	USE
A	1	600T300-68	16'-0 13/16"	BOTTOM TRACK
B	1	600T200-68	15'-8 13/16"	TOP TRACK
C	1	1200D-54	12'-10 5/8"	STRAP
D	13	600S200-68	10'-5 13/16"	STUD
E	2	1200i350p1062	10'-5 13/16"	PACO
F	1	600S200-97	10'-5 13/16"	BEAM KING
G	1	600S162-33	10'-5 13/16"	BACKER-U
H	2	150U50-54	10'-1 13/16"	HORIZONTAL BRACING
I	2	600S200-97	9'-7 5/16"	BEAM JACK
J	2	150U50-54	3'-8 1/16"	HORIZONTAL BRACING
K	2	150U50-54	1'-1 5/8"	HORIZONTAL BRACING
L	1	600T200-68	5 7/16"	BEAM JACK

SHEATHING

LABEL	QTY	CODE	THICK	SIZE	SCREWS
1	1	DENSGLOSS	1/2"	2'-5 7/8" X 10'-5 9/16"	8 - 12
2	1	DENSGLOSS	1/2"	6 3/8" X 10'-5 9/16"	8 - 12
3	2	SB-DENSARMOR	5/8"	4'-0" X 9'-7 7/16"	3-12
4	1	SB-DENSARMOR	5/8"	2'-0 1/16" X 9'-7 7/16"	3-12
5	1	SB-DENSARMOR	5/8"	2'-10 3/4" X 9'-7 7/16"	3-12

22-1073

Jewish Home for the Aging

1885 Victory Blvd. Reseda, CA

FrameMax, Inc.
13915 Danielson St
Suite 100
Poway, CA 92064
www.frame-max.com



© FrameMax Inc.

CREATED: 11/11/2008

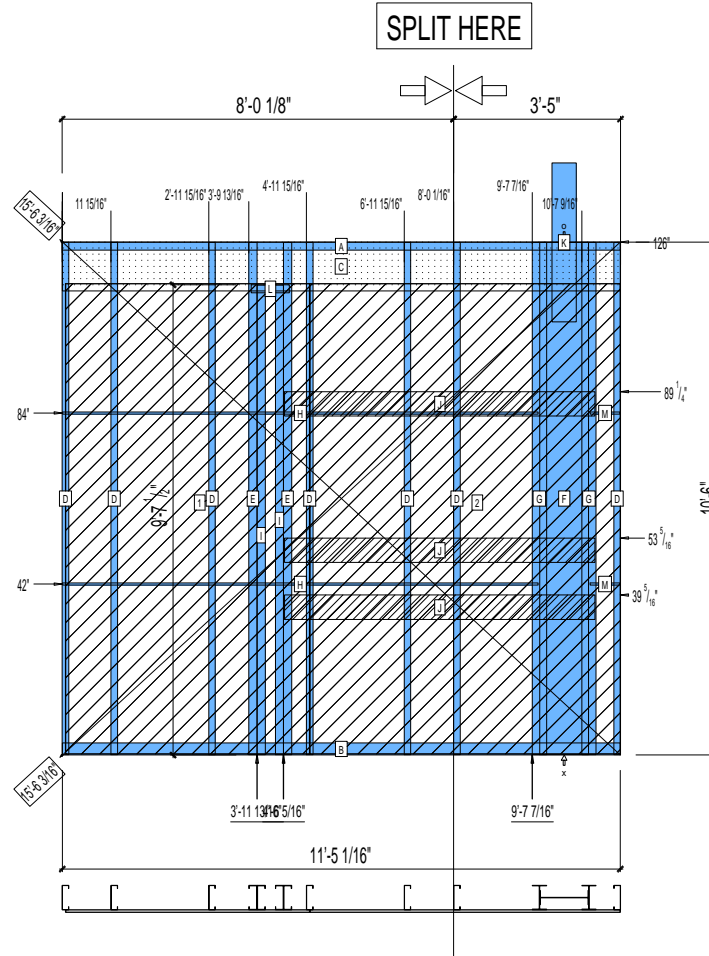
FM-07-109

CREATED BY: TNT

HEIGHT : 12'-1 3/8" POINTS: 6.01 Points.
SPACING : 5000"
1st STUD: 5000"

WEIGHTS :
FRAME : 747 lbs
SHEATHING: 402 lbs

TOTAL: 1149 lbs



PIECES LIST

LABEL	QTY	SIZE	LENGTH	USE
A	1	600T200-68	11'-5 1/16"	TOP TRACK
B	1	600T300-68	11'-5 1/16"	BOTTOM TRACK
C	1	1200D-54	11'-5"	STRAP
D	7	600S162-68	10'-5 13/16"	STUD
E	2	600S200-97	10'-5 13/16"	BEAM KING
F	1	1200i350p1062	10'-5 13/16"	PACO
G	2	600i350p680	10'-5 13/16"	PACO
H	2	150U50-54	9'-8 3/4"	HORIZONTAL BRACING
I	2	600S200-97	9'-7 5/16"	BEAM JACK
J	3	600D-54	6'-4 1/4"	KITCHEN BACKING
K	1	E	3'-3"	HOLDDOWN
L	1	600T200-68	9 5/16"	BEAM JACK
M	2	150U50-54	7 5/16"	HORIZONTAL BRACING

SHEATHING

LABEL	QTY	CODE	THICK	SIZE	SCREWS
1	1	SB-DENSARMOR	5/8"	4'-11 15/16" X 9'-7 7/16"	3-12
2	1	SB-DENSARMOR	5/8"	6'-4 1/4" X 9'-7 7/16"	3-12

22-1074

Jewish Home for the Aging

1885 Victory Blvd. Reseda, CA

FrameMax, Inc.
13915 Danielson St
Suite 100
Poway, CA 92064
www.frame-max.com



© FrameMax Inc.

CREATED: 11/11/2008

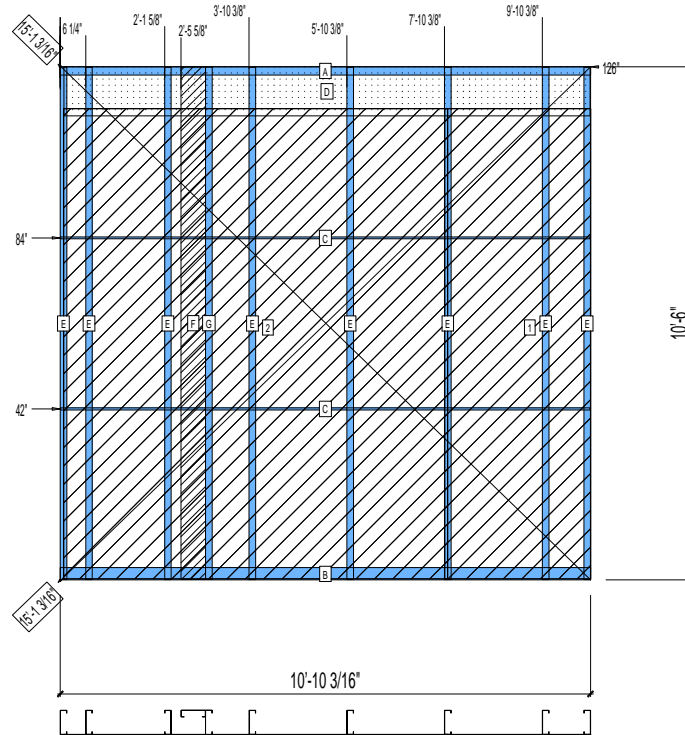
FM-07-109

CREATED BY: TNT

HEIGHT : 10'-6"
POINTS: 3.73 Points.
SPACING : 5000"
1st STUD: 5000"

WEIGHTS :
FRAME : 318 lbs
SHEATHING: 384 lbs

TOTAL: 702 lbs



PIECES LIST

LABEL	QTY	SIZE	LENGTH	USE
A	1	600T200-68	10'-10 3/16"	TOP TRACK
B	1	600T300-68	10'-10 3/16"	BOTTOM TRACK
C	2	150U50-54	10'-10 1/16"	HORIZONTAL BRACING
D	1	1200D-54	10'-9 1/4"	STRAP
E	8	600S162-68	10'-5 13/16"	STUD
F	1	600S162-33	10'-5 13/16"	BACKER-U
G	1	600S162-33	10'-5 13/16"	BACKER STUD

SHEATHING

LABEL	QTY	CODE	THICK	SIZE	SCREWS
1	1	SB-DENSARMOR	5/8"	2'-11 13/16" X 9'-7 7/16"	3-12
2	1	SB-DENSARMOR	5/8"	7'-10 3/8" X 9'-7 7/16"	3-12

22-1075

Jewish Home for the Aging

1885 Victory Blvd. Reseda, CA

FrameMax, Inc.
13915 Danielson St
Suite 100
Poway, CA 92064
www.framemax.com



© FrameMax Inc.

CREATED: 11/11/2008

FM-07-109

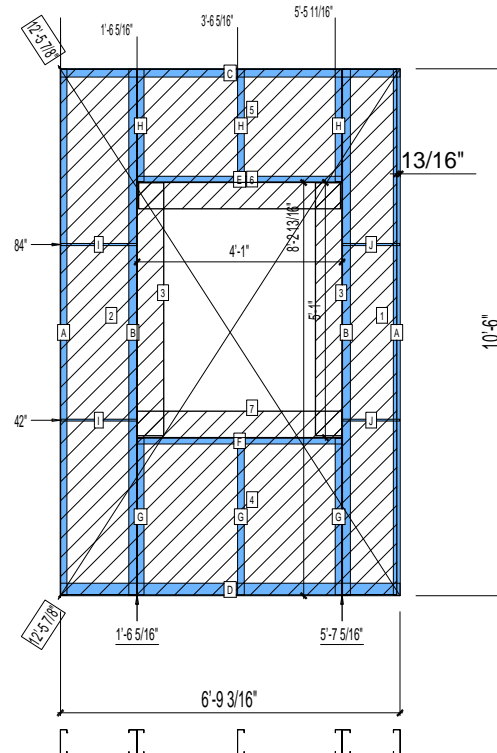
CREATED BY: TNT

HEIGHT : 10'-6"
SPACING : 5000"
1st STUD: 5000"

POINTS: 2.07 Points.

WEIGHTS :
FRAME : 192 lbs
SHEATHING: 147 lbs

TOTAL: 339 lbs



PIECES LIST

LABEL	QTY	SIZE	LENGTH	USE
A	2	600S162-54	10'-5 13/16"	STUD
B	2	600S200-97	10'-5 13/16"	KING STUD
C	1	600T200-54	6'-9 3/16"	TOP TRACK
D	1	600T300-54	6'-9 3/16"	BOTTOM TRACK
E	1	600T150-54	4'-0 3/4"	HEAD TRACK
F	1	600T150-54	4'-0 3/4"	SILL
G	3	600S162-54	3'-1 3/8"	CRIPPLE
H	3	600S162-54	2'-2 3/4"	CRIPPLE
I	2	150U50-54	1'-6 1/8"	HORIZONTAL BRACING
J	2	150U50-54	1'-1 5/8"	HORIZONTAL BRACING

SHEATHING

LABEL	QTY	CODE	THICK	SIZE	SCREWS
1	1	DENSGLASS	1/2"	1'-1" X 10'-5 9/16"	8 - 12
2	1	DENSGLASS	1/2"	1'-6 1/4" X 10'-5 9/16"	8 - 12
3	2	DENSGLASS	1/2"	6 3/8" X 5'-0 1/2"	8 - 12
4	1	DENSGLASS	1/2"	4'-0 7/8" X 3'-1 9/16"	8 - 12
5	1	DENSGLASS	1/2"	4'-0 7/8" X 2'-3"	8 - 12
6	1	DENSGLASS	1/2"	4'-0 1/4" X 6 5/16"	8 - 12
7	1	DENSGLASS	1/2"	4'-0 7/8" X 6 5/16"	8 - 12

22-1076

Jewish Home for the Aging

1885 Victory Blvd. Reseda, CA

FrameMax, Inc.
13915 Danielson St
Suite 100
Poway, CA 92064
www.frame-max.com



© FrameMax Inc.

CREATED: 11/11/2008

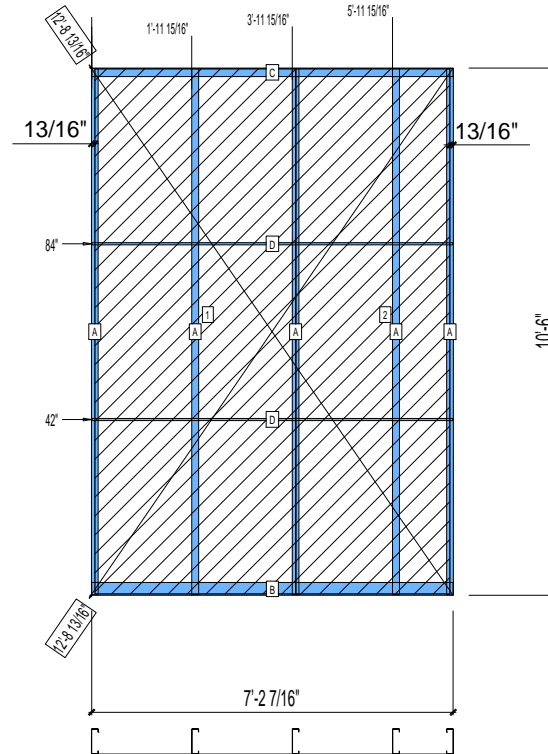
FM-07-109

CREATED BY: TNT

HEIGHT : 10'-6"
POINTS: 1.81 Points.
SPACING : 5000"
1st STUD: 5000"

WEIGHTS :
FRAME : 137 lbs
SHEATHING: 185 lbs

TOTAL: 322 lbs



PIECES LIST

LABEL	QTY	SIZE	LENGTH	USE
A	5	600S162-54	10'-5 13/16"	STUD
B	1	600T300-54	7'-2 7/16"	BOTTOM TRACK
C	1	600T200-54	7'-2 7/16"	TOP TRACK
D	2	150U50-54	7'-2 1/4"	HORIZONTAL BRACING

SHEATHING

LABEL	QTY	CODE	THICK	SIZE	SCREWS
1	1	DENSGLASS	1/2"	4'-0" X 10'-5 9/16"	8 - 12
2	1	DENSGLASS	1/2"	3'-0 7/8" X 10'-5 9/16"	8 - 12

22-1077

Jewish Home for the Aging

1885 Victory Blvd. Reseda, CA

FrameMax, Inc.
13915 Danielson St
Suite 100
Poway, CA 92064
www.frame-max.com



© FrameMax Inc.

CREATED: 11/11/2008

FM-07-109

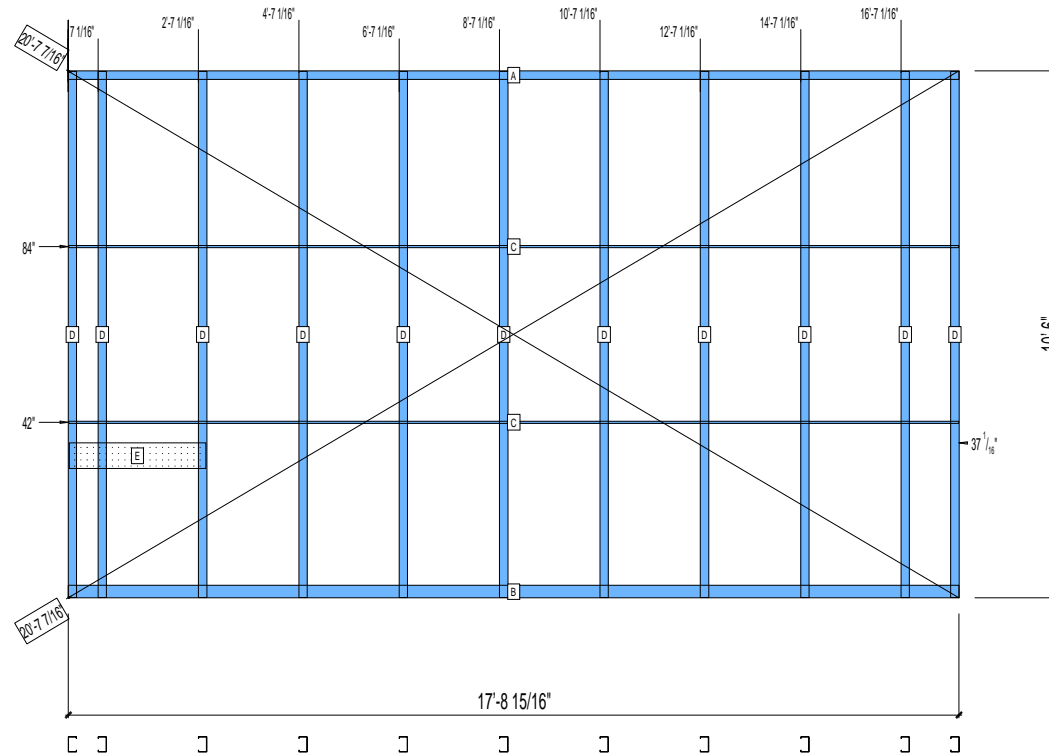
CREATED BY: TNT

HEIGHT : 10'-6"
SPACING : 5000"
1st STUD: 5000"

POINTS: 2.22 Points.

WEIGHTS :
FRAME : 331 lbs

TOTAL: 331 lbs



PIECES LIST

LABEL	QTY	SIZE	LENGTH	USE
A	1	362T200-68	17'-8 15/16"	TOP TRACK
B	1	362T300-68	17'-8 15/16"	BOTTOM TRACK
C	2	150U50-54	17'-8 3/4"	HORIZONTAL BRACING
D	11	362S200-68	10'-5 13/16"	STUD
E	1	600T150-54	2'-8 5/8"	GRAB BAR

22-1078

Jewish Home for the Aging

1885 Victory Blvd. Reseda, CA

FrameMax, Inc.
13915 Danielson St
Suite 100
Poway, CA 92064
www.frame-max.com



© FrameMax Inc.

CREATED: 11/11/2008

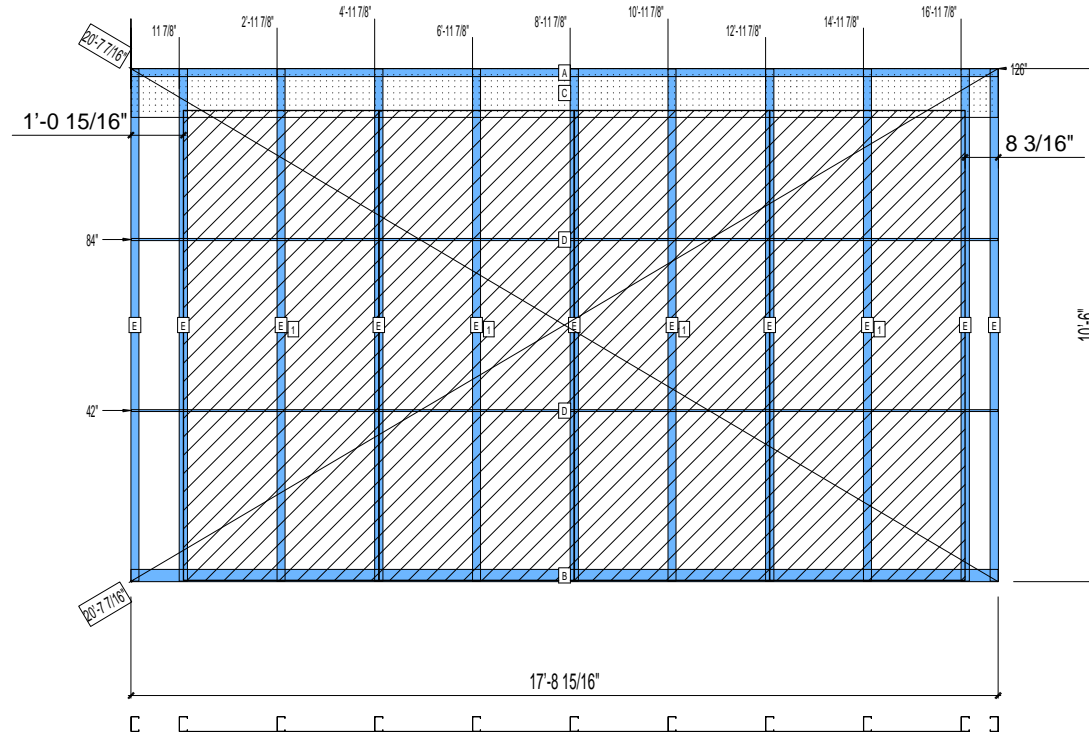
FM-07-109

CREATED BY: TNT

HEIGHT : 10'-6" POINTS: 4.96 Points.
SPACING : 5000"
1st STUD: 5000"

WEIGHTS :
FRAME : 369 lbs
SHEATHING: 566 lbs

TOTAL: 935 lbs



PIECES LIST

LABEL	QTY	SIZE	LENGTH	USE
A	1	362T200-68	17'-8 15/16"	TOP TRACK
B	1	362T300-68	17'-8 15/16"	BOTTOM TRACK
C	1	1200D-54	17'-8 7/8"	STRAP
D	2	150U50-54	17'-8 3/4"	HORIZONTAL BRACING
E	11	362S200-68	10'-5 13/16"	STUD

SHEATHING

LABEL	QTY	CODE	THICK	SIZE	SCREWS
1	4	SB-DENSARMOR	5/8"	4'-0" X 9'-7 7/16"	3-12

22-1079

Jewish Home for the Aging

1885 Victory Blvd. Reseda, CA

FM-07-109

CREATED BY: TNT

FrameMax, Inc.
13915 Danielson St
Suite 100
Poway, CA 92064
www.frame-max.com

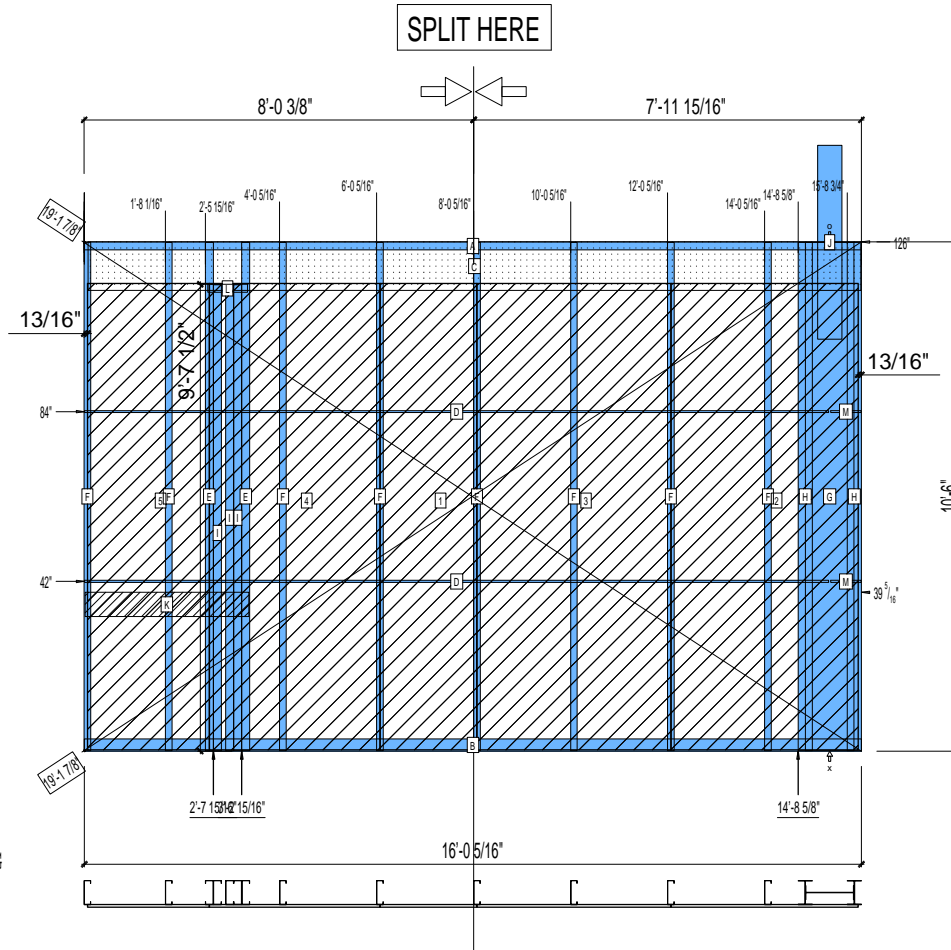


© FrameMax Inc.

HEIGHT : 10'-6"
POINTS: 7.13 Points.
SPACING : 5000"
1st STUD: 5000"

WEIGHTS :
FRAME : 811 lbs
SHEATHING: 563 lbs

TOTAL: 1374 lbs



PIECES LIST			
LABEL	QTY	SIZE	LENGTH USE
A	1	600T200-68	16'-0 5/16" TOP TRACK
B	1	600T300-68	16'-0 5/16" BOTTOM TRACK
C	1	1200D-54	15'-11 1/4" STRAP
D	2	150U50-54	15'-4 1/8" HORIZONTAL BRACING
E	2	600S200-97	10'-5 13/16" BEAM KING
F	8	600S162-68	10'-5 13/16" STUD
G	1	1200i350p1062	10'-5 13/16" PACO
H	2	600i350p680	10'-5 13/16" PACO
I	3	600S200-68	9'-7 5/16" BEAM JACK
J	1	C	4'-0" HOLDDOWN
K	1	600D-54	3'-4 1/2" VANITY BACKING
L	1	600T200-68	9 13/16" BEAM JACK
M	2	150U50-54	7 1/2" HORIZONTAL BRACING

SHEATHING					
LABEL	QTY	CODE	THICK	SIZE	SCREWS
1	1	SB-DENSARMOR	5/8"	2'-0" X 9'-7 7/16"	3-12
2	1	SB-DENSARMOR	5/8"	3'-10 5/16" X 9'-7 7/16"	3-12
3	1	SB-DENSARMOR	5/8"	4'-0" X 9'-7 7/16"	3-12
4	1	SB-DENSARMOR	5/8"	3'-6 3/16" X 9'-7 7/16"	3-12
5	1	SB-DENSARMOR	5/8"	2'-6 1/8" X 9'-7 7/16"	3-12

22-1080

Jewish Home for the Aging

1885 Victory Blvd. Reseda, CA

FM-07-109

CREATED BY: TNT

FrameMax, Inc.
13915 Danielson St
Suite 100
Poway, CA 92064
www.framemax.com



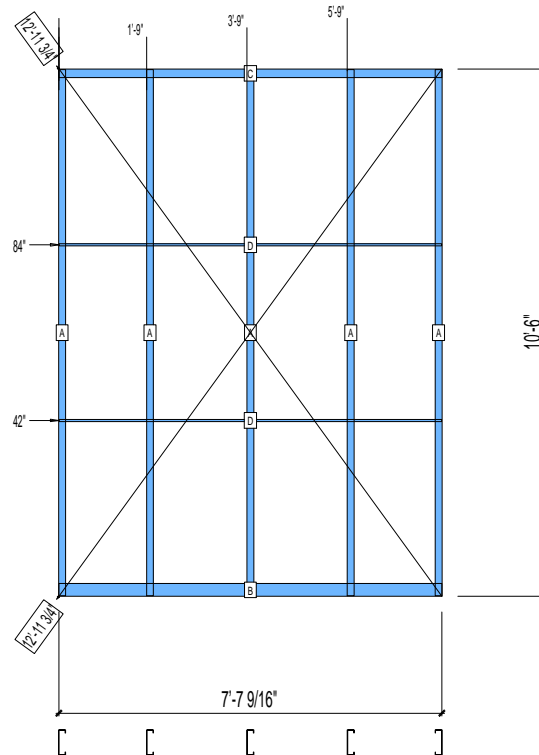
© FrameMax Inc.

HEIGHT : 10'-6"
SPACING : 5000"
1st STUD: 5000"

POINTS: 1.14 Points.

WEIGHTS :
FRAME : 173 lbs

TOTAL: 173 lbs



PIECES LIST

LABEL	QTY	SIZE	LENGTH	USE
A	5	600S162-68	10'-5 13/16"	STUD
B	1	600T300-68	7'-7 9/16"	BOTTOM TRACK
C	1	600T200-68	7'-7 9/16"	TOP TRACK
D	2	150U50-54	7'-7 3/8"	HORIZONTAL BRACING

22-1081

Jewish Home for the Aging

1885 Victory Blvd. Reseda, CA

FrameMax, Inc.
13915 Danielson St
Suite 100
Poway, CA 92064
www.framemax.com



© FrameMax Inc.

CREATED: 11/12/2008

FM-07-109

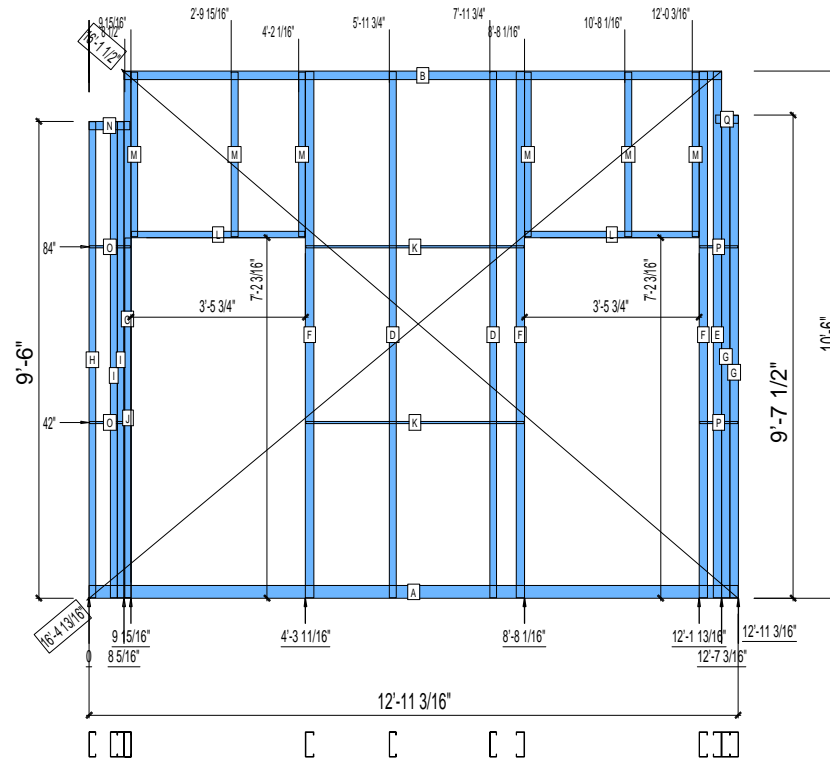
CREATED BY: TNT

HEIGHT : 10'-6"
SPACING : 5000"
1st STUD: 5000"

POINTS: 3.12 Points.

WEIGHTS :
FRAME : 482 lbs

TOTAL: 482 lbs



PIECES LIST

LABEL	QTY	SIZE	LENGTH	USE
A	1	600T300-68	12'-11 3/16"	BOTTOM TRACK
B	1	600T200-68	11'-10 7/8"	TOP TRACK
C	1	600S162-68	10'-5 13/16"	BEAM KING
D	2	600S162-68	10'-5 13/16"	STUD
E	1	600S200-97	10'-5 13/16"	BEAM KING
F	3	600S200-97	10'-5 13/16"	KING STUD
G	2	600S200-68	9'-7 5/16"	BEAM JACK
H	1	600S162-68	9'-5 13/16"	STUD
I	2	600S162-68	9'-5 13/16"	BEAM JACK
J	1	600T150-54	7'-2"	CAP TRACK
K	2	150U50-54	4'-4 1/8"	HORIZONTAL BRACING
L	2	600T150-54	3'-5 1/2"	HEAD TRACK
M	6	600S162-54	3'-3 3/8"	CRIPPLE
N	1	600T200-68	9 13/16"	BEAM JACK
O	2	150U50-54	9 3/4"	HORIZONTAL BRACING
P	2	150U50-54	9 1/8"	HORIZONTAL BRACING
Q	1	600T200-68	5 7/16"	BEAM JACK

22-1082

Jewish Home for the Aging

1885 Victory Blvd. Reseda, CA

FrameMax, Inc.
13915 Danielson St
Suite 100
Poway, CA 92064
www.frame-max.com



© FrameMax Inc.

CREATED: 11/11/2008

FM-07-109

CREATED BY: TNT

HEIGHT : 10'-6" POINTS: 1.09 Points.

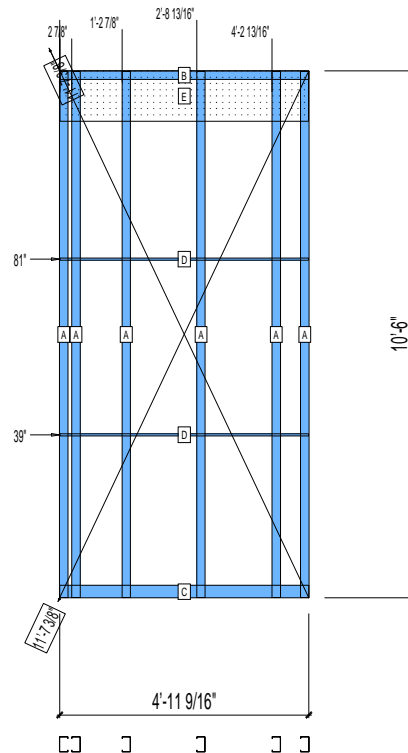
SPACING : 5000"

1st STUD: 5000"

WEIGHTS :

FRAME : 165 lbs

TOTAL: 165 lbs



PIECES LIST

LABEL	QTY	SIZE	LENGTH	USE
A	6	362S200-68	10'-5 13/16"	STUD
B	1	362T200-68	4'-11 9/16"	TOP TRACK
C	1	362T300-68	4'-11 9/16"	BOTTOM TRACK
D	2	150U50-54	4'-11 3/8"	HORIZONTAL BRACING
E	1	1200D-54	4'-11 3/8"	STRAP

22-1083

Jewish Home for the Aging

1885 Victory Blvd. Reseda, CA

FrameMax, Inc.
13915 Danielson St
Suite 100
Poway, CA 92064
www.frame-max.com



© FrameMax Inc.

CREATED: 11/11/2008

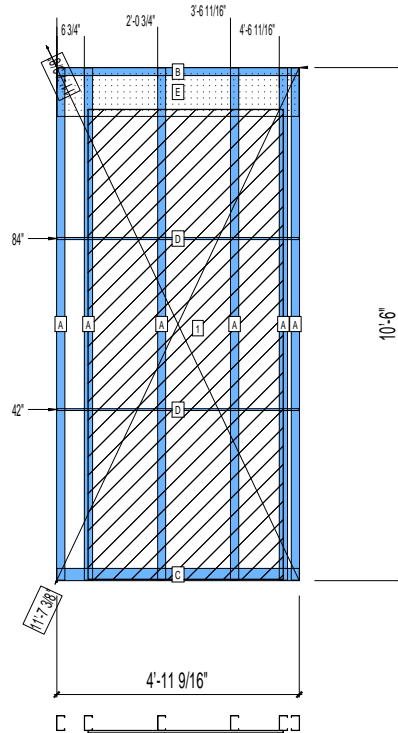
FM-07-109

CREATED BY: TNT

HEIGHT : 10'-6" POINTS: 1.73 Points.
SPACING : 5000"
1st STUD: 5000"

WEIGHTS :
FRAME : 165 lbs
SHEATHING: 141 lbs

TOTAL: 306 lbs



PIECES LIST

LABEL	QTY	SIZE	LENGTH	USE
A	6	362S200-68	10'-5 13/16"	STUD
B	1	362T200-68	4'-11 9/16"	TOP TRACK
C	1	362T300-68	4'-11 9/16"	BOTTOM TRACK
D	2	150U50-54	4'-11 3/8"	HORIZONTAL BRACING
E	1	1200D-54	4'-11 3/8"	STRAP

SHEATHING

LABEL	QTY	CODE	THICK	SIZE	SCREWS
1	1	SB-DENSARMOR	5/8"	3'-11 15/16" X	9'-7 7/16" 2-12

22-1084

Jewish Home for the Aging

1885 Victory Blvd. Reseda, CA

FrameMax, Inc.
13915 Danielson St
Suite 100
Poway, CA 92064
www.frame-max.com



© FrameMax Inc.

CREATED: 11/11/2008

FM-07-109

CREATED BY: TNT

HEIGHT : 10'-6" POINTS: 0.76 Points.

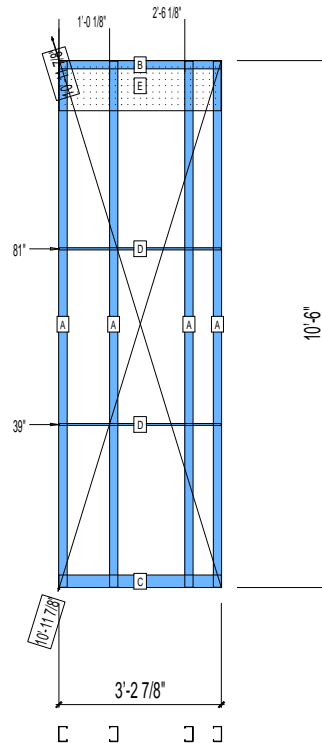
SPACING : 5000"

1st STUD: 5000"

WEIGHTS :

FRAME : 109 lbs

TOTAL: 109 lbs



PIECES LIST

LABEL	QTY	SIZE	LENGTH	USE
A	4	362S200-68	10'-5 13/16"	STUD
B	1	362T200-68	3'-2 7/8"	TOP TRACK
C	1	362T300-68	3'-2 7/8"	BOTTOM TRACK
D	2	150U50-54	3'-2 11/16"	HORIZONTAL BRACING
E	1	1200D-54	3'-2 11/16"	STRAP

22-1085

Jewish Home for the Aging

1885 Victory Blvd. Reseda, CA

FrameMax, Inc.
13915 Danielson St
Suite 100
Poway, CA 92064
www.frame-max.com



© FrameMax Inc.

CREATED: 11/11/2008

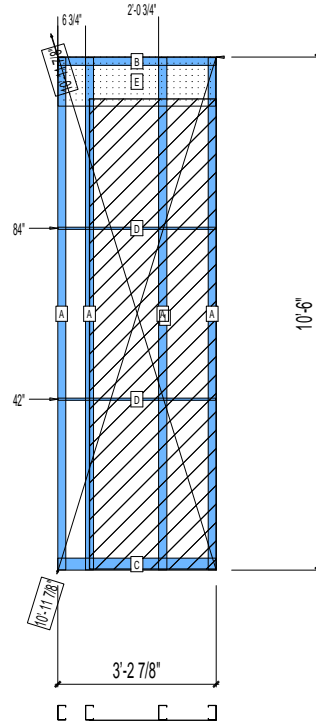
FM-07-109

CREATED BY: TNT

HEIGHT : 10'-6" POINTS: 1.17 Points.
SPACING : 5000"
1st STUD: 5000"

WEIGHTS :
FRAME : 109 lbs
SHEATHING: 92 lbs

TOTAL: 201 lbs



PIECES LIST

LABEL	QTY	SIZE	LENGTH	USE
A	4	362S200-68	10'-5 13/16"	STUD
B	1	362T200-68	3'-2 7/8"	TOP TRACK
C	1	362T300-68	3'-2 7/8"	BOTTOM TRACK
D	2	150U50-54	3'-2 11/16"	HORIZONTAL BRACING
E	1	1200D-54	3'-2 11/16"	STRAP

SHEATHING

LABEL	QTY	CODE	THICK	SIZE	SCREWS
1	1	SB-DENSARMOR	5/8"	2'-7 1/16" X 9'-7 7/16"	2-12

22-1086

Jewish Home for the Aging

1885 Victory Blvd. Reseda, CA

FrameMax, Inc.
13915 Danielson St
Suite 100
Poway, CA 92064
www.frame-max.com



© FrameMax Inc.

CREATED: 11/11/2008

FM-07-109

CREATED BY: TNT

HEIGHT : 9'-10" POINTS: 0.42 Points.

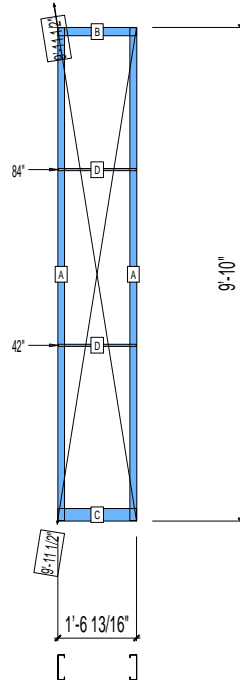
SPACING : 5000"

1st STUD: 5000"

WEIGHTS :

FRAME : 56 lbs

TOTAL: 56 lbs



PIECES LIST

LABEL	QTY	SIZE	LENGTH	USE
A	2	600S162-68	9'-9 13/16"	STUD
B	1	600T200-68	1'-6 13/16"	TOP TRACK
C	1	600T300-68	1'-6 13/16"	BOTTOM TRACK
D	2	150U50-54	1'-6 5/8"	HORIZONTAL BRACING

22-1087

Jewish Home for the Aging

1885 Victory Blvd. Reseda, CA

FM-07-109

CREATED BY: TNT

FrameMax, Inc.
13915 Danielson St
Suite 100
Poway, CA 92064
www.frame-max.com



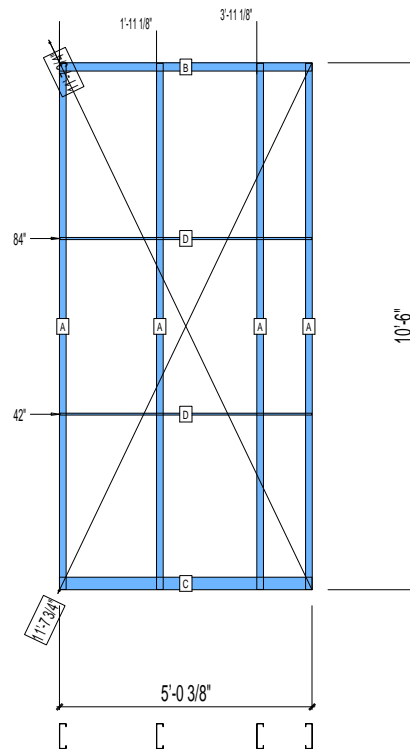
© FrameMax Inc.

HEIGHT : 10'-6"
SPACING : 5000"
1st STUD: 5000"

POINTS: 0.87 Points.

WEIGHTS :
FRAME : 131 lbs

TOTAL: 131 lbs



PIECES LIST

LABEL	QTY	SIZE	LENGTH	USE
A	4	600S162-68	10'-5 13/16"	STUD
B	1	600T200-68	5'-0 3/8"	TOP TRACK
C	1	600T300-68	5'-0 3/8"	BOTTOM TRACK
D	2	150U50-54	5'-0 3/16"	HORIZONTAL BRACING

22-1088

Jewish Home for the Aging

1885 Victory Blvd. Reseda, CA

FM-07-109

CREATED BY: TNT

FrameMax, Inc.
13915 Danielson St
Suite 100
Poway, CA 92064
www.frame-max.com



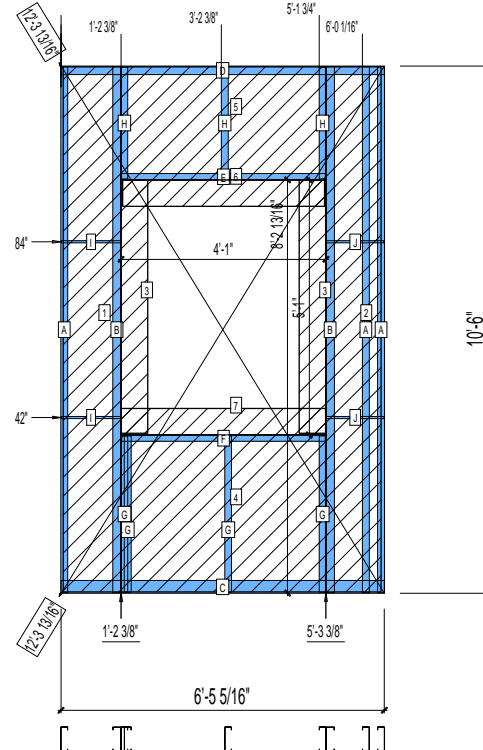
© FrameMax Inc.

HEIGHT : 10'-6"
SPACING : 5000"
1st STUD: 16"

POINTS: 2.16 Points.

WEIGHTS :
FRAME : 216 lbs
SHEATHING: 137 lbs

TOTAL: 353 lbs



PIECES LIST

LABEL	QTY	SIZE	LENGTH	USE
A	3	600S162-54	10'-5 13/16"	STUD
B	2	600S200-97	10'-5 13/16"	KING STUD
C	1	600T300-54	6'-5 5/16"	BOTTOM TRACK
D	1	600T200-54	6'-5 5/16"	TOP TRACK
E	1	600T150-54	4'-0 3/4"	HEAD TRACK
F	1	600T150-54	4'-0 3/4"	SILL
G	4	600S162-54	3'-1 3/8"	CRIPPLE
H	3	600S162-54	2'-2 3/4"	CRIPPLE
I	2	150U50-54	1'-2 1/8"	HORIZONTAL BRACING
J	2	150U50-54	1'-1 3/4"	HORIZONTAL BRACING

SHEATHING

LABEL	QTY	CODE	THICK	SIZE	SCREWS
1	1	DENSGLASS	1/2"	1'-1 3/4" X 10'-5 9/16"	8 - 12
2	1	DENSGLASS	1/2"	1'-1 1/8" X 10'-5 9/16"	8 - 12
3	2	DENSGLASS	1/2"	6 3/8" X 5'-0 1/2"	8 - 12
4	1	DENSGLASS	1/2"	4'-0 7/8" X 3'-1 1/2"	8 - 12
5	1	DENSGLASS	1/2"	4'-0 7/8" X 2'-3"	8 - 12
6	1	DENSGLASS	1/2"	4'-0 1/4" X 6 5/16"	8 - 12
7	1	DENSGLASS	1/2"	4'-0 7/8" X 6 5/16"	8 - 12

22-1089

Jewish Home for the Aging

1885 Victory Blvd. Reseda, CA

FrameMax, Inc.
13915 Danielson St
Suite 100
Poway, CA 92064
www.frame-max.com



© FrameMax Inc.

CREATED: 11/11/2008

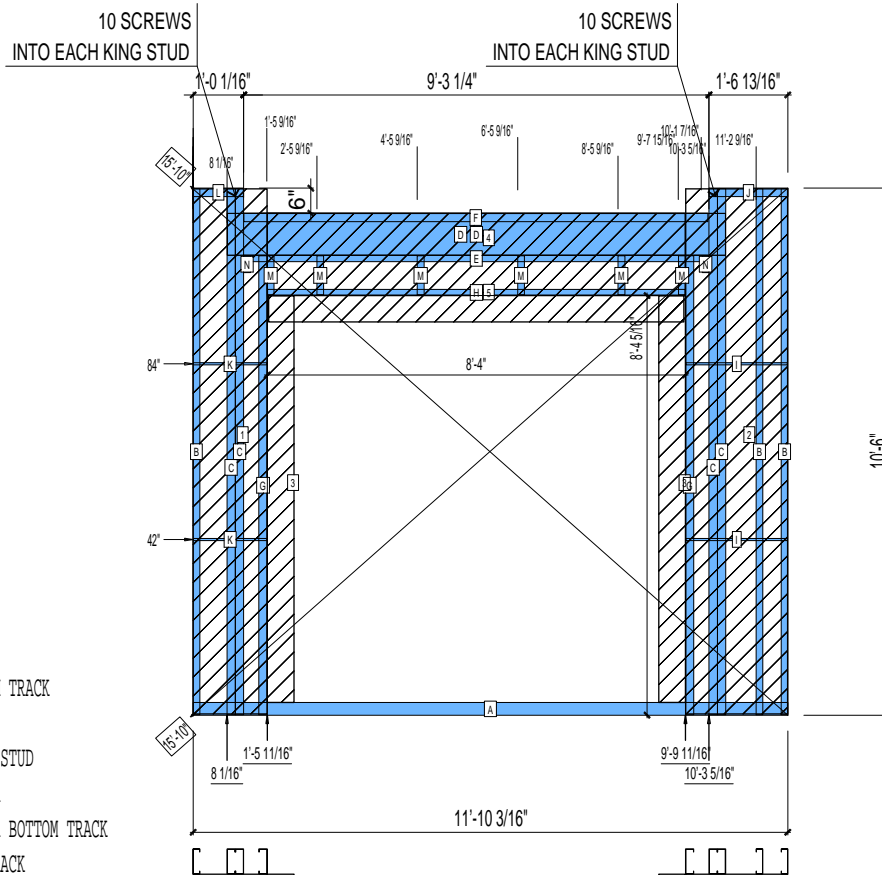
FM-07-109

CREATED BY: TNT

HEIGHT : 10'-6"
POINTS: 3.74 Points.
SPACING : 5000"
1st STUD: 16"

WEIGHTS :
FRAME : 475 lbs
SHEATHING: 158 lbs

TOTAL: 633 lbs



PIECES LIST			
LABEL	QTY	SIZE	LENGTH USE
A	1	600T300-54	11'-10 3/16" BOTTOM TRACK
B	3	600S162-54	10'-5 13/16" STUD
C	4	600S200-97	10'-5 13/16" EXTRA STUD
D	2	1000S200-97	9'-11 1/8" HEADER
E	1	600T150-54	9'-3 1/8" HEADER BOTTOM TRACK
F	1	600T200-54	9'-2 15/16" TOP TRACK
G	2	600S200-97	9'-1 3/4" KING STUD
H	1	600T150-54	8'-3 7/8" HEAD TRACK
I	2	150U50-54	2'-0 1/4" HORIZONTAL BRACING
J	1	600T200-54	1'-6 3/4" TOP TRACK
K	2	150U50-54	1'-5 1/2" HORIZONTAL BRACING
L	1	600T200-54	1'-0" TOP TRACK
M	6	600S162-54	9 5/16" CRIPPLE
N	2	600S162-33	4" BACKER STUD

SHEATHING					
LABEL	QTY	CODE	THICK	SIZE	SCREWS
1	1	DENSGLASS	1/2"	1'-5 5/8" X 10'-5 9/16"	8 - 12
2	1	DENSGLASS	1/2"	2'-0 3/8" X 10'-5 9/16"	8 - 12
3	2	DENSGLASS	1/2"	6 3/8" X 8'-1 1/4"	8 - 12
4	1	DENSGLASS	1/2"	8'-3 15/16" X 1'-7 9/16"	8 - 12
5	1	DENSGLASS	1/2"	8'-3 1/4" X 6 5/16"	8 - 12

22-1090

Jewish Home for the Aging

1885 Victory Blvd. Reseda, CA

FrameMax, Inc.
13915 Danielson St
Suite 100
Poway, CA 92064
www.frame-max.com



© FrameMax Inc.

CREATED: 11/11/2008

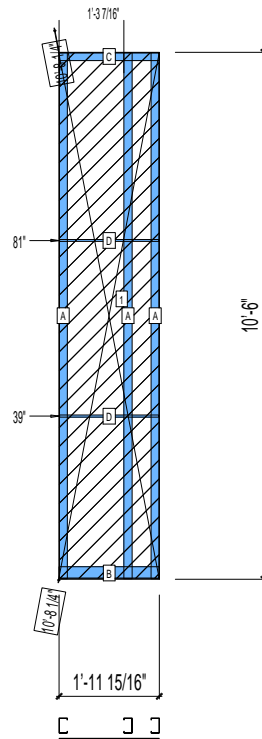
FM-07-109

CREATED BY: TNT

HEIGHT : 10'-6"
POINTS: 0.76 Points.
SPACING : 5000"
1st STUD: 16"

WEIGHTS :
FRAME : 74 lbs
SHEATHING: 52 lbs

TOTAL: 126 lbs



PIECES LIST

LABEL	QTY	SIZE	LENGTH	USE
A	3	362S200-68	10'-5 13/16"	STUD
B	1	362T300-68	1'-11 15/16"	BOTTOM TRACK
C	1	362T200-68	1'-11 15/16"	TOP TRACK
D	2	150U50-54	1'-11 3/4"	HORIZONTAL BRACING

SHEATHING

LABEL	QTY	CODE	THICK	SIZE	SCREWS
1	1	DENSGLASS	1/2"	1'-11 7/8" X 10'-5 9/16"	8 - 12

22-1091

Jewish Home for the Aging

1885 Victory Blvd. Reseda, CA

FrameMax, Inc.
13915 Danielson St
Suite 100
Poway, CA 92064
www.frame-max.com



© FrameMax Inc.

CREATED: 11/11/2008

FM-07-109

CREATED BY: TNT

HEIGHT : 10'-6" POINTS: 0.53 Points.

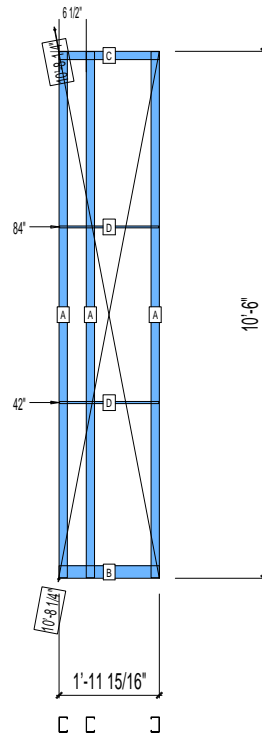
SPACING : 5000"

1st STUD: 5000"

WEIGHTS :

FRAME : 74 lbs

TOTAL: 74 lbs



PIECES LIST

LABEL	QTY	SIZE	LENGTH	USE
A	3	362S200-68	10'-5 13/16"	STUD
B	1	362T300-68	1'-11 15/16"	BOTTOM TRACK
C	1	362T200-68	1'-11 15/16"	TOP TRACK
D	2	150U50-54	1'-11 3/4"	HORIZONTAL BRACING

22-1092

Jewish Home for the Aging

1885 Victory Blvd. Reseda, CA

FrameMax, Inc.
13915 Danielson St
Suite 100
Poway, CA 92064
www.framemax.com



© FrameMax Inc.

CREATED: 11/11/2008

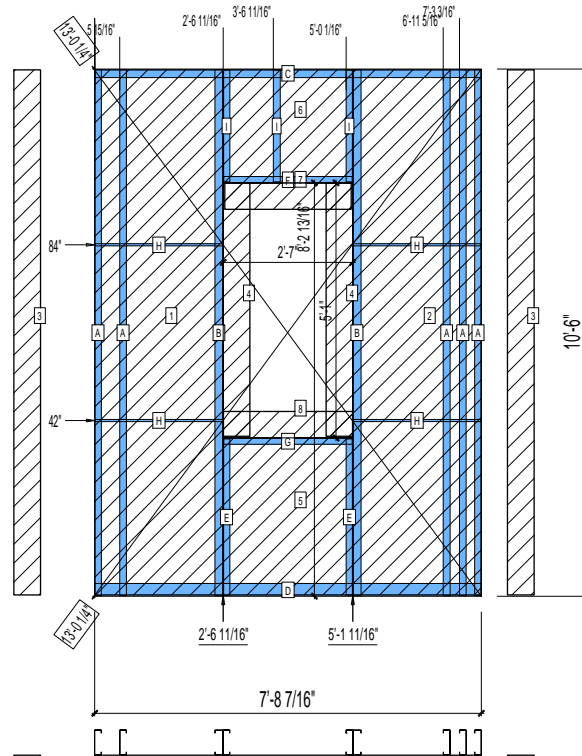
FM-07-109

CREATED BY: TNT

HEIGHT : 10'-6"
POINTS: 2.69 Points.
SPACING : 5000"
1st STUD: 5000"

WEIGHTS :
FRAME : 247 lbs
SHEATHING: 216 lbs

TOTAL: 463 lbs



PIECES LIST

LABEL	QTY	SIZE	LENGTH	USE
A	5	600S162-54	10'-5 13/16"	STUD
B	2	600S200-97	10'-5 13/16"	KING STUD
C	1	600T200-54	7'-8 7/16"	TOP TRACK
D	1	600T300-54	7'-8 7/16"	BOTTOM TRACK
E	2	600S162-54	3'-1 3/8"	CRIPPLE
F	1	600T150-54	2'-6 3/4"	HEAD TRACK
G	1	600T150-54	2'-6 3/4"	SILL
H	4	150U50-54	2'-6 1/2"	HORIZONTAL BRACING
I	3	600S162-54	2'-2 3/4"	CRIPPLE

SHEATHING

LABEL	QTY	CODE	THICK	SIZE	SCREWS
1	1	DENSGLASS	1/2"	2'-6 5/8" X 10'-5 9/16"	8 - 12
2	1	DENSGLASS	1/2"	2'-6 5/8" X 10'-5 9/16"	8 - 12
3	2	DENSGLASS	1/2"	6 3/8" X 10'-5 9/16"	8 - 12
4	2	DENSGLASS	1/2"	6 3/8" X 5'-0 1/2"	8 - 12
5	1	DENSGLASS	1/2"	2'-6 7/8" X 3'-1 1/2"	8 - 12
6	1	DENSGLASS	1/2"	2'-6 7/8" X 2'-3"	8 - 12
7	1	DENSGLASS	1/2"	2'-6 1/4" X 6 5/16"	8 - 12
8	1	DENSGLASS	1/2"	2'-6 7/8" X 6 5/16"	8 - 12

22-1093

Jewish Home for the Aging

1885 Victory Blvd. Reseda, CA

FM-07-109

CREATED BY: TNT

FrameMax, Inc.
13915 Danielson St
Suite 100
Poway, CA 92064
www.frame-max.com

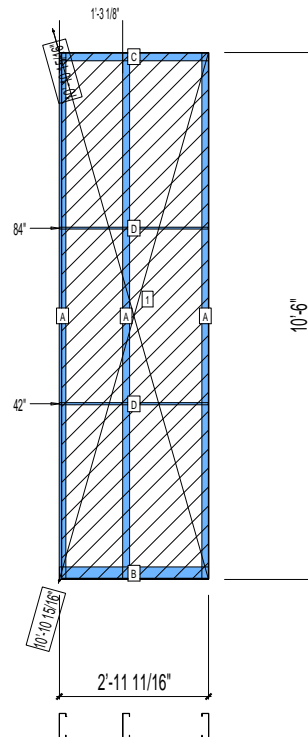


© FrameMax Inc.

HEIGHT : 10'-6"
POINTS: 0.90 Points.
SPACING : 5000"
1st STUD: 16"

WEIGHTS :
FRAME : 75 lbs
SHEATHING: 77 lbs

TOTAL: 152 lbs



PIECES LIST

LABEL	QTY	SIZE	LENGTH	USE
A	3	600S162-54	10'-5 13/16"	STUD
B	1	600T300-54	2'-11 11/16"	BOTTOM TRACK
C	1	600T200-54	2'-11 11/16"	TOP TRACK
D	2	150U50-54	2'-11 1/2"	HORIZONTAL BRACING

SHEATHING

LABEL	QTY	CODE	THICK	SIZE	SCREWS
1	1	DENSGLOSS	1/2"	2'-11 1/8" X 10'-5 9/16"	8 - 12

22-1094

Jewish Home for the Aging

1885 Victory Blvd. Reseda, CA

FrameMax, Inc.
13915 Danielson St
Suite 100
Poway, CA 92064
www.frame-max.com



© FrameMax Inc.

CREATED: 11/11/2008

FM-07-109

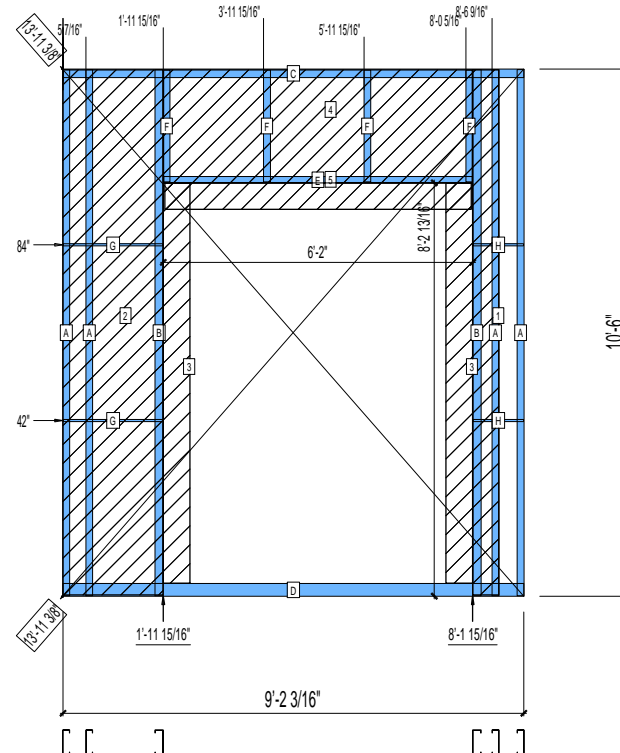
CREATED BY: TNT

HEIGHT : 10'-6"
SPACING : 5000"
1st STUD: 5000"

POINTS: 2.17 Points.

WEIGHTS :
FRAME : 226 lbs
SHEATHING: 129 lbs

TOTAL: 355 lbs



PIECES LIST

LABEL	QTY	SIZE	LENGTH	USE
A	4	600S162-54	10'-5 13/16"	STUD
B	2	600S200-97	10'-5 13/16"	KING STUD
C	1	600T200-54	9'-2 3/16"	TOP TRACK
D	1	600T300-54	9'-2 3/16"	BOTTOM TRACK
E	1	600T150-54	6'-1 3/4"	HEAD TRACK
F	4	600S162-54	2'-2 3/4"	CRIPPLE
G	2	150U50-54	1'-11 3/4"	HORIZONTAL BRACING
H	2	150U50-54	1'-0"	HORIZONTAL BRACING

SHEATHING

LABEL	QTY	CODE	THICK	SIZE	SCREWS
1	1	DENSGLASS	1/2"	6 1/8" X 10'-5 9/16"	8 - 12
2	1	DENSGLASS	1/2"	1'-11 7/8" X 10'-5 9/16"	8 - 12
3	2	DENSGLASS	1/2"	6 3/8" X 7'-11 11/16"	8 - 12
4	1	DENSGLASS	1/2"	6'-1 7/8" X 2'-3"	8 - 12
5	1	DENSGLASS	1/2"	6'-1 1/4" X 6 5/16"	8 - 12

22-1095

Jewish Home for the Aging

1885 Victory Blvd. Reseda, CA

FrameMax, Inc.
13915 Danielson St
Suite 100
Poway, CA 92064
www.frame-max.com



© FrameMax Inc.

CREATED: 11/11/2008

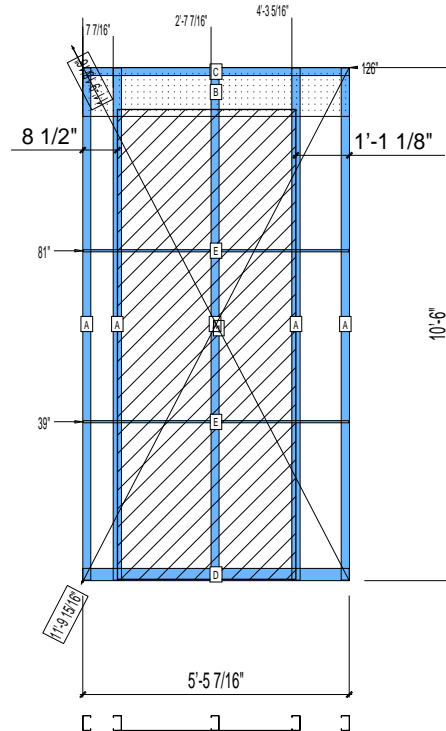
FM-07-109

CREATED BY: TNT

HEIGHT : 10'-6" POINTS: 1.59 Points.
SPACING : 5000"
1st STUD: 5000"

WEIGHTS :
FRAME : 148 lbs
SHEATHING: 129 lbs

TOTAL: 277 lbs



PIECES LIST

LABEL	QTY	SIZE	LENGTH	USE
A	5	362S200-68	10'-5 13/16"	STUD
B	1	1200D-54	5'-5 1/2"	STRAP
C	1	362T200-68	5'-5 7/16"	TOP TRACK
D	1	362T300-68	5'-5 7/16"	BOTTOM TRACK
E	2	150U50-54	5'-5 1/4"	HORIZONTAL BRACING

SHEATHING

LABEL	QTY	CODE	THICK	SIZE	SCREWS
1	1	SB-DENSARMOR	5/8"	3'-7 13/16" X 9'-7 7/16"	2-12

22-1096

Jewish Home for the Aging

1885 Victory Blvd. Reseda, CA

FM-07-109

CREATED BY: TNT

FrameMax, Inc.
13915 Danielson St
Suite 100
Poway, CA 92064
www.frame-max.com



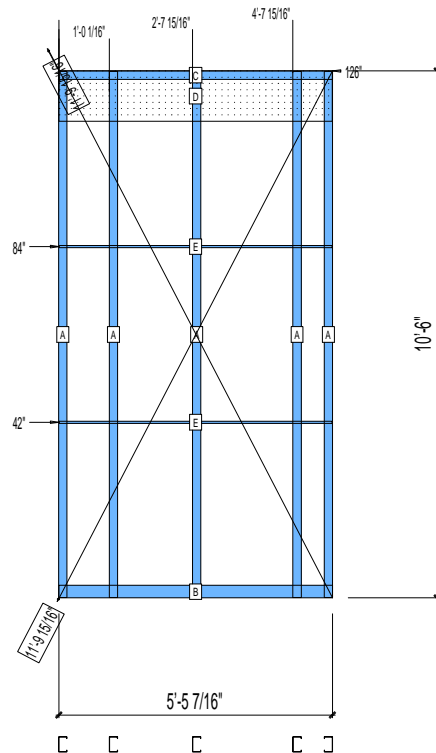
© FrameMax Inc.

HEIGHT : 10'-6"
SPACING : 5000"
1st STUD: 5000"

POINTS: 1.00 Points.

WEIGHTS :
FRAME : 148 lbs

TOTAL: 148 lbs



PIECES LIST

LABEL	QTY	SIZE	LENGTH	USE
A	5	362S200-68	10'-5 13/16"	STUD
B	1	362T300-68	5'-5 7/16"	BOTTOM TRACK
C	1	362T200-68	5'-5 7/16"	TOP TRACK
D	1	1200D-54	5'-5 3/8"	STRAP
E	2	150U50-54	5'-5 1/4"	HORIZONTAL BRACING

22-1097

Jewish Home for the Aging

1885 Victory Blvd. Reseda, CA

FrameMax, Inc.
13915 Danielson St
Suite 100
Poway, CA 92064
www.frame-max.com



© FrameMax Inc.

CREATED: 11/11/2008

FM-07-109

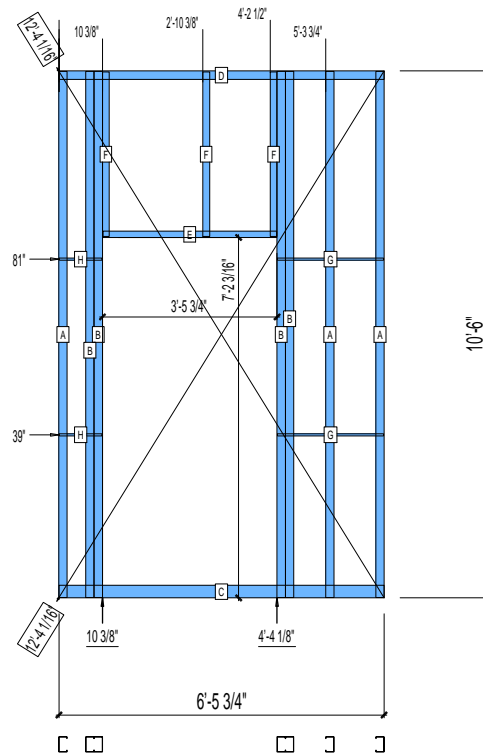
CREATED BY: TNT

HEIGHT : 10'-6"
SPACING : 5000"
1st STUD: 5000"

POINTS: 1.39 Points.

WEIGHTS :
FRAME : 197 lbs

TOTAL: 197 lbs



PIECES LIST

LABEL	QTY	SIZE	LENGTH	USE
A	3	362S200-68	10'-5 13/16"	STUD
B	4	362S200-68	10'-5 13/16"	KING STUD
C	1	362T300-68	6'-5 3/4"	BOTTOM TRACK
D	1	362T200-68	6'-5 3/4"	TOP TRACK
E	1	362T150-54	3'-5 1/2"	HEAD TRACK
F	3	362S162-54	3'-3 3/8"	CRIPPLE
G	2	150U50-54	2'-1 3/8"	HORIZONTAL BRACING
H	2	150U50-54	10 3/16"	HORIZONTAL BRACING

22-1098

Jewish Home for the Aging

1885 Victory Blvd. Reseda, CA

FrameMax, Inc.
13915 Danielson St
Suite 100
Poway, CA 92064
www.frame-max.com



© FrameMax Inc.

CREATED: 11/11/2008

FM-07-109

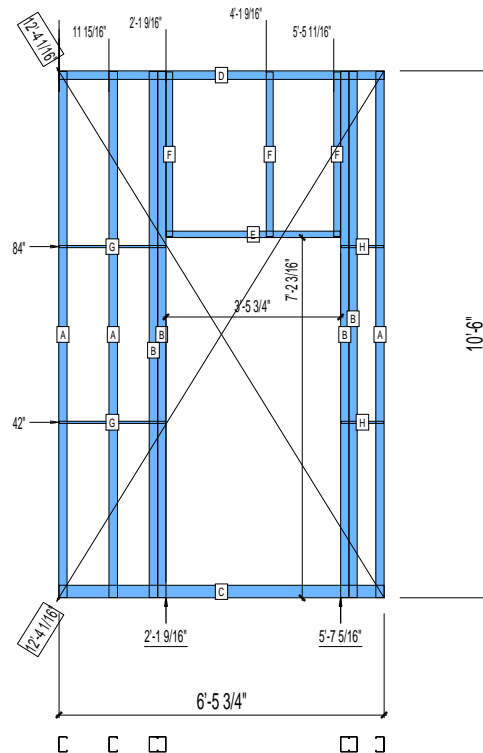
CREATED BY: TNT

HEIGHT : 10'-6"
SPACING : 5000"
1st STUD: 5000"

POINTS: 1.39 Points.

WEIGHTS :
FRAME : 197 lbs

TOTAL: 197 lbs



PIECES LIST

LABEL	QTY	SIZE	LENGTH	USE
A	3	362S200-68	10'-5 13/16"	STUD
B	4	362S200-68	10'-5 13/16"	KING STUD
C	1	362T300-68	6'-5 3/4"	BOTTOM TRACK
D	1	362T200-68	6'-5 3/4"	TOP TRACK
E	1	362T150-54	3'-5 1/2"	HEAD TRACK
F	3	362S162-54	3'-3 3/8"	CRIPPLE
G	2	150U50-54	2'-1 3/8"	HORIZONTAL BRACING
H	2	150U50-54	10 3/16"	HORIZONTAL BRACING

22-1099

Jewish Home for the Aging

1885 Victory Blvd. Reseda, CA

FrameMax, Inc.
13915 Danielson St
Suite 100
Poway, CA 92064
www.frame-max.com



© FrameMax Inc.

CREATED: 11/17/2008

FM-07-109

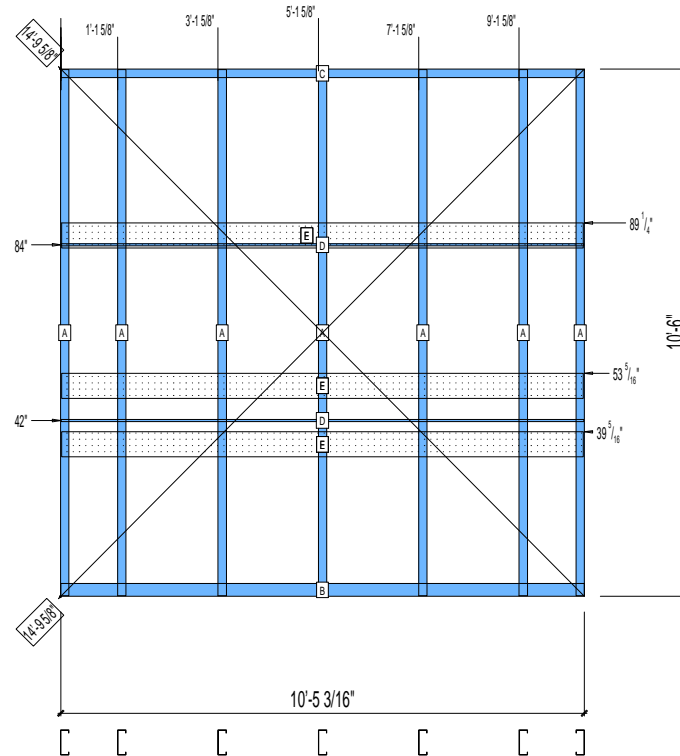
CREATED BY: TNT

HEIGHT : 10'-6"
SPACING : 5000"
1st STUD: 5000"

POINTS: 1.86 Points.

WEIGHTS :
FRAME : 295 lbs

TOTAL: 295 lbs



PIECES LIST

LABEL	QTY	SIZE	LENGTH	USE
A	7	600S200-68	10'-5 13/16"	STUD
B	1	600T300-68	10'-5 3/16"	BOTTOM TRACK
C	1	600T200-68	10'-5 3/16"	TOP TRACK
D	2	150U50-54	10'-5"	HORIZONTAL BRACING
E	3	600D-54	10'-4 3/4"	KITCHEN BACKING

22-1100

Jewish Home for the Aging

1885 Victory Blvd. Reseda, CA

FM-07-109

CREATED BY: TNT

FrameMax, Inc.
13915 Danielson St
Suite 100
Poway, CA 92064
www.frame-max.com

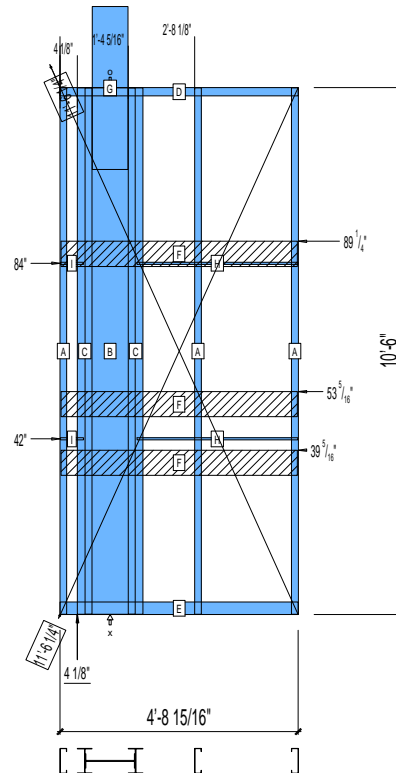


© FrameMax Inc.

HEIGHT : 10'-6"
POINTS: 3.01 Points.
SPACING : 5000"
1st STUD: 5000"

WEIGHTS :
FRAME : 566 lbs

TOTAL: 566 lbs



PIECES LIST

LABEL	QTY	SIZE	LENGTH	USE
A	3	600S162-68	10'-5 13/16"	STUD
B	1	1200i350p1420	10'-5 13/16"	PACO
C	2	600i350p968	10'-5 13/16"	PACO
D	1	600T200-68	4'-8 15/16"	TOP TRACK
E	1	600T300-68	4'-8 15/16"	BOTTOM TRACK
F	3	600D-54	4'-8 1/2"	KITCHEN BACKING
G	1	F	3'-3"	HOLDDOWN
H	2	150U50-54	3'-2 1/2"	HORIZONTAL BRACING
I	2	150U50-54	5 1/2"	HORIZONTAL BRACING

22-1101

Jewish Home for the Aging

1885 Victory Blvd. Reseda, CA

FM-07-109

CREATED BY: TNT

FrameMax, Inc.
13915 Danielson St
Suite 100
Poway, CA 92064
www.frame-max.com



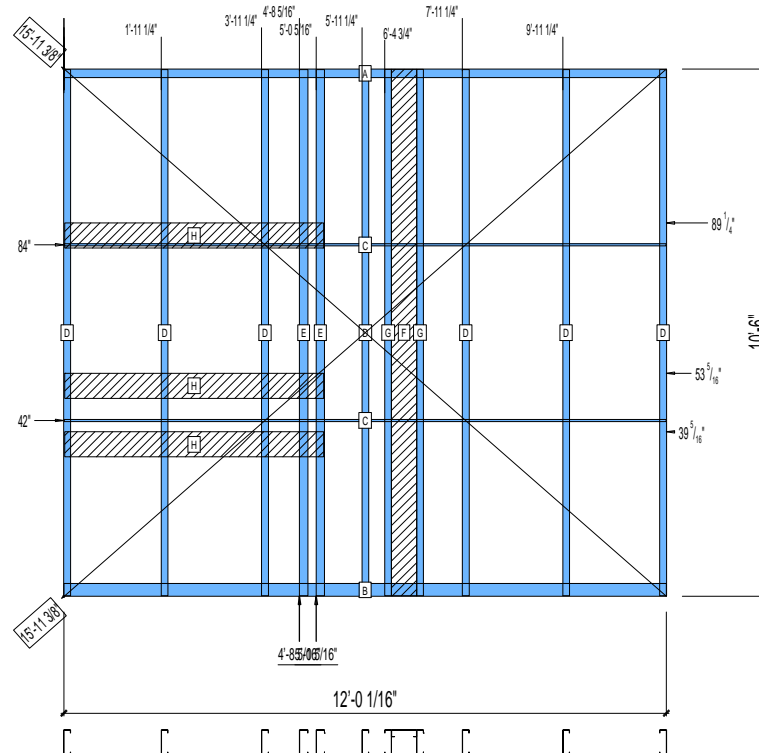
© FrameMax Inc.

HEIGHT : 10'-6"
SPACING : 5000"
1st STUD: 5000"

POINTS: 2.24 Points.

WEIGHTS :
FRAME : 349 lbs

TOTAL: 349 lbs



PIECES LIST

LABEL	QTY	SIZE	LENGTH	USE
A	1	600T200-68	12'-0 1/16"	TOP TRACK
B	1	600T300-68	12'-0 1/16"	BOTTOM TRACK
C	2	150U50-54	11'-11 7/8"	HORIZONTAL BRACING
D	7	600S162-68	10'-5 13/16"	STUD
E	2	600S200-54	10'-5 13/16"	EXTRA STUD
F	1	600S162-33	10'-5 13/16"	BACKER-U
G	2	600S162-33	10'-5 13/16"	BACKER STUD
H	3	600D-54	5'-1 7/8"	KITCHEN BACKING

22-1102

Jewish Home for the Aging

1885 Victory Blvd. Reseda, CA

FM-07-109

CREATED BY: TNT

FrameMax, Inc.
13915 Danielson St
Suite 100
Poway, CA 92064
www.frame-max.com



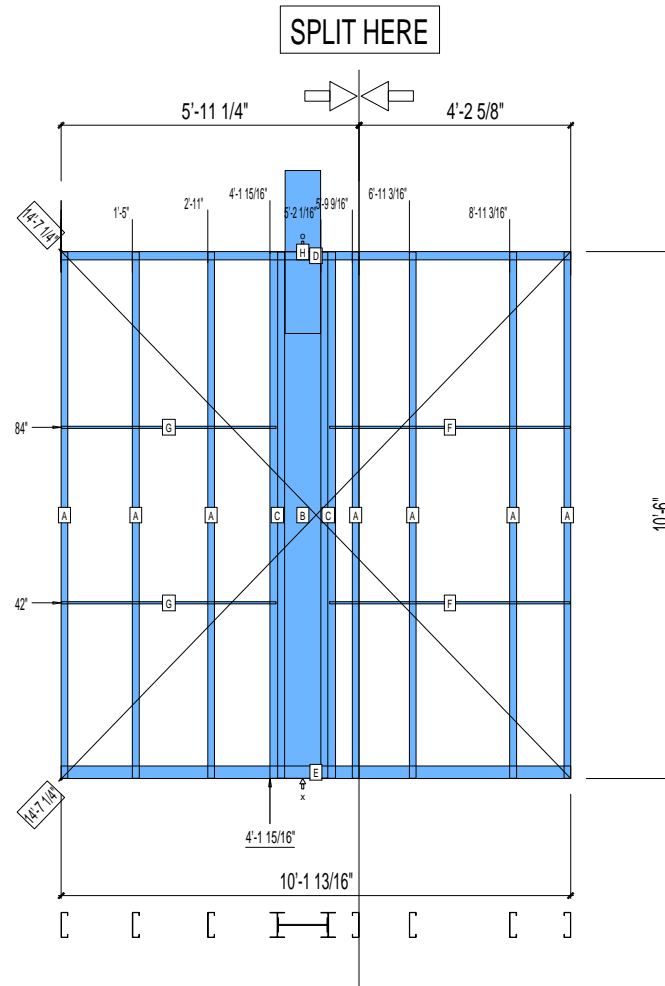
© FrameMax Inc.

HEIGHT : 10'-6"
SPACING : 5000"
1st STUD: 5000"

POINTS: 3.68 Points.

WEIGHTS :
FRAME : 683 lbs

TOTAL: 683 lbs



PIECES LIST

LABEL	QTY	SIZE	LENGTH	USE
A	7	600S162-68	10'-5 13/16"	STUD
B	1	1200i350p1420	10'-5 13/16"	PACO
C	2	600i350p968	10'-5 13/16"	PACO
D	1	600T200-68	10'-1 13/16"	TOP TRACK
E	1	600T300-68	10'-1 13/16"	BOTTOM TRACK
F	2	150U50-54	4'-9 9/16"	HORIZONTAL BRACING
G	2	150U50-54	4'-3 1/4"	HORIZONTAL BRACING
H	1	F	3'-3"	HOLDDOWN

22-1103

Jewish Home for the Aging

1885 Victory Blvd. Reseda, CA

FrameMax, Inc.
13915 Danielson St
Suite 100
Poway, CA 92064
www.frame-max.com



© FrameMax Inc.

CREATED: 11/11/2008

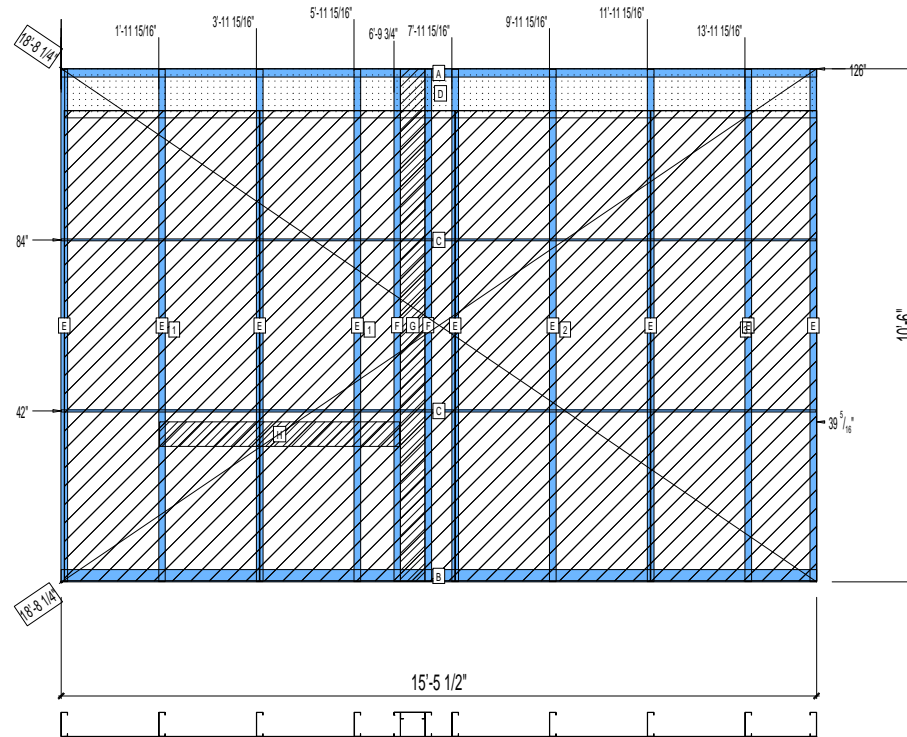
FM-07-109

CREATED BY: TNT

HEIGHT : 10'-6"
POINTS: 5.01 Points.
SPACING : 5000"
1st STUD: 5000"

WEIGHTS :
FRAME : 402 lbs
SHEATHING: 545 lbs

TOTAL: 947 lbs



PIECES LIST

LABEL	QTY	SIZE	LENGTH	USE
A	1	600T200-68	15'-5 1/2"	TOP TRACK
B	1	600T300-68	15'-5 1/2"	BOTTOM TRACK
C	2	150U50-54	15'-5 3/8"	HORIZONTAL BRACING
D	1	1200D-54	15'-4 5/8"	STRAP
E	9	600S162-68	10'-5 13/16"	STUD
F	2	600S162-33	10'-5 13/16"	BACKER STUD
G	1	600S162-33	10'-5 13/16"	BACKER-U
H	1	600D-54	4'-10 7/8"	VANITY BACKING

SHEATHING

LABEL	QTY	CODE	THICK	SIZE	SCREWS
1	2	SB-DENSARMOR	5/8"	4'-0" X 9'-7 7/16"	3-12
2	1	SB-DENSARMOR	5/8"	3'-11 15/16" X 9'-7 7/16"	3-12
3	1	SB-DENSARMOR	5/8"	3'-4 13/16" X 9'-7 7/16"	3-12

22-1104

Jewish Home for the Aging

1885 Victory Blvd. Reseda, CA

FrameMax, Inc.
13915 Danielson St
Suite 100
Poway, CA 92064
www.frame-max.com



© FrameMax Inc.

CREATED: 12/02/2008

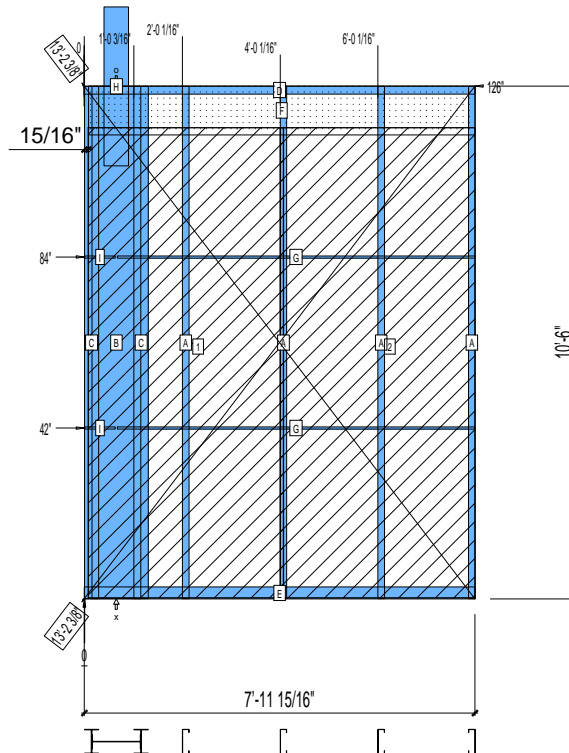
FM-07-109

CREATED BY: TNT

HEIGHT : 12'-1 3/8" POINTS: 3.91 Points.
SPACING : 5000"
1st STUD: 5000"

WEIGHTS :
FRAME : 473 lbs
SHEATHING: 282 lbs

TOTAL: 755 lbs



PIECES LIST

LABEL	QTY	SIZE	LENGTH	USE
A	4	600S162-68	10'-5 13/16"	STUD
B	1	1200i350p1062	10'-5 13/16"	PACO
C	2	600i350p680	10'-5 13/16"	PACO
D	1	600T200-68	7'-11 15/16"	TOP TRACK
E	1	600T300-68	7'-11 15/16"	BOTTOM TRACK
F	1	1200D-54	7'-10 7/8"	STRAP
G	2	150U50-54	7'-3 3/4"	HORIZONTAL BRACING
H	1	E	3'-3"	HOLDDOWN
I	2	150U50-54	7 1/2"	HORIZONTAL BRACING

SHEATHING

LABEL	QTY	CODE	THICK	SIZE	SCREWS
1	1	SB-DENSARMOR	5/8"	3'-11 15/16" X	9'-7 7/16" 3-12
2	1	SB-DENSARMOR	5/8"	3'-11 13/16" X	9'-7 7/16" 3-12

22-1105

Jewish Home for the Aging

1885 Victory Blvd. Reseda, CA

FrameMax, Inc.
13915 Danielson St
Suite 100
Poway, CA 92064
www.frame-max.com



© FrameMax Inc.

CREATED: 11/11/2008

FM-07-109

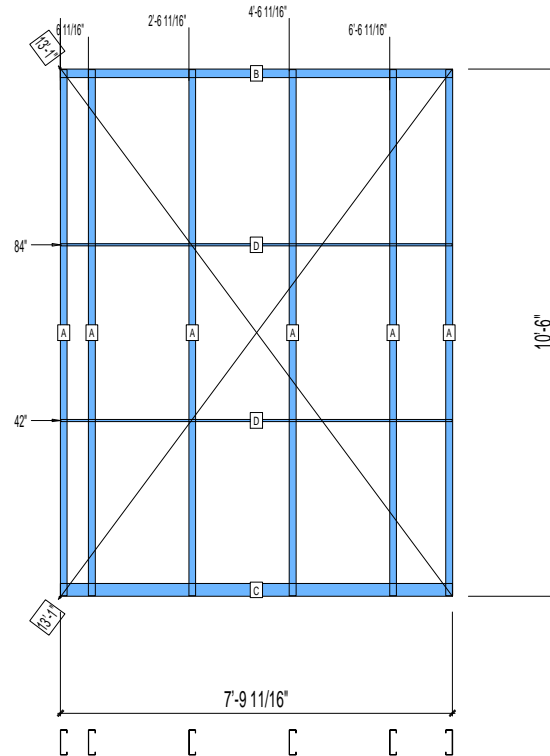
CREATED BY: TNT

HEIGHT : 10'-6"
SPACING : 5000"
1st STUD: 5000"

POINTS: 1.28 Points.

WEIGHTS :
FRAME : 199 lbs

TOTAL: 199 lbs



PIECES LIST

LABEL	QTY	SIZE	LENGTH	USE
A	6	600S162-68	10'-5 13/16"	STUD
B	1	600T200-68	7'-9 11/16"	TOP TRACK
C	1	600T300-68	7'-9 11/16"	BOTTOM TRACK
D	2	150U50-54	7'-9 1/2"	HORIZONTAL BRACING

22-1106

Jewish Home for the Aging

1885 Victory Blvd. Reseda, CA

FM-07-109

CREATED BY: TNT

FrameMax, Inc.
13915 Danielson St
Suite 100
Poway, CA 92064
www.frame-max.com

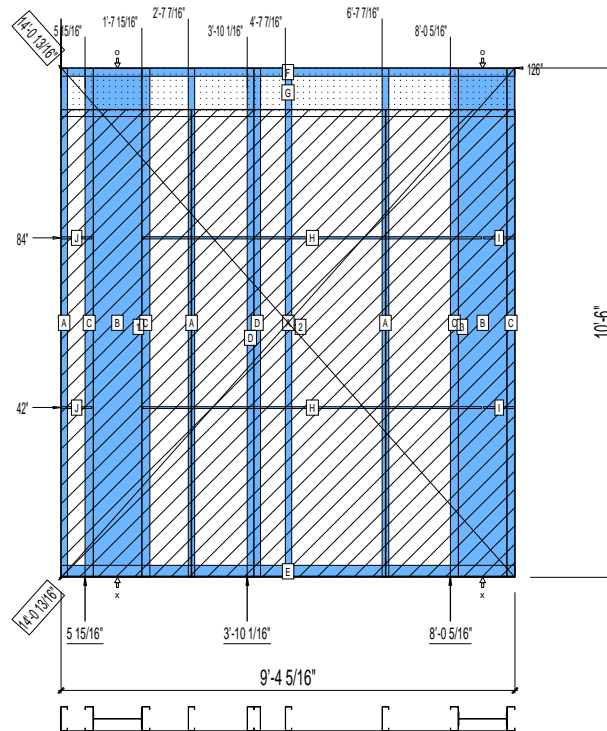


© FrameMax Inc.

HEIGHT : 10'-6"
SPACING : 5000"
1st STUD: 5000"

WEIGHTS :
FRAME : 562 lbs
SHEATHING: 331 lbs

TOTAL: 893 lbs



PIECES LIST

LABEL	QTY	SIZE	LENGTH	USE
A	4	600S162-68	10'-5 13/16"	STUD
B	2	1200i350p1062	10'-5 13/16"	PACO
C	4	600S200-68	10'-5 13/16"	STUD
D	2	600S162-68	10'-5 13/16"	EXTRA STUD
E	1	600T300-68	9'-4 5/16"	BOTTOM TRACK
F	1	600T200-68	9'-4 5/16"	TOP TRACK
G	1	1200D-54	9'-4 1/8"	STRAP
H	2	150U50-54	6'-11 13/16"	HORIZONTAL BRACING
I	2	150U50-54	7 5/8"	HORIZONTAL BRACING
J	2	150U50-54	7 9/16"	HORIZONTAL BRACING

SHEATHING

LABEL	QTY	CODE	THICK	SIZE	SCREWS
1	1	SB-DENSARMOR	5/8"	2'-8 1/4" X 9'-7 7/16"	2-12
2	1	SB-DENSARMOR	5/8"	4'-0" X 9'-7 7/16"	2-12
3	1	SB-DENSARMOR	5/8"	2'-8" X 9'-7 7/16"	2-12

22-1107

Jewish Home for the Aging

1885 Victory Blvd. Reseda, CA

FM-07-109

CREATED BY: TNT

FrameMax, Inc.
13915 Danielson St
Suite 100
Poway, CA 92064
www.framemax.com



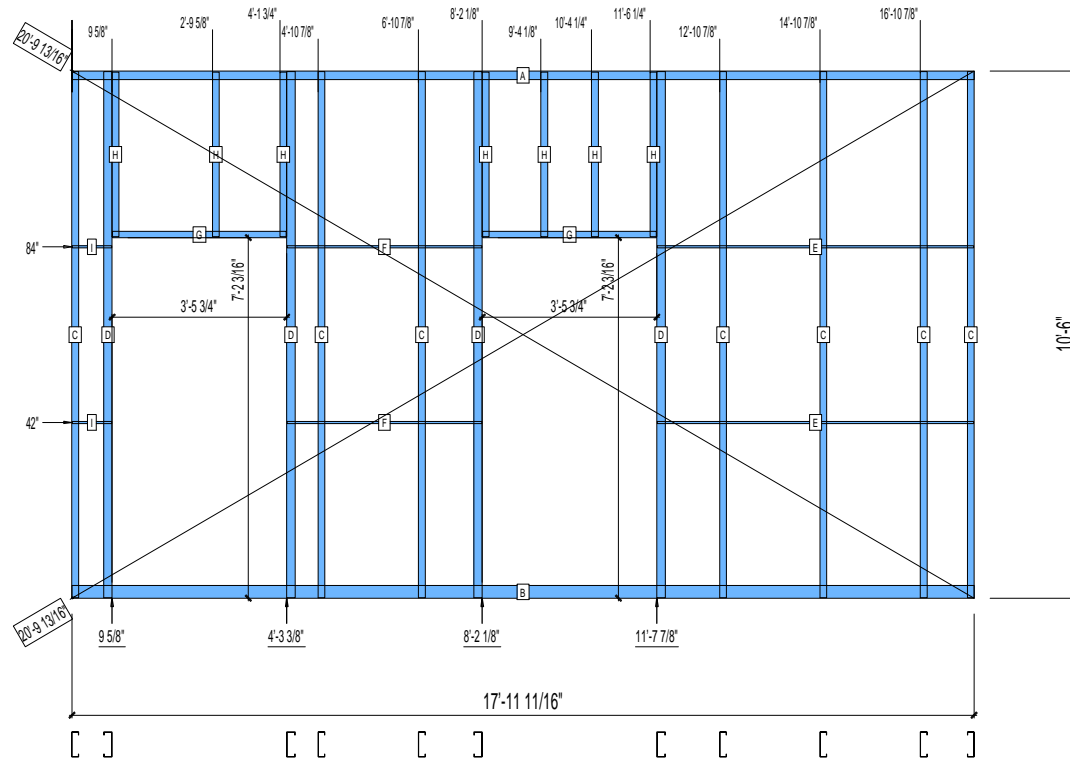
© FrameMax Inc.

HEIGHT : 10'-6"
SPACING : 5000"
1st STUD: 5000"

POINTS: 3.20 Points.

WEIGHTS :
FRAME : 489 lbs

TOTAL: 489 lbs



PIECES LIST

LABEL	QTY	SIZE	LENGTH	USE
A	1	600T200-68	17'-11 11/16"	TOP TRACK
B	1	600T300-68	17'-11 11/16"	BOTTOM TRACK
C	7	600S162-68	10'-5 13/16"	STUD
D	4	600S200-97	10'-5 13/16"	KING STUD
E	2	150U50-54	6'-3 5/8"	HORIZONTAL BRACING
F	2	150U50-54	3'-10 1/2"	HORIZONTAL BRACING
G	2	600T150-54	3'-5 1/2"	HEAD TRACK
H	7	600S162-54	3'-3 3/8"	CRIPPLE
I	2	150U50-54	9 3/8"	HORIZONTAL BRACING

22-1108

Jewish Home for the Aging

1885 Victory Blvd. Reseda, CA

FM-07-109

CREATED BY: TNT

FrameMax, Inc.
13915 Danielson St
Suite 100
Poway, CA 92064
www.frame-max.com



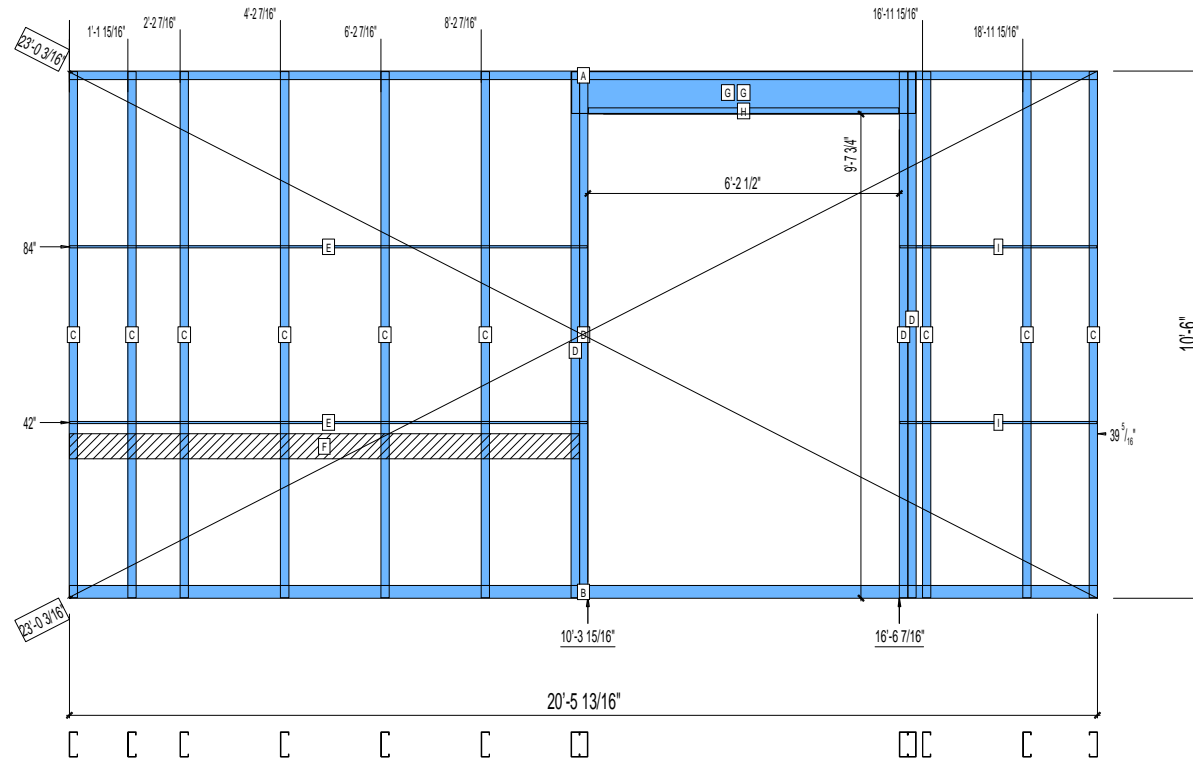
© FrameMax Inc.

HEIGHT : 10'-6"
SPACING : 5000"
1st STUD: 5000"

POINTS: 4.16 Points.

WEIGHTS :
FRAME : 714 lbs

TOTAL: 714 lbs



PIECES LIST

LABEL	QTY	SIZE	LENGTH	USE
A	1	600T200-68	20'-5 13/16"	TOP TRACK
B	1	600T300-68	20'-5 13/16"	BOTTOM TRACK
C	9	600S200-97	10'-5 13/16"	STUD
D	4	600S200-97	10'-5 13/16"	KING STUD
E	2	150U50-54	10'-3 3/4"	HORIZONTAL BRACING
F	1	600D-54	10'-1 7/8"	VANITY BACKING
G	2	1000S200-97	6'-10 1/4"	HEADER
H	1	600T150-54	6'-2 1/4"	HEADER BOTTOM TRACK
I	2	150U50-54	3'-11 1/8"	HORIZONTAL BRACING

22-1109

Jewish Home for the Aging

1885 Victory Blvd. Reseda, CA

FrameMax, Inc.
13915 Danielson St
Suite 100
Poway, CA 92064
www.frame-max.com



© FrameMax Inc.

CREATED: 11/11/2008

FM-07-109

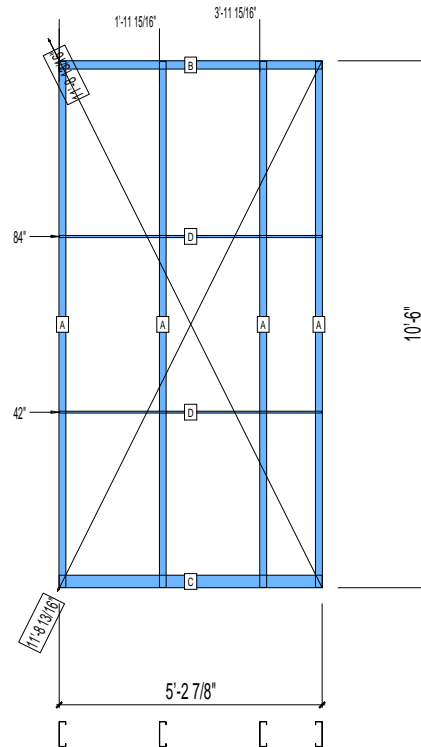
CREATED BY: TNT

HEIGHT : 10'-6"
SPACING : 5000"
1st STUD: 5000"

POINTS: 0.89 Points.

WEIGHTS :
FRAME : 133 lbs

TOTAL: 133 lbs



PIECES LIST

LABEL	QTY	SIZE	LENGTH	USE
A	4	600S162-68	10'-5 13/16"	STUD
B	1	600T200-68	5'-2 7/8"	TOP TRACK
C	1	600T300-68	5'-2 7/8"	BOTTOM TRACK
D	2	150U50-54	5'-2 11/16"	HORIZONTAL BRACING

22-1110

Jewish Home for the Aging

1885 Victory Blvd. Reseda, CA

FrameMax, Inc.
13915 Danielson St
Suite 100
Poway, CA 92064
www.framemax.com



© FrameMax Inc.

CREATED: 11/11/2008

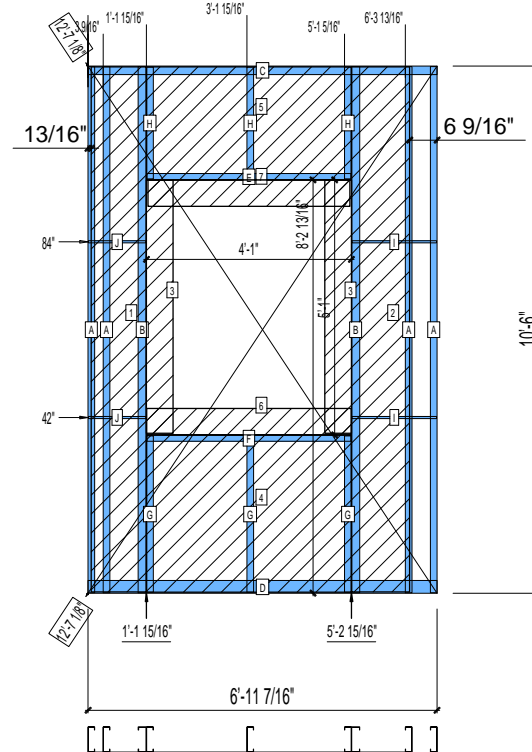
FM-07-109

CREATED BY: TNT

HEIGHT : 10'-6"
POINTS: 2.26 Points.
SPACING : 5000"
1st STUD: 5000"

WEIGHTS :
FRAME : 233 lbs
SHEATHING: 138 lbs

TOTAL: 371 lbs



PIECES LIST

LABEL	QTY	SIZE	LENGTH	USE
A	4	600S162-54	10'-5 13/16"	STUD
B	2	600S200-97	10'-5 13/16"	KING STUD
C	1	600T200-54	6'-11 7/16"	TOP TRACK
D	1	600T300-54	6'-11 7/16"	BOTTOM TRACK
E	1	600T150-54	4'-0 3/4"	HEAD TRACK
F	1	600T150-54	4'-0 3/4"	SILL
G	3	600S162-54	3'-1 3/8"	CRIPPLE
H	3	600S162-54	2'-2 3/4"	CRIPPLE
I	2	150U50-54	1'-8 1/4"	HORIZONTAL BRACING
J	2	150U50-54	1'-1 3/4"	HORIZONTAL BRACING

SHEATHING

LABEL	QTY	CODE	THICK	SIZE	SCREWS
1	1	DENSGLASS	1/2"	1'-1 1/8" X 10'-5 9/16"	8 - 12
2	1	DENSGLASS	1/2"	1'-1 7/8" X 10'-5 9/16"	8 - 12
3	2	DENSGLASS	1/2"	6 3/8" X 5'-0 1/2"	8 - 12
4	1	DENSGLASS	1/2"	4'-0 7/8" X 3'-1 9/16"	8 - 12
5	1	DENSGLASS	1/2"	4'-0 7/8" X 2'-3"	8 - 12
6	1	DENSGLASS	1/2"	4'-0 7/8" X 6 5/16"	8 - 12
7	1	DENSGLASS	1/2"	4'-0 1/4" X 6 5/16"	8 - 12

22-1111

Jewish Home for the Aging

1885 Victory Blvd. Reseda, CA

FrameMax, Inc.
13915 Danielson St
Suite 100
Poway, CA 92064
www.framemax.com



© FrameMax Inc.

CREATED: 11/11/2008

FM-07-109

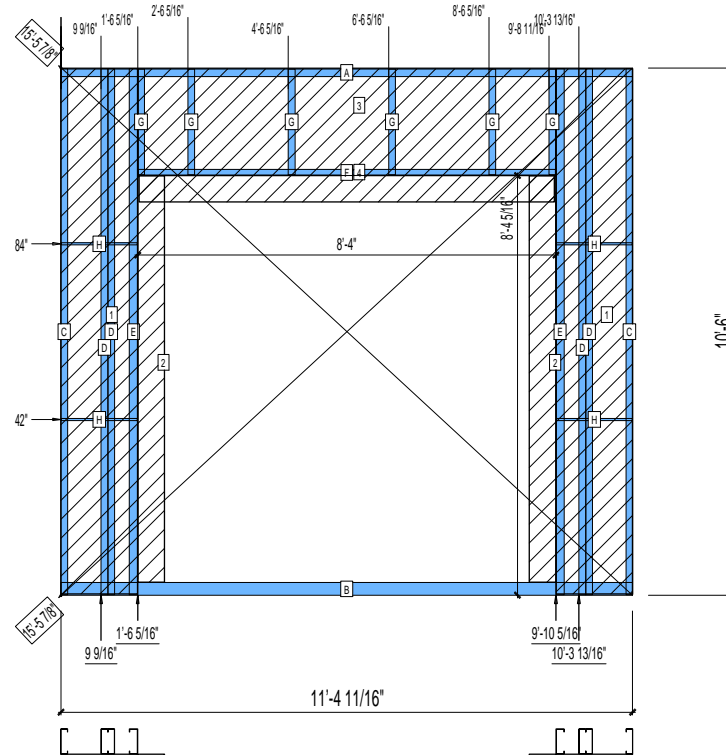
CREATED BY: TNT

HEIGHT : 10'-6"
SPACING : 5000"
1st STUD: 16"

POINTS: 2.78 Points.

WEIGHTS :
FRAME : 305 lbs
SHEATHING: 156 lbs

TOTAL: 461 lbs



PIECES LIST

LABEL	QTY	SIZE	LENGTH	USE
A	1	600T200-54	11'-4 11/16"	TOP TRACK
B	1	600T300-54	11'-4 11/16"	BOTTOM TRACK
C	2	600S162-54	10'-5 13/16"	STUD
D	4	600S162-68	10'-5 13/16"	EXTRA STUD
E	2	600S200-97	10'-5 13/16"	KING STUD
F	1	600T150-54	8'-3 3/4"	HEAD TRACK
G	6	600S162-54	2'-1 1/4"	CRIPPLE
H	4	150U50-54	1'-6 1/8"	HORIZONTAL BRACING

SHEATHING

LABEL	QTY	CODE	THICK	SIZE	SCREWS
1	1	DENSGLOSS	1/2"	1'-6 1/4" X 10'-5 9/16"	8 - 12
1	1	DENSGLOSS	1/2"	1'-6 1/4" X 10'-5 9/16"	8 - 12
2	2	DENSGLOSS	1/2"	6 3/8" X 8'-1 3/16"	8 - 12
3	1	DENSGLOSS	1/2"	8'-3 7/8" X 2'-1 1/2"	8 - 12
4	1	DENSGLOSS	1/2"	8'-3 1/4" X 6 5/16"	8 - 12

22-1112

Jewish Home for the Aging

1885 Victory Blvd. Reseda, CA

FM-07-109

CREATED BY: TNT

FrameMax, Inc.
13915 Danielson St
Suite 100
Poway, CA 92064
www.frame-max.com



© FrameMax Inc.

HEIGHT : 11'-2 7/8" POINTS: 6.73 Points.

SPACING : 5000"

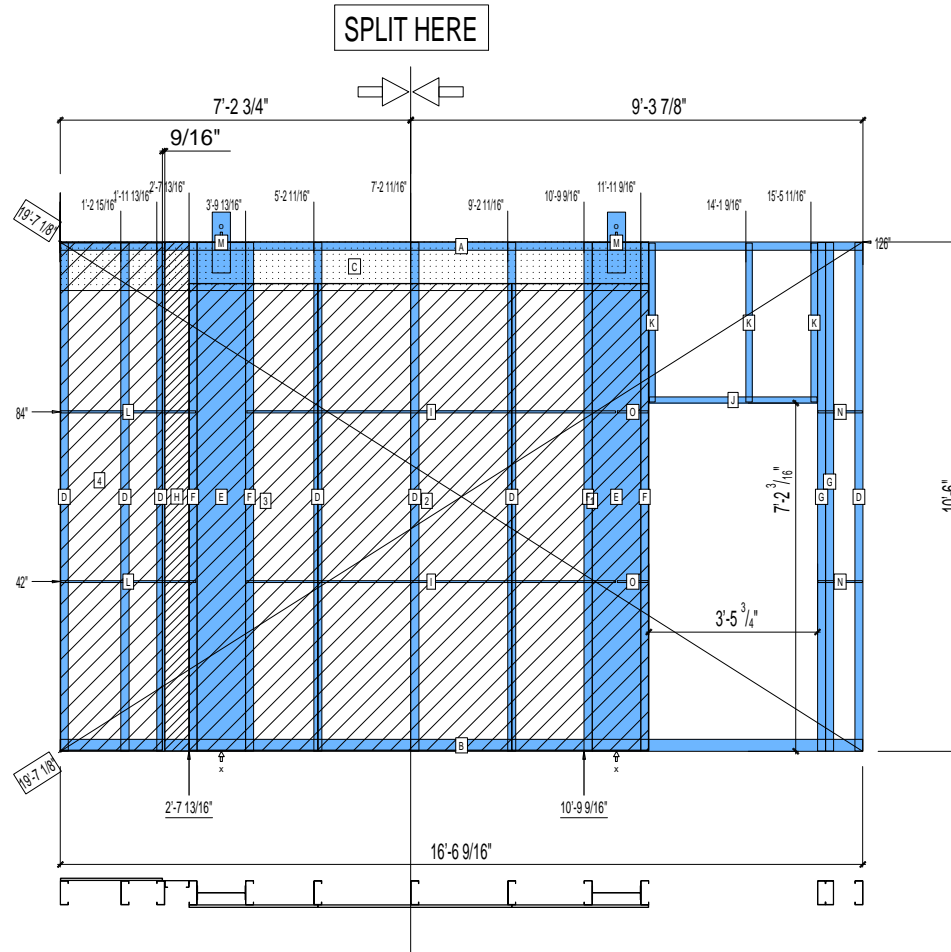
1st STUD: 16"

WEIGHTS :

FRAME : 861 lbs

SHEATHING: 391 lbs

TOTAL: 1252 lbs



PIECES LIST

LABEL	QTY	SIZE	LENGTH	USE
A	1	600T200-68	16'-6 9/16"	TOP TRACK
B	1	600T300-68	16'-6 9/16"	BOTTOM TRACK
C	1	1200D-54	12'-1 1/2"	STRAP
D	7	600S200-97	10'-5 13/16"	STUD
E	2	1200i350p1062	10'-5 13/16"	PACO
F	4	600S200-68	10'-5 13/16"	STUD
G	2	600S200-97	10'-5 13/16"	KING STUD
H	1	600S162-33	10'-5 13/16"	BACKER-U
I	2	150U50-54	7'-7 3/16"	HORIZONTAL BRACING
J	1	600T150-54	3'-5 1/2"	HEAD TRACK
K	3	600S162-54	3'-3 3/8"	CRIPPLE
L	2	150U50-54	2'-9 7/16"	HORIZONTAL BRACING
M	2	A	1'-3"	HOLDDOWN
N	2	150U50-54	11"	HORIZONTAL BRACING
O	2	150U50-54	7 5/8"	HORIZONTAL BRACING

SHEATHING

LABEL	QTY	CODE	THICK	SIZE	SCREWS
1	1	SB-DENSARMOR	5/8"	2'-9 7/8" X 9'-7 7/16"	3-12
2	1	SB-DENSARMOR	5/8"	4'-0" X 9'-7 7/16"	3-12
3	1	SB-DENSARMOR	5/8"	2'-7 13/16" X 9'-7 7/16"	3-12
4	1	DENSGLOSS	1/2"	2'-1 1/4" X 10'-5 9/16"	8 - 12

22-1113

Jewish Home for the Aging

1885 Victory Blvd. Reseda, CA

FM-07-109

CREATED BY: TNT

FrameMax, Inc.
13915 Danielson St
Suite 100
Poway, CA 92064
www.frame-max.com



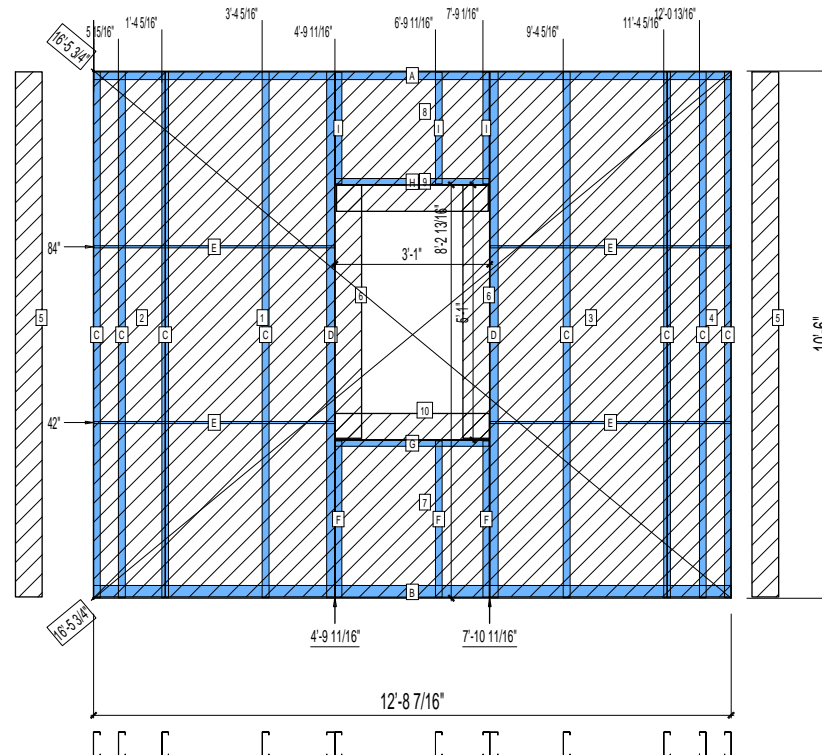
© FrameMax Inc.

HEIGHT : 10'-6"
SPACING : 5000"
1st STUD: 5000"

POINTS: 3.87 Points.

WEIGHTS :
FRAME : 340 lbs
SHEATHING: 342 lbs

TOTAL: 682 lbs



PIECES LIST

LABEL	QTY	SIZE	LENGTH	USE
A	1	600T200-54	12'-8 7/16"	TOP TRACK
B	1	600T300-54	12'-8 7/16"	BOTTOM TRACK
C	8	600S162-54	10'-5 13/16"	STUD
D	2	600S200-97	10'-5 13/16"	KING STUD
E	4	150U50-54	4'-9 1/2"	HORIZONTAL BRACING
F	3	600S162-54	3'-1 3/8"	CRIPPLE
G	1	600T150-54	3'-0 3/4"	SILL
H	1	600T150-54	3'-0 3/4"	HEAD TRACK
I	3	600S162-54	2'-2 3/4"	CRIPPLE

SHEATHING

LABEL	QTY	CODE	THICK	SIZE	SCREWS
1	1	DENSGLASS	1/2"	3'-4 1/2" X 10'-5 9/16"	8 - 12
10	1	DENSGLASS	1/2"	3'-0 7/8" X 6 5/16"	8 - 12
2	1	DENSGLASS	1/2"	1'-5 1/8" X 10'-5 9/16"	8 - 12
3	1	DENSGLASS	1/2"	3'-6 3/8" X 10'-5 9/16"	8 - 12
4	1	DENSGLASS	1/2"	1'-3 1/4" X 10'-5 9/16"	8 - 12
5	2	DENSGLASS	1/2"	6 3/8" X 10'-5 9/16"	8 - 12
6	2	DENSGLASS	1/2"	6 3/8" X 5'-0 1/2"	8 - 12
7	1	DENSGLASS	1/2"	3'-0 7/8" X 3'-1 9/16"	8 - 12
8	1	DENSGLASS	1/2"	3'-0 7/8" X 2'-3"	8 - 12
9	1	DENSGLASS	1/2"	3'-0 1/4" X 6 5/16"	8 - 12

22-1114

Jewish Home for the Aging

1885 Victory Blvd. Reseda, CA

FrameMax, Inc.
13915 Danielson St
Suite 100
Poway, CA 92064
www.frame-max.com



© FrameMax Inc.

CREATED: 11/11/2008

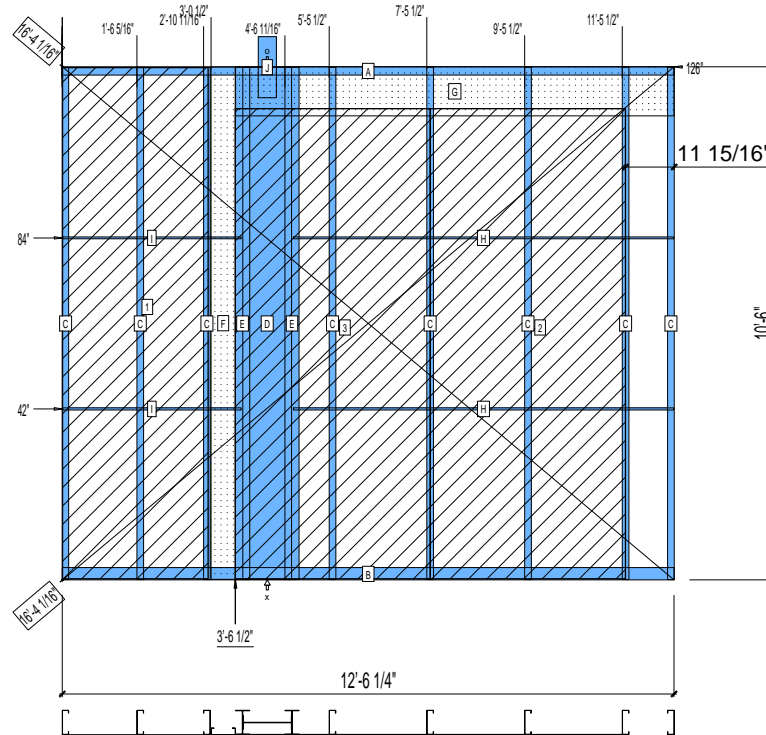
FM-07-109

CREATED BY: TNT

HEIGHT : 11'-2 7/8" POINTS: 4.94 Points.
SPACING : 5000"
1st STUD: 5000"

WEIGHTS :
FRAME : 575 lbs
SHEATHING: 361 lbs

TOTAL: 936 lbs



PIECES LIST

LABEL	QTY	SIZE	LENGTH	USE
A	1	600T200-68	12'-6 1/4"	TOP TRACK
B	1	600T300-68	12'-6 1/4"	BOTTOM TRACK
C	8	600S162-68	10'-5 13/16"	STUD
D	1	1200i350p1062	10'-5 13/16"	PACO
E	2	600i350p680	10'-5 13/16"	PACO
F	1	600S162-33	10'-5 13/16"	BACKER-U
G	1	1200D-54	8'-11 5/8"	STRAP
H	2	150U50-54	7'-9 7/16"	HORIZONTAL BRACING
I	2	150U50-54	3'-7 7/8"	HORIZONTAL BRACING
J	1	A	1'-3"	HOLDDOWN

SHEATHING

LABEL	QTY	CODE	THICK	SIZE	SCREWS
1	1	DENSGLOSS	1/2"	2'-11 3/4" X 10'-5 9/16"	8 - 12
2	1	SB-DENSARMOR	5/8"	4'-0" X 9'-7 7/16"	3-12
3	1	SB-DENSARMOR	5/8"	3'-11 13/16" X 9'-7 7/16"	3-12

22-1115

Jewish Home for the Aging

1885 Victory Blvd. Reseda, CA

FM-07-109

CREATED BY: TNT

FrameMax, Inc.
13915 Danielson St
Suite 100
Poway, CA 92064
www.frame-max.com



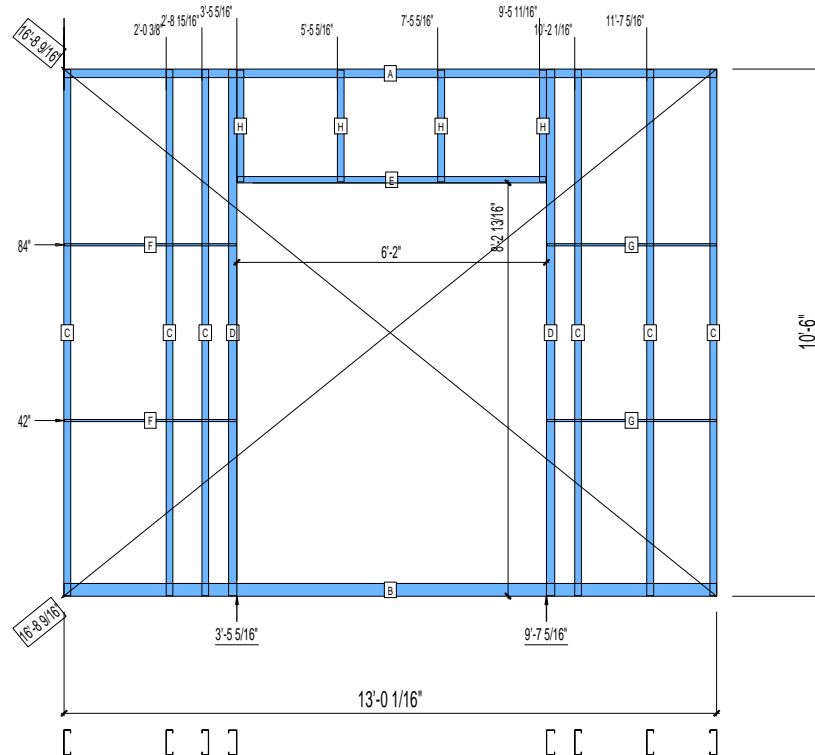
© FrameMax Inc.

HEIGHT : 10'-6"
SPACING : 5000"
1st STUD: 5000"

POINTS: 1.98 Points.

WEIGHTS :
FRAME : 286 lbs

TOTAL: 286 lbs



PIECES LIST

LABEL	QTY	SIZE	LENGTH	USE
A	1	600T200-54	13'-0 1/16"	TOP TRACK
B	1	600T300-54	13'-0 1/16"	BOTTOM TRACK
C	6	600S162-54	10'-5 13/16"	STUD
D	2	600S200-97	10'-5 13/16"	KING STUD
E	1	600T150-54	6'-1 3/4"	HEAD TRACK
F	2	150U50-54	3'-5 1/8"	HORIZONTAL BRACING
G	2	150U50-54	3'-4 1/2"	HORIZONTAL BRACING
H	4	600S162-54	2'-2 3/4"	CRIPPLE

22-1116

Jewish Home for the Aging

1885 Victory Blvd. Reseda, CA

FM-07-109

CREATED BY: TNT

FrameMax, Inc.
13915 Danielson St
Suite 100
Poway, CA 92064
www.frame-max.com



© FrameMax Inc.

HEIGHT : 11'-2 7/8" POINTS: 5.61 Points.

SPACING : 5000"

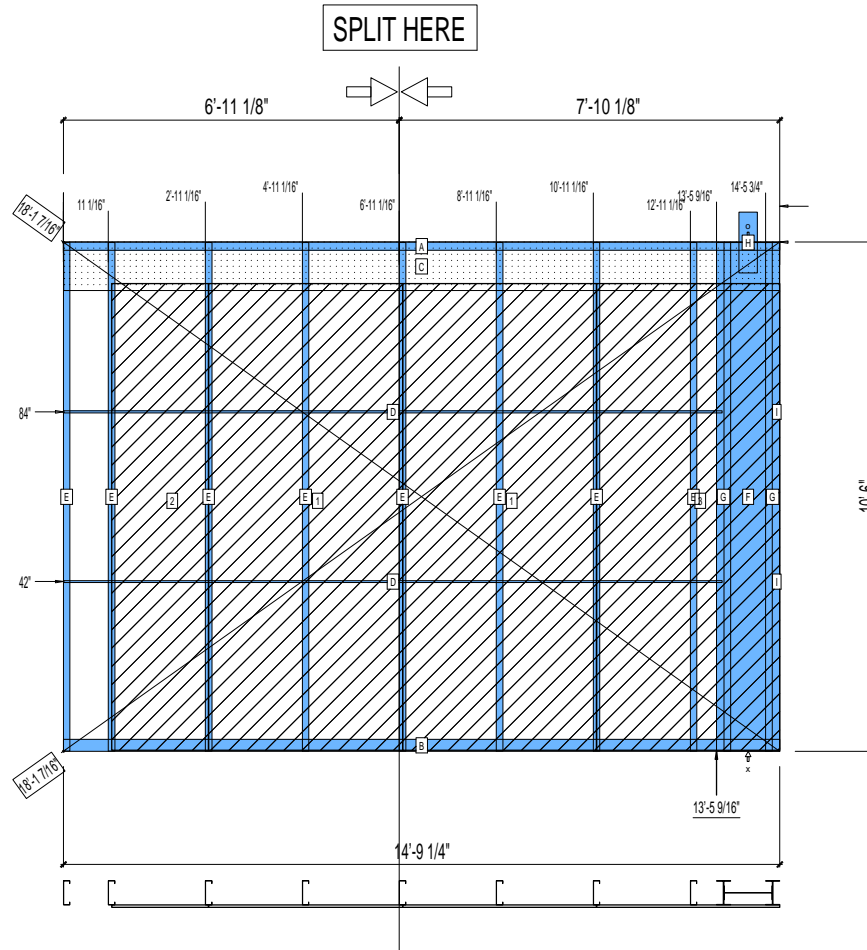
1st STUD: 5000"

WEIGHTS :

FRAME : 591 lbs

SHEATHING: 488 lbs

TOTAL: 1079 lbs



PIECES LIST

LABEL	QTY	SIZE	LENGTH	USE
A	1	600T200-68	14'-9 1/4"	TOP TRACK
B	1	600T300-68	14'-9 1/4"	BOTTOM TRACK
C	1	1200D-54	14'-9 1/8"	STRAP
D	2	150U50-54	13'-6 15/16"	HORIZONTAL BRACING
E	8	600S162-68	10'-5 13/16"	STUD
F	1	1200i350p1062	10'-5 13/16"	PACO
G	2	600i350p680	10'-5 13/16"	PACO
H	1	A	1'-3"	HOLDDOWN
I	2	150U50-54	1 3/8"	HORIZONTAL BRACING

SHEATHING

LABEL	QTY	CODE	THICK	SIZE	SCREWS
1	2	SB-DENSARMOR	5/8"	4'-0" X 9'-7 7/16"	3-12
2	1	SB-DENSARMOR	5/8"	2'-0" X 9'-7 7/16"	3-12
3	1	SB-DENSARMOR	5/8"	3'-9 5/16" X 9'-7 7/16"	3-12

22-1117

Jewish Home for the Aging

1885 Victory Blvd. Reseda, CA

FrameMax, Inc.
13915 Danielson St
Suite 100
Poway, CA 92064
www.frame-max.com



© FrameMax Inc.

CREATED: 11/11/2008

FM-07-109

CREATED BY: TNT

HEIGHT : 11'-2 7/8" POINTS: 5.76 Points.
SPACING : 5000"
1st STUD: 5000"

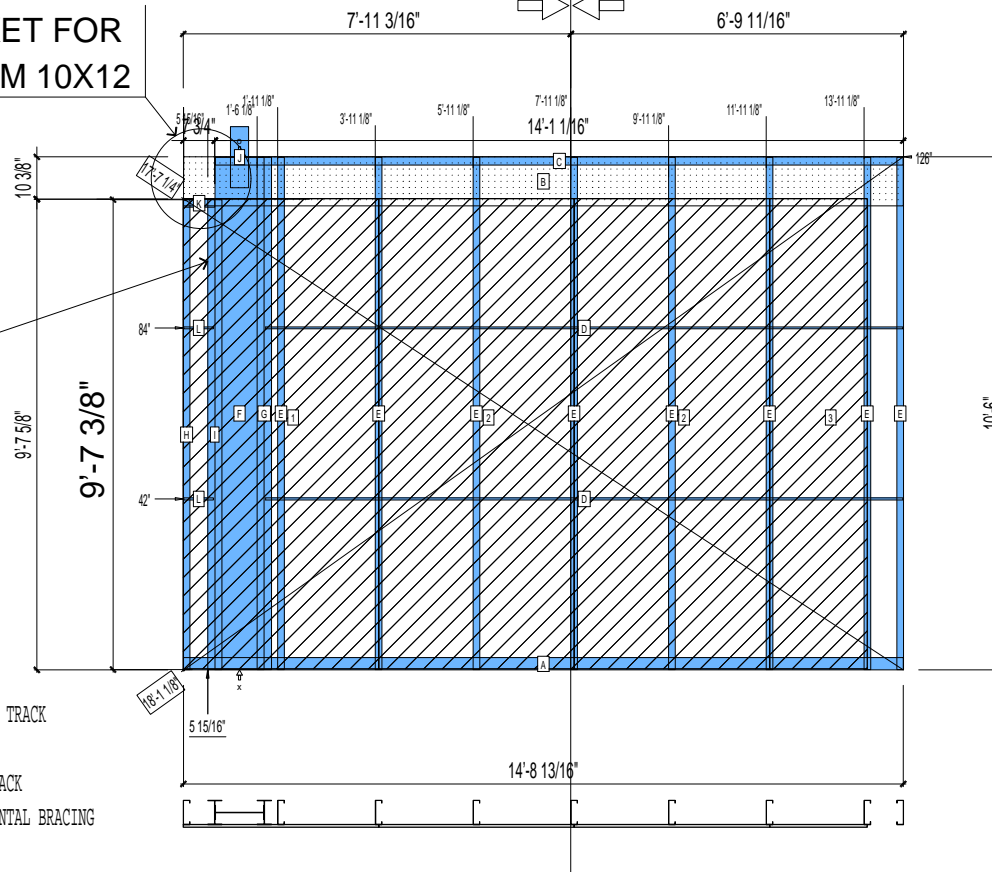
WEIGHTS :
FRAME : 607 lbs
SHEATHING: 496 lbs

TOTAL: 1103 lbs

SPLIT HERE

POCKET FOR BEAM 10X12

LEFT PACO NEED TO BE SHORTENED @ 9'-7 3/8"



PIECES LIST

LABEL	QTY	SIZE	LENGTH	USE
A	1	600T300-68	14'-8 13/16"	BOTTOM TRACK
B	1	1200D-54	14'-8 3/4"	STRAP
C	1	600T200-68	14'-0 15/16"	TOP TRACK
D	2	150U50-54	13'-0 1/2"	HORIZONTAL BRACING
E	8	600S162-68	10'-5 13/16"	STUD
F	1	1200i350p1062	10'-5 13/16"	PACO
G	1	600i350p680	10'-5 13/16"	PACO
H	1	600S162-68	9'-7 3/8"	STUD
I	1	600i350p680	9'-7 3/8"	PACO
J	1	A	1'-3"	HOLDDOWN
K	1	600T200-68	7 3/4"	TOP TRACK
L	2	150U50-54	7 5/16"	HORIZONTAL BRACING

SHEATHING

LABEL	QTY	CODE	THICK	SIZE	SCREWS
1	1	SB-DENSARMOR	5/8"	4'-0" X 9'-7 7/16"	2-12
2	2	SB-DENSARMOR	5/8"	4'-0" X 9'-7 7/16"	2-12
3	1	SB-DENSARMOR	5/8"	2'-0" X 9'-7 7/16"	2-12

22-1118

Jewish Home for the Aging

1885 Victory Blvd. Reseda, CA

FrameMax, Inc.
13915 Danielson St
Suite 100
Poway, CA 92064
www.frame-max.com



© FrameMax Inc.

CREATED: 11/11/2008

FM-07-109

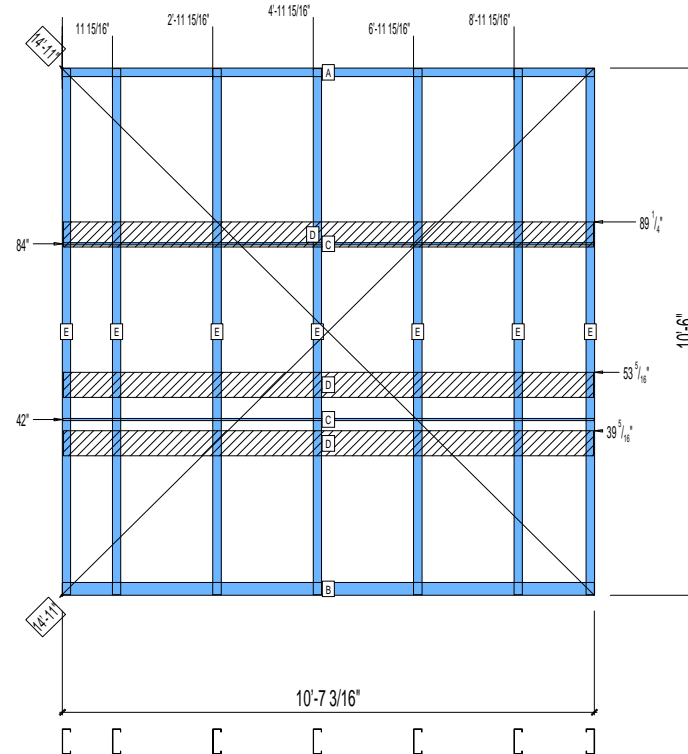
CREATED BY: TNT

HEIGHT : 10'-6"
SPACING : 5000"
1st STUD: 5000"

POINTS: 2.21 Points.

WEIGHTS :
FRAME : 372 lbs

TOTAL: 372 lbs



PIECES LIST

LABEL	QTY	SIZE	LENGTH	USE
A	1	600T200-68	10'-7 3/16"	TOP TRACK
B	1	600T300-68	10'-7 3/16"	BOTTOM TRACK
C	2	150U50-54	10'-7"	HORIZONTAL BRACING
D	3	600D-54	10'-6 3/4"	KITCHEN BACKING
E	7	600S200-97	10'-5 13/16"	STUD

22-1119

Jewish Home for the Aging

1885 Victory Blvd. Reseda, CA

FrameMax, Inc.
13915 Danielson St
Suite 100
Poway, CA 92064
www.frame-max.com



© FrameMax Inc.

CREATED: 11/11/2008

FM-07-109

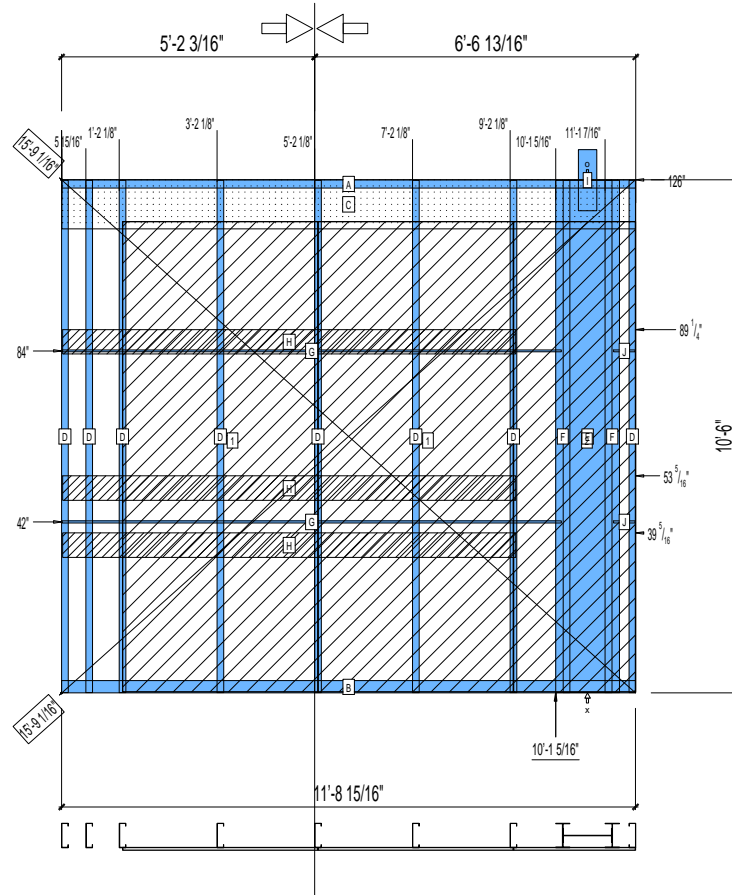
CREATED BY: TNT

HEIGHT : 11'-2 7/8" POINTS: 5.11 Points.
SPACING : 5000"
1st STUD: 5000"

WEIGHTS :
FRAME : 597 lbs
SHEATHING: 371 lbs

TOTAL: 968 lbs

SPLIT HERE



PIECES LIST

LABEL	QTY	SIZE	LENGTH	USE
A	1	600T200-68	11'-8 15/16"	TOP TRACK
B	1	600T300-68	11'-8 15/16"	BOTTOM TRACK
C	1	1200D-54	11'-8 7/8"	STRAP
D	8	600S162-68	10'-5 13/16"	STUD
E	1	1200i350p1062	10'-5 13/16"	PACO
F	2	600i350p680	10'-5 13/16"	PACO
G	2	150U50-54	10'-2 5/8"	HORIZONTAL BRACING
H	3	600D-54	9'-3 5/16"	KITCHEN BACKING
I	1	A	1'-3"	HOLDDOWN
J	2	150U50-54	5 5/16"	HORIZONTAL BRACING

SHEATHING

LABEL	QTY	CODE	THICK	SIZE	SCREWS
1	2	SB-DENSARMOR	5/8"	3'-11 15/16" X	9'-7 7/16" 2-12
2	1	SB-DENSARMOR	5/8"	2'-5 15/16" X	9'-7 7/16" 2-12

22-1120

Jewish Home for the Aging

1885 Victory Blvd. Reseda, CA

FrameMax, Inc.
13915 Danielson St
Suite 100
Poway, CA 92064
www.framemax.com



© FrameMax Inc.

CREATED: 11/11/2008

FM-07-109

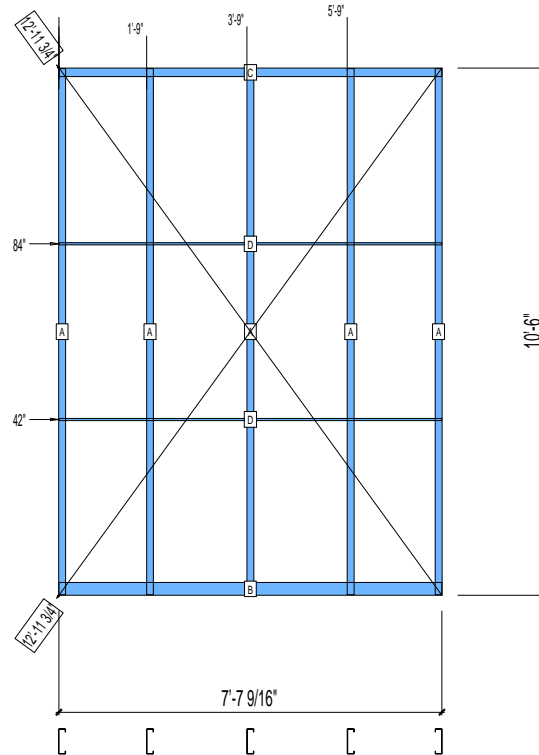
CREATED BY: TNT

HEIGHT : 10'-6"
SPACING : 5000"
1st STUD: 5000"

POINTS: 1.14 Points.

WEIGHTS :
FRAME : 173 lbs

TOTAL: 173 lbs



PIECES LIST

LABEL	QTY	SIZE	LENGTH	USE
A	5	600S162-68	10'-5 13/16"	STUD
B	1	600T300-68	7'-7 9/16"	BOTTOM TRACK
C	1	600T200-68	7'-7 9/16"	TOP TRACK
D	2	150U50-54	7'-7 3/8"	HORIZONTAL BRACING

22-1121

Jewish Home for the Aging

1885 Victory Blvd. Reseda, CA

FrameMax, Inc.
13915 Danielson St
Suite 100
Poway, CA 92064
www.frame-max.com



© FrameMax Inc.

CREATED: 11/11/2008

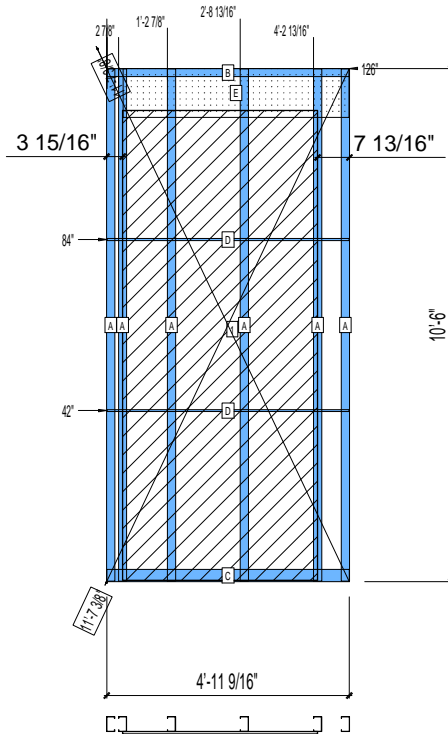
FM-07-109

CREATED BY: TNT

HEIGHT : 10'-6"
POINTS: 1.72 Points.
SPACING : 5000"
1st STUD: 5000"

WEIGHTS :
FRAME : 164 lbs
SHEATHING: 141 lbs

TOTAL: 305 lbs



PIECES LIST

LABEL	QTY	SIZE	LENGTH	USE
A	6	362S200-68	10'-5 13/16"	STUD
B	1	362T200-68	4'-11 9/16"	TOP TRACK
C	1	362T300-68	4'-11 9/16"	BOTTOM TRACK
D	2	150U50-54	4'-11 3/8"	HORIZONTAL BRACING
E	1	1200D-54	4'-7 7/16"	STRAP

SHEATHING

LABEL	QTY	CODE	THICK	SIZE	SCREWS
1	1	SB-DENSARMOR	5/8"	3'-11 13/16" X	9'-7 7/16" 2-12

22-1122

Jewish Home for the Aging

1885 Victory Blvd. Reseda, CA

FrameMax, Inc.
13915 Danielson St
Suite 100
Poway, CA 92064
www.frame-max.com



© FrameMax Inc.

CREATED: 11/11/2008

FM-07-109

CREATED BY: TNT

HEIGHT : 10'-6" POINTS: 1.09 Points.

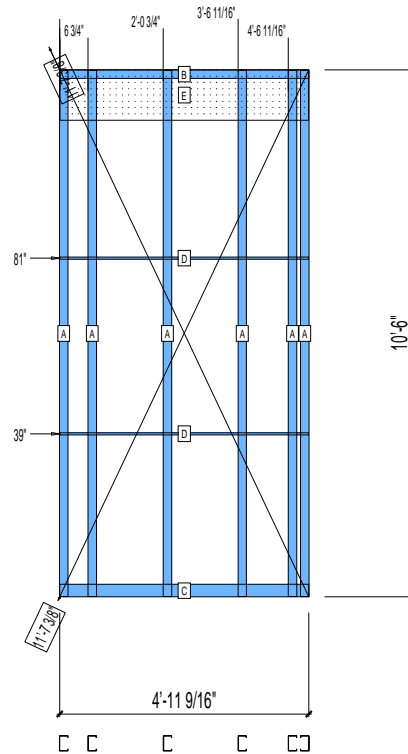
SPACING : 5000"

1st STUD: 5000"

WEIGHTS :

FRAME : 165 lbs

TOTAL: 165 lbs



PIECES LIST

LABEL	QTY	SIZE	LENGTH	USE
A	6	362S200-68	10'-5 13/16"	STUD
B	1	362T200-68	4'-11 9/16"	TOP TRACK
C	1	362T300-68	4'-11 9/16"	BOTTOM TRACK
D	2	150U50-54	4'-11 3/8"	HORIZONTAL BRACING
E	1	1200D-54	4'-11 3/8"	STRAP

22-1123

Jewish Home for the Aging

1885 Victory Blvd. Reseda, CA

FrameMax, Inc.
13915 Danielson St
Suite 100
Poway, CA 92064
www.frame-max.com



© FrameMax Inc.

CREATED: 11/11/2008

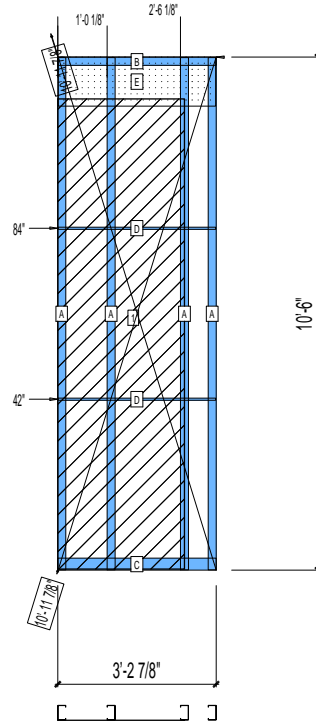
FM-07-109

CREATED BY: TNT

HEIGHT : 10'-6" POINTS: 1.17 Points.
SPACING : 5000"
1st STUD: 5000"

WEIGHTS :
FRAME : 109 lbs
SHEATHING: 92 lbs

TOTAL: 201 lbs



PIECES LIST

LABEL	QTY	SIZE	LENGTH	USE
A	4	362S200-68	10'-5 13/16"	STUD
B	1	362T200-68	3'-2 7/8"	TOP TRACK
C	1	362T300-68	3'-2 7/8"	BOTTOM TRACK
D	2	150U50-54	3'-2 11/16"	HORIZONTAL BRACING
E	1	1200D-54	3'-2 11/16"	STRAP

SHEATHING

LABEL	QTY	CODE	THICK	SIZE	SCREWS
1	1	SB-DENSARMOR	5/8"	2'-7 1/16" X 9'-7 7/16"	2-12

22-1124

Jewish Home for the Aging

1885 Victory Blvd. Reseda, CA

FrameMax, Inc.
13915 Danielson St
Suite 100
Poway, CA 92064
www.frame-max.com



© FrameMax Inc.

CREATED: 11/11/2008

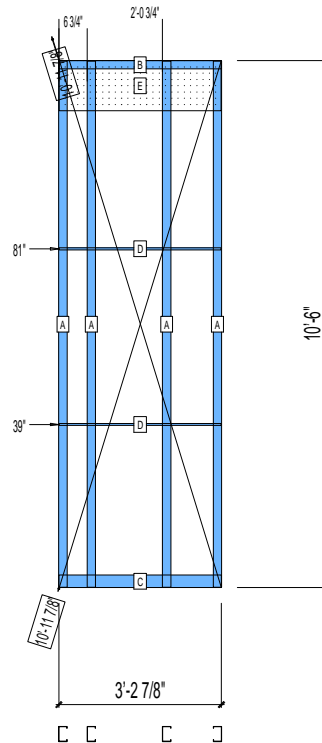
FM-07-109

CREATED BY: TNT

HEIGHT : 10'-6"
POINTS: 0.76 Points.
SPACING : 5000"
1st STUD: 5000"

WEIGHTS :
FRAME : 109 lbs

TOTAL: 109 lbs



PIECES LIST

LABEL	QTY	SIZE	LENGTH	USE
A	4	362S200-68	10'-5 13/16"	STUD
B	1	362T200-68	3'-2 7/8"	TOP TRACK
C	1	362T300-68	3'-2 7/8"	BOTTOM TRACK
D	2	150U50-54	3'-2 11/16"	HORIZONTAL BRACING
E	1	1200D-54	3'-2 11/16"	STRAP

22-1125

Jewish Home for the Aging

1885 Victory Blvd. Reseda, CA

FrameMax, Inc.
13915 Danielson St
Suite 100
Poway, CA 92064
www.frame-max.com



© FrameMax Inc.

CREATED: 11/11/2008

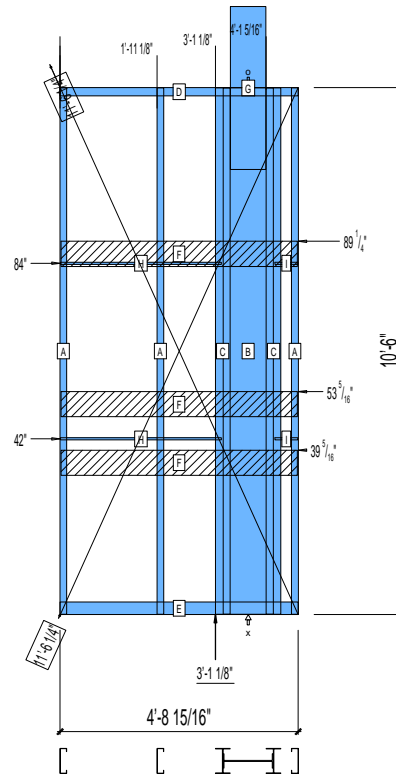
FM-07-109

CREATED BY: TNT

HEIGHT : 10'-6"
POINTS: 3.01 Points.
SPACING : 5000"
1st STUD: 5000"

WEIGHTS :
FRAME : 566 lbs

TOTAL: 566 lbs



PIECES LIST

LABEL	QTY	SIZE	LENGTH	USE
A	3	600S162-68	10'-5 13/16"	STUD
B	1	1200i350p1420	10'-5 13/16"	PACO
C	2	600i350p968	10'-5 13/16"	PACO
D	1	600T200-68	4'-8 15/16"	TOP TRACK
E	1	600T300-68	4'-8 15/16"	BOTTOM TRACK
F	3	600D-54	4'-8 1/2"	KITCHEN BACKING
G	1	F	3'-3"	HOLDDOWN
H	2	150U50-54	3'-2 1/2"	HORIZONTAL BRACING
I	2	150U50-54	5 1/2"	HORIZONTAL BRACING

22-1126

Jewish Home for the Aging

1885 Victory Blvd. Reseda, CA

FM-07-109

CREATED BY: TNT

FrameMax, Inc.
13915 Danielson St
Suite 100
Poway, CA 92064
www.frame-max.com



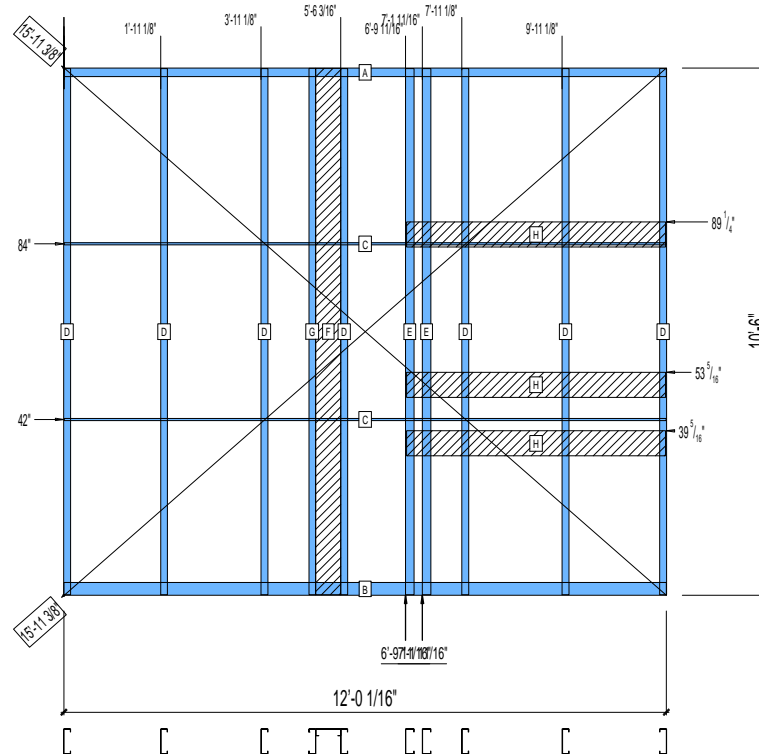
© FrameMax Inc.

HEIGHT : 10'-6"
SPACING : 5000"
1st STUD: 5000"

POINTS: 2.17 Points.

WEIGHTS :
FRAME : 337 lbs

TOTAL: 337 lbs



PIECES LIST

LABEL	QTY	SIZE	LENGTH	USE
A	1	600T200-68	12'-0 1/16"	TOP TRACK
B	1	600T300-68	12'-0 1/16"	BOTTOM TRACK
C	2	150U50-54	11'-11 7/8"	HORIZONTAL BRACING
D	7	600S162-68	10'-5 13/16"	STUD
E	2	600S200-54	10'-5 13/16"	EXTRA STUD
F	1	600S162-33	10'-5 13/16"	BACKER-U
G	1	600S162-33	10'-5 13/16"	BACKER STUD
H	3	600D-54	5'-1 7/8"	KITCHEN BACKING

22-1127

Jewish Home for the Aging

1885 Victory Blvd. Reseda, CA

FrameMax, Inc.
13915 Danielson St
Suite 100
Poway, CA 92064
www.framemax.com



© FrameMax Inc.

CREATED: 11/11/2008

FM-07-109

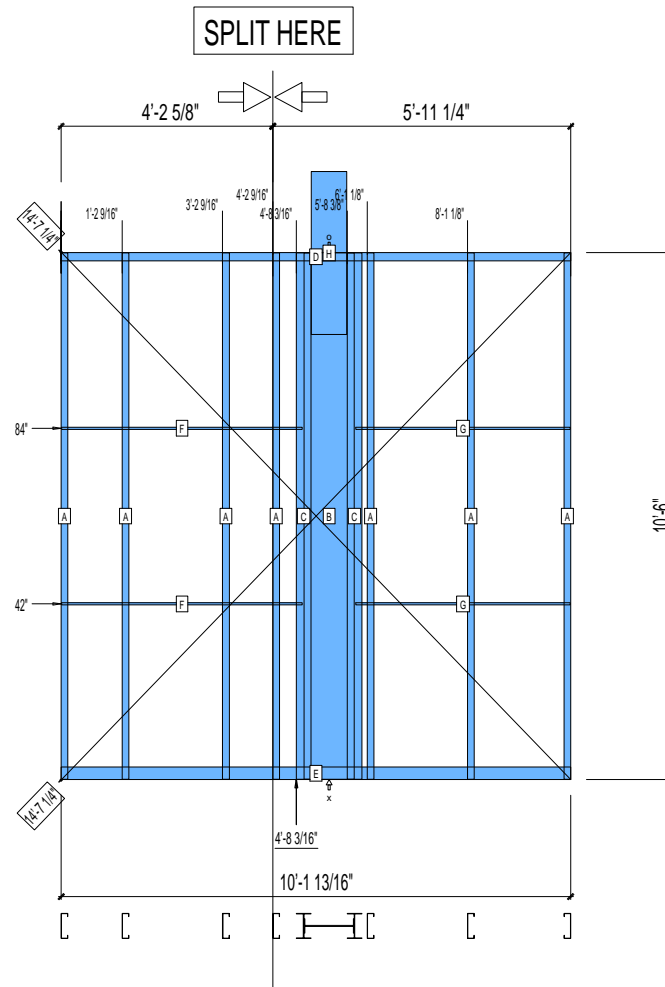
CREATED BY: TNT

HEIGHT : 10'-6"
SPACING : 5000"
1st STUD: 5000"

POINTS: 3.68 Points.

WEIGHTS :
FRAME : 683 lbs

TOTAL: 683 lbs



PIECES LIST

LABEL	QTY	SIZE	LENGTH	USE
A	7	600S162-68	10'-5 13/16"	STUD
B	1	1200i350p1420	10'-5 13/16"	PACO
C	2	600i350p968	10'-5 13/16"	PACO
D	1	600T200-68	10'-1 13/16"	TOP TRACK
E	1	600T300-68	10'-1 13/16"	BOTTOM TRACK
F	2	150U50-54	4'-9 9/16"	HORIZONTAL BRACING
G	2	150U50-54	4'-3 1/4"	HORIZONTAL BRACING
H	1	F	3'-3"	HOLDDOWN

22-1128

Jewish Home for the Aging

1885 Victory Blvd. Reseda, CA

FM-07-109

CREATED BY: TNT

FrameMax, Inc.
13915 Danielson St
Suite 100
Poway, CA 92064
www.frame-max.com

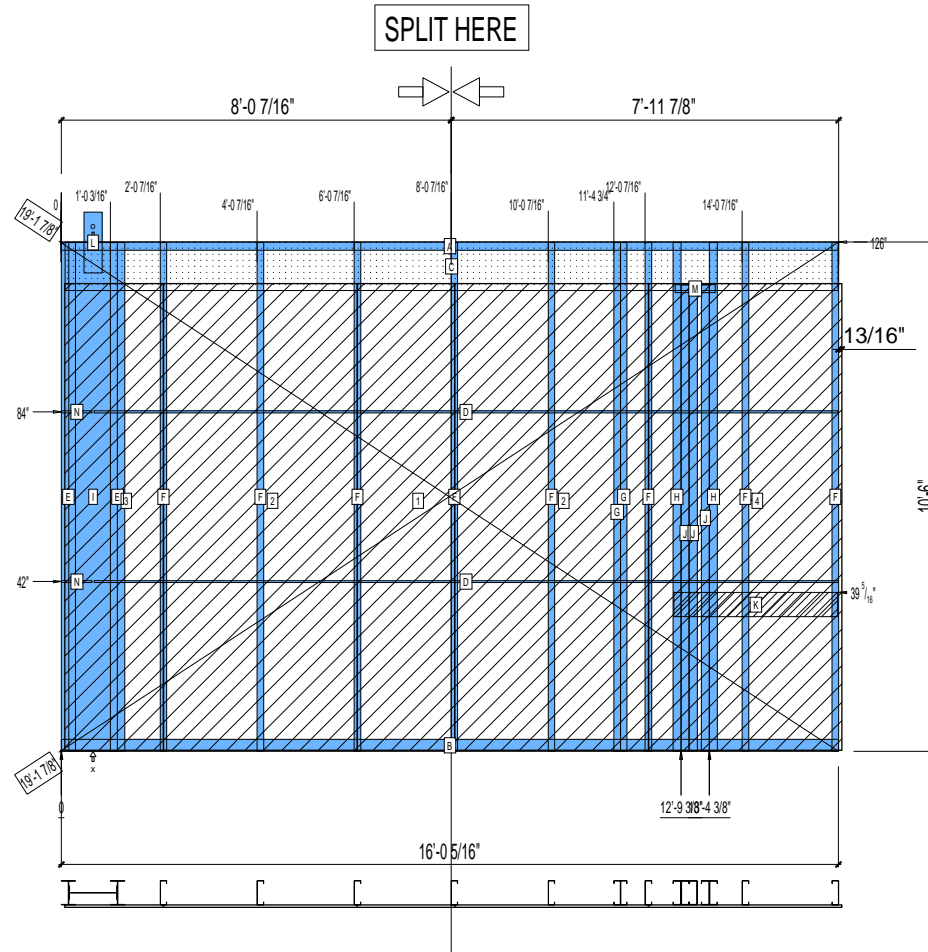


© FrameMax Inc.

HEIGHT : 10'-6"
POINTS: 7.27 Points.
SPACING : 5000"
1st STUD: 5000"

WEIGHTS :
FRAME : 829 lbs
SHEATHING: 567 lbs

TOTAL: 1396 lbs



PIECES LIST

LABEL	QTY	SIZE	LENGTH	USE
A	1	600T200-68	16'-0 5/16"	TOP TRACK
B	1	600T300-68	16'-0 5/16"	BOTTOM TRACK
C	1	1200D-54	15'-11 1/4"	STRAP
D	2	150U50-54	15'-4 1/8"	HORIZONTAL BRACING
E	2	600i350p680	10'-5 13/16"	PACO
F	8	600S162-68	10'-5 13/16"	STUD
G	2	600S162-54	10'-5 13/16"	EXTRA STUD
H	2	600S200-97	10'-5 13/16"	BEAM KING
I	1	1200i350p1062	10'-5 13/16"	PACO
J	3	600S200-97	9'-7 5/16"	BEAM JACK
K	1	600D-54	3'-4 1/2"	VANITY BACKING
L	1	A	1'-3"	HOLDDOWN
M	1	600T200-68	9 13/16"	BEAM JACK
N	2	150U50-54	7 1/2"	HORIZONTAL BRACING

SHEATHING

LABEL	QTY	CODE	THICK	SIZE	SCREWS
1	1	SB-DENSARMOR	5/8"	2'-0 1/16" X 9'-7 7/16"	2-12
2	2	SB-DENSARMOR	5/8"	4'-0" X 9'-7 7/16"	2-12
3	1	SB-DENSARMOR	5/8"	2'-0 3/8" X 9'-7 7/16"	2-12
4	1	SB-DENSARMOR	5/8"	3'-11 13/16" X 9'-7 7/16"	2-12

22-1129

Jewish Home for the Aging

1885 Victory Blvd. Reseda, CA

FM-07-109

CREATED BY: TNT

FrameMax, Inc.
13915 Danielson St
Suite 100
Poway, CA 92064
www.frame-max.com

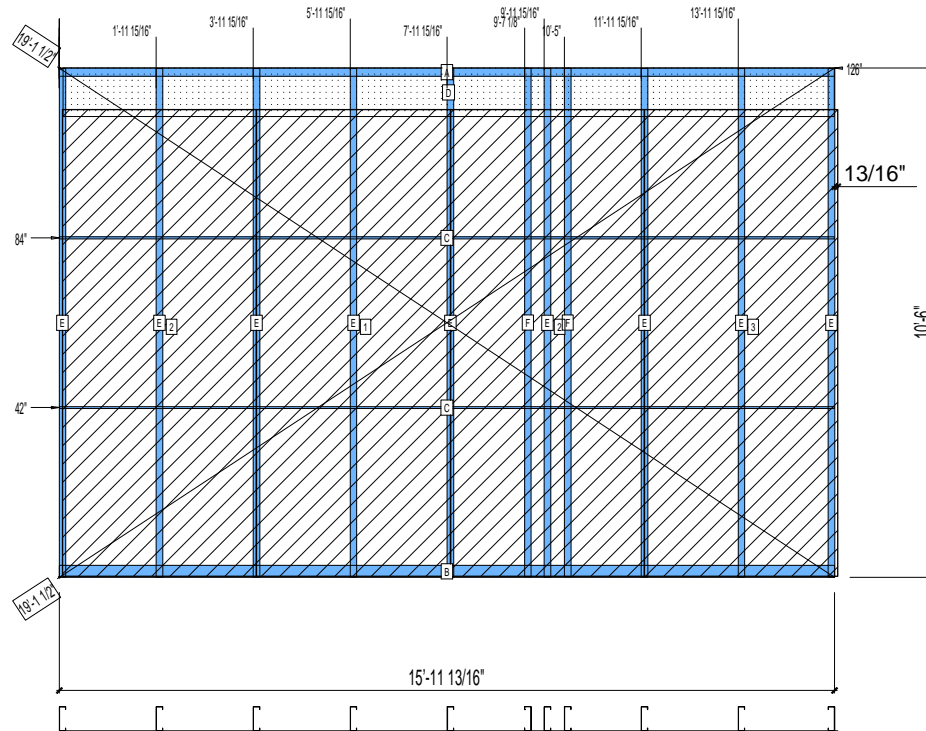


© FrameMax Inc.

HEIGHT : 10'-6"
POINTS: 5.01 Points.
SPACING : 5000"
1st STUD: 5000"

WEIGHTS :
FRAME : 388 lbs
SHEATHING: 566 lbs

TOTAL: 954 lbs



PIECES LIST

LABEL	QTY	SIZE	LENGTH	USE
A	1	600T200-68	15'-11 13/16"	TOP TRACK
B	1	600T300-68	15'-11 13/16"	BOTTOM TRACK
C	2	150U50-54	15'-11 5/8"	HORIZONTAL BRACING
D	1	1200D-54	15'-10 13/16"	STRAP
E	9	600S162-68	10'-5 13/16"	STUD
F	2	600S162-33	10'-5 13/16"	BACKER STUD

SHEATHING

LABEL	QTY	CODE	THICK	SIZE	SCREWS
1	1	SB-DENSARMOR	5/8"	4'-0" X 9'-7 7/16"	2-12
2	2	SB-DENSARMOR	5/8"	4'-0" X 9'-7 7/16"	2-12
3	1	SB-DENSARMOR	5/8"	3'-11 7/8" X 9'-7 7/16"	2-12

22-1130

Jewish Home for the Aging

1885 Victory Blvd. Reseda, CA

FM-07-109

CREATED BY: TNT

FrameMax, Inc.
13915 Danielson St
Suite 100
Poway, CA 92064
www.frame-max.com



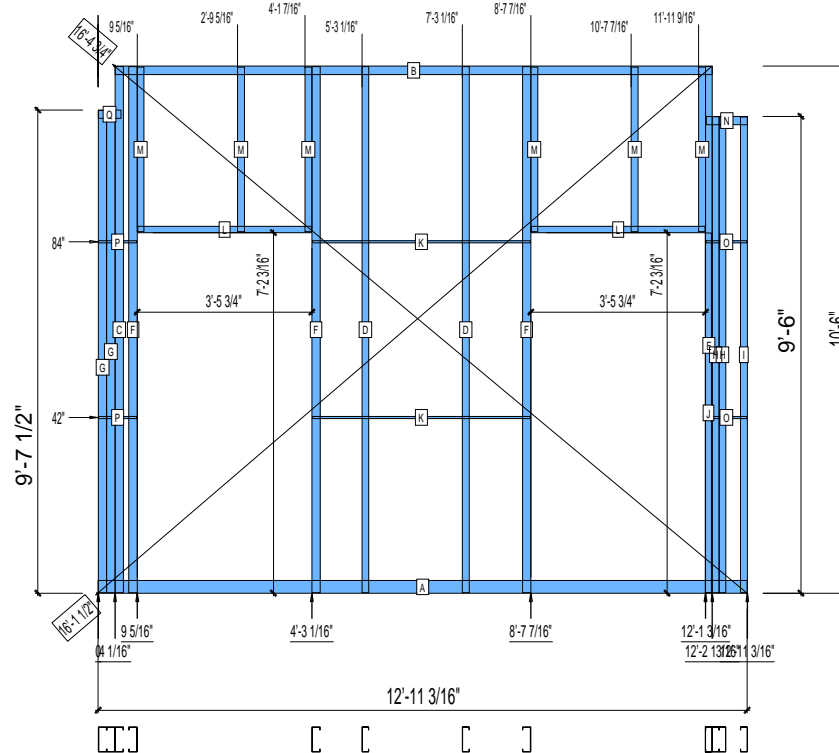
© FrameMax Inc.

HEIGHT : 10'-6"
SPACING : 5000"
1st STUD: 5000"

POINTS: 3.21 Points.

WEIGHTS :
FRAME : 501 lbs

TOTAL: 501 lbs



PIECES LIST

LABEL	QTY	SIZE	LENGTH	USE
A	1	600T300-68	12'-11 3/16"	BOTTOM TRACK
B	1	600T200-68	11'-10 13/16"	TOP TRACK
C	1	600S200-97	10'-5 13/16"	BEAM KING
D	2	600S162-68	10'-5 13/16"	STUD
E	1	600S162-68	10'-5 13/16"	BEAM KING
F	3	600S200-97	10'-5 13/16"	KING STUD
G	2	600S200-97	9'-7 5/16"	BEAM JACK
H	2	600S162-68	9'-5 13/16"	BEAM JACK
I	1	600S162-68	9'-5 3/4"	STUD
J	1	600T150-54	7'-2"	CAP TRACK
K	2	150U50-54	4'-4 1/8"	HORIZONTAL BRACING
L	2	600T150-54	3'-5 1/2"	HEAD TRACK
M	6	600S162-54	3'-3 3/8"	CRIPPLE
N	1	600T200-68	9 13/16"	BEAM JACK
O	2	150U50-54	9 3/4"	HORIZONTAL BRACING
P	2	150U50-54	9 1/8"	HORIZONTAL BRACING
Q	1	600T200-68	5 7/16"	BEAM JACK

22-1131

Jewish Home for the Aging

1885 Victory Blvd. Reseda, CA

FrameMax, Inc.
13915 Danielson St
Suite 100
Poway, CA 92064
www.frame-max.com



© FrameMax Inc.

CREATED: 11/11/2008

FM-07-109

CREATED BY: TNT

HEIGHT : 9'-10" POINTS: 0.55 Points.

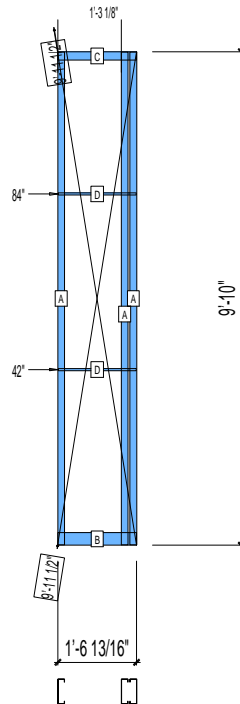
SPACING : 5000"

1st STUD: 16"

WEIGHTS :

FRAME : 80 lbs

TOTAL: 80 lbs



PIECES LIST

LABEL	QTY	SIZE	LENGTH	USE
A	3	600S162-68	9'-9 13/16"	STUD
B	1	600T300-68	1'-6 13/16"	BOTTOM TRACK
C	1	600T200-68	1'-6 13/16"	TOP TRACK
D	2	150U50-54	1'-6 5/8"	HORIZONTAL BRACING

22-1132

Jewish Home for the Aging

1885 Victory Blvd. Reseda, CA

FrameMax, Inc.
13915 Danielson St
Suite 100
Poway, CA 92064
www.frame-max.com



© FrameMax Inc.

CREATED: 11/11/2008

FM-07-109

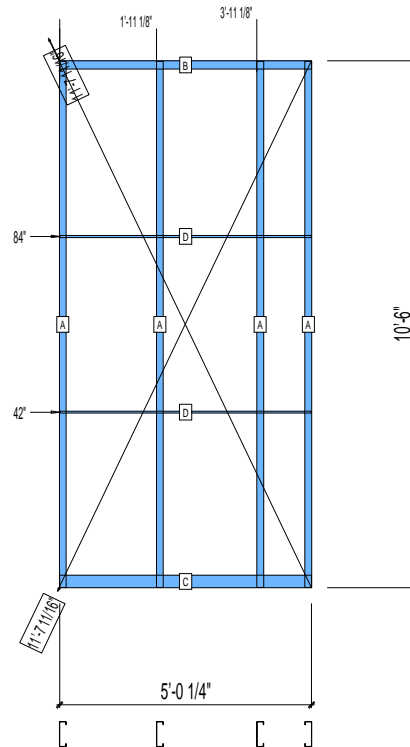
CREATED BY: TNT

HEIGHT : 10'-6"
SPACING : 5000"
1st STUD: 5000"

POINTS: 0.87 Points.

WEIGHTS :
FRAME : 131 lbs

TOTAL: 131 lbs



PIECES LIST

LABEL	QTY	SIZE	LENGTH	USE
A	4	600S162-68	10'-5 13/16"	STUD
B	1	600T200-68	5'-0 1/4"	TOP TRACK
C	1	600T300-68	5'-0 1/4"	BOTTOM TRACK
D	2	150U50-54	5'-0 1/16"	HORIZONTAL BRACING

22-1133

Jewish Home for the Aging

1885 Victory Blvd. Reseda, CA

FrameMax, Inc.
13915 Danielson St
Suite 100
Poway, CA 92064
www.framemax.com



© FrameMax Inc.

CREATED: 11/11/2008

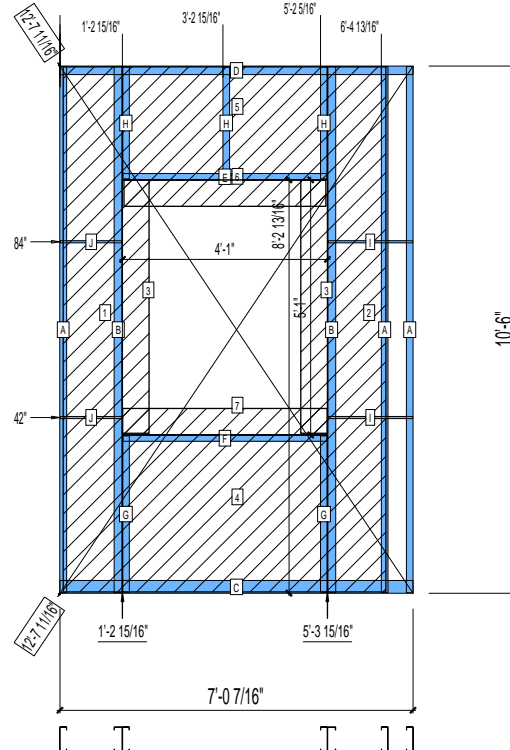
FM-07-109

CREATED BY: TNT

HEIGHT : 10'-6"
POINTS: 2.11 Points.
SPACING : 5000"
1st STUD: 5000"

WEIGHTS :
FRAME : 207 lbs
SHEATHING: 140 lbs

TOTAL: 347 lbs



PIECES LIST

LABEL	QTY	SIZE	LENGTH	USE
A	3	600S162-54	10'-5 13/16"	STUD
B	2	600S200-97	10'-5 13/16"	KING STUD
C	1	600T300-54	7'-0 7/16"	BOTTOM TRACK
D	1	600T200-54	7'-0 7/16"	TOP TRACK
E	1	600T150-54	4'-0 3/4"	HEAD TRACK
F	1	600T150-54	4'-0 3/4"	SILL
G	2	600S162-54	3'-1 3/8"	CRIPPLE
H	3	600S162-54	2'-2 3/4"	CRIPPLE
I	2	150U50-54	1'-8 1/4"	HORIZONTAL BRACING
J	2	150U50-54	1'-2 3/4"	HORIZONTAL BRACING

SHEATHING

LABEL	QTY	CODE	THICK	SIZE	SCREWS
1	1	DENSGLOSS	1/2"	1'-2 1/8" X 10'-5 9/16"	8 - 12
2	1	DENSGLOSS	1/2"	1'-1 7/8" X 10'-5 9/16"	8 - 12
3	2	DENSGLOSS	1/2"	6 3/8" X 5'-0 1/2"	8 - 12
4	1	DENSGLOSS	1/2"	4'-0 7/8" X 3'-1 1/2"	8 - 12
5	1	DENSGLOSS	1/2"	4'-0 7/8" X 2'-3"	8 - 12
6	1	DENSGLOSS	1/2"	4'-0 1/4" X 6 5/16"	8 - 12
7	1	DENSGLOSS	1/2"	4'-0 7/8" X 6 5/16"	8 - 12

22-1134

Jewish Home for the Aging

1885 Victory Blvd. Reseda, CA

FrameMax, Inc.
13915 Danielson St
Suite 100
Poway, CA 92064
www.frame-max.com



© FrameMax Inc.

CREATED: 11/11/2008

FM-07-109

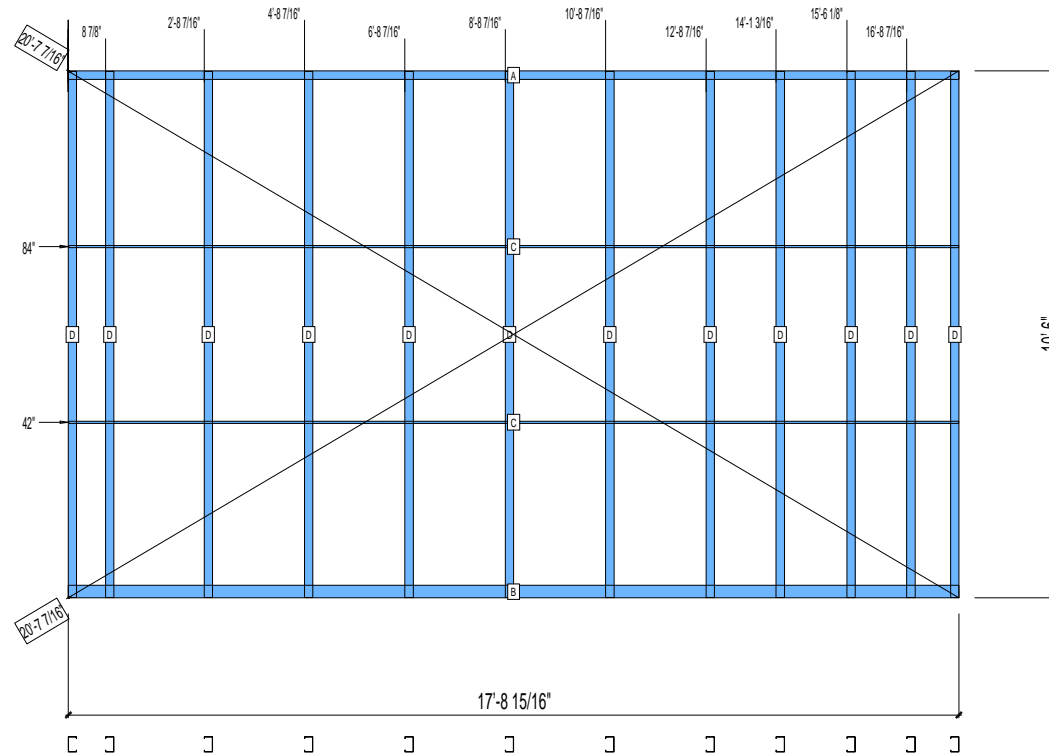
CREATED BY: TNT

HEIGHT : 10'-6"
SPACING : 5000"
1st STUD: 5000"

POINTS: 2.29 Points.

WEIGHTS :
FRAME : 347 lbs

TOTAL: 347 lbs



PIECES LIST

LABEL	QTY	SIZE	LENGTH	USE
A	1	362T200-68	17'-8 15/16"	TOP TRACK
B	1	362T300-68	17'-8 15/16"	BOTTOM TRACK
C	2	150U50-54	17'-8 3/4"	HORIZONTAL BRACING
D	12	362S200-68	10'-5 13/16"	STUD

22-1135

Jewish Home for the Aging

1885 Victory Blvd. Reseda, CA

FM-07-109

CREATED BY: TNT

FrameMax, Inc.
13915 Danielson St
Suite 100
Poway, CA 92064
www.frame-max.com



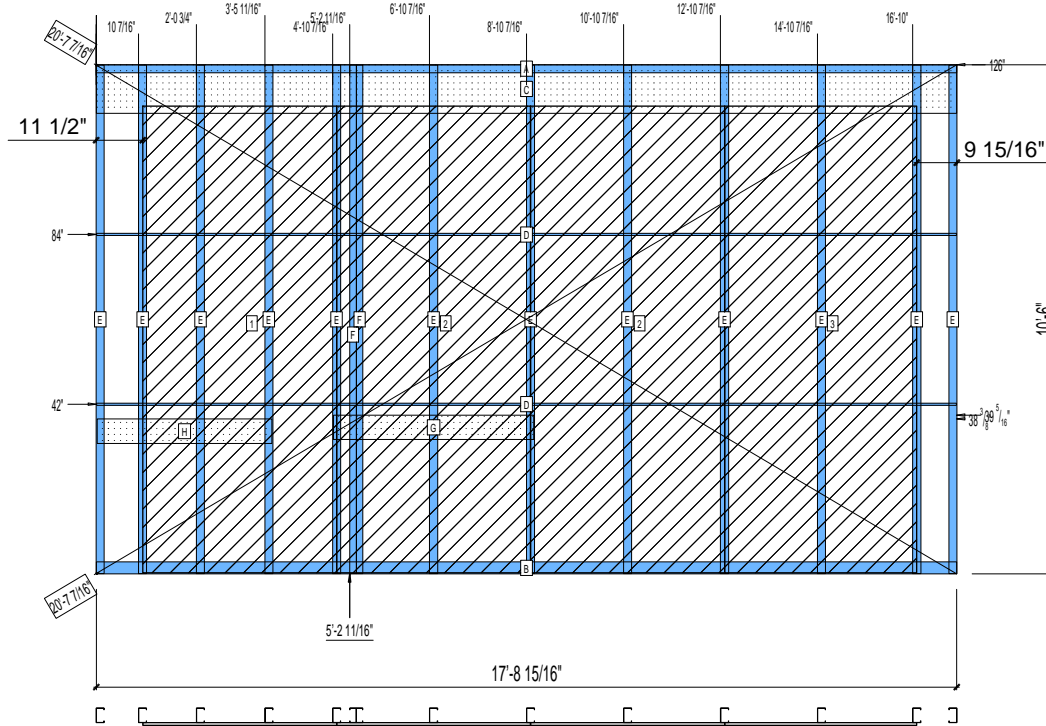
© FrameMax Inc.

HEIGHT : 10'-6"
SPACING : 5000"
1st STUD: 5000"

POINTS: 5.34 Points.

WEIGHTS :
FRAME : 431 lbs
SHEATHING: 565 lbs

TOTAL: 996 lbs



PIECES LIST

LABEL	QTY	SIZE	LENGTH	USE
A	1	362T200-68	17'-8 15/16"	TOP TRACK
B	1	362T300-68	17'-8 15/16"	BOTTOM TRACK
C	1	1200D-54	17'-8 7/8"	STRAP
D	2	150U50-54	17'-8 3/4"	HORIZONTAL BRACING
E	12	362S200-68	10'-5 13/16"	STUD
F	2	362S162-54	10'-5 13/16"	EXTRA STUD
G	1	600D-54	4'-1 1/2"	VANITY BACKING
H	1	600T150-54	3'-7 1/4"	GRAB BAR

SHEATHING

LABEL	QTY	CODE	THICK	SIZE	SCREWS
1	1	SB-DENSARMOR	5/8"	4'-0" X 9'-7 7/16"	2-12
2	2	SB-DENSARMOR	5/8"	4'-0" X 9'-7 7/16"	2-12
3	1	SB-DENSARMOR	5/8"	3'-11 9/16" X 9'-7 7/16"	2-12

22-1136

Jewish Home for the Aging

1885 Victory Blvd. Reseda, CA

FrameMax, Inc.
13915 Danielson St
Suite 100
Poway, CA 92064
www.framemax.com



© FrameMax Inc.

CREATED: 11/11/2008

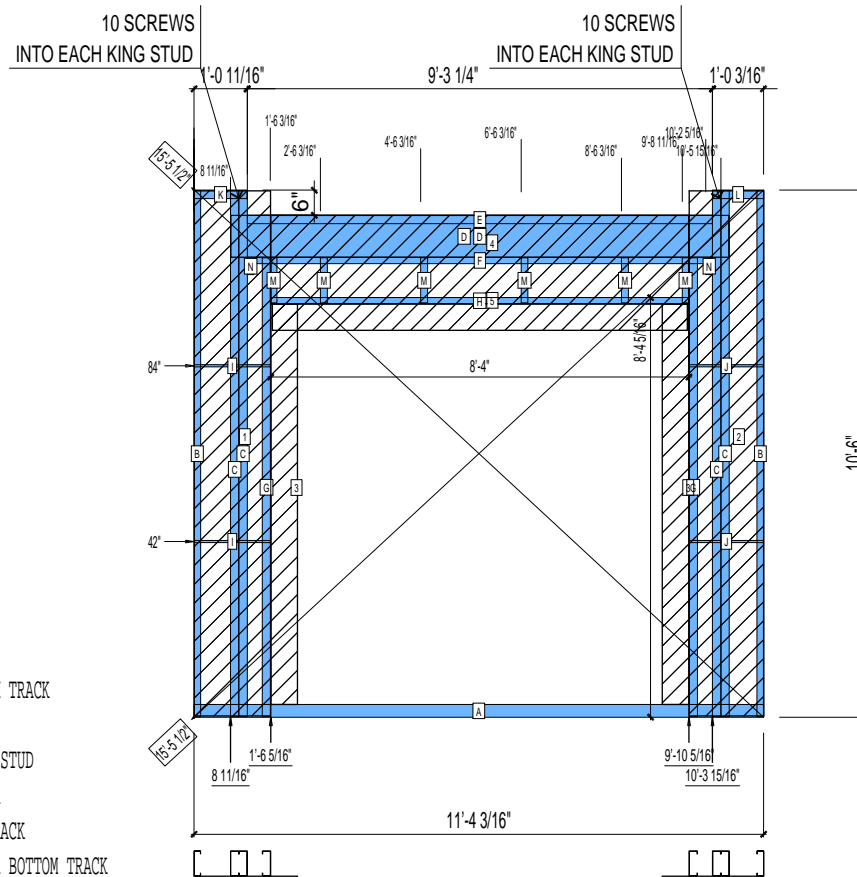
FM-07-109

CREATED BY: TNT

HEIGHT : 10'-6"
POINTS: 3.56 Points.
SPACING : 5000"
1st STUD: 16"

WEIGHTS :
FRAME : 454 lbs
SHEATHING: 147 lbs

TOTAL: 601 lbs



PIECES LIST

LABEL	QTY	SIZE	LENGTH	USE
A	1	600T300-54	11'-4 3/16"	BOTTOM TRACK
B	2	600S162-54	10'-5 13/16"	STUD
C	4	600S200-97	10'-5 13/16"	EXTRA STUD
D	2	1000S200-97	9'-11 1/8"	HEADER
E	1	600T200-54	9'-3 3/16"	TOP TRACK
F	1	600T150-54	9'-3 1/8"	HEADER BOTTOM TRACK
G	2	600S200-97	9'-1 3/4"	KING STUD
H	1	600T150-54	8'-3 15/16"	HEAD TRACK
I	2	150U50-54	1'-6 1/8"	HORIZONTAL BRACING
J	2	150U50-54	1'-5 5/8"	HORIZONTAL BRACING
K	1	600T200-54	1'-0 5/8"	TOP TRACK
L	1	600T200-54	1'-0 1/8"	TOP TRACK
M	6	600S162-54	10 13/16"	CRIPPLE
N	2	600S162-33	4"	BACKER STUD

SHEATHING

LABEL	QTY	CODE	THICK	SIZE	SCREWS
1	1	DENSGLASS	1/2"	1'-6 1/4" X 10'-5 9/16"	8 - 12
2	1	DENSGLASS	1/2"	1'-5 3/4" X 10'-5 9/16"	8 - 12
3	2	DENSGLASS	1/2"	6 3/8" X 7'-11 3/4"	8 - 12
4	1	DENSGLASS	1/2"	8'-3 15/16" X 1'-9 1/16"	8 - 12
5	1	DENSGLASS	1/2"	8'-3 1/4" X 6 5/16"	8 - 12

22-1137

Jewish Home for the Aging

1885 Victory Blvd. Reseda, CA

FM-07-109

CREATED BY: TNT

FrameMax, Inc.
13915 Danielson St
Suite 100
Poway, CA 92064
www.frame-max.com

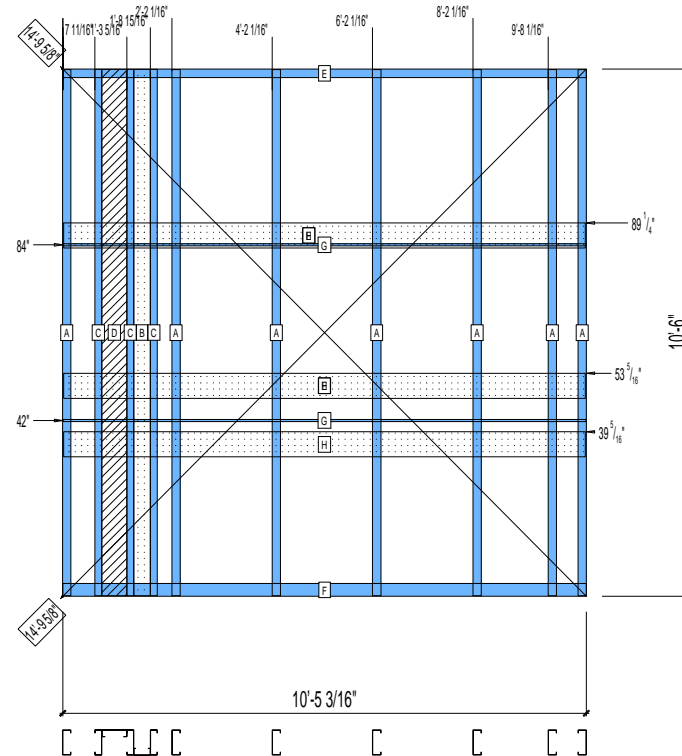


© FrameMax Inc.

HEIGHT : 10'-6"
POINTS: 2.23 Points.
SPACING : 5000"
1st STUD: 5000"

WEIGHTS :
FRAME : 354 lbs

TOTAL: 354 lbs



PIECES LIST

LABEL	QTY	SIZE	LENGTH USE
A	7	600S200-68	10'-5 13/16" STUD
B	1	400S162-33	10'-5 13/16" BACKER-U
C	3	600S162-33	10'-5 13/16" BACKER STUD
D	1	600S162-33	10'-5 13/16" BACKER-U
E	1	600T200-68	10'-5 3/16" TOP TRACK
F	1	600T300-68	10'-5 3/16" BOTTOM TRACK
G	2	150U50-54	10'-5" HORIZONTAL BRACING
H	3	600D-54	10'-4 3/4" KITCHEN BACKING

22-1138

Jewish Home for the Aging

1885 Victory Blvd. Reseda, CA

FrameMax, Inc.
13915 Danielson St
Suite 100
Poway, CA 92064
www.frame-max.com



© FrameMax Inc.

CREATED: 11/11/2008

FM-07-109

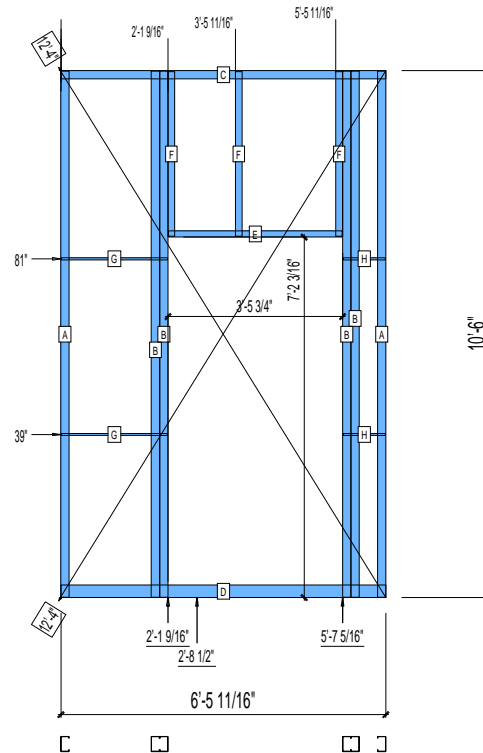
CREATED BY: TNT

HEIGHT : 10'-6"
SPACING : 5000"
1st STUD: 5000"

POINTS: 1.28 Points.

WEIGHTS :
FRAME : 176 lbs

TOTAL: 176 lbs



PIECES LIST

LABEL	QTY	SIZE	LENGTH	USE
A	2	362S200-68	10'-5 13/16"	STUD
B	4	362S200-68	10'-5 13/16"	KING STUD
C	1	362T200-68	6'-5 11/16"	TOP TRACK
D	1	362T300-68	6'-5 11/16"	BOTTOM TRACK
E	1	362T150-54	3'-5 1/2"	HEAD TRACK
F	3	362S162-54	3'-3 3/8"	CRIPPLE
G	2	150U50-54	2'-1 3/8"	HORIZONTAL BRACING
H	2	150U50-54	10 1/8"	HORIZONTAL BRACING

22-1139

Jewish Home for the Aging

1885 Victory Blvd. Reseda, CA

FrameMax, Inc.
13915 Danielson St
Suite 100
Poway, CA 92064
www.frame-max.com



© FrameMax Inc.

CREATED: 11/11/2008

FM-07-109

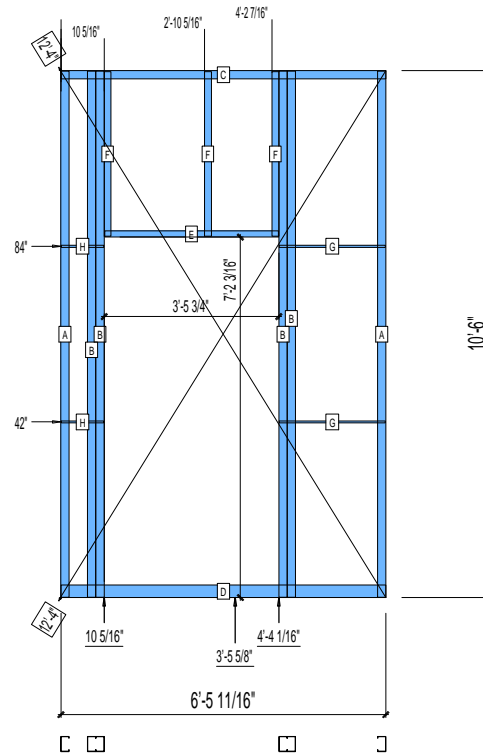
CREATED BY: TNT

HEIGHT : 10'-6"
SPACING : 5000"
1st STUD: 5000"

POINTS: 1.28 Points.

WEIGHTS :
FRAME : 176 lbs

TOTAL: 176 lbs



PIECES LIST

LABEL	QTY	SIZE	LENGTH	USE
A	2	362S200-68	10'-5 13/16"	STUD
B	4	362S200-68	10'-5 13/16"	KING STUD
C	1	362T200-68	6'-5 11/16"	TOP TRACK
D	1	362T300-68	6'-5 11/16"	BOTTOM TRACK
E	1	362T150-54	3'-5 1/2"	HEAD TRACK
F	3	362S162-54	3'-3 3/8"	CRIPPLE
G	2	150U50-54	2'-1 3/8"	HORIZONTAL BRACING
H	2	150U50-54	10 1/8"	HORIZONTAL BRACING

22-1140

Jewish Home for the Aging

1885 Victory Blvd. Reseda, CA

FrameMax, Inc.
13915 Danielson St
Suite 100
Poway, CA 92064
www.frame-max.com



© FrameMax Inc.

CREATED: 11/11/2008

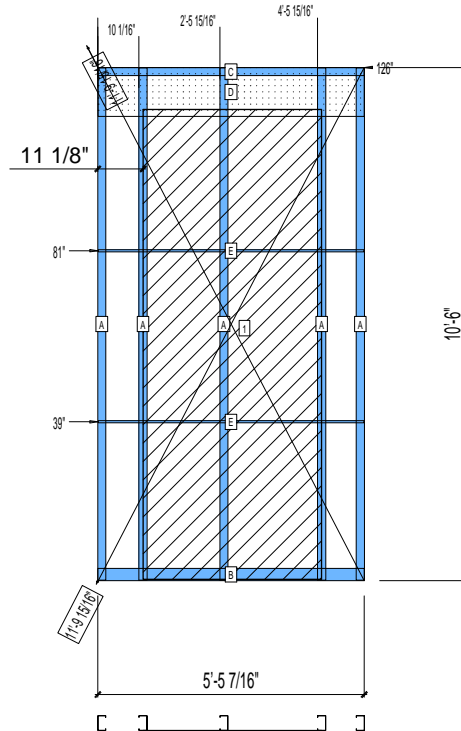
FM-07-109

CREATED BY: TNT

HEIGHT : 10'-6" POINTS: 1.59 Points.
SPACING : 5000"
1st STUD: 5000"

WEIGHTS :
FRAME : 148 lbs
SHEATHING: 129 lbs

TOTAL: 277 lbs



PIECES LIST

LABEL	QTY	SIZE	LENGTH	USE
A	5	362S200-68	10'-5 13/16"	STUD
B	1	362T300-68	5'-5 7/16"	BOTTOM TRACK
C	1	362T200-68	5'-5 7/16"	TOP TRACK
D	1	1200D-54	5'-5 3/8"	STRAP
E	2	150U50-54	5'-5 1/4"	HORIZONTAL BRACING

SHEATHING

LABEL	QTY	CODE	THICK	SIZE	SCREWS
1	1	SB-DENSARMOR	5/8"	3'-7 13/16" X	9'-7 7/16" 2-12

22-1141

Jewish Home for the Aging

1885 Victory Blvd. Reseda, CA

FrameMax, Inc.
13915 Danielson St
Suite 100
Poway, CA 92064
www.frame-max.com



© FrameMax Inc.

CREATED: 11/11/2008

FM-07-109

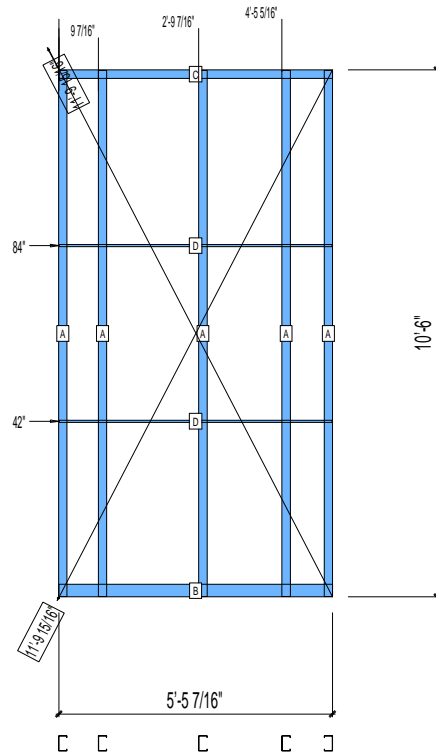
CREATED BY: TNT

HEIGHT : 10'-6"
SPACING : 5000"
1st STUD: 5000"

POINTS: 0.92 Points.

WEIGHTS :
FRAME : 135 lbs

TOTAL: 135 lbs



PIECES LIST

LABEL	QTY	SIZE	LENGTH	USE
A	5	362S200-68	10'-5 13/16"	STUD
B	1	362T300-68	5'-5 7/16"	BOTTOM TRACK
C	1	362T200-68	5'-5 7/16"	TOP TRACK
D	2	150U50-54	5'-5 1/4"	HORIZONTAL BRACING

22-1142

Jewish Home for the Aging

1885 Victory Blvd. Reseda, CA

FrameMax, Inc.
13915 Danielson St
Suite 100
Poway, CA 92064
www.frame-max.com



© FrameMax Inc.

CREATED: 11/11/2008

FM-07-109

CREATED BY: TNT

HEIGHT : 10'-6" POINTS: 0.76 Points.

SPACING : 5000"

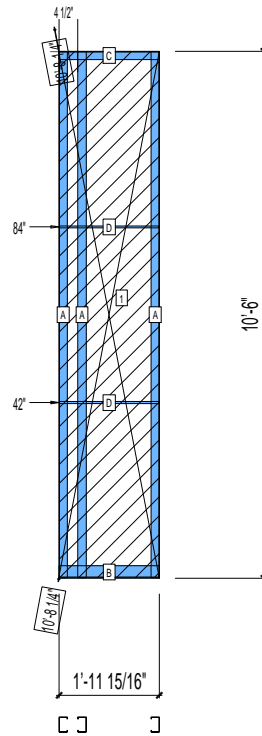
1st STUD: 5000"

WEIGHTS :

FRAME : 74 lbs

SHEATHING: 52 lbs

TOTAL: 126 lbs



PIECES LIST

LABEL	QTY	SIZE	LENGTH	USE
A	3	362S200-68	10'-5 13/16"	STUD
B	1	362T300-68	1'-11 15/16"	BOTTOM TRACK
C	1	362T200-68	1'-11 15/16"	TOP TRACK
D	2	150U50-54	1'-11 3/4"	HORIZONTAL BRACING

SHEATHING

LABEL	QTY	CODE	THICK	SIZE	SCREWS
1	1	DENSGLASS	1/2"	1'-11 7/8" X 10'-5 9/16"	8 - 12

22-1143

Jewish Home for the Aging

1885 Victory Blvd. Reseda, CA

FrameMax, Inc.
13915 Danielson St
Suite 100
Poway, CA 92064
www.frame-max.com



© FrameMax Inc.

CREATED: 11/11/2008

FM-07-109

CREATED BY: TNT

HEIGHT : 10'-6" POINTS: 0.53 Points.

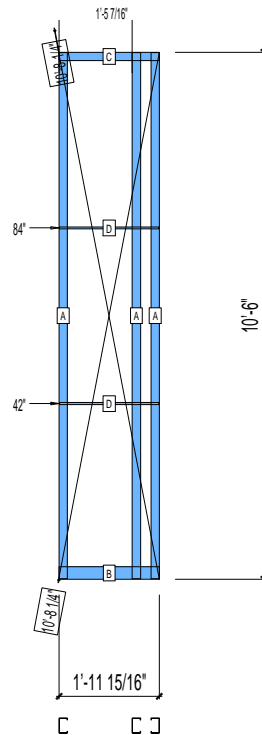
SPACING : 5000"

1st STUD: 5000"

WEIGHTS :

FRAME : 74 lbs

TOTAL: 74 lbs



PIECES LIST

LABEL	QTY	SIZE	LENGTH	USE
A	3	362S200-68	10'-5 13/16"	STUD
B	1	362T300-68	1'-11 15/16"	BOTTOM TRACK
C	1	362T200-68	1'-11 15/16"	TOP TRACK
D	2	150U50-54	1'-11 3/4"	HORIZONTAL BRACING

22-1144

Jewish Home for the Aging

1885 Victory Blvd. Reseda, CA

FrameMax, Inc.
13915 Danielson St
Suite 100
Poway, CA 92064
www.framemax.com



© FrameMax Inc.

CREATED: 11/11/2008

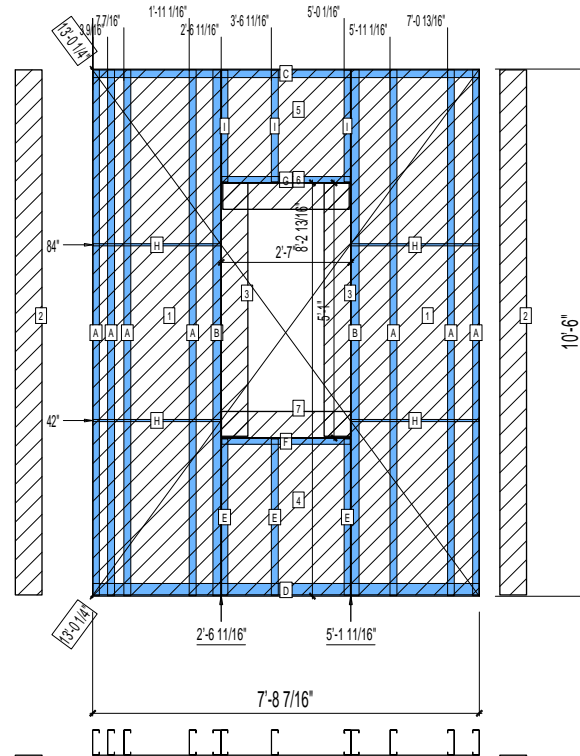
FM-07-109

CREATED BY: TNT

HEIGHT : 10'-6"
POINTS: 2.96 Points.
SPACING : 5000"
1st STUD: 5000"

WEIGHTS :
FRAME : 292 lbs
SHEATHING: 216 lbs

TOTAL: 508 lbs



PIECES LIST

LABEL	QTY	SIZE	LENGTH	USE
A	7	600S162-54	10'-5 13/16"	STUD
B	2	600S200-97	10'-5 13/16"	KING STUD
C	1	600T200-54	7'-8 7/16"	TOP TRACK
D	1	600T300-54	7'-8 7/16"	BOTTOM TRACK
E	3	600S162-54	3'-1 3/8"	CRIPPLE
F	1	600T150-54	2'-6 3/4"	SILL
G	1	600T150-54	2'-6 3/4"	HEAD TRACK
H	4	150U50-54	2'-6 1/2"	HORIZONTAL BRACING
I	3	600S162-54	2'-2 3/4"	CRIPPLE

SHEATHING

LABEL	QTY	CODE	THICK	SIZE	SCREWS
1	2	DENSGLASS	1/2"	2'-6 5/8" X 10'-5 9/16"	8 - 12
2	2	DENSGLASS	1/2"	6 3/8" X 10'-5 9/16"	8 - 12
3	2	DENSGLASS	1/2"	6 3/8" X 5'-0 1/2"	8 - 12
4	1	DENSGLASS	1/2"	2'-6 7/8" X 3'-1 1/2"	8 - 12
5	1	DENSGLASS	1/2"	2'-6 7/8" X 2'-3"	8 - 12
6	1	DENSGLASS	1/2"	2'-6 1/4" X 6 5/16"	8 - 12
7	1	DENSGLASS	1/2"	2'-6 7/8" X 6 5/16"	8 - 12

22-1145

Jewish Home for the Aging

1885 Victory Blvd. Reseda, CA

FrameMax, Inc.
13915 Danielson St
Suite 100
Poway, CA 92064
www.frame-max.com



© FrameMax Inc.

CREATED: 11/11/2008

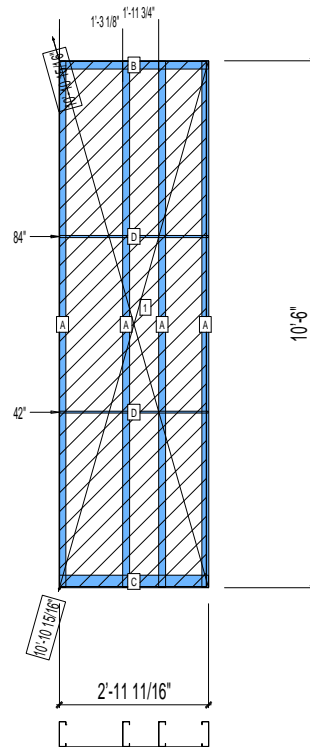
FM-07-109

CREATED BY: TNT

HEIGHT : 10'-6"
POINTS: 1.01 Points.
SPACING : 5000"
1st STUD: 16"

WEIGHTS :
FRAME : 95 lbs
SHEATHING: 77 lbs

TOTAL: 172 lbs



PIECES LIST

LABEL	QTY	SIZE	LENGTH	USE
A	4	600S162-54	10'-5 13/16"	STUD
B	1	600T200-54	2'-11 11/16"	TOP TRACK
C	1	600T300-54	2'-11 11/16"	BOTTOM TRACK
D	2	150U50-54	2'-11 1/2"	HORIZONTAL BRACING

SHEATHING

LABEL	QTY	CODE	THICK	SIZE	SCREWS
1	1	DENSGLASS	1/2"	2'-11 1/8" X 10'-5 9/16"	8 - 12

22-1146

Jewish Home for the Aging

1885 Victory Blvd. Reseda, CA

FrameMax, Inc.
13915 Danielson St
Suite 100
Poway, CA 92064
www.framemax.com



© FrameMax Inc.

CREATED: 11/11/2008

FM-07-109

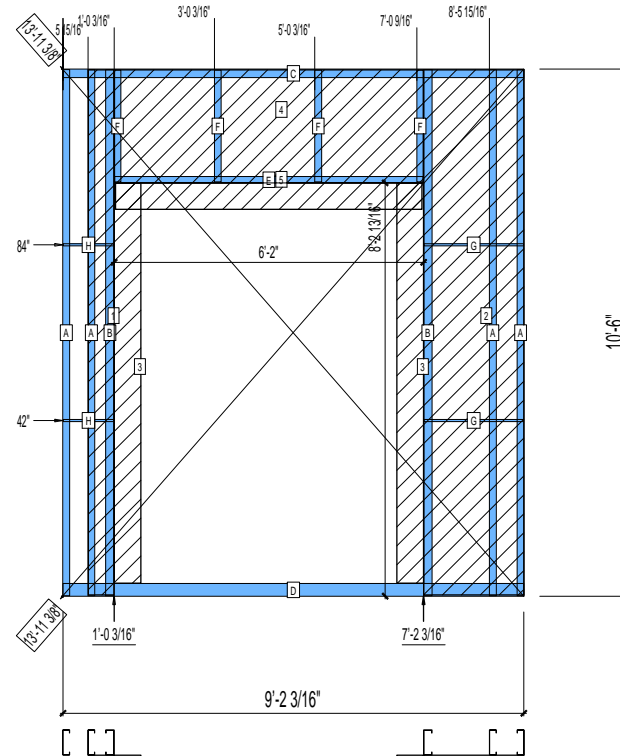
CREATED BY: TNT

HEIGHT : 10'-6"
SPACING : 5000"
1st STUD: 5000"

POINTS: 2.17 Points.

WEIGHTS :
FRAME : 226 lbs
SHEATHING: 129 lbs

TOTAL: 355 lbs



PIECES LIST

LABEL	QTY	SIZE	LENGTH	USE
A	4	600S162-54	10'-5 13/16"	STUD
B	2	600S200-97	10'-5 13/16"	KING STUD
C	1	600T200-54	9'-2 3/16"	TOP TRACK
D	1	600T300-54	9'-2 3/16"	BOTTOM TRACK
E	1	600T150-54	6'-1 3/4"	HEAD TRACK
F	4	600S162-54	2'-2 3/4"	CRIPPLE
G	2	150U50-54	1'-11 3/4"	HORIZONTAL BRACING
H	2	150U50-54	1'-0"	HORIZONTAL BRACING

SHEATHING

LABEL	QTY	CODE	THICK	SIZE	SCREWS
1	1	DENSGLASS	1/2"	6 1/8" X 10'-5 9/16"	8 - 12
2	1	DENSGLASS	1/2"	1'-11 7/8" X 10'-5 9/16"	8 - 12
3	2	DENSGLASS	1/2"	6 3/8" X 7'-11 11/16"	8 - 12
4	1	DENSGLASS	1/2"	6'-1 7/8" X 2'-3"	8 - 12
5	1	DENSGLASS	1/2"	6'-1 1/4" X 6 5/16"	8 - 12

22-1147

Jewish Home for the Aging

1885 Victory Blvd. Reseda, CA

FrameMax, Inc.
13915 Danielson St
Suite 100
Poway, CA 92064
www.frame-max.com



© FrameMax Inc.

CREATED: 11/11/2008

FM-07-109

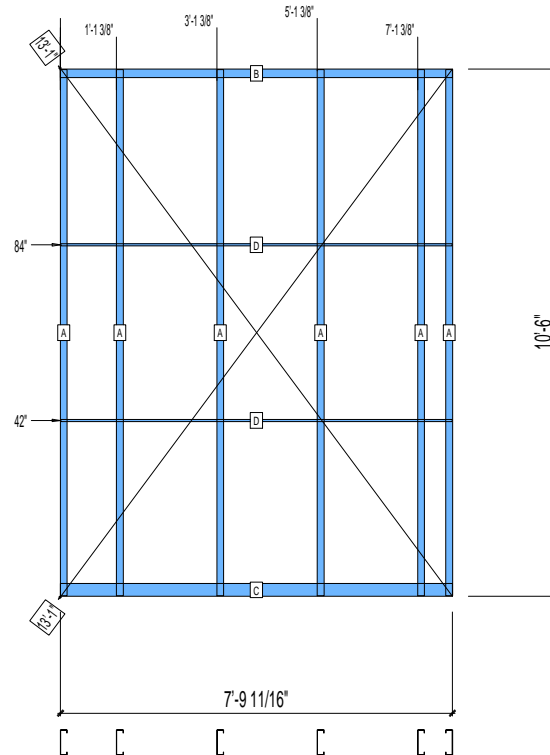
CREATED BY: TNT

HEIGHT : 10'-6"
SPACING : 5000"
1st STUD: 5000"

POINTS: 1.28 Points.

WEIGHTS :
FRAME : 199 lbs

TOTAL: 199 lbs



PIECES LIST

LABEL	QTY	SIZE	LENGTH	USE
A	6	600S162-68	10'-5 13/16"	STUD
B	1	600T200-68	7'-9 11/16"	TOP TRACK
C	1	600T300-68	7'-9 11/16"	BOTTOM TRACK
D	2	150U50-54	7'-9 1/2"	HORIZONTAL BRACING

22-1148

Jewish Home for the Aging

1885 Victory Blvd. Reseda, CA

FrameMax, Inc.
13915 Danielson St
Suite 100
Poway, CA 92064
www.frame-max.com



© FrameMax Inc.

CREATED: 11/21/2008

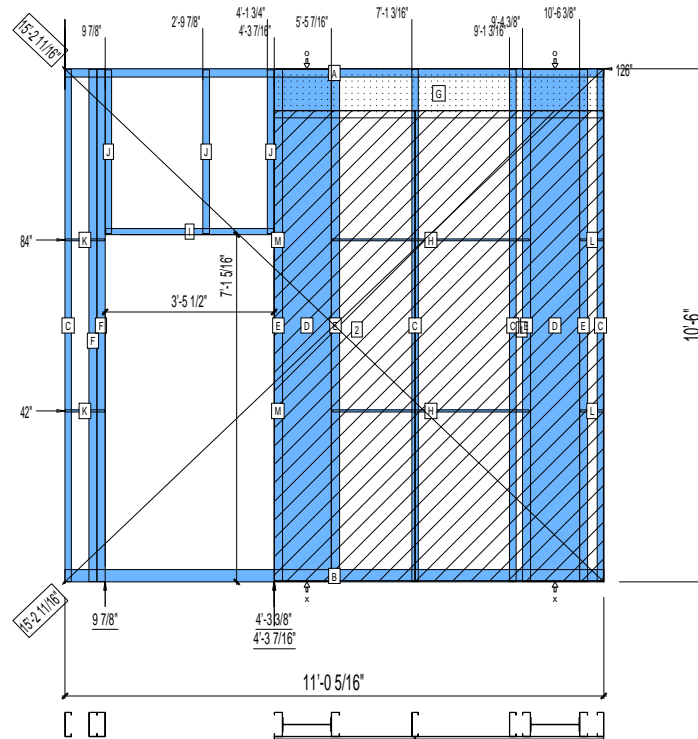
FM-07-109

CREATED BY: TNT

HEIGHT : 10'-6"
POINTS: 4.57 Points.
SPACING : 5000"
1st STUD: 5000"

WEIGHTS :
FRAME : 591 lbs
SHEATHING: 239 lbs

TOTAL: 830 lbs



PIECES LIST

LABEL	QTY	SIZE	LENGTH	USE
A	1	600T200-68	11'-0 5/16"	TOP TRACK
B	1	600T300-68	11'-0 5/16"	BOTTOM TRACK
C	4	600S162-68	10'-5 13/16"	STUD
D	2	1200i350p1062	10'-5 13/16"	PACO
E	4	600S200-68	10'-5 13/16"	STUD
F	2	600S200-68	10'-5 13/16"	KING STUD
G	1	1200D-54	6'-8 3/4"	STRAP
H	2	150U50-54	4'-0 5/16"	HORIZONTAL BRACING
I	1	600T150-54	3'-5 1/4"	HEAD TRACK
J	3	600S162-54	3'-4 1/4"	CRIPPLE
K	2	150U50-54	9 5/8"	HORIZONTAL BRACING
L	2	150U50-54	5 9/16"	HORIZONTAL BRACING
M	2	150U50-54	1 5/8"	HORIZONTAL BRACING

SHEATHING

LABEL	QTY	CODE	THICK	SIZE	SCREWS
1	1	SB-DENSARMOR	5/8"	3'-10 5/16" X	9'-7 7/16" 2-12
2	1	SB-DENSARMOR	5/8"	2'-10 9/16" X	9'-7 7/16" 2-12

22-1150

Jewish Home for the Aging

1885 Victory Blvd. Reseda, CA

FrameMax, Inc.
13915 Danielson St
Suite 100
Poway, CA 92064
www.frame-max.com



© FrameMax Inc.

CREATED: 11/11/2008

FM-07-109

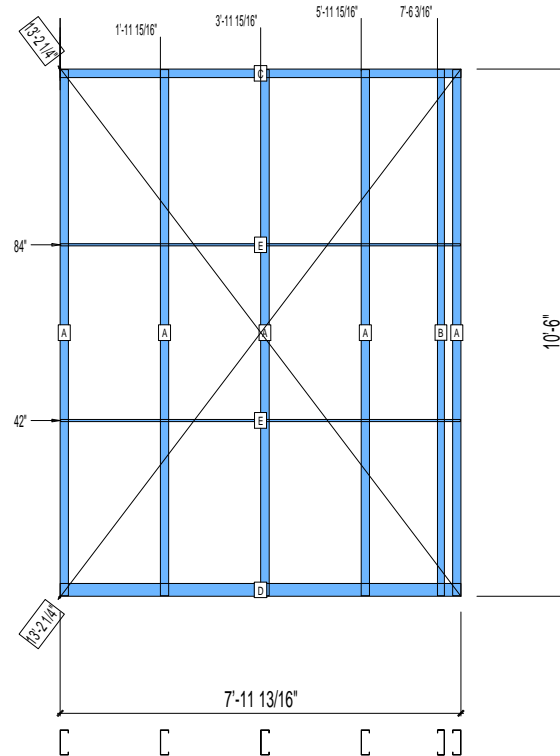
CREATED BY: TNT

HEIGHT : 10'-6"
SPACING : 5000"
1st STUD: 5000"

POINTS: 1.29 Points.

WEIGHTS :
FRAME : 200 lbs

TOTAL: 200 lbs



PIECES LIST

LABEL	QTY	SIZE	LENGTH	USE
A	5	600S200-68	10'-5 13/16"	STUD
B	1	600S162-33	10'-5 13/16"	BACKER STUD
C	1	600T200-68	7'-11 13/16"	TOP TRACK
D	1	600T300-68	7'-11 13/16"	BOTTOM TRACK
E	2	150U50-54	7'-11 5/8"	HORIZONTAL BRACING

22-1151

Jewish Home for the Aging

1885 Victory Blvd. Reseda, CA

FM-07-109

CREATED BY: TNT

FrameMax, Inc.
13915 Danielson St
Suite 100
Poway, CA 92064
www.frame-max.com



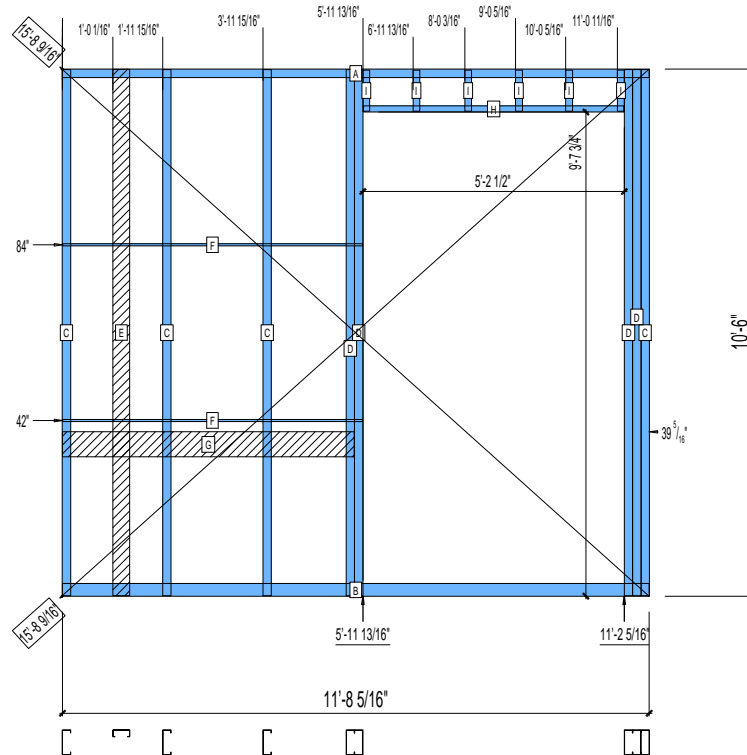
© FrameMax Inc.

HEIGHT : 10'-6"
SPACING : 5000"
1st STUD: 5000"

POINTS: 2.16 Points.

WEIGHTS :
FRAME : 322 lbs

TOTAL: 322 lbs



PIECES LIST

LABEL	QTY	SIZE	LENGTH	USE
A	1	600T200-68	11'-8 5/16"	TOP TRACK
B	1	600T300-68	11'-8 5/16"	BOTTOM TRACK
C	4	600S200-68	10'-5 13/16"	STUD
D	4	600S200-68	10'-5 13/16"	KING STUD
E	1	400S162-33	10'-5 13/16"	BACKER-U
F	2	150U50-54	5'-11 5/8"	HORIZONTAL BRACING
G	1	600D-54	5'-9 3/4"	VANITY BACKING
H	1	600T150-54	5'-2 1/4"	HEAD TRACK
I	6	600S162-54	9 13/16"	CRIPPLE

22-1152

Jewish Home for the Aging

1885 Victory Blvd. Reseda, CA

FM-07-109

CREATED BY: TNT

FrameMax, Inc.
13915 Danielson St
Suite 100
Poway, CA 92064
www.frame-max.com

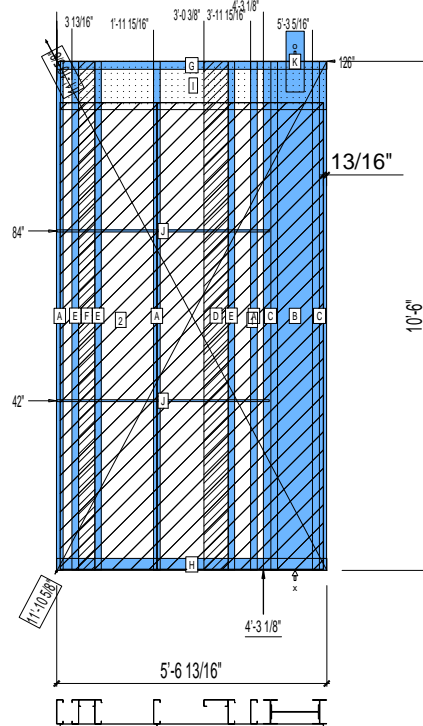


© FrameMax Inc.

HEIGHT : 10'-6"
POINTS: 3.81 Points.
SPACING : 5000"
1st STUD: 5000"

WEIGHTS :
FRAME : 542 lbs
SHEATHING: 192 lbs

TOTAL: 734 lbs



PIECES LIST

LABEL	QTY	SIZE	LENGTH	USE
A	3	600S162-68	10'-5 13/16"	STUD
B	1	1200i350p1420	10'-5 13/16"	PACO
C	2	600i350p968	10'-5 13/16"	PACO
D	1	600S162-33	10'-5 13/16"	BACKER-U
E	3	600S162-33	10'-5 13/16"	BACKER STUD
F	1	400S162-33	10'-5 13/16"	BACKER-U
G	1	600T200-68	5'-6 13/16"	TOP TRACK
H	1	600T300-68	5'-6 13/16"	BOTTOM TRACK
I	1	1200D-54	5'-5 3/4"	STRAP
J	2	150U50-54	4'-4 1/2"	HORIZONTAL BRACING
K	1	A	1'-3"	HOLDDOWN

SHEATHING

LABEL	QTY	CODE	THICK	SIZE	SCREWS
1	1	SB-DENSARMOR	5/8"	3'-5 3/16" X 9'-7 7/16"	2-12
2	1	SB-DENSARMOR	5/8"	1'-11 15/16" X 9'-7 7/16"	2-12

22-1153

Jewish Home for the Aging

1885 Victory Blvd. Reseda, CA

FrameMax, Inc.
13915 Danielson St
Suite 100
Poway, CA 92064
www.frame-max.com



© FrameMax Inc.

CREATED: 11/12/2008

FM-07-109

CREATED BY: TNT

HEIGHT : 10'-6" POINTS: 4.37 Points.

SPACING : 5000"

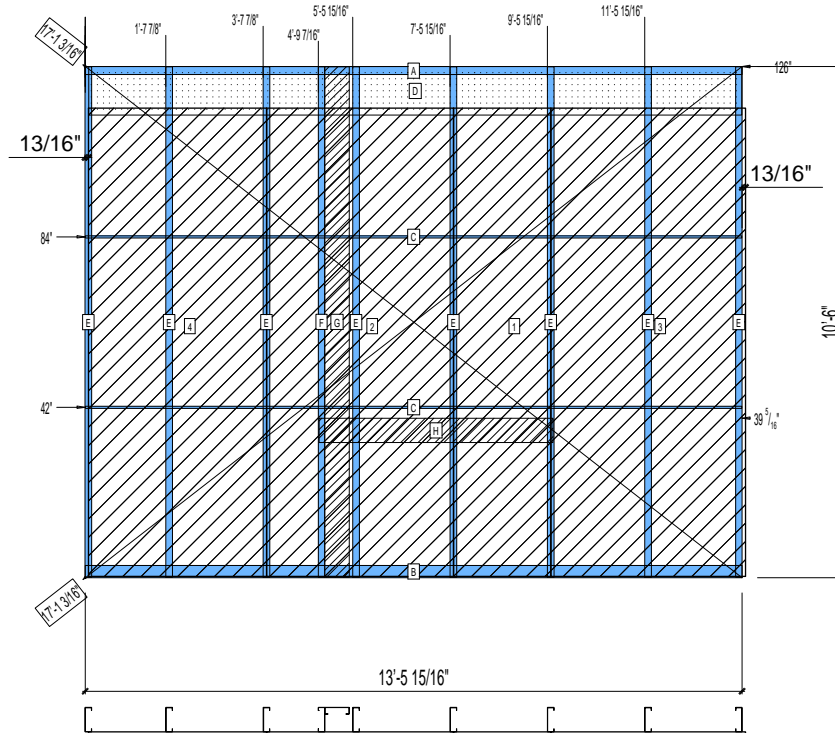
1st STUD: 5000"

WEIGHTS :

FRAME : 347 lbs

SHEATHING: 478 lbs

TOTAL: 825 lbs



PIECES LIST

LABEL	QTY	SIZE	LENGTH	USE
A	1	600T200-68	13'-5 15/16"	TOP TRACK
B	1	600T300-68	13'-5 15/16"	BOTTOM TRACK
C	2	150U50-54	13'-5 3/4"	HORIZONTAL BRACING
D	1	1200D-54	13'-4 15/16"	STRAP
E	8	600S162-68	10'-5 13/16"	STUD
F	1	600S162-33	10'-5 13/16"	BACKER STUD
G	1	600S162-33	10'-5 13/16"	BACKER-U
H	1	600D-54	4'-9 5/8"	VANITY BACKING

SHEATHING

LABEL	QTY	CODE	THICK	SIZE	SCREWS
1	1	SB-DENSARMOR	5/8"	2'-0" X 9'-7 7/16"	2-12
2	1	SB-DENSARMOR	5/8"	3'-10 1/16" X 9'-7 7/16"	2-12
3	1	SB-DENSARMOR	5/8"	4'-0" X 9'-7 7/16"	2-12
4	1	SB-DENSARMOR	5/8"	3'-7 15/16" X 9'-7 7/16"	2-12

22-1154

Jewish Home for the Aging

1885 Victory Blvd. Reseda, CA

FM-07-109

CREATED BY: TNT

FrameMax, Inc.
13915 Danielson St
Suite 100
Poway, CA 92064
www.frame-max.com



© FrameMax Inc.

HEIGHT : 11'-1 3/8" POINTS: 6.22 Points.

SPACING : 5000"

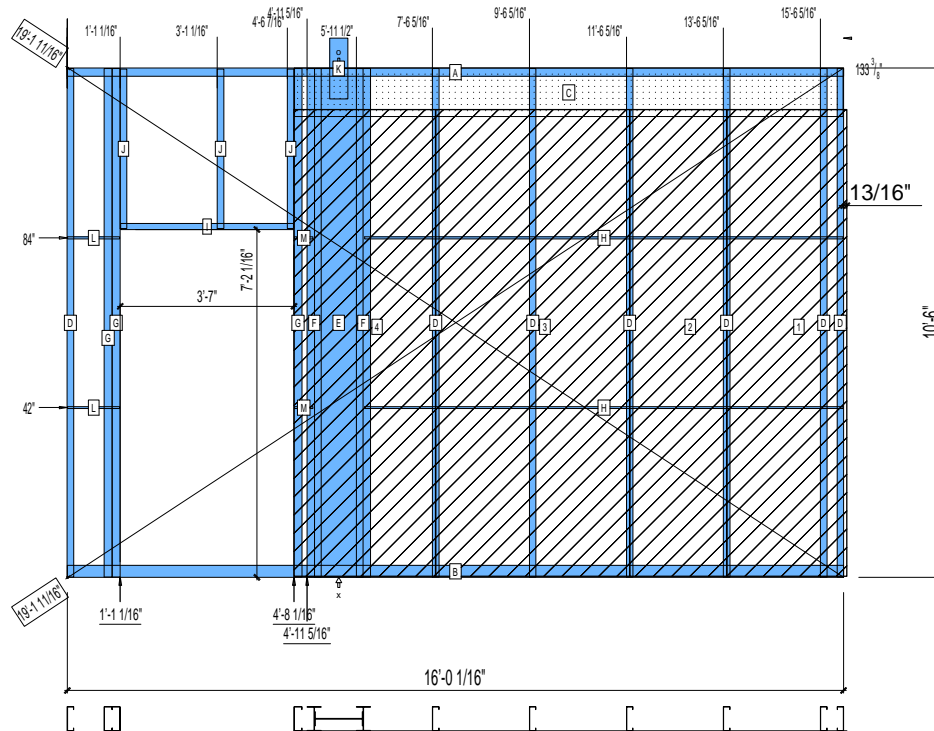
1st STUD: 5000"

WEIGHTS :

FRAME : 766 lbs

SHEATHING: 404 lbs

TOTAL: 1170 lbs



PIECES LIST

LABEL	QTY	SIZE	LENGTH	USE
A	1	600T200-68	16'-0 1/16"	TOP TRACK
B	1	600T300-68	16'-0 1/16"	BOTTOM TRACK
C	1	1200D-54	11'-3 3/4"	STRAP
D	7	600S162-68	10'-5 13/16"	STUD
E	1	1200i350p1420	10'-5 13/16"	PACO
F	2	600i350p968	10'-5 13/16"	PACO
G	3	600S200-68	10'-5 13/16"	KING STUD
H	2	150U50-54	9'-10 3/8"	HORIZONTAL BRACING
I	1	600T150-54	3'-6 3/4"	HEAD TRACK
J	3	600S162-54	3'-3 1/2"	CRIPPLE
K	1	A	1'-3"	HOLDDOWN
L	2	150U50-54	1'-0 7/8"	HORIZONTAL BRACING
M	2	150U50-54	4 9/16"	HORIZONTAL BRACING

SHEATHING

LABEL	QTY	CODE	THICK	SIZE	SCREWS
1	1	SB-DENSARMOR	5/8"	2'-5 3/4" X 9'-7 7/16"	2-12
2	1	SB-DENSARMOR	5/8"	2'-0" X 9'-7 7/16"	2-12
3	1	SB-DENSARMOR	5/8"	4'-0" X 9'-7 7/16"	2-12
4	1	SB-DENSARMOR	5/8"	2'-11 1/16" X 9'-7 7/16"	2-12

22-1155

Jewish Home for the Aging

1885 Victory Blvd. Reseda, CA

FrameMax, Inc.
13915 Danielson St
Suite 100
Poway, CA 92064
www.framemax.com



© FrameMax Inc.

CREATED: 11/12/2008

FM-07-109

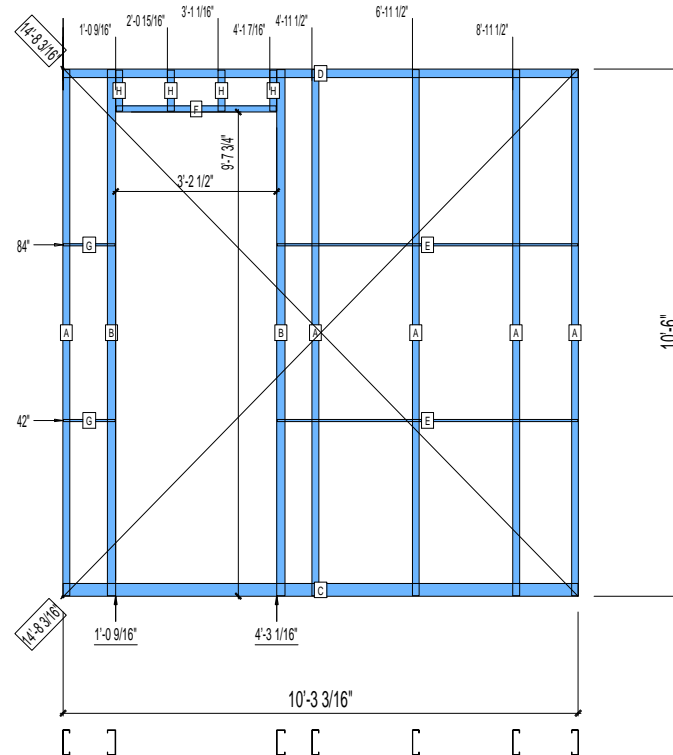
CREATED BY: TNT

HEIGHT : 10'-6"
SPACING : 5000"
1st STUD: 16"

POINTS: 1.85 Points.

WEIGHTS :
FRAME : 274 lbs

TOTAL: 274 lbs



PIECES LIST

LABEL	QTY	SIZE	LENGTH	USE
A	5	600S162-68	10'-5 13/16"	STUD
B	2	600S200-97	10'-5 13/16"	KING STUD
C	1	600T300-68	10'-3 3/16"	BOTTOM TRACK
D	1	600T200-68	10'-3 3/16"	TOP TRACK
E	2	150U50-54	5'-11 7/8"	HORIZONTAL BRACING
F	1	600T150-54	3'-2 1/4"	HEAD TRACK
G	2	150U50-54	1'-0 3/8"	HORIZONTAL BRACING
H	4	600S162-54	9 13/16"	CRIPPLE

22-1156

Jewish Home for the Aging

1885 Victory Blvd. Reseda, CA

FrameMax, Inc.
13915 Danielson St
Suite 100
Poway, CA 92064
www.frame-max.com



© FrameMax Inc.

CREATED: 11/11/2008

FM-07-109

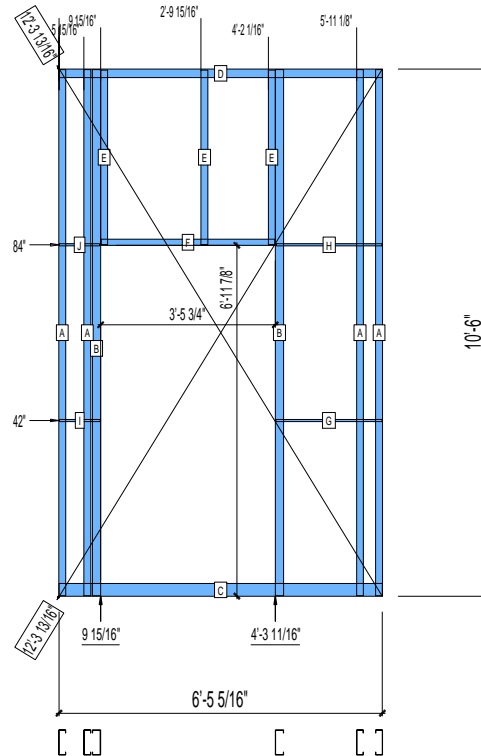
CREATED BY: TNT

HEIGHT : 10'-6"
SPACING : 5000"
1st STUD: 5000"

POINTS: 1.56 Points.

WEIGHTS :
FRAME : 239 lbs

TOTAL: 239 lbs



PIECES LIST

LABEL	QTY	SIZE	LENGTH	USE
A	4	600S162-68	10'-5 13/16"	STUD
B	2	600S200-97	10'-5 13/16"	KING STUD
C	1	600T300-68	6'-5 5/16"	BOTTOM TRACK
D	1	600T200-68	6'-5 5/16"	TOP TRACK
E	3	600S162-54	3'-5 11/16"	CRIPPLE
F	1	600T150-54	3'-5 1/2"	HEAD TRACK
G	1	150U50-54	2'-1 3/8"	HORIZONTAL BRACING
H	1	150U50-54	2'-1 1/4"	HORIZONTAL BRACING
I	1	150U50-54	9 3/4"	HORIZONTAL BRACING
J	1	150U50-54	9 5/8"	HORIZONTAL BRACING

22-1157

Jewish Home for the Aging

1885 Victory Blvd. Reseda, CA

FrameMax, Inc.
13915 Danielson St
Suite 100
Poway, CA 92064
www.frame-max.com



© FrameMax Inc.

CREATED: 11/11/2008

FM-07-109

CREATED BY: TNT

HEIGHT : 10'-6" POINTS: 0.62 Points.

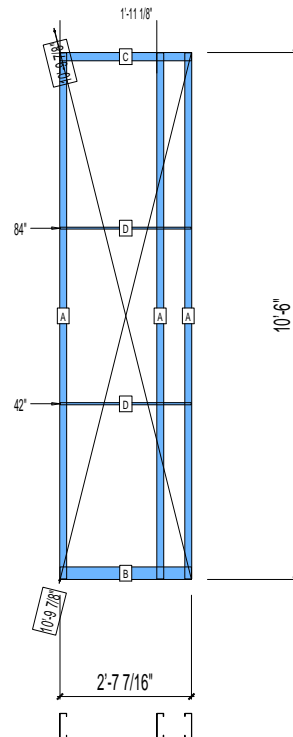
SPACING : 5000"

1st STUD: 5000"

WEIGHTS :

FRAME : 91 lbs

TOTAL: 91 lbs



PIECES LIST

LABEL	QTY	SIZE	LENGTH	USE
A	3	600S162-68	10'-5 13/16"	STUD
B	1	600T300-68	2'-7 7/16"	BOTTOM TRACK
C	1	600T200-68	2'-7 7/16"	TOP TRACK
D	2	150U50-54	2'-7 1/4"	HORIZONTAL BRACING

22-1158

Jewish Home for the Aging

1885 Victory Blvd. Reseda, CA

FrameMax, Inc.
13915 Danielson St
Suite 100
Poway, CA 92064
www.framemax.com



© FrameMax Inc.

CREATED: 11/11/2008

FM-07-109

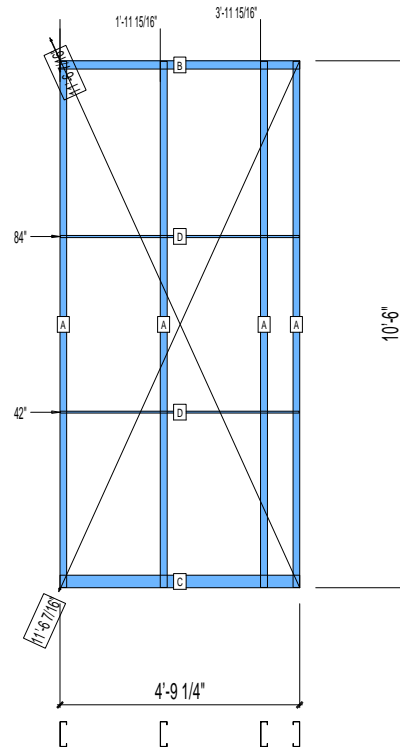
CREATED BY: TNT

HEIGHT : 10'-6"
SPACING : 5000"
1st STUD: 5000"

POINTS: 0.86 Points.

WEIGHTS :
FRAME : 130 lbs

TOTAL: 130 lbs



PIECES LIST

LABEL	QTY	SIZE	LENGTH	USE
A	4	600S162-68	10'-5 13/16"	STUD
B	1	600T200-68	4'-9 1/4"	TOP TRACK
C	1	600T300-68	4'-9 1/4"	BOTTOM TRACK
D	2	150U50-54	4'-9 1/8"	HORIZONTAL BRACING

22-1159

Jewish Home for the Aging

1885 Victory Blvd. Reseda, CA

FrameMax, Inc.
13915 Danielson St
Suite 100
Poway, CA 92064
www.frame-max.com



© FrameMax Inc.

CREATED: 11/11/2008

FM-07-109

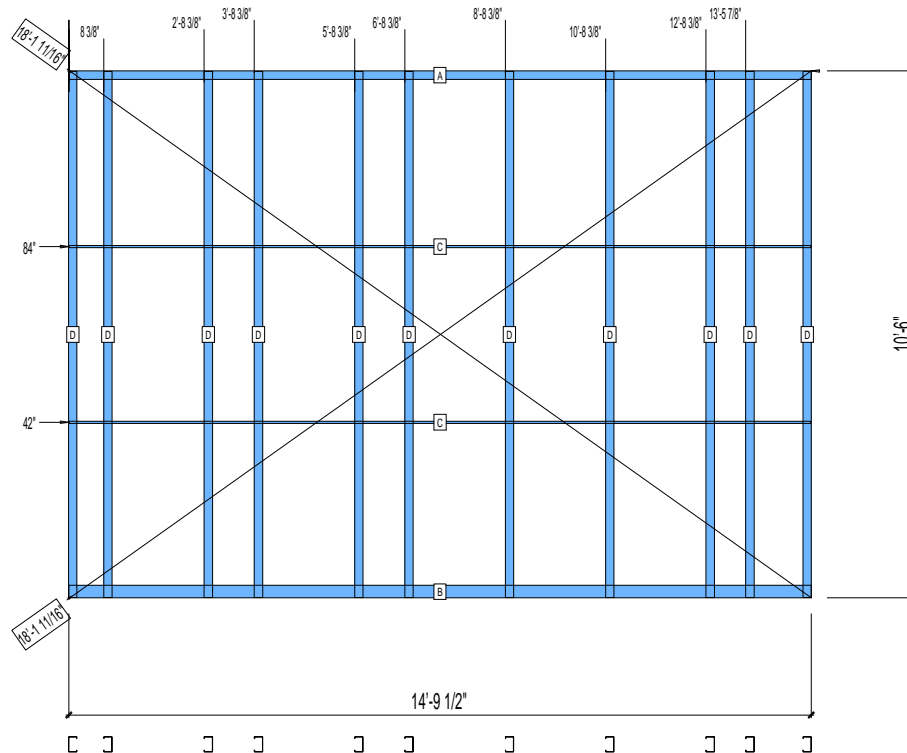
CREATED BY: TNT

HEIGHT : 10'-6"
SPACING : 5000"
1st STUD: 5000"

POINTS: 2.05 Points.

WEIGHTS :
FRAME : 311 lbs

TOTAL: 311 lbs



PIECES LIST

LABEL	QTY	SIZE	LENGTH	USE
A	1	362T200-68	14'-9 1/2"	TOP TRACK
B	1	362T300-68	14'-9 1/2"	BOTTOM TRACK
C	2	150U50-54	14'-9 5/16"	HORIZONTAL BRACING
D	11	362S200-68	10'-5 13/16"	STUD

22-1160

Jewish Home for the Aging

1885 Victory Blvd. Reseda, CA

FrameMax, Inc.
13915 Danielson St
Suite 100
Poway, CA 92064
www.frame-max.com



© FrameMax Inc.

CREATED: 11/11/2008

FM-07-109

CREATED BY: TNT

HEIGHT : 10'-6" POINTS: 0.52 Points.

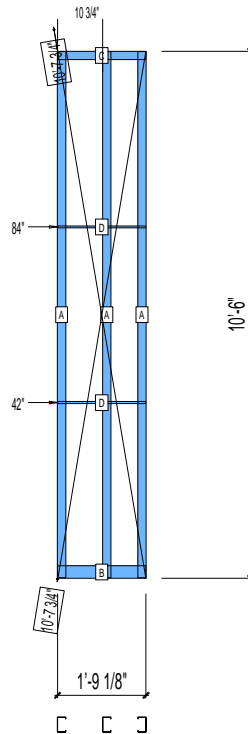
SPACING : 5000"

1st STUD: 5000"

WEIGHTS :

FRAME : 73 lbs

TOTAL: 73 lbs



PIECES LIST

LABEL	QTY	SIZE	LENGTH	USE
A	3	362S200-68	10'-5 13/16"	STUD
B	1	362T300-68	1'-9 1/8"	BOTTOM TRACK
C	1	362T200-68	1'-9 1/8"	TOP TRACK
D	2	150U50-54	1'-8 15/16"	HORIZONTAL BRACING

22-1161

Jewish Home for the Aging

1885 Victory Blvd. Reseda, CA

FrameMax, Inc.
13915 Danielson St
Suite 100
Poway, CA 92064
www.frame-max.com



© FrameMax Inc.

CREATED: 11/11/2008

FM-07-109

CREATED BY: TNT

HEIGHT : 9'-7 11/16" POINTS: 1.75 Points.

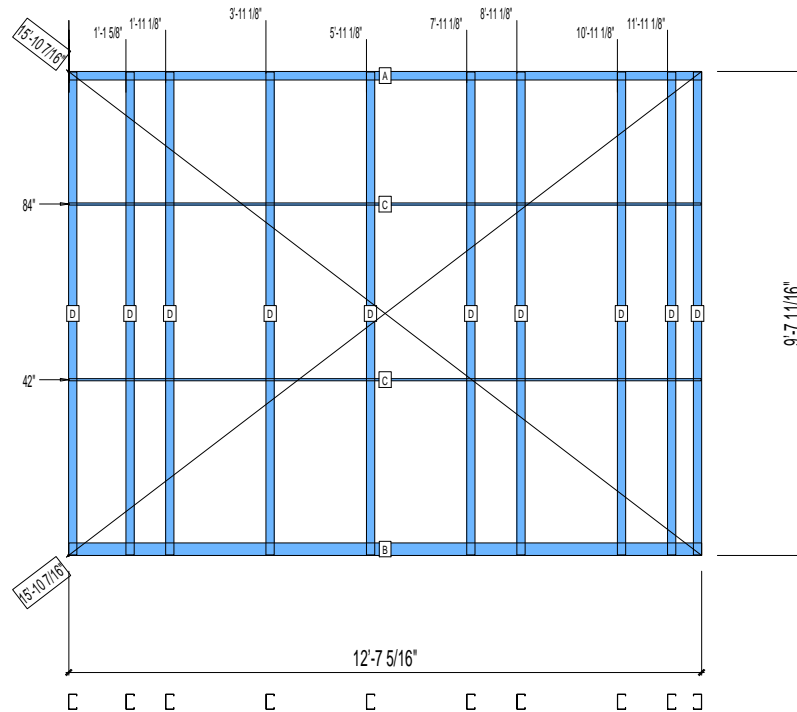
SPACING : 5000"

1st STUD: 5000"

WEIGHTS :

FRAME : 261 lbs

TOTAL: 261 lbs



**BUNDLE AND SHIP
TO SITE**

PIECES LIST

LABEL	QTY	SIZE	LENGTH	USE
A	1	362T200-68	12'-7 5/16"	TOP TRACK
B	1	362T300-68	12'-7 5/16"	BOTTOM TRACK
C	2	150U50-54	12'-7 1/8"	HORIZONTAL BRACING
D	10	362S200-68	9'-7 1/2"	STUD

22-1162

Jewish Home for the Aging

1885 Victory Blvd. Reseda, CA

FrameMax, Inc.
13915 Danielson St
Suite 100
Poway, CA 92064
www.frame-max.com



© FrameMax Inc.

CREATED: 11/11/2008

FM-07-109

CREATED BY: TNT

HEIGHT : 10'-6" POINTS: 0.54 Points.

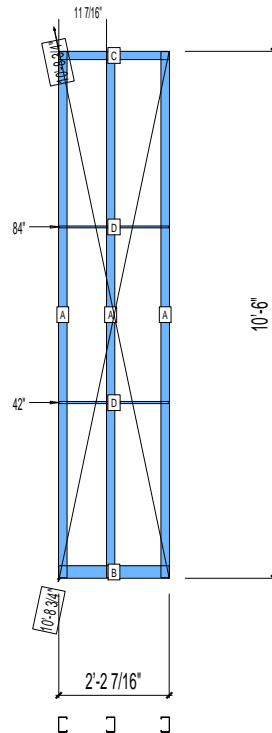
SPACING : 5000"

1st STUD: 5000"

WEIGHTS :

FRAME : 75 lbs

TOTAL: 75 lbs



PIECES LIST

LABEL	QTY	SIZE	LENGTH	USE
A	3	362S200-68	10'-5 13/16"	STUD
B	1	362T300-68	2'-2 7/16"	BOTTOM TRACK
C	1	362T200-68	2'-2 7/16"	TOP TRACK
D	2	150U50-54	2'-2 1/4"	HORIZONTAL BRACING

22-1163

Jewish Home for the Aging

1885 Victory Blvd. Reseda, CA

FrameMax, Inc.
13915 Danielson St
Suite 100
Poway, CA 92064
www.frame-max.com



© FrameMax Inc.

CREATED: 11/11/2008

FM-07-109

CREATED BY: TNT

HEIGHT : 10'-6" POINTS: 0.42 Points.

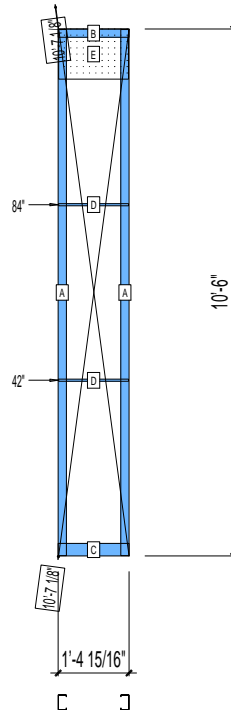
SPACING : 5000"

1st STUD: 5000"

WEIGHTS :

FRAME : 53 lbs

TOTAL: 53 lbs



PIECES LIST

LABEL	QTY	SIZE	LENGTH	USE
A	2	362S200-68	10'-5 13/16"	STUD
B	1	362T200-68	1'-4 15/16"	TOP TRACK
C	1	362T300-68	1'-4 15/16"	BOTTOM TRACK
D	2	150U50-54	1'-4 3/4"	HORIZONTAL BRACING
E	1	1200D-54	1'-4 3/4"	STRAP

22-1164

Jewish Home for the Aging

1885 Victory Blvd. Reseda, CA

FM-07-109

CREATED BY: TNT

FrameMax, Inc.
13915 Danielson St
Suite 100
Poway, CA 92064
www.frame-max.com



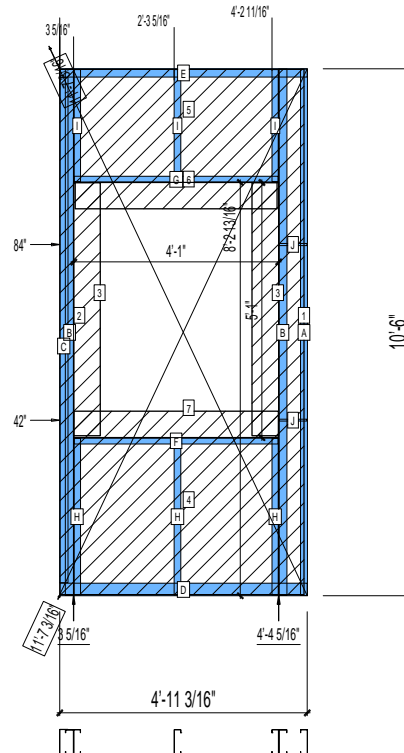
© FrameMax Inc.

HEIGHT : 10'-6"
SPACING : 5000"
1st STUD: 5000"

POINTS: 1.72 Points.

WEIGHTS :
FRAME : 181 lbs
SHEATHING: 99 lbs

TOTAL: 280 lbs



PIECES LIST

LABEL	QTY	SIZE	LENGTH	USE
A	1	600S162-54	10'-5 13/16"	STUD
B	2	600S200-97	10'-5 13/16"	KING STUD
C	1	600T200-54	10'-0 3/4"	CAP TRACK
D	1	600T300-54	4'-11 3/16"	BOTTOM TRACK
E	1	600T200-54	4'-11 3/16"	TOP TRACK
F	1	600T150-54	4'-0 3/4"	SILL
G	1	600T150-54	4'-0 3/4"	HEAD TRACK
H	3	600S162-54	3'-1 3/8"	CRIPPLE
I	3	600S162-54	2'-2 3/4"	CRIPPLE
J	2	150U50-54	6 5/8"	HORIZONTAL BRACING

SHEATHING

LABEL	QTY	CODE	THICK	SIZE	SCREWS
1	1	DENSGLASS	1/2"	6" X 10'-5 9/16"	8 - 12
2	1	DENSGLASS	1/2"	3 1/4" X 10'-5 9/16"	8 - 12
3	2	DENSGLASS	1/2"	6 3/8" X 5'-0 1/2"	8 - 12
4	1	DENSGLASS	1/2"	4'-0 7/8" X 3'-1 1/2"	8 - 12
5	1	DENSGLASS	1/2"	4'-0 7/8" X 2'-3"	8 - 12
6	1	DENSGLASS	1/2"	4'-0 1/4" X 6 5/16"	8 - 12
7	1	DENSGLASS	1/2"	4'-0 7/8" X 6 5/16"	8 - 12

22-1165

Jewish Home for the Aging

1885 Victory Blvd. Reseda, CA

FrameMax, Inc.
13915 Danielson St
Suite 100
Poway, CA 92064
www.framemax.com



© FrameMax Inc.

CREATED: 11/11/2008

FM-07-109

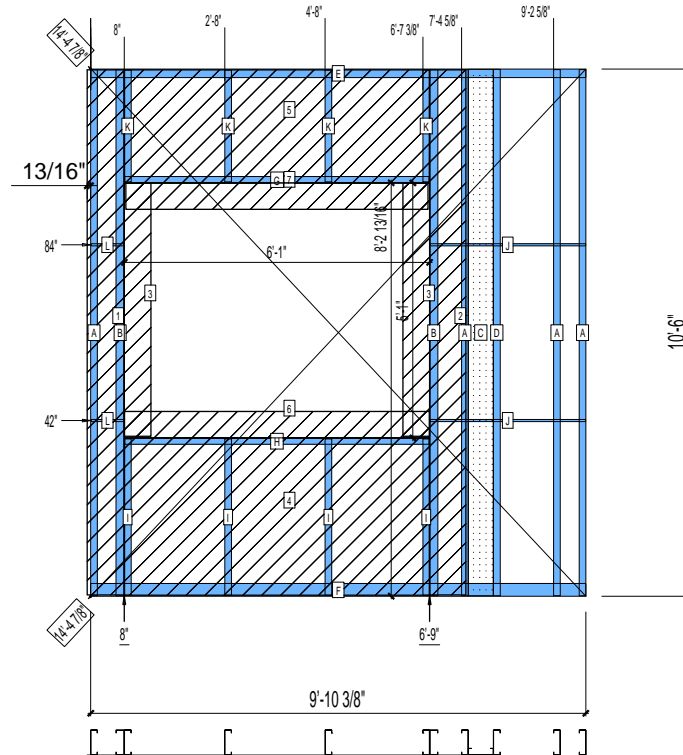
CREATED BY: TNT

HEIGHT : 10'-6"
SPACING : 5000"
1st STUD: 5000"

POINTS: 2.70 Points.

WEIGHTS :
FRAME : 288 lbs
SHEATHING: 149 lbs

TOTAL: 437 lbs



PIECES LIST

LABEL	QTY	SIZE	LENGTH	USE
A	4	600S162-54	10'-5 13/16"	STUD
B	2	600S200-97	10'-5 13/16"	KING STUD
C	1	600S162-33	10'-5 13/16"	BACKER-U
D	1	600S162-33	10'-5 13/16"	BACKER STUD
E	1	600T200-54	9'-10 3/8"	TOP TRACK
F	1	600T300-54	9'-10 3/8"	BOTTOM TRACK
G	1	600T150-54	6'-0 3/4"	HEAD TRACK
H	1	600T150-54	6'-0 3/4"	SILL
I	4	600S162-54	3'-1 3/8"	CRIPPLE
J	2	150U50-54	3'-1 1/8"	HORIZONTAL BRACING
K	4	600S162-54	2'-2 3/4"	CRIPPLE
L	2	150U50-54	7 13/16"	HORIZONTAL BRACING

SHEATHING

LABEL	QTY	CODE	THICK	SIZE	SCREWS
1	1	DENSGLASS	1/2"	8 13/16" X 10'-5 9/16"	8 - 12
2	1	DENSGLASS	1/2"	8 5/8" X 10'-5 9/16"	8 - 12
3	2	DENSGLASS	1/2"	6 3/8" X 5'-0 1/2"	8 - 12
4	1	DENSGLASS	1/2"	6'-0 7/8" X 3'-1 9/16"	8 - 12
5	1	DENSGLASS	1/2"	6'-0 7/8" X 2'-3"	8 - 12
6	1	DENSGLASS	1/2"	6'-0 7/8" X 6 5/16"	8 - 12
7	1	DENSGLASS	1/2"	6'-0 1/4" X 6 5/16"	8 - 12

22-1166

Jewish Home for the Aging

1885 Victory Blvd. Reseda, CA

FrameMax, Inc.
13915 Danielson St
Suite 100
Poway, CA 92064
www.framemax.com



© FrameMax Inc.

CREATED: 11/11/2008

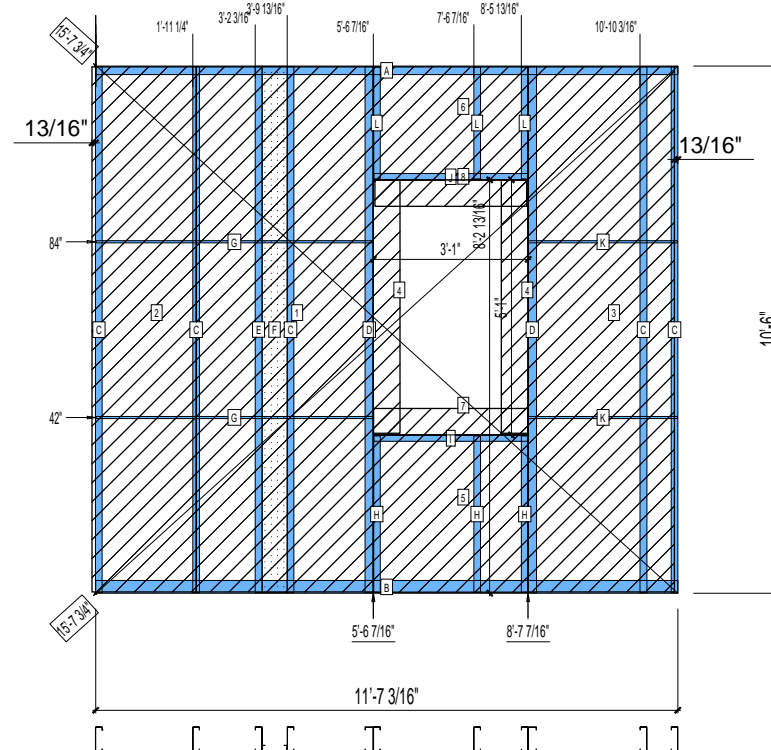
FM-07-109

CREATED BY: TNT

HEIGHT : 10'-6"
POINTS: 3.39 Points.
SPACING : 5000"
1st STUD: 5000"

WEIGHTS :
FRAME : 299 lbs
SHEATHING: 285 lbs

TOTAL: 584 lbs



PIECES LIST

LABEL	QTY	SIZE	LENGTH	USE
A	1	600T200-54	11'-7 3/16"	TOP TRACK
B	1	600T300-54	11'-7 3/16"	BOTTOM TRACK
C	5	600S162-54	10'-5 13/16"	STUD
D	2	600S200-97	10'-5 13/16"	KING STUD
E	1	600S162-33	10'-5 13/16"	BACKER STUD
F	1	600S162-33	10'-5 13/16"	BACKER-U
G	2	150U50-54	5'-6 3/16"	HORIZONTAL BRACING
H	3	600S162-54	3'-1 3/8"	CRIPPLE
I	1	600T150-54	3'-0 3/4"	SILL
J	1	600T150-54	3'-0 3/4"	HEAD TRACK
K	2	150U50-54	2'-11 9/16"	HORIZONTAL BRACING
L	3	600S162-54	2'-2 3/4"	CRIPPLE

SHEATHING

LABEL	QTY	CODE	THICK	SIZE	SCREWS
1	1	DENSGLASS	1/2"	3'-6 5/16" X 10'-5 9/16"	8 - 12
2	1	DENSGLASS	1/2"	2'-0 7/8" X 10'-5 9/16"	8 - 12
3	1	DENSGLASS	1/2"	2'-10 15/16" X 10'-5 9/16"	8 - 12
4	2	DENSGLASS	1/2"	6 3/8" X 5'-0 1/2"	8 - 12
5	1	DENSGLASS	1/2"	3'-0 7/8" X 3'-1 9/16"	8 - 12
6	1	DENSGLASS	1/2"	3'-0 7/8" X 2'-3"	8 - 12
7	1	DENSGLASS	1/2"	3'-0 7/8" X 6 5/16"	8 - 12
8	1	DENSGLASS	1/2"	3'-0 1/4" X 6 5/16"	8 - 12

22-1167

Jewish Home for the Aging

1885 Victory Blvd. Reseda, CA

FrameMax, Inc.
13915 Danielson St
Suite 100
Poway, CA 92064
www.framemax.com



© FrameMax Inc.

CREATED: 11/11/2008

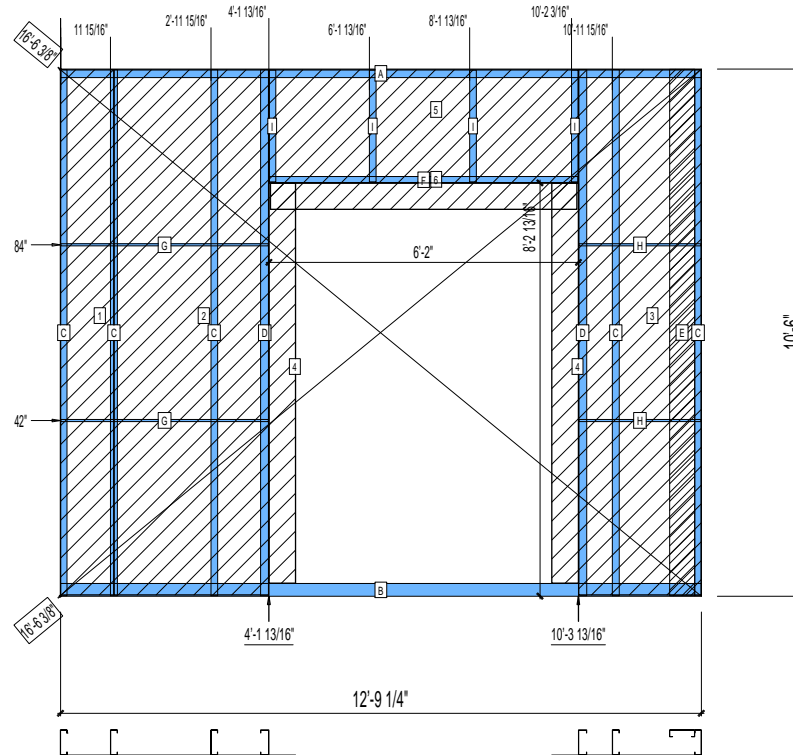
FM-07-109

CREATED BY: TNT

HEIGHT : 10'-6"
POINTS: 3.00 Points.
SPACING : 5000"
1st STUD: 5000"

WEIGHTS :
FRAME : 277 lbs
SHEATHING: 236 lbs

TOTAL: 513 lbs



PIECES LIST

LABEL	QTY	SIZE	LENGTH	USE
A	1	600T200-54	12'-9 1/4"	TOP TRACK
B	1	600T300-54	12'-9 1/4"	BOTTOM TRACK
C	5	600S162-54	10'-5 13/16"	STUD
D	2	600S200-97	10'-5 13/16"	KING STUD
E	1	600S162-33	10'-5 13/16"	BACKER-U
F	1	600T150-54	6'-1 3/4"	HEAD TRACK
G	2	150U50-54	4'-1 5/8"	HORIZONTAL BRACING
H	2	150U50-54	2'-5 3/16"	HORIZONTAL BRACING
I	4	600S162-54	2'-2 3/4"	CRIPPLE

SHEATHING

LABEL	QTY	CODE	THICK	SIZE	SCREWS
1	1	DENSGLASS	1/2"	1'-0 3/4" X 10'-5 9/16"	8 - 12
2	1	DENSGLASS	1/2"	3'-1" X 10'-5 9/16"	8 - 12
3	1	DENSGLASS	1/2"	2'-5 5/16" X 10'-5 9/16"	8 - 12
4	2	DENSGLASS	1/2"	6 3/8" X 7'-11 11/16"	8 - 12
5	1	DENSGLASS	1/2"	6'-1 7/8" X 2'-3"	8 - 12
6	1	DENSGLASS	1/2"	6'-1 1/4" X 6 5/16"	8 - 12

22-1168

Jewish Home for the Aging

1885 Victory Blvd. Reseda, CA

FrameMax, Inc.
13915 Danielson St
Suite 100
Poway, CA 92064
www.frame-max.com



© FrameMax Inc.

CREATED: 11/12/2008

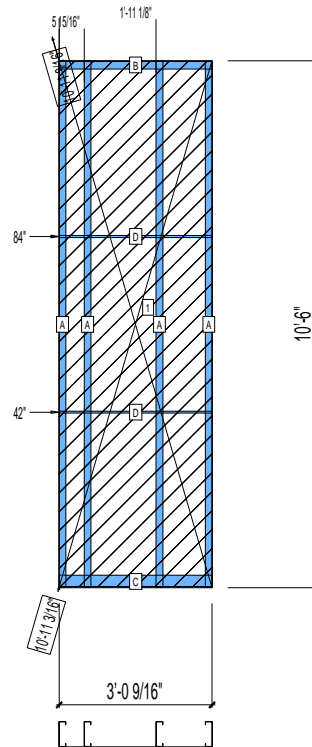
FM-07-109

CREATED BY: TNT

HEIGHT : 10'-6"
POINTS: 1.03 Points.
SPACING : 5000"
1st STUD: 5000"

WEIGHTS :
FRAME : 95 lbs
SHEATHING: 80 lbs

TOTAL: 175 lbs



PIECES LIST

LABEL	QTY	SIZE	LENGTH	USE
A	4	600S162-54	10'-5 13/16"	STUD
B	1	600T200-54	3'-0 9/16"	TOP TRACK
C	1	600T300-54	3'-0 9/16"	BOTTOM TRACK
D	2	150U50-54	3'-0 3/8"	HORIZONTAL BRACING

SHEATHING

LABEL	QTY	CODE	THICK	SIZE	SCREWS
1	1	DENSGLASS	1/2"	3'-0 1/2" X 10'-5 9/16"	8 - 12

22-1169

Jewish Home for the Aging

1885 Victory Blvd. Reseda, CA

FrameMax, Inc.
13915 Danielson St
Suite 100
Poway, CA 92064
www.framemax.com



© FrameMax Inc.

CREATED: 11/12/2008

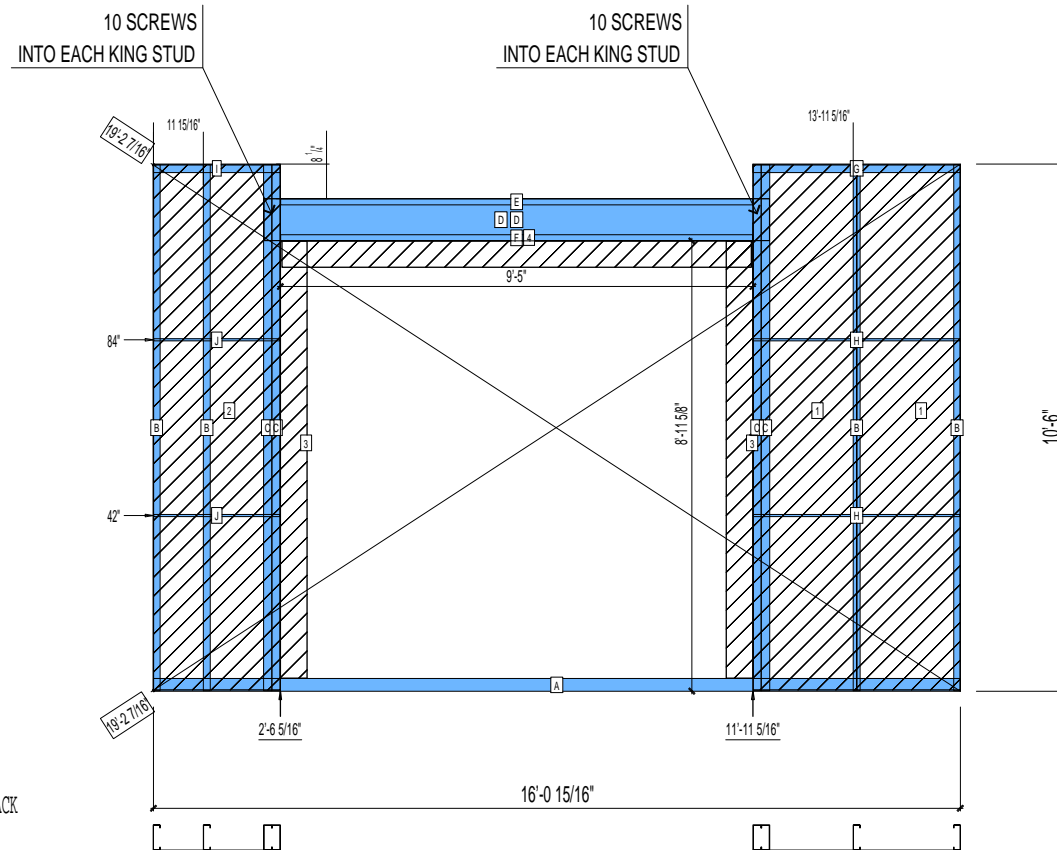
FM-07-109

CREATED BY: TNT

HEIGHT : 10'-6"
POINTS: 3.51 Points.
SPACING : 5000"
1st STUD: 5000"

WEIGHTS :
FRAME : 400 lbs
SHEATHING: 209 lbs

TOTAL: 609 lbs



PIECES LIST

LABEL	QTY	SIZE	LENGTH	USE
A	1	600T300-54	16'-0 15/16"	BOTTOM TRACK
B	4	600S162-54	10'-5 13/16"	STUD
C	4	600S200-97	10'-5 13/16"	KING STUD
D	2	1000S162-68	10'-0 7/8"	HEADER
E	1	600T150-68	9'-4 7/8"	TOP TRACK
F	1	600T150-68	9'-4 7/8"	HEADER BOTTOM TRACK
G	1	600T200-54	4'-1 9/16"	TOP TRACK
H	2	150U50-54	4'-1 3/8"	HORIZONTAL BRACING
I	1	600T200-54	2'-6 5/16"	TOP TRACK
J	2	150U50-54	2'-6 1/8"	HORIZONTAL BRACING

SHEATHING

LABEL	QTY	CODE	THICK	SIZE	SCREWS
1	2	DENSGLASS	1/2"	2'-0 3/4" X 10'-5 9/16"	8 - 12
2	1	DENSGLASS	1/2"	2'-6 1/4" X 10'-5 9/16"	8 - 12
3	2	DENSGLASS	1/2"	6 3/8" X 8'-8 7/16"	8 - 12
4	1	DENSGLASS	1/2"	9'-4 1/4" X 6 5/16"	8 - 12

22-1170

Jewish Home for the Aging

1885 Victory Blvd. Reseda, CA

FrameMax, Inc.
13915 Danielson St
Suite 100
Poway, CA 92064
www.frame-max.com



© FrameMax Inc.

CREATED: 11/11/2008

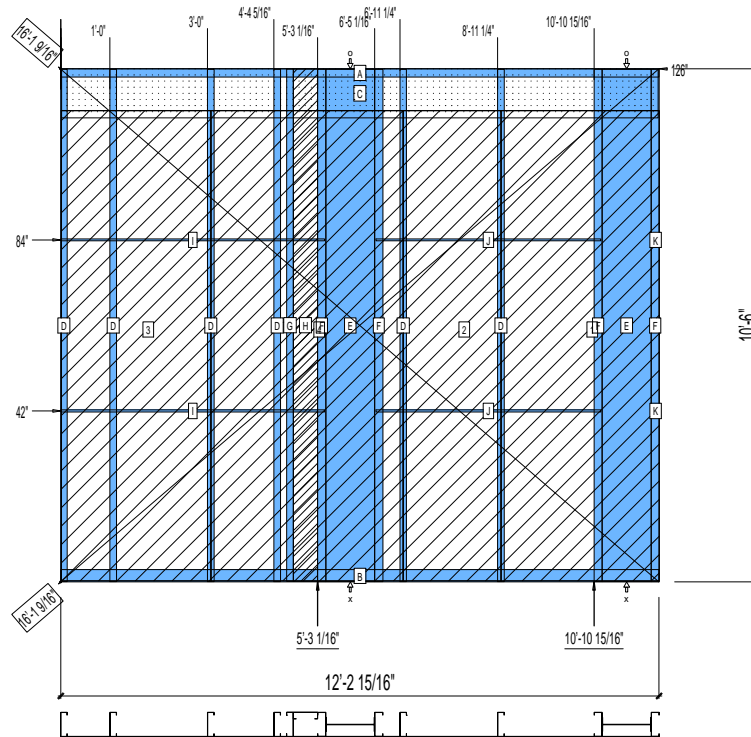
FM-07-109

CREATED BY: TNT

HEIGHT : 10'-6"
POINTS: 5.29 Points.
SPACING : 5000"
1st STUD: 5000"

WEIGHTS :
FRAME : 568 lbs
SHEATHING: 433 lbs

TOTAL: 1001 lbs



PIECES LIST

LABEL	QTY	SIZE	LENGTH	USE
A	1	600T200-54	12'-2 15/16"	TOP TRACK
B	1	600T300-54	12'-2 15/16"	BOTTOM TRACK
C	1	1200D-54	12'-2 1/2"	STRAP
D	6	600S162-54	10'-5 13/16"	STUD
E	2	1200i350p1062	10'-5 13/16"	PACO
F	4	600S200-68	10'-5 13/16"	STUD
G	1	600S162-33	10'-5 13/16"	BACKER STUD
H	1	600S162-33	10'-5 13/16"	BACKER-U
I	2	150U50-54	5'-4 11/16"	HORIZONTAL BRACING
J	2	150U50-54	4'-7 1/4"	HORIZONTAL BRACING
K	2	150U50-54	1 9/16"	HORIZONTAL BRACING

SHEATHING

LABEL	QTY	CODE	THICK	SIZE	SCREWS
1	1	SB-DENSARMOR	5/8"	3'-2 7/8" X	9'-7 7/16" 2-12
2	1	SB-DENSARMOR	5/8"	2'-0" X	9'-7 7/16" 2-12
3	1	SB-DENSARMOR	5/8"	3'-0 3/4" X	9'-7 7/16" 2-12
4	1	SB-DENSARMOR	5/8"	3'-11 1/4" X	9'-7 7/16" 2-12

22-1171

Jewish Home for the Aging

1885 Victory Blvd. Reseda, CA

FrameMax, Inc.
13915 Danielson St
Suite 100
Poway, CA 92064
www.frame-max.com



© FrameMax Inc.

CREATED: 11/11/2008

FM-07-109

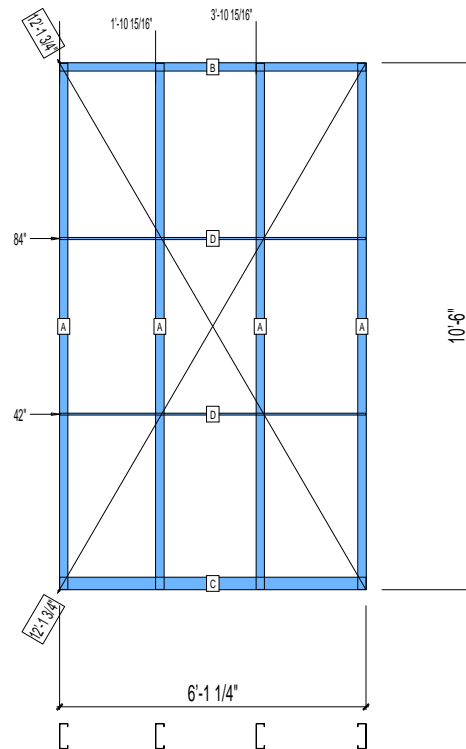
CREATED BY: TNT

HEIGHT : 10'-6"
SPACING : 5000"
1st STUD: 5000"

POINTS: 0.97 Points.

WEIGHTS :
FRAME : 148 lbs

TOTAL: 148 lbs



PIECES LIST

LABEL	QTY	SIZE	LENGTH	USE
A	4	600S200-68	10'-5 13/16"	STUD
B	1	600T200-68	6'-1 1/4"	TOP TRACK
C	1	600T300-68	6'-1 1/4"	BOTTOM TRACK
D	2	150U50-54	6'-1 1/16"	HORIZONTAL BRACING

22-1172

Jewish Home for the Aging

1885 Victory Blvd. Reseda, CA

FrameMax, Inc.
13915 Danielson St
Suite 100
Poway, CA 92064
www.frame-max.com



© FrameMax Inc.

CREATED: 11/11/2008

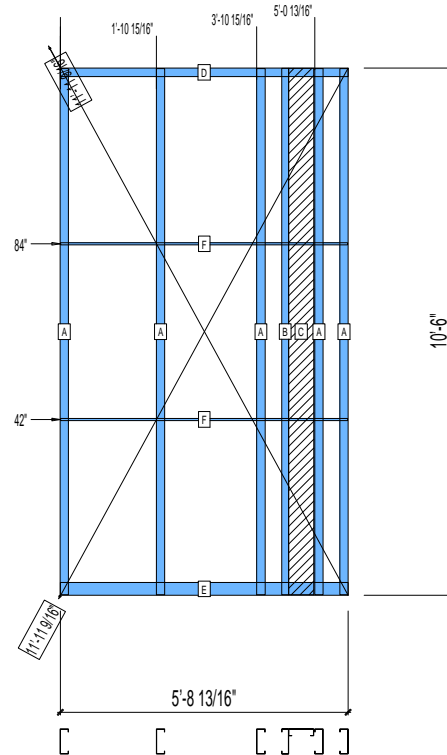
FM-07-109

CREATED BY: TNT

HEIGHT : 10'-6"
POINTS: 1.25 Points.
SPACING : 5000"
1st STUD: 5000"

WEIGHTS :
FRAME : 198 lbs

TOTAL: 198 lbs



PIECES LIST

LABEL	QTY	SIZE	LENGTH	USE
A	5	600S200-68	10'-5 13/16"	STUD
B	1	600S162-33	10'-5 13/16"	BACKER STUD
C	1	600S162-33	10'-5 13/16"	BACKER-U
D	1	600T200-68	5'-8 13/16"	TOP TRACK
E	1	600T300-68	5'-8 13/16"	BOTTOM TRACK
F	2	150U50-54	5'-8 5/8"	HORIZONTAL BRACING

22-1173

Jewish Home for the Aging

1885 Victory Blvd. Reseda, CA

FM-07-109

CREATED BY: TNT

FrameMax, Inc.
13915 Danielson St
Suite 100
Poway, CA 92064
www.frame-max.com

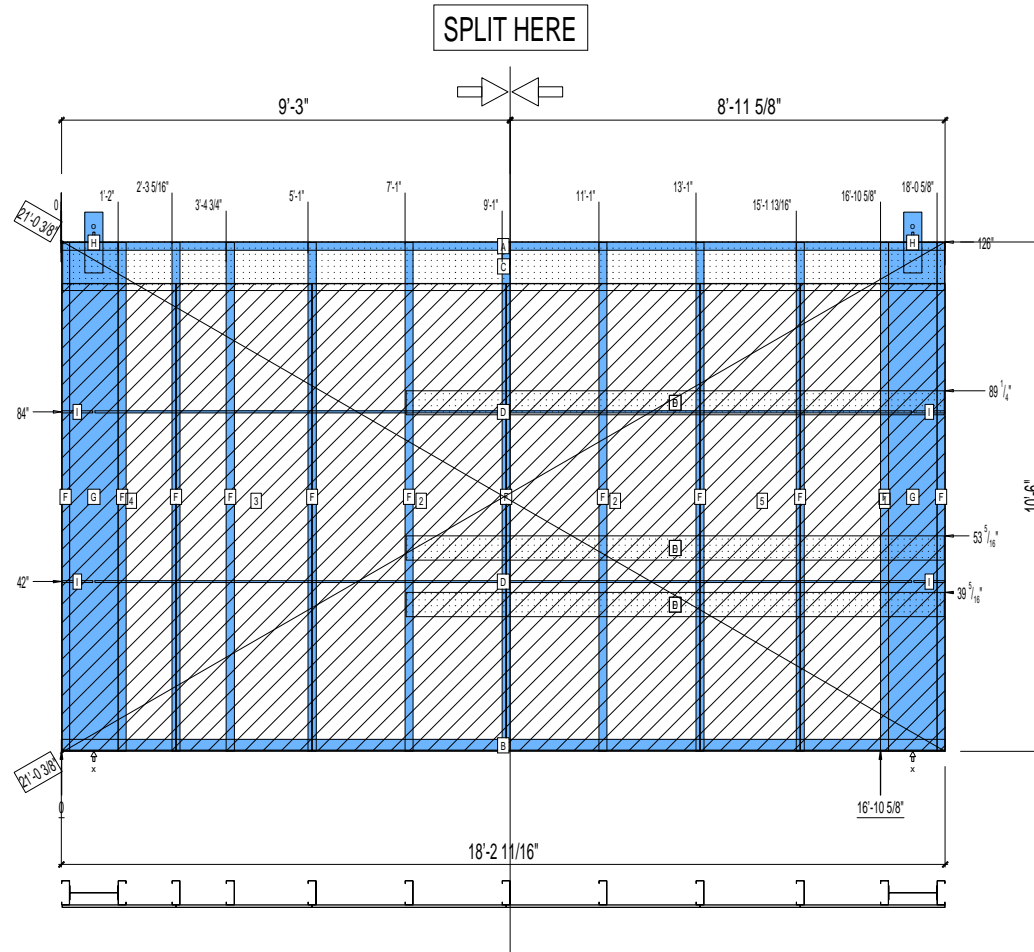


© FrameMax Inc.

HEIGHT : 10'-6"
POINTS: 7.40 Points.
SPACING : 5000"
1st STUD: 16"

WEIGHTS :
FRAME : 769 lbs
SHEATHING: 645 lbs

TOTAL: 1414 lbs



PIECES LIST

LABEL	QTY	SIZE	LENGTH	USE
A	1	600T200-68	18'-2 11/16"	TOP TRACK
B	1	600T300-68	18'-2 11/16"	BOTTOM TRACK
C	1	1200D-54	18'-2 1/4"	STRAP
D	2	150U50-54	16'-10 1/8"	HORIZONTAL BRACING
E	3	600D-54	11'-1 3/16"	KITCHEN BACKING
F	12	600S200-68	10'-5 13/16"	STUD
G	2	1200i1350p1062	10'-5 13/16"	PACO
H	2	A	1'-3"	HOLDDOWN
I	4	150U50-54	7 11/16"	HORIZONTAL BRACING

SHEATHING

LABEL	QTY	CODE	THICK	SIZE	SCREWS
1	1	SB-DENSARMOR	5/8"	2'-11 13/16" X 9'-7 7/16"	3-12
2	2	SB-DENSARMOR	5/8"	4'-0" X 9'-7 7/16"	3-12
3	1	SB-DENSARMOR	5/8"	2'-9 11/16" X 9'-7 7/16"	3-12
4	1	SB-DENSARMOR	5/8"	2'-4 3/16" X 9'-7 7/16"	3-12
5	1	SB-DENSARMOR	5/8"	2'-0 3/4" X 9'-7 7/16"	3-12

22-1174

Jewish Home for the Aging

1885 Victory Blvd. Reseda, CA

FrameMax, Inc.
13915 Danielson St
Suite 100
Poway, CA 92064
www.framemax.com



© FrameMax Inc.

CREATED: 11/12/2008

FM-07-109

CREATED BY: TNT

HEIGHT : 12'-3 3/4" POINTS: 1.36 Points.

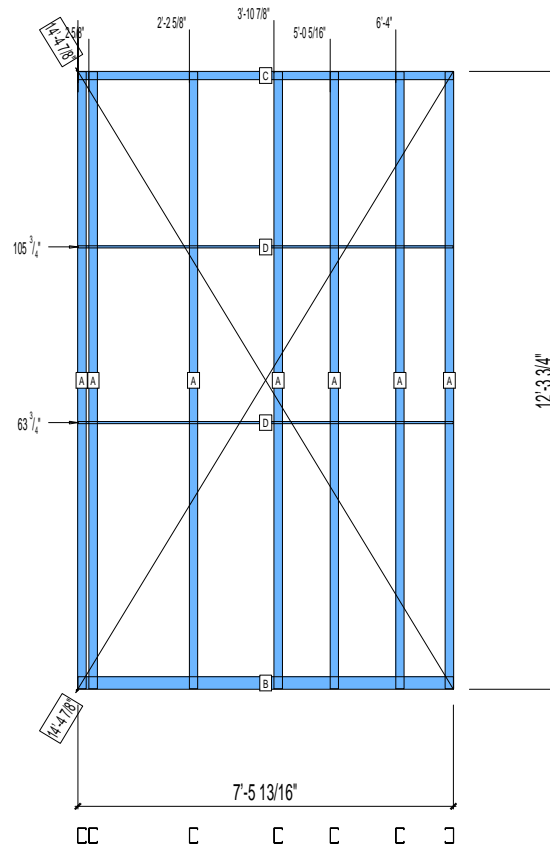
SPACING : 5000"

1st STUD: 5000"

WEIGHTS :

FRAME : 213 lbs

TOTAL: 213 lbs



PIECES LIST

LABEL	QTY	SIZE	LENGTH	USE
A	7	362S200-68	12'-3 9/16"	STUD
B	1	362T300-68	7'-5 13/16"	BOTTOM TRACK
C	1	362T200-68	7'-5 13/16"	TOP TRACK
D	2	150U50-54	7'-5 5/8"	HORIZONTAL BRACING

22-1175

Jewish Home for the Aging

1885 Victory Blvd. Reseda, CA

FrameMax, Inc.
13915 Danielson St
Suite 100
Poway, CA 92064
www.framemax.com



© FrameMax Inc.

CREATED: 11/11/2008

FM-07-109

CREATED BY: TNT

HEIGHT : 10'-6" POINTS: 0.89 Points.

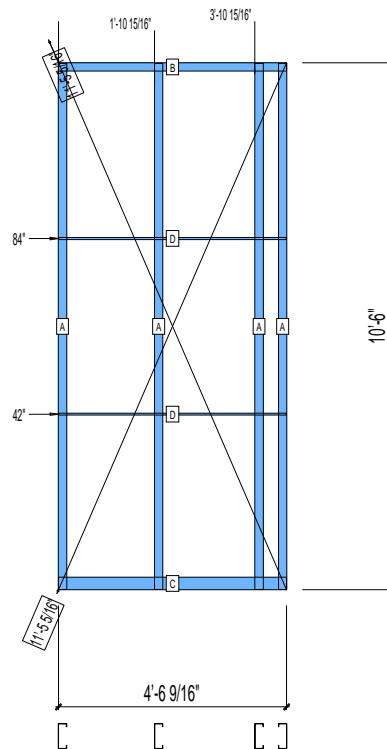
SPACING : 5000"

1st STUD: 5000"

WEIGHTS :

FRAME : 138 lbs

TOTAL: 138 lbs



PIECES LIST

LABEL	QTY	SIZE	LENGTH	USE
A	4	600S200-68	10'-5 13/16"	STUD
B	1	600T200-68	4'-6 9/16"	TOP TRACK
C	1	600T300-68	4'-6 9/16"	BOTTOM TRACK
D	2	150U50-54	4'-6 3/8"	HORIZONTAL BRACING

22-1176

Jewish Home for the Aging

1885 Victory Blvd. Reseda, CA

FrameMax, Inc.
13915 Danielson St
Suite 100
Poway, CA 92064
www.frame-max.com



© FrameMax Inc.

CREATED: 11/11/2008

FM-07-109

CREATED BY: TNT

HEIGHT : 10'-6" POINTS: 0.87 Points.

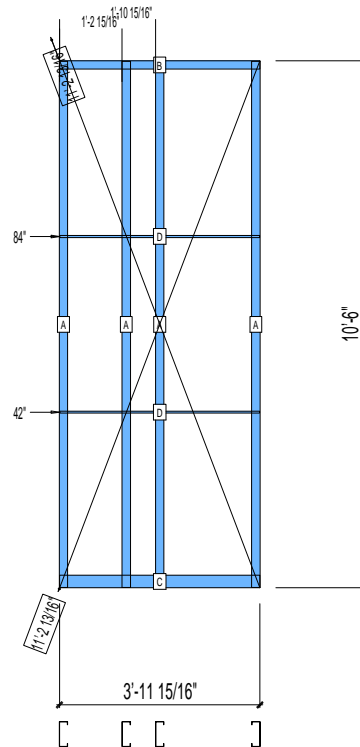
SPACING : 5000"

1st STUD: 16"

WEIGHTS :

FRAME : 135 lbs

TOTAL: 135 lbs



PIECES LIST

LABEL	QTY	SIZE	LENGTH	USE
A	4	600S200-68	10'-5 13/16"	STUD
B	1	600T200-68	3'-11 15/16"	TOP TRACK
C	1	600T300-68	3'-11 15/16"	BOTTOM TRACK
D	2	150U50-54	3'-11 3/4"	HORIZONTAL BRACING

22-1177

Jewish Home for the Aging

1885 Victory Blvd. Reseda, CA

FrameMax, Inc.
13915 Danielson St
Suite 100
Poway, CA 92064
www.frame-max.com



© FrameMax Inc.

CREATED: 11/11/2008

FM-07-109

CREATED BY: TNT

HEIGHT : 10'-6" POINTS: 0.74 Points.

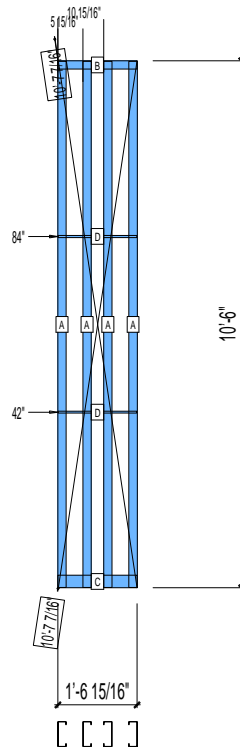
SPACING : 5000"

1st STUD: 5000"

WEIGHTS :

FRAME : 119 lbs

TOTAL: 119 lbs



PIECES LIST

LABEL	QTY	SIZE	LENGTH	USE
A	4	600S200-68	10'-5 13/16"	STUD
B	1	600T200-68	1'-6 15/16"	TOP TRACK
C	1	600T300-68	1'-6 15/16"	BOTTOM TRACK
D	2	150U50-54	1'-6 3/4"	HORIZONTAL BRACING

22-1178

Jewish Home for the Aging

1885 Victory Blvd. Reseda, CA

FrameMax, Inc.
13915 Danielson St
Suite 100
Poway, CA 92064
www.frame-max.com



© FrameMax Inc.

CREATED: 11/12/2008

FM-07-109

CREATED BY: TNT

HEIGHT : 10'-6" POINTS: 0.63 Points.

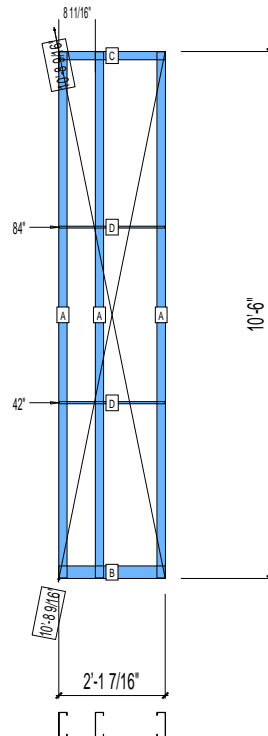
SPACING : 5000"

1st STUD: 5000"

WEIGHTS :

FRAME : 95 lbs

TOTAL: 95 lbs



PIECES LIST

LABEL	QTY	SIZE	LENGTH	USE
A	3	600S200-68	10'-5 13/16"	STUD
B	1	600T300-68	2'-1 7/16"	BOTTOM TRACK
C	1	600T200-68	2'-1 7/16"	TOP TRACK
D	2	150U50-54	2'-1 1/4"	HORIZONTAL BRACING

22-1179

Jewish Home for the Aging

1885 Victory Blvd. Reseda, CA

FrameMax, Inc.
13915 Danielson St
Suite 100
Poway, CA 92064
www.frame-max.com



© FrameMax Inc.

CREATED: 11/11/2008

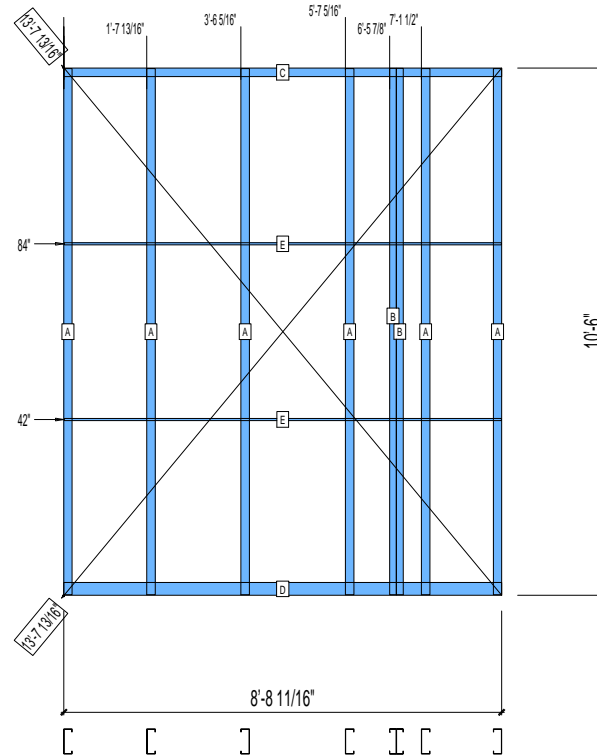
FM-07-109

CREATED BY: TNT

HEIGHT : 10'-6"
POINTS: 1.55 Points.
SPACING : 5000"
1st STUD: 16"

WEIGHTS :
FRAME : 244 lbs

TOTAL: 244 lbs



PIECES LIST

LABEL	QTY	SIZE	LENGTH	USE
A	6	600S200-68	10'-5 13/16"	STUD
B	2	600S162-33	10'-5 13/16"	BACKER STUD
C	1	600T200-68	8'-8 11/16"	TOP TRACK
D	1	600T300-68	8'-8 11/16"	BOTTOM TRACK
E	2	150U50-54	8'-8 1/2"	HORIZONTAL BRACING

22-1180

Jewish Home for the Aging

1885 Victory Blvd. Reseda, CA

FrameMax, Inc.
13915 Danielson St
Suite 100
Poway, CA 92064
www.frame-max.com



© FrameMax Inc.

CREATED: 11/19/2008

FM-07-109

CREATED BY: TNT

HEIGHT : 10'-6" POINTS: 0.68 Points.

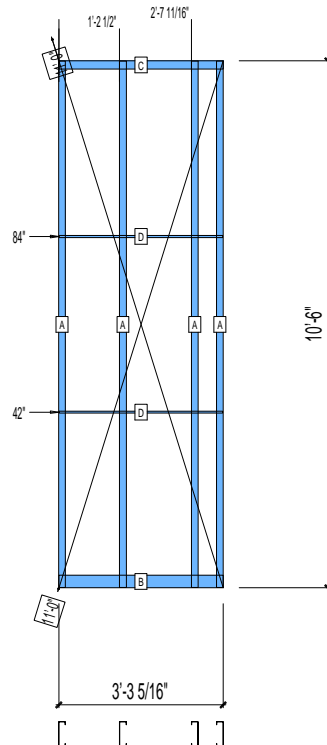
SPACING : 5000"

1st STUD: 5000"

WEIGHTS :

FRAME : 97 lbs

TOTAL: 97 lbs



PIECES LIST

LABEL	QTY	SIZE	LENGTH	USE
A	4	600S162-54	10'-5 13/16"	STUD
B	1	600T300-54	3'-3 5/16"	BOTTOM TRACK
C	1	600T200-54	3'-3 5/16"	TOP TRACK
D	2	150U50-54	3'-3 1/8"	HORIZONTAL BRACING

22-1181

Jewish Home for the Aging

1885 Victory Blvd. Reseda, CA

FrameMax, Inc.
13915 Danielson St
Suite 100
Poway, CA 92064
www.frame-max.com



© FrameMax Inc.

CREATED: 11/19/2008

FM-07-109

CREATED BY: TNT

HEIGHT : 10'-6" POINTS: 0.78 Points.

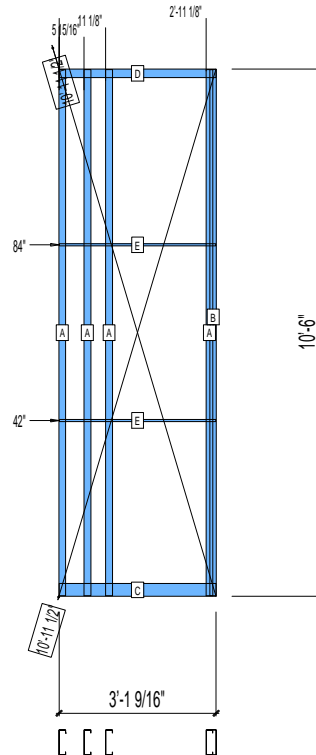
SPACING : 5000"

1st STUD: 5000"

WEIGHTS :

FRAME : 114 lbs

TOTAL: 114 lbs



PIECES LIST

LABEL	QTY	SIZE	LENGTH	USE
A	4	600S162-54	10'-5 13/16"	STUD
B	1	600T150-54	10'-5 13/16"	CAP TRACK
C	1	600T300-54	3'-1 9/16"	BOTTOM TRACK
D	1	600T200-54	3'-1 9/16"	TOP TRACK
E	2	150U50-54	3'-1 3/8"	HORIZONTAL BRACING

22-1182

Jewish Home for the Aging

1885 Victory Blvd. Reseda, CA

FrameMax, Inc.
13915 Danielson St
Suite 100
Poway, CA 92064
www.frame-max.com



© FrameMax Inc.

CREATED: 11/12/2008

FM-07-109

CREATED BY: TNT

HEIGHT : 10'-6" POINTS: 0.65 Points.

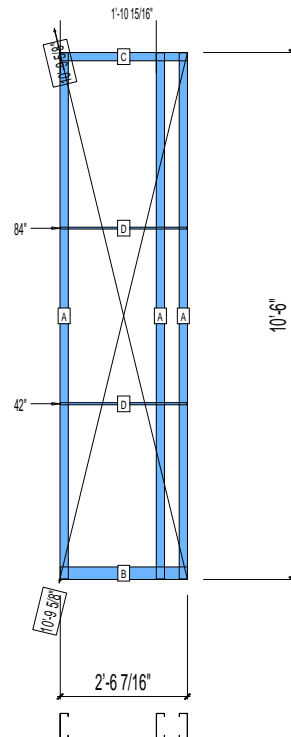
SPACING : 5000"

1st STUD: 5000"

WEIGHTS :

FRAME : 98 lbs

TOTAL: 98 lbs



PIECES LIST

LABEL	QTY	SIZE	LENGTH	USE
A	3	600S200-68	10'-5 13/16"	STUD
B	1	600T300-68	2'-6 7/16"	BOTTOM TRACK
C	1	600T200-68	2'-6 7/16"	TOP TRACK
D	2	150U50-54	2'-6 1/4"	HORIZONTAL BRACING

22-1183

Jewish Home for the Aging

1885 Victory Blvd. Reseda, CA

FM-07-109

CREATED BY: TNT

FrameMax, Inc.
13915 Danielson St
Suite 100
Poway, CA 92064
www.frame-max.com



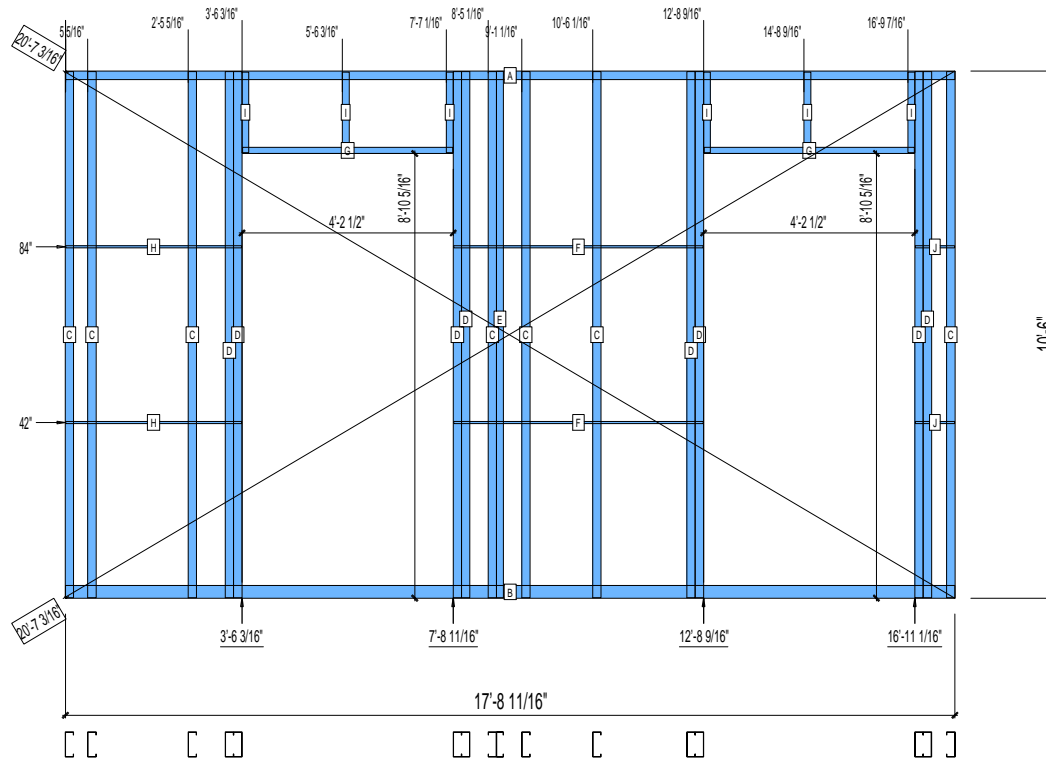
© FrameMax Inc.

HEIGHT : 10'-6"
SPACING : 5000"
1st STUD: 5000"

POINTS: 3.60 Points.

WEIGHTS :
FRAME : 559 lbs

TOTAL: 559 lbs



PIECES LIST

LABEL	QTY	SIZE	LENGTH	USE
A	1	600T200-68	17'-8 11/16"	TOP TRACK
B	1	600T300-68	17'-8 11/16"	BOTTOM TRACK
C	7	600S200-68	10'-5 13/16"	STUD
D	8	600S200-68	10'-5 13/16"	KING STUD
E	1	600S162-33	10'-5 13/16"	BACKER STUD
F	2	150U50-54	4'-11 5/8"	HORIZONTAL BRACING
G	2	600T150-54	4'-2 1/4"	HEAD TRACK
H	2	150U50-54	3'-6"	HORIZONTAL BRACING
I	6	600S162-54	1'-7 1/4"	CRIPPLE
J	2	150U50-54	9 3/8"	HORIZONTAL BRACING

22-1184

Jewish Home for the Aging

1885 Victory Blvd. Reseda, CA

FrameMax, Inc.
13915 Danielson St
Suite 100
Poway, CA 92064
www.frame-max.com



© FrameMax Inc.

CREATED: 11/12/2008

FM-07-109

CREATED BY: TNT

HEIGHT : 12'-3 3/4" POINTS: 1.70 Points.

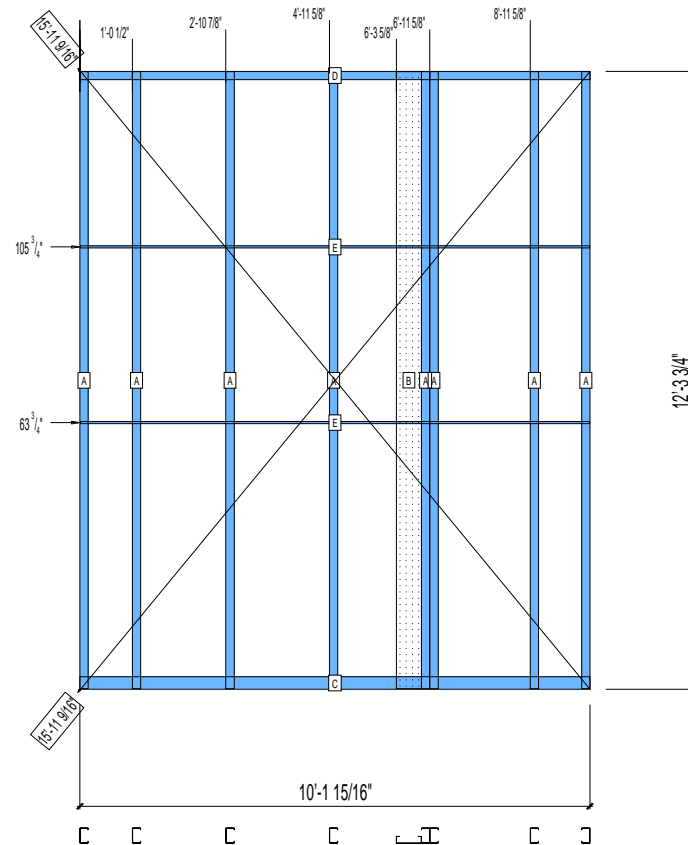
SPACING : 5000"

1st STUD: 5000"

WEIGHTS :

FRAME : 267 lbs

TOTAL: 267 lbs



PIECES LIST

LABEL	QTY	SIZE	LENGTH	USE
A	8	362S200-68	12'-3 9/16"	STUD
B	1	600S162-33	12'-3 9/16"	BACKER-U
C	1	362T300-68	10'-1 15/16"	BOTTOM TRACK
D	1	362T200-68	10'-1 15/16"	TOP TRACK
E	2	150U50-54	10'-1 3/4"	HORIZONTAL BRACING

22-1185

Jewish Home for the Aging

1885 Victory Blvd. Reseda, CA

FM-07-109

CREATED BY: TNT

FrameMax, Inc.
13915 Danielson St
Suite 100
Poway, CA 92064
www.frame-max.com

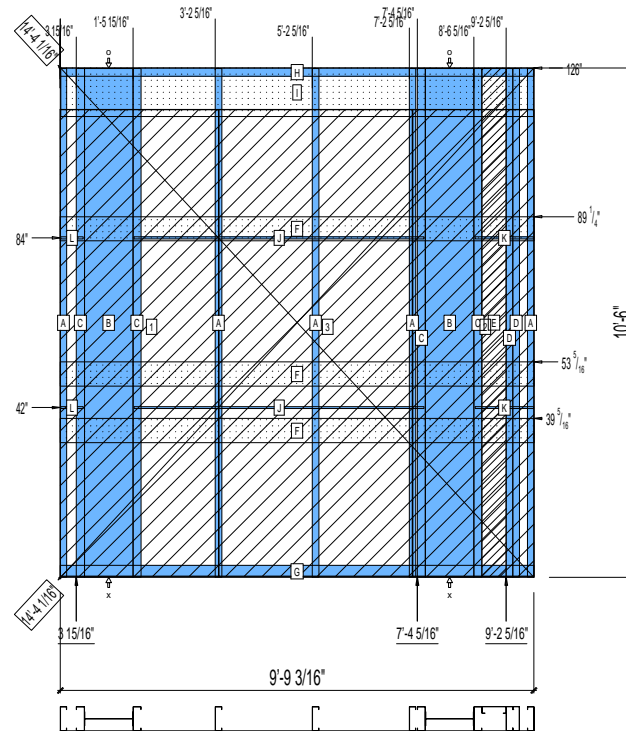


© FrameMax Inc.

HEIGHT : 10'-6"
SPACING : 5000"
1st STUD: 5000"

WEIGHTS :
FRAME : 611 lbs
SHEATHING: 346 lbs

TOTAL: 957 lbs



PIECES LIST

LABEL	QTY	SIZE	LENGTH	USE
A	5	600S162-68	10'-5 13/16"	STUD
B	2	1200i350p1062	10'-5 13/16"	PACO
C	4	600S200-68	10'-5 13/16"	STUD
D	2	600S162-33	10'-5 13/16"	EXTRA STUD
E	1	600S162-33	10'-5 3/4"	BACKER-U
F	3	600D-54	9'-9 1/4"	KITCHEN BACKING
G	1	600T300-68	9'-9 3/16"	BOTTOM TRACK
H	1	600T200-68	9'-9 3/16"	TOP TRACK
I	1	1200D-54	9'-9"	STRAP
J	2	150U50-54	5'-11 3/4"	HORIZONTAL BRACING
K	2	150U50-54	1'-2 7/16"	HORIZONTAL BRACING
L	2	150U50-54	5 9/16"	HORIZONTAL BRACING

SHEATHING

LABEL	QTY	CODE	THICK	SIZE	SCREWS
1	1	SB-DENSARMOR	5/8"	3'-3 1/8" X 9'-7 7/16"	2-12
2	1	SB-DENSARMOR	5/8"	2'-6" X 9'-7 7/16"	2-12
3	1	SB-DENSARMOR	5/8"	4'-0" X 9'-7 7/16"	2-12

22-1186

Jewish Home for the Aging

1885 Victory Blvd. Reseda, CA

FrameMax, Inc.
13915 Danielson St
Suite 100
Poway, CA 92064
www.frame-max.com



© FrameMax Inc.

CREATED: 11/11/2008

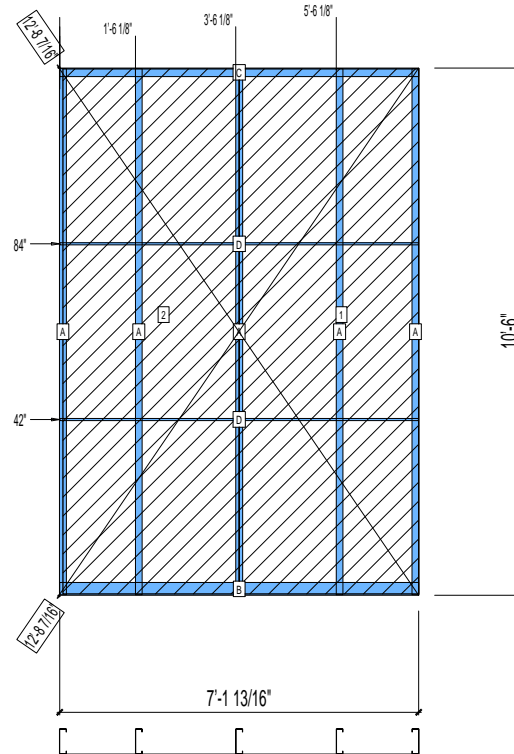
FM-07-109

CREATED BY: TNT

HEIGHT : 10'-6"
POINTS: 1.80 Points.
SPACING : 5000"
1st STUD: 5000"

WEIGHTS :
FRAME : 137 lbs
SHEATHING: 185 lbs

TOTAL: 322 lbs



PIECES LIST

LABEL	QTY	SIZE	LENGTH	USE
A	5	600S162-54	10'-5 13/16"	STUD
B	1	600T300-54	7'-1 13/16"	BOTTOM TRACK
C	1	600T200-54	7'-1 13/16"	TOP TRACK
D	2	150U50-54	7'-1 5/8"	HORIZONTAL BRACING

SHEATHING

LABEL	QTY	CODE	THICK	SIZE	SCREWS
1	1	DENSGLASS	1/2"	3'-6 7/8" X 10'-5 9/16"	8 - 12
2	1	DENSGLASS	1/2"	3'-6 1/8" X 10'-5 9/16"	8 - 12

22-1187

Jewish Home for the Aging

1885 Victory Blvd. Reseda, CA

FrameMax, Inc.
13915 Danielson St
Suite 100
Poway, CA 92064
www.frame-max.com



© FrameMax Inc.

CREATED: 11/11/2008

FM-07-109

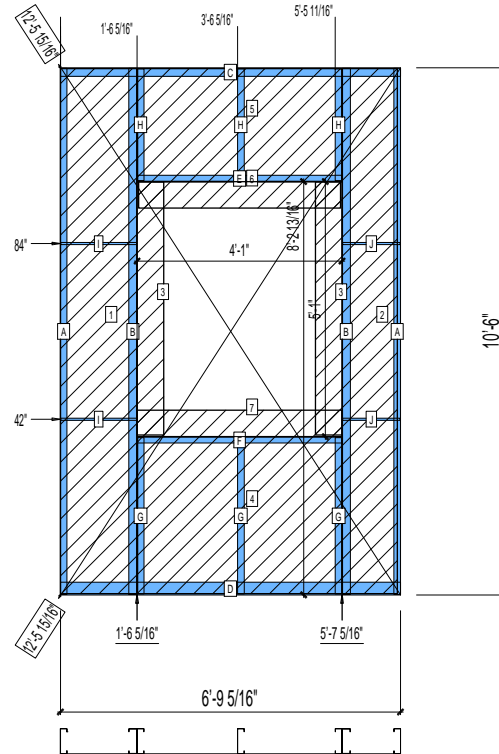
CREATED BY: TNT

HEIGHT : 10'-6"
SPACING : 5000"
1st STUD: 5000"

POINTS: 2.07 Points.

WEIGHTS :
FRAME : 192 lbs
SHEATHING: 147 lbs

TOTAL: 339 lbs



PIECES LIST

LABEL	QTY	SIZE	LENGTH	USE
A	2	600S162-54	10'-5 13/16"	STUD
B	2	600S200-97	10'-5 13/16"	KING STUD
C	1	600T200-54	6'-9 5/16"	TOP TRACK
D	1	600T300-54	6'-9 5/16"	BOTTOM TRACK
E	1	600T150-54	4'-0 3/4"	HEAD TRACK
F	1	600T150-54	4'-0 3/4"	SILL
G	3	600S162-54	3'-1 3/8"	CRIPPLE
H	3	600S162-54	2'-2 3/4"	CRIPPLE
I	2	150U50-54	1'-6 1/8"	HORIZONTAL BRACING
J	2	150U50-54	1'-1 3/4"	HORIZONTAL BRACING

SHEATHING

LABEL	QTY	CODE	THICK	SIZE	SCREWS
1	1	DENSGLOSS	1/2"	1'-6 1/4" X 10'-5 9/16"	8 - 12
2	1	DENSGLOSS	1/2"	1'-1 1/8" X 10'-5 9/16"	8 - 12
3	2	DENSGLOSS	1/2"	6 3/8" X 5'-0 1/2"	8 - 12
4	1	DENSGLOSS	1/2"	4'-0 13/16" X 3'-1 1/2"	8 - 12
5	1	DENSGLOSS	1/2"	4'-0 13/16" X 2'-3"	8 - 12
6	1	DENSGLOSS	1/2"	4'-0 1/4" X 6 5/16"	8 - 12
7	1	DENSGLOSS	1/2"	4'-0 7/8" X 6 5/16"	8 - 12

22-1188

Jewish Home for the Aging

1885 Victory Blvd. Reseda, CA

FrameMax, Inc.
13915 Danielson St
Suite 100
Poway, CA 92064
www.frame-max.com



© FrameMax Inc.

CREATED: 11/11/2008

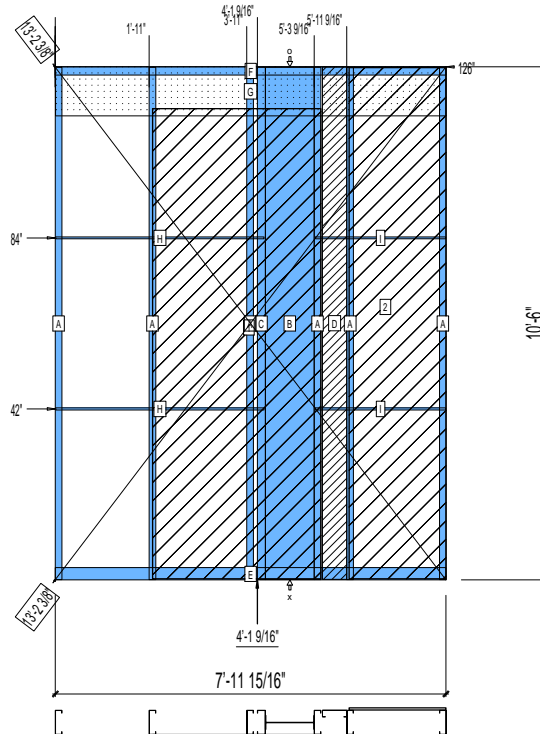
FM-07-109

CREATED BY: TNT

HEIGHT : 10'-6"
POINTS: 2.97 Points.
SPACING : 5000"
1st STUD: 5000"

WEIGHTS :
FRAME : 369 lbs
SHEATHING: 174 lbs

TOTAL: 543 lbs



PIECES LIST

LABEL	QTY	SIZE	LENGTH	USE
A	6	600S162-68	10'-5 13/16"	STUD
B	1	1200i350p1062	10'-5 13/16"	PACO
C	1	600S200-68	10'-5 13/16"	STUD
D	1	600S162-33	10'-5 13/16"	BACKER-U
E	1	600T300-68	7'-11 15/16"	BOTTOM TRACK
F	1	600T200-68	7'-11 15/16"	TOP TRACK
G	1	1200D-54	7'-11 7/8"	STRAP
H	2	150U50-54	4'-3 3/16"	HORIZONTAL BRACING
I	2	150U50-54	2'-7 15/16"	HORIZONTAL BRACING

SHEATHING

LABEL	QTY	CODE	THICK	SIZE	SCREWS
1	1	SB-DENSARMOR	5/8"	3'-5 3/8" X 9'-7 7/16"	3-12
2	1	DENSGLOSS	1/2"	1'-11 3/4" X 10'-5 9/16"	8 - 12

22-1189

Jewish Home for the Aging

1885 Victory Blvd. Reseda, CA

FrameMax, Inc.
13915 Danielson St
Suite 100
Poway, CA 92064
www.frame-max.com



© FrameMax Inc.

CREATED: 11/11/2008

FM-07-109

CREATED BY: TNT

HEIGHT : 10'-6" POINTS: 2.84 Points.

SPACING : 5000"

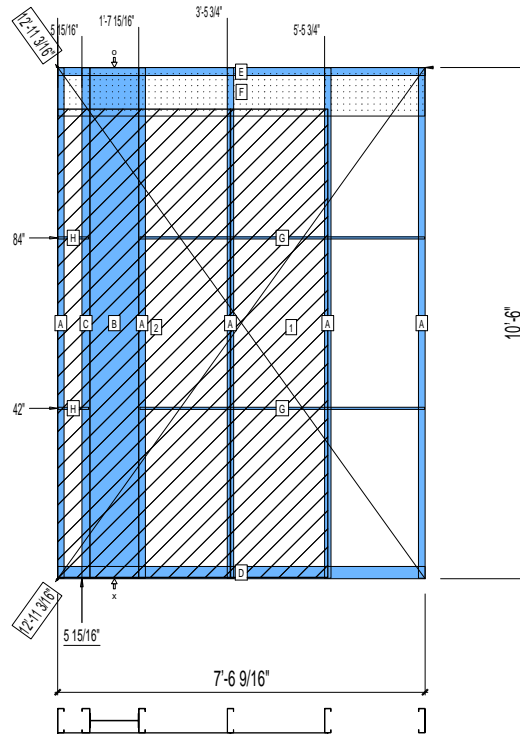
1st STUD: 5000"

WEIGHTS :

FRAME : 328 lbs

SHEATHING: 196 lbs

TOTAL: 524 lbs



PIECES LIST

LABEL	QTY	SIZE	LENGTH	USE
A	5	600S162-68	10'-5 13/16"	STUD
B	1	1200i350p1062	10'-5 13/16"	PACO
C	1	600S200-68	10'-5 13/16"	STUD
D	1	600T300-68	7'-6 9/16"	BOTTOM TRACK
E	1	600T200-68	7'-6 9/16"	TOP TRACK
F	1	1200D-54	7'-6 7/16"	STRAP
G	2	150U50-54	5'-10 3/16"	HORIZONTAL BRACING
H	2	150U50-54	7 9/16"	HORIZONTAL BRACING

SHEATHING

LABEL	QTY	CODE	THICK	SIZE	SCREWS
1	1	SB-DENSARMOR	5/8"	2'-0" X 9'-7 7/16"	3-12
2	1	SB-DENSARMOR	5/8"	3'-6 5/8" X 9'-7 7/16"	3-12

22-1190

Jewish Home for the Aging

1885 Victory Blvd. Reseda, CA

FrameMax, Inc.
13915 Danielson St
Suite 100
Poway, CA 92064
www.framemax.com



© FrameMax Inc.

CREATED: 11/12/2008

FM-07-109

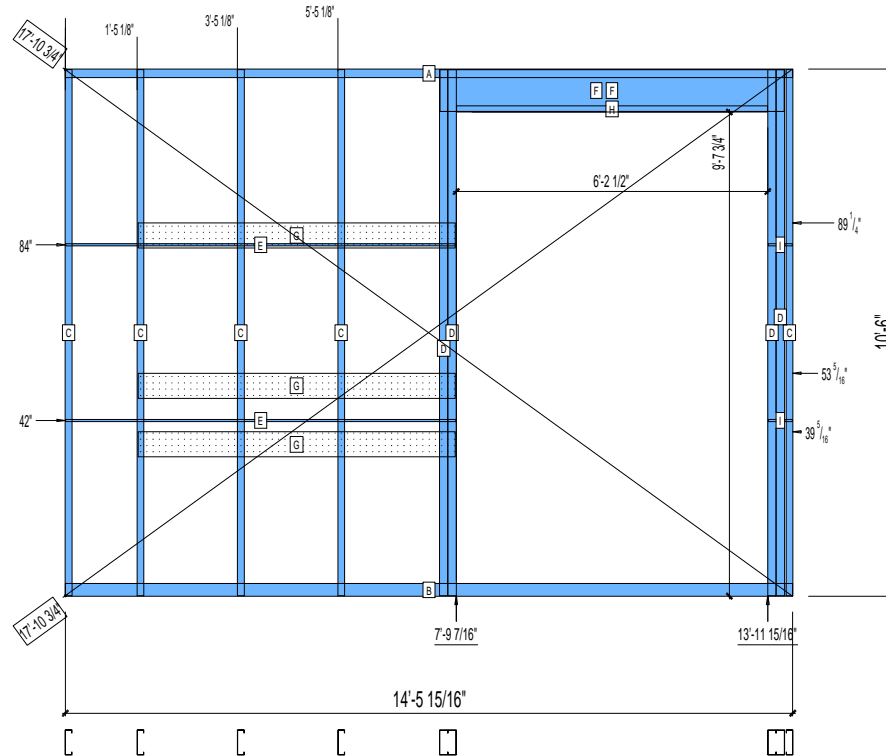
CREATED BY: TNT

HEIGHT : 10'-6"
SPACING : 5000"
1st STUD: 5000"

POINTS: 2.68 Points.

WEIGHTS :
FRAME : 424 lbs

TOTAL: 424 lbs



PIECES LIST

LABEL	QTY	SIZE	LENGTH	USE
A	1	600T200-68	14'-5 15/16"	TOP TRACK
B	1	600T300-68	14'-5 15/16"	BOTTOM TRACK
C	5	600S162-68	10'-5 13/16"	STUD
D	4	600S200-68	10'-5 13/16"	KING STUD
E	2	150U50-54	7'-9 1/4"	HORIZONTAL BRACING
F	2	1000S200-97	6'-10 3/8"	HEADER
G	3	600D-54	6'-3 13/16"	KITCHEN BACKING
H	1	600T150-54	6'-2 3/8"	HEADER BOTTOM TRACK
I	2	150U50-54	5 3/4"	HORIZONTAL BRACING

22-1191

Jewish Home for the Aging

1885 Victory Blvd. Reseda, CA

FM-07-109

CREATED BY: TNT

FrameMax, Inc.
13915 Danielson St
Suite 100
Poway, CA 92064
www.frame-max.com



© FrameMax Inc.

HEIGHT : 11'-2 7/8" POINTS: 6.10 Points.

SPACING : 5000"

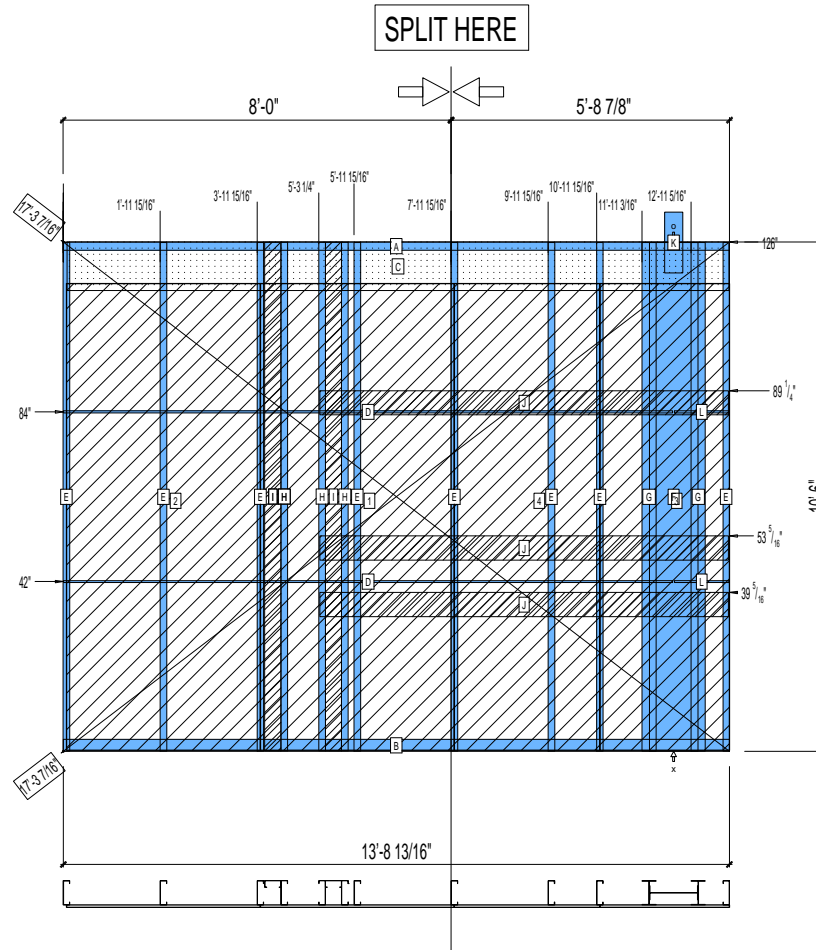
1st STUD: 5000"

WEIGHTS :

FRAME : 669 lbs

SHEATHING: 484 lbs

TOTAL: 1153 lbs



PIECES LIST

LABEL	QTY	SIZE	LENGTH	USE
A	1	600T200-68	13'-8 13/16"	TOP TRACK
B	1	600T300-68	13'-8 13/16"	BOTTOM TRACK
C	1	1200D-54	13'-7 13/16"	STRAP
D	2	150U50-54	12'-6 11/16"	HORIZONTAL BRACING
E	8	600S162-68	10'-5 13/16"	STUD
F	1	1200i350p1062	10'-5 13/16"	PACO
G	2	600i350p680	10'-5 13/16"	PACO
H	3	600S162-33	10'-5 13/16"	BACKER STUD
I	2	400S162-33	10'-5 13/16"	BACKER-U
J	3	600D-54	8'-5 1/8"	KITCHEN BACKING
K	1	A	1'-3"	HOLDDOWN
L	2	150U50-54	1'-1 7/16"	HORIZONTAL BRACING

SHEATHING

LABEL	QTY	CODE	THICK	SIZE	SCREWS
1	1	SB-DENSARMOR	5/8"	4'-0" X 9'-7 7/16"	2-12
2	1	SB-DENSARMOR	5/8"	3'-11 15/16" X 9'-7 7/16"	2-12
3	1	SB-DENSARMOR	5/8"	2'-8 1/16" X 9'-7 7/16"	2-12
4	1	SB-DENSARMOR	5/8"	3'-0" X 9'-7 7/16"	2-12

22-1192

Jewish Home for the Aging

1885 Victory Blvd. Reseda, CA

FrameMax, Inc.
13915 Danielson St
Suite 100
Poway, CA 92064
www.framemax.com



© FrameMax Inc.

CREATED: 11/12/2008

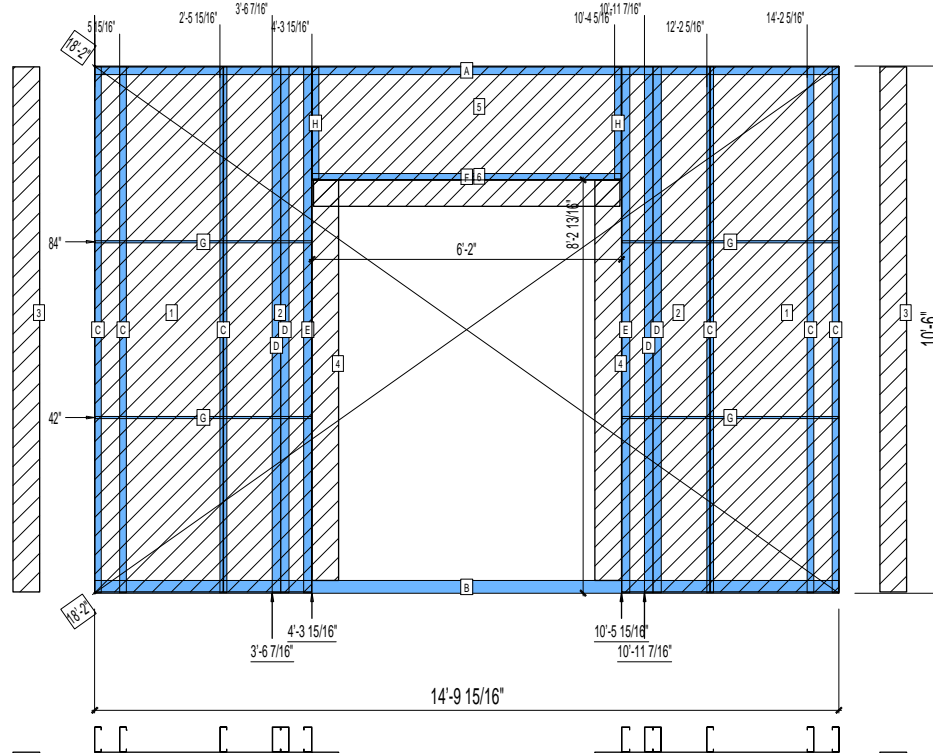
FM-07-109

CREATED BY: TNT

HEIGHT : 10'-6"
POINTS: 4.20 Points.
SPACING : 5000"
1st STUD: 5000"

WEIGHTS :
FRAME : 439 lbs
SHEATHING: 318 lbs

TOTAL: 757 lbs



PIECES LIST

LABEL	QTY	SIZE	LENGTH	USE
A	1	600T200-54	14'-9 15/16"	TOP TRACK
B	1	600T300-54	14'-9 15/16"	BOTTOM TRACK
C	6	600S162-54	10'-5 13/16"	STUD
D	4	600S200-97	10'-5 13/16"	EXTRA STUD
E	2	600S200-97	10'-5 13/16"	KING STUD
F	1	600T150-54	6'-1 3/4"	HEAD TRACK
G	4	150U50-54	4'-3 3/4"	HORIZONTAL BRACING
H	2	600S162-54	2'-2 3/4"	CRIPPLE

SHEATHING

LABEL	QTY	CODE	THICK	SIZE	SCREWS
1	2	DENSGLASS	1/2"	2'-6 3/4" X 10'-5 9/16"	8 - 12
2	2	DENSGLASS	1/2"	1'-9 1/8" X 10'-5 9/16"	8 - 12
3	2	DENSGLASS	1/2"	6 3/8" X 10'-5 9/16"	8 - 12
4	2	DENSGLASS	1/2"	6 3/8" X 7'-11 3/4"	8 - 12
5	1	DENSGLASS	1/2"	6'-1 7/8" X 2'-3"	8 - 12
6	1	DENSGLASS	1/2"	6'-1 1/4" X 6 5/16"	8 - 12

22-1193

Jewish Home for the Aging

1885 Victory Blvd. Reseda, CA

FM-07-109

CREATED BY: TNT

FrameMax, Inc.
13915 Danielson St
Suite 100
Poway, CA 92064
www.frame-max.com



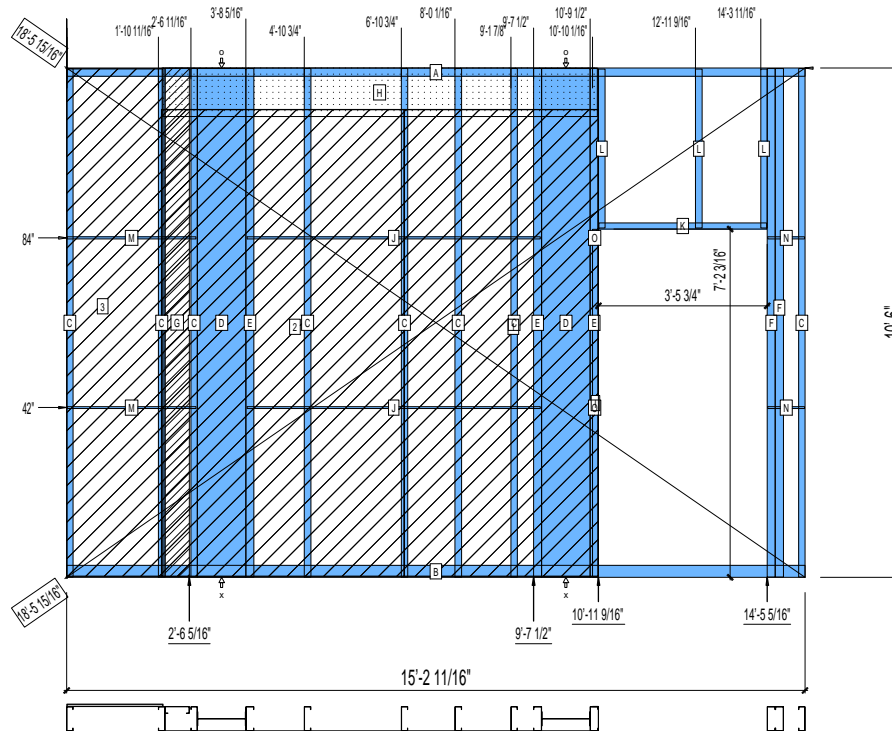
© FrameMax Inc.

HEIGHT : 10'-6"
SPACING : 5000"
1st STUD : 5000"

POINTS: 5.95 Points.

WEIGHTS :
FRAME : 720 lbs
SHEATHING: 370 lbs

TOTAL: 1090 lbs



PIECES LIST

LABEL	QTY	SIZE	LENGTH	USE
A	1	600T200-68	15'-2 11/16"	TOP TRACK
B	1	600T300-68	15'-2 11/16"	BOTTOM TRACK
C	8	600S162-68	10'-5 13/16"	STUD
D	2	1200i350p1062	10'-5 13/16"	PACO
E	3	600S200-68	10'-5 13/16"	STUD
F	2	600S200-68	10'-5 13/16"	KING STUD
G	1	600S162-33	10'-5 13/16"	BACKER-U
H	1	1200D-54	8'-11 11/16"	STRAP
I	1	600T150-54	7'-2"	CAP TRACK
J	2	150U50-54	6'-0 9/16"	HORIZONTAL BRACING
K	1	600T150-54	3'-5 1/2"	HEAD TRACK
L	3	600S162-54	3'-3 3/8"	CRIPPLE
M	2	150U50-54	2'-7 15/16"	HORIZONTAL BRACING
N	2	150U50-54	9 1/8"	HORIZONTAL BRACING
O	2	150U50-54	1 5/8"	HORIZONTAL BRACING

SHEATHING

LABEL	QTY	CODE	THICK	SIZE	SCREWS
1	1	SB-DENSARMOR	5/8"	3'-11 15/16" X 9'-7 7/16"	3-12
2	1	SB-DENSARMOR	5/8"	5'-0" X 9'-7 7/16"	3-12
3	1	DENSGLOSS	1/2"	1'-11 3/4" X 10'-5 9/16"	8 - 12

22-1194

Jewish Home for the Aging

1885 Victory Blvd. Reseda, CA

FrameMax, Inc.
13915 Danielson St
Suite 100
Poway, CA 92064
www.frame-max.com



© FrameMax Inc.

CREATED: 11/12/2008

FM-07-109

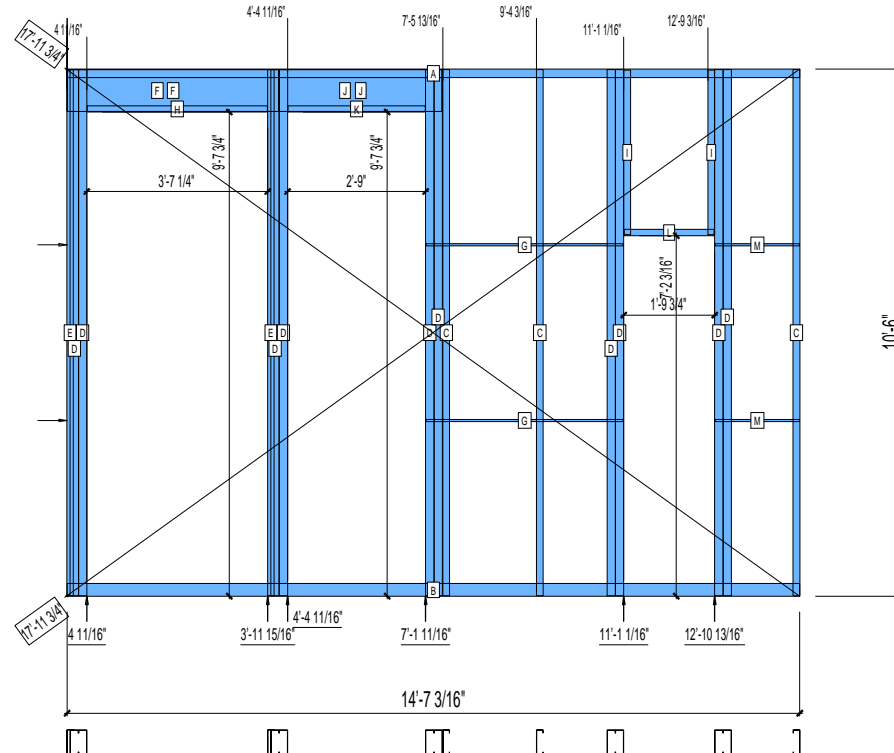
CREATED BY: TNT

HEIGHT : 10'-6"
SPACING : 5000"
1st STUD: 5000"

POINTS: 3.54 Points.

WEIGHTS :
FRAME : 571 lbs

TOTAL: 571 lbs



PIECES LIST

LABEL	QTY	SIZE	LENGTH	USE
A	1	600T200-68	14'-7 3/16"	TOP TRACK
B	1	600T300-68	14'-7 3/16"	BOTTOM TRACK
C	3	600S162-68	10'-5 13/16"	STUD
D	10	600S200-68	10'-5 13/16"	KING STUD
E	2	600T150-54	10'-5 13/16"	CAP TRACK
F	2	1000S200-97	4'-2 5/8"	HEADER
G	2	150U50-54	3'-11 1/8"	HORIZONTAL BRACING
H	1	600T150-54	3'-7 1/8"	HEADER BOTTOM TRACK
I	2	600S162-54	3'-3 3/8"	CRIPPLE
J	2	1000S200-97	3'-2 7/8"	HEADER
K	1	600T150-54	2'-8 7/8"	HEADER BOTTOM TRACK
L	1	600T150-54	1'-9 1/2"	HEAD TRACK
M	2	150U50-54	1'-8 1/8"	HORIZONTAL BRACING

22-1195

Jewish Home for the Aging

1885 Victory Blvd. Reseda, CA

FrameMax, Inc.
13915 Danielson St
Suite 100
Poway, CA 92064
www.frame-max.com



© FrameMax Inc.

CREATED: 11/11/2008

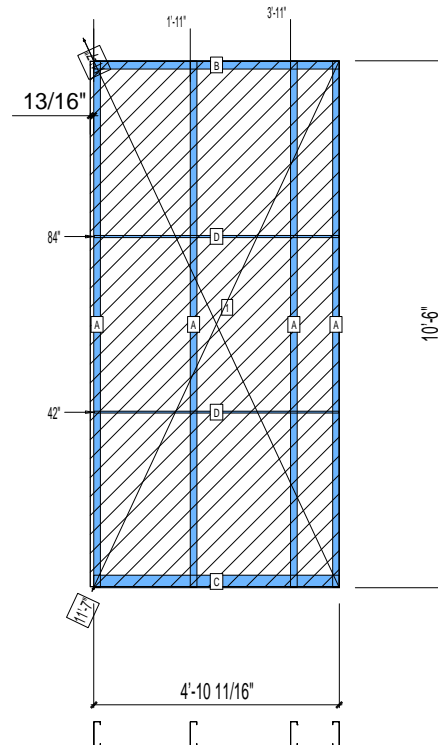
FM-07-109

CREATED BY: TNT

HEIGHT : 10'-6"
POINTS: 1.34 Points.
SPACING : 5000"
1st STUD: 5000"

WEIGHTS :
FRAME : 105 lbs
SHEATHING: 130 lbs

TOTAL: 235 lbs



PIECES LIST

LABEL	QTY	SIZE	LENGTH	USE
A	4	600S162-54	10'-5 13/16"	STUD
B	1	600T200-54	4'-10 11/16"	TOP TRACK
C	1	600T300-54	4'-10 11/16"	BOTTOM TRACK
D	2	150U50-54	4'-10 1/2"	HORIZONTAL BRACING

SHEATHING

LABEL	QTY	CODE	THICK	SIZE	SCREWS
1	1	DENSGLASS	1/2"	4'-11 1/2" X 10'-5 9/16"	8 - 12

22-1196

Jewish Home for the Aging

1885 Victory Blvd. Reseda, CA

FM-07-109

CREATED BY: TNT

FrameMax, Inc.
13915 Danielson St
Suite 100
Poway, CA 92064
www.framemax.com

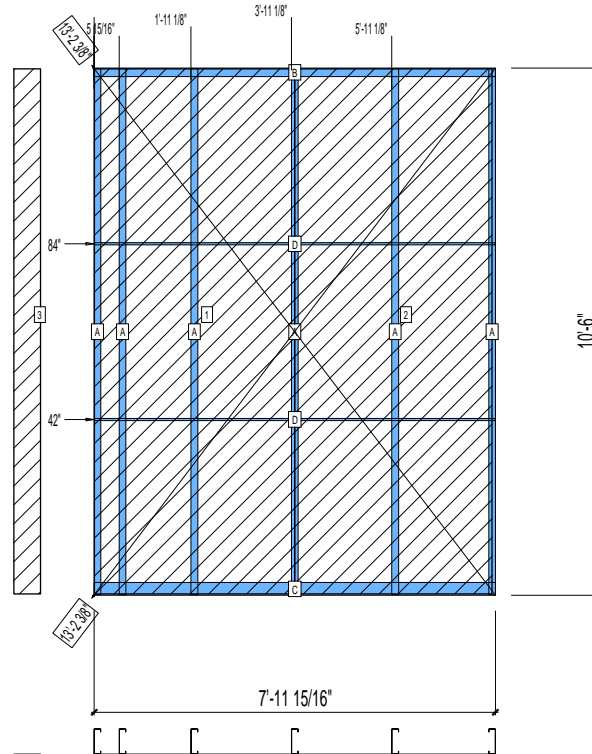


© FrameMax Inc.

HEIGHT : 10'-6"
POINTS: 2.12 Points.
SPACING : 5000"
1st STUD: 5000"

WEIGHTS :
FRAME : 161 lbs
SHEATHING: 221 lbs

TOTAL: 382 lbs



PIECES LIST

LABEL	QTY	SIZE	LENGTH	USE
A	6	600S162-54	10'-5 13/16"	STUD
B	1	600T200-54	7'-11 15/16"	TOP TRACK
C	1	600T300-54	7'-11 15/16"	BOTTOM TRACK
D	2	150U50-54	7'-11 3/4"	HORIZONTAL BRACING

SHEATHING

LABEL	QTY	CODE	THICK	SIZE	SCREWS
1	1	DENSGLASS	1/2"	3'-11 15/16" X 10'-5 9/16"	8 - 12
2	1	DENSGLASS	1/2"	3'-11 3/16" X 10'-5 9/16"	8 - 12
3	1	DENSGLASS	1/2"	6 3/8" X 10'-5 9/16"	8 - 12

22-1197

Jewish Home for the Aging

1885 Victory Blvd. Reseda, CA

FrameMax, Inc.
13915 Danielson St
Suite 100
Poway, CA 92064
www.frame-max.com



© FrameMax Inc.

CREATED: 11/11/2008

FM-07-109

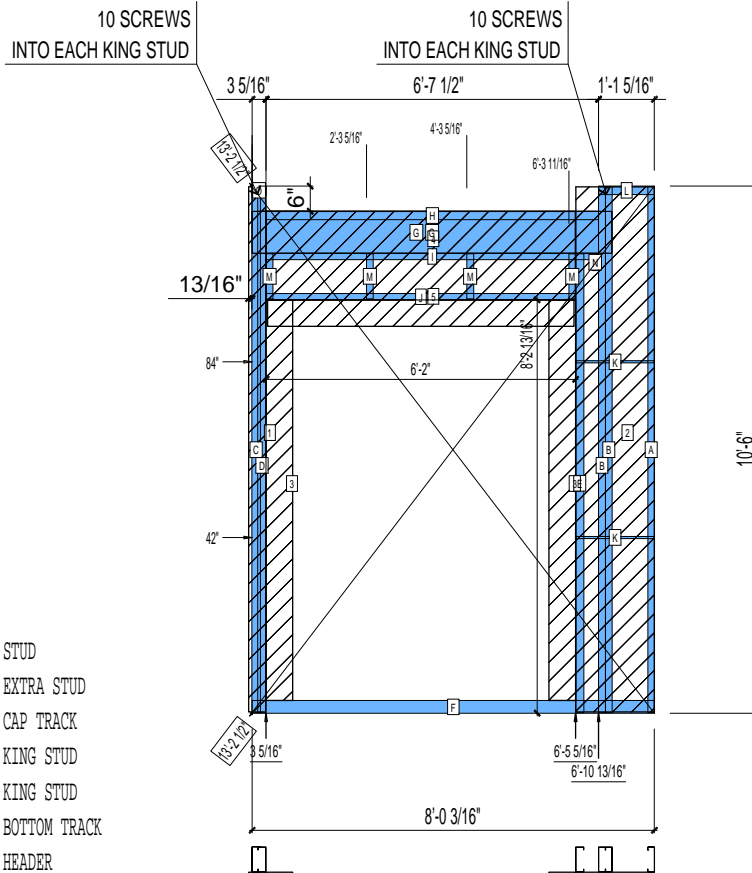
CREATED BY: TNT

HEIGHT : 10'-6"
SPACING : 5000"
1st STUD: 5000"

POINTS: 2.46 Points.

WEIGHTS :
FRAME : 300 lbs
SHEATHING: 106 lbs

TOTAL: 406 lbs



PIECES LIST			
LABEL	QTY	SIZE	LENGTH USE
A	1	600S162-54	10'-5 13/16" STUD
B	2	600S162-68	10'-5 13/16" EXTRA STUD
C	1	600T200-54	10'-5 13/16" CAP TRACK
D	1	600S200-97	10'-5 13/16" KING STUD
E	1	600S200-97	9'-1 3/4" KING STUD
F	1	600T300-54	8'-0 3/16" BOTTOM TRACK
G	2	1000S200-97	7'-2" HEADER
H	1	600T200-54	6'-7 3/8" TOP TRACK
I	1	600T150-54	6'-7 3/8" HEADER BOTTOM TRACK
J	1	600T150-54	6'-1 3/4" HEAD TRACK
K	2	150U50-54	1'-6 5/8" HORIZONTAL BRACING
L	1	600T200-54	1'-1 1/4" TOP TRACK
M	4	600S162-54	10 13/16" CRIPPLE
N	1	600S162-33	4" BACKER STUD
O	1	600T200-54	3 1/4" TOP TRACK

SHEATHING

LABEL	QTY	CODE	THICK	SIZE	SCREWS
1	1	DENSGLASS	1/2"	4 1/8" X 10'-5 9/16"	8 - 12
2	1	DENSGLASS	1/2"	1'-6 3/4" X 10'-5 9/16"	8 - 12
3	2	DENSGLASS	1/2"	6 3/8" X 7'-11 3/4"	8 - 12
4	1	DENSGLASS	1/2"	6'-1 7/8" X 1'-9 1/16"	8 - 12
5	1	DENSGLASS	1/2"	6'-1 1/4" X 6 5/16"	8 - 12

22-1198

Jewish Home for the Aging

1885 Victory Blvd. Reseda, CA

FrameMax, Inc.
13915 Danielson St
Suite 100
Poway, CA 92064
www.frame-max.com



© FrameMax Inc.

CREATED: 11/11/2008

FM-07-109

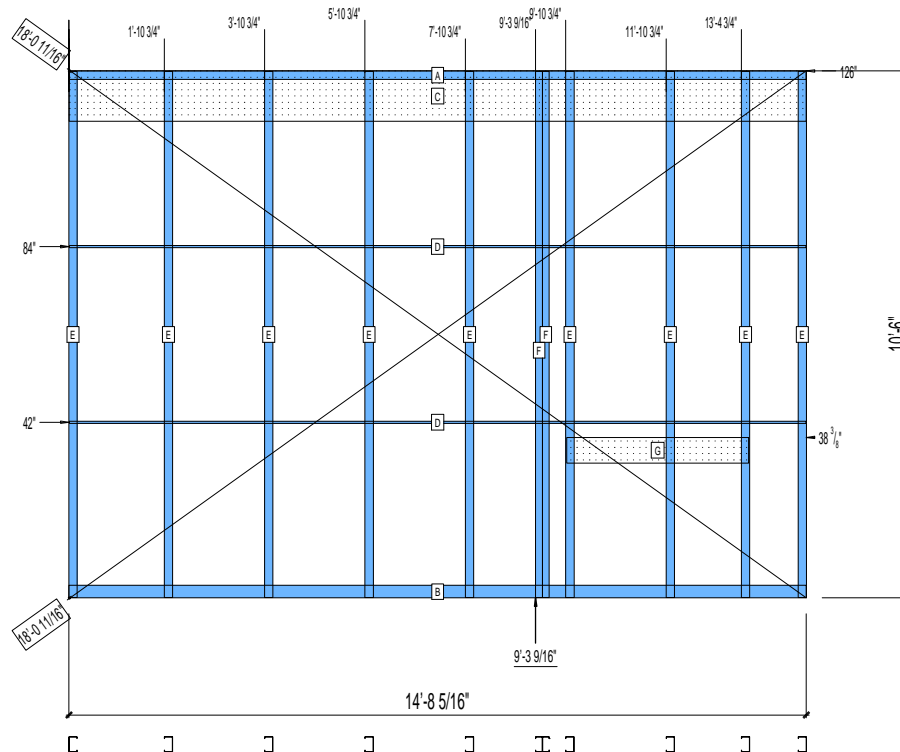
CREATED BY: TNT

HEIGHT : 10'-6"
SPACING : 5000"
1st STUD: 5000"

POINTS: 2.22 Points.

WEIGHTS :
FRAME : 340 lbs

TOTAL: 340 lbs



PIECES LIST

LABEL	QTY	SIZE	LENGTH	USE
A	1	362T200-68	14'-8 5/16"	TOP TRACK
B	1	362T300-68	14'-8 5/16"	BOTTOM TRACK
C	1	1200D-54	14'-8 1/4"	STRAP
D	2	150U50-54	14'-8 1/8"	HORIZONTAL BRACING
E	9	362S200-68	10'-5 13/16"	STUD
F	2	362S162-54	10'-5 13/16"	EXTRA STUD
G	1	600T150-54	3'-7 1/2"	GRAB BAR

22-1199

Jewish Home for the Aging

1885 Victory Blvd. Reseda, CA

FrameMax, Inc.
13915 Danielson St
Suite 100
Poway, CA 92064
www.frame-max.com



© FrameMax Inc.

CREATED: 11/11/2008

FM-07-109

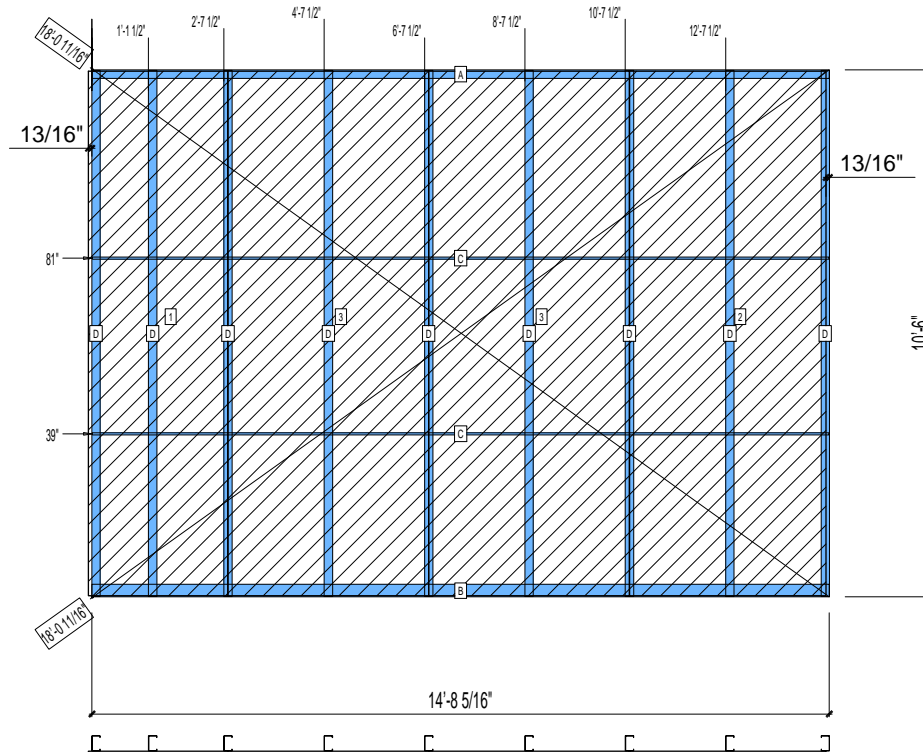
CREATED BY: TNT

HEIGHT : 10'-6"
SPACING : 5000"
1st STUD: 5000"

POINTS: 4.37 Points.

WEIGHTS :
FRAME : 268 lbs
SHEATHING: 565 lbs

TOTAL: 833 lbs



PIECES LIST

LABEL	QTY	SIZE	LENGTH	USE
A	1	362T200-68	14'-8 5/16"	TOP TRACK
B	1	362T300-68	14'-8 5/16"	BOTTOM TRACK
C	2	150U50-54	14'-8 1/8"	HORIZONTAL BRACING
D	9	362S200-68	10'-5 13/16"	STUD

SHEATHING

LABEL	QTY	CODE	THICK	SIZE	SCREWS
1	1	SB-DENSGLOSS	1/2"	2'-9 3/8" X 10'-5 7/16"	2-12
2	1	SB-DENSGLOSS	1/2"	3'-11" X 10'-5 7/16"	2-12
3	2	SB-DENSGLOSS	1/2"	4'-0" X 10'-5 7/16"	2-12

22-1200

Jewish Home for the Aging

1885 Victory Blvd. Reseda, CA

FrameMax, Inc.
13915 Danielson St
Suite 100
Poway, CA 92064
www.frame-max.com



© FrameMax Inc.

CREATED: 11/11/2008

FM-07-109

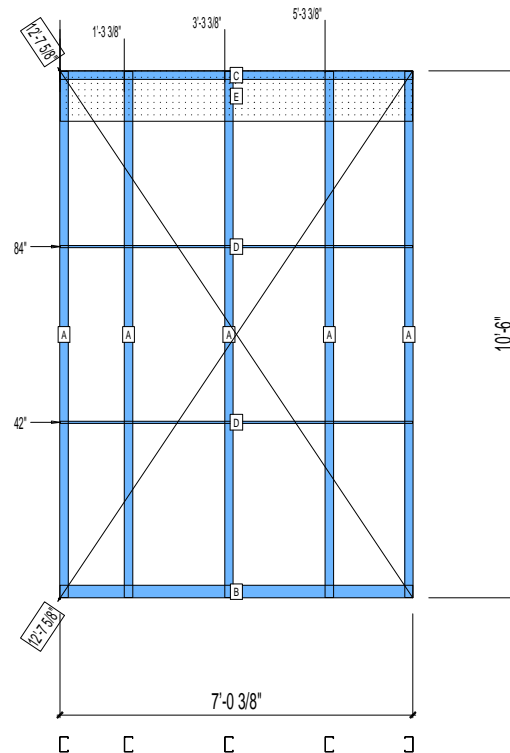
CREATED BY: TNT

HEIGHT : 10'-6"
SPACING : 5000"
1st STUD: 5000"

POINTS: 1.09 Points.

WEIGHTS :
FRAME : 160 lbs

TOTAL: 160 lbs



PIECES LIST

LABEL	QTY	SIZE	LENGTH	USE
A	5	362S200-68	10'-5 13/16"	STUD
B	1	362T300-68	7'-0 3/8"	BOTTOM TRACK
C	1	362T200-68	7'-0 3/8"	TOP TRACK
D	2	150U50-54	7'-0 3/16"	HORIZONTAL BRACING
E	1	1200D-54	7'-0 3/16"	STRAP

22-1201

Jewish Home for the Aging

1885 Victory Blvd. Reseda, CA

FrameMax, Inc.
13915 Danielson St
Suite 100
Poway, CA 92064
www.frame-max.com



© FrameMax Inc.

CREATED: 11/11/2008

FM-07-109

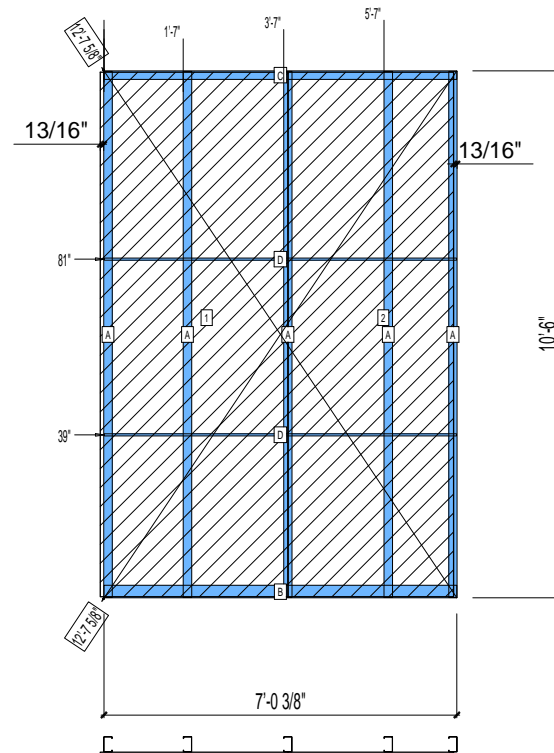
CREATED BY: TNT

HEIGHT : 10'-6"
SPACING : 5000"
1st STUD: 5000"

POINTS: 2.22 Points.

WEIGHTS :
FRAME : 143 lbs
SHEATHING: 271 lbs

TOTAL: 414 lbs



PIECES LIST

LABEL	QTY	SIZE	LENGTH	USE
A	5	362S200-68	10'-5 13/16"	STUD
B	1	362T300-68	7'-0 3/8"	BOTTOM TRACK
C	1	362T200-68	7'-0 3/8"	TOP TRACK
D	2	150U50-54	7'-0 3/16"	HORIZONTAL BRACING

SHEATHING

LABEL	QTY	CODE	THICK	SIZE	SCREWS
1	1	SB-DENSGGLASS	1/2"	3'-8 13/16" X 10'-5 7/16"	2-12
2	1	SB-DENSGGLASS	1/2"	3'-3 5/8" X 10'-5 7/16"	2-12

22-1202

Jewish Home for the Aging

1885 Victory Blvd. Reseda, CA

FrameMax, Inc.
13915 Danielson St
Suite 100
Poway, CA 92064
www.frame-max.com



© FrameMax Inc.

CREATED: 11/11/2008

FM-07-109

CREATED BY: TNT

HEIGHT : 10'-6" POINTS: 0.84 Points.

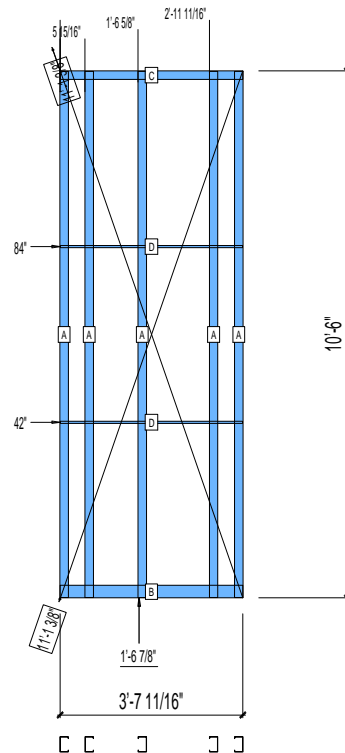
SPACING : 5000"

1st STUD: 5000"

WEIGHTS :

FRAME : 125 lbs

TOTAL: 125 lbs



PIECES LIST

LABEL	QTY	SIZE	LENGTH	USE
A	5	362S200-68	10'-5 13/16"	STUD
B	1	362T300-68	3'-7 11/16"	BOTTOM TRACK
C	1	362T200-68	3'-7 11/16"	TOP TRACK
D	2	150U50-54	3'-7 1/2"	HORIZONTAL BRACING

22-1203

Jewish Home for the Aging

1885 Victory Blvd. Reseda, CA

FrameMax, Inc.
13915 Danielson St
Suite 100
Poway, CA 92064
www.frame-max.com



© FrameMax Inc.

CREATED: 11/21/2008

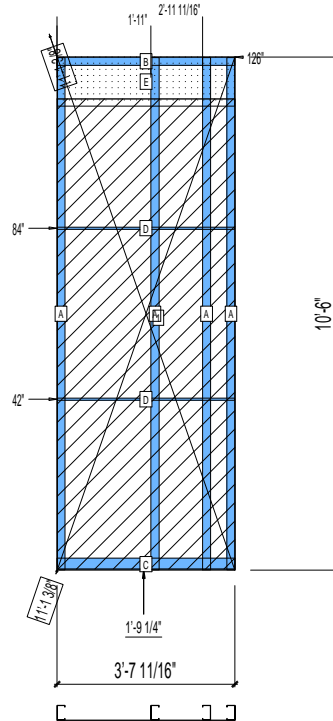
FM-07-109

CREATED BY: TNT

HEIGHT : 10'-6" POINTS: 1.37 Points.
SPACING : 5000"
1st STUD: 5000"

WEIGHTS :
FRAME : 113 lbs
SHEATHING: 129 lbs

TOTAL: 242 lbs



PIECES LIST

LABEL	QTY	SIZE	LENGTH	USE
A	4	362S200-68	10'-5 13/16"	STUD
B	1	362T200-68	3'-7 11/16"	TOP TRACK
C	1	362T300-68	3'-7 11/16"	BOTTOM TRACK
D	2	150U50-54	3'-7 1/2"	HORIZONTAL BRACING
E	1	1200D-54	3'-7 7/16"	STRAP

SHEATHING

LABEL	QTY	CODE	THICK	SIZE	SCREWS
1	1	SB-DENSARMOR	5/8"	3'-7 5/8" X 9'-7 7/16"	2-12

22-1204

Jewish Home for the Aging

1885 Victory Blvd. Reseda, CA

FrameMax, Inc.
13915 Danielson St
Suite 100
Poway, CA 92064
www.framemax.com



© FrameMax Inc.

CREATED: 11/11/2008

FM-07-109

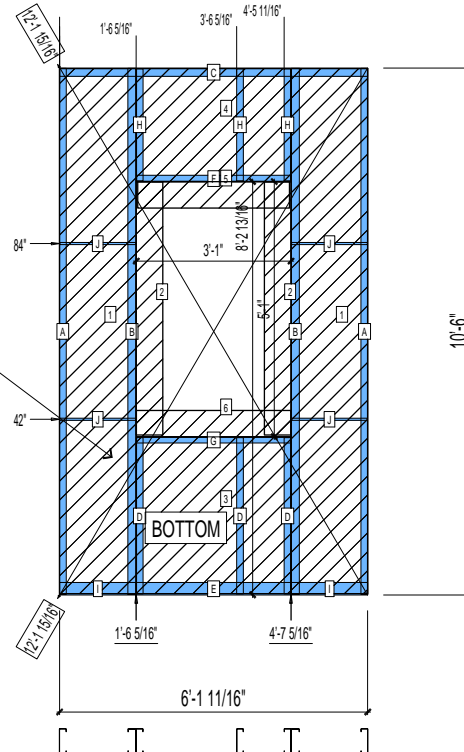
CREATED BY: TNT

HEIGHT : 10'-6"
POINTS: 2.04 Points.
SPACING : 5000"
1st STUD: 16"

WEIGHTS :
FRAME : 186 lbs
SHEATHING: 142 lbs

TOTAL: 328 lbs

**DO NOT ASSEMBLY BOTTOM SILL.
BUNDLE AND SEND TO SITE**



PIECES LIST

LABEL	QTY	SIZE	LENGTH	USE
A	2	600S162-54	10'-5 13/16"	STUD
B	2	600S200-97	10'-5 13/16"	KING STUD
C	1	600T200-54	6'-1 11/16"	TOP TRACK
D	3	600S162-54	3'-1 3/8"	CRIPPLE
E	1	600T300-54	3'-0 7/8"	BOTTOM TRACK
F	1	600T150-54	3'-0 3/4"	HEAD TRACK
G	1	600T150-54	3'-0 3/4"	SILL
H	3	600S162-54	2'-2 3/4"	CRIPPLE
I	2	600T300-54	1'-6 1/4"	BOTTOM TRACK
J	4	150U50-54	1'-6 1/8"	HORIZONTAL BRACING

SHEATHING

LABEL	QTY	CODE	THICK	SIZE	SCREWS
1	2	DENSGLASS	1/2"	1'-6 1/4" X 10'-5 9/16"	8 - 12
2	2	DENSGLASS	1/2"	6 3/8" X 5'-0 1/2"	8 - 12
3	1	DENSGLASS	1/2"	3'-0 7/8" X 3'-1 1/2"	8 - 12
4	1	DENSGLASS	1/2"	3'-0 7/8" X 2'-3"	8 - 12
5	1	DENSGLASS	1/2"	3'-0 1/4" X 6 5/16"	8 - 12
6	1	DENSGLASS	1/2"	3'-0 7/8" X 6 5/16"	8 - 12

22-1205

Jewish Home for the Aging

1885 Victory Blvd. Reseda, CA

FrameMax, Inc.
13915 Danielson St
Suite 100
Poway, CA 92064
www.frame-max.com



© FrameMax Inc.

CREATED: 11/11/2008

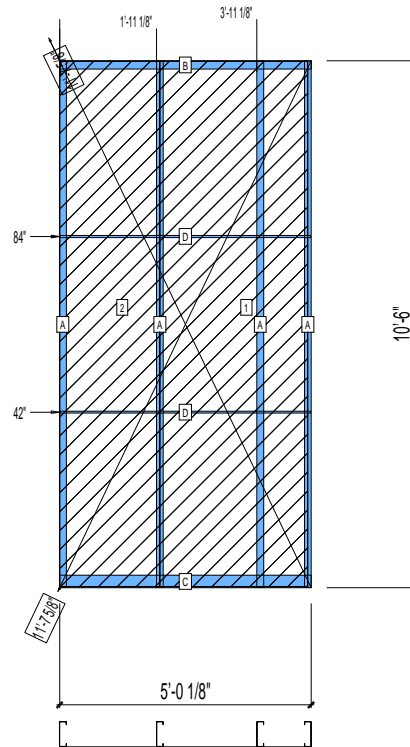
FM-07-109

CREATED BY: TNT

HEIGHT : 10'-6"
POINTS: 1.34 Points.
SPACING : 5000"
1st STUD: 5000"

WEIGHTS :
FRAME : 106 lbs
SHEATHING: 129 lbs

TOTAL: 235 lbs



PIECES LIST

LABEL	QTY	SIZE	LENGTH	USE
A	4	600S162-54	10'-5 13/16"	STUD
B	1	600T200-54	5'-0 1/8"	TOP TRACK
C	1	600T300-54	5'-0 1/8"	BOTTOM TRACK
D	2	150U50-54	4'-11 15/16"	HORIZONTAL BRACING

SHEATHING

LABEL	QTY	CODE	THICK	SIZE	SCREWS
1	1	DENSGLASS	1/2"	2'-11 3/8" X 10'-5 9/16"	8 - 12
2	1	DENSGLASS	1/2"	1'-11 15/16" X 10'-5 9/16"	8 - 12

22-1206

Jewish Home for the Aging

1885 Victory Blvd. Reseda, CA

FrameMax, Inc.
13915 Danielson St
Suite 100
Poway, CA 92064
www.framemax.com



© FrameMax Inc.

CREATED: 11/11/2008

FM-07-109

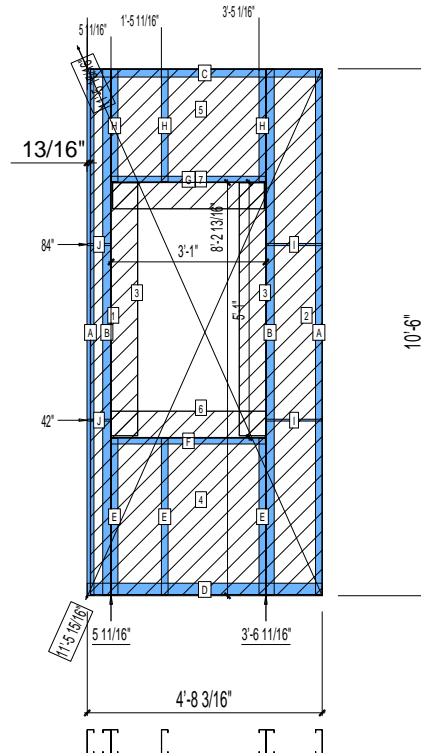
CREATED BY: TNT

HEIGHT : 10'-6"
SPACING : 5000"
1st STUD: 5000"

POINTS: 1.75 Points.

WEIGHTS :
FRAME : 178 lbs
SHEATHING: 102 lbs

TOTAL: 280 lbs



PIECES LIST

LABEL	QTY	SIZE	LENGTH	USE
A	2	600S162-54	10'-5 13/16"	STUD
B	2	600S200-97	10'-5 13/16"	KING STUD
C	1	600T200-54	4'-8 3/16"	TOP TRACK
D	1	600T300-54	4'-8 3/16"	BOTTOM TRACK
E	3	600S162-54	3'-1 3/8"	CRIPPLE
F	1	600T150-54	3'-0 3/4"	SILL
G	1	600T150-54	3'-0 3/4"	HEAD TRACK
H	3	600S162-54	2'-2 3/4"	CRIPPLE
I	2	150U50-54	1'-1 1/4"	HORIZONTAL BRACING
J	2	150U50-54	5 1/2"	HORIZONTAL BRACING

SHEATHING

LABEL	QTY	CODE	THICK	SIZE	SCREWS
1	1	DENSGLOSS	1/2"	4 7/8" X 10'-5 9/16"	8 - 12
2	1	DENSGLOSS	1/2"	1'-1 3/8" X 10'-5 9/16"	8 - 12
3	2	DENSGLOSS	1/2"	6 3/8" X 5'-0 1/2"	8 - 12
4	1	DENSGLOSS	1/2"	3'-0 7/8" X 3'-1 1/2"	8 - 12
5	1	DENSGLOSS	1/2"	3'-0 7/8" X 2'-3"	8 - 12
6	1	DENSGLOSS	1/2"	3'-0 7/8" X 6 5/16"	8 - 12
7	1	DENSGLOSS	1/2"	3'-0 1/4" X 6 5/16"	8 - 12

22-1207

Jewish Home for the Aging

1885 Victory Blvd. Reseda, CA

FrameMax, Inc.
13915 Danielson St
Suite 100
Poway, CA 92064
www.frame-max.com



© FrameMax Inc.

CREATED: 11/11/2008

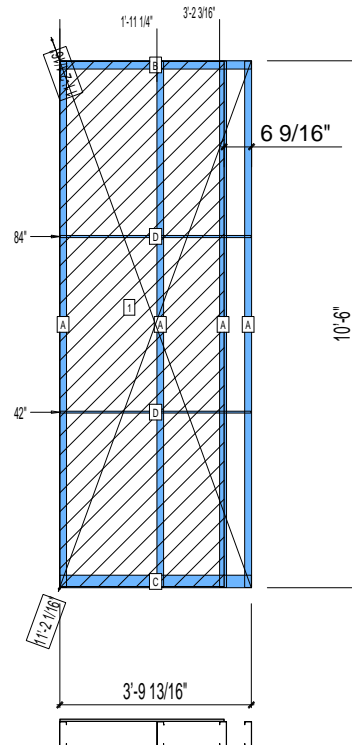
FM-07-109

CREATED BY: TNT

HEIGHT : 10'-6"
POINTS: 1.10 Points.
SPACING : 5000"
1st STUD: 5000"

WEIGHTS :
FRAME : 100 lbs
SHEATHING: 86 lbs

TOTAL: 186 lbs



PIECES LIST

LABEL	QTY	SIZE	LENGTH	USE
A	4	600S162-54	10'-5 13/16"	STUD
B	1	600T200-54	3'-9 13/16"	TOP TRACK
C	1	600T300-54	3'-9 13/16"	BOTTOM TRACK
D	2	150U50-54	3'-9 5/8"	HORIZONTAL BRACING

SHEATHING

LABEL	QTY	CODE	THICK	SIZE	SCREWS
1	1	DENSGLASS	1/2"	3'-3 1/4" X 10'-5 9/16"	8 - 12

22-1208

Jewish Home for the Aging

1885 Victory Blvd. Reseda, CA

FM-07-109

CREATED BY: TNT

FrameMax, Inc.
13915 Danielson St
Suite 100
Poway, CA 92064
www.frame-max.com



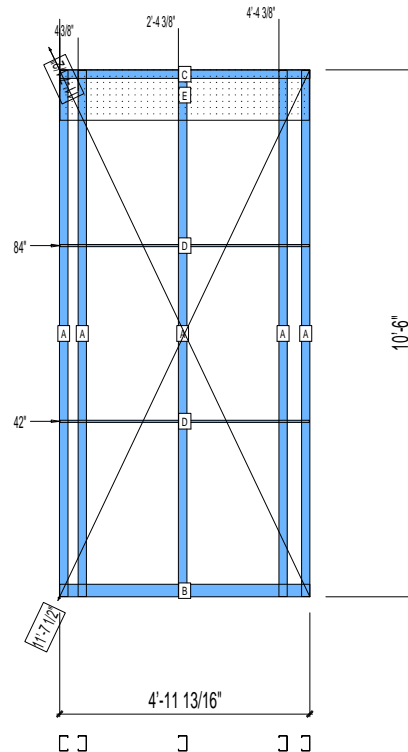
© FrameMax Inc.

HEIGHT : 10'-6"
SPACING : 5000"
1st STUD: 5000"

POINTS: 0.97 Points.

WEIGHTS :
FRAME : 144 lbs

TOTAL: 144 lbs



PIECES LIST

LABEL	QTY	SIZE	LENGTH	USE
A	5	362S200-68	10'-5 13/16"	STUD
B	1	362T300-68	4'-11 13/16"	BOTTOM TRACK
C	1	362T200-68	4'-11 13/16"	TOP TRACK
D	2	150U50-54	4'-11 5/8"	HORIZONTAL BRACING
E	1	1200D-54	4'-11 5/8"	STRAP

22-1209

Jewish Home for the Aging

1885 Victory Blvd. Reseda, CA

FrameMax, Inc.
13915 Danielson St
Suite 100
Poway, CA 92064
www.frame-max.com



© FrameMax Inc.

CREATED: 11/11/2008

FM-07-109

CREATED BY: TNT

HEIGHT : 10'-6" POINTS: 1.02 Points.

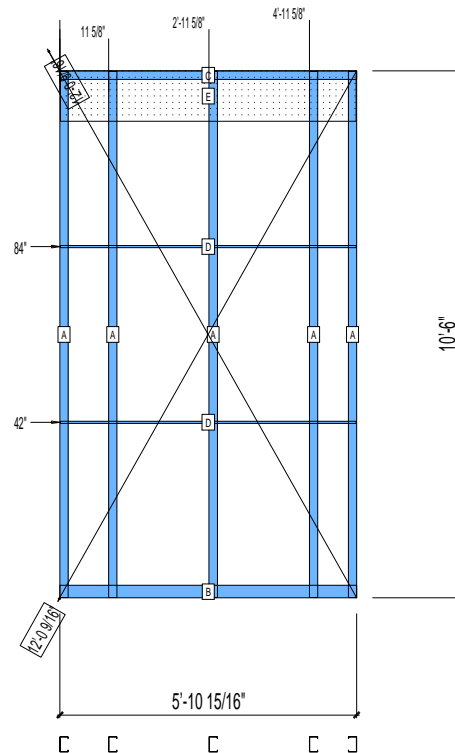
SPACING : 5000"

1st STUD: 5000"

WEIGHTS :

FRAME : 151 lbs

TOTAL: 151 lbs



PIECES LIST

LABEL	QTY	SIZE	LENGTH	USE
A	5	362S200-68	10'-5 13/16"	STUD
B	1	362T300-68	5'-10 15/16"	BOTTOM TRACK
C	1	362T200-68	5'-10 15/16"	TOP TRACK
D	2	150U50-54	5'-10 3/4"	HORIZONTAL BRACING
E	1	1200D-54	5'-10 3/4"	STRAP

22-1210

Jewish Home for the Aging

1885 Victory Blvd. Reseda, CA

FM-07-109

CREATED BY: TNT

FrameMax, Inc.
13915 Danielson St
Suite 100
Poway, CA 92064
www.frame-max.com



© FrameMax Inc.

HEIGHT : 9'-7 11/16" POINTS: 1.64 Points.

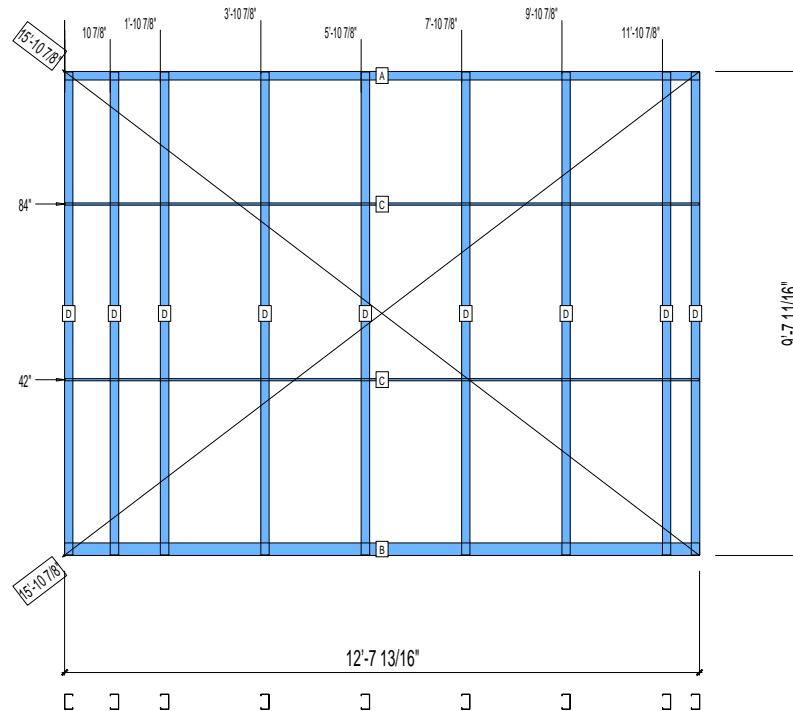
SPACING : 5000"

1st STUD: 5000"

WEIGHTS :

FRAME : 241 lbs

TOTAL: 241 lbs



**BUNDLE AND SHIP
TO SITE**

PIECES LIST

LABEL	QTY	SIZE	LENGTH	USE
A	1	362T200-68	12'-7 13/16"	TOP TRACK
B	1	362T300-68	12'-7 13/16"	BOTTOM TRACK
C	2	150U50-54	12'-7 5/8"	HORIZONTAL BRACING
D	9	362S200-68	9'-7 1/2"	STUD

22-1211

Jewish Home for the Aging

1885 Victory Blvd. Reseda, CA

FrameMax, Inc.
13915 Danielson St
Suite 100
Poway, CA 92064
www.frame-max.com



© FrameMax Inc.

CREATED: 11/11/2008

FM-07-109

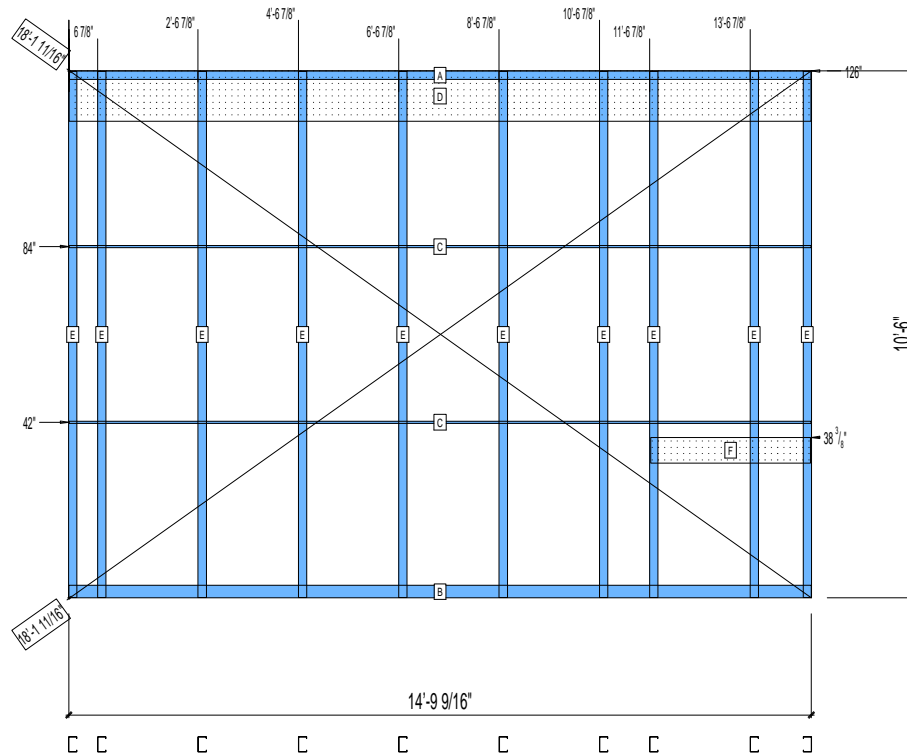
CREATED BY: TNT

HEIGHT : 10'-6"
SPACING : 5000"
1st STUD: 5000"

POINTS: 2.16 Points.

WEIGHTS :
FRAME : 331 lbs

TOTAL: 331 lbs



PIECES LIST

LABEL	QTY	SIZE	LENGTH	USE
A	1	362T200-68	14'-9 9/16"	TOP TRACK
B	1	362T300-68	14'-9 9/16"	BOTTOM TRACK
C	2	150U50-54	14'-9 3/8"	HORIZONTAL BRACING
D	1	1200D-54	14'-9 3/8"	STRAP
E	10	362S200-68	10'-5 13/16"	STUD
F	1	600T150-54	3'-2 3/16"	GRAB BAR

22-1212

Jewish Home for the Aging

1885 Victory Blvd. Reseda, CA

FrameMax, Inc.
13915 Danielson St
Suite 100
Poway, CA 92064
www.frame-max.com



© FrameMax Inc.

CREATED: 11/11/2008

FM-07-109

CREATED BY: TNT

HEIGHT : 10'-6" POINTS: 0.56 Points.

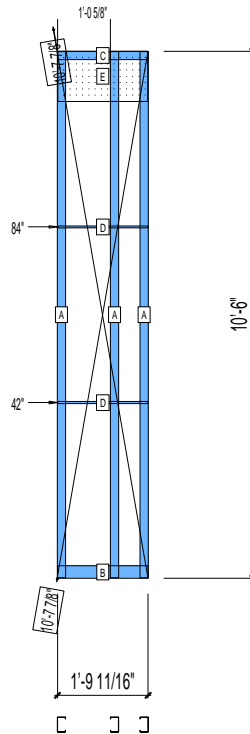
SPACING : 5000"

1st STUD: 5000"

WEIGHTS :

FRAME : 77 lbs

TOTAL: 77 lbs



PIECES LIST

LABEL	QTY	SIZE	LENGTH	USE
A	3	362S200-68	10'-5 13/16"	STUD
B	1	362T300-68	1'-9 11/16"	BOTTOM TRACK
C	1	362T200-68	1'-9 11/16"	TOP TRACK
D	2	150U50-54	1'-9 1/2"	HORIZONTAL BRACING
E	1	1200D-54	1'-9 1/2"	STRAP

22-1213

Jewish Home for the Aging

1885 Victory Blvd. Reseda, CA

FrameMax, Inc.
13915 Danielson St
Suite 100
Poway, CA 92064
www.framemax.com



© FrameMax Inc.

CREATED: 11/11/2008

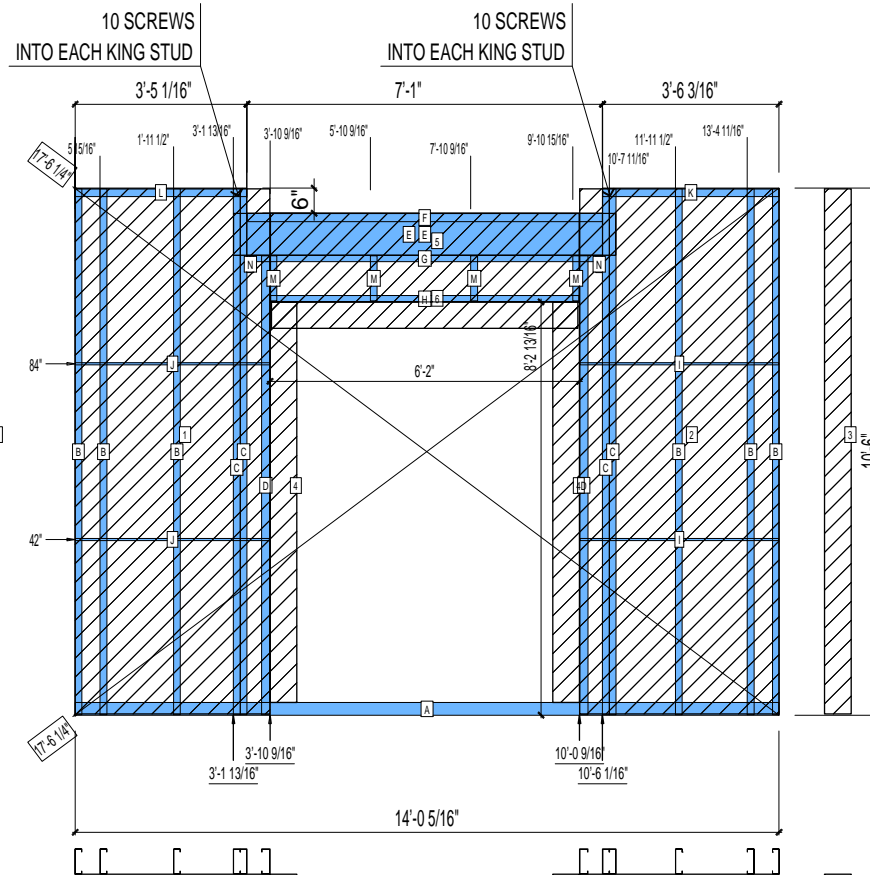
FM-07-109

CREATED BY: TNT

HEIGHT : 10'-6"
POINTS: 4.34 Points.
SPACING : 5000"
1st STUD: 5000"

WEIGHTS :
FRAME : 462 lbs
SHEATHING: 289 lbs

TOTAL: 751 lbs



PIECES LIST			
LABEL	QTY	SIZE	LENGTH USE
A	1	600T300-54	14'-0 5/16" BOTTOM TRACK
B	6	600S162-54	10'-5 13/16" STUD
C	4	600S162-68	10'-5 13/16" EXTRA STUD
D	2	600S200-97	9'-1 3/4" KING STUD
E	2	1000S200-97	7'-7 3/8" HEADER
F	1	600T200-54	7'-0 15/16" TOP TRACK
G	1	600T150-54	7'-0 7/8" HEADER BOTTOM TRACK
H	1	600T150-54	6'-1 3/4" HEAD TRACK
I	2	150U50-54	3'-11 1/2" HORIZONTAL BRACING
J	2	150U50-54	3'-10 3/8" HORIZONTAL BRACING
K	1	600T200-54	3'-6 1/8" TOP TRACK
L	1	600T200-54	3'-5" TOP TRACK
M	4	600S162-54	10 13/16" CRIPPLE
N	2	600S162-33	4" BACKER STUD

SHEATHING					
LABEL	QTY	CODE	THICK	SIZE	SCREWS
1	1	DENSGLASS	1/2"	3'-10 1/2" X 10'-5 9/16"	8 - 12
2	1	DENSGLASS	1/2"	3'-11 5/8" X 10'-5 9/16"	8 - 12
3	2	DENSGLASS	1/2"	6 3/8" X 10'-5 9/16"	8 - 12
4	2	DENSGLASS	1/2"	6 3/8" X 7'-11 3/4"	8 - 12
5	1	DENSGLASS	1/2"	6'-1 7/8" X 1'-9 1/16"	8 - 12
6	1	DENSGLASS	1/2"	6'-1 1/4" X 6 5/16"	8 - 12

22-1214

Jewish Home for the Aging

1885 Victory Blvd. Reseda, CA

FrameMax, Inc.
13915 Danielson St
Suite 100
Poway, CA 92064
www.frame-max.com



© FrameMax Inc.

CREATED: 11/12/2008

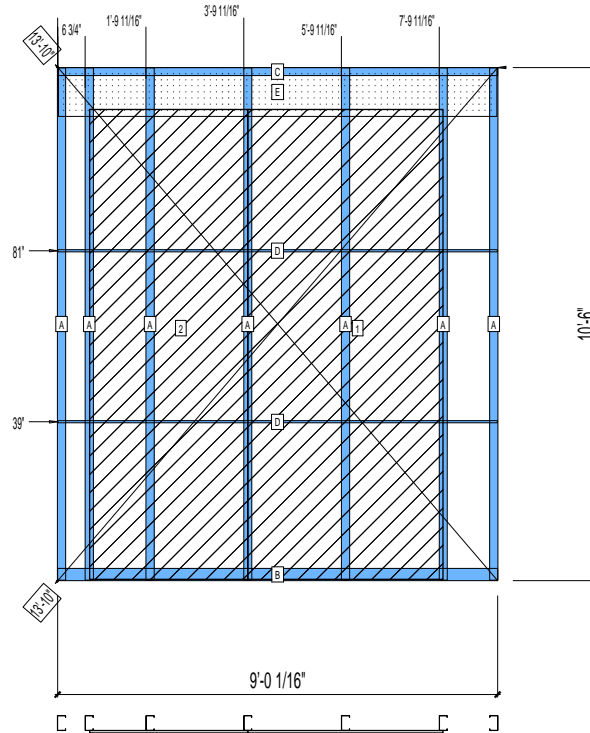
FM-07-109

CREATED BY: TNT

HEIGHT : 10'-6"
POINTS: 2.59 Points.
SPACING : 5000"
1st STUD: 5000"

WEIGHTS :
FRAME : 217 lbs
SHEATHING: 256 lbs

TOTAL: 473 lbs



PIECES LIST

LABEL	QTY	SIZE	LENGTH	USE
A	7	362S200-68	10'-5 13/16"	STUD
B	1	362T300-68	9'-0 1/16"	BOTTOM TRACK
C	1	362T200-68	9'-0 1/16"	TOP TRACK
D	2	150U50-54	8'-11 15/16"	HORIZONTAL BRACING
E	1	1200D-54	8'-11 11/16"	STRAP

SHEATHING

LABEL	QTY	CODE	THICK	SIZE	SCREWS
1	1	SB-DENSARMOR	5/8"	3'-11 15/16" X	9'-7 7/16" 2-12
2	1	SB-DENSARMOR	5/8"	3'-2 13/16" X	9'-7 7/16" 2-12

22-1215

Jewish Home for the Aging

1885 Victory Blvd. Reseda, CA

FrameMax, Inc.
13915 Danielson St
Suite 100
Poway, CA 92064
www.frame-max.com



© FrameMax Inc.

CREATED: 11/12/2008

FM-07-109

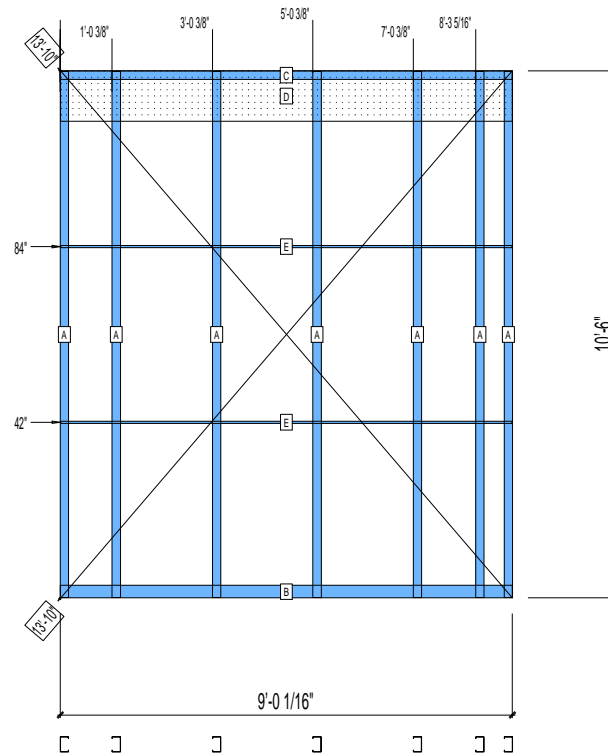
CREATED BY: TNT

HEIGHT : 10'-6"
SPACING : 5000"
1st STUD: 5000"

POINTS: 1.43 Points.

WEIGHTS :
FRAME : 217 lbs

TOTAL: 217 lbs



PIECES LIST

LABEL	QTY	SIZE	LENGTH	USE
A	7	362S200-68	10'-5 13/16"	STUD
B	1	362T300-68	9'-0 1/16"	BOTTOM TRACK
C	1	362T200-68	9'-0 1/16"	TOP TRACK
D	1	1200D-54	9'-0 1/16"	STRAP
E	2	150U50-54	8'-11 15/16"	HORIZONTAL BRACING

22-1216

Jewish Home for the Aging

1885 Victory Blvd. Reseda, CA

FrameMax, Inc.
13915 Danielson St
Suite 100
Poway, CA 92064
www.frame-max.com



© FrameMax Inc

CREATED: 11/12/2008

FM-07-109

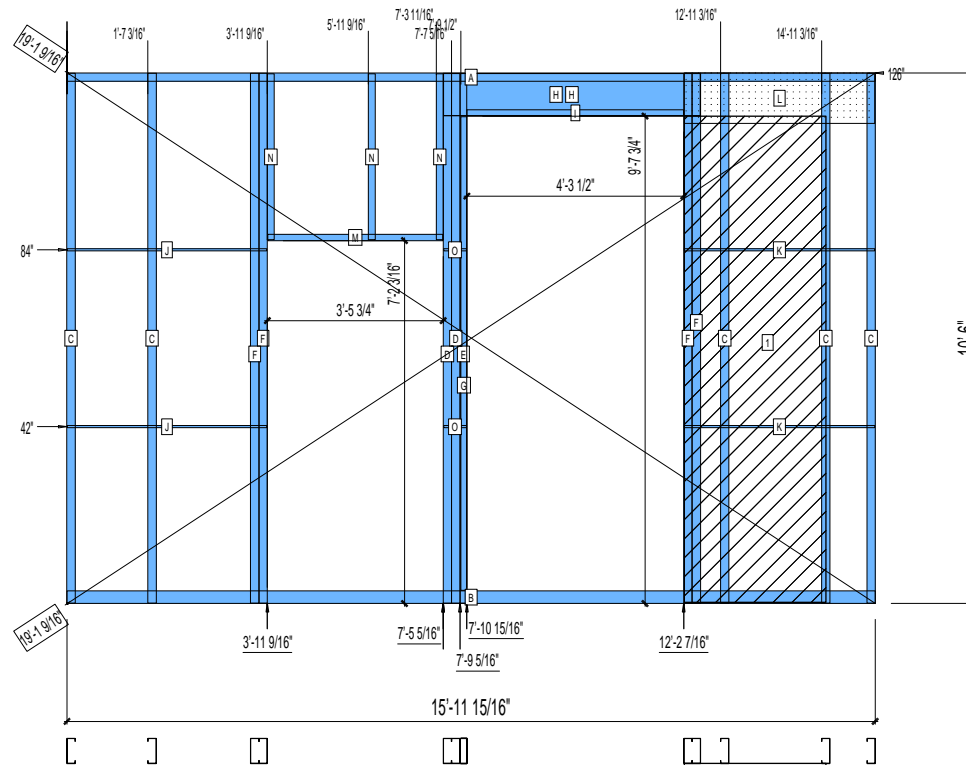
CREATED BY: TNT

HEIGHT : 10'-6"
SPACING : 5000"
1st STUD: 5000"

POINTS: 3.81 Points.

WEIGHTS :
FRAME : 529 lbs
SHEATHING: 99 lbs

TOTAL: 628 lbs



PIECES LIST

LABEL	QTY	SIZE	LENGTH	USE
A	1	600T200-68	15'-11 15/16"	TOP TRACK
B	1	600T300-68	15'-11 15/16"	BOTTOM TRACK
C	5	600S200-68	10'-5 13/16"	STUD
D	2	600S200-68	10'-5 13/16"	EXTRA STUD
E	1	600S162-68	10'-5 13/16"	EXTRA STUD
F	4	600S200-68	10'-5 13/16"	KING STUD
G	1	600T150-54	9'-4 1/2"	CAP TRACK
H	2	1000S200-97	5'-1"	HEADER
I	1	600T150-54	4'-3 3/8"	HEADER BOTTOM TRACK
J	2	150U50-54	3'-11 3/8"	HORIZONTAL BRACING
K	2	150U50-54	3'-9 1/4"	HORIZONTAL BRACING
L	1	1200D-54	3'-9 1/4"	STRAP
M	1	600T150-54	3'-5 1/2"	HEAD TRACK
N	3	600S162-54	3'-3 3/8"	CRIPPLE
O	2	150U50-54	5 3/8"	HORIZONTAL BRACING

SHEATHING

LABEL	QTY	CODE	THICK	SIZE	SCREWS
1	1	SB-DENSARMOR	5/8"	2'-9 5/8" X	9'-7 7/16" 3-12

22-1217

Jewish Home for the Aging

1885 Victory Blvd. Reseda, CA

FrameMax, Inc.
13915 Danielson St
Suite 100
Poway, CA 92064
www.frame-max.com



© FrameMax Inc.

CREATED: 11/11/2008

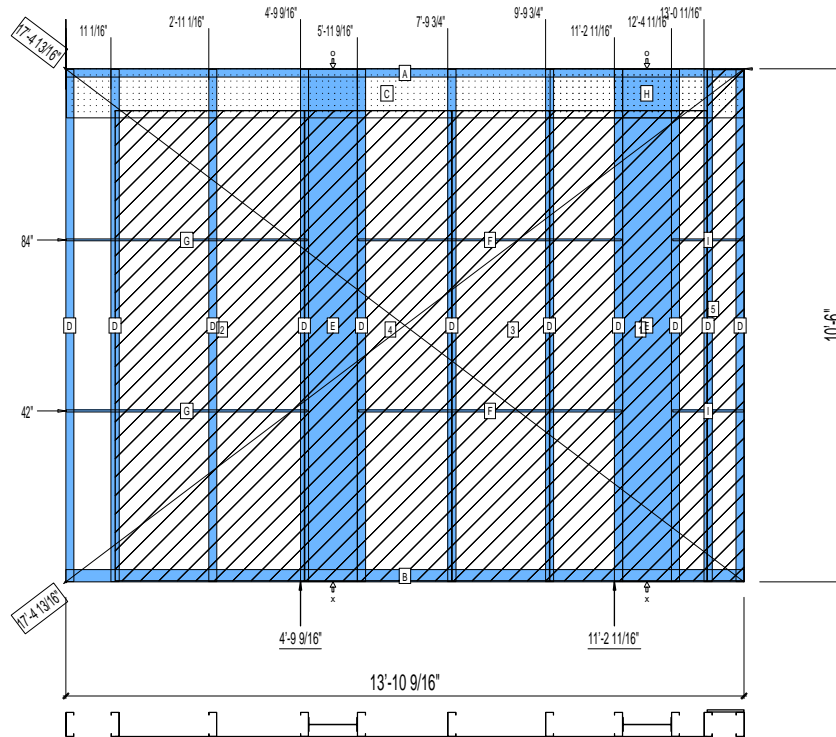
FM-07-109

CREATED BY: TNT

HEIGHT : 10'-6"
POINTS: 5.76 Points.
SPACING : 5000"
1st STUD: 5000"

WEIGHTS :
FRAME : 650 lbs
SHEATHING: 448 lbs

TOTAL: 1098 lbs



PIECES LIST

LABEL	QTY	SIZE	LENGTH	USE
A	1	600T200-68	13'-10 9/16"	TOP TRACK
B	1	600T300-68	13'-10 9/16"	BOTTOM TRACK
C	1	1200D-54	13'-1 1/2"	STRAP
D	11	600S200-68	10'-5 13/16"	STUD
E	2	1200i350p1062	10'-5 13/16"	PACO
F	2	150U50-54	5'-4 1/2"	HORIZONTAL BRACING
G	2	150U50-54	4'-11 3/16"	HORIZONTAL BRACING
H	1	1200D-54	3'-11 9/16"	STRAP
I	2	150U50-54	1'-5 7/16"	HORIZONTAL BRACING

SHEATHING

LABEL	QTY	CODE	THICK	SIZE	SCREWS
1	1	SB-DENSARMOR	5/8"	3'-2 3/4" X 9'-7 7/16"	3-12
2	1	SB-DENSARMOR	5/8"	3'-10 1/2" X 9'-7 7/16"	3-12
3	1	SB-DENSARMOR	5/8"	2'-0" X 9'-7 7/16"	3-12
4	1	SB-DENSARMOR	5/8"	3'-0 3/16" X 9'-7 7/16"	3-12
5	1	DENSGLOSS	1/2"	9" X 10'-5 9/16"	8 - 12

22-1218

Jewish Home for the Aging

1885 Victory Blvd. Reseda, CA

FrameMax, Inc.
13915 Danielson St
Suite 100
Poway, CA 92064
www.frame-max.com



© FrameMax Inc.

CREATED: 11/11/2008

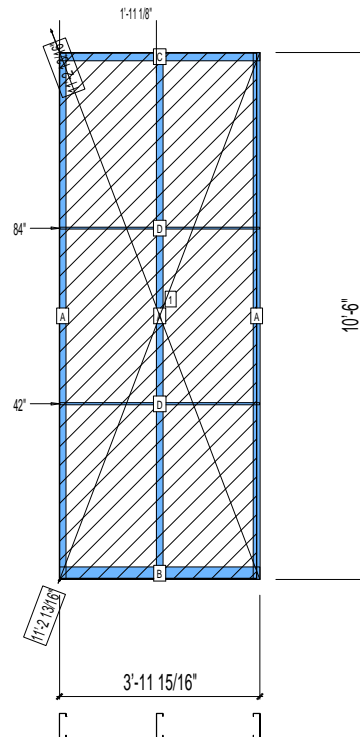
FM-07-109

CREATED BY: TNT

HEIGHT : 10'-6"
POINTS: 1.07 Points.
SPACING : 5000"
1st STUD: 5000"

WEIGHTS :
FRAME : 81 lbs
SHEATHING: 103 lbs

TOTAL: 184 lbs



PIECES LIST

LABEL	QTY	SIZE	LENGTH	USE
A	3	600S162-54	10'-5 13/16"	STUD
B	1	600T300-54	3'-11 15/16"	BOTTOM TRACK
C	1	600T200-54	3'-11 15/16"	TOP TRACK
D	2	150U50-54	3'-11 3/4"	HORIZONTAL BRACING

SHEATHING

LABEL	QTY	CODE	THICK	SIZE	SCREWS
1	1	DENSGLASS	1/2"	3'-11 1/8" X 10'-5 9/16"	8 - 12

22-1219

Jewish Home for the Aging

1885 Victory Blvd. Reseda, CA

FrameMax, Inc.
13915 Danielson St
Suite 100
Poway, CA 92064
www.frame-max.com



© FrameMax Inc.

CREATED: 11/11/2008

FM-07-109

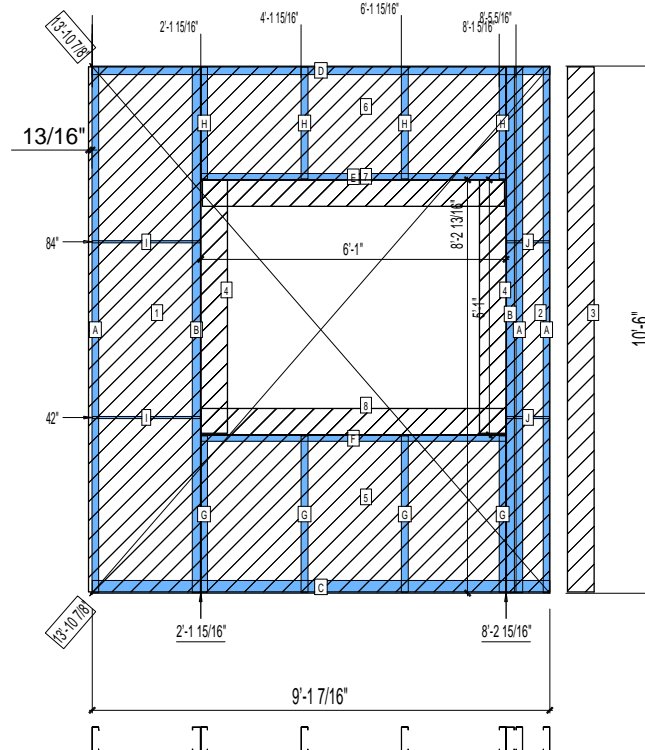
CREATED BY: TNT

HEIGHT : 10'-6"
SPACING : 5000"
1st STUD: 5000"

POINTS: 2.66 Points.

WEIGHTS :
FRAME : 239 lbs
SHEATHING: 206 lbs

TOTAL: 445 lbs



PIECES LIST

LABEL	QTY	SIZE	LENGTH	USE
A	3	600S162-54	10'-5 13/16"	STUD
B	2	600S200-97	10'-5 13/16"	KING STUD
C	1	600T300-54	9'-1 7/16"	BOTTOM TRACK
D	1	600T200-54	9'-1 7/16"	TOP TRACK
E	1	600T150-54	6'-0 3/4"	HEAD TRACK
F	1	600T150-54	6'-0 3/4"	SILL
G	4	600S162-54	3'-1 3/8"	CRIPPLE
H	4	600S162-54	2'-2 3/4"	CRIPPLE
I	2	150U50-54	2'-1 3/4"	HORIZONTAL BRACING
J	2	150U50-54	10 1/4"	HORIZONTAL BRACING

SHEATHING

LABEL	QTY	CODE	THICK	SIZE	SCREWS
1	1	DENSGLASS	1/2"	2'-2 3/4" X 10'-5 9/16"	8 - 12
2	1	DENSGLASS	1/2"	10 3/8" X 10'-5 9/16"	8 - 12
3	1	DENSGLASS	1/2"	6 3/8" X 10'-5 9/16"	8 - 12
4	2	DENSGLASS	1/2"	6 3/8" X 5'-0 1/2"	8 - 12
5	1	DENSGLASS	1/2"	6'-0 7/8" X 3'-1 1/2"	8 - 12
6	1	DENSGLASS	1/2"	6'-0 7/8" X 2'-3"	8 - 12
7	1	DENSGLASS	1/2"	6'-0 1/4" X 6 5/16"	8 - 12
8	1	DENSGLASS	1/2"	6'-0 7/8" X 6 5/16"	8 - 12

22-1220

Jewish Home for the Aging

1885 Victory Blvd. Reseda, CA

FrameMax, Inc.
13915 Danielson St
Suite 100
Poway, CA 92064
www.frame-max.com



© FrameMax Inc.

CREATED: 11/12/2008

FM-07-109

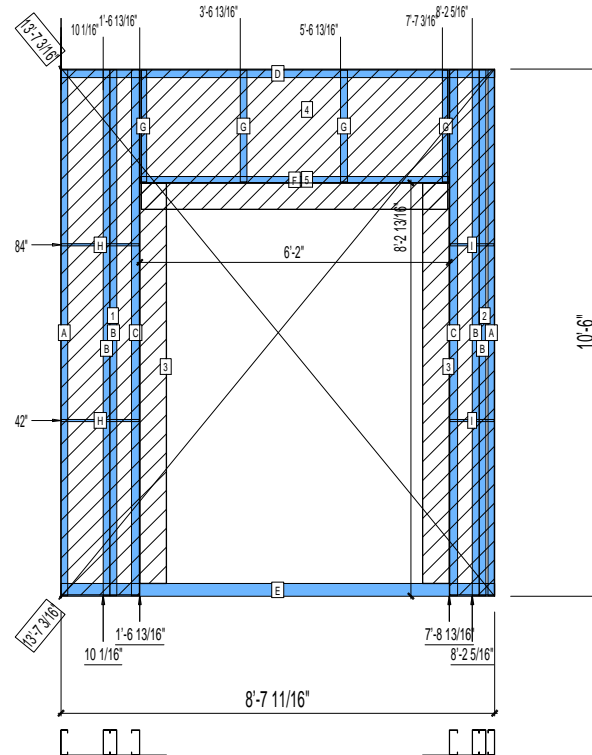
CREATED BY: TNT

HEIGHT : 10'-6"
SPACING : 5000"
1st STUD: 16"

POINTS: 2.45 Points.

WEIGHTS :
FRAME : 282 lbs
SHEATHING: 128 lbs

TOTAL: 410 lbs



PIECES LIST

LABEL	QTY	SIZE	LENGTH	USE
A	2	600S162-54	10'-5 13/16"	STUD
B	4	600S162-68	10'-5 13/16"	EXTRA STUD
C	2	600S200-97	10'-5 13/16"	KING STUD
D	1	600T200-54	8'-7 11/16"	TOP TRACK
E	1	600T300-54	8'-7 11/16"	BOTTOM TRACK
F	1	600T150-54	6'-1 3/4"	HEAD TRACK
G	4	600S162-54	2'-2 3/4"	CRIPPLE
H	2	150U50-54	1'-6 5/8"	HORIZONTAL BRACING
I	2	150U50-54	10 5/8"	HORIZONTAL BRACING

SHEATHING

LABEL	QTY	CODE	THICK	SIZE	SCREWS
1	1	DENSGLASS	1/2"	1'-6 3/4" X 10'-5 9/16"	8 - 12
2	1	DENSGLASS	1/2"	10 3/4" X 10'-5 9/16"	8 - 12
3	2	DENSGLASS	1/2"	6 3/8" X 7'-11 3/4"	8 - 12
4	1	DENSGLASS	1/2"	6'-1 1/4" X 2'-3"	8 - 12
5	1	DENSGLASS	1/2"	6'-1 1/4" X 6 5/16"	8 - 12

22-1221

Jewish Home for the Aging

1885 Victory Blvd. Reseda, CA

FrameMax, Inc.
13915 Danielson St
Suite 100
Poway, CA 92064
www.framemax.com



© FrameMax Inc.

CREATED: 11/11/2008

FM-07-109

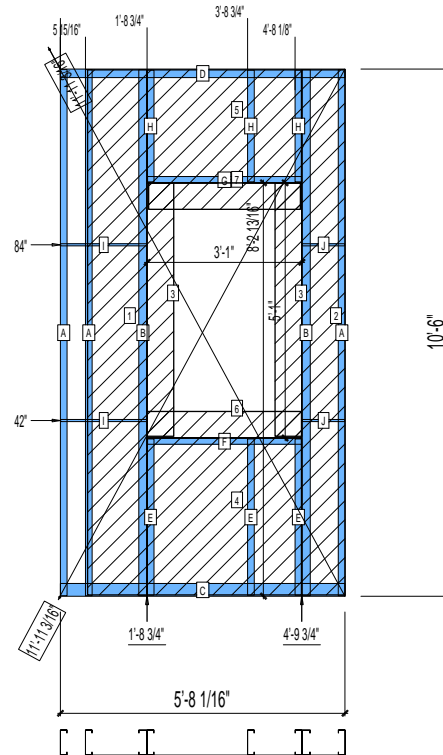
CREATED BY: TNT

HEIGHT : 10'-6"
SPACING : 5000"
1st STUD: 5000"

POINTS: 1.98 Points.

WEIGHTS :
FRAME : 204 lbs
SHEATHING: 116 lbs

TOTAL: 320 lbs



PIECES LIST

LABEL	QTY	SIZE	LENGTH	USE
A	3	600S162-54	10'-5 13/16"	STUD
B	2	600S200-97	10'-5 13/16"	KING STUD
C	1	600T300-54	5'-8 1/16"	BOTTOM TRACK
D	1	600T200-54	5'-8 1/16"	TOP TRACK
E	3	600S162-54	3'-1 3/8"	CRIPPLE
F	1	600T150-54	3'-0 3/4"	SILL
G	1	600T150-54	3'-0 3/4"	HEAD TRACK
H	3	600S162-54	2'-2 3/4"	CRIPPLE
I	2	150U50-54	1'-8 1/2"	HORIZONTAL BRACING
J	2	150U50-54	10 1/8"	HORIZONTAL BRACING

SHEATHING

LABEL	QTY	CODE	THICK	SIZE	SCREWS
1	1	DENSGLASS	1/2"	1'-2 1/8" X 10'-5 9/16"	8 - 12
2	1	DENSGLASS	1/2"	10 1/4" X 10'-5 9/16"	8 - 12
3	2	DENSGLASS	1/2"	6 3/8" X 5'-0 1/2"	8 - 12
4	1	DENSGLASS	1/2"	3'-0 7/8" X 3'-1 1/2"	8 - 12
5	1	DENSGLASS	1/2"	3'-0 7/8" X 2'-3"	8 - 12
6	1	DENSGLASS	1/2"	3'-0 7/8" X 6 5/16"	8 - 12
7	1	DENSGLASS	1/2"	3'-0 1/4" X 6 5/16"	8 - 12

22-1222

Jewish Home for the Aging

1885 Victory Blvd. Reseda, CA

FM-07-109

CREATED BY: TNT

FrameMax, Inc.
13915 Danielson St
Suite 100
Poway, CA 92064
www.framemax.com

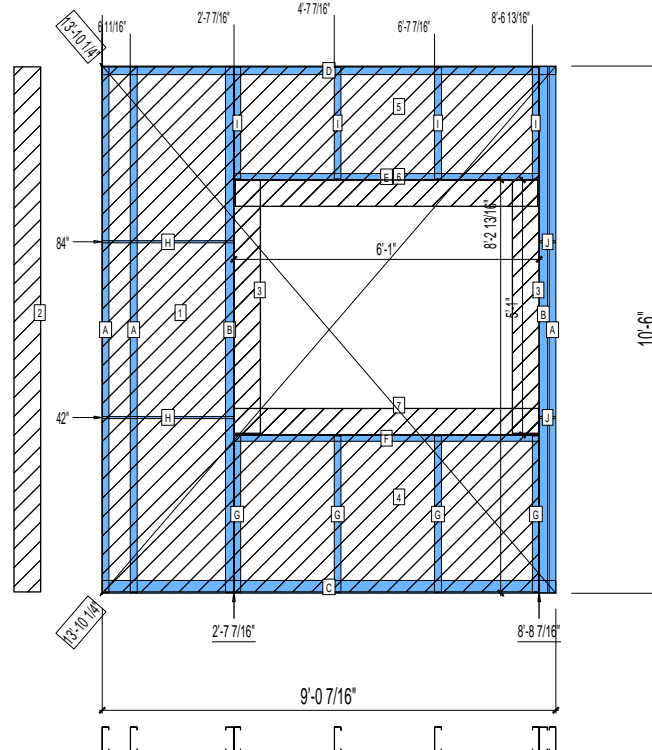


© FrameMax Inc.

HEIGHT : 10'-6"
POINTS: 2.60 Points.
SPACING : 5000"
1st STUD: 5000"

WEIGHTS :
FRAME : 239 lbs
SHEATHING: 193 lbs

TOTAL: 432 lbs



PIECES LIST

LABEL	QTY	SIZE	LENGTH	USE
A	3	600S162-54	10'-5 13/16"	STUD
B	2	600S200-97	10'-5 13/16"	KING STUD
C	1	600T300-54	9'-0 7/16"	BOTTOM TRACK
D	1	600T200-54	9'-0 7/16"	TOP TRACK
E	1	600T150-54	6'-0 3/4"	HEAD TRACK
F	1	600T150-54	6'-0 3/4"	SILL
G	4	600S162-54	3'-1 3/8"	CRIPPLE
H	2	150U50-54	2'-7 1/4"	HORIZONTAL BRACING
I	4	600S162-54	2'-2 3/4"	CRIPPLE
J	2	150U50-54	3 3/4"	HORIZONTAL BRACING

SHEATHING

LABEL	QTY	CODE	THICK	SIZE	SCREWS
1	1	DENSGLASS	1/2"	2'-7 3/8" X 10'-5 9/16"	8 - 12
2	1	DENSGLASS	1/2"	6 3/8" X 10'-5 9/16"	8 - 12
3	2	DENSGLASS	1/2"	6 3/8" X 5'-0 1/2"	8 - 12
4	1	DENSGLASS	1/2"	6'-0 7/8" X 3'-1 1/2"	8 - 12
5	1	DENSGLASS	1/2"	6'-0 7/8" X 2'-3"	8 - 12
6	1	DENSGLASS	1/2"	6'-0 1/4" X 6 5/16"	8 - 12
7	1	DENSGLASS	1/2"	6'-0 7/8" X 6 5/16"	8 - 12

22-1223

Jewish Home for the Aging

1885 Victory Blvd. Reseda, CA

FrameMax, Inc.
13915 Danielson St
Suite 100
Poway, CA 92064
www.frame-max.com



© FrameMax Inc.

CREATED: 11/11/2008

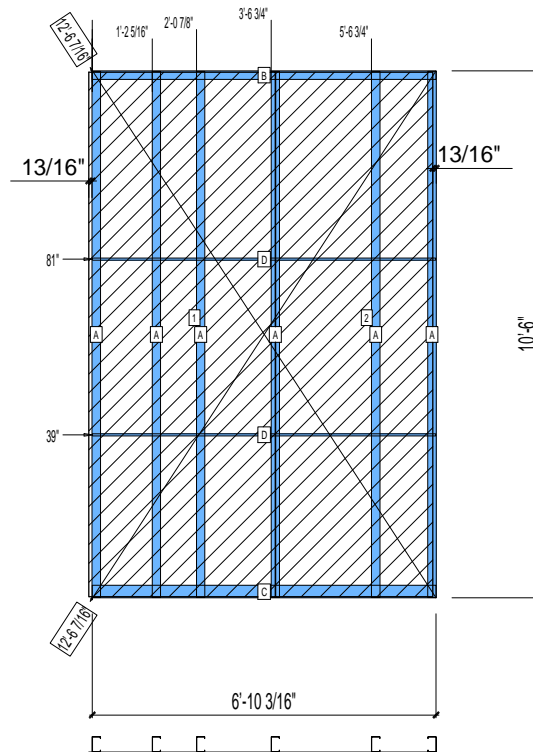
FM-07-109

CREATED BY: TNT

HEIGHT : 10'-6"
POINTS: 2.30 Points.
SPACING : 5000"
1st STUD: 5000"

WEIGHTS :
FRAME : 163 lbs
SHEATHING: 264 lbs

TOTAL: 427 lbs



PIECES LIST

LABEL	QTY	SIZE	LENGTH	USE
A	6	362S200-68	10'-5 13/16"	STUD
B	1	362T200-68	6'-10 3/16"	TOP TRACK
C	1	362T300-68	6'-10 3/16"	BOTTOM TRACK
D	2	150U50-54	6'-10"	HORIZONTAL BRACING

SHEATHING

LABEL	QTY	CODE	THICK	SIZE	SCREWS
1	1	SB-DENSGLOSS	1/2"	3'-8 5/8" X 10'-5 7/16"	2-12
2	1	SB-DENSGLOSS	1/2"	3'-1 5/8" X 10'-5 7/16"	2-12

22-1224

Jewish Home for the Aging

1885 Victory Blvd. Reseda, CA

FrameMax, Inc.
13915 Danielson St
Suite 100
Poway, CA 92064
www.frame-max.com



© FrameMax Inc.

CREATED: 11/11/2008

FM-07-109

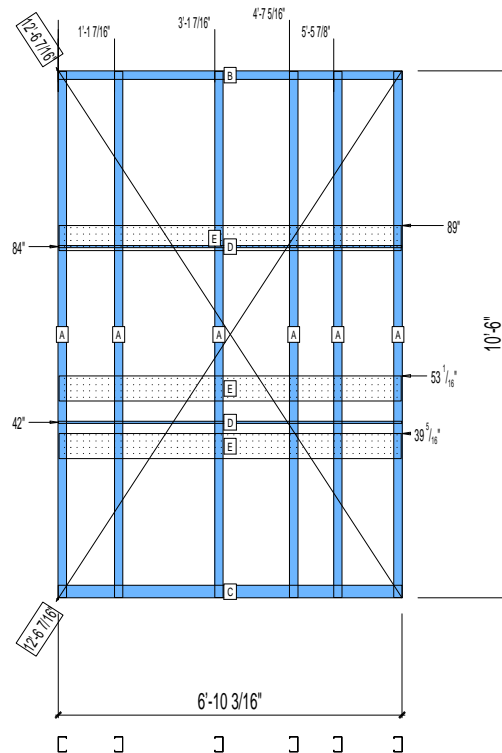
CREATED BY: TNT

HEIGHT : 10'-6"
SPACING : 5000"
1st STUD: 5000"

POINTS: 1.28 Points.

WEIGHTS :
FRAME : 188 lbs

TOTAL: 188 lbs



PIECES LIST

LABEL	QTY	SIZE	LENGTH	USE
A	6	362S200-68	10'-5 13/16"	STUD
B	1	362T200-68	6'-10 3/16"	TOP TRACK
C	1	362T300-68	6'-10 3/16"	BOTTOM TRACK
D	2	150U50-54	6'-10"	HORIZONTAL BRACING
E	3	600D-54	6'-9 3/4"	KITCHEN BACKING

22-1225

Jewish Home for the Aging

1885 Victory Blvd. Reseda, CA

FM-07-109

CREATED BY: TNT

FrameMax, Inc.
13915 Danielson St
Suite 100
Poway, CA 92064
www.framemax.com



© FrameMax Inc.

HEIGHT : 10'-6" POINTS: 1.50 Points.

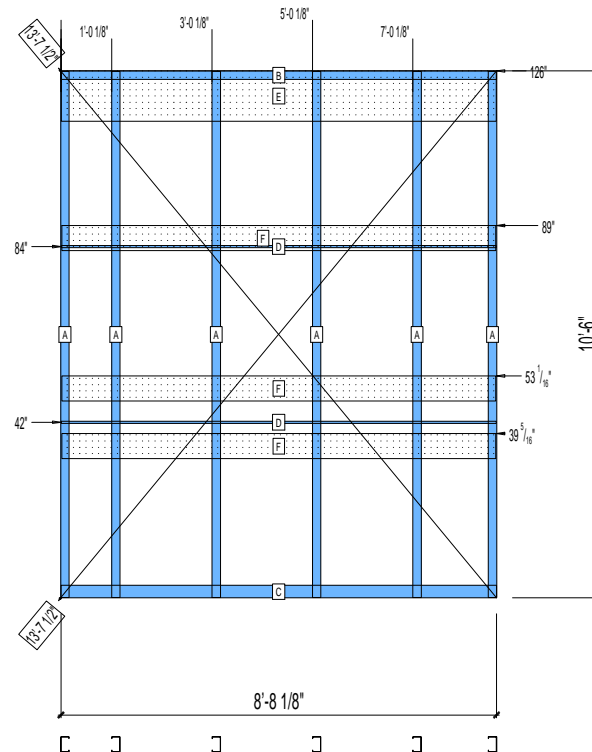
SPACING : 5000"

1st STUD: 5000"

WEIGHTS :

FRAME : 225 lbs

TOTAL: 225 lbs



PIECES LIST

LABEL	QTY	SIZE	LENGTH	USE
A	6	362S200-68	10'-5 13/16"	STUD
B	1	362T200-68	8'-8 1/8"	TOP TRACK
C	1	362T300-68	8'-8 1/8"	BOTTOM TRACK
D	2	150U50-54	8'-8"	HORIZONTAL BRACING
E	1	1200D-54	8'-8"	STRAP
F	3	600D-54	8'-7 3/4"	KITCHEN BACKING

22-1226

Jewish Home for the Aging

1885 Victory Blvd. Reseda, CA

FrameMax, Inc.
13915 Danielson St
Suite 100
Poway, CA 92064
www.frame-max.com



© FrameMax Inc.

CREATED: 11/11/2008

FM-07-109

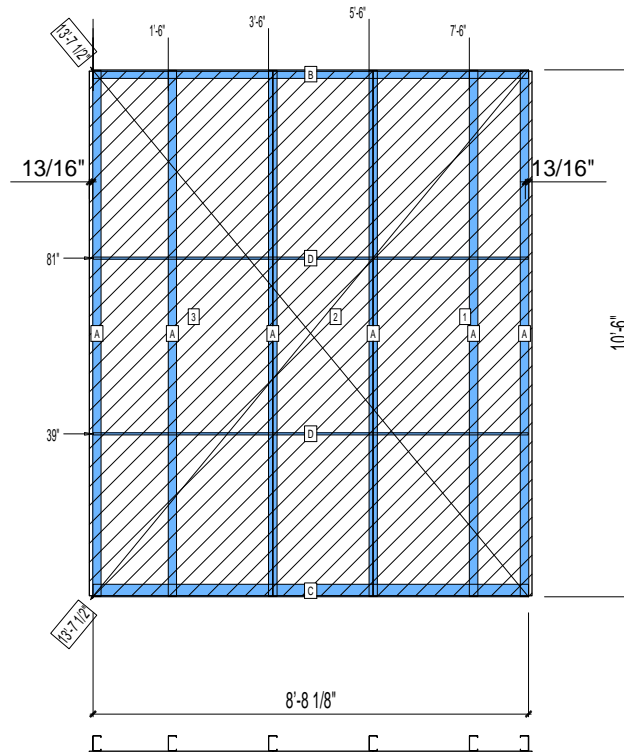
CREATED BY: TNT

HEIGHT : 10'-6"
SPACING : 5000"
1st STUD: 5000"

POINTS: 2.72 Points.

WEIGHTS :
FRAME : 173 lbs
SHEATHING: 339 lbs

TOTAL: 512 lbs



PIECES LIST

LABEL	QTY	SIZE	LENGTH	USE
A	6	362S200-68	10'-5 13/16"	STUD
B	1	362T200-68	8'-8 1/8"	TOP TRACK
C	1	362T300-68	8'-8 1/8"	BOTTOM TRACK
D	2	150U50-54	8'-8"	HORIZONTAL BRACING

SHEATHING

LABEL	QTY	CODE	THICK	SIZE	SCREWS
1	1	SB-DENSGLOSS	1/2"	3'-2" X 10'-5 7/16"	2-12
2	1	SB-DENSGLOSS	1/2"	2'-0" X 10'-5 7/16"	2-12
3	1	SB-DENSGLOSS	1/2"	3'-7 7/8" X 10'-5 7/16"	2-12

22-3001

Jewish Home for the Aging

1885 Victory Blvd. Reseda, CA

FrameMax, Inc.
13915 Danielson St
Suite 100
Poway, CA 92064
www.frame-max.com



© FrameMax Inc.

CREATED: 11/19/2008

FM-07-109

CREATED BY: TNT

HEIGHT : 2'-9 1/2" POINTS: 0.22 Points.

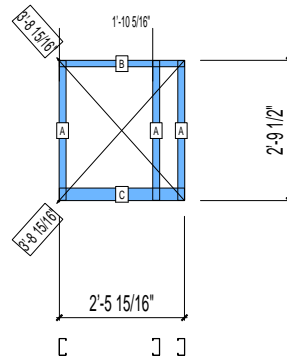
SPACING : 24"

1st STUD: 24"

WEIGHTS :

FRAME : 13 lbs

TOTAL: 13 lbs



PIECES LIST

LABEL	QTY	SIZE	LENGTH	USE
A	3	400S162-33	2'-9 3/8"	STUD
B	1	400T150-33	2'-5 15/16"	TOP TRACK
C	1	400T300-33	2'-5 15/16"	BOTTOM TRACK

22-3002

Jewish Home for the Aging

1885 Victory Blvd. Reseda, CA

FrameMax, Inc.
13915 Danielson St
Suite 100
Poway, CA 92064
www.frame-max.com



© FrameMax Inc.

CREATED: 11/24/2008

FM-07-109

CREATED BY: TNT

HEIGHT : 2'-9 1/2" POINTS: 0.46 Points.

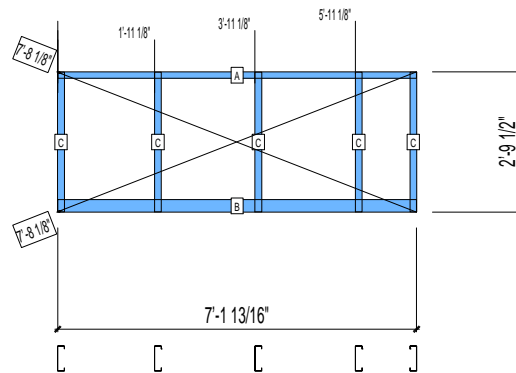
SPACING : 24"

1st STUD: 24"

WEIGHTS :

FRAME : 34 lbs

TOTAL: 34 lbs



PIECES LIST

LABEL	QTY	SIZE	LENGTH	USE
A	1	600T150-33	7'-1 13/16"	TOP TRACK
B	1	600T300-33	7'-1 13/16"	BOTTOM TRACK
C	5	600S162-33	2'-9 3/8"	STUD

22-3003

Jewish Home for the Aging

1885 Victory Blvd. Reseda, CA

FM-07-109

CREATED BY: TNT

FrameMax, Inc.
13915 Danielson St
Suite 100
Poway, CA 92064
www.framemax.com



© FrameMax Inc.

HEIGHT : 9'-4 7/16" POINTS: 0.34 Points.

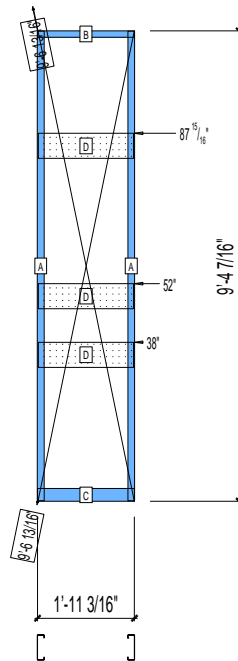
SPACING : 24"

1st STUD: 24"

WEIGHTS :

FRAME : 34 lbs

TOTAL: 34 lbs



PIECES LIST

LABEL	QTY	SIZE	LENGTH	USE
A	2	600S162-33	9'-4 5/16"	STUD
B	1	600T150-33	1'-11 3/16"	TOP TRACK
C	1	600T300-33	1'-11 3/16"	BOTTOM TRACK
D	3	600D-54	1'-10 3/4"	KITCHEN BACKING

22-3004

Jewish Home for the Aging

1885 Victory Blvd. Reseda, CA

FM-07-109

CREATED BY: TNT

FrameMax, Inc.
13915 Danielson St
Suite 100
Poway, CA 92064
www.frame-max.com



© FrameMax Inc.

HEIGHT : 9'-4 7/16" POINTS: 0.38 Points.

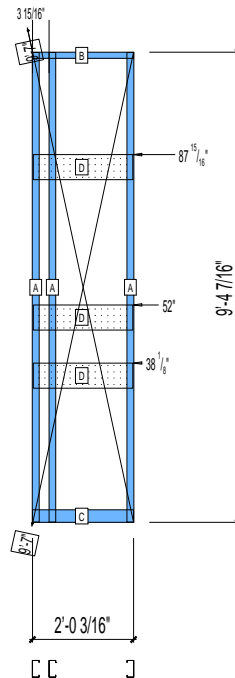
SPACING : 24"

1st STUD: 24"

WEIGHTS :

FRAME : 37 lbs

TOTAL: 37 lbs



PIECES LIST

LABEL	QTY	SIZE	LENGTH	USE
A	3	400S162-33	9'-4 5/16"	STUD
B	1	400T150-33	2'-0 3/16"	TOP TRACK
C	1	400T300-33	2'-0 3/16"	BOTTOM TRACK
D	3	600D-54	1'-11 3/4"	KITCHEN BACKING

22-3005

Jewish Home for the Aging

1885 Victory Blvd. Reseda, CA

FrameMax, Inc.
13915 Danielson St
Suite 100
Poway, CA 92064
www.frame-max.com



© FrameMax Inc.

CREATED: 11/19/2008

FM-07-109

CREATED BY: TNT

HEIGHT : 9'-4 7/16" POINTS: 0.30 Points.

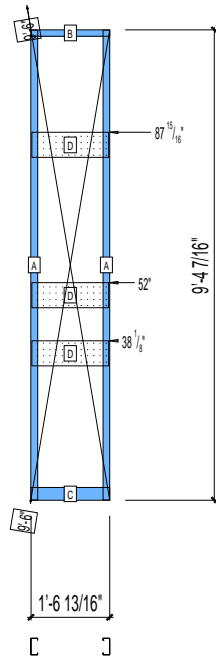
SPACING : 24"

1st STUD: 24"

WEIGHTS :

FRAME : 26 lbs

TOTAL: 26 lbs



PIECES LIST

LABEL	QTY	SIZE	LENGTH	USE
A	2	400S162-33	9'-4 5/16"	STUD
B	1	400T150-33	1'-6 13/16"	TOP TRACK
C	1	400T300-33	1'-6 13/16"	BOTTOM TRACK
D	3	600D-54	1'-6 3/8"	KITCHEN BACKING

22-3006

Jewish Home for the Aging

1885 Victory Blvd. Reseda, CA

FrameMax, Inc.
13915 Danielson St
Suite 100
Poway, CA 92064
www.frame-max.com



© FrameMax Inc.

CREATED: 11/19/2008

FM-07-109

CREATED BY: TNT

HEIGHT : 9'-4 7/16" POINTS: 0.35 Points.

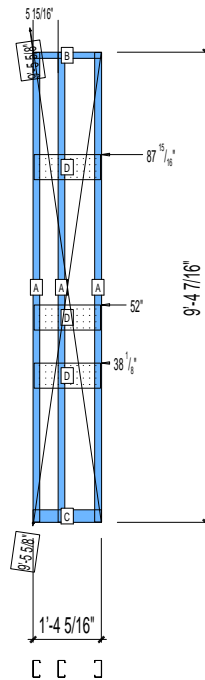
SPACING : 24"

1st STUD: 24"

WEIGHTS :

FRAME : 34 lbs

TOTAL: 34 lbs



PIECES LIST

LABEL	QTY	SIZE	LENGTH	USE
A	3	400S162-33	9'-4 5/16"	STUD
B	1	400T150-33	1'-4 5/16"	TOP TRACK
C	1	400T300-33	1'-4 5/16"	BOTTOM TRACK
D	3	600D-54	1'-3 7/8"	KITCHEN BACKING

22-3007

Jewish Home for the Aging

1885 Victory Blvd. Reseda, CA

FM-07-109

CREATED BY: TNT

FrameMax, Inc.
13915 Danielson St
Suite 100
Poway, CA 92064
www.frame-max.com



© FrameMax Inc.

HEIGHT : 9'-4 7/16" POINTS: 0.77 Points.

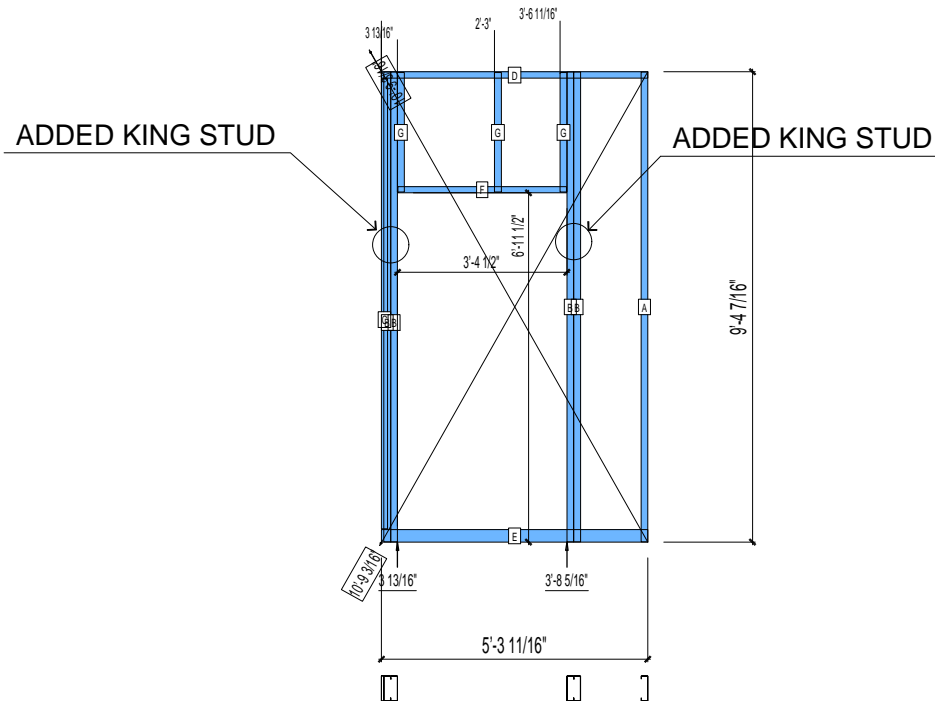
SPACING : 24"

1st STUD: 24"

WEIGHTS :

FRAME : 89 lbs

TOTAL: 89 lbs



PIECES LIST

LABEL	QTY	SIZE	LENGTH	USE
A	1	600S162-33	9'-4 5/16"	STUD
B	4	600S162-33	9'-4 5/16"	KING STUD
C	1	600T150-33	8'-11 9/16"	CAP TRACK
D	1	600T150-33	5'-3 11/16"	TOP TRACK
E	1	600T300-33	5'-3 11/16"	BOTTOM TRACK
F	1	600T150-33	3'-4 1/4"	HEAD TRACK
G	3	600S162-33	2'-4 9/16"	CRIPPLE

22-3008

Jewish Home for the Aging

1885 Victory Blvd. Reseda, CA

FrameMax, Inc.
13915 Danielson St
Suite 100
Poway, CA 92064
www.frame-max.com



© FrameMax Inc.

CREATED: 11/19/2008

FM-07-109

CREATED BY: TNT

HEIGHT : 9'-4 7/16" POINTS: 0.19 Points.

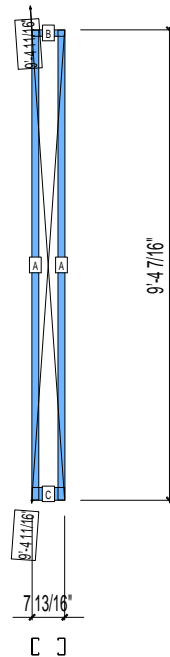
SPACING : 24"

1st STUD: 24"

WEIGHTS :

FRAME : 19 lbs

TOTAL: 19 lbs



PIECES LIST

LABEL	QTY	SIZE	LENGTH	USE
A	2	400S162-33	9'-4 5/16"	STUD
B	1	400T150-33	7 13/16"	TOP TRACK
C	1	400T300-33	7 13/16"	BOTTOM TRACK

22-3009

Jewish Home for the Aging

1885 Victory Blvd. Reseda, CA

FrameMax, Inc.
13915 Danielson St
Suite 100
Poway, CA 92064
www.frame-max.com



© FrameMax Inc.

CREATED: 11/19/2008

FM-07-109

CREATED BY: TNT

HEIGHT : 9'-4 7/16" POINTS: 0.43 Points.

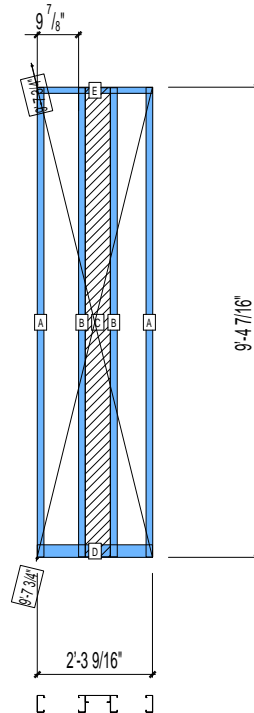
SPACING : 24"

1st STUD: 24"

WEIGHTS :

FRAME : 50 lbs

TOTAL: 50 lbs



PIECES LIST

LABEL	QTY	SIZE	LENGTH	USE
A	2	400S162-33	9'-4 5/16"	STUD
B	2	400S162-33	9'-4 3/16"	BACKER STUD
C	1	600S162-33	9'-4 3/16"	BACKER-U
D	1	400T300-33	2'-3 9/16"	BOTTOM TRACK
E	1	400T150-33	2'-3 9/16"	TOP TRACK

22-3010

Jewish Home for the Aging

1885 Victory Blvd. Reseda, CA

FrameMax, Inc.
13915 Danielson St
Suite 100
Poway, CA 92064
www.frame-max.com



© FrameMax Inc.

CREATED: 11/19/2008

FM-07-109

CREATED BY: TNT

HEIGHT : 9'-4 7/16" POINTS: 0.39 Points.

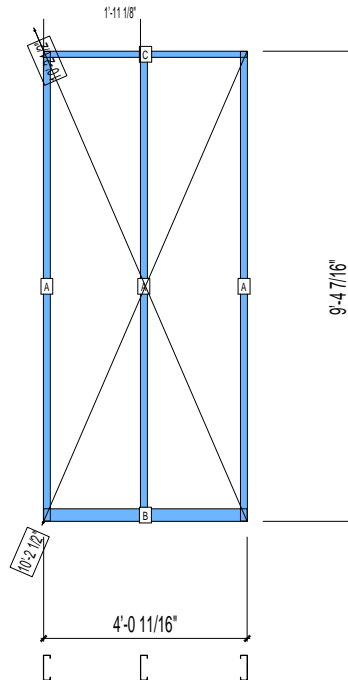
SPACING : 24"

1st STUD: 24"

WEIGHTS :

FRAME : 43 lbs

TOTAL: 43 lbs



PIECES LIST

LABEL	QTY	SIZE	LENGTH	USE
A	3	600S162-33	9'-4 5/16"	STUD
B	1	600T300-33	4'-0 11/16"	BOTTOM TRACK
C	1	600T150-33	4'-0 11/16"	TOP TRACK

22-3011

Jewish Home for the Aging

1885 Victory Blvd. Reseda, CA

FM-07-109

CREATED BY: TNT

FrameMax, Inc.
13915 Danielson St
Suite 100
Poway, CA 92064
www.frame-max.com



© FrameMax Inc.

HEIGHT : 9'-4 7/16" POINTS: 1.12 Points.

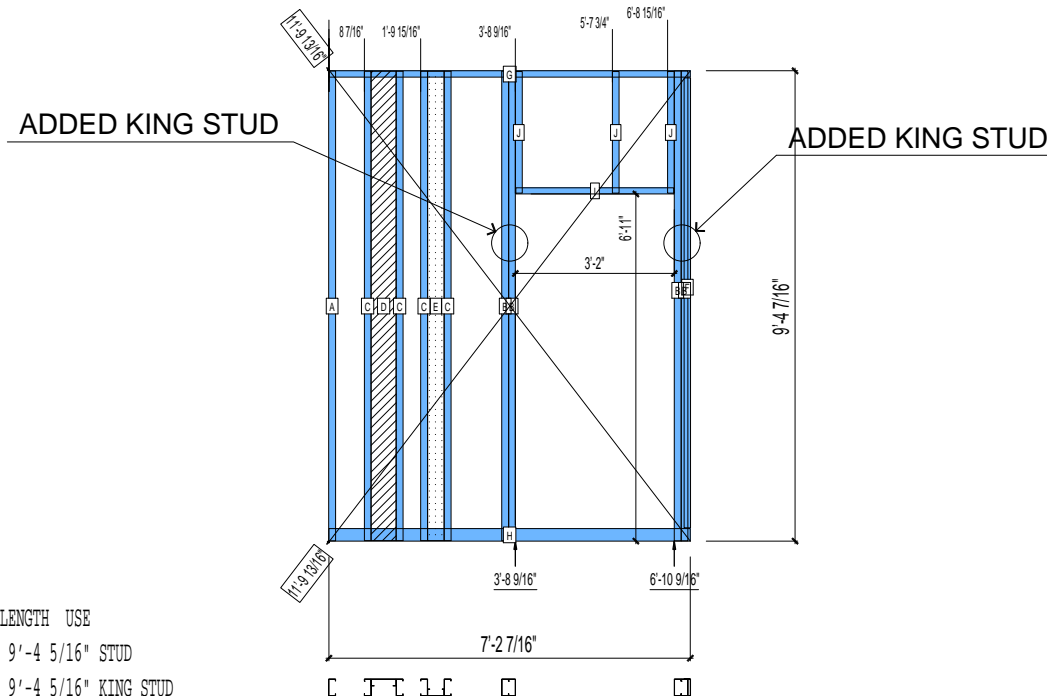
SPACING : 24"

1st STUD: 24"

WEIGHTS :

FRAME : 129 lbs

TOTAL: 129 lbs



PIECES LIST

LABEL	QTY	SIZE	LENGTH	USE
A	1	400S162-33	9'-4 5/16"	STUD
B	4	400S162-33	9'-4 5/16"	KING STUD
C	4	400S162-33	9'-4 3/16"	BACKER STUD
D	1	600S162-33	9'-4 3/16"	BACKER-U
E	1	400S162-33	9'-4 3/16"	BACKER-U
F	1	400T150-33	8'-11 9/16"	CAP TRACK
G	1	400T150-33	7'-2 7/16"	TOP TRACK
H	1	400T300-33	7'-2 7/16"	BOTTOM TRACK
I	1	400T150-33	3'-1 3/4"	HEAD TRACK
J	3	400S162-33	2'-5 1/16"	CRIPPLE

22-3012

Jewish Home for the Aging

1885 Victory Blvd. Reseda, CA

FrameMax, Inc.
13915 Danielson St
Suite 100
Poway, CA 92064
www.frame-max.com



© FrameMax Inc.

CREATED: 11/19/2008

FM-07-109

CREATED BY: TNT

HEIGHT : 9'-4 7/16" POINTS: 0.25 Points.

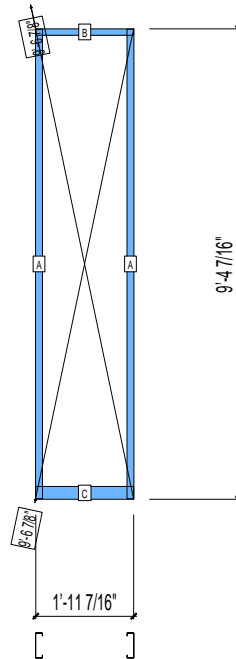
SPACING : 24"

1st STUD: 24"

WEIGHTS :

FRAME : 27 lbs

TOTAL: 27 lbs



PIECES LIST

LABEL	QTY	SIZE	LENGTH	USE
A	2	600S162-33	9'-4 5/16"	STUD
B	1	600T150-33	1'-11 7/16"	TOP TRACK
C	1	600T300-33	1'-11 7/16"	BOTTOM TRACK

22-3013

Jewish Home for the Aging

1885 Victory Blvd. Reseda, CA

FM-07-109

CREATED BY: TNT

FrameMax, Inc.
13915 Danielson St
Suite 100
Poway, CA 92064
www.frame-max.com



© FrameMax Inc.

HEIGHT : 9'-4 7/16" POINTS: 1.18 Points.

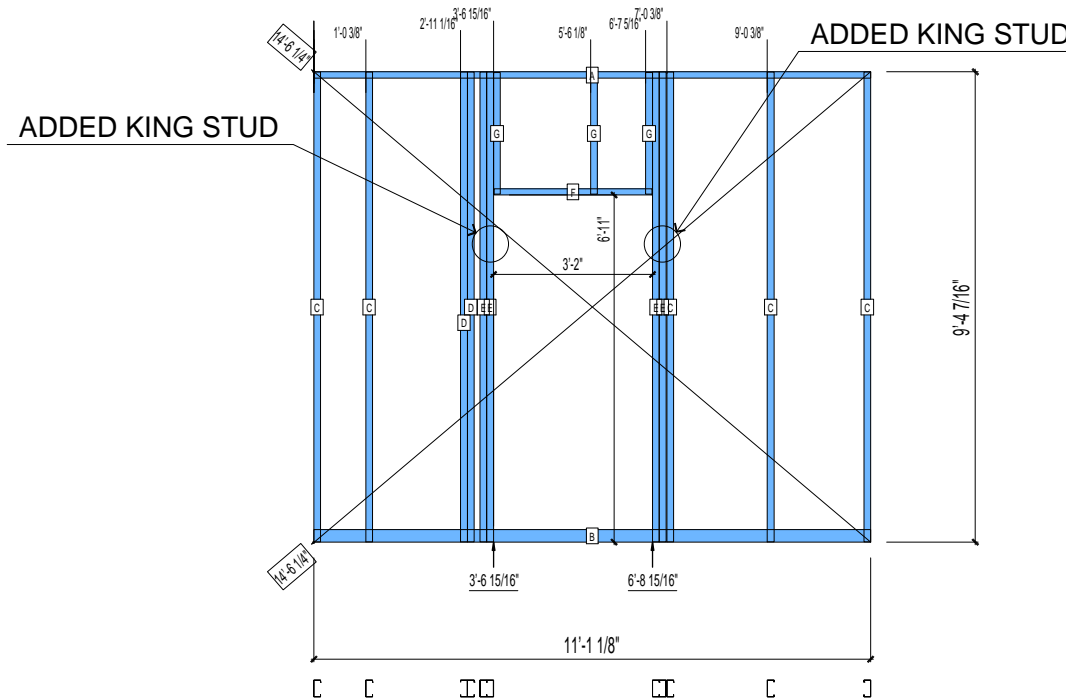
SPACING : 24"

1st STUD: 13 1/4"

WEIGHTS :

FRAME : 127 lbs

TOTAL: 127 lbs



PIECES LIST

LABEL	QTY	SIZE	LENGTH	USE
A	1	400T150-33	11'-1 1/8"	TOP TRACK
B	1	400T300-33	11'-1 1/8"	BOTTOM TRACK
C	5	400S162-33	9'-4 5/16"	STUD
D	2	400S162-33	9'-4 5/16"	EXTRA STUD
E	4	400S162-33	9'-4 5/16"	KING STUD
F	1	400T150-33	3'-1 3/4"	HEAD TRACK
G	3	400S162-33	2'-5 1/16"	CRIPPLE

22-3014

Jewish Home for the Aging

1885 Victory Blvd. Reseda, CA

FrameMax, Inc.
13915 Danielson St
Suite 100
Poway, CA 92064
www.frame-max.com



© FrameMax Inc.

CREATED: 11/19/2008

FM-07-109

CREATED BY: TNT

HEIGHT : 9'-4 7/16" POINTS: 0.45 Points.

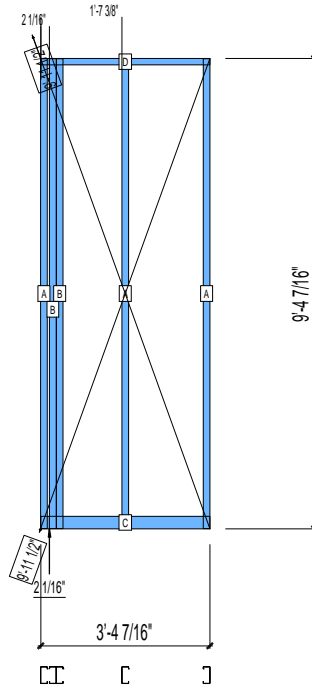
SPACING : 24"

1st STUD: 20 1/4"

WEIGHTS :

FRAME : 50 lbs

TOTAL: 50 lbs



PIECES LIST

LABEL	QTY	SIZE	LENGTH	USE
A	3	400S162-33	9'-4 5/16"	STUD
B	2	400S162-33	9'-4 5/16"	EXTRA STUD
C	1	400T300-33	3'-4 7/16"	BOTTOM TRACK
D	1	400T150-33	3'-4 7/16"	TOP TRACK

22-3015

Jewish Home for the Aging

1885 Victory Blvd. Reseda, CA

FrameMax, Inc.
13915 Danielson St
Suite 100
Poway, CA 92064
www.frame-max.com



© FrameMax Inc.

CREATED: 11/19/2008

FM-07-109

CREATED BY: TNT

HEIGHT : 9'-4 7/16" POINTS: 0.45 Points.

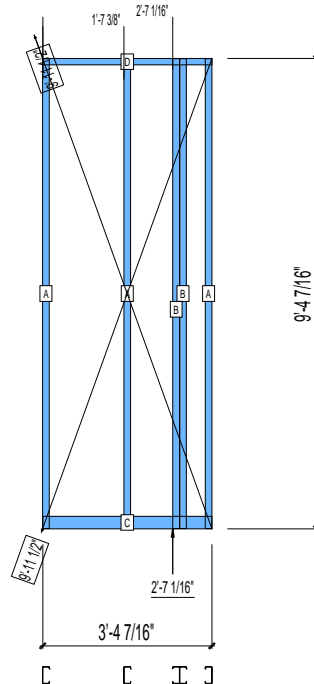
SPACING : 24"

1st STUD: 20 1/4"

WEIGHTS :

FRAME : 50 lbs

TOTAL: 50 lbs



PIECES LIST

LABEL	QTY	SIZE	LENGTH	USE
A	3	400S162-33	9'-4 5/16"	STUD
B	2	400S162-33	9'-4 5/16"	EXTRA STUD
C	1	400T300-33	3'-4 7/16"	BOTTOM TRACK
D	1	400T150-33	3'-4 7/16"	TOP TRACK

22-3016

Jewish Home for the Aging

1885 Victory Blvd. Reseda, CA

FM-07-109

CREATED BY: TNT

FrameMax, Inc.
13915 Danielson St
Suite 100
Poway, CA 92064
www.frame-max.com



© FrameMax Inc.

HEIGHT : 9'-4 7/16" POINTS: 1.42 Points.

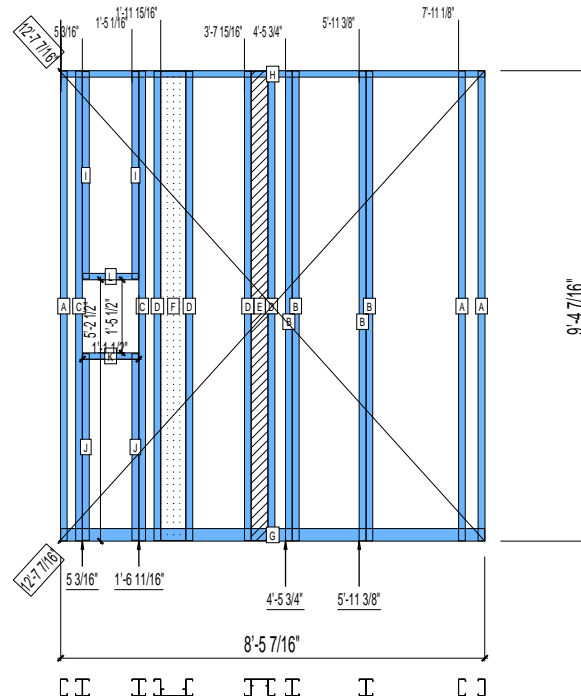
SPACING : 24"

1st STUD: 24"

WEIGHTS :

FRAME : 166 lbs

TOTAL: 166 lbs



PIECES LIST

LABEL	QTY	SIZE	LENGTH	USE
A	3	400S162-33	9'-4 5/16"	STUD
B	4	400S162-33	9'-4 5/16"	EXTRA STUD
C	2	400S162-33	9'-4 5/16"	KING STUD
D	4	400S162-33	9'-4 3/16"	BACKER STUD
E	1	400S162-33	9'-4 3/16"	BACKER-U
F	1	600S162-33	9'-4 3/16"	BACKER-U
G	1	400T300-33	8'-5 7/16"	BOTTOM TRACK
H	1	400T150-33	8'-5 7/16"	TOP TRACK
I	2	400S162-33	4'-1 9/16"	CRIPPLE
J	2	400S162-33	3'-8 5/8"	CRIPPLE
K	1	400T150-33	1'-1 1/4"	SILL
L	1	400T150-33	1'-1 1/4"	HEAD TRACK

22-3017

Jewish Home for the Aging

1885 Victory Blvd. Reseda, CA

FM-07-109

CREATED BY: TNT

FrameMax, Inc.
13915 Danielson St
Suite 100
Poway, CA 92064
www.frame-max.com



© FrameMax Inc.

HEIGHT : 9'-4 7/16" POINTS: 0.50 Points.

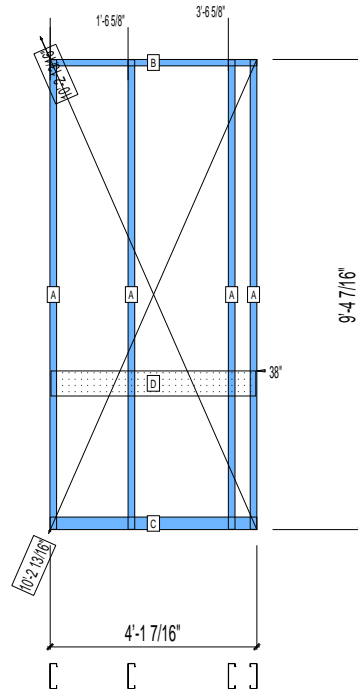
SPACING : 24"

1st STUD: 19 7/16"

WEIGHTS :

FRAME : 59 lbs

TOTAL: 59 lbs



PIECES LIST

LABEL	QTY	SIZE	LENGTH	USE
A	4	600S162-33	9'-4 5/16"	STUD
B	1	600T150-33	4'-1 7/16"	TOP TRACK
C	1	600T300-33	4'-1 7/16"	BOTTOM TRACK
D	1	600D-54	4'-1"	VANITY BACKING

22-3018

Jewish Home for the Aging

1885 Victory Blvd. Reseda, CA

FM-07-109

CREATED BY: TNT

FrameMax, Inc.
13915 Danielson St
Suite 100
Poway, CA 92064
www.framemax.com



© FrameMax Inc.

HEIGHT : 9'-4 7/16" POINTS: 0.85 Points.

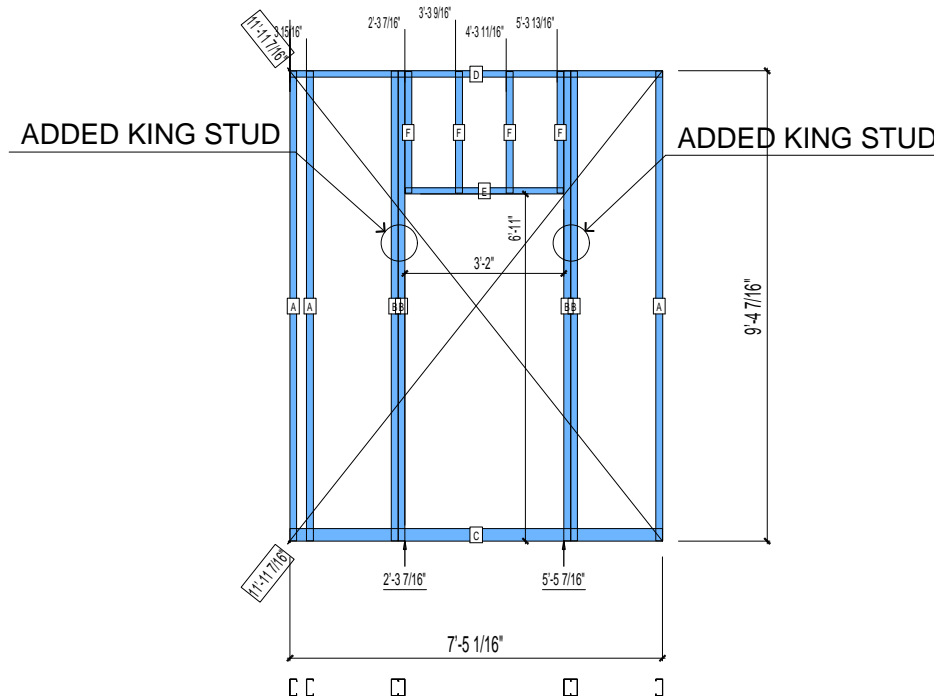
SPACING : 24"

1st STUD: 24"

WEIGHTS :

FRAME : 87 lbs

TOTAL: 87 lbs



PIECES LIST

LABEL	QTY	SIZE	LENGTH	USE
A	3	400S162-33	9'-4 5/16"	STUD
B	4	400S162-33	9'-4 5/16"	KING STUD
C	1	400T300-33	7'-5 1/16"	BOTTOM TRACK
D	1	400T150-33	7'-5 1/16"	TOP TRACK
E	1	400T150-33	3'-1 3/4"	HEAD TRACK
F	4	400S162-33	2'-5 1/16"	CRIPPLE

22-3019

Jewish Home for the Aging

1885 Victory Blvd. Reseda, CA

FrameMax, Inc.
13915 Danielson St
Suite 100
Poway, CA 92064
www.frame-max.com



© FrameMax Inc.

CREATED: 11/19/2008

FM-07-109

CREATED BY: TNT

HEIGHT : 9'-4 7/16" POINTS: 0.33 Points.

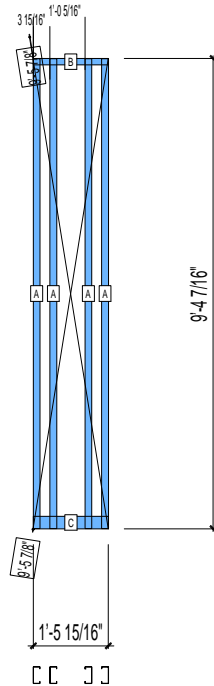
SPACING : 24"

1st STUD: 24"

WEIGHTS :

FRAME : 38 lbs

TOTAL: 38 lbs



PIECES LIST

LABEL	QTY	SIZE	LENGTH	USE
A	4	400S162-33	9'-4 5/16"	STUD
B	1	400T150-33	1'-5 15/16"	TOP TRACK
C	1	400T300-33	1'-5 15/16"	BOTTOM TRACK

22-3020

Jewish Home for the Aging

1885 Victory Blvd. Reseda, CA

FM-07-109

CREATED BY: TNT

FrameMax, Inc.
13915 Danielson St
Suite 100
Poway, CA 92064
www.frame-max.com



© FrameMax Inc.

HEIGHT : 9'-5 3/16" POINTS: 0.49 Points.

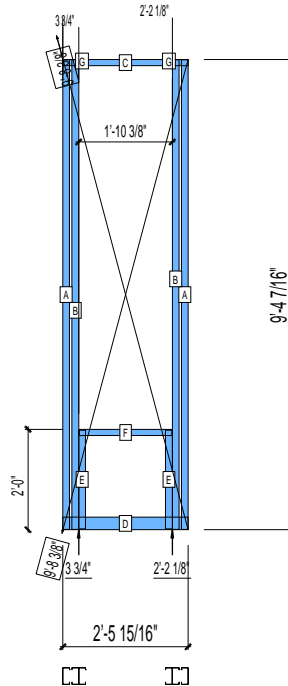
SPACING : 24"

1st STUD: 24"

WEIGHTS :

FRAME : 45 lbs

TOTAL: 45 lbs



PIECES LIST

LABEL	QTY	SIZE	LENGTH	USE
A	2	400S162-33	9'-4 5/16"	STUD
B	2	400S162-33	9'-4 5/16"	KING STUD
C	1	400T150-33	2'-5 15/16"	TOP TRACK
D	1	400T300-33	2'-5 15/16"	BOTTOM TRACK
E	2	400S162-33	1'-11 5/8"	CRIPPLE
F	1	400T150-33	1'-10 1/8"	SILL
G	2	400S162-33	3/8"	CRIPPLE

22-3021

Jewish Home for the Aging

1885 Victory Blvd. Reseda, CA

FrameMax, Inc.
13915 Danielson St
Suite 100
Poway, CA 92064
www.frame-max.com



© FrameMax Inc.

CREATED: 11/19/2008

FM-07-109

CREATED BY: TNT

HEIGHT : 9'-4 7/16" POINTS: 0.30 Points.

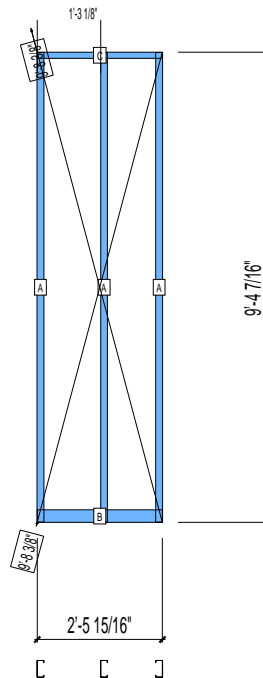
SPACING : 24"

1st STUD: 16"

WEIGHTS :

FRAME : 31 lbs

TOTAL: 31 lbs



PIECES LIST

LABEL	QTY	SIZE	LENGTH	USE
A	3	400S162-33	9'-4 5/16"	STUD
B	1	400T300-33	2'-5 15/16"	BOTTOM TRACK
C	1	400T150-33	2'-5 15/16"	TOP TRACK

22-3022

Jewish Home for the Aging

1885 Victory Blvd. Reseda, CA

FrameMax, Inc.
13915 Danielson St
Suite 100
Poway, CA 92064
www.frame-max.com



© FrameMax Inc.

CREATED: 11/19/2008

FM-07-109

CREATED BY: TNT

HEIGHT : 9'-4 7/16" POINTS: 0.46 Points.

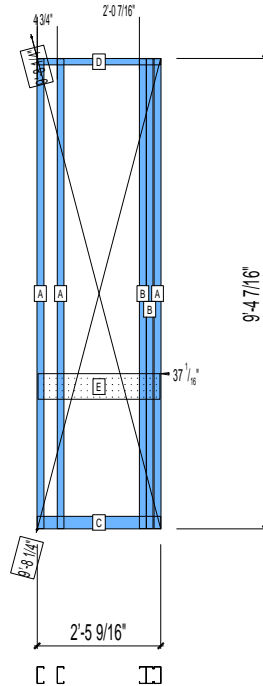
SPACING : 24"

1st STUD: 5 5/8"

WEIGHTS :

FRAME : 53 lbs

TOTAL: 53 lbs



PIECES LIST

LABEL	QTY	SIZE	LENGTH	USE
A	3	400S162-33	9'-4 5/16"	STUD
B	2	400S162-33	9'-4 5/16"	EXTRA STUD
C	1	400T300-33	2'-5 9/16"	BOTTOM TRACK
D	1	400T150-33	2'-5 9/16"	TOP TRACK
E	1	600T150-54	2'-5 1/8"	GRAB BAR

22-3023

Jewish Home for the Aging

1885 Victory Blvd. Reseda, CA

FM-07-109

CREATED BY: TNT

FrameMax, Inc.
13915 Danielson St
Suite 100
Poway, CA 92064
www.frame-max.com



© FrameMax Inc.

HEIGHT : 9'-4 7/16" POINTS: 0.48 Points.

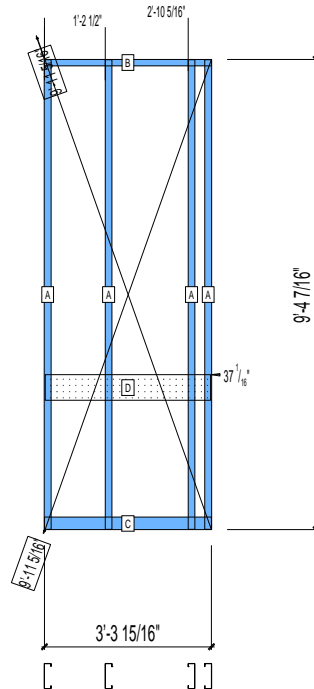
SPACING : 24"

1st STUD: 15 3/8"

WEIGHTS :

FRAME : 58 lbs

TOTAL: 58 lbs



PIECES LIST

LABEL	QTY	SIZE	LENGTH	USE
A	4	600S162-33	9'-4 5/16"	STUD
B	1	600T150-33	3'-3 15/16"	TOP TRACK
C	1	600T300-33	3'-3 15/16"	BOTTOM TRACK
D	1	600T150-54	3'-3 1/2"	GRAB BAR

22-3051

Jewish Home for the Aging

1885 Victory Blvd. Reseda, CA

FrameMax, Inc.
13915 Danielson St
Suite 100
Poway, CA 92064
www.frame-max.com



© FrameMax Inc.

CREATED: 11/19/2008

FM-07-109

CREATED BY: TNT

HEIGHT : 9'-4 7/16" POINTS: 1.00 Points.

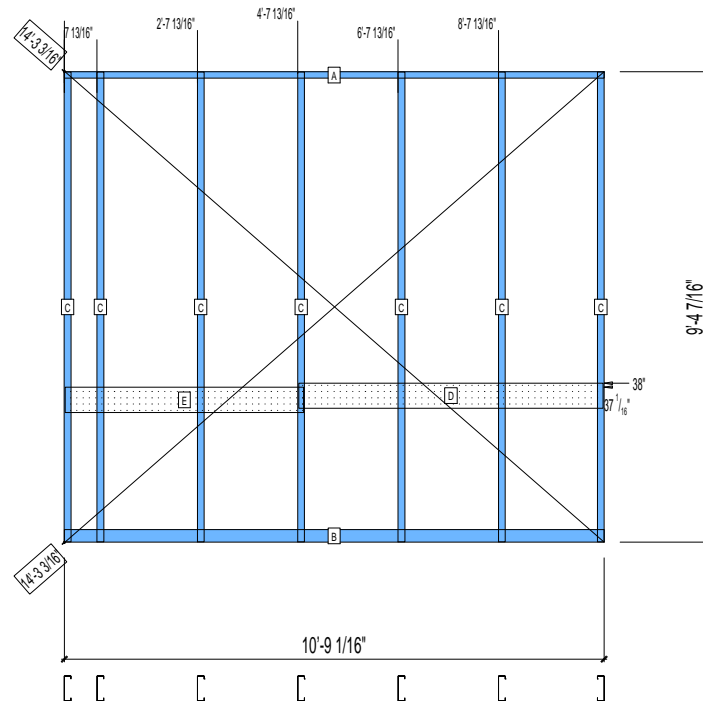
SPACING : 24"

1st STUD: 8 11/16"

WEIGHTS :

FRAME : 119 lbs

TOTAL: 119 lbs



PIECES LIST

LABEL	QTY	SIZE	LENGTH	USE
A	1	600T150-33	10'-9 1/16"	TOP TRACK
B	1	600T300-33	10'-9 1/16"	BOTTOM TRACK
C	7	600S162-33	9'-4 5/16"	STUD
D	1	600D-54	6'-0 3/4"	VANITY BACKING
E	1	600T150-54	4'-9"	GRAB BAR

22-3052

Jewish Home for the Aging

1885 Victory Blvd. Reseda, CA

FrameMax, Inc.
13915 Danielson St
Suite 100
Poway, CA 92064
www.frame-max.com



© FrameMax Inc.

CREATED: 11/19/2008

FM-07-109

CREATED BY: TNT

HEIGHT : 9'-4 7/16" POINTS: 0.19 Points.

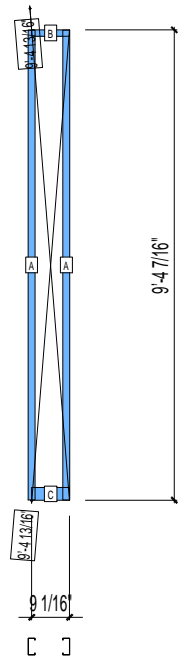
SPACING : 24"

1st STUD: 24"

WEIGHTS :

FRAME : 19 lbs

TOTAL: 19 lbs



PIECES LIST

LABEL	QTY	SIZE	LENGTH	USE
A	2	400S162-33	9'-4 5/16"	STUD
B	1	400T150-33	9 1/16"	TOP TRACK
C	1	400T300-33	9 1/16"	BOTTOM TRACK

22-3053

Jewish Home for the Aging

1885 Victory Blvd. Reseda, CA

FrameMax, Inc.
13915 Danielson St
Suite 100
Poway, CA 92064
www.frame-max.com



© FrameMax Inc.

CREATED: 11/19/2008

FM-07-109

CREATED BY: TNT

HEIGHT : 9'-5 3/16" POINTS: 0.64 Points.

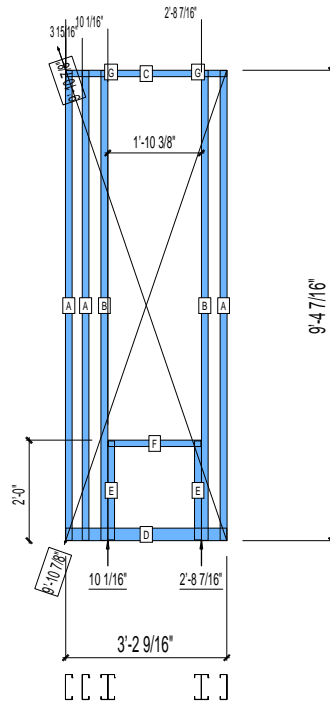
SPACING : 24"

1st STUD: 24"

WEIGHTS :

FRAME : 70 lbs

TOTAL: 70 lbs



PIECES LIST

LABEL	QTY	SIZE	LENGTH	USE
A	3	600S162-33	9'-4 5/16"	STUD
B	2	600S162-33	9'-4 5/16"	KING STUD
C	1	600T150-33	3'-2 9/16"	TOP TRACK
D	1	600T300-33	3'-2 9/16"	BOTTOM TRACK
E	2	600S162-33	1'-11 5/8"	CRIPPLE
F	1	600T150-33	1'-10 1/8"	SILL
G	2	600S162-33	3/8"	CRIPPLE

22-3054

Jewish Home for the Aging

1885 Victory Blvd. Reseda, CA

FM-07-109

CREATED BY: TNT

FrameMax, Inc.
13915 Danielson St
Suite 100
Poway, CA 92064
www.frame-max.com



© FrameMax Inc.

HEIGHT : 9'-4 7/16" POINTS: 0.70 Points.

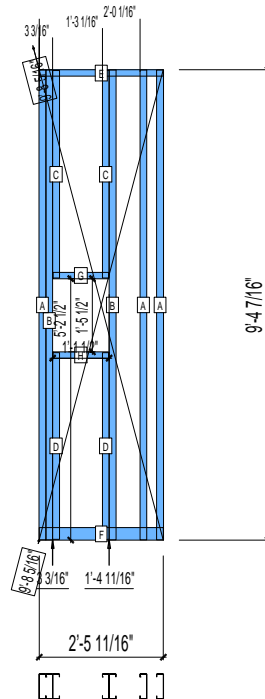
SPACING : 24"

1st STUD: 24"

WEIGHTS :

FRAME : 82 lbs

TOTAL: 82 lbs



PIECES LIST

LABEL	QTY	SIZE	LENGTH	USE
A	3	600S162-33	9'-4 5/16"	STUD
B	2	600S162-33	9'-4 5/16"	KING STUD
C	2	600S162-33	4'-1 9/16"	CRIPPLE
D	2	600S162-33	3'-8 5/8"	CRIPPLE
E	1	600T150-33	2'-5 11/16"	TOP TRACK
F	1	600T300-33	2'-5 11/16"	BOTTOM TRACK
G	1	600T150-33	1'-1 1/4"	HEAD TRACK
H	1	600T150-33	1'-1 1/4"	SILL

22-3055

Jewish Home for the Aging

1885 Victory Blvd. Reseda, CA

FrameMax, Inc.
13915 Danielson St
Suite 100
Poway, CA 92064
www.frame-max.com



© FrameMax Inc.

CREATED: 11/19/2008

FM-07-109

CREATED BY: TNT

HEIGHT : 9'-4 7/16" POINTS: 0.30 Points.

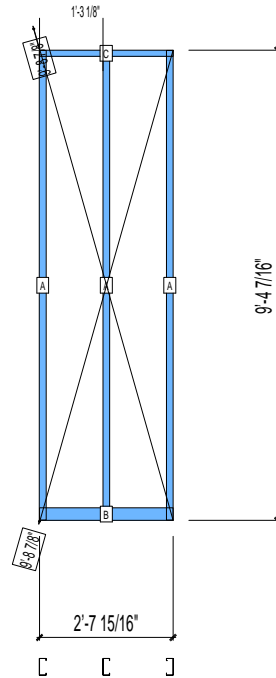
SPACING : 24"

1st STUD: 16"

WEIGHTS :

FRAME : 31 lbs

TOTAL: 31 lbs



PIECES LIST

LABEL	QTY	SIZE	LENGTH	USE
A	3	400S162-33	9'-4 5/16"	STUD
B	1	400T300-33	2'-7 15/16"	BOTTOM TRACK
C	1	400T150-33	2'-7 15/16"	TOP TRACK

22-3056

Jewish Home for the Aging

1885 Victory Blvd. Reseda, CA

FM-07-109

CREATED BY: TNT

FrameMax, Inc.
13915 Danielson St
Suite 100
Poway, CA 92064
www.frame-max.com



© FrameMax Inc.

HEIGHT : 9'-4 7/16" POINTS: 0.68 Points.

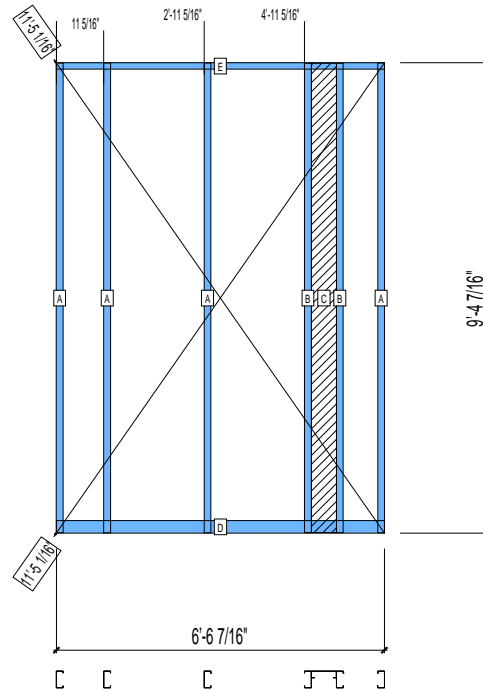
SPACING : 24"

1st STUD: 12 3/16"

WEIGHTS :

FRAME : 76 lbs

TOTAL: 76 lbs



PIECES LIST

LABEL	QTY	SIZE	LENGTH	USE
A	4	400S162-33	9'-4 5/16"	STUD
B	2	400S162-33	9'-4 3/16"	BACKER STUD
C	1	600S162-33	9'-4 3/16"	BACKER-U
D	1	400T300-33	6'-6 7/16"	BOTTOM TRACK
E	1	400T150-33	6'-6 7/16"	TOP TRACK

22-3057

Jewish Home for the Aging

1885 Victory Blvd. Reseda, CA

FrameMax, Inc.
13915 Danielson St
Suite 100
Poway, CA 92064
www.frame-max.com



© FrameMax Inc.

CREATED: 11/19/2008

FM-07-109

CREATED BY: TNT

HEIGHT : 9'-4 7/16" POINTS: 0.42 Points.

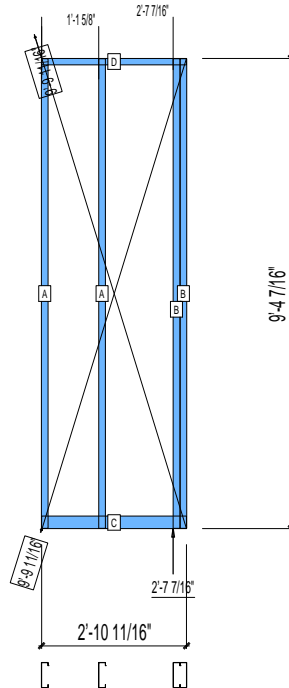
SPACING : 24"

1st STUD: 14 1/2"

WEIGHTS :

FRAME : 51 lbs

TOTAL: 51 lbs



PIECES LIST

LABEL	QTY	SIZE	LENGTH	USE
A	2	600S162-33	9'-4 5/16"	STUD
B	2	600S162-33	9'-4 5/16"	EXTRA STUD
C	1	600T300-33	2'-10 11/16"	BOTTOM TRACK
D	1	600T150-33	2'-10 11/16"	TOP TRACK

22-3058

Jewish Home for the Aging

1885 Victory Blvd. Reseda, CA

FM-07-109

CREATED BY: TNT

FrameMax, Inc.
13915 Danielson St
Suite 100
Poway, CA 92064
www.frame-max.com



© FrameMax Inc.

HEIGHT : 9'-4 7/16" POINTS: 0.83 Points.

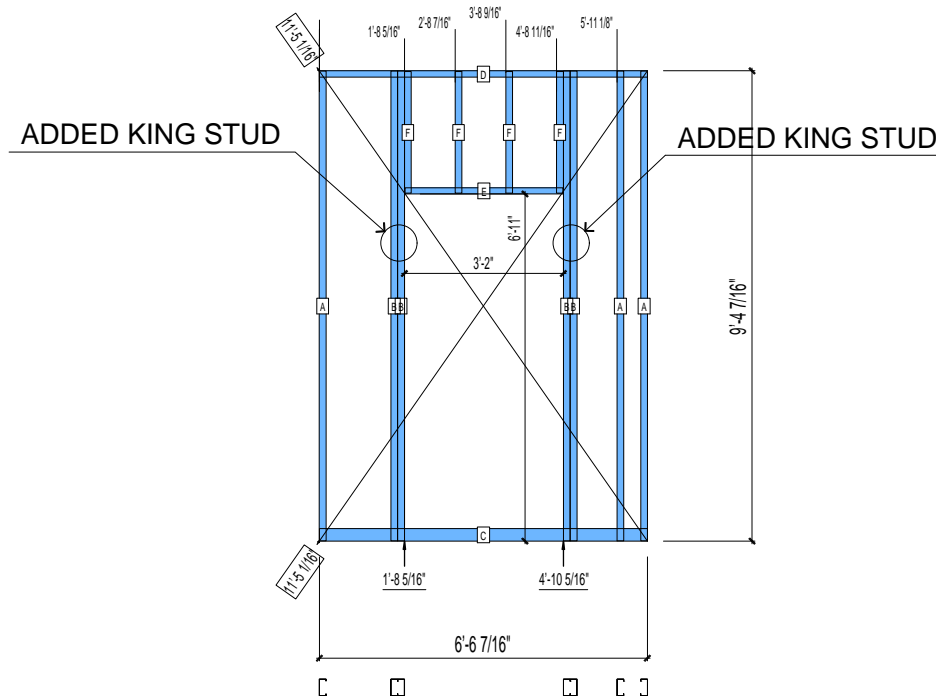
SPACING : 24"

1st STUD: 24"

WEIGHTS :

FRAME : 86 lbs

TOTAL: 86 lbs



PIECES LIST

LABEL	QTY	SIZE	LENGTH	USE
A	3	400S162-33	9'-4 5/16"	STUD
B	4	400S162-33	9'-4 5/16"	KING STUD
C	1	400T300-33	6'-6 7/16"	BOTTOM TRACK
D	1	400T150-33	6'-6 7/16"	TOP TRACK
E	1	400T150-33	3'-1 3/4"	HEAD TRACK
F	4	400S162-33	2'-5 1/16"	CRIPPLE

22-3059

Jewish Home for the Aging

1885 Victory Blvd. Reseda, CA

FrameMax, Inc.
13915 Danielson St
Suite 100
Poway, CA 92064
www.frame-max.com



© FrameMax Inc.

CREATED: 11/19/2008

FM-07-109

CREATED BY: TNT

HEIGHT : 9'-4 7/16" POINTS: 0.65 Points.

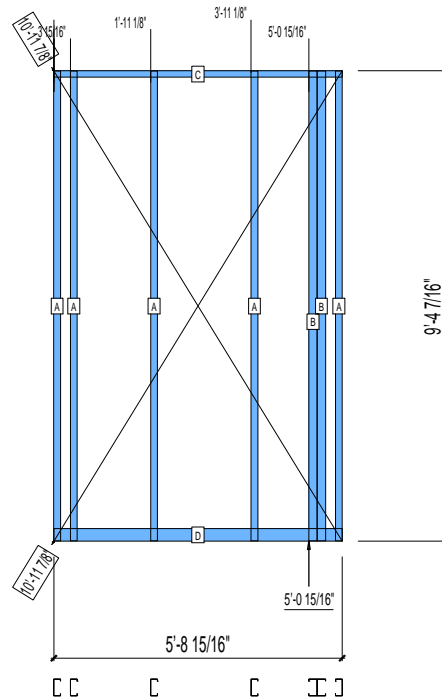
SPACING : 24"

1st STUD: 24"

WEIGHTS :

FRAME : 75 lbs

TOTAL: 75 lbs



PIECES LIST

LABEL	QTY	SIZE	LENGTH	USE
A	5	400S162-33	9'-4 5/16"	STUD
B	2	400S200-33	9'-4 5/16"	EXTRA STUD
C	1	400T150-33	5'-8 15/16"	TOP TRACK
D	1	400T300-33	5'-8 15/16"	BOTTOM TRACK

22-3060

Jewish Home for the Aging

1885 Victory Blvd. Reseda, CA

FM-07-109

CREATED BY: TNT

FrameMax, Inc.
13915 Danielson St
Suite 100
Poway, CA 92064
www.frame-max.com



© FrameMax Inc.

HEIGHT : 9'-4 7/16" POINTS: 0.74 Points.

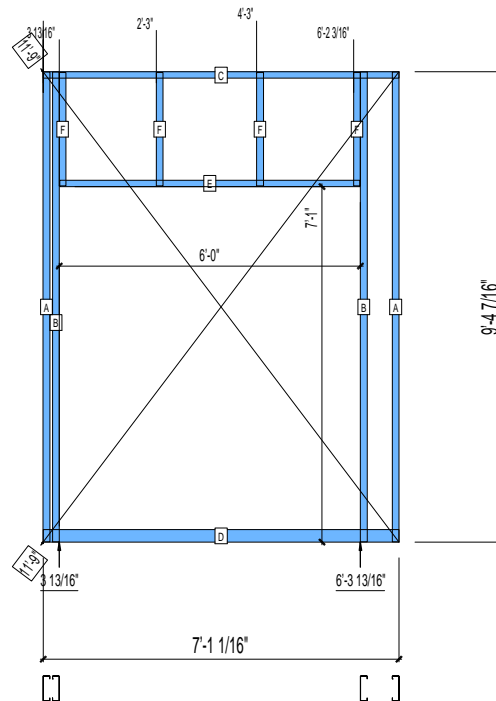
SPACING : 24"

1st STUD: 16"

WEIGHTS :

FRAME : 78 lbs

TOTAL: 78 lbs



PIECES LIST

LABEL	QTY	SIZE	LENGTH	USE
A	2	600S162-33	9'-4 5/16"	STUD
B	2	600S162-33	9'-4 5/16"	KING STUD
C	1	600T150-33	7'-1 1/16"	TOP TRACK
D	1	600T300-33	7'-1 1/16"	BOTTOM TRACK
E	1	600T150-33	5'-11 3/4"	HEAD TRACK
F	4	600S162-33	2'-3 1/16"	CRIPPLE

22-3061

Jewish Home for the Aging

1885 Victory Blvd. Reseda, CA

FrameMax, Inc.
13915 Danielson St
Suite 100
Poway, CA 92064
www.frame-max.com



© FrameMax Inc.

CREATED: 11/19/2008

FM-07-109

CREATED BY: TNT

HEIGHT : 9'-4 7/16" POINTS: 0.42 Points.

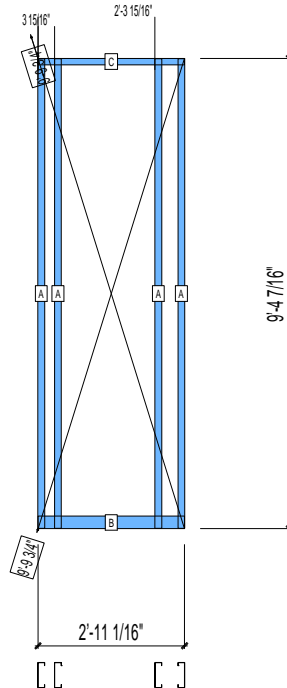
SPACING : 24"

1st STUD: 4 13/16"

WEIGHTS :

FRAME : 51 lbs

TOTAL: 51 lbs



PIECES LIST

LABEL	QTY	SIZE	LENGTH	USE
A	4	600S162-33	9'-4 5/16"	STUD
B	1	600T300-33	2'-11 1/16"	BOTTOM TRACK
C	1	600T150-33	2'-11 1/16"	TOP TRACK

22-3062

Jewish Home for the Aging

1885 Victory Blvd. Reseda, CA

FrameMax, Inc.
13915 Danielson St
Suite 100
Poway, CA 92064
www.frame-max.com



© FrameMax Inc.

CREATED: 11/19/2008

FM-07-109

CREATED BY: TNT

HEIGHT : 9'-4 7/16" POINTS: 0.30 Points.

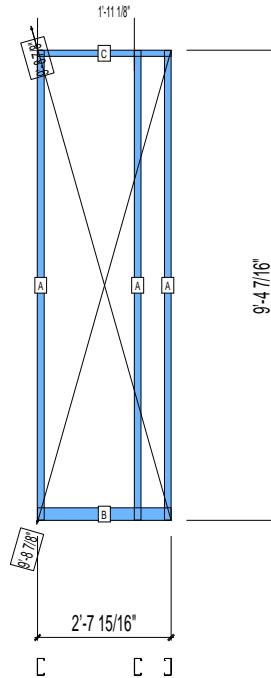
SPACING : 24"

1st STUD: 24"

WEIGHTS :

FRAME : 31 lbs

TOTAL: 31 lbs



PIECES LIST

LABEL	QTY	SIZE	LENGTH	USE
A	3	400S162-33	9'-4 5/16"	STUD
B	1	400T300-33	2'-7 15/16"	BOTTOM TRACK
C	1	400T150-33	2'-7 15/16"	TOP TRACK

22-3063

Jewish Home for the Aging

1885 Victory Blvd. Reseda, CA

FrameMax, Inc.
13915 Danielson St
Suite 100
Poway, CA 92064
www.frame-max.com



© FrameMax Inc.

CREATED: 11/19/2008

FM-07-109

CREATED BY: TNT

HEIGHT : 9'-4 7/16" POINTS: 0.33 Points.

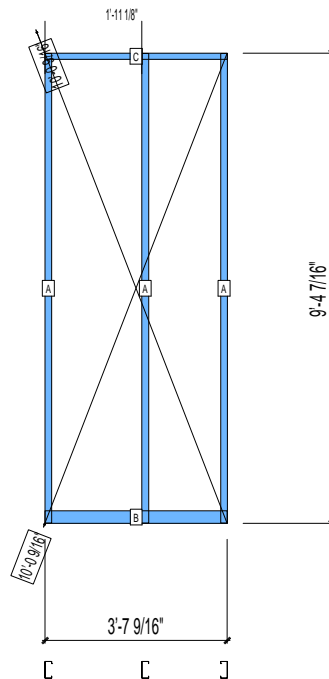
SPACING : 24"

1st STUD: 24"

WEIGHTS :

FRAME : 33 lbs

TOTAL: 33 lbs



PIECES LIST

LABEL	QTY	SIZE	LENGTH	USE
A	3	400S162-33	9'-4 5/16"	STUD
B	1	400T300-33	3'-7 9/16"	BOTTOM TRACK
C	1	400T150-33	3'-7 9/16"	TOP TRACK

22-3064

Jewish Home for the Aging

1885 Victory Blvd. Reseda, CA

FrameMax, Inc.
13915 Danielson St
Suite 100
Poway, CA 92064
www.frame-max.com



© FrameMax Inc.

CREATED: 11/19/2008

FM-07-109

CREATED BY: TNT

HEIGHT : 9'-4 7/16" POINTS: 0.26 Points.

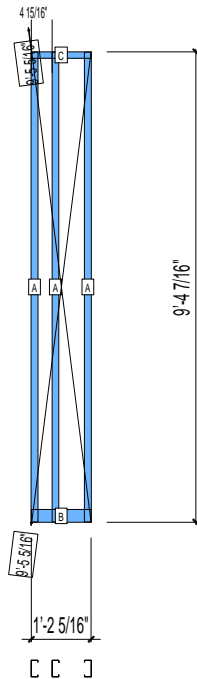
SPACING : 24"

1st STUD: 24"

WEIGHTS :

FRAME : 29 lbs

TOTAL: 29 lbs



PIECES LIST

LABEL	QTY	SIZE	LENGTH	USE
A	3	400S162-33	9'-4 5/16"	STUD
B	1	400T300-33	1'-2 5/16"	BOTTOM TRACK
C	1	400T150-33	1'-2 5/16"	TOP TRACK

22-3065

Jewish Home for the Aging

1885 Victory Blvd. Reseda, CA

FM-07-109

CREATED BY: TNT

FrameMax, Inc.
13915 Danielson St
Suite 100
Poway, CA 92064
www.frame-max.com



© FrameMax Inc.

HEIGHT : 9'-4 7/16" POINTS: 0.77 Points.

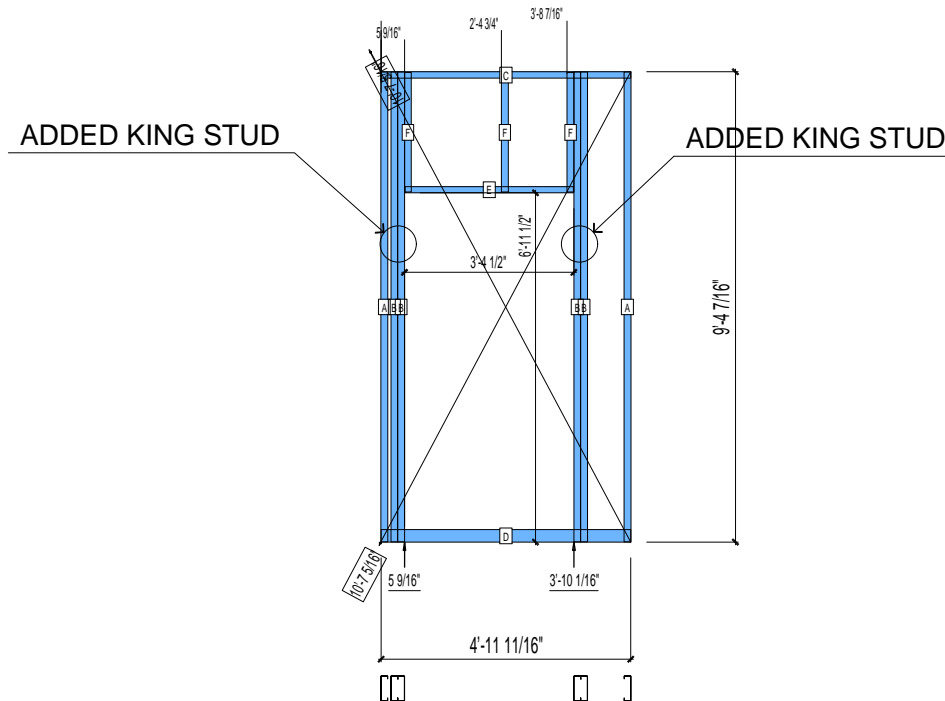
SPACING : 24"

1st STUD: 24"

WEIGHTS :

FRAME : 90 lbs

TOTAL: 90 lbs



PIECES LIST

LABEL	QTY	SIZE	LENGTH	USE
A	2	600S162-33	9'-4 5/16"	STUD
B	4	600S162-33	9'-4 5/16"	KING STUD
C	1	600T150-33	4'-11 11/16"	TOP TRACK
D	1	600T300-33	4'-11 11/16"	BOTTOM TRACK
E	1	600T150-33	3'-4 1/4"	HEAD TRACK
F	3	600S162-33	2'-4 9/16"	CRIPPLE

22-3066

Jewish Home for the Aging

1885 Victory Blvd. Reseda, CA

FrameMax, Inc.
13915 Danielson St
Suite 100
Poway, CA 92064
www.frame-max.com



© FrameMax Inc.

CREATED: 11/19/2008

FM-07-109

CREATED BY: TNT

HEIGHT : 9'-4 7/16" POINTS: 0.27 Points.

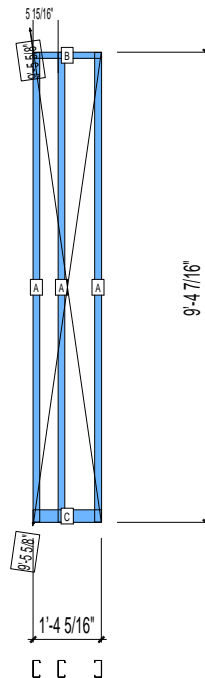
SPACING : 24"

1st STUD: 24"

WEIGHTS :

FRAME : 29 lbs

TOTAL: 29 lbs



PIECES LIST

LABEL	QTY	SIZE	LENGTH	USE
A	3	400S162-33	9'-4 5/16"	STUD
B	1	400T150-33	1'-4 5/16"	TOP TRACK
C	1	400T300-33	1'-4 5/16"	BOTTOM TRACK

22-3067

Jewish Home for the Aging

1885 Victory Blvd. Reseda, CA

FrameMax, Inc.
13915 Danielson St
Suite 100
Poway, CA 92064
www.frame-max.com



© FrameMax Inc.

CREATED: 11/19/2008

FM-07-109

CREATED BY: TNT

HEIGHT : 2'-9 1/2" POINTS: 0.22 Points.

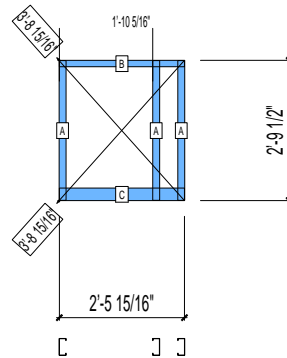
SPACING : 24"

1st STUD: 24"

WEIGHTS :

FRAME : 13 lbs

TOTAL: 13 lbs



PIECES LIST

LABEL	QTY	SIZE	LENGTH	USE
A	3	400S162-33	2'-9 3/8"	STUD
B	1	400T150-33	2'-5 15/16"	TOP TRACK
C	1	400T300-33	2'-5 15/16"	BOTTOM TRACK

22-3068

Jewish Home for the Aging

1885 Victory Blvd. Reseda, CA

FrameMax, Inc.
13915 Danielson St
Suite 100
Poway, CA 92064
www.frame-max.com



© FrameMax Inc.

CREATED: 11/19/2008

FM-07-109

CREATED BY: TNT

HEIGHT : 2'-9 1/2" POINTS: 0.43 Points.

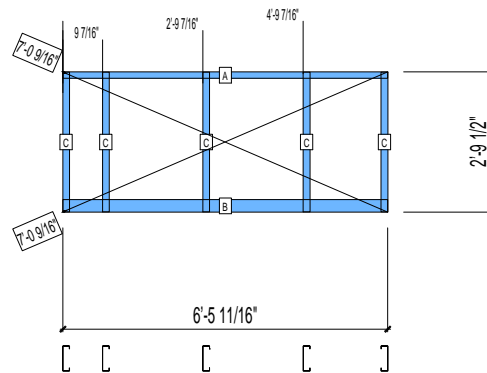
SPACING : 24"

1st STUD: 10 5/16"

WEIGHTS :

FRAME : 32 lbs

TOTAL: 32 lbs



PIECES LIST

LABEL	QTY	SIZE	LENGTH	USE
A	1	600T150-33	6'-5 11/16"	TOP TRACK
B	1	600T300-33	6'-5 11/16"	BOTTOM TRACK
C	5	600S162-33	2'-9 3/8"	STUD

22-3069

Jewish Home for the Aging

1885 Victory Blvd. Reseda, CA

FM-07-109

CREATED BY: TNT

FrameMax, Inc.
13915 Danielson St
Suite 100
Poway, CA 92064
www.frame-max.com



© FrameMax Inc.

HEIGHT : 9'-4 7/16" POINTS: 1.16 Points.

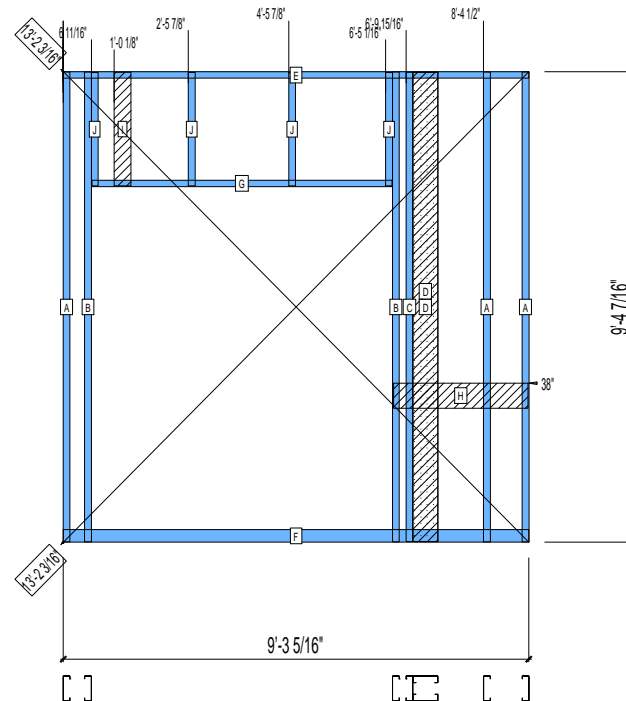
SPACING : 24"

1st STUD: 5 5/16"

WEIGHTS :

FRAME : 133 lbs

TOTAL: 133 lbs



PIECES LIST

LABEL	QTY	SIZE	LENGTH	USE
A	3	600S162-33	9'-4 5/16"	STUD
B	2	600S162-33	9'-4 5/16"	KING STUD
C	1	600S162-33	9'-4 3/16"	BACKER STUD
D	2	600S162-33	9'-4 3/16"	BACKER-U
E	1	600T150-33	9'-3 5/16"	TOP TRACK
F	1	600T300-33	9'-3 5/16"	BOTTOM TRACK
G	1	600T150-33	5'-11 3/4"	HEAD TRACK
H	1	600D-54	2'-8 1/8"	VANITY BACKING
I	1	400S162-33	2'-3 1/8"	BACKER-U
J	4	600S162-33	2'-3 1/16"	CRIPPLE

22-3070

Jewish Home for the Aging

1885 Victory Blvd. Reseda, CA

FM-07-109

CREATED BY: TNT

FrameMax, Inc.
13915 Danielson St
Suite 100
Poway, CA 92064
www.frame-max.com



© FrameMax Inc.

HEIGHT : 9'-4 7/16" POINTS: 0.39 Points.

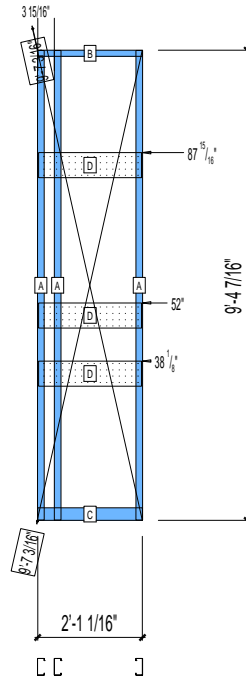
SPACING : 24"

1st STUD: 24"

WEIGHTS :

FRAME : 38 lbs

TOTAL: 38 lbs



PIECES LIST

LABEL	QTY	SIZE	LENGTH	USE
A	3	400S162-33	9'-4 5/16"	STUD
B	1	400T150-33	2'-1 1/16"	TOP TRACK
C	1	400T300-33	2'-1 1/16"	BOTTOM TRACK
D	3	600D-54	2'-0 5/8"	KITCHEN BACKING

22-3071

Jewish Home for the Aging

1885 Victory Blvd. Reseda, CA

FrameMax, Inc.
13915 Danielson St
Suite 100
Poway, CA 92064
www.frame-max.com



© FrameMax Inc.

CREATED: 11/19/2008

FM-07-109

CREATED BY: TNT

HEIGHT : 9'-4 7/16" POINTS: 0.28 Points.

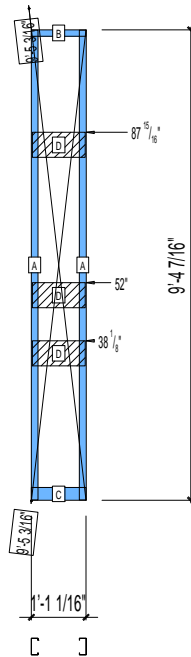
SPACING : 24"

1st STUD: 24"

WEIGHTS :

FRAME : 23 lbs

TOTAL: 23 lbs



PIECES LIST

LABEL	QTY	SIZE	LENGTH	USE
A	2	400S162-33	9'-4 5/16"	STUD
B	1	400T150-33	1'-1 1/16"	TOP TRACK
C	1	400T300-33	1'-1 1/16"	BOTTOM TRACK
D	3	600D-54	1'-0 5/8"	KITCHEN BACKING

22-3072

Jewish Home for the Aging

1885 Victory Blvd. Reseda, CA

FrameMax, Inc.
13915 Danielson St
Suite 100
Poway, CA 92064
www.frame-max.com



© FrameMax Inc.

CREATED: 11/19/2008

FM-07-109

CREATED BY: TNT

HEIGHT : 9'-4 7/16" POINTS: 0.25 Points.

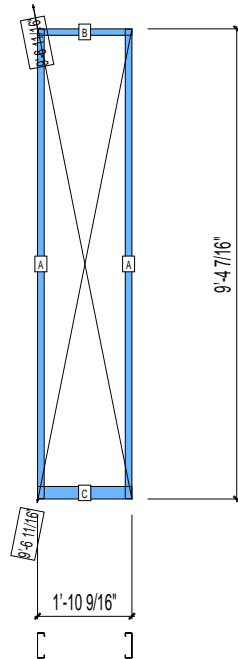
SPACING : 24"

1st STUD: 24"

WEIGHTS :

FRAME : 27 lbs

TOTAL: 27 lbs



PIECES LIST

LABEL	QTY	SIZE	LENGTH	USE
A	2	600S162-33	9'-4 5/16"	STUD
B	1	600T150-33	1'-10 9/16"	TOP TRACK
C	1	600T300-33	1'-10 9/16"	BOTTOM TRACK

22-3073

Jewish Home for the Aging

1885 Victory Blvd. Reseda, CA

FM-07-109

CREATED BY: TNT

FrameMax, Inc.
13915 Danielson St
Suite 100
Poway, CA 92064
www.framemax.com



© FrameMax Inc.

HEIGHT : 9'-4 7/16" POINTS: 0.73 Points.

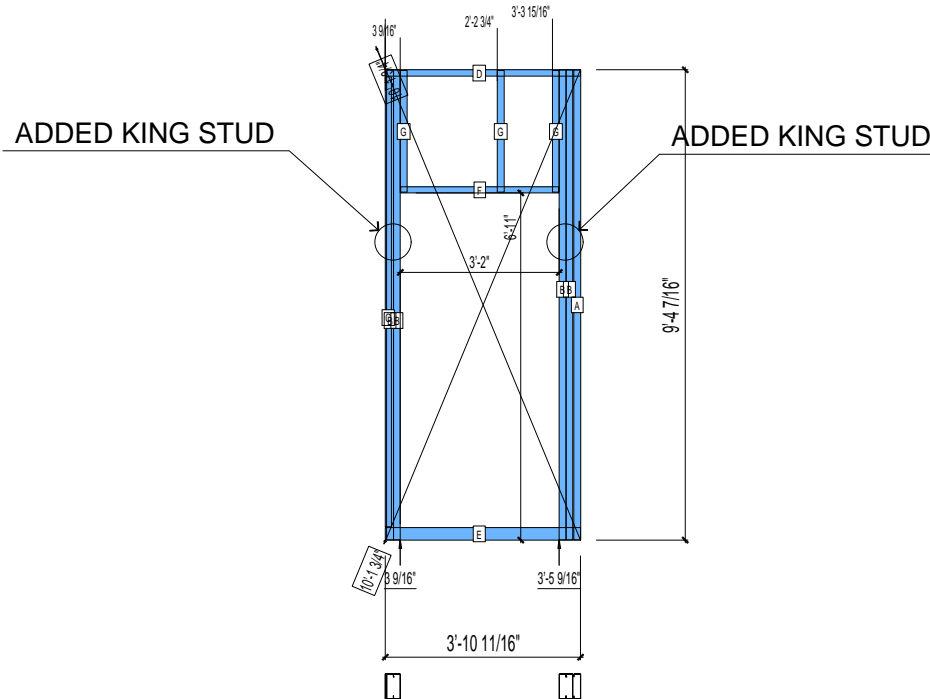
SPACING : 24"

1st STUD: 24"

WEIGHTS :

FRAME : 86 lbs

TOTAL: 86 lbs



PIECES LIST

LABEL	QTY	SIZE	LENGTH	USE
A	1	600S162-33	9'-4 5/16"	STUD
B	4	600S162-33	9'-4 5/16"	KING STUD
C	1	600T150-33	8'-11 9/16"	CAP TRACK
D	1	600T150-33	3'-10 11/16"	TOP TRACK
E	1	600T300-33	3'-10 11/16"	BOTTOM TRACK
F	1	600T150-33	3'-1 3/4"	HEAD TRACK
G	3	600S162-33	2'-5 1/16"	CRIPPLE

22-3074

Jewish Home for the Aging

1885 Victory Blvd. Reseda, CA

FM-07-109

CREATED BY: TNT

FrameMax, Inc.
13915 Danielson St
Suite 100
Poway, CA 92064
www.frame-max.com



© FrameMax Inc.

HEIGHT : 9'-4 7/16" POINTS: 0.86 Points.

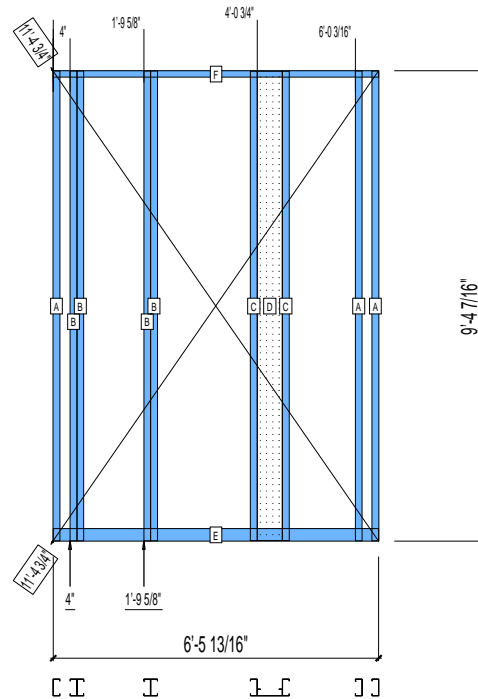
SPACING : 24"

1st STUD: 24"

WEIGHTS :

FRAME : 102 lbs

TOTAL: 102 lbs



PIECES LIST

LABEL	QTY	SIZE	LENGTH	USE
A	3	400S162-33	9'-4 5/16"	STUD
B	4	400S162-33	9'-4 5/16"	EXTRA STUD
C	2	400S162-33	9'-4 3/16"	BACKER STUD
D	1	600S162-33	9'-4 3/16"	BACKER-U
E	1	400T300-33	6'-5 13/16"	BOTTOM TRACK
F	1	400T150-33	6'-5 13/16"	TOP TRACK

22-3075

Jewish Home for the Aging

1885 Victory Blvd. Reseda, CA

FM-07-109

CREATED BY: TNT

FrameMax, Inc.
13915 Danielson St
Suite 100
Poway, CA 92064
www.frame-max.com



© FrameMax Inc.

HEIGHT : 9'-4 7/16" POINTS: 0.72 Points.

SPACING : 24"

1st STUD: 16"

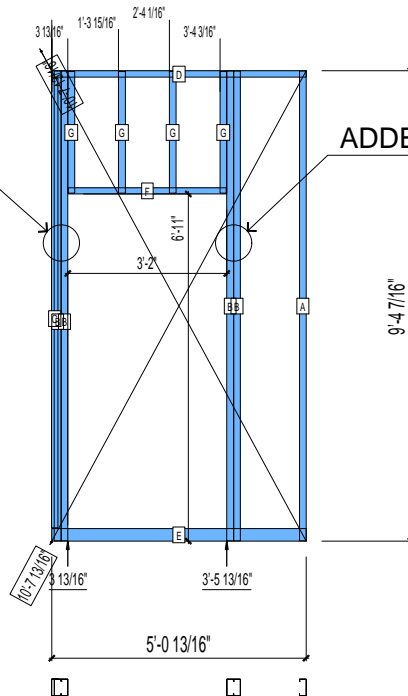
WEIGHTS :

FRAME : 73 lbs

TOTAL: 73 lbs

ADDED KING STUD
REMOVED END STUD

ADDED KING STUD



PIECES LIST

LABEL	QTY	SIZE	LENGTH	USE
A	1	400S162-33	9'-4 5/16"	STUD
B	4	400S162-33	9'-4 5/16"	KING STUD
C	1	400T150-33	8'-11 9/16"	CAP TRACK
D	1	400T150-33	5'-0 13/16"	TOP TRACK
E	1	400T300-33	5'-0 13/16"	BOTTOM TRACK
F	1	400T150-33	3'-1 3/4"	HEAD TRACK
G	4	400S162-33	2'-5 1/16"	CRIPPLE

22-3076

Jewish Home for the Aging

1885 Victory Blvd. Reseda, CA

FrameMax, Inc.
13915 Danielson St
Suite 100
Poway, CA 92064
www.frame-max.com



© FrameMax Inc.

CREATED: 11/19/2008

FM-07-109

CREATED BY: TNT

HEIGHT : 9'-4 7/16" POINTS: 0.34 Points.

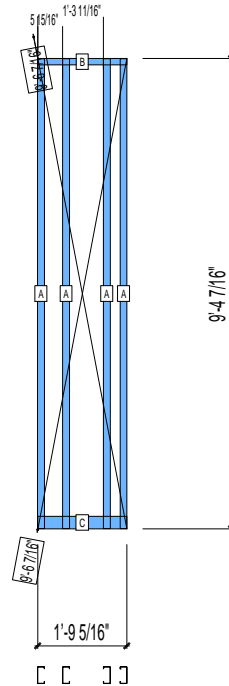
SPACING : 24"

1st STUD: 24"

WEIGHTS :

FRAME : 38 lbs

TOTAL: 38 lbs



PIECES LIST

LABEL	QTY	SIZE	LENGTH	USE
A	4	400S162-33	9'-4 5/16"	STUD
B	1	400T150-33	1'-9 5/16"	TOP TRACK
C	1	400T300-33	1'-9 5/16"	BOTTOM TRACK

22-3077

Jewish Home for the Aging

1885 Victory Blvd. Reseda, CA

FM-07-109

CREATED BY: TNT

FrameMax, Inc.
13915 Danielson St
Suite 100
Poway, CA 92064
www.frame-max.com



© FrameMax Inc.

HEIGHT : 9'-5 3/16" POINTS: 0.50 Points.

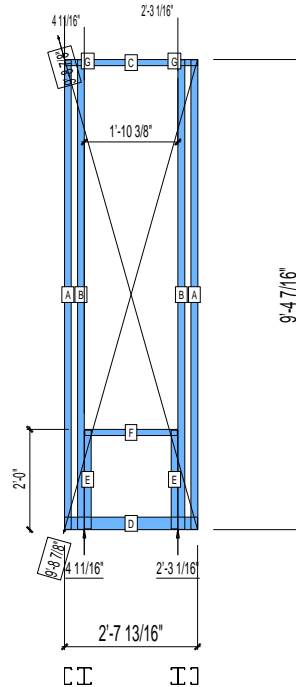
SPACING : 24"

1st STUD: 16"

WEIGHTS :

FRAME : 46 lbs

TOTAL: 46 lbs



PIECES LIST

LABEL	QTY	SIZE	LENGTH	USE
A	2	400S162-33	9'-4 5/16"	STUD
B	2	400S162-33	9'-4 5/16"	KING STUD
C	1	400T150-33	2'-7 13/16"	TOP TRACK
D	1	400T300-33	2'-7 13/16"	BOTTOM TRACK
E	2	400S162-33	1'-11 5/8"	CRIPPLE
F	1	400T150-33	1'-10 1/8"	SILL
G	2	400S162-33	3/8"	CRIPPLE

22-3078

Jewish Home for the Aging

1885 Victory Blvd. Reseda, CA

FM-07-109

CREATED BY: TNT

FrameMax, Inc.
13915 Danielson St
Suite 100
Poway, CA 92064
www.frame-max.com



© FrameMax Inc.

HEIGHT : 9'-4 7/16" POINTS: 0.38 Points.

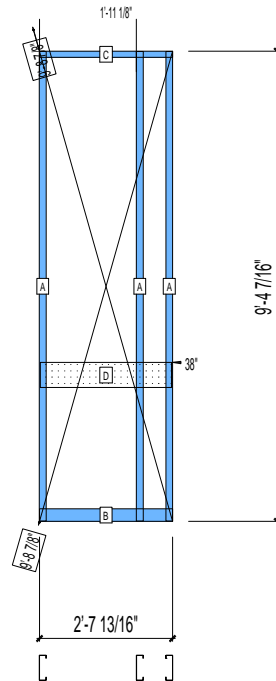
SPACING : 24"

1st STUD: 24"

WEIGHTS :

FRAME : 43 lbs

TOTAL: 43 lbs



PIECES LIST

LABEL	QTY	SIZE	LENGTH	USE
A	3	600S162-33	9'-4 5/16"	STUD
B	1	600T300-33	2'-7 13/16"	BOTTOM TRACK
C	1	600T150-33	2'-7 13/16"	TOP TRACK
D	1	600D-54	2'-7 3/8"	VANITY BACKING

22-3079

Jewish Home for the Aging

1885 Victory Blvd. Reseda, CA

FM-07-109

CREATED BY: TNT

FrameMax, Inc.
13915 Danielson St
Suite 100
Poway, CA 92064
www.frame-max.com



© FrameMax Inc.

HEIGHT : 9'-4 7/16" POINTS: 0.55 Points.

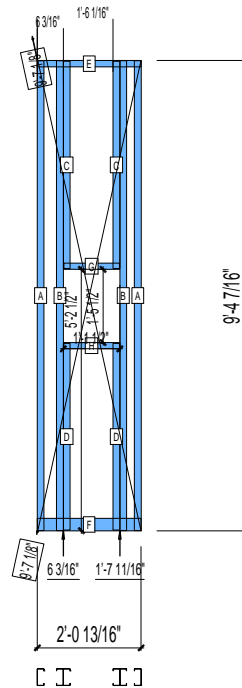
SPACING : 24"

1st STUD: 24"

WEIGHTS :

FRAME : 55 lbs

TOTAL: 55 lbs



PIECES LIST

LABEL	QTY	SIZE	LENGTH	USE
A	2	400S162-33	9'-4 5/16"	STUD
B	2	400S162-33	9'-4 5/16"	KING STUD
C	2	400S162-33	4'-1 9/16"	CRIPPLE
D	2	400S162-33	3'-8 5/8"	CRIPPLE
E	1	400T150-33	2'-0 13/16"	TOP TRACK
F	1	400T300-33	2'-0 13/16"	BOTTOM TRACK
G	1	400T150-33	1'-1 1/4"	HEAD TRACK
H	1	400T150-33	1'-1 1/4"	SILL

22-3080

Jewish Home for the Aging

1885 Victory Blvd. Reseda, CA

FrameMax, Inc.
13915 Danielson St
Suite 100
Poway, CA 92064
www.frame-max.com



© FrameMax Inc.

CREATED: 11/19/2008

FM-07-109

CREATED BY: TNT

HEIGHT : 9'-4 7/16" POINTS: 0.37 Points.

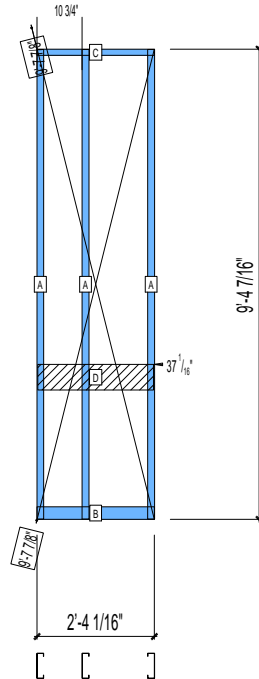
SPACING : 24"

1st STUD: 11 5/8"

WEIGHTS :

FRAME : 43 lbs

TOTAL: 43 lbs



PIECES LIST

LABEL	QTY	SIZE	LENGTH	USE
A	3	600S162-33	9'-4 5/16"	STUD
B	1	600T300-33	2'-4 1/16"	BOTTOM TRACK
C	1	600T150-33	2'-4 1/16"	TOP TRACK
D	1	600T150-54	2'-3 5/8"	GRAB BAR

22-3081

Jewish Home for the Aging

1885 Victory Blvd. Reseda, CA

FM-07-109

CREATED BY: TNT

FrameMax, Inc.
13915 Danielson St
Suite 100
Poway, CA 92064
www.frame-max.com



© FrameMax Inc.

HEIGHT : 9'-4 7/16" POINTS: 0.59 Points.

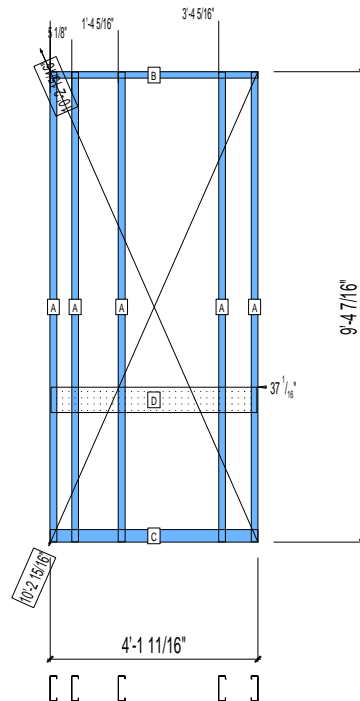
SPACING : 24"

1st STUD: 17 1/8"

WEIGHTS :

FRAME : 72 lbs

TOTAL: 72 lbs



PIECES LIST

LABEL	QTY	SIZE	LENGTH	USE
A	5	600S162-33	9'-4 5/16"	STUD
B	1	600T150-33	4'-1 11/16"	TOP TRACK
C	1	600T300-33	4'-1 11/16"	BOTTOM TRACK
D	1	600T150-54	4'-1 1/4"	GRAB BAR

22-3101

Jewish Home for the Aging

1885 Victory Blvd. Reseda, CA

FM-07-109

CREATED BY: TNT

FrameMax, Inc.
13915 Danielson St
Suite 100
Poway, CA 92064
www.framemax.com



© FrameMax Inc.

HEIGHT : 9'-4 7/16" POINTS: 0.88 Points.

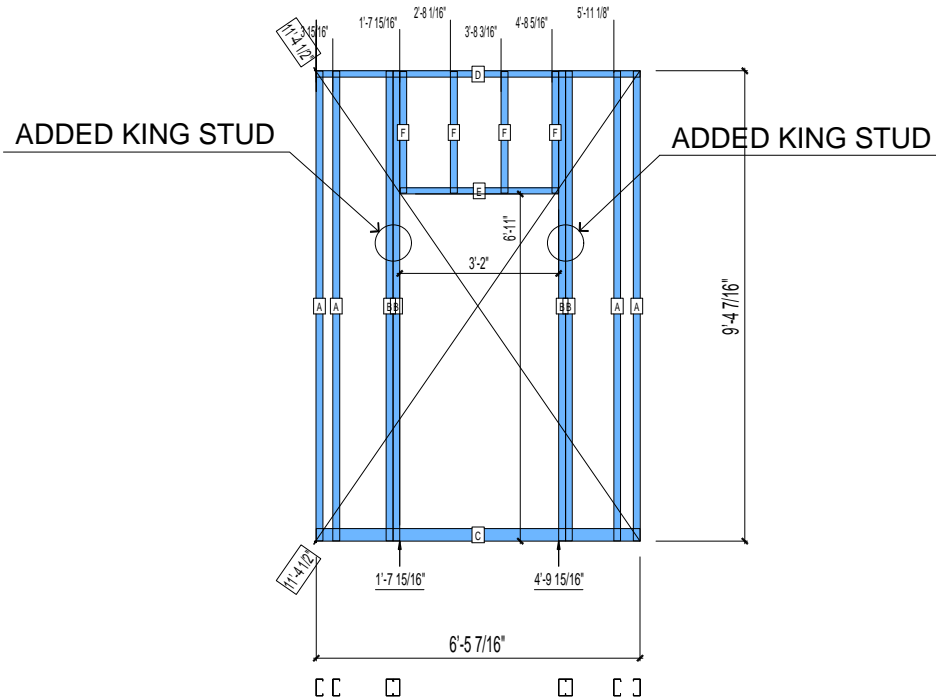
SPACING : 24"

1st STUD: 24"

WEIGHTS :

FRAME : 94 lbs

TOTAL: 94 lbs



PIECES LIST

LABEL	QTY	SIZE	LENGTH	USE
A	4	400S162-33	9'-4 5/16"	STUD
B	4	400S162-33	9'-4 5/16"	KING STUD
C	1	400T300-33	6'-5 7/16"	BOTTOM TRACK
D	1	400T150-33	6'-5 7/16"	TOP TRACK
E	1	400T150-33	3'-1 3/4"	HEAD TRACK
F	4	400S162-33	2'-5 1/16"	CRIPPLE

22-3102

Jewish Home for the Aging

1885 Victory Blvd. Reseda, CA

FrameMax, Inc.
13915 Danielson St
Suite 100
Poway, CA 92064
www.frame-max.com



© FrameMax Inc.

CREATED: 11/19/2008

FM-07-109

CREATED BY: TNT

HEIGHT : 9'-4 7/16" POINTS: 0.44 Points.

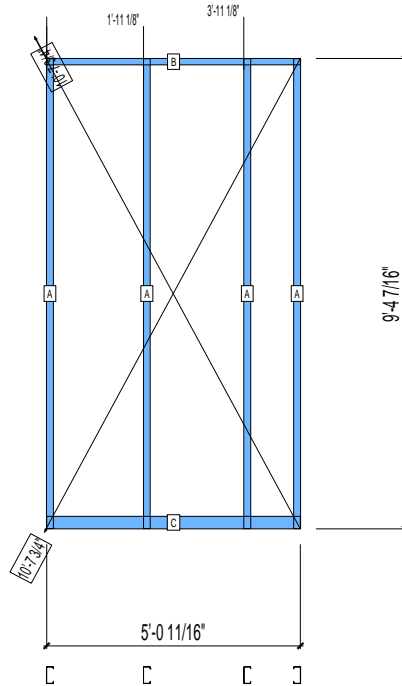
SPACING : 24"

1st STUD: 24"

WEIGHTS :

FRAME : 45 lbs

TOTAL: 45 lbs



PIECES LIST

LABEL	QTY	SIZE	LENGTH	USE
A	4	400S162-33	9'-4 5/16"	STUD
B	1	400T150-33	5'-0 11/16"	TOP TRACK
C	1	400T300-33	5'-0 11/16"	BOTTOM TRACK

22-3103

Jewish Home for the Aging

1885 Victory Blvd. Reseda, CA

FrameMax, Inc.
13915 Danielson St
Suite 100
Poway, CA 92064
www.framemax.com



© FrameMax Inc.

CREATED: 11/19/2008

FM-07-109

CREATED BY: TNT

HEIGHT : 9'-4 7/16" POINTS: 0.41 Points.

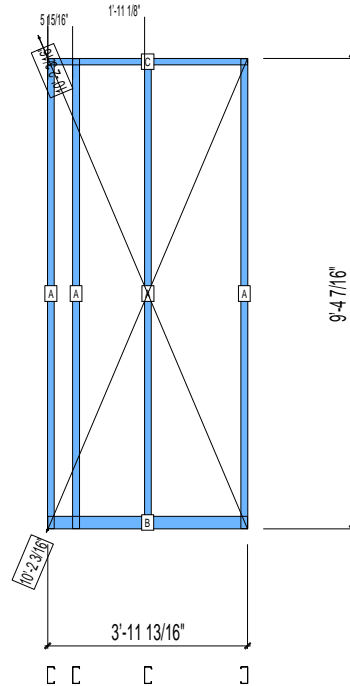
SPACING : 24"

1st STUD: 24"

WEIGHTS :

FRAME : 43 lbs

TOTAL: 43 lbs



PIECES LIST

LABEL	QTY	SIZE	LENGTH	USE
A	4	400S162-33	9'-4 5/16"	STUD
B	1	400T300-33	3'-11 13/16"	BOTTOM TRACK
C	1	400T150-33	3'-11 13/16"	TOP TRACK

22-3104

Jewish Home for the Aging

1885 Victory Blvd. Reseda, CA

FrameMax, Inc.
13915 Danielson St
Suite 100
Poway, CA 92064
www.frame-max.com



© FrameMax Inc.

CREATED: 11/19/2008

FM-07-109

CREATED BY: TNT

HEIGHT : 9'-4 7/16" POINTS: 0.21 Points.

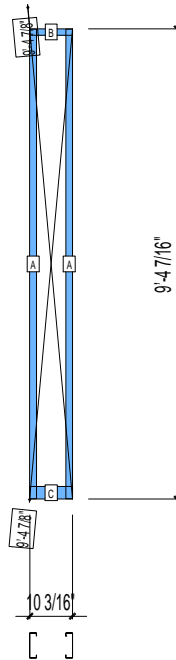
SPACING : 24"

1st STUD: 16"

WEIGHTS :

FRAME : 24 lbs

TOTAL: 24 lbs



PIECES LIST

LABEL	QTY	SIZE	LENGTH	USE
A	2	600S162-33	9'-4 5/16"	STUD
B	1	600T150-33	10 3/16"	TOP TRACK
C	1	600T300-33	10 3/16"	BOTTOM TRACK

22-3105

Jewish Home for the Aging

1885 Victory Blvd. Reseda, CA

FM-07-109

CREATED BY: TNT

FrameMax, Inc.
13915 Danielson St
Suite 100
Poway, CA 92064
www.frame-max.com



© FrameMax Inc.

HEIGHT : 9'-4 7/16" POINTS: 1.59 Points.

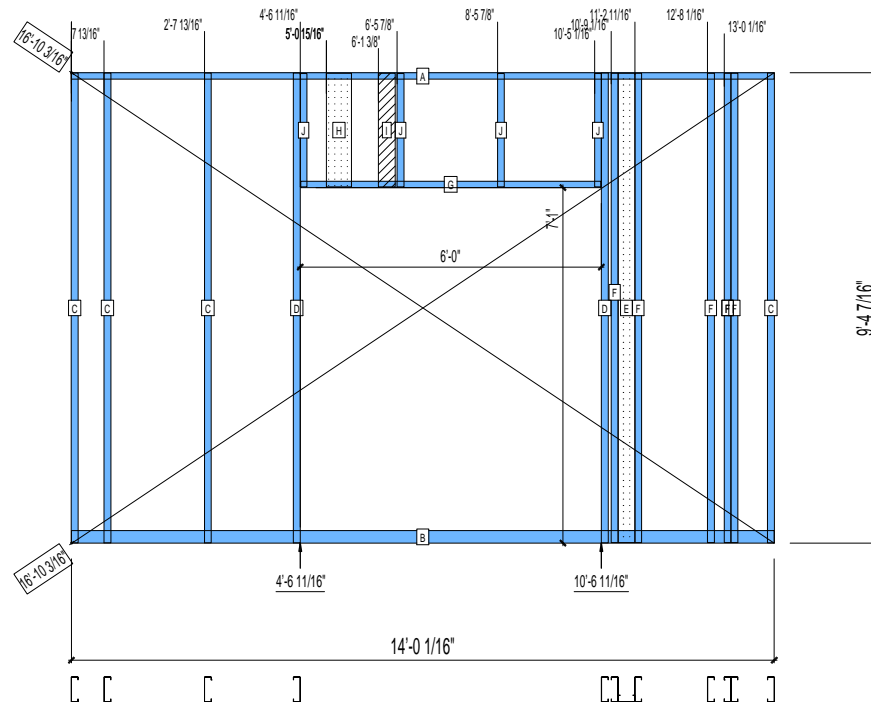
SPACING : 24"

1st STUD: 8 11/16"

WEIGHTS :

FRAME : 186 lbs

TOTAL: 186 lbs



PIECES LIST

LABEL	QTY	SIZE	LENGTH	USE
A	1	600T150-33	14'-0 1/16"	TOP TRACK
B	1	600T300-33	14'-0 1/16"	BOTTOM TRACK
C	4	600S162-33	9'-4 5/16"	STUD
D	2	600S162-33	9'-4 5/16"	KING STUD
E	1	400S162-33	9'-4 3/16"	BACKER-U
F	5	600S162-33	9'-4 3/16"	BACKER STUD
G	1	600T150-33	5'-11 3/4"	HEAD TRACK
H	1	600S162-33	2'-3 1/8"	BACKER-U
I	1	400S162-33	2'-3 1/8"	BACKER-U
J	4	600S162-33	2'-3 1/16"	CRIPPLE

22-3106

Jewish Home for the Aging

1885 Victory Blvd. Reseda, CA

FM-07-109

CREATED BY: TNT

FrameMax, Inc.
13915 Danielson St
Suite 100
Poway, CA 92064
www.frame-max.com



© FrameMax Inc.

HEIGHT : 9'-4 7/16" POINTS: 0.42 Points.

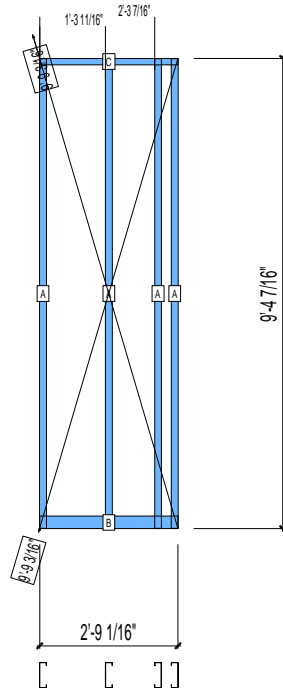
SPACING : 24"

1st STUD: 16 9/16"

WEIGHTS :

FRAME : 51 lbs

TOTAL: 51 lbs



PIECES LIST

LABEL	QTY	SIZE	LENGTH	USE
A	4	600S162-33	9'-4 5/16"	STUD
B	1	600T300-33	2'-9 1/16"	BOTTOM TRACK
C	1	600T150-33	2'-9 1/16"	TOP TRACK

22-3107

Jewish Home for the Aging

1885 Victory Blvd. Reseda, CA

FrameMax, Inc.
13915 Danielson St
Suite 100
Poway, CA 92064
www.frame-max.com



© FrameMax Inc.

CREATED: 11/19/2008

FM-07-109

CREATED BY: TNT

HEIGHT : 9'-4 7/16" POINTS: 0.19 Points.

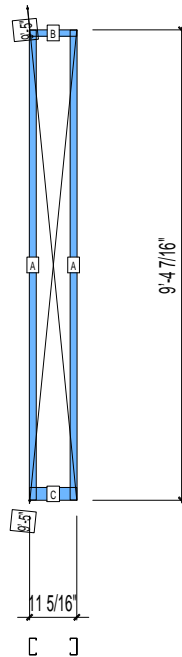
SPACING : 24"

1st STUD: 16"

WEIGHTS :

FRAME : 19 lbs

TOTAL: 19 lbs



PIECES LIST

LABEL	QTY	SIZE	LENGTH	USE
A	2	400S162-33	9'-4 5/16"	STUD
B	1	400T150-33	11 5/16"	TOP TRACK
C	1	400T300-33	11 5/16"	BOTTOM TRACK

22-3108

Jewish Home for the Aging

1885 Victory Blvd. Reseda, CA

FrameMax, Inc.
13915 Danielson St
Suite 100
Poway, CA 92064
www.frame-max.com



© FrameMax Inc.

CREATED: 11/19/2008

FM-07-109

CREATED BY: TNT

HEIGHT : 9'-4 7/16" POINTS: 0.30 Points.

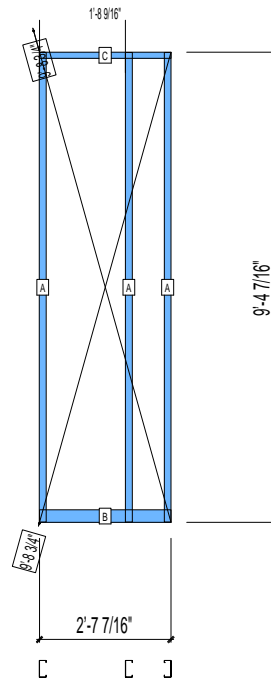
SPACING : 24"

1st STUD: 21 7/16"

WEIGHTS :

FRAME : 31 lbs

TOTAL: 31 lbs



PIECES LIST

LABEL	QTY	SIZE	LENGTH	USE
A	3	400S162-33	9'-4 5/16"	STUD
B	1	400T300-33	2'-7 7/16"	BOTTOM TRACK
C	1	400T150-33	2'-7 7/16"	TOP TRACK

22-3109

Jewish Home for the Aging

1885 Victory Blvd. Reseda, CA

FrameMax, Inc.
13915 Danielson St
Suite 100
Poway, CA 92064
www.frame-max.com



© FrameMax Inc.

CREATED: 11/19/2008

FM-07-109

CREATED BY: TNT

HEIGHT : 9'-4 7/16" POINTS: 0.43 Points.

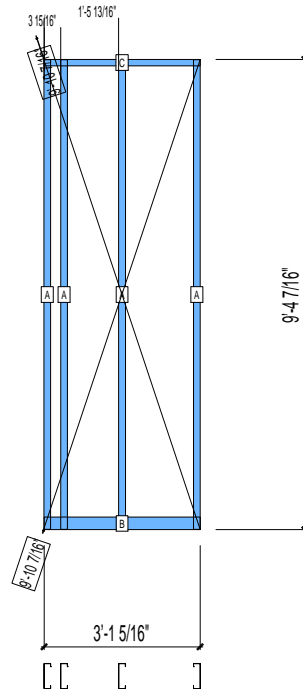
SPACING : 24"

1st STUD: 18 11/16"

WEIGHTS :

FRAME : 52 lbs

TOTAL: 52 lbs



PIECES LIST

LABEL	QTY	SIZE	LENGTH	USE
A	4	600S162-33	9'-4 5/16"	STUD
B	1	600T300-33	3'-1 5/16"	BOTTOM TRACK
C	1	600T150-33	3'-1 5/16"	TOP TRACK

22-3110

Jewish Home for the Aging

1885 Victory Blvd. Reseda, CA

FM-07-109

CREATED BY: TNT

FrameMax, Inc.
13915 Danielson St
Suite 100
Poway, CA 92064
www.frame-max.com



© FrameMax Inc.

HEIGHT : 9'-4 7/16" POINTS: 1.01 Points.

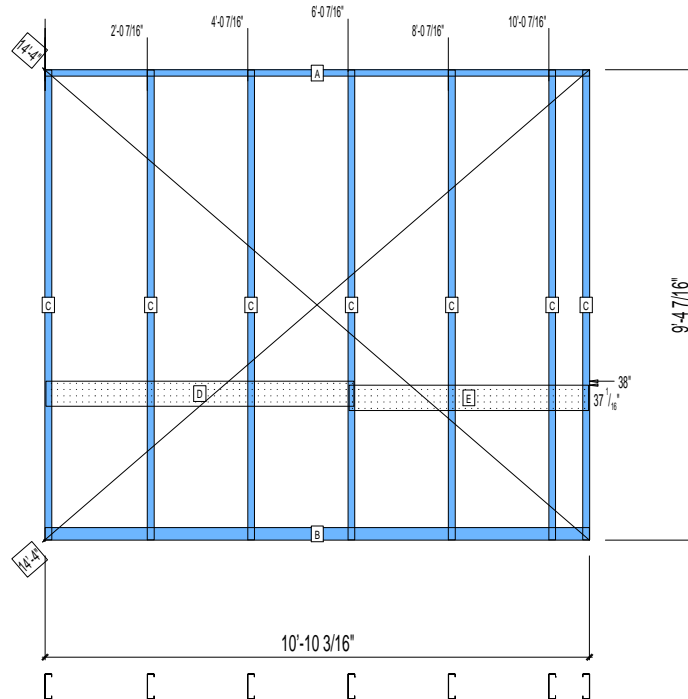
SPACING : 24"

1st STUD: 1 5/16"

WEIGHTS :

FRAME : 119 lbs

TOTAL: 119 lbs



PIECES LIST

LABEL	QTY	SIZE	LENGTH	USE
A	1	600T150-33	10'-10 3/16"	TOP TRACK
B	1	600T300-33	10'-10 3/16"	BOTTOM TRACK
C	7	600S162-33	9'-4 5/16"	STUD
D	1	600D-54	6'-1 5/8"	VANITY BACKING
E	1	600T150-54	4'-9 1/4"	GRAB BAR

22-3111

Jewish Home for the Aging

1885 Victory Blvd. Reseda, CA

FrameMax, Inc.
13915 Danielson St
Suite 100
Poway, CA 92064
www.frame-max.com



© FrameMax Inc.

CREATED: 11/19/2008

FM-07-109

CREATED BY: TNT

HEIGHT : 9'-4 7/16" POINTS: 0.30 Points.

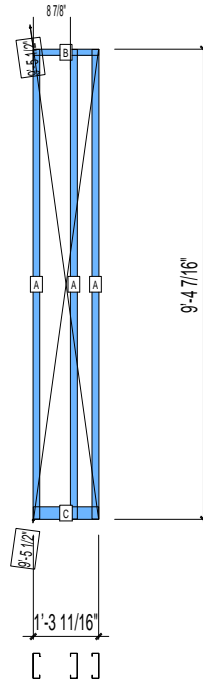
SPACING : 24"

1st STUD: 24"

WEIGHTS :

FRAME : 36 lbs

TOTAL: 36 lbs



PIECES LIST

LABEL	QTY	SIZE	LENGTH	USE
A	3	600S162-33	9'-4 5/16"	STUD
B	1	600T150-33	1'-3 11/16"	TOP TRACK
C	1	600T300-33	1'-3 11/16"	BOTTOM TRACK

22-3112

Jewish Home for the Aging

1885 Victory Blvd. Reseda, CA

FrameMax, Inc.
13915 Danielson St
Suite 100
Poway, CA 92064
www.frame-max.com



© FrameMax Inc.

CREATED: 11/19/2008

FM-07-109

CREATED BY: TNT

HEIGHT : 9'-5 3/16" POINTS: 0.50 Points.

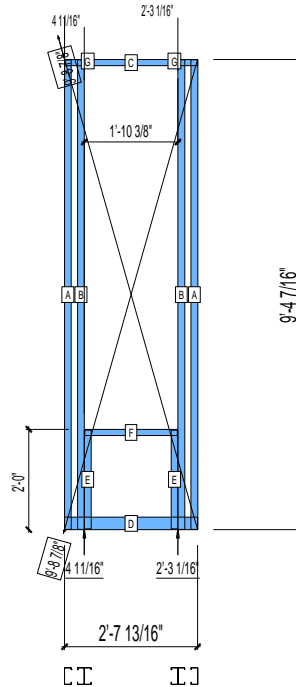
SPACING : 24"

1st STUD: 24"

WEIGHTS :

FRAME : 46 lbs

TOTAL: 46 lbs



PIECES LIST

LABEL	QTY	SIZE	LENGTH	USE
A	2	400S162-33	9'-4 5/16"	STUD
B	2	400S162-33	9'-4 5/16"	KING STUD
C	1	400T150-33	2'-7 13/16"	TOP TRACK
D	1	400T300-33	2'-7 13/16"	BOTTOM TRACK
E	2	400S162-33	1'-11 5/8"	CRIPPLE
F	1	400T150-33	1'-10 1/8"	SILL
G	2	400S162-33	3/8"	CRIPPLE

22-3113

Jewish Home for the Aging

1885 Victory Blvd. Reseda, CA

FM-07-109

CREATED BY: TNT

FrameMax, Inc.
13915 Danielson St
Suite 100
Poway, CA 92064
www.frame-max.com



© FrameMax Inc.

HEIGHT : 9'-4 7/16" POINTS: 0.70 Points.

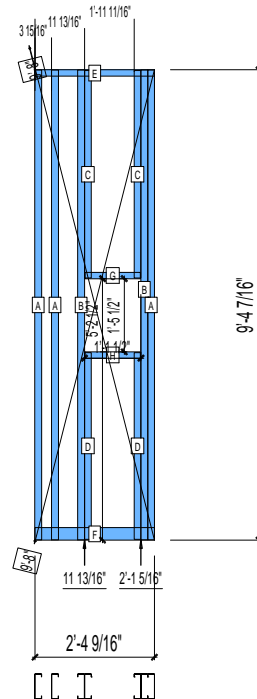
SPACING : 24"

1st STUD: 24"

WEIGHTS :

FRAME : 81 lbs

TOTAL: 81 lbs



PIECES LIST

LABEL	QTY	SIZE	LENGTH	USE
A	3	600S162-33	9'-4 5/16"	STUD
B	2	600S162-33	9'-4 5/16"	KING STUD
C	2	600S162-33	4'-1 9/16"	CRIPPLE
D	2	600S162-33	3'-8 5/8"	CRIPPLE
E	1	600T150-33	2'-4 9/16"	TOP TRACK
F	1	600T300-33	2'-4 9/16"	BOTTOM TRACK
G	1	600T150-33	1'-1 1/4"	HEAD TRACK
H	1	600T150-33	1'-1 1/4"	SILL

22-3114

Jewish Home for the Aging

1885 Victory Blvd. Reseda, CA

FrameMax, Inc.
13915 Danielson St
Suite 100
Poway, CA 92064
www.frame-max.com



© FrameMax Inc.

CREATED: 11/19/2008

FM-07-109

CREATED BY: TNT

HEIGHT : 9'-4 7/16" POINTS: 0.30 Points.

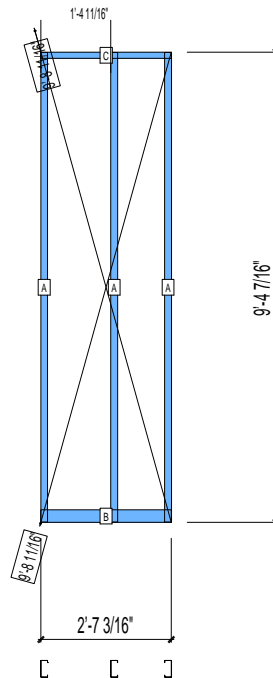
SPACING : 24"

1st STUD: 17 9/16"

WEIGHTS :

FRAME : 31 lbs

TOTAL: 31 lbs



PIECES LIST

LABEL	QTY	SIZE	LENGTH	USE
A	3	400S162-33	9'-4 5/16"	STUD
B	1	400T300-33	2'-7 3/16"	BOTTOM TRACK
C	1	400T150-33	2'-7 3/16"	TOP TRACK

22-3115

Jewish Home for the Aging

1885 Victory Blvd. Reseda, CA

FM-07-109

CREATED BY: TNT

FrameMax, Inc.
13915 Danielson St
Suite 100
Poway, CA 92064
www.framemax.com



© FrameMax Inc.

HEIGHT : 9'-4 7/16" POINTS: 0.77 Points.

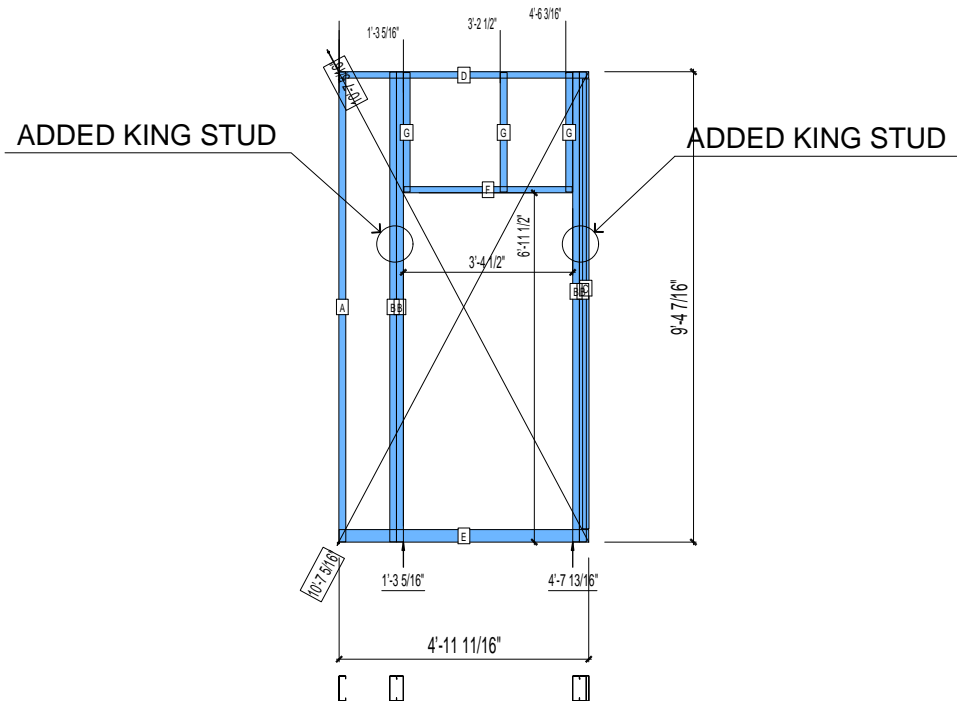
SPACING : 24"

1st STUD: 16"

WEIGHTS :

FRAME : 89 lbs

TOTAL: 89 lbs



PIECES LIST

LABEL	QTY	SIZE	LENGTH	USE
A	1	600S162-33	9'-4 5/16"	STUD
B	4	600S162-33	9'-4 5/16"	KING STUD
C	1	600T150-33	8'-11 9/16"	CAP TRACK
D	1	600T150-33	4'-11 11/16"	TOP TRACK
E	1	600T300-33	4'-11 11/16"	BOTTOM TRACK
F	1	600T150-33	3'-4 1/4"	HEAD TRACK
G	3	600S162-33	2'-4 9/16"	CRIPPLE

22-3116

Jewish Home for the Aging

1885 Victory Blvd. Reseda, CA

FrameMax, Inc.
13915 Danielson St
Suite 100
Poway, CA 92064
www.frame-max.com



© FrameMax Inc.

CREATED: 11/19/2008

FM-07-109

CREATED BY: TNT

HEIGHT : 9'-4 7/16" POINTS: 0.39 Points.

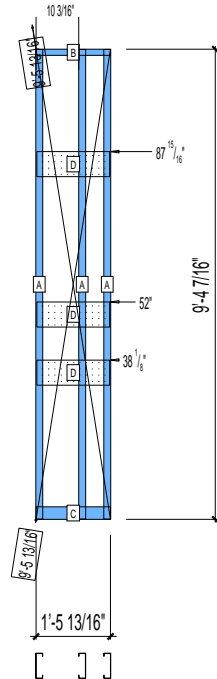
SPACING : 24"

1st STUD: 24"

WEIGHTS :

FRAME : 42 lbs

TOTAL: 42 lbs



PIECES LIST

LABEL	QTY	SIZE	LENGTH	USE
A	3	600S162-33	9'-4 5/16"	STUD
B	1	600T150-33	1'-5 13/16"	TOP TRACK
C	1	600T300-33	1'-5 13/16"	BOTTOM TRACK
D	3	600D-54	1'-5 3/8"	KITCHEN BACKING

22-3117

Jewish Home for the Aging

1885 Victory Blvd. Reseda, CA

FrameMax, Inc.
13915 Danielson St
Suite 100
Poway, CA 92064
www.frame-max.com



© FrameMax Inc.

CREATED: 11/19/2008

FM-07-109

CREATED BY: TNT

HEIGHT : 9'-5 3/16" POINTS: 0.48 Points.

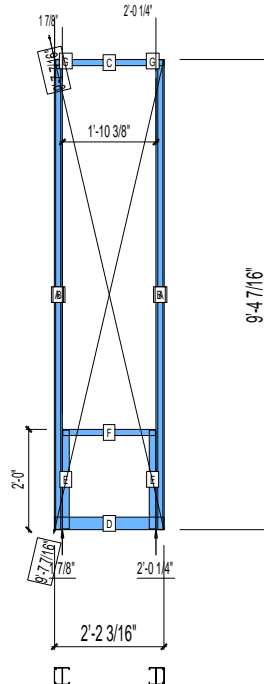
SPACING : 24"

1st STUD: 16"

WEIGHTS :

FRAME : 43 lbs

TOTAL: 43 lbs



PIECES LIST

LABEL	QTY	SIZE	LENGTH	USE
A	2	400T150-33	9'-4 3/8"	CAP TRACK
B	2	400S162-33	9'-4 5/16"	KING STUD
C	1	400T150-33	2'-2 3/16"	TOP TRACK
D	1	400T300-33	2'-2 3/16"	BOTTOM TRACK
E	2	400S162-33	1'-11 5/8"	CRIPPLE
F	1	400T150-33	1'-10 1/8"	SILL
G	2	400S162-33	3/8"	CRIPPLE

22-3118

Jewish Home for the Aging

1885 Victory Blvd. Reseda, CA

FrameMax, Inc.
13915 Danielson St
Suite 100
Poway, CA 92064
www.frame-max.com



© FrameMax Inc.

CREATED: 11/19/2008

FM-07-109

CREATED BY: TNT

HEIGHT : 9'-4 7/16" POINTS: 0.35 Points.

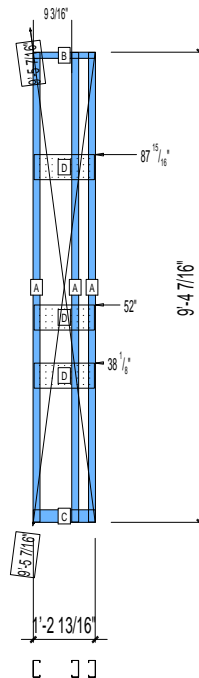
SPACING : 24"

1st STUD: 24"

WEIGHTS :

FRAME : 33 lbs

TOTAL: 33 lbs



PIECES LIST

LABEL	QTY	SIZE	LENGTH	USE
A	3	400S162-33	9'-4 5/16"	STUD
B	1	400T150-33	1'-2 13/16"	TOP TRACK
C	1	400T300-33	1'-2 13/16"	BOTTOM TRACK
D	3	600D-54	1'-2 3/8"	KITCHEN BACKING

22-3119

Jewish Home for the Aging

1885 Victory Blvd. Reseda, CA

FrameMax, Inc.
13915 Danielson St
Suite 100
Poway, CA 92064
www.frame-max.com



© FrameMax Inc.

CREATED: 11/19/2008

FM-07-109

CREATED BY: TNT

HEIGHT : 2'-9 1/2" POINTS: 0.25 Points.

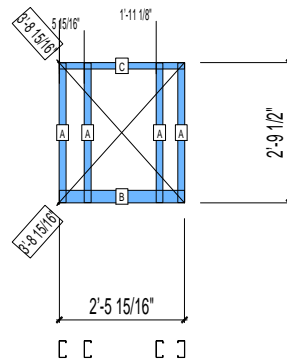
SPACING : 24"

1st STUD: 24"

WEIGHTS :

FRAME : 15 lbs

TOTAL: 15 lbs



PIECES LIST

LABEL	QTY	SIZE	LENGTH	USE
A	4	400S162-33	2'-9 3/8"	STUD
B	1	400T300-33	2'-5 15/16"	BOTTOM TRACK
C	1	400T150-33	2'-5 15/16"	TOP TRACK

22-3120

Jewish Home for the Aging

1885 Victory Blvd. Reseda, CA

FM-07-109

CREATED BY: TNT

FrameMax, Inc.
13915 Danielson St
Suite 100
Poway, CA 92064
www.frame-max.com



© FrameMax Inc.

HEIGHT : 2'-9 1/2" POINTS: 0.35 Points.

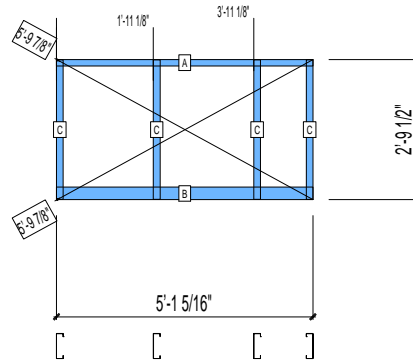
SPACING : 24"

1st STUD: 24"

WEIGHTS :

FRAME : 26 lbs

TOTAL: 26 lbs



PIECES LIST

LABEL	QTY	SIZE	LENGTH	USE
A	1	600T150-33	5'-1 5/16"	TOP TRACK
B	1	600T300-33	5'-1 5/16"	BOTTOM TRACK
C	4	600S162-33	2'-9 3/8"	STUD

22-3121

Jewish Home for the Aging

1885 Victory Blvd. Reseda, CA

FrameMax, Inc.
13915 Danielson St
Suite 100
Poway, CA 92064
www.frame-max.com



© FrameMax Inc.

CREATED: 11/19/2008

FM-07-109

CREATED BY: TNT

HEIGHT : 9'-4 7/16" POINTS: 0.91 Points.

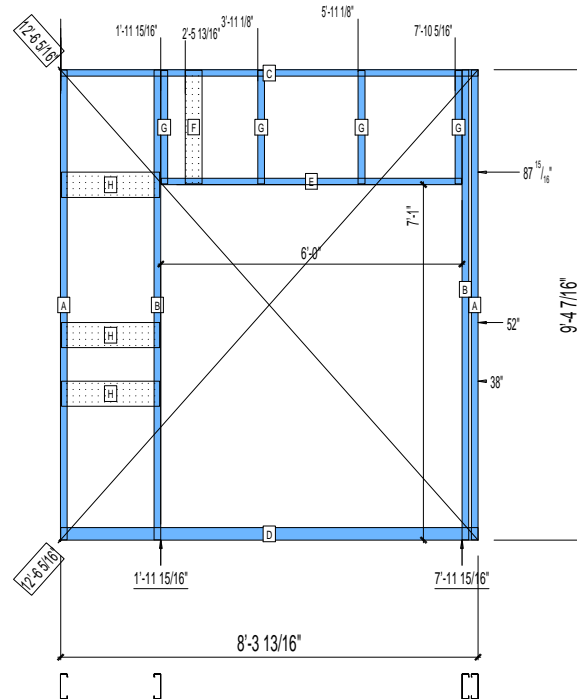
SPACING : 24"

1st STUD: 13/16"

WEIGHTS :

FRAME : 91 lbs

TOTAL: 91 lbs



PIECES LIST

LABEL	QTY	SIZE	LENGTH	USE
A	2	600S162-33	9'-4 5/16"	STUD
B	2	600S162-33	9'-4 5/16"	KING STUD
C	1	600T150-33	8'-3 13/16"	TOP TRACK
D	1	600T300-33	8'-3 13/16"	BOTTOM TRACK
E	1	600T150-33	5'-11 3/4"	HEAD TRACK
F	1	400S162-33	2'-3 1/8"	BACKER-U
G	4	600S162-33	2'-3 1/16"	CRIPPLE
H	3	600D-54	1'-11 1/2"	KITCHEN BACKING

22-3122

Jewish Home for the Aging

1885 Victory Blvd. Reseda, CA

FrameMax, Inc.
13915 Danielson St
Suite 100
Poway, CA 92064
www.frame-max.com



© FrameMax Inc.

CREATED: 11/19/2008

FM-07-109

CREATED BY: TNT

HEIGHT : 9'-4 7/16" POINTS: 0.32 Points.

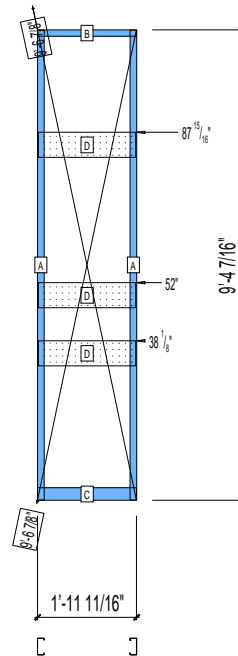
SPACING : 24"

1st STUD: 24"

WEIGHTS :

FRAME : 28 lbs

TOTAL: 28 lbs



PIECES LIST

LABEL	QTY	SIZE	LENGTH	USE
A	2	400S162-33	9'-4 5/16"	STUD
B	1	400T150-33	1'-11 11/16"	TOP TRACK
C	1	400T300-33	1'-11 11/16"	BOTTOM TRACK
D	3	600D-54	1'-11 1/4"	KITCHEN BACKING

22-3123

Jewish Home for the Aging

1885 Victory Blvd. Reseda, CA

FrameMax, Inc.
13915 Danielson St
Suite 100
Poway, CA 92064
www.frame-max.com



© FrameMax Inc.

CREATED: 11/19/2008

FM-07-109

CREATED BY: TNT

HEIGHT : 9'-4 7/16" POINTS: 0.35 Points.

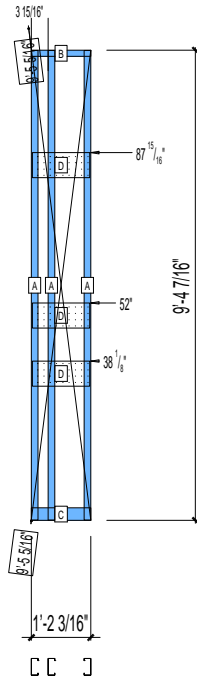
SPACING : 24"

1st STUD: 24"

WEIGHTS :

FRAME : 33 lbs

TOTAL: 33 lbs



PIECES LIST

LABEL	QTY	SIZE	LENGTH	USE
A	3	400S162-33	9'-4 5/16"	STUD
B	1	400T150-33	1'-2 3/16"	TOP TRACK
C	1	400T300-33	1'-2 3/16"	BOTTOM TRACK
D	3	600D-54	1'-1 3/4"	KITCHEN BACKING

22-3124

Jewish Home for the Aging

1885 Victory Blvd. Reseda, CA

FrameMax, Inc.
13915 Danielson St
Suite 100
Poway, CA 92064
www.frame-max.com



© FrameMax Inc.

CREATED: 11/19/2008

FM-07-109

CREATED BY: TNT

HEIGHT : 9'-4 7/16" POINTS: 0.31 Points.

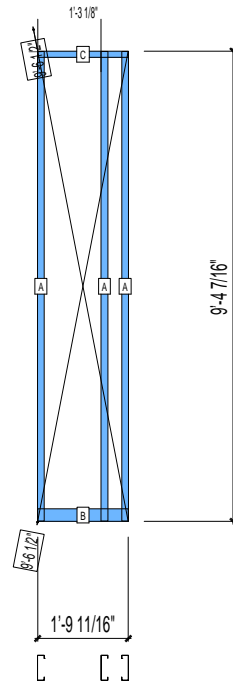
SPACING : 24"

1st STUD: 16"

WEIGHTS :

FRAME : 37 lbs

TOTAL: 37 lbs



PIECES LIST

LABEL	QTY	SIZE	LENGTH	USE
A	3	600S162-33	9'-4 5/16"	STUD
B	1	600T300-33	1'-9 11/16"	BOTTOM TRACK
C	1	600T150-33	1'-9 11/16"	TOP TRACK

22-3125

Jewish Home for the Aging

1885 Victory Blvd. Reseda, CA

FM-07-109

CREATED BY: TNT

FrameMax, Inc.
13915 Danielson St
Suite 100
Poway, CA 92064
www.frame-max.com



© FrameMax Inc.

HEIGHT : 9'-4 7/16" POINTS: 0.74 Points.

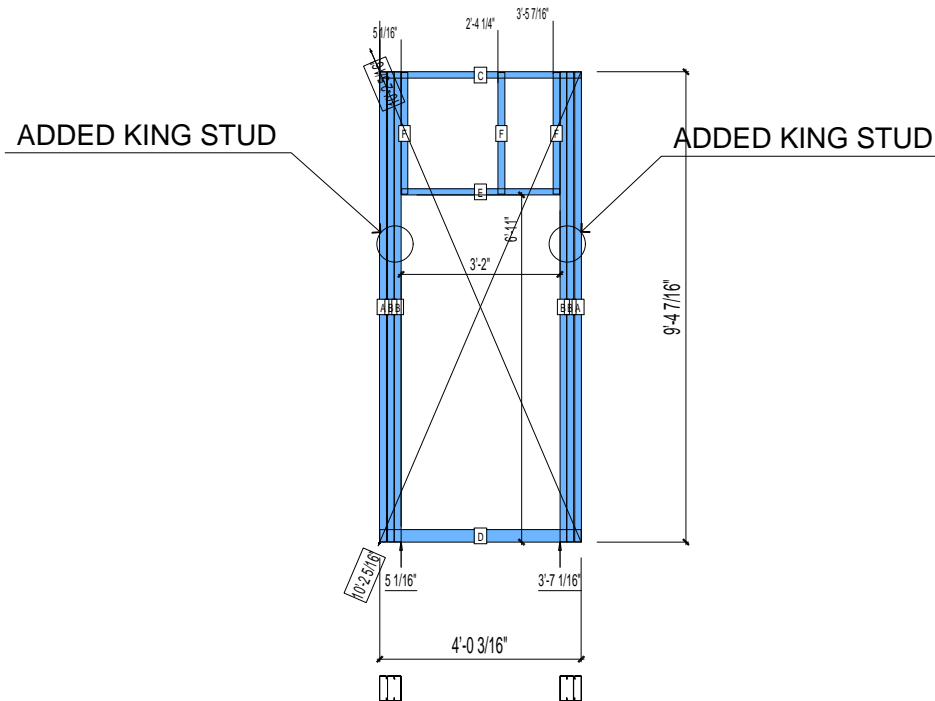
SPACING : 24"

1st STUD: 24"

WEIGHTS :

FRAME : 88 lbs

TOTAL: 88 lbs



PIECES LIST

LABEL	QTY	SIZE	LENGTH	USE
A	2	600S162-33	9'-4 5/16"	STUD
B	4	600S162-33	9'-4 5/16"	KING STUD
C	1	600T150-33	4'-0 3/16"	TOP TRACK
D	1	600T300-33	4'-0 3/16"	BOTTOM TRACK
E	1	600T150-33	3'-1 3/4"	HEAD TRACK
F	3	600S162-33	2'-5 1/16"	CRIPPLE

22-3126

Jewish Home for the Aging

1885 Victory Blvd. Reseda, CA

FM-07-109

CREATED BY: TNT

FrameMax, Inc.
13915 Danielson St
Suite 100
Poway, CA 92064
www.frame-max.com



© FrameMax Inc.

HEIGHT : 9'-4 7/16" POINTS: 1.17 Points.

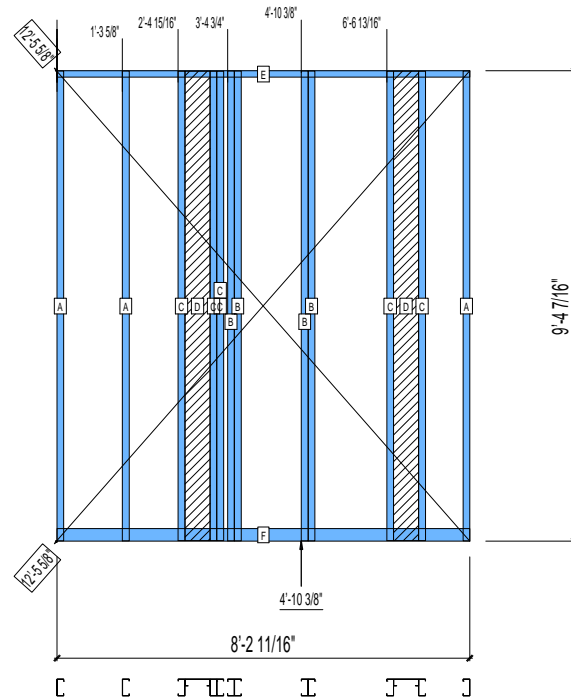
SPACING : 24"

1st STUD: 16 1/2"

WEIGHTS :

FRAME : 143 lbs

TOTAL: 143 lbs



PIECES LIST

LABEL	QTY	SIZE	LENGTH	USE
A	3	400S162-33	9'-4 5/16"	STUD
B	4	400S162-33	9'-4 5/16"	EXTRA STUD
C	5	400S162-33	9'-4 3/16"	BACKER STUD
D	2	600S162-33	9'-4 3/16"	BACKER-U
E	1	400T150-33	8'-2 11/16"	TOP TRACK
F	1	400T300-33	8'-2 11/16"	BOTTOM TRACK

22-3127

Jewish Home for the Aging

1885 Victory Blvd. Reseda, CA

FM-07-109

CREATED BY: TNT

FrameMax, Inc.
13915 Danielson St
Suite 100
Poway, CA 92064
www.framemax.com



© FrameMax Inc.

HEIGHT : 9'-4 7/16" POINTS: 0.79 Points.

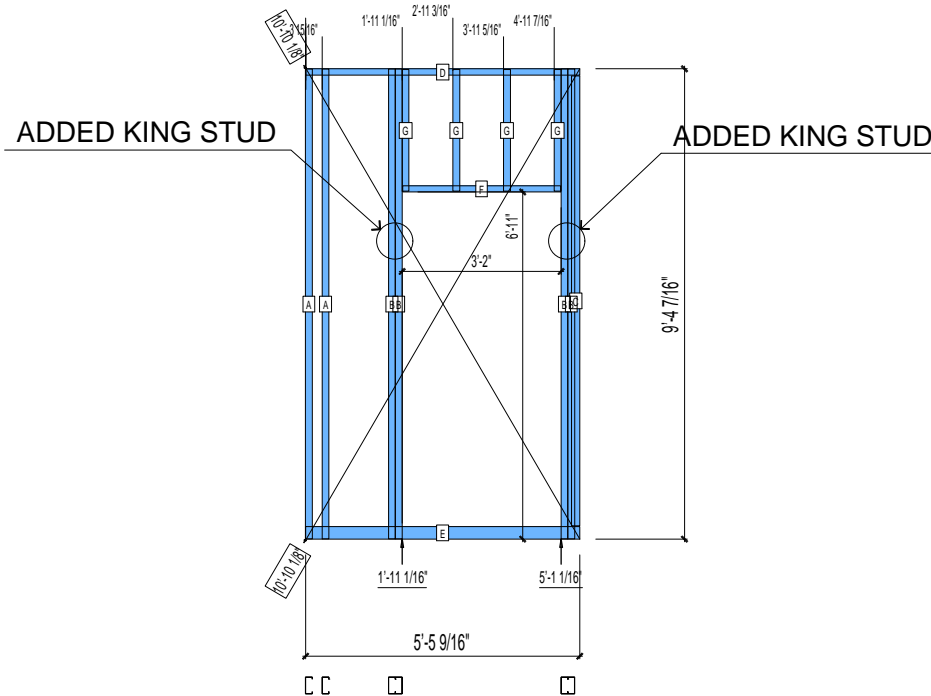
SPACING : 24"

1st STUD: 24"

WEIGHTS :

FRAME : 83 lbs

TOTAL: 83 lbs



PIECES LIST

LABEL	QTY	SIZE	LENGTH	USE
A	2	400S162-33	9'-4 5/16"	STUD
B	4	400S162-33	9'-4 5/16"	KING STUD
C	1	400T200-33	8'-11 9/16"	CAP TRACK
D	1	400T150-33	5'-5 9/16"	TOP TRACK
E	1	400T300-33	5'-5 9/16"	BOTTOM TRACK
F	1	400T150-33	3'-1 3/4"	HEAD TRACK
G	4	400S162-33	2'-5 1/16"	CRIPPLE

22-3128

Jewish Home for the Aging

1885 Victory Blvd. Reseda, CA

FrameMax, Inc.
13915 Danielson St
Suite 100
Poway, CA 92064
www.frame-max.com



© FrameMax Inc.

CREATED: 11/19/2008

FM-07-109

CREATED BY: TNT

HEIGHT : 9'-4 7/16" POINTS: 0.44 Points.

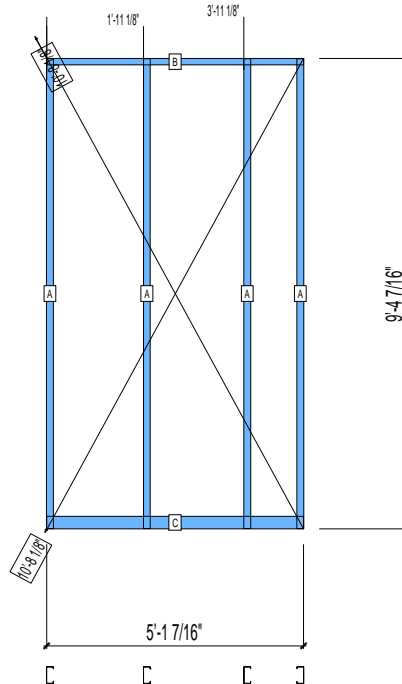
SPACING : 24"

1st STUD: 24"

WEIGHTS :

FRAME : 45 lbs

TOTAL: 45 lbs



PIECES LIST

LABEL	QTY	SIZE	LENGTH	USE
A	4	400S162-33	9'-4 5/16"	STUD
B	1	400T150-33	5'-1 7/16"	TOP TRACK
C	1	400T300-33	5'-1 7/16"	BOTTOM TRACK

22-3129

Jewish Home for the Aging

1885 Victory Blvd. Reseda, CA

FrameMax, Inc.
13915 Danielson St
Suite 100
Poway, CA 92064
www.frame-max.com



© FrameMax Inc.

CREATED: 11/19/2008

FM-07-109

CREATED BY: TNT

HEIGHT : 9'-4 7/16" POINTS: 0.95 Points.

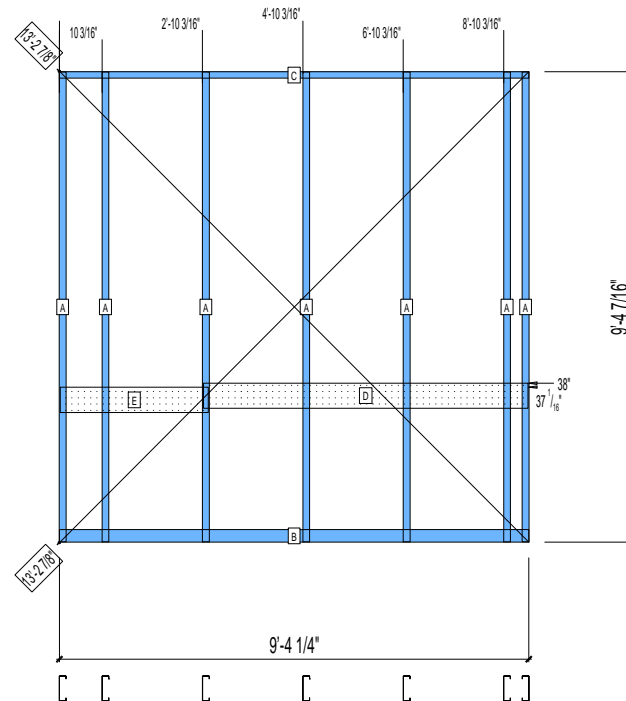
SPACING : 24"

1st STUD: 11 1/16"

WEIGHTS :

FRAME : 113 lbs

TOTAL: 113 lbs



PIECES LIST

LABEL	QTY	SIZE	LENGTH	USE
A	7	600S162-33	9'-4 5/16"	STUD
B	1	600T300-33	9'-4 1/4"	BOTTOM TRACK
C	1	600T150-33	9'-4 1/4"	TOP TRACK
D	1	600D-54	6'-5 9/16"	VANITY BACKING
E	1	600T150-54	2'-11 3/8"	GRAB BAR

22-3151

Jewish Home for the Aging

1885 Victory Blvd. Reseda, CA

FM-07-109

CREATED BY: TNT

FrameMax, Inc.
13915 Danielson St
Suite 100
Poway, CA 92064
www.frame-max.com



© FrameMax Inc.

HEIGHT : 9'-4 7/16" POINTS: 1.08 Points.

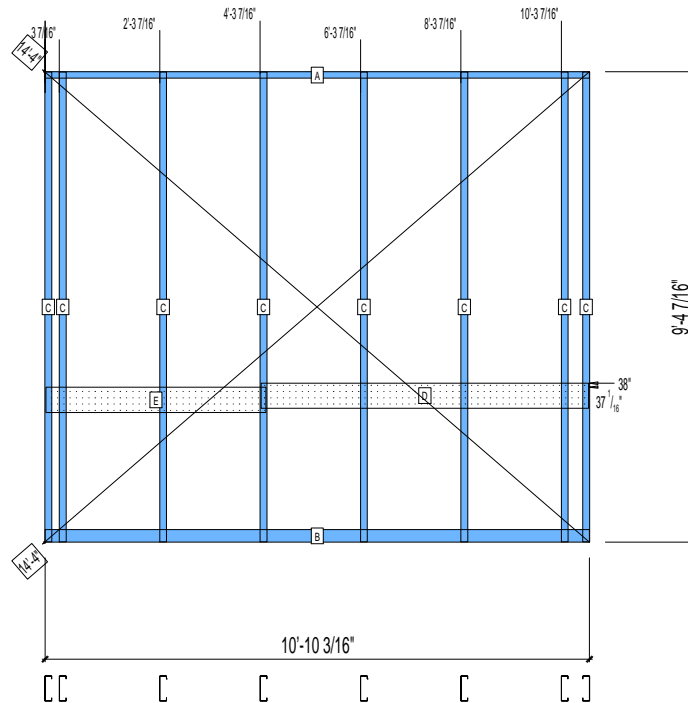
SPACING : 24"

1st STUD: 4 1/4"

WEIGHTS :

FRAME : 130 lbs

TOTAL: 130 lbs



PIECES LIST

LABEL	QTY	SIZE	LENGTH	USE
A	1	600T150-33	10'-10 3/16"	TOP TRACK
B	1	600T300-33	10'-10 3/16"	BOTTOM TRACK
C	8	600S162-33	9'-4 5/16"	STUD
D	1	600D-54	6'-6 5/16"	VANITY BACKING
E	1	600T150-54	4'-4 9/16"	GRAB BAR

22-3152

Jewish Home for the Aging

1885 Victory Blvd. Reseda, CA

FrameMax, Inc.
13915 Danielson St
Suite 100
Poway, CA 92064
www.frame-max.com



© FrameMax Inc.

CREATED: 11/19/2008

FM-07-109

CREATED BY: TNT

HEIGHT : 9'-4 7/16" POINTS: 0.30 Points.

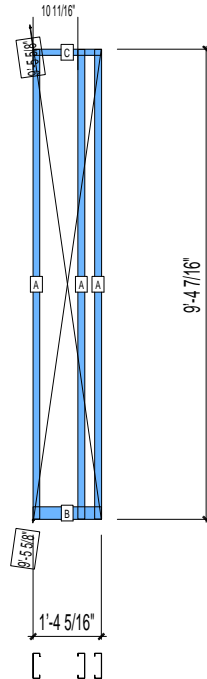
SPACING : 24"

1st STUD: 24"

WEIGHTS :

FRAME : 36 lbs

TOTAL: 36 lbs



PIECES LIST

LABEL	QTY	SIZE	LENGTH	USE
A	3	600S162-33	9'-4 5/16"	STUD
B	1	600T300-33	1'-4 5/16"	BOTTOM TRACK
C	1	600T150-33	1'-4 5/16"	TOP TRACK

22-3153

Jewish Home for the Aging

1885 Victory Blvd. Reseda, CA

FM-07-109

CREATED BY: TNT

FrameMax, Inc.
13915 Danielson St
Suite 100
Poway, CA 92064
www.frame-max.com



© FrameMax Inc.

HEIGHT : 9'-5 3/16" POINTS: 0.50 Points.

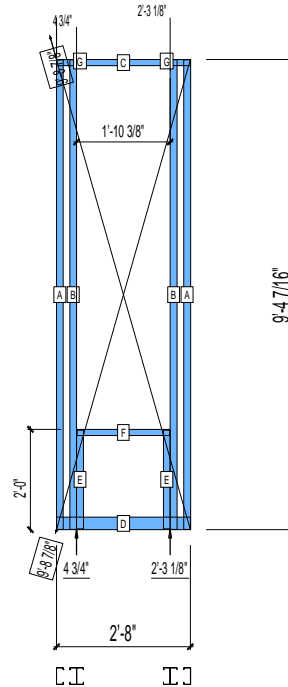
SPACING : 24"

1st STUD: 16"

WEIGHTS :

FRAME : 46 lbs

TOTAL: 46 lbs



PIECES LIST

LABEL	QTY	SIZE	LENGTH	USE
A	2	400S162-33	9'-4 5/16"	STUD
B	2	400S162-33	9'-4 5/16"	KING STUD
C	1	400T150-33	2'-8"	TOP TRACK
D	1	400T300-33	2'-8"	BOTTOM TRACK
E	2	400S162-33	1'-11 5/8"	CRIPPLE
F	1	400T150-33	1'-10 1/8"	SILL
G	2	400S162-33	3/8"	CRIPPLE

22-3154

Jewish Home for the Aging

1885 Victory Blvd. Reseda, CA

FM-07-109

CREATED BY: TNT

FrameMax, Inc.
13915 Danielson St
Suite 100
Poway, CA 92064
www.frame-max.com



© FrameMax Inc.

HEIGHT : 9'-4 7/16" POINTS: 0.70 Points.

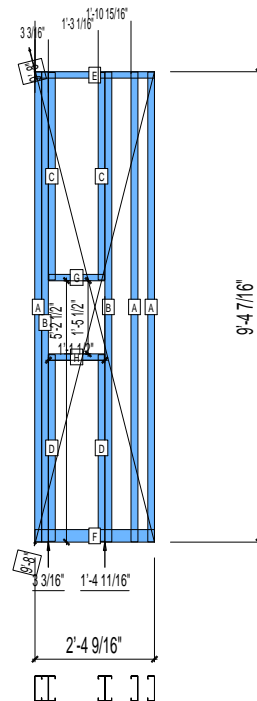
SPACING : 24"

1st STUD: 24"

WEIGHTS :

FRAME : 81 lbs

TOTAL: 81 lbs



PIECES LIST

LABEL	QTY	SIZE	LENGTH	USE
A	3	600S162-33	9'-4 5/16"	STUD
B	2	600S162-33	9'-4 5/16"	KING STUD
C	2	600S162-33	4'-1 9/16"	CRIPPLE
D	2	600S162-33	3'-8 5/8"	CRIPPLE
E	1	600T150-33	2'-4 9/16"	TOP TRACK
F	1	600T300-33	2'-4 9/16"	BOTTOM TRACK
G	1	600T150-33	1'-1 1/4"	HEAD TRACK
H	1	600T150-33	1'-1 1/4"	SILL

22-3155

Jewish Home for the Aging

1885 Victory Blvd. Reseda, CA

FrameMax, Inc.
13915 Danielson St
Suite 100
Poway, CA 92064
www.frame-max.com



© FrameMax Inc.

CREATED: 11/19/2008

FM-07-109

CREATED BY: TNT

HEIGHT : 9'-4 7/16" POINTS: 0.30 Points.

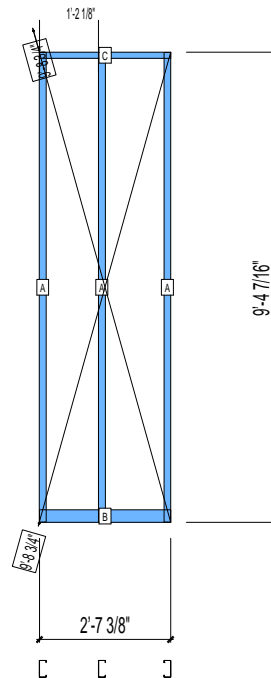
SPACING : 24"

1st STUD: 14 15/16"

WEIGHTS :

FRAME : 31 lbs

TOTAL: 31 lbs



PIECES LIST

LABEL	QTY	SIZE	LENGTH	USE
A	3	400S162-33	9'-4 5/16"	STUD
B	1	400T300-33	2'-7 3/8"	BOTTOM TRACK
C	1	400T150-33	2'-7 3/8"	TOP TRACK

22-3156

Jewish Home for the Aging

1885 Victory Blvd. Reseda, CA

FrameMax, Inc.
13915 Danielson St
Suite 100
Poway, CA 92064
www.frame-max.com



© FrameMax Inc.

CREATED: 11/19/2008

FM-07-109

CREATED BY: TNT

HEIGHT : 9'-4 7/16" POINTS: 0.42 Points.

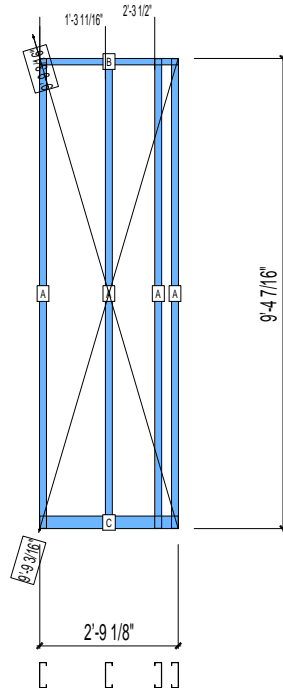
SPACING : 24"

1st STUD: 16 9/16"

WEIGHTS :

FRAME : 51 lbs

TOTAL: 51 lbs



PIECES LIST

LABEL	QTY	SIZE	LENGTH	USE
A	4	600S162-33	9'-4 5/16"	STUD
B	1	600T150-33	2'-9 1/8"	TOP TRACK
C	1	600T300-33	2'-9 1/8"	BOTTOM TRACK

22-3157

Jewish Home for the Aging

1885 Victory Blvd. Reseda, CA

FrameMax, Inc.
13915 Danielson St
Suite 100
Poway, CA 92064
www.framemax.com



© FrameMax Inc.

CREATED: 11/19/2008

FM-07-109

CREATED BY: TNT

HEIGHT : 9'-4 7/16" POINTS: 0.19 Points.

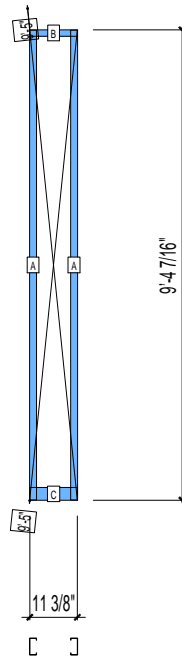
SPACING : 24"

1st STUD: 24"

WEIGHTS :

FRAME : 19 lbs

TOTAL: 19 lbs



PIECES LIST

LABEL	QTY	SIZE	LENGTH	USE
A	2	400S162-33	9'-4 5/16"	STUD
B	1	400T150-33	11 3/8"	TOP TRACK
C	1	400T300-33	11 3/8"	BOTTOM TRACK

22-3158

Jewish Home for the Aging

1885 Victory Blvd. Reseda, CA

FrameMax, Inc.
13915 Danielson St
Suite 100
Poway, CA 92064
www.frame-max.com



© FrameMax Inc.

CREATED: 11/19/2008

FM-07-109

CREATED BY: TNT

HEIGHT : 9'-4 7/16" POINTS: 0.30 Points.

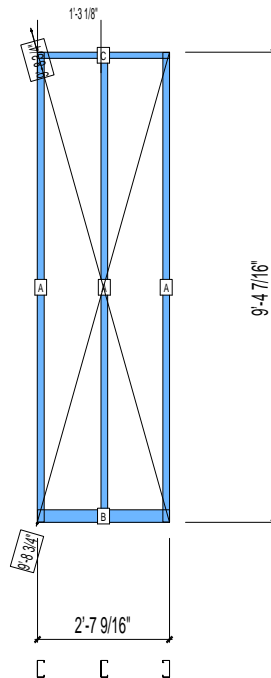
SPACING : 24"

1st STUD: 16"

WEIGHTS :

FRAME : 31 lbs

TOTAL: 31 lbs



PIECES LIST

LABEL	QTY	SIZE	LENGTH	USE
A	3	400S162-33	9'-4 5/16"	STUD
B	1	400T300-33	2'-7 9/16"	BOTTOM TRACK
C	1	400T150-33	2'-7 9/16"	TOP TRACK

22-3159

Jewish Home for the Aging

1885 Victory Blvd. Reseda, CA

FrameMax, Inc.
13915 Danielson St
Suite 100
Poway, CA 92064
www.frame-max.com



© FrameMax Inc.

CREATED: 11/19/2008

FM-07-109

CREATED BY: TNT

HEIGHT : 9'-4 7/16" POINTS: 0.43 Points.

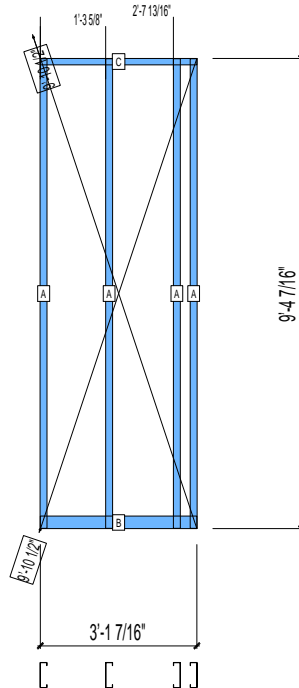
SPACING : 24"

1st STUD: 16 1/2"

WEIGHTS :

FRAME : 52 lbs

TOTAL: 52 lbs



PIECES LIST

LABEL	QTY	SIZE	LENGTH	USE
A	4	600S162-33	9'-4 5/16"	STUD
B	1	600T300-33	3'-1 7/16"	BOTTOM TRACK
C	1	600T150-33	3'-1 7/16"	TOP TRACK

22-3160

Jewish Home for the Aging

1885 Victory Blvd. Reseda, CA

FrameMax, Inc.
13915 Danielson St
Suite 100
Poway, CA 92064
www.frame-max.com



© FrameMax Inc.

CREATED: 11/19/2008

FM-07-109

CREATED BY: TNT

HEIGHT : 9'-4 7/16" POINTS: 1.58 Points.

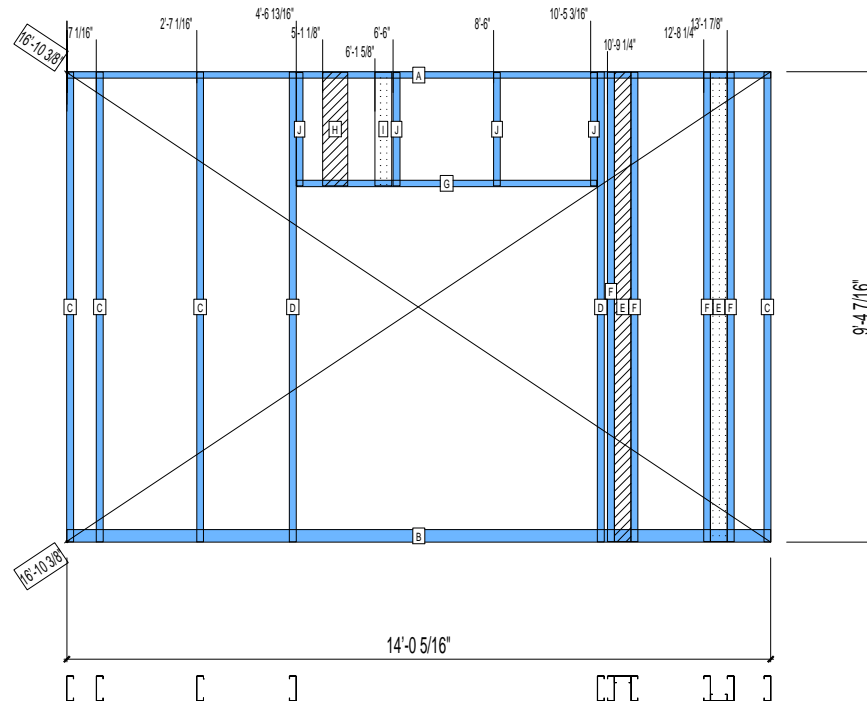
SPACING : 24"

1st STUD: 7 7/8"

WEIGHTS :

FRAME : 184 lbs

TOTAL: 184 lbs



PIECES LIST

LABEL	QTY	SIZE	LENGTH	USE
A	1	600T150-33	14'-0 5/16"	TOP TRACK
B	1	600T300-33	14'-0 5/16"	BOTTOM TRACK
C	4	600S162-33	9'-4 5/16"	STUD
D	2	600S162-33	9'-4 5/16"	KING STUD
E	2	400S162-33	9'-4 3/16"	BACKER-U
F	4	600S162-33	9'-4 3/16"	BACKER STUD
G	1	600T150-33	5'-11 3/4"	HEAD TRACK
H	1	600S162-33	2'-3 1/8"	BACKER-U
I	1	400S162-33	2'-3 1/8"	BACKER-U
J	4	600S162-33	2'-3 1/16"	CRIPPLE

22-3161

Jewish Home for the Aging

1885 Victory Blvd. Reseda, CA

FrameMax, Inc.
13915 Danielson St
Suite 100
Poway, CA 92064
www.frame-max.com



© FrameMax Inc.

CREATED: 11/19/2008

FM-07-109

CREATED BY: TNT

HEIGHT : 9'-4 7/16" POINTS: 0.68 Points.

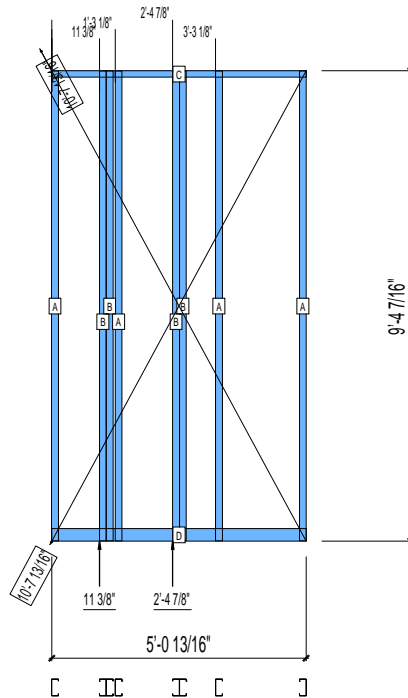
SPACING : 24"

1st STUD: 16"

WEIGHTS :

FRAME : 80 lbs

TOTAL: 80 lbs



PIECES LIST

LABEL	QTY	SIZE	LENGTH	USE
A	4	400S162-33	9'-4 5/16"	STUD
B	4	400S162-33	9'-4 5/16"	EXTRA STUD
C	1	400T150-33	5'-0 13/16"	TOP TRACK
D	1	400T300-33	5'-0 13/16"	BOTTOM TRACK

22-3162

Jewish Home for the Aging

1885 Victory Blvd. Reseda, CA

FrameMax, Inc.
13915 Danielson St
Suite 100
Poway, CA 92064
www.frame-max.com



© FrameMax Inc.

CREATED: 11/19/2008

FM-07-109

CREATED BY: TNT

HEIGHT : 9'-4 7/16" POINTS: 0.83 Points.

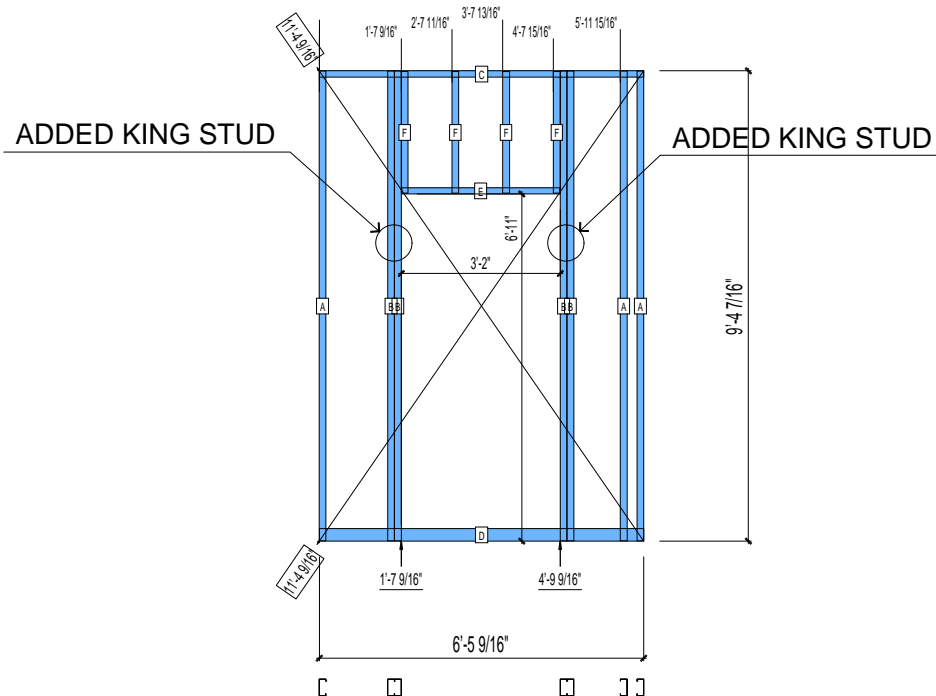
SPACING : 24"

1st STUD: 24"

WEIGHTS :

FRAME : 86 lbs

TOTAL: 86 lbs



PIECES LIST

LABEL	QTY	SIZE	LENGTH	USE
A	3	400S162-33	9'-4 5/16"	STUD
B	4	400S162-33	9'-4 5/16"	KING STUD
C	1	400T150-33	6'-5 9/16"	TOP TRACK
D	1	400T300-33	6'-5 9/16"	BOTTOM TRACK
E	1	400T150-33	3'-1 3/4"	HEAD TRACK
F	4	400S162-33	2'-5 1/16"	CRIPPLE

22-3163

Jewish Home for the Aging

1885 Victory Blvd. Reseda, CA

FM-07-109

CREATED BY: TNT

FrameMax, Inc.
13915 Danielson St
Suite 100
Poway, CA 92064
www.frame-max.com



© FrameMax Inc.

HEIGHT : 9'-4 7/16" POINTS: 0.33 Points.

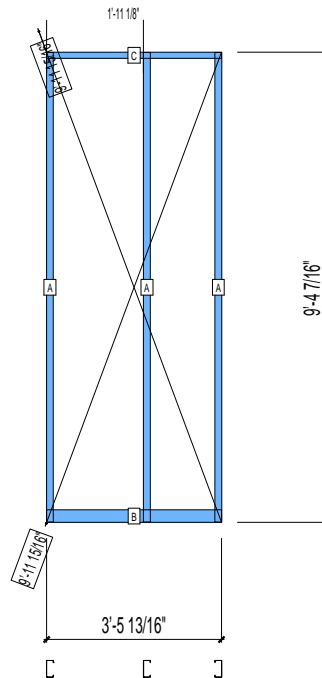
SPACING : 24"

1st STUD: 24"

WEIGHTS :

FRAME : 33 lbs

TOTAL: 33 lbs



PIECES LIST

LABEL	QTY	SIZE	LENGTH	USE
A	3	400S162-33	9'-4 5/16"	STUD
B	1	400T300-33	3'-5 13/16"	BOTTOM TRACK
C	1	400T150-33	3'-5 13/16"	TOP TRACK

22-3164

Jewish Home for the Aging

1885 Victory Blvd. Reseda, CA

FrameMax, Inc.
13915 Danielson St
Suite 100
Poway, CA 92064
www.frame-max.com



© FrameMax Inc.

CREATED: 11/19/2008

FM-07-109

CREATED BY: TNT

HEIGHT : 9'-4 7/16" POINTS: 0.30 Points.

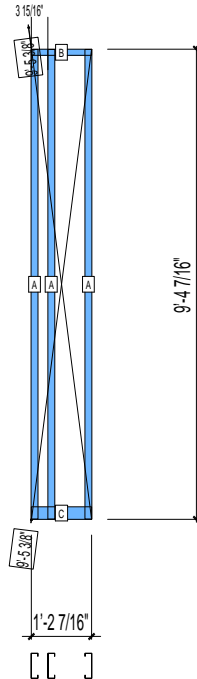
SPACING : 24"

1st STUD: 24"

WEIGHTS :

FRAME : 36 lbs

TOTAL: 36 lbs



PIECES LIST

LABEL	QTY	SIZE	LENGTH	USE
A	3	600S162-33	9'-4 5/16"	STUD
B	1	600T150-33	1'-2 7/16"	TOP TRACK
C	1	600T300-33	1'-2 7/16"	BOTTOM TRACK

22-3165

Jewish Home for the Aging

1885 Victory Blvd. Reseda, CA

FM-07-109

CREATED BY: TNT

FrameMax, Inc.
13915 Danielson St
Suite 100
Poway, CA 92064
www.frame-max.com



© FrameMax Inc.

HEIGHT : 9'-4 7/16" POINTS: 0.77 Points.

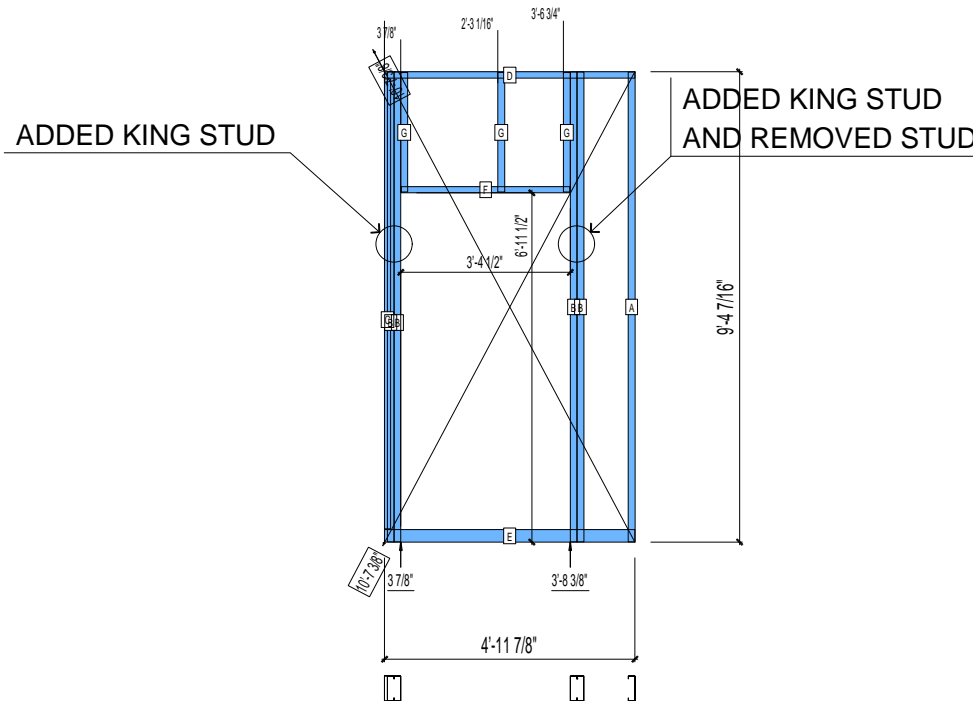
SPACING : 24"

1st STUD: 24"

WEIGHTS :

FRAME : 89 lbs

TOTAL: 89 lbs



PIECES LIST

LABEL	QTY	SIZE	LENGTH	USE
A	1	600S162-33	9'-4 5/16"	STUD
B	4	600S162-33	9'-4 5/16"	KING STUD
C	1	600T150-33	8'-11 9/16"	CAP TRACK
D	1	600T150-33	4'-11 7/8"	TOP TRACK
E	1	600T300-33	4'-11 7/8"	BOTTOM TRACK
F	1	600T150-33	3'-4 1/4"	HEAD TRACK
G	3	600S162-33	2'-4 9/16"	CRIPPLE

22-3166

Jewish Home for the Aging

1885 Victory Blvd. Reseda, CA

FrameMax, Inc.
13915 Danielson St
Suite 100
Poway, CA 92064
www.frame-max.com



© FrameMax Inc.

CREATED: 11/19/2008

FM-07-109

CREATED BY: TNT

HEIGHT : 9'-4 7/16" POINTS: 0.39 Points.

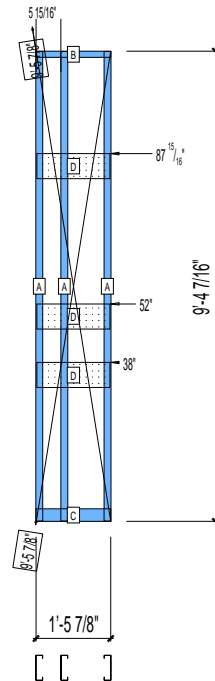
SPACING : 24"

1st STUD: 24"

WEIGHTS :

FRAME : 42 lbs

TOTAL: 42 lbs



PIECES LIST

LABEL	QTY	SIZE	LENGTH	USE
A	3	600S162-33	9'-4 5/16"	STUD
B	1	600T150-33	1'-5 7/8"	TOP TRACK
C	1	600T300-33	1'-5 7/8"	BOTTOM TRACK
D	3	600D-54	1'-5 7/16"	KITCHEN BACKING

22-3167

Jewish Home for the Aging

1885 Victory Blvd. Reseda, CA

FrameMax, Inc.
13915 Danielson St
Suite 100
Poway, CA 92064
www.frame-max.com



© FrameMax Inc.

CREATED: 11/19/2008

FM-07-109

CREATED BY: TNT

HEIGHT : 2'-9 1/2" POINTS: 0.22 Points.

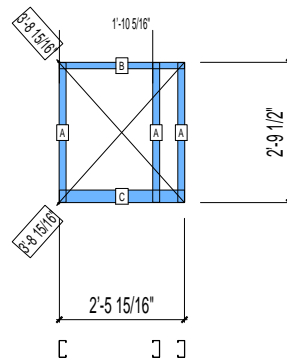
SPACING : 24"

1st STUD: 24"

WEIGHTS :

FRAME : 13 lbs

TOTAL: 13 lbs



PIECES LIST

LABEL	QTY	SIZE	LENGTH	USE
A	3	400S162-33	2'-9 3/8"	STUD
B	1	400T150-33	2'-5 15/16"	TOP TRACK
C	1	400T300-33	2'-5 15/16"	BOTTOM TRACK

22-3168

Jewish Home for the Aging

1885 Victory Blvd. Reseda, CA

FrameMax, Inc.
13915 Danielson St
Suite 100
Poway, CA 92064
www.frame-max.com



© FrameMax Inc.

CREATED: 11/19/2008

FM-07-109

CREATED BY: TNT

HEIGHT : 2'-9 1/2" POINTS: 0.36 Points.

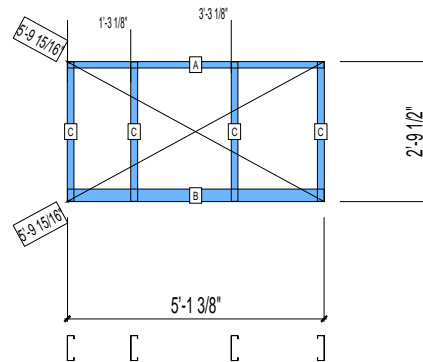
SPACING : 24"

1st STUD: 16"

WEIGHTS :

FRAME : 26 lbs

TOTAL: 26 lbs



PIECES LIST

LABEL	QTY	SIZE	LENGTH	USE
A	1	600T150-33	5'-1 3/8"	TOP TRACK
B	1	600T300-33	5'-1 3/8"	BOTTOM TRACK
C	4	600S162-33	2'-9 3/8"	STUD

22-3169

Jewish Home for the Aging

1885 Victory Blvd. Reseda, CA

FM-07-109

CREATED BY: TNT

FrameMax, Inc.
13915 Danielson St
Suite 100
Poway, CA 92064
www.framemax.com



© FrameMax Inc.

HEIGHT : 9'-4 7/16" POINTS: 0.88 Points.

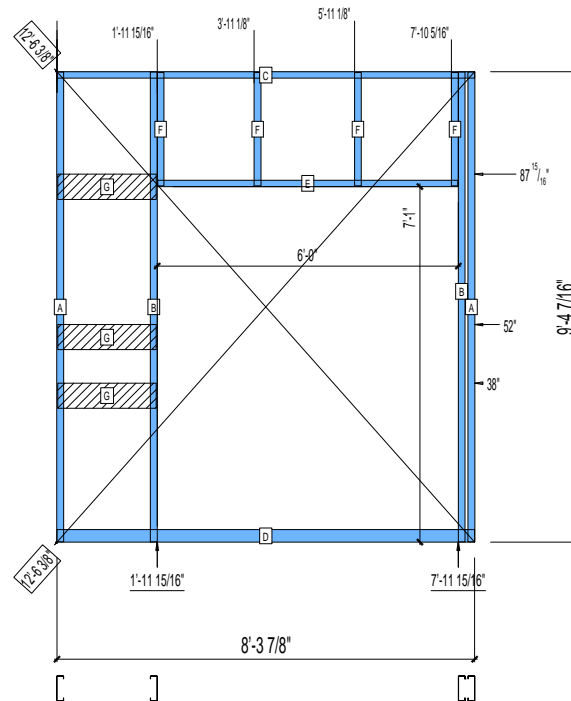
SPACING : 24"

1st STUD: 24"

WEIGHTS :

FRAME : 89 lbs

TOTAL: 89 lbs



PIECES LIST

LABEL	QTY	SIZE	LENGTH	USE
A	2	600S162-33	9'-4 5/16"	STUD
B	2	600S162-33	9'-4 5/16"	KING STUD
C	1	600T150-33	8'-3 7/8"	TOP TRACK
D	1	600T300-33	8'-3 7/8"	BOTTOM TRACK
E	1	600T150-33	5'-11 3/4"	HEAD TRACK
F	4	600S162-33	2'-3 1/16"	CRIPPLE
G	3	600D-54	1'-11 1/2"	KITCHEN BACKING

22-3170

Jewish Home for the Aging

1885 Victory Blvd. Reseda, CA

FM-07-109

CREATED BY: TNT

FrameMax, Inc.
13915 Danielson St
Suite 100
Poway, CA 92064
www.frame-max.com



© FrameMax Inc.

HEIGHT : 9'-4 7/16" POINTS: 0.40 Points.

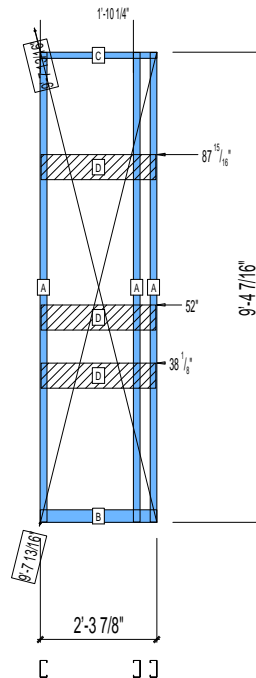
SPACING : 24"

1st STUD: 24"

WEIGHTS :

FRAME : 39 lbs

TOTAL: 39 lbs



PIECES LIST

LABEL	QTY	SIZE	LENGTH	USE
A	3	400S162-33	9'-4 5/16"	STUD
B	1	400T300-33	2'-3 7/8"	BOTTOM TRACK
C	1	400T150-33	2'-3 7/8"	TOP TRACK
D	3	600D-54	2'-3 7/16"	KITCHEN BACKING

22-3171

Jewish Home for the Aging

1885 Victory Blvd. Reseda, CA

FrameMax, Inc.
13915 Danielson St
Suite 100
Poway, CA 92064
www.frame-max.com



© FrameMax Inc.

CREATED: 11/19/2008

FM-07-109

CREATED BY: TNT

HEIGHT : 9'-4 7/16" POINTS: 0.27 Points.

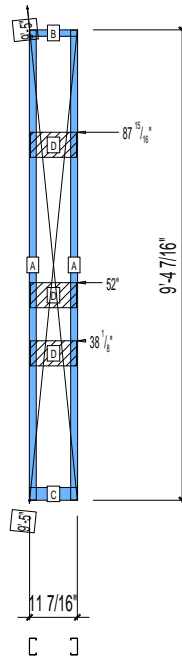
SPACING : 24"

1st STUD: 16"

WEIGHTS :

FRAME : 23 lbs

TOTAL: 23 lbs



PIECES LIST

LABEL	QTY	SIZE	LENGTH	USE
A	2	400S162-33	9'-4 5/16"	STUD
B	1	400T150-33	11 7/16"	TOP TRACK
C	1	400T300-33	11 7/16"	BOTTOM TRACK
D	3	600D-54	11"	KITCHEN BACKING

22-3172

Jewish Home for the Aging

1885 Victory Blvd. Reseda, CA

FrameMax, Inc.
13915 Danielson St
Suite 100
Poway, CA 92064
www.frame-max.com



© FrameMax Inc.

CREATED: 11/19/2008

FM-07-109

CREATED BY: TNT

HEIGHT : 9'-4 7/16" POINTS: 1.31 Points.

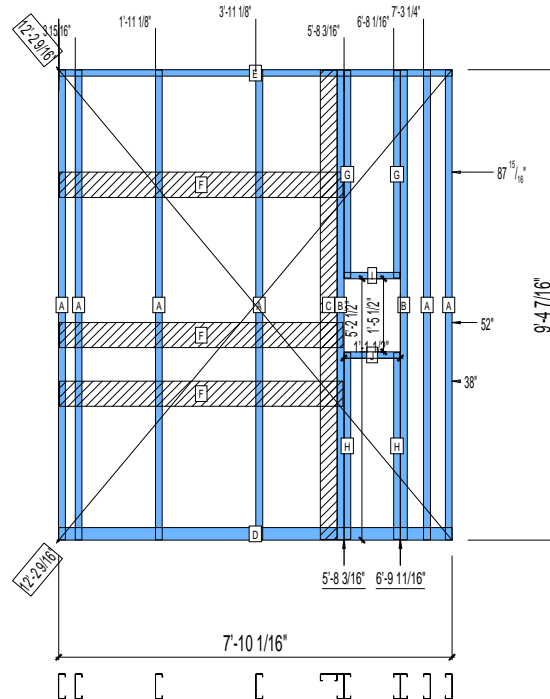
SPACING : 24"

1st STUD: 24"

WEIGHTS :

FRAME : 157 lbs

TOTAL: 157 lbs



PIECES LIST

LABEL	QTY	SIZE	LENGTH	USE
A	6	600S162-33	9'-4 5/16"	STUD
B	2	600S162-33	9'-4 5/16"	KING STUD
C	1	400S162-33	9'-4 3/16"	BACKER-U
D	1	600T300-33	7'-10 1/16"	BOTTOM TRACK
E	1	600T150-33	7'-10 1/16"	TOP TRACK
F	3	600D-54	5'-7 3/4"	KITCHEN BACKING
G	2	600S162-33	4'-1 9/16"	CRIPPLE
H	2	600S162-33	3'-8 5/8"	CRIPPLE
I	1	600T150-33	1'-1 1/4"	HEAD TRACK
J	1	600T150-33	1'-1 1/4"	SILL

22-3173

Jewish Home for the Aging

1885 Victory Blvd. Reseda, CA

FrameMax, Inc.
13915 Danielson St
Suite 100
Poway, CA 92064
www.frame-max.com



© FrameMax Inc.

CREATED: 11/19/2008

FM-07-109

CREATED BY: TNT

HEIGHT : 9'-4 7/16" POINTS: 0.35 Points.

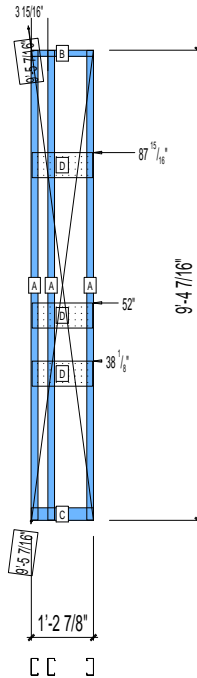
SPACING : 24"

1st STUD: 24"

WEIGHTS :

FRAME : 33 lbs

TOTAL: 33 lbs



PIECES LIST

LABEL	QTY	SIZE	LENGTH	USE
A	3	400S162-33	9'-4 5/16"	STUD
B	1	400T150-33	1'-2 7/8"	TOP TRACK
C	1	400T300-33	1'-2 7/8"	BOTTOM TRACK
D	3	600D-54	1'-2 7/16"	KITCHEN BACKING

22-3174

Jewish Home for the Aging

1885 Victory Blvd. Reseda, CA

FrameMax, Inc.
13915 Danielson St
Suite 100
Poway, CA 92064
www.frame-max.com



© FrameMax Inc.

CREATED: 11/19/2008

FM-07-109

CREATED BY: TNT

HEIGHT : 9'-5 3/16" POINTS: 0.48 Points.

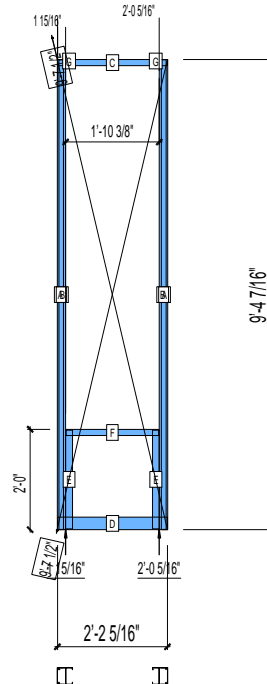
SPACING : 24"

1st STUD: 24"

WEIGHTS :

FRAME : 43 lbs

TOTAL: 43 lbs



PIECES LIST

LABEL	QTY	SIZE	LENGTH	USE
A	2	400T150-33	9'-4 3/8"	CAP TRACK
B	2	400S162-33	9'-4 5/16"	KING STUD
C	1	400T150-33	2'-2 5/16"	TOP TRACK
D	1	400T300-33	2'-2 5/16"	BOTTOM TRACK
E	2	400S162-33	1'-11 5/8"	CRIPPLE
F	1	400T150-33	1'-10 1/8"	SILL
G	2	400S162-33	3/8"	CRIPPLE

22-3175

Jewish Home for the Aging

1885 Victory Blvd. Reseda, CA

FM-07-109

CREATED BY: TNT

FrameMax, Inc.
13915 Danielson St
Suite 100
Poway, CA 92064
www.frame-max.com



© FrameMax Inc.

HEIGHT : 9'-4 7/16" POINTS: 0.88 Points.

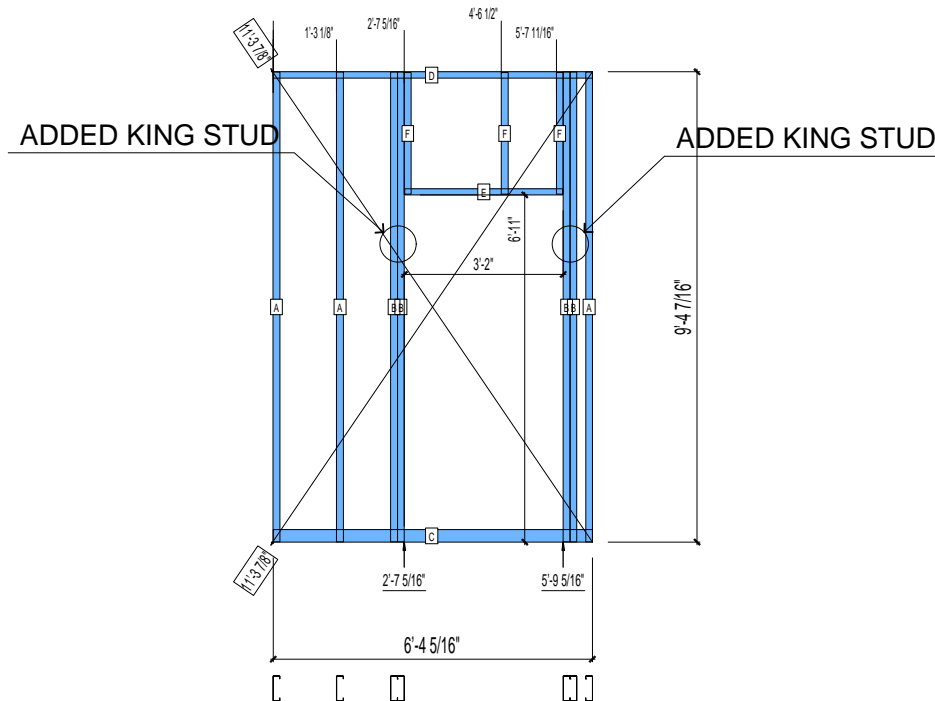
SPACING : 24"

1st STUD: 16"

WEIGHTS :

FRAME : 104 lbs

TOTAL: 104 lbs



PIECES LIST

LABEL	QTY	SIZE	LENGTH	USE
A	3	600S162-33	9'-4 5/16"	STUD
B	4	600S162-33	9'-4 5/16"	KING STUD
C	1	600T300-33	6'-4 5/16"	BOTTOM TRACK
D	1	600T150-33	6'-4 5/16"	TOP TRACK
E	1	600T150-33	3'-1 3/4"	HEAD TRACK
F	3	600S162-33	2'-5 1/16"	CRIPPLE

22-3176

Jewish Home for the Aging

1885 Victory Blvd. Reseda, CA

FrameMax, Inc.
13915 Danielson St
Suite 100
Poway, CA 92064
www.frame-max.com



© FrameMax Inc.

CREATED: 11/19/2008

FM-07-109

CREATED BY: TNT

HEIGHT : 9'-4 7/16" POINTS: 1.23 Points.

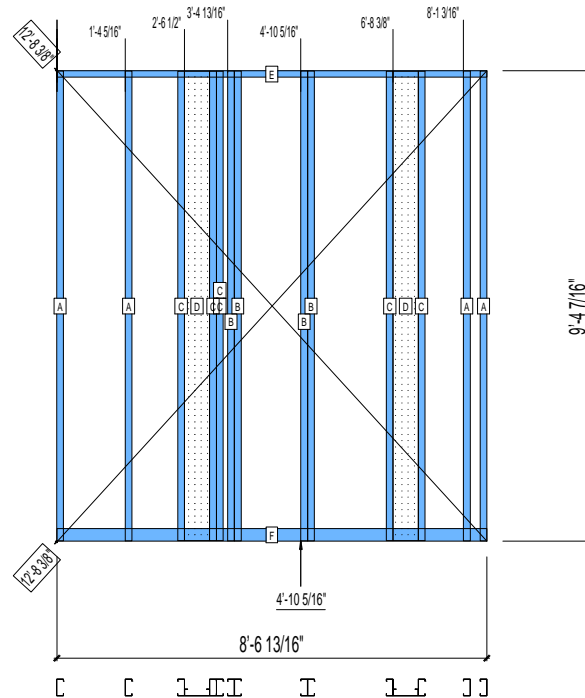
SPACING : 24"

1st STUD: 17 3/16"

WEIGHTS :

FRAME : 152 lbs

TOTAL: 152 lbs



PIECES LIST

LABEL	QTY	SIZE	LENGTH	USE
A	4	400S162-33	9'-4 5/16"	STUD
B	4	400S162-33	9'-4 5/16"	EXTRA STUD
C	5	400S162-33	9'-4 3/16"	BACKER STUD
D	2	600S162-33	9'-4 3/16"	BACKER-U
E	1	400T150-33	8'-6 13/16"	TOP TRACK
F	1	400T300-33	8'-6 13/16"	BOTTOM TRACK

22-3177

Jewish Home for the Aging

1885 Victory Blvd. Reseda, CA

FM-07-109

CREATED BY: TNT

FrameMax, Inc.
13915 Danielson St
Suite 100
Poway, CA 92064
www.frame-max.com



© FrameMax Inc.

HEIGHT : 9'-4 7/16" POINTS: 0.72 Points.

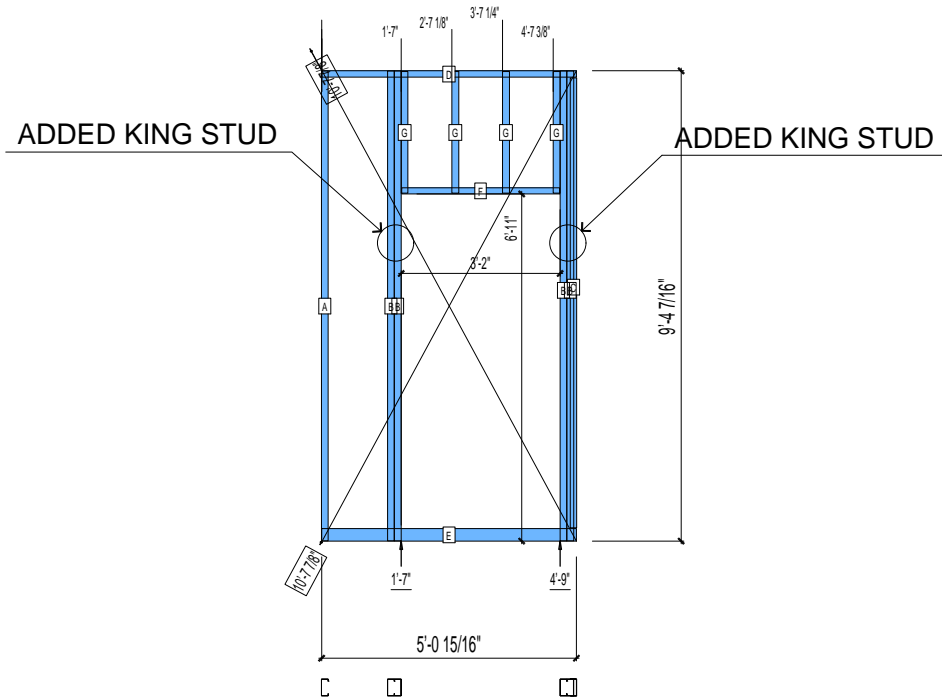
SPACING : 24"

1st STUD: 16"

WEIGHTS :

FRAME : 73 lbs

TOTAL: 73 lbs



PIECES LIST

LABEL	QTY	SIZE	LENGTH	USE
A	1	400S162-33	9'-4 5/16"	STUD
B	4	400S162-33	9'-4 5/16"	KING STUD
C	1	400T150-33	8'-11 9/16"	CAP TRACK
D	1	400T150-33	5'-0 15/16"	TOP TRACK
E	1	400T300-33	5'-0 15/16"	BOTTOM TRACK
F	1	400T150-33	3'-1 3/4"	HEAD TRACK
G	4	400S162-33	2'-5 1/16"	CRIPPLE

22-3178

Jewish Home for the Aging

1885 Victory Blvd. Reseda, CA

FrameMax, Inc.
13915 Danielson St
Suite 100
Poway, CA 92064
www.frame-max.com



© FrameMax Inc.

CREATED: 11/19/2008

FM-07-109

CREATED BY: TNT

HEIGHT : 9'-4 7/16" POINTS: 0.44 Points.

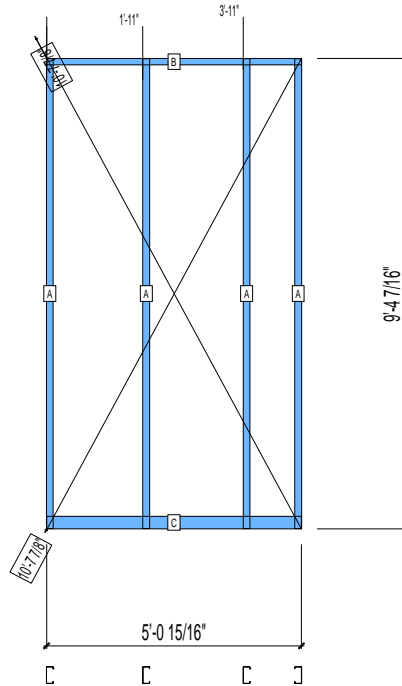
SPACING : 24"

1st STUD: 23 7/8"

WEIGHTS :

FRAME : 45 lbs

TOTAL: 45 lbs



PIECES LIST

LABEL	QTY	SIZE	LENGTH	USE
A	4	400S162-33	9'-4 5/16"	STUD
B	1	400T150-33	5'-0 15/16"	TOP TRACK
C	1	400T300-33	5'-0 15/16"	BOTTOM TRACK

22-3179

Jewish Home for the Aging

1885 Victory Blvd. Reseda, CA

FrameMax, Inc.
13915 Danielson St
Suite 100
Poway, CA 92064
www.frame-max.com



© FrameMax Inc.

CREATED: 11/19/2008

FM-07-109

CREATED BY: TNT

HEIGHT : 9'-4 7/16" POINTS: 0.95 Points.

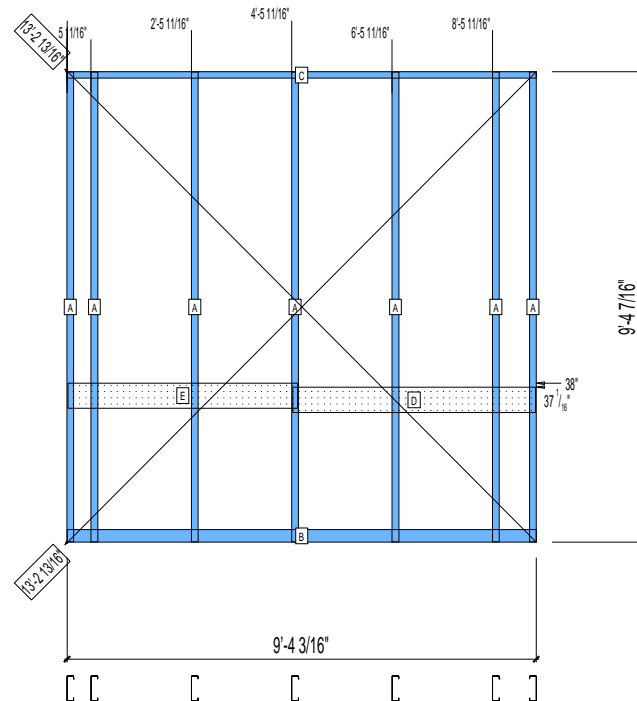
SPACING : 24"

1st STUD: 6 9/16"

WEIGHTS :

FRAME : 114 lbs

TOTAL: 114 lbs



PIECES LIST

LABEL	QTY	SIZE	LENGTH	USE
A	7	600S162-33	9'-4 5/16"	STUD
B	1	600T300-33	9'-4 3/16"	BOTTOM TRACK
C	1	600T150-33	9'-4 3/16"	TOP TRACK
D	1	600T150-54	4'-10"	GRAB BAR
E	1	600D-54	4'-6 7/8"	VANITY BACKING

22-3201

Jewish Home for the Aging

1885 Victory Blvd. Reseda, CA

FM-07-109

CREATED BY: TNT

FrameMax, Inc.
13915 Danielson St
Suite 100
Poway, CA 92064
www.frame-max.com



© FrameMax Inc.

HEIGHT : 9'-4 7/16" POINTS: 0.90 Points.

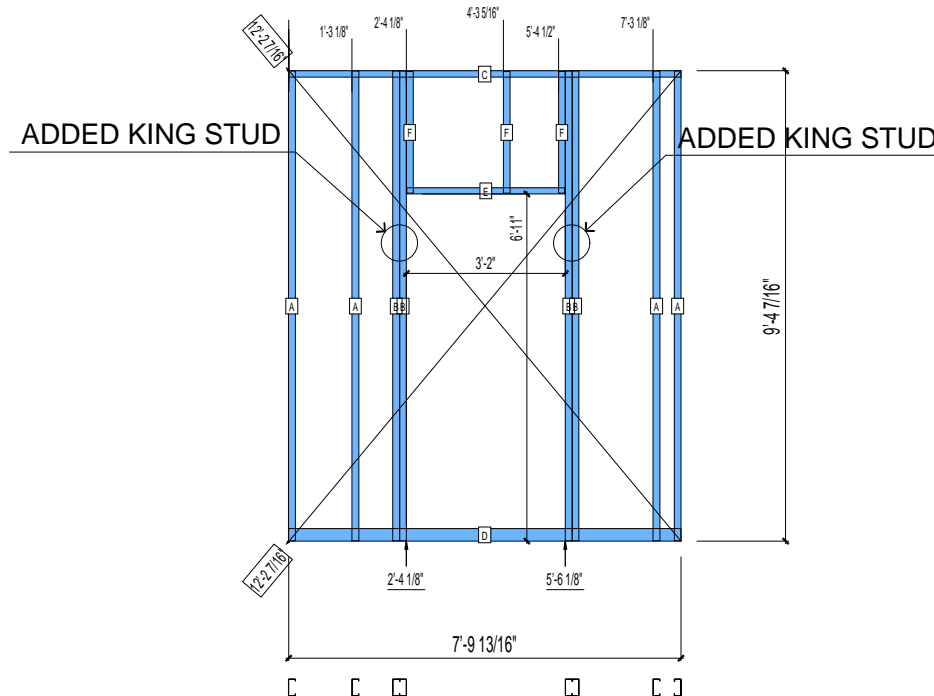
SPACING : 24"

1st STUD: 16"

WEIGHTS :

FRAME : 95 lbs

TOTAL: 95 lbs



PIECES LIST

LABEL	QTY	SIZE	LENGTH	USE
A	4	400S162-33	9'-4 5/16"	STUD
B	4	400S162-33	9'-4 5/16"	KING STUD
C	1	400T150-33	7'-9 13/16"	TOP TRACK
D	1	400T300-33	7'-9 13/16"	BOTTOM TRACK
E	1	400T150-33	3'-1 3/4"	HEAD TRACK
F	3	400S162-33	2'-5 1/16"	CRIPPLE

22-3202

Jewish Home for the Aging

1885 Victory Blvd. Reseda, CA

FrameMax, Inc.
13915 Danielson St
Suite 100
Poway, CA 92064
www.frame-max.com



© FrameMax Inc.

CREATED: 11/19/2008

FM-07-109

CREATED BY: TNT

HEIGHT : 9'-4 7/16" POINTS: 0.27 Points.

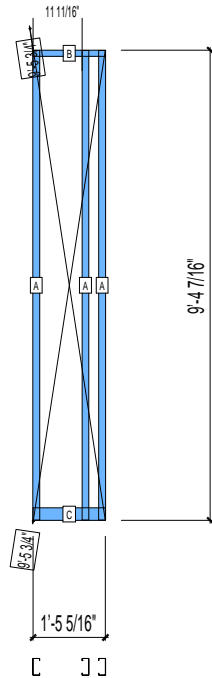
SPACING : 24"

1st STUD: 16"

WEIGHTS :

FRAME : 29 lbs

TOTAL: 29 lbs



PIECES LIST

LABEL	QTY	SIZE	LENGTH	USE
A	3	400S162-33	9'-4 5/16"	STUD
B	1	400T150-33	1'-5 5/16"	TOP TRACK
C	1	400T300-33	1'-5 5/16"	BOTTOM TRACK

22-3203

Jewish Home for the Aging

1885 Victory Blvd. Reseda, CA

FrameMax, Inc.
13915 Danielson St
Suite 100
Poway, CA 92064
www.frame-max.com



© FrameMax Inc.

CREATED: 11/19/2008

FM-07-109

CREATED BY: TNT

HEIGHT : 9'-5 3/16" POINTS: 0.60 Points.

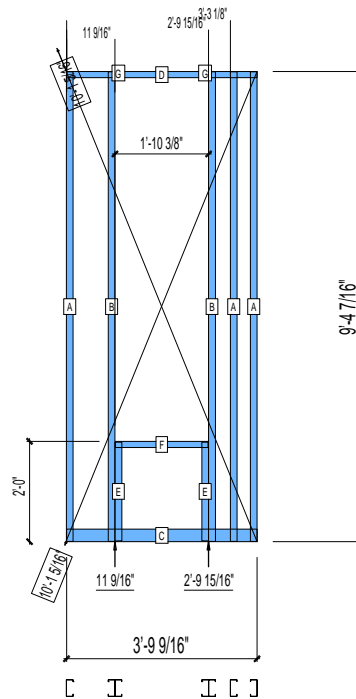
SPACING : 24"

1st STUD: 16"

WEIGHTS :

FRAME : 57 lbs

TOTAL: 57 lbs



PIECES LIST

LABEL	QTY	SIZE	LENGTH	USE
A	3	400S162-33	9'-4 5/16"	STUD
B	2	400S162-33	9'-4 5/16"	KING STUD
C	1	400T300-33	3'-9 9/16"	BOTTOM TRACK
D	1	400T150-33	3'-9 9/16"	TOP TRACK
E	2	400S162-33	1'-11 5/8"	CRIPPLE
F	1	400T150-33	1'-10 1/8"	SILL
G	2	400S162-33	3/8"	CRIPPLE

22-3204

Jewish Home for the Aging

1885 Victory Blvd. Reseda, CA

FrameMax, Inc.
13915 Danielson St
Suite 100
Poway, CA 92064
www.frame-max.com



© FrameMax Inc.

CREATED: 11/19/2008

FM-07-109

CREATED BY: TNT

HEIGHT : 9'-4 7/16" POINTS: 0.34 Points.

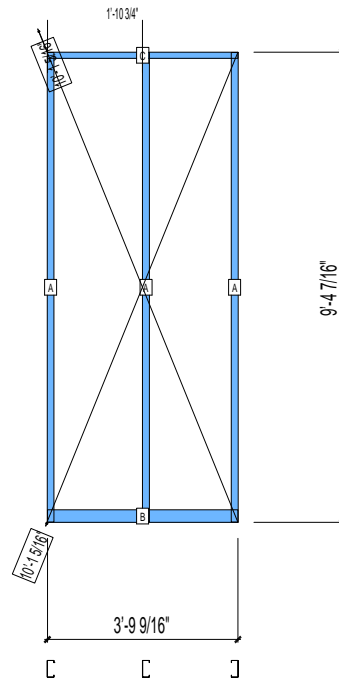
SPACING : 24"

1st STUD: 23 5/8"

WEIGHTS :

FRAME : 34 lbs

TOTAL: 34 lbs



PIECES LIST

LABEL	QTY	SIZE	LENGTH	USE
A	3	400S162-33	9'-4 5/16"	STUD
B	1	400T300-33	3'-9 9/16"	BOTTOM TRACK
C	1	400T150-33	3'-9 9/16"	TOP TRACK

22-3205

Jewish Home for the Aging

1885 Victory Blvd. Reseda, CA

FrameMax, Inc.
13915 Danielson St
Suite 100
Poway, CA 92064
www.frame-max.com



© FrameMax Inc.

CREATED: 11/19/2008

FM-07-109

CREATED BY: TNT

HEIGHT : 9'-4 7/16" POINTS: 0.33 Points.

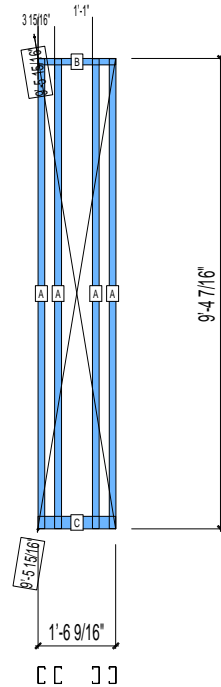
SPACING : 24"

1st STUD: 24"

WEIGHTS :

FRAME : 38 lbs

TOTAL: 38 lbs



PIECES LIST

LABEL	QTY	SIZE	LENGTH	USE
A	4	400S162-33	9'-4 5/16"	STUD
B	1	400T150-33	1'-6 9/16"	TOP TRACK
C	1	400T300-33	1'-6 9/16"	BOTTOM TRACK

22-3206

Jewish Home for the Aging

1885 Victory Blvd. Reseda, CA

FrameMax, Inc.
13915 Danielson St
Suite 100
Poway, CA 92064
www.frame-max.com



© FrameMax Inc.

CREATED: 11/19/2008

FM-07-109

CREATED BY: TNT

HEIGHT : 9'-4 7/16" POINTS: 0.27 Points.

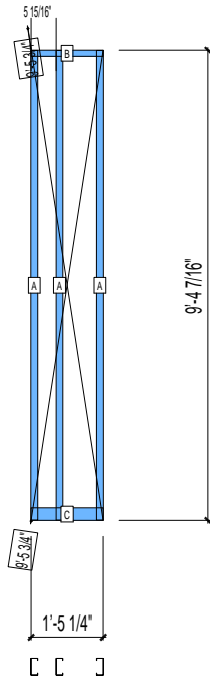
SPACING : 24"

1st STUD: 24"

WEIGHTS :

FRAME : 29 lbs

TOTAL: 29 lbs



PIECES LIST

LABEL	QTY	SIZE	LENGTH	USE
A	3	400S162-33	9'-4 5/16"	STUD
B	1	400T150-33	1'-5 1/4"	TOP TRACK
C	1	400T300-33	1'-5 1/4"	BOTTOM TRACK

22-3207

Jewish Home for the Aging

1885 Victory Blvd. Reseda, CA

FrameMax, Inc.
13915 Danielson St
Suite 100
Poway, CA 92064
www.frame-max.com



© FrameMax Inc.

CREATED: 11/19/2008

FM-07-109

CREATED BY: TNT

HEIGHT : 9'-4 7/16" POINTS: 0.33 Points.

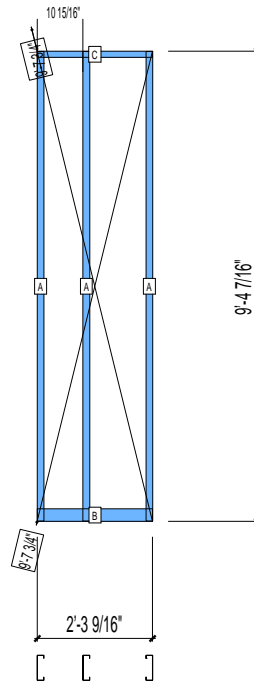
SPACING : 24"

1st STUD: 11 3/4"

WEIGHTS :

FRAME : 39 lbs

TOTAL: 39 lbs



PIECES LIST

LABEL	QTY	SIZE	LENGTH	USE
A	3	600S162-33	9'-4 5/16"	STUD
B	1	600T300-33	2'-3 9/16"	BOTTOM TRACK
C	1	600T150-33	2'-3 9/16"	TOP TRACK

22-3208

Jewish Home for the Aging

1885 Victory Blvd. Reseda, CA

FM-07-109

CREATED BY: TNT

FrameMax, Inc.
13915 Danielson St
Suite 100
Poway, CA 92064
www.frame-max.com



© FrameMax Inc.

HEIGHT : 9'-4 7/16" POINTS: 0.78 Points.

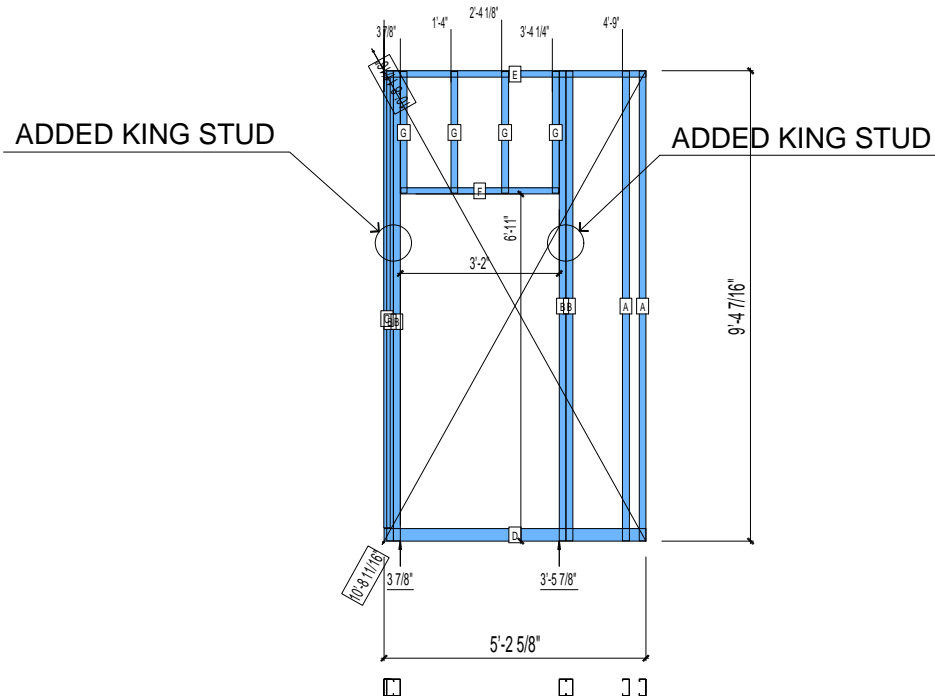
SPACING : 24"

1st STUD: 24"

WEIGHTS :

FRAME : 82 lbs

TOTAL: 82 lbs



PIECES LIST

LABEL	QTY	SIZE	LENGTH	USE
A	2	400S162-33	9'-4 5/16"	STUD
B	4	400S162-33	9'-4 5/16"	KING STUD
C	1	400T150-33	8'-11 9/16"	CAP TRACK
D	1	400T300-33	5'-2 5/8"	BOTTOM TRACK
E	1	400T150-33	5'-2 5/8"	TOP TRACK
F	1	400T150-33	3'-1 3/4"	HEAD TRACK
G	4	400S162-33	2'-5 1/16"	CRIPPLE

22-3209

Jewish Home for the Aging

1885 Victory Blvd. Reseda, CA

FrameMax, Inc.
13915 Danielson St
Suite 100
Poway, CA 92064
www.frame-max.com



© FrameMax Inc.

CREATED: 11/19/2008

FM-07-109

CREATED BY: TNT

HEIGHT : 9'-4 7/16" POINTS: 0.19 Points.

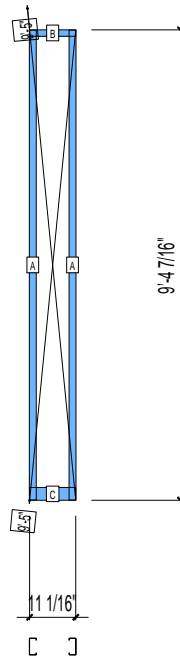
SPACING : 24"

1st STUD: 16"

WEIGHTS :

FRAME : 19 lbs

TOTAL: 19 lbs



PIECES LIST

LABEL	QTY	SIZE	LENGTH	USE
A	2	400S162-33	9'-4 5/16"	STUD
B	1	400T150-33	11 1/16"	TOP TRACK
C	1	400T300-33	11 1/16"	BOTTOM TRACK

22-3210

Jewish Home for the Aging

1885 Victory Blvd. Reseda, CA

FM-07-109

CREATED BY: TNT

FrameMax, Inc.
13915 Danielson St
Suite 100
Poway, CA 92064
www.frame-max.com



© FrameMax Inc.

HEIGHT : 9'-4 7/16" POINTS: 0.84 Points.

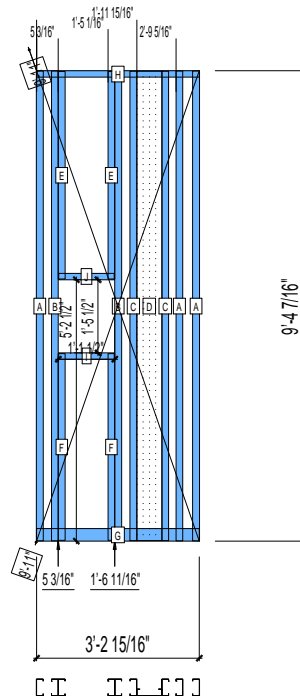
SPACING : 24"

1st STUD: 24"

WEIGHTS :

FRAME : 95 lbs

TOTAL: 95 lbs



PIECES LIST

LABEL	QTY	SIZE	LENGTH	USE
A	3	400S162-33	9'-4 5/16"	STUD
B	2	400S162-33	9'-4 5/16"	KING STUD
C	2	400S162-33	9'-4 3/16"	BACKER STUD
D	1	600S162-33	9'-4 3/16"	BACKER-U
E	2	400S162-33	4'-1 9/16"	CRIPPLE
F	2	400S162-33	3'-8 5/8"	CRIPPLE
G	1	400T300-33	3'-2 15/16"	BOTTOM TRACK
H	1	400T150-33	3'-2 15/16"	TOP TRACK
I	1	400T150-33	1'-1 1/4"	SILL
J	1	400T150-33	1'-1 1/4"	HEAD TRACK

22-3211

Jewish Home for the Aging

1885 Victory Blvd. Reseda, CA

FM-07-109

CREATED BY: TNT

FrameMax, Inc.
13915 Danielson St
Suite 100
Poway, CA 92064
www.frame-max.com



© FrameMax Inc.

HEIGHT : 9'-4 7/16" POINTS: 1.02 Points.

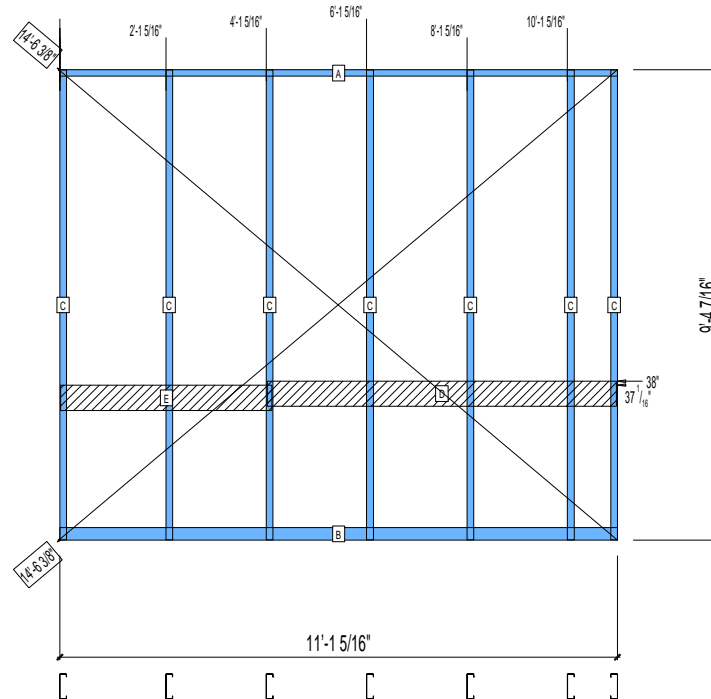
SPACING : 24"

1st STUD: 2 3/16"

WEIGHTS :

FRAME : 120 lbs

TOTAL: 120 lbs



PIECES LIST

LABEL	QTY	SIZE	LENGTH	USE
A	1	600T150-33	11'-1 5/16"	TOP TRACK
B	1	600T300-33	11'-1 5/16"	BOTTOM TRACK
C	7	600S162-33	9'-4 5/16"	STUD
D	1	600D-54	6'-11 1/2"	VANITY BACKING
E	1	600T150-54	4'-2 1/2"	GRAB BAR

22-3212

Jewish Home for the Aging

1885 Victory Blvd. Reseda, CA

FrameMax, Inc.
13915 Danielson St
Suite 100
Poway, CA 92064
www.frame-max.com



© FrameMax Inc.

CREATED: 11/19/2008

FM-07-109

CREATED BY: TNT

HEIGHT : 9'-4 7/16" POINTS: 0.20 Points.

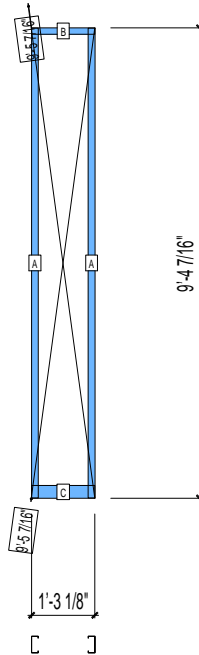
SPACING : 24"

1st STUD: 16"

WEIGHTS :

FRAME : 20 lbs

TOTAL: 20 lbs



PIECES LIST

LABEL	QTY	SIZE	LENGTH	USE
A	2	400S162-33	9'-4 5/16"	STUD
B	1	400T150-33	1'-3 1/8"	TOP TRACK
C	1	400T300-33	1'-3 1/8"	BOTTOM TRACK

22-3213

Jewish Home for the Aging

1885 Victory Blvd. Reseda, CA

FrameMax, Inc.
13915 Danielson St
Suite 100
Poway, CA 92064
www.frame-max.com



© FrameMax Inc.

CREATED: 11/19/2008

FM-07-109

CREATED BY: TNT

HEIGHT : 9'-4 7/16" POINTS: 0.77 Points.

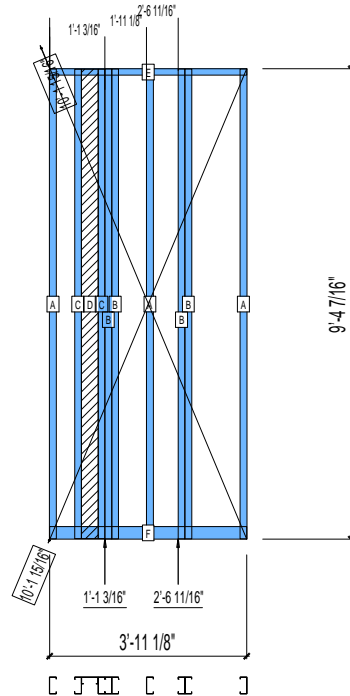
SPACING : 24"

1st STUD: 24"

WEIGHTS :

FRAME : 95 lbs

TOTAL: 95 lbs



PIECES LIST

LABEL	QTY	SIZE	LENGTH	USE
A	3	400S162-33	9'-4 5/16"	STUD
B	4	400S162-33	9'-4 5/16"	EXTRA STUD
C	2	400S162-33	9'-4 3/16"	BACKER STUD
D	1	400S162-33	9'-4 3/16"	BACKER-U
E	1	400T150-33	3'-11 1/8"	TOP TRACK
F	1	400T300-33	3'-11 1/8"	BOTTOM TRACK

22-3214

Jewish Home for the Aging

1885 Victory Blvd. Reseda, CA

FM-07-109

CREATED BY: TNT

FrameMax, Inc.
13915 Danielson St
Suite 100
Poway, CA 92064
www.framemax.com



© FrameMax Inc.

HEIGHT : 9'-4 7/16" POINTS: 0.59 Points.

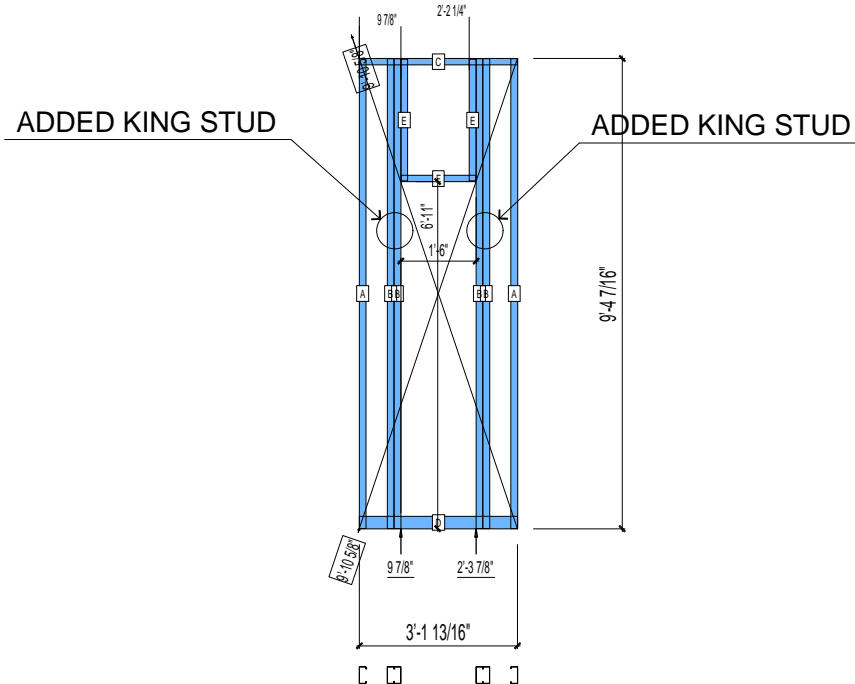
SPACING : 24"

1st STUD: 16"

WEIGHTS :

FRAME : 64 lbs

TOTAL: 64 lbs



PIECES LIST

LABEL	QTY	SIZE	LENGTH	USE
A	2	400S162-33	9'-4 5/16"	STUD
B	4	400S162-33	9'-4 5/16"	KING STUD
C	1	400T150-33	3'-1 13/16"	TOP TRACK
D	1	400T300-33	3'-1 13/16"	BOTTOM TRACK
E	2	400S162-33	2'-5 1/16"	CRIPPLE
F	1	400T150-33	1'-5 3/4"	HEAD TRACK

22-3215

Jewish Home for the Aging

1885 Victory Blvd. Reseda, CA

FM-07-109

CREATED BY: TNT

FrameMax, Inc.
13915 Danielson St
Suite 100
Poway, CA 92064
www.frame-max.com



© FrameMax Inc.

HEIGHT : 9'-4 7/16" POINTS: 0.38 Points.

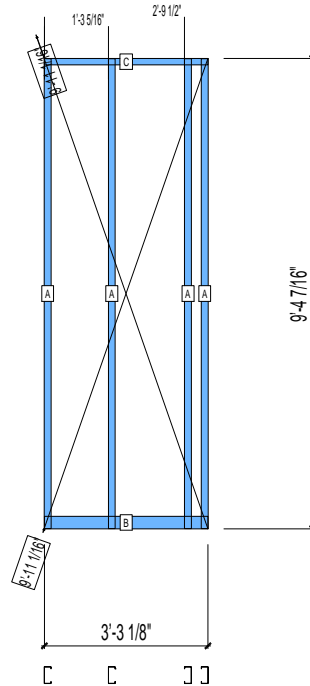
SPACING : 24"

1st STUD: 16 3/16"

WEIGHTS :

FRAME : 41 lbs

TOTAL: 41 lbs



PIECES LIST

LABEL	QTY	SIZE	LENGTH	USE
A	4	400S162-33	9'-4 5/16"	STUD
B	1	400T300-33	3'-3 1/8"	BOTTOM TRACK
C	1	400T150-33	3'-3 1/8"	TOP TRACK

22-3216

Jewish Home for the Aging

1885 Victory Blvd. Reseda, CA

FrameMax, Inc.
13915 Danielson St
Suite 100
Poway, CA 92064
www.frame-max.com



© FrameMax Inc.

CREATED: 11/19/2008

FM-07-109

CREATED BY: TNT

HEIGHT : 9'-4 7/16" POINTS: 0.19 Points.

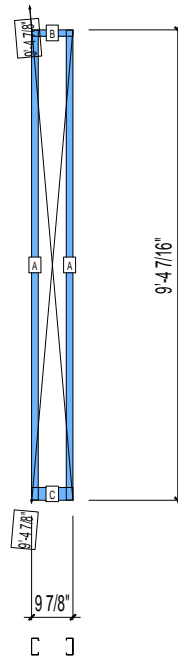
SPACING : 24"

1st STUD: 24"

WEIGHTS :

FRAME : 19 lbs

TOTAL: 19 lbs



PIECES LIST

LABEL	QTY	SIZE	LENGTH	USE
A	2	400S162-33	9'-4 5/16"	STUD
B	1	400T150-33	9 7/8"	TOP TRACK
C	1	400T300-33	9 7/8"	BOTTOM TRACK

22-3217

Jewish Home for the Aging

1885 Victory Blvd. Reseda, CA

FM-07-109

CREATED BY: TNT

FrameMax, Inc.
13915 Danielson St
Suite 100
Poway, CA 92064
www.frame-max.com



© FrameMax Inc.

HEIGHT : 9'-4 7/16" POINTS: 0.77 Points.

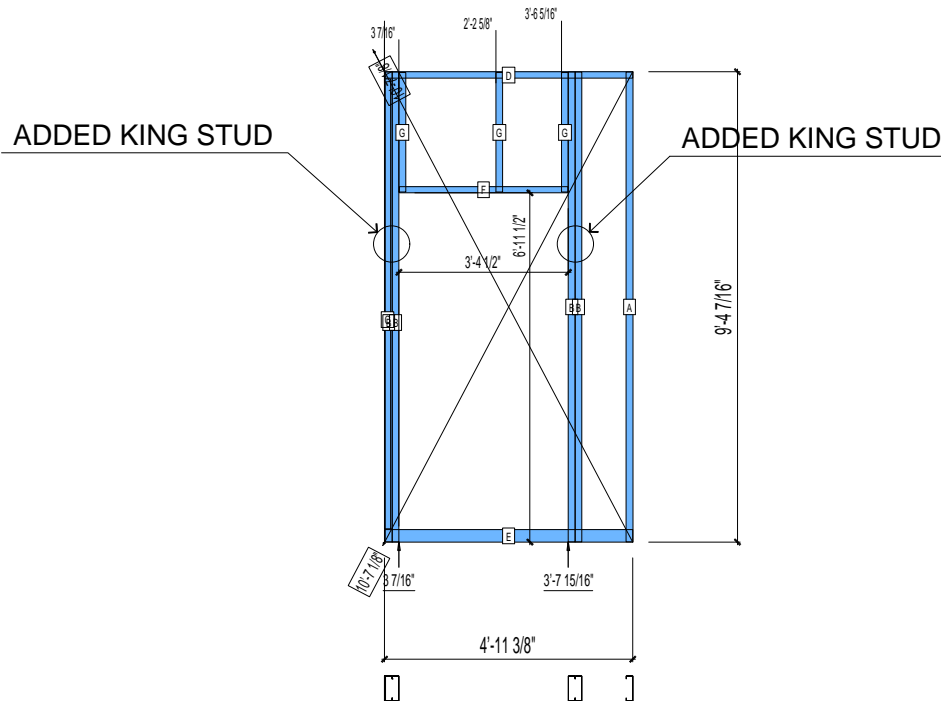
SPACING : 24"

1st STUD: 16"

WEIGHTS :

FRAME : 89 lbs

TOTAL: 89 lbs



PIECES LIST

LABEL	QTY	SIZE	LENGTH	USE
A	1	600S162-33	9'-4 5/16"	STUD
B	4	600S162-33	9'-4 5/16"	KING STUD
C	1	600T150-33	8'-11 9/16"	CAP TRACK
D	1	600T150-33	4'-11 3/8"	TOP TRACK
E	1	600T300-33	4'-11 3/8"	BOTTOM TRACK
F	1	600T150-33	3'-4 1/4"	HEAD TRACK
G	3	600S162-33	2'-4 9/16"	CRIPPLE

22-3218

Jewish Home for the Aging

1885 Victory Blvd. Reseda, CA

FM-07-109

CREATED BY: TNT

FrameMax, Inc.
13915 Danielson St
Suite 100
Poway, CA 92064
www.frame-max.com



© FrameMax Inc.

HEIGHT : 9'-4 7/16" POINTS: 0.36 Points.

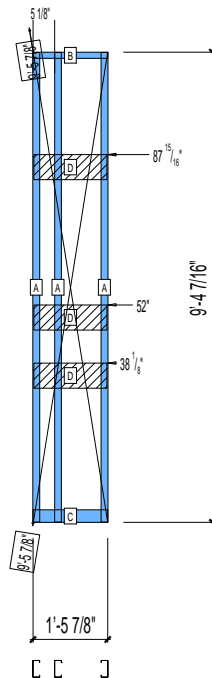
SPACING : 24"

1st STUD: 24"

WEIGHTS :

FRAME : 34 lbs

TOTAL: 34 lbs



PIECES LIST

LABEL	QTY	SIZE	LENGTH	USE
A	3	400S162-33	9'-4 5/16"	STUD
B	1	400T150-33	1'-5 7/8"	TOP TRACK
C	1	400T300-33	1'-5 7/8"	BOTTOM TRACK
D	3	600D-54	1'-5 7/16"	KITCHEN BACKING

22-3219

Jewish Home for the Aging

1885 Victory Blvd. Reseda, CA

FrameMax, Inc.
13915 Danielson St
Suite 100
Poway, CA 92064
www.frame-max.com



© FrameMax Inc.

CREATED: 11/19/2008

FM-07-109

CREATED BY: TNT

HEIGHT : 2'-9 1/2" POINTS: 0.20 Points.

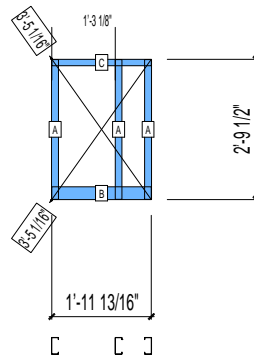
SPACING : 24"

1st STUD: 16"

WEIGHTS :

FRAME : 12 lbs

TOTAL: 12 lbs



PIECES LIST

LABEL	QTY	SIZE	LENGTH	USE
A	3	400S162-33	2'-9 3/8"	STUD
B	1	400T300-33	1'-11 13/16"	BOTTOM TRACK
C	1	400T150-33	1'-11 13/16"	TOP TRACK

22-3220

Jewish Home for the Aging

1885 Victory Blvd. Reseda, CA

FrameMax, Inc.
13915 Danielson St
Suite 100
Poway, CA 92064
www.frame-max.com



© FrameMax Inc.

CREATED: 11/19/2008

FM-07-109

CREATED BY: TNT

HEIGHT : 2'-9 1/2" POINTS: 0.58 Points.

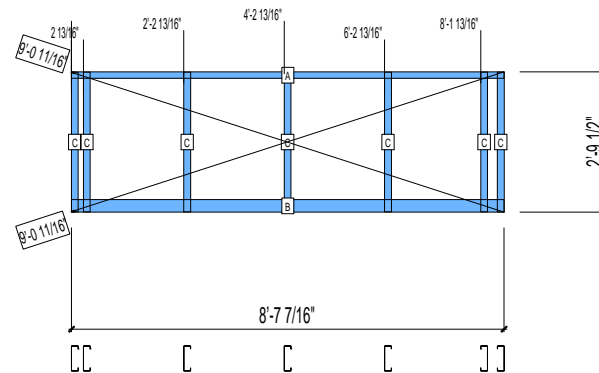
SPACING : 24"

1st STUD: 3 11/16"

WEIGHTS :

FRAME : 44 lbs

TOTAL: 44 lbs



PIECES LIST

LABEL	QTY	SIZE	LENGTH	USE
A	1	600T150-33	8'-7 7/16"	TOP TRACK
B	1	600T300-33	8'-7 7/16"	BOTTOM TRACK
C	7	600S162-33	2'-9 3/8"	STUD

22-3221

Jewish Home for the Aging

1885 Victory Blvd. Reseda, CA

FrameMax, Inc.
13915 Danielson St
Suite 100
Poway, CA 92064
www.frame-max.com



© FrameMax Inc.

CREATED: 11/19/2008

FM-07-109

CREATED BY: TNT

HEIGHT : 9'-4 7/16" POINTS: 0.31 Points.

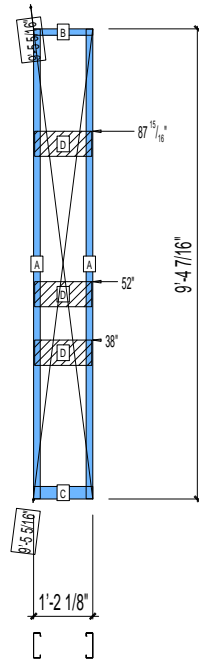
SPACING : 24"

1st STUD: 16"

WEIGHTS :

FRAME : 29 lbs

TOTAL: 29 lbs



PIECES LIST

LABEL	QTY	SIZE	LENGTH	USE
A	2	600S162-33	9'-4 5/16"	STUD
B	1	600T150-33	1'-2 1/8"	TOP TRACK
C	1	600T300-33	1'-2 1/8"	BOTTOM TRACK
D	3	600D-54	1'-1 11/16"	KITCHEN BACKING

22-3222

Jewish Home for the Aging

1885 Victory Blvd. Reseda, CA

FrameMax, Inc.
13915 Danielson St
Suite 100
Poway, CA 92064
www.frame-max.com



© FrameMax Inc.

CREATED: 11/19/2008

FM-07-109

CREATED BY: TNT

HEIGHT : 9'-4 7/16" POINTS: 0.29 Points.

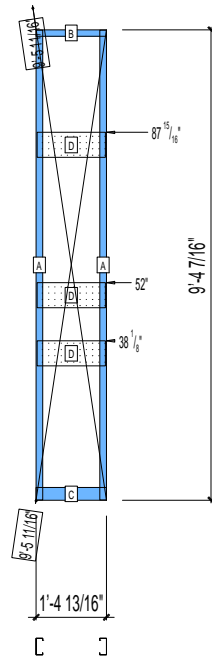
SPACING : 24"

1st STUD: 24"

WEIGHTS :

FRAME : 25 lbs

TOTAL: 25 lbs



PIECES LIST

LABEL	QTY	SIZE	LENGTH	USE
A	2	400S162-33	9'-4 5/16"	STUD
B	1	400T150-33	1'-4 13/16"	TOP TRACK
C	1	400T300-33	1'-4 13/16"	BOTTOM TRACK
D	3	600D-54	1'-4 3/8"	KITCHEN BACKING

22-3223

Jewish Home for the Aging

1885 Victory Blvd. Reseda, CA

FrameMax, Inc.
13915 Danielson St
Suite 100
Poway, CA 92064
www.frame-max.com



© FrameMax Inc.

CREATED: 11/19/2008

FM-07-109

CREATED BY: TNT

HEIGHT : 9'-4 7/16" POINTS: 0.36 Points.

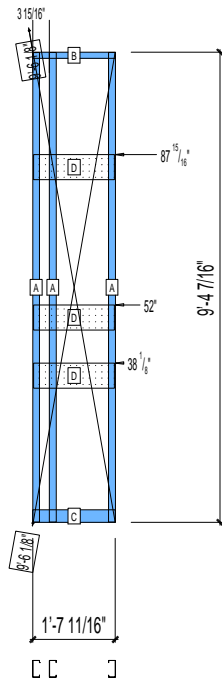
SPACING : 24"

1st STUD: 24"

WEIGHTS :

FRAME : 35 lbs

TOTAL: 35 lbs



PIECES LIST

LABEL	QTY	SIZE	LENGTH	USE
A	3	400S162-33	9'-4 5/16"	STUD
B	1	400T150-33	1'-7 11/16"	TOP TRACK
C	1	400T300-33	1'-7 11/16"	BOTTOM TRACK
D	3	600D-54	1'-7 1/4"	KITCHEN BACKING

22-3224

Jewish Home for the Aging

1885 Victory Blvd. Reseda, CA

FM-07-109

CREATED BY: TNT

FrameMax, Inc.
13915 Danielson St
Suite 100
Poway, CA 92064
www.frame-max.com



© FrameMax Inc.

HEIGHT : 9'-5 3/16" POINTS: 0.55 Points.

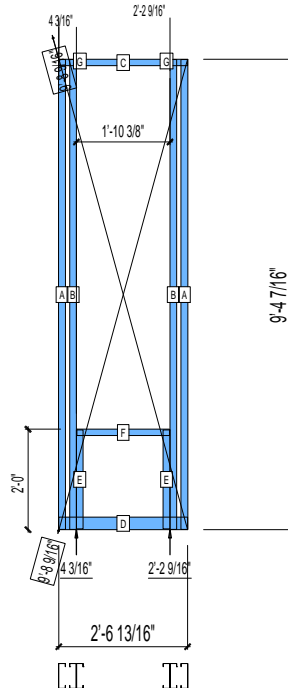
SPACING : 24"

1st STUD: 16"

WEIGHTS :

FRAME : 57 lbs

TOTAL: 57 lbs



PIECES LIST

LABEL	QTY	SIZE	LENGTH	USE
A	2	600S162-33	9'-4 5/16"	STUD
B	2	600S162-33	9'-4 5/16"	KING STUD
C	1	600T150-33	2'-6 13/16"	TOP TRACK
D	1	600T300-33	2'-6 13/16"	BOTTOM TRACK
E	2	600S162-33	1'-11 5/8"	CRIPPLE
F	1	600T150-33	1'-10 1/8"	SILL
G	2	600S162-33	3/8"	CRIPPLE

22-3225

Jewish Home for the Aging

1885 Victory Blvd. Reseda, CA

FrameMax, Inc.
13915 Danielson St
Suite 100
Poway, CA 92064
www.frame-max.com



© FrameMax Inc.

CREATED: 11/19/2008

FM-07-109

CREATED BY: TNT

HEIGHT : 9'-4 7/16" POINTS: 0.27 Points.

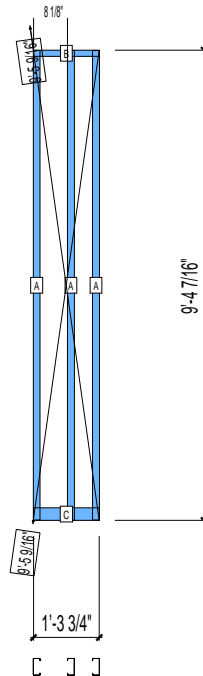
SPACING : 24"

1st STUD: 24"

WEIGHTS :

FRAME : 29 lbs

TOTAL: 29 lbs



PIECES LIST

LABEL	QTY	SIZE	LENGTH	USE
A	3	400S162-33	9'-4 5/16"	STUD
B	1	400T150-33	1'-3 3/4"	TOP TRACK
C	1	400T300-33	1'-3 3/4"	BOTTOM TRACK

22-3226

Jewish Home for the Aging

1885 Victory Blvd. Reseda, CA

FM-07-109

CREATED BY: TNT

FrameMax, Inc.
13915 Danielson St
Suite 100
Poway, CA 92064
www.frame-max.com



© FrameMax Inc.

HEIGHT : 9'-4 7/16" POINTS: 1.12 Points.

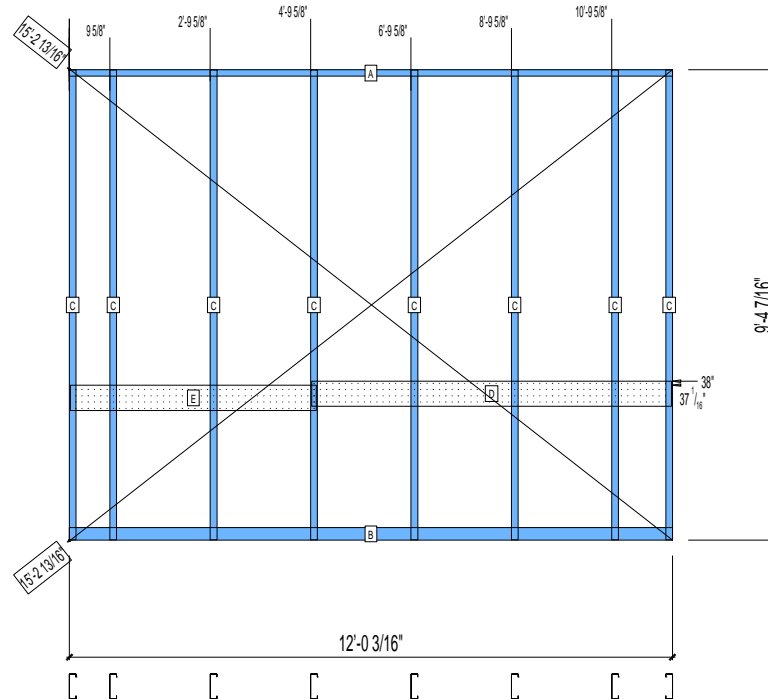
SPACING : 24"

1st STUD: 10 1/2"

WEIGHTS :

FRAME : 135 lbs

TOTAL: 135 lbs



PIECES LIST

LABEL	QTY	SIZE	LENGTH	USE
A	1	600T150-33	12'-0 3/16"	TOP TRACK
B	1	600T300-33	12'-0 3/16"	BOTTOM TRACK
C	8	600S162-33	9'-4 5/16"	STUD
D	1	600D-54	7'-2 1/16"	VANITY BACKING
E	1	600T150-54	4'-10 13/16"	GRAB BAR

22-3227

Jewish Home for the Aging

1885 Victory Blvd. Reseda, CA

FM-07-109

CREATED BY: TNT

FrameMax, Inc.
13915 Danielson St
Suite 100
Poway, CA 92064
www.frame-max.com



© FrameMax Inc.

HEIGHT : 9'-4 7/16" POINTS: 0.57 Points.

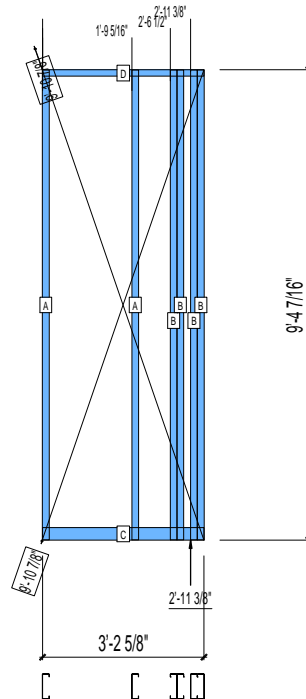
SPACING : 24"

1st STUD: 22 3/16"

WEIGHTS :

FRAME : 74 lbs

TOTAL: 74 lbs



PIECES LIST

LABEL	QTY	SIZE	LENGTH	USE
A	2	600S162-33	9'-4 5/16"	STUD
B	4	600S162-33	9'-4 5/16"	EXTRA STUD
C	1	600T300-33	3'-2 5/8"	BOTTOM TRACK
D	1	600T150-33	3'-2 5/8"	TOP TRACK

22-3228

Jewish Home for the Aging

1885 Victory Blvd. Reseda, CA

FM-07-109

CREATED BY: TNT

FrameMax, Inc.
13915 Danielson St
Suite 100
Poway, CA 92064
www.frame-max.com



© FrameMax Inc.

HEIGHT : 9'-4 7/16" POINTS: 0.72 Points.

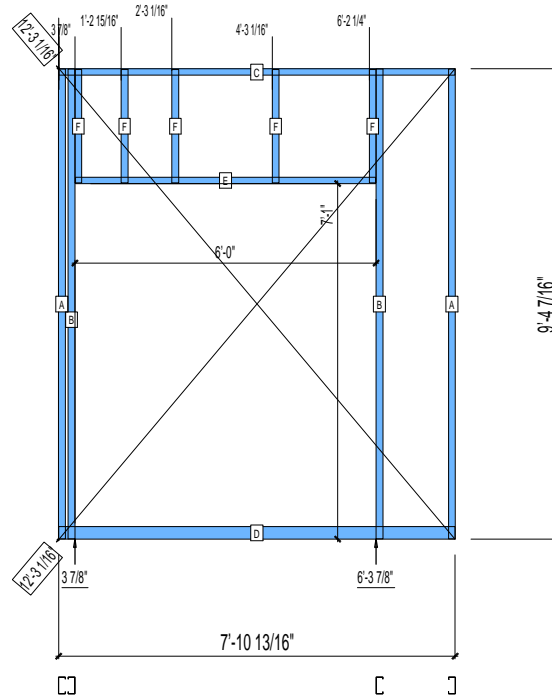
SPACING : 24"

1st STUD: 11/16"

WEIGHTS :

FRAME : 66 lbs

TOTAL: 66 lbs



PIECES LIST

LABEL	QTY	SIZE	LENGTH	USE
A	2	400S162-33	9'-4 5/16"	STUD
B	2	400S162-33	9'-4 5/16"	KING STUD
C	1	400T150-33	7'-10 13/16"	TOP TRACK
D	1	400T300-33	7'-10 13/16"	BOTTOM TRACK
E	1	400T150-33	5'-11 3/4"	HEAD TRACK
F	5	400S162-33	2'-3 1/16"	CRIPPLE

22-3229

Jewish Home for the Aging

1885 Victory Blvd. Reseda, CA

FrameMax, Inc.
13915 Danielson St
Suite 100
Poway, CA 92064
www.frame-max.com



© FrameMax Inc.

CREATED: 11/19/2008

FM-07-109

CREATED BY: TNT

HEIGHT : 9'-4 7/16" POINTS: 0.82 Points.

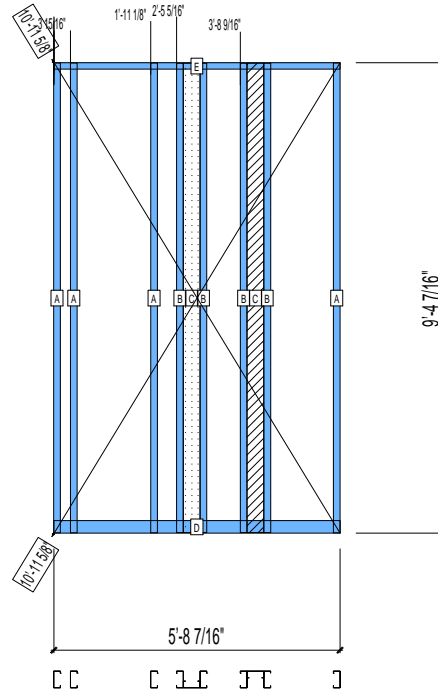
SPACING : 24"

1st STUD: 24"

WEIGHTS :

FRAME : 98 lbs

TOTAL: 98 lbs



PIECES LIST

LABEL	QTY	SIZE	LENGTH	USE
A	4	400S162-33	9'-4 5/16"	STUD
B	4	400S162-33	9'-4 3/16"	BACKER STUD
C	2	400S162-33	9'-4 3/16"	BACKER-U
D	1	400T300-33	5'-8 7/16"	BOTTOM TRACK
E	1	400T150-33	5'-8 7/16"	TOP TRACK

22-3230

Jewish Home for the Aging

1885 Victory Blvd. Reseda, CA

FM-07-109

CREATED BY: TNT

FrameMax, Inc.
13915 Danielson St
Suite 100
Poway, CA 92064
www.frame-max.com



© FrameMax Inc.

HEIGHT : 9'-4 7/16" POINTS: 0.80 Points.

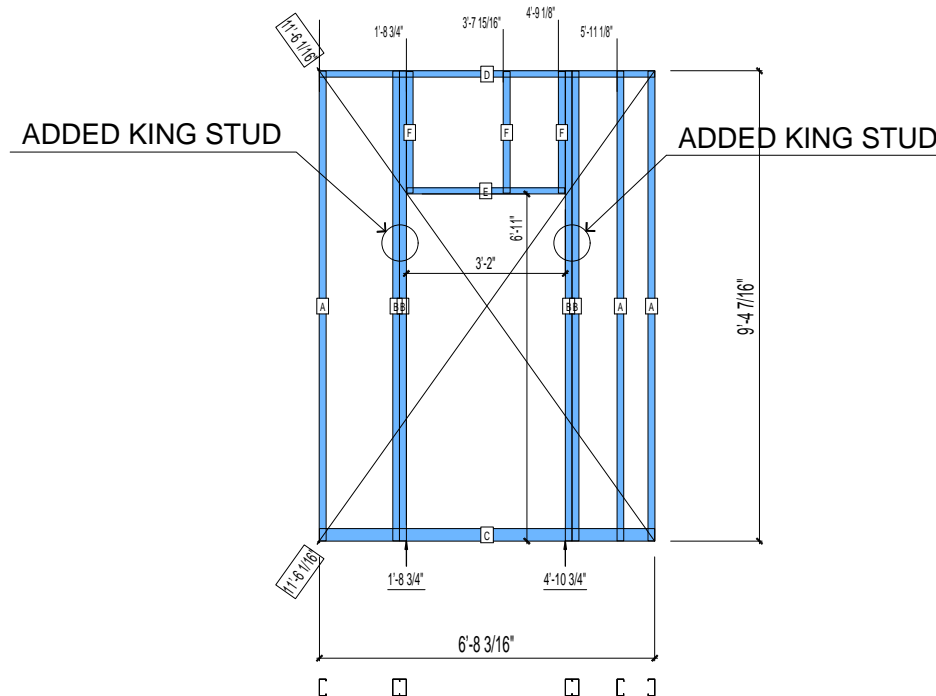
SPACING : 24"

1st STUD: 24"

WEIGHTS :

FRAME : 84 lbs

TOTAL: 84 lbs



PIECES LIST

LABEL	QTY	SIZE	LENGTH	USE
A	3	400S162-33	9'-4 5/16"	STUD
B	4	400S162-33	9'-4 5/16"	KING STUD
C	1	400T300-33	6'-8 3/16"	BOTTOM TRACK
D	1	400T150-33	6'-8 3/16"	TOP TRACK
E	1	400T150-33	3'-1 3/4"	HEAD TRACK
F	3	400S162-33	2'-5 1/16"	CRIPPLE

22-3231

Jewish Home for the Aging

1885 Victory Blvd. Reseda, CA

FrameMax, Inc.
13915 Danielson St
Suite 100
Poway, CA 92064
www.frame-max.com



© FrameMax Inc.

CREATED: 11/19/2008

FM-07-109

CREATED BY: TNT

HEIGHT : 9'-4 7/16" POINTS: 0.30 Points.

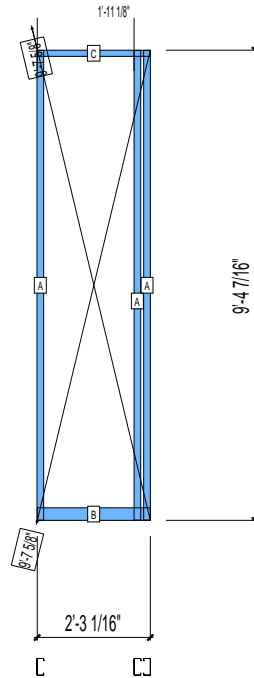
SPACING : 24"

1st STUD: 24"

WEIGHTS :

FRAME : 31 lbs

TOTAL: 31 lbs



PIECES LIST

LABEL	QTY	SIZE	LENGTH	USE
A	3	400S162-33	9'-4 5/16"	STUD
B	1	400T300-33	2'-3 1/16"	BOTTOM TRACK
C	1	400T150-33	2'-3 1/16"	TOP TRACK

22-3232

Jewish Home for the Aging

1885 Victory Blvd. Reseda, CA

FrameMax, Inc.
13915 Danielson St
Suite 100
Poway, CA 92064
www.frame-max.com



© FrameMax Inc.

CREATED: 11/19/2008

FM-07-109

CREATED BY: TNT

HEIGHT : 9'-4 7/16" POINTS: 0.34 Points.

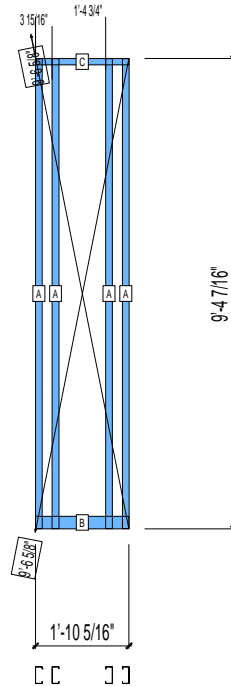
SPACING : 24"

1st STUD: 24"

WEIGHTS :

FRAME : 39 lbs

TOTAL: 39 lbs



PIECES LIST

LABEL	QTY	SIZE	LENGTH	USE
A	4	400S162-33	9'-4 5/16"	STUD
B	1	400T300-33	1'-10 5/16"	BOTTOM TRACK
C	1	400T150-33	1'-10 5/16"	TOP TRACK

22-3233

Jewish Home for the Aging

1885 Victory Blvd. Reseda, CA

FrameMax, Inc.
13915 Danielson St
Suite 100
Poway, CA 92064
www.frame-max.com



© FrameMax Inc.

CREATED: 11/19/2008

FM-07-109

CREATED BY: TNT

HEIGHT : 9'-4 7/16" POINTS: 0.41 Points.

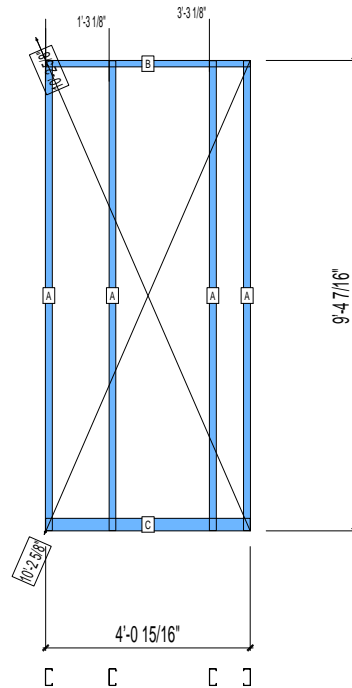
SPACING : 24"

1st STUD: 16"

WEIGHTS :

FRAME : 43 lbs

TOTAL: 43 lbs



PIECES LIST

LABEL	QTY	SIZE	LENGTH	USE
A	4	400S162-33	9'-4 5/16"	STUD
B	1	400T150-33	4'-0 15/16"	TOP TRACK
C	1	400T300-33	4'-0 15/16"	BOTTOM TRACK

22-3234

Jewish Home for the Aging

1885 Victory Blvd. Reseda, CA

FrameMax, Inc.
13915 Danielson St
Suite 100
Poway, CA 92064
www.frame-max.com



© FrameMax Inc.

CREATED: 11/19/2008

FM-07-109

CREATED BY: TNT

HEIGHT : 9'-4 7/16" POINTS: 0.32 Points.

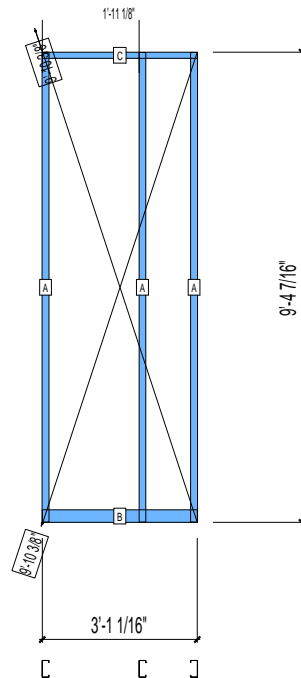
SPACING : 24"

1st STUD: 24"

WEIGHTS :

FRAME : 32 lbs

TOTAL: 32 lbs



PIECES LIST

LABEL	QTY	SIZE	LENGTH	USE
A	3	400S162-33	9'-4 5/16"	STUD
B	1	400T300-33	3'-1 1/16"	BOTTOM TRACK
C	1	400T150-33	3'-1 1/16"	TOP TRACK

22-3235

Jewish Home for the Aging

1885 Victory Blvd. Reseda, CA

FrameMax, Inc.
13915 Danielson St
Suite 100
Poway, CA 92064
www.frame-max.com



© FrameMax Inc.

CREATED: 11/19/2008

FM-07-109

CREATED BY: TNT

HEIGHT : 9'-4 7/16" POINTS: 0.27 Points.

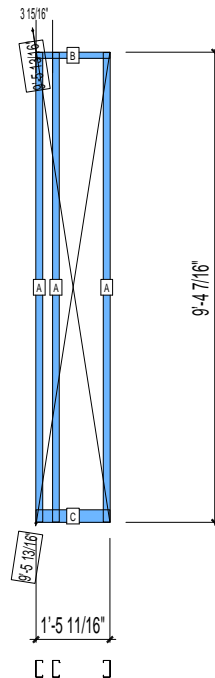
SPACING : 24"

1st STUD: 24"

WEIGHTS :

FRAME : 29 lbs

TOTAL: 29 lbs



PIECES LIST

LABEL	QTY	SIZE	LENGTH	USE
A	3	400S162-33	9'-4 5/16"	STUD
B	1	400T150-33	1'-5 11/16"	TOP TRACK
C	1	400T300-33	1'-5 11/16"	BOTTOM TRACK

22-3251

Jewish Home for the Aging

1885 Victory Blvd. Reseda, CA

FrameMax, Inc.
13915 Danielson St
Suite 100
Poway, CA 92064
www.frame-max.com



© FrameMax Inc.

CREATED: 11/19/2008

FM-07-109

CREATED BY: TNT

HEIGHT : 9'-5 3/16" POINTS: 0.51 Points.

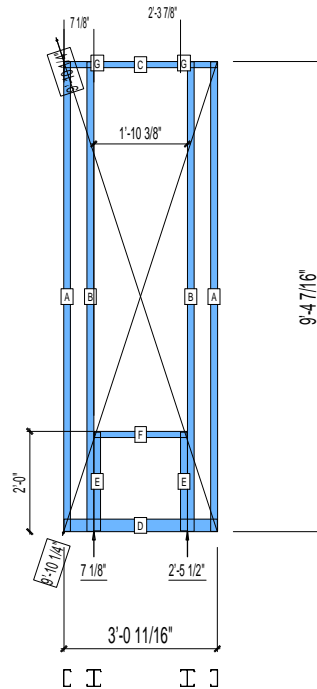
SPACING : 24"

1st STUD: 24"

WEIGHTS :

FRAME : 46 lbs

TOTAL: 46 lbs



PIECES LIST

LABEL	QTY	SIZE	LENGTH	USE
A	2	400S162-33	9'-4 5/16"	STUD
B	2	400S162-33	9'-4 5/16"	KING STUD
C	1	400T150-33	3'-0 11/16"	TOP TRACK
D	1	400T300-33	3'-0 11/16"	BOTTOM TRACK
E	2	400S162-33	1'-11 5/8"	CRIPPLE
F	1	400T150-33	1'-10 1/8"	SILL
G	2	400S162-33	3/8"	CRIPPLE

22-3252

Jewish Home for the Aging

1885 Victory Blvd. Reseda, CA

FrameMax, Inc.
13915 Danielson St
Suite 100
Poway, CA 92064
www.frame-max.com



© FrameMax Inc.

CREATED: 11/19/2008

FM-07-109

CREATED BY: TNT

HEIGHT : 9'-4 7/16" POINTS: 0.26 Points.

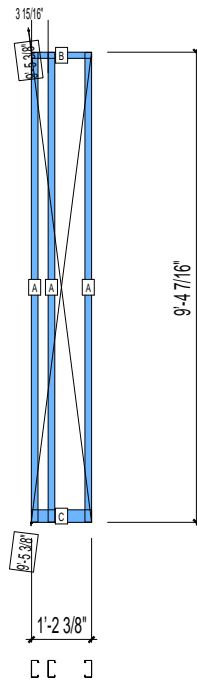
SPACING : 24"

1st STUD: 24"

WEIGHTS :

FRAME : 29 lbs

TOTAL: 29 lbs



PIECES LIST

LABEL	QTY	SIZE	LENGTH	USE
A	3	400S162-33	9'-4 5/16"	STUD
B	1	400T150-33	1'-2 3/8"	TOP TRACK
C	1	400T300-33	1'-2 3/8"	BOTTOM TRACK

22-3253

Jewish Home for the Aging

1885 Victory Blvd. Reseda, CA

FM-07-109

CREATED BY: TNT

FrameMax, Inc.
13915 Danielson St
Suite 100
Poway, CA 92064
www.frame-max.com



© FrameMax Inc.

HEIGHT : 9'-4 7/16" POINTS: 0.96 Points.

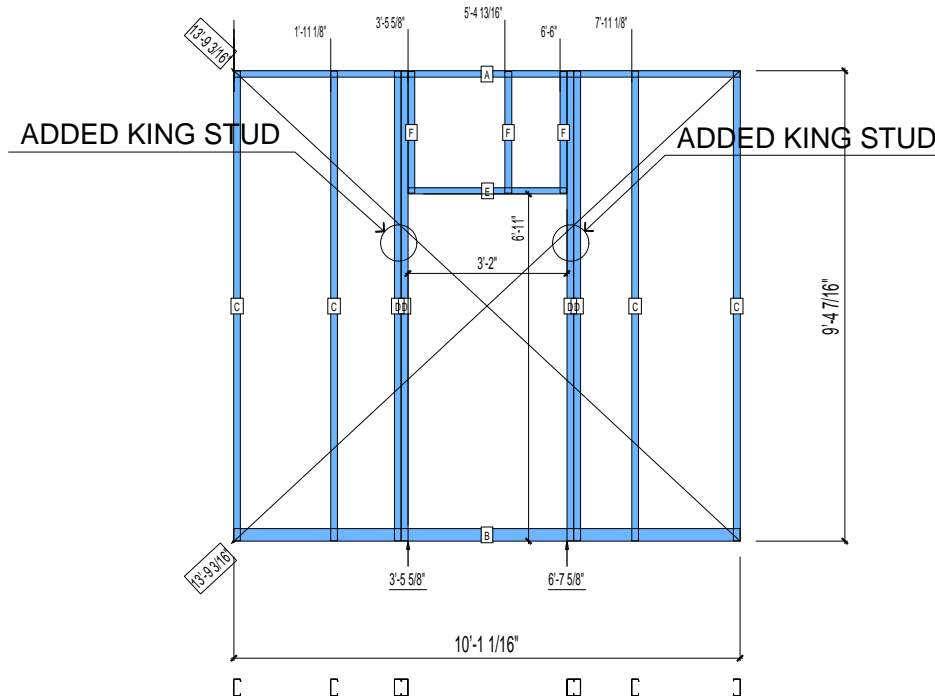
SPACING : 24"

1st STUD: 24"

WEIGHTS :

FRAME : 99 lbs

TOTAL: 99 lbs



PIECES LIST

LABEL	QTY	SIZE	LENGTH	USE
A	1	400T150-33	10'-1 1/16"	TOP TRACK
B	1	400T300-33	10'-1 1/16"	BOTTOM TRACK
C	4	400S162-33	9'-4 5/16"	STUD
D	4	400S162-33	9'-4 5/16"	KING STUD
E	1	400T150-33	3'-1 3/4"	HEAD TRACK
F	3	400S162-33	2'-5 1/16"	CRIPPLE

22-3254

Jewish Home for the Aging

1885 Victory Blvd. Reseda, CA

FrameMax, Inc.
13915 Danielson St
Suite 100
Poway, CA 92064
www.frame-max.com



© FrameMax Inc.

CREATED: 11/19/2008

FM-07-109

CREATED BY: TNT

HEIGHT : 9'-4 7/16" POINTS: 0.59 Points.

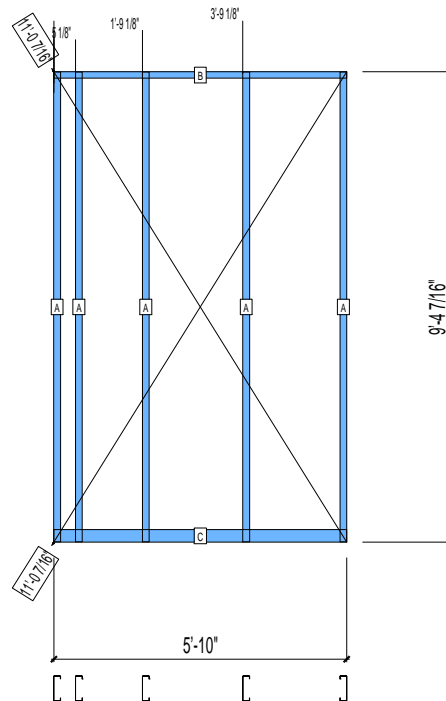
SPACING : 24"

1st STUD: 22"

WEIGHTS :

FRAME : 69 lbs

TOTAL: 69 lbs



PIECES LIST

LABEL	QTY	SIZE	LENGTH	USE
A	5	600S162-33	9'-4 5/16"	STUD
B	1	600T150-33	5'-10"	TOP TRACK
C	1	600T300-33	5'-10"	BOTTOM TRACK

22-3255

Jewish Home for the Aging

1885 Victory Blvd. Reseda, CA

FrameMax, Inc.
13915 Danielson St
Suite 100
Poway, CA 92064
www.frame-max.com



© FrameMax Inc.

CREATED: 11/19/2008

FM-07-109

CREATED BY: TNT

HEIGHT : 9'-4 7/16" POINTS: 0.35 Points.

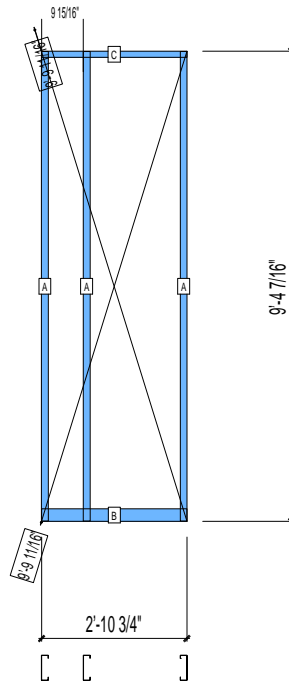
SPACING : 24"

1st STUD: 10 13/16"

WEIGHTS :

FRAME : 40 lbs

TOTAL: 40 lbs



PIECES LIST

LABEL	QTY	SIZE	LENGTH	USE
A	3	600S162-33	9'-4 5/16"	STUD
B	1	600T300-33	2'-10 3/4"	BOTTOM TRACK
C	1	600T150-33	2'-10 3/4"	TOP TRACK

22-3256

Jewish Home for the Aging

1885 Victory Blvd. Reseda, CA

FM-07-109

CREATED BY: TNT

FrameMax, Inc.
13915 Danielson St
Suite 100
Poway, CA 92064
www.framemax.com



© FrameMax Inc.

HEIGHT : 9'-4 7/16" POINTS: 0.50 Points.

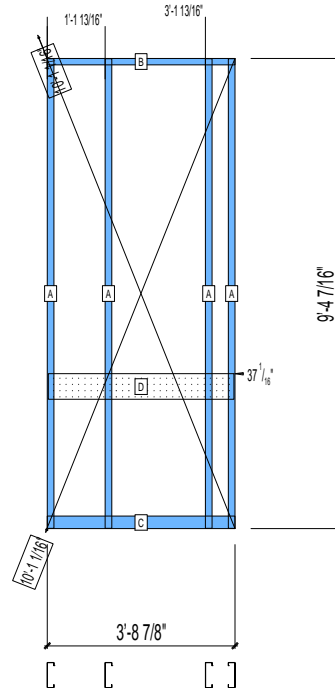
SPACING : 24"

1st STUD: 14 5/8"

WEIGHTS :

FRAME : 60 lbs

TOTAL: 60 lbs



PIECES LIST

LABEL	QTY	SIZE	LENGTH	USE
A	4	600S162-33	9'-4 5/16"	STUD
B	1	600T150-33	3'-8 7/8"	TOP TRACK
C	1	600T300-33	3'-8 7/8"	BOTTOM TRACK
D	1	600T150-54	3'-8 7/16"	GRAB BAR

22-3257

Jewish Home for the Aging

1885 Victory Blvd. Reseda, CA

FM-07-109

CREATED BY: TNT

FrameMax, Inc.
13915 Danielson St
Suite 100
Poway, CA 92064
www.frame-max.com



© FrameMax Inc.

HEIGHT : 9'-4 7/16" POINTS: 1.18 Points.

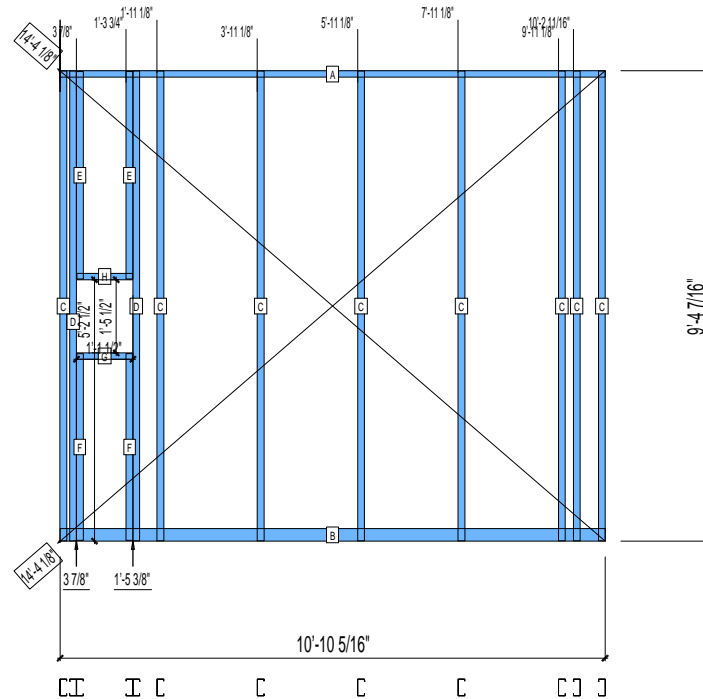
SPACING : 24"

1st STUD: 24"

WEIGHTS :

FRAME : 125 lbs

TOTAL: 125 lbs



PIECES LIST

LABEL	QTY	SIZE	LENGTH	USE
A	1	400T150-33	10'-10 5/16"	TOP TRACK
B	1	400T300-33	10'-10 5/16"	BOTTOM TRACK
C	8	400S162-33	9'-4 5/16"	STUD
D	2	400S162-33	9'-4 5/16"	KING STUD
E	2	400S162-33	4'-1 9/16"	CRIPPLE
F	2	400S162-33	3'-8 5/8"	CRIPPLE
G	1	400T150-33	1'-1 1/4"	SILL
H	1	400T150-33	1'-1 1/4"	HEAD TRACK

22-3258

Jewish Home for the Aging

1885 Victory Blvd. Reseda, CA

FM-07-109

CREATED BY: TNT

FrameMax, Inc.
13915 Danielson St
Suite 100
Poway, CA 92064
www.frame-max.com



© FrameMax Inc.

HEIGHT : 9'-4 7/16" POINTS: 0.46 Points.

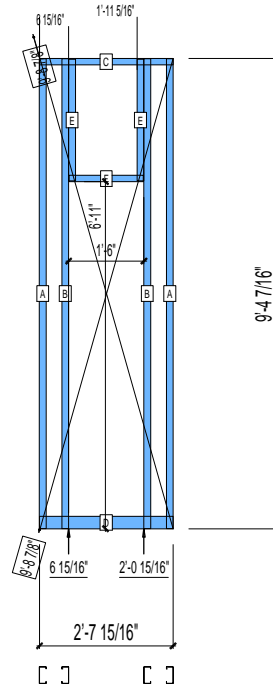
SPACING : 24"

1st STUD: 24"

WEIGHTS :

FRAME : 46 lbs

TOTAL: 46 lbs



PIECES LIST

LABEL	QTY	SIZE	LENGTH	USE
A	2	400S162-33	9'-4 5/16"	STUD
B	2	400S162-33	9'-4 5/16"	KING STUD
C	1	400T150-33	2'-7 15/16"	TOP TRACK
D	1	400T300-33	2'-7 15/16"	BOTTOM TRACK
E	2	400S162-33	2'-5 1/16"	CRIPPLE
F	1	400T150-33	1'-5 3/4"	HEAD TRACK

22-3259

Jewish Home for the Aging

1885 Victory Blvd. Reseda, CA

FrameMax, Inc.
13915 Danielson St
Suite 100
Poway, CA 92064
www.frame-max.com



© FrameMax Inc.

CREATED: 11/19/2008

FM-07-109

CREATED BY: TNT

HEIGHT : 9'-4 7/16" POINTS: 0.28 Points.

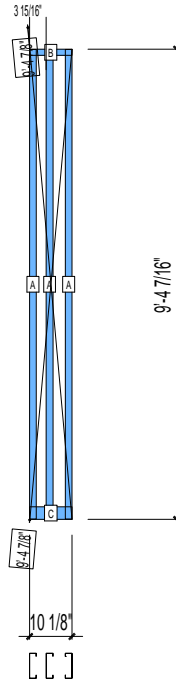
SPACING : 24"

1st STUD: 24"

WEIGHTS :

FRAME : 35 lbs

TOTAL: 35 lbs



PIECES LIST

LABEL	QTY	SIZE	LENGTH	USE
A	3	600S162-33	9'-4 5/16"	STUD
B	1	600T150-33	10 1/8"	TOP TRACK
C	1	600T300-33	10 1/8"	BOTTOM TRACK

22-3260

Jewish Home for the Aging

1885 Victory Blvd. Reseda, CA

FrameMax, Inc.
13915 Danielson St
Suite 100
Poway, CA 92064
www.frame-max.com



© FrameMax Inc.

CREATED: 11/19/2008

FM-07-109

CREATED BY: TNT

HEIGHT : 9'-4 7/16" POINTS: 0.23 Points.

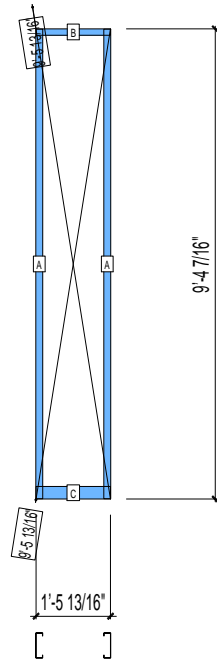
SPACING : 24"

1st STUD: 24"

WEIGHTS :

FRAME : 26 lbs

TOTAL: 26 lbs



PIECES LIST

LABEL	QTY	SIZE	LENGTH	USE
A	2	600S162-33	9'-4 5/16"	STUD
B	1	600T150-33	1'-5 13/16"	TOP TRACK
C	1	600T300-33	1'-5 13/16"	BOTTOM TRACK

22-3261

Jewish Home for the Aging

1885 Victory Blvd. Reseda, CA

FM-07-109

CREATED BY: TNT

FrameMax, Inc.
13915 Danielson St
Suite 100
Poway, CA 92064
www.frame-max.com



© FrameMax Inc.

HEIGHT : 9'-4 7/16" POINTS: 0.77 Points.

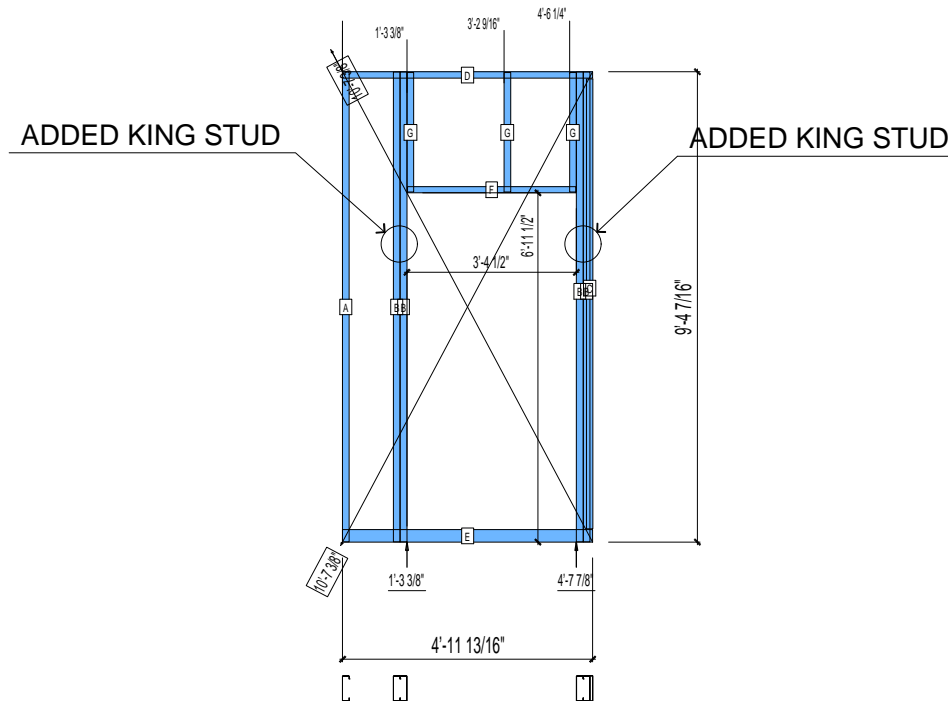
SPACING : 24"

1st STUD: 16"

WEIGHTS :

FRAME : 89 lbs

TOTAL: 89 lbs



PIECES LIST

LABEL	QTY	SIZE	LENGTH	USE
A	1	600S162-33	9'-4 5/16"	STUD
B	4	600S162-33	9'-4 5/16"	KING STUD
C	1	600T150-33	8'-11 9/16"	CAP TRACK
D	1	600T150-33	4'-11 13/16"	TOP TRACK
E	1	600T300-33	4'-11 13/16"	BOTTOM TRACK
F	1	600T150-33	3'-4 1/4"	HEAD TRACK
G	3	600S162-33	2'-4 9/16"	CRIPPLE

22-3262

Jewish Home for the Aging

1885 Victory Blvd. Reseda, CA

FrameMax, Inc.
13915 Danielson St
Suite 100
Poway, CA 92064
www.frame-max.com



© FrameMax Inc.

CREATED: 11/19/2008

FM-07-109

CREATED BY: TNT

HEIGHT : 9'-4 7/16" POINTS: 0.21 Points.

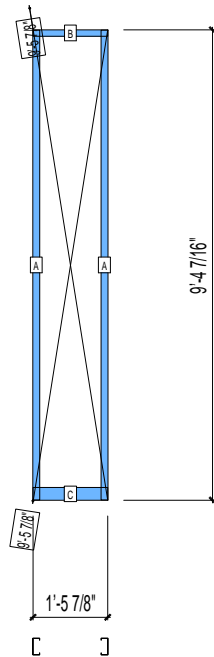
SPACING : 24"

1st STUD: 16"

WEIGHTS :

FRAME : 20 lbs

TOTAL: 20 lbs



PIECES LIST

LABEL	QTY	SIZE	LENGTH	USE
A	2	400S162-33	9'-4 5/16"	STUD
B	1	400T150-33	1'-5 7/8"	TOP TRACK
C	1	400T300-33	1'-5 7/8"	BOTTOM TRACK

22-3263

Jewish Home for the Aging

1885 Victory Blvd. Reseda, CA

FrameMax, Inc.
13915 Danielson St
Suite 100
Poway, CA 92064
www.frame-max.com



© FrameMax Inc.

CREATED: 11/19/2008

FM-07-109

CREATED BY: TNT

HEIGHT : 9'-4 7/16" POINTS: 0.21 Points.

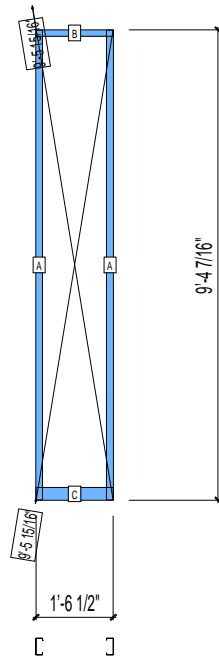
SPACING : 24"

1st STUD: 24"

WEIGHTS :

FRAME : 21 lbs

TOTAL: 21 lbs



PIECES LIST

LABEL	QTY	SIZE	LENGTH	USE
A	2	400S162-33	9'-4 5/16"	STUD
B	1	400T150-33	1'-6 1/2"	TOP TRACK
C	1	400T300-33	1'-6 1/2"	BOTTOM TRACK

22-3264

Jewish Home for the Aging

1885 Victory Blvd. Reseda, CA

FM-07-109

CREATED BY: TNT

FrameMax, Inc.
13915 Danielson St
Suite 100
Poway, CA 92064
www.frame-max.com



© FrameMax Inc.

HEIGHT : 9'-4 7/16" POINTS: 0.43 Points.

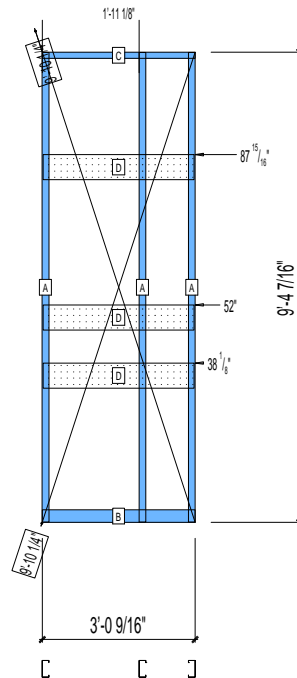
SPACING : 24"

1st STUD: 24"

WEIGHTS :

FRAME : 43 lbs

TOTAL: 43 lbs



PIECES LIST

LABEL	QTY	SIZE	LENGTH	USE
A	3	400S162-33	9'-4 5/16"	STUD
B	1	400T300-33	3'-0 9/16"	BOTTOM TRACK
C	1	400T150-33	3'-0 9/16"	TOP TRACK
D	3	600D-54	3'-0 1/8"	KITCHEN BACKING

22-3265

Jewish Home for the Aging

1885 Victory Blvd. Reseda, CA

FM-07-109

CREATED BY: TNT

FrameMax, Inc.
13915 Danielson St
Suite 100
Poway, CA 92064
www.frame-max.com



© FrameMax Inc.

HEIGHT : 2'-9 1/2" POINTS: 0.22 Points.

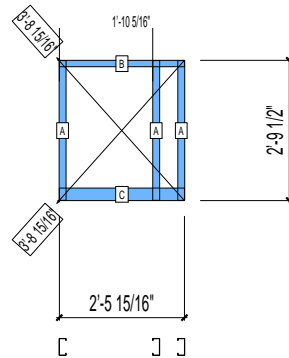
SPACING : 24"

1st STUD: 24"

WEIGHTS :

FRAME : 13 lbs

TOTAL: 13 lbs



PIECES LIST

LABEL	QTY	SIZE	LENGTH	USE
A	3	400S162-33	2'-9 3/8"	STUD
B	1	400T150-33	2'-5 15/16"	TOP TRACK
C	1	400T300-33	2'-5 15/16"	BOTTOM TRACK

22-3266

Jewish Home for the Aging

1885 Victory Blvd. Reseda, CA

FrameMax, Inc.
13915 Danielson St
Suite 100
Poway, CA 92064
www.frame-max.com



© FrameMax Inc.

CREATED: 11/19/2008

FM-07-109

CREATED BY: TNT

HEIGHT : 2'-9 1/2" POINTS: 0.50 Points.

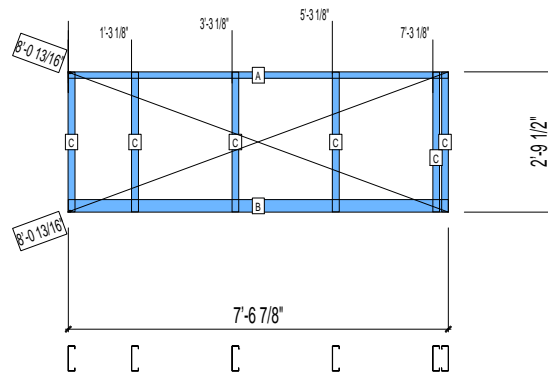
SPACING : 24"

1st STUD: 16"

WEIGHTS :

FRAME : 38 lbs

TOTAL: 38 lbs



PIECES LIST

LABEL	QTY	SIZE	LENGTH	USE
A	1	600T150-33	7'-6 7/8"	TOP TRACK
B	1	600T300-33	7'-6 7/8"	BOTTOM TRACK
C	6	600S162-33	2'-9 3/8"	STUD

22-3267

Jewish Home for the Aging

1885 Victory Blvd. Reseda, CA

FrameMax, Inc.
13915 Danielson St
Suite 100
Poway, CA 92064
www.frame-max.com



© FrameMax Inc.

CREATED: 11/19/2008

FM-07-109

CREATED BY: TNT

HEIGHT : 9'-4 7/16" POINTS: 0.34 Points.

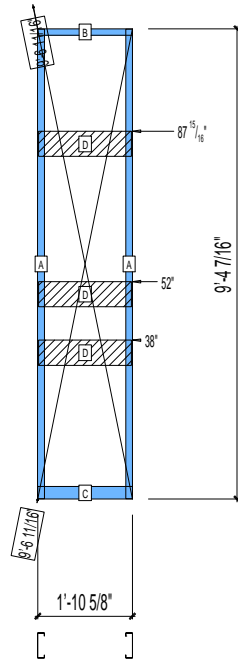
SPACING : 24"

1st STUD: 24"

WEIGHTS :

FRAME : 33 lbs

TOTAL: 33 lbs



PIECES LIST

LABEL	QTY	SIZE	LENGTH	USE
A	2	600S162-33	9'-4 5/16"	STUD
B	1	600T150-33	1'-10 5/8"	TOP TRACK
C	1	600T300-33	1'-10 5/8"	BOTTOM TRACK
D	3	600D-54	1'-10 3/16"	KITCHEN BACKING

22-3268

Jewish Home for the Aging

1885 Victory Blvd. Reseda, CA

FM-07-109

CREATED BY: TNT

FrameMax, Inc.
13915 Danielson St
Suite 100
Poway, CA 92064
www.frame-max.com



© FrameMax Inc.

HEIGHT : 9'-4 7/16" POINTS: 0.75 Points.

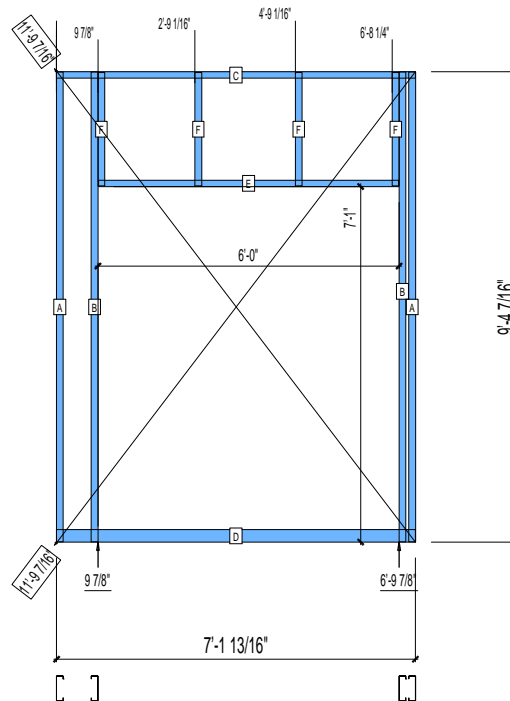
SPACING : 24"

1st STUD: 24"

WEIGHTS :

FRAME : 79 lbs

TOTAL: 79 lbs



PIECES LIST

LABEL	QTY	SIZE	LENGTH	USE
A	2	600S162-33	9'-4 5/16"	STUD
B	2	600S162-33	9'-4 5/16"	KING STUD
C	1	600T150-33	7'-1 13/16"	TOP TRACK
D	1	600T300-33	7'-1 13/16"	BOTTOM TRACK
E	1	600T150-33	5'-11 3/4"	HEAD TRACK
F	4	600S162-33	2'-3 1/16"	CRIPPLE

22-3269

Jewish Home for the Aging

1885 Victory Blvd. Reseda, CA

FrameMax, Inc.
13915 Danielson St
Suite 100
Poway, CA 92064
www.frame-max.com



© FrameMax Inc.

CREATED: 11/19/2008

FM-07-109

CREATED BY: TNT

HEIGHT : 9'-4 7/16" POINTS: 1.01 Points.

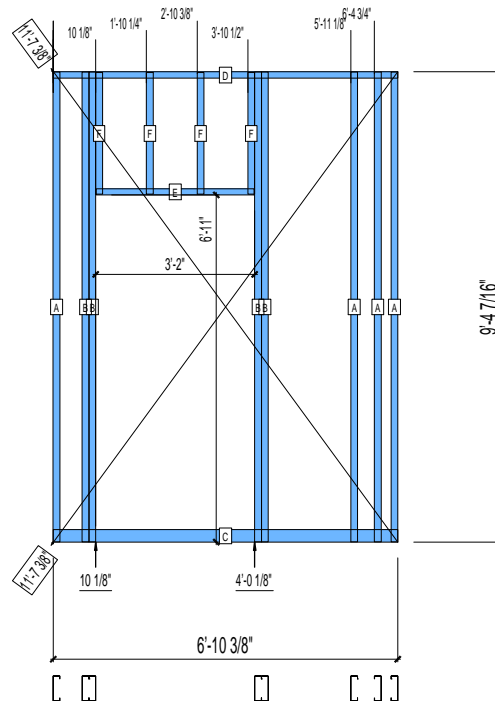
SPACING : 24"

1st STUD: 24"

WEIGHTS :

FRAME : 119 lbs

TOTAL: 119 lbs



PIECES LIST

LABEL	QTY	SIZE	LENGTH	USE
A	4	600S162-33	9'-4 5/16"	STUD
B	4	600S162-33	9'-4 5/16"	KING STUD
C	1	600T300-33	6'-10 3/8"	BOTTOM TRACK
D	1	600T150-33	6'-10 3/8"	TOP TRACK
E	1	600T150-33	3'-1 3/4"	HEAD TRACK
F	4	600S162-33	2'-5 1/16"	CRIPPLE

22-3270

Jewish Home for the Aging

1885 Victory Blvd. Reseda, CA

FrameMax, Inc.
13915 Danielson St
Suite 100
Poway, CA 92064
www.frame-max.com



© FrameMax Inc.

CREATED: 11/19/2008

FM-07-109

CREATED BY: TNT

HEIGHT : 9'-4 7/16" POINTS: 0.97 Points.

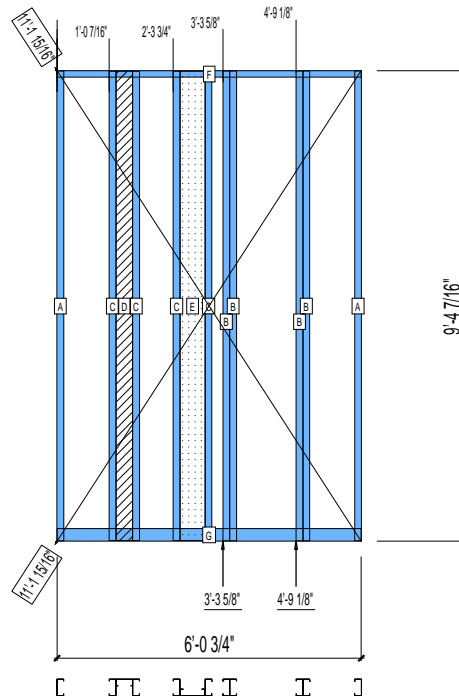
SPACING : 24"

1st STUD: 16"

WEIGHTS :

FRAME : 119 lbs

TOTAL: 119 lbs



PIECES LIST

LABEL	QTY	SIZE	LENGTH	USE
A	2	400S162-33	9'-4 5/16"	STUD
B	4	400S162-33	9'-4 5/16"	EXTRA STUD
C	4	400S162-33	9'-4 3/16"	BACKER STUD
D	1	400S162-33	9'-4 3/16"	BACKER-U
E	1	600S162-33	9'-4 3/16"	BACKER-U
F	1	400T150-33	6'-0 3/4"	TOP TRACK
G	1	400T300-33	6'-0 3/4"	BOTTOM TRACK

22-3271

Jewish Home for the Aging

1885 Victory Blvd. Reseda, CA

FrameMax, Inc.
13915 Danielson St
Suite 100
Poway, CA 92064
www.framemax.com



© FrameMax Inc.

CREATED: 11/19/2008

FM-07-109

CREATED BY: TNT

HEIGHT : 9'-4 7/16" POINTS: 0.30 Points.

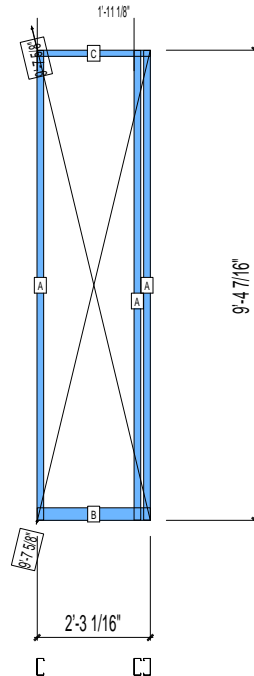
SPACING : 24"

1st STUD: 24"

WEIGHTS :

FRAME : 31 lbs

TOTAL: 31 lbs



PIECES LIST

LABEL	QTY	SIZE	LENGTH	USE
A	3	400S162-33	9'-4 5/16"	STUD
B	1	400T300-33	2'-3 1/16"	BOTTOM TRACK
C	1	400T150-33	2'-3 1/16"	TOP TRACK

22-3272

Jewish Home for the Aging

1885 Victory Blvd. Reseda, CA

FrameMax, Inc.
13915 Danielson St
Suite 100
Poway, CA 92064
www.frame-max.com



© FrameMax Inc.

CREATED: 11/19/2008

FM-07-109

CREATED BY: TNT

HEIGHT : 9'-4 7/16" POINTS: 0.27 Points.

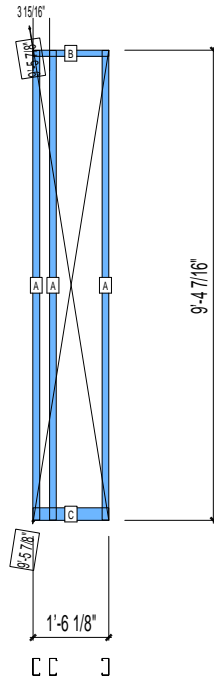
SPACING : 24"

1st STUD: 24"

WEIGHTS :

FRAME : 29 lbs

TOTAL: 29 lbs



PIECES LIST

LABEL	QTY	SIZE	LENGTH	USE
A	3	400S162-33	9'-4 5/16"	STUD
B	1	400T150-33	1'-6 1/8"	TOP TRACK
C	1	400T300-33	1'-6 1/8"	BOTTOM TRACK

22-3273

Jewish Home for the Aging

1885 Victory Blvd. Reseda, CA

FM-07-109

CREATED BY: TNT

FrameMax, Inc.
13915 Danielson St
Suite 100
Poway, CA 92064
www.frame-max.com



© FrameMax Inc.

HEIGHT : 9'-4 7/16" POINTS: 0.74 Points.

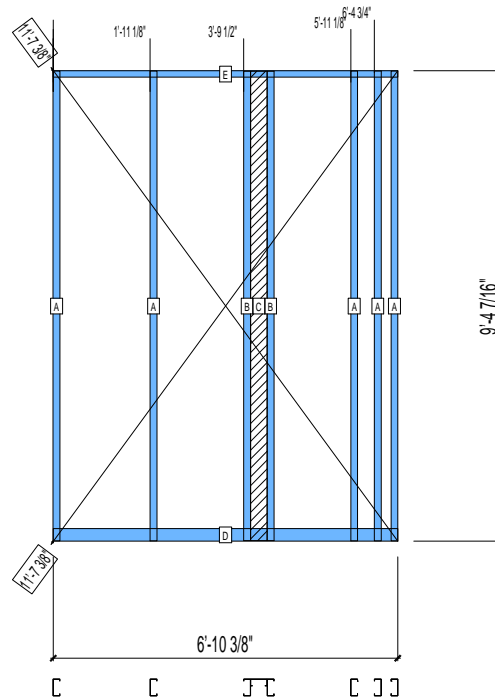
SPACING : 24"

1st STUD: 24"

WEIGHTS :

FRAME : 83 lbs

TOTAL: 83 lbs



PIECES LIST

LABEL	QTY	SIZE	LENGTH	USE
A	5	400S162-33	9'-4 5/16"	STUD
B	2	400S162-33	9'-4 3/16"	BACKER STUD
C	1	400S162-33	9'-4 3/16"	BACKER-U
D	1	400T300-33	6'-10 3/8"	BOTTOM TRACK
E	1	400T150-33	6'-10 3/8"	TOP TRACK

22-3274

Jewish Home for the Aging

1885 Victory Blvd. Reseda, CA

FrameMax, Inc.
13915 Danielson St
Suite 100
Poway, CA 92064
www.frame-max.com



© FrameMax Inc.

CREATED: 11/19/2008

FM-07-109

CREATED BY: TNT

HEIGHT : 9'-4 7/16" POINTS: 0.50 Points.

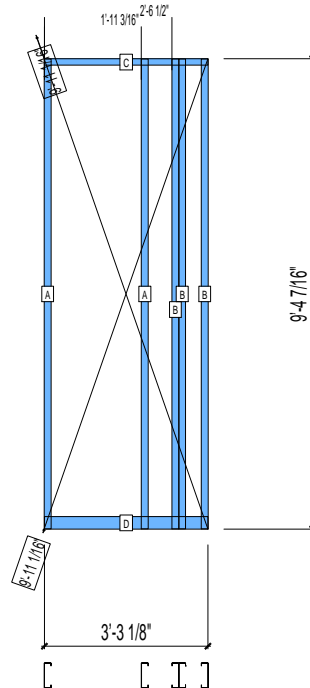
SPACING : 24"

1st STUD: 0

WEIGHTS :

FRAME : 63 lbs

TOTAL: 63 lbs



PIECES LIST

LABEL	QTY	SIZE	LENGTH	USE
A	2	600S162-33	9'-4 5/16"	STUD
B	3	600S162-33	9'-4 5/16"	EXTRA STUD
C	1	600T150-33	3'-3 1/8"	TOP TRACK
D	1	600T300-33	3'-3 1/8"	BOTTOM TRACK

22-3275

Jewish Home for the Aging

1885 Victory Blvd. Reseda, CA

FM-07-109

CREATED BY: TNT

FrameMax, Inc.
13915 Danielson St
Suite 100
Poway, CA 92064
www.frame-max.com



© FrameMax Inc.

HEIGHT : 9'-5 3/16" POINTS: 0.55 Points.

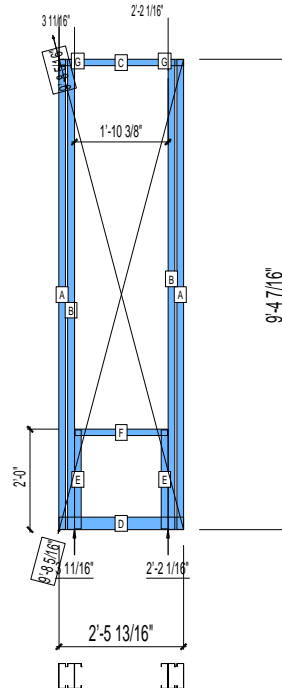
SPACING : 24"

1st STUD: 24"

WEIGHTS :

FRAME : 57 lbs

TOTAL: 57 lbs



PIECES LIST

LABEL	QTY	SIZE	LENGTH	USE
A	2	600S162-33	9'-4 5/16"	STUD
B	2	600S162-33	9'-4 5/16"	KING STUD
C	1	600T150-33	2'-5 13/16"	TOP TRACK
D	1	600T300-33	2'-5 13/16"	BOTTOM TRACK
E	2	600S162-33	1'-11 5/8"	CRIPPLE
F	1	600T150-33	1'-10 1/8"	SILL
G	2	600S162-33	3/8"	CRIPPLE

22-3276

Jewish Home for the Aging

1885 Victory Blvd. Reseda, CA

FrameMax, Inc.
13915 Danielson St
Suite 100
Poway, CA 92064
www.frame-max.com



© FrameMax Inc.

CREATED: 11/19/2008

FM-07-109

CREATED BY: TNT

HEIGHT : 9'-4 7/16" POINTS: 0.27 Points.

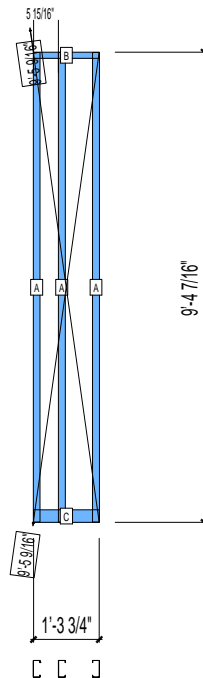
SPACING : 24"

1st STUD: 24"

WEIGHTS :

FRAME : 29 lbs

TOTAL: 29 lbs



PIECES LIST

LABEL	QTY	SIZE	LENGTH	USE
A	3	400S162-33	9'-4 5/16"	STUD
B	1	400T150-33	1'-3 3/4"	TOP TRACK
C	1	400T300-33	1'-3 3/4"	BOTTOM TRACK

22-3277

Jewish Home for the Aging

1885 Victory Blvd. Reseda, CA

FM-07-109

CREATED BY: TNT

FrameMax, Inc.
13915 Danielson St
Suite 100
Poway, CA 92064
www.framemax.com



© FrameMax Inc.

HEIGHT : 9'-4 7/16" POINTS: 1.09 Points.

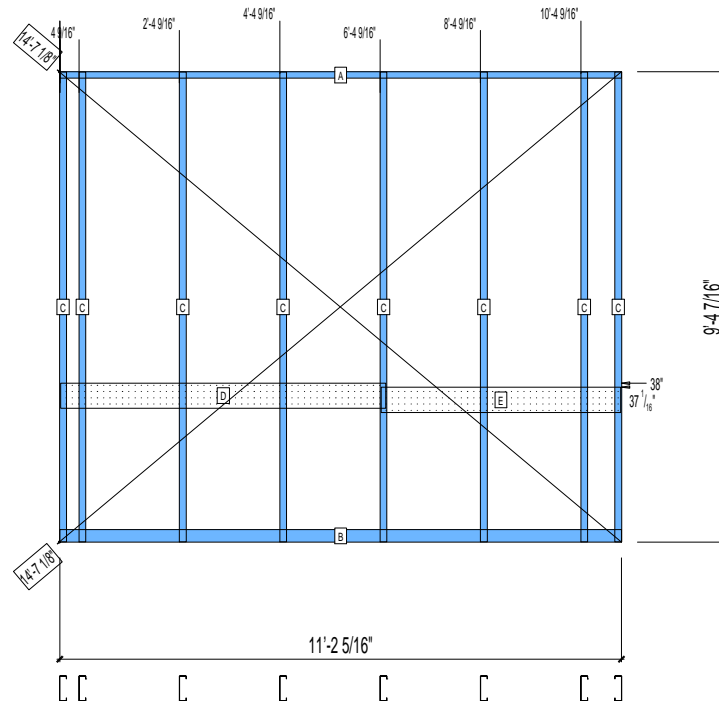
SPACING : 24"

1st STUD: 5 7/16"

WEIGHTS :

FRAME : 132 lbs

TOTAL: 132 lbs



PIECES LIST

LABEL	QTY	SIZE	LENGTH	USE
A	1	600T150-33	11'-2 5/16"	TOP TRACK
B	1	600T300-33	11'-2 5/16"	BOTTOM TRACK
C	8	600S162-33	9'-4 5/16"	STUD
D	1	600D-54	6'-5 3/4"	VANITY BACKING
E	1	600T150-54	4'-9 1/4"	GRAB BAR

22-3278

Jewish Home for the Aging

1885 Victory Blvd. Reseda, CA

FM-07-109

CREATED BY: TNT

FrameMax, Inc.
13915 Danielson St
Suite 100
Poway, CA 92064
www.frame-max.com

FRAME MAX

© FrameMax Inc.

HEIGHT : 9'-5 3/16" POINTS: 0.56 Points.

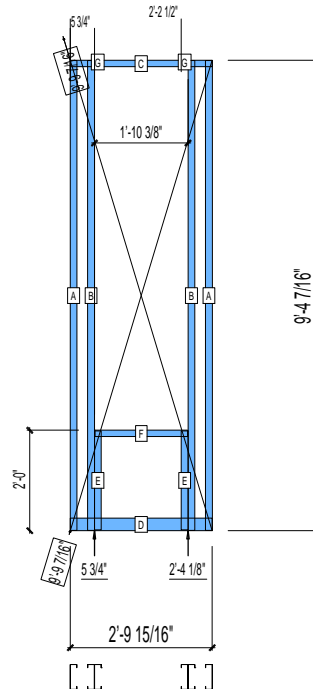
SPACING : 24"

1st STUD: 24"

WEIGHTS :

FRAME : 58 lbs

TOTAL: 58 lbs



PIECES LIST

LABEL	QTY	SIZE	LENGTH	USE
A	2	600S162-33	9'-4 5/16"	STUD
B	2	600S162-33	9'-4 5/16"	KING STUD
C	1	600T150-33	2'-9 15/16"	TOP TRACK
D	1	600T300-33	2'-9 15/16"	BOTTOM TRACK
E	2	600S162-33	1'-11 5/8"	CRIPPLE
F	1	600T150-33	1'-10 1/8"	SILL
G	2	600S162-33	3/8"	CRIPPLE

22-3279

Jewish Home for the Aging

1885 Victory Blvd. Reseda, CA

FrameMax, Inc.
13915 Danielson St
Suite 100
Poway, CA 92064
www.frame-max.com



© FrameMax Inc.

CREATED: 11/19/2008

FM-07-109

CREATED BY: TNT

HEIGHT : 9'-4 7/16" POINTS: 0.31 Points.

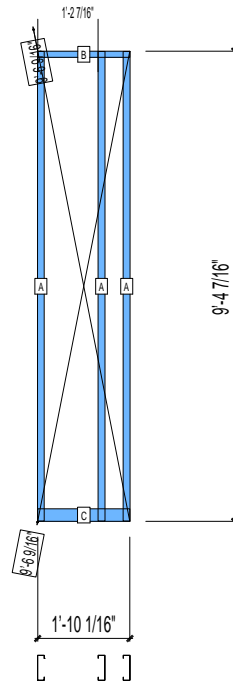
SPACING : 24"

1st STUD: 24"

WEIGHTS :

FRAME : 37 lbs

TOTAL: 37 lbs



PIECES LIST

LABEL	QTY	SIZE	LENGTH	USE
A	3	600S162-33	9'-4 5/16"	STUD
B	1	600T150-33	1'-10 1/16"	TOP TRACK
C	1	600T300-33	1'-10 1/16"	BOTTOM TRACK

22-3280

Jewish Home for the Aging

1885 Victory Blvd. Reseda, CA

FrameMax, Inc.
13915 Danielson St
Suite 100
Poway, CA 92064
www.frame-max.com



© FrameMax Inc.

CREATED: 11/19/2008

FM-07-109

CREATED BY: TNT

HEIGHT : 9'-4 7/16" POINTS: 0.31 Points.

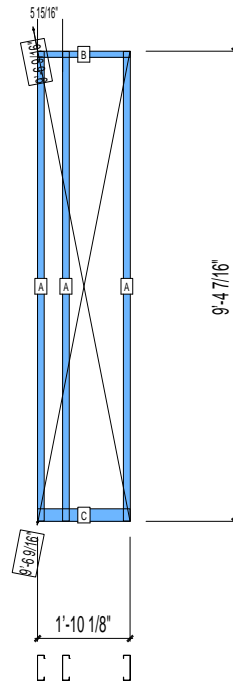
SPACING : 24"

1st STUD: 24"

WEIGHTS :

FRAME : 37 lbs

TOTAL: 37 lbs



PIECES LIST

LABEL	QTY	SIZE	LENGTH	USE
A	3	600S162-33	9'-4 5/16"	STUD
B	1	600T150-33	1'-10 1/8"	TOP TRACK
C	1	600T300-33	1'-10 1/8"	BOTTOM TRACK

22-3281

Jewish Home for the Aging

1885 Victory Blvd. Reseda, CA

FM-07-109

CREATED BY: TNT

FrameMax, Inc.
13915 Danielson St
Suite 100
Poway, CA 92064
www.frame-max.com



© FrameMax Inc.

HEIGHT : 9'-5 3/16" POINTS: 0.56 Points.

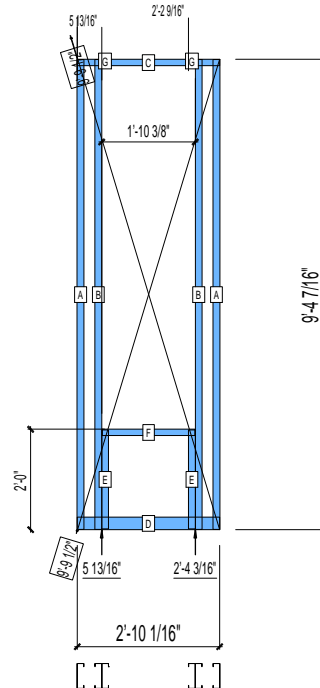
SPACING : 24"

1st STUD: 24"

WEIGHTS :

FRAME : 58 lbs

TOTAL: 58 lbs



PIECES LIST

LABEL	QTY	SIZE	LENGTH	USE
A	2	600S162-33	9'-4 5/16"	STUD
B	2	600S162-33	9'-4 5/16"	KING STUD
C	1	600T150-33	2'-10 1/16"	TOP TRACK
D	1	600T300-33	2'-10 1/16"	BOTTOM TRACK
E	2	600S162-33	1'-11 5/8"	CRIPPLE
F	1	600T150-33	1'-10 1/8"	SILL
G	2	600S162-33	3/8"	CRIPPLE

22-3301

Jewish Home for the Aging

1885 Victory Blvd. Reseda, CA

FrameMax, Inc.
13915 Danielson St
Suite 100
Poway, CA 92064
www.frame-max.com



© FrameMax Inc.

CREATED: 11/19/2008

FM-07-109

CREATED BY: TNT

HEIGHT : 9'-4 7/16" POINTS: 0.71 Points.

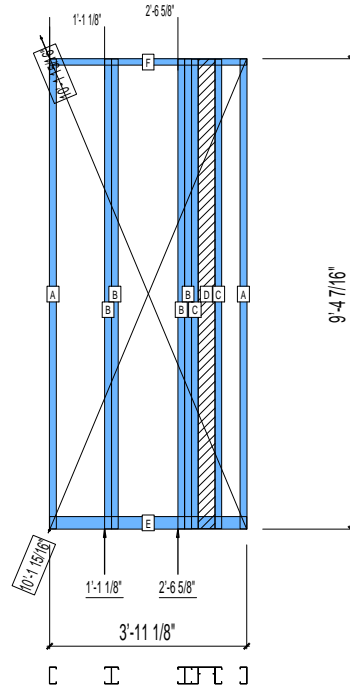
SPACING : 24"

1st STUD: 24"

WEIGHTS :

FRAME : 86 lbs

TOTAL: 86 lbs



PIECES LIST

LABEL	QTY	SIZE	LENGTH	USE
A	2	400S162-33	9'-4 5/16"	STUD
B	4	400S162-33	9'-4 5/16"	EXTRA STUD
C	2	400S162-33	9'-4 3/16"	BACKER STUD
D	1	400S162-33	9'-4 3/16"	BACKER-U
E	1	400T300-33	3'-11 1/8"	BOTTOM TRACK
F	1	400T150-33	3'-11 1/8"	TOP TRACK

22-3302

Jewish Home for the Aging

1885 Victory Blvd. Reseda, CA

FM-07-109

CREATED BY: TNT

FrameMax, Inc.
13915 Danielson St
Suite 100
Poway, CA 92064
www.frame-max.com



© FrameMax Inc.

HEIGHT : 9'-4 7/16" POINTS: 0.59 Points.

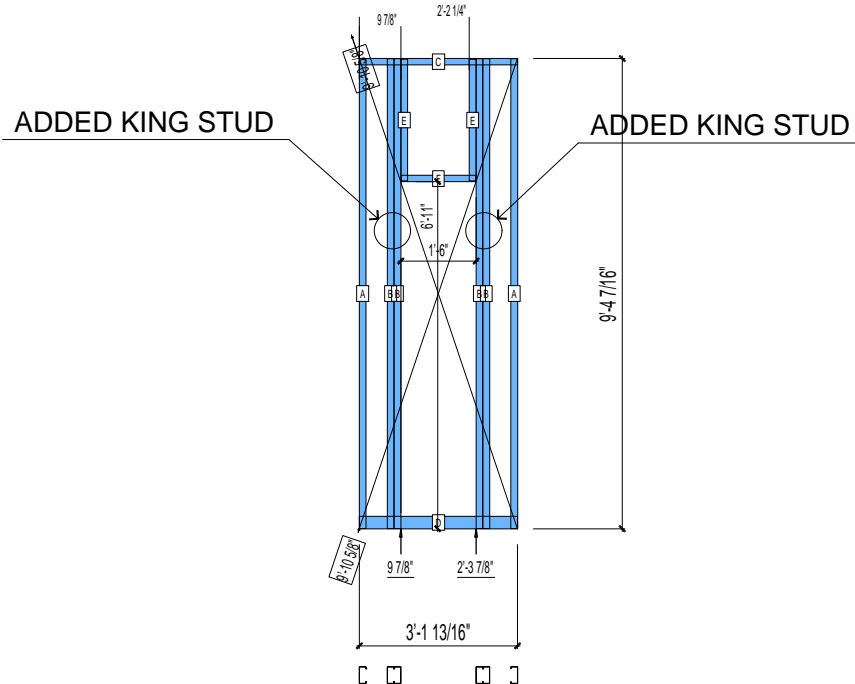
SPACING : 24"

1st STUD: 24"

WEIGHTS :

FRAME : 64 lbs

TOTAL: 64 lbs



PIECES LIST

LABEL	QTY	SIZE	LENGTH	USE
A	2	400S162-33	9'-4 5/16"	STUD
B	4	400S162-33	9'-4 5/16"	KING STUD
C	1	400T150-33	3'-1 13/16"	TOP TRACK
D	1	400T300-33	3'-1 13/16"	BOTTOM TRACK
E	2	400S162-33	2'-5 1/16"	CRIPPLE
F	1	400T150-33	1'-5 3/4"	HEAD TRACK

22-3303

Jewish Home for the Aging

1885 Victory Blvd. Reseda, CA

FrameMax, Inc.
13915 Danielson St
Suite 100
Poway, CA 92064
www.frame-max.com



© FrameMax Inc.

CREATED: 11/19/2008

FM-07-109

CREATED BY: TNT

HEIGHT : 9'-4 7/16" POINTS: 0.38 Points.

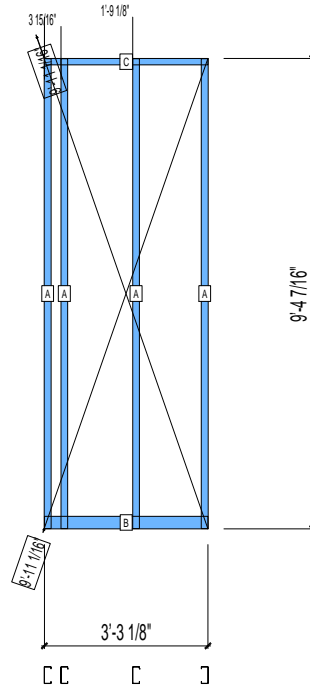
SPACING : 24"

1st STUD: 21 15/16"

WEIGHTS :

FRAME : 41 lbs

TOTAL: 41 lbs



PIECES LIST

LABEL	QTY	SIZE	LENGTH	USE
A	4	400S162-33	9'-4 5/16"	STUD
B	1	400T300-33	3'-3 1/8"	BOTTOM TRACK
C	1	400T150-33	3'-3 1/8"	TOP TRACK

22-3304

Jewish Home for the Aging

1885 Victory Blvd. Reseda, CA

FM-07-109

CREATED BY: TNT

FrameMax, Inc.
13915 Danielson St
Suite 100
Poway, CA 92064
www.frame-max.com



© FrameMax Inc.

HEIGHT : 9'-4 7/16" POINTS: 1.02 Points.

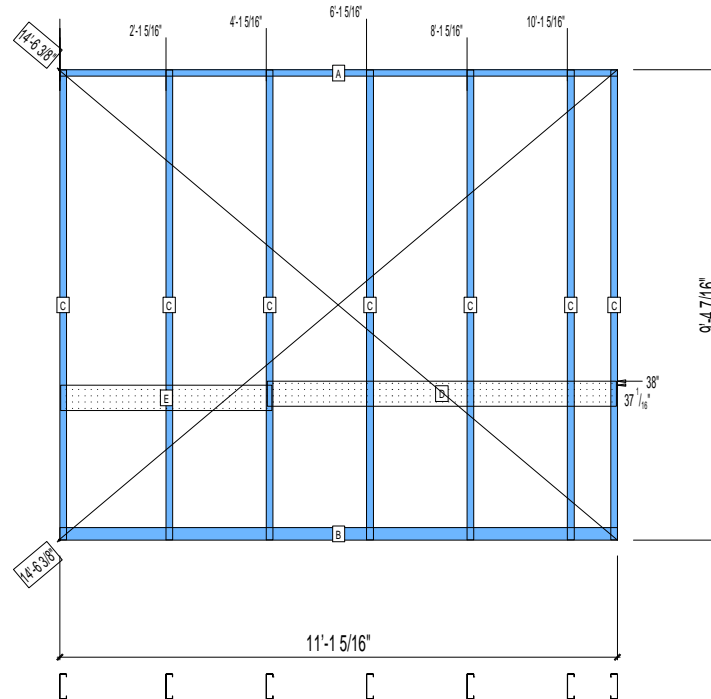
SPACING : 24"

1st STUD: 2 3/16"

WEIGHTS :

FRAME : 120 lbs

TOTAL: 120 lbs



PIECES LIST

LABEL	QTY	SIZE	LENGTH	USE
A	1	600T150-33	11'-1 5/16"	TOP TRACK
B	1	600T300-33	11'-1 5/16"	BOTTOM TRACK
C	7	600S162-33	9'-4 5/16"	STUD
D	1	600D-54	6'-11 1/2"	VANITY BACKING
E	1	600T150-54	4'-2 1/2"	GRAB BAR

22-3305

Jewish Home for the Aging

1885 Victory Blvd. Reseda, CA

FrameMax, Inc.
13915 Danielson St
Suite 100
Poway, CA 92064
www.frame-max.com



© FrameMax Inc.

CREATED: 11/19/2008

FM-07-109

CREATED BY: TNT

HEIGHT : 9'-4 7/16" POINTS: 0.84 Points.

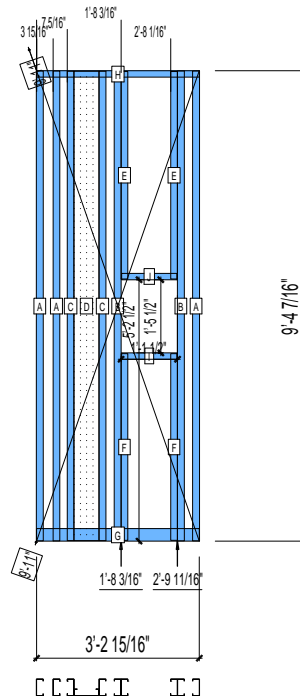
SPACING : 24"

1st STUD: 24"

WEIGHTS :

FRAME : 95 lbs

TOTAL: 95 lbs



PIECES LIST

LABEL	QTY	SIZE	LENGTH	USE
A	3	400S162-33	9'-4 5/16"	STUD
B	2	400S162-33	9'-4 5/16"	KING STUD
C	2	400S162-33	9'-4 3/16"	BACKER STUD
D	1	600S162-33	9'-4 3/16"	BACKER-U
E	2	400S162-33	4'-1 9/16"	CRIPPLE
F	2	400S162-33	3'-8 5/8"	CRIPPLE
G	1	400T300-33	3'-2 15/16"	BOTTOM TRACK
H	1	400T150-33	3'-2 15/16"	TOP TRACK
I	1	400T150-33	1'-1 1/4"	SILL
J	1	400T150-33	1'-1 1/4"	HEAD TRACK

22-3306

Jewish Home for the Aging

1885 Victory Blvd. Reseda, CA

FrameMax, Inc.
13915 Danielson St
Suite 100
Poway, CA 92064
www.frame-max.com



© FrameMax Inc.

CREATED: 11/19/2008

FM-07-109

CREATED BY: TNT

HEIGHT : 9'-4 7/16" POINTS: 0.20 Points.

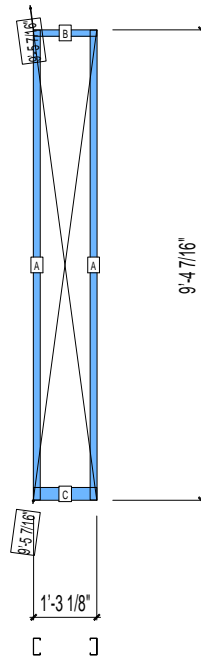
SPACING : 24"

1st STUD: 24"

WEIGHTS :

FRAME : 20 lbs

TOTAL: 20 lbs



PIECES LIST

LABEL	QTY	SIZE	LENGTH	USE
A	2	400S162-33	9'-4 5/16"	STUD
B	1	400T150-33	1'-3 1/8"	TOP TRACK
C	1	400T300-33	1'-3 1/8"	BOTTOM TRACK

22-3307

Jewish Home for the Aging

1885 Victory Blvd. Reseda, CA

FrameMax, Inc.
13915 Danielson St
Suite 100
Poway, CA 92064
www.frame-max.com



© FrameMax Inc.

CREATED: 11/19/2008

FM-07-109

CREATED BY: TNT

HEIGHT : 9'-4 7/16" POINTS: 0.19 Points.

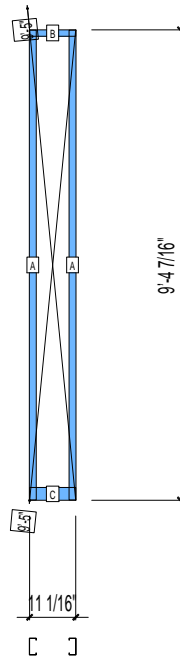
SPACING : 24"

1st STUD: 16"

WEIGHTS :

FRAME : 19 lbs

TOTAL: 19 lbs



PIECES LIST

LABEL	QTY	SIZE	LENGTH	USE
A	2	400S162-33	9'-4 5/16"	STUD
B	1	400T150-33	11 1/16"	TOP TRACK
C	1	400T300-33	11 1/16"	BOTTOM TRACK

22-3308

Jewish Home for the Aging

1885 Victory Blvd. Reseda, CA

FM-07-109

CREATED BY: TNT

FrameMax, Inc.
13915 Danielson St
Suite 100
Poway, CA 92064
www.frame-max.com



© FrameMax Inc.

HEIGHT : 9'-4 7/16" POINTS: 0.78 Points.

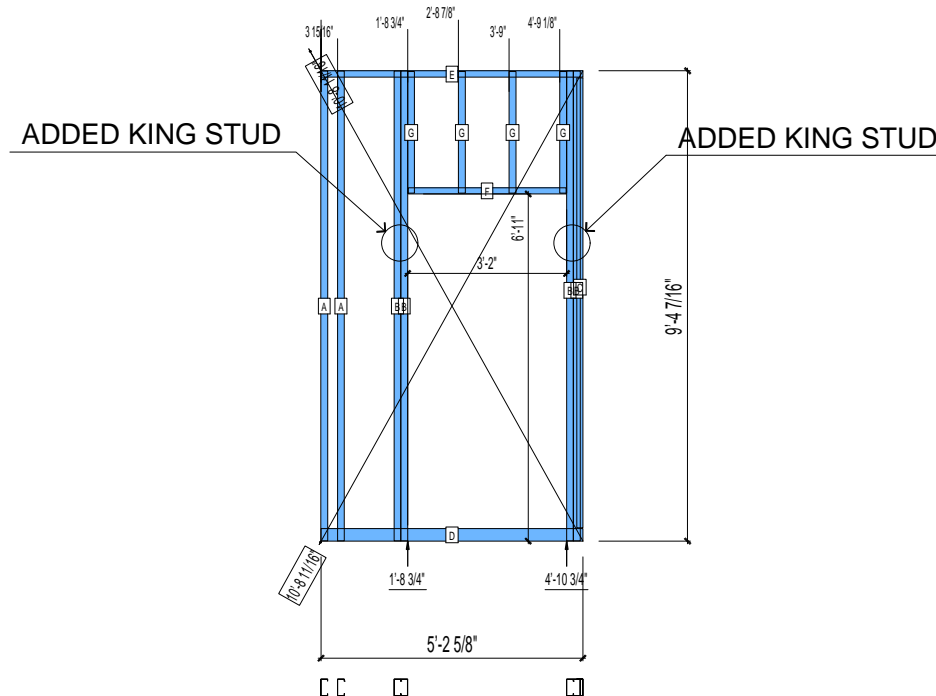
SPACING : 24"

1st STUD: 24"

WEIGHTS :

FRAME : 82 lbs

TOTAL: 82 lbs



PIECES LIST

LABEL	QTY	SIZE	LENGTH	USE
A	2	400S162-33	9'-4 5/16"	STUD
B	4	400S162-33	9'-4 5/16"	KING STUD
C	1	400T150-33	8'-11 9/16"	CAP TRACK
D	1	400T300-33	5'-2 5/8"	BOTTOM TRACK
E	1	400T150-33	5'-2 5/8"	TOP TRACK
F	1	400T150-33	3'-1 3/4"	HEAD TRACK
G	4	400S162-33	2'-5 1/16"	CRIPPLE

22-3309

Jewish Home for the Aging

1885 Victory Blvd. Reseda, CA

FrameMax, Inc.
13915 Danielson St
Suite 100
Poway, CA 92064
www.frame-max.com



© FrameMax Inc.

CREATED: 11/19/2008

FM-07-109

CREATED BY: TNT

HEIGHT : 9'-4 7/16" POINTS: 0.33 Points.

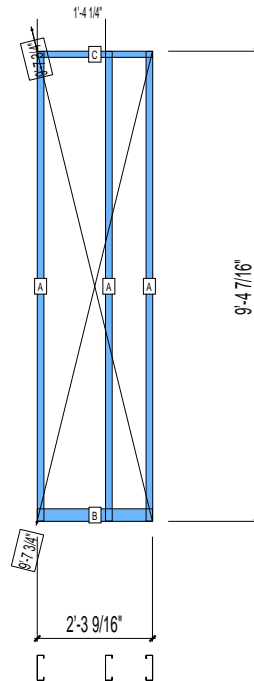
SPACING : 24"

1st STUD: 17 1/8"

WEIGHTS :

FRAME : 39 lbs

TOTAL: 39 lbs



PIECES LIST

LABEL	QTY	SIZE	LENGTH	USE
A	3	600S162-33	9'-4 5/16"	STUD
B	1	600T300-33	2'-3 9/16"	BOTTOM TRACK
C	1	600T150-33	2'-3 9/16"	TOP TRACK

22-3310

Jewish Home for the Aging

1885 Victory Blvd. Reseda, CA

FrameMax, Inc.
13915 Danielson St
Suite 100
Poway, CA 92064
www.frame-max.com



© FrameMax Inc.

CREATED: 11/19/2008

FM-07-109

CREATED BY: TNT

HEIGHT : 9'-4 7/16" POINTS: 0.27 Points.

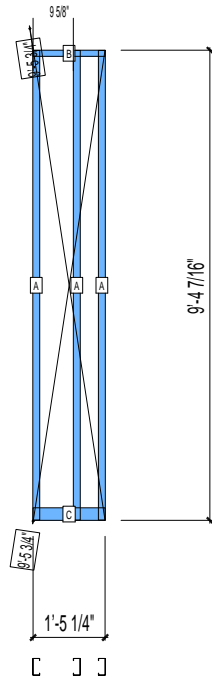
SPACING : 24"

1st STUD: 16"

WEIGHTS :

FRAME : 29 lbs

TOTAL: 29 lbs



PIECES LIST

LABEL	QTY	SIZE	LENGTH	USE
A	3	400S162-33	9'-4 5/16"	STUD
B	1	400T150-33	1'-5 1/4"	TOP TRACK
C	1	400T300-33	1'-5 1/4"	BOTTOM TRACK

22-3311

Jewish Home for the Aging

1885 Victory Blvd. Reseda, CA

FrameMax, Inc.
13915 Danielson St
Suite 100
Poway, CA 92064
www.frame-max.com



© FrameMax Inc.

CREATED: 11/19/2008

FM-07-109

CREATED BY: TNT

HEIGHT : 9'-4 7/16" POINTS: 0.34 Points.

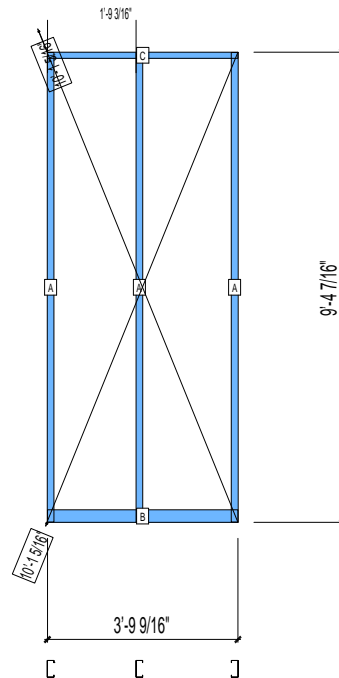
SPACING : 24"

1st STUD: 22"

WEIGHTS :

FRAME : 34 lbs

TOTAL: 34 lbs



PIECES LIST

LABEL	QTY	SIZE	LENGTH	USE
A	3	400S162-33	9'-4 5/16"	STUD
B	1	400T300-33	3'-9 9/16"	BOTTOM TRACK
C	1	400T150-33	3'-9 9/16"	TOP TRACK

22-3312

Jewish Home for the Aging

1885 Victory Blvd. Reseda, CA

FrameMax, Inc.
13915 Danielson St
Suite 100
Poway, CA 92064
www.frame-max.com



© FrameMax Inc.

CREATED: 11/19/2008

FM-07-109

CREATED BY: TNT

HEIGHT : 9'-4 7/16" POINTS: 0.33 Points.

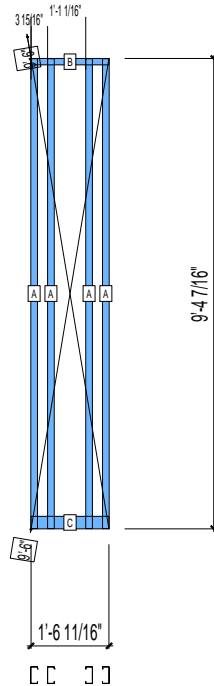
SPACING : 24"

1st STUD: 24"

WEIGHTS :

FRAME : 38 lbs

TOTAL: 38 lbs



PIECES LIST

LABEL	QTY	SIZE	LENGTH	USE
A	4	400S162-33	9'-4 5/16"	STUD
B	1	400T150-33	1'-6 11/16"	TOP TRACK
C	1	400T300-33	1'-6 11/16"	BOTTOM TRACK

22-3313

Jewish Home for the Aging

1885 Victory Blvd. Reseda, CA

FrameMax, Inc.
13915 Danielson St
Suite 100
Poway, CA 92064
www.frame-max.com



© FrameMax Inc.

CREATED: 11/19/2008

FM-07-109

CREATED BY: TNT

HEIGHT : 9'-5 3/16" POINTS: 0.53 Points.

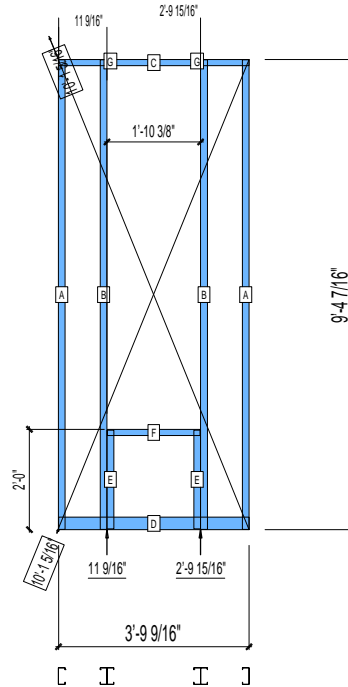
SPACING : 24"

1st STUD: 24"

WEIGHTS :

FRAME : 48 lbs

TOTAL: 48 lbs



PIECES LIST

LABEL	QTY	SIZE	LENGTH	USE
A	2	400S162-33	9'-4 5/16"	STUD
B	2	400S162-33	9'-4 5/16"	KING STUD
C	1	400T150-33	3'-9 9/16"	TOP TRACK
D	1	400T300-33	3'-9 9/16"	BOTTOM TRACK
E	2	400S162-33	1'-11 5/8"	CRIPPLE
F	1	400T150-33	1'-10 1/8"	SILL
G	2	400S162-33	3/8"	CRIPPLE

22-3314

Jewish Home for the Aging

1885 Victory Blvd. Reseda, CA

FrameMax, Inc.
13915 Danielson St
Suite 100
Poway, CA 92064
www.frame-max.com



© FrameMax Inc.

CREATED: 11/19/2008

FM-07-109

CREATED BY: TNT

HEIGHT : 9'-4 7/16" POINTS: 0.27 Points.

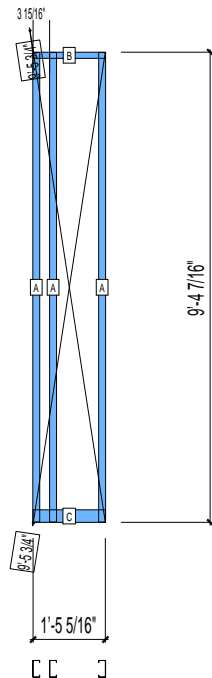
SPACING : 24"

1st STUD: 24"

WEIGHTS :

FRAME : 29 lbs

TOTAL: 29 lbs



PIECES LIST

LABEL	QTY	SIZE	LENGTH	USE
A	3	400S162-33	9'-4 5/16"	STUD
B	1	400T150-33	1'-5 5/16"	TOP TRACK
C	1	400T300-33	1'-5 5/16"	BOTTOM TRACK

22-3315

Jewish Home for the Aging

1885 Victory Blvd. Reseda, CA

FM-07-109

CREATED BY: TNT

FrameMax, Inc.
13915 Danielson St
Suite 100
Poway, CA 92064
www.frame-max.com



© FrameMax Inc.

HEIGHT : 9'-4 7/16" POINTS: 0.90 Points.

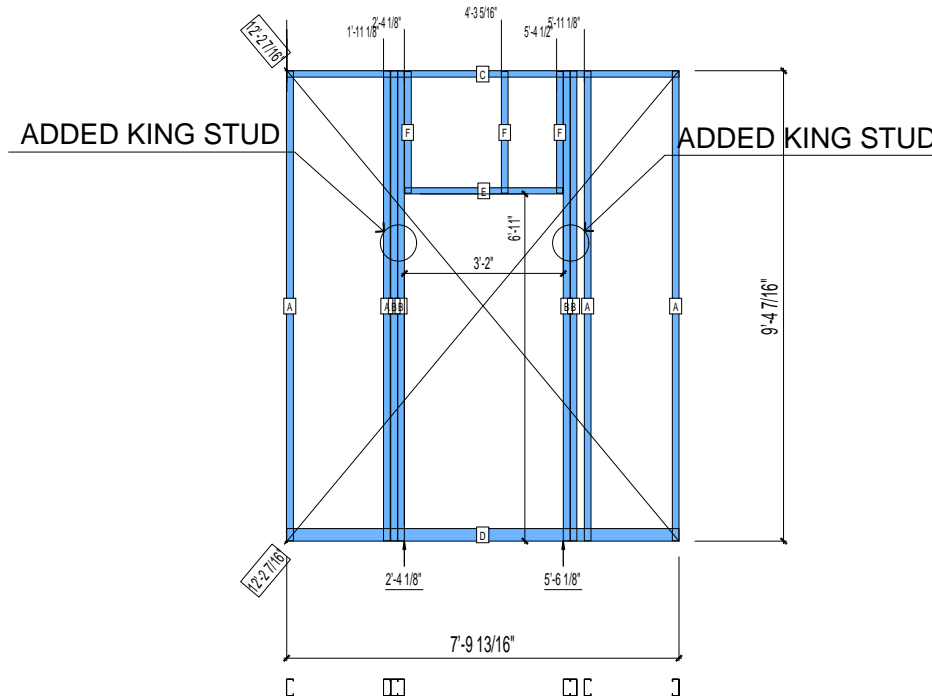
SPACING : 24"

1st STUD: 24"

WEIGHTS :

FRAME : 95 lbs

TOTAL: 95 lbs



PIECES LIST

LABEL	QTY	SIZE	LENGTH	USE
A	4	400S162-33	9'-4 5/16"	STUD
B	4	400S162-33	9'-4 5/16"	KING STUD
C	1	400T150-33	7'-9 13/16"	TOP TRACK
D	1	400T300-33	7'-9 13/16"	BOTTOM TRACK
E	1	400T150-33	3'-1 3/4"	HEAD TRACK
F	3	400S162-33	2'-5 1/16"	CRIPPLE

22-3316

Jewish Home for the Aging

1885 Victory Blvd. Reseda, CA

FrameMax, Inc.
13915 Danielson St
Suite 100
Poway, CA 92064
www.frame-max.com



© FrameMax Inc.

CREATED: 11/19/2008

FM-07-109

CREATED BY: TNT

HEIGHT : 9'-4 7/16" POINTS: 0.19 Points.

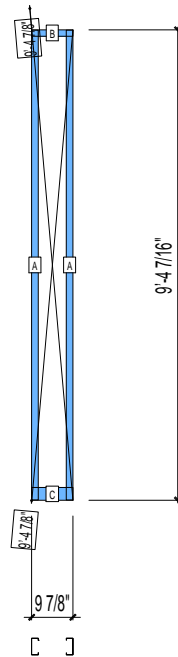
SPACING : 24"

1st STUD: 24"

WEIGHTS :

FRAME : 19 lbs

TOTAL: 19 lbs



PIECES LIST

LABEL	QTY	SIZE	LENGTH	USE
A	2	400S162-33	9'-4 5/16"	STUD
B	1	400T150-33	9 7/8"	TOP TRACK
C	1	400T300-33	9 7/8"	BOTTOM TRACK

22-3317

Jewish Home for the Aging

1885 Victory Blvd. Reseda, CA

FM-07-109

CREATED BY: TNT

FrameMax, Inc.
13915 Danielson St
Suite 100
Poway, CA 92064
www.frame-max.com



© FrameMax Inc.

HEIGHT : 9'-4 7/16" POINTS: 0.77 Points.

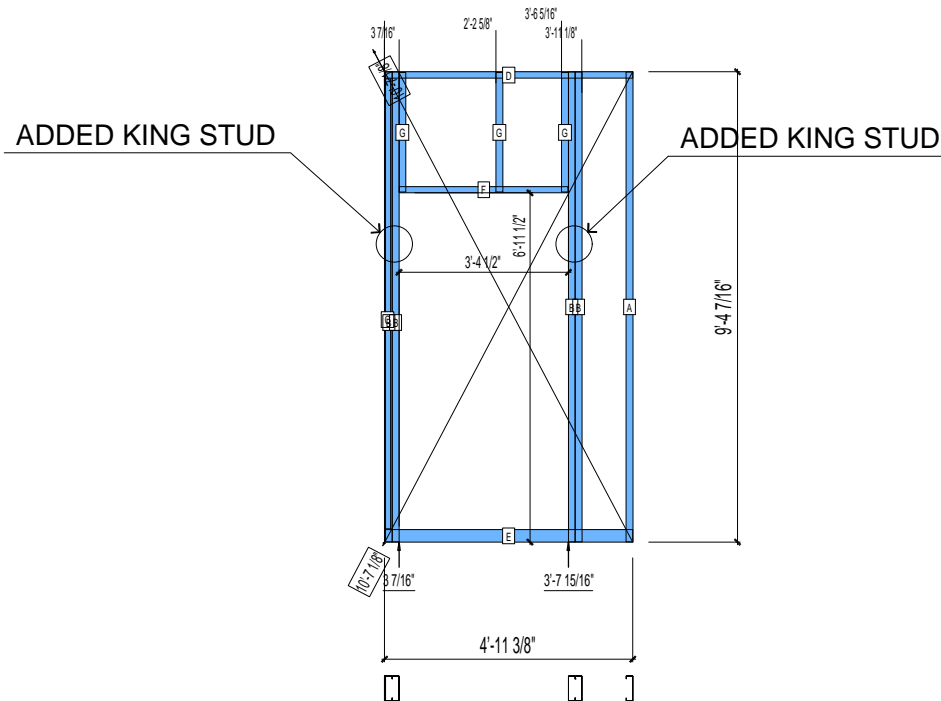
SPACING : 24"

1st STUD: 24"

WEIGHTS :

FRAME : 89 lbs

TOTAL: 89 lbs



PIECES LIST

LABEL	QTY	SIZE	LENGTH	USE
A	1	600S162-33	9'-4 5/16"	STUD
B	4	600S162-33	9'-4 5/16"	KING STUD
C	1	600T150-33	8'-11 9/16"	CAP TRACK
D	1	600T150-33	4'-11 3/8"	TOP TRACK
E	1	600T300-33	4'-11 3/8"	BOTTOM TRACK
F	1	600T150-33	3'-4 1/4"	HEAD TRACK
G	3	600S162-33	2'-4 9/16"	CRIPPLE

22-3318

Jewish Home for the Aging

1885 Victory Blvd. Reseda, CA

FM-07-109

CREATED BY: TNT

FrameMax, Inc.
13915 Danielson St
Suite 100
Poway, CA 92064
www.frame-max.com



© FrameMax Inc.

HEIGHT : 9'-4 7/16" POINTS: 0.36 Points.

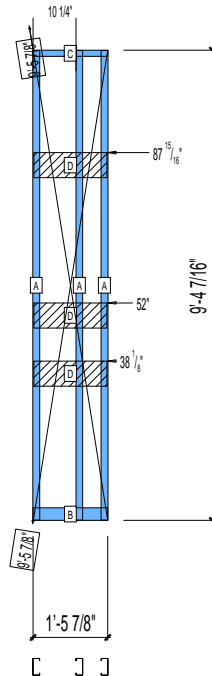
SPACING : 24"

1st STUD: 16"

WEIGHTS :

FRAME : 34 lbs

TOTAL: 34 lbs



PIECES LIST

LABEL	QTY	SIZE	LENGTH	USE
A	3	400S162-33	9'-4 5/16"	STUD
B	1	400T300-33	1'-5 7/8"	BOTTOM TRACK
C	1	400T150-33	1'-5 7/8"	TOP TRACK
D	3	600D-54	1'-5 7/16"	KITCHEN BACKING

22-3319

Jewish Home for the Aging

1885 Victory Blvd. Reseda, CA

FrameMax, Inc.
13915 Danielson St
Suite 100
Poway, CA 92064
www.frame-max.com



© FrameMax Inc.

CREATED: 11/19/2008

FM-07-109

CREATED BY: TNT

HEIGHT : 9'-4 7/16" POINTS: 0.29 Points.

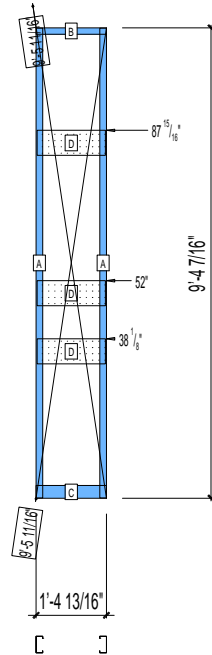
SPACING : 24"

1st STUD: 16"

WEIGHTS :

FRAME : 25 lbs

TOTAL: 25 lbs



PIECES LIST

LABEL	QTY	SIZE	LENGTH	USE
A	2	400S162-33	9'-4 5/16"	STUD
B	1	400T150-33	1'-4 13/16"	TOP TRACK
C	1	400T300-33	1'-4 13/16"	BOTTOM TRACK
D	3	600D-54	1'-4 3/8"	KITCHEN BACKING

22-3320

Jewish Home for the Aging

1885 Victory Blvd. Reseda, CA

FrameMax, Inc.
13915 Danielson St
Suite 100
Poway, CA 92064
www.frame-max.com



© FrameMax Inc.

CREATED: 11/19/2008

FM-07-109

CREATED BY: TNT

HEIGHT : 9'-4 7/16" POINTS: 0.37 Points.

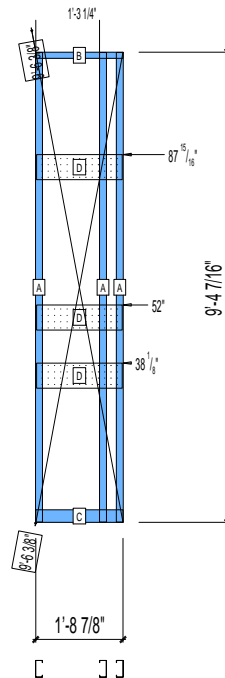
SPACING : 24"

1st STUD: 24"

WEIGHTS :

FRAME : 36 lbs

TOTAL: 36 lbs



PIECES LIST

LABEL	QTY	SIZE	LENGTH	USE
A	3	400S162-33	9'-4 5/16"	STUD
B	1	400T150-33	1'-8 7/8"	TOP TRACK
C	1	400T300-33	1'-8 7/8"	BOTTOM TRACK
D	3	600D-54	1'-8 7/16"	KITCHEN BACKING

22-3321

Jewish Home for the Aging

1885 Victory Blvd. Reseda, CA

FrameMax, Inc.
13915 Danielson St
Suite 100
Poway, CA 92064
www.frame-max.com



© FrameMax Inc.

CREATED: 11/19/2008

FM-07-109

CREATED BY: TNT

HEIGHT : 2'-9 1/2" POINTS: 0.22 Points.

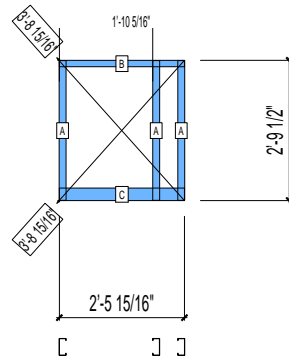
SPACING : 24"

1st STUD: 24"

WEIGHTS :

FRAME : 13 lbs

TOTAL: 13 lbs



PIECES LIST

LABEL	QTY	SIZE	LENGTH	USE
A	3	400S162-33	2'-9 3/8"	STUD
B	1	400T150-33	2'-5 15/16"	TOP TRACK
C	1	400T300-33	2'-5 15/16"	BOTTOM TRACK

22-3322

Jewish Home for the Aging

1885 Victory Blvd. Reseda, CA

FrameMax, Inc.
13915 Danielson St
Suite 100
Poway, CA 92064
www.frame-max.com



© FrameMax Inc.

CREATED: 11/19/2008

FM-07-109

CREATED BY: TNT

HEIGHT : 2'-9 1/2" POINTS: 0.53 Points.

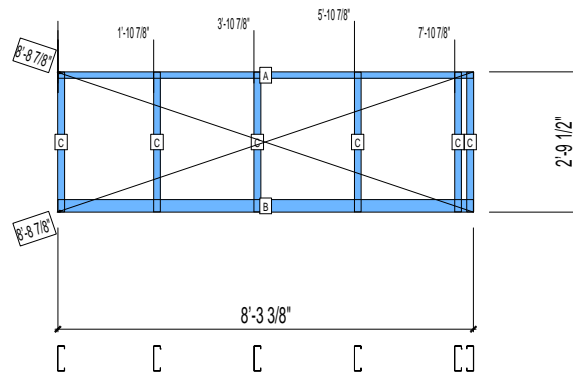
SPACING : 24"

1st STUD: 23 3/4"

WEIGHTS :

FRAME : 40 lbs

TOTAL: 40 lbs



PIECES LIST

LABEL	QTY	SIZE	LENGTH	USE
A	1	600T150-33	8'-3 3/8"	TOP TRACK
B	1	600T300-33	8'-3 3/8"	BOTTOM TRACK
C	6	600S162-33	2'-9 3/8"	STUD

22-3323

Jewish Home for the Aging

1885 Victory Blvd. Reseda, CA

FrameMax, Inc.
13915 Danielson St
Suite 100
Poway, CA 92064
www.frame-max.com



© FrameMax Inc.

CREATED: 11/19/2008

FM-07-109

CREATED BY: TNT

HEIGHT : 9'-4 7/16" POINTS: 0.31 Points.

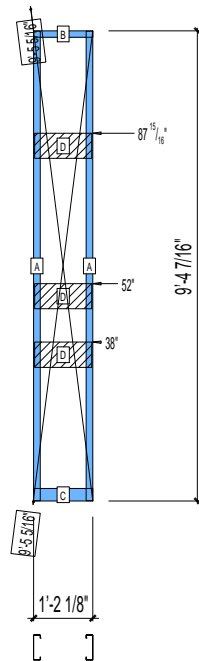
SPACING : 24"

1st STUD: 24"

WEIGHTS :

FRAME : 29 lbs

TOTAL: 29 lbs



PIECES LIST

LABEL	QTY	SIZE	LENGTH	USE
A	2	600S162-33	9'-4 5/16"	STUD
B	1	600T150-33	1'-2 1/8"	TOP TRACK
C	1	600T300-33	1'-2 1/8"	BOTTOM TRACK
D	3	600D-54	1'-1 11/16"	KITCHEN BACKING

22-3324

Jewish Home for the Aging

1885 Victory Blvd. Reseda, CA

FrameMax, Inc.
 13915 Danielson St
 Suite 100
 Poway, CA 92064
 www.frame-max.com



© FrameMax Inc.

CREATED: 11/19/2008

FM-07-109

CREATED BY: TNT

HEIGHT : 9'-5 3/16" POINTS: 0.55 Points.

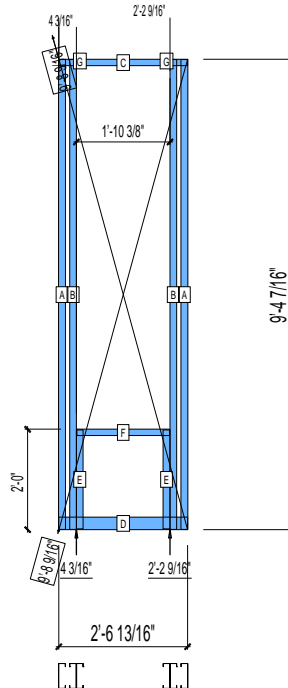
SPACING : 24"

1st STUD: 24"

WEIGHTS :

FRAME : 57 lbs

 TOTAL: 57 lbs



PIECES LIST

LABEL	QTY	SIZE	LENGTH	USE
A	2	600S162-33	9'-4 5/16"	STUD
B	2	600S162-33	9'-4 5/16"	KING STUD
C	1	600T150-33	2'-6 13/16"	TOP TRACK
D	1	600T300-33	2'-6 13/16"	BOTTOM TRACK
E	2	600S162-33	1'-11 5/8"	CRIPPLE
F	1	600T150-33	1'-10 1/8"	SILL
G	2	600S162-33	3/8"	CRIPPLE

22-3325

Jewish Home for the Aging

1885 Victory Blvd. Reseda, CA

FrameMax, Inc.
13915 Danielson St
Suite 100
Poway, CA 92064
www.frame-max.com



© FrameMax Inc.

CREATED: 11/19/2008

FM-07-109

CREATED BY: TNT

HEIGHT : 9'-4 7/16" POINTS: 0.27 Points.

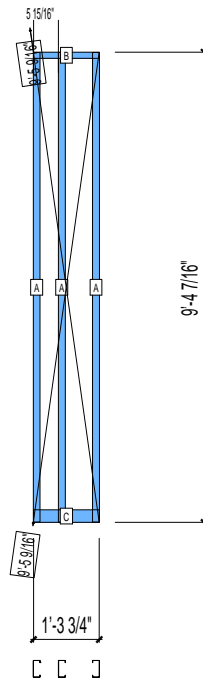
SPACING : 24"

1st STUD: 24"

WEIGHTS :

FRAME : 29 lbs

TOTAL: 29 lbs



PIECES LIST

LABEL	QTY	SIZE	LENGTH	USE
A	3	400S162-33	9'-4 5/16"	STUD
B	1	400T150-33	1'-3 3/4"	TOP TRACK
C	1	400T300-33	1'-3 3/4"	BOTTOM TRACK

22-3326

Jewish Home for the Aging

1885 Victory Blvd. Reseda, CA

FM-07-109

CREATED BY: TNT

FrameMax, Inc.
13915 Danielson St
Suite 100
Poway, CA 92064
www.frame-max.com



© FrameMax Inc.

HEIGHT : 9'-4 7/16" POINTS: 1.12 Points.

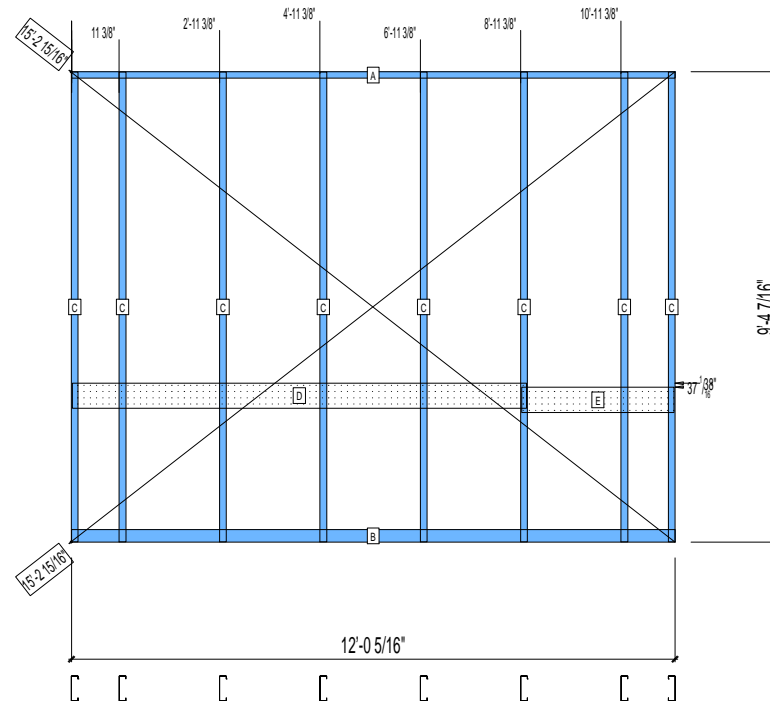
SPACING : 24"

1st STUD: 12 1/4"

WEIGHTS :

FRAME : 134 lbs

TOTAL: 134 lbs



PIECES LIST

LABEL	QTY	SIZE	LENGTH	USE
A	1	600T150-33	12'-0 5/16"	TOP TRACK
B	1	600T300-33	12'-0 5/16"	BOTTOM TRACK
C	8	600S162-33	9'-4 5/16"	STUD
D	1	600D-54	9'-0 9/16"	VANITY BACKING
E	1	600T150-54	3'-0 7/16"	GRAB BAR

22-3327

Jewish Home for the Aging

1885 Victory Blvd. Reseda, CA

FM-07-109

CREATED BY: TNT

FrameMax, Inc.
13915 Danielson St
Suite 100
Poway, CA 92064
www.frame-max.com



© FrameMax Inc.

HEIGHT : 9'-4 7/16" POINTS: 0.58 Points.

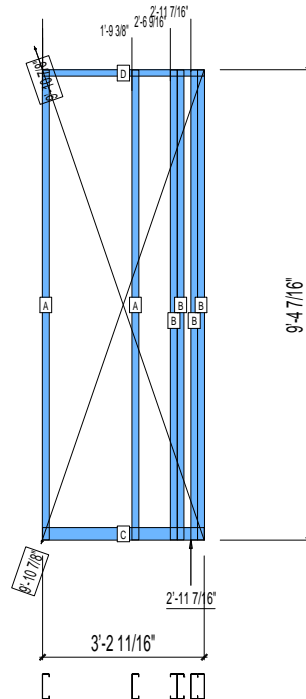
SPACING : 24"

1st STUD: 22 1/4"

WEIGHTS :

FRAME : 74 lbs

TOTAL: 74 lbs



PIECES LIST

LABEL	QTY	SIZE	LENGTH	USE
A	2	600S162-33	9'-4 5/16"	STUD
B	4	600S162-33	9'-4 5/16"	EXTRA STUD
C	1	600T300-33	3'-2 11/16"	BOTTOM TRACK
D	1	600T150-33	3'-2 11/16"	TOP TRACK

22-3328

Jewish Home for the Aging

1885 Victory Blvd. Reseda, CA

FM-07-109

CREATED BY: TNT

FrameMax, Inc.
13915 Danielson St
Suite 100
Poway, CA 92064
www.frame-max.com



© FrameMax Inc.

HEIGHT : 9'-4 7/16" POINTS: 0.72 Points.

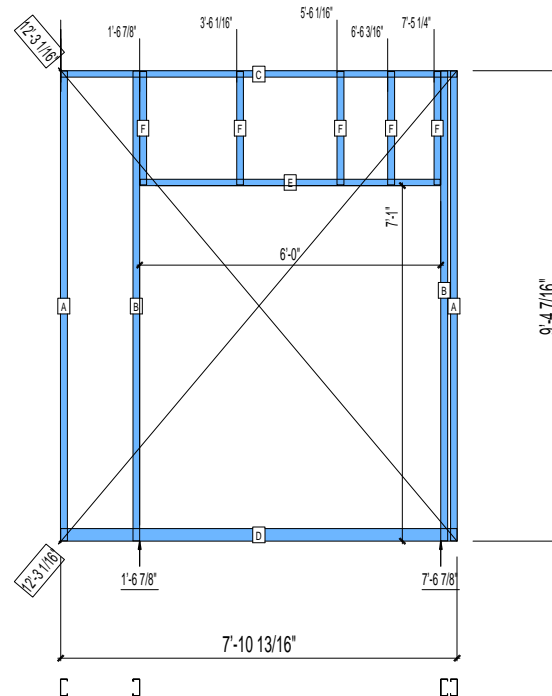
SPACING : 24"

1st STUD: 22 3/16"

WEIGHTS :

FRAME : 66 lbs

TOTAL: 66 lbs



PIECES LIST

LABEL	QTY	SIZE	LENGTH	USE
A	2	400S162-33	9'-4 5/16"	STUD
B	2	400S162-33	9'-4 5/16"	KING STUD
C	1	400T150-33	7'-10 13/16"	TOP TRACK
D	1	400T300-33	7'-10 13/16"	BOTTOM TRACK
E	1	400T150-33	5'-11 3/4"	HEAD TRACK
F	5	400S162-33	2'-3 1/16"	CRIPPLE

22-3329

Jewish Home for the Aging

1885 Victory Blvd. Reseda, CA

FrameMax, Inc.
13915 Danielson St
Suite 100
Poway, CA 92064
www.frame-max.com



© FrameMax Inc.

CREATED: 11/19/2008

FM-07-109

CREATED BY: TNT

HEIGHT : 9'-4 7/16" POINTS: 0.82 Points.

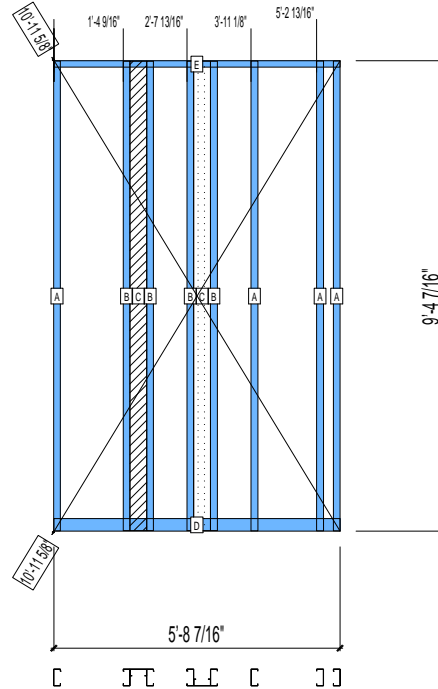
SPACING : 24"

1st STUD: 24"

WEIGHTS :

FRAME : 98 lbs

TOTAL: 98 lbs



PIECES LIST

LABEL	QTY	SIZE	LENGTH	USE
A	4	400S162-33	9'-4 5/16"	STUD
B	4	400S162-33	9'-4 3/16"	BACKER STUD
C	2	400S162-33	9'-4 3/16"	BACKER-U
D	1	400T300-33	5'-8 7/16"	BOTTOM TRACK
E	1	400T150-33	5'-8 7/16"	TOP TRACK

22-3330

Jewish Home for the Aging

1885 Victory Blvd. Reseda, CA

FrameMax, Inc.
13915 Danielson St
Suite 100
Poway, CA 92064
www.frame-max.com



© FrameMax Inc.

CREATED: 11/19/2008

FM-07-109

CREATED BY: TNT

HEIGHT : 9'-4 7/16" POINTS: 0.30 Points.

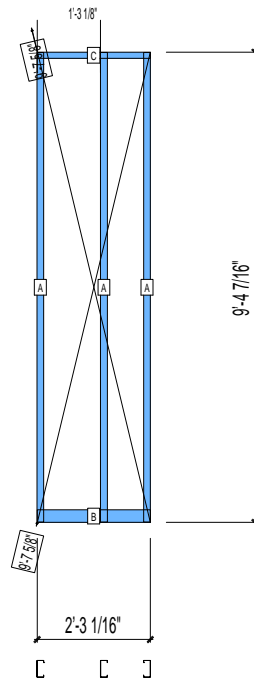
SPACING : 24"

1st STUD: 16"

WEIGHTS :

FRAME : 31 lbs

TOTAL: 31 lbs



PIECES LIST

LABEL	QTY	SIZE	LENGTH	USE
A	3	400S162-33	9'-4 5/16"	STUD
B	1	400T300-33	2'-3 1/16"	BOTTOM TRACK
C	1	400T150-33	2'-3 1/16"	TOP TRACK

22-3331

Jewish Home for the Aging

1885 Victory Blvd. Reseda, CA

FrameMax, Inc.
13915 Danielson St
Suite 100
Poway, CA 92064
www.frame-max.com



© FrameMax Inc.

CREATED: 11/19/2008

FM-07-109

CREATED BY: TNT

HEIGHT : 9'-4 7/16" POINTS: 0.34 Points.

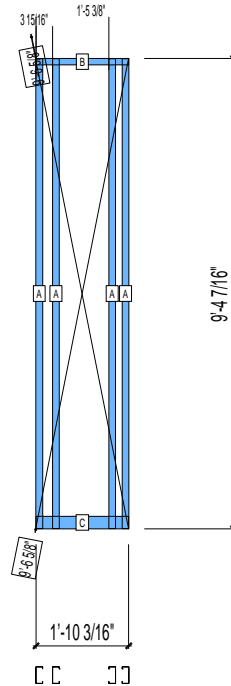
SPACING : 24"

1st STUD: 24"

WEIGHTS :

FRAME : 39 lbs

TOTAL: 39 lbs



PIECES LIST

LABEL	QTY	SIZE	LENGTH	USE
A	4	400S162-33	9'-4 5/16"	STUD
B	1	400T150-33	1'-10 3/16"	TOP TRACK
C	1	400T300-33	1'-10 3/16"	BOTTOM TRACK

22-3332

Jewish Home for the Aging

1885 Victory Blvd. Reseda, CA

FrameMax, Inc.
13915 Danielson St
Suite 100
Poway, CA 92064
www.frame-max.com



© FrameMax Inc.

CREATED: 11/19/2008

FM-07-109

CREATED BY: TNT

HEIGHT : 9'-4 7/16" POINTS: 0.35 Points.

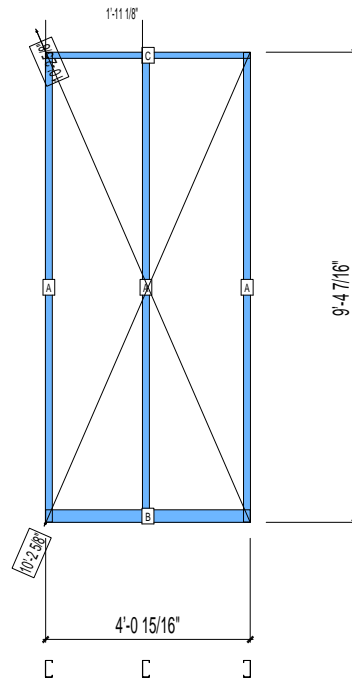
SPACING : 24"

1st STUD: 24"

WEIGHTS :

FRAME : 34 lbs

TOTAL: 34 lbs



PIECES LIST

LABEL	QTY	SIZE	LENGTH	USE
A	3	400S162-33	9'-4 5/16"	STUD
B	1	400T300-33	4'-0 15/16"	BOTTOM TRACK
C	1	400T150-33	4'-0 15/16"	TOP TRACK

22-3333

Jewish Home for the Aging

1885 Victory Blvd. Reseda, CA

FM-07-109

CREATED BY: TNT

FrameMax, Inc.
13915 Danielson St
Suite 100
Poway, CA 92064
www.frame-max.com



© FrameMax Inc.

HEIGHT : 9'-4 7/16" POINTS: 0.86 Points.

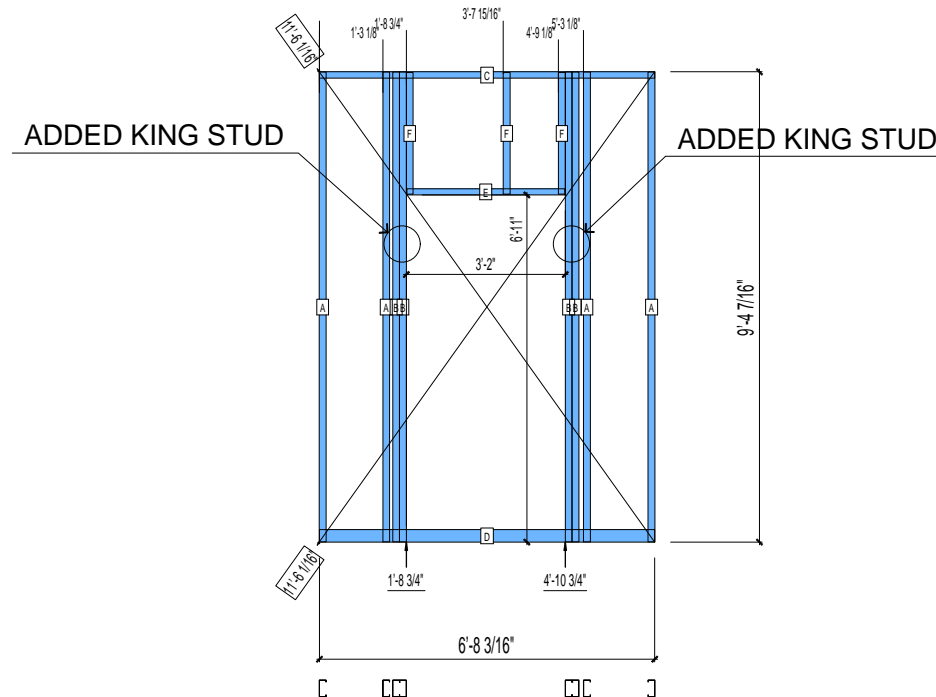
SPACING : 24"

1st STUD: 16"

WEIGHTS :

FRAME : 92 lbs

TOTAL: 92 lbs



PIECES LIST

LABEL	QTY	SIZE	LENGTH	USE
A	4	400S162-33	9'-4 5/16"	STUD
B	4	400S162-33	9'-4 5/16"	KING STUD
C	1	400T150-33	6'-8 3/16"	TOP TRACK
D	1	400T300-33	6'-8 3/16"	BOTTOM TRACK
E	1	400T150-33	3'-1 3/4"	HEAD TRACK
F	3	400S162-33	2'-5 1/16"	CRIPPLE

22-3334

Jewish Home for the Aging

1885 Victory Blvd. Reseda, CA

FrameMax, Inc.
13915 Danielson St
Suite 100
Poway, CA 92064
www.frame-max.com



© FrameMax Inc.

CREATED: 11/19/2008

FM-07-109

CREATED BY: TNT

HEIGHT : 9'-4 7/16" POINTS: 0.32 Points.

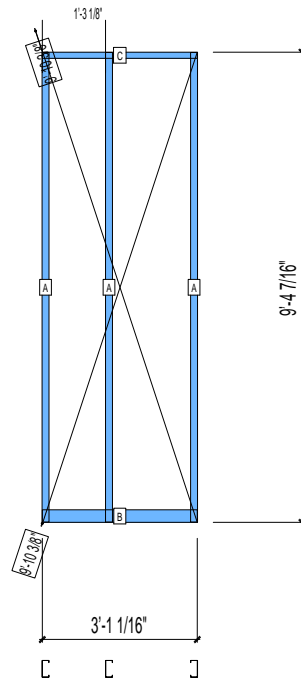
SPACING : 24"

1st STUD: 16"

WEIGHTS :

FRAME : 32 lbs

TOTAL: 32 lbs



PIECES LIST

LABEL	QTY	SIZE	LENGTH	USE
A	3	400S162-33	9'-4 5/16"	STUD
B	1	400T300-33	3'-1 1/16"	BOTTOM TRACK
C	1	400T150-33	3'-1 1/16"	TOP TRACK

22-3335

Jewish Home for the Aging

1885 Victory Blvd. Reseda, CA

FrameMax, Inc.
13915 Danielson St
Suite 100
Poway, CA 92064
www.frame-max.com



© FrameMax Inc.

CREATED: 11/19/2008

FM-07-109

CREATED BY: TNT

HEIGHT : 9'-4 7/16" POINTS: 0.27 Points.

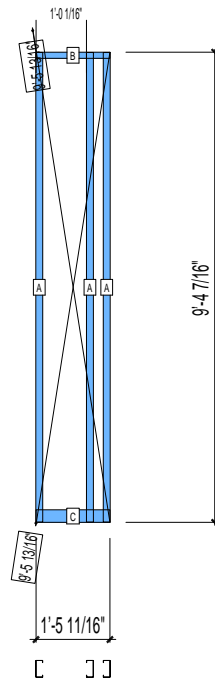
SPACING : 24"

1st STUD: 24"

WEIGHTS :

FRAME : 29 lbs

TOTAL: 29 lbs



PIECES LIST

LABEL	QTY	SIZE	LENGTH	USE
A	3	400S162-33	9'-4 5/16"	STUD
B	1	400T150-33	1'-5 11/16"	TOP TRACK
C	1	400T300-33	1'-5 11/16"	BOTTOM TRACK

22-3351

Jewish Home for the Aging

1885 Victory Blvd. Reseda, CA

FrameMax, Inc.
13915 Danielson St
Suite 100
Poway, CA 92064
www.frame-max.com



© FrameMax Inc.

CREATED: 11/19/2008

FM-07-109

CREATED BY: TNT

HEIGHT : 9'-4 7/16" POINTS: 1.08 Points.

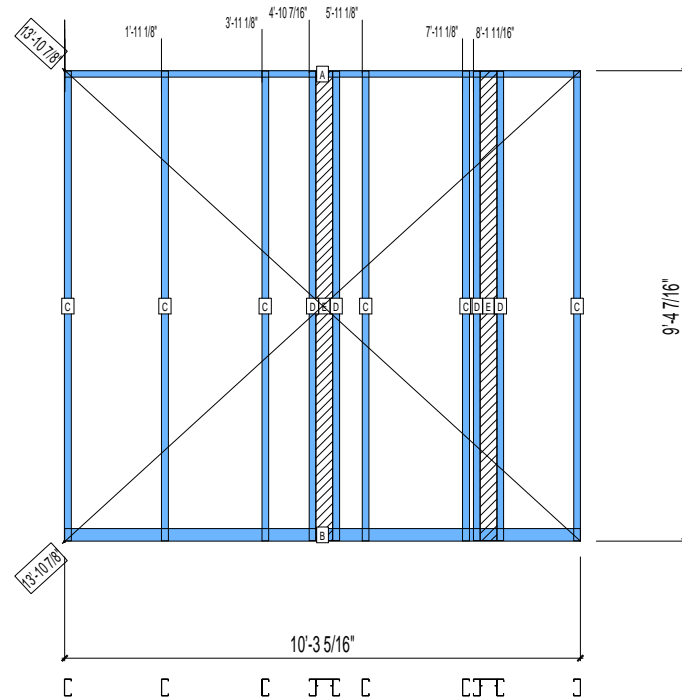
SPACING : 24"

1st STUD: 24"

WEIGHTS :

FRAME : 125 lbs

TOTAL: 125 lbs



PIECES LIST

LABEL	QTY	SIZE	LENGTH	USE
A	1	400T150-33	10'-3 5/16"	TOP TRACK
B	1	400T300-33	10'-3 5/16"	BOTTOM TRACK
C	6	400S162-33	9'-4 5/16"	STUD
D	4	400S162-33	9'-4 3/16"	BACKER STUD
E	2	400S162-33	9'-4 3/16"	BACKER-U

22-3352

Jewish Home for the Aging

1885 Victory Blvd. Reseda, CA

FrameMax, Inc.
13915 Danielson St
Suite 100
Poway, CA 92064
www.frame-max.com



© FrameMax Inc.

CREATED: 11/19/2008

FM-07-109

CREATED BY: TNT

HEIGHT : 9'-4 7/16" POINTS: 0.30 Points.

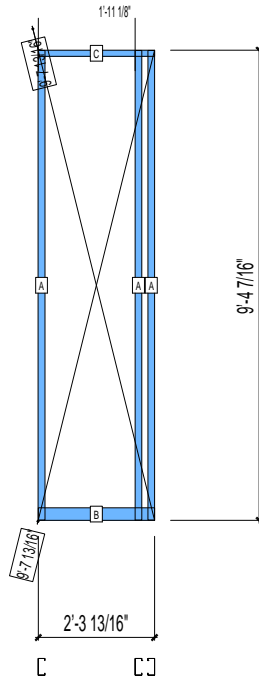
SPACING : 24"

1st STUD: 24"

WEIGHTS :

FRAME : 31 lbs

TOTAL: 31 lbs



PIECES LIST

LABEL	QTY	SIZE	LENGTH	USE
A	3	400S162-33	9'-4 5/16"	STUD
B	1	400T300-33	2'-3 13/16"	BOTTOM TRACK
C	1	400T150-33	2'-3 13/16"	TOP TRACK

22-3353

Jewish Home for the Aging

1885 Victory Blvd. Reseda, CA

FM-07-109

CREATED BY: TNT

FrameMax, Inc.
13915 Danielson St
Suite 100
Poway, CA 92064
www.frame-max.com



© FrameMax Inc.

HEIGHT : 9'-4 7/16" POINTS: 0.51 Points.

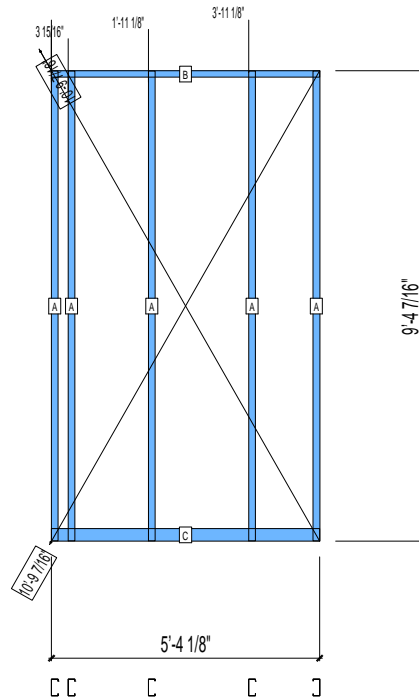
SPACING : 24"

1st STUD: 24"

WEIGHTS :

FRAME : 54 lbs

TOTAL: 54 lbs



PIECES LIST

LABEL	QTY	SIZE	LENGTH	USE
A	5	400S162-33	9'-4 5/16"	STUD
B	1	400T150-33	5'-4 1/8"	TOP TRACK
C	1	400T300-33	5'-4 1/8"	BOTTOM TRACK

22-3354

Jewish Home for the Aging

1885 Victory Blvd. Reseda, CA

FM-07-109

CREATED BY: TNT

FrameMax, Inc.
13915 Danielson St
Suite 100
Poway, CA 92064
www.frame-max.com



© FrameMax Inc.

HEIGHT : 9'-4 7/16" POINTS: 0.50 Points.

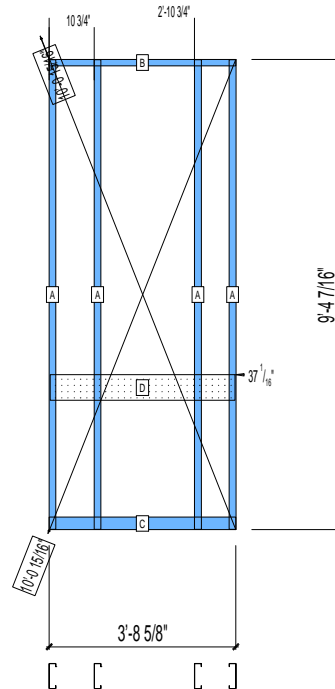
SPACING : 24"

1st STUD: 11 5/8"

WEIGHTS :

FRAME : 59 lbs

TOTAL: 59 lbs



PIECES LIST

LABEL	QTY	SIZE	LENGTH	USE
A	4	600S162-33	9'-4 5/16"	STUD
B	1	600T150-33	3'-8 5/8"	TOP TRACK
C	1	600T300-33	3'-8 5/8"	BOTTOM TRACK
D	1	600T150-54	3'-8 3/16"	GRAB BAR

22-3355

Jewish Home for the Aging

1885 Victory Blvd. Reseda, CA

FrameMax, Inc.
13915 Danielson St
Suite 100
Poway, CA 92064
www.frame-max.com



© FrameMax Inc.

CREATED: 11/19/2008

FM-07-109

CREATED BY: TNT

HEIGHT : 9'-4 7/16" POINTS: 0.19 Points.

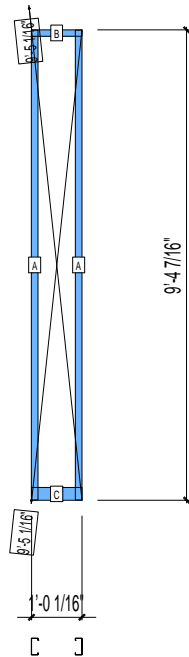
SPACING : 24"

1st STUD: 16"

WEIGHTS :

FRAME : 19 lbs

TOTAL: 19 lbs



PIECES LIST

LABEL	QTY	SIZE	LENGTH	USE
A	2	400S162-33	9'-4 5/16"	STUD
B	1	400T150-33	1'-0 1/16"	TOP TRACK
C	1	400T300-33	1'-0 1/16"	BOTTOM TRACK

22-3356

Jewish Home for the Aging

1885 Victory Blvd. Reseda, CA

FrameMax, Inc.
13915 Danielson St
Suite 100
Poway, CA 92064
www.frame-max.com



© FrameMax Inc.

CREATED: 11/19/2008

FM-07-109

CREATED BY: TNT

HEIGHT : 9'-4 7/16" POINTS: 0.29 Points.

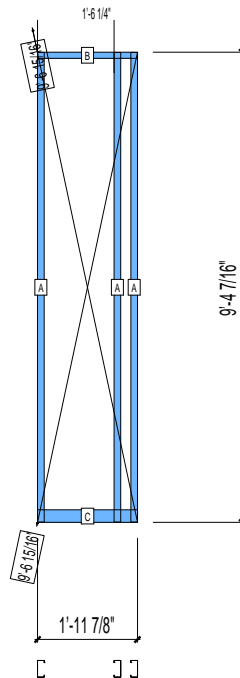
SPACING : 24"

1st STUD: 24"

WEIGHTS :

FRAME : 30 lbs

TOTAL: 30 lbs



PIECES LIST

LABEL	QTY	SIZE	LENGTH	USE
A	3	400S162-33	9'-4 5/16"	STUD
B	1	400T150-33	1'-11 7/8"	TOP TRACK
C	1	400T300-33	1'-11 7/8"	BOTTOM TRACK

22-3357

Jewish Home for the Aging

1885 Victory Blvd. Reseda, CA

FM-07-109

CREATED BY: TNT

FrameMax, Inc.
13915 Danielson St
Suite 100
Poway, CA 92064
www.frame-max.com



© FrameMax Inc.

HEIGHT : 9'-4 7/16" POINTS: 0.61 Points.

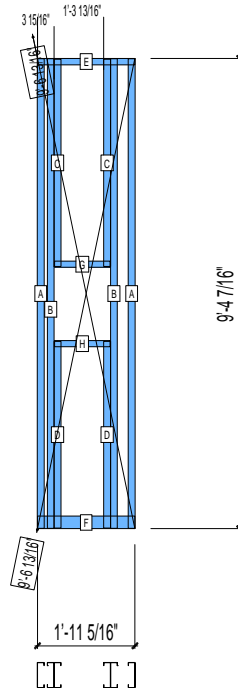
SPACING : 24"

1st STUD: 24"

WEIGHTS :

FRAME : 69 lbs

TOTAL: 69 lbs



PIECES LIST

LABEL	QTY	SIZE	LENGTH	USE
A	2	600S162-33	9'-4 5/16"	STUD
B	2	600S162-33	9'-4 5/16"	KING STUD
C	2	600S162-33	4'-1 9/16"	CRIPPLE
D	2	600S162-33	3'-8 5/8"	CRIPPLE
E	1	600T150-33	1'-11 5/16"	TOP TRACK
F	1	600T300-33	1'-11 5/16"	BOTTOM TRACK
G	1	600T150-33	1'-1 1/4"	HEAD TRACK
H	1	600T150-33	1'-1 1/4"	SILL

22-3358

Jewish Home for the Aging

1885 Victory Blvd. Reseda, CA

FM-07-109

CREATED BY: TNT

FrameMax, Inc.
13915 Danielson St
Suite 100
Poway, CA 92064
www.frame-max.com



© FrameMax Inc.

HEIGHT : 9'-4 7/16" POINTS: 0.42 Points.

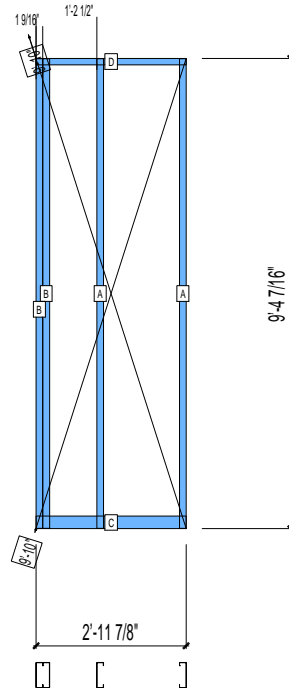
SPACING : 24"

1st STUD: 15 3/8"

WEIGHTS :

FRAME : 51 lbs

TOTAL: 51 lbs



PIECES LIST

LABEL	QTY	SIZE	LENGTH	USE
A	2	600S162-33	9'-4 5/16"	STUD
B	2	600S162-33	9'-4 5/16"	EXTRA STUD
C	1	600T300-33	2'-11 7/8"	BOTTOM TRACK
D	1	600T150-33	2'-11 7/8"	TOP TRACK

22-3359

Jewish Home for the Aging

1885 Victory Blvd. Reseda, CA

FrameMax, Inc.
13915 Danielson St
Suite 100
Poway, CA 92064
www.frame-max.com



© FrameMax Inc.

CREATED: 11/19/2008

FM-07-109

CREATED BY: TNT

HEIGHT : 9'-4 7/16" POINTS: 0.36 Points.

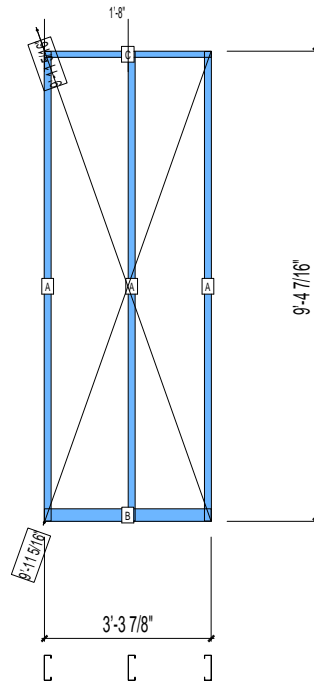
SPACING : 24"

1st STUD: 20 7/8"

WEIGHTS :

FRAME : 41 lbs

TOTAL: 41 lbs



PIECES LIST

LABEL	QTY	SIZE	LENGTH	USE
A	3	600S162-33	9'-4 5/16"	STUD
B	1	600T300-33	3'-3 7/8"	BOTTOM TRACK
C	1	600T150-33	3'-3 7/8"	TOP TRACK

22-3360

Jewish Home for the Aging

1885 Victory Blvd. Reseda, CA

FrameMax, Inc.
13915 Danielson St
Suite 100
Poway, CA 92064
www.frame-max.com



© FrameMax Inc.

CREATED: 11/19/2008

FM-07-109

CREATED BY: TNT

HEIGHT : 9'-4 7/16" POINTS: 0.27 Points.

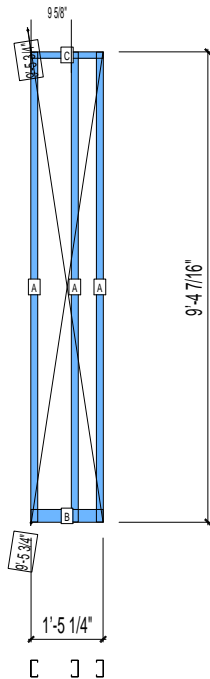
SPACING : 24"

1st STUD: 24"

WEIGHTS :

FRAME : 29 lbs

TOTAL: 29 lbs



PIECES LIST

LABEL	QTY	SIZE	LENGTH	USE
A	3	400S162-33	9'-4 5/16"	STUD
B	1	400T300-33	1'-5 1/4"	BOTTOM TRACK
C	1	400T150-33	1'-5 1/4"	TOP TRACK

22-3361

Jewish Home for the Aging

1885 Victory Blvd. Reseda, CA

FrameMax, Inc.
13915 Danielson St
Suite 100
Poway, CA 92064
www.frame-max.com



© FrameMax Inc.

CREATED: 11/19/2008

FM-07-109

CREATED BY: TNT

HEIGHT : 9'-4 7/16" POINTS: 0.22 Points.

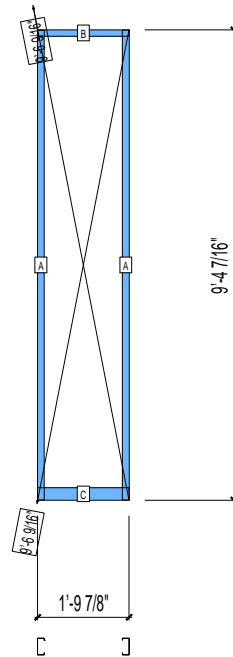
SPACING : 24"

1st STUD: 24"

WEIGHTS :

FRAME : 21 lbs

TOTAL: 21 lbs



PIECES LIST

LABEL	QTY	SIZE	LENGTH	USE
A	2	400S162-33	9'-4 5/16"	STUD
B	1	400T150-33	1'-9 7/8"	TOP TRACK
C	1	400T300-33	1'-9 7/8"	BOTTOM TRACK

22-3362

Jewish Home for the Aging

1885 Victory Blvd. Reseda, CA

FM-07-109

CREATED BY: TNT

FrameMax, Inc.
13915 Danielson St
Suite 100
Poway, CA 92064
www.frame-max.com



© FrameMax Inc.

HEIGHT : 9'-4 7/16" POINTS: 0.77 Points.

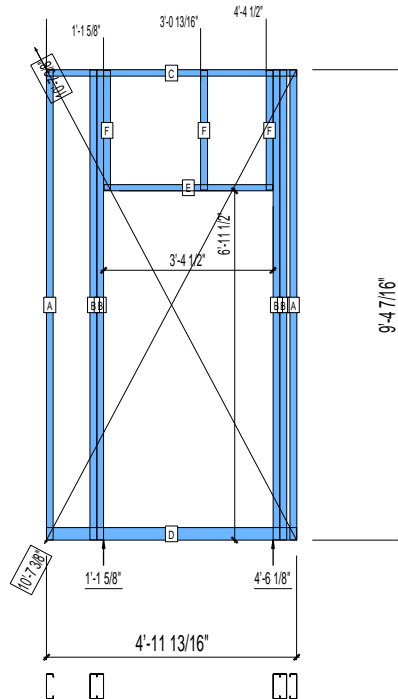
SPACING : 24"

1st STUD: 24"

WEIGHTS :

FRAME : 90 lbs

TOTAL: 90 lbs



PIECES LIST

LABEL	QTY	SIZE	LENGTH	USE
A	2	600S162-33	9'-4 5/16"	STUD
B	4	600S162-33	9'-4 5/16"	KING STUD
C	1	600T150-33	4'-11 13/16"	TOP TRACK
D	1	600T300-33	4'-11 13/16"	BOTTOM TRACK
E	1	600T150-33	3'-4 1/4"	HEAD TRACK
F	3	600S162-33	2'-4 9/16"	CRIPPLE

22-3363

Jewish Home for the Aging

1885 Victory Blvd. Reseda, CA

FrameMax, Inc.
13915 Danielson St
Suite 100
Poway, CA 92064
www.framemax.com



© FrameMax Inc.

CREATED: 11/19/2008

FM-07-109

CREATED BY: TNT

HEIGHT : 9'-4 7/16" POINTS: 0.27 Points.

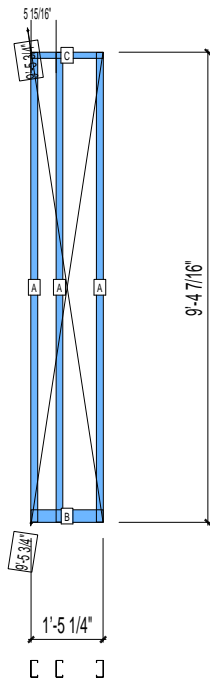
SPACING : 24"

1st STUD: 24"

WEIGHTS :

FRAME : 29 lbs

TOTAL: 29 lbs



PIECES LIST

LABEL	QTY	SIZE	LENGTH	USE
A	3	400S162-33	9'-4 5/16"	STUD
B	1	400T300-33	1'-5 1/4"	BOTTOM TRACK
C	1	400T150-33	1'-5 1/4"	TOP TRACK

22-3364

Jewish Home for the Aging

1885 Victory Blvd. Reseda, CA

FrameMax, Inc.
13915 Danielson St
Suite 100
Poway, CA 92064
www.frame-max.com



© FrameMax Inc.

CREATED: 11/19/2008

FM-07-109

CREATED BY: TNT

HEIGHT : 9'-4 7/16" POINTS: 0.34 Points.

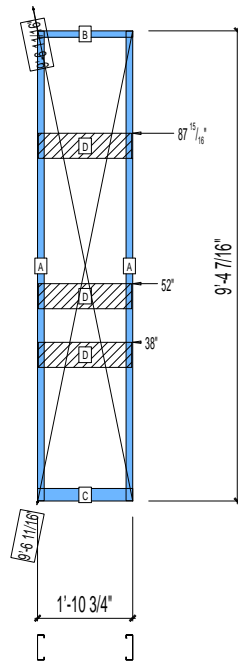
SPACING : 24"

1st STUD: 24"

WEIGHTS :

FRAME : 33 lbs

TOTAL: 33 lbs



PIECES LIST

LABEL	QTY	SIZE	LENGTH	USE
A	2	600S162-33	9'-4 5/16"	STUD
B	1	600T150-33	1'-10 3/4"	TOP TRACK
C	1	600T300-33	1'-10 3/4"	BOTTOM TRACK
D	3	600D-54	1'-10 5/16"	KITCHEN BACKING

22-3365

Jewish Home for the Aging

1885 Victory Blvd. Reseda, CA

FrameMax, Inc.
13915 Danielson St
Suite 100
Poway, CA 92064
www.frame-max.com



© FrameMax Inc.

CREATED: 11/19/2008

FM-07-109

CREATED BY: TNT

HEIGHT : 2'-9 1/2" POINTS: 0.39 Points.

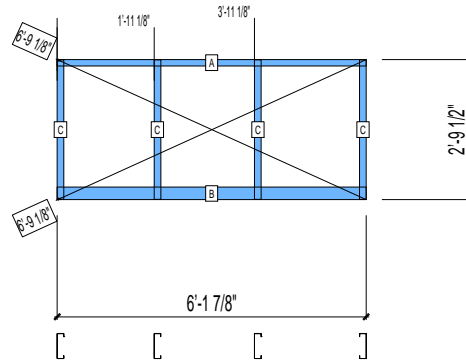
SPACING : 24"

1st STUD: 24"

WEIGHTS :

FRAME : 28 lbs

TOTAL: 28 lbs



PIECES LIST

LABEL	QTY	SIZE	LENGTH	USE
A	1	600T150-33	6'-1 7/8"	TOP TRACK
B	1	600T300-33	6'-1 7/8"	BOTTOM TRACK
C	4	600S162-33	2'-9 3/8"	STUD

22-3366

Jewish Home for the Aging

1885 Victory Blvd. Reseda, CA

FrameMax, Inc.
13915 Danielson St
Suite 100
Poway, CA 92064
www.frame-max.com



© FrameMax Inc.

CREATED: 11/19/2008

FM-07-109

CREATED BY: TNT

HEIGHT : 2'-9 1/2" POINTS: 0.25 Points.

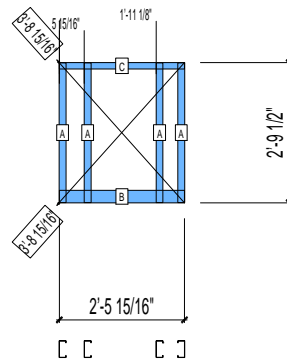
SPACING : 24"

1st STUD: 24"

WEIGHTS :

FRAME : 15 lbs

TOTAL: 15 lbs



PIECES LIST

LABEL	QTY	SIZE	LENGTH	USE
A	4	400S162-33	2'-9 3/8"	STUD
B	1	400T300-33	2'-5 15/16"	BOTTOM TRACK
C	1	400T150-33	2'-5 15/16"	TOP TRACK

22-3367

Jewish Home for the Aging

1885 Victory Blvd. Reseda, CA

FrameMax, Inc.
13915 Danielson St
Suite 100
Poway, CA 92064
www.frame-max.com



© FrameMax Inc.

CREATED: 11/19/2008

FM-07-109

CREATED BY: TNT

HEIGHT : 9'-4 7/16" POINTS: 0.20 Points.

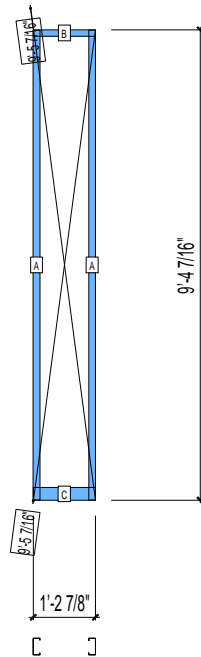
SPACING : 24"

1st STUD: 24"

WEIGHTS :

FRAME : 20 lbs

TOTAL: 20 lbs



PIECES LIST

LABEL	QTY	SIZE	LENGTH	USE
A	2	400S162-33	9'-4 5/16"	STUD
B	1	400T150-33	1'-2 7/8"	TOP TRACK
C	1	400T300-33	1'-2 7/8"	BOTTOM TRACK

22-3368

Jewish Home for the Aging

1885 Victory Blvd. Reseda, CA

FrameMax, Inc.
13915 Danielson St
Suite 100
Poway, CA 92064
www.frame-max.com



© FrameMax Inc.

CREATED: 11/19/2008

FM-07-109

CREATED BY: TNT

HEIGHT : 9'-4 7/16" POINTS: 0.27 Points.

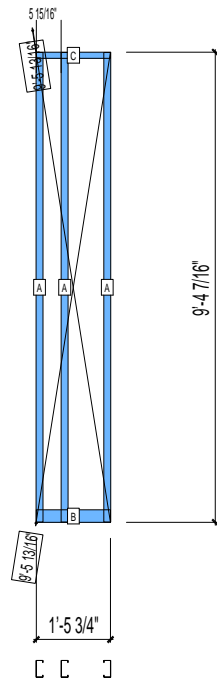
SPACING : 24"

1st STUD: 24"

WEIGHTS :

FRAME : 29 lbs

TOTAL: 29 lbs



PIECES LIST

LABEL	QTY	SIZE	LENGTH	USE
A	3	400S162-33	9'-4 5/16"	STUD
B	1	400T300-33	1'-5 3/4"	BOTTOM TRACK
C	1	400T150-33	1'-5 3/4"	TOP TRACK

22-3369

Jewish Home for the Aging

1885 Victory Blvd. Reseda, CA

FM-07-109

CREATED BY: TNT

FrameMax, Inc.
13915 Danielson St
Suite 100
Poway, CA 92064
www.frame-max.com



© FrameMax Inc.

HEIGHT : 9'-4 7/16" POINTS: 0.77 Points.

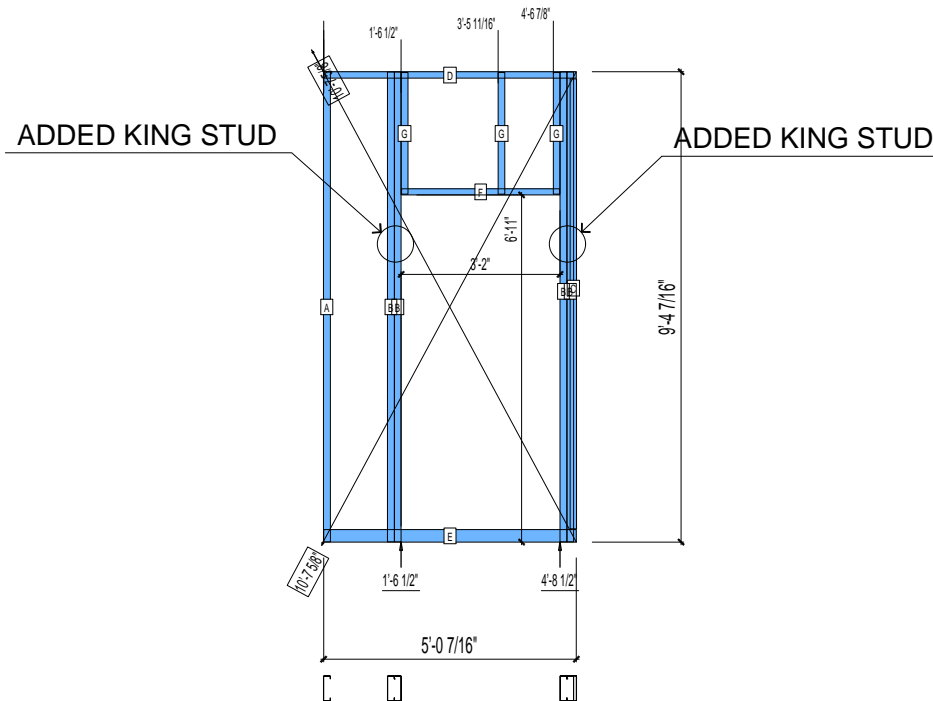
SPACING : 24"

1st STUD: 24"

WEIGHTS :

FRAME : 89 lbs

TOTAL: 89 lbs



PIECES LIST

LABEL	QTY	SIZE	LENGTH	USE
A	1	600S162-33	9'-4 5/16"	STUD
B	4	600S162-33	9'-4 5/16"	KING STUD
C	1	600T150-33	8'-11 9/16"	CAP TRACK
D	1	600T150-33	5'-0 7/16"	TOP TRACK
E	1	600T300-33	5'-0 7/16"	BOTTOM TRACK
F	1	600T150-33	3'-1 3/4"	HEAD TRACK
G	3	600S162-33	2'-5 1/16"	CRIPPLE

22-3370

Jewish Home for the Aging

1885 Victory Blvd. Reseda, CA

FrameMax, Inc.
13915 Danielson St
Suite 100
Poway, CA 92064
www.frame-max.com



© FrameMax Inc.

CREATED: 11/19/2008

FM-07-109

CREATED BY: TNT

HEIGHT : 9'-4 7/16" POINTS: 1.04 Points.

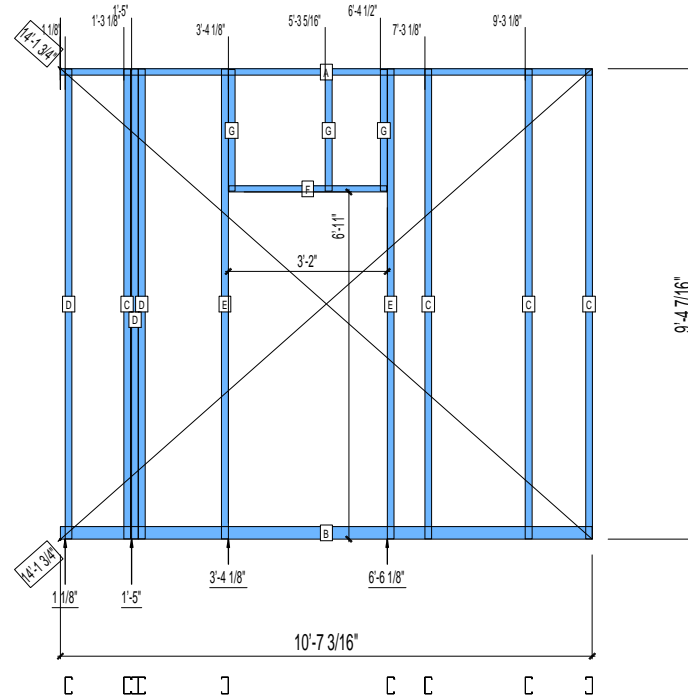
SPACING : 24"

1st STUD: 16"

WEIGHTS :

FRAME : 109 lbs

TOTAL: 109 lbs



PIECES LIST

LABEL	QTY	SIZE	LENGTH	USE
A	1	400T150-33	10'-7 3/16"	TOP TRACK
B	1	400T300-33	10'-7 3/16"	BOTTOM TRACK
C	4	400S162-33	9'-4 5/16"	STUD
D	3	400S162-33	9'-4 5/16"	EXTRA STUD
E	2	400S162-33	9'-4 5/16"	KING STUD
F	1	400T150-33	3'-1 3/4"	HEAD TRACK
G	3	400S162-33	2'-5 1/16"	CRIPPLE

22-3371

Jewish Home for the Aging

1885 Victory Blvd. Reseda, CA

FrameMax, Inc.
13915 Danielson St
Suite 100
Poway, CA 92064
www.frame-max.com



© FrameMax Inc.

CREATED: 11/19/2008

FM-07-109

CREATED BY: TNT

HEIGHT : 9'-4 7/16" POINTS: 0.75 Points.

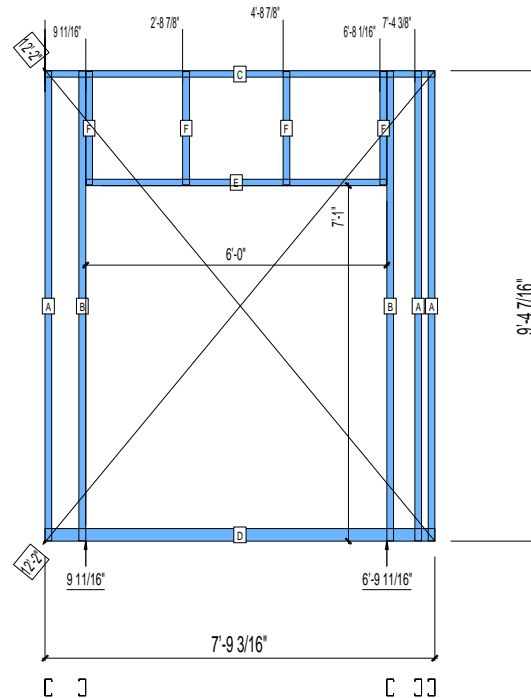
SPACING : 24"

1st STUD: 24"

WEIGHTS :

FRAME : 73 lbs

TOTAL: 73 lbs



PIECES LIST

LABEL	QTY	SIZE	LENGTH	USE
A	3	400S162-33	9'-4 5/16"	STUD
B	2	400S162-33	9'-4 5/16"	KING STUD
C	1	400T150-33	7'-9 3/16"	TOP TRACK
D	1	400T300-33	7'-9 3/16"	BOTTOM TRACK
E	1	400T150-33	5'-11 3/4"	HEAD TRACK
F	4	400S162-33	2'-3 1/16"	CRIPPLE

22-3372

Jewish Home for the Aging

1885 Victory Blvd. Reseda, CA

FrameMax, Inc.
13915 Danielson St
Suite 100
Poway, CA 92064
www.frame-max.com



© FrameMax Inc.

CREATED: 11/19/2008

FM-07-109

CREATED BY: TNT

HEIGHT : 9'-4 7/16" POINTS: 0.23 Points.

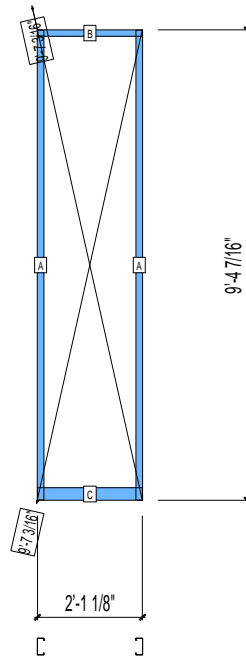
SPACING : 24"

1st STUD: 24"

WEIGHTS :

FRAME : 22 lbs

TOTAL: 22 lbs



PIECES LIST

LABEL	QTY	SIZE	LENGTH	USE
A	2	400S162-33	9'-4 5/16"	STUD
B	1	400T150-33	2'-1 1/8"	TOP TRACK
C	1	400T300-33	2'-1 1/8"	BOTTOM TRACK

22-3373

Jewish Home for the Aging

1885 Victory Blvd. Reseda, CA

FM-07-109

CREATED BY: TNT

FrameMax, Inc.
13915 Danielson St
Suite 100
Poway, CA 92064
www.frame-max.com



© FrameMax Inc.

HEIGHT : 9'-4 7/16" POINTS: 0.76 Points.

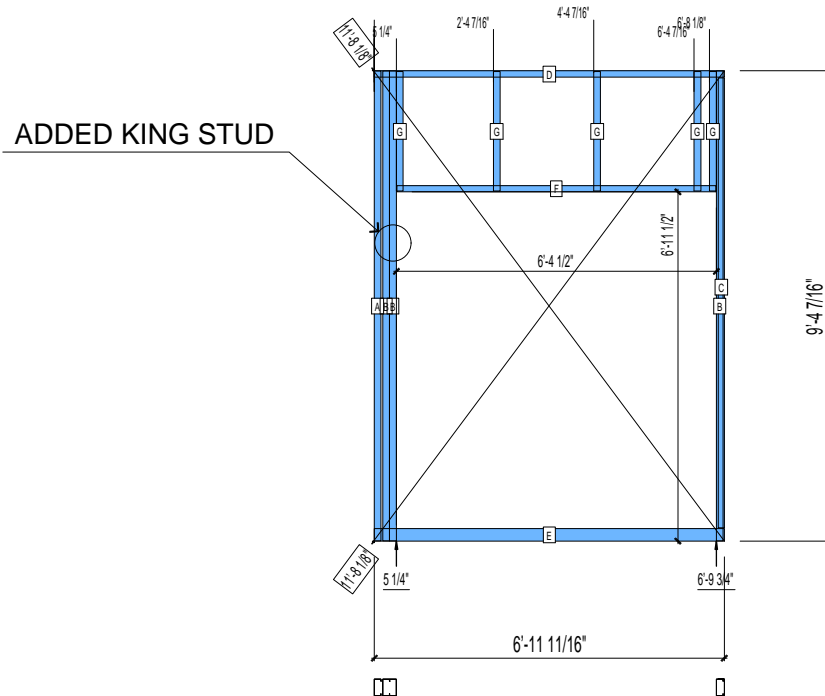
SPACING : 24"

1st STUD: 24"

WEIGHTS :

FRAME : 73 lbs

TOTAL: 73 lbs



PIECES LIST

LABEL	QTY	SIZE	LENGTH	USE
A	1	400S162-33	9'-4 5/16"	STUD
B	3	400S162-33	9'-4 5/16"	KING STUD
C	1	400T150-33	8'-11 9/16"	CAP TRACK
D	1	400T150-33	6'-11 11/16"	TOP TRACK
E	1	400T300-33	6'-11 11/16"	BOTTOM TRACK
F	1	400T150-33	6'-4 1/4"	HEAD TRACK
G	5	400S162-33	2'-4 9/16"	CRIPPLE

22-3374

Jewish Home for the Aging

1885 Victory Blvd. Reseda, CA

FrameMax, Inc.
13915 Danielson St
Suite 100
Poway, CA 92064
www.frame-max.com



© FrameMax Inc.

CREATED: 11/19/2008

FM-07-109

CREATED BY: TNT

HEIGHT : 9'-4 7/16" POINTS: 0.31 Points.

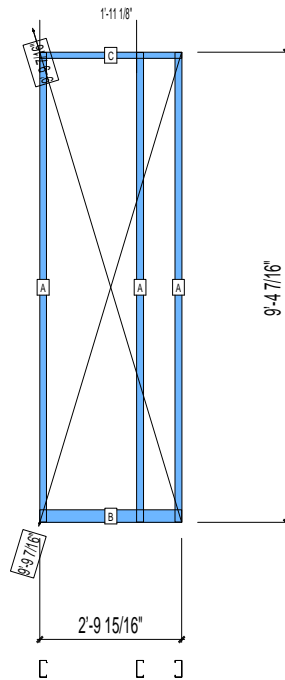
SPACING : 24"

1st STUD: 24"

WEIGHTS :

FRAME : 32 lbs

TOTAL: 32 lbs



PIECES LIST

LABEL	QTY	SIZE	LENGTH	USE
A	3	400S162-33	9'-4 5/16"	STUD
B	1	400T300-33	2'-9 15/16"	BOTTOM TRACK
C	1	400T150-33	2'-9 15/16"	TOP TRACK

22-3401

Jewish Home for the Aging

1885 Victory Blvd. Reseda, CA

FM-07-109

CREATED BY: TNT

FrameMax, Inc.
13915 Danielson St
Suite 100
Poway, CA 92064
www.frame-max.com



© FrameMax Inc.

HEIGHT : 9'-4 7/16" POINTS: 0.85 Points.

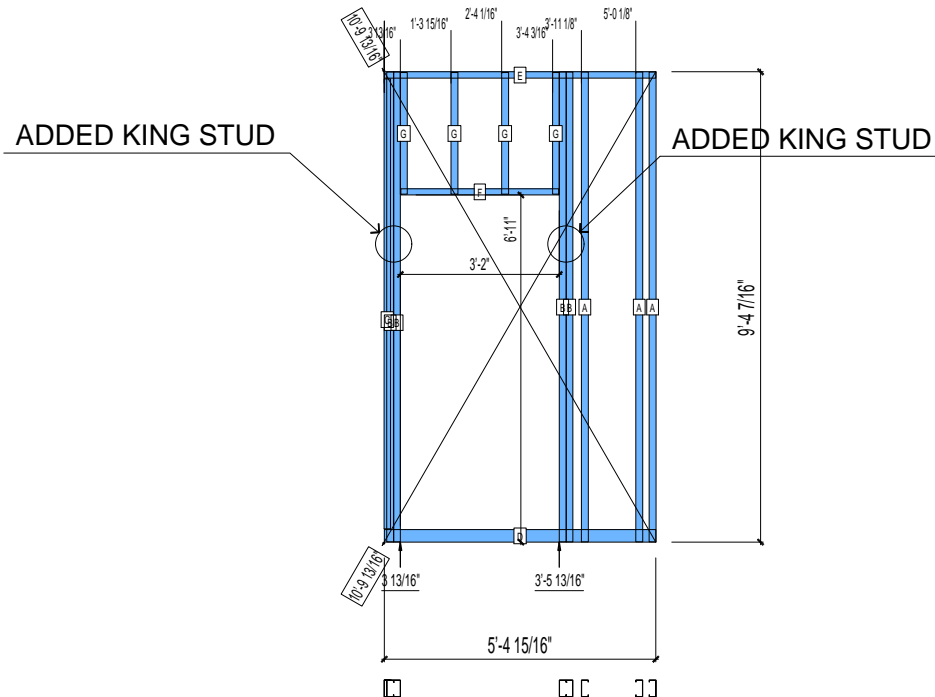
SPACING : 24"

1st STUD: 24"

WEIGHTS :

FRAME : 91 lbs

TOTAL: 91 lbs



PIECES LIST

LABEL	QTY	SIZE	LENGTH	USE
A	3	400S162-33	9'-4 5/16"	STUD
B	4	400S162-33	9'-4 5/16"	KING STUD
C	1	400T150-33	8'-11 9/16"	CAP TRACK
D	1	400T300-33	5'-4 15/16"	BOTTOM TRACK
E	1	400T150-33	5'-4 15/16"	TOP TRACK
F	1	400T150-33	3'-1 3/4"	HEAD TRACK
G	4	400S162-33	2'-5 1/16"	CRIPPLE

22-3402

Jewish Home for the Aging

1885 Victory Blvd. Reseda, CA

FrameMax, Inc.
13915 Danielson St
Suite 100
Poway, CA 92064
www.frame-max.com



© FrameMax Inc.

CREATED: 11/19/2008

FM-07-109

CREATED BY: TNT

HEIGHT : 9'-4 7/16" POINTS: 0.44 Points.

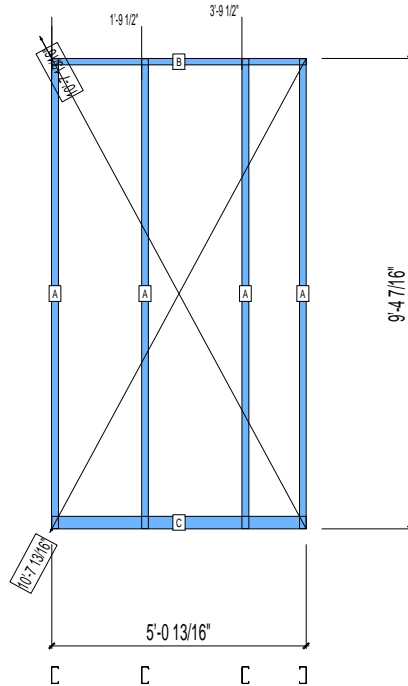
SPACING : 24"

1st STUD: 22 5/16"

WEIGHTS :

FRAME : 45 lbs

TOTAL: 45 lbs



PIECES LIST

LABEL	QTY	SIZE	LENGTH	USE
A	4	400S162-33	9'-4 5/16"	STUD
B	1	400T150-33	5'-0 13/16"	TOP TRACK
C	1	400T300-33	5'-0 13/16"	BOTTOM TRACK

22-3403

Jewish Home for the Aging

1885 Victory Blvd. Reseda, CA

FrameMax, Inc.
13915 Danielson St
Suite 100
Poway, CA 92064
www.frame-max.com



© FrameMax Inc.

CREATED: 11/19/2008

FM-07-109

CREATED BY: TNT

HEIGHT : 9'-4 7/16" POINTS: 1.17 Points.

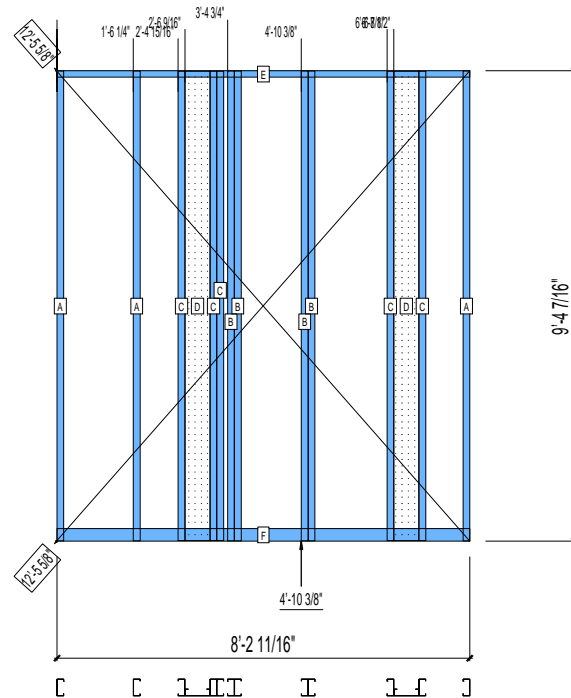
SPACING : 24"

1st STUD: 19 1/16"

WEIGHTS :

FRAME : 143 lbs

TOTAL: 143 lbs



PIECES LIST

LABEL	QTY	SIZE	LENGTH	USE
A	3	400S162-33	9'-4 5/16"	STUD
B	4	400S162-33	9'-4 5/16"	EXTRA STUD
C	5	400S162-33	9'-4 3/16"	BACKER STUD
D	2	600S162-33	9'-4 3/16"	BACKER-U
E	1	400T150-33	8'-2 11/16"	TOP TRACK
F	1	400T300-33	8'-2 11/16"	BOTTOM TRACK

22-3404

Jewish Home for the Aging

1885 Victory Blvd. Reseda, CA

FM-07-109

CREATED BY: TNT

FrameMax, Inc.
13915 Danielson St
Suite 100
Poway, CA 92064
www.frame-max.com



© FrameMax Inc.

HEIGHT : 9'-4 7/16" POINTS: 0.73 Points.

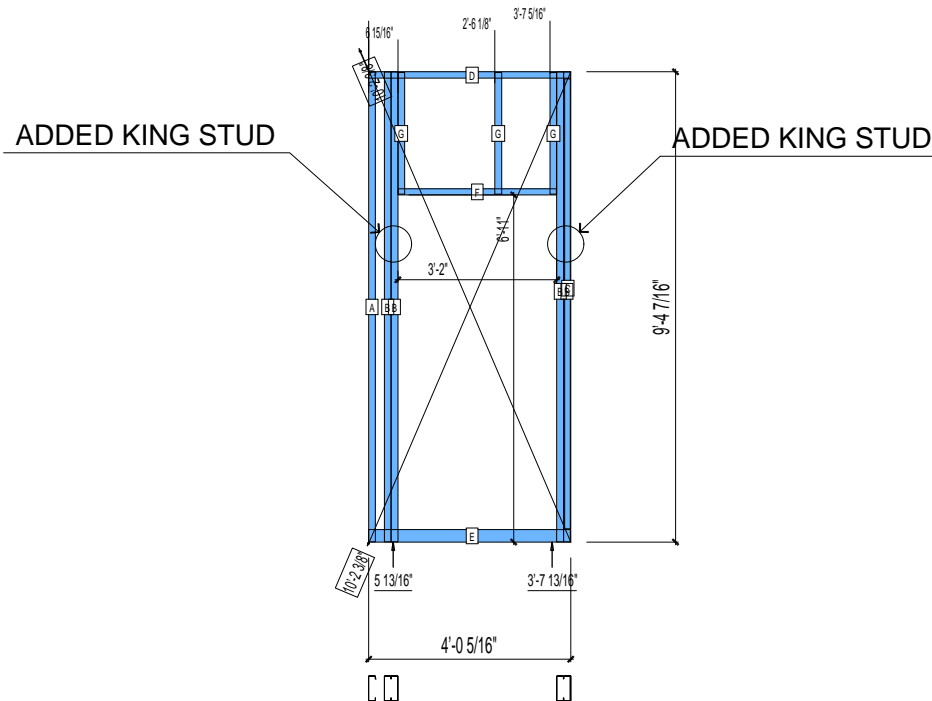
SPACING : 24"

1st STUD: 24"

WEIGHTS :

FRAME : 86 lbs

TOTAL: 86 lbs



PIECES LIST

LABEL	QTY	SIZE	LENGTH	USE
A	1	600S162-33	9'-4 5/16"	STUD
B	4	600S162-33	9'-4 5/16"	KING STUD
C	1	600T150-33	8'-11 9/16"	CAP TRACK
D	1	600T150-33	4'-0 5/16"	TOP TRACK
E	1	600T300-33	4'-0 5/16"	BOTTOM TRACK
F	1	600T150-33	3'-1 3/4"	HEAD TRACK
G	3	600S162-33	2'-5 1/16"	CRIPPLE

22-3405

Jewish Home for the Aging

1885 Victory Blvd. Reseda, CA

FrameMax, Inc.
13915 Danielson St
Suite 100
Poway, CA 92064
www.frame-max.com



© FrameMax Inc.

CREATED: 11/19/2008

FM-07-109

CREATED BY: TNT

HEIGHT : 9'-4 7/16" POINTS: 0.24 Points.

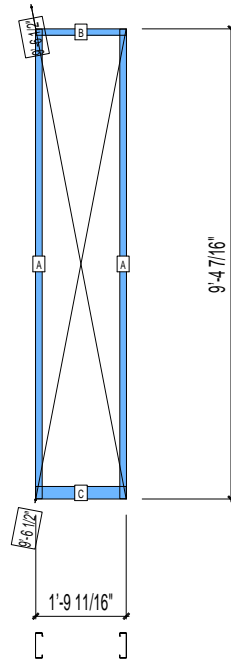
SPACING : 24"

1st STUD: 24"

WEIGHTS :

FRAME : 26 lbs

TOTAL: 26 lbs



PIECES LIST

LABEL	QTY	SIZE	LENGTH	USE
A	2	600S162-33	9'-4 5/16"	STUD
B	1	600T150-33	1'-9 11/16"	TOP TRACK
C	1	600T300-33	1'-9 11/16"	BOTTOM TRACK

22-3406

Jewish Home for the Aging

1885 Victory Blvd. Reseda, CA

FM-07-109

CREATED BY: TNT

FrameMax, Inc.
13915 Danielson St
Suite 100
Poway, CA 92064
www.frame-max.com



© FrameMax Inc.

HEIGHT : 9'-4 7/16" POINTS: 0.91 Points.

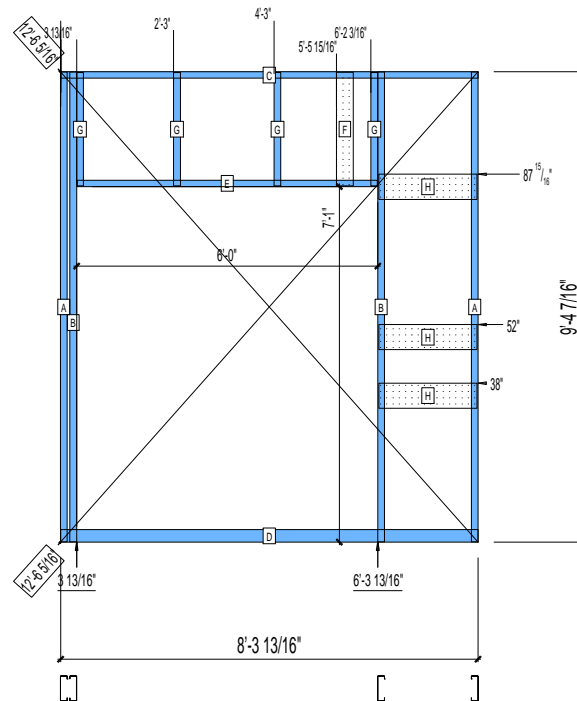
SPACING : 24"

1st STUD: 3 15/16"

WEIGHTS :

FRAME : 91 lbs

TOTAL: 91 lbs



PIECES LIST

LABEL	QTY	SIZE	LENGTH	USE
A	2	600S162-33	9'-4 5/16"	STUD
B	2	600S162-33	9'-4 5/16"	KING STUD
C	1	600T150-33	8'-3 13/16"	TOP TRACK
D	1	600T300-33	8'-3 13/16"	BOTTOM TRACK
E	1	600T150-33	5'-11 3/4"	HEAD TRACK
F	1	400S162-33	2'-3 1/8"	BACKER-U
G	4	600S162-33	2'-3 1/16"	CRIPPLE
H	3	600D-54	1'-11 1/2"	KITCHEN BACKING

22-3407

Jewish Home for the Aging

1885 Victory Blvd. Reseda, CA

FM-07-109

CREATED BY: TNT

FrameMax, Inc.
13915 Danielson St
Suite 100
Poway, CA 92064
www.frame-max.com



© FrameMax Inc.

HEIGHT : 9'-4 7/16" POINTS: 0.95 Points.

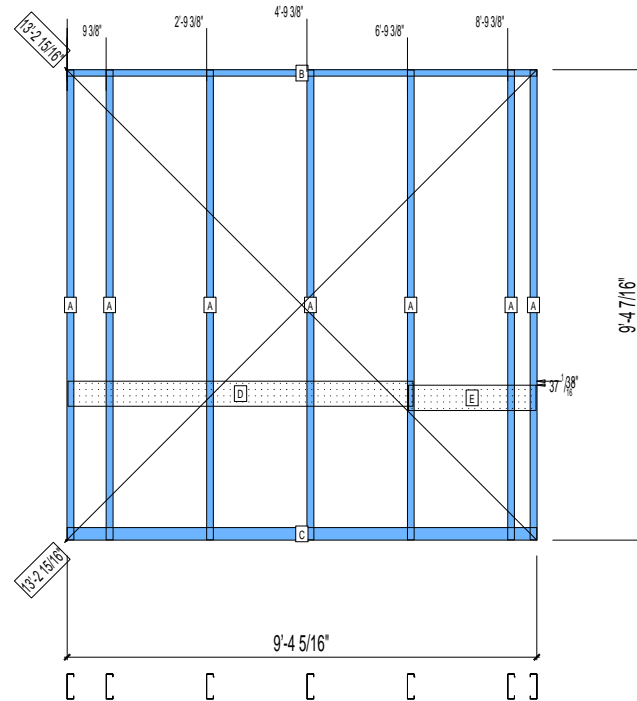
SPACING : 24"

1st STUD: 10 3/16"

WEIGHTS :

FRAME : 113 lbs

TOTAL: 113 lbs



PIECES LIST

LABEL	QTY	SIZE	LENGTH	USE
A	7	600S162-33	9'-4 5/16"	STUD
B	1	600T150-33	9'-4 5/16"	TOP TRACK
C	1	600T300-33	9'-4 5/16"	BOTTOM TRACK
D	1	600D-54	6'-10 1/2"	VANITY BACKING
E	1	600T150-54	2'-6 1/2"	GRAB BAR

22-3408

Jewish Home for the Aging

1885 Victory Blvd. Reseda, CA

FM-07-109

CREATED BY: TNT

FrameMax, Inc.
13915 Danielson St
Suite 100
Poway, CA 92064
www.frame-max.com



© FrameMax Inc.

HEIGHT : 9'-5 3/16" POINTS: 0.48 Points.

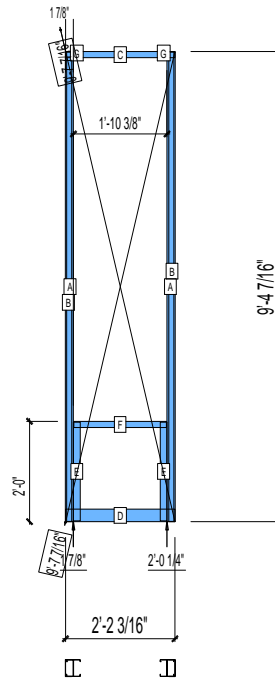
SPACING : 24"

1st STUD: 24"

WEIGHTS :

FRAME : 43 lbs

TOTAL: 43 lbs



PIECES LIST

LABEL	QTY	SIZE	LENGTH	USE
A	2	400S162-33	9'-4 5/16"	KING STUD
B	2	400T150-33	9'-4 1/4"	CAP TRACK
C	1	400T150-33	2'-2 3/16"	TOP TRACK
D	1	400T300-33	2'-2 3/16"	BOTTOM TRACK
E	2	400S162-33	1'-11 5/8"	CRIPPLE
F	1	400T150-33	1'-10 1/8"	SILL
G	2	400S162-33	3/8"	CRIPPLE

22-3409

Jewish Home for the Aging

1885 Victory Blvd. Reseda, CA

FrameMax, Inc.
13915 Danielson St
Suite 100
Poway, CA 92064
www.frame-max.com



© FrameMax Inc.

CREATED: 11/19/2008

FM-07-109

CREATED BY: TNT

HEIGHT : 9'-4 7/16" POINTS: 0.35 Points.

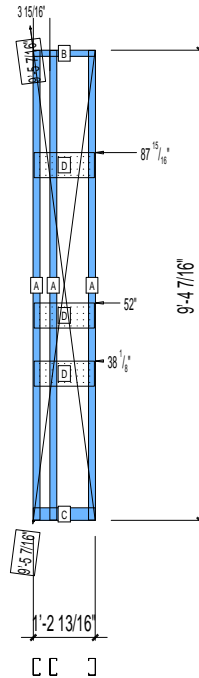
SPACING : 24"

1st STUD: 24"

WEIGHTS :

FRAME : 33 lbs

TOTAL: 33 lbs



PIECES LIST

LABEL	QTY	SIZE	LENGTH	USE
A	3	400S162-33	9'-4 5/16"	STUD
B	1	400T150-33	1'-2 13/16"	TOP TRACK
C	1	400T300-33	1'-2 13/16"	BOTTOM TRACK
D	3	600D-54	1'-2 3/8"	KITCHEN BACKING

22-3410

Jewish Home for the Aging

1885 Victory Blvd. Reseda, CA

FrameMax, Inc.
13915 Danielson St
Suite 100
Poway, CA 92064
www.frame-max.com



© FrameMax Inc.

CREATED: 11/19/2008

FM-07-109

CREATED BY: TNT

HEIGHT : 9'-4 7/16" POINTS: 0.35 Points.

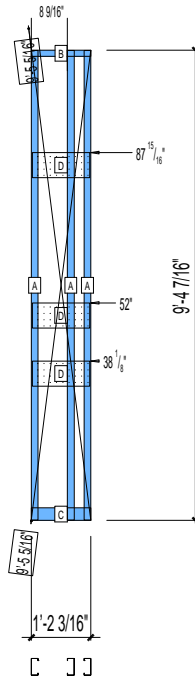
SPACING : 24"

1st STUD: 24"

WEIGHTS :

FRAME : 33 lbs

TOTAL: 33 lbs



PIECES LIST

LABEL	QTY	SIZE	LENGTH	USE
A	3	400S162-33	9'-4 5/16"	STUD
B	1	400T150-33	1'-2 3/16"	TOP TRACK
C	1	400T300-33	1'-2 3/16"	BOTTOM TRACK
D	3	600D-54	1'-1 3/4"	KITCHEN BACKING

22-3411

Jewish Home for the Aging

1885 Victory Blvd. Reseda, CA

FrameMax, Inc.
13915 Danielson St
Suite 100
Poway, CA 92064
www.frame-max.com



© FrameMax Inc.

CREATED: 11/19/2008

FM-07-109

CREATED BY: TNT

HEIGHT : 9'-4 7/16" POINTS: 0.38 Points.

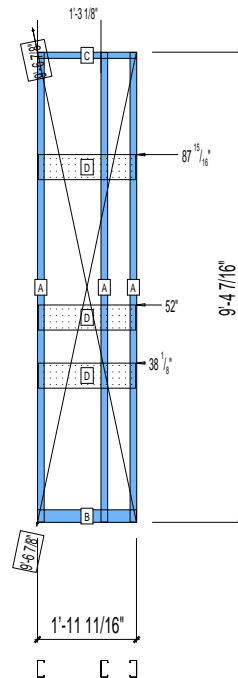
SPACING : 24"

1st STUD: 16"

WEIGHTS :

FRAME : 37 lbs

TOTAL: 37 lbs



PIECES LIST

LABEL	QTY	SIZE	LENGTH	USE
A	3	400S162-33	9'-4 5/16"	STUD
B	1	400T300-33	1'-11 11/16"	BOTTOM TRACK
C	1	400T150-33	1'-11 11/16"	TOP TRACK
D	3	600D-54	1'-11 1/4"	KITCHEN BACKING

22-3412

Jewish Home for the Aging

1885 Victory Blvd. Reseda, CA

FrameMax, Inc.
13915 Danielson St
Suite 100
Poway, CA 92064
www.frame-max.com



© FrameMax Inc.

CREATED: 11/19/2008

FM-07-109

CREATED BY: TNT

HEIGHT : 2'-9 1/2" POINTS: 0.36 Points.

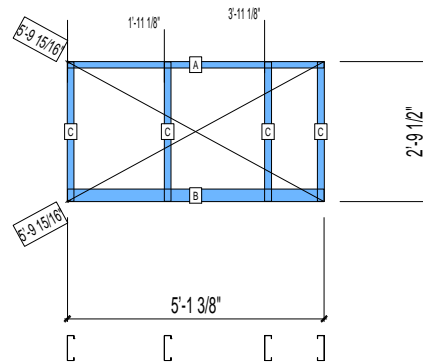
SPACING : 24"

1st STUD: 24"

WEIGHTS :

FRAME : 26 lbs

TOTAL: 26 lbs



PIECES LIST

LABEL	QTY	SIZE	LENGTH	USE
A	1	600T150-33	5'-1 3/8"	TOP TRACK
B	1	600T300-33	5'-1 3/8"	BOTTOM TRACK
C	4	600S162-33	2'-9 3/8"	STUD

22-3413

Jewish Home for the Aging

1885 Victory Blvd. Reseda, CA

FrameMax, Inc.
13915 Danielson St
Suite 100
Poway, CA 92064
www.frame-max.com



© FrameMax Inc.

CREATED: 11/19/2008

FM-07-109

CREATED BY: TNT

HEIGHT : 2'-9 1/2" POINTS: 0.22 Points.

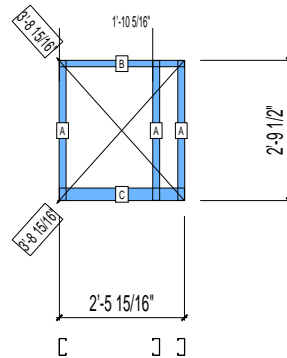
SPACING : 24"

1st STUD: 24"

WEIGHTS :

FRAME : 13 lbs

TOTAL: 13 lbs



PIECES LIST

LABEL	QTY	SIZE	LENGTH	USE
A	3	400S162-33	2'-9 3/8"	STUD
B	1	400T150-33	2'-5 15/16"	TOP TRACK
C	1	400T300-33	2'-5 15/16"	BOTTOM TRACK

22-3414

Jewish Home for the Aging

1885 Victory Blvd. Reseda, CA

FrameMax, Inc.
13915 Danielson St
Suite 100
Poway, CA 92064
www.frame-max.com



© FrameMax Inc.

CREATED: 11/19/2008

FM-07-109

CREATED BY: TNT

HEIGHT : 9'-4 7/16" POINTS: 0.39 Points.

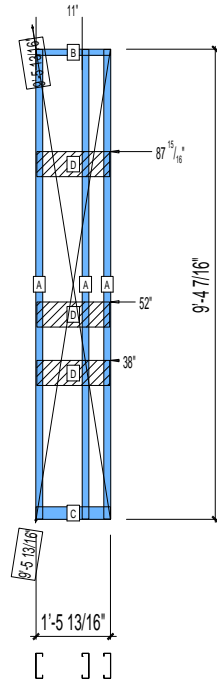
SPACING : 24"

1st STUD: 16"

WEIGHTS :

FRAME : 42 lbs

TOTAL: 42 lbs



PIECES LIST

LABEL	QTY	SIZE	LENGTH	USE
A	3	600S162-33	9'-4 5/16"	STUD
B	1	600T150-33	1'-5 13/16"	TOP TRACK
C	1	600T300-33	1'-5 13/16"	BOTTOM TRACK
D	3	600D-54	1'-5 3/8"	KITCHEN BACKING

22-3415

Jewish Home for the Aging

1885 Victory Blvd. Reseda, CA

FM-07-109

CREATED BY: TNT

FrameMax, Inc.
13915 Danielson St
Suite 100
Poway, CA 92064
www.framemax.com



© FrameMax Inc.

HEIGHT : 9'-4 7/16" POINTS: 0.77 Points.

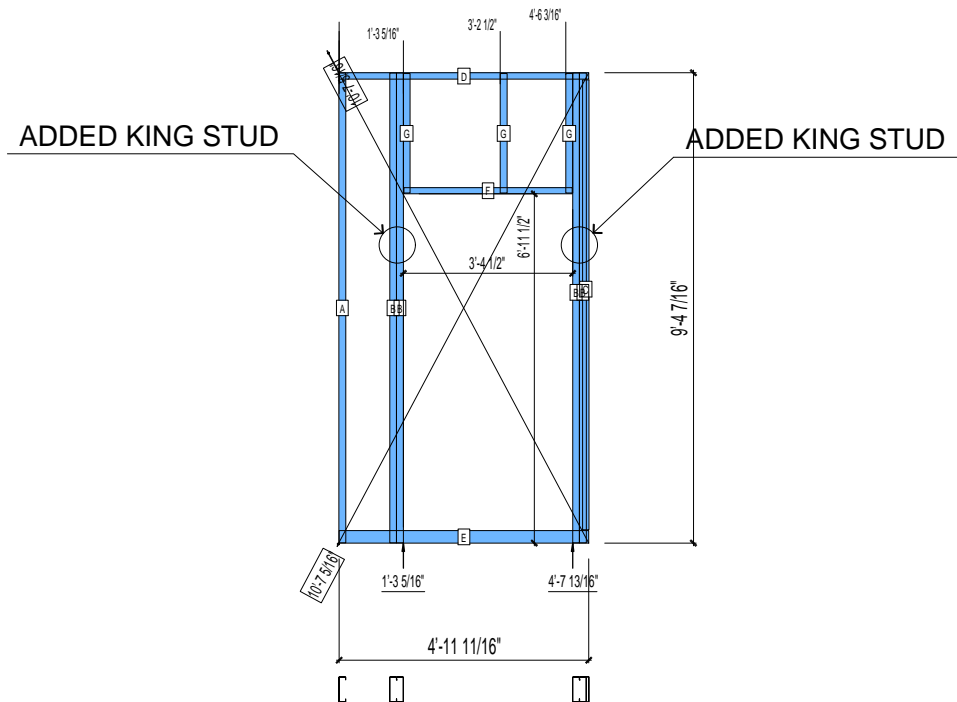
SPACING : 24"

1st STUD: 16"

WEIGHTS :

FRAME : 89 lbs

TOTAL: 89 lbs



PIECES LIST

LABEL	QTY	SIZE	LENGTH	USE
A	1	600S162-33	9'-4 5/16"	STUD
B	4	600S162-33	9'-4 5/16"	KING STUD
C	1	600T150-33	8'-11 9/16"	CAP TRACK
D	1	600T150-33	4'-11 11/16"	TOP TRACK
E	1	600T300-33	4'-11 11/16"	BOTTOM TRACK
F	1	600T150-33	3'-4 1/4"	HEAD TRACK
G	3	600S162-33	2'-4 9/16"	CRIPPLE

22-3416

Jewish Home for the Aging

1885 Victory Blvd. Reseda, CA

FrameMax, Inc.
13915 Danielson St
Suite 100
Poway, CA 92064
www.frame-max.com



© FrameMax Inc.

CREATED: 11/19/2008

FM-07-109

CREATED BY: TNT

HEIGHT : 9'-4 7/16" POINTS: 0.30 Points.

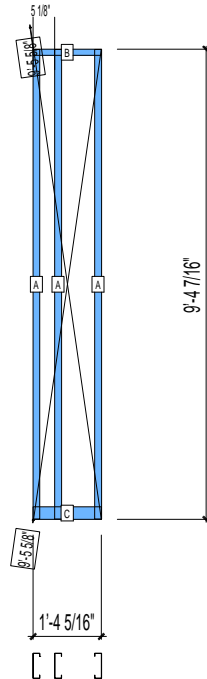
SPACING : 24"

1st STUD: 24"

WEIGHTS :

FRAME : 36 lbs

TOTAL: 36 lbs



PIECES LIST

LABEL	QTY	SIZE	LENGTH	USE
A	3	600S162-33	9'-4 5/16"	STUD
B	1	600T150-33	1'-4 5/16"	TOP TRACK
C	1	600T300-33	1'-4 5/16"	BOTTOM TRACK

22-3417

Jewish Home for the Aging

1885 Victory Blvd. Reseda, CA

FrameMax, Inc.
13915 Danielson St
Suite 100
Poway, CA 92064
www.frame-max.com



© FrameMax Inc.

CREATED: 11/19/2008

FM-07-109

CREATED BY: TNT

HEIGHT : 9'-5 3/16" POINTS: 0.49 Points.

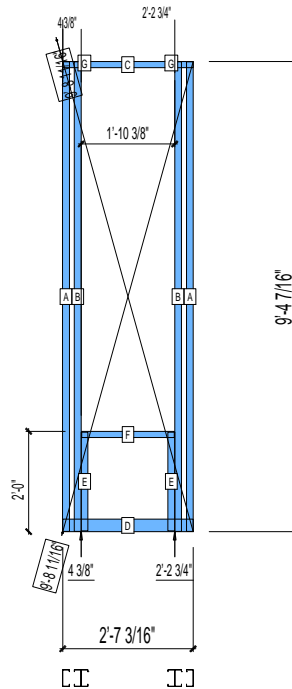
SPACING : 24"

1st STUD: 16"

WEIGHTS :

FRAME : 45 lbs

TOTAL: 45 lbs



PIECES LIST

LABEL	QTY	SIZE	LENGTH	USE
A	2	400S162-33	9'-4 5/16"	STUD
B	2	400S162-33	9'-4 5/16"	KING STUD
C	1	400T150-33	2'-7 3/16"	TOP TRACK
D	1	400T300-33	2'-7 3/16"	BOTTOM TRACK
E	2	400S162-33	1'-11 5/8"	CRIPPLE
F	1	400T150-33	1'-10 1/8"	SILL
G	2	400S162-33	3/8"	CRIPPLE

22-3418

Jewish Home for the Aging

1885 Victory Blvd. Reseda, CA

FM-07-109

CREATED BY: TNT

FrameMax, Inc.
13915 Danielson St
Suite 100
Poway, CA 92064
www.frame-max.com



© FrameMax Inc.

HEIGHT : 9'-4 7/16" POINTS: 0.55 Points.

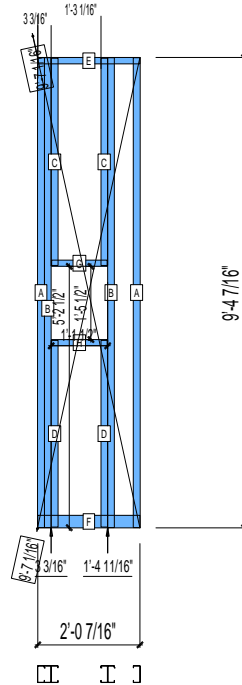
SPACING : 24"

1st STUD: 24"

WEIGHTS :

FRAME : 55 lbs

TOTAL: 55 lbs



PIECES LIST

LABEL	QTY	SIZE	LENGTH	USE
A	2	400S162-33	9'-4 5/16"	STUD
B	2	400S162-33	9'-4 5/16"	KING STUD
C	2	400S162-33	4'-1 9/16"	CRIPPLE
D	2	400S162-33	3'-8 5/8"	CRIPPLE
E	1	400T150-33	2'-0 7/16"	TOP TRACK
F	1	400T300-33	2'-0 7/16"	BOTTOM TRACK
G	1	400T150-33	1'-1 1/4"	HEAD TRACK
H	1	400T150-33	1'-1 1/4"	SILL

22-3419

Jewish Home for the Aging

1885 Victory Blvd. Reseda, CA

FrameMax, Inc.
13915 Danielson St
Suite 100
Poway, CA 92064
www.frame-max.com



© FrameMax Inc.

CREATED: 11/19/2008

FM-07-109

CREATED BY: TNT

HEIGHT : 9'-4 7/16" POINTS: 0.38 Points.

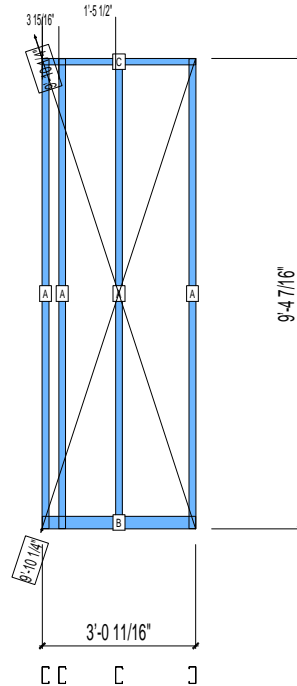
SPACING : 24"

1st STUD: 18 3/8"

WEIGHTS :

FRAME : 41 lbs

TOTAL: 41 lbs



PIECES LIST

LABEL	QTY	SIZE	LENGTH	USE
A	4	400S162-33	9'-4 5/16"	STUD
B	1	400T300-33	3'-0 11/16"	BOTTOM TRACK
C	1	400T150-33	3'-0 11/16"	TOP TRACK

22-3420

Jewish Home for the Aging

1885 Victory Blvd. Reseda, CA

FrameMax, Inc.
13915 Danielson St
Suite 100
Poway, CA 92064
www.frame-max.com



© FrameMax Inc.

CREATED: 11/19/2008

FM-07-109

CREATED BY: TNT

HEIGHT : 9'-4 7/16" POINTS: 0.42 Points.

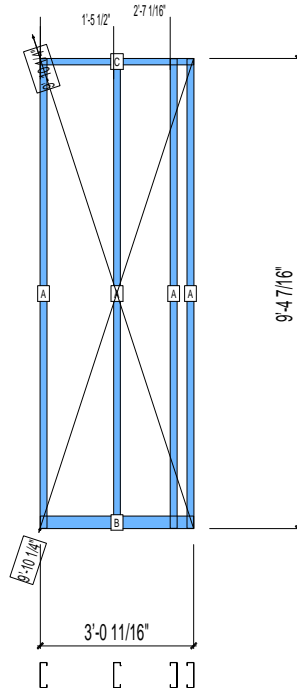
SPACING : 24"

1st STUD: 18 3/8"

WEIGHTS :

FRAME : 51 lbs

TOTAL: 51 lbs



PIECES LIST

LABEL	QTY	SIZE	LENGTH	USE
A	4	600S162-33	9'-4 5/16"	STUD
B	1	600T300-33	3'-0 11/16"	BOTTOM TRACK
C	1	600T150-33	3'-0 11/16"	TOP TRACK

22-3421

Jewish Home for the Aging

1885 Victory Blvd. Reseda, CA

FrameMax, Inc.
13915 Danielson St
Suite 100
Poway, CA 92064
www.frame-max.com



© FrameMax Inc.

CREATED: 11/19/2008

FM-07-109

CREATED BY: TNT

HEIGHT : 9'-4 7/16" POINTS: 0.30 Points.

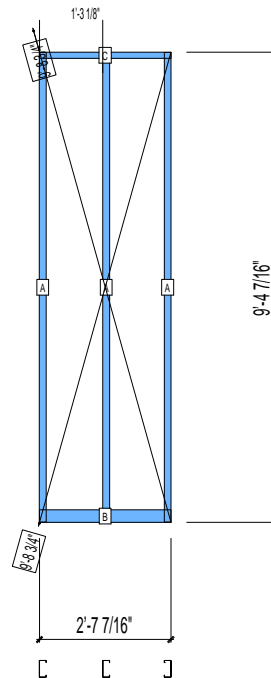
SPACING : 24"

1st STUD: 16"

WEIGHTS :

FRAME : 31 lbs

TOTAL: 31 lbs



PIECES LIST

LABEL	QTY	SIZE	LENGTH	USE
A	3	400S162-33	9'-4 5/16"	STUD
B	1	400T300-33	2'-7 7/16"	BOTTOM TRACK
C	1	400T150-33	2'-7 7/16"	TOP TRACK

22-3422

Jewish Home for the Aging

1885 Victory Blvd. Reseda, CA

FM-07-109

CREATED BY: TNT

FrameMax, Inc.
13915 Danielson St
Suite 100
Poway, CA 92064
www.frame-max.com



© FrameMax Inc.

HEIGHT : 9'-4 7/16" POINTS: 1.58 Points.

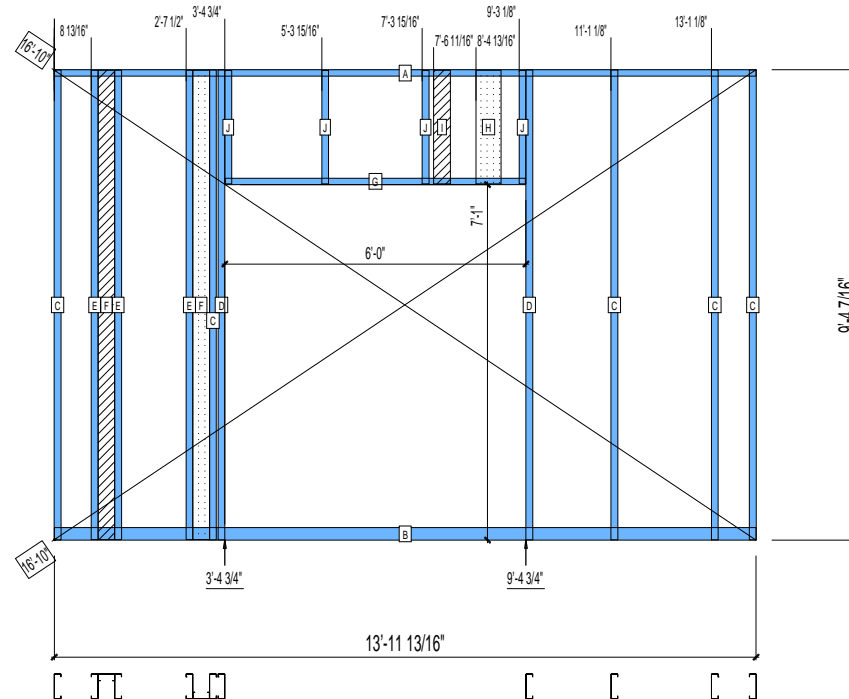
SPACING : 24"

1st STUD: 14"

WEIGHTS :

FRAME : 183 lbs

TOTAL: 183 lbs



PIECES LIST

LABEL	QTY	SIZE	LENGTH	USE
A	1	600T150-33	13'-11 13/16"	TOP TRACK
B	1	600T300-33	13'-11 13/16"	BOTTOM TRACK
C	5	600S162-33	9'-4 5/16"	STUD
D	2	600S162-33	9'-4 5/16"	KING STUD
E	3	600S162-33	9'-4 3/16"	BACKER STUD
F	2	400S162-33	9'-4 3/16"	BACKER-U
G	1	600T150-33	5'-11 3/4"	HEAD TRACK
H	1	600S162-33	2'-3 1/8"	BACKER-U
I	1	400S162-33	2'-3 1/8"	BACKER-U
J	4	600S162-33	2'-3 1/16"	CRIPPLE

22-3424

Jewish Home for the Aging

1885 Victory Blvd. Reseda, CA

FrameMax, Inc.
13915 Danielson St
Suite 100
Poway, CA 92064
www.frame-max.com



© FrameMax Inc.

CREATED: 11/19/2008

FM-07-109

CREATED BY: TNT

HEIGHT : 9'-4 7/16" POINTS: 0.30 Points.

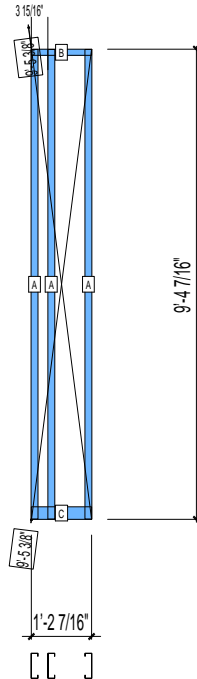
SPACING : 24"

1st STUD: 24"

WEIGHTS :

FRAME : 36 lbs

TOTAL: 36 lbs



PIECES LIST

LABEL	QTY	SIZE	LENGTH	USE
A	3	600S162-33	9'-4 5/16"	STUD
B	1	600T150-33	1'-2 7/16"	TOP TRACK
C	1	600T300-33	1'-2 7/16"	BOTTOM TRACK

22-3425

Jewish Home for the Aging

1885 Victory Blvd. Reseda, CA

FrameMax, Inc.
13915 Danielson St
Suite 100
Poway, CA 92064
www.frame-max.com



© FrameMax Inc.

CREATED: 11/19/2008

FM-07-109

CREATED BY: TNT

HEIGHT : 9'-4 7/16" POINTS: 0.19 Points.

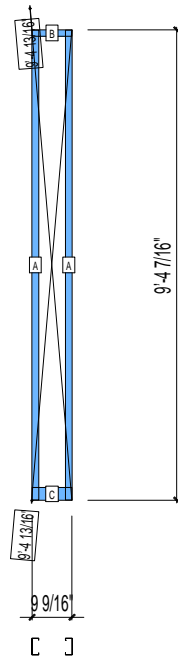
SPACING : 24"

1st STUD: 16"

WEIGHTS :

FRAME : 19 lbs

TOTAL: 19 lbs



PIECES LIST

LABEL	QTY	SIZE	LENGTH	USE
A	2	400S162-33	9'-4 5/16"	STUD
B	1	400T150-33	9 9/16"	TOP TRACK
C	1	400T300-33	9 9/16"	BOTTOM TRACK

22-3426

Jewish Home for the Aging

1885 Victory Blvd. Reseda, CA

FM-07-109

CREATED BY: TNT

FrameMax, Inc.
13915 Danielson St
Suite 100
Poway, CA 92064
www.frame-max.com



© FrameMax Inc.

HEIGHT : 9'-4 7/16" POINTS: 1.08 Points.

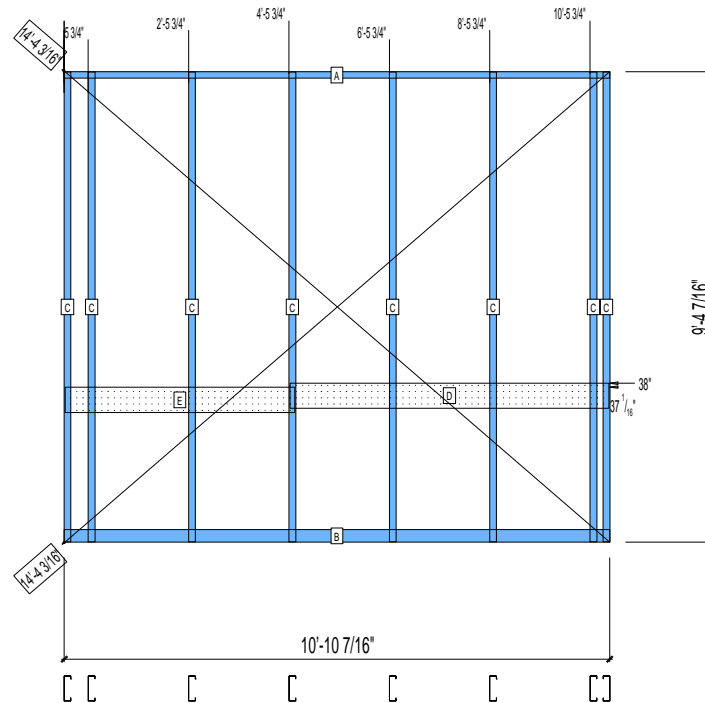
SPACING : 24"

1st STUD: 6 9/16"

WEIGHTS :

FRAME : 130 lbs

TOTAL: 130 lbs



PIECES LIST

LABEL	QTY	SIZE	LENGTH	USE
A	1	600T150-33	10'-10 7/16"	TOP TRACK
B	1	600T300-33	10'-10 7/16"	BOTTOM TRACK
C	8	600S162-33	9'-4 5/16"	STUD
D	1	600D-54	6'-4 1/4"	VANITY BACKING
E	1	600T150-54	4'-6 7/8"	GRAB BAR

22-3427

Jewish Home for the Aging

1885 Victory Blvd. Reseda, CA

FrameMax, Inc.
13915 Danielson St
Suite 100
Poway, CA 92064
www.frame-max.com



© FrameMax Inc.

CREATED: 11/19/2008

FM-07-109

CREATED BY: TNT

HEIGHT : 9'-4 7/16" POINTS: 0.19 Points.

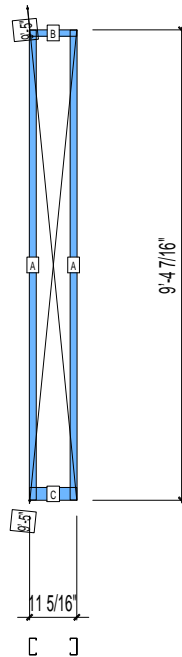
SPACING : 24"

1st STUD: 24"

WEIGHTS :

FRAME : 19 lbs

TOTAL: 19 lbs



PIECES LIST

LABEL	QTY	SIZE	LENGTH	USE
A	2	400S162-33	9'-4 5/16"	STUD
B	1	400T150-33	11 5/16"	TOP TRACK
C	1	400T300-33	11 5/16"	BOTTOM TRACK

22-3428

Jewish Home for the Aging

1885 Victory Blvd. Reseda, CA

FrameMax, Inc.
13915 Danielson St
Suite 100
Poway, CA 92064
www.frame-max.com



© FrameMax Inc.

CREATED: 11/19/2008

FM-07-109

CREATED BY: TNT

HEIGHT : 9'-4 7/16" POINTS: 0.42 Points.

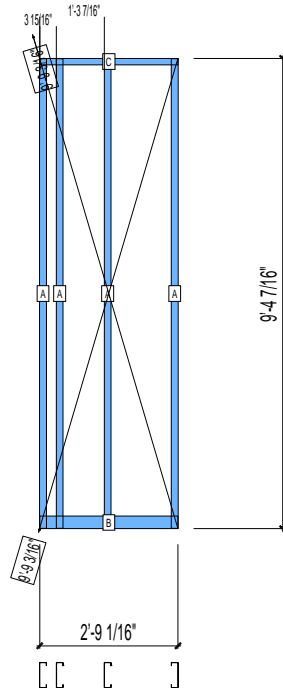
SPACING : 24"

1st STUD: 16 1/4"

WEIGHTS :

FRAME : 51 lbs

TOTAL: 51 lbs



PIECES LIST

LABEL	QTY	SIZE	LENGTH	USE
A	4	600S162-33	9'-4 5/16"	STUD
B	1	600T300-33	2'-9 1/16"	BOTTOM TRACK
C	1	600T150-33	2'-9 1/16"	TOP TRACK

22-3429

Jewish Home for the Aging

1885 Victory Blvd. Reseda, CA

FrameMax, Inc.
13915 Danielson St
Suite 100
Poway, CA 92064
www.frame-max.com



© FrameMax Inc.

CREATED: 11/19/2008

FM-07-109

CREATED BY: TNT

HEIGHT : 9'-4 7/16" POINTS: 0.44 Points.

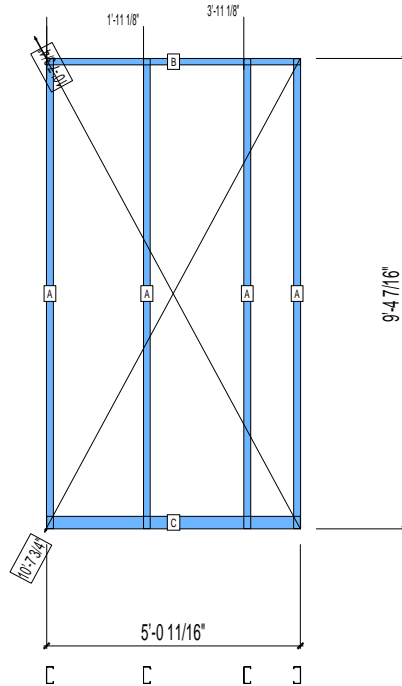
SPACING : 24"

1st STUD: 24"

WEIGHTS :

FRAME : 45 lbs

TOTAL: 45 lbs



PIECES LIST

LABEL	QTY	SIZE	LENGTH	USE
A	4	400S162-33	9'-4 5/16"	STUD
B	1	400T150-33	5'-0 11/16"	TOP TRACK
C	1	400T300-33	5'-0 11/16"	BOTTOM TRACK

22-3430

Jewish Home for the Aging

1885 Victory Blvd. Reseda, CA

FM-07-109

CREATED BY: TNT

FrameMax, Inc.
13915 Danielson St
Suite 100
Poway, CA 92064
www.frame-max.com



© FrameMax Inc.

HEIGHT : 9'-4 7/16" POINTS: 0.88 Points.

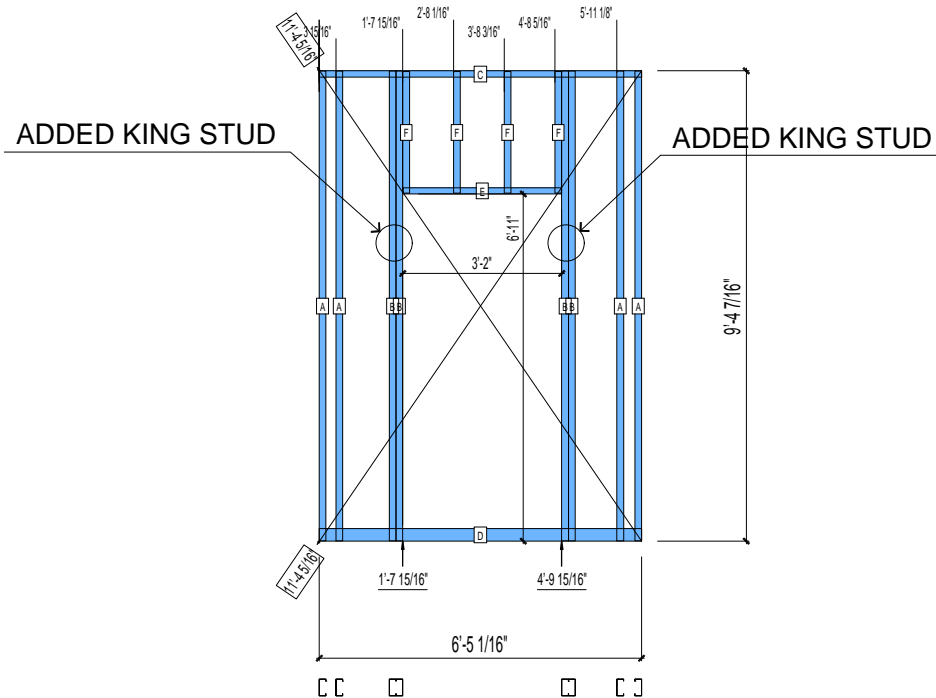
SPACING : 24"

1st STUD: 24"

WEIGHTS :

FRAME : 94 lbs

TOTAL: 94 lbs



PIECES LIST

LABEL	QTY	SIZE	LENGTH	USE
A	4	400S162-33	9'-4 5/16"	STUD
B	4	400S162-33	9'-4 5/16"	KING STUD
C	1	400T150-33	6'-5 1/16"	TOP TRACK
D	1	400T300-33	6'-5 1/16"	BOTTOM TRACK
E	1	400T150-33	3'-1 3/4"	HEAD TRACK
F	4	400S162-33	2'-5 1/16"	CRIPPLE

22-3451

Jewish Home for the Aging

1885 Victory Blvd. Reseda, CA

FrameMax, Inc.
13915 Danielson St
Suite 100
Poway, CA 92064
www.frame-max.com



© FrameMax Inc.

CREATED: 11/19/2008

FM-07-109

CREATED BY: TNT

HEIGHT : 9'-4 7/16" POINTS: 0.26 Points.

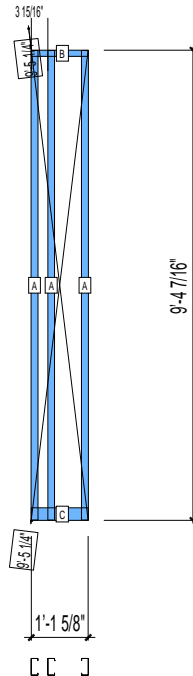
SPACING : 24"

1st STUD: 24"

WEIGHTS :

FRAME : 28 lbs

TOTAL: 28 lbs



PIECES LIST

LABEL	QTY	SIZE	LENGTH	USE
A	3	400S162-33	9'-4 5/16"	STUD
B	1	400T150-33	1'-1 5/8"	TOP TRACK
C	1	400T300-33	1'-1 5/8"	BOTTOM TRACK

22-3452

Jewish Home for the Aging

1885 Victory Blvd. Reseda, CA

FM-07-109

CREATED BY: TNT

FrameMax, Inc.
13915 Danielson St
Suite 100
Poway, CA 92064
www.frame-max.com



© FrameMax Inc.

HEIGHT : 9'-5 3/16" POINTS: 0.49 Points.

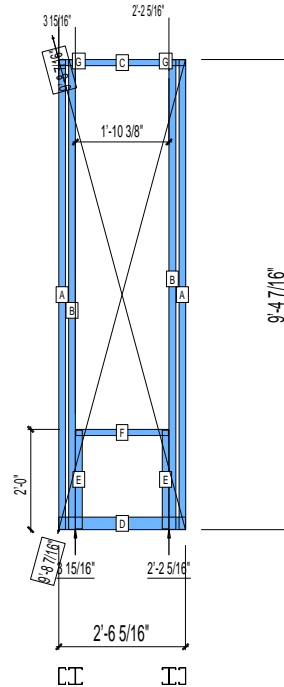
SPACING : 24"

1st STUD: 16"

WEIGHTS :

FRAME : 45 lbs

TOTAL: 45 lbs



PIECES LIST

LABEL	QTY	SIZE	LENGTH	USE
A	2	400S162-33	9'-4 5/16"	STUD
B	2	400S162-33	9'-4 5/16"	KING STUD
C	1	400T150-33	2'-6 5/16"	TOP TRACK
D	1	400T300-33	2'-6 5/16"	BOTTOM TRACK
E	2	400S162-33	1'-11 5/8"	CRIPPLE
F	1	400T150-33	1'-10 1/8"	SILL
G	2	400S162-33	3/8"	CRIPPLE

22-3453

Jewish Home for the Aging

1885 Victory Blvd. Reseda, CA

FrameMax, Inc.
13915 Danielson St
Suite 100
Poway, CA 92064
www.frame-max.com



© FrameMax Inc.

CREATED: 11/21/2008

FM-07-109

CREATED BY: TNT

HEIGHT : 9'-4 7/16" POINTS: 0.26 Points.

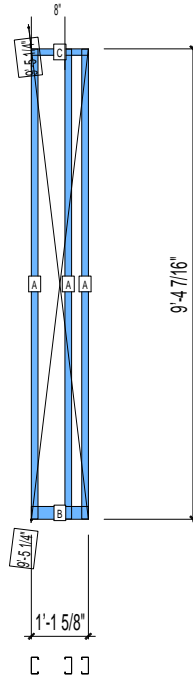
SPACING : 24"

1st STUD: 24"

WEIGHTS :

FRAME : 28 lbs

TOTAL: 28 lbs



PIECES LIST

LABEL	QTY	SIZE	LENGTH	USE
A	3	400S162-33	9'-4 5/16"	STUD
B	1	400T300-33	1'-1 5/8"	BOTTOM TRACK
C	1	400T150-33	1'-1 5/8"	TOP TRACK

22-3454

Jewish Home for the Aging

1885 Victory Blvd. Reseda, CA

FrameMax, Inc.
13915 Danielson St
Suite 100
Poway, CA 92064
www.frame-max.com



© FrameMax Inc.

CREATED: 11/19/2008

FM-07-109

CREATED BY: TNT

HEIGHT : 9'-4 7/16" POINTS: 0.73 Points.

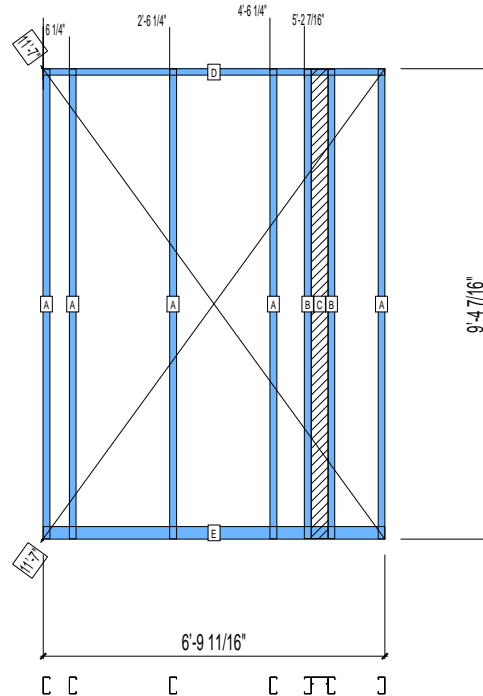
SPACING : 24"

1st STUD: 7 1/16"

WEIGHTS :

FRAME : 83 lbs

TOTAL: 83 lbs



PIECES LIST

LABEL	QTY	SIZE	LENGTH	USE
A	5	400S162-33	9'-4 5/16"	STUD
B	2	400S162-33	9'-4 3/16"	BACKER STUD
C	1	400S162-33	9'-4 3/16"	BACKER-U
D	1	400T150-33	6'-9 11/16"	TOP TRACK
E	1	400T300-33	6'-9 11/16"	BOTTOM TRACK

22-3455

Jewish Home for the Aging

1885 Victory Blvd. Reseda, CA

FrameMax, Inc.
13915 Danielson St
Suite 100
Poway, CA 92064
www.frame-max.com



© FrameMax Inc.

CREATED: 11/19/2008

FM-07-109

CREATED BY: TNT

HEIGHT : 9'-4 7/16" POINTS: 0.70 Points.

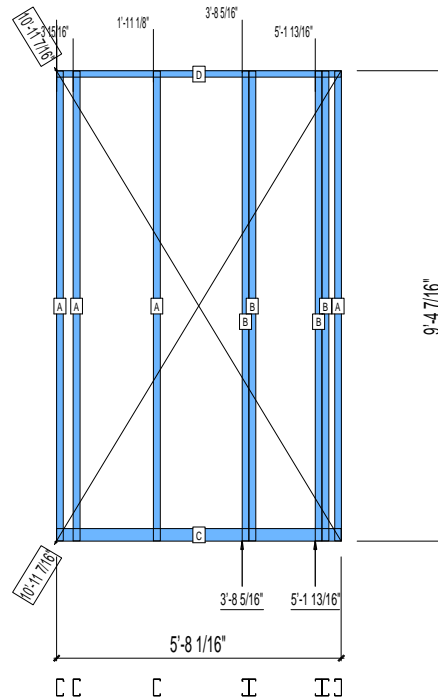
SPACING : 24"

1st STUD: 24"

WEIGHTS :

FRAME : 81 lbs

TOTAL: 81 lbs



PIECES LIST

LABEL	QTY	SIZE	LENGTH	USE
A	4	400S162-33	9'-4 5/16"	STUD
B	4	400S162-33	9'-4 5/16"	EXTRA STUD
C	1	400T300-33	5'-8 1/16"	BOTTOM TRACK
D	1	400T150-33	5'-8 1/16"	TOP TRACK

22-3456

Jewish Home for the Aging

1885 Victory Blvd. Reseda, CA

FM-07-109

CREATED BY: TNT

FrameMax, Inc.
13915 Danielson St
Suite 100
Poway, CA 92064
www.frame-max.com



© FrameMax Inc.

HEIGHT : 9'-4 7/16" POINTS: 0.93 Points.

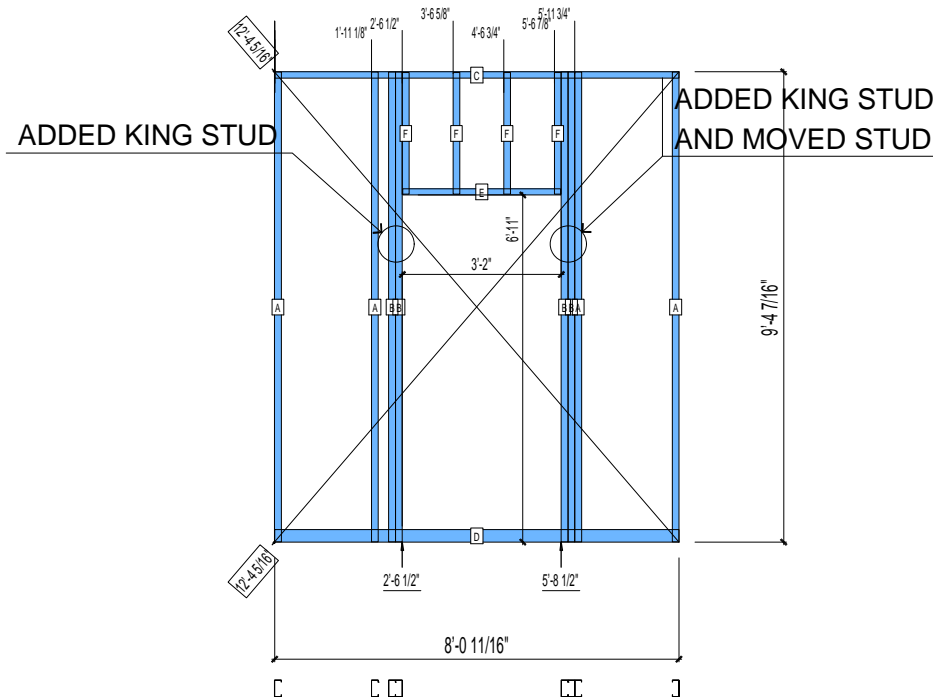
SPACING : 24"

1st STUD: 24"

WEIGHTS :

FRAME : 97 lbs

TOTAL: 97 lbs



PIECES LIST

LABEL	QTY	SIZE	LENGTH	USE
A	4	400S162-33	9'-4 5/16"	STUD
B	4	400S162-33	9'-4 5/16"	KING STUD
C	1	400T150-33	8'-0 11/16"	TOP TRACK
D	1	400T300-33	8'-0 11/16"	BOTTOM TRACK
E	1	400T150-33	3'-1 3/4"	HEAD TRACK
F	4	400S162-33	2'-5 1/16"	CRIPPLE

22-3457

Jewish Home for the Aging

1885 Victory Blvd. Reseda, CA

FM-07-109

CREATED BY: TNT

FrameMax, Inc.
13915 Danielson St
Suite 100
Poway, CA 92064
www.frame-max.com



© FrameMax Inc.

HEIGHT : 9'-4 7/16" POINTS: 0.38 Points.

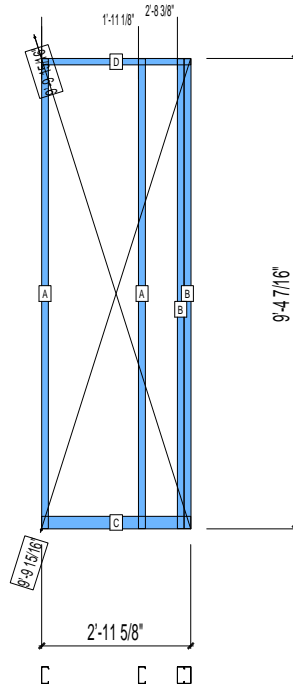
SPACING : 24"

1st STUD: 24"

WEIGHTS :

FRAME : 41 lbs

TOTAL: 41 lbs



PIECES LIST

LABEL	QTY	SIZE	LENGTH	USE
A	2	400S162-33	9'-4 5/16"	STUD
B	2	400S162-33	9'-4 5/16"	EXTRA STUD
C	1	400T300-33	2'-11 5/8"	BOTTOM TRACK
D	1	400T150-33	2'-11 5/8"	TOP TRACK

22-3458

Jewish Home for the Aging

1885 Victory Blvd. Reseda, CA

FM-07-109

CREATED BY: TNT

FrameMax, Inc.
13915 Danielson St
Suite 100
Poway, CA 92064
www.frame-max.com



© FrameMax Inc.

HEIGHT : 9'-4 7/16" POINTS: 0.72 Points.

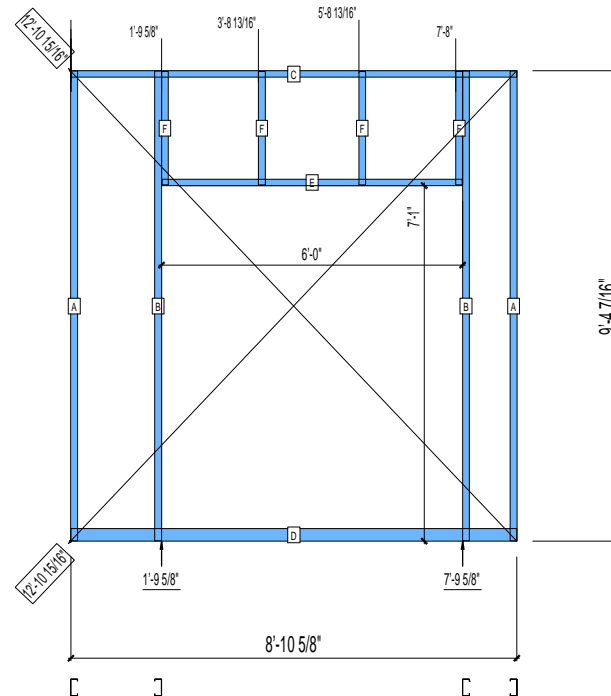
SPACING : 24"

1st STUD: 24"

WEIGHTS :

FRAME : 66 lbs

TOTAL: 66 lbs



PIECES LIST

LABEL	QTY	SIZE	LENGTH	USE
A	2	400S162-33	9'-4 5/16"	STUD
B	2	400S162-33	9'-4 5/16"	KING STUD
C	1	400T150-33	8'-10 5/8"	TOP TRACK
D	1	400T300-33	8'-10 5/8"	BOTTOM TRACK
E	1	400T150-33	5'-11 3/4"	HEAD TRACK
F	4	400S162-33	2'-3 1/16"	CRIPPLE

22-3459

Jewish Home for the Aging

1885 Victory Blvd. Reseda, CA

FM-07-109

CREATED BY: TNT

FrameMax, Inc.
13915 Danielson St
Suite 100
Poway, CA 92064
www.frame-max.com



© FrameMax Inc.

HEIGHT : 9'-4 7/16" POINTS: 1.05 Points.

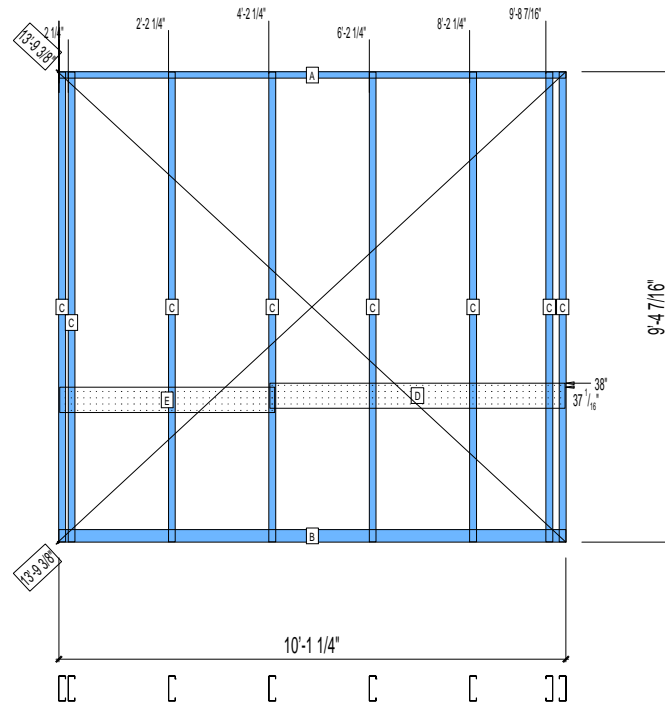
SPACING : 24"

1st STUD: 3 1/16"

WEIGHTS :

FRAME : 127 lbs

TOTAL: 127 lbs



PIECES LIST

LABEL	QTY	SIZE	LENGTH	USE
A	1	600T150-33	10'-1 1/4"	TOP TRACK
B	1	600T300-33	10'-1 1/4"	BOTTOM TRACK
C	8	600S162-33	9'-4 5/16"	STUD
D	1	600D-54	5'-10 9/16"	VANITY BACKING
E	1	600T150-54	4'-3 3/8"	GRAB BAR

22-3460

Jewish Home for the Aging

1885 Victory Blvd. Reseda, CA

FM-07-109

CREATED BY: TNT

FrameMax, Inc.
13915 Danielson St
Suite 100
Poway, CA 92064
www.frame-max.com



© FrameMax Inc.

HEIGHT : 9'-4 7/16" POINTS: 0.57 Points.

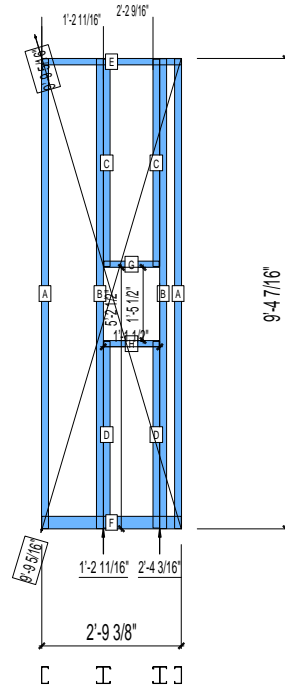
SPACING : 24"

1st STUD: 24"

WEIGHTS :

FRAME : 57 lbs

TOTAL: 57 lbs



PIECES LIST

LABEL	QTY	SIZE	LENGTH	USE
A	2	400S162-33	9'-4 5/16"	STUD
B	2	400S162-33	9'-4 5/16"	KING STUD
C	2	400S162-33	4'-1 9/16"	CRIPPLE
D	2	400S162-33	3'-8 5/8"	CRIPPLE
E	1	400T150-33	2'-9 3/8"	TOP TRACK
F	1	400T300-33	2'-9 3/8"	BOTTOM TRACK
G	1	400T150-33	1'-1 1/4"	HEAD TRACK
H	1	400T150-33	1'-1 1/4"	SILL

22-3461

Jewish Home for the Aging

1885 Victory Blvd. Reseda, CA

FrameMax, Inc.
13915 Danielson St
Suite 100
Poway, CA 92064
www.frame-max.com



© FrameMax Inc.

CREATED: 11/19/2008

FM-07-109

CREATED BY: TNT

HEIGHT : 9'-4 7/16" POINTS: 0.34 Points.

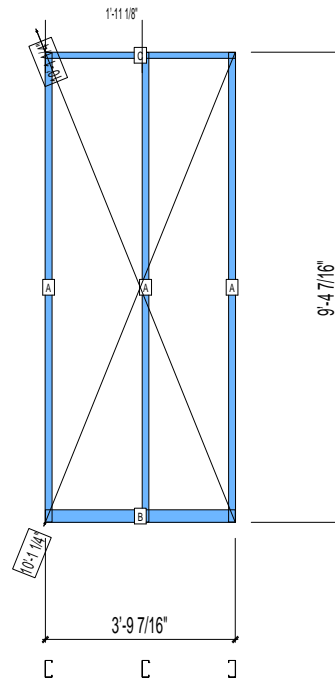
SPACING : 24"

1st STUD: 24"

WEIGHTS :

FRAME : 34 lbs

TOTAL: 34 lbs



PIECES LIST

LABEL	QTY	SIZE	LENGTH	USE
A	3	400S162-33	9'-4 5/16"	STUD
B	1	400T300-33	3'-9 7/16"	BOTTOM TRACK
C	1	400T150-33	3'-9 7/16"	TOP TRACK

22-3462

Jewish Home for the Aging

1885 Victory Blvd. Reseda, CA

FM-07-109

CREATED BY: TNT

FrameMax, Inc.
13915 Danielson St
Suite 100
Poway, CA 92064
www.frame-max.com



© FrameMax Inc.

HEIGHT : 9'-4 7/16" POINTS: 0.35 Points.

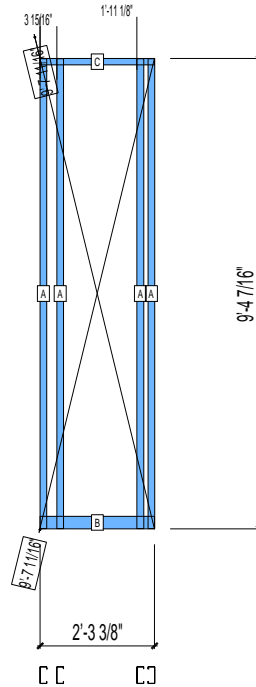
SPACING : 24"

1st STUD: 24"

WEIGHTS :

FRAME : 39 lbs

TOTAL: 39 lbs



PIECES LIST

LABEL	QTY	SIZE	LENGTH	USE
A	4	400S162-33	9'-4 5/16"	STUD
B	1	400T300-33	2'-3 3/8"	BOTTOM TRACK
C	1	400T150-33	2'-3 3/8"	TOP TRACK

22-3463

Jewish Home for the Aging

1885 Victory Blvd. Reseda, CA

FM-07-109

CREATED BY: TNT

FrameMax, Inc.
13915 Danielson St
Suite 100
Poway, CA 92064
www.frame-max.com



© FrameMax Inc.

HEIGHT : 9'-4 7/16" POINTS: 0.77 Points.

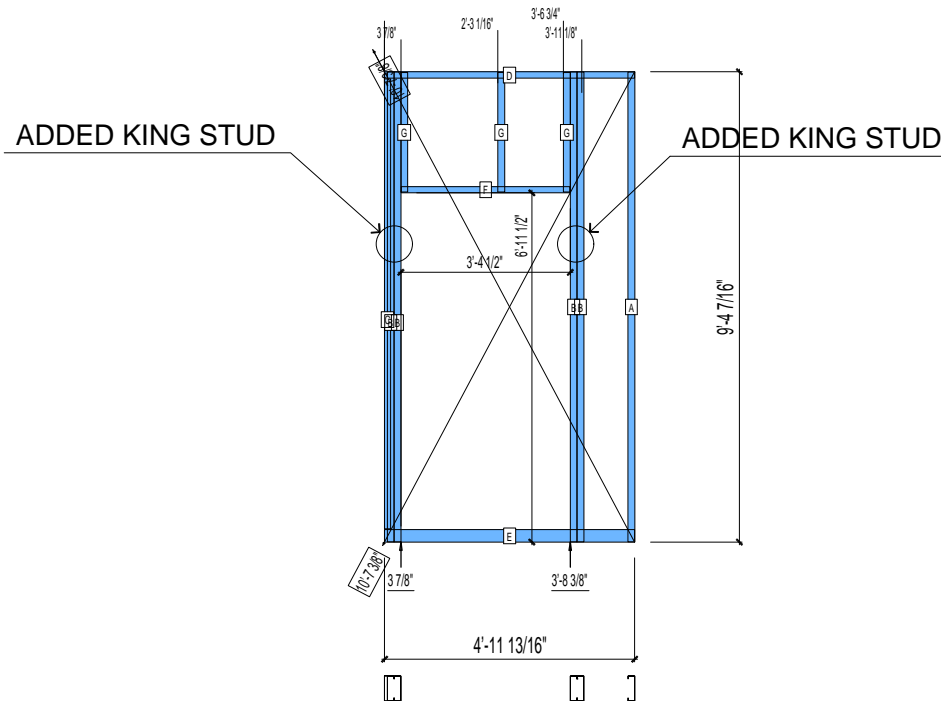
SPACING : 24"

1st STUD: 24"

WEIGHTS :

FRAME : 89 lbs

TOTAL: 89 lbs



PIECES LIST

LABEL	QTY	SIZE	LENGTH	USE
A	1	600S162-33	9'-4 5/16"	STUD
B	4	600S162-33	9'-4 5/16"	KING STUD
C	1	600T150-33	8'-11 9/16"	CAP TRACK
D	1	600T150-33	4'-11 13/16"	TOP TRACK
E	1	600T300-33	4'-11 13/16"	BOTTOM TRACK
F	1	600T150-33	3'-4 1/4"	HEAD TRACK
G	3	600S162-33	2'-4 9/16"	CRIPPLE

22-3464

Jewish Home for the Aging

1885 Victory Blvd. Reseda, CA

FrameMax, Inc.
13915 Danielson St
Suite 100
Poway, CA 92064
www.frame-max.com



© FrameMax Inc.

CREATED: 11/19/2008

FM-07-109

CREATED BY: TNT

HEIGHT : 9'-4 7/16" POINTS: 0.21 Points.

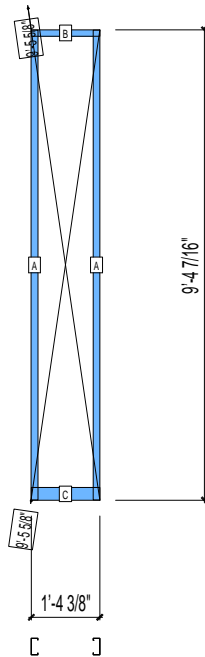
SPACING : 24"

1st STUD: 24"

WEIGHTS :

FRAME : 20 lbs

TOTAL: 20 lbs



PIECES LIST

LABEL	QTY	SIZE	LENGTH	USE
A	2	400S162-33	9'-4 5/16"	STUD
B	1	400T150-33	1'-4 3/8"	TOP TRACK
C	1	400T300-33	1'-4 3/8"	BOTTOM TRACK

22-3465

Jewish Home for the Aging

1885 Victory Blvd. Reseda, CA

FrameMax, Inc.
13915 Danielson St
Suite 100
Poway, CA 92064
www.frame-max.com



© FrameMax Inc.

CREATED: 11/19/2008

FM-07-109

CREATED BY: TNT

HEIGHT : 9'-4 7/16" POINTS: 0.19 Points.

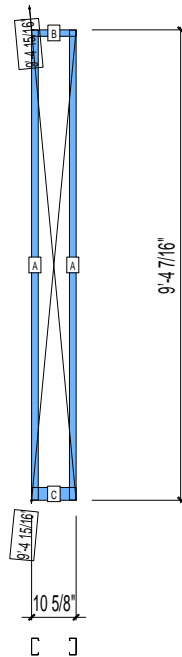
SPACING : 24"

1st STUD: 24"

WEIGHTS :

FRAME : 19 lbs

TOTAL: 19 lbs



PIECES LIST

LABEL	QTY	SIZE	LENGTH	USE
A	2	400S162-33	9'-4 5/16"	STUD
B	1	400T150-33	10 5/8"	TOP TRACK
C	1	400T300-33	10 5/8"	BOTTOM TRACK

22-3466

Jewish Home for the Aging

1885 Victory Blvd. Reseda, CA

FM-07-109

CREATED BY: TNT

FrameMax, Inc.
13915 Danielson St
Suite 100
Poway, CA 92064
www.frame-max.com



© FrameMax Inc.

HEIGHT : 9'-4 7/16" POINTS: 0.40 Points.

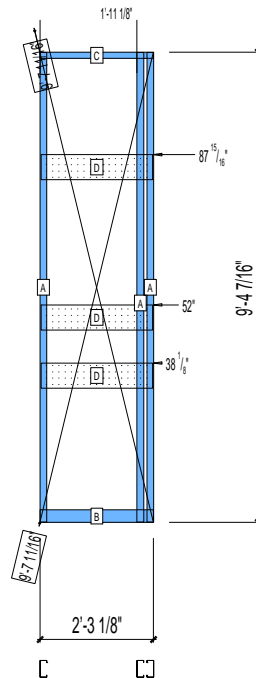
SPACING : 24"

1st STUD: 24"

WEIGHTS :

FRAME : 39 lbs

TOTAL: 39 lbs



PIECES LIST

LABEL	QTY	SIZE	LENGTH	USE
A	3	400S162-33	9'-4 5/16"	STUD
B	1	400T300-33	2'-3 1/8"	BOTTOM TRACK
C	1	400T150-33	2'-3 1/8"	TOP TRACK
D	3	600D-54	2'-2 11/16"	KITCHEN BACKING

22-3467

Jewish Home for the Aging

1885 Victory Blvd. Reseda, CA

FrameMax, Inc.
13915 Danielson St
Suite 100
Poway, CA 92064
www.frame-max.com



© FrameMax Inc.

CREATED: 11/19/2008

FM-07-109

CREATED BY: TNT

HEIGHT : 2'-9 1/2" POINTS: 0.22 Points.

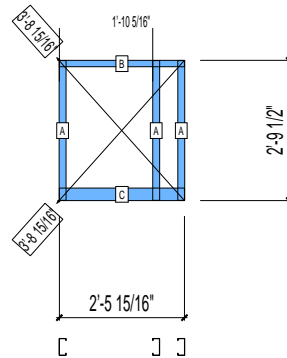
SPACING : 24"

1st STUD: 24"

WEIGHTS :

FRAME : 13 lbs

TOTAL: 13 lbs



PIECES LIST

LABEL	QTY	SIZE	LENGTH	USE
A	3	400S162-33	2'-9 3/8"	STUD
B	1	400T150-33	2'-5 15/16"	TOP TRACK
C	1	400T300-33	2'-5 15/16"	BOTTOM TRACK

22-3468

Jewish Home for the Aging

1885 Victory Blvd. Reseda, CA

FrameMax, Inc.
13915 Danielson St
Suite 100
Poway, CA 92064
www.frame-max.com



© FrameMax Inc.

CREATED: 11/19/2008

FM-07-109

CREATED BY: TNT

HEIGHT : 2'-9 1/2" POINTS: 0.51 Points.

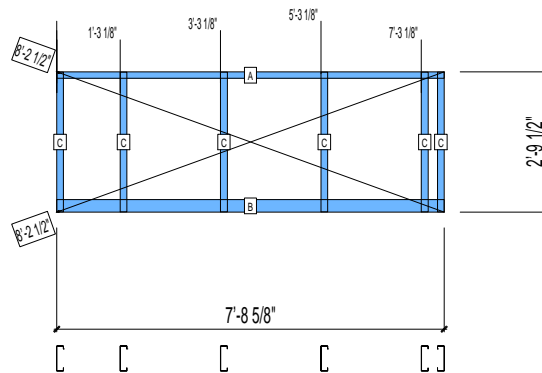
SPACING : 24"

1st STUD: 16"

WEIGHTS :

FRAME : 39 lbs

TOTAL: 39 lbs



PIECES LIST

LABEL	QTY	SIZE	LENGTH	USE
A	1	600T150-33	7'-8 5/8"	TOP TRACK
B	1	600T300-33	7'-8 5/8"	BOTTOM TRACK
C	6	600S162-33	2'-9 3/8"	STUD

22-3469

Jewish Home for the Aging

1885 Victory Blvd. Reseda, CA

FM-07-109

CREATED BY: TNT

FrameMax, Inc.
13915 Danielson St
Suite 100
Poway, CA 92064
www.frame-max.com



© FrameMax Inc.

HEIGHT : 9'-4 7/16" POINTS: 0.35 Points.

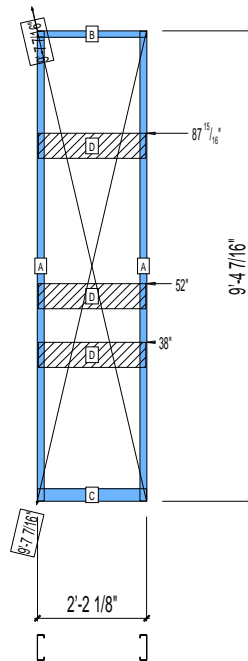
SPACING : 24"

1st STUD: 24"

WEIGHTS :

FRAME : 35 lbs

TOTAL: 35 lbs



PIECES LIST

LABEL	QTY	SIZE	LENGTH	USE
A	2	600S162-33	9'-4 5/16"	STUD
B	1	600T150-33	2'-2 1/8"	TOP TRACK
C	1	600T300-33	2'-2 1/8"	BOTTOM TRACK
D	3	600D-54	2'-1 11/16"	KITCHEN BACKING

22-6001

Jewish Home for the Aging

1885 Victory Blvd. Reseda, CA

FM-07-109

CREATED BY: TNT

FrameMax, Inc.
13915 Danielson St
Suite 100
Poway, CA 92064
www.frame-max.com



© FrameMax Inc.

HEIGHT : 10'-6" POINTS: 2.38 Points.

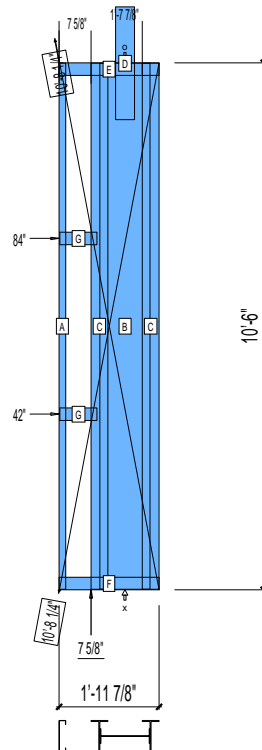
SPACING : 24"

1st STUD: 24"

WEIGHTS :

FRAME : 474 lbs

TOTAL: 474 lbs



PIECES LIST

LABEL	QTY	SIZE	LENGTH	USE
A	1	750S162-54	10'-5 13/16"	STUD
B	1	1200i350p1420	10'-5 13/16"	PACO
C	2	750i400p1268	10'-5 13/16"	PACO
D	1	B	2'-3"	HOLDDOWN
E	1	750T300-68	1'-11 7/8"	TOP TRACK
F	1	750T300-68	1'-11 7/8"	BOTTOM TRACK
G	2	750T300-68	8 7/8"	BLOCK

22-6004

Jewish Home for the Aging

1885 Victory Blvd. Reseda, CA

FM-07-109

CREATED BY: TNT

FrameMax, Inc.
13915 Danielson St
Suite 100
Poway, CA 92064
www.frame-max.com



© FrameMax Inc.

HEIGHT : 10'-6" POINTS: 2.52 Points.

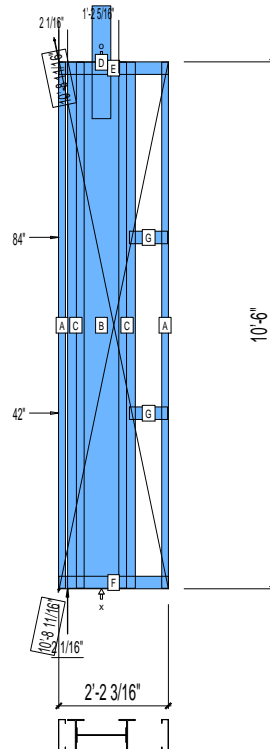
SPACING : 24"

1st STUD: 24"

WEIGHTS :

FRAME : 499 lbs

TOTAL: 499 lbs



PIECES LIST

LABEL	QTY	SIZE	LENGTH	USE
A	2	750S162-54	10'-5 13/16"	STUD
B	1	1200i350p1420	10'-5 13/16"	PACO
C	2	750i400p1268	10'-5 13/16"	PACO
D	1	B	2'-3"	HOLDDOWN
E	1	750T300-68	2'-2 3/16"	TOP TRACK
F	1	750T300-68	2'-2 3/16"	BOTTOM TRACK
G	2	750T300-68	9 1/8"	BLOCK

22-6006

Jewish Home for the Aging

1885 Victory Blvd. Reseda, CA

FM-07-109

CREATED BY: TNT

FrameMax, Inc.
13915 Danielson St
Suite 100
Poway, CA 92064
www.frame-max.com



© FrameMax Inc.

HEIGHT : 10'-6" POINTS: 1.94 Points.

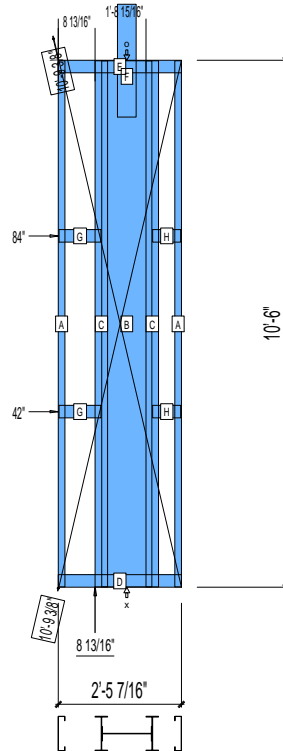
SPACING : 24"

1st STUD: 24"

WEIGHTS :

FRAME : 361 lbs

TOTAL: 361 lbs



PIECES LIST

LABEL	QTY	SIZE	LENGTH	USE
A	2	825S162-54	10'-5 13/16"	STUD
B	1	1200i350p1062	10'-5 13/16"	PACO
C	2	825i300p746	10'-5 13/16"	PACO
D	1	825T300-68	2'-5 7/16"	BOTTOM TRACK
E	1	825T300-68	2'-5 7/16"	TOP TRACK
F	1	B	2'-3"	HOLDDOWN
G	2	825T300-54	10 1/16"	BLOCK
H	2	825T300-54	6 11/16"	BLOCK

22-6013

Jewish Home for the Aging

1885 Victory Blvd. Reseda, CA

FM-07-109

CREATED BY: TNT

FrameMax, Inc.
13915 Danielson St
Suite 100
Poway, CA 92064
www.frame-max.com



© FrameMax Inc.

HEIGHT : 10'-6" POINTS: 1.91 Points.

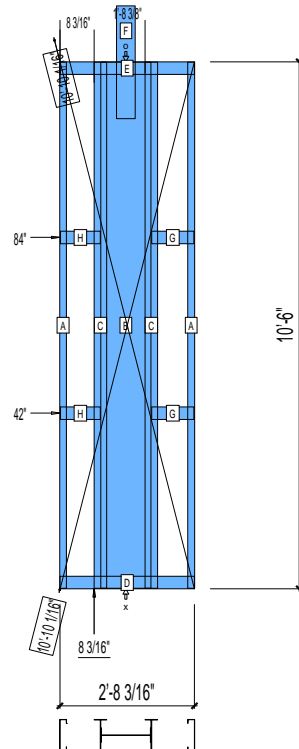
SPACING : 24"

1st STUD: 24"

WEIGHTS :

FRAME : 353 lbs

TOTAL: 353 lbs



**BUNDLE AND SHIP
TO SITE**

PIECES LIST

LABEL	QTY	SIZE	LENGTH	USE
A	2	750S162-54	10'-5 13/16"	STUD
B	1	1200i350p1062	10'-5 13/16"	PACO
C	2	750i300p706	10'-5 13/16"	PACO
D	1	750T300-68	2'-8 3/16"	BOTTOM TRACK
E	1	750T300-68	2'-8 3/16"	TOP TRACK
F	1	B	2'-3"	HOLDDOWN
G	2	750T300-68	10 1/16"	BLOCK
H	2	750T300-68	9 7/16"	BLOCK

22-6016

Jewish Home for the Aging

1885 Victory Blvd. Reseda, CA

FM-07-109

CREATED BY: TNT

FrameMax, Inc.
13915 Danielson St
Suite 100
Poway, CA 92064
www.frame-max.com



© FrameMax Inc.

HEIGHT : 10'-6" POINTS: 1.89 Points.

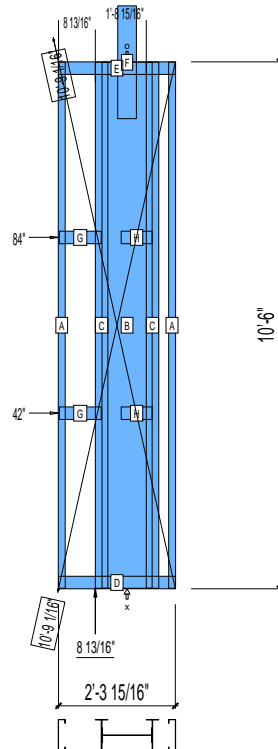
SPACING : 24"

1st STUD: 24"

WEIGHTS :

FRAME : 349 lbs

TOTAL: 349 lbs



PIECES LIST

LABEL	QTY	SIZE	LENGTH	USE
A	2	750S162-54	10'-5 13/16"	STUD
B	1	1200i350p1062	10'-5 13/16"	PACO
C	2	750i300p706	10'-5 13/16"	PACO
D	1	750T300-68	2'-3 15/16"	BOTTOM TRACK
E	1	750T300-68	2'-3 15/16"	TOP TRACK
F	1	B	2'-3"	HOLDDOWN
G	2	750T300-68	10 1/16"	BLOCK
H	2	750T300-68	7 7/16"	BLOCK

22-6017

Jewish Home for the Aging

1885 Victory Blvd. Reseda, CA

FrameMax, Inc.
13915 Danielson St
Suite 100
Poway, CA 92064
www.frame-max.com



© FrameMax Inc.

CREATED: 12/02/2008

FM-07-109

CREATED BY: TNT

HEIGHT : 10'-6" POINTS: 2.61 Points.

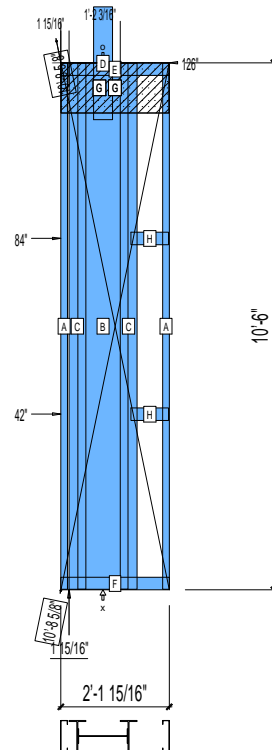
SPACING : 24"

1st STUD: 24"

WEIGHTS :

FRAME : 509 lbs

TOTAL: 509 lbs



PIECES LIST

LABEL	QTY	SIZE	LENGTH	USE
A	2	750S162-54	10'-5 13/16"	STUD
B	1	1200i350p1420	10'-5 13/16"	PACO
C	2	750i400p1268	10'-5 13/16"	PACO
D	1	B	2'-3"	HOLDDOWN
E	1	750T300-68	2'-1 15/16"	TOP TRACK
F	1	750T300-68	2'-1 15/16"	BOTTOM TRACK
G	2	1200D-54	2'-1 7/8"	STRAP
H	2	750T300-68	8 15/16"	BLOCK

22-6026

Jewish Home for the Aging

1885 Victory Blvd. Reseda, CA

FrameMax, Inc.
13915 Danielson St
Suite 100
Poway, CA 92064
www.framemax.com



© FrameMax Inc.

CREATED: 12/02/2008

FM-07-109

CREATED BY: TNT

HEIGHT : 10'-6" POINTS: 2.70 Points.

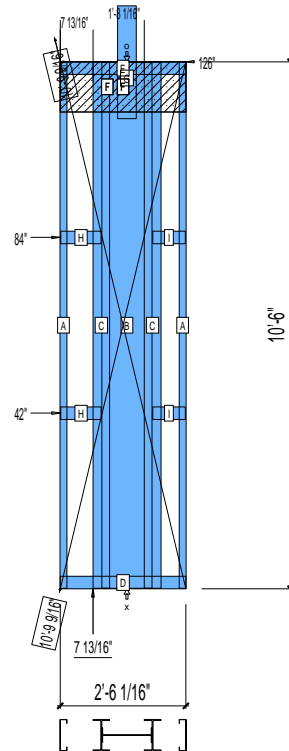
SPACING : 24"

1st STUD: 24"

WEIGHTS :

FRAME : 518 lbs

TOTAL: 518 lbs



PIECES LIST

LABEL	QTY	SIZE	LENGTH	USE
A	2	750S162-54	10'-5 13/16"	STUD
B	1	1200i350p1420	10'-5 13/16"	PACO
C	2	750i400p1268	10'-5 13/16"	PACO
D	1	750T300-68	2'-6 1/16"	BOTTOM TRACK
E	1	750T300-68	2'-6 1/16"	TOP TRACK
F	2	1200D-54	2'-6"	STRAP
G	1	B	2'-3"	HOLDDOWN
H	2	750T300-68	9 5/8"	BLOCK
I	2	750T300-68	7 3/4"	BLOCK

22-6027

Jewish Home for the Aging

1885 Victory Blvd. Reseda, CA

FrameMax, Inc.
13915 Danielson St
Suite 100
Poway, CA 92064
www.frame-max.com



© FrameMax Inc.

CREATED: 12/02/2008

FM-07-109

CREATED BY: TNT

HEIGHT : 10'-6" POINTS: 2.41 Points.

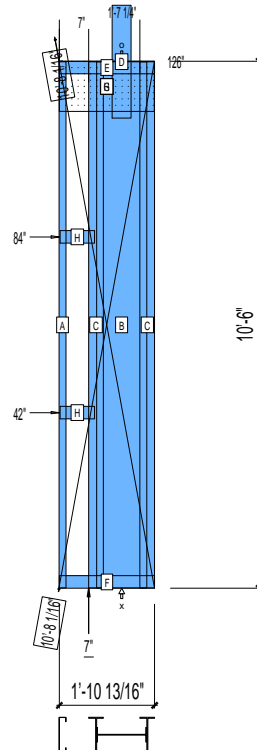
SPACING : 24"

1st STUD: 24"

WEIGHTS :

FRAME : 475 lbs

TOTAL: 475 lbs



PIECES LIST

LABEL	QTY	SIZE	LENGTH	USE
A	1	825S162-54	10'-5 13/16"	STUD
B	1	1200i350p1420	10'-5 13/16"	PACO
C	2	825i350p1247	10'-5 13/16"	PACO
D	1	B	2'-3"	HOLDDOWN
E	1	825T300-68	1'-10 13/16"	TOP TRACK
F	1	825T300-68	1'-10 13/16"	BOTTOM TRACK
G	1	1200D-54	1'-10 11/16"	STRAP
H	2	825T300-54	8 1/4"	BLOCK

22-6034

Jewish Home for the Aging

1885 Victory Blvd. Reseda, CA

FrameMax, Inc.
13915 Danielson St
Suite 100
Poway, CA 92064
www.frame-max.com



© FrameMax Inc.

CREATED: 12/02/2008

FM-07-109

CREATED BY: TNT

HEIGHT : 10'-6" POINTS: 2.41 Points.

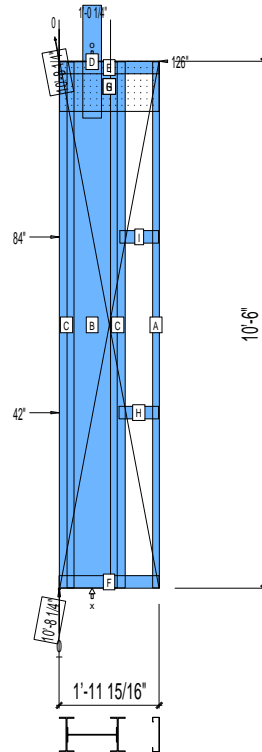
SPACING : 24"

1st STUD: 24"

WEIGHTS :

FRAME : 476 lbs

TOTAL: 476 lbs



PIECES LIST

LABEL	QTY	SIZE	LENGTH	USE
A	1	825S162-54	10'-5 13/16"	STUD
B	1	1200i350p1420	10'-5 13/16"	PACO
C	2	825i350p1247	10'-5 13/16"	PACO
D	1	B	2'-3"	HOLDDOWN
E	1	825T300-68	1'-11 15/16"	TOP TRACK
F	1	825T300-68	1'-11 15/16"	BOTTOM TRACK
G	1	1200D-54	1'-11 13/16"	STRAP
H	1	825T300-54	9 3/8"	BLOCK
I	1	825T300-54	9 1/4"	BLOCK

22-6037

Jewish Home for the Aging

1885 Victory Blvd. Reseda, CA

FM-07-109

CREATED BY: TNT

FrameMax, Inc.
13915 Danielson St
Suite 100
Poway, CA 92064
www.frame-max.com



© FrameMax Inc.

HEIGHT : 10'-6" POINTS: 2.99 Points.

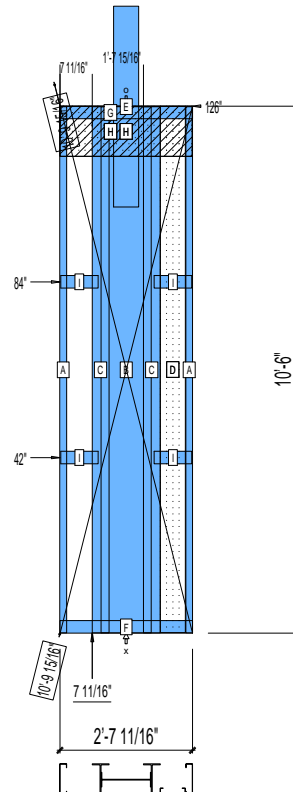
SPACING : 24"

1st STUD: 24"

WEIGHTS :

FRAME : 576 lbs

TOTAL: 576 lbs



PIECES LIST

LABEL	QTY	SIZE	LENGTH	USE
A	2	750S162-54	10'-5 13/16"	STUD
B	1	1200i350p1420	10'-5 13/16"	PACO
C	2	750i400p1268	10'-5 13/16"	PACO
D	1	600S162-33	10'-5 13/16"	BACKER-U
E	1	C	4'-0"	HOLDDOWN
F	1	750T300-68	2'-7 11/16"	BOTTOM TRACK
G	1	750T300-68	2'-7 11/16"	TOP TRACK
H	2	1200D-54	2'-7 5/8"	STRAP
I	4	750T300-68	8 15/16"	BLOCK

22-6040

Jewish Home for the Aging

1885 Victory Blvd. Reseda, CA

FM-07-109

CREATED BY: TNT

FrameMax, Inc.
13915 Danielson St
Suite 100
Poway, CA 92064
www.frame-max.com



© FrameMax Inc.

HEIGHT : 10'-6" POINTS: 2.88 Points.

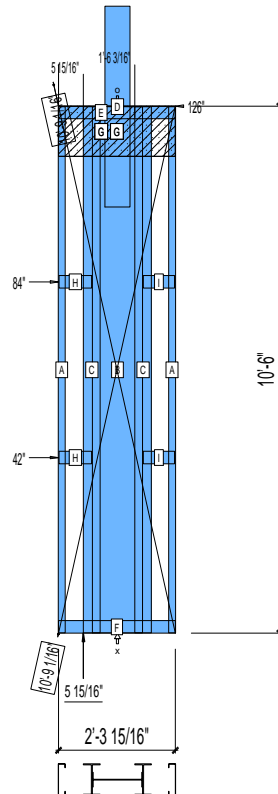
SPACING : 24"

1st STUD: 24"

WEIGHTS :

FRAME : 559 lbs

TOTAL: 559 lbs



PIECES LIST

LABEL	QTY	SIZE	LENGTH	USE
A	2	750S162-54	10'-5 13/16"	STUD
B	1	1200i350p1420	10'-5 13/16"	PACO
C	2	750i400p1268	10'-5 13/16"	PACO
D	1	C	4'-0"	HOLDDOWN
E	1	750T300-68	2'-3 15/16"	TOP TRACK
F	1	750T300-68	2'-3 15/16"	BOTTOM TRACK
G	2	1200D-54	2'-3 7/8"	STRAP
H	2	750T300-68	7 3/4"	BLOCK
I	2	750T300-68	7 1/2"	BLOCK

22-6050

Jewish Home for the Aging

1885 Victory Blvd. Reseda, CA

FM-07-109

CREATED BY: TNT

FrameMax, Inc.
13915 Danielson St
Suite 100
Poway, CA 92064
www.frame-max.com



© FrameMax Inc.

HEIGHT : 10'-6" POINTS: 2.81 Points.

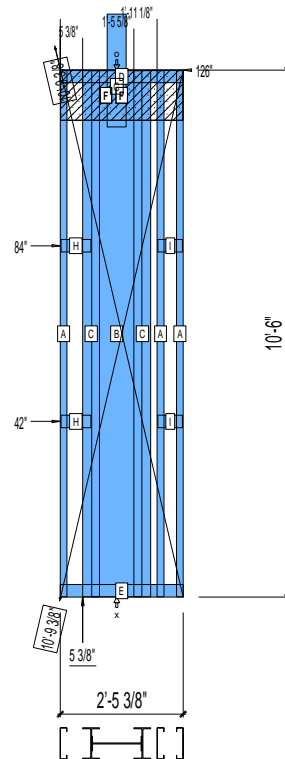
SPACING : 24"

1st STUD: 24"

WEIGHTS :

FRAME : 538 lbs

TOTAL: 538 lbs



PIECES LIST

LABEL	QTY	SIZE	LENGTH	USE
A	3	750S162-54	10'-5 13/16"	STUD
B	1	1200i350p1420	10'-5 13/16"	PACO
C	2	750i400p1268	10'-5 13/16"	PACO
D	1	750T300-68	2'-5 3/8"	TOP TRACK
E	1	750T300-68	2'-5 3/8"	BOTTOM TRACK
F	2	1200D-54	2'-5 5/16"	STRAP
G	1	B	2'-3"	HOLDDOWN
H	2	750T300-68	7 1/8"	BLOCK
I	2	750T300-68	5 13/16"	BLOCK

22-6051

Jewish Home for the Aging

1885 Victory Blvd. Reseda, CA

FrameMax, Inc.
13915 Danielson St
Suite 100
Poway, CA 92064
www.frame-max.com



© FrameMax Inc.

CREATED: 12/02/2008

FM-07-109

CREATED BY: TNT

HEIGHT : 10'-6" POINTS: 2.58 Points.

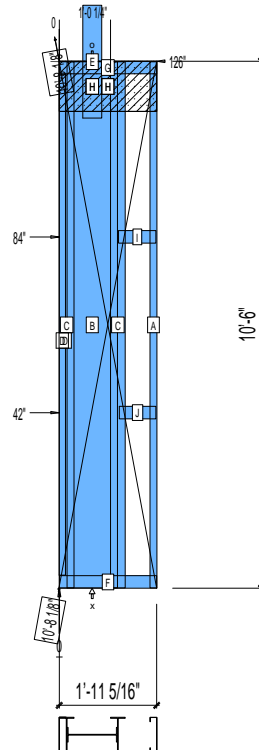
SPACING : 24"

1st STUD: 24"

WEIGHTS :

FRAME : 503 lbs

TOTAL: 503 lbs



PIECES LIST

LABEL	QTY	SIZE	LENGTH	USE
A	1	825S162-54	10'-5 13/16"	STUD
B	1	1200i350p1420	10'-5 13/16"	PACO
C	2	825i350p1247	10'-5 13/16"	PACO
D	1	825T150-54	9'-11 3/4"	CAP TRACK
E	1	B	2'-3"	HOLDDOWN
F	1	825T300-68	1'-11 5/16"	BOTTOM TRACK
G	1	825T300-68	1'-11 5/16"	TOP TRACK
H	2	1200D-54	1'-11 1/4"	STRAP
I	1	825T300-54	8 15/16"	BLOCK
J	1	825T300-54	8 3/4"	BLOCK

22-6058

Jewish Home for the Aging

1885 Victory Blvd. Reseda, CA

FM-07-109

CREATED BY: TNT

FrameMax, Inc.
13915 Danielson St
Suite 100
Poway, CA 92064
www.frame-max.com



© FrameMax Inc.

HEIGHT : 10'-6" POINTS: 2.49 Points.

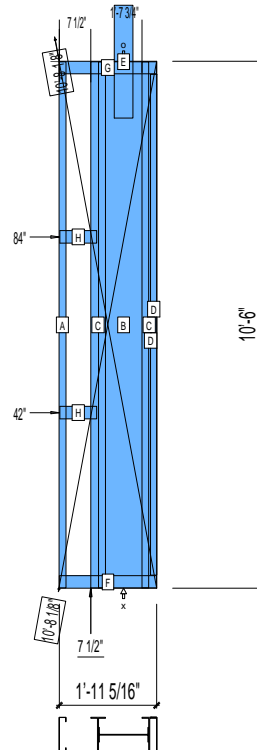
SPACING : 24"

1st STUD: 24"

WEIGHTS :

FRAME : 493 lbs

TOTAL: 493 lbs



PIECES LIST

LABEL	QTY	SIZE	LENGTH	USE
A	1	825S162-54	10'-5 13/16"	STUD
B	1	1200i350p1420	10'-5 13/16"	PACO
C	2	825i350p1247	10'-5 13/16"	PACO
D	1	825T150-54	9'-11 3/4"	CAP TRACK
E	1	B	2'-3"	HOLDDOWN
F	1	825T300-68	1'-11 5/16"	BOTTOM TRACK
G	1	825T300-68	1'-11 5/16"	TOP TRACK
H	2	825T300-54	8 3/4"	BLOCK

22-6059

Jewish Home for the Aging

1885 Victory Blvd. Reseda, CA

FM-07-109

CREATED BY: TNT

FrameMax, Inc.
13915 Danielson St
Suite 100
Poway, CA 92064
www.frame-max.com



© FrameMax Inc.

HEIGHT : 10'-6" POINTS: 2.78 Points.

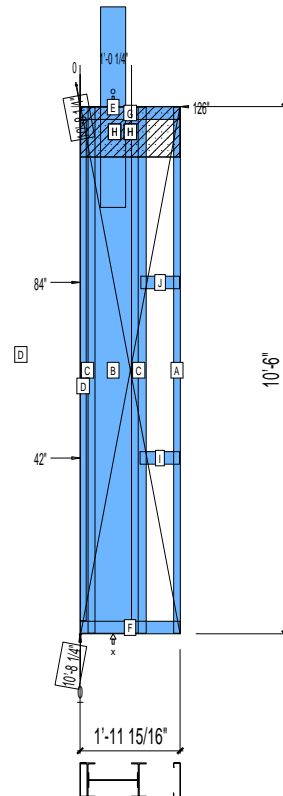
SPACING : 24"

1st STUD: 24"

WEIGHTS :

FRAME : 547 lbs

TOTAL: 547 lbs



PIECES LIST

LABEL	QTY	SIZE	LENGTH	USE
A	1	825S162-54	10'-5 13/16"	STUD
B	1	1200i350p1420	10'-5 13/16"	PACO
C	2	825i350p1247	10'-5 13/16"	PACO
D	1	825T150-54	9'-11 3/4"	CAP TRACK
E	1	C	4'-0"	HOLDDOWN
F	1	825T300-68	1'-11 15/16"	BOTTOM TRACK
G	1	825T300-68	1'-11 15/16"	TOP TRACK
H	2	1200D-54	1'-11 13/16"	STRAP
I	1	825T300-54	9 3/8"	BLOCK
J	1	825T300-54	9 1/4"	BLOCK

22-6060

Jewish Home for the Aging

1885 Victory Blvd. Reseda, CA

FrameMax, Inc.
13915 Danielson St
Suite 100
Poway, CA 92064
www.frame-max.com



© FrameMax Inc.

CREATED: 12/02/2008

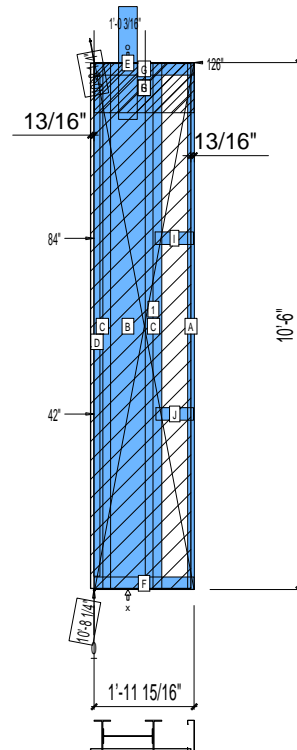
FM-07-109

CREATED BY: TNT

HEIGHT : 10'-6"
POINTS: 2.78 Points.
SPACING : 24"
1st STUD: 24"

WEIGHTS :
FRAME : 500 lbs
SHEATHING: 52 lbs

TOTAL: 552 lbs



PIECES LIST

LABEL	QTY	SIZE	LENGTH	USE
A	1	750S162-54	10'-5 13/16"	STUD
B	1	1200i350p1420	10'-5 13/16"	PACO
C	2	750i400p1268	10'-5 13/16"	PACO
D	1	750T150-54	9'-11 5/8"	CAP TRACK
E	1	B	2'-3"	HOLDDOWN
F	1	750T300-68	1'-11 15/16"	BOTTOM TRACK
G	1	750T300-68	1'-11 15/16"	TOP TRACK
H	1	1200D-54	1'-11 7/8"	STRAP
I	1	750T300-68	9 1/8"	BLOCK
J	1	750T300-68	8 15/16"	BLOCK

SHEATHING

LABEL	QTY	CODE	THICK	SIZE	SCREWS
1	1	DENSGLASS	1/2"	2'-0" X 10'-5 9/16"	8 - 12

22-6061

Jewish Home for the Aging

1885 Victory Blvd. Reseda, CA

FM-07-109

CREATED BY: TNT

FrameMax, Inc.
13915 Danielson St
Suite 100
Poway, CA 92064
www.frame-max.com



© FrameMax Inc.

HEIGHT : 10'-6" POINTS: 2.78 Points.

SPACING : 24"

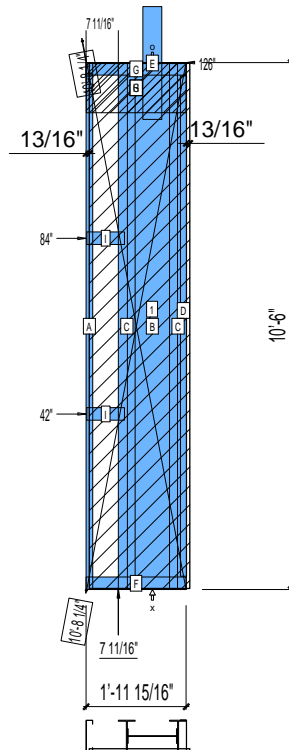
1st STUD: 24"

WEIGHTS :

FRAME : 500 lbs

SHEATHING: 52 lbs

TOTAL: 552 lbs



PIECES LIST

LABEL	QTY	SIZE	LENGTH	USE
A	1	750S162-54	10'-5 13/16"	STUD
B	1	1200i350p1420	10'-5 13/16"	PACO
C	2	750i400p1268	10'-5 13/16"	PACO
D	1	750T150-54	9'-11 5/8"	CAP TRACK
E	1	B	2'-3"	HOLDDOWN
F	1	750T300-68	1'-11 15/16"	BOTTOM TRACK
G	1	750T300-68	1'-11 15/16"	TOP TRACK
H	1	1200D-54	1'-11 7/8"	STRAP
I	2	750T300-68	8 15/16"	BLOCK

SHEATHING

LABEL	QTY	CODE	THICK	SIZE	SCREWS
1	1	DENSGLOSS	1/2"	2'-0" X 10'-5 9/16"	8 - 12

22-6062

Jewish Home for the Aging

1885 Victory Blvd. Reseda, CA

FM-07-109

CREATED BY: TNT

FrameMax, Inc.
13915 Danielson St
Suite 100
Poway, CA 92064
www.frame-max.com



© FrameMax Inc.

HEIGHT : 10'-6" POINTS: 1.86 Points.

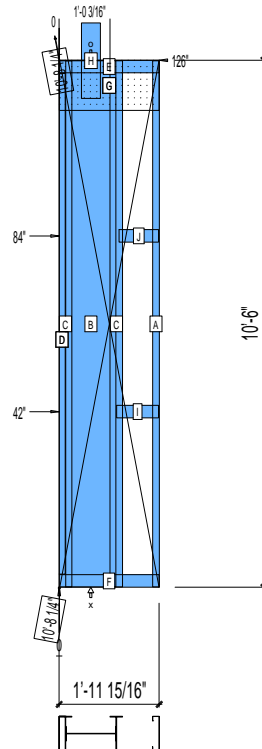
SPACING : 24"

1st STUD: 24"

WEIGHTS :

FRAME : 350 lbs

TOTAL: 350 lbs



PIECES LIST

LABEL	QTY	SIZE	LENGTH	USE
A	1	825S162-54	10'-5 13/16"	STUD
B	1	1200i350p1062	10'-5 13/16"	PACO
C	2	825i300p746	10'-5 13/16"	PACO
D	1	825T150-54	9'-11 3/4"	CAP TRACK
E	1	825T300-68	1'-11 15/16"	TOP TRACK
F	1	825T300-68	1'-11 15/16"	BOTTOM TRACK
G	1	1200D-54	1'-11 7/8"	STRAP
H	1	A	1'-6"	HOLDDOWN
I	1	825T300-54	10"	BLOCK
J	1	825T300-54	9 3/8"	BLOCK

22-6063

Jewish Home for the Aging

1885 Victory Blvd. Reseda, CA

FM-07-109

CREATED BY: TNT

FrameMax, Inc.
13915 Danielson St
Suite 100
Poway, CA 92064
www.frame-max.com



© FrameMax Inc.

HEIGHT : 10'-6" POINTS: 1.87 Points.

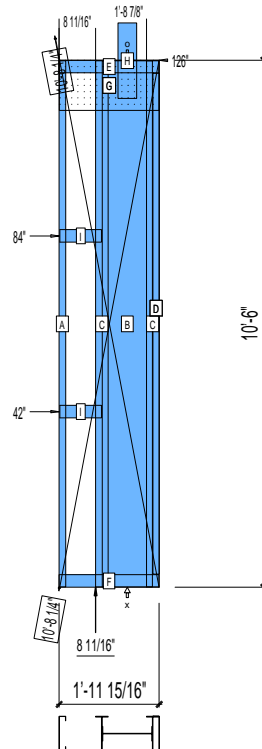
SPACING : 24"

1st STUD: 24"

WEIGHTS :

FRAME : 351 lbs

TOTAL: 351 lbs



PIECES LIST

LABEL	QTY	SIZE	LENGTH	USE
A	1	825S162-54	10'-5 13/16"	STUD
B	1	1200i350p1062	10'-5 13/16"	PACO
C	2	825i300p746	10'-5 13/16"	PACO
D	1	825T150-54	9'-11 3/4"	CAP TRACK
E	1	825T300-68	1'-11 15/16"	TOP TRACK
F	1	825T300-68	1'-11 15/16"	BOTTOM TRACK
G	1	1200D-54	1'-11 7/8"	STRAP
H	1	A	1'-6"	HOLDDOWN
I	2	825T300-54	9 15/16"	BLOCK

22-6066

Jewish Home for the Aging

1885 Victory Blvd. Reseda, CA

FM-07-109

CREATED BY: TNT

FrameMax, Inc.
13915 Danielson St
Suite 100
Poway, CA 92064
www.frame-max.com



© FrameMax Inc.

HEIGHT : 10'-6" POINTS: 2.78 Points.

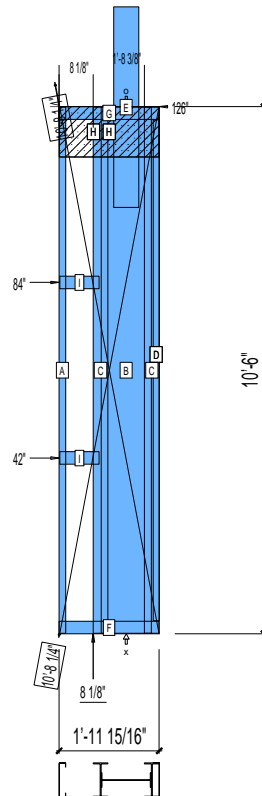
SPACING : 24"

1st STUD: 24"

WEIGHTS :

FRAME : 547 lbs

TOTAL: 547 lbs



PIECES LIST

LABEL	QTY	SIZE	LENGTH	USE
A	1	825S162-54	10'-5 13/16"	STUD
B	1	1200i350p1420	10'-5 13/16"	PACO
C	2	825i350p1247	10'-5 13/16"	PACO
D	1	825T150-54	9'-11 3/4"	CAP TRACK
E	1	C	4'-0"	HOLDDOWN
F	1	825T300-68	1'-11 15/16"	BOTTOM TRACK
G	1	825T300-68	1'-11 15/16"	TOP TRACK
H	2	1200D-54	1'-11 7/8"	STRAP
I	2	825T300-54	9 3/8"	BLOCK

22-6069

Jewish Home for the Aging

1885 Victory Blvd. Reseda, CA

FM-07-109

CREATED BY: TNT

FrameMax, Inc.
13915 Danielson St
Suite 100
Poway, CA 92064
www.frame-max.com



© FrameMax Inc.

HEIGHT : 10'-6" POINTS: 2.79 Points.

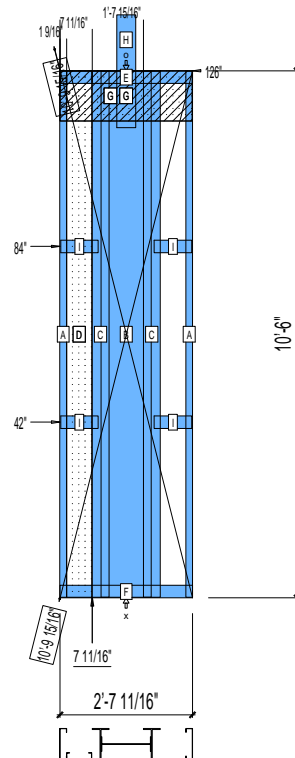
SPACING : 24"

1st STUD: 24"

WEIGHTS :

FRAME : 532 lbs

TOTAL: 532 lbs



PIECES LIST

LABEL	QTY	SIZE	LENGTH	USE
A	2	750S162-54	10'-5 13/16"	STUD
B	1	1200i350p1420	10'-5 13/16"	PACO
C	2	750i400p1268	10'-5 13/16"	PACO
D	1	600S162-33	10'-5 13/16"	BACKER-U
E	1	750T300-68	2'-7 11/16"	TOP TRACK
F	1	750T300-68	2'-7 11/16"	BOTTOM TRACK
G	2	1200D-54	2'-7 5/8"	STRAP
H	1	B	2'-3"	HOLDDOWN
I	4	750T300-68	8 15/16"	BLOCK

22-6072

Jewish Home for the Aging

1885 Victory Blvd. Reseda, CA

FrameMax, Inc.
13915 Danielson St
Suite 100
Poway, CA 92064
www.frame-max.com



© FrameMax Inc.

CREATED: 12/02/2008

FM-07-109

CREATED BY: TNT

HEIGHT : 10'-6" POINTS: 2.58 Points.

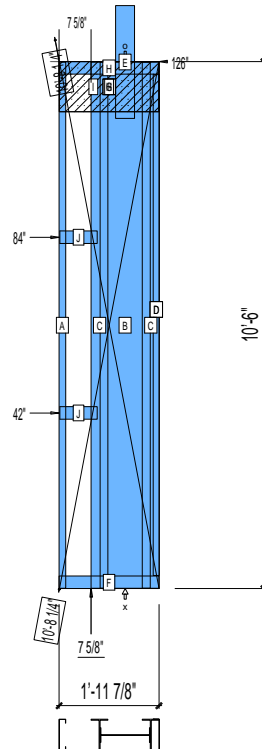
SPACING : 24"

1st STUD: 24"

WEIGHTS :

FRAME : 504 lbs

TOTAL: 504 lbs



PIECES LIST

LABEL	QTY	SIZE	LENGTH	USE
A	1	750S162-54	10'-5 13/16"	STUD
B	1	1200i350p1420	10'-5 13/16"	PACO
C	2	750i400p1268	10'-5 13/16"	PACO
D	1	750T150-54	9'-11 3/4"	CAP TRACK
E	1	B	2'-3"	HOLDDOWN
F	1	750T300-68	1'-11 7/8"	BOTTOM TRACK
G	1	1200D-54	1'-11 7/8"	STRAP
H	1	750T300-68	1'-11 7/8"	TOP TRACK
I	1	1200D-54	1'-11 13/16"	STRAP
J	2	750T300-68	8 7/8"	BLOCK

22-6073

Jewish Home for the Aging

1885 Victory Blvd. Reseda, CA

FM-07-109

CREATED BY: TNT

FrameMax, Inc.
13915 Danielson St
Suite 100
Poway, CA 92064
www.framemax.com



© FrameMax Inc.

HEIGHT : 10'-6" POINTS: 1.89 Points.

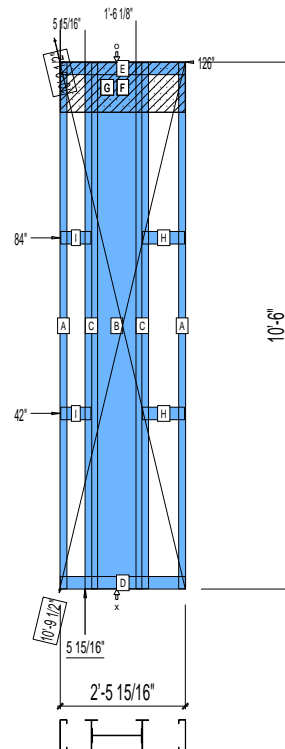
SPACING : 24"

1st STUD: 24"

WEIGHTS :

FRAME : 345 lbs

TOTAL: 345 lbs



PIECES LIST

LABEL	QTY	SIZE	LENGTH	USE
A	2	750S162-54	10'-5 13/16"	STUD
B	1	1200i350p1062	10'-5 13/16"	PACO
C	2	750i300p706	10'-5 13/16"	PACO
D	1	750T300-68	2'-5 15/16"	BOTTOM TRACK
E	1	750T300-68	2'-5 15/16"	TOP TRACK
F	1	1200D-54	2'-5 7/8"	STRAP
G	1	1200D-54	2'-5 13/16"	STRAP
H	2	750T300-68	10"	BLOCK
I	2	750T300-68	7 3/16"	BLOCK

22-6076

Jewish Home for the Aging

1885 Victory Blvd. Reseda, CA

FM-07-109

CREATED BY: TNT

FrameMax, Inc.
13915 Danielson St
Suite 100
Poway, CA 92064
www.frame-max.com



© FrameMax Inc.

HEIGHT : 10'-6" POINTS: 1.67 Points.

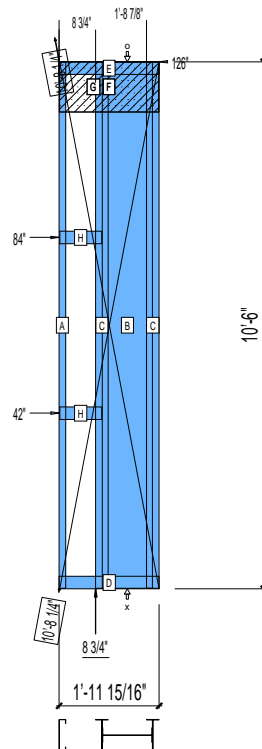
SPACING : 24"

1st STUD: 24"

WEIGHTS :

FRAME : 312 lbs

TOTAL: 312 lbs



PIECES LIST

LABEL	QTY	SIZE	LENGTH	USE
A	1	750S162-54	10'-5 13/16"	STUD
B	1	1200i350p1062	10'-5 13/16"	PACO
C	2	750i300p706	10'-5 13/16"	PACO
D	1	750T300-68	1'-11 15/16"	BOTTOM TRACK
E	1	750T300-68	1'-11 15/16"	TOP TRACK
F	1	1200D-54	1'-11 13/16"	STRAP
G	1	1200D-54	1'-11 3/4"	STRAP
H	2	750T300-68	10"	BLOCK

22-6083

Jewish Home for the Aging

1885 Victory Blvd. Reseda, CA

FM-07-109

CREATED BY: TNT

FrameMax, Inc.
13915 Danielson St
Suite 100
Poway, CA 92064
www.frame-max.com



© FrameMax Inc.

HEIGHT : 10'-6" POINTS: 1.89 Points.

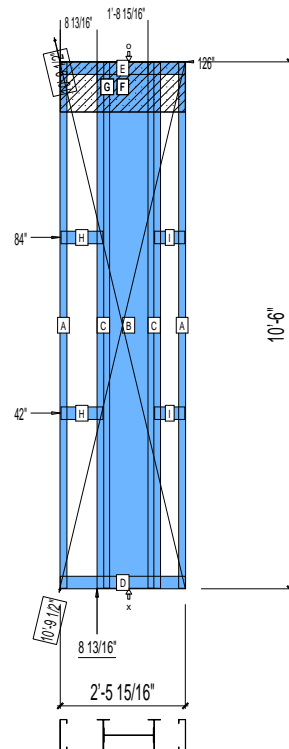
SPACING : 24"

1st STUD: 24"

WEIGHTS :

FRAME : 345 lbs

TOTAL: 345 lbs



PIECES LIST

LABEL	QTY	SIZE	LENGTH	USE
A	2	750S162-54	10'-5 13/16"	STUD
B	1	1200i350p1062	10'-5 13/16"	PACO
C	2	750i300p706	10'-5 13/16"	PACO
D	1	750T300-68	2'-5 15/16"	BOTTOM TRACK
E	1	750T300-68	2'-5 15/16"	TOP TRACK
F	1	1200D-54	2'-5 7/8"	STRAP
G	1	1200D-54	2'-5 13/16"	STRAP
H	2	750T300-68	10 1/16"	BLOCK
I	2	750T300-68	7 3/16"	BLOCK

22-6086

Jewish Home for the Aging

1885 Victory Blvd. Reseda, CA

FrameMax, Inc.
13915 Danielson St
Suite 100
Poway, CA 92064
www.frame-max.com



© FrameMax Inc.

CREATED: 12/02/2008

FM-07-109

CREATED BY: TNT

HEIGHT : 10'-6" POINTS: 1.67 Points.

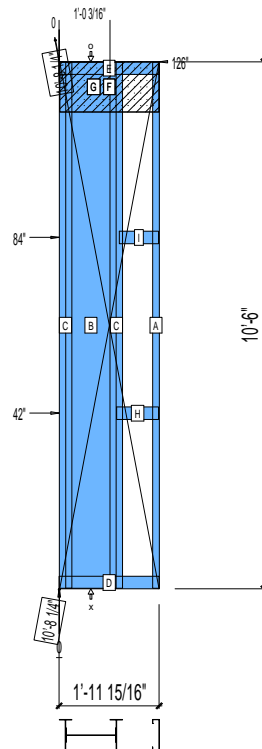
SPACING : 24"

1st STUD: 24"

WEIGHTS :

FRAME : 311 lbs

TOTAL: 311 lbs



PIECES LIST

LABEL	QTY	SIZE	LENGTH	USE
A	1	750S162-54	10'-5 13/16"	STUD
B	1	1200i350p1062	10'-5 13/16"	PACO
C	2	750i300p706	10'-5 13/16"	PACO
D	1	750T300-68	1'-11 15/16"	BOTTOM TRACK
E	1	750T300-68	1'-11 15/16"	TOP TRACK
F	1	1200D-54	1'-11 13/16"	STRAP
G	1	1200D-54	1'-11 3/4"	STRAP
H	1	750T300-68	10"	BLOCK
I	1	750T300-68	9 3/8"	BLOCK

22-6087

Jewish Home for the Aging

1885 Victory Blvd. Reseda, CA

FrameMax, Inc.
13915 Danielson St
Suite 100
Poway, CA 92064
www.frame-max.com



© FrameMax Inc.

CREATED: 12/02/2008

FM-07-109

CREATED BY: TNT

HEIGHT : 10'-6" POINTS: 2.47 Points.

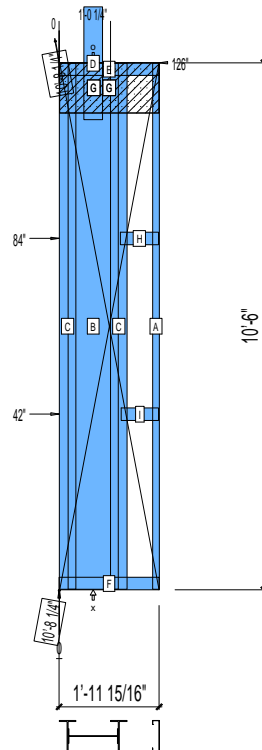
SPACING : 24"

1st STUD: 24"

WEIGHTS :

FRAME : 484 lbs

TOTAL: 484 lbs



PIECES LIST

LABEL	QTY	SIZE	LENGTH	USE
A	1	750S162-54	10'-5 13/16"	STUD
B	1	1200i350p1420	10'-5 13/16"	PACO
C	2	750i400p1268	10'-5 13/16"	PACO
D	1	B	2'-3"	HOLDDOWN
E	1	750T300-68	1'-11 15/16"	TOP TRACK
F	1	750T300-68	1'-11 15/16"	BOTTOM TRACK
G	2	1200D-54	1'-11 13/16"	STRAP
H	1	750T300-68	9 1/8"	BLOCK
I	1	750T300-68	8 7/8"	BLOCK

22-6090

Jewish Home for the Aging

1885 Victory Blvd. Reseda, CA

FM-07-109

CREATED BY: TNT

FrameMax, Inc.
13915 Danielson St
Suite 100
Poway, CA 92064
www.frame-max.com



© FrameMax Inc.

HEIGHT : 10'-6" POINTS: 2.71 Points.

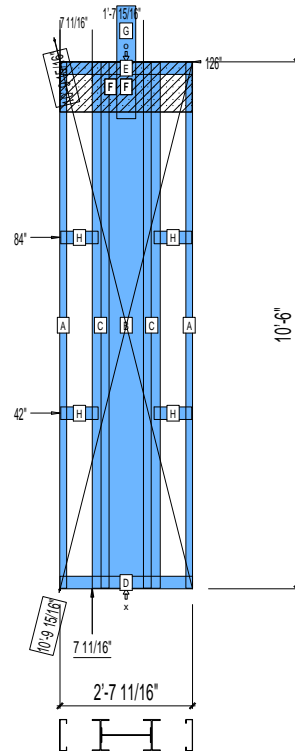
SPACING : 24"

1st STUD: 24"

WEIGHTS :

FRAME : 520 lbs

TOTAL: 520 lbs



PIECES LIST

LABEL	QTY	SIZE	LENGTH	USE
A	2	750S162-54	10'-5 13/16"	STUD
B	1	1200i350p1420	10'-5 13/16"	PACO
C	2	750i400p1268	10'-5 13/16"	PACO
D	1	750T300-68	2'-7 11/16"	BOTTOM TRACK
E	1	750T300-68	2'-7 11/16"	TOP TRACK
F	2	1200D-54	2'-7 5/8"	STRAP
G	1	B	2'-3"	HOLDDOWN
H	4	750T300-68	8 15/16"	BLOCK

22-6093

Jewish Home for the Aging

1885 Victory Blvd. Reseda, CA

FrameMax, Inc.
13915 Danielson St
Suite 100
Poway, CA 92064
www.frame-max.com



© FrameMax Inc.

CREATED: 12/02/2008

FM-07-109

CREATED BY: TNT

HEIGHT : 10'-6" POINTS: 2.54 Points.

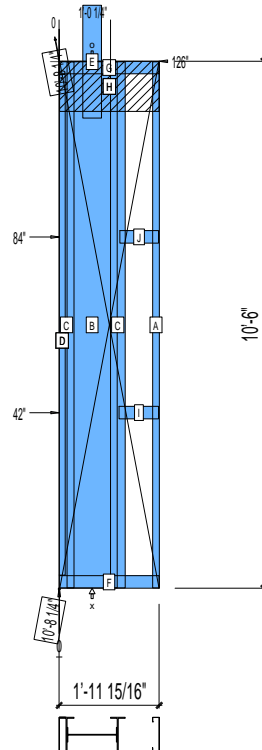
SPACING : 24"

1st STUD: 24"

WEIGHTS :

FRAME : 499 lbs

TOTAL: 499 lbs



PIECES LIST

LABEL	QTY	SIZE	LENGTH	USE
A	1	825S162-54	10'-5 13/16"	STUD
B	1	1200i350p1420	10'-5 13/16"	PACO
C	2	825i350p1247	10'-5 13/16"	PACO
D	1	825T150-54	9'-11 3/4"	CAP TRACK
E	1	B	2'-3"	HOLDDOWN
F	1	825T300-68	1'-11 15/16"	BOTTOM TRACK
G	1	825T300-68	1'-11 15/16"	TOP TRACK
H	1	1200D-54	1'-11 13/16"	STRAP
I	1	825T300-54	9 3/8"	BLOCK
J	1	825T300-54	9 1/4"	BLOCK

22-6100

Jewish Home for the Aging

1885 Victory Blvd. Reseda, CA

FrameMax, Inc.
13915 Danielson St
Suite 100
Poway, CA 92064
www.frame-max.com



© FrameMax Inc.

CREATED: 12/02/2008

FM-07-109

CREATED BY: TNT

HEIGHT : 10'-6" POINTS: 2.54 Points.

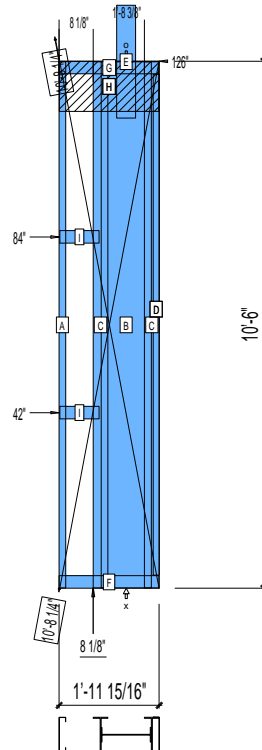
SPACING : 24"

1st STUD: 24"

WEIGHTS :

FRAME : 499 lbs

TOTAL: 499 lbs



PIECES LIST

LABEL	QTY	SIZE	LENGTH	USE
A	1	825S162-54	10'-5 13/16"	STUD
B	1	1200i350p1420	10'-5 13/16"	PACO
C	2	825i350p1247	10'-5 13/16"	PACO
D	1	825T150-54	9'-11 3/4"	CAP TRACK
E	1	B	2'-3"	HOLDDOWN
F	1	825T300-68	1'-11 15/16"	BOTTOM TRACK
G	1	825T300-68	1'-11 15/16"	TOP TRACK
H	1	1200D-54	1'-11 13/16"	STRAP
I	2	825T300-54	9 3/8"	BLOCK

22-6109

Jewish Home for the Aging

1885 Victory Blvd. Reseda, CA

FM-07-109

CREATED BY: TNT

FrameMax, Inc.
13915 Danielson St
Suite 100
Poway, CA 92064
www.frame-max.com



© FrameMax Inc.

HEIGHT : 9'-3 11/16" POINTS: 2.25 Points.

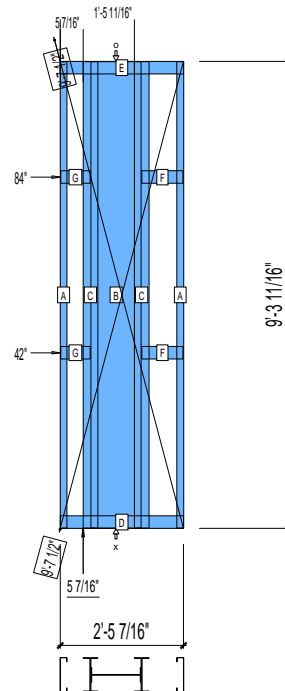
SPACING : 24"

1st STUD: 24"

WEIGHTS :

FRAME : 434 lbs

TOTAL: 434 lbs



**BUNDLE AND SHIP
TO SITE**

PIECES LIST

LABEL	QTY	SIZE	LENGTH	USE
A	2	825S162-54	9'-3 1/2"	STUD
B	1	1200i350p1420	9'-3 1/2"	PACO
C	2	825i350p1247	9'-3 1/2"	PACO
D	1	825T300-68	2'-5 7/16"	BOTTOM TRACK
E	1	825T300-68	2'-5 7/16"	TOP TRACK
F	2	825T300-54	9 3/4"	BLOCK
G	2	825T300-54	7"	BLOCK

22-6121

Jewish Home for the Aging

1885 Victory Blvd. Reseda, CA

FM-07-109

CREATED BY: TNT

FrameMax, Inc.
13915 Danielson St
Suite 100
Poway, CA 92064
www.framemax.com



© FrameMax Inc.

HEIGHT : 10'-6" POINTS: 2.96 Points.

SPACING : 24"

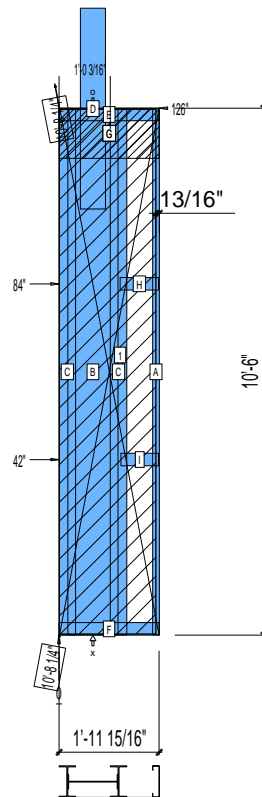
1st STUD: 24"

WEIGHTS :

FRAME : 523 lbs

SHEATHING: 74 lbs

TOTAL: 597 lbs



PIECES LIST

LABEL	QTY	SIZE	LENGTH	USE
A	1	750S162-54	10'-5 13/16"	STUD
B	1	1200i350p1420	10'-5 13/16"	PACO
C	2	750i400p1268	10'-5 13/16"	PACO
D	1	C	4'-0"	HOLDDOWN
E	1	750T300-68	1'-11 15/16"	TOP TRACK
F	1	750T300-68	1'-11 15/16"	BOTTOM TRACK
G	1	1200D-54	1'-11 7/8"	STRAP
H	1	750T300-68	9 1/8"	BLOCK
I	1	750T300-68	8 15/16"	BLOCK

SHEATHING

LABEL	QTY	CODE	THICK	SIZE	SCREWS
1	1	SB-DENSGLOSS	1/2"	1'-11 1/8" X 10'-5 7/16"	2-12

22-6124

Jewish Home for the Aging

1885 Victory Blvd. Reseda, CA

FrameMax, Inc.
13915 Danielson St
Suite 100
Poway, CA 92064
www.frame-max.com



© FrameMax Inc.

CREATED: 12/02/2008

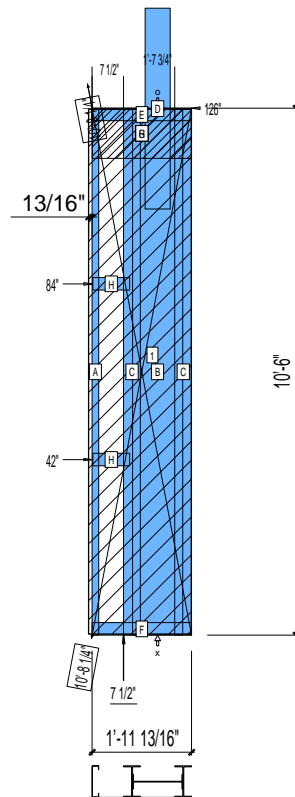
FM-07-109

CREATED BY: TNT

HEIGHT : 10'-6"
POINTS: 2.98 Points.
SPACING : 24"
1st STUD: 24"

WEIGHTS :
FRAME : 523 lbs
SHEATHING: 79 lbs

TOTAL: 602 lbs



PIECES LIST

LABEL	QTY	SIZE	LENGTH	USE
A	1	750S162-54	10'-5 13/16"	STUD
B	1	1200i350p1420	10'-5 13/16"	PACO
C	2	750i400p1268	10'-5 13/16"	PACO
D	1	C	4'-0"	HOLDDOWN
E	1	750T300-68	1'-11 13/16"	TOP TRACK
F	1	750T300-68	1'-11 13/16"	BOTTOM TRACK
G	1	1200D-54	1'-11 3/4"	STRAP
H	2	750T300-68	8 3/4"	BLOCK

SHEATHING

LABEL	QTY	CODE	THICK	SIZE	SCREWS
1	1	SB-DENSGLOSS	1/2"	2'-0 9/16" X 10'-5 7/16"	2-12

22-6130

Jewish Home for the Aging

1885 Victory Blvd. Reseda, CA

FM-07-109

CREATED BY: TNT

FrameMax, Inc.
13915 Danielson St
Suite 100
Poway, CA 92064
www.frame-max.com



© FrameMax Inc.

HEIGHT : 10'-6" POINTS: 3.10 Points.

SPACING : 24"

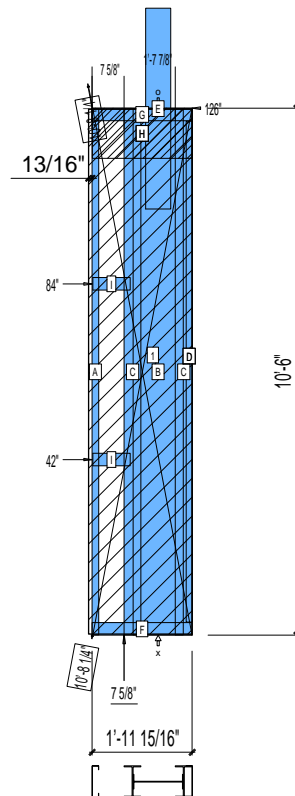
1st STUD: 24"

WEIGHTS :

FRAME : 544 lbs

SHEATHING: 79 lbs

TOTAL: 623 lbs



PIECES LIST

LABEL	QTY	SIZE	LENGTH	USE
A	1	750S162-54	10'-5 13/16"	STUD
B	1	1200i350p1420	10'-5 13/16"	PACO
C	2	750i400p1268	10'-5 13/16"	PACO
D	1	750T150-54	9'-11 3/4"	CAP TRACK
E	1	C	4'-0"	HOLDDOWN
F	1	750T300-68	1'-11 15/16"	BOTTOM TRACK
G	1	750T300-68	1'-11 15/16"	TOP TRACK
H	1	1200D-54	1'-11 7/8"	STRAP
I	2	750T300-68	8 7/8"	BLOCK

SHEATHING

LABEL	QTY	CODE	THICK	SIZE	SCREWS
1	1	SB-DENSGLOSS	1/2"	2'-0 3/4" X 10'-5 7/16"	2-12

22-6133

Jewish Home for the Aging

1885 Victory Blvd. Reseda, CA

FM-07-109

CREATED BY: TNT

FrameMax, Inc.
13915 Danielson St
Suite 100
Poway, CA 92064
www.frame-max.com



© FrameMax Inc.

HEIGHT : 9'-3 11/16" POINTS: 2.25 Points.

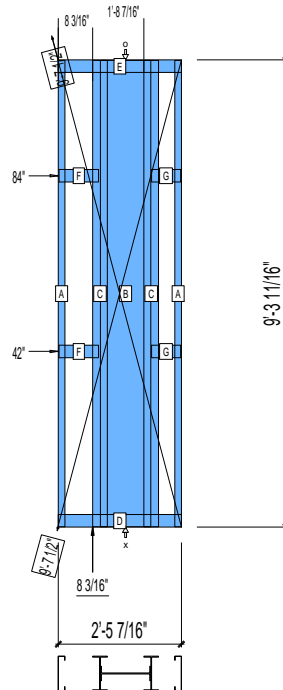
SPACING : 24"

1st STUD: 24"

WEIGHTS :

FRAME : 434 lbs

TOTAL: 434 lbs



BUNDLE AND SHIP TO SITE

PIECES LIST

LABEL	QTY	SIZE	LENGTH	USE
A	2	825S162-54	9'-3 1/2"	STUD
B	1	1200i350p1420	9'-3 1/2"	PACO
C	2	825i350p1247	9'-3 1/2"	PACO
D	1	825T300-68	2'-5 7/16"	BOTTOM TRACK
E	1	825T300-68	2'-5 7/16"	TOP TRACK
F	2	825T300-54	9 7/16"	BLOCK
G	2	825T300-54	7"	BLOCK

22-6139

Jewish Home for the Aging

1885 Victory Blvd. Reseda, CA

FM-07-109

CREATED BY: TNT

FrameMax, Inc.
13915 Danielson St
Suite 100
Poway, CA 92064
www.frame-max.com



© FrameMax Inc.

HEIGHT : 10'-6" POINTS: 2.69 Points.

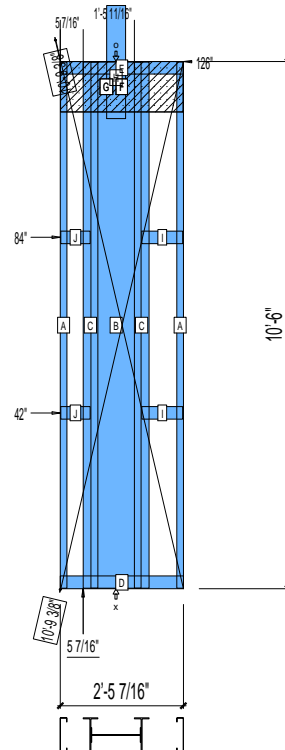
SPACING : 24"

1st STUD: 24"

WEIGHTS :

FRAME : 515 lbs

TOTAL: 515 lbs



PIECES LIST

LABEL	QTY	SIZE	LENGTH	USE
A	2	825S162-54	10'-5 13/16"	STUD
B	1	1200i350p1420	10'-5 13/16"	PACO
C	2	825i350p1247	10'-5 13/16"	PACO
D	1	825T300-68	2'-5 7/16"	BOTTOM TRACK
E	1	825T300-68	2'-5 7/16"	TOP TRACK
F	1	1200D-54	2'-5 3/8"	STRAP
G	1	1200D-54	2'-5 5/16"	STRAP
H	1	B	2'-3"	HOLDDOWN
I	2	825T300-54	9 3/4"	BLOCK
J	2	825T300-54	7"	BLOCK

22-6140

Jewish Home for the Aging

1885 Victory Blvd. Reseda, CA

FM-07-109

CREATED BY: TNT

FrameMax, Inc.
13915 Danielson St
Suite 100
Poway, CA 92064
www.frame-max.com



© FrameMax Inc.

HEIGHT : 10'-6" POINTS: 2.62 Points.

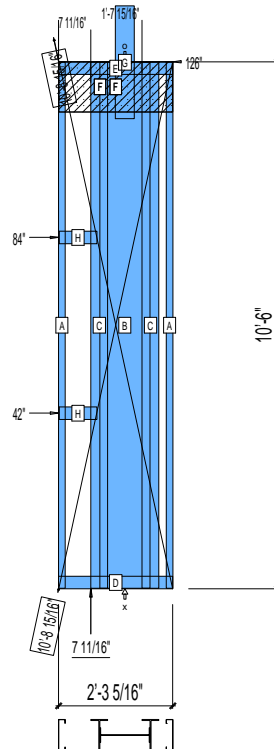
SPACING : 24"

1st STUD: 24"

WEIGHTS :

FRAME : 510 lbs

TOTAL: 510 lbs



PIECES LIST

LABEL	QTY	SIZE	LENGTH	USE
A	2	750S162-54	10'-5 13/16"	STUD
B	1	1200i350p1420	10'-5 13/16"	PACO
C	2	750i400p1268	10'-5 13/16"	PACO
D	1	750T300-68	2'-3 5/16"	BOTTOM TRACK
E	1	750T300-68	2'-3 5/16"	TOP TRACK
F	2	1200D-54	2'-3 1/4"	STRAP
G	1	B	2'-3"	HOLDDOWN
H	2	750T300-68	8 15/16"	BLOCK

22-6145

Jewish Home for the Aging

1885 Victory Blvd. Reseda, CA

FM-07-109

CREATED BY: TNT

FrameMax, Inc.
13915 Danielson St
Suite 100
Poway, CA 92064
www.frame-max.com



© FrameMax Inc.

HEIGHT : 10'-6" POINTS: 2.70 Points.

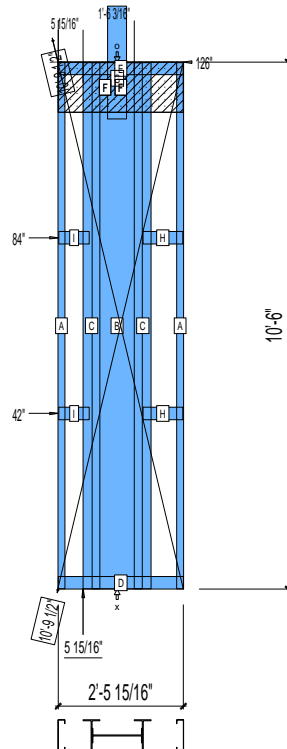
SPACING : 24"

1st STUD: 24"

WEIGHTS :

FRAME : 517 lbs

TOTAL: 517 lbs



PIECES LIST

LABEL	QTY	SIZE	LENGTH	USE
A	2	750S162-54	10'-5 13/16"	STUD
B	1	1200i350p1420	10'-5 13/16"	PACO
C	2	750i400p1268	10'-5 13/16"	PACO
D	1	750T300-68	2'-5 15/16"	BOTTOM TRACK
E	1	750T300-68	2'-5 15/16"	TOP TRACK
F	2	1200D-54	2'-5 7/8"	STRAP
G	1	B	2'-3"	HOLDDOWN
H	2	750T300-68	9 1/2"	BLOCK
I	2	750T300-68	7 3/16"	BLOCK

22-6146

Jewish Home for the Aging

1885 Victory Blvd. Reseda, CA

FM-07-109

CREATED BY: TNT

FrameMax, Inc.
13915 Danielson St
Suite 100
Poway, CA 92064
www.frame-max.com

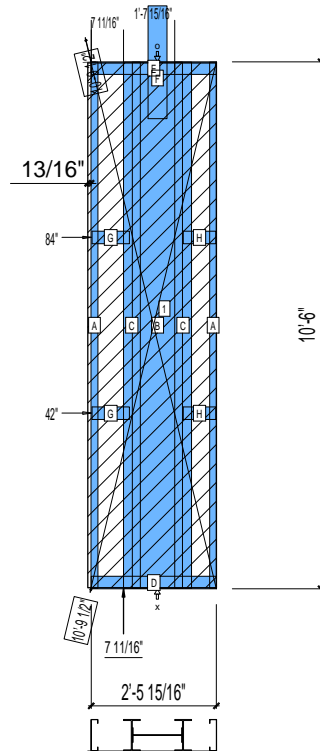


© FrameMax Inc.

HEIGHT : 10'-6"
POINTS: 3.05 Points.
SPACING : 24"
1st STUD: 24"

WEIGHTS :
FRAME : 505 lbs
SHEATHING: 99 lbs

TOTAL: 604 lbs



PIECES LIST

LABEL	QTY	SIZE	LENGTH	USE
A	2	750S162-54	10'-5 13/16"	STUD
B	1	1200i350p1420	10'-5 13/16"	PACO
C	2	750i400p1268	10'-5 13/16"	PACO
D	1	750T300-68	2'-5 15/16"	BOTTOM TRACK
E	1	750T300-68	2'-5 15/16"	TOP TRACK
F	1	B	2'-3"	HOLDDOWN
G	2	750T300-68	8 15/16"	BLOCK
H	2	750T300-68	7 3/4"	BLOCK

SHEATHING

LABEL	QTY	CODE	THICK	SIZE	SCREWS
1	1	SB-DENSGLOSS	1/2"	2'-6 3/4" X 10'-5 7/16"	2-12

22-6151

Jewish Home for the Aging

1885 Victory Blvd. Reseda, CA

FrameMax, Inc.
13915 Danielson St
Suite 100
Poway, CA 92064
www.frame-max.com



© FrameMax Inc.

CREATED: 12/02/2008

FM-07-109

CREATED BY: TNT

HEIGHT : 10'-6" POINTS: 2.84 Points.

SPACING : 24"

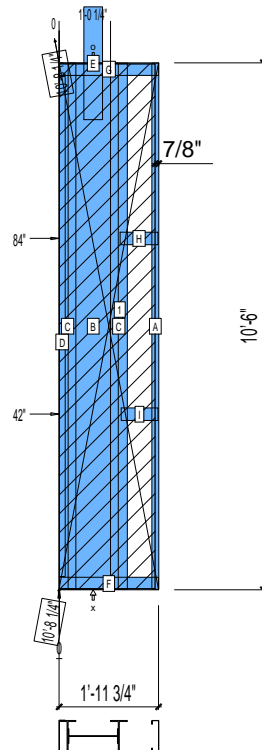
1st STUD: 24"

WEIGHTS :

FRAME : 495 lbs

SHEATHING: 74 lbs

TOTAL: 569 lbs



PIECES LIST

LABEL	QTY	SIZE	LENGTH	USE
A	1	750S162-54	10'-5 13/16"	STUD
B	1	1200i350p1420	10'-5 13/16"	PACO
C	2	750i400p1268	10'-5 13/16"	PACO
D	1	750T150-54	9'-11 5/8"	CAP TRACK
E	1	B	2'-3"	HOLDDOWN
F	1	750T300-68	1'-11 3/4"	BOTTOM TRACK
G	1	750T300-68	1'-11 3/4"	TOP TRACK
H	1	750T300-68	9 1/16"	BLOCK
I	1	750T300-68	8 3/4"	BLOCK

SHEATHING

LABEL	QTY	CODE	THICK	SIZE	SCREWS
1	1	SB-DENSGLOSS	1/2"	1'-10 15/16" X 10'-5 7/16"	2-12

22-6152

Jewish Home for the Aging

1885 Victory Blvd. Reseda, CA

FM-07-109

CREATED BY: TNT

FrameMax, Inc.
13915 Danielson St
Suite 100
Poway, CA 92064
www.frame-max.com

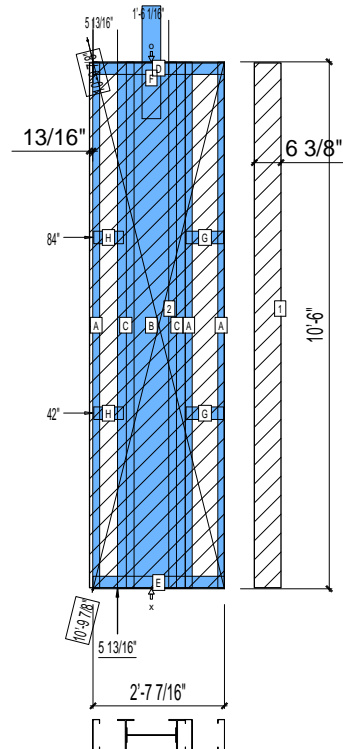


© FrameMax Inc.

HEIGHT : 10'-6"
POINTS: 3.29 Points.
SPACING : 24"
1st STUD: 24"

WEIGHTS :
FRAME : 529 lbs
SHEATHING: 124 lbs

TOTAL: 653 lbs



PIECES LIST

LABEL	QTY	SIZE	LENGTH	USE
A	3	750S162-54	10'-5 13/16"	STUD
B	1	1200i350p1420	10'-5 13/16"	PACO
C	2	750i400p1268	10'-5 13/16"	PACO
D	1	750T300-68	2'-7 7/16"	TOP TRACK
E	1	750T300-68	2'-7 7/16"	BOTTOM TRACK
F	1	B	2'-3"	HOLDDOWN
G	2	750T300-68	9"	BLOCK
H	2	750T300-68	7 1/16"	BLOCK

SHEATHING

LABEL	QTY	CODE	THICK	SIZE	SCREWS
1	1	SB-DENSGLOSS	1/2"	6 3/8" X 10'-5 7/16"	2-12
2	1	SB-DENSGLOSS	1/2"	2'-8 1/4" X 10'-5 7/16"	2-12

22-6155

Jewish Home for the Aging

1885 Victory Blvd. Reseda, CA

FrameMax, Inc.
13915 Danielson St
Suite 100
Poway, CA 92064
www.frame-max.com



© FrameMax Inc.

CREATED: 12/02/2008

FM-07-109

CREATED BY: TNT

HEIGHT : 10'-6" POINTS: 2.73 Points.

SPACING : 24"

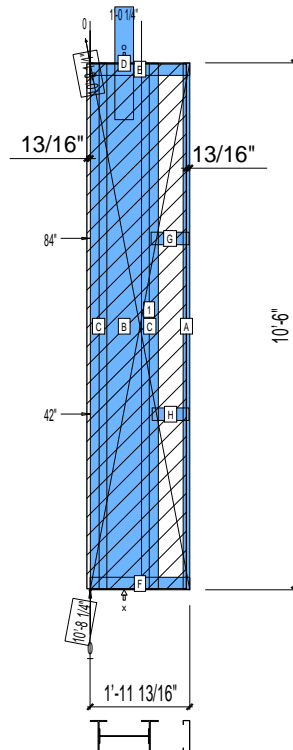
1st STUD: 24"

WEIGHTS :

FRAME : 474 lbs

SHEATHING: 76 lbs

TOTAL: 550 lbs



PIECES LIST

LABEL	QTY	SIZE	LENGTH	USE
A	1	750S162-54	10'-5 13/16"	STUD
B	1	1200i350p1420	10'-5 13/16"	PACO
C	2	750i400p1268	10'-5 13/16"	PACO
D	1	B	2'-3"	HOLDDOWN
E	1	750T300-68	1'-11 13/16"	TOP TRACK
F	1	750T300-68	1'-11 13/16"	BOTTOM TRACK
G	1	750T300-68	9 1/16"	BLOCK
H	1	750T300-68	8 3/4"	BLOCK

SHEATHING

LABEL	QTY	CODE	THICK	SIZE	SCREWS
1	1	SB-DENSGLOSS	1/2"	1'-11 13/16" X 10'-5 7/16"	2-12