

23-1001

Jewish Home for the Aging

1885 Victory Blvd. Reseda, CA

FrameMax, Inc.
13915 Danielson St
Suite 100
Poway, CA 92064
www.frame-max.com



© FrameMax Inc.

CREATED: 12/11/2008

FM-07-109

CREATED BY: TNT

HEIGHT : 10'-6" POINTS: 0.41 Points.

SPACING : 5000"

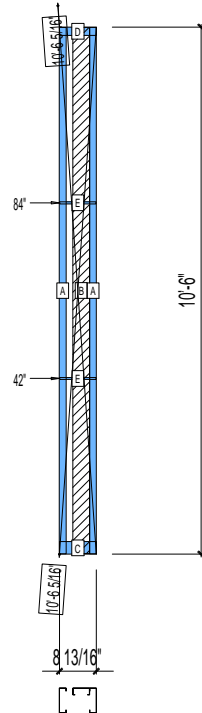
1st STUD: 5000"

APPROVED
By TNT at 2:46 pm, Dec 15, 2008

WEIGHTS :

FRAME : 53 lbs

TOTAL: 53 lbs



PIECES LIST

LABEL	QTY	SIZE	LENGTH	USE
A	2	600S162-54	10'-5 13/16"	STUD
B	1	400S162-33	10'-5 13/16"	BACKER-U
C	1	600T300-54	8 13/16"	BOTTOM TRACK
D	1	600T200-54	8 13/16"	TOP TRACK
E	2	150U50-54	8 5/8"	HORIZONTAL BRACING

23-1002

Jewish Home for the Aging

1885 Victory Blvd. Reseda, CA

FrameMax, Inc.
13915 Danielson St
Suite 100
Poway, CA 92064
www.frame-max.com



© FrameMax Inc.

CREATED: 12/11/2008

FM-07-109

CREATED BY: TNT

HEIGHT : 10'-6" POINTS: 1.31 Points.

SPACING : 5000"

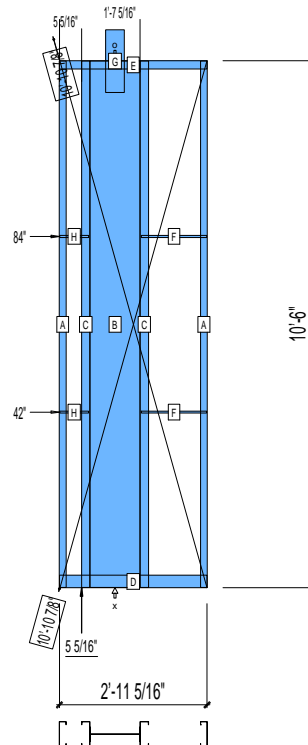
1st STUD: 5000"

APPROVED
By TNT at 2:46 pm, Dec 15, 2008

WEIGHTS :

FRAME : 219 lbs

TOTAL: 219 lbs



PIECES LIST

LABEL	QTY	SIZE	LENGTH	USE
A	2	600S162-54	10'-5 13/16"	STUD
B	1	1200i350p1062	10'-5 13/16"	PACO
C	2	600S200-54	10'-5 13/16"	STUD
D	1	600T300-54	2'-11 5/16"	BOTTOM TRACK
E	1	600T200-54	2'-11 5/16"	TOP TRACK
F	2	150U50-54	1'-3 5/8"	HORIZONTAL BRACING
G	1	A	1'-3"	HOLDDOWN
H	2	150U50-54	6 7/8"	HORIZONTAL BRACING

23-1003

Jewish Home for the Aging

1885 Victory Blvd. Reseda, CA

FrameMax, Inc.
13915 Danielson St
Suite 100
Poway, CA 92064
www.frame-max.com



© FrameMax Inc.

CREATED: 12/12/2008

FM-07-109

CREATED BY: TNT

HEIGHT : 9'-5 5/8" POINTS: 1.94 Points.

SPACING : 5000"

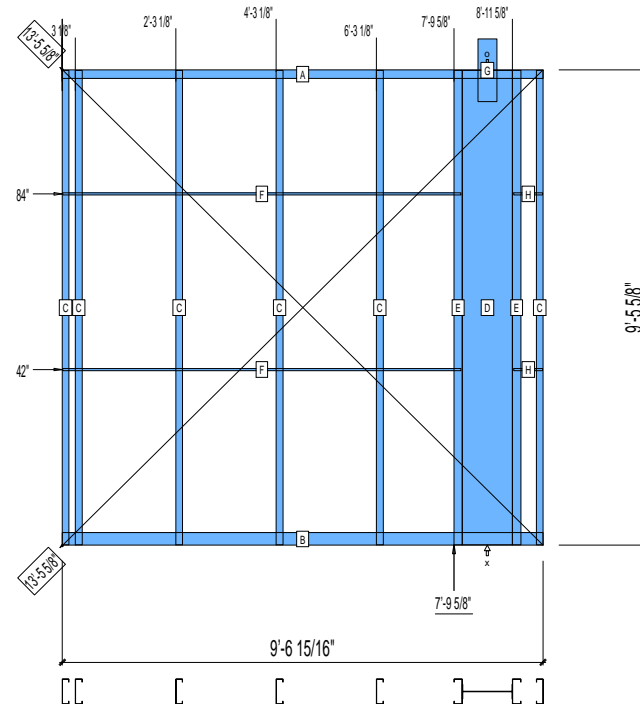
1st STUD: 5000"

APPROVED
By TNT at 2:46 pm, Dec 15, 2008

WEIGHTS :

FRAME : 307 lbs

TOTAL: 307 lbs



PIECES LIST

LABEL	QTY	SIZE	LENGTH	USE
A	1	600T200-54	9'-6 15/16"	TOP TRACK
B	1	600T300-54	9'-6 15/16"	BOTTOM TRACK
C	6	600S162-54	9'-5 7/16"	STUD
D	1	1200i350p1062	9'-5 7/16"	PACO
E	2	600S200-54	9'-5 7/16"	STUD
F	2	150U50-54	7'-11 1/4"	HORIZONTAL BRACING
G	1	A	1'-3"	HOLDDOWN
H	2	150U50-54	6 7/8"	HORIZONTAL BRACING

23-1004

Jewish Home for the Aging

1885 Victory Blvd. Reseda, CA

FrameMax, Inc.
13915 Danielson St
Suite 100
Poway, CA 92064
www.frame-max.com



© FrameMax Inc.

CREATED: 12/11/2008

FM-07-109

CREATED BY: TNT

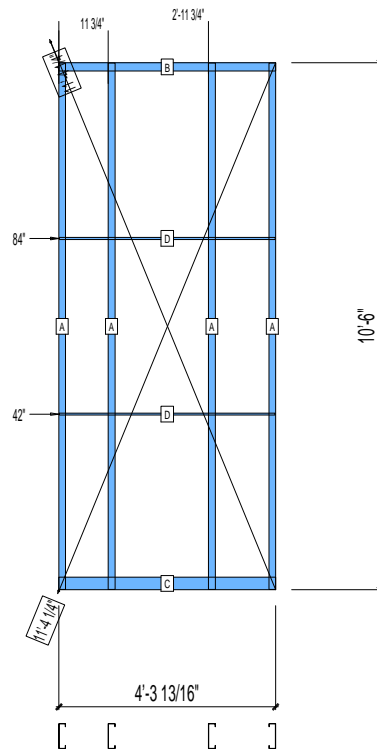
HEIGHT : 10'-6"
SPACING : 5000"
1st STUD: 5000"

POINTS: 0.73 Points.

APPROVED
By TNT at 2:46 pm, Dec 15, 2008

WEIGHTS :
FRAME : 102 lbs

TOTAL: 102 lbs



PIECES LIST

LABEL	QTY	SIZE	LENGTH	USE
A	4	600S162-54	10'-5 13/16"	STUD
B	1	600T200-54	4'-3 13/16"	TOP TRACK
C	1	600T300-54	4'-3 13/16"	BOTTOM TRACK
D	2	150U50-54	4'-3 5/8"	HORIZONTAL BRACING

23-1005

Jewish Home for the Aging

1885 Victory Blvd. Reseda, CA

FrameMax, Inc.
13915 Danielson St
Suite 100
Poway, CA 92064
www.frame-max.com



© FrameMax Inc.

CREATED: 12/11/2008

FM-07-109

CREATED BY: TNT

HEIGHT : 10'-6" POINTS: 0.34 Points.

SPACING : 5000"

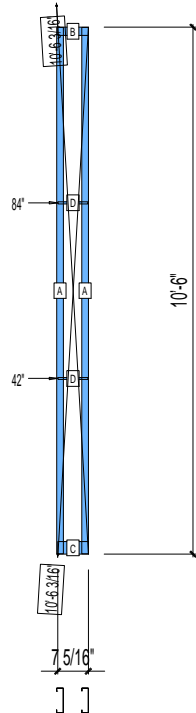
1st STUD: 5000"

APPROVED
By TNT at 2:46 pm, Dec 15, 2008

WEIGHTS :

FRAME : 43 lbs

TOTAL: 43 lbs



PIECES LIST

LABEL	QTY	SIZE	LENGTH	USE
A	2	600S162-54	10'-5 13/16"	STUD
B	1	600T200-54	7 5/16"	TOP TRACK
C	1	600T300-54	7 5/16"	BOTTOM TRACK
D	2	150U50-54	7 1/8"	HORIZONTAL BRACING

23-1006

Jewish Home for the Aging

1885 Victory Blvd. Reseda, CA

FrameMax, Inc.
13915 Danielson St
Suite 100
Poway, CA 92064
www.framemax.com



© FrameMax Inc.

CREATED: 12/12/2008

FM-07-109

CREATED BY: TNT

HEIGHT : 10'-6" POINTS: 1.98 Points.

SPACING : 5000"

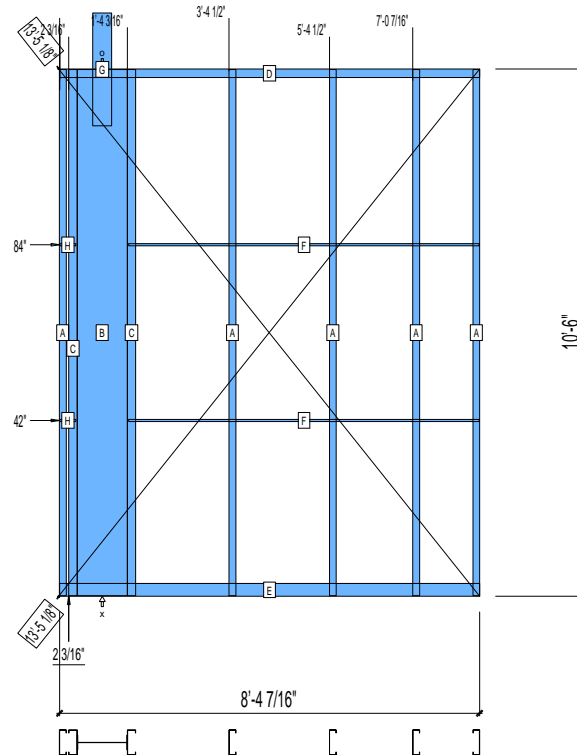
1st STUD: 5000"

APPROVED
By TNT at 2:46 pm, Dec 15, 2008

WEIGHTS :

FRAME : 326 lbs

TOTAL: 326 lbs



PIECES LIST

LABEL	QTY	SIZE	LENGTH	USE
A	5	600S162-54	10'-5 13/16"	STUD
B	1	1200i350p1062	10'-5 13/16"	PACO
C	2	600S200-68	10'-5 13/16"	STUD
D	1	600T200-54	8'-4 7/16"	TOP TRACK
E	1	600T300-54	8'-4 7/16"	BOTTOM TRACK
F	2	150U50-54	6'-11 13/16"	HORIZONTAL BRACING
G	1	B	2'-3"	HOLDDOWN
H	2	150U50-54	3 13/16"	HORIZONTAL BRACING

23-1007

Jewish Home for the Aging

1885 Victory Blvd. Reseda, CA

FM-07-109

CREATED BY: TNT

FrameMax, Inc.
13915 Danielson St
Suite 100
Poway, CA 92064
www.framemax.com



© FrameMax Inc.

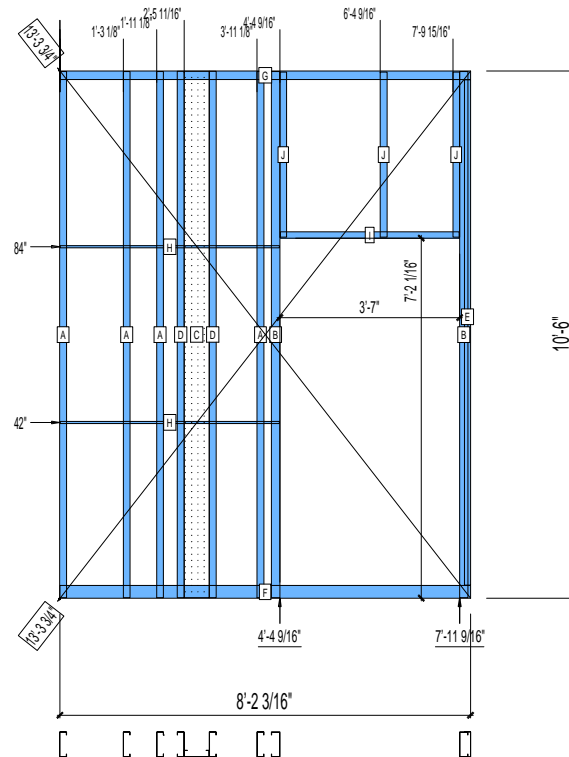
HEIGHT : 10'-6"
SPACING : 5000"
1st STUD: 16"

POINTS: 1.67 Points.

APPROVED
By TNT at 2:46 pm, Dec 15, 2008

WEIGHTS :
FRAME : 246 lbs

TOTAL: 246 lbs



PIECES LIST

LABEL	QTY	SIZE	LENGTH	USE
A	4	600S162-54	10'-5 13/16"	STUD
B	2	600S200-68	10'-5 13/16"	KING STUD
C	1	600S162-33	10'-5 13/16"	BACKER-U
D	2	600S162-33	10'-5 13/16"	BACKER STUD
E	1	600T150-33	10'-0 7/8"	CAP TRACK
F	1	600T300-54	8'-2 3/16"	BOTTOM TRACK
G	1	600T200-54	8'-2 3/16"	TOP TRACK
H	2	150U50-54	4'-4 3/8"	HORIZONTAL BRACING
I	1	600T150-54	3'-6 3/4"	HEAD TRACK
J	3	600S162-54	3'-3 1/2"	CRIPPLE

23-1008

Jewish Home for the Aging

1885 Victory Blvd. Reseda, CA

FM-07-109

CREATED BY: TNT

FrameMax, Inc.
13915 Danielson St
Suite 100
Poway, CA 92064
www.frame-max.com



© FrameMax Inc.

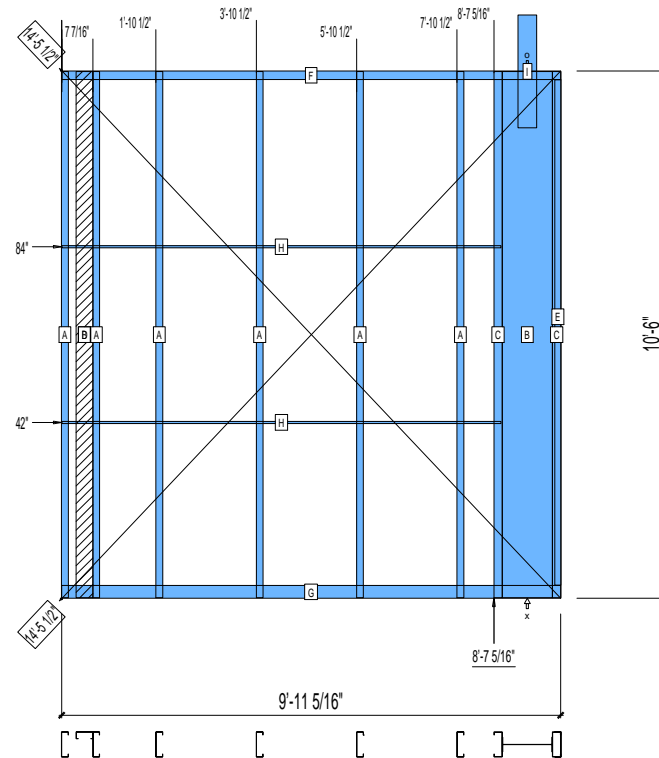
HEIGHT : 10'-6"
SPACING : 5000"
1st STUD: 5000"

POINTS: 2.28 Points.

APPROVED
By TNT at 2:46 pm, Dec 15, 2008

WEIGHTS :
FRAME : 381 lbs

TOTAL: 381 lbs



PIECES LIST

LABEL	QTY	SIZE	LENGTH	USE
A	6	600S162-54	10'-5 13/16"	STUD
B	1	1200i350p1062	10'-5 13/16"	PACO
C	2	600S200-68	10'-5 13/16"	STUD
D	1	400S162-33	10'-5 13/16"	BACKER-U
E	1	600T150-54	10'-0 7/8"	CAP TRACK
F	1	600T200-54	9'-11 5/16"	TOP TRACK
G	1	600T300-54	9'-11 5/16"	BOTTOM TRACK
H	2	150U50-54	8'-8 15/16"	HORIZONTAL BRACING
I	1	B	2'-3"	HOLDDOWN

23-1009

Jewish Home for the Aging

1885 Victory Blvd. Reseda, CA

FrameMax, Inc.
13915 Danielson St
Suite 100
Poway, CA 92064
www.frame-max.com



© FrameMax Inc.

CREATED: 12/12/2008

FM-07-109

CREATED BY: TNT

HEIGHT : 10'-6" POINTS: 0.62 Points.

SPACING : 5000"

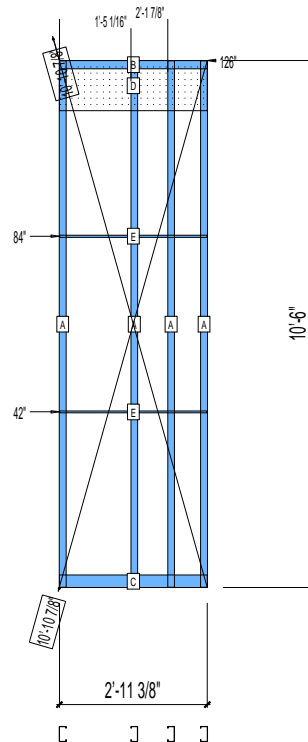
1st STUD: 5000"

APPROVED
By TNT at 2:46 pm, Dec 15, 2008

WEIGHTS :

FRAME : 80 lbs

TOTAL: 80 lbs



PIECES LIST

LABEL	QTY	SIZE	LENGTH	USE
A	4	362S162-54	10'-5 13/16"	STUD
B	1	362T200-54	2'-11 3/8"	TOP TRACK
C	1	362T300-54	2'-11 3/8"	BOTTOM TRACK
D	1	1200D-54	2'-11 5/16"	STRAP
E	2	150U50-54	2'-11 3/16"	HORIZONTAL BRACING

23-1010

Jewish Home for the Aging

1885 Victory Blvd. Reseda, CA

FrameMax, Inc.
13915 Danielson St
Suite 100
Poway, CA 92064
www.frame-max.com



© FrameMax Inc.

CREATED: 12/12/2008

FM-07-109

CREATED BY: TNT

HEIGHT : 9'-5 5/8" POINTS: 1.06 Points.

SPACING : 5000"

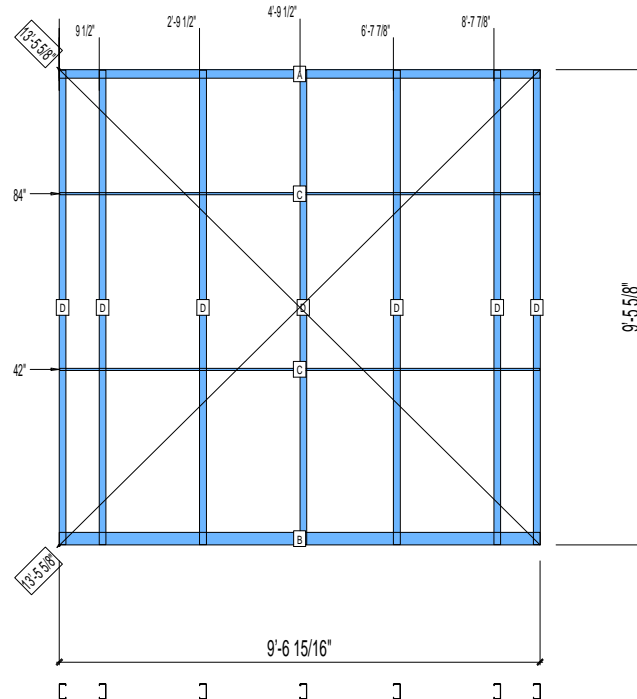
1st STUD: 5000"

APPROVED
By TNT at 2:46 pm, Dec 15, 2008

WEIGHTS :

FRAME : 137 lbs

TOTAL: 137 lbs



PIECES LIST

LABEL	QTY	SIZE	LENGTH	USE
A	1	362T200-54	9'-6 15/16"	TOP TRACK
B	1	362T300-54	9'-6 15/16"	BOTTOM TRACK
C	2	150U50-54	9'-6 3/4"	HORIZONTAL BRACING
D	7	362S162-54	9'-5 7/16"	STUD

23-1011

Jewish Home for the Aging

1885 Victory Blvd. Reseda, CA

FrameMax, Inc.
13915 Danielson St
Suite 100
Poway, CA 92064
www.frame-max.com



© FrameMax Inc.

CREATED: 12/12/2008

FM-07-109

CREATED BY: TNT

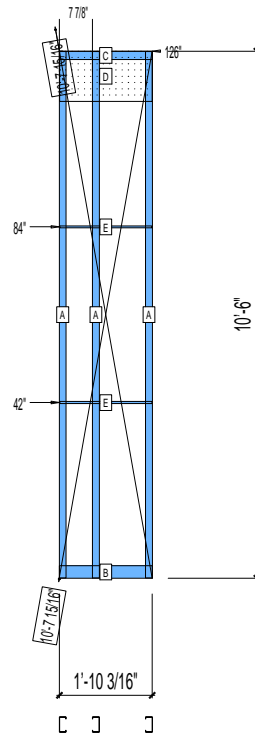
HEIGHT : 10'-6"
SPACING : 5000"
1st STUD: 5000"

POINTS: 0.47 Points.

APPROVED
By TNT at 2:46 pm, Dec 15, 2008

WEIGHTS :
FRAME : 58 lbs

TOTAL: 58 lbs



PIECES LIST

LABEL	QTY	SIZE	LENGTH	USE
A	3	362S162-54	10'-5 13/16"	STUD
B	1	362T300-54	1'-10 3/16"	BOTTOM TRACK
C	1	362T200-54	1'-10 3/16"	TOP TRACK
D	1	1200D-54	1'-10 1/8"	STRAP
E	2	150U50-54	1'-10"	HORIZONTAL BRACING

23-1012

Jewish Home for the Aging

1885 Victory Blvd. Reseda, CA

FrameMax, Inc.
13915 Danielson St
Suite 100
Poway, CA 92064
www.frame-max.com



© FrameMax Inc.

CREATED: 12/12/2008

FM-07-109

CREATED BY: TNT

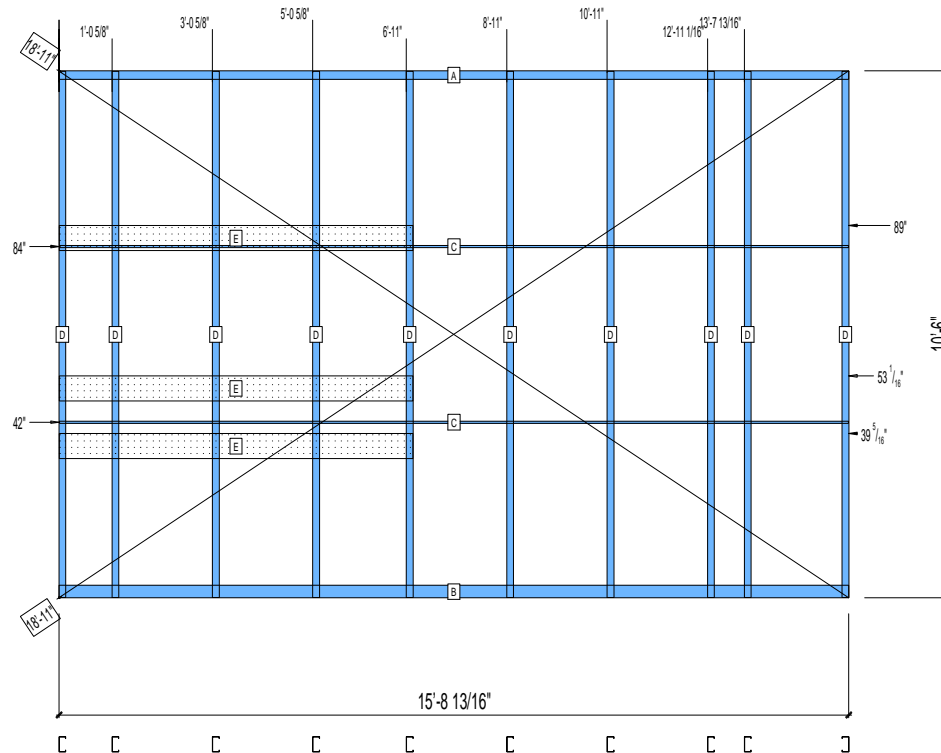
HEIGHT : 10'-6"
SPACING : 5000"
1st STUD: 5000"

POINTS: 1.81 Points.

APPROVED
By TNT at 2:46 pm, Dec 15, 2008

WEIGHTS :
FRAME : 245 lbs

TOTAL: 245 lbs



PIECES LIST

LABEL	QTY	SIZE	LENGTH	USE
A	1	362T200-54	15'-8 13/16"	TOP TRACK
B	1	362T300-54	15'-8 13/16"	BOTTOM TRACK
C	2	150U50-54	15'-8 5/8"	HORIZONTAL BRACING
D	10	362S162-54	10'-5 13/16"	STUD
E	3	600D-54	7'-0 9/16"	KITCHEN BACKING

23-1013

Jewish Home for the Aging

1885 Victory Blvd. Reseda, CA

FrameMax, Inc.
13915 Danielson St
Suite 100
Poway, CA 92064
www.frame-max.com



© FrameMax Inc.

CREATED: 12/11/2008

FM-07-109

CREATED BY: TNT

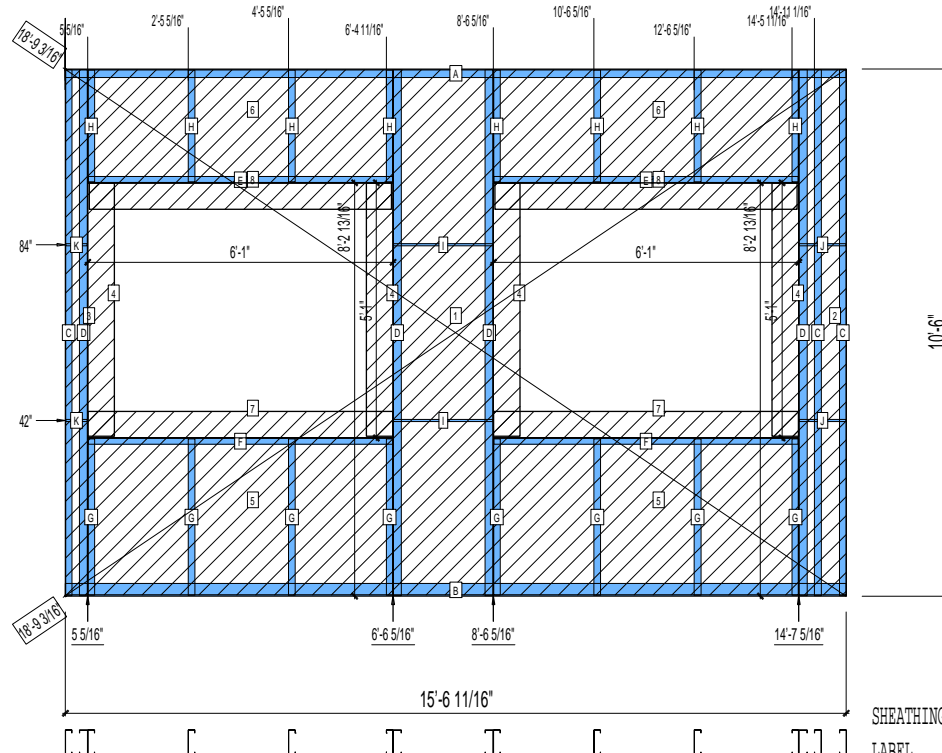
HEIGHT : 10'-6"
SPACING : 5000"
1st STUD: 5000"

POINTS: 4.13 Points.

APPROVED
By TNT at 2:46 pm, Dec 15, 2008

WEIGHTS :
FRAME : 362 lbs
SHEATHING: 310 lbs

TOTAL: 672 lbs



PIECES LIST

LABEL	QTY	SIZE	LENGTH	USE
A	1	600T200-54	15'-6 11/16"	TOP TRACK
B	1	600T300-54	15'-6 11/16"	BOTTOM TRACK
C	3	600S162-54	10'-5 13/16"	STUD
D	4	600S200-68	10'-5 13/16"	KING STUD
E	2	600T150-54	6'-0 3/4"	HEAD TRACK
F	2	600T150-54	6'-0 3/4"	SILL
G	8	600S162-54	3'-1 3/8"	CRIPPLE
H	8	600S162-54	2'-2 3/4"	CRIPPLE
I	2	150U50-54	1'-11 3/4"	HORIZONTAL BRACING
J	2	150U50-54	11 1/8"	HORIZONTAL BRACING
K	2	150U50-54	5 1/8"	HORIZONTAL BRACING

SHEATHING

LABEL	QTY	CODE	THICK	SIZE	SCREWS
1	1	DENSGLASS	1/2"	1'-11 7/8" X 10'-5 9/16"	8 - 12
2	1	DENSGLASS	1/2"	11 1/4" X 10'-5 9/16"	8 - 12
3	1	DENSGLASS	1/2"	5 1/4" X 10'-5 9/16"	8 - 12
4	4	DENSGLASS	1/2"	6 3/8" X 5'-0 1/2"	8 - 12
5	2	DENSGLASS	1/2"	6'-0 7/8" X 3'-1 1/2"	8 - 12
6	2	DENSGLASS	1/2"	6'-0 7/8" X 2'-3"	8 - 12
7	2	DENSGLASS	1/2"	6'-0 7/8" X 6 5/16"	8 - 12
8	2	DENSGLASS	1/2"	6'-0 1/4" X 6 5/16"	8 - 12

23-1014

Jewish Home for the Aging

1885 Victory Blvd. Reseda, CA

FrameMax, Inc.
13915 Danielson St
Suite 100
Poway, CA 92064
www.frame-max.com



© FrameMax Inc.

CREATED: 12/11/2008

FM-07-109

CREATED BY: TNT

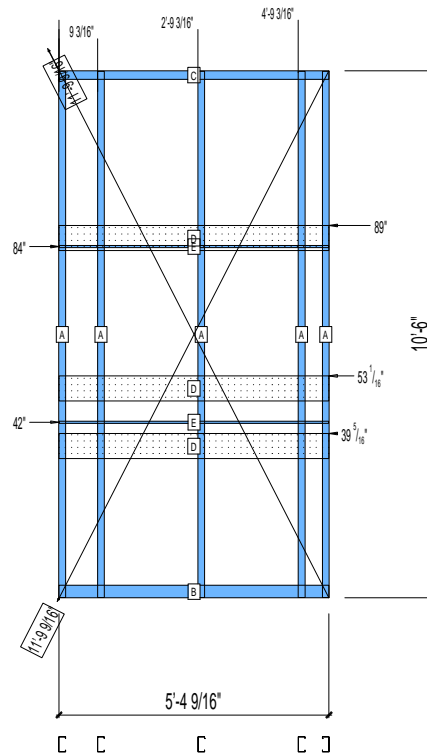
HEIGHT : 10'-6"
SPACING : 5000"
1st STUD: 5000"

POINTS: 0.91 Points.

APPROVED
By TNT at 2:46 pm, Dec 15, 2008

WEIGHTS :
FRAME : 118 lbs

TOTAL: 118 lbs



PIECES LIST

LABEL	QTY	SIZE	LENGTH	USE
A	5	362S162-54	10'-5 13/16"	STUD
B	1	362T300-54	5'-4 9/16"	BOTTOM TRACK
C	1	362T200-54	5'-4 9/16"	TOP TRACK
D	3	600D-54	5'-4 1/2"	KITCHEN BACKING
E	2	150U50-54	5'-4 3/8"	HORIZONTAL BRACING

23-1015

Jewish Home for the Aging

1885 Victory Blvd. Reseda, CA

FrameMax, Inc.
13915 Danielson St
Suite 100
Poway, CA 92064
www.frame-max.com



© FrameMax Inc.

CREATED: 12/11/2008

FM-07-109

CREATED BY: TNT

HEIGHT : 10'-6" POINTS: 0.76 Points.

SPACING : 5000"

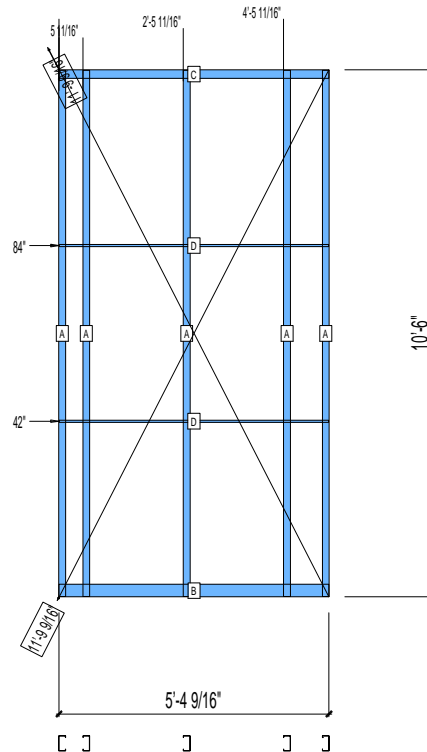
1st STUD: 5000"

APPROVED
By TNT at 2:46 pm, Dec 15, 2008

WEIGHTS :

FRAME : 99 lbs

TOTAL: 99 lbs



PIECES LIST

LABEL	QTY	SIZE	LENGTH	USE
A	5	362S162-54	10'-5 13/16"	STUD
B	1	362T300-54	5'-4 9/16"	BOTTOM TRACK
C	1	362T200-54	5'-4 9/16"	TOP TRACK
D	2	150U50-54	5'-4 3/8"	HORIZONTAL BRACING

23-1016

Jewish Home for the Aging

1885 Victory Blvd. Reseda, CA

FrameMax, Inc.
13915 Danielson St
Suite 100
Poway, CA 92064
www.frame-max.com



© FrameMax Inc.

CREATED: 12/11/2008

FM-07-109

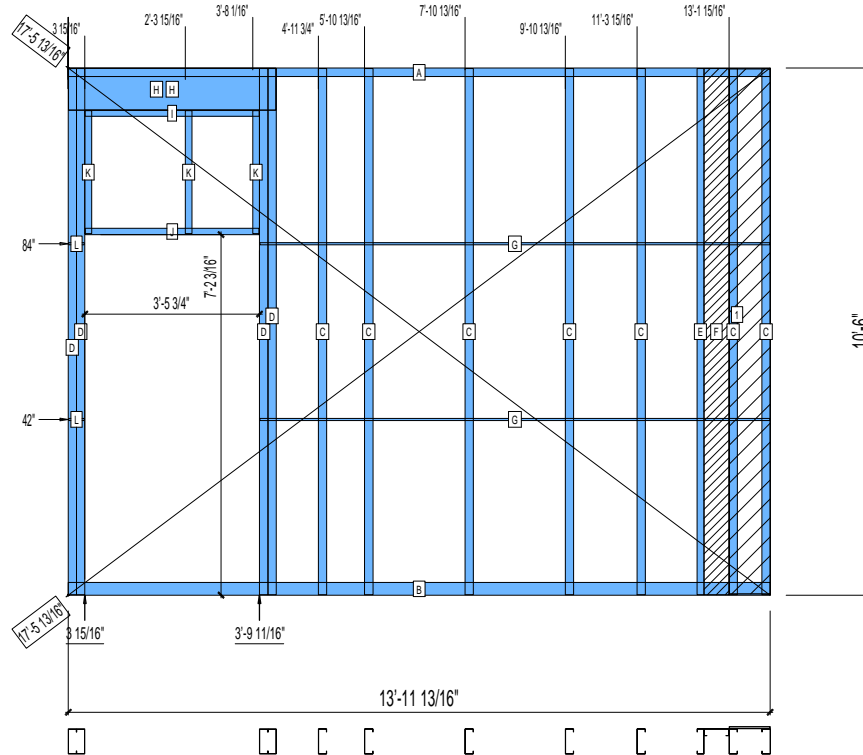
CREATED BY: TNT

HEIGHT : 10'-6"
POINTS: 2.83 Points.
SPACING : 5000"
1st STUD: 5000"

APPROVED
By TNT at 2:46 pm, Dec 15, 2008

WEIGHTS :
FRAME : 414 lbs
SHEATHING: 21 lbs

TOTAL: 435 lbs



PIECES LIST

LABEL	QTY	SIZE	LENGTH	USE
A	1	600T200-54	13'-11 13/16"	TOP TRACK
B	1	600T300-54	13'-11 13/16"	BOTTOM TRACK
C	7	600S200-54	10'-5 13/16"	STUD
D	4	600S200-68	10'-5 13/16"	KING STUD
E	1	600S162-33	10'-5 13/16"	BACKER STUD
F	1	600S162-33	10'-5 13/16"	BACKER-U
G	2	150U50-54	10'-1 7/8"	HORIZONTAL BRACING
H	2	1000S162-68	4'-1 5/8"	HEADER
I	1	600T150-68	3'-5 5/8"	HEADER BOTTOM TRACK
J	1	600T150-54	3'-5 1/2"	HEAD TRACK
K	3	600S162-54	2'-5 7/16"	CRIPPLE
L	2	150U50-54	3 3/4"	HORIZONTAL BRACING

SHEATHING

LABEL	QTY	CODE	THICK	SIZE	SCREWS
1	1	DENSGLOSS	1/2"	9 3/4" X 10'-5 9/16"	8 - 12

23-1017

Jewish Home for the Aging

1885 Victory Blvd. Reseda, CA

FrameMax, Inc.
13915 Danielson St
Suite 100
Poway, CA 92064
www.frame-max.com



© FrameMax Inc.

CREATED: 12/15/2008

FM-07-109

CREATED BY: TNT

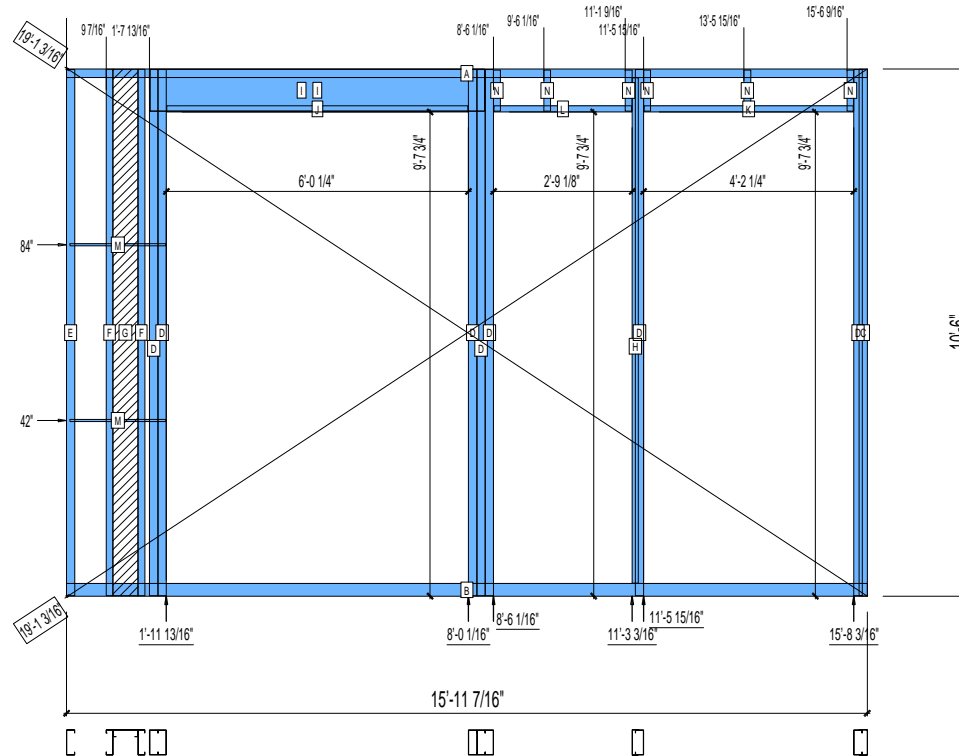
HEIGHT : 10'-6"
SPACING : 5000"
1st STUD: 5000"

POINTS: 2.88 Points.

APPROVED
By TNT at 2:46 pm, Dec 15, 2008

WEIGHTS :
FRAME : 428 lbs

TOTAL: 428 lbs



PIECES LIST

LABEL	QTY	SIZE	LENGTH	USE
A	1	600T200-54	15'-11 7/16"	TOP TRACK
B	1	600T300-54	15'-11 7/16"	BOTTOM TRACK
C	1	600T200-33	10'-5 15/16"	CAP TRACK
D	7	600S200-68	10'-5 13/16"	KING STUD
E	1	600S200-54	10'-5 13/16"	STUD
F	2	600S162-33	10'-5 13/16"	BACKER STUD
G	1	600S162-33	10'-5 13/16"	BACKER-U
H	1	600T150-54	10'-0 7/8"	CAP TRACK
I	2	1000S162-68	6'-8"	HEADER
J	1	600T150-54	6'-0"	HEAD TRACK
K	1	600T150-54	4'-2"	HEAD TRACK
L	1	600T150-54	2'-8 7/8"	HEAD TRACK
M	2	150U50-54	1'-10 7/8"	HORIZONTAL BRACING
N	6	600S162-54	9 13/16"	CRIPPLE

23-1018

Jewish Home for the Aging

1885 Victory Blvd. Reseda, CA

FrameMax, Inc.
13915 Danielson St
Suite 100
Poway, CA 92064
www.frame-max.com



© FrameMax Inc.

CREATED: 12/11/2008

FM-07-109

CREATED BY: TNT

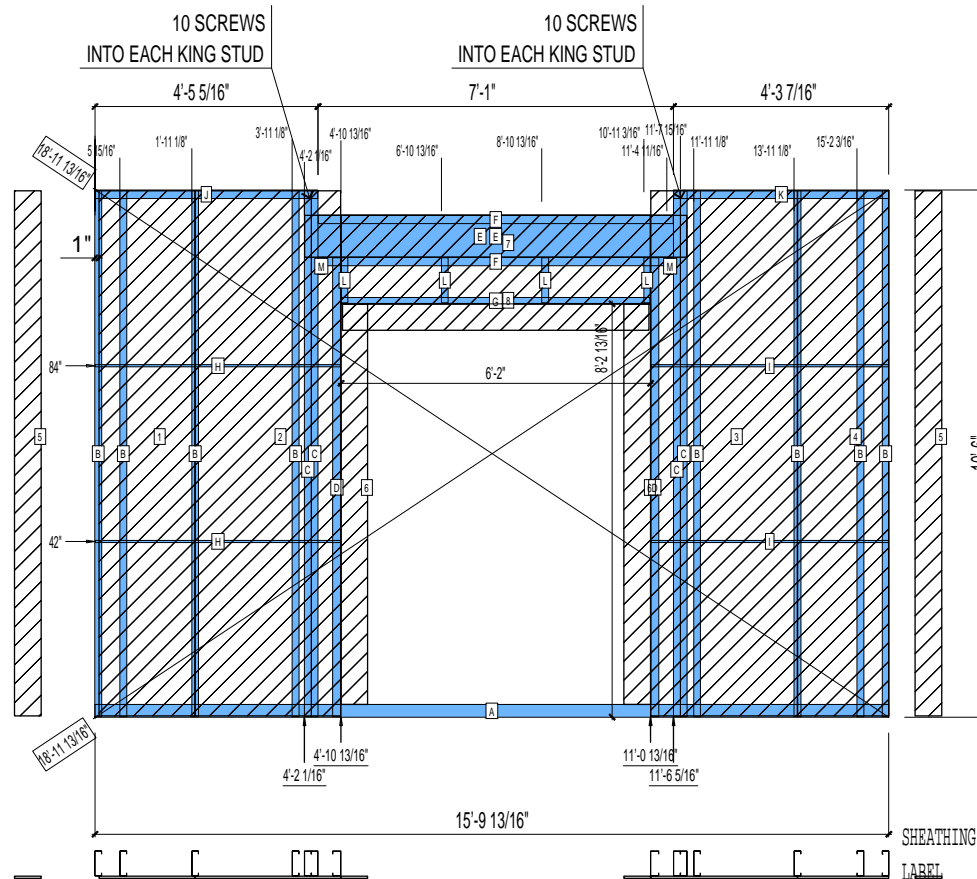
HEIGHT : 10'-6"
SPACING : 5000"
1st STUD: 5000"

POINTS: 4.77 Points.

APPROVED
By TNT at 2:46 pm, Dec 15, 2008

WEIGHTS :
FRAME : 494 lbs
SHEATHING: 334 lbs

TOTAL: 828 lbs



PIECES LIST				
LABEL	QTY	SIZE	LENGTH	USE
A	1	600T300-54	15'-9 13/16"	BOTTOM TRACK
B	8	600S162-54	10'-5 13/16"	STUD
C	4	600S162-68	10'-5 13/16"	EXTRA STUD
D	2	600S200-68	9'-1 3/8"	KING STUD
E	2	1000S200-97	7'-7 3/8"	HEADER
F	2	600T200-54	7'-0 7/8"	TOP TRACK
G	1	600T150-54	6'-1 3/4"	HEAD TRACK
H	2	150U50-54	4'-10 5/8"	HORIZONTAL BRACING
I	2	150U50-54	4'-8 3/4"	HORIZONTAL BRACING
J	1	600T200-54	4'-5 1/4"	TOP TRACK
K	1	600T200-54	4'-3 3/8"	TOP TRACK
L	4	600S162-54	10 13/16"	CRIPPLE
M	2	600S162-54	4"	CRIPPLE

LABEL	QTY	CODE	THICK	SIZE	SCREWS
1	1	DENSGLASS	1/2"	1'-11" X 10'-5 9/16"	8 - 12
2	1	DENSGLASS	1/2"	2'-10 13/16" X 10'-5 9/16"	8 - 12
3	1	DENSGLASS	1/2"	2'-11 1/16" X 10'-5 9/16"	8 - 12
4	1	DENSGLASS	1/2"	1'-9 13/16" X 10'-5 9/16"	8 - 12
5	2	DENSGLASS	1/2"	6 3/8" X 10'-5 9/16"	8 - 12
6	2	DENSGLASS	1/2"	6 3/8" X 7'-11 3/4"	8 - 12
7	1	DENSGLASS	1/2"	6'-1 7/8" X 1'-9 1/16"	8 - 12
8	1	DENSGLASS	1/2"	6'-1 1/4" X 6 5/16"	8 - 12

23-1019

Jewish Home for the Aging

1885 Victory Blvd. Reseda, CA

FrameMax, Inc.
13915 Danielson St
Suite 100
Poway, CA 92064
www.framemax.com



© FrameMax Inc.

CREATED: 12/11/2008

FM-07-109

CREATED BY: TNT

HEIGHT : 10'-6" POINTS: 1.40 Points.

SPACING : 24"

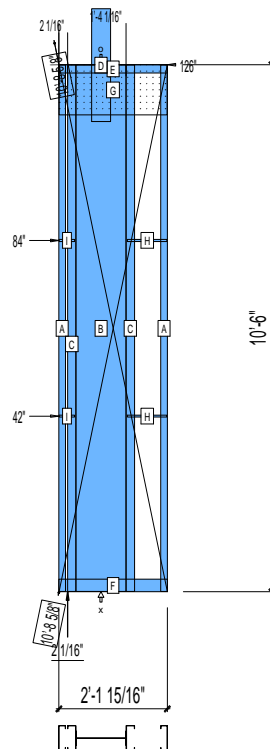
1st STUD: 24"

APPROVED
By TNT at 2:46 pm, Dec 15, 2008

WEIGHTS :

FRAME : 238 lbs

TOTAL: 238 lbs



PIECES LIST

LABEL	QTY	SIZE	LENGTH	USE
A	2	600S162-54	10'-5 13/16"	STUD
B	1	1200i350p1062	10'-5 13/16"	PACO
C	2	600S200-68	10'-5 13/16"	STUD
D	1	B	2'-3"	HOLDDOWN
E	1	600T200-54	2'-1 15/16"	TOP TRACK
F	1	600T300-54	2'-1 15/16"	BOTTOM TRACK
G	1	1200D-54	2'-1 7/8"	STRAP
H	2	150U50-54	9 7/16"	HORIZONTAL BRACING
I	2	150U50-54	3 11/16"	HORIZONTAL BRACING

23-1020

Jewish Home for the Aging

1885 Victory Blvd. Reseda, CA

FM-07-109

CREATED BY: TNT

FrameMax, Inc.
13915 Danielson St
Suite 100
Poway, CA 92064
www.frame-max.com



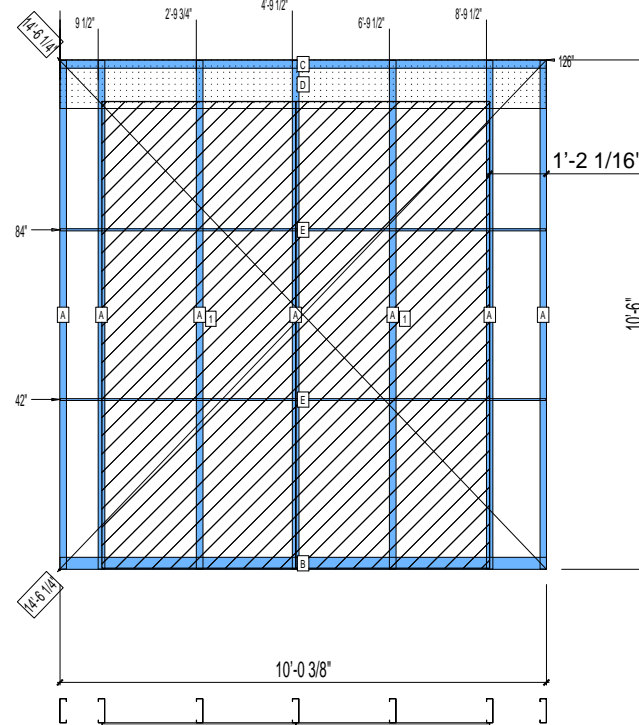
© FrameMax Inc.

APPROVED
By TNT at 2:46 pm, Dec 15, 2008

HEIGHT : 10'-6"
POINTS: 2.73 Points.
SPACING : 5000"
1st STUD: 5000"

WEIGHTS :
FRAME : 216 lbs
SHEATHING: 283 lbs

TOTAL: 499 lbs



PIECES LIST

LABEL	QTY	SIZE	LENGTH	USE
A	7	600S162-54	10'-5 13/16"	STUD
B	1	600T300-54	10'-0 3/8"	BOTTOM TRACK
C	1	600T200-54	10'-0 3/8"	TOP TRACK
D	1	1200D-54	10'-0 5/16"	STRAP
E	2	150U50-54	10'-0 3/16"	HORIZONTAL BRACING

SHEATHING

LABEL	QTY	CODE	THICK	SIZE	SCREWS
1	2	SB-DENSARMOR	5/8"	4'-0" X 9'-7 7/16"	2-12

23-1021

Jewish Home for the Aging

1885 Victory Blvd. Reseda, CA

FrameMax, Inc.
13915 Danielson St
Suite 100
Poway, CA 92064
www.frame-max.com



© FrameMax Inc.

CREATED: 12/11/2008

FM-07-109

CREATED BY: TNT

HEIGHT : 10'-6" POINTS: 0.83 Points.

SPACING : 5000"

1st STUD: 16"

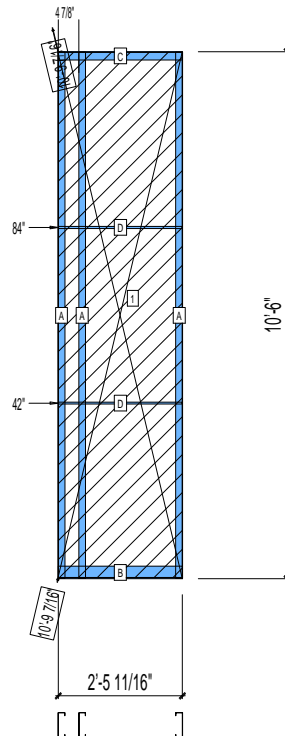
APPROVED
By TNT at 2:46 pm, Dec 15, 2008

WEIGHTS :

FRAME : 73 lbs

SHEATHING: 65 lbs

TOTAL: 138 lbs



PIECES LIST

LABEL	QTY	SIZE	LENGTH	USE
A	3	600S162-54	10'-5 13/16"	STUD
B	1	600T300-54	2'-5 11/16"	BOTTOM TRACK
C	1	600T200-54	2'-5 11/16"	TOP TRACK
D	2	150U50-54	2'-5 1/2"	HORIZONTAL BRACING

SHEATHING

LABEL	QTY	CODE	THICK	SIZE	SCREWS
1	1	DENSGLASS	1/2"	2'-5 5/8" X 10'-5 9/16"	8 - 12

23-1022

Jewish Home for the Aging

1885 Victory Blvd. Reseda, CA

FrameMax, Inc.
13915 Danielson St
Suite 100
Poway, CA 92064
www.frame-max.com



© FrameMax Inc.

CREATED: 12/11/2008

FM-07-109

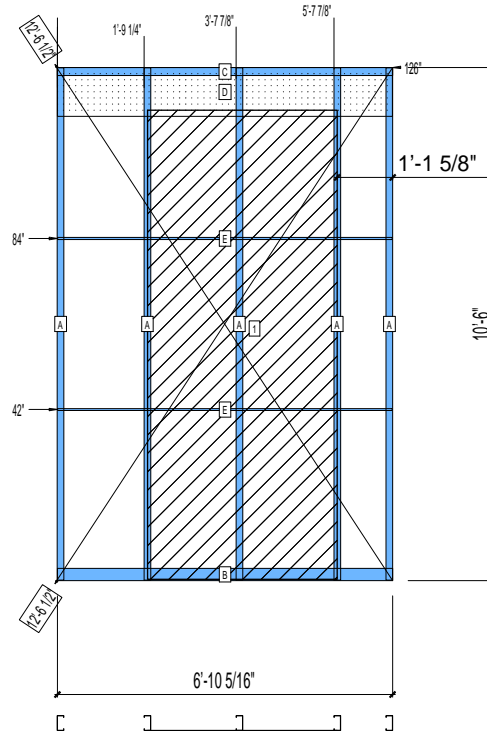
CREATED BY: TNT

APPROVED
By TNT at 2:46 pm, Dec 15, 2008

HEIGHT : 10'-6"
POINTS: 1.53 Points.
SPACING : 5000"
1st STUD: 5000"

WEIGHTS :
FRAME : 122 lbs
SHEATHING: 137 lbs

TOTAL: 259 lbs



PIECES LIST

LABEL	QTY	SIZE	LENGTH	USE
A	5	362S162-54	10'-5 13/16"	STUD
B	1	362T300-54	6'-10 5/16"	BOTTOM TRACK
C	1	362T200-54	6'-10 5/16"	TOP TRACK
D	1	1200D-54	6'-10 1/4"	STRAP
E	2	150U50-54	6'-10 1/8"	HORIZONTAL BRACING

SHEATHING

LABEL	QTY	CODE	THICK	SIZE	SCREWS
1	1	SB-DENSARMOR	5/8"	3'-10 9/16" X	9'-7 3/16" 2-12

23-1023

Jewish Home for the Aging

1885 Victory Blvd. Reseda, CA

FM-07-109

CREATED BY: TNT

FrameMax, Inc.
13915 Danielson St
Suite 100
Poway, CA 92064
www.frame-max.com



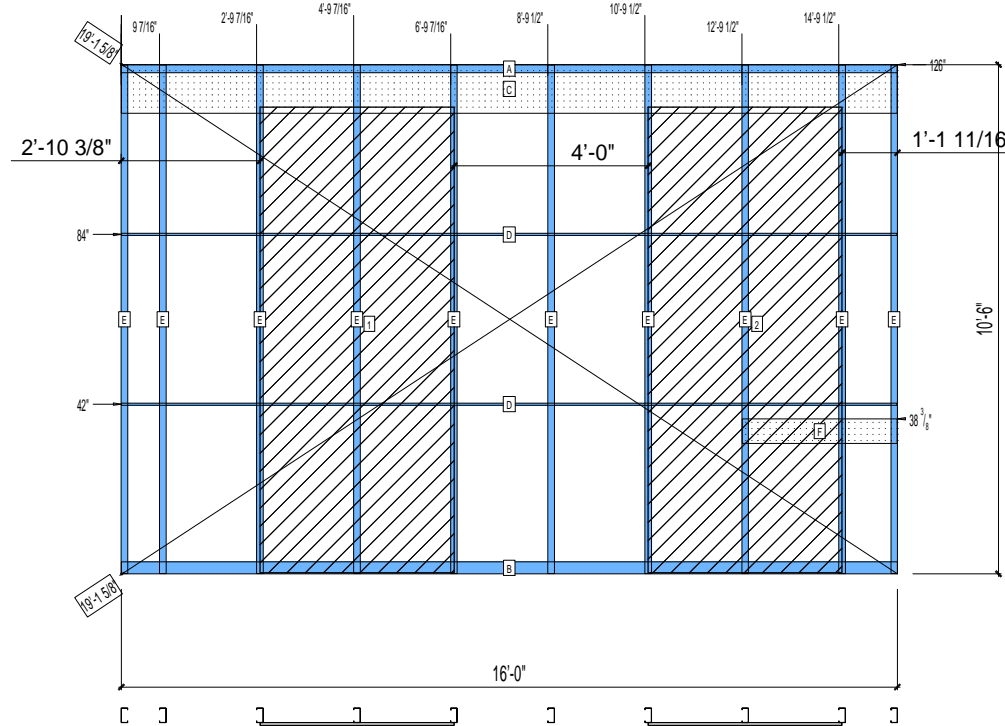
© FrameMax Inc.

APPROVED
By TNT at 2:46 pm, Dec 15, 2008

HEIGHT : 10'-6"
POINTS: 3.17 Points.
SPACING : 5000"
1st STUD: 5000"

WEIGHTS :
FRAME : 265 lbs
SHEATHING: 283 lbs

TOTAL: 548 lbs



PIECES LIST

LABEL	QTY	SIZE	LENGTH	USE
A	1	362T200-54	16'-0"	TOP TRACK
B	1	362T300-54	16'-0"	BOTTOM TRACK
C	1	1200D-54	15'-11 15/16"	STRAP
D	2	150U50-54	15'-11 13/16"	HORIZONTAL BRACING
E	10	362S162-54	10'-5 13/16"	STUD
F	1	600T150-54	3'-2 3/8"	GRAB BAR

SHEATHING

LABEL	QTY	CODE	THICK	SIZE	SCREWS
1	1	SB-DENSARMOR	5/8"	4'-0" X 9'-7 3/16"	2-12
2	1	SB-DENSARMOR	5/8"	4'-0" X 9'-7 3/16"	2-12

23-1024

Jewish Home for the Aging

1885 Victory Blvd. Reseda, CA

FrameMax, Inc.
13915 Danielson St
Suite 100
Poway, CA 92064
www.frame-max.com



© FrameMax Inc.

CREATED: 12/11/2008

FM-07-109

CREATED BY: TNT

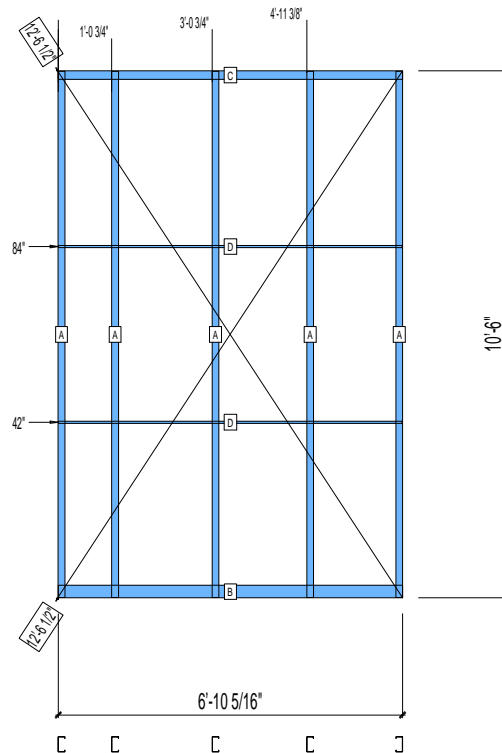
HEIGHT : 10'-6"
SPACING : 5000"
1st STUD: 5000"

POINTS: 0.82 Points.

APPROVED
By TNT at 2:46 pm, Dec 15, 2008

WEIGHTS :
FRAME : 106 lbs

TOTAL: 106 lbs



PIECES LIST

LABEL	QTY	SIZE	LENGTH	USE
A	5	362S162-54	10'-5 13/16"	STUD
B	1	362T300-54	6'-10 5/16"	BOTTOM TRACK
C	1	362T200-54	6'-10 5/16"	TOP TRACK
D	2	150U50-54	6'-10 1/8"	HORIZONTAL BRACING

23-1025

Jewish Home for the Aging

1885 Victory Blvd. Reseda, CA

FM-07-109

CREATED BY: TNT

FrameMax, Inc.
13915 Danielson St
Suite 100
Poway, CA 92064
www.frame-max.com



© FrameMax Inc.

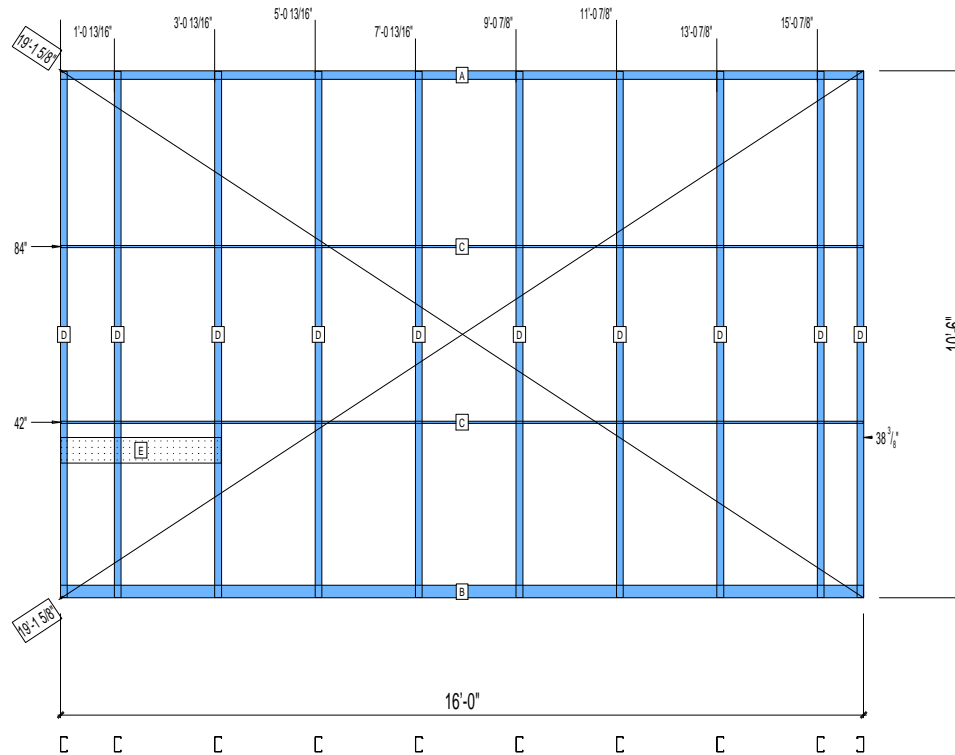
HEIGHT : 10'-6"
SPACING : 5000"
1st STUD: 5000"

POINTS: 1.69 Points.

APPROVED
By TNT at 2:46 pm, Dec 15, 2008

WEIGHTS :
FRAME : 227 lbs

TOTAL: 227 lbs



PIECES LIST

LABEL	QTY	SIZE	LENGTH	USE
A	1	362T200-54	16'-0"	TOP TRACK
B	1	362T300-54	16'-0"	BOTTOM TRACK
C	2	150U50-54	15'-11 13/16"	HORIZONTAL BRACING
D	10	362S162-54	10'-5 13/16"	STUD
E	1	600T150-54	3'-2 3/8"	GRAB BAR

23-1026

Jewish Home for the Aging

1885 Victory Blvd. Reseda, CA

FM-07-109

CREATED BY: TNT

FrameMax, Inc.
13915 Danielson St
Suite 100
Poway, CA 92064
www.frame-max.com



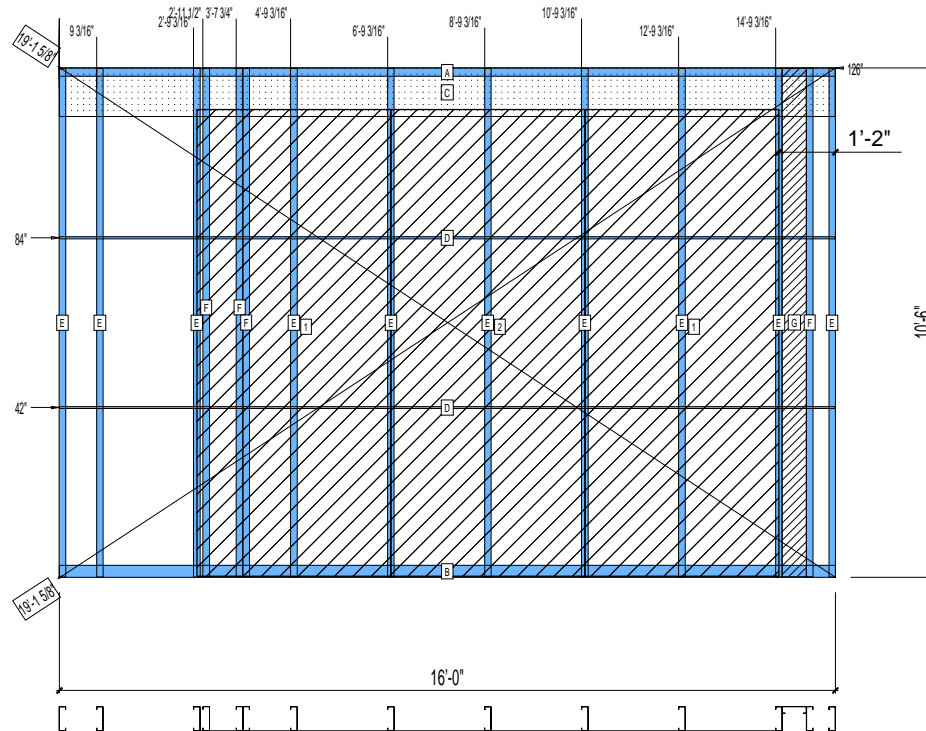
© FrameMax Inc.

APPROVED
By TNT at 2:46 pm, Dec 15, 2008

HEIGHT : 10'-6"
POINTS: 4.43 Points.
SPACING : 5000"
1st STUD: 5000"

WEIGHTS :
FRAME : 383 lbs
SHEATHING: 425 lbs

TOTAL: 808 lbs



PIECES LIST

LABEL	QTY	SIZE	LENGTH	USE
A	1	600T200-54	16'-0"	TOP TRACK
B	1	600T300-54	16'-0"	BOTTOM TRACK
C	1	1200D-54	15'-11 15/16"	STRAP
D	2	150U50-54	15'-11 13/16"	HORIZONTAL BRACING
E	10	600S162-54	10'-5 13/16"	STUD
F	4	600S162-33	10'-5 13/16"	BACKER STUD
G	1	600S162-33	10'-5 13/16"	BACKER-U

SHEATHING

LABEL	QTY	CODE	THICK	SIZE	SCREWS
1	2	SB-DENSARMOR	5/8"	4'-0" X 9'-7 7/16"	2-12
2	1	SB-DENSARMOR	5/8"	4'-0" X 9'-7 7/16"	2-12

23-1027

Jewish Home for the Aging

1885 Victory Blvd. Reseda, CA

FrameMax, Inc.
13915 Danielson St
Suite 100
Poway, CA 92064
www.frame-max.com



© FrameMax Inc.

CREATED: 12/11/2008

FM-07-109

CREATED BY: TNT

HEIGHT : 10'-6" POINTS: 1.42 Points.

SPACING : 24"

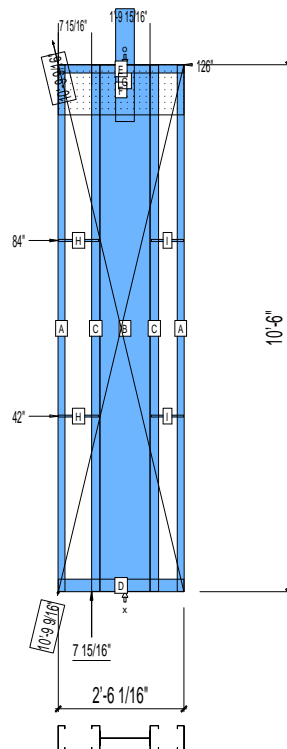
1st STUD: 24"

APPROVED
By TNT at 2:46 pm, Dec 15, 2008

WEIGHTS :

FRAME : 241 lbs

TOTAL: 241 lbs



PIECES LIST

LABEL	QTY	SIZE	LENGTH	USE
A	2	600S162-54	10'-5 13/16"	STUD
B	1	1200i350p1062	10'-5 13/16"	PACO
C	2	600S200-68	10'-5 13/16"	STUD
D	1	600T300-54	2'-6 1/16"	BOTTOM TRACK
E	1	600T200-54	2'-6 1/16"	TOP TRACK
F	1	1200D-54	2'-6"	STRAP
G	1	B	2'-3"	HOLDDOWN
H	2	150U50-54	9 9/16"	HORIZONTAL BRACING
I	2	150U50-54	7 11/16"	HORIZONTAL BRACING

23-1028

Jewish Home for the Aging

1885 Victory Blvd. Reseda, CA

FrameMax, Inc.
13915 Danielson St
Suite 100
Poway, CA 92064
www.frame-max.com



© FrameMax Inc.

CREATED: 12/11/2008

FM-07-109

CREATED BY: TNT

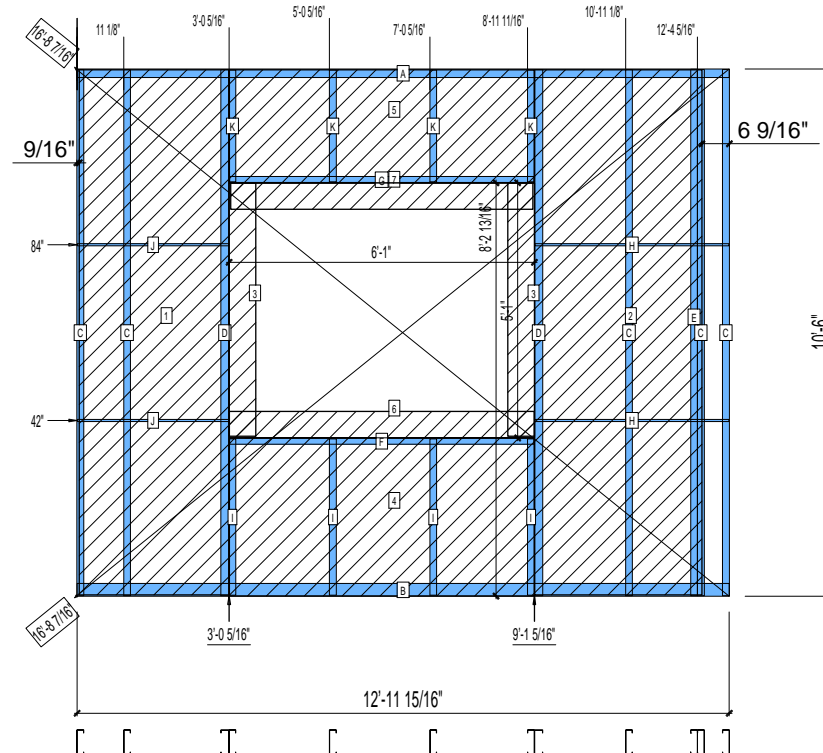
HEIGHT : 10'-6"
SPACING : 5000"
1st STUD: 5000"

POINTS: 3.36 Points.

APPROVED
By TNT at 2:46 pm, Dec 15, 2008

WEIGHTS :
FRAME : 290 lbs
SHEATHING: 276 lbs

TOTAL: 566 lbs



PIECES LIST

LABEL	QTY	SIZE	LENGTH	USE
A	1	600T200-54	12'-11 15/16"	TOP TRACK
B	1	600T300-54	12'-11 15/16"	BOTTOM TRACK
C	5	600S162-54	10'-5 13/16"	STUD
D	2	600S200-68	10'-5 13/16"	KING STUD
E	1	600S162-33	10'-5 13/16"	BACKER STUD
F	1	600T150-54	6'-0 3/4"	SILL
G	1	600T150-54	6'-0 3/4"	HEAD TRACK
H	2	150U50-54	3'-10 3/8"	HORIZONTAL BRACING
I	4	600S162-54	3'-1 3/8"	CRIPPLE
J	2	150U50-54	3'-0 1/8"	HORIZONTAL BRACING
K	4	600S162-54	2'-2 3/4"	CRIPPLE

SHEATHING

LABEL	QTY	CODE	THICK	SIZE	SCREWS
1	1	DENSGLOSS	1/2"	2'-11 3/4" X 10'-5 9/16"	8 - 12
2	1	DENSGLOSS	1/2"	3'-4" X 10'-5 9/16"	8 - 12
3	2	DENSGLOSS	1/2"	6 3/8" X 5'-0 1/2"	8 - 12
4	1	DENSGLOSS	1/2"	6'-0 7/8" X 3'-1 11/16"	8 - 12
5	1	DENSGLOSS	1/2"	6'-0 7/8" X 2'-3"	8 - 12
6	1	DENSGLOSS	1/2"	6'-0 7/8" X 6 5/16"	8 - 12
7	1	DENSGLOSS	1/2"	6'-0 1/4" X 6 5/16"	8 - 12

23-1029

Jewish Home for the Aging

1885 Victory Blvd. Reseda, CA

FrameMax, Inc.
13915 Danielson St
Suite 100
Poway, CA 92064
www.frame-max.com



© FrameMax Inc.

CREATED: 12/11/2008

FM-07-109

CREATED BY: TNT

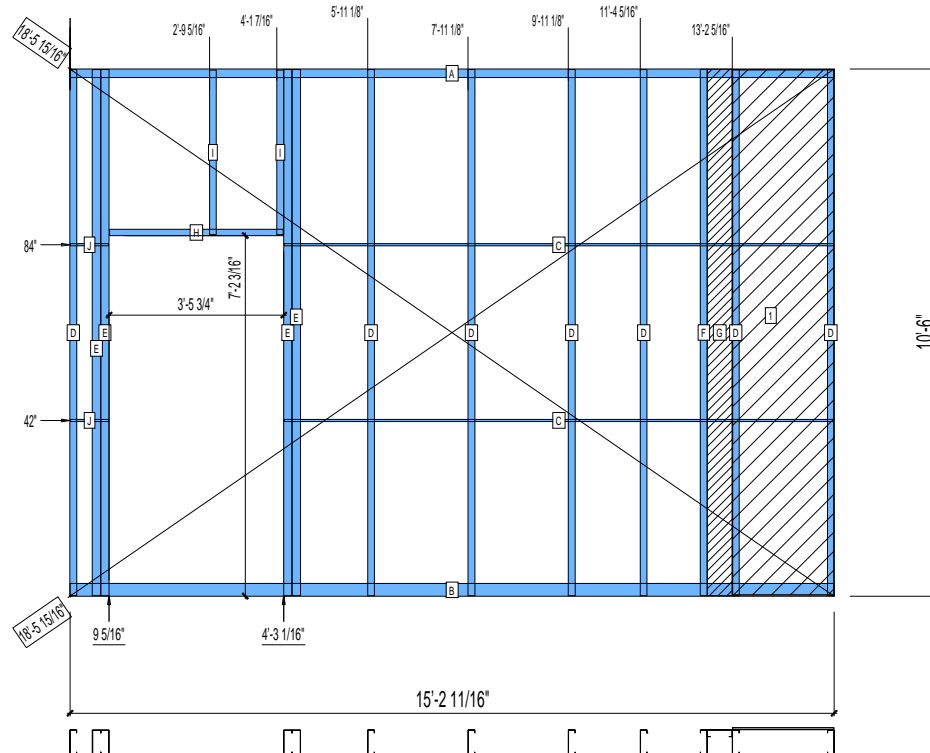
HEIGHT : 10'-6"
SPACING : 5000"
1st STUD: 5000"

POINTS: 2.70 Points.

APPROVED
By TNT at 2:46 pm, Dec 15, 2008

WEIGHTS :
FRAME : 368 lbs
SHEATHING: 53 lbs

TOTAL: 421 lbs



PIECES LIST

LABEL	QTY	SIZE	LENGTH	USE
A	1	600T200-54	15'-2 11/16"	TOP TRACK
B	1	600T300-54	15'-2 11/16"	BOTTOM TRACK
C	2	150U50-54	10'-11 3/8"	HORIZONTAL BRACING
D	7	600S162-54	10'-5 13/16"	STUD
E	4	600S200-68	10'-5 13/16"	KING STUD
F	1	600S162-33	10'-5 13/16"	BACKER STUD
G	1	600S162-33	10'-5 13/16"	BACKER-U
H	1	600T150-54	3'-5 1/2"	HEAD TRACK
I	2	600S162-54	3'-3 3/8"	CRIPPLE
J	2	150U50-54	9 1/8"	HORIZONTAL BRACING

SHEATHING

LABEL	QTY	CODE	THICK	SIZE	SCREWS
1	1	DENSGLOSS	1/2"	2'-0 1/4" X 10'-5 9/16"	8 - 12

23-1030

Jewish Home for the Aging

1885 Victory Blvd. Reseda, CA

FrameMax, Inc.
13915 Danielson St
Suite 100
Poway, CA 92064
www.framemax.com



© FrameMax Inc.

CREATED: 12/11/2008

FM-07-109

CREATED BY: TNT

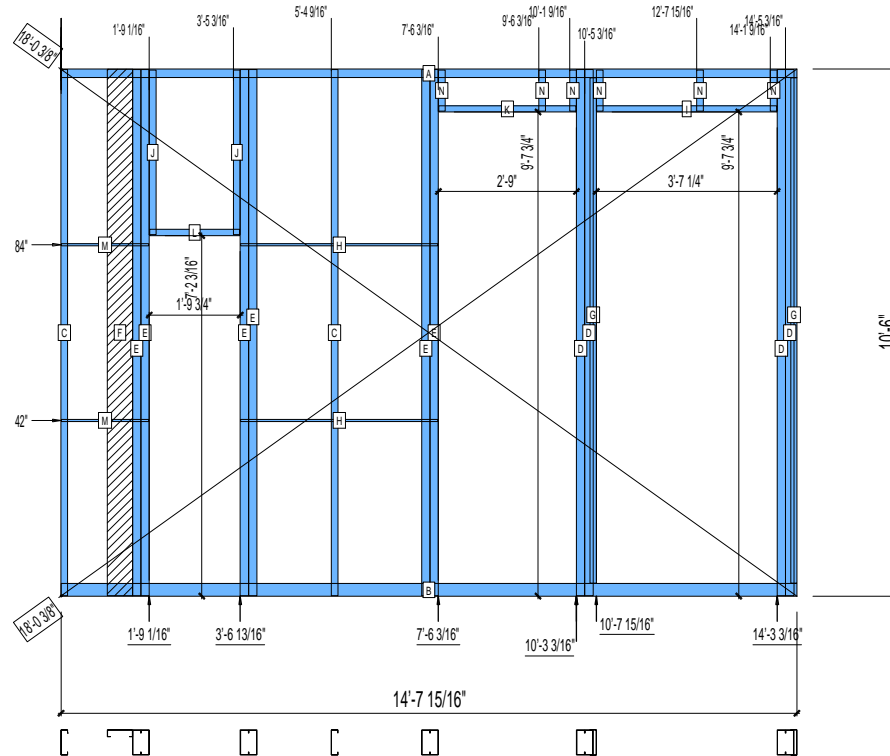
HEIGHT : 10'-6"
SPACING : 5000"
1st STUD: 16"

POINTS: 3.29 Points.

APPROVED
By TNT at 2:46 pm, Dec 15, 2008

WEIGHTS :
FRAME : 507 lbs

TOTAL: 507 lbs



PIECES LIST

LABEL	QTY	SIZE	LENGTH	USE
A	1	600T200-54	14'-7 15/16"	TOP TRACK
B	1	600T300-54	14'-7 15/16"	BOTTOM TRACK
C	2	600S162-54	10'-5 13/16"	STUD
D	4	600S200-97	10'-5 13/16"	EXTRA STUD
E	6	600S200-68	10'-5 13/16"	KING STUD
F	1	600S162-33	10'-5 13/16"	BACKER-U
G	2	600T150-54	10'-0 7/8"	CAP TRACK
H	2	150U50-54	3'-11 1/8"	HORIZONTAL BRACING
I	1	600T150-54	3'-7"	HEAD TRACK
J	2	600S162-54	3'-3 3/8"	CRIPPLE
K	1	600T150-54	2'-8 3/4"	HEAD TRACK
L	1	600T150-54	1'-9 1/2"	HEAD TRACK
M	2	150U50-54	1'-8 7/8"	HORIZONTAL BRACING
N	6	600S162-54	9 13/16"	CRIPPLE

23-1031

Jewish Home for the Aging

1885 Victory Blvd. Reseda, CA

FrameMax, Inc.
13915 Danielson St
Suite 100
Poway, CA 92064
www.framemax.com



© FrameMax Inc.

CREATED: 12/11/2008

FM-07-109

CREATED BY: TNT

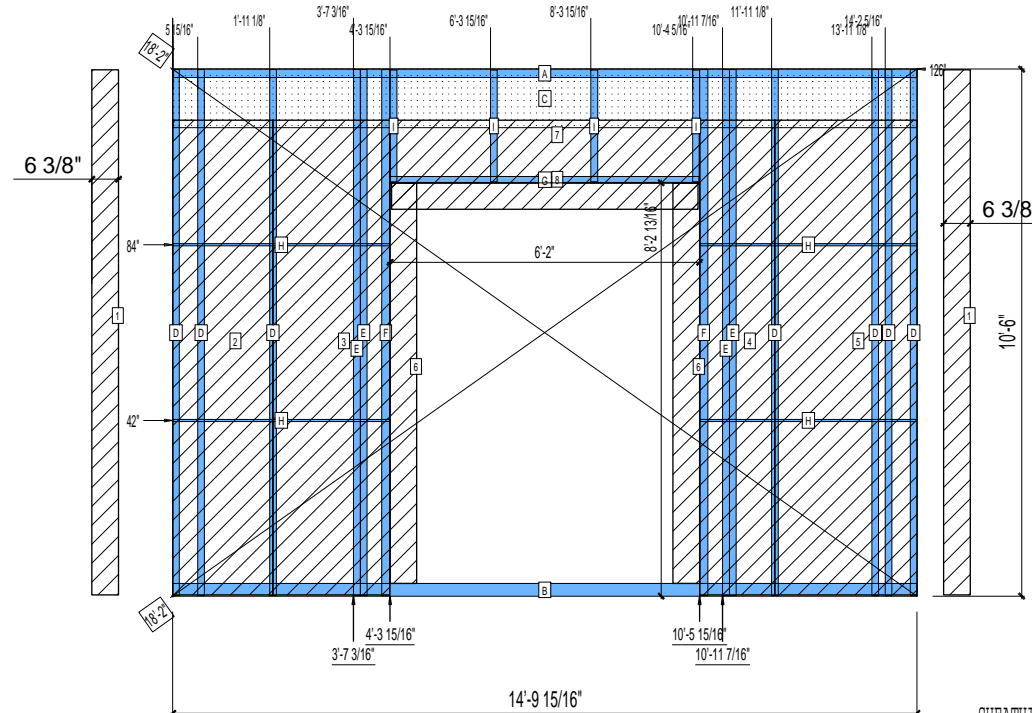
HEIGHT : 10'-6"
SPACING : 5000"
1st STUD: 5000"

POINTS: 4.06 Points.

APPROVED
By TNT at 2:46 pm, Dec 15, 2008

WEIGHTS :
FRAME : 428 lbs
SHEATHING: 280 lbs

TOTAL: 708 lbs



PIECES LIST

LABEL	QTY	SIZE	LENGTH	USE
A	1	600T200-54	14'-9 15/16"	TOP TRACK
B	1	600T300-54	14'-9 15/16"	BOTTOM TRACK
C	1	1200D-54	14'-9 7/8"	STRAP
D	7	600S162-54	10'-5 13/16"	STUD
E	4	600S162-68	10'-5 13/16"	EXTRA STUD
F	2	600S200-68	10'-5 13/16"	KING STUD
G	1	600T150-54	6'-1 3/4"	HEAD TRACK
H	4	150U50-54	4'-3 3/4"	HORIZONTAL BRACING
I	4	600S162-54	2'-2 3/4"	CRIPPLE

SHEATHING

LABEL	QTY	CODE	THICK	SIZE	SCREWS
1	2	DENSGLASS	1/2"	6 3/8" X 10'-5 9/16"	8 - 12
2	1	DENSGLASS	1/2"	1'-11 15/16" X 9'-5 1/2"	8 - 12
3	1	DENSGLASS	1/2"	2'-3 15/16" X 9'-5 1/2"	8 - 12
4	1	DENSGLASS	1/2"	1'-5 15/16" X 9'-5 1/2"	8 - 12
5	1	DENSGLASS	1/2"	2'-9 15/16" X 9'-5 1/2"	8 - 12
6	2	DENSGLASS	1/2"	6 3/8" X 7'-11 3/4"	8 - 12
7	1	DENSGLASS	1/2"	6'-1 7/8" X 1'-2 7/8"	8 - 12
8	1	DENSGLASS	1/2"	6'-1 1/4" X 6 5/16"	8 - 12

23-1032

Jewish Home for the Aging

1885 Victory Blvd. Reseda, CA

FrameMax, Inc.
13915 Danielson St
Suite 100
Poway, CA 92064
www.frame-max.com



© FrameMax Inc.

CREATED: 12/11/2008

FM-07-109

CREATED BY: TNT

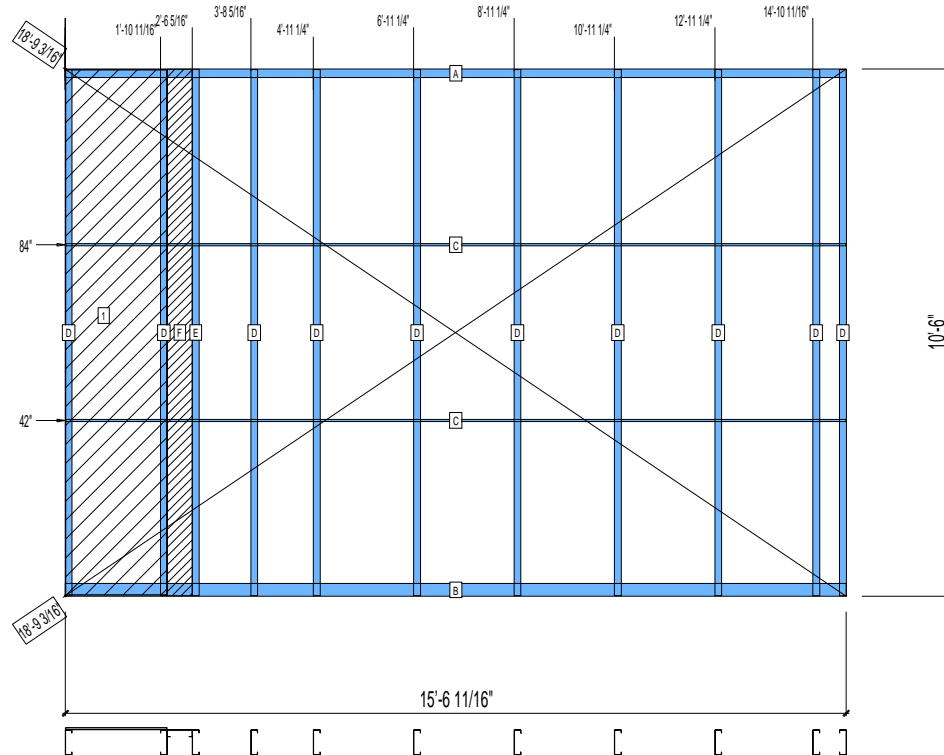
HEIGHT : 10'-6"
SPACING : 5000"
1st STUD: 5000"

POINTS: 2.30 Points.

APPROVED
By TNT at 2:46 pm, Dec 15, 2008

WEIGHTS :
FRAME : 305 lbs
SHEATHING: 53 lbs

TOTAL: 358 lbs



PIECES LIST

LABEL	QTY	SIZE	LENGTH	USE
A	1	600T200-54	15'-6 11/16"	TOP TRACK
B	1	600T300-54	15'-6 11/16"	BOTTOM TRACK
C	2	150U50-54	15'-6 1/2"	HORIZONTAL BRACING
D	10	600S162-54	10'-5 13/16"	STUD
E	1	600S162-33	10'-5 13/16"	BACKER STUD
F	1	600S162-33	10'-5 13/16"	BACKER-U

SHEATHING

LABEL	QTY	CODE	THICK	SIZE	SCREWS
1	1	DENSGLASS	1/2"	2'-0 1/4" X 10'-5 9/16"	8 - 12

23-1033

Jewish Home for the Aging

1885 Victory Blvd. Reseda, CA

FrameMax, Inc.
13915 Danielson St
Suite 100
Poway, CA 92064
www.frame-max.com



© FrameMax Inc.

CREATED: 12/11/2008

FM-07-109

CREATED BY: TNT

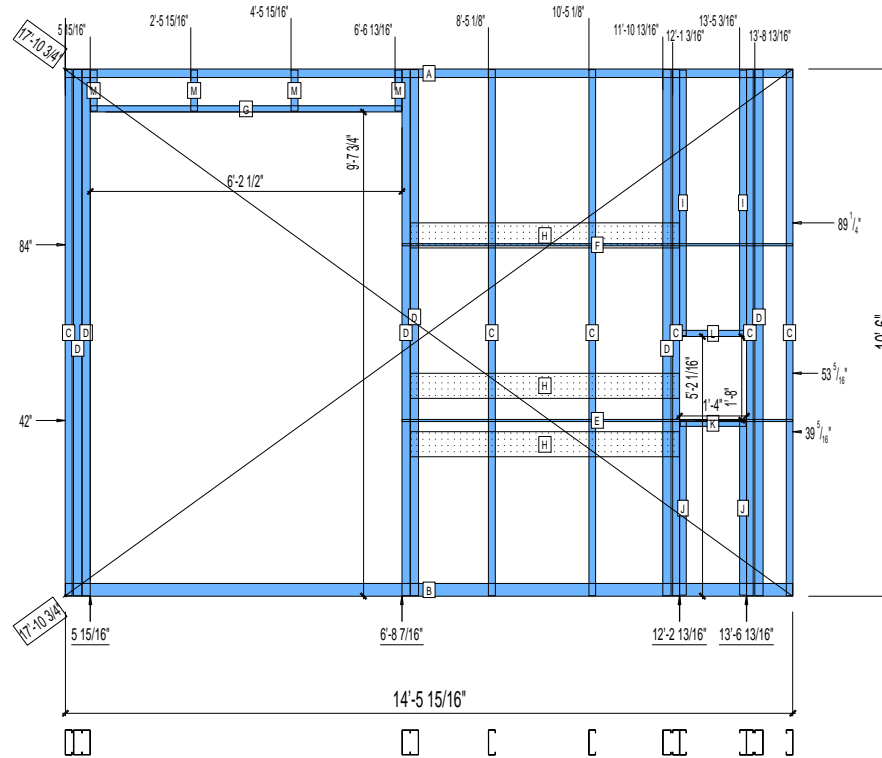
HEIGHT : 10'-6"
SPACING : 5000"
1st STUD: 5000"

POINTS: 2.89 Points.

APPROVED
By TNT at 2:46 pm, Dec 15, 2008

WEIGHTS :
FRAME : 427 lbs

TOTAL: 427 lbs



PIECES LIST			LENGTH	USE
LABEL	QTY	SIZE		
A	1	600T200-54	14'-5 15/16"	TOP TRACK
B	1	600T300-54	14'-5 15/16"	BOTTOM TRACK
C	6	600S162-54	10'-5 13/16"	STUD
D	6	600S200-68	10'-5 13/16"	KING STUD
E	1	150U50-54	7'-9 5/16"	HORIZONTAL BRACING
F	1	150U50-54	7'-9 1/4"	HORIZONTAL BRACING
G	1	600T150-54	6'-2 1/4"	HEAD TRACK
H	3	600D-54	5'-4 1/4"	KITCHEN BACKING
I	2	600S162-54	5'-3 1/2"	CRIPPLE
J	2	600S162-54	3'-5 5/8"	CRIPPLE
K	1	600T150-54	1'-3 3/4"	SILL
L	1	600T150-54	1'-3 3/4"	HEAD TRACK
M	4	600S162-54	9 13/16"	CRIPPLE

23-1034

Jewish Home for the Aging

1885 Victory Blvd. Reseda, CA

FrameMax, Inc.
13915 Danielson St
Suite 100
Poway, CA 92064
www.frame-max.com



© FrameMax Inc.

APPROVED
By TNT at 2:46 pm, Dec 15, 2008

CREATED: 12/11/2008

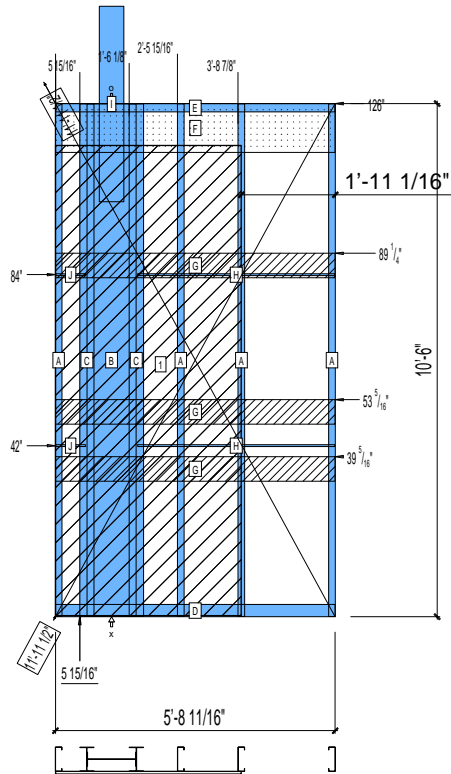
FM-07-109

CREATED BY: TNT

HEIGHT : 12'-5 15/16" POINTS: 3.19 Points.
SPACING : 5000"
1st STUD: 5000"

WEIGHTS :
FRAME : 458 lbs
SHEATHING: 135 lbs

TOTAL: 593 lbs



PIECES LIST

LABEL	QTY	SIZE	LENGTH	USE
A	4	600S162-54	10'-5 13/16"	STUD
B	1	1200i350p1062	10'-5 13/16"	PACO
C	2	600i350p680	10'-5 13/16"	PACO
D	1	600T300-54	5'-8 11/16"	BOTTOM TRACK
E	1	600T200-54	5'-8 11/16"	TOP TRACK
F	1	1200D-54	5'-8 5/8"	STRAP
G	3	600D-54	5'-8 5/8"	KITCHEN BACKING
H	2	150U50-54	4'-0 7/16"	HORIZONTAL BRACING
I	1	C	4'-0"	HOLDDOWN
J	2	150U50-54	7 5/16"	HORIZONTAL BRACING

SHEATHING

LABEL	QTY	CODE	THICK	SIZE	SCREWS
1	1	SB-DENSARMOR	5/8"	3'-9 5/8" X	9'-7 7/16" 3-12

23-1035

Jewish Home for the Aging

1885 Victory Blvd. Reseda, CA

FrameMax, Inc.
13915 Danielson St
Suite 100
Poway, CA 92064
www.frame-max.com



© FrameMax Inc.

CREATED: 12/11/2008

FM-07-109

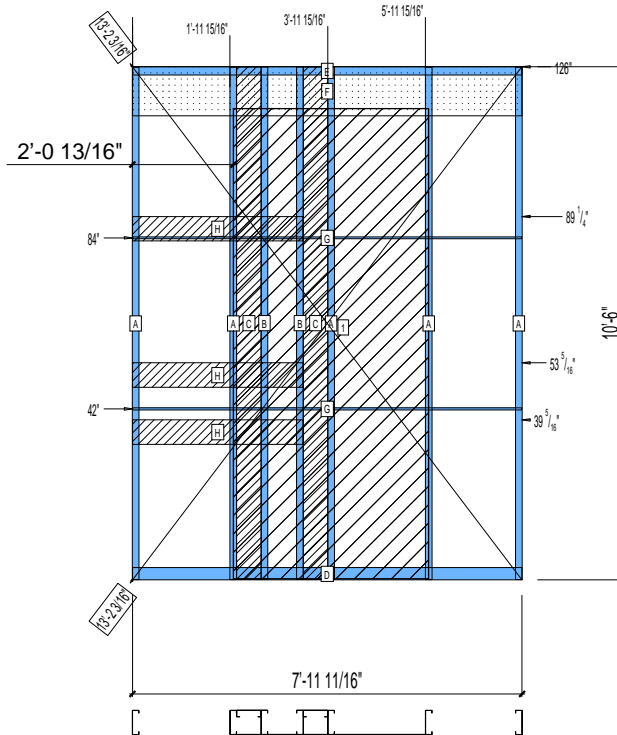
CREATED BY: TNT

APPROVED
By TNT at 2:46 pm, Dec 15, 2008

HEIGHT : 10'-6"
POINTS: 2.18 Points.
SPACING : 5000"
1st STUD: 5000"

WEIGHTS :
FRAME : 222 lbs
SHEATHING: 141 lbs

TOTAL: 363 lbs



PIECES LIST

LABEL	QTY	SIZE	LENGTH	USE
A	5	600S162-54	10'-5 13/16"	STUD
B	2	600S162-33	10'-5 13/16"	BACKER STUD
C	2	600S162-33	10'-5 13/16"	BACKER-U
D	1	600T300-54	7'-11 11/16"	BOTTOM TRACK
E	1	600T200-54	7'-11 11/16"	TOP TRACK
F	1	1200D-54	7'-11 5/8"	STRAP
G	2	150U50-54	7'-11 1/2"	HORIZONTAL BRACING
H	3	600D-54	3'-5 7/8"	KITCHEN BACKING

SHEATHING

LABEL	QTY	CODE	THICK	SIZE	SCREWS
1	1	SB-DENSARMOR	5/8"	3'-11 15/16" X	9'-7 7/16" 3-12

23-1036

Jewish Home for the Aging

1885 Victory Blvd. Reseda, CA

FM-07-109

CREATED BY: TNT

FrameMax, Inc.
13915 Danielson St
Suite 100
Poway, CA 92064
www.frame-max.com



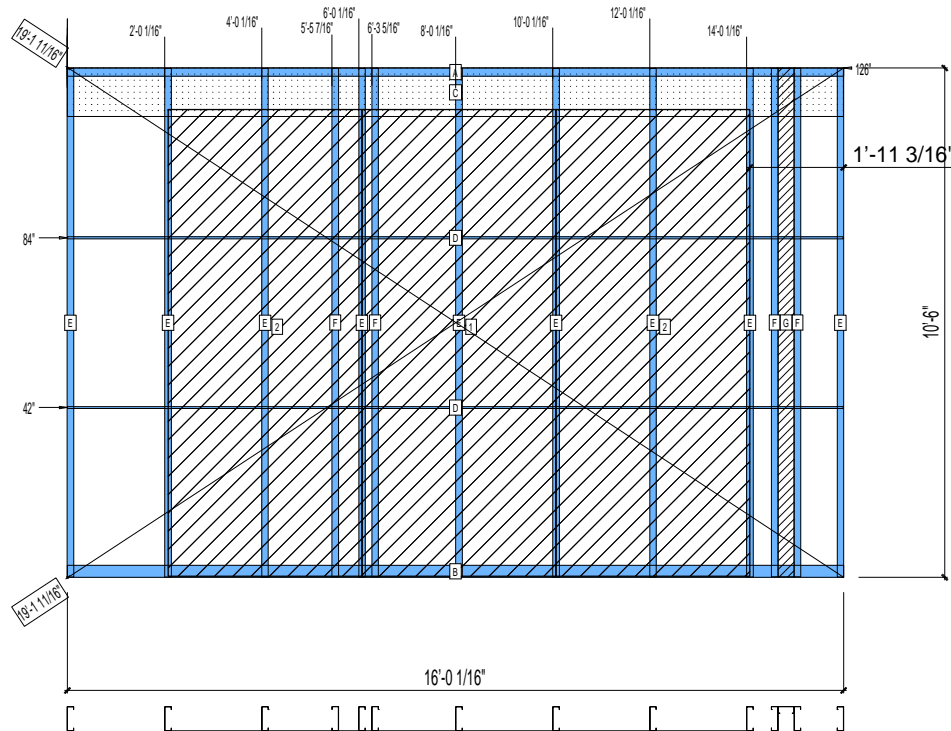
© FrameMax Inc.

APPROVED
By TNT at 2:46 pm, Dec 15, 2008

HEIGHT : 10'-6"
POINTS: 4.31 Points.
SPACING : 5000"
1st STUD: 5000"

WEIGHTS :
FRAME : 361 lbs
SHEATHING: 425 lbs

TOTAL: 786 lbs



PIECES LIST

LABEL	QTY	SIZE	LENGTH	USE
A	1	600T200-54	16'-0 1/16"	TOP TRACK
B	1	600T300-54	16'-0 1/16"	BOTTOM TRACK
C	1	1200D-54	16'-0"	STRAP
D	2	150U50-54	15'-11 7/8"	HORIZONTAL BRACING
E	9	600S162-54	10'-5 13/16"	STUD
F	4	600S162-33	10'-5 13/16"	BACKER STUD
G	1	400S162-33	10'-5 13/16"	BACKER-U

SHEATHING

LABEL	QTY	CODE	THICK	SIZE	SCREWS
1	1	SB-DENSARMOR	5/8"	4'-0" X 9'-7 7/16"	3-12
2	2	SB-DENSARMOR	5/8"	4'-0" X 9'-7 7/16"	3-12

23-1037

Jewish Home for the Aging

1885 Victory Blvd. Reseda, CA

FrameMax, Inc.
13915 Danielson St
Suite 100
Poway, CA 92064
www.frame-max.com



© FrameMax Inc.

APPROVED
By TNT at 2:46 pm, Dec 15, 2008

CREATED: 12/11/2008

FM-07-109

CREATED BY: TNT

HEIGHT : 10'-6" POINTS: 2.58 Points.

SPACING : 5000"

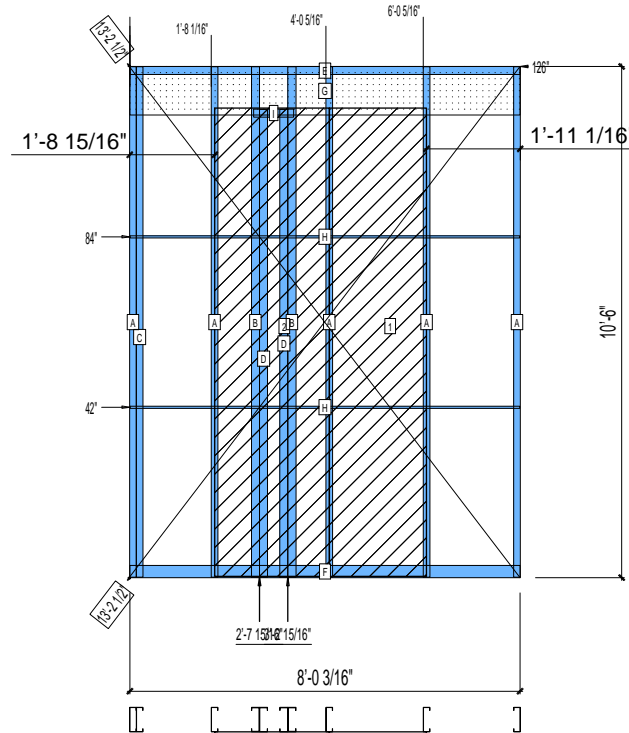
1st STUD: 5000"

WEIGHTS :

FRAME : 301 lbs

SHEATHING: 154 lbs

TOTAL: 455 lbs



PIECES LIST

LABEL	QTY	SIZE	LENGTH	USE
A	5	600S162-54	10'-5 13/16"	STUD
B	2	600S200-97	10'-5 13/16"	BEAM KING
C	1	600S162-33	10'-5 13/16"	BACKER STUD
D	2	600S200-68	9'-7 5/16"	BEAM JACK
E	1	600T200-54	8'-0 3/16"	TOP TRACK
F	1	600T300-54	8'-0 3/16"	BOTTOM TRACK
G	1	1200D-54	8'-0 1/8"	STRAP
H	2	150U50-54	8'-0"	HORIZONTAL BRACING
I	1	600T200-54	9 13/16"	BEAM JACK

SHEATHING

LABEL	QTY	CODE	THICK	SIZE	SCREWS
1	1	SB-DENSARMOR	5/8"	2'-0" X 9'-7 7/16"	3-12
2	1	SB-DENSARMOR	5/8"	2'-4 1/4" X 9'-7 7/16"	3-12

23-1038

Jewish Home for the Aging

1885 Victory Blvd. Reseda, CA

FrameMax, Inc.
13915 Danielson St
Suite 100
Poway, CA 92064
www.frame-max.com



© FrameMax Inc.

APPROVED
By TNT at 2:46 pm, Dec 15, 2008

CREATED: 12/11/2008

FM-07-109

CREATED BY: TNT

HEIGHT : 10'-6" POINTS: 3.53 Points.

SPACING : 5000"

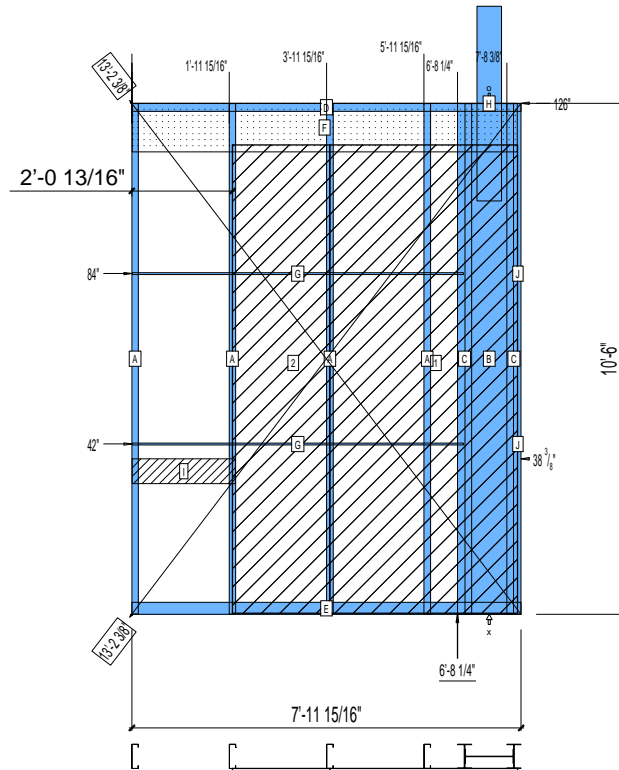
1st STUD: 5000"

WEIGHTS :

FRAME : 459 lbs

SHEATHING: 207 lbs

TOTAL: 666 lbs



PIECES LIST

LABEL	QTY	SIZE	LENGTH	USE
A	4	600S162-54	10'-5 13/16"	STUD
B	1	1200i350p1062	10'-5 13/16"	PACO
C	2	600i350p680	10'-5 13/16"	PACO
D	1	600T200-54	7'-11 15/16"	TOP TRACK
E	1	600T300-54	7'-11 15/16"	BOTTOM TRACK
F	1	1200D-54	7'-10 15/16"	STRAP
G	2	150U50-54	6'-9 9/16"	HORIZONTAL BRACING
H	1	C	4'-0"	HOLDDOWN
I	1	600T150-54	2'-1 1/2"	GRAB BAR
J	2	150U50-54	1 3/8"	HORIZONTAL BRACING

SHEATHING

LABEL	QTY	CODE	THICK	SIZE	SCREWS
1	1	SB-DENSARMOR	5/8"	3'-10 5/16" X 9'-7 7/16"	3-12
2	1	SB-DENSARMOR	5/8"	2'-0" X 9'-7 7/16"	3-12

23-1039

Jewish Home for the Aging

1885 Victory Blvd. Reseda, CA

FrameMax, Inc.
13915 Danielson St
Suite 100
Poway, CA 92064
www.framemax.com



© FrameMax Inc.

CREATED: 12/11/2008

FM-07-109

CREATED BY: TNT

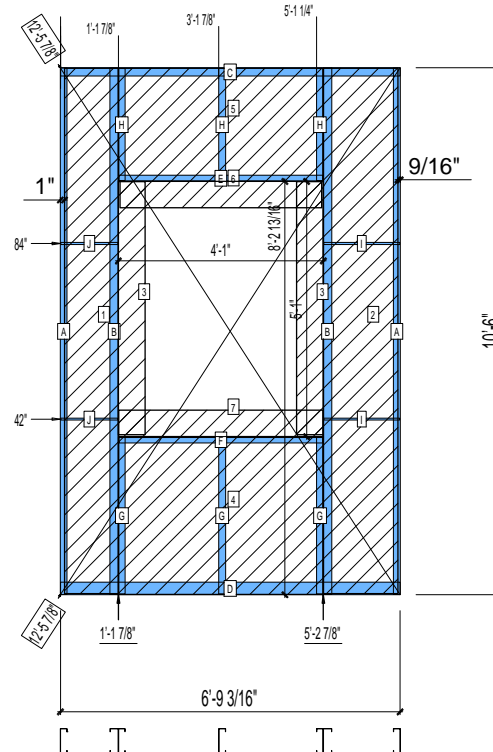
HEIGHT : 10'-6"
SPACING : 5000"
1st STUD: 5000"

POINTS: 1.96 Points.

APPROVED
By TNT at 2:46 pm, Dec 15, 2008

WEIGHTS :
FRAME : 170 lbs
SHEATHING: 145 lbs

TOTAL: 315 lbs



PIECES LIST

LABEL	QTY	SIZE	LENGTH	USE
A	2	600S162-54	10'-5 13/16"	STUD
B	2	600S200-68	10'-5 13/16"	KING STUD
C	1	600T200-54	6'-9 3/16"	TOP TRACK
D	1	600T300-54	6'-9 3/16"	BOTTOM TRACK
E	1	600T150-54	4'-0 3/4"	HEAD TRACK
F	1	600T150-54	4'-0 3/4"	SILL
G	3	600S162-54	3'-1 3/8"	CRIPPLE
H	3	600S162-54	2'-2 3/4"	CRIPPLE
I	2	150U50-54	1'-6 1/8"	HORIZONTAL BRACING
J	2	150U50-54	1'-1 5/8"	HORIZONTAL BRACING

SHEATHING

LABEL	QTY	CODE	THICK	SIZE	SCREWS
1	1	DENSGLASS	1/2"	1'-0 13/16" X 10'-5 9/16"	8 - 12
2	1	DENSGLASS	1/2"	1'-5 3/4" X 10'-5 9/16"	8 - 12
3	2	DENSGLASS	1/2"	6 3/8" X 5'-0 1/2"	8 - 12
4	1	DENSGLASS	1/2"	4'-0 7/8" X 3'-1 5/8"	8 - 12
5	1	DENSGLASS	1/2"	4'-0 7/8" X 2'-3"	8 - 12
6	1	DENSGLASS	1/2"	4'-0 1/4" X 6 5/16"	8 - 12
7	1	DENSGLASS	1/2"	4'-0 7/8" X 6 5/16"	8 - 12

23-1040

Jewish Home for the Aging

1885 Victory Blvd. Reseda, CA

FrameMax, Inc.
13915 Danielson St
Suite 100
Poway, CA 92064
www.frame-max.com



© FrameMax Inc.

CREATED: 12/11/2008

FM-07-109

CREATED BY: TNT

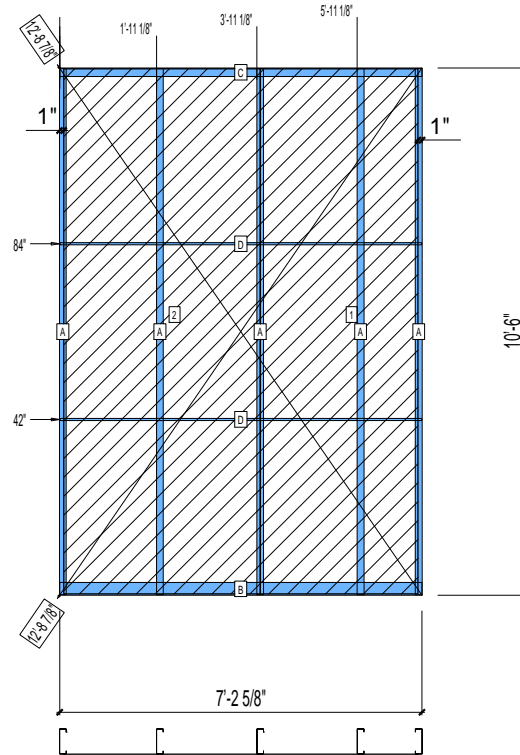
HEIGHT : 10'-6"
SPACING : 5000"
1st STUD: 5000"

POINTS: 1.81 Points.

APPROVED
By TNT at 2:46 pm, Dec 15, 2008

WEIGHTS :
FRAME : 137 lbs
SHEATHING: 185 lbs

TOTAL: 322 lbs



PIECES LIST

LABEL	QTY	SIZE	LENGTH	USE
A	5	600S162-54	10'-5 13/16"	STUD
B	1	600T300-54	7'-2 5/8"	BOTTOM TRACK
C	1	600T200-54	7'-2 5/8"	TOP TRACK
D	2	150U50-54	7'-2 7/16"	HORIZONTAL BRACING

SHEATHING

LABEL	QTY	CODE	THICK	SIZE	SCREWS
1	1	DENSGLASS	1/2"	3'-1 11/16" X 10'-5 9/16"	8 - 12
2	1	DENSGLASS	1/2"	3'-11" X 10'-5 9/16"	8 - 12

23-1041

Jewish Home for the Aging

1885 Victory Blvd. Reseda, CA

FM-07-109

CREATED BY: TNT

FrameMax, Inc.
13915 Danielson St
Suite 100
Poway, CA 92064
www.frame-max.com



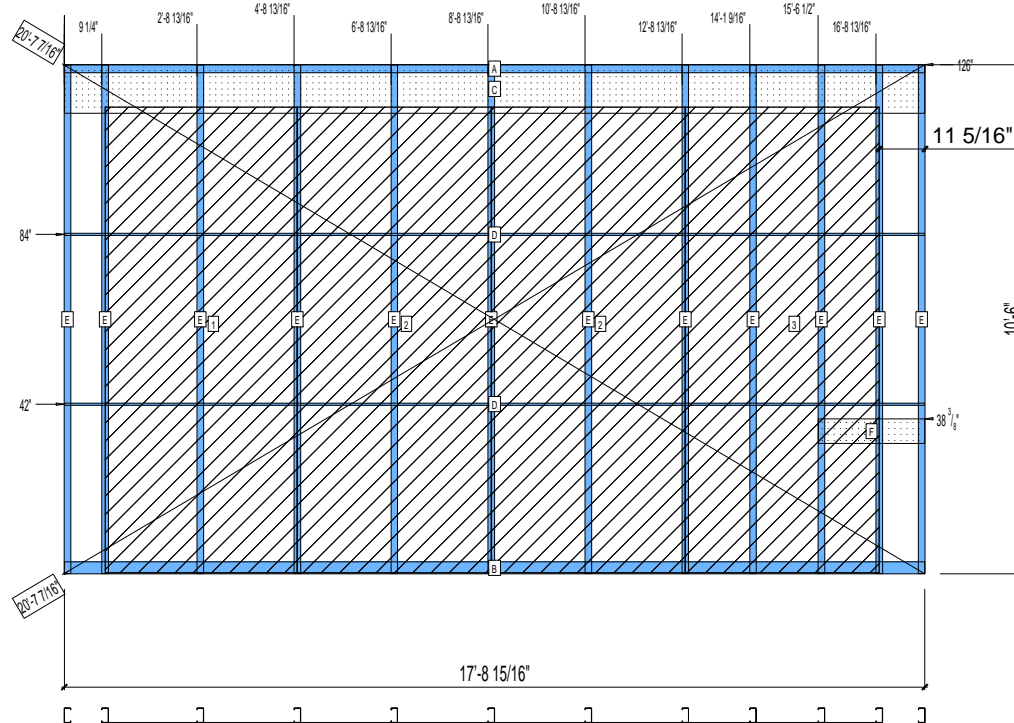
© FrameMax Inc.

APPROVED
By TNT at 2:46 pm, Dec 15, 2008

HEIGHT : 10'-6"
POINTS: 4.71 Points.
SPACING : 5000"
1st STUD: 5000"

WEIGHTS :
FRAME : 306 lbs
SHEATHING: 564 lbs

TOTAL: 870 lbs



PIECES LIST

LABEL	QTY	SIZE	LENGTH	USE
A	1	362T200-54	17'-8 15/16"	TOP TRACK
B	1	362T300-54	17'-8 15/16"	BOTTOM TRACK
C	1	1200D-54	17'-8 7/8"	STRAP
D	2	150U50-54	17'-8 3/4"	HORIZONTAL BRACING
E	12	362S162-54	10'-5 13/16"	STUD
F	1	600T150-54	2'-2 5/16"	GRAB BAR

SHEATHING

LABEL	QTY	CODE	THICK	SIZE	SCREWS
1	1	SB-DENSARMOR	5/8"	3'-11 9/16" X 9'-7 3/16"	2-12
2	2	SB-DENSARMOR	5/8"	4'-0" X 9'-7 3/16"	2-12
3	1	SB-DENSARMOR	5/8"	4'-0" X 9'-7 3/16"	2-12

23-1042

Jewish Home for the Aging

1885 Victory Blvd. Reseda, CA

FrameMax, Inc.
13915 Danielson St
Suite 100
Poway, CA 92064
www.frame-max.com



© FrameMax Inc.

CREATED: 12/11/2008

FM-07-109

CREATED BY: TNT

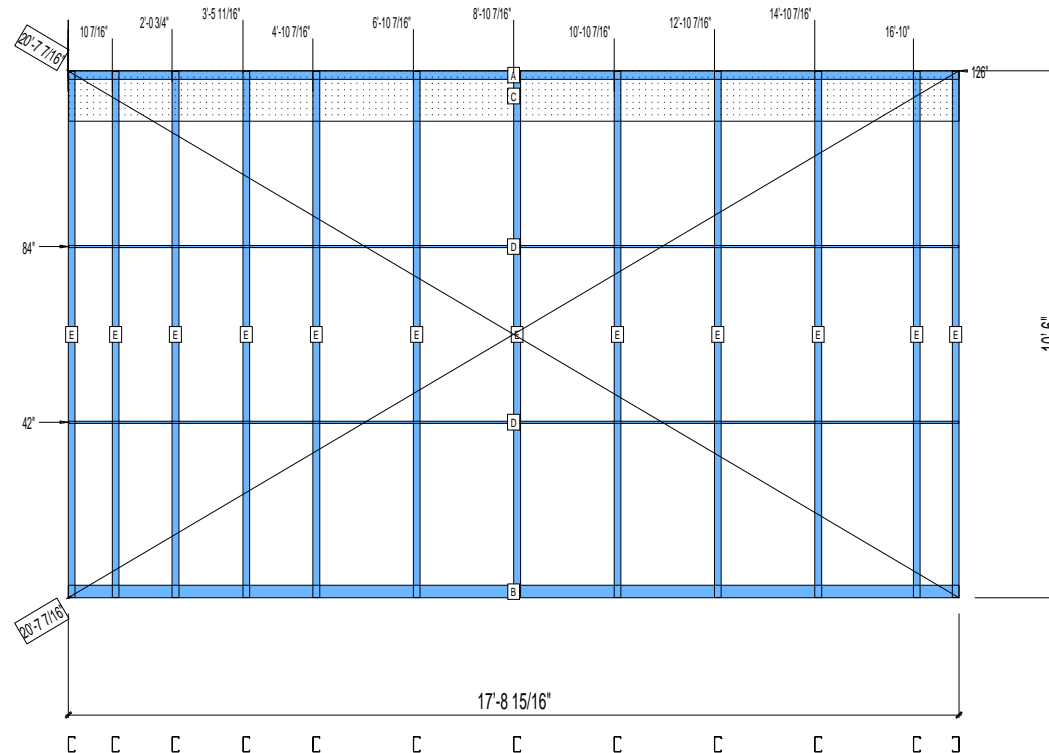
HEIGHT : 10'-6"
SPACING : 5000"
1st STUD: 5000"

POINTS: 2.11 Points.

APPROVED
By TNT at 2:46 pm, Dec 15, 2008

WEIGHTS :
FRAME : 302 lbs

TOTAL: 302 lbs



PIECES LIST

LABEL	QTY	SIZE	LENGTH	USE
A	1	362T200-54	17'-8 15/16"	TOP TRACK
B	1	362T300-54	17'-8 15/16"	BOTTOM TRACK
C	1	1200D-54	17'-8 7/8"	STRAP
D	2	150U50-54	17'-8 3/4"	HORIZONTAL BRACING
E	12	362S162-54	10'-5 13/16"	STUD

23-1043

Jewish Home for the Aging

1885 Victory Blvd. Reseda, CA

FrameMax, Inc.
13915 Danielson St
Suite 100
Poway, CA 92064
www.frame-max.com



© FrameMax Inc.

CREATED: 12/11/2008

FM-07-109

CREATED BY: TNT

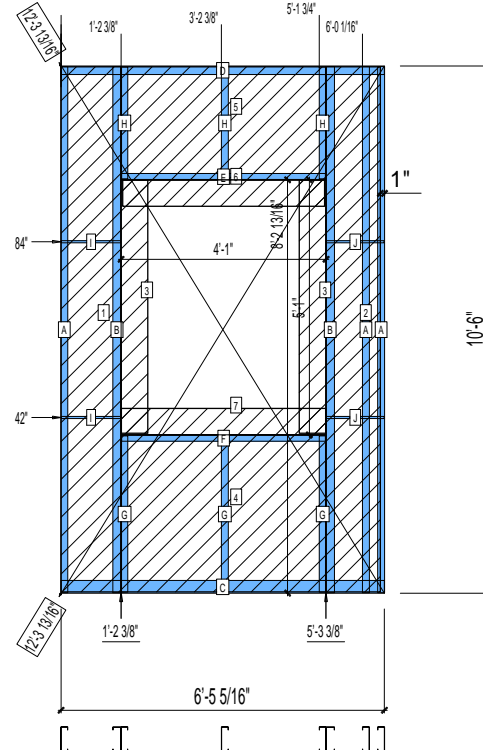
HEIGHT : 10'-6"
SPACING : 5000"
1st STUD: 16"

POINTS: 2.03 Points.

APPROVED
By TNT at 2:46 pm, Dec 15, 2008

WEIGHTS :
FRAME : 189 lbs
SHEATHING: 138 lbs

TOTAL: 327 lbs



PIECES LIST

LABEL	QTY	SIZE	LENGTH	USE
A	3	600S162-54	10'-5 13/16"	STUD
B	2	600S200-68	10'-5 13/16"	KING STUD
C	1	600T300-54	6'-5 5/16"	BOTTOM TRACK
D	1	600T200-54	6'-5 5/16"	TOP TRACK
E	1	600T150-54	4'-0 3/4"	HEAD TRACK
F	1	600T150-54	4'-0 3/4"	SILL
G	3	600S162-54	3'-1 3/8"	CRIPPLE
H	3	600S162-54	2'-2 3/4"	CRIPPLE
I	2	150U50-54	1'-2 1/8"	HORIZONTAL BRACING
J	2	150U50-54	1'-1 3/4"	HORIZONTAL BRACING

SHEATHING

LABEL	QTY	CODE	THICK	SIZE	SCREWS
1	1	DENSGLOSS	1/2"	1'-2 1/4" X 10'-5 9/16"	8 - 12
2	1	DENSGLOSS	1/2"	1'-0 15/16" X 10'-5 9/16"	8 - 12
3	2	DENSGLOSS	1/2"	6 3/8" X 5'-0 1/2"	8 - 12
4	1	DENSGLOSS	1/2"	4'-0 7/8" X 3'-1 1/2"	8 - 12
5	1	DENSGLOSS	1/2"	4'-0 7/8" X 2'-3"	8 - 12
6	1	DENSGLOSS	1/2"	4'-0 1/4" X 6 5/16"	8 - 12
7	1	DENSGLOSS	1/2"	4'-0 7/8" X 6 5/16"	8 - 12

23-1044

Jewish Home for the Aging

1885 Victory Blvd. Reseda, CA

FrameMax, Inc.
13915 Danielson St
Suite 100
Poway, CA 92064
www.frame-max.com



© FrameMax Inc.

CREATED: 12/11/2008

FM-07-109

CREATED BY: TNT

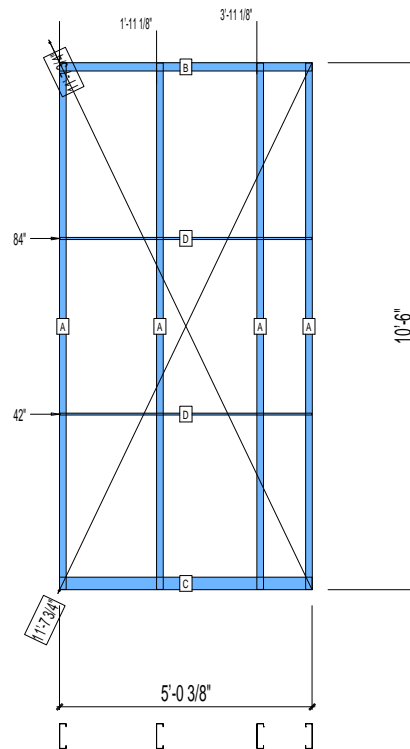
HEIGHT : 10'-6"
SPACING : 5000"
1st STUD: 5000"

POINTS: 0.76 Points.

APPROVED
By TNT at 2:46 pm, Dec 15, 2008

WEIGHTS :
FRAME : 106 lbs

TOTAL: 106 lbs



PIECES LIST

LABEL	QTY	SIZE	LENGTH	USE
A	4	600S162-54	10'-5 13/16"	STUD
B	1	600T200-54	5'-0 3/8"	TOP TRACK
C	1	600T300-54	5'-0 3/8"	BOTTOM TRACK
D	2	150U50-54	5'-0 3/16"	HORIZONTAL BRACING

23-1045

Jewish Home for the Aging

1885 Victory Blvd. Reseda, CA

FrameMax, Inc.
13915 Danielson St
Suite 100
Poway, CA 92064
www.frame-max.com



© FrameMax Inc.

CREATED: 12/12/2008

FM-07-109

CREATED BY: TNT

HEIGHT : 9'-8" POINTS: 0.37 Points.

SPACING : 5000"

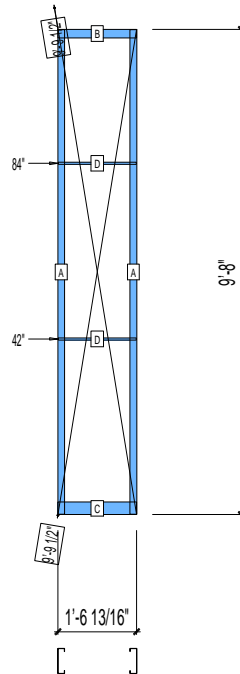
1st STUD: 5000"

APPROVED
By TNT at 2:46 pm, Dec 15, 2008

WEIGHTS :

FRAME : 45 lbs

TOTAL: 45 lbs



PIECES LIST

LABEL	QTY	SIZE	LENGTH	USE
A	2	600S162-54	9'-7 13/16"	STUD
B	1	600T200-54	1'-6 13/16"	TOP TRACK
C	1	600T300-54	1'-6 13/16"	BOTTOM TRACK
D	2	150U50-54	1'-6 5/8"	HORIZONTAL BRACING

23-1046

Jewish Home for the Aging

1885 Victory Blvd. Reseda, CA

FM-07-109

CREATED BY: TNT

FrameMax, Inc.
13915 Danielson St
Suite 100
Poway, CA 92064
www.frame-max.com



© FrameMax Inc.

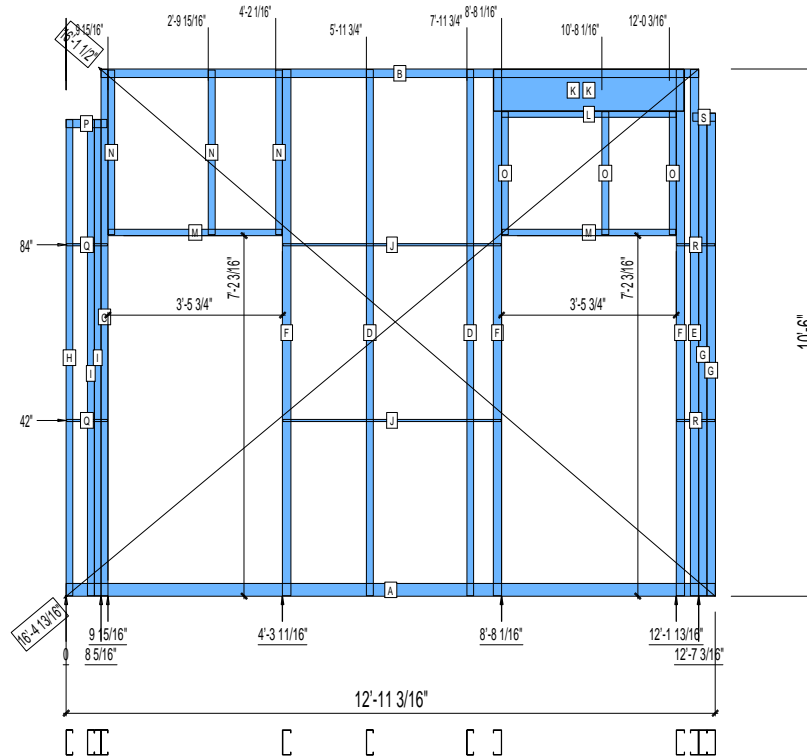
HEIGHT : 10'-6"
SPACING : 5000"
1st STUD: 5000"

POINTS: 2.96 Points.

APPROVED
By TNT at 2:46 pm, Dec 15, 2008

WEIGHTS :
FRAME : 437 lbs

TOTAL: 437 lbs



PIECES LIST

LABEL	QTY	SIZE	LENGTH	USE
A	1	600T300-54	12'-11 3/16"	BOTTOM TRACK
B	1	600T200-54	11'-10 7/8"	TOP TRACK
C	1	600S162-68	10'-5 13/16"	BEAM KING
D	2	600S162-54	10'-5 13/16"	STUD
E	1	600S200-97	10'-5 13/16"	BEAM KING
F	3	600S200-68	10'-5 13/16"	KING STUD
G	2	600S200-68	9'-7 5/16"	BEAM JACK
H	1	600S162-54	9'-5 13/16"	STUD
I	2	600S162-68	9'-5 13/16"	BEAM JACK
J	2	150U50-54	4'-4 1/8"	HORIZONTAL BRACING
K	2	1000S162-68	3'-9 1/2"	HEADER
L	1	600T150-68	3'-5 3/4"	HEADER BOTTOM TRACK
M	2	600T150-54	3'-5 1/2"	HEAD TRACK
N	3	600S162-54	3'-3 3/8"	CRIPPLE
O	3	600S162-54	2'-5 7/16"	CRIPPLE
P	1	600T200-54	9 13/16"	BEAM JACK
Q	2	150U50-54	9 3/4"	HORIZONTAL BRACING
R	2	150U50-54	9 1/8"	HORIZONTAL BRACING
S	1	600T200-54	5 7/16"	BEAM JACK

23-1047

Jewish Home for the Aging

1885 Victory Blvd. Reseda, CA

FrameMax, Inc.
13915 Danielson St
Suite 100
Poway, CA 92064
www.frame-max.com



© FrameMax Inc.

CREATED: 12/11/2008

FM-07-109

CREATED BY: TNT

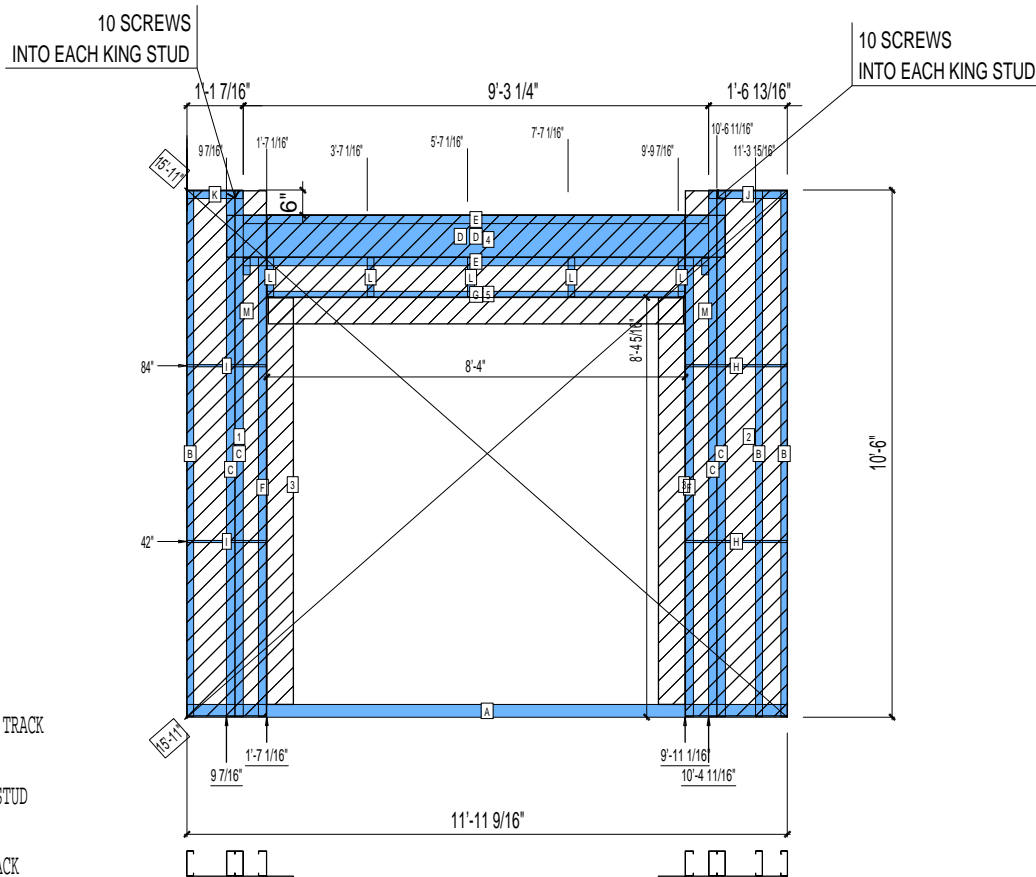
HEIGHT : 10'-6"
SPACING : 5000"
1st STUD: 5000"

POINTS: 3.66 Points.

APPROVED
By TNT at 2:46 pm, Dec 15, 2008

WEIGHTS :
FRAME : 458 lbs
SHEATHING: 161 lbs

TOTAL: 619 lbs



PIECES LIST			
LABEL	QTY	SIZE	LENGTH USE
A	1	600T300-54	11'-11 9/16" BOTTOM TRACK
B	3	600S162-54	10'-5 13/16" STUD
C	4	600S200-97	10'-5 13/16" EXTRA STUD
D	2	1000S200-97	9'-11 1/8" HEADER
E	2	600T200-54	9'-3 1/8" TOP TRACK
F	2	600S200-68	9'-1 3/4" KING STUD
G	1	600T150-54	8'-3 3/4" HEAD TRACK
H	2	150U50-54	2'-0 1/4" HORIZONTAL BRACING
I	2	150U50-54	1'-6 7/8" HORIZONTAL BRACING
J	1	600T200-54	1'-6 3/4" TOP TRACK
K	1	600T200-54	1'-1 3/8" TOP TRACK
L	5	600S162-54	9 5/16" CRIPPLE
M	2	600S162-54	4" CRIPPLE

SHEATHING					
LABEL	QTY	CODE	THICK	SIZE	SCREWS
1	1	DENSGLASS	1/2"	1'-7" X 10'-5 9/16"	8 - 12
2	1	DENSGLASS	1/2"	2'-0 3/8" X 10'-5 9/16"	8 - 12
3	2	DENSGLASS	1/2"	6 3/8" X 8'-1 1/4"	8 - 12
4	1	DENSGLASS	1/2"	8'-3 7/8" X 1'-7 5/8"	8 - 12
5	1	DENSGLASS	1/2"	8'-3 1/4" X 6 5/16"	8 - 12

23-1048

Jewish Home for the Aging

1885 Victory Blvd. Reseda, CA

FrameMax, Inc.
13915 Danielson St
Suite 100
Poway, CA 92064
www.frame-max.com



© FrameMax Inc.

CREATED: 12/12/2008

FM-07-109

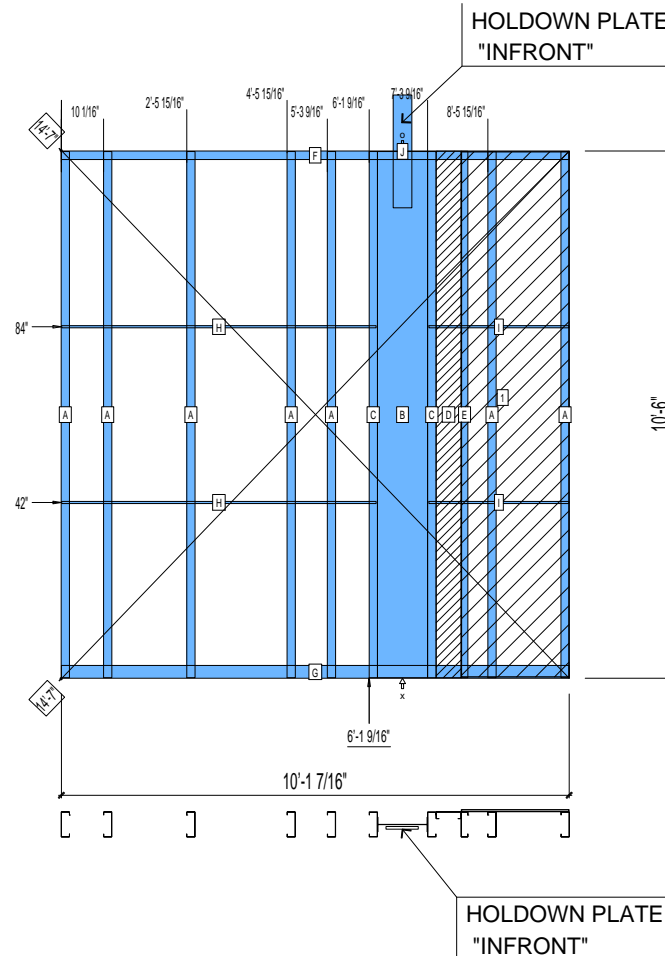
CREATED BY: TNT

HEIGHT : 10'-6"
POINTS: 2.75 Points.
SPACING : 5000"
1st STUD: 5000"

APPROVED
By TNT at 2:46 pm, Dec 15, 2008

WEIGHTS :
FRAME : 414 lbs
SHEATHING: 56 lbs

TOTAL: 470 lbs



PIECES LIST

LABEL	QTY	SIZE	LENGTH	USE
A	7	600S200-54	10'-5 13/16"	STUD
B	1	1200i350p1062	10'-5 13/16"	PACO
C	2	600S200-68	10'-5 13/16"	STUD
D	1	600S162-33	10'-5 13/16"	BACKER-U
E	1	600S162-33	10'-5 13/16"	BACKER STUD
F	1	600T200-54	10'-1 7/16"	TOP TRACK
G	1	600T300-54	10'-1 7/16"	BOTTOM TRACK
H	2	150U50-54	6'-3 3/16"	HORIZONTAL BRACING
I	2	150U50-54	2'-9 7/16"	HORIZONTAL BRACING
J	1	B	2'-3"	HOLDDOWN

SHEATHING

LABEL	QTY	CODE	THICK	SIZE	SCREWS
1	1	DENSGLOSS	1/2"	2'-1 3/4" X 10'-5 9/16"	8 - 12

23-1049

Jewish Home for the Aging

1885 Victory Blvd. Reseda, CA

FrameMax, Inc.
13915 Danielson St
Suite 100
Poway, CA 92064
www.framemax.com



© FrameMax Inc.

CREATED: 12/12/2008

FM-07-109

CREATED BY: TNT

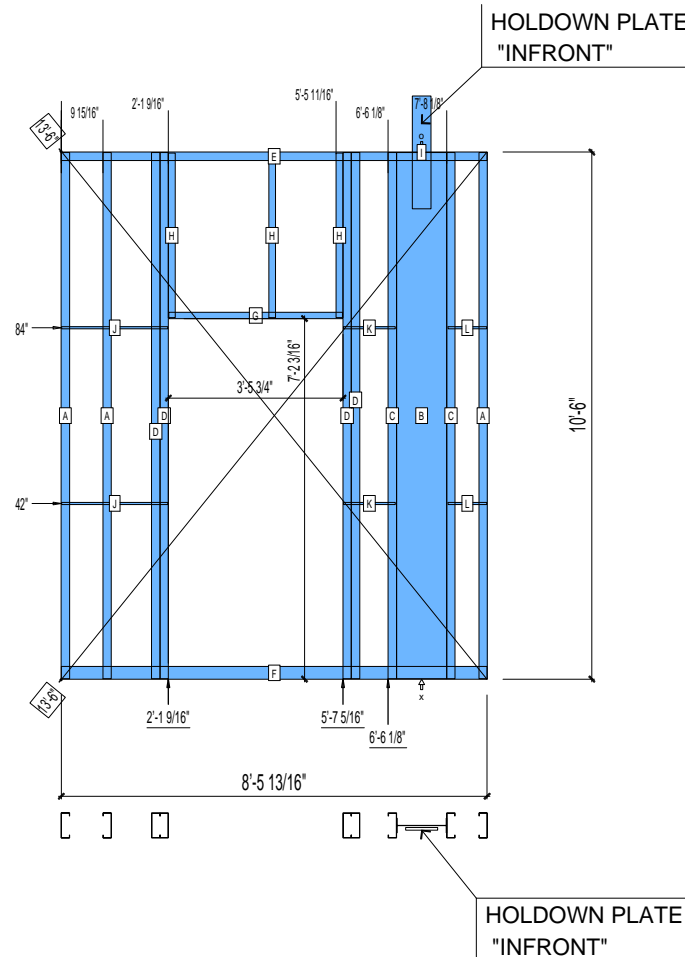
HEIGHT : 10'-6"
SPACING : 5000"
1st STUD: 5000"

POINTS: 2.59 Points.

APPROVED
By TNT at 2:46 pm, Dec 15, 2008

WEIGHTS :
FRAME : 423 lbs

TOTAL: 423 lbs



PIECES LIST

LABEL	QTY	SIZE	LENGTH	USE
A	3	600S200-54	10'-5 13/16"	STUD
B	1	1200i350p1062	10'-5 13/16"	PACO
C	2	600S200-68	10'-5 13/16"	STUD
D	4	600S200-68	10'-5 13/16"	KING STUD
E	1	600T200-54	8'-5 13/16"	TOP TRACK
F	1	600T300-54	8'-5 13/16"	BOTTOM TRACK
G	1	600T150-54	3'-5 1/2"	HEAD TRACK
H	3	600S162-54	3'-3 3/8"	CRIPPLE
I	1	B	2'-3"	HOLDDOWN
J	2	150U50-54	2'-1 3/8"	HORIZONTAL BRACING
K	2	150U50-54	1'-0 3/8"	HORIZONTAL BRACING
L	2	150U50-54	9 1/4"	HORIZONTAL BRACING

23-1050

Jewish Home for the Aging

1885 Victory Blvd. Reseda, CA

FM-07-109

CREATED BY: TNT

FrameMax, Inc.
13915 Danielson St
Suite 100
Poway, CA 92064
www.frame-max.com



© FrameMax Inc.

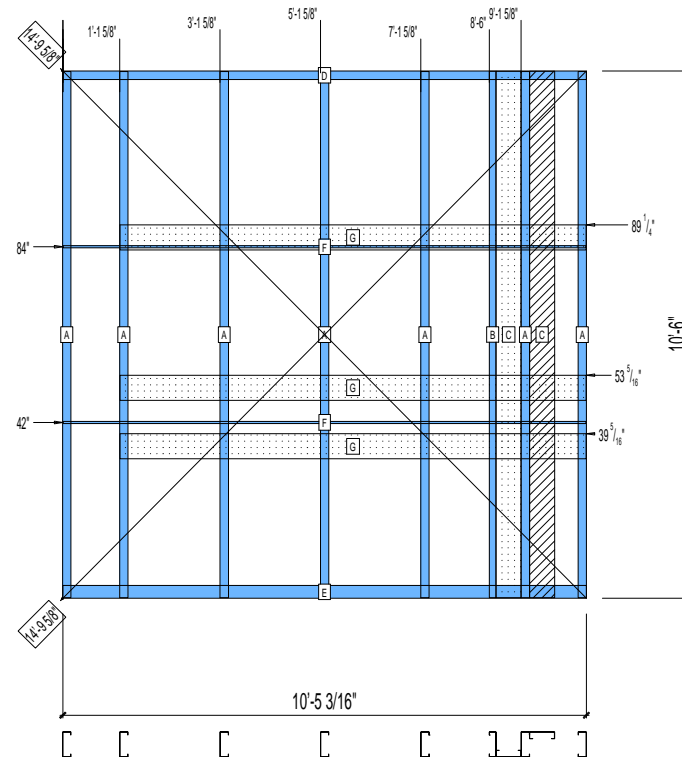
HEIGHT : 10'-6"
SPACING : 5000"
1st STUD: 5000"

POINTS: 1.85 Points.

APPROVED
By TNT at 2:46 pm, Dec 15, 2008

WEIGHTS :
FRAME : 279 lbs

TOTAL: 279 lbs



PIECES LIST

LABEL	QTY	SIZE	LENGTH	USE
A	7	600S200-54	10'-5 13/16"	STUD
B	1	600S162-33	10'-5 13/16"	BACKER STUD
C	2	600S162-33	10'-5 13/16"	BACKER-U
D	1	600T200-54	10'-5 3/16"	TOP TRACK
E	1	600T300-54	10'-5 3/16"	BOTTOM TRACK
F	2	150U50-54	10'-5"	HORIZONTAL BRACING
G	3	600D-54	9'-3 1/2"	KITCHEN BACKING

23-1051

Jewish Home for the Aging

1885 Victory Blvd. Reseda, CA

FrameMax, Inc.
13915 Danielson St
Suite 100
Poway, CA 92064
www.framemax.com



© FrameMax Inc.

CREATED: 12/11/2008

FM-07-109

CREATED BY: TNT

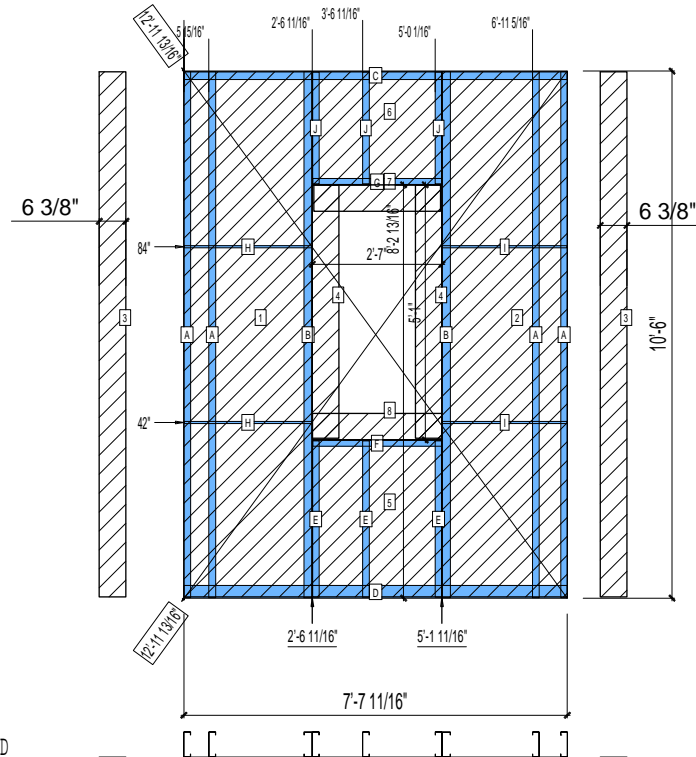
HEIGHT : 10'-6"
SPACING : 5000"
1st STUD: 5000"

POINTS: 2.52 Points.

APPROVED
By TNT at 2:46 pm, Dec 15, 2008

WEIGHTS :
FRAME : 211 lbs
SHEATHING: 214 lbs

TOTAL: 425 lbs



PIECES LIST

LABEL	QTY	SIZE	LENGTH	USE
A	4	600S162-54	10'-5 13/16"	STUD
B	2	600S200-68	10'-5 13/16"	KING STUD
C	1	600T200-54	7'-7 11/16"	TOP TRACK
D	1	600T300-54	7'-7 11/16"	BOTTOM TRACK
E	3	600S162-54	3'-1 3/8"	CRIPPLE
F	1	600T150-54	2'-6 3/4"	SILL
G	1	600T150-54	2'-6 3/4"	HEAD TRACK
H	2	150U50-54	2'-6 1/2"	HORIZONTAL BRACING
I	2	150U50-54	2'-5 3/4"	HORIZONTAL BRACING
J	3	600S162-54	2'-2 3/4"	CRIPPLE

SHEATHING

LABEL	QTY	CODE	THICK	SIZE	SCREWS
1	1	DENSGLASS	1/2"	2'-6 5/8" X 10'-5 9/16"	8 - 12
2	1	DENSGLASS	1/2"	2'-5 7/8" X 10'-5 9/16"	8 - 12
3	2	DENSGLASS	1/2"	6 3/8" X 10'-5 9/16"	8 - 12
4	2	DENSGLASS	1/2"	6 3/8" X 5'-0 1/2"	8 - 12
5	1	DENSGLASS	1/2"	2'-6 7/8" X 3'-1 1/2"	8 - 12
6	1	DENSGLASS	1/2"	2'-6 7/8" X 2'-3"	8 - 12
7	1	DENSGLASS	1/2"	2'-6 1/4" X 6 5/16"	8 - 12
8	1	DENSGLASS	1/2"	2'-6 7/8" X 6 5/16"	8 - 12

23-1052

Jewish Home for the Aging

1885 Victory Blvd. Reseda, CA

FrameMax, Inc.
13915 Danielson St
Suite 100
Poway, CA 92064
www.frame-max.com



© FrameMax Inc.

CREATED: 12/11/2008

FM-07-109

CREATED BY: TNT

HEIGHT : 10'-6" POINTS: 0.91 Points.

SPACING : 5000"

1st STUD: 16"

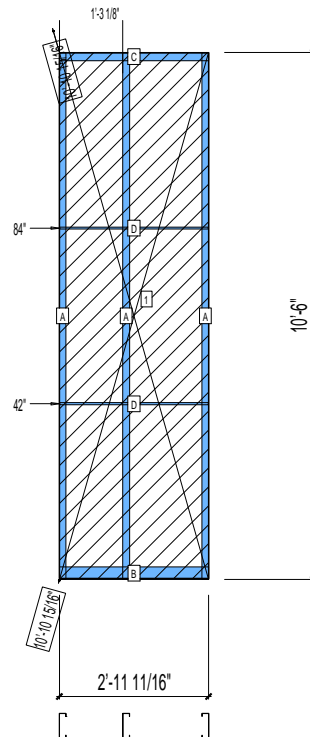
APPROVED
By TNT at 2:46 pm, Dec 15, 2008

WEIGHTS :

FRAME : 75 lbs

SHEATHING: 78 lbs

TOTAL: 153 lbs



PIECES LIST

LABEL	QTY	SIZE	LENGTH	USE
A	3	600S162-54	10'-5 13/16"	STUD
B	1	600T300-54	2'-11 11/16"	BOTTOM TRACK
C	1	600T200-54	2'-11 11/16"	TOP TRACK
D	2	150U50-54	2'-11 1/2"	HORIZONTAL BRACING

SHEATHING

LABEL	QTY	CODE	THICK	SIZE	SCREWS
1	1	DENSGLOSS	1/2"	2'-11 5/8" X 10'-5 9/16"	8 - 12

23-1053

Jewish Home for the Aging

1885 Victory Blvd. Reseda, CA

FrameMax, Inc.
13915 Danielson St
Suite 100
Poway, CA 92064
www.framemax.com



© FrameMax Inc.

CREATED: 12/11/2008

FM-07-109

CREATED BY: TNT

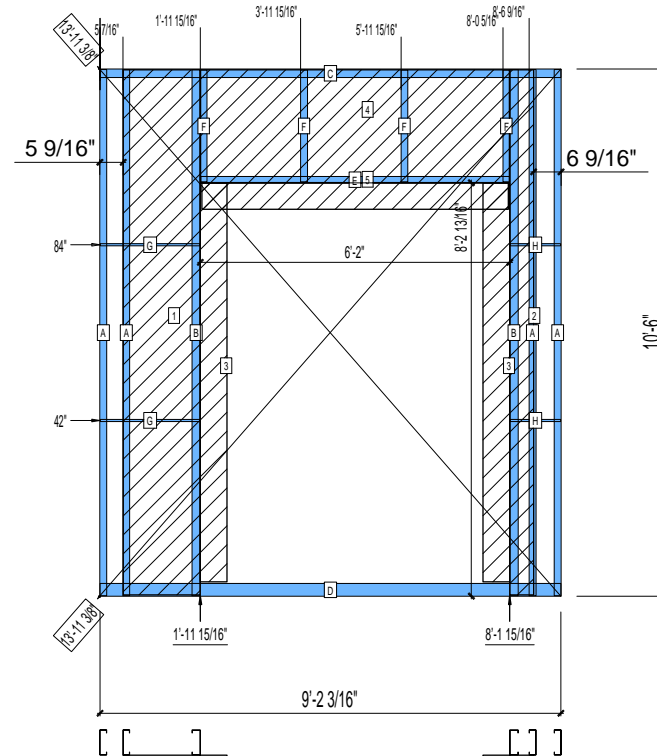
HEIGHT : 10'-6"
SPACING : 5000"
1st STUD: 5000"

POINTS: 2.01 Points.

APPROVED
By TNT at 2:46 pm, Dec 15, 2008

WEIGHTS :
FRAME : 204 lbs
SHEATHING: 116 lbs

TOTAL: 320 lbs



PIECES LIST

LABEL	QTY	SIZE	LENGTH	USE
A	4	600S162-54	10'-5 13/16"	STUD
B	2	600S200-68	10'-5 13/16"	KING STUD
C	1	600T200-54	9'-2 3/16"	TOP TRACK
D	1	600T300-54	9'-2 3/16"	BOTTOM TRACK
E	1	600T150-54	6'-1 3/4"	HEAD TRACK
F	4	600S162-54	2'-2 3/4"	CRIPPLE
G	2	150U50-54	1'-11 3/4"	HORIZONTAL BRACING
H	2	150U50-54	1'-0"	HORIZONTAL BRACING

SHEATHING

LABEL	QTY	CODE	THICK	SIZE	SCREWS
1	1	DENSGLASS	1/2"	1'-6 3/8" X 10'-5 9/16"	8 - 12
2	1	DENSGLASS	1/2"	5 5/8" X 10'-5 9/16"	8 - 12
3	2	DENSGLASS	1/2"	6 3/8" X 7'-11 5/16"	8 - 12
4	1	DENSGLASS	1/2"	6'-1 7/8" X 2'-3"	8 - 12
5	1	DENSGLASS	1/2"	6'-1 1/4" X 6 5/16"	8 - 12

23-1054

Jewish Home for the Aging

1885 Victory Blvd. Reseda, CA

FrameMax, Inc.
13915 Danielson St
Suite 100
Poway, CA 92064
www.framemax.com



© FrameMax Inc.

CREATED: 12/11/2008

FM-07-109

CREATED BY: TNT

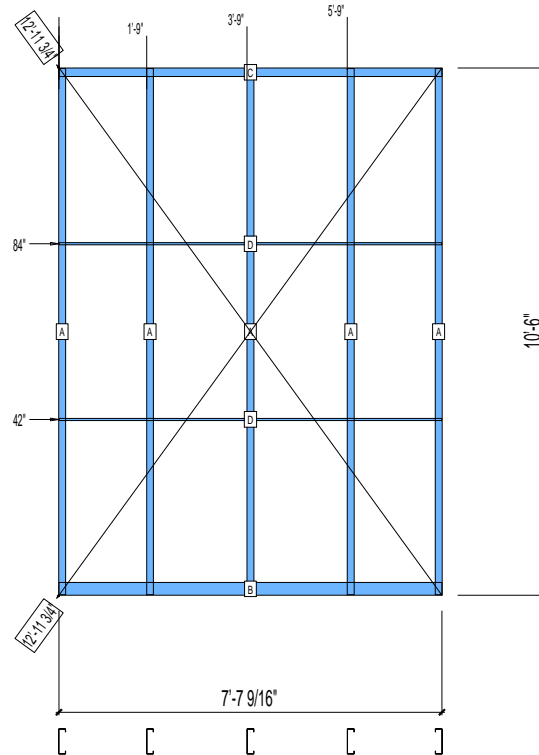
HEIGHT : 10'-6"
SPACING : 5000"
1st STUD: 5000"

POINTS: 0.99 Points.

APPROVED
By TNT at 2:46 pm, Dec 15, 2008

WEIGHTS :
FRAME : 140 lbs

TOTAL: 140 lbs



PIECES LIST

LABEL	QTY	SIZE	LENGTH	USE
A	5	600S162-54	10'-5 13/16"	STUD
B	1	600T300-54	7'-7 9/16"	BOTTOM TRACK
C	1	600T200-54	7'-7 9/16"	TOP TRACK
D	2	150U50-54	7'-7 3/8"	HORIZONTAL BRACING

23-1055

Jewish Home for the Aging

1885 Victory Blvd. Reseda, CA

FrameMax, Inc.
13915 Danielson St
Suite 100
Poway, CA 92064
www.frame-max.com



© FrameMax Inc.

CREATED: 12/11/2008

FM-07-109

CREATED BY: TNT

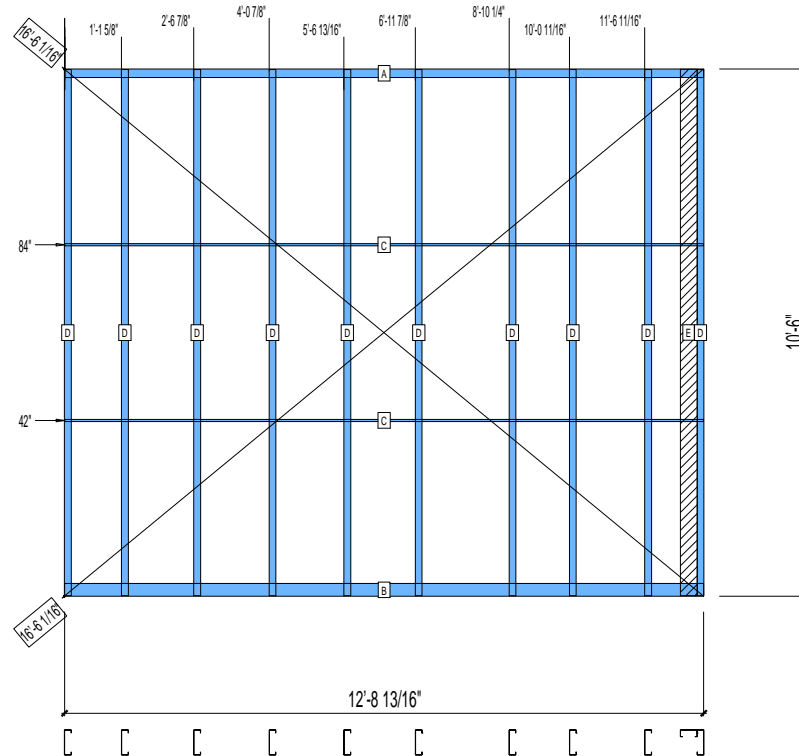
HEIGHT : 10'-6"
SPACING : 5000"
1st STUD: 5000"

POINTS: 1.84 Points.

APPROVED
By TNT at 2:46 pm, Dec 15, 2008

WEIGHTS :
FRAME : 276 lbs

TOTAL: 276 lbs



PIECES LIST

LABEL	QTY	SIZE	LENGTH	USE
A	1	600T200-54	12'-8 13/16"	TOP TRACK
B	1	600T300-54	12'-8 13/16"	BOTTOM TRACK
C	2	150U50-54	12'-8 5/8"	HORIZONTAL BRACING
D	10	600S162-54	10'-5 13/16"	STUD
E	1	400S162-33	10'-5 13/16"	BACKER-U

23-1056

Jewish Home for the Aging

1885 Victory Blvd. Reseda, CA

FM-07-109

CREATED BY: TNT

FrameMax, Inc.
13915 Danielson St
Suite 100
Poway, CA 92064
www.frame-max.com



© FrameMax Inc.

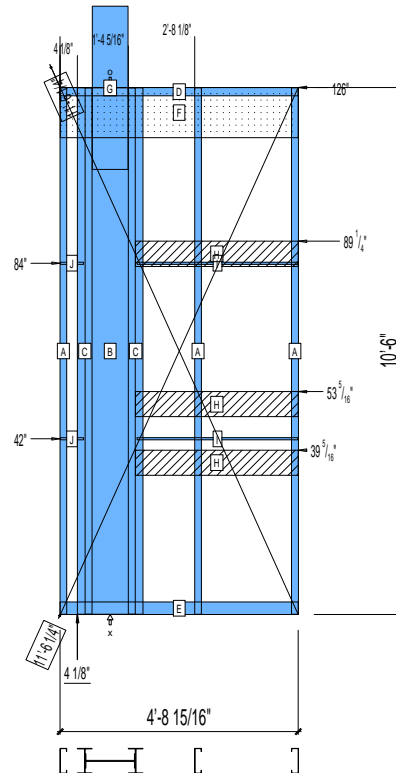
HEIGHT : 10'-6"
SPACING : 5000"
1st STUD: 5000"

POINTS: 2.97 Points.

APPROVED
By TNT at 2:46 pm, Dec 15, 2008

WEIGHTS :
FRAME : 553 lbs

TOTAL: 553 lbs



PIECES LIST

LABEL	QTY	SIZE	LENGTH	USE
A	3	600S162-54	10'-5 13/16"	STUD
B	1	1200i350p1420	10'-5 13/16"	PACO
C	2	600i350p968	10'-5 13/16"	PACO
D	1	600T200-54	4'-8 15/16"	TOP TRACK
E	1	600T300-54	4'-8 15/16"	BOTTOM TRACK
F	1	1200D-54	4'-8 7/8"	STRAP
G	1	F	3'-3"	HOLDDOWN
H	3	600D-54	3'-2 7/8"	KITCHEN BACKING
I	2	150U50-54	3'-2 1/2"	HORIZONTAL BRACING
J	2	150U50-54	5 1/2"	HORIZONTAL BRACING

23-1057

Jewish Home for the Aging

1885 Victory Blvd. Reseda, CA

FM-07-109

CREATED BY: TNT

FrameMax, Inc.
13915 Danielson St
Suite 100
Poway, CA 92064
www.frame-max.com



© FrameMax Inc.

APPROVED
By TNT at 2:46 pm, Dec 15, 2008

HEIGHT : 10'-6" POINTS: 3.63 Points.

SPACING : 5000"

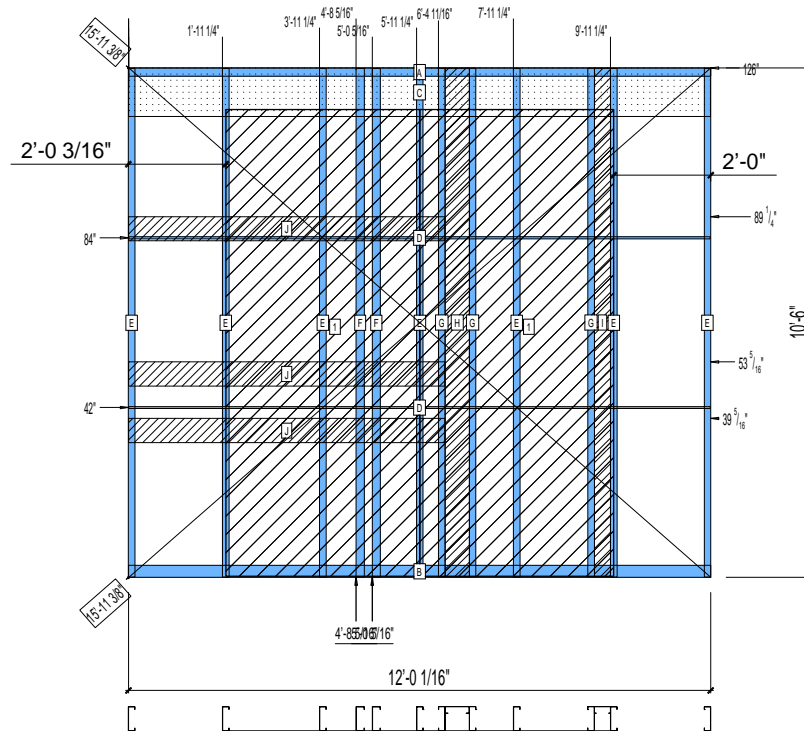
1st STUD: 5000"

WEIGHTS :

FRAME : 358 lbs

SHEATHING: 283 lbs

TOTAL: 641 lbs



PIECES LIST

LABEL	QTY	SIZE	LENGTH	USE
A	1	600T200-54	12'-0 1/16"	TOP TRACK
B	1	600T300-54	12'-0 1/16"	BOTTOM TRACK
C	1	1200D-54	12'-0"	STRAP
D	2	150U50-54	11'-11 7/8"	HORIZONTAL BRACING
E	7	600S162-54	10'-5 13/16"	STUD
F	2	600S200-54	10'-5 13/16"	EXTRA STUD
G	3	600S162-33	10'-5 13/16"	BACKER STUD
H	1	600S162-33	10'-5 13/16"	BACKER-U
I	1	400S162-33	10'-5 13/16"	BACKER-U
J	3	600D-54	6'-6 1/4"	KITCHEN BACKING

SHEATHING

LABEL	QTY	CODE	THICK	SIZE	SCREWS
1	2	SB-DENSARMOR	5/8"	4'-0" X 9'-7 7/16"	3-12

23-1058

Jewish Home for the Aging

1885 Victory Blvd. Reseda, CA

FrameMax, Inc.
13915 Danielson St
Suite 100
Poway, CA 92064
www.frame-max.com



© FrameMax Inc.

CREATED: 12/11/2008

FM-07-109

CREATED BY: TNT

APPROVED
By TNT at 2:46 pm, Dec 15, 2008

HEIGHT : 12'-1 7/16" POINTS: 2.29 Points.

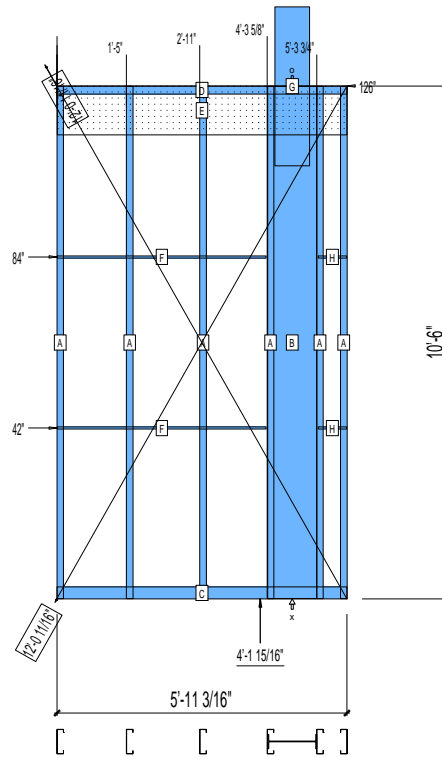
SPACING : 5000"

1st STUD: 5000"

WEIGHTS :

FRAME : 407 lbs

TOTAL: 407 lbs



PIECES LIST

LABEL	QTY	SIZE	LENGTH	USE
A	6	600S162-54	10'-5 13/16"	STUD
B	1	1200i350p1420	10'-5 13/16"	PACO
C	1	600T300-54	5'-11 3/16"	BOTTOM TRACK
D	1	600T200-54	5'-11 3/16"	TOP TRACK
E	1	1200D-54	5'-11 1/8"	STRAP
F	2	150U50-54	4'-3 1/4"	HORIZONTAL BRACING
G	1	F	3'-3"	HOLDDOWN
H	2	150U50-54	6 15/16"	HORIZONTAL BRACING

23-1059

Jewish Home for the Aging

1885 Victory Blvd. Reseda, CA

FrameMax, Inc.
13915 Danielson St
Suite 100
Poway, CA 92064
www.frame-max.com



© FrameMax Inc.

APPROVED
By TNT at 2:46 pm, Dec 15, 2008

CREATED: 12/11/2008

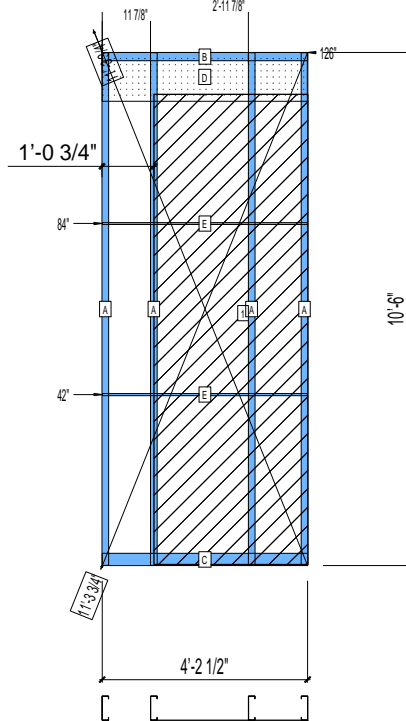
FM-07-109

CREATED BY: TNT

HEIGHT : 10'-6"
POINTS: 1.29 Points.
SPACING : 5000"
1st STUD: 5000"

WEIGHTS :
FRAME : 112 lbs
SHEATHING: 111 lbs

TOTAL: 223 lbs



PIECES LIST

LABEL	QTY	SIZE	LENGTH	USE
A	4	600S162-54	10'-5 13/16"	STUD
B	1	600T200-54	4'-2 1/2"	TOP TRACK
C	1	600T300-54	4'-2 1/2"	BOTTOM TRACK
D	1	1200D-54	4'-2 3/8"	STRAP
E	2	150U50-54	4'-2 5/16"	HORIZONTAL BRACING

SHEATHING

LABEL	QTY	CODE	THICK	SIZE	SCREWS
1	1	SB-DENSARMOR	5/8"	3'-1 3/4" X	9'-7 7/16" 3-12

23-1060

Jewish Home for the Aging

1885 Victory Blvd. Reseda, CA

FrameMax, Inc.
13915 Danielson St
Suite 100
Poway, CA 92064
www.framemax.com



© FrameMax Inc.

CREATED: 12/11/2008

FM-07-109

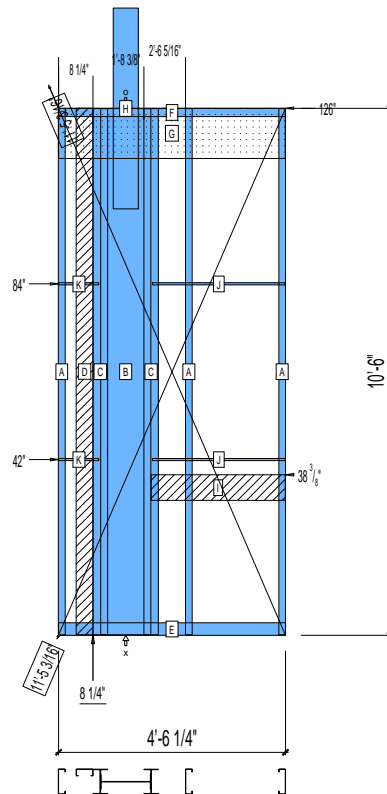
CREATED BY: TNT

HEIGHT : 10'-6"
POINTS: 2.36 Points.
SPACING : 5000"
1st STUD: 5000"

APPROVED
By TNT at 2:46 pm, Dec 15, 2008

WEIGHTS :
FRAME : 423 lbs

TOTAL: 423 lbs



PIECES LIST

LABEL	QTY	SIZE	LENGTH	USE
A	3	600S162-54	10'-5 13/16"	STUD
B	1	1200i350p1062	10'-5 13/16"	PACO
C	2	600i350p680	10'-5 13/16"	PACO
D	1	400S162-33	10'-5 13/16"	BACKER-U
E	1	600T300-54	4'-6 1/4"	BOTTOM TRACK
F	1	600T200-54	4'-6 1/4"	TOP TRACK
G	1	1200D-54	4'-6 3/16"	STRAP
H	1	C	4'-0"	HOLDDOWN
I	1	600T150-54	2'-8 1/8"	GRAB BAR
J	2	150U50-54	2'-7 11/16"	HORIZONTAL BRACING
K	2	150U50-54	9'-9/16"	HORIZONTAL BRACING

23-1061

Jewish Home for the Aging

1885 Victory Blvd. Reseda, CA

FrameMax, Inc.
13915 Danielson St
Suite 100
Poway, CA 92064
www.frame-max.com



© FrameMax Inc.

CREATED: 12/11/2008

FM-07-109

CREATED BY: TNT

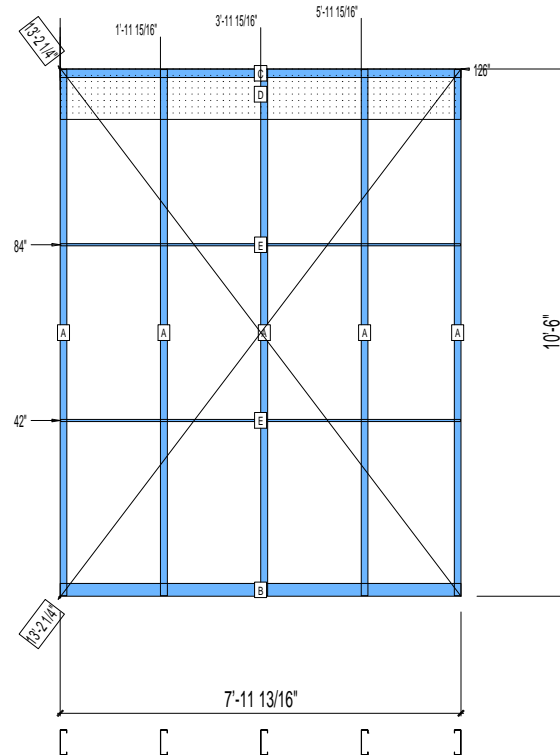
HEIGHT : 10'-6"
SPACING : 5000"
1st STUD: 5000"

POINTS: 1.11 Points.

APPROVED
By TNT at 2:46 pm, Dec 15, 2008

WEIGHTS :
FRAME : 161 lbs

TOTAL: 161 lbs



PIECES LIST

LABEL	QTY	SIZE	LENGTH	USE
A	5	600S162-54	10'-5 13/16"	STUD
B	1	600T300-54	7'-11 13/16"	BOTTOM TRACK
C	1	600T200-54	7'-11 13/16"	TOP TRACK
D	1	1200D-54	7'-11 3/4"	STRAP
E	2	150U50-54	7'-11 5/8"	HORIZONTAL BRACING

23-1062

Jewish Home for the Aging

1885 Victory Blvd. Reseda, CA

FrameMax, Inc.
13915 Danielson St
Suite 100
Poway, CA 92064
www.frame-max.com



© FrameMax Inc.

CREATED: 12/11/2008

FM-07-109

CREATED BY: TNT

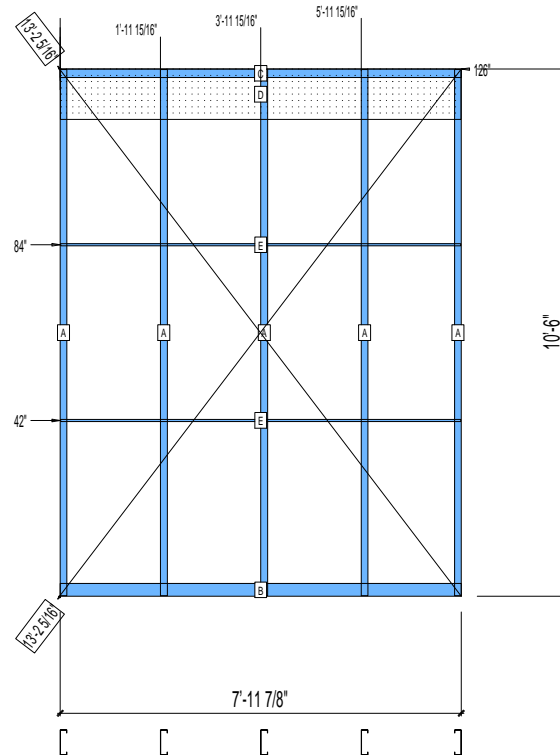
HEIGHT : 10'-6"
SPACING : 5000"
1st STUD: 5000"

POINTS: 1.11 Points.

APPROVED
By TNT at 2:46 pm, Dec 15, 2008

WEIGHTS :
FRAME : 161 lbs

TOTAL: 161 lbs



PIECES LIST

LABEL	QTY	SIZE	LENGTH	USE
A	5	600S162-54	10'-5 13/16"	STUD
B	1	600T300-54	7'-11 7/8"	BOTTOM TRACK
C	1	600T200-54	7'-11 7/8"	TOP TRACK
D	1	1200D-54	7'-11 13/16"	STRAP
E	2	150U50-54	7'-11 11/16"	HORIZONTAL BRACING

23-1063

Jewish Home for the Aging

1885 Victory Blvd. Reseda, CA

FM-07-109

CREATED BY: TNT

FrameMax, Inc.
13915 Danielson St
Suite 100
Poway, CA 92064
www.frame-max.com



© FrameMax Inc.

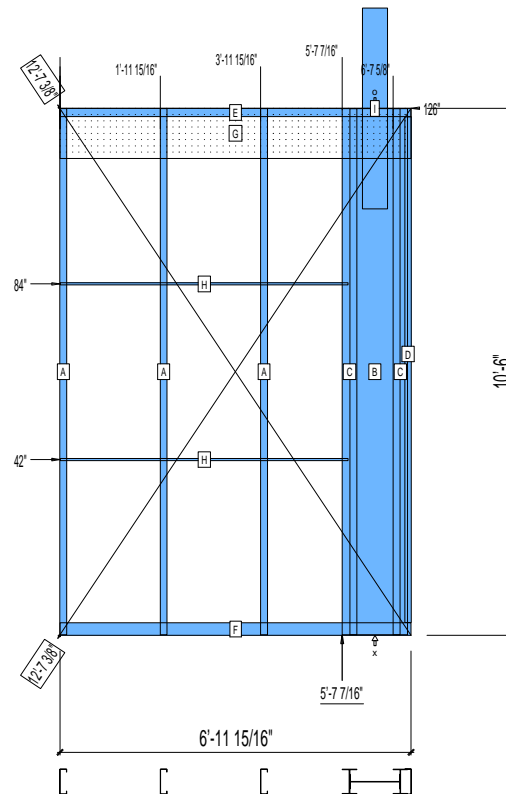
HEIGHT : 10'-6"
SPACING : 5000"
1st STUD: 5000"

POINTS: 2.44 Points.

APPROVED
By TNT at 2:46 pm, Dec 15, 2008

WEIGHTS :
FRAME : 445 lbs

TOTAL: 445 lbs



PIECES LIST

LABEL	QTY	SIZE	LENGTH	USE
A	3	600S162-54	10'-5 13/16"	STUD
B	1	1200i350p1062	10'-5 13/16"	PACO
C	2	600i350p680	10'-5 13/16"	PACO
D	1	600T150-54	10'-0 7/8"	CAP TRACK
E	1	600T200-54	6'-11 15/16"	TOP TRACK
F	1	600T300-54	6'-11 15/16"	BOTTOM TRACK
G	1	1200D-54	6'-11 7/8"	STRAP
H	2	150U50-54	5'-8 13/16"	HORIZONTAL BRACING
I	1	C	4'-0"	HOLDDOWN

23-1064

Jewish Home for the Aging

1885 Victory Blvd. Reseda, CA

FrameMax, Inc.
13915 Danielson St
Suite 100
Poway, CA 92064
www.frame-max.com



© FrameMax Inc.

CREATED: 12/11/2008

FM-07-109

CREATED BY: TNT

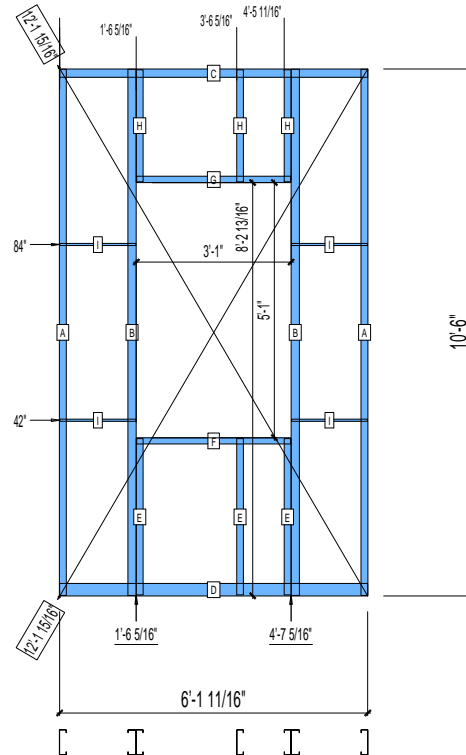
HEIGHT : 10'-6"
SPACING : 5000"
1st STUD: 5000"

POINTS: 1.26 Points.

APPROVED
By TNT at 2:46 pm, Dec 15, 2008

WEIGHTS :
FRAME : 165 lbs

TOTAL: 165 lbs



PIECES LIST

LABEL	QTY	SIZE	LENGTH	USE
A	2	600S162-54	10'-5 13/16"	STUD
B	2	600S200-68	10'-5 13/16"	KING STUD
C	1	600T200-54	6'-1 11/16"	TOP TRACK
D	1	600T300-54	6'-1 11/16"	BOTTOM TRACK
E	3	600S162-54	3'-1 3/8"	CRIPPLE
F	1	600T150-54	3'-0 3/4"	SILL
G	1	600T150-54	3'-0 3/4"	HEAD TRACK
H	3	600S162-54	2'-2 3/4"	CRIPPLE
I	4	150U50-54	1'-6 1/8"	HORIZONTAL BRACING

23-1065

Jewish Home for the Aging

1885 Victory Blvd. Reseda, CA

FrameMax, Inc.
13915 Danielson St
Suite 100
Poway, CA 92064
www.frame-max.com



© FrameMax Inc.

CREATED: 12/11/2008

FM-07-109

CREATED BY: TNT

HEIGHT : 10'-6" POINTS: 0.49 Points.

SPACING : 5000"

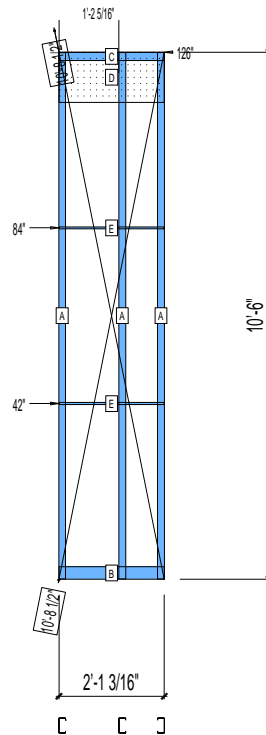
1st STUD: 5000"

APPROVED
By TNT at 2:46 pm, Dec 15, 2008

WEIGHTS :

FRAME : 60 lbs

TOTAL: 60 lbs



PIECES LIST

LABEL	QTY	SIZE	LENGTH	USE
A	3	362S162-54	10'-5 13/16"	STUD
B	1	362T300-54	2'-1 3/16"	BOTTOM TRACK
C	1	362T200-54	2'-1 3/16"	TOP TRACK
D	1	1200D-54	2'-1 1/8"	STRAP
E	2	150U50-54	2'-1"	HORIZONTAL BRACING

23-1066

Jewish Home for the Aging

1885 Victory Blvd. Reseda, CA

FrameMax, Inc.
13915 Danielson St
Suite 100
Poway, CA 92064
www.frame-max.com



© FrameMax Inc.

CREATED: 12/11/2008

FM-07-109

CREATED BY: TNT

HEIGHT : 10'-6" POINTS: 0.49 Points.

SPACING : 5000"

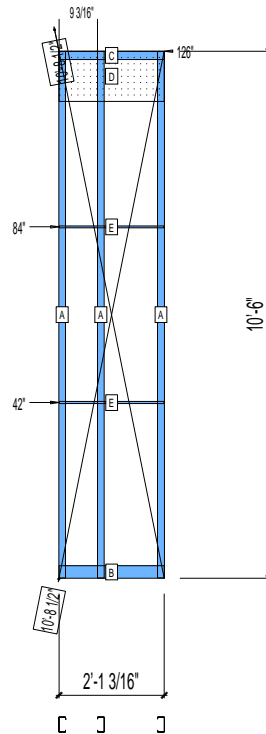
1st STUD: 5000"

APPROVED
By TNT at 2:46 pm, Dec 15, 2008

WEIGHTS :

FRAME : 60 lbs

TOTAL: 60 lbs



PIECES LIST

LABEL	QTY	SIZE	LENGTH	USE
A	3	362S162-54	10'-5 13/16"	STUD
B	1	362T300-54	2'-1 3/16"	BOTTOM TRACK
C	1	362T200-54	2'-1 3/16"	TOP TRACK
D	1	1200D-54	2'-1 1/8"	STRAP
E	2	150U50-54	2'-1"	HORIZONTAL BRACING

23-1067

Jewish Home for the Aging

1885 Victory Blvd. Reseda, CA

FrameMax, Inc.
13915 Danielson St
Suite 100
Poway, CA 92064
www.frame-max.com



© FrameMax Inc.

CREATED: 12/11/2008

FM-07-109

CREATED BY: TNT

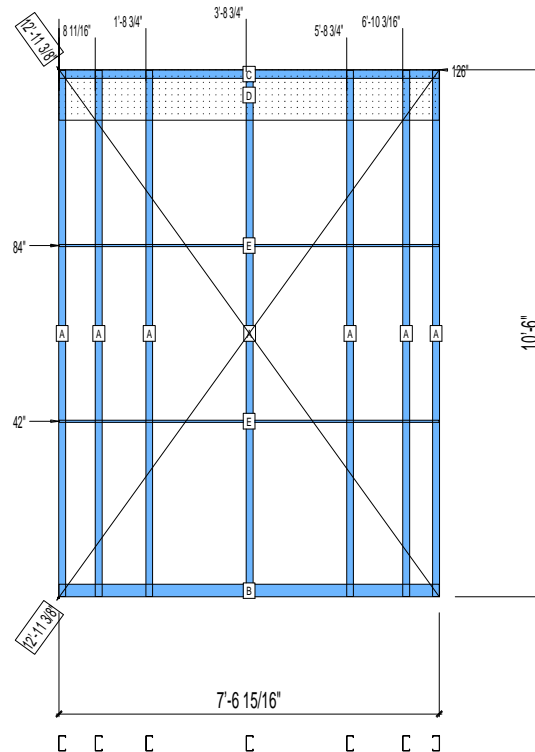
HEIGHT : 10'-6"
SPACING : 5000"
1st STUD: 5000"

POINTS: 1.13 Points.

APPROVED
By TNT at 2:46 pm, Dec 15, 2008

WEIGHTS :
FRAME : 157 lbs

TOTAL: 157 lbs



PIECES LIST

LABEL	QTY	SIZE	LENGTH	USE
A	7	362S162-54	10'-5 13/16"	STUD
B	1	362T300-54	7'-6 15/16"	BOTTOM TRACK
C	1	362T200-54	7'-6 15/16"	TOP TRACK
D	1	1200D-54	7'-6 7/8"	STRAP
E	2	150U50-54	7'-6 3/4"	HORIZONTAL BRACING

23-1068

Jewish Home for the Aging

1885 Victory Blvd. Reseda, CA

FrameMax, Inc.
13915 Danielson St
Suite 100
Poway, CA 92064
www.frame-max.com



© FrameMax Inc.

CREATED: 12/11/2008

FM-07-109

CREATED BY: TNT

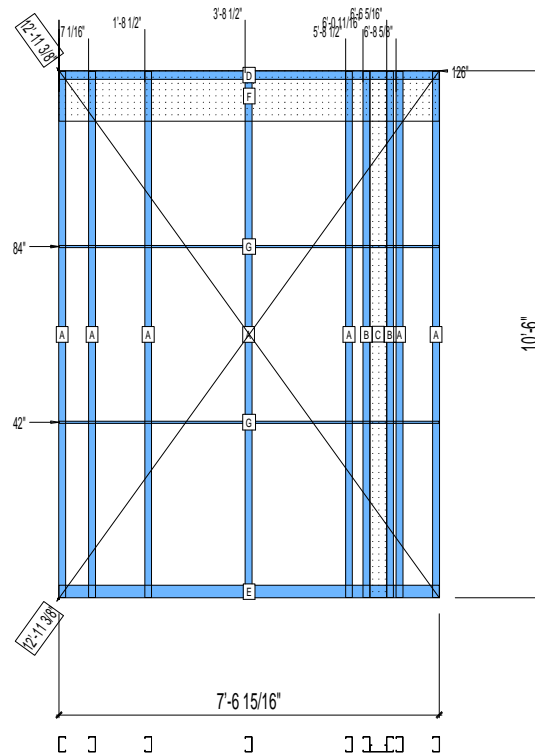
HEIGHT : 10'-6"
SPACING : 5000"
1st STUD: 5000"

POINTS: 1.32 Points.

APPROVED
By TNT at 2:46 pm, Dec 15, 2008

WEIGHTS :
FRAME : 186 lbs

TOTAL: 186 lbs



PIECES LIST

LABEL	QTY	SIZE	LENGTH	USE
A	7	362S162-54	10'-5 13/16"	STUD
B	2	362S162-33	10'-5 13/16"	BACKING STUD
C	1	400S162-33	10'-5 13/16"	BACKER-U
D	1	362T200-54	7'-6 15/16"	TOP TRACK
E	1	362T300-54	7'-6 15/16"	BOTTOM TRACK
F	1	1200D-54	7'-6 7/8"	STRAP
G	2	150U50-54	7'-6 3/4"	HORIZONTAL BRACING

23-1069

Jewish Home for the Aging

1885 Victory Blvd. Reseda, CA

FM-07-109

CREATED BY: TNT

FrameMax, Inc.
13915 Danielson St
Suite 100
Poway, CA 92064
www.frame-max.com



© FrameMax Inc.

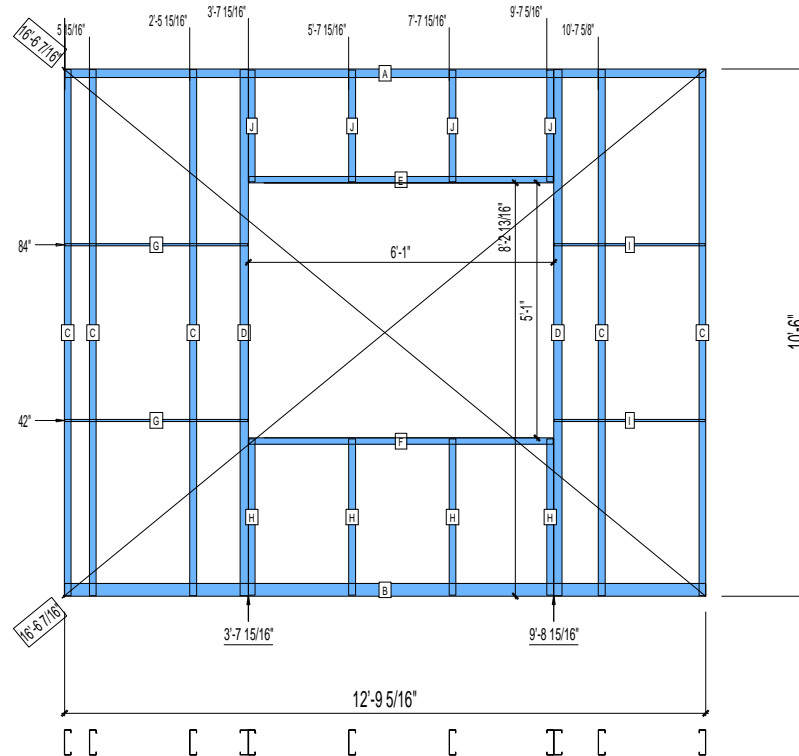
HEIGHT : 10'-6"
SPACING : 5000"
1st STUD: 5000"

POINTS: 2.02 Points.

APPROVED
By TNT at 2:46 pm, Dec 15, 2008

WEIGHTS :
FRAME : 277 lbs

TOTAL: 277 lbs



PIECES LIST

LABEL	QTY	SIZE	LENGTH	USE
A	1	600T200-54	12'-9 5/16"	TOP TRACK
B	1	600T300-54	12'-9 5/16"	BOTTOM TRACK
C	5	600S162-54	10'-5 13/16"	STUD
D	2	600S200-68	10'-5 13/16"	KING STUD
E	1	600T150-54	6'-0 3/4"	HEAD TRACK
F	1	600T150-54	6'-0 3/4"	SILL
G	2	150U50-54	3'-7 3/4"	HORIZONTAL BRACING
H	4	600S162-54	3'-1 3/8"	CRIPPLE
I	2	150U50-54	3'-0 1/8"	HORIZONTAL BRACING
J	4	600S162-54	2'-2 3/4"	CRIPPLE

23-1070

Jewish Home for the Aging

1885 Victory Blvd. Reseda, CA

FrameMax, Inc.
13915 Danielson St
Suite 100
Poway, CA 92064
www.frame-max.com



© FrameMax Inc.

CREATED: 12/11/2008

FM-07-109

CREATED BY: TNT

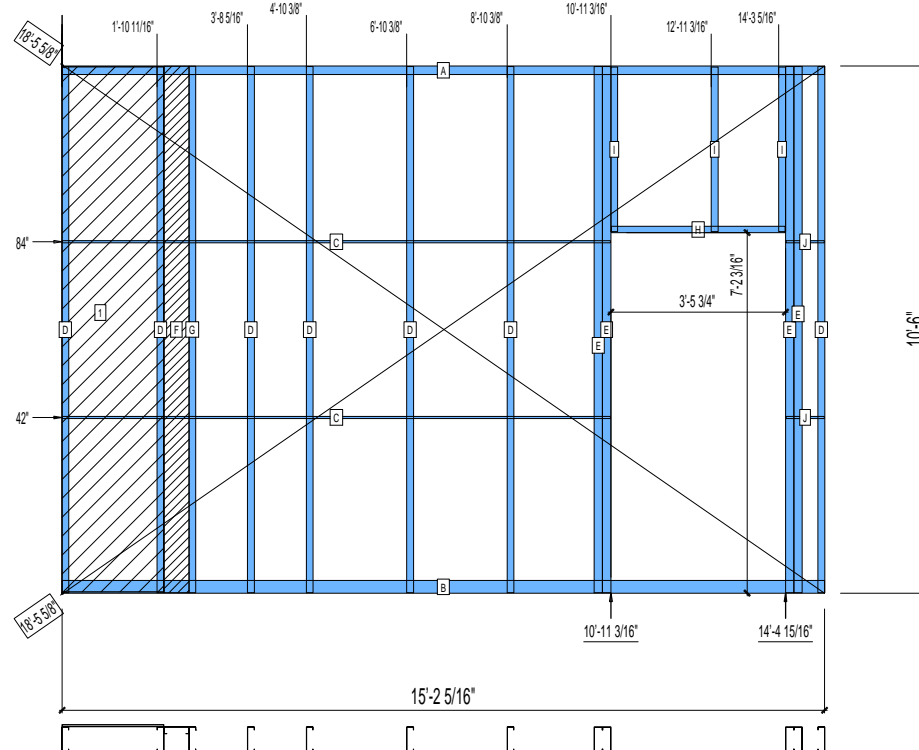
HEIGHT : 10'-6"
SPACING : 5000"
1st STUD: 5000"

POINTS: 2.75 Points.

APPROVED
By TNT at 2:46 pm, Dec 15, 2008

WEIGHTS :
FRAME : 374 lbs
SHEATHING: 53 lbs

TOTAL: 427 lbs



PIECES LIST

LABEL	QTY	SIZE	LENGTH	USE
A	1	600T200-54	15'-2 5/16"	TOP TRACK
B	1	600T300-54	15'-2 5/16"	BOTTOM TRACK
C	2	150U50-54	10'-11"	HORIZONTAL BRACING
D	7	600S162-54	10'-5 13/16"	STUD
E	4	600S200-68	10'-5 13/16"	KING STUD
F	1	600S162-33	10'-5 13/16"	BACKER-U
G	1	600S162-33	10'-5 13/16"	BACKER STUD
H	1	600T150-54	3'-5 1/2"	HEAD TRACK
I	3	600S162-54	3'-3 3/8"	CRIPPLE
J	2	150U50-54	9 1/8"	HORIZONTAL BRACING

SHEATHING

LABEL	QTY	CODE	THICK	SIZE	SCREWS
1	1	DENSGLOSS	1/2"	2'-0 1/4" X 10'-5 9/16"	8 - 12

23-1071

Jewish Home for the Aging

1885 Victory Blvd. Reseda, CA

FrameMax, Inc.
13915 Danielson St
Suite 100
Poway, CA 92064
www.frame-max.com



© FrameMax Inc.

CREATED: 12/11/2008

FM-07-109

CREATED BY: TNT

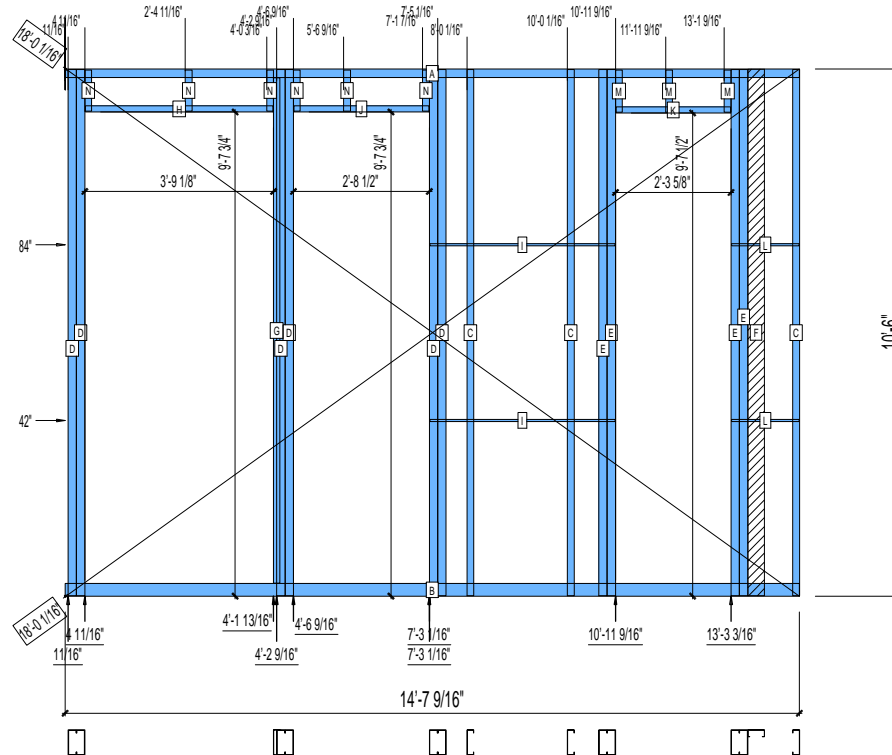
HEIGHT : 10'-6"
SPACING : 5000"
1st STUD: 5000"

POINTS: 3.35 Points.

APPROVED
By TNT at 2:46 pm, Dec 15, 2008

WEIGHTS :
FRAME : 515 lbs

TOTAL: 515 lbs



PIECES LIST

LABEL	QTY	SIZE	LENGTH	USE
A	1	600T200-54	14'-7 9/16"	TOP TRACK
B	1	600T300-54	14'-7 9/16"	BOTTOM TRACK
C	3	600S162-54	10'-5 13/16"	STUD
D	6	600S200-97	10'-5 13/16"	EXTRA STUD
E	4	600S200-68	10'-5 13/16"	KING STUD
F	1	400S162-33	10'-5 13/16"	BACKER-U
G	1	600T150-33	10'-0 7/8"	CAP TRACK
H	1	600T150-54	3'-8 7/8"	HEAD TRACK
I	2	150U50-54	3'-8 1/4"	HORIZONTAL BRACING
J	1	600T150-54	2'-8 1/4"	HEAD TRACK
K	1	600T150-54	2'-3 3/8"	HEAD TRACK
L	2	150U50-54	1'-4 1/8"	HORIZONTAL BRACING
M	3	600S162-54	10 1/16"	CRIPPLE
N	6	600S162-54	9 13/16"	CRIPPLE

23-1072

Jewish Home for the Aging

1885 Victory Blvd. Reseda, CA

FrameMax, Inc.
13915 Danielson St
Suite 100
Poway, CA 92064
www.framemax.com



© FrameMax Inc.

CREATED: 12/11/2008

FM-07-109

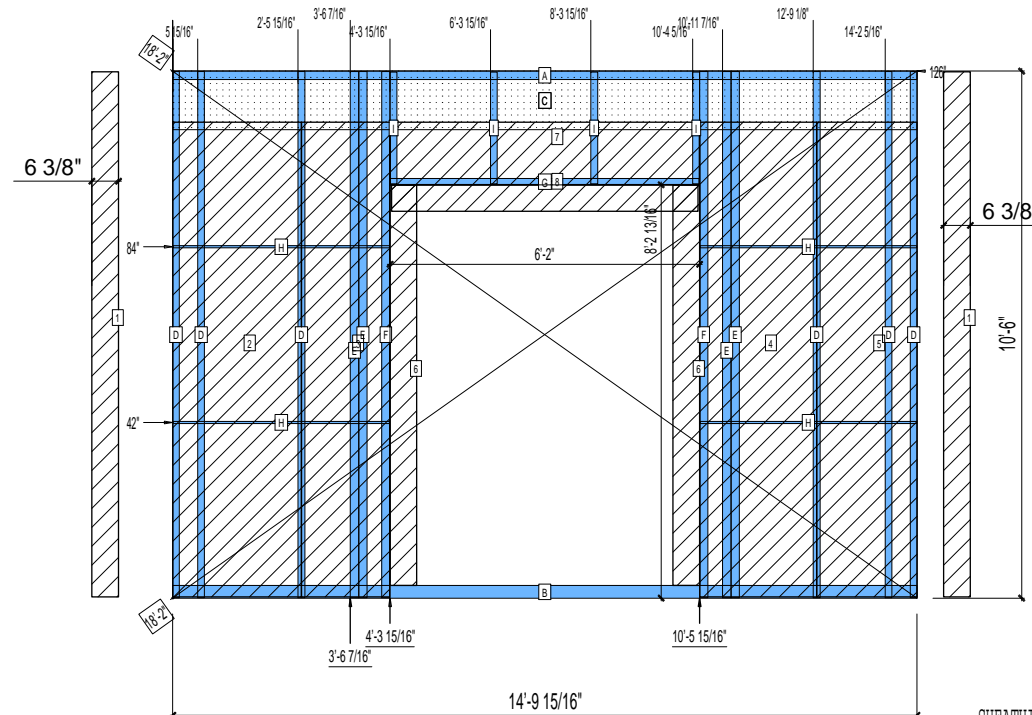
CREATED BY: TNT

HEIGHT : 10'-6"
POINTS: 4.19 Points.
SPACING : 5000"
1st STUD: 5000"

APPROVED
By TNT at 2:46 pm, Dec 15, 2008

WEIGHTS :
FRAME : 461 lbs
SHEATHING: 280 lbs

TOTAL: 741 lbs



PIECES LIST

LABEL	QTY	SIZE	LENGTH	USE
A	1	600T200-54	14'-9 15/16"	TOP TRACK
B	1	600T300-54	14'-9 15/16"	BOTTOM TRACK
C	1	1200D-54	14'-9 7/8"	STRAP
D	6	600S162-54	10'-5 13/16"	STUD
E	4	600S200-97	10'-5 13/16"	EXTRA STUD
F	2	600S200-68	10'-5 13/16"	KING STUD
G	1	600T150-54	6'-1 3/4"	HEAD TRACK
H	4	150U50-54	4'-3 3/4"	HORIZONTAL BRACING
I	4	600S162-54	2'-2 3/4"	CRIPPLE

SHEATHING

LABEL	QTY	CODE	THICK	SIZE	SCREWS
1	2	DENSGLASS	1/2"	6 3/8" X 10'-5 9/16"	8 - 12
2	1	DENSGLASS	1/2"	2'-6 3/4" X 9'-5 1/2"	8 - 12
3	1	DENSGLASS	1/2"	1'-9 1/8" X 9'-5 1/2"	8 - 12
4	1	DENSGLASS	1/2"	2'-3 15/16" X 9'-5 1/2"	8 - 12
5	1	DENSGLASS	1/2"	1'-11 15/16" X 9'-5 1/2"	8 - 12
6	2	DENSGLASS	1/2"	6 3/8" X 7'-11 3/4"	8 - 12
7	1	DENSGLASS	1/2"	6'-1 7/8" X 1'-2 7/8"	8 - 12
8	1	DENSGLASS	1/2"	6'-1 1/4" X 6 5/16"	8 - 12

23-1073

Jewish Home for the Aging

1885 Victory Blvd. Reseda, CA

FrameMax, Inc.
13915 Danielson St
Suite 100
Poway, CA 92064
www.frame-max.com



© FrameMax Inc.

CREATED: 12/11/2008

FM-07-109

CREATED BY: TNT

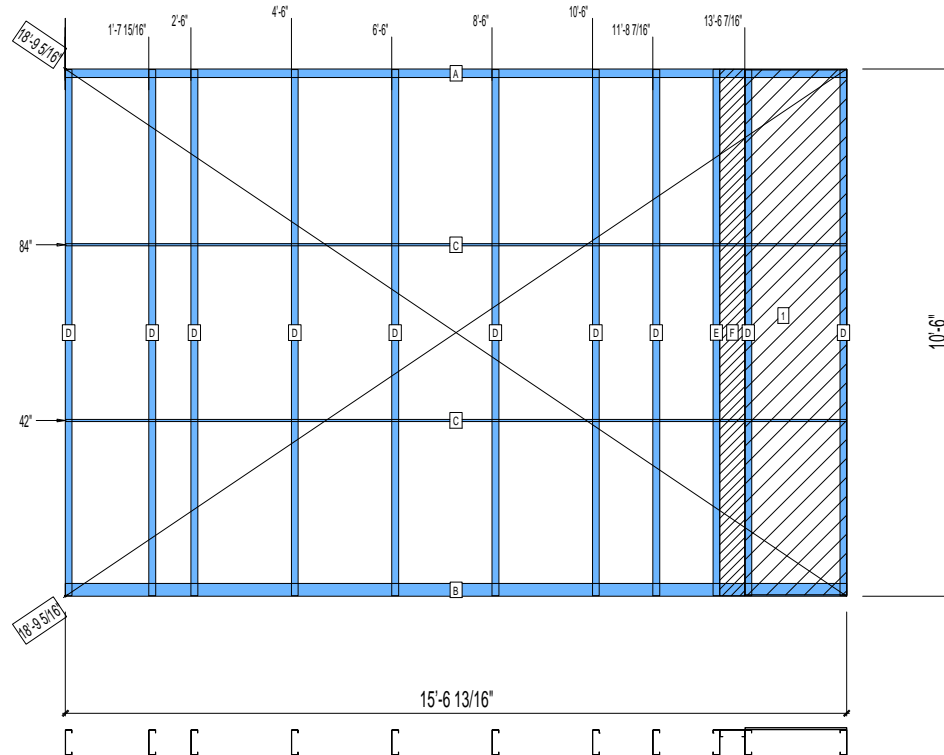
HEIGHT : 10'-6"
SPACING : 5000"
1st STUD: 5000"

POINTS: 2.30 Points.

APPROVED
By TNT at 2:46 pm, Dec 15, 2008

WEIGHTS :
FRAME : 306 lbs
SHEATHING: 53 lbs

TOTAL: 359 lbs



PIECES LIST

LABEL	QTY	SIZE	LENGTH	USE
A	1	600T200-54	15'-6 13/16"	TOP TRACK
B	1	600T300-54	15'-6 13/16"	BOTTOM TRACK
C	2	150U50-54	15'-6 5/8"	HORIZONTAL BRACING
D	10	600S162-54	10'-5 13/16"	STUD
E	1	600S162-33	10'-5 13/16"	BACKER STUD
F	1	600S162-33	10'-5 13/16"	BACKER-U

SHEATHING

LABEL	QTY	CODE	THICK	SIZE	SCREWS
1	1	DENSGLOSS	1/2"	2'-0 1/4" X 10'-5 9/16"	8 - 12

23-1074

Jewish Home for the Aging

1885 Victory Blvd. Reseda, CA

FM-07-109

CREATED BY: TNT

FrameMax, Inc.
13915 Danielson St
Suite 100
Poway, CA 92064
www.framemax.com



© FrameMax Inc.

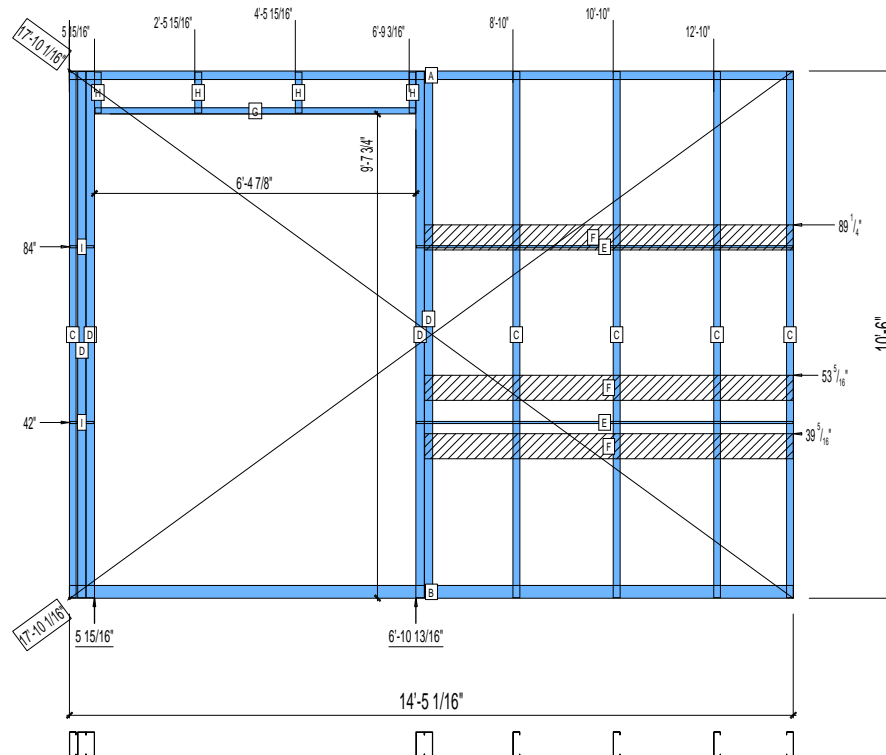
HEIGHT : 10'-6"
SPACING : 5000"
1st STUD: 5000"

POINTS: 2.26 Points.

APPROVED
By TNT at 2:46 pm, Dec 15, 2008

WEIGHTS :
FRAME : 322 lbs

TOTAL: 322 lbs



PIECES LIST

LABEL	QTY	SIZE	LENGTH	USE
A	1	600T200-54	14'-5 1/16"	TOP TRACK
B	1	600T300-54	14'-5 1/16"	BOTTOM TRACK
C	5	600S162-54	10'-5 13/16"	STUD
D	4	600S200-68	10'-5 13/16"	KING STUD
E	2	150U50-54	7'-6"	HORIZONTAL BRACING
F	3	600D-54	7'-4 1/8"	KITCHEN BACKING
G	1	600T150-54	6'-4 5/8"	HEAD TRACK
H	4	600S162-54	9 13/16"	CRIPPLE
I	2	150U50-54	5 3/4"	HORIZONTAL BRACING

23-1075

Jewish Home for the Aging

1885 Victory Blvd. Reseda, CA

FrameMax, Inc.
13915 Danielson St
Suite 100
Poway, CA 92064
www.frame-max.com



© FrameMax Inc.

CREATED: 12/11/2008

FM-07-109

CREATED BY: TNT

HEIGHT : 10'-6" POINTS: 1.49 Points.

SPACING : 24"

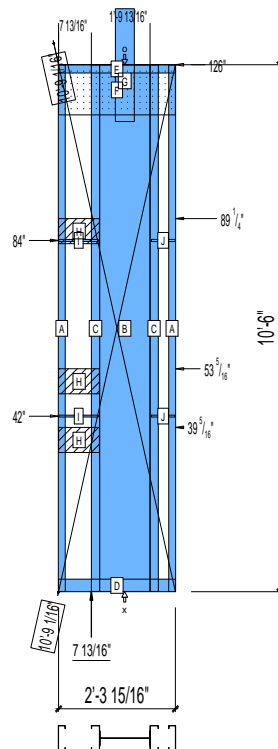
1st STUD: 24"

APPROVED
By TNT at 2:46 pm, Dec 15, 2008

WEIGHTS :

FRAME : 243 lbs

TOTAL: 243 lbs



PIECES LIST

LABEL	QTY	SIZE	LENGTH	USE
A	2	600S162-54	10'-5 13/16"	STUD
B	1	1200i350p1062	10'-5 13/16"	PACO
C	2	600S200-68	10'-5 13/16"	STUD
D	1	600T300-54	2'-3 15/16"	BOTTOM TRACK
E	1	600T200-54	2'-3 15/16"	TOP TRACK
F	1	1200D-54	2'-3 7/8"	STRAP
G	1	B	2'-3"	HOLDDOWN
H	3	600D-54	9 3/4"	KITCHEN BACKING
I	2	150U50-54	9 7/16"	HORIZONTAL BRACING
J	2	150U50-54	5 11/16"	HORIZONTAL BRACING

23-1076

Jewish Home for the Aging

1885 Victory Blvd. Reseda, CA

FM-07-109

CREATED BY: TNT

FrameMax, Inc.
13915 Danielson St
Suite 100
Poway, CA 92064
www.frame-max.com



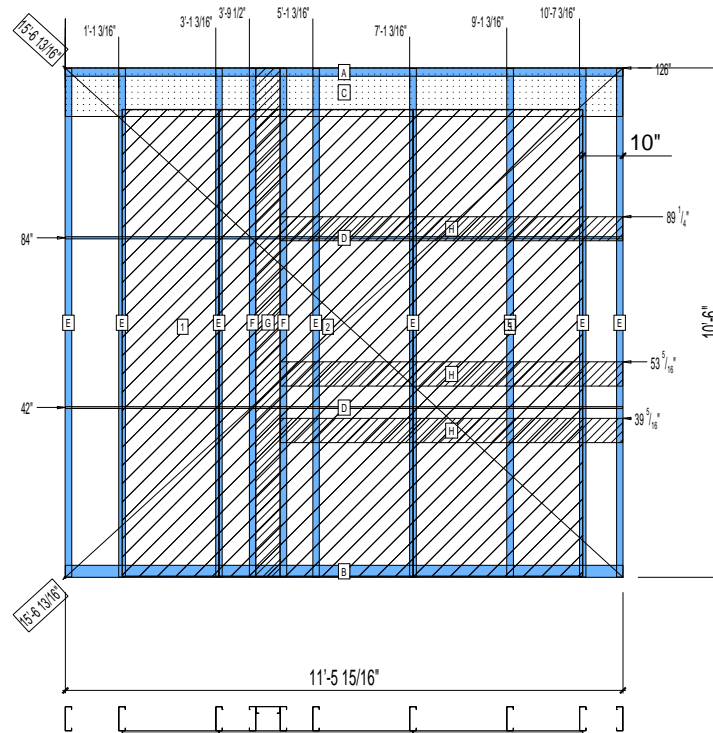
© FrameMax Inc.

APPROVED
By TNT at 2:46 pm, Dec 15, 2008

HEIGHT : 10'-6"
POINTS: 3.57 Points.
SPACING : 5000"
1st STUD: 5000"

WEIGHTS :
FRAME : 309 lbs
SHEATHING: 336 lbs

TOTAL: 645 lbs



PIECES LIST

LABEL	QTY	SIZE	LENGTH	USE
A	1	600T200-54	11'-5 15/16"	TOP TRACK
B	1	600T300-54	11'-5 15/16"	BOTTOM TRACK
C	1	1200D-54	11'-5 15/16"	STRAP
D	2	150U50-54	11'-5 13/16"	HORIZONTAL BRACING
E	8	600S162-54	10'-5 13/16"	STUD
F	2	600S162-33	10'-5 13/16"	BACKER STUD
G	1	600S162-33	10'-5 13/16"	BACKER-U
H	3	600D-54	7'-0 3/4"	KITCHEN BACKING

SHEATHING

LABEL	QTY	CODE	THICK	SIZE	SCREWS
1	1	SB-DENSARMOR	5/8"	2'-0" X 9'-7 7/16"	2-12
2	1	SB-DENSARMOR	5/8"	4'-0" X 9'-7 7/16"	2-12
3	1	SB-DENSARMOR	5/8"	3'-6" X 9'-7 7/16"	2-12

23-1077

Jewish Home for the Aging

1885 Victory Blvd. Reseda, CA

FM-07-109

CREATED BY: TNT

FrameMax, Inc.
13915 Danielson St
Suite 100
Poway, CA 92064
www.frame-max.com



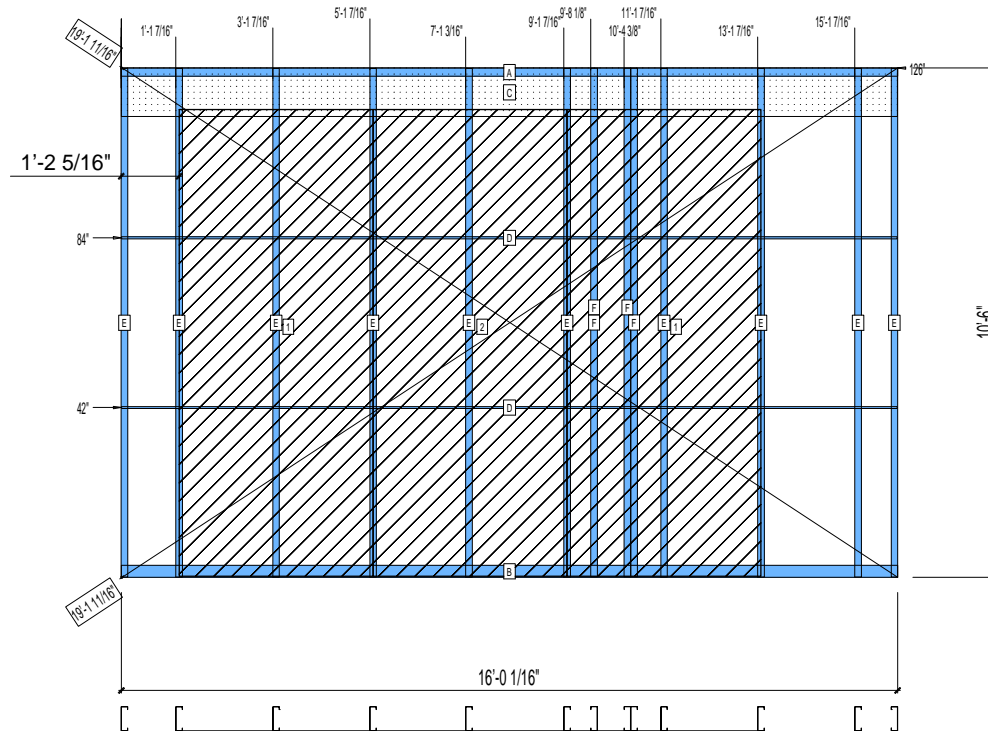
© FrameMax Inc.

APPROVED
By TNT at 2:46 pm, Dec 15, 2008

HEIGHT : 10'-6"
POINTS: 4.28 Points.
SPACING : 5000"
1st STUD: 5000"

WEIGHTS :
FRAME : 359 lbs
SHEATHING: 425 lbs

TOTAL: 784 lbs



PIECES LIST

LABEL	QTY	SIZE	LENGTH	USE
A	1	600T200-54	16'-0 1/16"	TOP TRACK
B	1	600T300-54	16'-0 1/16"	BOTTOM TRACK
C	1	1200D-54	16'-0"	STRAP
D	2	150U50-54	15'-11 7/8"	HORIZONTAL BRACING
E	10	600S162-54	10'-5 13/16"	STUD
F	3	600S162-33	10'-5 13/16"	BACKER STUD

SHEATHING

LABEL	QTY	CODE	THICK	SIZE	SCREWS
1	2	SB-DENSARMOR	5/8"	4'-0" X 9'-7 7/16"	2-12
2	1	SB-DENSARMOR	5/8"	4'-0" X 9'-7 7/16"	2-12

23-1078

Jewish Home for the Aging

1885 Victory Blvd. Reseda, CA

FrameMax, Inc.
13915 Danielson St
Suite 100
Poway, CA 92064
www.frame-max.com



© FrameMax Inc.

CREATED: 12/11/2008

FM-07-109

CREATED BY: TNT

HEIGHT : 10'-6" POINTS: 1.78 Points.

SPACING : 5000"

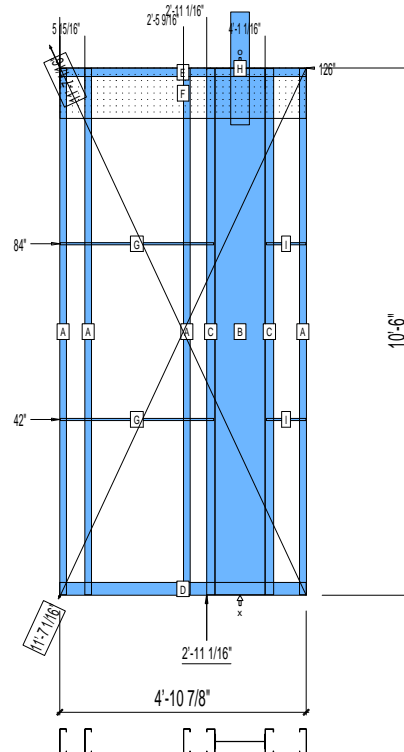
1st STUD: 5000"

APPROVED
By TNT at 2:46 pm, Dec 15, 2008

WEIGHTS :

FRAME : 299 lbs

TOTAL: 299 lbs



PIECES LIST

LABEL	QTY	SIZE	LENGTH	USE
A	4	600S162-54	10'-5 13/16"	STUD
B	1	1200i350p1062	10'-5 13/16"	PACO
C	2	600S200-68	10'-5 13/16"	STUD
D	1	600T300-54	4'-10 7/8"	BOTTOM TRACK
E	1	600T200-54	4'-10 7/8"	TOP TRACK
F	1	1200D-54	4'-10 13/16"	STRAP
G	2	150U50-54	3'-0 11/16"	HORIZONTAL BRACING
H	1	B	2'-3"	HOLDDOWN
I	2	150U50-54	9 3/8"	HORIZONTAL BRACING

23-1079

Jewish Home for the Aging

1885 Victory Blvd. Reseda, CA

FM-07-109

CREATED BY: TNT

FrameMax, Inc.
13915 Danielson St
Suite 100
Poway, CA 92064
www.frame-max.com



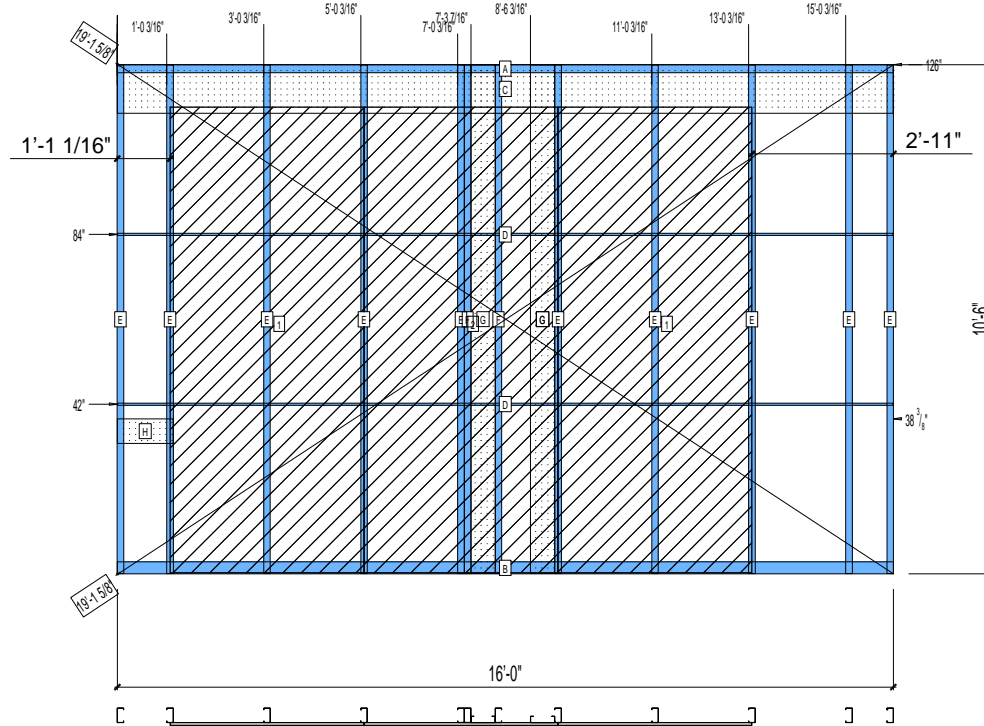
© FrameMax Inc.

APPROVED
By TNT at 2:46 pm, Dec 15, 2008

HEIGHT : 10'-6"
POINTS: 4.07 Points.
SPACING : 5000"
1st STUD: 5000"

WEIGHTS :
FRAME : 305 lbs
SHEATHING: 424 lbs

TOTAL: 729 lbs



PIECES LIST

LABEL	QTY	SIZE	LENGTH	USE
A	1	362T200-54	16'-0"	TOP TRACK
B	1	362T300-54	16'-0"	BOTTOM TRACK
C	1	1200D-54	15'-11 15/16"	STRAP
D	2	150U50-54	15'-11 13/16"	HORIZONTAL BRACING
E	10	362S162-54	10'-5 13/16"	STUD
F	2	362S162-33	10'-5 13/16"	STUD
G	2	600S162-33	10'-5 13/16"	BACKER-U
H	1	600T150-54	1'-1 3/4"	GRAB BAR

SHEATHING

LABEL	QTY	CODE	THICK	SIZE	SCREWS
1	2	SB-DENSARMOR	5/8"	4'-0" X 9'-7 3/16"	2-12
2	1	SB-DENSARMOR	5/8"	4'-0" X 9'-7 3/16"	2-12

23-1080

Jewish Home for the Aging

1885 Victory Blvd. Reseda, CA

FrameMax, Inc.
13915 Danielson St
Suite 100
Poway, CA 92064
www.frame-max.com



© FrameMax Inc.

CREATED: 12/11/2008

FM-07-109

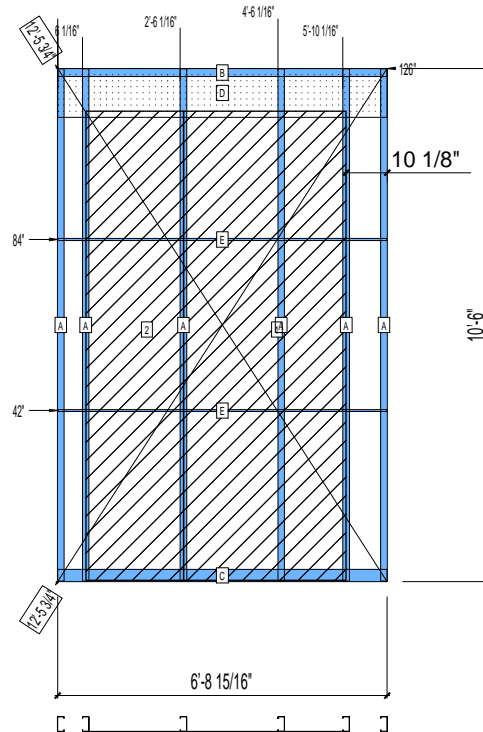
CREATED BY: TNT

APPROVED
By TNT at 2:46 pm, Dec 15, 2008

HEIGHT : 10'-6"
POINTS: 1.85 Points.
SPACING : 5000"
1st STUD: 5000"

WEIGHTS :
FRAME : 136 lbs
SHEATHING: 188 lbs

TOTAL: 324 lbs



PIECES LIST

LABEL	QTY	SIZE	LENGTH	USE
A	6	362S162-54	10'-5 13/16"	STUD
B	1	362T200-54	6'-8 15/16"	TOP TRACK
C	1	362T300-54	6'-8 15/16"	BOTTOM TRACK
D	1	1200D-54	6'-8 7/8"	STRAP
E	2	150U50-54	6'-8 3/4"	HORIZONTAL BRACING

SHEATHING

LABEL	QTY	CODE	THICK	SIZE	SCREWS
1	1	SB-DENSARMOR	5/8"	3'-3 15/16" X	9'-7 3/16" 2-12
2	1	SB-DENSARMOR	5/8"	1'-11 15/16" X	9'-7 3/16" 2-12

23-1081

Jewish Home for the Aging

1885 Victory Blvd. Reseda, CA

FrameMax, Inc.
13915 Danielson St
Suite 100
Poway, CA 92064
www.frame-max.com



© FrameMax Inc.

CREATED: 12/11/2008

FM-07-109

CREATED BY: TNT

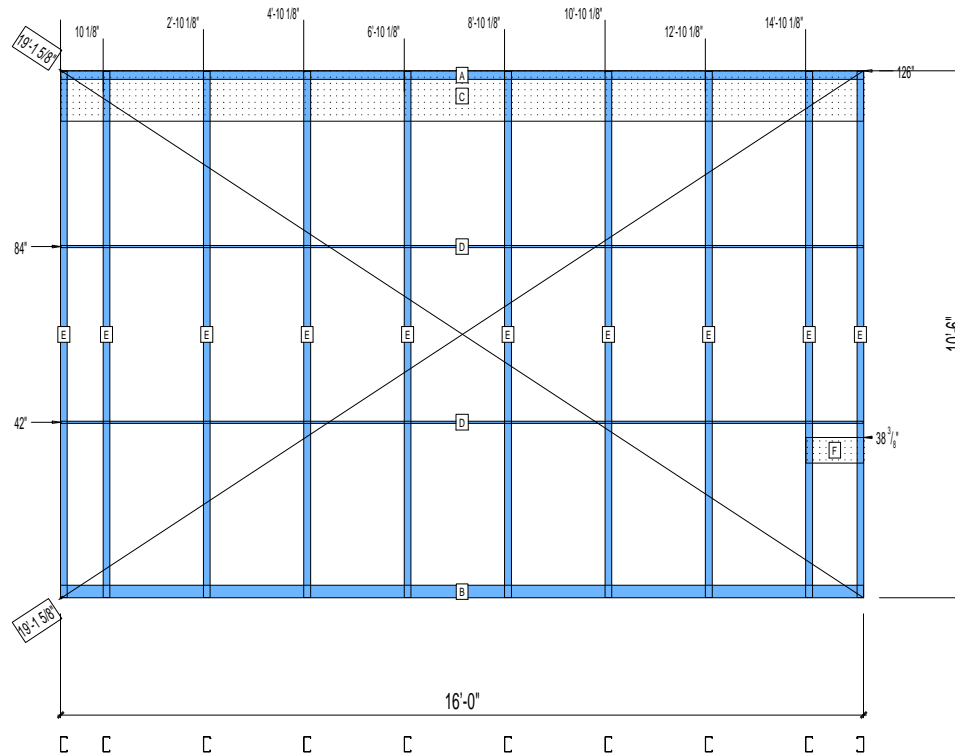
HEIGHT : 10'-6"
SPACING : 5000"
1st STUD: 5000"

POINTS: 1.87 Points.

APPROVED
By TNT at 2:46 pm, Dec 15, 2008

WEIGHTS :
FRAME : 262 lbs

TOTAL: 262 lbs



PIECES LIST

LABEL	QTY	SIZE	LENGTH	USE
A	1	362T200-54	16'-0"	TOP TRACK
B	1	362T300-54	16'-0"	BOTTOM TRACK
C	1	1200D-54	15'-11 15/16"	STRAP
D	2	150U50-54	15'-11 13/16"	HORIZONTAL BRACING
E	10	362S162-54	10'-5 13/16"	STUD
F	1	600T150-54	1'-1 3/4"	GRAB BAR

23-1082

Jewish Home for the Aging

1885 Victory Blvd. Reseda, CA

FrameMax, Inc.
13915 Danielson St
Suite 100
Poway, CA 92064
www.frame-max.com



© FrameMax Inc.

CREATED: 12/11/2008

FM-07-109

CREATED BY: TNT

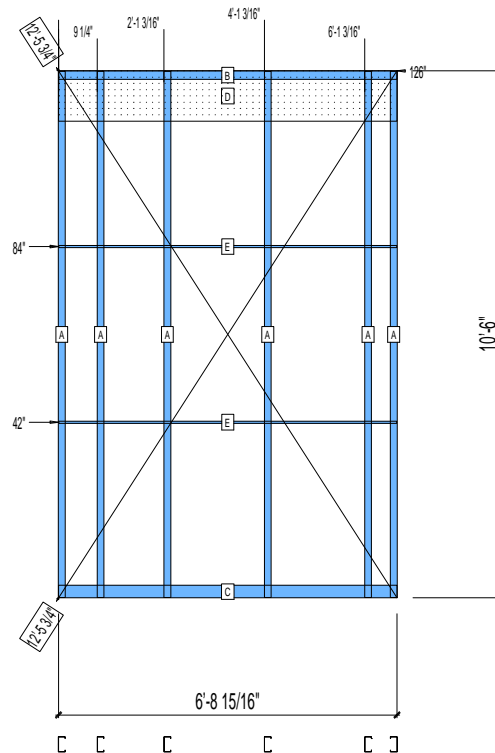
HEIGHT : 10'-6"
SPACING : 5000"
1st STUD: 5000"

POINTS: 1.00 Points.

APPROVED
By TNT at 2:46 pm, Dec 15, 2008

WEIGHTS :
FRAME : 136 lbs

TOTAL: 136 lbs



PIECES LIST

LABEL	QTY	SIZE	LENGTH	USE
A	6	362S162-54	10'-5 13/16"	STUD
B	1	362T200-54	6'-8 15/16"	TOP TRACK
C	1	362T300-54	6'-8 15/16"	BOTTOM TRACK
D	1	1200D-54	6'-8 7/8"	STRAP
E	2	150U50-54	6'-8 3/4"	HORIZONTAL BRACING

23-1083

Jewish Home for the Aging

1885 Victory Blvd. Reseda, CA

FrameMax, Inc.
13915 Danielson St
Suite 100
Poway, CA 92064
www.frame-max.com



© FrameMax Inc.

CREATED: 12/11/2008

FM-07-109

CREATED BY: TNT

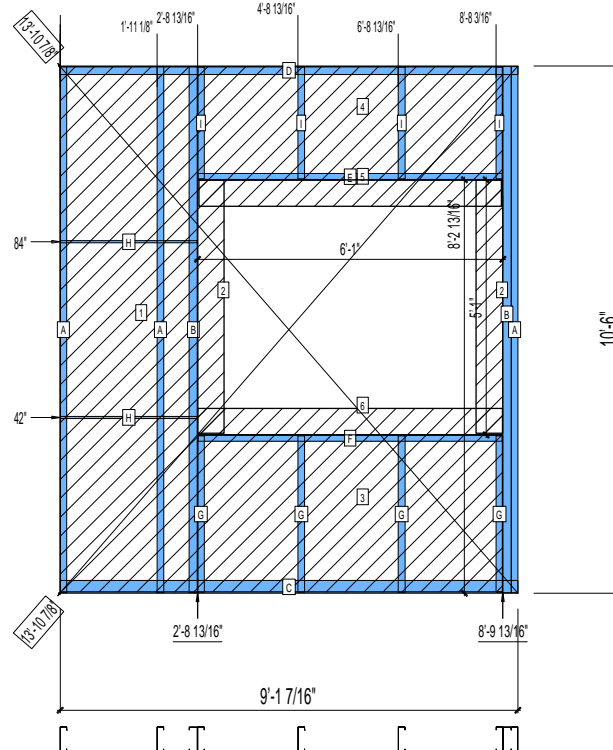
HEIGHT : 10'-6"
SPACING : 5000"
1st STUD: 5000"

POINTS: 2.41 Points.

APPROVED
By TNT at 2:46 pm, Dec 15, 2008

WEIGHTS :
FRAME : 217 lbs
SHEATHING: 182 lbs

TOTAL: 399 lbs



PIECES LIST

LABEL	QTY	SIZE	LENGTH	USE
A	3	600S162-54	10'-5 13/16"	STUD
B	2	600S200-68	10'-5 13/16"	KING STUD
C	1	600T300-54	9'-1 7/16"	BOTTOM TRACK
D	1	600T200-54	9'-1 7/16"	TOP TRACK
E	1	600T150-54	6'-0 3/4"	HEAD TRACK
F	1	600T150-54	6'-0 3/4"	SILL
G	4	600S162-54	3'-1 3/8"	CRIPPLE
H	2	150U50-54	2'-8 5/8"	HORIZONTAL BRACING
I	4	600S162-54	2'-2 3/4"	CRIPPLE

SHEATHING

LABEL	QTY	CODE	THICK	SIZE	SCREWS
1	1	DENSGLASS	1/2"	2'-8 3/4" X 10'-5 9/16"	8 - 12
2	2	DENSGLASS	1/2"	6 3/8" X 5'-0 1/2"	8 - 12
3	1	DENSGLASS	1/2"	6'-0 7/8" X 3'-1 1/2"	8 - 12
4	1	DENSGLASS	1/2"	6'-0 7/8" X 2'-3"	8 - 12
5	1	DENSGLASS	1/2"	6'-0 1/4" X 6 5/16"	8 - 12
6	1	DENSGLASS	1/2"	6'-0 7/8" X 6 5/16"	8 - 12

23-1084

Jewish Home for the Aging

1885 Victory Blvd. Reseda, CA

FrameMax, Inc.
13915 Danielson St
Suite 100
Poway, CA 92064
www.frame-max.com



© FrameMax Inc.

CREATED: 12/11/2008

FM-07-109

CREATED BY: TNT

HEIGHT : 10'-6" POINTS: 3.21 Points.

SPACING : 5000"

1st STUD: 5000"

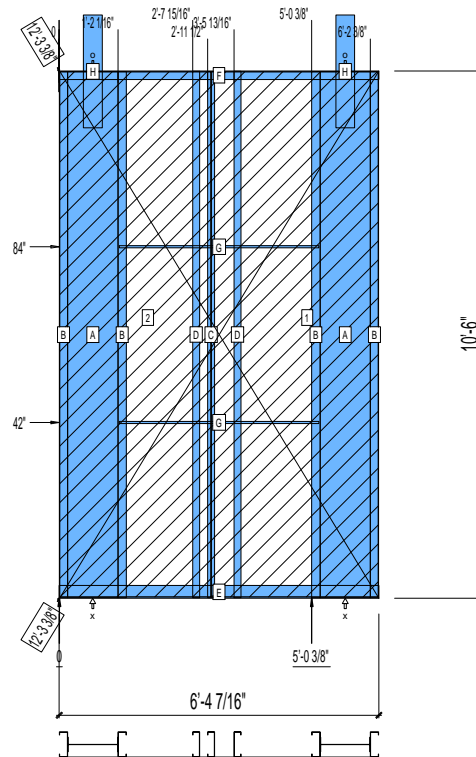
APPROVED
By TNT at 2:46 pm, Dec 15, 2008

WEIGHTS :

FRAME : 442 lbs

SHEATHING: 166 lbs

TOTAL: 608 lbs



PIECES LIST

LABEL	QTY	SIZE	LENGTH	USE
A	2	1200i350p1062	10'-5 13/16"	PACO
B	4	600S200-68	10'-5 13/16"	STUD
C	1	600S162-54	10'-5 13/16"	STUD
D	2	600S162-33	10'-5 13/16"	BACKER STUD
E	1	600T300-54	6'-4 7/16"	BOTTOM TRACK
F	1	600T200-54	6'-4 7/16"	TOP TRACK
G	2	150U50-54	3'-11 11/16"	HORIZONTAL BRACING
H	2	B	2'-3"	HOLDDOWN

SHEATHING

LABEL	QTY	CODE	THICK	SIZE	SCREWS
1	1	DENSGLASS	1/2"	3'-4" X 10'-5 9/16"	8 - 12
2	1	DENSGLASS	1/2"	3'-0 1/4" X 10'-5 9/16"	8 - 12

23-1085

Jewish Home for the Aging

1885 Victory Blvd. Reseda, CA

FrameMax, Inc.
13915 Danielson St
Suite 100
Poway, CA 92064
www.frame-max.com



© FrameMax Inc.

CREATED: 12/12/2008

FM-07-109

CREATED BY: TNT

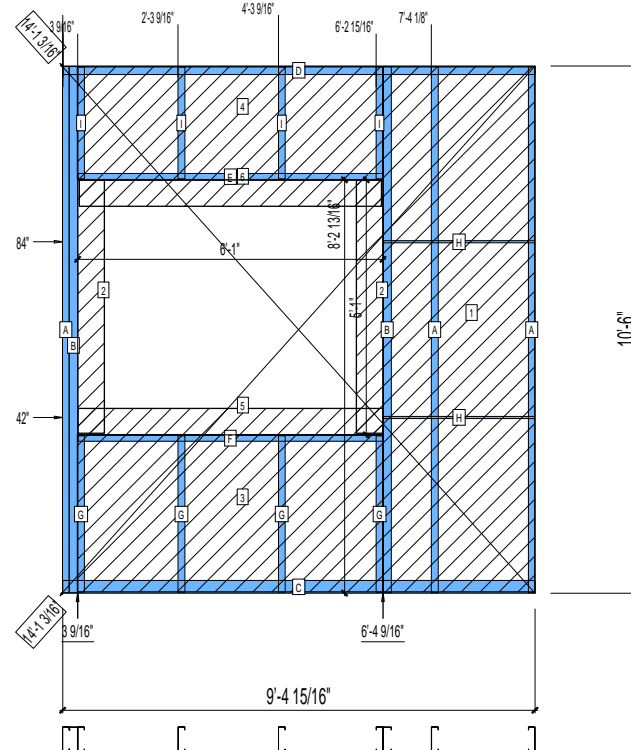
HEIGHT : 10'-6"
SPACING : 5000"
1st STUD: 5000"

POINTS: 2.46 Points.

APPROVED
By TNT at 2:46 pm, Dec 15, 2008

WEIGHTS :
FRAME : 219 lbs
SHEATHING: 190 lbs

TOTAL: 409 lbs



PIECES LIST

LABEL	QTY	SIZE	LENGTH	USE
A	3	600S162-54	10'-5 13/16"	STUD
B	2	600S200-68	10'-5 13/16"	KING STUD
C	1	600T300-54	9'-4 15/16"	BOTTOM TRACK
D	1	600T200-54	9'-4 15/16"	TOP TRACK
E	1	600T150-54	6'-0 3/4"	HEAD TRACK
F	1	600T150-54	6'-0 3/4"	SILL
G	4	600S162-54	3'-1 3/8"	CRIPPLE
H	2	150U50-54	3'-0 1/8"	HORIZONTAL BRACING
I	4	600S162-54	2'-2 3/4"	CRIPPLE

SHEATHING

LABEL	QTY	CODE	THICK	SIZE	SCREWS
1	1	DENSGLASS	1/2"	3'-0 1/4" X 10'-5 9/16"	8 - 12
2	2	DENSGLASS	1/2"	6 3/8" X 5'-0 1/2"	8 - 12
3	1	DENSGLASS	1/2"	6'-1" X 3'-1 1/2"	8 - 12
4	1	DENSGLASS	1/2"	6'-1" X 2'-3"	8 - 12
5	1	DENSGLASS	1/2"	6'-0 7/8" X 6 5/16"	8 - 12
6	1	DENSGLASS	1/2"	6'-0 1/4" X 6 5/16"	8 - 12

23-1086

Jewish Home for the Aging

1885 Victory Blvd. Reseda, CA

FrameMax, Inc.
13915 Danielson St
Suite 100
Poway, CA 92064
www.framemax.com



© FrameMax Inc.

CREATED: 12/11/2008

FM-07-109

CREATED BY: TNT

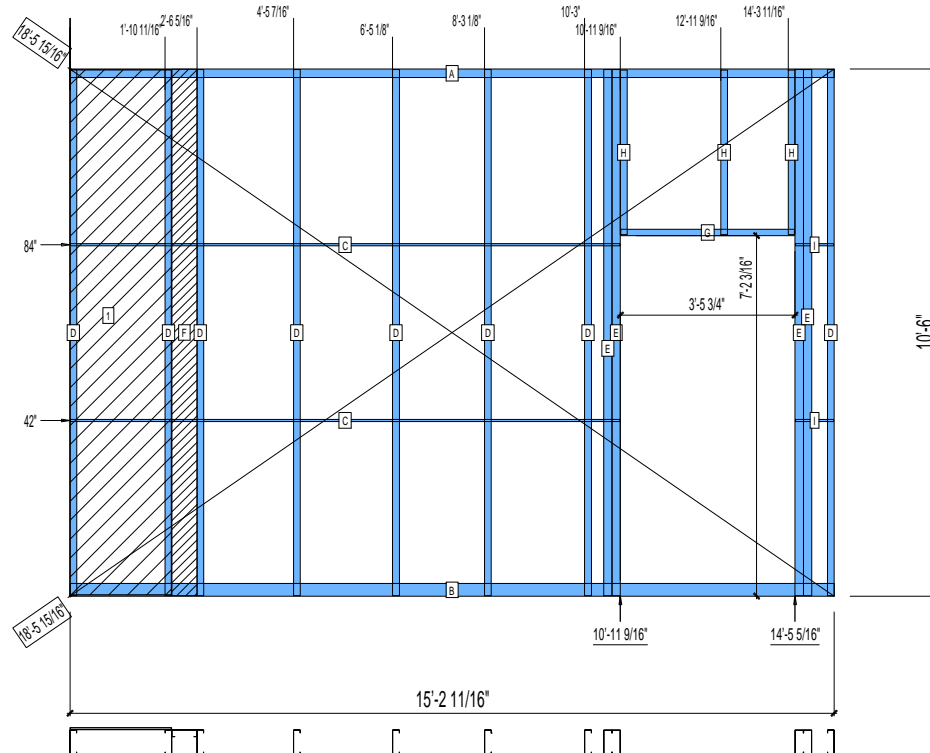
HEIGHT : 10'-6"
SPACING : 5000"
1st STUD: 5000"

POINTS: 2.79 Points.

APPROVED
By TNT at 2:46 pm, Dec 15, 2008

WEIGHTS :
FRAME : 382 lbs
SHEATHING: 53 lbs

TOTAL: 435 lbs



PIECES LIST

LABEL	QTY	SIZE	LENGTH	USE
A	1	600T200-54	15'-2 11/16"	TOP TRACK
B	1	600T300-54	15'-2 11/16"	BOTTOM TRACK
C	2	150U50-54	10'-11 3/8"	HORIZONTAL BRACING
D	8	600S162-54	10'-5 13/16"	STUD
E	4	600S200-68	10'-5 13/16"	KING STUD
F	1	600S162-33	10'-5 13/16"	BACKER-U
G	1	600T150-54	3'-5 1/2"	HEAD TRACK
H	3	600S162-54	3'-3 3/8"	CRIPPLE
I	2	150U50-54	9 1/8"	HORIZONTAL BRACING

SHEATHING

LABEL	QTY	CODE	THICK	SIZE	SCREWS
1	1	DENSGLOSS	1/2"	2'-0 1/4" X 10'-5 9/16"	8 - 12

23-1087

Jewish Home for the Aging

1885 Victory Blvd. Reseda, CA

FM-07-109

CREATED BY: TNT

FrameMax, Inc.
13915 Danielson St
Suite 100
Poway, CA 92064
www.frame-max.com



© FrameMax Inc.

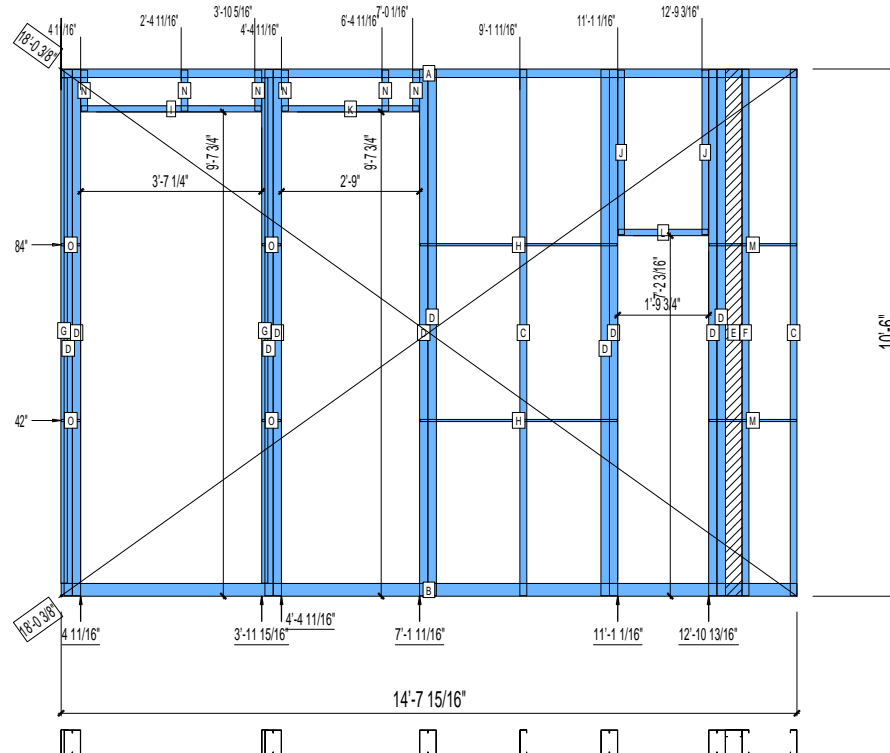
HEIGHT : 10'-6"
SPACING : 5000"
1st STUD: 5000"

POINTS: 3.26 Points.

APPROVED
By TNT at 2:46 pm, Dec 15, 2008

WEIGHTS :
FRAME : 475 lbs

TOTAL: 475 lbs



PIECES LIST			
LABEL	QTY	SIZE	LENGTH USE
A	1	600T200-54	14'-7 15/16" TOP TRACK
B	1	600T300-54	14'-7 15/16" BOTTOM TRACK
C	2	600S162-54	10'-5 13/16" STUD
D	10	600S200-68	10'-5 13/16" KING STUD
E	1	400S162-33	10'-5 13/16" BACKER-U
F	1	600S162-33	10'-5 13/16" BACKER STUD
G	2	600T150-54	10'-0 7/8" CAP TRACK
H	2	150U50-54	3'-11 1/8" HORIZONTAL BRACING
I	1	600T150-54	3'-7" HEAD TRACK
J	2	600S162-54	3'-3 3/8" CRIPPLE
K	1	600T150-54	2'-8 3/4" HEAD TRACK
L	1	600T150-54	1'-9 1/2" HEAD TRACK
M	2	150U50-54	1'-8 7/8" HORIZONTAL BRACING
N	6	600S162-54	9 13/16" CRIPPLE
O	4	150U50-54	4 1/2" HORIZONTAL BRACING

23-1088

Jewish Home for the Aging

1885 Victory Blvd. Reseda, CA

FrameMax, Inc.
13915 Danielson St
Suite 100
Poway, CA 92064
www.frame-max.com



© FrameMax Inc.

CREATED: 12/11/2008

FM-07-109

CREATED BY: TNT

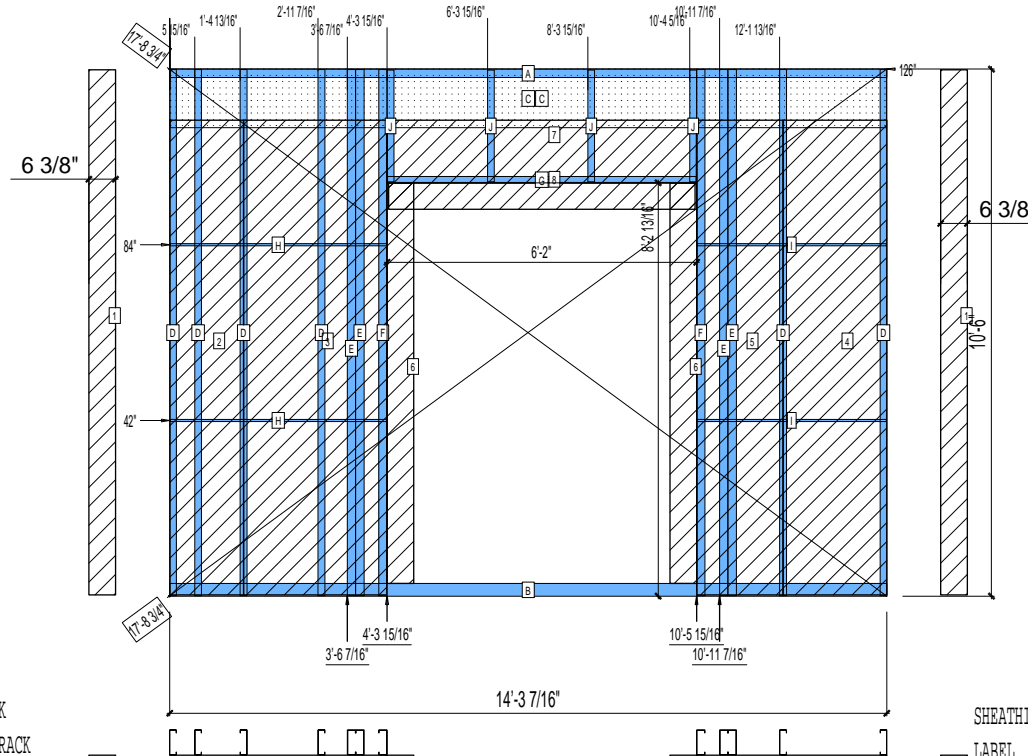
HEIGHT : 10'-6"
SPACING : 5000"
1st STUD: 5000"

POINTS: 4.10 Points.

APPROVED
By TNT at 2:46 pm, Dec 15, 2008

WEIGHTS :
FRAME : 457 lbs
SHEATHING: 268 lbs

TOTAL: 725 lbs



PIECES LIST

LABEL	QTY	SIZE	LENGTH	USE
A	1	600T200-54	14'-3 7/16"	TOP TRACK
B	1	600T300-54	14'-3 7/16"	BOTTOM TRACK
C	1	1200D-54	14'-3 3/8"	STRAP
D	6	600S162-54	10'-5 13/16"	STUD
E	4	600S200-97	10'-5 13/16"	EXTRA STUD
F	2	600S200-68	10'-5 13/16"	KING STUD
G	1	600T150-54	6'-1 3/4"	HEAD TRACK
H	2	150U50-54	4'-3 3/4"	HORIZONTAL BRACING
I	2	150U50-54	3'-9 1/4"	HORIZONTAL BRACING
J	4	600S162-54	2'-2 3/4"	CRIPPLE

SHEATHING

LABEL	QTY	CODE	THICK	SIZE	SCREWS
1	2	DENSGLASS	1/2"	6 3/8" X 10'-5 9/16"	8 - 12
2	1	DENSGLASS	1/2"	1'-5 5/8" X 9'-5 1/2"	8 - 12
3	1	DENSGLASS	1/2"	2'-10 1/4" X 9'-5 1/2"	8 - 12
4	1	DENSGLASS	1/2"	2'-0 3/4" X 9'-5 1/2"	8 - 12
5	1	DENSGLASS	1/2"	1'-8 5/8" X 9'-5 1/2"	8 - 12
6	2	DENSGLASS	1/2"	6 3/8" X 7'-11 3/4"	8 - 12
7	1	DENSGLASS	1/2"	6'-1 7/8" X 1'-2 7/8"	8 - 12
8	1	DENSGLASS	1/2"	6'-1 1/4" X 6 5/16"	8 - 12

23-1089

Jewish Home for the Aging

1885 Victory Blvd. Reseda, CA

FM-07-109

CREATED BY: TNT

FrameMax, Inc.
13915 Danielson St
Suite 100
Poway, CA 92064
www.frame-max.com



© FrameMax Inc.

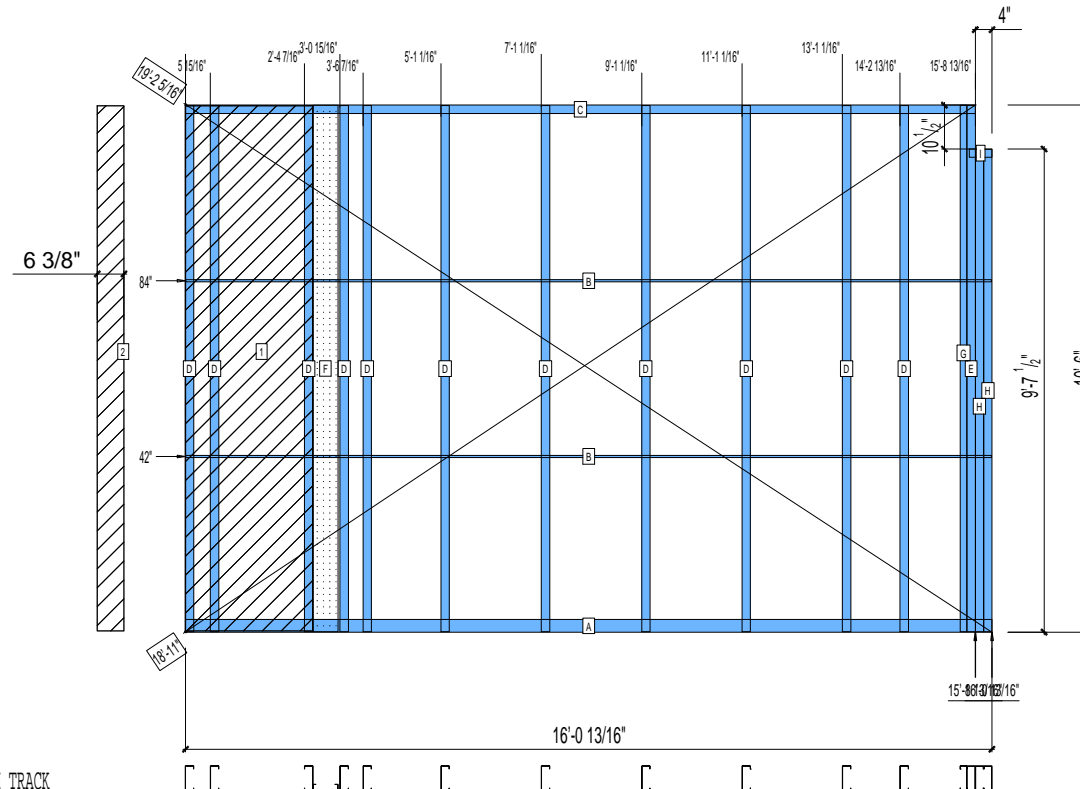
HEIGHT : 10'-6"
SPACING : 5000"
1st STUD: 5000"

POINTS: 3.23 Points.

APPROVED
By TNT at 2:46 pm, Dec 15, 2008

WEIGHTS :
FRAME : 459 lbs
SHEATHING: 80 lbs

TOTAL: 539 lbs



PIECES LIST

LABEL	QTY	SIZE	LENGTH	USE
A	1	600T300-54	16'-0 13/16"	BOTTOM TRACK
B	2	150U50-54	16'-0 5/8"	HORIZONTAL BRACING
C	1	600T200-54	15'-8 13/16"	TOP TRACK
D	11	600S200-54	10'-5 13/16"	STUD
E	1	600S200-97	10'-5 13/16"	BEAM KING
F	1	600S162-33	10'-5 13/16"	BACKER-U
G	1	600S162-33	10'-5 13/16"	BACKER STUD
H	2	600S200-97	9'-7 5/16"	BEAM JACK
I	1	600T200-54	5 7/16"	BEAM JACK

SHEATHING

LABEL	QTY	CODE	THICK	SIZE	SCREWS
1	1	DENSGLASS	1/2"	2'-6 3/8" X 10'-5 9/16"	8 - 12
2	1	DENSGLASS	1/2"	6 3/8" X 10'-5 9/16"	8 - 12

23-1090

Jewish Home for the Aging

1885 Victory Blvd. Reseda, CA

FrameMax, Inc.
13915 Danielson St
Suite 100
Poway, CA 92064
www.frame-max.com



© FrameMax Inc.

CREATED: 12/11/2008

FM-07-109

CREATED BY: TNT

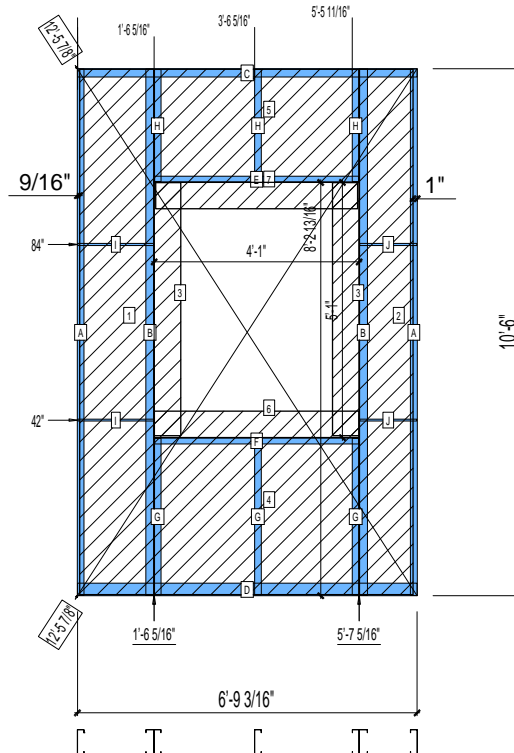
HEIGHT : 10'-6"
SPACING : 5000"
1st STUD: 5000"

POINTS: 1.96 Points.

APPROVED
By TNT at 2:46 pm, Dec 15, 2008

WEIGHTS :
FRAME : 170 lbs
SHEATHING: 145 lbs

TOTAL: 315 lbs



PIECES LIST

LABEL	QTY	SIZE	LENGTH	USE
A	2	600S162-54	10'-5 13/16"	STUD
B	2	600S200-68	10'-5 13/16"	KING STUD
C	1	600T200-54	6'-9 3/16"	TOP TRACK
D	1	600T300-54	6'-9 3/16"	BOTTOM TRACK
E	1	600T150-54	4'-0 3/4"	HEAD TRACK
F	1	600T150-54	4'-0 3/4"	SILL
G	3	600S162-54	3'-1 3/8"	CRIPPLE
H	3	600S162-54	2'-2 3/4"	CRIPPLE
I	2	150U50-54	1'-6 1/8"	HORIZONTAL BRACING
J	2	150U50-54	1'-1 5/8"	HORIZONTAL BRACING

SHEATHING

LABEL	QTY	CODE	THICK	SIZE	SCREWS
1	1	DENSGLASS	1/2"	1'-5 3/4" X 10'-5 9/16"	8 - 12
2	1	DENSGLASS	1/2"	1'-0 13/16" X 10'-5 9/16"	8 - 12
3	2	DENSGLASS	1/2"	6 3/8" X 5'-0 1/2"	8 - 12
4	1	DENSGLASS	1/2"	4'-0 7/8" X 3'-1 1/2"	8 - 12
5	1	DENSGLASS	1/2"	4'-0 7/8" X 2'-3"	8 - 12
6	1	DENSGLASS	1/2"	4'-0 7/8" X 6 5/16"	8 - 12
7	1	DENSGLASS	1/2"	4'-0 1/4" X 6 5/16"	8 - 12

23-1091

Jewish Home for the Aging

1885 Victory Blvd. Reseda, CA

FrameMax, Inc.
13915 Danielson St
Suite 100
Poway, CA 92064
www.frame-max.com



© FrameMax Inc.

CREATED: 12/11/2008

FM-07-109

CREATED BY: TNT

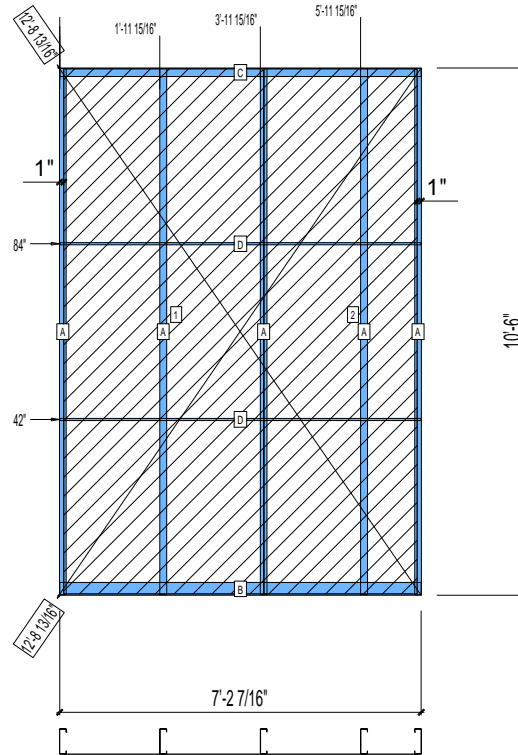
HEIGHT : 10'-6"
SPACING : 5000"
1st STUD: 5000"

POINTS: 1.80 Points.

APPROVED
By TNT at 2:46 pm, Dec 15, 2008

WEIGHTS :
FRAME : 137 lbs
SHEATHING: 184 lbs

TOTAL: 321 lbs



PIECES LIST

LABEL	QTY	SIZE	LENGTH	USE
A	5	600S162-54	10'-5 13/16"	STUD
B	1	600T300-54	7'-2 7/16"	BOTTOM TRACK
C	1	600T200-54	7'-2 7/16"	TOP TRACK
D	2	150U50-54	7'-2 1/4"	HORIZONTAL BRACING

SHEATHING

LABEL	QTY	CODE	THICK	SIZE	SCREWS
1	1	DENSGLASS	1/2"	3'-11 13/16" X 10'-5 9/16"	8 - 12
2	1	DENSGLASS	1/2"	3'-0 11/16" X 10'-5 9/16"	8 - 12

23-1092

Jewish Home for the Aging

1885 Victory Blvd. Reseda, CA

FrameMax, Inc.
13915 Danielson St
Suite 100
Poway, CA 92064
www.frame-max.com



© FrameMax Inc.

CREATED: 12/11/2008

FM-07-109

CREATED BY: TNT

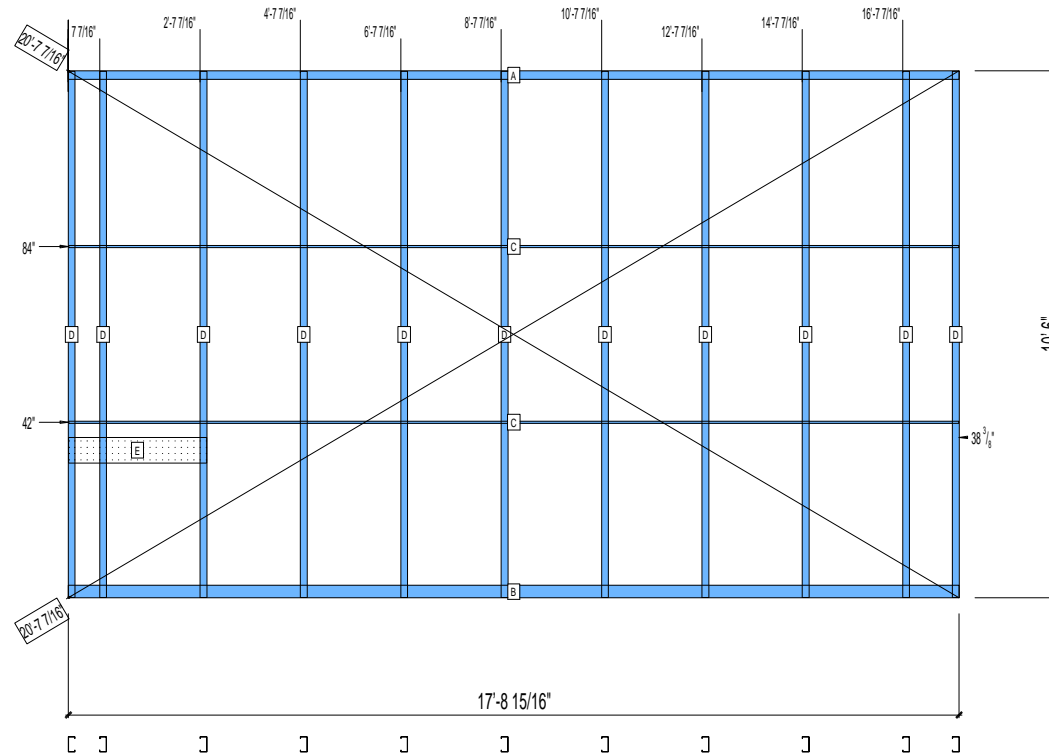
HEIGHT : 10'-6"
SPACING : 5000"
1st STUD: 5000"

POINTS: 1.85 Points.

APPROVED
By TNT at 2:46 pm, Dec 15, 2008

WEIGHTS :
FRAME : 249 lbs

TOTAL: 249 lbs



PIECES LIST

LABEL	QTY	SIZE	LENGTH	USE
A	1	362T200-54	17'-8 15/16"	TOP TRACK
B	1	362T300-54	17'-8 15/16"	BOTTOM TRACK
C	2	150U50-54	17'-8 3/4"	HORIZONTAL BRACING
D	11	362S162-54	10'-5 13/16"	STUD
E	1	600T150-54	2'-9"	GRAB BAR

23-1093

Jewish Home for the Aging

1885 Victory Blvd. Reseda, CA

FM-07-109

CREATED BY: TNT

FrameMax, Inc.
13915 Danielson St
Suite 100
Poway, CA 92064
www.frame-max.com



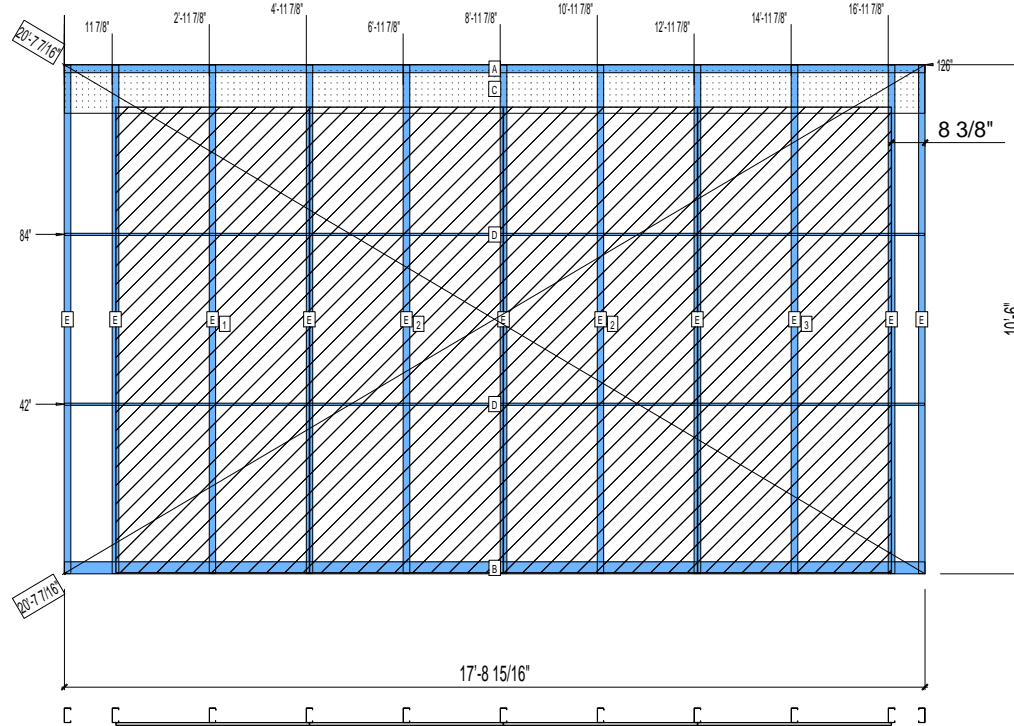
© FrameMax Inc.

APPROVED
By TNT at 2:46 pm, Dec 15, 2008

HEIGHT : 10'-6"
POINTS: 4.58 Points.
SPACING : 5000"
1st STUD: 5000"

WEIGHTS :
FRAME : 287 lbs
SHEATHING: 565 lbs

TOTAL: 852 lbs



PIECES LIST

LABEL	QTY	SIZE	LENGTH	USE
A	1	362T200-54	17'-8 15/16"	TOP TRACK
B	1	362T300-54	17'-8 15/16"	BOTTOM TRACK
C	1	1200D-54	17'-8 7/8"	STRAP
D	2	150U50-54	17'-8 3/4"	HORIZONTAL BRACING
E	11	362S162-54	10'-5 13/16"	STUD

SHEATHING

LABEL	QTY	CODE	THICK	SIZE	SCREWS
1	1	SB-DENSARMOR	5/8"	3'-11 15/16" X 9'-7 3/16"	3-12
2	2	SB-DENSARMOR	5/8"	4'-0" X 9'-7 3/16"	3-12
3	1	SB-DENSARMOR	5/8"	4'-0" X 9'-7 3/16"	3-12

23-1094

Jewish Home for the Aging

1885 Victory Blvd. Reseda, CA

FrameMax, Inc.
13915 Danielson St
Suite 100
Poway, CA 92064
www.frame-max.com



© FrameMax Inc.

CREATED: 12/11/2008

FM-07-109

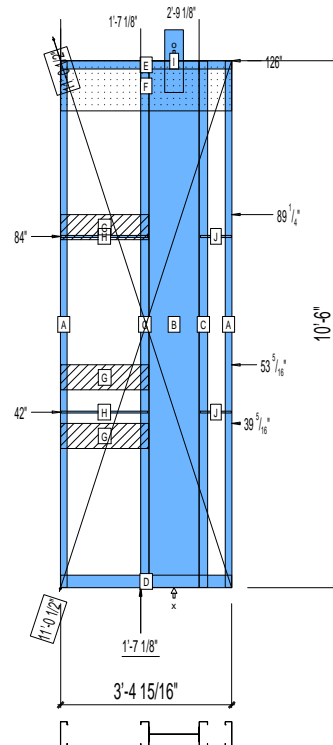
CREATED BY: TNT

HEIGHT : 10'-6"
POINTS: 1.48 Points.
SPACING : 5000"
1st STUD: 5000"

APPROVED
By TNT at 2:46 pm, Dec 15, 2008

WEIGHTS :
FRAME : 236 lbs

TOTAL: 236 lbs



PIECES LIST

LABEL	QTY	SIZE	LENGTH	USE
A	2	600S162-54	10'-5 13/16"	STUD
B	1	1200i350p1062	10'-5 13/16"	PACO
C	2	600S200-54	10'-5 13/16"	STUD
D	1	600T300-54	3'-4 15/16"	BOTTOM TRACK
E	1	600T200-54	3'-4 15/16"	TOP TRACK
F	1	1200D-54	3'-4 7/8"	STRAP
G	3	600D-54	1'-9 1/16"	KITCHEN BACKING
H	2	150U50-54	1'-8 3/4"	HORIZONTAL BRACING
I	1	A	1'-3"	HOLDDOWN
J	2	150U50-54	7 3/8"	HORIZONTAL BRACING

23-1095

Jewish Home for the Aging

1885 Victory Blvd. Reseda, CA

FM-07-109

CREATED BY: TNT

FrameMax, Inc.
13915 Danielson St
Suite 100
Poway, CA 92064
www.frame-max.com



© FrameMax Inc.

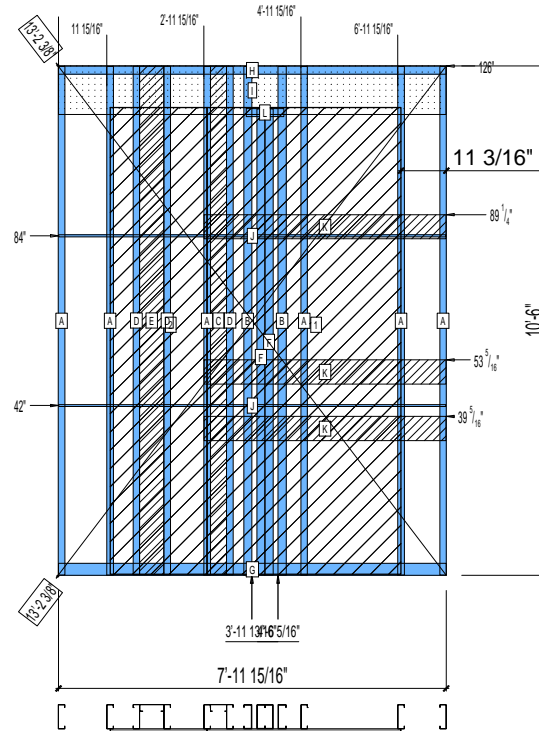
APPROVED
By TNT at 2:46 pm, Dec 15, 2008

HEIGHT : 10'-6"
SPACING : 5000"
1st STUD: 5000"

POINTS: 3.48 Points.

WEIGHTS :
FRAME : 405 lbs
SHEATHING: 212 lbs

TOTAL: 617 lbs



PIECES LIST

LABEL	QTY	SIZE	LENGTH	USE
A	6	600S162-54	10'-5 13/16"	STUD
B	2	600S200-97	10'-5 13/16"	BEAM KING
C	1	400S162-33	10'-5 13/16"	BACKER-U
D	3	600S162-33	10'-5 13/16"	BACKER STUD
E	1	600S162-33	10'-5 13/16"	BACKER-U
F	2	600S200-97	9'-7 5/16"	BEAM JACK
G	1	600T300-54	7'-11 15/16"	BOTTOM TRACK
H	1	600T200-54	7'-11 15/16"	TOP TRACK
I	1	1200D-54	7'-11 7/8"	STRAP
J	2	150U50-54	7'-11 3/4"	HORIZONTAL BRACING
K	3	600D-54	4'-11 7/8"	KITCHEN BACKING
L	1	600T200-54	9 5/16"	BEAM JACK

SHEATHING

LABEL	QTY	CODE	THICK	SIZE	SCREWS
1	1	SB-DENSARMOR	5/8"	4'-0" X 9'-7 7/16"	3-12
2	1	SB-DENSARMOR	5/8"	2'-0" X 9'-7 7/16"	3-12

23-1096

Jewish Home for the Aging

1885 Victory Blvd. Reseda, CA

FrameMax, Inc.
13915 Danielson St
Suite 100
Poway, CA 92064
www.frame-max.com



© FrameMax Inc.

CREATED: 12/11/2008

FM-07-109

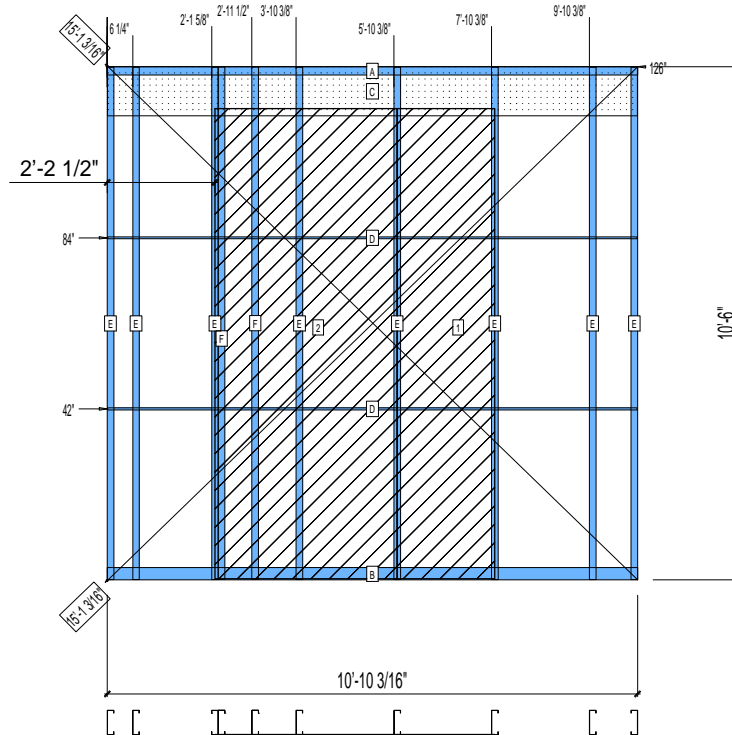
CREATED BY: TNT

APPROVED
By TNT at 2:46 pm, Dec 15, 2008

HEIGHT : 10'-6"
POINTS: 2.68 Points.
SPACING : 5000"
1st STUD: 5000"

WEIGHTS :
FRAME : 267 lbs
SHEATHING: 203 lbs

TOTAL: 470 lbs



PIECES LIST

LABEL	QTY	SIZE	LENGTH	USE
A	1	600T200-54	10'-10 3/16"	TOP TRACK
B	1	600T300-54	10'-10 3/16"	BOTTOM TRACK
C	1	1200D-54	10'-10 3/16"	STRAP
D	2	150U50-54	10'-10 1/16"	HORIZONTAL BRACING
E	8	600S162-54	10'-5 13/16"	STUD
F	2	600S162-33	10'-5 13/16"	BACKER STUD

SHEATHING

LABEL	QTY	CODE	THICK	SIZE	SCREWS
1	1	SB-DENSARMOR	5/8"	1'-11 15/16" X 9'-7 7/16"	3-12
2	1	SB-DENSARMOR	5/8"	3'-8 3/4" X 9'-7 7/16"	3-12

23-1097

Jewish Home for the Aging

1885 Victory Blvd. Reseda, CA

FM-07-109

CREATED BY: TNT

FrameMax, Inc.
13915 Danielson St
Suite 100
Poway, CA 92064
www.frame-max.com



© FrameMax Inc.

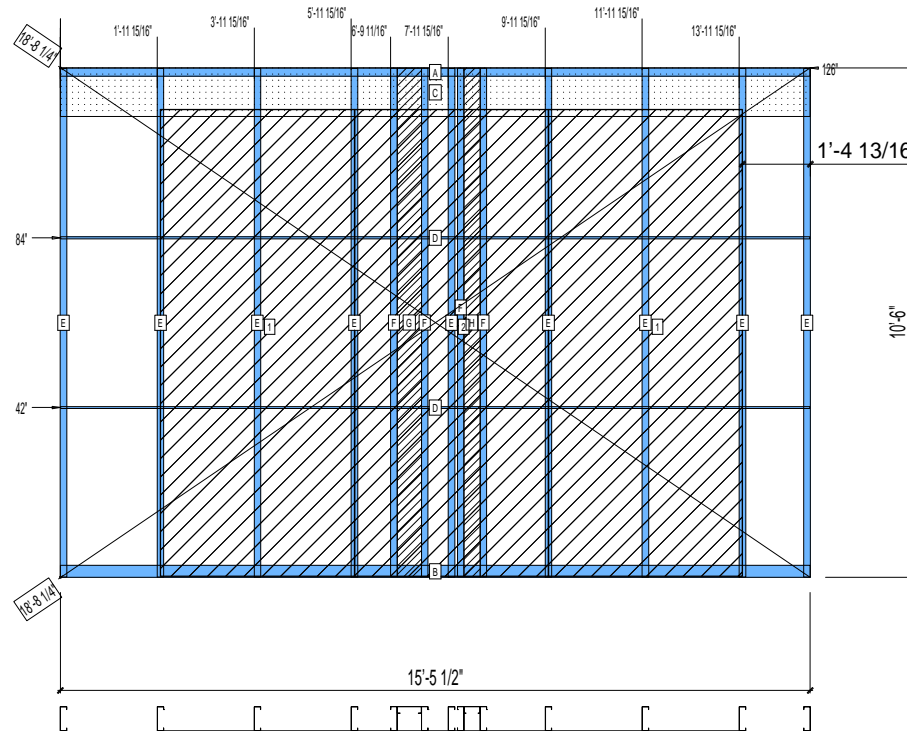
APPROVED
By TNT at 2:46 pm, Dec 15, 2008

HEIGHT : 10'-6"
SPACING : 5000"
1st STUD: 5000"

POINTS: 4.36 Points.

WEIGHTS :
FRAME : 369 lbs
SHEATHING: 425 lbs

TOTAL: 794 lbs



PIECES LIST

LABEL	QTY	SIZE	LENGTH	USE
A	1	600T200-54	15'-5 1/2"	TOP TRACK
B	1	600T300-54	15'-5 1/2"	BOTTOM TRACK
C	1	1200D-54	15'-5 1/2"	STRAP
D	2	150U50-54	15'-5 3/8"	HORIZONTAL BRACING
E	9	600S162-54	10'-5 13/16"	STUD
F	4	600S162-33	10'-5 13/16"	BACKER STUD
G	1	600S162-33	10'-5 13/16"	BACKER-U
H	1	400S162-33	10'-5 13/16"	BACKER-U

SHEATHING

LABEL	QTY	CODE	THICK	SIZE	SCREWS
1	2	SB-DENSARMOR	5/8"	4'-0" X 9'-7 7/16"	3-12
2	1	SB-DENSARMOR	5/8"	4'-0" X 9'-7 7/16"	3-12

23-1098

Jewish Home for the Aging

1885 Victory Blvd. Reseda, CA

FM-07-109

CREATED BY: TNT

FrameMax, Inc.
13915 Danielson St
Suite 100
Poway, CA 92064
www.framemax.com



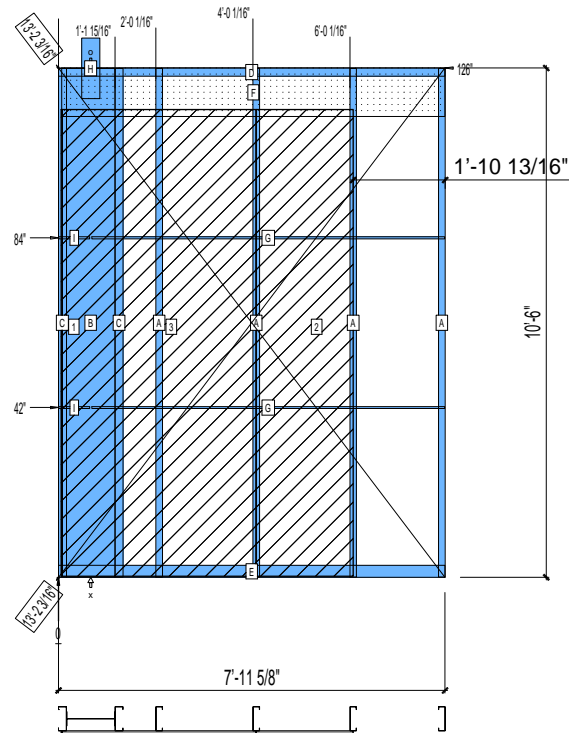
© FrameMax Inc.

APPROVED
By TNT at 2:46 pm, Dec 15, 2008

HEIGHT : 10'-6"
SPACING : 5000"
1st STUD: 5000"

WEIGHTS :
FRAME : 305 lbs
SHEATHING: 213 lbs

TOTAL: 518 lbs



PIECES LIST

LABEL	QTY	SIZE	LENGTH	USE
A	4	600S162-54	10'-5 13/16"	STUD
B	1	1200i350p1062	10'-5 13/16"	PACO
C	2	600S200-54	10'-5 13/16"	STUD
D	1	600T200-54	7'-11 5/8"	TOP TRACK
E	1	600T300-54	7'-11 5/8"	BOTTOM TRACK
F	1	1200D-54	7'-10 13/16"	STRAP
G	2	150U50-54	7'-3 5/16"	HORIZONTAL BRACING
H	1	A	1'-3"	HOLDDOWN
I	2	150U50-54	7 5/8"	HORIZONTAL BRACING

SHEATHING

LABEL	QTY	CODE	THICK	SIZE	SCREWS
1	1	SB-DENSARMOR	5/8"	1/4" X 9'-7 7/16"	3-12
2	1	SB-DENSARMOR	5/8"	2'-0" X 9'-7 7/16"	3-12
3	1	SB-DENSARMOR	5/8"	4'-0" X 9'-7 7/16"	3-12

23-1099

Jewish Home for the Aging

1885 Victory Blvd. Reseda, CA

FrameMax, Inc.
13915 Danielson St
Suite 100
Poway, CA 92064
www.framemax.com



© FrameMax Inc.

CREATED: 12/11/2008

FM-07-109

CREATED BY: TNT

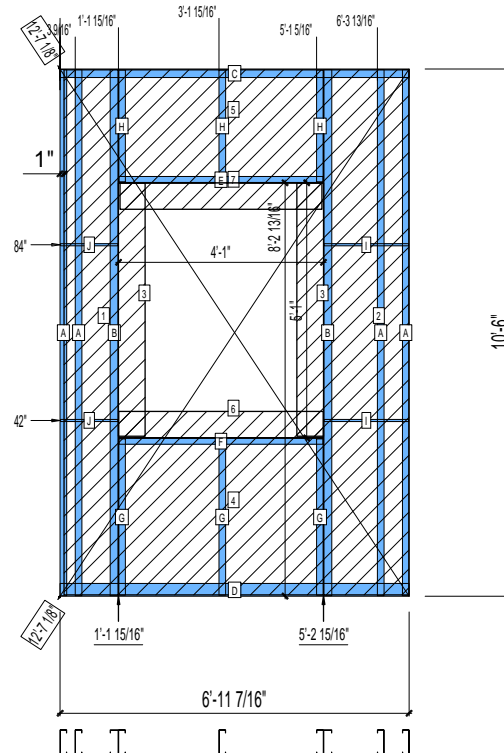
HEIGHT : 10'-6"
SPACING : 5000"
1st STUD: 5000"

POINTS: 2.22 Points.

APPROVED
By TNT at 2:46 pm, Dec 15, 2008

WEIGHTS :
FRAME : 211 lbs
SHEATHING: 151 lbs

TOTAL: 362 lbs



PIECES LIST

LABEL	QTY	SIZE	LENGTH	USE
A	4	600S162-54	10'-5 13/16"	STUD
B	2	600S200-68	10'-5 13/16"	KING STUD
C	1	600T200-54	6'-11 7/16"	TOP TRACK
D	1	600T300-54	6'-11 7/16"	BOTTOM TRACK
E	1	600T150-54	4'-0 3/4"	HEAD TRACK
F	1	600T150-54	4'-0 3/4"	SILL
G	3	600S162-54	3'-1 3/8"	CRIPPLE
H	3	600S162-54	2'-2 3/4"	CRIPPLE
I	2	150U50-54	1'-8 1/4"	HORIZONTAL BRACING
J	2	150U50-54	1'-1 3/4"	HORIZONTAL BRACING

SHEATHING

LABEL	QTY	CODE	THICK	SIZE	SCREWS
1	1	DENSGLOSS	1/2"	1'-0 15/16" X 10'-5 9/16"	8 - 12
2	1	DENSGLOSS	1/2"	1'-8 3/8" X 10'-5 9/16"	8 - 12
3	2	DENSGLOSS	1/2"	6 3/8" X 5'-0 1/2"	8 - 12
4	1	DENSGLOSS	1/2"	4'-0 7/8" X 3'-1 1/2"	8 - 12
5	1	DENSGLOSS	1/2"	4'-0 7/8" X 2'-3"	8 - 12
6	1	DENSGLOSS	1/2"	4'-0 7/8" X 6 5/16"	8 - 12
7	1	DENSGLOSS	1/2"	4'-0 1/4" X 6 5/16"	8 - 12

23-1100

Jewish Home for the Aging

1885 Victory Blvd. Reseda, CA

FrameMax, Inc.
13915 Danielson St
Suite 100
Poway, CA 92064
www.frame-max.com



© FrameMax Inc.

CREATED: 12/11/2008

FM-07-109

CREATED BY: TNT

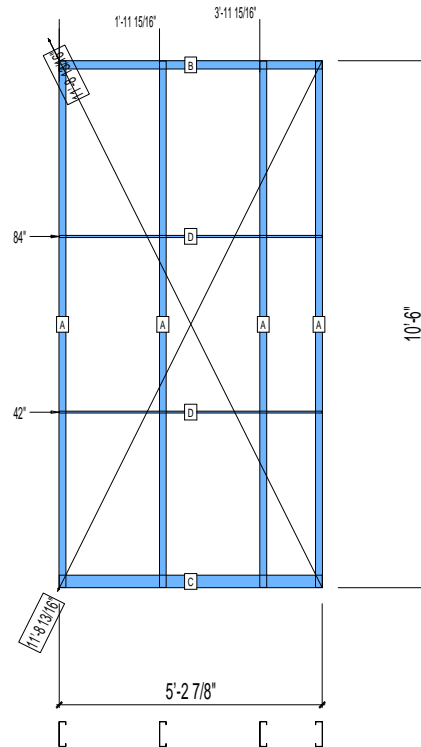
HEIGHT : 10'-6"
SPACING : 5000"
1st STUD: 5000"

POINTS: 0.77 Points.

APPROVED
By TNT at 2:46 pm, Dec 15, 2008

WEIGHTS :
FRAME : 107 lbs

TOTAL: 107 lbs



PIECES LIST

LABEL	QTY	SIZE	LENGTH	USE
A	4	600S162-54	10'-5 13/16"	STUD
B	1	600T200-54	5'-2 7/8"	TOP TRACK
C	1	600T300-54	5'-2 7/8"	BOTTOM TRACK
D	2	150U50-54	5'-2 11/16"	HORIZONTAL BRACING

23-1101

Jewish Home for the Aging

1885 Victory Blvd. Reseda, CA

FrameMax, Inc.
13915 Danielson St
Suite 100
Poway, CA 92064
www.framemax.com



© FrameMax Inc.

CREATED: 12/11/2008

FM-07-109

CREATED BY: TNT

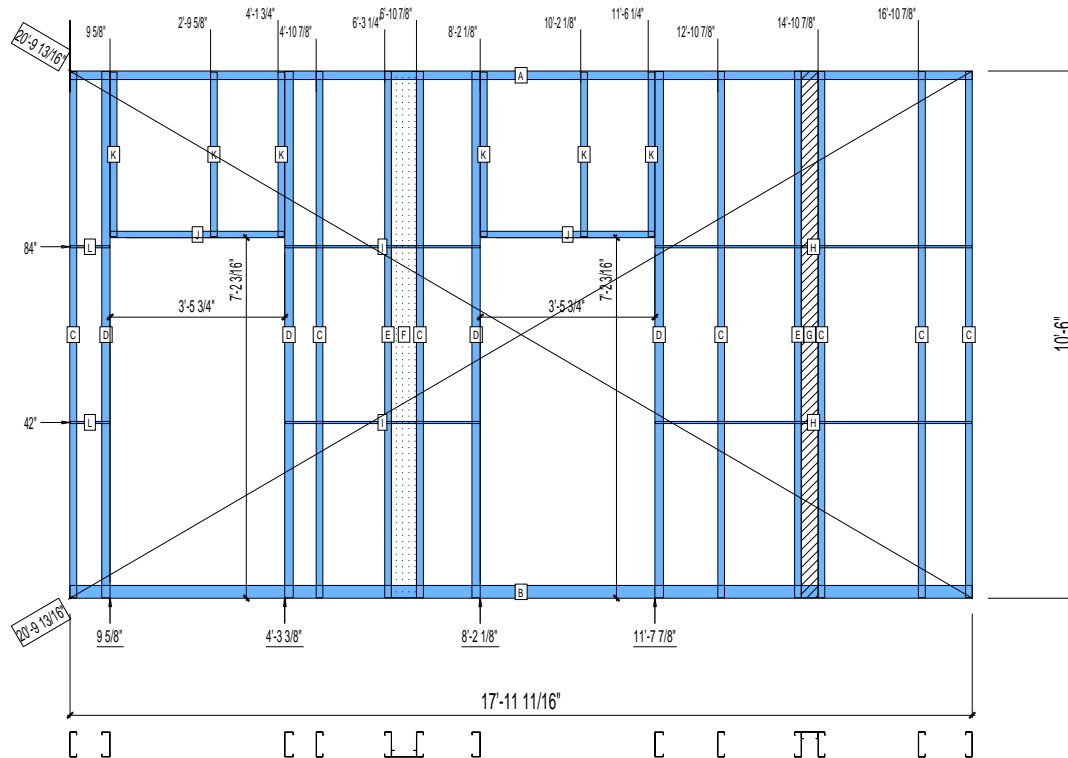
HEIGHT : 10'-6"
SPACING : 5000"
1st STUD: 5000"

POINTS: 3.00 Points.

APPROVED
By TNT at 2:46 pm, Dec 15, 2008

WEIGHTS :
FRAME : 432 lbs

TOTAL: 432 lbs



PIECES LIST			
LABEL	QTY	SIZE	LENGTH USE
A	1	600T200-54	17'-11 11/16" TOP TRACK
B	1	600T300-54	17'-11 11/16" BOTTOM TRACK
C	7	600S162-54	10'-5 13/16" STUD
D	4	600S200-68	10'-5 13/16" KING STUD
E	2	600S162-33	10'-5 13/16" BACKER STUD
F	1	600S162-33	10'-5 13/16" BACKER-U
G	1	400S162-33	10'-5 13/16" BACKER-U
H	2	150U50-54	6'-3 5/8" HORIZONTAL BRACING
I	2	150U50-54	3'-10 1/2" HORIZONTAL BRACING
J	2	600T150-54	3'-5 1/2" HEAD TRACK
K	6	600S162-54	3'-3 3/8" CRIPPLE
L	2	150U50-54	9 3/8" HORIZONTAL BRACING

23-1102

Jewish Home for the Aging

1885 Victory Blvd. Reseda, CA

FrameMax, Inc.
13915 Danielson St
Suite 100
Poway, CA 92064
www.framemax.com



© FrameMax Inc.

CREATED: 12/11/2008

FM-07-109

CREATED BY: TNT

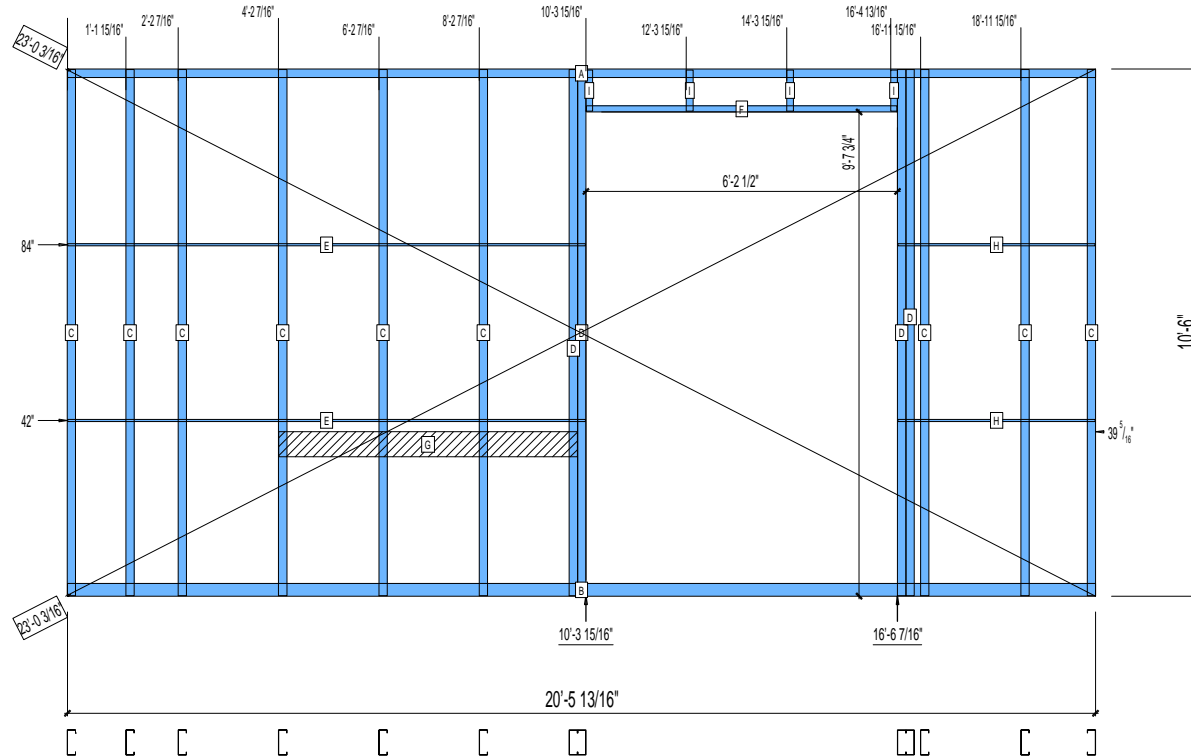
HEIGHT : 10'-6"
SPACING : 5000"
1st STUD: 5000"

POINTS: 2.93 Points.

APPROVED
By TNT at 2:46 pm, Dec 15, 2008

WEIGHTS :
FRAME : 433 lbs

TOTAL: 433 lbs



PIECES LIST

LABEL	QTY	SIZE	LENGTH	USE
A	1	600T200-54	20'-5 13/16"	TOP TRACK
B	1	600T300-54	20'-5 13/16"	BOTTOM TRACK
C	9	600S200-54	10'-5 13/16"	STUD
D	4	600S200-68	10'-5 13/16"	KING STUD
E	2	150U50-54	10'-3 3/4"	HORIZONTAL BRACING
F	1	600T150-54	6'-2 1/4"	HEAD TRACK
G	1	600D-54	5'-11 3/8"	VANITY BACKING
H	2	150U50-54	3'-11 1/8"	HORIZONTAL BRACING
I	4	600S162-54	9 13/16"	CRIPPLE

23-1103

Jewish Home for the Aging

1885 Victory Blvd. Reseda, CA

FrameMax, Inc.
13915 Danielson St
Suite 100
Poway, CA 92064
www.frame-max.com



© FrameMax Inc.

CREATED: 12/11/2008

FM-07-109

CREATED BY: TNT

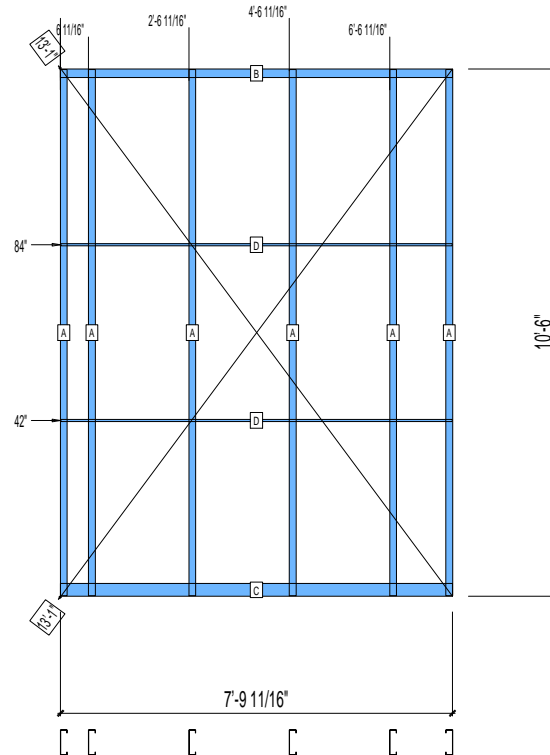
HEIGHT : 10'-6"
SPACING : 5000"
1st STUD: 5000"

POINTS: 1.11 Points.

APPROVED
By TNT at 2:46 pm, Dec 15, 2008

WEIGHTS :
FRAME : 160 lbs

TOTAL: 160 lbs



PIECES LIST

LABEL	QTY	SIZE	LENGTH	USE
A	6	600S162-54	10'-5 13/16"	STUD
B	1	600T200-54	7'-9 11/16"	TOP TRACK
C	1	600T300-54	7'-9 11/16"	BOTTOM TRACK
D	2	150U50-54	7'-9 1/2"	HORIZONTAL BRACING

23-1104

Jewish Home for the Aging

1885 Victory Blvd. Reseda, CA

FrameMax, Inc.
13915 Danielson St
Suite 100
Poway, CA 92064
www.frame-max.com



© FrameMax Inc.

CREATED: 12/11/2008

FM-07-109

CREATED BY: TNT

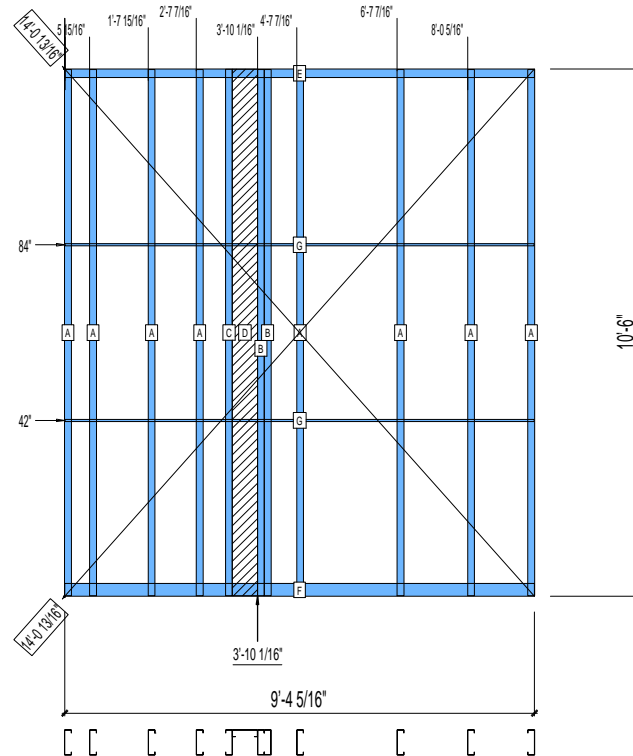
HEIGHT : 10'-6"
SPACING : 5000"
1st STUD: 5000"

POINTS: 1.82 Points.

APPROVED
By TNT at 2:46 pm, Dec 15, 2008

WEIGHTS :
FRAME : 282 lbs

TOTAL: 282 lbs



PIECES LIST

LABEL	QTY	SIZE	LENGTH	USE
A	8	600S162-54	10'-5 13/16"	STUD
B	2	600S162-68	10'-5 13/16"	EXTRA STUD
C	1	600S162-33	10'-5 13/16"	BACKER STUD
D	1	600S162-33	10'-5 13/16"	BACKER-U
E	1	600T200-54	9'-4 5/16"	TOP TRACK
F	1	600T300-54	9'-4 5/16"	BOTTOM TRACK
G	2	150U50-54	9'-4 1/8"	HORIZONTAL BRACING

23-1105

Jewish Home for the Aging

1885 Victory Blvd. Reseda, CA

FrameMax, Inc.
13915 Danielson St
Suite 100
Poway, CA 92064
www.frame-max.com



© FrameMax Inc.

CREATED: 12/11/2008

FM-07-109

CREATED BY: TNT

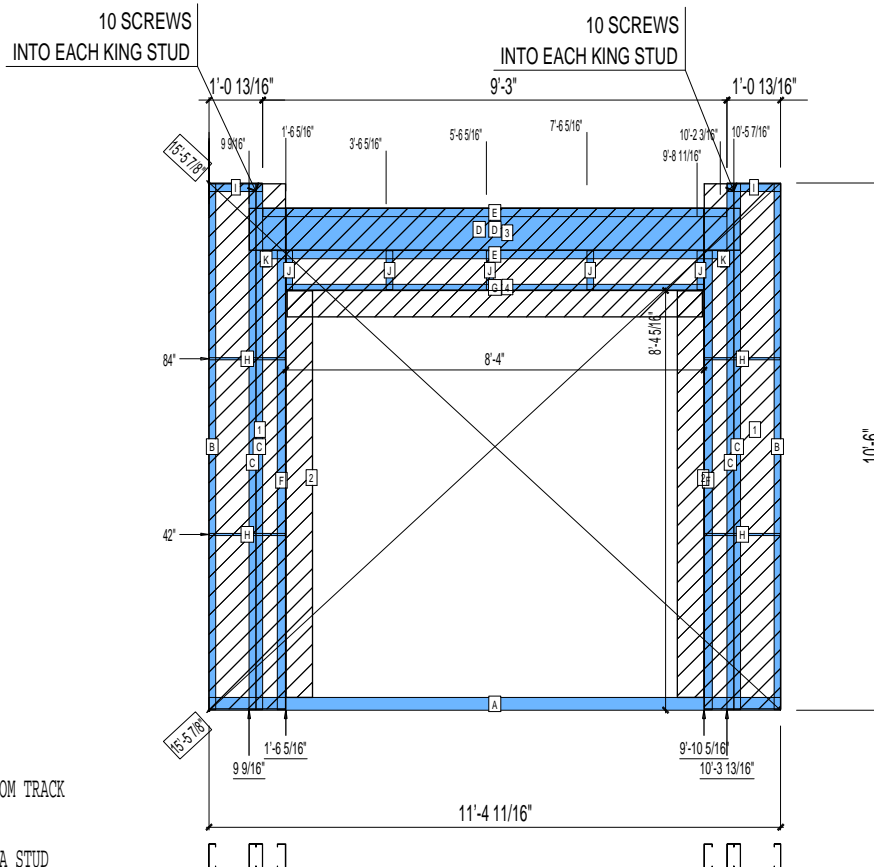
HEIGHT : 10'-6"
SPACING : 5000"
1st STUD: 16"

POINTS: 3.20 Points.

APPROVED
By TNT at 2:46 pm, Dec 15, 2008

WEIGHTS :
FRAME : 380 lbs
SHEATHING: 146 lbs

TOTAL: 526 lbs



PIECES LIST

LABEL	QTY	SIZE	LENGTH	USE
A	1	600T300-54	11'-4 11/16"	BOTTOM TRACK
B	2	600S162-54	10'-5 13/16"	STUD
C	4	600S162-68	10'-5 13/16"	EXTRA STUD
D	2	1000S200-97	9'-9 3/8"	HEADER
E	2	600T200-54	9'-2 7/8"	TOP TRACK
F	2	600S200-68	9'-1 3/4"	KING STUD
G	1	600T150-54	8'-3 3/4"	HEAD TRACK
H	4	150U50-54	1'-6 1/8"	HORIZONTAL BRACING
I	2	600T200-54	1'-0 3/4"	TOP TRACK
J	5	600S162-54	9 5/16"	CRIPPLE
K	2	600S162-54	3 7/8"	CRIPPLE

SHEATHING

LABEL	QTY	CODE	THICK	SIZE	SCREWS
1	2	DENSGLOSS	1/2"	1'-6 1/4" X 10'-5 9/16"	8 - 12
2	2	DENSGLOSS	1/2"	6 3/8" X 8'-1 1/4"	8 - 12
3	1	DENSGLOSS	1/2"	8'-3 7/8" X 1'-7 9/16"	8 - 12
4	1	DENSGLOSS	1/2"	8'-3 1/4" X 6 5/16"	8 - 12

23-1106

Jewish Home for the Aging

1885 Victory Blvd. Reseda, CA

FrameMax, Inc.
13915 Danielson St
Suite 100
Poway, CA 92064
www.frame-max.com



© FrameMax Inc.

CREATED: 12/11/2008

FM-07-109

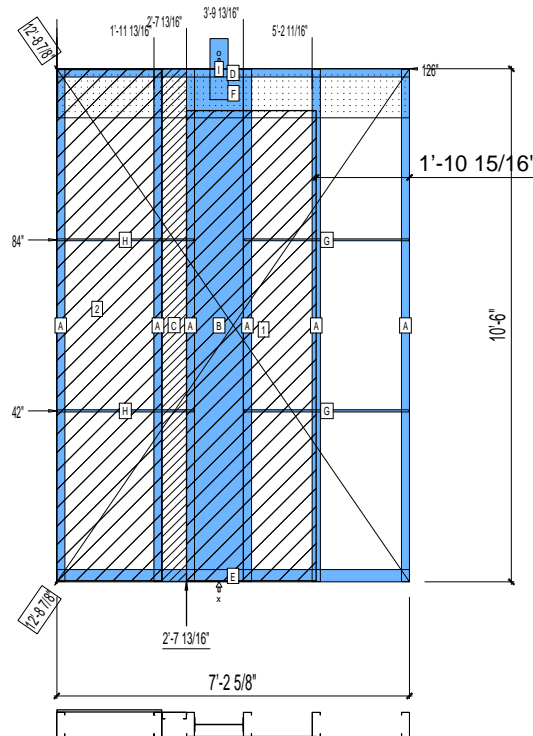
CREATED BY: TNT

APPROVED
By TNT at 2:46 pm, Dec 15, 2008

HEIGHT : 11'-1 7/16" POINTS: 2.62 Points.
SPACING : 5000"
1st STUD: 5000"

WEIGHTS :
FRAME : 319 lbs
SHEATHING: 150 lbs

TOTAL: 469 lbs



PIECES LIST

LABEL	QTY	SIZE	LENGTH	USE
A	6	600S200-54	10'-5 13/16"	STUD
B	1	1200i350p1062	10'-5 13/16"	PACO
C	1	600S162-33	10'-5 13/16"	BACKER-U
D	1	600T200-54	7'-2 5/8"	TOP TRACK
E	1	600T300-54	7'-2 5/8"	BOTTOM TRACK
F	1	1200D-54	7'-2 3/8"	STRAP
G	2	150U50-54	3'-4 3/8"	HORIZONTAL BRACING
H	2	150U50-54	2'-9 7/16"	HORIZONTAL BRACING
I	1	A	1'-3"	HOLDDOWN

SHEATHING

LABEL	QTY	CODE	THICK	SIZE	SCREWS
1	1	SB-DENSARMOR	5/8"	2'-7 7/8" X 9'-7 7/16"	3-12
2	1	DENSGLOSS	1/2"	2'-1 3/4" X 10'-5 9/16"	8 - 12

23-1107

Jewish Home for the Aging

1885 Victory Blvd. Reseda, CA

FrameMax, Inc.
13915 Danielson St
Suite 100
Poway, CA 92064
www.frame-max.com



© FrameMax Inc.

CREATED: 12/11/2008

FM-07-109

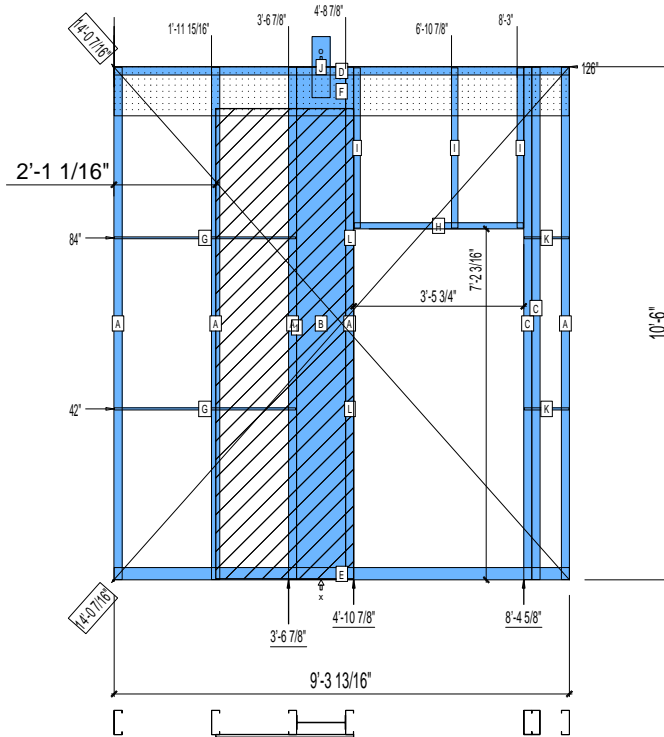
CREATED BY: TNT

APPROVED
By TNT at 2:46 pm, Dec 15, 2008

HEIGHT : 10'-6"
POINTS: 2.83 Points.
SPACING : 5000"
1st STUD: 5000"

WEIGHTS :
FRAME : 377 lbs
SHEATHING: 100 lbs

TOTAL: 477 lbs



PIECES LIST

LABEL	QTY	SIZE	LENGTH	USE
A	5	600S200-54	10'-5 13/16"	STUD
B	1	1200i350p1062	10'-5 13/16"	PACO
C	2	600S200-68	10'-5 13/16"	KING STUD
D	1	600T200-54	9'-3 13/16"	TOP TRACK
E	1	600T300-54	9'-3 13/16"	BOTTOM TRACK
F	1	1200D-54	9'-3 3/4"	STRAP
G	2	150U50-54	3'-8 7/16"	HORIZONTAL BRACING
H	1	600T150-54	3'-5 1/2"	HEAD TRACK
I	3	600S162-54	3'-3 3/8"	CRIPPLE
J	1	A	1'-3"	HOLDDOWN
K	2	150U50-54	11"	HORIZONTAL BRACING
L	2	150U50-54	1 9/16"	HORIZONTAL BRACING

SHEATHING

LABEL	QTY	CODE	THICK	SIZE	SCREWS
1	1	SB-DENSARMOR	5/8"	2'-9 13/16" X	9'-7 7/16" 3-12

23-1108

Jewish Home for the Aging

1885 Victory Blvd. Reseda, CA

FM-07-109

CREATED BY: TNT

FrameMax, Inc.
13915 Danielson St
Suite 100
Poway, CA 92064
www.frame-max.com



© FrameMax Inc.

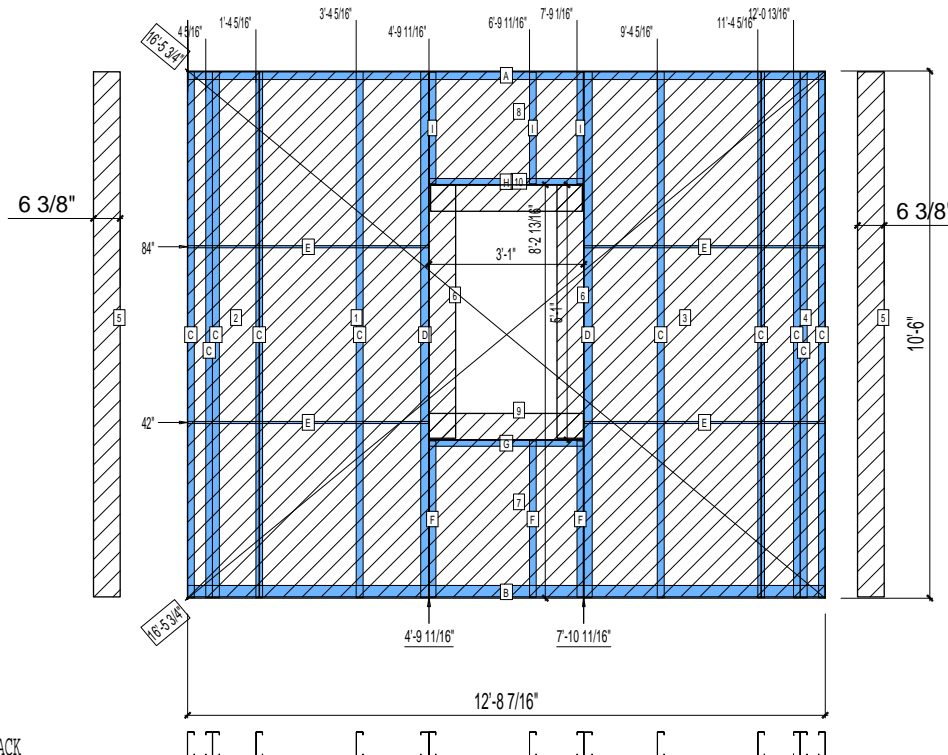
HEIGHT : 10'-6"
SPACING : 5000"
1st STUD: 5000"

POINTS: 4.00 Points.

APPROVED
By TNT at 2:46 pm, Dec 15, 2008

WEIGHTS :
FRAME : 358 lbs
SHEATHING: 342 lbs

TOTAL: 700 lbs



PIECES LIST

LABEL	QTY	SIZE	LENGTH	USE
A	1	600T200-54	12'-8 7/16"	TOP TRACK
B	1	600T300-54	12'-8 7/16"	BOTTOM TRACK
C	10	600S162-54	10'-5 13/16"	STUD
D	2	600S200-68	10'-5 13/16"	KING STUD
E	4	150U50-54	4'-9 1/2"	HORIZONTAL BRACING
F	3	600S162-54	3'-1 3/8"	CRIPPLE
G	1	600T150-54	3'-0 3/4"	SILL
H	1	600T150-54	3'-0 3/4"	HEAD TRACK
I	3	600S162-54	2'-2 3/4"	CRIPPLE

SHEATHING

LABEL	QTY	CODE	THICK	SIZE	SCREWS
1	1	DENSGLASS	1/2"	3'-4 1/2" X 10'-5 9/16"	8 - 12
10	1	DENSGLASS	1/2"	3'-0 1/4" X 6 5/16"	8 - 12
2	1	DENSGLASS	1/2"	1'-5 1/8" X 10'-5 9/16"	8 - 12
3	1	DENSGLASS	1/2"	3'-6 3/8" X 10'-5 9/16"	8 - 12
4	1	DENSGLASS	1/2"	1'-3 1/4" X 10'-5 9/16"	8 - 12
5	2	DENSGLASS	1/2"	6 3/8" X 10'-5 9/16"	8 - 12
6	2	DENSGLASS	1/2"	6 3/8" X 5'-0 1/2"	8 - 12
7	1	DENSGLASS	1/2"	3'-0 7/8" X 3'-1 1/2"	8 - 12
8	1	DENSGLASS	1/2"	3'-0 7/8" X 2'-3"	8 - 12
9	1	DENSGLASS	1/2"	3'-0 7/8" X 6 5/16"	8 - 12

23-1109

Jewish Home for the Aging

1885 Victory Blvd. Reseda, CA

FM-07-109

CREATED BY: TNT

FrameMax, Inc.
13915 Danielson St
Suite 100
Poway, CA 92064
www.frame-max.com



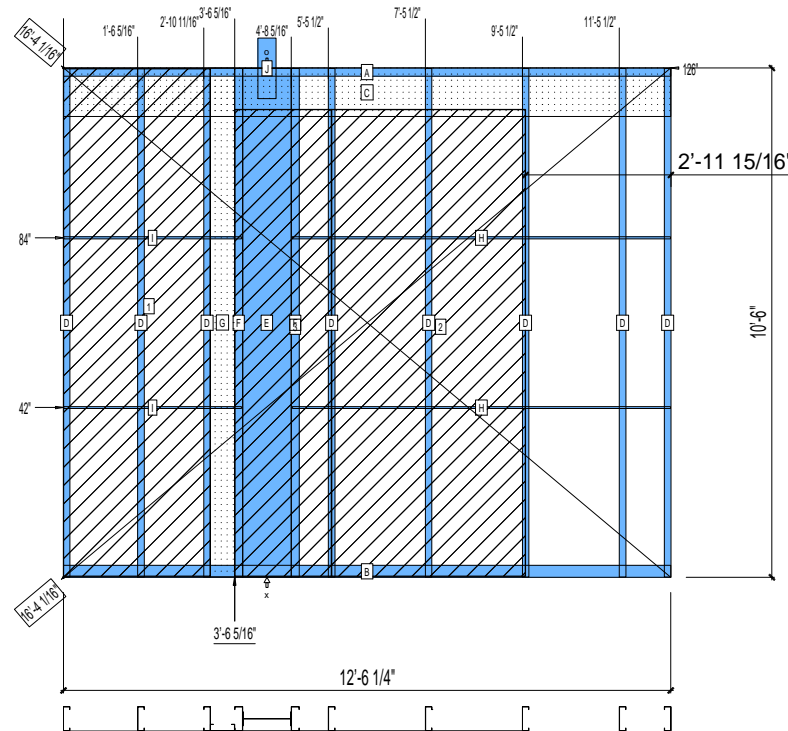
© FrameMax Inc.

APPROVED
By TNT at 2:46 pm, Dec 15, 2008

HEIGHT : 10'-6"
SPACING : 5000"
1st STUD: 16"

WEIGHTS :
FRAME : 431 lbs
SHEATHING: 291 lbs

TOTAL: 722 lbs



PIECES LIST

LABEL	QTY	SIZE	LENGTH	USE
A	1	600T200-54	12'-6 1/4"	TOP TRACK
B	1	600T300-54	12'-6 1/4"	BOTTOM TRACK
C	1	1200D-54	12'-6 3/16"	STRAP
D	8	600S162-54	10'-5 13/16"	STUD
E	1	1200i350p1062	10'-5 13/16"	PACO
F	2	600S200-54	10'-5 13/16"	STUD
G	1	600S162-33	10'-5 13/16"	BACKER-U
H	2	150U50-54	7'-9 1/2"	HORIZONTAL BRACING
I	2	150U50-54	3'-7 15/16"	HORIZONTAL BRACING
J	1	A	1'-3"	HOLDDOWN

SHEATHING

LABEL	QTY	CODE	THICK	SIZE	SCREWS
1	1	DENSGLOSS	1/2"	3'-0 1/4" X 10'-5 9/16"	8 - 12
2	1	SB-DENSARMOR	5/8"	4'-0" X 9'-7 7/16"	2-12
3	1	SB-DENSARMOR	5/8"	2'-0" X 9'-7 7/16"	2-12

23-1110

Jewish Home for the Aging

1885 Victory Blvd. Reseda, CA

FrameMax, Inc.
13915 Danielson St
Suite 100
Poway, CA 92064
www.frame-max.com



© FrameMax Inc.

CREATED: 12/11/2008

FM-07-109

CREATED BY: TNT

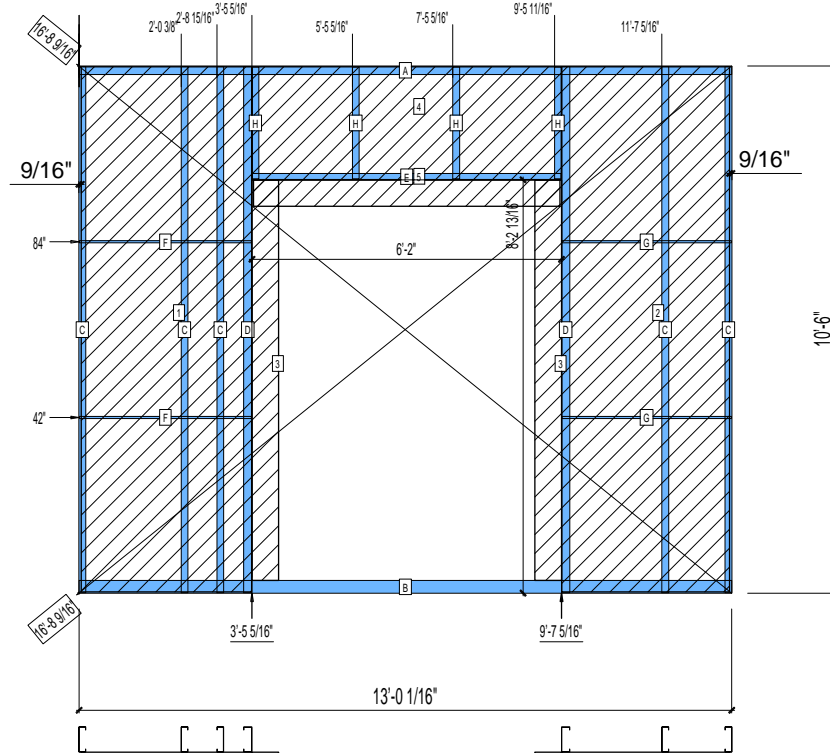
HEIGHT : 10'-6"
SPACING : 5000"
1st STUD: 5000"

POINTS: 2.86 Points.

APPROVED
By TNT at 2:46 pm, Dec 15, 2008

WEIGHTS :
FRAME : 244 lbs
SHEATHING: 240 lbs

TOTAL: 484 lbs



PIECES LIST

LABEL	QTY	SIZE	LENGTH	USE
A	1	600T200-54	13'-0 1/16"	TOP TRACK
B	1	600T300-54	13'-0 1/16"	BOTTOM TRACK
C	5	600S162-54	10'-5 13/16"	STUD
D	2	600S200-68	10'-5 13/16"	KING STUD
E	1	600T150-54	6'-1 3/4"	HEAD TRACK
F	2	150U50-54	3'-5 1/8"	HORIZONTAL BRACING
G	2	150U50-54	3'-4 1/2"	HORIZONTAL BRACING
H	4	600S162-54	2'-2 3/4"	CRIPPLE

SHEATHING

LABEL	QTY	CODE	THICK	SIZE	SCREWS
1	1	DENSGLASS	1/2"	3'-4 3/4" X 10'-5 9/16"	8 - 12
2	1	DENSGLASS	1/2"	3'-4 1/8" X 10'-5 9/16"	8 - 12
3	2	DENSGLASS	1/2"	6 3/8" X 7'-11 3/4"	8 - 12
4	1	DENSGLASS	1/2"	6'-1 7/8" X 2'-3"	8 - 12
5	1	DENSGLASS	1/2"	6'-1 1/4" X 6 5/16"	8 - 12

23-1111

Jewish Home for the Aging

1885 Victory Blvd. Reseda, CA

FrameMax, Inc.
13915 Danielson St
Suite 100
Poway, CA 92064
www.frame-max.com



© FrameMax Inc.

CREATED: 12/11/2008

FM-07-109

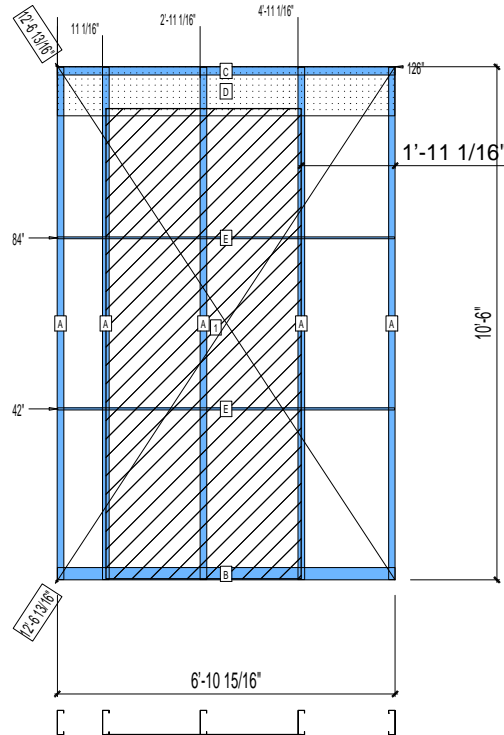
CREATED BY: TNT

APPROVED
By TNT at 2:46 pm, Dec 15, 2008

HEIGHT : 10'-6"
POINTS: 1.69 Points.
SPACING : 5000"
1st STUD: 5000"

WEIGHTS :
FRAME : 152 lbs
SHEATHING: 141 lbs

TOTAL: 293 lbs



PIECES LIST

LABEL	QTY	SIZE	LENGTH	USE
A	5	600S162-54	10'-5 13/16"	STUD
B	1	600T300-54	6'-10 15/16"	BOTTOM TRACK
C	1	600T200-54	6'-10 15/16"	TOP TRACK
D	1	1200D-54	6'-10 7/8"	STRAP
E	2	150U50-54	6'-10 3/4"	HORIZONTAL BRACING

SHEATHING

LABEL	QTY	CODE	THICK	SIZE	SCREWS
1	1	SB-DENSARMOR	5/8"	3'-11 15/16" X 9'-7 7/16"	2-12

23-1112

Jewish Home for the Aging

1885 Victory Blvd. Reseda, CA

FrameMax, Inc.
13915 Danielson St
Suite 100
Poway, CA 92064
www.frame-max.com



© FrameMax Inc.

CREATED: 12/15/2008

FM-07-109

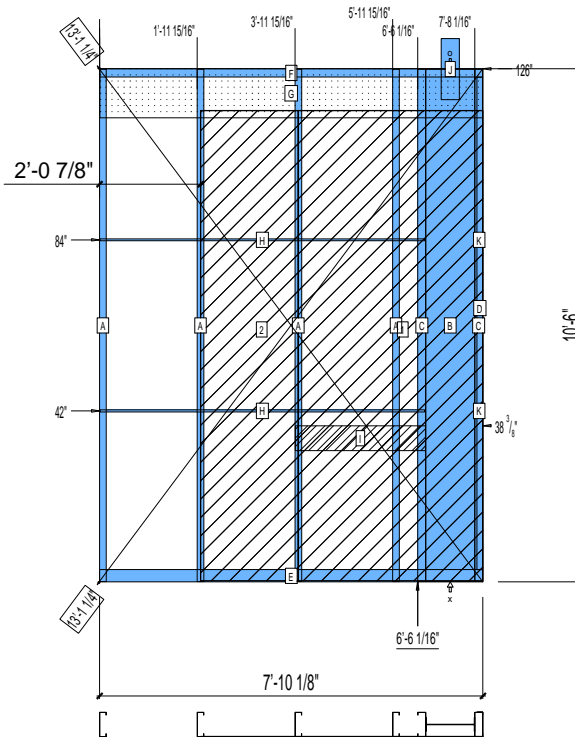
CREATED BY: TNT

APPROVED
By TNT at 2:46 pm, Dec 15, 2008

HEIGHT : 10'-6"
POINTS: 2.93 Points.
SPACING : 5000"
1st STUD: 5000"

WEIGHTS :
FRAME : 326 lbs
SHEATHING: 204 lbs

TOTAL: 530 lbs



PIECES LIST

LABEL	QTY	SIZE	LENGTH	USE
A	4	600S162-54	10'-5 13/16"	STUD
B	1	1200i350p1062	10'-5 13/16"	PACO
C	2	600S200-54	10'-5 13/16"	STUD
D	1	600T150-54	10'-0 7/8"	CAP TRACK
E	1	600T300-54	7'-10 1/8"	BOTTOM TRACK
F	1	600T200-54	7'-10 1/8"	TOP TRACK
G	1	1200D-54	7'-9 15/16"	STRAP
H	2	150U50-54	6'-7 11/16"	HORIZONTAL BRACING
I	1	600T150-54	2'-8"	GRAB BAR
J	1	A	1'-3"	HOLDDOWN
K	2	150U50-54	1 5/8"	HORIZONTAL BRACING

SHEATHING

LABEL	QTY	CODE	THICK	SIZE	SCREWS
1	1	SB-DENSARMOR	5/8"	3'-9 5/16" X	9'-7 7/16" 2-12
2	1	SB-DENSARMOR	5/8"	1'-11 15/16" X	9'-7 7/16" 2-12

23-1113

Jewish Home for the Aging

1885 Victory Blvd. Reseda, CA

FM-07-109

CREATED BY: TNT

FrameMax, Inc.
13915 Danielson St
Suite 100
Poway, CA 92064
www.frame-max.com



© FrameMax Inc.

APPROVED
By TNT at 2:46 pm, Dec 15, 2008

HEIGHT : 11'-1 7/16" POINTS: 2.94 Points.

SPACING : 5000"

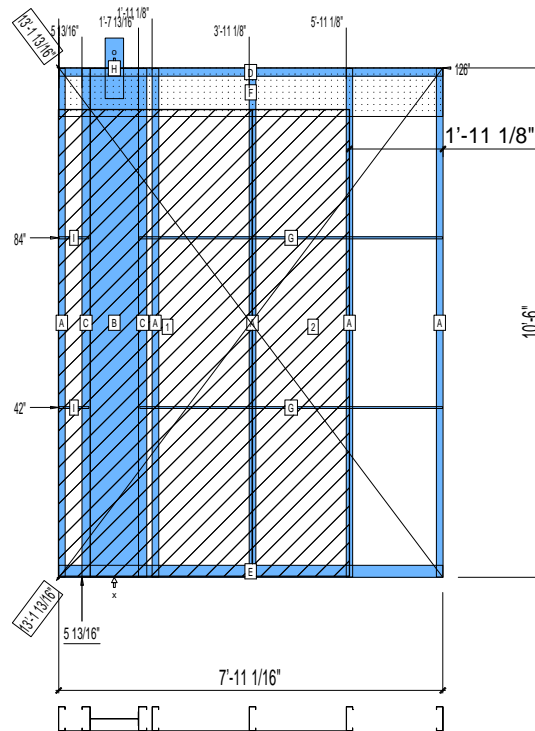
1st STUD: 5000"

WEIGHTS :

FRAME : 324 lbs

SHEATHING: 212 lbs

TOTAL: 536 lbs



PIECES LIST

LABEL	QTY	SIZE	LENGTH	USE
A	5	600S162-54	10'-5 13/16"	STUD
B	1	1200i350p1062	10'-5 13/16"	PACO
C	2	600S200-54	10'-5 13/16"	STUD
D	1	600T200-54	7'-11 1/16"	TOP TRACK
E	1	600T300-54	7'-11 1/16"	BOTTOM TRACK
F	1	1200D-54	7'-10 15/16"	STRAP
G	2	150U50-54	6'-2 7/8"	HORIZONTAL BRACING
H	1	A	1'-3"	HOLDDOWN
I	2	150U50-54	7 3/8"	HORIZONTAL BRACING

SHEATHING

LABEL	QTY	CODE	THICK	SIZE	SCREWS
1	1	SB-DENSARMOR	5/8"	4'-0" X 9'-7 7/16"	3-12
2	1	SB-DENSARMOR	5/8"	2'-0" X 9'-7 7/16"	3-12

23-1114

Jewish Home for the Aging

1885 Victory Blvd. Reseda, CA

FrameMax, Inc.
13915 Danielson St
Suite 100
Poway, CA 92064
www.frame-max.com



© FrameMax Inc.

APPROVED
By TNT at 2:46 pm, Dec 15, 2008

CREATED: 12/11/2008

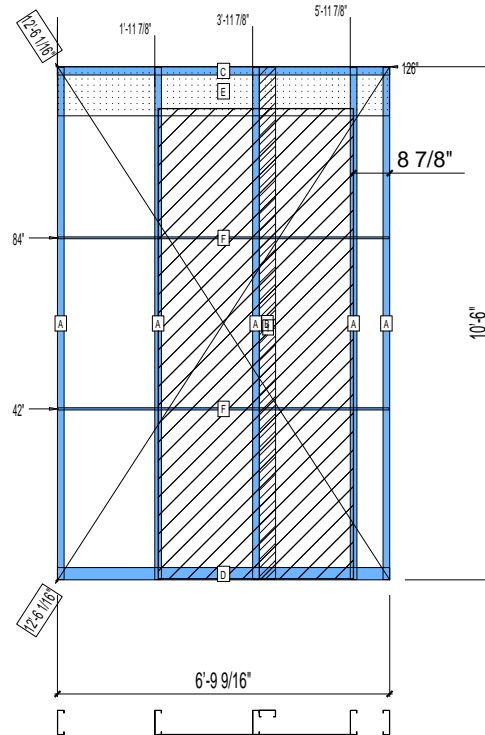
FM-07-109

CREATED BY: TNT

HEIGHT : 10'-6"
POINTS: 1.75 Points.
SPACING : 5000"
1st STUD: 5000"

WEIGHTS :
FRAME : 161 lbs
SHEATHING: 141 lbs

TOTAL: 302 lbs



PIECES LIST

LABEL	QTY	SIZE	LENGTH	USE
A	5	600S162-54	10'-5 13/16"	STUD
B	1	400S162-33	10'-5 13/16"	BACKER-U
C	1	600T200-54	6'-9 9/16"	TOP TRACK
D	1	600T300-54	6'-9 9/16"	BOTTOM TRACK
E	1	1200D-54	6'-9 1/2"	STRAP
F	2	150U50-54	6'-9 3/8"	HORIZONTAL BRACING

SHEATHING

LABEL	QTY	CODE	THICK	SIZE	SCREWS
1	1	SB-DENSARMOR	5/8"	3'-11 15/16" X	9'-7 7/16" 3-12

23-1115

Jewish Home for the Aging

1885 Victory Blvd. Reseda, CA

FrameMax, Inc.
13915 Danielson St
Suite 100
Poway, CA 92064
www.frame-max.com



© FrameMax Inc.

APPROVED
By TNT at 2:46 pm, Dec 15, 2008

CREATED: 12/11/2008

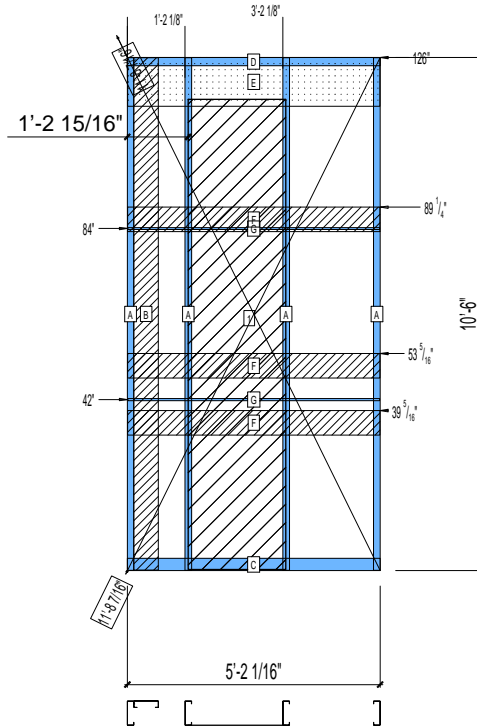
FM-07-109

CREATED BY: TNT

HEIGHT : 10'-6"
POINTS: 1.39 Points.
SPACING : 5000"
1st STUD: 5000"

WEIGHTS :
FRAME : 150 lbs
SHEATHING: 71 lbs

TOTAL: 221 lbs



PIECES LIST

LABEL	QTY	SIZE	LENGTH	USE
A	4	600S162-54	10'-5 13/16"	STUD
B	1	600S162-33	10'-5 13/16"	BACKER-U
C	1	600T300-54	5'-2 1/16"	BOTTOM TRACK
D	1	600T200-54	5'-2 1/16"	TOP TRACK
E	1	1200D-54	5'-2"	STRAP
F	3	600D-54	5'-2"	KITCHEN BACKING
G	2	150U50-54	5'-1 7/8"	HORIZONTAL BRACING

SHEATHING

LABEL	QTY	CODE	THICK	SIZE	SCREWS
1	1	SB-DENSARMOR	5/8"	1'-11 15/16" X 9'-7 7/16"	3-12

23-1116

Jewish Home for the Aging

1885 Victory Blvd. Reseda, CA

FrameMax, Inc.
13915 Danielson St
Suite 100
Poway, CA 92064
www.frame-max.com



© FrameMax Inc.

APPROVED
By TNT at 2:46 pm, Dec 15, 2008

CREATED: 12/11/2008

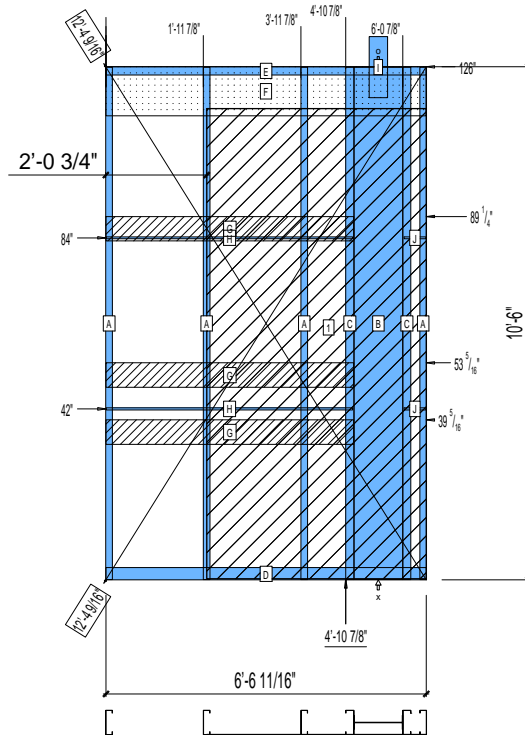
FM-07-109

CREATED BY: TNT

HEIGHT : 11'-1 7/16" POINTS: 2.66 Points.
SPACING : 5000"
1st STUD: 5000"

WEIGHTS :
FRAME : 312 lbs
SHEATHING: 159 lbs

TOTAL: 471 lbs



PIECES LIST

LABEL	QTY	SIZE	LENGTH	USE
A	4	600S162-54	10'-5 13/16"	STUD
B	1	1200i350p1062	10'-5 13/16"	PACO
C	2	600S200-54	10'-5 13/16"	STUD
D	1	600T300-54	6'-6 11/16"	BOTTOM TRACK
E	1	600T200-54	6'-6 11/16"	TOP TRACK
F	1	1200D-54	6'-6 9/16"	STRAP
G	3	600D-54	5'-0 13/16"	KITCHEN BACKING
H	2	150U50-54	5'-0 1/2"	HORIZONTAL BRACING
I	1	A	1'-3"	HOLDDOWN
J	2	150U50-54	5 3/8"	HORIZONTAL BRACING

SHEATHING

LABEL	QTY	CODE	THICK	SIZE	SCREWS
1	1	SB-DENSARMOR	5/8"	4'-5 15/16" X 9'-7 7/16"	3-12

23-1117

Jewish Home for the Aging

1885 Victory Blvd. Reseda, CA

FM-07-109

CREATED BY: TNT

FrameMax, Inc.
13915 Danielson St
Suite 100
Poway, CA 92064
www.frame-max.com



© FrameMax Inc.

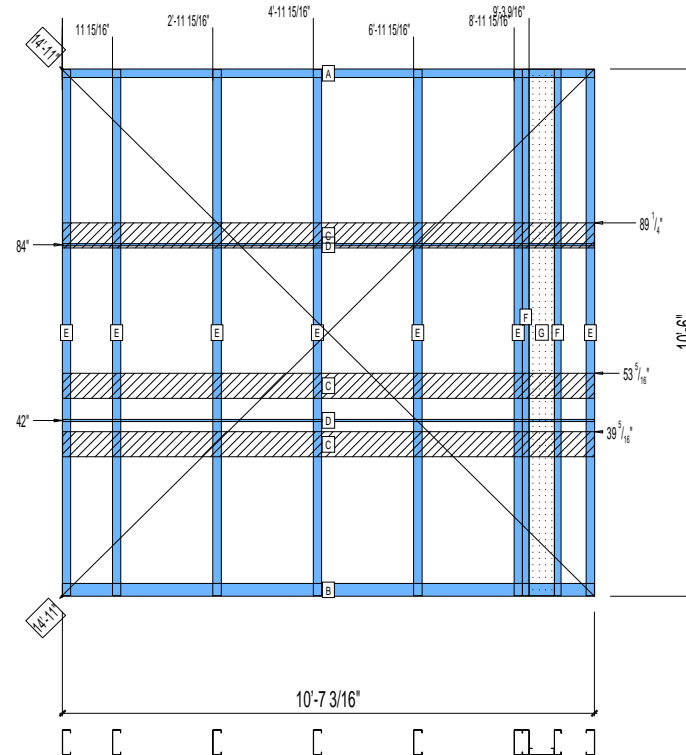
HEIGHT : 10'-6"
SPACING : 5000"
1st STUD: 5000"

POINTS: 1.88 Points.

APPROVED
By TNT at 2:46 pm, Dec 15, 2008

WEIGHTS :
FRAME : 285 lbs

TOTAL: 285 lbs



PIECES LIST

LABEL	QTY	SIZE	LENGTH	USE
A	1	600T200-54	10'-7 3/16"	TOP TRACK
B	1	600T300-54	10'-7 3/16"	BOTTOM TRACK
C	3	600D-54	10'-7 1/8"	KITCHEN BACKING
D	2	150U50-54	10'-7"	HORIZONTAL BRACING
E	7	600S200-54	10'-5 13/16"	STUD
F	2	600S162-33	10'-5 13/16"	BACKER STUD
G	1	600S162-33	10'-5 13/16"	BACKER-U

23-1118

Jewish Home for the Aging

1885 Victory Blvd. Reseda, CA

FrameMax, Inc.
13915 Danielson St
Suite 100
Poway, CA 92064
www.frame-max.com



© FrameMax Inc.

CREATED: 12/11/2008

FM-07-109

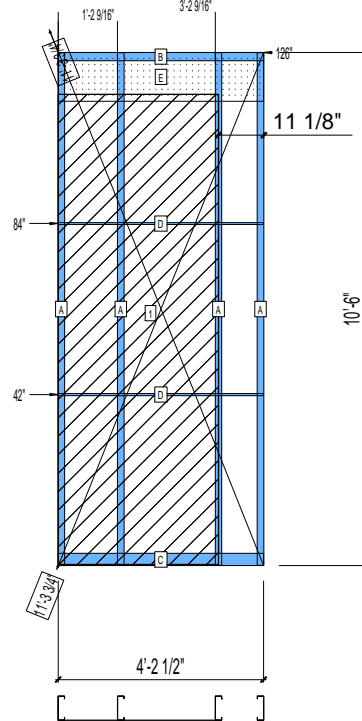
CREATED BY: TNT

APPROVED
By TNT at 2:46 pm, Dec 15, 2008

HEIGHT : 10'-6" POINTS: 1.32 Points.
SPACING : 5000"
1st STUD: 5000"

WEIGHTS :
FRAME : 112 lbs
SHEATHING: 116 lbs

TOTAL: 228 lbs



PIECES LIST

LABEL	QTY	SIZE	LENGTH	USE
A	4	600S162-54	10'-5 13/16"	STUD
B	1	600T200-54	4'-2 1/2"	TOP TRACK
C	1	600T300-54	4'-2 1/2"	BOTTOM TRACK
D	2	150U50-54	4'-2 5/16"	HORIZONTAL BRACING
E	1	1200D-54	4'-2 5/16"	STRAP

SHEATHING

LABEL	QTY	CODE	THICK	SIZE	SCREWS
1	1	SB-DENSARMOR	5/8"	3'-3 5/16" X	9'-7 7/16" 3-12

23-1119

Jewish Home for the Aging

1885 Victory Blvd. Reseda, CA

FrameMax, Inc.
13915 Danielson St
Suite 100
Poway, CA 92064
www.framemax.com



© FrameMax Inc.

CREATED: 12/11/2008

FM-07-109

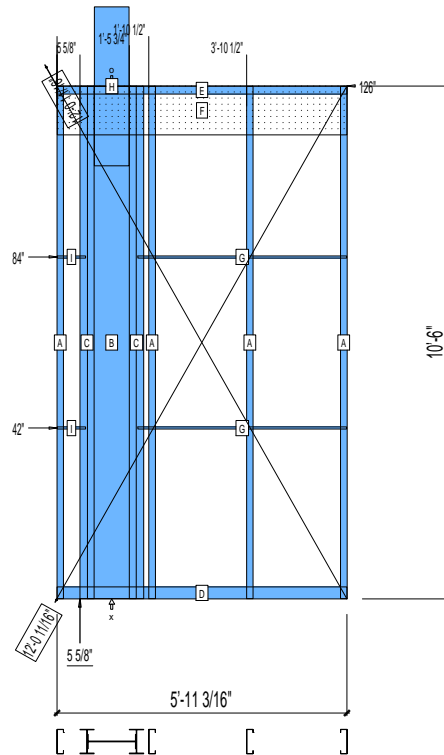
CREATED BY: TNT

APPROVED
By TNT at 2:46 pm, Dec 15, 2008

HEIGHT : 12'-1 7/16" POINTS: 3.03 Points.
SPACING : 5000"
1st STUD: 5000"

WEIGHTS :
FRAME : 570 lbs

TOTAL: 570 lbs



PIECES LIST

LABEL	QTY	SIZE	LENGTH	USE
A	4	600S162-54	10'-5 13/16"	STUD
B	1	1200i350p1420	10'-5 13/16"	PACO
C	2	600i350p968	10'-5 13/16"	PACO
D	1	600T300-54	5'-11 3/16"	BOTTOM TRACK
E	1	600T200-54	5'-11 3/16"	TOP TRACK
F	1	1200D-54	5'-11 1/8"	STRAP
G	2	150U50-54	4'-3 1/4"	HORIZONTAL BRACING
H	1	F	3'-3"	HOLDDOWN
I	2	150U50-54	6 15/16"	HORIZONTAL BRACING

23-1120

Jewish Home for the Aging

1885 Victory Blvd. Reseda, CA

FM-07-109

CREATED BY: TNT

FrameMax, Inc.
13915 Danielson St
Suite 100
Poway, CA 92064
www.frame-max.com



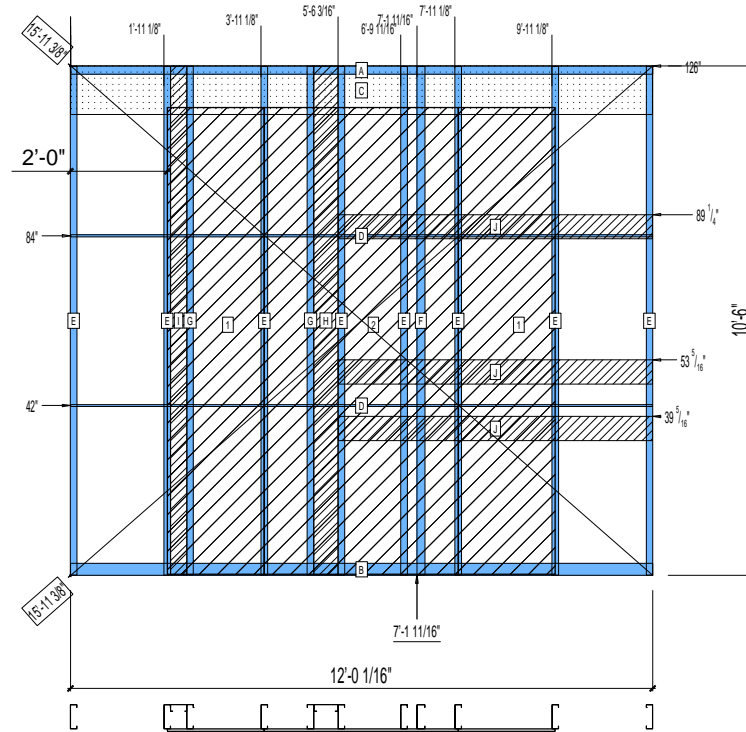
© FrameMax Inc.

APPROVED
By TNT at 2:46 pm, Dec 15, 2008

HEIGHT : 10'-6"
SPACING : 5000"
1st STUD: 5000"

WEIGHTS :
FRAME : 343 lbs
SHEATHING: 283 lbs

TOTAL: 626 lbs



PIECES LIST

LABEL	QTY	SIZE	LENGTH	USE
A	1	600T200-54	12'-0 1/16"	TOP TRACK
B	1	600T300-54	12'-0 1/16"	BOTTOM TRACK
C	1	1200D-54	12'-0"	STRAP
D	2	150U50-54	11'-11 7/8"	HORIZONTAL BRACING
E	8	600S162-54	10'-5 13/16"	STUD
F	1	600S200-54	10'-5 13/16"	EXTRA STUD
G	2	600S162-33	10'-5 13/16"	BACKER STUD
H	1	600S162-33	10'-5 13/16"	BACKER-U
I	1	400S162-33	10'-5 13/16"	BACKER-U
J	3	600D-54	6'-5 3/4"	KITCHEN BACKING

SHEATHING

LABEL	QTY	CODE	THICK	SIZE	SCREWS
1	2	SB-DENSARMOR	5/8"	2'-0" X 9'-7 7/16"	3-12
2	1	SB-DENSARMOR	5/8"	4'-0" X 9'-7 7/16"	3-12

23-1121

Jewish Home for the Aging

1885 Victory Blvd. Reseda, CA

FM-07-109

CREATED BY: TNT

FrameMax, Inc.
13915 Danielson St
Suite 100
Poway, CA 92064
www.frame-max.com



© FrameMax Inc.

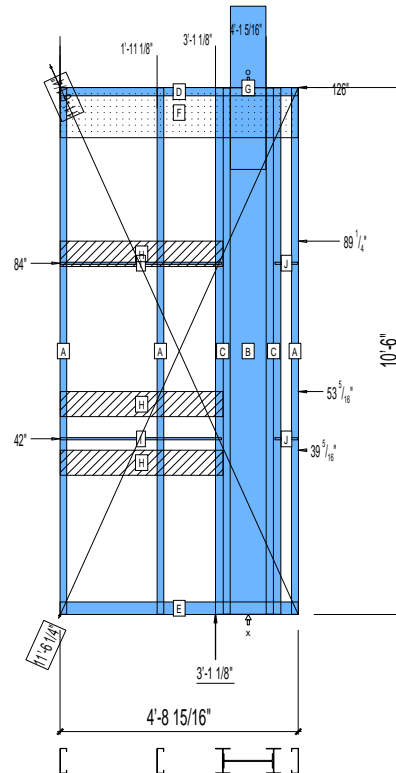
HEIGHT : 10'-6"
SPACING : 5000"
1st STUD: 5000"

POINTS: 2.97 Points.

APPROVED
By TNT at 2:46 pm, Dec 15, 2008

WEIGHTS :
FRAME : 553 lbs

TOTAL: 553 lbs



PIECES LIST

LABEL	QTY	SIZE	LENGTH	USE
A	3	600S162-54	10'-5 13/16"	STUD
B	1	1200i350p1420	10'-5 13/16"	PACO
C	2	600i350p968	10'-5 13/16"	PACO
D	1	600T200-54	4'-8 15/16"	TOP TRACK
E	1	600T300-54	4'-8 15/16"	BOTTOM TRACK
F	1	1200D-54	4'-8 7/8"	STRAP
G	1	F	3'-3"	HOLDDOWN
H	3	600D-54	3'-2 7/8"	KITCHEN BACKING
I	2	150U50-54	3'-2 1/2"	HORIZONTAL BRACING
J	2	150U50-54	5 1/2"	HORIZONTAL BRACING

23-1122

Jewish Home for the Aging

1885 Victory Blvd. Reseda, CA

FrameMax, Inc.
13915 Danielson St
Suite 100
Poway, CA 92064
www.frame-max.com



© FrameMax Inc.

CREATED: 12/11/2008

FM-07-109

CREATED BY: TNT

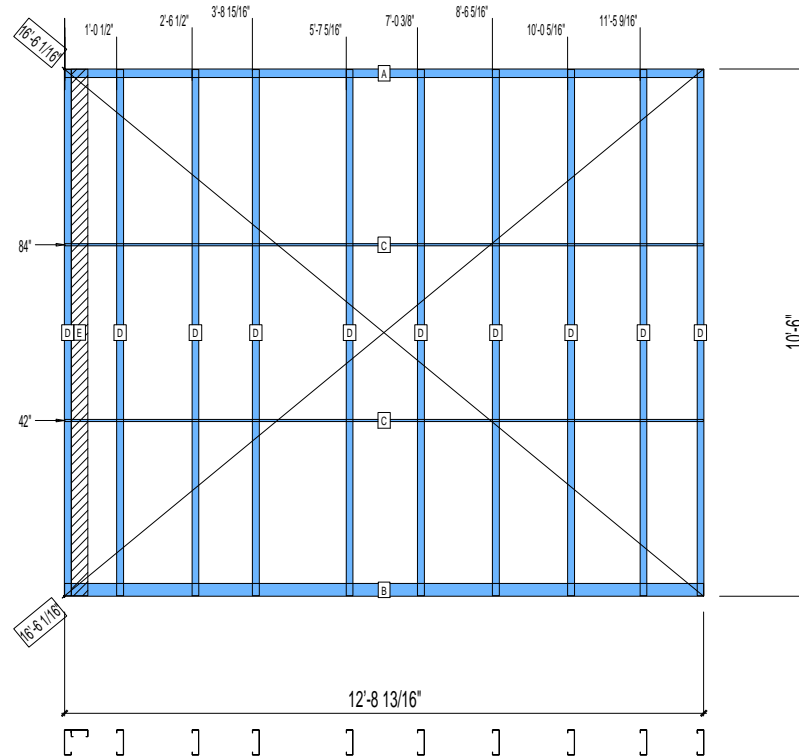
HEIGHT : 10'-6"
SPACING : 5000"
1st STUD: 5000"

POINTS: 1.84 Points.

APPROVED
By TNT at 2:46 pm, Dec 15, 2008

WEIGHTS :
FRAME : 276 lbs

TOTAL: 276 lbs



PIECES LIST

LABEL	QTY	SIZE	LENGTH	USE
A	1	600T200-54	12'-8 13/16"	TOP TRACK
B	1	600T300-54	12'-8 13/16"	BOTTOM TRACK
C	2	150U50-54	12'-8 5/8"	HORIZONTAL BRACING
D	10	600S162-54	10'-5 13/16"	STUD
E	1	400S162-33	10'-5 13/16"	BACKER-U

23-1123

Jewish Home for the Aging

1885 Victory Blvd. Reseda, CA

FrameMax, Inc.
13915 Danielson St
Suite 100
Poway, CA 92064
www.framemax.com



© FrameMax Inc.

CREATED: 12/11/2008

FM-07-109

CREATED BY: TNT

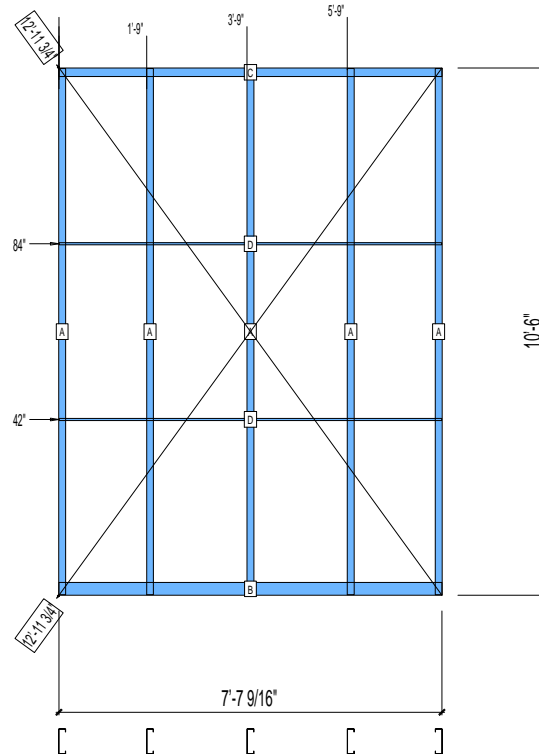
HEIGHT : 10'-6"
SPACING : 5000"
1st STUD: 5000"

POINTS: 0.99 Points.

APPROVED
By TNT at 2:46 pm, Dec 15, 2008

WEIGHTS :
FRAME : 140 lbs

TOTAL: 140 lbs



PIECES LIST

LABEL	QTY	SIZE	LENGTH	USE
A	5	600S162-54	10'-5 13/16"	STUD
B	1	600T300-54	7'-7 9/16"	BOTTOM TRACK
C	1	600T200-54	7'-7 9/16"	TOP TRACK
D	2	150U50-54	7'-7 3/8"	HORIZONTAL BRACING

23-1124

Jewish Home for the Aging

1885 Victory Blvd. Reseda, CA

FM-07-109

CREATED BY: TNT

FrameMax, Inc.
13915 Danielson St
Suite 100
Poway, CA 92064
www.frame-max.com



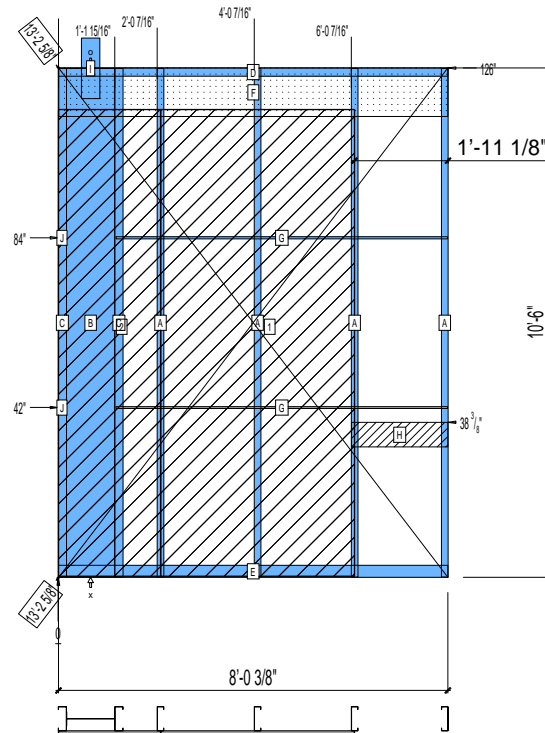
© FrameMax Inc.

APPROVED
By TNT at 2:46 pm, Dec 15, 2008

HEIGHT : 10'-6"
POINTS: 2.89 Points.
SPACING : 24"
1st STUD: 24"

WEIGHTS :
FRAME : 308 lbs
SHEATHING: 216 lbs

TOTAL: 524 lbs



PIECES LIST

LABEL	QTY	SIZE	LENGTH	USE
A	4	600S162-54	10'-5 13/16"	STUD
B	1	1200i350p1062	10'-5 13/16"	PACO
C	2	600S200-54	10'-5 13/16"	STUD
D	1	600T200-54	8'-0 3/8"	TOP TRACK
E	1	600T300-54	8'-0 3/8"	BOTTOM TRACK
F	1	1200D-54	8'-0 1/4"	STRAP
G	2	150U50-54	6'-10"	HORIZONTAL BRACING
H	1	600T150-54	1'-11 13/16"	GRAB BAR
I	1	A	1'-3"	HOLDDOWN
J	2	150U50-54	1 9/16"	HORIZONTAL BRACING

SHEATHING

LABEL	QTY	CODE	THICK	SIZE	SCREWS
1	1	SB-DENSARMOR	5/8"	4'-0" X 9'-7 7/16"	3-12
2	1	SB-DENSARMOR	5/8"	2'-1 5/16" X 9'-7 7/16"	3-12

23-1125

Jewish Home for the Aging

1885 Victory Blvd. Reseda, CA

FrameMax, Inc.
13915 Danielson St
Suite 100
Poway, CA 92064
www.frame-max.com



© FrameMax Inc.

CREATED: 12/11/2008

FM-07-109

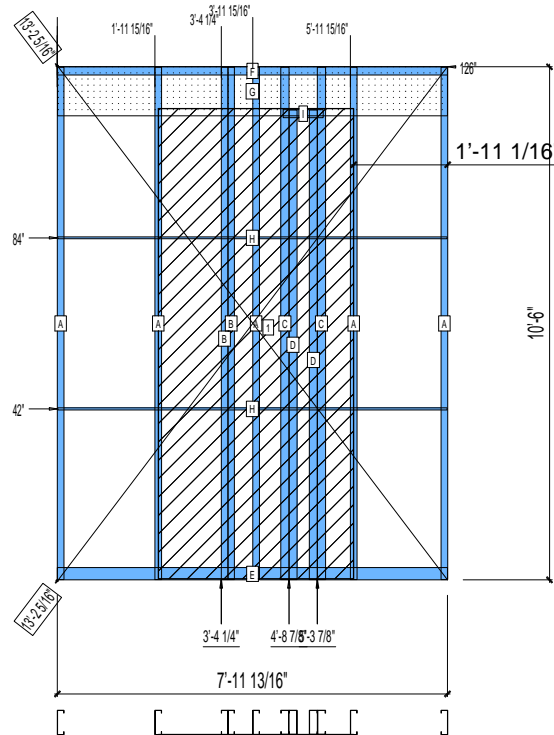
CREATED BY: TNT

APPROVED
By TNT at 2:46 pm, Dec 15, 2008

HEIGHT : 10'-6"
POINTS: 2.66 Points.
SPACING : 24"
1st STUD: 24"

WEIGHTS :
FRAME : 328 lbs
SHEATHING: 141 lbs

TOTAL: 469 lbs



PIECES LIST

LABEL	QTY	SIZE	LENGTH	USE
A	5	600S162-54	10'-5 13/16"	STUD
B	2	600S162-54	10'-5 13/16"	EXTRA STUD
C	2	600S200-97	10'-5 13/16"	BEAM KING
D	2	600S200-68	9'-7 5/16"	BEAM JACK
E	1	600T300-54	7'-11 13/16"	BOTTOM TRACK
F	1	600T200-54	7'-11 13/16"	TOP TRACK
G	1	1200D-54	7'-11 3/4"	STRAP
H	2	150U50-54	7'-11 5/8"	HORIZONTAL BRACING
I	1	600T200-54	9 13/16"	BEAM JACK

SHEATHING

LABEL	QTY	CODE	THICK	SIZE	SCREWS
1	1	SB-DENSARMOR	5/8"	3'-11 15/16" X	9'-7 7/16" 3-12

23-1126

Jewish Home for the Aging

1885 Victory Blvd. Reseda, CA

FM-07-109

CREATED BY: TNT

FrameMax, Inc.
13915 Danielson St
Suite 100
Poway, CA 92064
www.frame-max.com



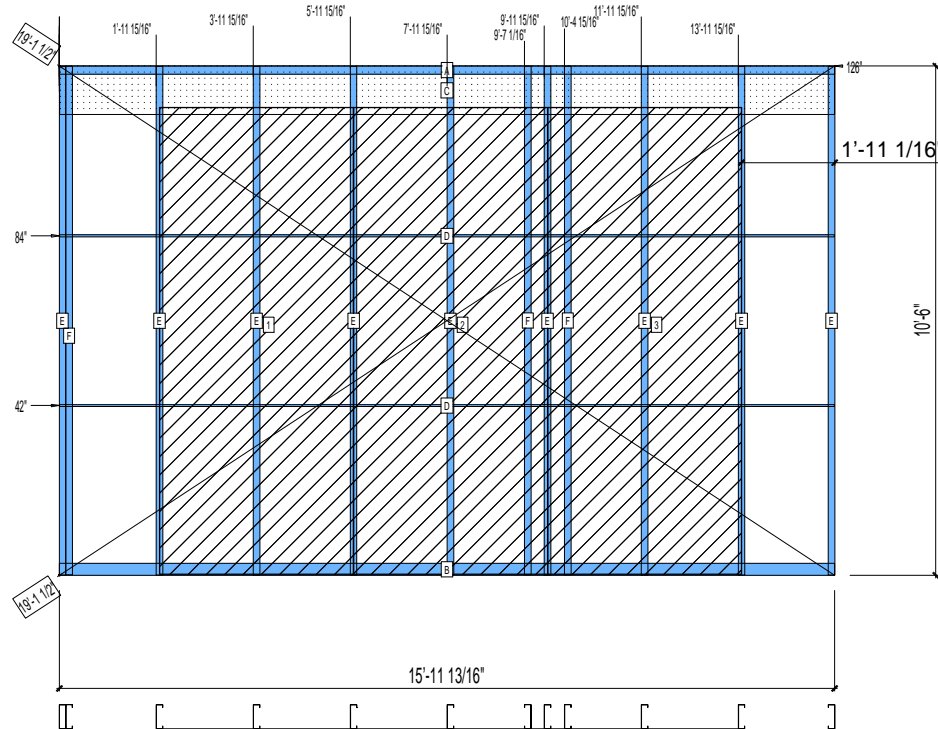
© FrameMax Inc.

APPROVED
By TNT at 2:46 pm, Dec 15, 2008

HEIGHT : 10'-6"
POINTS: 4.17 Points.
SPACING : 24"
1st STUD: 24"

WEIGHTS :
FRAME : 339 lbs
SHEATHING: 425 lbs

TOTAL: 764 lbs



PIECES LIST

LABEL	QTY	SIZE	LENGTH	USE
A	1	600T200-54	15'-11 13/16"	TOP TRACK
B	1	600T300-54	15'-11 13/16"	BOTTOM TRACK
C	1	1200D-54	15'-11 3/4"	STRAP
D	2	150U50-54	15'-11 5/8"	HORIZONTAL BRACING
E	9	600S162-54	10'-5 13/16"	STUD
F	3	600S162-33	10'-5 13/16"	BACKER STUD

SHEATHING

LABEL	QTY	CODE	THICK	SIZE	SCREWS
1	1	SB-DENSARMOR	5/8"	4'-0" X 9'-7 7/16"	3-12
2	1	SB-DENSARMOR	5/8"	4'-0" X 9'-7 7/16"	3-12
3	1	SB-DENSARMOR	5/8"	4'-0" X 9'-7 7/16"	3-12

23-1127

Jewish Home for the Aging

1885 Victory Blvd. Reseda, CA

FrameMax, Inc.
13915 Danielson St
Suite 100
Poway, CA 92064
www.frame-max.com



© FrameMax Inc.

CREATED: 12/11/2008

FM-07-109

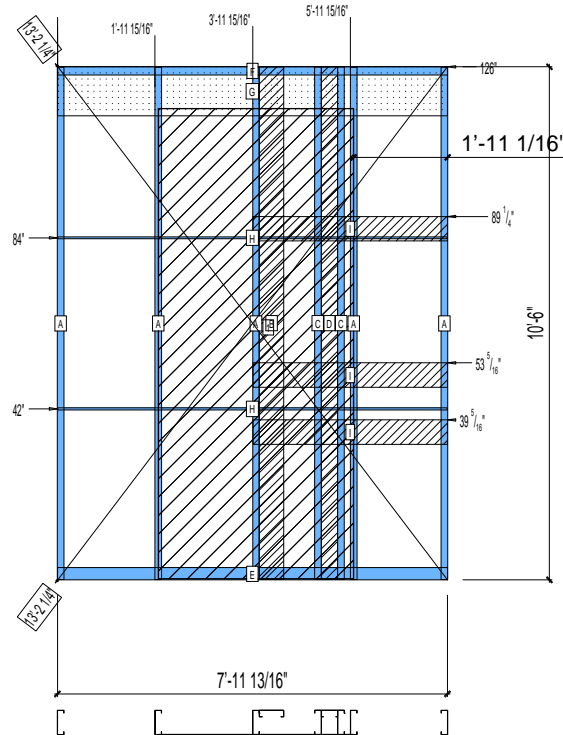
CREATED BY: TNT

APPROVED
By TNT at 2:46 pm, Dec 15, 2008

HEIGHT : 10'-6"
POINTS: 2.18 Points.
SPACING : 24"
1st STUD: 24"

WEIGHTS :
FRAME : 222 lbs
SHEATHING: 141 lbs

TOTAL: 363 lbs



PIECES LIST

LABEL	QTY	SIZE	LENGTH	USE
A	5	600S162-54	10'-5 13/16"	STUD
B	1	600S162-33	10'-5 13/16"	BACKER-U
C	2	600S162-33	10'-5 13/16"	BACKER STUD
D	1	400S162-33	10'-5 13/16"	BACKER-U
E	1	600T300-54	7'-11 13/16"	BOTTOM TRACK
F	1	600T200-54	7'-11 13/16"	TOP TRACK
G	1	1200D-54	7'-11 3/4"	STRAP
H	2	150U50-54	7'-11 5/8"	HORIZONTAL BRACING
I	3	600D-54	3'-11 3/4"	KITCHEN BACKING

SHEATHING

LABEL	QTY	CODE	THICK	SIZE	SCREWS
1	1	SB-DENSARMOR	5/8"	3'-11 15/16" X 9'-7 7/16"	3-12

23-1128

Jewish Home for the Aging

1885 Victory Blvd. Reseda, CA

FrameMax, Inc.
13915 Danielson St
Suite 100
Poway, CA 92064
www.frame-max.com



© FrameMax Inc.

CREATED: 12/11/2008

FM-07-109

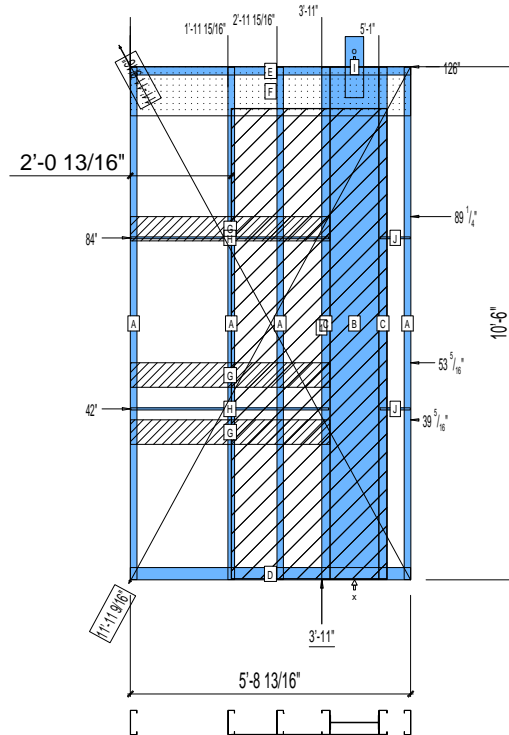
CREATED BY: TNT

APPROVED
By TNT at 2:46 pm, Dec 15, 2008

HEIGHT : 11'-1 7/16" POINTS: 2.39 Points.
SPACING : 24"
1st STUD: 24"

WEIGHTS :
FRAME : 302 lbs
SHEATHING: 113 lbs

TOTAL: 415 lbs



PIECES LIST

LABEL	QTY	SIZE	LENGTH	USE
A	4	600S162-54	10'-5 13/16"	STUD
B	1	1200i350p1062	10'-5 13/16"	PACO
C	2	600S200-54	10'-5 13/16"	STUD
D	1	600T300-54	5'-8 13/16"	BOTTOM TRACK
E	1	600T200-54	5'-8 13/16"	TOP TRACK
F	1	1200D-54	5'-8 3/4"	STRAP
G	3	600D-54	4'-0 15/16"	KITCHEN BACKING
H	2	150U50-54	4'-0 5/8"	HORIZONTAL BRACING
I	1	A	1'-3"	HOLDDOWN
J	2	150U50-54	7 3/8"	HORIZONTAL BRACING

SHEATHING

LABEL	QTY	CODE	THICK	SIZE	SCREWS
1	1	SB-DENSARMOR	5/8"	3'-2 3/16" X 9'-7 7/16"	3-12

23-1129

Jewish Home for the Aging

1885 Victory Blvd. Reseda, CA

FrameMax, Inc.
13915 Danielson St
Suite 100
Poway, CA 92064
www.framemax.com



© FrameMax Inc.

CREATED: 12/11/2008

FM-07-109

CREATED BY: TNT

HEIGHT : 10'-6"
SPACING : 5000"
1st STUD: 5000"

POINTS: 3.05 Points.

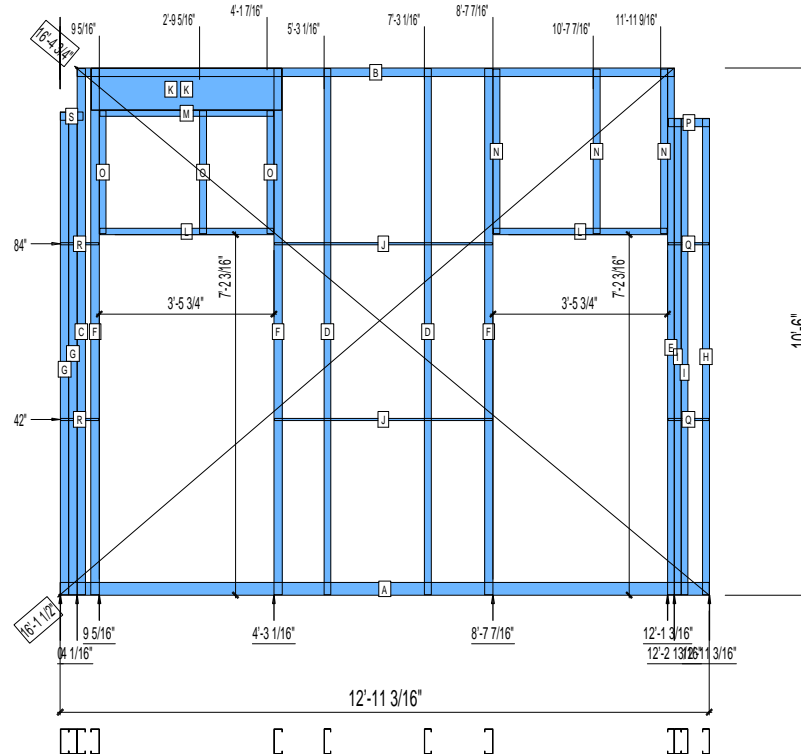
APPROVED
By TNT at 2:46 pm, Dec 15, 2008

WEIGHTS :
FRAME : 457 lbs

TOTAL: 457 lbs

PIECES LIST

LABEL	QTY	SIZE	LENGTH	USE
A	1	600T300-54	12'-11 3/16"	BOTTOM TRACK
B	1	600T200-54	11'-10 13/16"	TOP TRACK
C	1	600S200-97	10'-5 13/16"	BEAM KING
D	2	600S162-54	10'-5 13/16"	STUD
E	1	600S162-68	10'-5 13/16"	BEAM KING
F	3	600S200-68	10'-5 13/16"	KING STUD
G	2	600S200-97	9'-7 5/16"	BEAM JACK
H	1	600S162-54	9'-5 13/16"	STUD
I	2	600S162-68	9'-5 13/16"	BEAM JACK
J	2	150U50-54	4'-4 1/8"	HORIZONTAL BRACING
K	2	1000S162-68	3'-9 1/2"	HEADER
L	2	600T150-54	3'-5 1/2"	HEAD TRACK
M	1	600T150-68	3'-5 1/2"	HEADER BOTTOM TRACK
N	3	600S162-54	3'-3 3/8"	CRIPPLE
O	3	600S162-54	2'-5 7/16"	CRIPPLE
P	1	600T200-54	9 13/16"	BEAM JACK
Q	2	150U50-54	9 3/4"	HORIZONTAL BRACING
R	2	150U50-54	9 1/8"	HORIZONTAL BRACING
S	1	600T200-54	5 7/16"	BEAM JACK



23-1130

Jewish Home for the Aging

1885 Victory Blvd. Reseda, CA

FM-07-109

CREATED BY: TNT

FrameMax, Inc.
13915 Danielson St
Suite 100
Poway, CA 92064
www.framemax.com



© FrameMax Inc.

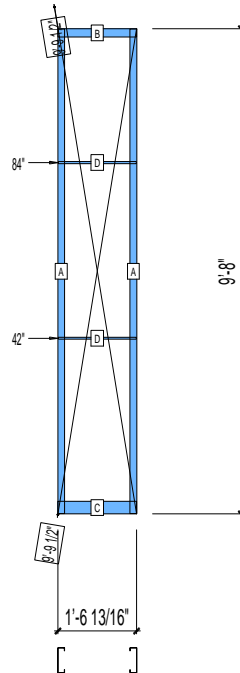
HEIGHT : 9'-8"
SPACING : 5000"
1st STUD: 16"

POINTS: 0.37 Points.

APPROVED
By TNT at 2:46 pm, Dec 15, 2008

WEIGHTS :
FRAME : 45 lbs

TOTAL: 45 lbs



PIECES LIST

LABEL	QTY	SIZE	LENGTH	USE
A	2	600S162-54	9'-7 13/16"	STUD
B	1	600T200-54	1'-6 13/16"	TOP TRACK
C	1	600T300-54	1'-6 13/16"	BOTTOM TRACK
D	2	150U50-54	1'-6 5/8"	HORIZONTAL BRACING

23-1131

Jewish Home for the Aging

1885 Victory Blvd. Reseda, CA

FrameMax, Inc.
13915 Danielson St
Suite 100
Poway, CA 92064
www.frame-max.com



© FrameMax Inc.

CREATED: 12/11/2008

FM-07-109

CREATED BY: TNT

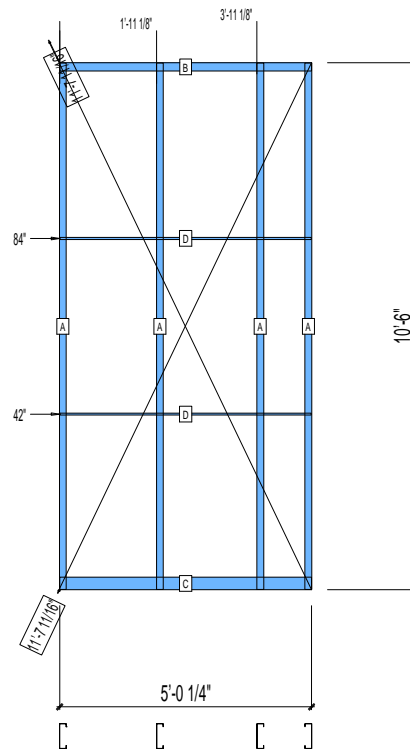
HEIGHT : 10'-6"
SPACING : 5000"
1st STUD: 5000"

POINTS: 0.76 Points.

APPROVED
By TNT at 2:46 pm, Dec 15, 2008

WEIGHTS :
FRAME : 106 lbs

TOTAL: 106 lbs



PIECES LIST

LABEL	QTY	SIZE	LENGTH	USE
A	4	600S162-54	10'-5 13/16"	STUD
B	1	600T200-54	5'-0 1/4"	TOP TRACK
C	1	600T300-54	5'-0 1/4"	BOTTOM TRACK
D	2	150U50-54	5'-0 1/16"	HORIZONTAL BRACING

23-1132

Jewish Home for the Aging

1885 Victory Blvd. Reseda, CA

FrameMax, Inc.
13915 Danielson St
Suite 100
Poway, CA 92064
www.frame-max.com



© FrameMax Inc.

CREATED: 12/11/2008

FM-07-109

CREATED BY: TNT

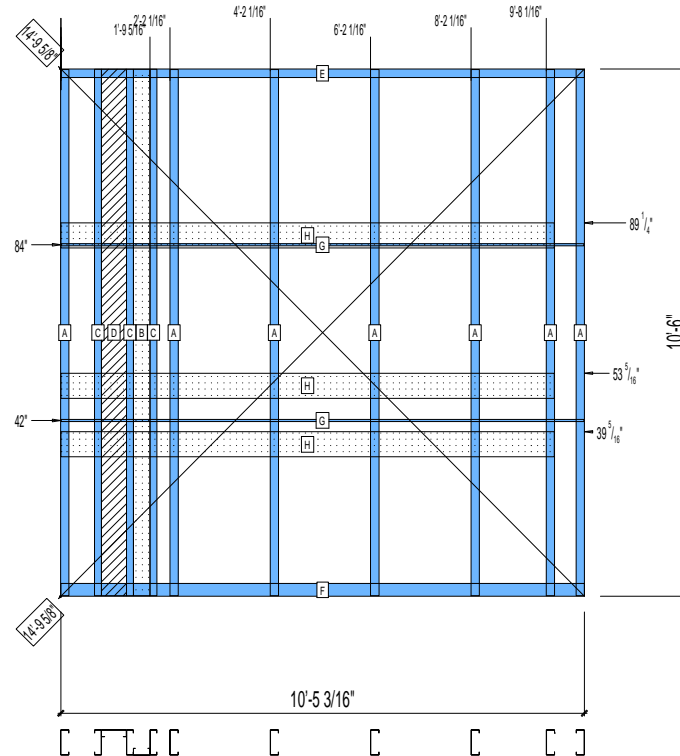
HEIGHT : 10'-6"
SPACING : 5000"
1st STUD: 5000"

POINTS: 2.00 Points.

APPROVED
By TNT at 2:46 pm, Dec 15, 2008

WEIGHTS :
FRAME : 303 lbs

TOTAL: 303 lbs



PIECES LIST

LABEL	QTY	SIZE	LENGTH USE
A	7	600S200-54	10'-5 13/16" STUD
B	1	400S162-33	10'-5 13/16" BACKER-U
C	3	600S162-33	10'-5 13/16" BACKER STUD
D	1	600S162-33	10'-5 13/16" BACKER-U
E	1	600T200-54	10'-5 3/16" TOP TRACK
F	1	600T300-54	10'-5 3/16" BOTTOM TRACK
G	2	150U50-54	10'-5" HORIZONTAL BRACING
H	3	600D-54	9'-10" KITCHEN BACKING

23-1133

Jewish Home for the Aging

1885 Victory Blvd. Reseda, CA

FrameMax, Inc.
13915 Danielson St
Suite 100
Poway, CA 92064
www.framemax.com



© FrameMax Inc.

CREATED: 12/11/2008

FM-07-109

CREATED BY: TNT

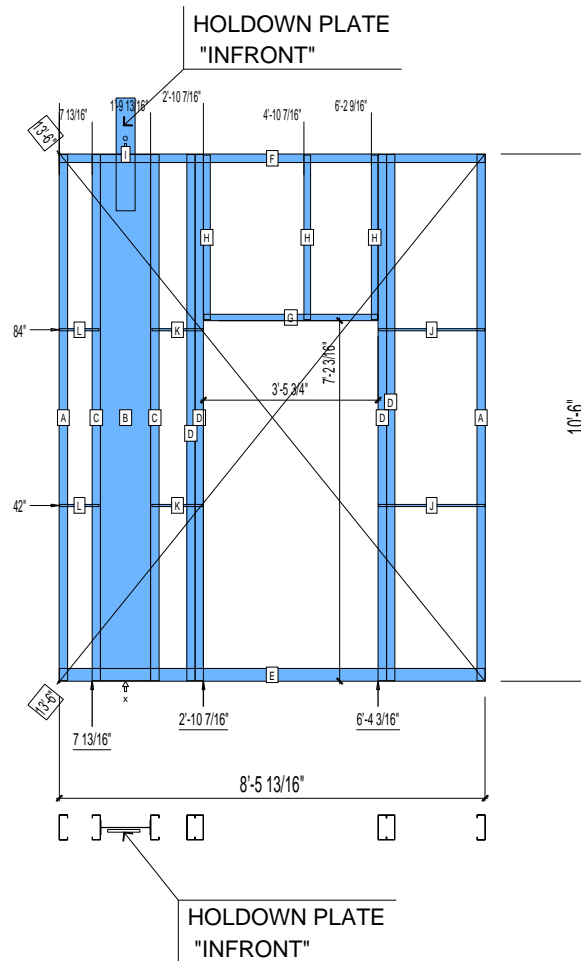
HEIGHT : 10'-6"
SPACING : 5000"
1st STUD: 5000"

POINTS: 2.47 Points.

APPROVED
By TNT at 2:46 pm, Dec 15, 2008

WEIGHTS :
FRAME : 401 lbs

TOTAL: 401 lbs



PIECES LIST

LABEL	QTY	SIZE	LENGTH	USE
A	2	600S200-54	10'-5 13/16"	STUD
B	1	1200i350p1062	10'-5 13/16"	PACO
C	2	600S200-68	10'-5 13/16"	STUD
D	4	600S200-68	10'-5 13/16"	KING STUD
E	1	600T300-54	8'-5 13/16"	BOTTOM TRACK
F	1	600T200-54	8'-5 13/16"	TOP TRACK
G	1	600T150-54	3'-5 1/2"	HEAD TRACK
H	3	600S162-54	3'-3 3/8"	CRIPPLE
I	1	B	2'-3"	HOLDDOWN
J	2	150U50-54	2'-1 3/8"	HORIZONTAL BRACING
K	2	150U50-54	1'-0 3/16"	HORIZONTAL BRACING
L	2	150U50-54	9 7/16"	HORIZONTAL BRACING

23-1134

Jewish Home for the Aging

1885 Victory Blvd. Reseda, CA

FrameMax, Inc.
13915 Danielson St
Suite 100
Poway, CA 92064
www.frame-max.com



© FrameMax Inc.

CREATED: 12/11/2008

FM-07-109

CREATED BY: TNT

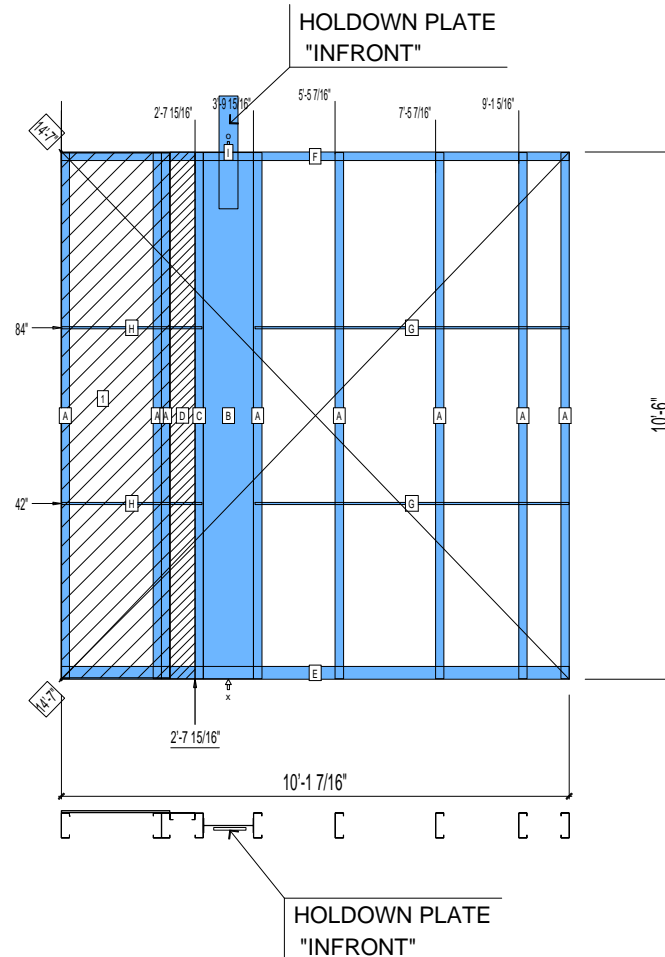
HEIGHT : 10'-6"
SPACING : 5000"
1st STUD: 5000"

POINTS: 2.65 Points.

APPROVED
By TNT at 2:46 pm, Dec 15, 2008

WEIGHTS :
FRAME : 396 lbs
SHEATHING: 56 lbs

TOTAL: 452 lbs



PIECES LIST

LABEL	QTY	SIZE	LENGTH	USE
A	8	600S200-54	10'-5 13/16"	STUD
B	1	1200i350p1062	10'-5 13/16"	PACO
C	1	600S200-68	10'-5 13/16"	STUD
D	1	600S162-33	10'-5 13/16"	BACKER-U
E	1	600T300-54	10'-1 7/16"	BOTTOM TRACK
F	1	600T200-54	10'-1 7/16"	TOP TRACK
G	2	150U50-54	6'-3 1/16"	HORIZONTAL BRACING
H	2	150U50-54	2'-9 9/16"	HORIZONTAL BRACING
I	1	B	2'-3"	HOLDDOWN

SHEATHING

LABEL	QTY	CODE	THICK	SIZE	SCREWS
1	1	DENSGLOSS	1/2"	2'-1 7/8" X 10'-5 9/16"	8 - 12

23-1135

Jewish Home for the Aging

1885 Victory Blvd. Reseda, CA

FrameMax, Inc.
13915 Danielson St
Suite 100
Poway, CA 92064
www.framemax.com



© FrameMax Inc.

CREATED: 12/11/2008

FM-07-109

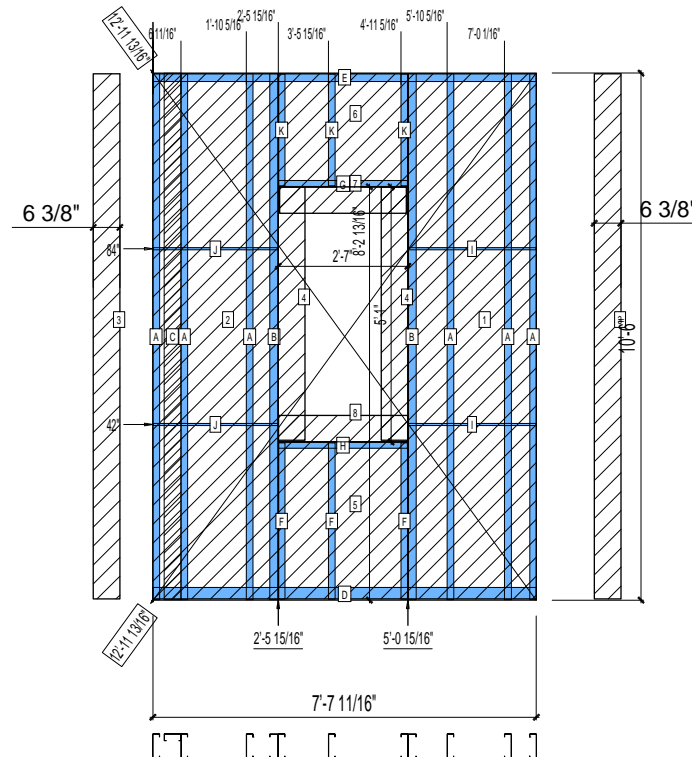
CREATED BY: TNT

HEIGHT : 10'-6"
POINTS: 2.80 Points.
SPACING : 5000"
1st STUD: 5000"

APPROVED
By TNT at 2:46 pm, Dec 15, 2008

WEIGHTS :
FRAME : 260 lbs
SHEATHING: 214 lbs

TOTAL: 474 lbs



PIECES LIST

LABEL	QTY	SIZE	LENGTH	USE
A	6	600S162-54	10'-5 13/16"	STUD
B	2	600S200-68	10'-5 13/16"	KING STUD
C	1	400S162-33	10'-5 13/16"	BACKER-U
D	1	600T300-54	7'-7 11/16"	BOTTOM TRACK
E	1	600T200-54	7'-7 11/16"	TOP TRACK
F	3	600S162-54	3'-1 3/8"	CRIPPLE
G	1	600T150-54	2'-6 3/4"	HEAD TRACK
H	1	600T150-54	2'-6 3/4"	SILL
I	2	150U50-54	2'-6 1/2"	HORIZONTAL BRACING
J	2	150U50-54	2'-5 3/4"	HORIZONTAL BRACING
K	3	600S162-54	2'-2 3/4"	CRIPPLE

SHEATHING

LABEL	QTY	CODE	THICK	SIZE	SCREWS
1	1	DENSGLASS	1/2"	2'-6 5/8" X 10'-5 9/16"	8 - 12
2	1	DENSGLASS	1/2"	2'-5 7/8" X 10'-5 9/16"	8 - 12
3	2	DENSGLASS	1/2"	6 3/8" X 10'-5 9/16"	8 - 12
4	2	DENSGLASS	1/2"	6 3/8" X 5'-0 1/2"	8 - 12
5	1	DENSGLASS	1/2"	2'-6 7/8" X 3'-1 1/2"	8 - 12
6	1	DENSGLASS	1/2"	2'-6 7/8" X 2'-3"	8 - 12
7	1	DENSGLASS	1/2"	2'-6 1/4" X 6 5/16"	8 - 12
8	1	DENSGLASS	1/2"	2'-6 7/8" X 6 5/16"	8 - 12

23-1136

Jewish Home for the Aging

1885 Victory Blvd. Reseda, CA

FrameMax, Inc.
13915 Danielson St
Suite 100
Poway, CA 92064
www.frame-max.com



© FrameMax Inc.

CREATED: 12/11/2008

FM-07-109

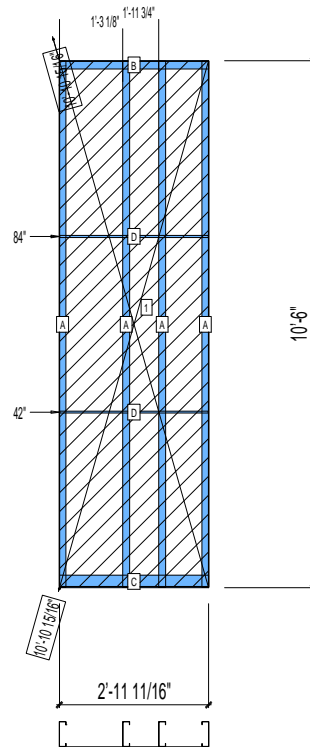
CREATED BY: TNT

HEIGHT : 10'-6"
POINTS: 1.02 Points.
SPACING : 5000"
1st STUD: 16"

APPROVED
By TNT at 2:46 pm, Dec 15, 2008

WEIGHTS :
FRAME : 95 lbs
SHEATHING: 78 lbs

TOTAL: 173 lbs



PIECES LIST

LABEL	QTY	SIZE	LENGTH	USE
A	4	600S162-54	10'-5 13/16"	STUD
B	1	600T200-54	2'-11 11/16"	TOP TRACK
C	1	600T300-54	2'-11 11/16"	BOTTOM TRACK
D	2	150U50-54	2'-11 1/2"	HORIZONTAL BRACING

SHEATHING

LABEL	QTY	CODE	THICK	SIZE	SCREWS
1	1	DENSGLASS	1/2"	2'-11 5/8" X 10'-5 9/16"	8 - 12

23-1137

Jewish Home for the Aging

1885 Victory Blvd. Reseda, CA

FrameMax, Inc.
13915 Danielson St
Suite 100
Poway, CA 92064
www.framemax.com



© FrameMax Inc.

CREATED: 12/11/2008

FM-07-109

CREATED BY: TNT

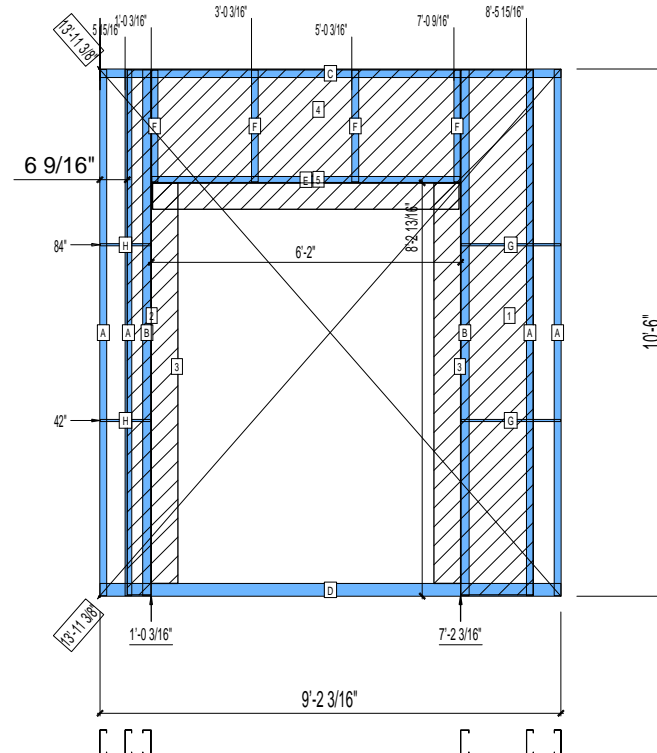
HEIGHT : 10'-6"
SPACING : 5000"
1st STUD: 5000"

POINTS: 2.00 Points.

APPROVED
By TNT at 2:46 pm, Dec 15, 2008

WEIGHTS :
FRAME : 204 lbs
SHEATHING: 114 lbs

TOTAL: 318 lbs



PIECES LIST

LABEL	QTY	SIZE	LENGTH	USE
A	4	600S162-54	10'-5 13/16"	STUD
B	2	600S200-68	10'-5 13/16"	KING STUD
C	1	600T200-54	9'-2 3/16"	TOP TRACK
D	1	600T300-54	9'-2 3/16"	BOTTOM TRACK
E	1	600T150-54	6'-1 3/4"	HEAD TRACK
F	4	600S162-54	2'-2 3/4"	CRIPPLE
G	2	150U50-54	1'-11 3/4"	HORIZONTAL BRACING
H	2	150U50-54	1'-0"	HORIZONTAL BRACING

SHEATHING

LABEL	QTY	CODE	THICK	SIZE	SCREWS
1	1	DENSGLASS	1/2"	1'-5 1/4" X 10'-5 9/16"	8 - 12
2	1	DENSGLASS	1/2"	5 5/8" X 10'-5 9/16"	8 - 12
3	2	DENSGLASS	1/2"	6 3/8" X 7'-11 3/4"	8 - 12
4	1	DENSGLASS	1/2"	6'-1 7/8" X 2'-3"	8 - 12
5	1	DENSGLASS	1/2"	6'-1 1/4" X 6 5/16"	8 - 12

23-1138

Jewish Home for the Aging

1885 Victory Blvd. Reseda, CA

FM-07-109

CREATED BY: TNT

FrameMax, Inc.
13915 Danielson St
Suite 100
Poway, CA 92064
www.frame-max.com



© FrameMax Inc.

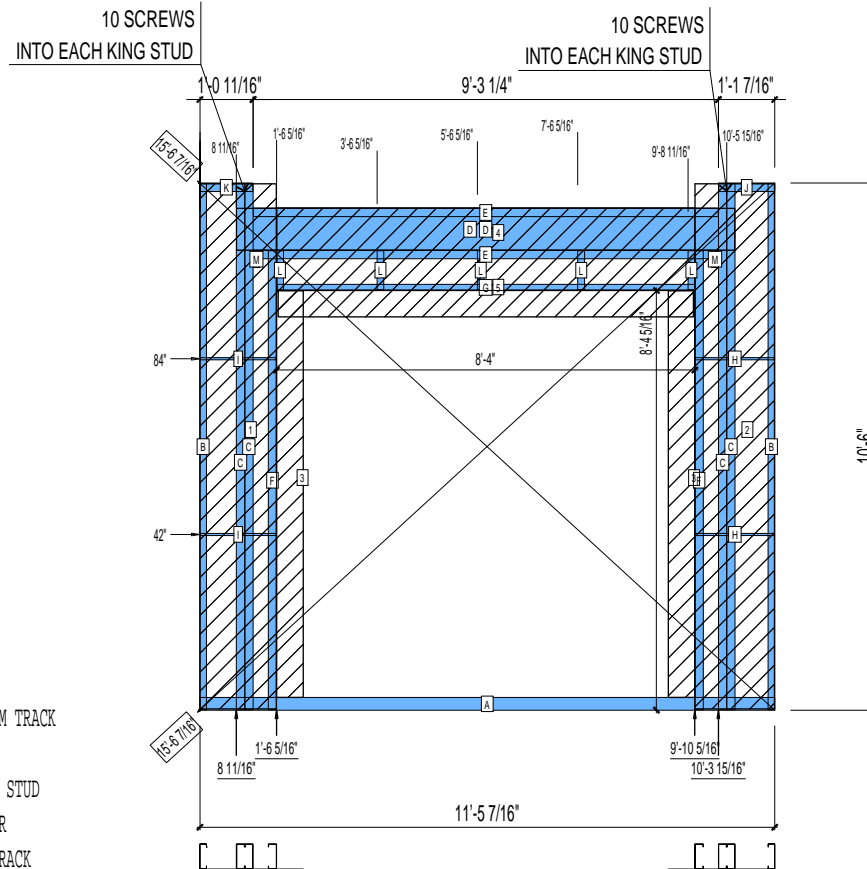
HEIGHT : 10'-6"
SPACING : 5000"
1st STUD: 16"

POINTS: 3.46 Points.

APPROVED
By TNT at 2:46 pm, Dec 15, 2008

WEIGHTS :
FRAME : 435 lbs
SHEATHING: 148 lbs

TOTAL: 583 lbs



PIECES LIST			
LABEL	QTY	SIZE	LENGTH USE
A	1	600T300-54	11'-5 7/16" BOTTOM TRACK
B	2	600S162-54	10'-5 13/16" STUD
C	4	600S200-97	10'-5 13/16" EXTRA STUD
D	2	1000S200-97	9'-11 1/8" HEADER
E	2	600T200-54	9'-3 1/8" TOP TRACK
F	2	600S200-68	9'-1 3/4" KING STUD
G	1	600T150-54	8'-3 3/4" HEAD TRACK
H	2	150U50-54	1'-6 7/8" HORIZONTAL BRACING
I	2	150U50-54	1'-6 1/8" HORIZONTAL BRACING
J	1	600T200-54	1'-1 3/8" TOP TRACK
K	1	600T200-54	1'-0 5/8" TOP TRACK
L	5	600S162-54	9 5/16" CRIPPLE
M	2	600S162-54	4" CRIPPLE

SHEATHING					
LABEL	QTY	CODE	THICK	SIZE	SCREWS
1	1	DENSGLASS	1/2"	1'-6 1/4" X 10'-5 9/16"	8 - 12
2	1	DENSGLASS	1/2"	1'-7" X 10'-5 9/16"	8 - 12
3	2	DENSGLASS	1/2"	6 3/8" X 8'-1 1/4"	8 - 12
4	1	DENSGLASS	1/2"	8'-3 7/8" X 1'-7 5/8"	8 - 12
5	1	DENSGLASS	1/2"	8'-3 1/4" X 6 5/16"	8 - 12

23-1139

Jewish Home for the Aging

1885 Victory Blvd. Reseda, CA

FM-07-109

CREATED BY: TNT

FrameMax, Inc.
13915 Danielson St
Suite 100
Poway, CA 92064
www.framemax.com



© FrameMax Inc.

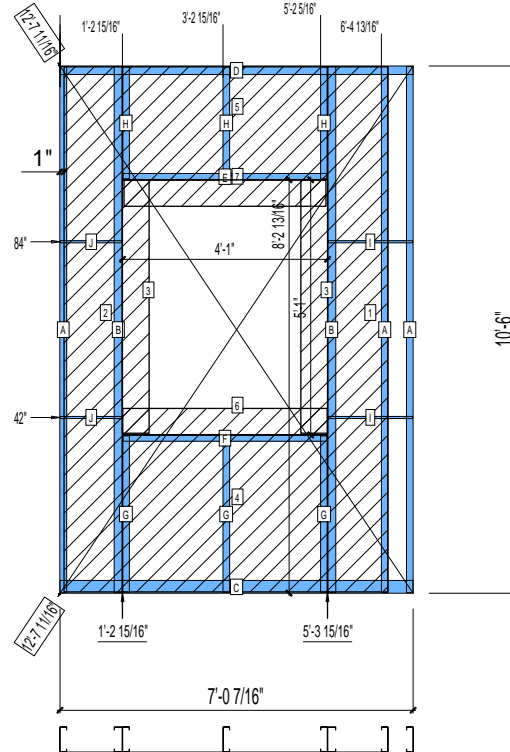
HEIGHT : 10'-6"
SPACING : 5000"
1st STUD: 5000"

POINTS: 2.06 Points.

APPROVED
By TNT at 2:46 pm, Dec 15, 2008

WEIGHTS :
FRAME : 192 lbs
SHEATHING: 140 lbs

TOTAL: 332 lbs



PIECES LIST

LABEL	QTY	SIZE	LENGTH	USE
A	3	600S162-54	10'-5 13/16"	STUD
B	2	600S200-68	10'-5 13/16"	KING STUD
C	1	600T300-54	7'-0 7/16"	BOTTOM TRACK
D	1	600T200-54	7'-0 7/16"	TOP TRACK
E	1	600T150-54	4'-0 3/4"	HEAD TRACK
F	1	600T150-54	4'-0 3/4"	SILL
G	3	600S162-54	3'-1 3/8"	CRIPPLE
H	3	600S162-54	2'-2 3/4"	CRIPPLE
I	2	150U50-54	1'-8 1/4"	HORIZONTAL BRACING
J	2	150U50-54	1'-2 3/4"	HORIZONTAL BRACING

SHEATHING

LABEL	QTY	CODE	THICK	SIZE	SCREWS
1	1	DENSGLOSS	1/2"	1'-2 3/8" X 10'-5 9/16"	8 - 12
2	1	DENSGLOSS	1/2"	1'-1 15/16" X 10'-5 9/16"	8 - 12
3	2	DENSGLOSS	1/2"	6 3/8" X 5'-0 1/2"	8 - 12
4	1	DENSGLOSS	1/2"	4'-0 7/8" X 3'-1 1/2"	8 - 12
5	1	DENSGLOSS	1/2"	4'-0 7/8" X 2'-3"	8 - 12
6	1	DENSGLOSS	1/2"	4'-0 7/8" X 6 5/16"	8 - 12
7	1	DENSGLOSS	1/2"	4'-0 1/4" X 6 5/16"	8 - 12

23-1140

Jewish Home for the Aging

1885 Victory Blvd. Reseda, CA

FrameMax, Inc.
13915 Danielson St
Suite 100
Poway, CA 92064
www.frame-max.com



© FrameMax Inc.

CREATED: 12/11/2008

FM-07-109

CREATED BY: TNT

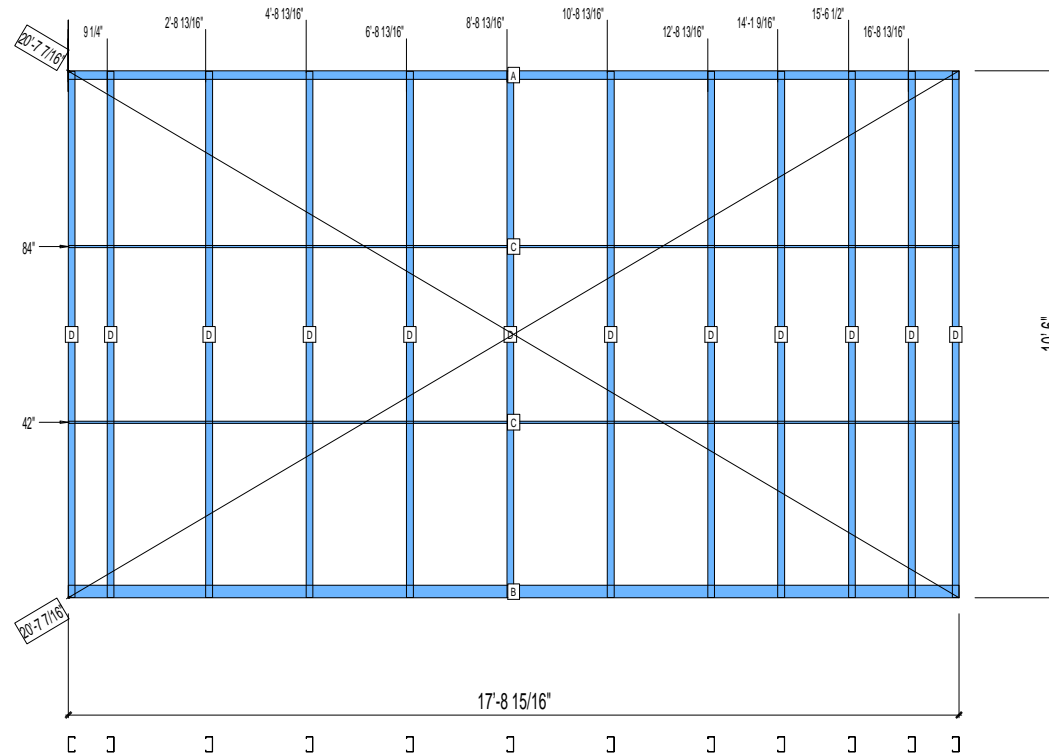
HEIGHT : 10'-6"
SPACING : 5000"
1st STUD: 5000"

POINTS: 1.89 Points.

APPROVED
By TNT at 2:46 pm, Dec 15, 2008

WEIGHTS :
FRAME : 259 lbs

TOTAL: 259 lbs



PIECES LIST

LABEL	QTY	SIZE	LENGTH	USE
A	1	362T200-54	17'-8 15/16"	TOP TRACK
B	1	362T300-54	17'-8 15/16"	BOTTOM TRACK
C	2	150U50-54	17'-8 3/4"	HORIZONTAL BRACING
D	12	362S162-54	10'-5 13/16"	STUD

23-1141

Jewish Home for the Aging

1885 Victory Blvd. Reseda, CA

FM-07-109

CREATED BY: TNT

FrameMax, Inc.
13915 Danielson St
Suite 100
Poway, CA 92064
www.frame-max.com



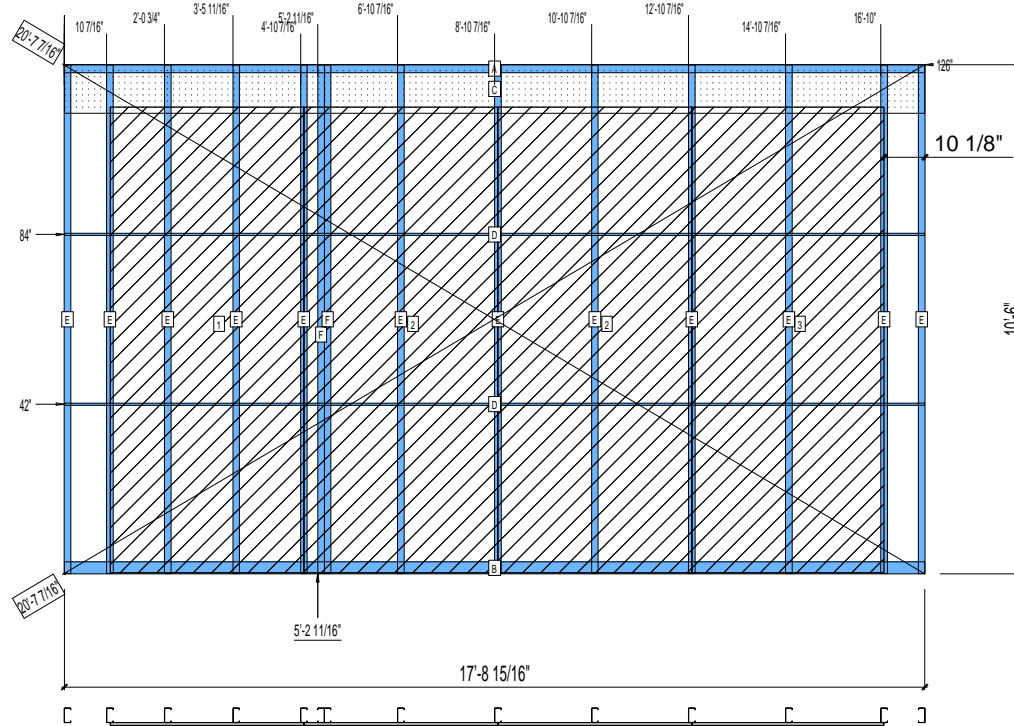
© FrameMax Inc.

APPROVED
By TNT at 2:46 pm, Dec 15, 2008

HEIGHT : 10'-6"
POINTS: 4.85 Points.
SPACING : 5000"
1st STUD: 5000"

WEIGHTS :
FRAME : 332 lbs
SHEATHING: 564 lbs

TOTAL: 896 lbs



PIECES LIST

LABEL	QTY	SIZE	LENGTH	USE
A	1	362T200-54	17'-8 15/16"	TOP TRACK
B	1	362T300-54	17'-8 15/16"	BOTTOM TRACK
C	1	1200D-54	17'-8 7/8"	STRAP
D	2	150U50-54	17'-8 3/4"	HORIZONTAL BRACING
E	12	362S162-54	10'-5 13/16"	STUD
F	2	362S162-54	10'-5 13/16"	EXTRA STUD

SHEATHING

LABEL	QTY	CODE	THICK	SIZE	SCREWS
1	1	SB-DENSARMOR	5/8"	3'-11 15/16" X 9'-7 3/16"	2-12
2	2	SB-DENSARMOR	5/8"	4'-0" X 9'-7 3/16"	2-12
3	1	SB-DENSARMOR	5/8"	3'-11 9/16" X 9'-7 3/16"	2-12

23-1142

Jewish Home for the Aging

1885 Victory Blvd. Reseda, CA

FrameMax, Inc.
13915 Danielson St
Suite 100
Poway, CA 92064
www.frame-max.com



© FrameMax Inc.

CREATED: 12/11/2008

FM-07-109

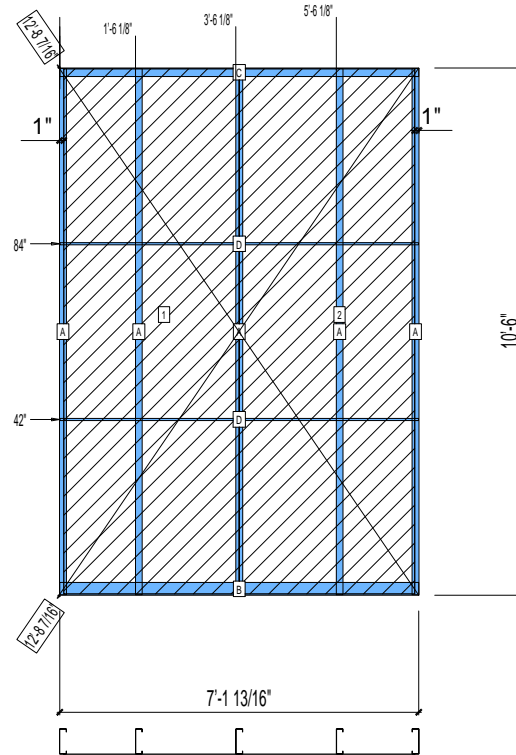
CREATED BY: TNT

HEIGHT : 10'-6"
POINTS: 1.80 Points.
SPACING : 5000"
1st STUD: 5000"

APPROVED
By TNT at 2:46 pm, Dec 15, 2008

WEIGHTS :
FRAME : 137 lbs
SHEATHING: 183 lbs

TOTAL: 320 lbs



PIECES LIST

LABEL	QTY	SIZE	LENGTH	USE
A	5	600S162-54	10'-5 13/16"	STUD
B	1	600T300-54	7'-1 13/16"	BOTTOM TRACK
C	1	600T200-54	7'-1 13/16"	TOP TRACK
D	2	150U50-54	7'-1 5/8"	HORIZONTAL BRACING

SHEATHING

LABEL	QTY	CODE	THICK	SIZE	SCREWS
1	1	DENSGLASS	1/2"	3'-5 15/16" X 10'-5 9/16"	8 - 12
2	1	DENSGLASS	1/2"	3'-5 15/16" X 10'-5 9/16"	8 - 12

23-1143

Jewish Home for the Aging

1885 Victory Blvd. Reseda, CA

FrameMax, Inc.
13915 Danielson St
Suite 100
Poway, CA 92064
www.framemax.com



© FrameMax Inc.

CREATED: 12/11/2008

FM-07-109

CREATED BY: TNT

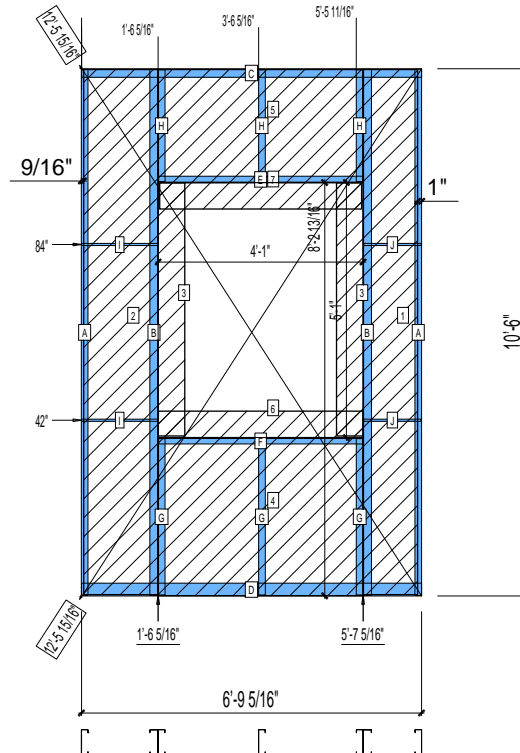
HEIGHT : 10'-6"
SPACING : 5000"
1st STUD: 5000"

POINTS: 1.96 Points.

APPROVED
By TNT at 2:46 pm, Dec 15, 2008

WEIGHTS :
FRAME : 170 lbs
SHEATHING: 146 lbs

TOTAL: 316 lbs



PIECES LIST

LABEL	QTY	SIZE	LENGTH	USE
A	2	600S162-54	10'-5 13/16"	STUD
B	2	600S200-68	10'-5 13/16"	KING STUD
C	1	600T200-54	6'-9 5/16"	TOP TRACK
D	1	600T300-54	6'-9 5/16"	BOTTOM TRACK
E	1	600T150-54	4'-0 3/4"	HEAD TRACK
F	1	600T150-54	4'-0 3/4"	SILL
G	3	600S162-54	3'-1 3/8"	CRIPPLE
H	3	600S162-54	2'-2 3/4"	CRIPPLE
I	2	150U50-54	1'-6 1/8"	HORIZONTAL BRACING
J	2	150U50-54	1'-1 3/4"	HORIZONTAL BRACING

SHEATHING

LABEL	QTY	CODE	THICK	SIZE	SCREWS
1	1	DENSGLASS	1/2"	1'-0 15/16" X 10'-5 9/16"	8 - 12
2	1	DENSGLASS	1/2"	1'-5 3/4" X 10'-5 9/16"	8 - 12
3	2	DENSGLASS	1/2"	6 3/8" X 5'-0 1/2"	8 - 12
4	1	DENSGLASS	1/2"	4'-0 7/8" X 3'-1 5/8"	8 - 12
5	1	DENSGLASS	1/2"	4'-0 7/8" X 2'-3"	8 - 12
6	1	DENSGLASS	1/2"	4'-0 7/8" X 6 5/16"	8 - 12
7	1	DENSGLASS	1/2"	4'-0 1/4" X 6 5/16"	8 - 12

23-1144

Jewish Home for the Aging

1885 Victory Blvd. Reseda, CA

FrameMax, Inc.
13915 Danielson St
Suite 100
Poway, CA 92064
www.frame-max.com



© FrameMax Inc.

CREATED: 12/11/2008

FM-07-109

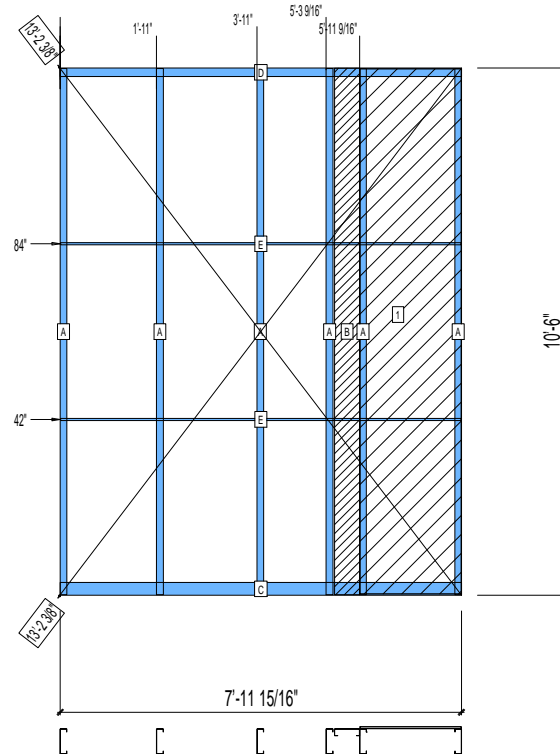
CREATED BY: TNT

HEIGHT : 10'-6"
POINTS: 1.43 Points.
SPACING : 5000"
1st STUD: 5000"

APPROVED
By TNT at 2:46 pm, Dec 15, 2008

WEIGHTS :
FRAME : 174 lbs
SHEATHING: 53 lbs

TOTAL: 227 lbs



PIECES LIST

LABEL	QTY	SIZE	LENGTH	USE
A	6	600S162-54	10'-5 13/16"	STUD
B	1	600S162-33	10'-5 13/16"	BACKER-U
C	1	600T300-54	7'-11 15/16"	BOTTOM TRACK
D	1	600T200-54	7'-11 15/16"	TOP TRACK
E	2	150U50-54	7'-11 3/4"	HORIZONTAL BRACING

SHEATHING

LABEL	QTY	CODE	THICK	SIZE	SCREWS
1	1	DENSGLOSS	1/2"	2'-0 1/4" X 10'-5 9/16"	8 - 12

23-1145

Jewish Home for the Aging

1885 Victory Blvd. Reseda, CA

FrameMax, Inc.
13915 Danielson St
Suite 100
Poway, CA 92064
www.framemax.com



© FrameMax Inc.

CREATED: 12/11/2008

FM-07-109

CREATED BY: TNT

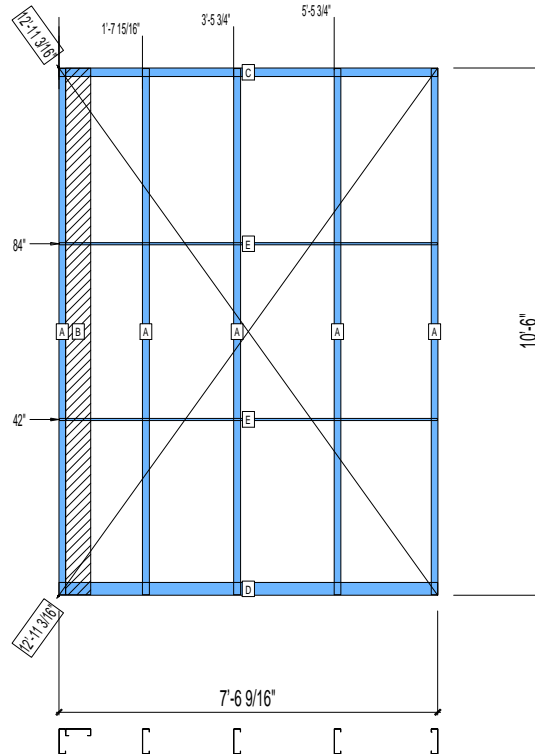
HEIGHT : 10'-6"
SPACING : 5000"
1st STUD: 5000"

POINTS: 1.06 Points.

APPROVED
By TNT at 2:46 pm, Dec 15, 2008

WEIGHTS :
FRAME : 151 lbs

TOTAL: 151 lbs



PIECES LIST

LABEL	QTY	SIZE	LENGTH	USE
A	5	600S162-54	10'-5 13/16"	STUD
B	1	600S162-33	10'-5 13/16"	BACKER-U
C	1	600T200-54	7'-6 9/16"	TOP TRACK
D	1	600T300-54	7'-6 9/16"	BOTTOM TRACK
E	2	150U50-54	7'-6 3/8"	HORIZONTAL BRACING

23-1146

Jewish Home for the Aging

1885 Victory Blvd. Reseda, CA

FM-07-109

CREATED BY: TNT

FrameMax, Inc.
13915 Danielson St
Suite 100
Poway, CA 92064
www.frame-max.com



© FrameMax Inc.

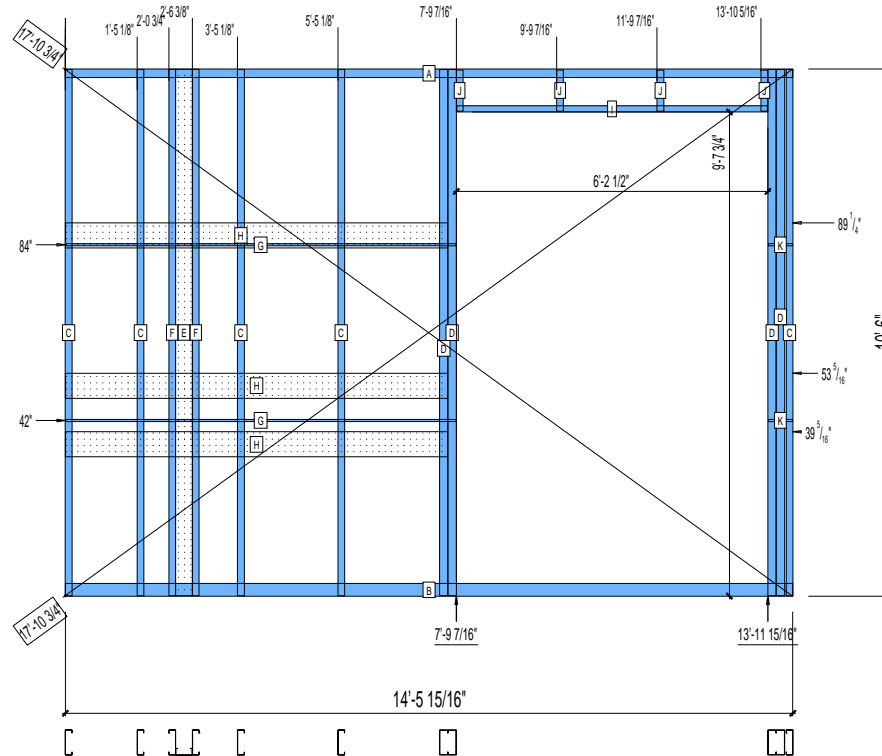
HEIGHT : 10'-6"
SPACING : 5000"
1st STUD: 5000"

POINTS: 2.49 Points.

APPROVED
By TNT at 2:46 pm, Dec 15, 2008

WEIGHTS :
FRAME : 358 lbs

TOTAL: 358 lbs



PIECES LIST

LABEL	QTY	SIZE	LENGTH	USE
A	1	600T200-54	14'-5 15/16"	TOP TRACK
B	1	600T300-54	14'-5 15/16"	BOTTOM TRACK
C	5	600S162-54	10'-5 13/16"	STUD
D	4	600S200-68	10'-5 13/16"	KING STUD
E	1	400S162-33	10'-5 13/16"	BACKER-U
F	2	600S162-33	10'-5 13/16"	BACKER STUD
G	2	150U50-54	7'-9 1/4"	HORIZONTAL BRACING
H	3	600D-54	7'-7 3/8"	KITCHEN BACKING
I	1	600T150-54	6'-2 1/4"	HEAD TRACK
J	4	600S162-54	9 13/16"	CRIPPLE
K	2	150U50-54	5 3/4"	HORIZONTAL BRACING

23-1147

Jewish Home for the Aging

1885 Victory Blvd. Reseda, CA

FrameMax, Inc.
13915 Danielson St
Suite 100
Poway, CA 92064
www.framemax.com



© FrameMax Inc.

CREATED: 12/11/2008

FM-07-109

CREATED BY: TNT

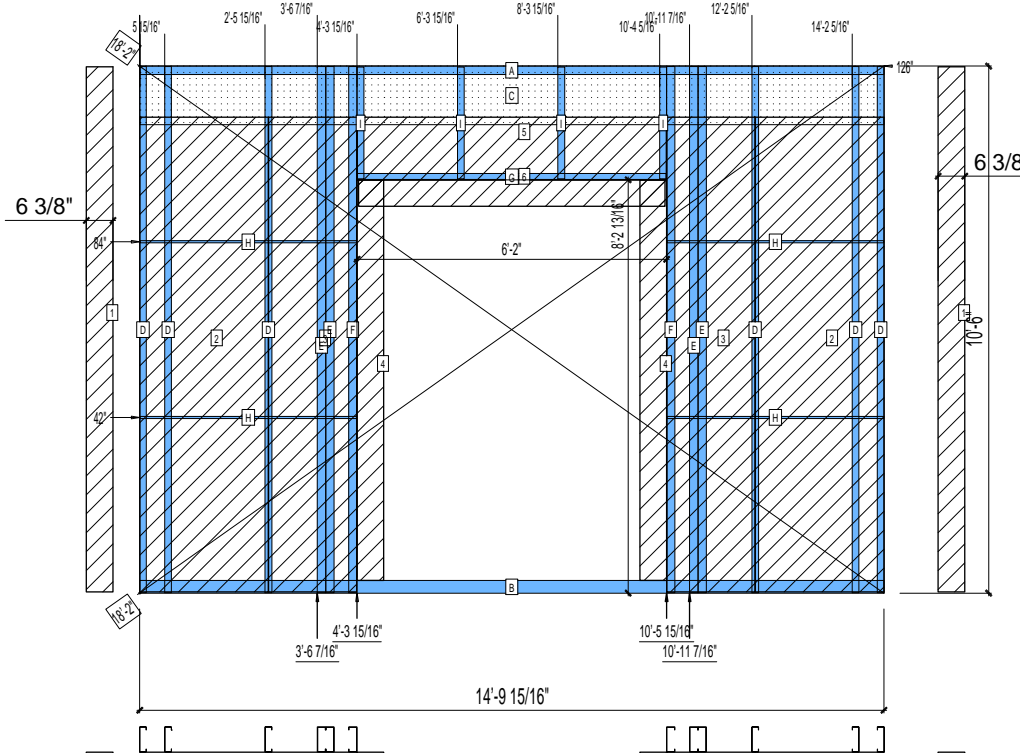
HEIGHT : 10'-6"
SPACING : 5000"
1st STUD: 5000"

POINTS: 4.19 Points.

APPROVED
By TNT at 2:46 pm, Dec 15, 2008

WEIGHTS :
FRAME : 461 lbs
SHEATHING: 280 lbs

TOTAL: 741 lbs



PIECES LIST

LABEL	QTY	SIZE	LENGTH	USE
A	1	600T200-54	14'-9 15/16"	TOP TRACK
B	1	600T300-54	14'-9 15/16"	BOTTOM TRACK
C	1	1200D-54	14'-9 7/8"	STRAP
D	6	600S162-54	10'-5 13/16"	STUD
E	4	600S200-97	10'-5 13/16"	EXTRA STUD
F	2	600S200-68	10'-5 13/16"	KING STUD
G	1	600T150-54	6'-1 3/4"	HEAD TRACK
H	4	150U50-54	4'-3 3/4"	HORIZONTAL BRACING
I	4	600S162-54	2'-2 3/4"	CRIPPLE

SHEATHING

LABEL	QTY	CODE	THICK	SIZE	SCREWS
1	2	DENSGLASS	1/2"	6 3/8" X 10'-5 9/16"	8 - 12
2	2	DENSGLASS	1/2"	2'-6 3/4" X 9'-5 1/2"	8 - 12
3	2	DENSGLASS	1/2"	1'-9 1/8" X 9'-5 1/2"	8 - 12
4	2	DENSGLASS	1/2"	6 3/8" X 7'-11 3/4"	8 - 12
5	1	DENSGLASS	1/2"	6'-1 7/8" X 1'-2 7/8"	8 - 12
6	1	DENSGLASS	1/2"	6'-1 1/4" X 6 5/16"	8 - 12

23-1148

Jewish Home for the Aging

1885 Victory Blvd. Reseda, CA

FrameMax, Inc.
13915 Danielson St
Suite 100
Poway, CA 92064
www.frame-max.com



© FrameMax Inc.

CREATED: 12/11/2008

FM-07-109

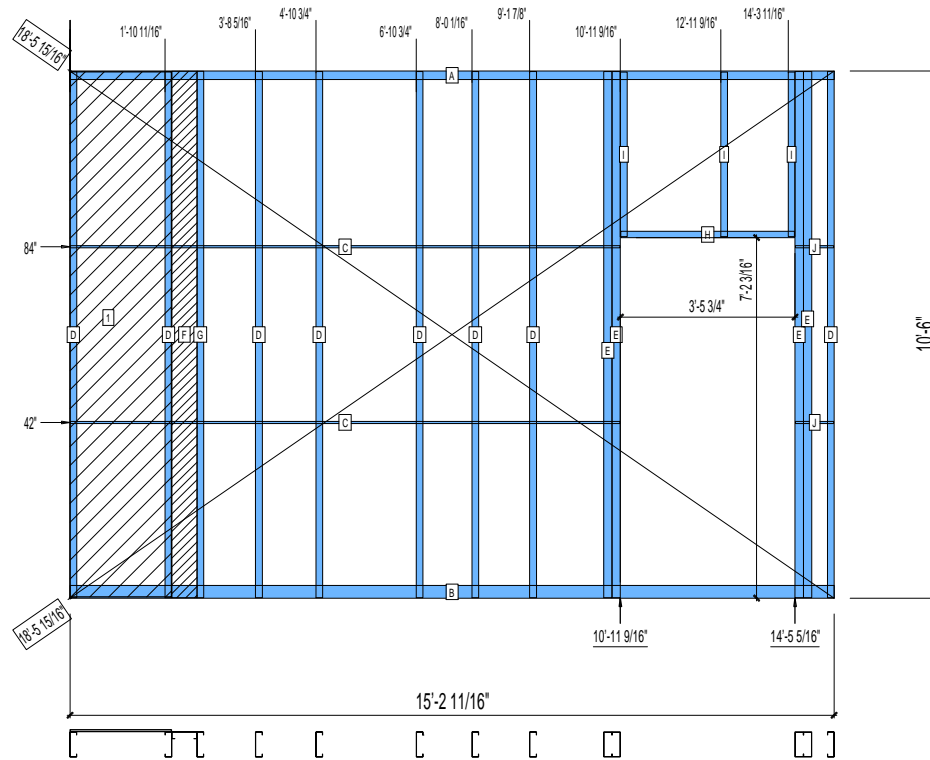
CREATED BY: TNT

HEIGHT : 10'-6"
POINTS: 2.86 Points.
SPACING : 5000"
1st STUD: 5000"

APPROVED
By TNT at 2:46 pm, Dec 15, 2008

WEIGHTS :
FRAME : 394 lbs
SHEATHING: 53 lbs

TOTAL: 447 lbs



PIECES LIST

LABEL	QTY	SIZE	LENGTH	USE
A	1	600T200-54	15'-2 11/16"	TOP TRACK
B	1	600T300-54	15'-2 11/16"	BOTTOM TRACK
C	2	150U50-54	10'-11 3/8"	HORIZONTAL BRACING
D	8	600S162-54	10'-5 13/16"	STUD
E	4	600S200-68	10'-5 13/16"	KING STUD
F	1	600S162-33	10'-5 13/16"	BACKER-U
G	1	600S162-33	10'-5 13/16"	BACKER STUD
H	1	600T150-54	3'-5 1/2"	HEAD TRACK
I	3	600S162-54	3'-3 3/8"	CRIPPLE
J	2	150U50-54	9 1/8"	HORIZONTAL BRACING

SHEATHING

LABEL	QTY	CODE	THICK	SIZE	SCREWS
1	1	DENSGLOSS	1/2"	2'-0 1/4" X 10'-5 9/16"	8 - 12

23-1149

Jewish Home for the Aging

1885 Victory Blvd. Reseda, CA

FM-07-109

CREATED BY: TNT

FrameMax, Inc.
13915 Danielson St
Suite 100
Poway, CA 92064
www.framemax.com



© FrameMax Inc.

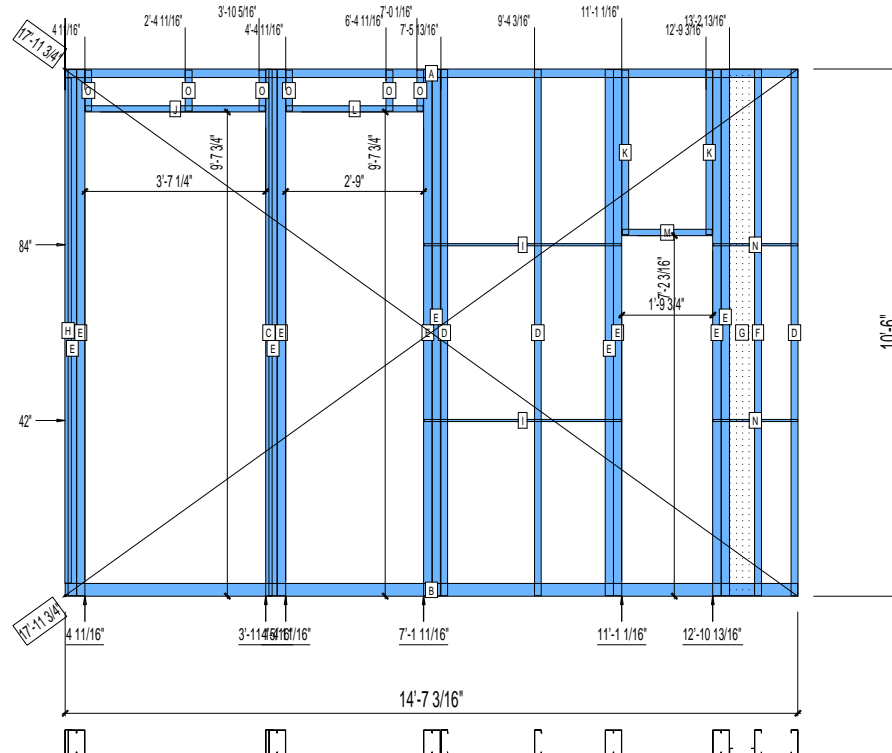
HEIGHT : 10'-6"
SPACING : 5000"
1st STUD: 5000"

POINTS: 3.26 Points.

APPROVED
By TNT at 2:46 pm, Dec 15, 2008

WEIGHTS :
FRAME : 490 lbs

TOTAL: 490 lbs



PIECES LIST			
LABEL	QTY	SIZE	LENGTH USE
A	1	600T200-54	14'-7 3/16" TOP TRACK
B	1	600T300-54	14'-7 3/16" BOTTOM TRACK
C	1	600T150-33	10'-5 15/16" CAP TRACK
D	3	600S162-54	10'-5 13/16" STUD
E	10	600S200-68	10'-5 13/16" KING STUD
F	1	600S162-33	10'-5 13/16" BACKER STUD
G	1	600S162-33	10'-5 13/16" BACKER-U
H	1	600T150-54	10'-0 7/8" CAP TRACK
I	2	150U50-54	3'-11 1/8" HORIZONTAL BRACING
J	1	600T150-54	3'-7" HEAD TRACK
K	2	600S162-54	3'-3 3/8" CRIPPLE
L	1	600T150-54	2'-8 3/4" HEAD TRACK
M	1	600T150-54	1'-9 1/2" HEAD TRACK
N	2	150U50-54	1'-8 1/8" HORIZONTAL BRACING
O	6	600S162-54	9 13/16" CRIPPLE

23-1150

Jewish Home for the Aging

1885 Victory Blvd. Reseda, CA

FM-07-109

CREATED BY: TNT

FrameMax, Inc.
13915 Danielson St
Suite 100
Poway, CA 92064
www.framemax.com



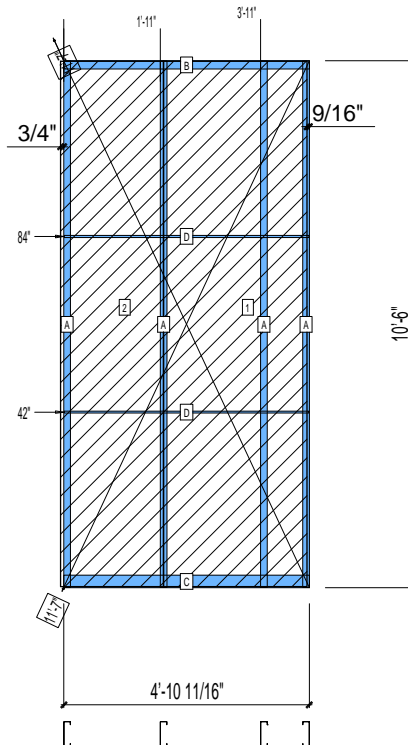
© FrameMax Inc.

HEIGHT : 10'-6"
POINTS: 1.33 Points.
SPACING : 5000"
1st STUD: 5000"

APPROVED
By TNT at 2:46 pm, Dec 15, 2008

WEIGHTS :
FRAME : 105 lbs
SHEATHING: 128 lbs

TOTAL: 233 lbs



PIECES LIST

LABEL	QTY	SIZE	LENGTH	USE
A	4	600S162-54	10'-5 13/16"	STUD
B	1	600T200-54	4'-10 11/16"	TOP TRACK
C	1	600T300-54	4'-10 11/16"	BOTTOM TRACK
D	2	150U50-54	4'-10 1/2"	HORIZONTAL BRACING

SHEATHING

LABEL	QTY	CODE	THICK	SIZE	SCREWS
1	1	DENSGLASS	1/2"	2'-10 5/16" X 10'-5 9/16"	8 - 12
2	1	DENSGLASS	1/2"	2'-0 5/8" X 10'-5 9/16"	8 - 12

23-1151

Jewish Home for the Aging

1885 Victory Blvd. Reseda, CA

FrameMax, Inc.
13915 Danielson St
Suite 100
Poway, CA 92064
www.framemax.com



© FrameMax Inc.

CREATED: 12/11/2008

FM-07-109

CREATED BY: TNT

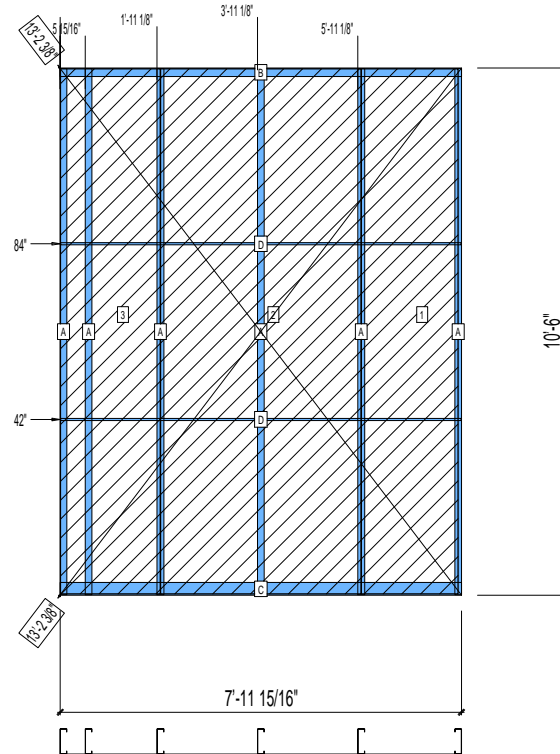
HEIGHT : 10'-6"
SPACING : 5000"
1st STUD: 5000"

POINTS: 2.05 Points.

APPROVED
By TNT at 2:46 pm, Dec 15, 2008

WEIGHTS :
FRAME : 161 lbs
SHEATHING: 207 lbs

TOTAL: 368 lbs



PIECES LIST

LABEL	QTY	SIZE	LENGTH	USE
A	6	600S162-54	10'-5 13/16"	STUD
B	1	600T200-54	7'-11 15/16"	TOP TRACK
C	1	600T300-54	7'-11 15/16"	BOTTOM TRACK
D	2	150U50-54	7'-11 3/4"	HORIZONTAL BRACING

SHEATHING

LABEL	QTY	CODE	THICK	SIZE	SCREWS
1	1	DENSGLASS	1/2"	1'-11 3/16" X 10'-5 9/16"	8 - 12
2	1	DENSGLASS	1/2"	4'-0" X 10'-5 9/16"	8 - 12
3	1	DENSGLASS	1/2"	1'-11 15/16" X 10'-5 9/16"	8 - 12

23-1152

Jewish Home for the Aging

1885 Victory Blvd. Reseda, CA

FrameMax, Inc.
13915 Danielson St
Suite 100
Poway, CA 92064
www.frame-max.com



© FrameMax Inc.

CREATED: 12/11/2008

FM-07-109

CREATED BY: TNT

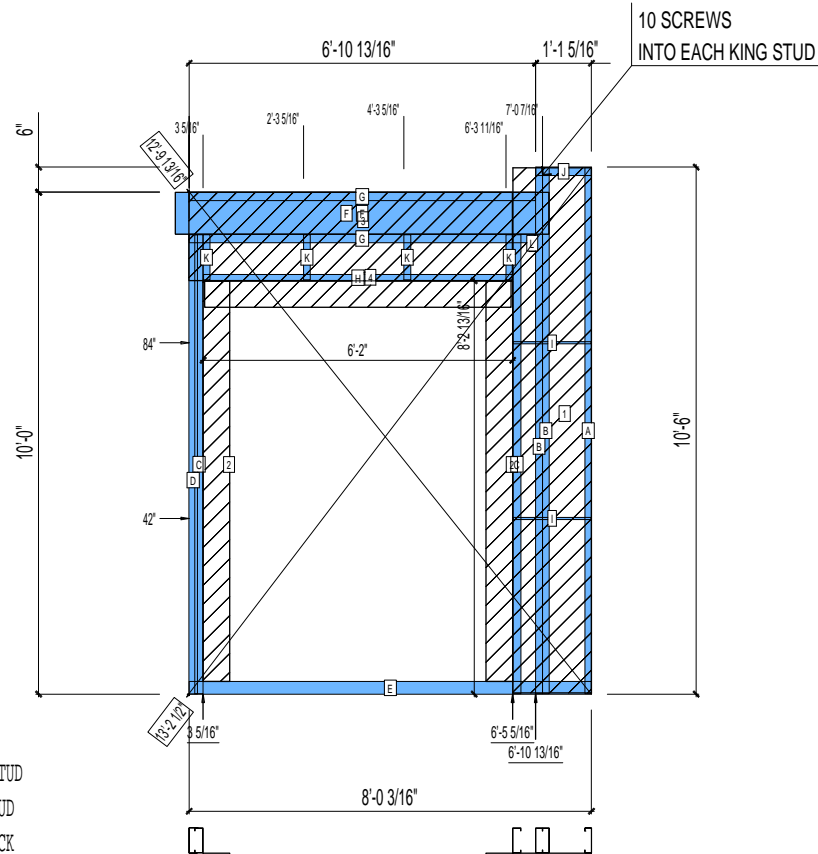
HEIGHT : 10'-6"
SPACING : 5000"
1st STUD: 5000"

POINTS: 2.28 Points.

APPROVED
By TNT at 2:46 pm, Dec 15, 2008

WEIGHTS :
FRAME : 272 lbs
SHEATHING: 98 lbs

TOTAL: 370 lbs



PIECES LIST

LABEL	QTY	SIZE	LENGTH	USE
A	1	600S162-54	10'-5 13/16"	STUD
B	2	600S162-68	10'-5 13/16"	EXTRA STUD
C	2	600S200-68	9'-1 3/4"	KING STUD
D	1	600T200-33	9'-1 3/4"	CAP TRACK
E	1	600T300-54	8'-0 3/16"	BOTTOM TRACK
F	2	1000S200-97	7'-5 5/16"	HEADER
G	2	600T200-54	6'-10 3/4"	TOP TRACK
H	1	600T150-54	6'-1 3/4"	HEAD TRACK
I	2	150U50-54	1'-6 5/8"	HORIZONTAL BRACING
J	1	600T200-54	1'-1 1/4"	TOP TRACK
K	4	600S162-54	10 13/16"	CRIPPLE
L	1	600S162-54	4"	CRIPPLE

SHEATHING

LABEL	QTY	CODE	THICK	SIZE	SCREWS
1	1	DENSGLASS	1/2"	1'-6 3/4" X 10'-5 9/16"	8 - 12
2	2	DENSGLASS	1/2"	6 3/8" X 7'-11 3/4"	8 - 12
3	1	DENSGLASS	1/2"	6'-5 5/16" X 1'-9 1/16"	8 - 12
4	1	DENSGLASS	1/2"	6'-1 1/4" X 6 5/16"	8 - 12

23-1153

Jewish Home for the Aging

1885 Victory Blvd. Reseda, CA

FM-07-109

CREATED BY: TNT

FrameMax, Inc.
13915 Danielson St
Suite 100
Poway, CA 92064
www.frame-max.com



© FrameMax Inc.

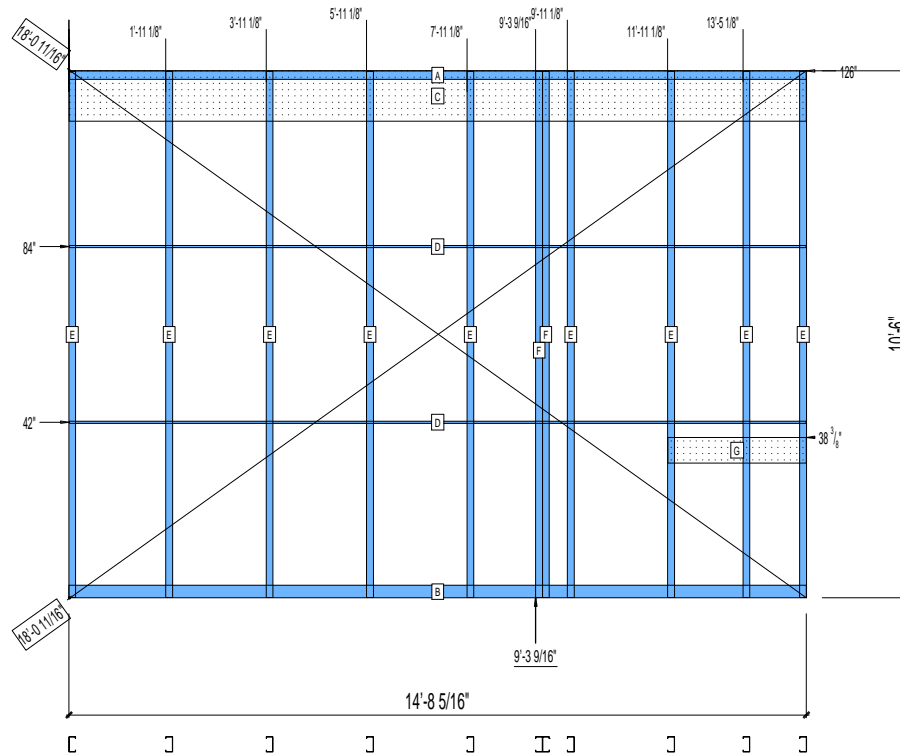
HEIGHT : 10'-6"
SPACING : 5000"
1st STUD: 5000"

POINTS: 1.90 Points.

APPROVED
By TNT at 2:46 pm, Dec 15, 2008

WEIGHTS :
FRAME : 271 lbs

TOTAL: 271 lbs



PIECES LIST

LABEL	QTY	SIZE	LENGTH	USE
A	1	362T200-54	14'-8 5/16"	TOP TRACK
B	1	362T300-54	14'-8 5/16"	BOTTOM TRACK
C	1	1200D-54	14'-8 1/4"	STRAP
D	2	150U50-54	14'-8 1/8"	HORIZONTAL BRACING
E	9	362S162-54	10'-5 13/16"	STUD
F	2	362S162-54	10'-5 13/16"	EXTRA STUD
G	1	600T150-54	2'-9 1/16"	GRAB BAR

23-1154

Jewish Home for the Aging

1885 Victory Blvd. Reseda, CA

FrameMax, Inc.
13915 Danielson St
Suite 100
Poway, CA 92064
www.frame-max.com



© FrameMax Inc.

APPROVED
By TNT at 2:46 pm, Dec 15, 2008

CREATED: 12/11/2008

FM-07-109

CREATED BY: TNT

HEIGHT : 10'-6" POINTS: 3.50 Points.

SPACING : 5000"

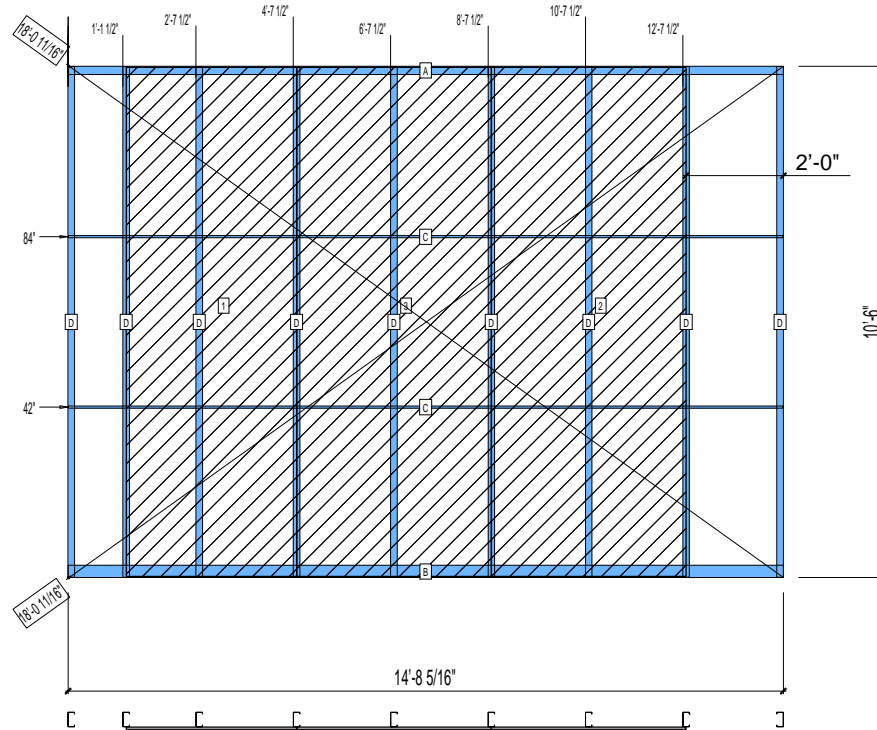
1st STUD: 5000"

WEIGHTS :

FRAME : 200 lbs

SHEATHING: 442 lbs

TOTAL: 642 lbs



PIECES LIST

LABEL	QTY	SIZE	LENGTH	USE
A	1	362T200-54	14'-8 5/16"	TOP TRACK
B	1	362T300-54	14'-8 5/16"	BOTTOM TRACK
C	2	150U50-54	14'-8 1/8"	HORIZONTAL BRACING
D	9	362S162-54	10'-5 13/16"	STUD

SHEATHING

LABEL	QTY	CODE	THICK	SIZE	SCREWS
1	1	SB-DENSGLOSS	1/2"	3'-6" X 10'-5 7/16"	2-12
2	1	SB-DENSGLOSS	1/2"	4'-0" X 10'-5 7/16"	2-12
3	1	SB-DENSGLOSS	1/2"	4'-0" X 10'-5 7/16"	2-12

23-1155

Jewish Home for the Aging

1885 Victory Blvd. Reseda, CA

FrameMax, Inc.
13915 Danielson St
Suite 100
Poway, CA 92064
www.frame-max.com



© FrameMax Inc.

CREATED: 12/11/2008

FM-07-109

CREATED BY: TNT

HEIGHT : 10'-6" POINTS: 0.68 Points.

SPACING : 5000"

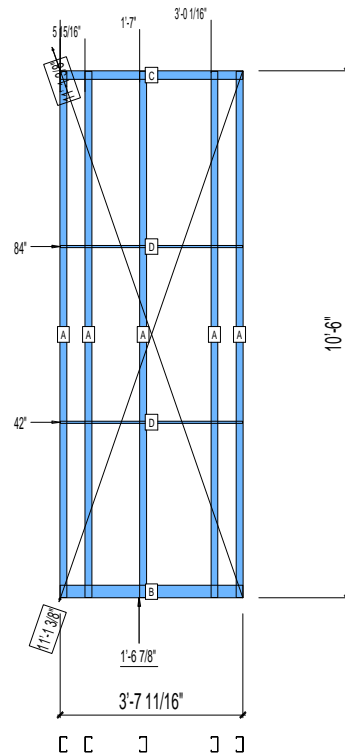
1st STUD: 5000"

APPROVED
By TNT at 2:46 pm, Dec 15, 2008

WEIGHTS :

FRAME : 91 lbs

TOTAL: 91 lbs



PIECES LIST

LABEL	QTY	SIZE	LENGTH	USE
A	5	362S162-54	10'-5 13/16"	STUD
B	1	362T300-54	3'-7 11/16"	BOTTOM TRACK
C	1	362T200-54	3'-7 11/16"	TOP TRACK
D	2	150U50-54	3'-7 1/2"	HORIZONTAL BRACING

23-1156

Jewish Home for the Aging

1885 Victory Blvd. Reseda, CA

FrameMax, Inc.
13915 Danielson St
Suite 100
Poway, CA 92064
www.frame-max.com



© FrameMax Inc.

CREATED: 12/11/2008

FM-07-109

CREATED BY: TNT

HEIGHT : 10'-6" POINTS: 0.59 Points.

SPACING : 5000"

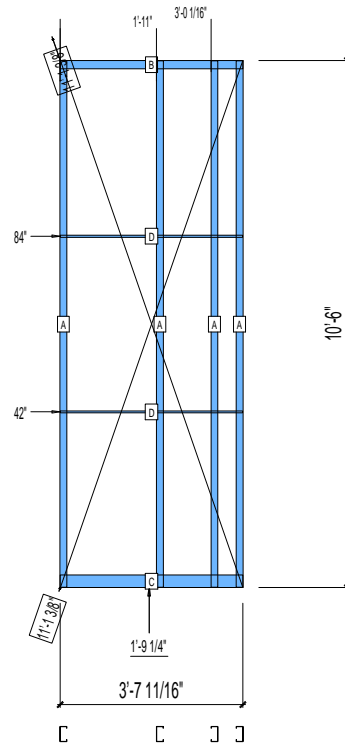
1st STUD: 5000"

APPROVED
By TNT at 2:46 pm, Dec 15, 2008

WEIGHTS :

FRAME : 76 lbs

TOTAL: 76 lbs



PIECES LIST

LABEL	QTY	SIZE	LENGTH	USE
A	4	362S162-54	10'-5 13/16"	STUD
B	1	362T200-54	3'-7 11/16"	TOP TRACK
C	1	362T300-54	3'-7 11/16"	BOTTOM TRACK
D	2	150U50-54	3'-7 1/2"	HORIZONTAL BRACING

23-1157

Jewish Home for the Aging

1885 Victory Blvd. Reseda, CA

FrameMax, Inc.
13915 Danielson St
Suite 100
Poway, CA 92064
www.frame-max.com



© FrameMax Inc.

CREATED: 12/11/2008

FM-07-109

CREATED BY: TNT

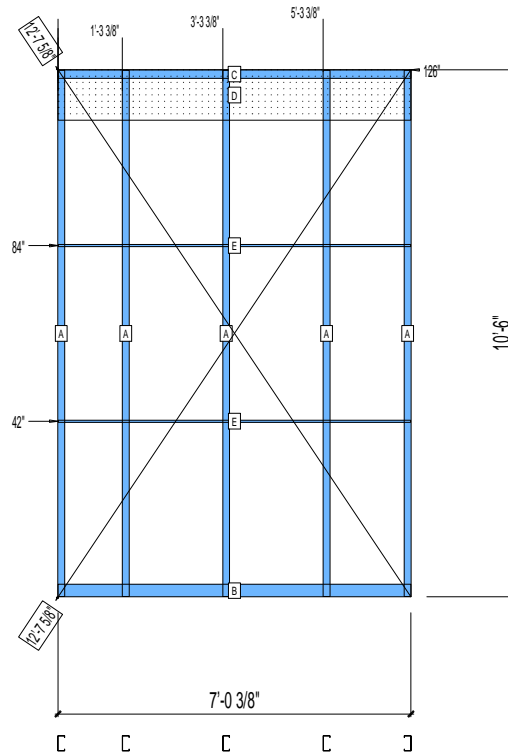
HEIGHT : 10'-6"
SPACING : 5000"
1st STUD: 5000"

POINTS: 0.92 Points.

APPROVED
By TNT at 2:46 pm, Dec 15, 2008

WEIGHTS :
FRAME : 123 lbs

TOTAL: 123 lbs



PIECES LIST

LABEL	QTY	SIZE	LENGTH	USE
A	5	362S162-54	10'-5 13/16"	STUD
B	1	362T300-54	7'-0 3/8"	BOTTOM TRACK
C	1	362T200-54	7'-0 3/8"	TOP TRACK
D	1	1200D-54	7'-0 5/16"	STRAP
E	2	150U50-54	7'-0 3/16"	HORIZONTAL BRACING

23-1158

Jewish Home for the Aging

1885 Victory Blvd. Reseda, CA

FrameMax, Inc.
13915 Danielson St
Suite 100
Poway, CA 92064
www.frame-max.com



© FrameMax Inc.

CREATED: 12/11/2008

FM-07-109

CREATED BY: TNT

APPROVED
By TNT at 2:46 pm, Dec 15, 2008

HEIGHT : 10'-6" POINTS: 1.52 Points.

SPACING : 5000"

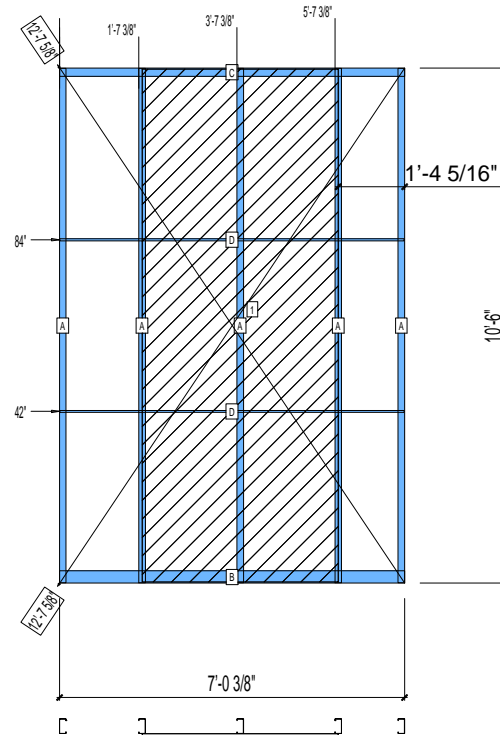
1st STUD: 5000"

WEIGHTS :

FRAME : 106 lbs

SHEATHING: 154 lbs

TOTAL: 260 lbs



PIECES LIST

LABEL	QTY	SIZE	LENGTH	USE
A	5	362S162-54	10'-5 13/16"	STUD
B	1	362T300-54	7'-0 3/8"	BOTTOM TRACK
C	1	362T200-54	7'-0 3/8"	TOP TRACK
D	2	150U50-54	7'-0 3/16"	HORIZONTAL BRACING

SHEATHING

LABEL	QTY	CODE	THICK	SIZE	SCREWS
1	1	SB-DENSGLASS	1/2"	3'-11 15/16" X 10'-5 7/16"	2-12

23-1159

Jewish Home for the Aging

1885 Victory Blvd. Reseda, CA

FrameMax, Inc.
13915 Danielson St
Suite 100
Poway, CA 92064
www.frame-max.com



© FrameMax Inc.

CREATED: 12/11/2008

FM-07-109

CREATED BY: TNT

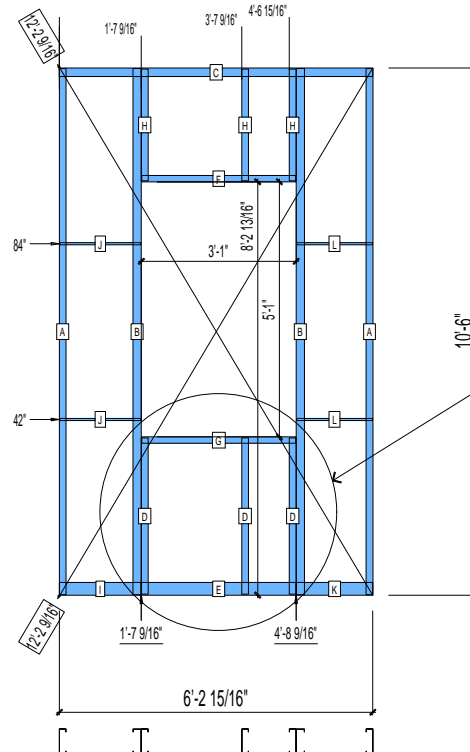
HEIGHT : 10'-6"
SPACING : 5000"
1st STUD: 16"

POINTS: 1.31 Points.

APPROVED
By TNT at 2:46 pm, Dec 15, 2008

WEIGHTS :
FRAME : 165 lbs

TOTAL: 165 lbs



Please build this Panel separately and temporary attach and send to site

PIECES LIST

LABEL	QTY	SIZE	LENGTH	USE
A	2	600S162-54	10'-5 13/16"	STUD
B	2	600S200-68	10'-5 13/16"	KING STUD
C	1	600T200-54	6'-2 15/16"	TOP TRACK
D	3	600S162-54	3'-1 3/8"	CRIPPLE
E	1	600T300-54	3'-0 7/8"	BOTTOM TRACK
F	1	600T150-54	3'-0 3/4"	HEAD TRACK
G	1	600T150-54	3'-0 3/4"	SILL
H	3	600S162-54	2'-2 3/4"	CRIPPLE
I	1	600T300-54	1'-7 1/2"	BOTTOM TRACK
J	2	150U50-54	1'-7 3/8"	HORIZONTAL BRACING
K	1	600T300-54	1'-6 1/4"	BOTTOM TRACK
L	2	150U50-54	1'-6 1/8"	HORIZONTAL BRACING

23-1160

Jewish Home for the Aging

1885 Victory Blvd. Reseda, CA

FM-07-109

CREATED BY: TNT

FrameMax, Inc.
13915 Danielson St
Suite 100
Poway, CA 92064
www.frame-max.com



© FrameMax Inc.

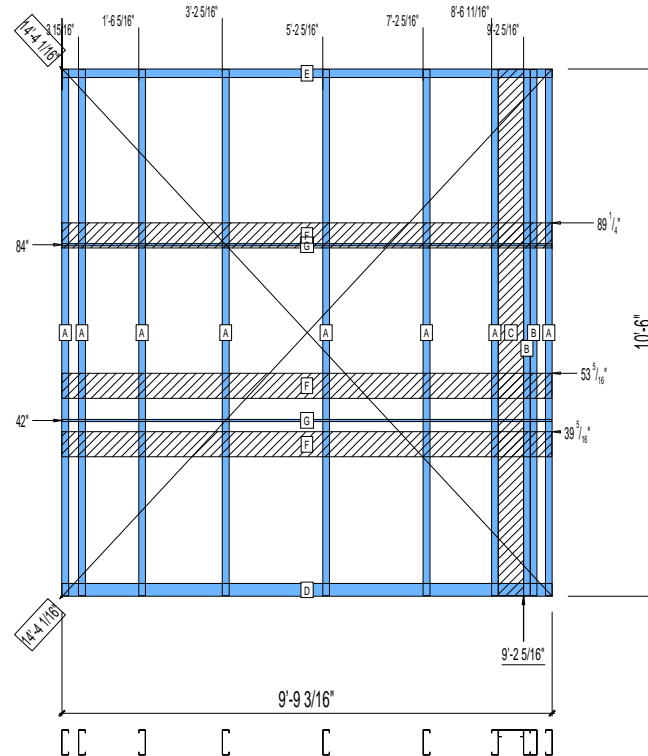
HEIGHT : 10'-6"
SPACING : 5000"
1st STUD: 5000"

POINTS: 1.87 Points.

APPROVED
By TNT at 2:46 pm, Dec 15, 2008

WEIGHTS :
FRAME : 282 lbs

TOTAL: 282 lbs



PIECES LIST

LABEL	QTY	SIZE	LENGTH	USE
A	8	600S162-54	10'-5 13/16"	STUD
B	2	600S162-33	10'-5 13/16"	EXTRA STUD
C	1	600S162-33	10'-5 13/16"	BACKER-U
D	1	600T300-54	9'-9 3/16"	BOTTOM TRACK
E	1	600T200-54	9'-9 3/16"	TOP TRACK
F	3	600D-54	9'-9 1/8"	KITCHEN BACKING
G	2	150U50-54	9'-9"	HORIZONTAL BRACING

23-1161

Jewish Home for the Aging

1885 Victory Blvd. Reseda, CA

FrameMax, Inc.
13915 Danielson St
Suite 100
Poway, CA 92064
www.frame-max.com



© FrameMax Inc.

CREATED: 12/11/2008

FM-07-109

CREATED BY: TNT

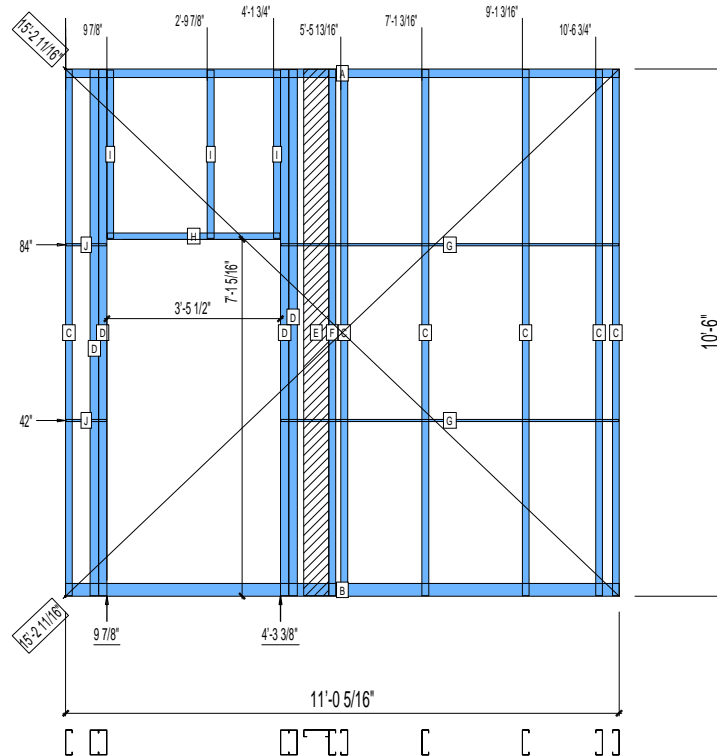
HEIGHT : 10'-6"
SPACING : 5000"
1st STUD: 5000"

POINTS: 2.21 Points.

APPROVED
By TNT at 2:46 pm, Dec 15, 2008

WEIGHTS :
FRAME : 333 lbs

TOTAL: 333 lbs



PIECES LIST

LABEL	QTY	SIZE	LENGTH	USE
A	1	600T200-54	11'-0 5/16"	TOP TRACK
B	1	600T300-54	11'-0 5/16"	BOTTOM TRACK
C	6	600S162-54	10'-5 13/16"	STUD
D	4	600S200-68	10'-5 13/16"	KING STUD
E	1	600S162-33	10'-5 13/16"	BACKER-U
F	1	600S162-33	10'-5 13/16"	BACKER STUD
G	2	150U50-54	6'-8 3/4"	HORIZONTAL BRACING
H	1	600T150-54	3'-5 1/4"	HEAD TRACK
I	3	600S162-54	3'-4 1/4"	CRIPPLE
J	2	150U50-54	9 5/8"	HORIZONTAL BRACING

23-1162

Jewish Home for the Aging

1885 Victory Blvd. Reseda, CA

FrameMax, Inc.
13915 Danielson St
Suite 100
Poway, CA 92064
www.frame-max.com



© FrameMax Inc.

CREATED: 12/11/2008

FM-07-109

CREATED BY: TNT

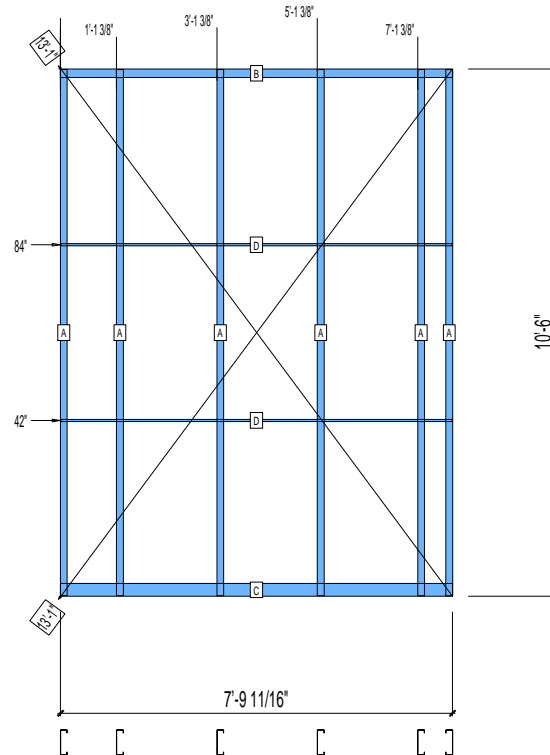
HEIGHT : 10'-6"
SPACING : 5000"
1st STUD: 5000"

POINTS: 1.11 Points.

APPROVED
By TNT at 2:46 pm, Dec 15, 2008

WEIGHTS :
FRAME : 160 lbs

TOTAL: 160 lbs



PIECES LIST

LABEL	QTY	SIZE	LENGTH	USE
A	6	600S162-54	10'-5 13/16"	STUD
B	1	600T200-54	7'-9 11/16"	TOP TRACK
C	1	600T300-54	7'-9 11/16"	BOTTOM TRACK
D	2	150U50-54	7'-9 1/2"	HORIZONTAL BRACING

23-1163

Jewish Home for the Aging

1885 Victory Blvd. Reseda, CA

FM-07-109

CREATED BY: TNT

FrameMax, Inc.
13915 Danielson St
Suite 100
Poway, CA 92064
www.frame-max.com



© FrameMax Inc.

APPROVED
By TNT at 2:46 pm, Dec 15, 2008

HEIGHT : 10'-6" POINTS: 2.71 Points.

SPACING : 24"

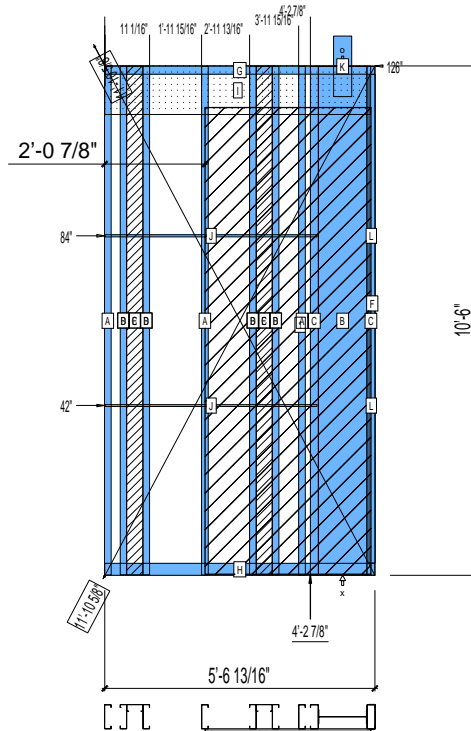
1st STUD: 24"

WEIGHTS :

FRAME : 352 lbs

SHEATHING: 121 lbs

TOTAL: 473 lbs



PIECES LIST

LABEL	QTY	SIZE	LENGTH	USE
A	3	600S162-54	10'-5 13/16"	STUD
B	1	1200i350p1062	10'-5 13/16"	PACO
C	2	600S200-54	10'-5 13/16"	STUD
D	4	600S162-33	10'-5 13/16"	BACKER STUD
E	2	400S162-33	10'-5 13/16"	BACKER-U
F	1	600T150-54	10'-0 7/8"	CAP TRACK
G	1	600T200-54	5'-6 13/16"	TOP TRACK
H	1	600T300-54	5'-6 13/16"	BOTTOM TRACK
I	1	1200D-54	5'-5 3/4"	STRAP
J	2	150U50-54	4'-4 7/16"	HORIZONTAL BRACING
K	1	A	1'-3"	HOLDDOWN
L	2	150U50-54	1 9/16"	HORIZONTAL BRACING

SHEATHING

LABEL	QTY	CODE	THICK	SIZE	SCREWS
1	1	SB-DENSARMOR	5/8"	3'-5" X 9'-7 7/16"	3-12

23-1164

Jewish Home for the Aging

1885 Victory Blvd. Reseda, CA

FM-07-109

CREATED BY: TNT

FrameMax, Inc.
13915 Danielson St
Suite 100
Poway, CA 92064
www.frame-max.com



© FrameMax Inc.

APPROVED
By TNT at 2:46 pm, Dec 15, 2008

HEIGHT : 10'-6" POINTS: 3.49 Points.

SPACING : 5000"

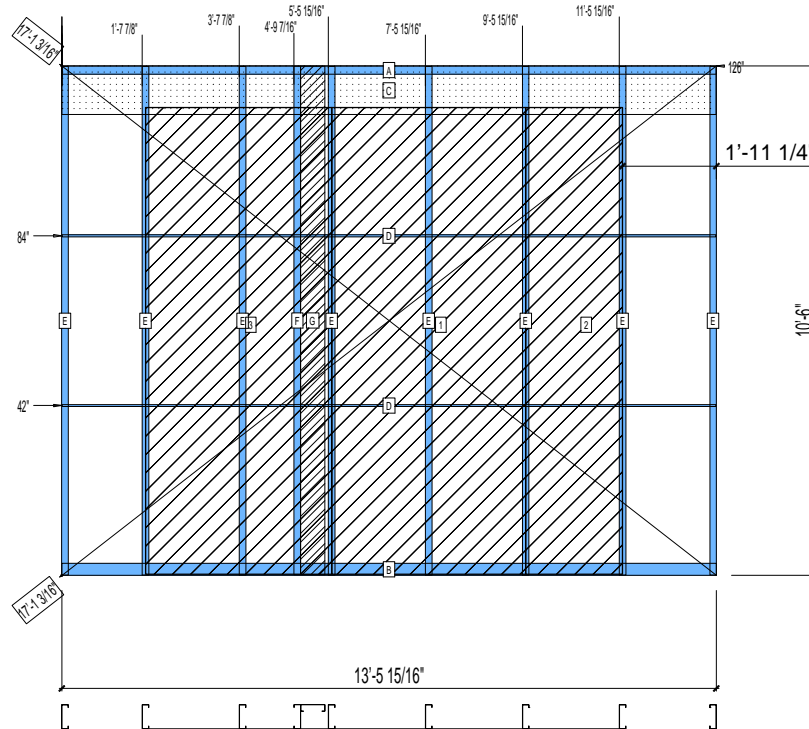
1st STUD: 5000"

WEIGHTS :

FRAME : 287 lbs

SHEATHING: 348 lbs

TOTAL: 635 lbs



PIECES LIST

LABEL	QTY	SIZE	LENGTH	USE
A	1	600T200-54	13'-5 15/16"	TOP TRACK
B	1	600T300-54	13'-5 15/16"	BOTTOM TRACK
C	1	1200D-54	13'-5 7/8"	STRAP
D	2	150U50-54	13'-5 3/4"	HORIZONTAL BRACING
E	8	600S162-54	10'-5 13/16"	STUD
F	1	600S162-33	10'-5 13/16"	BACKER STUD
G	1	600S162-33	10'-5 13/16"	BACKER-U

SHEATHING

LABEL	QTY	CODE	THICK	SIZE	SCREWS
1	1	SB-DENSARMOR	5/8"	4'-0" X 9'-7 7/16"	3-12
2	1	SB-DENSARMOR	5/8"	1'-11 15/16" X 9'-7 7/16"	3-12
3	1	SB-DENSARMOR	5/8"	3'-10" X 9'-7 7/16"	3-12

23-1165

Jewish Home for the Aging

1885 Victory Blvd. Reseda, CA

FM-07-109

CREATED BY: TNT

FrameMax, Inc.
13915 Danielson St
Suite 100
Poway, CA 92064
www.frame-max.com



© FrameMax Inc.

APPROVED
By TNT at 2:46 pm, Dec 15, 2008

HEIGHT : 11'-1 7/16" POINTS: 5.07 Points.

SPACING : 5000"

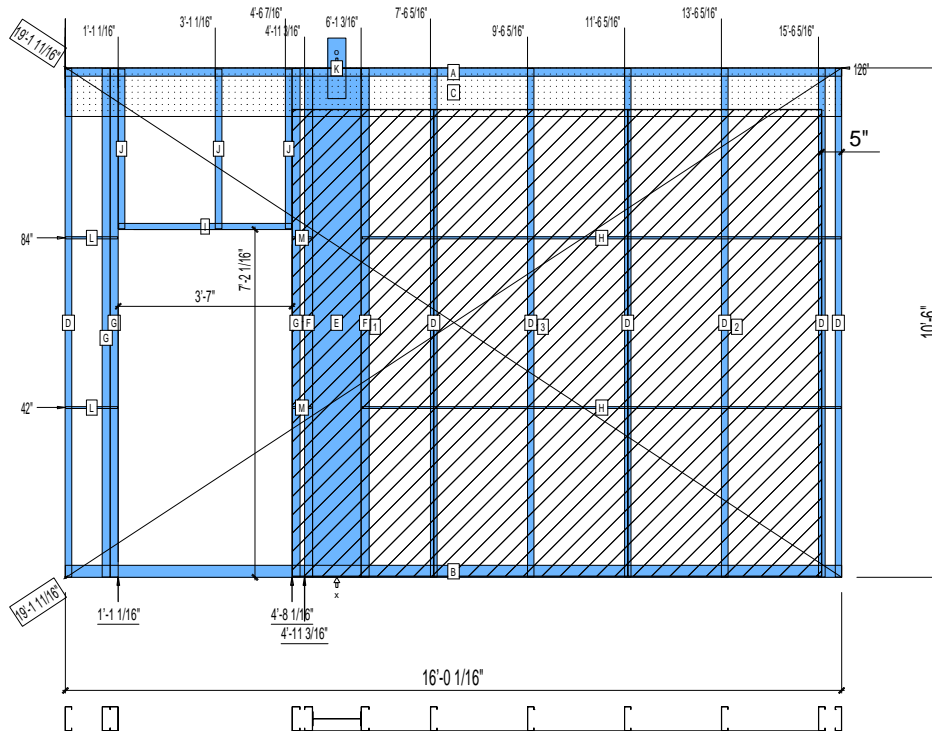
1st STUD: 5000"

WEIGHTS :

FRAME : 529 lbs

SHEATHING: 386 lbs

TOTAL: 915 lbs



PIECES LIST

LABEL	QTY	SIZE	LENGTH	USE
A	1	600T200-54	16'-0 1/16"	TOP TRACK
B	1	600T300-54	16'-0 1/16"	BOTTOM TRACK
C	1	1200D-54	16'-0"	STRAP
D	7	600S162-54	10'-5 13/16"	STUD
E	1	1200i350p1062	10'-5 13/16"	PACO
F	2	600S200-54	10'-5 13/16"	STUD
G	3	600S200-68	10'-5 13/16"	KING STUD
H	2	150U50-54	9'-10 1/2"	HORIZONTAL BRACING
I	1	600T150-54	3'-6 3/4"	HEAD TRACK
J	3	600S162-54	3'-3 1/2"	CRIPPLE
K	1	A	1'-3"	HOLDDOWN
L	2	150U50-54	1'-0 7/8"	HORIZONTAL BRACING
M	2	150U50-54	4 5/8"	HORIZONTAL BRACING

SHEATHING

LABEL	QTY	CODE	THICK	SIZE	SCREWS
1	1	SB-DENSARMOR	5/8"	2'-11" X 9'-7 7/16"	3-12
2	1	SB-DENSARMOR	5/8"	3'-11 15/16" X 9'-7 7/16"	3-12
3	1	SB-DENSARMOR	5/8"	4'-0" X 9'-7 7/16"	3-12

23-1166

Jewish Home for the Aging

1885 Victory Blvd. Reseda, CA

FrameMax, Inc.
13915 Danielson St
Suite 100
Poway, CA 92064
www.frame-max.com



© FrameMax Inc.

CREATED: 12/11/2008

FM-07-109

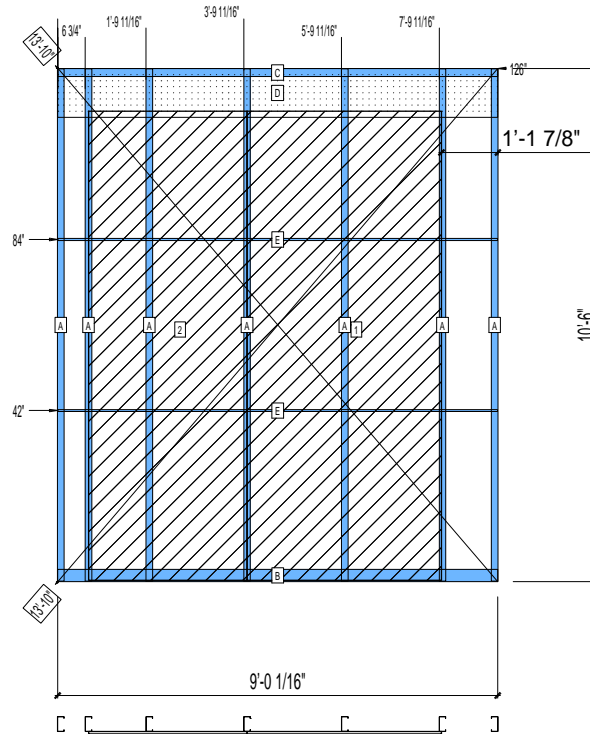
CREATED BY: TNT

APPROVED
By TNT at 2:46 pm, Dec 15, 2008

HEIGHT : 10'-6"
POINTS: 2.36 Points.
SPACING : 5000"
1st STUD: 5000"

WEIGHTS :
FRAME : 167 lbs
SHEATHING: 255 lbs

TOTAL: 422 lbs



PIECES LIST

LABEL	QTY	SIZE	LENGTH	USE
A	7	362S162-54	10'-5 13/16"	STUD
B	1	362T300-54	9'-0 1/16"	BOTTOM TRACK
C	1	362T200-54	9'-0 1/16"	TOP TRACK
D	1	1200D-54	9'-0 1/16"	STRAP
E	2	150U50-54	8'-11 15/16"	HORIZONTAL BRACING

SHEATHING

LABEL	QTY	CODE	THICK	SIZE	SCREWS
1	1	SB-DENSARMOR	5/8"	3'-11 3/4" X	9'-7 3/16" 2-12
2	1	SB-DENSARMOR	5/8"	3'-2 7/8" X	9'-7 3/16" 2-12

23-1167

Jewish Home for the Aging

1885 Victory Blvd. Reseda, CA

FrameMax, Inc.
13915 Danielson St
Suite 100
Poway, CA 92064
www.frame-max.com



© FrameMax Inc.

CREATED: 12/11/2008

FM-07-109

CREATED BY: TNT

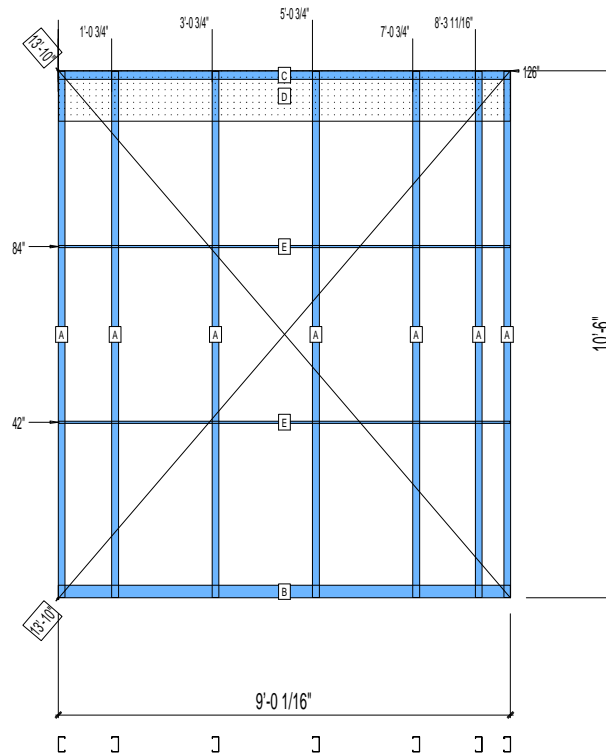
HEIGHT : 10'-6"
SPACING : 5000"
1st STUD: 5000"

POINTS: 1.21 Points.

APPROVED
By TNT at 2:46 pm, Dec 15, 2008

WEIGHTS :
FRAME : 167 lbs

TOTAL: 167 lbs



PIECES LIST

LABEL	QTY	SIZE	LENGTH	USE
A	7	362S162-54	10'-5 13/16"	STUD
B	1	362T300-54	9'-0 1/16"	BOTTOM TRACK
C	1	362T200-54	9'-0 1/16"	TOP TRACK
D	1	1200D-54	9'-0 1/16"	STRAP
E	2	150U50-54	8'-11 15/16"	HORIZONTAL BRACING

23-1168

Jewish Home for the Aging

1885 Victory Blvd. Reseda, CA

FrameMax, Inc.
13915 Danielson St
Suite 100
Poway, CA 92064
www.frame-max.com



© FrameMax Inc.

CREATED: 12/11/2008

FM-07-109

CREATED BY: TNT

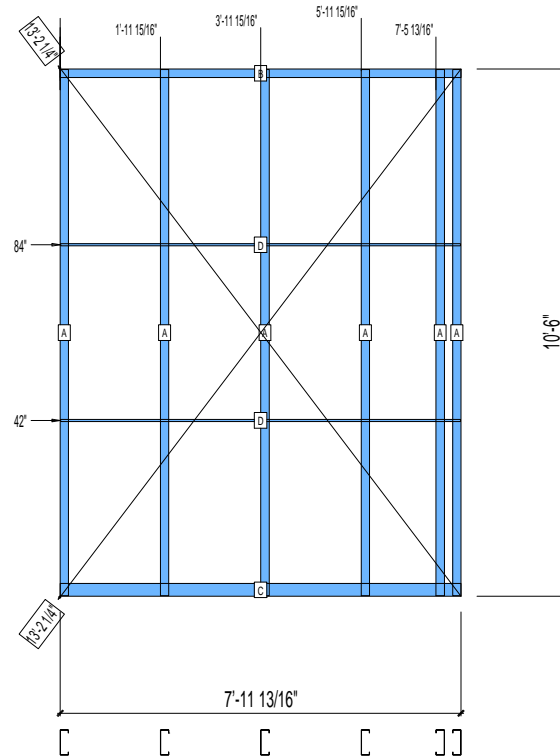
HEIGHT : 10'-6"
SPACING : 5000"
1st STUD: 5000"

POINTS: 1.17 Points.

APPROVED
By TNT at 2:46 pm, Dec 15, 2008

WEIGHTS :
FRAME : 174 lbs

TOTAL: 174 lbs



PIECES LIST

LABEL	QTY	SIZE	LENGTH	USE
A	6	600S200-54	10'-5 13/16"	STUD
B	1	600T200-54	7'-11 13/16"	TOP TRACK
C	1	600T300-54	7'-11 13/16"	BOTTOM TRACK
D	2	150U50-54	7'-11 5/8"	HORIZONTAL BRACING

23-1169

Jewish Home for the Aging

1885 Victory Blvd. Reseda, CA

FM-07-109

CREATED BY: TNT

FrameMax, Inc.
13915 Danielson St
Suite 100
Poway, CA 92064
www.frame-max.com



© FrameMax Inc.

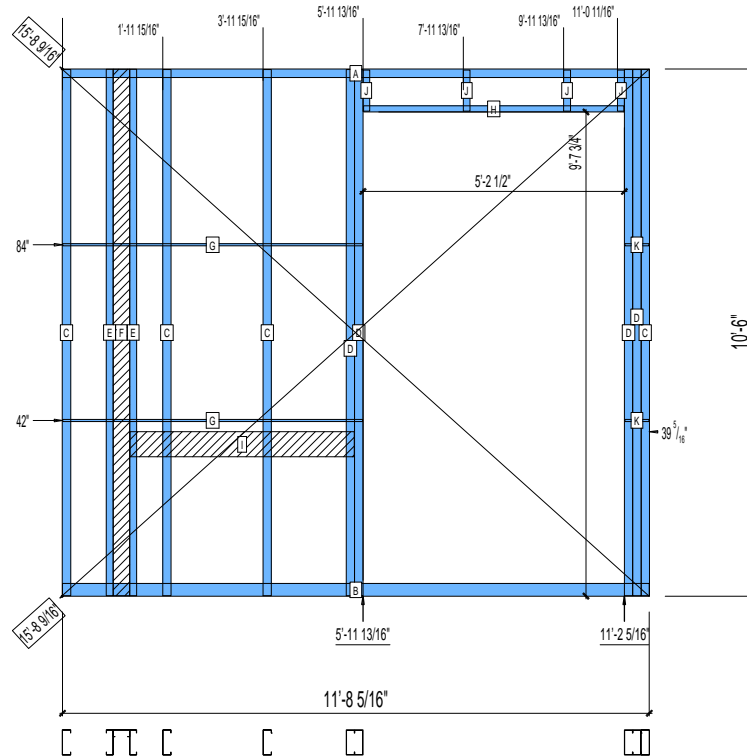
HEIGHT : 10'-6"
SPACING : 5000"
1st STUD: 5000"

POINTS: 2.14 Points.

APPROVED
By TNT at 2:46 pm, Dec 15, 2008

WEIGHTS :
FRAME : 308 lbs

TOTAL: 308 lbs



PIECES LIST

LABEL	QTY	SIZE	LENGTH	USE
A	1	600T200-54	11'-8 5/16"	TOP TRACK
B	1	600T300-54	11'-8 5/16"	BOTTOM TRACK
C	4	600S200-54	10'-5 13/16"	STUD
D	4	600S200-68	10'-5 13/16"	KING STUD
E	2	600S162-33	10'-5 13/16"	BACKER STUD
F	1	400S162-33	10'-5 13/16"	BACKER-U
G	2	150U50-54	5'-11 5/8"	HORIZONTAL BRACING
H	1	600T150-54	5'-2 1/4"	HEAD TRACK
I	1	600D-54	4'-5 5/8"	VANITY BACKING
J	4	600S162-54	9 13/16"	CRIPPLE
K	2	150U50-54	5 3/4"	HORIZONTAL BRACING

23-1170

Jewish Home for the Aging

1885 Victory Blvd. Reseda, CA

FM-07-109

CREATED BY: TNT

FrameMax, Inc.
13915 Danielson St
Suite 100
Poway, CA 92064
www.frame-max.com



© FrameMax Inc.

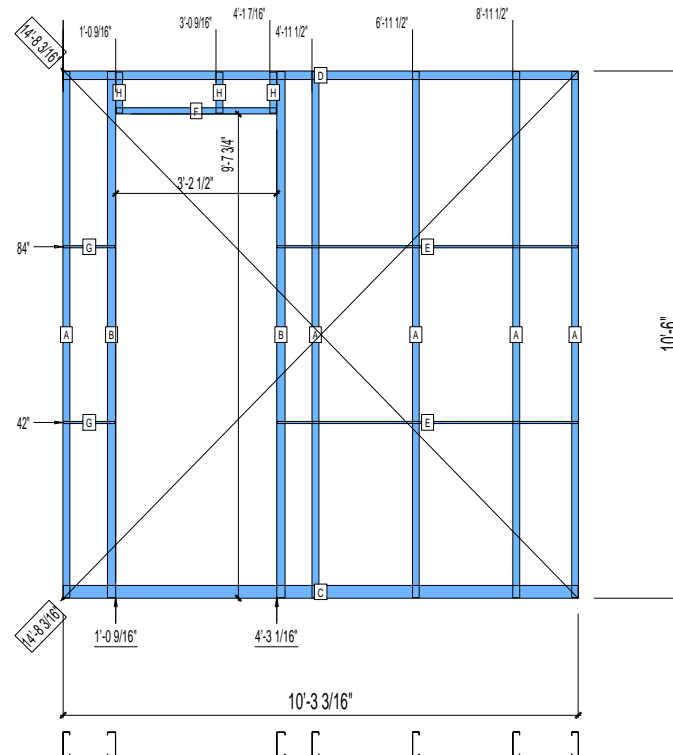
HEIGHT : 10'-6"
SPACING : 5000"
1st STUD: 16"

POINTS: 1.56 Points.

APPROVED
By TNT at 2:46 pm, Dec 15, 2008

WEIGHTS :
FRAME : 215 lbs

TOTAL: 215 lbs



PIECES LIST

LABEL	QTY	SIZE	LENGTH	USE
A	5	600S162-54	10'-5 13/16"	STUD
B	2	600S200-68	10'-5 13/16"	KING STUD
C	1	600T300-54	10'-3 3/16"	BOTTOM TRACK
D	1	600T200-54	10'-3 3/16"	TOP TRACK
E	2	150U50-54	5'-11 7/8"	HORIZONTAL BRACING
F	1	600T150-54	3'-2 1/4"	HEAD TRACK
G	2	150U50-54	1'-0 3/8"	HORIZONTAL BRACING
H	3	600S162-54	9 13/16"	CRIPPLE

23-1171

Jewish Home for the Aging

1885 Victory Blvd. Reseda, CA

FrameMax, Inc.
13915 Danielson St
Suite 100
Poway, CA 92064
www.framemax.com



© FrameMax Inc.

CREATED: 12/11/2008

FM-07-109

CREATED BY: TNT

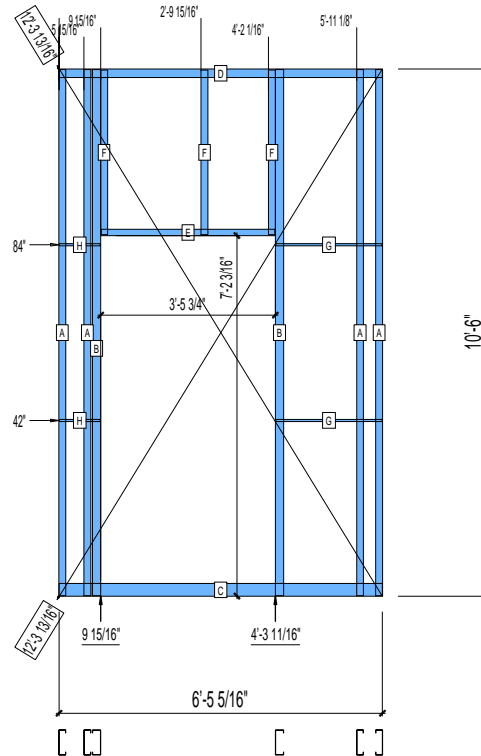
HEIGHT : 10'-6"
SPACING : 5000"
1st STUD: 5000"

POINTS: 1.34 Points.

APPROVED
By TNT at 2:46 pm, Dec 15, 2008

WEIGHTS :
FRAME : 189 lbs

TOTAL: 189 lbs



PIECES LIST

LABEL	QTY	SIZE	LENGTH	USE
A	4	600S162-54	10'-5 13/16"	STUD
B	2	600S200-68	10'-5 13/16"	KING STUD
C	1	600T300-54	6'-5 5/16"	BOTTOM TRACK
D	1	600T200-54	6'-5 5/16"	TOP TRACK
E	1	600T150-54	3'-5 1/2"	HEAD TRACK
F	3	600S162-54	3'-3 3/8"	CRIPPLE
G	2	150U50-54	2'-1 3/8"	HORIZONTAL BRACING
H	2	150U50-54	9 3/4"	HORIZONTAL BRACING

23-1172

Jewish Home for the Aging

1885 Victory Blvd. Reseda, CA

FrameMax, Inc.
13915 Danielson St
Suite 100
Poway, CA 92064
www.frame-max.com



© FrameMax Inc.

CREATED: 12/11/2008

FM-07-109

CREATED BY: TNT

HEIGHT : 10'-6" POINTS: 0.54 Points.

SPACING : 5000"

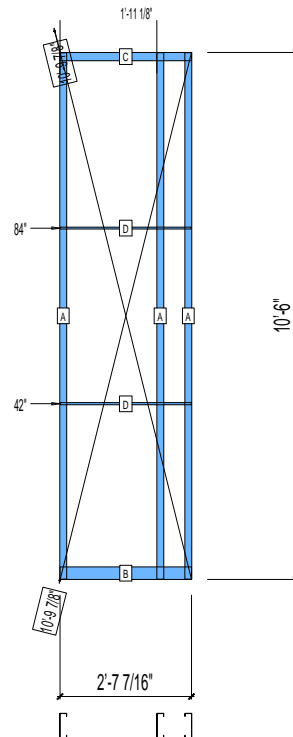
1st STUD: 5000"

APPROVED
By TNT at 2:46 pm, Dec 15, 2008

WEIGHTS :

FRAME : 73 lbs

TOTAL: 73 lbs



PIECES LIST

LABEL	QTY	SIZE	LENGTH	USE
A	3	600S162-54	10'-5 13/16"	STUD
B	1	600T300-54	2'-7 7/16"	BOTTOM TRACK
C	1	600T200-54	2'-7 7/16"	TOP TRACK
D	2	150U50-54	2'-7 1/4"	HORIZONTAL BRACING

23-1173

Jewish Home for the Aging

1885 Victory Blvd. Reseda, CA

FrameMax, Inc.
13915 Danielson St
Suite 100
Poway, CA 92064
www.framemax.com



© FrameMax Inc.

CREATED: 12/11/2008

FM-07-109

CREATED BY: TNT

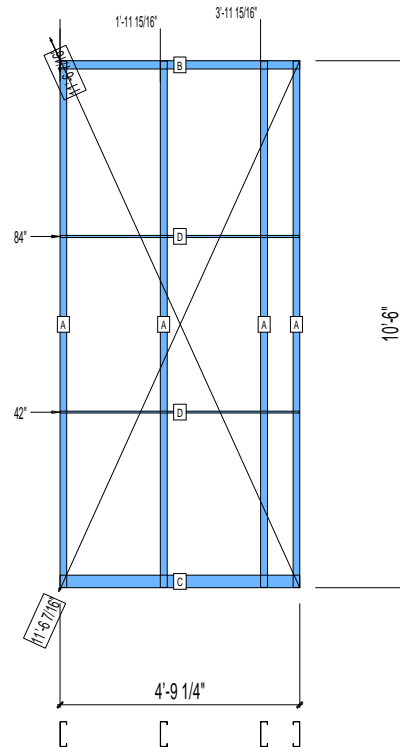
HEIGHT : 10'-6"
SPACING : 5000"
1st STUD: 5000"

POINTS: 0.75 Points.

APPROVED
By TNT at 2:46 pm, Dec 15, 2008

WEIGHTS :
FRAME : 105 lbs

TOTAL: 105 lbs



PIECES LIST

LABEL	QTY	SIZE	LENGTH	USE
A	4	600S162-54	10'-5 13/16"	STUD
B	1	600T200-54	4'-9 1/4"	TOP TRACK
C	1	600T300-54	4'-9 1/4"	BOTTOM TRACK
D	2	150U50-54	4'-9 1/8"	HORIZONTAL BRACING

23-1174

Jewish Home for the Aging

1885 Victory Blvd. Reseda, CA

FrameMax, Inc.
13915 Danielson St
Suite 100
Poway, CA 92064
www.framemax.com



© FrameMax Inc.

CREATED: 12/11/2008

FM-07-109

CREATED BY: TNT

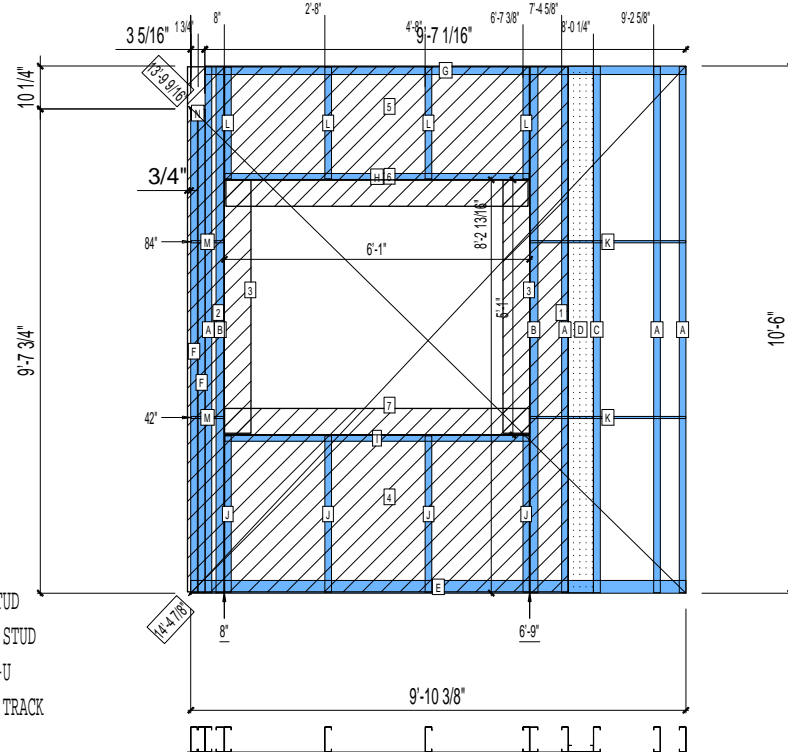
HEIGHT : 10'-6"
SPACING : 5000"
1st STUD: 5000"

POINTS: 2.84 Points.

APPROVED
By TNT at 2:46 pm, Dec 15, 2008

WEIGHTS :
FRAME : 302 lbs
SHEATHING: 150 lbs

TOTAL: 452 lbs



PIECES LIST

LABEL	QTY	SIZE	LENGTH	USE
A	4	600S162-54	10'-5 13/16"	STUD
B	2	600S200-68	10'-5 13/16"	KING STUD
C	1	600S162-33	10'-5 13/16"	BACKER STUD
D	1	600S162-33	10'-5 13/16"	BACKER-U
E	1	600T300-54	9'-10 3/8"	BOTTOM TRACK
F	2	600S162-54	9'-7 9/16"	STUD
G	1	600T200-54	9'-6 15/16"	TOP TRACK
H	1	600T150-54	6'-0 3/4"	HEAD TRACK
I	1	600T150-54	6'-0 3/4"	SILL
J	4	600S162-54	3'-1 3/8"	CRIPPLE
K	2	150U50-54	3'-1 1/8"	HORIZONTAL BRACING
L	4	600S162-54	2'-2 3/4"	CRIPPLE
M	2	150U50-54	7 13/16"	HORIZONTAL BRACING
N	1	600T200-54	3 5/16"	TOP TRACK

SHEATHING

LABEL	QTY	CODE	THICK	SIZE	SCREWS
1	1	DENSGLASS	1/2"	9 1/8" X 10'-5 9/16"	8 - 12
2	1	DENSGLASS	1/2"	8 3/4" X 10'-5 9/16"	8 - 12
3	2	DENSGLASS	1/2"	6 3/8" X 5'-0 1/2"	8 - 12
4	1	DENSGLASS	1/2"	6'-0 7/8" X 3'-1 1/2"	8 - 12
5	1	DENSGLASS	1/2"	6'-0 7/8" X 2'-3"	8 - 12
6	1	DENSGLASS	1/2"	6'-0 1/4" X 6 5/16"	8 - 12
7	1	DENSGLASS	1/2"	6'-0 7/8" X 6 5/16"	8 - 12

23-1175

Jewish Home for the Aging

1885 Victory Blvd. Reseda, CA

FrameMax, Inc.
13915 Danielson St
Suite 100
Poway, CA 92064
www.frame-max.com



© FrameMax Inc.

CREATED: 12/11/2008

FM-07-109

CREATED BY: TNT

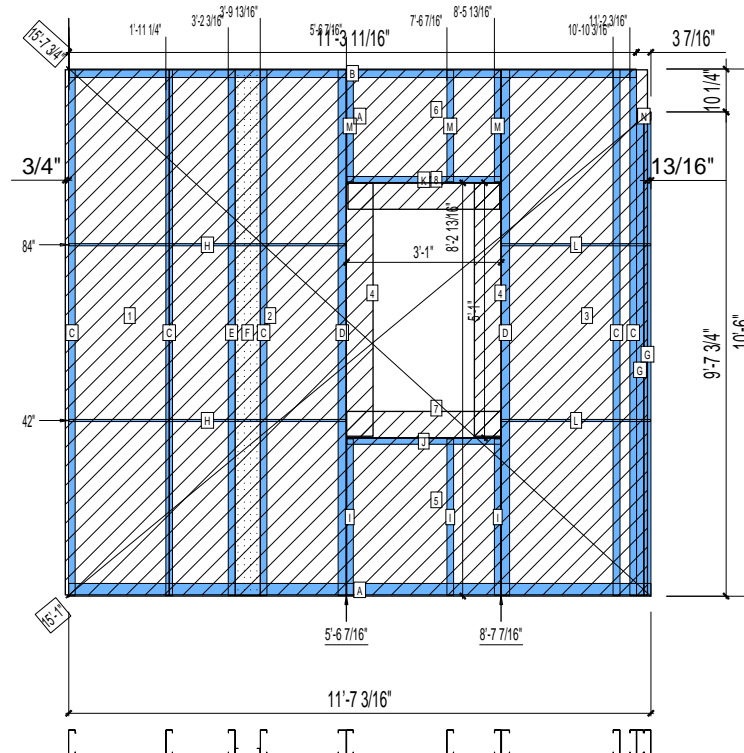
HEIGHT : 10'-6"
SPACING : 5000"
1st STUD: 5000"

POINTS: 3.52 Points.

APPROVED
By TNT at 2:46 pm, Dec 15, 2008

WEIGHTS :
FRAME : 314 lbs
SHEATHING: 285 lbs

TOTAL: 599 lbs



PIECES LIST			
LABEL	QTY	SIZE	LENGTH USE
A	1	600T300-54	11'-7 3/16" BOTTOM TRACK
B	1	600T200-54	11'-3 11/16" TOP TRACK
C	5	600S162-54	10'-5 13/16" STUD
D	2	600S200-68	10'-5 13/16" KING STUD
E	1	600S162-33	10'-5 13/16" BACKER STUD
F	1	600S162-33	10'-5 13/16" BACKER-U
G	2	600S162-54	9'-7 9/16" STUD
H	2	150U50-54	5'-6 3/16" HORIZONTAL BRACING
I	3	600S162-54	3'-1 3/8" CRIPPLE
J	1	600T150-54	3'-0 3/4" SILL
K	1	600T150-54	3'-0 3/4" HEAD TRACK
L	2	150U50-54	2'-11 9/16" HORIZONTAL BRACING
M	3	600S162-54	2'-2 3/4" CRIPPLE
N	1	600T200-54	3 5/16" TOP TRACK

SHEATHING

LABEL	QTY	CODE	THICK	SIZE	SCREWS
1	1	DENSGLASS	1/2"	2'-0 13/16" X 10'-5 9/16"	8 - 12
2	1	DENSGLASS	1/2"	3'-6 5/16" X 10'-5 9/16"	8 - 12
3	1	DENSGLASS	1/2"	2'-10 15/16" X 10'-5 9/16"	8 - 12
4	2	DENSGLASS	1/2"	6 3/8" X 5'-0 1/2"	8 - 12
5	1	DENSGLASS	1/2"	3'-0 7/8" X 3'-1 1/2"	8 - 12
6	1	DENSGLASS	1/2"	3'-0 7/8" X 2'-3"	8 - 12
7	1	DENSGLASS	1/2"	3'-0 7/8" X 6 5/16"	8 - 12
8	1	DENSGLASS	1/2"	3'-0 1/4" X 6 5/16"	8 - 12

23-1176

Jewish Home for the Aging

1885 Victory Blvd. Reseda, CA

FrameMax, Inc.
13915 Danielson St
Suite 100
Poway, CA 92064
www.frame-max.com



© FrameMax Inc.

CREATED: 12/11/2008

FM-07-109

CREATED BY: TNT

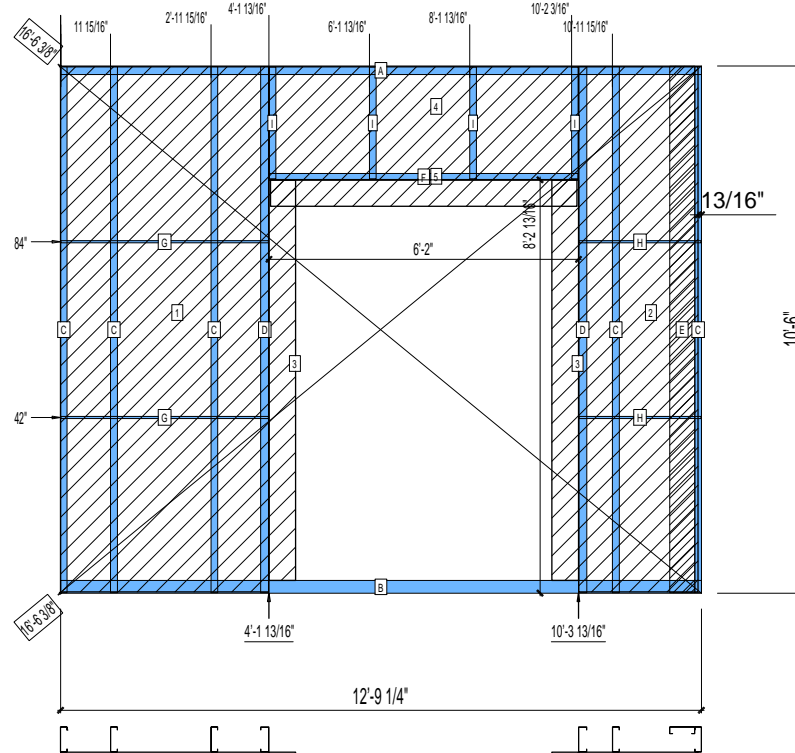
HEIGHT : 10'-6"
SPACING : 5000"
1st STUD: 5000"

POINTS: 2.90 Points.

APPROVED
By TNT at 2:46 pm, Dec 15, 2008

WEIGHTS :
FRAME : 255 lbs
SHEATHING: 235 lbs

TOTAL: 490 lbs



PIECES LIST

LABEL	QTY	SIZE	LENGTH	USE
A	1	600T200-54	12'-9 1/4"	TOP TRACK
B	1	600T300-54	12'-9 1/4"	BOTTOM TRACK
C	5	600S162-54	10'-5 13/16"	STUD
D	2	600S200-68	10'-5 13/16"	KING STUD
E	1	600S162-33	10'-5 13/16"	BACKER-U
F	1	600T150-54	6'-1 3/4"	HEAD TRACK
G	2	150U50-54	4'-1 5/8"	HORIZONTAL BRACING
H	2	150U50-54	2'-5 3/16"	HORIZONTAL BRACING
I	4	600S162-54	2'-2 3/4"	CRIPPLE

SHEATHING

LABEL	QTY	CODE	THICK	SIZE	SCREWS
1	1	DENSGLASS	1/2"	4'-1 3/4" X 10'-5 9/16"	8 - 12
2	1	DENSGLASS	1/2"	2'-4 9/16" X 10'-5 9/16"	8 - 12
3	2	DENSGLASS	1/2"	6 3/8" X 7'-11 3/4"	8 - 12
4	1	DENSGLASS	1/2"	6'-1 7/8" X 2'-3"	8 - 12
5	1	DENSGLASS	1/2"	6'-1 1/4" X 6 5/16"	8 - 12

23-1177

Jewish Home for the Aging

1885 Victory Blvd. Reseda, CA

FrameMax, Inc.
13915 Danielson St
Suite 100
Poway, CA 92064
www.frame-max.com



© FrameMax Inc.

CREATED: 12/11/2008

FM-07-109

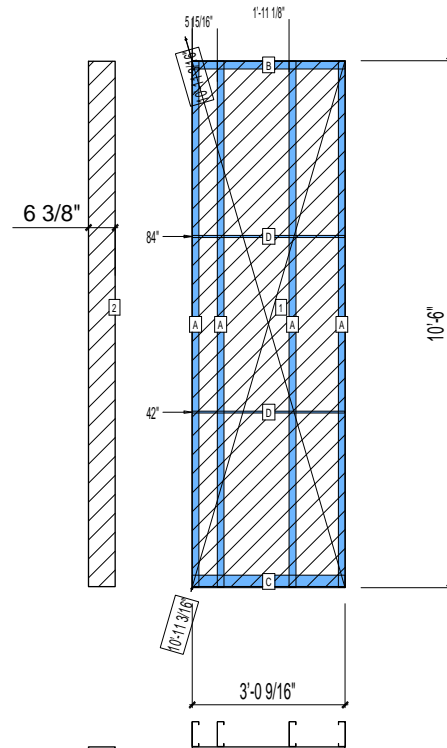
CREATED BY: TNT

HEIGHT : 10'-6"
POINTS: 1.09 Points.
SPACING : 5000"
1st STUD: 5000"

APPROVED
By TNT at 2:46 pm, Dec 15, 2008

WEIGHTS :
FRAME : 95 lbs
SHEATHING: 93 lbs

TOTAL: 188 lbs



PIECES LIST

LABEL	QTY	SIZE	LENGTH	USE
A	4	600S162-54	10'-5 13/16"	STUD
B	1	600T200-54	3'-0 9/16"	TOP TRACK
C	1	600T300-54	3'-0 9/16"	BOTTOM TRACK
D	2	150U50-54	3'-0 3/8"	HORIZONTAL BRACING

SHEATHING

LABEL	QTY	CODE	THICK	SIZE	SCREWS
1	1	DENSGLASS	1/2"	3'-0 1/2" X 10'-5 9/16"	8 - 12
2	1	DENSGLASS	1/2"	6 3/8" X 10'-5 9/16"	8 - 12

23-1178

Jewish Home for the Aging

1885 Victory Blvd. Reseda, CA

FrameMax, Inc.
13915 Danielson St
Suite 100
Poway, CA 92064
www.framemax.com



© FrameMax Inc.

CREATED: 12/11/2008

FM-07-109

CREATED BY: TNT

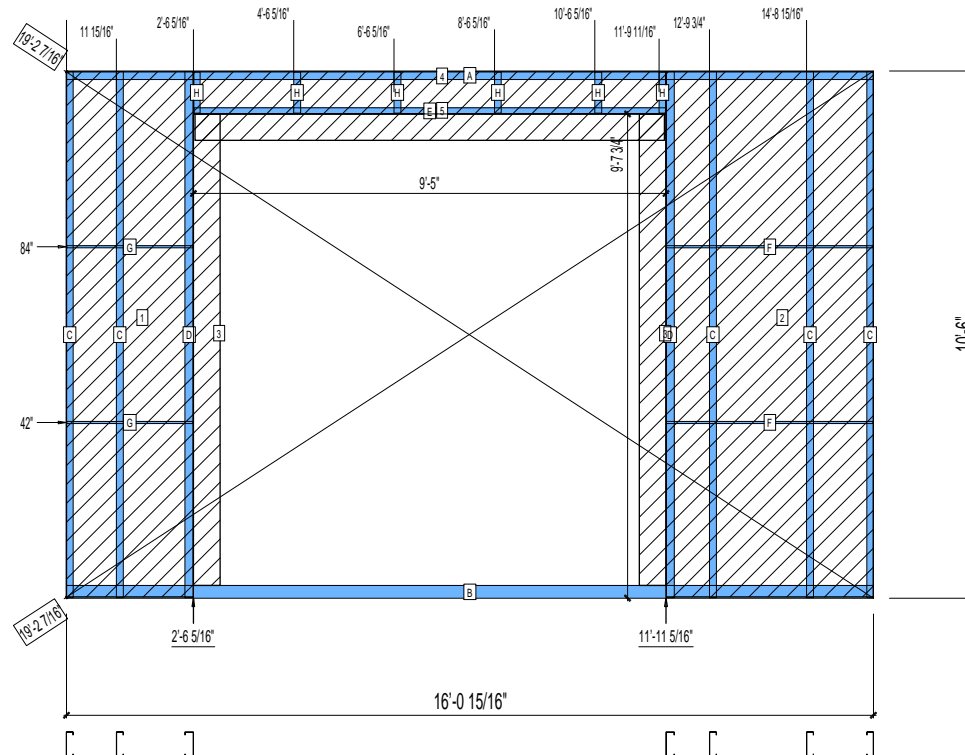
HEIGHT : 10'-6"
SPACING : 5000"
1st STUD: 5000"

POINTS: 2.97 Points.

APPROVED
By TNT at 2:46 pm, Dec 15, 2008

WEIGHTS :
FRAME : 255 lbs
SHEATHING: 231 lbs

TOTAL: 486 lbs



PIECES LIST

LABEL	QTY	SIZE	LENGTH	USE
A	1	600T200-54	16'-0 15/16"	TOP TRACK
B	1	600T300-54	16'-0 15/16"	BOTTOM TRACK
C	5	600S162-54	10'-5 13/16"	STUD
D	2	600S200-68	10'-5 13/16"	KING STUD
E	1	600T150-54	9'-4 3/4"	HEAD TRACK
F	2	150U50-54	4'-1 3/8"	HORIZONTAL BRACING
G	2	150U50-54	2'-6 1/8"	HORIZONTAL BRACING
H	6	600S162-54	9 13/16"	CRIPPLE

SHEATHING

LABEL	QTY	CODE	THICK	SIZE	SCREWS
1	1	DENSGLASS	1/2"	2'-6 1/4" X 10'-5 9/16"	8 - 12
2	1	DENSGLASS	1/2"	4'-1 1/2" X 10'-5 9/16"	8 - 12
3	2	DENSGLASS	1/2"	6 3/8" X 9'-4 11/16"	8 - 12
4	1	DENSGLASS	1/2"	9'-4 7/8" X 10 1/16"	8 - 12
5	1	DENSGLASS	1/2"	9'-4 1/4" X 6 5/16"	8 - 12

23-1179

Jewish Home for the Aging

1885 Victory Blvd. Reseda, CA

FM-07-109

CREATED BY: TNT

FrameMax, Inc.
13915 Danielson St
Suite 100
Poway, CA 92064
www.frame-max.com



© FrameMax Inc.

HEIGHT : 10'-6" POINTS: 1.80 Points.

SPACING : 5000"

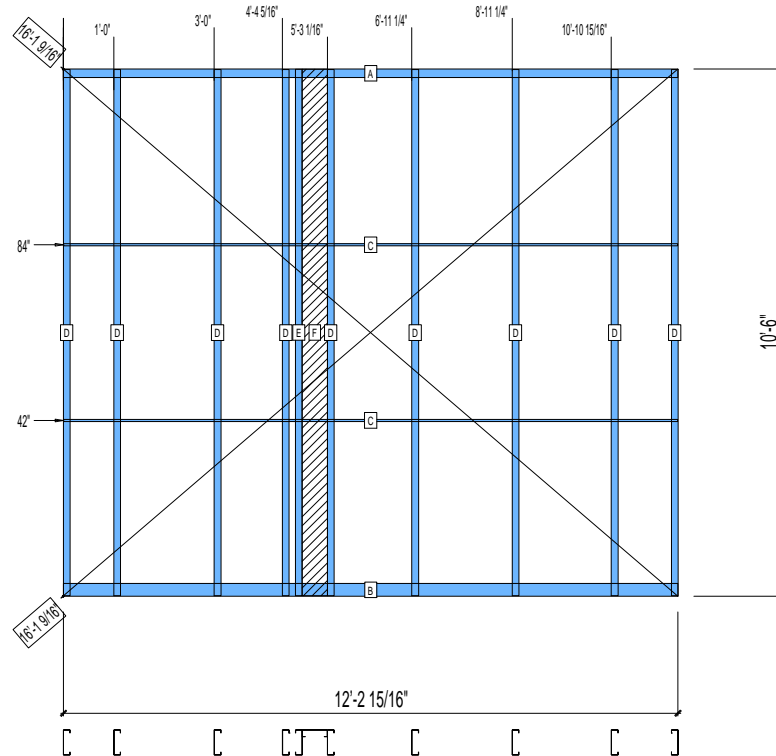
1st STUD: 5000"

APPROVED
By TNT at 2:46 pm, Dec 15, 2008

WEIGHTS :

FRAME : 268 lbs

TOTAL: 268 lbs



PIECES LIST

LABEL	QTY	SIZE	LENGTH	USE
A	1	600T200-54	12'-2 15/16"	TOP TRACK
B	1	600T300-54	12'-2 15/16"	BOTTOM TRACK
C	2	150U50-54	12'-2 3/4"	HORIZONTAL BRACING
D	9	600S162-54	10'-5 13/16"	STUD
E	1	600S162-33	10'-5 13/16"	BACKER STUD
F	1	600S162-33	10'-5 13/16"	BACKER-U

23-1180

Jewish Home for the Aging

1885 Victory Blvd. Reseda, CA

FrameMax, Inc.
13915 Danielson St
Suite 100
Poway, CA 92064
www.frame-max.com



© FrameMax Inc.

CREATED: 12/11/2008

FM-07-109

CREATED BY: TNT

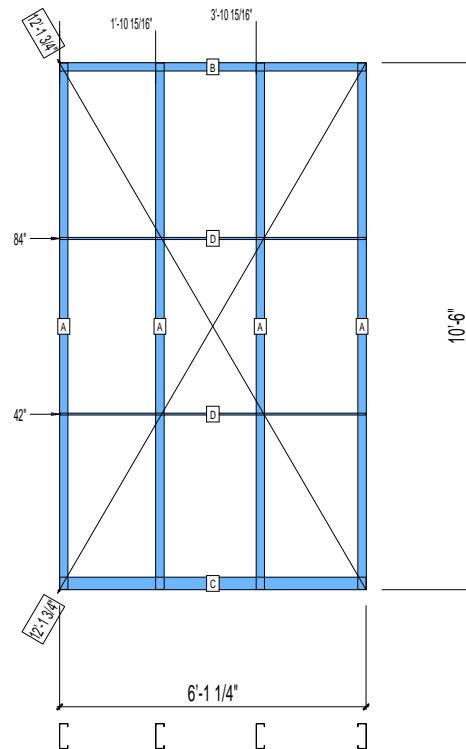
HEIGHT : 10'-6"
SPACING : 5000"
1st STUD: 5000"

POINTS: 0.85 Points.

APPROVED
By TNT at 2:46 pm, Dec 15, 2008

WEIGHTS :
FRAME : 120 lbs

TOTAL: 120 lbs



PIECES LIST

LABEL	QTY	SIZE	LENGTH	USE
A	4	600S200-54	10'-5 13/16"	STUD
B	1	600T200-54	6'-1 1/4"	TOP TRACK
C	1	600T300-54	6'-1 1/4"	BOTTOM TRACK
D	2	150U50-54	6'-1 1/16"	HORIZONTAL BRACING

23-1181

Jewish Home for the Aging

1885 Victory Blvd. Reseda, CA

FM-07-109

CREATED BY: TNT

FrameMax, Inc.
13915 Danielson St
Suite 100
Poway, CA 92064
www.framemax.com



© FrameMax Inc.

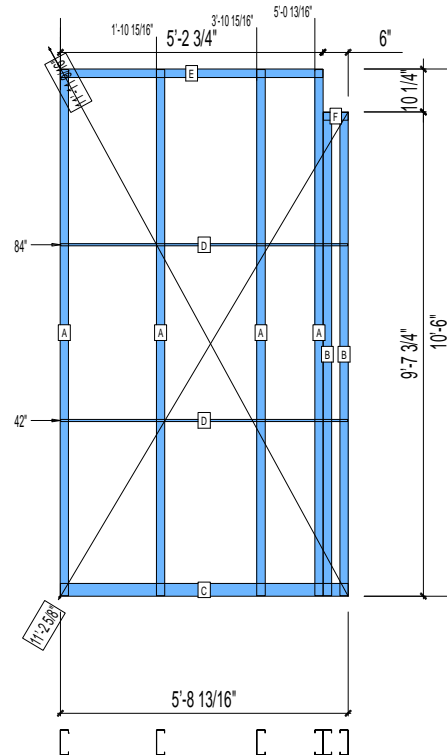
HEIGHT : 10'-6"
SPACING : 5000"
1st STUD: 5000"

POINTS: 1.07 Points.

APPROVED
By TNT at 2:46 pm, Dec 15, 2008

WEIGHTS :
FRAME : 158 lbs

TOTAL: 158 lbs



PIECES LIST

LABEL	QTY	SIZE	LENGTH	USE
A	4	600S200-54	10'-5 13/16"	STUD
B	2	600S200-54	9'-7 9/16"	STUD
C	1	600T300-54	5'-8 13/16"	BOTTOM TRACK
D	2	150U50-54	5'-8 5/8"	HORIZONTAL BRACING
E	1	600T200-54	5'-2 3/4"	TOP TRACK
F	1	600T200-54	5 7/8"	TOP TRACK

23-1182

Jewish Home for the Aging

1885 Victory Blvd. Reseda, CA

FrameMax, Inc.
13915 Danielson St
Suite 100
Poway, CA 92064
www.frame-max.com



© FrameMax Inc.

CREATED: 12/15/2008

FM-07-109

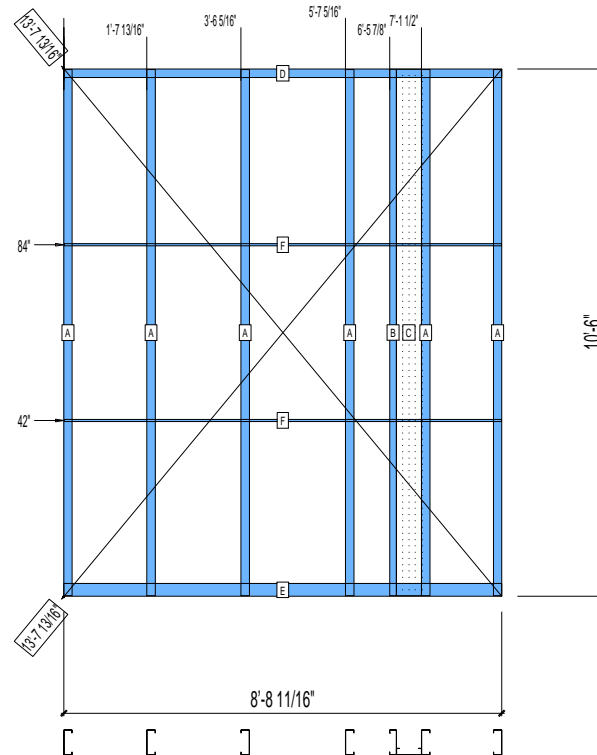
CREATED BY: TNT

HEIGHT : 10'-6"
POINTS: 1.36 Points.
SPACING : 5000"
1st STUD: 16"

APPROVED
By TNT at 2:46 pm, Dec 15, 2008

WEIGHTS :
FRAME : 202 lbs

TOTAL: 202 lbs



PIECES LIST

LABEL	QTY	SIZE	LENGTH	USE
A	6	600S200-54	10'-5 13/16"	STUD
B	1	600S162-33	10'-5 13/16"	BACKER STUD
C	1	600S162-33	10'-5 13/16"	BACKER-U
D	1	600T200-54	8'-8 11/16"	TOP TRACK
E	1	600T300-54	8'-8 11/16"	BOTTOM TRACK
F	2	150U50-54	8'-8 1/2"	HORIZONTAL BRACING

23-1183

Jewish Home for the Aging

1885 Victory Blvd. Reseda, CA

FrameMax, Inc.
13915 Danielson St
Suite 100
Poway, CA 92064
www.frame-max.com



© FrameMax Inc.

CREATED: 12/11/2008

FM-07-109

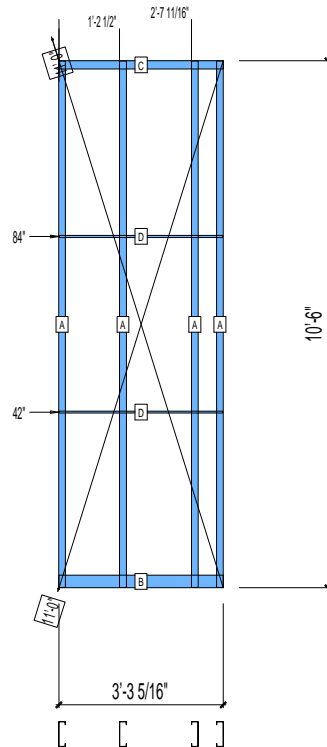
CREATED BY: TNT

HEIGHT : 10'-6"
POINTS: 0.68 Points.
SPACING : 5000"
1st STUD: 5000"

APPROVED
By TNT at 2:46 pm, Dec 15, 2008

WEIGHTS :
FRAME : 97 lbs

TOTAL: 97 lbs



PIECES LIST

LABEL	QTY	SIZE	LENGTH	USE
A	4	600S162-54	10'-5 13/16"	STUD
B	1	600T300-54	3'-3 5/16"	BOTTOM TRACK
C	1	600T200-54	3'-3 5/16"	TOP TRACK
D	2	150U50-54	3'-3 1/8"	HORIZONTAL BRACING

23-1184

Jewish Home for the Aging

1885 Victory Blvd. Reseda, CA

FrameMax, Inc.
13915 Danielson St
Suite 100
Poway, CA 92064
www.frame-max.com



© FrameMax Inc.

CREATED: 12/11/2008

FM-07-109

CREATED BY: TNT

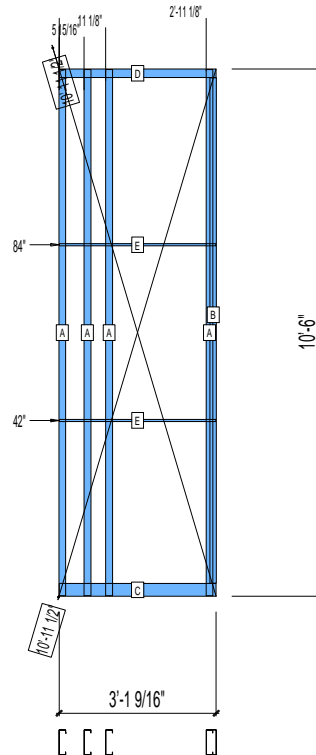
HEIGHT : 10'-6"
SPACING : 5000"
1st STUD: 5000"

POINTS: 0.77 Points.

APPROVED
By TNT at 2:46 pm, Dec 15, 2008

WEIGHTS :
FRAME : 113 lbs

TOTAL: 113 lbs



PIECES LIST

LABEL	QTY	SIZE	LENGTH	USE
A	4	600S162-54	10'-5 13/16"	STUD
B	1	600T150-54	10'-0 7/8"	CAP TRACK
C	1	600T300-54	3'-1 9/16"	BOTTOM TRACK
D	1	600T200-54	3'-1 9/16"	TOP TRACK
E	2	150U50-54	3'-1 3/8"	HORIZONTAL BRACING

23-1185

Jewish Home for the Aging

1885 Victory Blvd. Reseda, CA

FM-07-109

CREATED BY: TNT

FrameMax, Inc.
13915 Danielson St
Suite 100
Poway, CA 92064
www.frame-max.com



© FrameMax Inc.

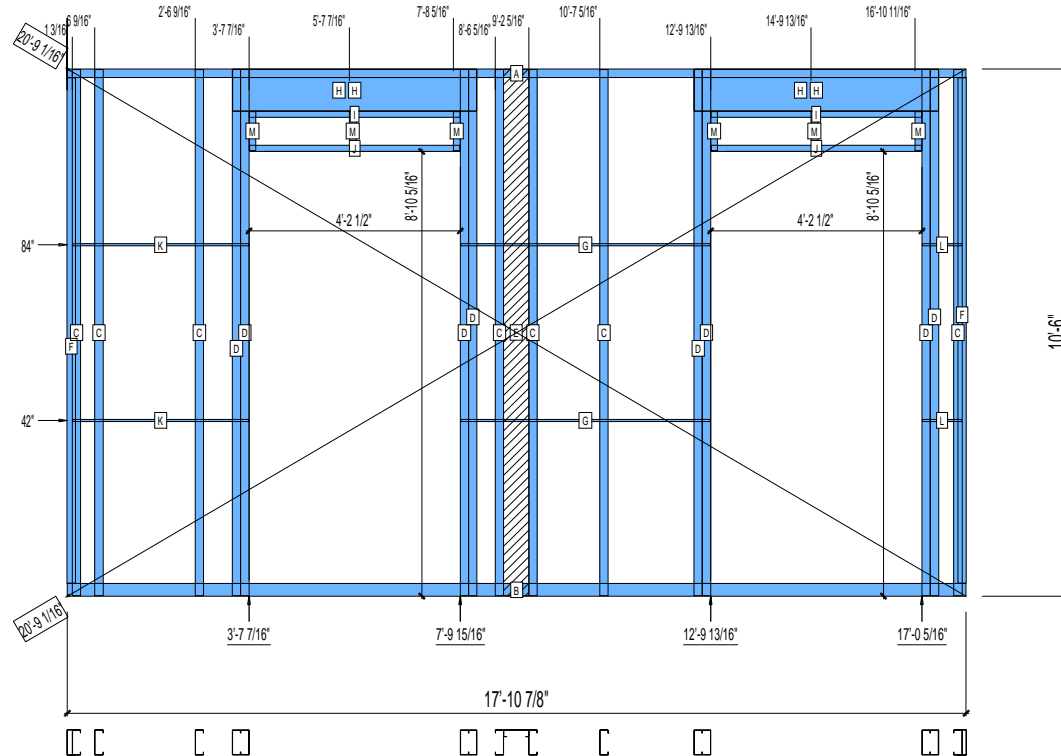
HEIGHT : 10'-6"
SPACING : 5000"
1st STUD: 5000"

POINTS: 3.97 Points.

APPROVED
By TNT at 2:46 pm, Dec 15, 2008

WEIGHTS :
FRAME : 603 lbs

TOTAL: 603 lbs



PIECES LIST

LABEL	QTY	SIZE	LENGTH	USE
A	1	600T200-54	17'-10 7/8"	TOP TRACK
B	1	600T300-54	17'-10 7/8"	BOTTOM TRACK
C	7	600S200-54	10'-5 13/16"	STUD
D	8	600S200-68	10'-5 13/16"	KING STUD
E	1	600S162-33	10'-5 13/16"	BACKER-U
F	2	600T200-33	10'-0 7/8"	CAP TRACK
G	2	150U50-54	4'-11 5/8"	HORIZONTAL BRACING
H	4	1000S162-68	4'-10 3/8"	HEADER
I	2	600T150-68	4'-2 3/8"	HEADER BOTTOM TRACK
J	2	600T150-54	4'-2 1/4"	HEAD TRACK
K	2	150U50-54	3'-6"	HORIZONTAL BRACING
L	2	150U50-54	9 3/8"	HORIZONTAL BRACING
M	6	600S162-54	9 5/16"	CRIPPLE

23-1186

Jewish Home for the Aging

1885 Victory Blvd. Reseda, CA

FrameMax, Inc.
13915 Danielson St
Suite 100
Poway, CA 92064
www.frame-max.com



© FrameMax Inc.

CREATED: 12/12/2008

FM-07-109

CREATED BY: TNT

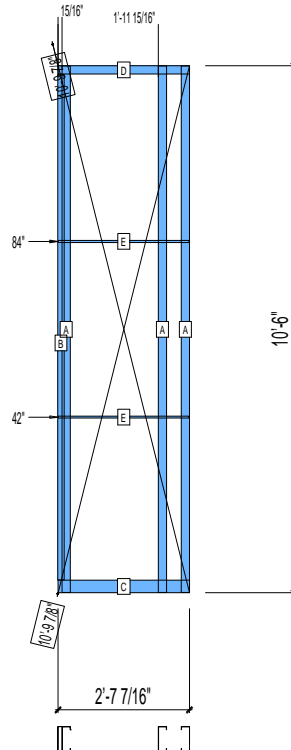
HEIGHT : 10'-6"
SPACING : 5000"
1st STUD: 5000"

POINTS: 0.63 Points.

APPROVED
By TNT at 2:46 pm, Dec 15, 2008

WEIGHTS :
FRAME : 90 lbs

TOTAL: 90 lbs



PIECES LIST

LABEL	QTY	SIZE	LENGTH	USE
A	3	600S200-54	10'-5 13/16"	STUD
B	1	600T150-33	10'-0 7/8"	CAP TRACK
C	1	600T300-54	2'-7 7/16"	BOTTOM TRACK
D	1	600T200-54	2'-7 7/16"	TOP TRACK
E	2	150U50-54	2'-7 1/4"	HORIZONTAL BRACING

23-1187

Jewish Home for the Aging

1885 Victory Blvd. Reseda, CA

FrameMax, Inc.
13915 Danielson St
Suite 100
Poway, CA 92064
www.frame-max.com



© FrameMax Inc.

CREATED: 12/11/2008

FM-07-109

CREATED BY: TNT

HEIGHT : 10'-6" POINTS: 0.54 Points.

SPACING : 5000"

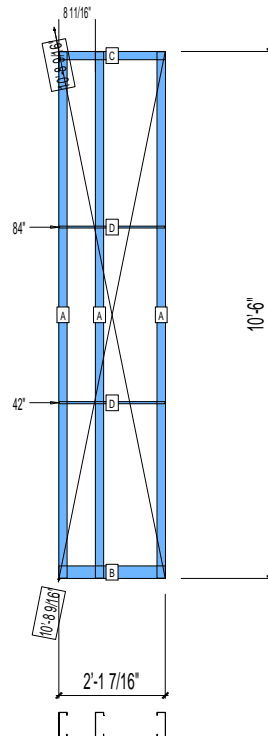
1st STUD: 5000"

APPROVED
By TNT at 2:46 pm, Dec 15, 2008

WEIGHTS :

FRAME : 77 lbs

TOTAL: 77 lbs



PIECES LIST

LABEL	QTY	SIZE	LENGTH	USE
A	3	600S200-54	10'-5 13/16"	STUD
B	1	600T300-54	2'-1 7/16"	BOTTOM TRACK
C	1	600T200-54	2'-1 7/16"	TOP TRACK
D	2	150U50-54	2'-1 1/4"	HORIZONTAL BRACING

23-1188

Jewish Home for the Aging

1885 Victory Blvd. Reseda, CA

FrameMax, Inc.
13915 Danielson St
Suite 100
Poway, CA 92064
www.frame-max.com



© FrameMax Inc.

CREATED: 12/11/2008

FM-07-109

CREATED BY: TNT

HEIGHT : 10'-6" POINTS: 0.64 Points.

SPACING : 24"

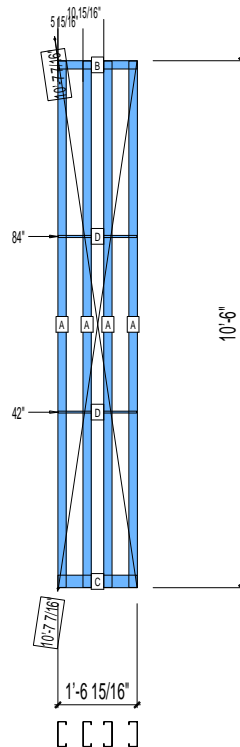
1st STUD: 24"

APPROVED
By TNT at 2:46 pm, Dec 15, 2008

WEIGHTS :

FRAME : 96 lbs

TOTAL: 96 lbs



PIECES LIST

LABEL	QTY	SIZE	LENGTH	USE
A	4	600S200-54	10'-5 13/16"	STUD
B	1	600T200-54	1'-6 15/16"	TOP TRACK
C	1	600T300-54	1'-6 15/16"	BOTTOM TRACK
D	2	150U50-54	1'-6 3/4"	HORIZONTAL BRACING

23-1189

Jewish Home for the Aging

1885 Victory Blvd. Reseda, CA

FrameMax, Inc.
13915 Danielson St
Suite 100
Poway, CA 92064
www.frame-max.com



© FrameMax Inc.

CREATED: 12/11/2008

FM-07-109

CREATED BY: TNT

HEIGHT : 10'-6" POINTS: 0.63 Points.

SPACING : 5000"

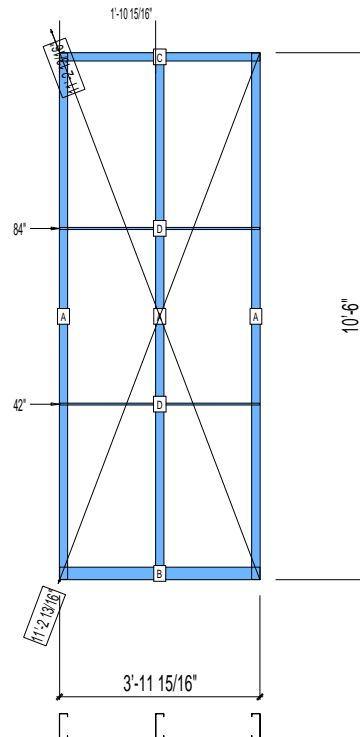
1st STUD: 16"

APPROVED
By TNT at 2:46 pm, Dec 15, 2008

WEIGHTS :

FRAME : 87 lbs

TOTAL: 87 lbs



PIECES LIST

LABEL	QTY	SIZE	LENGTH	USE
A	3	600S200-54	10'-5 13/16"	STUD
B	1	600T300-54	3'-11 15/16"	BOTTOM TRACK
C	1	600T200-54	3'-11 15/16"	TOP TRACK
D	2	150U50-54	3'-11 3/4"	HORIZONTAL BRACING

23-1190

Jewish Home for the Aging

1885 Victory Blvd. Reseda, CA

FrameMax, Inc.
13915 Danielson St
Suite 100
Poway, CA 92064
www.frame-max.com



© FrameMax Inc.

CREATED: 12/11/2008

FM-07-109

CREATED BY: TNT

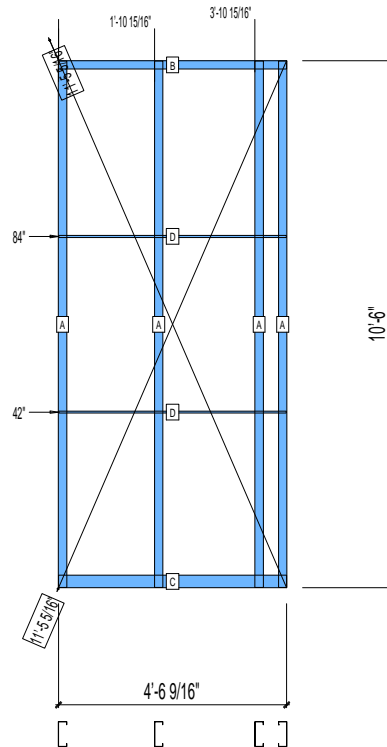
HEIGHT : 10'-6"
SPACING : 5000"
1st STUD: 5000"

POINTS: 0.78 Points.

APPROVED
By TNT at 2:46 pm, Dec 15, 2008

WEIGHTS :
FRAME : 112 lbs

TOTAL: 112 lbs



PIECES LIST

LABEL	QTY	SIZE	LENGTH	USE
A	4	600S200-54	10'-5 13/16"	STUD
B	1	600T200-54	4'-6 9/16"	TOP TRACK
C	1	600T300-54	4'-6 9/16"	BOTTOM TRACK
D	2	150U50-54	4'-6 3/8"	HORIZONTAL BRACING

23-1191

Jewish Home for the Aging

1885 Victory Blvd. Reseda, CA

FrameMax, Inc.
13915 Danielson St
Suite 100
Poway, CA 92064
www.framemax.com



© FrameMax Inc.

CREATED: 12/11/2008

FM-07-109

CREATED BY: TNT

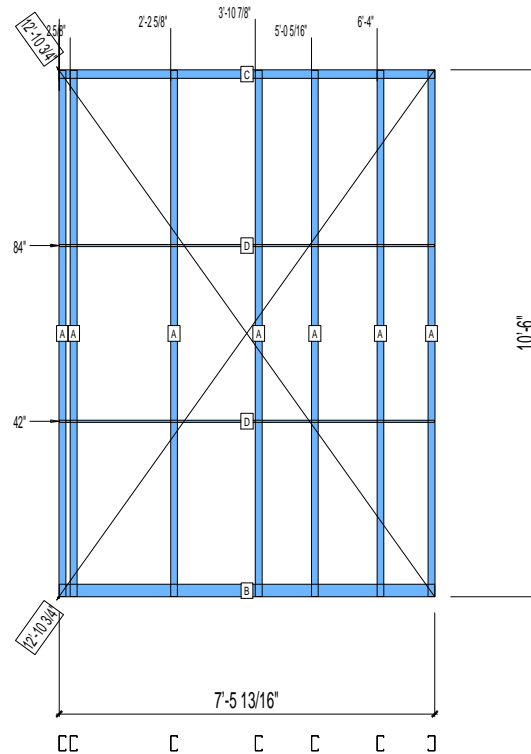
HEIGHT : 10'-6"
SPACING : 5000"
1st STUD: 5000"

POINTS: 1.02 Points.

APPROVED
By TNT at 2:46 pm, Dec 15, 2008

WEIGHTS :
FRAME : 139 lbs

TOTAL: 139 lbs



PIECES LIST

LABEL	QTY	SIZE	LENGTH	USE
A	7	362S162-54	10'-5 13/16"	STUD
B	1	362T300-54	7'-5 13/16"	BOTTOM TRACK
C	1	362T200-54	7'-5 13/16"	TOP TRACK
D	2	150U50-54	7'-5 5/8"	HORIZONTAL BRACING

23-1192

Jewish Home for the Aging

1885 Victory Blvd. Reseda, CA

FrameMax, Inc.
13915 Danielson St
Suite 100
Poway, CA 92064
www.frame-max.com



© FrameMax Inc.

CREATED: 12/11/2008

FM-07-109

CREATED BY: TNT

HEIGHT : 10'-6" POINTS: 1.30 Points.

SPACING : 5000"

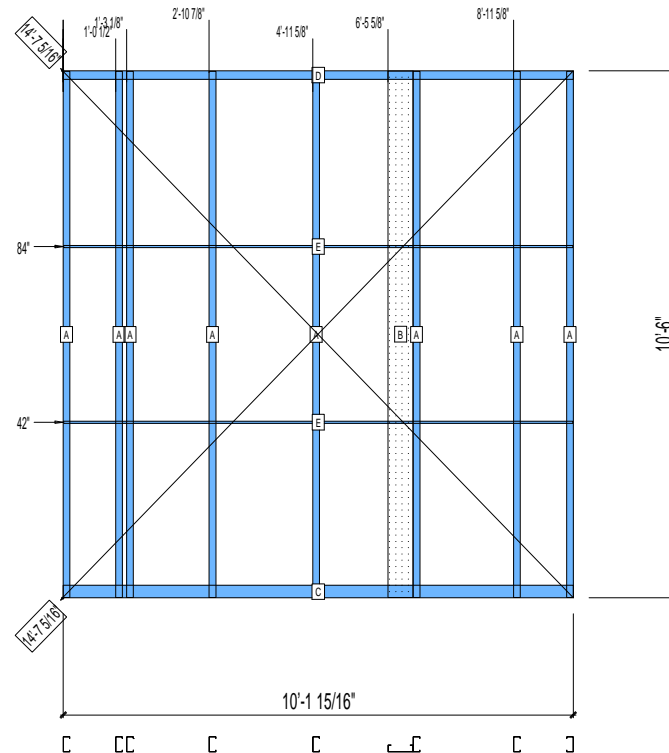
1st STUD: 16"

APPROVED
By TNT at 2:46 pm, Dec 15, 2008

WEIGHTS :

FRAME : 178 lbs

TOTAL: 178 lbs



PIECES LIST

LABEL	QTY	SIZE	LENGTH	USE
A	8	362S162-54	10'-5 13/16"	STUD
B	1	600S162-33	10'-5 13/16"	BACKER-U
C	1	362T300-54	10'-1 15/16"	BOTTOM TRACK
D	1	362T200-54	10'-1 15/16"	TOP TRACK
E	2	150U50-54	10'-1 3/4"	HORIZONTAL BRACING

23-1193

Jewish Home for the Aging

1885 Victory Blvd. Reseda, CA

FrameMax, Inc.
13915 Danielson St
Suite 100
Poway, CA 92064
www.frame-max.com



© FrameMax Inc.

CREATED: 12/11/2008

FM-07-109

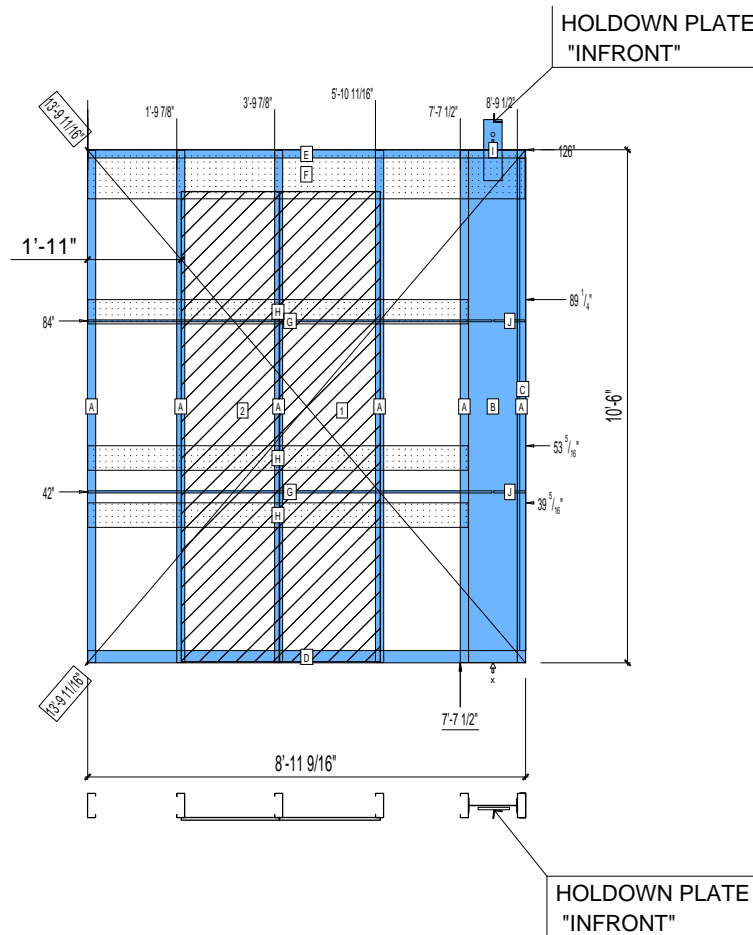
CREATED BY: TNT

APPROVED
By TNT at 2:46 pm, Dec 15, 2008

HEIGHT : 10'-6"
POINTS: 2.91 Points.
SPACING : 5000"
1st STUD: 5000"

WEIGHTS :
FRAME : 367 lbs
SHEATHING: 144 lbs

TOTAL: 511 lbs



PIECES LIST

LABEL	QTY	SIZE	LENGTH	USE
A	6	600S200-54	10'-5 13/16"	STUD
B	1	1200i350p1062	10'-5 13/16"	PACO
C	1	600T150-54	10'-0 7/8"	CAP TRACK
D	1	600T300-54	8'-11 9/16"	BOTTOM TRACK
E	1	600T200-54	8'-11 9/16"	TOP TRACK
F	1	1200D-54	8'-11 3/8"	STRAP
G	2	150U50-54	8'-3 3/16"	HORIZONTAL BRACING
H	3	600D-54	7'-9 7/16"	KITCHEN BACKING
I	1	A	1'-3"	HOLDDOWN
J	2	150U50-54	7 11/16"	HORIZONTAL BRACING

SHEATHING

LABEL	QTY	CODE	THICK	SIZE	SCREWS
1	1	SB-DENSARMOR	5/8"	2'-0 3/4" X 9'-7 7/16"	3-12
2	1	SB-DENSARMOR	5/8"	2'-0 1/8" X 9'-7 7/16"	3-12

23-1194

Jewish Home for the Aging

1885 Victory Blvd. Reseda, CA

FM-07-109

CREATED BY: TNT

FrameMax, Inc.
13915 Danielson St
Suite 100
Poway, CA 92064
www.frame-max.com



© FrameMax Inc.

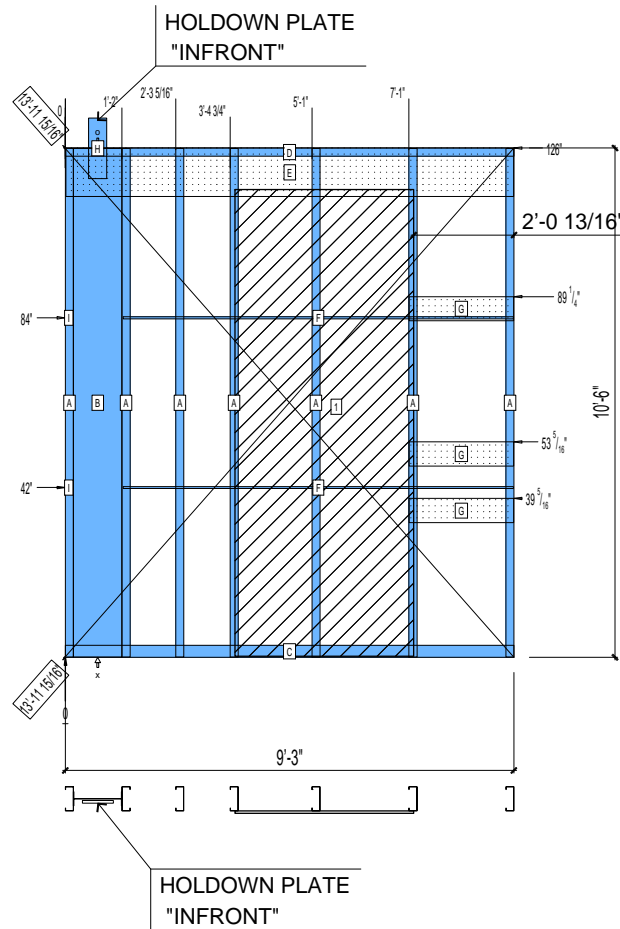
APPROVED
By TNT at 2:46 pm, Dec 15, 2008

HEIGHT : 10'-6"
SPACING : 5000"
1st STUD: 16"

POINTS: 2.79 Points.

WEIGHTS :
FRAME : 352 lbs
SHEATHING: 130 lbs

TOTAL: 482 lbs



PIECES LIST

LABEL	QTY	SIZE	LENGTH	USE
A	7	600S200-54	10'-5 13/16"	STUD
B	1	1200i350p1062	10'-5 13/16"	PACO
C	1	600T300-54	9'-3"	BOTTOM TRACK
D	1	600T200-54	9'-3"	TOP TRACK
E	1	1200D-54	9'-2 13/16"	STRAP
F	2	150U50-54	8'-0 9/16"	HORIZONTAL BRACING
G	3	600D-54	2'-1 7/8"	KITCHEN BACKING
H	1	A	1'-3"	HOLDDOWN
I	2	150U50-54	1 5/8"	HORIZONTAL BRACING

SHEATHING

LABEL	QTY	CODE	THICK	SIZE	SCREWS
1	1	SB-DENSARMOR	5/8"	3'-8 1/4" X 9'-7 7/16"	3-12

23-1195

Jewish Home for the Aging

1885 Victory Blvd. Reseda, CA

FrameMax, Inc.
13915 Danielson St
Suite 100
Poway, CA 92064
www.framemax.com



© FrameMax Inc.

CREATED: 12/11/2008

FM-07-109

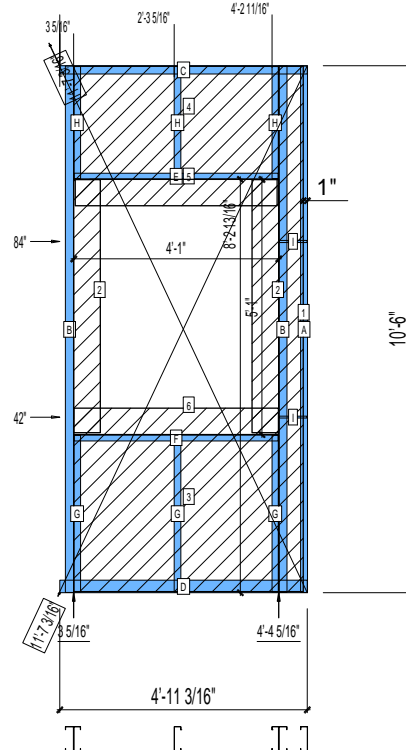
CREATED BY: TNT

HEIGHT : 10'-6"
POINTS: 1.48 Points.
SPACING : 5000"
1st STUD: 5000"

APPROVED
By TNT at 2:46 pm, Dec 15, 2008

WEIGHTS :
FRAME : 141 lbs
SHEATHING: 91 lbs

TOTAL: 232 lbs



PIECES LIST

LABEL	QTY	SIZE	LENGTH	USE
A	1	600S162-54	10'-5 13/16"	STUD
B	2	600S200-68	10'-5 13/16"	KING STUD
C	1	600T200-54	4'-11 3/16"	TOP TRACK
D	1	600T300-54	4'-11 3/16"	BOTTOM TRACK
E	1	600T150-54	4'-0 3/4"	HEAD TRACK
F	1	600T150-54	4'-0 3/4"	SILL
G	3	600S162-54	3'-1 3/8"	CRIPPLE
H	3	600S162-54	2'-2 3/4"	CRIPPLE
I	2	150U50-54	6 5/8"	HORIZONTAL BRACING

SHEATHING

LABEL	QTY	CODE	THICK	SIZE	SCREWS
1	1	DENSGLASS	1/2"	5 13/16" X 10'-5 9/16"	8 - 12
2	2	DENSGLASS	1/2"	6 3/8" X 5'-0 1/2"	8 - 12
3	1	DENSGLASS	1/2"	4'-0 7/8" X 3'-1 1/2"	8 - 12
4	1	DENSGLASS	1/2"	4'-0 7/8" X 2'-3"	8 - 12
5	1	DENSGLASS	1/2"	4'-0 1/4" X 6 5/16"	8 - 12
6	1	DENSGLASS	1/2"	4'-0 7/8" X 6 5/16"	8 - 12

23-1196

Jewish Home for the Aging

1885 Victory Blvd. Reseda, CA

FrameMax, Inc.
13915 Danielson St
Suite 100
Poway, CA 92064
www.frame-max.com



© FrameMax Inc.

CREATED: 12/11/2008

FM-07-109

CREATED BY: TNT

HEIGHT : 10'-6" POINTS: 0.49 Points.

SPACING : 5000"

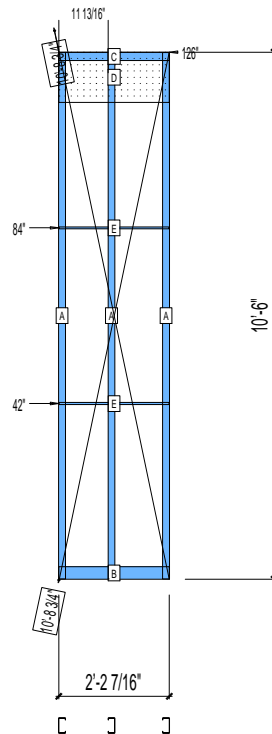
1st STUD: 5000"

APPROVED
By TNT at 2:46 pm, Dec 15, 2008

WEIGHTS :

FRAME : 60 lbs

TOTAL: 60 lbs



PIECES LIST

LABEL	QTY	SIZE	LENGTH	USE
A	3	362S162-54	10'-5 13/16"	STUD
B	1	362T300-54	2'-2 7/16"	BOTTOM TRACK
C	1	362T200-54	2'-2 7/16"	TOP TRACK
D	1	1200D-54	2'-2 3/8"	STRAP
E	2	150U50-54	2'-2 1/4"	HORIZONTAL BRACING

23-1197

Jewish Home for the Aging

1885 Victory Blvd. Reseda, CA

FrameMax, Inc.
13915 Danielson St
Suite 100
Poway, CA 92064
www.frame-max.com



© FrameMax Inc.

CREATED: 12/11/2008

FM-07-109

CREATED BY: TNT

HEIGHT : 10'-6" POINTS: 0.32 Points.

SPACING : 5000"

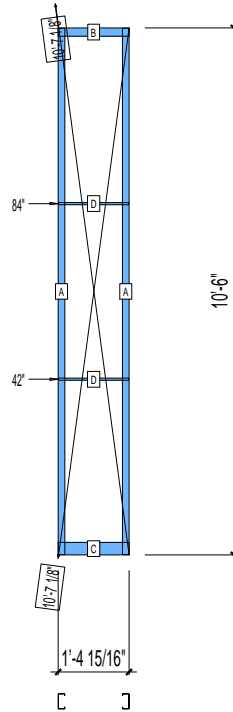
1st STUD: 5000"

APPROVED
By TNT at 2:46 pm, Dec 15, 2008

WEIGHTS :

FRAME : 36 lbs

TOTAL: 36 lbs



PIECES LIST

LABEL	QTY	SIZE	LENGTH	USE
A	2	362S162-54	10'-5 13/16"	STUD
B	1	362T200-54	1'-4 15/16"	TOP TRACK
C	1	362T300-54	1'-4 15/16"	BOTTOM TRACK
D	2	150U50-54	1'-4 3/4"	HORIZONTAL BRACING

23-1198

Jewish Home for the Aging

1885 Victory Blvd. Reseda, CA

FrameMax, Inc.
13915 Danielson St
Suite 100
Poway, CA 92064
www.frame-max.com



© FrameMax Inc.

CREATED: 12/11/2008

FM-07-109

CREATED BY: TNT

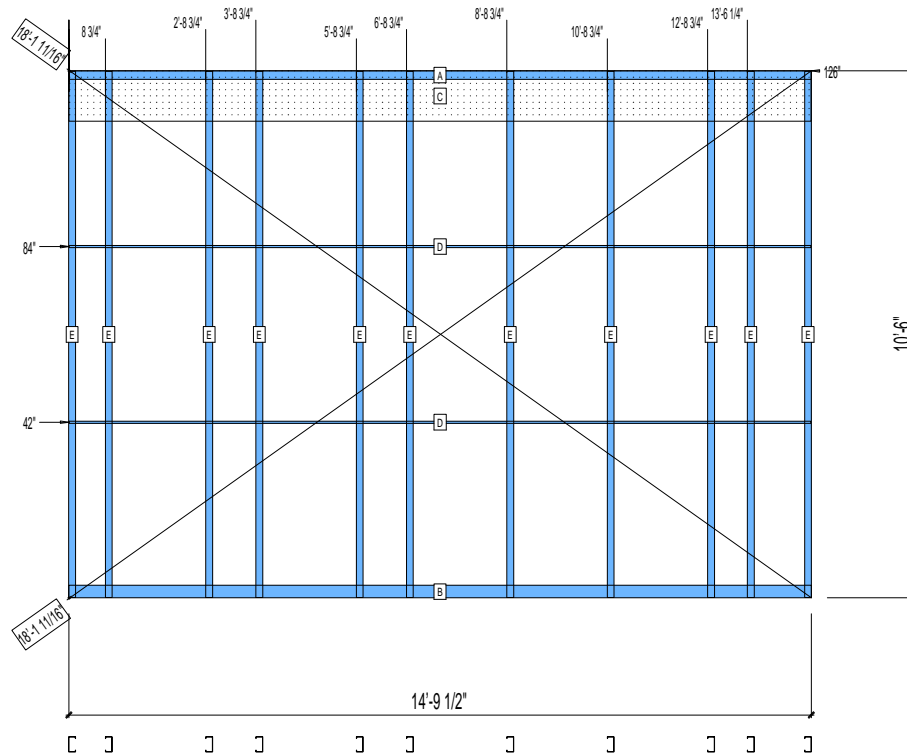
HEIGHT : 10'-6"
SPACING : 5000"
1st STUD: 5000"

POINTS: 1.87 Points.

APPROVED
By TNT at 2:46 pm, Dec 15, 2008

WEIGHTS :
FRAME : 267 lbs

TOTAL: 267 lbs



PIECES LIST

LABEL	QTY	SIZE	LENGTH	USE
A	1	362T200-54	14'-9 1/2"	TOP TRACK
B	1	362T300-54	14'-9 1/2"	BOTTOM TRACK
C	1	1200D-54	14'-9 7/16"	STRAP
D	2	150U50-54	14'-9 5/16"	HORIZONTAL BRACING
E	11	362S162-54	10'-5 13/16"	STUD

23-1199

Jewish Home for the Aging

1885 Victory Blvd. Reseda, CA

FM-07-109

CREATED BY: TNT

FrameMax, Inc.
13915 Danielson St
Suite 100
Poway, CA 92064
www.frame-max.com



© FrameMax Inc.

HEIGHT : 9'-7 11/16" POINTS: 1.44 Points.

SPACING : 5000"

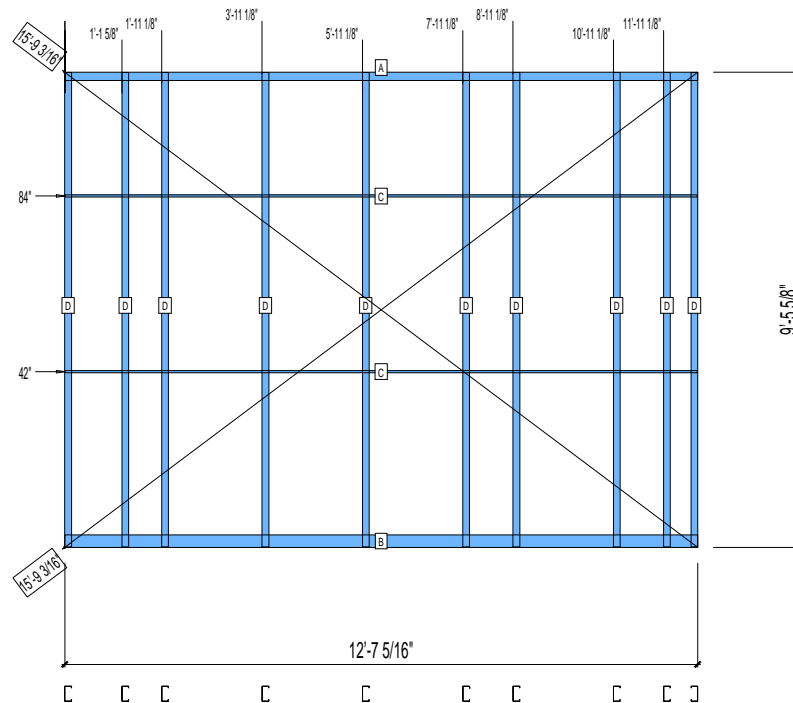
1st STUD: 5000"

APPROVED
By TNT at 2:46 pm, Dec 15, 2008

WEIGHTS :

FRAME : 192 lbs

TOTAL: 192 lbs



PIECES LIST

LABEL	QTY	SIZE	LENGTH	USE
A	1	362T200-54	12'-7 5/16"	TOP TRACK
B	1	362T300-54	12'-7 5/16"	BOTTOM TRACK
C	2	150U50-54	12'-7 1/8"	HORIZONTAL BRACING
D	10	362S162-54	9'-5 7/16"	STUD

23-1200

Jewish Home for the Aging

1885 Victory Blvd. Reseda, CA

FrameMax, Inc.
13915 Danielson St
Suite 100
Poway, CA 92064
www.frame-max.com



© FrameMax Inc.

CREATED: 12/11/2008

FM-07-109

CREATED BY: TNT

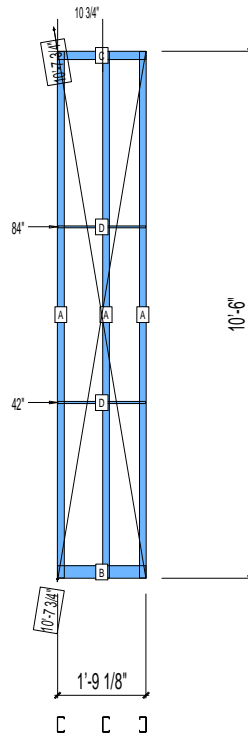
HEIGHT : 10'-6"
SPACING : 5000"
1st STUD: 5000"

POINTS: 0.43 Points.

APPROVED
By TNT at 2:46 pm, Dec 15, 2008

WEIGHTS :
FRAME : 53 lbs

TOTAL: 53 lbs



PIECES LIST

LABEL	QTY	SIZE	LENGTH	USE
A	3	362S162-54	10'-5 13/16"	STUD
B	1	362T300-54	1'-9 1/8"	BOTTOM TRACK
C	1	362T200-54	1'-9 1/8"	TOP TRACK
D	2	150U50-54	1'-8 15/16"	HORIZONTAL BRACING

23-1201

Jewish Home for the Aging

1885 Victory Blvd. Reseda, CA

FrameMax, Inc.
13915 Danielson St
Suite 100
Poway, CA 92064
www.frame-max.com



© FrameMax Inc.

CREATED: 12/11/2008

FM-07-109

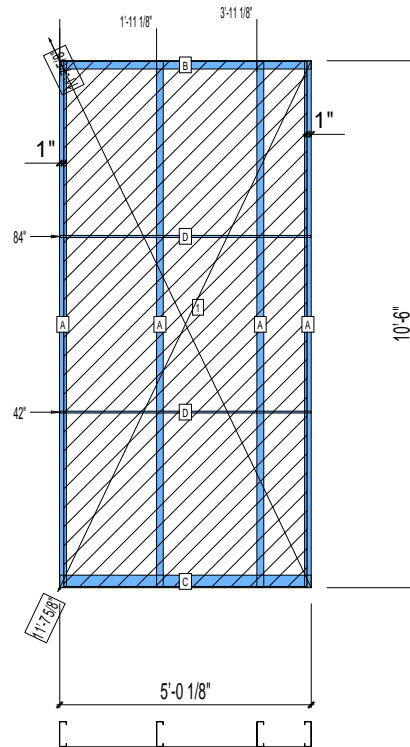
CREATED BY: TNT

HEIGHT : 10'-6"
POINTS: 1.33 Points.
SPACING : 5000"
1st STUD: 5000"

APPROVED
By TNT at 2:46 pm, Dec 15, 2008

WEIGHTS :
FRAME : 106 lbs
SHEATHING: 127 lbs

TOTAL: 233 lbs



PIECES LIST

LABEL	QTY	SIZE	LENGTH	USE
A	4	600S162-54	10'-5 13/16"	STUD
B	1	600T200-54	5'-0 1/8"	TOP TRACK
C	1	600T300-54	5'-0 1/8"	BOTTOM TRACK
D	2	150U50-54	4'-11 15/16"	HORIZONTAL BRACING

SHEATHING

LABEL	QTY	CODE	THICK	SIZE	SCREWS
1	1	DENSGLOSS	1/2"	4'-10 3/16" X 10'-5 9/16"	8 - 12

23-1202

Jewish Home for the Aging

1885 Victory Blvd. Reseda, CA

FrameMax, Inc.
13915 Danielson St
Suite 100
Poway, CA 92064
www.frame-max.com



© FrameMax Inc.

CREATED: 12/11/2008

FM-07-109

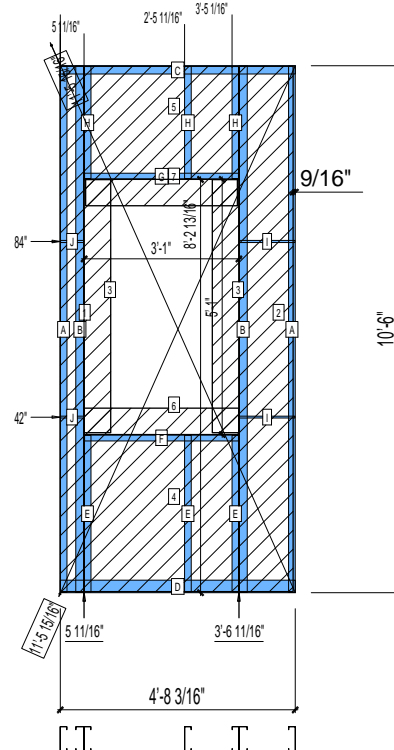
CREATED BY: TNT

HEIGHT : 10'-6"
POINTS: 1.66 Points.
SPACING : 5000"
1st STUD: 5000"

APPROVED
By TNT at 2:46 pm, Dec 15, 2008

WEIGHTS :
FRAME : 157 lbs
SHEATHING: 103 lbs

TOTAL: 260 lbs



PIECES LIST

LABEL	QTY	SIZE	LENGTH	USE
A	2	600S162-54	10'-5 13/16"	STUD
B	2	600S200-68	10'-5 13/16"	KING STUD
C	1	600T200-54	4'-8 3/16"	TOP TRACK
D	1	600T300-54	4'-8 3/16"	BOTTOM TRACK
E	3	600S162-54	3'-1 3/8"	CRIPPLE
F	1	600T150-54	3'-0 3/4"	SILL
G	1	600T150-54	3'-0 3/4"	HEAD TRACK
H	3	600S162-54	2'-2 3/4"	CRIPPLE
I	2	150U50-54	1'-1 1/4"	HORIZONTAL BRACING
J	2	150U50-54	5 1/2"	HORIZONTAL BRACING

SHEATHING

LABEL	QTY	CODE	THICK	SIZE	SCREWS
1	1	DENSGLASS	1/2"	5 5/8" X 10'-5 9/16"	8 - 12
2	1	DENSGLASS	1/2"	1'-0 7/8" X 10'-5 9/16"	8 - 12
3	2	DENSGLASS	1/2"	6 3/8" X 5'-0 1/2"	8 - 12
4	1	DENSGLASS	1/2"	3'-0 7/8" X 3'-1 1/2"	8 - 12
5	1	DENSGLASS	1/2"	3'-0 7/8" X 2'-3"	8 - 12
6	1	DENSGLASS	1/2"	3'-0 7/8" X 6 5/16"	8 - 12
7	1	DENSGLASS	1/2"	3'-0 1/4" X 6 5/16"	8 - 12

23-1203

Jewish Home for the Aging

1885 Victory Blvd. Reseda, CA

FrameMax, Inc.
13915 Danielson St
Suite 100
Poway, CA 92064
www.frame-max.com



© FrameMax Inc.

CREATED: 12/11/2008

FM-07-109

CREATED BY: TNT

HEIGHT : 10'-6" POINTS: 1.16 Points.

SPACING : 24"

1st STUD: 24"

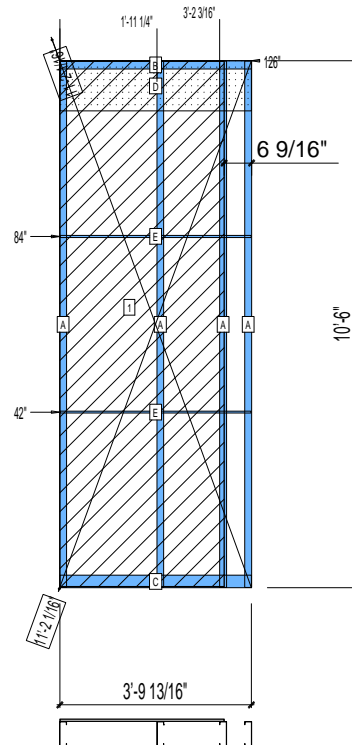
APPROVED
By TNT at 2:46 pm, Dec 15, 2008

WEIGHTS :

FRAME : 109 lbs

SHEATHING: 86 lbs

TOTAL: 195 lbs



PIECES LIST

LABEL	QTY	SIZE	LENGTH	USE
A	4	600S162-54	10'-5 13/16"	STUD
B	1	600T200-54	3'-9 13/16"	TOP TRACK
C	1	600T300-54	3'-9 13/16"	BOTTOM TRACK
D	1	1200D-54	3'-9 3/4"	STRAP
E	2	150U50-54	3'-9 5/8"	HORIZONTAL BRACING

SHEATHING

LABEL	QTY	CODE	THICK	SIZE	SCREWS
1	1	DENSGLASS	1/2"	3'-3 1/4" X 10'-5 9/16"	8 - 12

23-1204

Jewish Home for the Aging

1885 Victory Blvd. Reseda, CA

FrameMax, Inc.
13915 Danielson St
Suite 100
Poway, CA 92064
www.frame-max.com



© FrameMax Inc.

CREATED: 12/11/2008

FM-07-109

CREATED BY: TNT

HEIGHT : 10'-6" POINTS: 0.74 Points.

SPACING : 5000"

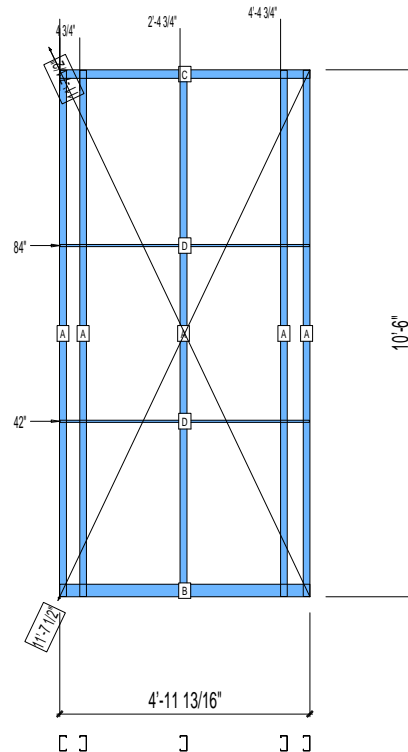
1st STUD: 5000"

APPROVED
By TNT at 2:46 pm, Dec 15, 2008

WEIGHTS :

FRAME : 97 lbs

TOTAL: 97 lbs



PIECES LIST

LABEL	QTY	SIZE	LENGTH	USE
A	5	362S162-54	10'-5 13/16"	STUD
B	1	362T300-54	4'-11 13/16"	BOTTOM TRACK
C	1	362T200-54	4'-11 13/16"	TOP TRACK
D	2	150U50-54	4'-11 5/8"	HORIZONTAL BRACING

23-1205

Jewish Home for the Aging

1885 Victory Blvd. Reseda, CA

FrameMax, Inc.
13915 Danielson St
Suite 100
Poway, CA 92064
www.frame-max.com



© FrameMax Inc.

CREATED: 12/11/2008

FM-07-109

CREATED BY: TNT

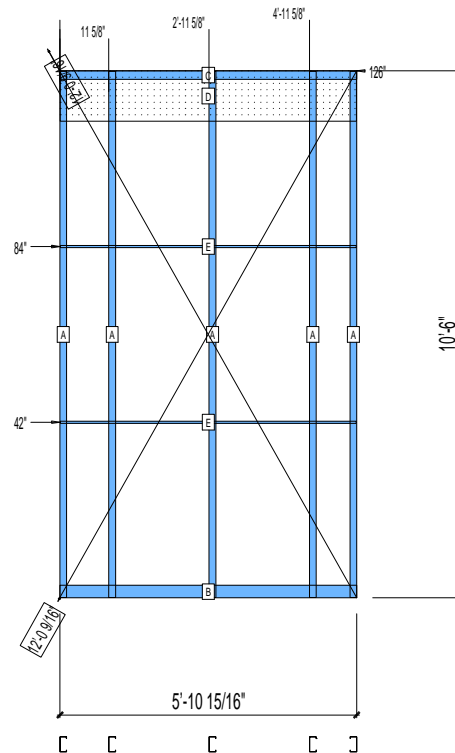
HEIGHT : 10'-6"
SPACING : 5000"
1st STUD: 5000"

POINTS: 0.87 Points.

APPROVED
By TNT at 2:46 pm, Dec 15, 2008

WEIGHTS :
FRAME : 116 lbs

TOTAL: 116 lbs



PIECES LIST

LABEL	QTY	SIZE	LENGTH	USE
A	5	362S162-54	10'-5 13/16"	STUD
B	1	362T300-54	5'-10 15/16"	BOTTOM TRACK
C	1	362T200-54	5'-10 15/16"	TOP TRACK
D	1	1200D-54	5'-10 7/8"	STRAP
E	2	150U50-54	5'-10 3/4"	HORIZONTAL BRACING

23-1206

Jewish Home for the Aging

1885 Victory Blvd. Reseda, CA

FrameMax, Inc.
13915 Danielson St
Suite 100
Poway, CA 92064
www.frame-max.com



© FrameMax Inc.

CREATED: 12/12/2008

FM-07-109

CREATED BY: TNT

HEIGHT : 9'-7 11/16" POINTS: 1.35 Points.

SPACING : 5000"

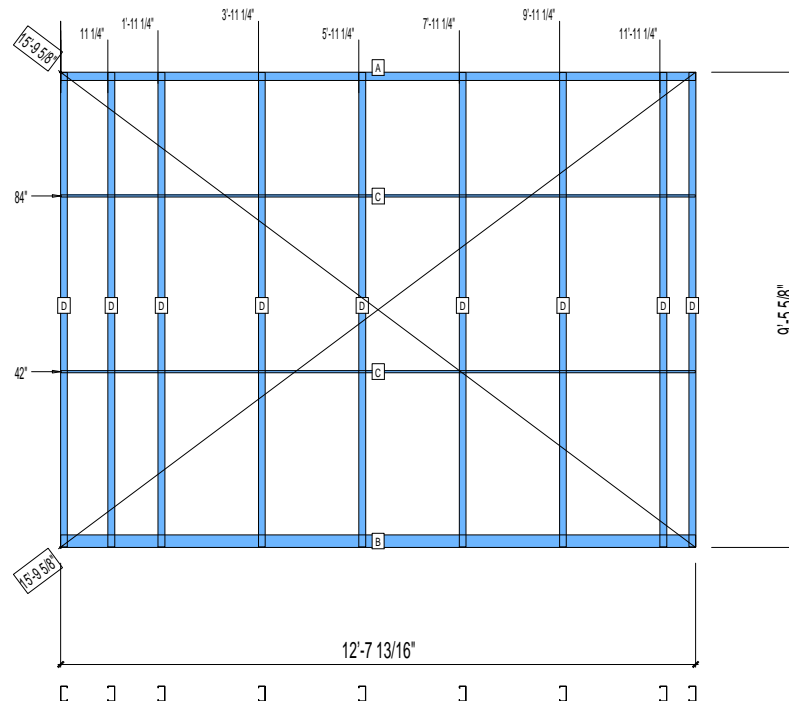
1st STUD: 5000"

APPROVED
By TNT at 2:46 pm, Dec 15, 2008

WEIGHTS :

FRAME : 178 lbs

TOTAL: 178 lbs



PIECES LIST

LABEL	QTY	SIZE	LENGTH	USE
A	1	362T200-54	12'-7 13/16"	TOP TRACK
B	1	362T300-54	12'-7 13/16"	BOTTOM TRACK
C	2	150U50-54	12'-7 5/8"	HORIZONTAL BRACING
D	9	362S162-54	9'-5 7/16"	STUD

23-1207

Jewish Home for the Aging

1885 Victory Blvd. Reseda, CA

FrameMax, Inc.
13915 Danielson St
Suite 100
Poway, CA 92064
www.frame-max.com



© FrameMax Inc.

CREATED: 12/11/2008

FM-07-109

CREATED BY: TNT

HEIGHT : 10'-6" POINTS: 0.43 Points.

SPACING : 5000"

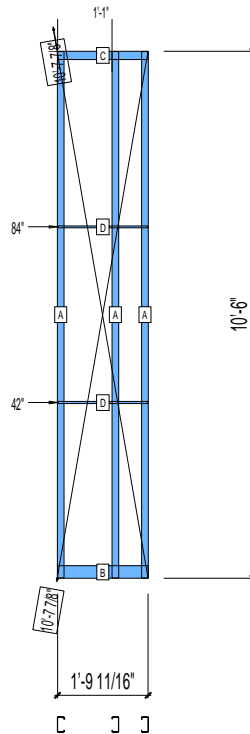
1st STUD: 5000"

APPROVED
By TNT at 2:46 pm, Dec 15, 2008

WEIGHTS :

FRAME : 53 lbs

TOTAL: 53 lbs



PIECES LIST

LABEL	QTY	SIZE	LENGTH	USE
A	3	362S162-54	10'-5 13/16"	STUD
B	1	362T300-54	1'-9 11/16"	BOTTOM TRACK
C	1	362T200-54	1'-9 11/16"	TOP TRACK
D	2	150U50-54	1'-9 1/2"	HORIZONTAL BRACING

23-1208

Jewish Home for the Aging

1885 Victory Blvd. Reseda, CA

FrameMax, Inc.
13915 Danielson St
Suite 100
Poway, CA 92064
www.frame-max.com



© FrameMax Inc.

CREATED: 12/11/2008

FM-07-109

CREATED BY: TNT

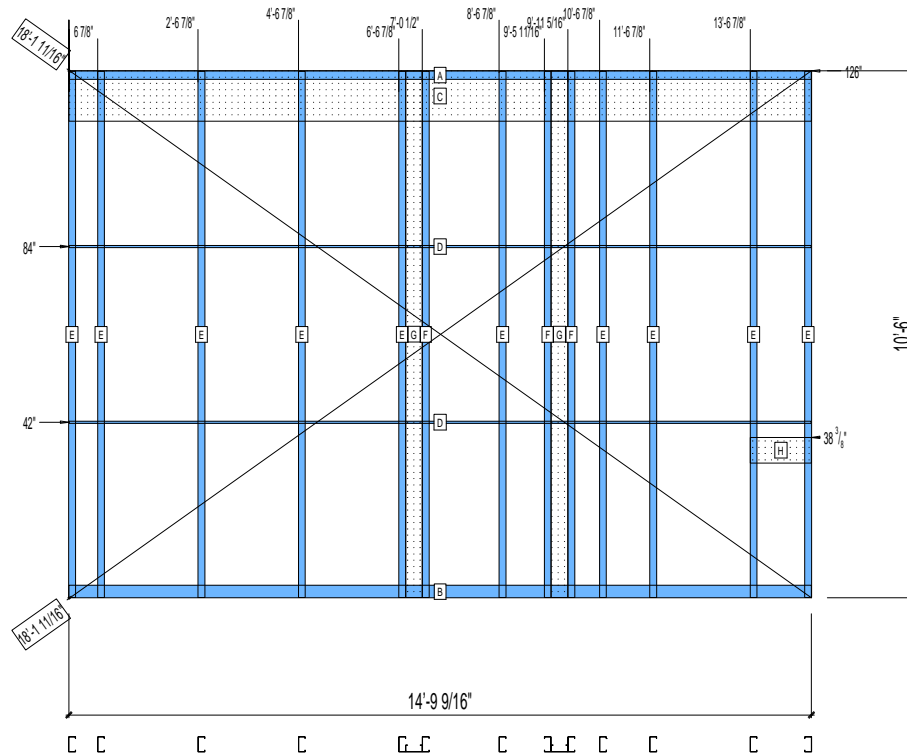
HEIGHT : 10'-6"
SPACING : 5000"
1st STUD: 5000"

POINTS: 2.13 Points.

APPROVED
By TNT at 2:46 pm, Dec 15, 2008

WEIGHTS :
FRAME : 301 lbs

TOTAL: 301 lbs



PIECES LIST

LABEL	QTY	SIZE	LENGTH	USE
A	1	362T200-54	14'-9 9/16"	TOP TRACK
B	1	362T300-54	14'-9 9/16"	BOTTOM TRACK
C	1	1200D-54	14'-9 1/2"	STRAP
D	2	150U50-54	14'-9 3/8"	HORIZONTAL BRACING
E	10	362S162-54	10'-5 13/16"	STUD
F	3	362S162-33	10'-5 13/16"	BACKING STUD
G	2	400S162-33	10'-5 13/16"	BACKER-U
H	1	600T150-54	1'-2 9/16"	GRAB BAR

23-1209

Jewish Home for the Aging

1885 Victory Blvd. Reseda, CA

FrameMax, Inc.
13915 Danielson St
Suite 100
Poway, CA 92064
www.frame-max.com



© FrameMax Inc.

CREATED: 12/11/2008

FM-07-109

CREATED BY: TNT

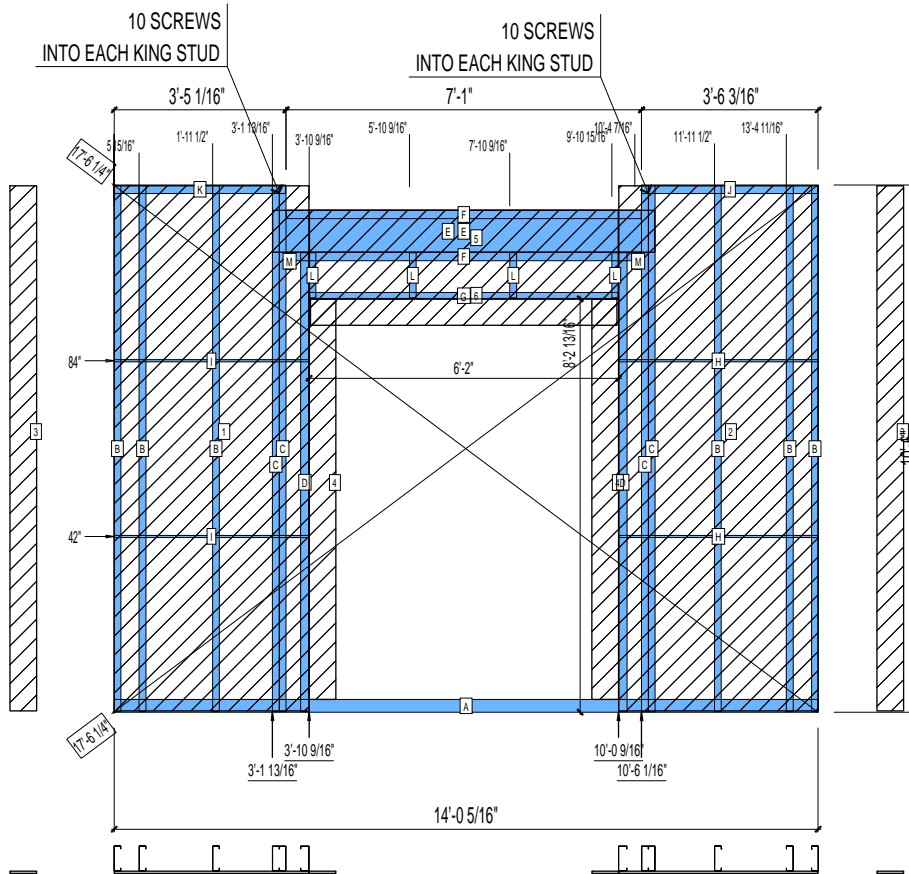
HEIGHT : 10'-6"
SPACING : 5000"
1st STUD: 5000"

POINTS: 4.27 Points.

APPROVED
By TNT at 2:46 pm, Dec 15, 2008

WEIGHTS :
FRAME : 445 lbs
SHEATHING: 289 lbs

TOTAL: 734 lbs



PIECES LIST			
LABEL	QTY	SIZE	LENGTH USE
A	1	600T300-54	14'-0 5/16" BOTTOM TRACK
B	6	600S162-54	10'-5 13/16" STUD
C	4	600S162-68	10'-5 13/16" EXTRA STUD
D	2	600S200-68	9'-1 3/4" KING STUD
E	2	1000S200-97	7'-7 3/8" HEADER
F	2	600T200-54	7'-0 7/8" TOP TRACK
G	1	600T150-54	6'-1 3/4" HEAD TRACK
H	2	150U50-54	3'-11 1/2" HORIZONTAL BRACING
I	2	150U50-54	3'-10 3/8" HORIZONTAL BRACING
J	1	600T200-54	3'-6 1/8" TOP TRACK
K	1	600T200-54	3'-5" TOP TRACK
L	4	600S162-54	10 13/16" CRIPPLE
M	2	600S162-54	4" CRIPPLE

SHEATHING					
LABEL	QTY	CODE	THICK	SIZE	SCREWS
1	1	DENSGLASS	1/2"	3'-10 1/2" X 10'-5 9/16"	8 - 12
2	1	DENSGLASS	1/2"	3'-11 5/8" X 10'-5 9/16"	8 - 12
3	2	DENSGLASS	1/2"	6 3/8" X 10'-5 9/16"	8 - 12
4	2	DENSGLASS	1/2"	6 3/8" X 7'-11 3/4"	8 - 12
5	1	DENSGLASS	1/2"	6'-1 7/8" X 1'-9 1/16"	8 - 12
6	1	DENSGLASS	1/2"	6'-1 1/4" X 6 5/16"	8 - 12

23-1210

Jewish Home for the Aging

1885 Victory Blvd. Reseda, CA

FrameMax, Inc.
13915 Danielson St
Suite 100
Poway, CA 92064
www.frame-max.com



© FrameMax Inc.

CREATED: 12/11/2008

FM-07-109

CREATED BY: TNT

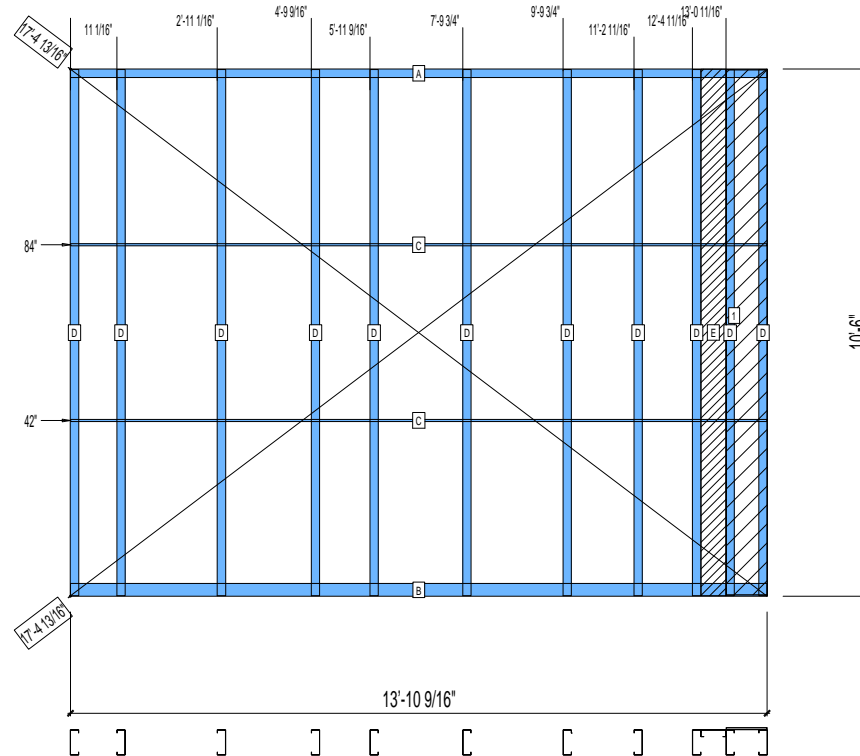
HEIGHT : 10'-6"
SPACING : 5000"
1st STUD: 5000"

POINTS: 2.22 Points.

APPROVED
By TNT at 2:46 pm, Dec 15, 2008

WEIGHTS :
FRAME : 327 lbs
SHEATHING: 21 lbs

TOTAL: 348 lbs



PIECES LIST

LABEL	QTY	SIZE	LENGTH	USE
A	1	600T200-54	13'-10 9/16"	TOP TRACK
B	1	600T300-54	13'-10 9/16"	BOTTOM TRACK
C	2	150U50-54	13'-10 3/8"	HORIZONTAL BRACING
D	11	600S200-54	10'-5 13/16"	STUD
E	1	600S162-33	10'-5 13/16"	BACKER-U

SHEATHING

LABEL	QTY	CODE	THICK	SIZE	SCREWS
1	1	DENSGLOSS	1/2"	9 3/4" X 10'-5 9/16"	8 - 12

23-1211

Jewish Home for the Aging

1885 Victory Blvd. Reseda, CA

FrameMax, Inc.
13915 Danielson St
Suite 100
Poway, CA 92064
www.frame-max.com



© FrameMax Inc.

CREATED: 12/11/2008

FM-07-109

CREATED BY: TNT

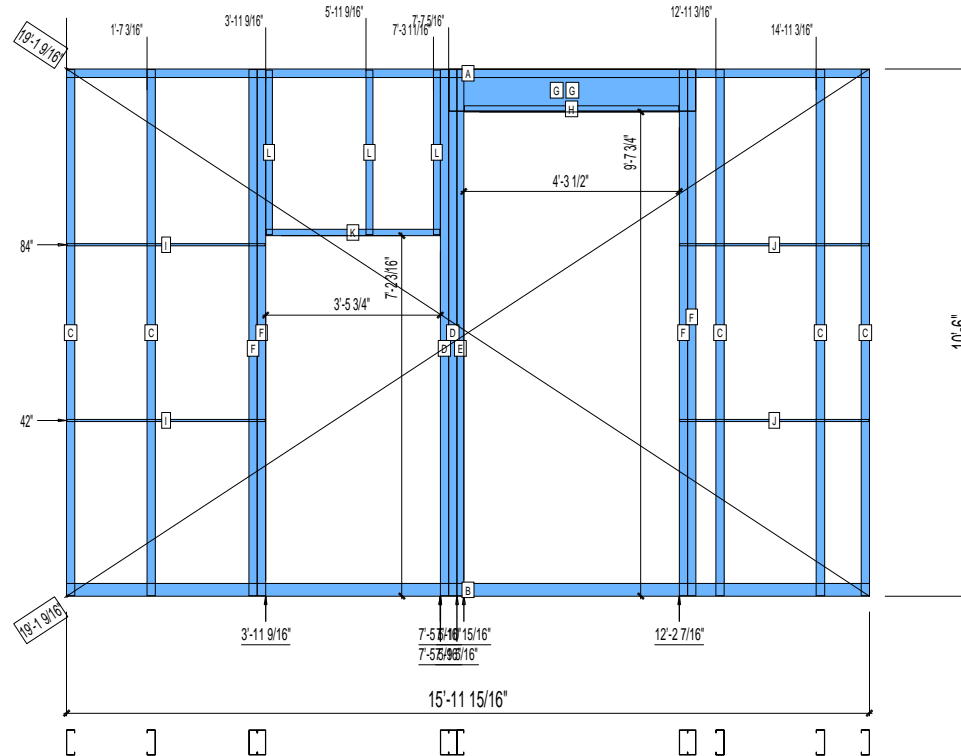
HEIGHT : 10'-6"
SPACING : 5000"
1st STUD: 5000"

POINTS: 2.87 Points.

APPROVED
By TNT at 2:46 pm, Dec 15, 2008

WEIGHTS :
FRAME : 440 lbs

TOTAL: 440 lbs



PIECES LIST

LABEL	QTY	SIZE	LENGTH	USE
A	1	600T200-54	15'-11 15/16"	TOP TRACK
B	1	600T300-54	15'-11 15/16"	BOTTOM TRACK
C	5	600S200-54	10'-5 13/16"	STUD
D	2	600S200-68	10'-5 13/16"	EXTRA STUD
E	1	600S162-68	10'-5 13/16"	EXTRA STUD
F	4	600S200-68	10'-5 13/16"	KING STUD
G	2	1000S162-68	4'-11"	HEADER
H	1	600T150-54	4'-3 1/4"	HEAD TRACK
I	2	150U50-54	3'-11 3/8"	HORIZONTAL BRACING
J	2	150U50-54	3'-9 1/4"	HORIZONTAL BRACING
K	1	600T150-54	3'-5 1/2"	HEAD TRACK
L	3	600S162-54	3'-3 3/8"	CRIPPLE

23-1212

Jewish Home for the Aging

1885 Victory Blvd. Reseda, CA

FrameMax, Inc.
13915 Danielson St
Suite 100
Poway, CA 92064
www.frame-max.com



© FrameMax Inc.

CREATED: 12/11/2008

FM-07-109

CREATED BY: TNT

HEIGHT : 10'-6" POINTS: 1.06 Points.

SPACING : 5000"

1st STUD: 5000"

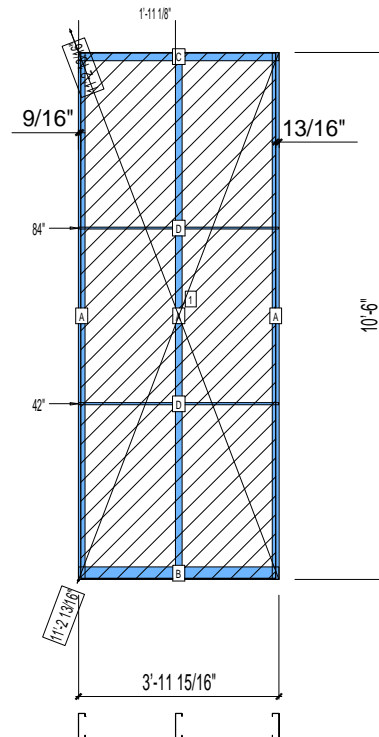
APPROVED
By TNT at 2:46 pm, Dec 15, 2008

WEIGHTS :

FRAME : 81 lbs

SHEATHING: 102 lbs

TOTAL: 183 lbs



PIECES LIST

LABEL	QTY	SIZE	LENGTH	USE
A	3	600S162-54	10'-5 13/16"	STUD
B	1	600T300-54	3'-11 15/16"	BOTTOM TRACK
C	1	600T200-54	3'-11 15/16"	TOP TRACK
D	2	150U50-54	3'-11 3/4"	HORIZONTAL BRACING

SHEATHING

LABEL	QTY	CODE	THICK	SIZE	SCREWS
1	1	DENSGLASS	1/2"	3'-10 5/8" X 10'-5 9/16"	8 - 12

23-1213

Jewish Home for the Aging

1885 Victory Blvd. Reseda, CA

FrameMax, Inc.
13915 Danielson St
Suite 100
Poway, CA 92064
www.frame-max.com



© FrameMax Inc.

CREATED: 12/11/2008

FM-07-109

CREATED BY: TNT

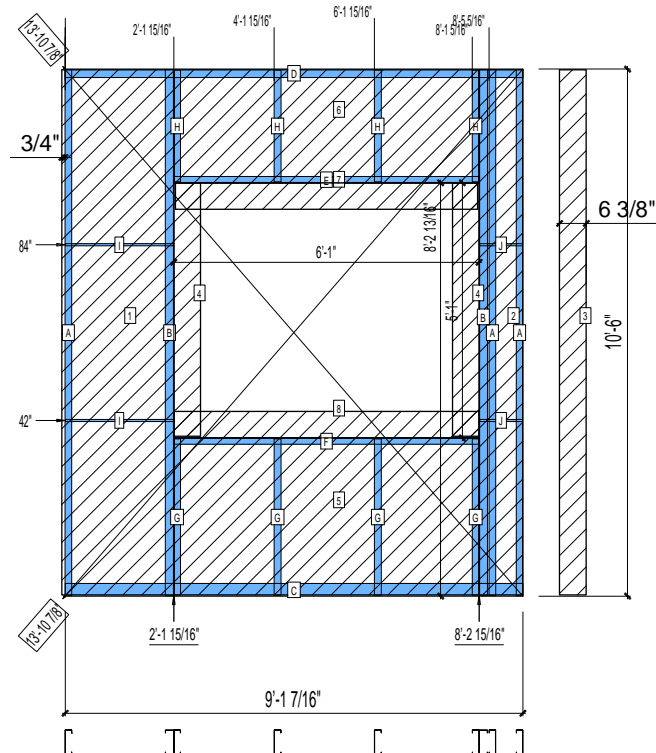
HEIGHT : 10'-6"
SPACING : 5000"
1st STUD: 5000"

POINTS: 2.56 Points.

APPROVED
By TNT at 2:46 pm, Dec 15, 2008

WEIGHTS :
FRAME : 218 lbs
SHEATHING: 206 lbs

TOTAL: 424 lbs



PIECES LIST

LABEL	QTY	SIZE	LENGTH	USE
A	3	600S162-54	10'-5 13/16"	STUD
B	2	600S200-68	10'-5 13/16"	KING STUD
C	1	600T300-54	9'-1 7/16"	BOTTOM TRACK
D	1	600T200-54	9'-1 7/16"	TOP TRACK
E	1	600T150-54	6'-0 3/4"	HEAD TRACK
F	1	600T150-54	6'-0 3/4"	SILL
G	4	600S162-54	3'-1 3/8"	CRIPPLE
H	4	600S162-54	2'-2 3/4"	CRIPPLE
I	2	150U50-54	2'-1 3/4"	HORIZONTAL BRACING
J	2	150U50-54	10 1/4"	HORIZONTAL BRACING

SHEATHING

LABEL	QTY	CODE	THICK	SIZE	SCREWS
1	1	DENSGLASS	1/2"	2'-2 11/16" X 10'-5 9/16"	8 - 12
2	1	DENSGLASS	1/2"	10 3/8" X 10'-5 9/16"	8 - 12
3	1	DENSGLASS	1/2"	6 3/8" X 10'-5 9/16"	8 - 12
4	2	DENSGLASS	1/2"	6 3/8" X 5'-0 1/2"	8 - 12
5	1	DENSGLASS	1/2"	6'-0 7/8" X 3'-1 1/2"	8 - 12
6	1	DENSGLASS	1/2"	6'-0 7/8" X 2'-3"	8 - 12
7	1	DENSGLASS	1/2"	6'-0 1/4" X 6 5/16"	8 - 12
8	1	DENSGLASS	1/2"	6'-0 7/8" X 6 5/16"	8 - 12

23-1214

Jewish Home for the Aging

1885 Victory Blvd. Reseda, CA

FrameMax, Inc.
13915 Danielson St
Suite 100
Poway, CA 92064
www.framemax.com



© FrameMax Inc.

CREATED: 12/11/2008

FM-07-109

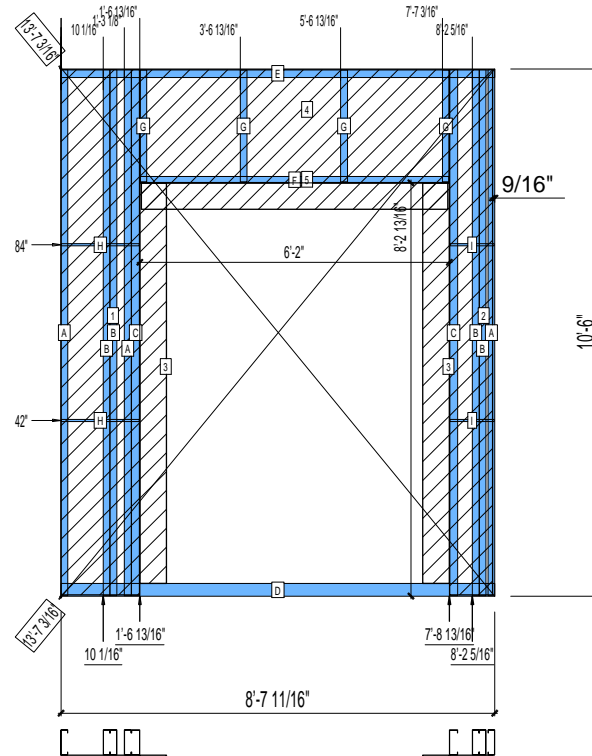
CREATED BY: TNT

HEIGHT : 10'-6"
POINTS: 2.46 Points.
SPACING : 5000"
1st STUD: 16"

APPROVED
By TNT at 2:46 pm, Dec 15, 2008

WEIGHTS :
FRAME : 280 lbs
SHEATHING: 127 lbs

TOTAL: 407 lbs



PIECES LIST

LABEL	QTY	SIZE	LENGTH	USE
A	3	600S162-54	10'-5 13/16"	STUD
B	4	600S162-68	10'-5 13/16"	EXTRA STUD
C	2	600S200-68	10'-5 13/16"	KING STUD
D	1	600T300-54	8'-7 11/16"	BOTTOM TRACK
E	1	600T200-54	8'-7 11/16"	TOP TRACK
F	1	600T150-54	6'-1 3/4"	HEAD TRACK
G	4	600S162-54	2'-2 3/4"	CRIPPLE
H	2	150U50-54	1'-6 5/8"	HORIZONTAL BRACING
I	2	150U50-54	10 5/8"	HORIZONTAL BRACING

SHEATHING

LABEL	QTY	CODE	THICK	SIZE	SCREWS
1	1	DENSGLASS	1/2"	1'-6 3/4" X 10'-5 9/16"	8 - 12
2	1	DENSGLASS	1/2"	10 1/4" X 10'-5 9/16"	8 - 12
3	2	DENSGLASS	1/2"	6 3/8" X 7'-11 3/4"	8 - 12
4	1	DENSGLASS	1/2"	6'-1 7/8" X 2'-3"	8 - 12
5	1	DENSGLASS	1/2"	6'-1 1/4" X 6 5/16"	8 - 12

23-1215

Jewish Home for the Aging

1885 Victory Blvd. Reseda, CA

FrameMax, Inc.
13915 Danielson St
Suite 100
Poway, CA 92064
www.frame-max.com



© FrameMax Inc.

CREATED: 12/11/2008

FM-07-109

CREATED BY: TNT

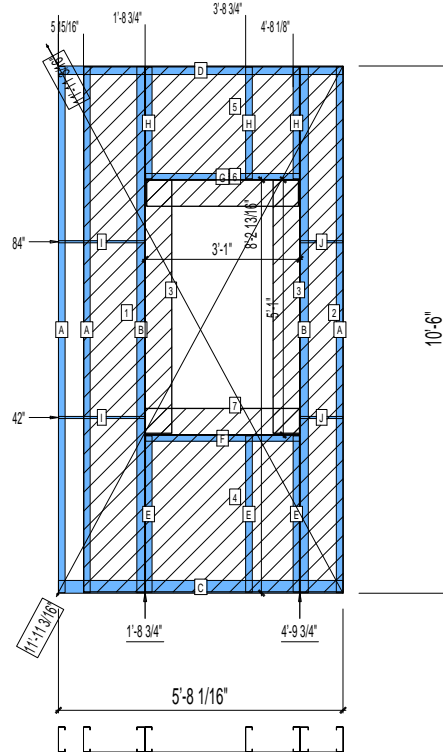
HEIGHT : 10'-6"
SPACING : 5000"
1st STUD: 5000"

POINTS: 1.88 Points.

APPROVED
By TNT at 2:46 pm, Dec 15, 2008

WEIGHTS :
FRAME : 182 lbs
SHEATHING: 117 lbs

TOTAL: 299 lbs



PIECES LIST

LABEL	QTY	SIZE	LENGTH	USE
A	3	600S162-54	10'-5 13/16"	STUD
B	2	600S200-68	10'-5 13/16"	KING STUD
C	1	600T300-54	5'-8 1/16"	BOTTOM TRACK
D	1	600T200-54	5'-8 1/16"	TOP TRACK
E	3	600S162-54	3'-1 3/8"	CRIPPLE
F	1	600T150-54	3'-0 3/4"	SILL
G	1	600T150-54	3'-0 3/4"	HEAD TRACK
H	3	600S162-54	2'-2 3/4"	CRIPPLE
I	2	150U50-54	1'-8 1/2"	HORIZONTAL BRACING
J	2	150U50-54	10 1/8"	HORIZONTAL BRACING

SHEATHING

LABEL	QTY	CODE	THICK	SIZE	SCREWS
1	1	DENSGLASS	1/2"	1'-2 5/8" X 10'-5 9/16"	8 - 12
2	1	DENSGLASS	1/2"	10 1/4" X 10'-5 9/16"	8 - 12
3	2	DENSGLASS	1/2"	6 3/8" X 5'-0 1/2"	8 - 12
4	1	DENSGLASS	1/2"	3'-0 7/8" X 3'-1 1/2"	8 - 12
5	1	DENSGLASS	1/2"	3'-0 7/8" X 2'-3"	8 - 12
6	1	DENSGLASS	1/2"	3'-0 1/4" X 6 5/16"	8 - 12
7	1	DENSGLASS	1/2"	3'-0 7/8" X 6 5/16"	8 - 12

23-1216

Jewish Home for the Aging

1885 Victory Blvd. Reseda, CA

FrameMax, Inc.
13915 Danielson St
Suite 100
Poway, CA 92064
www.frame-max.com



© FrameMax Inc.

CREATED: 12/11/2008

FM-07-109

CREATED BY: TNT

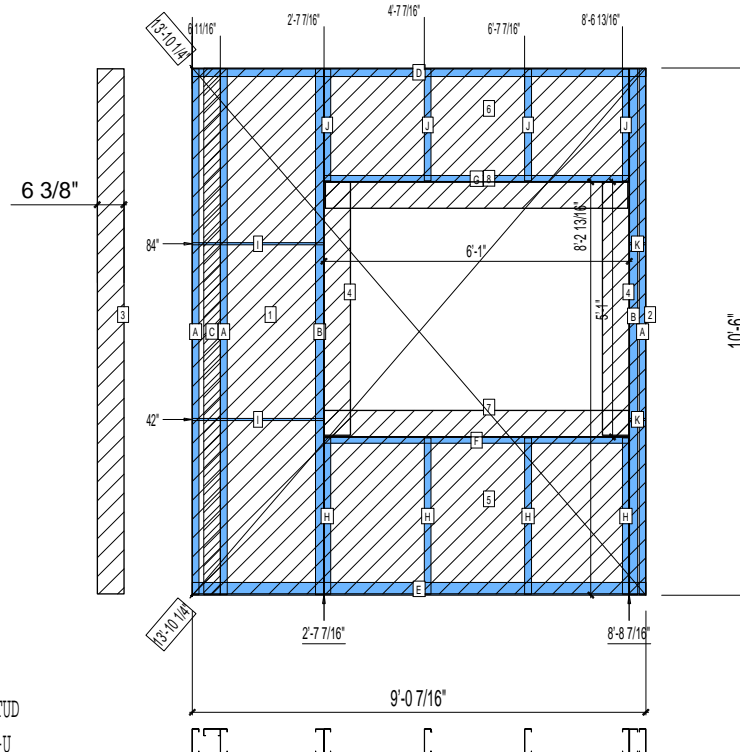
HEIGHT : 10'-6"
SPACING : 5000"
1st STUD: 5000"

POINTS: 2.61 Points.

APPROVED
By TNT at 2:46 pm, Dec 15, 2008

WEIGHTS :
FRAME : 227 lbs
SHEATHING: 202 lbs

TOTAL: 429 lbs



PIECES LIST

LABEL	QTY	SIZE	LENGTH	USE
A	3	600S162-54	10'-5 13/16"	STUD
B	2	600S200-68	10'-5 13/16"	KING STUD
C	1	400S162-33	10'-5 13/16"	BACKER-U
D	1	600T200-54	9'-0 7/16"	TOP TRACK
E	1	600T300-54	9'-0 7/16"	BOTTOM TRACK
F	1	600T150-54	6'-0 3/4"	SILL
G	1	600T150-54	6'-0 3/4"	HEAD TRACK
H	4	600S162-54	3'-1 3/8"	CRIPPLE
I	2	150U50-54	2'-7 1/4"	HORIZONTAL BRACING
J	4	600S162-54	2'-2 3/4"	CRIPPLE
K	2	150U50-54	3 3/4"	HORIZONTAL BRACING

SHEATHING

LABEL	QTY	CODE	THICK	SIZE	SCREWS
1	1	DENSGLASS	1/2"	2'-7 3/8" X 10'-5 9/16"	8 - 12
2	1	DENSGLASS	1/2"	3 7/8" X 10'-5 9/16"	8 - 12
3	1	DENSGLASS	1/2"	6 3/8" X 10'-5 9/16"	8 - 12
4	2	DENSGLASS	1/2"	6 3/8" X 5'-0 1/2"	8 - 12
5	1	DENSGLASS	1/2"	6'-0 15/16" X 3'-1 1/2"	8 - 12
6	1	DENSGLASS	1/2"	6'-0 15/16" X 2'-3"	8 - 12
7	1	DENSGLASS	1/2"	6'-0 7/8" X 6 5/16"	8 - 12
8	1	DENSGLASS	1/2"	6'-0 1/4" X 6 5/16"	8 - 12

23-1217

Jewish Home for the Aging

1885 Victory Blvd. Reseda, CA

FrameMax, Inc.
13915 Danielson St
Suite 100
Poway, CA 92064
www.frame-max.com



© FrameMax Inc.

CREATED: 12/11/2008

FM-07-109

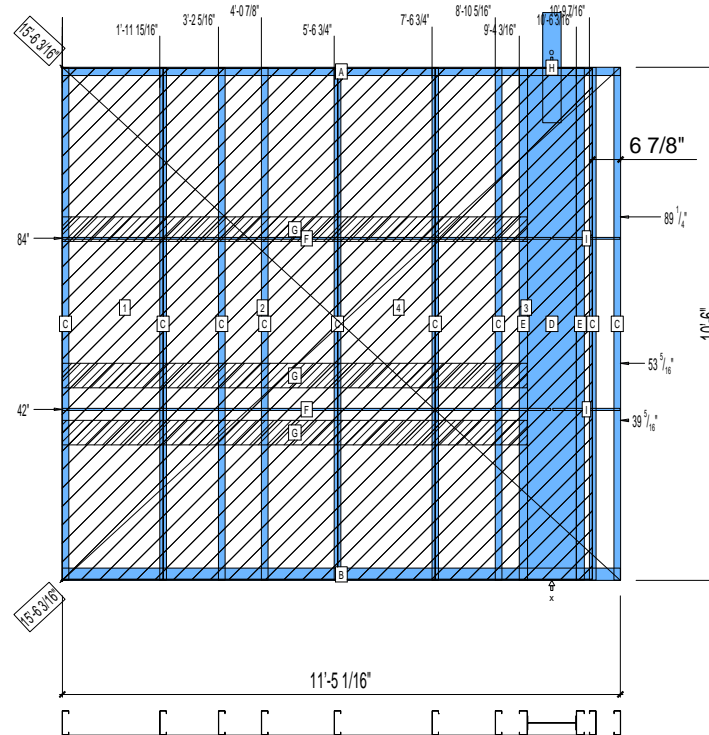
CREATED BY: TNT

APPROVED
By TNT at 2:46 pm, Dec 15, 2008

HEIGHT : 10'-6"
POINTS: 4.67 Points.
SPACING : 5000"
1st STUD: 5000"

WEIGHTS :
FRAME : 456 lbs
SHEATHING: 417 lbs

TOTAL: 873 lbs



PIECES LIST

LABEL	QTY	SIZE	LENGTH	USE
A	1	600T200-54	11'-5 1/16"	TOP TRACK
B	1	600T300-54	11'-5 1/16"	BOTTOM TRACK
C	9	600S162-54	10'-5 13/16"	STUD
D	1	1200i350p1062	10'-5 13/16"	PACO
E	2	600S200-68	10'-5 13/16"	STUD
F	2	150U50-54	9'-11 7/8"	HORIZONTAL BRACING
G	3	600D-54	9'-6 1/8"	KITCHEN BACKING
H	1	B	2'-3"	HOLDDOWN
I	2	150U50-54	1'-4 1/2"	HORIZONTAL BRACING

SHEATHING

LABEL	QTY	CODE	THICK	SIZE	SCREWS
1	1	SB-DENSGLASS	1/2"	2'-0 13/16" X 10'-5 7/16"	2-12
2	1	SB-DENSGLASS	1/2"	3'-6 13/16" X 10'-5 7/16"	2-12
3	1	SB-DENSGLASS	1/2"	3'-2 5/8" X 10'-5 7/16"	2-12
4	1	SB-DENSGLASS	1/2"	2'-0" X 10'-5 7/16"	2-12

23-1218

Jewish Home for the Aging

1885 Victory Blvd. Reseda, CA

FrameMax, Inc.
13915 Danielson St
Suite 100
Poway, CA 92064
www.frame-max.com



© FrameMax Inc.

CREATED: 12/11/2008

FM-07-109

CREATED BY: TNT

HEIGHT : 10'-6" POINTS: 1.30 Points.

SPACING : 24"

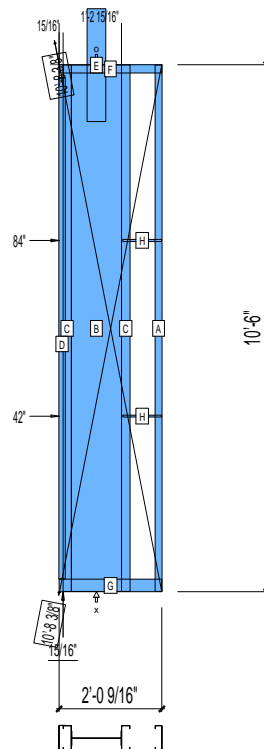
1st STUD: 16"

APPROVED
By TNT at 2:46 pm, Dec 15, 2008

WEIGHTS :

FRAME : 230 lbs

TOTAL: 230 lbs



PIECES LIST

LABEL	QTY	SIZE	LENGTH	USE
A	1	600S162-54	10'-5 13/16"	STUD
B	1	1200i350p1062	10'-5 13/16"	PACO
C	2	600S200-68	10'-5 13/16"	STUD
D	1	600T150-54	9'-11 7/8"	CAP TRACK
E	1	B	2'-3"	HOLDDOWN
F	1	600T200-54	2'-0 9/16"	TOP TRACK
G	1	600T300-54	2'-0 9/16"	BOTTOM TRACK
H	2	150U50-54	9 1/4"	HORIZONTAL BRACING

23-1219

Jewish Home for the Aging

1885 Victory Blvd. Reseda, CA

FrameMax, Inc.
13915 Danielson St
Suite 100
Poway, CA 92064
www.frame-max.com



© FrameMax Inc.

APPROVED
By TNT at 2:46 pm, Dec 15, 2008

CREATED: 12/11/2008

FM-07-109

CREATED BY: TNT

HEIGHT : 10'-6" POINTS: 2.40 Points.

SPACING : 5000"

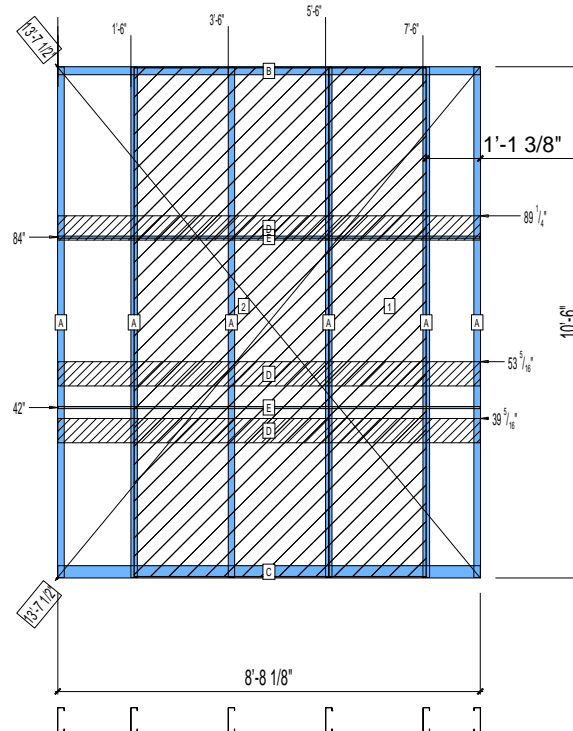
1st STUD: 5000"

WEIGHTS :

FRAME : 196 lbs

SHEATHING: 231 lbs

TOTAL: 427 lbs



PIECES LIST

LABEL	QTY	SIZE	LENGTH	USE
A	6	600S162-54	10'-5 13/16"	STUD
B	1	600T200-54	8'-8 1/8"	TOP TRACK
C	1	600T300-54	8'-8 1/8"	BOTTOM TRACK
D	3	600D-54	8'-8 1/8"	KITCHEN BACKING
E	2	150U50-54	8'-8"	HORIZONTAL BRACING

SHEATHING

LABEL	QTY	CODE	THICK	SIZE	SCREWS
1	1	SB-DENSGLOSS	1/2"	2'-0" X 10'-5 7/16"	2-12
2	1	SB-DENSGLOSS	1/2"	4'-0" X 10'-5 7/16"	2-12

23-1220

Jewish Home for the Aging

1885 Victory Blvd. Reseda, CA

FrameMax, Inc.
13915 Danielson St
Suite 100
Poway, CA 92064
www.framemax.com



© FrameMax Inc.

CREATED: 12/11/2008

FM-07-109

CREATED BY: TNT

HEIGHT : 10'-6" POINTS: 1.37 Points.

SPACING : 24"

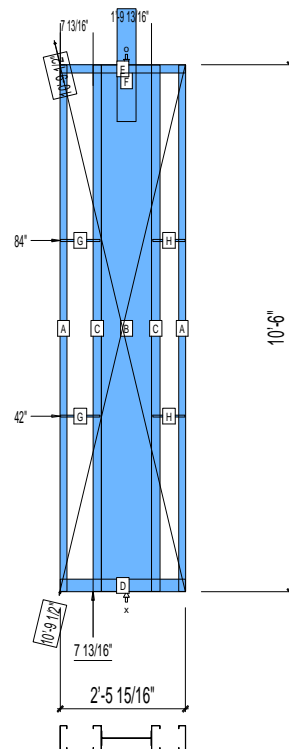
1st STUD: 24"

APPROVED
By TNT at 2:46 pm, Dec 15, 2008

WEIGHTS :

FRAME : 235 lbs

TOTAL: 235 lbs



PIECES LIST

LABEL	QTY	SIZE	LENGTH	USE
A	2	600S162-54	10'-5 13/16"	STUD
B	1	1200i350p1062	10'-5 13/16"	PACO
C	2	600S200-68	10'-5 13/16"	STUD
D	1	600T300-54	2'-5 15/16"	BOTTOM TRACK
E	1	600T200-54	2'-5 15/16"	TOP TRACK
F	1	B	2'-3"	HOLDDOWN
G	2	150U50-54	9 7/16"	HORIZONTAL BRACING
H	2	150U50-54	7 11/16"	HORIZONTAL BRACING

23-3001

Jewish Home for the Aging

1885 Victory Blvd. Reseda, CA

FrameMax, Inc.
13915 Danielson St
Suite 100
Poway, CA 92064
www.frame-max.com



© FrameMax Inc.

CREATED: 11/19/2008

FM-07-109

CREATED BY: TNT

HEIGHT : 2'-9 1/2" POINTS: 0.22 Points.

SPACING : 24"

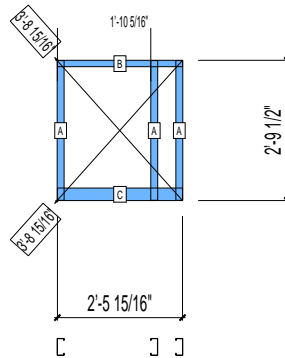
1st STUD: 24"

APPROVED
By TNT at 2:46 pm, Dec 15, 2008

WEIGHTS :

FRAME : 13 lbs

TOTAL: 13 lbs



PIECES LIST

LABEL	QTY	SIZE	LENGTH	USE
A	3	400S162-33	2'-9 3/8"	STUD
B	1	400T150-33	2'-5 15/16"	TOP TRACK
C	1	400T300-33	2'-5 15/16"	BOTTOM TRACK

23-3002

Jewish Home for the Aging

1885 Victory Blvd. Reseda, CA

FrameMax, Inc.
13915 Danielson St
Suite 100
Poway, CA 92064
www.frame-max.com



© FrameMax Inc.

CREATED: 11/24/2008

FM-07-109

CREATED BY: TNT

HEIGHT : 2'-9 1/2" POINTS: 0.46 Points.

SPACING : 24"

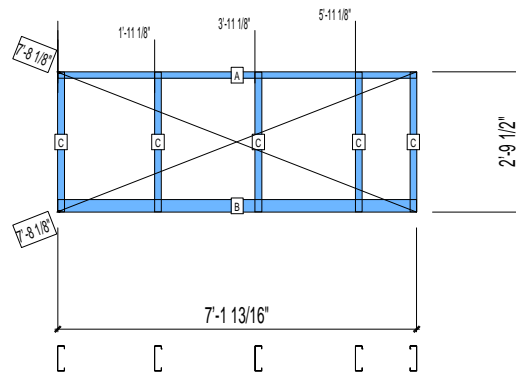
1st STUD: 24"

APPROVED
By TNT at 2:46 pm, Dec 15, 2008

WEIGHTS :

FRAME : 34 lbs

TOTAL: 34 lbs



PIECES LIST

LABEL	QTY	SIZE	LENGTH	USE
A	1	600T150-33	7'-1 13/16"	TOP TRACK
B	1	600T300-33	7'-1 13/16"	BOTTOM TRACK
C	5	600S162-33	2'-9 3/8"	STUD

23-3003

Jewish Home for the Aging

1885 Victory Blvd. Reseda, CA

FM-07-109

CREATED BY: TNT

FrameMax, Inc.
13915 Danielson St
Suite 100
Poway, CA 92064
www.frame-max.com



© FrameMax Inc.

HEIGHT : 9'-4 7/16" POINTS: 0.34 Points.

SPACING : 24"

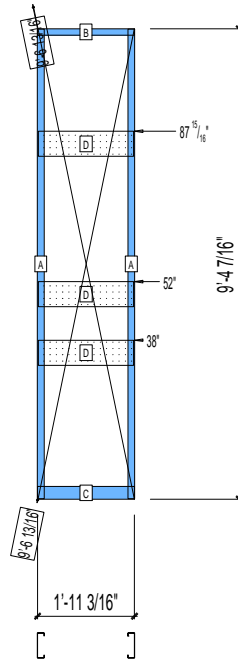
1st STUD: 24"

WEIGHTS :

FRAME : 34 lbs

TOTAL: 34 lbs

APPROVED
By TNT at 2:46 pm, Dec 15, 2008



PIECES LIST

LABEL	QTY	SIZE	LENGTH	USE
A	2	600S162-33	9'-4 5/16"	STUD
B	1	600T150-33	1'-11 3/16"	TOP TRACK
C	1	600T300-33	1'-11 3/16"	BOTTOM TRACK
D	3	600D-54	1'-10 3/4"	KITCHEN BACKING

23-3004

Jewish Home for the Aging

1885 Victory Blvd. Reseda, CA

FrameMax, Inc.
13915 Danielson St
Suite 100
Poway, CA 92064
www.frame-max.com



© FrameMax Inc.

CREATED: 11/19/2008

FM-07-109

CREATED BY: TNT

HEIGHT : 9'-4 7/16" POINTS: 0.47 Points.

SPACING : 24"

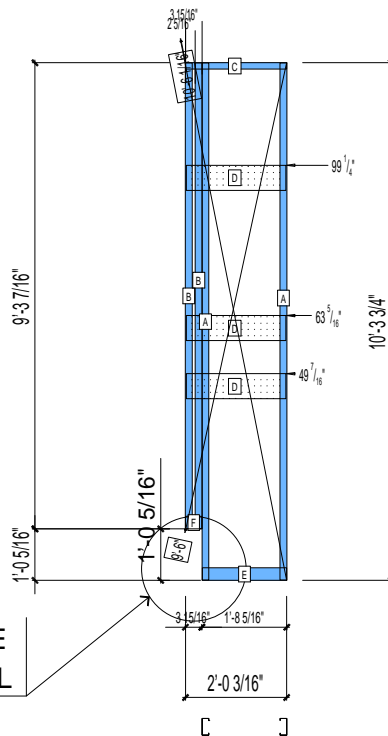
1st STUD: 24"

APPROVED
By TNT at 2:46 pm, Dec 15, 2008

WEIGHTS :

FRAME : 48 lbs

TOTAL: 48 lbs



POCKET AT THE
BOTTOM OF PANEL

PIECES LIST

LABEL	QTY	SIZE	LENGTH	USE
A	2	400S162-33	10'-3 5/8"	STUD
B	2	400S162-33	9'-3 5/16"	STUD
C	1	400T150-33	2'-0 3/16"	TOP TRACK
D	3	600D-54	1'-11 3/4"	KITCHEN BACKING
E	1	400T300-33	1'-8 1/8"	BOTTOM TRACK
F	1	400T300-33	3 7/8"	BOTTOM TRACK

23-3005

Jewish Home for the Aging

1885 Victory Blvd. Reseda, CA

FrameMax, Inc.
13915 Danielson St
Suite 100
Poway, CA 92064
www.frame-max.com



© FrameMax Inc.

CREATED: 12/10/2008

FM-07-109

CREATED BY: TNT

HEIGHT : 9'-4 7/16" POINTS: 0.22 Points.

SPACING : 24"

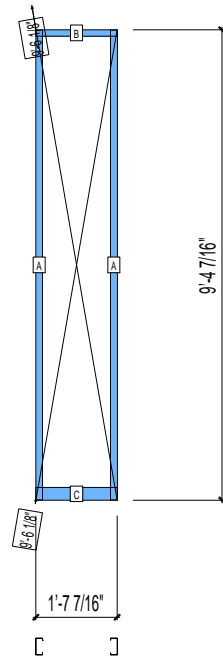
1st STUD: 24"

APPROVED
By TNT at 2:46 pm, Dec 15, 2008

WEIGHTS :

FRAME : 21 lbs

TOTAL: 21 lbs



PIECES LIST

LABEL	QTY	SIZE	LENGTH	USE
A	2	400S162-33	9'-4 5/16"	STUD
B	1	400T150-33	1'-7 7/16"	TOP TRACK
C	1	400T300-33	1'-7 7/16"	BOTTOM TRACK

23-3006

Jewish Home for the Aging

1885 Victory Blvd. Reseda, CA

FrameMax, Inc.
13915 Danielson St
Suite 100
Poway, CA 92064
www.frame-max.com



© FrameMax Inc.

CREATED: 11/19/2008

FM-07-109

CREATED BY: TNT

HEIGHT : 9'-4 7/16" POINTS: 0.35 Points.

SPACING : 24"

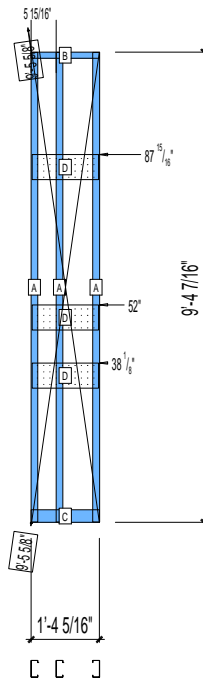
1st STUD: 24"

APPROVED
By TNT at 2:46 pm, Dec 15, 2008

WEIGHTS :

FRAME : 34 lbs

TOTAL: 34 lbs



PIECES LIST

LABEL	QTY	SIZE	LENGTH	USE
A	3	400S162-33	9'-4 5/16"	STUD
B	1	400T150-33	1'-4 5/16"	TOP TRACK
C	1	400T300-33	1'-4 5/16"	BOTTOM TRACK
D	3	600D-54	1'-3 7/8"	KITCHEN BACKING

23-3007

Jewish Home for the Aging

1885 Victory Blvd. Reseda, CA

FrameMax, Inc.
13915 Danielson St
Suite 100
Poway, CA 92064
www.frame-max.com



© FrameMax Inc.

CREATED: 11/19/2008

FM-07-109

CREATED BY: TNT

HEIGHT : 9'-4 7/16" POINTS: 0.77 Points.

SPACING : 24"

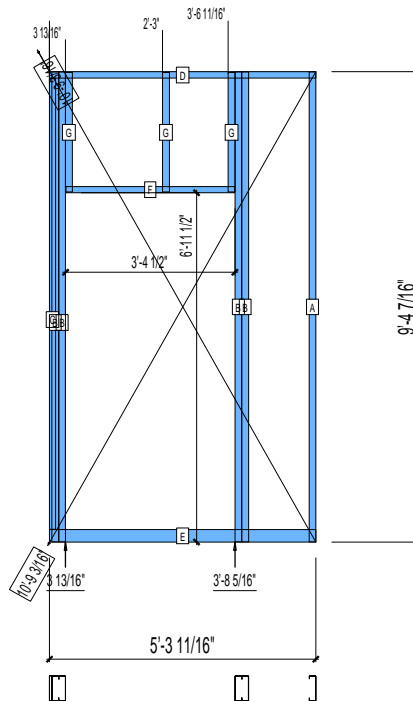
1st STUD: 24"

APPROVED
By TNT at 2:46 pm, Dec 15, 2008

WEIGHTS :

FRAME : 89 lbs

TOTAL: 89 lbs



PIECES LIST

LABEL	QTY	SIZE	LENGTH	USE
A	1	600S162-33	9'-4 5/16"	STUD
B	4	600S162-33	9'-4 5/16"	KING STUD
C	1	600T150-33	8'-11 13/16"	CAP TRACK
D	1	600T150-33	5'-3 11/16"	TOP TRACK
E	1	600T300-33	5'-3 11/16"	BOTTOM TRACK
F	1	600T150-33	3'-4 1/4"	HEAD TRACK
G	3	600S162-33	2'-4 9/16"	CRIPPLE

23-3008

Jewish Home for the Aging

1885 Victory Blvd. Reseda, CA

FrameMax, Inc.
13915 Danielson St
Suite 100
Poway, CA 92064
www.frame-max.com



© FrameMax Inc.

CREATED: 11/19/2008

FM-07-109

CREATED BY: TNT

HEIGHT : 9'-4 7/16" POINTS: 0.19 Points.

SPACING : 24"

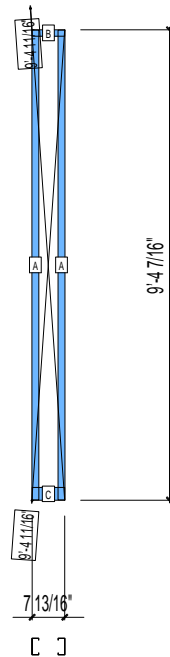
1st STUD: 24"

APPROVED
By TNT at 2:46 pm, Dec 15, 2008

WEIGHTS :

FRAME : 19 lbs

TOTAL: 19 lbs



PIECES LIST

LABEL	QTY	SIZE	LENGTH	USE
A	2	400S162-33	9'-4 5/16"	STUD
B	1	400T150-33	7 13/16"	TOP TRACK
C	1	400T300-33	7 13/16"	BOTTOM TRACK

23-3009

Jewish Home for the Aging

1885 Victory Blvd. Reseda, CA

FrameMax, Inc.
13915 Danielson St
Suite 100
Poway, CA 92064
www.frame-max.com



© FrameMax Inc.

CREATED: 11/19/2008

FM-07-109

CREATED BY: TNT

HEIGHT : 9'-4 7/16" POINTS: 0.43 Points.

SPACING : 24"

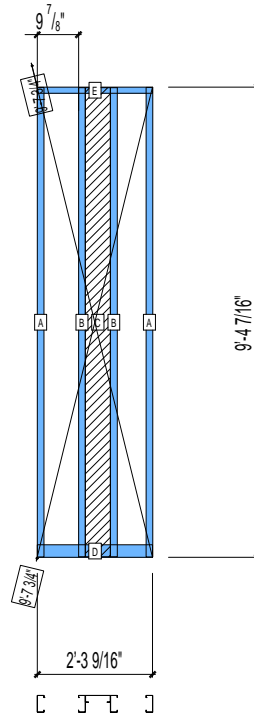
1st STUD: 24"

APPROVED
By TNT at 2:46 pm, Dec 15, 2008

WEIGHTS :

FRAME : 50 lbs

TOTAL: 50 lbs



PIECES LIST

LABEL	QTY	SIZE	LENGTH	USE
A	2	400S162-33	9'-4 5/16"	STUD
B	2	400S162-33	9'-4 3/16"	BACKER STUD
C	1	600S162-33	9'-4 3/16"	BACKER-U
D	1	400T300-33	2'-3 9/16"	BOTTOM TRACK
E	1	400T150-33	2'-3 9/16"	TOP TRACK

23-3010

Jewish Home for the Aging

1885 Victory Blvd. Reseda, CA

FrameMax, Inc.
13915 Danielson St
Suite 100
Poway, CA 92064
www.frame-max.com



© FrameMax Inc.

CREATED: 11/19/2008

FM-07-109

CREATED BY: TNT

HEIGHT : 9'-4 7/16" POINTS: 0.39 Points.

SPACING : 24"

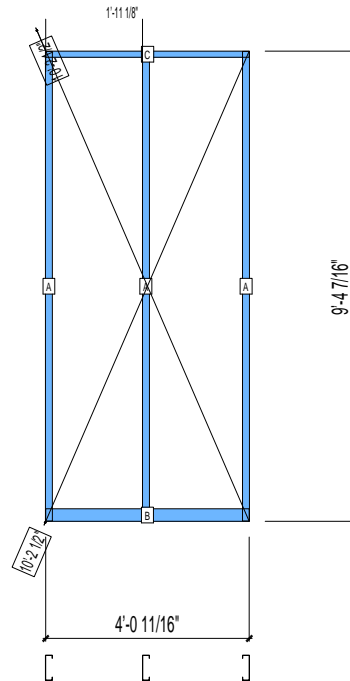
1st STUD: 24"

APPROVED
By TNT at 2:46 pm, Dec 15, 2008

WEIGHTS :

FRAME : 43 lbs

TOTAL: 43 lbs



PIECES LIST

LABEL	QTY	SIZE	LENGTH	USE
A	3	600S162-33	9'-4 5/16"	STUD
B	1	600T300-33	4'-0 11/16"	BOTTOM TRACK
C	1	600T150-33	4'-0 11/16"	TOP TRACK

23-3011

Jewish Home for the Aging

1885 Victory Blvd. Reseda, CA

FrameMax, Inc.
13915 Danielson St
Suite 100
Poway, CA 92064
www.frame-max.com



© FrameMax Inc.

CREATED: 11/19/2008

FM-07-109

CREATED BY: TNT

HEIGHT : 9'-4 7/16" POINTS: 1.12 Points.

SPACING : 24"

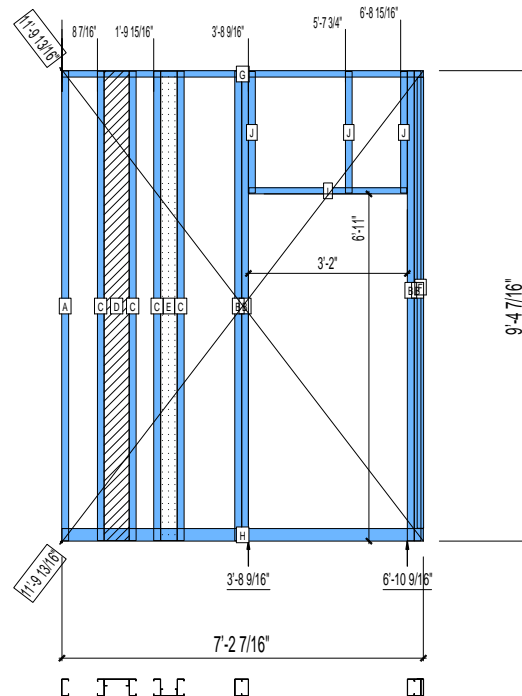
1st STUD: 24"

APPROVED
By TNT at 2:46 pm, Dec 15, 2008

WEIGHTS :

FRAME : 129 lbs

TOTAL: 129 lbs



PIECES LIST

LABEL	QTY	SIZE	LENGTH	USE
A	1	400S162-33	9'-4 5/16"	STUD
B	4	400S162-33	9'-4 5/16"	KING STUD
C	4	400S162-33	9'-4 3/16"	BACKER STUD
D	1	600S162-33	9'-4 3/16"	BACKER-U
E	1	400S162-33	9'-4 3/16"	BACKER-U
F	1	400T150-33	8'-11 13/16"	CAP TRACK
G	1	400T150-33	7'-2 7/16"	TOP TRACK
H	1	400T300-33	7'-2 7/16"	BOTTOM TRACK
I	1	400T150-33	3'-1 3/4"	HEAD TRACK
J	3	400S162-33	2'-5 1/16"	CRIPPLE

23-3012

Jewish Home for the Aging

1885 Victory Blvd. Reseda, CA

FrameMax, Inc.
13915 Danielson St
Suite 100
Poway, CA 92064
www.frame-max.com



© FrameMax Inc.

CREATED: 11/19/2008

FM-07-109

CREATED BY: TNT

HEIGHT : 9'-4 7/16" POINTS: 0.25 Points.

SPACING : 24"

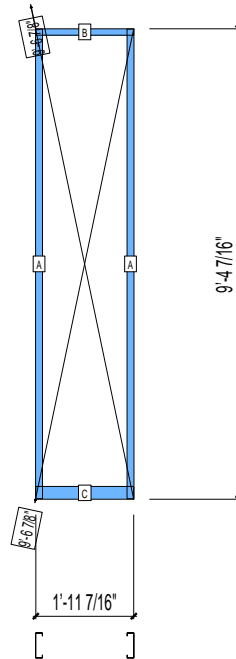
1st STUD: 24"

APPROVED
By TNT at 2:46 pm, Dec 15, 2008

WEIGHTS :

FRAME : 27 lbs

TOTAL: 27 lbs



PIECES LIST

LABEL	QTY	SIZE	LENGTH	USE
A	2	600S162-33	9'-4 5/16"	STUD
B	1	600T150-33	1'-11 7/16"	TOP TRACK
C	1	600T300-33	1'-11 7/16"	BOTTOM TRACK

23-3013

Jewish Home for the Aging

1885 Victory Blvd. Reseda, CA

FrameMax, Inc.
13915 Danielson St
Suite 100
Poway, CA 92064
www.frame-max.com



© FrameMax Inc.

CREATED: 11/19/2008

FM-07-109

CREATED BY: TNT

HEIGHT : 9'-4 7/16" POINTS: 1.18 Points.

SPACING : 24"

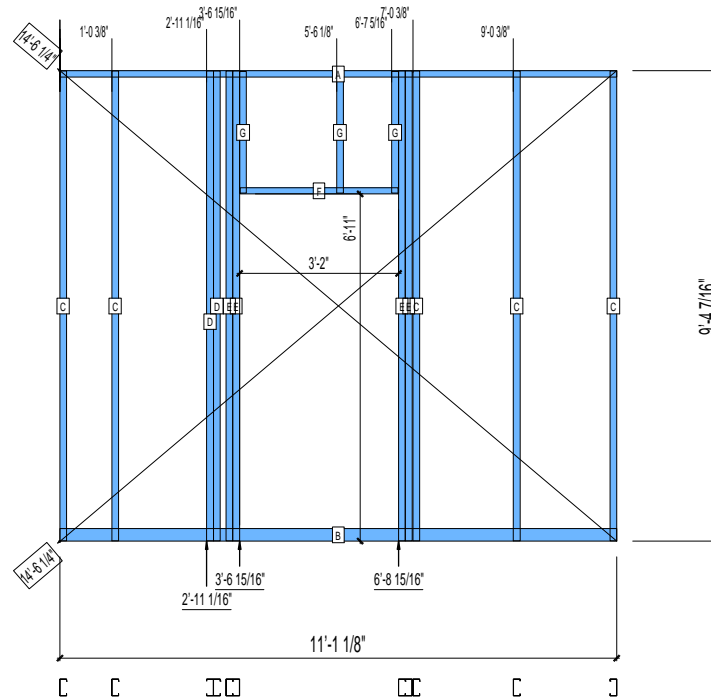
1st STUD: 13 1/4"

APPROVED
By TNT at 2:46 pm, Dec 15, 2008

WEIGHTS :

FRAME : 127 lbs

TOTAL: 127 lbs



PIECES LIST

LABEL	QTY	SIZE	LENGTH	USE
A	1	400T150-33	11'-1 1/8"	TOP TRACK
B	1	400T300-33	11'-1 1/8"	BOTTOM TRACK
C	5	400S162-33	9'-4 5/16"	STUD
D	2	400S162-33	9'-4 5/16"	EXTRA STUD
E	4	400S162-33	9'-4 5/16"	KING STUD
F	1	400T150-33	3'-1 3/4"	HEAD TRACK
G	3	400S162-33	2'-5 1/16"	CRIPPLE

23-3014

Jewish Home for the Aging

1885 Victory Blvd. Reseda, CA

FrameMax, Inc.
13915 Danielson St
Suite 100
Poway, CA 92064
www.frame-max.com



© FrameMax Inc.

CREATED: 11/19/2008

FM-07-109

CREATED BY: TNT

HEIGHT : 9'-4 7/16" POINTS: 0.45 Points.

SPACING : 24"

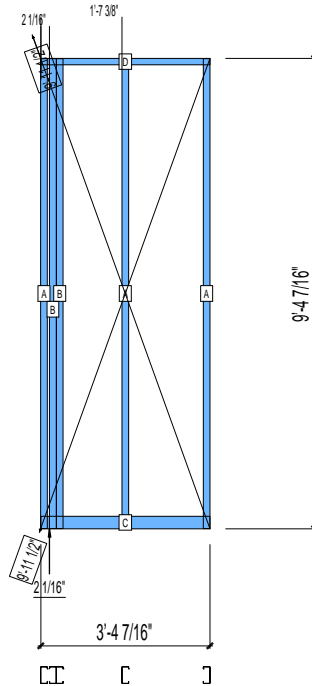
1st STUD: 20 1/4"

APPROVED
By TNT at 2:46 pm, Dec 15, 2008

WEIGHTS :

FRAME : 50 lbs

TOTAL: 50 lbs



PIECES LIST

LABEL	QTY	SIZE	LENGTH	USE
A	3	400S162-33	9'-4 5/16"	STUD
B	2	400S162-33	9'-4 5/16"	EXTRA STUD
C	1	400T300-33	3'-4 7/16"	BOTTOM TRACK
D	1	400T150-33	3'-4 7/16"	TOP TRACK

23-3015

Jewish Home for the Aging

1885 Victory Blvd. Reseda, CA

FrameMax, Inc.
13915 Danielson St
Suite 100
Poway, CA 92064
www.frame-max.com



© FrameMax Inc.

CREATED: 11/19/2008

FM-07-109

CREATED BY: TNT

HEIGHT : 9'-4 7/16" POINTS: 0.45 Points.

SPACING : 24"

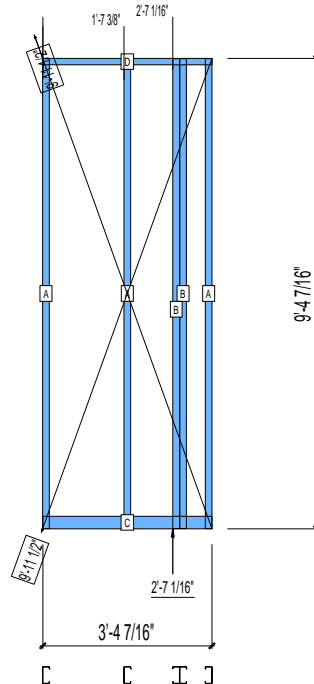
1st STUD: 20 1/4"

APPROVED
By TNT at 2:46 pm, Dec 15, 2008

WEIGHTS :

FRAME : 50 lbs

TOTAL: 50 lbs



PIECES LIST

LABEL	QTY	SIZE	LENGTH	USE
A	3	400S162-33	9'-4 5/16"	STUD
B	2	400S162-33	9'-4 5/16"	EXTRA STUD
C	1	400T300-33	3'-4 7/16"	BOTTOM TRACK
D	1	400T150-33	3'-4 7/16"	TOP TRACK

23-3016

Jewish Home for the Aging

1885 Victory Blvd. Reseda, CA

FrameMax, Inc.
13915 Danielson St
Suite 100
Poway, CA 92064
www.frame-max.com



© FrameMax Inc.

CREATED: 11/19/2008

FM-07-109

CREATED BY: TNT

HEIGHT : 9'-4 7/16" POINTS: 1.42 Points.

SPACING : 24"

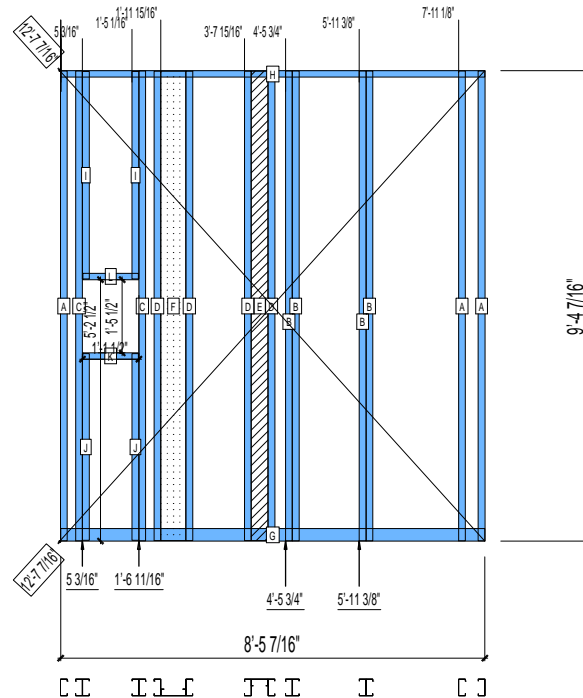
1st STUD: 24"

APPROVED
By TNT at 2:46 pm, Dec 15, 2008

WEIGHTS :

FRAME : 166 lbs

TOTAL: 166 lbs



PIECES LIST

LABEL	QTY	SIZE	LENGTH	USE
A	3	400S162-33	9'-4 5/16"	STUD
B	4	400S162-33	9'-4 5/16"	EXTRA STUD
C	2	400S162-33	9'-4 5/16"	KING STUD
D	4	400S162-33	9'-4 3/16"	BACKER STUD
E	1	400S162-33	9'-4 3/16"	BACKER-U
F	1	600S162-33	9'-4 3/16"	BACKER-U
G	1	400T300-33	8'-5 7/16"	BOTTOM TRACK
H	1	400T150-33	8'-5 7/16"	TOP TRACK
I	2	400S162-33	4'-1 9/16"	CRIPPLE
J	2	400S162-33	3'-8 5/8"	CRIPPLE
K	1	400T150-33	1'-1 1/4"	SILL
L	1	400T150-33	1'-1 1/4"	HEAD TRACK

23-3017

Jewish Home for the Aging

1885 Victory Blvd. Reseda, CA

FM-07-109

CREATED BY: TNT

FrameMax, Inc.
13915 Danielson St
Suite 100
Poway, CA 92064
www.frame-max.com



© FrameMax Inc.

HEIGHT : 9'-4 7/16" POINTS: 0.50 Points.

SPACING : 24"

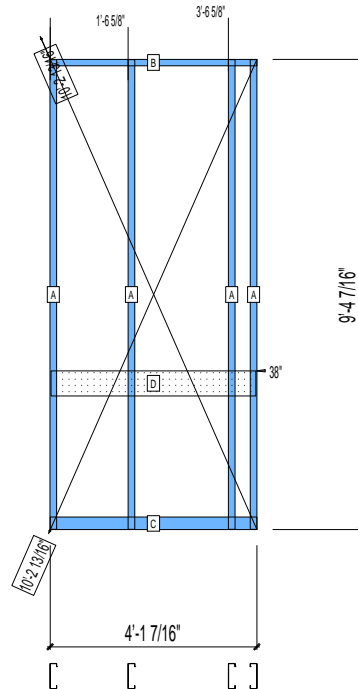
1st STUD: 19 7/16"

WEIGHTS :

FRAME : 59 lbs

TOTAL: 59 lbs

APPROVED
By TNT at 2:46 pm, Dec 15, 2008



PIECES LIST

LABEL	QTY	SIZE	LENGTH	USE
A	4	600S162-33	9'-4 5/16"	STUD
B	1	600T150-33	4'-1 7/16"	TOP TRACK
C	1	600T300-33	4'-1 7/16"	BOTTOM TRACK
D	1	600D-54	4'-1"	VANITY BACKING

23-3018

Jewish Home for the Aging

1885 Victory Blvd. Reseda, CA

FM-07-109

CREATED BY: TNT

FrameMax, Inc.
13915 Danielson St
Suite 100
Poway, CA 92064
www.frame-max.com



© FrameMax Inc.

HEIGHT : 9'-4 7/16" POINTS: 0.91 Points.

SPACING : 24"

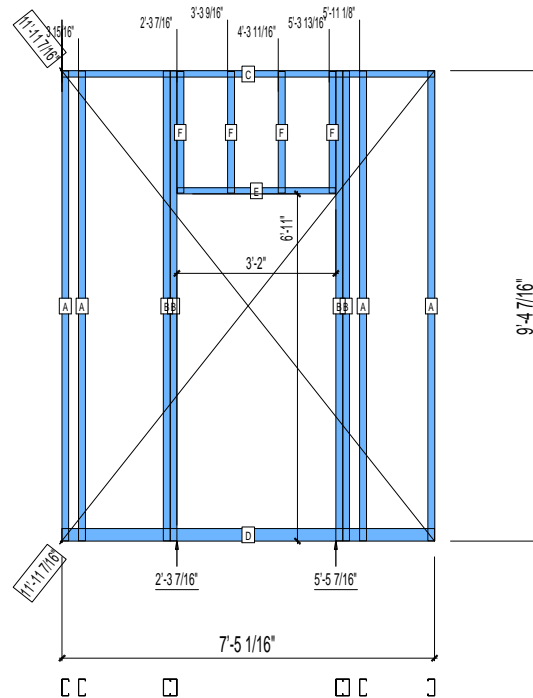
1st STUD: 24"

APPROVED
By TNT at 2:46 pm, Dec 15, 2008

WEIGHTS :

FRAME : 96 lbs

TOTAL: 96 lbs



PIECES LIST

LABEL	QTY	SIZE	LENGTH	USE
A	4	400S162-33	9'-4 5/16"	STUD
B	4	400S162-33	9'-4 5/16"	KING STUD
C	1	400T150-33	7'-5 1/16"	TOP TRACK
D	1	400T300-33	7'-5 1/16"	BOTTOM TRACK
E	1	400T150-33	3'-1 3/4"	HEAD TRACK
F	4	400S162-33	2'-5 1/16"	CRIPPLE

23-3019

Jewish Home for the Aging

1885 Victory Blvd. Reseda, CA

FrameMax, Inc.
13915 Danielson St
Suite 100
Poway, CA 92064
www.frame-max.com



© FrameMax Inc.

CREATED: 11/19/2008

FM-07-109

CREATED BY: TNT

HEIGHT : 9'-4 7/16" POINTS: 0.33 Points.

SPACING : 24"

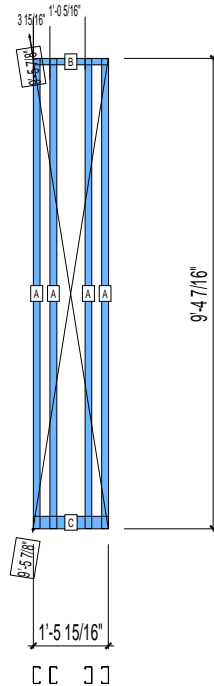
1st STUD: 24"

APPROVED
By TNT at 2:46 pm, Dec 15, 2008

WEIGHTS :

FRAME : 38 lbs

TOTAL: 38 lbs



PIECES LIST

LABEL	QTY	SIZE	LENGTH	USE
A	4	400S162-33	9'-4 5/16"	STUD
B	1	400T150-33	1'-5 15/16"	TOP TRACK
C	1	400T300-33	1'-5 15/16"	BOTTOM TRACK

23-3020

Jewish Home for the Aging

1885 Victory Blvd. Reseda, CA

FrameMax, Inc.
13915 Danielson St
Suite 100
Poway, CA 92064
www.frame-max.com



© FrameMax Inc.

CREATED: 12/10/2008

FM-07-109

CREATED BY: TNT

HEIGHT : 9'-5 3/16" POINTS: 0.48 Points.

SPACING : 24"

1st STUD: 24"

APPROVED
By TNT at 2:46 pm, Dec 15, 2008

WEIGHTS :

FRAME : 47 lbs

TOTAL: 47 lbs



PIECES LIST

LABEL	QTY	SIZE	LENGTH	USE
A	2	400S162-33	9'-4 5/16"	STUD
B	2	400S162-33	9'-4 5/16"	KING STUD
C	1	400T150-33	2'-6 9/16"	TOP TRACK
D	1	400T300-33	2'-6 9/16"	BOTTOM TRACK
E	1	400T150-33	2'-1 1/2"	CAP TRACK
F	2	400S162-33	1'-11 5/8"	CRIPPLE
G	1	400T150-33	1'-10 1/8"	SILL

23-3021

Jewish Home for the Aging

1885 Victory Blvd. Reseda, CA

FrameMax, Inc.
13915 Danielson St
Suite 100
Poway, CA 92064
www.frame-max.com



© FrameMax Inc.

CREATED: 12/10/2008

FM-07-109

CREATED BY: TNT

HEIGHT : 9'-4 7/16" POINTS: 0.30 Points.

SPACING : 24"

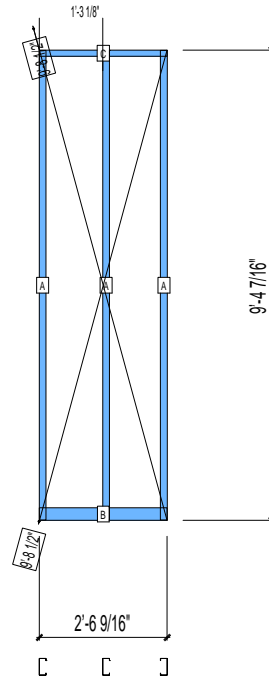
1st STUD: 16"

APPROVED
By TNT at 2:46 pm, Dec 15, 2008

WEIGHTS :

FRAME : 31 lbs

TOTAL: 31 lbs



PIECES LIST

LABEL	QTY	SIZE	LENGTH	USE
A	3	400S162-33	9'-4 5/16"	STUD
B	1	400T300-33	2'-6 9/16"	BOTTOM TRACK
C	1	400T150-33	2'-6 9/16"	TOP TRACK

23-3022

Jewish Home for the Aging

1885 Victory Blvd. Reseda, CA

FrameMax, Inc.
13915 Danielson St
Suite 100
Poway, CA 92064
www.frame-max.com



© FrameMax Inc.

CREATED: 11/19/2008

FM-07-109

CREATED BY: TNT

HEIGHT : 9'-4 7/16" POINTS: 0.46 Points.

SPACING : 24"

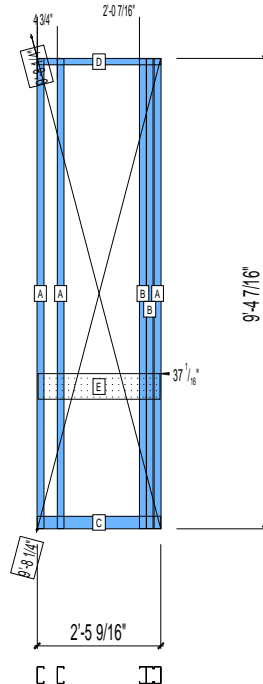
1st STUD: 5 5/8"

APPROVED
By TNT at 2:46 pm, Dec 15, 2008

WEIGHTS :

FRAME : 53 lbs

TOTAL: 53 lbs



PIECES LIST

LABEL	QTY	SIZE	LENGTH	USE
A	3	400S162-33	9'-4 5/16"	STUD
B	2	400S162-33	9'-4 5/16"	EXTRA STUD
C	1	400T300-33	2'-5 9/16"	BOTTOM TRACK
D	1	400T150-33	2'-5 9/16"	TOP TRACK
E	1	600T150-54	2'-5 1/8"	GRAB BAR

23-3023

Jewish Home for the Aging

1885 Victory Blvd. Reseda, CA

FM-07-109

CREATED BY: TNT

FrameMax, Inc.
13915 Danielson St
Suite 100
Poway, CA 92064
www.frame-max.com

FRAME MAX

© FrameMax Inc.

HEIGHT : 9'-4 7/16" POINTS: 0.48 Points.

SPACING : 24"

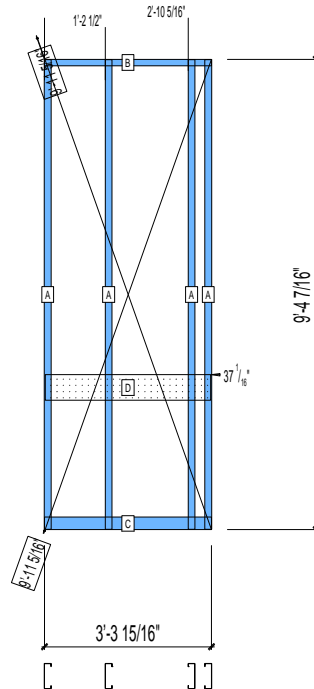
1st STUD: 15 3/8"

WEIGHTS :

FRAME : 58 lbs

TOTAL: 58 lbs

APPROVED
By TNT at 2:46 pm, Dec 15, 2008



PIECES LIST

LABEL	QTY	SIZE	LENGTH	USE
A	4	600S162-33	9'-4 5/16"	STUD
B	1	600T150-33	3'-3 15/16"	TOP TRACK
C	1	600T300-33	3'-3 15/16"	BOTTOM TRACK
D	1	600T150-54	3'-3 1/2"	GRAB BAR

23-3051

Jewish Home for the Aging

1885 Victory Blvd. Reseda, CA

FrameMax, Inc.
13915 Danielson St
Suite 100
Poway, CA 92064
www.framemax.com



© FrameMax Inc.

CREATED: 11/19/2008

FM-07-109

CREATED BY: TNT

HEIGHT : 9'-4 7/16" POINTS: 1.00 Points.

SPACING : 24"

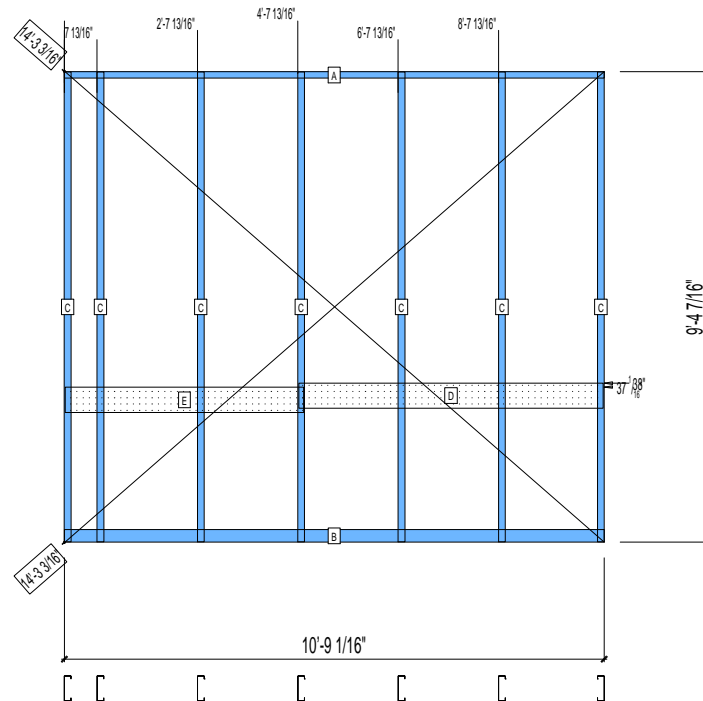
1st STUD: 8 11/16"

WEIGHTS :

FRAME : 119 lbs

TOTAL: 119 lbs

APPROVED
By TNT at 2:46 pm, Dec 15, 2008



PIECES LIST

LABEL	QTY	SIZE	LENGTH	USE
A	1	600T150-33	10'-9 1/16"	TOP TRACK
B	1	600T300-33	10'-9 1/16"	BOTTOM TRACK
C	7	600S162-33	9'-4 5/16"	STUD
D	1	600D-54	6'-0 3/4"	VANITY BACKING
E	1	600T150-54	4'-9"	GRAB BAR

23-3052

Jewish Home for the Aging

1885 Victory Blvd. Reseda, CA

FrameMax, Inc.
13915 Danielson St
Suite 100
Poway, CA 92064
www.frame-max.com



© FrameMax Inc.

CREATED: 12/10/2008

FM-07-109

CREATED BY: TNT

HEIGHT : 9'-4 7/16" POINTS: 0.19 Points.

SPACING : 24"

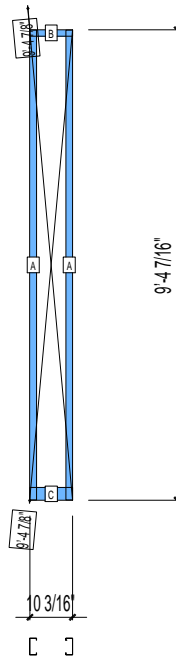
1st STUD: 24"

APPROVED
By TNT at 2:46 pm, Dec 15, 2008

WEIGHTS :

FRAME : 19 lbs

TOTAL: 19 lbs



PIECES LIST

LABEL	QTY	SIZE	LENGTH	USE
A	2	400S162-33	9'-4 5/16"	STUD
B	1	400T150-33	10 3/16"	TOP TRACK
C	1	400T300-33	10 3/16"	BOTTOM TRACK

23-3053

Jewish Home for the Aging

1885 Victory Blvd. Reseda, CA

FrameMax, Inc.
13915 Danielson St
Suite 100
Poway, CA 92064
www.frame-max.com



© FrameMax Inc.

CREATED: 11/19/2008

FM-07-109

CREATED BY: TNT

HEIGHT : 9'-5 3/16" POINTS: 0.68 Points.

SPACING : 24"

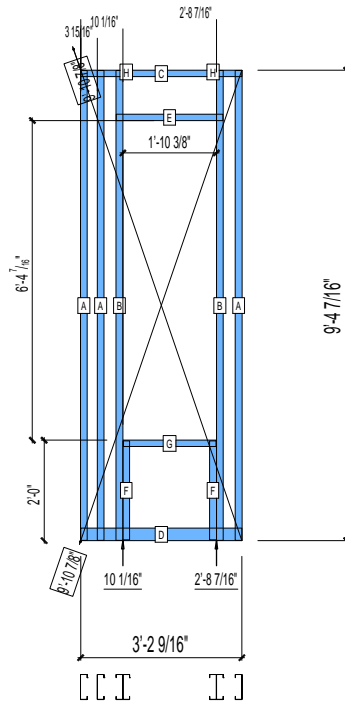
1st STUD: 24"

APPROVED
By TNT at 2:46 pm, Dec 15, 2008

WEIGHTS :

FRAME : 73 lbs

TOTAL: 73 lbs



PIECES LIST

LABEL	QTY	SIZE	LENGTH	USE
A	3	600S162-33	9'-4 5/16"	STUD
B	2	600S162-33	9'-4 5/16"	KING STUD
C	1	600T150-33	3'-2 9/16"	TOP TRACK
D	1	600T300-33	3'-2 9/16"	BOTTOM TRACK
E	1	600T150-54	2'-1 1/2"	CAP TRACK
F	2	600S162-33	1'-11 5/8"	CRIPPLE
G	1	600T150-33	1'-10 1/8"	SILL
H	2	600S162-33	3/8"	CRIPPLE

23-3054

Jewish Home for the Aging

1885 Victory Blvd. Reseda, CA

FrameMax, Inc.
13915 Danielson St
Suite 100
Poway, CA 92064
www.frame-max.com



© FrameMax Inc.

CREATED: 11/19/2008

FM-07-109

CREATED BY: TNT

HEIGHT : 9'-4 7/16" POINTS: 0.70 Points.

SPACING : 24"

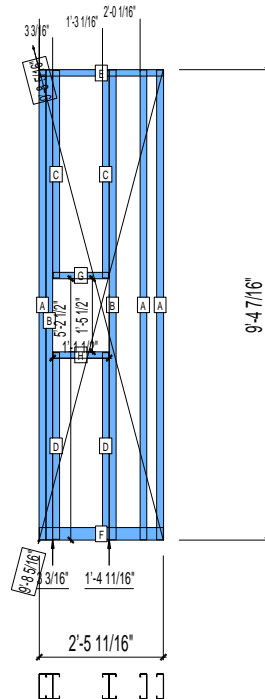
1st STUD: 24"

APPROVED
By TNT at 2:46 pm, Dec 15, 2008

WEIGHTS :

FRAME : 82 lbs

TOTAL: 82 lbs



PIECES LIST

LABEL	QTY	SIZE	LENGTH	USE
A	3	600S162-33	9'-4 5/16"	STUD
B	2	600S162-33	9'-4 5/16"	KING STUD
C	2	600S162-33	4'-1 9/16"	CRIPPLE
D	2	600S162-33	3'-8 5/8"	CRIPPLE
E	1	600T150-33	2'-5 11/16"	TOP TRACK
F	1	600T300-33	2'-5 11/16"	BOTTOM TRACK
G	1	600T150-33	1'-1 1/4"	HEAD TRACK
H	1	600T150-33	1'-1 1/4"	SILL

23-3055

Jewish Home for the Aging

1885 Victory Blvd. Reseda, CA

FrameMax, Inc.
13915 Danielson St
Suite 100
Poway, CA 92064
www.frame-max.com



© FrameMax Inc.

CREATED: 11/19/2008

FM-07-109

CREATED BY: TNT

HEIGHT : 9'-4 7/16" POINTS: 0.30 Points.

SPACING : 24"

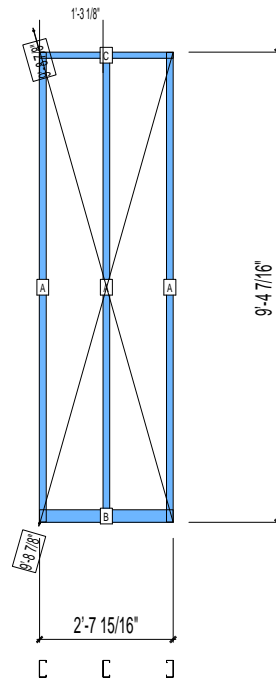
1st STUD: 16"

APPROVED
By TNT at 2:46 pm, Dec 15, 2008

WEIGHTS :

FRAME : 31 lbs

TOTAL: 31 lbs



PIECES LIST

LABEL	QTY	SIZE	LENGTH	USE
A	3	400S162-33	9'-4 5/16"	STUD
B	1	400T300-33	2'-7 15/16"	BOTTOM TRACK
C	1	400T150-33	2'-7 15/16"	TOP TRACK

23-3056

Jewish Home for the Aging

1885 Victory Blvd. Reseda, CA

FM-07-109

CREATED BY: TNT

FrameMax, Inc.
13915 Danielson St
Suite 100
Poway, CA 92064
www.frame-max.com



© FrameMax Inc.

HEIGHT : 9'-4 7/16" POINTS: 0.68 Points.

SPACING : 24"

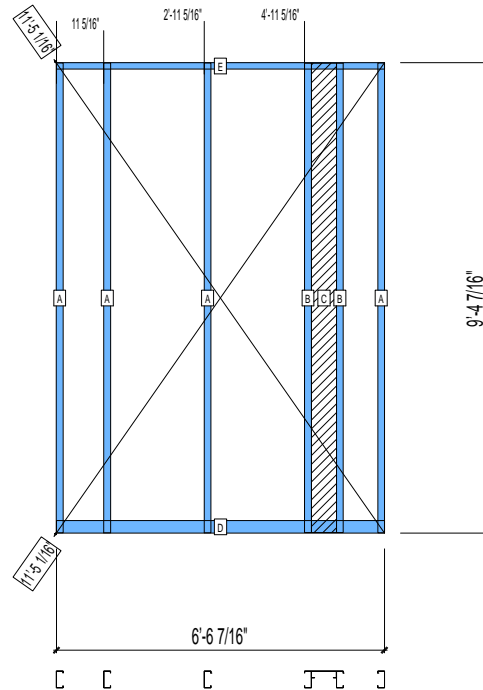
1st STUD: 12 3/16"

WEIGHTS :

FRAME : 76 lbs

TOTAL: 76 lbs

APPROVED
By TNT at 2:46 pm, Dec 15, 2008



PIECES LIST

LABEL	QTY	SIZE	LENGTH	USE
A	4	400S162-33	9'-4 5/16"	STUD
B	2	400S162-33	9'-4 3/16"	BACKER STUD
C	1	600S162-33	9'-4 3/16"	BACKER-U
D	1	400T300-33	6'-6 7/16"	BOTTOM TRACK
E	1	400T150-33	6'-6 7/16"	TOP TRACK

23-3057

Jewish Home for the Aging

1885 Victory Blvd. Reseda, CA

FM-07-109

CREATED BY: TNT

FrameMax, Inc.
13915 Danielson St
Suite 100
Poway, CA 92064
www.frame-max.com



© FrameMax Inc.

HEIGHT : 9'-4 7/16" POINTS: 0.42 Points.

SPACING : 24"

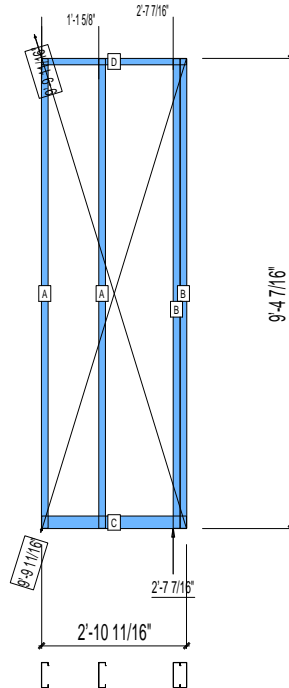
1st STUD: 14 1/2"

WEIGHTS :

FRAME : 51 lbs

TOTAL: 51 lbs

APPROVED
By TNT at 2:46 pm, Dec 15, 2008



PIECES LIST

LABEL	QTY	SIZE	LENGTH	USE
A	2	600S162-33	9'-4 5/16"	STUD
B	2	600S162-33	9'-4 5/16"	EXTRA STUD
C	1	600T300-33	2'-10 11/16"	BOTTOM TRACK
D	1	600T150-33	2'-10 11/16"	TOP TRACK

23-3058

Jewish Home for the Aging

1885 Victory Blvd. Reseda, CA

FM-07-109

CREATED BY: TNT

FrameMax, Inc.
13915 Danielson St
Suite 100
Poway, CA 92064
www.framemax.com



© FrameMax Inc.

HEIGHT : 9'-4 7/16" POINTS: 0.83 Points.

SPACING : 24"

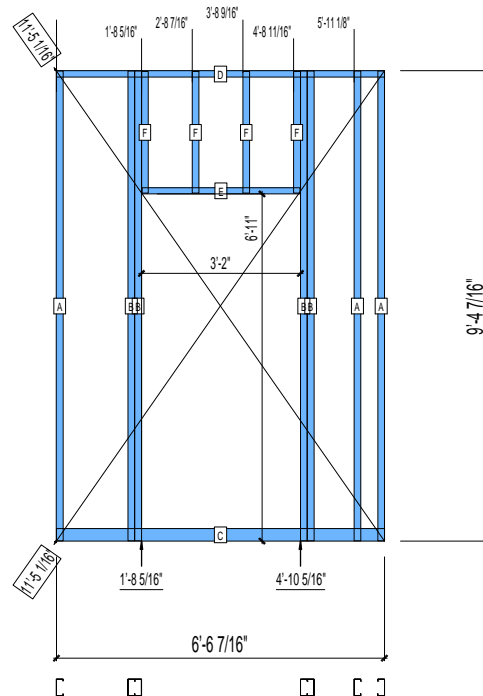
1st STUD: 24"

APPROVED
By TNT at 2:46 pm, Dec 15, 2008

WEIGHTS :

FRAME : 86 lbs

TOTAL: 86 lbs



PIECES LIST

LABEL	QTY	SIZE	LENGTH	USE
A	3	400S162-33	9'-4 5/16"	STUD
B	4	400S162-33	9'-4 5/16"	KING STUD
C	1	400T300-33	6'-6 7/16"	BOTTOM TRACK
D	1	400T150-33	6'-6 7/16"	TOP TRACK
E	1	400T150-33	3'-1 3/4"	HEAD TRACK
F	4	400S162-33	2'-5 1/16"	CRIPPLE

23-3059

Jewish Home for the Aging

1885 Victory Blvd. Reseda, CA

FrameMax, Inc.
13915 Danielson St
Suite 100
Poway, CA 92064
www.frame-max.com



© FrameMax Inc.

CREATED: 11/19/2008

FM-07-109

CREATED BY: TNT

HEIGHT : 9'-4 7/16" POINTS: 0.65 Points.

SPACING : 24"

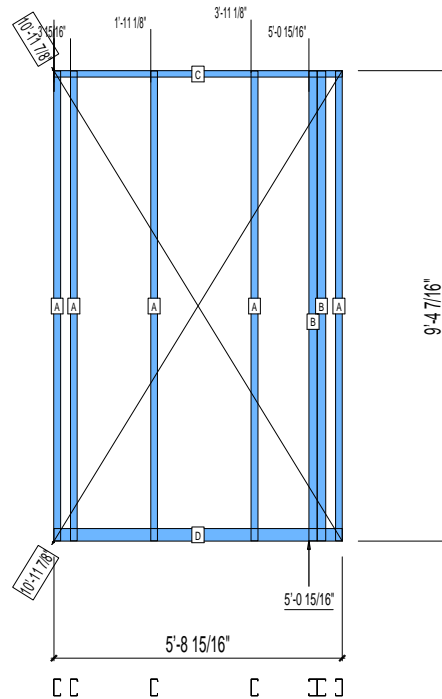
1st STUD: 24"

APPROVED
By TNT at 2:46 pm, Dec 15, 2008

WEIGHTS :

FRAME : 75 lbs

TOTAL: 75 lbs



PIECES LIST

LABEL	QTY	SIZE	LENGTH	USE
A	5	400S162-33	9'-4 5/16"	STUD
B	2	400S200-33	9'-4 5/16"	EXTRA STUD
C	1	400T150-33	5'-8 15/16"	TOP TRACK
D	1	400T300-33	5'-8 15/16"	BOTTOM TRACK

23-3060

Jewish Home for the Aging

1885 Victory Blvd. Reseda, CA

FM-07-109

CREATED BY: TNT

FrameMax, Inc.
13915 Danielson St
Suite 100
Poway, CA 92064
www.frame-max.com

FRAMEMAX

© FrameMax Inc.

HEIGHT : 9'-4 7/16" POINTS: 0.74 Points.

SPACING : 24"

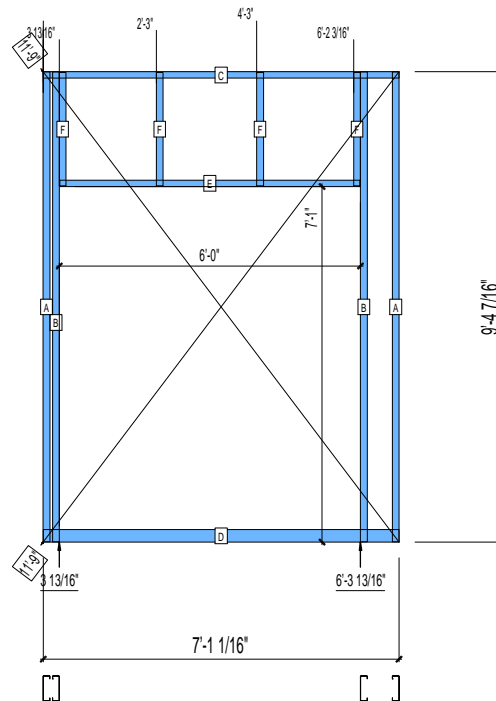
1st STUD: 16"

APPROVED
By TNT at 2:46 pm, Dec 15, 2008

WEIGHTS :

FRAME : 78 lbs

TOTAL: 78 lbs



PIECES LIST

LABEL	QTY	SIZE	LENGTH	USE
A	2	600S162-33	9'-4 5/16"	STUD
B	2	600S162-33	9'-4 5/16"	KING STUD
C	1	600T150-33	7'-1 1/16"	TOP TRACK
D	1	600T300-33	7'-1 1/16"	BOTTOM TRACK
E	1	600T150-33	5'-11 3/4"	HEAD TRACK
F	4	600S162-33	2'-3 1/16"	CRIPPLE

23-3061

Jewish Home for the Aging

1885 Victory Blvd. Reseda, CA

FrameMax, Inc.
13915 Danielson St
Suite 100
Poway, CA 92064
www.frame-max.com



© FrameMax Inc.

CREATED: 11/19/2008

FM-07-109

CREATED BY: TNT

HEIGHT : 9'-4 7/16" POINTS: 0.42 Points.

SPACING : 24"

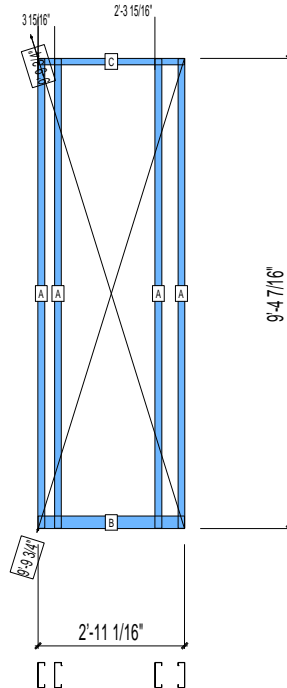
1st STUD: 4 13/16"

WEIGHTS :

FRAME : 51 lbs

TOTAL: 51 lbs

APPROVED
By TNT at 2:46 pm, Dec 15, 2008



PIECES LIST

LABEL	QTY	SIZE	LENGTH	USE
A	4	600S162-33	9'-4 5/16"	STUD
B	1	600T300-33	2'-11 1/16"	BOTTOM TRACK
C	1	600T150-33	2'-11 1/16"	TOP TRACK

23-3062

Jewish Home for the Aging

1885 Victory Blvd. Reseda, CA

FrameMax, Inc.
13915 Danielson St
Suite 100
Poway, CA 92064
www.frame-max.com



© FrameMax Inc.

CREATED: 11/19/2008

FM-07-109

CREATED BY: TNT

HEIGHT : 9'-4 7/16" POINTS: 0.30 Points.

SPACING : 24"

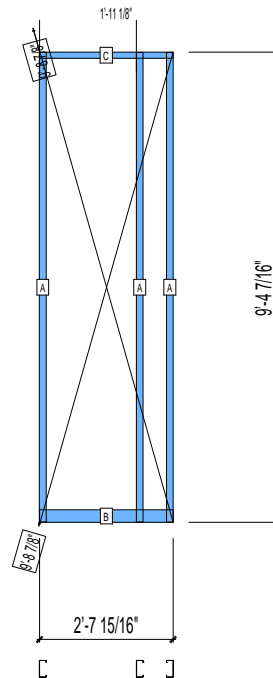
1st STUD: 24"

APPROVED
By TNT at 2:46 pm, Dec 15, 2008

WEIGHTS :

FRAME : 31 lbs

TOTAL: 31 lbs



PIECES LIST

LABEL	QTY	SIZE	LENGTH	USE
A	3	400S162-33	9'-4 5/16"	STUD
B	1	400T300-33	2'-7 15/16"	BOTTOM TRACK
C	1	400T150-33	2'-7 15/16"	TOP TRACK

23-3063

Jewish Home for the Aging

1885 Victory Blvd. Reseda, CA

FrameMax, Inc.
13915 Danielson St
Suite 100
Poway, CA 92064
www.framemax.com



© FrameMax Inc.

CREATED: 11/19/2008

FM-07-109

CREATED BY: TNT

HEIGHT : 9'-4 7/16" POINTS: 0.33 Points.

SPACING : 24"

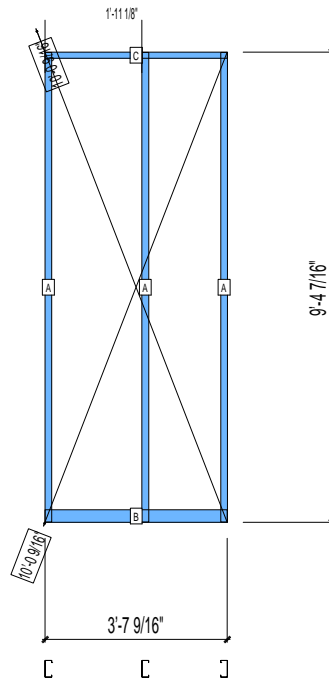
1st STUD: 24"

APPROVED
By TNT at 2:46 pm, Dec 15, 2008

WEIGHTS :

FRAME : 33 lbs

TOTAL: 33 lbs



PIECES LIST

LABEL	QTY	SIZE	LENGTH	USE
A	3	400S162-33	9'-4 5/16"	STUD
B	1	400T300-33	3'-7 9/16"	BOTTOM TRACK
C	1	400T150-33	3'-7 9/16"	TOP TRACK

23-3064

Jewish Home for the Aging

1885 Victory Blvd. Reseda, CA

FrameMax, Inc.
13915 Danielson St
Suite 100
Poway, CA 92064
www.frame-max.com



© FrameMax Inc.

CREATED: 11/19/2008

FM-07-109

CREATED BY: TNT

HEIGHT : 9'-4 7/16" POINTS: 0.26 Points.

SPACING : 24"

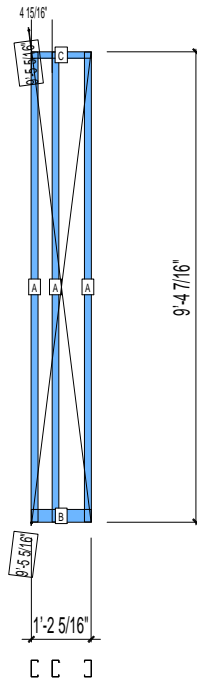
1st STUD: 24"

APPROVED
By TNT at 2:46 pm, Dec 15, 2008

WEIGHTS :

FRAME : 29 lbs

TOTAL: 29 lbs



PIECES LIST

LABEL	QTY	SIZE	LENGTH	USE
A	3	400S162-33	9'-4 5/16"	STUD
B	1	400T300-33	1'-2 5/16"	BOTTOM TRACK
C	1	400T150-33	1'-2 5/16"	TOP TRACK

23-3065

Jewish Home for the Aging

1885 Victory Blvd. Reseda, CA

FM-07-109

CREATED BY: TNT

FrameMax, Inc.
13915 Danielson St
Suite 100
Poway, CA 92064
www.frame-max.com



© FrameMax Inc.

HEIGHT : 9'-4 7/16" POINTS: 0.77 Points.

SPACING : 24"

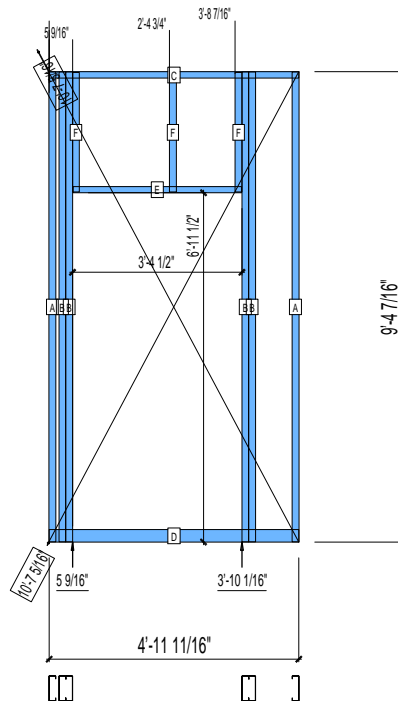
1st STUD: 24"

WEIGHTS :

FRAME : 90 lbs

TOTAL: 90 lbs

APPROVED
By TNT at 2:46 pm, Dec 15, 2008



PIECES LIST

LABEL	QTY	SIZE	LENGTH	USE
A	2	600S162-33	9'-4 5/16"	STUD
B	4	600S162-33	9'-4 5/16"	KING STUD
C	1	600T150-33	4'-11 11/16"	TOP TRACK
D	1	600T300-33	4'-11 11/16"	BOTTOM TRACK
E	1	600T150-33	3'-4 1/4"	HEAD TRACK
F	3	600S162-33	2'-4 9/16"	CRIPPLE

23-3066

Jewish Home for the Aging

1885 Victory Blvd. Reseda, CA

FrameMax, Inc.
13915 Danielson St
Suite 100
Poway, CA 92064
www.frame-max.com



© FrameMax Inc.

CREATED: 11/19/2008

FM-07-109

CREATED BY: TNT

HEIGHT : 9'-4 7/16" POINTS: 0.27 Points.

SPACING : 24"

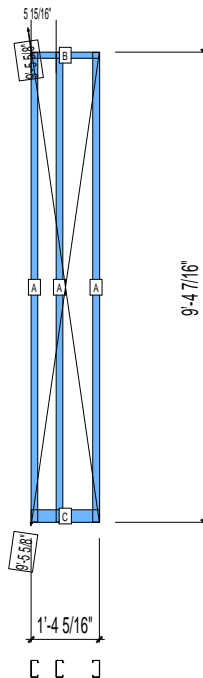
1st STUD: 24"

APPROVED
By TNT at 2:46 pm, Dec 15, 2008

WEIGHTS :

FRAME : 29 lbs

TOTAL: 29 lbs



PIECES LIST

LABEL	QTY	SIZE	LENGTH	USE
A	3	400S162-33	9'-4 5/16"	STUD
B	1	400T150-33	1'-4 5/16"	TOP TRACK
C	1	400T300-33	1'-4 5/16"	BOTTOM TRACK

23-3067

Jewish Home for the Aging

1885 Victory Blvd. Reseda, CA

FrameMax, Inc.
13915 Danielson St
Suite 100
Poway, CA 92064
www.frame-max.com



© FrameMax Inc.

CREATED: 11/19/2008

FM-07-109

CREATED BY: TNT

HEIGHT : 2'-9 1/2" POINTS: 0.22 Points.

SPACING : 24"

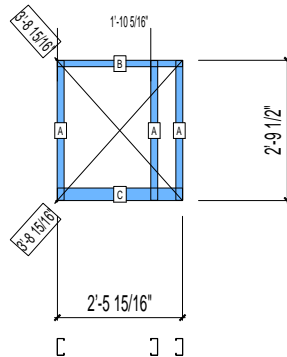
1st STUD: 24"

APPROVED
By TNT at 2:46 pm, Dec 15, 2008

WEIGHTS :

FRAME : 13 lbs

TOTAL: 13 lbs



PIECES LIST

LABEL	QTY	SIZE	LENGTH	USE
A	3	400S162-33	2'-9 3/8"	STUD
B	1	400T150-33	2'-5 15/16"	TOP TRACK
C	1	400T300-33	2'-5 15/16"	BOTTOM TRACK

23-3068

Jewish Home for the Aging

1885 Victory Blvd. Reseda, CA

FrameMax, Inc.
13915 Danielson St
Suite 100
Poway, CA 92064
www.frame-max.com



© FrameMax Inc.

CREATED: 11/19/2008

FM-07-109

CREATED BY: TNT

HEIGHT : 2'-9 1/2" POINTS: 0.43 Points.

SPACING : 24"

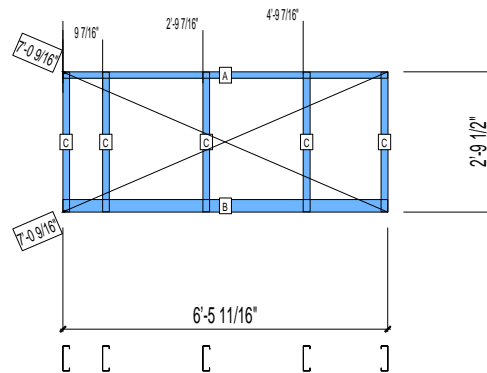
1st STUD: 10 5/16"

APPROVED
By TNT at 2:46 pm, Dec 15, 2008

WEIGHTS :

FRAME : 32 lbs

TOTAL: 32 lbs



PIECES LIST

LABEL	QTY	SIZE	LENGTH USE
A	1	600T150-33	6'-5 11/16" TOP TRACK
B	1	600T300-33	6'-5 11/16" BOTTOM TRACK
C	5	600S162-33	2'-9 3/8" STUD

23-3069

Jewish Home for the Aging

1885 Victory Blvd. Reseda, CA

FM-07-109

CREATED BY: TNT

FrameMax, Inc.
13915 Danielson St
Suite 100
Poway, CA 92064
www.frame-max.com



© FrameMax Inc.

HEIGHT : 9'-4 7/16" POINTS: 1.16 Points.

SPACING : 24"

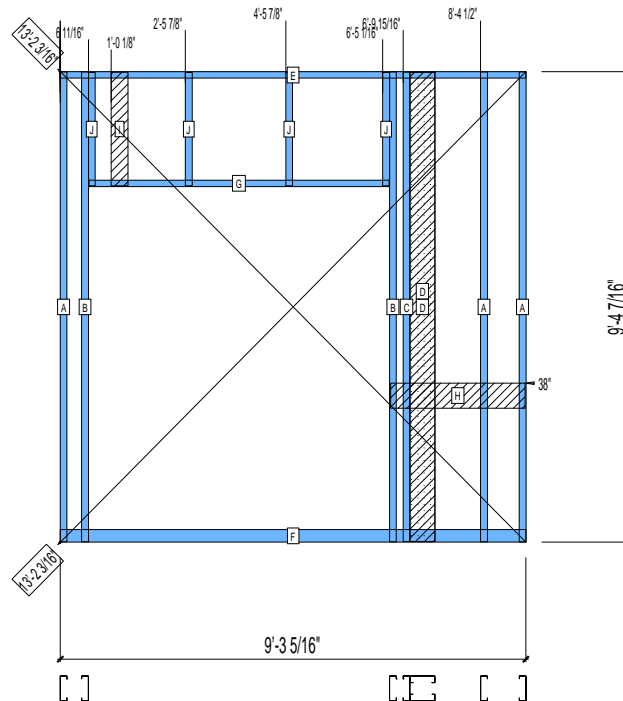
1st STUD: 5 5/16"

APPROVED
By TNT at 2:46 pm, Dec 15, 2008

WEIGHTS :

FRAME : 133 lbs

TOTAL: 133 lbs



PIECES LIST

LABEL	QTY	SIZE	LENGTH	USE
A	3	600S162-33	9'-4 5/16"	STUD
B	2	600S162-33	9'-4 5/16"	KING STUD
C	1	600S162-33	9'-4 3/16"	BACKER STUD
D	2	600S162-33	9'-4 3/16"	BACKER-U
E	1	600T150-33	9'-3 5/16"	TOP TRACK
F	1	600T300-33	9'-3 5/16"	BOTTOM TRACK
G	1	600T150-33	5'-11 3/4"	HEAD TRACK
H	1	600D-54	2'-8 1/8"	VANITY BACKING
I	1	400S162-33	2'-3 1/8"	BACKER-U
J	4	600S162-33	2'-3 1/16"	CRIPPLE

23-3070

Jewish Home for the Aging

1885 Victory Blvd. Reseda, CA

FM-07-109

CREATED BY: TNT

FrameMax, Inc.
13915 Danielson St
Suite 100
Poway, CA 92064
www.frame-max.com

FRAME MAX

© FrameMax Inc.

HEIGHT : 9'-4 7/16" POINTS: 0.39 Points.

SPACING : 24"

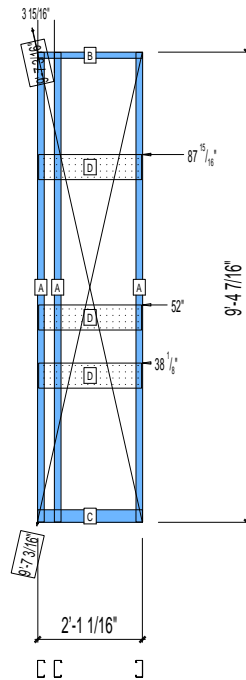
1st STUD: 24"

APPROVED
By TNT at 2:46 pm, Dec 15, 2008

WEIGHTS :

FRAME : 38 lbs

TOTAL: 38 lbs



PIECES LIST

LABEL	QTY	SIZE	LENGTH	USE
A	3	400S162-33	9'-4 5/16"	STUD
B	1	400T150-33	2'-1 1/16"	TOP TRACK
C	1	400T300-33	2'-1 1/16"	BOTTOM TRACK
D	3	600D-54	2'-0 5/8"	KITCHEN BACKING

23-3071

Jewish Home for the Aging

1885 Victory Blvd. Reseda, CA

FrameMax, Inc.
13915 Danielson St
Suite 100
Poway, CA 92064
www.frame-max.com



© FrameMax Inc.

CREATED: 11/19/2008

FM-07-109

CREATED BY: TNT

HEIGHT : 9'-4 7/16" POINTS: 0.28 Points.

SPACING : 24"

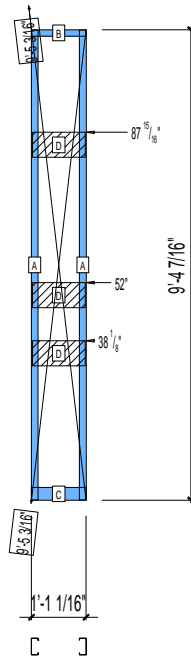
1st STUD: 24"

APPROVED
By TNT at 2:46 pm, Dec 15, 2008

WEIGHTS :

FRAME : 23 lbs

TOTAL: 23 lbs



PIECES LIST

LABEL	QTY	SIZE	LENGTH	USE
A	2	400S162-33	9'-4 5/16"	STUD
B	1	400T150-33	1'-1 1/16"	TOP TRACK
C	1	400T300-33	1'-1 1/16"	BOTTOM TRACK
D	3	600D-54	1'-0 5/8"	KITCHEN BACKING

23-3072

Jewish Home for the Aging

1885 Victory Blvd. Reseda, CA

FrameMax, Inc.
13915 Danielson St
Suite 100
Poway, CA 92064
www.frame-max.com



© FrameMax Inc.

CREATED: 11/19/2008

FM-07-109

CREATED BY: TNT

HEIGHT : 9'-4 7/16" POINTS: 0.25 Points.

SPACING : 24"

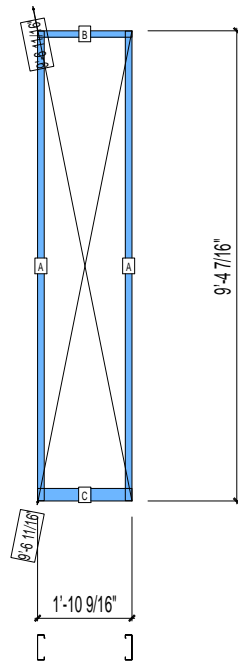
1st STUD: 24"

APPROVED
By TNT at 2:46 pm, Dec 15, 2008

WEIGHTS :

FRAME : 27 lbs

TOTAL: 27 lbs



PIECES LIST

LABEL	QTY	SIZE	LENGTH	USE
A	2	600S162-33	9'-4 5/16"	STUD
B	1	600T150-33	1'-10 9/16"	TOP TRACK
C	1	600T300-33	1'-10 9/16"	BOTTOM TRACK

23-3073

Jewish Home for the Aging

1885 Victory Blvd. Reseda, CA

FrameMax, Inc.
13915 Danielson St
Suite 100
Poway, CA 92064
www.framemax.com



© FrameMax Inc.

CREATED: 11/19/2008

FM-07-109

CREATED BY: TNT

HEIGHT : 9'-4 7/16" POINTS: 0.73 Points.

SPACING : 24"

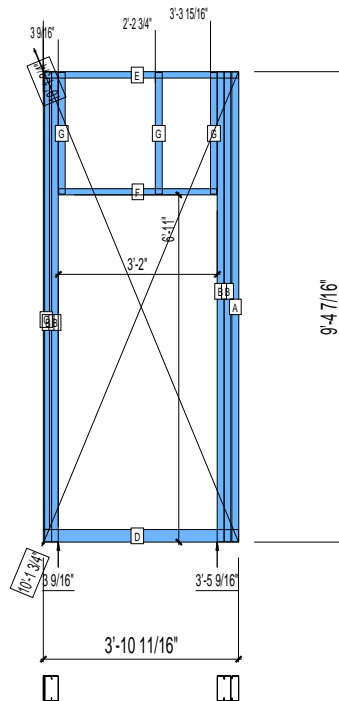
1st STUD: 24"

APPROVED
By TNT at 2:46 pm, Dec 15, 2008

WEIGHTS :

FRAME : 86 lbs

TOTAL: 86 lbs



PIECES LIST

LABEL	QTY	SIZE	LENGTH	USE
A	1	600S162-33	9'-4 5/16"	STUD
B	4	600S162-33	9'-4 5/16"	KING STUD
C	1	600T150-33	8'-11 13/16"	CAP TRACK
D	1	600T300-33	3'-10 11/16"	BOTTOM TRACK
E	1	600T150-33	3'-10 11/16"	TOP TRACK
F	1	600T150-33	3'-1 3/4"	HEAD TRACK
G	3	600S162-33	2'-5 1/16"	CRIPPLE

23-3074

Jewish Home for the Aging

1885 Victory Blvd. Reseda, CA

FrameMax, Inc.
13915 Danielson St
Suite 100
Poway, CA 92064
www.frame-max.com



© FrameMax Inc.

CREATED: 11/19/2008

FM-07-109

CREATED BY: TNT

HEIGHT : 9'-4 7/16" POINTS: 0.86 Points.

SPACING : 24"

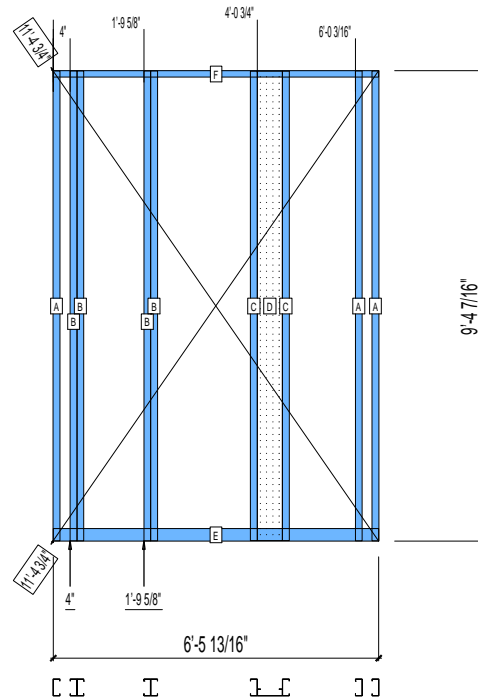
1st STUD: 24"

APPROVED
By TNT at 2:46 pm, Dec 15, 2008

WEIGHTS :

FRAME : 102 lbs

TOTAL: 102 lbs



PIECES LIST

LABEL	QTY	SIZE	LENGTH	USE
A	3	400S162-33	9'-4 5/16"	STUD
B	4	400S162-33	9'-4 5/16"	EXTRA STUD
C	2	400S162-33	9'-4 3/16"	BACKER STUD
D	1	600S162-33	9'-4 3/16"	BACKER-U
E	1	400T300-33	6'-5 13/16"	BOTTOM TRACK
F	1	400T150-33	6'-5 13/16"	TOP TRACK

23-3075

Jewish Home for the Aging

1885 Victory Blvd. Reseda, CA

FM-07-109

CREATED BY: TNT

FrameMax, Inc.
13915 Danielson St
Suite 100
Poway, CA 92064
www.frame-max.com



© FrameMax Inc.

HEIGHT : 9'-4 7/16" POINTS: 0.72 Points.

SPACING : 24"

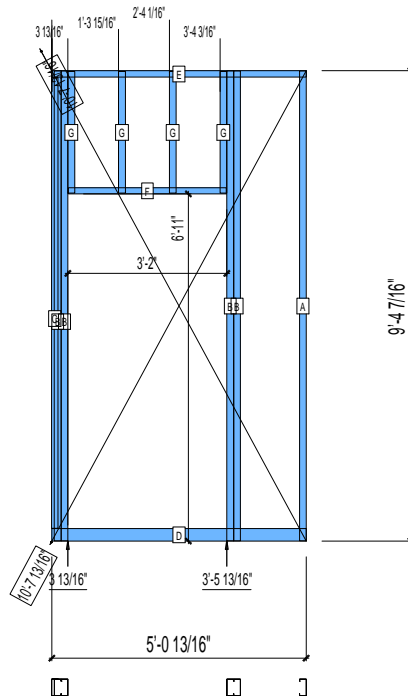
1st STUD: 16"

APPROVED
By TNT at 2:46 pm, Dec 15, 2008

WEIGHTS :

FRAME : 73 lbs

TOTAL: 73 lbs



PIECES LIST

LABEL	QTY	SIZE	LENGTH	USE
A	1	400S162-33	9'-4 5/16"	STUD
B	4	400S162-33	9'-4 5/16"	KING STUD
C	1	400T150-33	8'-11 13/16"	CAP TRACK
D	1	400T300-33	5'-0 13/16"	BOTTOM TRACK
E	1	400T150-33	5'-0 13/16"	TOP TRACK
F	1	400T150-33	3'-1 3/4"	HEAD TRACK
G	4	400S162-33	2'-5 1/16"	CRIPPLE

23-3076

Jewish Home for the Aging

1885 Victory Blvd. Reseda, CA

FrameMax, Inc.
13915 Danielson St
Suite 100
Poway, CA 92064
www.framemax.com



© FrameMax Inc.

CREATED: 11/19/2008

FM-07-109

CREATED BY: TNT

HEIGHT : 9'-4 7/16" POINTS: 0.34 Points.

SPACING : 24"

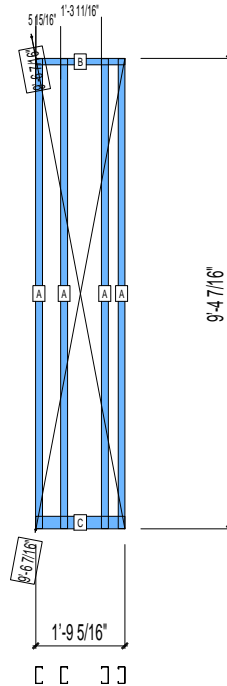
1st STUD: 24"

APPROVED
By TNT at 2:46 pm, Dec 15, 2008

WEIGHTS :

FRAME : 38 lbs

TOTAL: 38 lbs



PIECES LIST

LABEL	QTY	SIZE	LENGTH	USE
A	4	400S162-33	9'-4 5/16"	STUD
B	1	400T150-33	1'-9 5/16"	TOP TRACK
C	1	400T300-33	1'-9 5/16"	BOTTOM TRACK

23-3077

Jewish Home for the Aging

1885 Victory Blvd. Reseda, CA

FrameMax, Inc.
13915 Danielson St
Suite 100
Poway, CA 92064
www.framemax.com



© FrameMax Inc.

CREATED: 12/10/2008

FM-07-109

CREATED BY: TNT

HEIGHT : 9'-5 3/16" POINTS: 0.49 Points.

SPACING : 24"

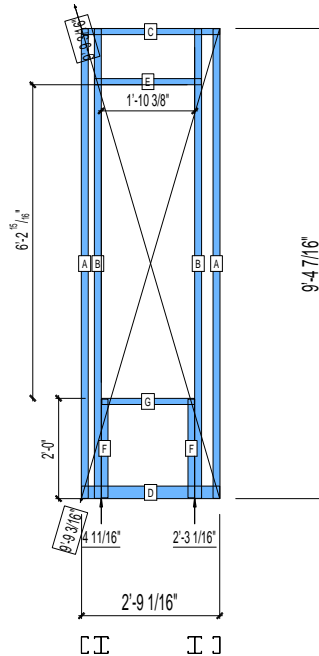
1st STUD: 16"

APPROVED
By TNT at 2:46 pm, Dec 15, 2008

WEIGHTS :

FRAME : 47 lbs

TOTAL: 47 lbs



PIECES LIST

LABEL	QTY	SIZE	LENGTH	USE
A	2	400S162-33	9'-4 5/16"	STUD
B	2	400S162-33	9'-4 5/16"	KING STUD
C	1	400T150-33	2'-9 1/16"	TOP TRACK
D	1	400T300-33	2'-9 1/16"	BOTTOM TRACK
E	1	400T150-33	2'-1 1/2"	CAP TRACK
F	2	400S162-33	1'-11 5/8"	CRIPPLE
G	1	400T150-33	1'-10 1/8"	SILL

23-3078

Jewish Home for the Aging

1885 Victory Blvd. Reseda, CA

FrameMax, Inc.
13915 Danielson St
Suite 100
Poway, CA 92064
www.frame-max.com



© FrameMax Inc.

CREATED: 12/10/2008

FM-07-109

CREATED BY: TNT

HEIGHT : 9'-4 7/16" POINTS: 0.35 Points.

SPACING : 24"

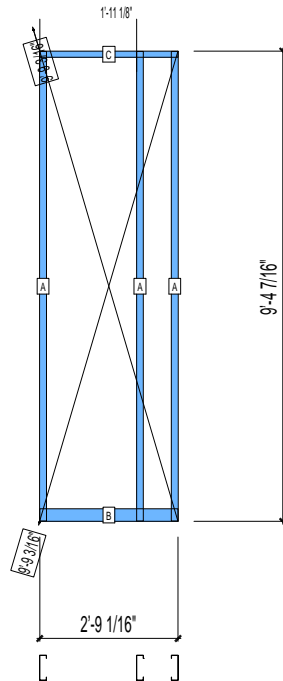
1st STUD: 24"

APPROVED
By TNT at 2:46 pm, Dec 15, 2008

WEIGHTS :

FRAME : 40 lbs

TOTAL: 40 lbs



PIECES LIST

LABEL	QTY	SIZE	LENGTH	USE
A	3	600S162-33	9'-4 5/16"	STUD
B	1	600T300-33	2'-9 1/16"	BOTTOM TRACK
C	1	600T150-33	2'-9 1/16"	TOP TRACK

23-3079

Jewish Home for the Aging

1885 Victory Blvd. Reseda, CA

FM-07-109

CREATED BY: TNT

FrameMax, Inc.
13915 Danielson St
Suite 100
Poway, CA 92064
www.frame-max.com



© FrameMax Inc.

HEIGHT : 9'-4 7/16" POINTS: 0.55 Points.

SPACING : 24"

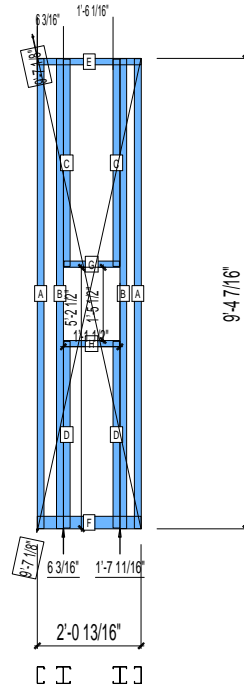
1st STUD: 24"

WEIGHTS :

FRAME : 55 lbs

TOTAL: 55 lbs

APPROVED
By TNT at 2:46 pm, Dec 15, 2008



PIECES LIST

LABEL	QTY	SIZE	LENGTH	USE
A	2	400S162-33	9'-4 5/16"	STUD
B	2	400S162-33	9'-4 5/16"	KING STUD
C	2	400S162-33	4'-1 9/16"	CRIPPLE
D	2	400S162-33	3'-8 5/8"	CRIPPLE
E	1	400T150-33	2'-0 13/16"	TOP TRACK
F	1	400T300-33	2'-0 13/16"	BOTTOM TRACK
G	1	400T150-33	1'-1 1/4"	HEAD TRACK
H	1	400T150-33	1'-1 1/4"	SILL

23-3080

Jewish Home for the Aging

1885 Victory Blvd. Reseda, CA

FM-07-109

CREATED BY: TNT

FrameMax, Inc.
13915 Danielson St
Suite 100
Poway, CA 92064
www.frame-max.com



© FrameMax Inc.

HEIGHT : 9'-4 7/16" POINTS: 0.37 Points.

SPACING : 24"

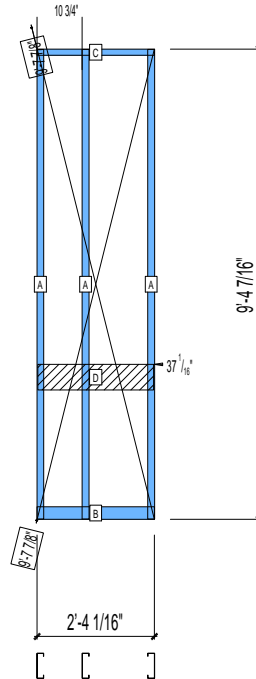
1st STUD: 11 5/8"

WEIGHTS :

FRAME : 43 lbs

TOTAL: 43 lbs

APPROVED
By TNT at 2:46 pm, Dec 15, 2008



PIECES LIST

LABEL	QTY	SIZE	LENGTH	USE
A	3	600S162-33	9'-4 5/16"	STUD
B	1	600T300-33	2'-4 1/16"	BOTTOM TRACK
C	1	600T150-33	2'-4 1/16"	TOP TRACK
D	1	600T150-54	2'-3 5/8"	GRAB BAR

23-3081

Jewish Home for the Aging

1885 Victory Blvd. Reseda, CA

FM-07-109

CREATED BY: TNT

FrameMax, Inc.
13915 Danielson St
Suite 100
Poway, CA 92064
www.frame-max.com



© FrameMax Inc.

HEIGHT : 9'-4 7/16" POINTS: 0.59 Points.

SPACING : 24"

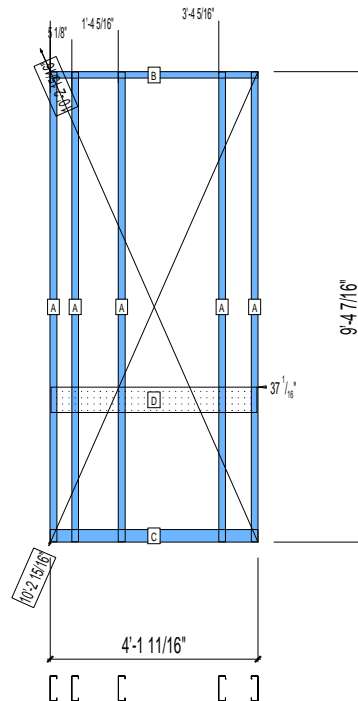
1st STUD: 17 1/8"

WEIGHTS :

FRAME : 72 lbs

TOTAL: 72 lbs

APPROVED
By TNT at 2:46 pm, Dec 15, 2008



PIECES LIST

LABEL	QTY	SIZE	LENGTH	USE
A	5	600S162-33	9'-4 5/16"	STUD
B	1	600T150-33	4'-1 11/16"	TOP TRACK
C	1	600T300-33	4'-1 11/16"	BOTTOM TRACK
D	1	600T150-54	4'-1 1/4"	GRAB BAR

23-3101

Jewish Home for the Aging

1885 Victory Blvd. Reseda, CA

FrameMax, Inc.
13915 Danielson St
Suite 100
Poway, CA 92064
www.framemax.com



© FrameMax Inc.

CREATED: 11/19/2008

FM-07-109

CREATED BY: TNT

HEIGHT : 9'-4 7/16" POINTS: 0.88 Points.

SPACING : 24"

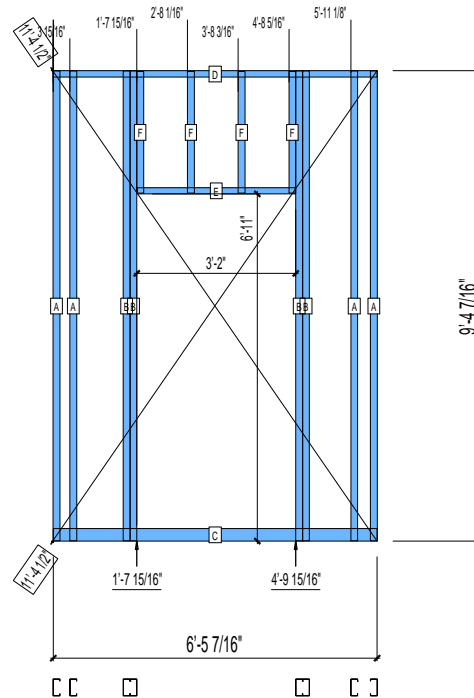
1st STUD: 24"

APPROVED
By TNT at 2:46 pm, Dec 15, 2008

WEIGHTS :

FRAME : 94 lbs

TOTAL: 94 lbs



PIECES LIST

LABEL	QTY	SIZE	LENGTH	USE
A	4	400S162-33	9'-4 5/16"	STUD
B	4	400S162-33	9'-4 5/16"	KING STUD
C	1	400T300-33	6'-5 7/16"	BOTTOM TRACK
D	1	400T150-33	6'-5 7/16"	TOP TRACK
E	1	400T150-33	3'-1 3/4"	HEAD TRACK
F	4	400S162-33	2'-5 1/16"	CRIPPLE

23-3102

Jewish Home for the Aging

1885 Victory Blvd. Reseda, CA

FrameMax, Inc.
13915 Danielson St
Suite 100
Poway, CA 92064
www.frame-max.com



© FrameMax Inc.

CREATED: 11/19/2008

FM-07-109

CREATED BY: TNT

HEIGHT : 9'-4 7/16" POINTS: 0.44 Points.

SPACING : 24"

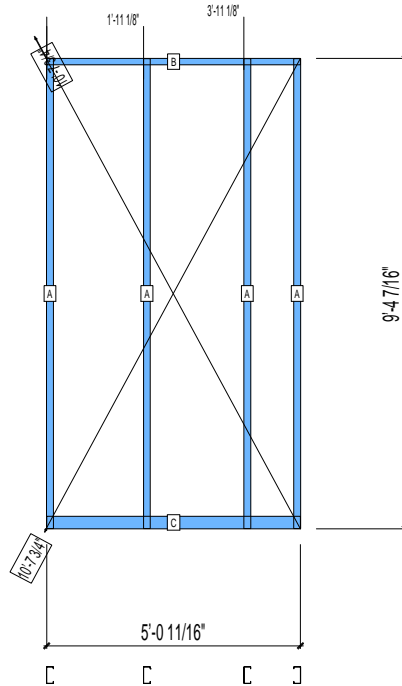
1st STUD: 24"

APPROVED
By TNT at 2:46 pm, Dec 15, 2008

WEIGHTS :

FRAME : 45 lbs

TOTAL: 45 lbs



PIECES LIST

LABEL	QTY	SIZE	LENGTH	USE
A	4	400S162-33	9'-4 5/16"	STUD
B	1	400T150-33	5'-0 11/16"	TOP TRACK
C	1	400T300-33	5'-0 11/16"	BOTTOM TRACK

23-3103

Jewish Home for the Aging

1885 Victory Blvd. Reseda, CA

FrameMax, Inc.
13915 Danielson St
Suite 100
Poway, CA 92064
www.frame-max.com



© FrameMax Inc.

CREATED: 11/19/2008

FM-07-109

CREATED BY: TNT

HEIGHT : 9'-4 7/16" POINTS: 0.41 Points.

SPACING : 24"

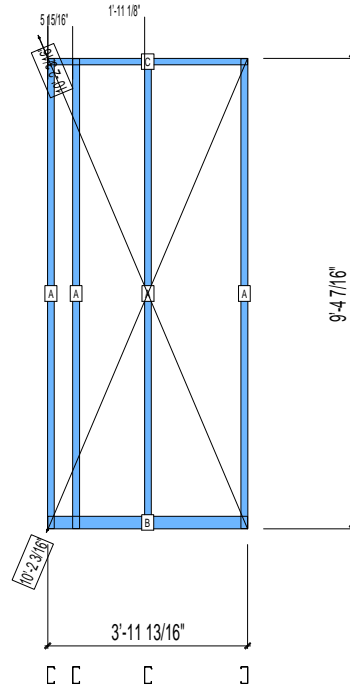
1st STUD: 24"

APPROVED
By TNT at 2:46 pm, Dec 15, 2008

WEIGHTS :

FRAME : 43 lbs

TOTAL: 43 lbs



PIECES LIST

LABEL	QTY	SIZE	LENGTH	USE
A	4	400S162-33	9'-4 5/16"	STUD
B	1	400T300-33	3'-11 13/16"	BOTTOM TRACK
C	1	400T150-33	3'-11 13/16"	TOP TRACK

23-3104

Jewish Home for the Aging

1885 Victory Blvd. Reseda, CA

FrameMax, Inc.
13915 Danielson St
Suite 100
Poway, CA 92064
www.frame-max.com



© FrameMax Inc.

CREATED: 11/19/2008

FM-07-109

CREATED BY: TNT

HEIGHT : 9'-4 7/16" POINTS: 0.21 Points.

SPACING : 24"

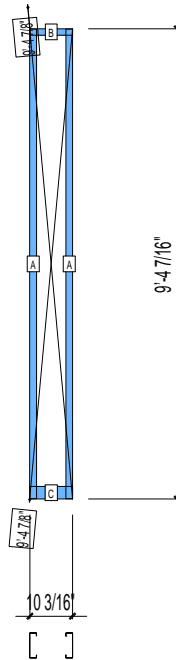
1st STUD: 16"

APPROVED
By TNT at 2:46 pm, Dec 15, 2008

WEIGHTS :

FRAME : 24 lbs

TOTAL: 24 lbs



PIECES LIST

LABEL	QTY	SIZE	LENGTH	USE
A	2	600S162-33	9'-4 5/16"	STUD
B	1	600T150-33	10 3/16"	TOP TRACK
C	1	600T300-33	10 3/16"	BOTTOM TRACK

23-3105

Jewish Home for the Aging

1885 Victory Blvd. Reseda, CA

FM-07-109

CREATED BY: TNT

FrameMax, Inc.
13915 Danielson St
Suite 100
Poway, CA 92064
www.frame-max.com



© FrameMax Inc.

HEIGHT : 9'-4 7/16" POINTS: 1.59 Points.

SPACING : 24"

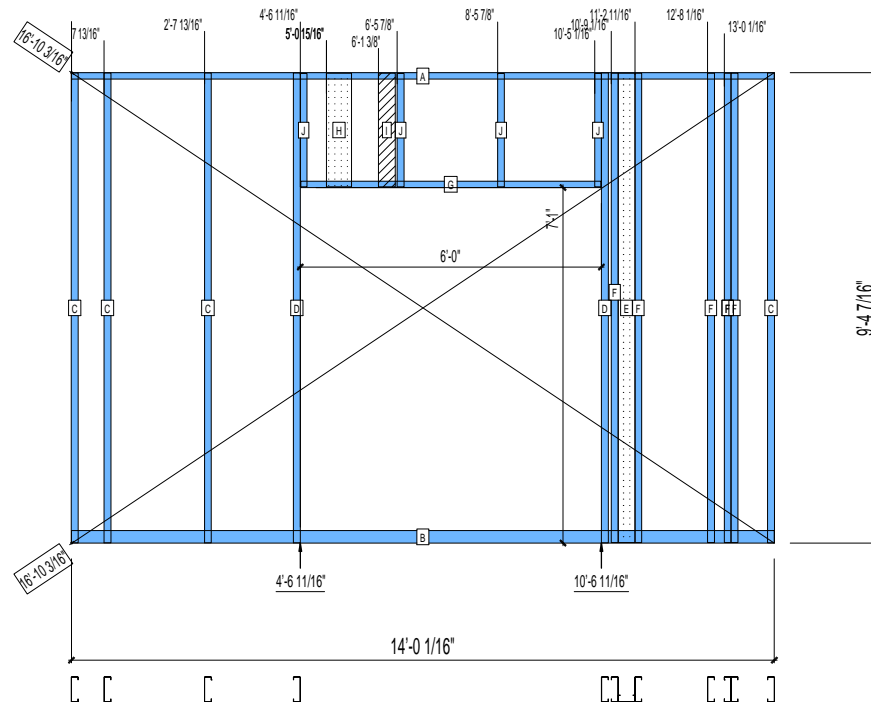
1st STUD: 8 11/16"

APPROVED
By TNT at 2:46 pm, Dec 15, 2008

WEIGHTS :

FRAME : 186 lbs

TOTAL: 186 lbs



PIECES LIST

LABEL	QTY	SIZE	LENGTH	USE
A	1	600T150-33	14'-0 1/16"	TOP TRACK
B	1	600T300-33	14'-0 1/16"	BOTTOM TRACK
C	4	600S162-33	9'-4 5/16"	STUD
D	2	600S162-33	9'-4 5/16"	KING STUD
E	1	400S162-33	9'-4 3/16"	BACKER-U
F	5	600S162-33	9'-4 3/16"	BACKER STUD
G	1	600T150-33	5'-11 3/4"	HEAD TRACK
H	1	600S162-33	2'-3 1/8"	BACKER-U
I	1	400S162-33	2'-3 1/8"	BACKER-U
J	4	600S162-33	2'-3 1/16"	CRIPPLE

23-3106

Jewish Home for the Aging

1885 Victory Blvd. Reseda, CA

FrameMax, Inc.
13915 Danielson St
Suite 100
Poway, CA 92064
www.frame-max.com



© FrameMax Inc.

CREATED: 11/19/2008

FM-07-109

CREATED BY: TNT

HEIGHT : 9'-4 7/16" POINTS: 0.42 Points.

SPACING : 24"

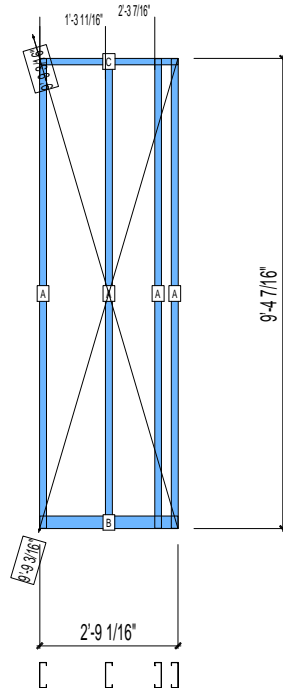
1st STUD: 16 9/16"

APPROVED
By TNT at 2:46 pm, Dec 15, 2008

WEIGHTS :

FRAME : 51 lbs

TOTAL: 51 lbs



PIECES LIST

LABEL	QTY	SIZE	LENGTH	USE
A	4	600S162-33	9'-4 5/16"	STUD
B	1	600T300-33	2'-9 1/16"	BOTTOM TRACK
C	1	600T150-33	2'-9 1/16"	TOP TRACK

23-3107

Jewish Home for the Aging

1885 Victory Blvd. Reseda, CA

FrameMax, Inc.
13915 Danielson St
Suite 100
Poway, CA 92064
www.frame-max.com



© FrameMax Inc.

CREATED: 11/19/2008

FM-07-109

CREATED BY: TNT

HEIGHT : 9'-4 7/16" POINTS: 0.19 Points.

SPACING : 24"

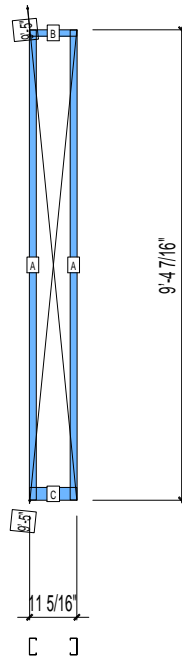
1st STUD: 16"

APPROVED
By TNT at 2:46 pm, Dec 15, 2008

WEIGHTS :

FRAME : 19 lbs

TOTAL: 19 lbs



PIECES LIST

LABEL	QTY	SIZE	LENGTH	USE
A	2	400S162-33	9'-4 5/16"	STUD
B	1	400T150-33	11 5/16"	TOP TRACK
C	1	400T300-33	11 5/16"	BOTTOM TRACK

23-3108

Jewish Home for the Aging

1885 Victory Blvd. Reseda, CA

FrameMax, Inc.
13915 Danielson St
Suite 100
Poway, CA 92064
www.framemax.com



© FrameMax Inc.

CREATED: 11/19/2008

FM-07-109

CREATED BY: TNT

HEIGHT : 9'-4 7/16" POINTS: 0.30 Points.

SPACING : 24"

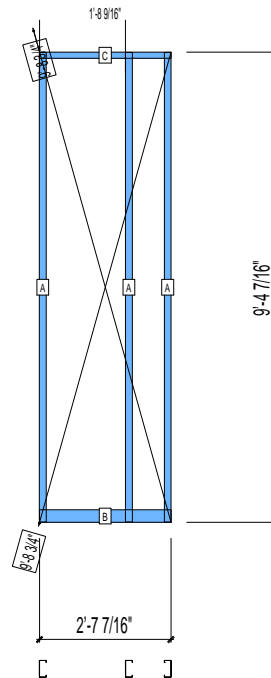
1st STUD: 21 7/16"

APPROVED
By TNT at 2:46 pm, Dec 15, 2008

WEIGHTS :

FRAME : 31 lbs

TOTAL: 31 lbs



PIECES LIST

LABEL	QTY	SIZE	LENGTH	USE
A	3	400S162-33	9'-4 5/16"	STUD
B	1	400T300-33	2'-7 7/16"	BOTTOM TRACK
C	1	400T150-33	2'-7 7/16"	TOP TRACK

23-3109

Jewish Home for the Aging

1885 Victory Blvd. Reseda, CA

FrameMax, Inc.
13915 Danielson St
Suite 100
Poway, CA 92064
www.framemax.com



© FrameMax Inc.

CREATED: 11/19/2008

FM-07-109

CREATED BY: TNT

HEIGHT : 9'-4 7/16" POINTS: 0.43 Points.

SPACING : 24"

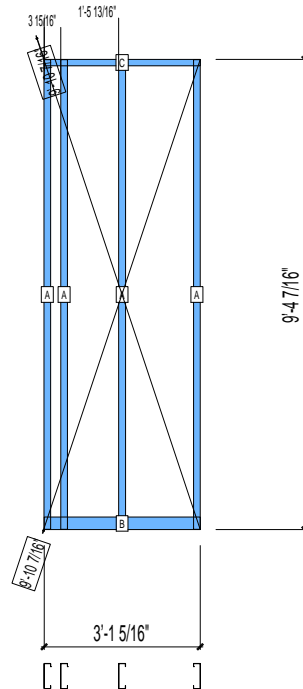
1st STUD: 18 11/16"

APPROVED
By TNT at 2:46 pm, Dec 15, 2008

WEIGHTS :

FRAME : 52 lbs

TOTAL: 52 lbs



PIECES LIST

LABEL	QTY	SIZE	LENGTH	USE
A	4	600S162-33	9'-4 5/16"	STUD
B	1	600T300-33	3'-1 5/16"	BOTTOM TRACK
C	1	600T150-33	3'-1 5/16"	TOP TRACK

23-3110

Jewish Home for the Aging

1885 Victory Blvd. Reseda, CA

FM-07-109

CREATED BY: TNT

FrameMax, Inc.
13915 Danielson St
Suite 100
Poway, CA 92064
www.framemax.com



© FrameMax Inc.

HEIGHT : 9'-4 7/16" POINTS: 1.01 Points.

SPACING : 24"

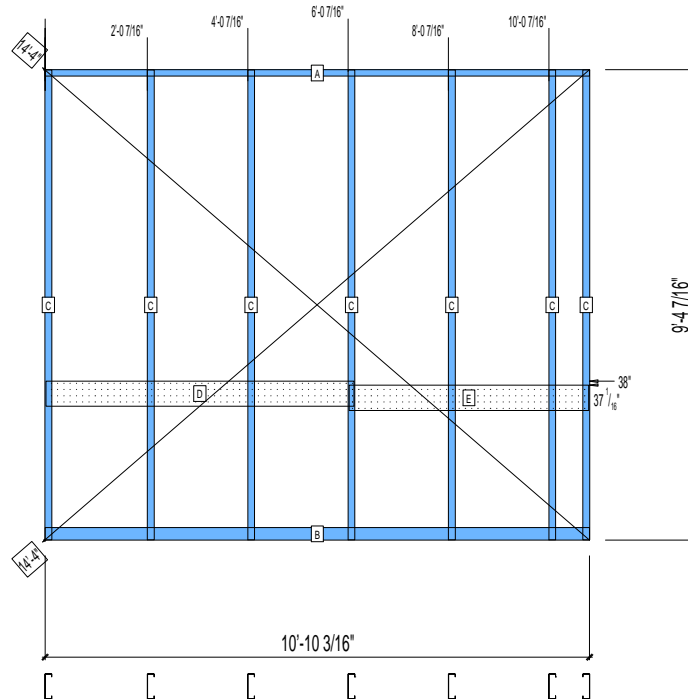
1st STUD: 1 5/16"

APPROVED
By TNT at 2:46 pm, Dec 15, 2008

WEIGHTS :

FRAME : 119 lbs

TOTAL: 119 lbs



PIECES LIST

LABEL	QTY	SIZE	LENGTH	USE
A	1	600T150-33	10'-10 3/16"	TOP TRACK
B	1	600T300-33	10'-10 3/16"	BOTTOM TRACK
C	7	600S162-33	9'-4 5/16"	STUD
D	1	600D-54	6'-1 5/8"	VANITY BACKING
E	1	600T150-54	4'-9 1/4"	GRAB BAR

23-3111

Jewish Home for the Aging

1885 Victory Blvd. Reseda, CA

FrameMax, Inc.
13915 Danielson St
Suite 100
Poway, CA 92064
www.frame-max.com



© FrameMax Inc.

CREATED: 12/10/2008

FM-07-109

CREATED BY: TNT

HEIGHT : 9'-4 7/16" POINTS: 0.30 Points.

SPACING : 24"

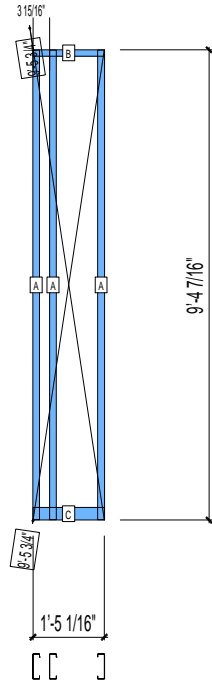
1st STUD: 24"

APPROVED
By TNT at 2:46 pm, Dec 15, 2008

WEIGHTS :

FRAME : 36 lbs

TOTAL: 36 lbs



PIECES LIST

LABEL	QTY	SIZE	LENGTH	USE
A	3	600S162-33	9'-4 5/16"	STUD
B	1	600T150-33	1'-5 1/16"	TOP TRACK
C	1	600T300-33	1'-5 1/16"	BOTTOM TRACK

23-3112

Jewish Home for the Aging

1885 Victory Blvd. Reseda, CA

FrameMax, Inc.
13915 Danielson St
Suite 100
Poway, CA 92064
www.frame-max.com



© FrameMax Inc.

CREATED: 11/19/2008

FM-07-109

CREATED BY: TNT

HEIGHT : 9'-5 3/16" POINTS: 0.53 Points.

SPACING : 24"

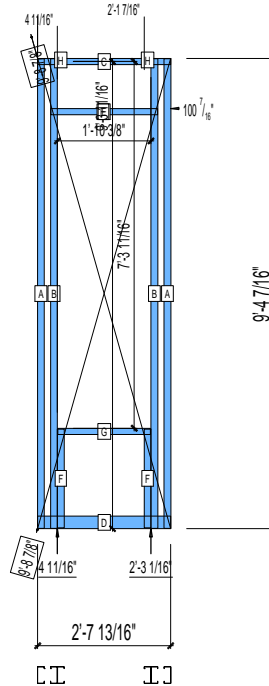
1st STUD: 24"

APPROVED
By TNT at 2:46 pm, Dec 15, 2008

WEIGHTS :

FRAME : 47 lbs

TOTAL: 47 lbs



PIECES LIST

LABEL	QTY	SIZE	LENGTH	USE
A	2	400S162-33	9'-4 5/16"	STUD
B	2	400S162-33	9'-4 5/16"	KING STUD
C	1	400T150-33	2'-7 13/16"	TOP TRACK
D	1	400T300-33	2'-7 13/16"	BOTTOM TRACK
E	1	400T150-33	2'-1 1/2"	CAP TRACK
F	2	400S162-33	1'-11 5/8"	CRIPPLE
G	1	400T150-33	1'-10 1/8"	SILL
H	2	400S162-33	3/8"	CRIPPLE

23-3113

Jewish Home for the Aging

1885 Victory Blvd. Reseda, CA

FM-07-109

CREATED BY: TNT

FrameMax, Inc.
13915 Danielson St
Suite 100
Poway, CA 92064
www.frame-max.com



© FrameMax Inc.

HEIGHT : 9'-4 7/16" POINTS: 0.70 Points.

SPACING : 24"

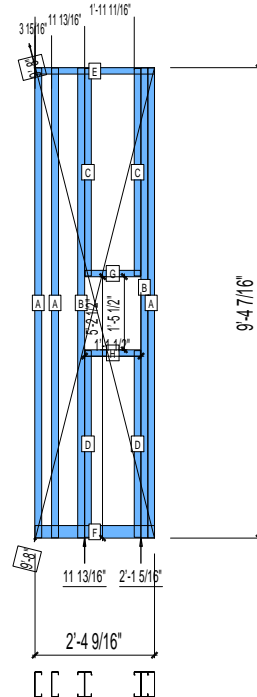
1st STUD: 24"

APPROVED
By TNT at 2:46 pm, Dec 15, 2008

WEIGHTS :

FRAME : 81 lbs

TOTAL: 81 lbs



PIECES LIST

LABEL	QTY	SIZE	LENGTH	USE
A	3	600S162-33	9'-4 5/16"	STUD
B	2	600S162-33	9'-4 5/16"	KING STUD
C	2	600S162-33	4'-1 9/16"	CRIPPLE
D	2	600S162-33	3'-8 5/8"	CRIPPLE
E	1	600T150-33	2'-4 9/16"	TOP TRACK
F	1	600T300-33	2'-4 9/16"	BOTTOM TRACK
G	1	600T150-33	1'-1 1/4"	HEAD TRACK
H	1	600T150-33	1'-1 1/4"	SILL

23-3114

Jewish Home for the Aging

1885 Victory Blvd. Reseda, CA

FM-07-109

CREATED BY: TNT

FrameMax, Inc.
13915 Danielson St
Suite 100
Poway, CA 92064
www.frame-max.com



© FrameMax Inc.

HEIGHT : 9'-4 7/16" POINTS: 0.30 Points.

SPACING : 24"

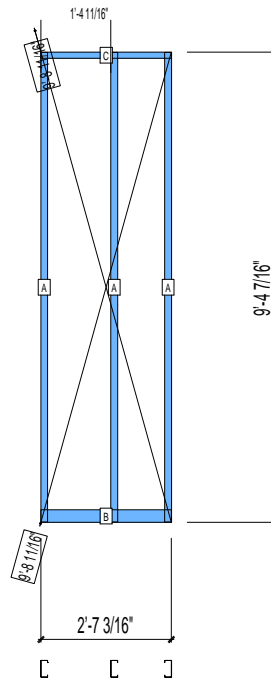
1st STUD: 17 9/16"

WEIGHTS :

FRAME : 31 lbs

TOTAL: 31 lbs

APPROVED
By TNT at 2:46 pm, Dec 15, 2008



PIECES LIST

LABEL	QTY	SIZE	LENGTH	USE
A	3	400S162-33	9'-4 5/16"	STUD
B	1	400T300-33	2'-7 3/16"	BOTTOM TRACK
C	1	400T150-33	2'-7 3/16"	TOP TRACK

23-3115

Jewish Home for the Aging

1885 Victory Blvd. Reseda, CA

FrameMax, Inc.
13915 Danielson St
Suite 100
Poway, CA 92064
www.frame-max.com



© FrameMax Inc.

CREATED: 11/19/2008

FM-07-109

CREATED BY: TNT

HEIGHT : 9'-4 7/16" POINTS: 0.77 Points.

SPACING : 24"

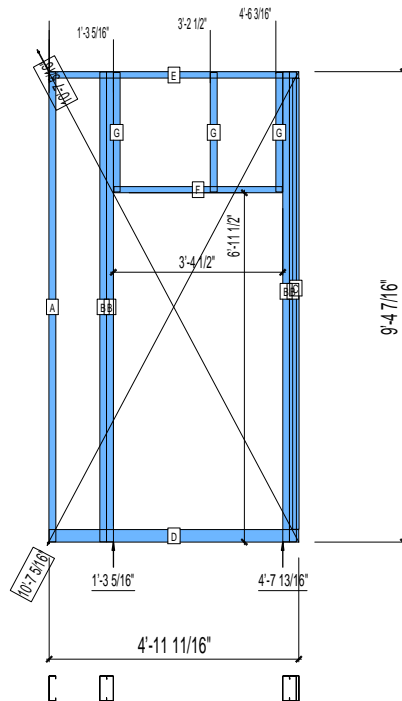
1st STUD: 16"

APPROVED
By TNT at 2:46 pm, Dec 15, 2008

WEIGHTS :

FRAME : 89 lbs

TOTAL: 89 lbs



PIECES LIST

LABEL	QTY	SIZE	LENGTH	USE
A	1	600S162-33	9'-4 5/16"	STUD
B	4	600S162-33	9'-4 5/16"	KING STUD
C	1	600T150-33	8'-11 13/16"	CAP TRACK
D	1	600T300-33	4'-11 11/16"	BOTTOM TRACK
E	1	600T150-33	4'-11 11/16"	TOP TRACK
F	1	600T150-33	3'-4 1/4"	HEAD TRACK
G	3	600S162-33	2'-4 9/16"	CRIPPLE

23-3116

Jewish Home for the Aging

1885 Victory Blvd. Reseda, CA

FrameMax, Inc.
13915 Danielson St
Suite 100
Poway, CA 92064
www.framemax.com



© FrameMax Inc.

CREATED: 11/19/2008

FM-07-109

CREATED BY: TNT

HEIGHT : 9'-4 7/16" POINTS: 0.39 Points.

SPACING : 24"

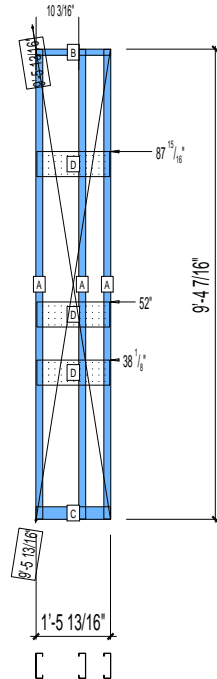
1st STUD: 24"

APPROVED
By TNT at 2:46 pm, Dec 15, 2008

WEIGHTS :

FRAME : 42 lbs

TOTAL: 42 lbs



PIECES LIST

LABEL	QTY	SIZE	LENGTH	USE
A	3	600S162-33	9'-4 5/16"	STUD
B	1	600T150-33	1'-5 13/16"	TOP TRACK
C	1	600T300-33	1'-5 13/16"	BOTTOM TRACK
D	3	600D-54	1'-5 3/8"	KITCHEN BACKING

23-3117

Jewish Home for the Aging

1885 Victory Blvd. Reseda, CA

FrameMax, Inc.
13915 Danielson St
Suite 100
Poway, CA 92064
www.framemax.com



© FrameMax Inc.

CREATED: 11/19/2008

FM-07-109

CREATED BY: TNT

HEIGHT : 9'-5 3/16" POINTS: 0.51 Points.

SPACING : 24"

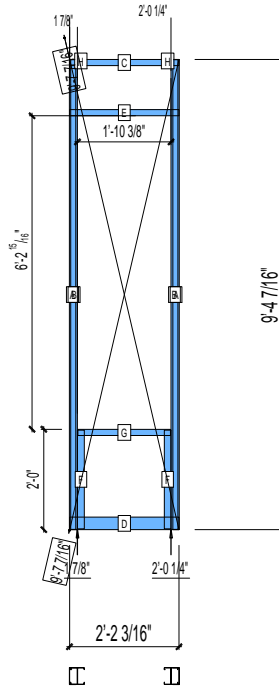
1st STUD: 16"

APPROVED
By TNT at 2:46 pm, Dec 15, 2008

WEIGHTS :

FRAME : 45 lbs

TOTAL: 45 lbs



PIECES LIST

LABEL	QTY	SIZE	LENGTH	USE
A	2	400T150-33	9'-4 3/8"	CAP TRACK
B	2	400S162-33	9'-4 5/16"	KING STUD
C	1	400T150-33	2'-2 3/16"	TOP TRACK
D	1	400T300-33	2'-2 3/16"	BOTTOM TRACK
E	1	400T150-33	2'-2 1/8"	CAP TRACK
F	2	400S162-33	1'-11 5/8"	CRIPPLE
G	1	400T150-33	1'-10 1/8"	SILL
H	2	400S162-33	3/8"	CRIPPLE

23-3118

Jewish Home for the Aging

1885 Victory Blvd. Reseda, CA

FrameMax, Inc.
13915 Danielson St
Suite 100
Poway, CA 92064
www.frame-max.com



© FrameMax Inc.

CREATED: 11/19/2008

FM-07-109

CREATED BY: TNT

HEIGHT : 9'-4 7/16" POINTS: 0.35 Points.

SPACING : 24"

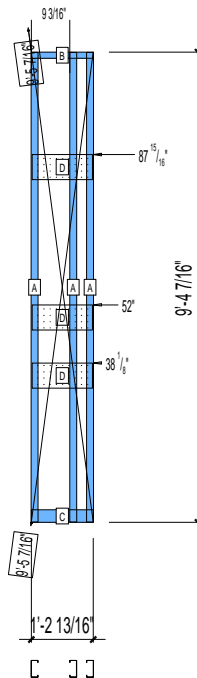
1st STUD: 24"

APPROVED
By TNT at 2:46 pm, Dec 15, 2008

WEIGHTS :

FRAME : 33 lbs

TOTAL: 33 lbs



PIECES LIST

LABEL	QTY	SIZE	LENGTH	USE
A	3	400S162-33	9'-4 5/16"	STUD
B	1	400T150-33	1'-2 13/16"	TOP TRACK
C	1	400T300-33	1'-2 13/16"	BOTTOM TRACK
D	3	600D-54	1'-2 3/8"	KITCHEN BACKING

23-3119

Jewish Home for the Aging

1885 Victory Blvd. Reseda, CA

FM-07-109

CREATED BY: TNT

FrameMax, Inc.
13915 Danielson St
Suite 100
Poway, CA 92064
www.frame-max.com



© FrameMax Inc.

HEIGHT : 2'-9 1/2" POINTS: 0.25 Points.

SPACING : 24"

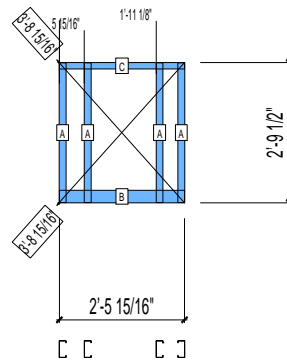
1st STUD: 24"

APPROVED
By TNT at 2:46 pm, Dec 15, 2008

WEIGHTS :

FRAME : 15 lbs

TOTAL: 15 lbs



PIECES LIST

LABEL	QTY	SIZE	LENGTH	USE
A	4	400S162-33	2'-9 3/8"	STUD
B	1	400T300-33	2'-5 15/16"	BOTTOM TRACK
C	1	400T150-33	2'-5 15/16"	TOP TRACK

23-3120

Jewish Home for the Aging

1885 Victory Blvd. Reseda, CA

FrameMax, Inc.
13915 Danielson St
Suite 100
Poway, CA 92064
www.frame-max.com



© FrameMax Inc.

CREATED: 11/19/2008

FM-07-109

CREATED BY: TNT

HEIGHT : 2'-9 1/2" POINTS: 0.35 Points.

SPACING : 24"

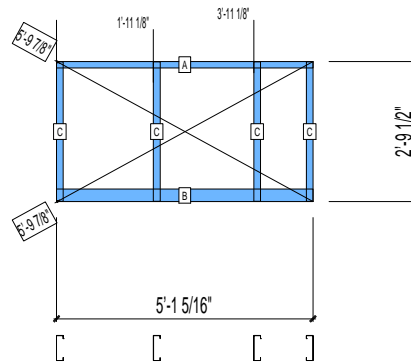
1st STUD: 24"

APPROVED
By TNT at 2:46 pm, Dec 15, 2008

WEIGHTS :

FRAME : 26 lbs

TOTAL: 26 lbs



PIECES LIST

LABEL	QTY	SIZE	LENGTH	USE
A	1	600T150-33	5'-1 5/16"	TOP TRACK
B	1	600T300-33	5'-1 5/16"	BOTTOM TRACK
C	4	600S162-33	2'-9 3/8"	STUD

23-3121

Jewish Home for the Aging

1885 Victory Blvd. Reseda, CA

FrameMax, Inc.
13915 Danielson St
Suite 100
Poway, CA 92064
www.framemax.com



© FrameMax Inc.

CREATED: 11/19/2008

FM-07-109

CREATED BY: TNT

HEIGHT : 9'-4 7/16" POINTS: 0.91 Points.

SPACING : 24"

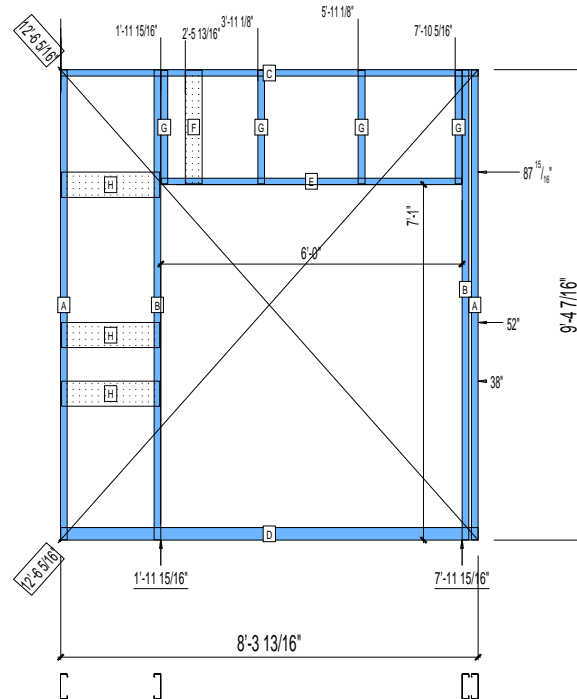
1st STUD: 13/16"

APPROVED
By TNT at 2:46 pm, Dec 15, 2008

WEIGHTS :

FRAME : 91 lbs

TOTAL: 91 lbs



PIECES LIST

LABEL	QTY	SIZE	LENGTH	USE
A	2	600S162-33	9'-4 5/16"	STUD
B	2	600S162-33	9'-4 5/16"	KING STUD
C	1	600T150-33	8'-3 13/16"	TOP TRACK
D	1	600T300-33	8'-3 13/16"	BOTTOM TRACK
E	1	600T150-33	5'-11 3/4"	HEAD TRACK
F	1	400S162-33	2'-3 1/8"	BACKER-U
G	4	600S162-33	2'-3 1/16"	CRIPPLE
H	3	600D-54	1'-11 1/2"	KITCHEN BACKING

23-3122

Jewish Home for the Aging

1885 Victory Blvd. Reseda, CA

FrameMax, Inc.
13915 Danielson St
Suite 100
Poway, CA 92064
www.frame-max.com



© FrameMax Inc.

CREATED: 11/19/2008

FM-07-109

CREATED BY: TNT

HEIGHT : 9'-4 7/16" POINTS: 0.32 Points.

SPACING : 24"

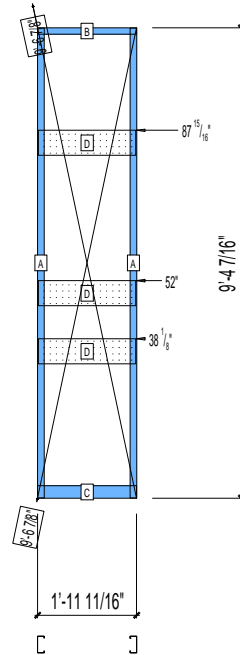
1st STUD: 24"

APPROVED
By TNT at 2:46 pm, Dec 15, 2008

WEIGHTS :

FRAME : 28 lbs

TOTAL: 28 lbs



PIECES LIST

LABEL	QTY	SIZE	LENGTH	USE
A	2	400S162-33	9'-4 5/16"	STUD
B	1	400T150-33	1'-11 11/16"	TOP TRACK
C	1	400T300-33	1'-11 11/16"	BOTTOM TRACK
D	3	600D-54	1'-11 1/4"	KITCHEN BACKING

23-3123

Jewish Home for the Aging

1885 Victory Blvd. Reseda, CA

FrameMax, Inc.
13915 Danielson St
Suite 100
Poway, CA 92064
www.frame-max.com



© FrameMax Inc.

CREATED: 11/19/2008

FM-07-109

CREATED BY: TNT

HEIGHT : 9'-4 7/16" POINTS: 0.35 Points.

SPACING : 24"

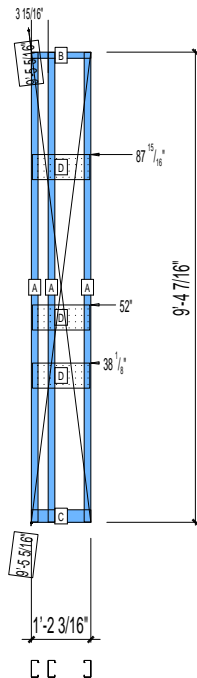
1st STUD: 24"

APPROVED
By TNT at 2:46 pm, Dec 15, 2008

WEIGHTS :

FRAME : 33 lbs

TOTAL: 33 lbs



PIECES LIST

LABEL	QTY	SIZE	LENGTH	USE
A	3	400S162-33	9'-4 5/16"	STUD
B	1	400T150-33	1'-2 3/16"	TOP TRACK
C	1	400T300-33	1'-2 3/16"	BOTTOM TRACK
D	3	600D-54	1'-1 3/4"	KITCHEN BACKING

23-3124

Jewish Home for the Aging

1885 Victory Blvd. Reseda, CA

FrameMax, Inc.
13915 Danielson St
Suite 100
Poway, CA 92064
www.frame-max.com



© FrameMax Inc.

CREATED: 11/19/2008

FM-07-109

CREATED BY: TNT

HEIGHT : 9'-4 7/16" POINTS: 0.31 Points.

SPACING : 24"

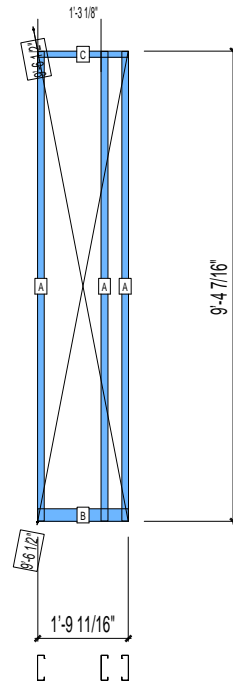
1st STUD: 16"

APPROVED
By TNT at 2:46 pm, Dec 15, 2008

WEIGHTS :

FRAME : 37 lbs

TOTAL: 37 lbs



PIECES LIST

LABEL	QTY	SIZE	LENGTH	USE
A	3	600S162-33	9'-4 5/16"	STUD
B	1	600T300-33	1'-9 11/16"	BOTTOM TRACK
C	1	600T150-33	1'-9 11/16"	TOP TRACK

23-3125

Jewish Home for the Aging

1885 Victory Blvd. Reseda, CA

FrameMax, Inc.
13915 Danielson St
Suite 100
Poway, CA 92064
www.frame-max.com



© FrameMax Inc.

CREATED: 11/20/2008

FM-07-109

CREATED BY: TNT

HEIGHT : 9'-4 7/16" POINTS: 0.74 Points.

SPACING : 24"

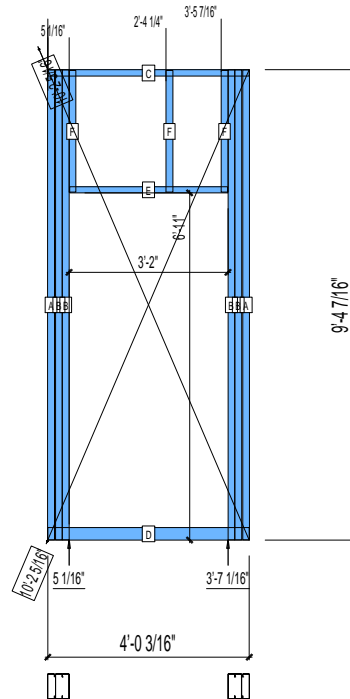
1st STUD: 24"

APPROVED
By TNT at 2:46 pm, Dec 15, 2008

WEIGHTS :

FRAME : 88 lbs

TOTAL: 88 lbs



PIECES LIST

LABEL	QTY	SIZE	LENGTH	USE
A	2	600S162-33	9'-4 5/16"	STUD
B	4	600S162-33	9'-4 5/16"	KING STUD
C	1	600T150-33	4'-0 3/16"	TOP TRACK
D	1	600T300-33	4'-0 3/16"	BOTTOM TRACK
E	1	600T150-33	3'-1 3/4"	HEAD TRACK
F	3	600S162-33	2'-5 1/16"	CRIPPLE

23-3126

Jewish Home for the Aging

1885 Victory Blvd. Reseda, CA

FrameMax, Inc.
13915 Danielson St
Suite 100
Poway, CA 92064
www.frame-max.com



© FrameMax Inc.

CREATED: 11/19/2008

FM-07-109

CREATED BY: TNT

HEIGHT : 9'-4 7/16" POINTS: 1.17 Points.

SPACING : 24"

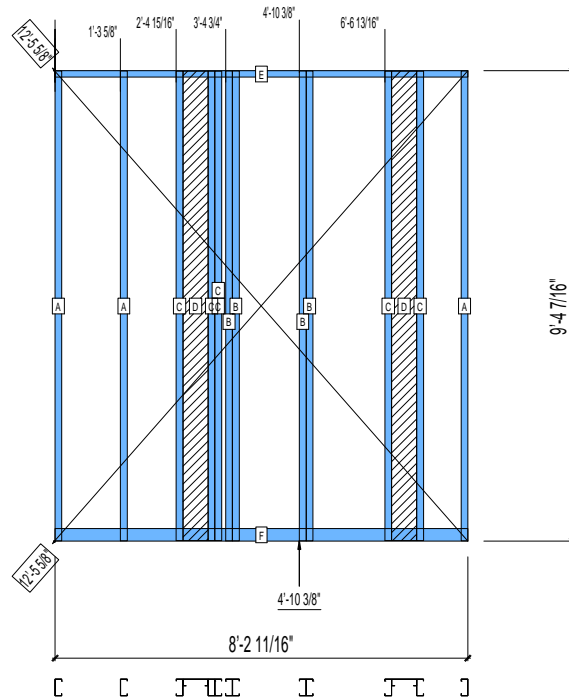
1st STUD: 16 1/2"

APPROVED
By TNT at 2:46 pm, Dec 15, 2008

WEIGHTS :

FRAME : 143 lbs

TOTAL: 143 lbs



PIECES LIST

LABEL	QTY	SIZE	LENGTH	USE
A	3	400S162-33	9'-4 5/16"	STUD
B	4	400S162-33	9'-4 5/16"	EXTRA STUD
C	5	400S162-33	9'-4 3/16"	BACKER STUD
D	2	600S162-33	9'-4 3/16"	BACKER-U
E	1	400T150-33	8'-2 11/16"	TOP TRACK
F	1	400T300-33	8'-2 11/16"	BOTTOM TRACK

23-3127

Jewish Home for the Aging

1885 Victory Blvd. Reseda, CA

FM-07-109

CREATED BY: TNT

FrameMax, Inc.
13915 Danielson St
Suite 100
Poway, CA 92064
www.frame-max.com



© FrameMax Inc.

HEIGHT : 9'-4 7/16" POINTS: 0.79 Points.

SPACING : 24"

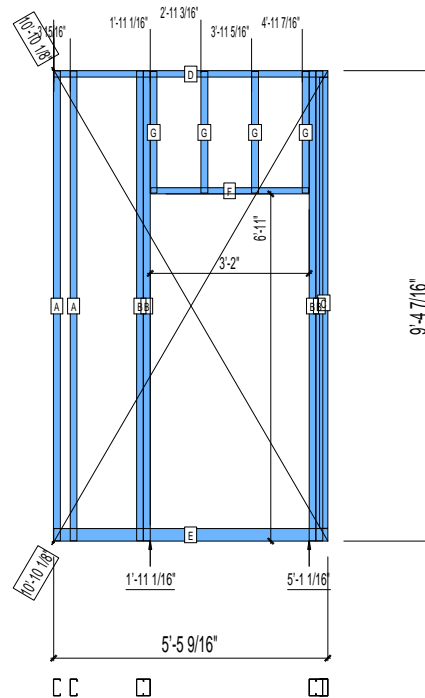
1st STUD: 24"

APPROVED
By TNT at 2:46 pm, Dec 15, 2008

WEIGHTS :

FRAME : 83 lbs

TOTAL: 83 lbs



PIECES LIST

LABEL	QTY	SIZE	LENGTH	USE
A	2	400S162-33	9'-4 5/16"	STUD
B	4	400S162-33	9'-4 5/16"	KING STUD
C	1	400T200-33	8'-11 13/16"	CAP TRACK
D	1	400T150-33	5'-5 9/16"	TOP TRACK
E	1	400T300-33	5'-5 9/16"	BOTTOM TRACK
F	1	400T150-33	3'-1 3/4"	HEAD TRACK
G	4	400S162-33	2'-5 1/16"	CRIPPLE

23-3128

Jewish Home for the Aging

1885 Victory Blvd. Reseda, CA

FrameMax, Inc.
13915 Danielson St
Suite 100
Poway, CA 92064
www.frame-max.com



© FrameMax Inc.

CREATED: 11/19/2008

FM-07-109

CREATED BY: TNT

HEIGHT : 9'-4 7/16" POINTS: 0.44 Points.

SPACING : 24"

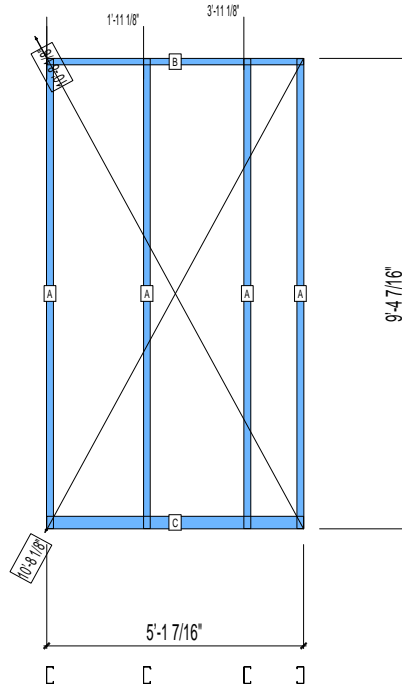
1st STUD: 24"

APPROVED
By TNT at 2:46 pm, Dec 15, 2008

WEIGHTS :

FRAME : 45 lbs

TOTAL: 45 lbs



PIECES LIST

LABEL	QTY	SIZE	LENGTH	USE
A	4	400S162-33	9'-4 5/16"	STUD
B	1	400T150-33	5'-1 7/16"	TOP TRACK
C	1	400T300-33	5'-1 7/16"	BOTTOM TRACK

23-3129

Jewish Home for the Aging

1885 Victory Blvd. Reseda, CA

FrameMax, Inc.
13915 Danielson St
Suite 100
Poway, CA 92064
www.frame-max.com



© FrameMax Inc.

CREATED: 11/19/2008

FM-07-109

CREATED BY: TNT

HEIGHT : 9'-4 7/16" POINTS: 0.95 Points.

SPACING : 24"

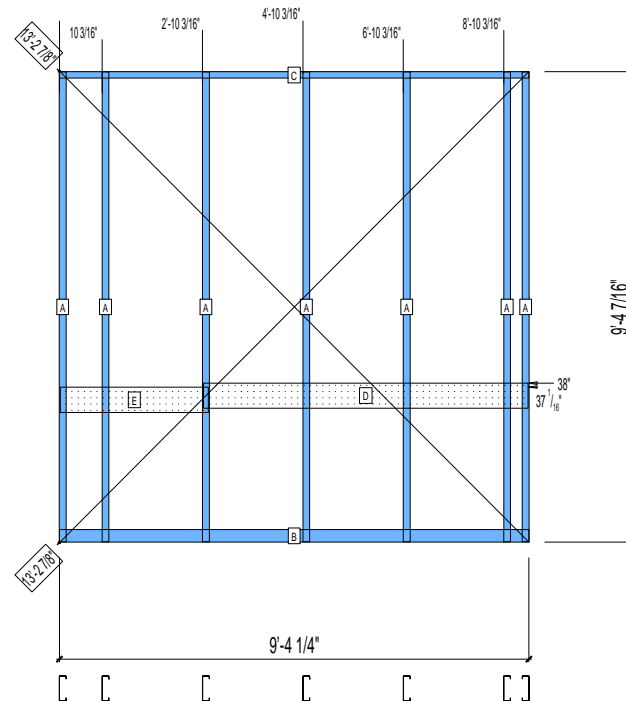
1st STUD: 11 1/16"

WEIGHTS :

FRAME : 113 lbs

TOTAL: 113 lbs

APPROVED
By TNT at 2:46 pm, Dec 15, 2008



PIECES LIST

LABEL	QTY	SIZE	LENGTH	USE
A	7	600S162-33	9'-4 5/16"	STUD
B	1	600T300-33	9'-4 1/4"	BOTTOM TRACK
C	1	600T150-33	9'-4 1/4"	TOP TRACK
D	1	600D-54	6'-5 9/16"	VANITY BACKING
E	1	600T150-54	2'-11 3/8"	GRAB BAR

23-3151

Jewish Home for the Aging

1885 Victory Blvd. Reseda, CA

FrameMax, Inc.
13915 Danielson St
Suite 100
Poway, CA 92064
www.frame-max.com



© FrameMax Inc.

CREATED: 11/19/2008

FM-07-109

CREATED BY: TNT

HEIGHT : 9'-4 7/16" POINTS: 1.08 Points.

SPACING : 24"

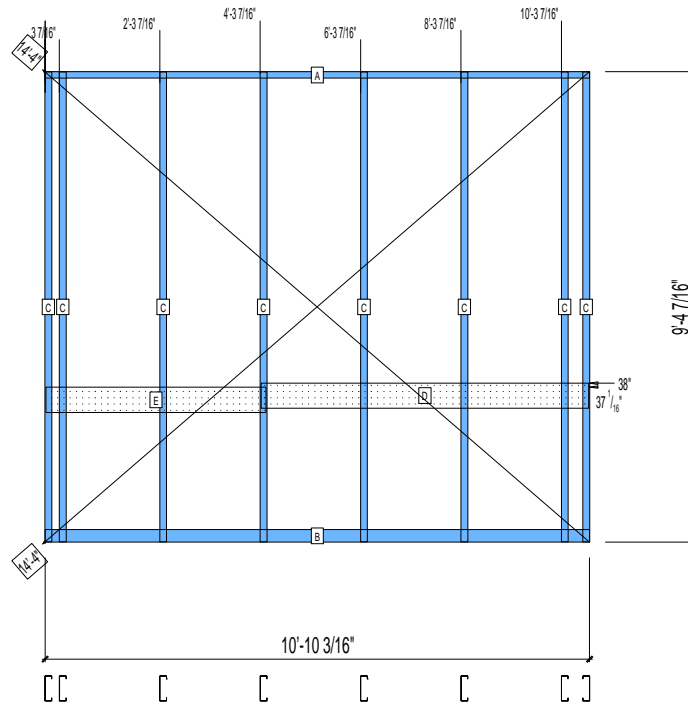
1st STUD: 4 1/4"

WEIGHTS :

FRAME : 130 lbs

TOTAL: 130 lbs

APPROVED
By TNT at 2:46 pm, Dec 15, 2008



PIECES LIST

LABEL	QTY	SIZE	LENGTH	USE
A	1	600T150-33	10'-10 3/16"	TOP TRACK
B	1	600T300-33	10'-10 3/16"	BOTTOM TRACK
C	8	600S162-33	9'-4 5/16"	STUD
D	1	600D-54	6'-6 5/16"	VANITY BACKING
E	1	600T150-54	4'-4 9/16"	GRAB BAR

23-3152

Jewish Home for the Aging

1885 Victory Blvd. Reseda, CA

FrameMax, Inc.
13915 Danielson St
Suite 100
Poway, CA 92064
www.frame-max.com



© FrameMax Inc.

CREATED: 12/10/2008

FM-07-109

CREATED BY: TNT

HEIGHT : 9'-4 7/16" POINTS: 0.23 Points.

SPACING : 24"

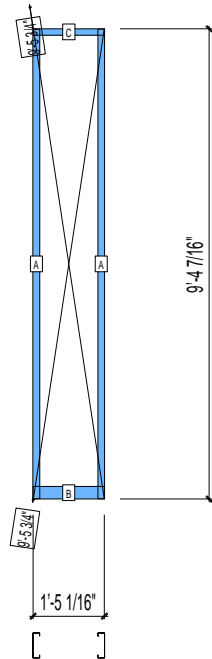
1st STUD: 24"

APPROVED
By TNT at 2:46 pm, Dec 15, 2008

WEIGHTS :

FRAME : 25 lbs

TOTAL: 25 lbs



PIECES LIST

LABEL	QTY	SIZE	LENGTH	USE
A	2	600S162-33	9'-4 5/16"	STUD
B	1	600T300-33	1'-5 1/16"	BOTTOM TRACK
C	1	600T150-33	1'-5 1/16"	TOP TRACK

23-3153

Jewish Home for the Aging

1885 Victory Blvd. Reseda, CA

FrameMax, Inc.
13915 Danielson St
Suite 100
Poway, CA 92064
www.frame-max.com



© FrameMax Inc.

CREATED: 11/19/2008

FM-07-109

CREATED BY: TNT

HEIGHT : 9'-5 3/16" POINTS: 0.53 Points.

SPACING : 24"

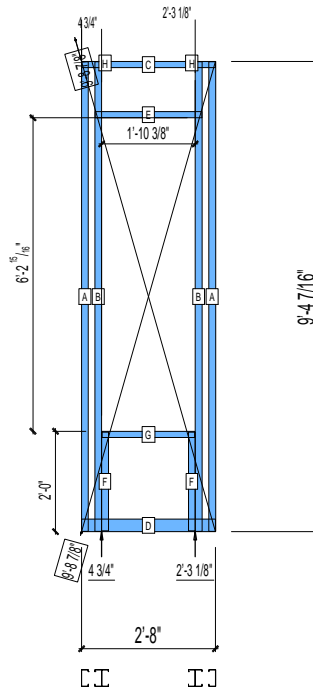
1st STUD: 16"

APPROVED
By TNT at 2:46 pm, Dec 15, 2008

WEIGHTS :

FRAME : 47 lbs

TOTAL: 47 lbs



PIECES LIST

LABEL	QTY	SIZE	LENGTH	USE
A	2	400S162-33	9'-4 5/16"	STUD
B	2	400S162-33	9'-4 5/16"	KING STUD
C	1	400T150-33	2'-8"	TOP TRACK
D	1	400T300-33	2'-8"	BOTTOM TRACK
E	1	400T150-33	2'-1 1/2"	CAP TRACK
F	2	400S162-33	1'-11 5/8"	CRIPPLE
G	1	400T150-33	1'-10 1/8"	SILL
H	2	400S162-33	3/8"	CRIPPLE

23-3154

Jewish Home for the Aging

1885 Victory Blvd. Reseda, CA

FM-07-109

CREATED BY: TNT

FrameMax, Inc.
13915 Danielson St
Suite 100
Poway, CA 92064
www.frame-max.com



© FrameMax Inc.

HEIGHT : 9'-4 7/16" POINTS: 0.70 Points.

SPACING : 24"

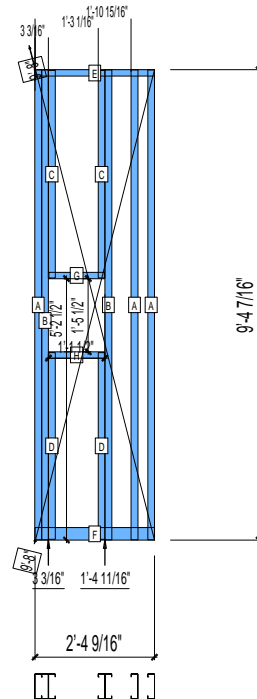
1st STUD: 24"

APPROVED
By TNT at 2:46 pm, Dec 15, 2008

WEIGHTS :

FRAME : 81 lbs

TOTAL: 81 lbs



PIECES LIST

LABEL	QTY	SIZE	LENGTH	USE
A	3	600S162-33	9'-4 5/16"	STUD
B	2	600S162-33	9'-4 5/16"	KING STUD
C	2	600S162-33	4'-1 9/16"	CRIPPLE
D	2	600S162-33	3'-8 5/8"	CRIPPLE
E	1	600T150-33	2'-4 9/16"	TOP TRACK
F	1	600T300-33	2'-4 9/16"	BOTTOM TRACK
G	1	600T150-33	1'-1 1/4"	HEAD TRACK
H	1	600T150-33	1'-1 1/4"	SILL

23-3155

Jewish Home for the Aging

1885 Victory Blvd. Reseda, CA

FM-07-109

CREATED BY: TNT

FrameMax, Inc.
13915 Danielson St
Suite 100
Poway, CA 92064
www.frame-max.com



© FrameMax Inc.

HEIGHT : 9'-4 7/16" POINTS: 0.30 Points.

SPACING : 24"

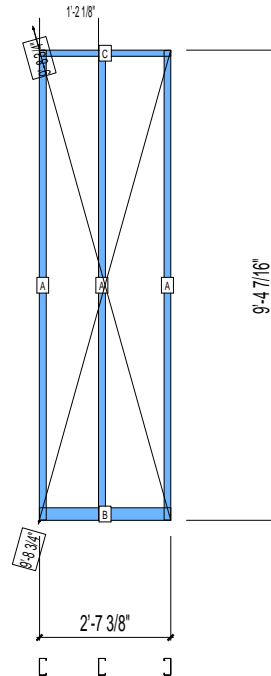
1st STUD: 14 15/16"

APPROVED
By TNT at 2:46 pm, Dec 15, 2008

WEIGHTS :

FRAME : 31 lbs

TOTAL: 31 lbs



PIECES LIST

LABEL	QTY	SIZE	LENGTH	USE
A	3	400S162-33	9'-4 5/16"	STUD
B	1	400T300-33	2'-7 3/8"	BOTTOM TRACK
C	1	400T150-33	2'-7 3/8"	TOP TRACK

23-3156

Jewish Home for the Aging

1885 Victory Blvd. Reseda, CA

FrameMax, Inc.
13915 Danielson St
Suite 100
Poway, CA 92064
www.frame-max.com



© FrameMax Inc.

CREATED: 11/19/2008

FM-07-109

CREATED BY: TNT

HEIGHT : 9'-4 7/16" POINTS: 0.42 Points.

SPACING : 24"

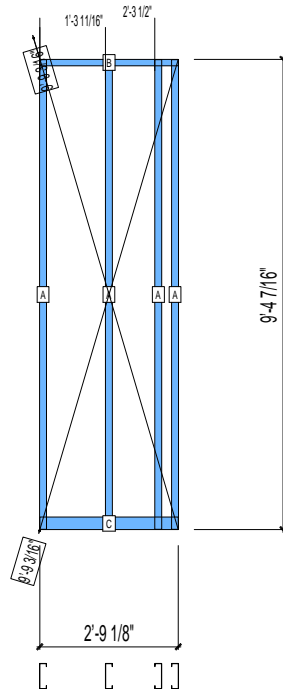
1st STUD: 16 9/16"

APPROVED
By TNT at 2:46 pm, Dec 15, 2008

WEIGHTS :

FRAME : 51 lbs

TOTAL: 51 lbs



PIECES LIST

LABEL	QTY	SIZE	LENGTH	USE
A	4	600S162-33	9'-4 5/16"	STUD
B	1	600T150-33	2'-9 1/8"	TOP TRACK
C	1	600T300-33	2'-9 1/8"	BOTTOM TRACK

23-3157

Jewish Home for the Aging

1885 Victory Blvd. Reseda, CA

FrameMax, Inc.
13915 Danielson St
Suite 100
Poway, CA 92064
www.frame-max.com



© FrameMax Inc.

CREATED: 11/19/2008

FM-07-109

CREATED BY: TNT

HEIGHT : 9'-4 7/16" POINTS: 0.19 Points.

SPACING : 24"

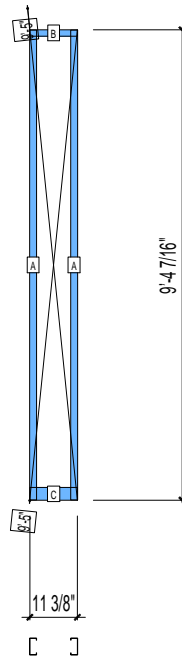
1st STUD: 24"

APPROVED
By TNT at 2:46 pm, Dec 15, 2008

WEIGHTS :

FRAME : 19 lbs

TOTAL: 19 lbs



PIECES LIST

LABEL	QTY	SIZE	LENGTH	USE
A	2	400S162-33	9'-4 5/16"	STUD
B	1	400T150-33	11 3/8"	TOP TRACK
C	1	400T300-33	11 3/8"	BOTTOM TRACK

23-3158

Jewish Home for the Aging

1885 Victory Blvd. Reseda, CA

FM-07-109

CREATED BY: TNT

FrameMax, Inc.
13915 Danielson St
Suite 100
Poway, CA 92064
www.framemax.com

FRAME MAX

© FrameMax Inc.

HEIGHT : 9'-4 7/16" POINTS: 0.30 Points.

SPACING : 24"

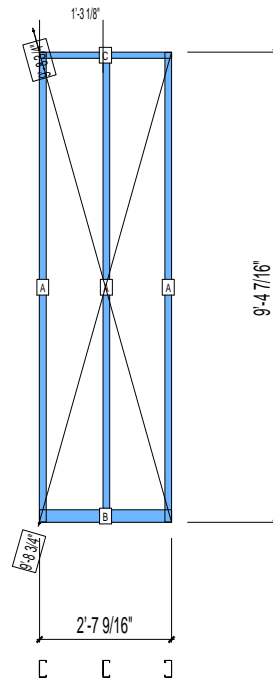
1st STUD: 16"

WEIGHTS :

FRAME : 31 lbs

TOTAL: 31 lbs

APPROVED
By TNT at 2:46 pm, Dec 15, 2008



PIECES LIST

LABEL	QTY	SIZE	LENGTH	USE
A	3	400S162-33	9'-4 5/16"	STUD
B	1	400T300-33	2'-7 9/16"	BOTTOM TRACK
C	1	400T150-33	2'-7 9/16"	TOP TRACK

23-3159

Jewish Home for the Aging

1885 Victory Blvd. Reseda, CA

FM-07-109

CREATED BY: TNT

FrameMax, Inc.
13915 Danielson St
Suite 100
Poway, CA 92064
www.frame-max.com



© FrameMax Inc.

HEIGHT : 9'-4 7/16" POINTS: 0.43 Points.

SPACING : 24"

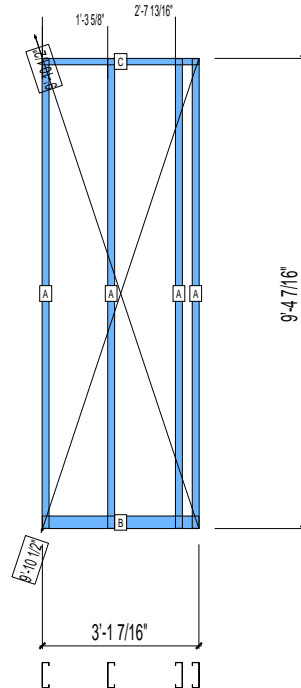
1st STUD: 16 1/2"

WEIGHTS :

FRAME : 52 lbs

TOTAL: 52 lbs

APPROVED
By TNT at 2:46 pm, Dec 15, 2008



PIECES LIST

LABEL	QTY	SIZE	LENGTH	USE
A	4	600S162-33	9'-4 5/16"	STUD
B	1	600T300-33	3'-1 7/16"	BOTTOM TRACK
C	1	600T150-33	3'-1 7/16"	TOP TRACK

23-3160

Jewish Home for the Aging

1885 Victory Blvd. Reseda, CA

FrameMax, Inc.
13915 Danielson St
Suite 100
Poway, CA 92064
www.frame-max.com



© FrameMax Inc.

CREATED: 11/19/2008

FM-07-109

CREATED BY: TNT

HEIGHT : 9'-4 7/16" POINTS: 1.58 Points.

SPACING : 24"

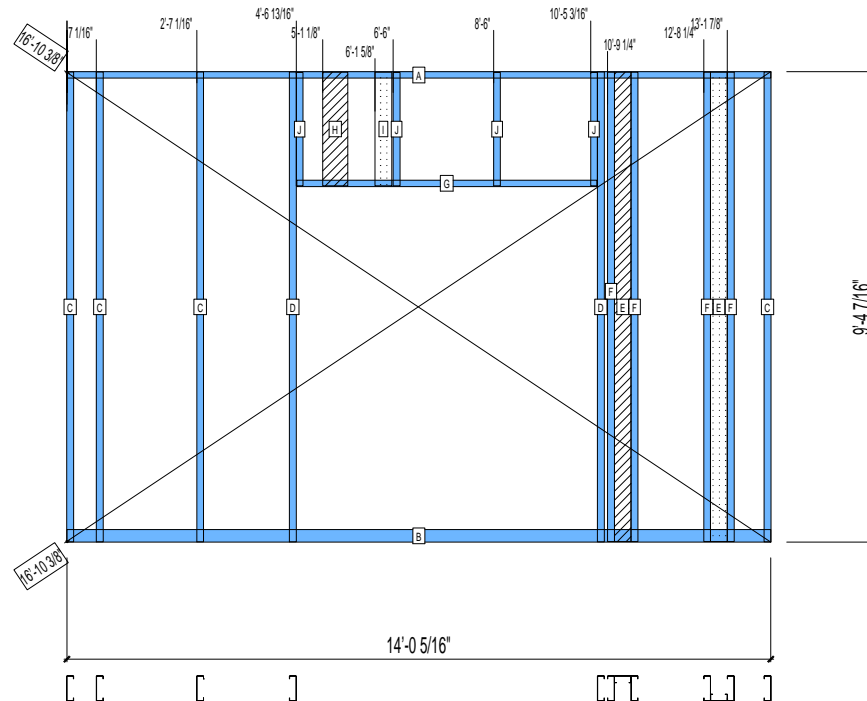
1st STUD: 7 7/8"

APPROVED
By TNT at 2:46 pm, Dec 15, 2008

WEIGHTS :

FRAME : 184 lbs

TOTAL: 184 lbs



PIECES LIST

LABEL	QTY	SIZE	LENGTH	USE
A	1	600T150-33	14'-0 5/16"	TOP TRACK
B	1	600T300-33	14'-0 5/16"	BOTTOM TRACK
C	4	600S162-33	9'-4 5/16"	STUD
D	2	600S162-33	9'-4 5/16"	KING STUD
E	2	400S162-33	9'-4 3/16"	BACKER-U
F	4	600S162-33	9'-4 3/16"	BACKER STUD
G	1	600T150-33	5'-11 3/4"	HEAD TRACK
H	1	600S162-33	2'-3 1/8"	BACKER-U
I	1	400S162-33	2'-3 1/8"	BACKER-U
J	4	600S162-33	2'-3 1/16"	CRIPPLE

23-3161

Jewish Home for the Aging

1885 Victory Blvd. Reseda, CA

FrameMax, Inc.
13915 Danielson St
Suite 100
Poway, CA 92064
www.frame-max.com



© FrameMax Inc.

CREATED: 11/19/2008

FM-07-109

CREATED BY: TNT

HEIGHT : 9'-4 7/16" POINTS: 0.68 Points.

SPACING : 24"

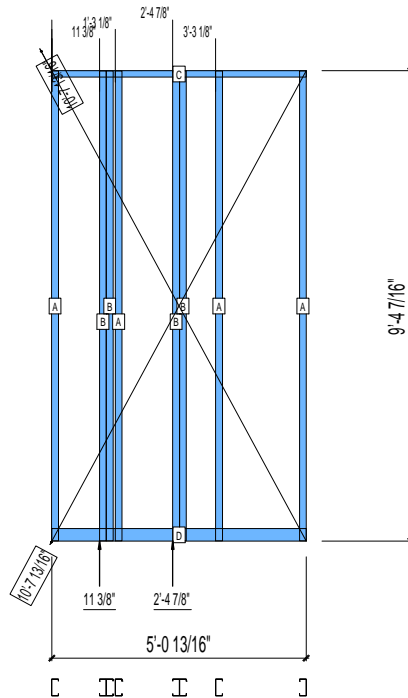
1st STUD: 16"

APPROVED
By TNT at 2:46 pm, Dec 15, 2008

WEIGHTS :

FRAME : 80 lbs

TOTAL: 80 lbs



PIECES LIST

LABEL	QTY	SIZE	LENGTH	USE
A	4	400S162-33	9'-4 5/16"	STUD
B	4	400S162-33	9'-4 5/16"	EXTRA STUD
C	1	400T150-33	5'-0 13/16"	TOP TRACK
D	1	400T300-33	5'-0 13/16"	BOTTOM TRACK

23-3162

Jewish Home for the Aging

1885 Victory Blvd. Reseda, CA

FrameMax, Inc.
13915 Danielson St
Suite 100
Poway, CA 92064
www.frame-max.com



© FrameMax Inc.

CREATED: 11/19/2008

FM-07-109

CREATED BY: TNT

HEIGHT : 9'-4 7/16" POINTS: 0.83 Points.

SPACING : 24"

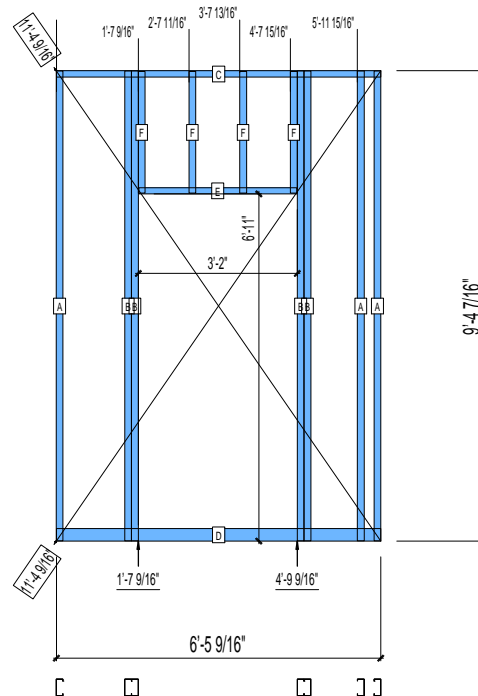
1st STUD: 24"

APPROVED
By TNT at 2:46 pm, Dec 15, 2008

WEIGHTS :

FRAME : 86 lbs

TOTAL: 86 lbs



PIECES LIST

LABEL	QTY	SIZE	LENGTH	USE
A	3	400S162-33	9'-4 5/16"	STUD
B	4	400S162-33	9'-4 5/16"	KING STUD
C	1	400T150-33	6'-5 9/16"	TOP TRACK
D	1	400T300-33	6'-5 9/16"	BOTTOM TRACK
E	1	400T150-33	3'-1 3/4"	HEAD TRACK
F	4	400S162-33	2'-5 1/16"	CRIPPLE

23-3163

Jewish Home for the Aging

1885 Victory Blvd. Reseda, CA

FM-07-109

CREATED BY: TNT

FrameMax, Inc.
13915 Danielson St
Suite 100
Poway, CA 92064
www.frame-max.com



© FrameMax Inc.

HEIGHT : 9'-4 7/16" POINTS: 0.33 Points.

SPACING : 24"

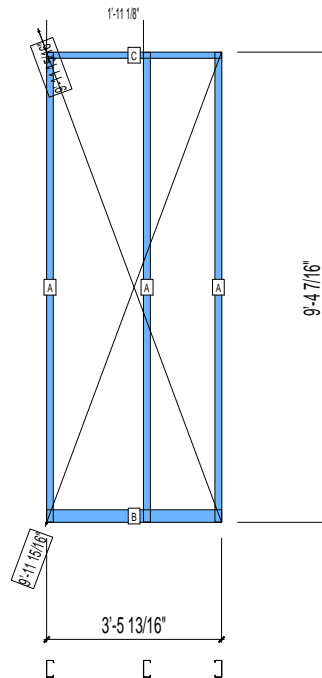
1st STUD: 24"

APPROVED
By TNT at 2:46 pm, Dec 15, 2008

WEIGHTS :

FRAME : 33 lbs

TOTAL: 33 lbs



PIECES LIST

LABEL	QTY	SIZE	LENGTH	USE
A	3	400S162-33	9'-4 5/16"	STUD
B	1	400T300-33	3'-5 13/16"	BOTTOM TRACK
C	1	400T150-33	3'-5 13/16"	TOP TRACK

23-3164

Jewish Home for the Aging

1885 Victory Blvd. Reseda, CA

FrameMax, Inc.
13915 Danielson St
Suite 100
Poway, CA 92064
www.frame-max.com



© FrameMax Inc.

CREATED: 11/19/2008

FM-07-109

CREATED BY: TNT

HEIGHT : 9'-4 7/16" POINTS: 0.30 Points.

SPACING : 24"

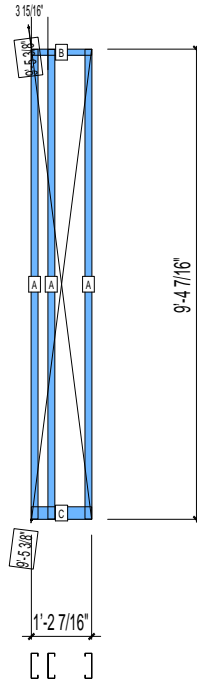
1st STUD: 24"

APPROVED
By TNT at 2:46 pm, Dec 15, 2008

WEIGHTS :

FRAME : 36 lbs

TOTAL: 36 lbs



PIECES LIST

LABEL	QTY	SIZE	LENGTH	USE
A	3	600S162-33	9'-4 5/16"	STUD
B	1	600T150-33	1'-2 7/16"	TOP TRACK
C	1	600T300-33	1'-2 7/16"	BOTTOM TRACK

23-3165

Jewish Home for the Aging

1885 Victory Blvd. Reseda, CA

FM-07-109

CREATED BY: TNT

FrameMax, Inc.
13915 Danielson St
Suite 100
Poway, CA 92064
www.frame-max.com



© FrameMax Inc.

HEIGHT : 9'-4 7/16" POINTS: 0.77 Points.

SPACING : 24"

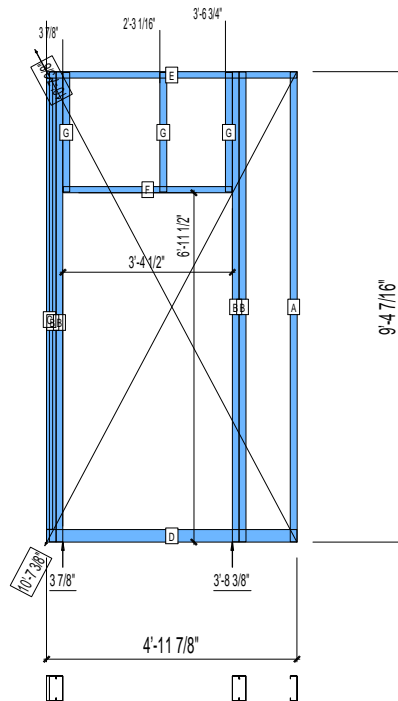
1st STUD: 24"

APPROVED
By TNT at 2:46 pm, Dec 15, 2008

WEIGHTS :

FRAME : 89 lbs

TOTAL: 89 lbs



PIECES LIST

LABEL	QTY	SIZE	LENGTH	USE
A	1	600S162-33	9'-4 5/16"	STUD
B	4	600S162-33	9'-4 5/16"	KING STUD
C	1	600T150-33	8'-11 13/16"	CAP TRACK
D	1	600T300-33	4'-11 7/8"	BOTTOM TRACK
E	1	600T150-33	4'-11 7/8"	TOP TRACK
F	1	600T150-33	3'-4 1/4"	HEAD TRACK
G	3	600S162-33	2'-4 9/16"	CRIPPLE

23-3166

Jewish Home for the Aging

1885 Victory Blvd. Reseda, CA

FrameMax, Inc.
13915 Danielson St
Suite 100
Poway, CA 92064
www.frame-max.com



© FrameMax Inc.

CREATED: 11/19/2008

FM-07-109

CREATED BY: TNT

HEIGHT : 9'-4 7/16" POINTS: 0.39 Points.

SPACING : 24"

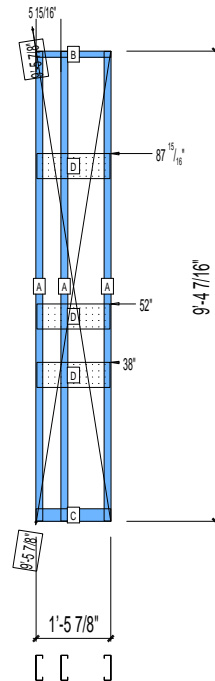
1st STUD: 24"

APPROVED
By TNT at 2:46 pm, Dec 15, 2008

WEIGHTS :

FRAME : 42 lbs

TOTAL: 42 lbs



PIECES LIST

LABEL	QTY	SIZE	LENGTH	USE
A	3	600S162-33	9'-4 5/16"	STUD
B	1	600T150-33	1'-5 7/8"	TOP TRACK
C	1	600T300-33	1'-5 7/8"	BOTTOM TRACK
D	3	600D-54	1'-5 7/16"	KITCHEN BACKING

23-3167

Jewish Home for the Aging

1885 Victory Blvd. Reseda, CA

FrameMax, Inc.
13915 Danielson St
Suite 100
Poway, CA 92064
www.frame-max.com



© FrameMax Inc.

CREATED: 11/19/2008

FM-07-109

CREATED BY: TNT

HEIGHT : 2'-9 1/2" POINTS: 0.22 Points.

SPACING : 24"

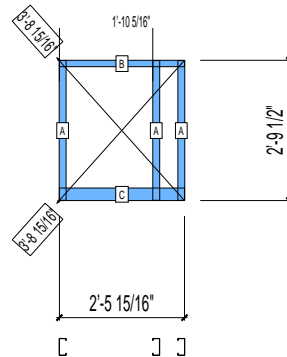
1st STUD: 24"

APPROVED
By TNT at 2:46 pm, Dec 15, 2008

WEIGHTS :

FRAME : 13 lbs

TOTAL: 13 lbs



PIECES LIST

LABEL	QTY	SIZE	LENGTH	USE
A	3	400S162-33	2'-9 3/8"	STUD
B	1	400T150-33	2'-5 15/16"	TOP TRACK
C	1	400T300-33	2'-5 15/16"	BOTTOM TRACK

23-3168

Jewish Home for the Aging

1885 Victory Blvd. Reseda, CA

FrameMax, Inc.
13915 Danielson St
Suite 100
Poway, CA 92064
www.frame-max.com



© FrameMax Inc.

CREATED: 11/19/2008

FM-07-109

CREATED BY: TNT

HEIGHT : 2'-9 1/2" POINTS: 0.36 Points.

SPACING : 24"

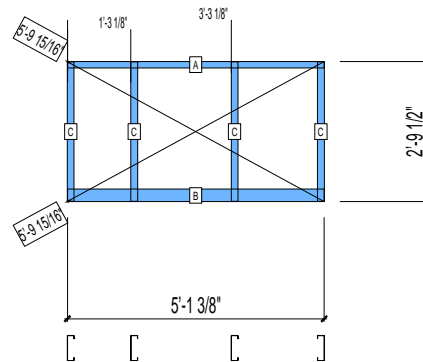
1st STUD: 16"

APPROVED
By TNT at 2:46 pm, Dec 15, 2008

WEIGHTS :

FRAME : 26 lbs

TOTAL: 26 lbs



PIECES LIST

LABEL	QTY	SIZE	LENGTH	USE
A	1	600T150-33	5'-1 3/8"	TOP TRACK
B	1	600T300-33	5'-1 3/8"	BOTTOM TRACK
C	4	600S162-33	2'-9 3/8"	STUD

23-3169

Jewish Home for the Aging

1885 Victory Blvd. Reseda, CA

FrameMax, Inc.
13915 Danielson St
Suite 100
Poway, CA 92064
www.frame-max.com



© FrameMax Inc.

CREATED: 11/19/2008

FM-07-109

CREATED BY: TNT

HEIGHT : 9'-4 7/16" POINTS: 0.88 Points.

SPACING : 24"

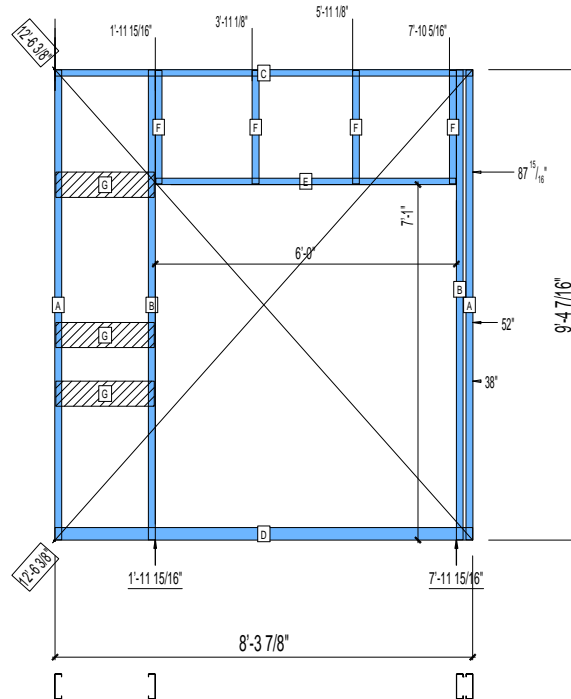
1st STUD: 24"

APPROVED
By TNT at 2:46 pm, Dec 15, 2008

WEIGHTS :

FRAME : 89 lbs

TOTAL: 89 lbs



PIECES LIST

LABEL	QTY	SIZE	LENGTH	USE
A	2	600S162-33	9'-4 5/16"	STUD
B	2	600S162-33	9'-4 5/16"	KING STUD
C	1	600T150-33	8'-3 7/8"	TOP TRACK
D	1	600T300-33	8'-3 7/8"	BOTTOM TRACK
E	1	600T150-33	5'-11 3/4"	HEAD TRACK
F	4	600S162-33	2'-3 1/16"	CRIPPLE
G	3	600D-54	1'-11 1/2"	KITCHEN BACKING

23-3170

Jewish Home for the Aging

1885 Victory Blvd. Reseda, CA

FM-07-109

CREATED BY: TNT

FrameMax, Inc.
13915 Danielson St
Suite 100
Poway, CA 92064
www.frame-max.com



© FrameMax Inc.

HEIGHT : 9'-4 7/16" POINTS: 0.40 Points.

SPACING : 24"

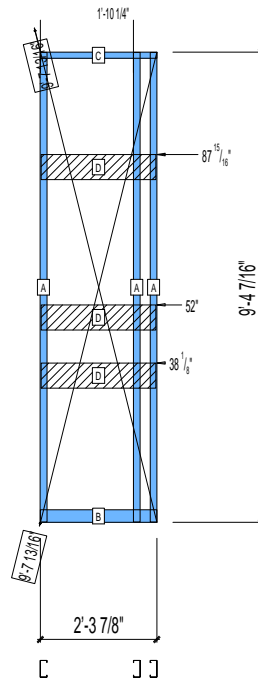
1st STUD: 24"

WEIGHTS :

FRAME : 39 lbs

TOTAL: 39 lbs

APPROVED
By TNT at 2:46 pm, Dec 15, 2008



PIECES LIST

LABEL	QTY	SIZE	LENGTH	USE
A	3	400S162-33	9'-4 5/16"	STUD
B	1	400T300-33	2'-3 7/8"	BOTTOM TRACK
C	1	400T150-33	2'-3 7/8"	TOP TRACK
D	3	600D-54	2'-3 7/16"	KITCHEN BACKING

23-3171

Jewish Home for the Aging

1885 Victory Blvd. Reseda, CA

FrameMax, Inc.
13915 Danielson St
Suite 100
Poway, CA 92064
www.frame-max.com



© FrameMax Inc.

CREATED: 11/19/2008

FM-07-109

CREATED BY: TNT

HEIGHT : 9'-4 7/16" POINTS: 0.27 Points.

SPACING : 24"

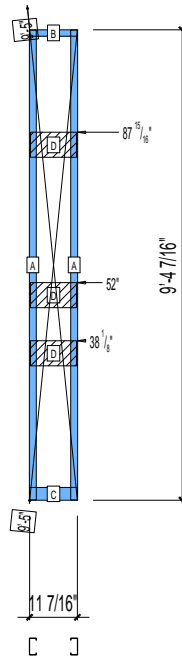
1st STUD: 16"

APPROVED
By TNT at 2:46 pm, Dec 15, 2008

WEIGHTS :

FRAME : 23 lbs

TOTAL: 23 lbs



PIECES LIST

LABEL	QTY	SIZE	LENGTH	USE
A	2	400S162-33	9'-4 5/16"	STUD
B	1	400T150-33	11 7/16"	TOP TRACK
C	1	400T300-33	11 7/16"	BOTTOM TRACK
D	3	600D-54	11"	KITCHEN BACKING

23-3172

Jewish Home for the Aging

1885 Victory Blvd. Reseda, CA

FrameMax, Inc.
13915 Danielson St
Suite 100
Poway, CA 92064
www.frame-max.com



© FrameMax Inc.

CREATED: 11/19/2008

FM-07-109

CREATED BY: TNT

HEIGHT : 9'-4 7/16" POINTS: 1.31 Points.

SPACING : 24"

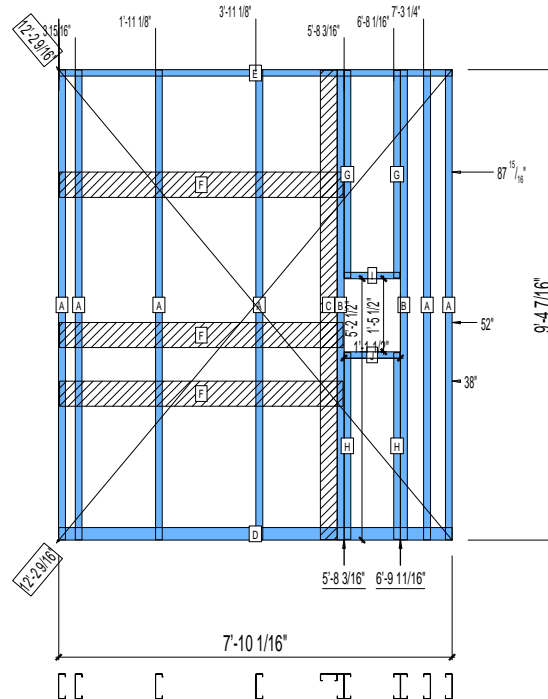
1st STUD: 24"

WEIGHTS :

FRAME : 157 lbs

TOTAL: 157 lbs

APPROVED
By TNT at 2:46 pm, Dec 15, 2008



PIECES LIST

LABEL	QTY	SIZE	LENGTH	USE
A	6	600S162-33	9'-4 5/16"	STUD
B	2	600S162-33	9'-4 5/16"	KING STUD
C	1	400S162-33	9'-4 3/16"	BACKER-U
D	1	600T300-33	7'-10 1/16"	BOTTOM TRACK
E	1	600T150-33	7'-10 1/16"	TOP TRACK
F	3	600D-54	5'-7 3/4"	KITCHEN BACKING
G	2	600S162-33	4'-1 9/16"	CRIPPLE
H	2	600S162-33	3'-8 5/8"	CRIPPLE
I	1	600T150-33	1'-1 1/4"	HEAD TRACK
J	1	600T150-33	1'-1 1/4"	SILL

23-3173

Jewish Home for the Aging

1885 Victory Blvd. Reseda, CA

FrameMax, Inc.
13915 Danielson St
Suite 100
Poway, CA 92064
www.frame-max.com



© FrameMax Inc.

CREATED: 11/19/2008

FM-07-109

CREATED BY: TNT

HEIGHT : 9'-4 7/16" POINTS: 0.35 Points.

SPACING : 24"

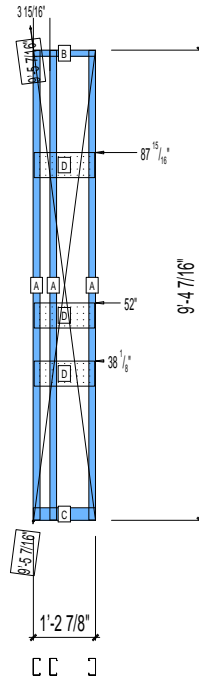
1st STUD: 24"

APPROVED
By TNT at 2:46 pm, Dec 15, 2008

WEIGHTS :

FRAME : 33 lbs

TOTAL: 33 lbs



PIECES LIST

LABEL	QTY	SIZE	LENGTH	USE
A	3	400S162-33	9'-4 5/16"	STUD
B	1	400T150-33	1'-2 7/8"	TOP TRACK
C	1	400T300-33	1'-2 7/8"	BOTTOM TRACK
D	3	600D-54	1'-2 7/16"	KITCHEN BACKING

23-3174

Jewish Home for the Aging

1885 Victory Blvd. Reseda, CA

FrameMax, Inc.
13915 Danielson St
Suite 100
Poway, CA 92064
www.frame-max.com



© FrameMax Inc.

CREATED: 11/19/2008

FM-07-109

CREATED BY: TNT

HEIGHT : 9'-5 3/16" POINTS: 0.51 Points.

SPACING : 24"

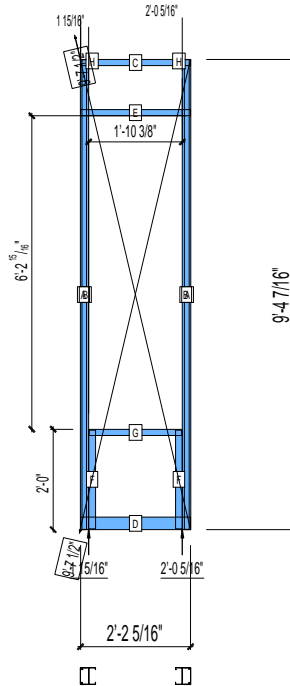
1st STUD: 24"

APPROVED
By TNT at 2:46 pm, Dec 15, 2008

WEIGHTS :

FRAME : 45 lbs

TOTAL: 45 lbs



PIECES LIST

LABEL	QTY	SIZE	LENGTH	USE
A	2	400T150-33	9'-4 3/8"	CAP TRACK
B	2	400S162-33	9'-4 5/16"	KING STUD
C	1	400T150-33	2'-2 5/16"	TOP TRACK
D	1	400T300-33	2'-2 5/16"	BOTTOM TRACK
E	1	400T150-33	2'-2 1/4"	CAP TRACK
F	2	400S162-33	1'-11 5/8"	CRIPPLE
G	1	400T150-33	1'-10 1/8"	SILL
H	2	400S162-33	3/8"	CRIPPLE

23-3175

Jewish Home for the Aging

1885 Victory Blvd. Reseda, CA

FM-07-109

CREATED BY: TNT

FrameMax, Inc.
13915 Danielson St
Suite 100
Poway, CA 92064
www.frame-max.com



© FrameMax Inc.

HEIGHT : 9'-4 7/16" POINTS: 0.88 Points.

SPACING : 24"

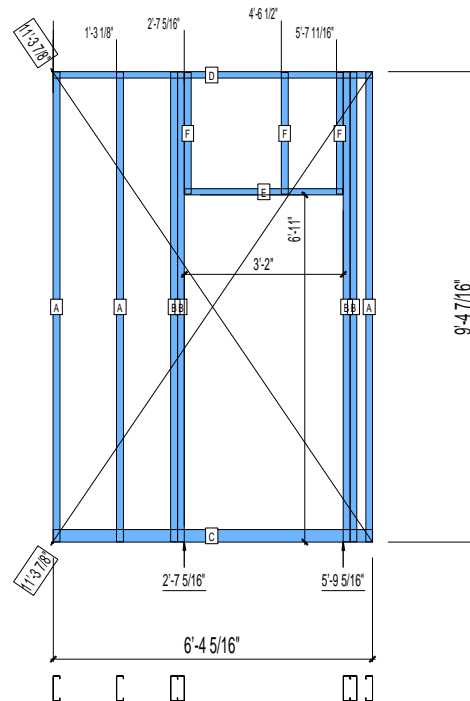
1st STUD: 16"

WEIGHTS :

FRAME : 104 lbs

TOTAL: 104 lbs

APPROVED
By TNT at 2:46 pm, Dec 15, 2008



PIECES LIST

LABEL	QTY	SIZE	LENGTH	USE
A	3	600S162-33	9'-4 5/16"	STUD
B	4	600S162-33	9'-4 5/16"	KING STUD
C	1	600T300-33	6'-4 5/16"	BOTTOM TRACK
D	1	600T150-33	6'-4 5/16"	TOP TRACK
E	1	600T150-33	3'-1 3/4"	HEAD TRACK
F	3	600S162-33	2'-5 1/16"	CRIPPLE

23-3176

Jewish Home for the Aging

1885 Victory Blvd. Reseda, CA

FrameMax, Inc.
13915 Danielson St
Suite 100
Poway, CA 92064
www.frame-max.com



© FrameMax Inc.

CREATED: 11/19/2008

FM-07-109

CREATED BY: TNT

HEIGHT : 9'-4 7/16" POINTS: 1.23 Points.

SPACING : 24"

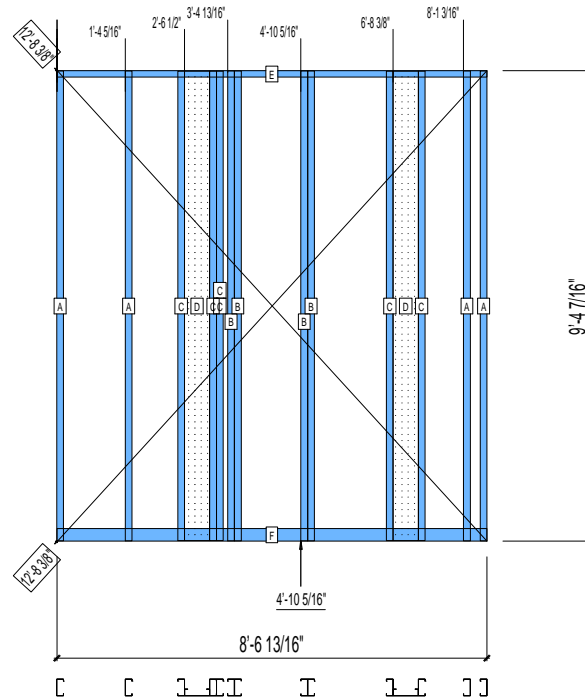
1st STUD: 17 3/16"

APPROVED
By TNT at 2:46 pm, Dec 15, 2008

WEIGHTS :

FRAME : 152 lbs

TOTAL: 152 lbs



PIECES LIST

LABEL	QTY	SIZE	LENGTH	USE
A	4	400S162-33	9'-4 5/16"	STUD
B	4	400S162-33	9'-4 5/16"	EXTRA STUD
C	5	400S162-33	9'-4 3/16"	BACKER STUD
D	2	600S162-33	9'-4 3/16"	BACKER-U
E	1	400T150-33	8'-6 13/16"	TOP TRACK
F	1	400T300-33	8'-6 13/16"	BOTTOM TRACK

23-3177

Jewish Home for the Aging

1885 Victory Blvd. Reseda, CA

FM-07-109

CREATED BY: TNT

FrameMax, Inc.
13915 Danielson St
Suite 100
Poway, CA 92064
www.frame-max.com



© FrameMax Inc.

HEIGHT : 9'-4 7/16" POINTS: 0.72 Points.

SPACING : 24"

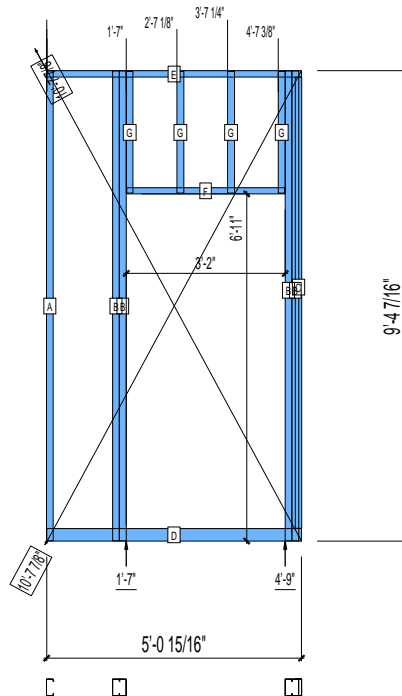
1st STUD: 16"

APPROVED
By TNT at 2:46 pm, Dec 15, 2008

WEIGHTS :

FRAME : 73 lbs

TOTAL: 73 lbs



PIECES LIST

LABEL	QTY	SIZE	LENGTH	USE
A	1	400S162-33	9'-4 5/16"	STUD
B	4	400S162-33	9'-4 5/16"	KING STUD
C	1	400T150-33	8'-11 13/16"	CAP TRACK
D	1	400T300-33	5'-0 15/16"	BOTTOM TRACK
E	1	400T150-33	5'-0 15/16"	TOP TRACK
F	1	400T150-33	3'-1 3/4"	HEAD TRACK
G	4	400S162-33	2'-5 1/16"	CRIPPLE

23-3178

Jewish Home for the Aging

1885 Victory Blvd. Reseda, CA

FrameMax, Inc.
13915 Danielson St
Suite 100
Poway, CA 92064
www.frame-max.com



© FrameMax Inc.

CREATED: 11/19/2008

FM-07-109

CREATED BY: TNT

HEIGHT : 9'-4 7/16" POINTS: 0.44 Points.

SPACING : 24"

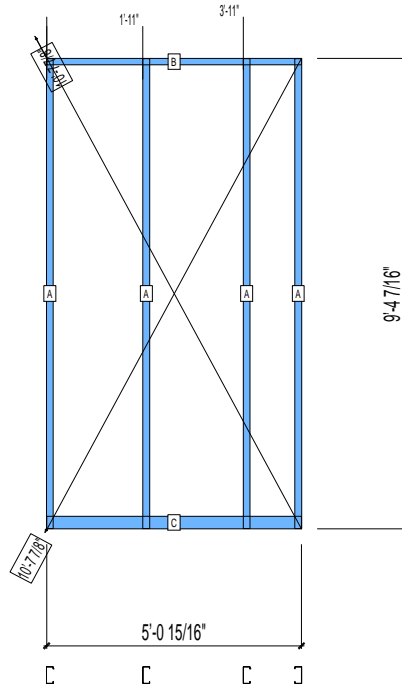
1st STUD: 23 7/8"

APPROVED
By TNT at 2:46 pm, Dec 15, 2008

WEIGHTS :

FRAME : 45 lbs

TOTAL: 45 lbs



PIECES LIST

LABEL	QTY	SIZE	LENGTH	USE
A	4	400S162-33	9'-4 5/16"	STUD
B	1	400T150-33	5'-0 15/16"	TOP TRACK
C	1	400T300-33	5'-0 15/16"	BOTTOM TRACK

23-3179

Jewish Home for the Aging

1885 Victory Blvd. Reseda, CA

FrameMax, Inc.
13915 Danielson St
Suite 100
Poway, CA 92064
www.frame-max.com



© FrameMax Inc.

CREATED: 11/19/2008

FM-07-109

CREATED BY: TNT

HEIGHT : 9'-4 7/16" POINTS: 0.95 Points.

SPACING : 24"

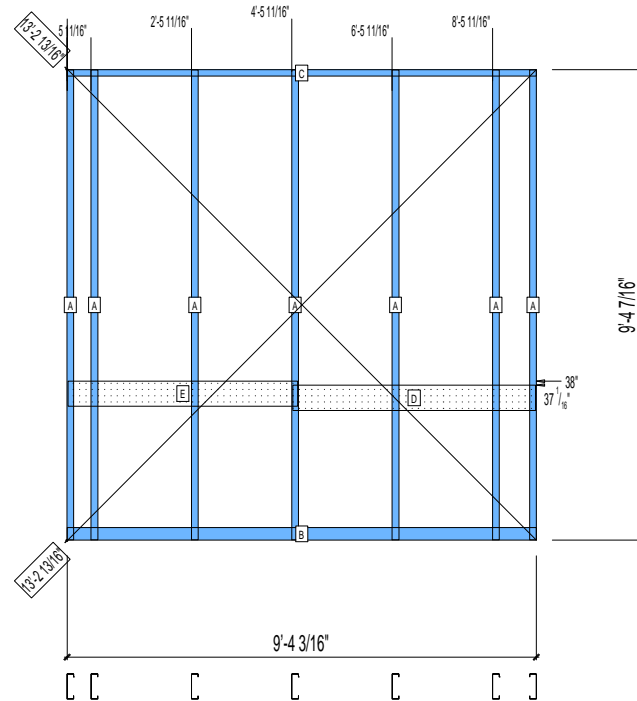
1st STUD: 6 9/16"

APPROVED
By TNT at 2:46 pm, Dec 15, 2008

WEIGHTS :

FRAME : 114 lbs

TOTAL: 114 lbs



PIECES LIST

LABEL	QTY	SIZE	LENGTH	USE
A	7	600S162-33	9'-4 5/16"	STUD
B	1	600T300-33	9'-4 3/16"	BOTTOM TRACK
C	1	600T150-33	9'-4 3/16"	TOP TRACK
D	1	600T150-54	4'-10"	GRAB BAR
E	1	600D-54	4'-6 7/8"	VANITY BACKING

23-3201

Jewish Home for the Aging

1885 Victory Blvd. Reseda, CA

FrameMax, Inc.
13915 Danielson St
Suite 100
Poway, CA 92064
www.frame-max.com



© FrameMax Inc.

CREATED: 11/19/2008

FM-07-109

CREATED BY: TNT

HEIGHT : 9'-4 7/16" POINTS: 0.90 Points.

SPACING : 24"

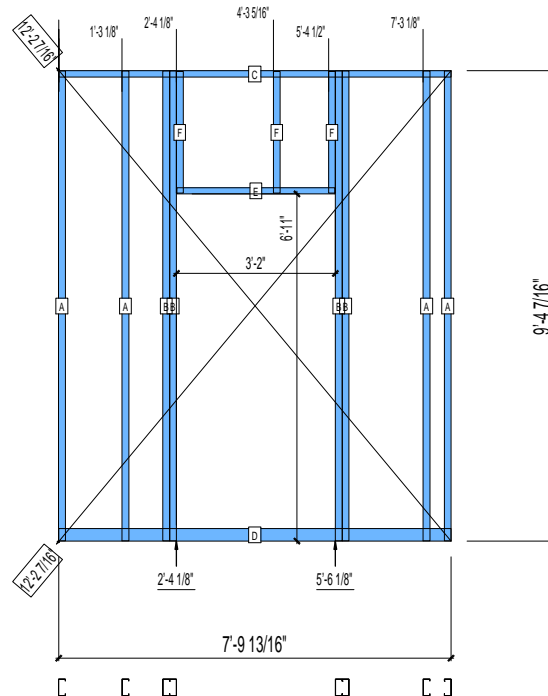
1st STUD: 16"

APPROVED
By TNT at 2:46 pm, Dec 15, 2008

WEIGHTS :

FRAME : 95 lbs

TOTAL: 95 lbs



PIECES LIST

LABEL	QTY	SIZE	LENGTH	USE
A	4	400S162-33	9'-4 5/16"	STUD
B	4	400S162-33	9'-4 5/16"	KING STUD
C	1	400T150-33	7'-9 13/16"	TOP TRACK
D	1	400T300-33	7'-9 13/16"	BOTTOM TRACK
E	1	400T150-33	3'-1 3/4"	HEAD TRACK
F	3	400S162-33	2'-5 1/16"	CRIPPLE

23-3202

Jewish Home for the Aging

1885 Victory Blvd. Reseda, CA

FrameMax, Inc.
13915 Danielson St
Suite 100
Poway, CA 92064
www.frame-max.com



© FrameMax Inc.

CREATED: 11/19/2008

FM-07-109

CREATED BY: TNT

HEIGHT : 9'-4 7/16" POINTS: 0.27 Points.

SPACING : 24"

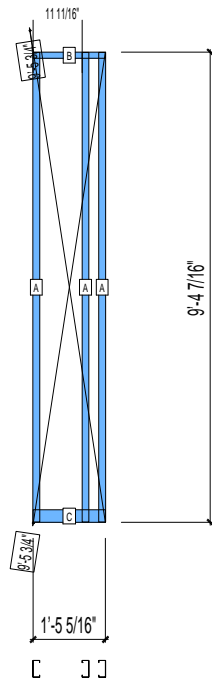
1st STUD: 16"

APPROVED
By TNT at 2:46 pm, Dec 15, 2008

WEIGHTS :

FRAME : 29 lbs

TOTAL: 29 lbs



PIECES LIST

LABEL	QTY	SIZE	LENGTH	USE
A	3	400S162-33	9'-4 5/16"	STUD
B	1	400T150-33	1'-5 5/16"	TOP TRACK
C	1	400T300-33	1'-5 5/16"	BOTTOM TRACK

23-3203

Jewish Home for the Aging

1885 Victory Blvd. Reseda, CA

FrameMax, Inc.
13915 Danielson St
Suite 100
Poway, CA 92064
www.frame-max.com



© FrameMax Inc.

CREATED: 11/19/2008

FM-07-109

CREATED BY: TNT

HEIGHT : 9'-5 3/16" POINTS: 0.62 Points.

SPACING : 24"

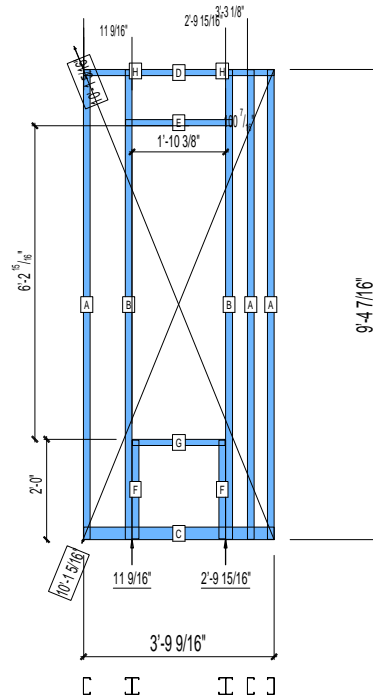
1st STUD: 16"

APPROVED
By TNT at 2:46 pm, Dec 15, 2008

WEIGHTS :

FRAME : 58 lbs

TOTAL: 58 lbs



PIECES LIST

LABEL	QTY	SIZE	LENGTH	USE
A	3	400S162-33	9'-4 5/16"	STUD
B	2	400S162-33	9'-4 5/16"	KING STUD
C	1	400T300-33	3'-9 9/16"	BOTTOM TRACK
D	1	400T150-33	3'-9 9/16"	TOP TRACK
E	1	400T150-33	2'-1 1/2"	CAP TRACK
F	2	400S162-33	1'-11 5/8"	CRIPPLE
G	1	400T150-33	1'-10 1/8"	SILL
H	2	400S162-33	3/8"	CRIPPLE

23-3204

Jewish Home for the Aging

1885 Victory Blvd. Reseda, CA

FrameMax, Inc.
13915 Danielson St
Suite 100
Poway, CA 92064
www.frame-max.com



© FrameMax Inc.

CREATED: 11/19/2008

FM-07-109

CREATED BY: TNT

HEIGHT : 9'-4 7/16" POINTS: 0.36 Points.

SPACING : 24"

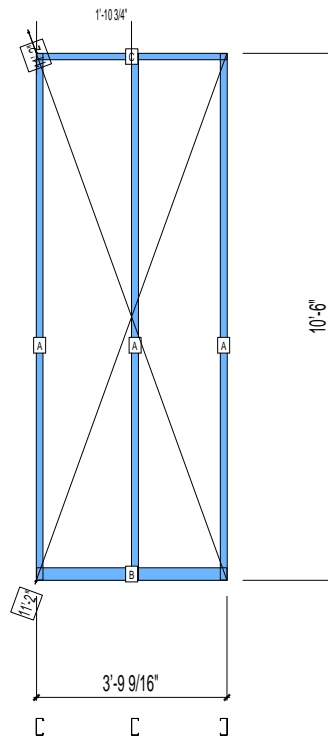
1st STUD: 23 5/8"

APPROVED
By TNT at 2:46 pm, Dec 15, 2008

WEIGHTS :

FRAME : 37 lbs

TOTAL: 37 lbs



PIECES LIST

LABEL	QTY	SIZE	LENGTH	USE
A	3	400S162-33	10'-5 7/8"	STUD
B	1	400T300-33	3'-9 9/16"	BOTTOM TRACK
C	1	400T150-33	3'-9 9/16"	TOP TRACK

23-3205

Jewish Home for the Aging

1885 Victory Blvd. Reseda, CA

FrameMax, Inc.
13915 Danielson St
Suite 100
Poway, CA 92064
www.frame-max.com



© FrameMax Inc.

CREATED: 11/19/2008

FM-07-109

CREATED BY: TNT

HEIGHT : 9'-4 7/16" POINTS: 0.33 Points.

SPACING : 24"

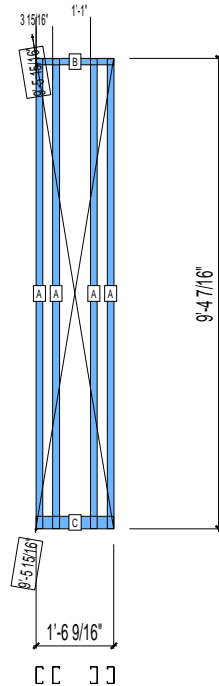
1st STUD: 24"

APPROVED
By TNT at 2:46 pm, Dec 15, 2008

WEIGHTS :

FRAME : 38 lbs

TOTAL: 38 lbs



PIECES LIST

LABEL	QTY	SIZE	LENGTH	USE
A	4	400S162-33	9'-4 5/16"	STUD
B	1	400T150-33	1'-6 9/16"	TOP TRACK
C	1	400T300-33	1'-6 9/16"	BOTTOM TRACK

23-3206

Jewish Home for the Aging

1885 Victory Blvd. Reseda, CA

FrameMax, Inc.
13915 Danielson St
Suite 100
Poway, CA 92064
www.frame-max.com



© FrameMax Inc.

CREATED: 11/19/2008

FM-07-109

CREATED BY: TNT

HEIGHT : 9'-4 7/16" POINTS: 0.27 Points.

SPACING : 24"

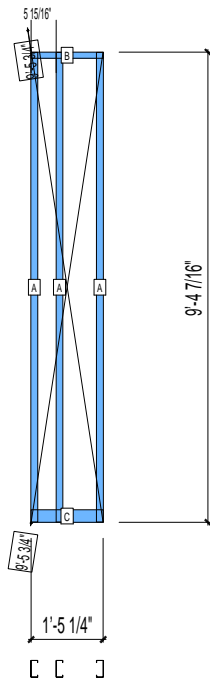
1st STUD: 24"

APPROVED
By TNT at 2:46 pm, Dec 15, 2008

WEIGHTS :

FRAME : 29 lbs

TOTAL: 29 lbs



PIECES LIST

LABEL	QTY	SIZE	LENGTH	USE
A	3	400S162-33	9'-4 5/16"	STUD
B	1	400T150-33	1'-5 1/4"	TOP TRACK
C	1	400T300-33	1'-5 1/4"	BOTTOM TRACK

23-3207

Jewish Home for the Aging

1885 Victory Blvd. Reseda, CA

FrameMax, Inc.
13915 Danielson St
Suite 100
Poway, CA 92064
www.frame-max.com



© FrameMax Inc.

CREATED: 11/19/2008

FM-07-109

CREATED BY: TNT

HEIGHT : 9'-4 7/16" POINTS: 0.33 Points.

SPACING : 24"

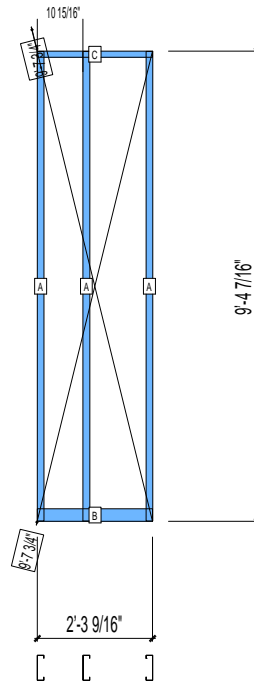
1st STUD: 11 3/4"

APPROVED
By TNT at 2:46 pm, Dec 15, 2008

WEIGHTS :

FRAME : 39 lbs

TOTAL: 39 lbs



PIECES LIST

LABEL	QTY	SIZE	LENGTH	USE
A	3	600S162-33	9'-4 5/16"	STUD
B	1	600T300-33	2'-3 9/16"	BOTTOM TRACK
C	1	600T150-33	2'-3 9/16"	TOP TRACK

23-3208

Jewish Home for the Aging

1885 Victory Blvd. Reseda, CA

FM-07-109

CREATED BY: TNT

FrameMax, Inc.
13915 Danielson St
Suite 100
Poway, CA 92064
www.frame-max.com



© FrameMax Inc.

HEIGHT : 9'-4 7/16" POINTS: 0.78 Points.

SPACING : 24"

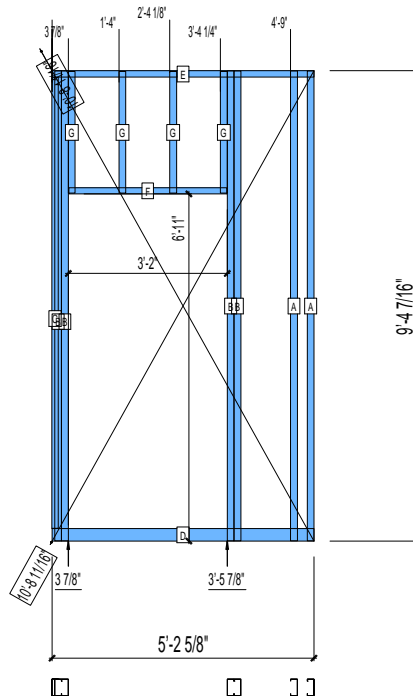
1st STUD: 24"

WEIGHTS :

FRAME : 82 lbs

TOTAL: 82 lbs

APPROVED
By TNT at 2:46 pm, Dec 15, 2008



PIECES LIST

LABEL	QTY	SIZE	LENGTH	USE
A	2	400S162-33	9'-4 5/16"	STUD
B	4	400S162-33	9'-4 5/16"	KING STUD
C	1	400T150-33	8'-11 13/16"	CAP TRACK
D	1	400T300-33	5'-2 5/8"	BOTTOM TRACK
E	1	400T150-33	5'-2 5/8"	TOP TRACK
F	1	400T150-33	3'-1 3/4"	HEAD TRACK
G	4	400S162-33	2'-5 1/16"	CRIPPLE

23-3209

Jewish Home for the Aging

1885 Victory Blvd. Reseda, CA

FrameMax, Inc.
13915 Danielson St
Suite 100
Poway, CA 92064
www.frame-max.com



© FrameMax Inc.

CREATED: 11/19/2008

FM-07-109

CREATED BY: TNT

HEIGHT : 9'-4 7/16" POINTS: 0.19 Points.

SPACING : 24"

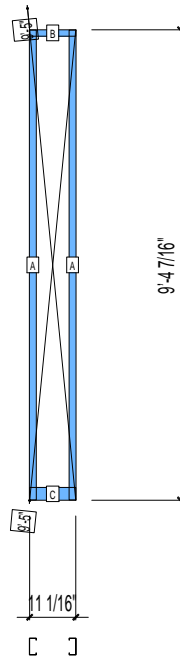
1st STUD: 16"

APPROVED
By TNT at 2:46 pm, Dec 15, 2008

WEIGHTS :

FRAME : 19 lbs

TOTAL: 19 lbs



PIECES LIST

LABEL	QTY	SIZE	LENGTH	USE
A	2	400S162-33	9'-4 5/16"	STUD
B	1	400T150-33	11 1/16"	TOP TRACK
C	1	400T300-33	11 1/16"	BOTTOM TRACK

23-3210

Jewish Home for the Aging

1885 Victory Blvd. Reseda, CA

FM-07-109

CREATED BY: TNT

FrameMax, Inc.
13915 Danielson St
Suite 100
Poway, CA 92064
www.frame-max.com



© FrameMax Inc.

HEIGHT : 9'-4 7/16" POINTS: 0.84 Points.

SPACING : 24"

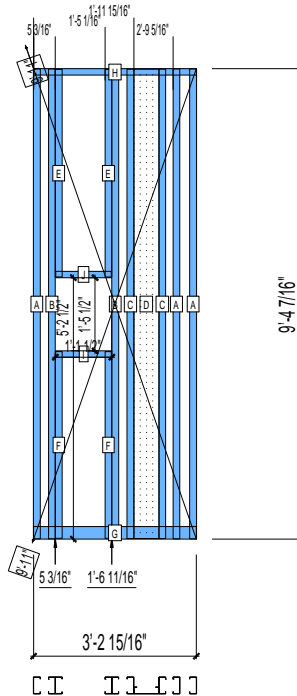
1st STUD: 24"

APPROVED
By TNT at 2:46 pm, Dec 15, 2008

WEIGHTS :

FRAME : 95 lbs

TOTAL: 95 lbs



PIECES LIST

LABEL	QTY	SIZE	LENGTH	USE
A	3	400S162-33	9'-4 5/16"	STUD
B	2	400S162-33	9'-4 5/16"	KING STUD
C	2	400S162-33	9'-4 3/16"	BACKER STUD
D	1	600S162-33	9'-4 3/16"	BACKER-U
E	2	400S162-33	4'-1 9/16"	CRIPPLE
F	2	400S162-33	3'-8 5/8"	CRIPPLE
G	1	400T300-33	3'-2 15/16"	BOTTOM TRACK
H	1	400T150-33	3'-2 15/16"	TOP TRACK
I	1	400T150-33	1'-1 1/4"	SILL
J	1	400T150-33	1'-1 1/4"	HEAD TRACK

23-3211

Jewish Home for the Aging

1885 Victory Blvd. Reseda, CA

FM-07-109

CREATED BY: TNT

FrameMax, Inc.
13915 Danielson St
Suite 100
Poway, CA 92064
www.frame-max.com



© FrameMax Inc.

HEIGHT : 9'-4 7/16" POINTS: 1.02 Points.

SPACING : 24"

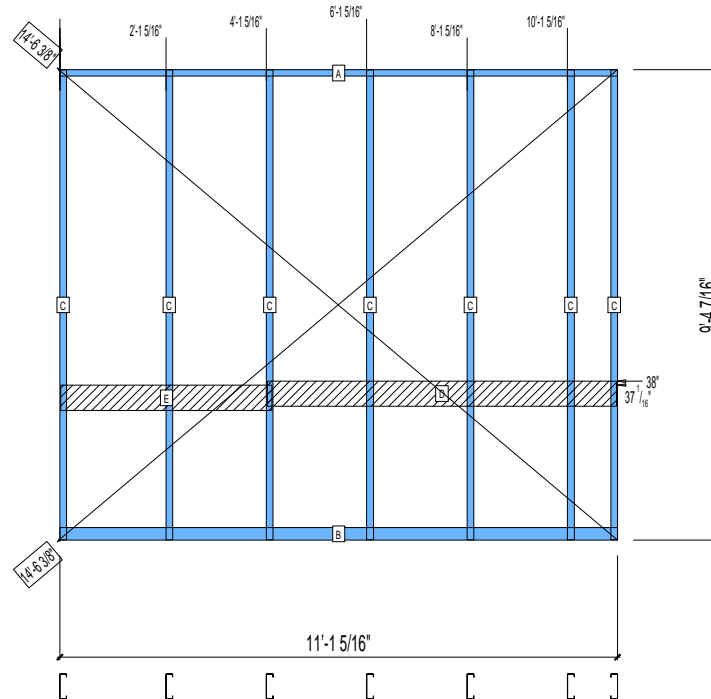
1st STUD: 2 3/16"

APPROVED
By TNT at 2:46 pm, Dec 15, 2008

WEIGHTS :

FRAME : 120 lbs

TOTAL: 120 lbs



PIECES LIST

LABEL	QTY	SIZE	LENGTH	USE
A	1	600T150-33	11'-1 5/16"	TOP TRACK
B	1	600T300-33	11'-1 5/16"	BOTTOM TRACK
C	7	600S162-33	9'-4 5/16"	STUD
D	1	600D-54	6'-11 1/2"	VANITY BACKING
E	1	600T150-54	4'-2 1/2"	GRAB BAR

23-3212

Jewish Home for the Aging

1885 Victory Blvd. Reseda, CA

FrameMax, Inc.
13915 Danielson St
Suite 100
Poway, CA 92064
www.frame-max.com



© FrameMax Inc.

CREATED: 11/19/2008

FM-07-109

CREATED BY: TNT

HEIGHT : 9'-4 7/16" POINTS: 0.20 Points.

SPACING : 24"

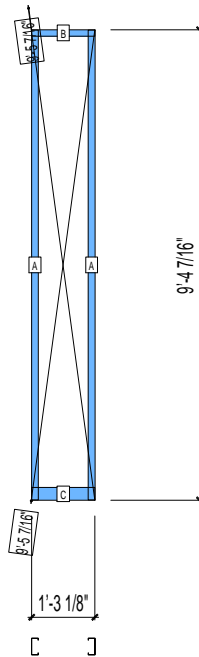
1st STUD: 16"

APPROVED
By TNT at 2:46 pm, Dec 15, 2008

WEIGHTS :

FRAME : 20 lbs

TOTAL: 20 lbs



PIECES LIST

LABEL	QTY	SIZE	LENGTH	USE
A	2	400S162-33	9'-4 5/16"	STUD
B	1	400T150-33	1'-3 1/8"	TOP TRACK
C	1	400T300-33	1'-3 1/8"	BOTTOM TRACK

23-3213

Jewish Home for the Aging

1885 Victory Blvd. Reseda, CA

FrameMax, Inc.
13915 Danielson St
Suite 100
Poway, CA 92064
www.frame-max.com



© FrameMax Inc.

CREATED: 12/10/2008

FM-07-109

CREATED BY: TNT

HEIGHT : 9'-4 7/16" POINTS: 0.53 Points.

SPACING : 24"

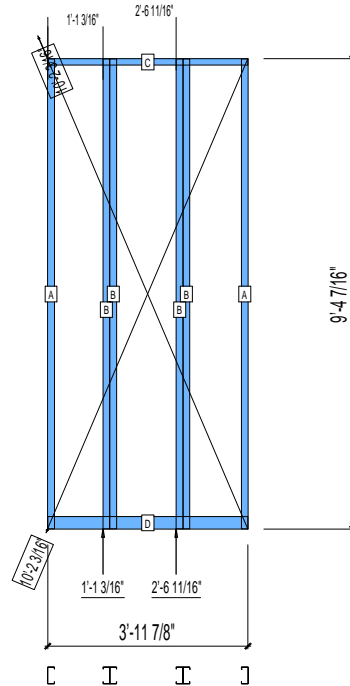
1st STUD: 24"

APPROVED
By TNT at 2:46 pm, Dec 15, 2008

WEIGHTS :

FRAME : 60 lbs

TOTAL: 60 lbs



PIECES LIST

LABEL	QTY	SIZE	LENGTH	USE
A	2	400S162-33	9'-4 5/16"	STUD
B	4	400S162-33	9'-4 5/16"	EXTRA STUD
C	1	400T150-33	3'-11 7/8"	TOP TRACK
D	1	400T300-33	3'-11 7/8"	BOTTOM TRACK

23-3214

Jewish Home for the Aging

1885 Victory Blvd. Reseda, CA

FM-07-109

CREATED BY: TNT

FrameMax, Inc.
13915 Danielson St
Suite 100
Poway, CA 92064
www.frame-max.com



© FrameMax Inc.

HEIGHT : 9'-4 7/16" POINTS: 0.59 Points.

SPACING : 24"

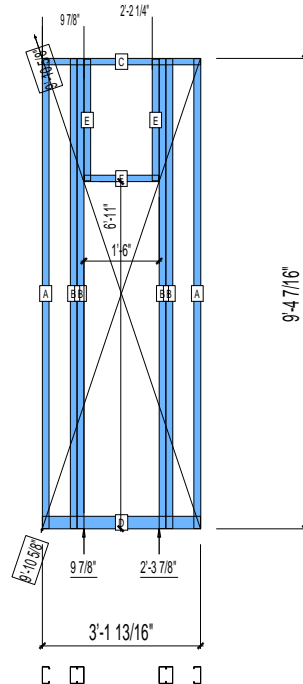
1st STUD: 16"

WEIGHTS :

FRAME : 64 lbs

TOTAL: 64 lbs

APPROVED
By TNT at 2:46 pm, Dec 15, 2008



PIECES LIST

LABEL	QTY	SIZE	LENGTH	USE
A	2	400S162-33	9'-4 5/16"	STUD
B	4	400S162-33	9'-4 5/16"	KING STUD
C	1	400T150-33	3'-1 13/16"	TOP TRACK
D	1	400T300-33	3'-1 13/16"	BOTTOM TRACK
E	2	400S162-33	2'-5 1/16"	CRIPPLE
F	1	400T150-33	1'-5 3/4"	HEAD TRACK

23-3215

Jewish Home for the Aging

1885 Victory Blvd. Reseda, CA

FM-07-109

CREATED BY: TNT

FrameMax, Inc.
13915 Danielson St
Suite 100
Poway, CA 92064
www.frame-max.com



© FrameMax Inc.

HEIGHT : 9'-4 7/16" POINTS: 0.38 Points.

SPACING : 24"

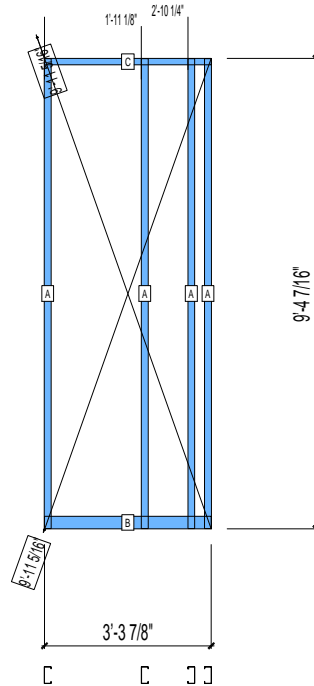
1st STUD: 24"

APPROVED
By TNT at 2:46 pm, Dec 15, 2008

WEIGHTS :

FRAME : 41 lbs

TOTAL: 41 lbs



PIECES LIST

LABEL	QTY	SIZE	LENGTH	USE
A	4	400S162-33	9'-4 5/16"	STUD
B	1	400T300-33	3'-3 7/8"	BOTTOM TRACK
C	1	400T150-33	3'-3 7/8"	TOP TRACK

23-3216

Jewish Home for the Aging

1885 Victory Blvd. Reseda, CA

FrameMax, Inc.
13915 Danielson St
Suite 100
Poway, CA 92064
www.frame-max.com



© FrameMax Inc.

CREATED: 11/19/2008

FM-07-109

CREATED BY: TNT

HEIGHT : 9'-4 7/16" POINTS: 0.19 Points.

SPACING : 24"

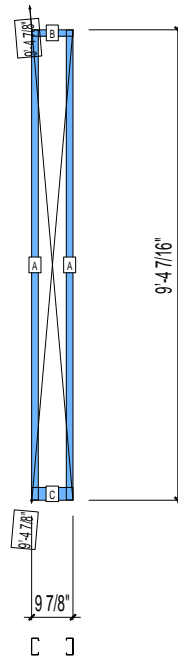
1st STUD: 24"

APPROVED
By TNT at 2:46 pm, Dec 15, 2008

WEIGHTS :

FRAME : 19 lbs

TOTAL: 19 lbs



PIECES LIST

LABEL	QTY	SIZE	LENGTH	USE
A	2	400S162-33	9'-4 5/16"	STUD
B	1	400T150-33	9 7/8"	TOP TRACK
C	1	400T300-33	9 7/8"	BOTTOM TRACK

23-3217

Jewish Home for the Aging

1885 Victory Blvd. Reseda, CA

FrameMax, Inc.
13915 Danielson St
Suite 100
Poway, CA 92064
www.frame-max.com



© FrameMax Inc.

CREATED: 11/19/2008

FM-07-109

CREATED BY: TNT

HEIGHT : 9'-4 7/16" POINTS: 0.77 Points.

SPACING : 24"

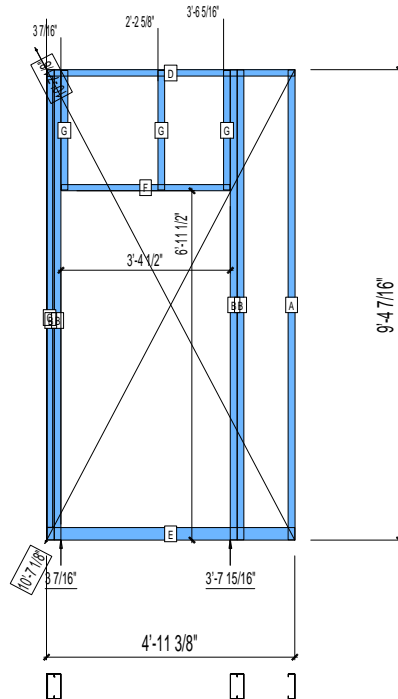
1st STUD: 16"

APPROVED
By TNT at 2:46 pm, Dec 15, 2008

WEIGHTS :

FRAME : 89 lbs

TOTAL: 89 lbs



PIECES LIST

LABEL	QTY	SIZE	LENGTH	USE
A	1	600S162-33	9'-4 5/16"	STUD
B	4	600S162-33	9'-4 5/16"	KING STUD
C	1	600T150-33	8'-11 13/16"	CAP TRACK
D	1	600T150-33	4'-11 3/8"	TOP TRACK
E	1	600T300-33	4'-11 3/8"	BOTTOM TRACK
F	1	600T150-33	3'-4 1/4"	HEAD TRACK
G	3	600S162-33	2'-4 9/16"	CRIPPLE

23-3218

Jewish Home for the Aging

1885 Victory Blvd. Reseda, CA

FrameMax, Inc.
13915 Danielson St
Suite 100
Poway, CA 92064
www.frame-max.com



© FrameMax Inc.

CREATED: 11/19/2008

FM-07-109

CREATED BY: TNT

HEIGHT : 9'-4 7/16" POINTS: 0.36 Points.

SPACING : 24"

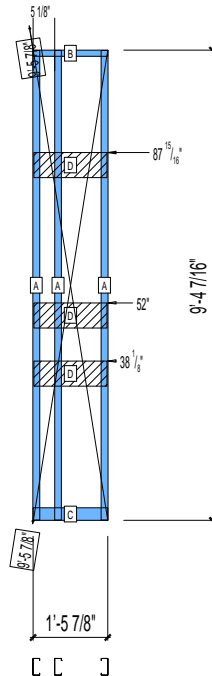
1st STUD: 24"

APPROVED
By TNT at 2:46 pm, Dec 15, 2008

WEIGHTS :

FRAME : 34 lbs

TOTAL: 34 lbs



PIECES LIST

LABEL	QTY	SIZE	LENGTH	USE
A	3	400S162-33	9'-4 5/16"	STUD
B	1	400T150-33	1'-5 7/8"	TOP TRACK
C	1	400T300-33	1'-5 7/8"	BOTTOM TRACK
D	3	600D-54	1'-5 7/16"	KITCHEN BACKING

23-3219

Jewish Home for the Aging

1885 Victory Blvd. Reseda, CA

FrameMax, Inc.
13915 Danielson St
Suite 100
Poway, CA 92064
www.frame-max.com



© FrameMax Inc.

CREATED: 11/19/2008

FM-07-109

CREATED BY: TNT

HEIGHT : 2'-9 1/2" POINTS: 0.20 Points.

SPACING : 24"

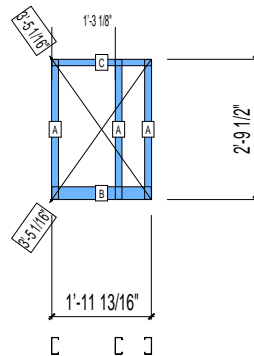
1st STUD: 16"

APPROVED
By TNT at 2:46 pm, Dec 15, 2008

WEIGHTS :

FRAME : 12 lbs

TOTAL: 12 lbs



PIECES LIST

LABEL	QTY	SIZE	LENGTH	USE
A	3	400S162-33	2'-9 3/8"	STUD
B	1	400T300-33	1'-11 13/16"	BOTTOM TRACK
C	1	400T150-33	1'-11 13/16"	TOP TRACK

23-3220

Jewish Home for the Aging

1885 Victory Blvd. Reseda, CA

FrameMax, Inc.
13915 Danielson St
Suite 100
Poway, CA 92064
www.frame-max.com



© FrameMax Inc.

CREATED: 11/19/2008

FM-07-109

CREATED BY: TNT

HEIGHT : 2'-9 1/2" POINTS: 0.58 Points.

SPACING : 24"

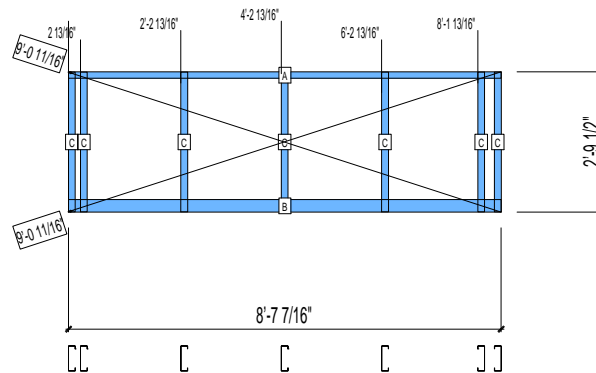
1st STUD: 3 11/16"

WEIGHTS :

FRAME : 44 lbs

TOTAL: 44 lbs

APPROVED
By TNT at 2:46 pm, Dec 15, 2008



PIECES LIST

LABEL	QTY	SIZE	LENGTH	USE
A	1	600T150-33	8'-7 7/16"	TOP TRACK
B	1	600T300-33	8'-7 7/16"	BOTTOM TRACK
C	7	600S162-33	2'-9 3/8"	STUD

23-3221

Jewish Home for the Aging

1885 Victory Blvd. Reseda, CA

FrameMax, Inc.
13915 Danielson St
Suite 100
Poway, CA 92064
www.frame-max.com



© FrameMax Inc.

CREATED: 11/19/2008

FM-07-109

CREATED BY: TNT

HEIGHT : 9'-4 7/16" POINTS: 0.31 Points.

SPACING : 24"

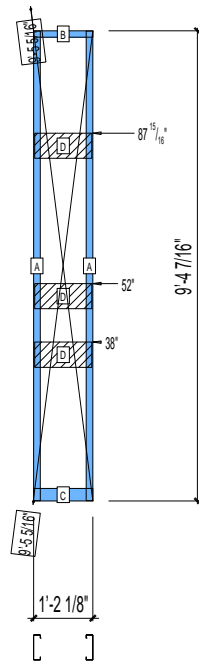
1st STUD: 16"

APPROVED
By TNT at 2:46 pm, Dec 15, 2008

WEIGHTS :

FRAME : 29 lbs

TOTAL: 29 lbs



PIECES LIST

LABEL	QTY	SIZE	LENGTH	USE
A	2	600S162-33	9'-4 5/16"	STUD
B	1	600T150-33	1'-2 1/8"	TOP TRACK
C	1	600T300-33	1'-2 1/8"	BOTTOM TRACK
D	3	600D-54	1'-1 11/16"	KITCHEN BACKING

23-3222

Jewish Home for the Aging

1885 Victory Blvd. Reseda, CA

FrameMax, Inc.
13915 Danielson St
Suite 100
Poway, CA 92064
www.frame-max.com



© FrameMax Inc.

CREATED: 11/19/2008

FM-07-109

CREATED BY: TNT

HEIGHT : 9'-4 7/16" POINTS: 0.29 Points.

SPACING : 24"

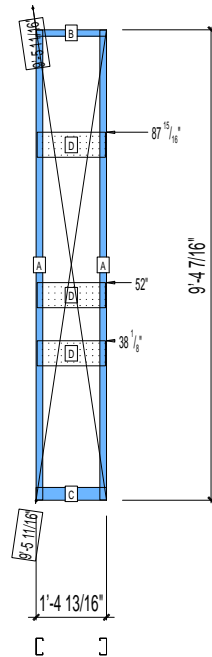
1st STUD: 24"

APPROVED
By TNT at 2:46 pm, Dec 15, 2008

WEIGHTS :

FRAME : 25 lbs

TOTAL: 25 lbs



PIECES LIST

LABEL	QTY	SIZE	LENGTH	USE
A	2	400S162-33	9'-4 5/16"	STUD
B	1	400T150-33	1'-4 13/16"	TOP TRACK
C	1	400T300-33	1'-4 13/16"	BOTTOM TRACK
D	3	600D-54	1'-4 3/8"	KITCHEN BACKING

23-3223

Jewish Home for the Aging

1885 Victory Blvd. Reseda, CA

FrameMax, Inc.
13915 Danielson St
Suite 100
Poway, CA 92064
www.frame-max.com



© FrameMax Inc.

CREATED: 12/10/2008

FM-07-109

CREATED BY: TNT

HEIGHT : 9'-4 7/16" POINTS: 0.28 Points.

SPACING : 24"

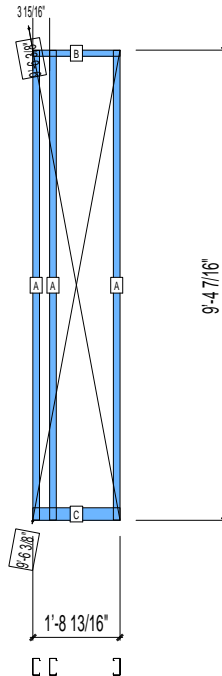
1st STUD: 24"

APPROVED
By TNT at 2:46 pm, Dec 15, 2008

WEIGHTS :

FRAME : 30 lbs

TOTAL: 30 lbs



PIECES LIST

LABEL	QTY	SIZE	LENGTH	USE
A	3	400S162-33	9'-4 5/16"	STUD
B	1	400T150-33	1'-8 13/16"	TOP TRACK
C	1	400T300-33	1'-8 13/16"	BOTTOM TRACK

23-3224

Jewish Home for the Aging

1885 Victory Blvd. Reseda, CA

FrameMax, Inc.
13915 Danielson St
Suite 100
Poway, CA 92064
www.frame-max.com



© FrameMax Inc.

CREATED: 11/19/2008

FM-07-109

CREATED BY: TNT

HEIGHT : 9'-5 3/16" POINTS: 0.59 Points.

SPACING : 24"

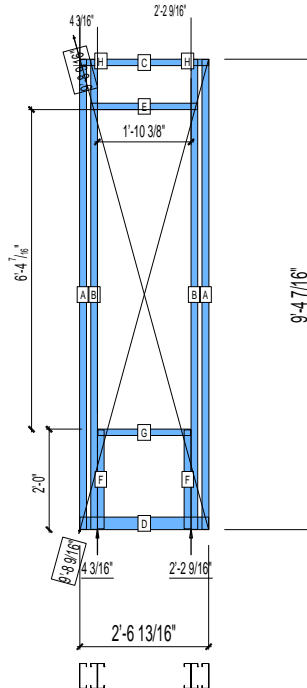
1st STUD: 16"

APPROVED
By TNT at 2:46 pm, Dec 15, 2008

WEIGHTS :

FRAME : 61 lbs

TOTAL: 61 lbs



PIECES LIST

LABEL	QTY	SIZE	LENGTH	USE
A	2	600S162-33	9'-4 5/16"	STUD
B	2	600S162-33	9'-4 5/16"	KING STUD
C	1	600T150-33	2'-6 13/16"	TOP TRACK
D	1	600T300-33	2'-6 13/16"	BOTTOM TRACK
E	1	600T150-54	2'-1 1/2"	CAP TRACK
F	2	600S162-33	1'-11 5/8"	CRIPPLE
G	1	600T150-33	1'-10 1/8"	SILL
H	2	600S162-33	3/8"	CRIPPLE

23-3225

Jewish Home for the Aging

1885 Victory Blvd. Reseda, CA

FrameMax, Inc.
13915 Danielson St
Suite 100
Poway, CA 92064
www.framemax.com



© FrameMax Inc.

CREATED: 11/19/2008

FM-07-109

CREATED BY: TNT

HEIGHT : 9'-4 7/16" POINTS: 0.27 Points.

SPACING : 24"

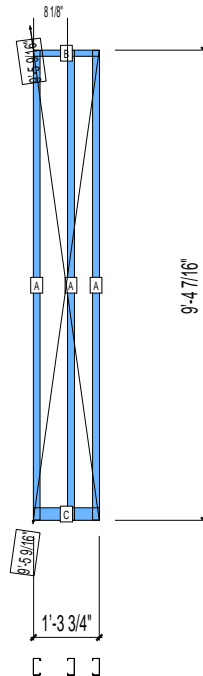
1st STUD: 24"

APPROVED
By TNT at 2:46 pm, Dec 15, 2008

WEIGHTS :

FRAME : 29 lbs

TOTAL: 29 lbs



PIECES LIST

LABEL	QTY	SIZE	LENGTH	USE
A	3	400S162-33	9'-4 5/16"	STUD
B	1	400T150-33	1'-3 3/4"	TOP TRACK
C	1	400T300-33	1'-3 3/4"	BOTTOM TRACK

23-3226

Jewish Home for the Aging

1885 Victory Blvd. Reseda, CA

FM-07-109

CREATED BY: TNT

FrameMax, Inc.
13915 Danielson St
Suite 100
Poway, CA 92064
www.frame-max.com



© FrameMax Inc.

HEIGHT : 9'-4 7/16" POINTS: 1.12 Points.

SPACING : 24"

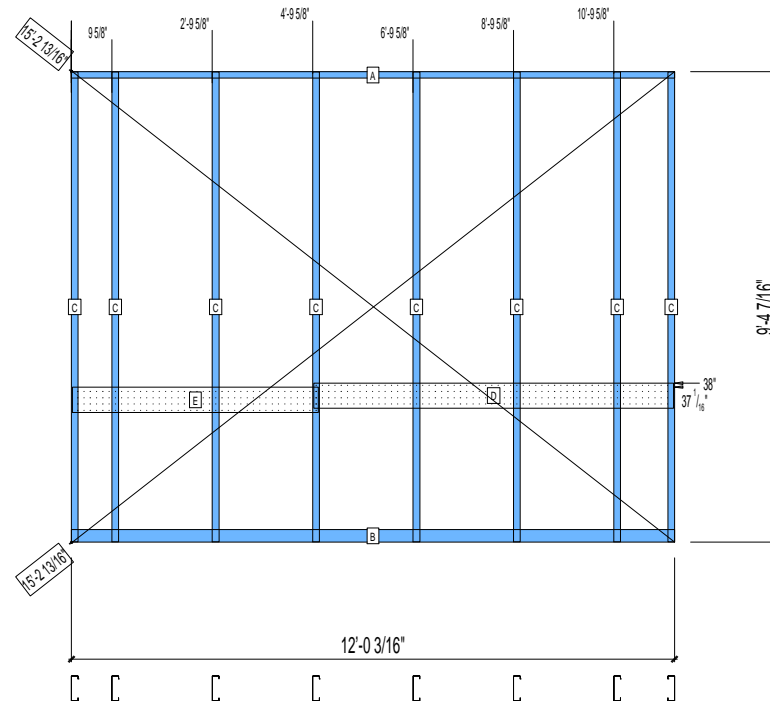
1st STUD: 10 1/2"

APPROVED
By TNT at 2:46 pm, Dec 15, 2008

WEIGHTS :

FRAME : 135 lbs

TOTAL: 135 lbs



PIECES LIST

LABEL	QTY	SIZE	LENGTH	USE
A	1	600T150-33	12'-0 3/16"	TOP TRACK
B	1	600T300-33	12'-0 3/16"	BOTTOM TRACK
C	8	600S162-33	9'-4 5/16"	STUD
D	1	600D-54	7'-2 1/16"	VANITY BACKING
E	1	600T150-54	4'-10 13/16"	GRAB BAR

23-3227

Jewish Home for the Aging

1885 Victory Blvd. Reseda, CA

FrameMax, Inc.
13915 Danielson St
Suite 100
Poway, CA 92064
www.frame-max.com



© FrameMax Inc.

CREATED: 11/19/2008

FM-07-109

CREATED BY: TNT

HEIGHT : 9'-4 7/16" POINTS: 0.57 Points.

SPACING : 24"

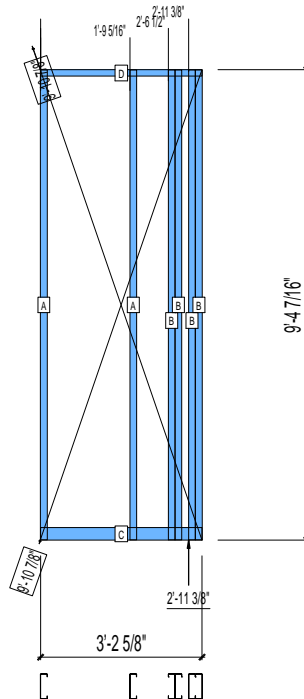
1st STUD: 22 3/16"

WEIGHTS :

FRAME : 74 lbs

TOTAL: 74 lbs

APPROVED
By TNT at 2:46 pm, Dec 15, 2008



PIECES LIST

LABEL	QTY	SIZE	LENGTH	USE
A	2	600S162-33	9'-4 5/16"	STUD
B	4	600S162-33	9'-4 5/16"	EXTRA STUD
C	1	600T300-33	3'-2 5/8"	BOTTOM TRACK
D	1	600T150-33	3'-2 5/8"	TOP TRACK

23-3228

Jewish Home for the Aging

1885 Victory Blvd. Reseda, CA

FM-07-109

CREATED BY: TNT

FrameMax, Inc.
13915 Danielson St
Suite 100
Poway, CA 92064
www.frame-max.com



© FrameMax Inc.

HEIGHT : 9'-4 7/16" POINTS: 0.72 Points.

SPACING : 24"

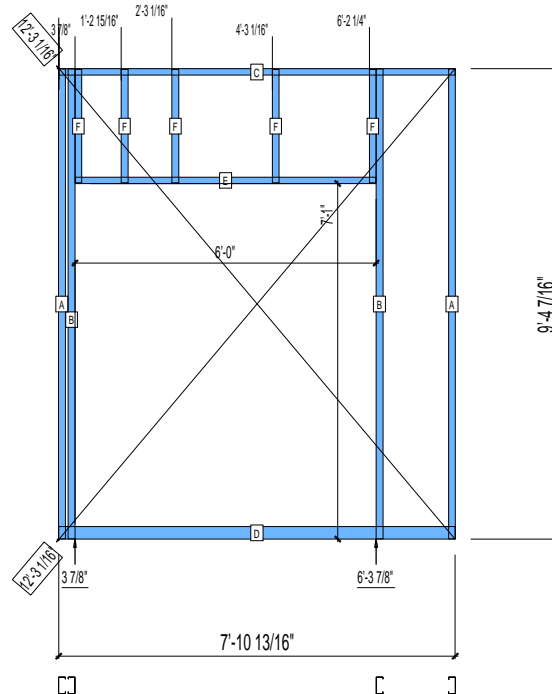
1st STUD: 11/16"

APPROVED
By TNT at 2:46 pm, Dec 15, 2008

WEIGHTS :

FRAME : 66 lbs

TOTAL: 66 lbs



PIECES LIST

LABEL	QTY	SIZE	LENGTH	USE
A	2	400S162-33	9'-4 5/16"	STUD
B	2	400S162-33	9'-4 5/16"	KING STUD
C	1	400T150-33	7'-10 13/16"	TOP TRACK
D	1	400T300-33	7'-10 13/16"	BOTTOM TRACK
E	1	400T150-33	5'-11 3/4"	HEAD TRACK
F	5	400S162-33	2'-3 1/16"	CRIPPLE

23-3229

Jewish Home for the Aging

1885 Victory Blvd. Reseda, CA

FrameMax, Inc.
13915 Danielson St
Suite 100
Poway, CA 92064
www.frame-max.com



© FrameMax Inc.

CREATED: 11/19/2008

FM-07-109

CREATED BY: TNT

HEIGHT : 9'-4 7/16" POINTS: 0.82 Points.

SPACING : 24"

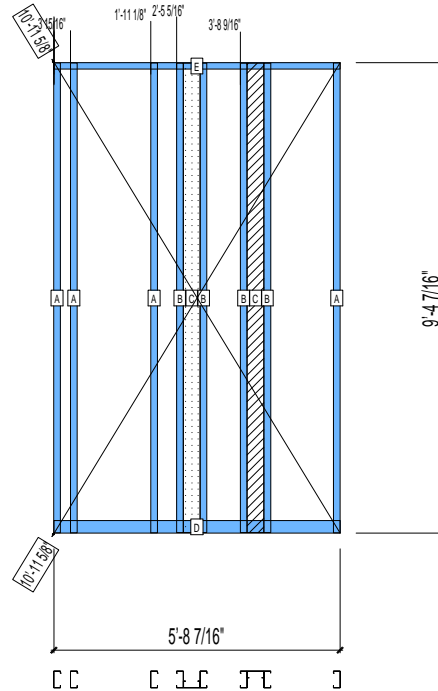
1st STUD: 24"

APPROVED
By TNT at 2:46 pm, Dec 15, 2008

WEIGHTS :

FRAME : 98 lbs

TOTAL: 98 lbs



PIECES LIST

LABEL	QTY	SIZE	LENGTH	USE
A	4	400S162-33	9'-4 5/16"	STUD
B	4	400S162-33	9'-4 3/16"	BACKER STUD
C	2	400S162-33	9'-4 3/16"	BACKER-U
D	1	400T300-33	5'-8 7/16"	BOTTOM TRACK
E	1	400T150-33	5'-8 7/16"	TOP TRACK

23-3230

Jewish Home for the Aging

1885 Victory Blvd. Reseda, CA

FrameMax, Inc.
13915 Danielson St
Suite 100
Poway, CA 92064
www.frame-max.com



© FrameMax Inc.

CREATED: 11/19/2008

FM-07-109

CREATED BY: TNT

HEIGHT : 9'-4 7/16" POINTS: 0.80 Points.

SPACING : 24"

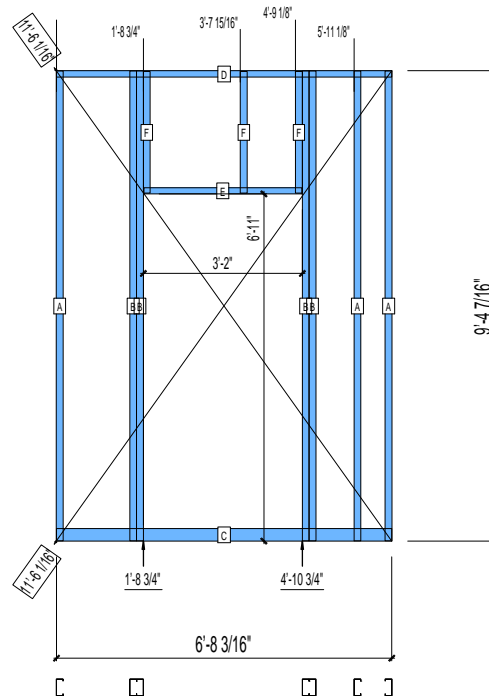
1st STUD: 24"

APPROVED
By TNT at 2:46 pm, Dec 15, 2008

WEIGHTS :

FRAME : 84 lbs

TOTAL: 84 lbs



PIECES LIST

LABEL	QTY	SIZE	LENGTH	USE
A	3	400S162-33	9'-4 5/16"	STUD
B	4	400S162-33	9'-4 5/16"	KING STUD
C	1	400T300-33	6'-8 3/16"	BOTTOM TRACK
D	1	400T150-33	6'-8 3/16"	TOP TRACK
E	1	400T150-33	3'-1 3/4"	HEAD TRACK
F	3	400S162-33	2'-5 1/16"	CRIPPLE

23-3231

Jewish Home for the Aging

1885 Victory Blvd. Reseda, CA

FrameMax, Inc.
13915 Danielson St
Suite 100
Poway, CA 92064
www.frame-max.com



© FrameMax Inc.

CREATED: 11/19/2008

FM-07-109

CREATED BY: TNT

HEIGHT : 9'-4 7/16" POINTS: 0.30 Points.

SPACING : 24"

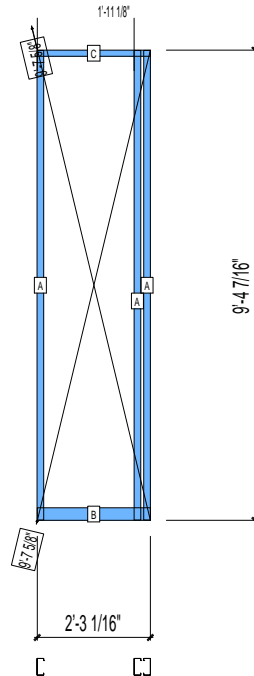
1st STUD: 24"

APPROVED
By TNT at 2:46 pm, Dec 15, 2008

WEIGHTS :

FRAME : 31 lbs

TOTAL: 31 lbs



PIECES LIST

LABEL	QTY	SIZE	LENGTH	USE
A	3	400S162-33	9'-4 5/16"	STUD
B	1	400T300-33	2'-3 1/16"	BOTTOM TRACK
C	1	400T150-33	2'-3 1/16"	TOP TRACK

23-3232

Jewish Home for the Aging

1885 Victory Blvd. Reseda, CA

FrameMax, Inc.
13915 Danielson St
Suite 100
Poway, CA 92064
www.frame-max.com



© FrameMax Inc.

CREATED: 11/19/2008

FM-07-109

CREATED BY: TNT

HEIGHT : 9'-4 7/16" POINTS: 0.34 Points.

SPACING : 24"

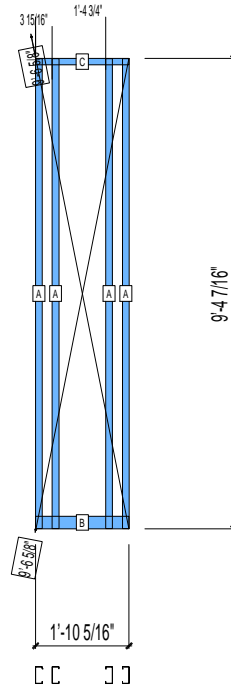
1st STUD: 24"

APPROVED
By TNT at 2:46 pm, Dec 15, 2008

WEIGHTS :

FRAME : 39 lbs

TOTAL: 39 lbs



PIECES LIST

LABEL	QTY	SIZE	LENGTH	USE
A	4	400S162-33	9'-4 5/16"	STUD
B	1	400T300-33	1'-10 5/16"	BOTTOM TRACK
C	1	400T150-33	1'-10 5/16"	TOP TRACK

23-3233

Jewish Home for the Aging

1885 Victory Blvd. Reseda, CA

FrameMax, Inc.
13915 Danielson St
Suite 100
Poway, CA 92064
www.frame-max.com



© FrameMax Inc.

CREATED: 11/19/2008

FM-07-109

CREATED BY: TNT

HEIGHT : 9'-4 7/16" POINTS: 0.41 Points.

SPACING : 24"

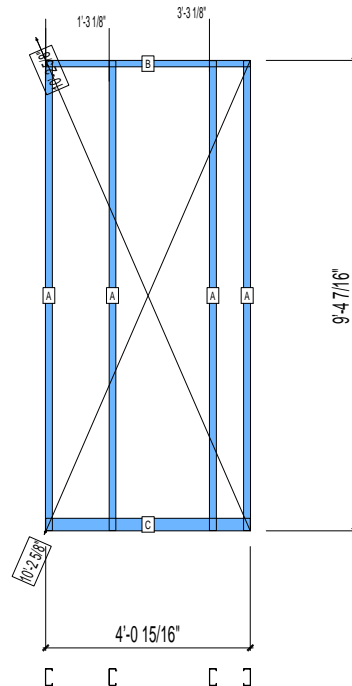
1st STUD: 16"

APPROVED
By TNT at 2:46 pm, Dec 15, 2008

WEIGHTS :

FRAME : 43 lbs

TOTAL: 43 lbs



PIECES LIST

LABEL	QTY	SIZE	LENGTH	USE
A	4	400S162-33	9'-4 5/16"	STUD
B	1	400T150-33	4'-0 15/16"	TOP TRACK
C	1	400T300-33	4'-0 15/16"	BOTTOM TRACK

23-3234

Jewish Home for the Aging

1885 Victory Blvd. Reseda, CA

FrameMax, Inc.
13915 Danielson St
Suite 100
Poway, CA 92064
www.frame-max.com



© FrameMax Inc.

CREATED: 11/19/2008

FM-07-109

CREATED BY: TNT

HEIGHT : 9'-4 7/16" POINTS: 0.32 Points.

SPACING : 24"

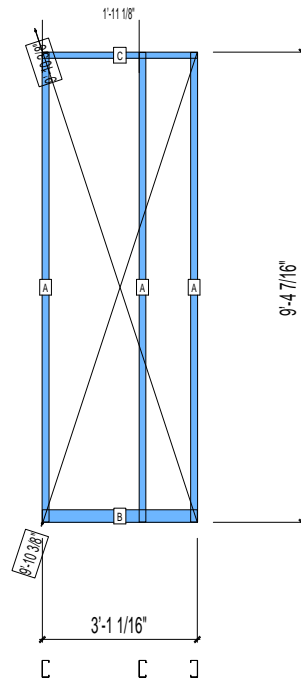
1st STUD: 24"

APPROVED
By TNT at 2:46 pm, Dec 15, 2008

WEIGHTS :

FRAME : 32 lbs

TOTAL: 32 lbs



PIECES LIST

LABEL	QTY	SIZE	LENGTH	USE
A	3	400S162-33	9'-4 5/16"	STUD
B	1	400T300-33	3'-1 1/16"	BOTTOM TRACK
C	1	400T150-33	3'-1 1/16"	TOP TRACK

23-3235

Jewish Home for the Aging

1885 Victory Blvd. Reseda, CA

FrameMax, Inc.
13915 Danielson St
Suite 100
Poway, CA 92064
www.framemax.com



© FrameMax Inc.

CREATED: 11/19/2008

FM-07-109

CREATED BY: TNT

HEIGHT : 9'-4 7/16" POINTS: 0.27 Points.

SPACING : 24"

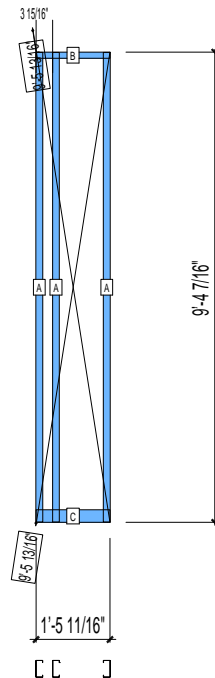
1st STUD: 24"

APPROVED
By TNT at 2:46 pm, Dec 15, 2008

WEIGHTS :

FRAME : 29 lbs

TOTAL: 29 lbs



PIECES LIST

LABEL	QTY	SIZE	LENGTH	USE
A	3	400S162-33	9'-4 5/16"	STUD
B	1	400T150-33	1'-5 11/16"	TOP TRACK
C	1	400T300-33	1'-5 11/16"	BOTTOM TRACK

23-3251

Jewish Home for the Aging

1885 Victory Blvd. Reseda, CA

FrameMax, Inc.
13915 Danielson St
Suite 100
Poway, CA 92064
www.frame-max.com



© FrameMax Inc.

CREATED: 11/19/2008

FM-07-109

CREATED BY: TNT

HEIGHT : 9'-5 3/16" POINTS: 0.54 Points.

SPACING : 24"

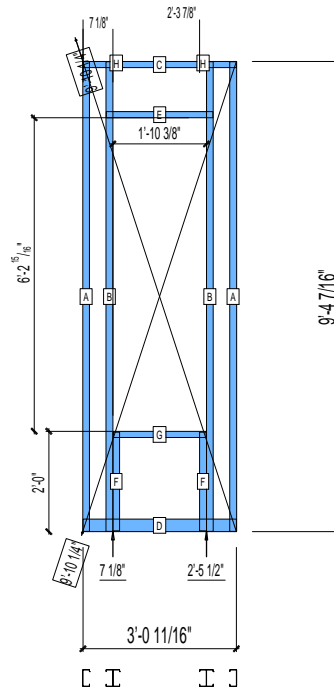
1st STUD: 24"

APPROVED
By TNT at 2:46 pm, Dec 15, 2008

WEIGHTS :

FRAME : 48 lbs

TOTAL: 48 lbs



PIECES LIST

LABEL	QTY	SIZE	LENGTH	USE
A	2	400S162-33	9'-4 5/16"	STUD
B	2	400S162-33	9'-4 5/16"	KING STUD
C	1	400T150-33	3'-0 11/16"	TOP TRACK
D	1	400T300-33	3'-0 11/16"	BOTTOM TRACK
E	1	400T150-33	2'-1 1/2"	CAP TRACK
F	2	400S162-33	1'-11 5/8"	CRIPPLE
G	1	400T150-33	1'-10 1/8"	SILL
H	2	400S162-33	3/8"	CRIPPLE

23-3252

Jewish Home for the Aging

1885 Victory Blvd. Reseda, CA

FrameMax, Inc.
13915 Danielson St
Suite 100
Poway, CA 92064
www.frame-max.com



© FrameMax Inc.

CREATED: 11/19/2008

FM-07-109

CREATED BY: TNT

HEIGHT : 9'-4 7/16" POINTS: 0.26 Points.

SPACING : 24"

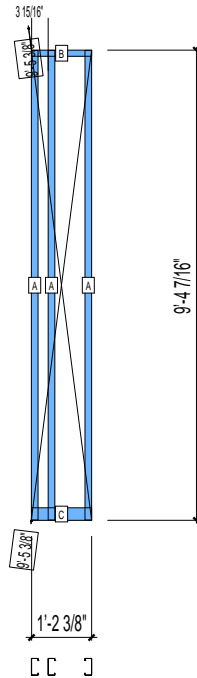
1st STUD: 24"

APPROVED
By TNT at 2:46 pm, Dec 15, 2008

WEIGHTS :

FRAME : 29 lbs

TOTAL: 29 lbs



PIECES LIST

LABEL	QTY	SIZE	LENGTH	USE
A	3	400S162-33	9'-4 5/16"	STUD
B	1	400T150-33	1'-2 3/8"	TOP TRACK
C	1	400T300-33	1'-2 3/8"	BOTTOM TRACK

23-3253

Jewish Home for the Aging

1885 Victory Blvd. Reseda, CA

FrameMax, Inc.
13915 Danielson St
Suite 100
Poway, CA 92064
www.frame-max.com



© FrameMax Inc.

CREATED: 11/19/2008

FM-07-109

CREATED BY: TNT

HEIGHT : 9'-4 7/16" POINTS: 0.96 Points.

SPACING : 24"

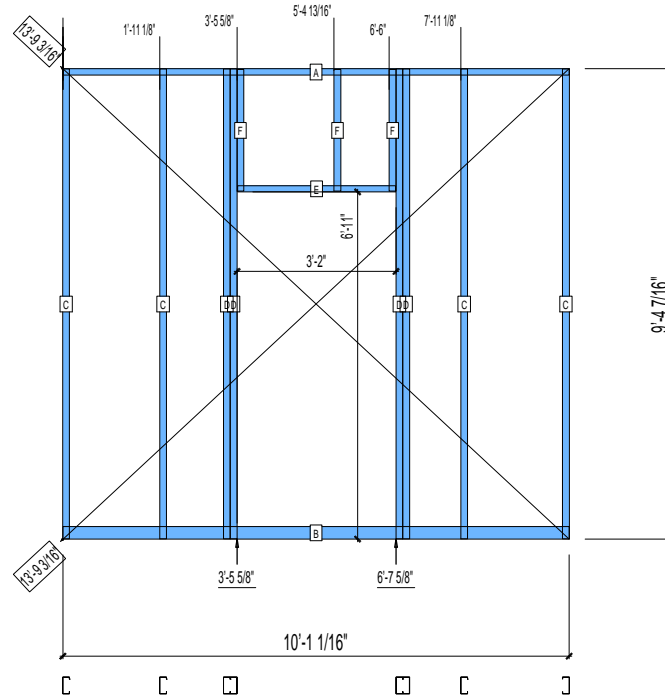
1st STUD: 24"

APPROVED
By TNT at 2:46 pm, Dec 15, 2008

WEIGHTS :

FRAME : 99 lbs

TOTAL: 99 lbs



PIECES LIST

LABEL	QTY	SIZE	LENGTH	USE
A	1	400T150-33	10'-1 1/16"	TOP TRACK
B	1	400T300-33	10'-1 1/16"	BOTTOM TRACK
C	4	400S162-33	9'-4 5/16"	STUD
D	4	400S162-33	9'-4 5/16"	KING STUD
E	1	400T150-33	3'-1 3/4"	HEAD TRACK
F	3	400S162-33	2'-5 1/16"	CRIPPLE

23-3254

Jewish Home for the Aging

1885 Victory Blvd. Reseda, CA

FrameMax, Inc.
13915 Danielson St
Suite 100
Poway, CA 92064
www.frame-max.com



© FrameMax Inc.

CREATED: 11/19/2008

FM-07-109

CREATED BY: TNT

HEIGHT : 9'-4 7/16" POINTS: 0.59 Points.

SPACING : 24"

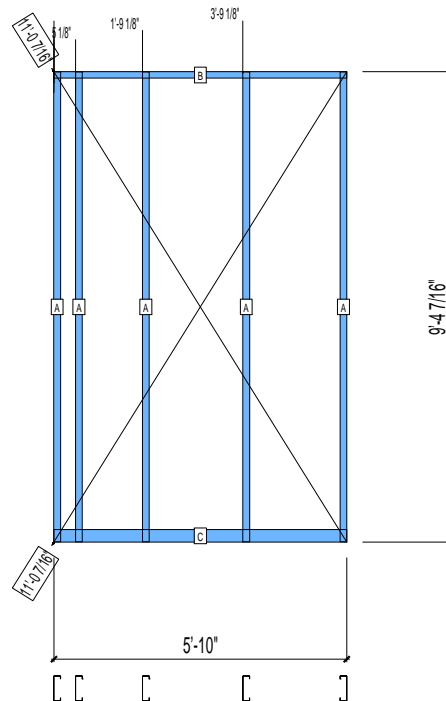
1st STUD: 22"

APPROVED
By TNT at 2:46 pm, Dec 15, 2008

WEIGHTS :

FRAME : 69 lbs

TOTAL: 69 lbs



PIECES LIST

LABEL	QTY	SIZE	LENGTH	USE
A	5	600S162-33	9'-4 5/16"	STUD
B	1	600T150-33	5'-10"	TOP TRACK
C	1	600T300-33	5'-10"	BOTTOM TRACK

23-3255

Jewish Home for the Aging

1885 Victory Blvd. Reseda, CA

FrameMax, Inc.
13915 Danielson St
Suite 100
Poway, CA 92064
www.frame-max.com



© FrameMax Inc.

CREATED: 11/19/2008

FM-07-109

CREATED BY: TNT

HEIGHT : 9'-4 7/16" POINTS: 0.35 Points.

SPACING : 24"

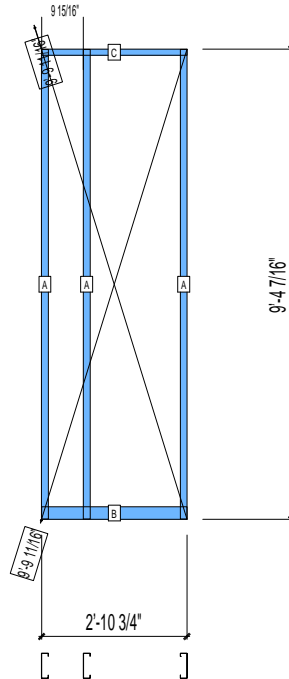
1st STUD: 10 13/16"

APPROVED
By TNT at 2:46 pm, Dec 15, 2008

WEIGHTS :

FRAME : 40 lbs

TOTAL: 40 lbs



PIECES LIST

LABEL	QTY	SIZE	LENGTH	USE
A	3	600S162-33	9'-4 5/16"	STUD
B	1	600T300-33	2'-10 3/4"	BOTTOM TRACK
C	1	600T150-33	2'-10 3/4"	TOP TRACK

23-3256

Jewish Home for the Aging

1885 Victory Blvd. Reseda, CA

FM-07-109

CREATED BY: TNT

FrameMax, Inc.
13915 Danielson St
Suite 100
Poway, CA 92064
www.frame-max.com



© FrameMax Inc.

HEIGHT : 9'-4 7/16" POINTS: 0.50 Points.

SPACING : 24"

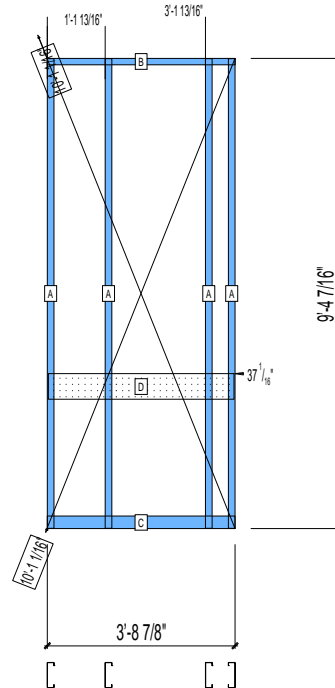
1st STUD: 14 5/8"

WEIGHTS :

FRAME : 60 lbs

TOTAL: 60 lbs

APPROVED
By TNT at 2:46 pm, Dec 15, 2008



PIECES LIST

LABEL	QTY	SIZE	LENGTH	USE
A	4	600S162-33	9'-4 5/16"	STUD
B	1	600T150-33	3'-8 7/8"	TOP TRACK
C	1	600T300-33	3'-8 7/8"	BOTTOM TRACK
D	1	600T150-54	3'-8 7/16"	GRAB BAR

23-3257

Jewish Home for the Aging

1885 Victory Blvd. Reseda, CA

FM-07-109

CREATED BY: TNT

FrameMax, Inc.
13915 Danielson St
Suite 100
Poway, CA 92064
www.frame-max.com



© FrameMax Inc.

HEIGHT : 9'-4 7/16" POINTS: 1.18 Points.

SPACING : 24"

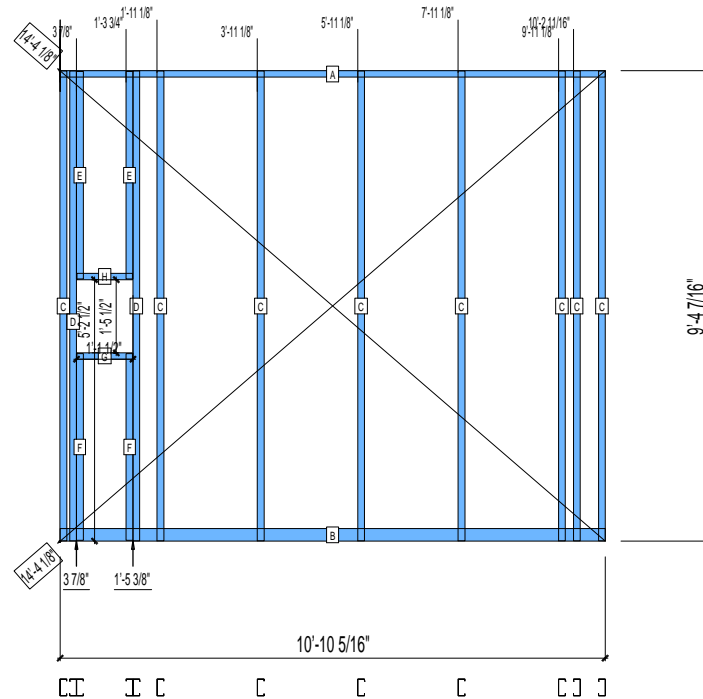
1st STUD: 24"

APPROVED
By TNT at 2:46 pm, Dec 15, 2008

WEIGHTS :

FRAME : 125 lbs

TOTAL: 125 lbs



PIECES LIST

LABEL	QTY	SIZE	LENGTH	USE
A	1	400T150-33	10'-10 5/16"	TOP TRACK
B	1	400T300-33	10'-10 5/16"	BOTTOM TRACK
C	8	400S162-33	9'-4 5/16"	STUD
D	2	400S162-33	9'-4 5/16"	KING STUD
E	2	400S162-33	4'-1 9/16"	CRIPPLE
F	2	400S162-33	3'-8 5/8"	CRIPPLE
G	1	400T150-33	1'-1 1/4"	SILL
H	1	400T150-33	1'-1 1/4"	HEAD TRACK

23-3258

Jewish Home for the Aging

1885 Victory Blvd. Reseda, CA

FrameMax, Inc.
13915 Danielson St
Suite 100
Poway, CA 92064
www.frame-max.com



© FrameMax Inc.

CREATED: 11/19/2008

FM-07-109

CREATED BY: TNT

HEIGHT : 9'-4 7/16" POINTS: 0.46 Points.

SPACING : 24"

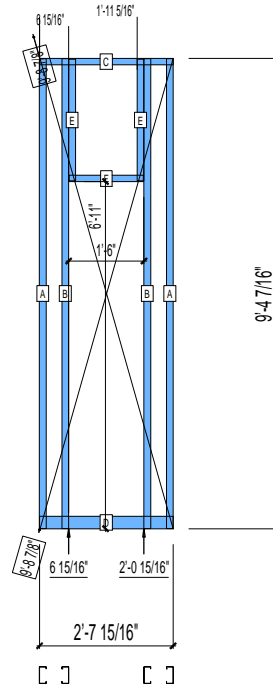
1st STUD: 24"

APPROVED
By TNT at 2:46 pm, Dec 15, 2008

WEIGHTS :

FRAME : 46 lbs

TOTAL: 46 lbs



PIECES LIST

LABEL	QTY	SIZE	LENGTH	USE
A	2	400S162-33	9'-4 5/16"	STUD
B	2	400S162-33	9'-4 5/16"	KING STUD
C	1	400T150-33	2'-7 15/16"	TOP TRACK
D	1	400T300-33	2'-7 15/16"	BOTTOM TRACK
E	2	400S162-33	2'-5 1/16"	CRIPPLE
F	1	400T150-33	1'-5 3/4"	HEAD TRACK

23-3259

Jewish Home for the Aging

1885 Victory Blvd. Reseda, CA

FrameMax, Inc.
13915 Danielson St
Suite 100
Poway, CA 92064
www.frame-max.com



© FrameMax Inc.

CREATED: 11/19/2008

FM-07-109

CREATED BY: TNT

HEIGHT : 9'-4 7/16" POINTS: 0.28 Points.

SPACING : 24"

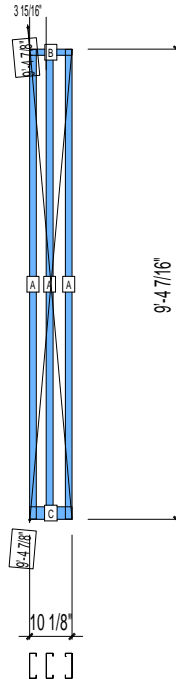
1st STUD: 24"

APPROVED
By TNT at 2:46 pm, Dec 15, 2008

WEIGHTS :

FRAME : 35 lbs

TOTAL: 35 lbs



PIECES LIST

LABEL	QTY	SIZE	LENGTH	USE
A	3	600S162-33	9'-4 5/16"	STUD
B	1	600T150-33	10 1/8"	TOP TRACK
C	1	600T300-33	10 1/8"	BOTTOM TRACK

23-3260

Jewish Home for the Aging

1885 Victory Blvd. Reseda, CA

FrameMax, Inc.
13915 Danielson St
Suite 100
Poway, CA 92064
www.frame-max.com



© FrameMax Inc.

CREATED: 11/19/2008

FM-07-109

CREATED BY: TNT

HEIGHT : 9'-4 7/16" POINTS: 0.23 Points.

SPACING : 24"

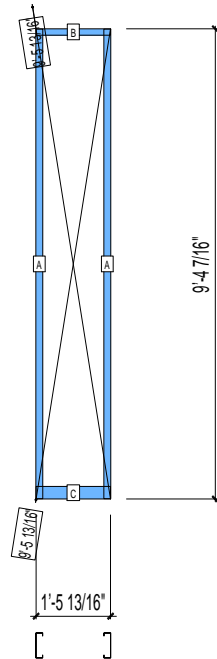
1st STUD: 24"

APPROVED
By TNT at 2:46 pm, Dec 15, 2008

WEIGHTS :

FRAME : 26 lbs

TOTAL: 26 lbs



PIECES LIST

LABEL	QTY	SIZE	LENGTH	USE
A	2	600S162-33	9'-4 5/16"	STUD
B	1	600T150-33	1'-5 13/16"	TOP TRACK
C	1	600T300-33	1'-5 13/16"	BOTTOM TRACK

23-3261

Jewish Home for the Aging

1885 Victory Blvd. Reseda, CA

FM-07-109

CREATED BY: TNT

FrameMax, Inc.
13915 Danielson St
Suite 100
Poway, CA 92064
www.framemax.com



© FrameMax Inc.

HEIGHT : 9'-4 7/16" POINTS: 0.77 Points.

SPACING : 24"

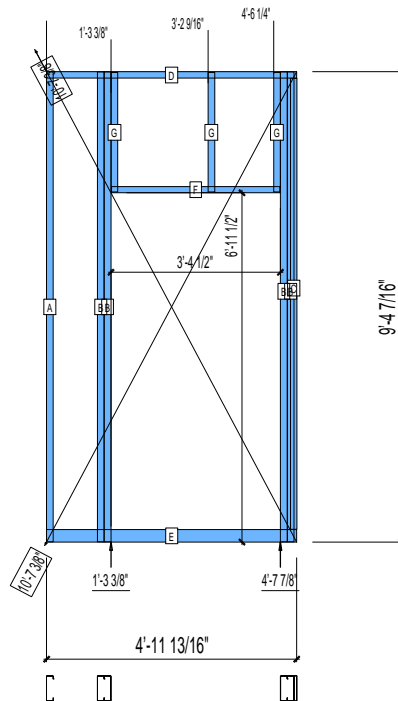
1st STUD: 16"

WEIGHTS :

FRAME : 89 lbs

TOTAL: 89 lbs

APPROVED
By TNT at 2:46 pm, Dec 15, 2008



PIECES LIST

LABEL	QTY	SIZE	LENGTH	USE
A	1	600S162-33	9'-4 5/16"	STUD
B	4	600S162-33	9'-4 5/16"	KING STUD
C	1	600T150-33	8'-11 13/16"	CAP TRACK
D	1	600T150-33	4'-11 13/16"	TOP TRACK
E	1	600T300-33	4'-11 13/16"	BOTTOM TRACK
F	1	600T150-33	3'-4 1/4"	HEAD TRACK
G	3	600S162-33	2'-4 9/16"	CRIPPLE

23-3262

Jewish Home for the Aging

1885 Victory Blvd. Reseda, CA

FrameMax, Inc.
13915 Danielson St
Suite 100
Poway, CA 92064
www.frame-max.com



© FrameMax Inc.

CREATED: 11/19/2008

FM-07-109

CREATED BY: TNT

HEIGHT : 9'-4 7/16" POINTS: 0.21 Points.

SPACING : 24"

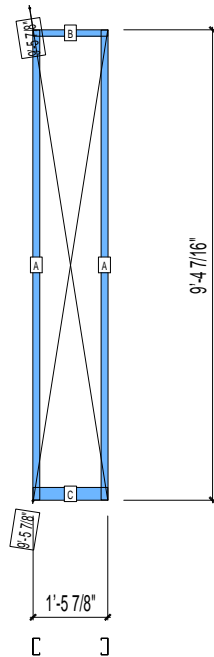
1st STUD: 16"

APPROVED
By TNT at 2:46 pm, Dec 15, 2008

WEIGHTS :

FRAME : 20 lbs

TOTAL: 20 lbs



PIECES LIST

LABEL	QTY	SIZE	LENGTH	USE
A	2	400S162-33	9'-4 5/16"	STUD
B	1	400T150-33	1'-5 7/8"	TOP TRACK
C	1	400T300-33	1'-5 7/8"	BOTTOM TRACK

23-3263

Jewish Home for the Aging

1885 Victory Blvd. Reseda, CA

FrameMax, Inc.
13915 Danielson St
Suite 100
Poway, CA 92064
www.framemax.com



© FrameMax Inc.

CREATED: 11/19/2008

FM-07-109

CREATED BY: TNT

HEIGHT : 9'-4 7/16" POINTS: 0.21 Points.

SPACING : 24"

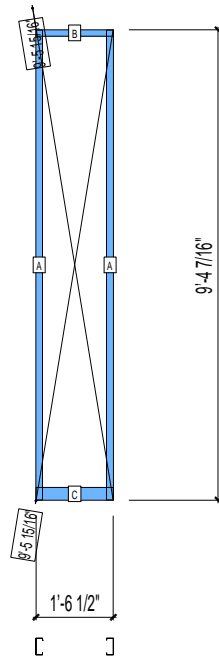
1st STUD: 24"

APPROVED
By TNT at 2:46 pm, Dec 15, 2008

WEIGHTS :

FRAME : 21 lbs

TOTAL: 21 lbs



PIECES LIST

LABEL	QTY	SIZE	LENGTH	USE
A	2	400S162-33	9'-4 5/16"	STUD
B	1	400T150-33	1'-6 1/2"	TOP TRACK
C	1	400T300-33	1'-6 1/2"	BOTTOM TRACK

23-3264

Jewish Home for the Aging

1885 Victory Blvd. Reseda, CA

FrameMax, Inc.
13915 Danielson St
Suite 100
Poway, CA 92064
www.frame-max.com



© FrameMax Inc.

CREATED: 11/19/2008

FM-07-109

CREATED BY: TNT

HEIGHT : 9'-4 7/16" POINTS: 0.43 Points.

SPACING : 24"

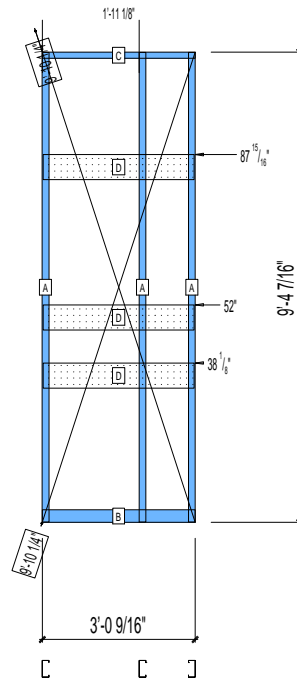
1st STUD: 24"

APPROVED
By TNT at 2:46 pm, Dec 15, 2008

WEIGHTS :

FRAME : 43 lbs

TOTAL: 43 lbs



PIECES LIST

LABEL	QTY	SIZE	LENGTH	USE
A	3	400S162-33	9'-4 5/16"	STUD
B	1	400T300-33	3'-0 9/16"	BOTTOM TRACK
C	1	400T150-33	3'-0 9/16"	TOP TRACK
D	3	600D-54	3'-0 1/8"	KITCHEN BACKING

23-3265

Jewish Home for the Aging

1885 Victory Blvd. Reseda, CA

FrameMax, Inc.
13915 Danielson St
Suite 100
Poway, CA 92064
www.frame-max.com



© FrameMax Inc.

CREATED: 11/19/2008

FM-07-109

CREATED BY: TNT

HEIGHT : 2'-9 1/2" POINTS: 0.22 Points.

SPACING : 24"

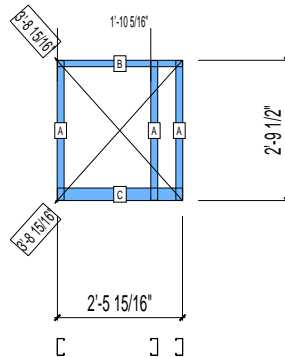
1st STUD: 24"

APPROVED
By TNT at 2:46 pm, Dec 15, 2008

WEIGHTS :

FRAME : 13 lbs

TOTAL: 13 lbs



PIECES LIST

LABEL	QTY	SIZE	LENGTH	USE
A	3	400S162-33	2'-9 3/8"	STUD
B	1	400T150-33	2'-5 15/16"	TOP TRACK
C	1	400T300-33	2'-5 15/16"	BOTTOM TRACK

23-3266

Jewish Home for the Aging

1885 Victory Blvd. Reseda, CA

FrameMax, Inc.
13915 Danielson St
Suite 100
Poway, CA 92064
www.frame-max.com



© FrameMax Inc.

CREATED: 11/19/2008

FM-07-109

CREATED BY: TNT

HEIGHT : 2'-9 1/2" POINTS: 0.50 Points.

SPACING : 24"

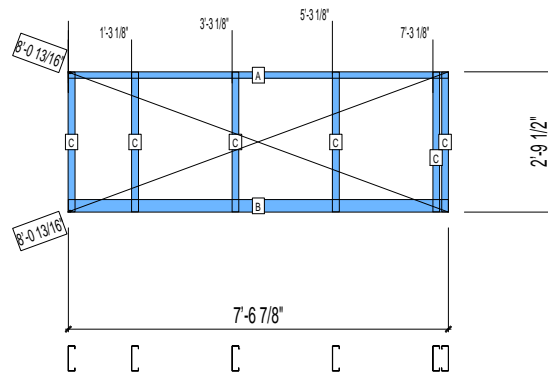
1st STUD: 16"

APPROVED
By TNT at 2:46 pm, Dec 15, 2008

WEIGHTS :

FRAME : 38 lbs

TOTAL: 38 lbs



PIECES LIST

LABEL	QTY	SIZE	LENGTH	USE
A	1	600T150-33	7'-6 7/8"	TOP TRACK
B	1	600T300-33	7'-6 7/8"	BOTTOM TRACK
C	6	600S162-33	2'-9 3/8"	STUD

23-3267

Jewish Home for the Aging

1885 Victory Blvd. Reseda, CA

FrameMax, Inc.
13915 Danielson St
Suite 100
Poway, CA 92064
www.frame-max.com



© FrameMax Inc.

CREATED: 11/19/2008

FM-07-109

CREATED BY: TNT

HEIGHT : 9'-4 7/16" POINTS: 0.34 Points.

SPACING : 24"

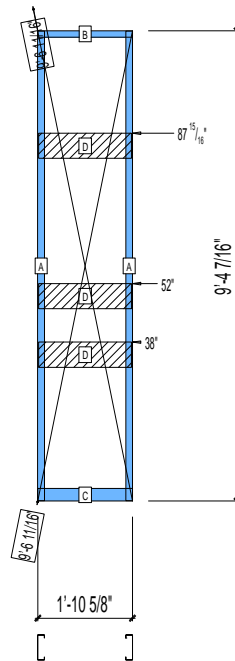
1st STUD: 24"

APPROVED
By TNT at 2:46 pm, Dec 15, 2008

WEIGHTS :

FRAME : 33 lbs

TOTAL: 33 lbs



PIECES LIST

LABEL	QTY	SIZE	LENGTH	USE
A	2	600S162-33	9'-4 5/16"	STUD
B	1	600T150-33	1'-10 5/8"	TOP TRACK
C	1	600T300-33	1'-10 5/8"	BOTTOM TRACK
D	3	600D-54	1'-10 3/16"	KITCHEN BACKING

23-3268

Jewish Home for the Aging

1885 Victory Blvd. Reseda, CA

FM-07-109

CREATED BY: TNT

FrameMax, Inc.
13915 Danielson St
Suite 100
Poway, CA 92064
www.framemax.com



© FrameMax Inc.

HEIGHT : 9'-4 7/16" POINTS: 0.75 Points.

SPACING : 24"

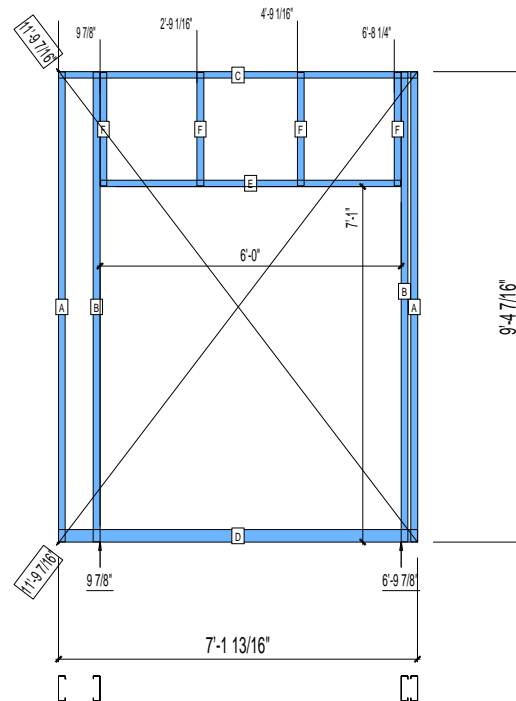
1st STUD: 24"

APPROVED
By TNT at 2:46 pm, Dec 15, 2008

WEIGHTS :

FRAME : 79 lbs

TOTAL: 79 lbs



PIECES LIST

LABEL	QTY	SIZE	LENGTH	USE
A	2	600S162-33	9'-4 5/16"	STUD
B	2	600S162-33	9'-4 5/16"	KING STUD
C	1	600T150-33	7'-1 13/16"	TOP TRACK
D	1	600T300-33	7'-1 13/16"	BOTTOM TRACK
E	1	600T150-33	5'-11 3/4"	HEAD TRACK
F	4	600S162-33	2'-3 1/16"	CRIPPLE

23-3269

Jewish Home for the Aging

1885 Victory Blvd. Reseda, CA

FM-07-109

CREATED BY: TNT

FrameMax, Inc.
13915 Danielson St
Suite 100
Poway, CA 92064
www.frame-max.com



© FrameMax Inc.

HEIGHT : 9'-4 7/16" POINTS: 1.01 Points.

SPACING : 24"

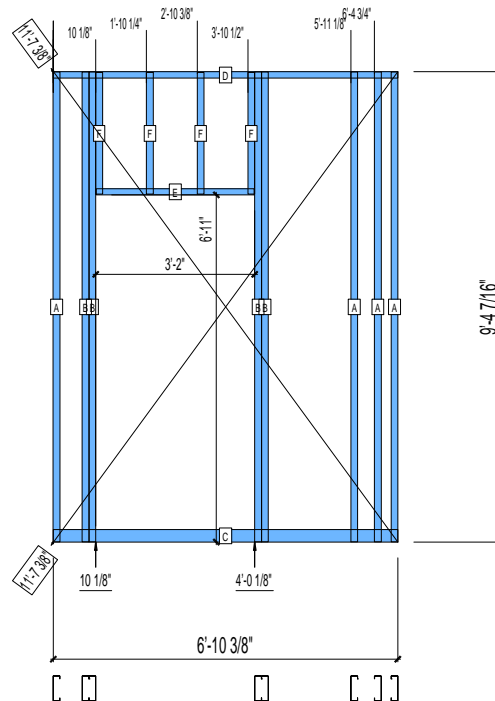
1st STUD: 24"

APPROVED
By TNT at 2:46 pm, Dec 15, 2008

WEIGHTS :

FRAME : 119 lbs

TOTAL: 119 lbs



PIECES LIST

LABEL	QTY	SIZE	LENGTH	USE
A	4	600S162-33	9'-4 5/16"	STUD
B	4	600S162-33	9'-4 5/16"	KING STUD
C	1	600T300-33	6'-10 3/8"	BOTTOM TRACK
D	1	600T150-33	6'-10 3/8"	TOP TRACK
E	1	600T150-33	3'-1 3/4"	HEAD TRACK
F	4	600S162-33	2'-5 1/16"	CRIPPLE

23-3270

Jewish Home for the Aging

1885 Victory Blvd. Reseda, CA

FrameMax, Inc.
13915 Danielson St
Suite 100
Poway, CA 92064
www.frame-max.com



© FrameMax Inc.

CREATED: 11/19/2008

FM-07-109

CREATED BY: TNT

HEIGHT : 9'-4 7/16" POINTS: 0.97 Points.

SPACING : 24"

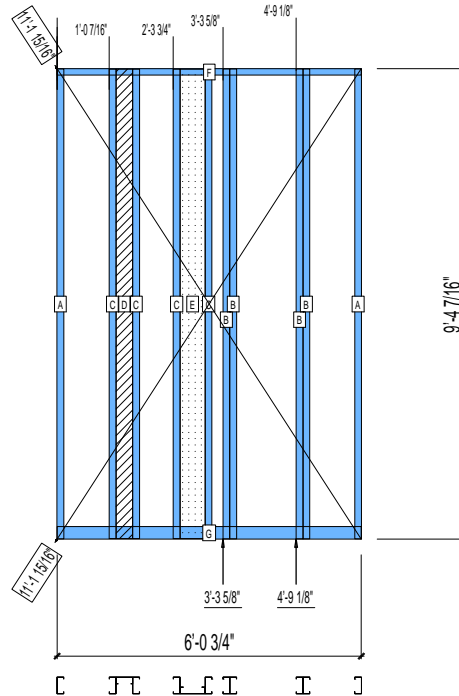
1st STUD: 16"

APPROVED
By TNT at 2:46 pm, Dec 15, 2008

WEIGHTS :

FRAME : 119 lbs

TOTAL: 119 lbs



PIECES LIST

LABEL	QTY	SIZE	LENGTH	USE
A	2	400S162-33	9'-4 5/16"	STUD
B	4	400S162-33	9'-4 5/16"	EXTRA STUD
C	4	400S162-33	9'-4 3/16"	BACKER STUD
D	1	400S162-33	9'-4 3/16"	BACKER-U
E	1	600S162-33	9'-4 3/16"	BACKER-U
F	1	400T150-33	6'-0 3/4"	TOP TRACK
G	1	400T300-33	6'-0 3/4"	BOTTOM TRACK

23-3271

Jewish Home for the Aging

1885 Victory Blvd. Reseda, CA

FrameMax, Inc.
13915 Danielson St
Suite 100
Poway, CA 92064
www.frame-max.com



© FrameMax Inc.

CREATED: 11/19/2008

FM-07-109

CREATED BY: TNT

HEIGHT : 9'-4 7/16" POINTS: 0.30 Points.

SPACING : 24"

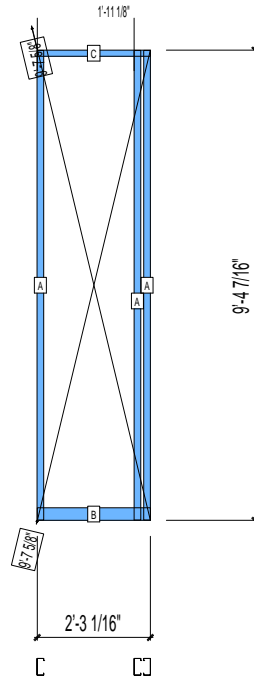
1st STUD: 24"

APPROVED
By TNT at 2:46 pm, Dec 15, 2008

WEIGHTS :

FRAME : 31 lbs

TOTAL: 31 lbs



PIECES LIST

LABEL	QTY	SIZE	LENGTH	USE
A	3	400S162-33	9'-4 5/16"	STUD
B	1	400T300-33	2'-3 1/16"	BOTTOM TRACK
C	1	400T150-33	2'-3 1/16"	TOP TRACK

23-3272

Jewish Home for the Aging

1885 Victory Blvd. Reseda, CA

FrameMax, Inc.
13915 Danielson St
Suite 100
Poway, CA 92064
www.frame-max.com



© FrameMax Inc.

CREATED: 11/19/2008

FM-07-109

CREATED BY: TNT

HEIGHT : 9'-4 7/16" POINTS: 0.27 Points.

SPACING : 24"

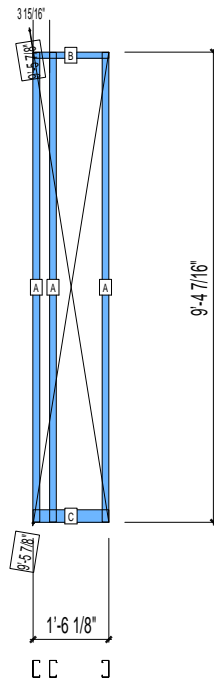
1st STUD: 24"

APPROVED
By TNT at 2:46 pm, Dec 15, 2008

WEIGHTS :

FRAME : 29 lbs

TOTAL: 29 lbs



PIECES LIST

LABEL	QTY	SIZE	LENGTH	USE
A	3	400S162-33	9'-4 5/16"	STUD
B	1	400T150-33	1'-6 1/8"	TOP TRACK
C	1	400T300-33	1'-6 1/8"	BOTTOM TRACK

23-3273

Jewish Home for the Aging

1885 Victory Blvd. Reseda, CA

FM-07-109

CREATED BY: TNT

FrameMax, Inc.
13915 Danielson St
Suite 100
Poway, CA 92064
www.frame-max.com



© FrameMax Inc.

HEIGHT : 9'-4 7/16" POINTS: 0.74 Points.

SPACING : 24"

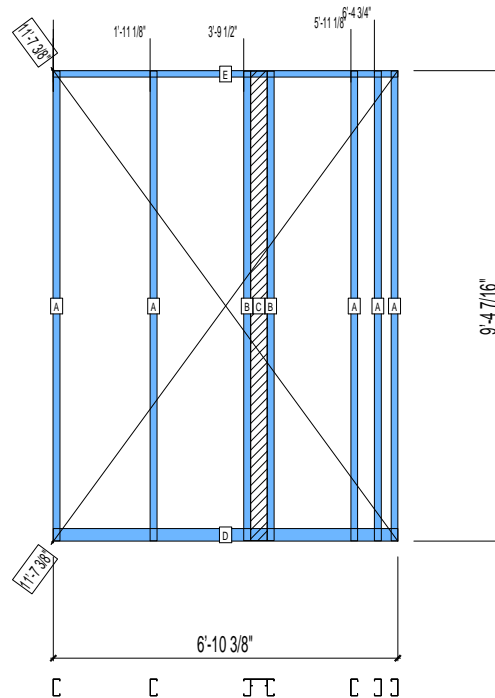
1st STUD: 24"

APPROVED
By TNT at 2:46 pm, Dec 15, 2008

WEIGHTS :

FRAME : 83 lbs

TOTAL: 83 lbs



PIECES LIST

LABEL	QTY	SIZE	LENGTH	USE
A	5	400S162-33	9'-4 5/16"	STUD
B	2	400S162-33	9'-4 3/16"	BACKER STUD
C	1	400S162-33	9'-4 3/16"	BACKER-U
D	1	400T300-33	6'-10 3/8"	BOTTOM TRACK
E	1	400T150-33	6'-10 3/8"	TOP TRACK

23-3274

Jewish Home for the Aging

1885 Victory Blvd. Reseda, CA

FM-07-109

CREATED BY: TNT

FrameMax, Inc.
13915 Danielson St
Suite 100
Poway, CA 92064
www.framemax.com



© FrameMax Inc.

HEIGHT : 9'-4 7/16" POINTS: 0.50 Points.

SPACING : 24"

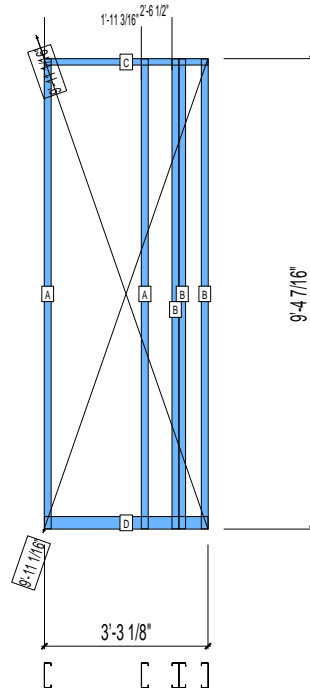
1st STUD: 0

APPROVED
By TNT at 2:46 pm, Dec 15, 2008

WEIGHTS :

FRAME : 63 lbs

TOTAL: 63 lbs



PIECES LIST

LABEL	QTY	SIZE	LENGTH	USE
A	2	600S162-33	9'-4 5/16"	STUD
B	3	600S162-33	9'-4 5/16"	EXTRA STUD
C	1	600T150-33	3'-3 1/8"	TOP TRACK
D	1	600T300-33	3'-3 1/8"	BOTTOM TRACK

23-3275

Jewish Home for the Aging

1885 Victory Blvd. Reseda, CA

FM-07-109

CREATED BY: TNT

FrameMax, Inc.
13915 Danielson St
Suite 100
Poway, CA 92064
www.frame-max.com

FRAME MAX

© FrameMax Inc.

HEIGHT : 9'-5 3/16" POINTS: 0.59 Points.

SPACING : 24"

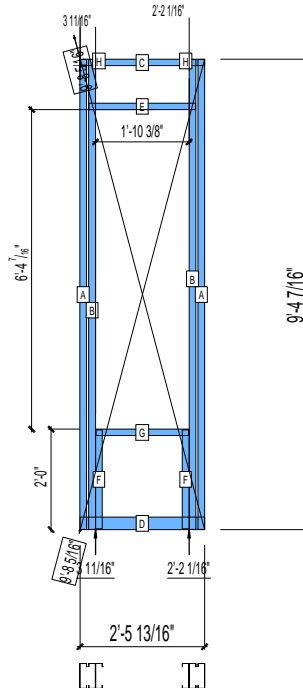
1st STUD: 24"

WEIGHTS :

FRAME : 61 lbs

TOTAL: 61 lbs

APPROVED
By TNT at 2:46 pm, Dec 15, 2008



PIECES LIST

LABEL	QTY	SIZE	LENGTH	USE
A	2	600S162-33	9'-4 5/16"	STUD
B	2	600S162-33	9'-4 5/16"	KING STUD
C	1	600T150-33	2'-5 13/16"	TOP TRACK
D	1	600T300-33	2'-5 13/16"	BOTTOM TRACK
E	1	600T150-54	2'-1 1/2"	CAP TRACK
F	2	600S162-33	1'-11 5/8"	CRIPPLE
G	1	600T150-33	1'-10 1/8"	SILL
H	2	600S162-33	3/8"	CRIPPLE

23-3276

Jewish Home for the Aging

1885 Victory Blvd. Reseda, CA

FrameMax, Inc.
13915 Danielson St
Suite 100
Poway, CA 92064
www.framemax.com



© FrameMax Inc.

CREATED: 11/19/2008

FM-07-109

CREATED BY: TNT

HEIGHT : 9'-4 7/16" POINTS: 0.27 Points.

SPACING : 24"

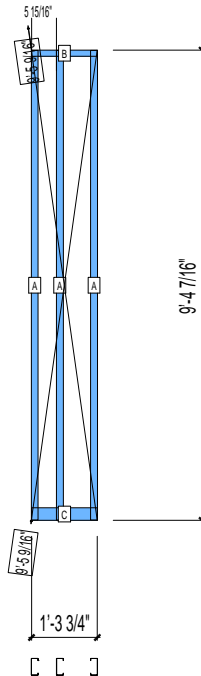
1st STUD: 24"

APPROVED
By TNT at 2:46 pm, Dec 15, 2008

WEIGHTS :

FRAME : 29 lbs

TOTAL: 29 lbs



PIECES LIST

LABEL	QTY	SIZE	LENGTH	USE
A	3	400S162-33	9'-4 5/16"	STUD
B	1	400T150-33	1'-3 3/4"	TOP TRACK
C	1	400T300-33	1'-3 3/4"	BOTTOM TRACK

23-3277

Jewish Home for the Aging

1885 Victory Blvd. Reseda, CA

FrameMax, Inc.
13915 Danielson St
Suite 100
Poway, CA 92064
www.frame-max.com



© FrameMax Inc.

CREATED: 11/19/2008

FM-07-109

CREATED BY: TNT

HEIGHT : 9'-4 7/16" POINTS: 1.09 Points.

SPACING : 24"

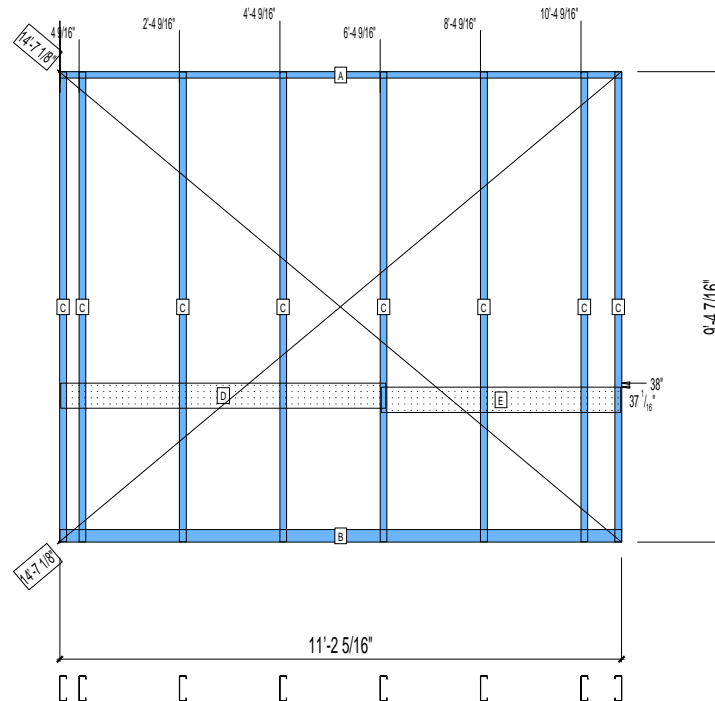
1st STUD: 5 7/16"

APPROVED
By TNT at 2:46 pm, Dec 15, 2008

WEIGHTS :

FRAME : 132 lbs

TOTAL: 132 lbs



PIECES LIST

LABEL	QTY	SIZE	LENGTH	USE
A	1	600T150-33	11'-2 5/16"	TOP TRACK
B	1	600T300-33	11'-2 5/16"	BOTTOM TRACK
C	8	600S162-33	9'-4 5/16"	STUD
D	1	600D-54	6'-5 3/4"	VANITY BACKING
E	1	600T150-54	4'-9 1/4"	GRAB BAR

23-3278

Jewish Home for the Aging

1885 Victory Blvd. Reseda, CA

FM-07-109

CREATED BY: TNT

FrameMax, Inc.
13915 Danielson St
Suite 100
Poway, CA 92064
www.frame-max.com



© FrameMax Inc.

HEIGHT : 9'-5 3/16" POINTS: 0.56 Points.

SPACING : 24"

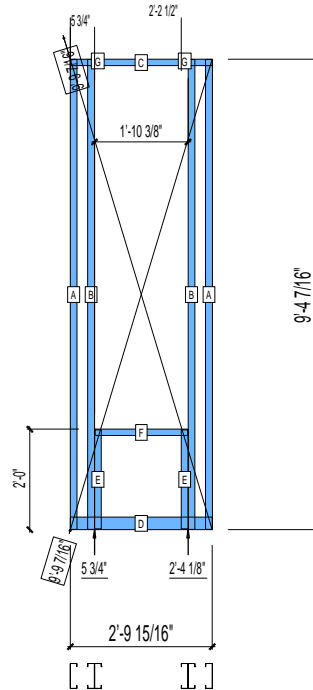
1st STUD: 24"

WEIGHTS :

FRAME : 58 lbs

TOTAL: 58 lbs

APPROVED
By TNT at 2:46 pm, Dec 15, 2008



PIECES LIST

LABEL	QTY	SIZE	LENGTH	USE
A	2	600S162-33	9'-4 5/16"	STUD
B	2	600S162-33	9'-4 5/16"	KING STUD
C	1	600T150-33	2'-9 15/16"	TOP TRACK
D	1	600T300-33	2'-9 15/16"	BOTTOM TRACK
E	2	600S162-33	1'-11 5/8"	CRIPPLE
F	1	600T150-33	1'-10 1/8"	SILL
G	2	600S162-33	3/8"	CRIPPLE

23-3279

Jewish Home for the Aging

1885 Victory Blvd. Reseda, CA

FrameMax, Inc.
13915 Danielson St
Suite 100
Poway, CA 92064
www.frame-max.com



© FrameMax Inc.

CREATED: 11/19/2008

FM-07-109

CREATED BY: TNT

HEIGHT : 9'-4 7/16" POINTS: 0.31 Points.

SPACING : 24"

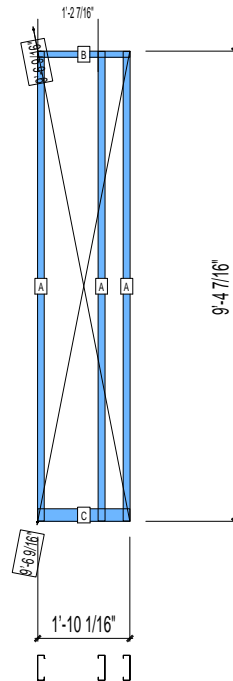
1st STUD: 24"

APPROVED
By TNT at 2:46 pm, Dec 15, 2008

WEIGHTS :

FRAME : 37 lbs

TOTAL: 37 lbs



PIECES LIST

LABEL	QTY	SIZE	LENGTH	USE
A	3	600S162-33	9'-4 5/16"	STUD
B	1	600T150-33	1'-10 1/16"	TOP TRACK
C	1	600T300-33	1'-10 1/16"	BOTTOM TRACK

23-3280

Jewish Home for the Aging

1885 Victory Blvd. Reseda, CA

FrameMax, Inc.
13915 Danielson St
Suite 100
Poway, CA 92064
www.framemax.com



© FrameMax Inc.

CREATED: 11/19/2008

FM-07-109

CREATED BY: TNT

HEIGHT : 9'-4 7/16" POINTS: 0.31 Points.

SPACING : 24"

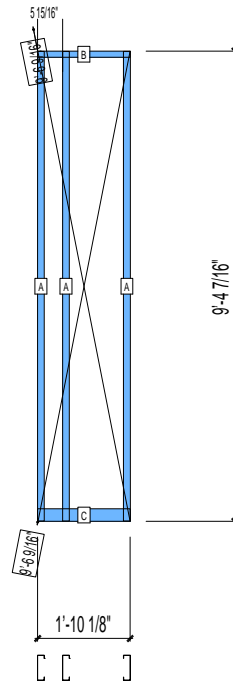
1st STUD: 24"

APPROVED
By TNT at 2:46 pm, Dec 15, 2008

WEIGHTS :

FRAME : 37 lbs

TOTAL: 37 lbs



PIECES LIST

LABEL	QTY	SIZE	LENGTH	USE
A	3	600S162-33	9'-4 5/16"	STUD
B	1	600T150-33	1'-10 1/8"	TOP TRACK
C	1	600T300-33	1'-10 1/8"	BOTTOM TRACK

23-3281

Jewish Home for the Aging

1885 Victory Blvd. Reseda, CA

FrameMax, Inc.
13915 Danielson St
Suite 100
Poway, CA 92064
www.frame-max.com



© FrameMax Inc.

CREATED: 11/20/2008

FM-07-109

CREATED BY: TNT

HEIGHT : 9'-5 3/16" POINTS: 0.56 Points.

SPACING : 24"

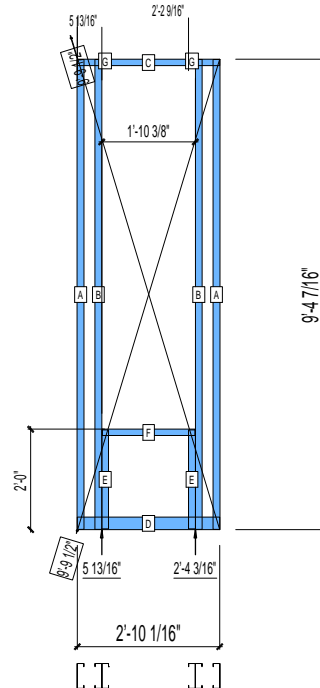
1st STUD: 24"

APPROVED
By TNT at 2:46 pm, Dec 15, 2008

WEIGHTS :

FRAME : 58 lbs

TOTAL: 58 lbs



PIECES LIST

LABEL	QTY	SIZE	LENGTH	USE
A	2	600S162-33	9'-4 5/16"	STUD
B	2	600S162-33	9'-4 5/16"	KING STUD
C	1	600T150-33	2'-10 1/16"	TOP TRACK
D	1	600T300-33	2'-10 1/16"	BOTTOM TRACK
E	2	600S162-33	1'-11 5/8"	CRIPPLE
F	1	600T150-33	1'-10 1/8"	SILL
G	2	600S162-33	3/8"	CRIPPLE

23-3301

Jewish Home for the Aging

1885 Victory Blvd. Reseda, CA

FrameMax, Inc.
13915 Danielson St
Suite 100
Poway, CA 92064
www.frame-max.com



© FrameMax Inc.

CREATED: 12/10/2008

FM-07-109

CREATED BY: TNT

HEIGHT : 9'-4 7/16" POINTS: 0.53 Points.

SPACING : 24"

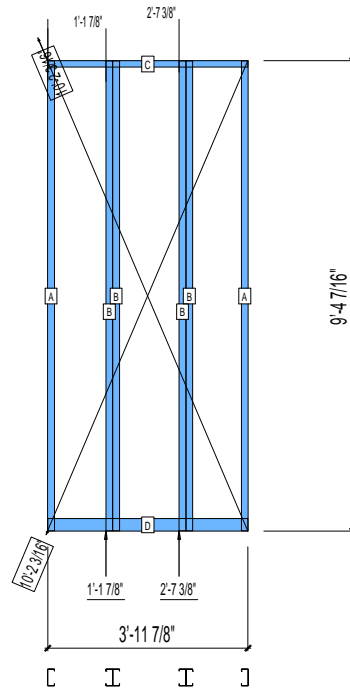
1st STUD: 24"

APPROVED
By TNT at 2:46 pm, Dec 15, 2008

WEIGHTS :

FRAME : 60 lbs

TOTAL: 60 lbs



PIECES LIST

LABEL	QTY	SIZE	LENGTH	USE
A	2	400S162-33	9'-4 5/16"	STUD
B	4	400S162-33	9'-4 5/16"	EXTRA STUD
C	1	400T150-33	3'-11 7/8"	TOP TRACK
D	1	400T300-33	3'-11 7/8"	BOTTOM TRACK

23-3302

Jewish Home for the Aging

1885 Victory Blvd. Reseda, CA

FrameMax, Inc.
13915 Danielson St
Suite 100
Poway, CA 92064
www.frame-max.com



© FrameMax Inc.

CREATED: 11/19/2008

FM-07-109

CREATED BY: TNT

HEIGHT : 9'-4 7/16" POINTS: 0.59 Points.

SPACING : 24"

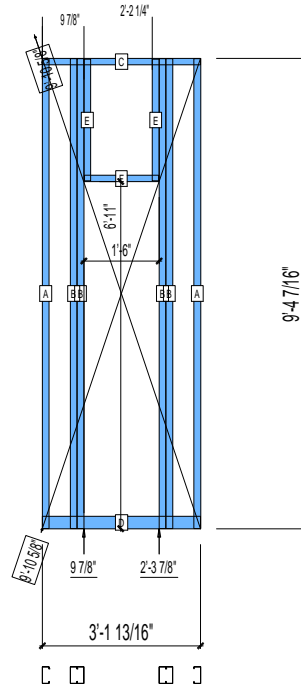
1st STUD: 24"

APPROVED
By TNT at 2:46 pm, Dec 15, 2008

WEIGHTS :

FRAME : 64 lbs

TOTAL: 64 lbs



PIECES LIST

LABEL	QTY	SIZE	LENGTH	USE
A	2	400S162-33	9'-4 5/16"	STUD
B	4	400S162-33	9'-4 5/16"	KING STUD
C	1	400T150-33	3'-1 13/16"	TOP TRACK
D	1	400T300-33	3'-1 13/16"	BOTTOM TRACK
E	2	400S162-33	2'-5 1/16"	CRIPPLE
F	1	400T150-33	1'-5 3/4"	HEAD TRACK

23-3303

Jewish Home for the Aging

1885 Victory Blvd. Reseda, CA

FrameMax, Inc.
13915 Danielson St
Suite 100
Poway, CA 92064
www.frame-max.com



© FrameMax Inc.

CREATED: 12/10/2008

FM-07-109

CREATED BY: TNT

HEIGHT : 9'-4 7/16" POINTS: 0.38 Points.

SPACING : 24"

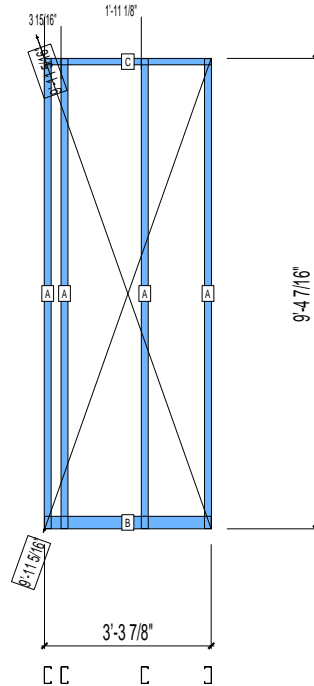
1st STUD: 24"

APPROVED
By TNT at 2:46 pm, Dec 15, 2008

WEIGHTS :

FRAME : 41 lbs

TOTAL: 41 lbs



PIECES LIST

LABEL	QTY	SIZE	LENGTH	USE
A	4	400S162-33	9'-4 5/16"	STUD
B	1	400T300-33	3'-3 7/8"	BOTTOM TRACK
C	1	400T150-33	3'-3 7/8"	TOP TRACK

23-3304

Jewish Home for the Aging

1885 Victory Blvd. Reseda, CA

FM-07-109

CREATED BY: TNT

FrameMax, Inc.
13915 Danielson St
Suite 100
Poway, CA 92064
www.framemax.com



© FrameMax Inc.

HEIGHT : 9'-4 7/16" POINTS: 1.02 Points.

SPACING : 24"

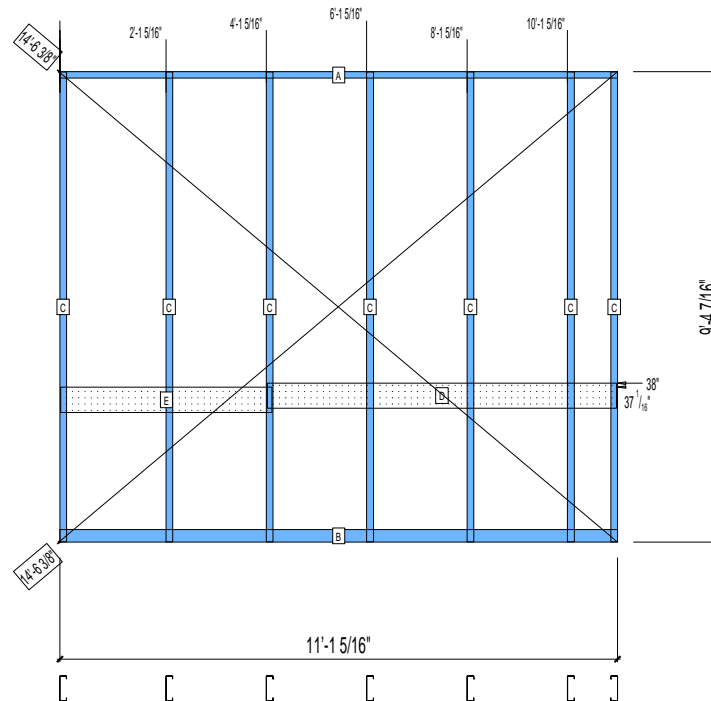
1st STUD: 2 3/16"

APPROVED
By TNT at 2:46 pm, Dec 15, 2008

WEIGHTS :

FRAME : 120 lbs

TOTAL: 120 lbs



PIECES LIST

LABEL	QTY	SIZE	LENGTH	USE
A	1	600T150-33	11'-1 5/16"	TOP TRACK
B	1	600T300-33	11'-1 5/16"	BOTTOM TRACK
C	7	600S162-33	9'-4 5/16"	STUD
D	1	600D-54	6'-11 1/2"	VANITY BACKING
E	1	600T150-54	4'-2 1/2"	GRAB BAR

23-3306

Jewish Home for the Aging

1885 Victory Blvd. Reseda, CA

FrameMax, Inc.
13915 Danielson St
Suite 100
Poway, CA 92064
www.framemax.com



© FrameMax Inc.

CREATED: 11/19/2008

FM-07-109

CREATED BY: TNT

HEIGHT : 9'-4 7/16" POINTS: 0.20 Points.

SPACING : 24"

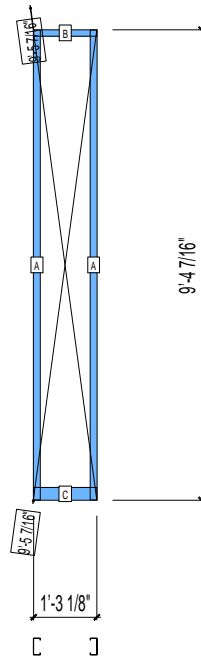
1st STUD: 24"

APPROVED
By TNT at 2:46 pm, Dec 15, 2008

WEIGHTS :

FRAME : 20 lbs

TOTAL: 20 lbs



PIECES LIST

LABEL	QTY	SIZE	LENGTH	USE
A	2	400S162-33	9'-4 5/16"	STUD
B	1	400T150-33	1'-3 1/8"	TOP TRACK
C	1	400T300-33	1'-3 1/8"	BOTTOM TRACK

23-3307

Jewish Home for the Aging

1885 Victory Blvd. Reseda, CA

FrameMax, Inc.
13915 Danielson St
Suite 100
Poway, CA 92064
www.frame-max.com



© FrameMax Inc.

CREATED: 11/19/2008

FM-07-109

CREATED BY: TNT

HEIGHT : 9'-4 7/16" POINTS: 0.19 Points.

SPACING : 24"

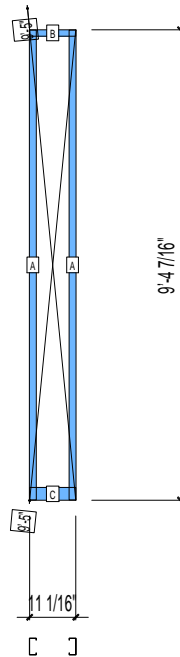
1st STUD: 16"

APPROVED
By TNT at 2:46 pm, Dec 15, 2008

WEIGHTS :

FRAME : 19 lbs

TOTAL: 19 lbs



PIECES LIST

LABEL	QTY	SIZE	LENGTH	USE
A	2	400S162-33	9'-4 5/16"	STUD
B	1	400T150-33	11 1/16"	TOP TRACK
C	1	400T300-33	11 1/16"	BOTTOM TRACK

23-3308

Jewish Home for the Aging

1885 Victory Blvd. Reseda, CA

FM-07-109

CREATED BY: TNT

FrameMax, Inc.
13915 Danielson St
Suite 100
Poway, CA 92064
www.frame-max.com



© FrameMax Inc.

HEIGHT : 9'-4 7/16" POINTS: 0.78 Points.

SPACING : 24"

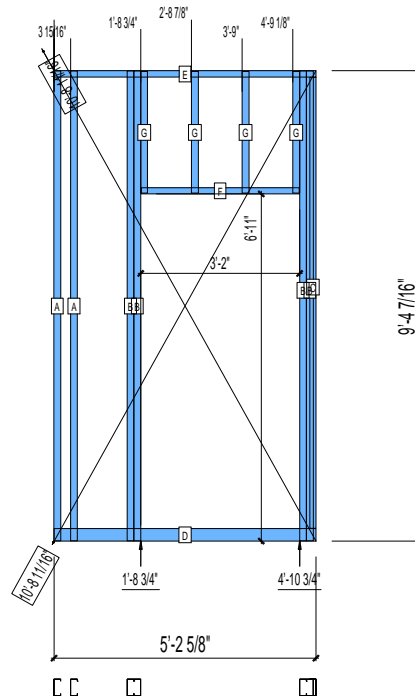
1st STUD: 24"

WEIGHTS :

FRAME : 82 lbs

TOTAL: 82 lbs

APPROVED
By TNT at 2:46 pm, Dec 15, 2008



PIECES LIST

LABEL	QTY	SIZE	LENGTH	USE
A	2	400S162-33	9'-4 5/16"	STUD
B	4	400S162-33	9'-4 5/16"	KING STUD
C	1	400T150-33	8'-11 13/16"	CAP TRACK
D	1	400T300-33	5'-2 5/8"	BOTTOM TRACK
E	1	400T150-33	5'-2 5/8"	TOP TRACK
F	1	400T150-33	3'-1 3/4"	HEAD TRACK
G	4	400S162-33	2'-5 1/16"	CRIPPLE

23-3309

Jewish Home for the Aging

1885 Victory Blvd. Reseda, CA

FrameMax, Inc.
13915 Danielson St
Suite 100
Poway, CA 92064
www.frame-max.com



© FrameMax Inc.

CREATED: 11/19/2008

FM-07-109

CREATED BY: TNT

HEIGHT : 9'-4 7/16" POINTS: 0.33 Points.

SPACING : 24"

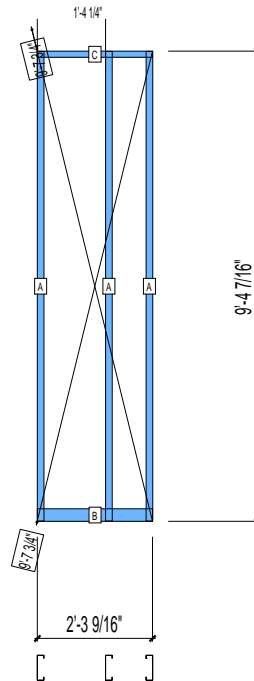
1st STUD: 17 1/8"

APPROVED
By TNT at 2:46 pm, Dec 15, 2008

WEIGHTS :

FRAME : 39 lbs

TOTAL: 39 lbs



PIECES LIST

LABEL	QTY	SIZE	LENGTH	USE
A	3	600S162-33	9'-4 5/16"	STUD
B	1	600T300-33	2'-3 9/16"	BOTTOM TRACK
C	1	600T150-33	2'-3 9/16"	TOP TRACK

23-3310

Jewish Home for the Aging

1885 Victory Blvd. Reseda, CA

FrameMax, Inc.
13915 Danielson St
Suite 100
Poway, CA 92064
www.frame-max.com



© FrameMax Inc.

CREATED: 11/19/2008

FM-07-109

CREATED BY: TNT

HEIGHT : 9'-4 7/16" POINTS: 0.27 Points.

SPACING : 24"

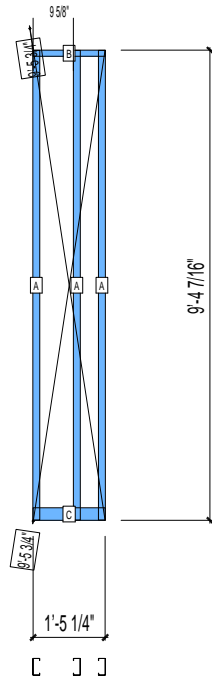
1st STUD: 16"

APPROVED
By TNT at 2:46 pm, Dec 15, 2008

WEIGHTS :

FRAME : 29 lbs

TOTAL: 29 lbs



PIECES LIST

LABEL	QTY	SIZE	LENGTH	USE
A	3	400S162-33	9'-4 5/16"	STUD
B	1	400T150-33	1'-5 1/4"	TOP TRACK
C	1	400T300-33	1'-5 1/4"	BOTTOM TRACK

23-3311

Jewish Home for the Aging

1885 Victory Blvd. Reseda, CA

FrameMax, Inc.
13915 Danielson St
Suite 100
Poway, CA 92064
www.frame-max.com



© FrameMax Inc.

CREATED: 11/19/2008

FM-07-109

CREATED BY: TNT

HEIGHT : 9'-4 7/16" POINTS: 0.36 Points.

SPACING : 24"

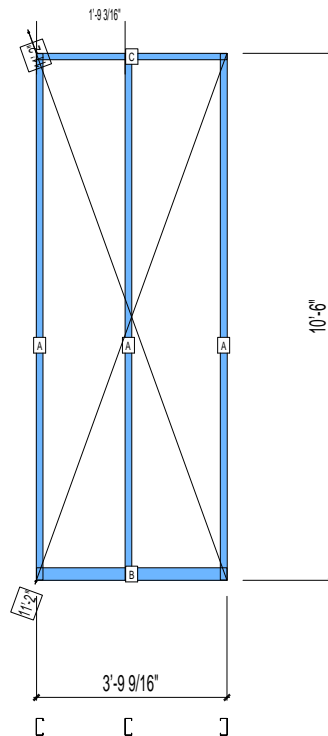
1st STUD: 22"

APPROVED
By TNT at 2:46 pm, Dec 15, 2008

WEIGHTS :

FRAME : 37 lbs

TOTAL: 37 lbs



PIECES LIST

LABEL	QTY	SIZE	LENGTH	USE
A	3	400S162-33	10'-5 7/8"	STUD
B	1	400T300-33	3'-9 9/16"	BOTTOM TRACK
C	1	400T150-33	3'-9 9/16"	TOP TRACK

23-3312

Jewish Home for the Aging

1885 Victory Blvd. Reseda, CA

FrameMax, Inc.
13915 Danielson St
Suite 100
Poway, CA 92064
www.frame-max.com



© FrameMax Inc.

CREATED: 11/19/2008

FM-07-109

CREATED BY: TNT

HEIGHT : 9'-4 7/16" POINTS: 0.33 Points.

SPACING : 24"

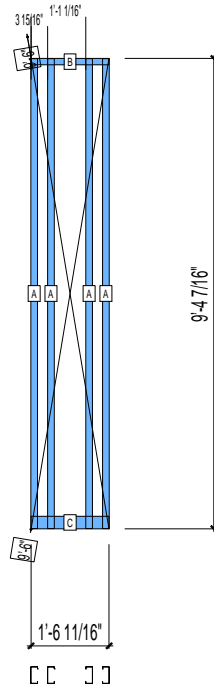
1st STUD: 24"

APPROVED
By TNT at 2:46 pm, Dec 15, 2008

WEIGHTS :

FRAME : 38 lbs

TOTAL: 38 lbs



PIECES LIST

LABEL	QTY	SIZE	LENGTH	USE
A	4	400S162-33	9'-4 5/16"	STUD
B	1	400T150-33	1'-6 11/16"	TOP TRACK
C	1	400T300-33	1'-6 11/16"	BOTTOM TRACK

23-3313

Jewish Home for the Aging

1885 Victory Blvd. Reseda, CA

FrameMax, Inc.
13915 Danielson St
Suite 100
Poway, CA 92064
www.frame-max.com



© FrameMax Inc.

CREATED: 11/19/2008

FM-07-109

CREATED BY: TNT

HEIGHT : 9'-5 3/16" POINTS: 0.56 Points.

SPACING : 24"

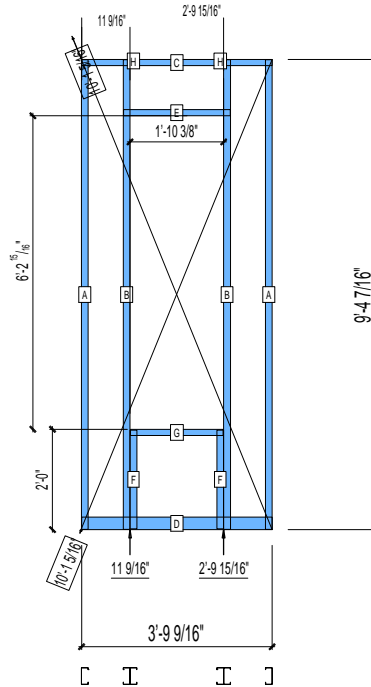
1st STUD: 24"

APPROVED
By TNT at 2:46 pm, Dec 15, 2008

WEIGHTS :

FRAME : 50 lbs

TOTAL: 50 lbs



PIECES LIST

LABEL	QTY	SIZE	LENGTH	USE
A	2	400S162-33	9'-4 5/16"	STUD
B	2	400S162-33	9'-4 5/16"	KING STUD
C	1	400T150-33	3'-9 9/16"	TOP TRACK
D	1	400T300-33	3'-9 9/16"	BOTTOM TRACK
E	1	400T150-33	2'-1 1/2"	CAP TRACK
F	2	400S162-33	1'-11 5/8"	CRIPPLE
G	1	400T150-33	1'-10 1/8"	SILL
H	2	400S162-33	3/8"	CRIPPLE

23-3314

Jewish Home for the Aging

1885 Victory Blvd. Reseda, CA

FrameMax, Inc.
13915 Danielson St
Suite 100
Poway, CA 92064
www.frame-max.com



© FrameMax Inc.

CREATED: 11/19/2008

FM-07-109

CREATED BY: TNT

HEIGHT : 9'-4 7/16" POINTS: 0.27 Points.

SPACING : 24"

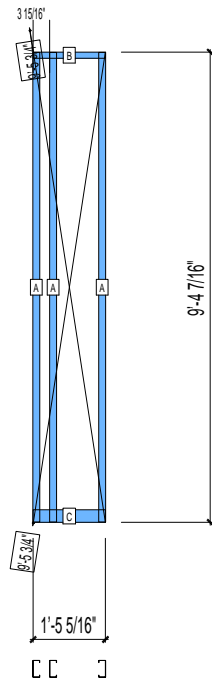
1st STUD: 24"

APPROVED
By TNT at 2:46 pm, Dec 15, 2008

WEIGHTS :

FRAME : 29 lbs

TOTAL: 29 lbs



PIECES LIST

LABEL	QTY	SIZE	LENGTH	USE
A	3	400S162-33	9'-4 5/16"	STUD
B	1	400T150-33	1'-5 5/16"	TOP TRACK
C	1	400T300-33	1'-5 5/16"	BOTTOM TRACK

23-3315

Jewish Home for the Aging

1885 Victory Blvd. Reseda, CA

FrameMax, Inc.
13915 Danielson St
Suite 100
Poway, CA 92064
www.frame-max.com



© FrameMax Inc.

CREATED: 11/19/2008

FM-07-109

CREATED BY: TNT

HEIGHT : 9'-4 7/16" POINTS: 0.90 Points.

SPACING : 24"

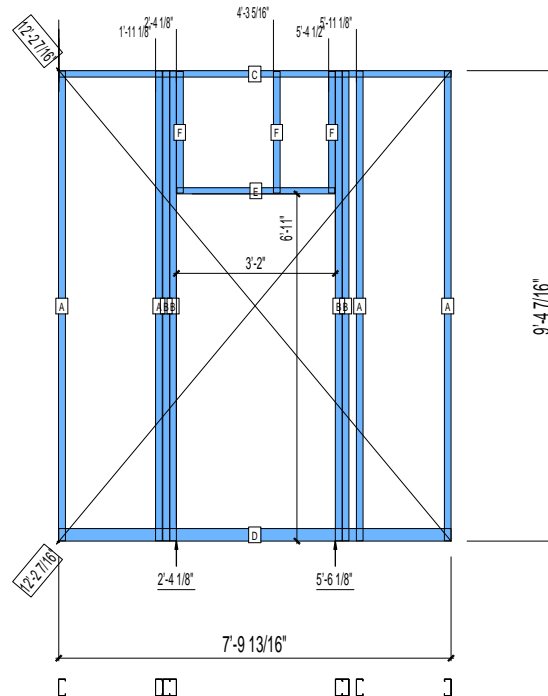
1st STUD: 24"

APPROVED
By TNT at 2:46 pm, Dec 15, 2008

WEIGHTS :

FRAME : 95 lbs

TOTAL: 95 lbs



PIECES LIST

LABEL	QTY	SIZE	LENGTH	USE
A	4	400S162-33	9'-4 5/16"	STUD
B	4	400S162-33	9'-4 5/16"	KING STUD
C	1	400T150-33	7'-9 13/16"	TOP TRACK
D	1	400T300-33	7'-9 13/16"	BOTTOM TRACK
E	1	400T150-33	3'-1 3/4"	HEAD TRACK
F	3	400S162-33	2'-5 1/16"	CRIPPLE

23-3316

Jewish Home for the Aging

1885 Victory Blvd. Reseda, CA

FrameMax, Inc.
13915 Danielson St
Suite 100
Poway, CA 92064
www.frame-max.com



© FrameMax Inc.

CREATED: 11/19/2008

FM-07-109

CREATED BY: TNT

HEIGHT : 9'-4 7/16" POINTS: 0.19 Points.

SPACING : 24"

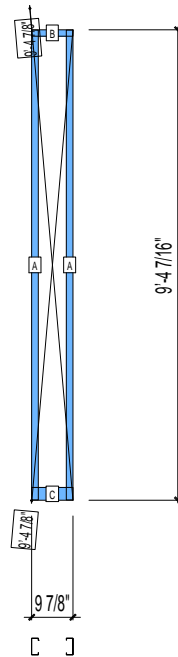
1st STUD: 24"

APPROVED
By TNT at 2:46 pm, Dec 15, 2008

WEIGHTS :

FRAME : 19 lbs

TOTAL: 19 lbs



PIECES LIST

LABEL	QTY	SIZE	LENGTH	USE
A	2	400S162-33	9'-4 5/16"	STUD
B	1	400T150-33	9 7/8"	TOP TRACK
C	1	400T300-33	9 7/8"	BOTTOM TRACK

23-3317

Jewish Home for the Aging

1885 Victory Blvd. Reseda, CA

FrameMax, Inc.
13915 Danielson St
Suite 100
Poway, CA 92064
www.frame-max.com



© FrameMax Inc.

CREATED: 11/19/2008

FM-07-109

CREATED BY: TNT

HEIGHT : 9'-4 7/16" POINTS: 0.84 Points.

SPACING : 24"

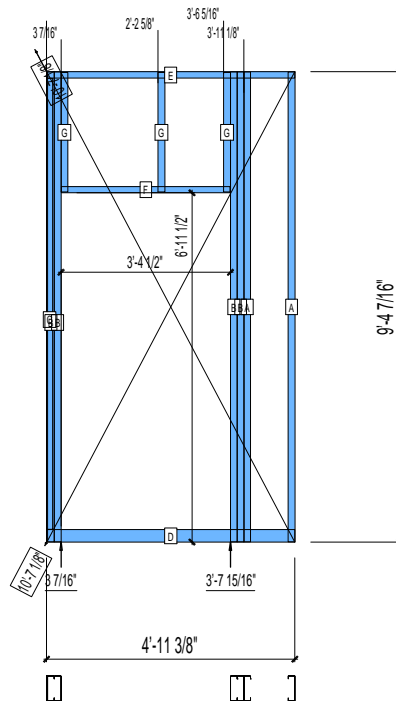
1st STUD: 24"

APPROVED
By TNT at 2:46 pm, Dec 15, 2008

WEIGHTS :

FRAME : 100 lbs

TOTAL: 100 lbs



PIECES LIST

LABEL	QTY	SIZE	LENGTH	USE
A	2	600S162-33	9'-4 5/16"	STUD
B	4	600S162-33	9'-4 5/16"	KING STUD
C	1	600T150-33	8'-11 13/16"	CAP TRACK
D	1	600T300-33	4'-11 3/8"	BOTTOM TRACK
E	1	600T150-33	4'-11 3/8"	TOP TRACK
F	1	600T150-33	3'-4 1/4"	HEAD TRACK
G	3	600S162-33	2'-4 9/16"	CRIPPLE

23-3318

Jewish Home for the Aging

1885 Victory Blvd. Reseda, CA

FM-07-109

CREATED BY: TNT

FrameMax, Inc.
13915 Danielson St
Suite 100
Poway, CA 92064
www.frame-max.com

FRAME MAX

© FrameMax Inc.

HEIGHT : 9'-4 7/16" POINTS: 0.36 Points.

SPACING : 24"

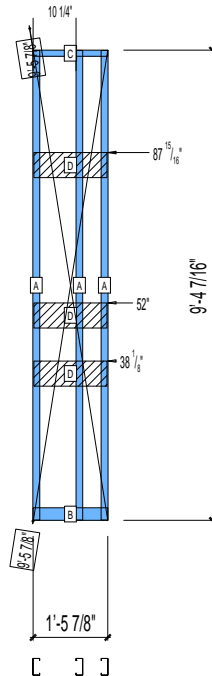
1st STUD: 16"

APPROVED
By TNT at 2:46 pm, Dec 15, 2008

WEIGHTS :

FRAME : 34 lbs

TOTAL: 34 lbs



PIECES LIST

LABEL	QTY	SIZE	LENGTH	USE
A	3	400S162-33	9'-4 5/16"	STUD
B	1	400T300-33	1'-5 7/8"	BOTTOM TRACK
C	1	400T150-33	1'-5 7/8"	TOP TRACK
D	3	600D-54	1'-5 7/16"	KITCHEN BACKING

23-3319

Jewish Home for the Aging

1885 Victory Blvd. Reseda, CA

FrameMax, Inc.
13915 Danielson St
Suite 100
Poway, CA 92064
www.frame-max.com



© FrameMax Inc.

CREATED: 11/19/2008

FM-07-109

CREATED BY: TNT

HEIGHT : 9'-4 7/16" POINTS: 0.29 Points.

SPACING : 24"

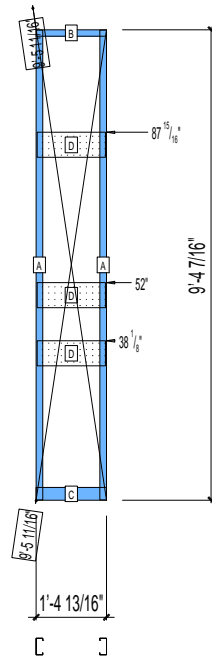
1st STUD: 16"

APPROVED
By TNT at 2:46 pm, Dec 15, 2008

WEIGHTS :

FRAME : 25 lbs

TOTAL: 25 lbs



PIECES LIST

LABEL	QTY	SIZE	LENGTH	USE
A	2	400S162-33	9'-4 5/16"	STUD
B	1	400T150-33	1'-4 13/16"	TOP TRACK
C	1	400T300-33	1'-4 13/16"	BOTTOM TRACK
D	3	600D-54	1'-4 3/8"	KITCHEN BACKING

23-3320

Jewish Home for the Aging

1885 Victory Blvd. Reseda, CA

FrameMax, Inc.
13915 Danielson St
Suite 100
Poway, CA 92064
www.frame-max.com



© FrameMax Inc.

CREATED: 11/19/2008

FM-07-109

CREATED BY: TNT

HEIGHT : 9'-4 7/16" POINTS: 0.37 Points.

SPACING : 24"

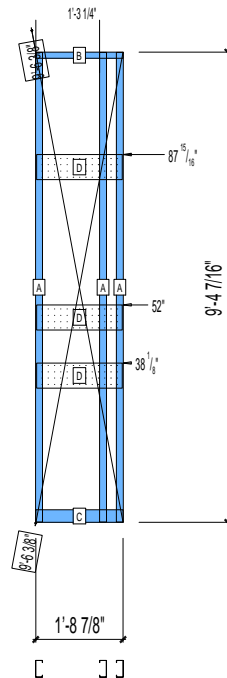
1st STUD: 24"

APPROVED
By TNT at 2:46 pm, Dec 15, 2008

WEIGHTS :

FRAME : 36 lbs

TOTAL: 36 lbs



PIECES LIST

LABEL	QTY	SIZE	LENGTH	USE
A	3	400S162-33	9'-4 5/16"	STUD
B	1	400T150-33	1'-8 7/8"	TOP TRACK
C	1	400T300-33	1'-8 7/8"	BOTTOM TRACK
D	3	600D-54	1'-8 7/16"	KITCHEN BACKING

23-3321

Jewish Home for the Aging

1885 Victory Blvd. Reseda, CA

FrameMax, Inc.
13915 Danielson St
Suite 100
Poway, CA 92064
www.frame-max.com



© FrameMax Inc.

CREATED: 11/19/2008

FM-07-109

CREATED BY: TNT

HEIGHT : 2'-9 1/2" POINTS: 0.22 Points.

SPACING : 24"

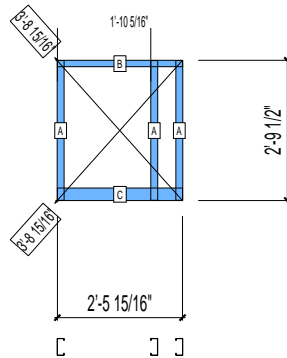
1st STUD: 24"

APPROVED
By TNT at 2:46 pm, Dec 15, 2008

WEIGHTS :

FRAME : 13 lbs

TOTAL: 13 lbs



PIECES LIST

LABEL	QTY	SIZE	LENGTH	USE
A	3	400S162-33	2'-9 3/8"	STUD
B	1	400T150-33	2'-5 15/16"	TOP TRACK
C	1	400T300-33	2'-5 15/16"	BOTTOM TRACK

23-3322

Jewish Home for the Aging

1885 Victory Blvd. Reseda, CA

FrameMax, Inc.
13915 Danielson St
Suite 100
Poway, CA 92064
www.frame-max.com



© FrameMax Inc.

CREATED: 11/19/2008

FM-07-109

CREATED BY: TNT

HEIGHT : 2'-9 1/2" POINTS: 0.53 Points.

SPACING : 24"

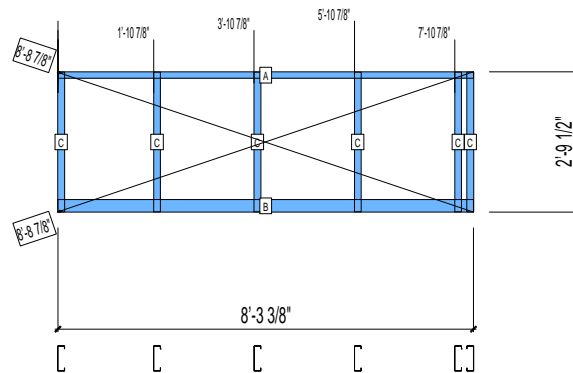
1st STUD: 23 3/4"

APPROVED
By TNT at 2:46 pm, Dec 15, 2008

WEIGHTS :

FRAME : 40 lbs

TOTAL: 40 lbs



PIECES LIST

LABEL	QTY	SIZE	LENGTH	USE
A	1	600T150-33	8'-3 3/8"	TOP TRACK
B	1	600T300-33	8'-3 3/8"	BOTTOM TRACK
C	6	600S162-33	2'-9 3/8"	STUD

23-3323

Jewish Home for the Aging

1885 Victory Blvd. Reseda, CA

FrameMax, Inc.
13915 Danielson St
Suite 100
Poway, CA 92064
www.frame-max.com



© FrameMax Inc.

CREATED: 11/19/2008

FM-07-109

CREATED BY: TNT

HEIGHT : 9'-4 7/16" POINTS: 0.31 Points.

SPACING : 24"

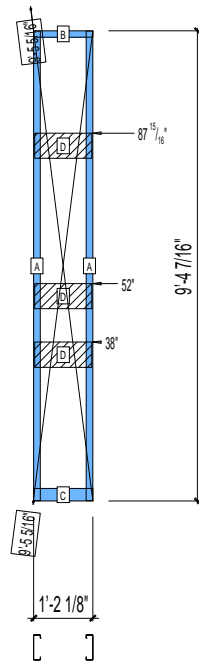
1st STUD: 24"

APPROVED
By TNT at 2:46 pm, Dec 15, 2008

WEIGHTS :

FRAME : 29 lbs

TOTAL: 29 lbs



PIECES LIST

LABEL	QTY	SIZE	LENGTH	USE
A	2	600S162-33	9'-4 5/16"	STUD
B	1	600T150-33	1'-2 1/8"	TOP TRACK
C	1	600T300-33	1'-2 1/8"	BOTTOM TRACK
D	3	600D-54	1'-1 11/16"	KITCHEN BACKING

23-3324

Jewish Home for the Aging

1885 Victory Blvd. Reseda, CA

FrameMax, Inc.
13915 Danielson St
Suite 100
Poway, CA 92064
www.frame-max.com



© FrameMax Inc.

CREATED: 11/19/2008

FM-07-109

CREATED BY: TNT

HEIGHT : 9'-5 3/16" POINTS: 0.59 Points.

SPACING : 24"

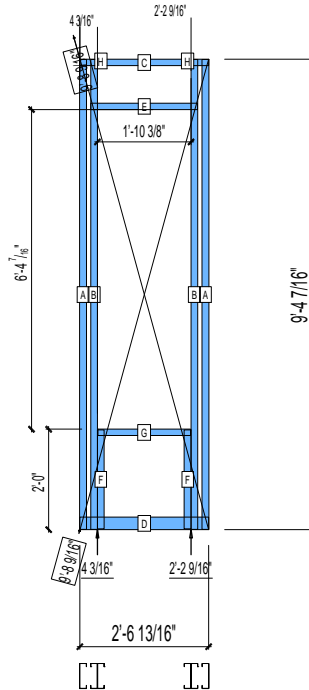
1st STUD: 24"

APPROVED
By TNT at 2:46 pm, Dec 15, 2008

WEIGHTS :

FRAME : 61 lbs

TOTAL: 61 lbs



PIECES LIST

LABEL	QTY	SIZE	LENGTH	USE
A	2	600S162-33	9'-4 5/16"	STUD
B	2	600S162-33	9'-4 5/16"	KING STUD
C	1	600T150-33	2'-6 13/16"	TOP TRACK
D	1	600T300-33	2'-6 13/16"	BOTTOM TRACK
E	1	600T150-54	2'-1 1/2"	CAP TRACK
F	2	600S162-33	1'-11 5/8"	CRIPPLE
G	1	600T150-33	1'-10 1/8"	SILL
H	2	600S162-33	3/8"	CRIPPLE

23-3325

Jewish Home for the Aging

1885 Victory Blvd. Reseda, CA

FrameMax, Inc.
13915 Danielson St
Suite 100
Poway, CA 92064
www.framemax.com



© FrameMax Inc.

CREATED: 11/19/2008

FM-07-109

CREATED BY: TNT

HEIGHT : 9'-4 7/16" POINTS: 0.27 Points.

SPACING : 24"

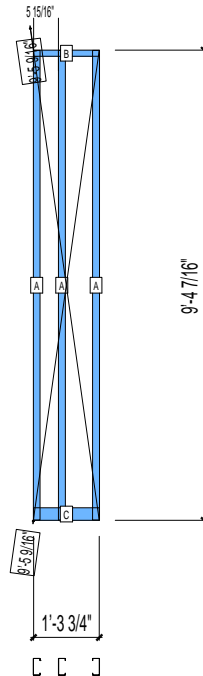
1st STUD: 24"

APPROVED
By TNT at 2:46 pm, Dec 15, 2008

WEIGHTS :

FRAME : 29 lbs

TOTAL: 29 lbs



PIECES LIST

LABEL	QTY	SIZE	LENGTH	USE
A	3	400S162-33	9'-4 5/16"	STUD
B	1	400T150-33	1'-3 3/4"	TOP TRACK
C	1	400T300-33	1'-3 3/4"	BOTTOM TRACK

23-3326

Jewish Home for the Aging

1885 Victory Blvd. Reseda, CA

FM-07-109

CREATED BY: TNT

FrameMax, Inc.
13915 Danielson St
Suite 100
Poway, CA 92064
www.frame-max.com



© FrameMax Inc.

HEIGHT : 9'-4 7/16" POINTS: 1.12 Points.

SPACING : 24"

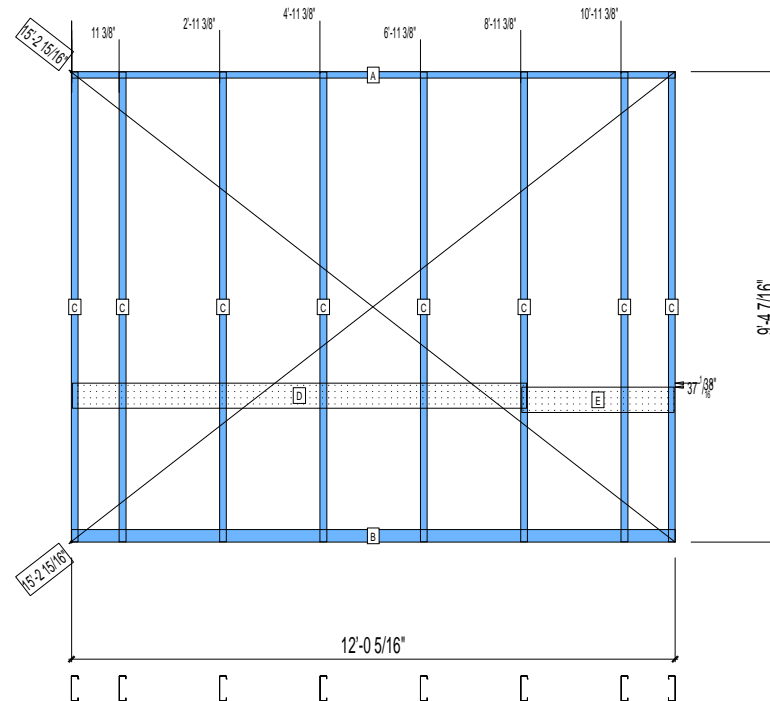
1st STUD: 12 1/4"

APPROVED
By TNT at 2:46 pm, Dec 15, 2008

WEIGHTS :

FRAME : 134 lbs

TOTAL: 134 lbs



PIECES LIST

LABEL	QTY	SIZE	LENGTH	USE
A	1	600T150-33	12'-0 5/16"	TOP TRACK
B	1	600T300-33	12'-0 5/16"	BOTTOM TRACK
C	8	600S162-33	9'-4 5/16"	STUD
D	1	600D-54	9'-0 9/16"	VANITY BACKING
E	1	600T150-54	3'-0 7/16"	GRAB BAR

23-3327

Jewish Home for the Aging

1885 Victory Blvd. Reseda, CA

FrameMax, Inc.
13915 Danielson St
Suite 100
Poway, CA 92064
www.frame-max.com



© FrameMax Inc.

CREATED: 11/19/2008

FM-07-109

CREATED BY: TNT

HEIGHT : 9'-4 7/16" POINTS: 0.58 Points.

SPACING : 24"

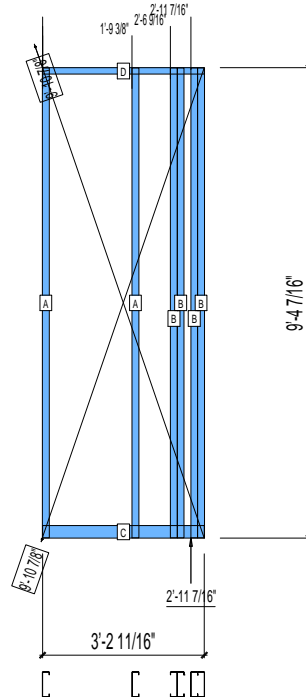
1st STUD: 22 1/4"

APPROVED
By TNT at 2:46 pm, Dec 15, 2008

WEIGHTS :

FRAME : 74 lbs

TOTAL: 74 lbs



PIECES LIST

LABEL	QTY	SIZE	LENGTH	USE
A	2	600S162-33	9'-4 5/16"	STUD
B	4	600S162-33	9'-4 5/16"	EXTRA STUD
C	1	600T300-33	3'-2 11/16"	BOTTOM TRACK
D	1	600T150-33	3'-2 11/16"	TOP TRACK

23-3328

Jewish Home for the Aging

1885 Victory Blvd. Reseda, CA

FM-07-109

CREATED BY: TNT

FrameMax, Inc.
13915 Danielson St
Suite 100
Poway, CA 92064
www.frame-max.com



© FrameMax Inc.

HEIGHT : 9'-4 7/16" POINTS: 0.72 Points.

SPACING : 24"

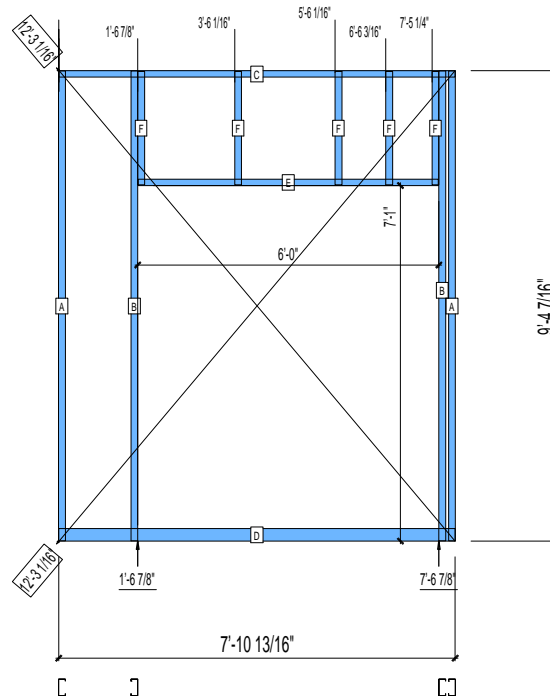
1st STUD: 22 3/16"

WEIGHTS :

FRAME : 66 lbs

TOTAL: 66 lbs

APPROVED
By TNT at 2:46 pm, Dec 15, 2008



PIECES LIST

LABEL	QTY	SIZE	LENGTH	USE
A	2	400S162-33	9'-4 5/16"	STUD
B	2	400S162-33	9'-4 5/16"	KING STUD
C	1	400T150-33	7'-10 13/16"	TOP TRACK
D	1	400T300-33	7'-10 13/16"	BOTTOM TRACK
E	1	400T150-33	5'-11 3/4"	HEAD TRACK
F	5	400S162-33	2'-3 1/16"	CRIPPLE

23-3329

Jewish Home for the Aging

1885 Victory Blvd. Reseda, CA

FrameMax, Inc.
13915 Danielson St
Suite 100
Poway, CA 92064
www.frame-max.com



© FrameMax Inc.

CREATED: 11/19/2008

FM-07-109

CREATED BY: TNT

HEIGHT : 9'-4 7/16" POINTS: 0.82 Points.

SPACING : 24"

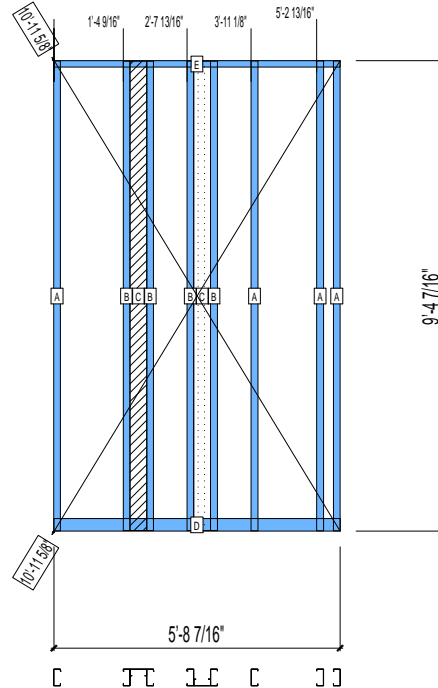
1st STUD: 24"

APPROVED
By TNT at 2:46 pm, Dec 15, 2008

WEIGHTS :

FRAME : 98 lbs

TOTAL: 98 lbs



PIECES LIST

LABEL	QTY	SIZE	LENGTH	USE
A	4	400S162-33	9'-4 5/16"	STUD
B	4	400S162-33	9'-4 3/16"	BACKER STUD
C	2	400S162-33	9'-4 3/16"	BACKER-U
D	1	400T300-33	5'-8 7/16"	BOTTOM TRACK
E	1	400T150-33	5'-8 7/16"	TOP TRACK

23-3330

Jewish Home for the Aging

1885 Victory Blvd. Reseda, CA

FrameMax, Inc.
13915 Danielson St
Suite 100
Poway, CA 92064
www.frame-max.com



© FrameMax Inc.

CREATED: 11/19/2008

FM-07-109

CREATED BY: TNT

HEIGHT : 9'-4 7/16" POINTS: 0.30 Points.

SPACING : 24"

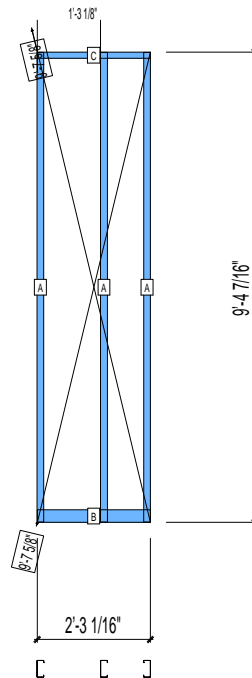
1st STUD: 16"

APPROVED
By TNT at 2:46 pm, Dec 15, 2008

WEIGHTS :

FRAME : 31 lbs

TOTAL: 31 lbs



PIECES LIST

LABEL	QTY	SIZE	LENGTH	USE
A	3	400S162-33	9'-4 5/16"	STUD
B	1	400T300-33	2'-3 1/16"	BOTTOM TRACK
C	1	400T150-33	2'-3 1/16"	TOP TRACK

23-3331

Jewish Home for the Aging

1885 Victory Blvd. Reseda, CA

FrameMax, Inc.
13915 Danielson St
Suite 100
Poway, CA 92064
www.frame-max.com



© FrameMax Inc.

CREATED: 11/19/2008

FM-07-109

CREATED BY: TNT

HEIGHT : 9'-4 7/16" POINTS: 0.34 Points.

SPACING : 24"

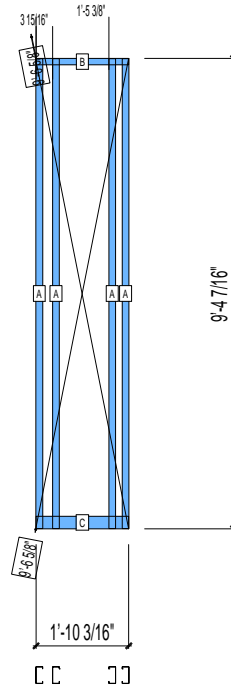
1st STUD: 24"

APPROVED
By TNT at 2:46 pm, Dec 15, 2008

WEIGHTS :

FRAME : 39 lbs

TOTAL: 39 lbs



PIECES LIST

LABEL	QTY	SIZE	LENGTH	USE
A	4	400S162-33	9'-4 5/16"	STUD
B	1	400T150-33	1'-10 3/16"	TOP TRACK
C	1	400T300-33	1'-10 3/16"	BOTTOM TRACK

23-3332

Jewish Home for the Aging

1885 Victory Blvd. Reseda, CA

FrameMax, Inc.
13915 Danielson St
Suite 100
Poway, CA 92064
www.frame-max.com



© FrameMax Inc.

CREATED: 11/19/2008

FM-07-109

CREATED BY: TNT

HEIGHT : 9'-4 7/16" POINTS: 0.35 Points.

SPACING : 24"

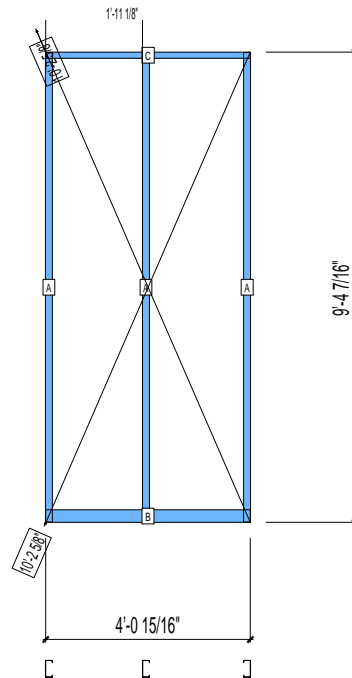
1st STUD: 24"

APPROVED
By TNT at 2:46 pm, Dec 15, 2008

WEIGHTS :

FRAME : 34 lbs

TOTAL: 34 lbs



PIECES LIST

LABEL	QTY	SIZE	LENGTH	USE
A	3	400S162-33	9'-4 5/16"	STUD
B	1	400T300-33	4'-0 15/16"	BOTTOM TRACK
C	1	400T150-33	4'-0 15/16"	TOP TRACK

23-3333

Jewish Home for the Aging

1885 Victory Blvd. Reseda, CA

FM-07-109

CREATED BY: TNT

FrameMax, Inc.
13915 Danielson St
Suite 100
Poway, CA 92064
www.frame-max.com



© FrameMax Inc.

HEIGHT : 9'-4 7/16" POINTS: 0.86 Points.

SPACING : 24"

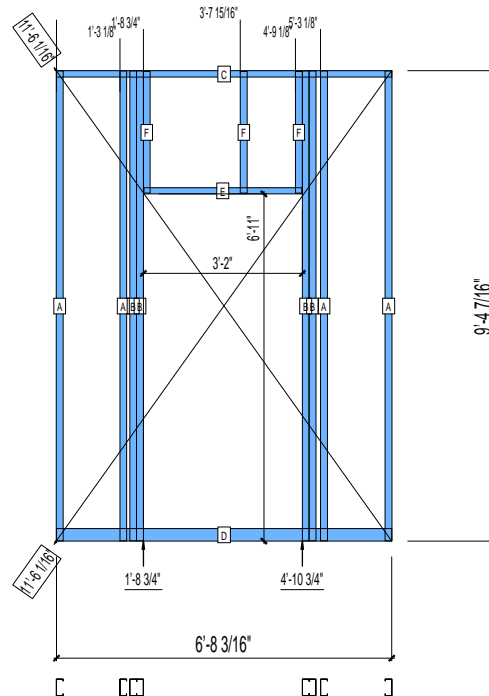
1st STUD: 16"

APPROVED
By TNT at 2:46 pm, Dec 15, 2008

WEIGHTS :

FRAME : 92 lbs

TOTAL: 92 lbs



PIECES LIST

LABEL	QTY	SIZE	LENGTH	USE
A	4	400S162-33	9'-4 5/16"	STUD
B	4	400S162-33	9'-4 5/16"	KING STUD
C	1	400T150-33	6'-8 3/16"	TOP TRACK
D	1	400T300-33	6'-8 3/16"	BOTTOM TRACK
E	1	400T150-33	3'-1 3/4"	HEAD TRACK
F	3	400S162-33	2'-5 1/16"	CRIPPLE

23-3334

Jewish Home for the Aging

1885 Victory Blvd. Reseda, CA

FrameMax, Inc.
13915 Danielson St
Suite 100
Poway, CA 92064
www.frame-max.com



© FrameMax Inc.

CREATED: 11/19/2008

FM-07-109

CREATED BY: TNT

HEIGHT : 9'-4 7/16" POINTS: 0.32 Points.

SPACING : 24"

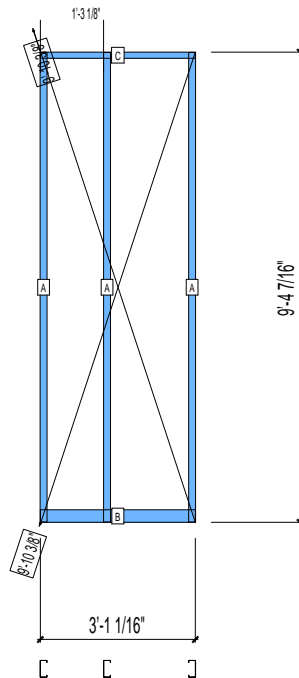
1st STUD: 16"

APPROVED
By TNT at 2:46 pm, Dec 15, 2008

WEIGHTS :

FRAME : 32 lbs

TOTAL: 32 lbs



PIECES LIST

LABEL	QTY	SIZE	LENGTH	USE
A	3	400S162-33	9'-4 5/16"	STUD
B	1	400T300-33	3'-1 1/16"	BOTTOM TRACK
C	1	400T150-33	3'-1 1/16"	TOP TRACK

23-3335

Jewish Home for the Aging

1885 Victory Blvd. Reseda, CA

FrameMax, Inc.
13915 Danielson St
Suite 100
Poway, CA 92064
www.frame-max.com



© FrameMax Inc.

CREATED: 11/19/2008

FM-07-109

CREATED BY: TNT

HEIGHT : 9'-4 7/16" POINTS: 0.27 Points.

SPACING : 24"

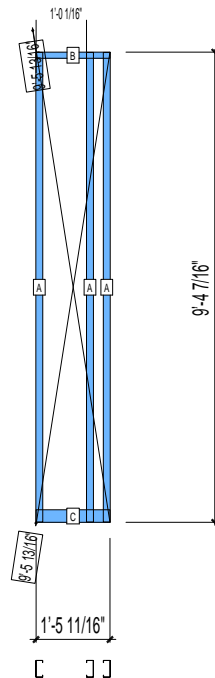
1st STUD: 24"

APPROVED
By TNT at 2:46 pm, Dec 15, 2008

WEIGHTS :

FRAME : 29 lbs

TOTAL: 29 lbs



PIECES LIST

LABEL	QTY	SIZE	LENGTH	USE
A	3	400S162-33	9'-4 5/16"	STUD
B	1	400T150-33	1'-5 11/16"	TOP TRACK
C	1	400T300-33	1'-5 11/16"	BOTTOM TRACK

23-3351

Jewish Home for the Aging

1885 Victory Blvd. Reseda, CA

FM-07-109

CREATED BY: TNT

FrameMax, Inc.
13915 Danielson St
Suite 100
Poway, CA 92064
www.frame-max.com



© FrameMax Inc.

HEIGHT : 9'-4 7/16" POINTS: 1.08 Points.

SPACING : 24"

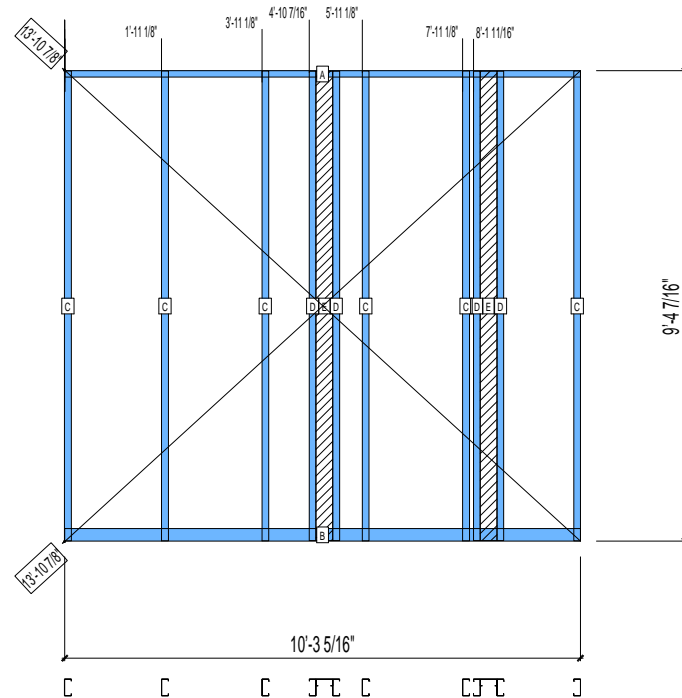
1st STUD: 24"

APPROVED
By TNT at 2:46 pm, Dec 15, 2008

WEIGHTS :

FRAME : 125 lbs

TOTAL: 125 lbs



PIECES LIST

LABEL	QTY	SIZE	LENGTH	USE
A	1	400T150-33	10'-3 5/16"	TOP TRACK
B	1	400T300-33	10'-3 5/16"	BOTTOM TRACK
C	6	400S162-33	9'-4 5/16"	STUD
D	4	400S162-33	9'-4 3/16"	BACKER STUD
E	2	400S162-33	9'-4 3/16"	BACKER-U

23-3352

Jewish Home for the Aging

1885 Victory Blvd. Reseda, CA

FrameMax, Inc.
13915 Danielson St
Suite 100
Poway, CA 92064
www.frame-max.com



© FrameMax Inc.

CREATED: 11/19/2008

FM-07-109

CREATED BY: TNT

HEIGHT : 9'-4 7/16" POINTS: 0.30 Points.

SPACING : 24"

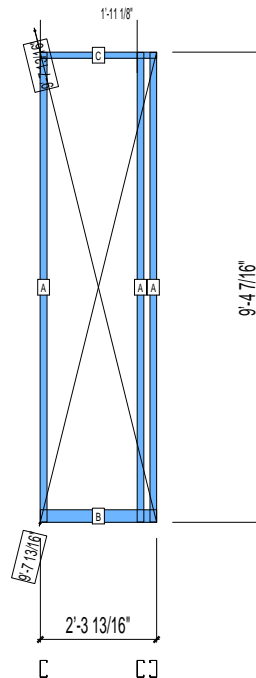
1st STUD: 24"

APPROVED
By TNT at 2:46 pm, Dec 15, 2008

WEIGHTS :

FRAME : 31 lbs

TOTAL: 31 lbs



PIECES LIST

LABEL	QTY	SIZE	LENGTH	USE
A	3	400S162-33	9'-4 5/16"	STUD
B	1	400T300-33	2'-3 13/16"	BOTTOM TRACK
C	1	400T150-33	2'-3 13/16"	TOP TRACK

23-3353

Jewish Home for the Aging

1885 Victory Blvd. Reseda, CA

FrameMax, Inc.
13915 Danielson St
Suite 100
Poway, CA 92064
www.frame-max.com



© FrameMax Inc.

CREATED: 11/19/2008

FM-07-109

CREATED BY: TNT

HEIGHT : 9'-4 7/16" POINTS: 0.51 Points.

SPACING : 24"

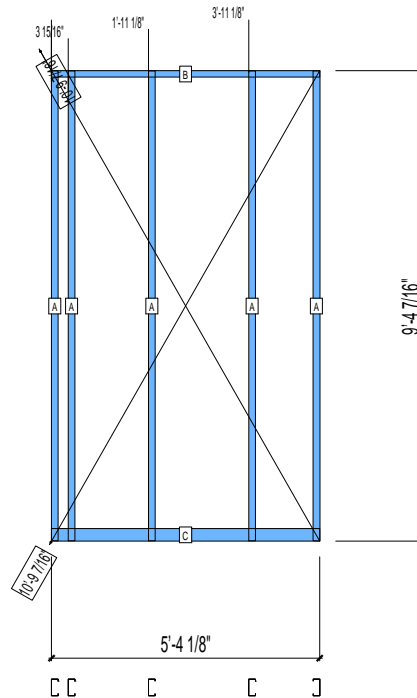
1st STUD: 24"

APPROVED
By TNT at 2:46 pm, Dec 15, 2008

WEIGHTS :

FRAME : 54 lbs

TOTAL: 54 lbs



PIECES LIST

LABEL	QTY	SIZE	LENGTH	USE
A	5	400S162-33	9'-4 5/16"	STUD
B	1	400T150-33	5'-4 1/8"	TOP TRACK
C	1	400T300-33	5'-4 1/8"	BOTTOM TRACK

23-3354

Jewish Home for the Aging

1885 Victory Blvd. Reseda, CA

FM-07-109

CREATED BY: TNT

FrameMax, Inc.
13915 Danielson St
Suite 100
Poway, CA 92064
www.framemax.com



© FrameMax Inc.

HEIGHT : 9'-4 7/16" POINTS: 0.50 Points.

SPACING : 24"

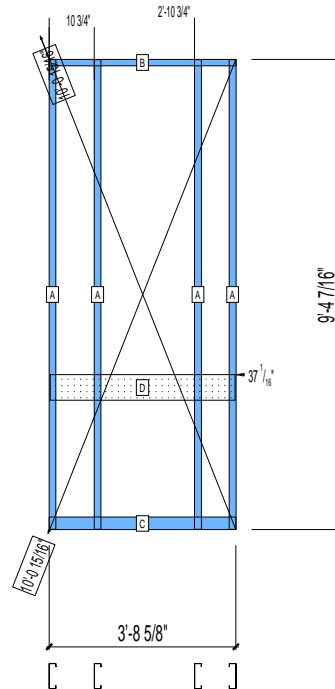
1st STUD: 11 5/8"

WEIGHTS :

FRAME : 59 lbs

TOTAL: 59 lbs

APPROVED
By TNT at 2:46 pm, Dec 15, 2008



PIECES LIST

LABEL	QTY	SIZE	LENGTH	USE
A	4	600S162-33	9'-4 5/16"	STUD
B	1	600T150-33	3'-8 5/8"	TOP TRACK
C	1	600T300-33	3'-8 5/8"	BOTTOM TRACK
D	1	600T150-54	3'-8 3/16"	GRAB BAR

23-3355

Jewish Home for the Aging

1885 Victory Blvd. Reseda, CA

FrameMax, Inc.
13915 Danielson St
Suite 100
Poway, CA 92064
www.frame-max.com



© FrameMax Inc.

CREATED: 11/19/2008

FM-07-109

CREATED BY: TNT

HEIGHT : 9'-4 7/16" POINTS: 0.19 Points.

SPACING : 24"

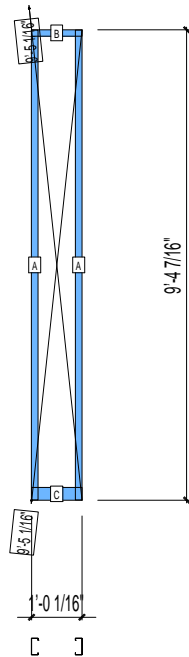
1st STUD: 16"

APPROVED
By TNT at 2:46 pm, Dec 15, 2008

WEIGHTS :

FRAME : 19 lbs

TOTAL: 19 lbs



PIECES LIST

LABEL	QTY	SIZE	LENGTH	USE
A	2	400S162-33	9'-4 5/16"	STUD
B	1	400T150-33	1'-0 1/16"	TOP TRACK
C	1	400T300-33	1'-0 1/16"	BOTTOM TRACK

23-3356

Jewish Home for the Aging

1885 Victory Blvd. Reseda, CA

FrameMax, Inc.
13915 Danielson St
Suite 100
Poway, CA 92064
www.frame-max.com



© FrameMax Inc.

CREATED: 11/19/2008

FM-07-109

CREATED BY: TNT

HEIGHT : 9'-4 7/16" POINTS: 0.29 Points.

SPACING : 24"

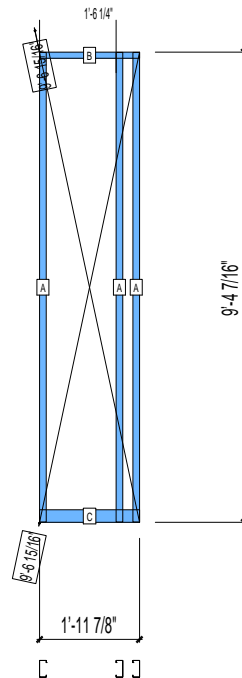
1st STUD: 24"

APPROVED
By TNT at 2:46 pm, Dec 15, 2008

WEIGHTS :

FRAME : 30 lbs

TOTAL: 30 lbs



PIECES LIST

LABEL	QTY	SIZE	LENGTH	USE
A	3	400S162-33	9'-4 5/16"	STUD
B	1	400T150-33	1'-11 7/8"	TOP TRACK
C	1	400T300-33	1'-11 7/8"	BOTTOM TRACK

23-3357

Jewish Home for the Aging

1885 Victory Blvd. Reseda, CA

FM-07-109

CREATED BY: TNT

FrameMax, Inc.
13915 Danielson St
Suite 100
Poway, CA 92064
www.frame-max.com



© FrameMax Inc.

HEIGHT : 9'-4 7/16" POINTS: 0.61 Points.

SPACING : 24"

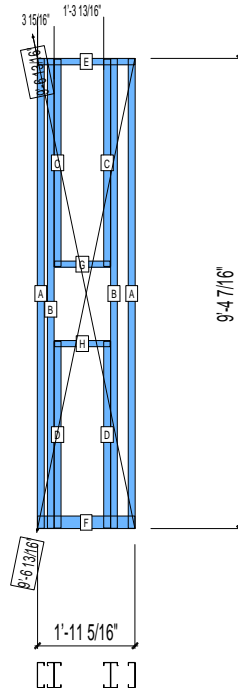
1st STUD: 24"

WEIGHTS :

FRAME : 69 lbs

TOTAL: 69 lbs

APPROVED
By TNT at 2:46 pm, Dec 15, 2008



PIECES LIST

LABEL	QTY	SIZE	LENGTH	USE
A	2	600S162-33	9'-4 5/16"	STUD
B	2	600S162-33	9'-4 5/16"	KING STUD
C	2	600S162-33	4'-1 9/16"	CRIPPLE
D	2	600S162-33	3'-8 5/8"	CRIPPLE
E	1	600T150-33	1'-11 5/16"	TOP TRACK
F	1	600T300-33	1'-11 5/16"	BOTTOM TRACK
G	1	600T150-33	1'-1 1/4"	HEAD TRACK
H	1	600T150-33	1'-1 1/4"	SILL

23-3358

Jewish Home for the Aging

1885 Victory Blvd. Reseda, CA

FrameMax, Inc.
13915 Danielson St
Suite 100
Poway, CA 92064
www.frame-max.com



© FrameMax Inc.

CREATED: 11/19/2008

FM-07-109

CREATED BY: TNT

HEIGHT : 9'-4 7/16" POINTS: 0.42 Points.

SPACING : 24"

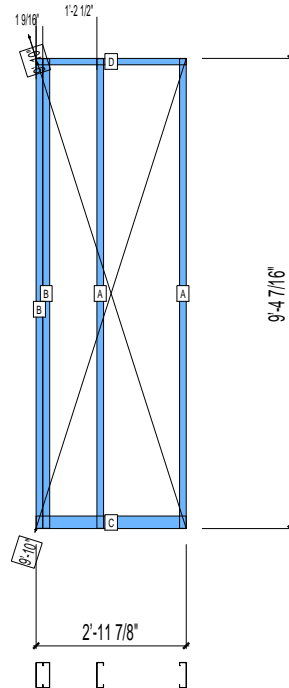
1st STUD: 15 3/8"

APPROVED
By TNT at 2:46 pm, Dec 15, 2008

WEIGHTS :

FRAME : 51 lbs

TOTAL: 51 lbs



PIECES LIST

LABEL	QTY	SIZE	LENGTH	USE
A	2	600S162-33	9'-4 5/16"	STUD
B	2	600S162-33	9'-4 5/16"	EXTRA STUD
C	1	600T300-33	2'-11 7/8"	BOTTOM TRACK
D	1	600T150-33	2'-11 7/8"	TOP TRACK

23-3359

Jewish Home for the Aging

1885 Victory Blvd. Reseda, CA

FrameMax, Inc.
13915 Danielson St
Suite 100
Poway, CA 92064
www.frame-max.com



© FrameMax Inc.

CREATED: 11/19/2008

FM-07-109

CREATED BY: TNT

HEIGHT : 9'-4 7/16" POINTS: 0.36 Points.

SPACING : 24"

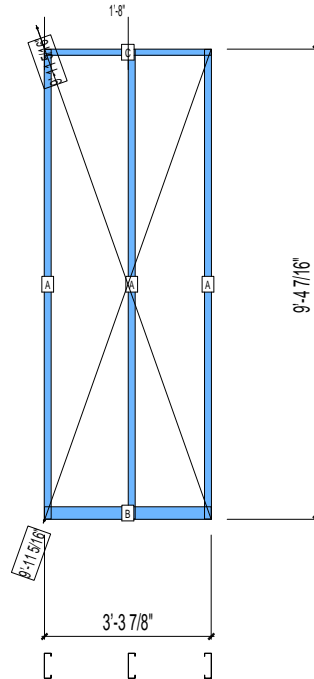
1st STUD: 20 7/8"

APPROVED
By TNT at 2:46 pm, Dec 15, 2008

WEIGHTS :

FRAME : 41 lbs

TOTAL: 41 lbs



PIECES LIST

LABEL	QTY	SIZE	LENGTH	USE
A	3	600S162-33	9'-4 5/16"	STUD
B	1	600T300-33	3'-3 7/8"	BOTTOM TRACK
C	1	600T150-33	3'-3 7/8"	TOP TRACK

23-3360

Jewish Home for the Aging

1885 Victory Blvd. Reseda, CA

FrameMax, Inc.
13915 Danielson St
Suite 100
Poway, CA 92064
www.frame-max.com



© FrameMax Inc.

CREATED: 11/19/2008

FM-07-109

CREATED BY: TNT

HEIGHT : 9'-4 7/16" POINTS: 0.27 Points.

SPACING : 24"

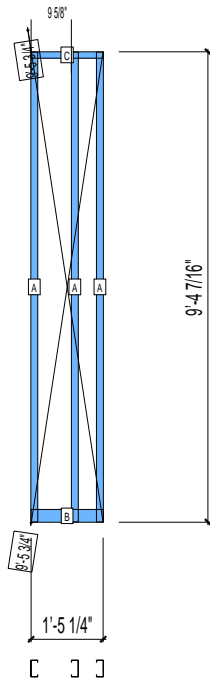
1st STUD: 24"

APPROVED
By TNT at 2:46 pm, Dec 15, 2008

WEIGHTS :

FRAME : 29 lbs

TOTAL: 29 lbs



PIECES LIST

LABEL	QTY	SIZE	LENGTH	USE
A	3	400S162-33	9'-4 5/16"	STUD
B	1	400T300-33	1'-5 1/4"	BOTTOM TRACK
C	1	400T150-33	1'-5 1/4"	TOP TRACK

23-3361

Jewish Home for the Aging

1885 Victory Blvd. Reseda, CA

FrameMax, Inc.
13915 Danielson St
Suite 100
Poway, CA 92064
www.framemax.com



© FrameMax Inc.

CREATED: 11/19/2008

FM-07-109

CREATED BY: TNT

HEIGHT : 9'-4 7/16" POINTS: 0.22 Points.

SPACING : 24"

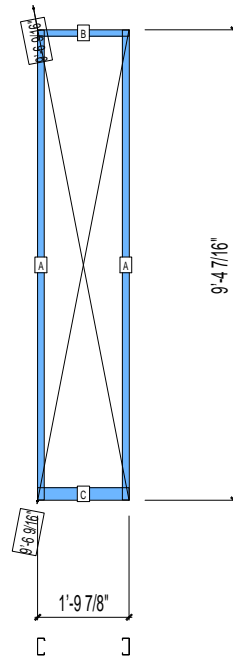
1st STUD: 24"

APPROVED
By TNT at 2:46 pm, Dec 15, 2008

WEIGHTS :

FRAME : 21 lbs

TOTAL: 21 lbs



PIECES LIST

LABEL	QTY	SIZE	LENGTH	USE
A	2	400S162-33	9'-4 5/16"	STUD
B	1	400T150-33	1'-9 7/8"	TOP TRACK
C	1	400T300-33	1'-9 7/8"	BOTTOM TRACK

23-3362

Jewish Home for the Aging

1885 Victory Blvd. Reseda, CA

FM-07-109

CREATED BY: TNT

FrameMax, Inc.
13915 Danielson St
Suite 100
Poway, CA 92064
www.framemax.com



© FrameMax Inc.

HEIGHT : 9'-4 7/16" POINTS: 0.77 Points.

SPACING : 24"

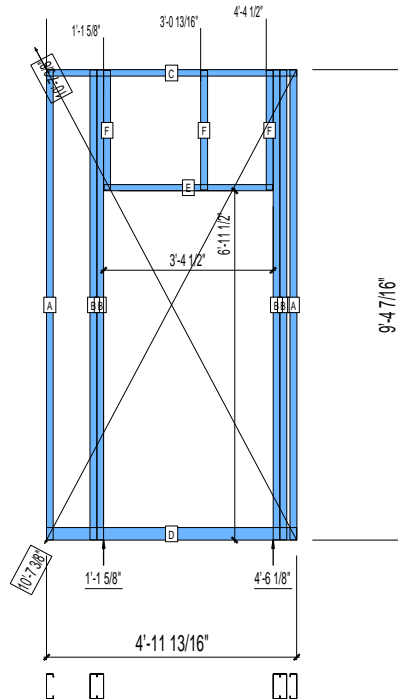
1st STUD: 24"

APPROVED
By TNT at 2:46 pm, Dec 15, 2008

WEIGHTS :

FRAME : 90 lbs

TOTAL: 90 lbs



PIECES LIST

LABEL	QTY	SIZE	LENGTH	USE
A	2	600S162-33	9'-4 5/16"	STUD
B	4	600S162-33	9'-4 5/16"	KING STUD
C	1	600T150-33	4'-11 13/16"	TOP TRACK
D	1	600T300-33	4'-11 13/16"	BOTTOM TRACK
E	1	600T150-33	3'-4 1/4"	HEAD TRACK
F	3	600S162-33	2'-4 9/16"	CRIPPLE

23-3363

Jewish Home for the Aging

1885 Victory Blvd. Reseda, CA

FrameMax, Inc.
13915 Danielson St
Suite 100
Poway, CA 92064
www.frame-max.com



© FrameMax Inc.

CREATED: 11/19/2008

FM-07-109

CREATED BY: TNT

HEIGHT : 9'-4 7/16" POINTS: 0.27 Points.

SPACING : 24"

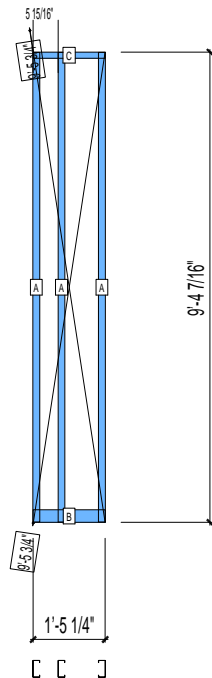
1st STUD: 24"

APPROVED
By TNT at 2:46 pm, Dec 15, 2008

WEIGHTS :

FRAME : 29 lbs

TOTAL: 29 lbs



PIECES LIST

LABEL	QTY	SIZE	LENGTH	USE
A	3	400S162-33	9'-4 5/16"	STUD
B	1	400T300-33	1'-5 1/4"	BOTTOM TRACK
C	1	400T150-33	1'-5 1/4"	TOP TRACK

23-3364

Jewish Home for the Aging

1885 Victory Blvd. Reseda, CA

FrameMax, Inc.
13915 Danielson St
Suite 100
Poway, CA 92064
www.frame-max.com



© FrameMax Inc.

CREATED: 11/19/2008

FM-07-109

CREATED BY: TNT

HEIGHT : 9'-4 7/16" POINTS: 0.34 Points.

SPACING : 24"

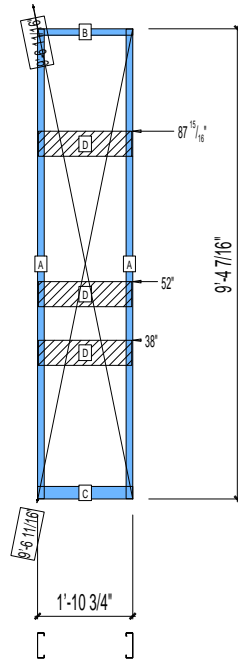
1st STUD: 24"

APPROVED
By TNT at 2:46 pm, Dec 15, 2008

WEIGHTS :

FRAME : 33 lbs

TOTAL: 33 lbs



PIECES LIST

LABEL	QTY	SIZE	LENGTH	USE
A	2	600S162-33	9'-4 5/16"	STUD
B	1	600T150-33	1'-10 3/4"	TOP TRACK
C	1	600T300-33	1'-10 3/4"	BOTTOM TRACK
D	3	600D-54	1'-10 5/16"	KITCHEN BACKING

23-3365

Jewish Home for the Aging

1885 Victory Blvd. Reseda, CA

FrameMax, Inc.
13915 Danielson St
Suite 100
Poway, CA 92064
www.frame-max.com



© FrameMax Inc.

CREATED: 11/19/2008

FM-07-109

CREATED BY: TNT

HEIGHT : 2'-9 1/2" POINTS: 0.39 Points.

SPACING : 24"

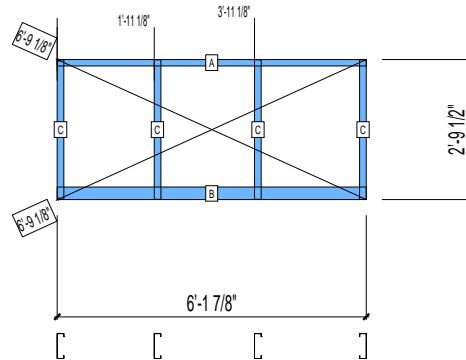
1st STUD: 24"

APPROVED
By TNT at 2:46 pm, Dec 15, 2008

WEIGHTS :

FRAME : 28 lbs

TOTAL: 28 lbs



PIECES LIST

LABEL	QTY	SIZE	LENGTH	USE
A	1	600T150-33	6'-1 7/8"	TOP TRACK
B	1	600T300-33	6'-1 7/8"	BOTTOM TRACK
C	4	600S162-33	2'-9 3/8"	STUD

23-3366

Jewish Home for the Aging

1885 Victory Blvd. Reseda, CA

FrameMax, Inc.
13915 Danielson St
Suite 100
Poway, CA 92064
www.frame-max.com



© FrameMax Inc.

CREATED: 11/19/2008

FM-07-109

CREATED BY: TNT

HEIGHT : 2'-9 1/2" POINTS: 0.25 Points.

SPACING : 24"

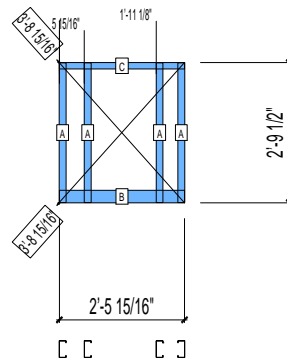
1st STUD: 24"

APPROVED
By TNT at 2:46 pm, Dec 15, 2008

WEIGHTS :

FRAME : 15 lbs

TOTAL: 15 lbs



PIECES LIST

LABEL	QTY	SIZE	LENGTH	USE
A	4	400S162-33	2'-9 3/8"	STUD
B	1	400T300-33	2'-5 15/16"	BOTTOM TRACK
C	1	400T150-33	2'-5 15/16"	TOP TRACK

23-3367

Jewish Home for the Aging

1885 Victory Blvd. Reseda, CA

FrameMax, Inc.
13915 Danielson St
Suite 100
Poway, CA 92064
www.framemax.com



© FrameMax Inc.

CREATED: 11/19/2008

FM-07-109

CREATED BY: TNT

HEIGHT : 9'-4 7/16" POINTS: 0.20 Points.

SPACING : 24"

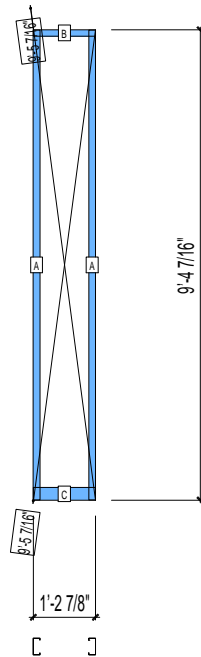
1st STUD: 24"

APPROVED
By TNT at 2:46 pm, Dec 15, 2008

WEIGHTS :

FRAME : 20 lbs

TOTAL: 20 lbs



PIECES LIST

LABEL	QTY	SIZE	LENGTH	USE
A	2	400S162-33	9'-4 5/16"	STUD
B	1	400T150-33	1'-2 7/8"	TOP TRACK
C	1	400T300-33	1'-2 7/8"	BOTTOM TRACK

23-3368

Jewish Home for the Aging

1885 Victory Blvd. Reseda, CA

FrameMax, Inc.
13915 Danielson St
Suite 100
Poway, CA 92064
www.framemax.com



© FrameMax Inc.

CREATED: 11/19/2008

FM-07-109

CREATED BY: TNT

HEIGHT : 9'-4 7/16" POINTS: 0.27 Points.

SPACING : 24"

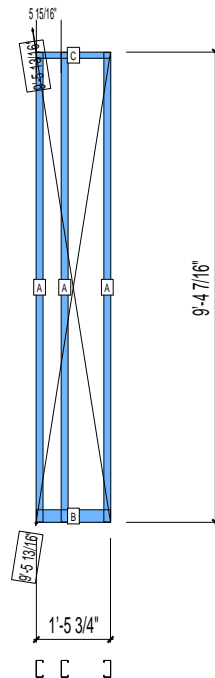
1st STUD: 24"

APPROVED
By TNT at 2:46 pm, Dec 15, 2008

WEIGHTS :

FRAME : 29 lbs

TOTAL: 29 lbs



PIECES LIST

LABEL	QTY	SIZE	LENGTH	USE
A	3	400S162-33	9'-4 5/16"	STUD
B	1	400T300-33	1'-5 3/4"	BOTTOM TRACK
C	1	400T150-33	1'-5 3/4"	TOP TRACK

23-3369

Jewish Home for the Aging

1885 Victory Blvd. Reseda, CA

FM-07-109

CREATED BY: TNT

FrameMax, Inc.
13915 Danielson St
Suite 100
Poway, CA 92064
www.frame-max.com



© FrameMax Inc.

HEIGHT : 9'-4 7/16" POINTS: 0.77 Points.

SPACING : 24"

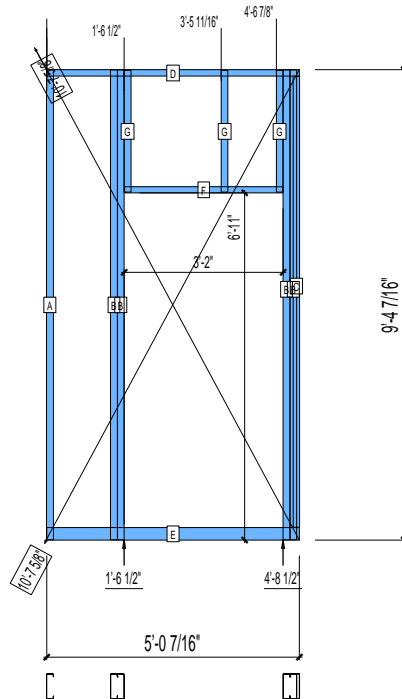
1st STUD: 24"

APPROVED
By TNT at 2:46 pm, Dec 15, 2008

WEIGHTS :

FRAME : 89 lbs

TOTAL: 89 lbs



PIECES LIST

LABEL	QTY	SIZE	LENGTH	USE
A	1	600S162-33	9'-4 5/16"	STUD
B	4	600S162-33	9'-4 5/16"	KING STUD
C	1	600T150-33	8'-11 13/16"	CAP TRACK
D	1	600T150-33	5'-0 7/16"	TOP TRACK
E	1	600T300-33	5'-0 7/16"	BOTTOM TRACK
F	1	600T150-33	3'-1 3/4"	HEAD TRACK
G	3	600S162-33	2'-5 1/16"	CRIPPLE

23-3370

Jewish Home for the Aging

1885 Victory Blvd. Reseda, CA

FrameMax, Inc.
13915 Danielson St
Suite 100
Poway, CA 92064
www.frame-max.com



© FrameMax Inc.

CREATED: 11/19/2008

FM-07-109

CREATED BY: TNT

HEIGHT : 9'-4 7/16" POINTS: 1.16 Points.

SPACING : 24"

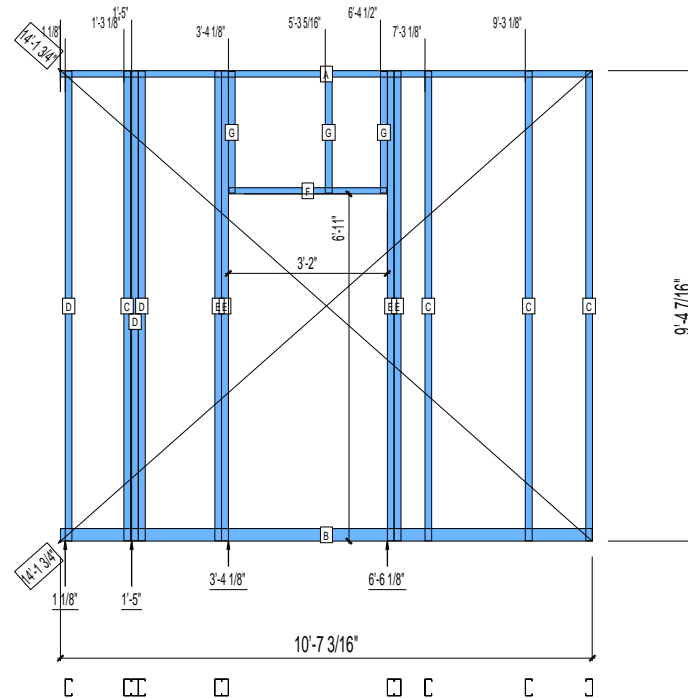
1st STUD: 16"

APPROVED
By TNT at 2:46 pm, Dec 15, 2008

WEIGHTS :

FRAME : 126 lbs

TOTAL: 126 lbs



PIECES LIST

LABEL	QTY	SIZE	LENGTH	USE
A	1	400T150-33	10'-7 3/16"	TOP TRACK
B	1	400T300-33	10'-7 3/16"	BOTTOM TRACK
C	4	400S162-33	9'-4 5/16"	STUD
D	3	400S162-33	9'-4 5/16"	EXTRA STUD
E	4	400S162-33	9'-4 5/16"	KING STUD
F	1	400T150-33	3'-1 3/4"	HEAD TRACK
G	3	400S162-33	2'-5 1/16"	CRIPPLE

23-3371

Jewish Home for the Aging

1885 Victory Blvd. Reseda, CA

FM-07-109

CREATED BY: TNT

FrameMax, Inc.
13915 Danielson St
Suite 100
Poway, CA 92064
www.frame-max.com



© FrameMax Inc.

HEIGHT : 9'-4 7/16" POINTS: 0.75 Points.

SPACING : 24"

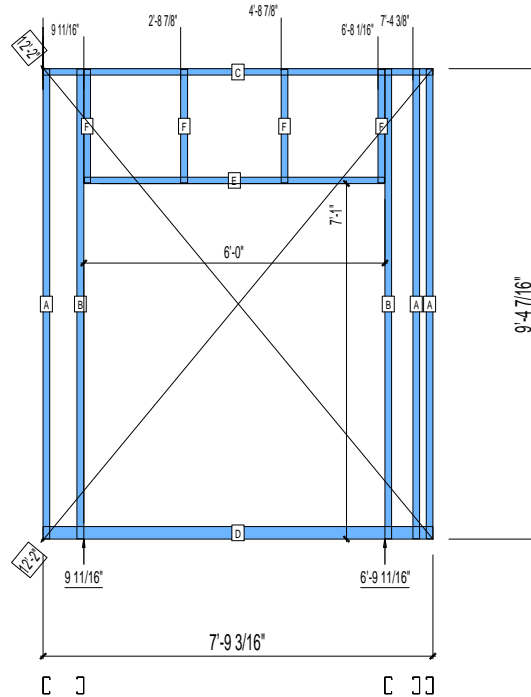
1st STUD: 24"

APPROVED
By TNT at 2:46 pm, Dec 15, 2008

WEIGHTS :

FRAME : 73 lbs

TOTAL: 73 lbs



PIECES LIST

LABEL	QTY	SIZE	LENGTH	USE
A	3	400S162-33	9'-4 5/16"	STUD
B	2	400S162-33	9'-4 5/16"	KING STUD
C	1	400T150-33	7'-9 3/16"	TOP TRACK
D	1	400T300-33	7'-9 3/16"	BOTTOM TRACK
E	1	400T150-33	5'-11 3/4"	HEAD TRACK
F	4	400S162-33	2'-3 1/16"	CRIPPLE

23-3372

Jewish Home for the Aging

1885 Victory Blvd. Reseda, CA

FrameMax, Inc.
13915 Danielson St
Suite 100
Poway, CA 92064
www.framemax.com



© FrameMax Inc.

CREATED: 11/19/2008

FM-07-109

CREATED BY: TNT

HEIGHT : 9'-4 7/16" POINTS: 0.23 Points.

SPACING : 24"

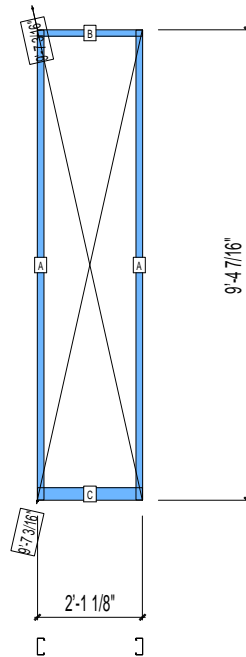
1st STUD: 24"

APPROVED
By TNT at 2:46 pm, Dec 15, 2008

WEIGHTS :

FRAME : 22 lbs

TOTAL: 22 lbs



PIECES LIST

LABEL	QTY	SIZE	LENGTH	USE
A	2	400S162-33	9'-4 5/16"	STUD
B	1	400T150-33	2'-1 1/8"	TOP TRACK
C	1	400T300-33	2'-1 1/8"	BOTTOM TRACK

23-3373

Jewish Home for the Aging

1885 Victory Blvd. Reseda, CA

FrameMax, Inc.
13915 Danielson St
Suite 100
Poway, CA 92064
www.frame-max.com



© FrameMax Inc.

CREATED: 11/19/2008

FM-07-109

CREATED BY: TNT

HEIGHT : 9'-4 7/16" POINTS: 0.76 Points.

SPACING : 24"

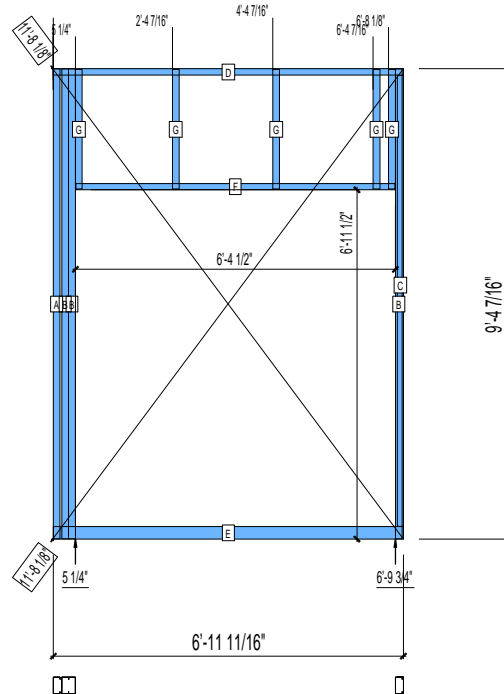
1st STUD: 24"

APPROVED
By TNT at 2:46 pm, Dec 15, 2008

WEIGHTS :

FRAME : 73 lbs

TOTAL: 73 lbs



PIECES LIST

LABEL	QTY	SIZE	LENGTH	USE
A	1	400S162-33	9'-4 5/16"	STUD
B	3	400S162-33	9'-4 5/16"	KING STUD
C	1	400T150-33	8'-11 13/16"	CAP TRACK
D	1	400T150-33	6'-11 11/16"	TOP TRACK
E	1	400T300-33	6'-11 11/16"	BOTTOM TRACK
F	1	400T150-33	6'-4 1/4"	HEAD TRACK
G	5	400S162-33	2'-4 9/16"	CRIPPLE

23-3374

Jewish Home for the Aging

1885 Victory Blvd. Reseda, CA

FrameMax, Inc.
13915 Danielson St
Suite 100
Poway, CA 92064
www.frame-max.com



© FrameMax Inc.

CREATED: 11/19/2008

FM-07-109

CREATED BY: TNT

HEIGHT : 9'-4 7/16" POINTS: 0.31 Points.

SPACING : 24"

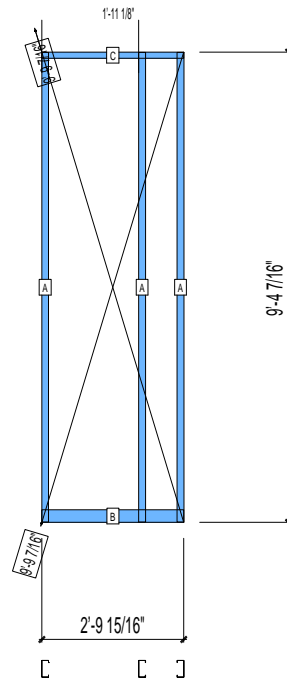
1st STUD: 24"

APPROVED
By TNT at 2:46 pm, Dec 15, 2008

WEIGHTS :

FRAME : 32 lbs

TOTAL: 32 lbs



PIECES LIST

LABEL	QTY	SIZE	LENGTH	USE
A	3	400S162-33	9'-4 5/16"	STUD
B	1	400T300-33	2'-9 15/16"	BOTTOM TRACK
C	1	400T150-33	2'-9 15/16"	TOP TRACK

23-3401

Jewish Home for the Aging

1885 Victory Blvd. Reseda, CA

FrameMax, Inc.
13915 Danielson St
Suite 100
Poway, CA 92064
www.frame-max.com



© FrameMax Inc.

CREATED: 11/19/2008

FM-07-109

CREATED BY: TNT

HEIGHT : 9'-4 7/16" POINTS: 0.73 Points.

SPACING : 24"

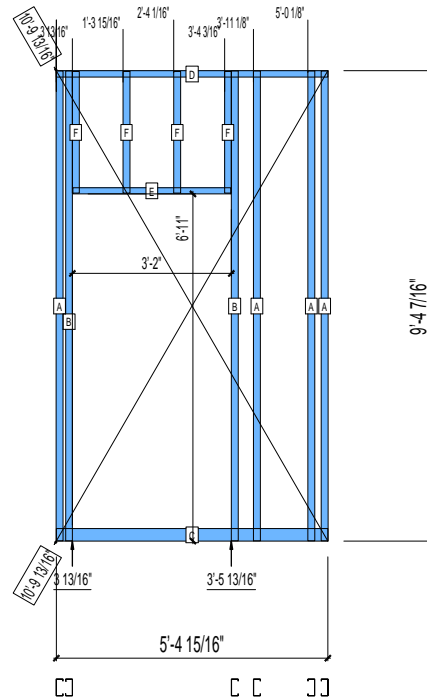
1st STUD: 24"

APPROVED
By TNT at 2:46 pm, Dec 15, 2008

WEIGHTS :

FRAME : 75 lbs

TOTAL: 75 lbs



PIECES LIST

LABEL	QTY	SIZE	LENGTH	USE
A	4	400S162-33	9'-4 5/16"	STUD
B	2	400S162-33	9'-4 5/16"	KING STUD
C	1	400T300-33	5'-4 15/16"	BOTTOM TRACK
D	1	400T150-33	5'-4 15/16"	TOP TRACK
E	1	400T150-33	3'-1 3/4"	HEAD TRACK
F	4	400S162-33	2'-5 1/16"	CRIPPLE

23-3402

Jewish Home for the Aging

1885 Victory Blvd. Reseda, CA

FrameMax, Inc.
13915 Danielson St
Suite 100
Poway, CA 92064
www.frame-max.com



© FrameMax Inc.

CREATED: 11/19/2008

FM-07-109

CREATED BY: TNT

HEIGHT : 9'-4 7/16" POINTS: 0.44 Points.

SPACING : 24"

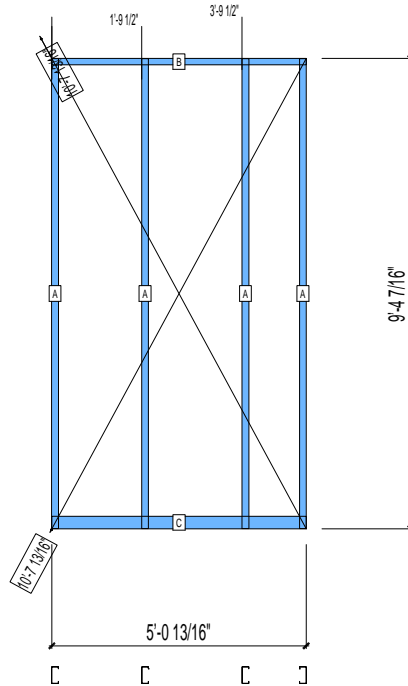
1st STUD: 22 5/16"

APPROVED
By TNT at 2:46 pm, Dec 15, 2008

WEIGHTS :

FRAME : 45 lbs

TOTAL: 45 lbs



PIECES LIST

LABEL	QTY	SIZE	LENGTH	USE
A	4	400S162-33	9'-4 5/16"	STUD
B	1	400T150-33	5'-0 13/16"	TOP TRACK
C	1	400T300-33	5'-0 13/16"	BOTTOM TRACK

23-3403

Jewish Home for the Aging

1885 Victory Blvd. Reseda, CA

FrameMax, Inc.
13915 Danielson St
Suite 100
Poway, CA 92064
www.frame-max.com



© FrameMax Inc.

CREATED: 11/19/2008

FM-07-109

CREATED BY: TNT

HEIGHT : 9'-4 7/16" POINTS: 1.17 Points.

SPACING : 24"

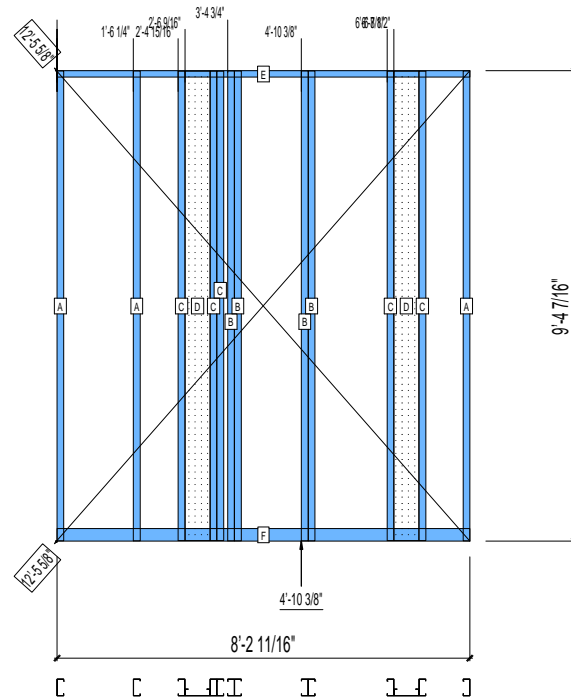
1st STUD: 19 1/16"

APPROVED
By TNT at 2:46 pm, Dec 15, 2008

WEIGHTS :

FRAME : 143 lbs

TOTAL: 143 lbs



PIECES LIST

LABEL	QTY	SIZE	LENGTH	USE
A	3	400S162-33	9'-4 5/16"	STUD
B	4	400S162-33	9'-4 5/16"	EXTRA STUD
C	5	400S162-33	9'-4 3/16"	BACKER STUD
D	2	600S162-33	9'-4 3/16"	BACKER-U
E	1	400T150-33	8'-2 11/16"	TOP TRACK
F	1	400T300-33	8'-2 11/16"	BOTTOM TRACK

23-3404

Jewish Home for the Aging

1885 Victory Blvd. Reseda, CA

FrameMax, Inc.
13915 Danielson St
Suite 100
Poway, CA 92064
www.frame-max.com



© FrameMax Inc.

CREATED: 11/19/2008

FM-07-109

CREATED BY: TNT

HEIGHT : 9'-4 7/16" POINTS: 0.73 Points.

SPACING : 24"

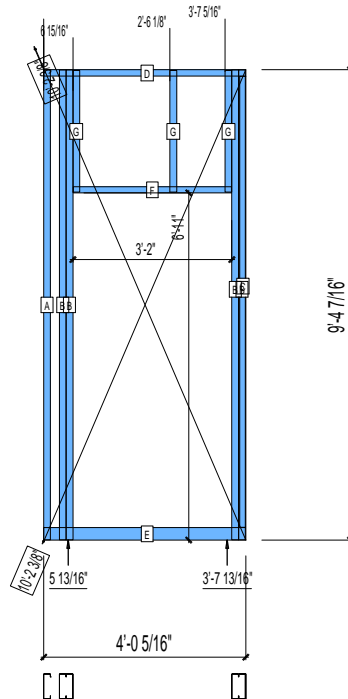
1st STUD: 24"

APPROVED
By TNT at 2:46 pm, Dec 15, 2008

WEIGHTS :

FRAME : 86 lbs

TOTAL: 86 lbs



PIECES LIST

LABEL	QTY	SIZE	LENGTH	USE
A	1	600S162-33	9'-4 5/16"	STUD
B	4	600S162-33	9'-4 5/16"	KING STUD
C	1	600T150-33	8'-11 13/16"	CAP TRACK
D	1	600T150-33	4'-0 5/16"	TOP TRACK
E	1	600T300-33	4'-0 5/16"	BOTTOM TRACK
F	1	600T150-33	3'-1 3/4"	HEAD TRACK
G	3	600S162-33	2'-5 1/16"	CRIPPLE

23-3405

Jewish Home for the Aging

1885 Victory Blvd. Reseda, CA

FrameMax, Inc.
13915 Danielson St
Suite 100
Poway, CA 92064
www.frame-max.com



© FrameMax Inc.

CREATED: 11/19/2008

FM-07-109

CREATED BY: TNT

HEIGHT : 9'-4 7/16" POINTS: 0.24 Points.

SPACING : 24"

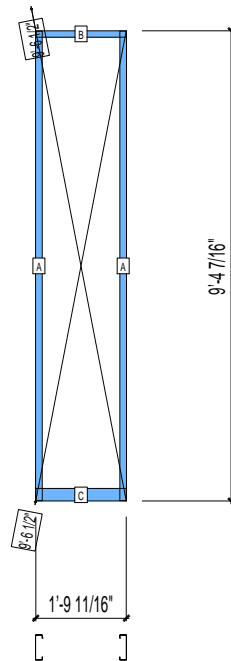
1st STUD: 24"

APPROVED
By TNT at 2:46 pm, Dec 15, 2008

WEIGHTS :

FRAME : 26 lbs

TOTAL: 26 lbs



PIECES LIST

LABEL	QTY	SIZE	LENGTH	USE
A	2	600S162-33	9'-4 5/16"	STUD
B	1	600T150-33	1'-9 11/16"	TOP TRACK
C	1	600T300-33	1'-9 11/16"	BOTTOM TRACK

23-3406

Jewish Home for the Aging

1885 Victory Blvd. Reseda, CA

FM-07-109

CREATED BY: TNT

FrameMax, Inc.
13915 Danielson St
Suite 100
Poway, CA 92064
www.frame-max.com



© FrameMax Inc.

HEIGHT : 9'-4 7/16" POINTS: 0.91 Points.

SPACING : 24"

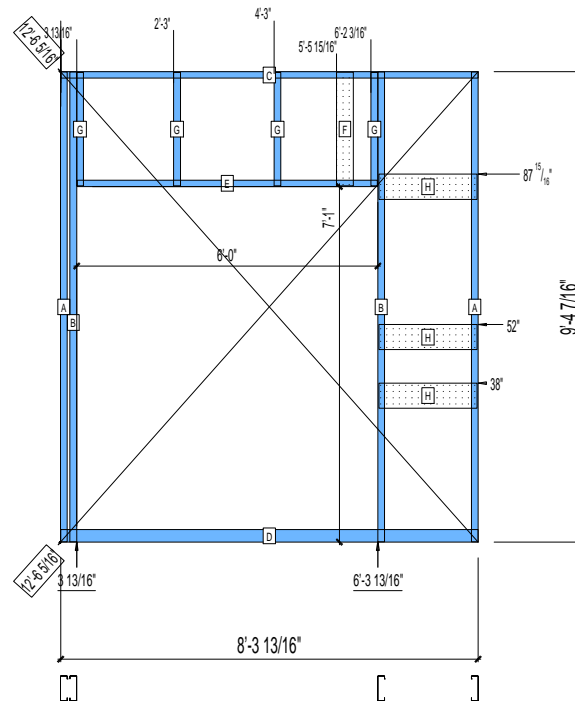
1st STUD: 3 15/16"

WEIGHTS :

FRAME : 91 lbs

TOTAL: 91 lbs

APPROVED
By TNT at 2:46 pm, Dec 15, 2008



PIECES LIST

LABEL	QTY	SIZE	LENGTH	USE
A	2	600S162-33	9'-4 5/16"	STUD
B	2	600S162-33	9'-4 5/16"	KING STUD
C	1	600T150-33	8'-3 13/16"	TOP TRACK
D	1	600T300-33	8'-3 13/16"	BOTTOM TRACK
E	1	600T150-33	5'-11 3/4"	HEAD TRACK
F	1	400S162-33	2'-3 1/8"	BACKER-U
G	4	600S162-33	2'-3 1/16"	CRIPPLE
H	3	600D-54	1'-11 1/2"	KITCHEN BACKING

23-3407

Jewish Home for the Aging

1885 Victory Blvd. Reseda, CA

FM-07-109

CREATED BY: TNT

FrameMax, Inc.
13915 Danielson St
Suite 100
Poway, CA 92064
www.frame-max.com



© FrameMax Inc.

HEIGHT : 9'-4 7/16" POINTS: 0.95 Points.

SPACING : 24"

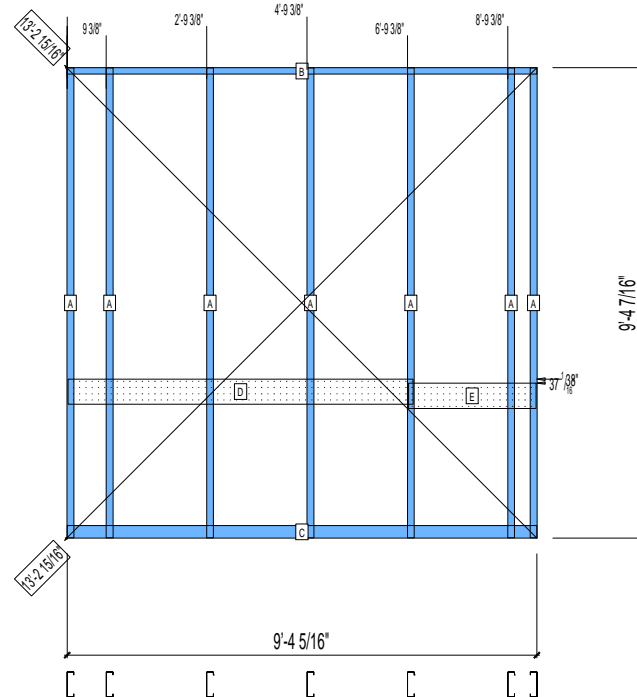
1st STUD: 10 3/16"

WEIGHTS :

FRAME : 113 lbs

TOTAL: 113 lbs

APPROVED
By TNT at 2:46 pm, Dec 15, 2008



PIECES LIST

LABEL	QTY	SIZE	LENGTH	USE
A	7	600S162-33	9'-4 5/16"	STUD
B	1	600T150-33	9'-4 5/16"	TOP TRACK
C	1	600T300-33	9'-4 5/16"	BOTTOM TRACK
D	1	600D-54	6'-10 1/2"	VANITY BACKING
E	1	600T150-54	2'-6 1/2"	GRAB BAR

23-3408

Jewish Home for the Aging

1885 Victory Blvd. Reseda, CA

FrameMax, Inc.
13915 Danielson St
Suite 100
Poway, CA 92064
www.frame-max.com



© FrameMax Inc.

CREATED: 11/19/2008

FM-07-109

CREATED BY: TNT

HEIGHT : 9'-5 3/16" POINTS: 0.51 Points.

SPACING : 24"

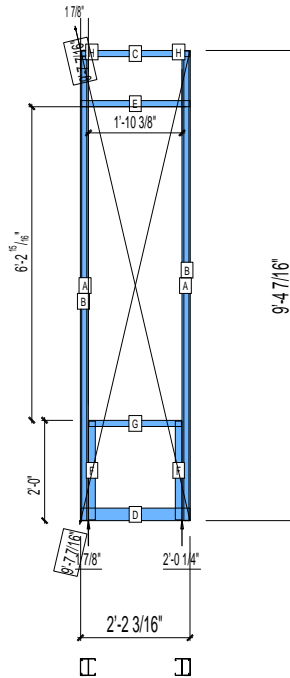
1st STUD: 24"

APPROVED
By TNT at 2:46 pm, Dec 15, 2008

WEIGHTS :

FRAME : 45 lbs

TOTAL: 45 lbs



PIECES LIST

LABEL	QTY	SIZE	LENGTH	USE
A	2	400S162-33	9'-4 5/16"	KING STUD
B	2	400T150-33	9'-4 1/4"	CAP TRACK
C	1	400T150-33	2'-2 3/16"	TOP TRACK
D	1	400T300-33	2'-2 3/16"	BOTTOM TRACK
E	1	400T150-33	2'-2 1/8"	CAP TRACK
F	2	400S162-33	1'-11 5/8"	CRIPPLE
G	1	400T150-33	1'-10 1/8"	SILL
H	2	400S162-33	3/8"	CRIPPLE

23-3409

Jewish Home for the Aging

1885 Victory Blvd. Reseda, CA

FrameMax, Inc.
13915 Danielson St
Suite 100
Poway, CA 92064
www.frame-max.com

FRAME MAX

© FrameMax Inc.

CREATED: 11/19/2008

FM-07-109

CREATED BY: TNT

HEIGHT : 9'-4 7/16" POINTS: 0.35 Points.

SPACING : 24"

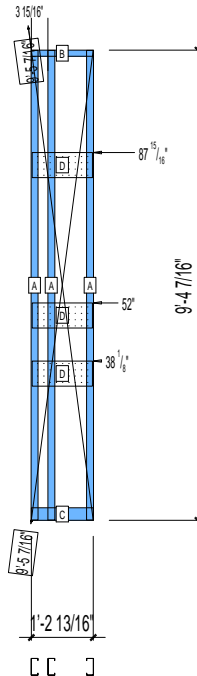
1st STUD: 24"

APPROVED
By TNT at 2:46 pm, Dec 15, 2008

WEIGHTS :

FRAME : 33 lbs

TOTAL: 33 lbs



PIECES LIST

LABEL	QTY	SIZE	LENGTH	USE
A	3	400S162-33	9'-4 5/16"	STUD
B	1	400T150-33	1'-2 13/16"	TOP TRACK
C	1	400T300-33	1'-2 13/16"	BOTTOM TRACK
D	3	600D-54	1'-2 3/8"	KITCHEN BACKING

23-3410

Jewish Home for the Aging

1885 Victory Blvd. Reseda, CA

FrameMax, Inc.
13915 Danielson St
Suite 100
Poway, CA 92064
www.frame-max.com



© FrameMax Inc.

CREATED: 11/19/2008

FM-07-109

CREATED BY: TNT

HEIGHT : 9'-4 7/16" POINTS: 0.35 Points.

SPACING : 24"

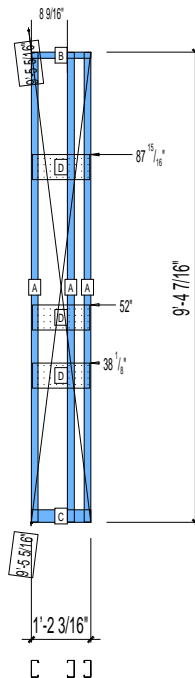
1st STUD: 24"

APPROVED
By TNT at 2:46 pm, Dec 15, 2008

WEIGHTS :

FRAME : 33 lbs

TOTAL: 33 lbs



PIECES LIST

LABEL	QTY	SIZE	LENGTH	USE
A	3	400S162-33	9'-4 5/16"	STUD
B	1	400T150-33	1'-2 3/16"	TOP TRACK
C	1	400T300-33	1'-2 3/16"	BOTTOM TRACK
D	3	600D-54	1'-1 3/4"	KITCHEN BACKING

23-3411

Jewish Home for the Aging

1885 Victory Blvd. Reseda, CA

FrameMax, Inc.
13915 Danielson St
Suite 100
Poway, CA 92064
www.frame-max.com



© FrameMax Inc.

CREATED: 11/19/2008

FM-07-109

CREATED BY: TNT

HEIGHT : 9'-4 7/16" POINTS: 0.38 Points.

SPACING : 24"

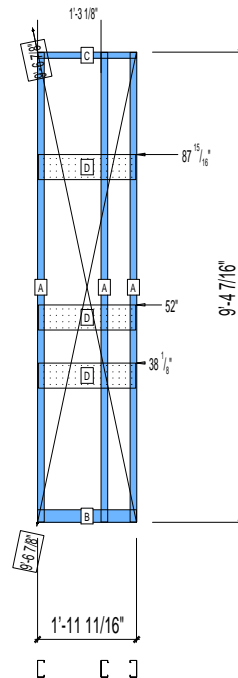
1st STUD: 16"

APPROVED
By TNT at 2:46 pm, Dec 15, 2008

WEIGHTS :

FRAME : 37 lbs

TOTAL: 37 lbs



PIECES LIST

LABEL	QTY	SIZE	LENGTH	USE
A	3	400S162-33	9'-4 5/16"	STUD
B	1	400T300-33	1'-11 11/16"	BOTTOM TRACK
C	1	400T150-33	1'-11 11/16"	TOP TRACK
D	3	600D-54	1'-11 1/4"	KITCHEN BACKING

23-3412

Jewish Home for the Aging

1885 Victory Blvd. Reseda, CA

FrameMax, Inc.
13915 Danielson St
Suite 100
Poway, CA 92064
www.frame-max.com



© FrameMax Inc.

CREATED: 11/19/2008

FM-07-109

CREATED BY: TNT

HEIGHT : 2'-9 1/2" POINTS: 0.36 Points.

SPACING : 24"

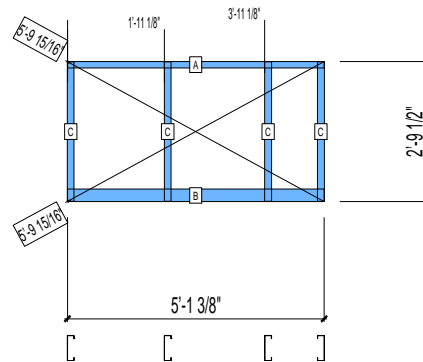
1st STUD: 24"

APPROVED
By TNT at 2:46 pm, Dec 15, 2008

WEIGHTS :

FRAME : 26 lbs

TOTAL: 26 lbs



PIECES LIST

LABEL	QTY	SIZE	LENGTH	USE
A	1	600T150-33	5'-1 3/8"	TOP TRACK
B	1	600T300-33	5'-1 3/8"	BOTTOM TRACK
C	4	600S162-33	2'-9 3/8"	STUD

23-3413

Jewish Home for the Aging

1885 Victory Blvd. Reseda, CA

FrameMax, Inc.
13915 Danielson St
Suite 100
Poway, CA 92064
www.frame-max.com



© FrameMax Inc.

CREATED: 11/19/2008

FM-07-109

CREATED BY: TNT

HEIGHT : 2'-9 1/2" POINTS: 0.22 Points.

SPACING : 24"

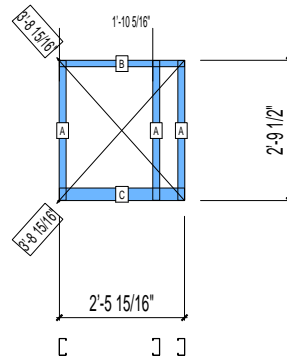
1st STUD: 24"

APPROVED
By TNT at 2:46 pm, Dec 15, 2008

WEIGHTS :

FRAME : 13 lbs

TOTAL: 13 lbs



PIECES LIST

LABEL	QTY	SIZE	LENGTH	USE
A	3	400S162-33	2'-9 3/8"	STUD
B	1	400T150-33	2'-5 15/16"	TOP TRACK
C	1	400T300-33	2'-5 15/16"	BOTTOM TRACK

23-3414

Jewish Home for the Aging

1885 Victory Blvd. Reseda, CA

FM-07-109

CREATED BY: TNT

FrameMax, Inc.
13915 Danielson St
Suite 100
Poway, CA 92064
www.framemax.com



© FrameMax Inc.

HEIGHT : 9'-4 7/16" POINTS: 0.39 Points.

SPACING : 24"

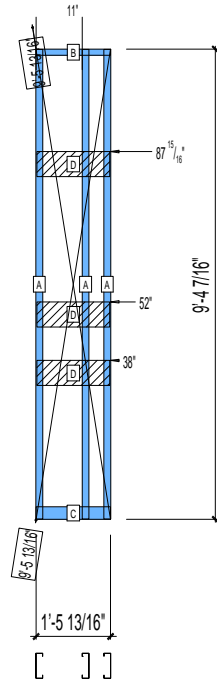
1st STUD: 16"

WEIGHTS :

FRAME : 42 lbs

TOTAL: 42 lbs

APPROVED
By TNT at 2:46 pm, Dec 15, 2008



PIECES LIST

LABEL	QTY	SIZE	LENGTH	USE
A	3	600S162-33	9'-4 5/16"	STUD
B	1	600T150-33	1'-5 13/16"	TOP TRACK
C	1	600T300-33	1'-5 13/16"	BOTTOM TRACK
D	3	600D-54	1'-5 3/8"	KITCHEN BACKING

23-3415

Jewish Home for the Aging

1885 Victory Blvd. Reseda, CA

FM-07-109

CREATED BY: TNT

FrameMax, Inc.
13915 Danielson St
Suite 100
Poway, CA 92064
www.framemax.com



© FrameMax Inc.

HEIGHT : 9'-4 7/16" POINTS: 0.77 Points.

SPACING : 24"

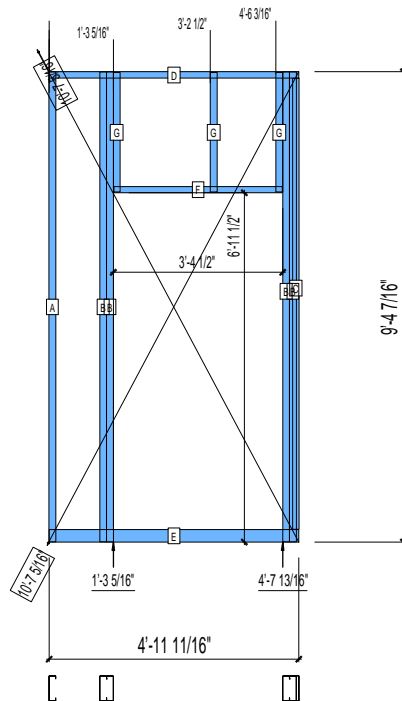
1st STUD: 16"

APPROVED
By TNT at 2:46 pm, Dec 15, 2008

WEIGHTS :

FRAME : 89 lbs

TOTAL: 89 lbs



PIECES LIST

LABEL	QTY	SIZE	LENGTH	USE
A	1	600S162-33	9'-4 5/16"	STUD
B	4	600S162-33	9'-4 5/16"	KING STUD
C	1	600T150-33	8'-11 13/16"	CAP TRACK
D	1	600T150-33	4'-11 11/16"	TOP TRACK
E	1	600T300-33	4'-11 11/16"	BOTTOM TRACK
F	1	600T150-33	3'-4 1/4"	HEAD TRACK
G	3	600S162-33	2'-4 9/16"	CRIPPLE

23-3416

Jewish Home for the Aging

1885 Victory Blvd. Reseda, CA

FrameMax, Inc.
13915 Danielson St
Suite 100
Poway, CA 92064
www.frame-max.com



© FrameMax Inc.

CREATED: 11/19/2008

FM-07-109

CREATED BY: TNT

HEIGHT : 9'-4 7/16" POINTS: 0.30 Points.

SPACING : 24"

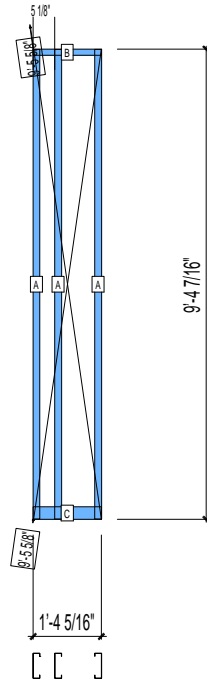
1st STUD: 24"

APPROVED
By TNT at 2:46 pm, Dec 15, 2008

WEIGHTS :

FRAME : 36 lbs

TOTAL: 36 lbs



PIECES LIST

LABEL	QTY	SIZE	LENGTH	USE
A	3	600S162-33	9'-4 5/16"	STUD
B	1	600T150-33	1'-4 5/16"	TOP TRACK
C	1	600T300-33	1'-4 5/16"	BOTTOM TRACK

23-3417

Jewish Home for the Aging

1885 Victory Blvd. Reseda, CA

FrameMax, Inc.
13915 Danielson St
Suite 100
Poway, CA 92064
www.frame-max.com



© FrameMax Inc.

CREATED: 11/19/2008

FM-07-109

CREATED BY: TNT

HEIGHT : 9'-5 3/16" POINTS: 0.52 Points.

SPACING : 24"

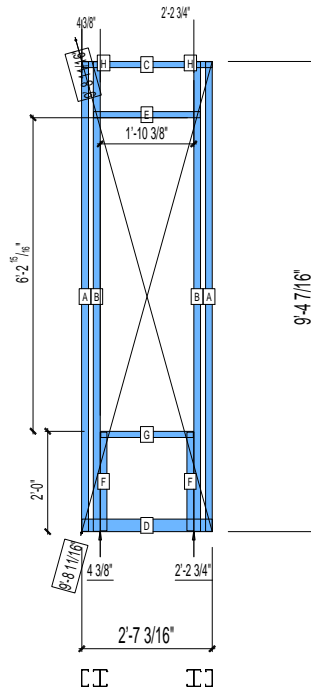
1st STUD: 16"

APPROVED
By TNT at 2:46 pm, Dec 15, 2008

WEIGHTS :

FRAME : 47 lbs

TOTAL: 47 lbs



PIECES LIST

LABEL	QTY	SIZE	LENGTH	USE
A	2	400S162-33	9'-4 5/16"	STUD
B	2	400S162-33	9'-4 5/16"	KING STUD
C	1	400T150-33	2'-7 3/16"	TOP TRACK
D	1	400T300-33	2'-7 3/16"	BOTTOM TRACK
E	1	400T150-33	2'-1 1/2"	CAP TRACK
F	2	400S162-33	1'-11 5/8"	CRIPPLE
G	1	400T150-33	1'-10 1/8"	SILL
H	2	400S162-33	3/8"	CRIPPLE

23-3418

Jewish Home for the Aging

1885 Victory Blvd. Reseda, CA

FM-07-109

CREATED BY: TNT

FrameMax, Inc.
13915 Danielson St
Suite 100
Poway, CA 92064
www.frame-max.com



© FrameMax Inc.

HEIGHT : 9'-4 7/16" POINTS: 0.55 Points.

SPACING : 24"

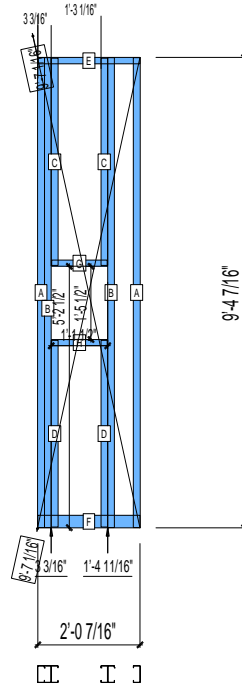
1st STUD: 24"

APPROVED
By TNT at 2:46 pm, Dec 15, 2008

WEIGHTS :

FRAME : 55 lbs

TOTAL: 55 lbs



PIECES LIST

LABEL	QTY	SIZE	LENGTH	USE
A	2	400S162-33	9'-4 5/16"	STUD
B	2	400S162-33	9'-4 5/16"	KING STUD
C	2	400S162-33	4'-1 9/16"	CRIPPLE
D	2	400S162-33	3'-8 5/8"	CRIPPLE
E	1	400T150-33	2'-0 7/16"	TOP TRACK
F	1	400T300-33	2'-0 7/16"	BOTTOM TRACK
G	1	400T150-33	1'-1 1/4"	HEAD TRACK
H	1	400T150-33	1'-1 1/4"	SILL

23-3419

Jewish Home for the Aging

1885 Victory Blvd. Reseda, CA

FM-07-109

CREATED BY: TNT

FrameMax, Inc.
13915 Danielson St
Suite 100
Poway, CA 92064
www.framemax.com



© FrameMax Inc.

HEIGHT : 9'-4 7/16" POINTS: 0.38 Points.

SPACING : 24"

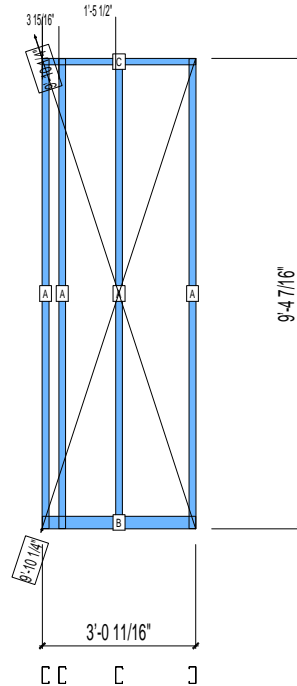
1st STUD: 18 3/8"

APPROVED
By TNT at 2:46 pm, Dec 15, 2008

WEIGHTS :

FRAME : 41 lbs

TOTAL: 41 lbs



PIECES LIST

LABEL	QTY	SIZE	LENGTH	USE
A	4	400S162-33	9'-4 5/16"	STUD
B	1	400T300-33	3'-0 11/16"	BOTTOM TRACK
C	1	400T150-33	3'-0 11/16"	TOP TRACK

23-3420

Jewish Home for the Aging

1885 Victory Blvd. Reseda, CA

FrameMax, Inc.
13915 Danielson St
Suite 100
Poway, CA 92064
www.frame-max.com



© FrameMax Inc.

CREATED: 11/19/2008

FM-07-109

CREATED BY: TNT

HEIGHT : 9'-4 7/16" POINTS: 0.42 Points.

SPACING : 24"

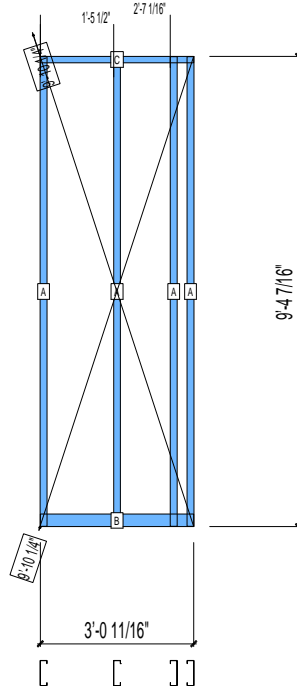
1st STUD: 18 3/8"

APPROVED
By TNT at 2:46 pm, Dec 15, 2008

WEIGHTS :

FRAME : 51 lbs

TOTAL: 51 lbs



PIECES LIST

LABEL	QTY	SIZE	LENGTH	USE
A	4	600S162-33	9'-4 5/16"	STUD
B	1	600T300-33	3'-0 11/16"	BOTTOM TRACK
C	1	600T150-33	3'-0 11/16"	TOP TRACK

23-3421

Jewish Home for the Aging

1885 Victory Blvd. Reseda, CA

FrameMax, Inc.
13915 Danielson St
Suite 100
Poway, CA 92064
www.frame-max.com



© FrameMax Inc.

CREATED: 11/19/2008

FM-07-109

CREATED BY: TNT

HEIGHT : 9'-4 7/16" POINTS: 0.30 Points.

SPACING : 24"

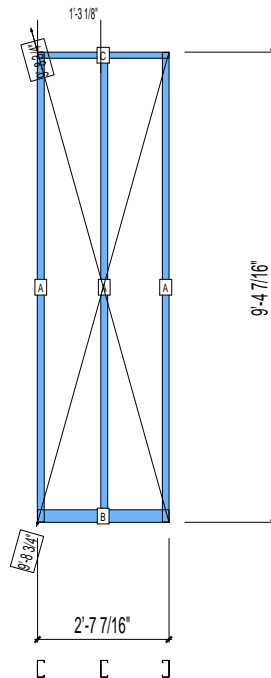
1st STUD: 16"

APPROVED
By TNT at 2:46 pm, Dec 15, 2008

WEIGHTS :

FRAME : 31 lbs

TOTAL: 31 lbs



PIECES LIST

LABEL	QTY	SIZE	LENGTH	USE
A	3	400S162-33	9'-4 5/16"	STUD
B	1	400T300-33	2'-7 7/16"	BOTTOM TRACK
C	1	400T150-33	2'-7 7/16"	TOP TRACK

23-3422

Jewish Home for the Aging

1885 Victory Blvd. Reseda, CA

FM-07-109

CREATED BY: TNT

FrameMax, Inc.
13915 Danielson St
Suite 100
Poway, CA 92064
www.framemax.com



© FrameMax Inc.

HEIGHT : 9'-4 7/16" POINTS: 1.58 Points.

SPACING : 24"

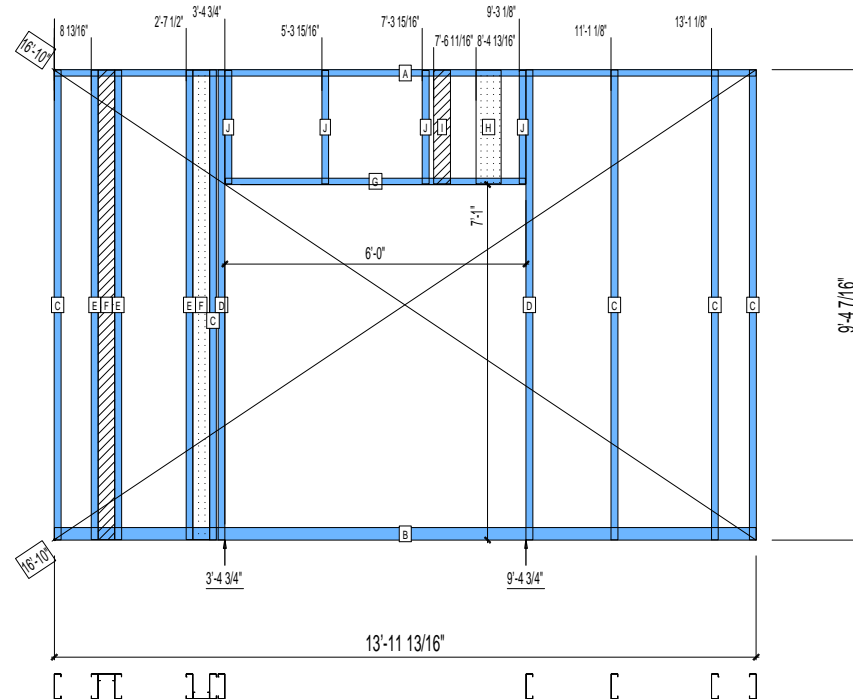
1st STUD: 14"

APPROVED
By TNT at 2:46 pm, Dec 15, 2008

WEIGHTS :

FRAME : 183 lbs

TOTAL: 183 lbs



PIECES LIST

LABEL	QTY	SIZE	LENGTH	USE
A	1	600T150-33	13'-11 13/16"	TOP TRACK
B	1	600T300-33	13'-11 13/16"	BOTTOM TRACK
C	5	600S162-33	9'-4 5/16"	STUD
D	2	600S162-33	9'-4 5/16"	KING STUD
E	3	600S162-33	9'-4 3/16"	BACKER STUD
F	2	400S162-33	9'-4 3/16"	BACKER-U
G	1	600T150-33	5'-11 3/4"	HEAD TRACK
H	1	600S162-33	2'-3 1/8"	BACKER-U
I	1	400S162-33	2'-3 1/8"	BACKER-U
J	4	600S162-33	2'-3 1/16"	CRIPPLE

23-3424

Jewish Home for the Aging

1885 Victory Blvd. Reseda, CA

FrameMax, Inc.
13915 Danielson St
Suite 100
Poway, CA 92064
www.frame-max.com



© FrameMax Inc.

CREATED: 11/19/2008

FM-07-109

CREATED BY: TNT

HEIGHT : 9'-4 7/16" POINTS: 0.30 Points.

SPACING : 24"

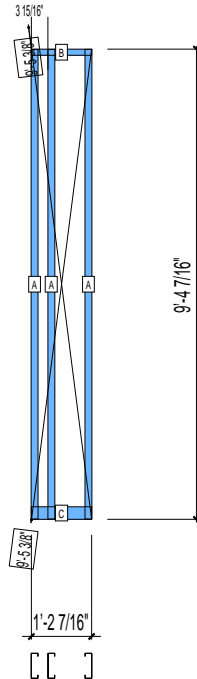
1st STUD: 24"

APPROVED
By TNT at 2:46 pm, Dec 15, 2008

WEIGHTS :

FRAME : 36 lbs

TOTAL: 36 lbs



PIECES LIST

LABEL	QTY	SIZE	LENGTH	USE
A	3	600S162-33	9'-4 5/16"	STUD
B	1	600T150-33	1'-2 7/16"	TOP TRACK
C	1	600T300-33	1'-2 7/16"	BOTTOM TRACK

23-3425

Jewish Home for the Aging

1885 Victory Blvd. Reseda, CA

FrameMax, Inc.
13915 Danielson St
Suite 100
Poway, CA 92064
www.frame-max.com



© FrameMax Inc.

CREATED: 11/19/2008

FM-07-109

CREATED BY: TNT

HEIGHT : 9'-4 7/16" POINTS: 0.19 Points.

SPACING : 24"

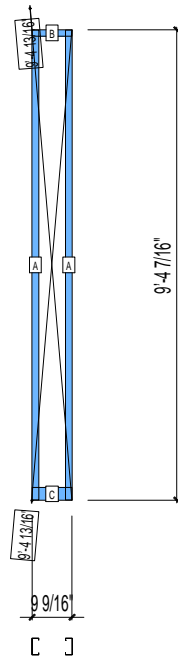
1st STUD: 16"

APPROVED
By TNT at 2:46 pm, Dec 15, 2008

WEIGHTS :

FRAME : 19 lbs

TOTAL: 19 lbs



PIECES LIST

LABEL	QTY	SIZE	LENGTH	USE
A	2	400S162-33	9'-4 5/16"	STUD
B	1	400T150-33	9 9/16"	TOP TRACK
C	1	400T300-33	9 9/16"	BOTTOM TRACK

23-3426

Jewish Home for the Aging

1885 Victory Blvd. Reseda, CA

FM-07-109

CREATED BY: TNT

FrameMax, Inc.
13915 Danielson St
Suite 100
Poway, CA 92064
www.framemax.com



© FrameMax Inc.

HEIGHT : 9'-4 7/16" POINTS: 1.08 Points.

SPACING : 24"

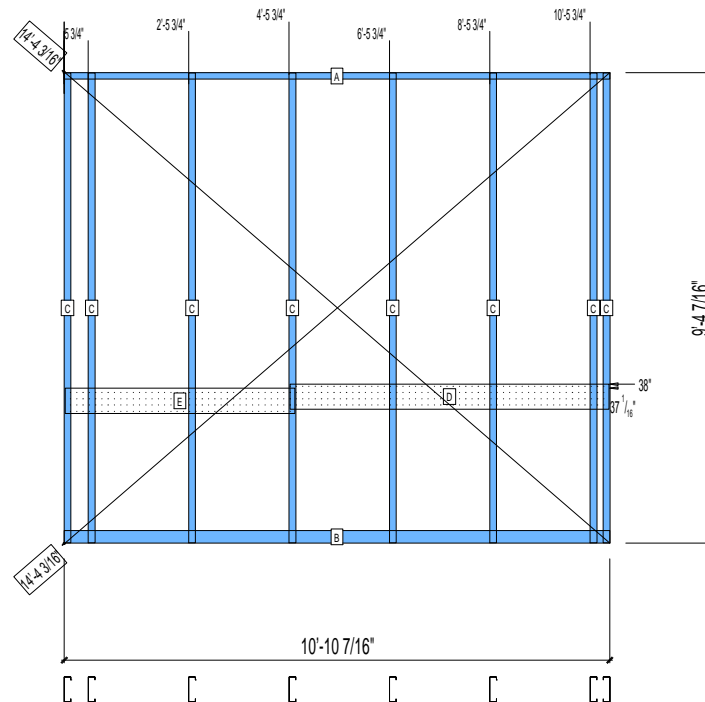
1st STUD: 6 9/16"

APPROVED
By TNT at 2:46 pm, Dec 15, 2008

WEIGHTS :

FRAME : 130 lbs

TOTAL: 130 lbs



PIECES LIST

LABEL	QTY	SIZE	LENGTH	USE
A	1	600T150-33	10'-10 7/16"	TOP TRACK
B	1	600T300-33	10'-10 7/16"	BOTTOM TRACK
C	8	600S162-33	9'-4 5/16"	STUD
D	1	600D-54	6'-4 1/4"	VANITY BACKING
E	1	600T150-54	4'-6 7/8"	GRAB BAR

23-3427

Jewish Home for the Aging

1885 Victory Blvd. Reseda, CA

FrameMax, Inc.
13915 Danielson St
Suite 100
Poway, CA 92064
www.frame-max.com



© FrameMax Inc.

CREATED: 11/19/2008

FM-07-109

CREATED BY: TNT

HEIGHT : 9'-4 7/16" POINTS: 0.19 Points.

SPACING : 24"

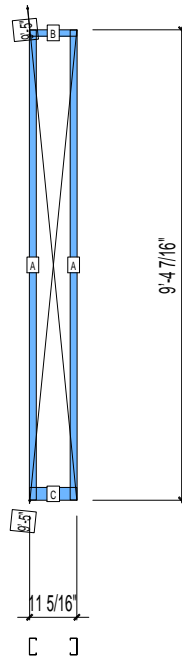
1st STUD: 24"

APPROVED
By TNT at 2:46 pm, Dec 15, 2008

WEIGHTS :

FRAME : 19 lbs

TOTAL: 19 lbs



PIECES LIST

LABEL	QTY	SIZE	LENGTH	USE
A	2	400S162-33	9'-4 5/16"	STUD
B	1	400T150-33	11 5/16"	TOP TRACK
C	1	400T300-33	11 5/16"	BOTTOM TRACK

23-3428

Jewish Home for the Aging

1885 Victory Blvd. Reseda, CA

FrameMax, Inc.
13915 Danielson St
Suite 100
Poway, CA 92064
www.frame-max.com



© FrameMax Inc.

CREATED: 11/19/2008

FM-07-109

CREATED BY: TNT

HEIGHT : 9'-4 7/16" POINTS: 0.42 Points.

SPACING : 24"

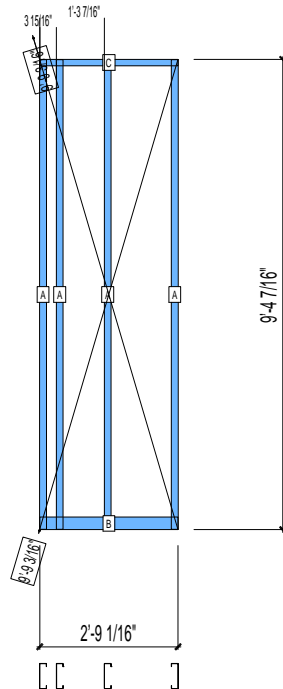
1st STUD: 16 1/4"

APPROVED
By TNT at 2:46 pm, Dec 15, 2008

WEIGHTS :

FRAME : 51 lbs

TOTAL: 51 lbs



PIECES LIST

LABEL	QTY	SIZE	LENGTH	USE
A	4	600S162-33	9'-4 5/16"	STUD
B	1	600T300-33	2'-9 1/16"	BOTTOM TRACK
C	1	600T150-33	2'-9 1/16"	TOP TRACK

23-3429

Jewish Home for the Aging

1885 Victory Blvd. Reseda, CA

FrameMax, Inc.
13915 Danielson St
Suite 100
Poway, CA 92064
www.frame-max.com



© FrameMax Inc.

CREATED: 11/19/2008

FM-07-109

CREATED BY: TNT

HEIGHT : 9'-4 7/16" POINTS: 0.44 Points.

SPACING : 24"

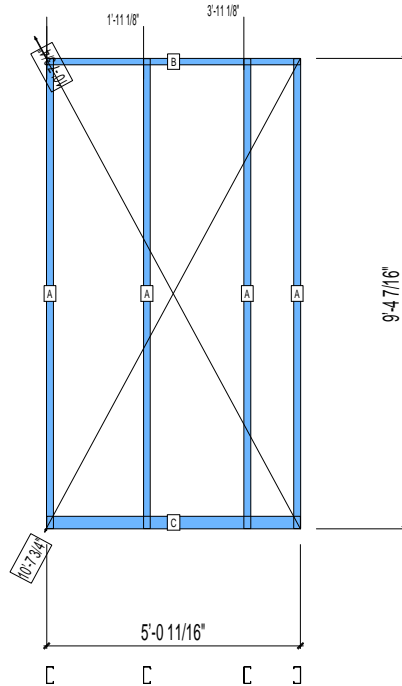
1st STUD: 24"

APPROVED
By TNT at 2:46 pm, Dec 15, 2008

WEIGHTS :

FRAME : 45 lbs

TOTAL: 45 lbs



PIECES LIST

LABEL	QTY	SIZE	LENGTH	USE
A	4	400S162-33	9'-4 5/16"	STUD
B	1	400T150-33	5'-0 11/16"	TOP TRACK
C	1	400T300-33	5'-0 11/16"	BOTTOM TRACK

23-3430

Jewish Home for the Aging

1885 Victory Blvd. Reseda, CA

FrameMax, Inc.
13915 Danielson St
Suite 100
Poway, CA 92064
www.framemax.com



© FrameMax Inc.

CREATED: 11/19/2008

FM-07-109

CREATED BY: TNT

HEIGHT : 9'-4 7/16" POINTS: 0.88 Points.

SPACING : 24"

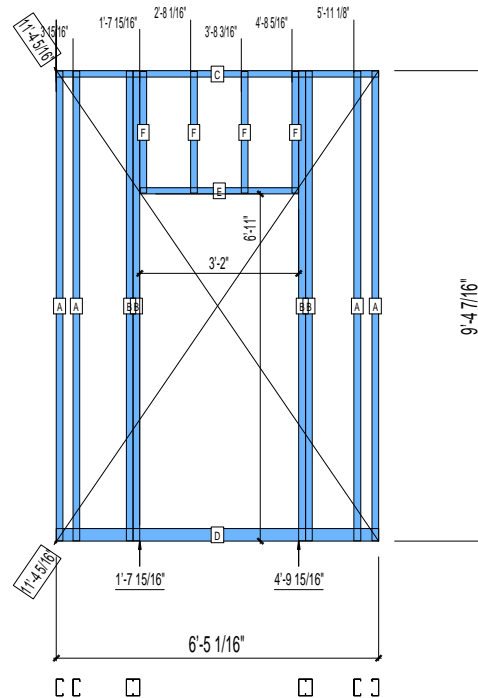
1st STUD: 24"

APPROVED
By TNT at 2:46 pm, Dec 15, 2008

WEIGHTS :

FRAME : 94 lbs

TOTAL: 94 lbs



PIECES LIST

LABEL	QTY	SIZE	LENGTH	USE
A	4	400S162-33	9'-4 5/16"	STUD
B	4	400S162-33	9'-4 5/16"	KING STUD
C	1	400T150-33	6'-5 1/16"	TOP TRACK
D	1	400T300-33	6'-5 1/16"	BOTTOM TRACK
E	1	400T150-33	3'-1 3/4"	HEAD TRACK
F	4	400S162-33	2'-5 1/16"	CRIPPLE

23-3451

Jewish Home for the Aging

1885 Victory Blvd. Reseda, CA

FrameMax, Inc.
13915 Danielson St
Suite 100
Poway, CA 92064
www.framemax.com



© FrameMax Inc.

CREATED: 12/10/2008

FM-07-109

CREATED BY: TNT

HEIGHT : 9'-4 7/16" POINTS: 0.26 Points.

SPACING : 24"

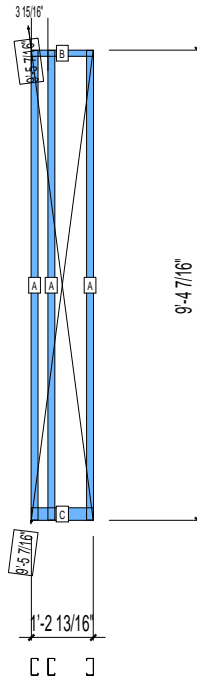
1st STUD: 24"

APPROVED
By TNT at 2:46 pm, Dec 15, 2008

WEIGHTS :

FRAME : 29 lbs

TOTAL: 29 lbs



PIECES LIST

LABEL	QTY	SIZE	LENGTH	USE
A	3	400S162-33	9'-4 5/16"	STUD
B	1	400T150-33	1'-2 13/16"	TOP TRACK
C	1	400T300-33	1'-2 13/16"	BOTTOM TRACK

23-3453

Jewish Home for the Aging

1885 Victory Blvd. Reseda, CA

FrameMax, Inc.
13915 Danielson St
Suite 100
Poway, CA 92064
www.framemax.com



© FrameMax Inc.

CREATED: 12/10/2008

FM-07-109

CREATED BY: TNT

HEIGHT : 9'-4 7/16" POINTS: 0.26 Points.

SPACING : 24"

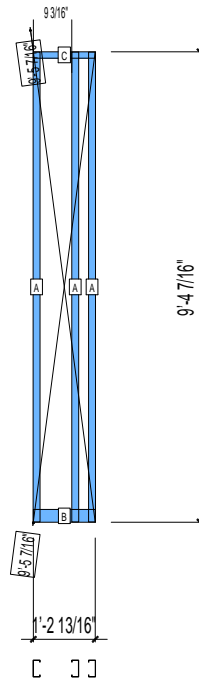
1st STUD: 24"

APPROVED
By TNT at 2:46 pm, Dec 15, 2008

WEIGHTS :

FRAME : 29 lbs

TOTAL: 29 lbs



PIECES LIST

LABEL	QTY	SIZE	LENGTH	USE
A	3	400S162-33	9'-4 5/16"	STUD
B	1	400T300-33	1'-2 13/16"	BOTTOM TRACK
C	1	400T150-33	1'-2 13/16"	TOP TRACK

23-3454

Jewish Home for the Aging

1885 Victory Blvd. Reseda, CA

FrameMax, Inc.
13915 Danielson St
Suite 100
Poway, CA 92064
www.frame-max.com



© FrameMax Inc.

CREATED: 11/19/2008

FM-07-109

CREATED BY: TNT

HEIGHT : 9'-4 7/16" POINTS: 0.73 Points.

SPACING : 24"

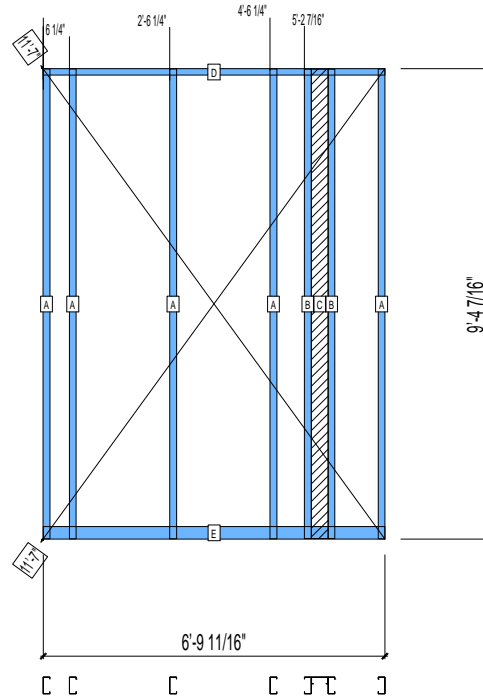
1st STUD: 7 1/16"

APPROVED
By TNT at 2:46 pm, Dec 15, 2008

WEIGHTS :

FRAME : 83 lbs

TOTAL: 83 lbs



PIECES LIST

LABEL	QTY	SIZE	LENGTH	USE
A	5	400S162-33	9'-4 5/16"	STUD
B	2	400S162-33	9'-4 3/16"	BACKER STUD
C	1	400S162-33	9'-4 3/16"	BACKER-U
D	1	400T150-33	6'-9 11/16"	TOP TRACK
E	1	400T300-33	6'-9 11/16"	BOTTOM TRACK

23-3455

Jewish Home for the Aging

1885 Victory Blvd. Reseda, CA

FM-07-109

CREATED BY: TNT

FrameMax, Inc.
13915 Danielson St
Suite 100
Poway, CA 92064
www.frame-max.com



© FrameMax Inc.

HEIGHT : 9'-4 7/16" POINTS: 0.70 Points.

SPACING : 24"

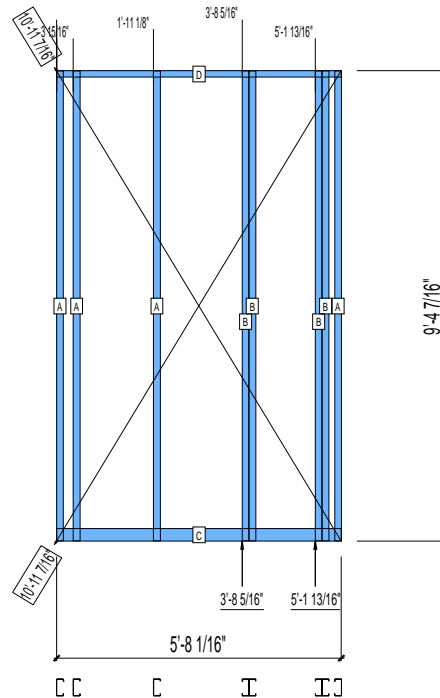
1st STUD: 24"

APPROVED
By TNT at 2:46 pm, Dec 15, 2008

WEIGHTS :

FRAME : 81 lbs

TOTAL: 81 lbs



PIECES LIST

LABEL	QTY	SIZE	LENGTH	USE
A	4	400S162-33	9'-4 5/16"	STUD
B	4	400S162-33	9'-4 5/16"	EXTRA STUD
C	1	400T300-33	5'-8 1/16"	BOTTOM TRACK
D	1	400T150-33	5'-8 1/16"	TOP TRACK

23-3456

Jewish Home for the Aging

1885 Victory Blvd. Reseda, CA

FM-07-109

CREATED BY: TNT

FrameMax, Inc.
13915 Danielson St
Suite 100
Poway, CA 92064
www.frame-max.com



© FrameMax Inc.

HEIGHT : 9'-4 7/16" POINTS: 0.93 Points.

SPACING : 24"

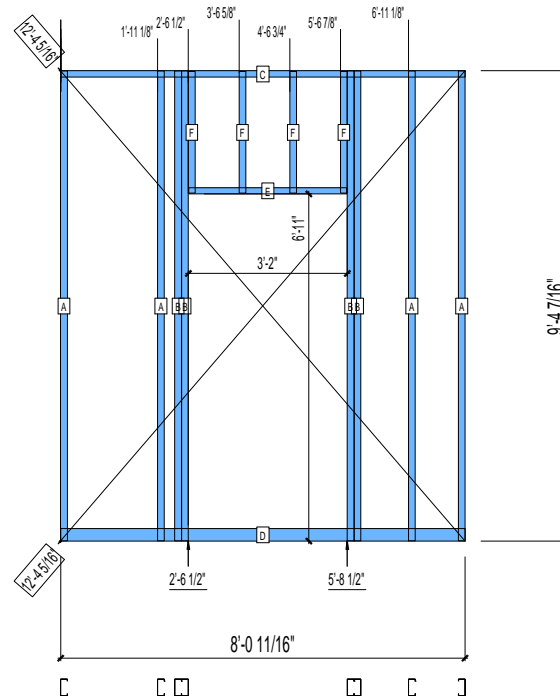
1st STUD: 24"

APPROVED
By TNT at 2:46 pm, Dec 15, 2008

WEIGHTS :

FRAME : 97 lbs

TOTAL: 97 lbs



PIECES LIST

LABEL	QTY	SIZE	LENGTH	USE
A	4	400S162-33	9'-4 5/16"	STUD
B	4	400S162-33	9'-4 5/16"	KING STUD
C	1	400T150-33	8'-0 11/16"	TOP TRACK
D	1	400T300-33	8'-0 11/16"	BOTTOM TRACK
E	1	400T150-33	3'-1 3/4"	HEAD TRACK
F	4	400S162-33	2'-5 1/16"	CRIPPLE

23-3457

Jewish Home for the Aging

1885 Victory Blvd. Reseda, CA

FM-07-109

CREATED BY: TNT

FrameMax, Inc.
13915 Danielson St
Suite 100
Poway, CA 92064
www.frame-max.com



© FrameMax Inc.

HEIGHT : 9'-4 7/16" POINTS: 0.38 Points.

SPACING : 24"

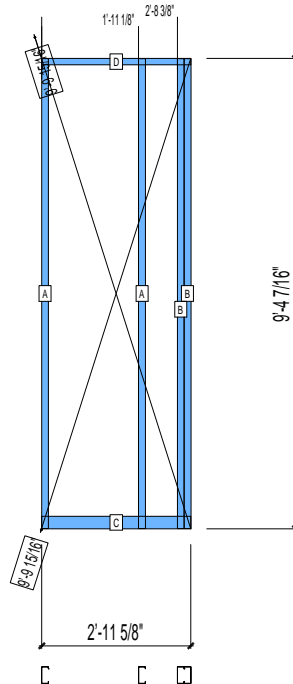
1st STUD: 24"

APPROVED
By TNT at 2:46 pm, Dec 15, 2008

WEIGHTS :

FRAME : 41 lbs

TOTAL: 41 lbs



PIECES LIST

LABEL	QTY	SIZE	LENGTH	USE
A	2	400S162-33	9'-4 5/16"	STUD
B	2	400S162-33	9'-4 5/16"	EXTRA STUD
C	1	400T300-33	2'-11 5/8"	BOTTOM TRACK
D	1	400T150-33	2'-11 5/8"	TOP TRACK

23-3458

Jewish Home for the Aging

1885 Victory Blvd. Reseda, CA

FM-07-109

CREATED BY: TNT

FrameMax, Inc.
13915 Danielson St
Suite 100
Poway, CA 92064
www.frame-max.com



© FrameMax Inc.

HEIGHT : 9'-4 7/16" POINTS: 0.72 Points.

SPACING : 24"

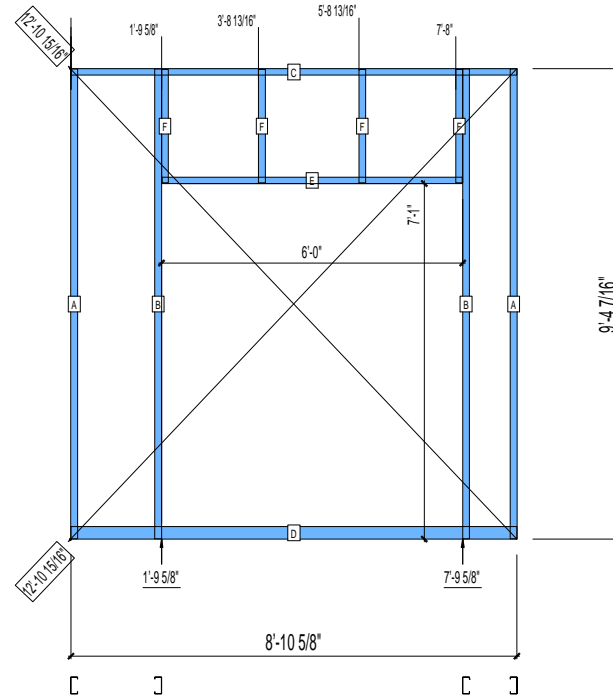
1st STUD: 24"

APPROVED
By TNT at 2:46 pm, Dec 15, 2008

WEIGHTS :

FRAME : 66 lbs

TOTAL: 66 lbs



PIECES LIST

LABEL	QTY	SIZE	LENGTH	USE
A	2	400S162-33	9'-4 5/16"	STUD
B	2	400S162-33	9'-4 5/16"	KING STUD
C	1	400T150-33	8'-10 5/8"	TOP TRACK
D	1	400T300-33	8'-10 5/8"	BOTTOM TRACK
E	1	400T150-33	5'-11 3/4"	HEAD TRACK
F	4	400S162-33	2'-3 1/16"	CRIPPLE

23-3459

Jewish Home for the Aging

1885 Victory Blvd. Reseda, CA

FM-07-109

CREATED BY: TNT

FrameMax, Inc.
13915 Danielson St
Suite 100
Poway, CA 92064
www.frame-max.com



© FrameMax Inc.

HEIGHT : 9'-4 7/16" POINTS: 1.05 Points.

SPACING : 24"

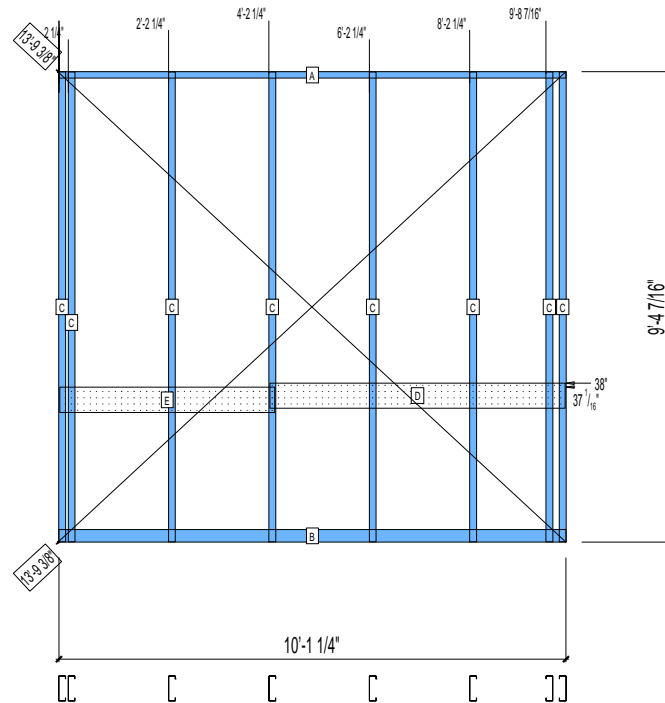
1st STUD: 3 1/16"

APPROVED
By TNT at 2:46 pm, Dec 15, 2008

WEIGHTS :

FRAME : 127 lbs

TOTAL: 127 lbs



PIECES LIST

LABEL	QTY	SIZE	LENGTH	USE
A	1	600T150-33	10'-1 1/4"	TOP TRACK
B	1	600T300-33	10'-1 1/4"	BOTTOM TRACK
C	8	600S162-33	9'-4 5/16"	STUD
D	1	600D-54	5'-10 9/16"	VANITY BACKING
E	1	600T150-54	4'-3 3/8"	GRAB BAR

23-3460

Jewish Home for the Aging

1885 Victory Blvd. Reseda, CA

FM-07-109

CREATED BY: TNT

FrameMax, Inc.
13915 Danielson St
Suite 100
Poway, CA 92064
www.frame-max.com



© FrameMax Inc.

HEIGHT : 9'-4 7/16" POINTS: 0.57 Points.

SPACING : 24"

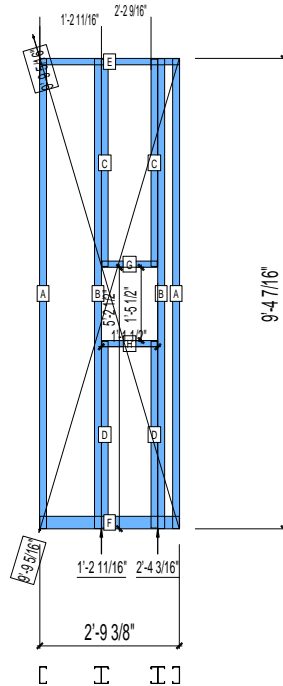
1st STUD: 24"

WEIGHTS :

FRAME : 57 lbs

TOTAL: 57 lbs

APPROVED
By TNT at 2:46 pm, Dec 15, 2008



PIECES LIST

LABEL	QTY	SIZE	LENGTH	USE
A	2	400S162-33	9'-4 5/16"	STUD
B	2	400S162-33	9'-4 5/16"	KING STUD
C	2	400S162-33	4'-1 9/16"	CRIPPLE
D	2	400S162-33	3'-8 5/8"	CRIPPLE
E	1	400T150-33	2'-9 3/8"	TOP TRACK
F	1	400T300-33	2'-9 3/8"	BOTTOM TRACK
G	1	400T150-33	1'-1 1/4"	HEAD TRACK
H	1	400T150-33	1'-1 1/4"	SILL

23-3461

Jewish Home for the Aging

1885 Victory Blvd. Reseda, CA

FrameMax, Inc.
13915 Danielson St
Suite 100
Poway, CA 92064
www.frame-max.com



© FrameMax Inc.

CREATED: 11/19/2008

FM-07-109

CREATED BY: TNT

HEIGHT : 9'-4 7/16" POINTS: 0.34 Points.

SPACING : 24"

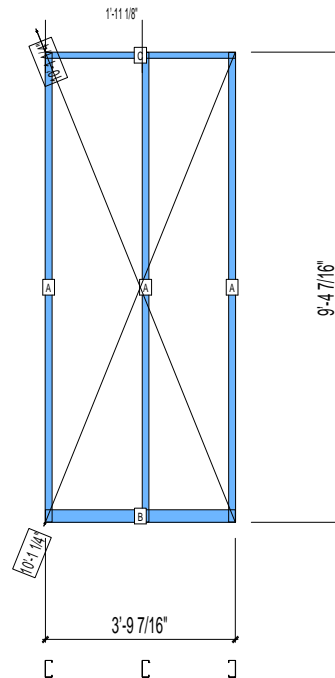
1st STUD: 24"

APPROVED
By TNT at 2:46 pm, Dec 15, 2008

WEIGHTS :

FRAME : 34 lbs

TOTAL: 34 lbs



PIECES LIST

LABEL	QTY	SIZE	LENGTH	USE
A	3	400S162-33	9'-4 5/16"	STUD
B	1	400T300-33	3'-9 7/16"	BOTTOM TRACK
C	1	400T150-33	3'-9 7/16"	TOP TRACK

23-3462

Jewish Home for the Aging

1885 Victory Blvd. Reseda, CA

FrameMax, Inc.
13915 Danielson St
Suite 100
Poway, CA 92064
www.frame-max.com



© FrameMax Inc.

CREATED: 11/19/2008

FM-07-109

CREATED BY: TNT

HEIGHT : 9'-4 7/16" POINTS: 0.35 Points.

SPACING : 24"

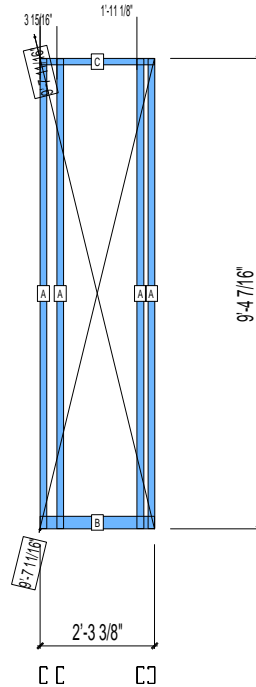
1st STUD: 24"

APPROVED
By TNT at 2:46 pm, Dec 15, 2008

WEIGHTS :

FRAME : 39 lbs

TOTAL: 39 lbs



PIECES LIST

LABEL	QTY	SIZE	LENGTH	USE
A	4	400S162-33	9'-4 5/16"	STUD
B	1	400T300-33	2'-3 3/8"	BOTTOM TRACK
C	1	400T150-33	2'-3 3/8"	TOP TRACK

23-3463

Jewish Home for the Aging

1885 Victory Blvd. Reseda, CA

FM-07-109

CREATED BY: TNT

FrameMax, Inc.
13915 Danielson St
Suite 100
Poway, CA 92064
www.frame-max.com



© FrameMax Inc.

HEIGHT : 9'-4 7/16" POINTS: 0.77 Points.

SPACING : 24"

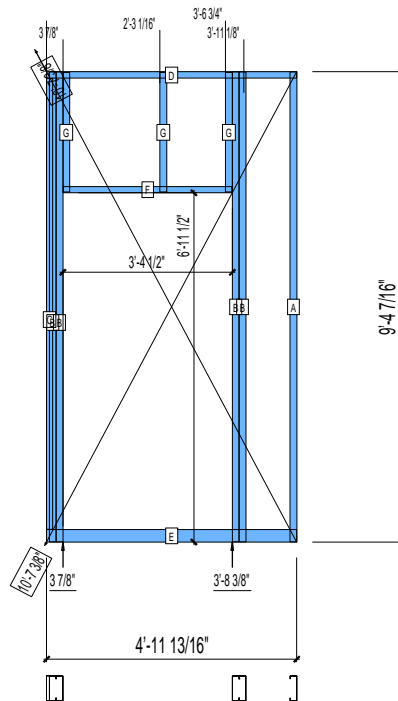
1st STUD: 24"

APPROVED
By TNT at 2:46 pm, Dec 15, 2008

WEIGHTS :

FRAME : 89 lbs

TOTAL: 89 lbs



PIECES LIST

LABEL	QTY	SIZE	LENGTH	USE
A	1	600S162-33	9'-4 5/16"	STUD
B	4	600S162-33	9'-4 5/16"	KING STUD
C	1	600T150-33	8'-11 13/16"	CAP TRACK
D	1	600T150-33	4'-11 13/16"	TOP TRACK
E	1	600T300-33	4'-11 13/16"	BOTTOM TRACK
F	1	600T150-33	3'-4 1/4"	HEAD TRACK
G	3	600S162-33	2'-4 9/16"	CRIPPLE

23-3464

Jewish Home for the Aging

1885 Victory Blvd. Reseda, CA

FrameMax, Inc.
13915 Danielson St
Suite 100
Poway, CA 92064
www.frame-max.com



© FrameMax Inc.

CREATED: 11/19/2008

FM-07-109

CREATED BY: TNT

HEIGHT : 9'-4 7/16" POINTS: 0.21 Points.

SPACING : 24"

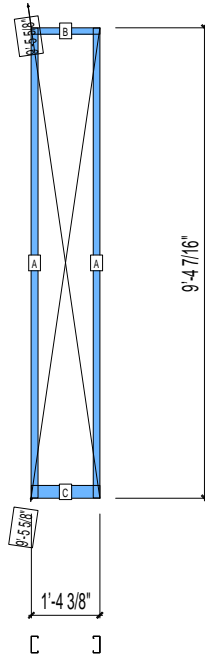
1st STUD: 24"

APPROVED
By TNT at 2:46 pm, Dec 15, 2008

WEIGHTS :

FRAME : 20 lbs

TOTAL: 20 lbs



PIECES LIST

LABEL	QTY	SIZE	LENGTH	USE
A	2	400S162-33	9'-4 5/16"	STUD
B	1	400T150-33	1'-4 3/8"	TOP TRACK
C	1	400T300-33	1'-4 3/8"	BOTTOM TRACK

23-3465

Jewish Home for the Aging

1885 Victory Blvd. Reseda, CA

FrameMax, Inc.
13915 Danielson St
Suite 100
Poway, CA 92064
www.framemax.com



© FrameMax Inc.

CREATED: 11/19/2008

FM-07-109

CREATED BY: TNT

HEIGHT : 9'-4 7/16" POINTS: 0.19 Points.

SPACING : 24"

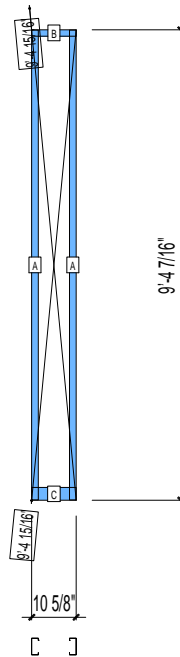
1st STUD: 24"

APPROVED
By TNT at 2:46 pm, Dec 15, 2008

WEIGHTS :

FRAME : 19 lbs

TOTAL: 19 lbs



PIECES LIST

LABEL	QTY	SIZE	LENGTH	USE
A	2	400S162-33	9'-4 5/16"	STUD
B	1	400T150-33	10 5/8"	TOP TRACK
C	1	400T300-33	10 5/8"	BOTTOM TRACK

23-3466

Jewish Home for the Aging

1885 Victory Blvd. Reseda, CA

FrameMax, Inc.
13915 Danielson St
Suite 100
Poway, CA 92064
www.frame-max.com



© FrameMax Inc.

CREATED: 11/19/2008

FM-07-109

CREATED BY: TNT

HEIGHT : 9'-4 7/16" POINTS: 0.40 Points.

SPACING : 24"

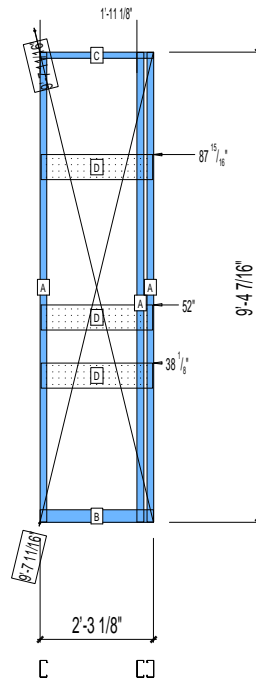
1st STUD: 24"

APPROVED
By TNT at 2:46 pm, Dec 15, 2008

WEIGHTS :

FRAME : 39 lbs

TOTAL: 39 lbs



PIECES LIST

LABEL	QTY	SIZE	LENGTH	USE
A	3	400S162-33	9'-4 5/16"	STUD
B	1	400T300-33	2'-3 1/8"	BOTTOM TRACK
C	1	400T150-33	2'-3 1/8"	TOP TRACK
D	3	600D-54	2'-2 11/16"	KITCHEN BACKING

23-3467

Jewish Home for the Aging

1885 Victory Blvd. Reseda, CA

FrameMax, Inc.
13915 Danielson St
Suite 100
Poway, CA 92064
www.frame-max.com



© FrameMax Inc.

CREATED: 11/19/2008

FM-07-109

CREATED BY: TNT

HEIGHT : 2'-9 1/2" POINTS: 0.22 Points.

SPACING : 24"

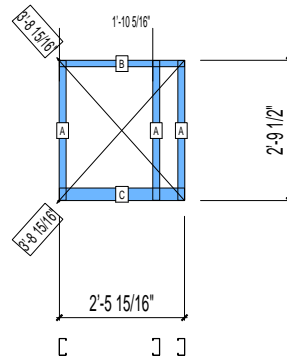
1st STUD: 24"

APPROVED
By TNT at 2:46 pm, Dec 15, 2008

WEIGHTS :

FRAME : 13 lbs

TOTAL: 13 lbs



PIECES LIST

LABEL	QTY	SIZE	LENGTH	USE
A	3	400S162-33	2'-9 3/8"	STUD
B	1	400T150-33	2'-5 15/16"	TOP TRACK
C	1	400T300-33	2'-5 15/16"	BOTTOM TRACK

23-3468

Jewish Home for the Aging

1885 Victory Blvd. Reseda, CA

FrameMax, Inc.
13915 Danielson St
Suite 100
Poway, CA 92064
www.frame-max.com



© FrameMax Inc.

CREATED: 11/19/2008

FM-07-109

CREATED BY: TNT

HEIGHT : 2'-9 1/2" POINTS: 0.51 Points.

SPACING : 24"

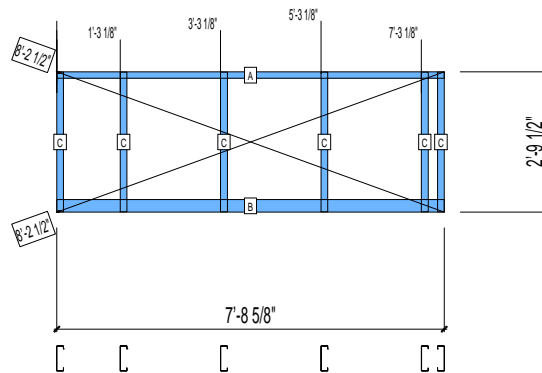
1st STUD: 16"

APPROVED
By TNT at 2:46 pm, Dec 15, 2008

WEIGHTS :

FRAME : 39 lbs

TOTAL: 39 lbs



PIECES LIST

LABEL	QTY	SIZE	LENGTH	USE
A	1	600T150-33	7'-8 5/8"	TOP TRACK
B	1	600T300-33	7'-8 5/8"	BOTTOM TRACK
C	6	600S162-33	2'-9 3/8"	STUD

23-3469

Jewish Home for the Aging

1885 Victory Blvd. Reseda, CA

FM-07-109

CREATED BY: TNT

FrameMax, Inc.
13915 Danielson St
Suite 100
Poway, CA 92064
www.frame-max.com

FRAME MAX

© FrameMax Inc.

HEIGHT : 9'-4 7/16" POINTS: 0.35 Points.

SPACING : 24"

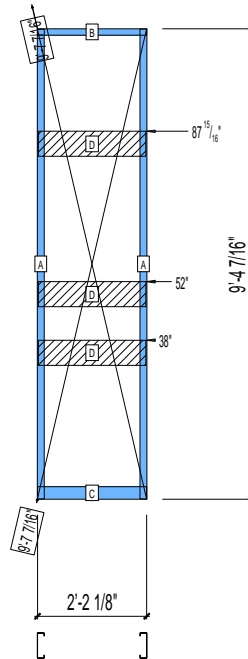
1st STUD: 24"

WEIGHTS :

FRAME : 35 lbs

TOTAL: 35 lbs

APPROVED
By TNT at 2:46 pm, Dec 15, 2008



PIECES LIST

LABEL	QTY	SIZE	LENGTH	USE
A	2	600S162-33	9'-4 5/16"	STUD
B	1	600T150-33	2'-2 1/8"	TOP TRACK
C	1	600T300-33	2'-2 1/8"	BOTTOM TRACK
D	3	600D-54	2'-1 11/16"	KITCHEN BACKING

23-6001

Jewish Home for the Aging

1885 Victory Blvd. Reseda, CA

FM-07-109

CREATED BY: TNT

FrameMax, Inc.
13915 Danielson St
Suite 100
Poway, CA 92064
www.frame-max.com



© FrameMax Inc.

HEIGHT : 10'-6" POINTS: 1.99 Points.

SPACING : 24"

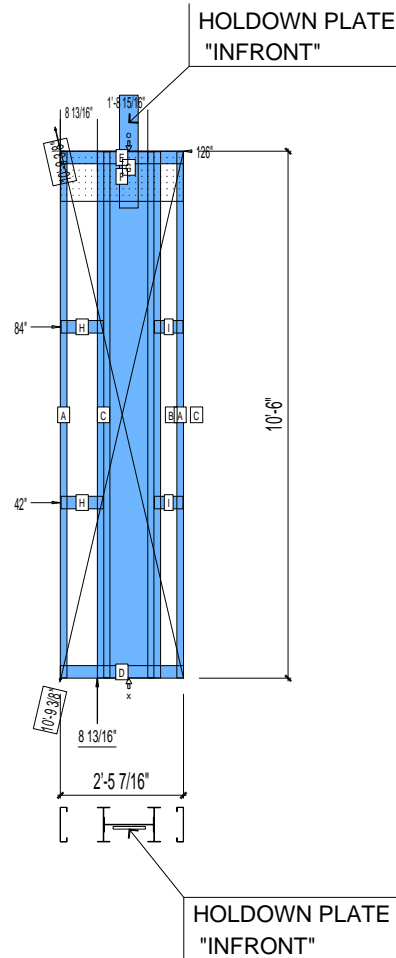
1st STUD: 24"

WEIGHTS :

FRAME : 367 lbs

TOTAL: 367 lbs

APPROVED
By TNT at 2:46 pm, Dec 15, 2008



PIECES LIST

LABEL	QTY	SIZE	LENGTH	USE
A	2	825S162-54	10'-5 13/16"	STUD
B	1	1200i350p1062	10'-5 13/16"	PACO
C	2	825i300p746	10'-5 13/16"	PACO
D	1	825T300-68	2'-5 7/16"	BOTTOM TRACK
E	1	825T300-68	2'-5 7/16"	TOP TRACK
F	1	1200D-54	2'-5 3/8"	STRAP
G	1	B	2'-3"	HOLDDOWN
H	2	825T300-54	10 1/16"	BLOCK
I	2	825T300-54	6 13/16"	BLOCK

23-6002

Jewish Home for the Aging

1885 Victory Blvd. Reseda, CA

FrameMax, Inc.
13915 Danielson St
Suite 100
Poway, CA 92064
www.frame-max.com



© FrameMax Inc.

CREATED: 12/12/2008

FM-07-109

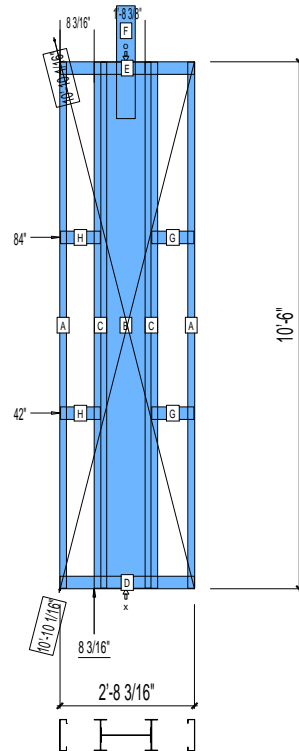
CREATED BY: TNT

HEIGHT : 10'-6"
POINTS: 1.91 Points.
SPACING : 24"
1st STUD: 24"

APPROVED
By TNT at 2:46 pm, Dec 15, 2008

WEIGHTS :
FRAME : 353 lbs

TOTAL: 353 lbs



PIECES LIST

LABEL	QTY	SIZE	LENGTH	USE
A	2	750S162-54	10'-5 13/16"	STUD
B	1	1200i350p1062	10'-5 13/16"	PACO
C	2	750i300p706	10'-5 13/16"	PACO
D	1	750T300-68	2'-8 3/16"	BOTTOM TRACK
E	1	750T300-68	2'-8 3/16"	TOP TRACK
F	1	B	2'-3"	HOLDDOWN
G	2	750T300-68	10 1/16"	BLOCK
H	2	750T300-68	9 7/16"	BLOCK

23-6003

Jewish Home for the Aging

1885 Victory Blvd. Reseda, CA

FM-07-109

CREATED BY: TNT

FrameMax, Inc.
13915 Danielson St
Suite 100
Poway, CA 92064
www.frame-max.com



© FrameMax Inc.

HEIGHT : 10'-6" POINTS: 1.88 Points.

SPACING : 24"

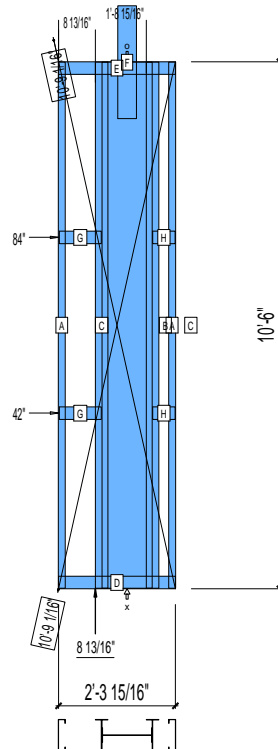
1st STUD: 24"

WEIGHTS :

FRAME : 348 lbs

TOTAL: 348 lbs

APPROVED
By TNT at 2:46 pm, Dec 15, 2008



PIECES LIST

LABEL	QTY	SIZE	LENGTH	USE
A	2	750S162-54	10'-5 13/16"	STUD
B	1	1200i350p1062	10'-5 13/16"	PACO
C	2	750i300p706	10'-5 13/16"	PACO
D	1	750T300-68	2'-3 15/16"	BOTTOM TRACK
E	1	750T300-68	2'-3 15/16"	TOP TRACK
F	1	B	2'-3"	HOLDDOWN
G	2	750T300-68	10 1/16"	BLOCK
H	2	750T300-68	5 5/16"	BLOCK

23-6004

Jewish Home for the Aging

1885 Victory Blvd. Reseda, CA

FrameMax, Inc.
13915 Danielson St
Suite 100
Poway, CA 92064
www.frame-max.com



© FrameMax Inc.

CREATED: 12/12/2008

FM-07-109

CREATED BY: TNT

HEIGHT : 10'-6" POINTS: 1.89 Points.

SPACING : 24"

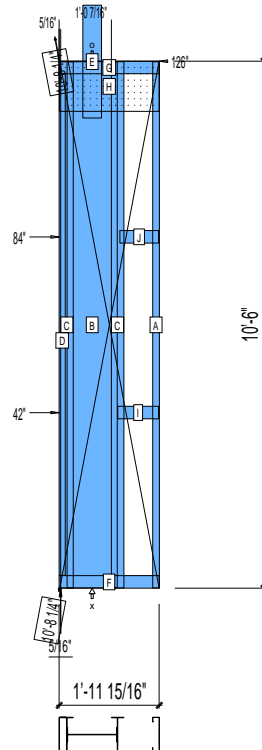
1st STUD: 16"

APPROVED
By TNT at 2:46 pm, Dec 15, 2008

WEIGHTS :

FRAME : 356 lbs

TOTAL: 356 lbs



PIECES LIST

LABEL	QTY	SIZE	LENGTH	USE
A	1	825S162-54	10'-5 13/16"	STUD
B	1	1200i350p1062	10'-5 13/16"	PACO
C	2	825i300p746	10'-5 13/16"	PACO
D	1	825T150-54	9'-11 7/8"	CAP TRACK
E	1	B	2'-3"	HOLDDOWN
F	1	825T300-68	1'-11 15/16"	BOTTOM TRACK
G	1	825T300-68	1'-11 15/16"	TOP TRACK
H	1	1200D-54	1'-11 7/8"	STRAP
I	1	825T300-54	9 3/4"	BLOCK
J	1	825T300-54	9 1/4"	BLOCK

23-6005

Jewish Home for the Aging

1885 Victory Blvd. Reseda, CA

FrameMax, Inc.
13915 Danielson St
Suite 100
Poway, CA 92064
www.frame-max.com



© FrameMax Inc.

CREATED: 12/12/2008

FM-07-109

CREATED BY: TNT

HEIGHT : 10'-6" POINTS: 1.98 Points.

SPACING : 24"

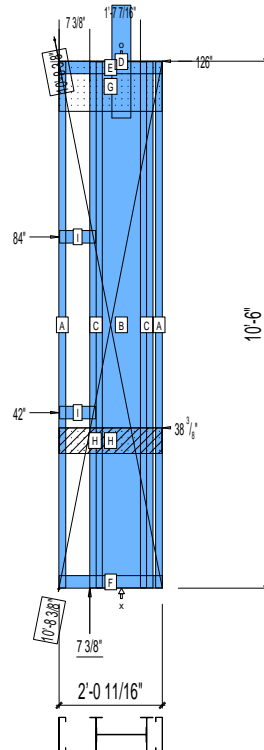
1st STUD: 24"

APPROVED
By TNT at 2:46 pm, Dec 15, 2008

WEIGHTS :

FRAME : 366 lbs

TOTAL: 366 lbs



PIECES LIST

LABEL	QTY	SIZE	LENGTH	USE
A	2	825S162-54	10'-5 13/16"	STUD
B	1	1200i350p1062	10'-5 13/16"	PACO
C	2	825i300p746	10'-5 13/16"	PACO
D	1	B	2'-3"	HOLDDOWN
E	1	825T300-68	2'-0 11/16"	TOP TRACK
F	1	825T300-68	2'-0 11/16"	BOTTOM TRACK
G	1	1200D-54	2'-0 5/8"	STRAP
H	2	600T150-54	2'-0 5/8"	GRAB BAR
I	2	825T300-54	8 5/8"	BLOCK

23-6006

Jewish Home for the Aging

1885 Victory Blvd. Reseda, CA

FrameMax, Inc.
13915 Danielson St
Suite 100
Poway, CA 92064
www.frame-max.com



© FrameMax Inc.

CREATED: 12/12/2008

FM-07-109

CREATED BY: TNT

HEIGHT : 10'-6" POINTS: 2.13 Points.

SPACING : 24"

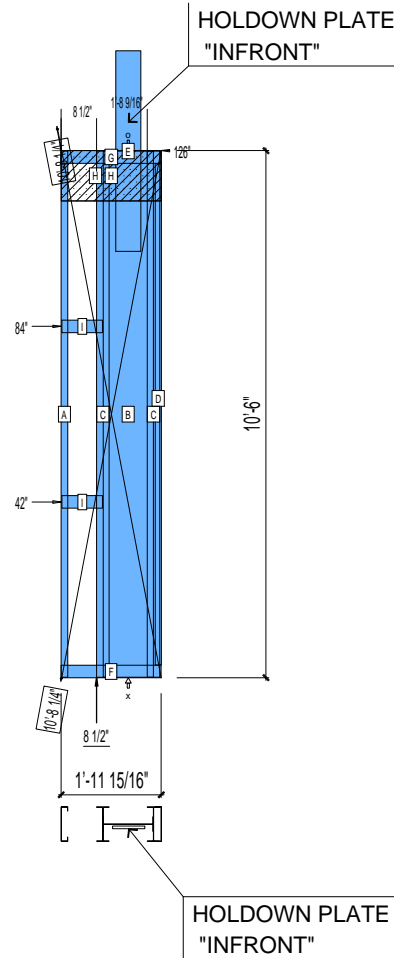
1st STUD: 24"

WEIGHTS :

FRAME : 405 lbs

TOTAL: 405 lbs

APPROVED
By TNT at 2:46 pm, Dec 15, 2008



PIECES LIST

LABEL	QTY	SIZE	LENGTH	USE
A	1	825S162-54	10'-5 13/16"	STUD
B	1	1200i350p1062	10'-5 13/16"	PACO
C	2	825i300p746	10'-5 13/16"	PACO
D	1	825T150-54	9'-11 7/8"	CAP TRACK
E	1	C	4'-0"	HOLDDOWN
F	1	825T300-68	1'-11 15/16"	BOTTOM TRACK
G	1	825T300-68	1'-11 15/16"	TOP TRACK
H	2	1200D-54	1'-11 7/8"	STRAP
I	2	825T300-54	9 3/4"	BLOCK

23-6007

Jewish Home for the Aging

1885 Victory Blvd. Reseda, CA

FrameMax, Inc.
13915 Danielson St
Suite 100
Poway, CA 92064
www.frame-max.com



© FrameMax Inc.

CREATED: 12/12/2008

FM-07-109

CREATED BY: TNT

HEIGHT : 10'-6" POINTS: 2.16 Points.

SPACING : 24"

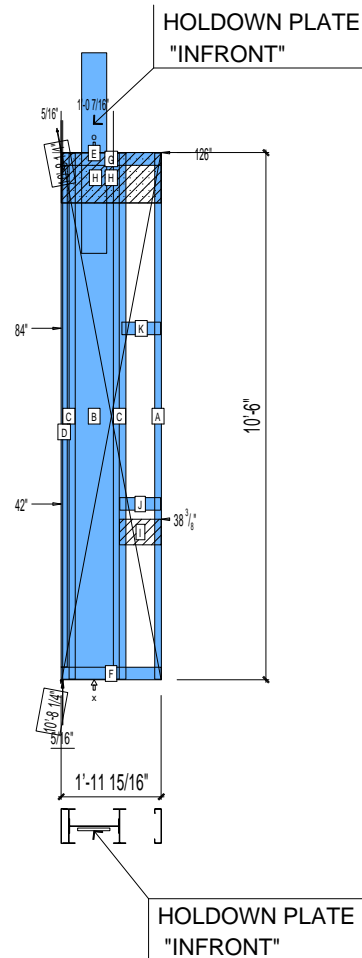
1st STUD: 24"

WEIGHTS :

FRAME : 406 lbs

TOTAL: 406 lbs

APPROVED
By TNT at 2:46 pm, Dec 15, 2008



PIECES LIST

LABEL	QTY	SIZE	LENGTH	USE
A	1	825S162-54	10'-5 13/16"	STUD
B	1	1200i350p1062	10'-5 13/16"	PACO
C	2	825i300p746	10'-5 13/16"	PACO
D	1	825T150-54	9'-11 7/8"	CAP TRACK
E	1	C	4'-0"	HOLDDOWN
F	1	825T300-68	1'-11 15/16"	BOTTOM TRACK
G	1	825T300-68	1'-11 15/16"	TOP TRACK
H	2	1200D-54	1'-11 7/8"	STRAP
I	1	600T150-54	9 15/16"	GRAB BAR
J	1	825T300-54	9 3/4"	BLOCK
K	1	825T300-54	9 1/4"	BLOCK

23-6008

Jewish Home for the Aging

1885 Victory Blvd. Reseda, CA

FrameMax, Inc.
13915 Danielson St
Suite 100
Poway, CA 92064
www.framemax.com



© FrameMax Inc.

CREATED: 12/12/2008

FM-07-109

CREATED BY: TNT

HEIGHT : 10'-6" POINTS: 1.89 Points.

SPACING : 24"

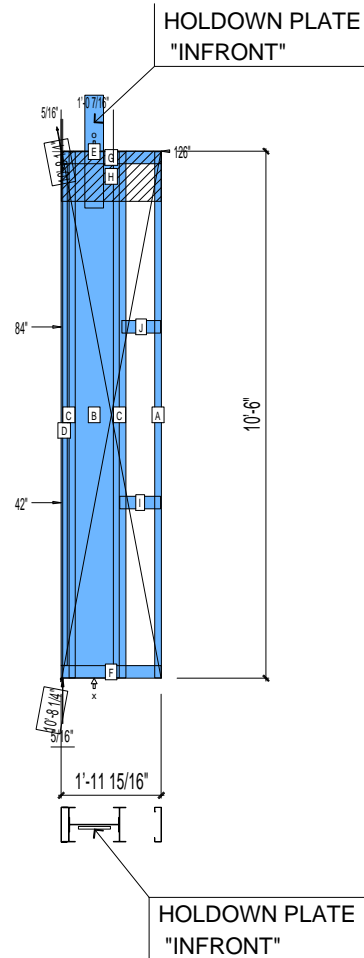
1st STUD: 24"

WEIGHTS :

FRAME : 356 lbs

TOTAL: 356 lbs

APPROVED
By TNT at 2:46 pm, Dec 15, 2008



PIECES LIST

LABEL	QTY	SIZE	LENGTH	USE
A	1	825S162-54	10'-5 13/16"	STUD
B	1	1200i350p1062	10'-5 13/16"	PACO
C	2	825i300p746	10'-5 13/16"	PACO
D	1	825T150-54	9'-11 7/8"	CAP TRACK
E	1	B	2'-3"	HOLDDOWN
F	1	825T300-68	1'-11 15/16"	BOTTOM TRACK
G	1	825T300-68	1'-11 15/16"	TOP TRACK
H	1	1200D-54	1'-11 7/8"	STRAP
I	1	825T300-54	9 3/4"	BLOCK
J	1	825T300-54	9 1/4"	BLOCK

23-6009

Jewish Home for the Aging

1885 Victory Blvd. Reseda, CA

FrameMax, Inc.
13915 Danielson St
Suite 100
Poway, CA 92064
www.frame-max.com



© FrameMax Inc.

CREATED: 12/12/2008

FM-07-109

CREATED BY: TNT

HEIGHT : 10'-6" POINTS: 1.89 Points.

SPACING : 24"

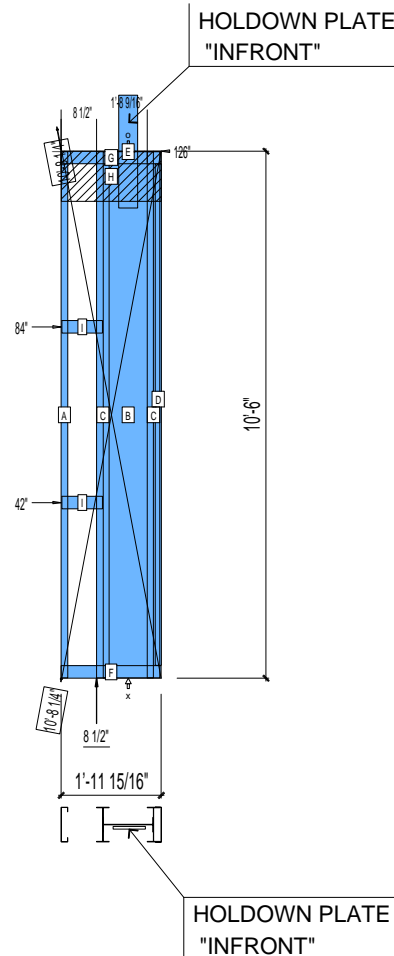
1st STUD: 24"

WEIGHTS :

FRAME : 356 lbs

TOTAL: 356 lbs

APPROVED
By TNT at 2:46 pm, Dec 15, 2008



PIECES LIST

LABEL	QTY	SIZE	LENGTH	USE
A	1	825S162-54	10'-5 13/16"	STUD
B	1	1200i350p1062	10'-5 13/16"	PACO
C	2	825i300p746	10'-5 13/16"	PACO
D	1	825T150-54	9'-11 7/8"	CAP TRACK
E	1	B	2'-3"	HOLDDOWN
F	1	825T300-68	1'-11 15/16"	BOTTOM TRACK
G	1	825T300-68	1'-11 15/16"	TOP TRACK
H	1	1200D-54	1'-11 7/8"	STRAP
I	2	825T300-54	9 3/4"	BLOCK

23-6011

Jewish Home for the Aging

1885 Victory Blvd. Reseda, CA

FrameMax, Inc.
13915 Danielson St
Suite 100
Poway, CA 92064
www.frame-max.com



© FrameMax Inc.

CREATED: 12/12/2008

FM-07-109

CREATED BY: TNT

HEIGHT : 10'-6" POINTS: 2.04 Points.

SPACING : 24"

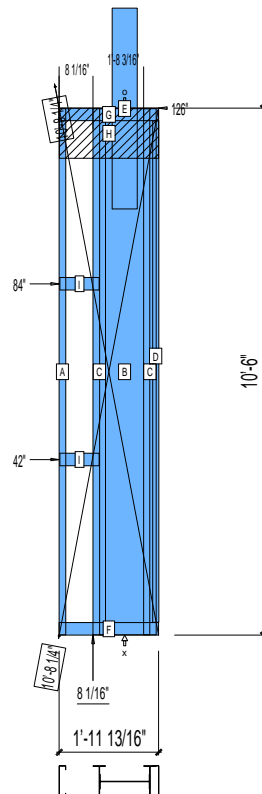
1st STUD: 24"

APPROVED
By TNT at 2:46 pm, Dec 15, 2008

WEIGHTS :

FRAME : 389 lbs

TOTAL: 389 lbs



PIECES LIST

LABEL	QTY	SIZE	LENGTH	USE
A	1	750S162-54	10'-5 13/16"	STUD
B	1	1200i350p1062	10'-5 13/16"	PACO
C	2	750i300p706	10'-5 13/16"	PACO
D	1	750T150-54	9'-11 7/8"	CAP TRACK
E	1	C	4'-0"	HOLDDOWN
F	1	750T300-68	1'-11 13/16"	BOTTOM TRACK
G	1	750T300-68	1'-11 13/16"	TOP TRACK
H	1	1200D-54	1'-11 3/4"	STRAP
I	2	750T300-68	9 5/16"	BLOCK

23-6012

Jewish Home for the Aging

1885 Victory Blvd. Reseda, CA

FrameMax, Inc.
13915 Danielson St
Suite 100
Poway, CA 92064
www.frame-max.com



© FrameMax Inc.

CREATED: 12/12/2008

FM-07-109

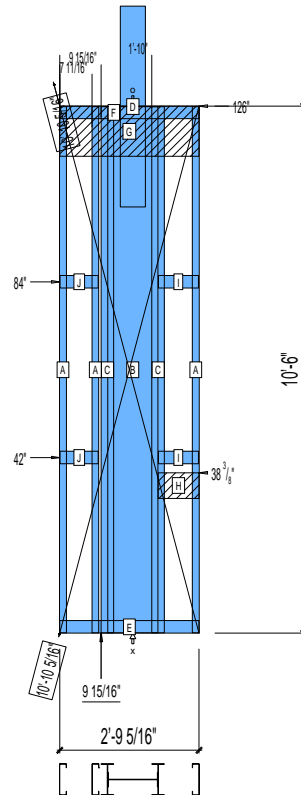
CREATED BY: TNT

HEIGHT : 10'-6"
POINTS: 2.32 Points.
SPACING : 24"
1st STUD: 24"

APPROVED
By TNT at 2:46 pm, Dec 15, 2008

WEIGHTS :
FRAME : 429 lbs

TOTAL: 429 lbs



PIECES LIST

LABEL	QTY	SIZE	LENGTH	USE
A	3	750S162-54	10'-5 13/16"	STUD
B	1	1200i350p1062	10'-5 13/16"	PACO
C	2	750i300p706	10'-5 13/16"	PACO
D	1	C	4'-0"	HOLDDOWN
E	1	750T300-68	2'-9 5/16"	BOTTOM TRACK
F	1	750T300-68	2'-9 5/16"	TOP TRACK
G	1	1200D-54	2'-9 1/4"	STRAP
H	1	600T150-54	9 3/4"	GRAB BAR
I	2	750T300-68	9 9/16"	BLOCK
J	2	750T300-68	9 1/8"	BLOCK

23-6013

Jewish Home for the Aging

1885 Victory Blvd. Reseda, CA

FrameMax, Inc.
13915 Danielson St
Suite 100
Poway, CA 92064
www.frame-max.com



© FrameMax Inc.

CREATED: 12/12/2008

FM-07-109

CREATED BY: TNT

HEIGHT : 10'-6" POINTS: 2.04 Points.

SPACING : 24"

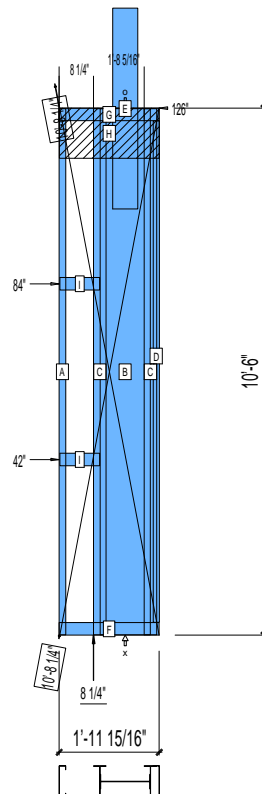
1st STUD: 24"

APPROVED
By TNT at 2:46 pm, Dec 15, 2008

WEIGHTS :

FRAME : 389 lbs

TOTAL: 389 lbs



PIECES LIST

LABEL	QTY	SIZE	LENGTH	USE
A	1	750S162-54	10'-5 13/16"	STUD
B	1	1200i350p1062	10'-5 13/16"	PACO
C	2	750i300p706	10'-5 13/16"	PACO
D	1	750T150-54	9'-11 7/8"	CAP TRACK
E	1	C	4'-0"	HOLDDOWN
F	1	750T300-68	1'-11 15/16"	BOTTOM TRACK
G	1	750T300-68	1'-11 15/16"	TOP TRACK
H	1	1200D-54	1'-11 7/8"	STRAP
I	2	750T300-68	9 1/2"	BLOCK

23-6014

Jewish Home for the Aging

1885 Victory Blvd. Reseda, CA

FrameMax, Inc.
13915 Danielson St
Suite 100
Poway, CA 92064
www.frame-max.com



© FrameMax Inc.

CREATED: 12/12/2008

FM-07-109

CREATED BY: TNT

HEIGHT : 10'-6" POINTS: 2.21 Points.

SPACING : 24"

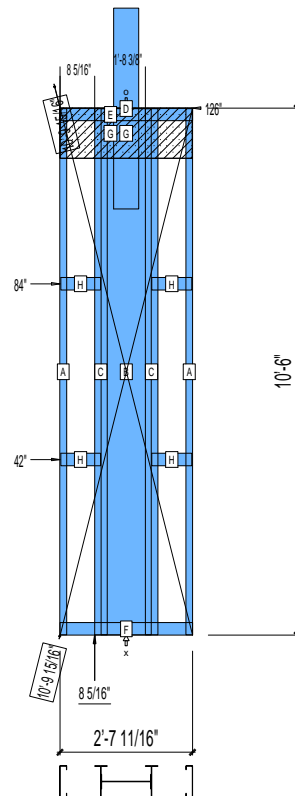
1st STUD: 24"

APPROVED
By TNT at 2:46 pm, Dec 15, 2008

WEIGHTS :

FRAME : 409 lbs

TOTAL: 409 lbs



PIECES LIST

LABEL	QTY	SIZE	LENGTH	USE
A	2	750S162-54	10'-5 13/16"	STUD
B	1	1200i350p1062	10'-5 13/16"	PACO
C	2	750i300p706	10'-5 13/16"	PACO
D	1	C	4'-0"	HOLDDOWN
E	1	750T300-68	2'-7 11/16"	TOP TRACK
F	1	750T300-68	2'-7 11/16"	BOTTOM TRACK
G	2	1200D-54	2'-7 5/8"	STRAP
H	4	750T300-68	9 9/16"	BLOCK

23-6016

Jewish Home for the Aging

1885 Victory Blvd. Reseda, CA

FrameMax, Inc.
13915 Danielson St
Suite 100
Poway, CA 92064
www.frame-max.com



© FrameMax Inc.

CREATED: 12/12/2008

FM-07-109

CREATED BY: TNT

HEIGHT : 10'-6" POINTS: 2.01 Points.

SPACING : 24"

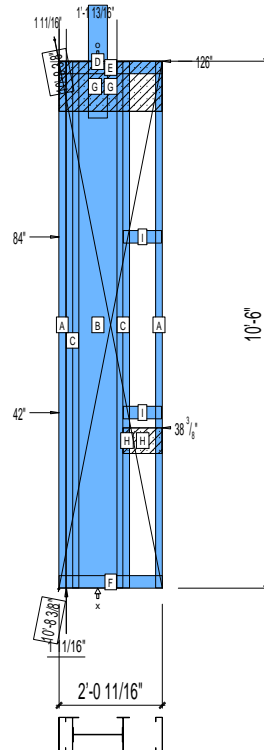
1st STUD: 24"

APPROVED
By TNT at 2:46 pm, Dec 15, 2008

WEIGHTS :

FRAME : 367 lbs

TOTAL: 367 lbs



PIECES LIST

LABEL	QTY	SIZE	LENGTH	USE
A	2	825S162-54	10'-5 13/16"	STUD
B	1	1200i350p1062	10'-5 13/16"	PACO
C	2	825i300p746	10'-5 13/16"	PACO
D	1	B	2'-3"	HOLDDOWN
E	1	825T300-68	2'-0 11/16"	TOP TRACK
F	1	825T300-68	2'-0 11/16"	BOTTOM TRACK
G	2	1200D-54	2'-0 5/8"	STRAP
H	2	600T150-54	9 5/16"	GRAB BAR
I	2	825T300-54	9 1/8"	BLOCK

23-6017

Jewish Home for the Aging

1885 Victory Blvd. Reseda, CA

FM-07-109

CREATED BY: TNT

FrameMax, Inc.
13915 Danielson St
Suite 100
Poway, CA 92064
www.frame-max.com



© FrameMax Inc.

HEIGHT : 10'-6" POINTS: 1.96 Points.

SPACING : 24"

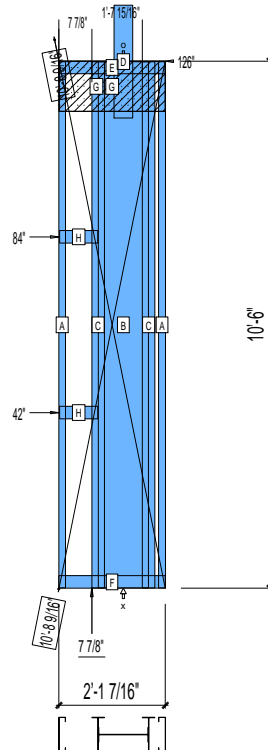
1st STUD: 24"

WEIGHTS :

FRAME : 365 lbs

TOTAL: 365 lbs

APPROVED
By TNT at 2:46 pm, Dec 15, 2008



PIECES LIST

LABEL	QTY	SIZE	LENGTH	USE
A	2	825S162-54	10'-5 13/16"	STUD
B	1	1200i350p1062	10'-5 13/16"	PACO
C	2	825i300p746	10'-5 13/16"	PACO
D	1	B	2'-3"	HOLDDOWN
E	1	825T300-68	2'-1 7/16"	TOP TRACK
F	1	825T300-68	2'-1 7/16"	BOTTOM TRACK
G	2	1200D-54	2'-1 3/8"	STRAP
H	2	825T300-54	9 1/8"	BLOCK

23-6018

Jewish Home for the Aging

1885 Victory Blvd. Reseda, CA

FrameMax, Inc.
13915 Danielson St
Suite 100
Poway, CA 92064
www.frame-max.com



© FrameMax Inc.

CREATED: 12/12/2008

FM-07-109

CREATED BY: TNT

HEIGHT : 10'-6" POINTS: 1.89 Points.

SPACING : 24"

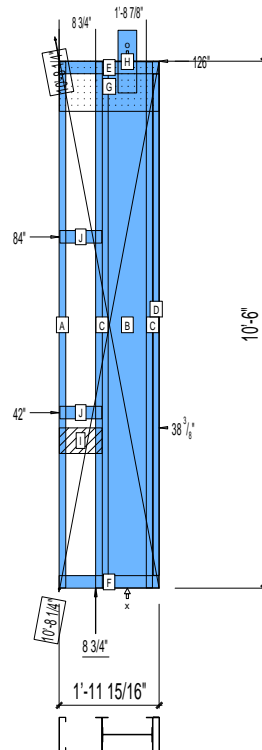
1st STUD: 24"

APPROVED
By TNT at 2:46 pm, Dec 15, 2008

WEIGHTS :

FRAME : 350 lbs

TOTAL: 350 lbs



PIECES LIST

LABEL	QTY	SIZE	LENGTH	USE
A	1	825S162-54	10'-5 13/16"	STUD
B	1	1200i350p1062	10'-5 13/16"	PACO
C	2	825i300p746	10'-5 13/16"	PACO
D	1	825T150-54	9'-11 7/8"	CAP TRACK
E	1	825T300-68	1'-11 15/16"	TOP TRACK
F	1	825T300-68	1'-11 15/16"	BOTTOM TRACK
G	1	1200D-54	1'-11 7/8"	STRAP
H	1	A	1'-3"	HOLDDOWN
I	1	600T150-54	10 3/16"	GRAB BAR
J	2	825T300-54	10"	BLOCK

23-6019

Jewish Home for the Aging

1885 Victory Blvd. Reseda, CA

FrameMax, Inc.
13915 Danielson St
Suite 100
Poway, CA 92064
www.frame-max.com



© FrameMax Inc.

CREATED: 12/12/2008

FM-07-109

CREATED BY: TNT

HEIGHT : 10'-6" POINTS: 1.86 Points.

SPACING : 24"

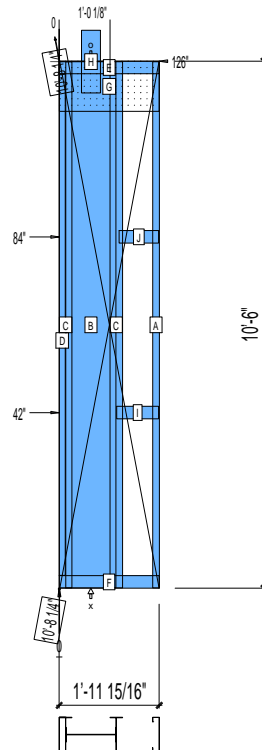
1st STUD: 24"

APPROVED
By TNT at 2:46 pm, Dec 15, 2008

WEIGHTS :

FRAME : 349 lbs

TOTAL: 349 lbs



PIECES LIST

LABEL	QTY	SIZE	LENGTH	USE
A	1	825S162-54	10'-5 13/16"	STUD
B	1	1200i350p1062	10'-5 13/16"	PACO
C	2	825i300p746	10'-5 13/16"	PACO
D	1	825T150-54	9'-11 7/8"	CAP TRACK
E	1	825T300-68	1'-11 15/16"	TOP TRACK
F	1	825T300-68	1'-11 15/16"	BOTTOM TRACK
G	1	1200D-54	1'-11 7/8"	STRAP
H	1	A	1'-3"	HOLDDOWN
I	1	825T300-54	10"	BLOCK
J	1	825T300-54	9 3/8"	BLOCK

23-6020

Jewish Home for the Aging

1885 Victory Blvd. Reseda, CA

FrameMax, Inc.
13915 Danielson St
Suite 100
Poway, CA 92064
www.framemax.com



© FrameMax Inc.

CREATED: 12/12/2008

FM-07-109

CREATED BY: TNT

HEIGHT : 10'-6" POINTS: 1.96 Points.

SPACING : 24"

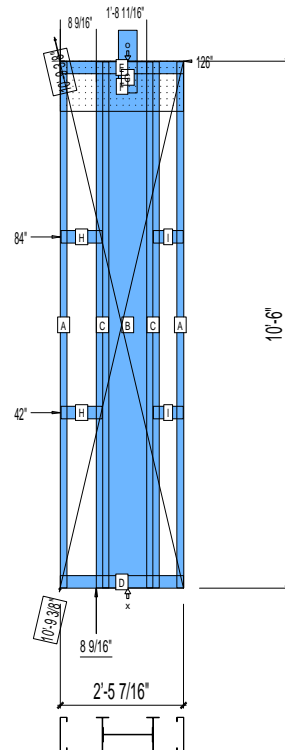
1st STUD: 24"

APPROVED
By TNT at 2:46 pm, Dec 15, 2008

WEIGHTS :

FRAME : 359 lbs

TOTAL: 359 lbs



PIECES LIST

LABEL	QTY	SIZE	LENGTH	USE
A	2	825S162-54	10'-5 13/16"	STUD
B	1	1200i350p1062	10'-5 13/16"	PACO
C	2	825i300p746	10'-5 13/16"	PACO
D	1	825T300-68	2'-5 7/16"	BOTTOM TRACK
E	1	825T300-68	2'-5 7/16"	TOP TRACK
F	1	1200D-54	2'-5 7/16"	STRAP
G	1	A	1'-3"	HOLDDOWN
H	2	825T300-54	9 13/16"	BLOCK
I	2	825T300-54	7 1/8"	BLOCK

23-6021

Jewish Home for the Aging

1885 Victory Blvd. Reseda, CA

FrameMax, Inc.
13915 Danielson St
Suite 100
Poway, CA 92064
www.frame-max.com



© FrameMax Inc.

CREATED: 12/12/2008

FM-07-109

CREATED BY: TNT

HEIGHT : 10'-6" POINTS: 1.70 Points.

SPACING : 24"

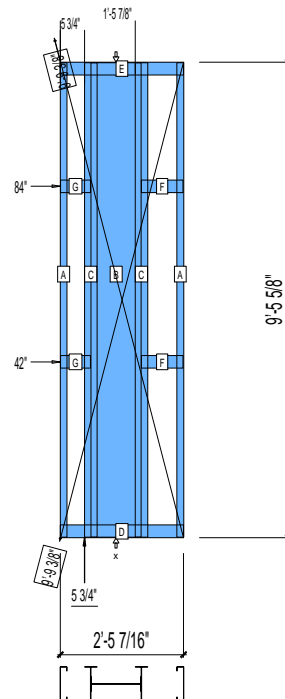
1st STUD: 24"

APPROVED
By TNT at 2:46 pm, Dec 15, 2008

WEIGHTS :

FRAME : 312 lbs

TOTAL: 312 lbs



PIECES LIST

LABEL	QTY	SIZE	LENGTH	USE
A	2	825S162-54	9'-5 7/16"	STUD
B	1	1200i350p1062	9'-5 7/16"	PACO
C	2	825i300p746	9'-5 7/16"	PACO
D	1	825T300-68	2'-5 7/16"	BOTTOM TRACK
E	1	825T300-68	2'-5 7/16"	TOP TRACK
F	2	825T300-54	9 7/8"	BLOCK
G	2	825T300-54	7 1/8"	BLOCK

23-6022

Jewish Home for the Aging

1885 Victory Blvd. Reseda, CA

FM-07-109

CREATED BY: TNT

FrameMax, Inc.
13915 Danielson St
Suite 100
Poway, CA 92064
www.frame-max.com



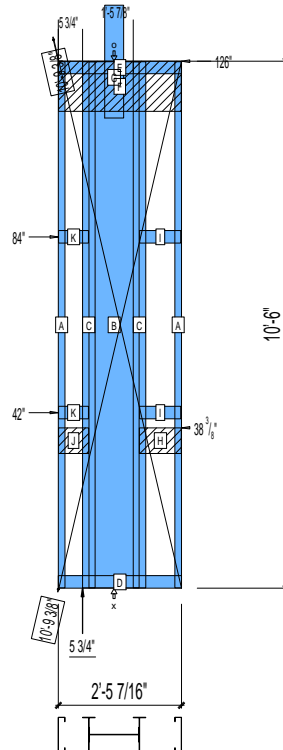
© FrameMax Inc.

HEIGHT : 10'-6"
POINTS: 2.05 Points.
SPACING : 24"
1st STUD: 16"

APPROVED
By TNT at 2:46 pm, Dec 15, 2008

WEIGHTS :
FRAME : 369 lbs

TOTAL: 369 lbs



PIECES LIST

LABEL	QTY	SIZE	LENGTH	USE
A	2	825S162-54	10'-5 13/16"	STUD
B	1	1200i350p1062	10'-5 13/16"	PACO
C	2	825i300p746	10'-5 13/16"	PACO
D	1	825T300-68	2'-5 7/16"	BOTTOM TRACK
E	1	825T300-68	2'-5 7/16"	TOP TRACK
F	1	1200D-54	2'-5 3/8"	STRAP
G	1	B	2'-3"	HOLDDOWN
H	1	600T150-54	10"	GRAB BAR
I	2	825T300-54	9 13/16"	BLOCK
J	1	600T150-54	7 1/4"	GRAB BAR
K	2	825T300-54	7 1/8"	BLOCK

23-6023

Jewish Home for the Aging

1885 Victory Blvd. Reseda, CA

FrameMax, Inc.
13915 Danielson St
Suite 100
Poway, CA 92064
www.frame-max.com



© FrameMax Inc.

CREATED: 12/12/2008

FM-07-109

CREATED BY: TNT

HEIGHT : 10'-6" POINTS: 1.70 Points.

SPACING : 24"

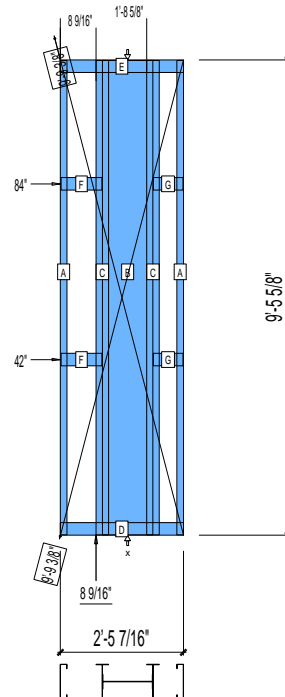
1st STUD: 24"

APPROVED
By TNT at 2:46 pm, Dec 15, 2008

WEIGHTS :

FRAME : 312 lbs

TOTAL: 312 lbs



PIECES LIST

LABEL	QTY	SIZE	LENGTH	USE
A	2	825S162-54	9'-5 7/16"	STUD
B	1	1200i350p1062	9'-5 7/16"	PACO
C	2	825i300p746	9'-5 7/16"	PACO
D	1	825T300-68	2'-5 7/16"	BOTTOM TRACK
E	1	825T300-68	2'-5 7/16"	TOP TRACK
F	2	825T300-54	9 13/16"	BLOCK
G	2	825T300-54	7 1/8"	BLOCK

23-6025

Jewish Home for the Aging

1885 Victory Blvd. Reseda, CA

FM-07-109

CREATED BY: TNT

FrameMax, Inc.
13915 Danielson St
Suite 100
Poway, CA 92064
www.frame-max.com



© FrameMax Inc.

HEIGHT : 10'-6" POINTS: 1.94 Points.

SPACING : 24"

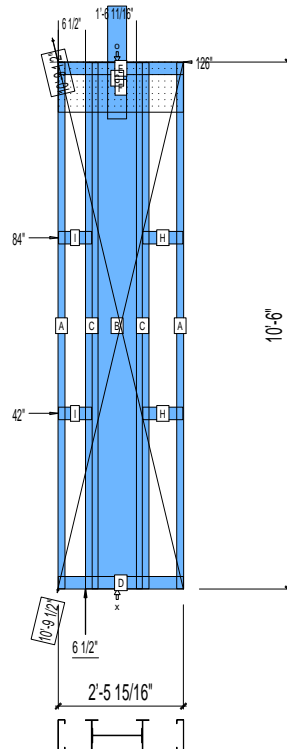
1st STUD: 24"

WEIGHTS :

FRAME : 356 lbs

TOTAL: 356 lbs

APPROVED
By TNT at 2:46 pm, Dec 15, 2008



PIECES LIST

LABEL	QTY	SIZE	LENGTH	USE
A	2	750S162-54	10'-5 13/16"	STUD
B	1	1200i350p1062	10'-5 13/16"	PACO
C	2	750i300p706	10'-5 13/16"	PACO
D	1	750T300-68	2'-5 15/16"	BOTTOM TRACK
E	1	750T300-68	2'-5 15/16"	TOP TRACK
F	1	1200D-54	2'-5 7/8"	STRAP
G	1	B	2'-3"	HOLDDOWN
H	2	750T300-68	9 9/16"	BLOCK
I	2	750T300-68	7 7/8"	BLOCK