

31-1001

Jewish Home for the Aging

1885 Victory Blvd. Reseda, CA

FrameMax, Inc.
13915 Danielson St
Suite 100
Poway, CA 92064
www.frame-max.com



© FrameMax Inc.

CREATED: 10/24/2008

FM-07-109

CREATED BY: AMB

HEIGHT : 10'-5 3/4" POINTS: 1.12 Points.

SPACING : 24"

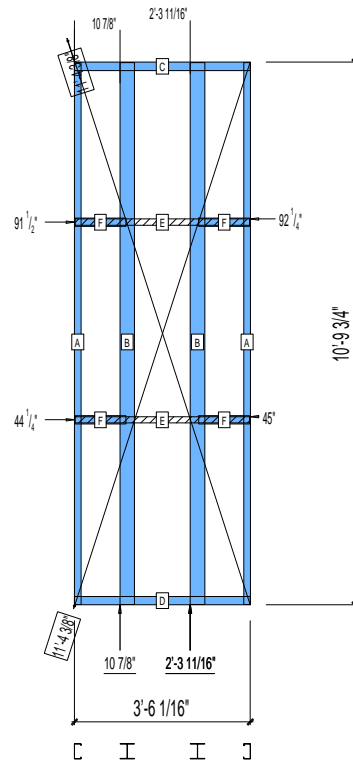
1st STUD: 24"

APPROVED
By Ryan J Gonsalves at 2:58 pm, Nov 11, 2008

WEIGHTS :

FRAME : 173 lbs

TOTAL: 173 lbs



PIECES LIST

LABEL	QTY	SIZE	LENGTH	USE
A	2	362S162-54	10'-9 9/16"	STUD
B	2	363i350p554	10'-9 9/16"	PACO. COLUMN
C	1	362T200-68	3'-6 1/16"	TOP TRACK
D	1	362T200-68	3'-6 1/16"	BOTTOM TRACK
E	2	150D-43	3'-5 3/4"	STRAP
F	4	362T200-68	1'-0 1/8"	BLOCK

31-1002

Jewish Home for the Aging

1885 Victory Blvd. Reseda, CA

FrameMax, Inc.
13915 Danielson St
Suite 100
Poway, CA 92064
www.frame-max.com



© FrameMax Inc.

CREATED: 10/24/2008

FM-07-109

CREATED BY: AMB

HEIGHT : 10'-5 3/4" POINTS: 1.12 Points.

SPACING : 24"

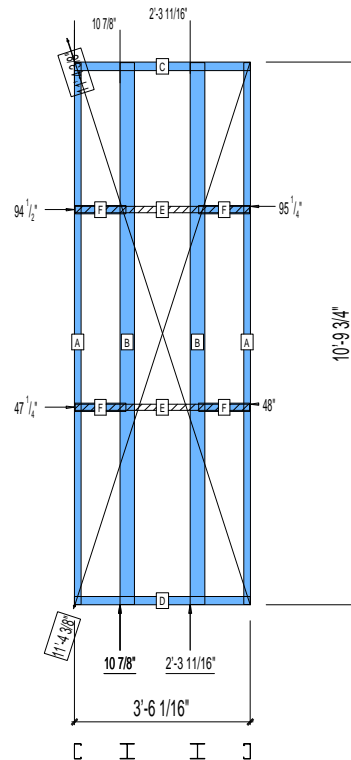
1st STUD: 24"

APPROVED
By Ryan J Gonsalves at 2:58 pm, Nov 11, 2008

WEIGHTS :

FRAME : 173 lbs

TOTAL: 173 lbs



PIECES LIST

LABEL	QTY	SIZE	LENGTH	USE
A	2	362S162-54	10'-9 9/16"	STUD
B	2	363i350p554	10'-9 9/16"	PACO. COLUMN
C	1	362T200-68	3'-6 1/16"	TOP TRACK
D	1	362T200-68	3'-6 1/16"	BOTTOM TRACK
E	2	150D-43	3'-5 3/4"	STRAP
F	4	362T200-68	1'-0 1/8"	BLOCK

31-1003

Jewish Home for the Aging

1885 Victory Blvd. Reseda, CA

FrameMax, Inc.
13915 Danielson St
Suite 100
Poway, CA 92064
www.frame-max.com



© FrameMax Inc.

CREATED: 10/24/2008

FM-07-109

CREATED BY: AMB

HEIGHT : 10'-5 3/4" POINTS: 0.70 Points.

SPACING : 24"

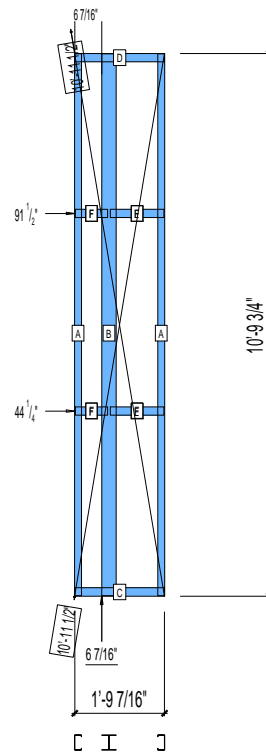
1st STUD: 24"

APPROVED
By Ryan J Gonsalves at 2:58 pm, Nov 11, 2008

WEIGHTS :

FRAME : 104 lbs

TOTAL: 104 lbs



PIECES LIST

LABEL	QTY	SIZE	LENGTH	USE
A	2	362S162-54	10'-9 9/16"	STUD
B	1	363i350p554	10'-9 9/16"	PACO. COLUMN
C	1	362T200-68	1'-9 7/16"	BOTTOM TRACK
D	1	362T200-68	1'-9 7/16"	TOP TRACK
E	2	362T200-68	1'-0 13/16"	BLOCK
F	2	362T200-68	7 11/16"	BLOCK

31-1004

Jewish Home for the Aging

1885 Victory Blvd. Reseda, CA

FM-07-109

CREATED BY: AMB

FrameMax, Inc.
13915 Danielson St
Suite 100
Poway, CA 92064
www.frame-max.com



© FrameMax Inc.

HEIGHT : 10'-5 3/4" POINTS: 0.83 Points.

SPACING : 24"

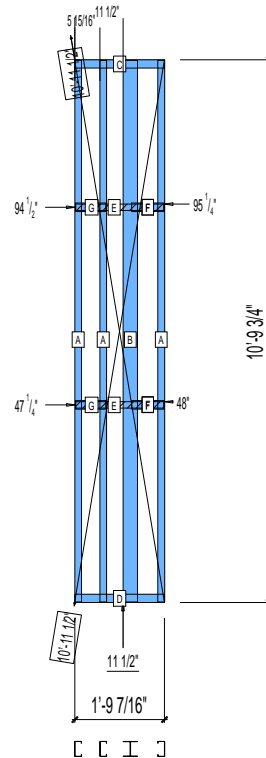
1st STUD: 24"

APPROVED
By Ryan J Gonsalves at 2:58 pm, Nov 11, 2008

WEIGHTS :

FRAME : 119 lbs

TOTAL: 119 lbs



PIECES LIST

LABEL	QTY	SIZE	LENGTH	USE
A	3	362S162-54	10'-9 9/16"	STUD
B	1	363i350p554	10'-9 9/16"	PACO.COLUMN
C	1	362T200-68	1'-9 7/16"	TOP TRACK
D	1	362T200-68	1'-9 7/16"	BOTTOM TRACK
E	2	150D-43	1'-9 1/8"	STRAP
F	2	362T200-68	7 11/16"	BLOCK
G	2	362T200-68	7 1/4"	BLOCK

31-1005

Jewish Home for the Aging

1885 Victory Blvd. Reseda, CA

FM-07-109

CREATED BY: AMB

FrameMax, Inc.
13915 Danielson St
Suite 100
Poway, CA 92064
www.framemax.com



© FrameMax Inc.

HEIGHT : 11'-9 11/16" POINTS: 2.04 Points.

SPACING : 24"

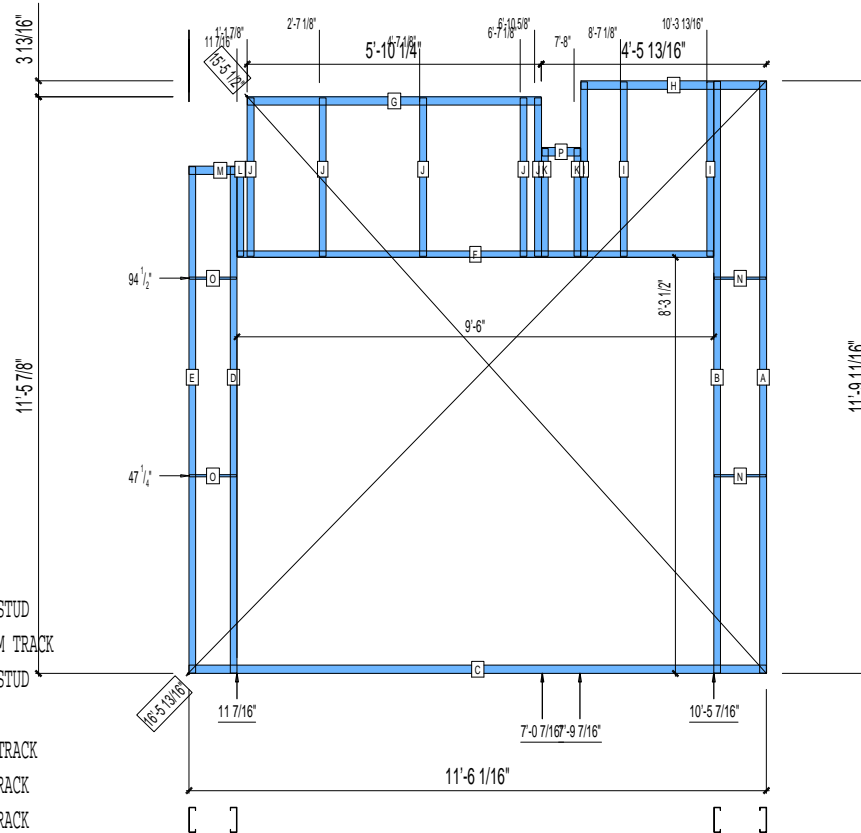
1st STUD: 24"

APPROVED
By Ryan J Gonsalves at 2:58 pm, Nov 11, 2008

WEIGHTS :

FRAME : 279 lbs

TOTAL: 279 lbs



PIECES LIST

LABEL	QTY	SIZE	LENGTH	USE
A	1	600S162-97	11'-9 1/2"	STUD
B	1	600S162-97	11'-9 1/2"	KING STUD
C	1	600T200-68	11'-6 1/16"	BOTTOM TRACK
D	1	600S162-97	10'-1 1/8"	KING STUD
E	1	600S162-97	10'-1 1/8"	STUD
F	1	600T150-54	9'-5 3/4"	HEAD TRACK
G	1	600T200-68	5'-10 1/4"	TOP TRACK
H	1	600T200-68	3'-8 5/16"	TOP TRACK
I	3	600S162-54	3'-5 3/4"	CRIPPLE
J	5	600S162-54	3'-1 15/16"	CRIPPLE
K	2	600S162-54	2'-1 13/16"	CRIPPLE
L	1	600S162-54	1'-9 3/8"	CRIPPLE
M	1	600T200-68	1'-3 5/16"	BEAM JACK
N	2	150U50-54	1'-0 3/8"	HORIZONTAL BRACING
O	2	150U50-54	11 1/4"	HORIZONTAL BRACING
P	1	600T200-68	9 1/8"	BEAM JACK

31-1006

Jewish Home for the Aging

1885 Victory Blvd. Reseda, CA

FM-07-109

CREATED BY: AMB

FrameMax, Inc.
13915 Danielson St
Suite 100
Poway, CA 92064
www.framemax.com



© FrameMax Inc.

HEIGHT : 11'-9 11/16" POINTS: 1.84 Points.

SPACING : 24"

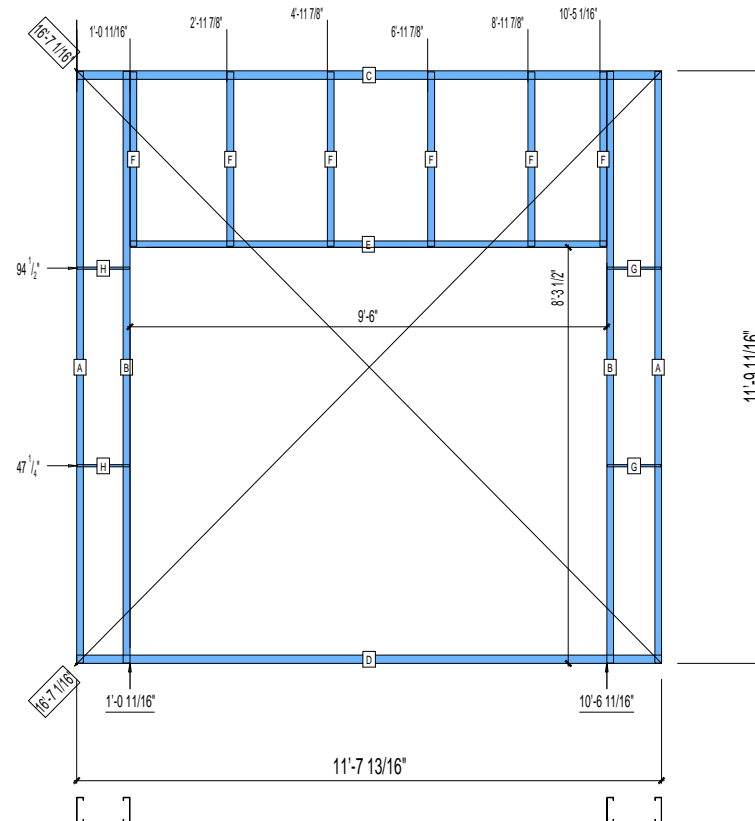
1st STUD: 24"

APPROVED
By Ryan J Gonsalves at 2:58 pm, Nov 11, 2008

WEIGHTS :

FRAME : 270 lbs

TOTAL: 270 lbs



PIECES LIST

LABEL	QTY	SIZE	LENGTH	USE
A	2	600S162-97	11'-9 1/2"	STUD
B	2	600S162-97	11'-9 1/2"	KING STUD
C	1	600T200-68	11'-7 13/16"	TOP TRACK
D	1	600T200-68	11'-7 13/16"	BOTTOM TRACK
E	1	600T150-54	9'-5 3/4"	HEAD TRACK
F	6	600S162-54	3'-5 3/4"	CRIPPLE
G	2	150U50-54	1'-0 7/8"	HORIZONTAL BRACING
H	2	150U50-54	1'-0 1/2"	HORIZONTAL BRACING

31-1007

Jewish Home for the Aging

1885 Victory Blvd. Reseda, CA

FM-07-109

CREATED BY: AMB

FrameMax, Inc.
13915 Danielson St
Suite 100
Poway, CA 92064
www.frame-max.com



© FrameMax Inc.

HEIGHT : 11'-9 11/16" POINTS: 2.05 Points.

SPACING : 24"

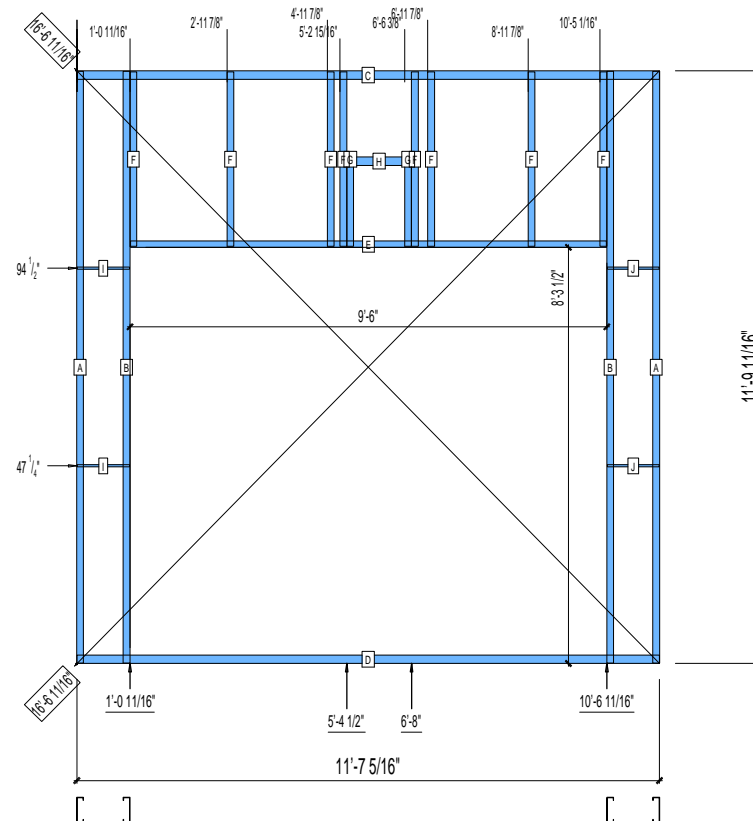
1st STUD: 24"

APPROVED
By Ryan J Gonsalves at 2:58 pm, Nov 11, 2008

WEIGHTS :

FRAME : 293 lbs

TOTAL: 293 lbs



PIECES LIST

LABEL	QTY	SIZE	LENGTH	USE
A	2	600S162-97	11'-9 1/2"	STUD
B	2	600S162-97	11'-9 1/2"	KING STUD
C	1	600T200-68	11'-7 5/16"	TOP TRACK
D	1	600T200-68	11'-7 5/16"	BOTTOM TRACK
E	1	600T150-54	9'-5 3/4"	HEAD TRACK
F	8	600S162-54	3'-5 3/4"	CRIPPLE
G	2	600S162-54	1'-9 1/8"	CRIPPLE
H	1	600T200-68	1'-6 5/16"	BEAM JACK
I	2	150U50-54	1'-0 1/2"	HORIZONTAL BRACING
J	2	150U50-54	1'-0 3/8"	HORIZONTAL BRACING

31-1008

Jewish Home for the Aging

1885 Victory Blvd. Reseda, CA

FM-07-109

CREATED BY: AMB

FrameMax, Inc.
13915 Danielson St
Suite 100
Poway, CA 92064
www.framemax.com



© FrameMax Inc.

HEIGHT : 11'-9 11/16" POINTS: 2.40 Points.

SPACING : 24"

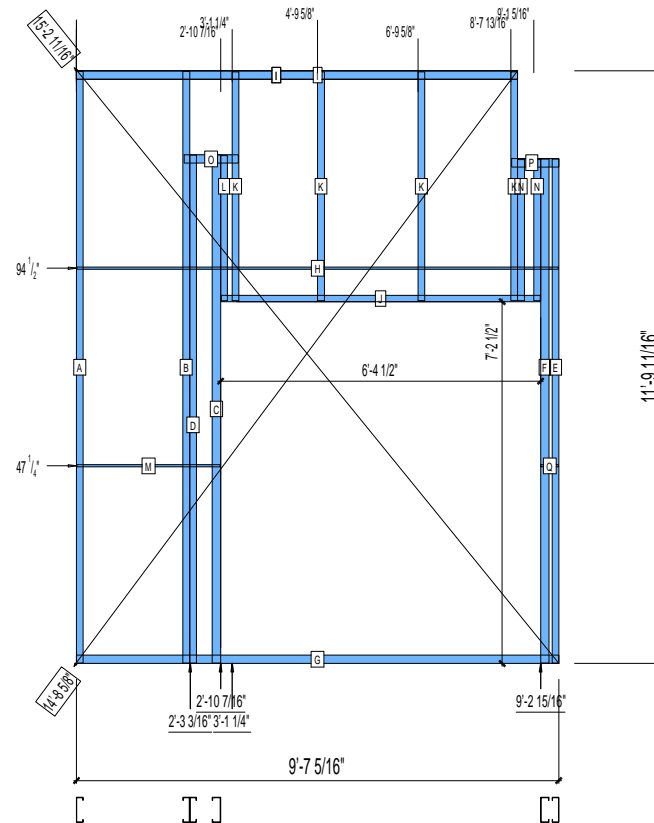
1st STUD: 24"

APPROVED
By Ryan J Gonsalves at 2:58 pm, Nov 11, 2008

WEIGHTS :

FRAME : 377 lbs

TOTAL: 377 lbs



PIECES LIST

LABEL	QTY	SIZE	LENGTH	USE
A	1	600S162-97	11'-9 1/2"	STUD
B	1	600S162-97	11'-9 1/2"	BEAM KING
C	1	600S200-97	10'-1 1/2"	KING STUD
D	1	600S162-97	10'-1 7/16"	BEAM JACK
E	1	600S162-97	10'-0 1/2"	STUD
F	1	600S200-97	10'-0 1/2"	KING STUD
G	1	600T200-68	9'-7 5/16"	BOTTOM TRACK
H	1	150U50-54	9'-7 1/8"	HORIZONTAL BRACING
I	3	600T200-68	8'-9 7/16"	TOP TRACK
J	1	600T150-54	6'-4 1/4"	HEAD TRACK
K	4	600S162-54	4'-6 3/4"	CRIPPLE
L	1	600S162-54	2'-10 11/16"	CRIPPLE
M	1	150U50-54	2'-10 1/4"	HORIZONTAL BRACING
N	2	600S162-54	2'-9 3/4"	CRIPPLE
O	1	600T200-68	1'-0 7/8"	BEAM JACK
P	1	600T200-68	11 1/4"	BEAM JACK
Q	1	150U50-54	4 1/8"	HORIZONTAL BRACING

31-1009

Jewish Home for the Aging

1885 Victory Blvd. Reseda, CA

FM-07-109

CREATED BY: AMB

FrameMax, Inc.
13915 Danielson St
Suite 100
Poway, CA 92064
www.frame-max.com



© FrameMax Inc.

HEIGHT : 11'-9 11/16" POINTS: 1.63 Points.

SPACING : 5000"

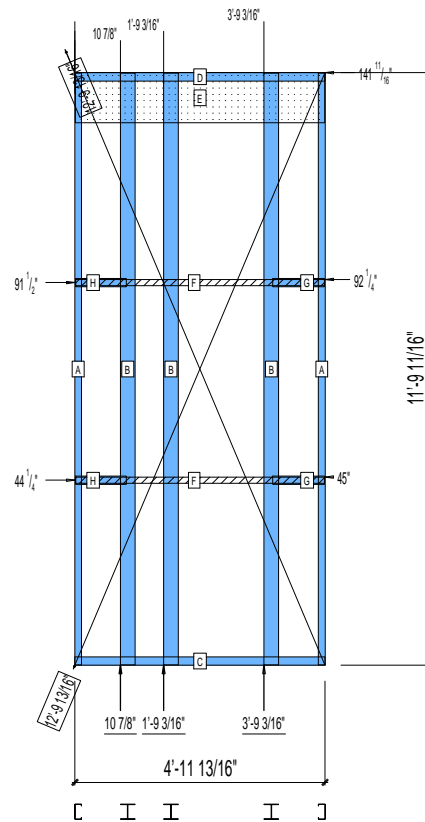
1st STUD: 5000"

APPROVED
By Ryan J Gonsalves at 2:58 pm, Nov 11, 2008

WEIGHTS :

FRAME : 270 lbs

TOTAL: 270 lbs



PIECES LIST

LABEL	QTY	SIZE	LENGTH	USE
A	2	362S162-54	11'-9 1/2"	STUD
B	3	363i350p554	11'-9 1/2"	PACO.COLUMN
C	1	362T200-68	4'-11 13/16"	BOTTOM TRACK
D	1	362T200-68	4'-11 13/16"	TOP TRACK
E	1	1200D-54	4'-11 5/8"	STRAP
F	2	150D-43	4'-11 1/2"	STRAP
G	2	362T200-68	1'-0 3/8"	BLOCK
H	2	362T200-68	1'-0 1/8"	BLOCK

31-1010

Jewish Home for the Aging

1885 Victory Blvd. Reseda, CA

FM-07-109

CREATED BY: AMB

FrameMax, Inc.
13915 Danielson St
Suite 100
Poway, CA 92064
www.frame-max.com



© FrameMax Inc.

HEIGHT : 11'-9 11/16" POINTS: 1.63 Points.

SPACING : 5000"

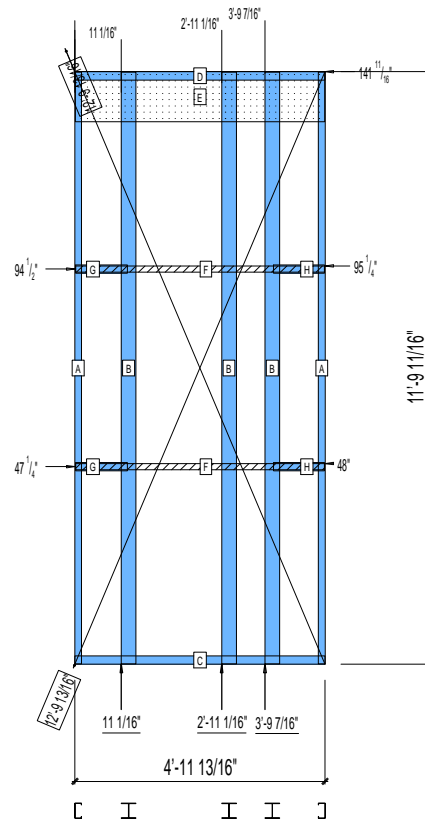
1st STUD: 5000"

APPROVED
By Ryan J Gonsalves at 2:58 pm, Nov 11, 2008

WEIGHTS :

FRAME : 270 lbs

TOTAL: 270 lbs



PIECES LIST

LABEL	QTY	SIZE	LENGTH	USE
A	2	362S162-54	11'-9 1/2"	STUD
B	3	363i350p554	11'-9 1/2"	PACO.COLUMN
C	1	362T200-68	4'-11 13/16"	BOTTOM TRACK
D	1	362T200-68	4'-11 13/16"	TOP TRACK
E	1	1200D-54	4'-11 5/8"	STRAP
F	2	150D-43	4'-11 1/2"	STRAP
G	2	362T200-68	1'-0 3/8"	BLOCK
H	2	362T200-68	1'-0 1/8"	BLOCK

31-1011

Jewish Home for the Aging

1885 Victory Blvd. Reseda, CA

FM-07-109

CREATED BY: AMB

FrameMax, Inc.
13915 Danielson St
Suite 100
Poway, CA 92064
www.frame-max.com



© FrameMax Inc.

HEIGHT : 11'-9 11/16" POINTS: 1.94 Points.

SPACING : 5000"

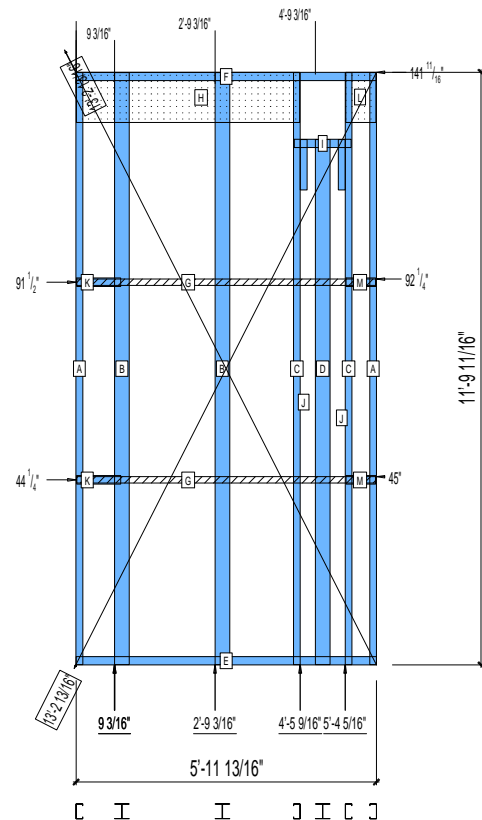
1st STUD: 5000"

APPROVED
By Ryan J Gonsalves at 2:58 pm, Nov 11, 2008

WEIGHTS :

FRAME : 305 lbs

TOTAL: 305 lbs



PIECES LIST

LABEL	QTY	SIZE	LENGTH	USE
A	2	362S162-54	11'-9 1/2"	STUD
B	2	363i350p554	11'-9 1/2"	PACO.COLUMN
C	2	362S162-54	11'-9 1/2"	BEAM KING
D	1	363i350p554	10'-5 1/2"	PACO.COLUMN
E	1	362T200-68	5'-11 13/16"	BOTTOM TRACK
F	1	362T200-68	5'-11 13/16"	TOP TRACK
G	2	150D-43	5'-11 1/2"	STRAP
H	1	1200D-54	4'-5 3/8"	STRAP
I	1	362T200-68	1'-1 9/16"	BEAM JACK
J	2	362S162-54	1'-0"	BEAM JACK
K	2	362T200-68	10 1/2"	BLOCK
L	1	1200D-54	7 1/4"	STRAP
M	2	362T200-68	7 1/8"	BLOCK

31-1012

Jewish Home for the Aging

1885 Victory Blvd. Reseda, CA

FM-07-109

CREATED BY: AMB

FrameMax, Inc.
13915 Danielson St
Suite 100
Poway, CA 92064
www.frame-max.com



© FrameMax Inc.

HEIGHT : 11'-9 11/16" POINTS: 1.94 Points.

SPACING : 5000"

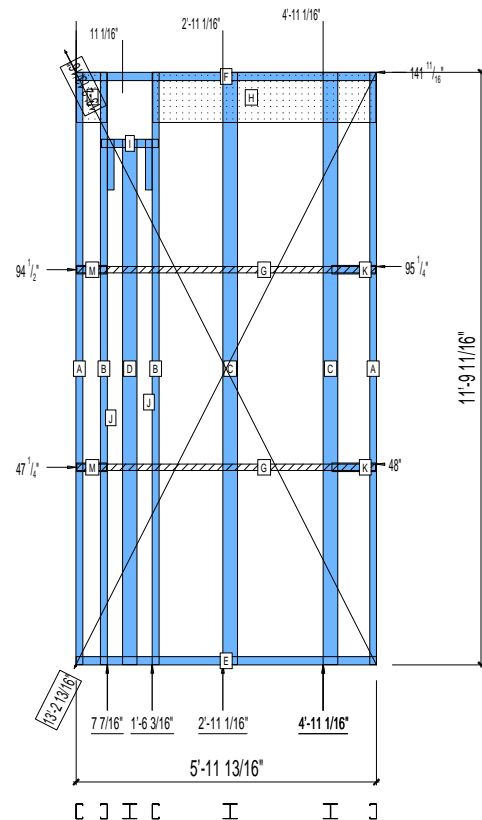
1st STUD: 5000"

APPROVED
By Ryan J Gonsalves at 2:58 pm, Nov 11, 2008

WEIGHTS :

FRAME : 305 lbs

TOTAL: 305 lbs



PIECES LIST

LABEL	QTY	SIZE	LENGTH	USE
A	2	362S162-54	11'-9 1/2"	STUD
B	2	362S162-54	11'-9 1/2"	BEAM KING
C	2	363i350p554	11'-9 1/2"	PACO. COLUMN
D	1	363i350p554	10'-5 1/2"	PACO. COLUMN
E	1	362T200-68	5'-11 13/16"	BOTTOM TRACK
F	1	362T200-68	5'-11 13/16"	TOP TRACK
G	2	150D-43	5'-11 1/2"	STRAP
H	1	1200D-54	4'-5 3/8"	STRAP
I	1	362T200-68	1'-1 9/16"	BEAM JACK
J	2	362S162-54	1'-0"	BEAM JACK
K	2	362T200-68	10 1/2"	BLOCK
L	1	1200D-54	7 1/4"	STRAP
M	2	362T200-68	7 1/8"	BLOCK

31-1013

Jewish Home for the Aging

1885 Victory Blvd. Reseda, CA

FM-07-109

CREATED BY: AMB

FrameMax, Inc.
13915 Danielson St
Suite 100
Poway, CA 92064
www.frame-max.com



© FrameMax Inc.

HEIGHT : 11'-9 11/16" POINTS: 1.94 Points.

SPACING : 5000"

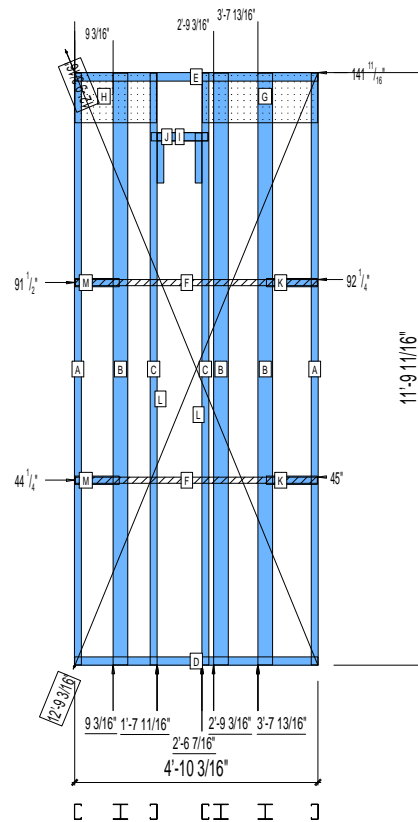
1st STUD: 5000"

APPROVED
By Ryan J Gonsalves at 2:58 pm, Nov 11, 2008

WEIGHTS :

FRAME : 307 lbs

TOTAL: 307 lbs



PIECES LIST

LABEL	QTY	SIZE	LENGTH	USE
A	2	362S162-54	11'-9 1/2"	STUD
B	3	363i350p554	11'-9 1/2"	PACO.COLUMN
C	2	362S162-54	11'-9 1/2"	BEAM KING
D	1	362T200-68	4'-10 3/16"	BOTTOM TRACK
E	1	362T200-68	4'-10 3/16"	TOP TRACK
F	2	150D-43	4'-9 7/8"	STRAP
G	1	1200D-54	2'-3 1/2"	STRAP
H	1	1200D-54	1'-7 1/2"	STRAP
I	1	362T200-68	1'-1 9/16"	BEAM JACK
J	1	362T200-68	1'-0 3/16"	BEAM JACK
K	2	362T200-68	1'-0 1/8"	BLOCK
L	2	362S162-54	1'-0"	BEAM JACK
M	2	362T200-68	10 1/2"	BLOCK

31-1014

Jewish Home for the Aging

1885 Victory Blvd. Reseda, CA

FM-07-109

CREATED BY: AMB

FrameMax, Inc.
13915 Danielson St
Suite 100
Poway, CA 92064
www.frame-max.com



© FrameMax Inc.

HEIGHT : 11'-9 11/16" POINTS: 1.94 Points.

SPACING : 5000"

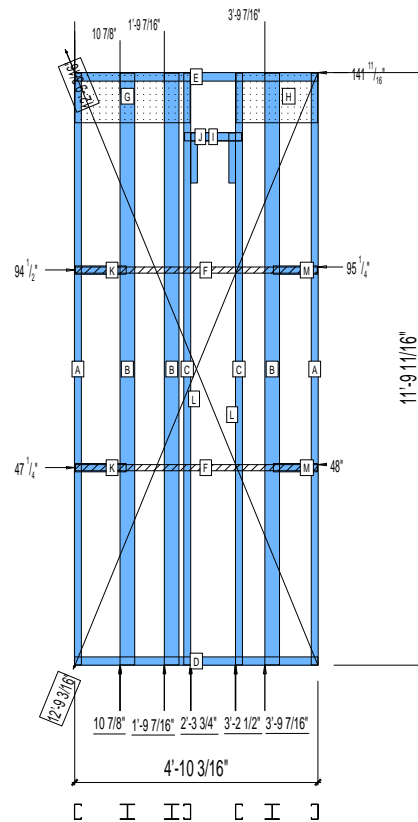
1st STUD: 5000"

APPROVED
By Ryan J Gonsalves at 2:58 pm, Nov 11, 2008

WEIGHTS :

FRAME : 307 lbs

TOTAL: 307 lbs



PIECES LIST

LABEL	QTY	SIZE	LENGTH	USE
A	2	362S162-54	11'-9 1/2"	STUD
B	3	363i350p554	11'-9 1/2"	PACO.COLUMN
C	2	362S162-54	11'-9 1/2"	BEAM KING
D	1	362T200-68	4'-10 3/16"	BOTTOM TRACK
E	1	362T200-68	4'-10 3/16"	TOP TRACK
F	2	150D-43	4'-9 7/8"	STRAP
G	1	1200D-54	2'-3 1/2"	STRAP
H	1	1200D-54	1'-7 1/2"	STRAP
I	1	362T200-68	1'-1 9/16"	BEAM JACK
J	1	362T200-68	1'-0 3/16"	BEAM JACK
K	2	362T200-68	1'-0 1/8"	BLOCK
L	2	362S162-54	1'-0"	BEAM JACK
M	2	362T200-68	10 1/2"	BLOCK

31-1015

Jewish Home for the Aging

1885 Victory Blvd. Reseda, CA

FM-07-109

CREATED BY: AMB

FrameMax, Inc.
13915 Danielson St
Suite 100
Poway, CA 92064
www.frame-max.com



© FrameMax Inc.

HEIGHT : 10'-0 15/16" POINTS: 1.82 Points.

SPACING : 5000"

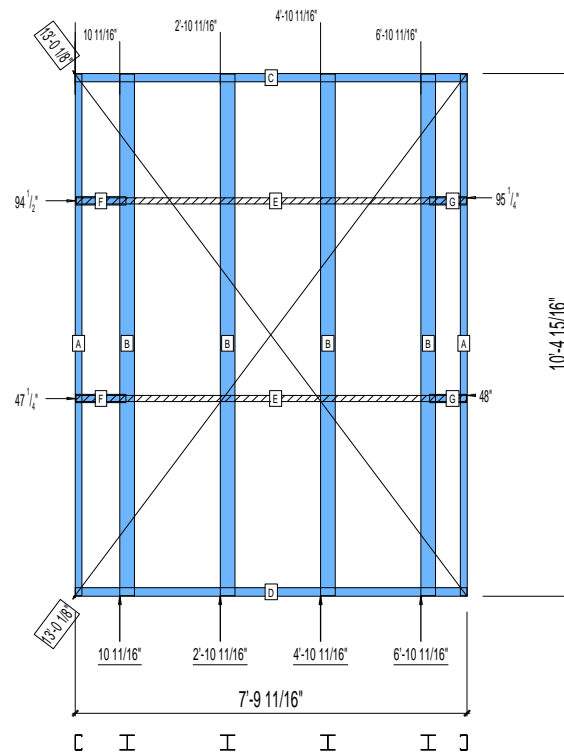
1st STUD: 5000"

APPROVED
By Ryan J Gonsalves at 2:58 pm, Nov 11, 2008

WEIGHTS :

FRAME : 299 lbs

TOTAL: 299 lbs



PIECES LIST

LABEL	QTY	SIZE	LENGTH	USE
A	2	362S162-54	10'-4 3/4"	STUD
B	4	363i350p554	10'-4 3/4"	PACO.COLUMN
C	1	362T200-68	7'-9 11/16"	TOP TRACK
D	1	362T200-68	7'-9 11/16"	BOTTOM TRACK
E	2	150D-43	7'-9 3/8"	STRAP
F	2	362T200-68	11 15/16"	BLOCK
G	2	362T200-68	8 13/16"	BLOCK

31-1016

Jewish Home for the Aging

1885 Victory Blvd. Reseda, CA

FM-07-109

CREATED BY: AMB

FrameMax, Inc.
13915 Danielson St
Suite 100
Poway, CA 92064
www.frame-max.com



© FrameMax Inc.

HEIGHT : 10'-0 15/16" POINTS: 1.82 Points.

SPACING : 5000"

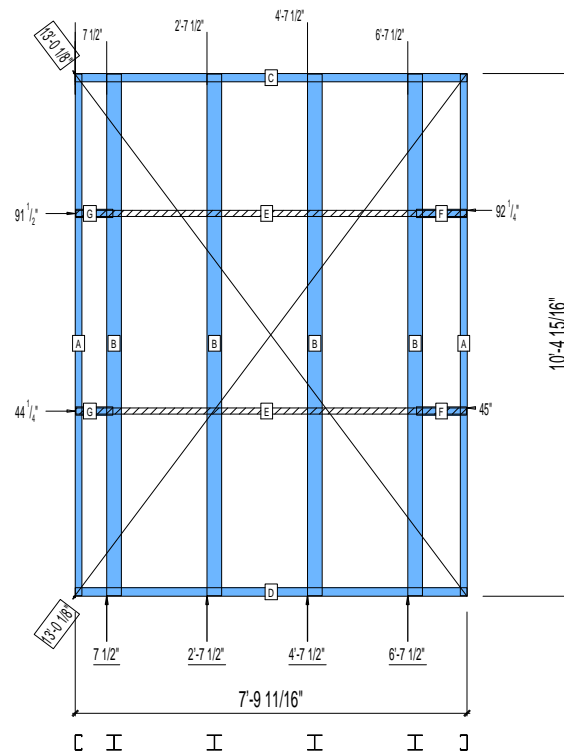
1st STUD: 5000"

APPROVED
By Ryan J Gonsalves at 2:58 pm, Nov 11, 2008

WEIGHTS :

FRAME : 299 lbs

TOTAL: 299 lbs



PIECES LIST

LABEL	QTY	SIZE	LENGTH	USE
A	2	362S162-54	10'-4 3/4"	STUD
B	4	363i350p554	10'-4 3/4"	PACO.COLUMN
C	1	362T200-68	7'-9 11/16"	TOP TRACK
D	1	362T200-68	7'-9 11/16"	BOTTOM TRACK
E	2	150D-43	7'-9 3/8"	STRAP
F	2	362T200-68	11 15/16"	BLOCK
G	2	362T200-68	8 13/16"	BLOCK

31-1017

Jewish Home for the Aging

1885 Victory Blvd. Reseda, CA

FM-07-109

CREATED BY: AMB

FrameMax, Inc.
13915 Danielson St
Suite 100
Poway, CA 92064
www.frame-max.com



© FrameMax Inc.

HEIGHT : 10'-0 15/16" POINTS: 1.82 Points.

SPACING : 5000"

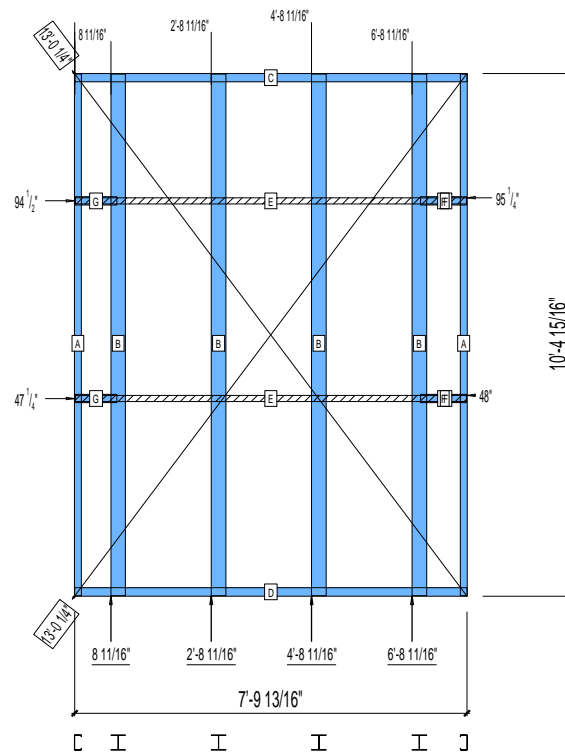
1st STUD: 5000"

APPROVED
By Ryan J Gonsalves at 2:58 pm, Nov 11, 2008

WEIGHTS :

FRAME : 299 lbs

TOTAL: 299 lbs



PIECES LIST

LABEL	QTY	SIZE	LENGTH	USE
A	2	362S162-54	10'-4 3/4"	STUD
B	4	363i350p554	10'-4 3/4"	PACO.COLUMN
C	1	362T200-68	7'-9 13/16"	TOP TRACK
D	1	362T200-68	7'-9 13/16"	BOTTOM TRACK
E	2	150D-43	7'-9 1/2"	STRAP
F	2	362T200-68	10 15/16"	BLOCK
G	2	362T200-68	9 15/16"	BLOCK

31-1018

Jewish Home for the Aging

1885 Victory Blvd. Reseda, CA

FM-07-109

CREATED BY: AMB

FrameMax, Inc.
13915 Danielson St
Suite 100
Poway, CA 92064
www.frame-max.com



© FrameMax Inc.

HEIGHT : 10'-0 15/16" POINTS: 1.82 Points.

SPACING : 5000"

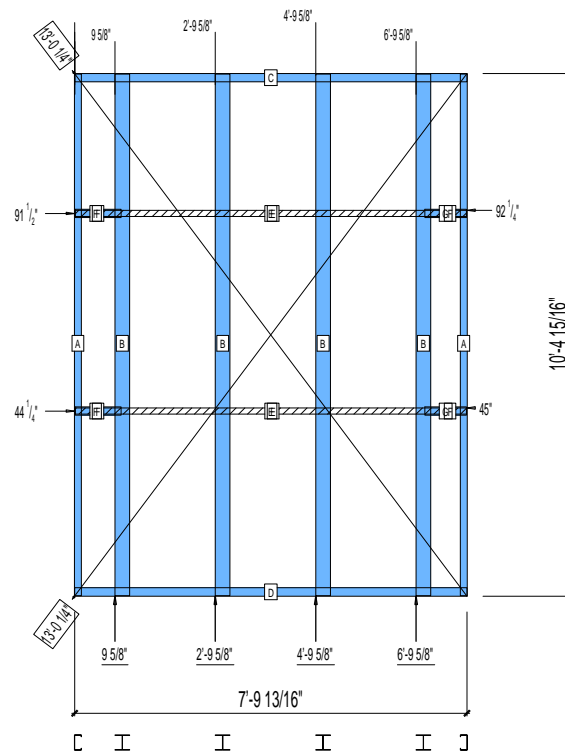
1st STUD: 5000"

APPROVED
By Ryan J Gonsalves at 2:58 pm, Nov 11, 2008

WEIGHTS :

FRAME : 299 lbs

TOTAL: 299 lbs



PIECES LIST

LABEL	QTY	SIZE	LENGTH	USE
A	2	362S162-54	10'-4 3/4"	STUD
B	4	363i350p554	10'-4 3/4"	PACO.COLUMN
C	1	362T200-68	7'-9 13/16"	TOP TRACK
D	1	362T200-68	7'-9 13/16"	BOTTOM TRACK
E	2	150D-43	7'-9 1/2"	STRAP
F	2	362T200-68	10 15/16"	BLOCK
G	2	362T200-68	9 15/16"	BLOCK

31-1019

Jewish Home for the Aging

1885 Victory Blvd. Reseda, CA

FrameMax, Inc.
13915 Danielson St
Suite 100
Poway, CA 92064
www.framemax.com



© FrameMax Inc.

CREATED: 10/24/2008

FM-07-109

CREATED BY: AMB

HEIGHT : 11'-9 11/16" POINTS: 1.60 Points.

SPACING : 24"

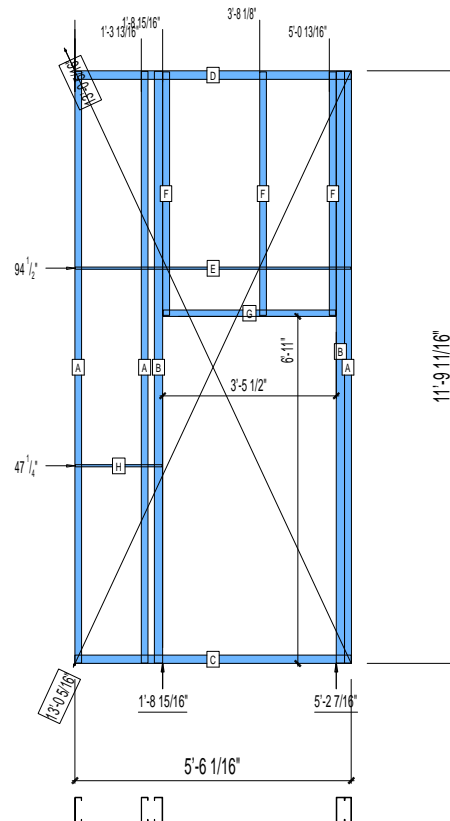
1st STUD: 24"

APPROVED
By Ryan J Gonsalves at 2:58 pm, Nov 11, 2008

WEIGHTS :

FRAME : 266 lbs

TOTAL: 266 lbs



PIECES LIST

LABEL	QTY	SIZE	LENGTH	USE
A	3	600S162-97	11'-9 1/2"	STUD
B	2	600S200-97	11'-9 1/2"	KING STUD
C	1	600T200-68	5'-6 1/16"	BOTTOM TRACK
D	1	600T200-68	5'-6 1/16"	TOP TRACK
E	1	150U50-54	5'-5 7/8"	HORIZONTAL BRACING
F	3	600S162-54	4'-10 1/4"	CRIPPLE
G	1	600T150-54	3'-5 1/4"	HEAD TRACK
H	1	150U50-54	1'-8 3/4"	HORIZONTAL BRACING

31-1020

Jewish Home for the Aging

1885 Victory Blvd. Reseda, CA 91334

APPROVED
By Ryan J Gonsalves at 2:58 pm, Nov 11, 2008

FrameMax, Inc.
13915 Danielson St
Suite 100
Poway, CA 92064
www.frame-max.com



© FrameMax Inc.

CREATED: 11/05/2008

FM-07-109

CREATED BY: AMB

HEIGHT : 11'-9 11/16" POINTS: 2.06 Points.

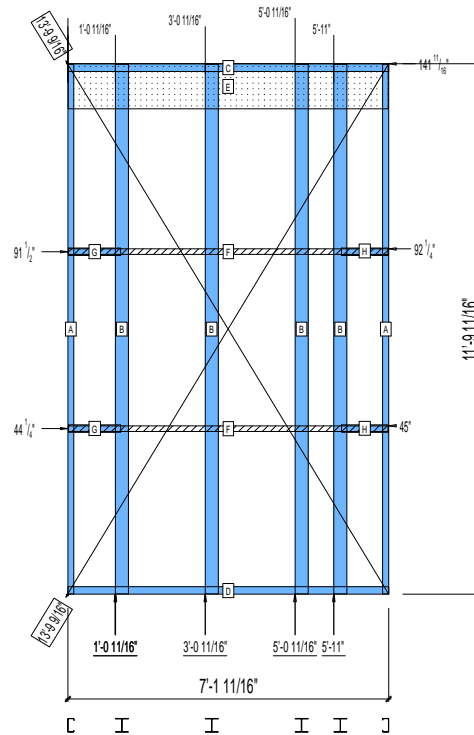
SPACING : 5000"

1st STUD: 5000"

WEIGHTS :

FRAME : 350 lbs

TOTAL: 350 lbs



PIECES LIST

LABEL	QTY	SIZE	LENGTH	USE
A	2	362S162-54	11'-9 1/2"	STUD
B	4	3631350p554	11'-9 1/2"	PACO COLUMN
C	1	362T200-68	7'-1 11/16"	TOP TRACK
D	1	362T200-68	7'-1 11/16"	BOTTOM TRACK
E	1	1200D-54	7'-1 1/2"	STRAP
F	2	150D-43	7'-1 3/8"	STRAP
G	2	362T200-68	1'-1 15/16"	BLOCK
H	2	362T200-68	1'-0 7/16"	BLOCK

31-1021

Jewish Home for the Aging

1885 Victory Blvd. Reseda, CA

APPROVED
By Ryan J Gonsalves at 2:58 pm, Nov 11, 2008

FrameMax, Inc.
13915 Danielson St
Suite 100
Poway, CA 92064
www.frame-max.com



© FrameMax Inc.

CREATED: 11/05/2008

FM-07-109

CREATED BY: AMB

HEIGHT : 11'-9 11/16" POINTS: 2.06 Points.

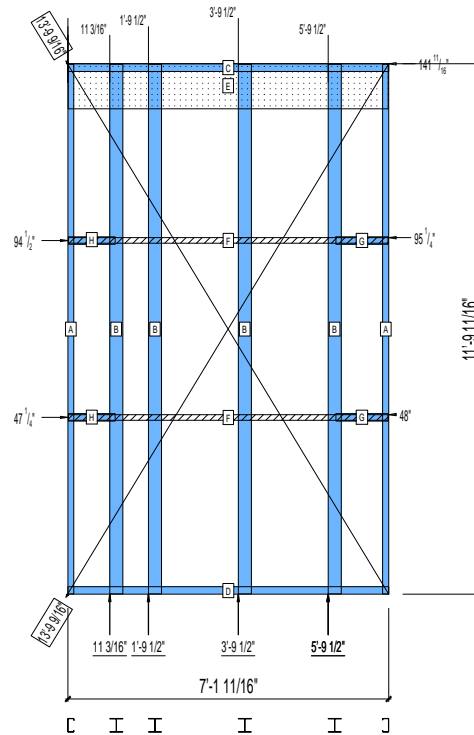
SPACING : 5000"

1st STUD: 5000"

WEIGHTS :

FRAME : 350 lbs

TOTAL: 350 lbs



PIECES LIST

LABEL	QTY	SIZE	LENGTH	USE
A	2	362S162-54	11'-9 1/2"	STUD
B	4	3631350p554	11'-9 1/2"	PACO.COLUMN
C	1	362T200-68	7'-1 11/16"	TOP TRACK
D	1	362T200-68	7'-1 11/16"	BOTTOM TRACK
E	1	1200D-54	7'-1 1/2"	STRAP
F	2	150D-43	7'-1 3/8"	STRAP
G	2	362T200-68	1'-1 15/16"	BLOCK
H	2	362T200-68	1'-0 7/16"	BLOCK

31-1022

Jewish Home for the Aging

1885 Victory Blvd. Reseda, CA

FM-07-109

CREATED BY: AMB

FrameMax, Inc.
13915 Danielson St
Suite 100
Poway, CA 92064
www.framemax.com



© FrameMax Inc.

HEIGHT : 11'-9 11/16" POINTS: 1.76 Points.

SPACING : 24"

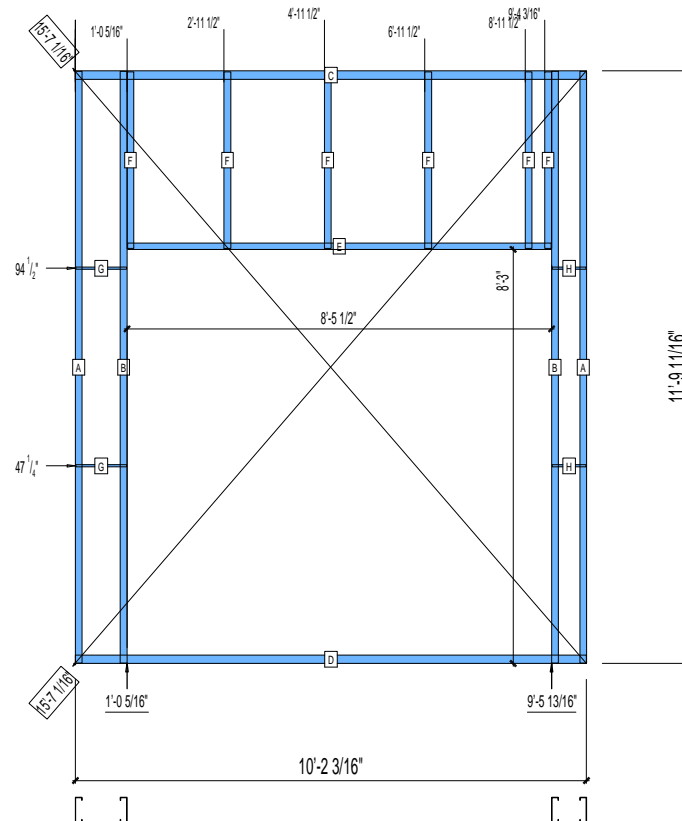
1st STUD: 24"

APPROVED
By Ryan J Gonsalves at 2:58 pm, Nov 11, 2008

WEIGHTS :

FRAME : 261 lbs

TOTAL: 261 lbs



PIECES LIST

LABEL	QTY	SIZE	LENGTH	USE
A	2	600S162-97	11'-9 1/2"	STUD
B	2	600S162-97	11'-9 1/2"	KING STUD
C	1	600T200-68	10'-2 3/16"	TOP TRACK
D	1	600T200-68	10'-2 3/16"	BOTTOM TRACK
E	1	600T150-54	8'-5 1/4"	HEAD TRACK
F	6	600S162-54	3'-6 1/4"	CRIPPLE
G	2	150U50-54	1'-0 1/8"	HORIZONTAL BRACING
H	2	150U50-54	8 1/8"	HORIZONTAL BRACING

31-1023

Jewish Home for the Aging

1885 Victory Blvd. Reseda, CA

FrameMax, Inc.
13915 Danielson St
Suite 100
Poway, CA 92064
www.frame-max.com



© FrameMax Inc.

CREATED: 10/24/2008

FM-07-109

CREATED BY: AMB

HEIGHT : 11'-9 11/16" POINTS: 1.16 Points.

SPACING : 5000"

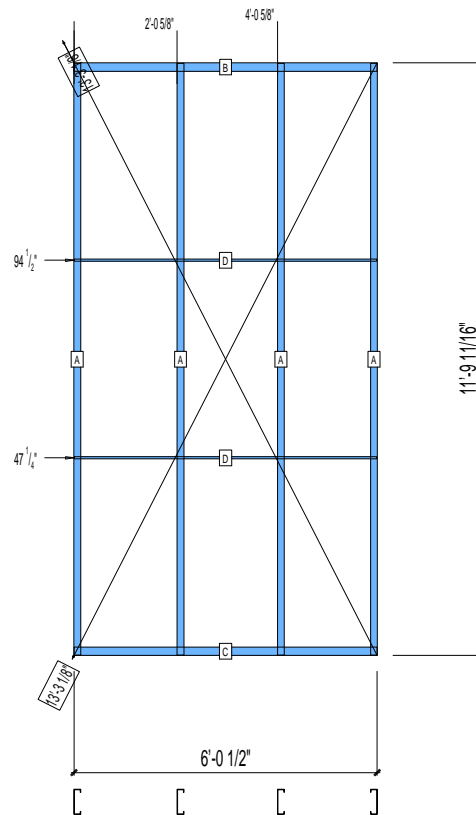
1st STUD: 16"

APPROVED
By Ryan J Gonsalves at 2:58 pm, Nov 11, 2008

WEIGHTS :

FRAME : 190 lbs

TOTAL: 190 lbs



PIECES LIST

LABEL	QTY	SIZE	LENGTH	USE
A	4	600S162-97	11'-9 1/2"	STUD
B	1	600T200-68	6'-0 1/2"	TOP TRACK
C	1	600T200-68	6'-0 1/2"	BOTTOM TRACK
D	2	150U50-54	6'-0 5/16"	HORIZONTAL BRACING

31-1024

Jewish Home for the Aging

1885 Victory Blvd. Reseda, CA

FM-07-109

CREATED BY: AMB

FrameMax, Inc.
13915 Danielson St
Suite 100
Poway, CA 92064
www.framemax.com

FRAMEMAX

© FrameMax Inc.

HEIGHT : 11'-9 11/16" POINTS: 1.12 Points.

SPACING : 5000"

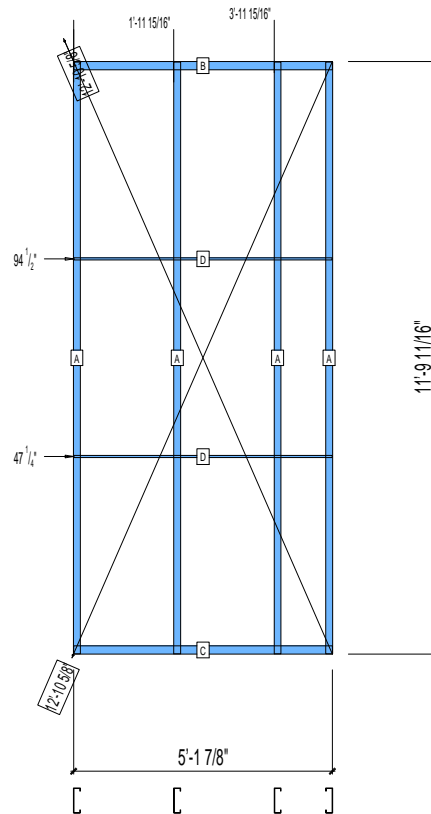
1st STUD: 5000"

APPROVED
By Ryan J Gonsalves at 2:58 pm, Nov 11, 2008

WEIGHTS :

FRAME : 185 lbs

TOTAL: 185 lbs



PIECES LIST

LABEL	QTY	SIZE	LENGTH	USE
A	4	600S162-97	11'-9 1/2"	STUD
B	1	600T200-68	5'-1 7/8"	TOP TRACK
C	1	600T200-68	5'-1 7/8"	BOTTOM TRACK
D	2	150U50-54	5'-1 11/16"	HORIZONTAL BRACING

31-1025

Jewish Home for the Aging

1885 Victory Blvd. Reseda, CA

FM-07-109

CREATED BY: AMB

FrameMax, Inc.
13915 Danielson St
Suite 100
Poway, CA 92064
www.frame-max.com



© FrameMax Inc.

HEIGHT : 11'-9 11/16" POINTS: 1.40 Points.

SPACING : 24"

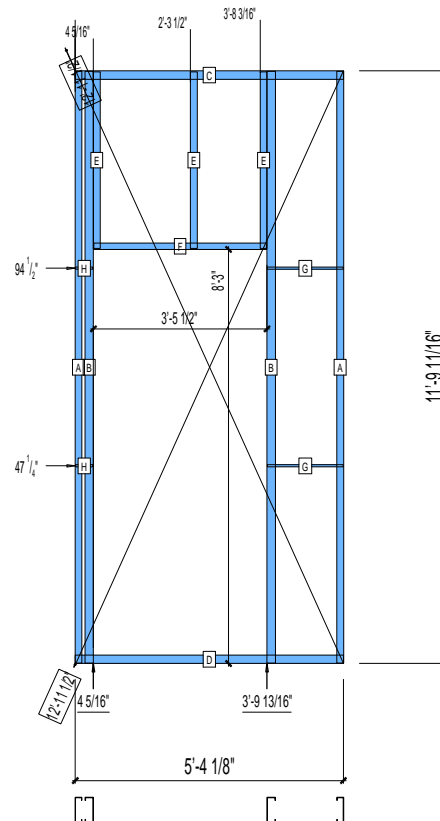
1st STUD: 24"

APPROVED
By Ryan J Gonsalves at 2:58 pm, Nov 11, 2008

WEIGHTS :

FRAME : 217 lbs

TOTAL: 217 lbs



PIECES LIST

LABEL	QTY	SIZE	LENGTH	USE
A	2	600S162-97	11'-9 1/2"	STUD
B	2	600S200-97	11'-9 1/2"	KING STUD
C	1	600T200-68	5'-4 1/8"	TOP TRACK
D	1	600T200-68	5'-4 1/8"	BOTTOM TRACK
E	3	600S162-54	3'-6 1/4"	CRIPPLE
F	1	600T150-54	3'-5 1/4"	HEAD TRACK
G	2	150U50-54	1'-6 1/16"	HORIZONTAL BRACING
H	2	150U50-54	4 1/8"	HORIZONTAL BRACING

31-1026

Jewish Home for the Aging

1885 Victory Blvd. Reseda, CA

FM-07-109

CREATED BY: AMB

FrameMax, Inc.
13915 Danielson St
Suite 100
Poway, CA 92064
www.framemax.com



© FrameMax Inc.

HEIGHT : 11'-9 11/16" POINTS: 1.76 Points.

SPACING : 24"

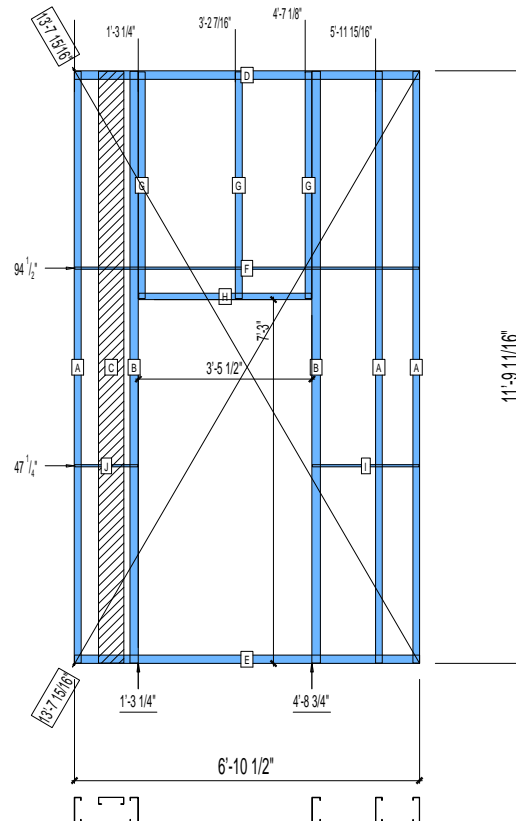
1st STUD: 24"

APPROVED
By Ryan J Gonsalves at 2:58 pm, Nov 11, 2008

WEIGHTS :

FRAME : 286 lbs

TOTAL: 286 lbs



PIECES LIST

LABEL	QTY	SIZE	LENGTH	USE
A	3	600S162-97	11'-9 1/2"	STUD
B	2	600S200-97	11'-9 1/2"	KING STUD
C	1	600S162-33	11'-9 1/2"	BACKER-U
D	1	600T200-68	6'-10 1/2"	TOP TRACK
E	1	600T200-68	6'-10 1/2"	BOTTOM TRACK
F	1	150U50-54	6'-10 5/16"	HORIZONTAL BRACING
G	3	600S162-54	4'-6 1/4"	CRIPPLE
H	1	600T150-54	3'-5 1/4"	HEAD TRACK
I	1	150U50-54	2'-1 1/2"	HORIZONTAL BRACING
J	1	150U50-54	1'-3 1/16"	HORIZONTAL BRACING

31-1027

Jewish Home for the Aging

1885 Victory Blvd. Reseda, CA

FM-07-109

CREATED BY: AMB

FrameMax, Inc.
13915 Danielson St
Suite 100
Poway, CA 92064
www.frame-max.com



© FrameMax Inc.

HEIGHT : 10'-1 13/16" POINTS: 1.71 Points.

SPACING : 24"

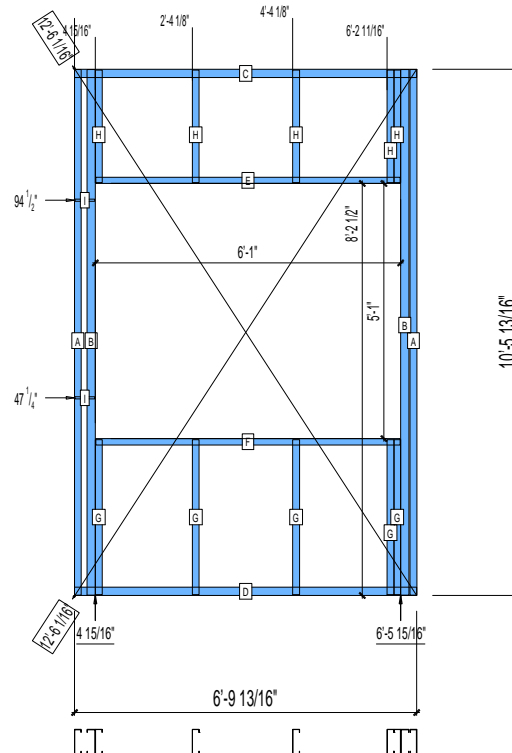
1st STUD: 24"

APPROVED
By Ryan J Gonsalves at 2:58 pm, Nov 11, 2008

WEIGHTS :

FRAME : 250 lbs

TOTAL: 250 lbs



PIECES LIST

LABEL	QTY	SIZE	LENGTH	USE
A	2	600S162-97	10'-5 5/8"	STUD
B	2	600S200-97	10'-5 5/8"	KING STUD
C	1	600T200-68	6'-9 13/16"	TOP TRACK
D	1	600T200-68	6'-9 13/16"	BOTTOM TRACK
E	1	600T150-54	6'-0 3/4"	HEAD TRACK
F	1	600T150-54	6'-0 3/4"	SILL
G	5	600S162-54	3'-1 1/16"	CRIPPLE
H	5	600S162-54	2'-2 7/8"	CRIPPLE
I	2	150U50-54	4 3/4"	HORIZONTAL BRACING

31-1028

Jewish Home for the Aging

1885 Victory Blvd. Reseda, CA

FM-07-109

CREATED BY: AMB

FrameMax, Inc.
13915 Danielson St
Suite 100
Poway, CA 92064
www.frame-max.com



© FrameMax Inc.

HEIGHT : 10'-1 13/16" POINTS: 1.23 Points.

SPACING : 5000"

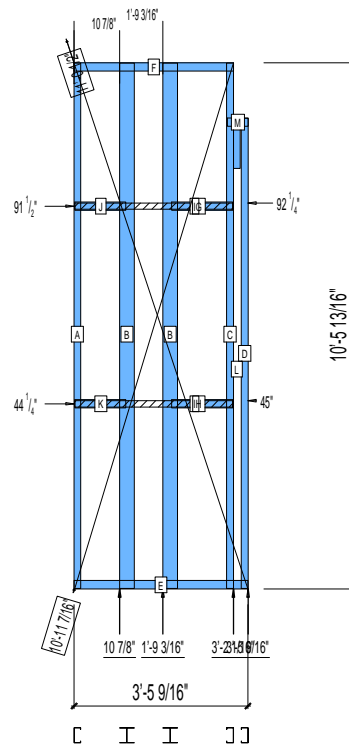
1st STUD: 5000"

APPROVED
By Ryan J Gonsalves at 2:58 pm, Nov 11, 2008

WEIGHTS :

FRAME : 184 lbs

TOTAL: 184 lbs



PIECES LIST

LABEL	QTY	SIZE	LENGTH	USE
A	1	362S162-54	10'-5 5/8"	STUD
B	2	363i350p554	10'-5 5/8"	PACO.COLUMN
C	1	362S162-54	10'-5 5/8"	BEAM KING
D	1	362S162-54	9'-4 7/16"	BEAM JACK
E	1	362T200-68	3'-5 9/16"	BOTTOM TRACK
F	1	362T200-68	3'-2 1/16"	TOP TRACK
G	1	150D-43	3'-1 13/16"	STRAP
H	1	150D-43	3'-1 3/4"	STRAP
I	2	362T200-68	1'-2 5/8"	BLOCK
J	1	362T200-68	1'-0 3/16"	BLOCK
K	1	362T200-68	1'-0 1/8"	BLOCK
L	1	362S162-54	1'-0"	BEAM JACK
M	1	362T200-68	4 15/16"	BEAM JACK

31-1029

Jewish Home for the Aging

1885 Victory Blvd. Reseda, CA

FrameMax, Inc.
13915 Danielson St
Suite 100
Poway, CA 92064
www.frame-max.com

FRAME MAX

© FrameMax Inc.

CREATED: 10/24/2008

FM-07-109

CREATED BY: AMB

HEIGHT : 10'-1 13/16" POINTS: 1.23 Points.

SPACING : 5000"

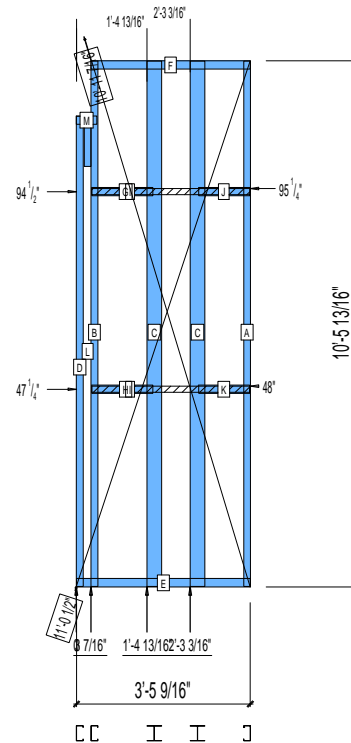
1st STUD: 5000"

APPROVED
By Ryan J Gonsalves at 2:58 pm, Nov 11, 2008

WEIGHTS :

FRAME : 184 lbs

TOTAL: 184 lbs



PIECES LIST

LABEL	QTY	SIZE	LENGTH	USE
A	1	362S162-54	10'-5 5/8"	STUD
B	1	362S162-54	10'-5 5/8"	BEAM KING
C	2	363i350p554	10'-5 5/8"	PACO. COLUMN
D	1	362S162-54	9'-4 7/16"	BEAM JACK
E	1	362T200-68	3'-5 9/16"	BOTTOM TRACK
F	1	362T200-68	3'-2 1/16"	TOP TRACK
G	1	150D-43	3'-1 13/16"	STRAP
H	1	150D-43	3'-1 3/4"	STRAP
I	2	362T200-68	1'-2 5/8"	BLOCK
J	1	362T200-68	1'-0 3/16"	BLOCK
K	1	362T200-68	1'-0 1/8"	BLOCK
L	1	362S162-54	1'-0"	BEAM JACK
M	1	362T200-68	4 15/16"	BEAM JACK

31-1030

Jewish Home for the Aging

1885 Victory Blvd. Reseda, CA

FM-07-109

CREATED BY: AMB

FrameMax, Inc.
13915 Danielson St
Suite 100
Poway, CA 92064
www.frame-max.com



© FrameMax Inc.

HEIGHT : 11'-9 11/16" POINTS: 1.38 Points.

SPACING : 5000"

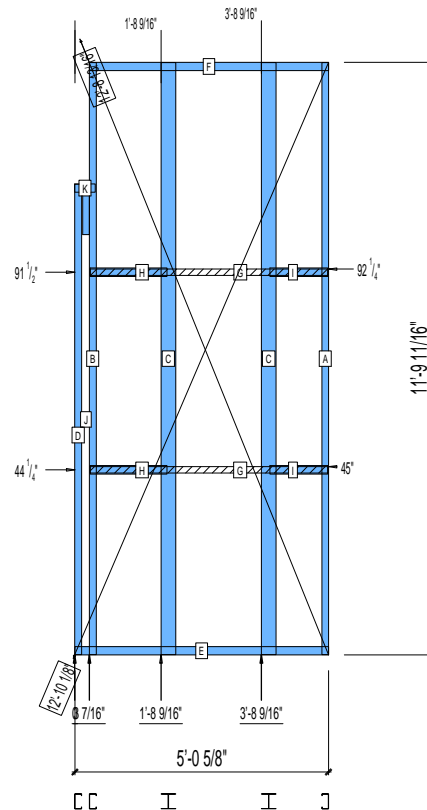
1st STUD: 5000"

APPROVED
By Ryan J Gonsalves at 2:58 pm, Nov 11, 2008

WEIGHTS :

FRAME : 211 lbs

TOTAL: 211 lbs



PIECES LIST

LABEL	QTY	SIZE	LENGTH	USE
A	1	362S162-54	11'-9 1/2"	STUD
B	1	362S162-54	11'-9 1/2"	BEAM KING
C	2	363i350p554	11'-9 1/2"	PACO. COLUMN
D	1	362S162-54	9'-4 7/16"	BEAM JACK
E	1	362T200-68	5'-0 5/8"	BOTTOM TRACK
F	1	362T200-68	4'-9 3/16"	TOP TRACK
G	2	150D-43	4'-8 13/16"	STRAP
H	2	362T200-68	1'-6 3/8"	BLOCK
I	2	362T200-68	1'-1 13/16"	BLOCK
J	1	362S162-54	1'-0"	BEAM JACK
K	1	362T200-68	4 15/16"	BEAM JACK

31-1031

Jewish Home for the Aging

1885 Victory Blvd. Reseda, CA

FM-07-109

CREATED BY: AMB

FrameMax, Inc.
13915 Danielson St
Suite 100
Poway, CA 92064
www.frame-max.com



© FrameMax Inc.

HEIGHT : 11'-9 11/16" POINTS: 1.46 Points.

SPACING : 5000"

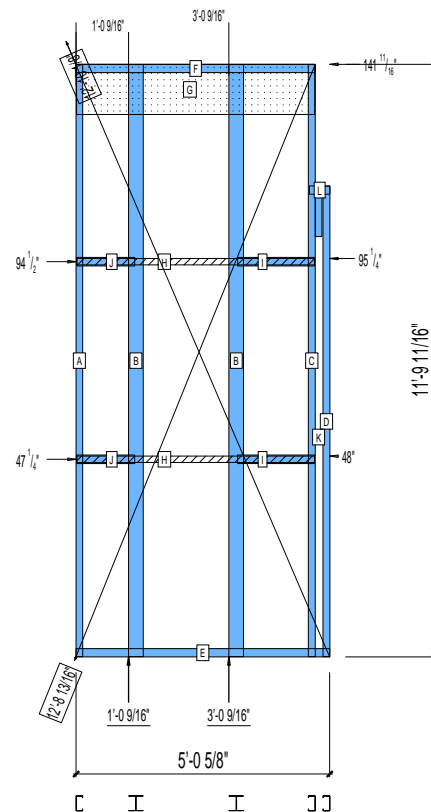
1st STUD: 5000"

APPROVED
By Ryan J Gonsalves at 2:58 pm, Nov 11, 2008

WEIGHTS :

FRAME : 222 lbs

TOTAL: 222 lbs



PIECES LIST

LABEL	QTY	SIZE	LENGTH	USE
A	1	362S162-54	11'-9 1/2"	STUD
B	2	363i350p554	11'-9 1/2"	PACO. COLUMN
C	1	362S162-54	11'-9 1/2"	BEAM KING
D	1	362S162-54	9'-4 7/16"	BEAM JACK
E	1	362T200-68	5'-0 5/8"	BOTTOM TRACK
F	1	362T200-68	4'-9 3/16"	TOP TRACK
G	1	1200D-54	4'-8 15/16"	STRAP
H	2	150D-43	4'-8 13/16"	STRAP
I	2	362T200-68	1'-6 3/8"	BLOCK
J	2	362T200-68	1'-1 13/16"	BLOCK
K	1	362S162-54	1'-0"	BEAM JACK
L	1	362T200-68	4 15/16"	BEAM JACK

31-1032

Jewish Home for the Aging

1885 Victory Blvd. Reseda, CA

FrameMax, Inc.
13915 Danielson St
Suite 100
Poway, CA 92064
www.frame-max.com



© FrameMax Inc.

CREATED: 10/24/2008

FM-07-109

CREATED BY: AMB

HEIGHT : 11'-9 11/16" POINTS: 2.45 Points.

SPACING : 24"

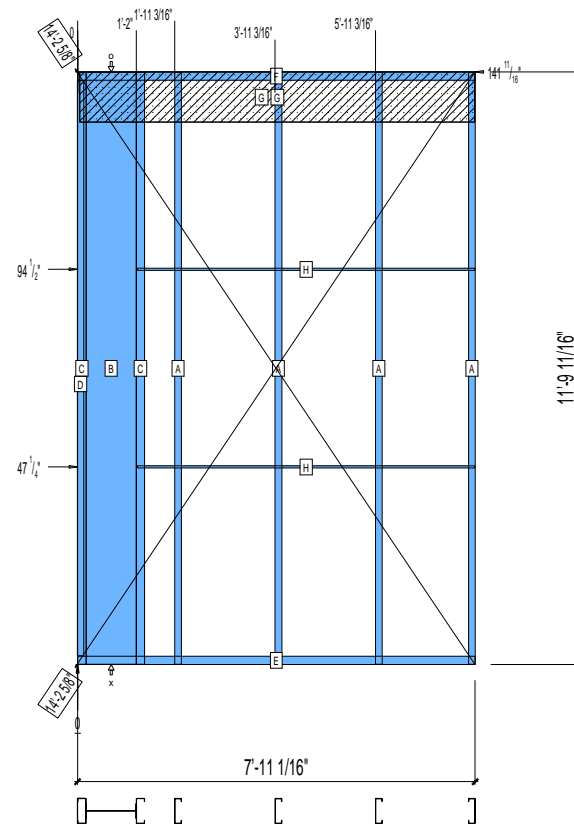
1st STUD: 24"

APPROVED
By Ryan J Gonsalves at 2:58 pm, Nov 11, 2008

WEIGHTS :

FRAME : 437 lbs

TOTAL: 437 lbs



PIECES LIST

LABEL	QTY	SIZE	LENGTH	USE
A	4	600S162-97	11'-9 1/2"	STUD
B	1	1200i350p1062	11'-9 1/2"	PACO
C	2	600S200-68	11'-9 1/2"	STUD
D	1	600T150-33	11'-5 7/16"	EXTRA STUD
E	1	600T200-68	7'-11 1/16"	BOTTOM TRACK
F	1	600T200-68	7'-11 1/16"	TOP TRACK
G	2	1200D-54	7'-10 7/16"	STRAP
H	2	150U50-54	6'-8 5/8"	HORIZONTAL BRACING

31-1033

Jewish Home for the Aging

1885 Victory Blvd. Reseda, CA

FrameMax, Inc.
13915 Danielson St
Suite 100
Poway, CA 92064
www.frame-max.com



© FrameMax Inc.

CREATED: 10/24/2008

FM-07-109

CREATED BY: AMB

HEIGHT : 11'-9 11/16" POINTS: 1.67 Points.

SPACING : 24"

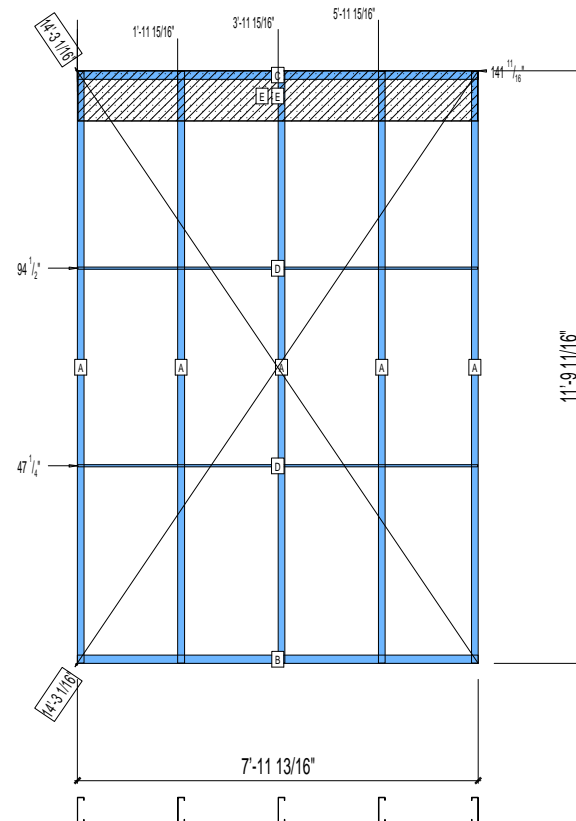
1st STUD: 24"

APPROVED
By Ryan J Gonsalves at 2:58 pm, Nov 11, 2008

WEIGHTS :

FRAME : 279 lbs

TOTAL: 279 lbs



PIECES LIST

LABEL	QTY	SIZE	LENGTH	USE
A	5	600S162-97	11'-9 1/2"	STUD
B	1	600T200-68	7'-11 13/16"	BOTTOM TRACK
C	1	600T200-68	7'-11 13/16"	TOP TRACK
D	2	150U50-54	7'-11 5/8"	HORIZONTAL BRACING
E	2	1200D-54	7'-11 5/8"	STRAP

31-1034

Jewish Home for the Aging

1885 Victory Blvd. Reseda, CA

FrameMax, Inc.
13915 Danielson St
Suite 100
Poway, CA 92064
www.framemax.com



© FrameMax Inc.

CREATED: 10/24/2008

FM-07-109

CREATED BY: AMB

HEIGHT : 11'-9 11/16" POINTS: 1.50 Points.

SPACING : 24"

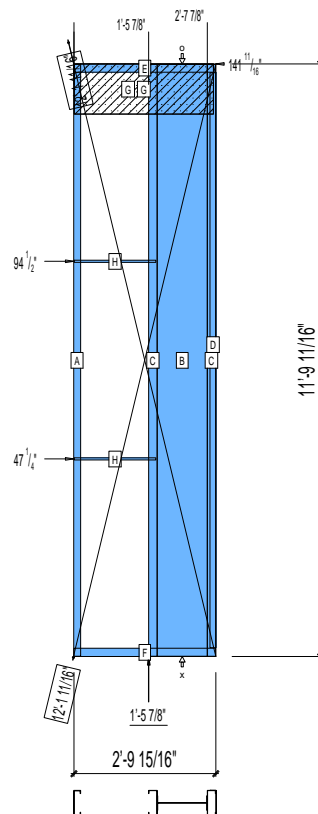
1st STUD: 24"

APPROVED
By Ryan J Gonsalves at 2:58 pm, Nov 11, 2008

WEIGHTS :

FRAME : 266 lbs

TOTAL: 266 lbs



PIECES LIST

LABEL	QTY	SIZE	LENGTH	USE
A	1	600S162-97	11'-9 1/2"	STUD
B	1	1200i350p1062	11'-9 1/2"	PACO
C	2	600S200-68	11'-9 1/2"	STUD
D	1	600T150-33	11'-5 7/16"	EXTRA STUD
E	1	600T200-68	2'-9 15/16"	TOP TRACK
F	1	600T200-68	2'-9 15/16"	BOTTOM TRACK
G	2	1200D-54	2'-9 5/16"	STRAP
H	2	150U50-54	1'-7 1/2"	HORIZONTAL BRACING

31-1035

Jewish Home for the Aging

1885 Victory Blvd. Reseda, CA

FrameMax, Inc.
13915 Danielson St
Suite 100
Poway, CA 92064
www.frame-max.com



© FrameMax Inc.

CREATED: 10/24/2008

FM-07-109

CREATED BY: AMB

HEIGHT : 11'-9 11/16" POINTS: 2.00 Points.

SPACING : 24"

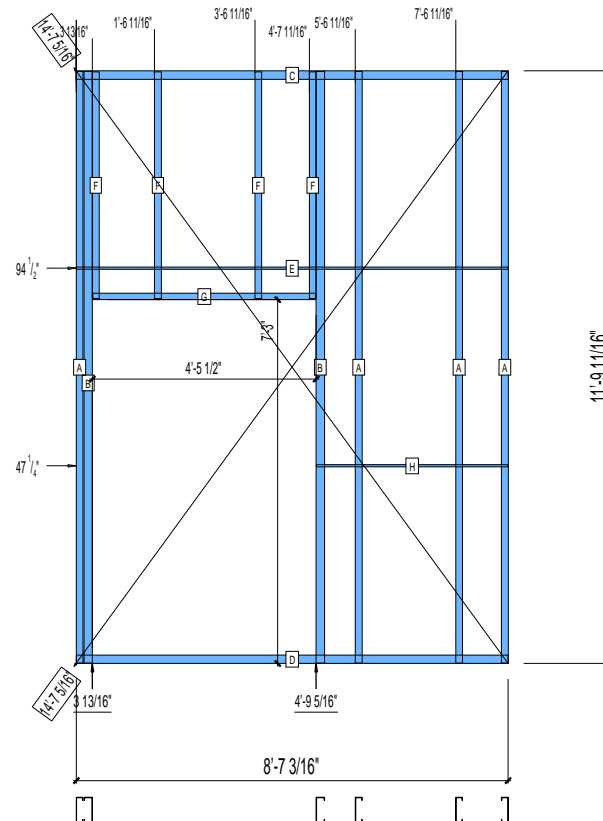
1st STUD: 24"

APPROVED
By Ryan J Gonsalves at 2:58 pm, Nov 11, 2008

WEIGHTS :

FRAME : 330 lbs

TOTAL: 330 lbs



PIECES LIST

LABEL	QTY	SIZE	LENGTH	USE
A	4	600S162-97	11'-9 1/2"	STUD
B	2	600S200-97	11'-9 1/2"	KING STUD
C	1	600T200-68	8'-7 3/16"	TOP TRACK
D	1	600T200-68	8'-7 3/16"	BOTTOM TRACK
E	1	150U50-54	8'-7 1/16"	HORIZONTAL BRACING
F	4	600S162-54	4'-6 1/4"	CRIPPLE
G	1	600T150-54	4'-5 1/4"	HEAD TRACK
H	1	150U50-54	3'-9 11/16"	HORIZONTAL BRACING

31-1036

Jewish Home for the Aging

1885 Victory Blvd. Reseda, CA

FM-07-109

CREATED BY: AMB

FrameMax, Inc.
13915 Danielson St
Suite 100
Poway, CA 92064
www.frame-max.com



© FrameMax Inc.

HEIGHT : 11'-9 11/16" POINTS: 1.55 Points.

SPACING : 5000"

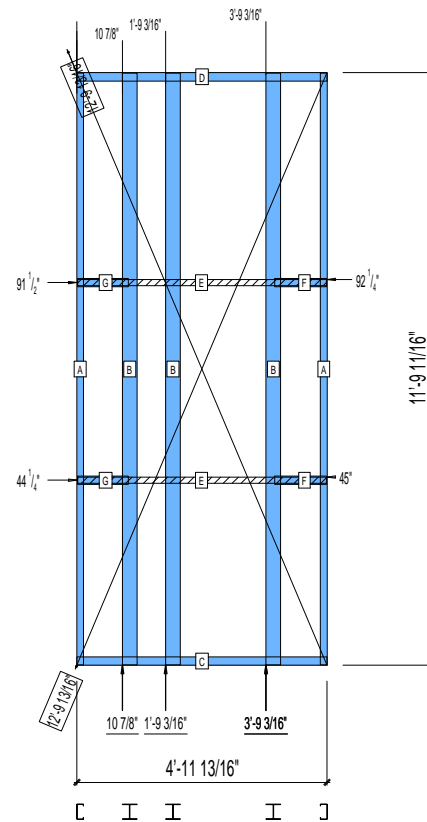
1st STUD: 5000"

APPROVED
By Ryan J Gonsalves at 2:58 pm, Nov 11, 2008

WEIGHTS :

FRAME : 258 lbs

TOTAL: 258 lbs



PIECES LIST

LABEL	QTY	SIZE	LENGTH	USE
A	2	362S162-54	11'-9 1/2"	STUD
B	3	363i350p554	11'-9 1/2"	PACO COLUMN
C	1	362T200-68	4'-11 13/16"	BOTTOM TRACK
D	1	362T200-68	4'-11 13/16"	TOP TRACK
E	2	150D-43	4'-11 1/2"	STRAP
F	2	362T200-68	1'-0 3/8"	BLOCK
G	2	362T200-68	1'-0 1/8"	BLOCK

31-1037

Jewish Home for the Aging

1885 Victory Blvd. Reseda, CA

FM-07-109

CREATED BY: AMB

FrameMax, Inc.
13915 Danielson St
Suite 100
Poway, CA 92064
www.frame-max.com



© FrameMax Inc.

HEIGHT : 11'-9 11/16" POINTS: 1.63 Points.

SPACING : 5000"

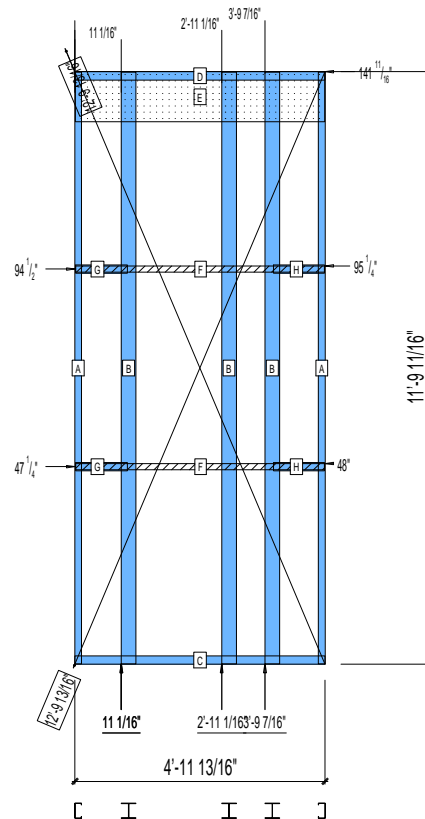
1st STUD: 5000"

APPROVED
By Ryan J Gonsalves at 2:58 pm, Nov 11, 2008

WEIGHTS :

FRAME : 270 lbs

TOTAL: 270 lbs



PIECES LIST

LABEL	QTY	SIZE	LENGTH	USE
A	2	362S162-54	11'-9 1/2"	STUD
B	3	363i350p554	11'-9 1/2"	PACO.COLUMN
C	1	362T200-68	4'-11 13/16"	BOTTOM TRACK
D	1	362T200-68	4'-11 13/16"	TOP TRACK
E	1	1200D-54	4'-11 5/8"	STRAP
F	2	150D-43	4'-11 1/2"	STRAP
G	2	362T200-68	1'-0 3/8"	BLOCK
H	2	362T200-68	1'-0 1/8"	BLOCK

31-1038

Jewish Home for the Aging

1885 Victory Blvd. Reseda, CA

FM-07-109

CREATED BY: AMB

FrameMax, Inc.
13915 Danielson St
Suite 100
Poway, CA 92064
www.frame-max.com



© FrameMax Inc.

HEIGHT : 11'-9 11/16" POINTS: 1.55 Points.

SPACING : 5000"

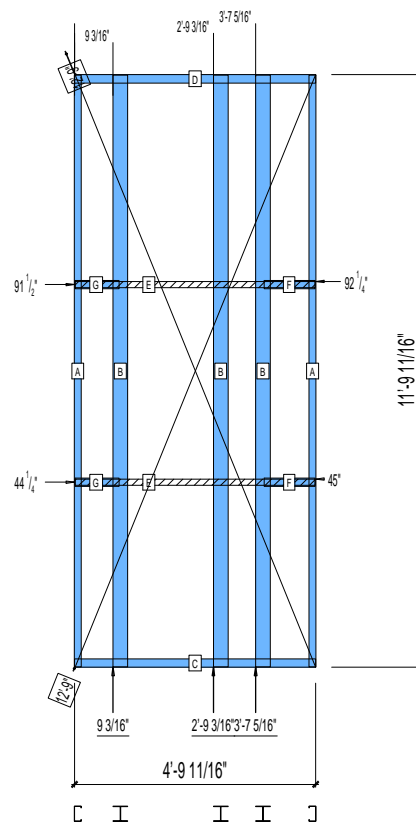
1st STUD: 5000"

APPROVED
By Ryan J Gonsalves at 2:58 pm, Nov 11, 2008

WEIGHTS :

FRAME : 257 lbs

TOTAL: 257 lbs



PIECES LIST

LABEL	QTY	SIZE	LENGTH	USE
A	2	362S162-54	11'-9 1/2"	STUD
B	3	363i350p554	11'-9 1/2"	PACO.COLUMN
C	1	362T200-68	4'-9 11/16"	BOTTOM TRACK
D	1	362T200-68	4'-9 11/16"	TOP TRACK
E	2	150D-43	4'-9 3/8"	STRAP
F	2	362T200-68	1'-0 3/16"	BLOCK
G	2	362T200-68	10 1/2"	BLOCK

31-1039

Jewish Home for the Aging

1885 Victory Blvd. Reseda, CA

FM-07-109

CREATED BY: AMB

FrameMax, Inc.
13915 Danielson St
Suite 100
Poway, CA 92064
www.frame-max.com



© FrameMax Inc.

HEIGHT : 11'-9 11/16" POINTS: 1.62 Points.

SPACING : 5000"

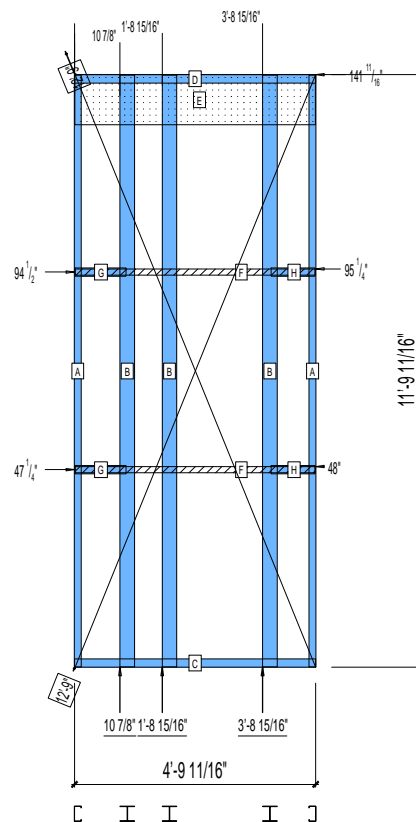
1st STUD: 5000"

APPROVED
By Ryan J Gonsalves at 2:58 pm, Nov 11, 2008

WEIGHTS :

FRAME : 269 lbs

TOTAL: 269 lbs



PIECES LIST

LABEL	QTY	SIZE	LENGTH	USE
A	2	362S162-54	11'-9 1/2"	STUD
B	3	363i350p554	11'-9 1/2"	PACO.COLUMN
C	1	362T200-68	4'-9 11/16"	BOTTOM TRACK
D	1	362T200-68	4'-9 11/16"	TOP TRACK
E	1	1200D-54	4'-9 1/2"	STRAP
F	2	150D-43	4'-9 3/8"	STRAP
G	2	362T200-68	1'-0 3/16"	BLOCK
H	2	362T200-68	10 1/2"	BLOCK

31-1040

Jewish Home for the Aging

1885 Victory Blvd. Reseda, CA 91334

APPROVED
By Ryan J Gonsalves at 2:58 pm, Nov 11, 2008

FrameMax, Inc.
13915 Danielson St
Suite 100
Poway, CA 92064
www.frame-max.com



© FrameMax Inc.

CREATED: 11/10/2008

FM-07-109

CREATED BY: AMB

HEIGHT : 11'-9 11/16" POINTS: 2.56 Points.

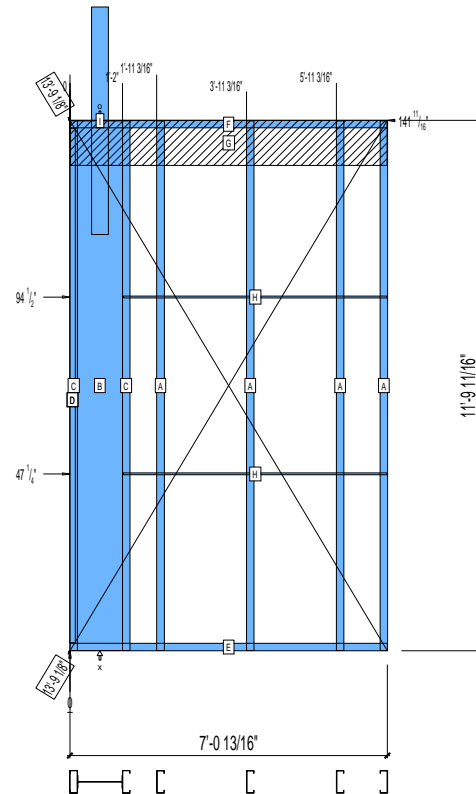
SPACING : 24"

1st STUD: 24"

WEIGHTS :

FRAME : 466 lbs

TOTAL: 466 lbs



PIECES LIST

LABEL	QTY	SIZE	LENGTH	USE
A	4	600S200-97	11'-9 1/2"	STUD
B	1	1200i350p1062	11'-9 1/2"	PACO
C	2	600S200-68	11'-9 1/2"	STUD
D	1	600T150-33	11'-5 7/16"	EXTRA STUD
E	1	600T200-68	7'-0 13/16"	BOTTOM TRACK
F	1	600T200-68	7'-0 13/16"	TOP TRACK
G	1	1200D-54	7'-0 9/16"	STRAP
H	2	150U50-54	5'-10 3/8"	HORIZONTAL BRACING
I	1	D	5'-0 3/4"	HOLDDOWN

31-1041

Jewish Home for the Aging

1885 Victory Blvd. Reseda, CA

APPROVED

By Ryan J Gonsalves at 2:58 pm, Nov 11, 2008

FrameMax, Inc.
13915 Danielson St
Suite 100
Poway, CA 92064
www.frame-max.com



© FrameMax Inc.

CREATED: 11/10/2008

FM-07-109

CREATED BY: AMB

HEIGHT : 11'-9 11/16" POINTS: 0.79 Points.

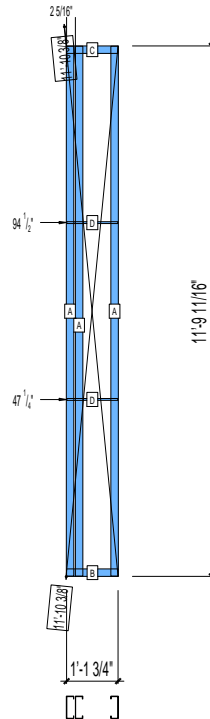
SPACING : 24"

1st STUD: 24"

WEIGHTS :

FRAME : 135 lbs

TOTAL: 135 lbs



PIECES LIST

LABEL	QTY	SIZE	LENGTH	USE
A	3	600S200-97	11'-9 1/2"	STUD
B	1	600T200-68	1'-1 3/4"	BOTTOM TRACK
C	1	600T200-68	1'-1 3/4"	TOP TRACK
D	2	150U50-54	1'-1 5/8"	HORIZONTAL BRACING

31-1042

CREATED: 11/10/2008

Jewish Home for the Aging **APPROVED**
By Ryan J Gonsalves at 2:58 pm, Nov 11, 2008

1885 Victory Blvd. Reseda, CA

FM-07-109

CREATED BY: AMB

FrameMax, Inc.
 13915 Danielson St
 Suite 100
 Poway, CA 92064
 www.frame-max.com

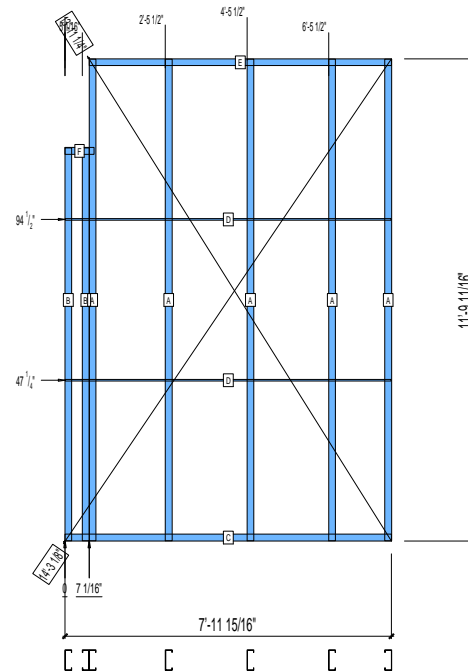


© FrameMax Inc.

HEIGHT : 11'-9 11/16" POINTS: 1.93 Points.
 SPACING : 5000"
 1st STUD: 5000"

WEIGHTS :
 FRAME : 331 lbs

TOTAL: 331 lbs



PIECES LIST

LABEL	QTY	SIZE	LENGTH	USE
A	5	600S200-97	11'-9 1/2"	STUD
B	2	600S200-97	9'-7 7/16"	STUD
C	1	600T200-68	7'-11 15/16"	BOTTOM TRACK
D	2	150U50-54	7'-11 3/4"	HORIZONTAL BRACING
E	1	600T200-68	7'-4 13/16"	TOP TRACK
F	1	600T200-68	8 9/16"	BEAM JACK

31-1043

Jewish Home for the Aging

1885 Victory Blvd. Reseda, CA 91335

APPROVED
By Ryan J Gonsalves at 2:58 pm, Nov 11, 2008

FrameMax, Inc.
13915 Danielson St
Suite 100
Poway, CA 92064
www.framemax.com



© FrameMax Inc.

CREATED: 11/10/2008

FM-07-109

CREATED BY: AMB

HEIGHT : 11'-9 11/16" POINTS: 1.62 Points.

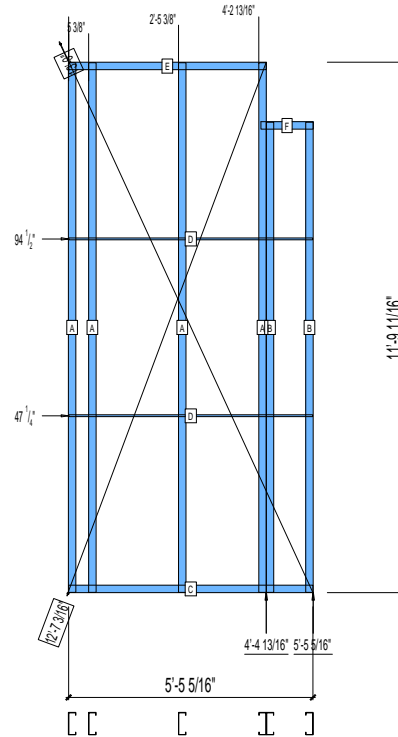
SPACING : 5000"

1st STUD: 5000"

WEIGHTS :

FRAME : 279 lbs

TOTAL: 279 lbs



PIECES LIST

LABEL	QTY	SIZE	LENGTH	USE
A	4	600S200-97	11'-9 1/2"	STUD
B	2	600S200-97	10'-5 5/8"	STUD
C	1	600T200-68	5'-5 5/16"	BOTTOM TRACK
D	2	150U50-54	5'-5 1/8"	HORIZONTAL BRACING
E	1	600T200-68	4'-4 13/16"	TOP TRACK
F	1	600T200-68	1'-1 15/16"	BEAM JACK

31-1044

Jewish Home for the Aging

1885 Victory Blvd. Reseda, CA

APPROVED
By Ryan J Gonsalves at 2:58 pm, Nov 11, 2008

FrameMax, Inc.
13915 Danielson St
Suite 100
Poway, CA 92064
www.frame-max.com



© FrameMax Inc.

CREATED: 11/10/2008

FM-07-109

CREATED BY: AMB

HEIGHT : 11'-9 11/16" POINTS: 1.76 Points.

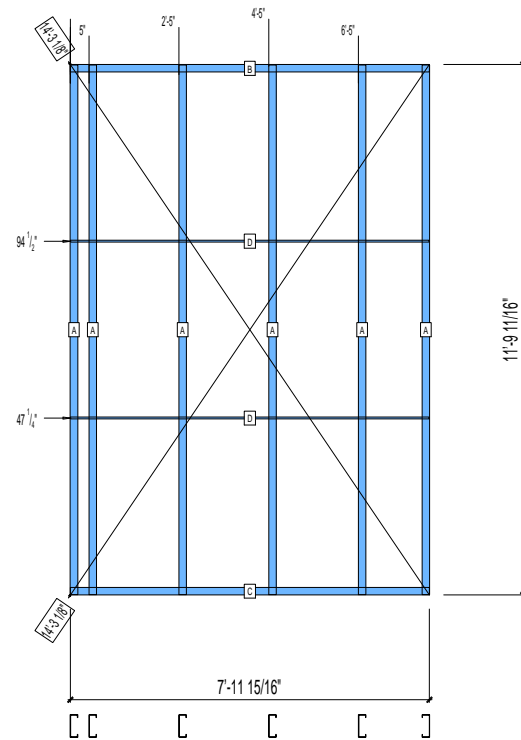
SPACING : 5000"

1st STUD: 5000"

WEIGHTS :

FRAME : 303 lbs

TOTAL: 303 lbs



PIECES LIST

LABEL	QTY	SIZE	LENGTH	USE
A	6	600S200-97	11'-9 1/2"	STUD
B	1	600T200-68	7'-11 15/16"	TOP TRACK
C	1	600T200-68	7'-11 15/16"	BOTTOM TRACK
D	2	150U50-54	7'-11 3/4"	HORIZONTAL BRACING

31-1045

Jewish Home for the Aging

1885 Victory Blvd. Reseda, CA 91334

APPROVED
By Ryan J Gonsalves at 2:58 pm, Nov 11, 2008

FrameMax, Inc.
13915 Danielson St
Suite 100
Poway, CA 92064
www.frame-max.com



© FrameMax Inc.

CREATED: 11/10/2008

FM-07-109

CREATED BY: AMB

HEIGHT : 11'-9 11/16" POINTS: 1.26 Points.

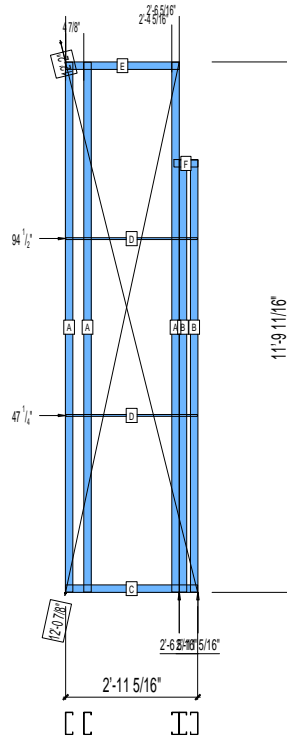
SPACING : 5000"

1st STUD: 5000"

WEIGHTS :

FRAME : 216 lbs

TOTAL: 216 lbs



PIECES LIST

LABEL	QTY	SIZE	LENGTH	USE
A	3	600S200-97	11'-9 1/2"	STUD
B	2	600S200-97	9'-7 3/8"	STUD
C	1	600T200-68	2'-11 5/16"	BOTTOM TRACK
D	2	150U50-54	2'-11 1/8"	HORIZONTAL BRACING
E	1	600T200-68	2'-6 5/16"	TOP TRACK
F	1	600T200-68	6 7/16"	BEAM JACK

31-1046

Jewish Home for the Aging

1885 Victory Blvd. Reseda, CA

APPROVED
By Ryan J Gonsalves at 2:58 pm, Nov 11, 2008

FrameMax, Inc.
13915 Danielson St
Suite 100
Poway, CA 92064
www.frame-max.com



© FrameMax Inc.

CREATED: 11/10/2008

FM-07-109

CREATED BY: AMB

HEIGHT : 11'-9 11/16" POINTS: 1.83 Points.

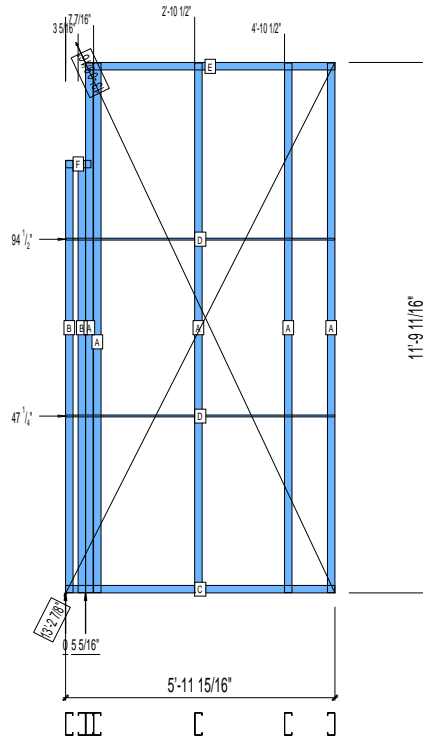
SPACING : 5000"

1st STUD: 5000"

WEIGHTS :

FRAME : 319 lbs

TOTAL: 319 lbs



PIECES LIST

LABEL	QTY	SIZE	LENGTH	USE
A	5	600S200-97	11'-9 1/2"	STUD
B	2	600S200-97	9'-7 3/8"	STUD
C	1	600T200-68	5'-11 15/16"	BOTTOM TRACK
D	2	150U50-54	5'-11 3/4"	HORIZONTAL BRACING
E	1	600T200-68	5'-6 9/16"	TOP TRACK
F	1	600T200-68	6 13/16"	BEAM JACK

31-1047

Jewish Home for the Aging

1885 Victory Blvd. Reseda, CA

FM-07-109

CREATED BY: AMB

FrameMax, Inc.
13915 Danielson St
Suite 100
Poway, CA 92064
www.frame-max.com



© FrameMax Inc.

HEIGHT : 11'-9 11/16" POINTS: 1.65 Points.

SPACING : 5000"

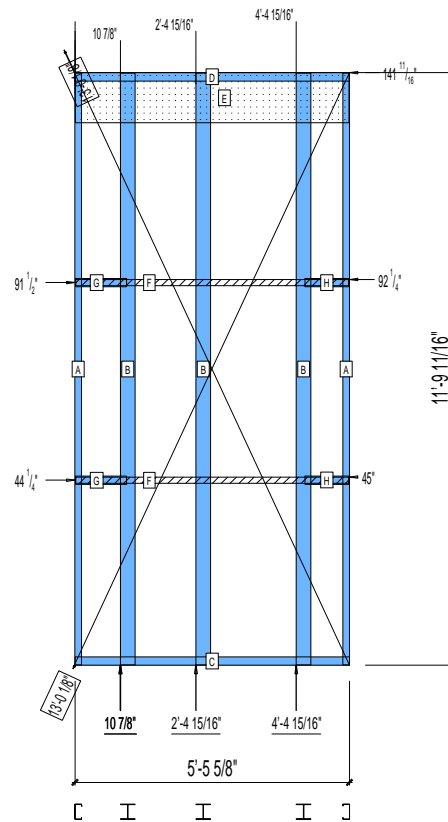
1st STUD: 5000"

APPROVED
By Ryan J Gonsalves at 2:58 pm, Nov 11, 2008

WEIGHTS :

FRAME : 273 lbs

TOTAL: 273 lbs



PIECES LIST

LABEL	QTY	SIZE	LENGTH	USE
A	2	362S162-54	11'-9 1/2"	STUD
B	3	363i350p554	11'-9 1/2"	PACO.COLUMN
C	1	362T200-68	5'-5 5/8"	BOTTOM TRACK
D	1	362T200-68	5'-5 5/8"	TOP TRACK
E	1	1200D-54	5'-5 7/16"	STRAP
F	2	150D-43	5'-5 5/16"	STRAP
G	2	362T200-68	1'-0 1/8"	BLOCK
H	2	362T200-68	10 1/2"	BLOCK

31-1048

Jewish Home for the Aging

1885 Victory Blvd. Reseda, CA

FM-07-109

CREATED BY: AMB

FrameMax, Inc.
13915 Danielson St
Suite 100
Poway, CA 92064
www.frame-max.com



© FrameMax Inc.

HEIGHT : 11'-9 11/16" POINTS: 1.65 Points.

SPACING : 5000"

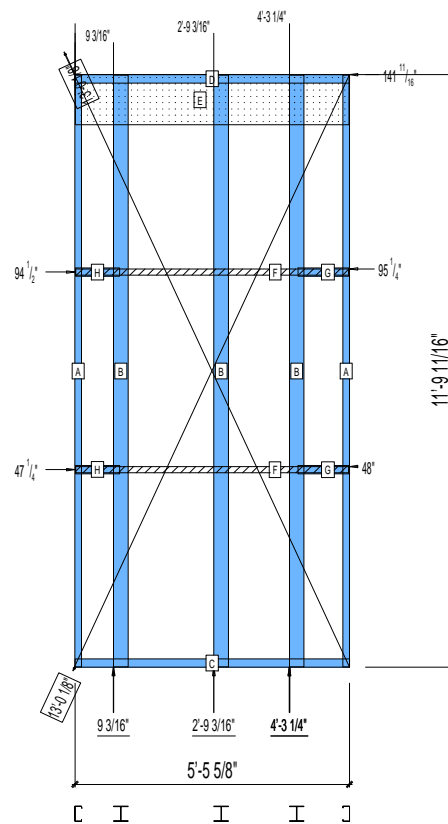
1st STUD: 5000"

APPROVED
By Ryan J Gonsalves at 2:58 pm, Nov 11, 2008

WEIGHTS :

FRAME : 273 lbs

TOTAL: 273 lbs



PIECES LIST

LABEL	QTY	SIZE	LENGTH	USE
A	2	362S162-54	11'-9 1/2"	STUD
B	3	363i350p554	11'-9 1/2"	PACO.COLUMN
C	1	362T200-68	5'-5 5/8"	BOTTOM TRACK
D	1	362T200-68	5'-5 5/8"	TOP TRACK
E	1	1200D-54	5'-5 7/16"	STRAP
F	2	150D-43	5'-5 5/16"	STRAP
G	2	362T200-68	1'-0 1/8"	BLOCK
H	2	362T200-68	10 1/2"	BLOCK

31-1049

Jewish Home for the Aging

1885 Victory Blvd. Reseda, CA

FM-07-109

CREATED BY: AMB

FrameMax, Inc.
13915 Danielson St
Suite 100
Poway, CA 92064
www.frame-max.com



© FrameMax Inc.

HEIGHT : 11'-9 11/16" POINTS: 2.50 Points.

SPACING : 5000"

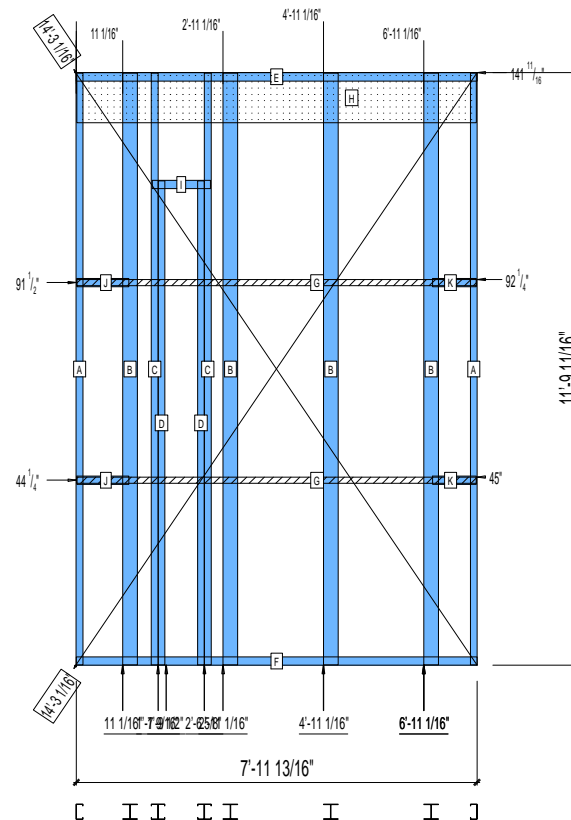
1st STUD: 5000"

APPROVED
By Ryan J Gonsalves at 2:58 pm, Nov 11, 2008

WEIGHTS :

FRAME : 419 lbs

TOTAL: 419 lbs



PIECES LIST

LABEL	QTY	SIZE	LENGTH	USE
A	2	362S162-54	11'-9 1/2"	STUD
B	4	363i350p554	11'-9 1/2"	PACO. COLUMN
C	2	362S162-54	11'-9 1/2"	BEAM KING
D	2	362S162-54	9'-7 3/4"	BEAM JACK
E	1	362T200-68	7'-11 13/16"	TOP TRACK
F	1	362T200-68	7'-11 13/16"	BOTTOM TRACK
G	2	150D-43	7'-11 1/2"	STRAP
H	1	1200D-54	7'-11 1/2"	STRAP
I	1	362T200-68	1'-1 7/8"	BEAM JACK
J	2	362T200-68	1'-0 3/8"	BLOCK
K	2	362T200-68	10 1/2"	BLOCK

31-1050

Jewish Home for the Aging

1885 Victory Blvd. Reseda, CA

FM-07-109

CREATED BY: AMB

FrameMax, Inc.
13915 Danielson St
Suite 100
Poway, CA 92064
www.frame-max.com



© FrameMax Inc.

HEIGHT : 11'-9 11/16" POINTS: 2.50 Points.

SPACING : 5000"

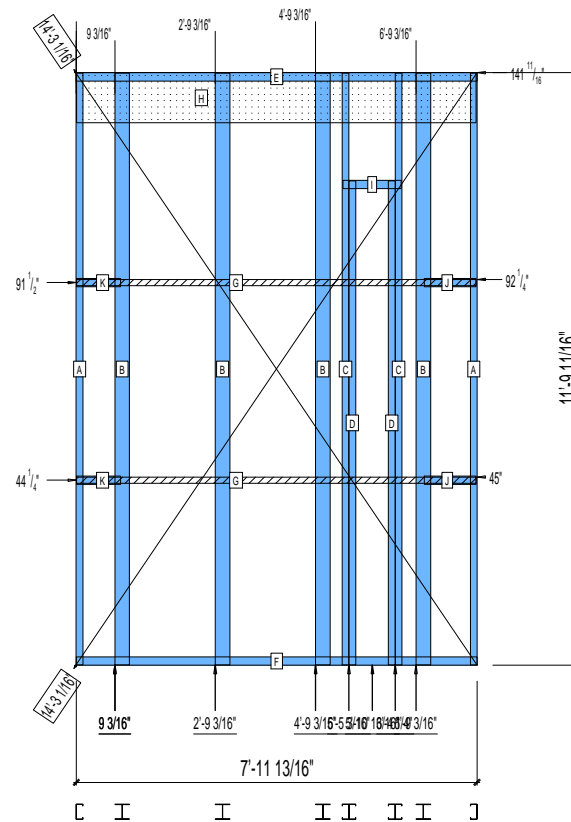
1st STUD: 5000"

APPROVED
By Ryan J Gonsalves at 2:58 pm, Nov 11, 2008

WEIGHTS :

FRAME : 419 lbs

TOTAL: 419 lbs



PIECES LIST

LABEL	QTY	SIZE	LENGTH	USE
A	2	362S162-54	11'-9 1/2"	STUD
B	4	363i350p554	11'-9 1/2"	PACO. COLUMN
C	2	362S162-54	11'-9 1/2"	BEAM KING
D	2	362S162-54	9'-7 3/4"	BEAM JACK
E	1	362T200-68	7'-11 13/16"	TOP TRACK
F	1	362T200-68	7'-11 13/16"	BOTTOM TRACK
G	2	150D-43	7'-11 1/2"	STRAP
H	1	1200D-54	7'-11 1/2"	STRAP
I	1	362T200-68	1'-1 7/8"	BEAM JACK
J	2	362T200-68	1'-0 3/8"	BLOCK
K	2	362T200-68	10 1/2"	BLOCK

31-1051

Jewish Home for the Aging

1885 Victory Blvd. Reseda, CA

FM-07-109

CREATED BY: AMB

FrameMax, Inc.
13915 Danielson St
Suite 100
Poway, CA 92064
www.frame-max.com



© FrameMax Inc.

HEIGHT : 11'-9 11/16" POINTS: 1.40 Points.

SPACING : 5000"

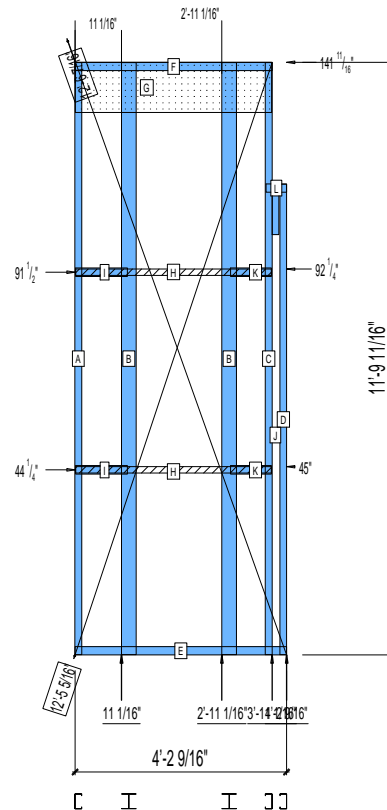
1st STUD: 5000"

APPROVED
By Ryan J Gonsalves at 2:58 pm, Nov 11, 2008

WEIGHTS :

FRAME : 213 lbs

TOTAL: 213 lbs



PIECES LIST

LABEL	QTY	SIZE	LENGTH	USE
A	1	362S162-54	11'-9 1/2"	STUD
B	2	363i350p554	11'-9 1/2"	PACO. COLUMN
C	1	362S162-54	11'-9 1/2"	BEAM KING
D	1	362S162-54	9'-4 7/16"	BEAM JACK
E	1	362T200-68	4'-2 9/16"	BOTTOM TRACK
F	1	362T200-68	3'-11 1/16"	TOP TRACK
G	1	1200D-54	3'-10 7/8"	STRAP
H	2	150D-43	3'-10 3/4"	STRAP
I	2	362T200-68	1'-0 3/8"	BLOCK
J	1	362S162-54	1'-0"	BEAM JACK
K	2	362T200-68	9 3/4"	BLOCK
L	1	362T200-68	4 15/16"	BEAM JACK

31-1052

Jewish Home for the Aging

1885 Victory Blvd. Reseda, CA

FM-07-109

CREATED BY: AMB

FrameMax, Inc.
13915 Danielson St
Suite 100
Poway, CA 92064
www.frame-max.com



© FrameMax Inc.

HEIGHT : 11'-9 11/16" POINTS: 1.40 Points.

SPACING : 5000"

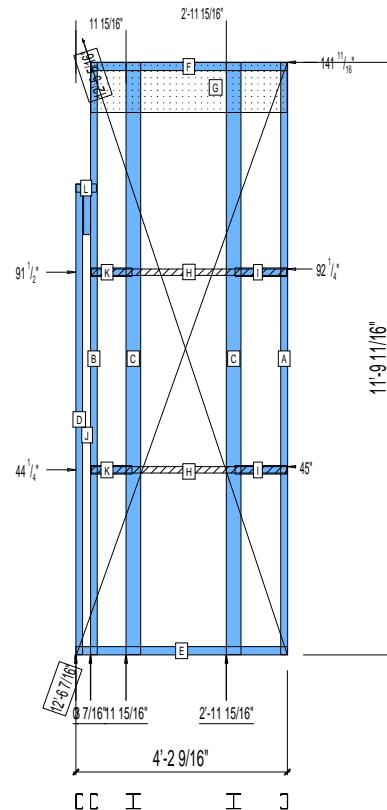
1st STUD: 5000"

APPROVED
By Ryan J Gonsalves at 2:58 pm, Nov 11, 2008

WEIGHTS :

FRAME : 213 lbs

TOTAL: 213 lbs



PIECES LIST

LABEL	QTY	SIZE	LENGTH	USE
A	1	362S162-54	11'-9 1/2"	STUD
B	1	362S162-54	11'-9 1/2"	BEAM KING
C	2	363i350p554	11'-9 1/2"	PACO. COLUMN
D	1	362S162-54	9'-4 7/16"	BEAM JACK
E	1	362T200-68	4'-2 9/16"	BOTTOM TRACK
F	1	362T200-68	3'-11 1/16"	TOP TRACK
G	1	1200D-54	3'-10 7/8"	STRAP
H	2	150D-43	3'-10 3/4"	STRAP
I	2	362T200-68	1'-0 3/8"	BLOCK
J	1	362S162-54	1'-0"	BEAM JACK
K	2	362T200-68	9 3/4"	BLOCK
L	1	362T200-68	4 15/16"	BEAM JACK

31-1053

Jewish Home for the Aging

1885 Victory Blvd. Reseda, CA

FM-07-109

CREATED BY: AMB

FrameMax, Inc.
13915 Danielson St
Suite 100
Poway, CA 92064
www.frame-max.com



© FrameMax Inc.

HEIGHT : 11'-9 11/16" POINTS: 1.41 Points.

SPACING : 5000"

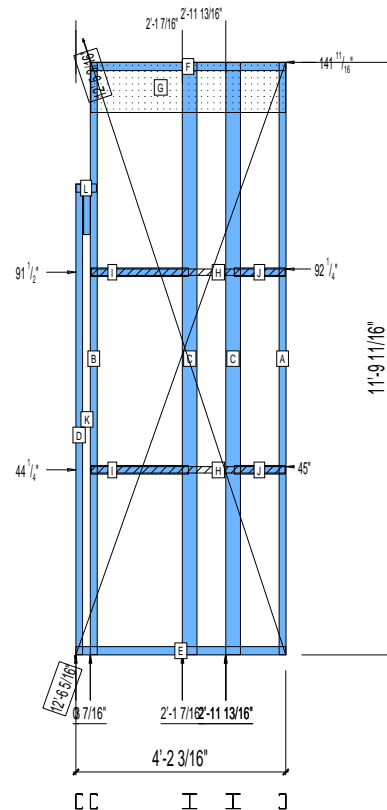
1st STUD: 5000"

APPROVED
By Ryan J Gonsalves at 2:58 pm, Nov 11, 2008

WEIGHTS :

FRAME : 217 lbs

TOTAL: 217 lbs



PIECES LIST

LABEL	QTY	SIZE	LENGTH	USE
A	1	362S162-54	11'-9 1/2"	STUD
B	1	362S162-54	11'-9 1/2"	BEAM KING
C	2	363i350p554	11'-9 1/2"	PACO. COLUMN
D	1	362S162-54	9'-4 7/16"	BEAM JACK
E	1	362T200-68	4'-2 3/16"	BOTTOM TRACK
F	1	362T200-68	3'-10 11/16"	TOP TRACK
G	1	1200D-54	3'-10 1/2"	STRAP
H	2	150D-43	3'-10 3/8"	STRAP
I	2	362T200-68	1'-11 1/4"	BLOCK
J	2	362T200-68	1'-0 1/8"	BLOCK
K	1	362S162-54	1'-0"	BEAM JACK
L	1	362T200-68	4 15/16"	BEAM JACK

31-1054

Jewish Home for the Aging

1885 Victory Blvd. Reseda, CA

FM-07-109

CREATED BY: AMB

FrameMax, Inc.
13915 Danielson St
Suite 100
Poway, CA 92064
www.frame-max.com



© FrameMax Inc.

HEIGHT : 11'-9 11/16" POINTS: 1.41 Points.

SPACING : 5000"

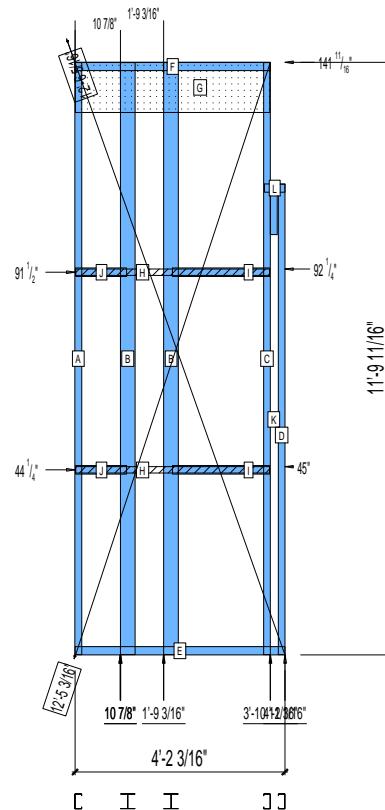
1st STUD: 5000"

APPROVED
By Ryan J Gonsalves at 2:58 pm, Nov 11, 2008

WEIGHTS :

FRAME : 217 lbs

TOTAL: 217 lbs



PIECES LIST

LABEL	QTY	SIZE	LENGTH	USE
A	1	362S162-54	11'-9 1/2"	STUD
B	2	363i350p554	11'-9 1/2"	PACO. COLUMN
C	1	362S162-54	11'-9 1/2"	BEAM KING
D	1	362S162-54	9'-4 7/16"	BEAM JACK
E	1	362T200-68	4'-2 3/16"	BOTTOM TRACK
F	1	362T200-68	3'-10 11/16"	TOP TRACK
G	1	1200D-54	3'-10 1/2"	STRAP
H	2	150D-43	3'-10 3/8"	STRAP
I	2	362T200-68	1'-11 1/4"	BLOCK
J	2	362T200-68	1'-0 1/8"	BLOCK
K	1	362S162-54	1'-0"	BEAM JACK
L	1	362T200-68	4 15/16"	BEAM JACK

31-1055

Jewish Home for the Aging

1885 Victory Blvd. Reseda, CA

FrameMax, Inc.
13915 Danielson St
Suite 100
Poway, CA 92064
www.frame-max.com



© FrameMax Inc.

CREATED: 10/24/2008

FM-07-109

CREATED BY: AMB

HEIGHT : 11'-9 11/16" POINTS: 1.91 Points.

SPACING : 24"

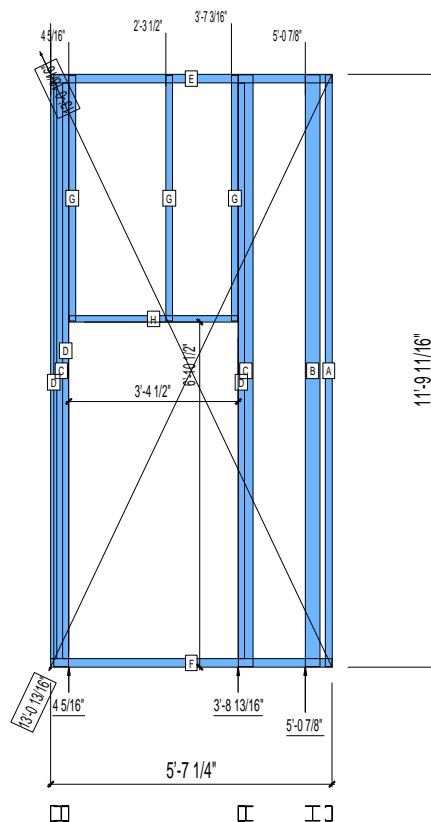
1st STUD: 24"

APPROVED
By Ryan J Gonsalves at 2:58 pm, Nov 11, 2008

WEIGHTS :

FRAME : 333 lbs

TOTAL: 333 lbs



PIECES LIST

LABEL	QTY	SIZE	LENGTH	USE
A	1	362S162-54	11'-9 1/2"	STUD
B	1	363i350p554	11'-9 1/2"	PACO.COLUMN
C	2	363i350p680	11'-9 1/2"	KING STUD
D	3	362T150-54	11'-9 9/16"	KING TRACK
E	1	362T200-68	5'-7 1/4"	TOP TRACK
F	1	362T200-68	5'-7 1/4"	BOTTOM TRACK
G	3	362S162-54	4'-10 3/4"	CRIPPLE
H	1	362T150-54	3'-4 1/4"	HEAD TRACK

31-1056

Jewish Home for the Aging

1885 Victory Blvd. Reseda, CA

FM-07-109

CREATED BY: AMB

FrameMax, Inc.
13915 Danielson St
Suite 100
Poway, CA 92064
www.frame-max.com



© FrameMax Inc.

HEIGHT : 11'-9 11/16" POINTS: 1.80 Points.

SPACING : 24"

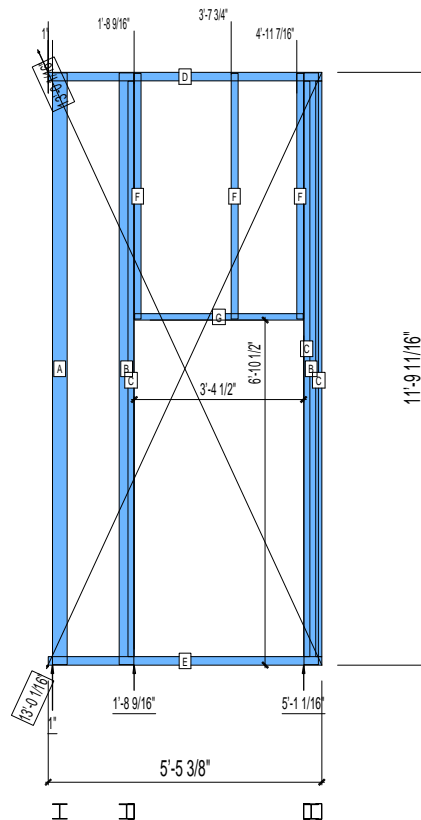
1st STUD: 24"

APPROVED
By Ryan J Gonsalves at 2:58 pm, Nov 11, 2008

WEIGHTS :

FRAME : 315 lbs

TOTAL: 315 lbs



PIECES LIST

LABEL	QTY	SIZE	LENGTH	USE
A	1	363i350p554	11'-9 1/2"	PACO.COLUMN
B	2	363i350p680	11'-9 1/2"	KING STUD
C	3	362T150-54	11'-5 9/16"	KING TRACK
D	1	362T200-68	5'-5 3/8"	TOP TRACK
E	1	362T200-68	5'-5 3/8"	BOTTOM TRACK
F	3	362S162-54	4'-10 3/4"	CRIPPLE
G	1	362T150-54	3'-4 1/4"	HEAD TRACK

31-1057

Jewish Home for the Aging

1885 Victory Blvd. Reseda, CA

FrameMax, Inc.
13915 Danielson St
Suite 100
Poway, CA 92064
www.frame-max.com



© FrameMax Inc.

CREATED: 10/24/2008

FM-07-109

CREATED BY: AMB

HEIGHT : 11'-9 11/16" POINTS: 2.38 Points.

SPACING : 5000"

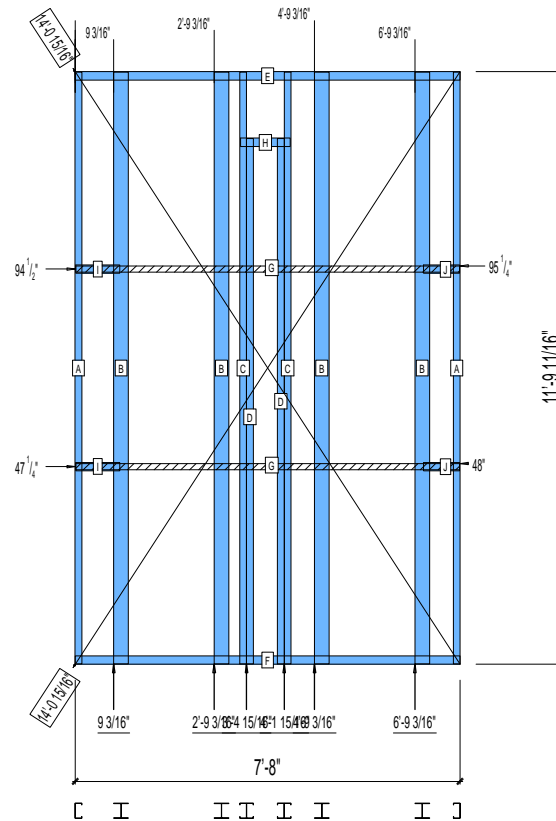
1st STUD: 5000"

APPROVED
By Ryan J Gonsalves at 2:58 pm, Nov 11, 2008

WEIGHTS :

FRAME : 399 lbs

TOTAL: 399 lbs



PIECES LIST

LABEL	QTY	SIZE	LENGTH	USE
A	2	362S162-54	11'-9 1/2"	STUD
B	4	363i350p554	11'-9 1/2"	PACO. COLUMN
C	2	362S162-54	11'-9 1/2"	BEAM KING
D	2	362S162-54	10'-5 5/8"	BEAM JACK
E	1	362T200-68	7'-8"	TOP TRACK
F	1	362T200-68	7'-8"	BOTTOM TRACK
G	2	150D-43	7'-7 11/16"	STRAP
H	1	362T200-68	11 13/16"	BEAM JACK
I	2	362T200-68	10 1/2"	BLOCK
J	2	362T200-68	8 9/16"	BLOCK

31-1058

Jewish Home for the Aging

1885 Victory Blvd. Reseda, CA

FrameMax, Inc.
13915 Danielson St
Suite 100
Poway, CA 92064
www.frame-max.com



© FrameMax Inc.

CREATED: 10/24/2008

FM-07-109

CREATED BY: AMB

HEIGHT : 11'-9 11/16" POINTS: 2.49 Points.

SPACING : 5000"

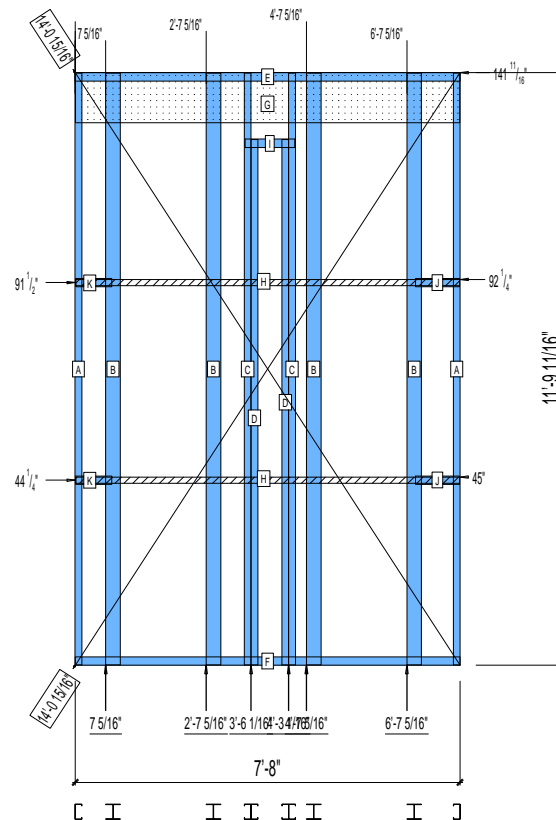
1st STUD: 5000"

APPROVED
By Ryan J Gonsalves at 2:58 pm, Nov 11, 2008

WEIGHTS :

FRAME : 418 lbs

TOTAL: 418 lbs



PIECES LIST

LABEL	QTY	SIZE	LENGTH	USE
A	2	362S162-54	11'-9 1/2"	STUD
B	4	363i350p554	11'-9 1/2"	PACO. COLUMN
C	2	362S162-54	11'-9 1/2"	BEAM KING
D	2	362S162-54	10'-5 5/8"	BEAM JACK
E	1	362T200-68	7'-8"	TOP TRACK
F	1	362T200-68	7'-8"	BOTTOM TRACK
G	1	1200D-54	7'-7 13/16"	STRAP
H	2	150D-43	7'-7 11/16"	STRAP
I	1	362T200-68	11 13/16"	BEAM JACK
J	2	362T200-68	10 1/2"	BLOCK
K	2	362T200-68	8 9/16"	BLOCK

31-1059

Jewish Home for the Aging

1885 Victory Blvd. Reseda, CA

FM-07-109

CREATED BY: AMB

FrameMax, Inc.
13915 Danielson St
Suite 100
Poway, CA 92064
www.frame-max.com



© FrameMax Inc.

HEIGHT : 11'-9 11/16" POINTS: 1.31 Points.

SPACING : 5000"

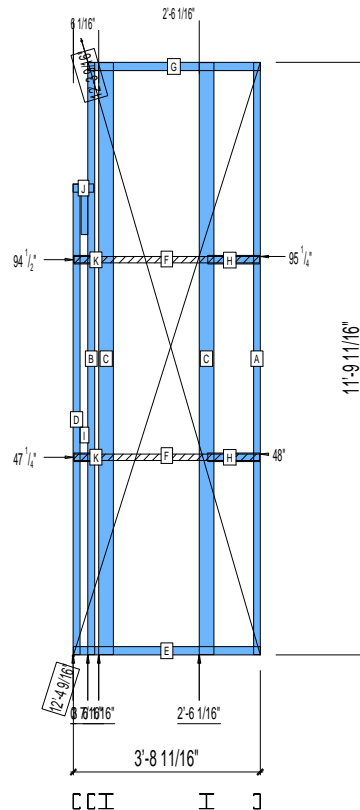
1st STUD: 5000"

APPROVED
By Ryan J Gonsalves at 2:58 pm, Nov 11, 2008

WEIGHTS :

FRAME : 201 lbs

TOTAL: 201 lbs



PIECES LIST

LABEL	QTY	SIZE	LENGTH	USE
A	1	362S162-54	11'-9 1/2"	STUD
B	1	362S162-54	11'-9 1/2"	BEAM KING
C	2	363i350p554	11'-9 1/2"	PACO COLUMN
D	1	362S162-54	9'-4 7/16"	BEAM JACK
E	1	362T200-68	3'-8 11/16"	BOTTOM TRACK
F	2	150D-43	3'-8 3/8"	STRAP
G	1	362T200-68	3'-5 3/16"	TOP TRACK
H	2	362T200-68	1'-0 3/8"	BLOCK
I	1	362S162-54	1'-0"	BEAM JACK
J	1	362T200-68	4 15/16"	BEAM JACK
K	2	362T200-68	4 3/4"	BLOCK

31-1060

Jewish Home for the Aging

1885 Victory Blvd. Reseda, CA

FM-07-109

CREATED BY: AMB

FrameMax, Inc.
13915 Danielson St
Suite 100
Poway, CA 92064
www.frame-max.com



© FrameMax Inc.

HEIGHT : 11'-9 11/16" POINTS: 1.37 Points.

SPACING : 5000"

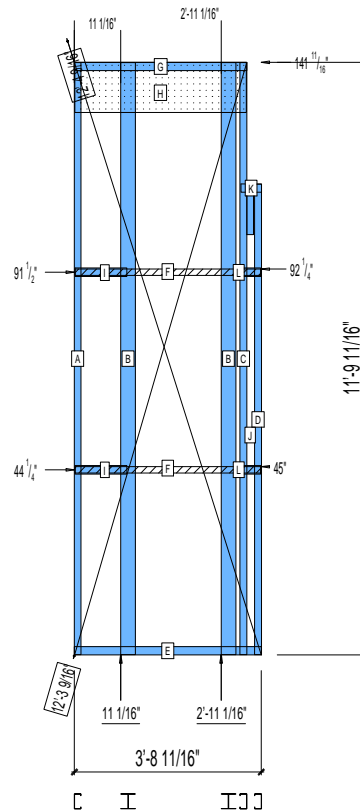
1st STUD: 5000"

APPROVED
By Ryan J Gonsalves at 2:58 pm, Nov 11, 2008

WEIGHTS :

FRAME : 209 lbs

TOTAL: 209 lbs



PIECES LIST

LABEL	QTY	SIZE	LENGTH	USE
A	1	362S162-54	11'-9 1/2"	STUD
B	2	363i350p554	11'-9 1/2"	PACO. COLUMN
C	1	362S162-54	11'-9 1/2"	BEAM KING
D	1	362S162-54	9'-4 7/16"	BEAM JACK
E	1	362T200-68	3'-8 11/16"	BOTTOM TRACK
F	2	150D-43	3'-8 3/8"	STRAP
G	1	362T200-68	3'-5 3/16"	TOP TRACK
H	1	1200D-54	3'-5"	STRAP
I	2	362T200-68	1'-0 3/8"	BLOCK
J	1	362S162-54	1'-0"	BEAM JACK
K	1	362T200-68	4 15/16"	BEAM JACK
L	2	362T200-68	4 3/4"	BLOCK

31-1061

Jewish Home for the Aging

1885 Victory Blvd. Reseda, CA

FrameMax, Inc.
13915 Danielson St
Suite 100
Poway, CA 92064
www.frame-max.com



© FrameMax Inc.

CREATED: 10/24/2008

FM-07-109

CREATED BY: AMB

HEIGHT : 11'-9 11/16" POINTS: 2.10 Points.

SPACING : 5000"

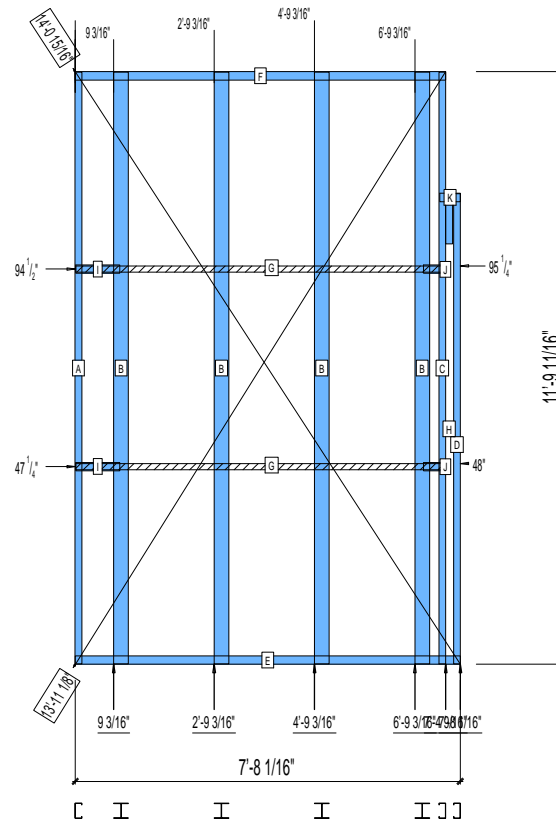
1st STUD: 5000"

APPROVED
By Ryan J Gonsalves at 2:58 pm, Nov 11, 2008

WEIGHTS :

FRAME : 347 lbs

TOTAL: 347 lbs



PIECES LIST

LABEL	QTY	SIZE	LENGTH	USE
A	1	362S162-54	11'-9 1/2"	STUD
B	4	363i350p554	11'-9 1/2"	PACO. COLUMN
C	1	362S162-54	11'-9 1/2"	BEAM KING
D	1	362S162-54	9'-4 7/16"	BEAM JACK
E	1	362T200-68	7'-8 1/16"	BOTTOM TRACK
F	1	362T200-68	7'-4 9/16"	TOP TRACK
G	2	150D-43	7'-4 1/4"	STRAP
H	1	362S162-54	1'-0"	BEAM JACK
I	2	362T200-68	10 1/2"	BLOCK
J	2	362T200-68	5 1/8"	BLOCK
K	1	362T200-68	4 15/16"	BEAM JACK

31-1062

Jewish Home for the Aging

1885 Victory Blvd. Reseda, CA

FM-07-109

CREATED BY: AMB

FrameMax, Inc.
13915 Danielson St
Suite 100
Poway, CA 92064
www.frame-max.com



© FrameMax Inc.

HEIGHT : 11'-9 11/16" POINTS: 2.20 Points.

SPACING : 5000"

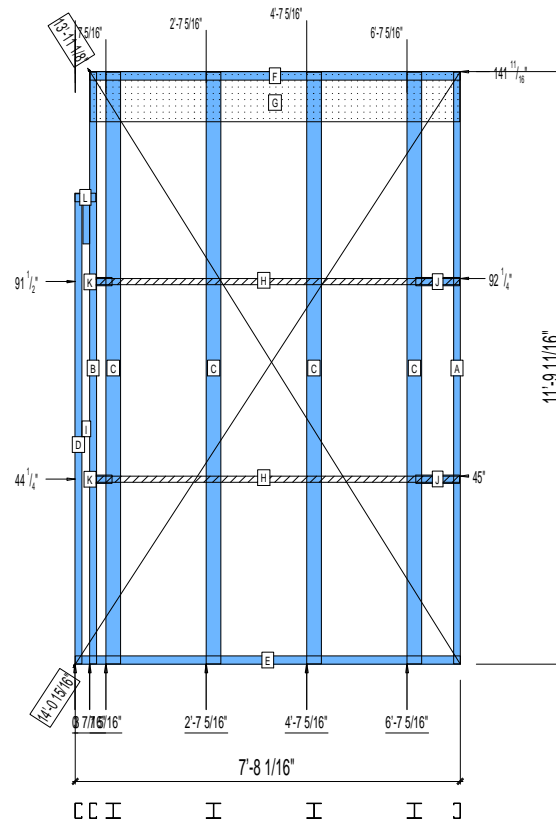
1st STUD: 5000"

APPROVED
By Ryan J Gonsalves at 2:58 pm, Nov 11, 2008

WEIGHTS :

FRAME : 365 lbs

TOTAL: 365 lbs



PIECES LIST

LABEL	QTY	SIZE	LENGTH	USE
A	1	362S162-54	11'-9 1/2"	STUD
B	1	362S162-54	11'-9 1/2"	BEAM KING
C	4	363i350p554	11'-9 1/2"	PACO. COLUMN
D	1	362S162-54	9'-4 7/16"	BEAM JACK
E	1	362T200-68	7'-8 1/16"	BOTTOM TRACK
F	1	362T200-68	7'-4 9/16"	TOP TRACK
G	1	1200D-54	7'-4 3/8"	STRAP
H	2	150D-43	7'-4 1/4"	STRAP
I	1	362S162-54	1'-0"	BEAM JACK
J	2	362T200-68	10 1/2"	BLOCK
K	2	362T200-68	5 1/8"	BLOCK
L	1	362T200-68	4 15/16"	BEAM JACK

31-1063

Jewish Home for the Aging

1885 Victory Blvd. Reseda, CA

FM-07-109

CREATED BY: AMB

FrameMax, Inc.
13915 Danielson St
Suite 100
Poway, CA 92064
www.frame-max.com



© FrameMax Inc.

HEIGHT : 11'-9 11/16" POINTS: 1.55 Points.

SPACING : 5000"

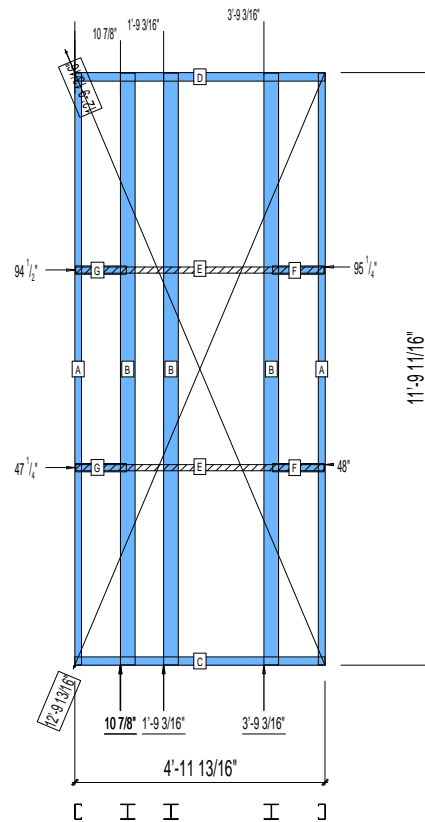
1st STUD: 5000"

APPROVED
By Ryan J Gonsalves at 2:58 pm, Nov 11, 2008

WEIGHTS :

FRAME : 258 lbs

TOTAL: 258 lbs



PIECES LIST

LABEL	QTY	SIZE	LENGTH	USE
A	2	362S162-54	11'-9 1/2"	STUD
B	3	363i350p554	11'-9 1/2"	PACO COLUMN
C	1	362T200-68	4'-11 13/16"	BOTTOM TRACK
D	1	362T200-68	4'-11 13/16"	TOP TRACK
E	2	150D-43	4'-11 7/16"	STRAP
F	2	362T200-68	1'-0 5/16"	BLOCK
G	2	362T200-68	1'-0 1/8"	BLOCK

31-1064

Jewish Home for the Aging

1885 Victory Blvd. Reseda, CA

FM-07-109

CREATED BY: AMB

FrameMax, Inc.
13915 Danielson St
Suite 100
Poway, CA 92064
www.frame-max.com



© FrameMax Inc.

HEIGHT : 11'-9 11/16" POINTS: 1.63 Points.

SPACING : 5000"

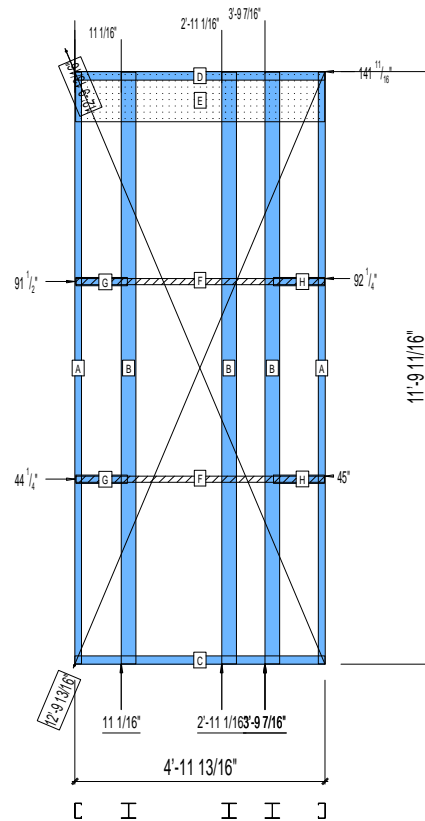
1st STUD: 5000"

APPROVED
By Ryan J Gonsalves at 2:58 pm, Nov 11, 2008

WEIGHTS :

FRAME : 270 lbs

TOTAL: 270 lbs



PIECES LIST

LABEL	QTY	SIZE	LENGTH	USE
A	2	362S162-54	11'-9 1/2"	STUD
B	3	363i350p554	11'-9 1/2"	PACO.COLUMN
C	1	362T200-68	4'-11 13/16"	BOTTOM TRACK
D	1	362T200-68	4'-11 13/16"	TOP TRACK
E	1	1200D-54	4'-11 9/16"	STRAP
F	2	150D-43	4'-11 7/16"	STRAP
G	2	362T200-68	1'-0 5/16"	BLOCK
H	2	362T200-68	1'-0 1/8"	BLOCK

31-1065

Jewish Home for the Aging

1885 Victory Blvd. Reseda, **APPROVED**
By Ryan J Gonsalves at 2:58 pm, Nov 11, 2008

FrameMax, Inc.
 13915 Danielson St
 Suite 100
 Poway, CA 92064
 www.frame-max.com



© FrameMax Inc.

CREATED: 11/10/2008

FM-07-109

CREATED BY: AMB

HEIGHT : 11'-9 11/16" POINTS: 2.68 Points.

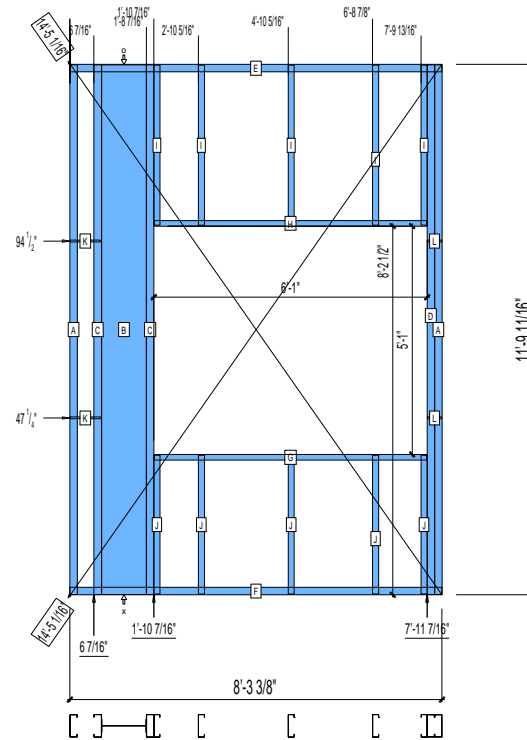
SPACING : 24"

1st STUD: 24"

WEIGHTS :

FRAME : 440 lbs

TOTAL: 440 lbs



PIECES LIST

LABEL	QTY	SIZE	LENGTH	USE
A	2	600S200-97	11'-9 1/2"	STUD
B	1	1200i350p1062	11'-9 1/2"	PACO
C	2	600S200-68	11'-9 1/2"	STUD
D	1	600S200-97	11'-9 1/2"	KING STUD
E	1	600T200-68	8'-3 3/8"	TOP TRACK
F	1	600T200-68	8'-3 3/8"	BOTTOM TRACK
G	1	600T150-54	6'-0 3/4"	SILL
H	1	600T150-54	6'-0 3/4"	HEAD TRACK
I	5	600S162-54	3'-6 3/4"	CRIPPLE
J	5	600S162-54	3'-1 1/16"	CRIPPLE
K	2	150U50-54	8"	HORIZONTAL BRACING
L	2	150U50-54	3 3/4"	HORIZONTAL BRACING

31-1066

Jewish Home for the Aging

1885 Victory Blvd. Reseda, CA 91334

APPROVED

By Ryan J Gonsalves at 2:58 pm, Nov 11, 2008

FrameMax, Inc.
13915 Danielson St
Suite 100
Poway, CA 92064
www.frame-max.com



© FrameMax Inc.

CREATED: 11/10/2008

FM-07-109

CREATED BY: AMB

HEIGHT : 11'-9 11/16" POINTS: 1.57 Points.

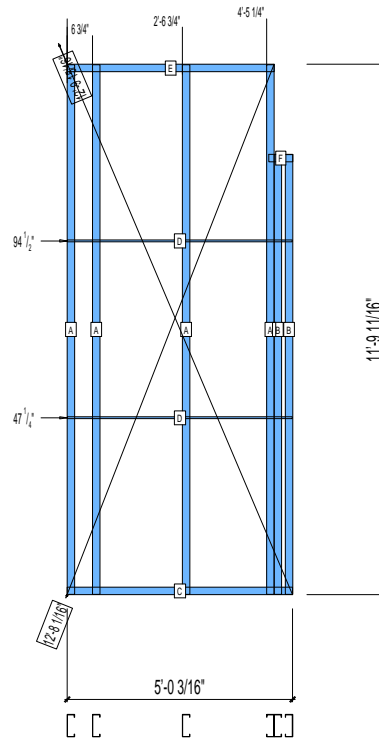
SPACING : 5000"

1st STUD: 5000"

WEIGHTS :

FRAME : 272 lbs

TOTAL: 272 lbs



PIECES LIST

LABEL	QTY	SIZE	LENGTH	USE
A	4	600S200-97	11'-9 1/2"	STUD
B	2	600S200-97	9'-9 7/16"	STUD
C	1	600T200-68	5'-0 3/16"	BOTTOM TRACK
D	2	150U50-54	5'-0 1/16"	HORIZONTAL BRACING
E	1	600T200-68	4'-7 1/4"	TOP TRACK
F	1	600T200-68	6 7/16"	BEAM JACK

31-1067

Jewish Home for the Aging

1885 Victory Blvd. Reseda, **APPROVED**
By Ryan J Gonsalves at 2:58 pm, Nov 11, 2008

FrameMax, Inc.
 13915 Danielson St
 Suite 100
 Poway, CA 92064
 www.frame-max.com



© FrameMax Inc.

CREATED: 11/10/2008

FM-07-109

CREATED BY: AMB

HEIGHT : 11'-9 11/16" POINTS: 1.52 Points.

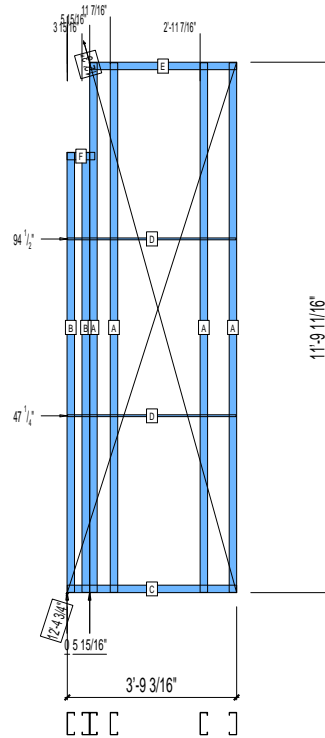
SPACING : 5000"

1st STUD: 5000"

WEIGHTS :

FRAME : 265 lbs

TOTAL: 265 lbs



PIECES LIST

LABEL	QTY	SIZE	LENGTH	USE
A	4	600S200-97	11'-9 1/2"	STUD
B	2	600S200-97	9'-9 7/16"	STUD
C	1	600T200-68	3'-9 3/16"	BOTTOM TRACK
D	2	150U50-54	3'-9 1/16"	HORIZONTAL BRACING
E	1	600T200-68	3'-3 1/4"	TOP TRACK
F	1	600T200-68	7 7/16"	BEAM JACK

31-1068

Jewish Home for the Aging

1885 Victory Blvd. Reseda, CA

APPROVED
By Ryan J Gonsalves at 2:58 pm, Nov 11, 2008

FrameMax, Inc.
13915 Danielson St
Suite 100
Poway, CA 92064
www.frame-max.com



© FrameMax Inc.

CREATED: 11/10/2008

FM-07-109

CREATED BY: AMB

HEIGHT : 11'-9 11/16" POINTS: 2.61 Points.

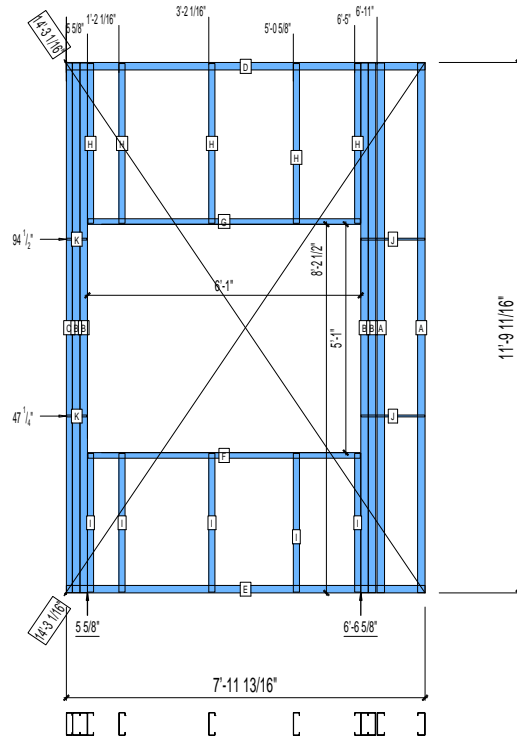
SPACING : 24"

1st STUD: 24"

WEIGHTS :

FRAME : 420 lbs

TOTAL: 420 lbs



PIECES LIST

LABEL	QTY	SIZE	LENGTH	USE
A	2	600S200-97	11'-9 1/2"	STUD
B	4	600S200-97	11'-9 1/2"	KING STUD
C	1	600S162-97	11'-9 1/2"	STUD
D	1	600T200-68	7'-11 13/16"	TOP TRACK
E	1	600T200-68	7'-11 13/16"	BOTTOM TRACK
F	1	600T150-54	6'-0 3/4"	SILL
G	1	600T150-54	6'-0 3/4"	HEAD TRACK
H	5	600S162-54	3'-6 3/4"	CRIPPLE
I	5	600S162-54	3'-1 1/16"	CRIPPLE
J	2	150U50-54	1'-4 15/16"	HORIZONTAL BRACING
K	2	150U50-54	5 7/16"	HORIZONTAL BRACING

31-1069

Jewish Home for the Aging

1885 Victory Blvd. Reseda, CA

APPROVED
By Ryan J Gonsalves at 2:58 pm, Nov 11, 2008

FrameMax, Inc.
13915 Danielson St
Suite 100
Poway, CA 92064
www.frame-max.com



© FrameMax Inc.

CREATED: 11/10/2008

FM-07-109

CREATED BY: AMB

HEIGHT : 11'-9 11/16" POINTS: 1.18 Points.

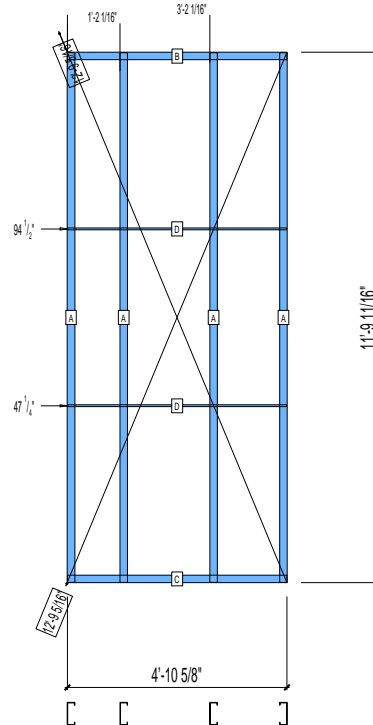
SPACING : 5000"

1st STUD: 5000"

WEIGHTS :

FRAME : 200 lbs

TOTAL: 200 lbs



PIECES LIST

LABEL	QTY	SIZE	LENGTH	USE
A	4	600S200-97	11'-9 1/2"	STUD
B	1	600T200-68	4'-10 5/8"	TOP TRACK
C	1	600T200-68	4'-10 5/8"	BOTTOM TRACK
D	2	150U50-54	4'-10 7/16"	HORIZONTAL BRACING

31-1070

Jewish Home for the Aging

1885 Victory Blvd. Reseda, CA

FM-07-109

CREATED BY: AMB

FrameMax, Inc.
13915 Danielson St
Suite 100
Poway, CA 92064
www.frame-max.com



© FrameMax Inc.

HEIGHT : 11'-9 11/16" POINTS: 1.63 Points.

SPACING : 5000"

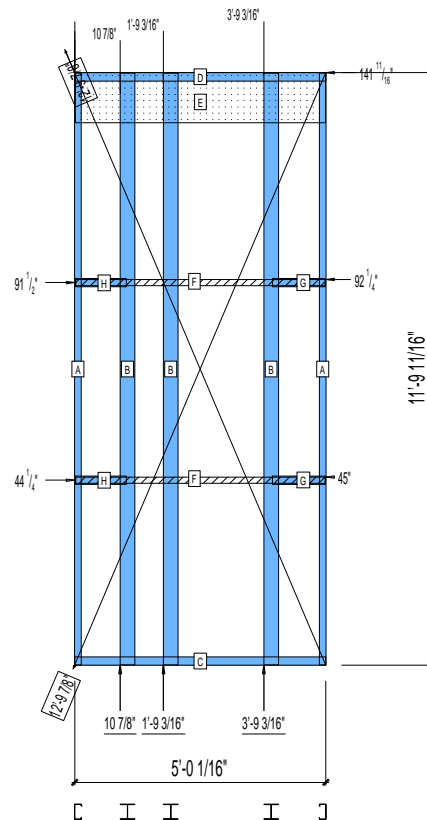
1st STUD: 5000"

APPROVED
By Ryan J Gonsalves at 2:58 pm, Nov 11, 2008

WEIGHTS :

FRAME : 271 lbs

TOTAL: 271 lbs



PIECES LIST

LABEL	QTY	SIZE	LENGTH	USE
A	2	362S162-54	11'-9 1/2"	STUD
B	3	363i350p554	11'-9 1/2"	PACO.COLUMN
C	1	362T200-68	5'-0 1/16"	BOTTOM TRACK
D	1	362T200-68	5'-0 1/16"	TOP TRACK
E	1	1200D-54	4'-11 13/16"	STRAP
F	2	150D-43	4'-11 11/16"	STRAP
G	2	362T200-68	1'-0 5/8"	BLOCK
H	2	362T200-68	1'-0 1/16"	BLOCK

31-1071

Jewish Home for the Aging

1885 Victory Blvd. Reseda, CA

FrameMax, Inc.
13915 Danielson St
Suite 100
Poway, CA 92064
www.frame-max.com



© FrameMax Inc.

CREATED: 10/24/2008

FM-07-109

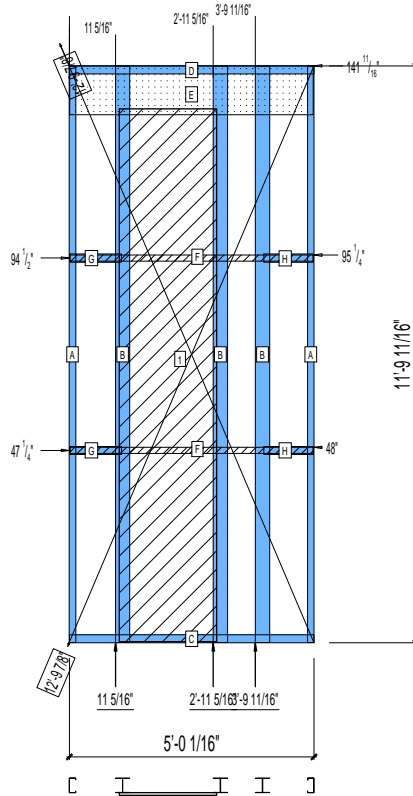
CREATED BY: AMB

HEIGHT : 11'-9 11/16" POINTS: 2.00 Points.
SPACING : 5000"
1st STUD: 5000"

APPROVED
By Ryan J Gonsalves at 2:58 pm, Nov 11, 2008

WEIGHTS :
FRAME : 271 lbs
SHEATHING: 80 lbs

TOTAL: 351 lbs



PIECES LIST

LABEL	QTY	SIZE	LENGTH	USE
A	2	362S162-54	11'-9 1/2"	STUD
B	3	363i350p554	11'-9 1/2"	PACO. COLUMN
C	1	362T200-68	5'-0 1/16"	BOTTOM TRACK
D	1	362T200-68	5'-0 1/16"	TOP TRACK
E	1	1200D-54	4'-11 13/16"	STRAP
F	2	150D-43	4'-11 11/16"	STRAP
G	2	362T200-68	1'-0 5/8"	BLOCK
H	2	362T200-68	1'-0 1/16"	BLOCK

SHEATHING

LABEL	QTY	CODE	THICK	SIZE	SCREWS
1	1	SB-DENSARMOR	5/8"	1'-11 15/16" X 10'-10 7/8"	2/12

31-1072

Jewish Home for the Aging

1885 Victory Blvd. Reseda, CA

FrameMax, Inc.
13915 Danielson St
Suite 100
Poway, CA 92064
www.frame-max.com



© FrameMax Inc.

CREATED: 10/24/2008

FM-07-109

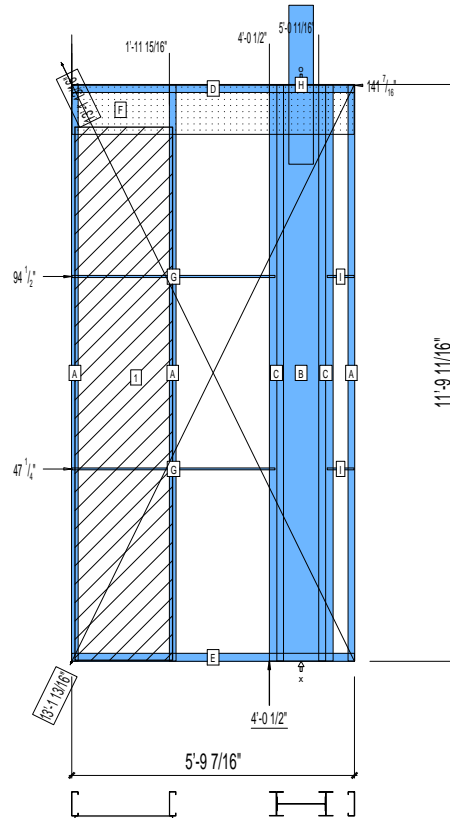
CREATED BY: AMB

HEIGHT : 13'-5 1/16" POINTS: 3.04 Points.
SPACING : 24"
1st STUD: 24"

APPROVED
By Ryan J Gonsalves at 2:58 pm, Nov 11, 2008

WEIGHTS :
FRAME : 498 lbs
SHEATHING: 80 lbs

TOTAL: 578 lbs



PIECES LIST

LABEL	QTY	SIZE	LENGTH	USE
A	3	600S162-97	11'-9 1/2"	STUD
B	1	1200i350p1062	11'-9 1/2"	PACO
C	2	600i350p680	11'-9 1/2"	PACO
D	1	600T200-68	5'-9 7/16"	TOP TRACK
E	1	600T200-68	5'-9 7/16"	BOTTOM TRACK
F	1	1200D-54	5'-9 1/4"	STRAP
G	2	150U50-54	4'-1 13/16"	HORIZONTAL BRACING
H	1	E	3'-3"	HOLDDOWN
I	2	150U50-54	6 5/8"	HORIZONTAL BRACING

SHEATHING

LABEL	QTY	CODE	THICK	SIZE	SCREWS
1	1	SB-DENSARMOR	5/8"	1'-11 15/16" X 10'-10 7/8"	2/12

31-1073

Jewish Home for the Aging

1885 Victory Blvd. Reseda, CA

FrameMax, Inc.
13915 Danielson St
Suite 100
Poway, CA 92064
www.frame-max.com



© FrameMax Inc.

CREATED: 10/24/2008

FM-07-109

CREATED BY: AMB

HEIGHT : 11'-9 11/16" POINTS: 3.67 Points.

SPACING : 24"

1st STUD: 24"

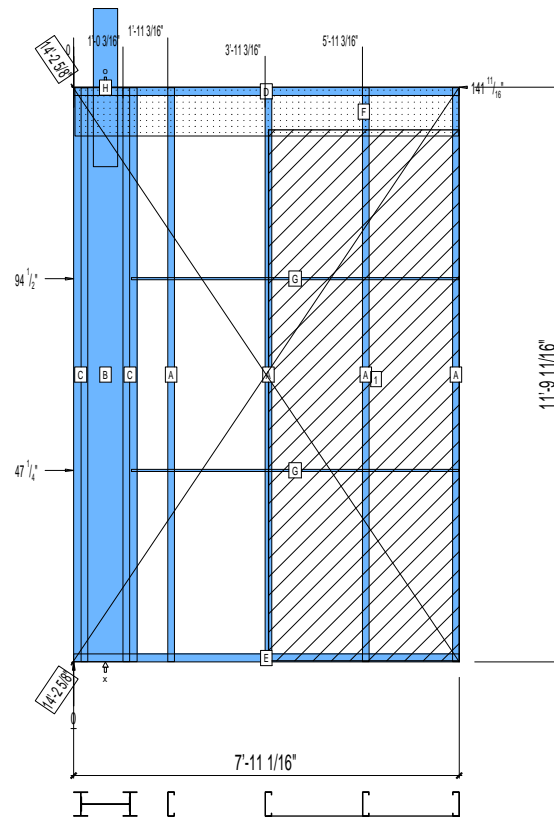
APPROVED
By Ryan J Gonsalves at 2:58 pm, Nov 11, 2008

WEIGHTS :

FRAME : 554 lbs

SHEATHING: 157 lbs

TOTAL: 711 lbs



PIECES LIST

LABEL	QTY	SIZE	LENGTH	USE
A	4	600S162-97	11'-9 1/2"	STUD
B	1	1200i350p1062	11'-9 1/2"	PACO
C	2	600i350p680	11'-9 1/2"	PACO
D	1	600T200-68	7'-11 1/16"	TOP TRACK
E	1	600T200-68	7'-11 1/16"	BOTTOM TRACK
F	1	1200D-54	7'-10 5/8"	STRAP
G	2	150U50-54	6'-8 11/16"	HORIZONTAL BRACING
H	1	E	3'-3"	HOLDDOWN

SHEATHING

LABEL	QTY	CODE	THICK	SIZE	SCREWS
1	1	SB-DENSARMOR	5/8"	3'-11" X 10'-10 7/8"	2/12

31-1074

Jewish Home for the Aging

1885 Victory Blvd. Reseda, CA

FM-07-109

CREATED BY: AMB

FrameMax, Inc.
13915 Danielson St
Suite 100
Poway, CA 92064
www.framemax.com

FRAMEMAX

© FrameMax Inc.

HEIGHT : 11'-9 11/16" POINTS: 0.85 Points.

SPACING : 24"

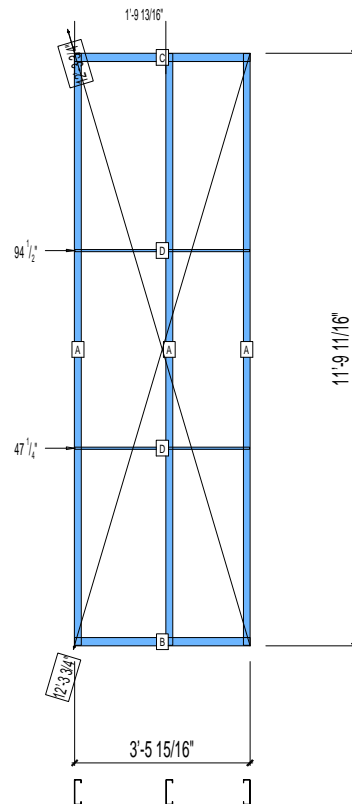
1st STUD: 24"

APPROVED
By Ryan J Gonsalves at 2:58 pm, Nov 11, 2008

WEIGHTS :

FRAME : 137 lbs

TOTAL: 137 lbs



PIECES LIST

LABEL	QTY	SIZE	LENGTH	USE
A	3	600S162-97	11'-9 1/2"	STUD
B	1	600T200-68	3'-5 15/16"	BOTTOM TRACK
C	1	600T200-68	3'-5 15/16"	TOP TRACK
D	2	150U50-54	3'-5 3/4"	HORIZONTAL BRACING

31-1075

Jewish Home for the Aging

1885 Victory Blvd. Reseda, CA

FM-07-109

CREATED BY: AMB

FrameMax, Inc.
13915 Danielson St
Suite 100
Poway, CA 92064
www.frame-max.com



© FrameMax Inc.

HEIGHT : 11'-9 11/16" POINTS: 1.92 Points.

SPACING : 5000"

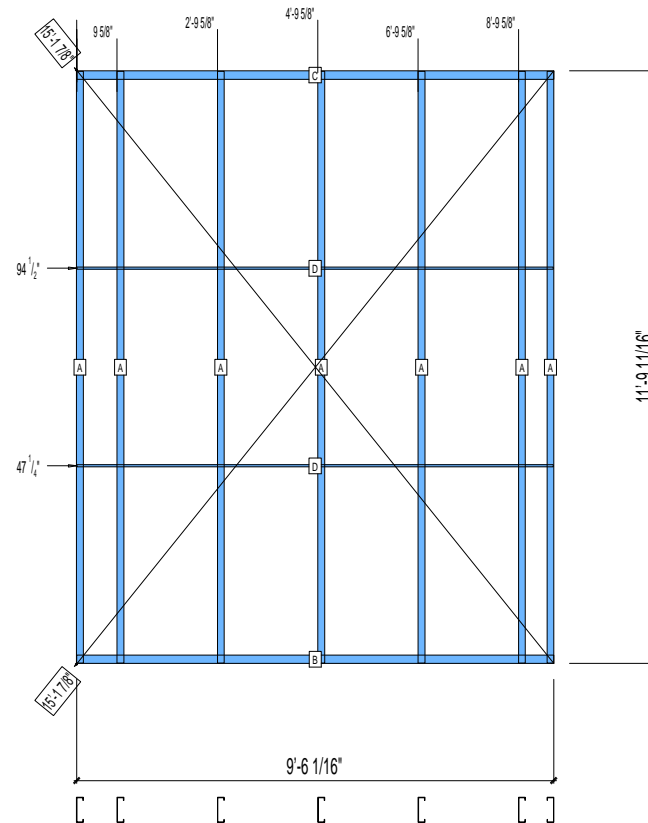
1st STUD: 16"

APPROVED
By Ryan J Gonsalves at 2:58 pm, Nov 11, 2008

WEIGHTS :

FRAME : 327 lbs

TOTAL: 327 lbs



PIECES LIST

LABEL	QTY	SIZE	LENGTH	USE
A	7	600S162-97	11'-9 1/2"	STUD
B	1	600T200-68	9'-6 1/16"	BOTTOM TRACK
C	1	600T200-68	9'-6 1/16"	TOP TRACK
D	2	150U50-54	9'-5 7/8"	HORIZONTAL BRACING

31-1076

Jewish Home for the Aging

1885 Victory Blvd. Reseda, CA

FrameMax, Inc.
13915 Danielson St
Suite 100
Poway, CA 92064
www.frame-max.com



© FrameMax Inc.

CREATED: 10/24/2008

FM-07-109

CREATED BY: AMB

HEIGHT : 11'-9 11/16" POINTS: 2.40 Points.

SPACING : 5000"

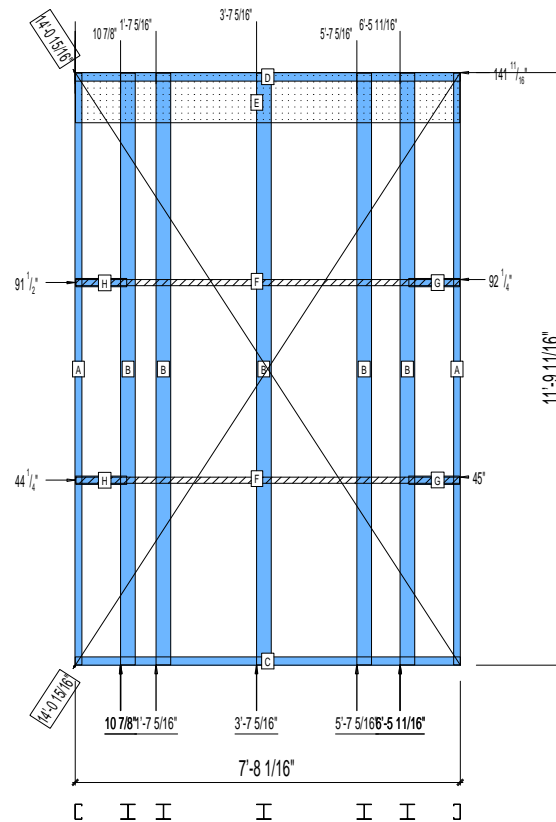
1st STUD: 5000"

APPROVED
By Ryan J Gonsalves at 2:58 pm, Nov 11, 2008

WEIGHTS :

FRAME : 419 lbs

TOTAL: 419 lbs



PIECES LIST

LABEL	QTY	SIZE	LENGTH	USE
A	2	362S162-54	11'-9 1/2"	STUD
B	5	363i350p554	11'-9 1/2"	PACO.COLUMN
C	1	362T200-68	7'-8 1/16"	BOTTOM TRACK
D	1	362T200-68	7'-8 1/16"	TOP TRACK
E	1	1200D-54	7'-7 7/8"	STRAP
F	2	150D-43	7'-7 3/4"	STRAP
G	2	362T200-68	1'-0 3/16"	BLOCK
H	2	362T200-68	1'-0 1/8"	BLOCK

31-1077

Jewish Home for the Aging

1885 Victory Blvd. Reseda, CA

FrameMax, Inc.
13915 Danielson St
Suite 100
Poway, CA 92064
www.frame-max.com



© FrameMax Inc.

CREATED: 10/27/2008

FM-07-109

CREATED BY: AMB

HEIGHT : 11'-9 11/16" POINTS: 3.13 Points.

SPACING : 5000"

1st STUD: 5000"

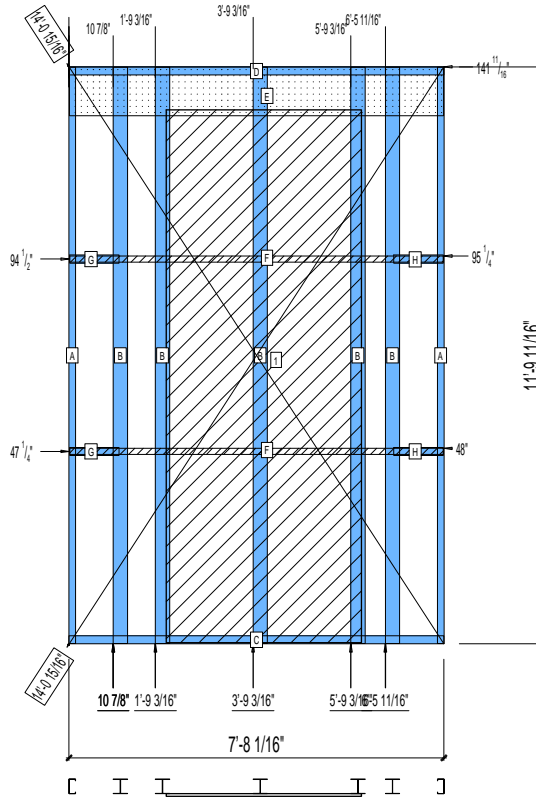
APPROVED
By Ryan J Gonsalves at 2:58 pm, Nov 11, 2008

WEIGHTS :

FRAME : 419 lbs

SHEATHING: 160 lbs

TOTAL: 579 lbs



PIECES LIST

LABEL	QTY	SIZE	LENGTH	USE
A	2	362S162-54	11'-9 1/2"	STUD
B	5	363i350p554	11'-9 1/2"	PACO. COLUMN
C	1	362T200-68	7'-8 1/16"	BOTTOM TRACK
D	1	362T200-68	7'-8 1/16"	TOP TRACK
E	1	1200D-54	7'-7 7/8"	STRAP
F	2	150D-43	7'-7 3/4"	STRAP
G	2	362T200-68	1'-0 3/16"	BLOCK
H	2	362T200-68	1'-0 1/8"	BLOCK

SHEATHING

LABEL	QTY	CODE	THICK	SIZE	SCREWS
1	1	SB-DENSARMOR	5/8"	3'-11 7/8" X 10'-10 7/8"	2/12

31-1078

Jewish Home for the Aging

1885 Victory Blvd. Reseda, CA

FrameMax, Inc.
13915 Danielson St
Suite 100
Poway, CA 92064
www.framemax.com



© FrameMax Inc.

CREATED: 10/24/2008

FM-07-109

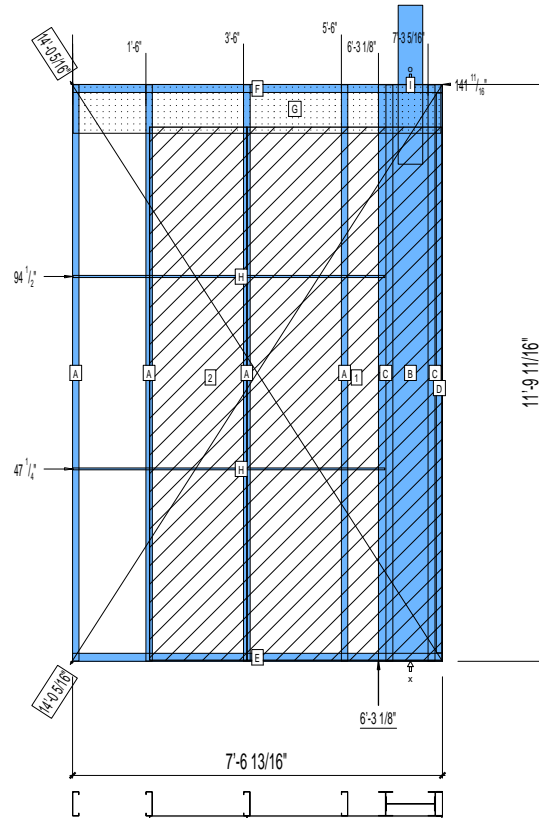
CREATED BY: AMB

HEIGHT : 11'-9 11/16" POINTS: 4.11 Points.
SPACING : 5000"
1st STUD: 5000"

APPROVED
By Ryan J Gonsalves at 2:58 pm, Nov 11, 2008

WEIGHTS :
FRAME : 564 lbs
SHEATHING: 240 lbs

TOTAL: 804 lbs



PIECES LIST

LABEL	QTY	SIZE	LENGTH	USE
A	4	600S162-97	11'-9 1/2"	STUD
B	1	1200i350p1062	11'-9 1/2"	PACO
C	2	600i350p680	11'-9 1/2"	PACO
D	1	600T150-33	11'-5 7/16"	EXTRA STUD
E	1	600T200-68	7'-6 13/16"	BOTTOM TRACK
F	1	600T200-68	7'-6 13/16"	TOP TRACK
G	1	1200D-54	7'-6 3/8"	STRAP
H	2	150U50-54	6'-4 5/8"	HORIZONTAL BRACING
I	1	E	3'-3"	HOLDDOWN

SHEATHING

LABEL	QTY	CODE	THICK	SIZE	SCREWS
1	1	SB-DENSARMOR	5/8"	3'-11 7/8" X 10'-10 7/8"	2/12
2	1	SB-DENSARMOR	5/8"	1'-11 7/8" X 10'-10 7/8"	2/12

31-1079

Jewish Home for the Aging

1885 Victory Blvd. Reseda, CA

FrameMax, Inc.
13915 Danielson St
Suite 100
Poway, CA 92064
www.frame-max.com



© FrameMax Inc.

CREATED: 10/24/2008

FM-07-109

CREATED BY: AMB

HEIGHT : 11'-9 11/16" POINTS: 0.85 Points.

SPACING : 5000"

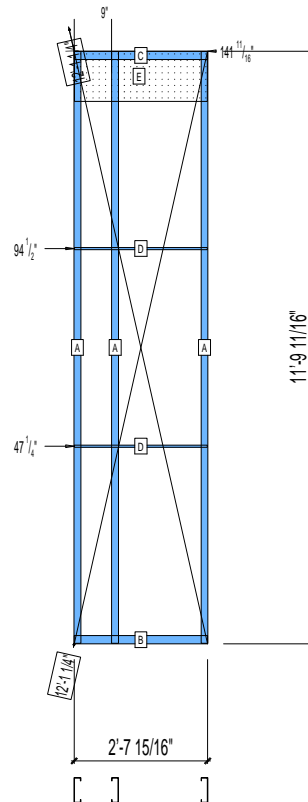
1st STUD: 5000"

APPROVED
By Ryan J Gonsalves at 2:58 pm, Nov 11, 2008

WEIGHTS :

FRAME : 138 lbs

TOTAL: 138 lbs



PIECES LIST

LABEL	QTY	SIZE	LENGTH	USE
A	3	600S162-97	11'-9 1/2"	STUD
B	1	600T200-68	2'-7 15/16"	BOTTOM TRACK
C	1	600T200-68	2'-7 15/16"	TOP TRACK
D	2	150U50-54	2'-7 3/4"	HORIZONTAL BRACING
E	1	1200D-54	2'-7 3/4"	STRAP

31-1080

Jewish Home for the Aging

1885 Victory Blvd. Reseda, CA

FrameMax, Inc.
13915 Danielson St
Suite 100
Poway, CA 92064
www.frame-max.com



© FrameMax Inc.

CREATED: 10/24/2008

FM-07-109

CREATED BY: AMB

HEIGHT : 11'-9 11/16" POINTS: 2.55 Points.

SPACING : 5000"

1st STUD: 5000"

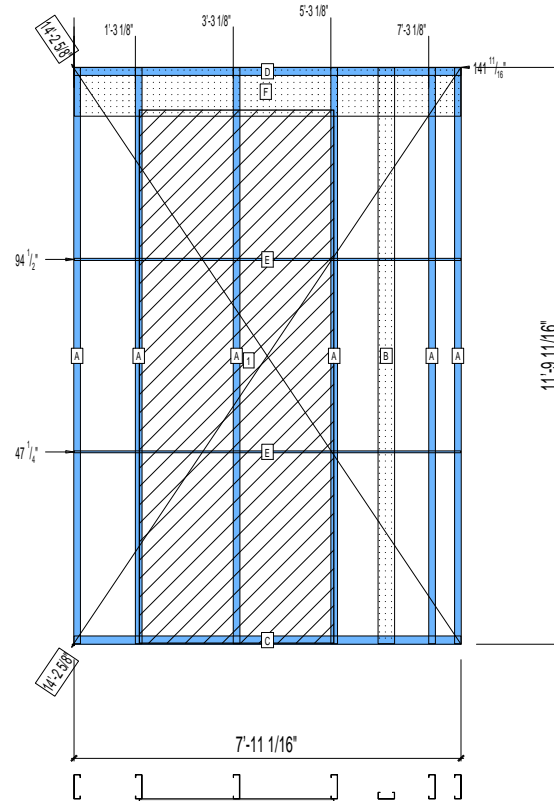
APPROVED
By Ryan J Gonsalves at 2:58 pm, Nov 11, 2008

WEIGHTS :

FRAME : 309 lbs

SHEATHING: 160 lbs

TOTAL: 469 lbs



PIECES LIST

LABEL	QTY	SIZE	LENGTH	USE
A	6	600S162-97	11'-9 1/2"	STUD
B	1	400S162-33	11'-9 1/2"	BACKER-U
C	1	600T200-68	7'-11 1/16"	BOTTOM TRACK
D	1	600T200-68	7'-11 1/16"	TOP TRACK
E	2	150U50-54	7'-10 7/8"	HORIZONTAL BRACING
F	1	1200D-54	7'-10 7/8"	STRAP

SHEATHING

LABEL	QTY	CODE	THICK	SIZE	SCREWS
1	1	SB-DENSARMOR	5/8"	3'-11 3/4" X 10'-10 7/8"	2/12

31-1081

Jewish Home for the Aging

1885 Victory Blvd. Reseda, CA

FM-07-109

CREATED BY: AMB

FrameMax, Inc.
13915 Danielson St
Suite 100
Poway, CA 92064
www.frame-max.com



© FrameMax Inc.

HEIGHT : 9'-10 7/8" POINTS: 0.97 Points.

SPACING : 5000"

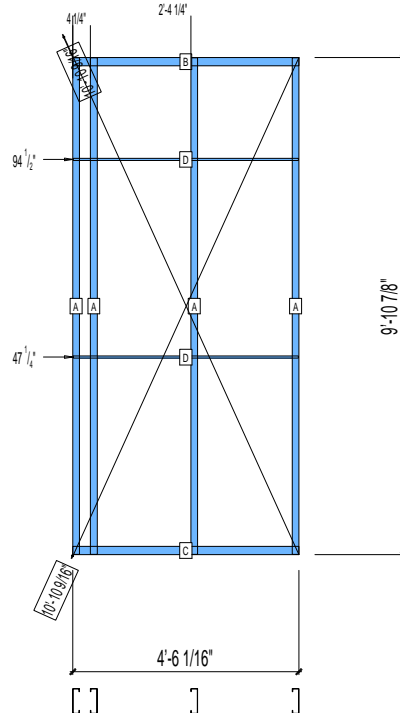
1st STUD: 5000"

APPROVED
By Ryan J Gonsalves at 2:58 pm, Nov 11, 2008

WEIGHTS :

FRAME : 156 lbs

TOTAL: 156 lbs



PIECES LIST

LABEL	QTY	SIZE	LENGTH	USE
A	4	600S162-97	9'-10 11/16"	STUD
B	1	600T200-68	4'-6 1/16"	TOP TRACK
C	1	600T200-68	4'-6 1/16"	BOTTOM TRACK
D	2	150U50-54	4'-5 7/8"	HORIZONTAL BRACING

31-1082

Jewish Home for the Aging

1885 Victory Blvd. Reseda, CA

FrameMax, Inc.
13915 Danielson St
Suite 100
Poway, CA 92064
www.frame-max.com



© FrameMax Inc.

CREATED: 10/24/2008

FM-07-109

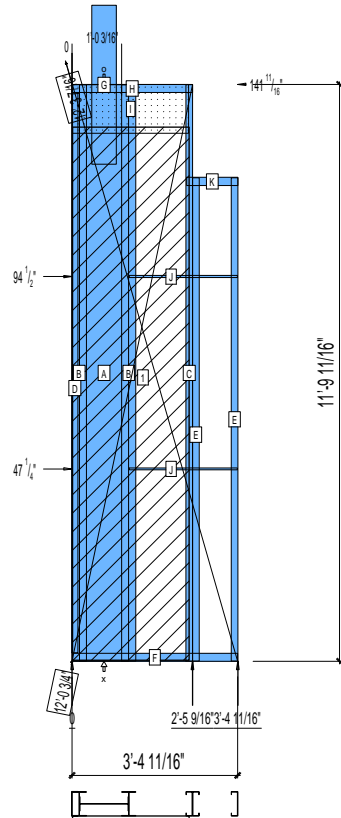
CREATED BY: AMB

HEIGHT : 11'-9 11/16" POINTS: 2.96 Points.
SPACING : 5000"
1st STUD: 5000"

APPROVED
By Ryan J Gonsalves at 2:58 pm, Nov 11, 2008

WEIGHTS :
FRAME : 476 lbs
SHEATHING: 96 lbs

TOTAL: 572 lbs



PIECES LIST

LABEL	QTY	SIZE	LENGTH	USE
A	1	1200i350p1062	11'-9 1/2"	PACO
B	2	600i350p680	11'-9 1/2"	PACO
C	1	600S162-97	11'-9 1/2"	BEAM KING
D	1	600T150-33	11'-5 7/16"	EXTRA STUD
E	2	600S162-97	9'-10 11/16"	BEAM JACK
F	1	600T200-68	3'-4 11/16"	BOTTOM TRACK
G	1	E	3'-3"	HOLDDOWN
H	1	600T200-68	2'-5 9/16"	TOP TRACK
I	1	1200D-54	2'-4 1/2"	STRAP
J	2	150U50-54	2'-2 1/2"	HORIZONTAL BRACING
K	1	600T200-68	1'-0 9/16"	BEAM JACK

SHEATHING

LABEL	QTY	CODE	THICK	SIZE	SCREWS
1	1	SB-DENSARMOR	5/8"	2'-4 5/8" X 10'-10 7/8"	2/12

31-1083

Jewish Home for the Aging

1885 Victory Blvd. Reseda, CA

FM-07-109

CREATED BY: AMB

FrameMax, Inc.
13915 Danielson St
Suite 100
Poway, CA 92064
www.frame-max.com



© FrameMax Inc.

HEIGHT : 10'-5 3/4" POINTS: 1.62 Points.

SPACING : 24"

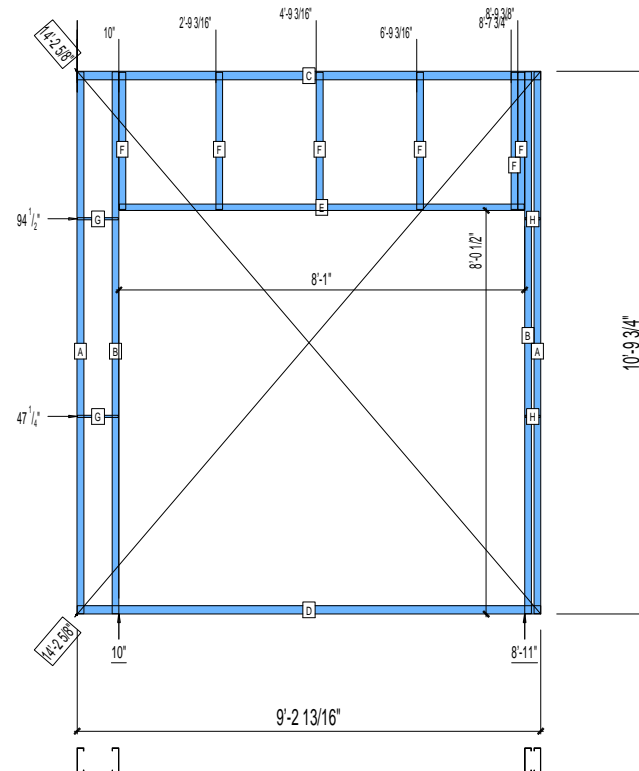
1st STUD: 24"

APPROVED
By Ryan J Gonsalves at 2:58 pm, Nov 11, 2008

WEIGHTS :

FRAME : 233 lbs

TOTAL: 233 lbs



PIECES LIST

LABEL	QTY	SIZE	LENGTH	USE
A	2	600S162-97	10'-9 9/16"	STUD
B	2	600S162-97	10'-9 9/16"	KING STUD
C	1	600T200-68	9'-2 13/16"	TOP TRACK
D	1	600T200-68	9'-2 13/16"	BOTTOM TRACK
E	1	600T150-54	8'-0 3/4"	HEAD TRACK
F	6	600S162-54	2'-8 13/16"	CRIPPLE
G	2	150U50-54	9 3/4"	HORIZONTAL BRACING
H	2	150U50-54	3 5/8"	HORIZONTAL BRACING

31-1084

Jewish Home for the Aging

1885 Victory Blvd. Reseda, CA

FrameMax, Inc.
13915 Danielson St
Suite 100
Poway, CA 92064
www.frame-max.com



© FrameMax Inc.

CREATED: 10/24/2008

FM-07-109

CREATED BY: AMB

HEIGHT : 10'-5 3/4" POINTS: 1.53 Points.

SPACING : 24"

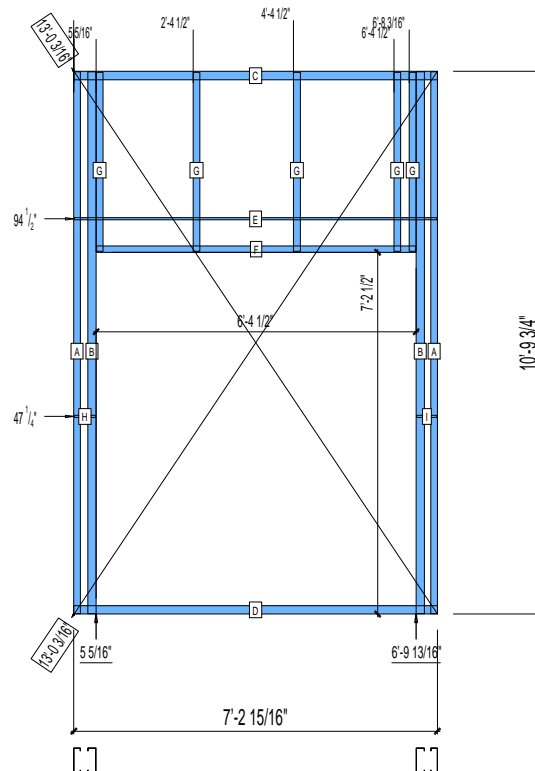
1st STUD: 24"

APPROVED
By Ryan J Gonsalves at 2:58 pm, Nov 11, 2008

WEIGHTS :

FRAME : 233 lbs

TOTAL: 233 lbs



PIECES LIST

LABEL	QTY	SIZE	LENGTH	USE
A	2	600S162-97	10'-9 9/16"	STUD
B	2	600S200-97	10'-9 9/16"	KING STUD
C	1	600T200-68	7'-2 15/16"	TOP TRACK
D	1	600T200-68	7'-2 15/16"	BOTTOM TRACK
E	1	150U50-54	7'-2 3/4"	HORIZONTAL BRACING
F	1	600T150-54	6'-4 1/4"	HEAD TRACK
G	5	600S162-54	3'-6 13/16"	CRIPPLE
H	1	150U50-54	5 1/8"	HORIZONTAL BRACING
I	1	150U50-54	4 7/8"	HORIZONTAL BRACING

31-1085

Jewish Home for the Aging

1885 Victory Blvd. Reseda, CA

FM-07-109

CREATED BY: AMB

FrameMax, Inc.
13915 Danielson St
Suite 100
Poway, CA 92064
www.framemax.com



© FrameMax Inc.

HEIGHT : 9'-7 15/16" POINTS: 1.20 Points.

SPACING : 24"

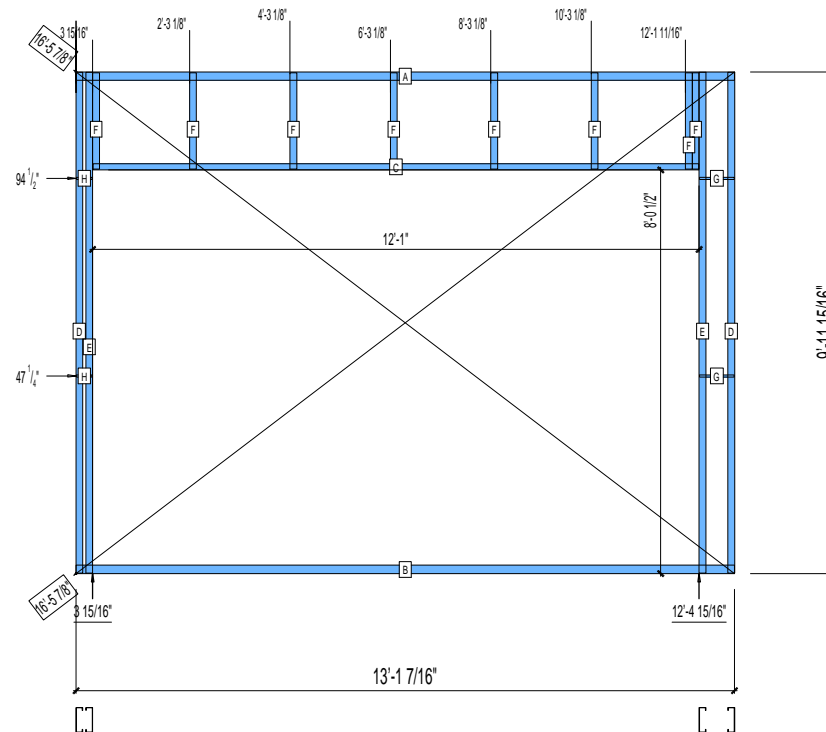
1st STUD: 24"

APPROVED
By Ryan J Gonsalves at 2:58 pm, Nov 11, 2008

WEIGHTS :

FRAME : 114 lbs

TOTAL: 114 lbs



PIECES LIST

LABEL	QTY	SIZE	LENGTH	USE
A	1	600T200-68	13'-1 7/16"	TOP TRACK
B	1	600T200-68	13'-1 7/16"	BOTTOM TRACK
C	1	600T150-54	12'-0 3/4"	HEAD TRACK
D	2	600S162-97	9'-11 3/4"	STUD
E	2	600S162-97	9'-11 3/4"	KING STUD
F	8	600S162-54	1'-11"	CRIDDLE
G	2	150U50-54	8 1/4"	HORIZONTAL BRACING
H	2	150U50-54	3 3/4"	HORIZONTAL BRACING

31-1086

Jewish Home for the Aging

1885 Victory Blvd. Reseda, CA

FrameMax, Inc.
13915 Danielson St
Suite 100
Poway, CA 92064
www.frame-max.com



© FrameMax Inc.

CREATED: 10/24/2008

FM-07-109

CREATED BY: AMB

HEIGHT : 9'-7 15/16" POINTS: 0.66 Points.

SPACING : 5000"

1st STUD: 5000"

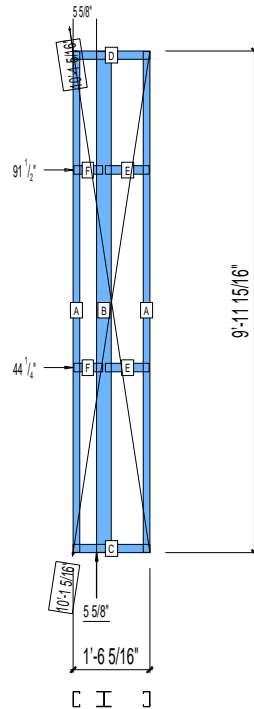
APPROVED

By Ryan J Gonsalves at 2:58 pm, Nov 11, 2008

WEIGHTS :

FRAME : 95 lbs

TOTAL: 95 lbs



PIECES LIST

LABEL	QTY	SIZE	LENGTH	USE
A	2	362S162-54	9'-11 3/4"	STUD
B	1	363i350p554	9'-11 3/4"	PACO. COLUMN
C	1	362T200-68	1'-6 5/16"	BOTTOM TRACK
D	1	362T200-68	1'-6 5/16"	TOP TRACK
E	2	362T200-68	10 1/2"	BLOCK
F	2	362T200-68	6 7/8"	BLOCK

31-1087

Jewish Home for the Aging

1885 Victory Blvd. Reseda, CA

FM-07-109

CREATED BY: AMB

FrameMax, Inc.
13915 Danielson St
Suite 100
Poway, CA 92064
www.frame-max.com



© FrameMax Inc.

HEIGHT : 9'-7 15/16" POINTS: 0.66 Points.

SPACING : 5000"

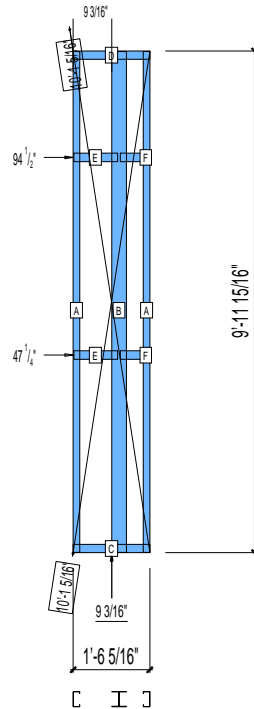
1st STUD: 5000"

APPROVED
By Ryan J Gonsalves at 2:58 pm, Nov 11, 2008

WEIGHTS :

FRAME : 95 lbs

TOTAL: 95 lbs



PIECES LIST

LABEL	QTY	SIZE	LENGTH	USE
A	2	362S162-54	9'-11 3/4"	STUD
B	1	363i350p554	9'-11 3/4"	PACO. COLUMN
C	1	362T200-68	1'-6 5/16"	BOTTOM TRACK
D	1	362T200-68	1'-6 5/16"	TOP TRACK
E	2	362T200-68	10 1/2"	BLOCK
F	2	362T200-68	6 7/8"	BLOCK

31-1088

Jewish Home for the Aging

1885 Victory Blvd. Reseda, CA

FM-07-109

CREATED BY: AMB

FrameMax, Inc.
13915 Danielson St
Suite 100
Poway, CA 92064
www.frame-max.com



© FrameMax Inc.

HEIGHT : 11'-9 11/16" POINTS: 0.84 Points.

SPACING : 5000"

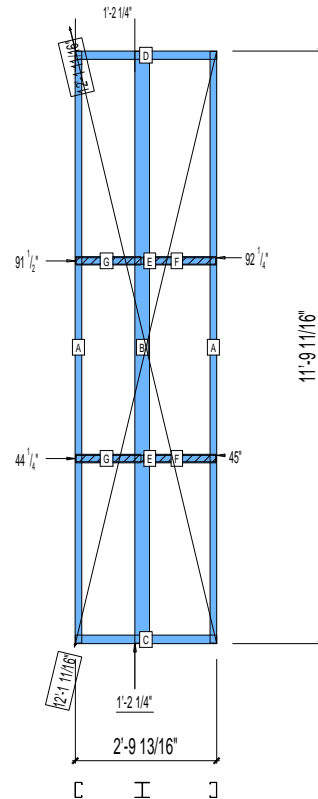
1st STUD: 5000"

APPROVED
By Ryan J Gonsalves at 2:58 pm, Nov 11, 2008

WEIGHTS :

FRAME : 121 lbs

TOTAL: 121 lbs



PIECES LIST

LABEL	QTY	SIZE	LENGTH	USE
A	2	362S162-54	11'-9 1/2"	STUD
B	1	363i350p554	11'-9 1/2"	PACO.COLUMN
C	1	362T200-68	2'-9 13/16"	BOTTOM TRACK
D	1	362T200-68	2'-9 13/16"	TOP TRACK
E	2	150D-43	2'-9 1/2"	STRAP
F	2	362T200-68	1'-5 5/16"	BLOCK
G	2	362T200-68	1'-3 9/16"	BLOCK

31-1089

Jewish Home for the Aging

1885 Victory Blvd. Reseda, CA

FM-07-109

CREATED BY: AMB

FrameMax, Inc.
13915 Danielson St
Suite 100
Poway, CA 92064
www.frame-max.com



© FrameMax Inc.

HEIGHT : 11'-9 11/16" POINTS: 0.84 Points.

SPACING : 5000"

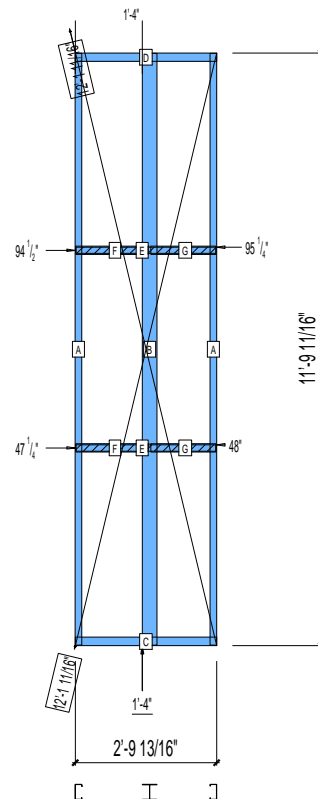
1st STUD: 5000"

APPROVED
By Ryan J Gonsalves at 2:58 pm, Nov 11, 2008

WEIGHTS :

FRAME : 121 lbs

TOTAL: 121 lbs



PIECES LIST

LABEL	QTY	SIZE	LENGTH	USE
A	2	362S162-54	11'-9 1/2"	STUD
B	1	363i350p554	11'-9 1/2"	PACO.COLUMN
C	1	362T200-68	2'-9 13/16"	BOTTOM TRACK
D	1	362T200-68	2'-9 13/16"	TOP TRACK
E	2	150D-43	2'-9 1/2"	STRAP
F	2	362T200-68	1'-5 5/16"	BLOCK
G	2	362T200-68	1'-3 9/16"	BLOCK

31-1090

Jewish Home for the Aging

1885 Victory Blvd. Reseda, CA

FrameMax, Inc.
13915 Danielson St
Suite 100
Poway, CA 92064
www.frame-max.com



© FrameMax Inc.

CREATED: 10/24/2008

FM-07-109

CREATED BY: AMB

HEIGHT : 10'-5 3/4" POINTS: 1.79 Points.

SPACING : 5000"

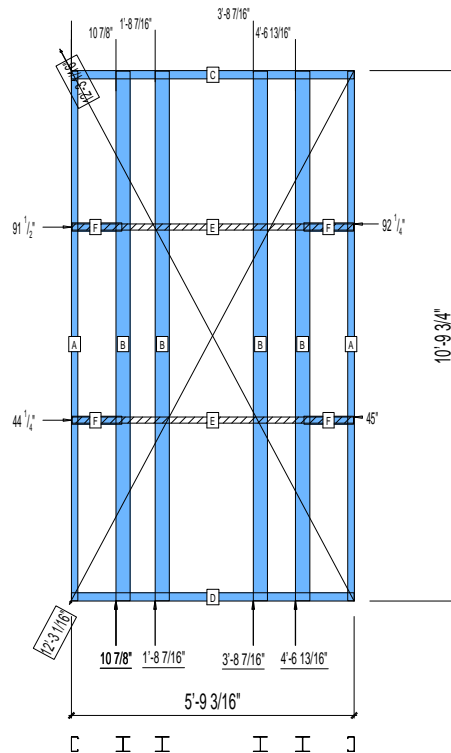
1st STUD: 5000"

APPROVED
By Ryan J Gonsalves at 2:58 pm, Nov 11, 2008

WEIGHTS :

FRAME : 302 lbs

TOTAL: 302 lbs



PIECES LIST

LABEL	QTY	SIZE	LENGTH	USE
A	2	362S162-54	10'-9 9/16"	STUD
B	4	3631350p554	10'-9 9/16"	PACO COLUMN
C	1	362T200-68	5'-9 3/16"	TOP TRACK
D	1	362T200-68	5'-9 3/16"	BOTTOM TRACK
E	2	150D-43	5'-8 7/8"	STRAP
F	4	362T200-68	1'-0 1/8"	BLOCK

31-1091

Jewish Home for the Aging

1885 Victory Blvd. Reseda, CA

FrameMax, Inc.
13915 Danielson St
Suite 100
Poway, CA 92064
www.frame-max.com



© FrameMax Inc.

CREATED: 10/24/2008

FM-07-109

CREATED BY: AMB

HEIGHT : 10'-5 3/4" POINTS: 1.79 Points.

SPACING : 5000"

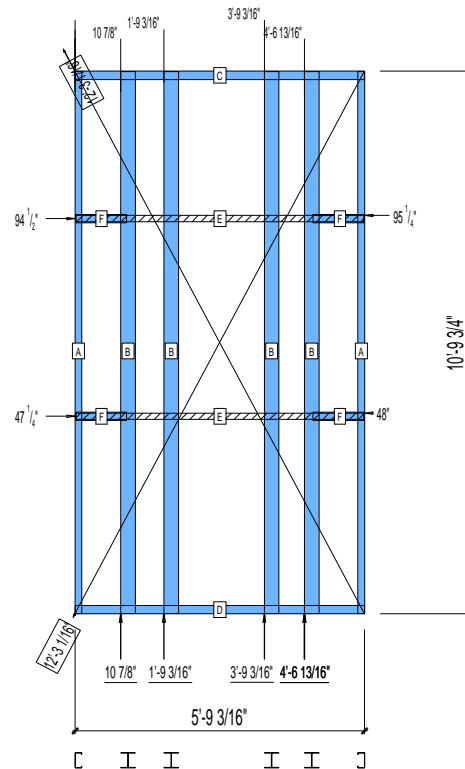
1st STUD: 5000"

APPROVED
By Ryan J Gonsalves at 2:58 pm, Nov 11, 2008

WEIGHTS :

FRAME : 302 lbs

TOTAL: 302 lbs



PIECES LIST

LABEL	QTY	SIZE	LENGTH	USE
A	2	362S162-54	10'-9 9/16"	STUD
B	4	363i350p554	10'-9 9/16"	PACO COLUMN
C	1	362T200-68	5'-9 3/16"	TOP TRACK
D	1	362T200-68	5'-9 3/16"	BOTTOM TRACK
E	2	150D-43	5'-8 7/8"	STRAP
F	4	362T200-68	1'-0 1/8"	BLOCK

31-1092

Jewish Home for the Aging

1885 Victory Blvd. Reseda, CA

FrameMax, Inc.
13915 Danielson St
Suite 100
Poway, CA 92064
www.frame-max.com



© FrameMax Inc.

CREATED: 10/24/2008

FM-07-109

CREATED BY: AMB

HEIGHT : 10'-5 3/4" POINTS: 0.46 Points.

SPACING : 24"

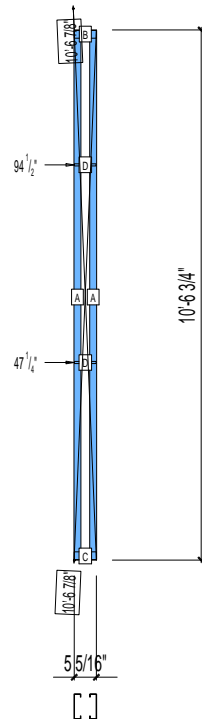
1st STUD: 24"

APPROVED
By Ryan J Gonsalves at 2:58 pm, Nov 11, 2008

WEIGHTS :

FRAME : 72 lbs

TOTAL: 72 lbs



PIECES LIST

LABEL	QTY	SIZE	LENGTH	USE
A	2	600S162-97	10'-6 9/16"	STUD
B	1	600T200-68	5 5/16"	TOP TRACK
C	1	600T200-68	5 5/16"	BOTTOM TRACK
D	2	150U50-54	5 1/8"	HORIZONTAL BRACING

31-1093

Jewish Home for the Aging

1885 Victory Blvd. Reseda, CA

FrameMax, Inc.
13915 Danielson St
Suite 100
Poway, CA 92064
www.frame-max.com



© FrameMax Inc.

CREATED: 10/24/2008

FM-07-109

CREATED BY: AMB

HEIGHT : 11'-9 11/16" POINTS: 2.06 Points.

SPACING : 24"

1st STUD: 24"

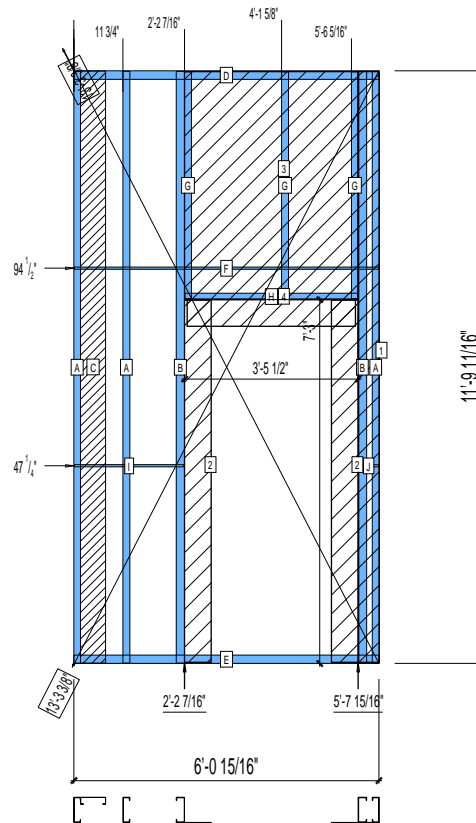
APPROVED
By Ryan J Gonsalves at 2:58 pm, Nov 11, 2008

WEIGHTS :

FRAME : 281 lbs

SHEATHING: 75 lbs

TOTAL: 356 lbs



PIECES LIST

LABEL	QTY	SIZE	LENGTH	USE
A	3	600S162-97	11'-9 1/2"	STUD
B	2	600S200-97	11'-9 1/2"	KING STUD
C	1	600S162-33	11'-9 1/2"	BACKER-U
D	1	600T200-68	6'-0 15/16"	TOP TRACK
E	1	600T200-68	6'-0 15/16"	BOTTOM TRACK
F	1	150U50-54	6'-0 3/4"	HORIZONTAL BRACING
G	3	600S162-54	4'-6 1/4"	CRIPPLE
H	1	600T150-54	3'-5 1/4"	HEAD TRACK
I	1	150U50-54	2'-2 1/4"	HORIZONTAL BRACING
J	1	150U50-54	4 3/4"	HORIZONTAL BRACING

SHEATHING

LABEL	QTY	CODE	THICK	SIZE	SCREWS
1	1	DENSGLASS	1/2"	4 7/8" X 11'-9 1/4"	8 - 12
2	2	DENSGLASS	1/2"	6 3/8" X 7'-2 5/8"	8 - 12
3	1	DENSGLASS	1/2"	3'-5 1/2" X 4'-6 7/16"	8 - 12
4	1	DENSGLASS	1/2"	3'-4 1/4" X 6 3/8"	8 - 12

31-1094

Jewish Home for the Aging

1885 Victory Blvd. Reseda, CA

FM-07-109

CREATED BY: AMB

FrameMax, Inc.
13915 Danielson St
Suite 100
Poway, CA 92064
www.frame-max.com



© FrameMax Inc.

HEIGHT : 11'-9 11/16" POINTS: 1.74 Points.

SPACING : 24"

1st STUD: 24"

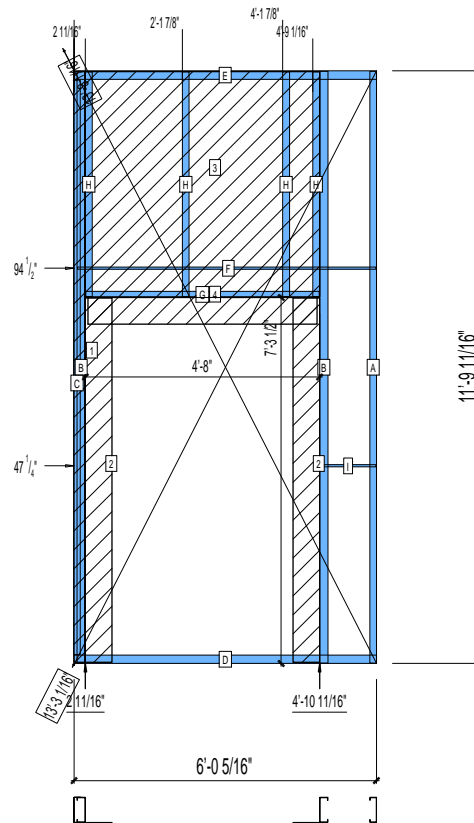
APPROVED
By Ryan J Gonsalves at 2:58 pm, Nov 11, 2008

WEIGHTS :

FRAME : 211 lbs

SHEATHING: 84 lbs

TOTAL: 295 lbs



PIECES LIST

LABEL	QTY	SIZE	LENGTH	USE
A	1	600S162-97	11'-9 1/2"	STUD
B	2	600S200-97	11'-9 1/2"	KING STUD
C	1	600T150-33	11'-5 7/16"	EXTRA STUD
D	1	600T200-68	6'-0 5/16"	BOTTOM TRACK
E	1	600T200-68	6'-0 5/16"	TOP TRACK
F	1	150U50-54	5'-11 3/8"	HORIZONTAL BRACING
G	1	600T150-54	4'-7 3/4"	HEAD TRACK
H	4	600S162-54	4'-5 3/4"	CRIPPLE
I	1	150U50-54	1'-1 3/8"	HORIZONTAL BRACING

SHEATHING

LABEL	QTY	CODE	THICK	SIZE	SCREWS
1	1	DENSGLASS	1/2"	2 5/8" X 11'-9 1/4"	8 - 12
2	2	DENSGLASS	1/2"	6 3/8" X 7'-3 1/8"	8 - 12
3	1	DENSGLASS	1/2"	4'-8" X 4'-5 15/16"	8 - 12
4	1	DENSGLASS	1/2"	4'-6 3/4" X 6 3/8"	8 - 12

31-1095

Jewish Home for the Aging

1885 Victory Blvd. Reseda, CA

FM-07-109

CREATED BY: AMB

FrameMax, Inc.
13915 Danielson St
Suite 100
Poway, CA 92064
www.frame-max.com



© FrameMax Inc.

HEIGHT : 11'-9 11/16" POINTS: 0.80 Points.

SPACING : 5000"

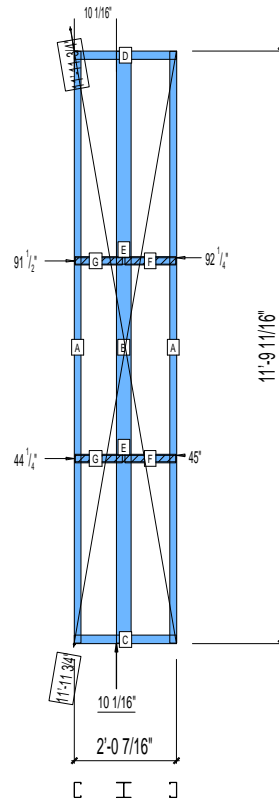
1st STUD: 5000"

APPROVED
By Ryan J Gonsalves at 2:58 pm, Nov 11, 2008

WEIGHTS :

FRAME : 115 lbs

TOTAL: 115 lbs



PIECES LIST

LABEL	QTY	SIZE	LENGTH	USE
A	2	362S162-54	11'-9 1/2"	STUD
B	1	363i350p554	11'-9 1/2"	PACO.COLUMN
C	1	362T200-68	2'-0 7/16"	BOTTOM TRACK
D	1	362T200-68	2'-0 7/16"	TOP TRACK
E	2	150D-43	2'-0 1/8"	STRAP
F	2	362T200-68	1'-0 1/8"	BLOCK
G	2	362T200-68	11 3/8"	BLOCK

31-1096

Jewish Home for the Aging

1885 Victory Blvd. Reseda, CA

FM-07-109

CREATED BY: AMB

FrameMax, Inc.
13915 Danielson St
Suite 100
Poway, CA 92064
www.frame-max.com



© FrameMax Inc.

HEIGHT : 11'-9 11/16" POINTS: 0.84 Points.

SPACING : 5000"

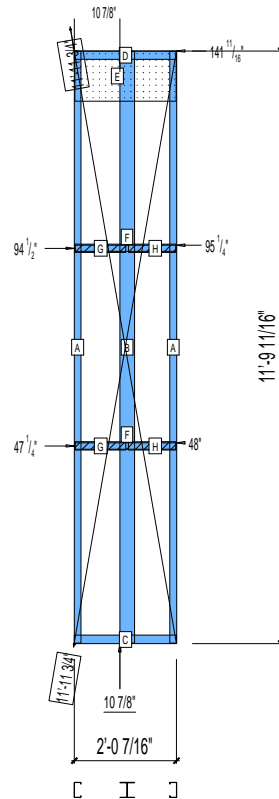
1st STUD: 5000"

APPROVED
By Ryan J Gonsalves at 2:58 pm, Nov 11, 2008

WEIGHTS :

FRAME : 120 lbs

TOTAL: 120 lbs



PIECES LIST

LABEL	QTY	SIZE	LENGTH	USE
A	2	362S162-54	11'-9 1/2"	STUD
B	1	363i350p554	11'-9 1/2"	PACO.COLUMN
C	1	362T200-68	2'-0 7/16"	BOTTOM TRACK
D	1	362T200-68	2'-0 7/16"	TOP TRACK
E	1	1200D-54	2'-0 1/4"	STRAP
F	2	150D-43	2'-0 1/8"	STRAP
G	2	362T200-68	1'-0 1/8"	BLOCK
H	2	362T200-68	11 3/8"	BLOCK

31-1097

Jewish Home for the Aging

1885 Victory Blvd. Reseda, CA

FrameMax, Inc.
13915 Danielson St
Suite 100
Poway, CA 92064
www.frame-max.com



© FrameMax Inc.

CREATED: 10/24/2008

FM-07-109

CREATED BY: AMB

HEIGHT : 11'-9 11/16" POINTS: 1.74 Points.

SPACING : 24"

1st STUD: 24"

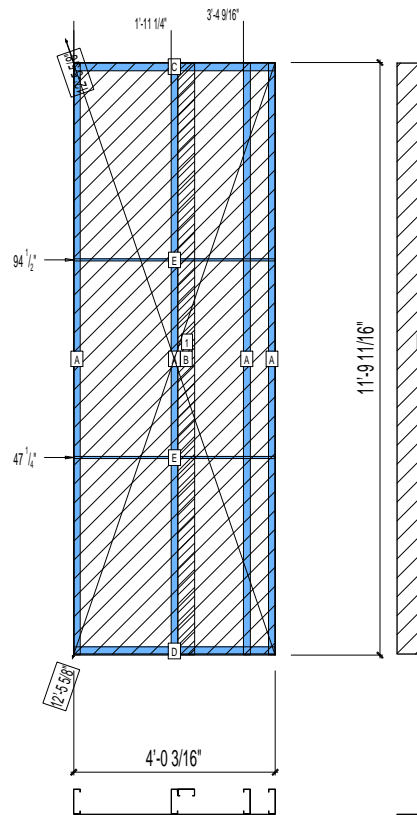
APPROVED
By Ryan J Gonsalves at 2:58 pm, Nov 11, 2008

WEIGHTS :

FRAME : 190 lbs

SHEATHING: 133 lbs

TOTAL: 323 lbs



PIECES LIST

LABEL	QTY	SIZE	LENGTH	USE
A	4	600S162-97	11'-9 1/2"	STUD
B	1	400S162-33	11'-9 1/2"	BACKER-U
C	1	600T200-68	4'-0 3/16"	TOP TRACK
D	1	600T200-68	4'-0 3/16"	BOTTOM TRACK
E	2	150U50-54	4'-0"	HORIZONTAL BRACING

SHEATHING

LABEL	QTY	CODE	THICK	SIZE	SCREWS
1	1	DENSGLOSS	1/2"	4'-0" X 11'-9 1/4"	8 - 12
2	1	DENSGLOSS	1/2"	6 3/8" X 11'-9 1/4"	8 - 12

31-1098

Jewish Home for the Aging

1885 Victory Blvd. Reseda, CA

FrameMax, Inc.
13915 Danielson St
Suite 100
Poway, CA 92064
www.frame-max.com



© FrameMax Inc.

CREATED: 10/24/2008

FM-07-109

CREATED BY: AMB

HEIGHT : 11'-9 11/16" POINTS: 1.41 Points.

SPACING : 24"

1st STUD: 16"

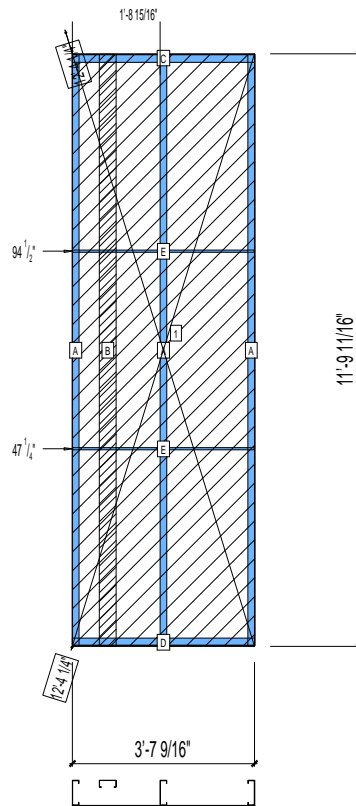
APPROVED
By Ryan J Gonsalves at 2:58 pm, Nov 11, 2008

WEIGHTS :

FRAME : 149 lbs

SHEATHING: 107 lbs

TOTAL: 256 lbs



PIECES LIST

LABEL	QTY	SIZE	LENGTH	USE
A	3	600S162-97	11'-9 1/2"	STUD
B	1	400S162-33	11'-9 1/2"	BACKER-U
C	1	600T200-68	3'-7 9/16"	TOP TRACK
D	1	600T200-68	3'-7 9/16"	BOTTOM TRACK
E	2	150U50-54	3'-7 3/8"	HORIZONTAL BRACING

SHEATHING

LABEL	QTY	CODE	THICK	SIZE	SCREWS
1	1	DENSGLASS	1/2"	3'-7 5/8" X 11'-9 1/4"	8 - 12

31-1099

Jewish Home for the Aging

1885 Victory Blvd. Reseda, CA

FrameMax, Inc.
13915 Danielson St
Suite 100
Poway, CA 92064
www.frame-max.com



© FrameMax Inc.

CREATED: 10/24/2008

FM-07-109

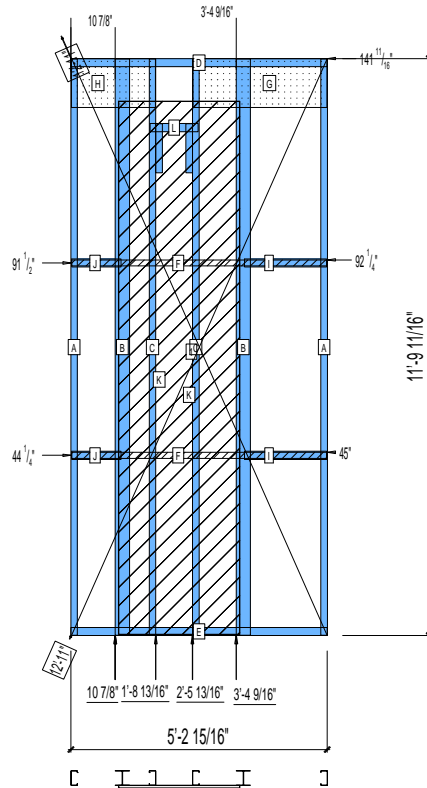
CREATED BY: AMB

HEIGHT : 11'-9 11/16" POINTS: 2.08 Points.
SPACING : 5000"
1st STUD: 5000"

APPROVED
By Ryan J Gonsalves at 2:58 pm, Nov 11, 2008

WEIGHTS :
FRAME : 246 lbs
SHEATHING: 99 lbs

TOTAL: 345 lbs



PIECES LIST

LABEL	QTY	SIZE	LENGTH	USE
A	2	362S162-54	11'-9 1/2"	STUD
B	2	3631350p554	11'-9 1/2"	PACO.COLUMN
C	2	362S162-54	11'-9 1/2"	BEAM KING
D	1	362T200-68	5'-2 15/16"	TOP TRACK
E	1	362T200-68	5'-2 15/16"	BOTTOM TRACK
F	2	150D-43	5'-2 5/8"	STRAP
G	1	1200D-54	2'-8 7/8"	STRAP
H	1	1200D-54	1'-8 5/8"	STRAP
I	2	362T200-68	1'-8 1/8"	BLOCK
J	2	362T200-68	1'-0 1/8"	BLOCK
K	2	362S162-54	1'-0"	BEAM JACK
L	1	362T200-68	11 13/16"	BEAM JACK

SHEATHING

LABEL	QTY	CODE	THICK	SIZE	SCREWS
1	1	SB-DENSARMOR	5/8"	2'-5 11/16" X 10'-10 7/8"	2/12

31-1100

Jewish Home for the Aging

1885 Victory Blvd. Reseda, CA

FM-07-109

CREATED BY: AMB

FrameMax, Inc.
13915 Danielson St
Suite 100
Poway, CA 92064
www.frame-max.com



© FrameMax Inc.

HEIGHT : 11'-9 11/16" POINTS: 1.63 Points.

SPACING : 5000"

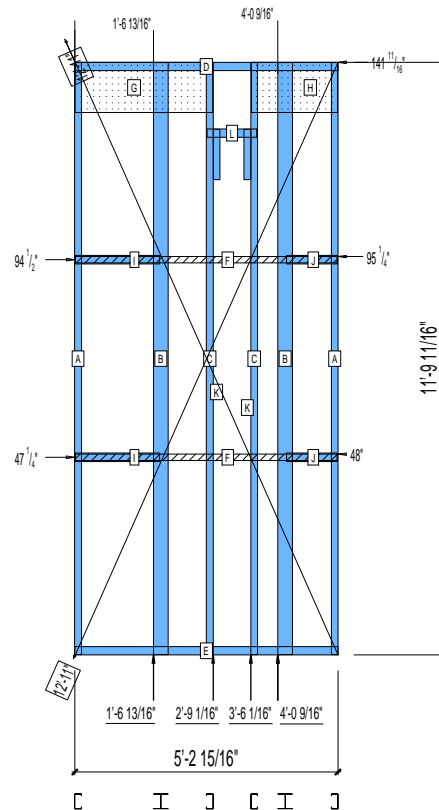
1st STUD: 5000"

APPROVED
By Ryan J Gonsalves at 2:58 pm, Nov 11, 2008

WEIGHTS :

FRAME : 246 lbs

TOTAL: 246 lbs



PIECES LIST

LABEL	QTY	SIZE	LENGTH	USE
A	2	362S162-54	11'-9 1/2"	STUD
B	2	363i350p554	11'-9 1/2"	PACO. COLUMN
C	2	362S162-54	11'-9 1/2"	BEAM KING
D	1	362T200-68	5'-2 15/16"	TOP TRACK
E	1	362T200-68	5'-2 15/16"	BOTTOM TRACK
F	2	150D-43	5'-2 5/8"	STRAP
G	1	1200D-54	2'-8 7/8"	STRAP
H	1	1200D-54	1'-8 5/8"	STRAP
I	2	362T200-68	1'-8 1/8"	BLOCK
J	2	362T200-68	1'-0 1/8"	BLOCK
K	2	362S162-54	1'-0"	BEAM JACK
L	1	362T200-68	11 13/16"	BEAM JACK

31-1101

Jewish Home for the Aging

1885 Victory Blvd. Reseda, CA

FrameMax, Inc.
13915 Danielson St
Suite 100
Poway, CA 92064
www.frame-max.com



© FrameMax Inc.

CREATED: 10/24/2008

FM-07-109

CREATED BY: AMB

HEIGHT : 11'-9 11/16" POINTS: 2.09 Points.

SPACING : 5000"

1st STUD: 5000"

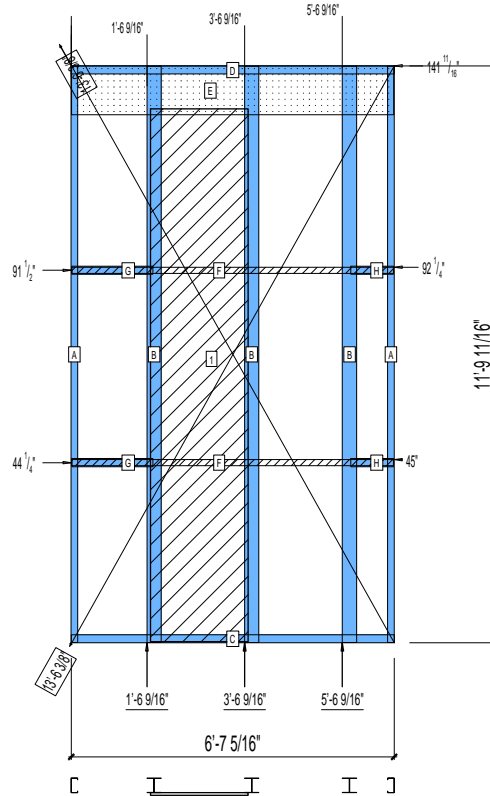
APPROVED
By Ryan J Gonsalves at 2:58 pm, Nov 11, 2008

WEIGHTS :

FRAME : 283 lbs

SHEATHING: 80 lbs

TOTAL: 363 lbs



PIECES LIST

LABEL	QTY	SIZE	LENGTH	USE
A	2	362S162-54	11'-9 1/2"	STUD
B	3	363i350p554	11'-9 1/2"	PACO. COLUMN
C	1	362T200-68	6'-7 5/16"	BOTTOM TRACK
D	1	362T200-68	6'-7 5/16"	TOP TRACK
E	1	1200D-54	6'-7 1/8"	STRAP
F	2	150D-43	6'-7"	STRAP
G	2	362T200-68	1'-7 7/8"	BLOCK
H	2	362T200-68	10 1/2"	BLOCK

SHEATHING

LABEL	QTY	CODE	THICK	SIZE	SCREWS
1	1	SB-DENSARMOR	5/8"	1'-11 15/16" X 10'-10 7/8"	2/12

31-1102

Jewish Home for the Aging

1885 Victory Blvd. Reseda, CA

FM-07-109

CREATED BY: AMB

FrameMax, Inc.
13915 Danielson St
Suite 100
Poway, CA 92064
www.frame-max.com



© FrameMax Inc.

HEIGHT : 11'-9 11/16" POINTS: 1.72 Points.

SPACING : 5000"

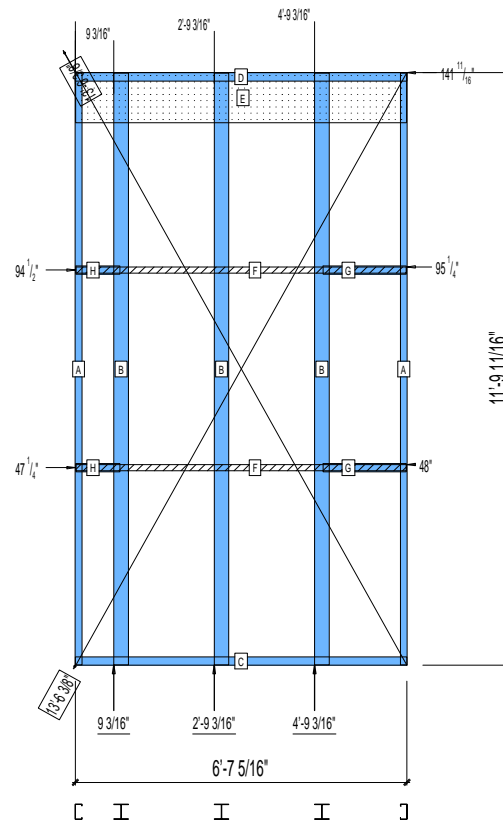
1st STUD: 5000"

APPROVED
By Ryan J Gonsalves at 2:58 pm, Nov 11, 2008

WEIGHTS :

FRAME : 283 lbs

TOTAL: 283 lbs



PIECES LIST

LABEL	QTY	SIZE	LENGTH	USE
A	2	362S162-54	11'-9 1/2"	STUD
B	3	363i350p554	11'-9 1/2"	PACO.COLUMN
C	1	362T200-68	6'-7 5/16"	BOTTOM TRACK
D	1	362T200-68	6'-7 5/16"	TOP TRACK
E	1	1200D-54	6'-7 1/8"	STRAP
F	2	150D-43	6'-7"	STRAP
G	2	362T200-68	1'-7 7/8"	BLOCK
H	2	362T200-68	10 1/2"	BLOCK

31-1103

Jewish Home for the Aging

1885 Victory Blvd. Reseda, CA

FrameMax, Inc.
13915 Danielson St
Suite 100
Poway, CA 92064
www.frame-max.com



© FrameMax Inc.

CREATED: 10/24/2008

FM-07-109

CREATED BY: AMB

HEIGHT : 11'-9 11/16" POINTS: 1.95 Points.

SPACING : 5000"

1st STUD: 5000"

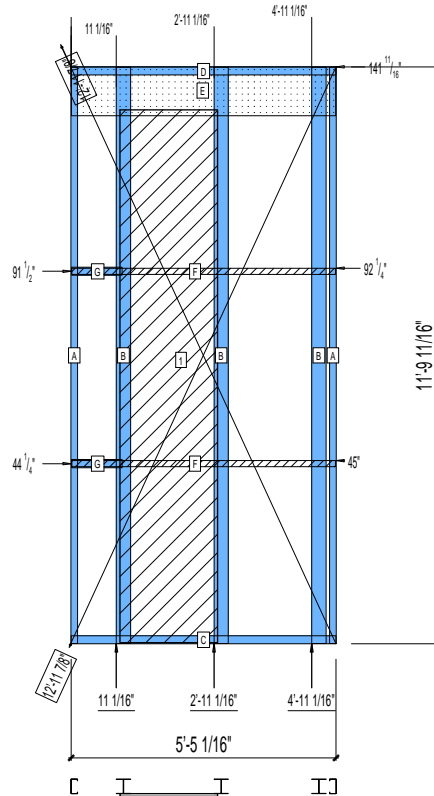
APPROVED
By Ryan J Gonsalves at 2:58 pm, Nov 11, 2008

WEIGHTS :

FRAME : 269 lbs

SHEATHING: 80 lbs

TOTAL: 349 lbs



PIECES LIST

LABEL	QTY	SIZE	LENGTH	USE
A	2	362S162-54	11'-9 1/2"	STUD
B	3	363I350p554	11'-9 1/2"	PACO. COLUMN
C	1	362T200-68	5'-5 1/16"	BOTTOM TRACK
D	1	362T200-68	5'-5 1/16"	TOP TRACK
E	1	1200D-54	5'-4 7/8"	STRAP
F	2	150D-43	5'-4 3/4"	STRAP
G	2	362T200-68	1'-0 3/8"	BLOCK

SHEATHING

LABEL	QTY	CODE	THICK	SIZE	SCREWS
1	1	SB-DENSARMOR	5/8"	1'-11 15/16" X 10'-10 7/8"	2/12

31-1104

Jewish Home for the Aging

1885 Victory Blvd. Reseda, CA

FM-07-109

CREATED BY: AMB

FrameMax, Inc.
13915 Danielson St
Suite 100
Poway, CA 92064
www.frame-max.com



© FrameMax Inc.

HEIGHT : 11'-9 11/16" POINTS: 1.59 Points.

SPACING : 5000"

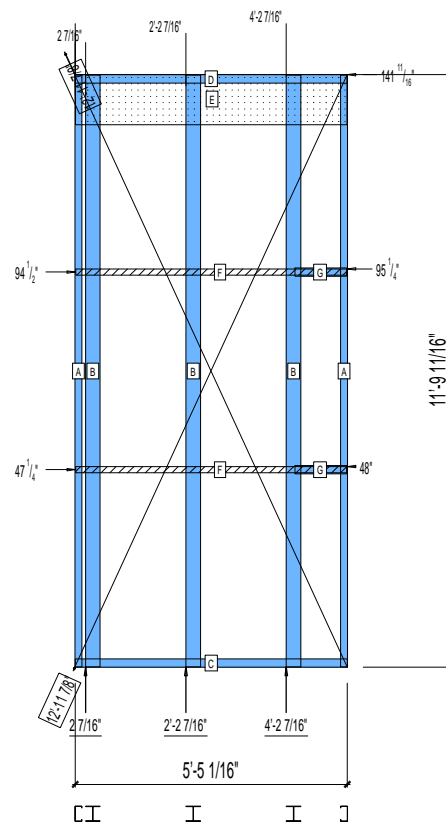
1st STUD: 5000"

APPROVED
By Ryan J Gonsalves at 2:58 pm, Nov 11, 2008

WEIGHTS :

FRAME : 269 lbs

TOTAL: 269 lbs



PIECES LIST

LABEL	QTY	SIZE	LENGTH	USE
A	2	362S162-54	11'-9 1/2"	STUD
B	3	363i350p554	11'-9 1/2"	PACO.COLUMN
C	1	362T200-68	5'-5 1/16"	BOTTOM TRACK
D	1	362T200-68	5'-5 1/16"	TOP TRACK
E	1	1200D-54	5'-4 7/8"	STRAP
F	2	150D-43	5'-4 3/4"	STRAP
G	2	362T200-68	1'-0 3/8"	BLOCK

31-1105

Jewish Home for the Aging

1885 Victory Blvd. Reseda, CA

FrameMax, Inc.
13915 Danielson St
Suite 100
Poway, CA 92064
www.frame-max.com



© FrameMax Inc.

CREATED: 10/24/2008

FM-07-109

CREATED BY: AMB

HEIGHT : 11'-9 11/16" POINTS: 2.78 Points.

SPACING : 5000"

1st STUD: 5000"

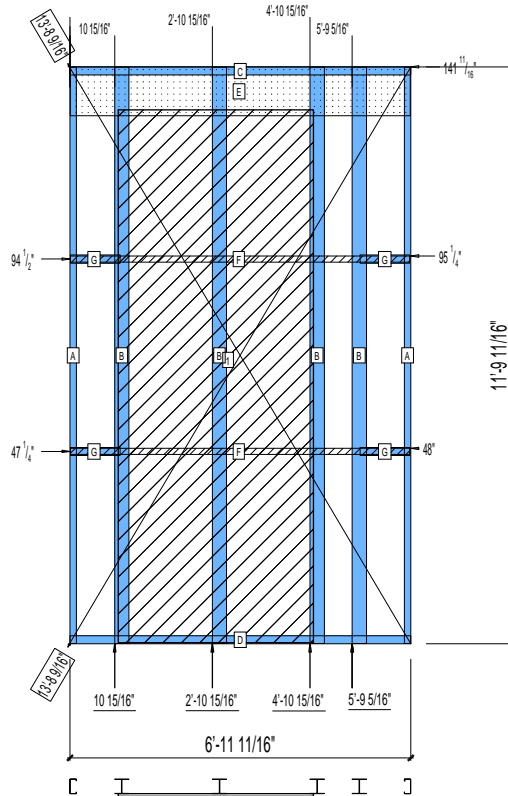
APPROVED
By Ryan J Gonsalves at 2:58 pm, Nov 11, 2008

WEIGHTS :

FRAME : 349 lbs

SHEATHING: 160 lbs

TOTAL: 509 lbs



PIECES LIST

LABEL	QTY	SIZE	LENGTH	USE
A	2	362S162-54	11'-9 1/2"	STUD
B	4	363i350p554	11'-9 1/2"	PACO. COLUMN
C	1	362T200-68	6'-11 11/16"	TOP TRACK
D	1	362T200-68	6'-11 11/16"	BOTTOM TRACK
E	1	1200D-54	6'-11 1/2"	STRAP
F	2	150D-43	6'-11 1/4"	STRAP
G	4	362T200-68	1'-0 1/8"	BLOCK

SHEATHING

LABEL	QTY	CODE	THICK	SIZE	SCREWS
1	1	SB-DENSARMOR	5/8"	3'-11 15/16" X 10'-10 7/8"	2/12

31-1106

Jewish Home for the Aging

1885 Victory Blvd. Reseda, CA

FM-07-109

CREATED BY: AMB

FrameMax, Inc.
13915 Danielson St
Suite 100
Poway, CA 92064
www.frame-max.com



© FrameMax Inc.

HEIGHT : 11'-9 11/16" POINTS: 2.05 Points.

SPACING : 5000"

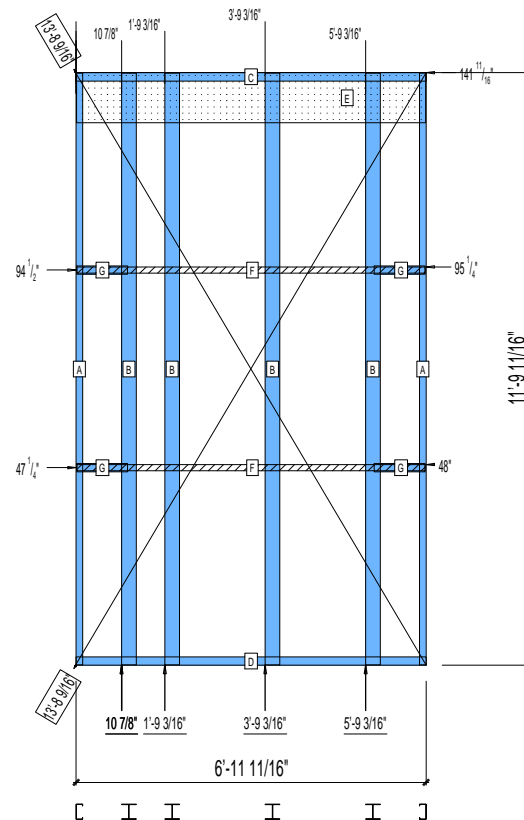
1st STUD: 5000"

APPROVED
By Ryan J Gonsalves at 2:58 pm, Nov 11, 2008

WEIGHTS :

FRAME : 349 lbs

TOTAL: 349 lbs



PIECES LIST

LABEL	QTY	SIZE	LENGTH	USE
A	2	362S162-54	11'-9 1/2"	STUD
B	4	363i350p554	11'-9 1/2"	PACO.COLUMN
C	1	362T200-68	6'-11 11/16"	TOP TRACK
D	1	362T200-68	6'-11 11/16"	BOTTOM TRACK
E	1	1200D-54	6'-11 1/2"	STRAP
F	2	150D-43	6'-11 1/4"	STRAP
G	4	362T200-68	1'-0 1/8"	BLOCK

31-1107

Jewish Home for the Aging

1885 Victory Blvd. Reseda, CA

FrameMax, Inc.
13915 Danielson St
Suite 100
Poway, CA 92064
www.frame-max.com



© FrameMax Inc.

CREATED: 10/24/2008

FM-07-109

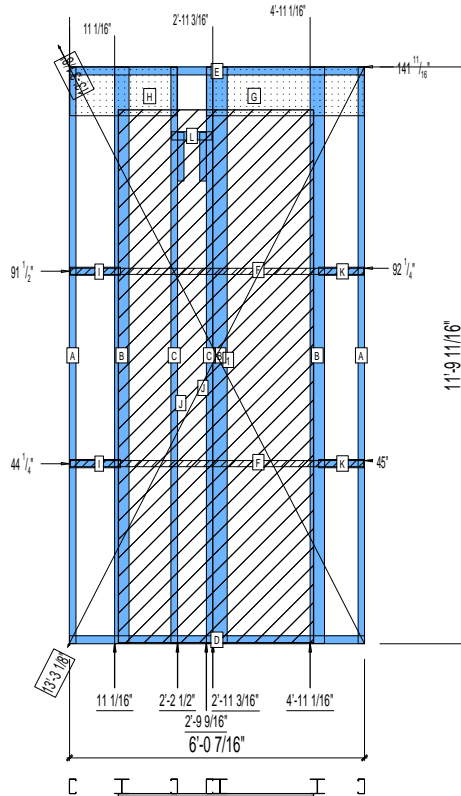
CREATED BY: AMB

HEIGHT : 11'-9 11/16" POINTS: 2.70 Points.
SPACING : 5000"
1st STUD: 5000"

APPROVED
By Ryan J Gonsalves at 2:58 pm, Nov 11, 2008

WEIGHTS :
FRAME : 314 lbs
SHEATHING: 160 lbs

TOTAL: 474 lbs



PIECES LIST

LABEL	QTY	SIZE	LENGTH	USE
A	2	362S162-54	11'-9 1/2"	STUD
B	3	3631350p554	11'-9 1/2"	PACO.COLUMN
C	2	362S162-54	11'-9 1/2"	BEAM KING
D	1	362T200-68	6'-0 7/16"	BOTTOM TRACK
E	1	362T200-68	6'-0 7/16"	TOP TRACK
F	2	150D-43	6'-0 1/8"	STRAP
G	1	1200D-54	3'-2 5/8"	STRAP
H	1	1200D-54	2'-2 5/16"	STRAP
I	2	362T200-68	1'-0 3/8"	BLOCK
J	2	362S162-54	1'-0"	BEAM JACK
K	2	362T200-68	11 1/8"	BLOCK
L	1	362T200-68	9 7/8"	BEAM JACK

SHEATHING

LABEL	QTY	CODE	THICK	SIZE	SCREWS
1	1	SB-DENSARMOR	5/8"	3'-11 15/16" X 10'-10 7/8"	2/12

31-1108

Jewish Home for the Aging

1885 Victory Blvd. Reseda, CA

FM-07-109

CREATED BY: AMB

FrameMax, Inc.
13915 Danielson St
Suite 100
Poway, CA 92064
www.frame-max.com



© FrameMax Inc.

HEIGHT : 11'-9 11/16" POINTS: 1.97 Points.

SPACING : 5000"

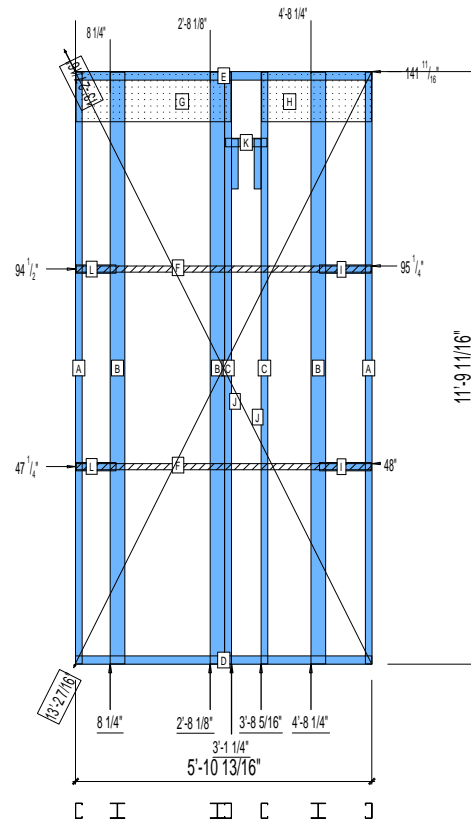
1st STUD: 5000"

APPROVED
By Ryan J Gonsalves at 2:58 pm, Nov 11, 2008

WEIGHTS :

FRAME : 312 lbs

TOTAL: 312 lbs



PIECES LIST

LABEL	QTY	SIZE	LENGTH	USE
A	2	362S162-54	11'-9 1/2"	STUD
B	3	363i350p554	11'-9 1/2"	PACO. COLUMN
C	2	362S162-54	11'-9 1/2"	BEAM KING
D	1	362T200-68	5'-10 13/16"	BOTTOM TRACK
E	1	362T200-68	5'-10 13/16"	TOP TRACK
F	2	150D-43	5'-10 5/8"	STRAP
G	1	1200D-54	3'-1 1/16"	STRAP
H	1	1200D-54	2'-2 5/16"	STRAP
I	2	362T200-68	1'-0 3/8"	BLOCK
J	2	362S162-54	1'-0"	BEAM JACK
K	1	362T200-68	9 7/8"	BEAM JACK
L	2	362T200-68	9 5/8"	BLOCK

31-1109

Jewish Home for the Aging

1885 Victory Blvd. Reseda, CA

FM-07-109

CREATED BY: AMB

FrameMax, Inc.
13915 Danielson St
Suite 100
Poway, CA 92064
www.frame-max.com



© FrameMax Inc.

HEIGHT : 11'-9 11/16" POINTS: 1.62 Points.

SPACING : 5000"

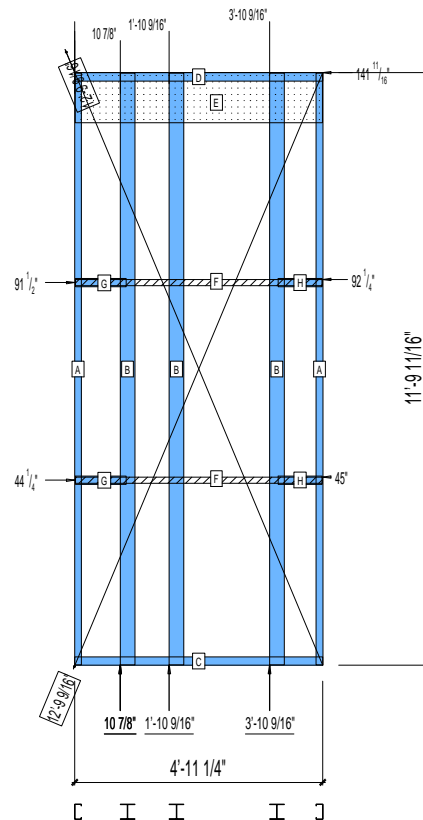
1st STUD: 5000"

APPROVED
By Ryan J Gonsalves at 2:58 pm, Nov 11, 2008

WEIGHTS :

FRAME : 269 lbs

TOTAL: 269 lbs



PIECES LIST

LABEL	QTY	SIZE	LENGTH	USE
A	2	362S162-54	11'-9 1/2"	STUD
B	3	363i350p554	11'-9 1/2"	PACO.COLUMN
C	1	362T200-68	4'-11 1/4"	BOTTOM TRACK
D	1	362T200-68	4'-11 1/4"	TOP TRACK
E	1	1200D-54	4'-11 1/8"	STRAP
F	2	150D-43	4'-11"	STRAP
G	2	362T200-68	1'-0 1/8"	BLOCK
H	2	362T200-68	10 1/2"	BLOCK

31-1110

Jewish Home for the Aging

1885 Victory Blvd. Reseda, CA

FM-07-109

CREATED BY: AMB

FrameMax, Inc.
13915 Danielson St
Suite 100
Poway, CA 92064
www.frame-max.com



© FrameMax Inc.

HEIGHT : 11'-9 11/16" POINTS: 1.62 Points.

SPACING : 5000"

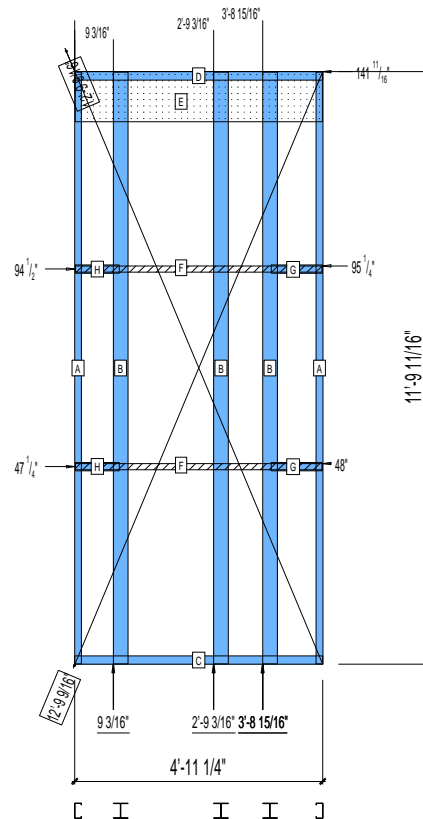
1st STUD: 5000"

APPROVED
By Ryan J Gonsalves at 2:58 pm, Nov 11, 2008

WEIGHTS :

FRAME : 269 lbs

TOTAL: 269 lbs



PIECES LIST

LABEL	QTY	SIZE	LENGTH	USE
A	2	362S162-54	11'-9 1/2"	STUD
B	3	363i350p554	11'-9 1/2"	PACO.COLUMN
C	1	362T200-68	4'-11 1/4"	BOTTOM TRACK
D	1	362T200-68	4'-11 1/4"	TOP TRACK
E	1	1200D-54	4'-11 1/8"	STRAP
F	2	150D-43	4'-11"	STRAP
G	2	362T200-68	1'-0 1/8"	BLOCK
H	2	362T200-68	10 1/2"	BLOCK

31-1111

Jewish Home for the Aging

1885 Victory Blvd. Reseda, CA

FrameMax, Inc.
13915 Danielson St
Suite 100
Poway, CA 92064
www.frame-max.com



© FrameMax Inc.

CREATED: 10/24/2008

FM-07-109

CREATED BY: AMB

HEIGHT : 11'-9 11/16" POINTS: 2.99 Points.

SPACING : 5000"

1st STUD: 5000"

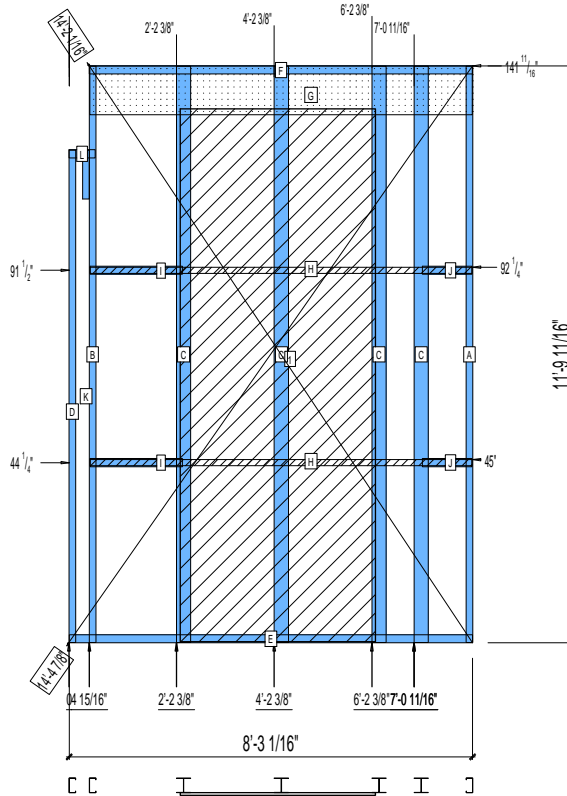
APPROVED
By Ryan J Gonsalves at 2:58 pm, Nov 11, 2008

WEIGHTS :

FRAME : 375 lbs

SHEATHING: 160 lbs

TOTAL: 535 lbs



PIECES LIST

LABEL	QTY	SIZE	LENGTH	USE
A	1	362S162-54	11'-9 1/2"	STUD
B	1	362S162-54	11'-9 1/2"	BEAM KING
C	4	3631350p554	11'-9 1/2"	PACO. COLUMN
D	1	362S162-54	10'-0 7/8"	BEAM JACK
E	1	362T200-68	8'-3 1/16"	BOTTOM TRACK
F	1	362T200-68	7'-10 1/8"	TOP TRACK
G	1	1200D-54	7'-9 7/8"	STRAP
H	2	150D-43	7'-9 3/4"	STRAP
I	2	362T200-68	1'-10 5/8"	BLOCK
J	2	362T200-68	1'-0 1/8"	BLOCK
K	1	362S162-54	1'-0"	BEAM JACK
L	1	362T200-68	6 7/16"	BEAM JACK

SHEATHING

LABEL	QTY	CODE	THICK	SIZE	SCREWS
1	1	SB-DENSARMOR	5/8"	3'-11 15/16" X 10'-10 7/8"	2/12

31-1112

Jewish Home for the Aging

1885 Victory Blvd. Reseda, CA

FrameMax, Inc.
13915 Danielson St
Suite 100
Poway, CA 92064
www.framemax.com



© FrameMax Inc.

CREATED: 10/24/2008

FM-07-109

CREATED BY: AMB

HEIGHT : 11'-9 11/16" POINTS: 2.26 Points.

SPACING : 5000"

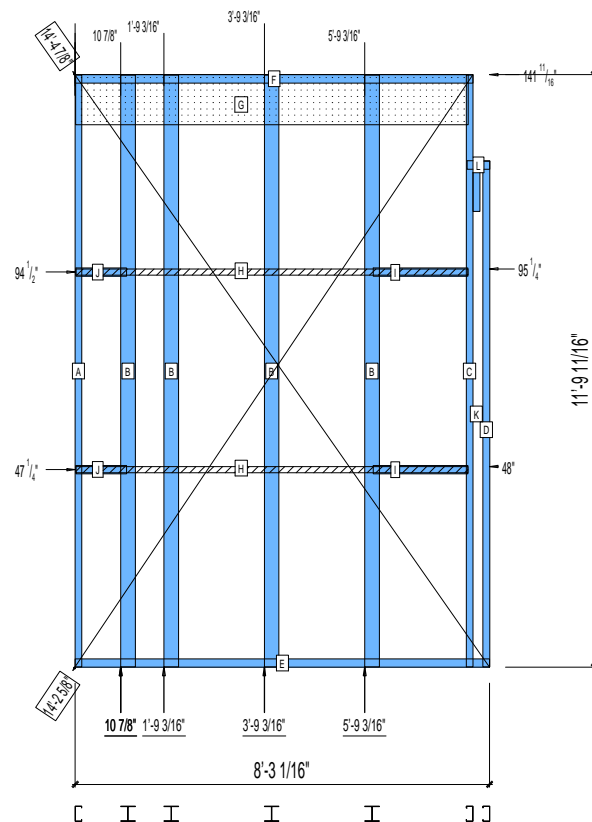
1st STUD: 5000"

APPROVED
By Ryan J Gonsalves at 2:58 pm, Nov 11, 2008

WEIGHTS :

FRAME : 375 lbs

TOTAL: 375 lbs



PIECES LIST

LABEL	QTY	SIZE	LENGTH	USE
A	1	362S162-54	11'-9 1/2"	STUD
B	4	363i350p554	11'-9 1/2"	PACO. COLUMN
C	1	362S162-54	11'-9 1/2"	BEAM KING
D	1	362S162-54	10'-0 7/8"	BEAM JACK
E	1	362T200-68	8'-3 1/16"	BOTTOM TRACK
F	1	362T200-68	7'-11 1/8"	TOP TRACK
G	1	1200D-54	7'-9 7/8"	STRAP
H	2	150D-43	7'-9 3/4"	STRAP
I	2	362T200-68	1'-10 5/8"	BLOCK
J	2	362T200-68	1'-0 1/8"	BLOCK
K	1	362S162-54	1'-0"	BEAM JACK
L	1	362T200-68	5 7/16"	BEAM JACK

31-1113

Jewish Home for the Aging

1885 Victory Blvd. Reseda, CA

FM-07-109

CREATED BY: AMB

FrameMax, Inc.
13915 Danielson St
Suite 100
Poway, CA 92064
www.frame-max.com



© FrameMax Inc.

HEIGHT : 11'-9 11/16" POINTS: 0.55 Points.

SPACING : 5000"

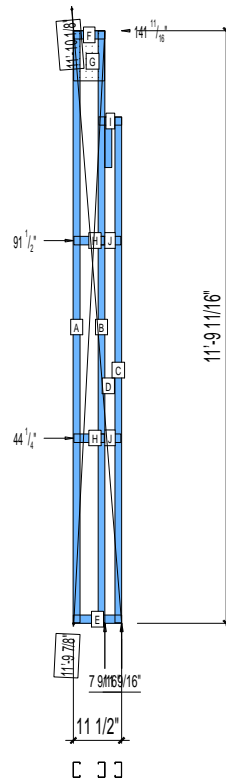
1st STUD: 5000"

APPROVED
By Ryan J Gonsalves at 2:58 pm, Nov 11, 2008

WEIGHTS :

FRAME : 60 lbs

TOTAL: 60 lbs



PIECES LIST

LABEL	QTY	SIZE	LENGTH	USE
A	1	362S162-54	11'-9 1/2"	STUD
B	1	362S162-54	11'-9 1/2"	BEAM KING
C	1	362S162-54	10'-0 7/8"	BEAM JACK
D	1	362S162-54	1'-0"	BEAM JACK
E	1	362T200-68	11 1/2"	BOTTOM TRACK
F	1	362T200-68	7 9/16"	TOP TRACK
G	1	1200D-54	7 5/16"	STRAP
H	2	362T200-68	7 3/16"	BLOCK
I	1	362T200-68	5 7/16"	BEAM JACK
J	2	362T200-68	5 1/4"	BLOCK

31-1114

Jewish Home for the Aging

1885 Victory Blvd. Reseda, CA

FM-07-109

CREATED BY: AMB

FrameMax, Inc.
13915 Danielson St
Suite 100
Poway, CA 92064
www.frame-max.com



© FrameMax Inc.

HEIGHT : 11'-9 11/16" POINTS: 0.55 Points.

SPACING : 5000"

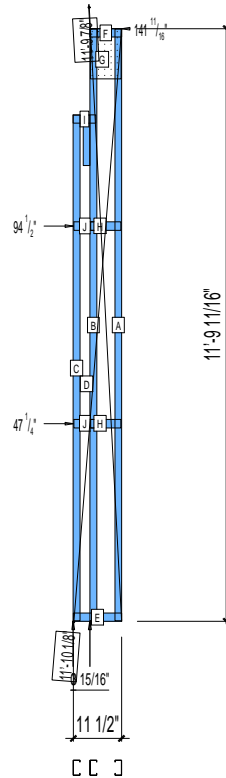
1st STUD: 5000"

APPROVED
By Ryan J Gonsalves at 2:58 pm, Nov 11, 2008

WEIGHTS :

FRAME : 60 lbs

TOTAL: 60 lbs



PIECES LIST

LABEL	QTY	SIZE	LENGTH	USE
A	1	362S162-54	11'-9 1/2"	STUD
B	1	362S162-54	11'-9 1/2"	BEAM KING
C	1	362S162-54	10'-0 7/8"	BEAM JACK
D	1	362S162-54	1'-0"	BEAM JACK
E	1	362T200-68	11 1/2"	BOTTOM TRACK
F	1	362T200-68	7 9/16"	TOP TRACK
G	1	1200D-54	7 5/16"	STRAP
H	2	362T200-68	7 3/16"	BLOCK
I	1	362T200-68	5 7/16"	BEAM JACK
J	2	362T200-68	5 1/4"	BLOCK

31-1115

Jewish Home for the Aging

1885 Victory Blvd. Reseda, CA

FM-07-109

CREATED BY: AMB

FrameMax, Inc.
13915 Danielson St
Suite 100
Poway, CA 92064
www.frame-max.com



© FrameMax Inc.

HEIGHT : 11'-9 11/16" POINTS: 1.21 Points.

SPACING : 5000"

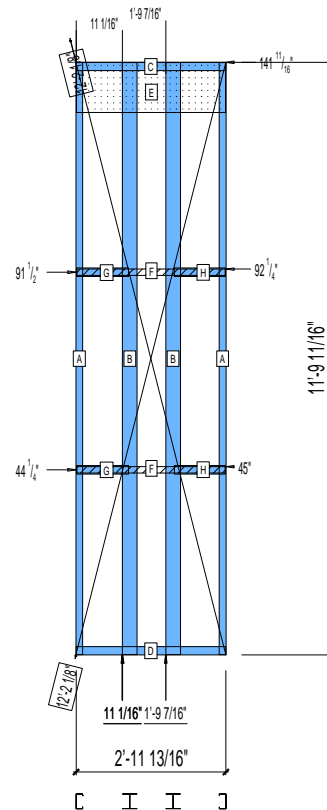
1st STUD: 5000"

APPROVED
By Ryan J Gonsalves at 2:58 pm, Nov 11, 2008

WEIGHTS :

FRAME : 192 lbs

TOTAL: 192 lbs



PIECES LIST

LABEL	QTY	SIZE	LENGTH	USE
A	2	362S162-54	11'-9 1/2"	STUD
B	2	363i350p554	11'-9 1/2"	PACO.COLUMN
C	1	362T200-68	2'-11 13/16"	TOP TRACK
D	1	362T200-68	2'-11 13/16"	BOTTOM TRACK
E	1	1200D-54	2'-11 5/8"	STRAP
F	2	150D-43	2'-11 1/2"	STRAP
G	2	362T200-68	1'-0 3/8"	BLOCK
H	2	362T200-68	1'-0 1/8"	BLOCK

31-1116

Jewish Home for the Aging

1885 Victory Blvd. Reseda, CA

FM-07-109

CREATED BY: AMB

FrameMax, Inc.
13915 Danielson St
Suite 100
Poway, CA 92064
www.frame-max.com



© FrameMax Inc.

HEIGHT : 11'-9 11/16" POINTS: 1.21 Points.

SPACING : 5000"

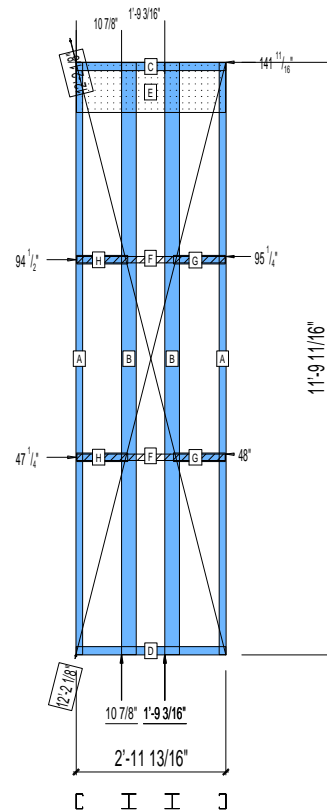
1st STUD: 5000"

APPROVED
By Ryan J Gonsalves at 2:58 pm, Nov 11, 2008

WEIGHTS :

FRAME : 192 lbs

TOTAL: 192 lbs



PIECES LIST

LABEL	QTY	SIZE	LENGTH	USE
A	2	362S162-54	11'-9 1/2"	STUD
B	2	363i350p554	11'-9 1/2"	PACO.COLUMN
C	1	362T200-68	2'-11 13/16"	TOP TRACK
D	1	362T200-68	2'-11 13/16"	BOTTOM TRACK
E	1	1200D-54	2'-11 5/8"	STRAP
F	2	150D-43	2'-11 1/2"	STRAP
G	2	362T200-68	1'-0 3/8"	BLOCK
H	2	362T200-68	1'-0 1/8"	BLOCK

31-1117

Jewish Home for the Aging

1885 Victory Blvd. Reseda, CA

FrameMax, Inc.
13915 Danielson St
Suite 100
Poway, CA 92064
www.frame-max.com



© FrameMax Inc.

CREATED: 10/24/2008

FM-07-109

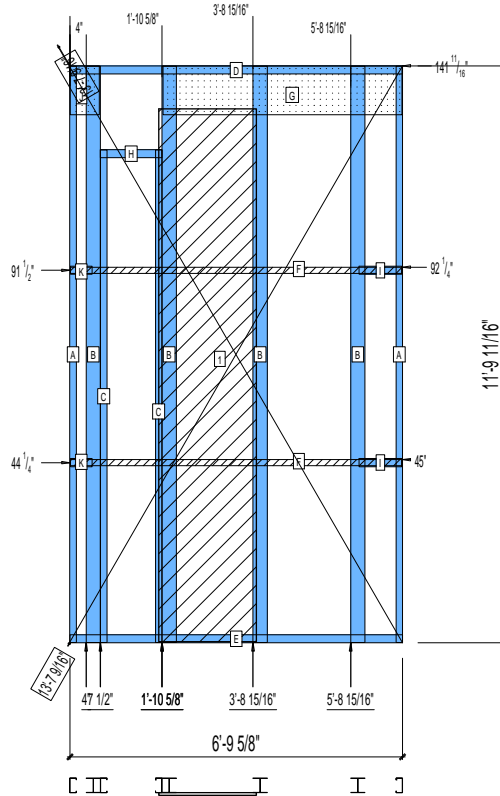
CREATED BY: AMB

HEIGHT : 11'-9 11/16" POINTS: 2.61 Points.
SPACING : 5000"
1st STUD: 5000"

APPROVED
By Ryan J Gonsalves at 2:58 pm, Nov 11, 2008

WEIGHTS :
FRAME : 374 lbs
SHEATHING: 80 lbs

TOTAL: 454 lbs



PIECES LIST

LABEL	QTY	SIZE	LENGTH	USE
A	2	362S162-54	11'-9 1/2"	STUD
B	4	3631350p554	11'-9 1/2"	PACO. COLUMN
C	2	362S162-54	10'-0 15/16"	BEAM JACK
D	1	362T200-68	6'-9 5/8"	TOP TRACK
E	1	362T200-68	6'-9 5/8"	BOTTOM TRACK
F	2	150D-43	6'-9 3/8"	STRAP
G	1	1200D-54	4'-10 11/16"	STRAP
H	1	362T200-68	1'-3 1/8"	BEAM JACK
I	2	362T200-68	10 1/2"	BLOCK
J	1	1200D-54	7 1/8"	STRAP
K	2	362T200-68	5 1/4"	BLOCK

SHEATHING

LABEL	QTY	CODE	THICK	SIZE	SCREWS
1	1	SB-DENSARMOR	5/8"	1'-11 15/16" X 10'-10 7/8"	2/12

31-1118

Jewish Home for the Aging

1885 Victory Blvd. Reseda, CA

FM-07-109

CREATED BY: AMB

FrameMax, Inc.
13915 Danielson St
Suite 100
Poway, CA 92064
www.frame-max.com



© FrameMax Inc.

HEIGHT : 11'-9 11/16" POINTS: 2.25 Points.

SPACING : 5000"

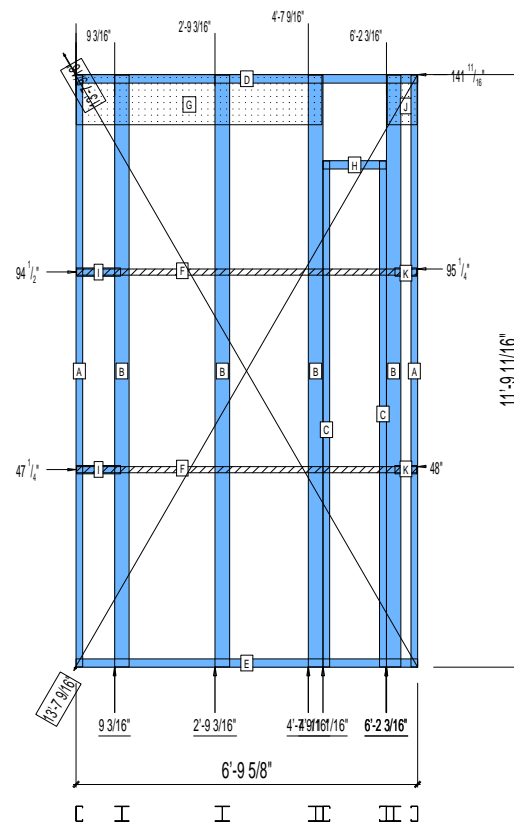
1st STUD: 5000"

APPROVED
By Ryan J Gonsalves at 2:58 pm, Nov 11, 2008

WEIGHTS :

FRAME : 374 lbs

TOTAL: 374 lbs



PIECES LIST

LABEL	QTY	SIZE	LENGTH	USE
A	2	362S162-54	11'-9 1/2"	STUD
B	4	363i350p554	11'-9 1/2"	PACO. COLUMN
C	2	362S162-54	10'-0 15/16"	BEAM JACK
D	1	362T200-68	6'-9 5/8"	TOP TRACK
E	1	362T200-68	6'-9 5/8"	BOTTOM TRACK
F	2	150D-43	6'-9 3/8"	STRAP
G	1	1200D-54	4'-10 11/16"	STRAP
H	1	362T200-68	1'-3 1/8"	BEAM JACK
I	2	362T200-68	10 1/2"	BLOCK
J	1	1200D-54	7 1/8"	STRAP
K	2	362T200-68	5 1/4"	BLOCK

31-1119

Jewish Home for the Aging

1885 Victory Blvd. Reseda, CA

FrameMax, Inc.
13915 Danielson St
Suite 100
Poway, CA 92064
www.frame-max.com



© FrameMax Inc.

CREATED: 10/24/2008

FM-07-109

CREATED BY: AMB

HEIGHT : 11'-9 11/16" POINTS: 3.11 Points.

SPACING : 5000"

1st STUD: 5000"

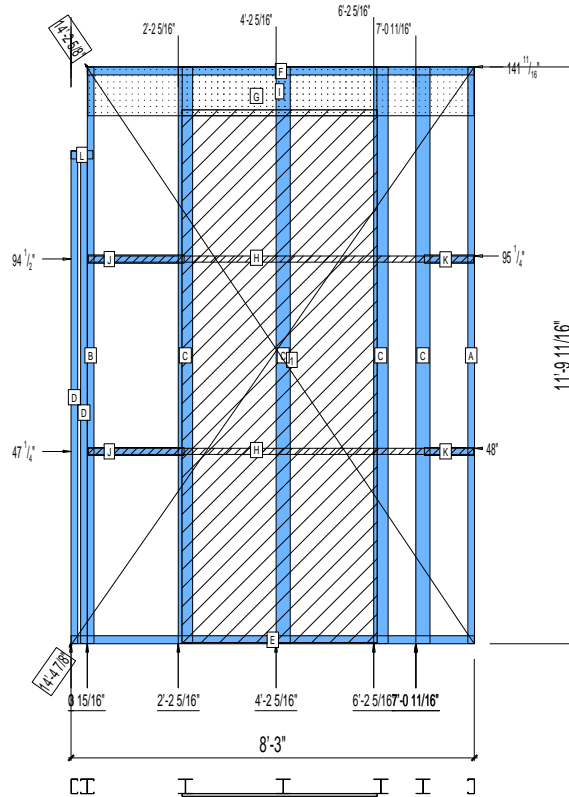
APPROVED
By Ryan J Gonsalves at 2:58 pm, Nov 11, 2008

WEIGHTS :

FRAME : 398 lbs

SHEATHING: 160 lbs

TOTAL: 558 lbs



PIECES LIST

LABEL	QTY	SIZE	LENGTH	USE
A	1	362S162-54	11'-9 1/2"	STUD
B	1	362S162-54	11'-9 1/2"	BEAM KING
C	4	3631350p554	11'-9 1/2"	PACO COLUMN
D	2	362S162-54	10'-0 7/8"	BEAM JACK
E	1	362T200-68	8'-3"	BOTTOM TRACK
F	1	362T200-68	7'-11 1/16"	TOP TRACK
G	1	1200D-54	7'-10 7/8"	STRAP
H	2	150D-43	7'-10 3/4"	STRAP
I	1	1200D-54	3'-11 3/4"	STRAP
J	2	362T200-68	1'-11 5/8"	BLOCK
K	2	362T200-68	1'-0 3/16"	BLOCK
L	1	362T200-68	5 7/16"	BEAM JACK

SHEATHING

LABEL	QTY	CODE	THICK	SIZE	SCREWS
1	1	SB-DENSARMOR	5/8"	3'-11 15/16" X 10'-10 7/8"	2/12

31-1120

Jewish Home for the Aging

1885 Victory Blvd. Reseda, CA

FrameMax, Inc.
13915 Danielson St
Suite 100
Poway, CA 92064
www.framemax.com



© FrameMax Inc.

CREATED: 10/24/2008

FM-07-109

CREATED BY: AMB

HEIGHT : 11'-9 11/16" POINTS: 2.32 Points.

SPACING : 5000"

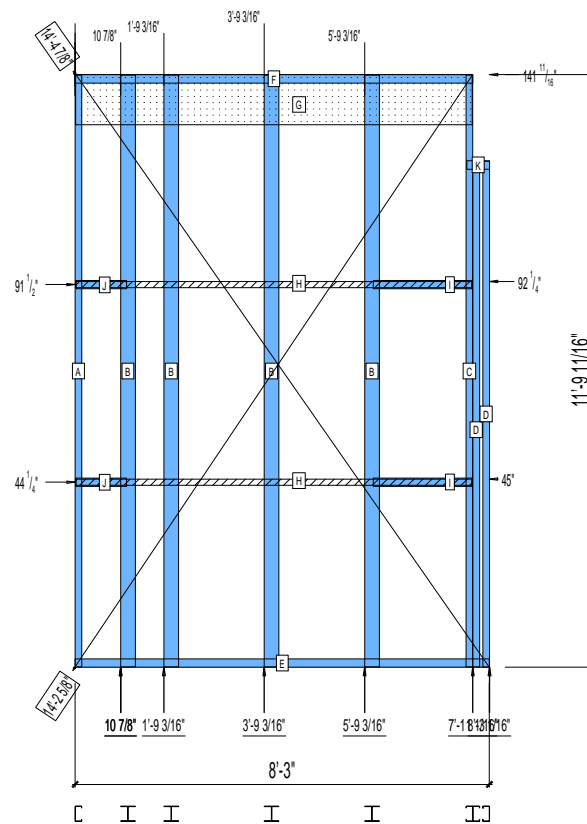
1st STUD: 5000"

APPROVED
By Ryan J Gonsalves at 2:58 pm, Nov 11, 2008

WEIGHTS :

FRAME : 389 lbs

TOTAL: 389 lbs



PIECES LIST

LABEL	QTY	SIZE	LENGTH	USE
A	1	362S162-54	11'-9 1/2"	STUD
B	4	363i350p554	11'-9 1/2"	PACO. COLUMN
C	1	362S162-54	11'-9 1/2"	BEAM KING
D	2	362S162-54	10'-0 7/8"	BEAM JACK
E	1	362T200-68	8'-3"	BOTTOM TRACK
F	1	362T200-68	7'-11 1/16"	TOP TRACK
G	1	1200D-54	7'-10 7/8"	STRAP
H	2	150D-43	7'-10 3/4"	STRAP
I	2	362T200-68	1'-11 5/8"	BLOCK
J	2	362T200-68	1'-0 3/16"	BLOCK
K	1	362T200-68	5 7/16"	BEAM JACK

31-1121

Jewish Home for the Aging

1885 Victory Blvd. Reseda, CA

FM-07-109

CREATED BY: AMB

FrameMax, Inc.
13915 Danielson St
Suite 100
Poway, CA 92064
www.frame-max.com

FRAME MAX

© FrameMax Inc.

HEIGHT : 9'-8 1/8" POINTS: 0.60 Points.

SPACING : 5000"

1st STUD: 5000"

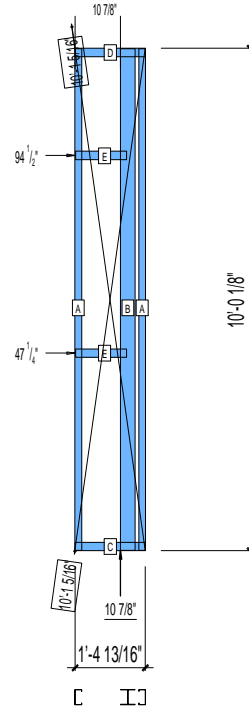
APPROVED

By Ryan J Gonsalves at 2:58 pm, Nov 11, 2008

WEIGHTS :

FRAME : 93 lbs

TOTAL: 93 lbs



PIECES LIST

LABEL	QTY	SIZE	LENGTH	USE
A	2	362S162-54	9'-11 15/16"	STUD
B	1	363i350p554	9'-11 15/16"	PACO. COLUMN
C	1	362T200-68	1'-4 13/16"	BOTTOM TRACK
D	1	362T200-68	1'-4 13/16"	TOP TRACK
E	2	362T200-68	1'-0 1/8"	BLOCK

31-1122

Jewish Home for the Aging

1885 Victory Blvd. Reseda, CA

FrameMax, Inc.
13915 Danielson St
Suite 100
Poway, CA 92064
www.frame-max.com



© FrameMax Inc.

CREATED: 10/24/2008

FM-07-109

CREATED BY: AMB

HEIGHT : 9'-8 1/8" POINTS: 0.60 Points.

SPACING : 5000"

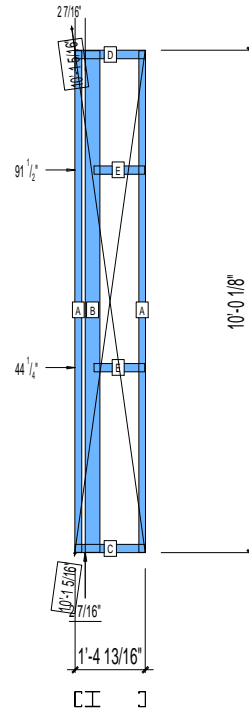
1st STUD: 5000"

APPROVED
By Ryan J Gonsalves at 2:58 pm, Nov 11, 2008

WEIGHTS :

FRAME : 93 lbs

TOTAL: 93 lbs



PIECES LIST

LABEL	QTY	SIZE	LENGTH	USE
A	2	362S162-54	9'-11 15/16"	STUD
B	1	363i350p554	9'-11 15/16"	PACO. COLUMN
C	1	362T200-68	1'-4 13/16"	BOTTOM TRACK
D	1	362T200-68	1'-4 13/16"	TOP TRACK
E	2	362T200-68	1'-0 1/8"	BLOCK

31-1123

Jewish Home for the Aging

1885 Victory Blvd. Reseda, CA

FrameMax, Inc.
13915 Danielson St
Suite 100
Poway, CA 92064
www.framemax.com



© FrameMax Inc.

CREATED: 10/24/2008

FM-07-109

CREATED BY: AMB

HEIGHT : 9'-9 11/16" POINTS: 0.73 Points.

SPACING : 24"

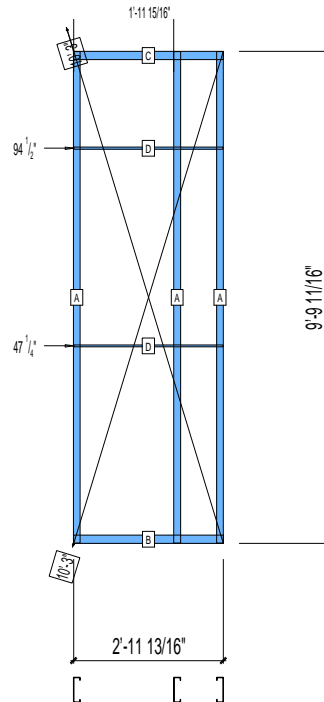
1st STUD: 16"

APPROVED
By Ryan J Gonsalves at 2:58 pm, Nov 11, 2008

WEIGHTS :

FRAME : 114 lbs

TOTAL: 114 lbs



PIECES LIST

LABEL	QTY	SIZE	LENGTH	USE
A	3	600S162-97	9'-9 1/2"	STUD
B	1	600T200-68	2'-11 13/16"	BOTTOM TRACK
C	1	600T200-68	2'-11 13/16"	TOP TRACK
D	2	150U50-54	2'-11 5/8"	HORIZONTAL BRACING

31-1124

Jewish Home for the Aging

1885 Victory Blvd. Reseda, CA

FrameMax, Inc.
13915 Danielson St
Suite 100
Poway, CA 92064
www.frame-max.com



© FrameMax Inc.

CREATED: 10/24/2008

FM-07-109

CREATED BY: AMB

HEIGHT : 9'-9 11/16" POINTS: 1.72 Points.

SPACING : 24"

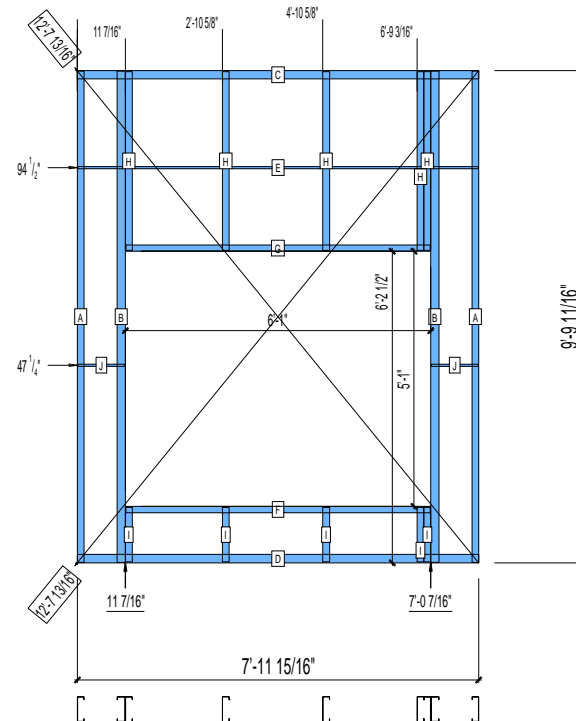
1st STUD: 24"

APPROVED
By Ryan J Gonsalves at 2:58 pm, Nov 11, 2008

WEIGHTS :

FRAME : 244 lbs

TOTAL: 244 lbs



PIECES LIST

LABEL	QTY	SIZE	LENGTH	USE
A	2	600S162-97	9'-9 1/2"	STUD
B	2	600S200-97	9'-9 1/2"	KING STUD
C	1	600T200-68	7'-11 15/16"	TOP TRACK
D	1	600T200-68	7'-11 15/16"	BOTTOM TRACK
E	1	150U50-54	7'-11 3/4"	HORIZONTAL BRACING
F	1	600T150-54	6'-0 3/4"	SILL
G	1	600T150-54	6'-0 3/4"	HEAD TRACK
H	5	600S162-54	3'-6 3/4"	CRIPPLE
I	5	600S162-54	1'-1 1/16"	CRIPPLE
J	2	150U50-54	11 1/4"	HORIZONTAL BRACING

31-1125

Jewish Home for the Aging

1885 Victory Blvd. Reseda, CA

FrameMax, Inc.
13915 Danielson St
Suite 100
Poway, CA 92064
www.frame-max.com



© FrameMax Inc.

CREATED: 10/24/2008

FM-07-109

CREATED BY: AMB

HEIGHT : 9'-9 11/16" POINTS: 0.72 Points.

SPACING : 24"

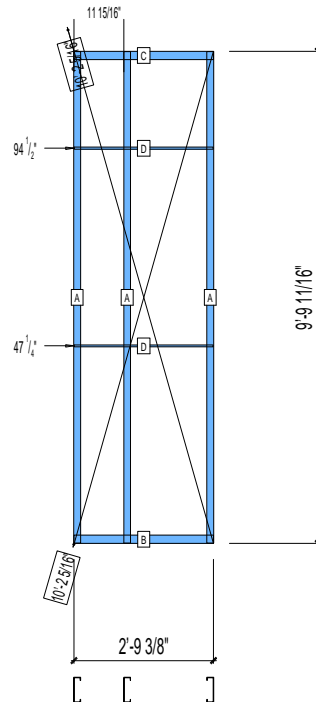
1st STUD: 24"

APPROVED
By Ryan J Gonsalves at 2:58 pm, Nov 11, 2008

WEIGHTS :

FRAME : 113 lbs

TOTAL: 113 lbs



PIECES LIST

LABEL	QTY	SIZE	LENGTH	USE
A	3	600S162-97	9'-9 1/2"	STUD
B	1	600T200-68	2'-9 3/8"	BOTTOM TRACK
C	1	600T200-68	2'-9 3/8"	TOP TRACK
D	2	150U50-54	2'-9 3/16"	HORIZONTAL BRACING

31-1126

Jewish Home for the Aging

1885 Victory Blvd. Reseda, CA

FM-07-109

CREATED BY: AMB

FrameMax, Inc.
13915 Danielson St
Suite 100
Poway, CA 92064
www.frame-max.com



© FrameMax Inc.

HEIGHT : 11'-9 11/16" POINTS: 0.63 Points.

SPACING : 5000"

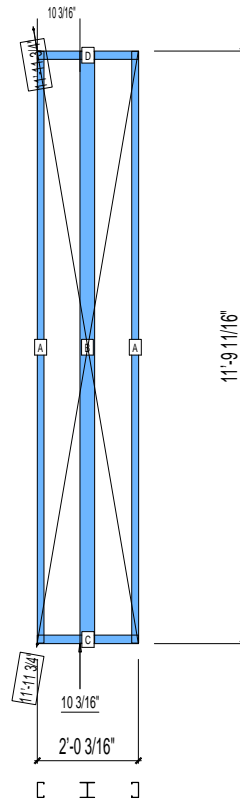
1st STUD: 5000"

APPROVED
By Ryan J Gonsalves at 2:58 pm, Nov 11, 2008

WEIGHTS :

FRAME : 107 lbs

TOTAL: 107 lbs



PIECES LIST

LABEL	QTY	SIZE	LENGTH	USE
A	2	362S162-54	11'-9 1/2"	STUD
B	1	363i350p554	11'-9 1/2"	PACO.COLUMN
C	1	362T200-68	2'-0 3/16"	BOTTOM TRACK
D	1	362T200-68	2'-0 3/16"	TOP TRACK

31-1127

Jewish Home for the Aging

1885 Victory Blvd. Reseda, CA

FM-07-109

CREATED BY: AMB

FrameMax, Inc.
13915 Danielson St
Suite 100
Poway, CA 92064
www.frame-max.com



© FrameMax Inc.

HEIGHT : 11'-9 11/16" POINTS: 0.63 Points.

SPACING : 5000"

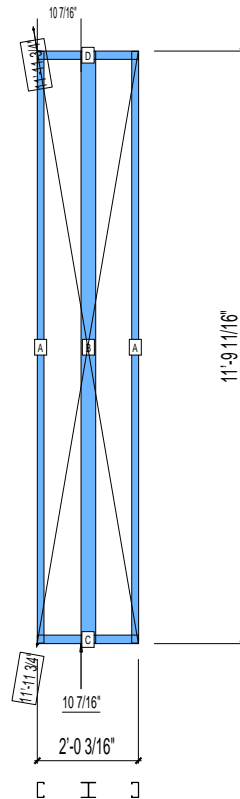
1st STUD: 5000"

APPROVED
By Ryan J Gonsalves at 2:58 pm, Nov 11, 2008

WEIGHTS :

FRAME : 107 lbs

TOTAL: 107 lbs



PIECES LIST

LABEL	QTY	SIZE	LENGTH	USE
A	2	362S162-54	11'-9 1/2"	STUD
B	1	363i350p554	11'-9 1/2"	PACO.COLUMN
C	1	362T200-68	2'-0 3/16"	BOTTOM TRACK
D	1	362T200-68	2'-0 3/16"	TOP TRACK

31-1128

Jewish Home for the Aging

1885 Victory Blvd. Reseda, CA

FrameMax, Inc.
13915 Danielson St
Suite 100
Poway, CA 92064
www.frame-max.com



© FrameMax Inc.

CREATED: 10/24/2008

FM-07-109

CREATED BY: AMB

HEIGHT : 11'-9 11/16" POINTS: 1.81 Points.

SPACING : 5000"

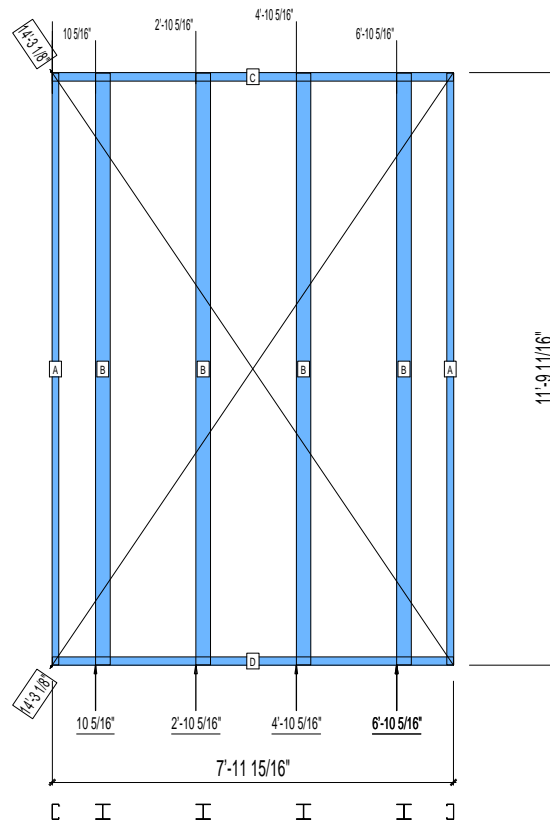
1st STUD: 5000"

APPROVED
By Ryan J Gonsalves at 2:58 pm, Nov 11, 2008

WEIGHTS :

FRAME : 325 lbs

TOTAL: 325 lbs



PIECES LIST

LABEL	QTY	SIZE	LENGTH	USE
A	2	362S162-54	11'-9 1/2"	STUD
B	4	363i350p554	11'-9 1/2"	PACO.COLUMN
C	1	362T200-68	7'-11 15/16"	TOP TRACK
D	1	362T200-68	7'-11 15/16"	BOTTOM TRACK

31-1129

Jewish Home for the Aging

1885 Victory Blvd. Reseda, CA

FM-07-109

CREATED BY: AMB

FrameMax, Inc.
13915 Danielson St
Suite 100
Poway, CA 92064
www.frame-max.com



© FrameMax Inc.

HEIGHT : 11'-9 11/16" POINTS: 1.81 Points.

SPACING : 5000"

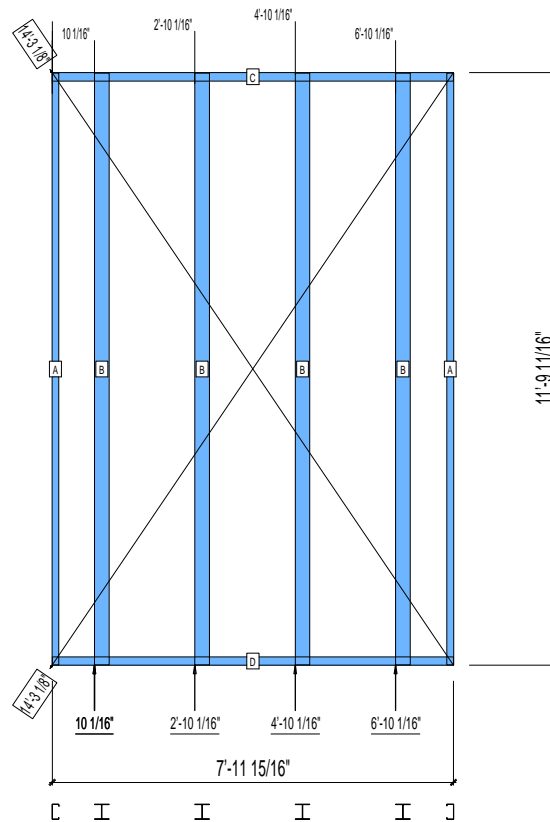
1st STUD: 5000"

APPROVED
By Ryan J Gonsalves at 2:58 pm, Nov 11, 2008

WEIGHTS :

FRAME : 325 lbs

TOTAL: 325 lbs



PIECES LIST

LABEL	QTY	SIZE	LENGTH	USE
A	2	362S162-54	11'-9 1/2"	STUD
B	4	363i350p554	11'-9 1/2"	PACO.COLUMN
C	1	362T200-68	7'-11 15/16"	TOP TRACK
D	1	362T200-68	7'-11 15/16"	BOTTOM TRACK

31-1130

Jewish Home for the Aging

1885 Victory Blvd. Reseda, CA

FM-07-109

CREATED BY: AMB

FrameMax, Inc.
13915 Danielson St
Suite 100
Poway, CA 92064
www.frame-max.com

FRAME MAX

© FrameMax Inc.

HEIGHT : 11'-9 11/16" POINTS: 1.40 Points.

SPACING : 5000"

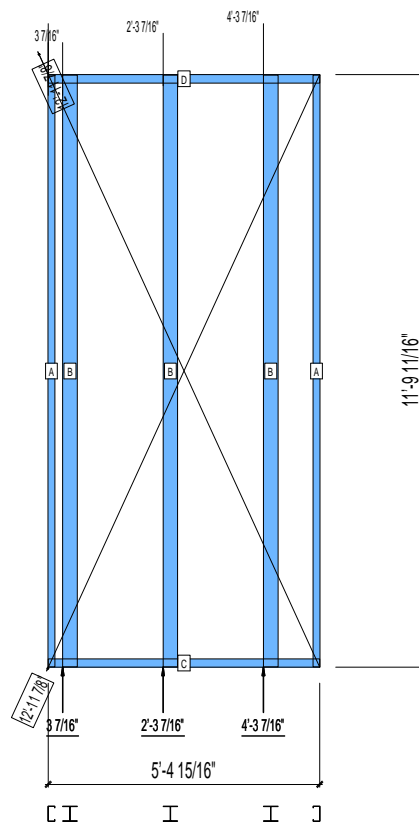
1st STUD: 5000"

APPROVED
By Ryan J Gonsalves at 2:58 pm, Nov 11, 2008

WEIGHTS :

FRAME : 250 lbs

TOTAL: 250 lbs



PIECES LIST

LABEL	QTY	SIZE	LENGTH	USE
A	2	362S162-54	11'-9 1/2"	STUD
B	3	363i350p554	11'-9 1/2"	PACO.COLUMN
C	1	362T200-68	5'-4 15/16"	BOTTOM TRACK
D	1	362T200-68	5'-4 15/16"	TOP TRACK

31-1131

Jewish Home for the Aging

1885 Victory Blvd. Reseda, CA

FM-07-109

CREATED BY: AMB

FrameMax, Inc.
13915 Danielson St
Suite 100
Poway, CA 92064
www.frame-max.com

FRAME MAX

© FrameMax Inc.

HEIGHT : 11'-9 11/16" POINTS: 1.40 Points.

SPACING : 5000"

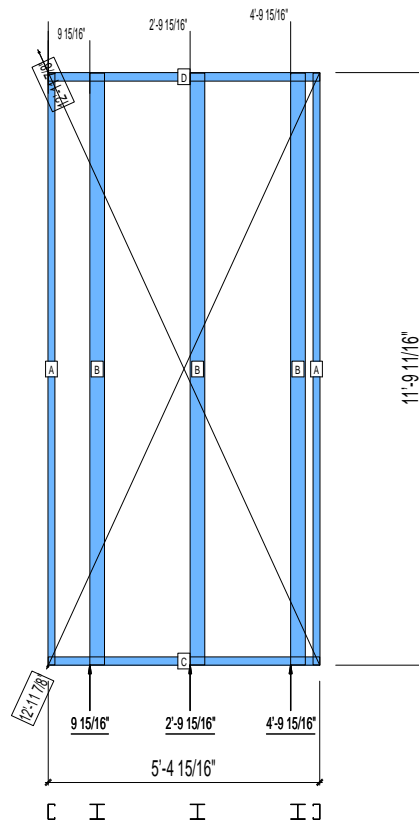
1st STUD: 5000"

APPROVED
By Ryan J Gonsalves at 2:58 pm, Nov 11, 2008

WEIGHTS :

FRAME : 250 lbs

TOTAL: 250 lbs



PIECES LIST

LABEL	QTY	SIZE	LENGTH	USE
A	2	362S162-54	11'-9 1/2"	STUD
B	3	363i350p554	11'-9 1/2"	PACO.COLUMN
C	1	362T200-68	5'-4 15/16"	BOTTOM TRACK
D	1	362T200-68	5'-4 15/16"	TOP TRACK

31-1132

Jewish Home for the Aging

1885 Victory Blvd. Reseda, CA

FM-07-109

CREATED BY: AMB

FrameMax, Inc.
13915 Danielson St
Suite 100
Poway, CA 92064
www.frame-max.com



© FrameMax Inc.

HEIGHT : 9'-8 1/8" POINTS: 1.21 Points.

SPACING : 24"

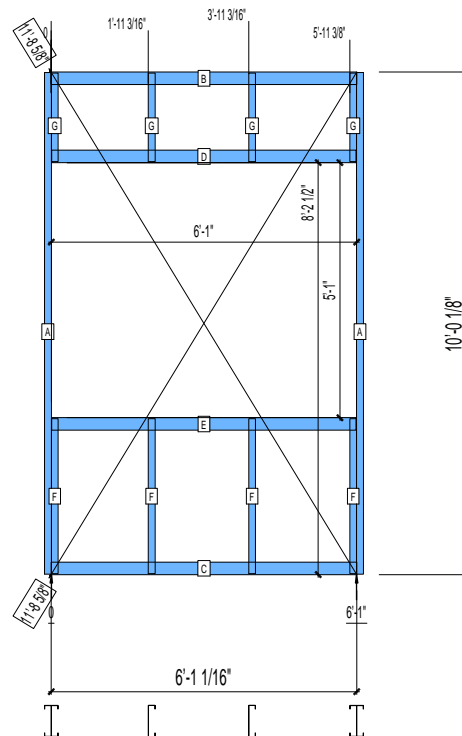
1st STUD: 24"

APPROVED
By Ryan J Gonsalves at 2:58 pm, Nov 11, 2008

WEIGHTS :

FRAME : 171 lbs

TOTAL: 171 lbs



PIECES LIST

LABEL	QTY	SIZE	LENGTH	USE
A	2	750S162-54	9'-11 15/16"	KING STUD
B	1	750T300-68	6'-1 1/16"	TOP TRACK
C	1	750T300-68	6'-1 1/16"	BOTTOM TRACK
D	1	750T300-68	6'-0 3/4"	HEAD TRACK
E	1	750T300-68	6'-0 3/4"	SILL
F	4	750S162-54	3'-1 1/16"	CRIPPLE
G	4	750S162-54	1'-9 3/16"	CRIPPLE

31-1133

Jewish Home for the Aging

1885 Victory Blvd. Reseda, CA

FM-07-109

CREATED BY: AMB

FrameMax, Inc.
13915 Danielson St
Suite 100
Poway, CA 92064
www.frame-max.com



© FrameMax Inc.

HEIGHT : 11'-9 11/16" POINTS: 1.55 Points.

SPACING : 5000"

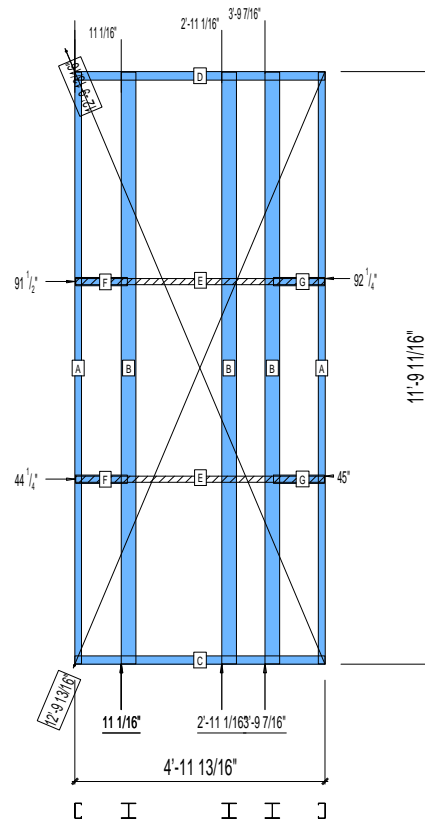
1st STUD: 5000"

APPROVED
By Ryan J Gonsalves at 2:58 pm, Nov 11, 2008

WEIGHTS :

FRAME : 258 lbs

TOTAL: 258 lbs



PIECES LIST

LABEL	QTY	SIZE	LENGTH	USE
A	2	362S162-54	11'-9 1/2"	STUD
B	3	363i350p554	11'-9 1/2"	PACO.COLUMN
C	1	362T200-68	4'-11 13/16"	BOTTOM TRACK
D	1	362T200-68	4'-11 13/16"	TOP TRACK
E	2	150D-43	4'-11 1/2"	STRAP
F	2	362T200-68	1'-0 3/8"	BLOCK
G	2	362T200-68	1'-0 1/8"	BLOCK

31-1134

Jewish Home for the Aging

1885 Victory Blvd. Reseda, CA

FM-07-109

CREATED BY: AMB

FrameMax, Inc.
13915 Danielson St
Suite 100
Poway, CA 92064
www.framemax.com



© FrameMax Inc.

HEIGHT : 11'-9 11/16" POINTS: 1.63 Points.

SPACING : 5000"

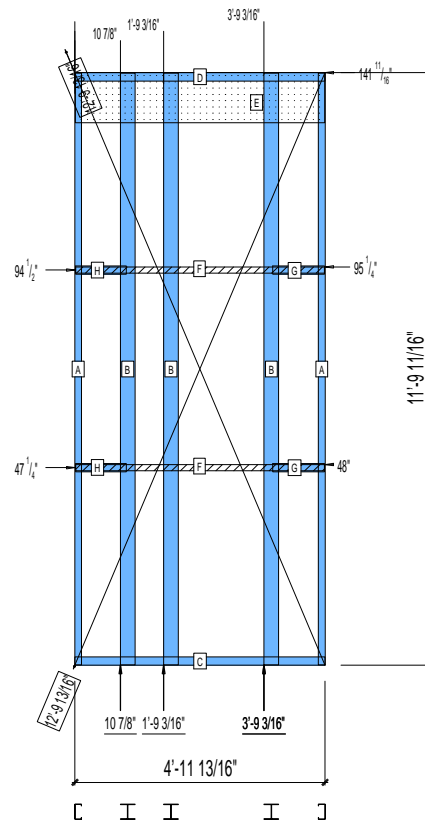
1st STUD: 5000"

APPROVED
By Ryan J Gonsalves at 2:58 pm, Nov 11, 2008

WEIGHTS :

FRAME : 270 lbs

TOTAL: 270 lbs



PIECES LIST

LABEL	QTY	SIZE	LENGTH	USE
A	2	362S162-54	11'-9 1/2"	STUD
B	3	363i350p554	11'-9 1/2"	PACO.COLUMN
C	1	362T200-68	4'-11 13/16"	BOTTOM TRACK
D	1	362T200-68	4'-11 13/16"	TOP TRACK
E	1	1200D-54	4'-11 5/8"	STRAP
F	2	150D-43	4'-11 1/2"	STRAP
G	2	362T200-68	1'-0 3/8"	BLOCK
H	2	362T200-68	1'-0 1/8"	BLOCK

31-1135

Jewish Home for the Aging

1885 Victory Blvd. Reseda, CA

FrameMax, Inc.
13915 Danielson St
Suite 100
Poway, CA 92064
www.frame-max.com



© FrameMax Inc.

CREATED: 10/24/2008

FM-07-109

CREATED BY: AMB

HEIGHT : 11'-9 11/16" POINTS: 2.65 Points.

SPACING : 5000"

1st STUD: 5000"

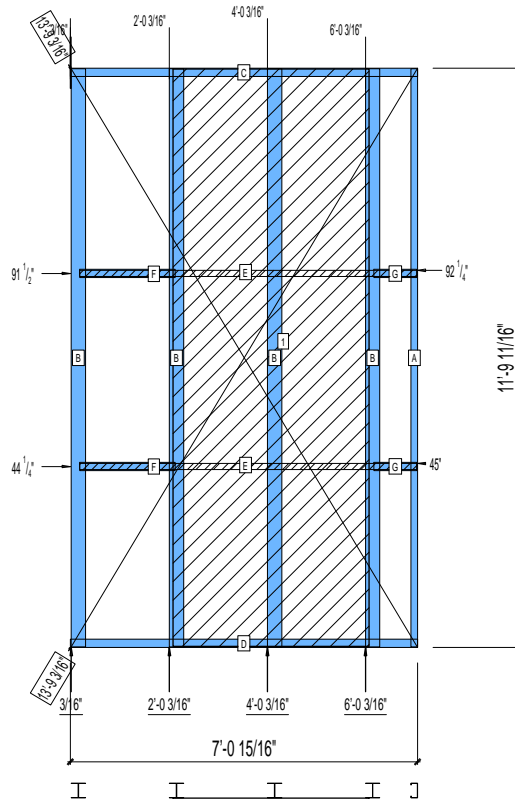
APPROVED
By Ryan J Gonsalves at 2:58 pm, Nov 11, 2008

WEIGHTS :

FRAME : 318 lbs

SHEATHING: 173 lbs

TOTAL: 491 lbs



PIECES LIST

LABEL	QTY	SIZE	LENGTH	USE
A	1	362S162-54	11'-9 1/2"	STUD
B	4	3631350p554	11'-9 1/2"	PACO. COLUMN
C	1	362T200-68	7'-0 15/16"	TOP TRACK
D	1	362T200-68	7'-0 15/16"	BOTTOM TRACK
E	2	150D-43	6'-10 1/2"	STRAP
F	2	362T200-68	1'-11 3/8"	BLOCK
G	2	362T200-68	10 1/2"	BLOCK

SHEATHING

LABEL	QTY	CODE	THICK	SIZE	SCREWS
1	1	SB-DENSGLOSS	1/2"	3'-11 15/16" X 11'-9 1/4"	2/12

31-1136

Jewish Home for the Aging

1885 Victory Blvd. Reseda, CA

FM-07-109

CREATED BY: AMB

FrameMax, Inc.
13915 Danielson St
Suite 100
Poway, CA 92064
www.frame-max.com



© FrameMax Inc.

HEIGHT : 11'-9 11/16" POINTS: 1.97 Points.

SPACING : 5000"

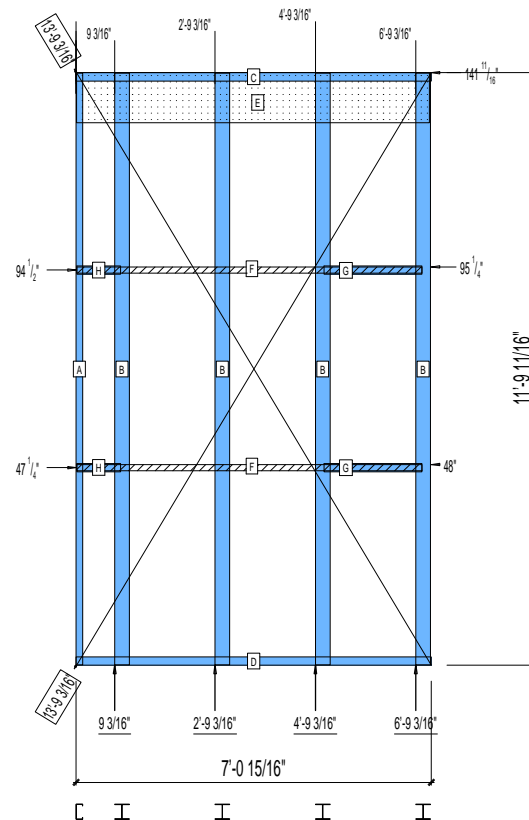
1st STUD: 5000"

APPROVED
By Ryan J Gonsalves at 2:58 pm, Nov 11, 2008

WEIGHTS :

FRAME : 335 lbs

TOTAL: 335 lbs



PIECES LIST

LABEL	QTY	SIZE	LENGTH	USE
A	1	362S162-54	11'-9 1/2"	STUD
B	4	363i350p554	11'-9 1/2"	PACO.COLUMN
C	1	362T200-68	7'-0 15/16"	TOP TRACK
D	1	362T200-68	7'-0 15/16"	BOTTOM TRACK
E	1	1200D-54	7'-0 3/8"	STRAP
F	2	150D-43	6'-10 1/2"	STRAP
G	2	362T200-68	1'-11 3/8"	BLOCK
H	2	362T200-68	10 1/2"	BLOCK

31-1137

Jewish Home for the Aging

1885 Victory Blvd. Reseda, CA

FrameMax, Inc.
13915 Danielson St
Suite 100
Poway, CA 92064
www.frame-max.com



© FrameMax Inc.

CREATED: 10/24/2008

FM-07-109

CREATED BY: AMB

HEIGHT : 10'-3 15/16" POINTS: 1.18 Points.

SPACING : 5000"

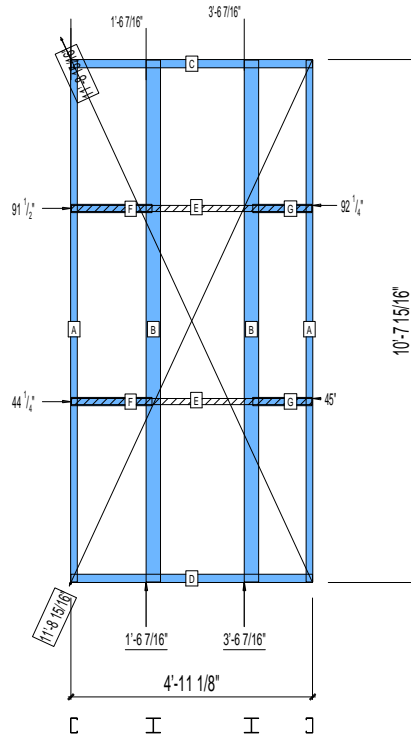
1st STUD: 5000"

APPROVED
By Ryan J Gonsalves at 2:58 pm, Nov 11, 2008

WEIGHTS :

FRAME : 180 lbs

TOTAL: 180 lbs



PIECES LIST

LABEL	QTY	SIZE	LENGTH	USE
A	2	362S162-54	10'-7 3/4"	STUD
B	2	3631350p554	10'-7 3/4"	PACO. COLUMN
C	1	362T200-68	4'-11 1/8"	TOP TRACK
D	1	362T200-68	4'-11 1/8"	BOTTOM TRACK
E	2	150D-43	4'-10 13/16"	STRAP
F	2	362T200-68	1'-7 11/16"	BLOCK
G	2	362T200-68	1'-2 1/2"	BLOCK

31-1138

Jewish Home for the Aging

1885 Victory Blvd. Reseda, CA

FM-07-109

CREATED BY: AMB

FrameMax, Inc.
13915 Danielson St
Suite 100
Poway, CA 92064
www.frame-max.com



© FrameMax Inc.

HEIGHT : 10'-3 15/16" POINTS: 1.18 Points.

SPACING : 5000"

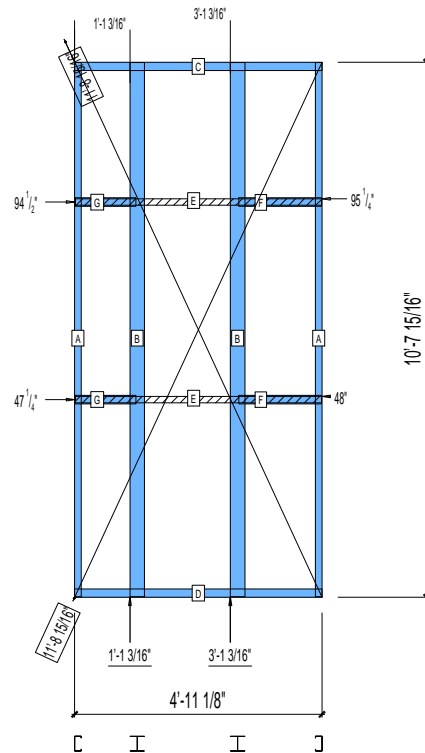
1st STUD: 5000"

APPROVED
By Ryan J Gonsalves at 2:58 pm, Nov 11, 2008

WEIGHTS :

FRAME : 180 lbs

TOTAL: 180 lbs



PIECES LIST

LABEL	QTY	SIZE	LENGTH	USE
A	2	362S162-54	10'-7 3/4"	STUD
B	2	363i350p554	10'-7 3/4"	PACO.COLUMN
C	1	362T200-68	4'-11 1/8"	TOP TRACK
D	1	362T200-68	4'-11 1/8"	BOTTOM TRACK
E	2	150D-43	4'-10 13/16"	STRAP
F	2	362T200-68	1'-7 11/16"	BLOCK
G	2	362T200-68	1'-2 1/2"	BLOCK

31-1139

Jewish Home for the Aging

1885 Victory Blvd. Reseda, CA

FM-07-109

CREATED BY: AMB

FrameMax, Inc.
13915 Danielson St
Suite 100
Poway, CA 92064
www.framemax.com



© FrameMax Inc.

HEIGHT : 11'-9 11/16" POINTS: 0.53 Points.

SPACING : 24"

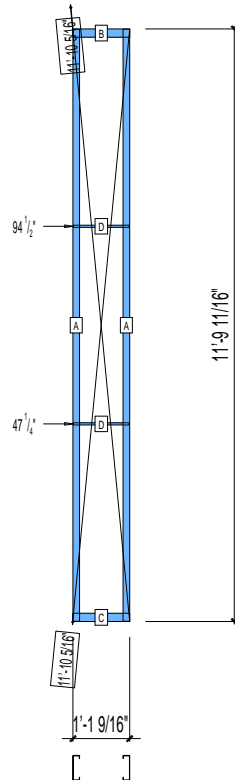
1st STUD: 16"

APPROVED
By Ryan J Gonsalves at 2:58 pm, Nov 11, 2008

WEIGHTS :

FRAME : 84 lbs

TOTAL: 84 lbs



PIECES LIST

LABEL	QTY	SIZE	LENGTH	USE
A	2	600S162-97	11'-9 1/2"	STUD
B	1	600T200-68	1'-1 9/16"	TOP TRACK
C	1	600T200-68	1'-1 9/16"	BOTTOM TRACK
D	2	150U50-54	1'-1 3/8"	HORIZONTAL BRACING

31-1140

Jewish Home for the Aging

1885 Victory Blvd. Reseda, CA

FM-07-109

CREATED BY: AMB

FrameMax, Inc.
13915 Danielson St
Suite 100
Poway, CA 92064
www.frame-max.com



© FrameMax Inc.

HEIGHT : 9'-8 1/8" POINTS: 1.47 Points.

SPACING : 24"

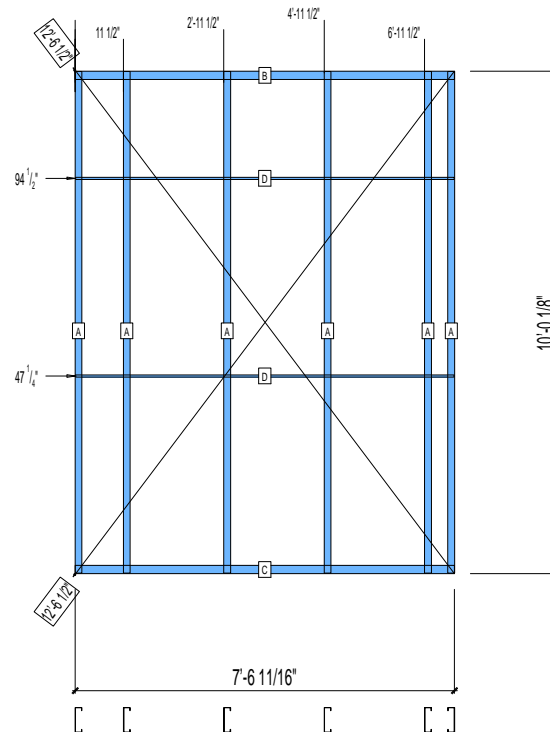
1st STUD: 24"

APPROVED
By Ryan J Gonsalves at 2:58 pm, Nov 11, 2008

WEIGHTS :

FRAME : 241 lbs

TOTAL: 241 lbs



PIECES LIST

LABEL	QTY	SIZE	LENGTH	USE
A	6	600S162-97	9'-11 15/16"	STUD
B	1	600T200-68	7'-6 11/16"	TOP TRACK
C	1	600T200-68	7'-6 11/16"	BOTTOM TRACK
D	2	150U50-54	7'-6 1/2"	HORIZONTAL BRACING

31-1141

Jewish Home for the Aging

1885 Victory Blvd. Reseda, CA

FrameMax, Inc.
13915 Danielson St
Suite 100
Poway, CA 92064
www.frame-max.com



© FrameMax Inc.

CREATED: 10/24/2008

FM-07-109

CREATED BY: AMB

HEIGHT : 11'-9 11/16" POINTS: 0.75 Points.

SPACING : 24"

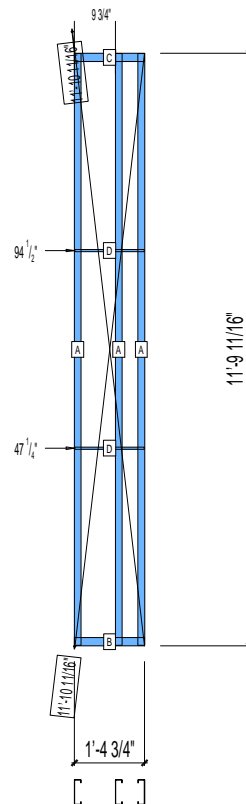
1st STUD: 24"

APPROVED
By Ryan J Gonsalves at 2:58 pm, Nov 11, 2008

WEIGHTS :

FRAME : 125 lbs

TOTAL: 125 lbs



PIECES LIST

LABEL	QTY	SIZE	LENGTH	USE
A	3	600S162-97	11'-9 1/2"	STUD
B	1	600T200-68	1'-4 3/4"	BOTTOM TRACK
C	1	600T200-68	1'-4 3/4"	TOP TRACK
D	2	150U50-54	1'-4 9/16"	HORIZONTAL BRACING

31-1142

Jewish Home for the Aging

1885 Victory Blvd. Reseda, CA

FM-07-109

CREATED BY: AMB

FrameMax, Inc.
13915 Danielson St
Suite 100
Poway, CA 92064
www.frame-max.com



© FrameMax Inc.

HEIGHT : 8'-7 3/8" POINTS: 0.64 Points.

SPACING : 24"

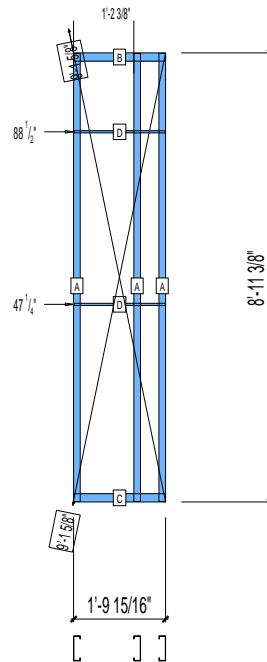
1st STUD: 24"

APPROVED
By Ryan J Gonsalves at 2:58 pm, Nov 11, 2008

WEIGHTS :

FRAME : 99 lbs

TOTAL: 99 lbs



PIECES LIST

LABEL	QTY	SIZE	LENGTH	USE
A	3	600S162-97	8'-11 3/16"	STUD
B	1	600T200-68	1'-9 15/16"	TOP TRACK
C	1	600T200-68	1'-9 15/16"	BOTTOM TRACK
D	2	150U50-54	1'-9 13/16"	HORIZONTAL BRACING

31-1143

Jewish Home for the Aging

1885 Victory Blvd. Reseda, CA

FrameMax, Inc.
13915 Danielson St
Suite 100
Poway, CA 92064
www.frame-max.com



© FrameMax Inc.

CREATED: 10/24/2008

FM-07-109

CREATED BY: AMB

HEIGHT : 11'-9 11/16" POINTS: 2.33 Points.

SPACING : 5000"

1st STUD: 5000"

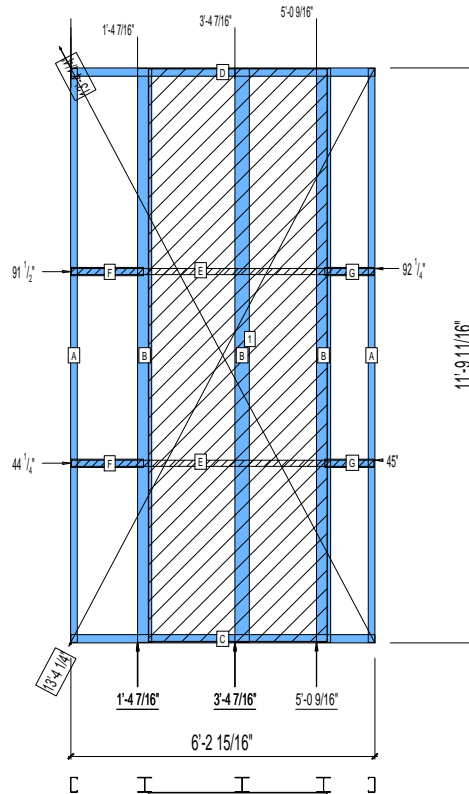
APPROVED
By Ryan J Gonsalves at 2:58 pm, Nov 11, 2008

WEIGHTS :

FRAME : 265 lbs

SHEATHING: 159 lbs

TOTAL: 424 lbs



PIECES LIST

LABEL	QTY	SIZE	LENGTH	USE
A	2	362S162-54	11'-9 1/2"	STUD
B	3	3631350p554	11'-9 1/2"	PACO. COLUMN
C	1	362T200-68	6'-2 15/16"	BOTTOM TRACK
D	1	362T200-68	6'-2 15/16"	TOP TRACK
E	2	150D-43	6'-2 5/8"	STRAP
F	2	362T200-68	1'-5 3/4"	BLOCK
G	2	362T200-68	1'-0 3/16"	BLOCK

SHEATHING

LABEL	QTY	CODE	THICK	SIZE	SCREWS
1	1	SB-DENSGLOSS	1/2"	3'-8" X 11'-9 1/4"	2/12

31-1144

Jewish Home for the Aging

1885 Victory Blvd. Reseda, CA

FM-07-109

CREATED BY: AMB

FrameMax, Inc.
13915 Danielson St
Suite 100
Poway, CA 92064
www.frame-max.com



© FrameMax Inc.

HEIGHT : 11'-9 11/16" POINTS: 1.70 Points.

SPACING : 5000"

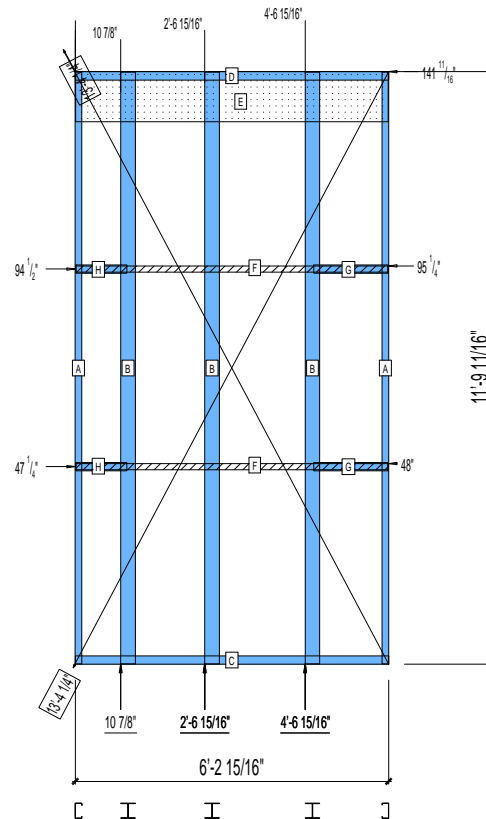
1st STUD: 5000"

APPROVED
By Ryan J Gonsalves at 2:58 pm, Nov 11, 2008

WEIGHTS :

FRAME : 280 lbs

TOTAL: 280 lbs



PIECES LIST

LABEL	QTY	SIZE	LENGTH	USE
A	2	362S162-54	11'-9 1/2"	STUD
B	3	363i350p554	11'-9 1/2"	PACO.COLUMN
C	1	362T200-68	6'-2 15/16"	BOTTOM TRACK
D	1	362T200-68	6'-2 15/16"	TOP TRACK
E	1	1200D-54	6'-2 3/4"	STRAP
F	2	150D-43	6'-2 5/8"	STRAP
G	2	362T200-68	1'-5 3/4"	BLOCK
H	2	362T200-68	1'-0 3/16"	BLOCK

31-1145

Jewish Home for the Aging

1885 Victory Blvd. Reseda, CA

FrameMax, Inc.
13915 Danielson St
Suite 100
Poway, CA 92064
www.frame-max.com



© FrameMax Inc.

CREATED: 10/24/2008

FM-07-109

CREATED BY: AMB

HEIGHT : 11'-9 11/16" POINTS: 2.42 Points.

SPACING : 5000"

1st STUD: 5000"

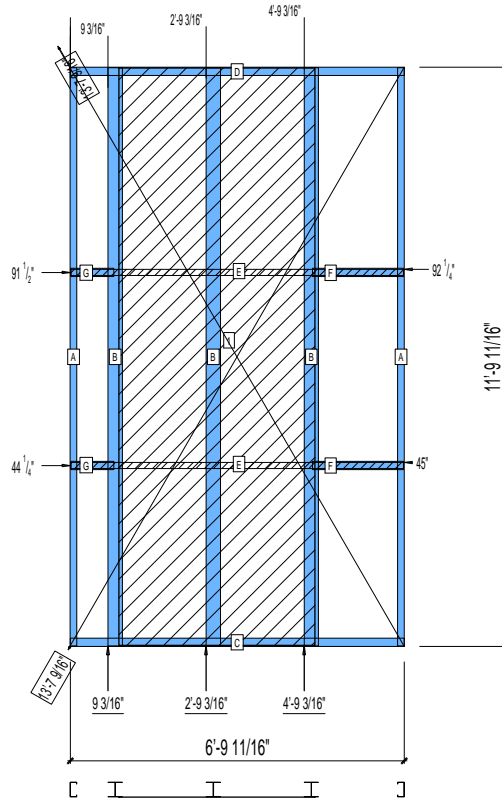
APPROVED
By Ryan J Gonsalves at 2:58 pm, Nov 11, 2008

WEIGHTS :

FRAME : 268 lbs

SHEATHING: 173 lbs

TOTAL: 441 lbs



PIECES LIST

LABEL	QTY	SIZE	LENGTH	USE
A	2	362S162-54	11'-9 1/2"	STUD
B	3	3631350p554	11'-9 1/2"	PACO. COLUMN
C	1	362T200-68	6'-9 11/16"	BOTTOM TRACK
D	1	362T200-68	6'-9 11/16"	TOP TRACK
E	2	150D-43	6'-9 3/8"	STRAP
F	2	362T200-68	1'-10 1/4"	BLOCK
G	2	362T200-68	10 1/2"	BLOCK

SHEATHING

LABEL	QTY	CODE	THICK	SIZE	SCREWS
1	1	SB-DENSGLOSS	1/2"	3'-11 15/16" X 11'-9 1/4"	2/12

31-1146

Jewish Home for the Aging

1885 Victory Blvd. Reseda, CA

FM-07-109

CREATED BY: AMB

FrameMax, Inc.
13915 Danielson St
Suite 100
Poway, CA 92064
www.frame-max.com



© FrameMax Inc.

HEIGHT : 11'-9 11/16" POINTS: 1.74 Points.

SPACING : 5000"

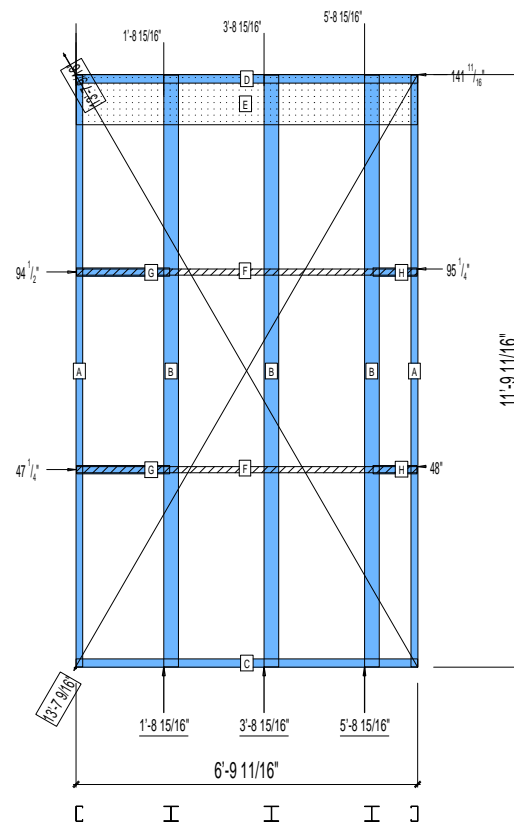
1st STUD: 5000"

APPROVED
By Ryan J Gonsalves at 2:58 pm, Nov 11, 2008

WEIGHTS :

FRAME : 285 lbs

TOTAL: 285 lbs



PIECES LIST

LABEL	QTY	SIZE	LENGTH	USE
A	2	362S162-54	11'-9 1/2"	STUD
B	3	363i350p554	11'-9 1/2"	PACO COLUMN
C	1	362T200-68	6'-9 11/16"	BOTTOM TRACK
D	1	362T200-68	6'-9 11/16"	TOP TRACK
E	1	1200D-54	6'-9 1/2"	STRAP
F	2	150D-43	6'-9 3/8"	STRAP
G	2	362T200-68	1'-10 1/4"	BLOCK
H	2	362T200-68	10 1/2"	BLOCK

31-1147

Jewish Home for the Aging

1885 Victory Blvd. Reseda, CA

FrameMax, Inc.
13915 Danielson St
Suite 100
Poway, CA 92064
www.frame-max.com



© FrameMax Inc.

CREATED: 10/24/2008

FM-07-109

CREATED BY: AMB

HEIGHT : 11'-9 11/16" POINTS: 2.34 Points.

SPACING : 5000"

1st STUD: 5000"

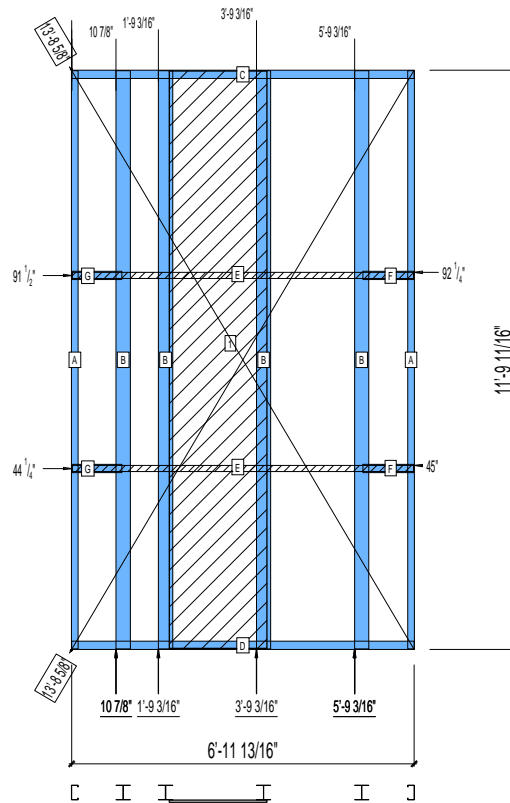
APPROVED
By Ryan J Gonsalves at 2:58 pm, Nov 11, 2008

WEIGHTS :

FRAME : 332 lbs

SHEATHING: 86 lbs

TOTAL: 418 lbs



PIECES LIST

LABEL	QTY	SIZE	LENGTH	USE
A	2	362S162-54	11'-9 1/2"	STUD
B	4	3631350p554	11'-9 1/2"	PACO. COLUMN
C	1	362T200-68	6'-11 13/16"	TOP TRACK
D	1	362T200-68	6'-11 13/16"	BOTTOM TRACK
E	2	150D-43	6'-11 1/2"	STRAP
F	2	362T200-68	1'-0 3/8"	BLOCK
G	2	362T200-68	1'-0 1/8"	BLOCK

SHEATHING

LABEL	QTY	CODE	THICK	SIZE	SCREWS
1	1	SB-DENSGLASS	1/2"	1'-11 7/8" X 11'-9 1/4"	2/12

31-1148

Jewish Home for the Aging

1885 Victory Blvd. Reseda, CA

FM-07-109

CREATED BY: AMB

FrameMax, Inc.
13915 Danielson St
Suite 100
Poway, CA 92064
www.frame-max.com



© FrameMax Inc.

HEIGHT : 11'-9 11/16" POINTS: 2.05 Points.

SPACING : 5000"

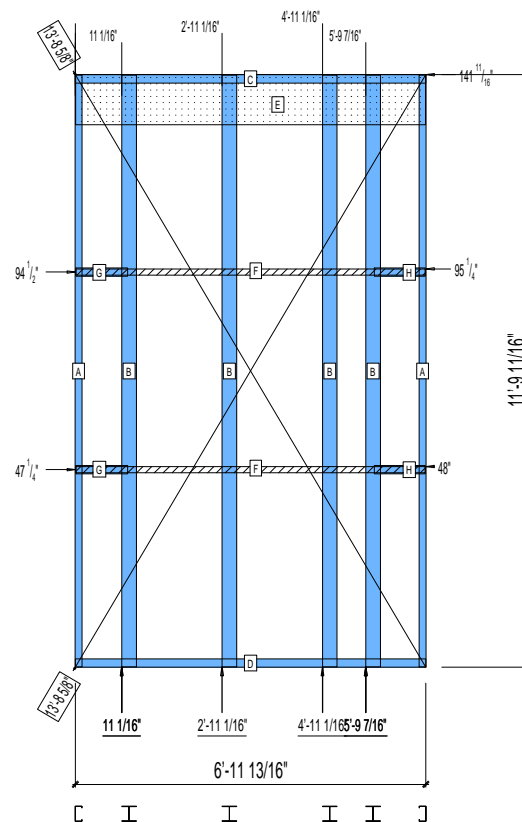
1st STUD: 5000"

APPROVED
By Ryan J Gonsalves at 2:58 pm, Nov 11, 2008

WEIGHTS :

FRAME : 349 lbs

TOTAL: 349 lbs



PIECES LIST

LABEL	QTY	SIZE	LENGTH	USE
A	2	362S162-54	11'-9 1/2"	STUD
B	4	363i350p554	11'-9 1/2"	PACO.COLUMN
C	1	362T200-68	6'-11 13/16"	TOP TRACK
D	1	362T200-68	6'-11 13/16"	BOTTOM TRACK
E	1	1200D-54	6'-11 5/8"	STRAP
F	2	150D-43	6'-11 1/2"	STRAP
G	2	362T200-68	1'-0 3/8"	BLOCK
H	2	362T200-68	1'-0 1/8"	BLOCK

31-1149

Jewish Home for the Aging

1885 Victory Blvd. Reseda, CA

FM-07-109

CREATED BY: AMB

FrameMax, Inc.
13915 Danielson St
Suite 100
Poway, CA 92064
www.framemax.com



© FrameMax Inc.

HEIGHT : 7'-8 1/8" POINTS: 1.48 Points.

SPACING : 24"

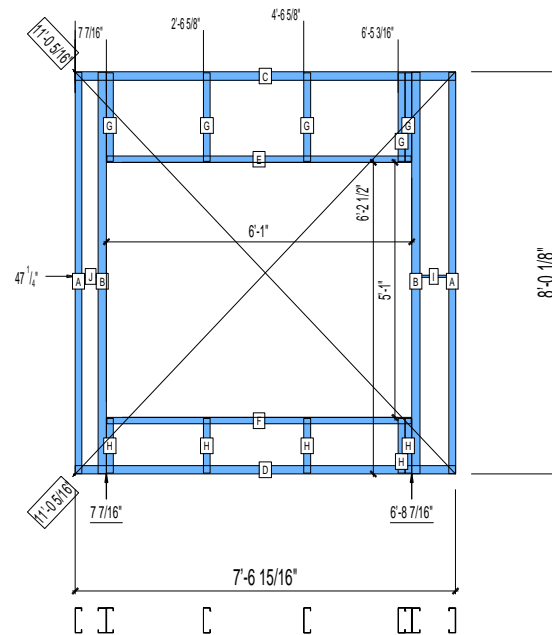
1st STUD: 24"

APPROVED
By Ryan J Gonsalves at 2:58 pm, Nov 11, 2008

WEIGHTS :

FRAME : 196 lbs

TOTAL: 196 lbs



PIECES LIST

LABEL	QTY	SIZE	LENGTH	USE
A	2	600S162-97	7'-11 15/16"	STUD
B	2	600S200-97	7'-11 15/16"	KING STUD
C	1	600T200-68	7'-6 15/16"	TOP TRACK
D	1	600T200-68	7'-6 15/16"	BOTTOM TRACK
E	1	600T150-54	6'-0 3/4"	HEAD TRACK
F	1	600T150-54	6'-0 3/4"	SILL
G	5	600S162-54	1'-9 3/16"	CRIPPLE
H	5	600S162-54	1'-1 1/16"	CRIPPLE
I	1	150U50-54	10 1/4"	HORIZONTAL BRACING
J	1	150U50-54	7 1/4"	HORIZONTAL BRACING

31-1150

Jewish Home for the Aging

1885 Victory Blvd. Reseda, CA

FM-07-109

CREATED BY: AMB

FrameMax, Inc.
13915 Danielson St
Suite 100
Poway, CA 92064
www.frame-max.com



© FrameMax Inc.

HEIGHT : 9'-9 11/16" POINTS: 0.90 Points.

SPACING : 24"

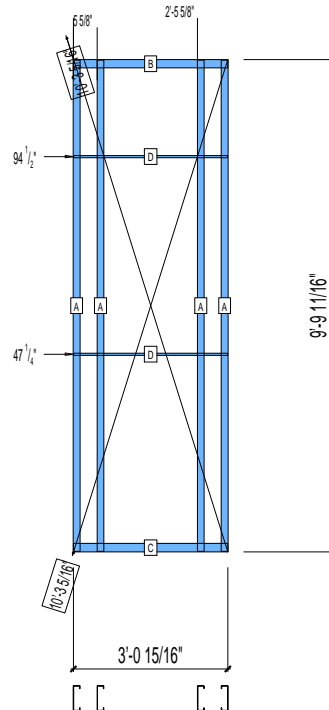
1st STUD: 24"

APPROVED
By Ryan J Gonsalves at 2:58 pm, Nov 11, 2008

WEIGHTS :

FRAME : 147 lbs

TOTAL: 147 lbs



PIECES LIST

LABEL	QTY	SIZE	LENGTH	USE
A	4	600S162-97	9'-9 1/2"	STUD
B	1	600T200-68	3'-0 15/16"	TOP TRACK
C	1	600T200-68	3'-0 15/16"	BOTTOM TRACK
D	2	150U50-54	3'-0 3/4"	HORIZONTAL BRACING

31-1151

Jewish Home for the Aging

1885 Victory Blvd. Reseda, CA

FM-07-109

CREATED BY: AMB

FrameMax, Inc.
13915 Danielson St
Suite 100
Poway, CA 92064
www.frame-max.com



© FrameMax Inc.

HEIGHT : 11'-9 11/16" POINTS: 2.02 Points.

SPACING : 5000"

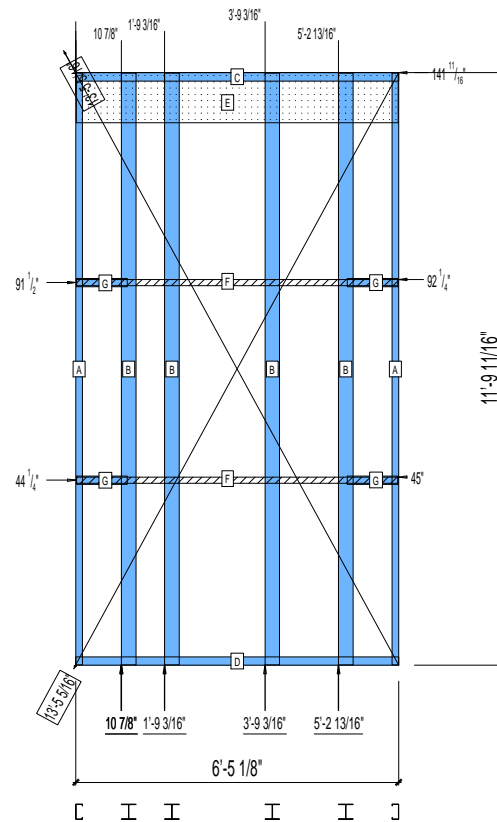
1st STUD: 5000"

APPROVED
By Ryan J Gonsalves at 2:58 pm, Nov 11, 2008

WEIGHTS :

FRAME : 345 lbs

TOTAL: 345 lbs



PIECES LIST

LABEL	QTY	SIZE	LENGTH	USE
A	2	362S162-54	11'-9 1/2"	STUD
B	4	363i350p554	11'-9 1/2"	PACO.COLUMN
C	1	362T200-68	6'-5 1/8"	TOP TRACK
D	1	362T200-68	6'-5 1/8"	BOTTOM TRACK
E	1	1200D-54	6'-5"	STRAP
F	2	150D-43	6'-4 7/8"	STRAP
G	4	362T200-68	1'-0 1/8"	BLOCK

31-1152

Jewish Home for the Aging

1885 Victory Blvd. Reseda, CA

FrameMax, Inc.
13915 Danielson St
Suite 100
Poway, CA 92064
www.frame-max.com



© FrameMax Inc.

CREATED: 10/24/2008

FM-07-109

CREATED BY: AMB

HEIGHT : 11'-9 11/16" POINTS: 2.45 Points.

SPACING : 5000"

1st STUD: 5000"

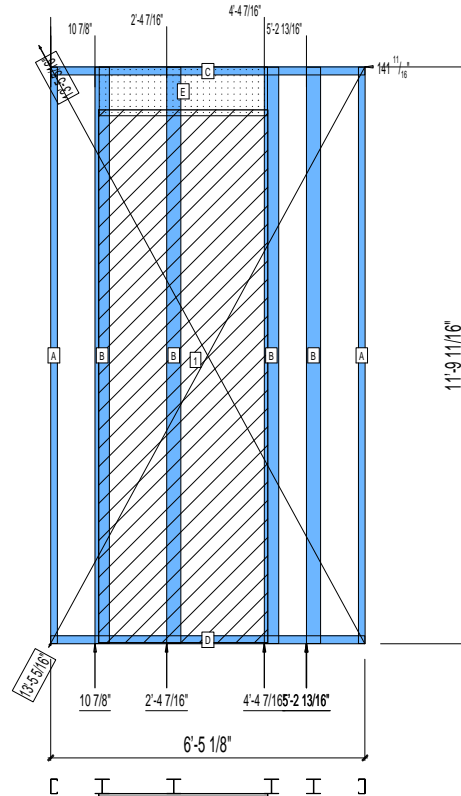
APPROVED
By Ryan J Gonsalves at 2:58 pm, Nov 11, 2008

WEIGHTS :

FRAME : 328 lbs

SHEATHING: 139 lbs

TOTAL: 467 lbs



PIECES LIST

LABEL	QTY	SIZE	LENGTH	USE
A	2	362S162-54	11'-9 1/2"	STUD
B	4	3631350p554	11'-9 1/2"	PACO.COLUMN
C	1	362T200-68	6'-5 1/8"	TOP TRACK
D	1	362T200-68	6'-5 1/8"	BOTTOM TRACK
E	1	1200D-54	3'-5 5/16"	STRAP

SHEATHING

LABEL	QTY	CODE	THICK	SIZE	SCREWS
1	1	SB-DENSARMOR	5/8"	3'-5 1/2" X 10'-10 7/8"	2/12

31-1153

Jewish Home for the Aging

1885 Victory Blvd. Reseda, CA

FM-07-109

CREATED BY: AMB

FrameMax, Inc.
13915 Danielson St
Suite 100
Poway, CA 92064
www.frame-max.com



© FrameMax Inc.

HEIGHT : 11'-9 11/16" POINTS: 1.52 Points.

SPACING : 24"

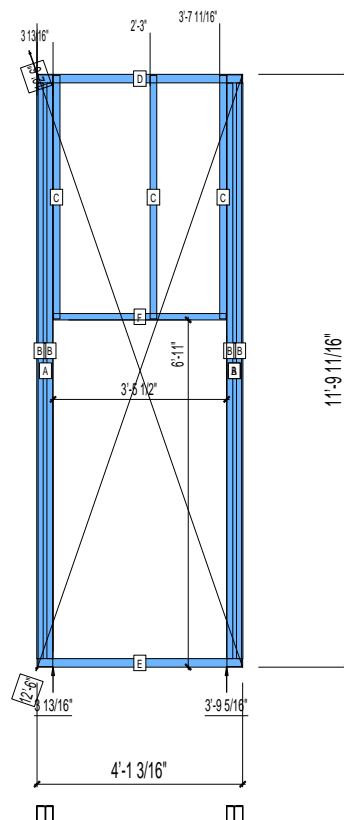
1st STUD: 24"

APPROVED
By Ryan J Gonsalves at 2:58 pm, Nov 11, 2008

WEIGHTS :

FRAME : 259 lbs

TOTAL: 259 lbs



PIECES LIST

LABEL	QTY	SIZE	LENGTH	USE
A	2	363i350p680	11'-9 1/2"	KING STUD
B	4	362T150-54	11'-5 9/16"	KING TRACK
C	3	362S162-54	4'-10 1/4"	CRIPPLE
D	1	362T200-68	4'-1 3/16"	TOP TRACK
E	1	362T200-68	4'-1 3/16"	BOTTOM TRACK
F	1	362T150-54	3'-5 1/4"	HEAD TRACK

31-1154

Jewish Home for the Aging

1885 Victory Blvd. Reseda, CA

FM-07-109

CREATED BY: AMB

FrameMax, Inc.
13915 Danielson St
Suite 100
Poway, CA 92064
www.frame-max.com



© FrameMax Inc.

HEIGHT : 11'-9 11/16" POINTS: 1.52 Points.

SPACING : 24"

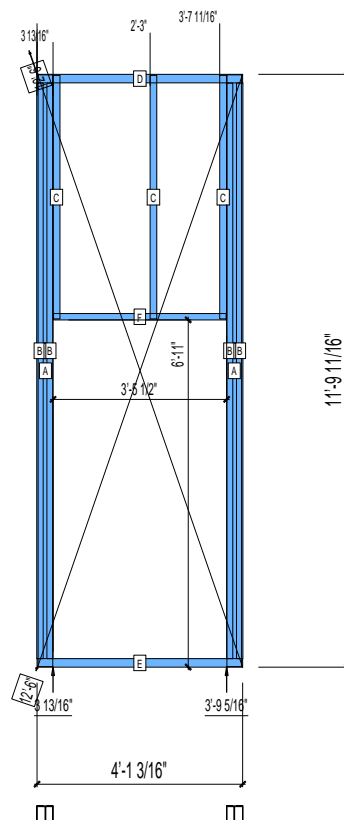
1st STUD: 24"

APPROVED
By Ryan J Gonsalves at 2:58 pm, Nov 11, 2008

WEIGHTS :

FRAME : 259 lbs

TOTAL: 259 lbs



A

A

PIECES LIST

LABEL	QTY	SIZE	LENGTH	USE
A	2	363i350p680	11'-9 1/2"	KING STUD
B	4	362T150-54	11'-5 9/16"	KING TRACK
C	3	362S162-54	4'-10 1/4"	CRIPPLE
D	1	362T200-68	4'-1 3/16"	TOP TRACK
E	1	362T200-68	4'-1 3/16"	BOTTOM TRACK
F	1	362T150-54	3'-5 1/4"	HEAD TRACK

31-1155

Jewish Home for the Aging

1885 Victory Blvd. Reseda, CA

FM-07-109

CREATED BY: AMB

FrameMax, Inc.
13915 Danielson St
Suite 100
Poway, CA 92064
www.frame-max.com



© FrameMax Inc.

HEIGHT : 11'-9 11/16" POINTS: 1.18 Points.

SPACING : 5000"

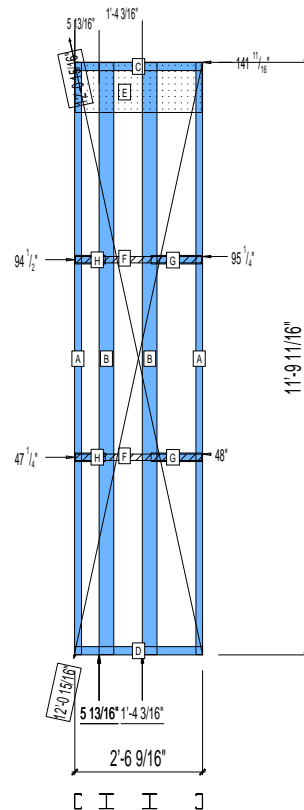
1st STUD: 5000"

APPROVED
By Ryan J Gonsalves at 2:58 pm, Nov 11, 2008

WEIGHTS :

FRAME : 187 lbs

TOTAL: 187 lbs



PIECES LIST

LABEL	QTY	SIZE	LENGTH	USE
A	2	362S162-54	11'-9 1/2"	STUD
B	2	363i350p554	11'-9 1/2"	PACO.COLUMN
C	1	362T200-68	2'-6 9/16"	TOP TRACK
D	1	362T200-68	2'-6 9/16"	BOTTOM TRACK
E	1	1200D-54	2'-6 3/8"	STRAP
F	2	150D-43	2'-6 1/4"	STRAP
G	2	362T200-68	1'-0 1/8"	BLOCK
H	2	362T200-68	7 1/8"	BLOCK

31-1156

Jewish Home for the Aging

1885 Victory Blvd. Reseda, CA

FM-07-109

CREATED BY: AMB

FrameMax, Inc.
13915 Danielson St
Suite 100
Poway, CA 92064
www.frame-max.com



© FrameMax Inc.

HEIGHT : 11'-9 11/16" POINTS: 1.18 Points.

SPACING : 5000"

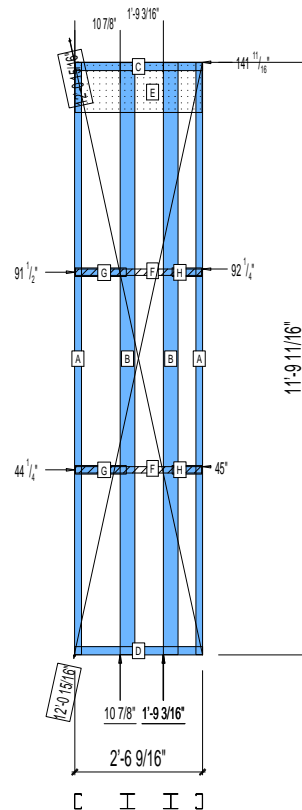
1st STUD: 5000"

APPROVED
By Ryan J Gonsalves at 2:58 pm, Nov 11, 2008

WEIGHTS :

FRAME : 187 lbs

TOTAL: 187 lbs



PIECES LIST

LABEL	QTY	SIZE	LENGTH	USE
A	2	362S162-54	11'-9 1/2"	STUD
B	2	363i350p554	11'-9 1/2"	PACO.COLUMN
C	1	362T200-68	2'-6 9/16"	TOP TRACK
D	1	362T200-68	2'-6 9/16"	BOTTOM TRACK
E	1	1200D-54	2'-6 3/8"	STRAP
F	2	150D-43	2'-6 1/4"	STRAP
G	2	362T200-68	1'-0 1/8"	BLOCK
H	2	362T200-68	7 1/8"	BLOCK

31-1157

Jewish Home for the Aging

1885 Victory Blvd. Reseda, CA

FM-07-109

CREATED BY: AMB

FrameMax, Inc.
13915 Danielson St
Suite 100
Poway, CA 92064
www.frame-max.com



© FrameMax Inc.

HEIGHT : 11'-9 11/16" POINTS: 1.29 Points.

SPACING : 5000"

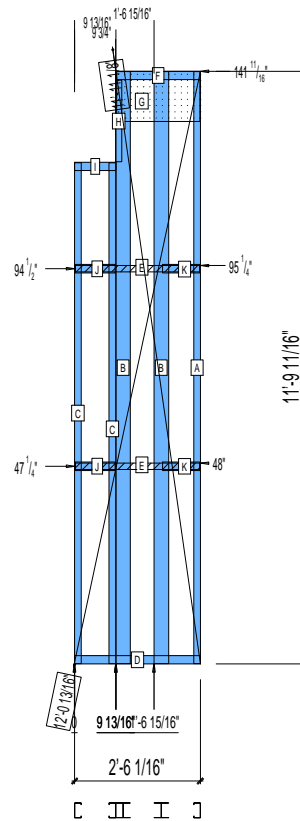
1st STUD: 5000"

APPROVED
By Ryan J Gonsalves at 2:58 pm, Nov 11, 2008

WEIGHTS :

FRAME : 198 lbs

TOTAL: 198 lbs



PIECES LIST

LABEL	QTY	SIZE	LENGTH	USE
A	1	362S162-54	11'-9 1/2"	STUD
B	2	363i350p554	11'-9 1/2"	PACO. COLUMN
C	2	362S162-54	9'-11 3/4"	BEAM JACK
D	1	362T200-68	2'-6 1/16"	BOTTOM TRACK
E	2	150D-43	2'-5 3/4"	STRAP
F	1	362T200-68	1'-8 3/16"	TOP TRACK
G	1	1200D-54	1'-7 7/8"	STRAP
H	1	362T150-33	1'-7 1/2"	EXTRA STUD
I	1	362T200-68	9 7/8"	BEAM JACK
J	2	362T200-68	9 1/2"	BLOCK
K	2	362T200-68	8 7/8"	BLOCK

31-1158

Jewish Home for the Aging

1885 Victory Blvd. Reseda, CA

FM-07-109

CREATED BY: AMB

FrameMax, Inc.
13915 Danielson St
Suite 100
Poway, CA 92064
www.frame-max.com



© FrameMax Inc.

HEIGHT : 11'-9 11/16" POINTS: 1.29 Points.

SPACING : 5000"

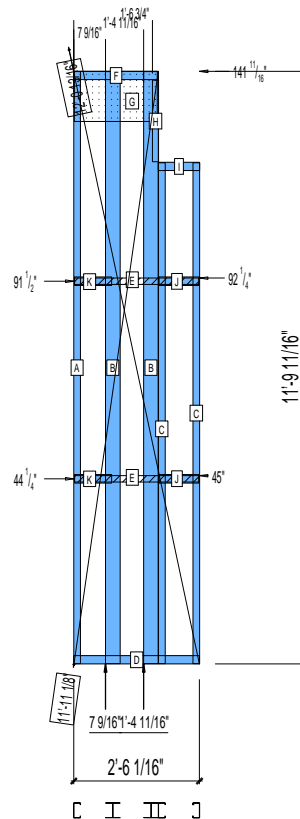
1st STUD: 5000"

APPROVED
By Ryan J Gonsalves at 2:58 pm, Nov 11, 2008

WEIGHTS :

FRAME : 198 lbs

TOTAL: 198 lbs



PIECES LIST

LABEL	QTY	SIZE	LENGTH	USE
A	1	362S162-54	11'-9 1/2"	STUD
B	2	363i350p554	11'-9 1/2"	PACO. COLUMN
C	2	362S162-54	9'-11 3/4"	BEAM JACK
D	1	362T200-68	2'-6 1/16"	BOTTOM TRACK
E	2	150D-43	2'-5 3/4"	STRAP
F	1	362T200-68	1'-8 3/16"	TOP TRACK
G	1	1200D-54	1'-7 7/8"	STRAP
H	1	362T150-33	1'-7 1/2"	EXTRA STUD
I	1	362T200-68	9 7/8"	BEAM JACK
J	2	362T200-68	9 1/2"	BLOCK
K	2	362T200-68	8 7/8"	BLOCK

31-1159

Jewish Home for the Aging

1885 Victory Blvd. Reseda, CA

FrameMax, Inc.
13915 Danielson St
Suite 100
Poway, CA 92064
www.frame-max.com



© FrameMax Inc.

CREATED: 10/24/2008

FM-07-109

CREATED BY: AMB

HEIGHT : 11'-9 11/16" POINTS: 2.58 Points.

SPACING : 5000"

1st STUD: 5000"

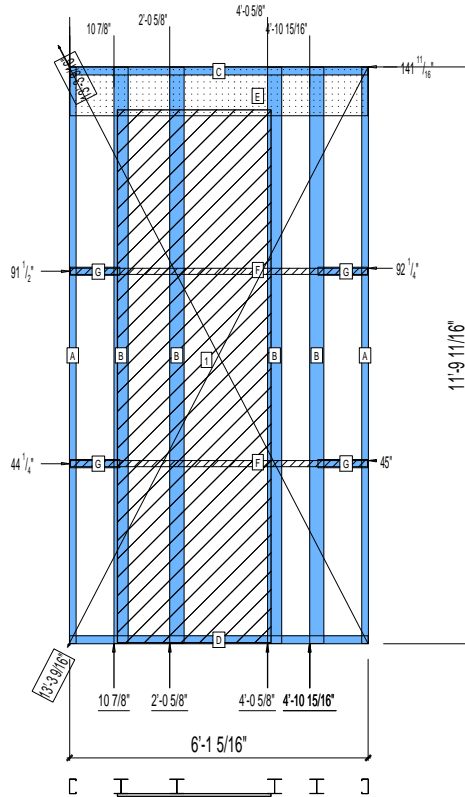
APPROVED
By Ryan J Gonsalves at 2:58 pm, Nov 11, 2008

WEIGHTS :

FRAME : 343 lbs

SHEATHING: 126 lbs

TOTAL: 469 lbs



PIECES LIST

LABEL	QTY	SIZE	LENGTH	USE
A	2	362S162-54	11'-9 1/2"	STUD
B	4	363I350p554	11'-9 1/2"	PACO. COLUMN
C	1	362T200-68	6'-1 5/16"	TOP TRACK
D	1	362T200-68	6'-1 5/16"	BOTTOM TRACK
E	1	1200D-54	6'-1 1/8"	STRAP
F	2	150D-43	6'-1"	STRAP
G	4	362T200-68	1'-0 1/8"	BLOCK

SHEATHING

LABEL	QTY	CODE	THICK	SIZE	SCREWS
1	1	SB-DENSARMOR	5/8"	3'-1 11/16" X 10'-10 7/8"	2/12

31-1160

Jewish Home for the Aging

1885 Victory Blvd. Reseda, CA

FM-07-109

CREATED BY: AMB

FrameMax, Inc.
13915 Danielson St
Suite 100
Poway, CA 92064
www.framemax.com



© FrameMax Inc.

HEIGHT : 11'-9 11/16" POINTS: 2.01 Points.

SPACING : 5000"

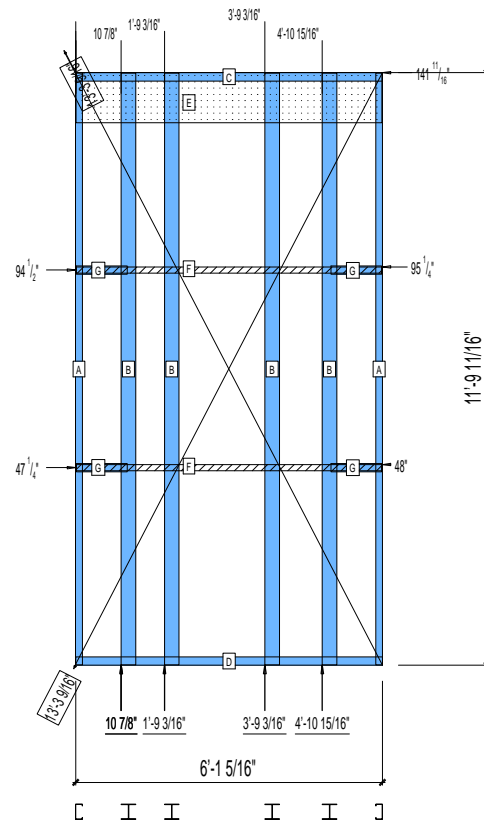
1st STUD: 5000"

APPROVED
By Ryan J Gonsalves at 2:58 pm, Nov 11, 2008

WEIGHTS :

FRAME : 343 lbs

TOTAL: 343 lbs



PIECES LIST

LABEL	QTY	SIZE	LENGTH	USE
A	2	362S162-54	11'-9 1/2"	STUD
B	4	363i350p554	11'-9 1/2"	PACO.COLUMN
C	1	362T200-68	6'-1 5/16"	TOP TRACK
D	1	362T200-68	6'-1 5/16"	BOTTOM TRACK
E	1	1200D-54	6'-1 1/8"	STRAP
F	2	150D-43	6'-1"	STRAP
G	4	362T200-68	1'-0 1/8"	BLOCK

31-1161

Jewish Home for the Aging

1885 Victory Blvd. Reseda, CA

FM-07-109

CREATED BY: AMB

FrameMax, Inc.
13915 Danielson St
Suite 100
Poway, CA 92064
www.frame-max.com



© FrameMax Inc.

HEIGHT : 11'-9 11/16" POINTS: 1.51 Points.

SPACING : 5000"

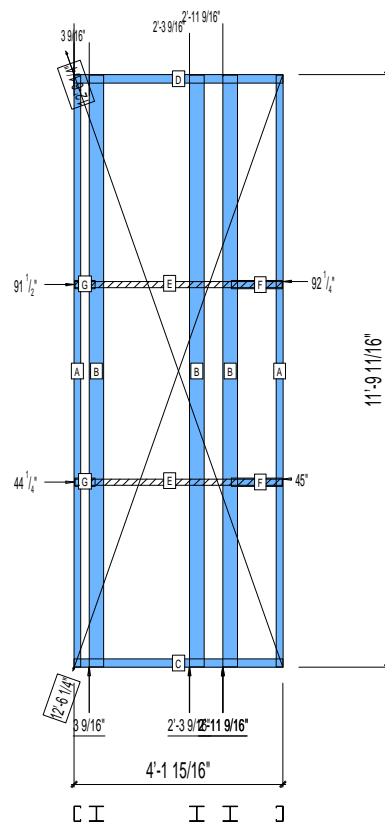
1st STUD: 5000"

APPROVED
By Ryan J Gonsalves at 2:58 pm, Nov 11, 2008

WEIGHTS :

FRAME : 253 lbs

TOTAL: 253 lbs



PIECES LIST

LABEL	QTY	SIZE	LENGTH	USE
A	2	362S162-54	11'-9 1/2"	STUD
B	3	363i350p554	11'-9 1/2"	PACO. COLUMN
C	1	362T200-68	4'-1 15/16"	BOTTOM TRACK
D	1	362T200-68	4'-1 15/16"	TOP TRACK
E	2	150D-43	4'-1 5/8"	STRAP
F	2	362T200-68	1'-0 3/16"	BLOCK
G	2	362T200-68	4 7/8"	BLOCK

31-1162

Jewish Home for the Aging

1885 Victory Blvd. Reseda, CA

FrameMax, Inc.
13915 Danielson St
Suite 100
Poway, CA 92064
www.frame-max.com



© FrameMax Inc.

CREATED: 10/24/2008

FM-07-109

CREATED BY: AMB

HEIGHT : 11'-9 11/16" POINTS: 1.94 Points.

SPACING : 5000"

1st STUD: 5000"

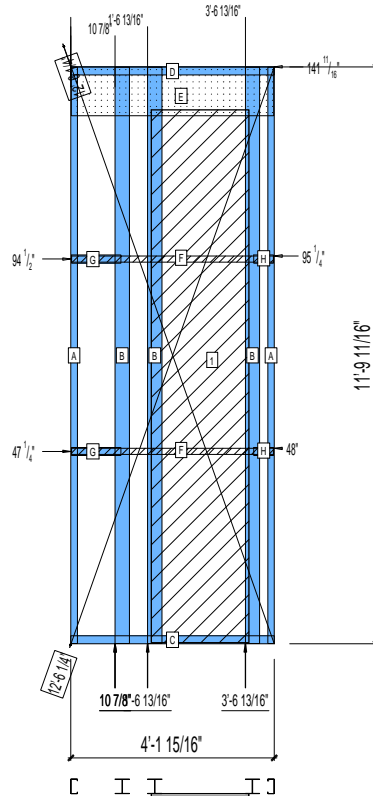
APPROVED
By Ryan J Gonsalves at 2:58 pm, Nov 11, 2008

WEIGHTS :

FRAME : 263 lbs

SHEATHING: 80 lbs

TOTAL: 343 lbs



PIECES LIST

LABEL	QTY	SIZE	LENGTH	USE
A	2	362S162-54	11'-9 1/2"	STUD
B	3	363i350p554	11'-9 1/2"	PACO. COLUMN
C	1	362T200-68	4'-1 15/16"	BOTTOM TRACK
D	1	362T200-68	4'-1 15/16"	TOP TRACK
E	1	1200D-54	4'-1 3/4"	STRAP
F	2	150D-43	4'-1 5/8"	STRAP
G	2	362T200-68	1'-0 3/16"	BLOCK
H	2	362T200-68	4 7/8"	BLOCK

SHEATHING

LABEL	QTY	CODE	THICK	SIZE	SCREWS
1	1	SB-DENSARMOR	5/8"	1'-11 15/16" X 10'-10 7/8"	2/12

31-1163

Jewish Home for the Aging

1885 Victory Blvd. Reseda, CA

FM-07-109

CREATED BY: AMB

FrameMax, Inc.
13915 Danielson St
Suite 100
Poway, CA 92064
www.framemax.com



© FrameMax Inc.

HEIGHT : 11'-9 11/16" POINTS: 0.33 Points.

SPACING : 5000"

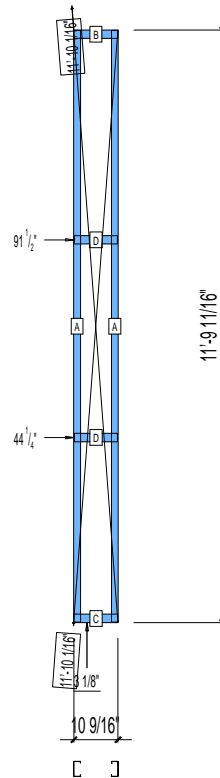
1st STUD: 5000"

APPROVED
By Ryan J Gonsalves at 2:58 pm, Nov 11, 2008

WEIGHTS :

FRAME : 40 lbs

TOTAL: 40 lbs



PIECES LIST

LABEL	QTY	SIZE	LENGTH	USE
A	2	362S162-54	11'-9 1/2"	STUD
B	1	362T200-68	10 9/16"	TOP TRACK
C	1	362T200-68	10 9/16"	BOTTOM TRACK
D	2	362T200-68	10 1/4"	BLOCK

31-1164

Jewish Home for the Aging

1885 Victory Blvd. Reseda, CA

FM-07-109

CREATED BY: AMB

FrameMax, Inc.
13915 Danielson St
Suite 100
Poway, CA 92064
www.framemax.com



© FrameMax Inc.

HEIGHT : 11'-9 11/16" POINTS: 0.36 Points.

SPACING : 5000"

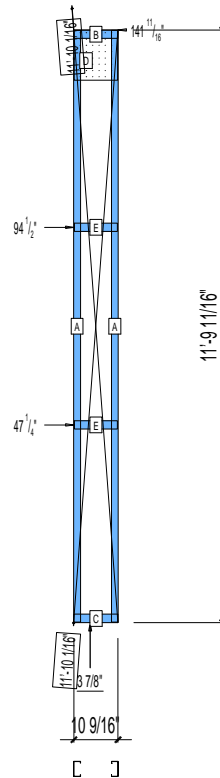
1st STUD: 5000"

APPROVED
By Ryan J Gonsalves at 2:58 pm, Nov 11, 2008

WEIGHTS :

FRAME : 43 lbs

TOTAL: 43 lbs



PIECES LIST

LABEL	QTY	SIZE	LENGTH	USE
A	2	362S162-54	11'-9 1/2"	STUD
B	1	362T200-68	10 9/16"	TOP TRACK
C	1	362T200-68	10 9/16"	BOTTOM TRACK
D	1	1200D-54	10 3/8"	STRAP
E	2	362T200-68	10 1/4"	BLOCK

31-1165

Jewish Home for the Aging

1885 Victory Blvd. Reseda, CA

FM-07-109

CREATED BY: AMB

FrameMax, Inc.
13915 Danielson St
Suite 100
Poway, CA 92064
www.frame-max.com



© FrameMax Inc.

HEIGHT : 10'-5 9/16" POINTS: 0.69 Points.

SPACING : 5000"

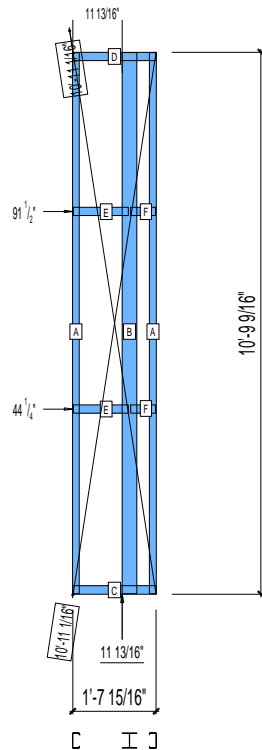
1st STUD: 5000"

APPROVED
By Ryan J Gonsalves at 2:58 pm, Nov 11, 2008

WEIGHTS :

FRAME : 103 lbs

TOTAL: 103 lbs



PIECES LIST

LABEL	QTY	SIZE	LENGTH	USE
A	2	362S162-54	10'-9 3/8"	STUD
B	1	363i350p554	10'-9 3/8"	PACO. COLUMN
C	1	362T200-68	1'-7 15/16"	BOTTOM TRACK
D	1	362T200-68	1'-7 15/16"	TOP TRACK
E	2	362T200-68	1'-1 1/8"	BLOCK
F	2	362T200-68	5 15/16"	BLOCK

31-1166

Jewish Home for the Aging

1885 Victory Blvd. Reseda, CA

FM-07-109

CREATED BY: AMB

FrameMax, Inc.
13915 Danielson St
Suite 100
Poway, CA 92064
www.frame-max.com



© FrameMax Inc.

HEIGHT : 10'-5 9/16" POINTS: 0.69 Points.

SPACING : 5000"

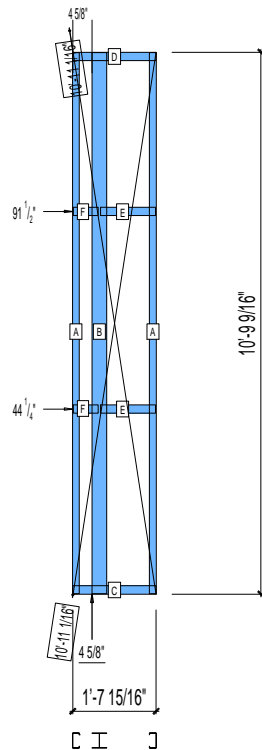
1st STUD: 5000"

APPROVED
By Ryan J Gonsalves at 2:58 pm, Nov 11, 2008

WEIGHTS :

FRAME : 103 lbs

TOTAL: 103 lbs



PIECES LIST

LABEL	QTY	SIZE	LENGTH	USE
A	2	362S162-54	10'-9 3/8"	STUD
B	1	363i350p554	10'-9 3/8"	PACO. COLUMN
C	1	362T200-68	1'-7 15/16"	BOTTOM TRACK
D	1	362T200-68	1'-7 15/16"	TOP TRACK
E	2	362T200-68	1'-1 1/8"	BLOCK
F	2	362T200-68	5 15/16"	BLOCK

31-1167

Jewish Home for the Aging

1885 Victory Blvd. Reseda, CA

FrameMax, Inc.
13915 Danielson St
Suite 100
Poway, CA 92064
www.frame-max.com



© FrameMax Inc.

CREATED: 10/24/2008

FM-07-109

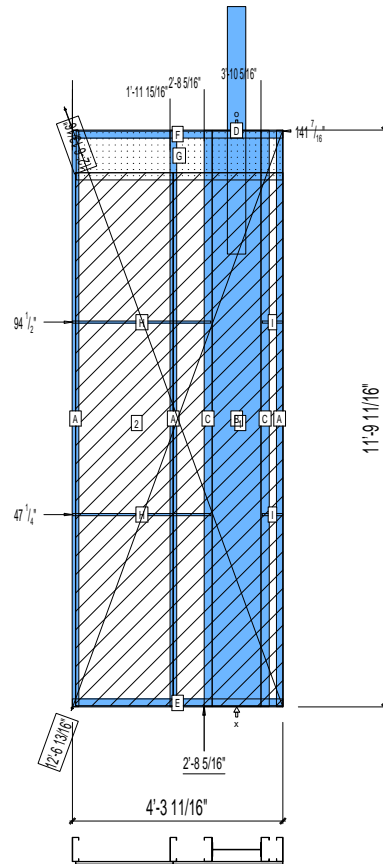
CREATED BY: AMB

HEIGHT : 14'-3 15/16" POINTS: 2.87 Points.
SPACING : 24"
1st STUD: 24"

APPROVED
By Ryan J Gonsalves at 2:58 pm, Nov 11, 2008

WEIGHTS :
FRAME : 376 lbs
SHEATHING: 170 lbs

TOTAL: 546 lbs



PIECES LIST

LABEL	QTY	SIZE	LENGTH	USE
A	3	600S162-97	11'-9 1/2"	STUD
B	1	1200i350p1062	11'-9 1/2"	PACO
C	2	600S200-68	11'-9 1/2"	STUD
D	1	D	5'-0 3/4"	HOLDDOWN
E	1	600T200-68	4'-3 11/16"	BOTTOM TRACK
F	1	600T200-68	4'-3 11/16"	TOP TRACK
G	1	1200D-54	4'-2 11/16"	STRAP
H	2	150U50-54	2'-9 15/16"	HORIZONTAL BRACING
I	2	150U50-54	4 15/16"	HORIZONTAL BRACING

SHEATHING

LABEL	QTY	CODE	THICK	SIZE	SCREWS
1	1	SB-DENSARMOR	5/8"	2'-2 15/16" X 10'-10 7/8"	2/12
2	1	SB-DENSARMOR	5/8"	2'-0" X 10'-10 7/8"	2/12

31-1168

Jewish Home for the Aging

1885 Victory Blvd. Reseda, CA

FM-07-109

CREATED BY: AMB

FrameMax, Inc.
13915 Danielson St
Suite 100
Poway, CA 92064
www.frame-max.com



© FrameMax Inc.

HEIGHT : 11'-9 11/16" POINTS: 4.58 Points.

SPACING : 24"

1st STUD: 24"

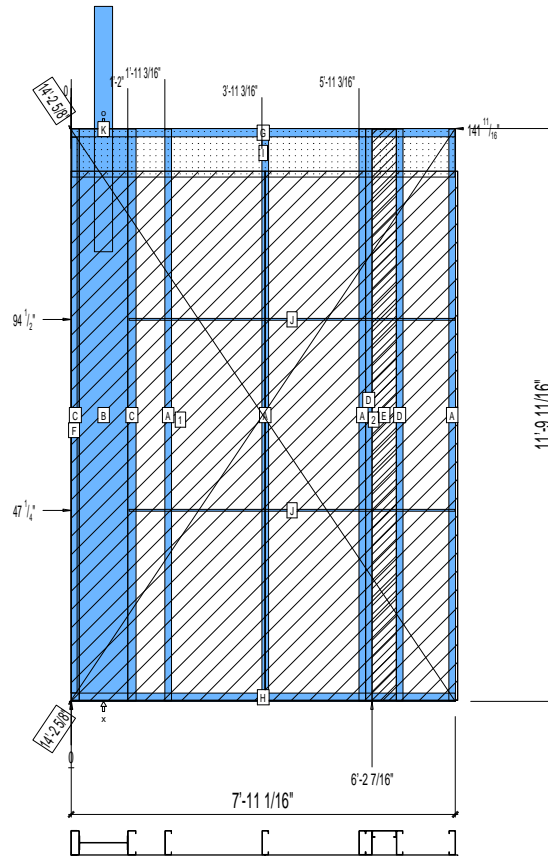
APPROVED
By Ryan J Gonsalves at 2:58 pm, Nov 11, 2008

WEIGHTS :

FRAME : 573 lbs

SHEATHING: 320 lbs

TOTAL: 893 lbs



PIECES LIST

LABEL	QTY	SIZE	LENGTH	USE
A	4	600S162-97	11'-9 1/2"	STUD
B	1	1200i350p1062	11'-9 1/2"	PACO
C	2	600S200-68	11'-9 1/2"	STUD
D	2	600S162-97	11'-9 1/2"	BACKER STUD
E	1	600S162-97	11'-9 1/4"	BACKER-U
F	1	600T150-33	11'-5 7/16"	EXTRA STUD
G	1	600T200-68	7'-11 1/16"	TOP TRACK
H	1	600T200-68	7'-11 1/16"	BOTTOM TRACK
I	1	1200D-54	7'-10 13/16"	STRAP
J	2	150U50-54	6'-8 5/8"	HORIZONTAL BRACING
K	1	D	5'-0 3/4"	HOLDDOWN

SHEATHING

LABEL	QTY	CODE	THICK	SIZE	SCREWS
1	1	SB-DENSARMOR	5/8"	4'-0" X 10'-10 7/8"	2/12
2	1	SB-DENSARMOR	5/8"	3'-11 5/8" X 10'-10 7/8"	2/12

31-1169

Jewish Home for the Aging

1885 Victory Blvd. Reseda, CA

FrameMax, Inc.
13915 Danielson St
Suite 100
Poway, CA 92064
www.frame-max.com



© FrameMax Inc.

CREATED: 10/24/2008

FM-07-109

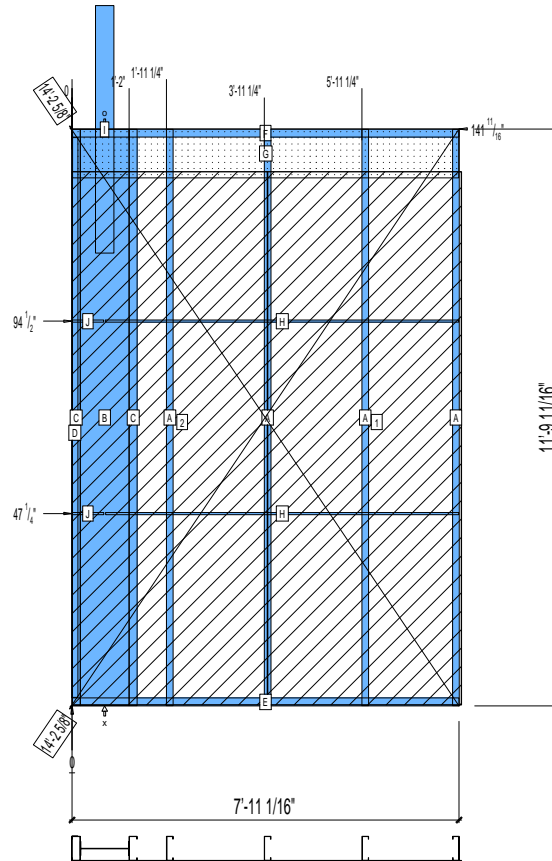
CREATED BY: AMB

HEIGHT : 11'-9 11/16" POINTS: 4.04 Points.
SPACING : 24"
1st STUD: 24"

APPROVED
By Ryan J Gonsalves at 2:58 pm, Nov 11, 2008

WEIGHTS :
FRAME : 458 lbs
SHEATHING: 320 lbs

TOTAL: 778 lbs



PIECES LIST

LABEL	QTY	SIZE	LENGTH	USE
A	4	600S162-97	11'-9 1/2"	STUD
B	1	1200i350p1062	11'-9 1/2"	PACO
C	2	600S200-68	11'-9 1/2"	STUD
D	1	600T150-33	11'-5 7/16"	EXTRA STUD
E	1	600T200-68	7'-11 1/16"	BOTTOM TRACK
F	1	600T200-68	7'-11 1/16"	TOP TRACK
G	1	1200D-54	7'-10 13/16"	STRAP
H	2	150U50-54	7'-2 11/16"	HORIZONTAL BRACING
I	1	D	5'-0 3/4"	HOLDDOWN
J	2	150U50-54	7 11/16"	HORIZONTAL BRACING

SHEATHING

LABEL	QTY	CODE	THICK	SIZE	SCREWS
1	1	SB-DENSARMOR	5/8"	3'-11 5/8" X 10'-10 7/8"	2/12
2	1	SB-DENSARMOR	5/8"	4'-0" X 10'-10 7/8"	2/12

31-1170

Jewish Home for the Aging

1885 Victory Blvd. Reseda, CA

FrameMax, Inc.
13915 Danielson St
Suite 100
Poway, CA 92064
www.frame-max.com



© FrameMax Inc.

CREATED: 10/24/2008

FM-07-109

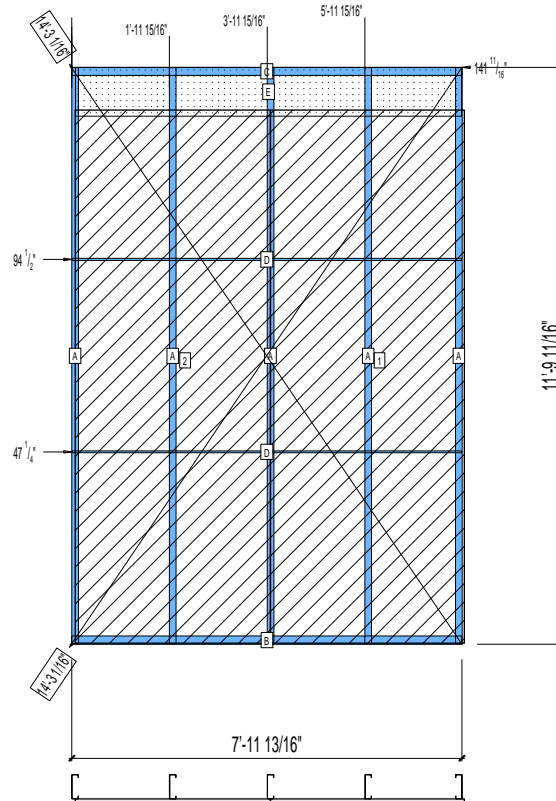
CREATED BY: AMB

HEIGHT : 11'-9 11/16" POINTS: 3.01 Points.
SPACING : 24"
1st STUD: 24"

APPROVED
By Ryan J Gonsalves at 2:58 pm, Nov 11, 2008

WEIGHTS :
FRAME : 260 lbs
SHEATHING: 320 lbs

TOTAL: 580 lbs



PIECES LIST

LABEL	QTY	SIZE	LENGTH	USE
A	5	600S162-97	11'-9 1/2"	STUD
B	1	600T200-68	7'-11 13/16"	BOTTOM TRACK
C	1	600T200-68	7'-11 13/16"	TOP TRACK
D	2	150U50-54	7'-11 5/8"	HORIZONTAL BRACING
E	1	1200D-54	7'-10 13/16"	STRAP

SHEATHING

LABEL	QTY	CODE	THICK	SIZE	SCREWS
1	1	SB-DENSARMOR	5/8"	3'-11 5/8" X 10'-10 7/8"	2/12
2	1	SB-DENSARMOR	5/8"	4'-0" X 10'-10 7/8"	2/12

31-1171

Jewish Home for the Aging

1885 Victory Blvd. Reseda, CA

FrameMax, Inc.
13915 Danielson St
Suite 100
Poway, CA 92064
www.frame-max.com



© FrameMax Inc.

CREATED: 10/24/2008

FM-07-109

CREATED BY: AMB

HEIGHT : 14'-3 15/16" POINTS: 3.05 Points.

SPACING : 24"

1st STUD: 24"

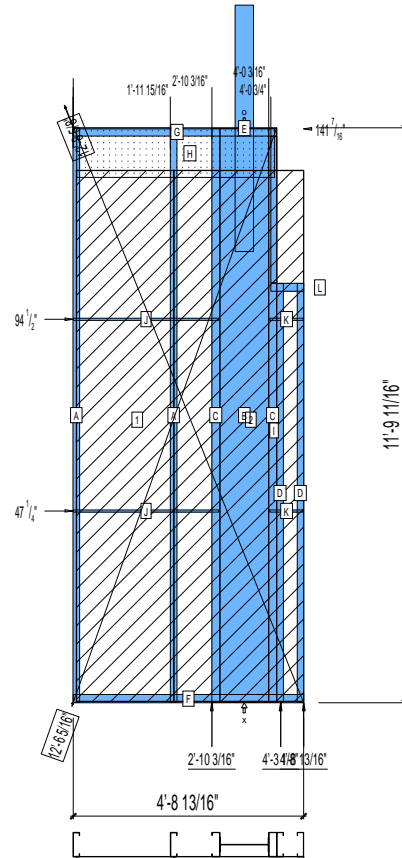
APPROVED
By Ryan J Gonsalves at 2:58 pm, Nov 11, 2008

WEIGHTS :

FRAME : 383 lbs

SHEATHING: 187 lbs

TOTAL: 570 lbs



PIECES LIST

LABEL	QTY	SIZE	LENGTH	USE
A	2	600S162-97	11'-9 1/2"	STUD
B	1	1200i350p1062	11'-9 1/2"	PACO
C	2	600S200-68	11'-9 1/2"	STUD
D	2	600S162-68	8'-7 3/16"	BEAM JACK
E	1	D	5'-0 3/4"	HOLDDOWN
F	1	600T200-68	4'-8 13/16"	BOTTOM TRACK
G	1	600T200-68	4'-2 3/16"	TOP TRACK
H	1	1200D-54	4'-0 3/4"	STRAP
I	1	600T150-33	3'-0 1/16"	EXTRA STUD
J	2	150U50-54	2'-11 3/4"	HORIZONTAL BRACING
K	2	150U50-54	8 3/16"	HORIZONTAL BRACING
L	1	600T200-68	8 1/16"	BEAM JACK

SHEATHING

LABEL	QTY	CODE	THICK	SIZE	SCREWS
1	1	SB-DENSARMOR	5/8"	2'-0" X 10'-10 7/8"	2/12
2	1	SB-DENSARMOR	5/8"	2'-8" X 10'-10 7/8"	2/12

31-1172

Jewish Home for the Aging

1885 Victory Blvd. Reseda, CA

FM-07-109

CREATED BY: AMB

FrameMax, Inc.
13915 Danielson St
Suite 100
Poway, CA 92064
www.frame-max.com



© FrameMax Inc.

HEIGHT : 9'-10 7/8" POINTS: 2.40 Points.

SPACING : 24"

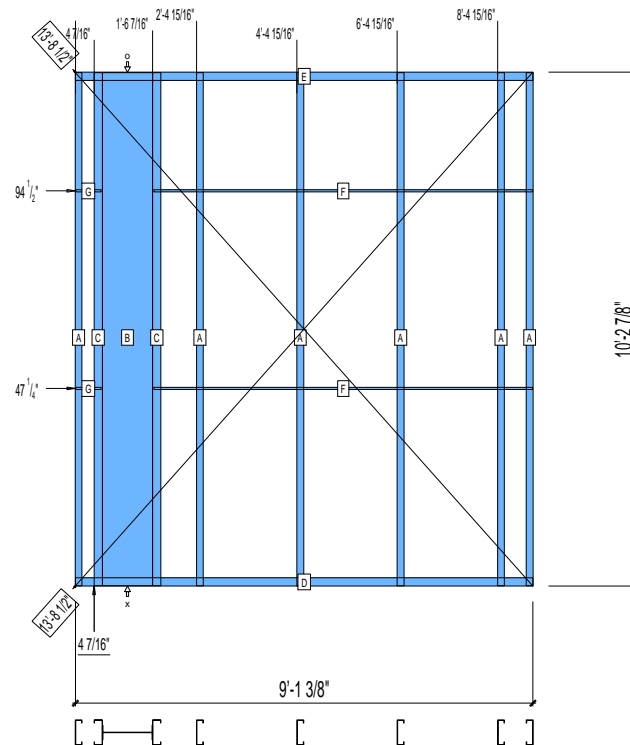
1st STUD: 24"

APPROVED
By Ryan J Gonsalves at 2:58 pm, Nov 11, 2008

WEIGHTS :

FRAME : 416 lbs

TOTAL: 416 lbs



PIECES LIST

LABEL	QTY	SIZE	LENGTH	USE
A	6	600S162-97	10'-2 11/16"	STUD
B	1	1200i350p1062	10'-2 11/16"	PACO
C	2	600S200-68	10'-2 11/16"	STUD
D	1	600T200-68	9'-1 3/8"	BOTTOM TRACK
E	1	600T200-68	9'-1 3/8"	TOP TRACK
F	2	150U50-54	7'-6 1/2"	HORIZONTAL BRACING
G	2	150U50-54	6 1/16"	HORIZONTAL BRACING

31-1173

Jewish Home for the Aging

1885 Victory Blvd. Reseda, CA

FM-07-109

CREATED BY: AMB

FrameMax, Inc.
13915 Danielson St
Suite 100
Poway, CA 92064
www.frame-max.com



© FrameMax Inc.

HEIGHT : 11'-9 11/16" POINTS: 3.11 Points.

SPACING : 24"

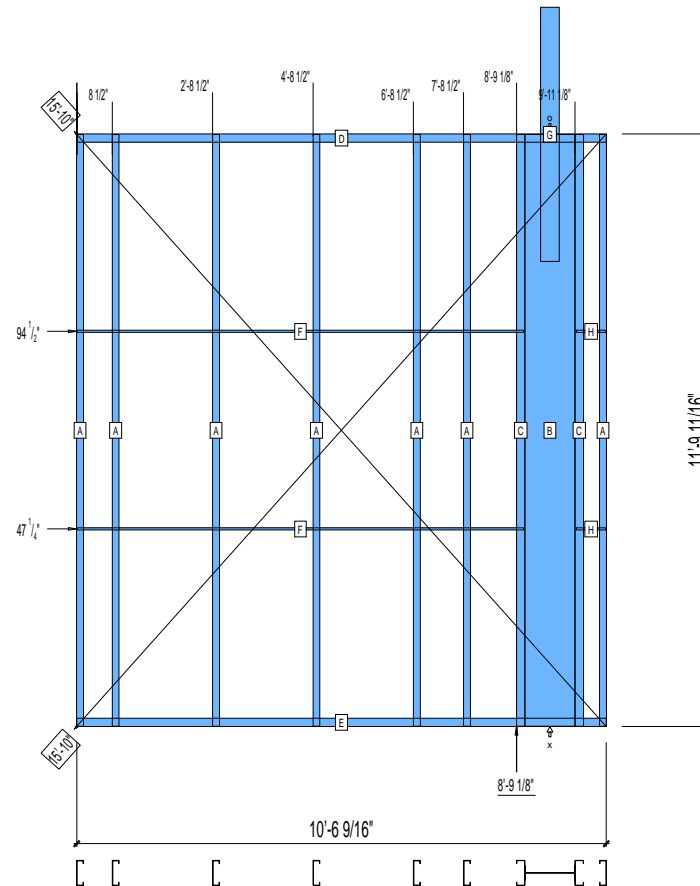
1st STUD: 24"

APPROVED
By Ryan J Gonsalves at 2:58 pm, Nov 11, 2008

WEIGHTS :

FRAME : 557 lbs

TOTAL: 557 lbs



PIECES LIST

LABEL	QTY	SIZE	LENGTH	USE
A	7	600S162-97	11'-9 1/2"	STUD
B	1	1200i350p1062	11'-9 1/2"	PACO
C	2	600S200-68	11'-9 1/2"	STUD
D	1	600T200-68	10'-6 9/16"	TOP TRACK
E	1	600T200-68	10'-6 9/16"	BOTTOM TRACK
F	2	150U50-54	8'-10 3/4"	HORIZONTAL BRACING
G	1	D	5'-0 3/4"	HOLDDOWN
H	2	150U50-54	7 1/16"	HORIZONTAL BRACING

31-1174

Jewish Home for the Aging

1885 Victory Blvd. Reseda, CA

FrameMax, Inc.
13915 Danielson St
Suite 100
Poway, CA 92064
www.frame-max.com



© FrameMax Inc.

CREATED: 10/24/2008

FM-07-109

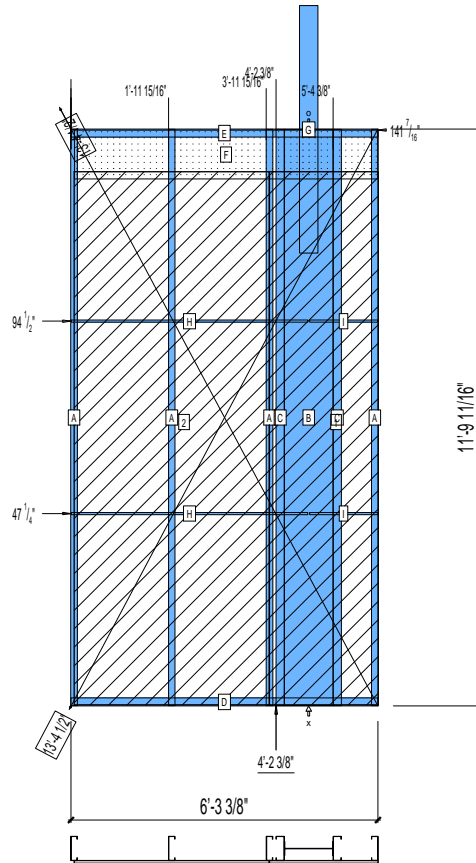
CREATED BY: AMB

HEIGHT : 14'-3 15/16" POINTS: 3.55 Points.
SPACING : 24"
1st STUD: 24"

APPROVED
By Ryan J Gonsalves at 2:58 pm, Nov 11, 2008

WEIGHTS :
FRAME : 432 lbs
SHEATHING: 250 lbs

TOTAL: 682 lbs



PIECES LIST

LABEL	QTY	SIZE	LENGTH	USE
A	4	600S162-97	11'-9 1/2"	STUD
B	1	1200i350p1062	11'-9 1/2"	PACO
C	2	600S200-68	11'-9 1/2"	STUD
D	1	600T200-68	6'-3 3/8"	BOTTOM TRACK
E	1	600T200-68	6'-3 3/8"	TOP TRACK
F	1	1200D-54	6'-2 7/16"	STRAP
G	1	D	5'-0 3/4"	HOLDDOWN
H	2	150U50-54	4'-10 1/16"	HORIZONTAL BRACING
I	2	150U50-54	1'-4 11/16"	HORIZONTAL BRACING

SHEATHING

LABEL	QTY	CODE	THICK	SIZE	SCREWS
1	1	SB-DENSARMOR	5/8"	2'-2 11/16" X 10'-10 7/8"	2/12
2	1	SB-DENSARMOR	5/8"	4'-0" X 10'-10 7/8"	2/12

31-1175

Jewish Home for the Aging

1885 Victory Blvd. Reseda, CA

FrameMax, Inc.
13915 Danielson St
Suite 100
Poway, CA 92064
www.frame-max.com



© FrameMax Inc.

CREATED: 10/24/2008

FM-07-109

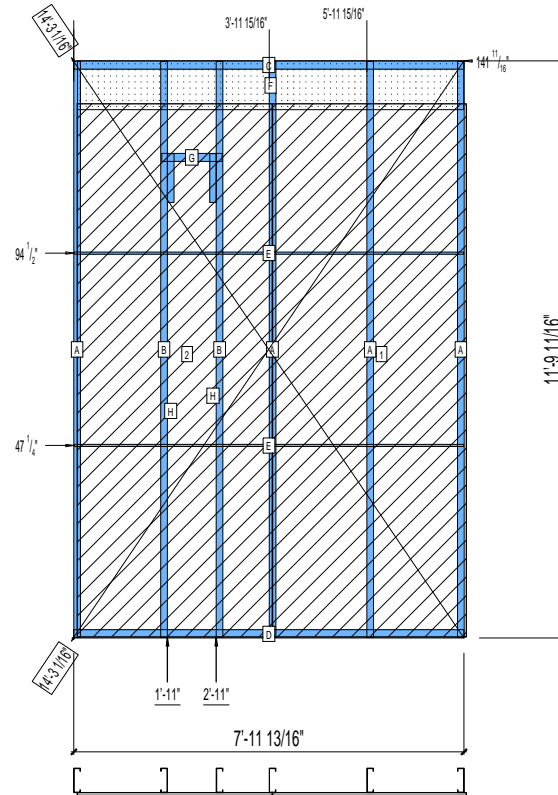
CREATED BY: AMB

HEIGHT : 11'-9 11/16" POINTS: 3.32 Points.
SPACING : 24"
1st STUD: 24"

APPROVED
By Ryan J Gonsalves at 2:58 pm, Nov 11, 2008

WEIGHTS :
FRAME : 308 lbs
SHEATHING: 320 lbs

TOTAL: 628 lbs



PIECES LIST

LABEL	QTY	SIZE	LENGTH	USE
A	4	600S162-97	11'-9 1/2"	STUD
B	2	600S162-97	11'-9 1/2"	BEAM KING
C	1	600T200-68	7'-11 13/16"	TOP TRACK
D	1	600T200-68	7'-11 13/16"	BOTTOM TRACK
E	2	150U50-54	7'-11 5/8"	HORIZONTAL BRACING
F	1	1200D-54	7'-10 13/16"	STRAP
G	1	600T200-68	1'-2 13/16"	BEAM JACK
H	2	600S162-97	1'-0"	BEAM JACK

SHEATHING

LABEL	QTY	CODE	THICK	SIZE	SCREWS
1	1	SB-DENSARMOR	5/8"	3'-11 5/8" X 10'-10 7/8"	2/12
2	1	SB-DENSARMOR	5/8"	4'-0" X 10'-10 7/8"	2/12

31-1176

Jewish Home for the Aging

1885 Victory Blvd. Reseda, CA

FrameMax, Inc.
13915 Danielson St
Suite 100
Poway, CA 92064
www.framemax.com



© FrameMax Inc.

CREATED: 10/24/2008

FM-07-109

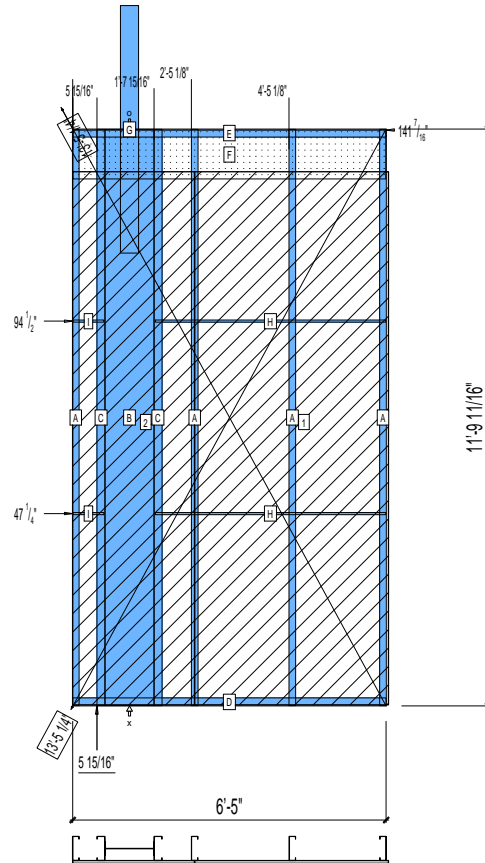
CREATED BY: AMB

HEIGHT : 14'-3 15/16" POINTS: 3.59 Points.
SPACING : 24"
1st STUD: 24"

APPROVED
By Ryan J Gonsalves at 2:58 pm, Nov 11, 2008

WEIGHTS :
FRAME : 432 lbs
SHEATHING: 259 lbs

TOTAL: 691 lbs



PIECES LIST

LABEL	QTY	SIZE	LENGTH	USE
A	4	600S162-97	11'-9 1/2"	STUD
B	1	1200i350p1062	11'-9 1/2"	PACO
C	2	600S200-68	11'-9 1/2"	STUD
D	1	600T200-68	6'-5"	BOTTOM TRACK
E	1	600T200-68	6'-5"	TOP TRACK
F	1	1200D-54	6'-4 13/16"	STRAP
G	1	D	5'-0 3/4"	HOLDDOWN
H	2	150U50-54	4'-8 5/8"	HORIZONTAL BRACING
I	2	150U50-54	7 9/16"	HORIZONTAL BRACING

SHEATHING

LABEL	QTY	CODE	THICK	SIZE	SCREWS
1	1	SB-DENSARMOR	5/8"	3'-11 5/8" X 10'-10 7/8"	2/12
2	1	SB-DENSARMOR	5/8"	2'-6" X 10'-10 7/8"	2/12

31-1177

Jewish Home for the Aging

1885 Victory Blvd. Reseda, CA

FM-07-109

CREATED BY: AMB

FrameMax, Inc.
13915 Danielson St
Suite 100
Poway, CA 92064
www.framemax.com



© FrameMax Inc.

HEIGHT : 11'-9 11/16" POINTS: 1.63 Points.

SPACING : 24"

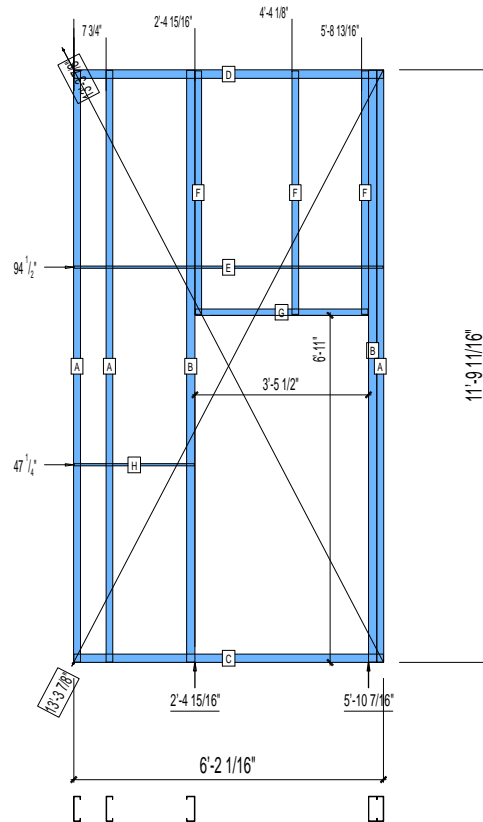
1st STUD: 24"

APPROVED
By Ryan J Gonsalves at 2:58 pm, Nov 11, 2008

WEIGHTS :

FRAME : 270 lbs

TOTAL: 270 lbs



PIECES LIST

LABEL	QTY	SIZE	LENGTH	USE
A	3	600S162-97	11'-9 1/2"	STUD
B	2	600S200-97	11'-9 1/2"	KING STUD
C	1	600T200-68	6'-2 1/16"	BOTTOM TRACK
D	1	600T200-68	6'-2 1/16"	TOP TRACK
E	1	150U50-54	6'-1 7/8"	HORIZONTAL BRACING
F	3	600S162-54	4'-10 1/4"	CRIPPLE
G	1	600T150-54	3'-5 1/4"	HEAD TRACK
H	1	150U50-54	2'-4 3/4"	HORIZONTAL BRACING

31-1178

Jewish Home for the Aging

1885 Victory Blvd. Reseda, CA

FM-07-109

CREATED BY: AMB

FrameMax, Inc.
13915 Danielson St
Suite 100
Poway, CA 92064
www.framemax.com



© FrameMax Inc.

HEIGHT : 11'-9 11/16" POINTS: 1.99 Points.

SPACING : 24"

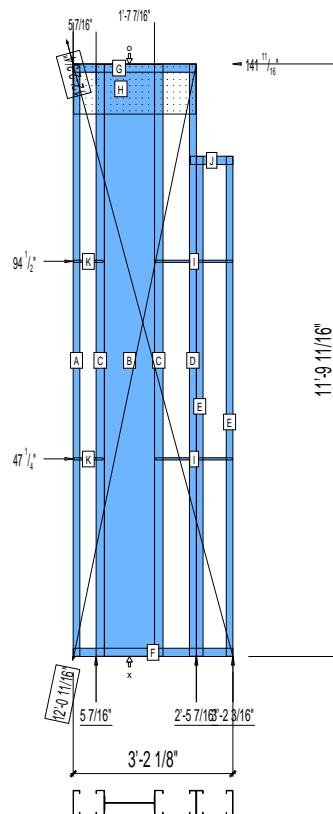
1st STUD: 24"

APPROVED
By Ryan J Gonsalves at 2:58 pm, Nov 11, 2008

WEIGHTS :

FRAME : 353 lbs

TOTAL: 353 lbs



PIECES LIST

LABEL	QTY	SIZE	LENGTH	USE
A	1	600S162-97	11'-9 1/2"	STUD
B	1	1200i350p1062	11'-9 1/2"	PACO
C	2	600S200-68	11'-9 1/2"	STUD
D	1	600S162-97	11'-9 1/2"	BEAM KING
E	2	600S162-97	9'-11 7/16"	BEAM JACK
F	1	600T200-68	3'-2 1/8"	BOTTOM TRACK
G	1	600T200-68	2'-5 7/16"	TOP TRACK
H	1	1200D-54	2'-5 1/4"	STRAP
I	2	150U50-54	1'-6 1/4"	HORIZONTAL BRACING
J	1	600T200-68	10 3/16"	BEAM JACK
K	2	150U50-54	7 1/16"	HORIZONTAL BRACING

31-1179

Jewish Home for the Aging

1885 Victory Blvd. Reseda, CA

FrameMax, Inc.
13915 Danielson St
Suite 100
Poway, CA 92064
www.frame-max.com



© FrameMax Inc.

CREATED: 10/24/2008

FM-07-109

CREATED BY: AMB

HEIGHT : 11'-9 11/16" POINTS: 2.18 Points.

SPACING : 24"

1st STUD: 24"

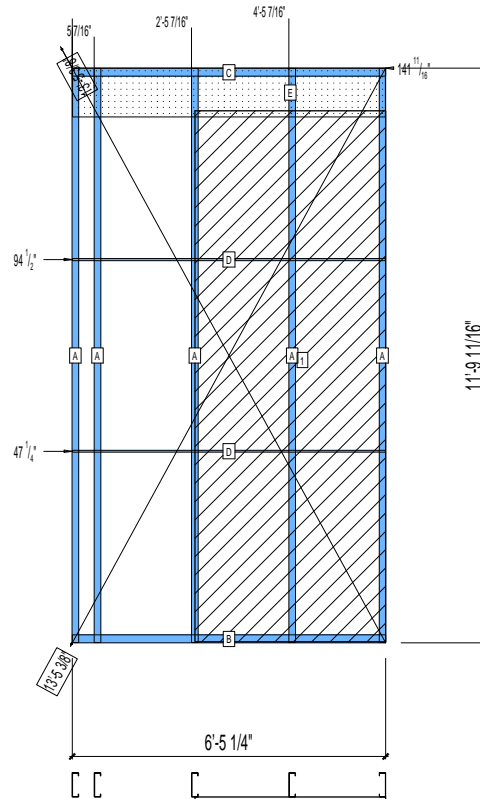
APPROVED
By Ryan J Gonsalves at 2:58 pm, Nov 11, 2008

WEIGHTS :

FRAME : 247 lbs

SHEATHING: 157 lbs

TOTAL: 404 lbs



PIECES LIST

LABEL	QTY	SIZE	LENGTH	USE
A	5	600S162-97	11'-9 1/2"	STUD
B	1	600T200-68	6'-5 1/4"	BOTTOM TRACK
C	1	600T200-68	6'-5 1/4"	TOP TRACK
D	2	150U50-54	6'-5 1/16"	HORIZONTAL BRACING
E	1	1200D-54	6'-5 1/16"	STRAP

SHEATHING

LABEL	QTY	CODE	THICK	SIZE	SCREWS
1	1	SB-DENSARMOR	5/8"	3'-11" X 10'-10 7/8"	2/12

31-1180

Jewish Home for the Aging

1885 Victory Blvd. Reseda, CA

FrameMax, Inc.
13915 Danielson St
Suite 100
Poway, CA 92064
www.frame-max.com



© FrameMax Inc.

CREATED: 10/24/2008

FM-07-109

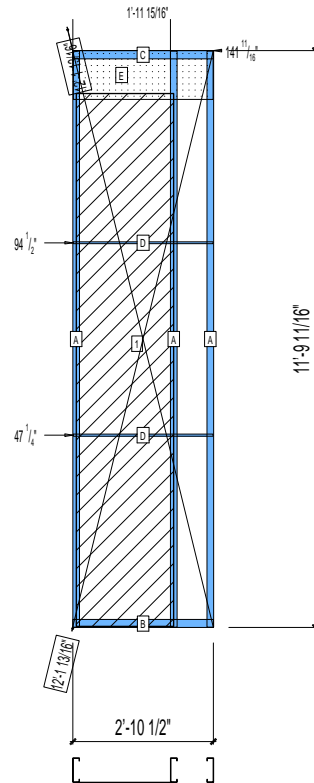
CREATED BY: AMB

HEIGHT : 11'-9 11/16" POINTS: 1.23 Points.
SPACING : 24"
1st STUD: 24"

APPROVED
By Ryan J Gonsalves at 2:58 pm, Nov 11, 2008

WEIGHTS :
FRAME : 140 lbs
SHEATHING: 80 lbs

TOTAL: 220 lbs



PIECES LIST

LABEL	QTY	SIZE	LENGTH	USE
A	3	600S162-97	11'-9 1/2"	STUD
B	1	600T200-68	2'-10 1/2"	BOTTOM TRACK
C	1	600T200-68	2'-10 1/2"	TOP TRACK
D	2	150U50-54	2'-10 5/16"	HORIZONTAL BRACING
E	1	1200D-54	2'-10 5/16"	STRAP

SHEATHING

LABEL	QTY	CODE	THICK	SIZE	SCREWS
1	1	SB-DENSARMOR	5/8"	1'-11 15/16" X 10'-10 7/8"	2/12

31-1181

Jewish Home for the Aging

1885 Victory Blvd. Reseda, CA

FM-07-109

CREATED BY: AMB

FrameMax, Inc.
13915 Danielson St
Suite 100
Poway, CA 92064
www.frame-max.com



© FrameMax Inc.

HEIGHT : 11'-9 11/16" POINTS: 0.36 Points.

SPACING : 5000"

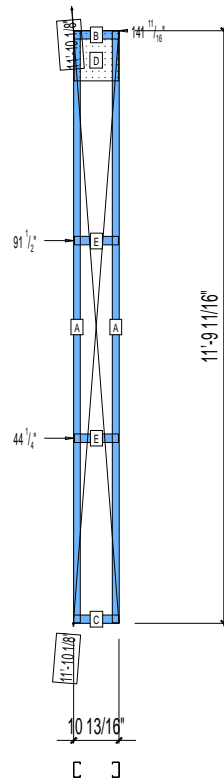
1st STUD: 5000"

APPROVED
By Ryan J Gonsalves at 2:58 pm, Nov 11, 2008

WEIGHTS :

FRAME : 43 lbs

TOTAL: 43 lbs



PIECES LIST

LABEL	QTY	SIZE	LENGTH	USE
A	2	362S162-54	11'-9 1/2"	STUD
B	1	362T200-68	10 13/16"	TOP TRACK
C	1	362T200-68	10 13/16"	BOTTOM TRACK
D	1	1200D-54	10 11/16"	STRAP
E	2	362T200-68	10 9/16"	BLOCK

31-1182

Jewish Home for the Aging

1885 Victory Blvd. Reseda, CA

FM-07-109

CREATED BY: AMB

FrameMax, Inc.
13915 Danielson St
Suite 100
Poway, CA 92064
www.frame-max.com



© FrameMax Inc.

HEIGHT : 11'-9 11/16" POINTS: 0.36 Points.

SPACING : 5000"

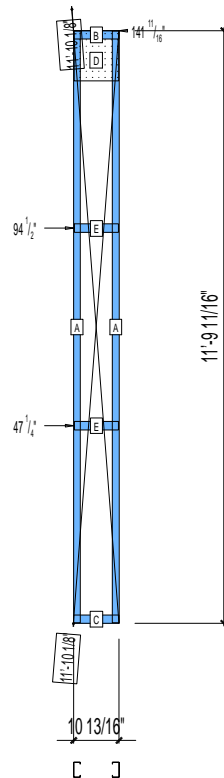
1st STUD: 5000"

APPROVED
By Ryan J Gonsalves at 2:58 pm, Nov 11, 2008

WEIGHTS :

FRAME : 43 lbs

TOTAL: 43 lbs



PIECES LIST

LABEL	QTY	SIZE	LENGTH	USE
A	2	362S162-54	11'-9 1/2"	STUD
B	1	362T200-68	10 13/16"	TOP TRACK
C	1	362T200-68	10 13/16"	BOTTOM TRACK
D	1	1200D-54	10 11/16"	STRAP
E	2	362T200-68	10 9/16"	BLOCK

31-1183

Jewish Home for the Aging

1885 Victory Blvd. Reseda, CA

FM-07-109

CREATED BY: AMB

FrameMax, Inc.
13915 Danielson St
Suite 100
Poway, CA 92064
www.frame-max.com



© FrameMax Inc.

HEIGHT : 11'-9 11/16" POINTS: 1.64 Points.

SPACING : 5000"

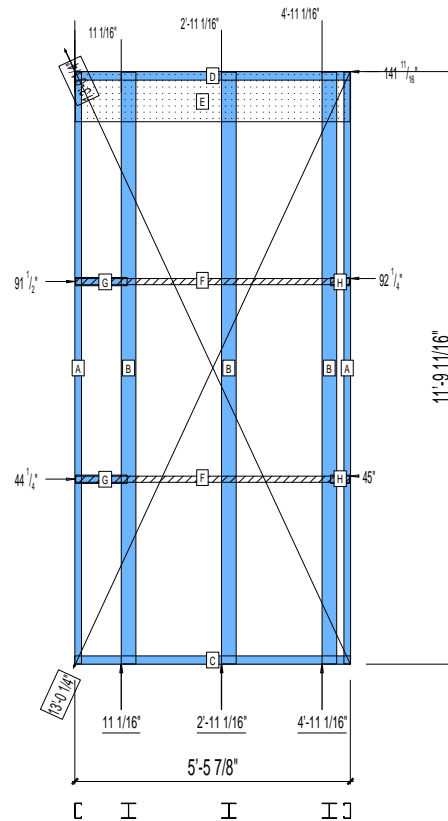
1st STUD: 5000"

APPROVED
By Ryan J Gonsalves at 2:58 pm, Nov 11, 2008

WEIGHTS :

FRAME : 271 lbs

TOTAL: 271 lbs



PIECES LIST

LABEL	QTY	SIZE	LENGTH	USE
A	2	362S162-54	11'-9 1/2"	STUD
B	3	363i350p554	11'-9 1/2"	PACO.COLUMN
C	1	362T200-68	5'-5 7/8"	BOTTOM TRACK
D	1	362T200-68	5'-5 7/8"	TOP TRACK
E	1	1200D-54	5'-5 11/16"	STRAP
F	2	150D-43	5'-5 9/16"	STRAP
G	2	362T200-68	1'-0 3/8"	BLOCK
H	2	362T200-68	4 9/16"	BLOCK

31-1184

Jewish Home for the Aging

1885 Victory Blvd. Reseda, CA

FrameMax, Inc.
13915 Danielson St
Suite 100
Poway, CA 92064
www.frame-max.com



© FrameMax Inc.

CREATED: 10/24/2008

FM-07-109

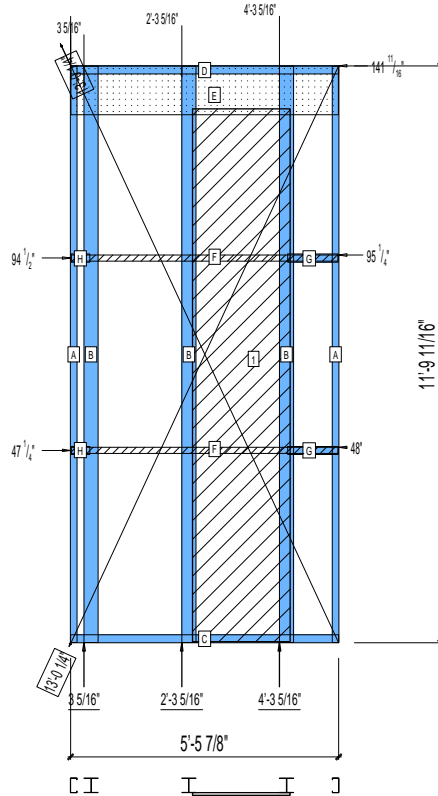
CREATED BY: AMB

HEIGHT : 11'-9 11/16" POINTS: 2.01 Points.
SPACING : 5000"
1st STUD: 5000"

APPROVED
By Ryan J Gonsalves at 2:58 pm, Nov 11, 2008

WEIGHTS :
FRAME : 271 lbs
SHEATHING: 80 lbs

TOTAL: 351 lbs



PIECES LIST

LABEL	QTY	SIZE	LENGTH	USE
A	2	362S162-54	11'-9 1/2"	STUD
B	3	363i350p554	11'-9 1/2"	PACO. COLUMN
C	1	362T200-68	5'-5 7/8"	BOTTOM TRACK
D	1	362T200-68	5'-5 7/8"	TOP TRACK
E	1	1200D-54	5'-5 11/16"	STRAP
F	2	150D-43	5'-5 9/16"	STRAP
G	2	362T200-68	1'-0 3/8"	BLOCK
H	2	362T200-68	4 9/16"	BLOCK

SHEATHING

LABEL	QTY	CODE	THICK	SIZE	SCREWS
1	1	SB-DENSARMOR	5/8"	1'-11 15/16" X 10'-10 7/8"	2/12

31-1185

Jewish Home for the Aging

1885 Victory Blvd. Reseda, CA

FM-07-109

CREATED BY: AMB

FrameMax, Inc.
13915 Danielson St
Suite 100
Poway, CA 92064
www.framemax.com



© FrameMax Inc.

HEIGHT : 11'-9 11/16" POINTS: 1.67 Points.

SPACING : 5000"

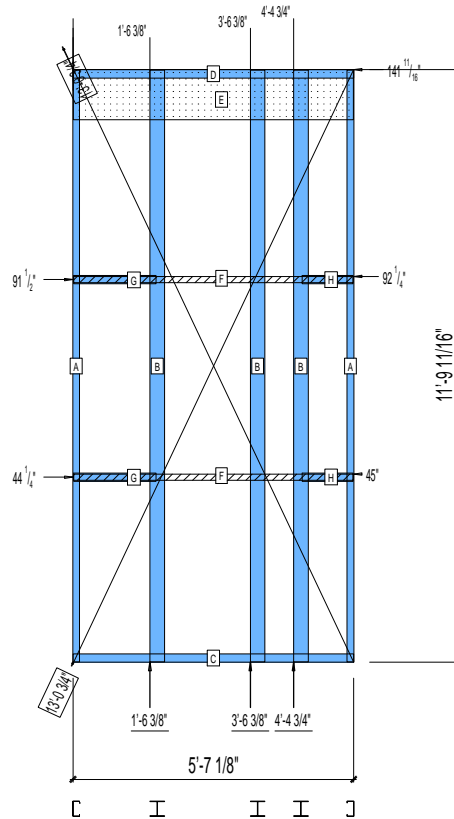
1st STUD: 5000"

APPROVED
By Ryan J Gonsalves at 2:58 pm, Nov 11, 2008

WEIGHTS :

FRAME : 277 lbs

TOTAL: 277 lbs



PIECES LIST

LABEL	QTY	SIZE	LENGTH	USE
A	2	362S162-54	11'-9 1/2"	STUD
B	3	363i350p554	11'-9 1/2"	PACO.COLUMN
C	1	362T200-68	5'-7 1/8"	BOTTOM TRACK
D	1	362T200-68	5'-7 1/8"	TOP TRACK
E	1	1200D-54	5'-6 15/16"	STRAP
F	2	150D-43	5'-6 13/16"	STRAP
G	2	362T200-68	1'-7 11/16"	BLOCK
H	2	362T200-68	1'-0 1/8"	BLOCK

31-1186

Jewish Home for the Aging

1885 Victory Blvd. Reseda, CA

FrameMax, Inc.
13915 Danielson St
Suite 100
Poway, CA 92064
www.frame-max.com



© FrameMax Inc.

CREATED: 10/24/2008

FM-07-109

CREATED BY: AMB

HEIGHT : 11'-9 11/16" POINTS: 2.04 Points.

SPACING : 5000"

1st STUD: 5000"

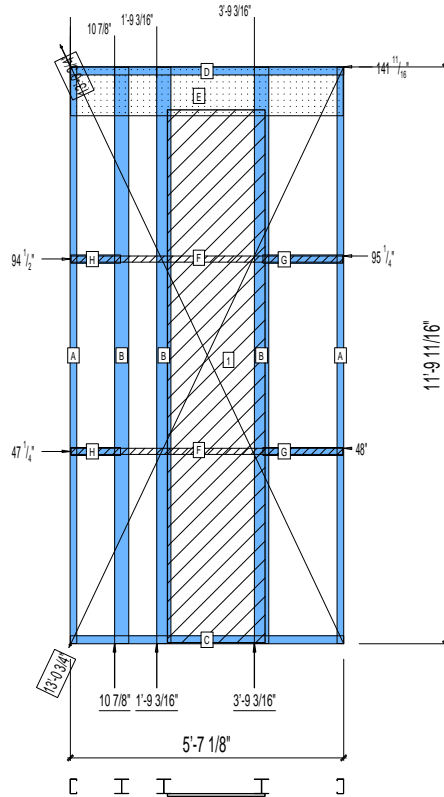
APPROVED
By Ryan J Gonsalves at 2:58 pm, Nov 11, 2008

WEIGHTS :

FRAME : 277 lbs

SHEATHING: 80 lbs

TOTAL: 357 lbs



PIECES LIST

LABEL	QTY	SIZE	LENGTH	USE
A	2	362S162-54	11'-9 1/2"	STUD
B	3	363i350p554	11'-9 1/2"	PACO.COLUMN
C	1	362T200-68	5'-7 1/8"	BOTTOM TRACK
D	1	362T200-68	5'-7 1/8"	TOP TRACK
E	1	1200D-54	5'-6 15/16"	STRAP
F	2	150D-43	5'-6 13/16"	STRAP
G	2	362T200-68	1'-7 11/16"	BLOCK
H	2	362T200-68	1'-0 1/8"	BLOCK

SHEATHING

LABEL	QTY	CODE	THICK	SIZE	SCREWS
1	1	SB-DENSARMOR	5/8"	1'-11 15/16" X 10'-10 7/8"	2/12

31-1187

Jewish Home for the Aging

1885 Victory Blvd. Reseda, CA

FM-07-109

CREATED BY: AMB

FrameMax, Inc.
13915 Danielson St
Suite 100
Poway, CA 92064
www.frame-max.com



© FrameMax Inc.

HEIGHT : 11'-9 11/16" POINTS: 1.31 Points.

SPACING : 5000"

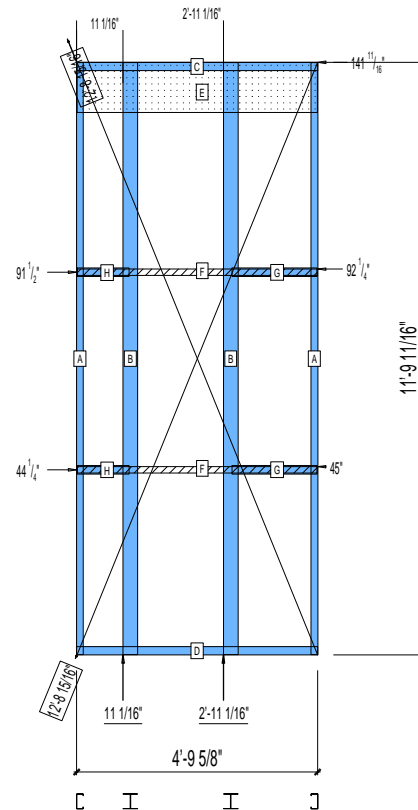
1st STUD: 5000"

APPROVED
By Ryan J Gonsalves at 2:58 pm, Nov 11, 2008

WEIGHTS :

FRAME : 206 lbs

TOTAL: 206 lbs



PIECES LIST

LABEL	QTY	SIZE	LENGTH	USE
A	2	362S162-54	11'-9 1/2"	STUD
B	2	363i350p554	11'-9 1/2"	PACO COLUMN
C	1	362T200-68	4'-9 5/8"	TOP TRACK
D	1	362T200-68	4'-9 5/8"	BOTTOM TRACK
E	1	1200D-54	4'-9 7/16"	STRAP
F	2	150D-43	4'-9 5/16"	STRAP
G	2	362T200-68	1'-8 5/16"	BLOCK
H	2	362T200-68	1'-0 3/8"	BLOCK

31-1188

Jewish Home for the Aging

1885 Victory Blvd. Reseda, CA

FM-07-109

CREATED BY: AMB

FrameMax, Inc.
13915 Danielson St
Suite 100
Poway, CA 92064
www.frame-max.com



© FrameMax Inc.

HEIGHT : 11'-9 11/16" POINTS: 1.31 Points.

SPACING : 5000"

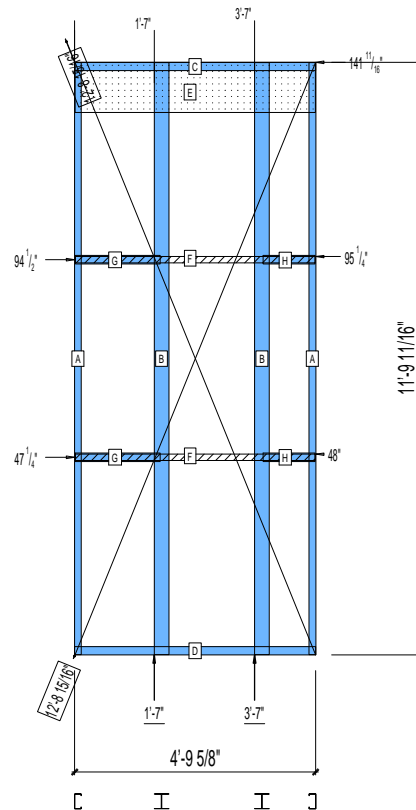
1st STUD: 5000"

APPROVED
By Ryan J Gonsalves at 2:58 pm, Nov 11, 2008

WEIGHTS :

FRAME : 206 lbs

TOTAL: 206 lbs



PIECES LIST

LABEL	QTY	SIZE	LENGTH	USE
A	2	362S162-54	11'-9 1/2"	STUD
B	2	363i350p554	11'-9 1/2"	PACO.COLUMN
C	1	362T200-68	4'-9 5/8"	TOP TRACK
D	1	362T200-68	4'-9 5/8"	BOTTOM TRACK
E	1	1200D-54	4'-9 7/16"	STRAP
F	2	150D-43	4'-9 5/16"	STRAP
G	2	362T200-68	1'-8 5/16"	BLOCK
H	2	362T200-68	1'-0 3/8"	BLOCK

31-1189

Jewish Home for the Aging

1885 Victory Blvd. Reseda, CA

FM-07-109

CREATED BY: AMB

FrameMax, Inc.
13915 Danielson St
Suite 100
Poway, CA 92064
www.framemax.com



© FrameMax Inc.

HEIGHT : 11'-9 11/16" POINTS: 1.45 Points.

SPACING : 5000"

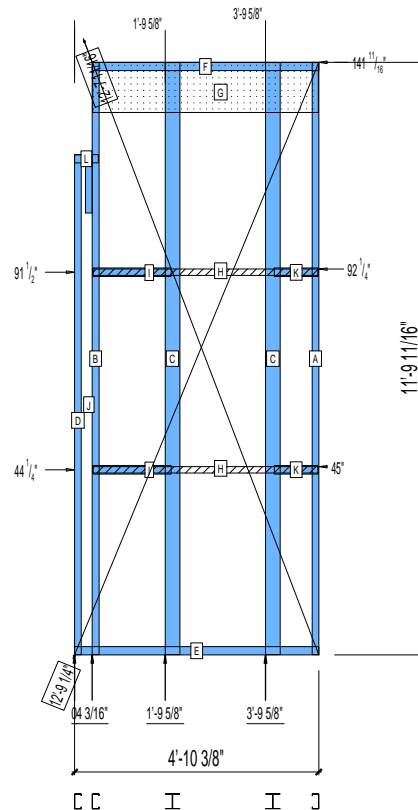
1st STUD: 5000"

APPROVED
By Ryan J Gonsalves at 2:58 pm, Nov 11, 2008

WEIGHTS :

FRAME : 221 lbs

TOTAL: 221 lbs



PIECES LIST

LABEL	QTY	SIZE	LENGTH	USE
A	1	362S162-54	11'-9 1/2"	STUD
B	1	362S162-54	11'-9 1/2"	BEAM KING
C	2	363i350p554	11'-9 1/2"	PACO. COLUMN
D	1	362S162-54	9'-11 7/16"	BEAM JACK
E	1	362T200-68	4'-10 3/8"	BOTTOM TRACK
F	1	362T200-68	4'-6 1/8"	TOP TRACK
G	1	1200D-54	4'-5 15/16"	STRAP
H	2	150D-43	4'-5 13/16"	STRAP
I	2	362T200-68	1'-6 11/16"	BLOCK
J	1	362S162-54	1'-1 7/8"	BEAM JACK
K	2	362T200-68	10 1/2"	BLOCK
L	1	362T200-68	5 11/16"	BEAM JACK

31-1190

Jewish Home for the Aging

1885 Victory Blvd. Reseda, CA

FrameMax, Inc.
13915 Danielson St
Suite 100
Poway, CA 92064
www.frame-max.com



© FrameMax Inc.

CREATED: 10/24/2008

FM-07-109

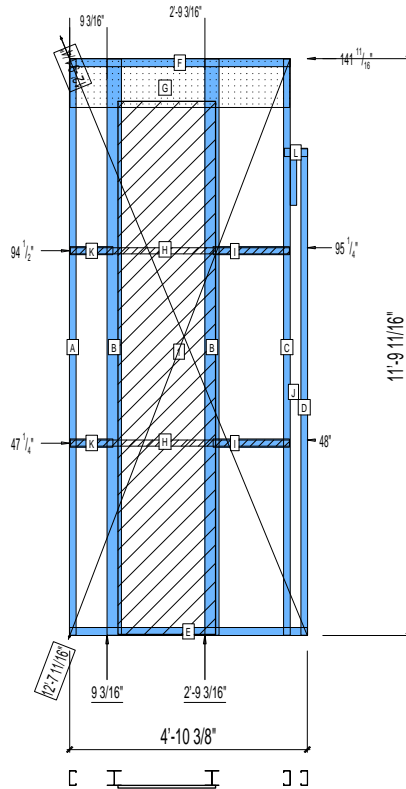
CREATED BY: AMB

HEIGHT : 11'-9 11/16" POINTS: 1.81 Points.
SPACING : 5000"
1st STUD: 5000"

APPROVED
By Ryan J Gonsalves at 2:58 pm, Nov 11, 2008

WEIGHTS :
FRAME : 221 lbs
SHEATHING: 80 lbs

TOTAL: 301 lbs



PIECES LIST

LABEL	QTY	SIZE	LENGTH	USE
A	1	362S162-54	11'-9 1/2"	STUD
B	2	3631350p554	11'-9 1/2"	PACO.COLUMN
C	1	362S162-54	11'-9 1/2"	BEAM KING
D	1	362S162-54	9'-11 7/16"	BEAM JACK
E	1	362T200-68	4'-10 3/8"	BOTTOM TRACK
F	1	362T200-68	4'-6 1/8"	TOP TRACK
G	1	1200D-54	4'-5 15/16"	STRAP
H	2	150D-43	4'-5 13/16"	STRAP
I	2	362T200-68	1'-6 11/16"	BLOCK
J	1	362S162-54	1'-1 7/8"	BEAM JACK
K	2	362T200-68	10 1/2"	BLOCK
L	1	362T200-68	5 11/16"	BEAM JACK

SHEATHING

LABEL	QTY	CODE	THICK	SIZE	SCREWS
1	1	SB-DENSARMOR	5/8"	1'-11 15/16" X 10'-10 7/8"	2/12

31-1191

Jewish Home for the Aging

1885 Victory Blvd. Reseda, CA

FM-07-109

CREATED BY: AMB

FrameMax, Inc.
13915 Danielson St
Suite 100
Poway, CA 92064
www.frame-max.com



© FrameMax Inc.

HEIGHT : 11'-9 11/16" POINTS: 1.42 Points.

SPACING : 5000"

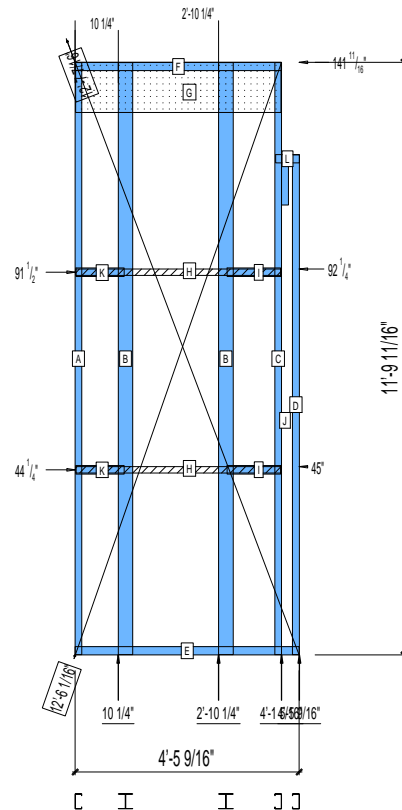
1st STUD: 5000"

APPROVED
By Ryan J Gonsalves at 2:58 pm, Nov 11, 2008

WEIGHTS :

FRAME : 216 lbs

TOTAL: 216 lbs



PIECES LIST

LABEL	QTY	SIZE	LENGTH	USE
A	1	362S162-54	11'-9 1/2"	STUD
B	2	363i350p554	11'-9 1/2"	PACO. COLUMN
C	1	362S162-54	11'-9 1/2"	BEAM KING
D	1	362S162-54	9'-11 7/16"	BEAM JACK
E	1	362T200-68	4'-5 9/16"	BOTTOM TRACK
F	1	362T200-68	4'-1 5/16"	TOP TRACK
G	1	1200D-54	4'-1 1/8"	STRAP
H	2	150D-43	4'-1"	STRAP
I	2	362T200-68	1'-0 13/16"	BLOCK
J	1	362S162-54	1'-0"	BEAM JACK
K	2	362T200-68	11 9/16"	BLOCK
L	1	362T200-68	5 11/16"	BEAM JACK

31-1192

Jewish Home for the Aging

1885 Victory Blvd. Reseda, CA

FrameMax, Inc.
13915 Danielson St
Suite 100
Poway, CA 92064
www.frame-max.com



© FrameMax Inc.

CREATED: 10/24/2008

FM-07-109

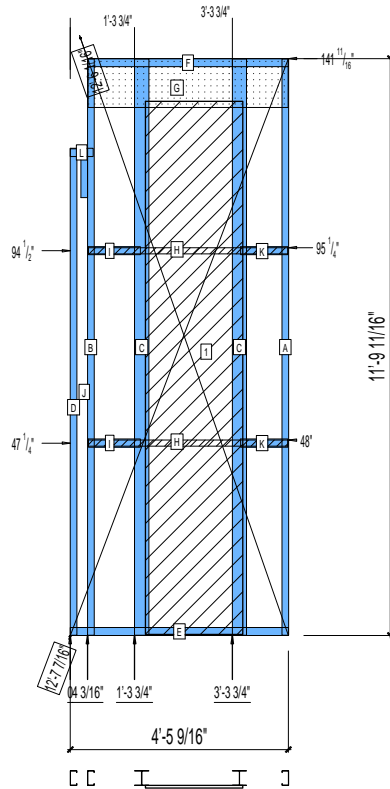
CREATED BY: AMB

HEIGHT : 11'-9 11/16" POINTS: 1.78 Points.
SPACING : 5000"
1st STUD: 5000"

APPROVED
By Ryan J Gonsalves at 2:58 pm, Nov 11, 2008

WEIGHTS :
FRAME : 216 lbs
SHEATHING: 80 lbs

TOTAL: 296 lbs



PIECES LIST

LABEL	QTY	SIZE	LENGTH	USE
A	1	362S162-54	11'-9 1/2"	STUD
B	1	362S162-54	11'-9 1/2"	BEAM KING
C	2	3631350p554	11'-9 1/2"	PACO. COLUMN
D	1	362S162-54	9'-11 7/16"	BEAM JACK
E	1	362T200-68	4'-5 9/16"	BOTTOM TRACK
F	1	362T200-68	4'-1 5/16"	TOP TRACK
G	1	1200D-54	4'-1 1/8"	STRAP
H	2	150D-43	4'-1"	STRAP
I	2	362T200-68	1'-0 13/16"	BLOCK
J	1	362S162-54	1'-0"	BEAM JACK
K	2	362T200-68	11 9/16"	BLOCK
L	1	362T200-68	5 11/16"	BEAM JACK

SHEATHING

LABEL	QTY	CODE	THICK	SIZE	SCREWS
1	1	SB-DENSARMOR	5/8"	1'-11 15/16" X 10'-10 7/8"	2/12

31-1193

Jewish Home for the Aging

1885 Victory Blvd. Reseda, CA

FM-07-109

CREATED BY: AMB

FrameMax, Inc.
13915 Danielson St
Suite 100
Poway, CA 92064
www.frame-max.com



© FrameMax Inc.

HEIGHT : 11'-9 11/16" POINTS: 1.59 Points.

SPACING : 5000"

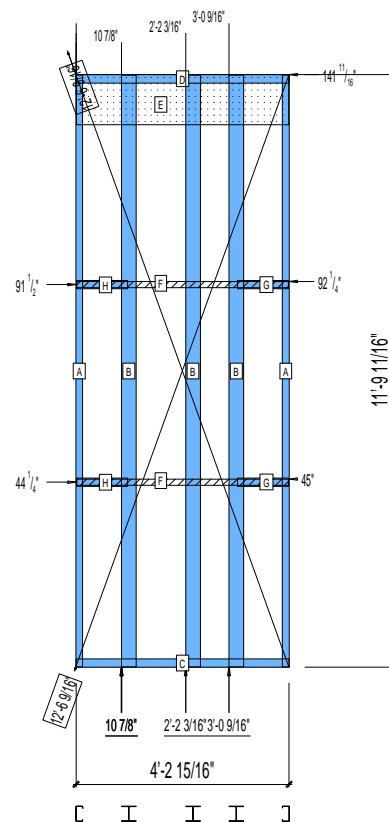
1st STUD: 5000"

APPROVED
By Ryan J Gonsalves at 2:58 pm, Nov 11, 2008

WEIGHTS :

FRAME : 265 lbs

TOTAL: 265 lbs



PIECES LIST

LABEL	QTY	SIZE	LENGTH	USE
A	2	362S162-54	11'-9 1/2"	STUD
B	3	363i350p554	11'-9 1/2"	PACO.COLUMN
C	1	362T200-68	4'-2 15/16"	BOTTOM TRACK
D	1	362T200-68	4'-2 15/16"	TOP TRACK
E	1	1200D-54	4'-2 3/4"	STRAP
F	2	150D-43	4'-2 5/8"	STRAP
G	2	362T200-68	1'-0 3/16"	BLOCK
H	2	362T200-68	1'-0 1/8"	BLOCK

31-1194

Jewish Home for the Aging

1885 Victory Blvd. Reseda, CA

FrameMax, Inc.
13915 Danielson St
Suite 100
Poway, CA 92064
www.frame-max.com



© FrameMax Inc.

CREATED: 10/24/2008

FM-07-109

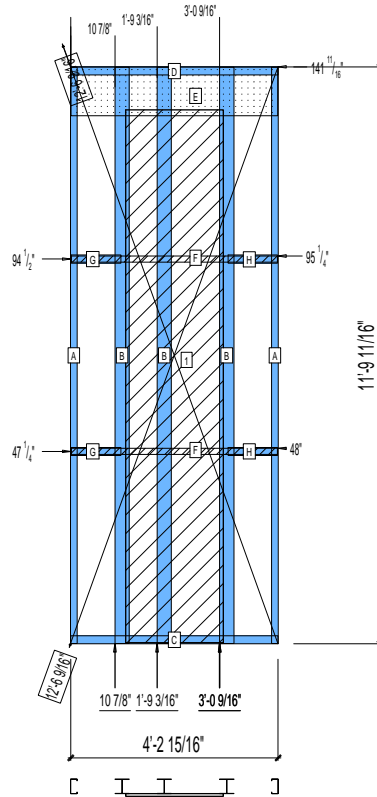
CREATED BY: AMB

HEIGHT : 11'-9 11/16" POINTS: 1.95 Points.
SPACING : 5000"
1st STUD: 5000"

APPROVED
By Ryan J Gonsalves at 2:58 pm, Nov 11, 2008

WEIGHTS :
FRAME : 265 lbs
SHEATHING: 80 lbs

TOTAL: 345 lbs



PIECES LIST

LABEL	QTY	SIZE	LENGTH	USE
A	2	362S162-54	11'-9 1/2"	STUD
B	3	363i350p554	11'-9 1/2"	PACO. COLUMN
C	1	362T200-68	4'-2 15/16"	BOTTOM TRACK
D	1	362T200-68	4'-2 15/16"	TOP TRACK
E	1	1200D-54	4'-2 3/4"	STRAP
F	2	150D-43	4'-2 5/8"	STRAP
G	2	362T200-68	1'-0 3/16"	BLOCK
H	2	362T200-68	1'-0 1/8"	BLOCK

SHEATHING

LABEL	QTY	CODE	THICK	SIZE	SCREWS
1	1	SB-DENSARMOR	5/8"	1'-11 15/16" X 10'-10 7/8"	2/12

31-1195

Jewish Home for the Aging

1885 Victory Blvd. Reseda, CA

FM-07-109

CREATED BY: AMB

FrameMax, Inc.
13915 Danielson St
Suite 100
Poway, CA 92064
www.frame-max.com



© FrameMax Inc.

HEIGHT : 11'-9 11/16" POINTS: 0.91 Points.

SPACING : 24"

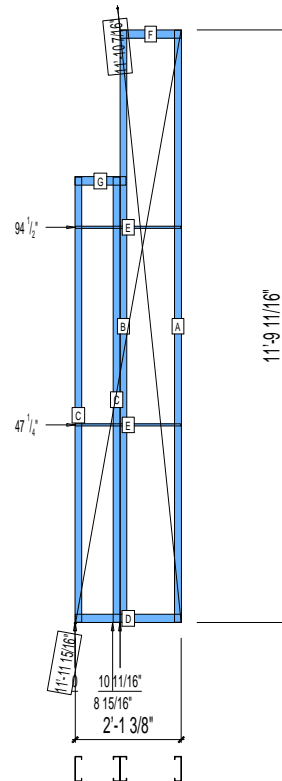
1st STUD: 24"

APPROVED
By Ryan J Gonsalves at 2:58 pm, Nov 11, 2008

WEIGHTS :

FRAME : 149 lbs

TOTAL: 149 lbs



PIECES LIST

LABEL	QTY	SIZE	LENGTH	USE
A	1	600S162-97	11'-9 1/2"	STUD
B	1	600S162-97	11'-9 1/2"	BEAM KING
C	2	600S162-97	8'-10 3/8"	BEAM JACK
D	1	600T200-68	2'-1 3/8"	BOTTOM TRACK
E	2	150U50-54	2'-1 3/16"	HORIZONTAL BRACING
F	1	600T200-68	1'-2 5/8"	TOP TRACK
G	1	600T200-68	1'-0 3/16"	BEAM JACK

31-1196

Jewish Home for the Aging

1885 Victory Blvd. Reseda, CA

APPROVED

By Ryan J Gonsalves at 2:58 pm, Nov 11, 2008

FrameMax, Inc.
13915 Danielson St
Suite 100
Poway, CA 92064
www.frame-max.com



© FrameMax Inc.

CREATED: 11/05/2008

FM-07-109

CREATED BY: AMB

HEIGHT : 8'-10 5/8" POINTS: 0.69 Points.

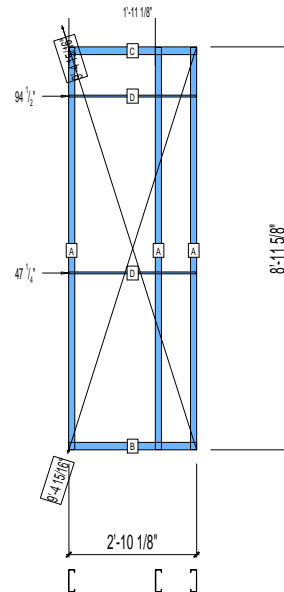
SPACING : 24"

1st STUD: 24"

WEIGHTS :

FRAME : 105 lbs

TOTAL: 105 lbs



PIECES LIST

LABEL	QTY	SIZE	LENGTH	USE
A	3	600S162-97	8'-11 7/16"	STUD
B	1	600T200-68	2'-10 1/8"	BOTTOM TRACK
C	1	600T200-68	2'-10 1/8"	TOP TRACK
D	2	150U50-54	2'-9 15/16"	HORIZONTAL BRACING

31-1197

Jewish Home for the Aging

1885 Victory Blvd. Reseda, CA

APPROVED

By Ryan J Gonsalves at 2:58 pm, Nov 11, 2008

FrameMax, Inc.
13915 Danielson St
Suite 100
Poway, CA 92064
www.framemax.com



© FrameMax Inc.

CREATED: 11/05/2008

FM-07-109

CREATED BY: AMB

HEIGHT : 8'-10 5/8" POINTS: 0.73 Points.

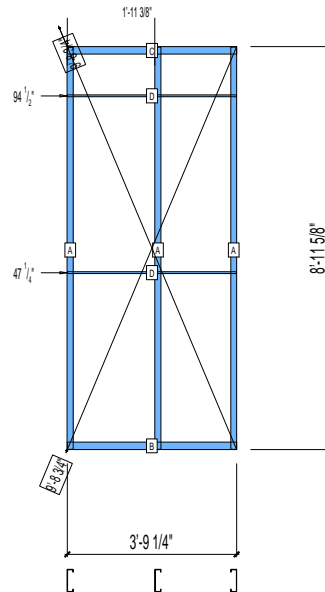
SPACING : 24"

1st STUD: 24"

WEIGHTS :

FRAME : 110 lbs

TOTAL: 110 lbs



PIECES LIST

LABEL	QTY	SIZE	LENGTH	USE
A	3	600S162-97	8'-11 7/16"	STUD
B	1	600T200-68	3'-9 1/4"	BOTTOM TRACK
C	1	600T200-68	3'-9 1/4"	TOP TRACK
D	2	150U50-54	3'-9 1/16"	HORIZONTAL BRACING

31-1198

Jewish Home for the Aging

1885 Victory Blvd. Reseda, CA

FM-07-109

CREATED BY: AMB

FrameMax, Inc.
13915 Danielson St
Suite 100
Poway, CA 92064
www.framemax.com



© FrameMax Inc.

HEIGHT : 11'-9 11/16" POINTS: 0.73 Points.

SPACING : 24"

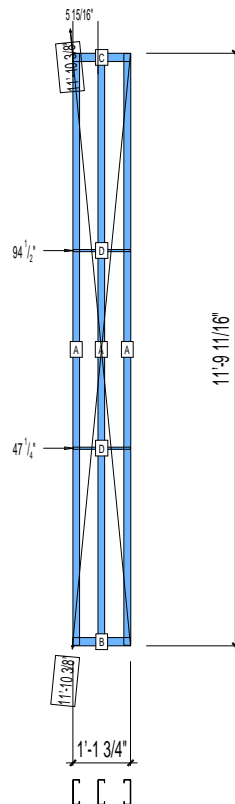
1st STUD: 24"

APPROVED
By Ryan J Gonsalves at 2:58 pm, Nov 11, 2008

WEIGHTS :

FRAME : 123 lbs

TOTAL: 123 lbs



PIECES LIST

LABEL	QTY	SIZE	LENGTH	USE
A	3	600S162-97	11'-9 1/2"	STUD
B	1	600T200-68	1'-1 3/4"	BOTTOM TRACK
C	1	600T200-68	1'-1 3/4"	TOP TRACK
D	2	150U50-54	1'-1 5/8"	HORIZONTAL BRACING

31-1199

Jewish Home for the Aging

1885 Victory Blvd. Reseda, CA

FM-07-109

CREATED BY: AMB

FrameMax, Inc.
13915 Danielson St
Suite 100
Poway, CA 92064
www.framemax.com



© FrameMax Inc.

HEIGHT : 11'-9 11/16" POINTS: 0.75 Points.

SPACING : 24"

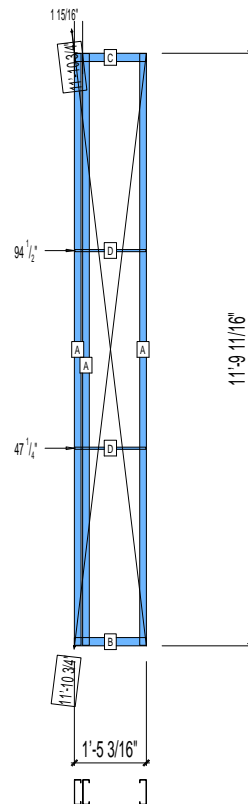
1st STUD: 24"

APPROVED
By Ryan J Gonsalves at 2:58 pm, Nov 11, 2008

WEIGHTS :

FRAME : 125 lbs

TOTAL: 125 lbs



PIECES LIST

LABEL	QTY	SIZE	LENGTH	USE
A	3	600S162-97	11'-9 1/2"	STUD
B	1	600T200-68	1'-5 3/16"	BOTTOM TRACK
C	1	600T200-68	1'-5 3/16"	TOP TRACK
D	2	150U50-54	1'-5"	HORIZONTAL BRACING

31-1200

Jewish Home for the Aging

1885 Victory Blvd. Reseda, CA

FM-07-109

CREATED BY: AMB

FrameMax, Inc.
13915 Danielson St
Suite 100
Poway, CA 92064
www.frame-max.com



© FrameMax Inc.

HEIGHT : 11'-9 11/16" POINTS: 0.80 Points.

SPACING : 24"

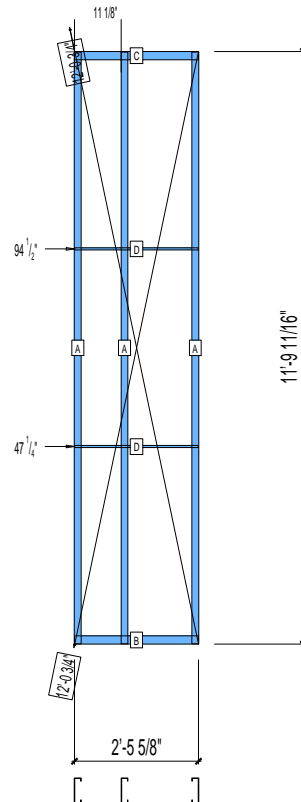
1st STUD: 16"

APPROVED
By Ryan J Gonsalves at 2:58 pm, Nov 11, 2008

WEIGHTS :

FRAME : 131 lbs

TOTAL: 131 lbs



PIECES LIST

LABEL	QTY	SIZE	LENGTH	USE
A	3	600S162-97	11'-9 1/2"	STUD
B	1	600T200-68	2'-5 5/8"	BOTTOM TRACK
C	1	600T200-68	2'-5 5/8"	TOP TRACK
D	2	150U50-54	2'-5 1/2"	HORIZONTAL BRACING

31-1201

Jewish Home for the Aging

1885 Victory Blvd. Reseda, CA

FrameMax, Inc.
13915 Danielson St
Suite 100
Poway, CA 92064
www.frame-max.com



© FrameMax Inc.

CREATED: 10/24/2008

FM-07-109

CREATED BY: AMB

HEIGHT : 11'-9 11/16" POINTS: 0.95 Points.

SPACING : 24"

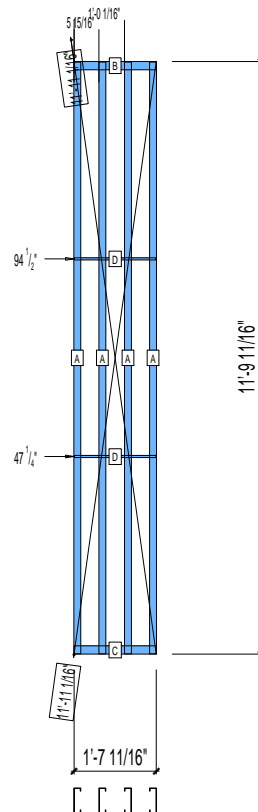
1st STUD: 24"

APPROVED
By Ryan J Gonsalves at 2:58 pm, Nov 11, 2008

WEIGHTS :

FRAME : 165 lbs

TOTAL: 165 lbs



PIECES LIST

LABEL	QTY	SIZE	LENGTH	USE
A	4	600S162-97	11'-9 1/2"	STUD
B	1	600T200-68	1'-7 11/16"	TOP TRACK
C	1	600T200-68	1'-7 11/16"	BOTTOM TRACK
D	2	150U50-54	1'-7 1/2"	HORIZONTAL BRACING

31-1202

Jewish Home for the Aging

1885 Victory Blvd. Reseda, CA

FM-07-109

CREATED BY: AMB

FrameMax, Inc.
13915 Danielson St
Suite 100
Poway, CA 92064
www.framemax.com

FRAMEMAX

© FrameMax Inc.

HEIGHT : 11'-9 11/16" POINTS: 1.04 Points.

SPACING : 24"

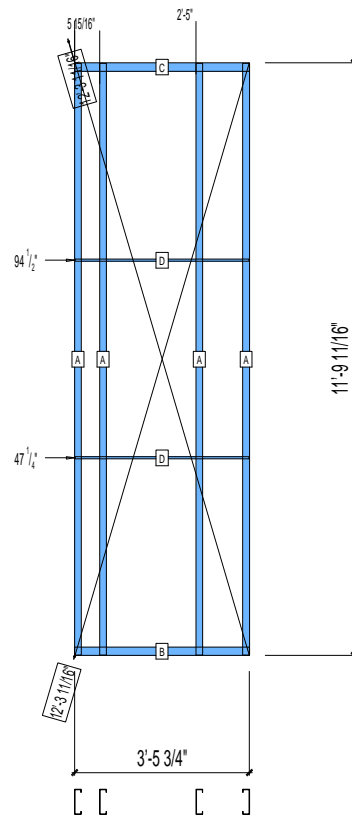
1st STUD: 24"

APPROVED
By Ryan J Gonsalves at 2:58 pm, Nov 11, 2008

WEIGHTS :

FRAME : 175 lbs

TOTAL: 175 lbs



PIECES LIST

LABEL	QTY	SIZE	LENGTH	USE
A	4	600S162-97	11'-9 1/2"	STUD
B	1	600T200-68	3'-5 3/4"	BOTTOM TRACK
C	1	600T200-68	3'-5 3/4"	TOP TRACK
D	2	150U50-54	3'-5 5/8"	HORIZONTAL BRACING

31-1203

Jewish Home for the Aging

1885 Victory Blvd. Reseda, CA

APPROVED

By Ryan J Gonsalves at 2:58 pm, Nov 11, 2008

FrameMax, Inc.
13915 Danielson St
Suite 100
Poway, CA 92064
www.frame-max.com



© FrameMax Inc.

CREATED: 11/05/2008

FM-07-109

CREATED BY: AMB

HEIGHT : 11'-9 11/16" POINTS: 1.05 Points.

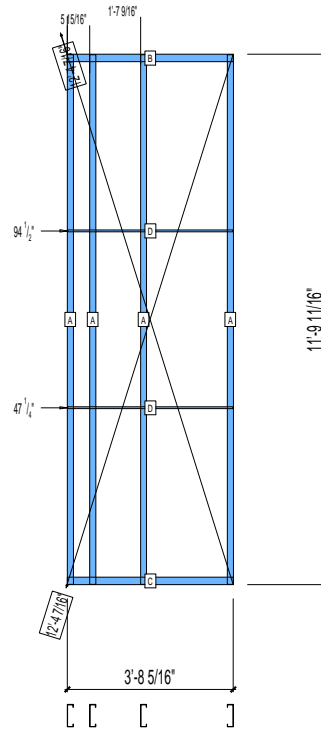
SPACING : 5000"

1st STUD: 16"

WEIGHTS :

FRAME : 177 lbs

TOTAL: 177 lbs



PIECES LIST

LABEL	QTY	SIZE	LENGTH	USE
A	4	600S162-97	11'-9 1/2"	STUD
B	1	600T200-68	3'-8 5/16"	TOP TRACK
C	1	600T200-68	3'-8 5/16"	BOTTOM TRACK
D	2	150U50-54	3'-8 1/8"	HORIZONTAL BRACING

31-1204

Jewish Home for the Aging

1885 Victory Blvd. Reseda, CA

APPROVED

By Ryan J Gonsalves at 2:58 pm, Nov 11, 2008

FrameMax, Inc.
13915 Danielson St
Suite 100
Poway, CA 92064
www.frame-max.com



© FrameMax Inc.

CREATED: 11/05/2008

FM-07-109

CREATED BY: AMB

HEIGHT : 11'-9 11/16" POINTS: 0.76 Points.

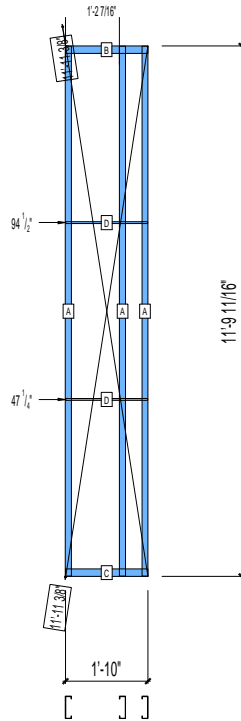
SPACING : 24"

1st STUD: 24"

WEIGHTS :

FRAME : 127 lbs

TOTAL: 127 lbs



PIECES LIST

LABEL	QTY	SIZE	LENGTH	USE
A	3	600S162-97	11'-9 1/2"	STUD
B	1	600T200-68	1'-10"	TOP TRACK
C	1	600T200-68	1'-10"	BOTTOM TRACK
D	2	150U50-54	1'-9 7/8"	HORIZONTAL BRACING

31-1205

Jewish Home for the Aging

1885 Victory Blvd. Reseda, CA 91334

APPROVED
By Ryan J Gonsalves at 2:58 pm, Nov 11, 2008

FrameMax, Inc.
13915 Danielson St
Suite 100
Poway, CA 92064
www.frame-max.com



© FrameMax Inc.

CREATED: 11/05/2008

FM-07-109

CREATED BY: AMB

HEIGHT : 11'-9 11/16" POINTS: 0.80 Points.

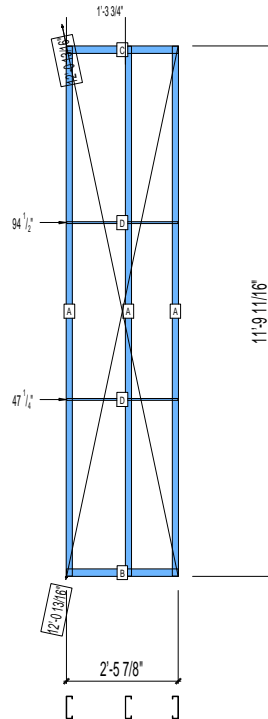
SPACING : 5000"

1st STUD: 5000"

WEIGHTS :

FRAME : 131 lbs

TOTAL: 131 lbs



PIECES LIST

LABEL	QTY	SIZE	LENGTH	USE
A	3	600S162-97	11'-9 1/2"	STUD
B	1	600T200-68	2'-5 7/8"	BOTTOM TRACK
C	1	600T200-68	2'-5 7/8"	TOP TRACK
D	2	150U50-54	2'-5 3/4"	HORIZONTAL BRACING

31-1206

Jewish Home for the Aging

1885 Victory Blvd. Reseda, CA

FM-07-109

CREATED BY: AMB

FrameMax, Inc.
13915 Danielson St
Suite 100
Poway, CA 92064
www.frame-max.com



© FrameMax Inc.

HEIGHT : 11'-9 11/16" POINTS: 2.04 Points.

SPACING : 24"

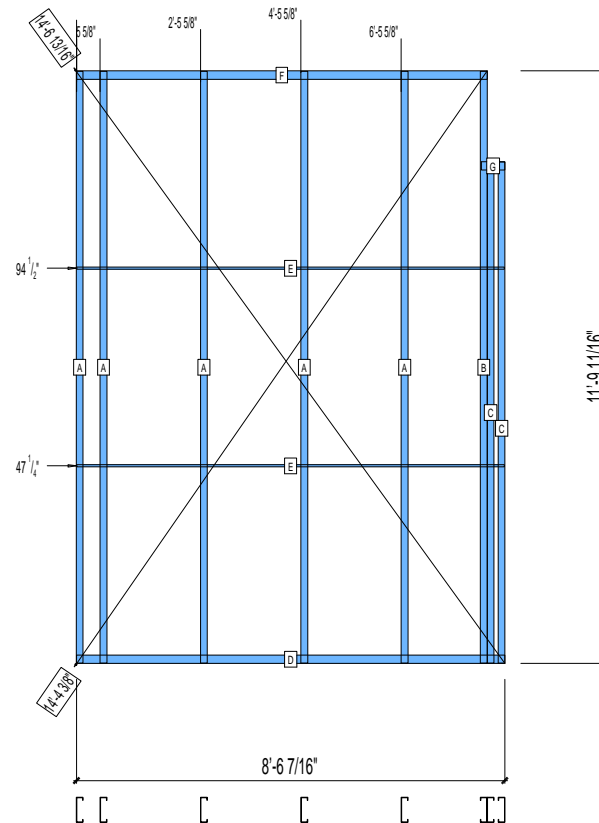
1st STUD: 24"

APPROVED
By Ryan J Gonsalves at 2:58 pm, Nov 11, 2008

WEIGHTS :

FRAME : 349 lbs

TOTAL: 349 lbs



PIECES LIST

LABEL	QTY	SIZE	LENGTH	USE
A	5	600S162-97	11'-9 1/2"	STUD
B	1	600S162-97	11'-9 1/2"	BEAM KING
C	2	600S162-97	9'-11 3/4"	BEAM JACK
D	1	600T200-68	8'-6 7/16"	BOTTOM TRACK
E	2	150U50-54	8'-6 1/4"	HORIZONTAL BRACING
F	1	600T200-68	8'-2 3/16"	TOP TRACK
G	1	600T200-68	5 11/16"	BEAM JACK

31-1207

Jewish Home for the Aging

1885 Victory Blvd. Reseda, CA

FrameMax, Inc.
13915 Danielson St
Suite 100
Poway, CA 92064
www.frame-max.com



© FrameMax Inc.

CREATED: 10/24/2008

FM-07-109

CREATED BY: AMB

HEIGHT : 11'-9 11/16" POINTS: 2.18 Points.

SPACING : 24"

1st STUD: 24"

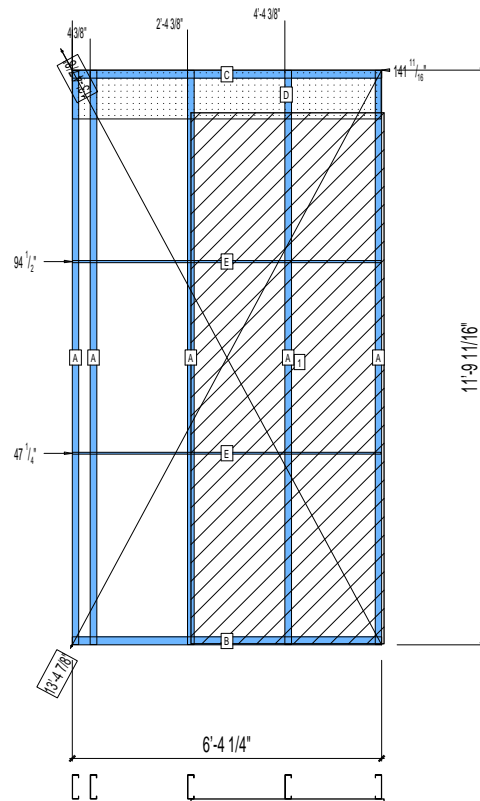
APPROVED
By Ryan J Gonsalves at 2:58 pm, Nov 11, 2008

WEIGHTS :

FRAME : 246 lbs

SHEATHING: 159 lbs

TOTAL: 405 lbs



PIECES LIST

LABEL	QTY	SIZE	LENGTH	USE
A	5	600S162-97	11'-9 1/2"	STUD
B	1	600T200-68	6'-4 1/4"	BOTTOM TRACK
C	1	600T200-68	6'-4 1/4"	TOP TRACK
D	1	1200D-54	6'-4 1/16"	STRAP
E	2	150U50-54	6'-4 1/16"	HORIZONTAL BRACING

SHEATHING

LABEL	QTY	CODE	THICK	SIZE	SCREWS
1	1	SB-DENSARMOR	5/8"	3'-11 9/16" X 10'-10 7/8"	2/12

31-1208

Jewish Home for the Aging

1885 Victory Blvd. Reseda, CA

FrameMax, Inc.
13915 Danielson St
Suite 100
Poway, CA 92064
www.frame-max.com



© FrameMax Inc.

CREATED: 10/24/2008

FM-07-109

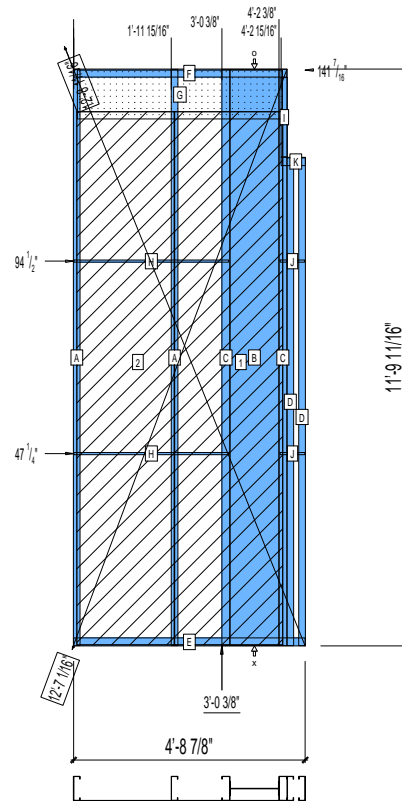
CREATED BY: AMB

HEIGHT : 14'-3 15/16" POINTS: 2.88 Points.
SPACING : 24"
1st STUD: 24"

APPROVED
By Ryan J Gonsalves at 2:58 pm, Nov 11, 2008

WEIGHTS :
FRAME : 368 lbs
SHEATHING: 169 lbs

TOTAL: 537 lbs



PIECES LIST

LABEL	QTY	SIZE	LENGTH	USE
A	2	600S162-97	11'-9 1/2"	STUD
B	1	1200i350p1062	11'-9 1/2"	PACO
C	2	600S200-68	11'-9 1/2"	STUD
D	2	600S162-97	9'-11 3/4"	BEAM JACK
E	1	600T200-68	4'-8 7/8"	BOTTOM TRACK
F	1	600T200-68	4'-4 3/8"	TOP TRACK
G	1	1200D-54	4'-2 3/8"	STRAP
H	2	150U50-54	3'-2"	HORIZONTAL BRACING
I	1	600T150-33	1'-7 1/2"	EXTRA STUD
J	2	150U50-54	6 1/16"	HORIZONTAL BRACING
K	1	600T200-68	5 15/16"	BEAM JACK

SHEATHING

LABEL	QTY	CODE	THICK	SIZE	SCREWS
1	1	SB-DENSARMOR	5/8"	2'-2 5/8" X 10'-10 7/8"	2/12
2	1	SB-DENSARMOR	5/8"	2'-0" X 10'-10 7/8"	2/12

31-1209

Jewish Home for the Aging

1885 Victory Blvd. Reseda, CA

FM-07-109

CREATED BY: AMB

FrameMax, Inc.
13915 Danielson St
Suite 100
Poway, CA 92064
www.frame-max.com



© FrameMax Inc.

HEIGHT : 11'-9 11/16" POINTS: 1.26 Points.

SPACING : 24"

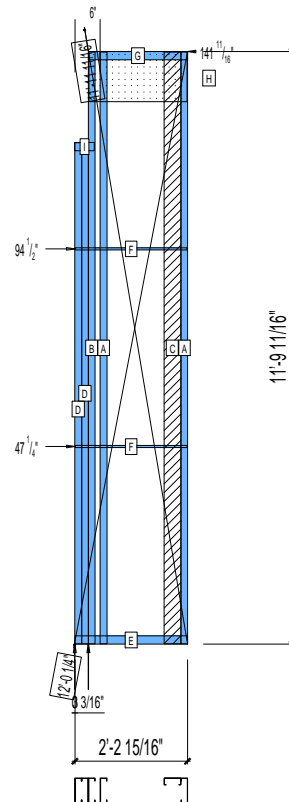
1st STUD: 24"

APPROVED
By Ryan J Gonsalves at 2:58 pm, Nov 11, 2008

WEIGHTS :

FRAME : 211 lbs

TOTAL: 211 lbs



PIECES LIST

LABEL	QTY	SIZE	LENGTH	USE
A	2	600S162-97	11'-9 1/2"	STUD
B	1	600S162-97	11'-9 1/2"	BEAM KING
C	1	400S162-33	11'-9 1/2"	BACKER-U
D	2	600S162-97	9'-11 3/4"	BEAM JACK
E	1	600T200-68	2'-2 15/16"	BOTTOM TRACK
F	2	150U50-54	2'-2 3/4"	HORIZONTAL BRACING
G	1	600T200-68	1'-11 11/16"	TOP TRACK
H	1	1200D-54	1'-11 1/2"	STRAP
I	1	600T200-68	4 11/16"	BEAM JACK

31-1210

Jewish Home for the Aging

1885 Victory Blvd. Reseda, CA

FrameMax, Inc.
13915 Danielson St
Suite 100
Poway, CA 92064
www.frame-max.com



© FrameMax Inc.

CREATED: 10/27/2008

FM-07-109

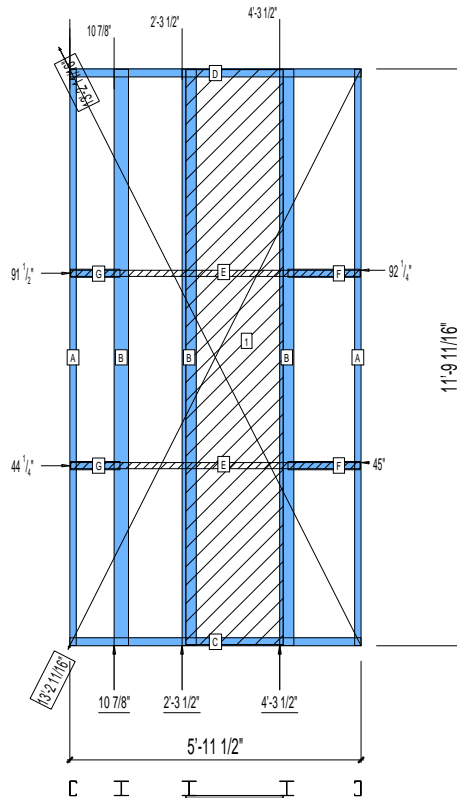
CREATED BY: AMB

HEIGHT : 11'-9 11/16" POINTS: 1.99 Points.
SPACING : 5000"
1st STUD: 5000"

APPROVED
By Ryan J Gonsalves at 2:58 pm, Nov 11, 2008

WEIGHTS :
FRAME : 264 lbs
SHEATHING: 86 lbs

TOTAL: 350 lbs



PIECES LIST

LABEL	QTY	SIZE	LENGTH	USE
A	2	362S162-54	11'-9 1/2"	STUD
B	3	3631350p554	11'-9 1/2"	PACO COLUMN
C	1	362T200-68	5'-11 1/2"	BOTTOM TRACK
D	1	362T200-68	5'-11 1/2"	TOP TRACK
E	2	150D-43	5'-11 3/16"	STRAP
F	2	362T200-68	1'-5 3/4"	BLOCK
G	2	362T200-68	1'-0 1/8"	BLOCK

SHEATHING

LABEL	QTY	CODE	THICK	SIZE	SCREWS
1	1	SB-DENSARMOR	5/8"	1'-11 7/8" X 11'-9 1/4"	2/12

31-1211

Jewish Home for the Aging

1885 Victory Blvd. Reseda, CA

FM-07-109

CREATED BY: AMB

FrameMax, Inc.
13915 Danielson St
Suite 100
Poway, CA 92064
www.framemax.com



© FrameMax Inc.

HEIGHT : 11'-9 11/16" POINTS: 1.69 Points.

SPACING : 5000"

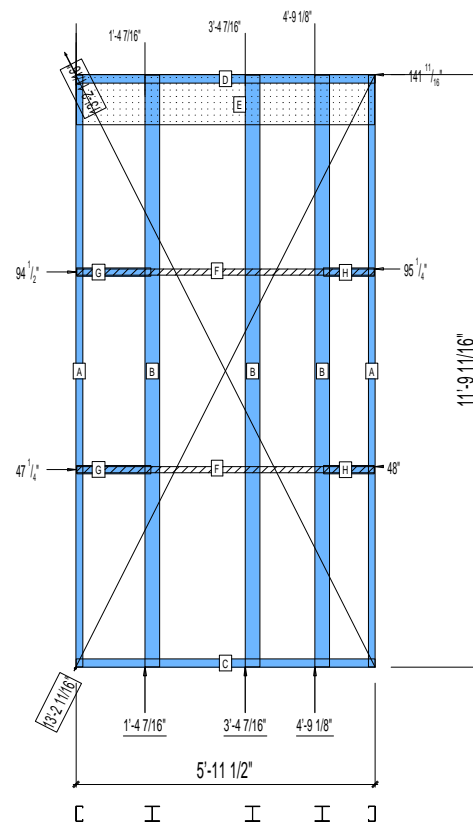
1st STUD: 5000"

APPROVED
By Ryan J Gonsalves at 2:58 pm, Nov 11, 2008

WEIGHTS :

FRAME : 278 lbs

TOTAL: 278 lbs



PIECES LIST

LABEL	QTY	SIZE	LENGTH	USE
A	2	362S162-54	11'-9 1/2"	STUD
B	3	363i350p554	11'-9 1/2"	PACO COLUMN
C	1	362T200-68	5'-11 1/2"	BOTTOM TRACK
D	1	362T200-68	5'-11 1/2"	TOP TRACK
E	1	1200D-54	5'-11 5/16"	STRAP
F	2	150D-43	5'-11 3/16"	STRAP
G	2	362T200-68	1'-5 3/4"	BLOCK
H	2	362T200-68	1'-0 1/8"	BLOCK

31-1212

Jewish Home for the Aging

1885 Victory Blvd. Reseda, CA

FrameMax, Inc.
13915 Danielson St
Suite 100
Poway, CA 92064
www.frame-max.com



© FrameMax Inc.

CREATED: 10/24/2008

FM-07-109

CREATED BY: AMB

HEIGHT : 11'-9 11/16" POINTS: 1.03 Points.

SPACING : 24"

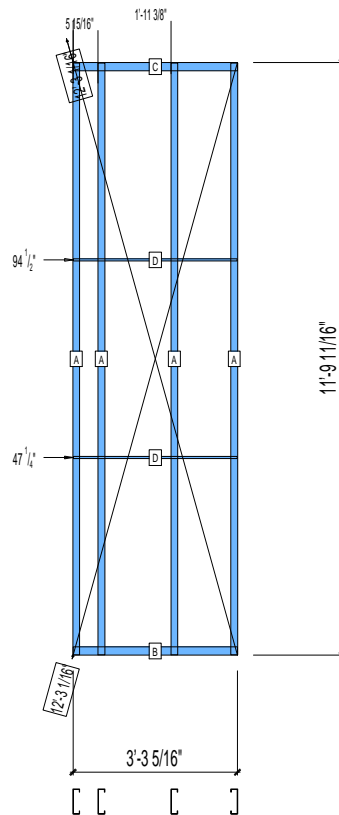
1st STUD: 24"

APPROVED
By Ryan J Gonsalves at 2:58 pm, Nov 11, 2008

WEIGHTS :

FRAME : 174 lbs

TOTAL: 174 lbs



PIECES LIST

LABEL	QTY	SIZE	LENGTH	USE
A	4	600S162-97	11'-9 1/2"	STUD
B	1	600T200-68	3'-3 5/16"	BOTTOM TRACK
C	1	600T200-68	3'-3 5/16"	TOP TRACK
D	2	150U50-54	3'-3 1/8"	HORIZONTAL BRACING

31-1213

Jewish Home for the Aging

1885 Victory Blvd. Reseda, CA

FrameMax, Inc.
13915 Danielson St
Suite 100
Poway, CA 92064
www.frame-max.com



© FrameMax Inc.

CREATED: 10/24/2008

FM-07-109

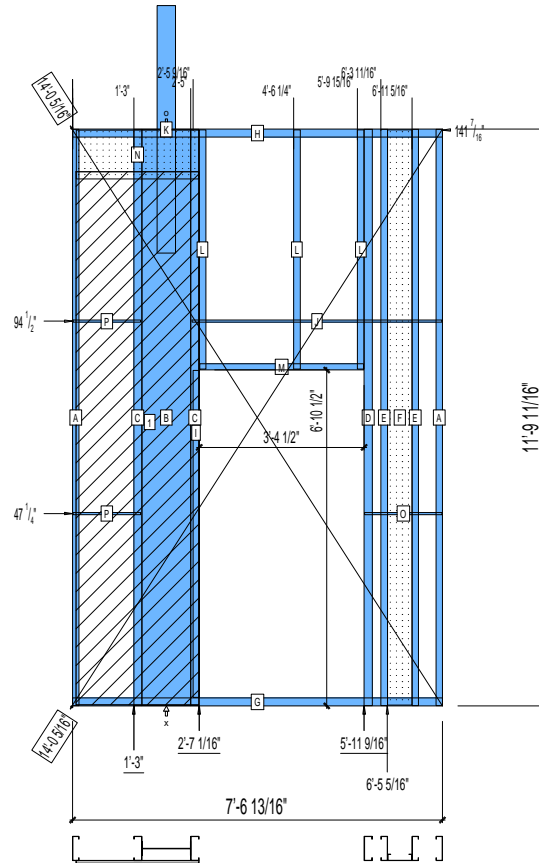
CREATED BY: AMB

HEIGHT : 14'-3 15/16" POINTS: 3.58 Points.
SPACING : 24"
1st STUD: 24"

APPROVED
By Ryan J Gonsalves at 2:58 pm, Nov 11, 2008

WEIGHTS :
FRAME : 550 lbs
SHEATHING: 101 lbs

TOTAL: 651 lbs



PIECES LIST

LABEL	QTY	SIZE	LENGTH	USE
A	2	600S162-97	11'-9 1/2"	STUD
B	1	1200i350p1062	11'-9 1/2"	PACO
C	2	600S200-68	11'-9 1/2"	STUD
D	1	600S200-97	11'-9 1/2"	KING STUD
E	2	600S162-97	11'-9 1/2"	BACKER STUD
F	1	600S162-97	11'-9 1/4"	BACKER-U
G	1	600T200-68	7'-6 13/16"	BOTTOM TRACK
H	1	600T200-68	7'-6 13/16"	TOP TRACK
I	1	600T150-33	6'-8 5/16"	EXTRA STUD
J	1	150U50-54	5'-1 3/8"	HORIZONTAL BRACING
K	1	D	5'-0 3/4"	HOLDDOWN
L	3	600S162-54	4'-10 11/16"	CRIPPLE
M	1	600T150-54	3'-4 1/4"	HEAD TRACK
N	1	1200D-54	2'-6 1/16"	STRAP
O	1	150U50-54	1'-7"	HORIZONTAL BRACING
P	2	150U50-54	1'-4 5/8"	HORIZONTAL BRACING

SHEATHING

LABEL	QTY	CODE	THICK	SIZE	SCREWS
1	1	SB-DENSARMOR	5/8"	2'-6 3/16" X 10'-10 7/8"	2/12

31-1214

Jewish Home for the Aging

1885 Victory Blvd. Reseda, CA

FrameMax, Inc.
13915 Danielson St
Suite 100
Poway, CA 92064
www.frame-max.com



© FrameMax Inc.

CREATED: 10/24/2008

FM-07-109

CREATED BY: AMB

HEIGHT : 11'-9 11/16" POINTS: 2.63 Points.

SPACING : 24"

1st STUD: 24"

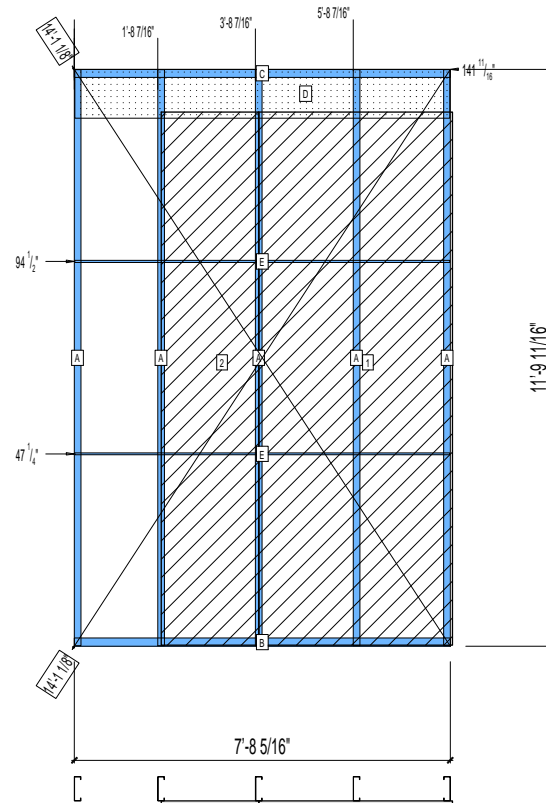
APPROVED
By Ryan J Gonsalves at 2:58 pm, Nov 11, 2008

WEIGHTS :

FRAME : 257 lbs

SHEATHING: 239 lbs

TOTAL: 496 lbs



PIECES LIST

LABEL	QTY	SIZE	LENGTH	USE
A	5	600S162-97	11'-9 1/2"	STUD
B	1	600T200-68	7'-8 5/16"	BOTTOM TRACK
C	1	600T200-68	7'-8 5/16"	TOP TRACK
D	1	1200D-54	7'-8 1/8"	STRAP
E	2	150U50-54	7'-8 1/8"	HORIZONTAL BRACING

SHEATHING

LABEL	QTY	CODE	THICK	SIZE	SCREWS
1	1	SB-DENSARMOR	5/8"	3'-11 5/8" X 10'-10 7/8"	2/12
2	1	SB-DENSARMOR	5/8"	2'-0" X 10'-10 7/8"	2/12

31-1215

Jewish Home for the Aging

1885 Victory Blvd. Reseda, CA

FrameMax, Inc.
13915 Danielson St
Suite 100
Poway, CA 92064
www.frame-max.com



© FrameMax Inc.

CREATED: 10/24/2008

FM-07-109

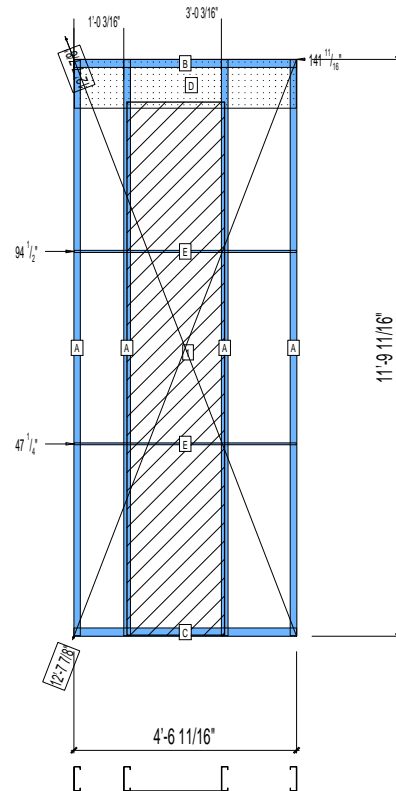
CREATED BY: AMB

HEIGHT : 11'-9 11/16" POINTS: 1.53 Points.
SPACING : 24"
1st STUD: 24"

APPROVED
By Ryan J Gonsalves at 2:58 pm, Nov 11, 2008

WEIGHTS :
FRAME : 193 lbs
SHEATHING: 80 lbs

TOTAL: 273 lbs



PIECES LIST

LABEL	QTY	SIZE	LENGTH	USE
A	4	600S162-97	11'-9 1/2"	STUD
B	1	600T200-68	4'-6 11/16"	TOP TRACK
C	1	600T200-68	4'-6 11/16"	BOTTOM TRACK
D	1	1200D-54	4'-6 1/2"	STRAP
E	2	150U50-54	4'-6 1/2"	HORIZONTAL BRACING

SHEATHING

LABEL	QTY	CODE	THICK	SIZE	SCREWS
1	1	SB-DENSARMOR	5/8"	1'-11 15/16" X 10'-10 7/8"	2/12

31-1216

Jewish Home for the Aging

1885 Victory Blvd. Reseda, CA

FM-07-109

CREATED BY: AMB

FrameMax, Inc.
13915 Danielson St
Suite 100
Poway, CA 92064
www.frame-max.com



© FrameMax Inc.

HEIGHT : 11'-9 11/16" POINTS: 0.83 Points.

SPACING : 24"

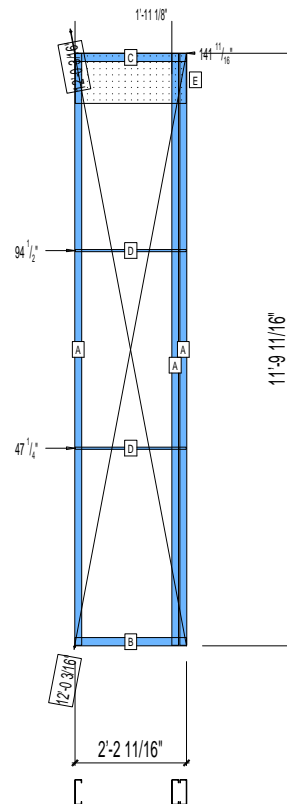
1st STUD: 24"

APPROVED
By Ryan J Gonsalves at 2:58 pm, Nov 11, 2008

WEIGHTS :

FRAME : 135 lbs

TOTAL: 135 lbs



PIECES LIST

LABEL	QTY	SIZE	LENGTH	USE
A	3	600S162-97	11'-9 1/2"	STUD
B	1	600T200-68	2'-2 11/16"	BOTTOM TRACK
C	1	600T200-68	2'-2 11/16"	TOP TRACK
D	2	150U50-54	2'-2 1/2"	HORIZONTAL BRACING
E	1	1200D-54	2'-2 1/2"	STRAP

31-1217

Jewish Home for the Aging

1885 Victory Blvd. Reseda, CA

FM-07-109

CREATED BY: AMB

FrameMax, Inc.
13915 Danielson St
Suite 100
Poway, CA 92064
www.frame-max.com



© FrameMax Inc.

HEIGHT : 11'-9 11/16" POINTS: 3.99 Points.

SPACING : 24"

1st STUD: 24"

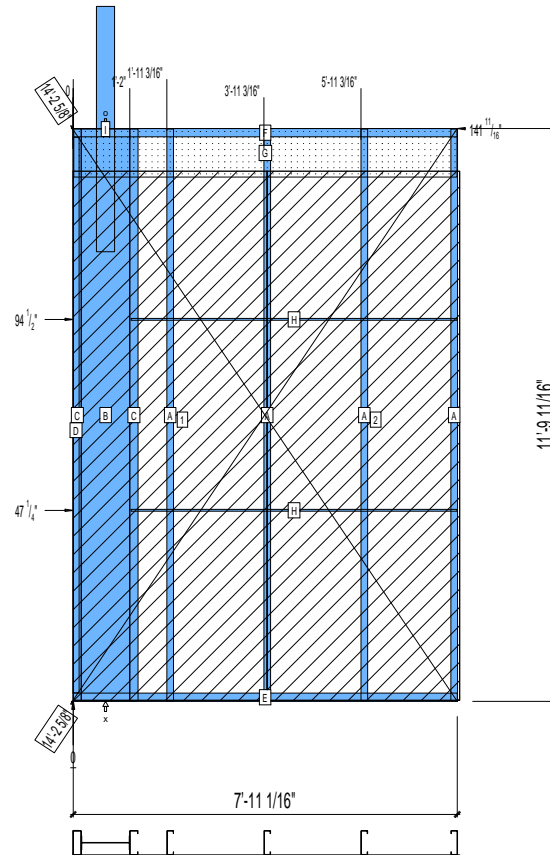
APPROVED
By Ryan J Gonsalves at 2:58 pm, Nov 11, 2008

WEIGHTS :

FRAME : 457 lbs

SHEATHING: 320 lbs

TOTAL: 777 lbs



PIECES LIST

LABEL	QTY	SIZE	LENGTH	USE
A	4	600S162-97	11'-9 1/2"	STUD
B	1	1200i350p1062	11'-9 1/2"	PACO
C	2	600S200-68	11'-9 1/2"	STUD
D	1	600T150-33	11'-5 7/16"	EXTRA STUD
E	1	600T200-68	7'-11 1/16"	BOTTOM TRACK
F	1	600T200-68	7'-11 1/16"	TOP TRACK
G	1	1200D-54	7'-10 13/16"	STRAP
H	2	150U50-54	6'-8 5/8"	HORIZONTAL BRACING
I	1	D	5'-0 3/4"	HOLDDOWN

SHEATHING

LABEL	QTY	CODE	THICK	SIZE	SCREWS
1	1	SB-DENSARMOR	5/8"	4'-0" X 10'-10 7/8"	2/12
2	1	SB-DENSARMOR	5/8"	3'-11 5/8" X 10'-10 7/8"	2/12

31-1218

Jewish Home for the Aging

1885 Victory Blvd. Reseda, CA

FrameMax, Inc.
13915 Danielson St
Suite 100
Poway, CA 92064
www.frame-max.com



© FrameMax Inc.

CREATED: 10/24/2008

FM-07-109

CREATED BY: AMB

HEIGHT : 11'-9 11/16" POINTS: 0.84 Points.

SPACING : 24"

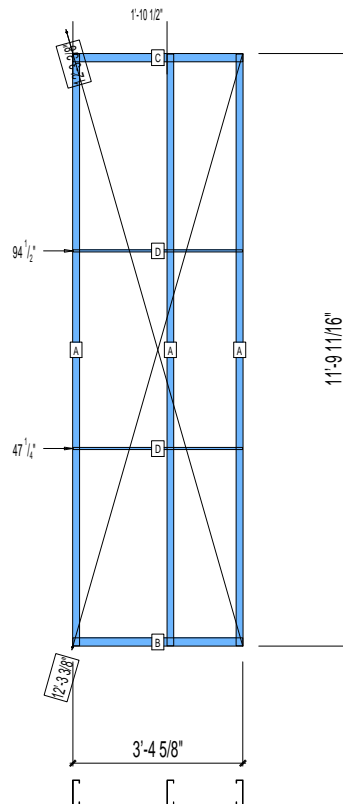
1st STUD: 16"

APPROVED
By Ryan J Gonsalves at 2:58 pm, Nov 11, 2008

WEIGHTS :

FRAME : 136 lbs

TOTAL: 136 lbs



PIECES LIST

LABEL	QTY	SIZE	LENGTH	USE
A	3	600S162-97	11'-9 1/2"	STUD
B	1	600T200-68	3'-4 5/8"	BOTTOM TRACK
C	1	600T200-68	3'-4 5/8"	TOP TRACK
D	2	150U50-54	3'-4 1/2"	HORIZONTAL BRACING

31-1219

Jewish Home for the Aging

1885 Victory Blvd. Reseda, CA

FrameMax, Inc.
13915 Danielson St
Suite 100
Poway, CA 92064
www.frame-max.com



© FrameMax Inc.

CREATED: 10/24/2008

FM-07-109

CREATED BY: AMB

HEIGHT : 10'-5 3/4" POINTS: 0.70 Points.

SPACING : 24"

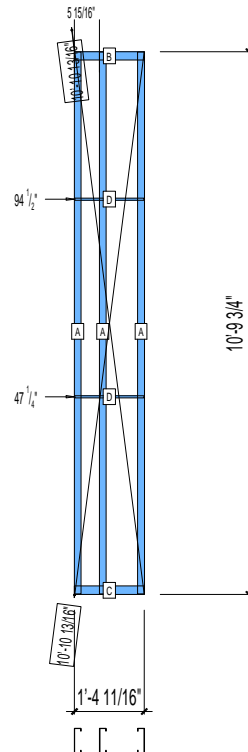
1st STUD: 24"

APPROVED
By Ryan J Gonsalves at 2:58 pm, Nov 11, 2008

WEIGHTS :

FRAME : 115 lbs

TOTAL: 115 lbs



PIECES LIST

LABEL	QTY	SIZE	LENGTH	USE
A	3	600S162-97	10'-9 9/16"	STUD
B	1	600T200-68	1'-4 11/16"	TOP TRACK
C	1	600T200-68	1'-4 11/16"	BOTTOM TRACK
D	2	150U50-54	1'-4 1/2"	HORIZONTAL BRACING

31-1220

Jewish Home for the Aging

1885 Victory Blvd. Reseda, CA

FrameMax, Inc.
13915 Danielson St
Suite 100
Poway, CA 92064
www.frame-max.com



© FrameMax Inc.

CREATED: 10/24/2008

FM-07-109

CREATED BY: AMB

HEIGHT : 10'-4"

POINTS: 0.82 Points.

SPACING : 24"

1st STUD: 24"

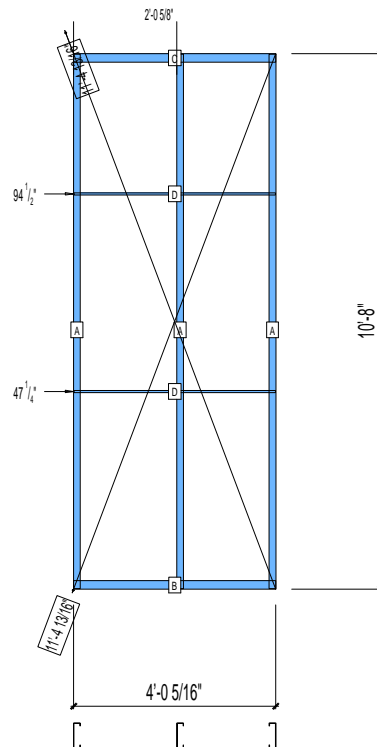
APPROVED

By Ryan J Gonsalves at 2:58 pm, Nov 11, 2008

WEIGHTS :

FRAME : 129 lbs

TOTAL: 129 lbs



PIECES LIST

LABEL	QTY	SIZE	LENGTH	USE
A	3	600S162-97	10'-7 13/16"	STUD
B	1	600T200-68	4'-0 5/16"	BOTTOM TRACK
C	1	600T200-68	4'-0 5/16"	TOP TRACK
D	2	150U50-54	4'-0 1/8"	HORIZONTAL BRACING

31-1221

Jewish Home for the Aging

1885 Victory Blvd. Reseda, CA

FM-07-109

CREATED BY: AMB

FrameMax, Inc.
13915 Danielson St
Suite 100
Poway, CA 92064
www.frame-max.com



© FrameMax Inc.

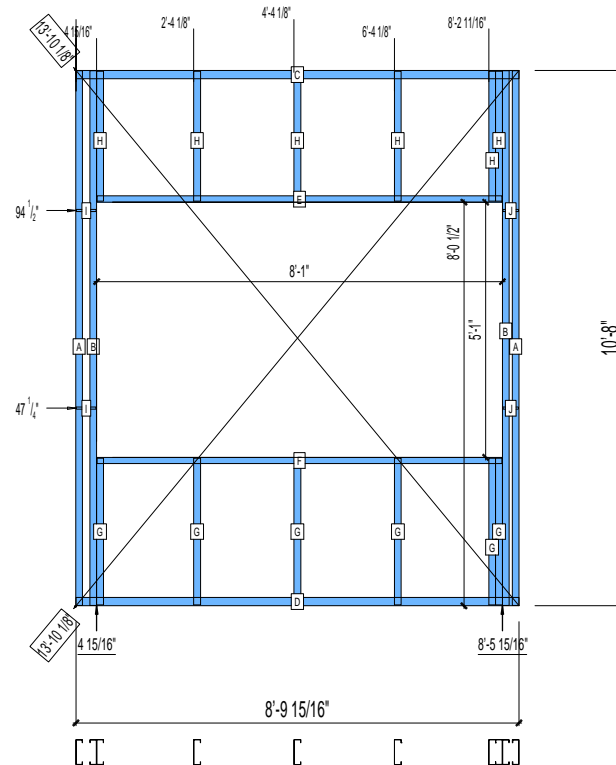
HEIGHT : 10'-4"
SPACING : 24"
1st STUD: 24"

POINTS: 1.31 Points.

APPROVED
By Ryan J Gonsalves at 2:58 pm, Nov 11, 2008

WEIGHTS :
FRAME : 134 lbs

TOTAL: 134 lbs



PIECES LIST

LABEL	QTY	SIZE	LENGTH	USE
A	2	600S162-97	10'-7 13/16"	STUD
B	2	600S162-97	10'-7 13/16"	KING STUD
C	1	600T200-68	8'-9 15/16"	TOP TRACK
D	1	600T200-68	8'-9 15/16"	BOTTOM TRACK
E	1	600T150-54	8'-0 3/4"	HEAD TRACK
F	1	600T150-54	8'-0 3/4"	SILL
G	6	600S162-54	2'-11 1/16"	CRIPPLE
H	6	600S162-54	2'-7 1/16"	CRIPPLE
I	2	150U50-54	4 3/4"	HORIZONTAL BRACING
J	2	150U50-54	3 3/4"	HORIZONTAL BRACING

31-1222

Jewish Home for the Aging

1885 Victory Blvd. Reseda, CA

FM-07-109

CREATED BY: AMB

FrameMax, Inc.
13915 Danielson St
Suite 100
Poway, CA 92064
www.framemax.com



© FrameMax Inc.

HEIGHT : 11'-9 11/16" POINTS: 1.64 Points.

SPACING : 5000"

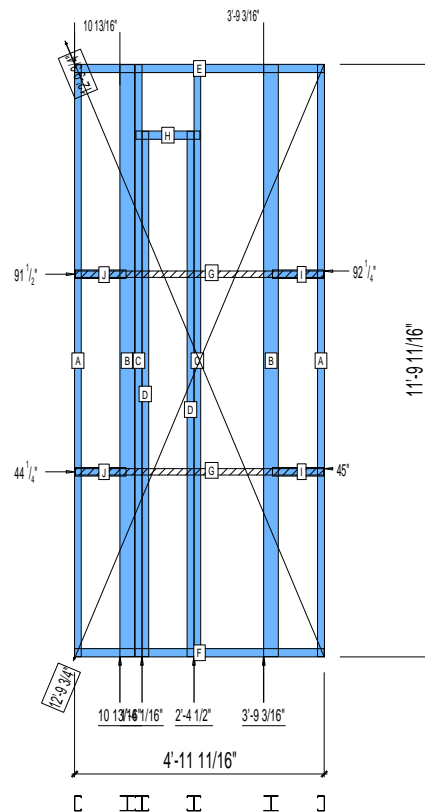
1st STUD: 5000"

APPROVED
By Ryan J Gonsalves at 2:58 pm, Nov 11, 2008

WEIGHTS :

FRAME : 259 lbs

TOTAL: 259 lbs



PIECES LIST

LABEL	QTY	SIZE	LENGTH	USE
A	2	362S162-54	11'-9 1/2"	STUD
B	2	363i350p554	11'-9 1/2"	PACO. COLUMN
C	2	362S162-54	11'-9 1/2"	BEAM KING
D	2	362S162-54	10'-5 9/16"	BEAM JACK
E	1	362T200-68	4'-11 11/16"	TOP TRACK
F	1	362T200-68	4'-11 11/16"	BOTTOM TRACK
G	2	150D-43	4'-11 3/8"	STRAP
H	1	362T200-68	1'-3 1/4"	BEAM JACK
I	2	362T200-68	1'-0 1/4"	BLOCK
J	2	362T200-68	1'-0 1/8"	BLOCK

31-1223

Jewish Home for the Aging

1885 Victory Blvd. Reseda, CA

FM-07-109

CREATED BY: AMB

FrameMax, Inc.
13915 Danielson St
Suite 100
Poway, CA 92064
www.frame-max.com



© FrameMax Inc.

HEIGHT : 11'-9 11/16" POINTS: 1.73 Points.

SPACING : 5000"

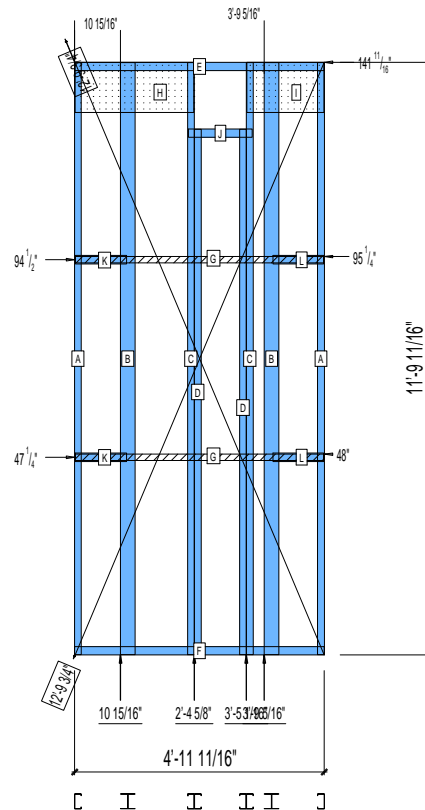
1st STUD: 5000"

APPROVED
By Ryan J Gonsalves at 2:58 pm, Nov 11, 2008

WEIGHTS :

FRAME : 269 lbs

TOTAL: 269 lbs



PIECES LIST

LABEL	QTY	SIZE	LENGTH	USE
A	2	362S162-54	11'-9 1/2"	STUD
B	2	363i350p554	11'-9 1/2"	PACO COLUMN
C	2	362S162-54	11'-9 1/2"	BEAM KING
D	2	362S162-54	10'-5 9/16"	BEAM JACK
E	1	362T200-68	4'-11 11/16"	TOP TRACK
F	1	362T200-68	4'-11 11/16"	BOTTOM TRACK
G	2	150D-43	4'-11 3/8"	STRAP
H	1	1200D-54	2'-4 3/8"	STRAP
I	1	1200D-54	1'-6 7/16"	STRAP
J	1	362T200-68	1'-3 1/4"	BEAM JACK
K	2	362T200-68	1'-0 1/4"	BLOCK
L	2	362T200-68	1'-0 1/8"	BLOCK

31-1224

Jewish Home for the Aging

1885 Victory Blvd. Reseda, CA

FM-07-109

CREATED BY: AMB

FrameMax, Inc.
13915 Danielson St
Suite 100
Poway, CA 92064
www.frame-max.com



© FrameMax Inc.

HEIGHT : 11'-9 11/16" POINTS: 1.19 Points.

SPACING : 5000"

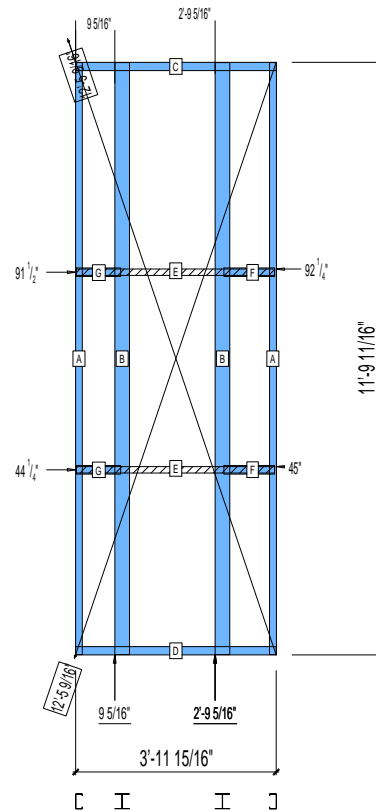
1st STUD: 5000"

APPROVED
By Ryan J Gonsalves at 2:58 pm, Nov 11, 2008

WEIGHTS :

FRAME : 188 lbs

TOTAL: 188 lbs



PIECES LIST

LABEL	QTY	SIZE	LENGTH	USE
A	2	362S162-54	11'-9 1/2"	STUD
B	2	363i350p554	11'-9 1/2"	PACO.COLUMN
C	1	362T200-68	3'-11 15/16"	TOP TRACK
D	1	362T200-68	3'-11 15/16"	BOTTOM TRACK
E	2	150D-43	3'-11 3/8"	STRAP
F	2	362T200-68	1'-0 3/16"	BLOCK
G	2	362T200-68	10 5/8"	BLOCK

31-1225

Jewish Home for the Aging

1885 Victory Blvd. Reseda, CA

FM-07-109

CREATED BY: AMB

FrameMax, Inc.
13915 Danielson St
Suite 100
Poway, CA 92064
www.frame-max.com

FRAME MAX

© FrameMax Inc.

HEIGHT : 11'-9 11/16" POINTS: 1.26 Points.

SPACING : 5000"

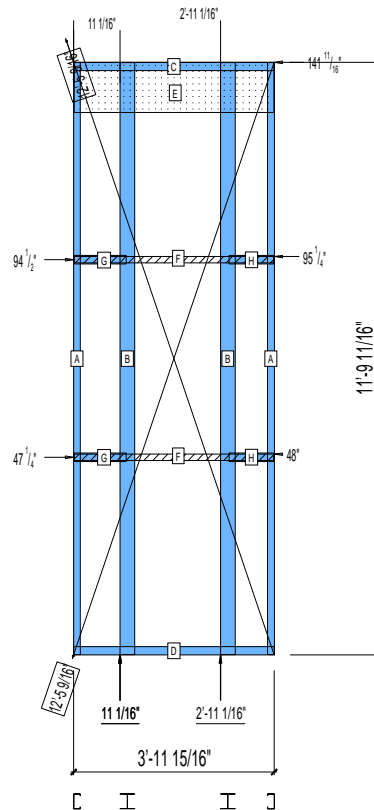
1st STUD: 5000"

APPROVED
By Ryan J Gonsalves at 2:58 pm, Nov 11, 2008

WEIGHTS :

FRAME : 198 lbs

TOTAL: 198 lbs



PIECES LIST

LABEL	QTY	SIZE	LENGTH	USE
A	2	362S162-54	11'-9 1/2"	STUD
B	2	363i350p554	11'-9 1/2"	PACO.COLUMN
C	1	362T200-68	3'-11 15/16"	TOP TRACK
D	1	362T200-68	3'-11 15/16"	BOTTOM TRACK
E	1	1200D-54	3'-11 3/4"	STRAP
F	2	150D-43	3'-11 5/8"	STRAP
G	2	362T200-68	1'-0 3/8"	BLOCK
H	2	362T200-68	10 5/8"	BLOCK

31-1226

Jewish Home for the Aging

1885 Victory Blvd. Reseda, CA

FM-07-109

CREATED BY: AMB

FrameMax, Inc.
13915 Danielson St
Suite 100
Poway, CA 92064
www.frame-max.com



© FrameMax Inc.

HEIGHT : 10'-1 5/8" POINTS: 0.92 Points.

SPACING : 24"

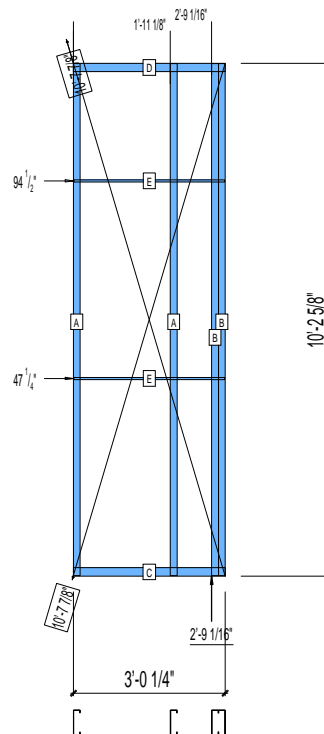
1st STUD: 24"

APPROVED
By Ryan J Gonsalves at 2:58 pm, Nov 11, 2008

WEIGHTS :

FRAME : 152 lbs

TOTAL: 152 lbs



PIECES LIST

LABEL	QTY	SIZE	LENGTH	USE
A	2	600S162-97	10'-2 7/16"	STUD
B	2	600S162-97	10'-2 7/16"	EXTRA STUD
C	1	600T200-68	3'-0 1/4"	BOTTOM TRACK
D	1	600T200-68	3'-0 1/4"	TOP TRACK
E	2	150U50-54	3'-0 1/16"	HORIZONTAL BRACING

31-1227

Jewish Home for the Aging

1885 Victory Blvd. Reseda, CA

FrameMax, Inc.
13915 Danielson St
Suite 100
Poway, CA 92064
www.framemax.com



© FrameMax Inc.

CREATED: 10/24/2008

FM-07-109

CREATED BY: AMB

HEIGHT : 11'-9 11/16" POINTS: 1.88 Points.

SPACING : 5000"

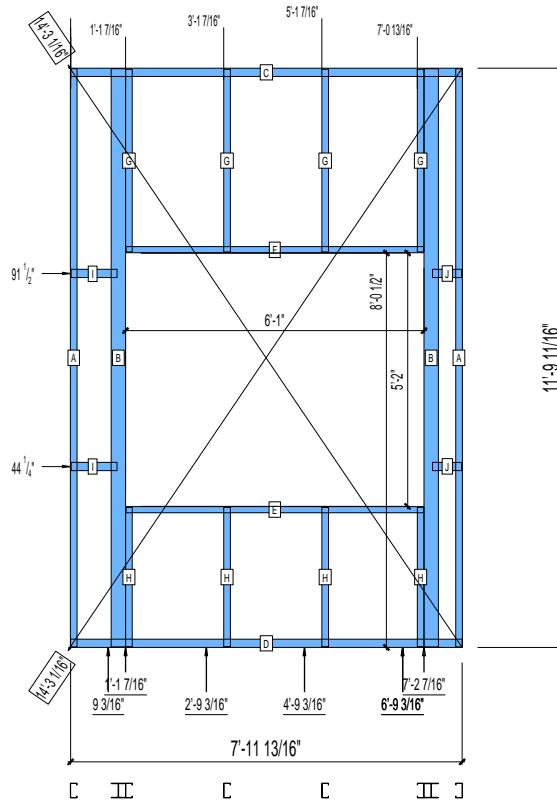
1st STUD: 5000"

APPROVED
By Ryan J Gonsalves at 2:58 pm, Nov 11, 2008

WEIGHTS :

FRAME : 283 lbs

TOTAL: 283 lbs



PIECES LIST

LABEL	QTY	SIZE	LENGTH	USE
A	2	362S162-54	11'-9 1/2"	STUD
B	2	3631350p680	11'-9 1/2"	KING STUD
C	1	362T200-68	7'-11 13/16"	TOP TRACK
D	1	362T200-68	7'-11 13/16"	BOTTOM TRACK
E	1	362T150-54	6'-0 3/4"	SILL
F	1	362T150-54	6'-0 3/4"	HEAD TRACK
G	4	362S162-54	3'-8 11/16"	CRIPPLE
H	4	362S162-54	2'-10"	CRIPPLE
I	2	362T200-68	11 1/4"	BLOCK
J	2	362T200-68	7 1/8"	BLOCK

31-1228

Jewish Home for the Aging

1885 Victory Blvd. Reseda, CA

FM-07-109

CREATED BY: AMB

FrameMax, Inc.
13915 Danielson St
Suite 100
Poway, CA 92064
www.frame-max.com



© FrameMax Inc.

HEIGHT : 11'-9 11/16" POINTS: 1.99 Points.

SPACING : 5000"

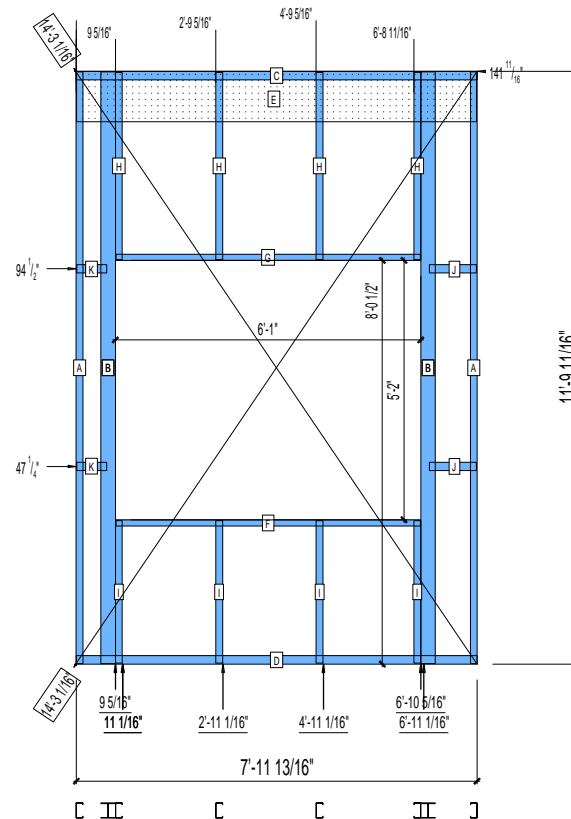
1st STUD: 5000"

APPROVED
By Ryan J Gonsalves at 2:58 pm, Nov 11, 2008

WEIGHTS :

FRAME : 302 lbs

TOTAL: 302 lbs



PIECES LIST

LABEL	QTY	SIZE	LENGTH	USE
A	2	362S162-54	11'-9 1/2"	STUD
B	2	363i350p680	11'-9 1/2"	KING STUD
C	1	362T200-68	7'-11 13/16"	TOP TRACK
D	1	362T200-68	7'-11 13/16"	BOTTOM TRACK
E	1	1200D-54	7'-11 5/8"	STRAP
F	1	362T150-54	6'-0 3/4"	SILL
G	1	362T150-54	6'-0 3/4"	HEAD TRACK
H	4	362S162-54	3'-8 3/4"	CRIPPLE
I	4	362S162-54	2'-10 1/16"	CRIPPLE
J	2	362T200-68	11 1/4"	BLOCK
K	2	362T200-68	7 1/8"	BLOCK

31-1229

Jewish Home for the Aging

1885 Victory Blvd. Reseda, CA

FrameMax, Inc.
13915 Danielson St
Suite 100
Poway, CA 92064
www.frame-max.com



© FrameMax Inc.

CREATED: 10/24/2008

FM-07-109

CREATED BY: AMB

HEIGHT : 11'-9 11/16" POINTS: 1.93 Points.

SPACING : 5000"

1st STUD: 5000"

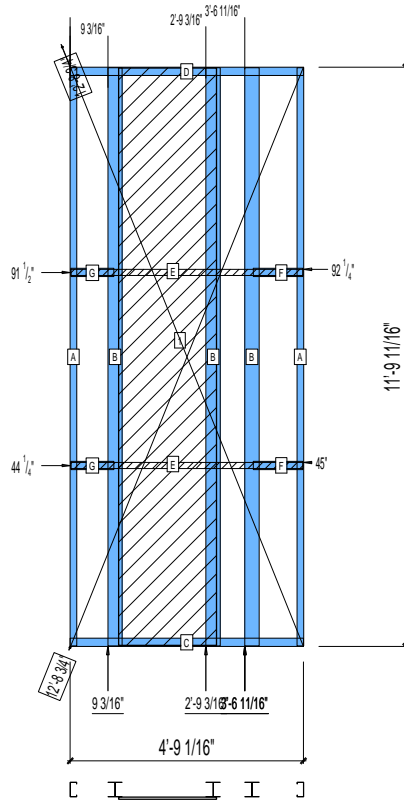
APPROVED
By Ryan J Gonsalves at 2:58 pm, Nov 11, 2008

WEIGHTS :

FRAME : 257 lbs

SHEATHING: 86 lbs

TOTAL: 343 lbs



PIECES LIST

LABEL	QTY	SIZE	LENGTH	USE
A	2	362S162-54	11'-9 1/2"	STUD
B	3	3631350p554	11'-9 1/2"	PACO COLUMN
C	1	362T200-68	4'-9 1/16"	BOTTOM TRACK
D	1	362T200-68	4'-9 1/16"	TOP TRACK
E	2	150D-43	4'-8 3/4"	STRAP
F	2	362T200-68	1'-0 1/8"	BLOCK
G	2	362T200-68	10 1/2"	BLOCK

SHEATHING

LABEL	QTY	CODE	THICK	SIZE	SCREWS
1	1	SB-DENSGLOSS	1/2"	1'-11 15/16" X	11'-9 1/4" 2/12

31-1230

Jewish Home for the Aging

1885 Victory Blvd. Reseda, CA

FM-07-109

CREATED BY: AMB

FrameMax, Inc.
13915 Danielson St
Suite 100
Poway, CA 92064
www.frame-max.com



© FrameMax Inc.

HEIGHT : 11'-9 11/16" POINTS: 1.62 Points.

SPACING : 5000"

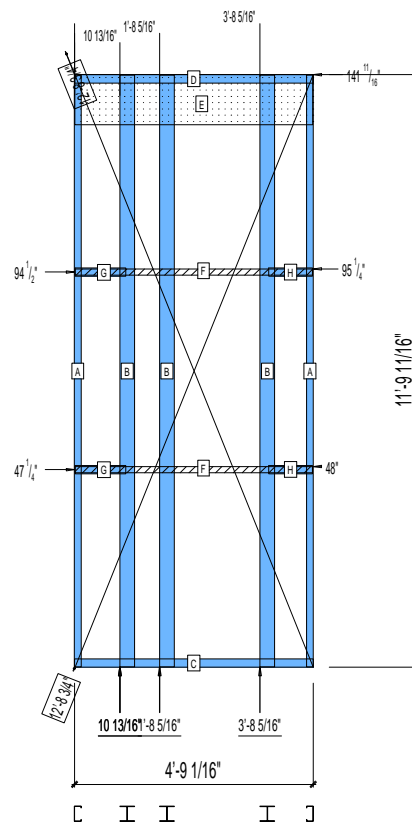
1st STUD: 5000"

APPROVED
By Ryan J Gonsalves at 2:58 pm, Nov 11, 2008

WEIGHTS :

FRAME : 268 lbs

TOTAL: 268 lbs



PIECES LIST

LABEL	QTY	SIZE	LENGTH	USE
A	2	362S162-54	11'-9 1/2"	STUD
B	3	363i350p554	11'-9 1/2"	PACO.COLUMN
C	1	362T200-68	4'-9 1/16"	BOTTOM TRACK
D	1	362T200-68	4'-9 1/16"	TOP TRACK
E	1	1200D-54	4'-8 7/8"	STRAP
F	2	150D-43	4'-8 3/4"	STRAP
G	2	362T200-68	1'-0 1/8"	BLOCK
H	2	362T200-68	10 1/2"	BLOCK

31-1231

Jewish Home for the Aging

1885 Victory Blvd. Reseda, CA

FrameMax, Inc.
13915 Danielson St
Suite 100
Poway, CA 92064
www.framemax.com



© FrameMax Inc.

CREATED: 10/24/2008

FM-07-109

CREATED BY: AMB

HEIGHT : 10'-1 5/8" POINTS: 0.72 Points.

SPACING : 24"

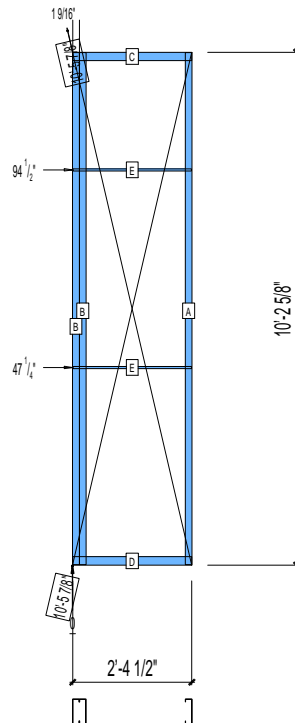
1st STUD: 24"

APPROVED
By Ryan J Gonsalves at 2:58 pm, Nov 11, 2008

WEIGHTS :

FRAME : 115 lbs

TOTAL: 115 lbs



PIECES LIST

LABEL	QTY	SIZE	LENGTH	USE
A	1	600S162-97	10'-2 7/16"	STUD
B	2	600S162-97	10'-2 7/16"	EXTRA STUD
C	1	600T200-68	2'-4 1/2"	TOP TRACK
D	1	600T200-68	2'-4 1/2"	BOTTOM TRACK
E	2	150U50-54	2'-4 5/16"	HORIZONTAL BRACING

31-1232

Jewish Home for the Aging

1885 Victory Blvd. Reseda, CA

FM-07-109

CREATED BY: AMB

FrameMax, Inc.
13915 Danielson St
Suite 100
Poway, CA 92064
www.frame-max.com

FRAME MAX

© FrameMax Inc.

HEIGHT : 10'-1 5/8" POINTS: 1.26 Points.

SPACING : 24"

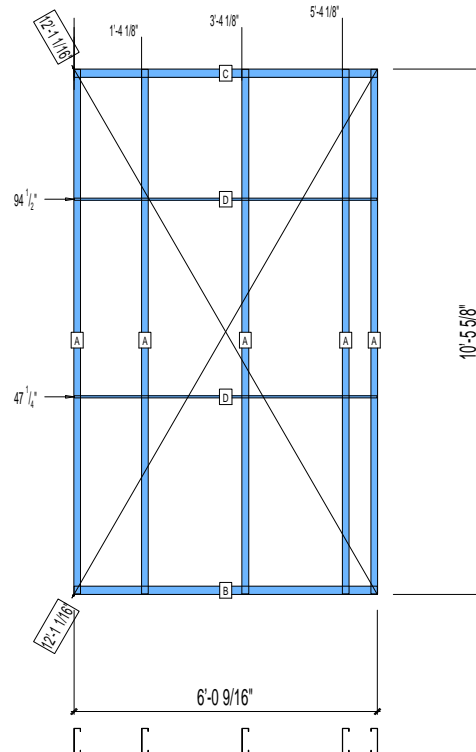
1st STUD: 24"

APPROVED
By Ryan J Gonsalves at 2:58 pm, Nov 11, 2008

WEIGHTS :

FRAME : 207 lbs

TOTAL: 207 lbs



PIECES LIST

LABEL	QTY	SIZE	LENGTH	USE
A	5	600S162-97	10'-5 7/16"	STUD
B	1	600T200-68	6'-0 9/16"	BOTTOM TRACK
C	1	600T200-68	6'-0 9/16"	TOP TRACK
D	2	150U50-54	6'-0 3/8"	HORIZONTAL BRACING

31-1233

Jewish Home for the Aging

1885 Victory Blvd. Reseda, CA

FM-07-109

CREATED BY: AMB

FrameMax, Inc.
13915 Danielson St
Suite 100
Poway, CA 92064
www.frame-max.com



© FrameMax Inc.

HEIGHT : 10'-11 11/16" POINTS: 0.76 Points.

SPACING : 5000"

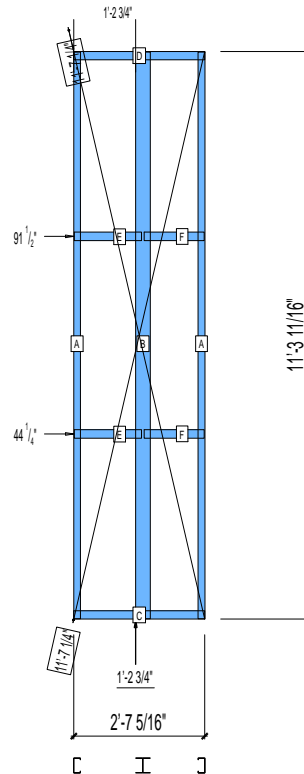
1st STUD: 5000"

APPROVED
By Ryan J Gonsalves at 2:58 pm, Nov 11, 2008

WEIGHTS :

FRAME : 114 lbs

TOTAL: 114 lbs



PIECES LIST

LABEL	QTY	SIZE	LENGTH	USE
A	2	362S162-54	11'-3 1/2"	STUD
B	1	363i350p554	11'-3 1/2"	PACO. COLUMN
C	1	362T200-68	2'-7 5/16"	BOTTOM TRACK
D	1	362T200-68	2'-7 5/16"	TOP TRACK
E	2	362T200-68	1'-4 1/16"	BLOCK
F	2	362T200-68	1'-2 5/16"	BLOCK

31-1234

Jewish Home for the Aging

1885 Victory Blvd. Reseda, CA

FM-07-109

CREATED BY: AMB

FrameMax, Inc.
13915 Danielson St
Suite 100
Poway, CA 92064
www.frame-max.com



© FrameMax Inc.

HEIGHT : 10'-11 11/16" POINTS: 0.76 Points.

SPACING : 5000"

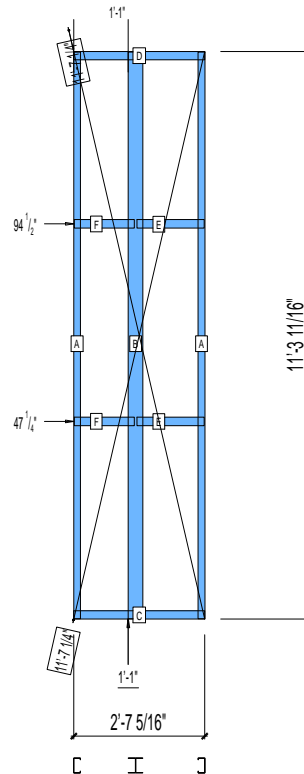
1st STUD: 5000"

APPROVED
By Ryan J Gonsalves at 2:58 pm, Nov 11, 2008

WEIGHTS :

FRAME : 114 lbs

TOTAL: 114 lbs



PIECES LIST

LABEL	QTY	SIZE	LENGTH	USE
A	2	362S162-54	11'-3 1/2"	STUD
B	1	363i350p554	11'-3 1/2"	PACO. COLUMN
C	1	362T200-68	2'-7 5/16"	BOTTOM TRACK
D	1	362T200-68	2'-7 5/16"	TOP TRACK
E	2	362T200-68	1'-4 1/16"	BLOCK
F	2	362T200-68	1'-2 5/16"	BLOCK

31-1235

Jewish Home for the Aging

1885 Victory Blvd. Reseda, CA

FrameMax, Inc.
13915 Danielson St
Suite 100
Poway, CA 92064
www.frame-max.com



© FrameMax Inc.

CREATED: 10/24/2008

FM-07-109

CREATED BY: AMB

HEIGHT : 11'-9 11/16" POINTS: 2.17 Points.

SPACING : 24"

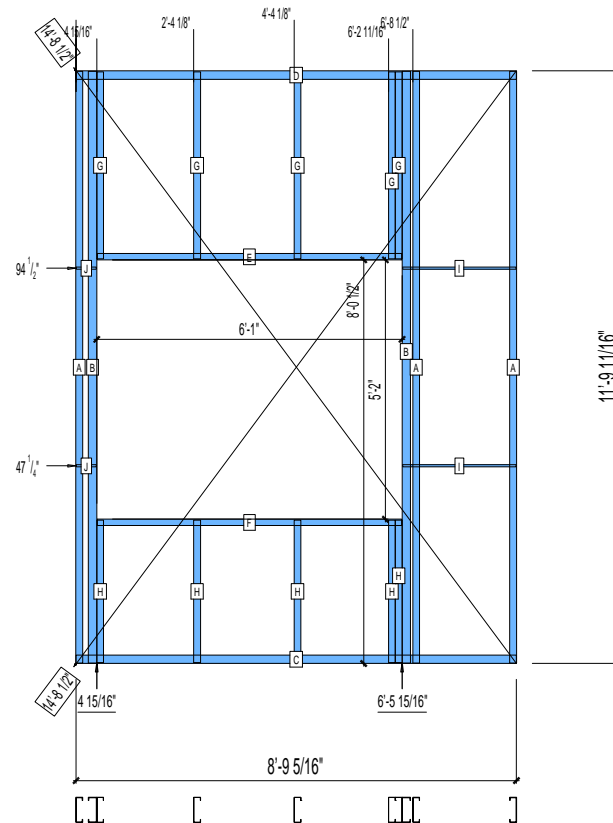
1st STUD: 24"

APPROVED
By Ryan J Gonsalves at 2:58 pm, Nov 11, 2008

WEIGHTS :

FRAME : 330 lbs

TOTAL: 330 lbs



PIECES LIST

LABEL	QTY	SIZE	LENGTH	USE
A	3	600S162-97	11'-9 1/2"	STUD
B	2	600S200-97	11'-9 1/2"	KING STUD
C	1	600T200-68	8'-9 5/16"	BOTTOM TRACK
D	1	600T200-68	8'-9 5/16"	TOP TRACK
E	1	600T150-54	6'-0 3/4"	HEAD TRACK
F	1	600T150-54	6'-0 3/4"	SILL
G	5	600S162-54	3'-8 3/4"	CRIPPLE
H	5	600S162-54	2'-10 1/16"	CRIPPLE
I	2	150U50-54	2'-3 1/8"	HORIZONTAL BRACING
J	2	150U50-54	4 3/4"	HORIZONTAL BRACING

31-1236

Jewish Home for the Aging

1885 Victory Blvd. Reseda, CA

FM-07-109

CREATED BY: AMB

FrameMax, Inc.
13915 Danielson St
Suite 100
Poway, CA 92064
www.frame-max.com

FRAME MAX

© FrameMax Inc.

HEIGHT : 11'-9 11/16" POINTS: 1.61 Points.

SPACING : 5000"

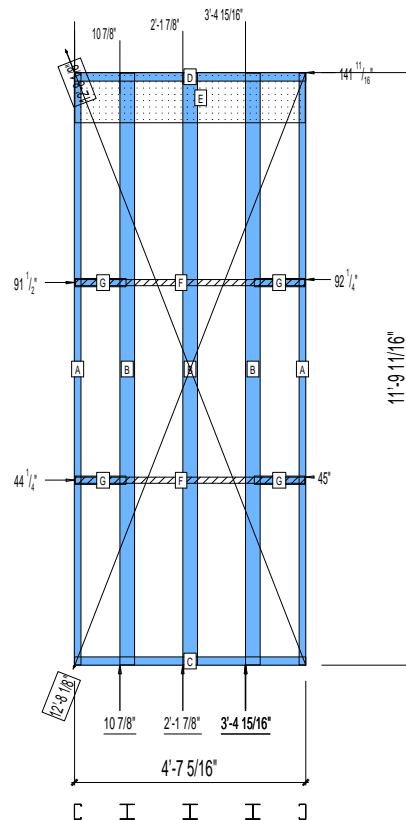
1st STUD: 5000"

APPROVED
By Ryan J Gonsalves at 2:58 pm, Nov 11, 2008

WEIGHTS :

FRAME : 268 lbs

TOTAL: 268 lbs



PIECES LIST

LABEL	QTY	SIZE	LENGTH	USE
A	2	362S162-54	11'-9 1/2"	STUD
B	3	363i350p554	11'-9 1/2"	PACO.COLUMN
C	1	362T200-68	4'-7 5/16"	BOTTOM TRACK
D	1	362T200-68	4'-7 5/16"	TOP TRACK
E	1	1200D-54	4'-7 1/8"	STRAP
F	2	150D-43	4'-7"	STRAP
G	4	362T200-68	1'-0 1/8"	BLOCK

31-1237

Jewish Home for the Aging

1885 Victory Blvd. Reseda, CA

FM-07-109

CREATED BY: AMB

FrameMax, Inc.
13915 Danielson St
Suite 100
Poway, CA 92064
www.frame-max.com



© FrameMax Inc.

HEIGHT : 11'-9 11/16" POINTS: 1.61 Points.

SPACING : 5000"

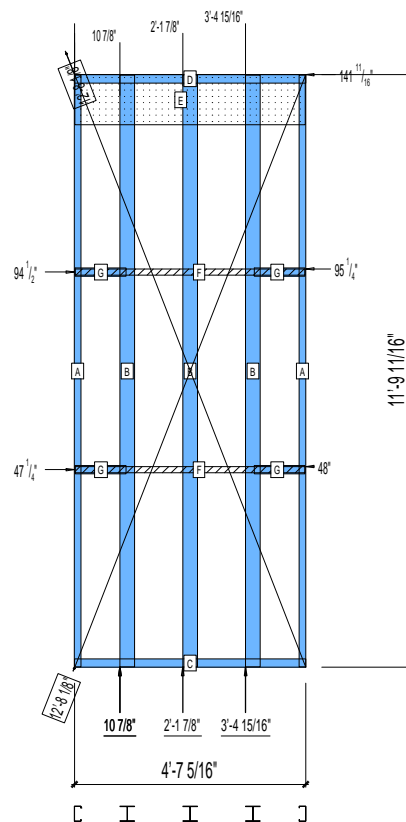
1st STUD: 5000"

APPROVED
By Ryan J Gonsalves at 2:58 pm, Nov 11, 2008

WEIGHTS :

FRAME : 268 lbs

TOTAL: 268 lbs



PIECES LIST

LABEL	QTY	SIZE	LENGTH	USE
A	2	362S162-54	11'-9 1/2"	STUD
B	3	363i350p554	11'-9 1/2"	PACO.COLUMN
C	1	362T200-68	4'-7 5/16"	BOTTOM TRACK
D	1	362T200-68	4'-7 5/16"	TOP TRACK
E	1	1200D-54	4'-7 1/8"	STRAP
F	2	150D-43	4'-7"	STRAP
G	4	362T200-68	1'-0 1/8"	BLOCK

31-1238

Jewish Home for the Aging

1885 Victory Blvd. Reseda, CA

FM-07-109

CREATED BY: AMB

FrameMax, Inc.
13915 Danielson St
Suite 100
Poway, CA 92064
www.framemax.com



© FrameMax Inc.

HEIGHT : 11'-9 11/16" POINTS: 1.55 Points.

SPACING : 24"

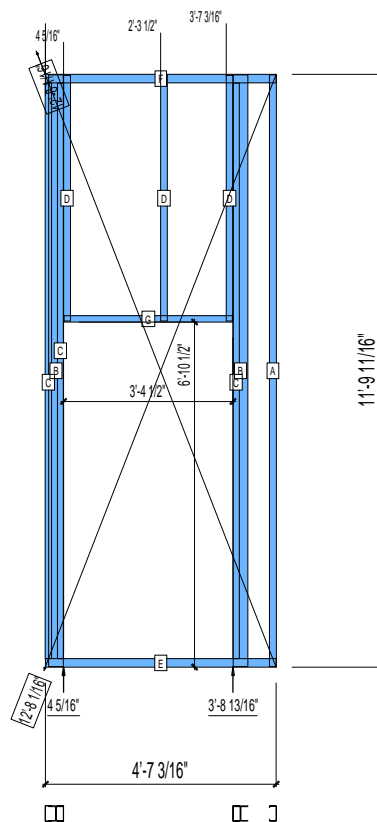
1st STUD: 24"

APPROVED
By Ryan J Gonsalves at 2:58 pm, Nov 11, 2008

WEIGHTS :

FRAME : 263 lbs

TOTAL: 263 lbs



PIECES LIST

LABEL	QTY	SIZE	LENGTH	USE
A	1	362S162-54	11'-9 1/2"	STUD
B	2	363i350p680	11'-9 1/2"	KING STUD
C	3	362T150-54	11'-5 9/16"	KING TRACK
D	3	362S162-54	4'-10 3/4"	CRIPPLE
E	1	362T200-68	4'-7 3/16"	BOTTOM TRACK
F	1	362T200-68	4'-7 3/16"	TOP TRACK
G	1	362T150-54	3'-4 1/4"	HEAD TRACK

31-1239

Jewish Home for the Aging

1885 Victory Blvd. Reseda, CA

FM-07-109

CREATED BY: AMB

FrameMax, Inc.
13915 Danielson St
Suite 100
Poway, CA 92064
www.frame-max.com



© FrameMax Inc.

HEIGHT : 11'-9 11/16" POINTS: 1.55 Points.

SPACING : 24"

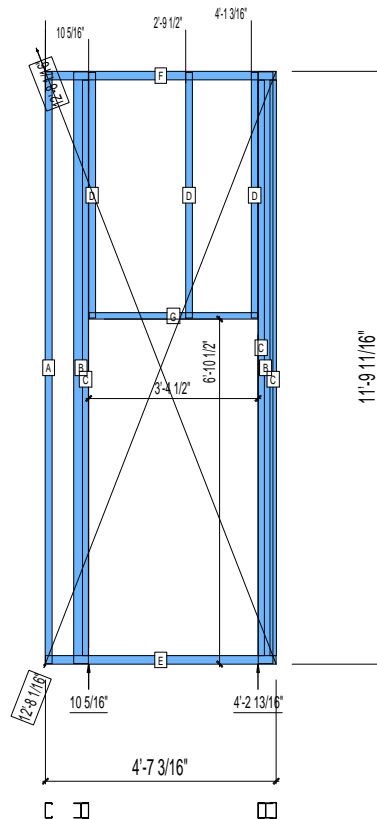
1st STUD: 24"

APPROVED
By Ryan J Gonsalves at 2:58 pm, Nov 11, 2008

WEIGHTS :

FRAME : 263 lbs

TOTAL: 263 lbs



PIECES LIST

LABEL	QTY	SIZE	LENGTH	USE
A	1	362S162-54	11'-9 1/2"	STUD
B	2	363i350p680	11'-9 1/2"	KING STUD
C	3	362T150-54	11'-5 9/16"	KING TRACK
D	3	362S162-54	4'-10 3/4"	CRIPPLE
E	1	362T200-68	4'-7 3/16"	BOTTOM TRACK
F	1	362T200-68	4'-7 3/16"	TOP TRACK
G	1	362T150-54	3'-4 1/4"	HEAD TRACK

31-1240

Jewish Home for the Aging

1885 Victory Blvd. Reseda, CA

FM-07-109

CREATED BY: AMB

FrameMax, Inc.
13915 Danielson St
Suite 100
Poway, CA 92064
www.frame-max.com



© FrameMax Inc.

HEIGHT : 11'-9 11/16" POINTS: 1.63 Points.

SPACING : 5000"

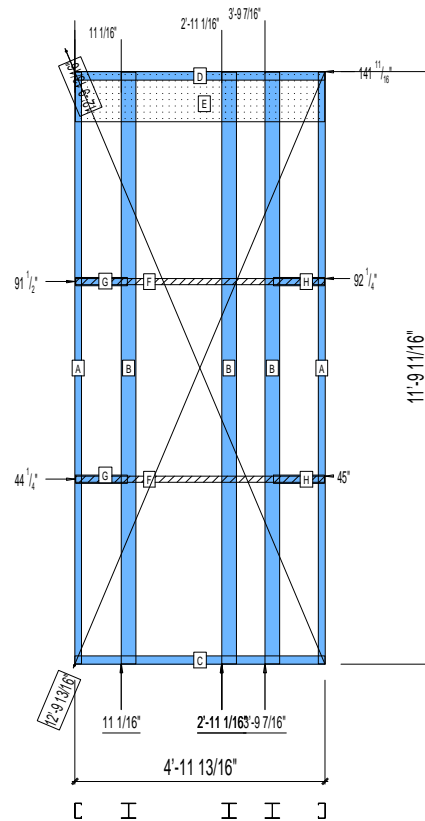
1st STUD: 5000"

APPROVED
By Ryan J Gonsalves at 2:58 pm, Nov 11, 2008

WEIGHTS :

FRAME : 270 lbs

TOTAL: 270 lbs



PIECES LIST

LABEL	QTY	SIZE	LENGTH	USE
A	2	362S162-54	11'-9 1/2"	STUD
B	3	363i350p554	11'-9 1/2"	PACO.COLUMN
C	1	362T200-68	4'-11 13/16"	BOTTOM TRACK
D	1	362T200-68	4'-11 13/16"	TOP TRACK
E	1	1200D-54	4'-11 5/8"	STRAP
F	2	150D-43	4'-11 1/2"	STRAP
G	2	362T200-68	1'-0 3/8"	BLOCK
H	2	362T200-68	1'-0 1/8"	BLOCK

31-1241

Jewish Home for the Aging

1885 Victory Blvd. Reseda, CA

FM-07-109

CREATED BY: AMB

FrameMax, Inc.
13915 Danielson St
Suite 100
Poway, CA 92064
www.frame-max.com



© FrameMax Inc.

HEIGHT : 11'-9 11/16" POINTS: 1.63 Points.

SPACING : 5000"

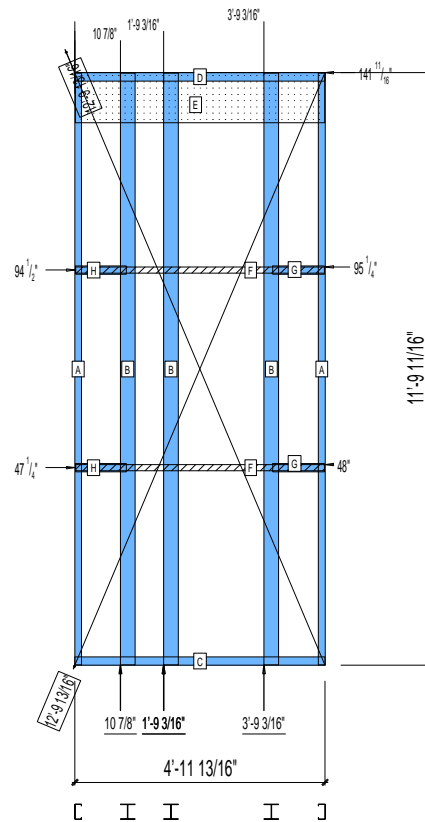
1st STUD: 5000"

APPROVED
By Ryan J Gonsalves at 2:58 pm, Nov 11, 2008

WEIGHTS :

FRAME : 270 lbs

TOTAL: 270 lbs



PIECES LIST

LABEL	QTY	SIZE	LENGTH	USE
A	2	362S162-54	11'-9 1/2"	STUD
B	3	363i350p554	11'-9 1/2"	PACO.COLUMN
C	1	362T200-68	4'-11 13/16"	BOTTOM TRACK
D	1	362T200-68	4'-11 13/16"	TOP TRACK
E	1	1200D-54	4'-11 5/8"	STRAP
F	2	150D-43	4'-11 1/2"	STRAP
G	2	362T200-68	1'-0 3/8"	BLOCK
H	2	362T200-68	1'-0 1/8"	BLOCK

31-1242

Jewish Home for the Aging

1885 Victory Blvd. Reseda, CA

FM-07-109

CREATED BY: AMB

FrameMax, Inc.
13915 Danielson St
Suite 100
Poway, CA 92064
www.frame-max.com



© FrameMax Inc.

HEIGHT : 11'-9 11/16" POINTS: 2.05 Points.

SPACING : 5000"

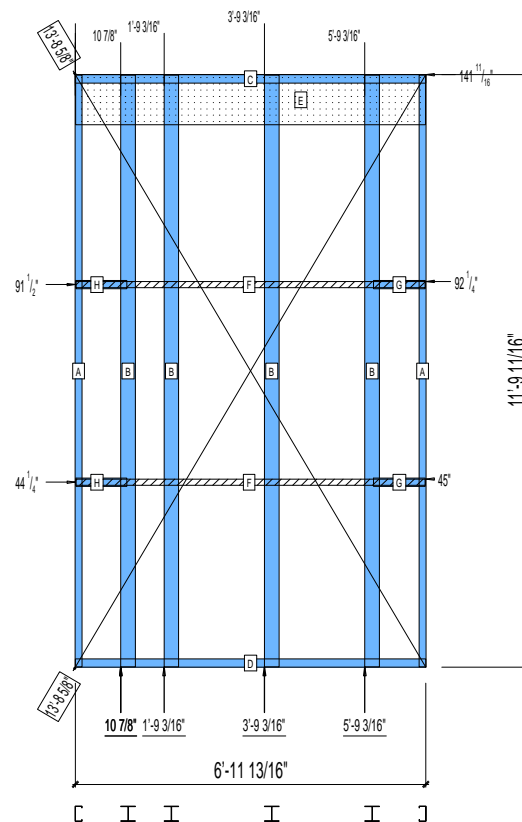
1st STUD: 5000"

APPROVED
By Ryan J Gonsalves at 2:58 pm, Nov 11, 2008

WEIGHTS :

FRAME : 349 lbs

TOTAL: 349 lbs



PIECES LIST

LABEL	QTY	SIZE	LENGTH	USE
A	2	362S162-54	11'-9 1/2"	STUD
B	4	363i350p554	11'-9 1/2"	PACO.COLUMN
C	1	362T200-68	6'-11 13/16"	TOP TRACK
D	1	362T200-68	6'-11 13/16"	BOTTOM TRACK
E	1	1200D-54	6'-11 5/8"	STRAP
F	2	150D-43	6'-11 1/2"	STRAP
G	2	362T200-68	1'-0 3/8"	BLOCK
H	2	362T200-68	1'-0 3/16"	BLOCK

31-1243

Jewish Home for the Aging

1885 Victory Blvd. Reseda, CA

FM-07-109

CREATED BY: AMB

FrameMax, Inc.
13915 Danielson St
Suite 100
Poway, CA 92064
www.frame-max.com



© FrameMax Inc.

HEIGHT : 11'-9 11/16" POINTS: 2.05 Points.

SPACING : 5000"

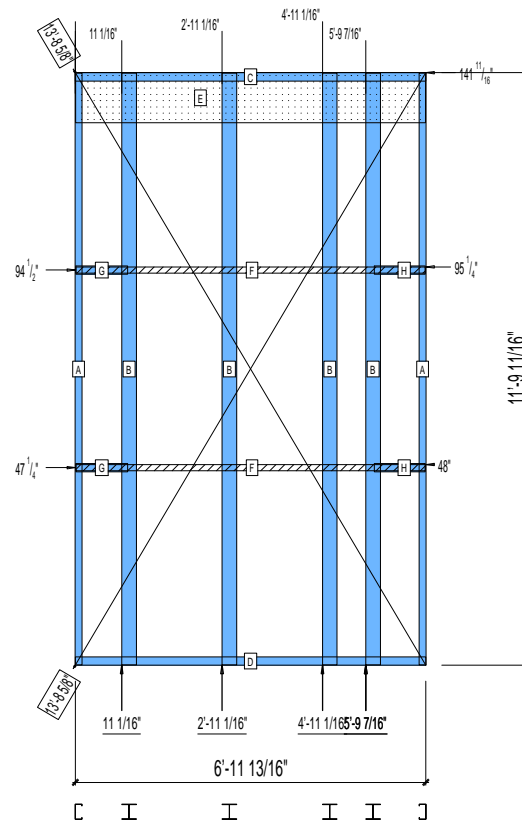
1st STUD: 5000"

APPROVED
By Ryan J Gonsalves at 2:58 pm, Nov 11, 2008

WEIGHTS :

FRAME : 349 lbs

TOTAL: 349 lbs



PIECES LIST

LABEL	QTY	SIZE	LENGTH	USE
A	2	362S162-54	11'-9 1/2"	STUD
B	4	363i350p554	11'-9 1/2"	PACO.COLUMN
C	1	362T200-68	6'-11 13/16"	TOP TRACK
D	1	362T200-68	6'-11 13/16"	BOTTOM TRACK
E	1	1200D-54	6'-11 5/8"	STRAP
F	2	150D-43	6'-11 1/2"	STRAP
G	2	362T200-68	1'-0 3/8"	BLOCK
H	2	362T200-68	1'-0 3/16"	BLOCK

31-1244

Jewish Home for the Aging

1885 Victory Blvd. Reseda, CA

FrameMax, Inc.
13915 Danielson St
Suite 100
Poway, CA 92064
www.frame-max.com



© FrameMax Inc.

CREATED: 10/24/2008

FM-07-109

CREATED BY: AMB

HEIGHT : 11'-9 11/16" POINTS: 2.10 Points.

SPACING : 5000"

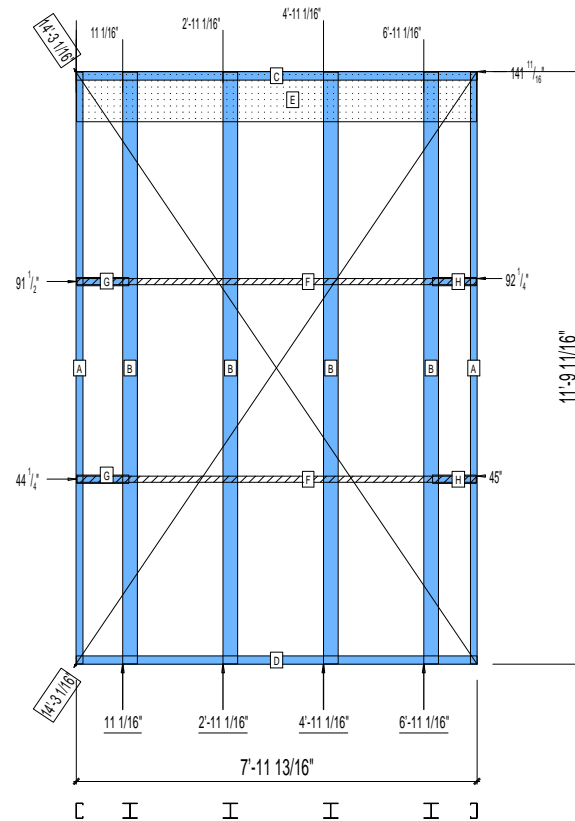
1st STUD: 5000"

APPROVED
By Ryan J Gonsalves at 2:58 pm, Nov 11, 2008

WEIGHTS :

FRAME : 355 lbs

TOTAL: 355 lbs



PIECES LIST

LABEL	QTY	SIZE	LENGTH	USE
A	2	362S162-54	11'-9 1/2"	STUD
B	4	363i350p554	11'-9 1/2"	PACO.COLUMN
C	1	362T200-68	7'-11 13/16"	TOP TRACK
D	1	362T200-68	7'-11 13/16"	BOTTOM TRACK
E	1	1200D-54	7'-11 5/8"	STRAP
F	2	150D-43	7'-11 1/2"	STRAP
G	2	362T200-68	1'-0 3/8"	BLOCK
H	2	362T200-68	10 1/2"	BLOCK

31-1245

Jewish Home for the Aging

1885 Victory Blvd. Reseda, CA

FrameMax, Inc.
13915 Danielson St
Suite 100
Poway, CA 92064
www.frame-max.com



© FrameMax Inc.

CREATED: 10/24/2008

FM-07-109

CREATED BY: AMB

HEIGHT : 11'-9 11/16" POINTS: 2.10 Points.

SPACING : 5000"

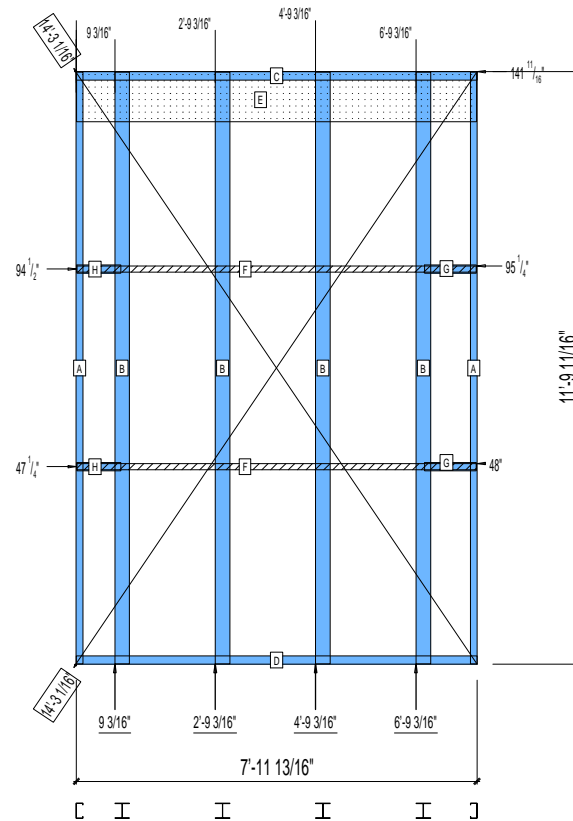
1st STUD: 5000"

APPROVED
By Ryan J Gonsalves at 2:58 pm, Nov 11, 2008

WEIGHTS :

FRAME : 355 lbs

TOTAL: 355 lbs



PIECES LIST

LABEL	QTY	SIZE	LENGTH	USE
A	2	362S162-54	11'-9 1/2"	STUD
B	4	363i350p554	11'-9 1/2"	PACO.COLUMN
C	1	362T200-68	7'-11 13/16"	TOP TRACK
D	1	362T200-68	7'-11 13/16"	BOTTOM TRACK
E	1	1200D-54	7'-11 5/8"	STRAP
F	2	150D-43	7'-11 1/2"	STRAP
G	2	362T200-68	1'-0 3/8"	BLOCK
H	2	362T200-68	10 1/2"	BLOCK

31-1246

Jewish Home for the Aging

1885 Victory Blvd. Reseda, CA

FM-07-109

CREATED BY: AMB

FrameMax, Inc.
13915 Danielson St
Suite 100
Poway, CA 92064
www.frame-max.com



© FrameMax Inc.

HEIGHT : 11'-9 11/16" POINTS: 1.65 Points.

SPACING : 5000"

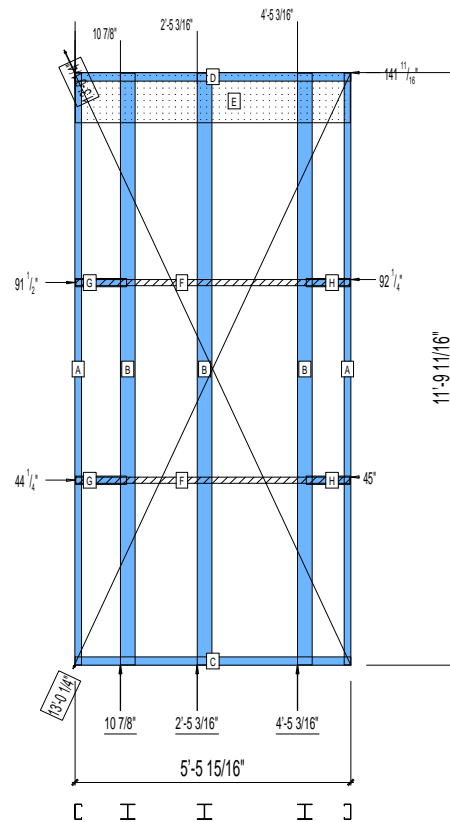
1st STUD: 5000"

APPROVED
By Ryan J Gonsalves at 2:58 pm, Nov 11, 2008

WEIGHTS :

FRAME : 273 lbs

TOTAL: 273 lbs



PIECES LIST

LABEL	QTY	SIZE	LENGTH	USE
A	2	362S162-54	11'-9 1/2"	STUD
B	3	363i350p554	11'-9 1/2"	PACO.COLUMN
C	1	362T200-68	5'-5 15/16"	BOTTOM TRACK
D	1	362T200-68	5'-5 15/16"	TOP TRACK
E	1	1200D-54	5'-5 3/4"	STRAP
F	2	150D-43	5'-5 5/8"	STRAP
G	2	362T200-68	1'-0 1/8"	BLOCK
H	2	362T200-68	10 1/2"	BLOCK

31-1247

Jewish Home for the Aging

1885 Victory Blvd. Reseda, CA

FM-07-109

CREATED BY: AMB

FrameMax, Inc.
13915 Danielson St
Suite 100
Poway, CA 92064
www.frame-max.com



© FrameMax Inc.

HEIGHT : 11'-9 11/16" POINTS: 1.65 Points.

SPACING : 5000"

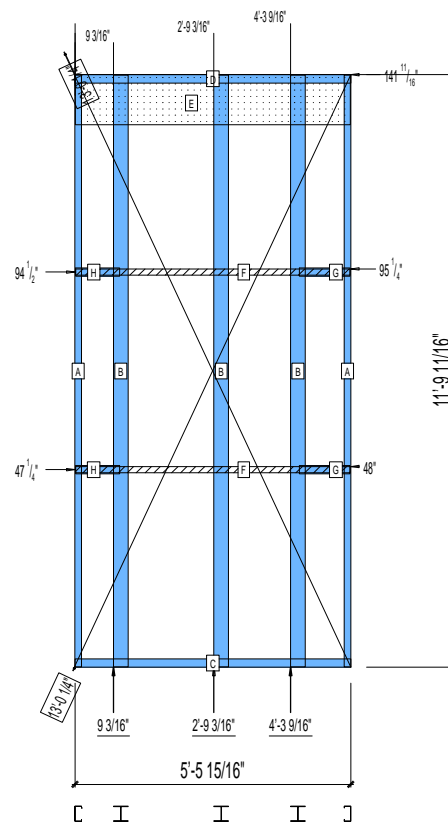
1st STUD: 5000"

APPROVED
By Ryan J Gonsalves at 2:58 pm, Nov 11, 2008

WEIGHTS :

FRAME : 273 lbs

TOTAL: 273 lbs



PIECES LIST

LABEL	QTY	SIZE	LENGTH	USE
A	2	362S162-54	11'-9 1/2"	STUD
B	3	363i350p554	11'-9 1/2"	PACO.COLUMN
C	1	362T200-68	5'-5 15/16"	BOTTOM TRACK
D	1	362T200-68	5'-5 15/16"	TOP TRACK
E	1	1200D-54	5'-5 3/4"	STRAP
F	2	150D-43	5'-5 5/8"	STRAP
G	2	362T200-68	1'-0 1/8"	BLOCK
H	2	362T200-68	10 1/2"	BLOCK

31-1248

Jewish Home for the Aging

1885 Victory Blvd. Reseda, CA

FM-07-109

CREATED BY: AMB

FrameMax, Inc.
13915 Danielson St
Suite 100
Poway, CA 92064
www.frame-max.com



© FrameMax Inc.

HEIGHT : 11'-9 11/16" POINTS: 2.09 Points.

SPACING : 5000"

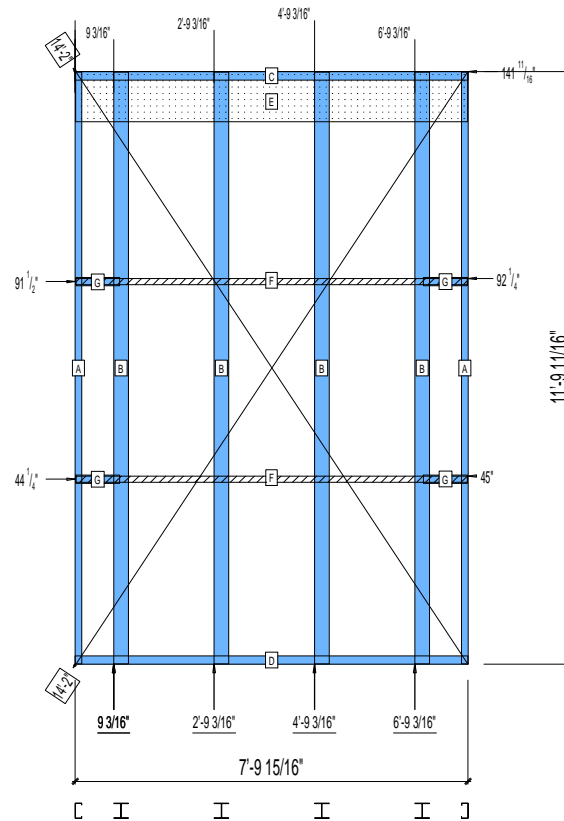
1st STUD: 5000"

APPROVED
By Ryan J Gonsalves at 2:58 pm, Nov 11, 2008

WEIGHTS :

FRAME : 353 lbs

TOTAL: 353 lbs



PIECES LIST

LABEL	QTY	SIZE	LENGTH	USE
A	2	362S162-54	11'-9 1/2"	STUD
B	4	363i350p554	11'-9 1/2"	PACO.COLUMN
C	1	362T200-68	7'-9 15/16"	TOP TRACK
D	1	362T200-68	7'-9 15/16"	BOTTOM TRACK
E	1	1200D-54	7'-9 3/4"	STRAP
F	2	150D-43	7'-9 5/8"	STRAP
G	4	362T200-68	10 1/2"	BLOCK

31-1249

Jewish Home for the Aging

1885 Victory Blvd. Reseda, CA

FM-07-109

CREATED BY: AMB

FrameMax, Inc.
13915 Danielson St
Suite 100
Poway, CA 92064
www.frame-max.com



© FrameMax Inc.

HEIGHT : 11'-9 11/16" POINTS: 2.09 Points.

SPACING : 5000"

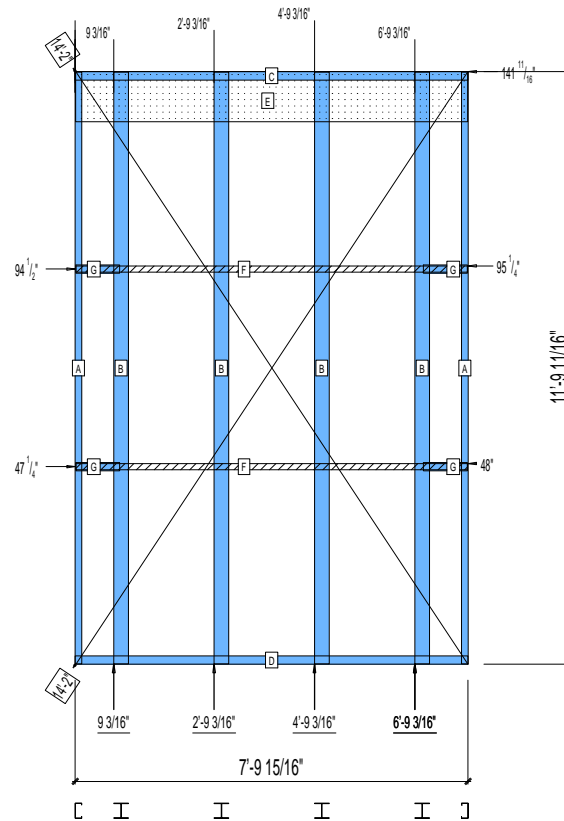
1st STUD: 5000"

APPROVED
By Ryan J Gonsalves at 2:58 pm, Nov 11, 2008

WEIGHTS :

FRAME : 353 lbs

TOTAL: 353 lbs



PIECES LIST

LABEL	QTY	SIZE	LENGTH	USE
A	2	362S162-54	11'-9 1/2"	STUD
B	4	363i350p554	11'-9 1/2"	PACO.COLUMN
C	1	362T200-68	7'-9 15/16"	TOP TRACK
D	1	362T200-68	7'-9 15/16"	BOTTOM TRACK
E	1	1200D-54	7'-9 3/4"	STRAP
F	2	150D-43	7'-9 5/8"	STRAP
G	4	362T200-68	10 1/2"	BLOCK

31-1250

Jewish Home for the Aging

1885 Victory Blvd. Reseda, CA

FM-07-109

CREATED BY: AMB

FrameMax, Inc.
13915 Danielson St
Suite 100
Poway, CA 92064
www.frame-max.com



© FrameMax Inc.

HEIGHT : 11'-9 11/16" POINTS: 1.59 Points.

SPACING : 5000"

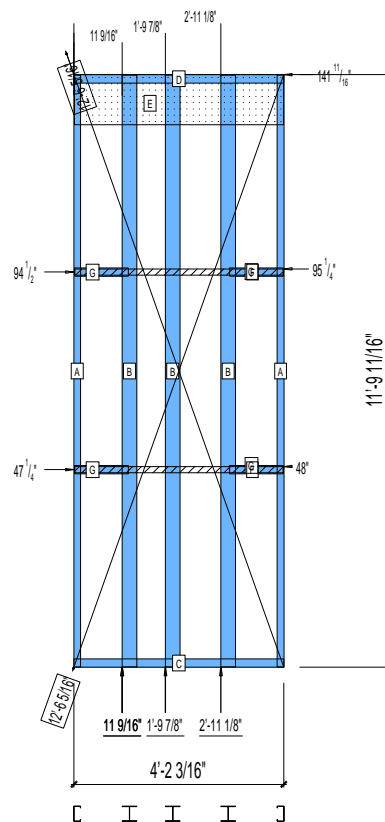
1st STUD: 5000"

APPROVED
By Ryan J Gonsalves at 2:58 pm, Nov 11, 2008

WEIGHTS :

FRAME : 265 lbs

TOTAL: 265 lbs



PIECES LIST

LABEL	QTY	SIZE	LENGTH	USE
A	2	362S162-54	11'-9 1/2"	STUD
B	3	363i350p554	11'-9 1/2"	PACO. COLUMN
C	1	362T200-68	4'-2 3/16"	BOTTOM TRACK
D	1	362T200-68	4'-2 3/16"	TOP TRACK
E	1	1200D-54	4'-2"	STRAP
F	2	150D-43	4'-1 7/8"	STRAP
G	4	362T200-68	1'-0 13/16"	BLOCK

31-1251

Jewish Home for the Aging

1885 Victory Blvd. Reseda, CA

FM-07-109

CREATED BY: AMB

FrameMax, Inc.
13915 Danielson St
Suite 100
Poway, CA 92064
www.frame-max.com



© FrameMax Inc.

HEIGHT : 11'-9 11/16" POINTS: 1.59 Points.

SPACING : 5000"

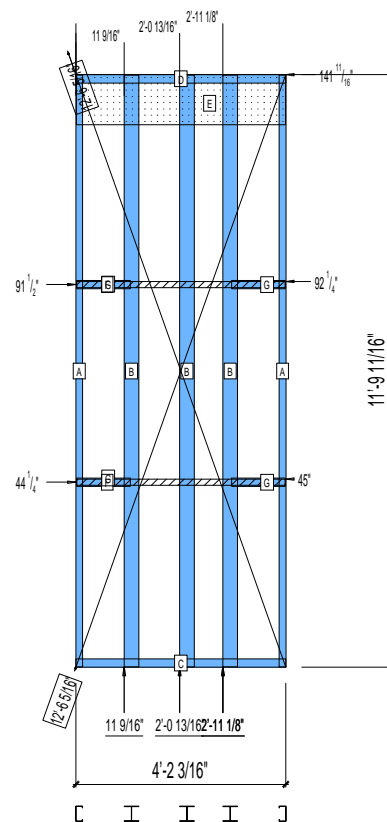
1st STUD: 5000"

APPROVED
By Ryan J Gonsalves at 2:58 pm, Nov 11, 2008

WEIGHTS :

FRAME : 265 lbs

TOTAL: 265 lbs



PIECES LIST

LABEL	QTY	SIZE	LENGTH	USE
A	2	362S162-54	11'-9 1/2"	STUD
B	3	363i350p554	11'-9 1/2"	PACO. COLUMN
C	1	362T200-68	4'-2 3/16"	BOTTOM TRACK
D	1	362T200-68	4'-2 3/16"	TOP TRACK
E	1	1200D-54	4'-2"	STRAP
F	2	150D-43	4'-1 7/8"	STRAP
G	4	362T200-68	1'-0 13/16"	BLOCK

31-1252

Jewish Home for the Aging

1885 Victory Blvd. Reseda, CA

FM-07-109

CREATED BY: AMB

FrameMax, Inc.
13915 Danielson St
Suite 100
Poway, CA 92064
www.frame-max.com



© FrameMax Inc.

HEIGHT : 11'-9 11/16" POINTS: 1.46 Points.

SPACING : 5000"

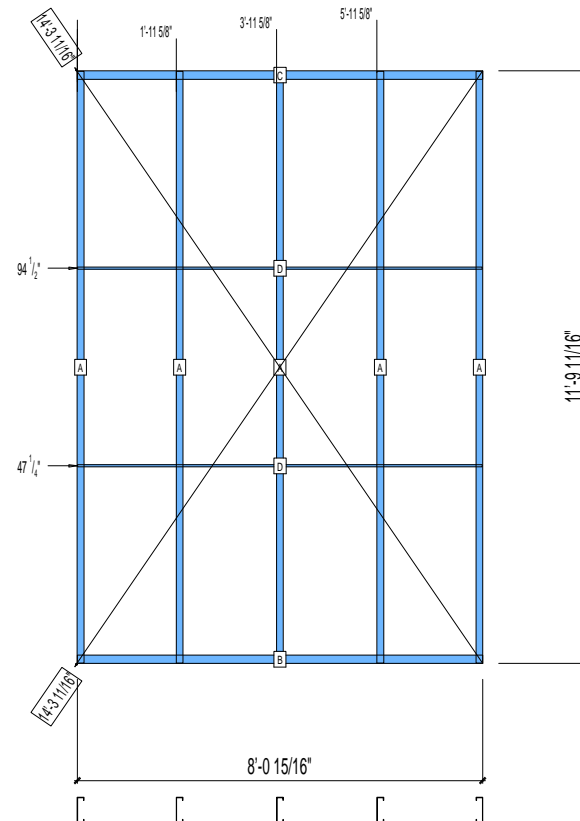
1st STUD: 16"

APPROVED
By Ryan J Gonsalves at 2:58 pm, Nov 11, 2008

WEIGHTS :

FRAME : 241 lbs

TOTAL: 241 lbs



PIECES LIST

LABEL	QTY	SIZE	LENGTH	USE
A	5	600S162-97	11'-9 1/2"	STUD
B	1	600T200-68	8'-0 15/16"	BOTTOM TRACK
C	1	600T200-68	8'-0 15/16"	TOP TRACK
D	2	150U50-54	8'-0 3/4"	HORIZONTAL BRACING

31-1253

Jewish Home for the Aging

1885 Victory Blvd. Reseda, CA

FM-07-109

CREATED BY: AMB

FrameMax, Inc.
13915 Danielson St
Suite 100
Poway, CA 92064
www.framemax.com



© FrameMax Inc.

HEIGHT : 11'-9 11/16" POINTS: 1.69 Points.

SPACING : 5000"

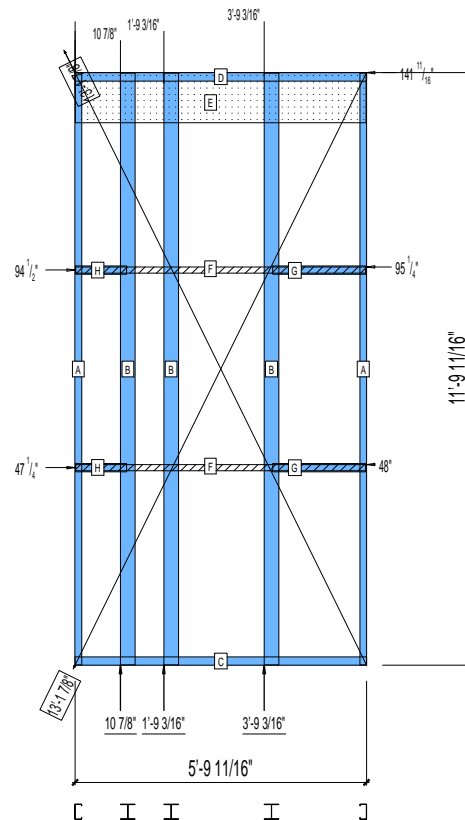
1st STUD: 5000"

APPROVED
By Ryan J Gonsalves at 2:58 pm, Nov 11, 2008

WEIGHTS :

FRAME : 279 lbs

TOTAL: 279 lbs



PIECES LIST

LABEL	QTY	SIZE	LENGTH	USE
A	2	362S162-54	11'-9 1/2"	STUD
B	3	363i350p554	11'-9 1/2"	PACO.COLUMN
C	1	362T200-68	5'-9 11/16"	BOTTOM TRACK
D	1	362T200-68	5'-9 11/16"	TOP TRACK
E	1	1200D-54	5'-9 1/2"	STRAP
F	2	150D-43	5'-9 3/8"	STRAP
G	2	362T200-68	1'-10 1/4"	BLOCK
H	2	362T200-68	1'-0 3/16"	BLOCK

31-1254

Jewish Home for the Aging

1885 Victory Blvd. Reseda, CA

FrameMax, Inc.
13915 Danielson St
Suite 100
Poway, CA 92064
www.frame-max.com



© FrameMax Inc.

CREATED: 10/24/2008

FM-07-109

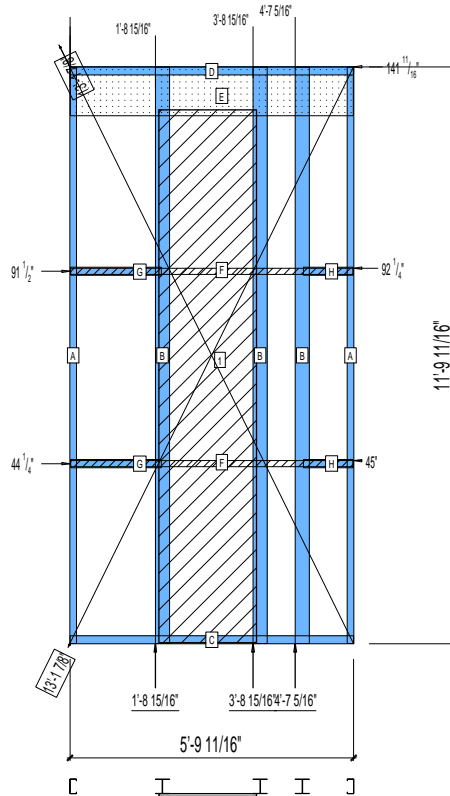
CREATED BY: AMB

HEIGHT : 11'-9 11/16" POINTS: 2.05 Points.
SPACING : 5000"
1st STUD: 5000"

APPROVED
By Ryan J Gonsalves at 2:58 pm, Nov 11, 2008

WEIGHTS :
FRAME : 279 lbs
SHEATHING: 80 lbs

TOTAL: 359 lbs



PIECES LIST

LABEL	QTY	SIZE	LENGTH	USE
A	2	362S162-54	11'-9 1/2"	STUD
B	3	363i350p554	11'-9 1/2"	PACO COLUMN
C	1	362T200-68	5'-9 11/16"	BOTTOM TRACK
D	1	362T200-68	5'-9 11/16"	TOP TRACK
E	1	1200D-54	5'-9 1/2"	STRAP
F	2	150D-43	5'-9 3/8"	STRAP
G	2	362T200-68	1'-10 1/4"	BLOCK
H	2	362T200-68	1'-0 3/16"	BLOCK

SHEATHING

LABEL	QTY	CODE	THICK	SIZE	SCREWS
1	1	SB-DENSARMOR	5/8"	1'-11 15/16" X 10'-10 7/8"	2/12

31-1255

Jewish Home for the Aging

1885 Victory Blvd. Reseda, CA

FrameMax, Inc.
13915 Danielson St
Suite 100
Poway, CA 92064
www.frame-max.com



© FrameMax Inc.

CREATED: 10/24/2008

FM-07-109

CREATED BY: AMB

HEIGHT : 11'-9 11/16" POINTS: 3.61 Points.

SPACING : 24"

1st STUD: 16"

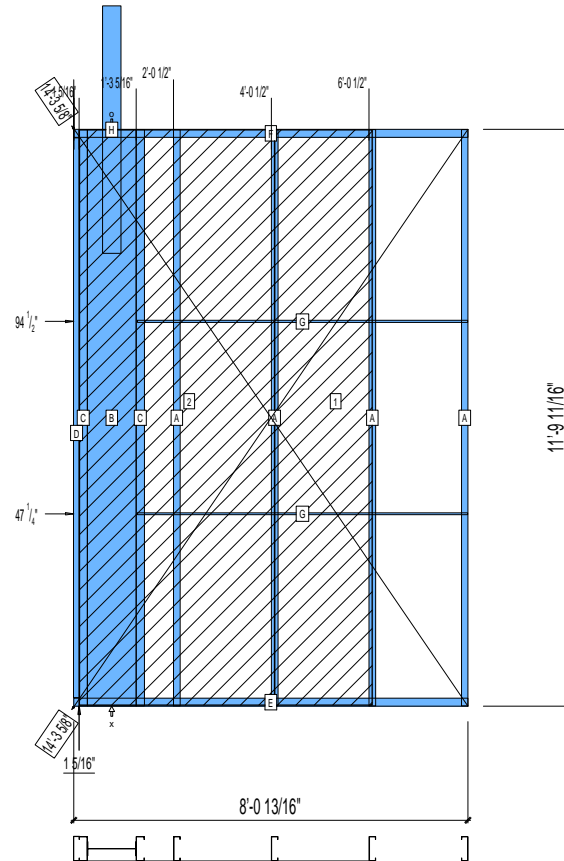
APPROVED
By Ryan J Gonsalves at 2:58 pm, Nov 11, 2008

WEIGHTS :

FRAME : 438 lbs

SHEATHING: 260 lbs

TOTAL: 698 lbs



PIECES LIST

LABEL	QTY	SIZE	LENGTH	USE
A	4	600S162-97	11'-9 1/2"	STUD
B	1	1200i350p1062	11'-9 1/2"	PACO
C	2	600S200-68	11'-9 1/2"	STUD
D	1	600T150-33	11'-5 7/16"	EXTRA STUD
E	1	600T200-68	8'-0 13/16"	BOTTOM TRACK
F	1	600T200-68	8'-0 13/16"	TOP TRACK
G	2	150U50-54	6'-9 1/16"	HORIZONTAL BRACING
H	1	D	5'-0 3/4"	HOLDDOWN

SHEATHING

LABEL	QTY	CODE	THICK	SIZE	SCREWS
1	1	SB-DENSGLOSS	1/2"	2'-0" X 11'-9 1/4"	2/12
2	1	SB-DENSGLOSS	1/2"	4'-0" X 11'-9 1/4"	2/12

31-1256

Jewish Home for the Aging

1885 Victory Blvd. Reseda, CA

FM-07-109

CREATED BY: AMB

FrameMax, Inc.
13915 Danielson St
Suite 100
Poway, CA 92064
www.frame-max.com



© FrameMax Inc.

HEIGHT : 11'-9 11/16" POINTS: 1.63 Points.

SPACING : 5000"

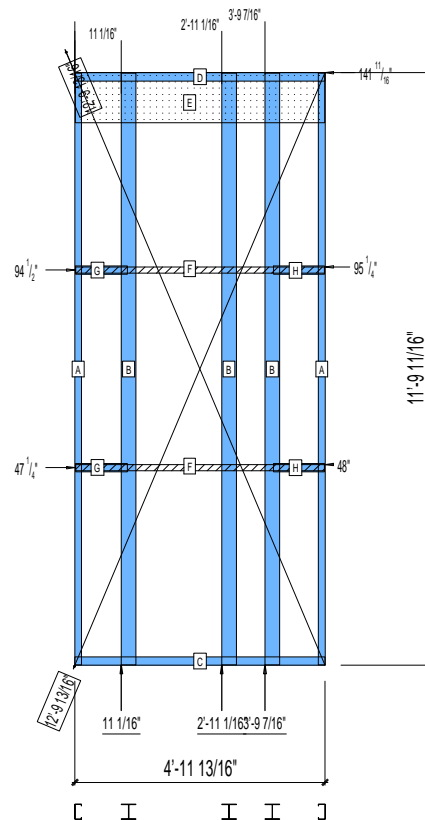
1st STUD: 5000"

APPROVED
By Ryan J Gonsalves at 2:58 pm, Nov 11, 2008

WEIGHTS :

FRAME : 270 lbs

TOTAL: 270 lbs



PIECES LIST

LABEL	QTY	SIZE	LENGTH	USE
A	2	362S162-54	11'-9 1/2"	STUD
B	3	363i350p554	11'-9 1/2"	PACO.COLUMN
C	1	362T200-68	4'-11 13/16"	BOTTOM TRACK
D	1	362T200-68	4'-11 13/16"	TOP TRACK
E	1	1200D-54	4'-11 5/8"	STRAP
F	2	150D-43	4'-11 1/2"	STRAP
G	2	362T200-68	1'-0 3/8"	BLOCK
H	2	362T200-68	1'-0 1/8"	BLOCK

31-1257

Jewish Home for the Aging

1885 Victory Blvd. Reseda, CA

FM-07-109

CREATED BY: AMB

FrameMax, Inc.
13915 Danielson St
Suite 100
Poway, CA 92064
www.frame-max.com



© FrameMax Inc.

HEIGHT : 11'-9 11/16" POINTS: 1.63 Points.

SPACING : 5000"

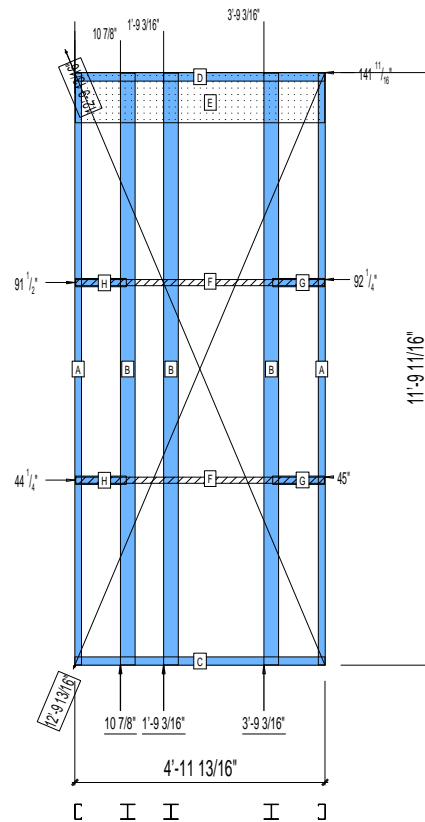
1st STUD: 5000"

APPROVED
By Ryan J Gonsalves at 2:58 pm, Nov 11, 2008

WEIGHTS :

FRAME : 270 lbs

TOTAL: 270 lbs



PIECES LIST

LABEL	QTY	SIZE	LENGTH	USE
A	2	362S162-54	11'-9 1/2"	STUD
B	3	363i350p554	11'-9 1/2"	PACO.COLUMN
C	1	362T200-68	4'-11 13/16"	BOTTOM TRACK
D	1	362T200-68	4'-11 13/16"	TOP TRACK
E	1	1200D-54	4'-11 5/8"	STRAP
F	2	150D-43	4'-11 1/2"	STRAP
G	2	362T200-68	1'-0 3/8"	BLOCK
H	2	362T200-68	1'-0 1/8"	BLOCK

31-1258

Jewish Home for the Aging

1885 Victory Blvd. Reseda, CA

FM-07-109

CREATED BY: AMB

FrameMax, Inc.
13915 Danielson St
Suite 100
Poway, CA 92064
www.frame-max.com



© FrameMax Inc.

HEIGHT : 11'-9 11/16" POINTS: 1.27 Points.

SPACING : 5000"

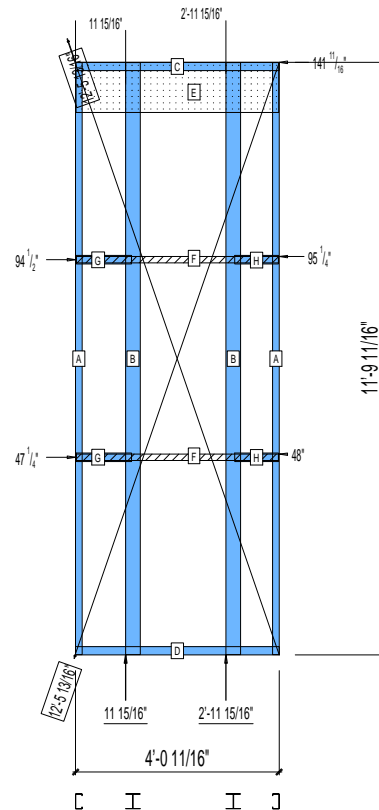
1st STUD: 5000"

APPROVED
By Ryan J Gonsalves at 2:58 pm, Nov 11, 2008

WEIGHTS :

FRAME : 199 lbs

TOTAL: 199 lbs



PIECES LIST

LABEL	QTY	SIZE	LENGTH	USE
A	2	362S162-54	11'-9 1/2"	STUD
B	2	363i350p554	11'-9 1/2"	PACO.COLUMN
C	1	362T200-68	4'-0 11/16"	TOP TRACK
D	1	362T200-68	4'-0 11/16"	BOTTOM TRACK
E	1	1200D-54	4'-0 1/2"	STRAP
F	2	150D-43	4'-0 3/8"	STRAP
G	2	362T200-68	1'-1 1/4"	BLOCK
H	2	362T200-68	10 1/2"	BLOCK

31-1259

Jewish Home for the Aging

1885 Victory Blvd. Reseda, CA

FrameMax, Inc.
13915 Danielson St
Suite 100
Poway, CA 92064
www.frame-max.com



© FrameMax Inc.

CREATED: 10/24/2008

FM-07-109

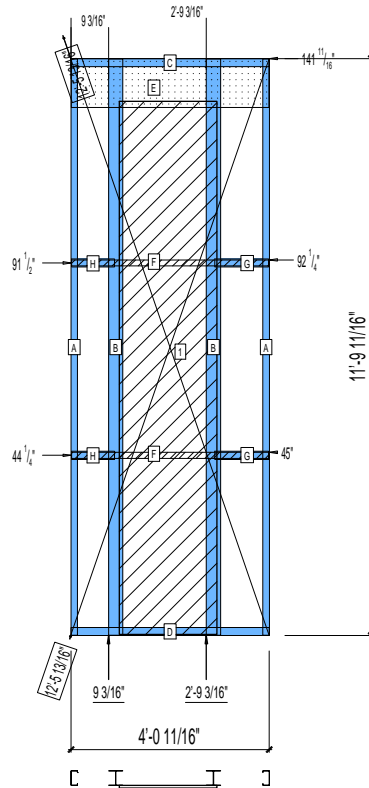
CREATED BY: AMB

HEIGHT : 11'-9 11/16" POINTS: 1.63 Points.
SPACING : 5000"
1st STUD: 5000"

APPROVED
By Ryan J Gonsalves at 2:58 pm, Nov 11, 2008

WEIGHTS :
FRAME : 199 lbs
SHEATHING: 80 lbs

TOTAL: 279 lbs



PIECES LIST

LABEL	QTY	SIZE	LENGTH	USE
A	2	362S162-54	11'-9 1/2"	STUD
B	2	363i350p554	11'-9 1/2"	PACO. COLUMN
C	1	362T200-68	4'-0 11/16"	TOP TRACK
D	1	362T200-68	4'-0 11/16"	BOTTOM TRACK
E	1	1200D-54	4'-0 1/2"	STRAP
F	2	150D-43	4'-0 3/8"	STRAP
G	2	362T200-68	1'-1 1/4"	BLOCK
H	2	362T200-68	10 1/2"	BLOCK

SHEATHING

LABEL	QTY	CODE	THICK	SIZE	SCREWS
1	1	SB-DENSARMOR	5/8"	1'-11 15/16" X 10'-10 7/8"	2/12

31-1260

Jewish Home for the Aging

1885 Victory Blvd. Reseda, CA

FrameMax, Inc.
13915 Danielson St
Suite 100
Poway, CA 92064
www.frame-max.com



© FrameMax Inc.

CREATED: 10/24/2008

FM-07-109

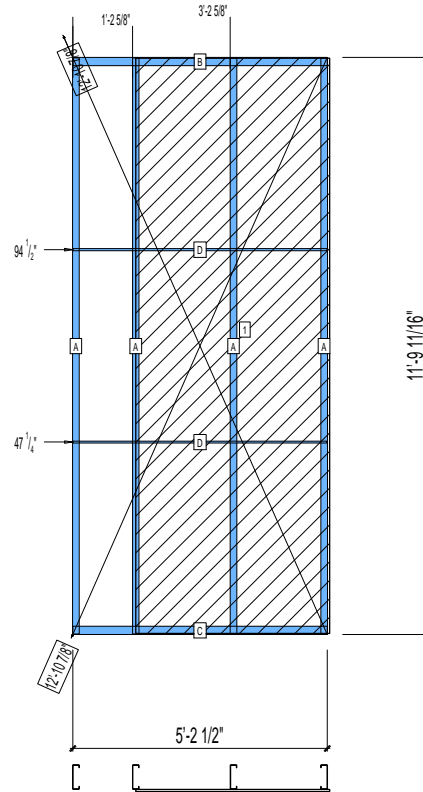
CREATED BY: AMB

HEIGHT : 11'-9 11/16" POINTS: 1.90 Points.
SPACING : 24"
1st STUD: 24"

APPROVED
By Ryan J Gonsalves at 2:58 pm, Nov 11, 2008

WEIGHTS :
FRAME : 186 lbs
SHEATHING: 172 lbs

TOTAL: 358 lbs



PIECES LIST

LABEL	QTY	SIZE	LENGTH	USE
A	4	600S162-97	11'-9 1/2"	STUD
B	1	600T200-68	5'-2 1/2"	TOP TRACK
C	1	600T200-68	5'-2 1/2"	BOTTOM TRACK
D	2	150U50-54	5'-2 5/16"	HORIZONTAL BRACING

SHEATHING

LABEL	QTY	CODE	THICK	SIZE	SCREWS
1	1	SB-DENSGLOSS	1/2"	3'-11 9/16" X 11'-9 1/4"	2/12

31-1261

Jewish Home for the Aging

1885 Victory Blvd. Reseda, CA

FrameMax, Inc.
13915 Danielson St
Suite 100
Poway, CA 92064
www.frame-max.com



© FrameMax Inc.

CREATED: 10/24/2008

FM-07-109

CREATED BY: AMB

HEIGHT : 11'-9 11/16" POINTS: 0.50 Points.

SPACING : 24"

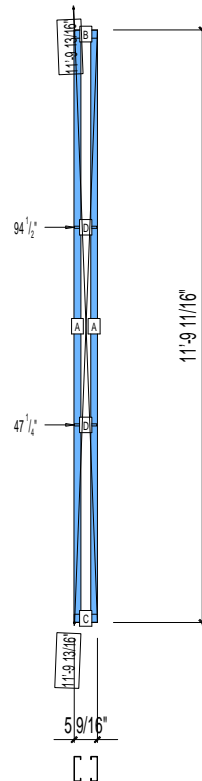
1st STUD: 16"

APPROVED
By Ryan J Gonsalves at 2:58 pm, Nov 11, 2008

WEIGHTS :

FRAME : 80 lbs

TOTAL: 80 lbs



PIECES LIST

LABEL	QTY	SIZE	LENGTH	USE
A	2	600S162-97	11'-9 1/2"	STUD
B	1	600T200-68	5 9/16"	TOP TRACK
C	1	600T200-68	5 9/16"	BOTTOM TRACK
D	2	150U50-54	5 3/8"	HORIZONTAL BRACING

31-1262

Jewish Home for the Aging

1885 Victory Blvd. Reseda, CA

FM-07-109

CREATED BY: AMB

FrameMax, Inc.
13915 Danielson St
Suite 100
Poway, CA 92064
www.frame-max.com



© FrameMax Inc.

HEIGHT : 11'-9 11/16" POINTS: 1.85 Points.

SPACING : 24"

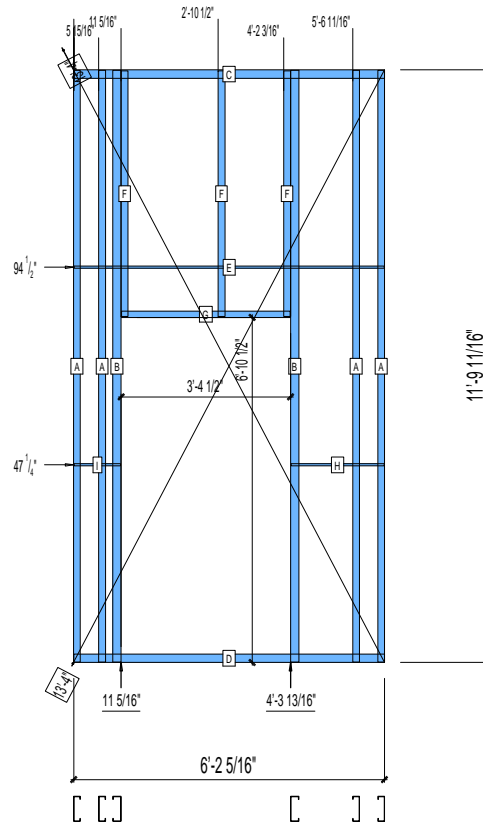
1st STUD: 24"

APPROVED
By Ryan J Gonsalves at 2:58 pm, Nov 11, 2008

WEIGHTS :

FRAME : 309 lbs

TOTAL: 309 lbs



PIECES LIST

LABEL	QTY	SIZE	LENGTH	USE
A	4	600S162-97	11'-9 1/2"	STUD
B	2	600S200-97	11'-9 1/2"	KING STUD
C	1	600T200-68	6'-2 5/16"	TOP TRACK
D	1	600T200-68	6'-2 5/16"	BOTTOM TRACK
E	1	150U50-54	6'-2 1/8"	HORIZONTAL BRACING
F	3	600S162-54	4'-10 3/4"	CRIPPLE
G	1	600T150-54	3'-4 1/4"	HEAD TRACK
H	1	150U50-54	1'-10 1/4"	HORIZONTAL BRACING
I	1	150U50-54	11 1/8"	HORIZONTAL BRACING

31-1263

Jewish Home for the Aging

1885 Victory Blvd. Reseda, CA

FrameMax, Inc.
13915 Danielson St
Suite 100
Poway, CA 92064
www.frame-max.com



© FrameMax Inc.

CREATED: 10/24/2008

FM-07-109

CREATED BY: AMB

HEIGHT : 11'-9 11/16" POINTS: 3.07 Points.

SPACING : 24"

1st STUD: 24"

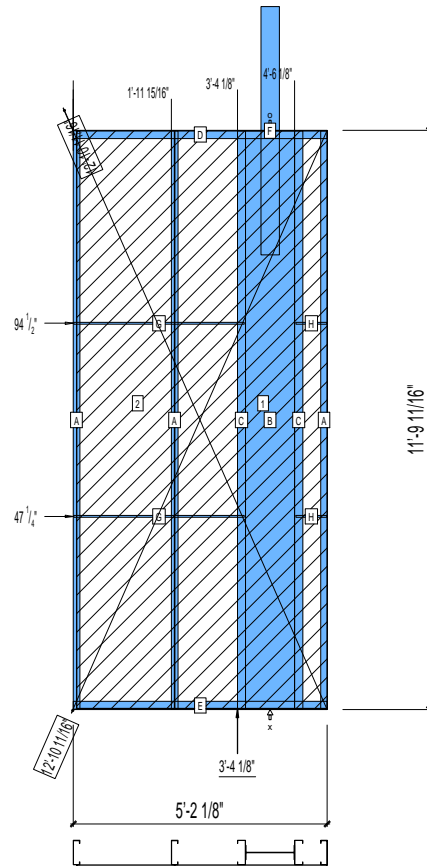
APPROVED
By Ryan J Gonsalves at 2:58 pm, Nov 11, 2008

WEIGHTS :

FRAME : 371 lbs

SHEATHING: 221 lbs

TOTAL: 592 lbs



PIECES LIST

LABEL	QTY	SIZE	LENGTH	USE
A	3	600S162-97	11'-9 1/2"	STUD
B	1	1200i350p1062	11'-9 1/2"	PACO
C	2	600S200-68	11'-9 1/2"	STUD
D	1	600T200-68	5'-2 1/8"	TOP TRACK
E	1	600T200-68	5'-2 1/8"	BOTTOM TRACK
F	1	D	5'-0 3/4"	HOLDDOWN
G	2	150U50-54	3'-5 3/4"	HORIZONTAL BRACING
H	2	150U50-54	7 9/16"	HORIZONTAL BRACING

SHEATHING

LABEL	QTY	CODE	THICK	SIZE	SCREWS
1	1	SB-DENSGGLASS	1/2"	3'-1 5/16" X 11'-9 1/4"	2/12
2	1	SB-DENSGGLASS	1/2"	2'-0" X 11'-9 1/4"	2/12

31-1264

Jewish Home for the Aging

1885 Victory Blvd. Reseda, CA

FM-07-109

CREATED BY: AMB

FrameMax, Inc.
13915 Danielson St
Suite 100
Poway, CA 92064
www.frame-max.com

FRAMEMAX

© FrameMax Inc.

HEIGHT : 11'-9 11/16" POINTS: 0.76 Points.

SPACING : 24"

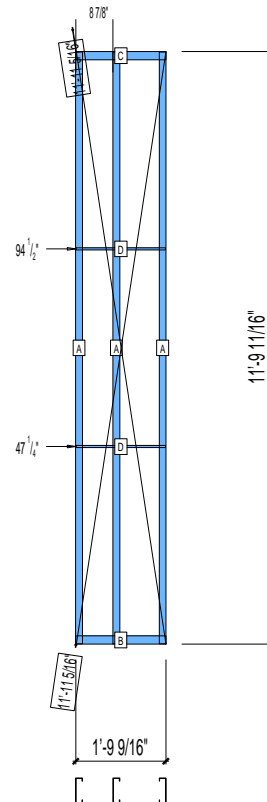
1st STUD: 16"

APPROVED
By Ryan J Gonsalves at 2:58 pm, Nov 11, 2008

WEIGHTS :

FRAME : 127 lbs

TOTAL: 127 lbs



PIECES LIST

LABEL	QTY	SIZE	LENGTH	USE
A	3	600S162-97	11'-9 1/2"	STUD
B	1	600T200-68	1'-9 9/16"	BOTTOM TRACK
C	1	600T200-68	1'-9 9/16"	TOP TRACK
D	2	150U50-54	1'-9 3/8"	HORIZONTAL BRACING

31-1265

Jewish Home for the Aging

1885 Victory Blvd. Reseda, CA

FM-07-109

CREATED BY: AMB

FrameMax, Inc.
13915 Danielson St
Suite 100
Poway, CA 92064
www.framemax.com



© FrameMax Inc.

HEIGHT : 11'-9 11/16" POINTS: 2.51 Points.

SPACING : 24"

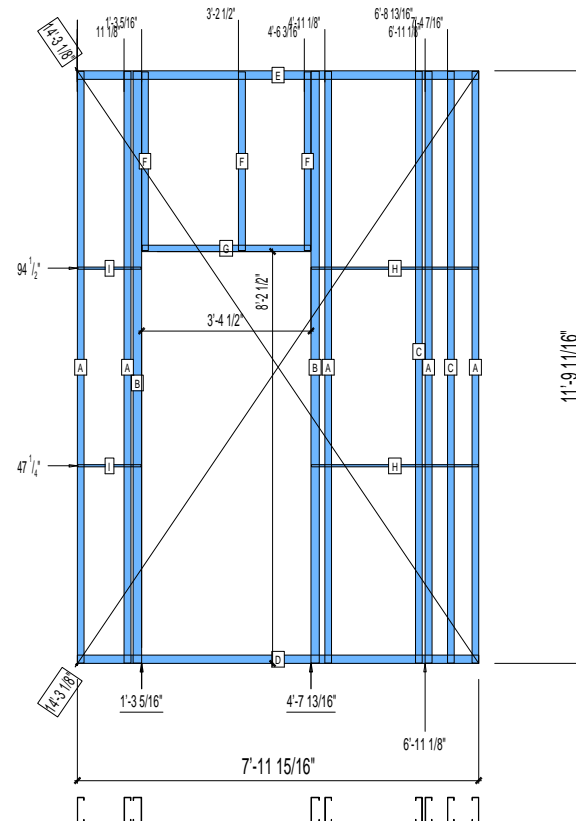
1st STUD: 24"

APPROVED
By Ryan J Gonsalves at 2:58 pm, Nov 11, 2008

WEIGHTS :

FRAME : 426 lbs

TOTAL: 426 lbs



PIECES LIST

LABEL	QTY	SIZE	LENGTH	USE
A	5	600S162-97	11'-9 1/2"	STUD
B	2	600S200-97	11'-9 1/2"	KING STUD
C	2	600S162-97	11'-9 1/2"	BACKER STUD
D	1	600T200-68	7'-11 15/16"	BOTTOM TRACK
E	1	600T200-68	7'-11 15/16"	TOP TRACK
F	3	600S162-54	3'-6 3/4"	CRIPPLE
G	1	600T150-54	3'-4 1/4"	HEAD TRACK
H	2	150U50-54	3'-3 7/8"	HORIZONTAL BRACING
I	2	150U50-54	1'-3 1/8"	HORIZONTAL BRACING

31-3001

Jewish Home for the Aging

1885 Victory Blvd. Reseda, CA 91335

APPROVED
By Ryan J Gonsalves at 2:58 pm, Nov 11, 2008

FrameMax, Inc.
13915 Danielson St
Suite 100
Poway, CA 92064
www.frame-max.com



© FrameMax Inc.

CREATED: 11/10/2008

FM-07-109

CREATED BY: AMB

HEIGHT : 10'-9 7/16" POINTS: 0.82 Points.

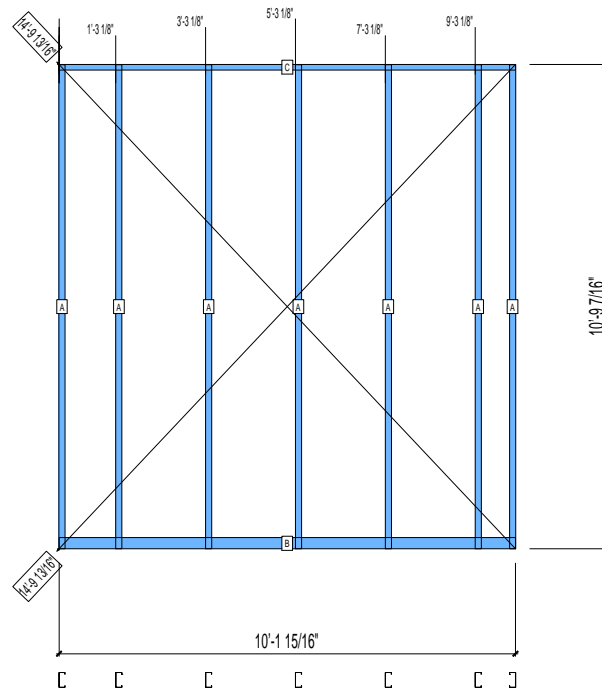
SPACING : 24"

1st STUD: 16"

WEIGHTS :

FRAME : 91 lbs

TOTAL: 91 lbs



PIECES LIST

LABEL	QTY	SIZE	LENGTH	USE
A	7	400S162-33	10'-9 5/16"	STUD
B	1	400T300-33	10'-1 15/16"	BOTTOM TRACK
C	1	400T150-33	10'-1 15/16"	TOP TRACK

31-3002

Jewish Home for the Aging

1885 Victory Blvd. Reseda, CA 91335

APPROVED
By Ryan J Gonsalves at 2:58 pm, Nov 11, 2008

FrameMax, Inc.
13915 Danielson St
Suite 100
Poway, CA 92064
www.frame-max.com



© FrameMax Inc.

CREATED: 11/10/2008

FM-07-109

CREATED BY: AMB

HEIGHT : 10'-9 7/16" POINTS: 0.51 Points.

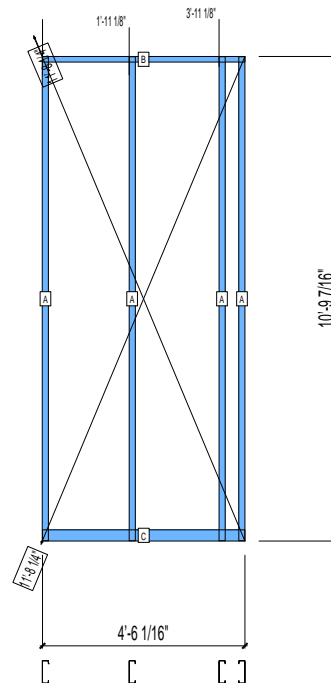
SPACING : 24"

1st STUD: 24"

WEIGHTS :

FRAME : 62 lbs

TOTAL: 62 lbs



PIECES LIST

LABEL	QTY	SIZE	LENGTH	USE
A	4	600S162-33	10'-9 5/16"	STUD
B	1	600T150-33	4'-6 1/16"	TOP TRACK
C	1	600T300-33	4'-6 1/16"	BOTTOM TRACK

31-3003

Jewish Home for the Aging

1885 Victory Blvd. Reseda, CA

APPROVED

By Ryan J Gonsalves at 2:58 pm, Nov 11, 2008

FrameMax, Inc.
13915 Danielson St
Suite 100
Poway, CA 92064
www.frame-max.com



© FrameMax Inc.

CREATED: 11/10/2008

FM-07-109

CREATED BY: AMB

HEIGHT : 10'-9 7/16" POINTS: 0.82 Points.

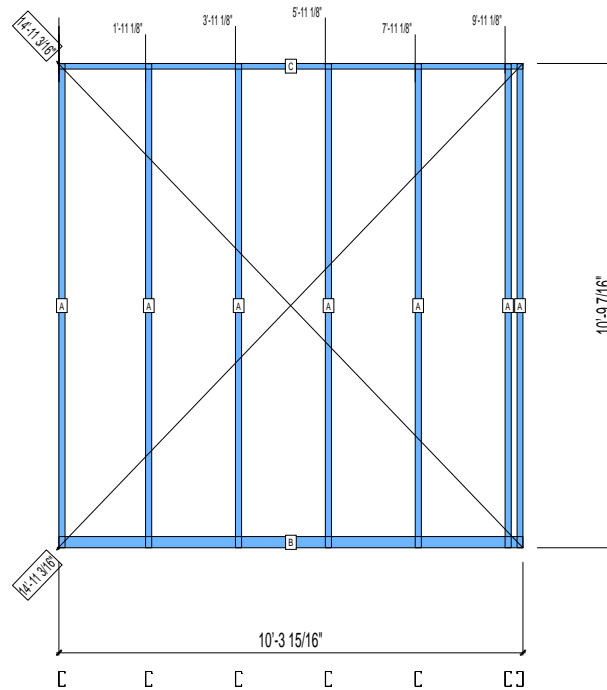
SPACING : 24"

1st STUD: 24"

WEIGHTS :

FRAME : 91 lbs

TOTAL: 91 lbs



PIECES LIST

LABEL	QTY	SIZE	LENGTH	USE
A	7	400S162-33	10'-9 5/16"	STUD
B	1	400T300-33	10'-3 15/16"	BOTTOM TRACK
C	1	400T150-33	10'-3 15/16"	TOP TRACK

31-3004

Jewish Home for the Aging

1885 Victory Blvd. Reseda, CA 91335

APPROVED
By Ryan J Gonsalves at 2:58 pm, Nov 11, 2008

FrameMax, Inc.
13915 Danielson St
Suite 100
Poway, CA 92064
www.frame-max.com



© FrameMax Inc.

CREATED: 11/10/2008

FM-07-109

CREATED BY: AMB

HEIGHT : 10'-9 7/16" POINTS: 0.82 Points.

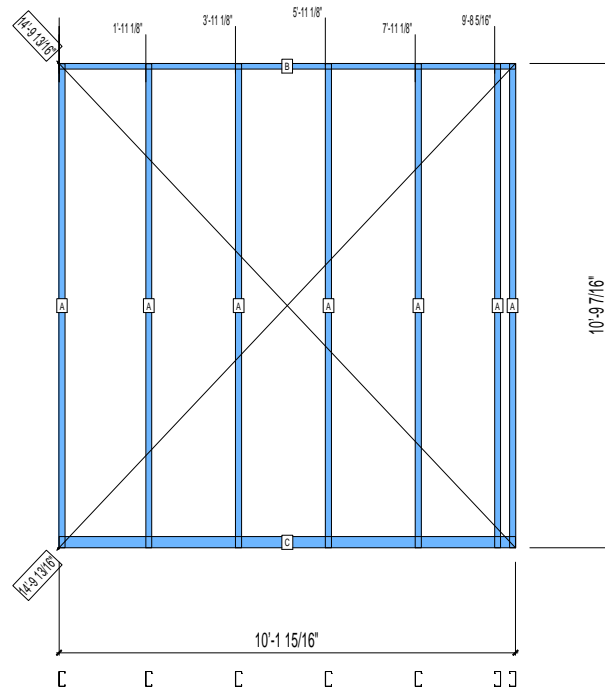
SPACING : 24"

1st STUD: 24"

WEIGHTS :

FRAME : 91 lbs

TOTAL: 91 lbs



PIECES LIST

LABEL	QTY	SIZE	LENGTH	USE
A	7	400S162-33	10'-9 5/16"	STUD
B	1	400T150-33	10'-1 15/16"	TOP TRACK
C	1	400T300-33	10'-1 15/16"	BOTTOM TRACK

31-3005

Jewish Home for the Aging

1885 Victory Blvd. Reseda, CA

APPROVED

By Ryan J Gonsalves at 2:58 pm, Nov 11, 2008

FrameMax, Inc.
13915 Danielson St
Suite 100
Poway, CA 92064
www.frame-max.com



© FrameMax Inc.

CREATED: 11/10/2008

FM-07-109

CREATED BY: AMB

HEIGHT : 10'-5 3/4" POINTS: 0.32 Points.

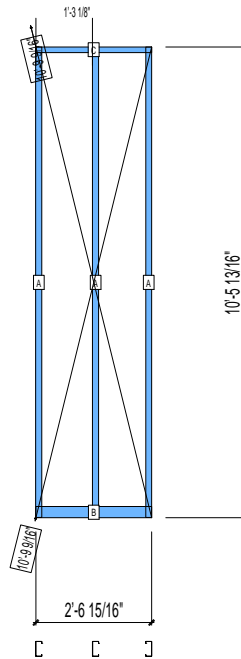
SPACING : 24"

1st STUD: 16"

WEIGHTS :

FRAME : 34 lbs

TOTAL: 34 lbs



PIECES LIST

LABEL	QTY	SIZE	LENGTH	USE
A	3	400S162-33	10'-5 11/16"	STUD
B	1	400T300-33	2'-6 15/16"	BOTTOM TRACK
C	1	400T150-33	2'-6 15/16"	TOP TRACK

31-3006

Jewish Home for the Aging

1885 Victory Blvd. Reseda, **APPROVED**
By Ryan J Gonsalves at 2:58 pm, Nov 11, 2008

FrameMax, Inc.
 13915 Danielson St
 Suite 100
 Poway, CA 92064
 www.frame-max.com



© FrameMax Inc.

CREATED: 11/10/2008

FM-07-109

CREATED BY: AMB

HEIGHT : 10'-9 7/16" POINTS: 0.76 Points.

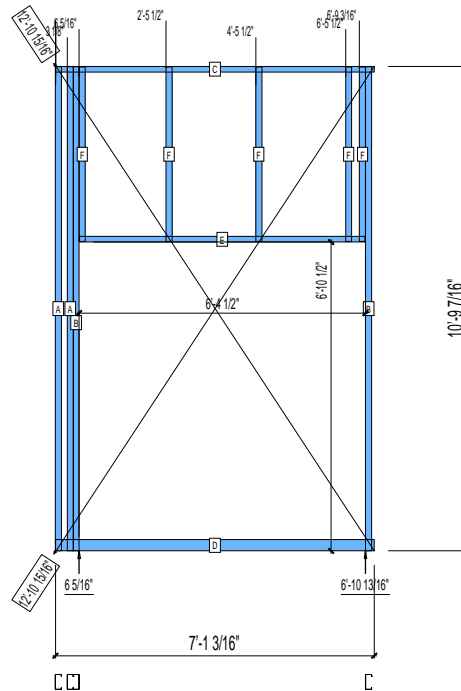
SPACING : 24"

1st STUD: 24"

WEIGHTS :

FRAME : 78 lbs

TOTAL: 78 lbs



PIECES LIST

LABEL	QTY	SIZE	LENGTH	USE
A	2	400S162-33	10'-9 5/16"	STUD
B	2	400S162-33	10'-9 5/16"	KING STUD
C	1	400T150-33	7'-1 3/16"	TOP TRACK
D	1	400T300-33	7'-1 3/16"	BOTTOM TRACK
E	1	400T150-33	6'-4 1/4"	HEAD TRACK
F	5	400S162-33	3'-10 9/16"	CRIPPLE

31-3007

Jewish Home for the Aging

1885 Victory Blvd. Reseda, CA

APPROVED
By Ryan J Gonsalves at 2:58 pm, Nov 11, 2008

FrameMax, Inc.
13915 Danielson St
Suite 100
Poway, CA 92064
www.frame-max.com



© FrameMax Inc.

CREATED: 11/10/2008

FM-07-109

CREATED BY: AMB

HEIGHT : 10'-9 7/16" POINTS: 0.80 Points.

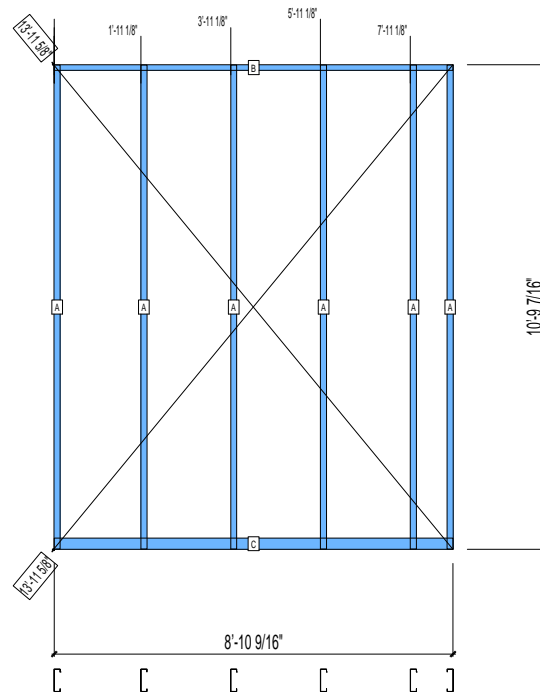
SPACING : 24"

1st STUD: 24"

WEIGHTS :

FRAME : 98 lbs

TOTAL: 98 lbs



PIECES LIST

LABEL	QTY	SIZE	LENGTH	USE
A	6	600S162-33	10'-9 5/16"	STUD
B	1	600T150-33	8'-10 9/16"	TOP TRACK
C	1	600T300-33	8'-10 9/16"	BOTTOM TRACK

31-3008

Jewish Home for the Aging

1885 Victory Blvd. Reseda, CA 91334

APPROVED
By Ryan J Gonsalves at 2:58 pm, Nov 11, 2008

FrameMax, Inc.
13915 Danielson St
Suite 100
Poway, CA 92064
www.frame-max.com



© FrameMax Inc.

CREATED: 11/10/2008

FM-07-109

CREATED BY: AMB

HEIGHT : 10'-9 7/16" POINTS: 1.16 Points.

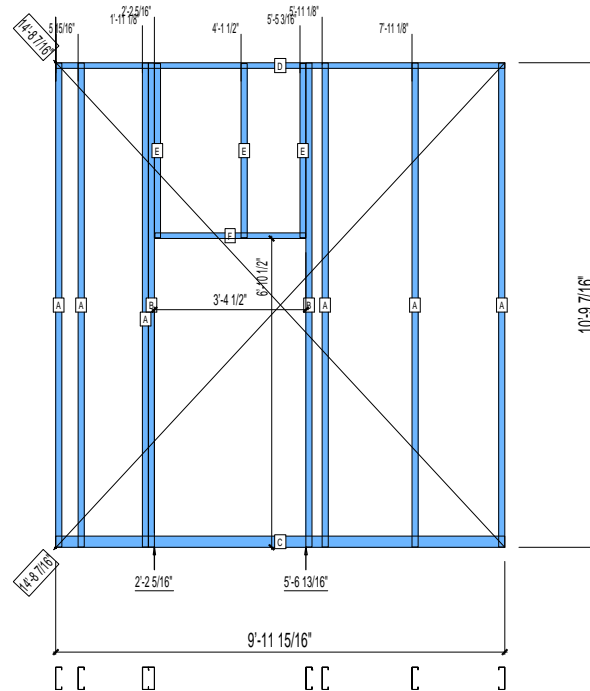
SPACING : 24"

1st STUD: 24"

WEIGHTS :

FRAME : 143 lbs

TOTAL: 143 lbs



PIECES LIST

LABEL	QTY	SIZE	LENGTH	USE
A	6	600S162-33	10'-9 5/16"	STUD
B	2	600S162-33	10'-9 5/16"	KING STUD
C	1	600T300-33	9'-11 15/16"	BOTTOM TRACK
D	1	600T150-33	9'-11 15/16"	TOP TRACK
E	3	600S162-33	3'-10 9/16"	CRIPPLE
F	1	600T150-33	3'-4 1/4"	HEAD TRACK

31-3009

Jewish Home for the Aging

1885 Victory Blvd. Reseda, CA

APPROVED
By Ryan J Gonsalves at 2:58 pm, Nov 11, 2008

FrameMax, Inc.
13915 Danielson St
Suite 100
Poway, CA 92064
www.frame-max.com



© FrameMax Inc.

CREATED: 11/10/2008

FM-07-109

CREATED BY: AMB

HEIGHT : 10'-9 7/16" POINTS: 0.90 Points.

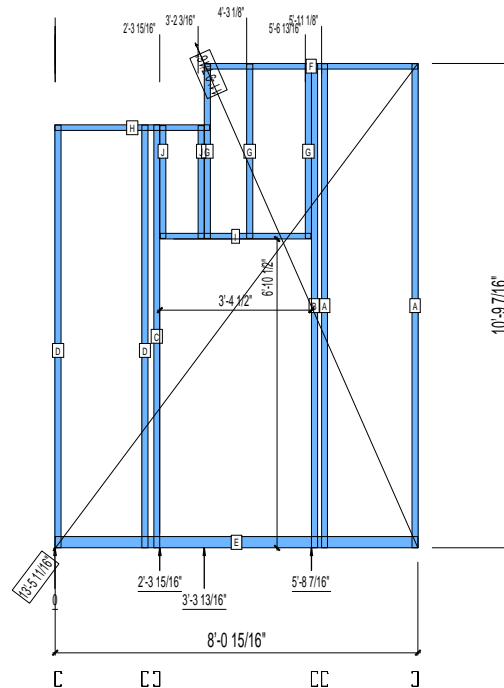
SPACING : 24"

1st STUD: 24"

WEIGHTS :

FRAME : 91 lbs

TOTAL: 91 lbs



PIECES LIST

LABEL	QTY	SIZE	LENGTH	USE
A	2	400S162-33	10'-9 5/16"	STUD
B	1	400S162-33	10'-9 5/16"	KING STUD
C	1	400S162-33	9'-4 15/16"	KING STUD
D	2	400S162-33	9'-4 7/8"	BEAM JACK
E	1	400T300-33	8'-0 15/16"	BOTTOM TRACK
F	1	400T150-33	4'-9 1/16"	TOP TRACK
G	3	400S162-33	3'-10 9/16"	CRIPPLE
H	1	400T150-33	3'-5 5/16"	BEAM JACK
I	1	400T150-33	3'-4 1/4"	HEAD TRACK
J	2	400S162-33	2'-6 1/8"	CRIPPLE

31-3010

Jewish Home for the Aging

1885 Victory Blvd. Reseda, CA 91335

APPROVED
By Ryan J Gonsalves at 2:58 pm, Nov 11, 2008

FrameMax, Inc.
13915 Danielson St
Suite 100
Poway, CA 92064
www.frame-max.com



© FrameMax Inc.

CREATED: 11/10/2008

FM-07-109

CREATED BY: AMB

HEIGHT : 10'-9 7/16" POINTS: 0.91 Points.

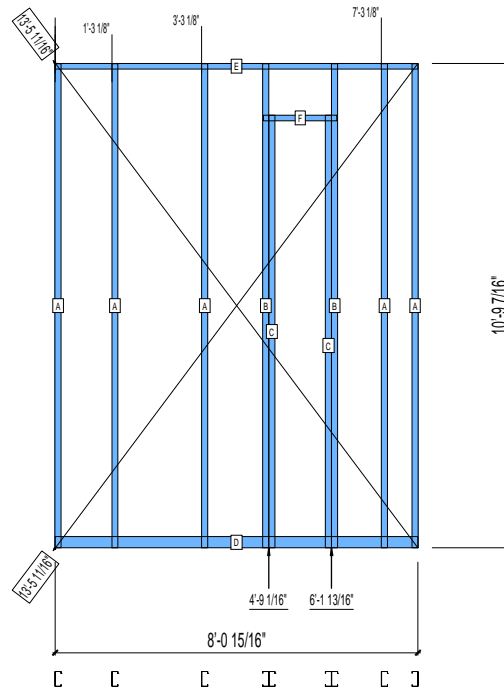
SPACING : 24"

1st STUD: 16"

WEIGHTS :

FRAME : 106 lbs

TOTAL: 106 lbs



PIECES LIST

LABEL	QTY	SIZE	LENGTH	USE
A	5	400S162-33	10'-9 5/16"	STUD
B	2	400S162-33	10'-9 5/16"	BEAM KING
C	2	400S162-33	9'-7 1/2"	BEAM JACK
D	1	400T300-33	8'-0 15/16"	BOTTOM TRACK
E	1	400T150-33	8'-0 15/16"	TOP TRACK
F	1	400T150-33	1'-7 9/16"	BEAM JACK

31-3011

Jewish Home for the Aging

1885 Victory Blvd. Reseda, CA 91334

APPROVED
By Ryan J Gonsalves at 2:58 pm, Nov 11, 2008

FrameMax, Inc.
13915 Danielson St
Suite 100
Poway, CA 92064
www.frame-max.com



© FrameMax Inc.

CREATED: 11/10/2008

FM-07-109

CREATED BY: AMB

HEIGHT : 10'-9 7/16" POINTS: 0.90 Points.

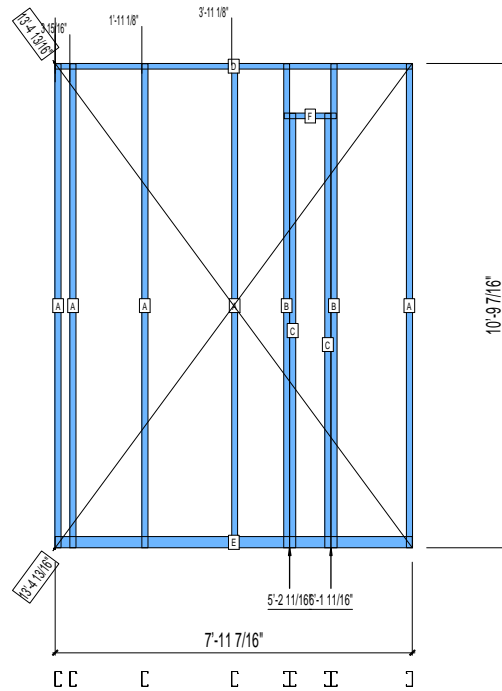
SPACING : 24"

1st STUD: 24"

WEIGHTS :

FRAME : 105 lbs

TOTAL: 105 lbs



PIECES LIST

LABEL	QTY	SIZE	LENGTH	USE
A	5	400S162-33	10'-9 5/16"	STUD
B	2	400S162-33	10'-9 5/16"	BEAM KING
C	2	400S162-33	9'-8"	BEAM JACK
D	1	400T150-33	7'-11 7/16"	TOP TRACK
E	1	400T300-33	7'-11 7/16"	BOTTOM TRACK
F	1	400T150-33	1'-1 13/16"	BEAM JACK

31-3012

Jewish Home for the Aging

1885 Victory Blvd. Reseda, CA 91335

APPROVED
By Ryan J Gonsalves at 2:58 pm, Nov 11, 2008

FrameMax, Inc.
13915 Danielson St
Suite 100
Poway, CA 92064
www.frame-max.com



© FrameMax Inc.

CREATED: 11/10/2008

FM-07-109

CREATED BY: AMB

HEIGHT : 10'-9 7/16" POINTS: 0.69 Points.

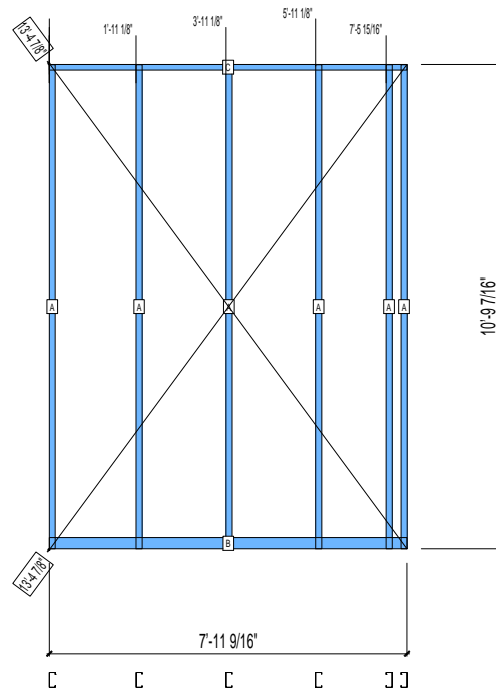
SPACING : 24"

1st STUD: 24"

WEIGHTS :

FRAME : 76 lbs

TOTAL: 76 lbs



PIECES LIST

LABEL	QTY	SIZE	LENGTH	USE
A	6	400S162-33	10'-9 5/16"	STUD
B	1	400T300-33	7'-11 9/16"	BOTTOM TRACK
C	1	400T150-33	7'-11 9/16"	TOP TRACK

31-3013

Jewish Home for the Aging

1885 Victory Blvd. Reseda, CA

APPROVED
By Ryan J Gonsalves at 2:58 pm, Nov 11, 2008

FrameMax, Inc.
13915 Danielson St
Suite 100
Poway, CA 92064
www.frame-max.com



© FrameMax Inc.

CREATED: 11/10/2008

FM-07-109

CREATED BY: AMB

HEIGHT : 10'-9 7/16" POINTS: 0.82 Points.

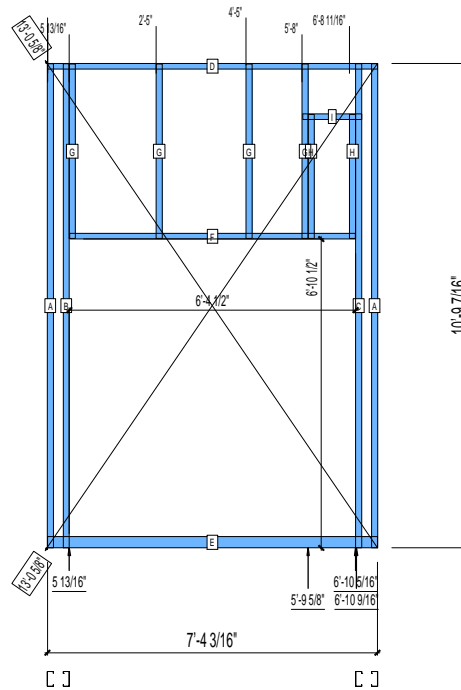
SPACING : 24"

1st STUD: 24"

WEIGHTS :

FRAME : 81 lbs

TOTAL: 81 lbs



PIECES LIST

LABEL	QTY	SIZE	LENGTH	USE
A	2	400S162-33	10'-9 5/16"	STUD
B	1	400S162-33	10'-9 5/16"	KING STUD
C	1	400S162-33	10'-9 5/16"	BEAM KING
D	1	400T150-33	7'-4 3/16"	TOP TRACK
E	1	400T300-33	7'-4 3/16"	BOTTOM TRACK
F	1	400T150-33	6'-4 1/4"	HEAD TRACK
G	4	400S162-33	3'-10 9/16"	CRIPPLE
H	2	400S162-33	2'-9 1/8"	CRIPPLE
I	1	400T150-33	1'-3 3/4"	BEAM JACK

31-3014

Jewish Home for the Aging

1885 Victory Blvd. Reseda, CA

APPROVED

By Ryan J Gonsalves at 2:58 pm, Nov 11, 2008

FrameMax, Inc.
13915 Danielson St
Suite 100
Poway, CA 92064
www.frame-max.com



© FrameMax Inc.

CREATED: 11/10/2008

FM-07-109

CREATED BY: AMB

HEIGHT : 10'-9 7/16" POINTS: 0.36 Points.

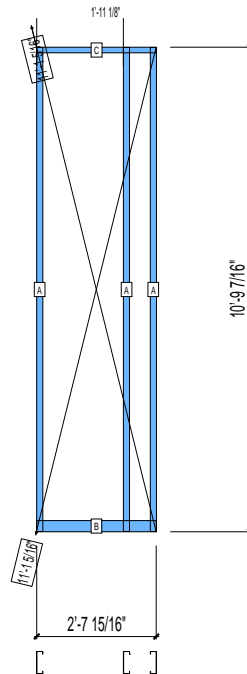
SPACING : 24"

1st STUD: 24"

WEIGHTS :

FRAME : 44 lbs

TOTAL: 44 lbs



PIECES LIST

LABEL	QTY	SIZE	LENGTH	USE
A	3	600S162-33	10'-9 5/16"	STUD
B	1	600T300-33	2'-7 15/16"	BOTTOM TRACK
C	1	600T150-33	2'-7 15/16"	TOP TRACK

31-3015

Jewish Home for the Aging

1885 Victory Blvd. Reseda, CA

APPROVED

By Ryan J Gonsalves at 2:58 pm, Nov 11, 2008

FrameMax, Inc.
13915 Danielson St
Suite 100
Poway, CA 92064
www.frame-max.com



© FrameMax Inc.

CREATED: 11/10/2008

FM-07-109

CREATED BY: AMB

HEIGHT : 10'-5 3/4" POINTS: 0.44 Points.

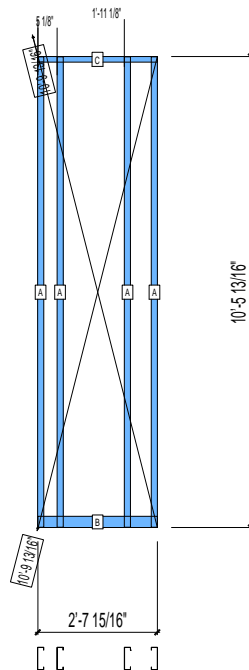
SPACING : 24"

1st STUD: 24"

WEIGHTS :

FRAME : 56 lbs

TOTAL: 56 lbs



PIECES LIST

LABEL	QTY	SIZE	LENGTH	USE
A	4	600S162-33	10'-5 11/16"	STUD
B	1	600T300-33	2'-7 15/16"	BOTTOM TRACK
C	1	600T150-33	2'-7 15/16"	TOP TRACK

31-3017

Jewish Home for the Aging

1885 Victory Blvd. Reseda, CA

APPROVED

By Ryan J Gonsalves at 2:58 pm, Nov 11, 2008

FrameMax, Inc.
13915 Danielson St
Suite 100
Poway, CA 92064
www.frame-max.com



© FrameMax Inc.

CREATED: 11/10/2008

FM-07-109

CREATED BY: AMB

HEIGHT : 10'-9 7/16" POINTS: 0.42 Points.

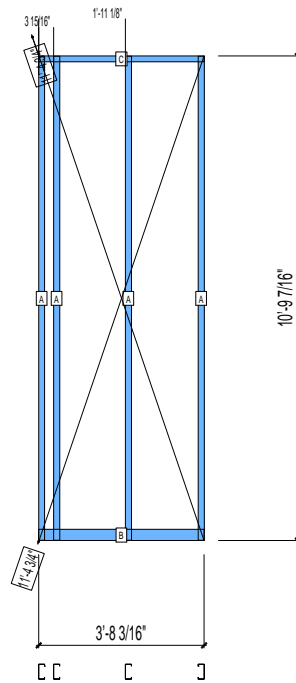
SPACING : 24"

1st STUD: 24"

WEIGHTS :

FRAME : 47 lbs

TOTAL: 47 lbs



PIECES LIST

LABEL	QTY	SIZE	LENGTH	USE
A	4	400S162-33	10'-9 5/16"	STUD
B	1	400T300-33	3'-8 3/16"	BOTTOM TRACK
C	1	400T150-33	3'-8 3/16"	TOP TRACK

31-3018

Jewish Home for the Aging

1885 Victory Blvd. Reseda, CA

APPROVED
By Ryan J Gonsalves at 2:58 pm, Nov 11, 2008

FrameMax, Inc.
13915 Danielson St
Suite 100
Poway, CA 92064
www.frame-max.com



© FrameMax Inc.

CREATED: 11/10/2008

FM-07-109

CREATED BY: AMB

HEIGHT : 10'-9 7/16" POINTS: 0.45 Points.

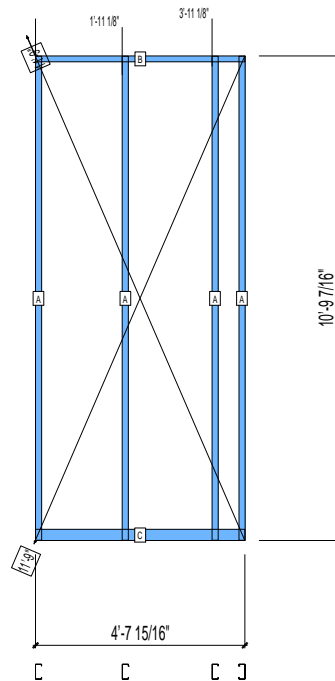
SPACING : 24"

1st STUD: 24"

WEIGHTS :

FRAME : 49 lbs

TOTAL: 49 lbs



PIECES LIST

LABEL	QTY	SIZE	LENGTH	USE
A	4	400S162-33	10'-9 5/16"	STUD
B	1	400T150-33	4'-7 15/16"	TOP TRACK
C	1	400T300-33	4'-7 15/16"	BOTTOM TRACK

31-3019

Jewish Home for the Aging

1885 Victory Blvd. Reseda, CA

APPROVED
By Ryan J Gonsalves at 2:58 pm, Nov 11, 2008

FrameMax, Inc.
13915 Danielson St
Suite 100
Poway, CA 92064
www.frame-max.com



© FrameMax Inc.

CREATED: 11/10/2008

FM-07-109

CREATED BY: AMB

HEIGHT : 10'-9 7/16" POINTS: 0.61 Points.

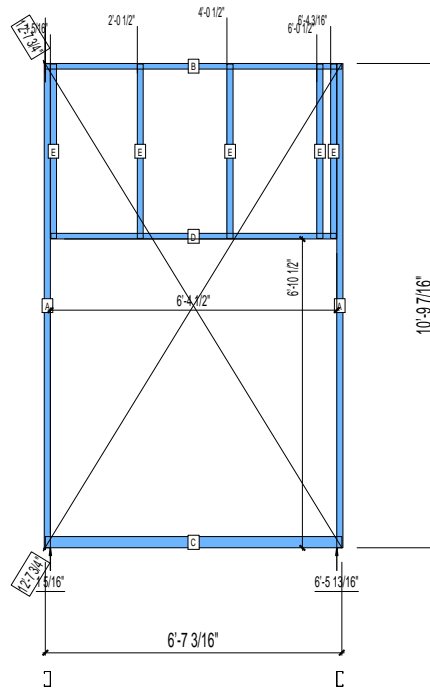
SPACING : 24"

1st STUD: 24"

WEIGHTS :

FRAME : 57 lbs

TOTAL: 57 lbs



PIECES LIST

LABEL	QTY	SIZE	LENGTH	USE
A	2	400S162-33	10'-9 5/16"	KING STUD
B	1	400T150-33	6'-7 3/16"	TOP TRACK
C	1	400T300-33	6'-7 3/16"	BOTTOM TRACK
D	1	400T150-33	6'-4 1/4"	HEAD TRACK
E	5	400S162-33	3'-10 9/16"	CRIPPLE

31-3020

Jewish Home for the Aging

1885 Victory Blvd. Reseda, CA

APPROVED

By Ryan J Gonsalves at 2:58 pm, Nov 11, 2008

FrameMax, Inc.
13915 Danielson St
Suite 100
Poway, CA 92064
www.frame-max.com



© FrameMax Inc.

CREATED: 11/10/2008

FM-07-109

CREATED BY: AMB

HEIGHT : 10'-9 7/16" POINTS: 0.44 Points.

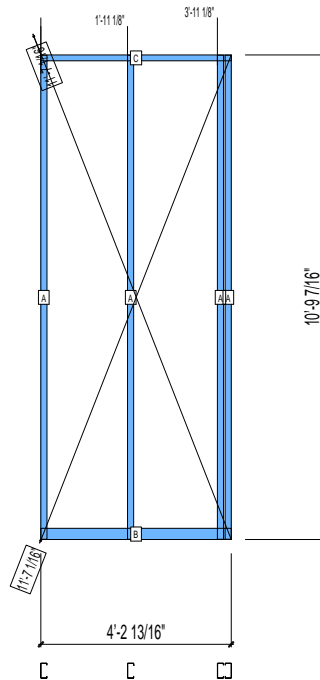
SPACING : 24"

1st STUD: 24"

WEIGHTS :

FRAME : 49 lbs

TOTAL: 49 lbs



PIECES LIST

LABEL	QTY	SIZE	LENGTH	USE
A	4	400S162-33	10'-9 5/16"	STUD
B	1	400T300-33	4'-2 13/16"	BOTTOM TRACK
C	1	400T150-33	4'-2 13/16"	TOP TRACK

31-3021

Jewish Home for the Aging

1885 Victory Blvd. Reseda, CA

APPROVED
By Ryan J Gonsalves at 2:58 pm, Nov 11, 2008

FrameMax, Inc.
13915 Danielson St
Suite 100
Poway, CA 92064
www.frame-max.com



© FrameMax Inc.

CREATED: 11/10/2008

FM-07-109

CREATED BY: AMB

HEIGHT : 10'-9 7/16" POINTS: 0.61 Points.

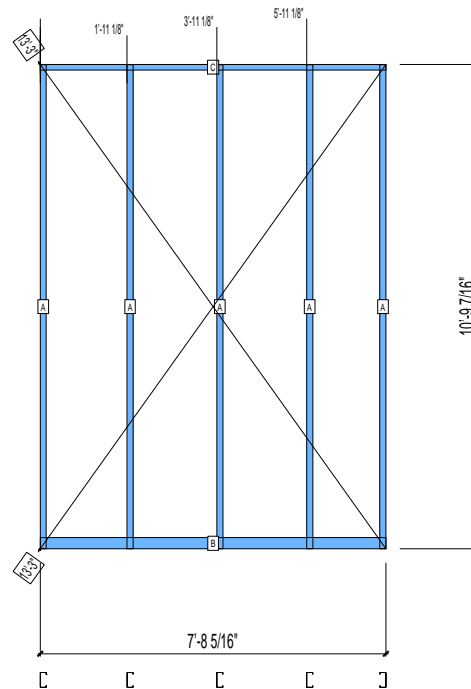
SPACING : 24"

1st STUD: 24"

WEIGHTS :

FRAME : 66 lbs

TOTAL: 66 lbs



PIECES LIST

LABEL	QTY	SIZE	LENGTH	USE
A	5	400S162-33	10'-9 5/16"	STUD
B	1	400T300-33	7'-8 5/16"	BOTTOM TRACK
C	1	400T150-33	7'-8 5/16"	TOP TRACK

31-3022

Jewish Home for the Aging

1885 Victory Blvd. Reseda, CA

APPROVED

By Ryan J Gonsalves at 2:58 pm, Nov 11, 2008

FrameMax, Inc.
13915 Danielson St
Suite 100
Poway, CA 92064
www.frame-max.com



© FrameMax Inc.

CREATED: 11/10/2008

FM-07-109

CREATED BY: AMB

HEIGHT : 10'-9 7/16" POINTS: 0.22 Points.

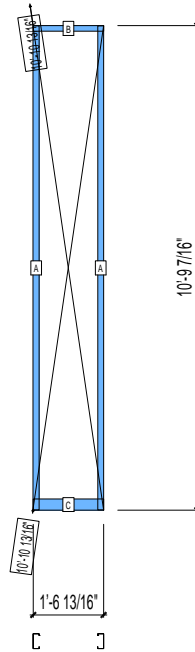
SPACING : 24"

1st STUD: 24"

WEIGHTS :

FRAME : 23 lbs

TOTAL: 23 lbs



PIECES LIST

LABEL	QTY	SIZE	LENGTH	USE
A	2	400S162-33	10'-9 5/16"	STUD
B	1	400T150-33	1'-6 13/16"	TOP TRACK
C	1	400T300-33	1'-6 13/16"	BOTTOM TRACK

31-3024

Jewish Home for the Aging

1885 Victory Blvd. Reseda, CA

APPROVED
By Ryan J Gonsalves at 2:58 pm, Nov 11, 2008

FrameMax, Inc.
13915 Danielson St
Suite 100
Poway, CA 92064
www.frame-max.com



© FrameMax Inc.

CREATED: 11/10/2008

FM-07-109

CREATED BY: AMB

HEIGHT : 10'-9 7/16" POINTS: 0.22 Points.

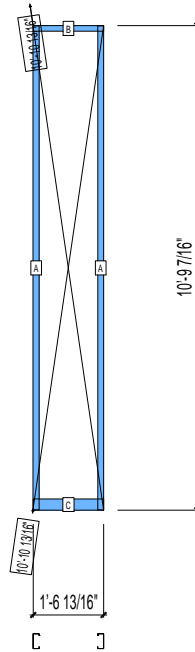
SPACING : 24"

1st STUD: 24"

WEIGHTS :

FRAME : 23 lbs

TOTAL: 23 lbs



PIECES LIST

LABEL	QTY	SIZE	LENGTH	USE
A	2	400S162-33	10'-9 5/16"	STUD
B	1	400T150-33	1'-6 13/16"	TOP TRACK
C	1	400T300-33	1'-6 13/16"	BOTTOM TRACK

31-3025

Jewish Home for the Aging

1885 Victory Blvd. Reseda, CA 91335

APPROVED
By Ryan J Gonsalves at 2:58 pm, Nov 11, 2008

FrameMax, Inc.
13915 Danielson St
Suite 100
Poway, CA 92064
www.frame-max.com



© FrameMax Inc.

CREATED: 11/10/2008

FM-07-109

CREATED BY: AMB

HEIGHT : 10'-9 7/16" POINTS: 0.44 Points.

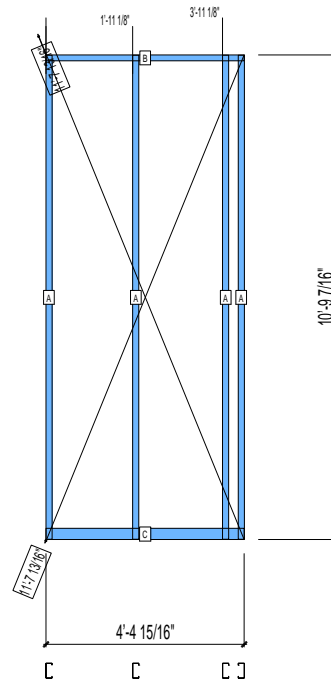
SPACING : 24"

1st STUD: 24"

WEIGHTS :

FRAME : 49 lbs

TOTAL: 49 lbs



PIECES LIST

LABEL	QTY	SIZE	LENGTH	USE
A	4	400S162-33	10'-9 5/16"	STUD
B	1	400T150-33	4'-4 15/16"	TOP TRACK
C	1	400T300-33	4'-4 15/16"	BOTTOM TRACK

31-3026

Jewish Home for the Aging

1885 Victory Blvd. Reseda, CA

APPROVED
By Ryan J Gonsalves at 2:58 pm, Nov 11, 2008

FrameMax, Inc.
13915 Danielson St
Suite 100
Poway, CA 92064
www.frame-max.com



© FrameMax Inc.

CREATED: 11/10/2008

FM-07-109

CREATED BY: AMB

HEIGHT : 10'-9 7/16" POINTS: 0.61 Points.

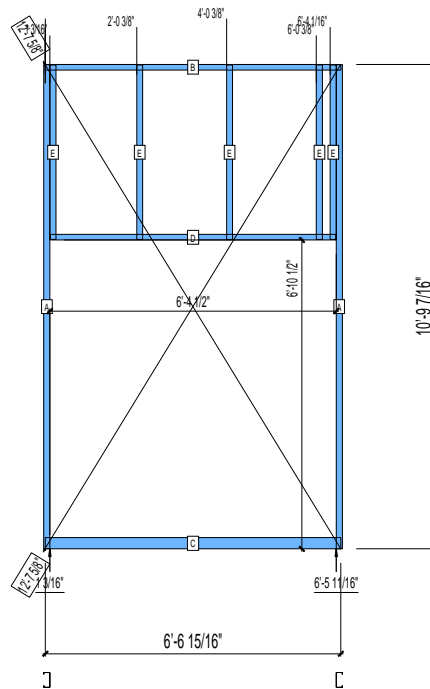
SPACING : 24"

1st STUD: 24"

WEIGHTS :

FRAME : 57 lbs

TOTAL: 57 lbs



PIECES LIST

LABEL	QTY	SIZE	LENGTH	USE
A	2	400S162-33	10'-9 5/16"	KING STUD
B	1	400T150-33	6'-6 15/16"	TOP TRACK
C	1	400T300-33	6'-6 15/16"	BOTTOM TRACK
D	1	400T150-33	6'-4 1/4"	HEAD TRACK
E	5	400S162-33	3'-10 9/16"	CRIPPLE

31-3028

Jewish Home for the Aging

1885 Victory Blvd. Reseda, CA

APPROVED

By Ryan J Gonsalves at 2:58 pm, Nov 11, 2008

FrameMax, Inc.
13915 Danielson St
Suite 100
Poway, CA 92064
www.frame-max.com



© FrameMax Inc.

CREATED: 11/10/2008

FM-07-109

CREATED BY: AMB

HEIGHT : 10'-9 7/16" POINTS: 1.08 Points.

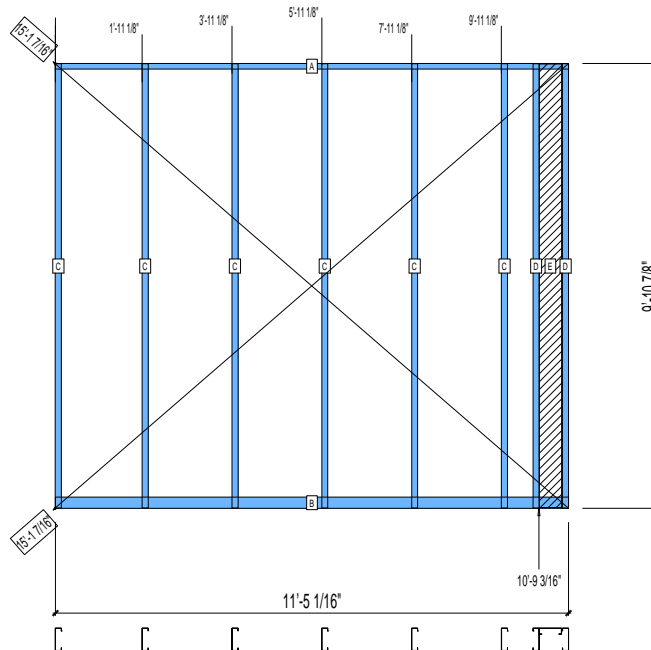
SPACING : 24"

1st STUD: 24"

WEIGHTS :

FRAME : 133 lbs

TOTAL: 133 lbs



PIECES LIST

LABEL	QTY	SIZE	LENGTH	USE
A	1	600T150-33	11'-5 1/16"	TOP TRACK
B	1	600T300-33	11'-5 1/16"	BOTTOM TRACK
C	6	600S162-33	9'-10 3/4"	STUD
D	2	600S162-33	9'-10 3/4"	BACKER STUD
E	1	600S162-33	9'-10 1/2"	BACKER-U

31-3029

Jewish Home for the Aging

1885 Victory Blvd. Reseda, CA

APPROVED
By Ryan J Gonsalves at 2:58 pm, Nov 11, 2008

FrameMax, Inc.
13915 Danielson St
Suite 100
Poway, CA 92064
www.frame-max.com



© FrameMax Inc.

CREATED: 11/10/2008

FM-07-109

CREATED BY: AMB

HEIGHT : 10'-9 7/16" POINTS: 0.68 Points.

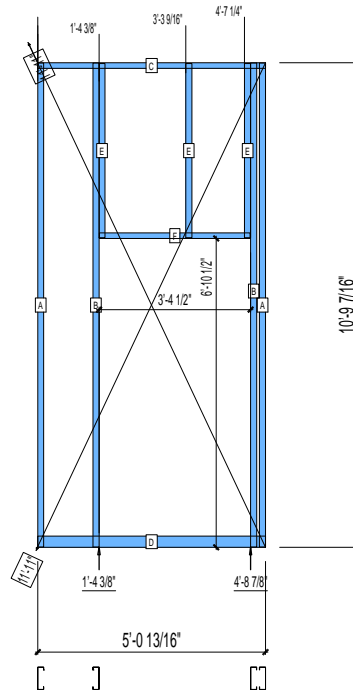
SPACING : 24"

1st STUD: 24"

WEIGHTS :

FRAME : 80 lbs

TOTAL: 80 lbs



PIECES LIST

LABEL	QTY	SIZE	LENGTH	USE
A	2	600S162-33	10'-9 5/16"	STUD
B	2	600S162-33	10'-9 5/16"	KING STUD
C	1	600T150-33	5'-0 13/16"	TOP TRACK
D	1	600T300-33	5'-0 13/16"	BOTTOM TRACK
E	3	600S162-33	3'-10 9/16"	CRIPPLE
F	1	600T150-33	3'-4 1/4"	HEAD TRACK

31-3030

Jewish Home for the Aging

1885 Victory Blvd. Reseda, CA

APPROVED

By Ryan J Gonsalves at 2:58 pm, Nov 11, 2008

FrameMax, Inc.
13915 Danielson St
Suite 100
Poway, CA 92064
www.frame-max.com



© FrameMax Inc.

CREATED: 11/10/2008

FM-07-109

CREATED BY: AMB

HEIGHT : 10'-9 7/16" POINTS: 0.24 Points.

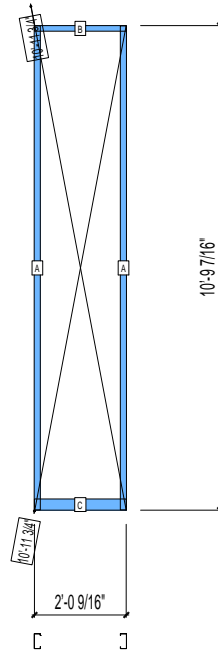
SPACING : 24"

1st STUD: 24"

WEIGHTS :

FRAME : 24 lbs

TOTAL: 24 lbs



PIECES LIST

LABEL	QTY	SIZE	LENGTH	USE
A	2	400S162-33	10'-9 5/16"	STUD
B	1	400T150-33	2'-0 9/16"	TOP TRACK
C	1	400T300-33	2'-0 9/16"	BOTTOM TRACK

31-3031

Jewish Home for the Aging

1885 Victory Blvd. Reseda, CA 91335

APPROVED

By Ryan J Gonsalves at 2:58 pm, Nov 11, 2008

FrameMax, Inc.
13915 Danielson St
Suite 100
Poway, CA 92064
www.frame-max.com



© FrameMax Inc.

CREATED: 11/10/2008

FM-07-109

CREATED BY: AMB

HEIGHT : 10'-9 7/16" POINTS: 0.24 Points.

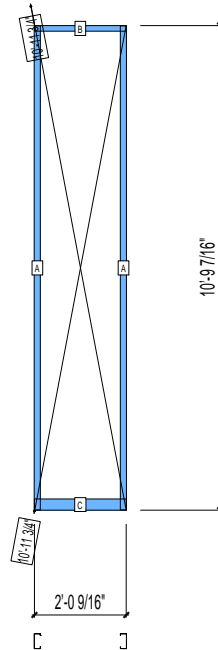
SPACING : 24"

1st STUD: 24"

WEIGHTS :

FRAME : 24 lbs

TOTAL: 24 lbs



PIECES LIST

LABEL	QTY	SIZE	LENGTH	USE
A	2	400S162-33	10'-9 5/16"	STUD
B	1	400T150-33	2'-0 9/16"	TOP TRACK
C	1	400T300-33	2'-0 9/16"	BOTTOM TRACK

31-3032

Jewish Home for the Aging

1885 Victory Blvd. Reseda, CA

APPROVED

By Ryan J Gonsalves at 2:58 pm, Nov 11, 2008

FrameMax, Inc.
13915 Danielson St
Suite 100
Poway, CA 92064
www.frame-max.com



© FrameMax Inc.

CREATED: 11/10/2008

FM-07-109

CREATED BY: AMB

HEIGHT : 10'-9 7/16" POINTS: 0.24 Points.

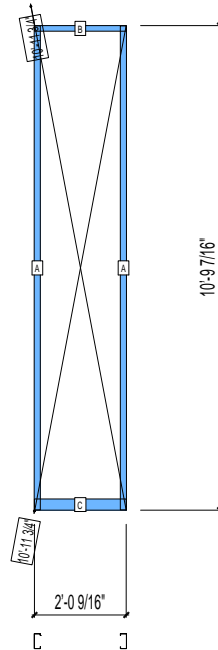
SPACING : 24"

1st STUD: 24"

WEIGHTS :

FRAME : 24 lbs

TOTAL: 24 lbs



PIECES LIST

LABEL	QTY	SIZE	LENGTH	USE
A	2	400S162-33	10'-9 5/16"	STUD
B	1	400T150-33	2'-0 9/16"	TOP TRACK
C	1	400T300-33	2'-0 9/16"	BOTTOM TRACK

31-3033

Jewish Home for the Aging

1885 Victory Blvd. Reseda, CA

APPROVED
By Ryan J Gonsalves at 2:58 pm, Nov 11, 2008

FrameMax, Inc.
13915 Danielson St
Suite 100
Poway, CA 92064
www.frame-max.com



© FrameMax Inc.

CREATED: 11/10/2008

FM-07-109

CREATED BY: AMB

HEIGHT : 10'-9 7/16" POINTS: 0.30 Points.

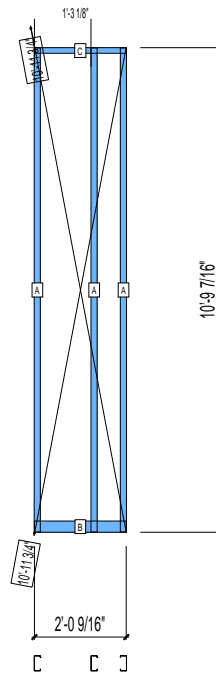
SPACING : 24"

1st STUD: 16"

WEIGHTS :

FRAME : 34 lbs

TOTAL: 34 lbs



PIECES LIST

LABEL	QTY	SIZE	LENGTH	USE
A	3	400S162-33	10'-9 5/16"	STUD
B	1	400T300-33	2'-0 9/16"	BOTTOM TRACK
C	1	400T150-33	2'-0 9/16"	TOP TRACK

31-3034

Jewish Home for the Aging

1885 Victory Blvd. Reseda, CA

APPROVED
By Ryan J Gonsalves at 2:58 pm, Nov 11, 2008

FrameMax, Inc.
13915 Danielson St
Suite 100
Poway, CA 92064
www.frame-max.com



© FrameMax Inc.

CREATED: 11/10/2008

FM-07-109

CREATED BY: AMB

HEIGHT : 10'-5 3/4" POINTS: 0.41 Points.

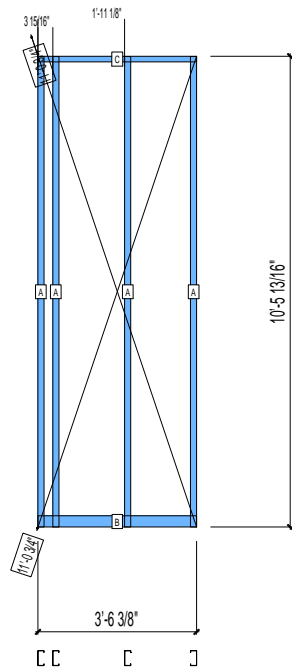
SPACING : 24"

1st STUD: 24"

WEIGHTS :

FRAME : 46 lbs

TOTAL: 46 lbs



PIECES LIST

LABEL	QTY	SIZE	LENGTH	USE
A	4	400S162-33	10'-5 11/16"	STUD
B	1	400T300-33	3'-6 3/8"	BOTTOM TRACK
C	1	400T150-33	3'-6 3/8"	TOP TRACK

31-3035

Jewish Home for the Aging

1885 Victory Blvd. Reseda, CA

APPROVED
By Ryan J Gonsalves at 2:58 pm, Nov 11, 2008

FrameMax, Inc.
13915 Danielson St
Suite 100
Poway, CA 92064
www.frame-max.com



© FrameMax Inc.

CREATED: 11/10/2008

FM-07-109

CREATED BY: AMB

HEIGHT : 10'-9 7/16" POINTS: 0.92 Points.

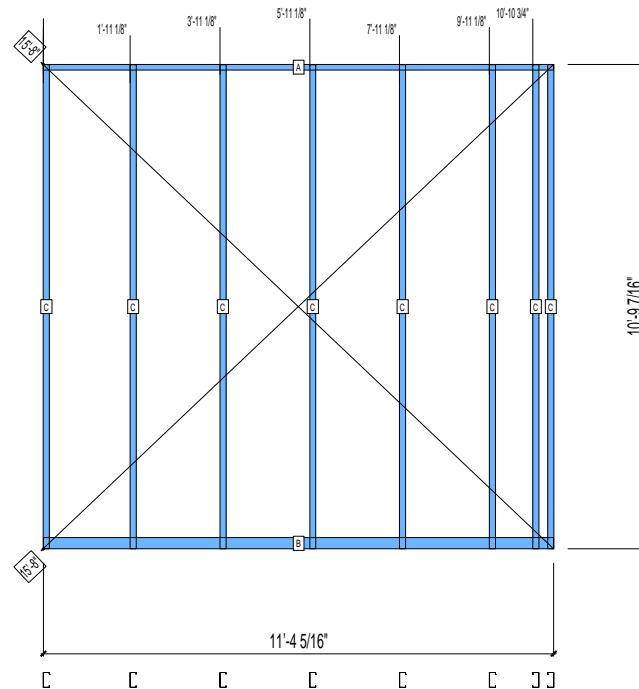
SPACING : 24"

1st STUD: 24"

WEIGHTS :

FRAME : 103 lbs

TOTAL: 103 lbs



PIECES LIST

LABEL	QTY	SIZE	LENGTH	USE
A	1	400T150-33	11'-4 5/16"	TOP TRACK
B	1	400T300-33	11'-4 5/16"	BOTTOM TRACK
C	8	400S162-33	10'-9 5/16"	STUD

31-3036

Jewish Home for the Aging

1885 Victory Blvd. Reseda, CA

APPROVED
By Ryan J Gonsalves at 2:58 pm, Nov 11, 2008

FrameMax, Inc.
13915 Danielson St
Suite 100
Poway, CA 92064
www.frame-max.com



© FrameMax Inc.

CREATED: 11/10/2008

FM-07-109

CREATED BY: AMB

HEIGHT : 10'-9 7/16" POINTS: 1.19 Points.

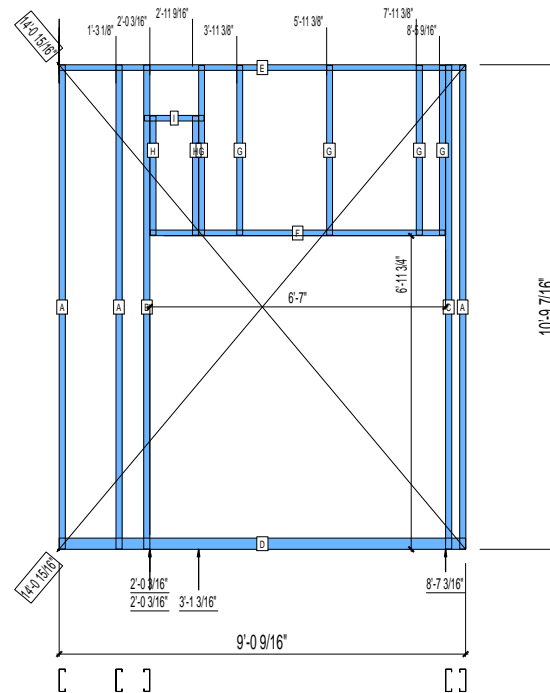
SPACING : 24"

1st STUD: 16"

WEIGHTS :

FRAME : 145 lbs

TOTAL: 145 lbs



PIECES LIST

LABEL	QTY	SIZE	LENGTH	USE
A	3	600S162-33	10'-9 5/16"	STUD
B	1	600S162-97	10'-9 5/16"	BEAM KING
C	1	600S162-33	10'-9 5/16"	KING STUD
D	1	600T300-33	9'-0 9/16"	BOTTOM TRACK
E	1	600T150-33	9'-0 9/16"	TOP TRACK
F	1	600T150-33	6'-6 3/4"	HEAD TRACK
G	5	600S162-33	3'-9 5/16"	CRIPPLE
H	2	600S162-33	2'-7 13/16"	CRIPPLE
I	1	600T150-33	1'-3 13/16"	BEAM JACK

31-3037

Jewish Home for the Aging

1885 Victory Blvd. Reseda, CA

APPROVED
By Ryan J Gonsalves at 2:58 pm, Nov 11, 2008

FrameMax, Inc.
13915 Danielson St
Suite 100
Poway, CA 92064
www.frame-max.com



© FrameMax Inc.

CREATED: 11/10/2008

FM-07-109

CREATED BY: AMB

HEIGHT : 10'-9 7/16" POINTS: 0.87 Points.

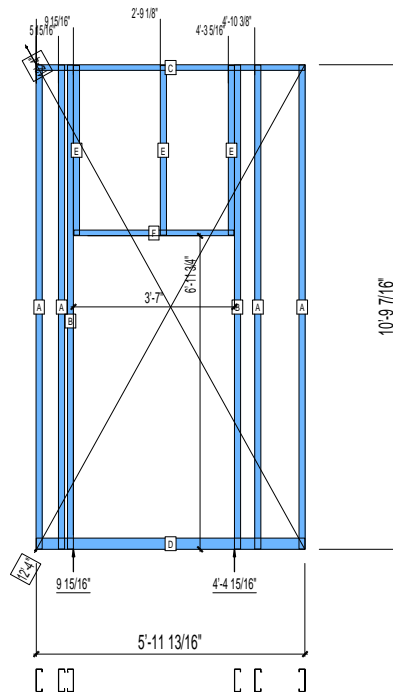
SPACING : 24"

1st STUD: 24"

WEIGHTS :

FRAME : 108 lbs

TOTAL: 108 lbs



PIECES LIST

LABEL	QTY	SIZE	LENGTH	USE
A	4	600S162-33	10'-9 5/16"	STUD
B	2	600S162-33	10'-9 5/16"	KING STUD
C	1	600T150-33	5'-11 13/16"	TOP TRACK
D	1	600T300-33	5'-11 13/16"	BOTTOM TRACK
E	3	600S162-33	3'-9 5/16"	CRIPPLE
F	1	600T150-33	3'-6 3/4"	HEAD TRACK

31-3038

Jewish Home for the Aging

1885 Victory Blvd. Reseda, CA 91335

APPROVED
By Ryan J Gonsalves at 2:58 pm, Nov 11, 2008

FrameMax, Inc.
13915 Danielson St
Suite 100
Poway, CA 92064
www.frame-max.com



© FrameMax Inc.

CREATED: 11/10/2008

FM-07-109

CREATED BY: AMB

HEIGHT : 10'-9 7/16" POINTS: 1.52 Points.

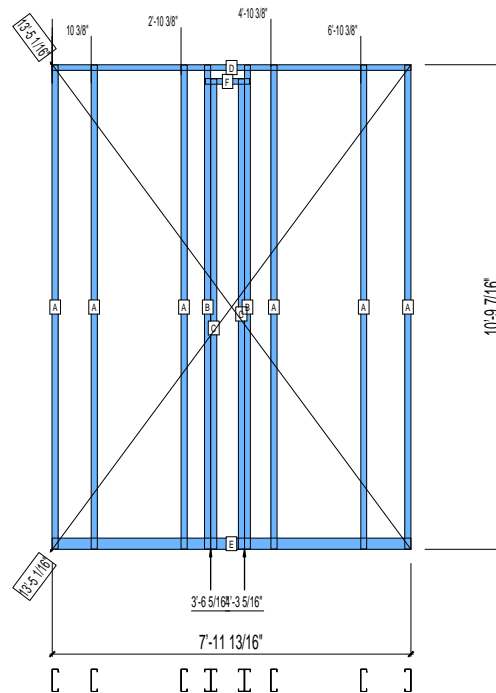
SPACING : 24"

1st STUD: 24"

WEIGHTS :

FRAME : 236 lbs

TOTAL: 236 lbs



PIECES LIST

LABEL	QTY	SIZE	LENGTH	USE
A	6	600S162-33	10'-9 5/16"	STUD
B	2	600S162-97	10'-9 5/16"	BEAM KING
C	2	600S162-97	10'-5 5/8"	BEAM JACK
D	1	600T150-33	7'-11 13/16"	TOP TRACK
E	1	600T300-33	7'-11 13/16"	BOTTOM TRACK
F	1	600T150-33	11 13/16"	BEAM JACK

31-3039

Jewish Home for the Aging

1885 Victory Blvd. Reseda, CA

APPROVED
By Ryan J Gonsalves at 2:58 pm, Nov 11, 2008

FrameMax, Inc.
13915 Danielson St
Suite 100
Poway, CA 92064
www.frame-max.com



© FrameMax Inc.

CREATED: 11/10/2008

FM-07-109

CREATED BY: AMB

HEIGHT : 10'-9 7/16" POINTS: 0.78 Points.

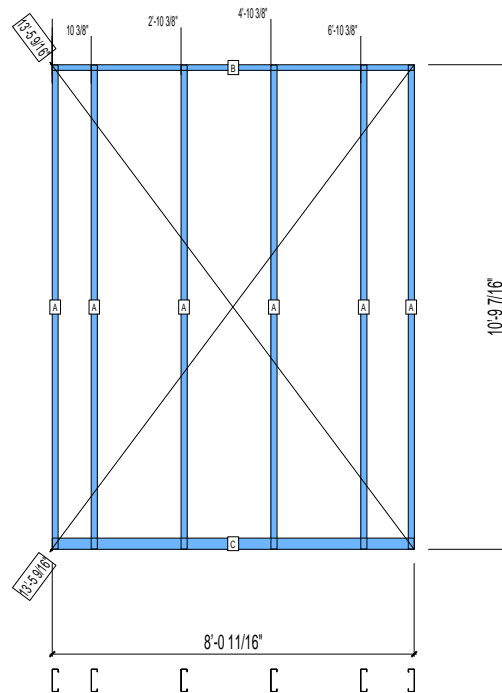
SPACING : 24"

1st STUD: 24"

WEIGHTS :

FRAME : 96 lbs

TOTAL: 96 lbs



PIECES LIST

LABEL	QTY	SIZE	LENGTH	USE
A	6	600S162-33	10'-9 5/16"	STUD
B	1	600T150-33	8'-0 11/16"	TOP TRACK
C	1	600T300-33	8'-0 11/16"	BOTTOM TRACK

31-3040

Jewish Home for the Aging

1885 Victory Blvd. Reseda, CA

APPROVED

By Ryan J Gonsalves at 2:58 pm, Nov 11, 2008

FrameMax, Inc.
13915 Danielson St
Suite 100
Poway, CA 92064
www.frame-max.com



© FrameMax Inc.

CREATED: 11/10/2008

FM-07-109

CREATED BY: AMB

HEIGHT : 10'-9 7/16" POINTS: 1.52 Points.

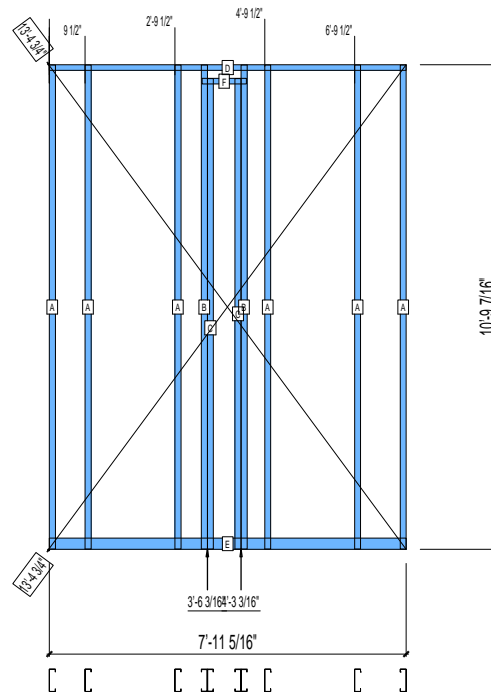
SPACING : 24"

1st STUD: 24"

WEIGHTS :

FRAME : 236 lbs

TOTAL: 236 lbs



PIECES LIST

LABEL	QTY	SIZE	LENGTH	USE
A	6	600S162-33	10'-9 5/16"	STUD
B	2	600S162-97	10'-9 5/16"	BEAM KING
C	2	600S162-97	10'-5 11/16"	BEAM JACK
D	1	600T150-33	7'-11 5/16"	TOP TRACK
E	1	600T300-33	7'-11 5/16"	BOTTOM TRACK
F	1	600T150-33	11 13/16"	BEAM JACK

31-3041

Jewish Home for the Aging

1885 Victory Blvd. Reseda, CA

APPROVED
By Ryan J Gonsalves at 2:58 pm, Nov 11, 2008

FrameMax, Inc.
13915 Danielson St
Suite 100
Poway, CA 92064
www.frame-max.com



© FrameMax Inc.

CREATED: 11/10/2008

FM-07-109

CREATED BY: AMB

HEIGHT : 10'-9 7/16" POINTS: 0.22 Points.

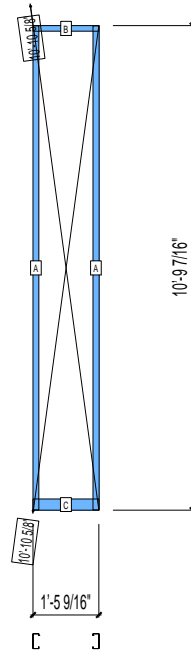
SPACING : 24"

1st STUD: 16"

WEIGHTS :

FRAME : 23 lbs

TOTAL: 23 lbs



PIECES LIST

LABEL	QTY	SIZE	LENGTH	USE
A	2	400S162-33	10'-9 5/16"	STUD
B	1	400T150-33	1'-5 9/16"	TOP TRACK
C	1	400T300-33	1'-5 9/16"	BOTTOM TRACK

31-3042

Jewish Home for the Aging

1885 Victory Blvd. Reseda, CA 91335

APPROVED
By Ryan J Gonsalves at 2:58 pm, Nov 11, 2008

FrameMax, Inc.
13915 Danielson St
Suite 100
Poway, CA 92064
www.frame-max.com



© FrameMax Inc.

CREATED: 11/10/2008

FM-07-109

CREATED BY: AMB

HEIGHT : 10'-9 7/16" POINTS: 0.21 Points.

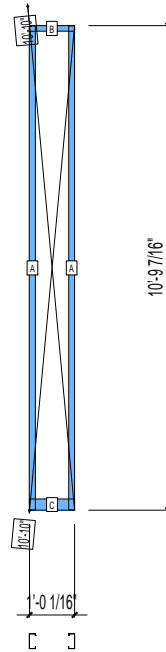
SPACING : 24"

1st STUD: 24"

WEIGHTS :

FRAME : 22 lbs

TOTAL: 22 lbs



PIECES LIST

LABEL	QTY	SIZE	LENGTH	USE
A	2	400S162-33	10'-9 5/16"	STUD
B	1	400T150-33	1'-0 1/16"	TOP TRACK
C	1	400T300-33	1'-0 1/16"	BOTTOM TRACK

31-3043

Jewish Home for the Aging

1885 Victory Blvd. Reseda, CA

APPROVED
By Ryan J Gonsalves at 2:58 pm, Nov 11, 2008

FrameMax, Inc.
13915 Danielson St
Suite 100
Poway, CA 92064
www.frame-max.com



© FrameMax Inc.

CREATED: 11/10/2008

FM-07-109

CREATED BY: AMB

HEIGHT : 10'-9 7/16" POINTS: 0.27 Points.

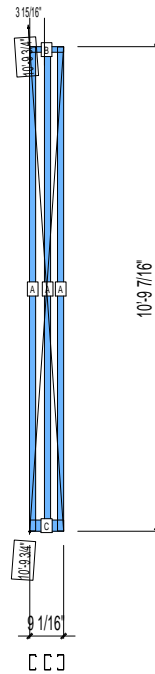
SPACING : 24"

1st STUD: 24"

WEIGHTS :

FRAME : 32 lbs

TOTAL: 32 lbs



PIECES LIST

LABEL	QTY	SIZE	LENGTH	USE
A	3	400S162-33	10'-9 5/16"	STUD
B	1	400T150-33	9 1/16"	TOP TRACK
C	1	400T300-33	9 1/16"	BOTTOM TRACK

31-3044

Jewish Home for the Aging

1885 Victory Blvd. Reseda, CA 91335

APPROVED
By Ryan J Gonsalves at 2:58 pm, Nov 11, 2008

FrameMax, Inc.
13915 Danielson St
Suite 100
Poway, CA 92064
www.frame-max.com



© FrameMax Inc.

CREATED: 11/10/2008

FM-07-109

CREATED BY: AMB

HEIGHT : 10'-9 7/16" POINTS: 0.28 Points.

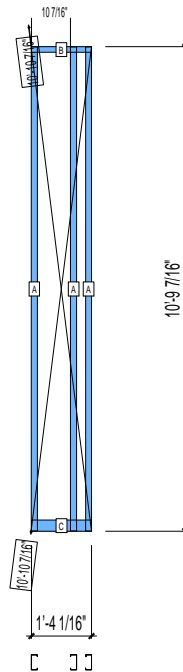
SPACING : 24"

1st STUD: 24"

WEIGHTS :

FRAME : 33 lbs

TOTAL: 33 lbs



PIECES LIST

LABEL	QTY	SIZE	LENGTH	USE
A	3	400S162-33	10'-9 5/16"	STUD
B	1	400T150-33	1'-4 1/16"	TOP TRACK
C	1	400T300-33	1'-4 1/16"	BOTTOM TRACK

31-3045

Jewish Home for the Aging

1885 Victory Blvd. Reseda, CA

APPROVED
By Ryan J Gonsalves at 2:58 pm, Nov 11, 2008

FrameMax, Inc.
13915 Danielson St
Suite 100
Poway, CA 92064
www.frame-max.com



© FrameMax Inc.

CREATED: 11/10/2008

FM-07-109

CREATED BY: AMB

HEIGHT : 10'-9 7/16" POINTS: 0.32 Points.

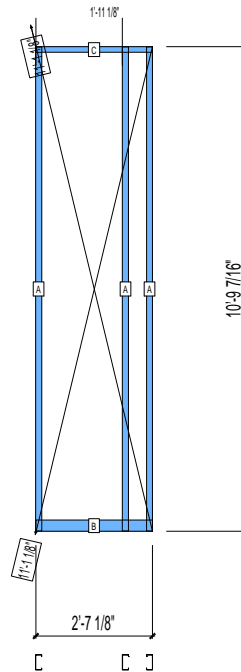
SPACING : 24"

1st STUD: 24"

WEIGHTS :

FRAME : 35 lbs

TOTAL: 35 lbs



PIECES LIST

LABEL	QTY	SIZE	LENGTH	USE
A	3	400S162-33	10'-9 5/16"	STUD
B	1	400T300-33	2'-7 1/8"	BOTTOM TRACK
C	1	400T150-33	2'-7 1/8"	TOP TRACK

31-3046

Jewish Home for the Aging

1885 Victory Blvd. Reseda, CA

APPROVED
By Ryan J Gonsalves at 2:58 pm, Nov 11, 2008

FrameMax, Inc.
13915 Danielson St
Suite 100
Poway, CA 92064
www.frame-max.com



© FrameMax Inc.

CREATED: 11/10/2008

FM-07-109

CREATED BY: AMB

HEIGHT : 10'-9 7/16" POINTS: 0.21 Points.

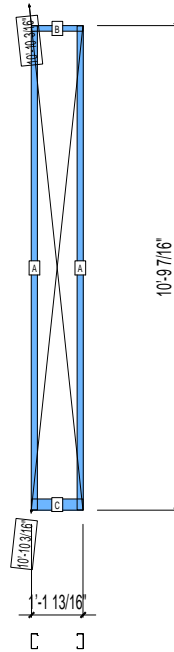
SPACING : 24"

1st STUD: 16"

WEIGHTS :

FRAME : 22 lbs

TOTAL: 22 lbs



PIECES LIST

LABEL	QTY	SIZE	LENGTH	USE
A	2	400S162-33	10'-9 5/16"	STUD
B	1	400T150-33	1'-1 13/16"	TOP TRACK
C	1	400T300-33	1'-1 13/16"	BOTTOM TRACK

31-3047

Jewish Home for the Aging

1885 Victory Blvd. Reseda, CA

APPROVED
By Ryan J Gonsalves at 2:58 pm, Nov 11, 2008

FrameMax, Inc.
13915 Danielson St
Suite 100
Poway, CA 92064
www.frame-max.com



© FrameMax Inc.

CREATED: 11/10/2008

FM-07-109

CREATED BY: AMB

HEIGHT : 10'-9 7/16" POINTS: 0.72 Points.

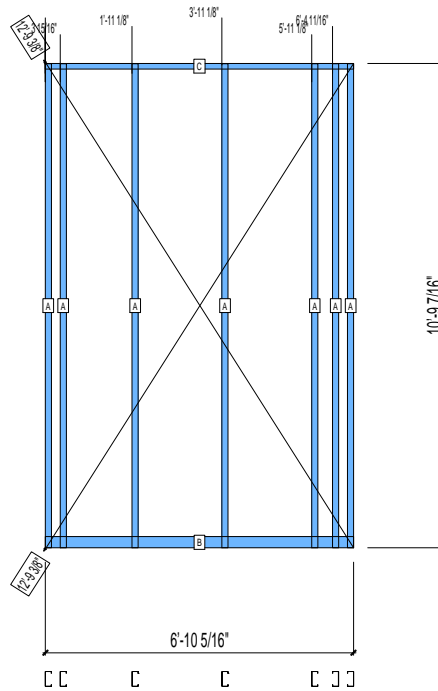
SPACING : 24"

1st STUD: 24"

WEIGHTS :

FRAME : 84 lbs

TOTAL: 84 lbs



PIECES LIST

LABEL	QTY	SIZE	LENGTH	USE
A	7	400S162-33	10'-9 5/16"	STUD
B	1	400T300-33	6'-10 5/16"	BOTTOM TRACK
C	1	400T150-33	6'-10 5/16"	TOP TRACK

31-3048

Jewish Home for the Aging

1885 Victory Blvd. Reseda, CA 91335

APPROVED

By Ryan J Gonsalves at 2:58 pm, Nov 11, 2008

FrameMax, Inc.
13915 Danielson St
Suite 100
Poway, CA 92064
www.frame-max.com



© FrameMax Inc.

CREATED: 11/10/2008

FM-07-109

CREATED BY: AMB

HEIGHT : 10'-9 7/16" POINTS: 0.21 Points.

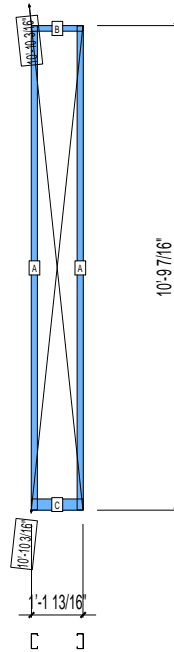
SPACING : 24"

1st STUD: 24"

WEIGHTS :

FRAME : 22 lbs

TOTAL: 22 lbs



PIECES LIST

LABEL	QTY	SIZE	LENGTH	USE
A	2	400S162-33	10'-9 5/16"	STUD
B	1	400T150-33	1'-1 13/16"	TOP TRACK
C	1	400T300-33	1'-1 13/16"	BOTTOM TRACK

31-3049

Jewish Home for the Aging

1885 Victory Blvd. Reseda, CA

APPROVED

By Ryan J Gonsalves at 2:58 pm, Nov 11, 2008

FrameMax, Inc.
13915 Danielson St
Suite 100
Poway, CA 92064
www.frame-max.com



© FrameMax Inc.

CREATED: 11/10/2008

FM-07-109

CREATED BY: AMB

HEIGHT : 10'-9 7/16" POINTS: 0.25 Points.

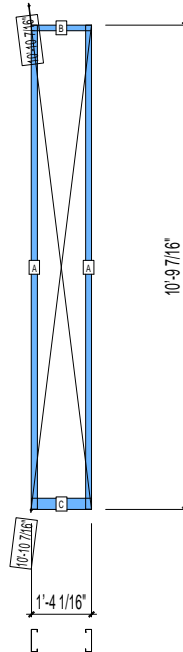
SPACING : 24"

1st STUD: 24"

WEIGHTS :

FRAME : 29 lbs

TOTAL: 29 lbs



PIECES LIST

LABEL	QTY	SIZE	LENGTH	USE
A	2	600S162-33	10'-9 5/16"	STUD
B	1	600T150-33	1'-4 1/16"	TOP TRACK
C	1	600T300-33	1'-4 1/16"	BOTTOM TRACK

31-3050

Jewish Home for the Aging

1885 Victory Blvd. Reseda, CA

APPROVED
By Ryan J Gonsalves at 2:58 pm, Nov 11, 2008

FrameMax, Inc.
13915 Danielson St
Suite 100
Poway, CA 92064
www.frame-max.com



© FrameMax Inc.

CREATED: 11/10/2008

FM-07-109

CREATED BY: AMB

HEIGHT : 10'-9 7/16" POINTS: 0.82 Points.

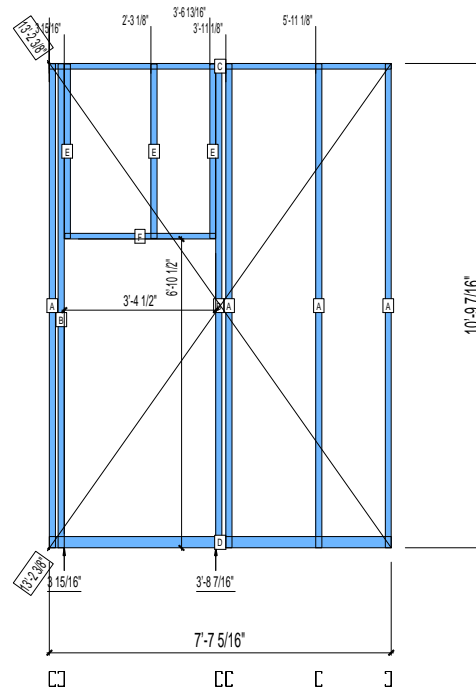
SPACING : 24"

1st STUD: 24"

WEIGHTS :

FRAME : 89 lbs

TOTAL: 89 lbs



PIECES LIST

LABEL	QTY	SIZE	LENGTH	USE
A	4	400S162-33	10'-9 5/16"	STUD
B	2	400S162-33	10'-9 5/16"	KING STUD
C	1	400T150-33	7'-7 5/16"	TOP TRACK
D	1	400T300-33	7'-7 5/16"	BOTTOM TRACK
E	3	400S162-33	3'-10 9/16"	CRIPPLE
F	1	400T150-33	3'-4 1/4"	HEAD TRACK

31-3051

Jewish Home for the Aging

1885 Victory Blvd. Reseda, CA 91335

APPROVED
By Ryan J Gonsalves at 2:58 pm, Nov 11, 2008

FrameMax, Inc.
13915 Danielson St
Suite 100
Poway, CA 92064
www.frame-max.com



© FrameMax Inc.

CREATED: 11/10/2008

FM-07-109

CREATED BY: AMB

HEIGHT : 10'-9 7/16" POINTS: 1.07 Points.

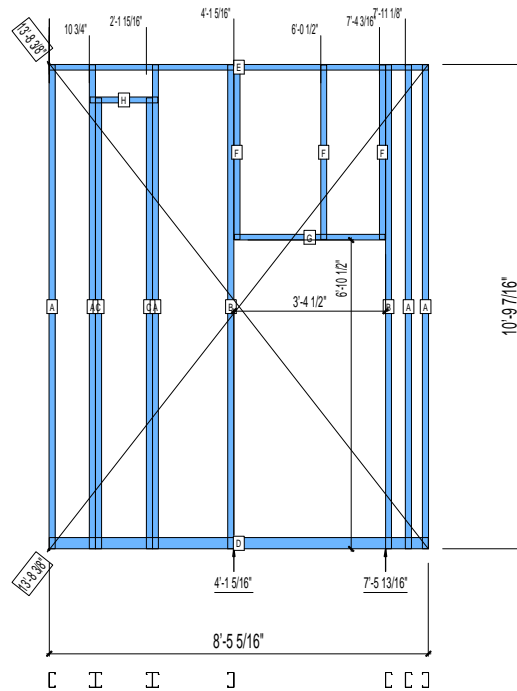
SPACING : 24"

1st STUD: 24"

WEIGHTS :

FRAME : 121 lbs

TOTAL: 121 lbs



PIECES LIST

LABEL	QTY	SIZE	LENGTH	USE
A	5	400S162-33	10'-9 5/16"	STUD
B	2	400S162-33	10'-9 5/16"	KING STUD
C	2	400S162-33	10'-0 7/16"	STUD
D	1	400T300-33	8'-5 5/16"	BOTTOM TRACK
E	1	400T150-33	8'-5 5/16"	TOP TRACK
F	3	400S162-33	3'-10 9/16"	CRIPPLE
G	1	400T150-33	3'-4 1/4"	HEAD TRACK
H	1	400T150-33	1'-6 1/16"	BEAM JACK

31-3052

Jewish Home for the Aging

1885 Victory Blvd. Reseda, CA 91335

APPROVED
By Ryan J Gonsalves at 2:58 pm, Nov 11, 2008

FrameMax, Inc.
13915 Danielson St
Suite 100
Poway, CA 92064
www.frame-max.com



© FrameMax Inc.

CREATED: 11/10/2008

FM-07-109

CREATED BY: AMB

HEIGHT : 10'-9 7/16" POINTS: 0.88 Points.

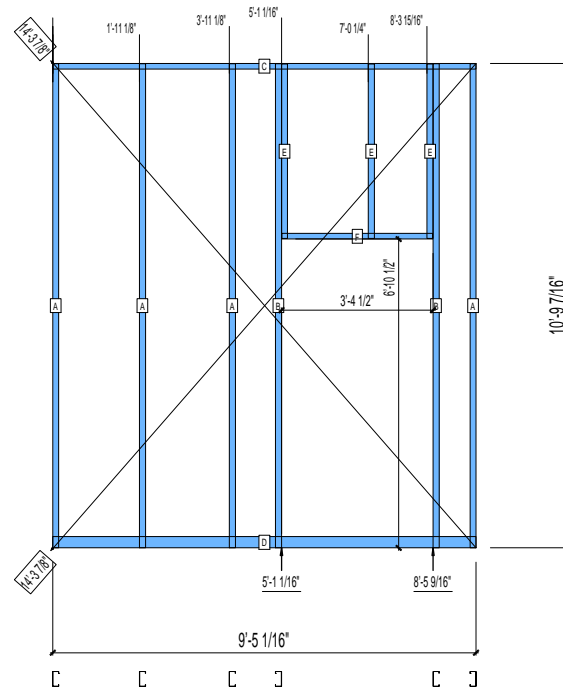
SPACING : 24"

1st STUD: 24"

WEIGHTS :

FRAME : 93 lbs

TOTAL: 93 lbs



PIECES LIST

LABEL	QTY	SIZE	LENGTH	USE
A	4	400S162-33	10'-9 5/16"	STUD
B	2	400S162-33	10'-9 5/16"	KING STUD
C	1	400T150-33	9'-5 1/16"	TOP TRACK
D	1	400T300-33	9'-5 1/16"	BOTTOM TRACK
E	3	400S162-33	3'-10 9/16"	CRIPPLE
F	1	400T150-33	3'-4 1/4"	HEAD TRACK

31-3053

Jewish Home for the Aging

1885 Victory Blvd. Reseda, CA

APPROVED
By Ryan J Gonsalves at 2:58 pm, Nov 11, 2008

CREATED: 11/10/2008

FM-07-109

CREATED BY: AMB

FrameMax, Inc.
13915 Danielson St
Suite 100
Poway, CA 92064
www.frame-max.com



© FrameMax Inc.

HEIGHT : 10'-9 7/16" POINTS: 0.51 Points.

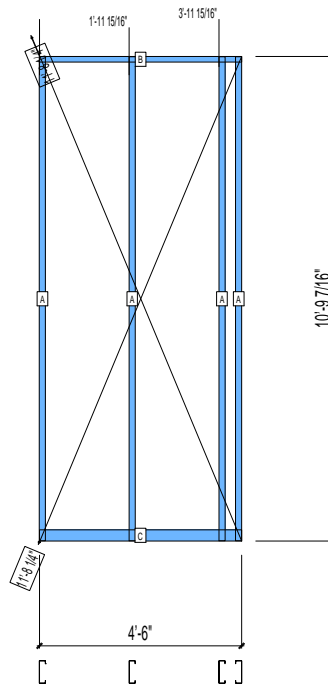
SPACING : 24"

1st STUD: 24"

WEIGHTS :

FRAME : 62 lbs

TOTAL: 62 lbs



PIECES LIST

LABEL	QTY	SIZE	LENGTH	USE
A	4	600S162-33	10'-9 5/16"	STUD
B	1	600T150-33	4'-6"	TOP TRACK
C	1	600T300-33	4'-6"	BOTTOM TRACK

31-3054

Jewish Home for the Aging

1885 Victory Blvd. Reseda, CA

APPROVED
By Ryan J Gonsalves at 2:58 pm, Nov 11, 2008

FrameMax, Inc.
13915 Danielson St
Suite 100
Poway, CA 92064
www.frame-max.com



© FrameMax Inc.

CREATED: 11/10/2008

FM-07-109

CREATED BY: AMB

HEIGHT : 10'-9 7/16" POINTS: 0.72 Points.

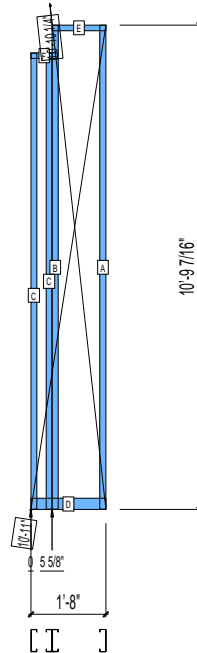
SPACING : 24"

1st STUD: 24"

WEIGHTS :

FRAME : 119 lbs

TOTAL: 119 lbs



PIECES LIST

LABEL	QTY	SIZE	LENGTH	USE
A	1	600S162-33	10'-9 5/16"	STUD
B	1	600S162-97	10'-9 5/16"	BEAM KING
C	2	600S162-97	10'-1 7/8"	BEAM JACK
D	1	600T300-33	1'-8"	BOTTOM TRACK
E	1	600T150-33	1'-2 5/16"	TOP TRACK
F	1	600T150-33	7 1/8"	BEAM JACK

31-3055

Jewish Home for the Aging

1885 Victory Blvd. Reseda, CA

APPROVED

By Ryan J Gonsalves at 2:58 pm, Nov 11, 2008

FrameMax, Inc.
13915 Danielson St
Suite 100
Poway, CA 92064
www.frame-max.com



© FrameMax Inc.

CREATED: 11/10/2008

FM-07-109

CREATED BY: AMB

HEIGHT : 10'-9 7/16" POINTS: 0.36 Points.

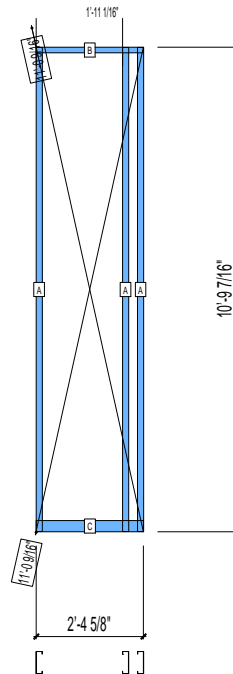
SPACING : 24"

1st STUD: 24"

WEIGHTS :

FRAME : 44 lbs

TOTAL: 44 lbs



PIECES LIST

LABEL	QTY	SIZE	LENGTH	USE
A	3	600S162-33	10'-9 5/16"	STUD
B	1	600T150-33	2'-4 5/8"	TOP TRACK
C	1	600T300-33	2'-4 5/8"	BOTTOM TRACK

31-3056

Jewish Home for the Aging

1885 Victory Blvd. Reseda, CA

APPROVED

By Ryan J Gonsalves at 2:58 pm, Nov 11, 2008

FrameMax, Inc.
13915 Danielson St
Suite 100
Poway, CA 92064
www.frame-max.com



© FrameMax Inc.

CREATED: 11/10/2008

FM-07-109

CREATED BY: AMB

HEIGHT : 10'-9 7/16" POINTS: 0.32 Points.

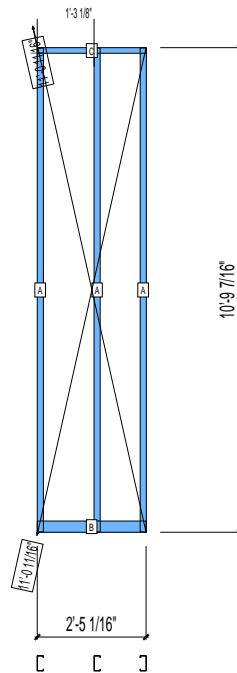
SPACING : 24"

1st STUD: 16"

WEIGHTS :

FRAME : 35 lbs

TOTAL: 35 lbs



PIECES LIST

LABEL	QTY	SIZE	LENGTH	USE
A	3	400S162-33	10'-9 5/16"	STUD
B	1	400T300-33	2'-5 1/16"	BOTTOM TRACK
C	1	400T150-33	2'-5 1/16"	TOP TRACK

31-3057

Jewish Home for the Aging

1885 Victory Blvd. Reseda, CA

APPROVED
By Ryan J Gonsalves at 2:58 pm, Nov 11, 2008

FrameMax, Inc.
13915 Danielson St
Suite 100
Poway, CA 92064
www.frame-max.com



© FrameMax Inc.

CREATED: 11/10/2008

FM-07-109

CREATED BY: AMB

HEIGHT : 10'-9 7/16" POINTS: 1.04 Points.

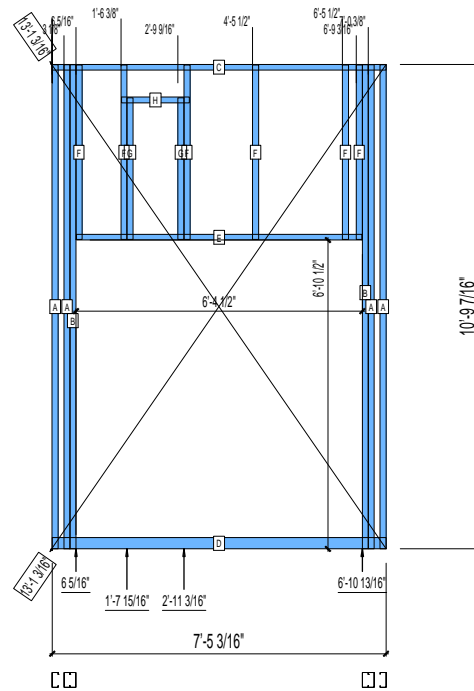
SPACING : 24"

1st STUD: 24"

WEIGHTS :

FRAME : 109 lbs

TOTAL: 109 lbs



PIECES LIST

LABEL	QTY	SIZE	LENGTH	USE
A	4	400S162-33	10'-9 5/16"	STUD
B	2	400S162-33	10'-9 5/16"	KING STUD
C	1	400T150-33	7'-5 3/16"	TOP TRACK
D	1	400T300-33	7'-5 3/16"	BOTTOM TRACK
E	1	400T150-33	6'-4 1/4"	HEAD TRACK
F	6	400S162-33	3'-10 9/16"	CRIPPLE
G	2	400S162-33	3'-1 13/16"	CRIPPLE
H	1	400T150-33	1'-6 1/16"	BEAM JACK

31-3058

Jewish Home for the Aging

1885 Victory Blvd. Reseda, CA 91335

APPROVED

By Ryan J Gonsalves at 2:58 pm, Nov 11, 2008

FrameMax, Inc.
13915 Danielson St
Suite 100
Poway, CA 92064
www.frame-max.com



© FrameMax Inc.

CREATED: 11/10/2008

FM-07-109

CREATED BY: AMB

HEIGHT : 10'-9 7/16" POINTS: 0.31 Points.

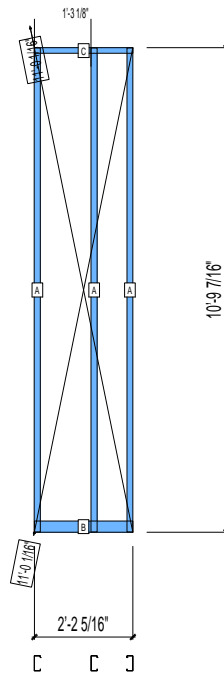
SPACING : 24"

1st STUD: 16"

WEIGHTS :

FRAME : 34 lbs

TOTAL: 34 lbs



PIECES LIST

LABEL	QTY	SIZE	LENGTH	USE
A	3	400S162-33	10'-9 5/16"	STUD
B	1	400T300-33	2'-2 5/16"	BOTTOM TRACK
C	1	400T150-33	2'-2 5/16"	TOP TRACK

31-3059

Jewish Home for the Aging

1885 Victory Blvd. Reseda, CA

APPROVED
By Ryan J Gonsalves at 2:58 pm, Nov 11, 2008

FrameMax, Inc.
13915 Danielson St
Suite 100
Poway, CA 92064
www.frame-max.com



© FrameMax Inc.

CREATED: 11/10/2008

FM-07-109

CREATED BY: AMB

HEIGHT : 10'-9 7/16" POINTS: 0.21 Points.

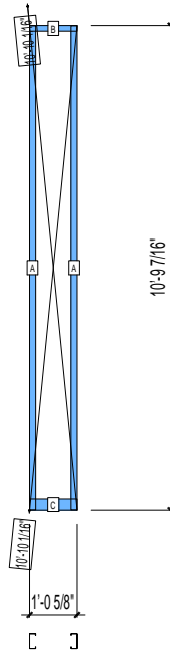
SPACING : 24"

1st STUD: 24"

WEIGHTS :

FRAME : 22 lbs

TOTAL: 22 lbs



PIECES LIST

LABEL	QTY	SIZE	LENGTH	USE
A	2	400S162-33	10'-9 5/16"	STUD
B	1	400T150-33	1'-0 5/8"	TOP TRACK
C	1	400T300-33	1'-0 5/8"	BOTTOM TRACK

31-3060

Jewish Home for the Aging

1885 Victory Blvd. Reseda, CA 91335

APPROVED

By Ryan J Gonsalves at 2:58 pm, Nov 11, 2008

FrameMax, Inc.
13915 Danielson St
Suite 100
Poway, CA 92064
www.frame-max.com



© FrameMax Inc.

CREATED: 11/10/2008

FM-07-109

CREATED BY: AMB

HEIGHT : 9'-6 15/16" POINTS: 0.18 Points.

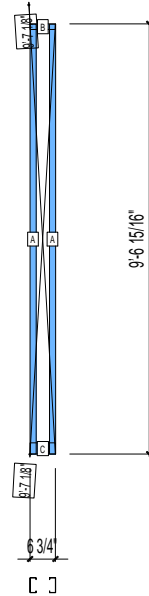
SPACING : 24"

1st STUD: 24"

WEIGHTS :

FRAME : 19 lbs

TOTAL: 19 lbs



PIECES LIST

LABEL	QTY	SIZE	LENGTH	USE
A	2	400S162-33	9'-6 13/16"	STUD
B	1	400T150-33	6 3/4"	TOP TRACK
C	1	400T300-33	6 3/4"	BOTTOM TRACK

31-3061

Jewish Home for the Aging

1885 Victory Blvd. Reseda, CA

APPROVED

By Ryan J Gonsalves at 2:58 pm, Nov 11, 2008

FrameMax, Inc.
13915 Danielson St
Suite 100
Poway, CA 92064
www.frame-max.com



© FrameMax Inc.

CREATED: 11/10/2008

FM-07-109

CREATED BY: AMB

HEIGHT : 9'-6 15/16" POINTS: 0.25 Points.

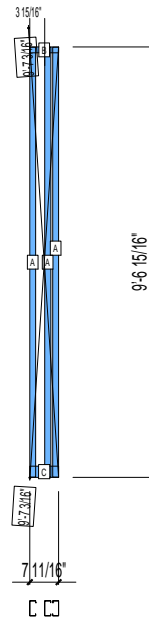
SPACING : 24"

1st STUD: 24"

WEIGHTS :

FRAME : 28 lbs

TOTAL: 28 lbs



PIECES LIST

LABEL	QTY	SIZE	LENGTH	USE
A	3	400S162-33	9'-6 13/16"	STUD
B	1	400T150-33	7 11/16"	TOP TRACK
C	1	400T300-33	7 11/16"	BOTTOM TRACK

31-3062

Jewish Home for the Aging

1885 Victory Blvd. Reseda, CA

APPROVED

By Ryan J Gonsalves at 2:58 pm, Nov 11, 2008

FrameMax, Inc.
13915 Danielson St
Suite 100
Poway, CA 92064
www.frame-max.com



© FrameMax Inc.

CREATED: 11/10/2008

FM-07-109

CREATED BY: AMB

HEIGHT : 10'-1 5/16" POINTS: 0.23 Points.

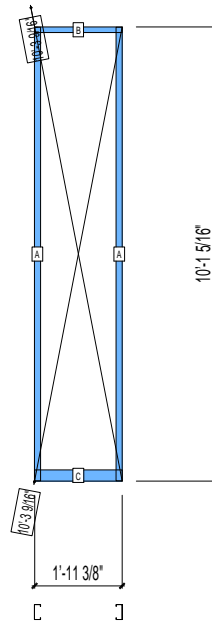
SPACING : 24"

1st STUD: 24"

WEIGHTS :

FRAME : 23 lbs

TOTAL: 23 lbs



PIECES LIST

LABEL	QTY	SIZE	LENGTH	USE
A	2	400S162-33	10'-1 3/16"	STUD
B	1	400T150-33	1'-11 3/8"	TOP TRACK
C	1	400T300-33	1'-11 3/8"	BOTTOM TRACK

31-3063

Jewish Home for the Aging

1885 Victory Blvd. Reseda, CA 91335

APPROVED
By Ryan J Gonsalves at 2:58 pm, Nov 11, 2008

FrameMax, Inc.
13915 Danielson St
Suite 100
Poway, CA 92064
www.frame-max.com



© FrameMax Inc.

CREATED: 11/10/2008

FM-07-109

CREATED BY: AMB

HEIGHT : 10'-9 7/16" POINTS: 0.34 Points.

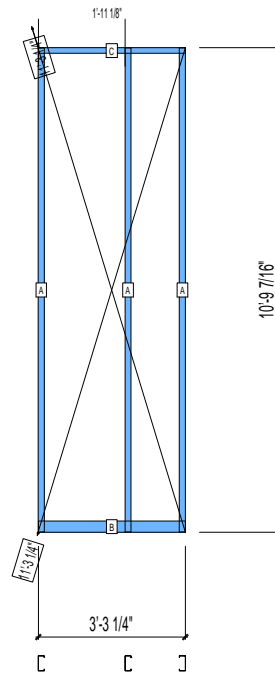
SPACING : 24"

1st STUD: 24"

WEIGHTS :

FRAME : 37 lbs

TOTAL: 37 lbs



PIECES LIST

LABEL	QTY	SIZE	LENGTH	USE
A	3	400S162-33	10'-9 5/16"	STUD
B	1	400T300-33	3'-3 1/4"	BOTTOM TRACK
C	1	400T150-33	3'-3 1/4"	TOP TRACK

31-3064

Jewish Home for the Aging

1885 Victory Blvd. Reseda, CA

APPROVED

By Ryan J Gonsalves at 2:58 pm, Nov 11, 2008

FrameMax, Inc.
13915 Danielson St
Suite 100
Poway, CA 92064
www.frame-max.com



© FrameMax Inc.

CREATED: 11/10/2008

FM-07-109

CREATED BY: AMB

HEIGHT : 10'-0 15/16" POINTS: 0.30 Points.

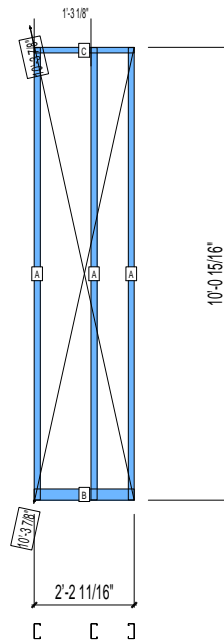
SPACING : 24"

1st STUD: 16"

WEIGHTS :

FRAME : 33 lbs

TOTAL: 33 lbs



PIECES LIST

LABEL	QTY	SIZE	LENGTH	USE
A	3	400S162-33	10'-0 13/16"	STUD
B	1	400T300-33	2'-2 11/16"	BOTTOM TRACK
C	1	400T150-33	2'-2 11/16"	TOP TRACK

31-3065

Jewish Home for the Aging

1885 Victory Blvd. Reseda, CA 91334

APPROVED
By Ryan J Gonsalves at 2:58 pm, Nov 11, 2008

FrameMax, Inc.
13915 Danielson St
Suite 100
Poway, CA 92064
www.frame-max.com



© FrameMax Inc.

CREATED: 11/10/2008

FM-07-109

CREATED BY: AMB

HEIGHT : 10'-9 7/16" POINTS: 0.81 Points.

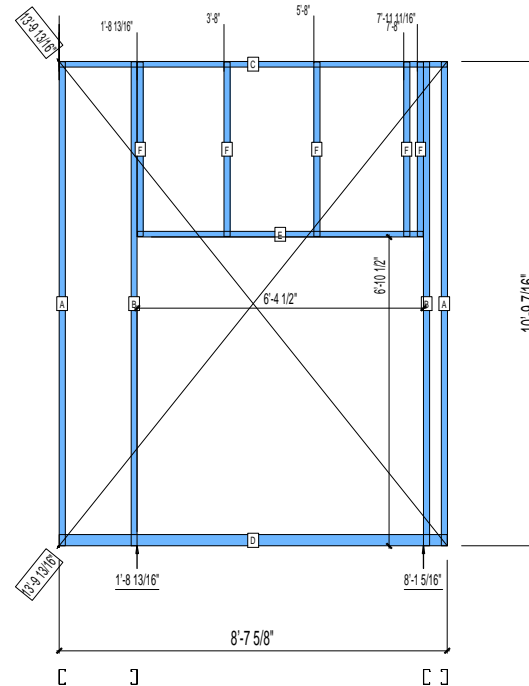
SPACING : 24"

1st STUD: 24"

WEIGHTS :

FRAME : 81 lbs

TOTAL: 81 lbs



PIECES LIST

LABEL	QTY	SIZE	LENGTH	USE
A	2	400S162-33	10'-9 5/16"	STUD
B	2	400S162-33	10'-9 5/16"	KING STUD
C	1	400T150-33	8'-7 5/8"	TOP TRACK
D	1	400T300-33	8'-7 5/8"	BOTTOM TRACK
E	1	400T150-33	6'-4 1/4"	HEAD TRACK
F	5	400S162-33	3'-10 9/16"	CRIPPLE

31-3066

Jewish Home for the Aging

1885 Victory Blvd. Reseda, CA 91335

APPROVED
By Ryan J Gonsalves at 2:58 pm, Nov 11, 2008

FrameMax, Inc.
13915 Danielson St
Suite 100
Poway, CA 92064
www.frame-max.com



© FrameMax Inc.

CREATED: 11/10/2008

FM-07-109

CREATED BY: AMB

HEIGHT : 10'-9 7/16" POINTS: 0.21 Points.

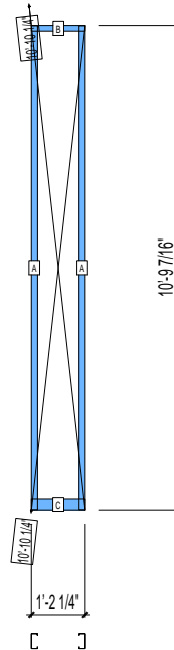
SPACING : 24"

1st STUD: 24"

WEIGHTS :

FRAME : 22 lbs

TOTAL: 22 lbs



PIECES LIST

LABEL	QTY	SIZE	LENGTH	USE
A	2	400S162-33	10'-9 5/16"	STUD
B	1	400T150-33	1'-2 1/4"	TOP TRACK
C	1	400T300-33	1'-2 1/4"	BOTTOM TRACK

31-3067

Jewish Home for the Aging

1885 Victory Blvd. Reseda, CA 91334

APPROVED

By Ryan J Gonsalves at 2:58 pm, Nov 11, 2008

FrameMax, Inc.
13915 Danielson St
Suite 100
Poway, CA 92064
www.frame-max.com



© FrameMax Inc.

CREATED: 11/10/2008

FM-07-109

CREATED BY: AMB

HEIGHT : 9'-11 5/8" POINTS: 0.21 Points.

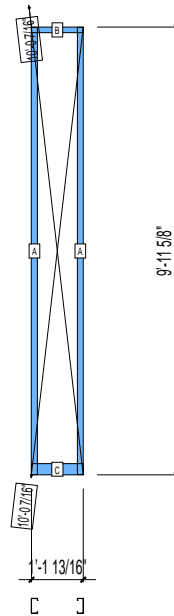
SPACING : 24"

1st STUD: 24"

WEIGHTS :

FRAME : 21 lbs

TOTAL: 21 lbs



PIECES LIST

LABEL	QTY	SIZE	LENGTH	USE
A	2	400S162-33	9'-11 1/2"	STUD
B	1	400T150-33	1'-1 13/16"	TOP TRACK
C	1	400T300-33	1'-1 13/16"	BOTTOM TRACK

31-3068

Jewish Home for the Aging

1885 Victory Blvd. Reseda, CA 91334

APPROVED
By Ryan J Gonsalves at 2:58 pm, Nov 11, 2008

FrameMax, Inc.
13915 Danielson St
Suite 100
Poway, CA 92064
www.frame-max.com



© FrameMax Inc.

CREATED: 11/10/2008

FM-07-109

CREATED BY: AMB

HEIGHT : 10'-9 7/16" POINTS: 0.94 Points.

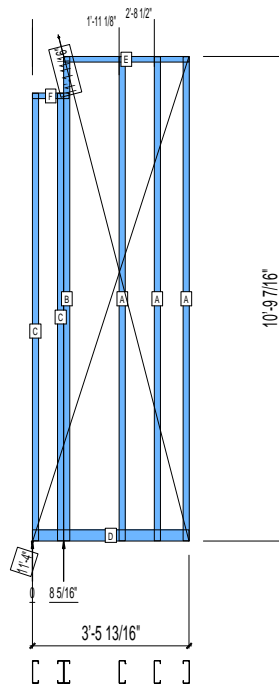
SPACING : 24"

1st STUD: 24"

WEIGHTS :

FRAME : 148 lbs

TOTAL: 148 lbs



PIECES LIST

LABEL	QTY	SIZE	LENGTH	USE
A	3	600S162-33	10'-9 5/16"	STUD
B	1	600S162-97	10'-9 5/16"	BEAM KING
C	2	600S162-97	9'-11 1/2"	BEAM JACK
D	1	600T300-33	3'-5 13/16"	BOTTOM TRACK
E	1	600T150-33	2'-9 1/2"	TOP TRACK
F	1	600T150-33	9 13/16"	BEAM JACK

31-3069

Jewish Home for the Aging

1885 Victory Blvd. Reseda, CA

APPROVED

By Ryan J Gonsalves at 2:58 pm, Nov 11, 2008

FrameMax, Inc.
13915 Danielson St
Suite 100
Poway, CA 92064
www.frame-max.com



© FrameMax Inc.

CREATED: 11/10/2008

FM-07-109

CREATED BY: AMB

HEIGHT : 10'-9 7/16" POINTS: 0.30 Points.

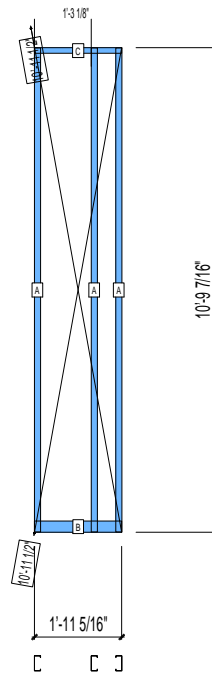
SPACING : 24"

1st STUD: 16"

WEIGHTS :

FRAME : 34 lbs

TOTAL: 34 lbs



PIECES LIST

LABEL	QTY	SIZE	LENGTH	USE
A	3	400S162-33	10'-9 5/16"	STUD
B	1	400T300-33	1'-11 5/16"	BOTTOM TRACK
C	1	400T150-33	1'-11 5/16"	TOP TRACK

31-3070

Jewish Home for the Aging

1885 Victory Blvd. Reseda, CA

APPROVED

By Ryan J Gonsalves at 2:58 pm, Nov 11, 2008

FrameMax, Inc.
13915 Danielson St
Suite 100
Poway, CA 92064
www.frame-max.com



© FrameMax Inc.

CREATED: 11/10/2008

FM-07-109

CREATED BY: AMB

HEIGHT : 9'-11 5/8" POINTS: 0.23 Points.

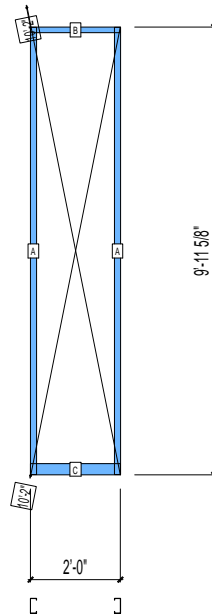
SPACING : 24"

1st STUD: 24"

WEIGHTS :

FRAME : 23 lbs

TOTAL: 23 lbs



PIECES LIST

LABEL	QTY	SIZE	LENGTH	USE
A	2	400S162-33	9'-11 1/2"	STUD
B	1	400T150-33	2'-0"	TOP TRACK
C	1	400T300-33	2'-0"	BOTTOM TRACK

31-3071

Jewish Home for the Aging

1885 Victory Blvd. Reseda, CA

APPROVED

By Ryan J Gonsalves at 2:58 pm, Nov 11, 2008

FrameMax, Inc.
13915 Danielson St
Suite 100
Poway, CA 92064
www.frame-max.com



© FrameMax Inc.

CREATED: 11/10/2008

FM-07-109

CREATED BY: AMB

HEIGHT : 10'-9 7/16" POINTS: 0.31 Points.

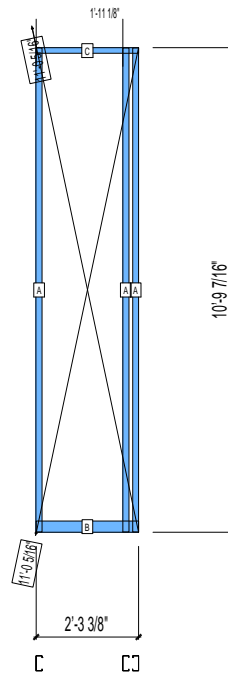
SPACING : 24"

1st STUD: 24"

WEIGHTS :

FRAME : 35 lbs

TOTAL: 35 lbs



PIECES LIST

LABEL	QTY	SIZE	LENGTH	USE
A	3	400S162-33	10'-9 5/16"	STUD
B	1	400T300-33	2'-3 3/8"	BOTTOM TRACK
C	1	400T150-33	2'-3 3/8"	TOP TRACK

31-3072

Jewish Home for the Aging

1885 Victory Blvd. Reseda, CA 91334

APPROVED
By Ryan J Gonsalves at 2:58 pm, Nov 11, 2008

FrameMax, Inc.
13915 Danielson St
Suite 100
Poway, CA 92064
www.frame-max.com



© FrameMax Inc.

CREATED: 11/10/2008

FM-07-109

CREATED BY: AMB

HEIGHT : 10'-9 7/16" POINTS: 0.61 Points.

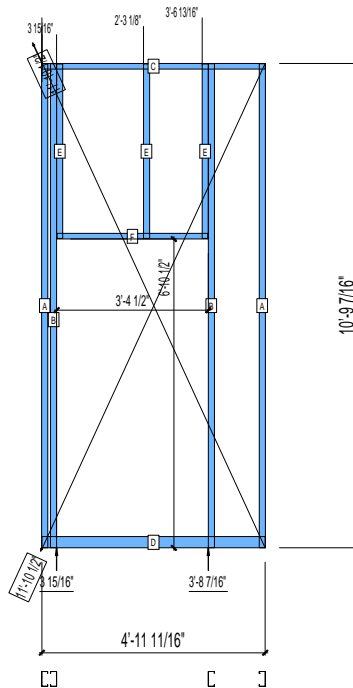
SPACING : 24"

1st STUD: 16"

WEIGHTS :

FRAME : 64 lbs

TOTAL: 64 lbs



PIECES LIST

LABEL	QTY	SIZE	LENGTH	USE
A	2	400S162-33	10'-9 5/16"	STUD
B	2	400S162-33	10'-9 5/16"	KING STUD
C	1	400T150-33	4'-11 11/16"	TOP TRACK
D	1	400T300-33	4'-11 11/16"	BOTTOM TRACK
E	3	400S162-33	3'-10 9/16"	CRIPPLE
F	1	400T150-33	3'-4 1/4"	HEAD TRACK

31-3073

Jewish Home for the Aging

1885 Victory Blvd. Reseda, CA

APPROVED
By Ryan J Gonsalves at 2:58 pm, Nov 11, 2008

FrameMax, Inc.
13915 Danielson St
Suite 100
Poway, CA 92064
www.frame-max.com



© FrameMax Inc.

CREATED: 11/10/2008

FM-07-109

CREATED BY: AMB

HEIGHT : 10'-9 7/16" POINTS: 1.24 Points.

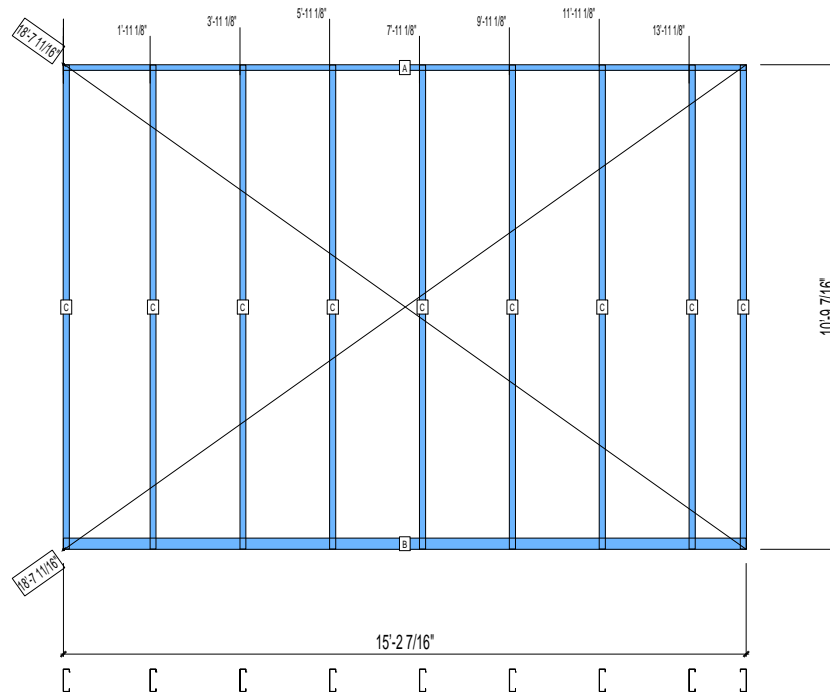
SPACING : 24"

1st STUD: 24"

WEIGHTS :

FRAME : 151 lbs

TOTAL: 151 lbs



PIECES LIST

LABEL	QTY	SIZE	LENGTH	USE
A	1	600T150-33	15'-2 7/16"	TOP TRACK
B	1	600T300-33	15'-2 7/16"	BOTTOM TRACK
C	9	600S162-33	10'-9 5/16"	STUD

31-3074

Jewish Home for the Aging

1885 Victory Blvd. Reseda, CA

APPROVED
By Ryan J Gonsalves at 2:58 pm, Nov 11, 2008

FrameMax, Inc.
13915 Danielson St
Suite 100
Poway, CA 92064
www.frame-max.com



© FrameMax Inc.

CREATED: 11/10/2008

FM-07-109

CREATED BY: AMB

HEIGHT : 10'-9 7/16" POINTS: 0.84 Points.

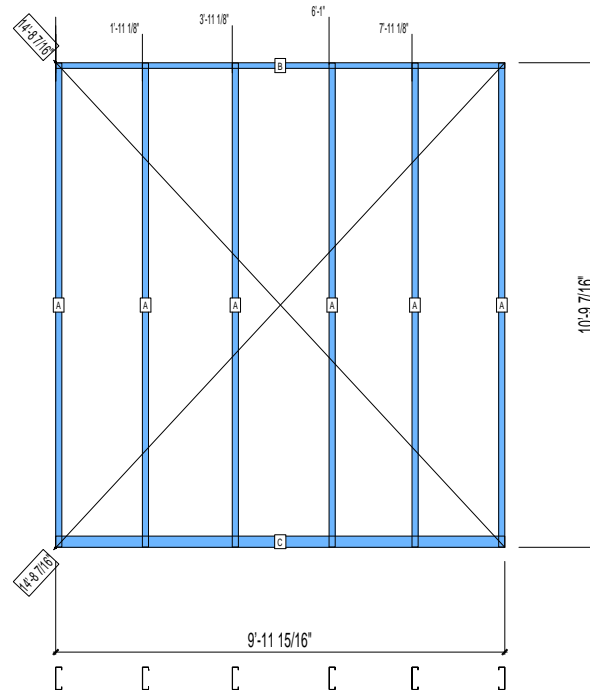
SPACING : 24"

1st STUD: 24"

WEIGHTS :

FRAME : 101 lbs

TOTAL: 101 lbs



PIECES LIST

LABEL	QTY	SIZE	LENGTH	USE
A	6	600S162-33	10'-9 5/16"	STUD
B	1	600T150-33	9'-11 15/16"	TOP TRACK
C	1	600T300-33	9'-11 15/16"	BOTTOM TRACK

31-3075

Jewish Home for the Aging

1885 Victory Blvd. Reseda, CA

APPROVED

By Ryan J Gonsalves at 2:58 pm, Nov 11, 2008

FrameMax, Inc.
13915 Danielson St
Suite 100
Poway, CA 92064
www.frame-max.com



© FrameMax Inc.

CREATED: 11/10/2008

FM-07-109

CREATED BY: AMB

HEIGHT : 10'-9 7/16" POINTS: 0.49 Points.

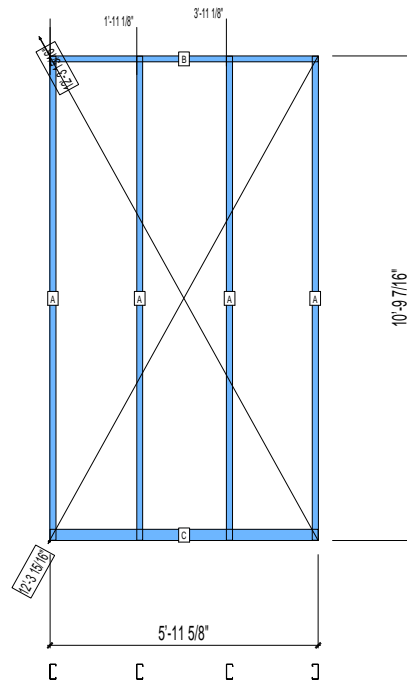
SPACING : 24"

1st STUD: 24"

WEIGHTS :

FRAME : 52 lbs

TOTAL: 52 lbs



PIECES LIST

LABEL	QTY	SIZE	LENGTH	USE
A	4	400S162-33	10'-9 5/16"	STUD
B	1	400T150-33	5'-11 5/8"	TOP TRACK
C	1	400T300-33	5'-11 5/8"	BOTTOM TRACK

31-3076

Jewish Home for the Aging

1885 Victory Blvd. Reseda, CA

APPROVED
By Ryan J Gonsalves at 2:58 pm, Nov 11, 2008

FrameMax, Inc.
13915 Danielson St
Suite 100
Poway, CA 92064
www.frame-max.com



© FrameMax Inc.

CREATED: 11/10/2008

FM-07-109

CREATED BY: AMB

HEIGHT : 10'-9 7/16" POINTS: 0.84 Points.

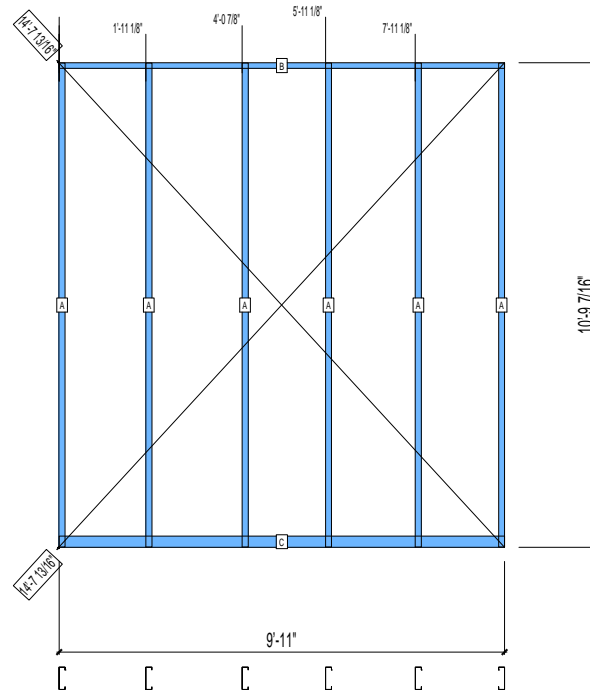
SPACING : 24"

1st STUD: 24"

WEIGHTS :

FRAME : 100 lbs

TOTAL: 100 lbs



PIECES LIST

LABEL	QTY	SIZE	LENGTH	USE
A	6	600S162-33	10'-9 5/16"	STUD
B	1	600T150-33	9'-11"	TOP TRACK
C	1	600T300-33	9'-11"	BOTTOM TRACK

31-3077

Jewish Home for the Aging

1885 Victory Blvd. Reseda, CA 91335

APPROVED
By Ryan J Gonsalves at 2:58 pm, Nov 11, 2008

CREATED: 11/10/2008

FM-07-109

CREATED BY: AMB

FrameMax, Inc.
13915 Danielson St
Suite 100
Poway, CA 92064
www.frame-max.com



© FrameMax Inc.

HEIGHT : 10'-9 7/16" POINTS: 0.61 Points.

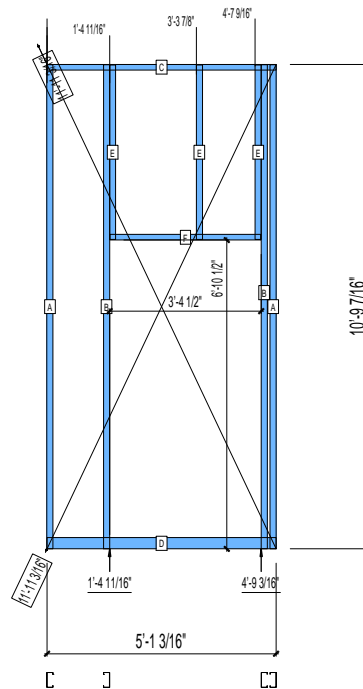
SPACING : 24"

1st STUD: 16"

WEIGHTS :

FRAME : 64 lbs

TOTAL: 64 lbs



PIECES LIST

LABEL	QTY	SIZE	LENGTH	USE
A	2	400S162-33	10'-9 5/16"	STUD
B	2	400S162-33	10'-9 5/16"	KING STUD
C	1	400T150-33	5'-1 3/16"	TOP TRACK
D	1	400T300-33	5'-1 3/16"	BOTTOM TRACK
E	3	400S162-33	3'-10 9/16"	CRIPPLE
F	1	400T150-33	3'-4 1/4"	HEAD TRACK

31-3079

Jewish Home for the Aging

1885 Victory Blvd. Reseda, CA

APPROVED

By Ryan J Gonsalves at 2:58 pm, Nov 11, 2008

FrameMax, Inc.
13915 Danielson St
Suite 100
Poway, CA 92064
www.frame-max.com



© FrameMax Inc.

CREATED: 11/10/2008

FM-07-109

CREATED BY: AMB

HEIGHT : 9'-7 15/16" POINTS: 0.26 Points.

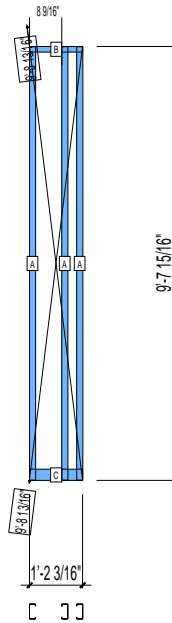
SPACING : 24"

1st STUD: 24"

WEIGHTS :

FRAME : 29 lbs

TOTAL: 29 lbs



PIECES LIST

LABEL	QTY	SIZE	LENGTH	USE
A	3	400S162-33	9'-7 13/16"	STUD
B	1	400T150-33	1'-2 3/16"	TOP TRACK
C	1	400T300-33	1'-2 3/16"	BOTTOM TRACK

31-3080

Jewish Home for the Aging

1885 Victory Blvd. Reseda, CA

APPROVED
By Ryan J Gonsalves at 2:58 pm, Nov 11, 2008

FrameMax, Inc.
13915 Danielson St
Suite 100
Poway, CA 92064
www.frame-max.com



© FrameMax Inc.

CREATED: 11/10/2008

FM-07-109

CREATED BY: AMB

HEIGHT : 10'-9 7/16" POINTS: 0.45 Points.

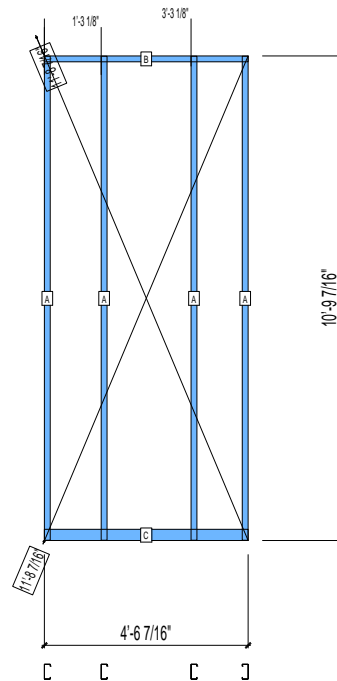
SPACING : 24"

1st STUD: 16"

WEIGHTS :

FRAME : 49 lbs

TOTAL: 49 lbs



PIECES LIST

LABEL	QTY	SIZE	LENGTH	USE
A	4	400S162-33	10'-9 5/16"	STUD
B	1	400T150-33	4'-6 7/16"	TOP TRACK
C	1	400T300-33	4'-6 7/16"	BOTTOM TRACK

31-3081

Jewish Home for the Aging

1885 Victory Blvd. Reseda, CA

APPROVED

By Ryan J Gonsalves at 2:58 pm, Nov 11, 2008

FrameMax, Inc.
13915 Danielson St
Suite 100
Poway, CA 92064
www.frame-max.com



© FrameMax Inc.

CREATED: 11/10/2008

FM-07-109

CREATED BY: AMB

HEIGHT : 10'-9 7/16" POINTS: 0.49 Points.

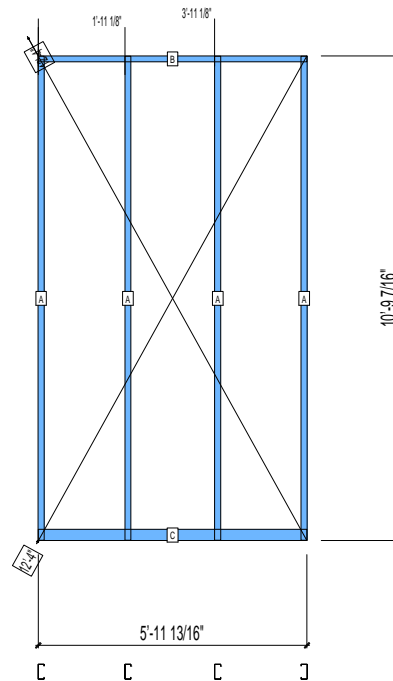
SPACING : 24"

1st STUD: 24"

WEIGHTS :

FRAME : 52 lbs

TOTAL: 52 lbs



PIECES LIST

LABEL	QTY	SIZE	LENGTH	USE
A	4	400S162-33	10'-9 5/16"	STUD
B	1	400T150-33	5'-11 13/16"	TOP TRACK
C	1	400T300-33	5'-11 13/16"	BOTTOM TRACK

31-3082

Jewish Home for the Aging

1885 Victory Blvd. Reseda, CA

APPROVED

By Ryan J Gonsalves at 2:58 pm, Nov 11, 2008

CREATED: 11/10/2008

FM-07-109

CREATED BY: AMB

FrameMax, Inc.
13915 Danielson St
Suite 100
Poway, CA 92064
www.frame-max.com



© FrameMax Inc.

HEIGHT : 10'-9 7/16" POINTS: 1.02 Points.

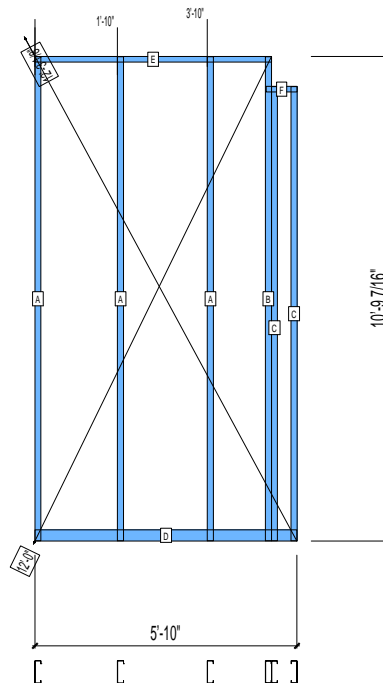
SPACING : 24"

1st STUD: 24"

WEIGHTS :

FRAME : 155 lbs

TOTAL: 155 lbs



PIECES LIST

LABEL	QTY	SIZE	LENGTH	USE
A	3	600S162-33	10'-9 5/16"	STUD
B	1	600S162-97	10'-9 5/16"	BEAM KING
C	2	600S162-97	10'-1 5/16"	BEAM JACK
D	1	600T300-33	5'-10"	BOTTOM TRACK
E	1	600T150-33	5'-3 1/8"	TOP TRACK
F	1	600T150-33	8 5/16"	BEAM JACK

31-3083

Jewish Home for the Aging

1885 Victory Blvd. Reseda, CA

APPROVED

By Ryan J Gonsalves at 2:58 pm, Nov 11, 2008

FrameMax, Inc.
13915 Danielson St
Suite 100
Poway, CA 92064
www.frame-max.com



© FrameMax Inc.

CREATED: 11/10/2008

FM-07-109

CREATED BY: AMB

HEIGHT : 10'-9 7/16" POINTS: 0.32 Points.

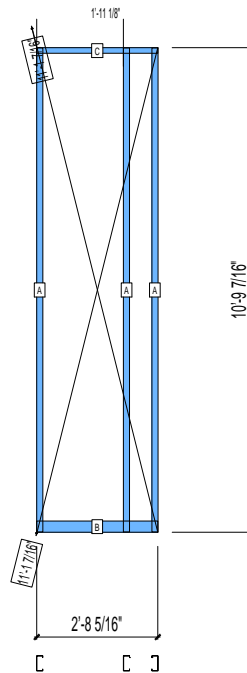
SPACING : 24"

1st STUD: 24"

WEIGHTS :

FRAME : 35 lbs

TOTAL: 35 lbs



PIECES LIST

LABEL	QTY	SIZE	LENGTH	USE
A	3	400S162-33	10'-9 5/16"	STUD
B	1	400T300-33	2'-8 5/16"	BOTTOM TRACK
C	1	400T150-33	2'-8 5/16"	TOP TRACK

31-3084

Jewish Home for the Aging

1885 Victory Blvd. Reseda, CA 91335

APPROVED

By Ryan J Gonsalves at 2:58 pm, Nov 11, 2008

FrameMax, Inc.
13915 Danielson St
Suite 100
Poway, CA 92064
www.frame-max.com



© FrameMax Inc.

CREATED: 11/10/2008

FM-07-109

CREATED BY: AMB

HEIGHT : 10'-9 7/16" POINTS: 0.24 Points.

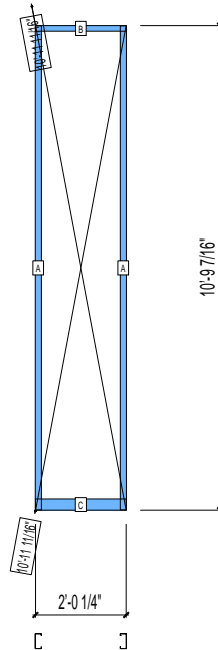
SPACING : 24"

1st STUD: 24"

WEIGHTS :

FRAME : 24 lbs

TOTAL: 24 lbs



PIECES LIST

LABEL	QTY	SIZE	LENGTH	USE
A	2	400S162-33	10'-9 5/16"	STUD
B	1	400T150-33	2'-0 1/4"	TOP TRACK
C	1	400T300-33	2'-0 1/4"	BOTTOM TRACK

31-3085

Jewish Home for the Aging

1885 Victory Blvd. Reseda, CA

APPROVED
By Ryan J Gonsalves at 2:58 pm, Nov 11, 2008

FrameMax, Inc.
13915 Danielson St
Suite 100
Poway, CA 92064
www.frame-max.com



© FrameMax Inc.

CREATED: 11/10/2008

FM-07-109

CREATED BY: AMB

HEIGHT : 10'-9 7/16" POINTS: 0.43 Points.

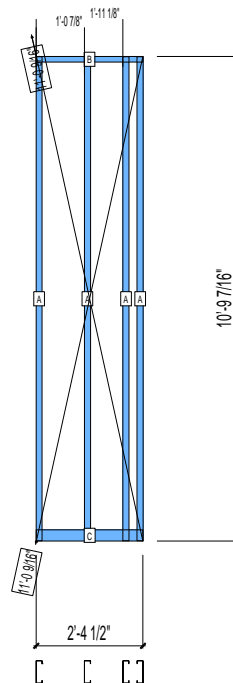
SPACING : 24"

1st STUD: 24"

WEIGHTS :

FRAME : 56 lbs

TOTAL: 56 lbs



PIECES LIST

LABEL	QTY	SIZE	LENGTH	USE
A	4	600S162-33	10'-9 5/16"	STUD
B	1	600T150-33	2'-4 1/2"	TOP TRACK
C	1	600T300-33	2'-4 1/2"	BOTTOM TRACK

31-3086

Jewish Home for the Aging

1885 Victory Blvd. Reseda, CA 91335

APPROVED

By Ryan J Gonsalves at 2:58 pm, Nov 11, 2008

FrameMax, Inc.
13915 Danielson St
Suite 100
Poway, CA 92064
www.frame-max.com



© FrameMax Inc.

CREATED: 11/10/2008

FM-07-109

CREATED BY: AMB

HEIGHT : 10'-9 7/16" POINTS: 0.24 Points.

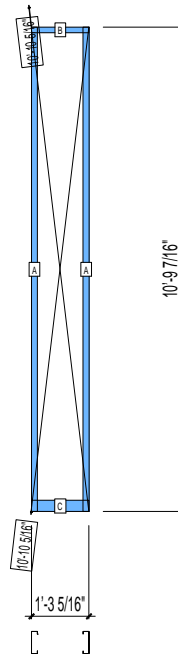
SPACING : 24"

1st STUD: 16"

WEIGHTS :

FRAME : 28 lbs

TOTAL: 28 lbs



PIECES LIST

LABEL	QTY	SIZE	LENGTH	USE
A	2	600S162-33	10'-9 3/8"	STUD
B	1	600T150-33	1'-3 5/16"	TOP TRACK
C	1	600T300-33	1'-3 5/16"	BOTTOM TRACK

31-3087

Jewish Home for the Aging

1885 Victory Blvd. Reseda, CA

APPROVED
By Ryan J Gonsalves at 2:58 pm, Nov 11, 2008

FrameMax, Inc.
13915 Danielson St
Suite 100
Poway, CA 92064
www.frame-max.com



© FrameMax Inc.

CREATED: 11/10/2008

FM-07-109

CREATED BY: AMB

HEIGHT : 10'-9 7/16" POINTS: 0.88 Points.

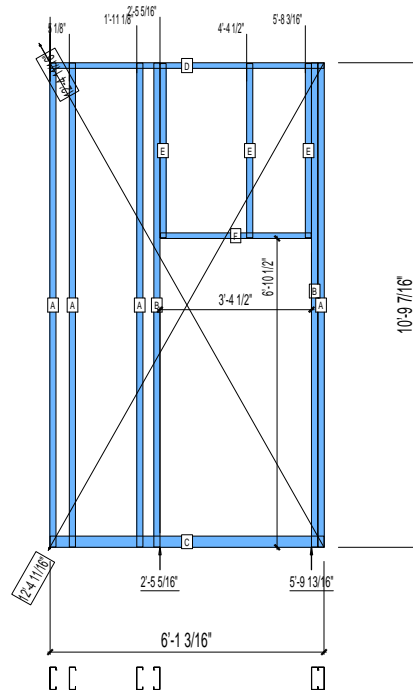
SPACING : 24"

1st STUD: 24"

WEIGHTS :

FRAME : 108 lbs

TOTAL: 108 lbs



PIECES LIST

LABEL	QTY	SIZE	LENGTH	USE
A	4	600S162-33	10'-9 5/16"	STUD
B	2	600S162-33	10'-9 5/16"	KING STUD
C	1	600T300-33	6'-1 3/16"	BOTTOM TRACK
D	1	600T150-33	6'-1 3/16"	TOP TRACK
E	3	600S162-33	3'-10 9/16"	CRIPPLE
F	1	600T150-33	3'-4 1/4"	HEAD TRACK

31-3088

Jewish Home for the Aging

1885 Victory Blvd. Reseda, CA 91334

APPROVED
By Ryan J Gonsalves at 2:58 pm, Nov 11, 2008

FrameMax, Inc.
13915 Danielson St
Suite 100
Poway, CA 92064
www.frame-max.com



© FrameMax Inc.

CREATED: 11/10/2008

FM-07-109

CREATED BY: AMB

HEIGHT : 10'-9 7/16" POINTS: 1.24 Points.

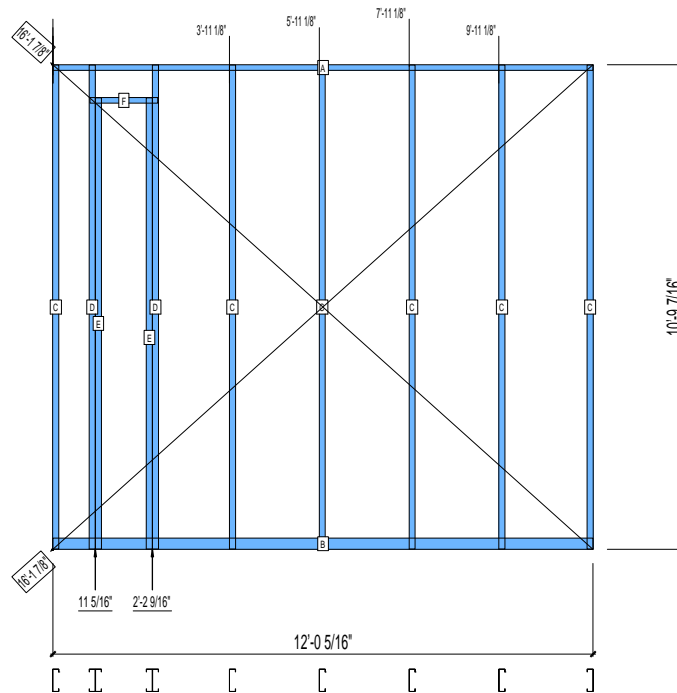
SPACING : 24"

1st STUD: 24"

WEIGHTS :

FRAME : 156 lbs

TOTAL: 156 lbs



PIECES LIST

LABEL	QTY	SIZE	LENGTH	USE
A	1	600T150-33	12'-0 5/16"	TOP TRACK
B	1	600T300-33	12'-0 5/16"	BOTTOM TRACK
C	6	600S162-33	10'-9 5/16"	STUD
D	2	600S162-33	10'-9 5/16"	BEAM KING
E	2	600S162-33	10'-0 9/16"	BEAM JACK
F	1	600T150-33	1'-6 1/16"	BEAM JACK

31-3089

Jewish Home for the Aging

1885 Victory Blvd. Reseda, CA 91335

APPROVED
By Ryan J Gonsalves at 2:58 pm, Nov 11, 2008

FrameMax, Inc.
13915 Danielson St
Suite 100
Poway, CA 92064
www.frame-max.com



© FrameMax Inc.

CREATED: 11/10/2008

FM-07-109

CREATED BY: AMB

HEIGHT : 10'-9 7/16" POINTS: 1.32 Points.

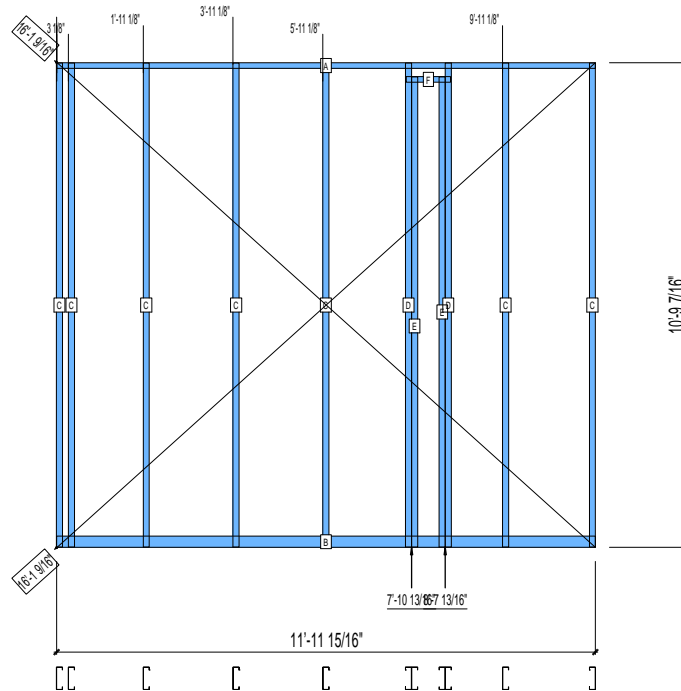
SPACING : 24"

1st STUD: 24"

WEIGHTS :

FRAME : 169 lbs

TOTAL: 169 lbs



PIECES LIST

LABEL	QTY	SIZE	LENGTH	USE
A	1	600T150-33	11'-11 15/16"	TOP TRACK
B	1	600T300-33	11'-11 15/16"	BOTTOM TRACK
C	7	600S162-33	10'-9 5/16"	STUD
D	2	600S162-33	10'-9 5/16"	BEAM KING
E	2	600S162-33	10'-5 5/8"	BEAM JACK
F	1	600T150-33	11 13/16"	BEAM JACK

31-3090

Jewish Home for the Aging

1885 Victory Blvd. Reseda, CA

APPROVED

By Ryan J Gonsalves at 2:58 pm, Nov 11, 2008

FrameMax, Inc.
13915 Danielson St
Suite 100
Poway, CA 92064
www.frame-max.com



© FrameMax Inc.

CREATED: 11/10/2008

FM-07-109

CREATED BY: AMB

HEIGHT : 10'-9 7/16" POINTS: 0.24 Points.

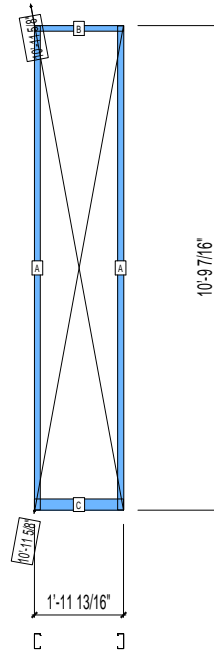
SPACING : 24"

1st STUD: 24"

WEIGHTS :

FRAME : 24 lbs

TOTAL: 24 lbs



PIECES LIST

LABEL	QTY	SIZE	LENGTH	USE
A	2	400S162-33	10'-9 5/16"	STUD
B	1	400T150-33	1'-11 13/16"	TOP TRACK
C	1	400T300-33	1'-11 13/16"	BOTTOM TRACK

31-3091

Jewish Home for the Aging

1885 Victory Blvd. Reseda, CA 91334

APPROVED
By Ryan J Gonsalves at 2:58 pm, Nov 11, 2008

FrameMax, Inc.
13915 Danielson St
Suite 100
Poway, CA 92064
www.frame-max.com



© FrameMax Inc.

CREATED: 11/10/2008

FM-07-109

CREATED BY: AMB

HEIGHT : 10'-9 7/16" POINTS: 1.09 Points.

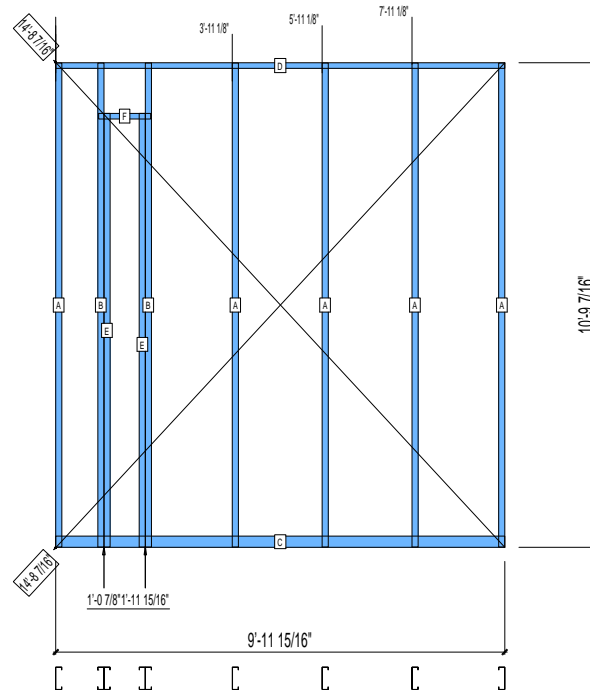
SPACING : 24"

1st STUD: 24"

WEIGHTS :

FRAME : 137 lbs

TOTAL: 137 lbs



PIECES LIST

LABEL	QTY	SIZE	LENGTH	USE
A	5	600S162-33	10'-9 5/16"	STUD
B	2	600S162-33	10'-9 5/16"	BEAM KING
C	1	600T300-33	9'-11 15/16"	BOTTOM TRACK
D	1	600T150-33	9'-11 15/16"	TOP TRACK
E	2	600S162-33	9'-7 13/16"	BEAM JACK
F	1	600T150-33	1'-1 7/8"	BEAM JACK

31-3092

Jewish Home for the Aging

1885 Victory Blvd. Reseda, CA

APPROVED
By Ryan J Gonsalves at 2:58 pm, Nov 11, 2008

FrameMax, Inc.
13915 Danielson St
Suite 100
Poway, CA 92064
www.frame-max.com



© FrameMax Inc.

CREATED: 11/10/2008

FM-07-109

CREATED BY: AMB

HEIGHT : 10'-9 7/16" POINTS: 0.79 Points.

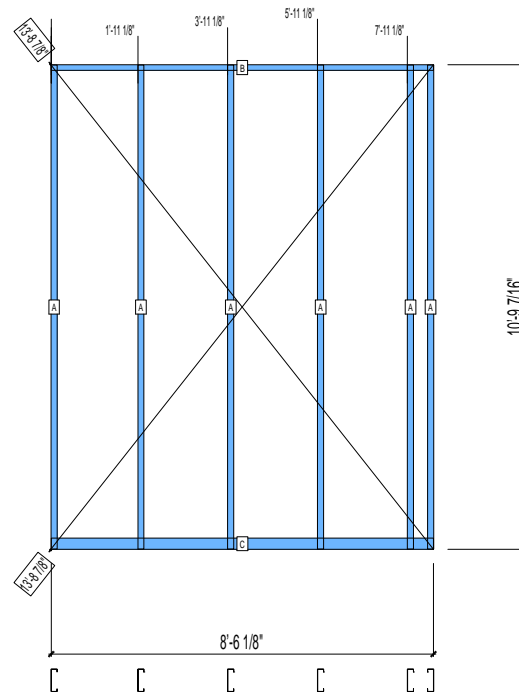
SPACING : 24"

1st STUD: 24"

WEIGHTS :

FRAME : 97 lbs

TOTAL: 97 lbs



PIECES LIST

LABEL	QTY	SIZE	LENGTH	USE
A	6	600S162-33	10'-9 5/16"	STUD
B	1	600T150-33	8'-6 1/8"	TOP TRACK
C	1	600T300-33	8'-6 1/8"	BOTTOM TRACK

31-3093

Jewish Home for the Aging

1885 Victory Blvd. Reseda, CA

APPROVED

By Ryan J Gonsalves at 2:58 pm, Nov 11, 2008

FrameMax, Inc.
13915 Danielson St
Suite 100
Poway, CA 92064
www.frame-max.com



© FrameMax Inc.

CREATED: 11/10/2008

FM-07-109

CREATED BY: AMB

HEIGHT : 10'-9 7/16" POINTS: 0.20 Points.

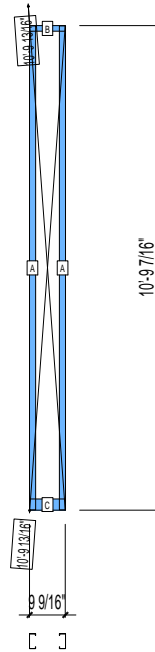
SPACING : 24"

1st STUD: 24"

WEIGHTS :

FRAME : 22 lbs

TOTAL: 22 lbs



PIECES LIST

LABEL	QTY	SIZE	LENGTH	USE
A	2	400S162-33	10'-9 5/16"	STUD
B	1	400T150-33	9 9/16"	TOP TRACK
C	1	400T300-33	9 9/16"	BOTTOM TRACK

31-6001

Jewish Home for the Aging

1885 Victory Blvd. Reseda, CA

FM-07-109

CREATED BY: AMB

FrameMax, Inc.
13915 Danielson St
Suite 100
Poway, CA 92064
www.frame-max.com



© FrameMax Inc.

HEIGHT : 10'-5 3/4" POINTS: 1.71 Points.

SPACING : 24"

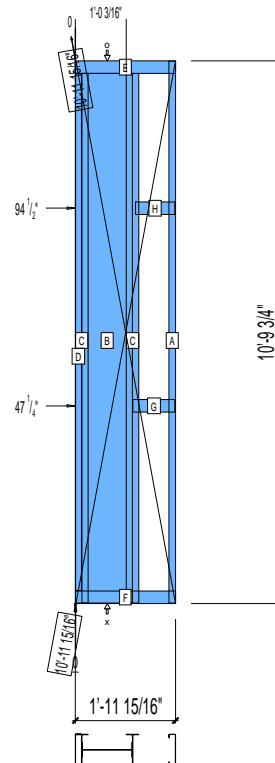
1st STUD: 24"

APPROVED
By Ryan J Gonsalves at 2:58 pm, Nov 11, 2008

WEIGHTS :

FRAME : 326 lbs

TOTAL: 326 lbs



PIECES LIST

LABEL	QTY	SIZE	LENGTH	USE
A	1	750S162-54	10'-9 9/16"	STUD
B	1	1200i350p1062	10'-6 5/8"	PACO
C	2	750i300p706	10'-6 5/8"	PACO
D	1	750T150-54	10'-3 1/2"	CAP
E	1	750T300-68	1'-11 15/16"	TOP TRACK
F	1	750T300-68	1'-11 15/16"	BOTTOM TRACK
G	1	750T300-68	10"	BLOCK
H	1	750T300-68	9 3/8"	BLOCK

31-6002

Jewish Home for the Aging

1885 Victory Blvd. Reseda, CA

FM-07-109

CREATED BY: AMB

FrameMax, Inc.
13915 Danielson St
Suite 100
Poway, CA 92064
www.frame-max.com



© FrameMax Inc.

HEIGHT : 10'-5 3/4" POINTS: 1.81 Points.

SPACING : 24"

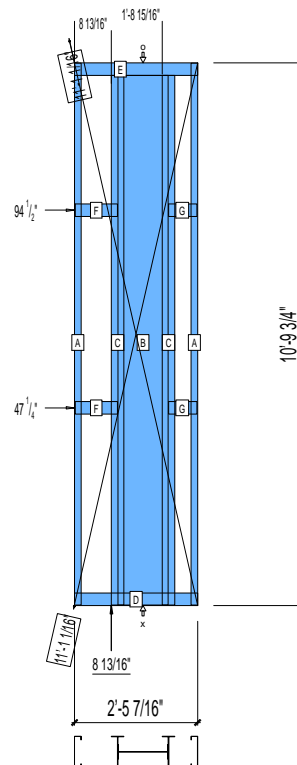
1st STUD: 24"

APPROVED
By Ryan J Gonsalves at 2:58 pm, Nov 11, 2008

WEIGHTS :

FRAME : 336 lbs

TOTAL: 336 lbs



PIECES LIST

LABEL	QTY	SIZE	LENGTH	USE
A	2	750S162-54	10'-9 9/16"	STUD
B	1	1200i350p1062	10'-6 5/8"	PACO
C	2	750i300p706	10'-6 5/8"	PACO
D	1	750T300-68	2'-5 7/16"	BOTTOM TRACK
E	1	750T300-68	2'-5 7/16"	TOP TRACK
F	2	750T300-68	10 1/16"	BLOCK
G	2	750T300-68	6 3/4"	BLOCK

31-6003

Jewish Home for the Aging

1885 Victory Blvd. Reseda, CA

FM-07-109

CREATED BY: AMB

FrameMax, Inc.
13915 Danielson St
Suite 100
Poway, CA 92064
www.frame-max.com



© FrameMax Inc.

HEIGHT : 11'-9 11/16" POINTS: 1.84 Points.

SPACING : 24"

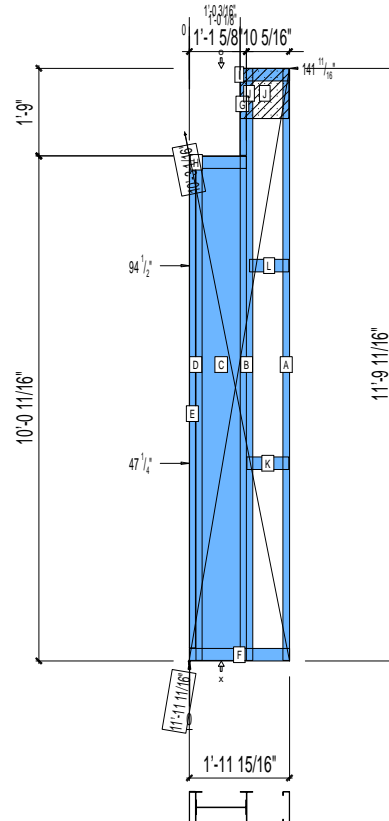
1st STUD: 24"

APPROVED
By Ryan J Gonsalves at 2:58 pm, Nov 11, 2008

WEIGHTS :

FRAME : 335 lbs

TOTAL: 335 lbs



PIECES LIST

LABEL	QTY	SIZE	LENGTH	USE
A	1	750S162-54	11'-9 1/2"	STUD
B	1	750i300p706	11'-9 1/2"	PACO
C	1	1200i350p1062	10'-0 1/2"	PACO
D	1	750i300p706	10'-0 1/2"	PACO
E	1	750T150-54	9'-6 7/16"	CAP
F	1	750T300-68	1'-11 15/16"	BOTTOM TRACK
G	1	750T150-54	1'-5 3/4"	CAP
H	1	750T300-68	1'-1 5/8"	TOP TRACK
I	1	750T300-68	11 11/16"	TOP TRACK
J	2	1200D-54	11 5/8"	STRAP
K	1	750T300-68	10"	BLOCK
L	1	750T300-68	9 3/8"	BLOCK

31-6004

Jewish Home for the Aging

1885 Victory Blvd. Reseda, CA

FM-07-109

CREATED BY: AMB

FrameMax, Inc.
13915 Danielson St
Suite 100
Poway, CA 92064
www.frame-max.com



© FrameMax Inc.

HEIGHT : 11'-9 11/16" POINTS: 1.95 Points.

SPACING : 24"

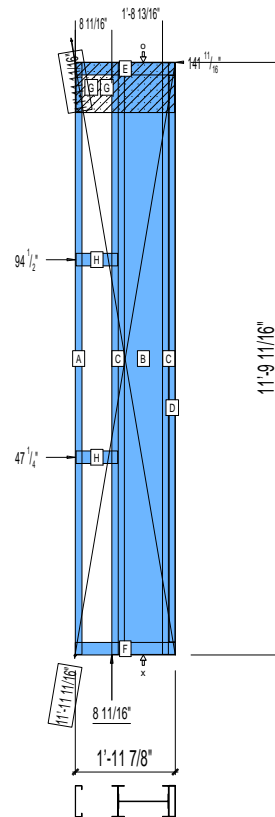
1st STUD: 24"

APPROVED
By Ryan J Gonsalves at 2:58 pm, Nov 11, 2008

WEIGHTS :

FRAME : 370 lbs

TOTAL: 370 lbs



PIECES LIST

LABEL	QTY	SIZE	LENGTH	USE
A	1	750S162-54	11'-9 1/2"	STUD
B	1	1200i350p1062	11'-9 1/2"	PACO
C	2	750i300p706	11'-9 1/2"	PACO
D	1	750T150-54	11'-3 7/16"	CAP
E	1	750T300-68	1'-11 7/8"	TOP TRACK
F	1	750T300-68	1'-11 7/8"	BOTTOM TRACK
G	2	1200D-54	1'-11 11/16"	STRAP
H	2	750T300-68	9 15/16"	BLOCK

31-6005

Jewish Home for the Aging

1885 Victory Blvd. Reseda, CA

FrameMax, Inc.
13915 Danielson St
Suite 100
Poway, CA 92064
www.framemax.com



© FrameMax Inc.

CREATED: 10/24/2008

FM-07-109

CREATED BY: AMB

HEIGHT : 10'-0 15/16" POINTS: 2.09 Points.

SPACING : 24"

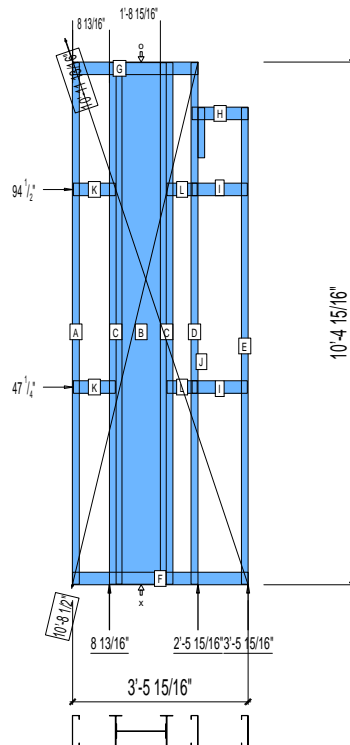
1st STUD: 24"

APPROVED
By Ryan J Gonsalves at 2:58 pm, Nov 11, 2008

WEIGHTS :

FRAME : 369 lbs

TOTAL: 369 lbs



PIECES LIST

LABEL	QTY	SIZE	LENGTH	USE
A	1	750S162-54	10'-4 3/4"	STUD
B	1	1200i350p1062	10'-4 3/4"	PACO
C	2	750i300p706	10'-4 3/4"	PACO
D	1	750S162-54	10'-4 3/4"	BEAM KING
E	1	750S162-54	9'-6"	BEAM JACK
F	1	750T300-68	3'-5 15/16"	BOTTOM TRACK
G	1	750T300-68	2'-5 15/16"	TOP TRACK
H	1	750T300-68	1'-1 7/16"	BEAM JACK
I	2	750T300-68	1'-1 1/4"	BLOCK
J	1	750S162-54	1'-0"	BEAM JACK
K	2	750T300-68	10 1/16"	BLOCK
L	2	750T300-68	7 3/16"	BLOCK

31-6006

Jewish Home for the Aging

1885 Victory Blvd. Reseda, CA

FM-07-109

CREATED BY: AMB

FrameMax, Inc.
13915 Danielson St
Suite 100
Poway, CA 92064
www.frame-max.com



© FrameMax Inc.

HEIGHT : 10'-0 15/16" POINTS: 1.83 Points.

SPACING : 24"

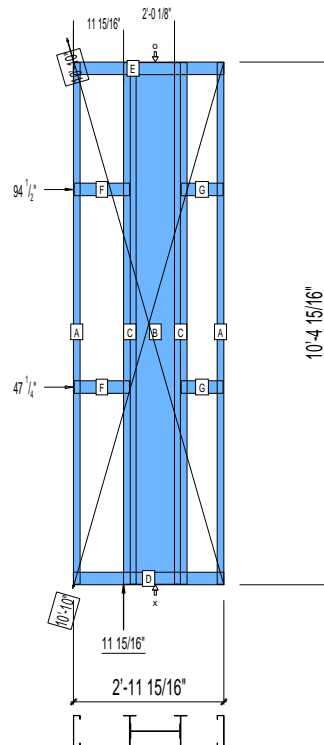
1st STUD: 24"

APPROVED
By Ryan J Gonsalves at 2:58 pm, Nov 11, 2008

WEIGHTS :

FRAME : 337 lbs

TOTAL: 337 lbs



PIECES LIST

LABEL	QTY	SIZE	LENGTH	USE
A	2	750S162-54	10'-4 3/4"	STUD
B	1	1200i350p1062	10'-4 3/4"	PACO
C	2	750i300p706	10'-4 3/4"	PACO
D	1	750T300-68	2'-11 15/16"	BOTTOM TRACK
E	1	750T300-68	2'-11 15/16"	TOP TRACK
F	2	750T300-68	1'-1 3/16"	BLOCK
G	2	750T300-68	10 1/16"	BLOCK

31-6007

Jewish Home for the Aging

1885 Victory Blvd. Reseda, CA

FM-07-109

CREATED BY: AMB

FrameMax, Inc.
13915 Danielson St
Suite 100
Poway, CA 92064
www.frame-max.com



© FrameMax Inc.

HEIGHT : 11'-9 11/16" POINTS: 2.66 Points.

SPACING : 24"

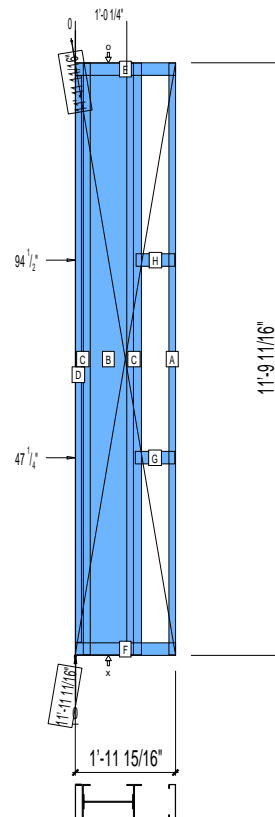
1st STUD: 24"

APPROVED
By Ryan J Gonsalves at 2:58 pm, Nov 11, 2008

WEIGHTS :

FRAME : 534 lbs

TOTAL: 534 lbs



PIECES LIST

LABEL	QTY	SIZE	LENGTH	USE
A	1	825S162-54	11'-9 1/2"	STUD
B	1	1200i350p1420	11'-9 1/2"	PACO
C	2	825i350p1247	11'-9 1/2"	PACO
D	1	825T150-54	11'-3 7/16"	CAP
E	1	825T300-68	1'-11 15/16"	TOP TRACK
F	1	825T300-68	1'-11 15/16"	BOTTOM TRACK
G	1	825T300-54	9 3/8"	BLOCK
H	1	825T300-54	9 1/4"	BLOCK

31-6008

Jewish Home for the Aging

1885 Victory Blvd. Reseda, CA

FM-07-109

CREATED BY: AMB

FrameMax, Inc.
13915 Danielson St
Suite 100
Poway, CA 92064
www.frame-max.com



© FrameMax Inc.

HEIGHT : 11'-9 11/16" POINTS: 3.12 Points.

SPACING : 24"

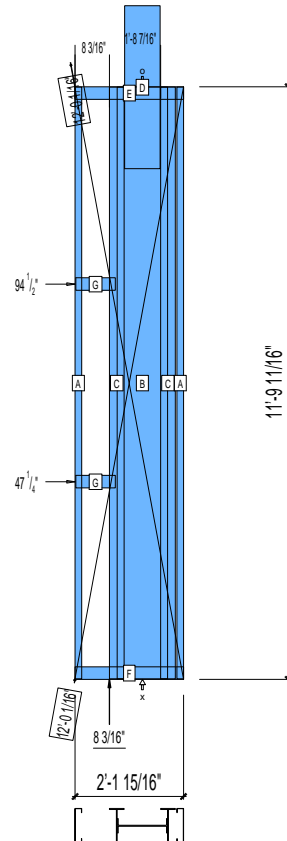
1st STUD: 24"

APPROVED
By Ryan J Gonsalves at 2:58 pm, Nov 11, 2008

WEIGHTS :

FRAME : 632 lbs

TOTAL: 632 lbs



PIECES LIST

LABEL	QTY	SIZE	LENGTH	USE
A	2	825S162-54	11'-9 1/2"	STUD
B	1	1200i350p1420	11'-9 1/2"	PACO
C	2	825i350p1247	11'-9 1/2"	PACO
D	1	F	3'-3"	HOLDDOWN
E	1	825T300-68	2'-1 15/16"	TOP TRACK
F	1	825T300-68	2'-1 15/16"	BOTTOM TRACK
G	2	825T300-54	9 7/16"	BLOCK

31-6009

Jewish Home for the Aging

1885 Victory Blvd. Reseda, CA

FM-07-109

CREATED BY: AMB

FrameMax, Inc.
13915 Danielson St
Suite 100
Poway, CA 92064
www.frame-max.com



© FrameMax Inc.

HEIGHT : 10'-1 13/16" POINTS: 1.70 Points.

SPACING : 24"

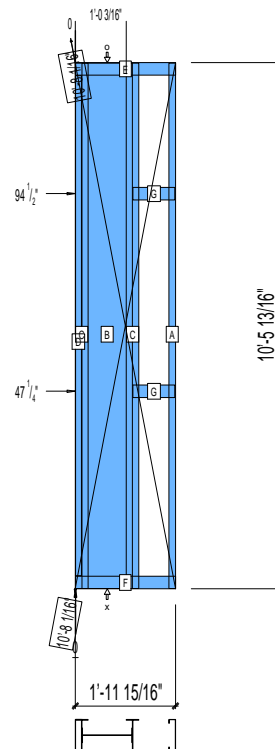
1st STUD: 24"

APPROVED
By Ryan J Gonsalves at 2:58 pm, Nov 11, 2008

WEIGHTS :

FRAME : 323 lbs

TOTAL: 323 lbs



PIECES LIST

LABEL	QTY	SIZE	LENGTH	USE
A	1	750S162-54	10'-5 5/8"	STUD
B	1	1200i350p1062	10'-5 5/8"	PACO
C	2	750i300p706	10'-5 5/8"	PACO
D	1	750T150-54	9'-11 9/16"	CAP
E	1	750T300-68	1'-11 15/16"	TOP TRACK
F	1	750T300-68	1'-11 15/16"	BOTTOM TRACK
G	2	750T300-68	10"	BLOCK

31-6010

Jewish Home for the Aging

1885 Victory Blvd. Reseda, CA

FM-07-109

CREATED BY: AMB

FrameMax, Inc.
13915 Danielson St
Suite 100
Poway, CA 92064
www.frame-max.com



© FrameMax Inc.

HEIGHT : 11'-9 11/16" POINTS: 2.12 Points.

SPACING : 24"

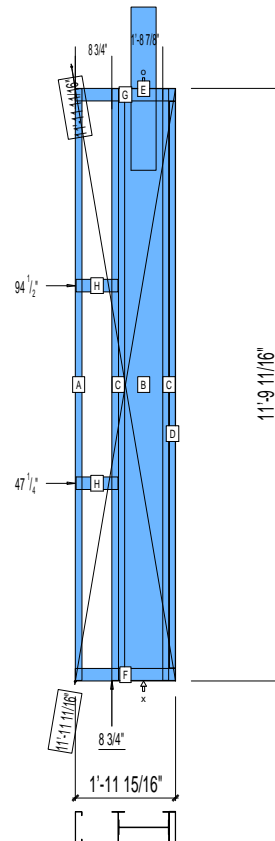
1st STUD: 24"

APPROVED
By Ryan J Gonsalves at 2:58 pm, Nov 11, 2008

WEIGHTS :

FRAME : 411 lbs

TOTAL: 411 lbs



PIECES LIST

LABEL	QTY	SIZE	LENGTH	USE
A	1	750S162-54	11'-9 1/2"	STUD
B	1	1200i350p1062	11'-9 1/2"	PACO
C	2	750i300p706	11'-9 1/2"	PACO
D	1	750T150-54	11'-3 7/16"	CAP
E	1	E	3'-3"	HOLDDOWN
F	1	750T300-68	1'-11 15/16"	BOTTOM TRACK
G	1	750T300-68	1'-11 15/16"	TOP TRACK
H	2	750T300-68	10"	BLOCK

31-6012

Jewish Home for the Aging

1885 Victory Blvd. Reseda, CA

FM-07-109

CREATED BY: AMB

FrameMax, Inc.
13915 Danielson St
Suite 100
Poway, CA 92064
www.frame-max.com



© FrameMax Inc.

HEIGHT : 11'-9 11/16" POINTS: 2.12 Points.

SPACING : 24"

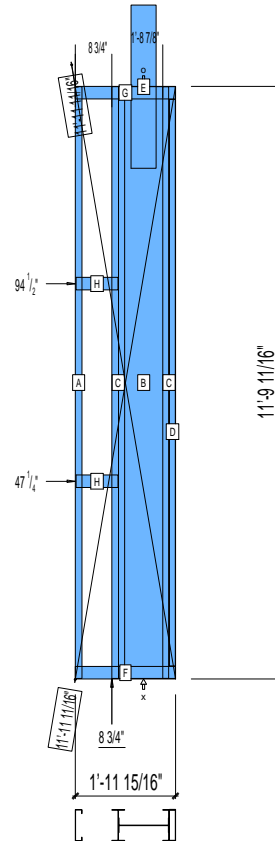
1st STUD: 24"

APPROVED
By Ryan J Gonsalves at 2:58 pm, Nov 11, 2008

WEIGHTS :

FRAME : 411 lbs

TOTAL: 411 lbs



PIECES LIST

LABEL	QTY	SIZE	LENGTH	USE
A	1	750S162-54	11'-9 1/2"	STUD
B	1	1200i350p1062	11'-9 1/2"	PACO
C	2	750i300p706	11'-9 1/2"	PACO
D	1	750T150-54	11'-3 7/16"	CAP
E	1	E	3'-3"	HOLDDOWN
F	1	750T300-68	1'-11 15/16"	BOTTOM TRACK
G	1	750T300-68	1'-11 15/16"	TOP TRACK
H	2	750T300-68	10"	BLOCK

31-6013

Jewish Home for the Aging

1885 Victory Blvd. Reseda, CA

FrameMax, Inc.
13915 Danielson St
Suite 100
Poway, CA 92064
www.frame-max.com



© FrameMax Inc.

CREATED: 10/24/2008

FM-07-109

CREATED BY: AMB

HEIGHT : 11'-9 11/16" POINTS: 2.89 Points.

SPACING : 24"

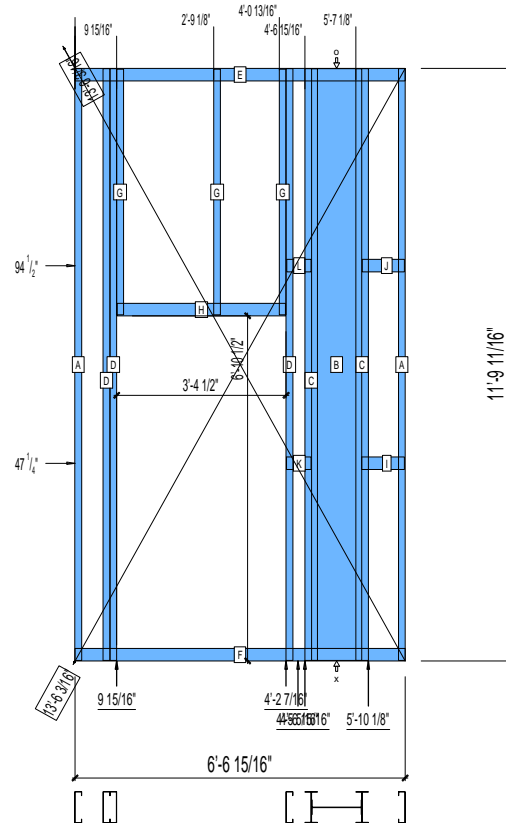
1st STUD: 24"

APPROVED
By Ryan J Gonsalves at 2:58 pm, Nov 11, 2008

WEIGHTS :

FRAME : 522 lbs

TOTAL: 522 lbs



PIECES LIST

LABEL	QTY	SIZE	LENGTH	USE
A	2	750S162-54	11'-9 1/2"	STUD
B	1	1200i350p1062	11'-9 1/2"	PACO
C	2	750i300p706	11'-9 1/2"	PACO
D	3	750S162-54	11'-9 1/2"	KING STUD
E	1	750T300-68	6'-6 15/16"	TOP TRACK
F	1	750T300-68	6'-6 15/16"	BOTTOM TRACK
G	3	750S162-54	4'-10 3/4"	CRIPPLE
H	1	750T300-68	3'-4 1/4"	HEAD TRACK
I	1	750T300-68	10 3/16"	BLOCK
J	1	750T300-68	10 1/16"	BLOCK
K	1	750T300-68	5 7/8"	BLOCK
L	1	750T300-68	5 3/4"	BLOCK

31-6014

Jewish Home for the Aging

1885 Victory Blvd. Reseda, CA

FM-07-109

CREATED BY: AMB

FrameMax, Inc.
13915 Danielson St
Suite 100
Poway, CA 92064
www.frame-max.com



© FrameMax Inc.

HEIGHT : 11'-9 11/16" POINTS: 2.12 Points.

SPACING : 24"

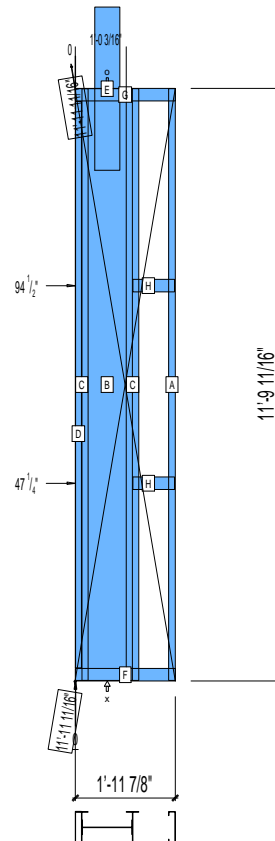
1st STUD: 16"

APPROVED
By Ryan J Gonsalves at 2:58 pm, Nov 11, 2008

WEIGHTS :

FRAME : 411 lbs

TOTAL: 411 lbs



PIECES LIST

LABEL	QTY	SIZE	LENGTH	USE
A	1	750S162-54	11'-9 1/2"	STUD
B	1	1200i350p1062	11'-9 1/2"	PACO
C	2	750i300p706	11'-9 1/2"	PACO
D	1	750T150-54	11'-3 7/16"	CAP
E	1	E	3'-3"	HOLDDOWN
F	1	750T300-68	1'-11 7/8"	BOTTOM TRACK
G	1	750T300-68	1'-11 7/8"	TOP TRACK
H	2	750T300-68	10"	BLOCK

31-6015

Jewish Home for the Aging

1885 Victory Blvd. Reseda, CA

FrameMax, Inc.
13915 Danielson St
Suite 100
Poway, CA 92064
www.frame-max.com



© FrameMax Inc.

CREATED: 10/24/2008

FM-07-109

CREATED BY: AMB

HEIGHT : 11'-9 11/16" POINTS: 2.07 Points.

SPACING : 24"

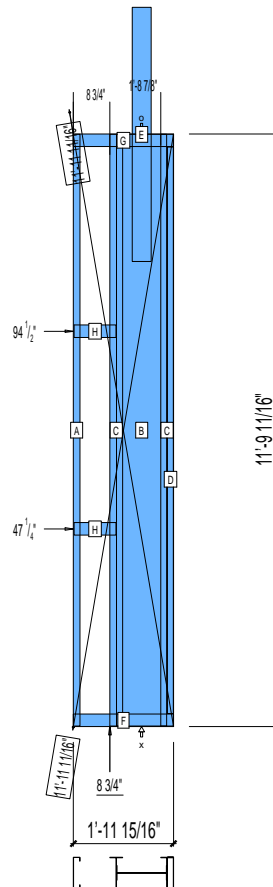
1st STUD: 24"

APPROVED
By Ryan J Gonsalves at 2:58 pm, Nov 11, 2008

WEIGHTS :

FRAME : 400 lbs

TOTAL: 400 lbs



PIECES LIST

LABEL	QTY	SIZE	LENGTH	USE
A	1	750S162-54	11'-9 1/2"	STUD
B	1	1200i350p1062	11'-9 1/2"	PACO
C	2	750i300p706	11'-9 1/2"	PACO
D	1	750T150-54	11'-3 7/16"	CAP
E	1	D	5'-0 3/4"	HOLDDOWN
F	1	750T300-68	1'-11 15/16"	BOTTOM TRACK
G	1	750T300-68	1'-11 15/16"	TOP TRACK
H	2	750T300-68	10"	BLOCK

31-6016

Jewish Home for the Aging

1885 Victory Blvd. Reseda, CA

FM-07-109

CREATED BY: AMB

FrameMax, Inc.
13915 Danielson St
Suite 100
Poway, CA 92064
www.frame-max.com



© FrameMax Inc.

HEIGHT : 11'-9 11/16" POINTS: 2.17 Points.

SPACING : 24"

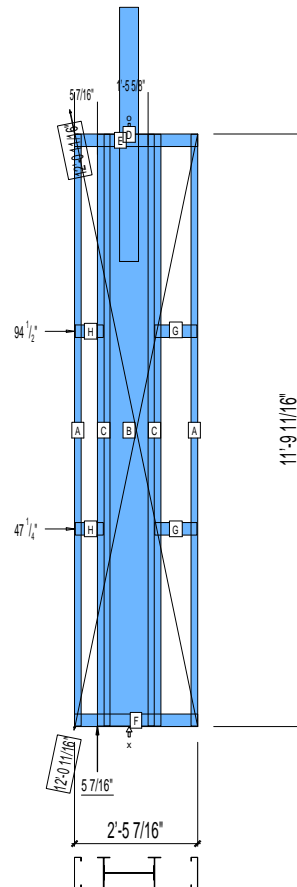
1st STUD: 24"

APPROVED
By Ryan J Gonsalves at 2:58 pm, Nov 11, 2008

WEIGHTS :

FRAME : 410 lbs

TOTAL: 410 lbs



PIECES LIST

LABEL	QTY	SIZE	LENGTH	USE
A	2	750S162-54	11'-9 1/2"	STUD
B	1	1200i350p1062	11'-9 1/2"	PACO
C	2	750i300p706	11'-9 1/2"	PACO
D	1	D	5'-0 3/4"	HOLDDOWN
E	1	750T300-68	2'-5 7/16"	TOP TRACK
F	1	750T300-68	2'-5 7/16"	BOTTOM TRACK
G	2	750T300-68	10 1/16"	BLOCK
H	2	750T300-68	6 3/4"	BLOCK

31-6017

Jewish Home for the Aging

1885 Victory Blvd. Reseda, CA

FM-07-109

CREATED BY: AMB

FrameMax, Inc.
13915 Danielson St
Suite 100
Poway, CA 92064
www.frame-max.com



© FrameMax Inc.

HEIGHT : 11'-9 11/16" POINTS: 2.22 Points.

SPACING : 24"

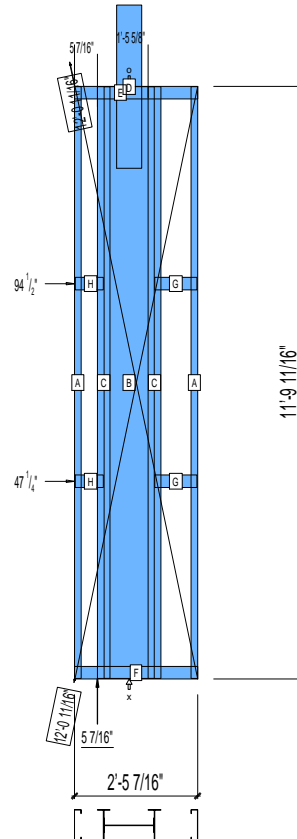
1st STUD: 16"

APPROVED
By Ryan J Gonsalves at 2:58 pm, Nov 11, 2008

WEIGHTS :

FRAME : 421 lbs

TOTAL: 421 lbs



PIECES LIST

LABEL	QTY	SIZE	LENGTH	USE
A	2	750S162-54	11'-9 1/2"	STUD
B	1	1200i350p1062	11'-9 1/2"	PACO
C	2	750i300p706	11'-9 1/2"	PACO
D	1	E	3'-3"	HOLDDOWN
E	1	750T300-68	2'-5 7/16"	TOP TRACK
F	1	750T300-68	2'-5 7/16"	BOTTOM TRACK
G	2	750T300-68	10 1/16"	BLOCK
H	2	750T300-68	6 3/4"	BLOCK

31-6018

Jewish Home for the Aging

1885 Victory Blvd. Reseda, CA

FM-07-109

CREATED BY: AMB

FrameMax, Inc.
13915 Danielson St
Suite 100
Poway, CA 92064
www.frame-max.com



© FrameMax Inc.

HEIGHT : 11'-9 11/16" POINTS: 2.12 Points.

SPACING : 24"

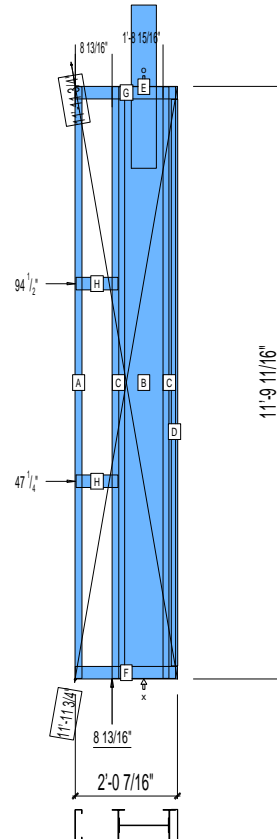
1st STUD: 24"

APPROVED
By Ryan J Gonsalves at 2:58 pm, Nov 11, 2008

WEIGHTS :

FRAME : 411 lbs

TOTAL: 411 lbs



PIECES LIST

LABEL	QTY	SIZE	LENGTH	USE
A	1	750S162-54	11'-9 1/2"	STUD
B	1	1200i350p1062	11'-9 1/2"	PACO
C	2	750i300p706	11'-9 1/2"	PACO
D	1	750T150-54	11'-3 7/16"	CAP
E	1	E	3'-3"	HOLDDOWN
F	1	750T300-68	2'-0 7/16"	BOTTOM TRACK
G	1	750T300-68	2'-0 7/16"	TOP TRACK
H	2	750T300-68	10 1/16"	BLOCK

31-6019

Jewish Home for the Aging

1885 Victory Blvd. Reseda, CA

FM-07-109

CREATED BY: AMB

FrameMax, Inc.
13915 Danielson St
Suite 100
Poway, CA 92064
www.framemax.com



© FrameMax Inc.

HEIGHT : 11'-9 11/16" POINTS: 1.98 Points.

SPACING : 24"

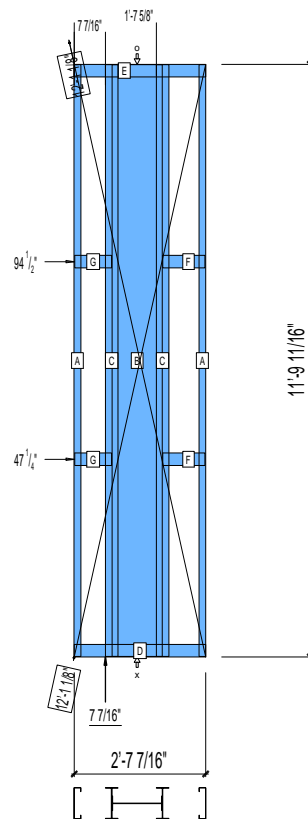
1st STUD: 24"

APPROVED
By Ryan J Gonsalves at 2:58 pm, Nov 11, 2008

WEIGHTS :

FRAME : 373 lbs

TOTAL: 373 lbs



PIECES LIST

LABEL	QTY	SIZE	LENGTH	USE
A	2	750S162-54	11'-9 1/2"	STUD
B	1	1200i350p1062	11'-9 1/2"	PACO
C	2	750i300p706	11'-9 1/2"	PACO
D	1	750T300-68	2'-7 7/16"	BOTTOM TRACK
E	1	750T300-68	2'-7 7/16"	TOP TRACK
F	2	750T300-68	10 1/16"	BLOCK
G	2	750T300-68	8 3/4"	BLOCK

31-6020

Jewish Home for the Aging

1885 Victory Blvd. Reseda, CA

FM-07-109

CREATED BY: AMB

FrameMax, Inc.
13915 Danielson St
Suite 100
Poway, CA 92064
www.frame-max.com



© FrameMax Inc.

HEIGHT : 11'-9 11/16" POINTS: 1.97 Points.

SPACING : 24"

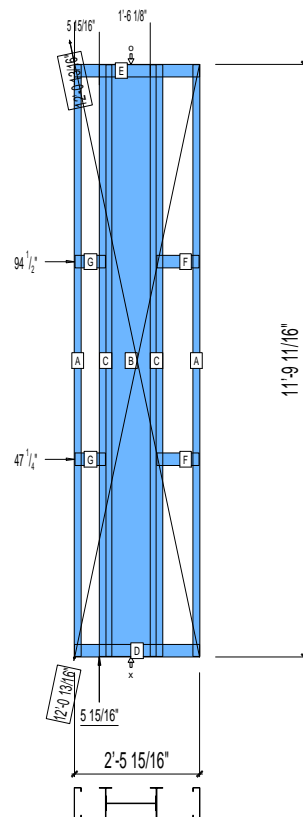
1st STUD: 24"

APPROVED
By Ryan J Gonsalves at 2:58 pm, Nov 11, 2008

WEIGHTS :

FRAME : 371 lbs

TOTAL: 371 lbs



PIECES LIST

LABEL	QTY	SIZE	LENGTH	USE
A	2	750S162-54	11'-9 1/2"	STUD
B	1	1200i350p1062	11'-9 1/2"	PACO
C	2	750i300p706	11'-9 1/2"	PACO
D	1	750T300-68	2'-5 15/16"	BOTTOM TRACK
E	1	750T300-68	2'-5 15/16"	TOP TRACK
F	2	750T300-68	10 1/16"	BLOCK
G	2	750T300-68	7 1/4"	BLOCK

31-6021

Jewish Home for the Aging

1885 Victory Blvd. Reseda, CA

FM-07-109

CREATED BY: AMB

FrameMax, Inc.
13915 Danielson St
Suite 100
Poway, CA 92064
www.frame-max.com



© FrameMax Inc.

HEIGHT : 9'-7 15/16" POINTS: 1.60 Points.

SPACING : 24"

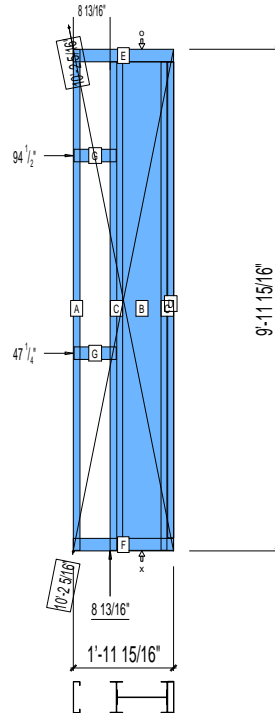
1st STUD: 24"

APPROVED
By Ryan J Gonsalves at 2:58 pm, Nov 11, 2008

WEIGHTS :

FRAME : 302 lbs

TOTAL: 302 lbs



PIECES LIST

LABEL	QTY	SIZE	LENGTH	USE
A	1	750S162-54	9'-11 3/4"	STUD
B	1	1200i350p1062	9'-8 13/16"	PACO
C	2	750i300p706	9'-8 13/16"	PACO
D	1	750T150-54	9'-5 3/4"	CAP
E	1	750T300-68	1'-11 15/16"	TOP TRACK
F	1	750T300-68	1'-11 15/16"	BOTTOM TRACK
G	2	750T300-68	10 1/16"	BLOCK

31-6022

Jewish Home for the Aging

1885 Victory Blvd. Reseda, CA

FM-07-109

CREATED BY: AMB

FrameMax, Inc.
13915 Danielson St
Suite 100
Poway, CA 92064
www.frame-max.com



© FrameMax Inc.

HEIGHT : 9'-7 15/16" POINTS: 1.69 Points.

SPACING : 24"

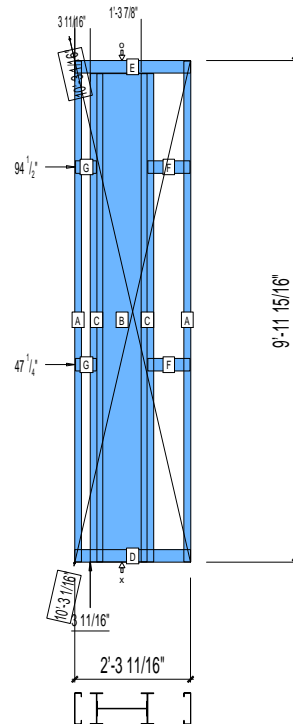
1st STUD: 16"

APPROVED
By Ryan J Gonsalves at 2:58 pm, Nov 11, 2008

WEIGHTS :

FRAME : 310 lbs

TOTAL: 310 lbs



PIECES LIST

LABEL	QTY	SIZE	LENGTH	USE
A	2	750S162-54	9'-11 3/4"	STUD
B	1	1200i350p1062	9'-8 3/4"	PACO
C	2	750i300p706	9'-8 3/4"	PACO
D	1	750T300-68	2'-3 11/16"	BOTTOM TRACK
E	1	750T300-68	2'-3 11/16"	TOP TRACK
F	2	750T300-68	10 1/16"	BLOCK
G	2	750T300-68	5"	BLOCK

31-6023

Jewish Home for the Aging

1885 Victory Blvd. Reseda, CA

FM-07-109

CREATED BY: AMB

FrameMax, Inc.
13915 Danielson St
Suite 100
Poway, CA 92064
www.frame-max.com



© FrameMax Inc.

HEIGHT : 11'-9 11/16" POINTS: 1.97 Points.

SPACING : 24"

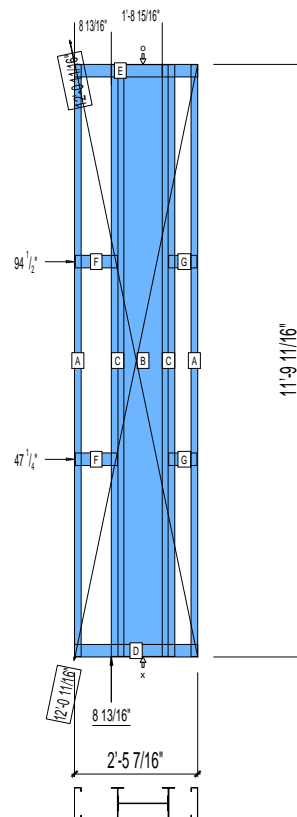
1st STUD: 24"

APPROVED
By Ryan J Gonsalves at 2:58 pm, Nov 11, 2008

WEIGHTS :

FRAME : 371 lbs

TOTAL: 371 lbs



PIECES LIST

LABEL	QTY	SIZE	LENGTH	USE
A	2	750S162-54	11'-9 1/2"	STUD
B	1	1200i350p1062	11'-9 1/2"	PACO
C	2	750i300p706	11'-9 1/2"	PACO
D	1	750T300-68	2'-5 7/16"	BOTTOM TRACK
E	1	750T300-68	2'-5 7/16"	TOP TRACK
F	2	750T300-68	10 1/16"	BLOCK
G	2	750T300-68	6 3/4"	BLOCK

31-6024

Jewish Home for the Aging

1885 Victory Blvd. Reseda, CA

FM-07-109

CREATED BY: AMB

FrameMax, Inc.
13915 Danielson St
Suite 100
Poway, CA 92064
www.framemax.com



© FrameMax Inc.

HEIGHT : 11'-9 11/16" POINTS: 2.15 Points.

SPACING : 24"

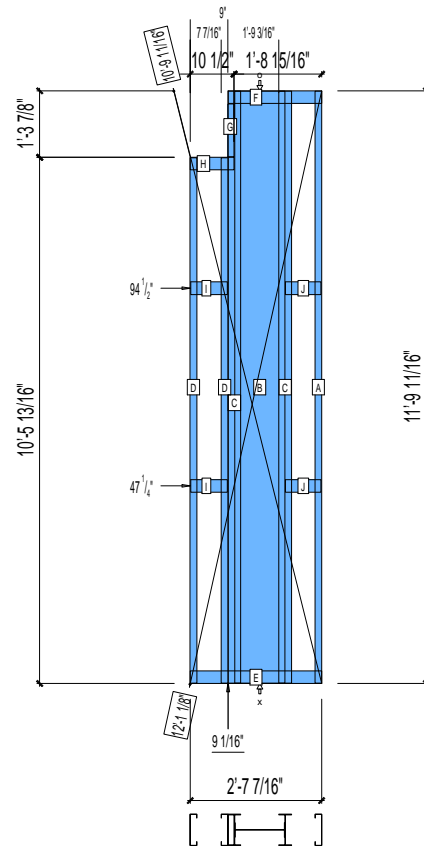
1st STUD: 24"

APPROVED
By Ryan J Gonsalves at 2:58 pm, Nov 11, 2008

WEIGHTS :

FRAME : 395 lbs

TOTAL: 395 lbs



PIECES LIST

LABEL	QTY	SIZE	LENGTH	USE
A	1	750S162-54	11'-9 1/2"	STUD
B	1	1200i350p1062	11'-9 1/2"	PACO
C	2	750i300p706	11'-9 1/2"	PACO
D	2	750S162-54	10'-5 5/8"	STUD
E	1	750T300-68	2'-7 7/16"	BOTTOM TRACK
F	1	750T300-68	1'-10 5/16"	TOP TRACK
G	1	750T150-54	1'-0 5/8"	CAP
H	1	750T300-68	10 1/2"	TOP TRACK
I	2	750T300-68	8 11/16"	BLOCK
J	2	750T300-68	8 1/2"	BLOCK

31-6025

Jewish Home for the Aging

1885 Victory Blvd. Reseda, CA

FrameMax, Inc.
13915 Danielson St
Suite 100
Poway, CA 92064
www.frame-max.com



© FrameMax Inc.

CREATED: 10/24/2008

FM-07-109

CREATED BY: AMB

HEIGHT : 10'-5 3/4" POINTS: 1.71 Points.

SPACING : 24"

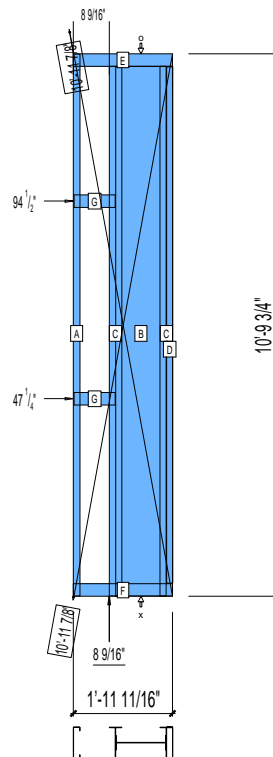
1st STUD: 24"

APPROVED
By Ryan J Gonsalves at 2:58 pm, Nov 11, 2008

WEIGHTS :

FRAME : 326 lbs

TOTAL: 326 lbs



PIECES LIST

LABEL	QTY	SIZE	LENGTH	USE
A	1	750S162-54	10'-9 9/16"	STUD
B	1	1200i350p1062	10'-6 5/8"	PACO
C	2	750i300p706	10'-6 5/8"	PACO
D	1	750T150-54	10'-3 1/2"	CAP
E	1	750T300-68	1'-11 11/16"	TOP TRACK
F	1	750T300-68	1'-11 11/16"	BOTTOM TRACK
G	2	750T300-68	9 13/16"	BLOCK

31-6026

Jewish Home for the Aging

1885 Victory Blvd. Reseda, CA

FM-07-109

CREATED BY: AMB

FrameMax, Inc.
13915 Danielson St
Suite 100
Poway, CA 92064
www.frame-max.com



© FrameMax Inc.

HEIGHT : 10'-5 3/4" POINTS: 1.71 Points.

SPACING : 24"

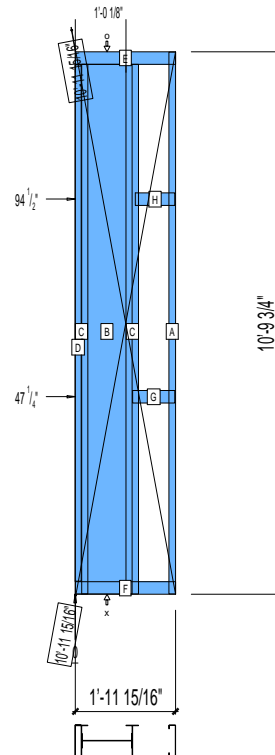
1st STUD: 24"

APPROVED
By Ryan J Gonsalves at 2:58 pm, Nov 11, 2008

WEIGHTS :

FRAME : 326 lbs

TOTAL: 326 lbs



PIECES LIST

LABEL	QTY	SIZE	LENGTH	USE
A	1	750S162-54	10'-9 9/16"	STUD
B	1	1200i350p1062	10'-6 5/8"	PACO
C	2	750i300p706	10'-6 5/8"	PACO
D	1	750T150-54	10'-3 1/2"	CAP
E	1	750T300-68	1'-11 15/16"	TOP TRACK
F	1	750T300-68	1'-11 15/16"	BOTTOM TRACK
G	1	750T300-68	10 1/16"	BLOCK
H	1	750T300-68	9 7/16"	BLOCK

31-6027

Jewish Home for the Aging

1885 Victory Blvd. Reseda, CA

FM-07-109

CREATED BY: AMB

FrameMax, Inc.
13915 Danielson St
Suite 100
Poway, CA 92064
www.frame-max.com



© FrameMax Inc.

HEIGHT : 11'-9 11/16" POINTS: 2.07 Points.

SPACING : 24"

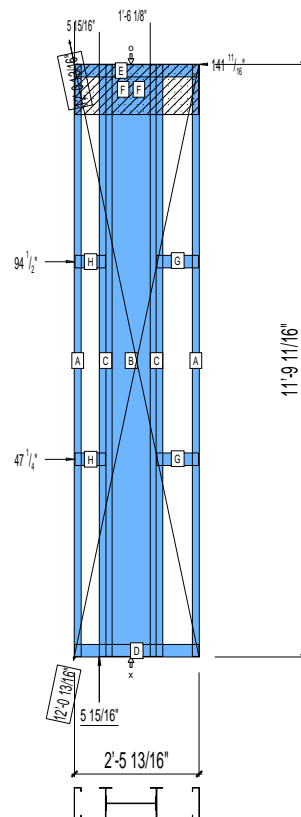
1st STUD: 24"

APPROVED
By Ryan J Gonsalves at 2:58 pm, Nov 11, 2008

WEIGHTS :

FRAME : 383 lbs

TOTAL: 383 lbs



PIECES LIST

LABEL	QTY	SIZE	LENGTH	USE
A	2	750S162-54	11'-9 1/2"	STUD
B	1	1200i350p1062	11'-9 1/2"	PACO
C	2	750i300p706	11'-9 1/2"	PACO
D	1	750T300-68	2'-5 13/16"	BOTTOM TRACK
E	1	750T300-68	2'-5 13/16"	TOP TRACK
F	2	1200D-54	2'-5 5/8"	STRAP
G	2	750T300-68	9 15/16"	BLOCK
H	2	750T300-68	7 1/4"	BLOCK

31-6028

Jewish Home for the Aging

1885 Victory Blvd. Reseda, CA

FrameMax, Inc.
13915 Danielson St
Suite 100
Poway, CA 92064
www.framemax.com



© FrameMax Inc.

CREATED: 10/24/2008

FM-07-109

CREATED BY: AMB

HEIGHT : 11'-9 11/16" POINTS: 2.33 Points.

SPACING : 24"

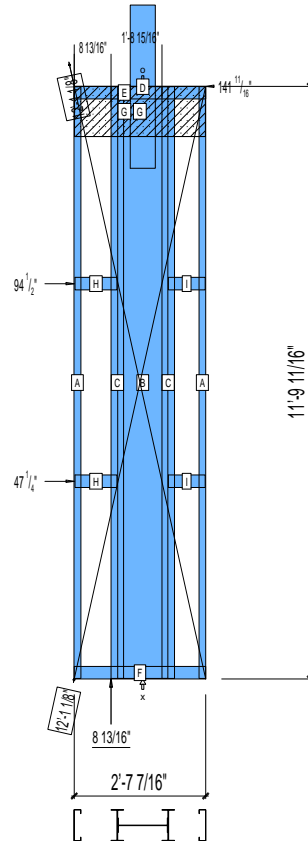
1st STUD: 24"

APPROVED
By Ryan J Gonsalves at 2:58 pm, Nov 11, 2008

WEIGHTS :

FRAME : 435 lbs

TOTAL: 435 lbs



PIECES LIST

LABEL	QTY	SIZE	LENGTH	USE
A	2	750S162-54	11'-9 1/2"	STUD
B	1	1200i350p1062	11'-9 1/2"	PACO
C	2	750i300p706	11'-9 1/2"	PACO
D	1	E	3'-3"	HOLDDOWN
E	1	750T300-68	2'-7 7/16"	TOP TRACK
F	1	750T300-68	2'-7 7/16"	BOTTOM TRACK
G	2	1200D-54	2'-7 1/4"	STRAP
H	2	750T300-68	10 1/16"	BLOCK
I	2	750T300-68	8 3/4"	BLOCK

31-6029

Jewish Home for the Aging

1885 Victory Blvd. Reseda, CA

FM-07-109

CREATED BY: AMB

FrameMax, Inc.
13915 Danielson St
Suite 100
Poway, CA 92064
www.frame-max.com



© FrameMax Inc.

HEIGHT : 11'-9 11/16" POINTS: 1.95 Points.

SPACING : 24"

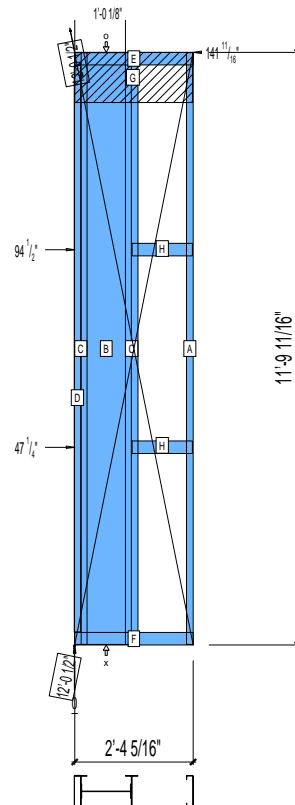
1st STUD: 24"

APPROVED
By Ryan J Gonsalves at 2:58 pm, Nov 11, 2008

WEIGHTS :

FRAME : 372 lbs

TOTAL: 372 lbs



PIECES LIST

LABEL	QTY	SIZE	LENGTH	USE
A	1	750S162-54	11'-9 1/2"	STUD
B	1	1200i350p1062	11'-9 1/2"	PACO
C	2	750i300p706	11'-9 1/2"	PACO
D	1	750T150-54	11'-3 7/16"	CAP
E	1	750T300-68	2'-4 5/16"	TOP TRACK
F	1	750T300-68	2'-4 5/16"	BOTTOM TRACK
G	1	1200D-54	2'-4 3/16"	STRAP
H	2	750T300-68	1'-2 7/16"	BLOCK

31-6031

Jewish Home for the Aging

1885 Victory Blvd. Reseda, CA

FM-07-109

CREATED BY: AMB

FrameMax, Inc.
13915 Danielson St
Suite 100
Poway, CA 92064
www.frame-max.com



© FrameMax Inc.

HEIGHT : 11'-9 11/16" POINTS: 1.95 Points.

SPACING : 24"

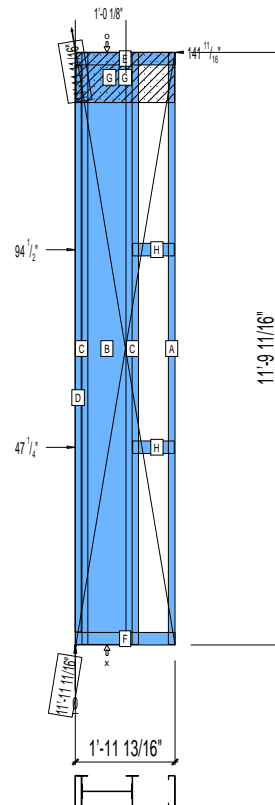
1st STUD: 16"

APPROVED
By Ryan J Gonsalves at 2:58 pm, Nov 11, 2008

WEIGHTS :

FRAME : 370 lbs

TOTAL: 370 lbs



PIECES LIST

LABEL	QTY	SIZE	LENGTH	USE
A	1	750S162-54	11'-9 1/2"	STUD
B	1	1200i350p1062	11'-9 1/2"	PACO
C	2	750i300p706	11'-9 1/2"	PACO
D	1	750T150-54	11'-3 7/16"	CAP
E	1	750T300-68	1'-11 13/16"	TOP TRACK
F	1	750T300-68	1'-11 13/16"	BOTTOM TRACK
G	2	1200D-54	1'-11 5/8"	STRAP
H	2	750T300-68	9 15/16"	BLOCK

31-6032

Jewish Home for the Aging

1885 Victory Blvd. Reseda, CA

FM-07-109

CREATED BY: AMB

FrameMax, Inc.
13915 Danielson St
Suite 100
Poway, CA 92064
www.frame-max.com



© FrameMax Inc.

HEIGHT : 11'-9 11/16" POINTS: 1.95 Points.

SPACING : 24"

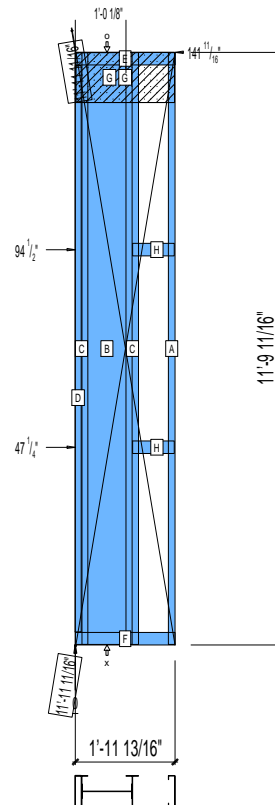
1st STUD: 16"

APPROVED
By Ryan J Gonsalves at 2:58 pm, Nov 11, 2008

WEIGHTS :

FRAME : 370 lbs

TOTAL: 370 lbs



PIECES LIST

LABEL	QTY	SIZE	LENGTH	USE
A	1	750S162-54	11'-9 1/2"	STUD
B	1	1200i350p1062	11'-9 1/2"	PACO
C	2	750i300p706	11'-9 1/2"	PACO
D	1	750T150-54	11'-3 7/16"	CAP
E	1	750T300-68	1'-11 13/16"	TOP TRACK
F	1	750T300-68	1'-11 13/16"	BOTTOM TRACK
G	2	1200D-54	1'-11 5/8"	STRAP
H	2	750T300-68	9 15/16"	BLOCK

31-6033

Jewish Home for the Aging

1885 Victory Blvd. Reseda, CA

FM-07-109

CREATED BY: AMB

FrameMax, Inc.
13915 Danielson St
Suite 100
Poway, CA 92064
www.frame-max.com



© FrameMax Inc.

HEIGHT : 11'-9 11/16" POINTS: 2.01 Points.

SPACING : 24"

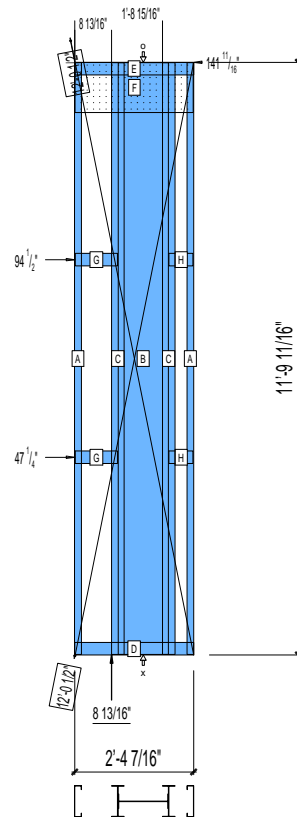
1st STUD: 24"

APPROVED
By Ryan J Gonsalves at 2:58 pm, Nov 11, 2008

WEIGHTS :

FRAME : 375 lbs

TOTAL: 375 lbs



PIECES LIST

LABEL	QTY	SIZE	LENGTH	USE
A	2	750S162-54	11'-9 1/2"	STUD
B	1	1200i350p1062	11'-9 1/2"	PACO
C	2	750i300p706	11'-9 1/2"	PACO
D	1	750T300-68	2'-4 7/16"	BOTTOM TRACK
E	1	750T300-68	2'-4 7/16"	TOP TRACK
F	1	1200D-54	2'-4 1/4"	STRAP
G	2	750T300-68	10 1/16"	BLOCK
H	2	750T300-68	5 3/4"	BLOCK

31-6034

Jewish Home for the Aging

1885 Victory Blvd. Reseda, CA

FM-07-109

CREATED BY: AMB

FrameMax, Inc.
13915 Danielson St
Suite 100
Poway, CA 92064
www.frame-max.com



© FrameMax Inc.

HEIGHT : 11'-9 11/16" POINTS: 2.17 Points.

SPACING : 24"

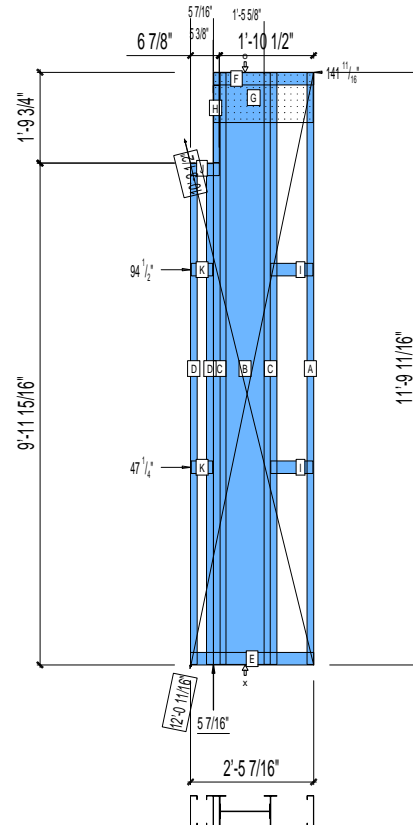
1st STUD: 24"

APPROVED
By Ryan J Gonsalves at 2:58 pm, Nov 11, 2008

WEIGHTS :

FRAME : 397 lbs

TOTAL: 397 lbs



PIECES LIST

LABEL	QTY	SIZE	LENGTH	USE
A	1	750S162-54	11'-9 1/2"	STUD
B	1	1200i350p1062	11'-9 1/2"	PACO
C	2	750i300p706	11'-9 1/2"	PACO
D	2	750S162-54	9'-11 3/4"	STUD
E	1	750T300-68	2'-5 7/16"	BOTTOM TRACK
F	1	750T300-68	1'-11 15/16"	TOP TRACK
G	1	1200D-54	1'-11 13/16"	STRAP
H	1	750T150-54	1'-6 1/2"	CAP
I	2	750T300-68	10 1/16"	BLOCK
J	1	750T300-68	6 7/8"	TOP TRACK
K	2	750T300-68	5 1/8"	BLOCK

31-6035

Jewish Home for the Aging

1885 Victory Blvd. Reseda, CA

FM-07-109

CREATED BY: AMB

FrameMax, Inc.
13915 Danielson St
Suite 100
Poway, CA 92064
www.frame-max.com



© FrameMax Inc.

HEIGHT : 11'-9 11/16" POINTS: 1.96 Points.

SPACING : 24"

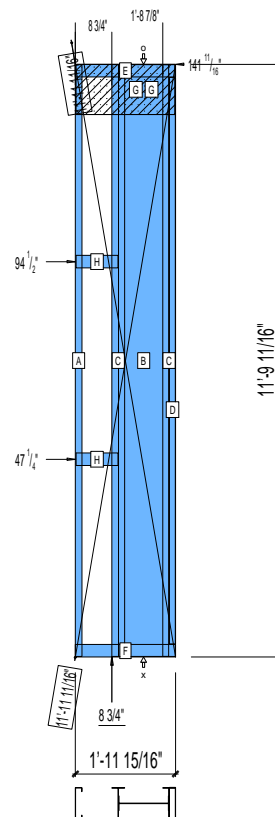
1st STUD: 24"

APPROVED
By Ryan J Gonsalves at 2:58 pm, Nov 11, 2008

WEIGHTS :

FRAME : 371 lbs

TOTAL: 371 lbs



PIECES LIST

LABEL	QTY	SIZE	LENGTH	USE
A	1	750S162-54	11'-9 1/2"	STUD
B	1	1200i350p1062	11'-9 1/2"	PACO
C	2	750i300p706	11'-9 1/2"	PACO
D	1	750T150-54	11'-3 7/16"	CAP
E	1	750T300-68	1'-11 15/16"	TOP TRACK
F	1	750T300-68	1'-11 15/16"	BOTTOM TRACK
G	2	1200D-54	1'-11 3/4"	STRAP
H	2	750T300-68	10"	BLOCK

31-6036

Jewish Home for the Aging

1885 Victory Blvd. Reseda, CA

FM-07-109

CREATED BY: AMB

FrameMax, Inc.
13915 Danielson St
Suite 100
Poway, CA 92064
www.frame-max.com



© FrameMax Inc.

HEIGHT : 11'-9 11/16" POINTS: 1.95 Points.

SPACING : 24"

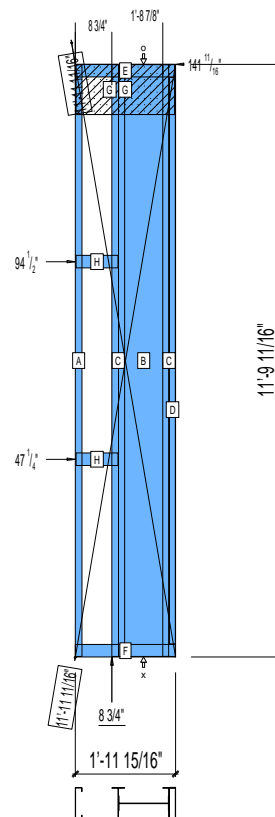
1st STUD: 24"

APPROVED
By Ryan J Gonsalves at 2:58 pm, Nov 11, 2008

WEIGHTS :

FRAME : 370 lbs

TOTAL: 370 lbs



PIECES LIST

LABEL	QTY	SIZE	LENGTH	USE
A	1	750S162-54	11'-9 1/2"	STUD
B	1	1200i350p1062	11'-9 1/2"	PACO
C	2	750i300p706	11'-9 1/2"	PACO
D	1	750T150-54	11'-3 7/16"	CAP
E	1	750T300-68	1'-11 15/16"	TOP TRACK
F	1	750T300-68	1'-11 15/16"	BOTTOM TRACK
G	2	1200D-54	1'-11 11/16"	STRAP
H	2	750T300-68	10"	BLOCK

31-6037

Jewish Home for the Aging

1885 Victory Blvd. Reseda, CA

FM-07-109

CREATED BY: AMB

FrameMax, Inc.
13915 Danielson St
Suite 100
Poway, CA 92064
www.frame-max.com



© FrameMax Inc.

HEIGHT : 11'-9 11/16" POINTS: 1.95 Points.

SPACING : 24"

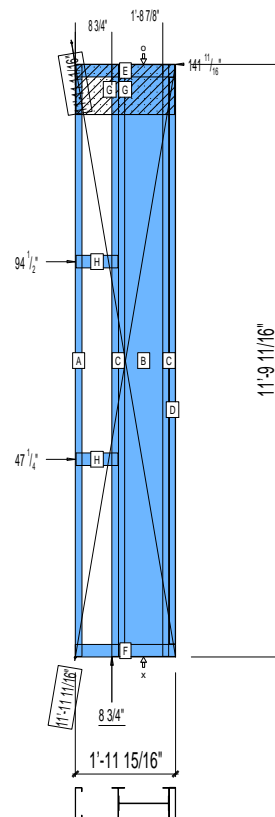
1st STUD: 24"

APPROVED
By Ryan J Gonsalves at 2:58 pm, Nov 11, 2008

WEIGHTS :

FRAME : 370 lbs

TOTAL: 370 lbs



PIECES LIST

LABEL	QTY	SIZE	LENGTH	USE
A	1	750S162-54	11'-9 1/2"	STUD
B	1	1200i350p1062	11'-9 1/2"	PACO
C	2	750i300p706	11'-9 1/2"	PACO
D	1	750T150-54	11'-3 7/16"	CAP
E	1	750T300-68	1'-11 15/16"	TOP TRACK
F	1	750T300-68	1'-11 15/16"	BOTTOM TRACK
G	2	1200D-54	1'-11 11/16"	STRAP
H	2	750T300-68	10"	BLOCK

31-6038

Jewish Home for the Aging

1885 Victory Blvd. Reseda, CA

FM-07-109

CREATED BY: AMB

FrameMax, Inc.
13915 Danielson St
Suite 100
Poway, CA 92064
www.frame-max.com



© FrameMax Inc.

HEIGHT : 9'-8 1/8" POINTS: 1.61 Points.

SPACING : 24"

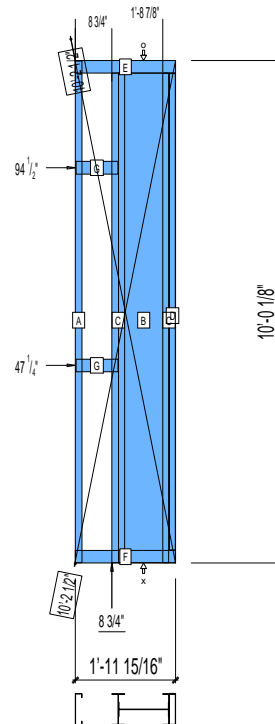
1st STUD: 24"

APPROVED
By Ryan J Gonsalves at 2:58 pm, Nov 11, 2008

WEIGHTS :

FRAME : 303 lbs

TOTAL: 303 lbs



PIECES LIST

LABEL	QTY	SIZE	LENGTH	USE
A	1	750S162-54	9'-11 15/16"	STUD
B	1	1200i350p1062	9'-9"	PACO
C	2	750i300p706	9'-9"	PACO
D	1	750T150-54	9'-5 7/8"	CAP
E	1	750T300-68	1'-11 15/16"	TOP TRACK
F	1	750T300-68	1'-11 15/16"	BOTTOM TRACK
G	2	750T300-68	10"	BLOCK

31-6039

Jewish Home for the Aging

1885 Victory Blvd. Reseda, CA

FM-07-109

CREATED BY: AMB

FrameMax, Inc.
13915 Danielson St
Suite 100
Poway, CA 92064
www.framemax.com



© FrameMax Inc.

HEIGHT : 11'-9 11/16" POINTS: 2.17 Points.

SPACING : 24"

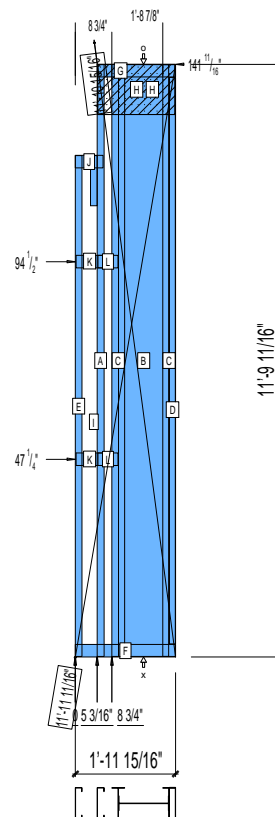
1st STUD: 24"

APPROVED
By Ryan J Gonsalves at 2:58 pm, Nov 11, 2008

WEIGHTS :

FRAME : 394 lbs

TOTAL: 394 lbs



PIECES LIST

LABEL	QTY	SIZE	LENGTH	USE
A	1	750S162-54	11'-9 1/2"	BEAM KING
B	1	1200i350p1062	11'-9 1/2"	PACO
C	2	750i300p706	11'-9 1/2"	PACO
D	1	750T150-54	11'-3 7/16"	CAP
E	1	750S162-54	9'-11 3/4"	BEAM JACK
F	1	750T300-68	1'-11 15/16"	BOTTOM TRACK
G	1	750T300-68	1'-6 11/16"	TOP TRACK
H	2	1200D-54	1'-6 1/2"	STRAP
I	1	750S162-54	1'-0"	BEAM JACK
J	1	750T300-68	6 11/16"	BEAM JACK
K	2	750T300-68	6 1/2"	BLOCK
L	2	750T300-68	4 13/16"	BLOCK

31-6040

Jewish Home for the Aging

1885 Victory Blvd. Reseda, CA

FM-07-109

CREATED BY: AMB

FrameMax, Inc.
13915 Danielson St
Suite 100
Poway, CA 92064
www.frame-max.com



© FrameMax Inc.

HEIGHT : 11'-9 11/16" POINTS: 1.95 Points.

SPACING : 24"

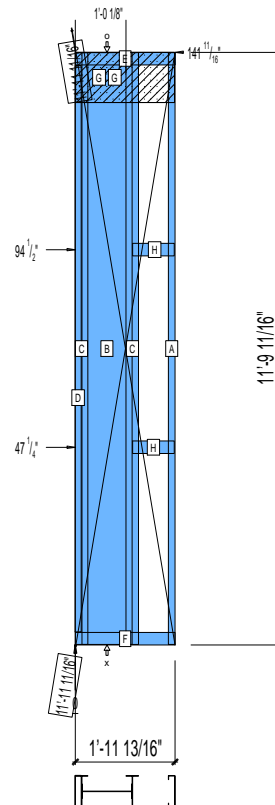
1st STUD: 24"

APPROVED
By Ryan J Gonsalves at 2:58 pm, Nov 11, 2008

WEIGHTS :

FRAME : 370 lbs

TOTAL: 370 lbs



PIECES LIST

LABEL	QTY	SIZE	LENGTH	USE
A	1	750S162-54	11'-9 1/2"	STUD
B	1	1200i350p1062	11'-9 1/2"	PACO
C	2	750i300p706	11'-9 1/2"	PACO
D	1	750T150-54	11'-3 7/16"	CAP
E	1	750T300-68	1'-11 13/16"	TOP TRACK
F	1	750T300-68	1'-11 13/16"	BOTTOM TRACK
G	2	1200D-54	1'-11 11/16"	STRAP
H	2	750T300-68	9 15/16"	BLOCK

31-6041

Jewish Home for the Aging

1885 Victory Blvd. Reseda, CA

FM-07-109

CREATED BY: AMB

FrameMax, Inc.
13915 Danielson St
Suite 100
Poway, CA 92064
www.frame-max.com



© FrameMax Inc.

HEIGHT : 11'-9 11/16" POINTS: 1.96 Points.

SPACING : 24"

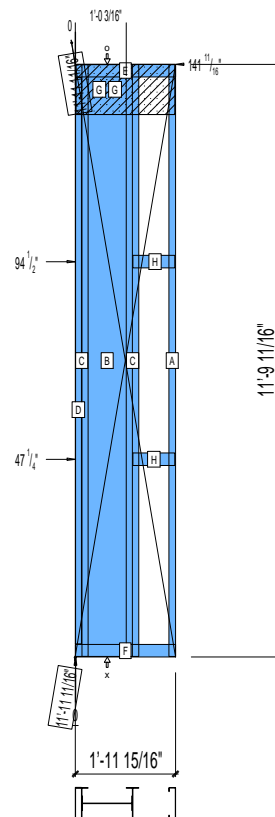
1st STUD: 24"

APPROVED
By Ryan J Gonsalves at 2:58 pm, Nov 11, 2008

WEIGHTS :

FRAME : 371 lbs

TOTAL: 371 lbs



PIECES LIST

LABEL	QTY	SIZE	LENGTH	USE
A	1	750S162-54	11'-9 1/2"	STUD
B	1	1200i350p1062	11'-9 1/2"	PACO
C	2	750i300p706	11'-9 1/2"	PACO
D	1	750T150-54	11'-3 7/16"	CAP
E	1	750T300-68	1'-11 15/16"	TOP TRACK
F	1	750T300-68	1'-11 15/16"	BOTTOM TRACK
G	2	1200D-54	1'-11 3/4"	STRAP
H	2	750T300-68	10"	BLOCK

31-6042

Jewish Home for the Aging

1885 Victory Blvd. Reseda, CA

FM-07-109

CREATED BY: AMB

FrameMax, Inc.
13915 Danielson St
Suite 100
Poway, CA 92064
www.frame-max.com



© FrameMax Inc.

HEIGHT : 11'-9 11/16" POINTS: 1.95 Points.

SPACING : 24"

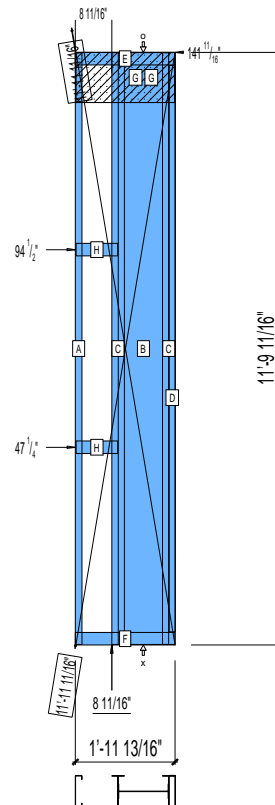
1st STUD: 24"

APPROVED
By Ryan J Gonsalves at 2:58 pm, Nov 11, 2008

WEIGHTS :

FRAME : 370 lbs

TOTAL: 370 lbs



PIECES LIST

LABEL	QTY	SIZE	LENGTH	USE
A	1	750S162-54	11'-9 1/2"	STUD
B	1	1200i350p1062	11'-9 1/2"	PACO
C	2	750i300p706	11'-9 1/2"	PACO
D	1	750T150-54	11'-3 7/16"	CAP
E	1	750T300-68	1'-11 13/16"	TOP TRACK
F	1	750T300-68	1'-11 13/16"	BOTTOM TRACK
G	2	1200D-54	1'-11 11/16"	STRAP
H	2	750T300-68	9 15/16"	BLOCK

31-6043

Jewish Home for the Aging

1885 Victory Blvd. Reseda, CA

FM-07-109

CREATED BY: AMB

FrameMax, Inc.
13915 Danielson St
Suite 100
Poway, CA 92064
www.frame-max.com



© FrameMax Inc.

HEIGHT : 11'-9 11/16" POINTS: 2.03 Points.

SPACING : 24"

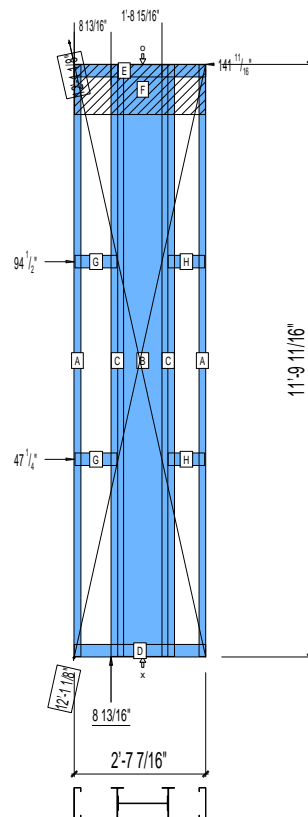
1st STUD: 24"

APPROVED
By Ryan J Gonsalves at 2:58 pm, Nov 11, 2008

WEIGHTS :

FRAME : 379 lbs

TOTAL: 379 lbs



PIECES LIST

LABEL	QTY	SIZE	LENGTH	USE
A	2	750S162-54	11'-9 1/2"	STUD
B	1	1200i350p1062	11'-9 1/2"	PACO
C	2	750i300p706	11'-9 1/2"	PACO
D	1	750T300-68	2'-7 7/16"	BOTTOM TRACK
E	1	750T300-68	2'-7 7/16"	TOP TRACK
F	1	1200D-54	2'-7 1/4"	STRAP
G	2	750T300-68	10 1/16"	BLOCK
H	2	750T300-68	8 13/16"	BLOCK

31-6044

Jewish Home for the Aging

1885 Victory Blvd. Reseda, CA

FM-07-109

CREATED BY: AMB

FrameMax, Inc.
13915 Danielson St
Suite 100
Poway, CA 92064
www.frame-max.com



© FrameMax Inc.

HEIGHT : 11'-9 11/16" POINTS: 1.92 Points.

SPACING : 24"

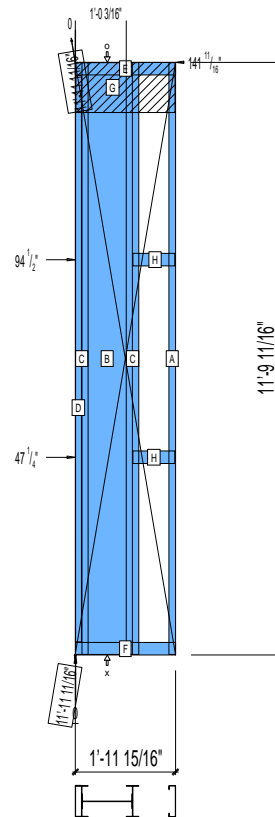
1st STUD: 24"

APPROVED
By Ryan J Gonsalves at 2:58 pm, Nov 11, 2008

WEIGHTS :

FRAME : 366 lbs

TOTAL: 366 lbs



PIECES LIST

LABEL	QTY	SIZE	LENGTH	USE
A	1	750S162-54	11'-9 1/2"	STUD
B	1	1200i350p1062	11'-9 1/2"	PACO
C	2	750i300p706	11'-9 1/2"	PACO
D	1	750T150-54	11'-3 7/16"	CAP
E	1	750T300-68	1'-11 15/16"	TOP TRACK
F	1	750T300-68	1'-11 15/16"	BOTTOM TRACK
G	1	1200D-54	1'-11 3/4"	STRAP
H	2	750T300-68	10"	BLOCK

31-6045

Jewish Home for the Aging

1885 Victory Blvd. Reseda, CA

FM-07-109

CREATED BY: AMB

FrameMax, Inc.
13915 Danielson St
Suite 100
Poway, CA 92064
www.frame-max.com



© FrameMax Inc.

HEIGHT : 11'-9 11/16" POINTS: 1.92 Points.

SPACING : 24"

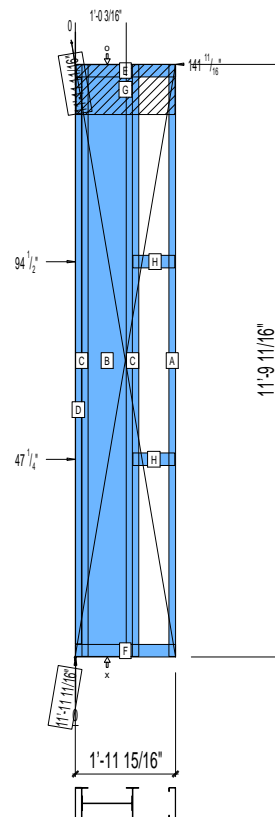
1st STUD: 24"

APPROVED
By Ryan J Gonsalves at 2:58 pm, Nov 11, 2008

WEIGHTS :

FRAME : 366 lbs

TOTAL: 366 lbs



PIECES LIST

LABEL	QTY	SIZE	LENGTH	USE
A	1	750S162-54	11'-9 1/2"	STUD
B	1	1200i350p1062	11'-9 1/2"	PACO
C	2	750i300p706	11'-9 1/2"	PACO
D	1	750T150-54	11'-3 7/16"	CAP
E	1	750T300-68	1'-11 15/16"	TOP TRACK
F	1	750T300-68	1'-11 15/16"	BOTTOM TRACK
G	1	1200D-54	1'-11 11/16"	STRAP
H	2	750T300-68	10"	BLOCK

31-6046

Jewish Home for the Aging

1885 Victory Blvd. Reseda, CA

FM-07-109

CREATED BY: AMB

FrameMax, Inc.
13915 Danielson St
Suite 100
Poway, CA 92064
www.frame-max.com



© FrameMax Inc.

HEIGHT : 11'-9 11/16" POINTS: 1.92 Points.

SPACING : 24"

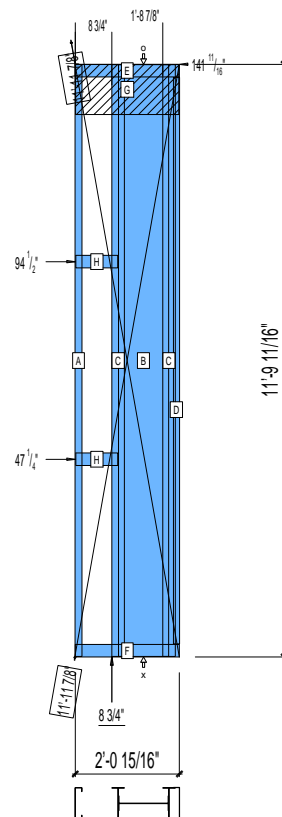
1st STUD: 24"

APPROVED
By Ryan J Gonsalves at 2:58 pm, Nov 11, 2008

WEIGHTS :

FRAME : 367 lbs

TOTAL: 367 lbs



PIECES LIST

LABEL	QTY	SIZE	LENGTH	USE
A	1	750S162-54	11'-9 1/2"	STUD
B	1	1200i350p1062	11'-9 1/2"	PACO
C	2	750i300p706	11'-9 1/2"	PACO
D	1	750T150-54	11'-3 7/16"	CAP
E	1	750T300-68	2'-0 15/16"	TOP TRACK
F	1	750T300-68	2'-0 15/16"	BOTTOM TRACK
G	1	1200D-54	2'-0 11/16"	STRAP
H	2	750T300-68	10"	BLOCK

31-6047

Jewish Home for the Aging

1885 Victory Blvd. Reseda, CA

FM-07-109

CREATED BY: AMB

FrameMax, Inc.
13915 Danielson St
Suite 100
Poway, CA 92064
www.frame-max.com



© FrameMax Inc.

HEIGHT : 10'-3 15/16" POINTS: 2.53 Points.

SPACING : 24"

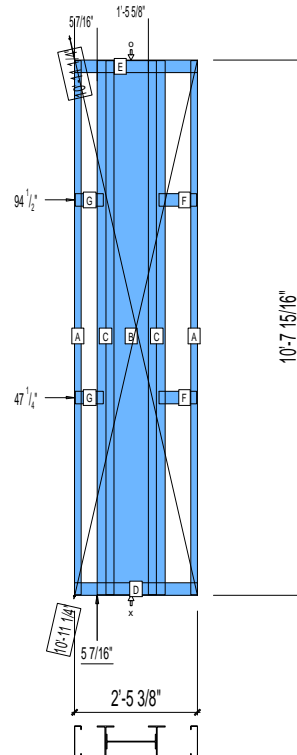
1st STUD: 24"

APPROVED
By Ryan J Gonsalves at 2:58 pm, Nov 11, 2008

WEIGHTS :

FRAME : 494 lbs

TOTAL: 494 lbs



PIECES LIST

LABEL	QTY	SIZE	LENGTH	USE
A	2	750S162-54	10'-7 3/4"	STUD
B	1	1200i350p1420	10'-7 3/4"	PACO
C	2	750i400p1268	10'-7 3/4"	PACO
D	1	750T300-68	2'-5 3/8"	BOTTOM TRACK
E	1	750T300-68	2'-5 3/8"	TOP TRACK
F	2	750T300-68	9"	BLOCK
G	2	750T300-68	6 11/16"	BLOCK

31-6048

Jewish Home for the Aging

1885 Victory Blvd. Reseda, CA

FrameMax, Inc.
13915 Danielson St
Suite 100
Poway, CA 92064
www.frame-max.com



© FrameMax Inc.

CREATED: 10/24/2008

FM-07-109

CREATED BY: AMB

HEIGHT : 11'-9 11/16" POINTS: 3.21 Points.

SPACING : 24"

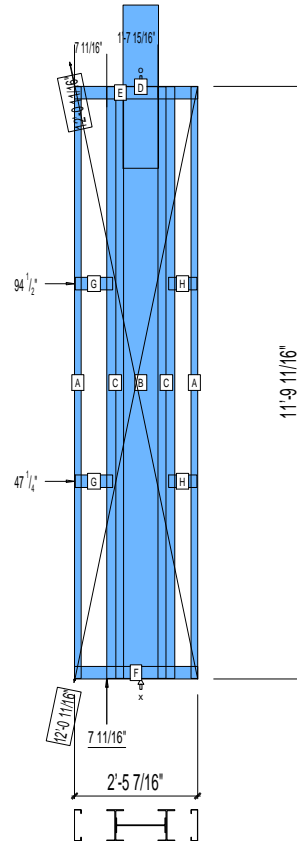
1st STUD: 24"

APPROVED
By Ryan J Gonsalves at 2:58 pm, Nov 11, 2008

WEIGHTS :

FRAME : 639 lbs

TOTAL: 639 lbs



PIECES LIST

LABEL	QTY	SIZE	LENGTH	USE
A	2	750S162-54	11'-9 1/2"	STUD
B	1	1200i350p1420	11'-9 1/2"	PACO
C	2	750i400p1268	11'-9 1/2"	PACO
D	1	F	3'-3"	HOLDDOWN
E	1	750T300-68	2'-5 7/16"	TOP TRACK
F	1	750T300-68	2'-5 7/16"	BOTTOM TRACK
G	2	750T300-68	8 15/16"	BLOCK
H	2	750T300-68	6 3/4"	BLOCK

31-6049

Jewish Home for the Aging

1885 Victory Blvd. Reseda, CA

FM-07-109

CREATED BY: AMB

FrameMax, Inc.
13915 Danielson St
Suite 100
Poway, CA 92064
www.frame-max.com



© FrameMax Inc.

HEIGHT : 11'-9 11/16" POINTS: 2.22 Points.

SPACING : 24"

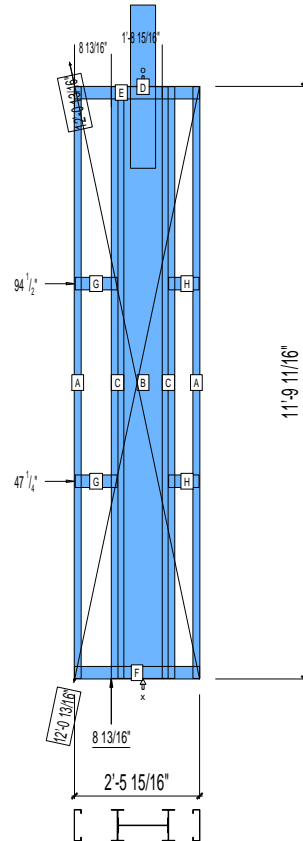
1st STUD: 24"

APPROVED
By Ryan J Gonsalves at 2:58 pm, Nov 11, 2008

WEIGHTS :

FRAME : 421 lbs

TOTAL: 421 lbs



PIECES LIST

LABEL	QTY	SIZE	LENGTH	USE
A	2	750S162-54	11'-9 1/2"	STUD
B	1	1200i350p1062	11'-9 1/2"	PACO
C	2	750i300p706	11'-9 1/2"	PACO
D	1	E	3'-3"	HOLDDOWN
E	1	750T300-68	2'-5 15/16"	TOP TRACK
F	1	750T300-68	2'-5 15/16"	BOTTOM TRACK
G	2	750T300-68	10 1/16"	BLOCK
H	2	750T300-68	7 1/4"	BLOCK

31-6050

Jewish Home for the Aging

1885 Victory Blvd. Reseda, CA

FM-07-109

CREATED BY: AMB

FrameMax, Inc.
13915 Danielson St
Suite 100
Poway, CA 92064
www.frame-max.com



© FrameMax Inc.

HEIGHT : 11'-9 11/16" POINTS: 2.32 Points.

SPACING : 24"

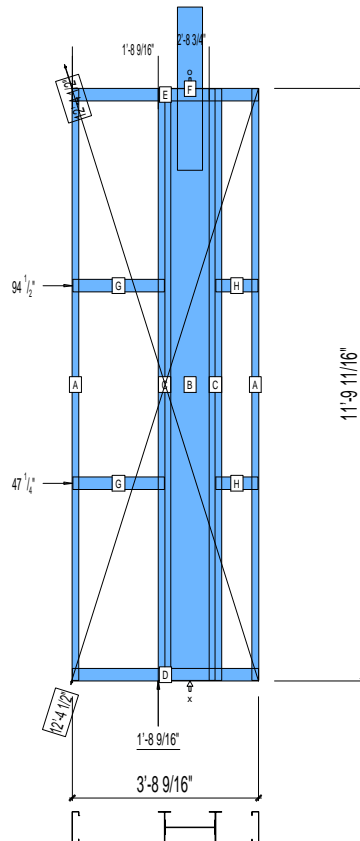
1st STUD: 24"

APPROVED
By Ryan J Gonsalves at 2:58 pm, Nov 11, 2008

WEIGHTS :

FRAME : 438 lbs

TOTAL: 438 lbs



PIECES LIST

LABEL	QTY	SIZE	LENGTH	USE
A	2	750S162-54	11'-9 1/2"	STUD
B	1	1200i350p1062	11'-9 1/2"	PACO
C	2	750i300p706	11'-9 1/2"	PACO
D	1	750T300-68	3'-8 9/16"	BOTTOM TRACK
E	1	750T300-68	3'-8 9/16"	TOP TRACK
F	1	E	3'-3"	HOLDDOWN
G	2	750T300-68	1'-9 13/16"	BLOCK
H	2	750T300-68	10 1/16"	BLOCK

31-6051

Jewish Home for the Aging

1885 Victory Blvd. Reseda, CA

FrameMax, Inc.
13915 Danielson St
Suite 100
Poway, CA 92064
www.framemax.com



© FrameMax Inc.

CREATED: 10/24/2008

FM-07-109

CREATED BY: AMB

HEIGHT : 11'-9 11/16" POINTS: 2.30 Points.

SPACING : 24"

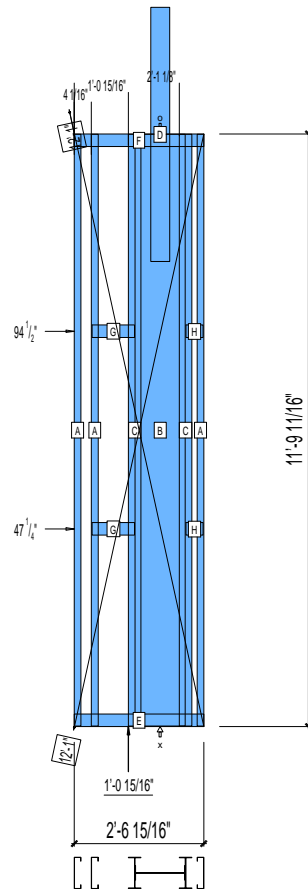
1st STUD: 24"

APPROVED
By Ryan J Gonsalves at 2:58 pm, Nov 11, 2008

WEIGHTS :

FRAME : 435 lbs

TOTAL: 435 lbs



PIECES LIST

LABEL	QTY	SIZE	LENGTH	USE
A	3	750S162-54	11'-9 1/2"	STUD
B	1	1200i350p1062	11'-9 1/2"	PACO
C	2	750i300p706	11'-9 1/2"	PACO
D	1	D	5'-0 3/4"	HOLDDOWN
E	1	750T300-68	2'-6 15/16"	BOTTOM TRACK
F	1	750T300-68	2'-6 15/16"	TOP TRACK
G	2	750T300-68	10 1/16"	BLOCK
H	2	750T300-68	4 1/8"	BLOCK

31-6052

Jewish Home for the Aging

1885 Victory Blvd. Reseda, CA

FrameMax, Inc.
13915 Danielson St
Suite 100
Poway, CA 92064
www.frame-max.com



© FrameMax Inc.

CREATED: 10/24/2008

FM-07-109

CREATED BY: AMB

HEIGHT : 10'-5 9/16" POINTS: 1.71 Points.

SPACING : 24"

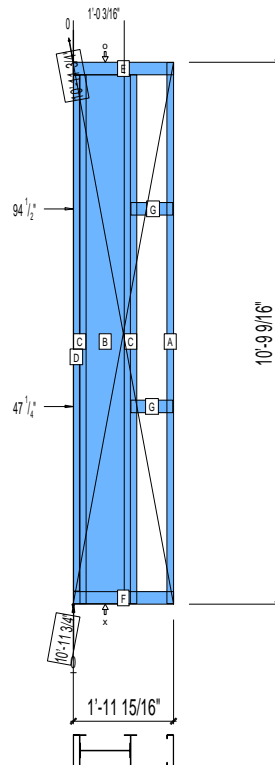
1st STUD: 24"

APPROVED
By Ryan J Gonsalves at 2:58 pm, Nov 11, 2008

WEIGHTS :

FRAME : 326 lbs

TOTAL: 326 lbs



PIECES LIST

LABEL	QTY	SIZE	LENGTH	USE
A	1	750S162-54	10'-9 3/8"	STUD
B	1	1200i350p1062	10'-6 7/16"	PACO
C	2	750i300p706	10'-6 7/16"	PACO
D	1	750T150-54	10'-3 5/16"	CAP
E	1	750T300-68	1'-11 15/16"	TOP TRACK
F	1	750T300-68	1'-11 15/16"	BOTTOM TRACK
G	2	750T300-68	10"	BLOCK

31-6053

Jewish Home for the Aging

1885 Victory Blvd. Reseda, CA

FM-07-109

CREATED BY: AMB

FrameMax, Inc.
13915 Danielson St
Suite 100
Poway, CA 92064
www.frame-max.com



© FrameMax Inc.

HEIGHT : 11'-9 11/16" POINTS: 1.84 Points.

SPACING : 24"

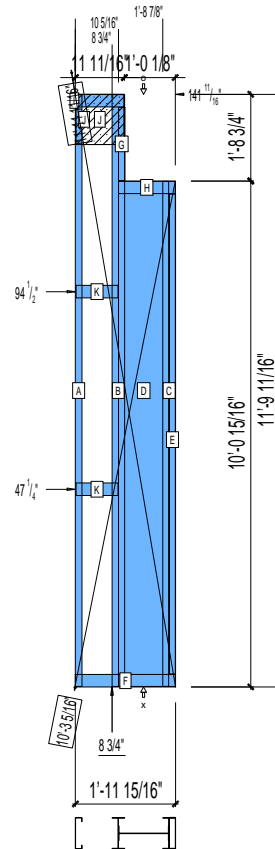
1st STUD: 24"

APPROVED
By Ryan J Gonsalves at 2:58 pm, Nov 11, 2008

WEIGHTS :

FRAME : 335 lbs

TOTAL: 335 lbs



PIECES LIST

LABEL	QTY	SIZE	LENGTH	USE
A	1	750S162-54	11'-9 1/2"	STUD
B	1	750i300p706	11'-9 1/2"	PACO
C	1	750i300p706	10'-0 3/4"	PACO
D	1	1200i350p1062	10'-0 3/4"	PACO
E	1	750T150-54	9'-6 11/16"	CAP
F	1	750T300-68	1'-11 15/16"	BOTTOM TRACK
G	1	750T150-54	1'-5 1/2"	CAP
H	1	750T300-68	1'-1 9/16"	TOP TRACK
I	1	750T300-68	11 11/16"	TOP TRACK
J	2	1200D-54	11 9/16"	STRAP
K	2	750T300-68	10"	BLOCK

31-6054

Jewish Home for the Aging

1885 Victory Blvd. Reseda, CA

FM-07-109

CREATED BY: AMB

FrameMax, Inc.
13915 Danielson St
Suite 100
Poway, CA 92064
www.frame-max.com



© FrameMax Inc.

HEIGHT : 11'-9 11/16" POINTS: 2.02 Points.

SPACING : 24"

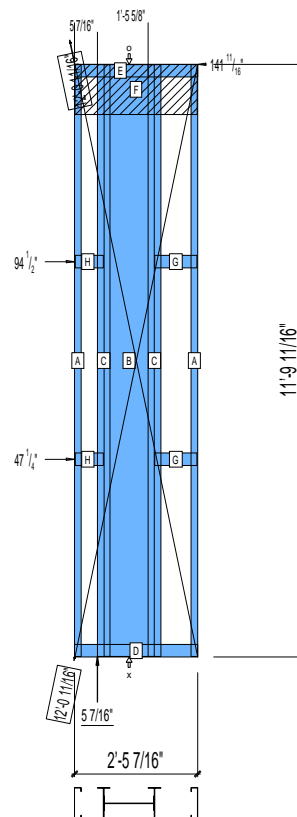
1st STUD: 16"

APPROVED
By Ryan J Gonsalves at 2:58 pm, Nov 11, 2008

WEIGHTS :

FRAME : 377 lbs

TOTAL: 377 lbs



PIECES LIST

LABEL	QTY	SIZE	LENGTH	USE
A	2	750S162-54	11'-9 1/2"	STUD
B	1	1200i350p1062	11'-9 1/2"	PACO
C	2	750i300p706	11'-9 1/2"	PACO
D	1	750T300-68	2'-5 7/16"	BOTTOM TRACK
E	1	750T300-68	2'-5 7/16"	TOP TRACK
F	1	1200D-54	2'-5 1/4"	STRAP
G	2	750T300-68	10 1/16"	BLOCK
H	2	750T300-68	6 3/4"	BLOCK

31-6055

Jewish Home for the Aging

1885 Victory Blvd. Reseda, CA

FM-07-109

CREATED BY: AMB

FrameMax, Inc.
13915 Danielson St
Suite 100
Poway, CA 92064
www.frame-max.com



© FrameMax Inc.

HEIGHT : 11'-9 11/16" POINTS: 2.06 Points.

SPACING : 24"

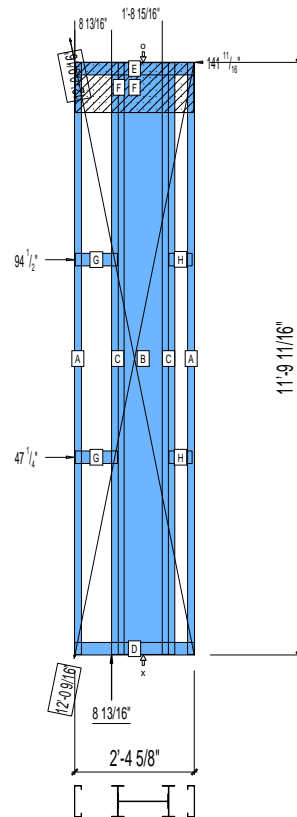
1st STUD: 24"

APPROVED
By Ryan J Gonsalves at 2:58 pm, Nov 11, 2008

WEIGHTS :

FRAME : 381 lbs

TOTAL: 381 lbs



PIECES LIST

LABEL	QTY	SIZE	LENGTH	USE
A	2	750S162-54	11'-9 1/2"	STUD
B	1	1200i350p1062	11'-9 1/2"	PACO
C	2	750i300p706	11'-9 1/2"	PACO
D	1	750T300-68	2'-4 5/8"	BOTTOM TRACK
E	1	750T300-68	2'-4 5/8"	TOP TRACK
F	2	1200D-54	2'-4 7/16"	STRAP
G	2	750T300-68	10 1/16"	BLOCK
H	2	750T300-68	5 9/16"	BLOCK

31-6056

Jewish Home for the Aging

1885 Victory Blvd. Reseda, CA

APPROVED
By Ryan J Gonsalves at 2:58 pm, Nov 11, 2008

FrameMax, Inc.
13915 Danielson St
Suite 100
Poway, CA 92064
www.frame-max.com



© FrameMax Inc.

CREATED: 11/07/2008

FM-07-109

CREATED BY: AMB

HEIGHT : 11'-9 11/16" POINTS: 2.48 Points.

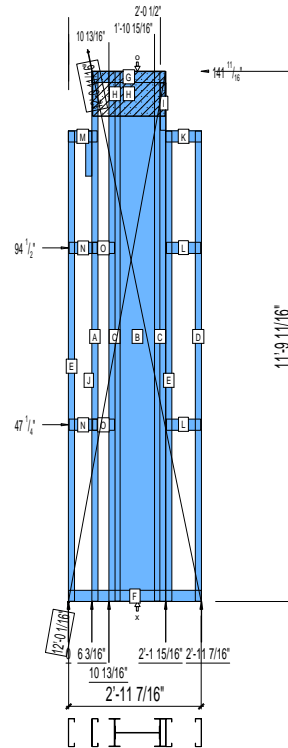
SPACING : 24"

1st STUD: 24"

WEIGHTS :

FRAME : 434 lbs

TOTAL: 434 lbs



PIECES LIST

LABEL	QTY	SIZE	LENGTH	USE
A	1	750S162-54	11'-9 1/2"	BEAM KING
B	1	1200i350p1062	11'-9 1/2"	PACO
C	2	750i300p706	11'-9 1/2"	PACO
D	1	750S162-54	10'-5 5/8"	STUD
E	2	750S162-54	10'-5 5/8"	BEAM JACK
F	1	750T300-68	2'-11 7/16"	BOTTOM TRACK
G	1	750T300-68	1'-7 3/4"	TOP TRACK
H	2	1200D-54	1'-7 7/16"	STRAP
I	1	750T150-54	1'-0 5/8"	CAP
J	1	750S162-54	1'-0"	BEAM JACK
K	1	750T300-68	9 1/2"	BEAM JACK
L	2	750T300-68	9 1/8"	BLOCK
M	1	750T300-68	7 11/16"	BEAM JACK
N	2	750T300-68	7 1/2"	BLOCK
O	2	750T300-68	5 13/16"	BLOCK

31-6057

Jewish Home for the Aging

1885 Victory Blvd. Reseda, CA

FM-07-109

CREATED BY: AMB

FrameMax, Inc.
13915 Danielson St
Suite 100
Poway, CA 92064
www.frame-max.com



© FrameMax Inc.

HEIGHT : 11'-9 11/16" POINTS: 2.06 Points.

SPACING : 24"

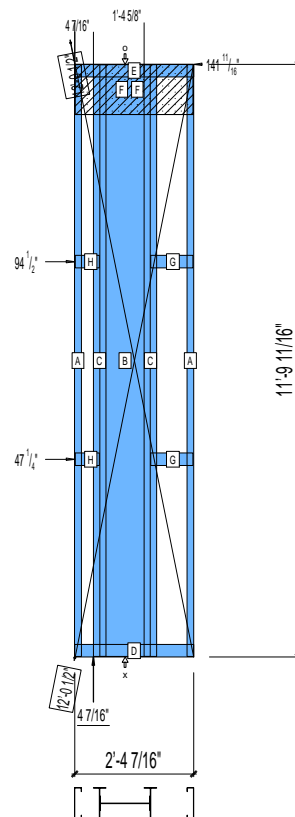
1st STUD: 24"

APPROVED
By Ryan J Gonsalves at 2:58 pm, Nov 11, 2008

WEIGHTS :

FRAME : 381 lbs

TOTAL: 381 lbs



PIECES LIST

LABEL	QTY	SIZE	LENGTH	USE
A	2	750S162-54	11'-9 1/2"	STUD
B	1	1200i350p1062	11'-9 1/2"	PACO
C	2	750i300p706	11'-9 1/2"	PACO
D	1	750T300-68	2'-4 7/16"	BOTTOM TRACK
E	1	750T300-68	2'-4 7/16"	TOP TRACK
F	2	1200D-54	2'-4 1/4"	STRAP
G	2	750T300-68	10 1/16"	BLOCK
H	2	750T300-68	5 3/4"	BLOCK

31-6058

Jewish Home for the Aging

1885 Victory Blvd. Reseda, CA 91335

APPROVED
By Ryan J Gonsalves at 2:58 pm, Nov 11, 2008

FrameMax, Inc.
13915 Danielson St
Suite 100
Poway, CA 92064
www.frame-max.com



© FrameMax Inc.

CREATED: 11/05/2008

FM-07-109

CREATED BY: AMB

HEIGHT : 11'-9 11/16" POINTS: 2.16 Points.

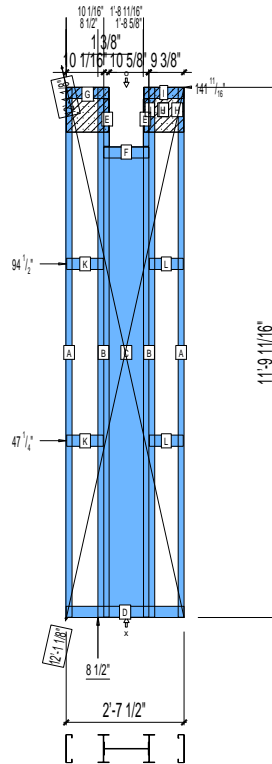
SPACING : 24"

1st STUD: 24"

WEIGHTS :

FRAME : 374 lbs

TOTAL: 374 lbs



PIECES LIST

LABEL	QTY	SIZE	LENGTH	USE
A	2	750S162-54	11'-9 1/2"	STUD
B	2	750I300p706	11'-9 1/2"	PACO
C	1	1200i350p1062	10'-5 5/8"	PACO
D	1	750T300-68	2'-7 1/2"	BOTTOM TRACK
E	2	750T150-54	1'-0 5/8"	CAP
F	1	750T300-68	1'-0"	TOP TRACK
G	1	750T300-68	11 1/2"	TOP TRACK
H	2	1200D-54	11 5/16"	STRAP
I	1	750T300-68	10 3/4"	TOP TRACK
J	2	1200D-54	10 5/8"	STRAP
K	2	750T300-68	9 3/4"	BLOCK
L	2	750T300-68	9 1/16"	BLOCK

31-6059

Jewish Home for the Aging

1885 Victory Blvd. Reseda, CA

FM-07-109

CREATED BY: AMB

FrameMax, Inc.
13915 Danielson St
Suite 100
Poway, CA 92064
www.frame-max.com



© FrameMax Inc.

HEIGHT : 11'-9 11/16" POINTS: 2.22 Points.

SPACING : 24"

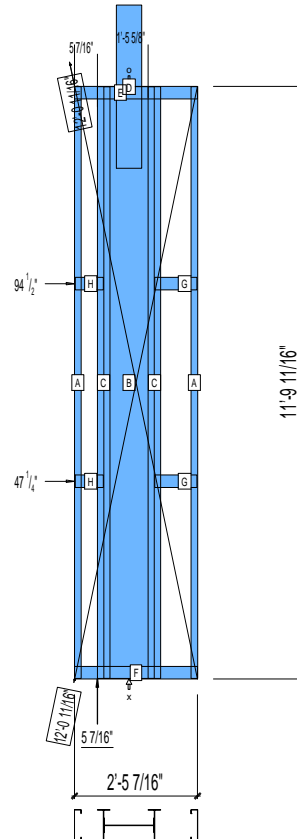
1st STUD: 24"

APPROVED
By Ryan J Gonsalves at 2:58 pm, Nov 11, 2008

WEIGHTS :

FRAME : 421 lbs

TOTAL: 421 lbs



PIECES LIST

LABEL	QTY	SIZE	LENGTH	USE
A	2	750S162-54	11'-9 1/2"	STUD
B	1	1200i350p1062	11'-9 1/2"	PACO
C	2	750i300p706	11'-9 1/2"	PACO
D	1	E	3'-3"	HOLDDOWN
E	1	750T300-68	2'-5 7/16"	TOP TRACK
F	1	750T300-68	2'-5 7/16"	BOTTOM TRACK
G	2	750T300-68	10 1/16"	BLOCK
H	2	750T300-68	6 3/4"	BLOCK

31-6060

Jewish Home for the Aging

1885 Victory Blvd. Reseda, CA

FM-07-109

CREATED BY: AMB

FrameMax, Inc.
13915 Danielson St
Suite 100
Poway, CA 92064
www.frame-max.com



© FrameMax Inc.

HEIGHT : 11'-9 11/16" POINTS: 2.05 Points.

SPACING : 24"

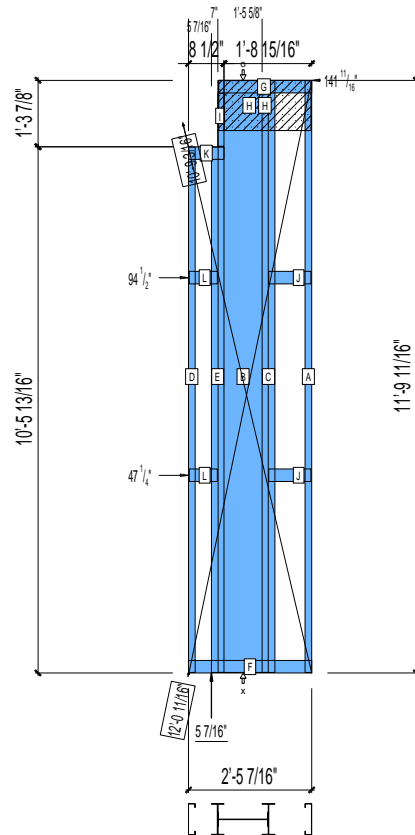
1st STUD: 24"

APPROVED
By Ryan J Gonsalves at 2:58 pm, Nov 11, 2008

WEIGHTS :

FRAME : 370 lbs

TOTAL: 370 lbs



PIECES LIST

LABEL	QTY	SIZE	LENGTH	USE
A	1	750S162-54	11'-9 1/2"	STUD
B	1	1200i350p1062	11'-9 1/2"	PACO
C	1	750i300p706	11'-9 1/2"	PACO
D	1	750S162-54	10'-5 5/8"	STUD
E	1	750i300p706	10'-5 5/8"	PACO
F	1	750T300-68	2'-5 7/16"	BOTTOM TRACK
G	1	750T300-68	1'-10 3/8"	TOP TRACK
H	2	1200D-54	1'-10 3/16"	STRAP
I	1	750T150-54	1'-0 5/8"	CAP
J	2	750T300-68	10 1/16"	BLOCK
K	1	750T300-68	8 1/2"	TOP TRACK
L	2	750T300-68	6 3/4"	BLOCK

31-6061

Jewish Home for the Aging

1885 Victory Blvd. Reseda, CA

FM-07-109

CREATED BY: AMB

FrameMax, Inc.
13915 Danielson St
Suite 100
Poway, CA 92064
www.frame-max.com



© FrameMax Inc.

HEIGHT : 11'-9 11/16" POINTS: 1.84 Points.

SPACING : 24"

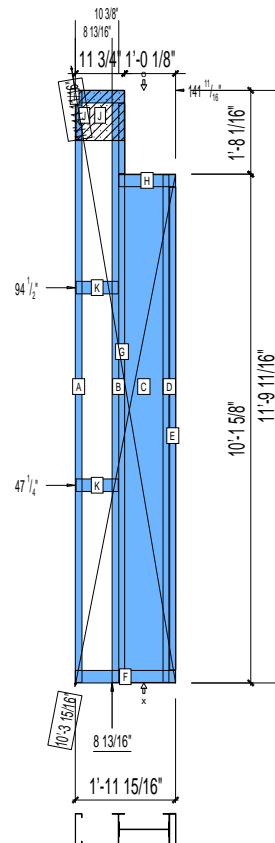
1st STUD: 24"

APPROVED
By Ryan J Gonsalves at 2:58 pm, Nov 11, 2008

WEIGHTS :

FRAME : 336 lbs

TOTAL: 336 lbs



PIECES LIST

LABEL	QTY	SIZE	LENGTH	USE
A	1	750S162-54	11'-9 1/2"	STUD
B	1	750i300p706	11'-9 1/2"	PACO
C	1	1200i350p1062	10'-1 7/16"	PACO
D	1	750i300p706	10'-1 7/16"	PACO
E	1	750T150-54	9'-7 3/8"	CAP
F	1	750T300-68	1'-11 15/16"	BOTTOM TRACK
G	1	750T150-54	1'-4 13/16"	CAP
H	1	750T300-68	1'-1 9/16"	TOP TRACK
I	1	750T300-68	11 3/4"	TOP TRACK
J	2	1200D-54	11 5/8"	STRAP
K	2	750T300-68	10 1/16"	BLOCK

31-6062

Jewish Home for the Aging

1885 Victory Blvd. Reseda, CA 91334

APPROVED
By Ryan J Gonsalves at 2:58 pm, Nov 11, 2008

FrameMax, Inc.
13915 Danielson St
Suite 100
Poway, CA 92064
www.frame-max.com



© FrameMax Inc.

CREATED: 11/05/2008

FM-07-109

CREATED BY: AMB

HEIGHT : 10'-11 11/16" POINTS: 1.87 Points.

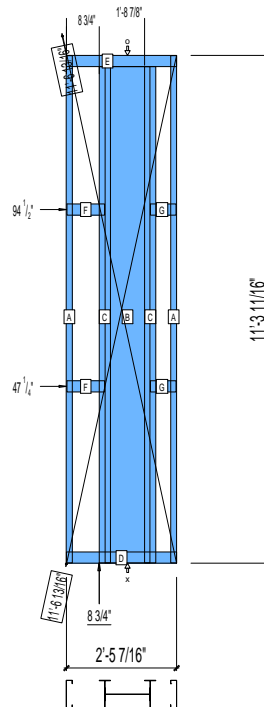
SPACING : 24"

1st STUD: 24"

WEIGHTS :

FRAME : 350 lbs

TOTAL: 350 lbs



PIECES LIST

LABEL	QTY	SIZE	LENGTH	USE
A	2	750S162-54	11'-3 1/2"	STUD
B	1	1200i350p1062	11'-0 9/16"	PACO
C	2	750i300p706	11'-0 9/16"	PACO
D	1	750T300-68	2'-5 7/16"	BOTTOM TRACK
E	1	750T300-68	2'-5 7/16"	TOP TRACK
F	2	750T300-68	10"	BLOCK
G	2	750T300-68	6 13/16"	BLOCK

31-6063

Jewish Home for the Aging

1885 Victory Blvd. Reseda, CA

FM-07-109

CREATED BY: AMB

FrameMax, Inc.
13915 Danielson St
Suite 100
Poway, CA 92064
www.frame-max.com



© FrameMax Inc.

HEIGHT : 10'-11 11/16" POINTS: 1.87 Points.

SPACING : 24"

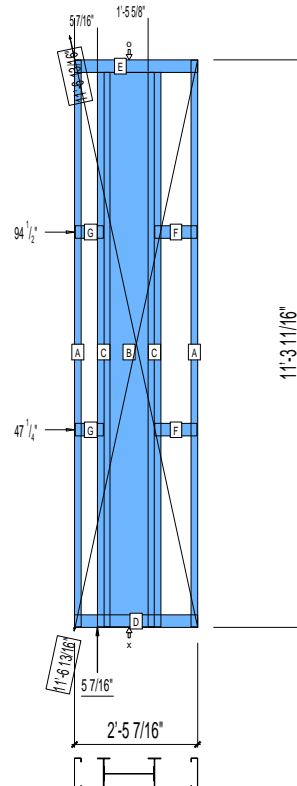
1st STUD: 16"

APPROVED
By Ryan J Gonsalves at 2:58 pm, Nov 11, 2008

WEIGHTS :

FRAME : 350 lbs

TOTAL: 350 lbs



PIECES LIST

LABEL	QTY	SIZE	LENGTH	USE
A	2	750S162-54	11'-3 1/2"	STUD
B	1	1200i350p1062	11'-0 9/16"	PACO
C	2	750i300p706	11'-0 9/16"	PACO
D	1	750T300-68	2'-5 7/16"	BOTTOM TRACK
E	1	750T300-68	2'-5 7/16"	TOP TRACK
F	2	750T300-68	10 1/16"	BLOCK
G	2	750T300-68	6 3/4"	BLOCK

31-6064

Jewish Home for the Aging

1885 Victory Blvd. Reseda, CA

FrameMax, Inc.
13915 Danielson St
Suite 100
Poway, CA 92064
www.frame-max.com



© FrameMax Inc.

CREATED: 10/24/2008

FM-07-109

CREATED BY: AMB

HEIGHT : 11'-9 11/16" POINTS: 2.17 Points.

SPACING : 24"

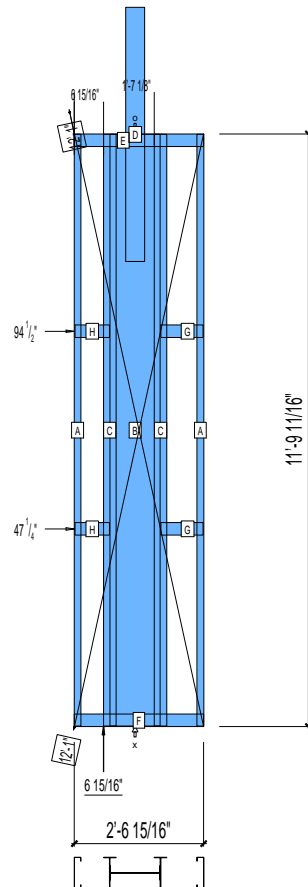
1st STUD: 24"

APPROVED
By Ryan J Gonsalves at 2:58 pm, Nov 11, 2008

WEIGHTS :

FRAME : 411 lbs

TOTAL: 411 lbs



PIECES LIST

LABEL	QTY	SIZE	LENGTH	USE
A	2	750S162-54	11'-9 1/2"	STUD
B	1	1200i350p1062	11'-9 1/2"	PACO
C	2	750i300p706	11'-9 1/2"	PACO
D	1	D	5'-0 3/4"	HOLDDOWN
E	1	750T300-68	2'-6 15/16"	TOP TRACK
F	1	750T300-68	2'-6 15/16"	BOTTOM TRACK
G	2	750T300-68	10 1/16"	BLOCK
H	2	750T300-68	8 3/16"	BLOCK

31-6065

Jewish Home for the Aging

1885 Victory Blvd. Reseda, CA

FM-07-109

CREATED BY: AMB

FrameMax, Inc.
13915 Danielson St
Suite 100
Poway, CA 92064
www.frame-max.com



© FrameMax Inc.

HEIGHT : 11'-9 11/16" POINTS: 2.07 Points.

SPACING : 24"

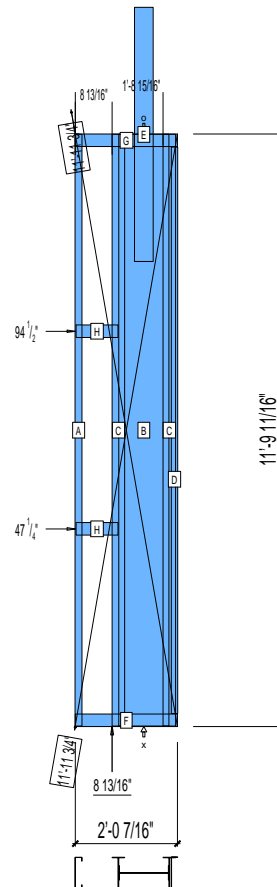
1st STUD: 24"

APPROVED
By Ryan J Gonsalves at 2:58 pm, Nov 11, 2008

WEIGHTS :

FRAME : 400 lbs

TOTAL: 400 lbs



PIECES LIST

LABEL	QTY	SIZE	LENGTH	USE
A	1	750S162-54	11'-9 1/2"	STUD
B	1	1200i350p1062	11'-9 1/2"	PACO
C	2	750i300p706	11'-9 1/2"	PACO
D	1	750T150-54	11'-3 7/16"	CAP
E	1	D	5'-0 3/4"	HOLDDOWN
F	1	750T300-68	2'-0 7/16"	BOTTOM TRACK
G	1	750T300-68	2'-0 7/16"	TOP TRACK
H	2	750T300-68	10 1/16"	BLOCK

31-6066

Jewish Home for the Aging

1885 Victory Blvd. Reseda, CA

FM-07-109

CREATED BY: AMB

FrameMax, Inc.
13915 Danielson St
Suite 100
Poway, CA 92064
www.frame-max.com



© FrameMax Inc.

HEIGHT : 11'-9 11/16" POINTS: 2.66 Points.

SPACING : 24"

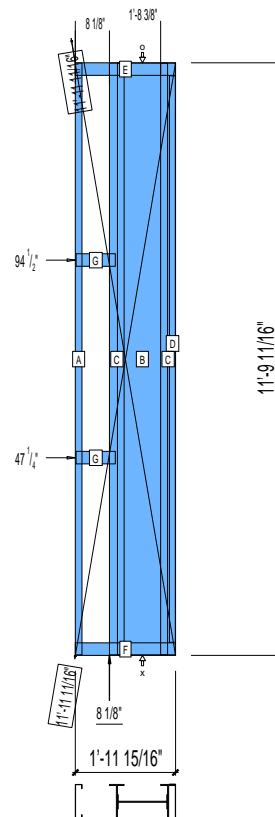
1st STUD: 24"

APPROVED
By Ryan J Gonsalves at 2:58 pm, Nov 11, 2008

WEIGHTS :

FRAME : 534 lbs

TOTAL: 534 lbs



PIECES LIST

LABEL	QTY	SIZE	LENGTH	USE
A	1	825S162-54	11'-9 1/2"	STUD
B	1	1200i350p1420	11'-9 1/2"	PACO
C	2	825i350p1247	11'-9 1/2"	PACO
D	1	825T150-54	11'-3 7/16"	CAP
E	1	825T300-68	1'-11 15/16"	TOP TRACK
F	1	825T300-68	1'-11 15/16"	BOTTOM TRACK
G	2	825T300-54	9 3/8"	BLOCK

31-6067

Jewish Home for the Aging

1885 Victory Blvd. Reseda, CA

FM-07-109

CREATED BY: AMB

FrameMax, Inc.
13915 Danielson St
Suite 100
Poway, CA 92064
www.framemax.com



© FrameMax Inc.

HEIGHT : 11'-9 11/16" POINTS: 3.22 Points.

SPACING : 24"

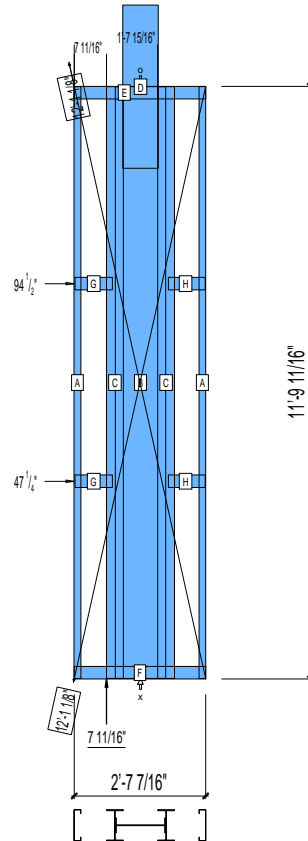
1st STUD: 24"

APPROVED
By Ryan J Gonsalves at 2:58 pm, Nov 11, 2008

WEIGHTS :

FRAME : 641 lbs

TOTAL: 641 lbs



PIECES LIST

LABEL	QTY	SIZE	LENGTH USE
A	2	750S162-54	11'-9 1/2" STUD
B	1	1200i350p1420	11'-9 1/2" PACO
C	2	750i400p1268	11'-9 1/2" PACO
D	1	F	3'-3" HOLDDOWN
E	1	750T300-68	2'-7 7/16" TOP TRACK
F	1	750T300-68	2'-7 7/16" BOTTOM TRACK
G	2	750T300-68	8 15/16" BLOCK
H	2	750T300-68	8 3/4" BLOCK

31-6068

Jewish Home for the Aging

1885 Victory Blvd. Reseda, CA

FM-07-109

CREATED BY: AMB

FrameMax, Inc.
13915 Danielson St
Suite 100
Poway, CA 92064
www.frame-max.com



© FrameMax Inc.

HEIGHT : 11'-9 11/16" POINTS: 3.11 Points.

SPACING : 24"

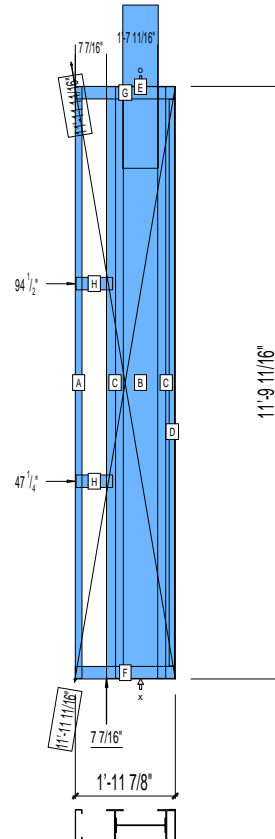
1st STUD: 24"

APPROVED
By Ryan J Gonsalves at 2:58 pm, Nov 11, 2008

WEIGHTS :

FRAME : 629 lbs

TOTAL: 629 lbs



PIECES LIST

LABEL	QTY	SIZE	LENGTH	USE
A	1	750S162-54	11'-9 1/2"	STUD
B	1	1200i350p1420	11'-9 1/2"	PACO
C	2	750i400p1268	11'-9 1/2"	PACO
D	1	750T150-54	11'-3 7/16"	CAP
E	1	F	3'-3"	HOLDDOWN
F	1	750T300-68	1'-11 7/8"	BOTTOM TRACK
G	1	750T300-68	1'-11 7/8"	TOP TRACK
H	2	750T300-68	8 11/16"	BLOCK

31-6069

Jewish Home for the Aging

1885 Victory Blvd. Reseda, CA

FM-07-109

CREATED BY: AMB

FrameMax, Inc.
13915 Danielson St
Suite 100
Poway, CA 92064
www.frame-max.com



© FrameMax Inc.

HEIGHT : 11'-9 11/16" POINTS: 3.10 Points.

SPACING : 24"

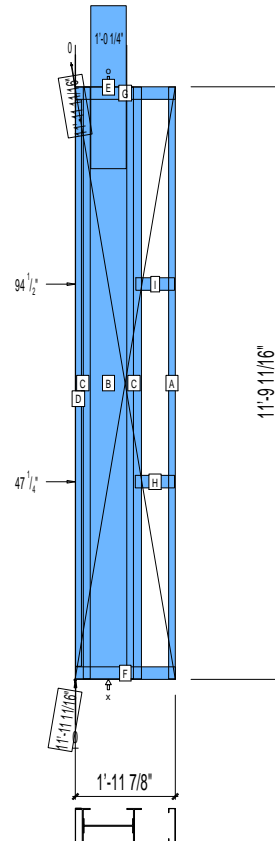
1st STUD: 16"

APPROVED
By Ryan J Gonsalves at 2:58 pm, Nov 11, 2008

WEIGHTS :

FRAME : 628 lbs

TOTAL: 628 lbs



PIECES LIST

LABEL	QTY	SIZE	LENGTH	USE
A	1	825S162-54	11'-9 1/2"	STUD
B	1	1200i350p1420	11'-9 1/2"	PACO
C	2	825i350p1247	11'-9 1/2"	PACO
D	1	825T150-54	11'-3 7/16"	CAP
E	1	F	3'-3"	HOLDDOWN
F	1	825T300-68	1'-11 7/8"	BOTTOM TRACK
G	1	825T300-68	1'-11 7/8"	TOP TRACK
H	1	825T300-54	9 5/16"	BLOCK
I	1	825T300-54	9 3/16"	BLOCK

31-6070

Jewish Home for the Aging

1885 Victory Blvd. Reseda, CA

FM-07-109

CREATED BY: AMB

FrameMax, Inc.
13915 Danielson St
Suite 100
Poway, CA 92064
www.frame-max.com



© FrameMax Inc.

HEIGHT : 11'-9 11/16" POINTS: 3.22 Points.

SPACING : 24"

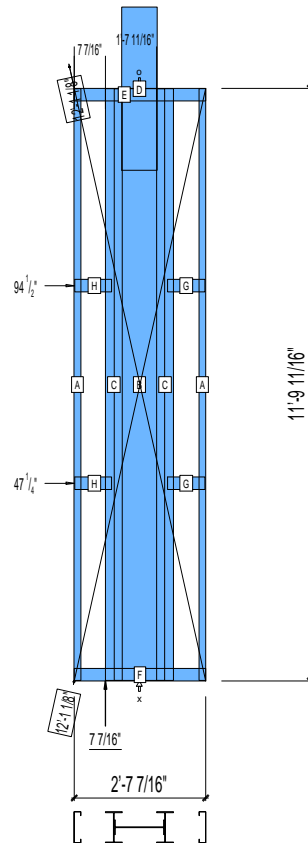
1st STUD: 24"

APPROVED
By Ryan J Gonsalves at 2:58 pm, Nov 11, 2008

WEIGHTS :

FRAME : 641 lbs

TOTAL: 641 lbs



PIECES LIST

LABEL	QTY	SIZE	LENGTH USE
A	2	750S162-54	11'-9 1/2" STUD
B	1	1200i350p1420	11'-9 1/2" PACO
C	2	750i400p1268	11'-9 1/2" PACO
D	1	F	3'-3" HOLDDOWN
E	1	750T300-68	2'-7 7/16" TOP TRACK
F	1	750T300-68	2'-7 7/16" BOTTOM TRACK
G	2	750T300-68	8 15/16" BLOCK
H	2	750T300-68	8 3/4" BLOCK

31-6071

Jewish Home for the Aging

1885 Victory Blvd. Reseda, CA

FM-07-109

CREATED BY: AMB

FrameMax, Inc.
13915 Danielson St
Suite 100
Poway, CA 92064
www.frame-max.com



© FrameMax Inc.

HEIGHT : 11'-9 11/16" POINTS: 3.11 Points.

SPACING : 24"

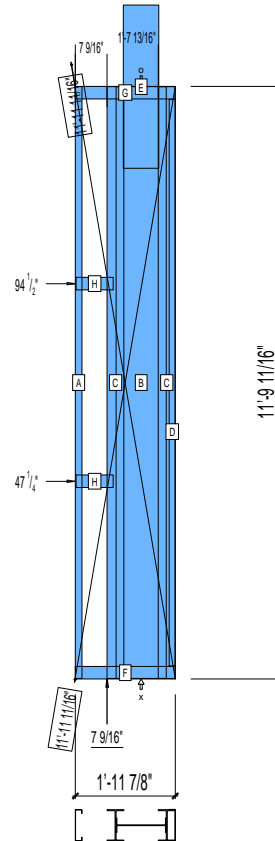
1st STUD: 24"

APPROVED
By Ryan J Gonsalves at 2:58 pm, Nov 11, 2008

WEIGHTS :

FRAME : 629 lbs

TOTAL: 629 lbs



PIECES LIST

LABEL	QTY	SIZE	LENGTH	USE
A	1	750S162-54	11'-9 1/2"	STUD
B	1	1200i350p1420	11'-9 1/2"	PACO
C	2	750i400p1268	11'-9 1/2"	PACO
D	1	750T150-54	11'-3 7/16"	CAP
E	1	F	3'-3"	HOLDDOWN
F	1	750T300-68	1'-11 7/8"	BOTTOM TRACK
G	1	750T300-68	1'-11 7/8"	TOP TRACK
H	2	750T300-68	8 13/16"	BLOCK

31-6072

Jewish Home for the Aging

1885 Victory Blvd. Reseda, CA

FM-07-109

CREATED BY: AMB

FrameMax, Inc.
13915 Danielson St
Suite 100
Poway, CA 92064
www.frame-max.com



© FrameMax Inc.

HEIGHT : 11'-9 11/16" POINTS: 2.12 Points.

SPACING : 24"

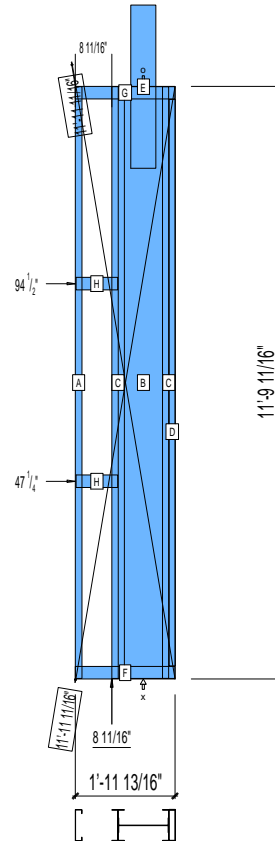
1st STUD: 24"

APPROVED
By Ryan J Gonsalves at 2:58 pm, Nov 11, 2008

WEIGHTS :

FRAME : 411 lbs

TOTAL: 411 lbs



PIECES LIST

LABEL	QTY	SIZE	LENGTH	USE
A	1	750S162-54	11'-9 1/2"	STUD
B	1	1200i350p1062	11'-9 1/2"	PACO
C	2	750i300p706	11'-9 1/2"	PACO
D	1	750T150-54	11'-3 7/16"	CAP
E	1	E	3'-3"	HOLDDOWN
F	1	750T300-68	1'-11 13/16"	BOTTOM TRACK
G	1	750T300-68	1'-11 13/16"	TOP TRACK
H	2	750T300-68	9 15/16"	BLOCK

31-6074

Jewish Home for the Aging

1885 Victory Blvd. Reseda, CA

FrameMax, Inc.
13915 Danielson St
Suite 100
Poway, CA 92064
www.frame-max.com



© FrameMax Inc.

CREATED: 10/24/2008

FM-07-109

CREATED BY: AMB

HEIGHT : 11'-9 11/16" POINTS: 2.17 Points.

SPACING : 24"

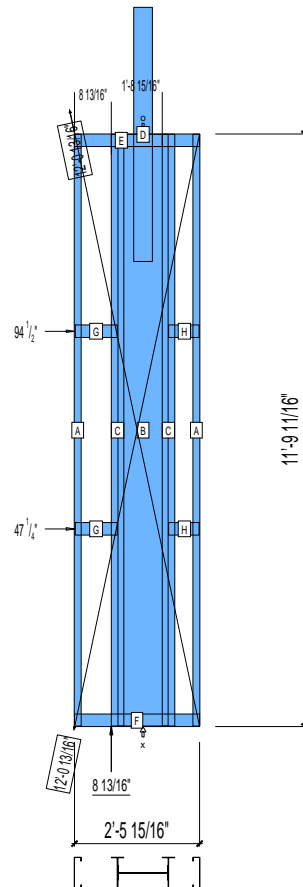
1st STUD: 24"

APPROVED
By Ryan J Gonsalves at 2:58 pm, Nov 11, 2008

WEIGHTS :

FRAME : 410 lbs

TOTAL: 410 lbs



PIECES LIST

LABEL	QTY	SIZE	LENGTH	USE
A	2	750S162-54	11'-9 1/2"	STUD
B	1	1200i350p1062	11'-9 1/2"	PACO
C	2	750i300p706	11'-9 1/2"	PACO
D	1	D	5'-0 3/4"	HOLDDOWN
E	1	750T300-68	2'-5 15/16"	TOP TRACK
F	1	750T300-68	2'-5 15/16"	BOTTOM TRACK
G	2	750T300-68	10 1/16"	BLOCK
H	2	750T300-68	7 1/4"	BLOCK